

President - Texas
 AT&T Texas
 Dallas, Texas
 Issued: May 9, 2024
 Effective: May 10, 2024

ACCESS SERVICE TARIFF
 Section: 18
 Sheet: 1
 Revision: 3
 Replacing: 2

NETWORK MANAGEMENT SERVICES

Sheet

18.1	Network Reconfiguration Service{1}	2
18.1.1	General	2
18.1.2	Network Reconfiguration Options	3
18.1.3	Network Reconfiguration Features	4
	(A) Routing/Rerouting.....	4
	(B) Renaming.....	4
	(C) Special Day Definition.....	4
	(D) Resource Verification.....	4
	(E) Transaction Log.....	4
	(F) Multi-Level Security.....	4
	(G) Compatibility Table.....	4
	(H) Path Priority.....	4
	(I) Reservation Summary Screen.....	4
	(J) Simple Commands and Screens.....	4
	(K) MACRO Command/Network Modeling.....	5
	(L) Variable Bandwidth.....	5
18.1.4	Technical Specifications	6
18.1.5	Rate Regulations	7
	(A) Rate Element Descriptions.....	7
	(B) Application of Rates.....	9
	(C) Service Configurations.....	10
18.1.6	Rates and Charges	12
	(A) Service Establishment Charge.....	12
	(B) Database Modification Charge.....	12
	(C) Port Charges.....	12
	(D) Reconfiguration Charges.....	12

{1} Effective December 5, 2018, Network Reconfiguration Service (NRS) will no longer be available for purchase by new or existing customers, and NRS service agreements may no longer be renewed. Effective July 31, 2022, the Telephone Company will no longer accept new requests for physical changes to existing service arrangements including the upgrade or downgrade of access/port speed, installation of new service, or moves to different service addresses.

President - Texas
AT&T Texas
Dallas, Texas
Issued: May 9, 2024
Effective: May 10, 2024

ACCESS SERVICE TARIFF
Section: 18
Sheet: 1.1
Revision: 3
Replacing: 2

RESERVED FOR FUTURE USE

President - Texas
AT&T Texas
Dallas, Texas
Issued: May 9, 2024
Effective: May 10, 2024

ACCESS SERVICE TARIFF
Section: 18
Sheet: 2
Revision: 3
Replacing: 2

NETWORK MANAGEMENT SERVICES

18.1 Network Reconfiguration Service{1}

18.1.1 General

Network Reconfiguration Service permits customers to access a database maintained by SWBT to reconfigure their dedicated network. Customers gain database access through the use of a terminal on their premises without going through normal service order procedures.

Network Reconfiguration Service allows customers direct access to, and control of their DS3 and DS1 channels, subtending channels, and Internodal Facilities (the facilities that connect a Digital Cross-Connect System in one central office with a Digital Cross-Connect System in another central office) without going through normal service order procedures. Network Reconfiguration Service utilizes a central office cross-connect system for the remote reconfiguration of these channels. The cross-connect devices currently utilized by SWBT for Network Reconfiguration Service are Digital Cross-Connect Systems (DCSs) which interface only with the DS1 (1.544 Mbps) signal and switch internally at the DS0 rate. Customers can reconfigure their dedicated service network from their premises, or they can have SWBT perform the reconfigurations.

Customers will access Network Reconfiguration Service by using a terminal on their premises in conjunction with dedicated lines provided for in Section 7, or in conjunction with a local telephone line with a seven digit telephone number.

Network Reconfiguration Service is available at those hubs where SWBT cross-connect systems are located. Network Reconfiguration hub designations are found in the National Exchange Carrier Association, Inc. Tariff F.C.C. No. 4.

{1} Effective December 5, 2018, Network Reconfiguration Service (NRS) will no longer be available for purchase by new or existing customers, and NRS service agreements may no longer be renewed. Effective July 31, 2022, the Telephone Company will no longer accept new requests for physical changes to existing service arrangements including the upgrade or downgrade of access/port speed, installation of new service, or moves to different service addresses.

President - Texas
AT&T Texas
Dallas, Texas
Issued: May 9, 2024
Effective: May 10, 2024

ACCESS SERVICE TARIFF
Section: 18
Sheet: 3
Revision: 3
Replacing: 2

NETWORK MANAGEMENT SERVICES

18.1 Network Reconfiguration Service (Cont'd){1}

18.1.2 Network Reconfiguration Options

Two network reconfiguration options are available to Network Reconfiguration customers:

- On-demand
- Reservation

The on-demand option will make immediate changes to the network, while the reservation option will be executed at a specified time designated by the customer. Both types of reconfigurations are available whether the customer performs the reconfigurations or requests SWBT to perform them.

{1} Effective December 5, 2018, Network Reconfiguration Service (NRS) will no longer be available for purchase by new or existing customers, and NRS service agreements may no longer be renewed. Effective July 31, 2022, the Telephone Company will no longer accept new requests for physical changes to existing service arrangements including the upgrade or downgrade of access/port speed, installation of new service, or moves to different service addresses.

NETWORK MANAGEMENT SERVICES

18.1 Network Reconfiguration Service (Cont'd){1}

18.1.3 Network Reconfiguration Features

Network Reconfiguration Service provides the following features:

(A) Routing/Rerouting

The routing feature allows customers to select the routes that will be used to connect their circuits between DCSs. The route selection process can be controlled by various parameters according to the customer's needs. Rerouting of circuits off a failed internodal facility to a working one is also available.

(B) Renaming

The renaming feature permits customers to rename their network locations, circuits, and facilities.

(C) Special Day Definition

The special day definition feature gives customers the capability to specify circuit reconfiguration on special days, e.g., payday, holidays.

(D) Resource Verification

The resource verification feature allows customers to verify the resource availability for the reservation period in their reconfiguration request prior to the system's confirmation or denial of the request.

(E) Transaction Log

The transaction log feature provides customers a database log that contains every transaction involving reconfigurations.

(F) Multi-Level Security

The multi-level security feature eliminates the unauthorized entry into a customer's circuit network arrangement inventory.

{1} Effective December 5, 2018, Network Reconfiguration Service (NRS) will no longer be available for purchase by new or existing customers, and NRS service agreements may no longer be renewed. Effective July 31, 2022, the Telephone Company will no longer accept new requests for physical changes to existing service arrangements including the upgrade or downgrade of access/port speed, installation of new service, or moves to different service addresses.

NETWORK MANAGEMENT SERVICES

18.1 Network Reconfiguration Service (Cont'd){1}

18.1.3 Network Reconfiguration Features (Cont'd)

(G) Compatibility Table

The compatibility table feature permits customers to view the allowable access line combinations that can be used with Network Reconfiguration Service.

(H) Path Priority

The path priority feature gives customers the ability to arrange their circuit paths in order of priority when multiple routes exist.

(I) Reservation Summary Screen

The reservation summary screen feature allows customers to view the status of their reconfiguration reservations.

(J) Simple Commands and Screens

The simple commands and screens feature permits customers to use simple commands on screens with easy to use menus.

(K) MACRO Command/Network Modeling

The MACRO command/network modeling feature (i.e., model request) gives customers the ability to initiate with one command, multiple two-point cross-connections. Customers can build separate network models, such as day-time models, night-time models, and disaster recovery models and invoke their activation or switch from one to the other.

(L) Variable Bandwidth

The variable bandwidth feature applies to an Internodal Facility and permits it to be used interchangeably to connect full DS1s or to connect one or more individual DS0s.

{1} Effective December 5, 2018, Network Reconfiguration Service (NRS) will no longer be available for purchase by new or existing customers, and NRS service agreements may no longer be renewed. Effective July 31, 2022, the Telephone Company will no longer accept new requests for physical changes to existing service arrangements including the upgrade or downgrade of access/port speed, installation of new service, or moves to different service addresses.

President - Texas
AT&T Texas
Dallas, Texas
Issued: May 9, 2024
Effective: May 10, 2024

ACCESS SERVICE TARIFF
Section: 18
Sheet: 6
Revision: 3
Replacing: 2

NETWORK MANAGEMENT SERVICES

18.1 Network Reconfiguration Service (Cont'd){1}

18.1.4 Technical Specifications

Services that are cross-connected by Network Reconfiguration Service must have identical technical characteristics to ensure compatibility and proper operations, e.g., Data to Data, Voice to Voice.

Network Reconfiguration Service specifications are delineated in Technical Reference TR-TSY-000366.

{1} Effective December 5, 2018, Network Reconfiguration Service (NRS) will no longer be available for purchase by new or existing customers, and NRS service agreements may no longer be renewed. Effective July 31, 2022, the Telephone Company will no longer accept new requests for physical changes to existing service arrangements including the upgrade or downgrade of access/port speed, installation of new service, or moves to different service addresses.

NETWORK MANAGEMENT SERVICES

18.1 Network Reconfiguration Service (Cont'd){1}

18.1.5 Rate Regulations

This section contains information related to the rate elements applicable to Network Reconfiguration Service. Rates and charges associated with the rate elements are listed in 18.1.6.

(A) Rate Element Descriptions

(1) Service Establishment Charge

The Service Establishment charge applies per customer database setup. The customer database setup is a grid, built by SWBT, that contains all the circuits the customer will be able to control and reconfigure. Security, as well as circuit inventory, is built into the grid, permitting the customer control of its own circuits. Also included is the provisioning of customer training. This charge includes the connection of the initial circuits.

(2) Database Modification Charge

This charge applies (per customer contact, or request) each time the customer requests a subsequent modification of its database. A modification can be an addition or deletion of circuits terminating on the cross-connect system, or a rearrangement of the database, e.g., an outside move, a change in the signaling characteristics of a circuit (e.g. from data to voice), the rearrangement of the customer's routing priority between nodes, etc.

(3) Port Charges

Port Charges apply per port termination on the cross-connect system. The types of port charges are:

- DSO Port Charge - applies per channel port termination for all Special Access services (other than High Capacity service) per circuit on the cross-connect system.
- DS1 Port Charge - applies for 1.544 Mbps channel port termination per circuit on the cross-connect system.
- DS3 Port Charge - applies for 45 Mbps channel port termination per circuit on the cross-connect system.

Two Port Charges apply per circuit connecting two Network Reconfiguration hubs or two cross-connect systems within the same Network Reconfiguration hub (with one Port Charge applying at each termination of the circuit).

{1} Effective December 5, 2018, Network Reconfiguration Service (NRS) will no longer be available for purchase by new or existing customers, and NRS service agreements may no longer be renewed. Effective July 31, 2022, the Telephone Company will no longer accept new requests for physical changes to existing service arrangements including the upgrade or downgrade of access/port speed, installation of new service, or moves to different service addresses.

NETWORK MANAGEMENT SERVICES

18.1 Network Reconfiguration Services (Cont'd){1}

18.1.5 Rate Regulations (Cont'd)

(A) Rate Element Descriptions (Cont'd)

(4) Reconfiguration Charges (Cont'd)

Full DS3 or DS1 bandwidth, sub DS3 or DS1 bandwidth, contiguous DS0 groupings (up to and including all 24 DSOs within a DS1), contiguous DS1 groupings (up to and including all 28 DS1s within a DS3), or individual DSO or DS1 arrangements are as specified by the customer at the time NRS service is established. This specification limits the parameters within which the service can be reconfigured and defines how reconfiguration charges will apply. If reconfiguration is at the DSO, DS1 or DS3 level, one reconfiguration charge applies per DSO, DS1 or DS3 circuit reconfigured; if reconfiguration is for a previously defined contiguous group of DSOs, one reconfiguration charge applies per group of DSOs reconfigured; etc. One reconfiguration charge applies per cross-connect and/or disconnect successfully completed in a DCS per request.

There are two types of reconfiguration charges:

- Performed by the customer.
- Performed by SWBT at the customer's request.

For example, if a customer wishes to reconfigure a circuit that is routed through two NRS hub offices, (the existing circuit being routed between customer premises A through the two NRS hub offices to customer premises B, and the customer wishes to reconfigure the circuit to be rerouted between customer premises A through the two NRS hub offices to customer premises C), two transactions would occur: one transaction to disconnect the circuit between premises A and B, and one transaction to reconnect the circuit between premises A and C. The customer would be billed four NRS charges: two for disconnecting the circuit (one for each disconnect at each NRS hub), and two for reconnecting the circuit (one for each reconnect at each NRS hub).

{1} Effective December 5, 2018, Network Reconfiguration Service (NRS) will no longer be available for purchase by new or existing customers, and NRS service agreements may no longer be renewed. Effective July 31, 2022, the Telephone Company will no longer accept new requests for physical changes to existing service arrangements including the upgrade or downgrade of access/port speed, installation of new service, or moves to different service addresses.

NETWORK MANAGEMENT SERVICES

18.1 Network Reconfiguration Service (Cont'd) {1}

18.1.5 Rate Regulations (Cont'd)

(B) Application of Rates

When Network Reconfiguration Service is used in conjunction with Special Access services, the appropriate regulations, rates and charges as set forth in Section 7 (Special Access Service) will apply in addition to charges as set forth in 18.1.6:

- One Channel Termination (CT) applies between the customer premises and serving wire center.
- Channel Mileage, if applicable, applies between the serving wire center and the SWBT Network Reconfiguration hub, or between two Network Reconfiguration hubs.

Nonrecurring charges, as set forth in Section 7, are also applicable when existing channels must be reterminated in a Network Reconfiguration Port to provide Network Reconfiguration Service.

{1} Effective December 5, 2018, Network Reconfiguration Service (NRS) will no longer be available for purchase by new or existing customers, and NRS service agreements may no longer be renewed. Effective July 31, 2022, the Telephone Company will no longer accept new requests for physical changes to existing service arrangements including the upgrade or downgrade of access/port speed, installation of new service, or moves to different service addresses.

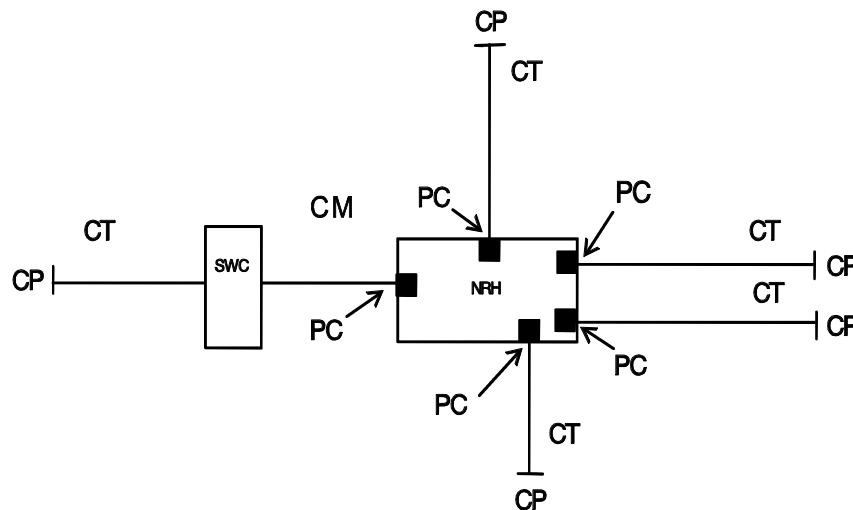
NETWORK MANAGEMENT SERVICES

18.1 Network Reconfiguration Service (Cont'd) {1}

18.1.5 Rate Regulations (Cont'd)

(C) Service Configurations

The following diagram depicts a typical Network Reconfiguration Network with its applicable rate elements:



CM = Channel mileage
CP = Customer premises
CT = Channel termination
NRH = Network Reconfiguration hub
PC = Port charge
SWC = Serving wire center

{1} Effective December 5, 2018, Network Reconfiguration Service (NRS) will no longer be available for purchase by new or existing customers, and NRS service agreements may no longer be renewed. Effective July 31, 2022, the Telephone Company will no longer accept new requests for physical changes to existing service arrangements including the upgrade or downgrade of access/port speed, installation of new service, or moves to different service addresses.

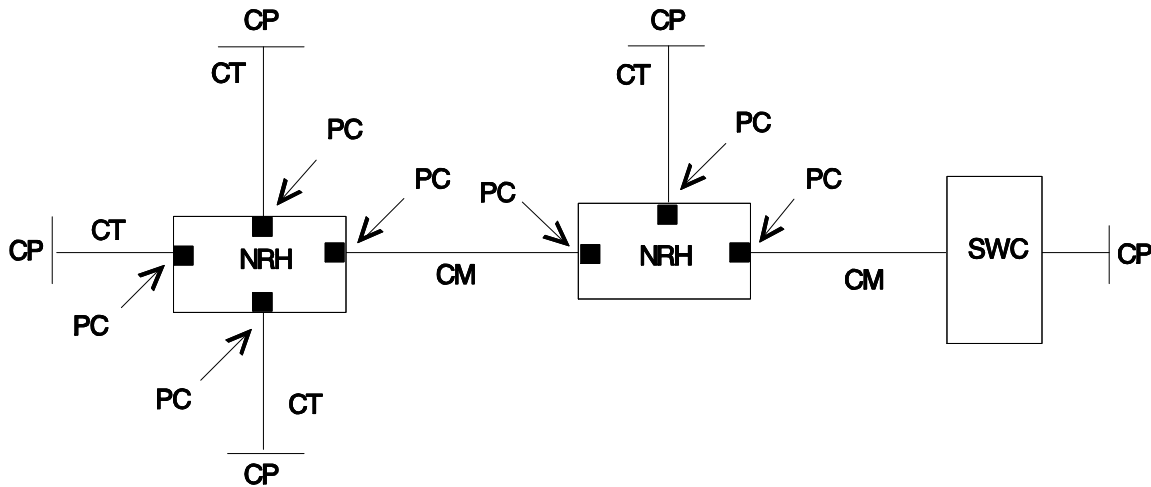
NETWORK MANAGEMENT SERVICES

18.1 Network Reconfiguration Service (Cont'd){1}

18.1.5 Rate Regulations (Cont'd)

(C) Service Configurations (Cont'd)

The following diagram depicts a Network Reconfiguration Network utilizing two Network Reconfiguration hubs:



CM = Channel Mileage
CP = Customer Premises
CT = Channel Termination
NRH = Network Reconfiguration Hub
PC = Port Charge
SWC = Serving Wire Center

{1} Effective December 5, 2018, Network Reconfiguration Service (NRS) will no longer be available for purchase by new or existing customers, and NRS service agreements may no longer be renewed. Effective July 31, 2022, the Telephone Company will no longer accept new requests for physical changes to existing service arrangements including the upgrade or downgrade of access/port speed, installation of new service, or moves to different service addresses.

NETWORK MANAGEMENT SERVICES

18.1 Network Reconfiguration Service (Cont'd) {4}

18.1.6 Rates and Charges

Each rate element is shown with its associated USOC, where appropriate.

	<u>Monthly Rate</u>	<u>Nonrecurring Charge</u>
(A) <u>Service Establishment Charge</u> (FN6DD)		
Per Database Setup	\$ 0.00	\$1,690.00
(B) <u>Database Modification Charge</u> (FN6DC)		
Per Request	0.00	86.00
(C) <u>Port Charges</u>		
Per Port Termination		
(1) <u>Channel Port</u> (PT5){1}	12.00	20.00
(2) <u>DS1 Port</u> (PT6){2}	39.00	50.00
(3) <u>DS3 Port</u> (D3D){3}	395.00	75.00

{1} Not applicable if the customer terminates 20 or more MegaLink I services at a single NRS hub location.

{2} Not applicable if the customer terminates 25 or more MegaLink III services within a single LATA.

{3} Not applicable if the customer terminates 15 or more MegaLink Custom services within a single LATA.

{4} Effective December 5, 2018, Network Reconfiguration Service (NRS) will no longer be available for purchase by new or existing customers, and NRS service agreements may no longer be renewed. Effective July 31, 2022, the Telephone Company will no longer accept new requests for physical changes to existing service arrangements including the upgrade or downgrade of access/port speed, installation of new service, or moves to different service addresses.

NETWORK MANAGEMENT SERVICES

18.1 Network Reconfiguration Service (Cont'd) {1}

18.1.6 Rates and Charges (Cont'd)

Each rate element is shown with its associated USOC, where appropriate.

	<u>Monthly Rate</u>	<u>Nonrecurring Charge</u>
(D) <u>Reconfiguration Charges</u>		
Per cross connect and/or disconnect successfully completed per request		
(1) Individual reservation or demand request performed by the customer; or each segment of a model request performed by customer or SWBT	\$ 0.00	\$ 0.50
(2) Individual reservation or demand request performed by SWBT at the customer's request	0.00	11.00

{1} Effective December 5, 2018, Network Reconfiguration Service (NRS) will no longer be available for purchase by new or existing customers, and NRS service agreements may no longer be renewed. Effective July 31, 2022, the Telephone Company will no longer accept new requests for physical changes to existing service arrangements including the upgrade or downgrade of access/port speed, installation of new service, or moves to different service addresses.

President - Texas
AT&T Texas
Dallas, Texas
Issued: May 9, 2024
Effective: May 10, 2024

ACCESS SERVICE TARIFF
Section: 18
Sheet: 14
Revision: 3
Replacing: 2

RESERVED FOR FUTURE USE

President - Texas
AT&T Texas
Dallas, Texas
Issued: May 9, 2024
Effective: May 10, 2024

ACCESS SERVICE TARIFF
Section: 18
Sheet: 15
Revision: 3
Replacing: 2

RESERVED FOR FUTURE USE

President - Texas
AT&T Texas
Dallas, Texas
Issued: May 9, 2024
Effective: May 10, 2024

ACCESS SERVICE TARIFF
Section: 18
Sheet: 16
Revision: 4
Replacing: 3

RESERVED FOR FUTURE USE

President - Texas
AT&T Texas
Dallas, Texas
Issued: May 9, 2024
Effective: May 10, 2024

ACCESS SERVICE TARIFF
Section: 18
Sheet: 17
Revision: 3
Replacing: 2

RESERVED FOR FUTURE USE

President - Texas
AT&T Texas
Dallas, Texas
Issued: May 9, 2024
Effective: May 10, 2024

ACCESS SERVICE TARIFF
Section: 18
Sheet: 18
Revision: 4
Replacing: 3

RESERVED FOR FUTURE USE

President - Texas
AT&T Texas
Dallas, Texas
Issued: May 9, 2024
Effective: May 10, 2024

ACCESS SERVICE TARIFF
Section: 18
Sheet: 19
Revision: 3
Replacing: 2

RESERVED FOR FUTURE USE

President - Texas
AT&T Texas
Dallas, Texas
Issued: May 9, 2024
Effective: May 10, 2024

ACCESS SERVICE TARIFF
Section: 18
Sheet: 20
Revision: 3
Replacing: 2

RESERVED FOR FUTURE USE

President - Texas
AT&T Texas
Dallas, Texas
Issued: May 9, 2024
Effective: May 10, 2024

ACCESS SERVICE TARIFF
Section: 18
Sheet: 21
Revision: 3
Replacing: 2

RESERVED FOR FUTURE USE

President - Texas
AT&T Texas
Dallas, Texas
Issued: May 9, 2024
Effective: May 10, 2024

ACCESS SERVICE TARIFF
Section: 18
Sheet: 22
Revision: 4
Replacing: 3

RESERVED FOR FUTURE USE

President - Texas
AT&T Texas
Dallas, Texas
Issued: May 9, 2024
Effective: May 10, 2024

ACCESS SERVICE TARIFF
Section: 18
Sheet: 23
Revision: 3
Replacing: 2

RESERVED FOR FUTURE USE

President - Texas
AT&T Texas
Dallas, Texas
Issued: May 9, 2024
Effective: May 10, 2024

ACCESS SERVICE TARIFF
Section: 18
Sheet: 24
Revision: 3
Replacing: 2

RESERVED FOR FUTURE USE

President - Texas
AT&T Texas
Dallas, Texas
Issued: May 9, 2024
Effective: May 10, 2024

ACCESS SERVICE TARIFF
Section: 18
Sheet: 25
Revision: 3
Replacing: 2

RESERVED FOR FUTURE USE

President - Texas
AT&T Texas
Dallas, Texas
Issued: May 9, 2024
Effective: May 10, 2024

ACCESS SERVICE TARIFF
Section: 18
Sheet: 26
Revision: 3
Replacing: 2

RESERVED FOR FUTURE USE

President - Texas
AT&T Texas
Dallas, Texas
Issued: May 9, 2024
Effective: May 10, 2024

ACCESS SERVICE TARIFF
Section: 18
Sheet: 27
Revision: 4
Replacing: 3

RESERVED FOR FUTURE USE

President - Texas
AT&T Texas
Dallas, Texas
Issued: May 9, 2024
Effective: May 10, 2024

ACCESS SERVICE TARIFF
Section: 18
Sheet: 28
Revision: 4
Replacing: 3

RESERVED FOR FUTURE USE