

AT&T NEVADA GUIDEBOOK

PART 15 - Dedicated Telecommunications Services
SECTION 3 - Digital Private Line Services

First Revised Sheet 1

15.3. BASE RATE THROUGH OC-n SERVICES

15.3.1 DIGITAL DATA SERVICE

Service Availability

Effective December 1, 2021, Digital Data Service will no longer be available for purchase by new or existing customers. In addition, requests to move, add, change, or renew existing service arrangements will not be accepted. The Company currently plans to discontinue Digital Data Service on or after June 30, 2024.

(N)
|
(N)

A. DEFINITIONS

Accessories

The term "Accessories" denotes devices which are mechanically attached to, or used with, the Digital Data Service and which are independent of, and not electrically, acoustically, or inductively connected to, the conductors in the communications path of such services.

Authorized User

The term "Authorized User" denotes a person, firm or corporation who is designated by the customer as an "authorized user" of a Digital Data Service furnished to the customer and who may share such service with the customer in accordance with the provisions set forth in A.2 following. An authorized user must be specifically named in the customer's application for service.

Bit

The term "Bit" denotes the smallest unit of information in the binary system of notation.

Channel

The term "Channel" denotes a path (or paths) for digital transmission, between two or more Principal Central Offices. A channel may be furnished in such manner as the Company may elect, whether by wire, radio or a combination thereof and whether or not by means of a single physical transmission path or route.

Channel Service Unit

Denotes equipment provided by the customer, to terminate a Digital Data Service at a customer's or user's premises.

Customer

The term "Customer" denotes the person, firm or corporation which orders service. The customer is responsible for the payment of charges and compliance with Company regulations.

Customer-Provided Communications Systems

The term "Customer-Provided Communications Systems" denotes facilities provided by a customer, or authorized user which are capable, when not connected to Digital Data Service, of communications between customer-provided terminal equipment.

Customer-Provided Terminal Equipment

The term "Customer-Provided Terminal Equipment" denotes communications devices, apparatus and their associated wiring, provided by a customer or authorized user which do not constitute a communications system.

15.3. BASE RATE THROUGH OC-n SERVICES

15.3.1 DIGITAL DATA SERVICE (Cont'd)

A. DEFINITIONS (Cont'd)

Customer-Provided Communications Systems

The term "Customer-Provided Communications Systems" denotes facilities provided by a customer, or authorized user which are capable, when not connected to Digital Data Service, of communications between customer-provided terminal equipment

Customer-Provided Terminal Equipment

The term "Customer-Provided Terminal Equipment" denotes communications devices, apparatus and their associated wiring, provided by a customer or authorized user which do not constitute a communications system.

15.3. BASE RATE THROUGH OC-n SERVICES

15.3.1 DIGITAL DATA SERVICE (Cont'd)

A. DEFINITIONS (Cont'd)

Digital City

The term "Digital City" denotes a city in which a Principal Central Office is located and serves a specific geographic area for Digital Data Service.

Digital City Rate Center

The term "Digital City Rate Center" for Digital Data Service is a specified geographical location in a Digital City from which mileage measurements are determined for the application of channel mileage rates.

Digital City Serving Area

The term "Digital City Serving Area" denotes the geographic area served in and around a Digital City.

Duplex

The term "Duplex" denotes an operation which permits customers or authorized users to communicate in both directions simultaneously.

Interoffice Channel

The term "Interoffice Channel" denotes a path for digital transmission furnished within the Digital City Serving Area between the serving wire center and the Principal Central Office.

Local Distribution Channel

The term "Local Distribution Channel" denotes a path for digital transmission furnished within the Digital City Serving Area between the serving wire center and a station.

Move

The term "Move" as used in connection with the application of move charges for Digital Data Service denotes a change in the physical location (whether on the same or different premises), when made at the request of the customer without discontinuance of service, of service components and items of equipment provided by the Company.

Premises

The term "Premises" denotes a building or buildings on continuous property (except railroad right of way, etc.) not separated by a public highway.

15.3. BASE RATE THROUGH OC-n SERVICES

15.3.1 DIGITAL DATA SERVICE (Cont'd)

A. DEFINITIONS (Cont'd)

Principal Central Office

The term "Principal Central Office" denotes the central office in a Digital City to which Local Distribution and/or Interoffice Channels of a specific geographic area are routed and where access is provided to such terminals and associated equipment for testing purposes.

Station

The term "Station" when used in connection with Digital Data Service denotes a point on a customer's or authorized user's premises at which a Local Distribution Channel is terminated.

B. DESCRIPTION

1. General

Digital Data Service is a service for the transmission of digital signals only, using only digital transmission facilities.

Digital Data Service provides for the simultaneous two-way transmission of digital signals at synchronous speeds of 2.4, 4.8, 9.6, or 56 Kilobits per second (Kbps) between specified Digital Cities and Digital City Serving Areas as described in B.2. following.

Service is furnished for duplex operation on a twenty-four hour per day, seven day per week basis, for a minimum period of one month.

The service is guaranteed to provide an average performance exceeding 99.5% error-free seconds for operation at all speeds. When a Digital Data Service is operating at an error performance level which is unsatisfactory to the customer or authorized user and it is determined by the Company that the error performance level is below that specified above, the period of substandard performance will be considered as an interruption and a credit allowance will be made in accordance with the provisions of C.5. following. All such credit allowance shall begin from the time of notice by the customer or authorized user to the Company that an unsatisfactory performance level has occurred, provided that the customer promptly releases the service as requested by the Company to perform testing and maintenance.

15.3. BASE RATE THROUGH OC-n SERVICES

15.3.1 DIGITAL DATA SERVICE (Cont'd)

B. DESCRIPTION (Cont'd)

Customer-provided terminal equipment, customer-provided derivation equipment and customer-provided communications systems may be connected with facilities furnished for Digital Data Service when such connections are made in accordance with the provisions set forth in B. following.

The service options available to the customer are as follows:

a. Two-Station Service

This offering may consist of:

- (1) one two-point channel furnished between Digital Cities for service where one station is located in the serving area of each such city and connected to the channel by means of a Local Distribution Channel or
- (2) Local Distribution Channels and Interoffice Channels, as applicable, furnished in the same Digital City Serving Area for service between two stations.

b. Multi-Station Service

This offering may consist of:

- (1) one two-point channel furnished between Digital Cities for service where more than one station is located in the serving area of one or both such cities and each station is connected to the channel by means of a Local Distribution Channel and Interoffice Channel;
- (2) two or more two-point channels furnished between Digital Cities for service where one or more stations are located in the serving area of each such city and each station is connected to the channel by means of a Local Distribution Channel and Interoffice Channel or
- (3) Local Distribution Channels and Interoffice Channels furnished in the same Digital City Serving Area for service between three or more stations as appropriate.

The number of two-point channels that may be specified for a given digital service may be limited by operating and transmission factors.

15.3. BASE RATE THROUGH OC-n SERVICES

15.3.1 DIGITAL DATA SERVICE (Cont'd)

B. DESCRIPTION (Cont'd)

2. Digital Cities and Serving Areas

a. Digital Cities

Digital Data Service provides transmission paths for digital transmission at synchronous speeds of 2.4, 4.8, 9.6 or 56 Kbps between and within digital serving areas of the following cities: Reno

b. Digital City Serving Areas

In a Digital City Serving Area, service is available only to stations located in the territory of the Company where facilities and operating conditions permit.

3. Determination of Mileages

The mileages for channels furnished between Digital Cities are based on airline distances between the Digital City Rate Centers. Where a multi-station service consists of two or more two-point channels furnished between Digital Cities as described in I.b.(2) preceding, the mileage is that combination of airline distances connecting the Digital City Rate Centers which will produce the lowest total channel mileage.

Mileages for Interoffice Channels are based on the airline distances between the serving wire center and the Principal Central Office.

4. Service Components

The basic components of Digital Data Service are described in (a) through (f) below.

a. Channels Between Digital cities

The types of channels offered for transmission between Digital Cities are as set forth below:

- (1) Channels furnished for digital transmission at a synchronous rate of 2.4 Kbps.
- (2) Channels furnished for digital transmission at a synchronous rate of 4.8 Kbps.
- (3) Channels furnished for digital transmission at a synchronous rate of 9.6 Kbps.

15.3. BASE RATE THROUGH OC-n SERVICES

15.3.1 DIGITAL DATA SERVICE (Cont'd)

B. DESCRIPTION (Cont'd)

(4) Channels furnished for digital transmission at a synchronous rate of 56 Kbps.

b. Interoffice Channels in Digital City Serving Areas

(1) Interoffice Channels are furnished for digital transmission at synchronous rates of 2.4, 4.8, 9.6, or 56 Kbps:

- To provide digital transmission channels between the serving wire center and the Principal Central Office. One Interoffice Channel is required for each Local Distribution Channel not served directly from the Principal Central Office.

c. Local Distribution Channels in Digital City Serving Areas

- To serve stations which are located at a customer's or authorized user's premises from the serving wire center.

d. Multi-Station Arrangement

A Multi-Station arrangement is required at the Principal Central Office to provide for Digital Data Service between three or more digital stations located in Digital City Serving Areas.

e. Data Service Unit

A Data Service Unit is required at a customer's or authorized user's premises to perform such functions as:

- (1) Proper coding and decoding of signals;
- (2) Timing recovery;
- (3) Synchronous sampling;
- (4) Formatting; and
- (5) Generation and recognition of control signals.

15.3. BASE RATE THROUGH OC-n SERVICES

15.3.1 DIGITAL DATA SERVICE (Cont'd)

B. DESCRIPTION (Cont'd)

f. Channel Service Unit

(1) A Channel Service Unit is required at a customer's or authorized user's premises to perform such functions as:

- proper termination of the service
- amplification
- signal shaping
- remote loop-back

5. Mileage Measurements

Rate mileages for channels as referred to in Part 15, Section 3 of this Guidebook preceding, are determined in accordance with Part 15, Section 3 of this Guidebook.

15.3. BASE RATE THROUGH OC-n SERVICES

15.3.1 DIGITAL DATA SERVICE (Cont'd)

C. REGULATIONS

1. Use of Service

a. General

Digital Data Service may be used for the transmission of communications to or from any station on the service.

Digital Data Service shall not be used for any purpose for which a payment or other compensation shall be received by either the customer or authorized user, or solely in the collection, transmission, or delivery of any communications for others. This provision, however, does not, subject to 2.b. following, prohibit an arrangement between the customer and the authorized user to share the cost of Digital Data Service provided that the costs allocated by the customer for Digital Data Service shall not exceed the total charges billed to the customer by the Company.

b. Shared Use

- (1) An authorized user must have a station on the service and the station must be located on the premises of the authorized user and connected to the service by means of a separate Interoffice and Local Distribution Channel, except that these requirements do not apply to an authorized user of a service with respect to his use of digital bit streams created by customer (or authorized user) - provided derivation equipment, provided the customer or authorized user has a station on the line connected to such equipment in accordance with B.2.b. following.
- (2) A communications common carrier, who is a customer for Digital Data Service, may not enter into a shared use arrangement between itself and others.
- (3) The Company shall not be responsible for the manner in which the use of service will be allocated. Orders which involve the start, rearrangement, release, or discontinuance of service will be accepted by the Company only from the customer.
- (4) The charges for Digital Data Service shall be determined as provided in this schedule and all charges for the service will be billed to the customer.

15.3. BASE RATE THROUGH OC-n SERVICES

15.3.1 DIGITAL DATA SERVICE (Cont'd)

C. REGULATIONS (Cont'd)

1. Use of Service (Cont'd)

c. Unlawful Use

The service furnished under this schedule shall not be used for any purpose or in any manner directly or indirectly in violation of the law or in aid of any unlawful act or undertaking.

2. CONNECTIONS

a. General

Customer-provided terminal equipment, customer-provided derivation equipment or customer-provided communications systems, may be connected to Digital Data Service provided by the Company when such connection is made in accordance with the provisions of b.2. following.

The connection of a Digital Data Service furnished by the Company to another Digital Data Service or to other services furnished by the Company may be made in accordance with the provisions of B.3. following.

All connections as provided for in B.2. and B.3. following shall be made through equipment furnished by the customer or authorized user. The responsibility of the Company shall be limited to the furnishing of service to that point on the customer's or authorized user's premises where provision is made for the connection of such equipment. The customer or authorized user is responsible for testing its equipment or facilities to insure that when they are connected with Digital Data Service such equipment or facilities are operating properly, and further that the cause of any service difficulty reported by the customer or authorized user to the Company results from the operation of equipment and facilities provided by the Company.

b. Connection of Customer-Provided Terminal Equipment, Customer-Provided Derivation Equipment and Customer-Provided Communications Systems.

- (1) Customer-provided terminal equipment and customer-provided communications systems may be connected at the premises of the customer or authorized user to Digital Data Service subject to the following: no service will be provided to the premises of another common carrier where the sole purpose of the service, including any bit streams derived therefrom, is to effect direct connection for through transmission with communications channels of another common carrier, except that service may be provided to the premises of another common carrier for connection to overseas channels furnished by that carrier.

15.3. BASE RATE THROUGH OC-n SERVICES

15.3.1 DIGITAL DATA SERVICE (Cont'd)

C. REGULATIONS (Cont'd)

2. Connections (Cont'd)

- (2) The customer or authorized user, by use of its own derivation equipment, may create digital bit streams from a Digital Data Service and such equipment may be connected at the customer's or authorized user's premises for the transmission of such bit streams to:
 - (a) facilities furnished for Private Line Service of the following types: Digital Data Service and Type 3002,
 - (b) facilities of others as referred to in a. above.
- (3) The customer shall be responsible for ordering and specifying the type of channel between Digital Cities for operation with equipment and systems provided by the customer or authorized user. The undertaking of the Company is to furnish Digital Data Service as ordered and specified by the customer.

c. Connection to Other Services Furnished by the Company to the Same Customer or Different Customers.

A Digital Data Service furnished by the Company to a customer may be connected by the customer or authorized user at the premises of the customer or authorized user to another Digital Data Service or to Private Line channels of Type 3002.

d. Accessories

Accessories provided by customers or authorized users may be used in conjunction with Digital Data Service provided that such accessories comply with the provisions of 6. following.

15.3. BASE RATE THROUGH OC-n SERVICES

15.3.1 DIGITAL DATA SERVICE (Cont'd)

C. REGULATIONS (Cont'd)

2. Connections (Cont'd)

e. Responsibility of the Customer

- (1) Digital Data Service is available under this Guidebook for use in connection with terminal equipment or communications systems provided by a customer or authorized user and the operating characteristics of such equipment or systems shall be such as not to interfere with any of the services offered by the Company. Such use is subject to further provisions that the equipment provided by a customer or authorized user does not endanger the safety of Company employees or the public; damage, require change in or alteration of the equipment or other facilities of the Company; interfere with the proper functioning of such equipment or facilities; impair the operation of the Company's facilities or otherwise injure the public in its use of the Company services. Upon notice from the Company that the equipment provided by a customer or authorized user is causing or is likely to cause such hazard or interference the customer shall take such steps as shall be necessary to remove or prevent such hazard or interference.
- (2) Where a customer elects to connect a customer-provided communications systems to Digital Data Service the customer shall be responsible for:
 - (a) compatibility of the connected communications system and the Digital Data Service. This includes the replacing of Channel Service Units dues to technological changes in the network.
 - (b) testing and sectionalization and clearance of trouble conditions or service difficulties on any communications system which is connected to Digital Data Service.
- (3) The consent of the customer must be obtained by the authorized user prior to the connection of authorized user-provided equipment or communications system to a Digital Data Service provided to the customer.

15.3. BASE RATE THROUGH OC-n SERVICES**15.3.1 DIGITAL DATA SERVICE (Cont'd)****C. REGULATIONS (Cont'd)****2. Connections (Cont'd)****f. Responsibility of the Company**

- (1) The Company shall not be responsible for installation, operation or maintenance of any terminal equipment or communications systems provided by a customer or authorized user. Digital Data Service is not represented as adapted to the use of such equipment or system and where such equipment or system is connected to Company facilities the responsibility of the Company shall be limited to the furnishing of facilities suitable for Digital Data Service and to the maintenance and operation of such facilities in a manner proper for such digital service. Subject to this responsibility the Company shall not be responsible for the through transmission of signals generated by such equipment or system, or for the quality of, or defects in, such transmission or the reception of signals by such equipment or system or damage to terminal equipment or communications system provided by a customer or authorized user due to testing.
- (2) The Company shall not be responsible to the customer or authorized user, if changes in any of the facilities, operations or procedures of the Company utilized in the provision of Digital Data Service render any facilities provided by a customer or authorized user, obsolete or require modification or alteration of such equipment or system or otherwise affect its use or performance.
- (3) The Company undertakes to maintain and repair the facilities which it furnishes. The customer or authorized user may not rearrange, disconnect, remove or attempt to repair any equipment installed by the Company without prior written consent of the Company.

15.3. BASE RATE THROUGH OC-n SERVICES

15.3.1 DIGITAL DATA SERVICE (Cont'd)

C. REGULATIONS (Cont'd)

2. Connections (Cont'd)

g. Violation of Regulations

Where any terminal equipment or communications system provided by a customer or authorized user is used with services furnished by the Company and any of the provisions in B. are violated the Company will take such immediate action as necessary for the protection of its facilities, and will promptly notify the customer of the violation. The customer shall take such steps as are necessary to discontinue such use of the equipment or system or correct the violation and shall confirm in writing to the Company within 10 days, following the receipt of written notice from the Company, that such use has ceased or that the violation has been corrected. Failure to discontinue such use or to correct the violation and to give the required written confirmation to the Company within the time stated above shall result in suspension of the customer's service until such time as there is compliance with the provisions of this schedule.

3. Undertaking of the Company

a. Liability

- (1) Provisions concerning limitations of liability are provided for in Part 2, Section 2 of this Guidebook.
 - (a) (2) The Company shall be indemnified and saved harmless by the customer or authorized user against claims for libel, slander and infringement of copyright arising from the material transmitted over the facilities;
 - (b) claims for infringement of patents arising from combining with, or using in connection with, facilities furnished by the Company, apparatus and systems of the customer or authorized user; and
 - (c) all other claims arising out of any act of omission of the customer or authorized user in connection with the facilities provided by the Company.

15.3. BASE RATE THROUGH OC-n SERVICES

15.3.1 DIGITAL DATA SERVICE (Cont'd)

C. REGULATIONS (Cont'd)

3. Undertaking of the Company (Cont'd)

- (3) The Company does not guarantee nor make any warranty with respect to equipment provided by it for use in an explosive atmosphere. The customer or authorized user indemnifies and holds the Company harmless from any and all loss, claims, demands, suits, or other action, or any liability whatsoever, whether suffered, made, instituted or asserted by the customer or authorized user or by any other party or persons, and for any loss, damage or destruction of any property, whether owned by the customer or others, caused or claimed to have been caused directly or indirectly by the installation, operation, failure to operate, maintenance, removal, presence, condition, location or use of said equipment so provided.

The Company may require each customer or authorized user to sign an agreement for the furnishing of such equipment as a condition precedent to the furnishing of such equipment.

- (4) The Company is not liable for any defacement of or damage to the premises of a customer (or authorized user) resulting from the furnishing of channel facilities or the attachment of the instruments, apparatus and associated wiring furnished by the Company on such premises or by the installation or removal thereof, when such defacement or damage is not the result of negligence of the agents or employees of the Company.

b. Special Construction

All rates and charges set forth in the schedule provide for the furnishing of service where suitable facilities are available. Where special construction of channel facilities is necessary, special construction charges may apply as provided for in Guidebook Part 2, Section 5.

4. Obligations of the Customer

a. The customer shall be responsible for:

- (1) placing all orders and payment of all charges for service(s) offered herein;
- (2) compliance with Company regulations by the customer and authorized users;
- (3) damages to service components and equipment of the Company caused by the negligence or willful act of the customer or authorized user;

15.3. BASE RATE THROUGH OC-n SERVICES

15.3.1 DIGITAL DATA SERVICE (Cont'd)

C. REGULATIONS (Cont'd)

4. Obligations of the Customer (Cont'd)

- (4) reimbursing the Company for any loss through theft of the equipment or apparatus on the customer's or authorized user's premises;
- (5) the provision of the power required to operate Company service components and equipment installed on the premises of the customer or authorized users;
- (6) the provision, installation and maintenance of sealed conduit with explosive-proof fittings between equipment furnished by the Company in explosive atmospheres and points outside the hazardous area where connection may be made with regular service components and equipment of the Company, and may be required to install and maintain Company equipment within the hazardous area if, in the opinion of the Company, injury or damage to Company employees or property might result from installation or maintenance by the Company;
- (7) obtaining permission for Company agents or employees to enter the premises of the customer or authorized user at any reasonable hour for the purpose of installing, inspecting, repairing, or, upon termination of the service, removing the Company-provided service components and equipment;
- (8) making Company service components and equipment available periodically for maintenance purposes at a time agreeable to both the Company and the customer. No allowance will be made for the period during which the service is interrupted for such purposes;
- (9) all actions or omissions of a person, firm or corporation appointed by the customer as its agent. Any limitation of an agent's authority shall not be binding to the Company.

b. The service or any rights associated therewith may not be assigned or in any manner transferred.

5. Payment Arrangements and Credit Allowances

a. Payment of Charges and Deposits

- (1) The customer is responsible for payment of all charges for services furnished the customer or authorized user. Nonrecurring charges are payable upon request, provided that said charges shall be adjusted (whether decreased or increased) to rates in force and effect at the time of establishment of service. All other charges from time to time in force and effect are payable monthly in advance except as otherwise provided in this Guidebook or other applicable Guidebooks.

15.3. BASE RATE THROUGH OC-n SERVICES

15.3.1 DIGITAL DATA SERVICE (Cont'd)

C. REGULATIONS (Cont'd)

5. Payment Arrangements and Credit Allowances (Cont'd)

- (2) Applicants for service who have no account with the Company or whose financial responsibility is not a matter of general knowledge, may be required to make an advance payment at the time an application for service is placed with the Company, equal to the nonrecurring charges if applicable and at least one month's charges for the service provided. In addition, where the furnishing of service involves an unusual investment, applicants may be required to make payment in advance of such portion of the estimated cost of the installation or construction as to be borne by them. The amount of the advance payment is credited to the customer's account as applying to any indebtedness of the customer for the service furnished.

- (3) The Company may, in order to safeguard its interest, require an applicant or customer for service to make a deposit to be held by the Company as a guarantee of the payment of charges. Such deposit will be equivalent to up to two months charges for the service except that, where the service involves special construction, or equipment to which charges are applicable for discontinuance of use prior to the expiration of a specified period, the deposit will include an additional amount not to exceed the maximum charge applicable for such discontinuance of use, as provided in the Company's Guidebook. The fact that a deposit has been made in no way relieves the applicant or customer from complying with the provisions set forth in b. preceding and the prompt payment of bills on presentation. At such time as the service is terminated the amount of the deposits is credited to the customer's account and any credit balance which may remain is refunded. At the option of the Company, such a deposit may be refunded or credited to the customer at any time prior to the termination of service. In case of a cash deposit, interest at the rate as provided in Part 2, Section 2 of this Guidebook, is paid for the period during which the deposit is held by the Company.

15.3. BASE RATE THROUGH OC-n SERVICES

15.3.1 DIGITAL DATA SERVICE (Cont'd)

C. REGULATIONS (Cont'd)

5. Payment Arrangements and Credit Allowances (Cont'd)

b. Cancellation for Cause

(1) The Company, by written notice to the customer, may immediately discontinue the furnishing of Digital Data Service without incurring liability upon:

- (a) nonpayment of any sum due the Company or
- (b) a violation of any condition governing the furnishing of service.

c. Minimum and Fractional Rates and Charges

(1) The minimum period for which service is furnished and for which charges are applicable is one month.

(2) The charges for a fractional part of a month which follows and is consecutive with a full month will be a proportionate part of the monthly charge using the same ratio that the actual number of days service is furnished bears to 30 days. The actual number of days service furnished is computed as follows:

- (a) The applicable charges for a Digital Data Service, or any component thereof, including additions to an existing service, shall commence on the day after service is furnished and will continue to accrue through and include the day on which such service is discontinued.
- (b) When an existing Digital Data Service, or any component thereof, is changed or rearranged at the request of the customer without the addition of equipment, local distribution channels, any revision in charges necessitated thereby shall commence on the same day that the change or rearrangement is completed.

d. Cancellation of Application for Service

(1) Where the applicant cancels an application for service prior to the start of installation of special construction of facilities, no charge applies.

15.3. BASE RATE THROUGH OC-n SERVICES

15.3.1 DIGITAL DATA SERVICE (Cont'd)

C. REGULATIONS (Cont'd)

5. Payment Arrangements and Credit Allowances (Cont'd)

- (2) Where installation of facilities other than those provided by special construction has been started prior to the cancellation, the charge specified in (1) or (2) following, whichever is lower, applies.
 - (a) A charge equal to the estimated costs incurred in such installation, less estimated net salvage.
 - (b) The charge for the minimum period of the service ordered by the customer as provided in this Guidebook, plus the full amount of any termination charges applicable.
- (3) Where special construction of facilities has been started prior to the cancellation and there is another requirement for the specially constructed facilities, no charge applies.
- (4) Where special construction of facilities has been started prior to the cancellation, and there is no other requirement for the specially constructed facilities, a charge equal to the costs incurred in the special construction, less net salvage, applies, except that, where one or more, but not all, of the services involved in the special construction are cancelled, a charge equal to the charge for discontinuance of such services applies instead. Such charge is determined as provided for in Guidebook Part 2, Section 5. In determining the charge, each cancelled service is treated as discontinued as of the date on which it was to have been placed in service.
- (5) Installation or special construction of facilities for a customer is considered to have started when the Company incurs any expense in connection therewith or in preparation therefore which would not otherwise have been incurred, provided:
 - (a) the customer has advised the Company to proceed with the installation or special construction, and
 - (b) the Company has advised the customer that, in accordance with the customer's order, it is commencing the installation or special construction.

15.3. BASE RATE THROUGH OC-n SERVICES

15.3.1 DIGITAL DATA SERVICE (Cont'd)

C. REGULATIONS (Cont'd)

5. Payment Arrangements and Credit Allowances (Cont'd)

(5) Change of an application for service

(a) When an applicant changes an application for service after installation has started, but prior to the start of service, charges apply as provided for in Guidebook Part 2, Section 2 apply.

(b) Installation is considered to have started when the Company incurs any expense in connection therewith or in preparation therefore which would not otherwise have been incurred, provided:

- the customer has advised the Company to proceed with the installation, and
- the Company has advised the customer that, in accordance with the customer's order, it is commencing the installation.

e. Allowance for Interruptions

Provisions concerning allowance for interruptions in service are as provided for in Guidebook Part 2, Section 2.

f. Change in Service Arrangement

When the customer requests a change in service arrangement which results in a change in the design, operation or function of service components or equipment provided by the Company a charge equivalent to the nonrecurring charge for a local distribution channel applicable to the operating speed of the service involved applies. However, such charges will not apply for those changes for which nonrecurring or installation charges, as set forth herein, are otherwise applicable.

g. Maintenance Visit

The customer shall be responsible for payment of a maintenance service charge, as set forth in Guidebook Part 2, Section 2, for visits by the Company to the premises of the customer or authorized user where the service difficulty or trouble report results from the use of equipment or facilities provided by the customer or authorized user.

15.3. BASE RATE THROUGH OC-n SERVICES

15.3.1 DIGITAL DATA SERVICE (Cont'd)

C. REGULATIONS (Cont'd)

6. Priority of Service and Limitations

- a. The use and restoration of service shall be in accordance with Part 64 Subpart D of the Federal Communications Commission's Rules and Regulations, which specifies the priority system for such activities.
- b. The furnishing of service under this schedule will require certain physical arrangements of the facilities of the Company and is, therefore, subject to the availability of such facilities.
- c. Where a variety of equipment and facilities may be used to provide Digital Data Service, the Company reserves the right to determine which shall be used and to modify and change such equipment and facilities at its option.
- d. Digital Data Service may be limited in order to comply with orders issued under wartime authority of the President of the United States.

15.3. BASE RATE THROUGH OC-n SERVICES

15.3.1 DIGITAL DATA SERVICE (Cont'd)

D. RATES AND CHARGES

1. General

The rates and charges specified in this section apply for all services involving Digital City Serving Areas.

a. Channels Between Digital Cities

The rates below apply for each two-point channel section furnished between Digital City Rate Centers.

	<u>Monthly Rate</u>	<u>USOC</u>
(1) Airline Mileage		
- Each mile at 2.4 Kbps	\$ 1.50	1L7E4
- Each mile at 4.8 Kbps	1.50	1L7F4
- Each mile at 9.6 Kbps	1.50	1L7G4
- Each mile at 56 Kbps	1.50	1L7H4
(2) Channels		
- Each channel at 2.4 Kbps	70.00	1L7E4
- Each channel at 4.8 Kbps	89.00	1L7F4
- Each channel at 9.6 Kbps	152.00	1L7G4
- Each channel at 56 Kbps	250.00	1L7H4

b. Local Distribution Channel

The rates below apply for each two point Local Distribution Channel terminated at a station in a Digital City Serving Area, thereby providing a path for digital transmission between the Serving Wire Center Central Office and the customer's premises.

15.3. BASE RATE THROUGH OC-n SERVICES

15.3.1 DIGITAL DATA SERVICE (Cont'd)

D. RATES AND CHARGES (Cont'd)

1. General (Cont'd)

b. Local Distribution Channel (Cont'd)

	<u>Installation Charge</u>	<u>Monthly Rate</u>	<u>USOC</u>
Transmission speed			
- 2.4 Kbps	\$490.00	\$77.00	LCDD2
- 4.8 Kbps	490.00	89.00	LCCD4
- 9.6 Kbps	490.00	100.00	LCDD9
- 56 Kbps	490.00	300.00	LCDD5

c. Interoffice Digital Channel

The rates below apply for each two point channel section furnished between the Principal Central Office and the Serving Central Office.

	<u>Monthly Rate</u>	<u>USOC</u>
(1) Transmission speed per channel		
- 2.4 Kbps	\$ 42.00	1LD2X
- 4.8 Kbps	48.00	1LD4X
- 9.6 Kbps	55.00	1LD9X
- 56 Kbps	165.00	1LD5X

15.3. BASE RATE THROUGH OC-n SERVICES

15.3.1 DIGITAL DATA SERVICE (Cont'd)

D. RATES AND CHARGES {Cont'd}

1. General (Cont'd)

c. Interoffice Digital Channel (Cont'd)

	Monthly Rate	USOC
(2) Transmission speed per airline mile		
- 2.4 Kbps	\$1.15	1LD2X
- 4.8 Kbps	1.35	1LD4X
- 9.6 Kbps	1.50	1LD9X
- 56 Kbps	4.50	1LD5X

d. Multi-Station Arrangement

A monthly charge per station applies when a Digital Data Service is arranged for multi-station operation

	Monthly Rate	USOC
- Each station	\$25.00	DDZ

e. Move Charges

(1) When Local Distribution Channels are moved to a new location on the same premises, one-half the installation charge applies.

(2) When Local Distribution Channels are moved to a new location on a different premises, the installation charge applies.

15.3. BASE RATE THROUGH OC-n SERVICES

15.3.2 PUBLIC SECTOR DIGITAL NETWORK SERVICES

15.3.2.1 DESCRIPTION

This service provides private line digital network services for transmission of voice, data or video signals by public sector network customers as "Public Sector" is defined in this Guidebook. Public Sector network users may choose delivery of the functional equivalent of a DS-0 service provided on the node-to-node network.

The service is furnished for operation on a twenty-four hour per day, seven day per week basis, for a minimum period of one month.

15.3.2.2 DEFINITIONS

Authorized User

The term "Authorized User" means a public sector customer operating in the State of Nevada and which may order and use Public Sector Digital Network Services.

Channel Mileage

The term "Channel Mileage" means the distance measured in airline miles along a transmission path between two Company serving wire centers. There are two different types of channel mileage. They are "Node-to-Node" and "Non-Nodal."

Customer

The term "Customer" means the person or agency in the Public Sector who orders the service. The customer is responsible for the payment of all rates and charges and for compliance with Company regulations.

Hub

The term "Hub" means a Company designated serving wire center at which bridging or multiplexing functions are performed.

Node

The term "Node" means a principal digital serving wire center in a city used as the point from which node-to-node Channel Mileage is measured. Node locations are listed 15.3.2.5 of this Guidebook.

15.3. BASE RATE THROUGH OC-n SERVICES

15.3.2 PUBLIC SECTOR DIGITAL NETWORK SERVICES (Cont'd)

15.3.2.2 DEFINITIONS (Cont'd)

Node-to-Node Channel Mileage

The term "Node-To-Node Channel Mileage" means the distance in airline miles along the transmission path between two nodes.

Non-Nodal Channel Mileage

The term "Non-Nodal Channel Mileage" means the distance in airline miles along the transmission path between a node and non-nodal serving wire center or between two non-nodal serving wire centers to connect to a node-to-node transmission path.

Non-Node

Any Company or independent company serving wire center not listed in this Guidebook as a node as defined above.

Premises

The term "Premises" means all or a portion of a building that is occupied by the customer or his personnel and includes that point in the building where the customer's service terminates.

Public Sector

The term "Public Sector" means the government of the State of Nevada, any of its political subdivisions (townships, cities, counties) and their respective subordinate agencies, authorities, boards, bureaus, commissions, courts, departments, divisions, offices and special districts; the University of Nevada System, including its universities, community colleges and the Desert Research Institute; and county public school districts and their subordinate entities.

15.3. BASE RATE THROUGH OC-n SERVICES

15.3.2 PUBLIC SECTOR DIGITAL NETWORK SERVICES (Cont'd)

15.3.2.3 CLASSIFICATION OF SERVICES

A. DS-0 Level Services

DS-0 services occupy a North American network standard digital signal level 0, 64 kilobits per second (KBPS) bit-stream and are the functional equivalent of nominal 3 kilohertz (KHZ) analog voice grade channel. Two different types of DS-0 service are available.

1. Analog

Analog service provides voice frequency duplex transmission capability operating in the nominal frequency range of 300 to 3000 hertz and may be terminated as 2-wire or 4-wire service as referenced in Bellcore Technical Reference TR-NPL-000335.

These services are dedicated two-point or multipoint services and offer Optional Features and Functions such as bridging and conditioning.

2. Digital

Digital service provides a channel for duplex 4-wire transmission of synchronous serial data at the rate of 9.6, 56, or 64 KBPS. The actual bit rate is a function of the channel interface selected by the customer. The channel provides a synchronous service with timing provided through the Company's facilities to the customer in the received bit stream. This arrangement utilizes dataport technology arranged in a "hubless" topology as referenced in Nevada Bell/Pacific Bell Technical Reference PUB L-780077-PB/NB.

15.3. BASE RATE THROUGH OC-n SERVICES

15.3.2 PUBLIC SECTOR DIGITAL NETWORK SERVICES (Cont'd)

15.3.2.3. CLASSIFICATION OF SERVICES (Cont'd)

C. Optional Features and Functions

The following optional features and functions are available on analog DS-0 services only.

1. Central Office Bridging

Voice Bridging (2-wire and 4-wire) Data Bridging (2-wire and 4-wire)

2. Conditioning

Conditioning provides more specific transmission characteristics for Analog DS-0 services. C-Type conditioning controls attenuation distortion and envelope delay distortion.

For two-point services, the parameters apply to each service. For multipoint services, the parameters apply to each mid-link or end-link. C-Type conditioning and data capability may be combined on the same service.

- (1) C-Type conditioning is provided for the additional control of attenuation distortion and envelope delay distortion on data services.
- (2) Improved Attenuation Distortion upgrades the frequency versus loss limits of the channel.
- (3) Improved Envelope Delay Distortion upgrades the frequency versus delay response limits of the channel.

3. Improved Return Loss

- (a) Improved Return Loss on effective 4-wire transmission at 4-wire point of termination (applicable to each 2-wire port), provides for a fixed 600 ohm impedance, variable level range and simplex reversal. Company equipment is required at the customer's premises where this option is ordered.
- (b) Improved Return Loss on effective 2-wire transmission at 2-wire point of termination provides for more stringent echo control specifications. In order for this option to be applicable, the transmission path must be 4-wire at one point of termination and 2-wire at the other point of termination. Placement of Company equipment may be required at the customer's premises with the 2-wire point of termination.

15.3. BASE RATE THROUGH OC-n SERVICES

15.3.2 PUBLIC SECTOR DIGITAL NETWORK SERVICES (Cont'd)

15.3.2.3. CLASSIFICATION OF SERVICES (Cont'd)

C. Optional Features and Functions (Cont'd)

4. Data Capability

Data Capability provides transmission characteristics suitable for data communications. Data Capability provides for the control of signal C-notched noise ratio and intermodulation distortion. It is available for two-point or three-point multipoint services.

The signal to C-notched noise ratio and intermodulation distortion parameters for Data Capability are:

- Signal to C-notched noise ratio is equal to or greater than 32dB.
 - Intermodulation distortion
- (a) Signal to second order modulation products (R2) is equal to or greater than 38dB.
- (b) Signal to third order modulation products (R3) is equal to or greater than 42dB.

When a service equipped with Data Capability is used for voice communications, the quality of the voice transmission may not be satisfactory.

5. Signaling Capability

Signaling Capability provides for the ability to transmit signals from one customer premises to another customer premises on the same service.

6. 4-Wire/2-Wire Conversions

When a customer requests that an effective 4-wire channel be terminated with a 2-wire channel interface at the customer designated premises, a 4-wire to 2-wire conversion is required. The rate for the conversion is included as part of the basic channel termination rate.

15.3. BASE RATE THROUGH OC-n SERVICES

15.3.2 PUBLIC SECTOR DIGITAL NETWORK SERVICES (Cont'd)

15.3.2.3. CLASSIFICATION OF SERVICES (Cont'd)

C. Optional Features and Functions (Cont'd)7. Improved 2-Wire Voice Transmission

(a) Loss Deviation

The maximum loss deviation of the 1004 Hz loss relative to the Expected Measured Loss (EML) is -4.0 dB to +4.0 dB.

(b) Attenuation Distortion

The maximum attenuation, distortion in the 404 to 280 Hz frequency band relative to loss at 1004 Hz is -2.0 dB to +6.0 dB.

(c) C-Message Noise

The maximum C-message noise for the transmission path at the route miles listed is:

<u>Route Miles</u>	<u>C-Message Noise</u>
less than 50	35 dBrnc
51 to 100	37 dBrnc
101 to 200	40 dBrnc
201 to 400	43 dBrnc
401 to 1000	45 dBrnc

(d) Return Loss

The Return Loss, expressed as Echo Return Loss (ERL) and Singing Return Loss (SRL), is equal to or greater than:

ERL	13.0 dBrnc
SRL	6.0 dBrnc

The rate for the provision of improved 2-wire voice transmission is included as part of the basic channel termination rate.

The technical specifications for these optional features are delineated in Bellcore Technical Reference TR-NPL-000335.

15.3. BASE RATE THROUGH OC-n SERVICES

15.3.2 PUBLIC SECTOR DIGITAL NETWORK SERVICES (Cont'd)

15.3.2.4 SERVICE CONFIGURATION

DS-0 service is provided as two-point service configurations. Analog DS-0 can also be provided as multipoint service.

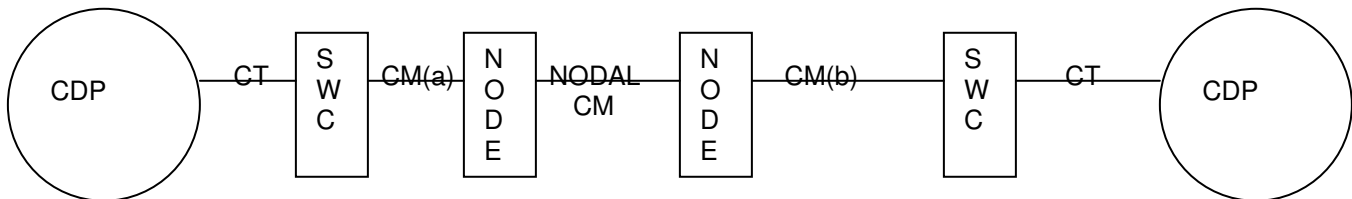
A. Two-Point Service

A two-point service connects two customer designated premises, either on a directly connected basis or through a hub where multiplexing functions are performed.

Applicable rate elements are:

- Channel Terminations
- Channel Mileage (as applicable)
- Optional Features and Functions (when applicable)

1. The following diagram depicts a two-point service connection two customer designated premises (CDP):



Applicable Rate Elements are:

Non-Nodal Recurring Charges

- 2 - CT (Channel Terminations)
- CM(a) - 2 Channel Mileage Terminations
 - x # of miles for Channel Mileage Facility
- CM(b) - 2 Channel Mileage Terminations
 - x # of miles for Channel Mileage Facility

Nodal Recurring Charges:

- x # of miles for Node-to-Node Channel Mileage

15.3. BASE RATE THROUGH OC-n SERVICES**15.3.2 PUBLIC SECTOR DIGITAL NETWORK SERVICES (Cont'd)****15.3.2.4 SERVICE CONFIGURATION (Cont'd)****B. Multipoint Service**

Multipoint service connects three or more customer designated premises through a Company hub.

The channel between hubs (i.e., bridging locations) on a multipoint service is a mid-link. There is no limitation on the number of mid-links available with a multipoint service; however, when more than three links in tandem are provided the quality of the overall service may be degraded.

Multipoint service utilizing a customized technical specifications package as set forth in Bellcore Technical Reference TR-NPL-000335 will be provided when technically possible. If the Company determines that the requested characteristics for a multipoint service are not compatible, the customer will be advised and given the opportunity to change the order.

When ordering, the customer will specify the desired bridging hub(s). National Exchange Carrier Association, Inc. (NECA) Guidebook, FCC No. 4 identifies serving wire centers, hub locations and the type of bridging functions available.

Applicable rate elements are:

- Channel Terminations (one per customer designated premises)
- Channel Mileage (as applicable between the serving wire center for each customer designated premises and the hub and between hubs)
- Bridging
- Additional Optional Features and Functions (when applicable)

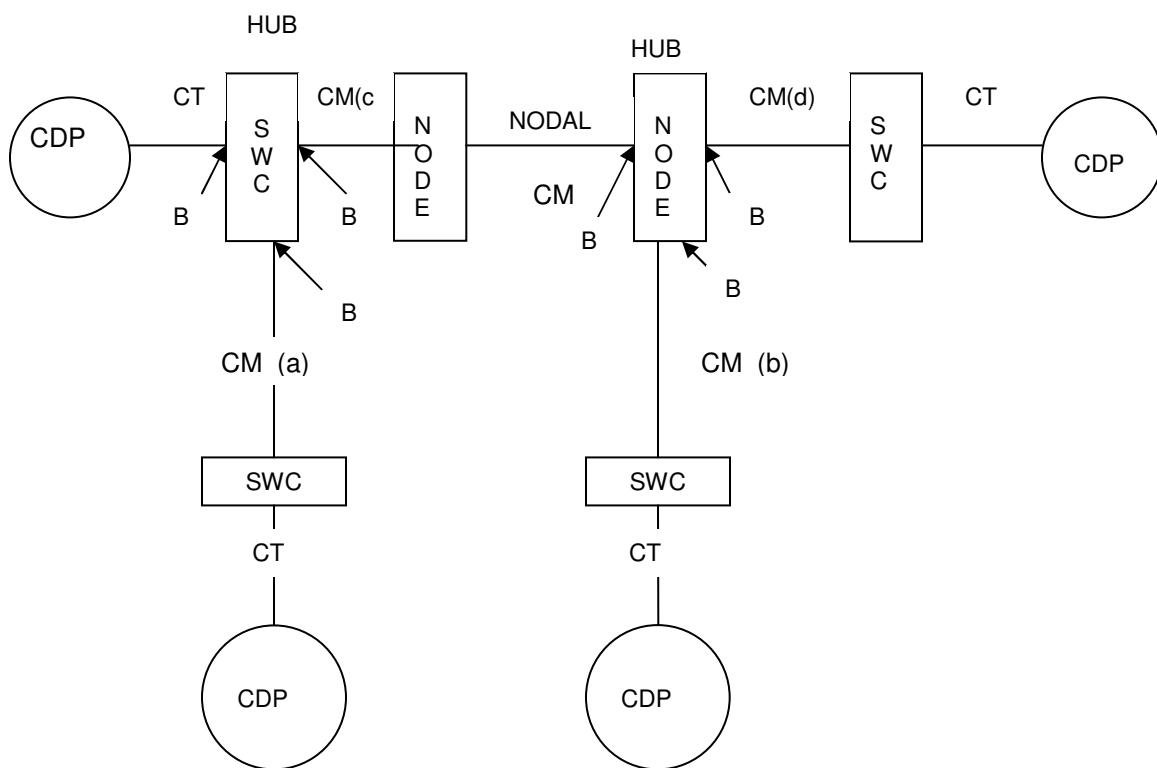
15.3. BASE RATE THROUGH OC-n SERVICES

15.3.2 PUBLIC SECTOR DIGITAL NETWORK SERVICES (Cont'd)

15.3.2.4 SERVICE CONFIGURATION (Cont'd)

B. Multipoint Service (Cont'd)

- The following diagram depicts an analog DS-0 multipoint service connecting four customer designated premises (CDP) via two customer specified bridging hubs (one of which is also a node):



See the following page for applicable rate elements,

15.3. BASE RATE THROUGH OC-n SERVICES

15.3.2 PUBLIC SECTOR DIGITAL NETWORK SERVICES (Cont'd)

15.3.2.4 SERVICE CONFIGURATION (Cont'd)

B. Multipoint Service (Cont'd)

Applicable Rate Elements Are:

Non-Nodal Recurring Charges

- 4 - CT (Channel Terminations)
- CM (a) - 2 Channel Mileage Terminations
 - x # of miles for Channel Mileage Facility
- CM (b) - 2 Channel Mileage Terminations
 - x # of miles for Channel Mileage Facility
- CM (c) - 2 Channel Mileage Terminations
 - x # of miles for Channel Mileage Facility
- CM (d) - 2 Channel Mileage Terminations
 - x # of miles for Channel Mileage Facility
- 6 - B (Bridging Ports)

Nodal Recurring Charges

- x # of miles for Node-to-Node
Channel Mileage Facility

15.3. BASE RATE THROUGH OC-n SERVICES

15.3.2 PUBLIC SECTOR DIGITAL NETWORK SERVICES (Cont'd)

15.3.2.5 NODES AND SERVING AREAS

IntraLATA private line service will be provided between the following nodes and may be used to transport intraLATA service only:

LATA 720:

Austin *	Hawthorne
Battle Mountain	Incline Village
Carson City	Lovelock
Carlin #	Lund *
Elko #	McDermitt
Ely *	Pioche *,#
Empire	Reno 02
Eureka *	Tonopah **,#
Fallon	Virginia City
Fernley	Winnemucca
Gardnerville #	Yerington #

LATA 721:

Beatty	Las Vegas 03
Indian Springs	Pahrump

- * Tentatively available 10/93 - subject to Nevada Bell installation schedule.
- ** Tentatively available 6/94 - subject to Nevada Bell installation schedule.
- # Pending agreement of the Local Exchange Company to concur in Company rates.

15.3. BASE RATE THROUGH OC-n SERVICES**15.3.2 PUBLIC SECTOR DIGITAL NETWORK SERVICES (Cont'd)****15.3.2.6 MAXIMUM CAPACITY**

Service will be provided between nodal locations set forth in Section Part 15, Section 3.2.5 preceding, up to a maximum of 2.016 DS-0 channels between any two nodal offices at the rates specified in Section 15.3.2.9 below. The Commission must approve rates and charges for any additional capacity requested by the customer.

15.3.2.7 SPECIAL CONSTRUCTION

If the provisioning of service requires the Company to construct or provide facilities which the Company has no other business reason to provide, except under the contractual agreement with the customer, the Company will notify the customer in writing of the estimated special construction costs to provide said service.

Following notification and prior to beginning any construction or provision of the services subject to special construction charges, the customer must agree and authorize such charges in writing. If the customer terminates the contract prior to expiration, the customer will be responsible for the special construction charges.

15.3. BASE RATE THROUGH OC-n SERVICES

15.3.2 PUBLIC SECTOR DIGITAL NETWORK SERVICES (Cont'd)

15.3.2.8 REGULATIONS

This section contains the specific regulations governing the rates and charges that apply for Public Sector Digital Network Services provided to Public Sector customers.

15.3.2.8.1 RATE CATEGORIES

The following are the rate categories which apply to Public Sector Digital Network Services:

A. Channel Termination

The Channel Termination rate category provides for the communications path between a customer designated premises and the serving wire center or digital node of that premises. One channel termination charge applies per customer designated premises at which the channel is terminated.

B. Channel Mileage

The Channel Mileage rate category provides for the end office equipment and the transmission facilities between digital nodes and/or non-nodal serving central offices. Channel Mileage rates are made up of the Channel Mileage Facility rate and the Channel Mileage Termination rate.

Channel Mileage Facility

The Channel Mileage Facility rate recovers the cost for the transmission path which extends between the Company serving central offices and/or digital nodes and includes primarily outside plant used to provide the facility. This rate will apply on a per mile basis.

Channel Mileage Termination

1. The Channel Mileage Termination rate recovers the cost for end office equipment associated with terminating the facility (i.e., basic circuit equipment and terminations at serving wire centers and hubs). Channel Mileage Termination rate will apply at the serving wire center(s) for each customer designated premises and Company hub where the channel is terminated. If the Channel Mileage is between Company bridging hubs, the Channel Mileage Termination rate will apply per Company bridging hub.
2. No Channel Mileage Termination rate will apply for those interoffice channels provided between digital nodes.

15.3. BASE RATE THROUGH OC-n SERVICES

15.3.2 PUBLIC SECTOR DIGITAL NETWORK SERVICES (Cont'd)

15.3.2.8 REGULATIONS (Cont'd)

15.3.2.8.1 RATE CATEGORIES (Cont'd)

C. Optional Features and Functions

The Optional Features and Functions rate category provides for optional features and functions which may be added to a Public Sector Digital Network Service to improve its quality or by the Company to meet specific communications requirements. These are not necessarily identifiable with specific equipment, but rather represent the end result in terms of performance characteristics which may be obtained. These characteristics may be obtained by using various combinations of equipment. Although the equipment necessary to perform a specified function may be installed at various locations along the path of the service, it will be charged for as a single rate element.

Examples of Optional Features and Functions that are available include, but are not limited to, the following:

- Signaling Capability
- Hubbing Functions
- Conditioning

A hub is a Company designated serving wire center or digital node at which bridging functions are performed. The bridging functions performed are to connect three or more customer designated premises in a multipoint arrangement.

National Exchange Carrier Association, Inc. (NECA) Tariff FCC No.4 identifies serving wire centers, hub locations and the type of bridging functions available.

15.3.2.8.2 APPLICATION OF RATES

A. GENERAL

The rates and charges for Public Sector Digital Network Services may be billed only to a "customer" which is an "authorized user" as these terms are defined in Section 15.3.1.A, preceding. Each customer wishing to utilize the rates in this Guidebook must first execute an agreement with the Company, which thereafter becomes part of the Master Agreement for services between the Company and the State of Nevada.

15.3. BASE RATE THROUGH OC-n SERVICES

15.3.2 PUBLIC SECTOR DIGITAL NETWORK SERVICES (Cont'd)

15.3.2.8 REGULATIONS (Cont'd)

15.3.2.8.2 APPLICATION OF RATES (Cont'd)

A. GENERAL (Cont'd)

Public Sector Digital Network Services may not be resold. For the purposes of this Guidebook resale includes, but is not limited to, the direct resale of service, the indirect resale of service as part of another service and the sharing of service with another customer not part of the public sector.

There are two types of rates and charges. These are monthly rates and nonrecurring charges. The rates and charges are described in B. and C. below.

B. MONTHLY RATES

Monthly rates are recurring rates that apply each month or fraction thereof where a Public Sector Digital Network Service is provided. For billing purposes, each month is considered to have 30 days.

C. NONRECURRING CHARGES

Nonrecurring charges are one-time charges that apply for specific work activity (i.e., installation or change to an existing service). The types of nonrecurring charges that apply to the Public Sector Digital Network Services are:

1. Installations

- a. Installation of service - Nonrecurring charges apply to each service installed. The nonrecurring charges for the installation of service are set forth as the nonrecurring charge for the Channel Termination.
- b. Nonrecurring charges do not apply between digital nodes.
- c. Installation of optional features and functions - Nonrecurring charges apply for the installation of optional features and functions available with the Public Sector Digital Network. The charge applies whether the feature or function is installed coincident with the initial installation of service or at any time subsequent to the installation of the service.

2. Service rearrangements and changes

Service rearrangements are changes to existing services which may be administrative only or that involve actual physical change to the service.

15.3. BASE RATE THROUGH OC-n SERVICES

15.3.2 PUBLIC SECTOR DIGITAL NETWORK SERVICES (Cont'd)

15.3.2.8 REGULATIONS (Cont'd)

15.3.2.8.2 APPLICATION OF RATES (Cont'd)

C. NONRECURRING CHARGES (Cont'd)

(a) Service Changes

- (1) Changes in the type of Service or Channel Termination which result in a change of the minimum period requirement will be treated as a discontinuance of the service and an installation of a new service.
- (2) Changes from existing services to Public Sector Digital Network services that require no physical work will be billed a service order charge per circuit as provided in Part 3, Section 1 of this Guidebook, for those circuits installed prior to 1-1-93. For those circuits installed after 1-1-93, a charge equal to the non-recurring charge for each channel termination affected will be billed.
- (3) Changes from existing services to Public Sector Digital Network services that require redesign of the service will be billed the nonrecurring charge for each Channel Termination affected.
- (4) If the change involves the addition of other customer designated premises to an existing multipoint service, the nonrecurring charge for the channel termination rate element will apply. The charge(s) will apply only for the location(s) that is added.
- (5) If the change involves the addition of an optional feature or function which has a separate nonrecurring charge, that nonrecurring charge will apply.
- (6) If the change involves changing the type of signaling on an analog DS-0 service, a charge equal to the analog DS-0 channel termination rate element nonrecurring charge will apply. The charge will apply per service termination affected.
- (7) For all other changes, including the addition of optional features or functions without a separate nonrecurring charge, a charge equal to a channel termination nonrecurring charge will apply. Only one such charge will apply per service, per change.
- (8) Changes to cross connects between DS-0 Channels terminating in an office will be billed a service order charge as provided in Part 3, Section 1 of this Guidebook, for each order issued. In addition a cross connect rearrangement charge will be billed for each rearrangement performed. The charge will apply to establish a new cross connect or rearrange an existing cross connect.

15.3. BASE RATE THROUGH OC-n SERVICES**15.3.2 PUBLIC SECTOR DIGITAL NETWORK SERVICES (Cont'd)****15.3.2.8 REGULATIONS (Cont'd)****15.3.2.8.2 APPLICATION OF RATES (Cont'd)****D. MILEAGE MEASUREMENT**

- (1) The mileage to be used to determine the monthly rate for the Channel Mileage Facility is calculated on the airline distance between the locations involved.
- (2) Mileage charges are shown with each channel type. To determine the rate to be billed, first compute the mileage using the V&H coordinates method, as set forth in the National Exchange Carrier Association, Inc. (NECA) Tariff, FCC No. 4, then multiply the resulting number of miles times the Channel Mileage Facility per mile rate. To this charge, add the Channel Mileage Termination rate for each termination, except on interoffice channels between digital nodes. When the calculation results in a fraction of a mile, always round up to the next whole mile before determining the mileage and applying the rates.
- (3) When hubs are involved, mileage is computed and rates applied separately for each section of the Channel Mileage, i.e., customer designated premises serving wire center to hub, hub to hub and/or hub to customer designated premises serving wire center. However, when any service is routed through a hub for purposes other than customer specified bridging or multiplexing (e.g., the Company chooses the route for test access purposes), rates will be applied only to the distance calculated between the serving wire centers associated with the customer designated premises.
- (4) When digital nodes are involved, mileage is computed and rates applied separately for each section of the Channel Mileage, i.e., customer designated premises serving wire center to digital node, digital node to digital node and/or digital node to customer designated premises serving wire center.
- (5) Company will determine the homing and routing of services between non-nodal serving wire centers and digital nodes based on the Company's network.

15.3. BASE RATE THROUGH OC-n SERVICES

15.3.2 PUBLIC SECTOR DIGITAL NETWORK SERVICES (Cont'd)

15.3.2.8 REGULATIONS (Cont'd)

15.3.2.8.2 APPLICATION OF RATES (Cont'd)

E. FACILITY HUBS

1. A customer has the option of ordering DS-0 service to a facility hub for bridging, or multiplexing onto a DS-1. When placing an order requiring bridging functions, the customer will specify the desired hub. The Nation Exchange Carrier Association, Inc. Tariff FCC No. 4 identifies serving wire centers and hub locations.
2. Point-to-point services may be provided on channels of these services to a hub. The transmission performance for the point-to-point service provided between customer designated premises will be that of the lower capacity or bit rate.
3. The Company will commence billing the monthly rate for the service to the hub on the date specified by the customer on the order. Individual channels utilizing these services may be installed coincident with the installation of the service to the hub or may be ordered and/or installed at a later date, at the option of the customer. The customer will be billed for a DS-0 or a DS-1 Channel Termination, the applicable Channel Mileage, and the optional multiplexer arrangements at the time the service is installed. Individual service rates by service type will apply for a Channel Termination, additional mileage and multiplexer option, as required, for each channelized service. These will be billed to the customer as each individual service is installed.

F. INDEPENDENT COMPANY

1. Company will bill all Public Sector Digital Network Services as the Designated Carrier in LATA 720.
2. Where a portion of a circuit is in an Independent Company territory, Company will bill the customer at exactly the same rates that the Independent Company bills Company as the Designated Carrier for that portion of the circuit. Company will utilize National Exchange Carrier Association, Inc. (NECA) Tariff FCC No. 4 to determine the billing percentages for billing the customer on jointly provided circuits.

15.3. BASE RATE THROUGH OC-n SERVICES

15.3.2 PUBLIC SECTOR DIGITAL NETWORK SERVICES (Cont'd)

15.3.2.9 RATES AND CHARGES:

A. Node-to-Node Services

The following rates apply for each two-point channel section furnished between digital nodes for:

AT&T Nevada
Churchill County Telephone & Telegraph System

	<u>Non-Recurring Charges</u>	<u>Monthly Rates</u>	<u>USOC</u>
<u>Channel Mileage Facility</u>			
Airline mileage –			
- DS-0 channel, each mile	None	\$.35	STNAM

B. Non-Nodal Analog DS-0 Services

The following rates apply for each section furnished to connect the customer to a node-to-node section.

	<u>Non-Recurring Charges</u>	<u>Monthly Rates</u>	<u>USOC</u>
<u>Channel Termination</u>			
AT&T Nevada:			
- 2-wire, per termination	\$566.59	\$21.53	STN2W
- 4-wire, per termination	566.59	33.20	STN4W
- 4-wire, E911 per termination ¹	566.59	185.00	911AL
Churchill County Telephone and Telegraph System:			
- 2-wire, per termination	566.59	96.05	STNC2
- 4-wire, per termination	566.59	95.05	STNC4
CP National-Alltel Corp:			
- 2-wire, per termination	142.68	40.88	STNB2
- 4-wire, per termination	142.68	58.88	STNB4

NOTE 1: Channel Termination for E911 Automatic Line Identification (ALI) Data Base Access Only.
Minimum of two circuits required. One termination per circuit. If customer elects, service may be provided by an interexchange carrier.

15.3. BASE RATE THROUGH OC-n SERVICES

15.3.2 PUBLIC SECTOR DIGITAL NETWORK SERVICES (Cont'd)

15.3.2.9 RATES AND CHARGES: (Cont'd)

B. Non-Nodal Analog DS-0 Services (Cont'd)

	<u>Non-Recurring Charges</u>	<u>Monthly Rates</u>	<u>USOC</u>
Nevada Telephone-Telegraph Company-Alltel Corp.:			
- 2-wire, per termination	\$141.43	\$40.52	STND2
- 4-wire, per termination	141.43	58.37	STND4
Contel of Nevada:			
- 2-wire, per termination	82.40	30.78	STNE2
- 4-wire, per termination	82.40	61.83	STNE4
Lincoln County Telephone System, Inc.:			
-	2-wire, per termination		
First 1/4 Mile or Fraction	223.24	5.00	STNSS
Each Additional 1/4 Mile	None	3.65	STNTT
-	4-wire, per termination		
First 1/4 Mile or Fraction	223.24	10.00	STNUU
Each Additional 1/4 Mile	None	7.30	STNVV
 <u>Channel Mileage</u>			
AT&T Nevada:			
- Channel Mileage Facility, per mile	None	.47	STNNB
- Channel Mileage Termination, per termination	None	13.14	STNTB
CP National-Alltel Corp.:			
- Channel Mileage Facility, per mile	None	2.94	STNAA
- Channel Mileage Termination, per termination	None	54.62	STNBB
Nevada Telephone-Telegraph Company-Alltel Corp.:			
- Channel Mileage Facility, per mile	None	2.92	STNCC
- Channel Mileage Termination, per termination	None	54.15	STNDD

15.3. BASE RATE THROUGH OC-n SERVICES

15.3.2 PUBLIC SECTOR DIGITAL NETWORK SERVICES (Cont'd)

15.3.2.9 RATES AND CHARGES: (Cont'd)

B. Non-Nodal Analog DS-0 Services (Cont'd)

	<u>Non-Recurring Charges</u>	<u>Monthly Rates</u>	<u>USOC</u>
Contel of Nevada:			
- Channel Mileage Facility, per mile	None	\$ 1.86	STNEE
- Channel Mileage Termination, per termination	None	16.21	STNFF
Lincoln County Telephone System, Inc.:			
- 2-Wire Channel Transport, per channel, per mile ¹	None	3.40	STNWW

¹ 4-Wire channel, double monthly rate per channel, per mile.

15.3. BASE RATE THROUGH OC-n SERVICES

15.3.2 PUBLIC SECTOR DIGITAL NETWORK SERVICES (Cont'd)

15.3.2.9 RATES AND CHARGES: (Cont'd)

B. Non-Nodal Analog DS-0 Services (Cont'd)

	<u>Non-Recurring Charges</u>	<u>Monthly Rates</u>	<u>USOC</u>
<u>Optional Features and Functions</u>			
AT&T Nevada:			
<u>Bridging:</u>			
- Voice Bridging, 2-wire, per port	None	RR ¹	BCNV2
4-wire, per port	None	RR ¹	BCNV4
- Data Bridging			
2-wire, per port	None	RR ¹	BCND2
4-wire, per port	None	RR ¹	BCND4
<u>Conditioning:</u>			
- C-Type, per termination	None	RR ¹	X1CPT
- Improved Attenuation Distortion, per termination	RR ¹	RR ¹	UHW
- Improved Envelope Delay Distortion, per termination	RR ¹	RR ¹	UHY
<u>Improved Return Loss for Effective Transmission</u>			
- 2-wire, per termination	None	RR ¹	1RL2W
- 4-wire, per termination	None	RR ¹	1RL4W
<u>Data Capability</u>			
- per termination	RR ¹	RR ¹	XDCPT
<u>Signaling Capability</u>			
- per termination	None	RR ¹	XSSSS

Note 1: Rates and charges are located in P.U.C.N. Tariff C7-A Section 7.7.6.

15.3. BASE RATE THROUGH OC-n SERVICES

15.3.2 PUBLIC SECTOR DIGITAL NETWORK SERVICES (Cont'd)

15.3.2.9 RATES AND CHARGES: (Cont'd)

c. Non-Nodal Digital DS-0 Services

The following rates apply for each section furnished to connect the customer to a node-to-node section.

	<u>Non-Recurring Charges</u>	<u>Monthly Rates</u>	<u>USOC</u>
AT&T Nevada:			
- 9.6 kbps, per termination	\$714.38	\$ 90.08	STN96
- 56 kbps, per termination	714.38	183.56	STN56
- 64 kbps, per termination	714.38	183.56	STN64
C.P. National AllTel Corp.,:			
- 9.6 kbps, per termination	270.56	127.97	STNGG
- 56 kbps, per termination	409.49	64.19	STNCP
Churchill County Telephone and Telegraph System:			
- 9.6 kbps, per termination	714.38	96.05	96CCT
- 56 kbps, per termination	714.38	183.56	56CCT
- 64 kbps, per termination	714.38	183.56	64CCT
 <u>Channel Mileage Facility</u>			
AT&T Nevada:			
- 9.6 kbps, per mile	None	.47	96CMF
- 56 kbps, per mile	None	.97	56CMF
- 64 kbps, per mile	None	.97	64CMF
C.P. National-AllTel Corp.			
- 9.6 kbps, per mile	None	3.46	STNJJ
- 56 kbps, per mile	None	2.21	56CPM

15.3. BASE RATE THROUGH OC-n SERVICES

15.3.2 PUBLIC SECTOR DIGITAL NETWORK SERVICES (Cont'd)

15.3.2.9 RATES AND CHARGES: (Cont'd)

c. Non-Nodal Digital DS-0 Services (Cont'd)

	<u>Non-Recurring Charges</u>	<u>Monthly Rates</u>	<u>USOC</u>
<u>Channel Mileage Termination</u>			
AT&T Nevada:			
- 9.6 kbps, per termination	None	\$13.86	96CMT
- 56 kbps, per termination	None	26.38	96CMT
- 64 kbps, per termination	None	26.38	96CMT
C.P. National-AllTel Corp.:			
- 9.6 kbps, per termination	None	191.13	96CMT
- 56 kbps, per termination	None	124.19	96CMT
<u>Optional Features and Functions</u>			
AT&T Nevada:			
Bridging			
- Per Port	None	RR ¹	BCNDA

NOTE 1: Rates and charges are located in P.U.C.N. Tariff C7-A Section 7.7.6.

15.3. BASE RATE THROUGH OC-n SERVICES

15.3.3. OC-*n* POINT-TO-POINT SERVICE

A. SERVICE DESCRIPTION

OC-*n* Point-to-Point Service provides high-speed synchronous optical fiber-based full duplex data transmission capabilities. OC-*n* channels may be either channelized (non-concatenated) or non-channelized (concatenated, designated as OC-*nc*). This service provides optical data transmission with the following characteristics:

- OC-3/OC-3c Service provides channels operating at the terminating bit rate of 155.52 Mbps
- OC-12/OC-12c Service provides channels operating at the terminating bit rate of 622.08 Mbps
- OC-48/OC-48c Service provides channels operating at the terminating bit rate of 2488.32 Mbps
- OC-192/OC-192c Service provides channels operating at the terminating bit rate of 9953.28 Mbps

OC-*n* channels may be used to connect:

- A customer-designated premises to another customer-designated premises
- A customer-designated premise to a Company location where Add/Drop Multiplexing, and/or Add/Drop Functions are performed

OC-*n* Service channels may be connected by:

- Using the appropriate OC-*n* Add/Drop Multiplexer (mux) along with the Add/Drop Function to a Company High Capacity DS1 and/or DS3 Service at suitably equipped wire centers, i.e., non-concatenated or
- Using the full bandwidth premises to premises, i.e. concatenated

15.3. BASE RATE THROUGH OC-n SERVICES

15.3.3. OC-*n* POINT-TO-POINT SERVICE (Cont'd)
A. SERVICE DESCRIPTION (Cont'd)Definitions

Interoffice Transport – Provides the transmission paths between Serving Wire Centers (SWC) associated with two customer-designated premises or between a SWC associated with a customer premises and a Company Hub location. Four interoffice transport types are available: OC-3 transport which supports a bit rate of 155.52, OC-12 transport at the 622.08 bit, OC-48 transport at a bit rate of 2488.32 and OC-192 at a bit rate of 9953.28.

Local Distribution Channel – Provides optical interconnection between a Company SWC and the customer premises.

OC-*n* Add/Drop Multiplexing – An arrangement that allows an OC-*n* channel operating at a terminating speed of 155.52 Mbps, 622.08 Mbps, 2488.32 Mbps and 9953.28 Mbps respectively, to add/drop a lower speed channel by using this feature along with the Add/Drop Function.

SONET (Synchronous Optical Network) – Set of international standards for fiber optic based transmission systems. SONET defines standard optical carrier transmission rates and utilizes a modular multiplexing approach based on the application of Synchronous Transport Signals (STS).

B. REGULATIONS

1. The regulations, rates and charges specified herein are in addition to other regulations, rates and charges as specified in this Catalog and in Company Guidebooks.

The services provided for OC-*n* Point-to-Point Service are primarily designed to meet the private line communications requirements of business customers, and the regulations herein reflect the reasonable support on the part of the Company in assisting the customer in the ordering and provisioning of private line services. This assistance includes, but is not limited to, advice as to which private line service best meets the customer's requirements, taking into consideration the customer's present and future communications needs.

In addition, the Company will continue to assist and advise customers and cooperatively respond to the requirements of customers until such time as the private line service is discontinued. The aforementioned level of assistance is considered to be a part of the private line service offering.

15.3. BASE RATE THROUGH OC-n SERVICES

15.3.3. OC-*n* POINT-TO-POINT SERVICE (Cont'd)

B. REGULATIONS (Cont'd)

2. OC-*n* Point-to-Point Service is available only on a point-to-point intraLATA basis to customers served by and within the service territories of the Company only.
3. OC-*n* Point-to-Point Service can only be provided within the same LATA where existing facilities and equipment permit. Services between serving wire centers must have appropriate service components between all intermediate offices to have the ability to provide the service. Additional service features may be available only at selected central offices as determined by the Company.
4. Assignment or Transfer of Service – The service of a customer, or any rights associated therewith, may be assigned or transferred, with the customers consent, only under the following conditions:
 - a. There is no interruption or relocation of the service.
 - b. The assignee or transferee assumes all outstanding indebtedness for the service and the unexpired portion of the service period originally contracted for.
 - c. All regulations and conditions contained in this Guidebook shall apply to the assignee or transferee.
5. OC-*n* Point-to-Point Service is furnished on a full-time basis (24 hours a day, seven days per week.)
6. Customer requests for OC-*n* Point-to-Point Service may require construction of suitable service components. The regulations, rates and charges applicable to special construction as provided in Part 2, Section 5 in this Guidebook. Service availability will be negotiated locally.

15.3. BASE RATE THROUGH OC-*n* SERVICES15.3.3. OC-*n* POINT-TO-POINT SERVICE (Cont'd)

B. REGULATIONS (Cont'd)

7. The customer is responsible via the ordering process to identify what STS signal configuration is to be contained in each OC-*n* service connection and each STS-1, STS-3 and/or STS-12 payload content. This information is needed for routing and connection purposes in the network.
8. When OC-*n* Point-to-Point Service is provided, the customer is responsible for providing the Optical Line Termination (OLT) at the customer's premises. The OLT supplied at the customer premises must be compatible with the OLT used by the Company in the Serving Wire Center.
9. The Data Communications Channel (DCC) is not extended to the customer.
10. All Local Distribution Channels (LDCs) comprising a channel must have the same terminating bit rate unless multiplexing is performed at a Company Hub location.
11. The options in Add/Drop Multiplexing and Add/Drop Function cannot be used with OC-*n* Point-to-Point Service configured by the customer to contain a single non-channelized (concatenated) STS-3c, STS-12c, STS-48c, or STS-192c signal, respectively.
12. When ordering the 1+1 Protection with Route Survivability option:
 - The protect fiber will be charged on a distance sensitive basis, based on quarter route miles, from the customer premises to the serving wire center or alternate wire center.
 - Prior to confirming an order for service, the Company will provide a proposed route diagram to the customer. The diagram will include the number of quarter route miles and method used to support the number needed to provide the alternate route. In order to avoid compromising Route Survivability information, the Company will provide this information only to the ordering customer.
 - Installation of the 1+1 Protection with Route Survivability will not begin until the customer has accepted the proposed routing by the Company.
13. The minimum service period for OC-*n* Point-to-Point Service is 36 months.

15.3. BASE RATE THROUGH OC-n SERVICES

15.3.3. OC-n POINT-TO-POINT SERVICE (Cont'd)
C. SERVICE CONFIGURATIONS (Cont'd)

OC-n Point-to-Point Service, based on customer requirements, can be configured in any of the following ways:

OC-3

- (1) Three STS-1 (Synchronous Transport Signals) channels which each contain:
 - One DS3 that is STS-1 mapped
 - Up to 28 DSIs that are VT-mapped
 - An STS-1 channel without constraint to payload mapping when the STS-1 channel does not terminate via an Add/Drop Function to DS1 or DS3 services within the Company's network
- (2) A single concatenated STS-3C channel
- (3) 1 Gbps Ethernet STS-1, 1v-2v (N)

OC-12

- (1) Twelve STS-1 channels which each contain:
 - One DS3 that is STS-1 mapped
 - Up to 28 DSIs that are VT-mapped
 - An STS-1 channel without constraint to payload mapping when the STS-1 channel does not terminate via an Add/Drop Function to DS1 or DS3 services within the Company's network
- (2) Four concatenated STS-3C channels
- (3) From one to three STS-3C channels mixed with from three to nine STS-1 channels subject to utilization of the total OC-12 capacity
- (4) A single concatenated STS-12C channel
- (5) 1 Gbps Ethernet STS-1, 1v-9v (N)
- (6) 1 Gbps Ethernet STS-3c, 1v-3v (N)

15.3. BASE RATE THROUGH OC-n SERVICES

15.3.3. OC-n POINT-TO-POINT SERVICE (Cont'd)
C. SERVICE CONFIGURATIONS (Cont'd)

OC-48

(1) Forty-eight STS-1 channels which each contain:

- One DS3 that is STS-1 mapped;
- Up to 28 DS1s that are VT-mapped;
- An STS-1 channel without constraint to payload mapping when the STS-1 channel does not terminate via a Add/Drop Function to DS1 or DS3 services within the Company's network;

(2) Sixteen concatenated STS-3C channels:

- From one to fifteen concatenated STS-3C channels mixed with from three to forty-five STS-1 channels subject to utilization of the total OC-48 capacity;

(3) Four concatenated STS-12C channels:

- From one to three concatenated STS-12C channels mixed with from twelve to thirty-six STS-1 channels subject to utilization of the total OC-48 capacity;
- From one to three concatenated STS-12C channels mixed with from four to twelve concatenated STS-3C channels, also mixed with from three to thirty-three STS-1 channels subject to utilization of the total OC-48 capacity;
- From one to three concatenated STS-12C channels mixed with from one to eleven concatenated STS-3C channels, also mixed with from three to thirty-three STS-1 channels subject to utilization of the total OC-48 capacity.

(4) 1 Gbps Ethernet STS-1, 1v-21v (N)

(5) 1 Gbps Ethernet STS-3c, 1v-7v (N)

15.3. BASE RATE THROUGH OC-n SERVICES

15.3.3. OC-*n* POINT-TO-POINT SERVICE (Cont'd) C. SERVICE CONFIGURATIONS (Cont'd)

OC-192

(1) One hundred ninety two interleaved STS-1 channels which each contain:

- One DS3 that is STS-1 mapped;
- up to 28 DS1s that are VT-mapped;
- An STS-1 channel without constraint to payload mapping when the STS-1 channel does not terminate via an Add/Drop Function to DS1 or DS3 services within the Company's network;

(2) Sixty four interleaved concatenated STS-3C channels:

- From one to sixty three interleaved concatenated STS-3C channels mixed with from three to one hundred and eighty nine STS-1 channels, subject to utilization of the total STS-192 capacity;

(3) Sixteen interleaved concatenated STS-12C channels:

- From one to fifteen interleaved concatenated STS-12C channels mixed with from twelve to one hundred and eighty STS-1 channels to utilization of the total STS-192 capacity;
- From one to fifteen interleaved concatenated STS-12C channels mixed with from four to sixty concatenated STS-3C channels subject to utilization of the total STS-192 capacity;
- From one to fifteen interleaved concatenated STS-12C channels mixed with from one to fifty nine concatenated STS-3C channels, also mixed with from three to one hundred and seventy seven STS-1 channels subject to utilization of the total STS-192 capacity.

15.3. BASE RATE THROUGH OC-n SERVICES

15.3.3. OC-n POINT-TO-POINT SERVICE (Cont'd)

C. SERVICE CONFIGURATIONS (Cont'd)

OC-192 (Cont'd)

(4) Four interleaved concatenated STS-48C channels:

- From one to three interleaved concatenated STS-48C channels mixed with from forty eight to one hundred and forty four STS-1 channels subject to utilization of the total STS-192 capacity;
- From one to three interleaved concatenated STS-48C channels mixed with from sixteen to forty eight STS-3c channels subject to utilization of the total STS-192 capacity;
- From one to three interleaved concatenated STS-48C channels mixed with from four to twelve STS-12c channels subject to utilization of the total STS-192 capacity;
- From one to three interleaved concatenated STS-48C channels mixed with from one to forty seven concatenated STS-3C channels, also mixed with from three to one hundred and forty one STS-1 channels subject to utilization of the total STS-192 capacity;
- From one to three interleaved concatenated STS-48C channels mixed with from one to eleven concatenated STS-12C channels, also mixed with from twelve to one hundred and thirty two STS-1 channels subject to utilization of the total STS-192 capacity;
- From one to three interleaved concatenated STS-48C channels mixed with from one to eleven concatenated STS-12C channels, also mixed with from four to forty four concatenated STS-3c channels subject to utilization of the total STS-192 capacity;
- From one to three interleaved concatenated STS-48C channels mixed with from one to eleven concatenated STS-12C channels, also mixed with from three to one hundred twenty nine STS-1 channels subject to utilization of the total STS-192 capacity.

(5) 1 Gbps Ethernet STS-1, 1v-21v (N)

(6) 1 Gbps Ethernet STS-3c, 1v-7v (N)

15.3. BASE RATE THROUGH OC-n SERVICES

15.3.3. OC-n POINT-TO-POINT SERVICE (Cont'd)

D. TECHNICAL SPECIFICATIONS

The technical specifications for OC-n Point-to-Point Service are described in Technical Reference AM-TR-NIS-000111. The Company will work cooperatively with the customer to select compatible Optical Line Terminations (OLTs) which conform to the requirements set forth in Technical Reference Publication AM-TR-TMO-000101.

The network channel interfaces define the bit rates that are available for OC-n Point-to-Point Services operating at speeds of 155.52 Mbps, 622.08 Mbps, 2488.32 Mbps and 9953.28 Mbps respectively. Network Channel interfaces and codes are described in Ameritech Technical Publication AM-TR-TMO-000080.

<u>Subject</u>	<u>Technical Reference</u>
Ameritech Service's Network Channel and Network Channel Interface Codes	AM-TR-TMO-000080
Ameritech Digital Service Transmission Parameters	AM-TR-TMO-000101
Ameritech OC-3, OC-12, OC-48 and OC-192 Service Interface Specifications	AM-TR-NIS-000111
Synchronous Optical Network (SONET) Transport Systems: Common Generic Criteria	Telcordia Technologies GR-253-CORE, Issue 4

22

The Technical Reference can be obtained from:

APEX Support Team
(734) 523-7348

The Telcordia Technologies Publication can be obtained from:

Telcordia Technologies
One Telcordia Drive, RRC 1B-180
Piscataway, New Jersey 08854

2222

15.3. BASE RATE THROUGH OC-n SERVICES

15.3.3. OC-*n* POINT-TO-POINT SERVICE (Cont'd)

E. SERVICE COMPONENTS

There are four basic rate elements which may apply to OC-*n* Point-to-Point Service:

Nonrecurring Charges

Local Distribution Channel (LDC)

Interoffice Transport (which consists of a combination of Channel Mileage and Channel Mileage Terminations)

Optional Features and Functions

1. Nonrecurring Charges

(a) General

Nonrecurring Charges are one-time charges that apply for specific work activities (i.e., installation of new service, moves and rearrangements of installed services.) There are three different Nonrecurring Charges: Administrative Charge, Design and Central Office Connection Charge and the Customer Connection Charge. The Administrative Charge applies any time a customer initiates an order for service. This charge applies once per customer order. The Design and Central Office Connection Charge applies to each service installed, and is charged once per circuit. The Customer Connection Charge applies to each service installed, and is charged once per customer termination.

(b) Service Arrangements

Service rearrangements are changes to existing (installed) services which do not result in either a change in the minimum period requirements or a change in the physical location of the point of termination at a customer premises. Changes in physical location of the point of termination are treated as moves and the following nonrecurring charges apply: Administrative, Design and Central Office and Customer Connection.

15.3. BASE RATE THROUGH OC-n SERVICES

15.3.3. OC-*n* POINT-TO-POINT SERVICE (Cont'd)

E. SERVICE COMPONENTS (Cont'd)

1. Nonrecurring Charges (Cont'd)

Service rearrangements will be charged as follows:

If a change involves the rearrangement of an OC-*n* Point-to-Point Service (nonchannelized) to an arrangement with an Add/Drop Multiplexer and an Add/Drop Function or vice-versa, an Administrative Charge, Design and Central Office Connection Charge and Customer Connection Charge will apply.

A change in payload mapping within an OC-*n* package will require a redesign of the OC-*n* Point-to-Point Service, and an Administrative Charge and Design and Central Office Connection Charge will apply.

2. Local Distribution Channel (LDCs)

Local Distribution Channels (LDCs) provide optical interconnection between a Company Serving Wire Center (SWC) and the customer premises. LDCs are available at terminating bit rates of 155.52 Mbps, 622.08 Mbps, 2488.32 Mbps and 9953.28 Mbps. LDCs are provided in 4 fiber loop format in a synchronous data transmission format. Rates and charges apply per LDC termination at a customer's premises.

3. Interoffice Transport

Interoffice Transport facilities, comprised of Channel Mileage Termination (CMT) and Channel Mileage (CM), provide the transmission paths between Serving Wire Centers associated with two customer-designated premise or between SWC associated with a customer premises and a Company Hub location. Four interoffice transport types are available: OC-3 transport which supports a bit rate of 155.52, OC-12 transport at the 622.08 bit rate, OC-48 transport at a bit rate of 2488.32 and OC-192 transport at a bit rate of 9953.28.

Channel Mileage and Channel Mileage Terminations will be charged between the SWC and the alternate wire center using the V&H coordinates method as stated in National Exchange Carrier Association Tariff F.C.C. No. 4.

15.3. BASE RATE THROUGH OC-n SERVICES

15.3.3. OC-*n* POINT-TO-POINT SERVICE (Cont'd)

E. SERVICE COMPONENTS (Cont'd)

3. Interoffice Transport (Cont'd)

OC-3 LDCs are interconnected to OC-3 transport, OC-12 LDCs are interconnected to OC-12 transport, OC-48 LDCs are interconnected to OC-48 transport and OC-192 LDCs are interconnected to OC-192 transport.

In addition, interoffice transport can be connected between wire centers with Add/Drop Multiplexing at a lower OC-*n* speed than the LDC, if the transport is between a lower speed Add/Drop Function and:

- another lower speed Add/Drop Function
- another lower speed Local Distribution Channel
- a lower speed Dedicated Ring Port

All of the above terminations must be the same speed as the transport.

4. Optional Features and Functions

(a) OC-*n* Add/Drop Multiplexing

An arrangement that allows an OC-*n* channel operating at a terminating speed of 155.52 Mbps, 622.08 Mbps, 2488.32 Mbps and 9953.28 Mbps respectively, to add/drop a lower speed channel by using this feature along with the Add/Drop Function as stated below.

OC-3 Add/Drop Multiplexing at a Company wire center will provide the capability to support the full Add/Drop Function capacity of OC-3 Service bandwidth with up to three DS3 Add/Drop functions or equivalently up to three groups of 28 DS1 Add/Drop Functions.

OC-12 Add/Drop Multiplexing at a Company wire center will provide the capability to support the full Add/Drop Function capacity of OC-12 Service bandwidth with up to four OC-3 Add/Drop Functions or up to twelve DS3 Add/Drop Functions or equivalent combinations of OC-3 and DS3.

15.3. BASE RATE THROUGH OC-n SERVICES

15.3.3. OC-*n* POINT-TO-POINT SERVICE (Cont'd)

E. SERVICE COMPONENTS (Cont'd)

4. Optional Features and Functions (Cont'd)

(a) OC-*n* Add/Drop Multiplexing (Cont'd)

OC-48 Add/Drop Multiplexing at a Company wire center will provide the capability to support one quarter of the Add/Drop Function capacity of OC-48 Service bandwidth. Up to four OC-48 Add/Drop Multiplexing options may be provided with each supporting one OC-12 Add/Drop Function, or up to four OC-3 Add/Drop Functions or up to twelve DS3 Add/Drop Functions or equivalent combination of OC-3 and DS3 Add/Drop Functions.

OC-192 Add/Drop Multiplexing at a Company wire center will provide the capability to support full Add/Drop Function capacity of OC-192 Service bandwidth. Up to four OC-48 Add/Drop Multiplexing options, or up to 16 OC-12 Add/Drop Functions, or up to 64 OC-3 Add/Drop Functions or equivalent combinations of OC-48, OC-12 and OC-3 Add/Drop Functions may be provided.

(b) Add/Drop Function

OC-*n* Point-to-Point Service is able to add or drop lower level signals as shown in the matrix following. The Add/Drop Function is offered at a circuit level. For example, if a customer wants to drop one DS3 signal from an OC-12 service, one Add/Drop function charge for the DS3 would be applicable, in addition to the OC-12 Add/Drop Multiplexing charge. (T)
(T)
(T)

OC-*n* Point-to-Point Service is only able to add or drop the services that have been identified by payload content (mapped) within the bandwidth. DS1 mapped STS-1 signals are only able to connect to a DS1, and DS3 mapped STS-1 signals are only able to connect to a DS3. If a change is required it may be accomplished by the customer's CPE or through the current asynchronous environment for multiplexing of DS3 and DS1 Services. See Central Office (CO) Multiplexing for DS1 and DS3 Services.

15.3. BASE RATE THROUGH OC-*n* SERVICES

15.3.3. OC-*n* POINT-TO-POINT SERVICE (Cont'd)

E. SERVICE COMPONENTS (Cont'd)

4. Optional Features and Functions (Cont'd)

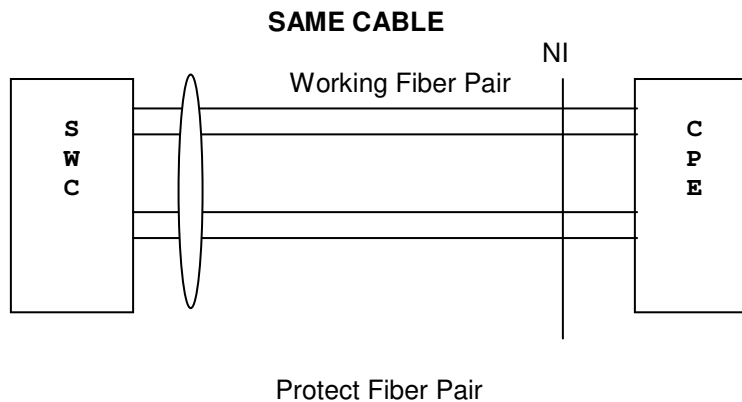
(b) Add/Drop Function (Cont'd)

ADD/DROP Function						
	DS1	DS3	OC-3	OC-12	OC-48	1000 Base LX
OC-192	No ¹	Yes ²	Yes	Yes	Yes	Yes
OC-48	No ¹	Yes	Yes	Yes	N/A	Yes
OC-12	No ¹	Yes	Yes	N/A	N/A	Yes
OC-3	Yes	Yes	N/A	N/A	N/A	Yes

(N)
|
(C)
|
(N)

(c) 1+1 Protection

The base OC-*n* Point-to-Point Service is offered with four fibers in the same cable, but the protection card will only be activated when this option is ordered. This will allow customers to order protection if their CPE can accommodate it.



NOTE 1: To add/drop a DS1 from an OC-12 and/or OC-48, an intermediate step at either OC-3 or DS3 must be taken. To add/drop a DS1 from an OC-192, an intermediate step at OC-48 must be taken.

NOTE 2: Only the first 24 DS3s will be dropped directly off an OC-192, the 25th DS3 requires an OC-3, OC-12 or OC-48 subtended shelf.

15.3. BASE RATE THROUGH OC-n SERVICES

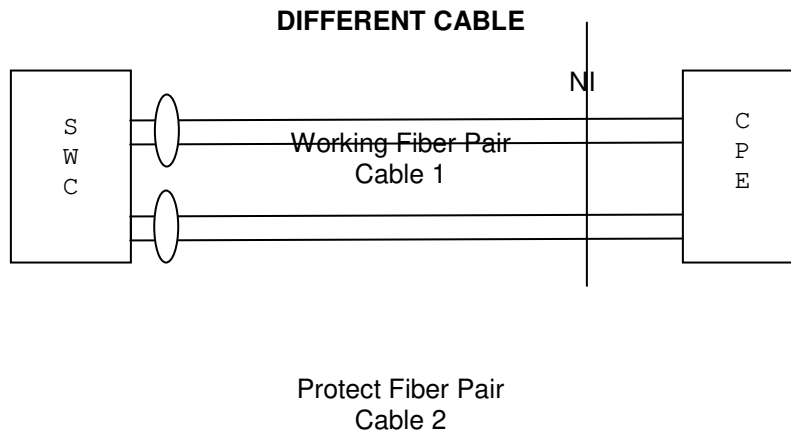
15.3.3. OC-n POINT-TO-POINT SERVICE (Cont'd)

E. SERVICE COMPONENTS (Cont'd)

4. Optional Features and Functions (Cont'd)

(d) 1+1 Protection with Cable Survivability

This option will provide 1+1 protection and additional loop survivability with the working fiber pair and protect fiber pair placed in separate cables within the same conduit.



(e) 1+1 Protection with Route Survivability

This option will provide 1+1 protection and offer additional protection from fiber cable cuts by routing the working fiber pair via the primary route and the protect fiber pair via a physically diverse alternate route.

This option will also assure 100 percent availability of the service. Any service interruption will result in a credit allowance as described in the Guidebook of Terms and Conditions.

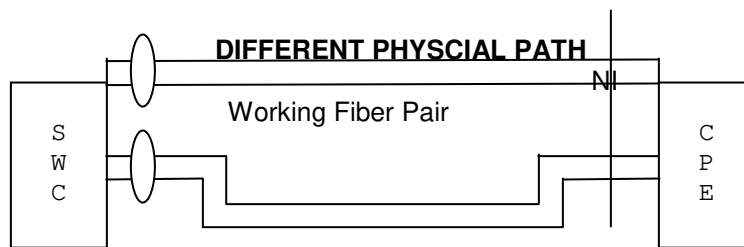
15.3. BASE RATE THROUGH OC-n SERVICES

15.3.3. OC-n POINT-TO-POINT SERVICE (Cont'd)

E. SERVICE COMPONENTS (Cont'd)

4. Optional Features and Functions (Cont'd)

(e) 1+1 Protection with Route Survivability (Cont'd)



Protect Fiber Pair

(f) Point-to-Point Regenerator

Regenerators provide essential detection and retransmission of SONET Optical 2488.32 Mbps or 9953.28 Mbps signals between customer premises. Regenerators will only be provided as required by the Company when actual fiber facility distances between customer designated premises and/or central office locations exceed designed limits (typically 25 to 30 miles). Regenerators will be located exclusively in Company central offices.

15.3. BASE RATE THROUGH OC-n SERVICES

15.3.3. OC-*n* POINT-TO-POINT SERVICE (Cont'd)

E. SERVICE COMPONENTS (cont'd)

4. Optional Features and Functions (cont'd)

(f) Ethernet over SONET (EoS)

EoS allows the efficient transport of Ethernet Frames using SONET. Ethernet Optical Add/Drop capability will be available in bandwidths up to one Gbps on an OC-*n* Point-to-Point Service. As SONET bandwidths will be preset, the customer will be unable to transmit data beyond these preset SONET bandwidths. Only single-mode fiber is available in the Central Office. The EoS line rates are based on the theoretical SONET payload line rates as specified in Telcordia Publication GR-253-CORE, Issue 4. These values are not representative of the true Ethernet transport capacity of the EoS circuit.

(N)
—
(N)

15.3. BASE RATE THROUGH OC-n SERVICES

15.3.3. OC-n POINT-TO-POINT SERVICE (Cont'd)

F. RATES AND CHARGES

Nonrecurring	<u>USOC</u>	<u>Charge</u>
Administrative Charge, per service order		
- OC-3/OC-3c Service 155.52 Mbps	ORCMX	\$60.00
- OC-12/OC-12c Service 622.08 Mbps	ORCMX	60.00
- OC-48/OC-48c Service 2488.32 Mbps	ORCMX	60.00
- OC-192/OC-192c Service 9953.28 Mbps	ORCMX	60.00
Design and Central Office Connection Charge, per circuit		
- OC-3/OC-3c Service 155.52 Mbps	NRBCL	375.00
- OC-12/OC-12c Service 622.08 Mbps	NRBCL	375.00
- OC-48/OC-48c Service 2488.32 Mbps	NRBCL	500.00
- OC-192/OC-192c Service 9953.28 Mbps	NRBCL	2,250.00
Customer Connection Charge, per termination		
- OC-3/OC-3c Service 155.52 Mbps	NRBBL	450.00
- OC-12/OC-12c Service 622.08 Mbps	NRBBL	450.00
- OC-48/OC-48c Service 2488.32 Mbps	NRBBL	600.00
- OC-192/OC-192c Service 9953.28 Mbps	NRBBL	600.00

15.3. BASE RATE THROUGH OC-n SERVICES

15.3.3. OC-n POINT-TO-POINT SERVICE (Cont'd)

F. RATES AND CHARGES (Cont'd)

		Monthly Recurring Charges			
	<u>USOC</u>	<u>3 Year</u>	<u>5 Year</u> ^{/1/}	<u>Monthly Extension</u>	(N)
Local Distribution Channel					
per point of termination					
- OC-3/OC-3c	TMECS	\$1,700.00	\$1,300.00	\$2,275.00	
- OC-12/OC-12c	TMECS	4,000.00	3,000.00	5,250.00	
- OC-48/OC-48c	TMECS	9,800.00	7,000.00	12,250.00	
- OC-192/OC-192c	TMECS	29,400.00	21,000.00	36,000.00	
Channel Mileage Termination					
per point of mileage termination					
- OC-3	TMESX	975.00	886.00	1,550.00	
- OC-12	TMESX	2,925.00	2,250.00	4,100.00	
- OC-48	TMESX	5,625.00	4,500.00	12,250.00	
- OC-192	TMESX	16,875.00	13,500.00	36,000.00	
Channel Mileage, per mile					
- OC-3	1HOFS	260.00	220.00	350.00	
- OC-12	1HOFS	260.00	220.00	350.00	
- OC-48	1HOFS	260.00	220.00	350.00	
- OC-192	1HOFS	360.00	300.00	450.00	
<u>Optional Features</u>					
Add/Drop Multiplexing					
per arrangement					
- OC-3	MPECX	1,200.00	950.00	1,650.00	
- OC-12	MPEDX	2,800.00	2,100.00	3,575.00	
- OC-48	MXRFX	4,625.00	3,700.00	6,375.00	
- OC-192	MXRGX	12,000.00	9,600.00	16,800.00	

/1/ As of October 1, 2013, Term Pricing Plan terms greater than 36 months are no longer available for new or renewing subscribers. (N)
(N)

15.3. BASE RATE THROUGH OC-n SERVICES

15.3.3. OC-n POINT-TO-POINT SERVICE (Cont'd)

F. RATES AND CHARGES (Cont'd)

<u>Optional Features</u> (Cont'd)	<u>USOC</u>	<u>Nonrecurring Charge</u>	<u>Monthly Rate</u>	
Add/Drop Function				
OC-3 Service				
- Per DS3 Add or Drop	MXJBX	None	\$150.00	
- Per DS1 Add or Drop	MXJAX	None	55.00	
- Per 1000 BaseLX Ethernet	MX4LX	None	500.00	(N)
OC-12 Service				
- Per OC-3 Add or Drop	MXJCX	None	250.00	
- Per DS3 Add or Drop	MXJBX	None	150.00	
- Per 1000 BaseLX Ethernet	MX4LX	None	500.00	(N)
OC-48 Service				
- Per OC-12 Add or Drop	MXJEX	None	625.00	
- Per OC-3 Add or Drop	MXJCX	None	250.00	
- Per DS3 Add or Drop	MXJBX	None	150.00	
- Per 1000 BaseLX Ethernet	MX4LX	None	500.00	(N)
OC-192 Service				
- Per OC-48 Add or Drop	MXJFX	None	1,800.00	
- Per OC-12 Add or Drop	MXJEX	None	625.00	
- Per OC-3 Add or Drop	MXJCX	None	250.00	
- Per 1000 BaseLX Ethernet	MX4LX	None	500.00	(N)
1+1 Protection				
- Per OC-3/OC-3c LDC	P8T	None	180.00	
- Per OC-12/OC-12c LDC	P8T	None	260.00	
- Per OC-48/OC-48c LDC	P8T	None	1,410.00	
- Per OC-192/OC-192c LDC	P8T	None	2,700.00	

15.3. BASE RATE THROUGH OC-n SERVICES

15.3.3. OC-n POINT-TO-POINT SERVICE (Cont'd)

F. RATES AND CHARGES (Cont'd)

G.

Optional Features (Cont'd)

	<u>USOC</u>	<u>Nonrecurring Charge</u>	<u>Monthly Rate</u>
1+1 Protection with Cable Survivability			
- Per OC-3/OC-3c LDC	P3S	\$500.00	\$180.00
- Per OC-12/OC-12c LDC	P3S	600.00	260.00
- Per OC-48/OC-48c LDC	P3S	700.00	1,410.00
- Per OC-192/OC-192 LDC	P3S	800.00	2,700.00
1+1 Protection with Route Survivability			
- Per OC-3/OC-3c LDC	P8T	Apply P8T preceding plus 'Per Quarter Route Mile' below	
- Per OC-12/OC-12c LDC	P8T		
- Per OC-48/OC-48c LDC	P8T		
- Per OC-192/OC-192c LDC	P8T		
Per Quarter Route Mile			
- OC-3	S2DXY	None	50.00
- OC-12	S2DXY	None	100.00
- OC-48	S2DXY	None	125.00
- OC-192	S2DXY	None	150.00
Point-to-Point Regenerator			
Per OC-48 regenerator	RGY48	None	5,500.00
Per OC-192 regenerator	RGY92	None	11,000.00

15.3. BASE RATE THROUGH OC-n SERVICES

15.3.3. OC-n POINT-TO-POINT SERVICE (Cont'd)

F. RATES AND CHARGES (Cont'd)

Optional Features (Cont'd)

	<u>USOC</u>	<u>Nonrecurring Charge</u>	<u>Monthly Rate</u>
OC-n Point-to-Point Diversity (1)			
- Per OC-3 circuit	CPAPA	None	\$200.00
- Per OC-12 circuit	CPAPB	None	300.00
- Per OC-48 circuit	CPAPC	None	700.00
- Per OC-192 circuit	CPAPD	None	1,200.00

15.3. BASE RATE THROUGH OC-n SERVICES

15.3.3. OC-n POINT-TO-POINT SERVICE (Cont'd)

G. TERM PRICING PLAN

The Term Pricing Plan provides the customer with rate stabilization and discounted rates. The Term Pricing plan provides for three or five^{/1/} year rate stabilization. Decreases in monthly recurring rates will be passed on to customers who participate in a Term Pricing Plan (TPP). The Company will notify customers participating in a Term Pricing Plan when monthly rates are decreased. (N)

Should the Company increase its rates during the Term Pricing Plan period, the customer will continue to pay the rates in effect at the time the customer elected to establish service under the Term Pricing Plan.

The customer must provide the Company with a written notice of intent to renew a Term Pricing Plan no later than 90 days prior to its expiration. If a customer chooses to renew a Term Pricing Plan, then monthly rates for the new TPP selected will be at the current rates in effect for new customers. If the customer elects not to renew the Term Pricing Plan, or does not notify the Company of the customer's intent to renew the Term Pricing Plan, the service will automatically be billed under the monthly extension rate in effect at the time the Term Pricing Plan expires.

During a customer's TPP term, conversion may be made to a new TPP term of the same or different length or to a higher speed service, if the expiration date for the new service or TPP term is beyond the end of the original TPP term. The new TPP term becomes effective upon execution. No credit for months under the previous TPP may be transferred to the new TPP. The customer incurs no liability for the remaining months on the original TPP, since the change is not considered a termination of service. The prices applicable for the new term are those currently in effect for new customers.

After the expiration of 25 months of a 3 year TPP term or 42 months of a 5^{/1/} year TPP term, any components added to the existing service configuration provided under that TPP will be billed at the monthly extension rates. (N)

/1/ As of October 1, 2013, Term Pricing Plan terms greater than 36 months are no longer available for new or renewing subscribers. (N)

15.3. BASE RATE THROUGH OC-n SERVICES

15.3.3. OC-*n* POINT-TO-POINT SERVICE (Cont'd)

G. TERM PRICING PLAN (Cont'd)

During a TPP term, a customer may move one Local Distribution Channel (LDC) of OC-*n* Point-to-Point Service to another location in the same LATA and keep the TPP in force, provided no lapse in service occurs. The customer must have met a 12 month minimum in-service period at the old location and be liable for at least 12 months remaining at the new location. Nonrecurring Charges, as appropriate, will apply.

When additional like-speed OC-*n* Point-to-Point Service circuits are purchased, the customer may include the additional circuits in an existing TPP if:

- The customer renegotiates their TPP for a period of time equal to or greater than the time remaining on the existing TPP;
- The circuits are the same speed; and
- The circuits are located between the same customer designated premises.

Termination Charges

If a customer cancels a Service Order or terminates service before the completion of the term, the customer agrees to pay the Company termination liability charges, which are defined below. These charges shall become due and owing as of the effective date of the cancellation or termination.

Customer termination liability for cancellation of OC-*n* Point-to-Point Service shall be equal to:

- Any unpaid Special Construction or nonrecurring charges, (excluding any waived charges), plus;
- Fifty (50) percent of all recurring charges for the remaining months the customers term.

15.3. BASE RATE THROUGH OC-n SERVICES

15.3.3. OC-n POINT-TO-POINT SERVICE (Cont'd)

G. TERM PRICING PLAN (Cont'd)

Allowance for Interruptions

A credit allowance will be given for interruptions of service. Refer to the Guidebook of Terms and Conditions for calculating credit allowances.

1+1 Protection with Route Survivability and OC-n Point-to-Point Diversity

Any service interruption will result in a credit equal to one month's bill for the circuit involved. If the interruption occurs on a Local Distribution Channel without this option, normal terms and conditions for Credit Allowance as stated in the Guidebook of Terms and Conditions will apply.

15.3. BASE RATE THROUGH OC-n SERVICES

15.3.4. HIGH CAPACITY DIGITAL DATA SERVICE ("DS1 SERVICE")

A. DESCRIPTION

High Capacity Digital Service Channel (HICAP) – A High Capacity Digital Data Service ("DS1 Service") is a channel for transmission of nominal 1.544 Mbps isochronous serial data. The actual bit rate and framing format is a function of the channel interface selected by the customer. DS1 Service channels are provided between customer designated premises or between a customer designated premises and a telephone company hub or hubs.

The customer will provide the network channel terminating equipment associated with the DS1 Service channel at the customer's premises. The interim program for interconnection of such equipment is set forth in Telcordia Technical Reference PUB AS-1.

B. REGULATIONS

1. Applicability

DS1 Service offerings are only available where facilities and operating conditions permit. Where facilities and/or operating conditions do not permit, Special Construction as provided in Part 2, Section 5 of this Guidebook, shall apply.

2. Transmission Specifications

Error-Free Seconds - A 1.544 Mbps channel with Telcordia technical specifications package "HC1" will be capable of an error-free second performance of 98.75% over a continuous 24 hour period as measured at the 1.544 Mbps rate through a Channel Service Unit (CSU) equivalent which is designated, manufactured, and maintained to conform with the specifications contained in Telcordia Technical Publication TR-62411 and TR-000342.

Channel Interfaces - A Channel Interface (CI), identified in technical specifications as DS-15, will define the rate bit for a DS-1, 1.544 Mbps, High Capacity Channel.

15.3. BASE RATE THROUGH OC-n SERVICES

15.3.4. DS1 SERVICE (Cont'd)

C. OPTIONAL FEATURES AND FUNCTIONS

1. Central Office Multiplexing

DS-1 to Voice/Digital

An arrangement that converts a 1.544 Mbps channel to 24 channels for use with voice Grade, Digital Data Over Voice, or Digital Data Services.

D. TERMS AND CONDITIONS

1. The minimum service period for DS1 Service is one month. DS1 Service circuits are offered month-to-month, on a one (1), two (2)^{/2/}, three (3)^{/2/} or five (5)^{/1/} year term pricing plan (TPP), or (C) under contract.

- a. For customers that subscribe to a 1, 2^{/2/}, 3^{/2/} or 5^{/1/} year term pricing plan, the monthly rates (C) in effect at the time the service is installed may decrease but will not increase at any time during the term period.

- b. Termination charges will apply to service terminated prior to the contracted period. The termination charge for all service terms will be calculated as follows:

For service terms that become effective on or after January 4, 2005:

- All unpaid Special Construction or Nonrecurring Charges (excluding any waived charges); plus
- Fifty percent (50%) of all recurring charges for the remaining months of the customer's term

For service terms in effect prior to January 4, 2005:

- For the 1-, 2-^{/2/} or 3-year^{/2/} term pricing plan, the customer is liable for 100 percent of (C) the monthly charges offset by one month's charges for each month of paid service.
- For the 5-year^{/1/} term pricing plan, termination liability is the difference between the 3-year term pricing plan monthly rate times 36 and the actual number of months the plan has been in effect times the monthly rate for the 5-year term pricing plan.

- c. During the Term, the Customer may move one Channel Termination of a circuit to another location in the same LATA and keep the Term in force, provided no lapse in service occurs. Moves to a different Serving Wire Center may result in a change in monthly rates. Non-recurring charges, as appropriate, apply. If the Customer moves both ends of the service concurrently, the Customer will be liable for early termination charges.

/1/ As of October 1, 2013, Term Pricing Plan terms greater than 36 months are no longer available for new or renewing subscribers.

/2/ As of January 15, 2021, 24- and 36-Month Term Pricing Plans are no longer available for new or (N)
renewing subscribers. (N)

15.3. BASE RATE THROUGH OC-n SERVICES

15.3.4. DS1 SERVICE (Cont'd)

E. RATES AND CHARGES

	Recurring Charge							(C)
	Nonrecurring Charge ^{/1/}	Monthly	1-Year Term	2-Year ^{/3/} Term	3-Year ^{/3/} Term	5-Year ^{/2/} Term	USOC	
Channel Termination								
- Initial Circuit - Each channel termination	\$500.00	\$160.00	\$130.00	\$125.00	\$115.00	\$100.00	TMECS	
- Each additional circuit (same two locations – each channel termination)	500.00	160.00	130.00	125.00	115.00	100.00	TMECS	
Channel Mileage								
- Channel Mileage Facility – per mile	--	13.00	10.00	9.50	8.50	8.00	CMF	
- Channel Mileage Termination – per termination	--	80.00	65.00	60.00	55.00	50.00	CMT	
<u>Optional Features and Functions</u>								
Central Office Multiplexing								
- DS-1 to Voice/Digital	--	275.00	235.00	225.00	200.00	180.00	MQ1++	

/1/ For those customers who choose a Term Payment Plan (TPP) period of 2 years or greater in length, the Nonrecurring Charges will not apply. However, customers requesting termination of service prior to the completion of a minimum of 2 years of a 2-year or greater TPP term will become liable for payment of Nonrecurring Charges described above.

/2/ As of October 1, 2013, Term Pricing Plan terms greater than 36 months are no longer available for new or renewing subscribers.

/3/ As of January 15, 2021, 24- and 36-Month Term Pricing Plans are no longer available for new or renewing subscribers. (N)
(N)

(D)

(D)

(D)

(D)

(D)

(D)

(D)

(D)

(D)

(D)

(D)

(D)

(D)

(D)

(D)

(D)

(D)

(D)

(D)

(D)

(D)

(D)

(D)

(D)

(D)