

**TARIFF DISTRIBUTION**

FILE PACKAGE NO.: LA-21-0036

DATE: August 17, 2021

STATE: LOUISIANA

EFFECTIVE DATE: 06/30/2021

TYPE OF DISTRIBUTION: Approved

PURPOSE: Grandfather Metallic, Telegraph, Voice Grade,  
WATS, Digital Link, and Derived Data Services  
effective 6/30/21 with targeted sunset  
6/30/24.

<b><u>TARIFF SECTION</u></b>	<b><u>PAGE NUMBER</u></b>	<b><u>PAGE REVISION</u></b>
E007	1	0012
E007	2	0010
E007	4	0004
E007	5	0003
E007	6	0004
E007	7	0011
E007	8	0008
E007	9	0003
E007	10	0003
E007	11	0003
E007	12	0003
E007	13	0003
E007	14	0005
E007	15	0004
E007	15.1	0003
E007	15.2	0002
E007	18	0004
E007	19	0008
E007	20	0007
E007	21	0006
E007	21.1	0004
E007	22	0010
E007	22.2	0007
E007	22.3	0003
E007	23	0007
E007	23.1	0003
E007	24	0007
E007	26	0006
E007	29	0012

E007	29.1	0013
E007	30	0011
E007	35	0006
E007	36	0009
E007	36.3	0005
E007	37	0006
E007	38	0007
E007	39	0006
E007	40	0006
E007	41	0005
E007	42	0007
E007	42.1	0007
E007	43	0007
E007	45	0005
E007	46	0004
E007	47	0006
E007	48	0010
E007	51	0006
E007	51.1	0008
E007	52.2	0008

BELLSOUTH  
TELECOMMUNICATIONS  
LOUISIANA

ACCESS SERVICES TARIFF

Twelfth Revised Page 1  
Cancels Eleventh Revised Page 1

ISSUED: June 16, 2021  
BY: President - Louisiana  
Baton Rouge, Louisiana

EFFECTIVE: June 30, 2021

## E7. SPECIAL ACCESS (A.K.A. BELLSOUTH SPA) SERVICE

### E7.1 General

Special Access (a.k.a. BellSouth SPA) service provides a transmission path to connect customer designated premises<sup>1</sup>, either directly or through a Company hub where bridging or channelization functions are performed. Special Access (a.k.a. BellSouth SPA) service<sup>2</sup> includes all exchange access not utilizing Company end office switches.

The connections provided by Special Access (a.k.a. BellSouth SPA) service can be either analog or digital. Analog connections are differentiated by spectrum and bandwidth. Digital connections are differentiated by bit rate.

#### E7.1.1 Channel Types

- A. There are nine types of channels used to provide Special Access services. Each type has its own characteristics. All are subdivided by one or more of the following:
- Transmission specifications
  - Bandwidth
  - Speed (i.e., bit rate)
  - Spectrum
- B. Customers can order a basic channel and select from a list of available transmission parameters and channel interfaces, those that they desire to meet specific communications requirements.
- C. For purposes of ordering channels, each has been identified as a type of Special Access (a.k.a. BellSouth SPA) service. However, such identification is not intended to limit a customer's use of the channel nor to imply that the channel is limited to a particular use. For example, if a customer's equipment is capable of transmitting voice over a channel that is identified as Metallic<sup>4</sup> (a.k.a. BellSouth SPA Metallic) service in this Tariff, there is no restriction against doing so. (C)
- D. Following is a brief description of each type of channel:
1. Metallic<sup>4</sup> (a.k.a. BellSouth SPA Metallic) - a channel for the transmission of low speed varying signals at rates up to 30 baud. (C)
  2. Telegraph<sup>4</sup> (a.k.a. BellSouth SPA Telegraph) Grade - a channel for the transmission of binary signals at rates of 0 to 75 baud or 0 to 150 baud. (C)
  3. Voice Grade<sup>4</sup> (a.k.a. BellSouth SPA DS0 VG) - a channel for the transmission of analog signals within an approximate bandwidth of 300-3000 Hz. (C)
  4. WATS Access Line<sup>4</sup> (a.k.a. BellSouth SPA WATS Line) (WAL) - a channel from a customer designated premises to a WATS serving office for 800, WATS or similar service. (C)
  5. Wired Music<sup>(3)</sup> - a channel for the transmission of audio signals. The nominal frequency bandwidths are from 200 to 3500 Hz, from 100 to 5000 Hz or from 50 to 8000 Hz.
  6. **(DELETED)**
  7. Digital Data Access<sup>4</sup> (a.k.a. BellSouth SPA DS0 Digital Data) - a channel for the digital transmission of synchronous serial data at rates of 2.4, 4.8, 9.6 or 56.0 kbps. (C)
  8. High Capacity (a.k.a. BellSouth SPA High Capacity) - a channel for the transmission of isochronous serial digital data at rates of 1.544, 3.152, 6.312, or 44.736 Mbps.
  9. Derived Data Channel<sup>4</sup> (a.k.a. BellSouth SPA Derived Data Channel) - a digital data channel derived from a two-wire local exchange facility that transmits voice and data signals simultaneously. (C)

Note 1: Company Centrex Type Services Switches and Company Answering Service Concentrators are considered to be customer premises for purposes of administering regulations and rates contained in this Tariff.

Note 2: For purposes of administering the surcharge regulations, WATS (a.k.a. BellSouth SPA WATS Line) access lines are considered to be Special Access (a.k.a. BellSouth SPA) service.

Note 3: Effective December 1, 2020, this Service will no longer be available for purchase by new or existing customers, and service agreements may no longer be renewed. In addition, requests to move, add, or change existing service arrangements will not be accepted. Following the expiration of a customer's existing term agreement, service will be provided on a month-to-month basis at the applicable month-to-month rates until the service is discontinued. AT&T currently plans to discontinue this Service on or after December 1, 2021.

Note 4: Effective June 30, 2021, this Service will no longer be available for purchase by new or existing customers. In addition, requests to move, add, change, or renew existing service arrangements will not be accepted. Following the expiration of a customer's existing term agreement, service will be provided on a month-to-month basis at the applicable Monthly rates until the service is discontinued. The Company currently plans to discontinue this service on or after June 30, 2024.

(N)  
|  
(N)

BELLSOUTH  
TELECOMMUNICATIONS  
LOUISIANA

ACCESS SERVICES TARIFF

Tenth Revised Page 2  
Cancels Ninth Revised Page 2

ISSUED: June 16, 2021  
BY: President - Louisiana  
Baton Rouge, Louisiana

EFFECTIVE: June 30, 2021

## E7. SPECIAL ACCESS (A.K.A. BELLSOUTH SPA) SERVICE

### E7.1 General (Cont'd)

#### E7.1.1 Rate Categories (Cont'd)

Detailed descriptions of each of the channel types are provided in E7.2.

The customer also has the option of ordering digital high capacity facilities (i.e., 1.544 Mbps, 3.152 Mbps, 6.312 Mbps, and 44.736 Mbps) to a Company Hub for channelization to individual channels of a lower capacity. Descriptions of the types of channelization available at the hubs, as well as the number of individual channels which may be derived from each type of facility are set forth in E7.2. Additionally, the customer may specify optional features for the individual channels derived from the facility to further tailor the channel to meet specific communications requirements. Descriptions of the optional features and functions available are also set forth in E7.2.

For example, a customer may order a 44.736 Mbps facility from a customer designated premises to a Company Hub for channelization to twenty-eight 1.544 Mbps channels. The 1.544 Mbps channels may be further channelized at the same or a different Hub to Voice Grade<sup>1</sup> (a.k.a. BellSouth SPA DS0 VG) channels or may be extended to other customer designated premises. Optional features may be added to either the 1.544 Mbps or the Voice Grade<sup>1</sup> (a.k.a. BellSouth SPA DS0 VG) channels. (C)

(C)

#### E7.1.2 Rate Categories

There are *five* basic rate categories which apply to Special Access (a.k.a. BellSouth SPA) service:

- Local Channels (described in A. following.)
- Interoffice Channel (described in B. following)
- Optional Features and Functions (described in C. following)
- SMARTRing<sup>®</sup> service (a.k.a BellSouth Dedicated Ring)

##### A. Local Channel

The Local Channel rate category provides for the communications path between a customer designated premises and the serving wire center of that premises. Included as part of the Local Channel is a standard channel interface arrangement which defines the technical characteristics associated with the type of facilities to which the access service is to be connected at the Point of Termination (POT) and the type of signaling capability, if any. The signaling capability itself is provided as an optional feature as set forth in C. following. One Local Channel charge applies per customer designated premises at which the channel is terminated. This charge will apply even if the customer premises and the serving wire center are co-located in a Company building.

##### B. Interoffice Channel

The Interoffice Channel rate category provides for the transmission facilities between the serving wire centers associated with two customer designated premises, between a serving wire center associated with a customer designated premises and a Company Hub or between two Company Hubs. Interoffice Channel mileage is portrayed in mileage bands. There are two rates that apply for each band, i.e., a flat rate per band and a rate per mile.

##### C. Optional Features and Functions

The Optional Features and Functions rate category provides for optional features and functions which may be added to a Special Access (a.k.a. BellSouth SPA) service to improve its quality or utility to meet specific communications requirements. These are not necessarily identifiable with specific equipment, but rather represent the end result in terms of performance characteristics which may be obtained. These characteristics may be obtained by using various combinations of equipment. Although the equipment necessary to perform a specified function may be installed at various locations along the path of the service, they will be charged for as a single rate element.

Note 1: Effective June 30, 2021, this Service will no longer be available for purchase by new or existing customers. In addition, requests to move, add, change, or renew existing service arrangements will not be accepted. Following the expiration of a customer's existing term agreement, service will be provided on a month-to-month basis at the applicable Monthly rates until the service is discontinued. The Company currently plans to discontinue this service on or after June 30, 2024.

(N)  
|  
(N)

**E7. SPECIAL ACCESS (A.K.A. BELLSOUTH SPA) SERVICE**

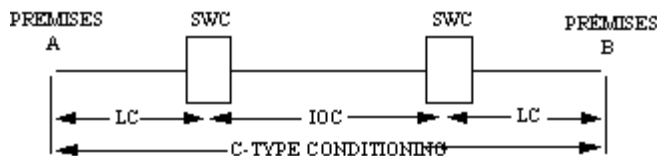
**E7.1 General (Cont'd)**

**E7.1.3 Service Configurations (Cont'd)**

**A. Two-Point Service (Cont'd)**

In addition, a Special Access (a.k.a. BellSouth SPA) Surcharge as set forth in E7.4.2 following and a Message Station Equipment Recovery Charge as set forth in E7.4.3 following may be applicable.

The following diagram depicts a two-point Voice Grade<sup>1</sup> (a.k.a. BellSouth SPA DS0 VG) service connecting two customer designated premises located 15 miles apart. The service is provided with C-Type Conditioning. (C)



LC - Local Channel  
 IOC - Interoffice Channel  
 SWC - Serving Wire Center

Applicable rate elements are:

- Local Channels (2 applicable)
- Interoffice Channels (mileage band over 9 thru 25 miles)
- C-Type conditioning Optional Feature

**B. Multipoint Service**

Multipoint service connects three or more customer designated premises through a Company Hub. There is no limitation on the number of mid-links available with multipoint service. However, when more than three mid-links are provided in tandem, the quality of the service may be degraded. A mid-link is a channel between hubs (i.e., bridging locations). Only certain types of Special Access (a.k.a. BellSouth SPA) service are provided as multipoint service. These are so designated in the Service Descriptions set forth in E7.2. following.

When ordering, the customer will specify the desired bridging Hub(s) selected from the Exchange Carrier Association Tariff F.C.C. No. 4. This tariff identifies the type(s) of bridging functions which are available and the serving wire centers at which they are available.

Applicable Rate Elements are:

- Local Channels (one per customer designated premises)
- Interoffice Channels (as applicable between each designated customer premises and the Hub and between Hubs)
- Bridging
- Additional Optional Features (when applicable)

Note 1: Effective June 30, 2021, this Service will no longer be available for purchase by new or existing customers. In addition, requests to move, add, change, or renew existing service arrangements will not be accepted. Following the expiration of a customer's existing term agreement, service will be provided on a month-to-month basis at the applicable Monthly rates until the service is discontinued. The Company currently plans to discontinue this service on or after June 30, 2024.

(N)  
 |  
 (N)

**E7. SPECIAL ACCESS (A.K.A. BELLSOUTH SPA) SERVICE**

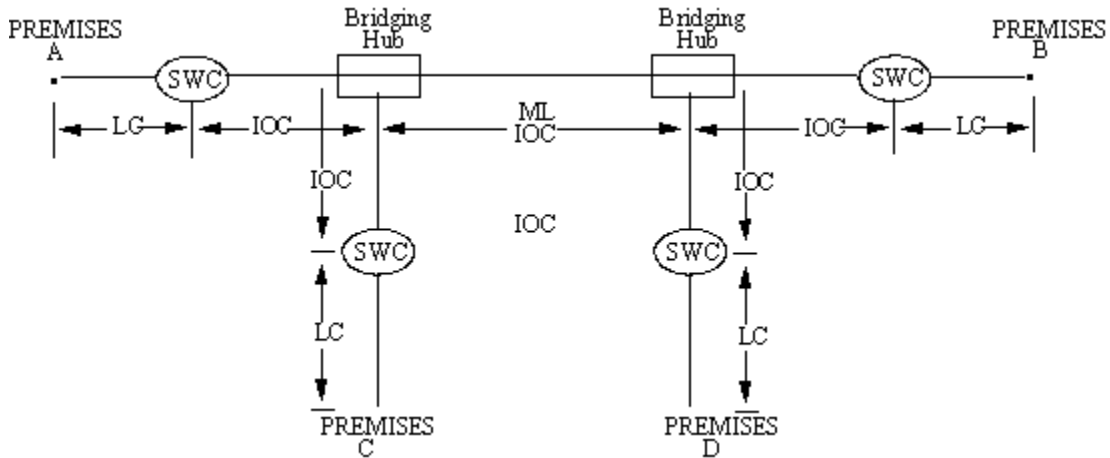
**E7.1 General (Cont'd)**

**E7.1.3 Service Configurations (Cont'd)**

**B. Multipoint Service (Cont'd)**

In addition, a Special Access (*a.k.a. BellSouth SPA*) Surcharge as set forth in E7.4.2. following and a Message Station Equipment Recovery Charge as set forth in E7.4.3. following may be applicable.

Example: Voice Grade<sup>1</sup> (*a.k.a. BellSouth SPA DS0 VG*) multipoint connecting four customer premises via two customer specified bridging hubs. (C)



Applicable rate elements are:

- Local Channels (4 applicable)
- Interoffice Channel (5 sections, each from appropriate mileage band)
- Bridging Optional Feature (6 applicable, i.e., each bridge port)

Note 1: Effective June 30, 2021, this Service will no longer be available for purchase by new or existing customers. In addition, requests to move, add, change, or renew existing service arrangements will not be accepted. Following the expiration of a customer's existing term agreement, service will be provided on a month-to-month basis at the applicable Monthly rates until the service is discontinued. The Company currently plans to discontinue this service on or after June 30, 2024.

(N)  
 |  
 (N)

BELLSOUTH  
TELECOMMUNICATIONS  
LOUISIANA  
ISSUED: June 16, 2021  
BY: President - Louisiana  
Baton Rouge, Louisiana

## ACCESS SERVICES TARIFF

Fourth Revised Page 6  
Cancels Third Revised Page 6

EFFECTIVE: June 30, 2021

## E7. SPECIAL ACCESS (A.K.A. BELLSOUTH SPA) SERVICE

### E7.1 General (Cont'd)

#### E7.1.4 Alternate Use

Alternate Use occurs when a service is arranged by the Company so that the customer can select different types of transmission at different times. A customer may use a service in any privately beneficial manner. However, where technical or engineering changes are required to effectuate an alternative use, the Company will make such special arrangements available on an individual case basis.

The arrangement required to transfer the service from one operation to the other (i.e., the transfer relay and control leads) will be rated and provided on an individual case basis and filed in Section E12., Specialized Service or Arrangements. The customer will pay the stated tariff rates for the Access service rate elements for the service ordered (i.e., Local Channels, Interoffice Channels as applicable, and Optional Features and Functions, if any.)

#### E7.1.5 Special Facilities Routing

A customer may request that the facilities used to provide Special Access (*a.k.a. BellSouth SPA*) service be specially routed. The regulations, rates and charges for Special Facilities Routing (i.e., Avoidance, Diversity and Cable Only) are as set forth in Section E11. following.

#### E7.1.6 Design Layout Report

At the request of the customer, the Company will provide to the customer the make-up of the facilities and services provided under this Tariff as Special Access (*a.k.a. BellSouth SPA*) service to aid the customer in designing its overall service. This information will be provided in the form of a Design Layout Report.

The Design Layout Report will be provided to the customer at no charge, and will be reissued or updated whenever these facilities are materially changed.

#### E7.1.7 Acceptance Testing

At no additional charge, the Company will, at the customer's request, cooperatively test, at the time of installation, the following parameters:

- A. For Voice Grade<sup>2</sup> (*a.k.a. BellSouth SPA DS0 VG*) services, acceptance tests will include tests for loss, 3-tone slope, DC continuity, operational signaling, C-notched noise and C-message noise when these parameters are applicable and specified in the order for service. Additionally, for Voice Grade<sup>2</sup> (*a.k.a. BellSouth SPA DS0 VG*) services, a balance (improved loss) test will be made if the customer has ordered the improved loss optional feature. (C)
- B. For other analog services (i.e., Metallic<sup>2</sup> (*a.k.a. BellSouth SPA Metallic*), Telegraph<sup>2</sup> (*a.k.a. BellSouth SPA Telegraph*), WATS Access Line<sup>2</sup> (*a.k.a. BellSouth SPA WATS Line*) and Wired Music<sup>(1)</sup> and for digital services (i.e., Digital Data Access<sup>2</sup> (*a.k.a. BellSouth SPA DS0 Digital Data*), WATS Access Line<sup>2</sup> (*a.k.a. BellSouth SPA WATS Line*) and High Capacity (*a.k.a. BellSouth SPA High Capacity*)), acceptance tests will include tests for the parameters applicable to the service as specified in the order for service. (C)

In addition to the above tests, Additional Cooperative Acceptance Testing for Voice Grade<sup>2</sup> (*a.k.a. BellSouth SPA DS0 VG*) service to test other parameters, as described in E13.3.5.B. following, is available at the customer's request. All test results will be made available to the customer upon request. (C)

#### E7.1.8 Ordering Options And Conditions

- A. The ordering option available to the customer in the provision of Special Access (*a.k.a. BellSouth SPA*) service is:
  - 1. Access Order
- B. This option is set forth in detail in Section E5. preceding. Also included in that section are other charges which may be associated with ordering Special Access (*a.k.a. BellSouth SPA*) service (e.g., Service Date Change Charges, Cancellation Charges, etc.).

Note 1: Effective December 1, 2020, this Service will no longer be available for purchase by new or existing customers, and service agreements may no longer be renewed. In addition, requests to move, add, or change existing service arrangements will not be accepted. Following the expiration of a customer's existing term agreement, service will be provided on a month-to-month basis at the applicable month-to-month rates until the service is discontinued. AT&T currently plans to discontinue this Service on or after December 1, 2021.

Note 2: Effective June 30, 2021, this Service will no longer be available for purchase by new or existing customers. In addition, requests to move, add, change, or renew existing service arrangements will not be accepted. Following the expiration of a customer's existing term agreement, service will be provided on a month-to-month basis at the applicable Monthly rates until the service is discontinued. The Company currently plans to discontinue this service on or after June 30, 2024.

(N)  
|  
(N)

BELLSOUTH  
TELECOMMUNICATIONS  
LOUISIANA

ACCESS SERVICES TARIFF

Eleventh Revised Page 7  
Cancels Tenth Revised Page 7

ISSUED: June 16, 2021  
BY: President - Louisiana  
Baton Rouge, Louisiana

EFFECTIVE: June 30, 2021

## E7. SPECIAL ACCESS (A.K.A. BELLSOUTH SPA) SERVICE

### E7.1 General (Cont'd)

#### E7.1.8 Ordering Options and Conditions (Cont'd)

- C. For the purposes of ordering, there are *nine* categories of Special Access (a.k.a. BellSouth SPA) service. These are:
1. - Metallic<sup>2</sup> (a.k.a. BellSouth SPA Metallic) (MT) (C)
  2. - Telegraph Grade<sup>2</sup> (a.k.a. BellSouth SPA Telegraph) (TG) |
  3. - Voice Grade<sup>2</sup> (a.k.a. BellSouth SPA DS0 VG) (VG) (C)
  4. - Wired Music<sup>(1)</sup> (AP)
  5. - Digital Data Access<sup>2</sup> (a.k.a. BellSouth SPA DS0 Digital Data) service (DDAS) (C)
  6. - High Capacity (a.k.a. BellSouth SPA High Capacity) (HC)
  7. - WATS Access Line<sup>2</sup> (a.k.a. BellSouth SPA WATS Line) (WAL) (C)
  8. - Derived Data Channel<sup>2</sup> (a.k.a. BellSouth SPA Derived Data Channel) service (DDCS) (C)
  9. - Self-Healing Rings (SMARTRing service (a.k.a. BellSouth Dedicated Ring))
- D. Each service consists of a basic channel to which a predefined technical specifications package, channel interface(s) and, when desired, optional features and functions are added to construct the service desired by the customer. Each of the components of the service is described in this section. Terms, conditions, and *rates for Physical Access Collocation Cross-Connects and Virtual Access Collocation Cross-Connects* are *set forth* in *Section E13. of this Tariff for those services that are permitted to connect directly to a carrier's collocation space*.
- E. The channel description specifies the characteristics of the basic channel and indicates whether the channel is provided between customer designated premises or between a customer designated premises and a Company hub where bridging and/or channelization functions are performed.
- F. Information pertaining to the technical specifications packages indicates the transmission parameters that are available with each package. This information is displayed in a matrix with the transmission parameters listed down the left side and the packages listed across the top. Each package is identified by a code, e.g., VG1. The first two letters of the code indicate the category of Special Access (a.k.a. BellSouth SPA) service to which the parameters are applicable. These two-letter codes are shown above in parentheses following the category of Special Access (a.k.a. BellSouth SPA) service. The number "1" following the two-letter code indicates the technical specifications package for a voice grade<sup>2</sup> service. An alphanumeric designation following the two-letter code indicates the specific predefined package. When appropriate, the Technical Reference which contains detailed specifications for the parameters is shown following the matrix. (C)
- G. Channel interfaces at each point of termination on a two-point service may be symmetrical or asymmetrical. On a multipoint service they may also be symmetrical or asymmetrical. However, communications can only be provided between points of termination with compatible channel interfaces. Only certain channel interfaces are compatible. These are set forth in a combination format.
- Only certain channel interface combinations are available with the predefined technical specifications packages. These are delineated in the Technical References set forth at the end of this E7.2.
- H. The optional features and functions available with each type of Special Access (a.k.a. BellSouth SPA) service are described in this section. The optional features and functions information also indicates with which technical specifications packages they are available. Such information is displayed in a matrix with the optional feature or function listed down the left side and the technical specifications package listed across the top.
- I. The Company will maintain existing transmission specifications on services installed prior to the effective date of this Tariff, except that the existing services with performance specifications exceeding the standard listed in this provision will be maintained at the performance levels specified in this Tariff.

Note 1: Effective December 1, 2020, this Service will no longer be available for purchase by new or existing customers, and service agreements may no longer be renewed. In addition, requests to move, add, or change existing service arrangements will not be accepted. Following the expiration of a customer's existing term agreement, service will be provided on a month-to-month basis at the applicable month-to-month rates until the service is discontinued. AT&T currently plans to discontinue this Service on or after December 1, 2021.

Note 2: Effective June 30, 2021, this Service will no longer be available for purchase by new or existing customers. In addition, requests to move, add, change, or renew existing service arrangements will not be accepted. Following the expiration of a customer's existing term agreement, service will be provided on a month-to-month basis at the applicable Monthly rates until the service is discontinued. The Company currently plans to discontinue this service on or after June 30, 2024.

(N)  
|  
(N)



BELLSOUTH  
 TELECOMMUNICATIONS  
 LOUISIANA  
 ISSUED: June 16, 2021  
 BY: President - Louisiana  
 Baton Rouge, Louisiana

ACCESS SERVICES TARIFF

Eighth Revised Page 8  
 Cancels Seventh Revised Page 8

EFFECTIVE: June 30, 2021

**E7. SPECIAL ACCESS (A.K.A. BELLSOUTH SPA) SERVICE**

**E7.1 General (Cont'd)**

**E7.1.8 Ordering Options and Conditions (Cont'd)**

I. (Cont'd)

All services installed after the effective date of this Tariff will conform to the transmission specification standards contained in this Tariff or in the following Technical References for each category of service:

Metallic <sup>2</sup> (a.k.a. BellSouth SPA Metallic)	TR-NPL-000336	(C)
Telegraph Grade <sup>2</sup> (a.k.a. BellSouth SPA Telegraph)	TR-NPL-000336	
Voice Grade <sup>2</sup> (a.k.a. BellSouth SPA DSO VG)	TR-NPL-000335	(C)
	PUB 41004, Table 4	
Wired Music <sup>(1)</sup>	TR-NPL-000337	
Digital Data Access <sup>2</sup> (a.k.a. BellSouth DSO Digital Data)	TR-NPL-000341	(C)
For 2.4, 4.8, 9.6 and 56.0 Kbps	BellCore PUB 62310	
For 19.2 Kbps	INC. BULLETIN CB-INC-100	
For 64.0 Kbps	AT&T PUB 62310	
High Capacity (a.k.a. BellSouth SPA High Capacity)	TR-INS-000342 TR-NPL-000054	
WATS Access Line <sup>2</sup> (a.k.a. BellSouth SPA WATS Line)	TR-NPL-000334	(C)
Derived Data Channel <sup>2</sup> (a.k.a. BellSouth SPA Derived Data Channel) Service	BellSouth TR-73548 BellSouth TR-73548, Addendum 1	(C)

**E7.2 Service Descriptions**

**E7.2.1 Metallic<sup>2</sup> (a.k.a. BellSouth SPA Metallic) Service**

A. Basic Channel Description

A Metallic (a.k.a. BellSouth SPA Metallic) channel is an unconditioned two-wire channel capable of transmitting low speed varying signals at rates up to 30 baud. This channel is provided by metallic or equivalent facilities. Metallic (a.k.a. BellSouth SPA Metallic) channels are provided between customer designated premises or between a customer designated premises and a Company Hub where bridging functions are performed. Interoffice metallic facilities will be limited in length to a total of five miles per channel. Metallic (a.k.a. BellSouth SPA Metallic) facilities will only be provided where available.

B. Technical Specifications Packages

Parameter	Package MT-		
	1	2	3
DC Resistance Between Conductors	X	X	
Loop Resistance			X
Shunt Capacitance			X

The technical specifications are delineated in Technical Reference TR-NPL-000336.

C. Channel Interfaces

Compatible channel interfaces are set forth in Technical Reference TR-NPL-000336.

D. Optional Features And Functions

1. Central Office Bridging Capability

- a. Three Premises Bridging - Provision of tip-to-tip and ring-to-ring connection in a central office of a metallic pair to a third customer designated premises.

Note 1: Effective December 1, 2020, this Service will no longer be available for purchase by new or existing customers, and service agreements may no longer be renewed. In addition, requests to move, add, or change existing service arrangements will not be accepted. Following the expiration of a customer's existing term agreement, service will be provided on a month-to-month basis at the applicable month-to-month rates until the service is discontinued. AT&T currently plans to discontinue this Service on or after December 1, 2021.

Note 2: Effective June 30, 2021, this Service will no longer be available for purchase by new or existing customers. In addition, requests to move, add, change, or renew existing service arrangements will not be accepted. Following the expiration of a customer's existing term agreement, service will be provided on a month-to-month basis at the applicable Monthly rates until the service is discontinued. The Company currently plans to discontinue this service on or after June 30, 2024.

(N)  
 |  
 (N)

BELLSOUTH  
 TELECOMMUNICATIONS  
 LOUISIANA  
 ISSUED: June 16, 2021  
 BY: President - Louisiana  
 Baton Rouge, Louisiana

ACCESS SERVICES TARIFF

Third Revised Page 9  
 Cancels Second Revised Page 9

EFFECTIVE: June 30, 2021

**E7. SPECIAL ACCESS (A.K.A. BELLSOUTH SPA) SERVICE**

**E7.2 Service Descriptions (Cont'd)**

**E7.2.1 Metallic<sup>1</sup> (a.k.a. BellSouth SPA Metallic) Service (Cont'd)**

(C)

- b. Series Bridging of up to 26 customer designated premises.

The following table shows the technical specifications packages with which the optional features and functions are available.

	Available with Technical Specifications Package MT-		
	1	2	3
Three Premises Bridging	X		X
Series Bridging		X	

**E7.2.2 Telegraph Grade<sup>1</sup> (a.k.a. BellSouth SPA Telegraph) Service**

(C)

- A. Basic Channel Description

A Telegraph Grade (a.k.a. BellSouth SPA Telegraph) channel is an unconditioned channel capable of transmitting binary signals at rates of 0-75 baud or 0-150 baud. This channel is furnished for half-duplex or duplex operation. Telegraph Grade (a.k.a. BellSouth SPA Telegraph) channels are provided between customer designated premises or between a customer designated premises and a Company Hub. Telegraph Grade (a.k.a. BellSouth SPA Telegraph) service is not available for additions, new installations or moves of service.

- B. Technical Specifications Packages

Parameter	Package TG-	
	1	2
Telegraph Distortion	X	X

The technical specifications are delineated in Technical Reference TR-NPL-000336.

- C. Channel Interfaces

Compatible channel interfaces are set forth in Technical Reference TR-NPL-000336.

- D. Optional Features and Functions

- 1. Telegraph Bridging (two-wire and four-wire)

The following table shows the technical specifications packages with which the optional features and functions are available.

	Available with Technical Specifications Package TG-	
	1	2
Telegraph Bridging	X	X

**E7.2.3 Voice Grade<sup>1</sup> (a.k.a. BellSouth SPA DS0 VG) Service**

(C)

- A. Basic Channel Description

A Voice Grade (a.k.a. BellSouth SPA DS0 VG) channel is a channel which provides voice frequency transmission capability in the nominal frequency range of 300 to 3000 Hz and may be terminated two-wire or four-wire. Voice Grade (a.k.a. BellSouth SPA DS0 VG) channels are provided between customer designated premises or between a customer designated premises and a Company Hub.

Note 1: Effective June 30, 2021, this Service will no longer be available for purchase by new or existing customers. In addition, requests to move, add, change, or renew existing service arrangements will not be accepted. Following the expiration of a customer's existing term agreement, service will be provided on a month-to-month basis at the applicable Monthly rates until the service is discontinued. The Company currently plans to discontinue this service on or after June 30, 2024.

(N)  
 |  
 (N)

BELLSOUTH  
 TELECOMMUNICATIONS  
 LOUISIANA  
 ISSUED: June 16, 2021  
 BY: President - Louisiana  
 Baton Rouge, Louisiana

ACCESS SERVICES TARIFF

Third Revised Page 10  
 Cancels Second Revised Page 10

EFFECTIVE: June 30, 2021

**E7. SPECIAL ACCESS (A.K.A. BELLSOUTH SPA) SERVICE**

**E7.2 Service Descriptions (Cont'd)**

**E7.2.3 Voice Grade<sup>1</sup> (a.k.a. BellSouth SPA DS0 VG) (Cont'd)**

(C)

A. Basic Channel Description

Voice Grade (a.k.a. BellSouth SPA DS0 VG) Channels are classified as Voice Grade/Voice or Voice Grade/Data depending on the suitability of the technical specification package requested by the customer. Voice Grade (a.k.a. BellSouth SPA DS0 VG) Technical Specification Packages 1, 2, 3, 4, 5, 7, 8, 9, 11 and 12 are suitable for Voice Grade/Voice. The Technical Specification Packages 6 and 10 are suitable for Voice Grade/Data Service.

B. Technical Specifications Packages

Parameter	Package VG-											
	1	2	3	4	5	6	7	8	9	10	11	12
Attenuation Distortion	X	X	X	X	X	X	X	X	X	X	X	X
C-Message Noise	X	X	X	X	X	X	X	X	X	X	X	X
Echo Control	X	X	X		X		X	X			X	X
Envelope Delay												
Distortion							X	X	X	X	X	X
Frequency Shift							X	X	X	X	X	X
Impulse Noise					X	X	X	X	X	X	X	X
Intermodulation												
Distortion							X	X	X	X	X	X
Loss Deviation	X	X	X	X	X	X	X	X	X	X	X	X
Phase Jitter							X	X	X	X	X	X
Signal-to-C Message Noise				X								
Signal-to-C Notch Noise					X	X	X	X	X	X	X	X

The technical specifications for these parameters are delineated in Technical Reference TR-NPL-000335 and associated Addendum.

C. Channel Interfaces

The following channel interfaces for Voice Grade (a.k.a. BellSouth SPA DS0 VG) service do not require signaling capability: DA, DB, DD, DE, DS, NO, PR and TF.

The following channel interfaces for Voice Grade (a.k.a. BellSouth SPA DS0 VG) service require signaling capability: AB, AC, CT, DX, EA, EB, EC, EX, GO, GS, LA, LB, LC, LO, LR, LS, RV and SF.

Compatible channel interfaces are set forth in Technical Reference TR-NPL-A and Associated Addendum following.

Note 1: Effective June 30, 2021, this Service will no longer be available for purchase by new or existing customers. In addition, requests to move, add, change, or renew existing service arrangements will not be accepted. Following the expiration of a customer's existing term agreement, service will be provided on a month-to-month basis at the applicable Monthly rates until the service is discontinued. The Company currently plans to discontinue this service on or after June 30, 2024.

(N)  
 |  
 (N)

BELLSOUTH  
 TELECOMMUNICATIONS  
 LOUISIANA  
 ISSUED: June 16, 2021  
 BY: President - Louisiana  
 Baton Rouge, Louisiana

ACCESS SERVICES TARIFF

Third Revised Page 11  
 Cancels Second Revised Page 11

EFFECTIVE: June 30, 2021

**E7. SPECIAL ACCESS (A.K.A. BELLSOUTH SPA) SERVICE**

**E7.2 Service Descriptions (Cont'd)**

**E7.2.3 Voice Grade<sup>3</sup> (a.k.a. BellSouth SPA DS0 VG) Service (Cont'd)**

D. Optional Features And Functions

- 1. Central Office Bridging
  - a. Voice Bridging <sup>1</sup> (two-wire and four-wire)
  - b. Data Bridging <sup>2</sup> (two-wire and four-wire)
  - c. Telephoto Bridging<sup>2</sup> (two-wire and four-wire)
- 2. Conditioning

Conditioning provides more specific transmission characteristics for Voice Grade (a.k.a. BellSouth SPA DS0 VG) services. C-Type conditioning controls attenuation distortion and envelope delay distortion. Sealing Current helps maintain continuity on dry metallic<sup>3</sup> loops.

For two-point services, the parameters apply to each service. For multipoint services, the parameters apply to each mid link or end link. C-Type conditioning and D-Conditioning may be combined on the same service.

a. C-Type Conditioning

C-Type Conditioning is provided for the additional control of attenuation distortion and envelope delay distortion on data services. The attenuation distortion and envelope delay distortion specifications for C-Type Conditioning are:

Attenuation Distortion (Frequency Response) Relative to 1004 Hz

Frequency Range (Hz)	Variation (dB)
504 - 2804	-1.0 to + 3.0
304 - 3004	-2.0 to + 6.0

Envelope Delay Distortion

Frequency Range (Hz)	Variation (micro-seconds)
1004 - 2604	Less than 501
604 - 2604	Less than 1501
504 - 2804	Less than 3001

Note 1: Voice Bridging is intended for use with VG2, 5 and 12. However, it may be used on VG6 and VG10 at a customer's request.

Note 2: Telephoto Bridging is intended for use on VG11.

Note 3: Effective June 30, 2021, this Service will no longer be available for purchase by new or existing customers. In addition, requests to move, add, change, or renew existing service arrangements will not be accepted. Following the expiration of a customer's existing term agreement, service will be provided on a month-to-month basis at the applicable Monthly rates until the service is discontinued. The Company currently plans to discontinue this service on or after June 30, 2024.

(C)

(C)

(N)

(N)

BELLSOUTH  
 TELECOMMUNICATIONS  
 LOUISIANA  
 ISSUED: June 16, 2021  
 BY: President - Louisiana  
 Baton Rouge, Louisiana

ACCESS SERVICES TARIFF

Third Revised Page 12  
 Cancels Second Revised Page 12

EFFECTIVE: June 30, 2021

**E7. SPECIAL ACCESS (A.K.A. BELLSOUTH SPA) SERVICE**

**E7.2 Service Descriptions (Cont'd)**

**E7.2.3 Voice Grade<sup>1</sup> (a.k.a. BellSouth SPA DS0 VG) Service (Cont'd)**

(C)

D. Optional Features And Functions (Cont'd)

2. Conditioning (Cont'd)

b. Improved Attenuation Distortion

Improved attenuation distortion is provided for additional control of attenuation distortion. The improved attenuation distortion specifications are:

Attenuation Distortion (Frequency Response) Relative to 1004 Hz

Frequency Range (Hz)	Variation (dB)
404-2804	-1.0 to +2.0
304-3004	-1.0 to +3.0
3004-3204	-2.0 to +6.0

c. Improved Envelope Delay Distortion

Improved envelope delay distortion is provided for additional control of envelope distortion. The improved envelope delay distortion specifications are:

Envelope Delay Distortion

Frequency Range (Hz)	Variation (micro-seconds)
1001-2604	Less than 101
604-2604	Less than 301
504-2804	Less than 3001

d. Sealing Current Conditioning

Sealing Current Conditioning is provided to help maintain continuity on dry metallic<sup>1</sup> loops. It is usually associated with four-wire DA or NO type channel interfaces.

(C)

3. Customer Specified Premises Receive Level

This option allows the customer to specify the receive level at the Point of Termination. The level must be within a specific range of effective four-wire transmission. The ranges are delineated in Technical Reference TR-NPL-000335.

Note 1: Effective June 30, 2021, this Service will no longer be available for purchase by new or existing customers. In addition, requests to move, add, change, or renew existing service arrangements will not be accepted. Following the expiration of a customer's existing term agreement, service will be provided on a month-to-month basis at the applicable Monthly rates until the service is discontinued. The Company currently plans to discontinue this service on or after June 30, 2024.

(N)  
 |  
 (N)

BELLSOUTH  
 TELECOMMUNICATIONS  
 LOUISIANA  
 ISSUED: June 16, 2021  
 BY: President - Louisiana  
 Baton Rouge, Louisiana

## ACCESS SERVICES TARIFF

Third Revised Page 13  
 Cancels Second Revised Page 13

EFFECTIVE: June 30, 2021

**E7. SPECIAL ACCESS (A.K.A. BELLSOUTH SPA) SERVICE****E7.2 Service Descriptions (Cont'd)****E7.2.3 Voice Grade<sup>1</sup> (a.k.a. BellSouth SPA DS0 VG) Service (Cont'd)**

(C)

## D. Optional Features And Functions (Cont'd)

## 4. Echo Control

## a. ELEPL 2 (Equal Level Echo Path Loss)

On Effective Two-Wire Transmission at Four-Wire Point of Termination (applicable to each two-wire port): Provides for a fixed 600 ohm impedance, variable level range and simplex reversal. Company equipment is required at the customer's premises where this option is ordered. Equal Level Echo Path Loss parameters are delineated in Technical Reference TR-NPL-000335.

## b. Improved Return Loss

On Effective Two-Wire Transmission at Two-Wire Point of Termination: Provides for more stringent Echo Control specifications. In order for this option to be applicable, the transmission path must be four-wire at one Point of Termination (POT) and two-wire at the other POT. Placement of Company equipment may be required at the customer's premises with two-wire POT. The Improved Return Loss parameters are delineated in Technical Reference TR-NPL-000335.

## 5. D-Conditioning

D-Conditioning provides transmission characteristics suitable for data communications. Specifically, D-Conditioning provides for the control of Signal to C-Notched Noise Ratio and intermodulation distortion. It is available for two-point services or multipoint services.

The signal to C-Notched Noise Ratio and intermodulation distortion parameters for D-Conditioning are:

- Signal to C-Notched Noise Ratio is equal to or greater than 32dB

- Intermodulation distortion:

- Signal to second order modulation products (R2) is equal to or greater than 38dB

- Signal to third order modulation products (R3) is equal to or greater than 42dB

When a service equipped with D-Conditioning is used for voice communications, the quality of the voice transmission may not be satisfactory. D-Conditioning transmission characteristics are described in Technical Reference TR-NPL-000335 under the name Data Capability.

## 6. Telephoto Conditioning

Telephoto Conditioning provides transmission characteristics suitable for telephotographic communications. Specifically, Telephoto Conditioning is provided for the control of attenuation distortion and envelope delay distortion on telephotographic services. The attenuation distortion and envelope delay distortion parameters for Telephoto Conditioning are:

Note 1: Effective June 30, 2021, this Service will no longer be available for purchase by new or existing customers. In addition, requests to move, add, change, or renew existing service arrangements will not be accepted. Following the expiration of a customer's existing term agreement, service will be provided on a month-to-month basis at the applicable Monthly rates until the service is discontinued. The Company currently plans to discontinue this service on or after June 30, 2024.

(N)

(N)

BELLSOUTH  
TELECOMMUNICATIONS  
LOUISIANA  
ISSUED: June 16, 2021  
BY: President - Louisiana  
Baton Rouge, Louisiana

## ACCESS SERVICES TARIFF

Fifth Revised Page 14  
Cancels Fourth Revised Page 14

EFFECTIVE: June 30, 2021

**E7. SPECIAL ACCESS (A.K.A. BELLSOUTH SPA) SERVICE****E7.2 Service Descriptions (Cont'd)****E7.2.3 Voice Grade<sup>1</sup> (a.k.a. BellSouth SPA DS0 VG) Service (Cont'd)**

(C)

## D. Optional Features And Functions (Cont'd)

## 6. Telephoto Conditioning (Cont'd)

**Attenuation Distortion**  
(1004 Hz Reference)

Frequency Range (Hz)	Variation (dB)
500 - 3000	- 0.5 to + 1.5
300 - 3200	- 1.0 to + 2.5

**Envelope Delay Distortion**

Frequency Range (Hz)	Variation (mcs)
1000 - 2600	Less than 111
800 - 2800	Less than 181

## 7. Signaling Capability

Signaling Capability provides for the process by which one customer premises alerts another customer premises on the same service with which it wishes to communicate.

## 8. Improved Termination

The Improved Termination option provides a fixed 600 ohm impedance, a variable level range and simplex reversal, when applicable, at the point of termination. Company equipment is required at the customer's premises when this option is ordered. The Improved Termination parameters are delineated in Technical Reference TR-NPL-000335.

## 9. Simplex Reversal

The Simplex Reversal option physically turns over the simplex DC path presented at the four-wire point of termination when LO, LS, GO, GS, & DX signaling is provided at the point of termination.

## 10. FlexServ® service (a.k.a. BellSouth SPA Customer Reconfiguration)

FlexServ® service (a.k.a. BellSouth SPA Customer Reconfiguration) provides the customer the ability to monitor and reconfigure Voice Grade (a.k.a. BellSouth SPA DS0 VG) service provided by the Company. FlexServ® service (a.k.a. BellSouth SPA Customer Reconfiguration) is described in E7.4.12 following. Charges for this feature are contained in E7.5.16. following.

Note 1: Effective June 30, 2021, this Service will no longer be available for purchase by new or existing customers. In addition, requests to move, add, change, or renew existing service arrangements will not be accepted. Following the expiration of a customer's existing term agreement, service will be provided on a month-to-month basis at the applicable Monthly rates until the service is discontinued. The Company currently plans to discontinue this service on or after June 30, 2024.

(N)

(N)

BELLSOUTH  
 TELECOMMUNICATIONS  
 LOUISIANA  
 ISSUED: June 16, 2021  
 BY: President - Louisiana  
 Baton Rouge, Louisiana

ACCESS SERVICES TARIFF

Fourth Revised Page 15  
 Cancels Third Revised Page 15

EFFECTIVE: June 30, 2021

**E7. SPECIAL ACCESS (A.K.A. BELLSOUTH SPA) SERVICE**

**E7.2 Service Descriptions (Cont'd)**

**E7.2.3 Voice Grade<sup>1</sup> (a.k.a. BellSouth SPA DS0 VG) Service (Cont'd)**

(C)

D. Optional Features And Functions (Cont'd)

The following table shows the technical specifications packages with which the optional features and functions are available.

	Available with Technical Specifications Package VG-											
	1	2	3	4	5	6	7	8	9	10	11	12
C-Type Conditioning					X	X	X	X	X	X		
Improved Attenuation												
Distortion					X	X	X	X	X	X		
Improved Envelope												
Delay Distortion					X	X	X	X	X	X		
Central Office												
Bridging												
Capability												
Customer Specified												
Premises Receive												
Level												
D-Conditioning												
Echo Control												
Improved Return												
Loss												
ELEPL2												
FlexServ <sup>®</sup> Service (a.k.a. BellSouth SPA Customer Reconfiguration)												
Improved Termination												
Simplex Reversal												
Sealing Current												
Conditioning												
Signaling Capability												
Telephoto												
Conditioning												

E. Four-Wire/Two-Wire Conversions

When a customer requests that an effective four-wire channel be terminated with a two-wire channel interface at the customer designated premises, a four-wire to two-wire conversion is required. The rate for the conversion is included as part of the basic Local Channel rate.

Note 1: Effective June 30, 2021, this Service will no longer be available for purchase by new or existing customers. In addition, requests to move, add, change, or renew existing service arrangements will not be accepted. Following the expiration of a customer's existing term agreement, service will be provided on a month-to-month basis at the applicable Monthly rates until the service is discontinued. The Company currently plans to discontinue this service on or after June 30, 2024.

(N)  
 |  
 (N)



BELLSOUTH  
TELECOMMUNICATIONS  
LOUISIANA

ACCESS SERVICES TARIFF

Third Revised Page 15.1  
Cancels Second Revised Page 15.1

ISSUED: June 16, 2021  
BY: President - Louisiana  
Baton Rouge, Louisiana

EFFECTIVE: June 30, 2021

## E7. SPECIAL ACCESS (A. K. A. BELLSOUTH SPA) SERVICE

### E7.2 Service Descriptions (Cont'd)

#### E7.2.3 Voice Grade<sup>1</sup> (a.k.a. BellSouth SPA DS0 VG) Service (Cont'd)

(C)

##### F. WATS Access Line<sup>1</sup> (WAL) (a.k.a. BellSouth SPA WATS Line) service

(C)

###### 1. Basic Channel Description

A WATS Access Line (a.k.a. *BellSouth SPA WATS Line*) service (WAL) provides a channel for voice frequency transmission capability. The service provides a connection between a customer designated premises and a WATS serving office associated with the closed end of *BellSouth SWA 8XX Toll Free Fialing Ten Digit Screening Service*, WATS (a.k.a. *BellSouth SPA WATS Line*) or similar services. It is provided for use with *BellSouth SWA FGD* in the originating and terminating direction and *BellSouth SWA FGA* and *BellSouth SWA FGB* in the terminating direction and *BellSouth SWA* service arrangement features as set forth in Section E6. preceding. The Company is currently unable to provide originating WATS (a.k.a. *BellSouth SPA WATS Line*) service through *BellSouth SWA FGA* and *BellSouth SWA FGB*. Such service will be provided as specified in 2. and 3. following.

The following shall apply to the Company's provision of WATS Access Line (a.k.a. *BellSouth SPA WATS Line*) service:

- a. When the end user's serving wire center is not a WATS serving office, channel mileage charges will apply for a WATS access line (a.k.a. *BellSouth SPA WATS Line*) extension (WALE) between the end user's serving wire center and the nearest WATS serving office.
- b. When a customer, other than AT&T, orders originating WATS Access Line (a.k.a. *BellSouth SPA*) service and the end user's serving wire center is a WATS serving office which is not equipped with equal access, the Company will provide the WAL service to the nearest equal access WATS serving office by use of a WALE and the channel mileage charges for the WALE will be waived.
- c. When a customer other than AT&T orders originating WATS Access Line (a.k.a. *BellSouth SPA WATS Line*) service and the end user's serving wire center is not a WATS serving office and the nearest WATS serving office is not equipped with equal access, channel mileage charges for a WALE to the nearest WATS serving office will apply, as indicated in 1. preceding, but the Company will provide an additional WALE to the nearest WATS serving office equipped with equal access and the channel mileage charge for the additional WALE will be waived.

WATS Access Line (a.k.a. *BellSouth SPA WATS Line*) service is arranged for either originating calling or terminating calling. It is provided with either rotary dial or dual tone multifrequency address signaling and either loop start, ground start, E & M or reverse battery supervisory signaling. The choice of the type of signaling is at the option of the customer and subject to the technical limitations identified in the Technical Reference TR-NPL-000334. WATS Access Line (a.k.a. *BellSouth SPA WATS Line*) service is provided as an effective two-wire, an effective four-wire or a DS1 (i.e., 1.544 Mbps) transmission path. The DS1 WAL is only available as a trunk side termination on suitably equipped electronic switch, e.g., 1/1A ESS with Digital Carrier Termination (DCT) or DMS-100 with a Line Trunk Unit (LTU).

Note 1: Effective June 30, 2021, this Service will no longer be available for purchase by new or existing customers. In addition, requests to move, add, change, or renew existing service arrangements will not be accepted. Following the expiration of a customer's existing term agreement, service will be provided on a month-to-month basis at the applicable Monthly rates until the service is discontinued. The Company currently plans to discontinue this service on or after June 30, 2024.

(N)

(N)

BELLSOUTH  
 TELECOMMUNICATIONS  
 LOUISIANA  
 ISSUED: June 16, 2021  
 BY: President - Louisiana  
 Baton Rouge, Louisiana

ACCESS SERVICES TARIFF

Second Revised Page 15.2  
 Cancels First Revised Page 15.2

EFFECTIVE: June 30, 2021

**E7. SPECIAL ACCESS (A.K.A. BELLSOUTH SPA) SERVICE**

**E7.2 Service Descriptions (Cont'd)**

**E7.2.3 Voice Grade<sup>1</sup> (a.k.a. BellSouth SPA DS0 VG) Service (Cont'd)**

(C)

F. WATS Access Line<sup>1</sup> (WAL) (a.k.a. BellSouth SPA WATS Line) service (Cont'd)

(C)

2. Technical Specification Packages

Parameters	Package WAL -		
	1	2	3
Attenuation Distortion	X	X	
Bit error rate			X
C-Message Noise	X	X	
Echo Control	X	X	
Envelope Delay Distortion	X	X	
Frequency Shift	X	X	
Impulse Noise	X	X	
Intermodulation Distortion	X	X	
Loss Deviation	X	X	
Phase Jitter	X	X	
Signal-to-C Notch Noise	X	X	

The technical specifications are delineated in Technical Reference TR-NPL-000334.

3. The following interfaces are available with WAL Service:

LO, LS, DS, GO, GS, RV, EA, EB

Compatible channel interfaces are set forth in Technical Reference TR-NPL-000334.

4. Optional Features and Functions

- a. Two-wire and four-wire Central Office bridging capability.
- b. Improved two-wire voice transmission specifications.
- c. Certain other options associated with WAL services such as WATS (a.k.a. BellSouth SPA WATS Line) Access Line Nonchargeable Termination Options and Common Switching Optional Features are available as defined in Section E6. preceding.
- d. One-way or Two-way Capability

Note 1: Effective June 30, 2021, this Service will no longer be available for purchase by new or existing customers. In addition, requests to move, add, change, or renew existing service arrangements will not be accepted. Following the expiration of a customer's existing term agreement, service will be provided on a month-to-month basis at the applicable Monthly rates until the service is discontinued. The Company currently plans to discontinue this service on or after June 30, 2024.

(N)

(N)

BELLSOUTH  
 TELECOMMUNICATIONS  
 LOUISIANA  
 ISSUED: June 16, 2021  
 BY: President - Louisiana  
 Baton Rouge, Louisiana

ACCESS SERVICES TARIFF

Fourth Revised Page 18  
 Cancels Third Revised Page 18

EFFECTIVE: June 30, 2021

**E7. SPECIAL ACCESS (A.K.A. BELLSOUTH SPA) SERVICE**

**E7.2 Service Descriptions (Cont'd)**

**E7.2.5 Digital Data Access<sup>1</sup> (a.k.a. BellSouth SPA DS0 Digital Data) Service**

(C)

A. Basic Channel Description

A Digital Data (a.k.a. BellSouth SPA DS0 Digital Data) channel is a channel for duplex four-wire transmission of synchronous serial data at the rate of 2.4, 4.8, 9.6, 19.2, 56 or 64 Kbps. The actual bit rate is a function of the channel interface selected by the customer. The channel provides a synchronous service with timing provided by the Company through the Company's facilities to the customer in the received bit stream. Digital Data (a.k.a. BellSouth SPA DS0 Digital Data) channels are only available via Company designated Digital Data (a.k.a. BellSouth SPA DS0 Digital Data) Hubs and are provided between customer designated premises or between a customer designated premises and a Company Digital Data (a.k.a. BellSouth SPA DS0 Digital Data) Hub.

A Hub termination charge applies per Digital Local Channel. This rate element covers the Hub functions (e.g., timing, testing) for the service.

Secondary Channel Capability (SCC) is a derived companion digital transmission path that is independent of the primary data path and operates at a substantially lower bit rate. This derived channel allows the customer to perform network management functions during the normal operation of the network. This diagnostics channel utilizes a portion of a customer's previously unavailable data bit stream allowing for the ability to remotely control and test the network and peripheral devices without taking the network out of service. Special customer equipment is necessary to utilize the benefits of the Secondary Channel. Customers not wishing to utilize this capability will not be impacted. Due to transmission equipment restrictions, Secondary Channel cannot be provided on 56 Kbps circuits that require the installation of loop repeater equipment for provision of service. Secondary Channel Capability, also, cannot be provided on 64 Kbps circuits, since all of the available bit stream will be used by the customer.

The customer will provide the Channel Service Unit-type equipment or other Network Channel Terminating Equipment associated with the Digital Data (a.k.a. BellSouth SPA DS0 Digital Data) channel at the customer premises. The interim program for interconnection of such equipment is set forth in Technical Reference PUB AS No. 1.

B. Technical Specifications Packages

Parameter	Package DA-					
	1	2	3	4	5	6
Error-Free Seconds	X	X	X	X	X	X

The Company will provide a channel capable of meeting a monthly average performance equal to or greater than 99.875 percent error-free seconds while the channel is in service, if it is measured through a CSU equivalent which is designed, manufactured, and maintained to conform with the specifications contained in Technical Reference PUB 62310.

Interface options and service objectives for Digital Data Access (a.k.a. BellSouth SPA DS0 Digital Data) service are delineated in Technical Reference TR-NPL-000341.

Note 1: Effective June 30, 2021, this Service will no longer be available for purchase by new or existing customers. In addition, requests to move, add, change, or renew existing service arrangements will not be accepted. Following the expiration of a customer's existing term agreement, service will be provided on a month-to-month basis at the applicable Monthly rates until the service is discontinued. The Company currently plans to discontinue this service on or after June 30, 2024.

(N)  
 |  
 (N)

BELLSOUTH  
 TELECOMMUNICATIONS  
 LOUISIANA  
 ISSUED: June 16, 2021  
 BY: President - Louisiana  
 Baton Rouge, Louisiana

ACCESS SERVICES TARIFF

Eighth Revised Page 19  
 Cancels Seventh Revised Page 19

EFFECTIVE: June 30, 2021

**E7. SPECIAL ACCESS (A.K.A. BELLSOUTH SPA) SERVICE**

**E7.2 Service Descriptions (Cont'd)**

**E7.2.5 Digital Data Access<sup>2</sup> (a.k.a. BellSouth SPA DS0 Digital Data) Service (Cont'd)**

(C)

C. Channel Interfaces

The following channel interfaces (CIs) define the bit rates that are available for a Digital Data (a.k.a. BellSouth SPA DS0 Digital Data) channel:

CI	Bit Rate
DU-24(S) <sup>1</sup>	2.4 Kbps
DU-48(S) <sup>1</sup>	4.8 Kbps
DU-96(S) <sup>1</sup>	9.6 Kbps
DU-19(S) <sup>1</sup>	19.2 Kbps
DU-56(S) <sup>1</sup>	56.0 Kbps
DU-64	64.0 Kbps

Compatible channel interfaces are set forth in Technical Reference TR-NPL-000-341.

D. Optional Features and Functions

1. Central Office Bridging Capability
2. Secondary Channel Capability
3. FlexServ® Service (a.k.a. BellSouth SPA Customer Reconfiguration)

FlexServ® service (a.k.a. BellSouth SPA Customer Reconfiguration) provides the customer the ability to monitor and reconfigure Digital Data Access (a.k.a. BellSouth SPA DS0 Digital Data) service provided by the Company. FlexServ® service (a.k.a. BellSouth SPA Customer Reconfiguration) is described in E7.4.12 following. Charges for this feature are contained in E7.5.16. following.

- 4.

The following table shows the technical specifications packages with which the optional features and functions are available.

	Available with Technical Specifications Package DA-					
	1	2	3	4	5	6
Central Office Bridging Capability	X	X	X	X	X	
Secondary Channel Capability	X	X	X	X	X	

Note 1: (S) is an additional BellSouth designation for use when the optional Secondary Channel feature is required.

Note 2: Effective June 30, 2021, this Service will no longer be available for purchase by new or existing customers. In addition, requests to move, add, change, or renew existing service arrangements will not be accepted. Following the expiration of a customer's existing term agreement, service will be provided on a month-to-month basis at the applicable Monthly rates until the service is discontinued. The Company currently plans to discontinue this service on or after June 30, 2024.

(N)  
 |  
 (N)

BELLSOUTH  
 TELECOMMUNICATIONS  
 LOUISIANA  
 ISSUED: June 16, 2021  
 BY: President - Louisiana  
 Baton Rouge, Louisiana

ACCESS SERVICES TARIFF

Seventh Revised Page 20  
 Cancels Sixth Revised Page 20

EFFECTIVE: June 30, 2021

**E7. SPECIAL ACCESS (A.K.A. BELLSOUTH SPA) SERVICE**

**E7.2 Service Descriptions (Cont'd)**

**E7.2.5 Digital Data Access<sup>2</sup> (a.k.a. BellSouth SPA DS0 Digital Data) Service (Cont'd)**

(C)

D. Optional Features and Functions (Cont'd)

4.

	Available with Technical Specifications Package DA-					
	1	2	3	4	5	6
FlexServ <sup>®</sup> Service (a.k.a. BellSouth SPA Customer Reconfiguration)	X	X	X	X	X	X
			X			

**E7.2.6 High Capacity (a.k.a. BellSouth SPA High Capacity) Service**

A. Basic Channel Description

A High Capacity (a.k.a. BellSouth SPA High Capacity) channel is a channel for the transmission of nominal 64.0 Kbps<sup>1, 2</sup> or 1.544, 3.152, 6.312, or 44.736 Mbps isochronous serial data. The actual bit rate is a function of the channel interface selected by the customer. High Capacity (a.k.a. BellSouth SPA High Capacity) channels are provided between customer designated premises or between a customer designated premises and a Company Hub.

(C)

The customer will provide the Network Channel Terminating Equipment associated with the High Capacity (a.k.a. BellSouth SPA High Capacity) channel at the customer's premises. The interim program for interconnection of such equipment is set forth in Technical Reference PUB AS No. 1.

B. Technical Specifications Packages

Parameters	Package HC-				
	0	1	1C	2	3
Error-Free Seconds		X			

A channel with technical specifications package HC1 will be capable of an error-free second performance of 98.75 percent over a continuous 24 hour period as measured at the 1.544 Mbps rate through a CSU equivalent which is designed, manufactured, and maintained to conform with the specifications contained in Technical Reference TR-NPL-000054.

**Note 1:** Available only as a cross connect (through connection) of two 2.4, 4.8, 9.6, 19.2, 56.0 or 64.0 Kbps channels of two 1.544 Mbps facilities to a Digital Data (a.k.a. BellSouth SPA DS0 Digital Data) Hub(s). The customer must provide system and channel assignment data.

**Note 2:** Effective June 30, 2021, this Service will no longer be available for purchase by new or existing customers. In addition, requests to move, add, change, or renew existing service arrangements will not be accepted. Following the expiration of a customer's existing term agreement, service will be provided on a month-to-month basis at the applicable Monthly rates until the service is discontinued. The Company currently plans to discontinue this service on or after June 30, 2024.

(N)

(N)

BELLSOUTH  
TELECOMMUNICATIONS  
LOUISIANA  
ISSUED: June 16, 2021  
BY: President - Louisiana  
Baton Rouge, Louisiana

## ACCESS SERVICES TARIFF

Sixth Revised Page 21  
Cancels Fifth Revised Page 21

EFFECTIVE: June 30, 2021

**E7. SPECIAL ACCESS ( A.K.A. BELLSOUTH SPA) SERVICE****E7.2 Service Descriptions (Cont'd)****E7.2.6 High Capacity (a.k.a. BellSouth SPA High Capacity) Service (Cont'd)**

## C. Channel Interfaces

The following channel interfaces (CIs) define the bit rates that are available for a High Capacity channel:

CI	Bit Rate
DS-15 <sup>1,2</sup>	1.544 Mbps (DS1)
DS-31	3.152 Mbps (DS1C)
DS-44	44.736 Mbps (DS3)
DS-63	6.312 Mbps (DS2)

(C)

Compatible channel interfaces are set forth in Technical Reference TR-INS-000342.

## D. Optional Features and Functions

1.

## 2. Clear Channel Capability

- a. Clear Channel Capability (CCC) is an arrangement that alters a DS1/1.544 Mbps signal with unconstrained information bits, to meet pulse density requirements outlined in TR-NPL-000054 and TA-TSY-000342. This will allow a customer to transport an all zero octet over a DS1/1.544 Mbps High Capacity (*a.k.a. BellSouth SPA DS1*) channel, providing an available combined maximum 1.536 Mbps data rate. This arrangement requires the customer signal at the channel interface to conform to Bipolar with 8 Zero Substitution (B8ZS) line code as described in TR-NPL-000054 and TN-TSY-000342.
- b. CCC is provided on DS1/1.544 Mbps High Capacity (*a.k.a. BellSouth SPA DS1*) channels between two customer designated premises or between a customer designated premises and a Company Hub location and is subject to the availability of facilities. This optional feature may be ordered at the same time the DS1/1.544 Mbps High Capacity (*a.k.a. BellSouth SPA DS1*) channel is ordered, or it may be ordered as an additional feature of an existing channel.
- c. When providing CCC via a DS3/44.736 Mbps High Capacity (*a.k.a. BellSouth SPA DS3*) channel, that DS3 channel must be designated, in Company records, as having Clear Channel Capability prior to the provisioning of a DS1/1.544 Mbps High Capacity (*a.k.a. BellSouth SPA DS1*) channel with CCC. Customers must agree to out-of-service periods required to add this feature to; 1) an existing DS1/1.544 Mbps High Capacity (*a.k.a. BellSouth SPA DS1*) channel or 2) a DS3/44.736 Mbps High Capacity (*a.k.a. BellSouth SPA DS3*) channel which transports a DS1/1.544 Mbps High Capacity (*a.k.a. BellSouth SPA DS1*) channel, to be optioned for B8ZS.

**Note 1:** A 64.0 Kbps channel is available as a channel(s) of a 1.544 Mbps facility to a Company hub.

**Note 2:** Effective June 30, 2021, 64.0 Kbps will no longer be available for purchase by new or existing customers. In addition, requests to move, add, change, or renew existing service arrangements will not be accepted. Following the expiration of a customer's existing term agreement, service will be provided on a month-to-month basis at the applicable Monthly rates until the service is discontinued. The Company currently plans to discontinue this service on or after June 30, 2024.

(N)  
|  
(N)

BELLSOUTH  
TELECOMMUNICATIONS  
LOUISIANA  
ISSUED: June 16, 2021  
BY: President - Louisiana  
Baton Rouge, Louisiana

ACCESS SERVICES TARIFF

Fourth Revised Page 21.1  
Cancels Third Revised Page 21.1

EFFECTIVE: June 30, 2021

## E7. SPECIAL ACCESS (A.K.A. BELLSOUTH SPA) SERVICE

### E7.2 Service Descriptions (Cont'd)

#### E7.2.6 High Capacity (*a.k.a. BellSouth SPA High Capacity*) Service (Cont'd)

##### D. Optional Features and Functions (Cont'd)

##### 3. Channelization

###### a. DS3 to DS1

An arrangement that channelizes a 44.736 Mbps channel to 28 DS1 channels.

###### b. DS2 to DS1

An arrangement that channelizes a 6.312 Mbps channel to four DS1 channels.

###### c. DS1C to DS1

An arrangement that channelizes a 3.152 Mbps channel to two DS1 channels.

###### d. DS1 Basic Channelization System

An arrangement that channelizes a 1.544 Mbps channel to a maximum of twenty-four channels that may be used to activate both analog and digital service, e.g., voice grade, program audio, and digital data access service. A DS1 Basic Channelization System requires a Central Office Channel Interface for each channel of lesser capacity.

###### e. DS0 Basic Channelization System<sup>1</sup>

An arrangement that channelizes a 64.0 Kbps channel to subspeeds of up to twenty 2.4 Kbps, ten 4.8 Kbps, or five 9.6 Kbps channels. A DS0 Basic Channelization System requires a Central Office Channel Interface for each channel of lesser capacity.

(C)

##### 4. Channel Interface

###### a. DS1 Level Channel Interface

An arrangement for the connection of DS1 (1.544 Mbps) channels to higher order DS3 (44.736 Mbps) services in Company central office locations.

###### b. DS1 Level Customer Channel Interface

An arrangement for the connection of DS1 (1.544 Mbps) channels to higher order DS3 (44.736 Mbps) services at customer locations.

###### c. DS0 Level Central Office Channel Interface<sup>1</sup>

An arrangement for the connection of VG/DS0 (2.4-64.0 Kbps) channels to higher order DS1 (1.544 Mbps) services in Company central office locations.

(C)

###### d. Subrate Level Central Office Channel Interface<sup>1</sup>

An arrangement for the connection of subrate (2.4-9.6 Kbps) channels to higher order DS0 (64.0 Kbps) services in Company central office locations.

(C)

Note 1: Effective June 30, 2021, this Service will no longer be available for purchase by new or existing customers. In addition, requests to move, add, change, or renew existing service arrangements will not be accepted. Following the expiration of a customer's existing term agreement, service will be provided on a month-to-month basis at the applicable Monthly rates until the service is discontinued. The Company currently plans to discontinue this service on or after June 30, 2024.

(N)

(N)

BELLSOUTH  
 TELECOMMUNICATIONS  
 LOUISIANA  
 ISSUED: June 16, 2021  
 BY: President - Louisiana  
 Baton Rouge, Louisiana

ACCESS SERVICES TARIFF

Tenth Revised Page 22  
 Cancels Ninth Revised Page 22

EFFECTIVE: June 30, 2021

**E7. SPECIAL ACCESS (A.K.A. BELLSOUTH SPA) SERVICE**

**E7.2 Service Descriptions (Cont'd)**

**E7.2.6 High Capacity (a.k.a. BellSouth SPA High Capacity) Service (Cont'd)**

D. Optional Features And Functions (Cont'd)

5. FlexServ® service (a.k.a. BellSouth SPA Customer Reconfiguration)

FlexServ® service (a.k.a. BellSouth SPA Customer Reconfiguration) provides the customer the ability to monitor and reconfigure High Capacity (a.k.a. BellSouth SPA High Capacity) service provided by the Company. FlexServ® service (a.k.a. BellSouth SPA Customer Reconfiguration) is described in E7.4.12 following. Charges for this feature are contained in E7.5.16. following.

The following table shows the technical specifications packages with which the optional features and functions are available.

	Available With Technical Specifications Package HC-				
	0	1	1C	2	3
Channelization:					
DS3 to DS1					X
DS2 to DS1				X	
DS1C to DS1			X		
DS1 Basic Channelization System			X		
DS0 Basic Channelization System <sup>1,2</sup>		X			
Clear Channel Capability		X			
FlexServ® Service (a.k.a. BellSouth SPA Customer Reconfiguration)	X	X			

Note 1: Available only on 64.0 Kbps DDAS (a.k.a. BellSouth SPA DS0 Digital Data) service or on a DS1 (1.544 Mbps) channel with Clear Channel Capability to a Company hub.

Note 2: Effective June 30, 2021, this Service will no longer be available for purchase by new or existing customers. In addition, requests to move, add, change, or renew existing service arrangements will not be accepted. Following the expiration of a customer's existing term agreement, service will be provided on a month-to-month basis at the applicable Monthly rates until the service is discontinued. The Company currently plans to discontinue this service on or after June 30, 2024.

(C)

(N)

(N)



BELLSOUTH  
 TELECOMMUNICATIONS  
 LOUISIANA  
 ISSUED: June 16, 2021  
 BY: President - Louisiana  
 Baton Rouge, Louisiana

## ACCESS SERVICES TARIFF

Seventh Revised Page 22.2  
 Cancels Sixth Revised Page 22.2

EFFECTIVE: June 30, 2021

**E7. SPECIAL ACCESS (A.K.A. BELLSOUTH SPA) SERVICE****E7.2 Service Descriptions (Cont'd)****E7.2.14 (DELETED)****E7.2.15 Derived Data Channel<sup>2</sup> (a.k.a. BellSouth SPA Derived Data Channel) Service**

(C)

**A. Basic Service Description**

Derived Data Channel (a.k.a. BellSouth SPA Derived Data Channel) service (DDCS) provides full-duplex asynchronous or synchronous data transmission utilizing data over voice and subrate multiplexing technology. DDCS (a.k.a. BellSouth SPA Derived Data Channel) provides simultaneous data and voice transmissions over the customer's existing two-wire local exchange facility. A derived data channel is provided between the customer's premises and the customer's serving wire center.

Note 1: The desired parameters are selected by the customer from the list of available parameters.

Note 2: Effective June 30, 2021, this Service will no longer be available for purchase by new or existing customers. In addition, requests to move, add, change, or renew existing service arrangements will not be accepted. Following the expiration of a customer's existing term agreement, service will be provided on a month-to-month basis at the applicable Monthly rates until the service is discontinued. The Company currently plans to discontinue this service on or after June 30, 2024.

(N)

(N)

BELLSOUTH  
 TELECOMMUNICATIONS  
 LOUISIANA  
 ISSUED: June 16, 2021  
 BY: President - Louisiana  
 Baton Rouge, Louisiana

ACCESS SERVICES TARIFF

Third Revised Page 22.3  
 Cancels Second Revised Page 22.3

EFFECTIVE: June 30, 2021

**E7. SPECIAL ACCESS (A.K.A. BELLSOUTH SPA) SERVICE**

**E7.2 Service Descriptions (Cont'd)**

**E7.2.15 Derived Data Channel<sup>1</sup> (a.k.a. BellSouth SPA Derived Data Channel) Service (Cont'd)**

(C)

**A. (Cont'd)**

At the customer's serving wire center the data/voice terminating equipment provides subrate multiplexing into a standard DS0-B interface for a group composed of a maximum of twenty derived data channels. The customer's derived data channel must be associated with a DS0-B interface. This association requires coordination between the subscriber of the derived data channel and the subscriber of the DS0-B interface. An interoffice channel is provided for interconnection of the subrate multiplexed DS0-B interface to the serving wire center of a customer designated premises.

DDCS (a.k.a. BellSouth SPA Derived Data Channel) is provided subject to the availability of appropriate network facilities and equipment and subject to the transmission limitations of the facilities and equipment used by the Company.

The customer will be responsible for selecting his own Customer Premises Equipment (CPE). CPE must be compatible with the Company provided terminating equipment at the serving wire center.

**B. Channel Interfaces**

The following channel interface (CI) defines the bit rate that is available with DDCS. (a.k.a. BellSouth SPA Derived Data Channel).

CI	Bit Rate
2DV5.BA	2.4 Kbps, Digital Data Over Voice <sup>1</sup>

(C)

Compatible channel interface specifications are contained in BellSouth Technical Reference Publication 73548 for data/voice multiplexing equipment and BellSouth Technical Reference 73548, Addendum 1, for access to a DS0-B interface. These publications are available from the Information Exchange Manager, BellSouth Telecommunications, Inc., Documentations Operations, North W5A1, 3535 Colonnade Parkway, Birmingham, Alabama 35243.

Note 1: Effective June 30, 2021, this Service will no longer be available for purchase by new or existing customers. In addition, requests to move, add, change, or renew existing service arrangements will not be accepted. Following the expiration of a customer's existing term agreement, service will be provided on a month-to-month basis at the applicable Monthly rates until the service is discontinued. The Company currently plans to discontinue this service on or after June 30, 2024.

(N)  
 |  
 (N)

BELLSOUTH  
 TELECOMMUNICATIONS  
 LOUISIANA  
 ISSUED: June 16, 2021  
 BY: President - Louisiana  
 Baton Rouge, Louisiana

ACCESS SERVICES TARIFF

Seventh Revised Page 23  
 Cancels Sixth Revised Page 23

EFFECTIVE: June 30, 2021

**E7. SPECIAL ACCESS (A.K.A. BELLSOUTH SPA) SERVICE**

**E7.3 Channel Interface And Network Channel Codes (Cont'd)**

**E7.3.1 General (Cont'd)**

A. (Cont'd)

Example: If the customer specifies a NT Network Channel Code and a 2DC8-3 Channel Interface at the customer's premises, the following is being requested:

1. NT = Metallic<sup>1</sup> (*a.k.a. BellSouth SPA Metallic*) Channel with a Predefined Technical Specification Package (1) (C)
2. 2 = Number of physical wires at customer premises
3. DC = Facility interface for direct current or voltage
4. 8 = Variable impedance level
5. 3 = Metallic<sup>1</sup> facilities (DC continuity) for direct current/low frequency control signals or slow speed data (30 baud) (C)

**E7.3.2 Glossary Of Channel Interface Codes And Options**

Code - Option	Definition	
AB -	Accepts 20 Hz ringing signal at customer's point of termination	
AC -	Accepts 20 Hz ringing signal at the customer's end user's point of termination	
CS -	Digital hierarchy interface at Digital Crossconnect System (DCS)	
- EA	E & M Signaling	
- GO	Ground Start Loop Signaling-Open End	
- GS	Ground Start Loop Signaling-Closed End	
- LO	Loop Start Loop Signaling-Open End	
- LS	Loop Start Loop Signaling-Closed End	
- NO	Transmission Only - No Signaling	
- R	(DSO)Customer Reconfigurable Voice Grade Service <sup>1</sup>	(C)
- 10R	DS1 to DS0 Customer Reconfigurable <sup>1</sup>	
- 10	DS1 to DS0 <sup>1</sup>	(C)
- 11R	DS1 to DS1 Customer Reconfigurable	
- 11	DS1 to DS1	
- SP	Resistive Type: Split Path Operation for Data Polling Conference Type	
- CF	Resistive Type: Split Path Operation for Symmetrical Voice Conference Type	
- BC	CO Bridging: Broadcast for Broadcast Conference Type	
- CT	Centrex Type Services Tie Trunk Termination	
DA -	Data stream in VF frequency band at customer's end user's point of termination	

Note 1: Effective June 30, 2021, this Service will no longer be available for purchase by new or existing customers. In addition, requests to move, add, change, or renew existing service arrangements will not be accepted. Following the expiration of a customer's existing term agreement, service will be provided on a month-to-month basis at the applicable Monthly rates until the service is discontinued. The Company currently plans to discontinue this service on or after June 30, 2024.

(N)  
 |  
 (N)

BELLSOUTH  
TELECOMMUNICATIONS  
LOUISIANA  
ISSUED: June 16, 2021  
BY: President - Louisiana  
Baton Rouge, Louisiana

## ACCESS SERVICES TARIFF

Third Revised Page 23.1  
Cancels Second Revised Page 23.1

EFFECTIVE: June 30, 2021

**E7. SPECIAL ACCESS (A.K.A. BELLSOUTH SPA) SERVICE****E7.3 Channel Interface And Network Channel Codes (Cont'd)****E7.3.2 Glossary Of Channel Interface Codes And Options (Cont'd)**

<b>Code - Option</b>	<b>Definition</b>	
DB -	Data stream in VF frequency band at customer's point of termination	
- 10	VF for TG1 and TG2	
- 43	VF for 43 Telegraph <sup>1</sup> Carrier type signals, TG1 and TG2	(C)
DC -	Direct current or voltage	
- 1	Monitoring interface with series RC combination (McCulloh format)	
- 2	Company energized alarm channel	
- 3	Metallic <sup>1</sup> facilities (DC continuity) for direct current/low frequency control signals or slow speed data (30 baud)	(C)
DS -	Digital hierarchy interface	
- 1K	1.544 Mbps (DS1) ANSI Extended Superframe (ESF) format	
- 1S	1.544 Mbps (DS1) ANSI Extended Superframe (ESF) format and B8ZS Clear Channel Capability	
- 15	1.544 Mbps (DS1) Superframe (SF) format	
- 15B	1.544 Mbps (DS1) Superframe (SF) format and B8ZS Clear Channel Capability	
- 15E	8-bit PCM encoded in one 64 Kbps of the DS1 signal	
- 15F	8-bit PCM encoded in two 64 Kbps of the DS1 signal	

Note 1: Effective June 30, 2021, this Service will no longer be available for purchase by new or existing customers. In addition, requests to move, add, change, or renew existing service arrangements will not be accepted. Following the expiration of a customer's existing term agreement, service will be provided on a month-to-month basis at the applicable Monthly rates until the service is discontinued. The Company currently plans to discontinue this service on or after June 30, 2024.

(N)  
|  
(N)

BELLSOUTH  
 TELECOMMUNICATIONS  
 LOUISIANA  
 ISSUED: June 16, 2021  
 BY: President - Louisiana  
 Baton Rouge, Louisiana

ACCESS SERVICES TARIFF

Seventh Revised Page 24  
 Cancels Sixth Revised Page 24

EFFECTIVE: June 30, 2021

**E7. SPECIAL ACCESS (A.K.A. BELLSOUTH SPA) SERVICE**

**E7.3 Channel Interface And Network Channel Codes (Cont'd)**

**E7.3.2 Glossary Of Channel Interface Codes And Options (Cont'd)**

Code - Option	Definition
- 15G	8-bit PCM encoded in three 64 Kbps of the DS1 signal
- 15H	14/11-bit PCM encoded in six 64 Kbps of the DS1 signal
- 15J	1.544 Mbps format per PUB 41451 (only available to U.S. Govt. agencies)
- 31	3.152 Mbps (DS1C)
- 31L	3.152 Mbps (DS1C) with SF signaling
- 44	44.736 Mbps (DS3)
- 44L	44.736 Mbps (DS3) with SF signaling
- 63	6.312 Mbps (DS2)
- 63L	6.312 Mbps (DS2) with SF signaling
DU -	Digital access interface
- 19(S)	19.2 Kbps <sup>1,2</sup>
- 24(S)	2.4 Kbps <sup>1,2</sup>
- 48(S)	4.8 Kbps <sup>1,2</sup>
- 56(S)	56.0 Kbps <sup>1,2</sup>
- 64	64.0 Kbps <sup>2</sup>
- 96(S)	9.6 Kbps <sup>1,2</sup>
- 1KN	DS1 (1.544 Mbps) ANSI Extended Superframe (ESF) Format per TR-NPL-000054 without line power
- 1SN	DS1 (1.544 Mbps) ANSI Extended Superframe (ESF) Format per TR-NPL-000054, with B8ZS Clear Channel Capability and without line power
- A	DS1 (1.544 Mbps) free-framing format per PUB 41451 with line power (only available to U. S. Govt. agencies)
- AN	DS1 (1.544 Mbps) free-framing format per PUB 41451 without line power (only available to U. S. Govt. agencies)
- BN	DS1 (1.544 Mbps) Superframe (SF) Format per TR-NPL-000054 without line power
- DN	DS1 (1.544 Mbps) Superframe (SF) Format per TR-NPL-000054, with B8ZS Clear Channel Capability and without line power.
- SN	1.544 Mbps (DS1) "ANSI" Extended Superframe (ESF) format and B8ZS Clear Channel Capability
DV -	Data and Voice Multiplexing
- BC	Digital Data Over Voice, 9.6 Kbps <sup>2</sup>

Note 1: (S) is an additional BellSouth designation for use when the optional Secondary Channel feature is required.

Note 2: Effective June 30, 2021, this Service will no longer be available for purchase by new or existing customers. In addition, requests to move, add, change, or renew existing service arrangements will not be accepted. Following the expiration of a customer's existing term agreement, service will be provided on a month-to-month basis at the applicable Monthly rates until the service is discontinued. The Company currently plans to discontinue this service on or after June 30, 2024.

(C)  
 |  
 (C)

(N)  
 |  
 (N)

BELLSOUTH  
TELECOMMUNICATIONS  
LOUISIANA  
ISSUED: June 16, 2021  
BY: President - Louisiana  
Baton Rouge, Louisiana

## ACCESS SERVICES TARIFF

Sixth Revised Page 26  
Cancels Fifth Revised Page 26

EFFECTIVE: June 30, 2021

**E7. SPECIAL ACCESS (A.K.A. BELLSOUTH SPA) SERVICE****E7.3 Channel Interface And Network Channel Codes (Cont'd)****E7.3.2 Glossary Of Channel Interface Codes And Options (Cont'd)**

Code - Option	Definition	
PG -	Program transmission - no dc signaling	
- 3	Nominal frequency from 200 to 3,500 Hz	
- 5	Nominal frequency from 100 to 5,000 Hz	
- 8	Nominal frequency from 50 to 8,000 Hz	
PR -	Protective relaying <sup>2</sup>	
RV - 0	Reverse battery signaling, one way operation, originate by customer	
- T	Reverse battery signaling, one way operation, terminate function by customer or customer's end user	
SF -	Single frequency signaling with VF band at either customer POT or customer's end user POT	
TF -	Telephotograph <sup>1</sup> interface	(C)
TT -	Telegraph <sup>1</sup> /teletypewriter interface at either customer POT or customer's end user POT	(C)
- 2	20.0 milliamperes	
TT - 3	3.0 milliamperes	
- 6	62.5 milliamperes	
	<b>(DELETED)</b>	
	<b>(DELETED)</b>	

Note 1: Effective June 30, 2021, this Service will no longer be available for purchase by new or existing customers. In addition, requests to move, add, change, or renew existing service arrangements will not be accepted. Following the expiration of a customer's existing term agreement, service will be provided on a month-to-month basis at the applicable Monthly rates until the service is discontinued. The Company currently plans to discontinue this service on or after June 30, 2024.

(N)

(N)

BELLSOUTH  
TELECOMMUNICATIONS  
LOUISIANA

ACCESS SERVICES TARIFF

Twelfth Revised Page 29  
Cancels Eleventh Revised Page 29

ISSUED: June 16, 2021  
BY: President - Louisiana  
Baton Rouge, Louisiana

EFFECTIVE: June 30, 2021

## E7. SPECIAL ACCESS (A.K.A. BELLSOUTH SPA) SERVICE

### E7.4 Rate Regulations

This section contains the specific regulations governing the rates and charges that apply for Special Access (a.k.a. BellSouth SPA) service.

#### E7.4.1 Types Of Rates And Charges

A. There are two types of rates and charges. These are monthly rates and nonrecurring charges. The rates and charges are described as follows:

##### 1. Monthly Rates

Monthly rates are flat recurring rates that apply each month or fraction thereof that a Special Access (a.k.a. BellSouth SPA) service is provided. For billing purposes, each month is considered to have thirty days.

Digital Data Access<sup>2</sup> (a.k.a. BellSouth SPA DS0 Digital Data) service is offered under two contract plans. Contract plan rates are available in payment periods from twenty-four to forty-two months<sup>1</sup> and in payment periods from forty-three to sixty months<sup>1</sup> under conditions specified in the Channel Services Payment Plan in E2.4 of this Tariff. (These payment periods are an exception to those listed in E2.4 of this Tariff.) Termination Liability charges will not apply for customer requests for moves of service under CSPP subject to the provisions set forth in E2.4.9.A.8. preceding. However, a Termination Liability Charge is applicable at the date of termination if the customer terminates or disconnects the service prior to fulfilling the period of the contract plan except as specified in b. following. The Termination Liability Charge is determined by multiplying the contracted monthly rate times the number of months in the contract plan, less the contracted monthly rate times the number of months the service has been installed, **multiplied by a factor. The factor is fifty percent (50%) for contracts that have been in effect twelve (12) months or less, or twenty percent (20%) for contracts that have been in effect longer than twelve (12) months.** An example is provided in a. following. (C)

a. A customer subscribes to Digital Data Access<sup>2</sup> (a.k.a. BellSouth SPA DS0 Digital Data) service using the twenty-four to forty-two month payment plan. The contract plan period is for thirty months. The subscriber terminates the service after twelve months. The total liability charge is thirty months times the monthly rate. The amount is then reduced to reflect the number of months the subscriber has had the service, which in this example is twelve months. Therefore, the Termination Liability Charge is calculated as follows: (C)

$$\text{Termination Liability Charge} = .50 \times [(30 \text{ months} \times \text{monthly rate}) - (12 \text{ months} \times \text{monthly rate})]$$

b. A Termination Liability Charge will not be applicable at the date of termination if the customer terminates or disconnects the service prior to fulfilling the period of the contract plan for customer requested changes to a higher order of service covered by the Channel Services Payment Plan as specified in E2.4.9.A.4.b. or customer requested changes to services not covered by the Channel Services Payment Plan that are offered by the Company under a contract payment plan provided that the applicable conditions set forth in E2.4.9.A.4.b. are satisfied.

Contract rates are available for DS1 High Capacity (a.k.a. BellSouth SPA High Capacity) service for variable periods with rates based on lengths of thirty-six months<sup>1</sup>, sixty months<sup>1</sup>, or eighty-four months<sup>1</sup> under conditions specified in the Channel Service Payment Plan in E2.4. of this Tariff. A Termination Liability Charge is applicable at the date of termination. The applicable charge is dependent on the contract period subscribed to and will be equal to the number of months remaining in the contract times the monthly rate provided under the contract. However, Termination Liability charges will not apply for customer requests for moves of service under CSPP subject to the provisions set forth in E2.4.9.A.8. preceding.

Rates applicable to a month-to-month payment option are subject to Company initiated changes.

**Note 1:** Effective March 27, 2019, Customers may not: (1) Establish CSPPs for Digital Data Access Service, Derived Data Channel Service, and BellSouth FlexServ Service, (2) Establish CSPPs greater than 36 months for High Capacity Service, and (3) Convert or renew CSPPs for Digital Data Access Service, Derived Data Channel Service, BellSouth FlexServ Service and High Capacity Service.

**Note 2:** Effective June 30, 2021, this Service will no longer be available for purchase by new or existing customers. In addition, requests to move, add, change, or renew existing service arrangements will not be accepted. Following the expiration of a customer's existing term agreement, service will be provided on a month-to-month basis at the applicable Monthly rates until the service is discontinued. The Company currently plans to discontinue this service on or after June 30, 2024.

(N)  
|  
(N)

BELLSOUTH  
 TELECOMMUNICATIONS  
 LOUISIANA  
 ISSUED: June 16, 2021  
 BY: President - Louisiana  
 Baton Rouge, Louisiana

ACCESS SERVICES TARIFF

Thirteenth Revised Page 29.1  
 Cancels Twelfth Revised Page 29.1

EFFECTIVE: June 30, 2021

**E7. SPECIAL ACCESS (A.K.A. BELLSOUTH SPA) SERVICE**

**E7.4 Rate Regulations (Cont'd)**

**E7.4.1 Types Of Rates And Charges (Cont'd)**

A. (Cont'd)

2. Nonrecurring Charges (Cont'd)

- Installation of service,
- Installation of optional features and functions, and
- Service rearrangements

The following list identifies the individual Special Access (a.k.a. BellSouth SPA) services provided under Section E7. of this Tariff which are eligible for credit of nonrecurring charges under "Service Installation Guarantee" found in E2.4.10 of this Tariff. Customers with these services are not eligible for the Service Installation Guarantee when the requested installation, move or rearrangement service order interval is four days or less as measured from the Application Date of the order.

- Voice Grade<sup>(3)</sup> (a.k.a. BellSouth SPA DS0 VG), (C)
- Wired Music,<sup>(2)</sup>
- Digital Data Access (a.k.a. BellSouth SPA DS0 Digital Data) service<sup>(1)(3)</sup>, (C)
- High Capacity (a.k.a. BellSouth SPA High Capacity) service
- SMARTRing service (a.k.a. BellSouth Dedicated Ring)

Provided, however, that the following services are not eligible for such credit.

- FlexServ service (a.k.a. BellSouth SPA Customer Reconfiguration)
- Derived Data Channel<sup>(3)</sup> (a.k.a. BellSouth SPA Derived Data Channel) service (C)
- BellSouth Metro Ethernet service

a. Installation of Service

Nonrecurring charges apply to each service installed. When one service is ordered and installed, it is billed at the First Service Installed rate. When more than one of the same type of service, between the same locations, for the same customer is ordered and installed at the same time, one at each location is billed at the First Service Installed rate and the others are billed at the Additional Service Installed rate.

b. Installation of Optional Features and Functions

Nonrecurring charges apply for the installation of some of the optional features and functions available with Special Access (a.k.a. BellSouth SPA) service. The Initial nonrecurring charge applies if the feature or function is installed coincident with the primary service. The Subsequent nonrecurring charge applies if the feature or function is installed after the installation of the primary service.

First and Additional nonrecurring charges are applicable to activate each individual Central Office Channel Interface of a DS1 or DS0 Basic Channelization System<sup>(3)</sup>, and are in addition to the nonrecurring charges for the DS1 or DS0 Basic Channelization System<sup>(3)</sup>. A "First" Central Office Channel Interface nonrecurring charge is applicable to the first Central Office Channel Interface installed coincident with the installation of a DS1 or DS0 Basic Channelization System<sup>(3)</sup>, per service request. The "Additional" nonrecurring charge applies for each additional Central Office Channel Interface, of the same type, ordered and installed at the same location, for the same customer, at the same time, on the same order request. Future requests for a Central Office Channel Interface on an existing DS1 or DS0 Basic Channelization System<sup>(3)</sup> will be treated as new requests and will require "First" and "Additional" Central Office Channel Interface nonrecurring charge application in addition to any other applicable charges. (C)

One nonrecurring charge is applicable for each individual DS1 level central office or customer channel interface and is in addition to any other applicable charges.

The nonrecurring charges for the installation of optional features and functions are set forth in E7.5 following as nonrecurring charges for optional features and functions associated with the specific services.

Note 1: The Data Over Voice Channel optional feature is not eligible for such credit.

Note 2: Effective December 1, 2020, this Service will no longer be available for purchase by new or existing customers, and service agreements may no longer be renewed. In addition, requests to move, add, or change existing service arrangements will not be accepted. Following the expiration of a customer's existing term agreement, service will be provided on a month-to-month basis at the applicable month-to-month rates until the service is discontinued. AT&T currently plans to discontinue this Service on or after December 1, 2021.

Note 3: Effective June 30, 2021, this Service will no longer be available for purchase by new or existing customers. In addition, requests to move, add, change, or renew existing service arrangements will not be accepted. Following the expiration of a customer's existing term agreement, service will be provided on a month-to-month basis at the applicable Monthly rates until the service is discontinued. The Company currently plans to discontinue this service on or after June 30, 2024.

(N)  
 |  
 (N)



BELLSOUTH  
TELECOMMUNICATIONS  
LOUISIANA

ACCESS SERVICES TARIFF

Eleventh Revised Page 30  
Cancels Tenth Revised Page 30

ISSUED: June 16, 2021  
BY: President - Louisiana  
Baton Rouge, Louisiana

EFFECTIVE: June 30, 2021

## E7. SPECIAL ACCESS (A.K.A. BELLSOUTH SPA) SERVICE

### E7.4 Rate Regulations (Cont'd)

#### E7.4.1 Types Of Rates And Charges (Cont'd)

##### A. (Cont'd)

##### 3. Service Rearrangements

Service rearrangements are changes to existing (installed) services which do not result in either a change in the minimum period requirements as set forth in E5.2.6 of this Tariff or a change in the physical location of the point of the termination at a customer designated premises. Changes which result in the establishment of new minimum period obligations are treated as disconnects and starts. Changes in the physical location of the point of the termination are treated as moves and are described and charged for as set forth in E7.4.5 following. A change which results from a transfer of service is described and charged as set forth in 4. and E7.5.13 following.

The charge to the customer for the service rearrangement is dependent on whether the change is administrative only in nature or involves actual physical change to the service.

Administrative changes, identified as follows, will be made without charge(s) to the customer. Such changes require the continued provision and billing of the Access service to the same entity (i.e., customer remains responsible for all outstanding indebtedness for the Access service). Administrative changes are as follows:

- Change of customer name (i.e., the customer of record does not change but rather the customer of record changes its name -- e.g., AT&T-Long Lines to AT&T-Communications),
- Change of customer or customer's end user premises address when the change of address is not a result of a physical relocation of equipment,
- Change in billing data (name, address, or contact name or telephone number. The customer of record does not change.)
- Change of customer circuit identification,
- Change of billing account number,
- Change of customer test line number,
- Change of customer or customer's end user contact name or telephone number, and
- Change of jurisdiction.

All other service rearrangements, including physical changes to existing services, will be charged for as follows:

- If the change involves the addition of other customer designated premises to an existing multipoint service, the nonrecurring charge for the Local Channel rate element will apply. The charge(s) will apply only for the location(s) that is being added.

- If the change involves the addition of optional features or functions which have separate nonrecurring charges, the nonrecurring charges for the optional features or functions added will apply.

- If the change involves changing the type of signaling on a Voice Grade<sup>1</sup> (a.k.a. BellSouth SPA DS0 VG) service, a charge equal to the Voice Grade<sup>1</sup> (a.k.a. BellSouth SPA DS0 VG) Local Channel rate element nonrecurring charge will apply. The charge will apply per service termination affected. (C)

- If the change involves a customer requested change of data transmission rate for an existing Digital Data Access<sup>1</sup> (a.k.a. BellSouth SPA DS0 Digital Data) Service circuit, the appropriate nonrecurring charge shall be the Speed Change Charge provided in E7.5.5.C.4. following. This charge shall apply per local channel on each circuit where the speed is requested to be changed. The existing circuit will experience out of service time when the speed change work is conducted. (Full nonrecurring charges shall apply for customer requests for changes of data transmission rate where out of service time cannot be tolerated. The customer shall specify the disconnect date for the circuit being replaced.) (C)

- If the change involves changing (reconfiguring) an existing BellSouth Metro Ethernet service Connection, appropriate charges provided in E7.4.32 following apply.

- If the change involves the addition of a DS3 Network Interface Unit (NIU) to a SMARTRing service (a.k.a. BellSouth SPA Dedicated Ring) the rates and charges shown in E13.3.25.

- For all other changes, including a change of the customer of record involving no physical changes to the service provided or the addition of optional features without separate nonrecurring charges, a charge equal to a Local Channel rate element nonrecurring charge will apply. Only one such charge will apply per service, per change.

##### 4. Transfer of Service

When a change in billing data (e.g., name, address, contact name, or telephone number) is requested in association with a change in the customer of record, transfer of service charges, as set forth in E7.5.13 following will apply. Charges are applied on a Billing Account Number (BAN) and per circuit basis.

Note 1: Effective June 30, 2021, this Service will no longer be available for purchase by new or existing customers. In addition, requests to move, add, change, or renew existing service arrangements will not be accepted. Following the expiration of a customer's existing term agreement, service will be provided on a month-to-month basis at the applicable Monthly rates until the service is discontinued. The Company currently plans to discontinue this service on or after June 30, 2024.

BELLSOUTH  
TELECOMMUNICATIONS  
LOUISIANA

ACCESS SERVICES TARIFF

Sixth Revised Page 35  
Cancels Fifth Revised Page 35

ISSUED: June 16, 2021  
BY: President - Louisiana  
Baton Rouge, Louisiana

EFFECTIVE: June 30, 2021

## E7. SPECIAL ACCESS (A.K.A.BELLSOUTH SPA) SERVICE

### E7.4 Rate Regulations (Cont'd)

#### E7.4.7 Facility Hubs

A customer has the option of ordering Voice Grade<sup>2</sup> (*a.k.a. BellSouth SPA DS0 VG*) facilities or digital high capacity (*a.k.a. BellSouth SPA High Capacity*) facilities (i.e., DS1, DS1C, DS2, or DS3) to a facility Hub for channelizing to individual services requiring lower capacity facilities (e.g., Telegraph<sup>2</sup> (*a.k.a. BellSouth SPA Telegraph*), Voice<sup>2</sup> (*a.k.a. BellSouth SPA DS0 VG*), Wired Music<sup>(1)</sup>, etc.). (C)

Different locations may be designated as Hubs for different facility capacities, e.g., channelization from digital to digital may occur at one location while channelization from digital to analog may occur at a different location. When ordering, the customer will specify the desired channelization Hub(s) selected from the National Exchange Carrier Association Tariff F.C.C. No. 4. This tariff identifies the type(s) of channelization functions which are available and the serving wire centers at which they are available.

Some of the types of channelization available include the following:

- from higher to lower bit rate
- from digital to voice frequency channels

End to end services may be provided on channels of these facilities to a hub. The transmission performance for the end to end service provided between customer designated premises will be that of the lower capacity or bit rate. For example, when a 1.544 Mbps facility is channelized to voice frequency channels, the transmission performance of the channelized services will be Voice Grade<sup>2</sup> (*a.k.a. BellSouth SPA DS0 VG*), not High Capacity (*a.k.a. BellSouth SPA High Capacity*). (C)

The Company will commence billing the monthly rate for the facility to the Hub on the date specified by the customer on the service order. Individual services utilizing these facilities may be installed coincident with the installation of the facility to the Hub or may be ordered and/or installed at a later date, at the option of the customer. The customer will be billed for a Voice Grade<sup>2</sup> (*a.k.a. BellSouth SPA DS0 VG*) or digital Local Channel, Interoffice Channel, if applicable and the Basic Channelization System at the time the facility is installed. DS1 and DS0 Basic Channelization Systems<sup>2</sup> require a Central Office Channel Interface for activation of each lesser capacity channel. DS3 to DS1 channelization arrangements, for transport of intrastate DS1 (*a.k.a. BellSouth SPA DS1*) high capacity service channels via LightGate<sup>®</sup> (*a.k.a. BellSouth SPA Point to Point Network*) and SMARTRing<sup>®</sup> services (*a.k.a. BellSouth SPA Dedicated Ring*), require a DS1 channel interface for activation of each DS1 channel. Individual service rates (by service type) will apply for a Local Channel, additional Interoffice Channel and Central Office Channel Interface(s) (as required), if applicable, for each channelized service. These will be billed to the customer as each individual service is installed. (C)

Cascading channelization occurs when a high capacity analog or digital channel is channelized to provide channels with a lesser capacity and one of the lesser capacity channels is further channelized.

When cascading channelization is performed, whether in the same or a different Hub, a charge for the additional Basic Channelization System and Central Office Channel Interfaces(s) also applies. A DS1 Basic Channelization System and DDAS<sup>2</sup> Central Office Channel Interface are required for highspeed or lowspeed DDAS<sup>2</sup> activations when channelized from a DS1 (1.544 Mbps) channel. A DS0 Basic Channelization System<sup>2</sup> and Subrate Central Office Channel Interface<sup>2</sup> are required for subrate activations of 2.4, 4.8 and 9.6 Kbps when channelized from a DS0 (64 Kbps)<sup>2</sup> channel. When cascading channelization is performed at different Hubbing locations. Interoffice Channel charges also apply between the Hubs. (C)

Although not requiring channelization, the Telephone Company will designate certain hubs for Wired Music<sup>(1)</sup> services. A customer can order service(s) between customer designated premises and a hub and will be billed accordingly at the rates set forth in E7.5.4 and E7.5.5 following for the service, as appropriate. The customer will be charged for each such connection made at the rates for Other Labor as set forth in E13.2.6.(c) following. The rates that apply for the service between each customer designated premises and the hub are a Local Channel and Interoffice Channel, if applicable. In addition, for Wired Music<sup>(1)</sup> services, rates for optional features and functions may be applicable.

Note 1: Effective December 1, 2020, this Service will no longer be available for purchase by new or existing customers, and service agreements may no longer be renewed. In addition, requests to move, add, or change existing service arrangements will not be accepted. Following the expiration of a customer's existing term agreement, service will be provided on a month-to-month basis at the applicable month-to-month rates until the service is discontinued. AT&T currently plans to discontinue this Service on or after December 1, 2021.

Note 2: Effective June 30, 2021, this Service will no longer be available for purchase by new or existing customers. In addition, requests to move, add, change, or renew existing service arrangements will not be accepted. Following the expiration of a customer's existing term agreement, service will be provided on a month-to-month basis at the applicable Monthly rates until the service is discontinued. The Company currently plans to discontinue this service on or after June 30, 2024. (N)

BELLSOUTH  
TELECOMMUNICATIONS  
LOUISIANA

ACCESS SERVICES TARIFF

Ninth Revised Page 36  
Cancels Eighth Revised Page 36

ISSUED: June 16, 2021  
BY: President - Louisiana  
Baton Rouge, Louisiana

EFFECTIVE: June 30, 2021

## E7. SPECIAL ACCESS (A.K.A. BELLSOUTH SPA) SERVICE

### E7.4 Rate Regulations (Cont'd)

#### E7.4.8 Shared Use Analog And Digital High Capacity (a.k.a. BellSouth SPA High Capacity) Services

Shared use occurs when Special Access (a.k.a. BellSouth SPA) service and BellSouth SWA are provided over the same High Capacity facility through a common interface. When the customer orders Special Access (a.k.a. BellSouth SPA), the facility will be ordered and rated as Special Access (a.k.a. BellSouth SPA) service (i.e., Local Channel or *Access* Collocation Cross-Connect Interoffice Channel as appropriate, and Basic Channelization System, if applicable) until such time as the customer chooses to use a portion of the available capacity for providing BellSouth SWA. As each individual channel is activated for BellSouth SWA, the Special Access Local Channel rates, and Interoffice Channel rates will be reduced accordingly (e.g., 1/24th for a DS1 service, etc.). The customer must place an order for each individual BellSouth SWA channel utilizing the Shared Use Facilities and specify the channel assignment for each such service. BellSouth SWA rates and charges as set forth in E6.8. preceding will apply for each channel of the shared use facility that is used to provide BellSouth SWA. Where BellSouth SWA is provided utilizing a channel of the shared use facility to the hub, High Capacity rates and charges will apply for the facility to the hub as set forth preceding and individual service rates and charges will apply from the hub to the customer designated premises. The rates and charges that will apply to the portion from the hub to the customer designated premises will be dependent on the specific type of Special Access (a.k.a. BellSouth SPA) service that is provided (e.g., Voice Grade<sup>1</sup> (a.k.a. BellSouth SPA DS0 VG), Telegraph<sup>1</sup> (a.k.a. BellSouth SPA Telegraph), etc.). The applicable rates and charges will include a Local Channel and Interoffice Channel and appropriate channelization elements, if applicable. (C)

*Access* Collocation Cross-Connects provide a means for customers to interconnect their BellSouth Shared Use and Digital High Capacity (a.k.a. BellSouth SPA High Capacity) services to Central Office Collocation arrangements *within the same Central Office*. *Terms, conditions, and rates for Physical Access Collocation Cross-Connects and Virtual Access Collocation Cross-Connects are set forth in Section E13. of this Tariff.*

The capability exists for a customer to utilize all or part of a SMARTRing service (a.k.a. BellSouth Dedicated Ring) to transport switched access provided the SMARTRing service (a.k.a. BellSouth Dedicated Ring) channel interface transporting the BellSouth SWA service does not have FlexServ service (a.k.a. BellSouth SPA Customer Reconfiguration) capability. The customer must place an order for each individual BellSouth SWA Channel provided over Dedicated Access service Shared Use Facilities and specify the channel assignment for each such service. The switched traffic would enter and exit the SMARTRing service (a.k.a. BellSouth Dedicated Ring) at Customer and Central Office Nodes on that network. When this occurs, ratcheting of Dedicated Access rate elements (i.e. Nodes, Channel Interfaces, Local Channels, Alternate Central Office Channels, Internodal Channels, or Interoffice Channels) will be based on the number of voice grade<sup>1</sup> (a.k.a. BellSouth SPA DS0 VG) equivalent trunks/lines of that rate element used for BellSouth SWA access. (C)

Reduction factors will be developed to reduce the charges on system level billing as well as the billing on individual DS1, DS3, STS-1, OC-3, and/or OC-12 Channel Interfaces. For ratcheting purposes, the system level charges include Customer Nodes, Central Office Nodes, Local Channels, Alternate Central Office Channels, Internodal Channels, and Interoffice Channels as appropriate to make up a customer's SMARTRing service (a.k.a. BellSouth Dedicated Ring). Individual OC-1, OC-3 and OC-12 Channel Interfaces used in Overlay Ring Arrangements will be ratcheted as system level charges. The system reduction factor will apply to the system level charges.

The system reduction factor will be derived by dividing the number of activated BellSouth SWA access circuits by the voice grade<sup>1</sup> (a.k.a. BellSouth SPA DS0 VG) channel equivalent capacity of the self-healing ring. An OC-1 SMARTRing service (a.k.a. BellSouth Dedicated Ring) has 672 voice grade<sup>1</sup> (a.k.a. BellSouth SPA DS0 VG) equivalent channels. An OC-3 SMARTRing service (a.k.a. BellSouth Dedicated Ring) has 2,016 voice grade<sup>1</sup> (a.k.a. BellSouth SPA DS0 VG) equivalent channels. An OC-3+ or OC-12 SMARTRing service (a.k.a. BellSouth Dedicated Ring) has 8,064 voice grade<sup>1</sup> equivalent channels. An OC-48 SMARTRing service (a.k.a. BellSouth Dedicated Ring) or OC-48+ SMARTRing service (a.k.a. BellSouth Dedicated Ring) with 48 or less activated DS3s has 32,256 voice grade<sup>1</sup> (a.k.a. BellSouth SPA DS0 VG) equivalent channels. However, when an OC-48+ SMARTRing service (a.k.a. BellSouth Dedicated Ring) is used to transport BellSouth SWA service, and more than 48 equivalent DS3s are activated on the service, the factor will be based upon the actual number of activated DS3s times 672 DS0s. A factor for individual DS3 channel interfaces and 28 DS1 channel systems, will be derived by dividing the number of activated BellSouth SWA access circuits associated with the DS3 channel by the voice grade<sup>1</sup> (a.k.a. BellSouth SPA DS0 VG) equivalent capacity of the DS3 channel. A DS3 has 672 voice grade<sup>1</sup> (a.k.a. BellSouth SPA DS0 VG) equivalent channels. For DS1 channel interfaces, a factor is derived by dividing the number of BellSouth SWA access circuits associated with the DS1 channel by the voice grade<sup>1</sup> (a.k.a. BellSouth SPA DS0 VG) equivalent capacity of the DS1 channel, which is 24. Each reduction factor is rounded to four decimal places and then multiplied against the respective monthly charges to determine the reduction amount. (C)

BellSouth SWA rates and charges as set forth in E6.8 preceding will apply for each channel of the shared use facility that is used to provide BellSouth SWA. (C)

Note 1: Effective June 30, 2021, this Service will no longer be available for purchase by new or existing customers. In addition, requests to move, add, change, or renew existing service arrangements will not be accepted. Following the expiration of a customer's existing term agreement, service will be provided on a month-to-month basis at the applicable Monthly rates until the service is discontinued. The Company currently plans to discontinue this service on or after June 30, 2024. (N)

BELLSOUTH  
TELECOMMUNICATIONS  
LOUISIANA  
ISSUED: June 16, 2021  
BY: President - Louisiana  
Baton Rouge, Louisiana

## ACCESS SERVICES TARIFF

Fifth Revised Page 36.3  
Cancels Fourth Revised Page 36.3

EFFECTIVE: June 30, 2021

**E7. SPECIAL ACCESS (A.K.A. BELLSOUTH SPA) SERVICE****E7.4 Rate Regulations (Cont'd)****E7.4.12 FlexServ® Service (a.k.a. BellSouth SPA Customer Reconfiguration) (Cont'd)**

- B. Application of Rates (Cont'd)
2. FlexServ® Service (a.k.a. BellSouth SPA Customer Reconfiguration) Options (Cont'd)
    - d. Multipoint Bridging (Cont'd)
 

Multipoint Junction Unit

A nonrecurring charge and a monthly rate applies for each DS0 or equivalent that is equipped with this capability. This option must be purchased in groups of five because a unit has the capacity of five DS0 or equivalent channel connections.
    - e. Subrate Reconfiguration
 

There will be a nonrecurring charge for each DS0 equipped DS0B and a nonrecurring charge and a monthly rate will apply for each set of DS0As. The DS0A rates apply in sets of five for 9.6 Kbps, in sets of ten for 4.8 Kbps, and in sets of twenty for 2.4 Kbps.
    - f. Reconfigurations by the Company Personnel
 

A nonrecurring charge is applicable on each occasion, when the customer requests Company personnel to perform a reconfiguration or a series of reconfigurations in order to set up point-to-point or multipoint connections, to provide a status report or to establish a conference.

**E7.4.13 Derived Data Channel<sup>1</sup> (a.k.a. BellSouth SPA Derived Data Channel) Service (DDCS)**

(C)

- A. Application of Rates
- The derived data channel (a.k.a. BellSouth SPA Derived Data Channel) charges provide the central office data/voice multiplexing capability. The customer must also subscribe to a compatible two-wire local exchange line (e.g., business exchange line). This two-wire exchange line charge and its associated rates and charges are in addition to the derived data channel (a.k.a. BellSouth SPA Derived Data Channel) rates and charges.
- The DS0-B interface charge is applicable for each group of a maximum of twenty multiplexed derived data (a.k.a. BellSouth SPA Derived Data Channel) channels. Each of the twenty channels in a DS0-B interface channel group operates at a bit rate of 2.4 Kbps. The interoffice channel is required when the customer's serving wire center and the serving wire center of the customer's terminating premises are not the same.

Note 1: Effective June 30, 2021, this Service will no longer be available for purchase by new or existing customers. In addition, requests to move, add, change, or renew existing service arrangements will not be accepted. Following the expiration of a customer's existing term agreement, service will be provided on a month-to-month basis at the applicable Monthly rates until the service is discontinued. The Company currently plans to discontinue this service on or after June 30, 2024.

(N)

(N)

Material previously appearing on this page now appears on page(s) 37 of this section.

®Registered Service Mark of BellSouth Corporation

BELLSOUTH  
 TELECOMMUNICATIONS  
 LOUISIANA  
 ISSUED: June 16, 2021  
 BY: President - Louisiana  
 Baton Rouge, Louisiana

ACCESS SERVICES TARIFF

Sixth Revised Page 37  
 Cancels Fifth Revised Page 37

EFFECTIVE: June 30, 2021

**E7. SPECIAL ACCESS (A.K.A. BELLSOUTH SPA) SERVICE**

**E7.5 Rates And Charges (Cont'd)**

**E7.5.1 Metallic<sup>2</sup> (a.k.a. BellSouth SPA Metallic) Service**

(C)

A. Local Channel

1. Charge

	Monthly Rate	Nonrecurring Charge First Service Installed	Additional Service Installed	USOC
(a) Per Point of Termination	\$ 19.90	\$ 266.20	\$ 107.60	T6ECS

B. Interoffice Channel

1. Mileage Bands

	Fixed Monthly Charge	Monthly Charge Per Mile	Nonrecurring Charge	USOC
(a) 0 miles	\$ -	\$ -	\$ -	1L5XX
(b) 1 thru 8 miles	36.30	2.40	127.00	1L5XX
(c) 9 thru 25 miles	33.00	2.40	127.00	1L5XX
(d) Over 25 miles	33.00	2.30	127.00	1L5XX

C. Optional Features and Functions

1. Bridging

	Monthly Rate	Nonrecurring Charge	USOC
(a) Three Premises Bridging, per port	\$ 3.60	\$ 38.70	BCNM3
(b) Series Bridging, per port	3.60	38.70	BCNMS

**E7.5.2 Telegraph Grade (a.k.a. BellSouth SPA Telegraph) Service<sup>1, 2</sup>**

(C)

A. Local Channel

1. Per Point of Termination

	Monthly Rate	Nonrecurring Charge First Service Installed	Additional Service Installed	USOC
(a) Two-Wire	\$ 24.20	\$ -	\$ -	T6E2X
(b) Four-Wire	48.40	-	-	T6E4X

B. Interoffice Channel

1. Mileage Bands

	Fixed Monthly Charge	Monthly Charge Per Mile	Nonrecurring Charge	USOC
(a) 0 miles	\$ -	\$ -	\$ -	1L5XX
(b) 1 thru 8 miles	36.30	2.40	-	1L5XX
(c) 9 thru 25 miles	33.00	2.40	-	1L5XX
(d) Over 25 miles	33.00	2.30	-	1L5XX

**Note 1:** Telegraph Grade (a.k.a. BellSouth SPA Telegraph) service is not available for additions, new installations or moves of service.

**Note 2:** Effective June 30, 2021, this Service will no longer be available for purchase by new or existing customers. In addition, requests to move, add, change, or renew existing service arrangements will not be accepted. Following the expiration of a customer's existing term agreement, service will be provided on a month-to-month basis at the applicable Monthly rates until the service is discontinued. The Company currently plans to discontinue this service on or after June 30, 2024.

(N)

(N)

BELLSOUTH  
 TELECOMMUNICATIONS  
 LOUISIANA  
 ISSUED: June 16, 2021  
 BY: President - Louisiana  
 Baton Rouge, Louisiana

ACCESS SERVICES TARIFF

Seventh Revised Page 38  
 Cancels Sixth Revised Page 38

EFFECTIVE: June 30, 2021

**E7. SPECIAL ACCESS (A.K.A. BELLSOUTH SPA) SERVICE**

**E7.5 Rates And Charges (Cont'd)**

**E7.5.2 Telegraph Grade (a.k.a. BellSouth SPA Telegraph) Service<sup>1,3</sup> (Cont'd)**

(C)

C. Optional Features and Functions

- 1. Telegraph Bridging
  - Two-Wire and Four-Wire

	Monthly Rate	Nonrecurring Charge	USOC
(a) Two-Wire, per port	\$ 3.60	\$ -	BCNT2
(b) Four-Wire, per port	3.60	-	BCNT4

**E7.5.3 Voice Grade<sup>3</sup> (a.k.a. BellSouth SPA DS0 VG) Service**

(C)

A. Local Channel

- 1. Per Point of Termination
  - a. Voice Grade (a.k.a. BellSouth SPA DS0 VG)
    - (1) Voice

	Monthly Rate	Nonrecurring Charge		USOC
		First Service Installed	Additional Service Installed	
(a) Two-Wire	\$ 24.60	\$ 308.50	\$ 133.10	T6E2X
(b) Four-Wire	59.80	314.60	139.10	T6E4X
(2) Data				
(a) Two-Wire	39.90	344.80	157.30	T6E2X
(b) Four-Wire	66.50	350.90	169.40	T6E4X
(3) Loop Facilities Not Required <sup>2</sup>				
(a) Two-Wire	13.30	163.30	94.30	EUC2N
(b) Four-Wire	13.30	163.30	94.30	EUC4N

B. Interoffice Channel

- 1. Mileage Bands

	Fixed Monthly Charge	Monthly Charge Per Mile	Nonrecurring Charge	USOC
(a) 0 mile	\$ -	\$ -	\$ -	1L5XX
(b) 1 thru 8 miles	39.90	2.70	121.00	1L5XX
(c) 9 thru 25 miles	39.90	2.60	121.00	1L5XX

**Note 1:** Telegraph Grade (a.k.a. BellSouth SPA Telegraph) service is not available for additions, new installations or moves of service.

**Note 2:** For connections to Company Centrex Type Services Switches and equipment considered to be end-user premises.

**Note 3:** Effective June 30, 2021, this Service will no longer be available for purchase by new or existing customers. In addition, requests to move, add, change, or renew existing service arrangements will not be accepted. Following the expiration of a customer's existing term agreement, service will be provided on a month-to-month basis at the applicable Monthly rates until the service is discontinued. The Company currently plans to discontinue this service on or after June 30, 2024.

(N)  
 |  
 (N)

BELLSOUTH  
 TELECOMMUNICATIONS  
 LOUISIANA  
 ISSUED: June 16, 2021  
 BY: President - Louisiana  
 Baton Rouge, Louisiana

ACCESS SERVICES TARIFF

Sixth Revised Page 39  
 Cancels Fifth Revised Page 39

EFFECTIVE: June 30, 2021

**E7. SPECIAL ACCESS (A.K.A. BELLSOUTH SPA) SERVICE**

**E7.5 Rates And Charges (Cont'd)**

**E7.5.3 Voice Grade<sup>1</sup> (a.k.a. BellSouth SPA DS0 VG) Service (Cont'd)**

(C)

**B. Interoffice Channel (Cont'd)**

1. Mileage Bands (Cont'd)

(d) Over 25 miles

Fixed Monthly Charge	Monthly Charge Per Mile	Nonrecurring Charge	USOC
\$ 39.90	\$ 2.50	\$ 121.00	1L5XX

**C. Optional Features and Functions**

1. Bridging

a. Voice Bridging, Two-Wire/Four-Wire

(1) Per port

(a) Two-Wire

(b) Four-Wire

b. Data Bridging, Two-Wire/Four-Wire

(1) Per port

(a) Two-Wire

(b) Four-Wire

Monthly Rate	Nonrecurring Charge	USOC
\$ 15.90	\$ 45.90	BCNV2
18.60	45.90	BCNV4
26.60	49.60	BCND2
26.60	49.60	BCND4

Note 1: Effective June 30, 2021, this Service will no longer be available for purchase by new or existing customers. In addition, requests to move, add, change, or renew existing service arrangements will not be accepted. Following the expiration of a customer's existing term agreement, service will be provided on a month-to-month basis at the applicable Monthly rates until the service is discontinued. The Company currently plans to discontinue this service on or after June 30, 2024.

(N)  
 |  
 (N)

BELLSOUTH  
 TELECOMMUNICATIONS  
 LOUISIANA  
 ISSUED: June 16, 2021  
 BY: President - Louisiana  
 Baton Rouge, Louisiana

ACCESS SERVICES TARIFF

Sixth Revised Page 40  
 Cancels Fifth Revised Page 40

EFFECTIVE: June 30, 2021

**E7. SPECIAL ACCESS (A.K.A. BELLSOUTH SPA) SERVICE**

**E7.5 Rates And Charges (Cont'd)**

**E7.5.3 Voice Grade<sup>1</sup> (a.k.a. BellSouth SPA DS0 VG) Service (Cont'd)**

(C)

- C. Optional Features and Functions (Cont'd)
  - 1. Bridging (Cont'd)
    - c. Telephoto Bridging, Two-Wire/Four-Wire
      - (1) Per port

	<b>Monthly Rate</b>	<b>Nonrecurring Charge</b>	<b>USOC</b>
(a) Two-Wire	<i>\$ 15.90</i>	<i>\$ 45.90</i>	<b>BCNF2</b>
(b) Four-Wire	<i>18.60</i>	<i>45.90</i>	<b>BCNF4</b>

Note 1: Effective June 30, 2021, this Service will no longer be available for purchase by new or existing customers. In addition, requests to move, add, change, or renew existing service arrangements will not be accepted. Following the expiration of a customer's existing term agreement, service will be provided on a month-to-month basis at the applicable Monthly rates until the service is discontinued. The Company currently plans to discontinue this service on or after June 30, 2024.

(N)  
 |  
 (N)



BELLSOUTH  
 TELECOMMUNICATIONS  
 LOUISIANA  
 ISSUED: June 16, 2021  
 BY: President - Louisiana  
 Baton Rouge, Louisiana

ACCESS SERVICES TARIFF

Fifth Revised Page 41  
 Cancels Fourth Revised Page 41

EFFECTIVE: June 30, 2021

**E7. SPECIAL ACCESS (A.K.A. BELLSOUTH SPA) SERVICE**

**E7.5 Rates And Charges (Cont'd)**

**E7.5.3 Voice Grade<sup>1</sup> (a.k.a. BellSouth SPA DS0 VG) Service (Cont'd)**

(C)

- C. Optional Features and Functions (Cont'd)
  - 2. Conditioning, Per Point of Termination

		<b>Monthly</b>	<b>Nonrecurring</b>		
		<b>Rate</b>	<b>Charge</b>		
			<b>Initial</b>	<b>Subsequent</b>	<b>USOC</b>
(a)	C-Type	\$ 3.60	\$ 21.70	\$ 104.00	X1CPT
(b)	Improved Attenuation Distortion	102.80	98.00	205.70	UHW
(c)	Improved Envelope Delay Distortion	145.20	98.00	205.70	UHY
(d)	Sealing Current	1.20	47.10	119.70	1HBPT
3.	Echo Control For Effective Two-Wire Service				
(1)	Per Point of Termination				
(a)	Improved Return Loss at the Two-Wire Point of Termination	24.20	9.60	320.60	1RL2W
(b)	ELEPL2 at the Four-Wire Point of Termination	24.20	8.40	320.60	UHZ
4.	Customer Specified Receive Level				
(a)	Per two-wire Point of Termination	24.20	4.80	88.30	RLS
5.	D-Conditioning				
(a)	Per point of termination	3.60	13.30	369.00	XDCPT

Note 1: Effective June 30, 2021, this Service will no longer be available for purchase by new or existing customers. In addition, requests to move, add, change, or renew existing service arrangements will not be accepted. Following the expiration of a customer's existing term agreement, service will be provided on a month-to-month basis at the applicable Monthly rates until the service is discontinued. The Company currently plans to discontinue this service on or after June 30, 2024.

(N)  
 |  
 (N)

BELLSOUTH  
 TELECOMMUNICATIONS  
 LOUISIANA  
 ISSUED: June 16, 2021  
 BY: President - Louisiana  
 Baton Rouge, Louisiana

ACCESS SERVICES TARIFF

Seventh Revised Page 42  
 Cancels Sixth Revised Page 42

EFFECTIVE: June 30, 2021

**E7. SPECIAL ACCESS (A.K.A. BELLSOUTH SPA) SERVICE**

**E7.5 Rates And Charges (Cont'd)**

**E7.5.3 Voice Grade<sup>5</sup> (a.k.a. BellSouth SPA DS0 VG) Service (Cont'd)**

(C)

C. Optional Features and Functions (Cont'd)

6. Telephoto Conditioning

	Monthly Rate	Nonrecurring Charge		USOC
		Initial	Subsequent	
7. Signaling Capability, per Point of Termination	\$ 3.60	\$ 4.80	\$ 314.60	XTCPT
(a) Per Point of Termination				
(a) Loop <sup>1</sup>	7.20	21.70	332.70	XSS++
(b) Single Frequency	8.40	32.60	344.80	XSSSF
(c) E&M <sup>2</sup>	12.10	33.80	350.90	XSS++
(d) Ground <sup>3</sup>	7.20	14.50	326.70	XSS++
(e) Type C	3.60	19.30	332.70	XSSLC
(f) Other <sup>4</sup>	7.20	25.40	338.80	XSS++
8. Improved Termination				
(a) Per Point of Termination	3.60	4.80	320.60	UGD
9. Simplex Reversal				
(a) Per Point of Termination	-	4.80	127.00	UGJ

**Note 1:** In lieu of ++ substitute LO or LS as appropriate.

**Note 2:** In lieu of ++ substitute EA, EB, EC or CT as appropriate.

**Note 3:** In lieu of ++ substitute GO or GS as appropriate.

**Note 4:** In lieu of ++ substitute LA, LB, LR, RV, DX, DY, EX, AB or AC as appropriate.

**Note 5:** Effective June 30, 2021, this Service will no longer be available for purchase by new or existing customers. In addition, requests to move, add, change, or renew existing service arrangements will not be accepted. Following the expiration of a customer's existing term agreement, service will be provided on a month-to-month basis at the applicable Monthly rates until the service is discontinued. The Company currently plans to discontinue this service on or after June 30, 2024.

(N)

(N)

BELLSOUTH  
 TELECOMMUNICATIONS  
 LOUISIANA  
 ISSUED: June 16, 2021  
 BY: President - Louisiana  
 Baton Rouge, Louisiana

ACCESS SERVICES TARIFF

Seventh Revised Page 42.1  
 Cancels Sixth Revised Page 42.1

EFFECTIVE: June 30, 2021

**E7. SPECIAL ACCESS (A.K.A. BELLSOUTH SPA) SERVICE**

**E7.5 Rates And Charges (Cont'd)**

**E7.5.3 Voice Grade<sup>2</sup> (a.k.a. BellSouth SPA DS0 VG) Service (Cont'd)**

(C)  
(C)

**D. WATS Access Line<sup>2</sup> (a.k.a. BellSouth SPA WATS Line)**

The following apply to a WATS Access Line (a.k.a. BellSouth SPA WATS Line) used for interLATA only calling. Rates for all other WATS Access Lines (i.e., combined interLATA/intraLATA calling) are found in the Company's General Subscriber Services Tariff, Section A19.

- 1. Two-Wire/Four-Wire WATS Access Line (a.k.a. BellSouth SPA WATS Line)
  - a. Local Channels
    - (1) Per Point of Termination

		<b>Nonrecurring Charge</b>			
		<b>Monthly</b>	<b>First</b>	<b>Additional</b>	
		<b>Rate</b>	<b>Service</b>	<b>Service</b>	
			<b>Installed</b>	<b>Installed</b>	<b>USOC</b>
(a)	Per Two-Wire Line	<i>\$ 24.60</i>	<i>\$ 308.50</i>	<i>\$ 133.10</i>	<b>X2W</b>
(b)	Per Two-Wire Line <sup>1</sup>	<i>24.60</i>	<i>308.50</i>	<i>133.10</i>	<b>X2L</b>
(c)	Per Four-Wire Line	<i>66.50</i>	<i>314.60</i>	<i>139.10</i>	<b>X4W</b>
(d)	Per Four-Wire Line <sup>1</sup>	<i>66.50</i>	<i>314.60</i>	<i>139.10</i>	<b>X4L</b>

**Note 1:** For use with Direct Inward Dial (DID) or DID/DOD Access Service with BSA for use with WATS Access Lines (a.k.a. BellSouth SPA WATS Line) described in E6.3.5.A. and provided in E6.8.3.F. of this Tariff.

**Note 2:** Effective June 30, 2021, this Service will no longer be available for purchase by new or existing customers. In addition, requests to move, add, change, or renew existing service arrangements will not be accepted. Following the expiration of a customer's existing term agreement, service will be provided on a month-to-month basis at the applicable Monthly rates until the service is discontinued. The Company currently plans to discontinue this service on or after June 30, 2024.

(N)  
|  
(N)

BELLSOUTH  
 TELECOMMUNICATIONS  
 LOUISIANA  
 ISSUED: June 16, 2021  
 BY: President - Louisiana  
 Baton Rouge, Louisiana

ACCESS SERVICES TARIFF

Seventh Revised Page 43  
 Cancels Sixth Revised Page 43

EFFECTIVE: June 30, 2021

**E7. SPECIAL ACCESS (A.K.A. BELLSOUTH SPA) SERVICE**

**E7.5 Rates And Charges (Cont'd)**

**E7.5.3 Voice Grade<sup>2</sup> (a.k.a. BellSouth SPA DS0 VG) Service (Cont'd)**

(C)

**D. WATS Access Line<sup>2</sup> (a.k.a. BellSouth SPA WATS Line)**

(C)

- 2. Interoffice Channel
  - a. Mileage Bands
    - (1) Fixed Rate

	<b>Fixed Monthly Charge</b>	<b>Monthly Charge Per Mile</b>	<b>Nonrecurring Charge</b>	<b>USOC</b>
(a) 0 mile	\$ -	\$ -	\$ -	1LFFX
(b) 1 thru 8 miles	39.90	2.70	121.00	1LFFX
(c) 9 thru 25 miles	36.30	2.60	121.00	1LFFX
(d) Over 25 miles	36.30	2.50	121.00	1LFFX

- 3. Optional Features
  - a. Improved Two-Wire Voice Transmission Specifications
    - (1) For WATS Access Line (a.k.a. BellSouth SPA WATS Line)

	<b>Monthly Rate</b>	<b>Nonrecurring Charge</b>		<b>USOC</b>
		<b>Initial</b>	<b>Subsequent</b>	
(a) Two-Wire	\$ 24.20	\$ 43.50	\$ 106.40	X2T

- b. WATS Access Line (a.k.a. BellSouth SPA WATS Line) Bridging
  - (1) Two-Wire/Four-Wire, per port

	<b>Monthly Rate</b>	<b>Nonrecurring Charge</b>	<b>USOC</b>
(a) Two-Wire	\$ 14.52	\$ 41.80	BCNV2
(b) Four-Wire	16.94	41.80	BCNV4

**E7.5.4 Wired Music<sup>(1)</sup> Service**

- A. Local Channel
  - 1. Per Point of Termination

	<b>Monthly Rate</b>	<b>Nonrecurring Charge</b>		<b>USOC</b>
		<b>First Service Installed</b>	<b>Additional Service Installed</b>	
(a) 200 to 3500 Hz	\$ 46.50	\$ 556.60	\$ 248.00	T6ECS
(b) 100 to 5000 Hz	59.80	653.40	332.70	T6ECS
(c) 50 to 8000 Hz	66.50	671.50	350.90	T6ECS

Note 1: Effective December 1, 2020, this Service will no longer be available for purchase by new or existing customers, and service agreements may no longer be renewed. In addition, requests to move, add, or change existing service arrangements will not be accepted. Following the expiration of a customer's existing term agreement, service will be provided on a month-to-month basis at the applicable month-to-month rates until the service is discontinued. AT&T currently plans to discontinue this Service on or after December 1, 2021.

Note 2: Effective June 30, 2021, this Service will no longer be available for purchase by new or existing customers. In addition, requests to move, add, change, or renew existing service arrangements will not be accepted. Following the expiration of a customer's existing term agreement, service will be provided on a month-to-month basis at the applicable Monthly rates until the service is discontinued. The Company currently plans to discontinue this service on or after June 30, 2024.

(N)  
 |  
 (N)

BELLSOUTH  
 TELECOMMUNICATIONS  
 LOUISIANA  
 ISSUED: June 16, 2021  
 BY: President - Louisiana  
 Baton Rouge, Louisiana

ACCESS SERVICES TARIFF

Fifth Revised Page 45  
 Cancels Fourth Revised Page 45

EFFECTIVE: June 30, 2021

**E7. SPECIAL ACCESS (a.k.a. BellSouth SPA) SERVICE**

**E7.5 Rates And Charges (Cont'd)**

**E7.5.5 Digital Data Access<sup>2</sup> (a.k.a. BellSouth SPA DS0 Digital Data) Service**

(C)

A. Local Channel

1. Per Point of Termination

	Nonrecurring Charge		Month to	24 to 42	43 to 60	USOC
	First	Add'l	Month	Months <sup>1</sup>	Months <sup>1</sup>	
(a) 2.4 Kbps	\$355.00	\$120.00	\$50.00	\$49.00	\$47.00	T6ECS
(b) 4.8 Kbps	355.00	120.00	50.00	49.00	47.00	T6ECS
(c) 9.6 Kbps	355.00	120.00	50.00	49.00	47.00	T6ECS
(d) 19.2 Kbps	355.00	120.00	50.00	49.00	47.00	T6ECS
(e) 56.0 Kbps	355.00	120.00	70.00	65.00	60.00	T6ECS
(f) 64.0 Kbps	355.00	120.00	70.00	65.00	60.00	T6ECS

2. Hub Termination, per Local Channel

(a) 2.4 Kbps	61.00	52.00	10.00	9.75	9.50	TUTA4
(b) 4.8 Kbps	61.00	52.00	10.00	9.75	9.50	TUTB4
(c) 9.6 Kbps	61.00	52.00	10.00	9.75	9.50	TUTC4
(d) 19.2 Kbps	61.00	52.00	10.00	9.75	9.50	TUTE4
(e) 56.0 Kbps	61.00	52.00	30.00	28.00	26.00	TUTD4
(f) 64.0 Kbps	61.00	52.00	30.00	28.00	26.00	TUTF4

B. Interoffice Channel

1. 2.4 Kbps

Mileage Bands

	Fixed Monthly Charge	Monthly Charge Per Mile	Nonrecurring Charge	USOC
(a) 0 mile	\$-	\$-	\$-	1L5XX
(b) 1 thru 8 miles	20.00	2.05	82.00	1L5XX
(c) 9 thru 25 miles	20.00	2.00	82.00	1L5XX
(d) Over 25 miles	20.00	1.95	82.00	1L5XX

**Note 1:** Effective March 27, 2019, Customers may not convert, renew or establish CSPPs for Digital Data Access Service.

**Note 2:** Effective June 30, 2021, this Service will no longer be available for purchase by new or existing customers. In addition, requests to move, add, change, or renew existing service arrangements will not be accepted. Following the expiration of a customer's existing term agreement, service will be provided on a month-to-month basis at the applicable Monthly rates until the service is discontinued. The Company currently plans to discontinue this service on or after June 30, 2024.

(N)  
 |  
 (N)

BELLSOUTH  
 TELECOMMUNICATIONS  
 LOUISIANA  
 ISSUED: June 16, 2021  
 BY: President - Louisiana  
 Baton Rouge, Louisiana

ACCESS SERVICES TARIFF

Fourth Revised Page 46  
 Cancels Third Revised Page 46  
 EFFECTIVE: June 30, 2021

**E7. SPECIAL ACCESS (a.k.a. BellSouth SPA) SERVICE**

**E7.5 Rates And Charges (Cont'd)**

**E7.5.5 Digital Data Access<sup>1</sup> (a.k.a. BellSouth SPA DS0 Digital Data) Service (Cont'd)**

(C)

**B. Interoffice Channel (Cont'd)**

2. 4.8 Kbps

**Mileage Bands**

	Fixed Monthly Charge	Monthly Charge Per Mile	Nonrecurring Charge	USOC
(a) 0 mile	\$-	\$-	\$-	1L5XX
(b) 1 thru 8 miles	20.00	2.05	82.00	1L5XX
(c) 9 thru 25 miles	20.00	2.00	82.00	1L5XX
(d) Over 25 miles	20.00	1.95	82.00	1L5XX

3. 9.6 Kbps

**Mileage Bands**

(a) 0 mile	-	-	-	1L5XX
(b) 1 thru 8 miles	20.00	2.05	82.00	1L5XX
(c) 9 thru 25 miles	20.00	2.00	82.00	1L5XX
(d) Over 25 miles	20.00	1.95	82.00	1L5XX

4. 19.2 Kbps

**Mileage Bands**

(a) 0 mile	-	-	-	1L5XX
(b) 1 thru 8 miles	20.00	2.05	82.00	1L5XX
(c) 9 thru 25 miles	20.00	2.00	82.00	1L5XX
(d) Over 25 miles	20.00	1.95	82.00	1L5XX

Note 1: Effective June 30, 2021, this Service will no longer be available for purchase by new or existing customers. In addition, requests to move, add, change, or renew existing service arrangements will not be accepted. Following the expiration of a customer's existing term agreement, service will be provided on a month-to-month basis at the applicable Monthly rates until the service is discontinued. The Company currently plans to discontinue this service on or after June 30, 2024.

(N)

(N)

BELLSOUTH  
 TELECOMMUNICATIONS  
 LOUISIANA  
 ISSUED: June 16, 2021  
 BY: President - Louisiana  
 Baton Rouge, Louisiana

ACCESS SERVICES TARIFF

Sixth Revised Page 47  
 Cancels Fifth Revised Page 47

EFFECTIVE: June 30, 2021

**E7. SPECIAL ACCESS (a.k.a. BellSouth SPA) SERVICE**

**E7.5 Rates And Charges (Cont'd)**

**E7.5.5 Digital Data Access<sup>4</sup> (a.k.a. BellSouth SPA DS0 Digital Data) Service (Cont'd)**

(C)

B. Interoffice Channel (Cont'd)

5. 56 Kbps

Mileage Bands

	Fixed Monthly Charge	Monthly Charge Per Mile	Nonrecurring Charge	USOC
(a) 0 Mile	\$-	\$-	\$-	1L5XX
(b) 1 thru 8 miles	40.00	4.10	82.00	1L5XX
(c) 9 thru 25 miles	40.00	4.00	82.00	1L5XX
(d) Over 25 miles	40.00	3.90	82.00	1L5XX

6. 64.0 Kbps

Mileage Bands

	Fixed Monthly Charge	Monthly Charge Per Mile	Nonrecurring Charge	USOC
(a) 0 Mile	-	-	-	1L5XX
(b) 1 thru 8 miles	40.00	4.10	82.00	1L5XX
(c) 9 thru 25 miles	40.00	4.00	82.00	1L5XX
(d) Over 25 miles	40.00	3.90	82.00	1L5XX

7. 2.4, 4.8, 9.6, or 19.2 Kbps (Contract Rates)

Mileage Bands

	Nonrecurring Charge Per Channel	Fixed		Per Mile		USOC
		24 to 42 Months <sup>3</sup>	43 to 60 Months <sup>3</sup>	24 to 42 Months <sup>3</sup>	43 to 60 Months <sup>3</sup>	
(a) 0 Mile	\$-	\$-	\$-	\$-	\$-	1L5XX
(b) 1 thru 8 miles	82.00	19.50	19.00	1.90	1.75	1L5XX
(c) 9 thru 25 miles	82.00	19.50	19.00	1.85	1.70	1L5XX
(d) Over 25 miles	82.00	19.50	19.00	1.80	1.65	1L5XX

8. 56.0 or 64.0 Kbps (Contract Rates)

Mileage Bands

	Nonrecurring Charge Per Channel	Fixed 24 to 42 Months <sup>3</sup>	Fixed 43 to 60 Months <sup>3</sup>	Per Mile 24 to 42 Months <sup>3</sup>	Per Mile 43 to 60 Months <sup>3</sup>	USOC
(a) 0 Mile	-	-	-	-	-	1L5XX
(b) 1 thru 8 miles	82.00	36.00	34.00	3.80	3.50	1L5XX
(c) 9 thru 25 miles	82.00	36.00	34.00	3.70	3.40	1L5XX
(d) Over 25 miles	82.00	36.00	34.00	3.60	3.30	1L5XX

C. Optional Features, Functions *and* Charges

1. Bridging<sup>1,2</sup>

	Nonrecurring Charge	Month to Month	24 to 42 Months	43 to 60 Months	USOC
(a) Per port	\$27.00	\$25.00	\$24.00	\$22.00	BCNDA

**Note 1:** This option is not available with 64.0 Kbps.

**Note 2:** Not available at all service locations.

**Note 3:** Effective March 27, 2019, Customers may not convert, renew or establish CSPPs for Digital Data Access Service.

**Note 4:** Effective June 30, 2021, this Service will no longer be available for purchase by new or existing customers. In addition, requests to move, add, change, or renew existing service arrangements will not be accepted. Following the expiration of a customer's existing term agreement, service will be provided on a month-to-month basis at the applicable Monthly rates until the service is discontinued. The Company currently plans to discontinue this service on or after June 30, 2024.

(N)  
 |  
 (N)

BELLSOUTH  
 TELECOMMUNICATIONS  
 LOUISIANA  
 ISSUED: June 16, 2021  
 BY: President - Louisiana  
 Baton Rouge, Louisiana

ACCESS SERVICES TARIFF

Tenth Revised Page 48  
 Cancels Ninth Revised Page 48

EFFECTIVE: June 30, 2021

**E7. SPECIAL ACCESS (a.k.a. BellSouth SPA) SERVICE**

**E7.5 Rates And Charges (Cont'd)**

**E7.5.5 Digital Data Access<sup>6</sup> (a.k.a. BellSouth SPA DS0 Digital Data) Service (Cont'd)**

(C)

- C. Optional Features, Functions *and Charges* (Cont'd)
  - 2. Digital Data (a.k.a. BellSouth SPA DS0 Digital Data) Secondary Channel Capability, per Local Channel<sup>1,2,3</sup>

		<b>Nonrecurring Charge</b>	<b>Month to Month</b>	<b>24 to 42 Months<sup>5</sup></b>	<b>43 to 60 Months<sup>5</sup></b>	<b>USOC SFS</b>
3.	(a) Each	<b>\$205.00</b>	<b>\$15.00</b>	<b>\$14.00</b>	<b>\$13.00</b>	
4.	Speed Change Charge <sup>4</sup>					
	(a) Per Local Channel			<b>Nonrecurring Charge First</b>	<b>Additional</b>	<b>USOC SCH</b>
				<b>\$330.00</b>	<b>\$170.00</b>	

**Note 1:** This option is not available with 64.0 Kbps.

**Note 2:** Not available at all service locations.

**Note 3:** Nonrecurring charge is applicable only if Secondary Channel Service is being added subsequent to the installation of basic service.

**Note 4:** Speed Change Charge is applicable where circuit out of service time during speed change activity is acceptable to customer.

**Note 5:** Effective March 27, 2019, Customers may not convert, renew or establish CSPPs for Digital Data Access Service.

**Note 6:** Effective June 30, 2021, this Service will no longer be available for purchase by new or existing customers. In addition, requests to move, add, change, or renew existing service arrangements will not be accepted. Following the expiration of a customer's existing term agreement, service will be provided on a month-to-month basis at the applicable Monthly rates until the service is discontinued. The Company currently plans to discontinue this service on or after June 30, 2024.

(N)  
 |  
 (N)



BELLSOUTH  
 TELECOMMUNICATIONS  
 LOUISIANA  
 ISSUED: June 16, 2021  
 BY: President - Louisiana  
 Baton Rouge, Louisiana

ACCESS SERVICES TARIFF

Sixth Revised Page 51  
 Cancels Fifth Revised Page 51

EFFECTIVE: June 30, 2021

**E7. SPECIAL ACCESS (a.k.a. BellSouth SPA) SERVICE**

**E7.5 Rates And Charges (Cont'd)**

**E7.5.6 High Capacity (a.k.a. BellSouth SPA High Capacity) Service (Cont'd)**

C. Optional Features and Functions

1. Channelization

a. (DELETED)

b. DS3 Channelization

(a) Per arrangement<sup>1</sup>

c. DS2 Channelization

(1) DS2 to DS1

(a) Per arrangement<sup>1</sup>

d. DS1C Channelization

(1) DS1C to DS1

(a) Per arrangement<sup>1</sup>

e. DS1 Channelization

(1) DS1 Basic Channelization System (DS1 to VG/DS0)

(a) Per System

f. DS0 Channelization<sup>2</sup>

(1) DS0 Basic Channelization System (DS0 to Subrate)  
 (per system)

(a) Maximum of 20 2.4 Kbps services

(b) Maximum of 10 4.8 Kbps services

(c) Maximum of 5 9.6 Kbps services

	Nonrecurring Charge	Monthly Rate	USOC
(a) Per arrangement <sup>1</sup>	\$-	\$-	MXB++
(1) DS2 to DS1			
(a) Per arrangement <sup>1</sup>	-	-	MXD++
(1) DS1C to DS1			
(a) Per arrangement <sup>1</sup>	-	-	MXH++
(1) DS1 Basic Channelization System (DS1 to VG/DS0)			
(a) Per System	145.00	210.00	MQ1
(1) DS0 Basic Channelization System (DS0 to Subrate) (per system)			
(a) Maximum of 20 2.4 Kbps services	145.00	120.00	QSU24
(b) Maximum of 10 4.8 Kbps services	145.00	120.00	QSU48
(c) Maximum of 5 9.6 Kbps services	145.00	120.00	QSU96

(C)

Note 1: ICB rates and charges apply.

Note 2: Effective June 30, 2021, this Service will no longer be available for purchase by new or existing customers. In addition, requests to move, add, change, or renew existing service arrangements will not be accepted. Following the expiration of a customer's existing term agreement, service will be provided on a month-to-month basis at the applicable Monthly rates until the service is discontinued. The Company currently plans to discontinue this service on or after June 30, 2024.

(N)

(N)

BELLSOUTH  
TELECOMMUNICATIONS  
LOUISIANA  
ISSUED: June 16, 2021  
BY: President - Louisiana  
Baton Rouge, Louisiana

ACCESS SERVICES TARIFF

Eighth Revised Page 51.1  
Cancels Seventh Revised Page 51.1

EFFECTIVE: June 30, 2021

**E7. SPECIAL ACCESS (a.k.a. BellSouth® SPA) SERVICE**

**E7.5 Rates And Charges (Cont'd)**

**E7.5.6 High Capacity (a.k.a. BellSouth® SPA High Capacity) Service (Cont'd)**

C. Optional Features and Functions (Cont'd)

2. Channel Interfaces (Per Interface)

a. Sub-DS3 Interfaces

(1) DS1 Level Central Office Channel Interface

	Nonrecurring Charge	Month to Month	24 to 48 Months <sup>1</sup>	49 to 72 Months <sup>1</sup>	73 to 96 Months <sup>(1)</sup>	USOC
(a) Asynchronous	\$170.00	\$12.00	\$ 8.00	\$ 7.00	\$ 6.00	1D3CA
(b) Synchronous	150.00	36.00	31.00	28.00	25.00	1D3CS
(2) DS1 Level Customer Channel Interface						
(a) Asynchronous	\$315.00	\$17.00	\$13.00	\$13.00	\$13.00	1D3DA
(b) Synchronous	245.00	45.00	36.00	33.00	30.00	1D3DS

b. Sub-DS1 Level Interfaces

(1) VG/DS0 Level Central Office Channel Interface

	Nonrecurring Charge	Month to Month	USOC
(a) BellSouth® SWA	First \$0.00 Additional \$0.00	\$0.00	1D1SW
(b) Metallic <sup>3</sup> (a.k.a. BellSouth® SPA Metallic)	7.00	6.00	1D1ME
(c) Telegraph <sup>3</sup> (a.k.a. BellSouth® SPA Telegraph)	7.00	6.00	5.00 1D1TE
(d) Voice Grade <sup>3</sup> (a.k.a. BellSouth® SPA DS0 VG)	7.00	6.00	6.50 1D1VG
(e) WATS Access Line <sup>3</sup> (a.k.a. BellSouth® SPA WATS Line)	7.00	6.00	6.50 1D1WT
(f) Wired Music <sup>(2)</sup> -monthly	7.00	6.00	37.00 1D1PA
(g) Wired Music <sup>(2)</sup> -daily	7.00	6.00	4.00 1D1PA
(h) DDAS <sup>3</sup>	7.00	6.00	13.00 1D1DD

c. Sub-DS0 Level Interfaces<sup>3</sup>

(1) Subrate Central Office Channel Interface

(a) Subrate (2,4, 4.8, & 9.6 Kbps)	7.00	6.00	13.00	1DOSR
------------------------------------	------	------	-------	-------

Note 1: Effective March 27, 2019, Customers may not: (1) Establish CSPPs greater than 36 months for High Capacity Service, and (2) Convert or renew CSPPs for High Capacity Service.

Note 2: Effective December 1, 2020, this Service will no longer be available for purchase by new or existing customers, and service agreements may no longer be renewed. In addition, requests to move, add, or change existing service arrangements will not be accepted. Following the expiration of a customer's existing term agreement, service will be provided on a month-to-month basis at the applicable month-to-month rates until the service is discontinued. AT&T currently plans to discontinue this Service on or after December 1, 2021.

Note 3: Effective June 30, 2021, this Service will no longer be available for purchase by new or existing customers. In addition, requests to move, add, change, or renew existing service arrangements will not be accepted. Following the expiration of a customer's existing term agreement, service will be provided on a month-to-month basis at the applicable Monthly rates until the service is discontinued. The Company currently plans to discontinue this service on or after June 30, 2024.

BELLSOUTH  
 TELECOMMUNICATIONS  
 LOUISIANA  
 ISSUED: June 16, 2021  
 BY: President - Louisiana  
 Baton Rouge, Louisiana

ACCESS SERVICES TARIFF

Eighth Revised Page 52.2  
 Cancels Seventh Revised Page 52.2

EFFECTIVE: June 30, 2021

**E7. SPECIAL ACCESS (A.K.A. BELLSOUTH SPA) SERVICE**

**E7.5 Rates And Charges (Cont'd)**

**E7.5.15 Derived Data Channel<sup>2</sup> (a.k.a. BellSouth SPA Derived Data Channel) Service**

(C)

**A. Local Channel**

1. Derived Data Channel (a.k.a. BellSouth SPA Derived Data Channel)

	Nonrecurring Charge	Month to Month	24 to 42 Months <sup>1</sup>	43 to 60 Months <sup>1</sup>	USOC
(a) Per channel at 2.4 Kbps	\$470.00	\$17.00	\$13.50	\$11.00	DAXPC
2. DS0-B Interface					
(a) Per group of twenty channels at 2.4 Kbps each	350.00	70.00	65.00	62.00	DAXP1

**B. Interoffice Channel**

1. Per group of twenty channels at 2.4 Kbps each

(a) Fixed	95.00	25.00	23.00	22.00	DAXPF
(b) Per mile	-	2.05	1.90	1.75	DAXPM

**E7.5.16 BellSouth FlexServ Service (a.k.a. BellSouth SPA Customer Reconfiguration)**

**A. Basic BellSouth FlexServ service (a.k.a. BellSouth SPA Customer Reconfiguration)**

1. DS0 Channel Connections

	Nonrecurring Charge	Month To Month	24 to 48 Months <sup>1</sup>	49 to 72 Months <sup>1</sup>	73 to 96 Months <sup>1</sup>	USOC
(a) Voice Grade Type, per DS0 channel	\$35.00	\$14.90	\$13.70	\$12.70	\$11.90	DSLVA
(b) Digital Type, per DS0 channel	35.00	6.38	6.05	5.66	5.28	DSLDA
2. DS1 Channel Connections						
(a) DS0 Switching, per DS1 channel	125.00	96.80	90.20	84.70	78.10	DSL1A
(b) DS1 Switching, per DS1 channel	125.00	53.90	50.60	46.20	44.00	DSL1B
(c) Surveillance - DS1 Level per DS1 channel	125.00	53.90	50.60	46.20	44.00	DSL1S
3. DS3 Channel Connections						
(a) Surveillance - DS1 Level, per DS3 channel	125.00	375.00	345.00	320.00	300.00	DSL3S
(b) Surveillance - DS3 Level, per DS3 channel	125.00	150.00	138.00	128.00	120.00	DSL3T

**B. BellSouth FlexServ service (a.k.a. BellSouth SPA Customer Reconfiguration) Options**

1. Multipoint Bridging

(a) Voice Grade Connections, per bridging leg	20.00	4.34	4.23	4.07	3.96	FSSFm
(b) Multipoint Junction Unit, per 2.4, 4.8, 9.6 or 56 Kbps channel (must purchase in units of 5)	15.00	5.72	5.25	5.00	4.75	FSSFJ
(c) Multipoint Junction Unit, per 19.2 Kbps channel (must purchase in units of 5)	15.00	9.45	8.90	8.40	7.90	FSSF9

**Note 1:** Effective March 27, 2019, Customers may not convert, renew or establish CSPPs for Derived Data Channel Service and BellSouth FlexServ Service.

**Note 2:** Effective June 30, 2021, this Service will no longer be available for purchase by new or existing customers. In addition, requests to move, add, change, or renew existing service arrangements will not be accepted. Following the expiration of a customer's existing term agreement, service will be provided on a month-to-month basis at the applicable Monthly rates until the service is discontinued. The Company currently plans to discontinue this service on or after June 30, 2024.

(N)  
 |  
 (N)