

AT&T INTERSTATE ACCESS GUIDEBOOK

Competitive/Non-Competitive-Grandfathered Counties

Effective January 19, 2018, pursuant to 47 CFR §61.201, this Section 7 (C) applies to rate elements provided from wire centers located in counties that are either deemed competitive or defined as "grandfathered markets" (see 47 CFR §69.801). Terms and conditions associated with services that remain subject to tariffs are available at www.att.com/tariffs.

Counties deemed competitive or defined as "grandfathered markets" are listed below:

<u>STATE</u>	<u>COUNTY NAME</u>	<u>WIRECENTER</u>
AL	AUTAUGA	PRVLALMA
AL	BALDWIN	BYMNALMA
AL	BALDWIN	FRHPALMA
AL	BALDWIN	MOBLALSF
AL	BIBB	CNVIALMA
AL	BIBB	WBTNALNM
AL	CHAMBERS	LFYTALRS
AL	CONECUH	EVRGALMA
AL	COOSA	GDWRALMA
AL	COOSA	SYLCALMT
AL	CULLMAN	CLMNALFA
AL	CULLMAN	CLMNALJC
AL	CULLMAN	CLMNALMA
AL	CULLMAN	HNVLALBR
AL	CULLMAN	HNVLALNM
AL	DALLAS	SELMALMT
AL	DEKALB	FTPYALMA
AL	ELMORE	HLVIALMA
AL	ELMORE	MTGMALMB
AL	ELMORE	WTMPALMA
AL	ESCAMBIA	BRTOALMA
AL	ESCAMBIA	FMTNALMT
AL	FRANKLIN	RDBAALMA
AL	FRANKLIN	RLVLALMA
AL	HALE	GNBOALMA
AL	JACKSON	BRPTALMA
AL	JACKSON	GRLYALMA
AL	JACKSON	STSNALMA
AL	JEFFERSON	BRHMALCH
AL	JEFFERSON	BRHMALCP
AL	JEFFERSON	BRHMALEL
AL	JEFFERSON	BRHMALEN
AL	JEFFERSON	BRHMALEW
AL	JEFFERSON	BRHMALFO
AL	JEFFERSON	BRHMALFS
AL	JEFFERSON	BRHMALHW
AL	JEFFERSON	BRHMALMT
AL	JEFFERSON	BRHMALOX

Competitive/Non-Competitive-Grandfathered Counties (Cont'd)

<u>STATE</u>	<u>COUNTY NAME</u>	<u>WIRECENTER</u>
AL	JEFFERSON	BRHMALPO
AL	JEFFERSON	BRHMALQA
AL	JEFFERSON	BRHMALTA
AL	JEFFERSON	BRHMALVA
AL	JEFFERSON	BRHMALWE
AL	JEFFERSON	BRHMALWL
AL	JEFFERSON	BRHOALGJ
AL	JEFFERSON	BSMRALBP
AL	JEFFERSON	BSMRALHT
AL	JEFFERSON	BSMRALMA
AL	JEFFERSON	GRDLALNM
AL	JEFFERSON	GYVLALNM
AL	JEFFERSON	PNSNALMA
AL	LAUDERDALE	FLRNALMA
AL	LAUDERDALE	KLLNALMA
AL	LAUDERDALE	LXTNALMA
AL	LAUDERDALE	RRVLALMA
AL	LEE	AUBNALMA
AL	LEE	OPLKALMT
AL	LIMESTONE	ATHNALER
AL	LIMESTONE	ATHNALMA
AL	MACON	TSKGALMA
AL	MADISON	HNVIAL03
AL	MADISON	HNVIAL96
AL	MADISON	HNVIALLW
AL	MADISON	HNVIALMT
AL	MADISON	HNVIALOD
AL	MADISON	HNVIALPW
AL	MADISON	HNVIALQU
AL	MADISON	HNVIALRW
AL	MADISON	HNVIALUN
AL	MADISON	HZGRALMA
AL	MADISON	MDSNALNM
AL	MADISON	MDSNALOM
AL	MARENGO	DMPLALMA
AL	MARENGO	LNDNALMA
AL	MARSHALL	ALVLALMA
AL	MARSHALL	BOAZALMA
AL	MARSHALL	GTVLALNM
AL	MOBILE	BLFNALMA
AL	MOBILE	CTRNALNM
AL	MOBILE	MOBLALAP
AL	MOBILE	MOBLALAZ
AL	MOBILE	MOBLALBF
AL	MOBILE	MOBLALIH
AL	MOBILE	MOBLALMT
AL	MOBILE	MOBLALOS
AL	MOBILE	MOBLALPR
AL	MOBILE	MOBLALSA

Competitive/Non-Competitive-Grandfathered Counties (Cont'd)

<u>STATE</u>	<u>COUNTY NAME</u>	<u>WIRECENTER</u>
AL	MOBILE	MOBLALSE
AL	MOBILE	MOBLALSH
AL	MOBILE	MOBLALSK
AL	MOBILE	MOBLALTH
AL	MOBILE	MTVRALMA
AL	MONTGOMERY	MTGMALDA
AL	MONTGOMERY	MTGMALIR
AL	MONTGOMERY	MTGMALMT
AL	MONTGOMERY	MTGMALNO
AL	MORGAN	DCTRALMT
AL	MORGAN	HRTSALNM
AL	MORGAN	HRTSALPE
AL	RUSSELL	HRBOALOM
AL	RUSSELL	PHCYALFM
AL	RUSSELL	PHCYALMA
AL	SHELBY	ALBSALMA
AL	SHELBY	BRHMALBH
AL	SHELBY	BRHMALOM
AL	SHELBY	BRHMALRC
AL	SHELBY	CALRALMA
AL	SHELBY	CHLSALMA
AL	SHELBY	CLMBALMA
AL	SHELBY	MNTVALNM
AL	SHELBY	VNCNALMA
AL	TALLAPOOSA	ALCYALMT
AL	TALLAPOOSA	DDVLALMA
AL	WALKER	CRDVALMA
AL	WALKER	CRHLALNM
AL	WALKER	DORAALMA
AL	WALKER	JSPRALMT
AL	WALKER	PRSHALNM
FL	ALACHUA	ARCHFLMA
FL	ALACHUA	GSVLFLAN
FL	ALACHUA	GSVLFLDE
FL	ALACHUA	GSVLFLMA
FL	ALACHUA	GSVLFLNW
FL	ALACHUA	GSVLFLQQ
FL	ALACHUA	HWTHFLMA
FL	ALACHUA	MCNPFLMA
FL	ALACHUA	NWBYFLMA
FL	BALDWIN	CNTMFLLE
FL	BAY	LYHNFLOH
FL	BAY	PCBHFLNT
FL	BAY	PNCYFLCA
FL	BAY	PNCYFLMA
FL	BAY	YNFNFLMA
FL	BREVARD	CCBHFLAF
FL	BREVARD	CCBHFLMA

Competitive/Non-Competitive-Grandfathered Counties (Cont'd)

<u>STATE</u>	<u>COUNTY NAME</u>	<u>WIRECENTER</u>
FL	BREVARD	COCOFLMA
FL	BREVARD	COCOFLME
FL	BREVARD	EGLLFLBG
FL	BREVARD	EGLLFLIH
FL	BREVARD	MICCFLBB
FL	BREVARD	MLBRFLMA
FL	BREVARD	TTVLFLMA
FL	BROWARD	DRBHFLMA
FL	BROWARD	FTLDFLAM
FL	BROWARD	FTLDFLAP
FL	BROWARD	FTLDFLCR
FL	BROWARD	FTLDFLCY
FL	BROWARD	FTLDFLJA
FL	BROWARD	FTLDFLMR
FL	BROWARD	FTLDFLOA
FL	BROWARD	FTLDFLOV
FL	BROWARD	FTLDFLPL
FL	BROWARD	FTLDFLSG
FL	BROWARD	FTLDFLSU
FL	BROWARD	FTLDFLWN
FL	BROWARD	HLWDFLHA
FL	BROWARD	HLWDFLMA
FL	BROWARD	HLWDFLPE
FL	BROWARD	HLWDFLWH
FL	BROWARD	MRGTFLAT
FL	BROWARD	PMBHFLCS
FL	BROWARD	PMBHFLED
FL	BROWARD	PMBHFLFE
FL	BROWARD	PMBHFLMA
FL	BROWARD	PMBHFLNP
FL	BROWARD	PMBHFLTA
FL	CITRUS	HMSPFLO2
FL	CLAY	GCSPFCLN
FL	CLAY	KYHGFLMA
FL	CLAY	MDBGFLPM
FL	CLAY	MXVLFLMA
FL	CLAY	ORPKFLMA
FL	CLAY	ORPKFLRW
FL	COLUMBIA	ELVLFLMA
FL	COLUMBIA	LKCYFLFA
FL	COLUMBIA	LKCYFLMA
FL	DUVAL	BLDWFLMA
FL	DUVAL	FTGRFLMA
FL	DUVAL	JCBHFLAB
FL	DUVAL	JCBHFLMA
FL	DUVAL	JCBHFLSP
FL	DUVAL	JCVLFLAR
FL	DUVAL	JCVLFLBW
FL	DUVAL	JCVLFLCL

Competitive/Non-Competitive-Grandfathered Counties (Cont'd)

<u>STATE</u>	<u>COUNTY NAME</u>	<u>WIRECENTER</u>
FL	DUVAL	JCVLFLFC
FL	DUVAL	JCVLFLGH
FL	DUVAL	JCVLFLIA
FL	DUVAL	JCVLFLJT
FL	DUVAL	JCVLFLLF
FL	DUVAL	JCVLFLMT
FL	DUVAL	JCVLFLNO
FL	DUVAL	JCVLFLOW
FL	DUVAL	JCVLFLRV
FL	DUVAL	JCVLFLSJ
FL	DUVAL	JCVLFLSM
FL	DUVAL	JCVLFLWC
FL	DUVAL	JCVFLFLLJ
FL	DUVAL	MNDRFLAV
FL	DUVAL	MNDRFLLO
FL	ESCAMBIA	PNSCFLBL
FL	ESCAMBIA	PNSCFLFP
FL	ESCAMBIA	PNSCFLHC
FL	ESCAMBIA	PNSCFLOH
FL	ESCAMBIA	PNSCFLPB
FL	ESCAMBIA	PNSCFLWA
FL	ESCAMBIA	PNSDFLFM
FL	FLAGLER	BNNLFLMA
FL	FLAGLER	FLBHFLMA
FL	FLAGLER	PLCSFLMA
FL	GADSDEN	HAVNFLMA
FL	HERNANDO	BKVLFLCC
FL	HERNANDO	BKVLFLJF
FL	HERNANDO	WWSPFLHI
FL	HERNANDO	WWSPFLSH
FL	HILLSBOROUGH	TAMPFL23
FL	HILLSBOROUGH	TAMPFLCO
FL	HILLSBOROUGH	TAMQFLRY
FL	HILLSBOROUGH	TAMQFLUN
FL	INDIAN RIVER	SBSTFLFE
FL	INDIAN RIVER	SBSTFLMA
FL	INDIAN RIVER	VRBHFLBE
FL	INDIAN RIVER	VRBHFLMA
FL	LEE	FTMYFLMA
FL	LEON	MRNNFLAE
FL	LEON	TLHSFLAT
FL	MARION	DNLNFLWM
FL	MARION	OCALFLAT
FL	MARTIN	HBSDFLMA
FL	MARTIN	HTISFLMA
FL	MARTIN	STRNFLMA
FL	MIAMI-DADE	COCYFL13
FL	MIAMI-DADE	HMSTFLAF
FL	MIAMI-DADE	HMSTFLEA
FL	MIAMI-DADE	HMSTFLHM
FL	MIAMI-DADE	HMSTFLNA
FL	MIAMI-DADE	MIAMFLAC
FL	MIAMI-DADE	MIAMFLAE

(N)
|
(N)

Competitive/Non-Competitive-Grandfathered Counties (Cont'd)

<u>STATE</u>	<u>COUNTY NAME</u>	<u>WIRECENTER</u>
FL	MIAMI-DADE	MIAMFLAL
FL	MIAMI-DADE	MIAMFLAP
FL	MIAMI-DADE	MIAMFLBA
FL	MIAMI-DADE	MIAMFLBC
FL	MIAMI-DADE	MIAMFLBR
FL	MIAMI-DADE	MIAMFLCA
FL	MIAMI-DADE	MIAMFLDB
FL	MIAMI-DADE	MIAMFLFL
FL	MIAMI-DADE	MIAMFLGR
FL	MIAMI-DADE	MIAMFLHL
FL	MIAMI-DADE	MIAMFLIC
FL	MIAMI-DADE	MIAMFLKE
FL	MIAMI-DADE	MIAMFLME
FL	MIAMI-DADE	MIAMFLNM
FL	MIAMI-DADE	MIAMFLNS
FL	MIAMI-DADE	MIAMFLOL
FL	MIAMI-DADE	MIAMFLPB
FL	MIAMI-DADE	MIAMFLPL
FL	MIAMI-DADE	MIAMFLRR
FL	MIAMI-DADE	MIAMFLSH
FL	MIAMI-DADE	MIAMFLSO
FL	MIAMI-DADE	MIAMFLWD
FL	MIAMI-DADE	MIAMFLWM
FL	MIAMI-DADE	NDADFLAC
FL	MIAMI-DADE	NDADFLBR
FL	MIAMI-DADE	NDADFLGG
FL	MIAMI-DADE	NDADFLOL
FL	MIAMI-DADE	NMIAFLAY
FL	MIAMI-DADE	OJUSFLTL
FL	MIAMI-DADE	PRRNFLAE
FL	MIAMI-DADE	PRRNFLMA
FL	MONROE	BCCHFLNS
FL	MONROE	BGPIFLMA
FL	MONROE	ISLMFLMA
FL	MONROE	KYLRFLLS
FL	MONROE	KYLRFLMA
FL	MONROE	KYWSFLMA
FL	MONROE	MRTHFLVE
FL	MONROE	NKLRFLMA
FL	MONROE	SGKYFLMA
FL	NASSAU	FRBHFLFP
FL	NASSAU	YULEFLMA
FL	OKALOOSA	CRVWFL07
FL	OKALOOSA	CRVWFLSB
FL	OKALOOSA	FTWBFLCA
FL	OKALOOSA	FTWBFLCI
FL	OKALOOSA	FTWBFLDM
FL	ORANGE	EORNFLMA
FL	ORANGE	ORLDFLAP

Competitive/Non-Competitive-Grandfathered Counties (Cont'd)

<u>STATE</u>	<u>COUNTY NAME</u>	<u>WIRECENTER</u>
FL	ORANGE	ORLDFLCL
FL	ORANGE	ORLDFLMA
FL	ORANGE	ORLDFLPC
FL	ORANGE	ORLDFLPH
FL	ORANGE	ORLDFLSA
FL	ORANGE	ORLDFLYA
FL	ORANGE	ORLEFLGV
FL	ORANGE	WNRDFLTL
FL	ORANGE	WNPKFLTL
FL	PALM BEACH	BCRTFLBT
FL	PALM BEACH	BCRTFLMA
FL	PALM BEACH	BCRTFLSA
FL	PALM BEACH	BLGLFLMA
FL	PALM BEACH	BYBHFLMA
FL	PALM BEACH	DLBHFLKP
FL	PALM BEACH	DLBHFLMA
FL	PALM BEACH	JPTRFLMA
FL	PALM BEACH	LKWFLAJ
FL	PALM BEACH	PAHKFLMA
FL	PALM BEACH	WPBHFLAN
FL	PALM BEACH	WPBHFLGA
FL	PALM BEACH	WPBHFLGR
FL	PALM BEACH	WPBHFLHH
FL	PALM BEACH	WPBHFLLE
FL	PALM BEACH	WPBHFLRB
FL	PALM BEACH	WPBHFLRP
FL	PASCO	BKVLFLBY
FL	POLK	PKCYFLAA
FL	SANTA ROSA	GLBRFLMC
FL	SANTA ROSA	HLNVFLMA
FL	SANTA ROSA	JAY FLMA
FL	SANTA ROSA	MLTNFLRA
FL	SANTA ROSA	MNSNFLMA
FL	SANTA ROSA	PACEFLPV
FL	SEMINOLE	GENVFLMA
FL	SEMINOLE	LKMRFL16
FL	SEMINOLE	LKMRFLHE
FL	SEMINOLE	LKMRFLMF
FL	SEMINOLE	OVIDFLCA
FL	ST. JOHNS	MNDRFLLW
FL	ST. JOHNS	PNVDFLMA
FL	ST. JOHNS	STAGFLBS
FL	ST. JOHNS	STAGFLMA
FL	ST. JOHNS	STAGFLSH
FL	ST. JOHNS	STAGFLWG
FL	VOLUSIA	DBRYFLDL
FL	VOLUSIA	DBRYFLMA
FL	VOLUSIA	DELDFLMA
FL	VOLUSIA	DLSPFLMA

Competitive/Non-Competitive-Grandfathered Counties (Cont'd)

<u>STATE</u>	<u>COUNTY NAME</u>	<u>WIRECENTER</u>
FL	VOLUSIA	DYBHFLFN
FL	VOLUSIA	DYBHFLMA
FL	VOLUSIA	DYBHFLQB
FL	VOLUSIA	DYBHFLQS
FL	VOLUSIA	DYBHFLPO
FL	VOLUSIA	NSBHFLMA
FL	VOLUSIA	OKHLFLMA
FL	VOLUSIA	PRSNFLFD
FL	VOLUSIA	PTORFLAA
FL	VOLUSIA	SNFRFLMA
GA	APPLING	BXLYGAES
GA	BAKER	NWTNGAHD
GA	BARROW	BGRTGAMA
GA	BARROW	WNDRGAAA
GA	BARTOW	AIVLGAMA
GA	BARTOW	CRVLGAMA
GA	BARTOW	KGTNGAMA
GA	BIBB	MACNGAEV
GA	BIBB	MACNGAGA
GA	BIBB	MACNGAGP
GA	BIBB	MACNGAVN
GA	BLECKLEY	CCHRGAMA
GA	BULLOCH	STBOGAAW
GA	BUTTS	JCSNGAMA
GA	CARROLL	BWDNGAMA
GA	CARROLL	CRTNGAMA
GA	CARROLL	TMLPGAMA
GA	CARROLL	VLRCGAES
GA	CHATHAM	POLRGAMA
GA	CHATHAM	SVNHGABS
GA	CHATHAM	SVNHGABU
GA	CHATHAM	SVNHGADE
GA	CHATHAM	SVNHGAGC
GA	CHATHAM	SVNHGASI
GA	CHATHAM	SVNHGAWB
GA	CHATHAM	SVNHGAWI
GA	CHATHAM	TBISGAMA
GA	CHEROKEE	WDSTGACR
GA	CLARKE	ATHNGAMA
GA	CLARKE	ATHNGATC
GA	CLAYTON	ATLNGAFP
GA	CLAYTON	JNBOGAMA
GA	CLAYTON	MRRWGAMA
GA	CLAYTON	RVDLGAMA
GA	COBB	ACWOGAMA
GA	COBB	ASTLGAMA
GA	COBB	ATLAGAQW
GA	COBB	ATLBGACA

Competitive/Non-Competitive-Grandfathered Counties (Cont'd)

<u>STATE</u>	<u>COUNTY NAME</u>	<u>WIRECENTER</u>
GA	COBB	ATLNGANW
GA	COBB	MRTTGAEA
GA	COBB	MRTTGAMA
GA	COBB	PWSPGAAS
GA	COBB	SMYRGAMA
GA	COBB	SMYRGAPF
GA	COLQUITT	MLTRGA08
GA	COLQUITT	MLTRGABB
GA	COLUMBIA	AGSTGAU
GA	COLUMBIA	APNGGAES
GA	COLUMBIA	HRLMGAMA
GA	COOK	SPRKGAMA
GA	COWETA	GTVLGAMA
GA	COWETA	NWNNGAMA
GA	COWETA	SENOGAMA
GA	CRISP	CORDGAMA
GA	DECATUR	BNBRGAMA
GA	DEKALB	ATLNGAAC
GA	DEKALB	ATLNGACD
GA	DEKALB	ATLNGAEL
GA	DEKALB	ATLNGAGR
GA	DEKALB	ATLNGAIC
GA	DEKALB	ATLNGATH
GA	DEKALB	CHMBGAMA
GA	DEKALB	LTHNGAJS
GA	DEKALB	PANLGAMA
GA	DEKALB	SNMTGAAS
GA	DEKALB	SNMTGALR
GA	DEKALB	TUKRGAMA
GA	DODGE	ESMNGAES
GA	DOUGHERTY	ALBYGAMA
GA	DOUGLAS	DGVLGAMA
GA	ELBERT	EBTNGAMA
GA	EMANUEL	SWBOGAES
GA	FAYETTE	FYVLGASG
GA	FAYETTE	PTCYGAMA
GA	FLOYD	CVSPGAMA
GA	FLOYD	ROMEGAIF
GA	FLOYD	ROMEGATL
GA	FORSYTH	CMNGGAMA
GA	FRANKLIN	RYTNGAAN
GA	FRANKLIN	RYTNGAMA
GA	FULTON	ALPRGAMA
GA	FULTON	ALPSGADT
GA	FULTON	ATLNGAAD
GA	FULTON	ATLNGABH
GA	FULTON	ATLNGABU
GA	FULTON	ATLNGACS
GA	FULTON	ATLNGADK
GA	FULTON	ATLNGAEP

(N)

Competitive/Non-Competitive-Grandfathered Counties (Cont'd)

<u>STATE</u>	<u>COUNTY NAME</u>	<u>WIRECENTER</u>
GA	FULTON	ATLNGAGB
GA	FULTON	ATLNGAHR
GA	FULTON	ATLNGALA
GA	FULTON	ATLNGAMA
GA	FULTON	ATLNGAPP
GA	FULTON	ATLNGASS
GA	FULTON	ATLNGATL
GA	FULTON	ATLNGAUY
GA	FULTON	ATLNGAWD
GA	FULTON	ATLNGAWE
GA	FULTON	DNWDGAMA
GA	FULTON	ESPNGAAT
GA	FULTON	FRBNGAEB
GA	FULTON	PLMTGAMA
GA	FULTON	RSWLGAMA
GA	GORDON	CLHNGAES
GA	GWINNETT	BUFRGABH
GA	GWINNETT	DLTHGAHS
GA	GWINNETT	LLBNGAMA
GA	GWINNETT	LRVLGAOS
GA	GWINNETT	NRCRGAHK
GA	GWINNETT	NRCRGAIS
GA	GWINNETT	NRCRGAMA
GA	GWINNETT	NRCSGAJT
GA	GWINNETT	SNLVGAMA
GA	HALL	CLMTGAMA
GA	HALL	FLBRGAMA
GA	HALL	GSVLGAMA
GA	HALL	LULAGAMA
GA	HARALSON	BCHNGAES
GA	HARALSON	BRMNGAES
GA	HARALSON	TLLPGAES
GA	HARRIS	CLMBGAMT
GA	HARRIS	HMTNGAMA
GA	HARRIS	PNMTGAMA
GA	HEARD	FKLNAGAMA
GA	HEARD	RPVLGAMA
GA	HENRY	HMPNGAJW
GA	HENRY	MCDNGAGS
GA	HENRY	STBRGANH
GA	HOUSTON	WRRBGAMA
GA	JASPER	MNTIGAMA
GA	JEFF DAVIS	HZLHGAMA
GA	JENKINS	MLLNGAMA
GA	LEE	LSBGGAMA
GA	LEE	SMVLGAMA
GA	LOWNDES	LKPKGAMA
GA	LOWNDES	VLDSGAAK
GA	LOWNDES	VLDSGAMA

Competitive/Non-Competitive-Grandfathered Counties (Cont'd)

<u>STATE</u>	<u>COUNTY NAME</u>	<u>WIRECENTER</u>
GA	MITCHELL	BCTNGAMA
GA	MITCHELL	CMLLGAMA
GA	MITCHELL	PLHMGAMA
GA	MONROE	FRSYGAMA
GA	MORGAN	MDSNGAMA
GA	MORGAN	RTLGGAMA
GA	MUSCOGEE	CLMBGAAT
GA	MUSCOGEE	CLMBGAMW
GA	NEWTON	CVTNGAMT
GA	OCONEE	WTVLGAES
GA	PAULDING	DLLSGAES
GA	PEACH	FTVYGAMA
GA	PIERCE	BLCSGAES
GA	POLK	CDTWGAMA
GA	POLK	RCKMGAES
GA	PUTNAM	ETTNGAES
GA	RICHMOND	AGSTGAFL
GA	RICHMOND	AGSTGAMT
GA	RICHMOND	AGSTGATH
GA	RICHMOND	HPHZGAES
GA	ROCKDALE	CNYRGAMA
GA	SPALDING	GRFNGAMA
GA	SUMTER	AMRCGAMA
GA	TELFAIR	LMCYGAMA
GA	THOMAS	THVLGAMA
GA	TIFT	TFTNGABO
GA	TIFT	TFTNGAMA
GA	TOOMBS	JHCRGABA
GA	TOOMBS	JHCRGAES
GA	TOOMBS	LYNSGAAP
GA	TOOMBS	LYNSGAMA
GA	TOOMBS	VDALGAMA
GA	TROUP	HGVLGAMA
GA	TROUP	LGRNGADN
GA	TROUP	LGRNGAMA
GA	WALTON	LGVLGACS
GA	WALTON	SCCRGAMA
GA	WARE	WYCRGAAJ
GA	WARE	WYCRGAMA
GA	WAYNE	JESPGAES
GA	WORTH	SYLVGABE
GA	WORTH	SYLVGAES

Some material from this page 11 has been moved to page 12.

Competitive/Non-Competitive-Grandfathered Counties (Cont'd)

<u>STATE</u>	<u>COUNTY NAME</u>	<u>WIRECENTER</u>	
KY	BELL	MDBOKYMA	(N)
KY	BELL	PIVLKYMA	(N)
KY	BOYD	MEDSKYAA	
KY	BOYLE	DAVLKYMA	
KY	BOYLE	JNCYKYMA	
KY	BOYLE	PRVLKYMA	
KY	BRECKINRIDGE	CLPTKYMA	
KY	BRECKINRIDGE	HRBGKYES	
KY	BRECKINRIDGE	IVTNKY02	
KY	BRECKINRIDGE	MCDNKYMA	
KY	BULLITT	SHPVKY04	
KY	BULLITT	WSPNKYMA	
KY	BUTLER	MGTWKYMA	
KY	CALDWELL	FRDNKYMA	
KY	CALDWELL	PRTNKYES	
KY	CALLOWAY	AURRKYMA	
KY	CALLOWAY	MRRYKY19	
KY	CALLOWAY	MRRYKYMA	
KY	CARROLL	CRTNKYMA	
KY	CARROLL	GHNTKYMA	
KY	CLARK	WNCHKY25	
KY	CLARK	WNCHKY35	
KY	CLARK	WNCHKYAT	
KY	CLARK	WNCHKYMA	
KY	CLARK	WNCHKYPV	
KY	CRITTENDEN	MARNKY04	
KY	CRITTENDEN	MARNKYMA	
KY	DAVIESS	ENSRKYMA	
KY	DAVIESS	HABTKYMA	
KY	DAVIESS	MACEKYMA	
KY	DAVIESS	OWBOKY32	
KY	DAVIESS	OWBOKYAT	
KY	DAVIESS	OWBOKYMA	
KY	DAVIESS	PNTHKYMA	
KY	DAVIESS	SRGHKYMA	
KY	DAVIESS	STNLKYMA	
KY	DAVIESS	UTICKYMA	
KY	DAVIESS	WLVLYMA	
KY	FAYETTE	LXTNKYDY	
KY	FLOYD	ALLNKY01	(N)
KY	FLOYD	ALLNKYMA	(N)
KY	FLOYD	HRLDKY01	(N)
KY	FLOYD	HRLDKYXE	(N)
KY	FLOYD	MARTKYMA	(N)
KY	FLOYD	MCWLKYMA	(N)
KY	FLOYD	PRBGKYES	(N)
KY	FLOYD	WHLWKYXA	(N)
KY	FLOYD	WYLDKYES	(N)

Some material from this page 12 was moved to page 13.

Competitive/Non-Competitive-Grandfathered Counties (Cont'd)

<u>STATE</u>	<u>COUNTY NAME</u>	<u>WIRECENTER</u>	
KY	FRANKLIN	FRFTKYES	
KY	FRANKLIN	FRFTKYMA	
KY	GRAVES	FLTINKYDD	
KY	GRAVES	MYFDKY25	
KY	GRAVES	MYFDKYMA	
KY	GRAVES	PDCHKYRL	
KY	GRAVES	WTVYKYMA	
KY	HARDIN	RSTRKYES	
KY	HARLAN	BLDSKYXA	(N)
KY	HARLAN	BNLYKYMA	(N)
KY	HARLAN	BXTRKY01	(N)
KY	HARLAN	EVRSKYXA	(N)
KY	HARLAN	HRLNKYMA	(N)
KY	HARLAN	WLCKKYES	(N)
KY	HENDERSON	CYDNKYMA	
KY	HENDERSON	HBVLKYMA	
KY	HENDERSON	HNSNKYMA	
KY	HENDERSON	RBRDKYMA	
KY	HENRY	CMBGKYMA	
KY	HENRY	EMNNKYES	
KY	HENRY	PTRYKYMA	
KY	HENRY	SLPHKYMA	
KY	JEFFERSON	LSVLKY26	
KY	JEFFERSON	LSVLKY53	
KY	JEFFERSON	LSVLKYAN	
KY	JEFFERSON	LSVLKYAP	
KY	JEFFERSON	LSVLKYBE	
KY	JEFFERSON	LSVLKYBR	
KY	JEFFERSON	LSVLKYCS	
KY	JEFFERSON	LSVLKYFC	
KY	JEFFERSON	LSVLKYJT	
KY	JEFFERSON	LSVLKYOA	
KY	JEFFERSON	LSVLKYSH	
KY	JEFFERSON	LSVLKYSL	
KY	JEFFERSON	LSVLKYSM	
KY	JEFFERSON	LSVLKYTS	
KY	JEFFERSON	LSVLKYVS	
KY	JEFFERSON	LSVLKYWE	
KY	JEFFERSON	LSVNKYBX	
KY	JOHNSON	PNVLKYMA	
KY	LAUREL	EBRNKYAC	(N)
KY	LAUREL	EBRNKYXA	(N)
KY	LAUREL	LONGKYXA	(N)
KY	LAWRENCE	LOUSKY02	
KY	LAWRENCE	LOUSKYES	
KY	LETCHER	NEONKYES	
KY	LETCHER	WHBGKYMA	
KY	MADISON	FORDKYMA	
KY	MADISON	KKVLKYMA	
KY	MADISON	RCMDKYMA	
KY	MADISON	WACOKYMA	

Some material on this page 13 previously appeared on page 12.

Some material from this page 13 was moved to page 14.

Competitive/Non-Competitive-Grandfathered Counties (Cont'd)

<u>STATE</u>	<u>COUNTY NAME</u>	<u>WIRECENTER</u>	
KY	MAGOFFIN	RYTNKYXA	
KY	MAGOFFIN	SLVLKYXA	
KY	MARSHALL	BNTNKY08	
KY	MARSHALL	BNTNKYMA	
KY	MERCER	BRGNKYMA	
KY	MERCER	CHVLKYMA	
KY	MERCER	HDBGKYMA	
KY	MERCER	SLVSKYMA	
KY	MONTGOMERY	MTSTKYMA	(N)
KY	NELSON	BLFDKYMA	
KY	NELSON	BRTWKYES	
KY	NELSON	CHPLKYMA	
KY	NELSON	LBJTKYMA	
KY	NELSON	NWHNKYMA	
KY	NICHOLAS	CRLSKYMA	
KY	OLDHAM	LGRNKYES	
KY	OLDHAM	LSVLKYCW	
KY	OLDHAM	LSVLKYHA	
KY	PERRY	HZRDKYAQ	
KY	ROWAN	MRHDKYAD	
KY	SCOTT	GRTWKYMA	
KY	SCOTT	SDVLKYMA	
KY	SCOTT	STGRKYMA	
KY	SHELBY	BGDDKYMA	
KY	SHELBY	EMNNKYPL	
KY	SHELBY	FNVLYKYMA	
KY	SHELBY	MTEDKYMA	
KY	SHELBY	SHVLKYMA	
KY	SHELBY	SSVLKYMA	
KY	SHELBY	WDDYKYMA	
KY	SPENCER	TYVLKYMA	
KY	TODD	EKTNKYMA	
KY	TODD	GTHRKYMA	
KY	TODD	SHGVKYMA	
KY	TODD	TRENKYMA	
KY	TRIGG	CADZKYMA	
KY	TRIGG	CNTNKYMA	
KY	TRIMBLE	BDFRKYMA	
KY	TRIMBLE	MLTNKYMA	
KY	WARREN	BWLGKYAT	
KY	WARREN	BWLGKYMA	
KY	WARREN	BWLGKYRV	
KY	WARREN	WDBNKYMA	

Competitive/Non-Competitive-Grandfathered Counties (Cont'd)

<u>STATE</u>	<u>COUNTY NAME</u>	<u>WIRECENTER</u>	
LA	ACADIA	CRWYLAMA	
LA	ACADIA	EUNCLAMA	
LA	ACADIA	RAYNLAMA	
LA	ALLEN	OKDLLAMA	
LA	ASCENSION	DNVLLAMA	
LA	ASSUMPTION	LBVLLAMA	(N)
LA	ASSUMPTION	NPVLLAMA	
LA	ASSUMPTION	PRPRLAMA	(N)
LA	AVOYELLES	BUNKLAMA	
LA	AVOYELLES	MKVLLAHM	
LA	AVOYELLES	MKVLLAMN	
LA	BEAUREGARD	DRDRLAMA	
LA	BEAUREGARD	MYVLLAMA	
LA	BOSSIER	BNTNLAMA	
LA	BOSSIER	HGTNLAKN	
LA	BOSSIER	HGTNLAMA	
LA	BOSSIER	SHPTLABS	
LA	CADDO	BLNCLAMA	
LA	CADDO	GNWDLAMA	
LA	CADDO	KTVLLAMA	
LA	CADDO	OLCYLAMA	
LA	CADDO	SHPTLA CL	
LA	CADDO	SHPTLAHD	
LA	CADDO	SHPTLAMA	
LA	CADDO	SHPTLAQB	
LA	CADDO	SHPTLASG	
LA	CADDO	SHPTLATL	
LA	CADDO	SHPULA34	
LA	CALCASIEU	LKCHLA09	
LA	CALCASIEU	LKCHLADT	
LA	CALCASIEU	LKCHLAMB	
LA	CALCASIEU	LKCHLAMW	
LA	CALCASIEU	LKCHLAUN	
LA	CALCASIEU	SLPHLAMA	
LA	CALCASIEU	VNTNLAMA	
LA	CAMERON	LKARLAMA	

Competitive/Non-Competitive-Grandfathered Counties (Cont'd)

<u>STATE</u>	<u>COUNTY NAME</u>	<u>WIRECENTER</u>
LA	CAMERON	SWLKLAMA
LA	EAST BATON ROUGE	BTRGLA19
LA	EAST BATON ROUGE	BTRGLABK
LA	EAST BATON ROUGE	BTRGLAGW
LA	EAST BATON ROUGE	BTRGLAHR
LA	EAST BATON ROUGE	BTRGLAIS
LA	EAST BATON ROUGE	BTRGLAOH
LA	EAST BATON ROUGE	BTRGLAPB
LA	EAST BATON ROUGE	BTRGLASB
LA	EAST BATON ROUGE	BTRGLASW
LA	EAST BATON ROUGE	BTRGLAWN
LA	EAST BATON ROUGE	ZCHRLAMA
LA	EVANGELINE	STLNLAMA
LA	IBERIA	JNRTLAMA
LA	IBERIA	LRVLLAMA
LA	IBERIA	NWIBLAMA
LA	IBERIA	WKISLAMA
LA	IBERVILLE	PLQMLACR
LA	IBERVILLE	PLQMLAMA
LA	IBERVILLE	STGBLAMA
LA	IBERVILLE	WHCSLAMA
LA	JEFFERSON	KNNRLAHN
LA	JEFFERSON	LFTTLAMA
LA	JEFFERSON	NWORLAAV
LA	JEFFERSON	NWORLAIY
LA	JEFFERSON	NWORLAMR
LA	JEFFERSON	NWORLAMT
LA	JEFFERSON	NWORLARV
LA	JEFFERSON	NWORLASW
LA	JEFFERSON DAVIS	JNGSLAMA
LA	LAFAYETTE	BRSSLAMA
LA	LAFAYETTE	CRNCLAMA
LA	LAFAYETTE	DUSNLAMA
LA	LAFAYETTE	LFYTLA29
LA	LAFAYETTE	LFYTLAAT
LA	LAFAYETTE	LFYTLAMA
LA	LAFAYETTE	LFYTLAVM
LA	LAFAYETTE	SCTTLA06
LA	LAFAYETTE	YNVLLAAK
LA	LAFOURCHE	CHBYLAMA
LA	LAFOURCHE	LARSLA04
LA	LAFOURCHE	LCPTLAMA
LA	LAFOURCHE	RCLDLAMA
LA	LAFOURCHE	THBDLAMA
LA	LIVINGSTON	ALBYLAMA
LA	LIVINGSTON	DNSPLAMA
LA	LIVINGSTON	LVTNLAMA
LA	LIVINGSTON	SPFDLAMA
LA	MADISON	DELHLAMA

Competitive/Non-Competitive-Grandfathered Counties (Cont'd)

<u>STATE</u>	<u>COUNTY NAME</u>	<u>WIRECENTER</u>
LA	MADISON	TLLHLAMA
LA	MOREHOUSE	BSTRLAMA
LA	MOREHOUSE	MRRGLAMA
LA	NATCHITOCHE	NTCHLACR
LA	NATCHITOCHE	NTCHLAMA
LA	NATCHITOCHE	RBLNLAMA
LA	ORLEANS	NWORLABM
LA	ORLEANS	NWORLACA
LA	ORLEANS	NWORLAFR
LA	ORLEANS	NWORLALK
LA	ORLEANS	NWORLAMA
LA	ORLEANS	NWORLAMC
LA	ORLEANS	NWORLAMU
LA	ORLEANS	NWORLASC
LA	ORLEANS	NWORLASK
LA	OUACHITA	CLHNLAMA
LA	OUACHITA	MONRLADS
LA	OUACHITA	MONRLAMA
LA	OUACHITA	MONRLAWM
LA	OUACHITA	STTNLAMA
LA	POINTE COUPEE	MRGZLAMA
LA	POINTE COUPEE	NWRDLAMA
LA	POINTE COUPEE	ROGNLAMA
LA	RED RIVER	CSHTLAMA
LA	ST. BERNARD	NWORLACM
LA	ST. CHARLES	KNNRLABR
LA	ST. CHARLES	LLNGLABU
LA	ST. CHARLES	LLNGLAHV
LA	ST. CHARLES	NORCLAMN
LA	ST. CHARLES	NWORLA44
LA	ST. CHARLES	PRDSLAMA
LA	ST. JAMES	CNVNLAMA
LA	ST. JAMES	LTCHLAMA
LA	ST. JAMES	VCHRLAMA
LA	ST. JOHN THE BAPTIST	EDGRLAMA
LA	ST. JOHN THE BAPTIST	LPLCLAMA
LA	ST. MARTIN	MRCYLAIN
LA	ST. MARTIN	SMVLLAMA
LA	ST. MARY	BLDWLAMA
LA	ST. MARY	CNVLLAMA
LA	ST. MARY	FKLNLAMA
LA	ST. MARY	MRCYLAAM
LA	ST. MARY	PASNLABV
LA	ST. MARY	PASNLAMN
LA	ST. TAMMANY	BUSHLAMA
LA	ST. TAMMANY	CVTNLAMA
LA	ST. TAMMANY	FLSMLAMA
LA	ST. TAMMANY	LCMBLAMA
LA	ST. TAMMANY	MDVILAMA
LA	ST. TAMMANY	MNVLLA20

(N)

Competitive/Non-Competitive-Grandfathered Counties (Cont'd)

<u>STATE</u>	<u>COUNTY NAME</u>	<u>WIRECENTER</u>
LA	ST. TAMMANY	MNVLLAMA
LA	ST. TAMMANY	PRRVLAMA
LA	ST. TAMMANY	SLIDLAMA
LA	TANGIPAHOA	AMITLAMA
LA	TANGIPAHOA	HMNDLAMA
LA	TANGIPAHOA	INDPLAMA
LA	TANGIPAHOA	KNWDLAMA
LA	TANGIPAHOA	PNCHLAMA
LA	TENSAS	NWTNLAMA
LA	TENSAS	STJSLAMA
LA	TENSAS	WTPRLAMA
LA	VERMILION	ABVLLAMA
LA	VERMILION	ERTHLAMA
LA	VERMILION	GYDNLAMA
LA	WEBSTER	DYLNAMA
LA	WEBSTER	MINDLAMA
LA	WEST BATON ROUGE	BTRGLABS
LA	WEST BATON ROUGE	BTRGLAMA
LA	WEST CARROLL	EPPSLAMA
LA	WEST CARROLL	OKGVLAMA
MS	ADAMS	NTCHMSMA
MS	BENTON	ASLDMSMA
MS	BENTON	PTCMMSSU
MS	BOLIVAR	BNITMSMA
MS	BOLIVAR	CLEVMSMA
MS	BOLIVAR	DNCNMSMA
MS	BOLIVAR	GNSNMSMA
MS	BOLIVAR	PACEMSMA
MS	BOLIVAR	RSDLMSMA
MS	BOLIVAR	SHAWMSES
MS	BOLIVAR	SHLBMSDS
MS	CLARKE	ENTRMSMA
MS	CLARKE	QTMNMSMA
MS	CLAY	WSPNMSMA
MS	COAHOMA	CSDLMSMA
MS	COAHOMA	FRPNMSMA
MS	COAHOMA	JNTWMSMA
MS	COAHOMA	LULAMSMA
MS	COPIAH	CRSPMSMA
MS	COPIAH	HZLHMSMA
MS	COPIAH	WSSNMSMA
MS	COVINGTON	CLNSMSMA
MS	COVINGTON	MTOLMSMA
MS	COVINGTON	SNRYMSMA
MS	DESOTO	HRNNMSDS
MS	DESOTO	SOHNMSDC
MS	FORREST	HTBGMSMA
MS	GEORGE	LCDLMSMA

Competitive/Non-Competitive-Grandfathered Counties (Cont'd)

<u>STATE</u>	<u>COUNTY NAME</u>	<u>WIRECENTER</u>
MS	HANCOCK	BSLSMSMA
MS	HANCOCK	GLPTMSTS
MS	HANCOCK	MSTFMSCU
MS	HANCOCK	PLTNMSMA
MS	HANCOCK	PSCHMSLT
MS	HARRISON	BILXMSAT
MS	HARRISON	BILXMSCL
MS	HARRISON	BILXMSDI
MS	HARRISON	BILXMSSED
MS	HARRISON	BILXMSMA
MS	HARRISON	GLPTMSLY
MS	HINDS	BOTNMSMA
MS	HINDS	EDWRMSDS
MS	HINDS	JCSNMS60
MS	HINDS	JCSNMSBL
MS	HINDS	JCSNMSCB
MS	HINDS	JCSNMSCP
MS	HINDS	JCSNMSMB
MS	HINDS	JCSNMSPS
MS	HINDS	JCSNMSRW
MS	HINDS	JCSNMSTR
MS	HINDS	RYMNMSDS
MS	HINDS	TRRYMSMA
MS	HINDS	UTICMSDS
MS	JASPER	HDLBMSMA
MS	JONES	ELVLMSMA
MS	JONES	LARLMSMA
MS	LAFAYETTE	OXFRMSMA
MS	LAMAR	HTBGMSWE
MS	LAMAR	LMTNMSSS
MS	LAMAR	PRVSMSMA
MS	LAMAR	SMRLMSMA
MS	LAUDERDALE	BRWDMSMA
MS	LAUDERDALE	CHNKMSU
MS	LAUDERDALE	COVLMSSU
MS	LAUDERDALE	CSVLMSSU
MS	LAUDERDALE	MNASMSMA
MS	LAUDERDALE	MRDNMSTL
MS	LAUDERDALE	OBDHMSMA
MS	LAUDERDALE	TMSBMSMA
MS	LAWRENCE	MNTIMSMA
MS	LAWRENCE	SLCKMSMA
MS	LEFLORE	GNWDMMSMA
MS	LEFLORE	ITBNMSMA
MS	LEFLORE	SNSDMSSU
MS	LINCOLN	BGCHMSSU
MS	LINCOLN	BRHNMSMA
MS	LOWNDES	CAFBMSMA
MS	LOWNDES	CLDNMSMA

Competitive/Non-Competitive-Grandfathered Counties (Cont'd)

<u>STATE</u>	<u>COUNTY NAME</u>	<u>WIRECENTER</u>
MS	LOWNDES	CLMBMSMA
MS	MADISON	CNTNMSMA
MS	MADISON	FLORMSMA
MS	MADISON	JCSNMSQB
MS	MADISON	MDSNMSES
MS	MADISON	PCKNMSMA
MS	MARION	CLMAMSMA
MS	MONTGOMERY	DCHLMSMA
MS	MONTGOMERY	KLMCMSMA
MS	MONTGOMERY	WINOMSMA
MS	NESHOBA	PHLAMMSMA
MS	OKTIBBEHA	SKVLMSMA
MS	OKTIBBEHA	STRGMSSU
MS	PEARL RIVER	PCYNMSMA
MS	PEARL RIVER	PPVLMSMA
MS	PIKE	MCCMMSMA
MS	PIKE	MCCMSSM
MS	PIKE	MGNLMSMA
MS	PRENTISS	BLDWMSMF
MS	PRENTISS	BNVLMSMA
MS	RANKIN	BRNDMSES
MS	RANKIN	JCSNMSNR
MS	RANKIN	JCSNMSPC
MS	RANKIN	PLHTMSMA
MS	SIMPSON	MAGEMMSMA
MS	SIMPSON	MNDNMSMA
MS	STONE	WGNSMSMA
MS	SUNFLOWER	DREWMSMA
MS	SUNFLOWER	INDNMSMA
MS	SUNFLOWER	INVRMSMA
MS	SUNFLOWER	MRHDMSMA
MS	SUNFLOWER	RLVLMSMA
MS	TATE	CDWRMSMA
MS	TATE	INDPMSSU
MS	TATE	SNTBMSPS
MS	TIPPAH	BEMTMSMA
MS	TIPPAH	RPLYMSMA
MS	TIPPAH	WLNTMSMA
MS	TUNICA	TUNCMSMA
MS	WALTHALL	TYTWMSMC
MS	WARREN	VCBGMSMA
MS	WASHINGTON	GNVLMSMA
MS	WASHINGTON	HODLMSMA
MS	WASHINGTON	LELDMSMA
MS	WEBSTER	EUPRMSFA
MS	WEBSTER	MABNMSMA
MS	WINSTON	LSVLMSMA
MS	YAZOO	BENTMSSU
MS	YAZOO	BNTNMSSU

Competitive/Non-Competitive-Grandfathered Counties (Cont'd)

<u>STATE</u>	<u>COUNTY NAME</u>	<u>WIRECENTER</u>	
MS	YAZOO	YZCYMSMA	
NC	ALAMANCE	BURLNCAT	
NC	ALAMANCE	BURLNCDA	
NC	ALAMANCE	BURLNCEL	
NC	ALAMANCE	BURLNCHA	
NC	ALAMANCE	SXPHNCMA	
NC	ALEXANDER	STPNNCMA	
NC	ALEXANDER	TYVLNCMA	
NC	AVERY	NWLDNCCE	(N)
NC	BRUNSWICK	LNBHNCMA	
NC	BRUNSWICK	SOPTNCCE	
NC	BRUNSWICK	WLMGNCLE	
NC	BUNCOMBE	AHVLNCAT	
NC	BUNCOMBE	AHVLNCBI	
NC	BUNCOMBE	AHVLNCOH	
NC	BUNCOMBE	AHVLNCOT	
NC	BUNCOMBE	AHVLNCP5	
NC	BUNCOMBE	ARDNNCCE	
NC	BUNCOMBE	BCMTNCCE	
NC	BUNCOMBE	ENKANCMA	
NC	BUNCOMBE	FRVWNCMA	
NC	BUNCOMBE	LCSRNCMA	
NC	BUNCOMBE	SWNNNCMA	
NC	BURKE	MGTNNCGL	
NC	BURKE	MGTNNCGR	
NC	CALDWELL	BLRKNCCCE	
NC	CALDWELL	LENRNCHA	
NC	CALDWELL	LENRNCHU	
NC	CASWELL	ARSNNCMA	
NC	CATAWBA	CLMTNCMA	
NC	CATAWBA	HCKRNCBM	
NC	CATAWBA	MADNNCCE	
NC	CATAWBA	NWTNNCMA	
NC	CHEROKEE	GRVRNCMA	
NC	CLEVELAND	KGMTNCMA	
NC	CLEVELAND	LTMRNCCE	
NC	CLEVELAND	LWDLNCCE	
NC	CLEVELAND	SHLBNCMA	
NC	COLUMBUS	ACMENCMA	
NC	CUMBERLAND	FYVLNC DK	
NC	CUMBERLAND	FYVLNC DL	
NC	CUMBERLAND	LRBGNCAK	
NC	DAVIDSON	WNSLNCAR	
NC	DAVIDSON	WNSLNCWA	
NC	DURHAM	DRHMNCRT	
NC	FORSYTH	WNSLNCCL	
NC	FORSYTH	WNSLNCFI	
NC	FORSYTH	WNSLNCGL	
NC	FORSYTH	WNSLNCLE	

Competitive/Non-Competitive-Grandfathered Counties (Cont'd)

<u>STATE</u>	<u>COUNTY NAME</u>	<u>WIRECENTER</u>
NC	FORSYTH	WNSLNCVI
NC	FORSYTH	WNSLNCWH
NC	GASTON	BLMTNCCE
NC	GASTON	BSCYNCMA
NC	GASTON	CHVLNCCE
NC	GASTON	GSTANCD A
NC	GASTON	GSTANCSO
NC	GASTON	LWLLNCMA
NC	GASTON	MTHLNCMA
NC	GASTON	STNLNCCE
NC	GUILFORD	GNBONCAP
NC	GUILFORD	GNBONCAS
NC	GUILFORD	GNBONCEU
NC	GUILFORD	GNBONCHO
NC	GUILFORD	GNBONCLA
NC	GUILFORD	GNBONCMC
NC	GUILFORD	GNBONCPG
NC	GUILFORD	GNBONCPH
NC	GUILFORD	JULNNCMA
NC	GUILFORD	MNTINCMA
NC	GUILFORD	SRFDNCCE
NC	HAYWOOD	CLYDNCMA
NC	HAYWOOD	CNTNNCMA
NC	HAYWOOD	MGVANCCE
NC	HAYWOOD	WYVLNCMA
NC	HENDERSON	HNVLCCH
NC	HENDERSON	HNVLCED
NC	HENDERSON	HNVLCMI
NC	IREDELL	SSVLNCJE
NC	IREDELL	SSVLNCMA
NC	IREDELL	TRMNNCMA
NC	JOHNSTON	SELMNCMA
NC	LINCOLN	DNVRCMA
NC	LINCOLN	LNTNNCMA
NC	LINCOLN	LNTNNCVA
NC	MECKLENBURG	CHRLNCBO
NC	MECKLENBURG	CHRLNCCA
NC	MECKLENBURG	CHRLNCCE
NC	MECKLENBURG	CHRLNCCR
NC	MECKLENBURG	CHRLNCDE
NC	MECKLENBURG	CHRLNCER
NC	MECKLENBURG	CHRLNCLP
NC	MECKLENBURG	CHRLNCLX
NC	MECKLENBURG	CHRLNCMI
NC	MECKLENBURG	CHRLNCNA
NC	MECKLENBURG	CHRLNCOD
NC	MECKLENBURG	CHRLNCRE
NC	MECKLENBURG	CHRLNCRU
NC	MECKLENBURG	CHRLNC SH

Competitive/Non-Competitive-Grandfathered Counties (Cont'd)

<u>STATE</u>	<u>COUNTY NAME</u>	<u>WIRECENTER</u>
NC	WAKE	WNDLNCPI
NC	WAKE	ZBLNNCCE
NC	WATAUGA	BOONNCKI
NC	WAYNE	GLBONCAD
NC	WAYNE	GLBONCMA
NC	WAYNE	GNHMNCMA
SC	AIKEN	AIKNSCMA
SC	AIKEN	BATHSCMA
SC	AIKEN	BHISSCMA
SC	AIKEN	GIVLSCMA
SC	AIKEN	NAGSSCBX
SC	AIKEN	NWELSCMA
SC	ANDERSON	ARSNSCAH
SC	ANDERSON	ARSNSCMA
SC	ANDERSON	ARSNSCTV
SC	ANDERSON	BETNSCMA
SC	ANDERSON	GNVLSWE
SC	ANDERSON	HNPSCMA
SC	ANDERSON	PDMTSCES
SC	ANDERSON	PNTNSCCR
SC	ANDERSON	PNTNSCMA
SC	ANDERSON	WMTNSCPW
SC	BEAUFORT	BUFTSC01
SC	BERKELEY	CHTNCDP
SC	CHARLESTON	CHTNSCBE
SC	CHARLESTON	CHTNSCDT
SC	CHARLESTON	CHTNSCJM
SC	CHARLESTON	CHTNSCJN
SC	CHARLESTON	CHTNSCLB
SC	CHARLESTON	CHTNSCNO
SC	CHARLESTON	CHTNSCPS
SC	CHARLESTON	CHTNSCWA
SC	CHARLESTON	CHTOSCBT
SC	CHARLESTON	EDBHSCMA
SC	CHARLESTON	FLBHSCMA
SC	CHARLESTON	ISPLSCIS
SC	CHARLESTON	MNPLSCES
SC	CHARLESTON	SBRKSCSK
SC	CHEROKEE	BLBGSCMA
SC	CHEROKEE	GFNYSCMA
SC	CHESTERFIELD	CHRWSCES
SC	DARLINGTON	DRTNSCMA
SC	DARLINGTON	HTVLSMA
SC	DARLINGTON	SCHLSCES
SC	DILLON	DLLNSCMA
SC	DILLON	LATTSCLS
SC	DILLON	LKVWSCMA
SC	DORCHESTER	STGRSCMA

Competitive/Non-Competitive-Grandfathered Counties (Cont'd)

<u>STATE</u>	<u>COUNTY NAME</u>	<u>WIRECENTER</u>
SC	DORCHESTER	SUVLSCMA
SC	FAIRFIELD	CHAPSCCL
SC	FLORENCE	FLRNSCAT
SC	FLORENCE	FLRNSCMA
SC	FLORENCE	FLRNSCTS
SC	FLORENCE	TMVLSCMA
SC	GEORGETOWN	GRTWSCBE
SC	GREENVILLE	BLRGSCMA
SC	GREENVILLE	GNVLSCBE
SC	GREENVILLE	GNVLSCHH
SC	GREENVILLE	GNVLSCCR
SC	GREENVILLE	GNVLSCDT
SC	GREENVILLE	GNVLSCMC
SC	GREENVILLE	GNVLSCTL
SC	GREENVILLE	GNVLSWCP
SC	GREENVILLE	GNVLSWCR
SC	GREENVILLE	MRTTSCMA
SC	GREENVILLE	TRRSSCMA
SC	HORRY	MYBHSC38
SC	KERSHAW	CMDNSCLG
SC	KERSHAW	CMDNSCMA
SC	LAURENS	CLTNSCMA
SC	LAURENS	FNINSCES
SC	LAURENS	JONNSCES
SC	LEXINGTON	BTBGSCMA
SC	LEXINGTON	CLMASCPQ
SC	LEXINGTON	CLMASCS
SC	LEXINGTON	CLMASCSW
SC	LEXINGTON	WCLMSCMA
SC	MARION	MARNSCBN
SC	MARION	MARNSCMA
SC	MARION	MLNSSCWP
SC	OCONEE	SALMSCMA
SC	OCONEE	SENCSCMA
SC	OCONEE	TKNASCS
SC	OCONEE	WLHLSCE
SC	OCONEE	WMNSSCES
SC	ORANGEBURG	ORBGSCMA
SC	ORANGEBURG	SPFDSCMA
SC	PICKENS	CENTSCWS
SC	PICKENS	CLSNSCMA
SC	PICKENS	ESLYSCMA
SC	PICKENS	LBRTSCMA
SC	PICKENS	PCKNSCES
SC	PICKENS	SXMLSCMA
SC	RICHLAND	CLMASCAR
SC	RICHLAND	CLMASCBQ
SC	RICHLAND	CLMASCHH
SC	RICHLAND	CLMASCDF

Competitive/Non-Competitive-Grandfathered Counties (Cont'd)

<u>STATE</u>	<u>COUNTY NAME</u>	<u>WIRECENTER</u>
SC	RICHLAND	CLMASCPA
SC	RICHLAND	CLMASCSA
SC	RICHLAND	CLMASCSH
SC	RICHLAND	CLMASCSN
SC	RICHLAND	CLMASCSU
SC	RICHLAND	CLMASCTL
SC	RICHLAND	EOVRSCMA
SC	SPARTANBURG	CWPNSCMA
SC	SPARTANBURG	FNVLS CMA
SC	SPARTANBURG	GRERSCMA
SC	SPARTANBURG	LYMNSCES
SC	SPARTANBURG	LYMNSCIP
SC	SPARTANBURG	PCLTSCMA
SC	SPARTANBURG	SPBGSCBS
SC	SPARTANBURG	SPBGSCCV
SC	SPARTANBURG	SPBGSCHW
SC	SPARTANBURG	SPBGSCMA
SC	SPARTANBURG	SPBGSCWV
SC	UNION	JNVLS CMA
SC	UNION	UNINSCMA
SC	UNION	WHTMSCMA
SC	YORK	CLVRSCES
SC	YORK	HCGVSCMA
SC	YORK	LKWLSCRS
SC	YORK	SHRNSCMA
SC	YORK	YORKSCMA
TN	ANDERSON	CLTNTNMA
TN	ANDERSON	LKCYTNMA
TN	ANDERSON	NRRSTNMA
TN	ANDERSON	OKRGTNMT
TN	ANDERSON	OLSPTNMA
TN	BEDFORD	SHVLTNMA
TN	BEDFORD	WRTRTNMT
TN	BLOUNT	FIVLTNMA
TN	BLOUNT	GRNB TNMA
TN	BLOUNT	MAVLTNMA
TN	BLOUNT	TWNSTNMA
TN	BRADLEY	CLEVTNMA
TN	CARROLL	HNTGTNMA
TN	CARROLL	MCKNTNMA
TN	CATOOSA	CHTGTNRO
TN	CHEATHAM	ASCYTNMA
TN	CHEATHAM	PSVWTNMT
TN	CHESTER	HNSNTNMT
TN	COFFEE	MNCHTNMA
TN	COFFEE	TLLHTNMA
TN	CUMBERLAND	CSVL TN11
TN	DAVIDSON	GDVLTNMA

Competitive/Non-Competitive-Grandfathered Counties (Cont'd)

<u>STATE</u>	<u>COUNTY NAME</u>	<u>WIRECENTER</u>
TN	DAVIDSON	NSVLTN29
TN	DAVIDSON	NSVLTN48
TN	DAVIDSON	NSVLTNAA
TN	DAVIDSON	NSVLTNAP
TN	DAVIDSON	NSVLTNBH
TN	DAVIDSON	NSVLTNBV
TN	DAVIDSON	NSVLTNCD
TN	DAVIDSON	NSVLTNCH
TN	DAVIDSON	NSVLTNDO
TN	DAVIDSON	NSVLTNHH
TN	DAVIDSON	NSVLTNIN
TN	DAVIDSON	NSVLTNMC
TN	DAVIDSON	NSVLTNMT
TN	DAVIDSON	NSVLTNST
TN	DAVIDSON	NSVLTNUN
TN	DAVIDSON	NSVLTNWC
TN	DAVIDSON	NSVLTNWM
TN	DAVIDSON	NSVMTNVG
TN	DAVIDSON	OLHCTNMA
TN	DESOTO	MMPHTNSL
TN	DESOTO	MMPHTNWW
TN	DICKSON	CHRLTNMT
TN	DICKSON	DKSNTNMT
TN	DICKSON	VNLRTNMA
TN	DICKSON	WHBLTNMT
TN	GILES	LYVLTNMA
TN	GILES	PLSKTNMA
TN	HAMBLEN	MRTWTNMA
TN	HAMILTON	CHTGTNBR
TN	HAMILTON	CHTGTNDT
TN	HAMILTON	CHTGTNGZ
TN	HAMILTON	CHTGTNHT
TN	HAMILTON	CHTGTNKV
TN	HAMILTON	CHTGTNMA
TN	HAMILTON	CHTGTNMV
TN	HAMILTON	CHTGTNNS
TN	HAMILTON	CHTGTNRB
TN	HAMILTON	CHTGTNSM
TN	HAMILTON	SDDSTNMA
TN	HARDIN	SVNHTNMT
TN	HAWKINS	BLGPTNMA
TN	HAWKINS	RRVLTNMA
TN	HAWKINS	SRVLTNMA
TN	HENDERSON	LXTNTNMA
TN	HENRY	PARSTNMA
TN	JEFFERSON	DNRGTNMA
TN	JEFFERSON	JFCYTNMA
TN	JEFFERSON	WHPITNMA
TN	KNOX	KNVLTNBE

Competitive/Non-Competitive-Grandfathered Counties (Cont'd)

<u>STATE</u>	<u>COUNTY NAME</u>	<u>WIRECENTER</u>
TN	KNOX	KNVLTNBH
TN	KNOX	KNVLTNDA
TN	KNOX	KNVLTNFC
TN	KNOX	KNVLTNJH
TN	KNOX	KNVLTNMA
TN	KNOX	KNVLTNWH
TN	KNOX	KNVLTNYH
TN	KNOX	KNVMTNDA
TN	KNOX	MSCTTNMT
TN	LAWRENCE	LRBGTNMA
TN	LAWRENCE	SMTWTNMA
TN	LEWIS	HHNWTNMA
TN	LINCOLN	BLNCTNMT
TN	LINCOLN	FLVLTNMA
TN	LINCOLN	FYVLTNMA
TN	LINCOLN	PTBGTNMA
TN	LOUDON	LNCYTNMA
TN	LOUDON	LODNTNMA
TN	MADISON	JCSNTNMA
TN	MADISON	JCSNTNNS
TN	MARION	CHTGTNSE
TN	MARION	JSPRTNMT
TN	MARION	SPBGTNMA
TN	MARION	WHWLTNMA
TN	MAURY	CLMATNMA
TN	MAURY	CULKTNMA
TN	MAURY	HMPSTNMA
TN	MAURY	MNPLTNMA
TN	MAURY	SNTFTNMA
TN	MAURY	SPHLTNMT
TN	MAURY	WLPTTNMA
TN	MCNAIRY	BTSPTNMA
TN	MCNAIRY	SLMRTNMT
TN	MONROE	MDVITNMT
TN	MONROE	SWTWTNMT
TN	MONTGOMERY	CLVLTNMA
TN	MONTGOMERY	CNHMTNMA
TN	MONTGOMERY	FRDNTNMA
TN	MONTGOMERY	PLMYTNMA
TN	MONTGOMERY	SANGTNMT
TN	OBION	HRNBTNMT
TN	OBION	KNTNTNMA
TN	OBION	TROYTNMT
TN	OBION	UNCYTNMA
TN	POLK	BNTNTNMT
TN	POLK	CRHLTNCB
TN	RHEA	DYTNTNMA
TN	RHEA	SPCYTNMT
TN	ROBERTSON	ACHLTNMT

Competitive/Non-Competitive-Grandfathered Counties (Cont'd)

<u>STATE</u>	<u>COUNTY NAME</u>	<u>WIRECENTER</u>	
TN	ROBERTSON	CRPLTNMA	
TN	ROBERTSON	GNBRTNMA	
TN	ROBERTSON	SPFDTNMA	
TN	RUTHERFORD	EAVLTNMA	
TN	RUTHERFORD	MRBOTNMA	
TN	RUTHERFORD	SMYRTNMA	
TN	SEVIER	GTBGTNMT	
TN	SEVIER	SVVLTNMT	
TN	SHELBY	ARTNTNMT	
TN	SHELBY	CRVLTNAO	
TN	SHELBY	GTWSTNSW	
TN	SHELBY	MMPHTNBA	
TN	SHELBY	MMPHTNCK	
TN	SHELBY	MMPHTNCT	
TN	SHELBY	MMPHTNDU	
TN	SHELBY	MMPHTNEL	
TN	SHELBY	MMPHTNFR	
TN	SHELBY	MMPHTNGT	
TN	SHELBY	MMPHTNHP	
TN	SHELBY	MMPHTNMA	
TN	SHELBY	MMPHTNMT	
TN	SHELBY	MMPHTNOA	
TN	SHELBY	MMPHTNST	
TN	SMITH	CRTHTNMA	
TN	SUMNER	GALLTNMA	
TN	SUMNER	HDVLTNMA	
TN	SUMNER	PTLDTNMA	
TN	SUMNER	WHHSTNMA	
TN	TIPTON	CVTNTNMT	
TN	UNION	MYVLTNMA	
TN	WASHINGTON	JHCYTND	
TN	WEAKLEY	GLSNTNMA	
TN	WEAKLEY	GNFDTNMT	
TN	WHITE	DOYLTNXA	(N)
TN	WHITE	OLZITNXA	(N)
TN	WHITE	SPRLTNXA	(N)
TN	WHITE	SPRTTNXA	(N)
TN	WILLIAMSON	BRWDTNAT	
TN	WILLIAMSON	FKLNTNCC	
TN	WILLIAMSON	FKLNTNMA	
TN	WILLIAMSON	FRVWTNMT	
TN	WILLIAMSON	NSVLTNBW	
TN	WILLIAMSON	TRINTNMA	
TN	WILSON	LBNNTNMA	
TN	WILSON	WTTWTNMA	

ACCESS SERVICE

7 - Special Access (a.k.a. BellSouth SPA) Service

7.1 General

Special Access (a.k.a. BellSouth SPA) service provides a transmission path to connect customer designated premises⁽¹⁾ or a customer designated premises and a WATS serving office, either directly or through a Telephone Company Hub where bridging or channelization functions are performed. Special Access (a.k.a. BellSouth SPA) service includes all exchange access not utilizing Telephone Company end office switches.

The connections provided by Special Access (a.k.a. BellSouth SPA) service can be either analog or digital. Analog connections are differentiated by spectrum and bandwidth. Digital connections are differentiated by bit rate.

7.1.1 Channel Types

There are ten types of channels used to provide Special Access (a.k.a. BellSouth SPA) services. Each type has its own characteristics. All are subdivided by one or more of the following:

- Transmission specifications,
- Bandwidth,
- Speed (i.e., bit rate),
- Spectrum

Customers can order a basic channel and select, from a list of available transmission parameters and channel interfaces, those that they desire to meet specific communications requirements.

For purposes of ordering channels, each has been identified as a type of Special Access (a.k.a. BellSouth SPA) service. However, such identification is not intended to limit a customer's use of the channel nor to imply that the channel is limited to a particular use. For example, if a customer's equipment is capable of transmitting voice over a channel that is identified as a Metallic (a.k.a. BellSouth SPA Metallic) service in this guidebook, there is no restriction against doing so.

(1) Telephone Company Centrex Type Services switches and Telephone Company Answering Service Concentrators are considered to be customer premises for purposes of administering regulations and rates contained in this guidebook.

ACCESS SERVICE

7 - Special Access (a.k.a. BellSouth SPA) Service (Cont'd)

7.1 General (Cont'd)

7.1.1 Channel Types (Cont'd)

Following is a brief description of each type of channel:

- Metallic^{/1/} (a.k.a. BellSouth SPA Metallic) - a channel for the transmission of low speed varying signals at rates up to 30 baud.
- Telegraph Grade^{/1/} (a.k.a. BellSouth SPA Telegraph) - a channel for the transmission of binary signals at rates of 0 to 75 baud or 0 to 150 baud.
- Voice Grade^{/1/} (a.k.a. BellSouth SPA DSO VG) - a channel for the transmission of analog signals within an approximate bandwidth of 300-3000 Hz.
- WATS Access Line^{/1/} (WAL) (a.k.a. BellSouth SPA WATS Lines) - A channel from a customer designated premises to a WATS serving office for BellSouth SWA 8XX Toll Free Dialing Ten Digit Screening service, WATS (a.k.a. BellSouth SPA WATS), or similar services.

-

- Broadcast Quality Video^{/2/} (a.k.a. BellSouth SPA Broadcast Quality Video) - a channel for the transmission of a standard 525 line/60 field National Television Systems Committee (NTSC) - System M video signal and one or two associated 15 or 20 kHz audio signals. The video bandwidth is 4.2 MHz wide.

(D)

(D)

/1/ Effective November 20, 2019, this Service will no longer be available for purchase by new or existing customers, and service agreements may no longer be renewed. In addition, requests to move, add, or change existing service arrangements will not be accepted. Following the expiration of a customer's existing term agreement, service will be provided on a month-to-month basis at the applicable monthly extension rates until the service is discontinued. AT&T currently plans to discontinue this Service on or after June 30, 2024.

(D)

/2/ Effective December 31, 2020, this Service will no longer be available for purchase by new or existing customers, and service agreements may no longer be renewed. In addition, requests to move, add, or change existing service arrangements will not be accepted. Following the expiration of a customer's existing term agreement, service will be provided on a month-to-month basis at the applicable Month-to-Month rate until the service is discontinued. AT&T currently plans to discontinue this Service on or after December 31, 2021.

(D)

ACCESS SERVICE

7 - Special Access (a.k.a. BellSouth SPA) Service (Cont'd)

7.1 General (Cont'd)

7.1.1 Channel Types (Cont'd)

Following is a brief description of each type of channel: (Cont'd) /2/

- BellSouth SPA Modular Video Transport service^{/1/} is a dedicated fiber transport service that interconnects at least two customer designated end point locations. Multiple locations may be interconnected with transport links to form one-way video rings.
- Uncompressed Switched Video (a.k.a. BellSouth SPA Uncompressed Switched Video) service is a fiber optic transport of high quality video service for customers who desire a BellSouth transport network that is controlled by the end-user. Two 15 kHz audio signals are provided with this service. /2/

/1/ Effective August 25, 2011, BellSouth SPA Modular Video Transport Service is no longer available to new Customers. There is no change for existing customers. /2/

/2/ Material formerly appeared on Page 2.

ACCESS SERVICE

7 - Special Access (a.k.a. BellSouth SPA) Service (Cont'd)

7.1 General (Cont'd)

7.1.1 Channel Types (Cont'd)

Derived Data Channel⁽¹⁾ (a.k.a. BellSouth SPA Derived Data Channel) (N)
- a digital data channel derived from a two-wire local exchange facility that transmits voice and data signals simultaneously.

Digital Data⁽¹⁾ (a.k.a. BellSouth SPA DSO Digital Data) - a channel (N)
for the digital transmission of synchronous serial data at rates of 2.4, 4.8, 9.6, 19.2, 56 or 64 kbps.

High Capacity (a.k.a. BellSouth SPA High Capacity) - a channel for the transmission of isochronous serial digital data at rates of 1.544 Mbps (DS1), 3.152 Mbps (DS1C), 6.312 Mbps (DS2) or 44.736 Mbps (DS3).

Detailed descriptions of each of the channel types are provided in Section 7.2.

The customer also has the option of ordering digital high capacity (a.k.a. BellSouth SPA High Capacity) facilities i.e., Group, Supergroup, Mastergroup, DS1 (1.544 Mbps), DS1C (3.152 Mbps), DS2 (6.312 Mbps) and DS3 (44.736 Mbps) to a Telephone Company Hub for channelization to individual channels of a lower capacity or bandwidth.

Descriptions of the types of channelization available at the Hubs, as well as the number of individual channels which may be derived from each type of facility are set forth in Section 7.2. Additionally, the customer may specify optional features for the individual channels derived from the facility to further tailor the channel to meet specific communications requirements. Descriptions of the optional features and functions available are also set forth in Section 7.2.

For example, a customer may order LightGate service (a.k.a. BellSouth SPA Point to Point Network) with DS3 channel interfaces at a customer designated premises and terminate it at a Telephone Company Hub with DS1 (a.k.a. BellSouth SPA DS1) (1.544 Mbps) channel interfaces. These DS1 (a.k.a. BellSouth SPA DS1) channels may be further channelized to Voice Grade (a.k.a. BellSouth SPA DSO VG) (i.e., Group level) channels or may be extended to other customer designated premises or a different Hub. Optional features may be added to either the DS1 (a.k.a. BellSouth SPA DS1) or the Voice Grade (a.k.a. BellSouth SPA DSO VG) channels.

(1) Effective November 20, 2019, this Service will no longer be available for purchase by new or existing customers, and service agreements may no longer be renewed. In addition, requests to move, add or change existing service arrangements will not be accepted. Following the expiration of a customer's existing term agreement, service will be provided on a month-to-month basis at the applicable monthly extension rates until the service is discontinued. AT&T currently plans to discontinue this Service on or after June 30, 2024. (N)

ACCESS SERVICE

7 - Special Access (a.k.a. BellSouth SPA) Service

7.1 General (Cont'd)

7.1.2 Rate Categories

The following rate categories apply to Special Access (a.k.a. BellSouth SPA) Service:

- Local Channels (described in Section 7.1.2(A))
- Interoffice Channels (described in Section 7.1.2(B))
- Optional Features and Functions (described in Section 7.1.2(C))
- SMARTPath Area Connection (described in Section 7.1.2(D)(1))
- SMARTPath Area Junction (described in Section 7.1.2(D)(2))
- Fast Packet Access Services (as set forth in Part 11, Section 21 of this guidebook)

(A) Local Channel

In general, the Local Channel rate category provides for the communications path between a customer-designated premises and the serving wire center of that premises. Included as part of the Local Channel is a standard channel interface arrangement which defines the technical characteristics associated with the type of facilities to which the access service is to be connected at the Point of Termination (POT) and the type of signaling capability, if any. The signaling capability itself is provided as an optional feature as set forth in Section 7.1.2 (C). One Local Channel charge will apply per customer-designated premises at which the channel is terminated. This charge will also apply where the customer designated premises and the serving Wire Center are collocated in a Telephone Company building. This charge will also apply where both customer-designated premises are in the same building, or where the service is provided without physically traversing the serving wire center. The charge also applies where the designated premises is served from a wire center other than the one from which the customer would normally obtain dial tone, i.e., an alternate serving wire center, as described in Section 7.2.9(A).

ACCESS SERVICE

7 - Special Access (a.k.a. BellSouth SPA) Service (Cont'd)

7.1 General (Cont'd)

7.1.2 Rate Categories (Cont'd)

(B) Interoffice Channel

The Interoffice Channel rate category provides for the transmission facilities between the serving wire centers associated with two customer-designated premises, between a serving wire center associated with a customer-designated premises and a Telephone Company Hub or between two Telephone Company Hubs. A serving wire center associated with a customer-designated premises may be either the wire center from which the customer would normally obtain dial tone or an alternate serving wire center as described in 7.2.9(A) following. An Interoffice Channel is portrayed in mileage bands except for Voice Grade (a.k.a. BellSouth SPA DSO VG), Digital Data Access (a.k.a. BellSouth SPA DSO Digital Data) service (DDAS), DS1 High Capacity (a.k.a. BellSouth SPA DS1) service and Derived Data Channel (a.k.a. BellSouth SPA Derived Data Channel) service (DDCS). There are two rates that apply for each band, i.e., a flat rate per band and a rate per mile.

For the Voice Grade (a.k.a. BellSouth SPA DSO VG), DDAS (a.k.a. BellSouth SPA DSO Digital Data), DS1 High Capacity (a.k.a. BellSouth SPA DS1) service and DDCS Channel (a.k.a. BellSouth SPA Derived Data Channel) Interoffice rate elements a "fixed" and "per mile" rate apply as set forth in Section 23. Interoffice Channel rates are applicable to all Voice Grade (a.k.a. BellSouth SPA DSO VG), DDAS (a.k.a. BellSouth SPA DSO Digital Data), DS1 High Capacity (a.k.a. BellSouth SPA DS1) service and DDCS channels (a.k.a. BellSouth SPA Derived Data Channel) with mileage greater than zero.

ACCESS SERVICE

7 - Special Access (a.k.a. BellSouth SPA) Service (Cont'd)

7.1 General (Cont'd)

7.1.2 Rate Categories (Cont'd)

(C) Optional Features and Functions

The Optional Features and Functions rate category provides for optional features and functions, which may be added to a Special Access (a.k.a. BellSouth SPA) service to improve its quality or utility to meet specific communications requirements. These are not necessarily identifiable with specific equipment, but rather represent the end result in terms of performance characteristics which may be obtained. These characteristics may be obtained by using various combinations of equipment.

Although the equipment necessary to perform a specified function may be installed at various locations along the path of the service, they will be charged for as a single rate element.

Examples of Optional Features and Functions that are available include, but are not limited to, the following:

- Signaling Capability
- Hubbing Functions
- Conditioning
- Transfer Arrangements
- BellSouth SPA Customer Network Management (CNM) - FlexServ Service

ACCESS SERVICE

7 - Special Access (a.k.a. BellSouth SPA) Service (Cont'd)

7.1 General (Cont'd)

7.1.2 Rate Categories (Cont'd)

(C) Optional Features and Functions (Cont'd)

A Hub is a Telephone Company designated serving wire center at which bridging, or channelization functions are performed. The bridging functions performed are to connect three or more customer-designated remises in a multipoint arrangement. The channelization functions are to channelize analog or digital facilities to individual services requiring a lower capacity or bandwidth. NATIONAL EXCHANGE CARRIER ASSOCIATION, INC. TARIFF F.C.C. NO. 4 identifies serving wire centers, Hub locations and the type of bridging or multiplexing functions available.

Descriptions for each of the available Optional Features and Functions are set forth in 7.2 following. Some of the Optional Features and Functions are ONA BSE capabilities. The following chart provides the ONA BSE generic name where the name used by BellSouth differs from the name used in the ONA Services User Guide.

<u>BellSouth BSE Name</u>	<u>ONA Services User Guide BSE Name</u>
Conditioning	Private Line Conditioning
BellSouth Customer Network Management Service	Network Configuration

ACCESS SERVICE

7 - Special Access (a.k.a. BellSouth SPA) Service (Cont'd)

7.1 General (Cont'd)

7.1.2 Rate Categories (Cont'd)

(D) SMARTPath Service (a.k.a. BellSouth SPA DS1 Shared Ring)/SMARTPath DS3 Transport Service (a.k.a. BellSouth SPA DS3 Shared Ring)

- (1) The SMARTPath Area Connection for SMARTPath service (a.k.a. BellSouth SPA DS1 Shared Ring) and SMARTPath DS3 Transport service (a.k.a. BellSouth SPA DS3 Shared Ring) provides for the connection at the designated premises where the customer gains access to SMARTPath service (a.k.a. BellSouth SPA DS1 Shared Ring) and transport to a designated junction in the same SMARTPath service area.
- (2) The SMARTPath Area Junction for SMARTPath service (a.k.a. BellSouth SPA DS1 Shared Ring), provides for the connection between the SMARTPath service (a.k.a. BellSouth SPA DS1 Shared Ring) network and (1) another customer-designated premises, in the same SMARTPath service (a.k.a. BellSouth SPA DS1 Shared Ring) area or (2) a serving wire center in the same SMARTPath service (a.k.a. BellSouth SPA DS1 Shared Ring) area for connection to (a) DS1 Basic Channelization, BellSouth SPA CNM - FlexServ Service, LightGate service (a.k.a. BellSouth SPA Point to Point Network) or BellSouth Virtual Expanded Interconnection services under Section 20 of BellSouth Telecommunications Tariff F.C.C. No. 1, or (b) a SMARTPath Area Junction of another SMARTPath service (a.k.a. BellSouth SPA DS1 Shared Ring) area in the same metropolitan area.

The SMARTPath DS3 Area Junction, for SMARTPath DS3 (a.k.a. BellSouth SPA DS3 Shared Ring) provides for the connection between the SMARTPath service (a.k.a. BellSouth SPA DS1 Shared Ring) network and (1) another customer designated premises, in the same SMARTPath (a.k.a. BellSouth SPA DS1 Shared Ring) area or (2) a serving wire center in the same SMARTPath Area for connection (a) to DS1 (a.k.a. BellSouth SPA DS1) service through a SMARTPath DS3 Transport service (a.k.a. BellSouth SPA DS3 Shared Ring) 28 DS1 Channel System, or to BellSouth SPA CNM - FlexServ Service as provided in Section 7 of this guidebook, or to expanded interconnection services under Section 20 of BellSouth Telecommunications Tariff F.C.C. No. 1, or (b) to a SMARTPath DS3 Area Junction or another SMARTPath area in the same metropolitan area.

ACCESS SERVICE

7 - Special Access (a.k.a. BellSouth SPA) Service (Cont'd)

7.1 General (Cont'd)

7.1.2 Rate Categories (Cont'd)

(E) Reserved for Future Use

(F) BellSouth Expanded Interconnection Service Cross Connects

Terms and conditions and rates for BellSouth Expanded Interconnection Service Cross Connects are as set forth in Section 20 of BellSouth Telecommunications Tariff F.C.C. No. 1.

7.1.3 Service Configurations

There are four types of service configurations over which Special Access (a.k.a. BellSouth SPA) services are provided: link service, two-point service and multipoint service.

A change from one Special Access (a.k.a. BellSouth SPA) Service configuration to another will be treated as a discontinuance of existing service and an installation of a new service as set forth in Part 3, Section 5, paragraph 5.7(C), except for BellSouth SPA CNM - FlexServ Service reconfigurations service or link service configurations.

(A) Link Service

A link is a service configuration provided as a DS3 or DS1 channel of a LightGate service (a.k.a. BellSouth SPA Point to Point Network) local channel and/or interoffice channel. DS3 or DS1 channels provided in a LightGate service (a.k.a. BellSouth SPA Point to Point Network) interoffice channel must either be combined with corresponding DS3 or DS1 channels in a LightGate service (a.k.a. BellSouth SPA Point to Point Network) local channel system to form a single link, or they may be provided on a stand-alone link basis with BellSouth SPA CNM - FlexServ Service, or hubbing applications at Voice Grade channel (a.k.a. BellSouth SPA DS VG) service levels when not directly connected with LightGate service (a.k.a. BellSouth SPA Point to Point Network) local channels.

Individual links may be installed, maintained in service and subsequently disconnected without affecting other links connected to them. Disconnection of a link, which forms a part of a two-point service configuration, necessitates the disconnection of the non-link service elements in the two-point configuration also.

Applicable rate elements are:

- One LightGate service (a.k.a. BellSouth Point to Point Network) Local Channel and/or LightGate service (a.k.a. BellSouth Point to Point Network) Interoffice Channel
- Optional Features and Functions (when applicable)

ACCESS SERVICE

7 - Special Access (a.k.a. BellSouth SPA) Service (Cont'd)

7.1 General (Cont'd)

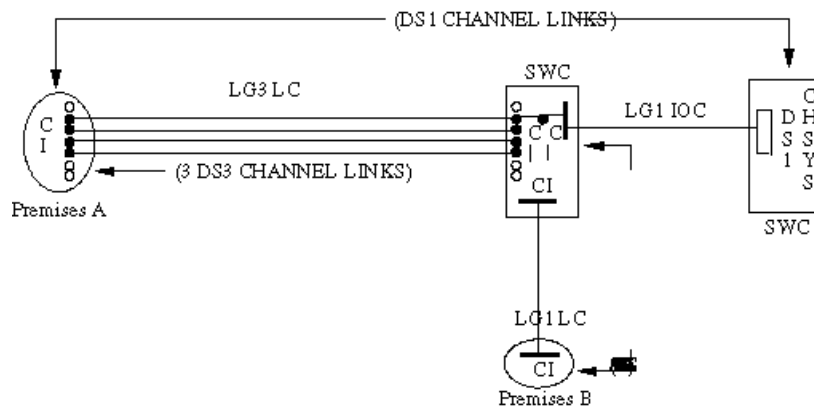
7.1.3 Service Configurations (Cont'd)

(A) Link Service (Cont'd)

(1) Asynchronous Transport

In addition, a Special Access (a.k.a. BellSouth SPA) Surcharge as set forth in 7.4.2 following and a Message Station Equipment Recovery Charge as set forth in 7.4.3 following may be applicable.

The following diagram depicts Link service connecting customer premises "A" with several locations.



Applicable rate elements to this diagram are:

- Local Channels [LC] (LG1, 3)
- Interoffice Channels (as applicable)
- DS1 Channel System
- Channel Interfaces [CI] (DS1s, DS3s)

ACCESS SERVICE

7 - Special Access (a.k.a. BellSouth SPA) Service (Cont'd)

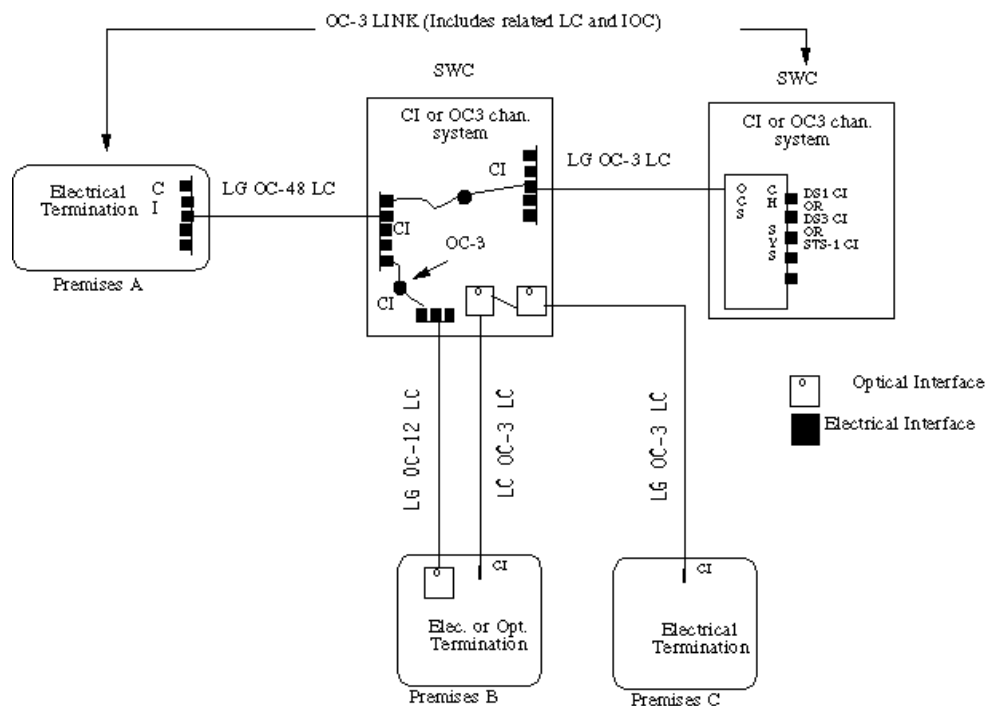
7.1 General (Cont'd)

7.1.3 Service Configurations (Cont'd)

(A) Link Service (Cont'd)

(2) Synchronous Transport

The following diagram depicts Link service(s) connecting customer premises "A" with several locations.



Rate elements applicable to this diagram are:

- Local Channels [LC] (OC-3 with opt. SWC termination, OC-12 opt. cust. termination, OC-48 electrical)
- Interoffice Channels [IOC] (OC-3)
- Electrical Channel Interface [CI] (OC-3)
- OC-3 Channel System [CS] (OC-3)
- Electrical Channel Interface [CI] (DS1)
- Electrical Channel Interface [CI] (DS3)
- Electrical Channel Interface [CI] (STS-1)

ACCESS SERVICE

7 - Special Access (a.k.a. BellSouth SPA) Service (Cont'd)

7.1 General (Cont'd)

7.1.3 Service Configurations (Cont'd)

(B) Two-Point Service

A two-point service connects two customer designated premises, either on a directly connected basis, through a Hub where multiplexing functions are performed, or through BellSouth SPA CNM - FlexServ Service or an optional feature for BellSouth SPA CNM - FlexServ Service.

Applicable rate elements are:

- Local Channels (two applicable, except WATS (a.k.a. BellSouth SPA WATS) where only one is applicable)
- Interoffice Channels (as applicable)
- Optional Features and Functions (when applicable)

ACCESS SERVICE

7 - Special Access (a.k.a. BellSouth SPA) Service (Cont'd)

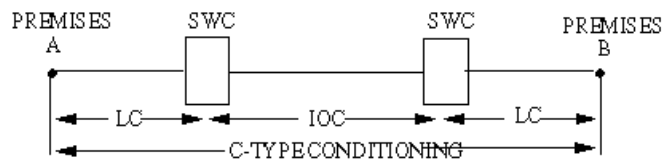
7.1 General (Cont'd)

7.1.3 Service Configurations (Cont'd)

(B) Two-Point Service (Cont'd)

In addition, a Special Access (a.k.a. BellSouth SPA) Surcharge as set forth in 7.4.2 following and a Message Station Equipment Recovery Charge as set forth in 7.4.3 following may be applicable.

The following diagram depicts a two-point Voice Grade (a.k.a. BellSouth SPA DSO VG) service connecting two customer designated premises located 15 miles apart. The service is provided with C-Type Conditioning.



LC - Local Channel⁽¹⁾
IOC - Interoffice Channel⁽²⁾
SWC - Serving Wire Center

Applicable rate elements are:

- Local Channels⁽¹⁾
- Interoffice Channels⁽²⁾ (mileage band over 8 to 25 miles)
- C-Type Conditioning Optional Feature

(1) Two Local Channels are applicable except with WATS Access Line (a.k.a. BellSouth SPA WATS Line) service. WAL (a.k.a. BellSouth SPA WATS Line) service requires only one Local Channel for the (end users) customer designated premises and none for the BellSouth SWA WATS serving office.

(2) Interoffice Channels (IOC) are applicable to a WATS Access Line (a.k.a. BellSouth SPA WATS Line) Extension when the BellSouth SWA WATS serving office and the customer's Serving Wire Center (SWC) are not colocated.

ACCESS SERVICE

7 - Special Access (a.k.a. BellSouth SPA) Service (Cont'd)

7.1 General (Cont'd)

7.1.3 Service Configurations (Cont'd)

(C) Multipoint Service

Multipoint service connects three or more customer designated premises through a BellSouth Hub. There is no limitation on the number of mid-links available with multipoint service. However, when more than three mid-links are provided in tandem, the quality of the service may be degraded. A mid-link is a channel between Hubs (i.e., bridging locations). Only certain types of Special Access (a.k.a. BellSouth SPA) service are provided as multipoint service. These are so designated in the Service Descriptions set forth in 7.2 following.

Multipoint service utilizing a customized technical specifications package as set forth in 7.2 following will be provided when technically possible. If BellSouth determines that the requested characteristics for a multipoint service are not compatible, the customer will be advised and given the opportunity to change the order.

When ordering, the customer will specify the desired bridging Hub(s) selected from the NATIONAL EXCHANGE CARRIER ASSOCIATION INC. TARIFF F.C.C. No. 4. This tariff identifies the type(s) of bridging functions which are available and the serving wire centers at which they are available.

Applicable Rate Elements are:

- Local Channels (one per customer designated premises)
- Interoffice Channels (as applicable between serving wire centers associated with two customer designated premises, between a serving wire center and a Hub, or between Hubs)
- Bridging
- Additional Optional Features (when applicable)

In addition, a Special Access (a.k.a. BellSouth SPA) Surcharge as set forth in 7.4.2 following and a Message Station Equipment Recovery Charge as set forth in 7.4.3 following may be applicable.

ACCESS SERVICE

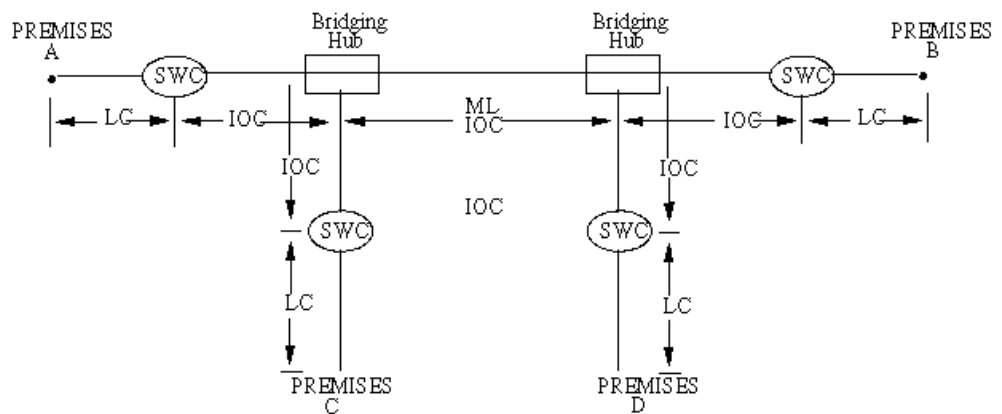
7 - Special Access (a.k.a. BellSouth SPA) Service (Cont'd)

7.1 General (Cont'd)

7.1.3 Service Configurations (Cont'd)

(C) Multipoint Service (Cont'd)

Example: Voice Grade (a.k.a. BellSouth SPA DSO VG) multipoint service connecting four customer premises via two customer specified bridging Hubs.



LC = Local Channel
 IC = Interoffice Channel
 B = Bridging
 SWC = Serving Wire Center
 ML = Mid-Link

Applicable rate elements are:

- Local Channels (4 applicable)
- Interoffice Channels (5 sections, each from appropriate mileage band)
- Bridging Optional Feature (6 applicable, i.e., each bridge port)

ACCESS SERVICE

7 - Special Access (a.k.a. BellSouth SPA) Service (Cont'd)

7.1 General (Cont'd)

7.1.3 Service Configurations (Cont'd)

(D) BellSouth Cross Connect Service

Terms and conditions and rates for the following BellSouth Cross Connect Services are as set forth in Section 13 of BellSouth Telecommunications Tariff F.C.C. No. 1:

- Intra-Office Collocation Cross Connect Service
- Physical Access Cross Connect Service
- Virtual Access Cross Connect Service

ACCESS SERVICE

7 - Special Access (a.k.a. BellSouth SPA) Service (Cont'd)

7.1 General (Cont'd)

7.1.4 Alternate Use

Alternate Use occurs when a service is arranged by the Telephone Company so that the customer can select different types of transmission at different times. A customer may use a service in any privately beneficial manner. However, where technical or engineering changes are required to effectuate an alternate use, the Telephone Company will make such special arrangements available on an individual case basis.

The arrangement required to transfer the service from one operation to the other (i.e., the transfer relay and control leads) will be rated and provided on an individual case basis. The customer will pay the stated guidebook rates for the Access Service rate elements for the service ordered (i.e., Local Channels, Interoffice Channels [as applicable] and Optional Features [if any]).

7.1.5 Special Facilities Routing

A customer may request that the facilities used to provide Special Access Service (a.k.a. BellSouth SPA) be specially routed. The regulations, rates and charges for Special Facilities Routing (i.e., Avoidance, Diversity and Cable-Only) are set forth in Part 3, Section 11. (C)
(C)

7.1.6 Design Layout Report

At the request of the customer, the Telephone Company will provide to the customer the make-up of the facilities and services provided under this guidebook as Special Access Service (a.k.a. BellSouth SPA) to aid the customer in designing its overall service. This information will be provided in the form of a Design Layout Report. The Design Layout Report will be provided to the customer at no charge and will be reissued or updated whenever these facilities are materially changed.

ACCESS SERVICE

7 - Special Access (a.k.a. BellSouth SPA) Service (Cont'd)

7.1 General (Cont'd)

7.1.7 Acceptance Testing

At no additional charge, the Telephone Company will, at the customer's request, cooperatively test, at the time of installation, the following parameters:

- (A) For Voice Grade^{/2/} (a.k.a. BellSouth SPA DSO VG) analog services, acceptance tests will include tests for loss, 3-tone slope, DC continuity, operational signaling, C-notched noise and C-message noise when these parameters are applicable and specified in the order for service. Additionally, for Voice Grade services, a balance (improved loss) test will be made if the customer has ordered the Improved Return Loss optional feature.
- (B) For other analog services (i.e., Metallic^{/2/} (a.k.a. BellSouth SPA Metallic), Telegraph^{/2/} (a.k.a. BellSouth SPA Telegraph), Broadcast Quality Video^{/3/} (a.k.a. BellSouth SPA Broadcast Quality Video), WATS Access Line^{/2/} (a.k.a. BellSouth SPA WATS Line) and for digital services (i.e., Digital Data Access^{/2/} service (a.k.a. BellSouth SPA DSO Digital Data), Uncompressed Switched Video (a.k.a. BellSouth SPA Uncompressed Switched Video) service, BellSouth SPA Modular Video Transport Service^{/1/} and High Capacity (a.k.a. BellSouth SPA High Capacity), acceptance tests will include tests for the parameters applicable to the service as specified in the order for service. (D)

- /1/ Effective August 25, 2011, BellSouth SPA Modular Video Transport Service is no longer available to new Customers. There is no change for existing customers.
- /2/ Effective November 20, 2019, this Service will no longer be available for purchase by new or existing customers, and service agreements may no longer be renewed. In addition, requests to move, add, or change existing service arrangements will not be accepted. Following the expiration of a customer's existing term agreement, service will be provided on a month-to-month basis at the applicable monthly extension rates until the service is discontinued. AT&T currently plans to discontinue this Service on or after June 30, 2024. (D)
- /3/ Effective December 31, 2020, this Service will no longer be available for purchase by new or existing customers, and service agreements may no longer be renewed. In addition, requests to move, add, or change existing service arrangements will not be accepted. Following the expiration of a customer's existing term agreement, service will be provided on a month-to-month basis at the applicable Month-to-Month rate until the service is discontinued. AT&T currently plans to discontinue this Service on or after December 31, 2021. (D)

ACCESS SERVICE

7 - Special Access (a.k.a. BellSouth SPA) Service (Cont'd)

7.1 General (Cont'd)

7.1.7 Acceptance Testing (Cont'd)

/1/

In addition to the above tests, Additional Cooperative Acceptance Testing for Voice Grade service to test other parameters, as described in Part 4, Section 13, paragraph 13.3, is available at the customer's request. All tests results will be made available to the customer upon request.

7.1.8 Ordering Options and Conditions

The customer places an access order with the Telephone Company for the provision of Special Access (a.k.a. BellSouth SPA) service.

The options and conditions for access orders are set forth in detail in Part 3, Section 5 and Section 5 of BellSouth Telecommunications Tariff F.C.C. No. 1. Also included in Section 5 of this guidebook are other charges that may be associated with ordering Special Access service (e.g., Service Date Change Charges, Cancellation Charges, etc.).

/1/

/1/ Material formerly appeared on Page 18.

ACCESS SERVICE

7 - Special Access (a.k.a. BellSouth SPA) Service (Cont'd)

7.2 Service Descriptions

For the purposes of ordering, there are nine categories of Special Access Service. These are:

- Metallic⁽¹⁾ (a.k.a. BellSouth SPA Metallic) (MT)
- Telegraph⁽¹⁾ Grade (a.k.a. BellSouth SPA Telegraph) (TG)
- Voice Grade⁽¹⁾ (a.k.a. BellSouth SPA DSO VG) (VG)
-
- Video (a.k.a. BellSouth SPA Video) (TV)
- Digital Data Access⁽¹⁾ (a.k.a. BellSouth SPA DSO Digital Data) Service (DDAS)
- High Capacity (a.k.a. BellSouth SPA High Capacity) (HC)
- WATS Access Line⁽¹⁾ (a.k.a. BellSouth SPA WATS Line) (WAL)
- Derived Data Channel⁽¹⁾ (a.k.a. BellSouth SPA Derived Data Channel) Service (DDCS)

(D)

Each service consists of a basic channel to which a technical specifications package (predefined), channel interface(s) and, when desired, optional features and functions are added to construct the service desired by the customer. Each of the components of the service are described in this section.

The channel description specifies the characteristics of the basic channel and indicates whether the channel is provided between customer designated premises or between a customer designated premises and a Telephone Company Hub where bridging and/or channelization functions are performed.

Information pertaining to the technical specifications packages indicates the transmission parameters that are available with each package. This information is displayed in a matrix with the transmission parameters listed down the left side and the packages listed across the top. Each package is identified by a code, e.g., VG1. The first two letters of the code indicate the category of Special Access Service to which the parameters are applicable. The number "1" following the two-letter code indicates the technical specifications package for a Voice Grade (a.k.a. BellSouth SPA DSO VG) service. The numeric designation following the two letter code indicates the specific predefined package. When appropriate, the Technical Reference which contains detailed specifications for the parameters is shown following the matrix.

(1) Effective November 20, 2019, this Service will no longer be available for purchase by new or existing customers, and service agreements may no longer be renewed. In addition, requests to move, add or change existing service arrangements will not be accepted. Following the expiration of a customer's existing term agreement, service will be provided on a month-to-month basis at the applicable monthly extension rates until the service is discontinued. AT&T currently plans to discontinue this Service on or after June 30, 2024.

(D)

(D)

ACCESS SERVICE

7 - Special Access (a.k.a. BellSouth SPA) Service (Cont'd)

7.2 Service Descriptions (Cont'd)

Channel interfaces at each point of termination on a two-point service may be symmetrical or asymmetrical. On a multipoint service they may also be symmetrical or asymmetrical. However, communications can only be provided between points of termination with compatible channel interfaces. Only certain channel interfaces are compatible. Technical references are set forth in Section 7.3.5.

Only certain channel interface combinations are available with the predefined technical specifications packages. These are delineated in the Technical References set forth at the end of this Section 7.2. When a customized channel is requested, all channel interface combinations available with the specified type of service are available with the customized channel.

The optional features and functions available with each type of Special Access (a.k.a. BellSouth SPA) service are described in this section. The optional features and functions information also indicates with which technical specifications packages they are available. Such information is displayed in a matrix with the optional feature or function listed down the left side and the technical specifications package listed across the top.

The Telephone Company will maintain existing transmission specifications on services installed prior to the effective date of this guidebook except that existing services with performance specifications exceeding the standard listed in this provision will be maintained at the performance levels specified in this guidebook.

ACCESS SERVICE

7 - Special Access (a.k.a. BellSouth SPA) Service (Cont'd)

7.2 Service Descriptions (Cont'd)

All services installed after the effective date of this guidebook will conform to the transmission specification standards contained in this guidebook or in the following Technical References for each category of service:

Metallic ⁽¹⁾ (a.k.a. BellSouth SPA Metallic)	TR-NPL-000336	
Telegraph Grade ⁽¹⁾ (a.k.a. BellSouth SPA Telegraph)	TR-NPL-000336	
Voice Grade ⁽¹⁾ (a.k.a. BellSouth SPA DSO VG)	TR-NWT-000335	
	MDP 326-584	
Video (a.k.a. BellSouth SPA Video)	TR-73583 (BellSouth)	(D)
	TR-73606 (BellSouth)	
	TR-73607 (BellSouth)	
	TR-73608 (BellSouth)	
	TR-73609 (BellSouth)	
	TR-73611 (BellSouth)	
Digital Data Access ⁽¹⁾ (a.k.a. BellSouth SPA DSO Digital Data) Service	TR-NWT-000341	
For 2.4, 4.8, 9.6 & 56 kbps ⁽¹⁾	ANSI T1.107b-1	
For 19.2 kbps ⁽¹⁾	ANSI T1.197b-1991	
For 64 kbps ⁽¹⁾	ANSI T1.107b-1991	
High Capacity	TR-NPL-000054	
WATS Access Line ⁽¹⁾ (a.k.a. BellSouth SPA WATS Line)	TR-INS-000342	
Derived Data Channel ⁽¹⁾ (a.k.a. BellSouth SPA Derived Data Channel) Service	TR-NWT-000334	
	TR-73548	
	TR-73548, Addendum 1	
SMARTPath Service (a.k.a. BellSouth SPA DS1 Shared Ring)	TR-73575	
SMARTPath DS3 Transport (a.k.a. BellSouth SPA DS3 Shared Ring) Service	TR-73575, Addendum 1	

(1) Effective November 20, 2019, this Service will no longer be available for purchase by new or existing customers, and service agreements may no longer be renewed. In addition, requests to move, add or change existing service arrangements will not be accepted. Following the expiration of a customer's existing term agreement, service will be provided on a month-to-month basis at the applicable monthly extension rates until the service is discontinued. AT&T currently plans to discontinue this Service on or after June 30, 2024.

(D)
|
(D)

ACCESS SERVICE

7 - Special Access (a.k.a. BellSouth SPA) Service (Cont'd)

7.2 Service Descriptions (Cont'd)

7.2.1 Metallic⁽²⁾ (a.k.a. BellSouth SPA Metallic) Service⁽¹⁾ (N)

(A) Basic Channel Description

A Metallic (a.k.a. BellSouth SPA Metallic) channel is an unconditioned two-wire channel capable of transmitting low speed varying signals at rates up to 30 baud. This channel is provided by metallic or equivalent facilities. Metallic channels are provided between customer designated premises or between a customer designated premises and a Telephone Company Hub where bridging functions are performed. Interoffice metallic facilities will be limited in length to a total of five miles per channel.

(B) Technical Specifications Packages

<u>Parameter</u>	<u>Package MT-</u>		
	<u>1</u>	<u>2</u>	<u>3</u>
DC Resistance Between Conductors	X	X	
Loop Resistance			X
Shunt Capacitance			X

The technical specifications are delineated in Technical Reference TR-NPL-000336.

(C) Channel Interface

Compatible channel interfaces are set forth in Technical Reference TR-NPL-000336.

(D) Optional Features and Functions

(1) Central Office Bridging Capability

- (a) Three Premises Bridging - Provision of tip-to-tip and ring-to-ring connection in a central office of a metallic pair to a third customer designated premises.
- (b) Series Bridging of up to 26 customer designated premises.

(1) Effective September 20, 2017, Metallic Service has limited availability; see Part 4, Section 2, paragraph 2.2.

(2) Effective November 20, 2019, this Service will no longer be available for purchase by new or existing customers, and service agreements may no longer be renewed. In addition, requests to move, add or change existing service arrangements will not be accepted. Following the expiration of a customer's existing term agreement, service will be provided on a month-to-month basis at the applicable monthly extension rates until the service is discontinued. AT&T currently plans to discontinue this Service on or after June 30, 2024. (N)

ACCESS SERVICE

7 - Special Access (a.k.a. BellSouth SPA) Service (Cont'd)

7.2 Service Descriptions (Cont'd)

7.2.1 Metallic⁽²⁾ (a.k.a. BellSouth SPA Metallic) Service⁽¹⁾ (Cont'd) (N)

(D) Optional Features and Functions (Cont'd)

The following table shows the technical specifications packages with which the optional features and functions are available.

Parameter	Available with Technical Specifications Package MT -		
	1	2	3
Three Premises Bridging	X		X
Series Bridging		X	

(1) Effective September 20, 2017, Metallic Service has limited availability; see Part 4, Section 2, paragraph 2.2.

(2) Effective November 20, 2019, this Service will no longer be available for purchase by new or existing customers, and service agreements may no longer be renewed. In addition, requests to move, add or change existing service arrangements will not be accepted. Following the expiration of a customer's existing term agreement, service will be provided on a month-to-month basis at the applicable monthly extension rates until the service is discontinued. AT&T currently plans to discontinue this Service on or after June 30, 2024. (N)

ACCESS SERVICE

7 - Special Access (a.k.a. BellSouth SPA) Service (Cont'd)

7.2 Service Descriptions (Cont'd)

7.2.2 Telegraph Grade⁽²⁾ (a.k.a. BellSouth SPA Telegraph) Service⁽¹⁾ (N)

(A) Basic Channel Description

A Telegraph (a.k.a. BellSouth SPA Telegraph) Grade channel is an unconditioned channel capable of transmitting binary signals at rates of 0-75 baud or 0-150 baud. This channel is furnished for half-duplex or duplex operation. Telegraph (a.k.a. BellSouth SPA Telegraph) Grade channels are provided between customer designated premises or between a customer designated premises and a Telephone Company Hub.

(B) Technical Specifications Packages

<u>Parameter</u>	<u>Package TG -</u>	
	<u>1</u>	<u>2</u>
Telegraph Distortion	X	X

The technical specifications are delineated in Technical Reference TR-NPL-000336.

(C) Channel Interfaces

Compatible channel interfaces are set forth in Technical Reference TR-NPL-000336.

(D) Optional Features and Functions

(1) Telegraph Bridging (two-wire and four-wire)

The following table shows the technical specifications packages with which the optional features and functions are available.

<u>Parameter</u>	<u>Available with Technical Specifications Package TG-</u>	
	<u>1</u>	<u>2</u>
Telegraph Bridging	X	X

(1) Effective September 20, 2017, Telegraph Grade Service has limited availability; see Part 4, Section 2, paragraph 2.2.

(2) Effective November 20, 2019, this Service will no longer be available for purchase by new or existing customers, and service agreements may no longer be renewed. In addition, requests to move, add or change existing service arrangements will not be accepted. Following the expiration of a customer's existing term agreement, service will be provided on a month-to-month basis at the applicable monthly extension rates until the service is discontinued. AT&T currently plans to discontinue this Service on or after June 30, 2024. (N)

ACCESS SERVICE

7 - Special Access (a.k.a. BellSouth SPA) Service (Cont'd)

7.2 Service Descriptions (Cont'd)

7.2.3 Voice Grade⁽³⁾ (a.k.a. BellSouth SPA DSO VG) Service^{(1) (2)} (N)

(A) Basic Channel Description

A Voice Grade (a.k.a. BellSouth SPA DSO VG) channel is a channel which provides voice frequency transmission capability in the nominal frequency range of 300 to 3000 Hz and may be terminated two-wire or four-wire. Voice Grade (a.k.a. BellSouth SPA DSO VG) channels are provided between customer designated premises or between a customer designated premises and a Telephone Company Hub.

(B) Technical Specifications Packages

Parameter	Package VG -											
	1	2	3	4	5	6	7	8	9	10	11	12
Attenuation												
Distortion	X	X	X	X	X	X	X	X	X	X	X	X
C-Message Noise	X	X	X	X	X	X	X	X	X	X	X	X
Echo Control	X	X	X		X		X	X			X	X
Envelope Delay												
Distortion						X	X	X	X	X	X	X
Frequency Shift						X	X	X	X	X	X	X
Impulse Noise					X	X	X	X	X	X	X	X
Intermodulation												
Distortion						X	X	X	X	X	X	
Loss Deviation	X	X	X	X	X	X	X	X	X	X	X	X
Phase Jitter						X	X	X	X	X	X	
Signal-to-C												
Message Noise					X							
Signal-to-C												
Notch Noise					X	X	X	X	X	X	X	X

The technical specifications for these parameters (except for dropouts, gain hits and phase hits) are delineated in Technical Reference TR-NWT-000335. The technical specifications for dropouts, phase hits and gain hits are delineated in Technical Reference MDP 326-584.

- (1) Effective November 5, 2016, Voice Grade (a.k.a. BellSouth SPA DSO VG) service in the Carbon Hill, Alabama and Kings Point, Florida Telephone Company wire centers is no longer available.
- (2) Effective September 20, 2017, Voice Grade Service has limited availability; see Part 4, Section 2, paragraph 2.2.
- (3) Effective November 20, 2019, this Service will no longer be available for purchase by new or existing customers, and service agreements may no longer be renewed. In addition, requests to move, add or change existing service arrangements will not be accepted. Following the expiration of a customer's existing term agreement, service will be provided on a month-to-month basis at the applicable monthly extension rates until the service is discontinued. AT&T currently plans to discontinue this Service on or after June 30, 2024. (N)

ACCESS SERVICE

7 - Special Access (a.k.a. BellSouth SPA) Service (Cont'd)

7.2 Service Descriptions (Cont'd)

7.2.3 Voice Grade⁽⁵⁾ (a.k.a. BellSouth SPA DSO VG) Service⁽¹⁾ (Cont'd) (N)

(C) Channel Interfaces

The following channel interfaces for Voice Grade (a.k.a. BellSouth SPA DSO VG) service do not require signaling capability: AH, DA, DB, DS, NO, PR and TF.

The following channel interfaces for Voice Grade (a.k.a. BellSouth SPA DSO VG) service require signaling capability: AB, AC, CT, DX, EA, EB, EC, EX, GO, GS, LA, LB, LC, LO, LR, LS, RV and SF.

Compatible channel interfaces are set forth in Technical Reference TR-NWT-000335 and MDP 326-584.

(D) Optional Features and Functions

(1) Central Office Bridging Capability

- (a) Voice Bridging⁽²⁾ (two-wire and four-wire)
- (b) Data Bridging⁽³⁾ (two-wire and four-wire)
- (c) Telephoto Bridging⁽⁴⁾ (two-wire and four-wire)

(1) Effective November 5, 2016, Voice Grade (a.k.a. BellSouth SPA DSO VG) service in the Carbon Hill, Alabama and Kings Point, Florida Telephone Company wire centers is no longer available.

(2) Voice Bridging is intended for use with VG-2, -5 and -12, however it may be used on VG-6 and VG-10 at a customer's request.

(3) Data Bridging is intended for use with VG-6 and VG-10, however, it may be used on VG-2, -5 and -12 at a customer's request.

(4) Telephoto Bridging is intended for use on VG-11.

(5) Effective November 20, 2019, this Service will no longer be available for purchase by new or existing customers, and service agreements may no longer be renewed. In addition, requests to move, add or change existing service arrangements will not be accepted. Following the expiration of a customer's existing term agreement, service will be provided on a month-to-month basis at the applicable monthly extension rates until the service is discontinued. AT&T currently plans to discontinue this Service on or after June 30, 2024.

(N)
|
(N)

ACCESS SERVICE

7 - Special Access (a.k.a. BellSouth SPA) Service (Cont'd)

7.2 Service Descriptions (Cont'd)

7.2.3 Voice Grade⁽²⁾ (a.k.a. BellSouth SPA DSO VG) Service⁽¹⁾ (Cont'd) (N)

(D) Optional Features and Functions (Cont'd)

(2) Conditioning

Conditioning provides more specific transmission characteristics for Voice Grade (a.k.a. BellSouth SPA DSO VG) services. C-Type conditioning controls attenuation distortion and envelope delay distortion. Sealing Current helps maintain continuity on dry metallic loops.

In addition, a customer may desire that either the attenuation distortion or the envelope delay distortion, or both, be improved to more stringent specifications than those provided for C-Type conditioning. In such cases the customer has the option of ordering either Improved Attenuation Distortion or Improved Envelope Delay Distortion with Improved Attenuation Distortion, as desired.

For two-point services, the parameters apply to each service. For multipoint services, the parameters apply to each mid link or end link. C-Type conditioning and D-Conditioning may be combined on the same service.

(a) C-Type Conditioning

C-Type Conditioning is provided for the additional control of attenuation distortion and envelope delay distortion on data services. The attenuation distortion and envelope delay distortion specifications for C-Type Conditioning are:

Attenuation Distortion (Frequency Response)	
<u>Relative to 1004 Hz</u>	
<u>Frequency Range (Hz)</u>	<u>Variation (dB)</u>
504-2804	-1.0 to +3.0
304-3004	-2.0 to +6.0
<u>Envelope Delay Distortion</u>	
<u>Frequency Range (Hz)</u>	<u>Variation (microseconds)</u>
1004-2604	<500
604-2604	<1500
504-2804	<3000

(1) Effective November 5, 2016, Voice Grade (a.k.a. BellSouth SPA DSO VG) service in the Carbon Hill, Alabama and Kings Point, Florida Telephone Company wire centers is no longer available.

(2) Effective November 20, 2019, this Service will no longer be available for purchase by new or existing customers, and service agreements may no longer be renewed. In addition, requests to move, add or change existing service arrangements will not be accepted. Following the expiration of a customer's existing term agreement, service will be provided on a month-to-month basis at the applicable monthly extension rates until the service is discontinued. AT&T currently plans to discontinue this Service on or after June 30, 2024. (N)

ACCESS SERVICE

7 - Special Access (a.k.a. BellSouth SPA) Service (Cont'd)

7.2 Service Descriptions (Cont'd)

7.2.3 Voice Grade⁽²⁾ (a.k.a. BellSouth SPA DSO VG) Service⁽¹⁾ (Cont'd) (N)

(D) Optional Features and Functions (Cont'd)

(2) Conditioning (Cont'd)

(b) Improved Attenuation Distortion

Improved attenuation distortion is provided for additional control of attenuation distortion. The improved attenuation distortion specifications are:

Attenuation Distortion (Frequency Response) Relative to 1004 Hz	
Frequency Range (Hz)	Variation (dB)
404-2804	-1.0 to +2.0
304-3004	-1.0 to +3.0
304-3204	-2.0 to +6.0

(c) Improved Envelope Delay Distortion

Improved envelope delay distortion is provided for additional control of envelope delay distortion. The improved envelope delay distortion specifications are:

Envelope Delay Distortion	
Frequency Range (Hz)	Variation (microseconds)
1004-2604	<100
804-2604	<200
604-2604	<300
504-2804	<600
504-3004	<3000

(d) Sealing Current Conditioning

Sealing Current Conditioning is provided to help maintain continuity on dry metallic loops. It is usually associated with four-wire DA or NO type channel interfaces.

(1) Effective November 5, 2016, Voice Grade (a.k.a. BellSouth SPA DSO VG) service in the Carbon Hill, Alabama and Kings Point, Florida Telephone Company wire centers is no longer available.

(2) Effective November 20, 2019, this Service will no longer be available for purchase by new or existing customers, and service agreements may no longer be renewed. In addition, requests to move, add or change existing service arrangements will not be accepted. Following the expiration of a customer's existing term agreement, service will be provided on a month-to-month basis at the applicable monthly extension rates until the service is discontinued. AT&T currently plans to discontinue this Service on or after June 30, 2024.

(N)
|
(N)

ACCESS SERVICE

7 - Special Access (a.k.a. BellSouth SPA) Service (Cont'd)

7.2 Service Descriptions (Cont'd)

7.2.3 Voice Grade⁽²⁾ (a.k.a. BellSouth SPA DSO VG) Service⁽¹⁾ (Cont'd) (N)

(D) Optional Features and Functions (Cont'd)

(3) Customer Specified Premises Receive Level

This option allows the customer to specify the receive level at the Point of Termination for a two or four wire interface at the customer's premises. For a two-wire interface, the customer must order an effective four-wire channel and must specify a receive level within the range allowable for effective four-wire transmission. For a four-wire interface the receive level specified must be within the range allowable for four-wire transmission. The customer can order improved termination for a wider range of receive levels. The ranges are delineated in Technical Reference TR-NWT-000335.

(4) Echo Control

(a) Improved Return Loss

On Effective Two-Wire Transmission at Two-Wire Point of Termination (POT): provides for more stringent Echo Control Specifications. In order for this option to be applicable, the transmission path must be four-wire at one POT and two-wire at the other POT. Placement of Telephone Company equipment may be required at the customer's premises with the two-wire POT. The Improved Return Loss parameters are delineated in Technical Reference TR-NWT-000335.

(b) ELEPL 2 (Equal Level Echo Path Loss)

On Effective Two-Wire Transmission at Four-Wire Point of Termination (POT): provides for more stringent Echo Control specifications. In order for this option to be applicable, the transmission path must be two-wire at one POT and four-wire at the other POT. Telephone Company equipment may be required at the customer's premises where this option is ordered. The ELEPL2 parameters are delineated in Technical Reference TR-NWT-000335.

(1) Effective November 5, 2016, Voice Grade (a.k.a. BellSouth SPA DSO VG) service in the Carbon Hill, Alabama and Kings Point, Florida Telephone Company wire centers is no longer available.

(2) Effective November 20, 2019, this Service will no longer be available for purchase by new or existing customers, and service agreements may no longer be renewed. In addition, requests to move, add or change existing service arrangements will not be accepted. Following the expiration of a customer's existing term agreement, service will be provided on a month-to-month basis at the applicable monthly extension rates until the service is discontinued. AT&T currently plans to discontinue this Service on or after June 30, 2024. (N)

ACCESS SERVICE

7 - Special Access (a.k.a. BellSouth SPA) Service (Cont'd)

7.2 Service Descriptions (Cont'd)

7.2.3 Voice Grade⁽²⁾ (a.k.a. BellSouth SPA DSO VG) Service⁽¹⁾ (Cont'd) (N)

(D) Optional Features and Functions (Cont'd)

(5) D-Conditioning

D-Conditioning provides improved transmission characteristics for data communications. Specifically, D-Conditioning upgrades the signal-to-C notched noise ratio and intermodulation distortion limits. This option is available for use with Technical Specification Packages VG6, VG7 and VG10 on two-point and multipoint services (however, it is not recommended for use with multipoint). When a service equipped with D-Conditioning is used for voice communications, the quality of voice transmission may not be satisfactory.

The Signal to C-Notched Noise Ratio and Intermodulation Distortion parameters for D - Conditioning are:

- Signal to C-Notched Noise Ratio is equal to or greater than 32dB
- Intermodulation Distortion: Signal to second order modulation products (R2) is equal to or greater than 38dB Signal to third order modulation products (R3) is equal to or greater than 42dB

(6) Telephoto Conditioning

T-Conditioning provides transmission characteristics suitable for telephotographic communications. Specifically, T-Conditioning is provided for the control of attenuation distortion and envelope delay distortion on telephotographic services. The attenuation distortion and envelope delay distortion parameters for T-Conditioning are:

<u>Attenuation Distortion</u> (2204 Hz Reference)		<u>Envelope Delay Distortion</u>	
<u>Frequency Range (Hz)</u>	<u>Variation (dB)</u>	<u>Frequency Range (Hz)</u>	<u>Variation mcs</u>
500-3000	-0.5 to +1.5	1000-2600	<110
300-3200	-1.0 to +2.5	800-2800	<180

(1) Effective November 5, 2016, Voice Grade (a.k.a. BellSouth SPA DSO VG) service in the Carbon Hill, Alabama and Kings Point, Florida Telephone Company wire centers is no longer available.

(2) Effective November 20, 2019, this Service will no longer be available for purchase by new or existing customers, and service agreements may no longer be renewed. In addition, requests to move, add or change existing service arrangements will not be accepted. Following the expiration of a customer's existing term agreement, service will be provided on a month-to-month basis at the applicable monthly extension rates until the service is discontinued. AT&T currently plans to discontinue this Service on or after June 30, 2024.

(N)
|
(N)

ACCESS SERVICE

7 - Special Access (a.k.a. BellSouth SPA) Service (Cont'd)

7.2 Service Descriptions (Cont'd)

7.2.3 Voice Grade⁽²⁾ (a.k.a. BellSouth SPA DSO VG) Service⁽¹⁾ (Cont'd) (N)

(D) Optional Features and Functions (Cont'd)

(7) Signaling Capability

Signaling Capability provides for the process by which one customer premises alerts another customer premises on the same service with which it wishes to communicate.

(8) Reserved for Future Use

(9) Improved Termination

The Improved Termination option provides a fixed 600 ohm impedance, a variable level range and simplex reversal, when applicable, at the point of termination. Telephone Company equipment is required at the customers premises when this option is ordered. The Improved Termination parameters are delineated in Technical Reference TR-NWT-000335.

(10) Simplex Reversal

The Simplex Reversal option physically turns over the simplex DC path presented at the four-wire point of termination when LO, LS, GO, GS, & DX signaling is provided at the point of termination.

(11) Effective Four-Wire

An arrangement which permits the simultaneous independent transmission of information in both directions over a single channel. Effective four-wire channels must be terminated with a four-wire local channel as specified in Section 23.

(1) Effective November 5, 2016, Voice Grade (a.k.a. BellSouth SPA DSO VG) service in the Carbon Hill, Alabama and Kings Point, Florida Telephone Company wire centers is no longer available.

(2) Effective November 20, 2019, this Service will no longer be available for purchase by new or existing customers, and service agreements may no longer be renewed. In addition, requests to move, add or change existing service arrangements will not be accepted. Following the expiration of a customer's existing term agreement, service will be provided on a month-to-month basis at the applicable monthly extension rates until the service is discontinued. AT&T currently plans to discontinue this Service on or after June 30, 2024.

(N)
|
(N)

ACCESS SERVICE

7 - Special Access (a.k.a. BellSouth SPA) Service (Cont'd)

7.2 Service Descriptions (Cont'd)

7.2.3 Voice Grade⁽²⁾ (a.k.a. BellSouth SPA DSO VG) Service⁽¹⁾ (Cont'd) (N)

(D) Optional Features and Functions (Cont'd)

The following table shows the technical specifications packages with which the optional features and functions are available.

Parameter	Available with Technical Specifications Package VG -											
	1	2	3	4	5	6	7	8	9	10	11	12
C-Type Conditioning					X	X	X	X	X	X		
Improved Attenuation												
Distortion					X	X	X	X	X	X		
Improved Envelope												
Delay Distortion					X	X	X	X	X	X		
Sealing Current												
Conditioning					X	X				X		
Data Capability						X	X			X		
Central Office												
Bridging		X			X	X				X	X	X
Channelization						X						
Customer Specified												
Premises Receive Level		X	X				X	X	X			
Echo Control												
Improved Return Loss			X	X			X					
ELEPL2	X	X	X		X		X					
BellSouth Customer												
Network Management Service	X	X	X	X	X	X	X	X	X	X	X	X
Improved Termination	X	X	X	X	X	X	X	X	X	X	X	X
Simplex Reversal	X	X	X				X	X	X			
Signaling Capability	X	X	X				X	X	X			
Telephoto												
Conditioning										X		

(1) Effective November 5, 2016, Voice Grade (a.k.a. BellSouth SPA DSO VG) service in the Carbon Hill, Alabama and Kings Point, Florida Telephone Company wire centers is no longer available.

(2) Effective November 20, 2019, this Service will no longer be available for purchase by new or existing customers, and service agreements may no longer be renewed. In addition, requests to move, add or change existing service arrangements will not be accepted. Following the expiration of a customer's existing term agreement, service will be provided on a month-to-month basis at the applicable monthly extension rates until the service is discontinued. AT&T currently plans to discontinue this Service on or after June 30, 2024.

(N)
|
(N)

ACCESS SERVICE

7 - Special Access (a.k.a. BellSouth SPA) Service (Cont'd)

7.2 Service Descriptions (Cont'd)

7.2.3 Voice Grade⁽²⁾ (a.k.a. BellSouth SPA DSO VG) Service⁽¹⁾ (Cont'd) (N)

(E) Four-Wire/Two-Wire Conversions

When a customer requests that an effective four-wire channel be terminated with a two-wire channel interface at the customer designated premises, a four-wire to two-wire conversion of the Four-Wire Local Channel is required. The rate for the conversion is included as part of the basic Local Channel rate.

(F) WATS Access Line (WAL) (a.k.a. BellSouth SPA WATS Line) Service

(1) Basic Channel Description

A WATS Access Line service provides a channel for voice frequency transmission capability. The service provides a connection between a customer designated premises and a WATS serving office associated with the closed end of BellSouth SWA 8xx Toll Free Dialing Ten Digit Screening Service, WATS or similar services. It is provided for use with BellSouth SWA FGA, BellSouth SWA FGB, or BellSouth SWA FGD in the originating and terminating direction and BellSouth SWA service arrangement features as set forth in Section 6 of BellSouth Telecommunications Tariff F.C.C. No. 1.

The following shall apply to the Telephone Company's provision of WATS access line (a.k.a. BellSouth SPA WATS Line) service:

When the end user's serving wire center is not a WATS serving office, Interoffice Channel charges will apply for a WATS Access Line Extension (WALE) between the end user's serving wire center and the nearest WATS serving office.

(1) Effective November 5, 2016, Voice Grade service in the Carbon Hill, Alabama and Kings Point, Florida Telephone Company wire centers is no longer available.

(2) Effective November 20, 2019, this Service will no longer be available for purchase by new or existing customers, and service agreements may no longer be renewed. In addition, requests to move, add or change existing service arrangements will not be accepted. Following the expiration of a customer's existing term agreement, service will be provided on a month-to-month basis at the applicable monthly extension rates until the service is discontinued. AT&T currently plans to discontinue this Service on or after June 30, 2024.

(N)
|
(N)

ACCESS SERVICE

7 - Special Access (a.k.a. BellSouth SPA) Service (Cont'd)

7.2 Service Descriptions (Cont'd)

7.2.3 Voice Grade⁽²⁾ (a.k.a. BellSouth SPA DSO VG) Service⁽¹⁾ (Cont'd) (N)

(F) WATS Access Line (a.k.a. BellSouth SPA WATS Line) (WAL) Service (Cont'd)

(1) Basic Channel Description (Cont'd)

WAL service is arranged for either originating calling, terminating calling, or two-way calling. It is provided with either rotary dial or dual tone multifrequency address signaling and either loop start, ground start, E&M or reverse battery supervisory signaling. The choice of the type of signaling is at the option of the customer and subject to the technical limitations identified in the Technical Reference TR-NWT-000334. WATS Access Line service is provided as an effective two-wire, an effective four-wire or a DS1 (i.e., 1.544 Mbps) transmission path. The DS1 WAL is only available as a trunk side termination on suitably equipped electronic switch, e.g., 1/1A ESS with Digital Carrier Termination (DCT) or DMS-100 with a Line Trunk Unit (LTU).

(2) Technical Specification Packages

<u>Parameters</u>	<u>Packages WAL -</u>		
	<u>1</u>	<u>2</u>	<u>3</u>
Attenuation Distortion	X	X	
Bit error rate			X
C-Message Noise	X	X	
Echo Control	X	X	
Envelope Delay Distortion	X	X	
Frequency Shift	X	X	
Impulse Noise	X	X	
Intermodulation Distortion	X	X	
Loss Deviation	X	X	
Phase Jitter	X	X	
Signal-to-C Notch Noise	X	X	

The technical specifications are delineated in Technical Reference TR-NWT-000334.

(1) Effective November 5, 2016, Voice Grade service in the Carbon Hill, Alabama and Kings Point, Florida Telephone Company wire centers is no longer available.

(2) Effective November 20, 2019, this Service will no longer be available for purchase by new or existing customers, and service agreements may no longer be renewed. In addition, requests to move, add or change existing service arrangements will not be accepted. Following the expiration of a customer's existing term agreement, service will be provided on a month-to-month basis at the applicable monthly extension rates until the service is discontinued. AT&T currently plans to discontinue this Service on or after June 30, 2024.

(N)
|
(N)

ACCESS SERVICE

7 - Special Access (a.k.a. BellSouth SPA) Service (Cont'd)

7.2 Service Descriptions (Cont'd)

7.2.3 Voice Grade⁽²⁾ (a.k.a. BellSouth SPA DSO VG) Service⁽¹⁾ (Cont'd)(F) WATS Access Line (a.k.a. BellSouth SPA WATS Line) (WAL)
Service (Cont'd)

- (3) The following interfaces are available with WAL (a.k.a. BellSouth SPA WATS Line) Service: LO, LS, DS, GO, GS, RV, EA, EB

Compatible channel interfaces are set forth in Technical Reference TR-NWT-000334.

(4) Optional Features and Functions

- (a) Two-wire and four-wire Central Office bridging capability.
- (b) Improved two-wire voice transmission specifications.
- (c) Certain other arrangements associated with WAL services such as WATS Access Line Nonchargeable Termination Options and Common Switching Optional Features are available as defined in Section 6 of BellSouth Telecommunications Tariff F.C.C. No. 1.
- (d) One-way or Two-way Capability

- (1) Effective November 5, 2016, Voice Grade service in the Carbon Hill, Alabama and Kings Point, Florida Telephone Company wire centers are no longer available. (D)
- (2) Effective November 20, 2019, this Service will no longer be available for purchase by new or existing customers, and service agreements may no longer be renewed. In addition, requests to move, add or change existing service arrangements will not be accepted. Following the expiration of a customer's existing term agreement, service will be provided on a month-to-month basis at the applicable monthly extension rates until the service is discontinued. AT&T currently plans to discontinue this Service on or after June 30, 2024.

ACCESS SERVICE

7 - Special Access (a.k.a. BellSouth SPA) Service (Cont'd)

7.2 Service Descriptions (Cont'd)

7.2.4 Reserved For Future Use

(T)

(D)

(D)

ACCESS SERVICE

7 - Special Access (a.k.a. BellSouth SPA) Service (Cont'd)

7.2 Service Descriptions (Cont'd)

7.2.4 Reserved For Future Use

(T)

(D)

(D)

ACCESS SERVICE

7 - Special Access (a.k.a. BellSouth SPA) Service (Cont'd)

7.2 Service Descriptions (Cont'd)

7.2.5 Video (a.k.a. BellSouth SPA Video) Services

The Telephone Company provides the following video services.

- (A) Broadcast Quality Video (a.k.a. BellSouth SPA Broadcast Quality Video) Service^{1,2/}

(C)

(1) Basic Channel Description

Broadcast Quality Video service provides one-way transmission of National Television Systems Committee (NTSC) video signals between customer designated premises or between a customer designated premises and a Telephone Company central office via fiber optic facilities. A NTSC video channel provides standard 525 line/60 field, System M video signal with four (4) associated 20 kHz audio signals. The bandwidth for NTSC channels is either 30 Hz to 4.5 MHz or 30 Hz to 6.6 MHz. The associated audio signals may be either diplexed or provided as separate channels. The provision and the bandwidth of the associated audio signals is a function of the channel interface selected by the customer.

Different rates and charges apply for the two types of video signals. NTSC channels are provided under a month to month rate option.

/1/ Effective November 5, 2016, Broadcast Quality Video service in the Carbon Hill, Alabama and Kings Point, Florida Telephone Company wire centers is no longer available for new Customers.

/2/ Effective December 31, 2020, this Service will no longer be available for purchase by new or existing customers, and service agreements may no longer be renewed. In addition, requests to move, add, or change existing service arrangements will not be accepted. Following the expiration of a customer's existing term agreement, service will be provided on a month-to-month basis at the applicable Month-to-Month rate until the service is discontinued. AT&T currently plans to discontinue this Service on or after December 31, 2021.

(N)
|
(N)

ACCESS SERVICE

7 - Special Access Service (Cont'd)

7.2 Service Descriptions (Cont'd)

7.2.5 Video (a.k.a. BellSouth SPA Video) Services (Cont'd)

- (A) Broadcast Quality Video (a.k.a. BellSouth SPA Broadcast Quality Video) Service^{1,2/} (Cont'd) (C)

(1) Basic Channel Description (Cont'd)

Broadcast Quality Video customers may upgrade to Broadcast Quality Video SDI or higher video services without incurring termination liability charges, subject to the following conditions:

- (a) The customer must issue a disconnect order for the existing Broadcast Quality Video Service and place a service order for the new higher speed video service at the same locations such that there is no more than 60 days overlap between the two services.
- (b) The same locations must be utilized for the new higher-speed video service.
- (c) The customer must subscribe to a new CSPP term that is greater than or equal to the remaining months in the existing term for the lower speed service.
- (d) The existing Broadcast Quality Video Service must have been in service for a minimum period of 15 months for a 3-year term, or 18 months for a 5-year term.
- (e) Nonrecurring charges will apply where applicable.

/3/

/1/ Effective November 5, 2016, Broadcast Quality Video service in the Carbon Hill, Alabama and Kings Point, Florida Telephone Company wire centers is no longer available for new Customers.

/2/ Effective December 31, 2020, this Service will no longer be available for purchase by new or existing customers, and service agreements may no longer be renewed. In addition, requests to move, add, or change existing service arrangements will not be accepted. Following the expiration of a customer's existing term agreement, service will be provided on a month-to-month basis at the applicable Month-to-Month rate until the service is discontinued. AT&T currently plans to discontinue this Service on or after December 31, 2021. (N)

/3/ Material now appears on Page 39.1.

ACCESS SERVICE

7 - Special Access Service (Cont'd)

7.2 Service Descriptions (Cont'd)

7.2.5 Video (a.k.a. BellSouth SPA Video) Services (Cont'd)

(A) Broadcast Quality Video (a.k.a. BellSouth SPA Broadcast Quality Video) Service^{/1,2/} (Cont'd)

(C)

(2) Technical Specifications

/3/

The compatibility requirements, technical specifications and generic requirements for Broadcast Quality Video terminated at the customer's designated locations are referenced in BellSouth Technical Reference 73608 for NTSC video channels.

(3) Channel Interfaces

Compatible channel interfaces are set forth in BellSouth Technical Reference 73608 for NTSC video channels.

/3/

/1/ Effective November 5, 2016, Broadcast Quality Video service in the Carbon Hill, Alabama and Kings Point, Florida Telephone Company wire centers is no longer available for new Customers.

/2/ Effective December 31, 2020, this Service will no longer be available for purchase by new or existing customers, and service agreements may no longer be renewed. In addition, requests to move, add, or change existing service arrangements will not be accepted. Following the expiration of a customer's existing term agreement, service will be provided on a month-to-month basis at the applicable Month-to-Month rate until the service is discontinued. AT&T currently plans to discontinue this Service on or after December 31, 2021.

(N)

(N)

/3/ Material formerly appeared on Page 39.

ACCESS SERVICE

7 - Special Access (BellSouth SPA) Service (Cont'd)

7.2 Service Descriptions (Cont'd)

7.2.5 Video (a.k.a. BellSouth SPA Video) Services (Cont'd)

(B) Uncompressed Switched Video (a.k.a. BellSouth SPA Uncompressed Switched Video) Service

(1) Basic Description

An Uncompressed Switched Video (a.k.a. BellSouth SPA Uncompressed Switched Video) service channel is a channel that connects customer-designated video source(s) and video distribution location(s) through a customer-configurable video switch located at a Telephone Company Central Office (CO). Uncompressed Switched Video (a.k.a. BellSouth SPA Uncompressed Switched Video) service channels are single-direction and provided via fiber-optic facilities. This channel adheres to either a standard 525-line/60-field National Television Committee (NTSC) System-M video signal and includes up to four (4) 15 kHz audio signals or is a Serial Digital Interface (SDI) uncompressed digital video signal transported at a speed of 270Mbps.

- (a) Uncompressed Switched Video (a.k.a. BellSouth SPA Uncompressed Switched Video) service Local Channels (LC) (one way) provide connectivity of Single Channel or Multiple Channel Systems from each customer-designated end-location to its normal Serving Wire Center (SWC). Each Multiple Channel System also requires video channel activations. A customer may activate from one (1) to eight (8) video channels per Multiple Channel System.
- (b) Uncompressed Switched Video (a.k.a. BellSouth SPA Uncompressed Switched Video) service Interoffice Channels (IOC) (one-way) provide connectivity of Single Channel or Multiple Channel Systems from the customer-designated location's normal SWC to the central office video switch.

ACCESS SERVICE

7 - Special Access (BellSouth SPA) Service (Cont'd)

7.2 Service Descriptions (Cont'd)

7.2.5 Video (a.k.a. BellSouth SPA Video) Services (Cont'd)

(B) Uncompressed Switched Video (a.k.a. BellSouth SPA Uncompressed Switched Video) Service (Cont'd)

(1) Basic Description (Cont'd)

- (c) Uncompressed Switched Video (a.k.a. BellSouth SPA Uncompressed Switched Video) service arrangements are available in two configurations that are available as independent, or in combination of, Single Channel Video Systems and/or Multiple Channel Video Systems. Each arrangement requires a minimum 36-month commitment period and a minimum of 8 video channels. Customers meeting the minimum 8 video channel/36-month commitment period requirement may request additional Single Channel Systems be associated with the same arrangement on a month-to-month basis. Both Single Channel Systems and Multiple Channel Systems will have an interface at the customer-designated end-location(s) with analog video and audio parameters as specified in TR-73593 or digital video signals specified in TR-73621. Customer designated end-locations are video source locations (transmit) or video distribution locations (receive).
- (d) This service offering also provides the customer with the capability to reconfigure the ports on a central office video switch. A port is a physical interface on a central office video switch. Each port can be connected to one video channel and supports both the video and associated audio in the same connection. The customer must provide the appropriate CPE to access the video switch in addition to subscribing to a dial-up or a dedicated control circuit, which must be purchased from the appropriate guidebook. Customers subscribing to a dial-up control will be provided a telephone number, which shall be used to configure the port connection.

ACCESS SERVICE

7 - Special Access (a.k.a. BellSouth SPA) Service (Cont'd)

7.2 Service Descriptions (Cont'd)

7.2.5 Video (a.k.a. BellSouth SPA Video) Services (Cont'd)

(B) Uncompressed Switched Video (a.k.a. BellSouth SPA Uncompressed Switched Video) Service (Cont'd)

(1) Basic Description (Cont'd)

(e) The customer subscribing to dial-up access in conjunction with Uncompressed Switched Video service shall indemnify, defend and save harmless the Telephone Company from and against any and all losses, claims, demands, causes of action and costs, including attorney's fees whether suffered, made, instituted or asserted by the customer or any other party or person arising from the use, whether authorized or unauthorized, in conjunction with the customer's Uncompressed Switched Video service.

(f) Uncompressed Switched Video customers may upgrade to Broadcast Quality Video^{1,2/} SDI or higher video services without incurring termination liability charges, subject to the following conditions:

(C)

- The customer must issue a disconnect order for the existing Uncompressed Switched Video service and place a service order for the new higher speed video service at the same locations such that there is no more than 60 days overlap between the two services.
- The same locations must be utilized for the new higher-speed video service.
- The customer must subscribe to a new CSPP term that is greater than or equal to the remaining months in the existing term for the lower speed service.
- The existing Uncompressed Switched Video (a.k.a. BellSouth SPA Uncompressed Switched Video) service must have been in service for a minimum period of 15 months for a 3-year term.
- Nonrecurring charges will apply where applicable.

/1/ Effective November 5, 2016, Broadcast Quality Video service in the Carbon Hill, Alabama and Kings Point, Florida Telephone Company wire centers is no longer available for new Customers.

/2/ Effective December 31, 2020, this Service will no longer be available for purchase by new or existing customers, and service agreements may no longer be renewed. In addition, requests to move, add, or change existing service arrangements will not be accepted. Following the expiration of a customer's existing term agreement, service will be provided on a month-to-month basis at the applicable Month-to-Month rate until the service is discontinued. AT&T currently plans to discontinue this Service on or after December 31, 2021.

(N)

(N)

ACCESS SERVICE

7 - Special Access (a.k.a. BellSouth SPA) Service (Cont'd)

7.2 Service Descriptions (Cont'd)

7.2.5 Video (a.k.a. BellSouth SPA Video) Services (Cont'd)

(B) Uncompressed Switched Video (a.k.a. BellSouth SPA Uncompressed Switched Video) Service (Cont'd)

(2) Single Channel and Multiple Channel Systems

Single Channel Systems and Multiple Channel Systems connect the video switch to the customer-designated source/distribution location(s) via Uncompressed Switched Video service LCs and associated IOCs.

- (a) The Single Channel Video System is available for customers who require a single video signal in one direction between video source/distribution locations and the central office video switch.
- (b) The Multiple Channel Video System is available for customers who require more than one video signal in the same direction and between the same video source/distribution locations and the central office video switch. A Multiple Channel System Interoffice Interface is also available for interoffice transport of multiple video signals, in the same direction. Hubbing of individual Single Channel Systems onto or off of the same Multiple Channel Interoffice System at a central office is permitted. The Multiple Channel Video System is available with a maximum of eight (8) video channels. All channels within a Multiple Channel System must transmit or receive signals in the same direction.
- (c) Audio channels are provided with each analog video channel. At a minimum, two 15 kHz audio channels will be provided per video channel. However, the customer may order two additional 15 kHz audio channels per video channel. When additional 15 kHz audio channels are requested, in addition to the two provided with each video channel, the customer may specify either a month-to-month term or a 36-month commitment. Additionally, when requested by the customer, 20kHz audio channels may be provided in lieu of the 15 kHz audio channels. When the customer specifies 20 kHz audio channels, four audio channels will be provided for each video channel and each audio channel will have a 36-month commitment period.

ACCESS SERVICE

7 - Special Access (a.k.a. BellSouth SPA) Service (Cont'd)

7.2 Service Descriptions (Cont'd)

7.2.5 Video (a.k.a. BellSouth SPA Video) Services (Cont'd)

(B) Uncompressed Switched Video (a.k.a. BellSouth SPA Uncompressed Switched Video) Service (Cont'd)

(3) Two-Way, Interactive Video Service

Two-way, interactive video service may be obtained by combining two one-way (opposite directions) Single Channel Video Systems or by combining two one-way (opposite directions) Multiple Channel Video Systems.

(4) Technical Specifications Packages

The compatibility requirements, technical specifications and generic requirements for Uncompressed Switched Video service terminated at the customer's designated end locations are referenced in BellSouth Technical Reference 73607.

(5) Channel Interfaces

Compatible channel interfaces are set forth in BellSouth Technical Reference 73607.

ACCESS SERVICE

7 - Special Access (a.k.a. BellSouth SPA) Service (Cont'd)

7.2 Service Descriptions (Cont'd)

7.2.5 Video (a.k.a. BellSouth SPA Video) Services (Cont'd)

(C) BellSouth SPA Modular Video Transport Service⁽¹⁾

(1) Basic Channel Description

BellSouth SPA Modular Video Transport service is a fiber optic transport video service that interconnects two or more customer designated end point locations to provide one way video service with associated audio. Multiple endpoint locations may be interconnected to form one way video services, e.g. rings or multipoint hubs. Two-way service may be obtained by ordering two one-way (opposite directions) services. This service is available in two configurations, Multiple Channel Video Systems or Single Channel Video systems. Different rates and charges apply for the two configurations. Multiple Channel systems and Single Channel Systems are comprised of Local Channels, Interoffice Channels and Optional Features.

The technology that supports Multiple Channel Systems has a 16 channel capacity associated with each transport system. The specific number of channels supported are based on the design and video interface selected by the customer. The technology that supports Single Channel Systems has a capacity of one channel.

This service may transport uncompressed National Television Systems Committee (NTSC) video signals, Component 270 Mbps video signals (Multiple Channel Systems only), Advanced Television Stream (ATV) and/or Intermediate Frequency (IF) video signals between customer premises.

The NTSC video interface supports transmission capability for a standard, System M - National Television Systems Committee, composite, 525 line/60 field, uncompressed, video signal and has four associated 20 kHz audio signals. NTSC video interfaces are provided as either 10 bit, NTSC10, or 8 bit, NTSC8, signals.

(1) Effective August 25, 2011, BellSouth SPA Modular Video Transport Service is no longer available to new Customers. There is no change for existing customers.

ACCESS SERVICE

7 - Special Access (a.k.a. BellSouth SPA) Service (Cont'd)

7.2 Service Descriptions (Cont'd)

7.2.5 Video (a.k.a. BellSouth SPA Video) Services (Cont'd)

(C) BellSouth SPA Modular Video Transport Service⁽¹⁾ (Cont'd)

(1) Basic Channel Description (Cont'd)

Component 270 Video is a 270 Mbps serial digital interface that contains separate luminous and color signals plus associated audio. It is based on international standards and provides a better quality of service than NTSC composite video.

Advanced Television Stream (ATV) video is a standard, dual port interface that can support up to 90 Mbps of MPEG2 video.

Intermediate Frequency (IF) video provides for transmitting an analog video signal at an Intermediate Frequency between 40 and 46 MHz that can be modulated for a full 6 MHz of analog bandwidth. IF video can also be utilized to transport many Quadrature Amplitude Modulated (QAM) signals

BellSouth SPA Modular Video Transport service is provided at rates and charges specified for local channels, interoffice channels and optional features. This service is available under Month to Month rate options or via Channel Services Payment Plans.

Local channels (one way) are available as (1) Multiple Channel Systems, (2) Single Channel Systems, (3) Single Channel Tributaries (available in conjunction with Multiple Channel Systems) and (4) Video Interfaces. Multiple Channel Systems are provided as: (1) Transmit, (2) Receive or (3) Drop/Add and require video interfaces for operability. Single Channel Systems are provided as: (1) Transmit or (2) Receive and require video interfaces for operability.

(1) Effective August 25, 2011, BellSouth SPA Modular Video Transport Service is no longer available to new Customers. There is no change for existing customers.

ACCESS SERVICE

7 - Special Access (a.k.a. BellSouth SPA) Service (Cont'd)

7.2 Service Descriptions (Cont'd)

7.2.5 Video (a.k.a. BellSouth SPA Video) Services (Cont'd)

(C) BellSouth SPA Modular Video Transport) Service (Cont'd)

(1) Basic Channel Description (Cont'd)

Single Channel Tributaries are only provided in conjunction with a Multiple Channel System. They are provided as Drop-Transmit, Drop-Receive, Add-Transmit, or Add-Receive and require either a NTSC 10 or ATV video interface for operability. Single Channel Tributaries allow dissemination of a single video channel onto or off of a BellSouth SPA Modular Video Transport Service Multiple Channel System. This single channel system can support only one channel of the 16-channel capacity, e.g. one NTSC-10 Video Interface or one ATV Video Interface.

- (a) A Single Channel Tributary Drop provides the ability to extend a single video channel of a Multiple Channel System to a remote customer premises. The Drop-Transmit, sends a digital signal from the Multiple Channel System to a company central office. This signal is then forwarded on to a Drop-Receive at the customer's remote premises.
- (b) A Single Channel Tributary Add provides the ability to add a single video channel from a remote customer premise onto a Multiple Channel System. The Add-Transmit, sends a digital signal from the Customer's remote premises to its serving wire center. This signal is then forwarded on to an Add-Receive and into the Multiple Channel System.

ACCESS SERVICE

7 - Special Access (a.k.a. BellSouth SPA) Service (Cont'd)

7.2 Service Descriptions (Cont'd)

7.2.5 Video (a.k.a. BellSouth SPA Video) Services (Cont'd)

(C) BellSouth SPA Modular Video Transport Service⁽¹⁾ (Cont'd)

(1) Basic Channel Description (Cont'd)

Local Channel Video Interfaces are provided at the customer endpoint locations as NTSC10, NTSC8, Component 270, ATV and IF. Customers may designate the video interface of their choice in any combination as long as it does not exceed the 16 channel (time slot) maximum. Interfaces are described as follows:

- NTSC10 Transmit - This video interface converts a standard NTSC video signal to an uncompressed digital format (10 bit) for combining and transmission via BellSouth SPA Modular Video Transport service. Each NTSC10 transmit video interface requires one time slot per plug-in.
- NTSC10 Receive - This video interface converts an uncompressed digital video format (10 bit) from BellSouth SPA Modular Video Transport service to an analog, composite, NTSC video signal for interfacing to the customer provided equipment. Each NTSC10 receive video interface requires one-time slot per plug-in.
- NTSC8 Transmit - This video interface converts a standard NTSC video signal to an uncompressed digital format (8 bit) for combining and transmission via BellSouth SPA Modular Video Transport service. Each NTSC8 transmit video interface requires one-time slot per plug-in.
- NTSC8 Receive - This video interface converts an uncompressed digital video format (8 bit) from BellSouth SPA Modular Video Transport service to an analog, composite, NTSC video signal for interfacing to the customer provided equipment. Each NTSC8 receive video interface requires one-time slot per plug-in.

(1) Effective August 25, 2011, BellSouth SPA Modular Video Transport Service is no longer available to new Customers. There is no change for existing customers.

ACCESS SERVICE

7 - Special Access (a.k.a. BellSouth SPA) Service (Cont'd)

7.2 Service Descriptions (Cont'd)

7.2.5 Video (a.k.a. BellSouth SPA Video) Services (Cont'd)

(C) BellSouth SPA Modular Video Transport Service⁽¹⁾ (Cont'd)

(1) Basic Channel Description (Cont'd)

- Component 270 Transmit - This video interface formats the customers 270 Mbps, component digital signal for transmission via BellSouth SPA Modular Video Transport service. In a multi-channel configuration, each Component 270 transmit video interface requires two time slots per plug in.
- Component 270 Receive - This video interface receives a transmission from BellSouth SPA Modular Video Transport service and reformats it to a 270 Mbps, component, digital signal. In a multi-channel configuration, each Component 270 receive video interface requires two time slots per plug in.
- ATV Transmit - This video interface formats the customers dual port, 90 Mbps, ATV digital signal for transmission via BellSouth SPA Modular Video Transport service. Each ATV transmit video interface requires one time slot per plug in.
- ATV Receive - This video interface receives a transmission from BellSouth SPA Modular Video Transport service and reformats it to a dual port, 90 Mbps, ATV signal. Each ATV receive video interface requires one time slot per plug-in.
- IF Transmit - This video interface converts an analog video signal between 40 and 46 mHz to an uncompressed digital signal for transmission via BellSouth SPA Modular Video Transport service. Each IF transmit interface requires one time slot per plug-in.
- IF Receive - This video interface receives a transmission from BellSouth SPA Modular Video Transport service and converts the uncompressed digital signal to an analog IF video signal between 40 and 46 mHz. Each IF receive interface requires one time slot per plug-in.

(1) Effective August 25, 2011, BellSouth SPA Modular Video Transport Service is no longer available to new Customers. There is no change for existing customers.

ACCESS SERVICE

7 - Special Access (a.k.a. BellSouth SPA) Service (Cont'd)

7.2 Service Descriptions (Cont'd)

7.2.5 Video (a.k.a. BellSouth SPA Video) Services (Cont'd)

(C) BellSouth SPA Modular Video Transport Service⁽¹⁾ (Cont'd)

(1) Basic Channel Description (Cont'd)

BellSouth SPA Modular Video Transport service requires at least one Local Channel, Multiple Channel System-Transmit and one Local Channel, Multiple Channel System-Receive or one Local Channel, Single Channel System-Transmit and one Local Channel, Single Channel System-Receive. Single Channel Tributaries may only be ordered in conjunction with Local Channel, Multiple Channel Systems.

Interoffice channels include mileage and regenerators.

Optional Features include Network Status Monitoring, Audio/Video Jack Fields and Fiber Optic Splitters. Network Status Monitoring provides the ability for the customer to remotely monitor and electronically rearrange transport features through the use of a customer's personal computer. This feature requires a minimum of a two-way service or a one way ring.

Audio/Video Jack Fields are easy access points that allow a customer to locally monitor video and audio signals at the customer endpoint location.

Fiber Optic Splitters provide the capability of broadcasting from one transmit system to one to four receive systems in a point to multipoint configuration. This feature is not available for ring configurations. Two or more fiber optic splitters may be utilized when more than four receive end points are required.

Two-way transport and/or counter rotating rings for electrical protection, may be obtained by combining two transport services in opposite directions.

(1) Effective August 25, 2011, BellSouth SPA Modular Video Transport Service is no longer available to new Customers. There is no change for existing customers.

ACCESS SERVICE

7 - Special Access (a.k.a. BellSouth SPA) Service (Cont'd)

7.2 Service Descriptions (Cont'd)

7.2.5 Video (a.k.a. BellSouth SPA Video) Services (Cont'd)

(C) BellSouth SPA Modular Video Transport Service⁽¹⁾ (Cont'd)

(2) Technical Specifications Package

The compatibility requirements, technical specifications and generic requirements for BellSouth SPA Modular Video Transport Service terminated at the customer's designated locations are referenced in BellSouth Technical Reference 73606.

(3) Channel Interfaces

Compatible channel interfaces are set forth in BellSouth Technical Reference 73606.

7.2.6 Reserved for Future Use

7.2.7 Reserved for Future Use

(1) Effective August 25, 2011, BellSouth SPA Modular Video Transport Service is no longer available to new Customers. There is no change for existing customers.

ACCESS SERVICE

7 - Special Access (a.k.a. BellSouth SPA) Service (Cont'd)

7.2 Service Descriptions (Cont'd)

7.2.8 Digital Data Access⁽²⁾ (a.k.a. BellSouth SPA DSO Digital Data) (N)
Service

(A) Basic Channel Description

A Digital Data Access channel (DADS) is a channel for duplex four-wire transmission of synchronous serial data at the rate of 2.4, 4.8, 9.6, 19.2, 56 or 64⁽¹⁾ kbps. Transmission speeds of 2.4, 4.8, 9.6 and 19.2 kbps are referred to as Low speed Digital Data Access service options, and transmission speeds of 56 and 64 kbps are referred to as Highspeed DDAS options. The actual bit rate is a function of the channel interface selected by the customer. The channel provides a synchronous service with timing provided by the Telephone Company through the Telephone Company's facilities to the customer in the received bit stream. Digital Data Access service is used to connect customer designated premises or to connect customer designated premises to a Telephone Company DDAS Hub (where connection to other services may be allowed). DDAS channels are only available from Telephone Company serving wire centers designated as DDAS (a.k.a. BellSouth SPA DSO Digital Data) Hubs. A DDAS Hub is a Telephone Company designated wire center where specialized timing, testing, maintenance and monitoring is provided for DDAS circuits; DDAS bridging is provided and available only at a DDAS Hub office. Wire centers designated as DDAS Hubs are identified in the NATIONAL EXCHANGE CARRIER ASSOCIATION, INC. TARIFF F.C.C. NO. 4. In accordance with Section 7.4.6, interoffice mileage required to connect each customer designated premises to the DDAS Hub office is computed and rates applied separately for each section of the Interoffice Channel, i.e., customer designated premises serving wire center to DDAS Hub, DDAS Hub to DDAS Hub and/or DDAS Hub to customer designated premises serving wire center.

(1) When 64 Kbps service is multiplexed on a DS1 High Capacity (a.k.a. BellSouth SPA DS1) service, the DS1 must be optioned with Clear Channel Capability.

(2) Effective November 20, 2019, this Service will no longer be available for purchase by new or existing customers, and service agreements may no longer be renewed. In addition, requests to move, add or change existing service arrangements will not be accepted. Following the expiration of a customer's existing term agreement, service will be provided on a month-to-month basis at the applicable monthly extension rates until the service is discontinued. AT&T currently plans to discontinue this Service on or after June 30, 2024.

(N)
|
(N)

ACCESS SERVICE

7 - Special Access (a.k.a. BellSouth SPA) Service (Cont'd)

7.2 Service Descriptions (Cont'd)

7.2.8 Digital Data Access⁽¹⁾ (a.k.a. BellSouth SPA DSO Digital Data) Service (Cont'd) (N)

(A) Basic Channel Description (Cont'd)

Secondary Channel Capability (SCC) is a derived companion digital transmission path that is independent of the primary data path and operates at a substantially lower bit rate. This derived channel allows the customer to perform network management functions during the normal operation of the network. This diagnostics channel utilizes a portion of a customer's previously unavailable data bit stream allowing for the ability to remotely control and test the network and peripheral devices without taking the network out of service. Special customer equipment is necessary to utilize the benefits of the SCC. Customers not wishing to utilize this capability will not be impacted. Due to transmission equipment restrictions, SCC cannot be provided on 56 Kbps service that require the installation of loop repeater equipment for provision of service. Also, SCC cannot be provided on 64 kbps service since all of the available bit stream will be used by the customer.

The customer will provide the Channel Service Unit-type equipment or other Network Channel Terminating Equipment associated with the Digital Data Access channel at the customer premises. The interim program for interconnection of such equipment is set forth in Technical Reference PUB AS No. 1.

(1) Effective November 20, 2019, this Service will no longer be available for purchase by new or existing customers, and service agreements may no longer be renewed. In addition, requests to move, add or change existing service arrangements will not be accepted. Following the expiration of a customer's existing term agreement, service will be provided on a month-to-month basis at the applicable monthly extension rates until the service is discontinued. AT&T currently plans to discontinue this Service on or after June 30, 2024. (N)

ACCESS SERVICE

7 - Special Access (a.k.a. BellSouth SPA) Service (Cont'd)

7.2 Service Descriptions (Cont'd)

7.2.8 Digital Data Access⁽¹⁾ (a.k.a. BellSouth SPA DSO Digital Data) Service (Cont'd) (N)

(B) Technical Specifications Packages

Parameter	Package DA-					
	1	2	3	4	5	6
Error-Free Seconds	X	X	X	X	X	X

The Telephone Company will provide a channel capable of meeting a monthly average performance equal to or greater than 99.875% error-free seconds while the channel is in service, if it is measured through a CSU equivalent which is designed, manufactured and maintained to conform with the interconnection specifications contained in Technical Reference MDP-326-726.

Interface options and service objectives are as specified in Technical Reference TR-NWT-000341.

(C) Channel Interfaces

The following channel interfaces (CIs) define the bit rates that are available for a Digital Data Access channel:

CI	Bit Rate
DU-24 (S)	2.4 kbps
DU-48 (S)	4.8 kbps
DU-96 (S)	9.6 kbps
DU-19 (S)	19.2 kbps
DU-56 (S)	56.0 kbps
DU-64	64.0 kbps

Compatible channel interfaces are set forth in Technical Reference TR-NWT-000341 and MDP 326-726.

(1) Effective November 20, 2019, this Service will no longer be available for purchase by new or existing customers, and service agreements may no longer be renewed. In addition, requests to move, add or change existing service arrangements will not be accepted. Following the expiration of a customer's existing term agreement, service will be provided on a month-to-month basis at the applicable monthly extension rates until the service is discontinued. AT&T currently plans to discontinue this Service on or after June 30, 2024. (N)

ACCESS SERVICE

7 - Special Access (a.k.a. BellSouth SPA) Service (Cont'd)

7.2 Service Descriptions (Cont'd)

7.2.8 Digital Data Access⁽¹⁾ (a.k.a. BellSouth SPA DSO Digital Data) Service (Cont'd) (N)

(D) Optional Features and Functions

(1) Central Office Bridging Capability

Bridging is not available on a 64 kbps circuit.

(2) Transfer Arrangement

An arrangement that affords the customer an additional measure of protection and/or flexibility in the use of their access channel(s) on a 1xN basis. The arrangement can be utilized to transfer a leg of a Special Access Service to either a spare or working channel that terminates in either the same or a different customer designated premises. This arrangement is only available at a Telephone Company designated Hub. A key activated or dial up control service is required to operate the transfer arrangement. A spare line, if required, is not included as a part of the option.

(3) The following table shows the technical specifications packages with which the optional features and functions are available.

<u>Parameter</u>	<u>Available with Technical Specifications Package DA-</u>					
	<u>1</u>	<u>2</u>	<u>3</u>	<u>4</u>	<u>5</u>	<u>6</u>
Central Office Bridging Capability	X	X	X	X	X	
Transfer Arrangement	X	X	X	X		
BellSouth Customer Network Management Service	X	X	X	X	X	X

The technical specifications are delineated in Technical Reference TR-73513 for X.25 and TR-73515, Issue B.

(1) Effective November 20, 2019, this Service will no longer be available for purchase by new or existing customers, and service agreements may no longer be renewed. In addition, requests to move, add or change existing service arrangements will not be accepted. Following the expiration of a customer's existing term agreement, service will be provided on a month-to-month basis at the applicable monthly extension rates until the service is discontinued. AT&T currently plans to discontinue this Service on or after June 30, 2024. (N)

ACCESS SERVICE

7 - Special Access (a.k.a. BellSouth SPA) Service (Cont'd)

7.2 Service Descriptions (Cont'd)

7.2.9 High Capacity (a.k.a. BellSouth SPA High Capacity) Service⁽²⁾

(A) Basic Channel Description

A High Capacity (a.k.a. BellSouth SPA High Capacity) channel is a channel for the transmission of nominal 64 kbps⁽¹⁾ or 1.544, 3.152, 6.312 or 44.736, Mbps isochronous serial data. The actual bit rate is a function of the channel interface selected by the customer. High Capacity channels are provided between customer-designated premises or between a customer-designated premises and a Telephone Company Hub.

Except for DS1 Diverse service, a DS1 (1.544 Mbps) High Capacity (a.k.a. BellSouth SPA DS1) channel may also be provided over a fiber transmission path between a customer-designated premises and an alternate wire center. DS1 High Capacity channels may not be provided over DS1 Diverse service. The customer must have at least one other High Capacity service from the same customer-designated premises to its normal serving wire center. This DS1 Alternate Serving Wire Center (ASWC) transmission path avoids the wire center from which the customer would normally obtain dial tone. The ASWC local channel is provisioned between contiguous wire centers with adjacent fiber feeder routes. This service utilizes fiber facilities from the ASWC to the designated customer premises. Interoffice channel facilities, if required, will avoid the normal serving wire center. The Telephone Company will designate the serving wire center to be used as the alternate.

- (1) Available only as a channelized element of a 1.544 Mbps facility between two Telephone Company Digital Data (a.k.a. BellSouth SPA DSO Digital Data) Access Hubs or as a cross connect of two 2.4, 4.8, 9.6, 19.2, 56 or 64 Kbps channels of two 1.544 Mbps facilities at a Digital Data Access Hub. The customer must provide system and channel assignment data.
- (2) Effective September 20, 2017, High Capacity Service has limited availability; see Part 4, Section 2, paragraph 2.2.

(C)

ACCESS SERVICE

7 - Special Access (a.k.a. BellSouth SPA) Service (Cont'd)

7.2 Service Descriptions (Cont'd)

7.2.9 High Capacity (a.k.a. BellSouth SPA High Capacity) Service (Cont'd)

(A) Basic Channel Description (Cont'd)

The DS1 ASWC arrangement is immediately available for all existing arrangements and, where facilities exist, for customers whose normal serving wire centers are those listed below:

ALPRGAMA	ATLNGABU	ATLNGACS	TUKRGAMA
ATLNGAEP	ATLNGAPP	ATLNGASS	
ATLNGATH	DNWDGAMA	RSWLGAMA	
SMYRGAMA	SMYRGAPF	CHMBGAMA	

A BellSouth DS1 Diverse service local and interoffice channel provides for a local and interoffice channel facility, as defined in 7.1.2(A) and (B), utilizing a structurally diverse, fiber-based, architecture designed to limit single points of failure. DS1 Diverse service is available to customer locations where existing Local and Interoffice Channel facilities are fiber-based and utilize structurally diverse routes. Connectivity is available from a BellSouth DS1 Diverse Local Channel to another BellSouth DS1 Diverse service Local or Interoffice Channel, a DS1 (a.k.a. BellSouth SPA DS1) service Basic Channelization System, Centrex Type service, BellSouth SPA CNM - FlexServ Service, LightGate (a.k.a. BellSouth SPA Point to Point Network) service, BellSouth SPA Managed Shared Network service, or Expanded Interconnection service. BellSouth DS1 Diverse Interoffice Channels are not available without interconnection to a BellSouth DS1 Diverse Service Local Channel. BellSouth DS1 Diverse Service Local and Interoffice Channels may not be connected to a DS1 service Local or Interoffice Channel, and are not eligible for Alternate Serving Wire Center (ASWC) routing. (T) (D)

The DS1 ASWC arrangement will be provided elsewhere within 12 months of receiving a customer request. Where facilities do not exist, special construction charges for construction of a route or type of facility other than normal may apply as set forth in the Telephone Company's special construction provisions in BellSouth Telecommunications Tariff F.C.C. No. 2.

ACCESS SERVICE

7 - Special Access (a.k.a. BellSouth SPA) Service (Cont'd)

7.2 Service Descriptions (Cont'd)

7.2.9 High Capacity (a.k.a. BellSouth SPA High Capacity) Service (Cont'd)

(A) Basic Channel Description (Cont'd)

The charges for DS1 ASWC as specified in Section 23, apply on a per DS1 local channel basis and are in lieu of the per DS1 local channel charges which apply for DS1 local channels which extend from the customer-designated premises to the normal serving wire center. Interoffice channel mileage for the alternately routed service is based on mileage measured from or to the alternate serving wire center.

LightGate service (a.k.a. BellSouth SPA Point to Point Network) is a high capacity digital transport service consisting of DS1 and DS3 ⁽¹⁾ channels. LightGate service local channels are provided in four asynchronous system sizes: LightGate 1 service (a.k.a. BellSouth SPA Point to Point Network 1 DS3 capacity) systems, LightGate 2 service (a.k.a. BellSouth SPA Point to Point Network 3 DS3 capacity) systems, LightGate 3 service (a.k.a. BellSouth SPA Point to Point Network 12 DS3 capacity) systems and LightGate 4 service (a.k.a. BellSouth SPA Point to Point Network 24 DS3 capacity) systems. Interoffice channels are provided in one system size: an asynchronous LightGate 1 service system. Asynchronous systems are capable of transporting asynchronous DS1 and DS3 channels.

ACCESS SERVICE

7 - Special Access (a.k.a. BellSouth SPA) Service (Cont'd)

7.2 Service Descriptions (Cont'd)

7.2.9 High Capacity (a.k.a. BellSouth SPA High Capacity) Service (Cont'd)

(A) Basic Channel Description (Cont'd)

System Size:	<u>System Channel Capacity Limits</u>			
	DS1	DS3	STS-1	OC-3
- LightGate 1 (a.k.a. BellSouth SPA Point to Point Network 1 DS3 capacity)	28	1		
- LightGate 2 (a.k.a. BellSouth SPA Point to Point Network 3 DS3 capacity)	84	3		
- LightGate 3 (a.k.a. BellSouth SPA Point to Point Network 12 DS3 capacity)	336	12		
- LightGate 4 (a.k.a. BellSouth SPA Point to Point Network 24 DS3 capacity)	672	24		

ACCESS SERVICE

7 - Special Access (a.k.a. BellSouth SPA) Service (Cont'd)

7.2 Service Descriptions (Cont'd)

7.2.9 High Capacity (a.k.a. BellSouth SPA High Capacity) Service (Cont'd)

(A) Basic Channel Description (Cont'd)

Two additional levels of reliability are offered as options of basic LightGate service (a.k.a. BellSouth SPA Point to Point Network). These service levels provide guaranteed Separate Alternate Facilities Transport (SAFT Levels I & II) for improved protection of local channel systems extended from the first outside plant service access point outside the Telephone Company's serving wire center to the last outside plant service access point prior to entering a customer's premises.

SAFT Level I

Service protection facilities will be guaranteed to be provided in a separate sheath, i.e., cable, from the primary facilities.

SAFT Level II

Service protection facilities will be guaranteed to be provided in a separate sheath, i.e., cable, separate supporting structure and route from the primary facilities. Intermediate equipment, if required, will be configured to prevent a single service interruption point.

LightGate service channel interfaces are offered to provide individual DS1 and DS3 channels. Each DS3 channel has a capacity of 28 DS1 channels. A group of 28 DS1 channels or fraction thereof displaces the availability of a DS3 channel in a system. Appropriate electrical signals will be provided in accordance with the specifications of Technical Reference TR-INS-000342. The specifications for LightGate service interfaces are contained in BellSouth Telecommunications Technical Reference TR-73501.

ACCESS SERVICE

7 - Special Access (a.k.a. BellSouth SPA) Service (Cont'd)

7.2 Service Descriptions (Cont'd)

7.2.9 High Capacity (a.k.a. BellSouth SPA High Capacity) Service (Cont'd)

(A) Basic Channel Description (Cont'd)

The following tables list the channel interfaces available with each LightGate service system.

<u>Local Channel Systems:</u>	Asynchronous ⁽¹⁾			
	<u>LG1</u>	<u>LG2</u>	<u>LG3</u>	<u>LG4</u>
<u>Customer Channel Interfaces</u>				
DS1 ⁽²⁾	X	X		
DS3	X	X	X	X
<u>Central Office Channel Interfaces</u>				
DS1	X	X		
DS3	X	X	X	X
28 DS1 Channel System ⁽³⁾			X	X

<u>Interoffice Channel Systems:</u>	Asynchronous ⁽¹⁾
	<u>LG1</u>
<u>Channel Interfaces⁽⁴⁾</u>	
DS3	X
28 DS1 Channel System ⁽⁵⁾	X

- (1) Channel interface availability varies with system size and transport architecture (asynchronous vs. synchronous).
- (2) Telephone Company provided DS1 customer channel interfaces are offered with LightGate 1 (a.k.a. BellSouth SPA Point to Point Network 1 DS3 capacity) and LightGate 2 (a.k.a. BellSouth SPA Point to Point Network 3 DS3 capacity).
- (3) 28 DS1 channel system interfaces are required in conjunction with LightGate 3 (a.k.a. BellSouth SPA Point to Point Network 12 DS3 capacity) and 4 (a.k.a. BellSouth SPA Point to Point Network 24 DS3 capacity) asynchronous systems.
- (4) Asynchronous LightGate service 1 (a.k.a. BellSouth SPA Point to Point Network 1 DS3 capacity) Interoffice Channel Systems offer DS1 or DS3 channel interfaces only.
- (5) 28 DS1 channel system interfaces are only required with asynchronous DS1 and DS3 channels.

ACCESS SERVICE

7 - Special Access (a.k.a. BellSouth SPA) Service (Cont'd)

7.2 Service Descriptions (Cont'd)

7.2.9 High Capacity (a.k.a. BellSouth SPA High Capacity) Service (Cont'd)

(A) Basic Channel Description (Cont'd)

LightGate service (a.k.a. BellSouth SPA Point to Point Network) local channel systems provided to a customer's designated premises will be installed in a single, common space under Telephone Company control. A local channel system may not be split between premises or terminated in multiple locations within a premise. The customer must provide suitable floor space, controlled environment and source of non-switched suitable power to support this service at that location.

LightGate service 1 (a.k.a. BellSouth SPA Point to Point Network 1 DS3 capacity) interoffice channel systems are intended to extend LightGate service - local channels to other central offices or to be provided on a stand-alone basis when connected to BellSouth Customer Network Management Service and hubbing applications at Voice Grade (a.k.a. BellSouth SPA DSO VG) service levels when not directly connected to LightGate service local channels. Each LightGate service interoffice system is only provided between two suitably equipped Telephone Company central offices.

ACCESS SERVICE

7 - Special Access (a.k.a. BellSouth SPA) Service (Cont'd)

7.2 Service Descriptions (Cont'd)

7.2.9 High Capacity (a.k.a. BellSouth SPA High Capacity) Service (Cont'd)

(B) Technical Specifications Packages

The Compatibility requirements, technical specifications and generic requirements for High Capacity service (a.k.a. BellSouth SPA High Capacity) service that are terminated at the customers (end users) premises are contained in Technical Reference TR-NPL-000054.

Transmission parameter limits, interface combinations and technical specifications applicable to Interstate Carriers are contained in Technical Reference TR-INS-000342.

BellSouth DS1 Diverse Service Local and Interoffice Channels have a performance objective of 99.98 percent circuit availability over 12 consecutive months, 99.95 percent error free seconds over a continuous 24-hour period and .010 severely errored seconds over 30 consecutive days. These objectives apply except when a customer's equipment and/or cabling is disconnected and/or inoperative.

DS3 High Capacity service (a.k.a. BellSouth SPA DS3) service channels are measured at the DS1 rate. DS1 High Capacity service (a.k.a. BellSouth SPA DS1) service channels have a performance objective of 98.75% error-free seconds over a continuous 24-hour period. The channel availability objective over 12 consecutive months is 99.925%.

(C) Channel Interfaces

The following channel interfaces (CIs) define the bit rates that are available for a High Capacity channel:

<u>CI</u>	<u>Bit Rate</u>
DS-15 ⁽¹⁾	1.544 Mbps (DS1)
DS-31	3.152 Mbps (DS1C)
DS-44	44.736 Mbps (DS3)
DS-63	6.312 Mbps (DS2)

Compatible channel interfaces are set forth in Technical Reference TR-NPL-000054 and TR-INS-000342.

(1) A 64 kbps channel is available as a channel(s) of a 1.544 Mbps facility to a Telephone Company Hub.

ACCESS SERVICE

7 - Special Access (a.k.a. BellSouth SPA) Service (Cont'd)

7.2 Service Descriptions (Cont'd)

7.2.9 High Capacity (a.k.a. BellSouth SPA High Capacity) Service (Cont'd)

(D) Optional Features and Functions

(1) Reserved for Future Use

(2) Channelization

(a) DS2 to DS1

An arrangement that channelizes a 6.312 Mbps channel to four DS1 channels.

(b) DS1C to DS1

An arrangement that channelizes a 3.152 Mbps channel to two DS1 channels.

(c) DS1 Basic Channelization System⁽¹⁾

An arrangement that channelizes a 1.544 Mbps channel to a maximum of twenty-four 64 kbps channels that may be used to activate both analog and digital services, e.g. Voice Grade (a.k.a. BellSouth SPA DS0 VG), Digital Data Access (a.k.a. BellSouth SPA DS0 Digital Data) service, Metallic (a.k.a. BellSouth SPA Metallic) and WATS Access Line (a.k.a. BellSouth SPA WATS Line) service. A DS1 Basic Channelization System requires a Central Office Channel Interface for each channel of lesser capacity. (D)

(d) DS0 Basic Channelization System⁽¹⁾

An arrangement that channelizes a 64 kbps channel to sub-speeds of up to twenty 2.4 kbps, ten 4.8 kbps or five 9.6 kbps channels. A DS0 Basic Channelization System requires a Central Office Interface for each channel of lesser capacity.

(1) Effective November 20, 2019, this Service will no longer be available for purchase by new or existing customers, and service agreements may no longer be renewed. In addition, requests to move, add or change existing service arrangements will not be accepted. Following the expiration of a customer's existing term agreement, service will be provided on a month-to-month basis at the applicable monthly extension rates until the service is discontinued. AT&T currently plans to discontinue this Service on or after June 30, 2024.

ACCESS SERVICE

7 - Special Access (a.k.a. BellSouth SPA) Service (Cont'd)

7.2 Service Descriptions (Cont'd)

7.2.9 High Capacity (a.k.a. BellSouth SPA High Capacity) Service (Cont'd)

(D) Optional Features and Functions (Cont'd)

(2) Channelization (Cont'd)

The following table shows the technical specifications packages with which the optional features and functions are available.

<u>Parameter</u>	Available with Technical Specifications Package HC-					
	<u>0</u>	<u>1</u>	<u>1C</u>	<u>2</u>	<u>3</u>	
Channelization:						
DS3 to DS1					X	
DS2 to DS1				X		
DS1C to DS1			X			
DS1 Basic Channelization System ⁽²⁾				X		(N)
DS0 Basic Channelization System ^{(1) (2)}		X	X			(N)
BellSouth Customer Network Management Service	X	X			X	
Clear Channel Capability			X			

(1) Available only on 64 Kbps DDAS (a.k.a. BellSouth SPA DS0 Digital Data) service or on a DS1 (1.544 Mbps) channel with Clear Channel Capability to a Telephone Company Hub.

(2) Effective November 20, 2019, this Service will no longer be available for purchase by new or existing customers, and service agreements may no longer be renewed. In addition, requests to move, add or change existing service arrangements will not be accepted. Following the expiration of a customer's existing term agreement, service will be provided on a month-to-month basis at the applicable monthly extension rates until the service is discontinued. AT&T currently plans to discontinue this Service on or after June 30, 2024. (N)

ACCESS SERVICE

7 - Special Access (a.k.a. BellSouth SPA) Service (Cont'd)

7.2 Service Descriptions (Cont'd)

7.2.9 High Capacity (a.k.a. BellSouth SPA High Capacity) Service (Cont'd)

(D) Optional Features and Functions (Cont'd)

(3) Shared Network Arrangement

- (a) A service offering that provides for multiple customers to cross connect their individual services on a channelized high capacity service. The service configurations will be limited to a customer sharing a portion of their transport capacity with another customer. A customer's higher level of transport may be shared at a lower level based on the lower level of interfaces or channelization that are available (e.g., BellSouth DS1 Diverse service or DS1 High Capacity (a.k.a. BellSouth SPA DS1) service shared at a sub-DS1 level, or DS3 transport shared at the BellSouth DS1 Diverse service or DS1 High Capacity (a.k.a. BellSouth SPA DS1) service level).
- (b) Under the Shared Network Arrangement, BellSouth Telecommunications may share with the host subscriber record information pertaining to the services of other users of the shared network. Such disclosure will be under the sole discretion of BellSouth Telecommunications as is necessary to perform billing reconciliations and/or other functions required in connection with maintaining account records.
- (c) Shared Network Arrangements are available in all operating areas of the Telephone Company. Section 7.4.11 contains rate regulations specific to Shared Network Arrangements.

ACCESS SERVICE

7 - Special Access (a.k.a. BellSouth SPA) Service (Cont'd)

7.2 Service Descriptions (Cont'd)

7.2.9 High Capacity (a.k.a. BellSouth SPA High Capacity Service) (Cont'd)

(D) Optional Features and Functions (Cont'd)

(4) Clear Channel Capability

- (a) Clear Channel Capability (CCC) is an arrangement that alters a DS1/1.544 Mbps signal with unconstrained information bits to meet pulse density requirements outlined in TR-NPL-000054 and TR-INS-000342. This will allow a customer to transport an all-zero octet over a DS1 (a.k.a. BellSouth SPA DS1) or BellSouth DS1 Diverse service local and/or interoffice channel and will provide an available combined maximum 1.536 Mbps data rate. This arrangement requires the customer signal at the channel interface to conform to Bipolar with eight (8) Zero Substitution (B8ZS) line code as described in Technical Reference TR-NPL-000054 and TR-INS-000342.
- (b) CCC is provided on DS1 (a.k.a. BellSouth SPA DS1) and BellSouth DS1 Diverse service local and/or interoffice channels between two customer designated premises and is subject to the availability of facilities. This optional feature may be ordered at the same time the DS1 or BellSouth DS1 Diverse service local and/or interoffice channel is ordered, or it may be ordered as an additional feature of an existing local or interoffice channel. Rates and charges for Clear Channel Capability are in addition to rates and charges specified for DS1 and BellSouth DS1 Diverse service.
- (c) When providing CCC via a DS3/44.736 Mbps High Capacity (a.k.a. BellSouth SPA DS3) channel, that DS3 channel must be designated, in BellSouth records, as having Clear Channel Capability prior to the provisioning of a DS1 or BellSouth DS1 Diverse service local and/or interoffice channel with CCC. Customers must agree to out-of-service periods required to add this feature to: 1) an existing DS1 or BellSouth DS1 Diverse service local and/or interoffice channel or 2) a DS3/44.736 Mbps High Capacity channel which transports a DS1 or DS1 Diverse service local and/or interoffice channel to be optioned for B8ZS.

ACCESS SERVICE

7 - Special Access (a.k.a. BellSouth SPA) Service (Cont'd)

7.2 Service Descriptions (Cont'd)

7.2.10 Dry Fiber⁽¹⁾

Dry fiber is offered as a point-to-point arrangement between two Customer-designated premises. The Telephone Company will also permit a Customer to provision dry fiber to a collocation arrangement or between two collocation arrangements located in the same central office. If dry fibers are terminated at a collocation arrangement, connecting facility assignments (CFAs) of the fiber cross-connect facility must be provided by the Customer. Additionally, the Customer must: (i) obtain a letter of authorization from the Collocator, and (ii) provide a written copy of the letter of authorization to the Telephone Company if a dispute arises with respect to the authorization for the applicable Services.

This arrangement consists of four optical fibers, where available, and is offered without optical signal regeneration to compensate for signal losses. This service is offered over the Telephone Company fibers "as is" without any modification or re-splicing. The Telephone Company makes no other representations regarding the transmission capability of the facilities. Diverse fiber paths are not provided with this service offering. A fiber cross-connect panel is the only equipment provided for the provision of this service. Fiber cross-connects into collocation arrangements and between collocation arrangements located in the same central office (i.e., Intra-Office Cross Connects) are offered pursuant to the rates and charges provided in Section 13 of BellSouth Telecommunications Tariff F.C.C. No. 1.

The Customer may utilize the dry fiber for any lawful purpose, however, the Telephone Company does not represent this service as suitable for the Customer's desired applications. The Telephone Company reserves the right to rearrange its network and to modify the manner in which it provides service in order to meet its overall service requirements. This includes, but is not limited to, the right to engineer and construct its fiber optic facilities in accordance with its normal operations without requirement to modify its materials, splicing techniques, or planned facility rearrangements to suit a specific Customer request.

(1) Effective January 1, 2011, Dry Fiber is no longer available to new Customers. There is no change for existing Customers.

ACCESS SERVICE

7- Special Access (a.k.a. BellSouth SPA) Service (Cont'd)

7.2 Service Descriptions (Cont'd)

7.2.10 Dry Fiber⁽¹⁾ (Cont'd)

At the request of the Customer, if made prior to the installation of the facilities, the Telephone Company will attempt to estimate the transmission loss of the channel at the Customer's intended transmission wavelength; provided, however, that the Telephone Company does not warrant that the Customer's channel will operate at that estimated loss or that the transmission loss will remain constant during the period in which the Customer obtains the facilities from the Telephone Company.

The Customer must clearly identify facilities termination points at the Customer's premises or at the Customer's collocation arrangements. In addition, the Customer must cooperatively disable any optical transmission equipment on a dry fiber arrangement whenever the Telephone Company must perform maintenance on those facilities.

This arrangement does not provide interconnection to other DS3 and/or DS1 channel services provided by the Telephone Company. No service capabilities are expressed or implied for any such connections by the Customer.

7.2.11 Self-healing Rings

(A) Technical Specifications Packages

DS3 interface combinations and technical specifications are referenced in Bellcore TR-INS-000342.

DS1 interface combinations and technical specifications are referenced in Bellcore TR-NPL-000054.

(1) Effective January 1, 2011, Dry Fiber is no longer available to new Customers. There is no change for existing Customers.

ACCESS SERVICE

7- Special Access (a.k.a. BellSouth SPA) Service (Cont'd)

7.2 Service Descriptions (Cont'd)

7.2.12 Derived Data Channel⁽²⁾ (a.k.a. BellSouth SPA Derived Data Channel) (N)
 Service⁽¹⁾

(A) Basic Service Description

DCCS provides full-duplex asynchronous or synchronous data transmission utilizing data over voice and sub-rate multiplexing technology. DCCS provides simultaneous data and voice transmissions over the customer's existing two-wire local exchange facility. A derived data channel is provided between the customer's premises and the customer's serving central office.

At the customer's serving central office the data/voice terminating equipment provides sub-rate multiplexing of the data signals into a standard DS0-B interface for a group composed of a maximum of twenty derived data channels. The customer's derived data channel (a.k.a. BellSouth SPA Derived Data Channel) must be associated with a DS0-B Interface. This association requires coordination between the subscriber of the derived data channel and the subscriber of the DS0-B interface.

An interoffice channel is provided for interconnection of the sub-rate multiplexed DS0-B interface to the serving wire center of a customer designated terminating premises.

DCCS is provided subject to the availability of appropriate network facilities and equipment and subject to the transmission limitations of the facilities and equipment used by the Company.

The customer will be responsible for selecting his own Customer Premises Equipment (CPE). CPE must be compatible with the Company provided terminating equipment at the serving wire center.

(1) Effective September 20, 2017, Derived Data Channel Service has limited availability; see Part 4, Section 2, paragraph 2.2.

(2) Effective November 20, 2019, this Service will no longer be available for purchase by new or existing customers, and service agreements may no longer be renewed. In addition, requests to move, add or change existing service arrangements will not be accepted. Following the expiration of a customer's existing term agreement, service will be provided on a month-to-month basis at the applicable monthly extension rates until the service is discontinued. AT&T currently plans to discontinue this Service on or after June 30, 2024.

(N)
 |
 (N)

ACCESS SERVICE

7- Special Access (a.k.a. BellSouth SPA) Service (Cont'd)

7.2 Service Descriptions (Cont'd)

7.2.12 Derived Data Channel⁽¹⁾ (a.k.a. BellSouth SPA Derived Data Channel) (N)
 Service (Cont'd)

(B) Channel Interfaces

The following channel interface (CI) defines the bit rate that is available with DDCS.

<u>CI</u>	<u>Bit Rate</u>
2DV5.BA	2.4 Kbps Digital Data Over Voice

Compatible channel interface specifications are contained in BellSouth Technical Reference Publication 73548 for the data/voice multiplexing equipment and BellSouth Technical Reference Publication 73548, Addendum 1, for access to the DS0-B interface.

(1) Effective November 20, 2019, this Service will no longer be available for purchase by new or existing customers, and service agreements may no longer be renewed. In addition, requests to move, add or change existing service arrangements will not be accepted. Following the expiration of a customer's existing term agreement, service will be provided on a month-to-month basis at the applicable monthly extension rates until the service is discontinued. AT&T currently plans to discontinue this Service on or after June 30, 2024. (N)

ACCESS SERVICE

7- Special Access (a.k.a. BellSouth SPA) Service (Cont'd)

7.2 Service Description (Cont'd)

7.2.13 SMARTPath Service (a.k.a. BellSouth SPA DS1 Shared Ring)

(A) Service Description

SMARTPath service (a.k.a. BellSouth SPA DS1 Shared Ring) is a shared high capacity network capable of providing a 1.544 Mbps transport link with high performance and reliability parameters and a level of redundancy/diversity designed to limit a single event from interrupting service. This service is available in those locations within specified SMARTPath service areas which the Company determines can be incorporated into the SMARTPath service network enabling the Company to provide the specified level of performance and reliability. For locations where a customer requests SMARTPath service and facilities are not available, special construction charges will apply, as set forth in the BellSouth Telecommunications Special Construction Tariff F.C.C. No. 2. SMARTPath service areas and associated wire centers are identified in the NATIONAL EXCHANGE CARRIER ASSOCIATION, INC. TARIFF F.C.C. NO. 4 by wire center.

SMARTPath service provides a transport link between a customer designated premises where the network is accessed and (1) another customer designated premises, in the same SMARTPath service (a.k.a. BellSouth SPA DS1 Shared Ring) area or (2) a serving wire center in the same SMARTPath service area for connection to (a) DS1 Basic Channelization, BellSouth SPA CNM - FlexServ Service, LightGate service (a.k.a. BellSouth SPA Point to Point Network) or BellSouth Virtual Expanded Interconnection Services under Section 20 of BellSouth Telecommunications Tariff F.C.C. No. 1, or (b) a SMARTPath Area Junction of another SMARTPath service area in the same Metropolitan Area.

(B) Performance Objectives

ANSI T1.403-1989 Extended Super Frame Format (ESF) is required on all circuits in order to assure performance objectives. The performance objectives for SMARTPath service (a.k.a. BellSouth SPA DS1 Shared Ring) are as follows:

- (1) Meet or exceed 99.99% circuit availability on a monthly basis. This objective applies except where a customer's equipment is disconnected and/or inoperative.
- (2) Meet or exceed 99.95% error-free seconds on a monthly basis.
- (3) Meet or exceed .009% severely errored seconds on a monthly basis.

ACCESS SERVICE

7- Special Access (a.k.a. BellSouth SPA) Service (Cont'd)

7.2 Service Description (Cont'd)

7.2.13 SMARTPath Service (a.k.a. BellSouth SPA DS1 Shared Ring) (Cont'd)

(C) Performance Guarantees

The performance guarantees for SMARTPath service are as follow:

- (1) Guaranteed service installation - the Company will meet negotiated due date or credit an amount equal to the nonrecurring charge according to the Service Installation Guarantee described in Part 3, Section 2, paragraph 2.4.9. (C)
- (2) Service Continuity - in the event of primary facility failure, service is guaranteed to switch to an alternate facility path in 60 seconds or less. Failure to meet this guarantee will result in a credit as described in Part 3, Section 2, paragraph 2.4.4(B)(8), where the trouble is in the network on public right-of-way. (C)

(D) Deployment

Deployment of SMARTPath service is planned for the following metropolitan areas:

- Atlanta, GA
- Baton Rouge, LA
- Charlotte, NC
- Fort Lauderdale, FL
- Jacksonville, FL
- Memphis, TN
- Miami, FL
- Nashville, TN
- New Orleans, LA
- Orlando, FL
- Raleigh, NC

ACCESS SERVICE

7- Special Access (a.k.a. BellSouth SPA) Service (Cont'd)

7.2 Service Description (Cont'd)

7.2.14 SMARTPath DS3 Transport (a.k.a. BellSouth SPA DS3 Shared Ring) Service

(A) SMARTPath DS3 Transport Service

SMARTPath DS3 Transport Service SMARTPath DS3 Transport service is a shared high capacity (a.k.a. BellSouth SPA High Capacity) network service capable of providing a 44.736 Mbps transport link with high performance and reliability parameters and a level of redundancy/diversity designed to limit a single event from interrupting service. This service is available only in those locations within specified SMARTPath service areas which the Company determines can be incorporated into the SMARTPath service (a.k.a. SMARTPath SPA DS1 Shared Ring) network enabling the Company to provide the specified level of performance and reliability. For locations where a customer requests SMARTPath DS3 Transport service and facilities are not available, special construction charges will apply as set forth in the BellSouth Telecommunications Special Construction Tariff F.C.C. No. 2. SMARTPath (a.k.a. BellSouth SPA Shared Ring) service areas are identified in the NATIONAL EXCHANGE CARRIER ASSOCIATION TARIFF F.C.C. No. 4.

SMARTPath DS3 Transport service provides a transport link between a customer designated premises where the network is accessed and (a) another customer designated premises, in the same SMARTPath area or (b) a serving wire center in the same SMARTPath area. At a serving wire center in a SMARTPath service area, SMARTPath DS3 Transport (a.k.a. BellSouth SPA DS3 Shared Ring) service may be connected (a) to DS1 service through a SMARTPath DS3 Transport service 28 DS1 Channel System, or to BellSouth SPA CNM - FlexServ Service, or to expanded interconnection services under Section 20 of BellSouth Telecommunications Tariff F.C.C. No. 1, or (b) to a SMARTPath DS3 Area Junction of another SMARTPath service area in the same metropolitan area.

ACCESS SERVICE

7- Special Access (a.k.a. BellSouth SPA) Service (Cont'd)

7.2 Service Description (Cont'd)

7.2.14 SMARTPath DS3 Transport Service (a.k.a. BellSouth SPA DS3 Shared Ring) (Cont'd)

(B) Performance Objectives

Technical Reference 73575 and Technical Reference 73575, Addendum 1, DS3 framing format with P-bit parity is required on all circuits in order to support maintenance and performance objectives. The DS3 performance objectives for SMARTPath DS3 Transport (a.k.a. BellSouth SPA DS3 Shared Ring) service are as follows:

- (1) Meet or exceed 99.99% circuit availability on a monthly basis. This objective applies except where a customer's equipment is disconnected and/or inoperative.
- (2) Meet or exceed 99.5% error free seconds on a monthly basis.
- (3) Meet or exceed .009% severely errored seconds on a monthly basis.

(C) Performance Guarantee

The performance guarantee for SMARTPath DS3 Transport service is as follows:

- Service Continuity - in the event of primary facility failure, service is guaranteed to switch to an alternate facility path in 60 seconds or less. Failure to meet this guarantee will result in a credit as described in Part 3, Section 2, paragraph 2.4.4(B)(8), where the trouble is in the network on public right-of-way. (C)

(D) Deployment

Deployment of SMARTPath DS3 Transport service is the same as shown for DS1 SMARTPath service (a.k.a. BellSouth SPA DS1 Shared Ring) in Section 7.2.13(D) preceding.

ACCESS SERVICE

7- Special Access (a.k.a. BellSouth SPA) Service (Cont'd)

7.3 Channel Interface and Network Channel Codes

This section explains the Channel Interface codes and Network Channel codes that the customer must specify when ordering Special Access Service. Included is an example, which explains the specific characters of the code, a glossary of Channel Interface codes, impedance levels, Network Channel codes and Compatible Channel Interface Codes. These items are contained in the services' respective Technical Reference Publications as indicated in 7.3.5 following.

Example: If the customer specifies an NT Network Channel Code and a 2DC8-3 Channel Interface at the customer's premises, the following is being requested:

- NT = Metallic Channel with a Predefined Technical Specification Package
- 2 = Number of physical wires at customer premises
- DC = Facility interface for direct current or voltage
- 8 = Variable impedance level
- 3 = Metallic facilities (DC continuity) for direct current/low frequency control signals or slow speed data (30 baud)

7.3.1 Glossary of Channel Interface Codes and Options

<u>Code</u>	<u>Option</u>	<u>Definition</u>
AB -		accepts 20 Hz ringing signal at customer's point of termination
AC -		accepts 20 Hz ringing signal at customer's end user's point of termination
AH -		analog high capacity interface
	- B	60 kHz to 108 kHz (12 channels)
	- C	312 kHz to 552 kHz (60 channels)
	- D	564 kHz to 3084 kHz (600 channels)
CM -		SONET Add/Drop Multiplexer Termination
	- 1	DS1 Low Speed Port Termination
	- 3	DS3 Low Speed Port Termination
	- S	STS-1 Middle Speed Port Termination
	- C3	OC-3 Middle Speed Port Termination
	- C12	OC-12 Middle Speed Port Termination
	- C48	OC-48 Middle Speed Port Termination

ACCESS SERVICE

7- Special Access (a.k.a. BellSouth SPA) Service (Cont'd)

7.3 Channel Interface and Network Channel Codes (Cont'd)

7.3.1 Glossary of Channel Interface Codes and Options (Cont'd)

<u>Code</u>	<u>Option</u>	<u>Definition</u>
CT	-	Centrex Type Services Tie Trunk Termination
CS	-	digital hierarchy interface at Digital Cross Connect System (DCS)
	- 1S	1.544 Mbps (DS1) ANSI Extended Superframe (ESF) Format and B8ZS Clear Channel Capability per TR-INS-000342
	- 15	1.544 Mbps (DS1) Superframe (SF) format per TR-INS-000342
	- 15B	1.544 Mbps (DS1) Superframe (SF) Format and B8ZS Clear Channel Capability per TR-INS-000342
	- 1K	1.544 Mbps (DS1) ANSI Extended Superframe (ESF) format per TR-INS-000342
	- EA	E & M Signaling
	- GO	Ground Start Loop Signaling-Open End
	- GS	Ground Start Loop Signaling-Closed End
	- LO	Loop Start Loop Signaling-Open End
	- LS	Loop Start Loop Signaling-Closed End
	- NO	Transmission Only - No Signaling
	- R	(DS0) Customer Reconfigurable Voice Grade Service (a.k.a. BellSouth SPA DSO VG)
	- 10R	DS1 to DS0 Customer Reconfigurable
	- 10	DS1 to DS0
	- 11R	DS1 to DS1 Customer Reconfigurable
	- 11	DS1 to DS1
	- 30R	DS3 to DS0 Customer Reconfigurable
	- 30	DS3 to DS0
	- 31R	DS3 to DS1 Customer Reconfigurable
	- 31	DS3 to DS1
	- 33R	DS3 to DS3 Customer Reconfigurable
	- 33	DS3 to DS3
	- SP	Resistive Type: Split Path Operation for Data Polling Conference Type
	- CF	Resistive Type: Split Path Operation for Symmetrical Voice Conference Type
	- BC	CO Bridging: Broadcast for Broadcast Conference Type

ACCESS SERVICE

7 - Special Access (a.k.a. BellSouth SPA) Service (Cont'd)

7.3 Channel Interface and Network Channel Codes (Cont'd)

7.3.1 Glossary of Channel Interface Codes and Options (Cont'd)

<u>Code</u>	<u>Option</u>	<u>Definition</u>
DA	-	data stream in VF frequency band at customer's end user's point of termination
DB	-	data stream in VF frequency band at customer's point of termination
	- 10	VF for TG1 and TG2
	- 43	VF for 43 Telegraph Carrier type signals, TG1 and TG2
DC	-	direct current or voltage
	- 1	monitoring interface with series RC combination (McCulloch format)
	- 2	Telephone Company energized alarm channel
	- 3	Metallic facilities (DC continuity) for direct current/low frequency control signals or slow speed data (30 baud)
DM	- 4	2400 bps 201B type modem operation
	- 5	4800 bps 208A type modem operation
	- 6	9600 bps CCITT V.29 type modem
	- 9PA	Modem operation CCITT V.32 (2-wire at 9600 bps) Asynchronous, Packet Switch Interconnect
DN	-	
	- 9P	Modem operation CCITT V.32 (4-wire at 9600 bps) BellSouth only, TR-73516, Issue C.
DS	-	digital hierarchy interface
	- 1K	1.544 Mbps (DS1) ANSI Extended Superframe (ESF) Format per TR-INS-000342
	- 1S	1.544 Mbps (DS1) ANSI Extended Superframe (ESF) Format and B8ZS Clear Channel Capability per TR-INS-000342
	- 15	1.544 Mbps (DS1) Superframe (SF) format per TR-INS-000342
	- 15B	15B 1.544 Mbps (DS1) Superframe (SF) Format and B8ZS Clear Channel Capability per TR-INS-000342
	- 15E	8-bit PCM encoded in one 64 kbps of the DS1 signal
	- 15F	8-bit PCM encoded in two 64 kbps of the DS1 signal
	- 15G	8-bit PCM encoded in three 64 kbps of the DS1 signal
	- 15H	14/11-bit PCM encoded in six 64 kbps of the DS1 signal
	- 15J	1.544 Mbps format per TR-NPL-000054 (only available to U.S. Gov't agencies)
	- 31	3.152 Mbps (DS1C)
	- 31L	3.152 Mbps (DS1C) with SF signaling
	- 44	44.736 Mbps (DS3)
	- 63	6.312 Mbps (DS2)
	- 63L	6.312 Mbps (DS2) with SF signaling

ACCESS SERVICE

7 - Special Access (a.k.a. BellSouth SPA) Service (Cont'd)

7.3 Channel Interface and Network Channel Codes (Cont'd)

7.3.1 Glossary of Channel Interface Codes and Options (Cont'd)

<u>Code</u>	<u>Option</u>	<u>Definition</u>
DU	-	digital access interface
	- 19 ⁽¹⁾	19.2 Kbps
	- 24 ⁽¹⁾	2.4 kbps
	- 48 ⁽¹⁾	4.8 kbps
	- 56 ⁽¹⁾	56 kbps
	- 64	64 Kbps
	- 96 ⁽¹⁾	9.6 kbps
	- 1KN	DS1 (1.544 Mbps) ANSI Extended Superframe (ESF) Format per TR-NPL-000054 without line power
	- 1SN	DS1 (1.544 Mbps) ANSI Extended Superframe (ESF) Format per TR-NPL-000054, with B8ZS Clear Channel Capability and without line power
	- A	DS1 (1.544 Mbps) free-framing format per MDP 326-463 with line power (only available to U.S. Government agencies)
	- AN	DS1 (1.544 Mbps) free-framing format per MDP 326-463 without line power (only available to U.S. Government agencies)
	- BN	DS1 (1.544 Mbps) Superframe (SF) Format per TR-NPL-000054 without line power
	- DN	DS1 (1.544 Mbps) Superframe (SF) Format per TR-NPL-000054, with B8ZS Clear Channel Capability without line power
DV	-	Data and Voice Multiplexing
	- BC	Digital Data Over Voice, 9.6 Kbps
DX	-	duplex signaling interface at customer's point of termination
EA	- E	Type I E&M Lead Signaling. Customer at POT or customer's end user at POT originates on E Lead
EA	- M	Type I E&M Lead Signaling. Customer at POT or customer's end user at POT originates on M Lead
EB	- E	Type II E&M Lead Signaling. Customer at POT or customer's end user at POT originates on E Lead
EB	- M	Type II E&M Lead Signaling. Customer at POT or customer's end user at POT originates on M Lead
EC	-	Type III E&M signaling at customer POT
EX	- A	tandem channel unit signaling for loop start or ground start and customer supplies open end (dial tone, etc.) functions
EX	- B	tandem channel unit signaling for loop start or ground start and customer supplies closed end (dial pulsing, etc.) functions

(1) Available only for the transmission of audio tone protective relaying signals used in the protection of electric power systems during fault conditions.

ACCESS SERVICE

7 - Special Access (a.k.a. BellSouth SPA) Service (Cont'd)

7.3 Channel Interface and Network Channel Codes (Cont'd)

7.3.1 Glossary of Channel Interface Codes and Options (Cont'd)

<u>Code</u>	<u>Option</u>	<u>Definition</u>
GO	-	ground start loop signaling - open end function by customer or customer's end user
GS	-	ground start loop signaling - closed end function by customer or customer's end user
	- C	Centrex Type Services foreign exchange termination
	- M	for terminating in central office located answering service concentrate or
LA	-	end user loop start loop signaling - Type A OPS registered port open end
LB	-	end user loop start loop signaling - Type B OPS registered port open end
LC	-	end user loop start loop signaling - Type C OPS registered port open end
LO	-	loop start loop signaling - open end function by customer or customer's end user
LR	-	20 Hz automatic ringdown interface at customer with Telephone Company provided PLAR
	- A	D4 type PLAR channel unit signaling format ⁽¹⁾
	- B	D3 type PLAR channel unit signaling format ⁽¹⁾
LS	-	loop start loop signaling - closed end function by customer or customer's end user
	- M	for terminating in central office located answering service concentrator
NO	-	no signaling interface, transmission only
PG	-	program transmission - no dc signaling
	- 1	nominal frequency from 50 to 15000 Hz
	- 3	nominal frequency from 200 to 3500 Hz
	- 5	nominal frequency from 100 to 5000 Hz
	- 8	nominal frequency from 50 to 8000 Hz
PR		protective relaying ⁽²⁾

(1) Availability limited to locations with embedded technology.

(2) Available only for the transmission of audio tone protective relaying signals used in the protection of electric power systems during fault conditions.

ACCESS SERVICE

7 - Special Access (a.k.a. BellSouth SPA) Service (Cont'd)

7.3 Channel Interface and Network Channel Codes (Cont'd)

7.3.1 Glossary of Channel Interface Codes and Options (Cont'd)

<u>Code</u>	<u>Option</u>	<u>Definition</u>	
RV	- 0	reverse battery signaling, one way operation, originate by customer	
	- T	reverse battery signaling, one-way operation, terminate function by customer or customer's end user	
SF	-	single frequency signaling with VF band at either customer POT or customer's end user POT	
TF	-	telephotograph interface	
TT	-	telegraph/teletypewriter interface at either customer POT or customer's end user POT	
	- 2	20.0 milliamperes	
	- 3	3.0 milliamperes	
	- 6	62.5 milliamperes	
TV	-	television interface	
	- 1	combined (diplexed) broadcast quality video (a.k.a. BellSouth SPA Broadcast Quality Video ^{/1/}) and two or four audio signals	(C)

/1/ Effective December 31, 2020, this Service will no longer be available for purchase by new or existing customers, and service agreements may no longer be renewed. In addition, requests to move, add, or change existing service arrangements will not be accepted. Following the expiration of a customer's existing term agreement, service will be provided on a month-to-month basis at the applicable Month-to-Month rate until the service is discontinued. AT&T currently plans to discontinue this Service on or after December 31, 2021. (N)

ACCESS SERVICE

7 - Special Access (a.k.a. BellSouth SPA) Service (Cont'd)

7.3 Channel Interface and Network Channel Codes (Cont'd)

7.3.2 Impedance

The nominal reference impedance with which the channel will be terminated for the purpose of evaluating transmission performance:

<u>Value (ohms)</u>	<u>Code(s)</u>
110	0
150	1
600	2
900	3 ⁽¹⁾
135	5
75	6
124	7
Variable	8
100	9
Fiber	F

7.3.3 Digital Hierarchy Channel Interface Codes

Customer's selecting the channelized four-wire DS1 or higher facility interface option at the customer designated premises will be requested to provide subsequent system and channel assignment data. Capacity is stated in terms of the digital bit rate or equivalent channel capacity as indicated below:

<u>Interface Code and Speed Option</u>	<u>Digital Hierarchy Level</u>
4DS9-1--	DS1
4DS6-44A	1 DS3
4ST6-A	1 STS-1
4DS6-44C	3 DS3's
4SOF----	1 OC-N ⁽²⁾
4DS6-44G	12 DS3's
4DS6-44N	24 DS3's

- (1) For those interface codes with a 4-wire transmission path at the customer designated POT, rather than a standard 900 ohm impedance, the code (3) denotes a customer provided transmission equipment termination. Such terminations were provided to customers in accordance with the FCC Docket No. 20099 Settlement Agreement.
- (2) The SONET hierarchy level is specified in the Network Channel Code, character positions 1 and 2. Code OB indicates the OC-3 level.

ACCESS SERVICE

7 - Special Access (a.k.a. BellSouth SPA) Service (Cont'd)

7.3 Channel Interface and Network Channel Codes (Cont'd)

7.3.4 Service Designator/Network Channel Code Conversion Table

The purpose of this table is to show the relationship between the service designator codes (e.g. VGC, MT2, etc.) and the network channel codes that are used for various administrative purposes.

Service Designator Code	Network Channel Code
MTC	MQ
MT1	NT
MT2	NU
MT3	NV
TGC	NQ
TG1	NW
TG2	NY
VGC	LQ
VG1	LB
VG2	LC
VG3	LD
VG4	LE
VG5	LF
VG6	LG
VG7	LH
VG8	LJ
VG9	LK
VG10	LN
VG11	LP
VG12	LR
APC	PQ
AP1	PE
AP2	PF
AP3	PJ
AP4	PK
TVC	TQ
TV1	TV
TV3	TZB
TVID	TZD
TVD	TZD
WA1	WJ
WA1T	WQ
WA2	WL
WA2A	WR

ACCESS SERVICE

7 - Special Access (a.k.a. BellSouth SPA) Service (Cont'd)

7.3 Channel Interface and Network Channel Codes (Cont'd)

7.3.4 Service Designator/Network Channel Code Conversion Table (Cont'd)

Service Designator <u>Code</u>	Network Channel <u>Code</u>
WA3	WN
WA4	WP
WD1	WB
WD2	WE
WD3	WF
DA1	XA
DA2	XB
DA3	XG
DA4	XH
DA5	XE
DA6	YN
HC0	HS
HC1	HC
HC1C	HD
HC2	HE
HC3	HF
HC5	HH-S
HC14T	HK-A
HC16T	HK-B
WAL	SE
WAL	SF

ACCESS SERVICE

7 - Special Access (a.k.a. BellSouth SPA) Service (Cont'd)

7.3 Channel Interface and Network Channel Codes (Cont'd)

7.3.5 Compatible Channel Interfaces

Channel interface codes (CIs) which are compatible are shown in the following Technical References for each category of service:

(A) Metallic ^{/2/} (a.k.a. BellSouth SPA Metallic)	TR-NPL-000336	
(B) Telegraph Grade ^{/2/} (a.k.a. BellSouth SPA Telegraph)	TR-NPL-000336	
(C) Voice Grade ^{/2/} (a.k.a. BellSouth SPA DSO VG)	TR-TSY-000335 MDP 326-584	
(D)		(D) (D)
(E) Broadcast Quality Video ^{/3/} (a.k.a. BellSouth SPA Broadcast Quality Video) Service	TR-73608 (BellSouth)	
(F) Uncompressed Switched Video Service (a.k.a. BellSouth SPA Uncompressed Switched Video)	TR-73607 (BellSouth)	
(G) BellSouth SPA Modular Video Transport Service ^{/1/}	TR-73606 (BellSouth)	
(H) Digital Data Access ^{/2/} (a.k.a. BellSouth SPA DSO Digital Data) For 2.4, 4.8, 9.6 & 56 kbps ^{/2/} For 19.2 kbps ^{/2/} For 64 kbps ^{/2/}	TR-NWT-000341 Bellcore MDP 326-726 INC Bulletin CB-INC-100 MDP-326-726	
(I) High Capacity (a.k.a. BellSouth SPA High Capacity)	TR-NPL-000054 TR-INS-000342	
(J) WATS Access Line ^{/2/} (a.k.a. BellSouth SPA WATS Line)	TR-NWT-000334	

/1/ Effective August 25, 2011, BellSouth SPA Modular Video Transport Service is no longer available to new Customers. There is no change for existing customers.

/2/ Effective November 20, 2019, this Service will no longer be available for purchase by new or existing customers, and service agreements may no longer be renewed. In addition, requests to move, add, or change existing service arrangements will not be accepted. Following the expiration of a customer's existing term agreement, service will be provided on a month-to-month basis at the applicable monthly extension rates until the service is discontinued. AT&T currently plans to discontinue this Service on or after June 30, 2024.

/3/ Effective December 31, 2020, this Service will no longer be available for purchase by new or existing customers, and service agreements may no longer be renewed. In addition, requests to move, add, or change existing service arrangements will not be accepted. Following the expiration of a customer's existing term agreement, service will be provided on a month-to-month basis at the applicable Month-to-Month rate until the service is discontinued. AT&T currently plans to discontinue this Service on or after December 31, 2021.

ACCESS SERVICE

7 - Special Access (a.k.a. BellSouth SPA) Service (Cont'd)

7.4 Rate Regulations

This section contains the specific regulations governing the rates and charges that apply for Special Access (a.k.a. BellSouth SPA) Service.

Effective November 1, 2017, Competitive Counties and Non-Competitive Counties have been established and are defined in Part 3, Section 2, paragraph 2.6 and the wire centers within such counties are listed at the front of this Section. (C)
(C)

For all rate elements other than End User channel terminations and their applicable optional features, price flex rates and charges, as provided in Section 23.5.2 apply, regardless of whether the county is Competitive or Non-Competitive.

For End User channel terminations and their applicable optional features, the application of "price cap" or "price flex" is dependent upon whether or not the serving wire center is located in a Competitive County. If the End User channel termination is in a Competitive County, price flex rates and charges apply, as provided in Section 23.5.2. If the End User channel termination is in a Non-Competitive County, price cap rates and charges apply, as provided in Section 7 of BellSouth Telecommunications Tariff F.C.C. No. 1.

ACCESS SERVICE

7 - Special Access (a.k.a. BellSouth SPA) Service (Cont'd)

7.4 Rate Regulations (Cont'd)

7.4.1 Types of Rates and Charges

There are three types of rates and charges. These are monthly rates, daily rates and nonrecurring charges. The rates and charges are described as follows:

(A) Monthly Rates

Monthly rates are flat recurring rates that apply each month or fraction thereof that a Special Access Service is provided. For billing purposes, each month is considered to have 30 days.

(B) Daily Rates

Daily rates are flat recurring rates that apply to each 24-hour period or fraction thereof that a Broadcast Quality Video^{/2/} (a.k.a. BellSouth SPA Broadcast Quality Video) Special Access Service is provided for part-time or occasional use. For purposes of applying daily rates, the 24-hour period is not limited to a calendar day.

(D)

Part-time or occasional Broadcast Quality Video or service provided within a consecutive 30-day period will be charged the daily rate, not to exceed an amount equal to the monthly rate. For each subsequent day or part day, a charge equal to 1/30th of the monthly rate shall apply.

/1/ (DELETED)

(D)

/2/ Effective December 31, 2020, this Service will no longer be available for purchase by new or existing customers, and service agreements may no longer be renewed. In addition, requests to move, add, or change existing service arrangements will not be accepted. Following the expiration of a customer's existing term agreement, service will be provided on a month-to-month basis at the applicable Month-to-Month rate until the service is discontinued. AT&T currently plans to discontinue this Service on or after December 31, 2021.

(D)

ACCESS SERVICE

7 - Special Access (a.k.a. BellSouth SPA) Service (Cont'd)

7.4 Rate Regulations (Cont'd)

7.4.1 Types of Rates and Charges (Cont'd)

(C) Nonrecurring Charges

Nonrecurring charges are one-time charges that apply for specific work activity (i.e., installation or change to an existing service). The types of nonrecurring charges that apply for Special Access are: installation of service, installation of optional features and functions, and service rearrangements.

The list below identifies the individual Special Access services which are eligible for Service Installation Guarantee credits as described in Part 3, Section 2, paragraph 2.4.9. These services are not eligible for the Service Installation Guarantee when the requested installation, move or rearrangement of service interval is four days or less, as measured from the application date of the service order.

- Voice Grade⁽¹⁾ (a.k.a. BellSouth SPA DSO VG),
- Digital Data Access⁽¹⁾ Service (a.k.a. BellSouth SPA DSO Digital Data),
- High Capacity Service (a.k.a. BellSouth SPA High Capacity),
- Dry Fiber
- SMARTPath (a.k.a. BellSouth SPA DS1 Shared Ring) service, and
- SMARTPath DS3 Transport (a.k.a. BellSouth SPA DS3 Shared Ring) service

(D)

Provided, however, that the following services are not eligible for such credit:

- BellSouth SPA CNM - FlexServ Service
- Derived Data Channel⁽¹⁾ (a.k.a. BellSouth SPA Derived Data)
- Channel service
- Video (a.k.a. BellSouth SPA Video) services

(1) Effective November 20, 2019, this Service will no longer be available for purchase by new or existing customers, and service agreements may no longer be renewed. In addition, requests to move, add or change existing service arrangements will not be accepted. Following the expiration of a customer's existing term agreement, service will be provided on a month-to-month basis at the applicable monthly extension rates until the service is discontinued. AT&T currently plans to discontinue this Service on or after June 30, 2024.

(D)
 |
 (D)

ACCESS SERVICE

7 - Special Access (a.k.a. BellSouth SPA) Service (Cont'd)

7.4 Rate Regulations (Cont'd)

7.4.1 Types of Rates and Charges (Cont'd)

(C) Nonrecurring Charges (Cont'd)

(1) Installation of Service

(a) Local Channels

Nonrecurring charges apply to each Local Channel on each Special Access service installed. When First and Additional nonrecurring charges apply, they are assessed as follows: when one Local Channel is ordered and installed, it is billed at the First Service Installed charge. For the installation of local channels when more than one of the same type of service between the same locations, for the same customer, is ordered and installed at the same time; one at each location is billed at the First Service Installed charge and the others are billed at the Additional Service Installed charge. Future service requests for the same access services at a later date will be treated as new orders and nonrecurring charges for first service and additional service will again apply. For all video services, one nonrecurring charge applies for each Local Channel.

For LightGate service (a.k.a. BellSouth SPA Point to Point Network), one nonrecurring charge applies for each system, SAFT I or II option, and channel interface.

(b) Interoffice Channel

The nonrecurring charge for the Interoffice Channel will be applied each time the Interoffice Channel rate element is applicable. For LightGate service, one nonrecurring charge applies for each system and each channel interface.

The Nonrecurring charges for the Installation of Service are set forth in Section 23 as Nonrecurring Charges for the Local Channel Rate Element and the Interoffice Channel Rate Element.

ACCESS SERVICE

7 - Special Access (a.k.a. BellSouth SPA) Service (Cont'd)

7.4 Rate Regulations (Cont'd)

7.4.1 Types of Rates and Charges (Cont'd)

(C) Nonrecurring Charges (Cont'd)

(2) Installation of Optional Features and Functions

Nonrecurring charges apply to the installation of Optional Features and Functions available with Special Access service. The Initial nonrecurring charge applies if the feature or function is installed coincident with the primary service. The Subsequent nonrecurring charge applies if the feature or function is installed after the installation of the primary service.

First and Additional nonrecurring charges are applicable to activate each individual Central Office Channel Interface of a Basic Channelization System, and are in addition to the nonrecurring charges for the Basic Channelization System. A "First" nonrecurring Central Office Channel Interface nonrecurring charge is applicable to the first Channelization Feature installed coincident with the installation of a Basic Channelization System, per service request. An "Additional" nonrecurring charge applies for each additional Central Office Channel Interface, of the same type, ordered and installed at the same location, for the same customer, at the same time, on the same order request. Future requests for a Central Office Channel Interface(s) on an existing Basic Channelization System will be treated as new requests and will require "First" and "Additional" Central Office Channel Interface nonrecurring charge application, in addition to any other applicable charges.

The nonrecurring charges for the installation of Optional Features and Functions are set forth in Section 23 as nonrecurring charges for Optional Features and Functions associated with the specific services.

ACCESS SERVICE

7 - Special Access (a.k.a. BellSouth SPA) Service (Cont'd)

7.4 Rate Regulations (Cont'd)

7.4.1 Types of Rates and Charges (Cont'd)

(C) Nonrecurring Charges (Cont'd)

(3) Service Rearrangements

Service rearrangements are changes to existing (installed) services which do not result in either a change in the minimum period requirements as set forth in Part 3, Section 5, paragraph 5.7(C) or a change in the physical location of the point of the termination at a customer designated premises. Changes which result in the establishment of new minimum period obligations are treated as disconnects and starts. Changes in the physical location of the point of the termination are treated as moves and are described and charged for as set forth in 7.4.5 following. A change which results from a transfer of service is described and charged as set forth in paragraph (4) and Section 23.

The charge to the customer for the service rearrangement is dependent on whether the change is administrative only in nature or involves actual physical change to the service.

ACCESS SERVICE

7 - Special Access (a.k.a. BellSouth SPA) Service (Cont'd)

7.4 Rate Regulations (Cont'd)

7.4.1 Types of Rates and Charges (Cont'd)

(C) Nonrecurring Charges (Cont'd)

(3) Service Rearrangements (Cont'd)

Administrative changes, as identified below, will be made without charge to the customer. Such changes require the continued provision and billing of the Access Service to the same entity (i.e., customer remains responsible for all outstanding indebtedness for the Access Service). Administrative changes are as follow:

- Change of customer name (i.e., the customer of record does not change but rather the customer of record changes its name -- e.g., AT&T Long Lines to AT&T Communications),
- Change of customer or customer's end user premises address when the change of address is not a result of a physical relocation of equipment,
- Change in billing data (name, address, or contact name or telephone number. The customer of record does not change),
- Change of customer circuit identification,
- Change of billing account number,
- Change of customer test line number,
- Change of customer or customer's end user contact name or telephone number, and
- Change of jurisdiction

All other service rearrangements, including physical changes to existing services, will be charged for as follows:

- If the change involves the addition of other customer designated premises to an existing multipoint service, the nonrecurring charge for the local channel rate element(s) being added will apply. Nonrecurring charges for interoffice channel mileage may also apply.
- If the change involves the addition of other customer designated premises to an existing two-point service, resulting in a multipoint circuit configuration, the nonrecurring charge for the local channel rate element(s) being added will apply. Nonrecurring charges for interoffice channel mileage may also apply.

ACCESS SERVICE

7 - Special Access (a.k.a. BellSouth SPA) Service (Cont'd)

7.4 Rate Regulations (Cont'd)

7.4.1 Types of Rates and Charges (Cont'd)

(C) Nonrecurring Charges (Cont'd)

(3) Service Rearrangements (Cont'd)

- If the change involves the disconnection of customer designated premises from an existing multipoint circuit resulting in a two-point circuit configuration, no charges will apply.
- If the change involves the addition of an optional feature or function which has a separate nonrecurring charge, that nonrecurring charge will apply.
- If the change involves the conversion, or rollover, of DS1 High Capacity (a.k.a. BellSouth SPA DS1) service to LightGate service (a.k.a. BellSouth SPA Point to Point Network), made at a customer's request, then a separate nonrecurring charge(s), as appropriate, will apply to update the Network Channel Interface (NCI) code associated with each Voice Grade (a.k.a. BellSouth SPA DSO VG) and/or other sub-DS1 level circuit riding the channelized DS1 High Capacity (a.k.a. BellSouth SPA DS1) service(s) being rolled over. This charge will apply only where NCI code updates are requested by the customer. Payment of the nonrecurring charge(s) will be the responsibility of the customer who leases the channelized DS1 High Capacity (a.k.a. BellSouth SPA DS1) service(s) being rolled over.
- If the change involves changing the type of signaling on a Voice Grade (a.k.a. BellSouth SPA DSO VG) service, a charge equal to the Voice Grade (a.k.a. BellSouth SPA DSO VG) Local Channel rate element nonrecurring charge will apply. When more than one Local Channel with the same type of signaling has the same changes made at the same time between the same locations, for the same customer, the first Local Channel charge is billed at the First Service Installed charge and the other Local Channels are billed Additional Service Installed charges. These charges will apply per service termination affected.

ACCESS SERVICE

7 - Special Access (a.k.a. BellSouth SPA) Service (Cont'd)

7.4 Rate Regulations (Cont'd)

7.4.1 Types of Rates and Charges (Cont'd)

(C) Nonrecurring Charges (Cont'd)

(3) Service Rearrangements (Cont'd)

- If the change involves an existing Dry Fiber ICB arrangement scheduled to terminate on August 5, 1991, which converts to the standard guidebook dry fiber offering in compliance with the FCC's Memorandum Opinion and Order in FCC Docket 88-136, released July 19, 1991, associated nonrecurring charges will be waived provided that the customer's conversion request is received by August 5, 1991.
- A prepayment credit as calculated below will be rendered to customers with rate stabilized arrangements for a DS3 ICB service or a dry fiber ICB service, upon conversion to standard guidebook or discontinuance of the ICB arrangement, and subject to the following conditions. A prepayment is considered to have occurred when a customer's ICB nonrecurring charge is higher than the standard guidebook nonrecurring charge and the ICB recurring rate is lower than the standard recurring rate. The prepayment credit will be developed by calculating the difference between the nonrecurring ICB charge and the standard corresponding nonrecurring charge(s). The amount will be reduced by the present worth of the monthly rate benefit received from the prepayment. The monthly it is the difference in monthly rates between standard guidebook and the lower ICB rate for the number of months service was provided by the Company. A 12% interest rate will be utilized for developing the present worth factor.
- If the change involves changing a DS1 High Capacity (a.k.a. BellSouth SPA DS1) service routed through a customer's normal serving wire center to a transmission path routed to an alternate serving wire center as described in 7.2.9(A) preceding, for DS1 Alternate Serving Wire Center, the change will be considered a disconnect of the existing service and full nonrecurring charges will apply for the alternately routed service.

ACCESS SERVICE

7 - Special Access (a.k.a. BellSouth SPA) Service (Cont'd)

7.4 Rate Regulations (Cont'd)

7.4.1 Types of Rates and Charges (Cont'd)

(C) Nonrecurring Charges (Cont'd)

(3) Service Rearrangements (Cont'd)

- If the change involves a customer requested change of data transmission rate for an existing Digital Data Access (a.k.a. BellSouth SPA DS0 Digital Data) Service circuit, the appropriate nonrecurring charge shall be the Speed Change Charge provided in Section 23. This charge shall apply per local channel on each circuit where the speed is requested to be changed. The existing circuit will experience out of service time when the speed change work is conducted. The telephone company will advise the customer the start time when the circuit will be out of service. After the work is completed, the telephone company will notify the customer. When customers choose this option, out of service credits specified in Part 3, Section 2, paragraph 2.4.4. will not apply. If a customer is not willing to experience out of service time, the request will be treated as a disconnect for the old circuit and a reconnect for the new circuit and full nonrecurring charges will apply. The customer shall specify the disconnect date for the circuit being replaced.
- If the change involves changing a customer's DS1 High Capacity (a.k.a. BellSouth SPA DS1) service to BellSouth DS1 Diverse service, all nonrecurring charges appropriate for new BellSouth DS1 Diverse service will apply.
- If the change involves the addition of a DS3 Network Interface Unit (NIU) to a LightGate service (a.k.a. BellSouth SPA Point to Point Network), SMARTPath DS3 Transport service (a.k.a. BellSouth SPA DS3 Shared Ring), BellSouth Managed Shared Network service or LightGate service (a.k.a. BellSouth Point-to-Point Network) DS3 ASWC Arrangement non-channelized DS3, the rates and charges shown in Section 13.3.25 of BellSouth Telecommunications Tariff F.C.C. No. 1 shall apply in addition to applicable SPA DS3 Service Date Advancement and SPA DS3 Service Date Advancement - Missed Appointment rates and charges as shown in Part 3, Section 5, paragraph 5.1.1(F).

(C)

ACCESS SERVICE

7 - Special Access (a.k.a. BellSouth SPA) Service (Cont'd)

7.4 Rate Regulations (Cont'd)

7.4.1 Types of Rates and Charges (Cont'd)

(C) Nonrecurring Charges (Cont'd)

(4) Transfer of Service

- For all other changes, including the addition of optional features without separate nonrecurring charges, a charge equal to a Local Channel rate element nonrecurring charge will apply. When more than one Local Channel of the same type is rearranged in the same manner at the same time between the same locations, for the same customer, the first Local Channel rearranged is billed at the First Service Installed charge and the other Local Channels are billed Additional Service Installed charges. Only one such charge will apply per service termination, per change.
- If the change involves changing a customer's DS1 high capacity (a.k.a. BellSouth SPA DS1) service, as described in Section 7.2.9, to SMARTPath service (a.k.a. BellSouth SPA DS1 Shared Ring) the change will be considered a disconnect of the existing service and full nonrecurring charges will apply for the SMARTPath service (a.k.a. BellSouth SPA DS1 Shared Ring). If the existing DS1 high capacity service is provided under an Area Commitment Plan agreement, a change to SMARTPath service) under an Area Commitment Plan agreement will be considered an upgrade and termination liability charges will not apply.

When a change in billing data (e.g., name, address, contact name, or telephone number) is requested in association with a change in the customer of record, transfer of service charges, as set forth in Section 23 will apply. Charges are applied on a Billing Account Number (BAN) and per circuit basis.

ACCESS SERVICE

7 - Special Access (a.k.a. BellSouth SPA) Service (Cont'd)

7.4 Rate Regulations (Cont'd)

7.4.2 Surcharge for Special Access (a.k.a. BellSouth SPA) Service

(A) General

In addition to the rates and charges described in 7.4.1 preceding, there is a monthly surcharge that applies to Special Access (a.k.a. BellSouth SPA) service.⁽¹⁾ The Special Access (a.k.a. BellSouth SPA) Surcharge compensates the Telephone Company for use of the local exchange network when Special Access (a.k.a. BellSouth SPA) service is connected to a PBX or equivalent device which is capable of interconnecting the Special Access (a.k.a. BellSouth SPA) service with local exchange service.

The Telephone Company will automatically bill the surcharge on each Special Access (a.k.a. BellSouth SPA) service installed irrespective of whether the interconnection capability exists in the customer's premises equipment or in a Centrex Type Services switch unless written certification is received from the customer certifying exemption status as set forth in (B) following.

(B) Special Access (a.k.a. BellSouth SPA) Surcharge Exemptions

The Special Access service will be exempted from the surcharge if the customer provides the Telephone Company written certification that the Special Access (a.k.a. BellSouth SPA) service termination is one of the following:

- (1) an open-end termination in a Telephone Company switch of an FX line, including CCSA and CCSA-equivalent ONALS; or
- (2) an analog Local Channel that is used for radio or television program transmission; or
- (3) a termination used for TELEX service; or

(1) Effective June 1, 1986, Special Access (a.k.a. BellSouth SPA) Surcharge Regulations apply to Special Access (a.k.a. BellSouth SPA) used for WATS Access Lines (a.k.a. BellSouth SPA WATS Lines). On that date, the Telephone Company will begin to bill such surcharge for Special Access (a.k.a. BellSouth SPA) facilities used for WATS Access Lines (a.k.a. BellSouth SPA WATS Lines) presently in service. Payment of any Special Access (a.k.a. BellSouth SPA) Surcharge billed on Special Access (a.k.a. BellSouth SPA) facilities used for WATS Access Lines (a.k.a. BellSouth SPA WATS Lines) in service as of June 1, 1986, may be deferred, without penalty, for up to ninety (90) days from the date of the first bill rendered for such Special Access (a.k.a. BellSouth SPA) Surcharge.

ACCESS SERVICE

7 - Special Access (a.k.a. BellSouth SPA) Service (Cont'd)

7.4 Rate Regulations (Cont'd)

7.4.2 Surcharge for Special Access Service (Cont'd)

(B) Special Access Surcharge Exemptions (Cont'd)

- (4) a termination that by the nature of its operating characteristics could not make use of Telephone Company common lines; or
- (5) a termination that interconnects either directly or indirectly to the local exchange network where the usage is subject to Carrier Common Line charges⁽¹⁾ such as, where the Special Access service accesses only BellSouth SWA FGA and no local exchange lines, or Special Access service between customer points of termination or Special Access service connecting CCSA or CCSA-type equipment (inter-machine trunks); or
- (6) a termination that the customer certifies to the Telephone Company is not connected to a PBX or other device capable of interconnecting the special access facility to a local exchange subscriber line.

(1) Resellers of WATS Access Line (a.k.a. BellSouth SPA WATS Line) Service may be exempted from paying CCL Charges during the transition period of June 1, 1986 to January 1, 1987. However, they should not be assessed any Special Access Surcharge on the closed end.

ACCESS SERVICE

7 - Special Access (a.k.a. BellSouth SPA) Service (Cont'd)

7.4 Rate Regulations (Cont'd)

7.4.2 Surcharge for Special Access Service (Cont'd)

(C) Exemption Certification

- (1) Special Access services which are terminated as set forth in (B) preceding will be exempted from the Special Access Surcharge if the customer provides the Telephone Company with a written notification certifying exemption. Such notification shall be provided by the customer (1) at the time the Special Access service is ordered or installed; (2) at such time as the Special Access service is re-terminated to a device not capable of interconnecting to the local exchange network, or (3) at such time as the Special Access service becomes associated with a BellSouth SWA service that is subject to Carrier Common Line charges.
- (2) If written certification is not received at the time the Special Access service is obtained, the surcharge will be applied. Exempt status will become effective on the certification date indicated by the customer, subject to the regulations in (D) following.
- (3) The exemption certification is to be provided by the customer ordering the service. The certification must be signed by the customer or authorized representative and include the category of exemption, as set forth in (B) preceding, for each termination, and the date which the exemption is effective.
- (4) The customer shall also notify the Telephone Company when an exempted Special Access service is changed or re-terminated such that the exemption is no longer applicable.

(D) Crediting the Surcharge

The Telephone Company will cease billing the Special Access Surcharge when certification that the Special Access service has become exempt from the surcharge, as set forth in (B) preceding is received. If the status of the Special Access service was changed prior to receipt for the exemption certification, the Telephone Company will credit the customer's account, not to exceed ninety (90) days, based on the effective date of the change specified by the customer in the letter of certification.

ACCESS SERVICE

7 - Special Access (a.k.a. BellSouth SPA) Service (Cont'd)

7.4 Rate Regulations (Cont'd)

7.4.2 Surcharge for Special Access Service (Cont'd)

(E) Application of Rates

- (1) The monthly Special Access Surcharge applies to Special Access services arranged, as set forth in (A) preceding, on a per voice equivalent basis as shown in the following example.

<u>Special Access Service</u>	<u>Voice Grade Equivalent</u>	<u>Surcharge</u>	<u>Monthly Charge</u>
Voice Grade (a.k.a. BellSouth			
SPA DSO VG)	1	X	\$25.00
DS1	24	X	\$600.00

- (2) In the case of multipoint Special Access service, one Special Access Surcharge will apply for each termination at a customer designated premises except that no surcharge applies at the customer designated premises at which the Access Service is connected to Interstate Service.
- (3) The Telephone Company will bill the surcharge to the customer who orders the Special Access service unless the Service is exempt as set forth in Section 7.4.2(B). The rate for the Special Access Surcharge is set forth in Section 23.

ACCESS SERVICE

7 - Special Access (a.k.a. BellSouth SPA) Service (Cont'd)

7.4 Rate Regulations (Cont'd)

7.4.3 Message Station Equipment Recovery Charge^{/1/}

The Message Station Equipment Recovery Charge is a charge to recover that portion of message station equipment that is assigned to Special Access service.

Pursuant to CC Docket 83-1145 Memorandum Opinion and Order adopted by the Federal Communications Commission on November 8, 1984 and released on November 9, 1984, this charge is assessed only to those customers to which the Special Access Surcharge applies. The rate for the Message Station Equipment Recovery Charge is set forth in Section 23.

/2/

/1/ Effective June 1, 1986, Special Access Message Station Equipment Recovery charges apply to WATS Access Lines (a.k.a BellSouth SPA WATS Lines). On that date, the Telephone Company will begin to bill such charges for Special Access facilities used for WATS Access Lines presently in service. Payment of any message Station Equipment Recovery Charge billed on Special Access facilities used for WATS Access Lines in service as of June 1, 1986, may be deferred, without penalty, for up to ninety (90) days from the date of the first bill rendered for such message Station Equipment Recovery Charge.

/2/ Material now appears on Page 101.1.

ACCESS SERVICE

7 - Special Access (a.k.a. BellSouth SPA) Service (Cont'd)

7.4 Rate Regulations (Cont'd)

7.4.4 Minimum Periods

The minimum service period for all services is one month except as specified following. The minimum service period for part-time and occasional Broadcast Quality Video^{/2/} (a.k.a. BellSouth SPA Broadcast Quality Video services is one day (i.e., a continuous 24-hour period, not limited to a calendar day). The minimum service period for ICB Services is specified in the Individual Case Basis Filing. The minimum service periods for LightGate service (a.k.a. BellSouth SPA Point to Point Network) are specified in 7.4.9 following. The minimum service period for DS1 Alternate Serving Wire Center Service is 12 months. The minimum service period for SMARTPath service (a.k.a. BellSouth SPA DS1 Shared Ring) is four months. The minimum service period for SMARTPath DS3 Transport (a.k.a. BellSouth SPA DS3 Shared Ring) service is 12 months. (D)

/1/ (DELETED)

(D)

/2/ Effective December 31, 2020, this Service will no longer be available for purchase by new or existing customers, and service agreements may no longer be renewed. In addition, requests to move, add, or change existing service arrangements will not be accepted. Following the expiration of a customer's existing term agreement, service will be provided on a month-to-month basis at the applicable Month-to-Month rate until the service is discontinued. AT&T currently plans to discontinue this Service on or after December 31, 2021.

(D)

(D)

ACCESS SERVICE

7 - Special Access (a.k.a. BellSouth SPA) Service (Cont'd)

7.4 Rate Regulations (Cont'd)

7.4.5 Moves

A move involves a change in the physical location of one of the following:

- The Point of Termination at the customer's premises, or
- The customer's premises

The charges for the move are dependent on whether the move is to a new location within the same building or to a different building.

(A) Moves Within the Same Building

When a service is moved to a new location within the same building, the charge for the move will be an amount equal to one-half of the first service installed nonrecurring charge for the service termination affected. When a group of like services is moved to the same location inside a customer premises at the same time, the appropriate charges will be: one-half the first service installed nonrecurring charge for the first service moved of the group; and one-half the additional service installed nonrecurring charge for additional like services of that group. There will be no change in the minimum period requirements.

(B) Moves to a Different Building

Moves to a different building (customer premises) in a wire center serving area different than the customer's existing serving wire center serving area will be treated as a discontinuance and start of service and all associated nonrecurring charges will apply. Service will not be available simultaneously at both the original and new customer locations. New minimum period requirements may be established for the rearranged services in accordance with the regulations for a service. The customer will also remain responsible for satisfying all outstanding minimum period charges for the original service locations. When the move involves a multipoint service, the nonrecurring charge will apply per rate element affected.

ACCESS SERVICE

7 - Special Access (a.k.a. BellSouth SPA) Service (Cont'd)

7.4 Rate Regulations (Cont'd)

7.4.5 Moves (Cont'd)

(B) Moves To a Different Building (Cont'd)

Moves to a Telephone Company-provided BellSouth Expanded Interconnection Service interconnection arrangement, where the customer's and interconnector's existing wire center is the same, will be treated as a service move rather than a discontinuance and start of service. Cross Connect rates, nonrecurring charges and optional feature and function charges as contained in Section 13 of this guidebook will apply. In addition, service reconfiguration charges are applicable per customer request and per circuit moved as contained in Section 23. Individual services will not be available simultaneously at both the original premises location and new wire center interconnection space. Additional cooperative end-to-end testing is available and will be conducted by the Telephone Company when requested at rates and charges contained in Part 4, Section 13, paragraph 13.3. New minimum period requirements may be established for the rearranged services in accordance with the regulations for a service. The customer will remain responsible for satisfying all outstanding minimum period charges for the original service locations. When the move involves a multipoint service, the nonrecurring charge will apply per rate element affected.

Moves to a different building (customer premises) in the customer's existing serving wire center serving area will be treated as a service move rather than a discontinuance and start of service. Nonrecurring charges for the new local channel will apply as well as any optional feature and function charges for that local channel. In addition, service reconfiguration charges are applicable per customer request and circuit moved as contained in Section 23. Service will not be available simultaneously at both the original and new customer locations. Additional cooperative end-to-end testing is available and will be conducted by the Telephone Company at a customer's request at rates and charges contained in Part 4, Section 13, paragraph 13.3. New minimum period requirements may be established for the rearranged services in accordance with the regulations for a service. The customer will also remain responsible for satisfying all outstanding minimum period charges for the original service locations. When the move involves a multipoint service, the nonrecurring charge will apply per rate element affected.

ACCESS SERVICE

7 - Special Access (a.k.a. BellSouth SPA) Service (Cont'd)

7.4 Rate Regulations (Cont'd)

7.4.6 Mileage Measurement

Except as noted, the mileage to be used to determine the monthly rate for the Interoffice Channel is calculated on the airline distance between the locations involved, i.e., the serving wire centers associated with two customer-designated premises, a serving wire center associated with a customer-designated premises and a Telephone Company Hub, a serving wire center associated with a customer-designated premises and a BellSouth SWA WATS service serving office, or two Telephone Company Hubs. The serving wire center associated with a customer-designated premises is the serving wire center from which the customer-designated premises would normally obtain dial tone.

When service is provided from an alternate serving wire center, as described in 7.2.9(A) preceding, interoffice mileage is calculated on the airline distance from or to the alternate serving wire center in lieu of the wire center from which the customer-designated premises would normally receive dial tone.

Mileage is shown in Section 23 in terms of mileage bands. To determine the rate to be billed, first compute the mileage using the V&H coordinates method, as set forth in the NATIONAL EXCHANGE CARRIER ASSOCIATION, INC. TARIFF F.C.C. No. 4, then find the band into which the computed mileage falls and apply the rates shown for that band. When the calculation results in a fraction of a mile, always round up to the next whole mile before determining the mileage band and applying the rates.

When Hubs are involved, either due to customer-specified bridging or channelization or for the specific provisioning of a service (e.g. for the specified provisioning of Digital Data (a.k.a. BellSouth SPA DSO Digital Data) Access channels as set forth in Section 7.2.8), mileage is computed and rates applied separately for each section of the Interoffice Channel, i.e., customer designated premises serving wire center to Hub, Hub to Hub and/or Hub to customer designated premises serving wire center. Hubs are not utilized as interoffice channel mileage measurement points where the Telephone Company chooses to route the service through a Hub for other purposes.

ACCESS SERVICE

7 - Special Access (a.k.a. BellSouth SPA) Service (Cont'd)

7.4 Rate Regulations (Cont'd)

7.4.6 Mileage Measurement (Cont'd)

LightGate Service (a.k.a. BellSouth SPA Point to Point Network) local channel system and SAFT Levels I and II monthly rates are distance sensitive and are measured per half airline mile, or fraction thereof, from a customer's serving wire center to the customer's designated premises. This mileage is developed by the Telephone Company in a multi-step process. Initially, the customer's street address location is taken and converted into its geographic coordinates of latitude and longitude utilizing the United States Government's land based, postal, geographic registration data base (TIGER). Precise determination of location is assured thru the use of specific postal address numbers, county, town, zip code, telephone area code and NXX information, CLLI information where available, and also known distances to street intersections if necessary. The specific mapping process from street address to corresponding latitude - longitude is available and may be obtained by requesting TIGER data from the Bureau of Census, Washington, D.C. 20233.

Following this, a customer's latitude and longitude are converted to V&H coordinates utilizing the standard algorithm calculation method originally developed by Bell Laboratories and currently used for interoffice mileage calculations in this guidebook. The calculation process converts latitude and longitude geographic points, based upon the ellipsoidal shape of the earth, and maps them to the planar map of the V&H Coordinate system that is used for standard mileage measurements. Detailed information regarding the specific equations utilized in this process are available from BELLCORE, Attn.: Executive Director - Language Standards, Room RRC4A801, 444 Hoes Lane, Piscataway, N.J. 08854.

The final step of the mileage calculation process utilizes the V&H coordinates of the customer's location and the Telephone Company's serving wire center to compute the airline mileage. The mileage is calculated using the method as set forth in the NATIONAL EXCHANGE CARRIER ASSOCIATION, INC., TARIFF F.C.C. NO. 4. Any portion of a half mile will always round up to the next half mile before determining the mileage and applying the rate.

ACCESS SERVICE

7 - Special Access (a.k.a. BellSouth SPA) Service (Cont'd)

7.4 Rate Regulations (Cont'd)

7.4.6 Mileage Measurements (Cont'd)

Local channel system mileage rates are calculated by multiplying the monthly rate per additional half mile by the number of additional half miles, not including the initial half mile of facilities included in the system rate. SAFT Levels I and II mileage rates are in addition to the local channel mileage rates preceding and are calculated by multiplying the monthly rate per half mile by the number of half miles, including the initial half mile of protection facilities. Information about local channel mileage and associated mileage charges will be provided by the Telephone Company without incurring any service obligations. Mileage for local channel systems is computed and rates applied separately from interoffice channels.

7.4.7 Facility Hubs

A customer has the option of ordering analog or digital high capacity facilities (i.e., Group, Supergroup, Mastergroup, DS1, DS1C, DS2, DS3, STS-1, OC-3, OC-12, OC-48 or OC-192) to a facility Hub for channelizing to individual services requiring lower capacity facilities (e.g., Digital Data Access⁽¹⁾ (a.k.a. BellSouth SPA DSO Digital Data) service, Voice⁽¹⁾ (a.k.a. BellSouth SPA DSO VG), etc.).

(D)

Different locations may be designated as Hubs for different facility capacities, e.g., channelization from digital to digital may occur at one location while channelization from digital to analog may occur at a different location. When ordering, the customer will specify the desired channelization Hub(s) selected from the NATIONAL EXCHANGE CARRIER ASSOCIATION, INC. TARIFF F.C.C. No. 4. This tariff identifies the type(s) of channelization functions which are available and the serving wire centers at which they are available.

Some of the types of channelization available include the following:

- from higher to lower bit rate
- from higher to lower bandwidth
- from digital to voice frequency channels

(1) Effective November 20, 2019, this Service will no longer be available for purchase by new or existing customers, and service agreements may no longer be renewed. In addition, requests to move, add or change existing service arrangements will not be accepted. Following the expiration of a customer's existing term agreement, service will be provided on a month-to-month basis at the applicable monthly extension rates until the service is discontinued. AT&T currently plans to discontinue this Service on or after June 30, 2024.

(D)

(D)

ACCESS SERVICE

7 - Special Access (a.k.a. BellSouth SPA) Service (Cont'd)

7.4 Rate Regulations (Cont'd)

7.4.7 Facility Hubs (Cont'd)

End to end services may be provided on channels of these facilities to a Hub. The transmission performance for the end to end service provided between customer designated premises will be that of the lower capacity or bit rate. For example, when a 1.544 Mbps facility is channelized to voice frequency channels, the transmission performance of the channelized services will be Voice Grade (a.k.a. BellSouth SPA DSO VG), not High Capacity (a.k.a. BellSouth SPA High Capacity).

The Telephone Company will commence billing the monthly rate for the facility to the Hub on the date specified by the customer on the service order. Individual services utilizing these facilities may be installed coincident with the installation of the facility to the Hub or may be ordered and/or installed at a later date, at the option of the customer. The customer will be billed for a Voice Grade or a high capacity analog or digital Local Channel, Interoffice Channel (when applicable) and the Basic Channelization System at the time the facility is installed. DS1 and DS0 Basic Channelization Systems require a Central Office Channel Interface for activation of each lesser capacity channel. Individual service rates (by service type) will apply for a Local Channel, Central Office Channel Interface(s), and/or an additional Interoffice Channel (as required) for each channelized service. These will be billed to the customer as each individual service is installed.

Cascading channelization occurs when a high capacity analog or digital channel is channelized to provide channels with a lesser capacity and one of the lesser capacity channels is further channelized. For example, a Supergroup facility is channelized to five Group facilities and then one of the Group facilities is further channelized to individual Voice Grade channels.

When cascading channelization is performed, whether in the same or a different Hub, a charge for the additional Basic Channelization System and Central Office Channel Interface(s) also applies. A DS1 (a.k.a. BellSouth SPA DS1) Basic Channelization System and DDAS (a.k.a. BellSouth SPA DSO Digital Data) Central Office Channel Interface are required for high speed or low speed DDAS activations when channelized from a DS1 (1.544 Mbps) channel. A DS0 Basic Channelization System and Subrate Central Office Channel Interface are required for subrate activations of 2.4, 4.8 and 9.6 Kbps when channelized from a DS0 (64 Kbps) channel. When cascading channelization is performed at different Hubbing locations, Interoffice Channel charges also apply between the Hubs.

ACCESS SERVICE

7 - Special Access (a.k.a BellSouth SPA) Service (Cont'd)

7.4 Rate Regulations (Cont'd)

7.4.7 Facility Hubs (Cont'd)

A customer can order full-time and/or part-time service(s) between customer designated premises and a Hub and will be billed accordingly at the rates set forth in Section 7.5.4 for the full-time or part-time service, as appropriate. At the request of a customer, the full-time and/or part-time services provided to the Hub may be connected together in the following configurations: full-time to full-time, full-time to part-time or part-time to part-time. The customer will be charged for each such connection made at the rates for Other Labor as set forth in Part 4, Section 13, paragraph 13.2. The rates that apply for the service between each customer designated premises and the Hub are a Central Office Channel Interface, Local Channel and Interoffice Channel, if applicable. In addition, rates for optional features and functions may be applicable.

(D)
(D)

ACCESS SERVICE

7 - Special Access (a.k.a. BellSouth SPA) Service (Cont'd)

7.4 Rate Regulations (Cont'd)

7.4.8 Shared Use Analog and Digital High Capacity (a.k.a. BellSouth SPA High Capacity) Services

Shared use occurs when Special Access service and BellSouth SWA service are provided over the same High Capacity facilities through a common interface.

When the customer orders Special Access Service, the facilities will be rated as Special Access Service (i.e., Local Channel, Interoffice Channel, as appropriate and Basic Channelization System and Central Office Channel Interface(s), if applicable) until such time as the customer chooses to use a portion of the available capacity for providing BellSouth SWA service. When individual channels are activated for BellSouth SWA service, the Special Access Local Channel rates, Interoffice Channel rates and Basic Channelization System rates, if applicable, will be reduced via a reduction factor. The reduction factor will be developed using the net number of BellSouth SWA services provided over a Special Access Service facility at the beginning of a monthly billing period. For LightGate service (a.k.a. BellSouth SPA Point to Point Network) asynchronous systems, the reduction factor is calculated by dividing the sum of the BellSouth SWA channels by the sum of the voice grade equivalent capacity of the DS3 channels activated in a LightGate service Local Channel or Interoffice Channel System. For LightGate service synchronous systems, the reduction factor is calculated by dividing the sum of the BellSouth SWA channels by the sum of the equivalent voice grade (a.k.a. BellSouth SPA DSO VG) capacity of the LightGate service local channel or interoffice channel system. The reduction factor for LightGate service channel interface rates, DS1 local channel rates, DS1 interoffice channel rates and multiplexer rates is developed by dividing the sum of the BellSouth SWA channels by the voice grade equivalent capacity of the interface, channel, or multiplexer as appropriate. The reduction factor's fraction is rounded off to four decimal places and then multiplied against the appropriate monthly recurring charges to determine the reduction amount. The rates for High Capacity (a.k.a. BellSouth SPA High Capacity) DS1C and DS2 ICB Service will be reduced, based on their rates and capacity (e.g., 1/12th for a group Level service, etc.). For SMARTPath service (a.k.a. BellSouth SPA DS1 Shared Ring), the rates will be reduced by 1/48th for each individual BellSouth SWA Channel. For SMARTPath DS3 Transport (a.k.a. BellSouth SPA DS3 Shared Ring) service, the rates will be reduced by 1/1344 for each BellSouth SWA access voice grade circuit. The customer must place an order for each individual BellSouth SWA Channel, provided over Special Access service Shared Use Facilities and specify the channel assignment for each such service.

ACCESS SERVICE

7 - Special Access (a.k.a. BellSouth SPA) Service (Cont'd)

7.4 Rate Regulations (Cont'd)

7.4.8 Shared Use Analog and Digital High Capacity (a.k.a. BellSouth SPA High Capacity) Services (Cont'd)

The customer must place an order for each individual BellSouth SWA Channel provided over Special Access service Shared Use Facilities and specify the channel assignment for each such service.

Ratcheting of Special Access rate elements will be based on the number of voice grade (a.k.a. BellSouth SPA DSO VG) equivalent trunks/lines of that rate element used for BellSouth SWA access. Reduction factors will be developed to reduce the charges on system level billing as well as the billing on individual DS1, DS3 Channel Interfaces. The system reduction factor will apply to the system level charges.

The system reduction factor will be derived by dividing the number of activated BellSouth SWA access circuits by the voice grade channel equivalent capacity.

A factor for individual DS3 channel interfaces and 28 DS1 channel systems, will be derived by dividing the number of activated BellSouth SWA access circuits associated with the DS3 channel by the voice grade (a.k.a. BellSouth SPA DSO VG) equivalent capacity of the DS3 channel. A DS3 has 672 voice grade equivalent channels. For DS1 channel interfaces, a factor is derived by dividing the number of BellSouth SWA access circuits associated with the DS1 channel by the voice grade equivalent capacity of the DS1 channel, which is 24. Each reduction factor is rounded to four decimal places and then multiplied against the respective monthly charges to determine the reduction amount.

BellSouth SWA rates and charges as set forth in Section 6.8 of BellSouth Telecommunications Tariff F.C.C. No. 1 will apply for each channel of the shared use facility that is used to provide BellSouth SWA.

Where Special Access service is provided utilizing a channel(s) of the shared use facility to the Hub, High Capacity rates and charges will apply for the portion of the facility ordered as Special Access to the Hub as set forth preceding and individual service rates and charges will apply from the Hub to the customer designated premises for the Special Access services ordered. The rates and charges that will apply to the portion from the Hub to the customer designated premises will be dependent on the specific type of Special Access service that is provided (e.g., Voice Grade, Telegraph (a.k.a. BellSouth SPA Telegraph), etc.). The applicable rates and charges will include a local channel, interoffice channel, if applicable. Rates and charges for optional features and functions associated with the service, if any, will apply as set forth in Section 23.

ACCESS SERVICE

7 - Special Access (a.k.a. BellSouth SPA) Service (Cont'd)

7.4 Rate Regulations (Cont'd)

7.4.9 LightGate Service (a.k.a. BellSouth SPA Point to Point Network)

Rates and charges are specified in Section 23 for LightGate service (a.k.a. BellSouth SPA Point to Point Network). System rates provide system capacity and channel interfaces. Local channel systems include the transport common equipment, and first half air-mile of local channel facilities and additional lengths of local channel facilities. These rates are specified in Section 23. Separate Alternate Facility Transport (SAFT), options for LightGate service (a.k.a. BellSouth SPA Point to Point Network), local channel system rates are offered at the rates specified in Section 23. These rates are in addition to local channel system rates. Interoffice channel system mileage rates and charges are as specified in Section 23.

DS3 and/or DS1 channel interfaces are required for asynchronous LightGate service (a.k.a. BellSouth SPA Point to Point Network) local channel systems at both the customer and central office locations. DS3 channel interfaces are not required in connection with the provision of DS1 channel interfaces at a system's termination location. LightGate services (a.k.a. BellSouth SPA Point to Point Network) channel interfaces are only offered in conjunction with a LightGate service (a.k.a. BellSouth SPA Point to Point Network) system. The resulting number of DS1 and DS3 channels provided by a system may not exceed the capacity of the system ordered. A minimum of four DS1 or one DS3 channel(s) is (are) required to maintain a system in service.

ACCESS SERVICE

7 - Special Access (a.k.a. BellSouth SPA) Service (Cont'd)

7.4 Rate Regulations (Cont'd)

7.4.9 LightGate Service (a.k.a. BellSouth SPA Point to Point Network)
(Cont'd)

Customers may request a C-Bit Parity framing format for a DS3 level circuit. If the request is made at the time the circuit is installed, there is no additional charge. When a request for C-Bit Parity framing format is made for an existing circuit, a nonrecurring charge will be applicable for rearranging the framing format on the circuit. This charge will also be applicable if a customer requests that the C-Bit Parity framing format be removed from a circuit. This charge is specified in Section 23 and is applied on a per circuit basis.

LightGate 3 (a.k.a. BellSouth SPA Point to Point Network 12 DS3 Capacity), LightGate 4 (a.k.a. BellSouth SPA Point to Point Network 24 DS3 Capacity) service local channel systems require a 28 DS1 system channel interface and DS1 channel interfaces to derive DS1 channels. When a collocator desires to derive DS1's from a Virtual Access Cross Connect Service, Physical Access Cross Connect Service, Intra-Office Collocation Cross Connect Service, a LightGate 1 service (a.k.a. BellSouth SPA Point to Point Network) local channel system is not required. However, the customer is required to pay the charge for the 28 DS1 channel system channel interface in addition to the DS1 central office interfaces.

DS1 or DS3 channels provided by interoffice channel systems must be combined with corresponding channels in local channel systems or may be a stand-alone link when connected with BellSouth Customer Network Management Service, or voice grade (a.k.a. BellSouth SPA DSO VG) hubbing applications without associated local channels. Customers must designate, at the time service is ordered, the association of any DS3 or DS1 channels in a LightGate service (a.k.a. BellSouth SPA Point to Point Network) interoffice system with corresponding DS3 or DS1 channels in a LightGate service (a.k.a. BellSouth SPA Point to Point Network) local channel system to form required link configurations. DS1 or DS3 channel interfaces are required at each terminating central office location.

ACCESS SERVICE

7 - Special Access (a.k.a. BellSouth SPA) Service (Cont'd)

7.4 Rate Regulations (Cont'd)

7.4.9 LightGate Service^{(1) (2) (3)} (a.k.a. BellSouth SPA Point to Point Network) (Cont'd) (C)

LightGate service (a.k.a. BellSouth SPA Point to Point Network) is available at month-to-month rates, with a four-month minimum service period for all associated rate elements. However, local channel systems with SAFT levels I or II reliability, have a 4-month minimum service period. Service is also available under a Transport Payment Plan (TPP), or Channel Services Payment Plans (CSPP) A, (24-48 Months), B (49-72 Months) or C (73-96 Months) as specified in Part 3, Section 2, paragraph 2.4.8, except as modified following:

(A) All rate elements associated with a LightGate service (a.k.a. BellSouth SPA Point to Point Network) local channel system or an interoffice channel system must be provided under the same TPP or CSPP arrangement; provided, however, that channel interfaces may be provided under a monthly rate arrangement which is greater than, equal to or less than the payment plan for the associated local channel or interoffice channel.

(B) A termination liability charge will be applicable for LightGate service (a.k.a. BellSouth SPA Point to Point Network) rate elements provided under a CSPP arrangement that are disconnected prior to the end of the chosen service period. The termination liability charge is equal to the number of months remaining in the service period multiplied by 60% of the monthly rates for the rate elements disconnected. LightGate service (a.k.a. BellSouth SPA Point to Point Network) rate elements provided under a TPP arrangement that are disconnected prior to the end of the chosen service period will incur termination liability in accordance with Part 3, Section 2, paragraph 2.4.8. The following exceptions apply:

(1) No Termination Liability Charge will be applicable for a LightGate service (a.k.a. BellSouth SPA Point to Point Network) when the customer replaces an existing CSPP arrangement with a new TPP arrangement for the same or larger system(s) and all associated rate elements at the same location(s) for a service period equal to or greater than the time remaining on the existing CSPP arrangement. This provision also applies for conversions of asynchronous LightGate service (a.k.a. BellSouth SPA Point to Point Network) systems to larger synchronous LightGate service (a.k.a. BellSouth SPA Point to Point Network) systems at the same location(s) for a service period equal to or greater than the time remaining on the existing CSPP arrangement.

- (1) Effective on November 1, 2022, all ACPs for High Capacity (a.k.a. BellSouth SPA High Capacity DS1 (a.k.a. BellSouth SPA DS1)), CSPPs of greater than 24 months for High Capacity (a.k.a. BellSouth SPA High Capacity DS1 (a.k.a. BellSouth SPA DS1)), SMARTPath Service (a.k.a. BellSouth SPA DS1 Shared Ring), and SMARTPath DS3 Transport Service (a.k.a. BellSouth SPA DS3 Shared Ring), and TPPs greater than 12 months for BellSouth DS1 Diverse Service and LightGate Systems (a.k.a. BellSouth SPA Point to Point Network), are no longer available, including for any otherwise available conversions. Circuits already subject to ACPs, CSPPs, and TPPs, as of November 1, 2022, will continue to be provided under the then-current term for the remainder of that term.
- (2) Effective December 1, 2023, CSPPs of 24 months for High Capacity (a.k.a. BellSouth SPA High Capacity DS1 (a.k.a. BellSouth SPA DS1)) are no longer available, including for any otherwise available conversions. Circuits already subject to CSPPs, as of December 1, 2023, will continue to be provided under the then-current term for the remainder of that term.
- (3) Effective on January 17, 2024, all CSPP and TPPs term plans greater than month-to-month for High Capacity (a.k.a. BellSouth SPA High Capacity DS1 (a.k.a. BellSouth SPA DS1)), SMARTPath Service (a.k.a. BellSouth SPA DS1 Shared Ring), SMARTPath DS3 Transport Service (a.k.a. BellSouth SPA DS3 Shared Ring), BellSouth DS1 Diverse Service and LightGate Systems (a.k.a. BellSouth SPA Point to Point Network), are no longer available, including for any otherwise available conversions. Existing Term Plan Services on January 17, 2024, will continue to be provided for the remainder of the then-current terms.

(N)
|
(N)

ACCESS SERVICE

7 - Special Access (a.k.a. BellSouth SPA) Service (Cont'd)

7.4 Rate Regulations (Cont'd)

7.4.9 LightGate Service (a.k.a. BellSouth SPA Point to Point Network)
(Cont'd)

(B) (Cont'd)

(2) A change of jurisdiction from interstate to intrastate LightGate service (a.k.a. BellSouth SPA Point to Point Network) constitutes a disconnection of service for which termination charges are applicable. However, if such LightGate service (a.k.a. BellSouth SPA Point to Point Network) continues between the same serving locations, and the customer enters into a new TPP or CSPP arrangement in the intrastate jurisdiction for the same or larger service capacity and associated rate elements for a service period equal to or greater than the service period remaining under the interstate TPP or CSPP arrangement, no interstate termination liability charge will be applicable.

(3) Should a LightGate service (a.k.a. BellSouth SPA Point to Point Network) be disconnected due to a Force Majeure, that is, an event such as a fire, flood, environmental pollution or other natural disaster or similar cause beyond the customer's control which causes such damage, destruction or danger that the customer is unable to conduct business operations there, at the option of the customer, the termination liability charge shall be determined in accordance with (B) above or the following:

- The charge will be the difference between current month-to-month rates for all affected rate elements which are provided under CSPP terms and the applicable CSPP rates multiplied by the number of months that service has been provided. The minimum service period for LightGate service (a.k.a. BellSouth SPA Point to Point Network), stated previously will apply whenever service is disconnected after a shorter service interval. Additionally, replacement LightGate service (a.k.a. BellSouth SPA Point to Point Network) must be ordered and have the same or larger system within the same LATA for the same or longer CSPP commitment period as the remaining commitment period, and be ordered within 60 days of the disconnection of service. Nonrecurring charges will be applicable at the new service location.

ACCESS SERVICE

7 - Special Access (a.k.a. BellSouth SPA) Service (Cont'd)

7.4 Rate Regulations (Cont'd)

7.4.9 LightGate Service (a.k.a. BellSouth SPA Point to Point Network)
(Cont'd)

(C) Other access services that are connected to LightGate services (a.k.a. BellSouth SPA Point to Point Network) are not offered under LightGate service (a.k.a. BellSouth SPA Point to Point Network) TPP or CSPP terms. They are subject to the regulations applicable to such services.

LightGate (a.k.a. BellSouth SPA Point to Point Network) service links may be connected together, or links may be connected to BellSouth Customer Network Management Service to Voice Grade (a.k.a. BellSouth SPA DSO VG) services through hubbing applications. Individual DS1 and DS3 channel link configurations may be installed, maintained and disconnected as desired without affecting separate links.

A LightGate (a.k.a. BellSouth SPA Point to Point Network) service system is not required to have the same payment plan arrangement as other LightGate (a.k.a. BellSouth SPA Point to Point Network) service systems to which it is connected. However, when a DS1 or DS3 channel within a LightGate (a.k.a. BellSouth SPA Point to Point Network) service interoffice channel is combined as a single link with a DS1 or DS3 channel within a LightGate (a.k.a. BellSouth SPA Point to Point Network) service local channel, the LightGate (a.k.a. BellSouth SPA Point to Point Network) service interoffice channel system and associated interfaces must be obtained under the same payment plan arrangement as the LightGate (a.k.a. BellSouth SPA Point to Point Network) service local channel system, or under month-to-month rates as desired by the customer.

All LightGate (a.k.a. BellSouth SPA Point to Point Network) service local channel systems may be upgraded to a larger capacity LightGate (a.k.a. BellSouth SPA Point to Point Network) service local channel system without requirement to disconnect existing DS1 or DS3 channel services. DS1 channel interfaces in a LightGate 1 (a.k.a. BellSouth SPA Point to Point Network 1 DS3 Capacity) or 2 (a.k.a. BellSouth SPA Point to Point Network 3 DS3 Capacity) service local channel system must include the rates and charges for associated DS1 channel systems when upgraded to LightGate 3 (a.k.a. BellSouth SPA Point to Point Network 12 DS3 Capacity), LightGate 4 (a.k.a. BellSouth SPA Point to Point Network 24 DS3 Capacity) or higher local channel systems. Upgrades of systems will incur a new four month minimum service period when ordered at month-to-month rates for upgraded rate elements. Upgraded systems provided with SAFT Levels I or II reliability incur a new 12-month minimum period. Upgraded systems provided under rate stabilized Channel Services Payment Plan rates and charges are subject to the terms preceding.

ACCESS SERVICE

7 - Special Access (a.k.a. BellSouth SPA) Service (Cont'd)

7.4 Rate Regulations (Cont'd)

7.4.9 LightGate Service (a.k.a. BellSouth SPA Point to Point Network)
(Cont'd)

All customers with existing DS3 channel services will be converted to LightGate service (a.k.a. BellSouth SPA Point to Point Network) as of the effective date of LightGate service (a.k.a. BellSouth SPA Point to Point Network) without application of nonrecurring charges for those existing DS3 channels. In addition, for such converted services, nonrecurring charges and termination liability charges will be waived for a single change in payment periods and/or rearrangement of existing DS3 channels that result in a larger or smaller capacity LightGate service (a.k.a. BellSouth SPA Point to Point Network) local channel system, provided that such changes occur within 120 days following October 29, 1992, the effective date of this Guidebook. Changes in system size and/or payment plan will be made effective coincident with the completion of the rearrangement associated with the customer's service request.

Notwithstanding any other provision of this guidebook to the contrary, Plan C rates will apply, beginning September 1, 1994, to all LightGate services (a.k.a. BellSouth SPA Point to Point Network) which, prior to September 1, 1994, have been obtained under a term period of at least 61 months and to all LightGate services (a.k.a. BellSouth SPA Point to Point Network) which are newly obtained, during the period from September 1, 1994 through April 1, 1995, under a term period of a least 61 months. The rates are subject to the conditions of Part 3, Section 2, paragraph 2.4.8(A) (1) (f). Termination liability will not apply for decreasing a commitment period to a term of 61 to 72 months during the period from September 1, 1994 through April 1, 1995.

ACCESS SERVICE

7 - Special Access (a.k.a. BellSouth SPA) Service (Cont'd)

7.4 Rate Regulations (Cont'd)

7.4.9 LightGate Service (a.k.a. BellSouth SPA Point to Point Network) (Cont'd)

Customers with an existing asynchronous LightGate 2 (a.k.a. BellSouth SPA Point to Point Network 3 DS3 Capacity) or 3 service (a.k.a. BellSouth SPA Point to Point Network 12 DS3 Capacity) local channel system may elect to convert that system to an asynchronous LightGate 2 (a.k.a. BellSouth SPA Point to Point Network 3 DS3 Capacity) or 3 service (a.k.a. BellSouth SPA Point to Point Network 12 DS3 Capacity) local channel system with optical customer termination of the same size at rates contained in Section 23, at the same location and payment commitment period with no changes in the Telephone Company's serving wire center termination equipment without termination liability charges or nonrecurring charges applicable to the existing system. Such election must be made by June 15, 1996. The Network Channel Interface (NCI) Codes and System Equipment that support this offering are shown in the table below:

LightGate (a.k.a. BellSouth SPA Point to Point Network) Service

<u>System Size</u>	<u>NCI Code</u>	<u>Optical Rate (Mbps)</u>	<u>System Equipment</u>
2	04FCF.13	135	Alcatel 3X50
3	04FCF.54	560	Alcatel LTS-1565 Telco Systems M560

Asynchronous LightGate service (a.k.a. BellSouth SPA Point to Point Network) systems with optical termination at customer locations are not available for new customer requests, nor as upgrades of existing system capacities to larger systems.

ACCESS SERVICE

7 - Special Access (a.k.a. BellSouth SPA) Service (Cont'd)

7.4 Rate Regulations (Cont'd)

7.4.10 Reserved For Future Use

7.4.11 Shared Network Arrangement

Rate elements which comprise a service arrangement within a shared network, e.g., local channels, interoffice channel(s) and appropriate channelization elements, must be billed to one customer.

Each customer entering into a Shared Network Arrangement is solely responsible to BellSouth Telecommunications for charges associated with that customer's portion of the shared network. Disconnection of service by the host subscriber does not relieve another user of the network of any obligation to pay access charges associated with the portion of the shared network to which that user subscribes. Billing for services and facilities will continue until a disconnect request from the service user has been received by BellSouth Telecommunications. The host subscriber is solely responsible for notifying the connecting service user in the event of disconnection of the host's service which affects that portion of the shared network service to which the user has subscribed.

A one-time coordination charge will be assessed within BellSouth Telecommunications with the establishment of a Shared Network Arrangement. The host subscriber and the service user may, by mutual agreement, designate which party will be responsible for payment of the coordination charge. In the event no such agreement is reached, the charge will be applied to the host subscriber's account and the host subscriber will be responsible to BellSouth Telecommunications for payment of said charge.

In addition to the coordination charge, a separate nonrecurring charge will apply to process each service order on a shared network account. Charges for coordination and service order processing are contained in Section 23.

ACCESS SERVICE

7 - Special Access (a.k.a. BellSouth SPA) Service (Cont'd)

7.4 Rate Regulations (Cont'd)

7.4.11 Shared Network Arrangement (Cont'd)

Where the host subscriber and the connecting service user subscribe to services under Channel Services Payment Plan (CSPP) terms or Transport Payment Plan (TPP) terms, the payment periods for directly associated multiplexing rate elements must be the same, with the same termination date, or alternately, the connecting service user must order those rate elements under month-to-month payment terms. Where the host subscriber receives services under month-to-month payment terms, a connecting service user must also receive directly associated multiplexing rate elements under month-to-month payment terms. Disconnection of a connecting service user's services under CSPP or TPP terms creates no associated termination or payment obligations for the host subscriber. However, disconnection of the host subscriber's services does create payment obligations for shared network service components as appropriate for the specific service.

ACCESS SERVICE

7 - Special Access (a.k.a. BellSouth SPA) Service (Cont'd)

7.4 Rate Regulations (Cont'd)

7.4.12 BellSouth Customer Network Management Service

(A) General

BellSouth Customer Network Management Service is an optional feature that enables the customer to monitor and reconfigure his Voice Grade (a.k.a. BellSouth SPA DSO VG), DDAS (a.k.a. BellSouth SPA DSO Digital Data) and High Capacity (a.k.a. BellSouth SPA High Capacity) services without the direct intervention of Telephone Company personnel.

(1) Management Terminal Interface for BellSouth SPA CNM - FlexServ Service

Effective May 16, 2008, the dial and dedicated options used to access BellSouth SPA CNM - FlexServ Service will not be available for new customer orders. Customers currently subscribing to these options may continue to utilize the services, but new orders will not be accepted.

Effective May 16, 2008, the Mechanized Interface to Specified Operation Support Systems will not be available for new customer orders. Customers currently subscribing to this option may continue to use the service, but new orders will not be accepted.

The Management Terminal Interface (MTI) is utilized with a dial service, a dedicated service or a web access service as a means of accessing BellSouth SPA CNM - FlexServ Service. For interstate access to BellSouth SPA CNM - FlexServ Service a customer must obtain a Management Terminal Interface. The BellSouth SPA CNM - FlexServ Service customer may purchase a dial or dedicated access port with a choice of speeds.

If a customer desires to utilize the Management Terminal Interface for BellSouth SPA CNM - FlexServ Service to access the Mechanized Interface to Specified Operation Support Systems (Trouble Administration and PIC Inquiry and Order) as detailed in Part 3, Section 5, paragraph 5.2.15, an additional nonrecurring charge and a monthly rate will apply.

ACCESS SERVICE

7 - Special Access (a.k.a. BellSouth SPA) Service (Cont'd)

7.4 Rate Regulations (Cont'd)

7.4.12 BellSouth Customer Network Management Service (Cont'd)

(A) General (Cont'd)

(1) Management Terminal Interface for BellSouth SPA CNM -
FlexServ Service (Cont'd)

The customer is responsible for providing the facility required to connect the customer's location to the designated Company location. The designated Company location is the suitably equipped office as stated in the NATIONAL EXCHANGE CARRIER ASSOCIATION, (NECA), INC. Tariff, F.C.C. No. 4.

Customers who subscribe to dial access will be given a telephone number to dial, which will establish a port connection. Customers who subscribe to web access will be provided a web address and may utilize a personal computer that has a standard web browser to establish a connection. Dial and web access customers must obtain a Security card from the Telephone Company as specified in 13.3.11 of BellSouth Telecommunications Tariff F.C.C. No. 1.

In addition to providing a dial or dedicated access service, the customer will be required to furnish a VT100 type terminal and a compatible data set. The data set required will depend on the type of access chosen by the customer and the capability for connection with the Company. Customer Provided Equipment must comply with specifications found in BellSouth Technical Reference Publication 73535 for Corporate Packet Network Asynchronous Terminal Access and BellSouth Technical Reference Publication 73516 Issue C, Corporate Packet Network Physical Interface Specifications.

ACCESS SERVICE

7 - Special Access (a.k.a. BellSouth SPA) Service (Cont'd)

7.4 Rate Regulations (Cont'd)

7.4.12 BellSouth SPA Customer Network Management (CNM) - FlexServ Service (Cont'd)

(A) General (Cont'd)

(2) BellSouth SPA CNM - FlexServ Service

BellSouth SPA CNM - FlexServ Service includes surveillance (monitoring) and reconfiguration of the customer's Special Access (a.k.a. BellSouth SPA) DS0, DS1 and DS3 services equipped with BellSouth SPA CNM - FlexServ Service.

When the customer has accessed BellSouth SPA CNM - FlexServ Service, monitoring consists of unsolicited signals of major and minor facility alarms (carrier group alarms, bit error rate, bipolar violations, slip errors, errored seconds, out-of-frame alarms and invalid connections). (Invalid connections are connections between Special Access (a.k.a. BellSouth SPA) services with incompatible signals or between services without BellSouth SPA CNM - FlexServ Service. Customer requests for such connections will be denied). The Telephone Company shall not be responsible for service interruptions, troubles, loss of customer data, or any other losses resulting from attempted invalid connections.

Reconfiguration provides the customer with the ability to direct the Telephone Company to connect or disconnect the customer's Special Access (a.k.a. BellSouth SPA) services with BellSouth SPA CNM - FlexServ Service to or from each other at a central office or central offices where the customer has purchased BellSouth SPA CNM - FlexServ Service on those services. Such connections and disconnections may be performed immediately or at a future time prescribed by the customer and, except for Partitioning, are performed without direct intervention by Telephone Company personnel.

The customer is responsible for providing the terminal equipment required for access to BellSouth SPA CNM - FlexServ Service.

The customer may transmit reconfiguration directions to or receive alarm monitoring information from the Telephone Company over a dial or a dedicated access service through an MTI.

ACCESS SERVICE

7 - Special Access (a.k.a. BellSouth SPA) Service (Cont'd)

7.4 Rate Regulations (Cont'd)

7.4.12 BellSouth SPA Customer Network Management (CNM) - FlexServ Service (Cont'd)

(A) General (Cont'd)

(2) BellSouth SPA CNM - FlexServ Service (Cont'd)

With the customer's initial order for BellSouth SPA CNM - FlexServ Service the Telephone Company provides the capability for one connection to the Telephone Company for the communication of monitoring and reconfiguration signals. This capability is referred to in this Guidebook as access to BellSouth SPA CNM - FlexServ Service or "User Access". One customer identification code with password security is included with such access.

With the customer's initial order, the Telephone Company also provides one customer training class for up to five (5) persons. The class length of this initial training is two consecutive eight-hour days. These training classes are conducted at a Company designated location. Transportation, lodging and food for the attendees will be the responsibility of the customer. If the customer desires for the initial training to be conducted on his premises, then the customer is responsible for the transportation, lodging and food for the trainer. In addition, the customer is responsible for having the appropriate equipment on his premises.

Reconfiguration and monitoring are not available during the performance of routine maintenance of the Telephone Company's facilities and equipment used to provide BellSouth SPA CNM - FlexServ Service.

The Local and Interoffice Channels which are managed by BellSouth SPA CNM - FlexServ Service are subject to all regulations and charges contained in their respective sections of this Guidebook in addition to those contained herein.

Different switching options for DS0, DS1 and DS3 channels may be available in the same central office. If customers desire more than one switching option in the same central office and facilities are available, a channel connection is required for each BellSouth SPA CNM - FlexServ Service switching option connected.

BellSouth SPA CNM - FlexServ Service is furnished only in locations where facilities exist.

ACCESS SERVICE

7 - Special Access (a.k.a. BellSouth SPA) Service (Cont'd)

7.4 Rate Regulations (Cont'd)

7.4.12 BellSouth SPA Customer Network Management (CNM) - FlexServ Service (Cont'd)

(A) General (Cont'd)

(3) Customer Circuits

There are five types of channel connections, which can be connected to BellSouth SPA CNM - FlexServ Service - DS0 (Single channel), DS1 (1.544 Mbps) digital circuits, DS3 (44.736 Mbps) digital circuits.

DS0 Channel Connections - There are two types of DS0 channel connections - Voice Grade and Digital. Both types of DS0 connections will be switched at a DS0 level.

DS1 Channel Connections - There are two types of connections available for a customer desiring to terminate a DS1 circuit - DS0 switching and DS1 switching. For example, if a customer needs to be able to monitor or reconfigure the 24 DS0 circuits riding on the DS1 channel, then the customer would purchase a DS1 channel connection with DS0 switching. If the customer does not need access to the individual DS0 circuits, then the customer would purchase a DS1 channel connection with DS1 switching. A monitoring only option (i.e., surveillance option) is also provided for DS1 channel connections. This option may also be used for terminating SWA DS1 channels.

DS3 Channel Connections - There are three types of connections available for terminating a DS3 circuit - DS0, DS1 and DS3. If a customer needs monitoring or reconfiguration capability for 672 individual DS0 circuits, then the customer would purchase a DS3 channel connection with DS0 switching. If the customer only needs access to the 28 DS1 circuits, then the customer would purchase a DS3 channel connection with DS1 switching. The customer would purchase a DS3 connection with DS3 switching if the customer wants to cross connect the entire DS3 circuit. A monitoring only option (i.e., surveillance option) is also provided for DS3 channel connections. This option may also be used for terminating SWA DS3 channels.

ACCESS SERVICE

7 - Special Access (a.k.a. BellSouth SPA) Service (Cont'd)

7.4 Rate Regulations (Cont'd)

7.4.12 BellSouth SPA Customer Network Management (CNM) - FlexServ Service (Cont'd)

(A) General (Cont'd)

(4) BellSouth SPA CNM - FlexServ Service Options

- Subrate Reconfiguration: This option provides BellSouth SPA CNM - FlexServ Service customers the capability to reconfigure subrate channels riding a DS0 channel if all subrate channels of the DS0 are of the same speed. This option is available only where facilities permit.
- Partitioning: This option provides subdivision of the customer's Special Access (a.k.a. BellSouth SPA) services into groups of services that can be reconfigured and monitored separately from his services in other groups.
- Additional Concurrent User Access: This option provides the customer the ability to establish additional, concurrent connections to the Telephone Company for the communication of monitoring and reconfiguration signals. One additional customer identification code is provided with each additional User Access. For each Additional Concurrent User Access ordered, the customer must also order an additional Management Terminal Interface (MTI). Rates and charges for MTI are located in Section 23.
- Additional User Identification Codes: This option provides customer identification codes in addition to that provided with each User Access. If the customer has ordered a dial interface, then the customer must also order an additional Security Card.
- Multipoint Bridging: This option provides the capability of performing reconfigurations that bridge three or more DS0 channels.

Voice Grade (a.k.a. BellSouth SPA DS0 VG) Connections: This option allows the customer the capability to perform reconfigurations that bridge three or more voice grade (a.k.a. BellSouth SPA DS0 VG) channels in the BellSouth SPA CNM - FlexServ Service arrangement into one conferencing arrangement.

ACCESS SERVICE

7 - Special Access (a.k.a. BellSouth SPA) Service (Cont'd)

7.4 Rate Regulations (Cont'd)

7.4.12 BellSouth SPA Customer Network Management (CNM) - FlexServ Service (Cont'd)

(A) General (Cont'd)

(4) BellSouth SPA CNM - FlexServ Service Options (Cont'd)

Multipoint Junction Unit (MJU): This option provides the capability to perform reconfigurations that bridge up to five digital DS0 channels (one master and four legs) in a set. Bridging of multiple sets can be performed, but one channel of each additional set will be required to bridge to the others.

- Reconfigurations by Telephone Company Personnel: The customer may request that Telephone Company personnel intervene to perform reconfigurations that the customer could otherwise perform without the direct intervention of Telephone Company Personnel.
- Additional Customer Training: This option provides one eight (8) hour day of customer training in addition to that included with basic BellSouth SPA CNM - FlexServ Service. These training classes are conducted at a designated Company location. All other terms that apply for the initial training also apply for the subsequent training.

ACCESS SERVICE

7 - Special Access (a.k.a. BellSouth SPA) Service (Cont'd)

7.4 Rate Regulations (Cont'd)

7.4.12 BellSouth SPA Customer Network Management (CNM) - FlexServ Service (Cont'd)

(A) General (Cont'd)

(5) Shared BellSouth SPA CNM - FlexServ Service Arrangement

Multiple customers may include circuits with the BellSouth SPA CNM - FlexServ Service option in the same BellSouth SPA CNM - FlexServ Service arrangement, provided all customers designate in writing the same party to serve as their agent. (A BellSouth SPA CNM - FlexServ Service arrangement consists of all special access (a.k.a. BellSouth SPA) services with BellSouth SPA CNM - FlexServ Service that can be monitored and reconfigured through the same User Access.)

The agent will be authorized to represent each of those customers in all transactions and communications with the Telephone Company regarding the shared BellSouth SPA CNM - FlexServ Service arrangement or circuits included in that arrangement including reconfigurations, monitoring, ordering of additional special access (a.k.a. BellSouth SPA) services and BellSouth SPA CNM - FlexServ Service options in the arrangement, and removal of special access services (a.k.a. BellSouth SPA) from the arrangement. The Telephone Company will not process any customer orders or requests affecting that arrangement or circuits included in that arrangement except those submitted to the Telephone Company by the agent.

ACCESS SERVICE

7 - Special Access (a.k.a. BellSouth SPA) Service (Cont'd)

7.4 Rate Regulations (Cont'd)

7.4.12 BellSouth SPA Customer Network Management (CNM) - FlexServ Service (Cont'd)

(A) General (Cont'd)

(5) Shared BellSouth SPA CNM - FlexServ Service Arrangement (Cont'd)

The Telephone Company will not be liable for any loss to any of the customers in a shared BellSouth SPA CNM - FlexServ Service arrangement caused directly or indirectly by actions of the agent or another customer in the shared arrangement. Each customer in the shared arrangement and the agent indemnify the Telephone Company for the costs of any and all claims arising directly or indirectly out of the actions of agent or another customer in the shared arrangement, including, but not limited to, the cost of defending against such claims.

Any customer in a shared BellSouth SPA CNM - FlexServ Service arrangement must give the Telephone Company 30 days prior written notice of his intent to revoke an agent's authority or to remove his special access (a.k.a. BellSouth SPA) services from a shared arrangement. Such notice shall not be effective unless it provides the Telephone Company with specific and sufficient directions regarding treatment of the customer's special access (a.k.a. BellSouth SPA) services upon revocation of the agent's authority or removal from the shared arrangement.

ACCESS SERVICE

7 - Special Access (a.k.a. BellSouth SPA) Service (Cont'd)

7.4 Rate Regulations (Cont'd)

7.4.12 BellSouth SPA Customer Network Management (CNM) - FlexServ Service (Cont'd)

(B) Application of Rates

Monthly rates and nonrecurring charges as specified in Section 23 apply for BellSouth SPA CNM - FlexServ Service.

BellSouth SPA CNM - FlexServ Service is available under several payment plans: Month-to-Month (with a minimum of one month). Plan A (24-48 Months), Plan B (49-72 Months) or Plan C (73 to 96 Months). These plans are provided under conditions specified in the Channel Service Payment Plan (CSPP), 2.4.8(A) preceding, except as modified following:

- A termination liability charge will be applicable if services provided under a CSPP arrangement are disconnected prior to the end of the chosen service period. The termination charge is equal to the applicable rate, per rate element, under the applicable CSPP rate multiplied by the difference in months between the time the service period under the CSPP has been in effect and the minimum service period multiplied by a factor. The factor is 50 percent for services provided under the CSPP that have been in effect twelve months or less, or 20 percent for services provided under the CSPP that have been in effect longer than twelve months.
- No charges apply for the conversion of existing SPA CNM - FlexServ Service under a month-to-month payment plan to a CSPP Arrangement.
- Dial Access customers under CSPP may move to Web Access without termination liability. The Web Access nonrecurring charge will apply for such a move.

ACCESS SERVICE

7 - Special Access (a.k.a. BellSouth SPA) Service (Cont'd)

7.4 Rate Regulations (Cont'd)

7.4.12 BellSouth SPA Customer Network Management (CNM) - FlexServ Service (Cont'd)

(B) Application of Rates (Cont'd)

(1) Management Terminal Interface for BellSouth SPA CNM - FlexServ Service

(a) Dial⁽¹⁾, Dedicated⁽¹⁾ or Web Access Port to Access BellSouth SPA CNM - FlexServ Service.

An access port is required to access BellSouth SPA CNM - FlexServ Service regardless of the type of channel connection the customer purchases. The type of access required depends on the type of access the customer desires.

Customers subscribing to dial access and web access must purchase a Security Card as set forth in 13.3.11 of BellSouth Telecommunications Tariff F.C.C. No. 1.

Nonrecurring and recurring monthly rates apply. Charges for access ports are contained in Section 23.

(2) BellSouth SPA CNM - FlexServ Service - Channel Connections

(a) Connection of Special Access (a.k.a. BellSouth SPA) service to Reconfiguration and Alarm Monitoring Capability.

A DSO/DS1/DS3 nonrecurring Connection Charge and a recurring monthly rate are required for each entrance and exit of a special access (a.k.a. BellSouth SPA) channel to reconfiguration and monitoring capability.

(1) Effective May 16, 2008, dial and dedicated access services will not be available for new customer orders as specified in 7.4.12(A)(1) preceding.

ACCESS SERVICE

7 - Special Access (a.k.a. BellSouth SPA) Service (Cont'd)

7.4 Rate Regulations (Cont'd)

7.4.12 BellSouth SPA Customer Network Management (CNM) - FlexServ Service (Cont'd)

(B) Application of Rates (Cont'd)

(3) BellSouth SPA CNM - FlexServ Service Options

(a) Substrate Reconfiguration Capability

Nonrecurring charges and recurring monthly rates apply.

(b) Partitioning

The Partitioning option incurs a nonrecurring charge. A nonrecurring charge also applies when the customer requests the Telephone Company to sub-divide the control access for his service.

(c) Additional User Access

For each Additional User Access a nonrecurring charge and a recurring monthly rate applies.

(d) Additional Identification Codes

A nonrecurring charge applies for each additional ID requested.

(e) Multipoint Bridging

There will be a nonrecurring charge and a monthly recurring rate for each DS0 bridging leg that is equipped with this capability.

(f) Multipoint Junction Unit (MJU)

For each channel of the MJU a nonrecurring charge and a recurring monthly rate will apply. This option must be purchased in units of five (5).

ACCESS SERVICE

7 - Special Access (a.k.a. BellSouth SPA) Service (Cont'd)

7.4 Rate Regulations (Cont'd)

7.4.12 BellSouth SPA Customer Network Management (CNM) - FlexServ Service (Cont'd)

(B) Application of Rates (Cont'd)

(3) BellSouth SPA CNM - FlexServ Service Options (Cont'd)

(g) Reconfigurations by the Telephone Company Personnel

A nonrecurring charge is applicable on each occasion, in 30-minute increments, when the customer requests Telephone Company personnel to perform a reconfiguration or a series of reconfigurations in order to set up point-to-point or multipoint connections, to provide a status report or to establish a conference.

(h) Additional Customer Training

Any additional training will incur a nonrecurring charge for each eight (8) hour day of training.

ACCESS SERVICE

7 - Special Access (a.k.a. BellSouth SPA) Service (Cont'd)

7.4 Rate Regulations (Cont'd)

7.4.13 Voice Grade⁽¹⁾ (a.k.a. BellSouth SPA DS0 VG) Rate Stability Plan (N)

(A) Description

The Voice Grade (a.k.a. BellSouth SPA DS0 VG) Rate Stability Plan (Plan) will allow customers to stabilize their rates for Voice Grade (a.k.a. BellSouth SPA DS0 VG) special access local channels and associated Voice Grade (a.k.a. BellSouth SPA DS0 VG) interoffice channels for a fixed service commitment period at the rates specified in Section 23. The Plan allows such customers to select a service commitment period in monthly intervals, with a minimum of 36 months and a maximum of 60 months, for which rates may be stabilized.

In return for this assurance of rate stability, the customer guarantees a specified growth requirement for Voice Grade (a.k.a. BellSouth SPA DS0 VG) local channels as described in 7.4.13.2(A), following.

The Plan is available only to customers who have requested the Plan prior to January 1, 1995 and who: (1) qualifies based upon the Plan's eligibility requirements; (2) agrees to the Plan's terms and conditions; and (3) pays the appropriate Plan rates and charges. Such customers may, at their option, convert to Voice Grade (a.k.a. BellSouth SPA DS0 VG) service with an Area Commitment Plan (ACP) (as described in 2.4.8(B) of BellSouth Telecommunications Tariff F.C.C. No. 1) or a Channel Services Payment Plan (CSPP) as described in Part 3, Section 2, paragraph 2.4.8(A). Conversion may be made without any application of the termination liability charge as set forth in 7.4.13.5(B) following. Customers who choose to convert to an ACP or CSPP arrangement for Voice Grade (a.k.a. BellSouth SPA DS0 VG) service must convert all existing service under the Plan at one time.

Customers who choose to remain on the Plan will retain their stabilized rates as set forth in Section 23 for the remainder of their fixed service commitment period under the Plan.

The stabilized rates for any customer electing the Plan will not be subject to any Company-initiated rate changes during the service commitment period selected by the customer.

(1) Effective November 20, 2019, this Service will no longer be available for purchase by new or existing customers, and service agreements may no longer be renewed. In addition, requests to move, add or change existing service arrangements will not be accepted. Following the expiration of a customer's existing term agreement, service will be provided on a month-to-month basis at the applicable monthly extension rates until the service is discontinued. AT&T currently plans to discontinue this Service on or after June 30, 2024. (N)

ACCESS SERVICE

7 - Special Access (a.k.a. BellSouth SPA) Service (Cont'd)

7.4 Rate Regulations (Cont'd)

7.4.13 Voice Grade⁽¹⁾ (a.k.a. BellSouth SPA DS0 VG) Rate Stability Plan (N)
(Cont'd)

7.4.13.1 Rate Stability Plan Eligibility Requirements

The minimum entrance eligibility requirement for this Plan is 500 voice grade special access local channels provided by BellSouth in the BellSouth region. These local channels may be provided with or without any associated interoffice channels, but any associated interoffice channels must be subject to the Plan.

In addition to meeting this minimum eligibility requirement, customers electing the Plan must also agree to the terms and conditions specified in 7.4.13.2, following.

7.4.13.2 Rate Stability Plan Terms And Conditions

All of the customer's Voice Grade (a.k.a. BellSouth SPA DS0 VG) special access local channels and any associated interoffice channels must be subject to the Plan. This requirement applies to all local and interoffice channels existing at the time of Plan election, all local and interoffice channels ordered when the Plan is elected, and all local or interoffice channels added at a subsequent date during the service commitment period.

The minimum service commitment period for which the Voice Grade (a.k.a. BellSouth SPA DS0 VG) Rate Stability Plan is provided and for which stabilized rates and charges are applicable is thirty-six months.

Customers may add Voice Grade (a.k.a. BellSouth SPA DS0 VG) local channels and associated interoffice channels to the Plan at any time during the service commitment period at the stabilized rates. The expiration date of the Plan for any local or interoffice channels added will be coterminous with the original expiration date.

(1) Effective November 20, 2019, this Service will no longer be available for purchase by new or existing customers, and service agreements may no longer be renewed. In addition, requests to move, add or change existing service arrangements will not be accepted. Following the expiration of a customer's existing term agreement, service will be provided on a month-to-month basis at the applicable monthly extension rates until the service is discontinued. AT&T currently plans to discontinue this Service on or after June 30, 2024. (N)

ACCESS SERVICE

7 - Special Access (a.k.a. BellSouth SPA) Service (Cont'd)

7.4 Rate Regulations (Cont'd)

7.4.13 Voice Grade⁽¹⁾ (a.k.a. BellSouth SPA DS0 VG) Rate Stability Plan (N)
(Cont'd)

7.4.13.2 Rate Stability Plan Terms And Conditions (Cont'd)

(A) Growth Requirement

The customer must guarantee to purchase 10% of the initial number of Voice Grade (a.k.a. BellSouth SPA DS0 VG) local channels established under the Plan on an annual basis for the first 36 months of any service commitment period. After 36 months, the customer shall be required to maintain a local channel count equivalent to 130% of the initial number of local channels ordered and/or converted to the plan for the duration of the service commitment period. This 10% growth will be measured on the anniversary of the date on which the customer advises the Telephone Company (by signing a written agreement) of his desire to participate in the Plan. For example, a customer with 1000 voice grade local channels who selects a 60-month service commitment period will have growth requirements as follows:

<u>Anniversary of Year</u>	<u>1</u>	<u>2</u>	<u>3</u>	<u>4</u>	<u>5</u>
In-Service Quantity Gain	100	100	100	0	0
Percentage of Initial Quantity	110%	120%	130%	130%	130%
Total In-Service Quantity	1100	1200	1300	1300	1300

In the event that the growth requirement as set forth preceding is not met, a nonrecurring Local Channel Shortfall Charge as described in paragraph (B) following, will apply, except as specified in 7.4.13.5(D), following.

(1) Effective November 20, 2019, this Service will no longer be available for purchase by new or existing customers, and service agreements may no longer be renewed. In addition, requests to move, add or change existing service arrangements will not be accepted. Following the expiration of a customer's existing term agreement, service will be provided on a month-to-month basis at the applicable monthly extension rates until the service is discontinued. AT&T currently plans to discontinue this Service on or after June 30, 2024. (N)

ACCESS SERVICE

7 - Special Access (a.k.a. BellSouth SPA) Service (Cont'd)

7.4 Rate Regulations (Cont'd)

7.4.13 Voice Grade⁽¹⁾ (a.k.a. BellSouth SPA DSO VG) Rate Stability Plan (N)
(Cont'd)

7.4.13.2 Rate Stability Plan Terms And Conditions (Cont'd)

(B) Local Channel Shortfall Charge

On the twelve month, twenty four month and thirty six month anniversaries of the service establishment date, the Telephone Company will review each rate stabilized customer's records to ascertain that the growth requirement has been met. On any subsequent anniversaries and at the end of the commitment period, the Telephone Company will review each rate-stabilized customer's records to ascertain that the guaranteed quantity is in service. In the event that a review indicates a shortfall exists between the in-service and guaranteed local channel quantities, a local channel shortfall charge will be assessed for each local channel comprising the deficit, except as specified in 7.4.13.5(D), following.

The Local Channel Shortfall charge is calculated by averaging the customer's applicable two-wire and four-wire Voice Grade (a.k.a. BellSouth SPA DSO VG) Local channel rate and multiplying the average rate by six.

(1) Effective November 20, 2019, this Service will no longer be available for purchase by new or existing customers, and service agreements may no longer be renewed. In addition, requests to move, add or change existing service arrangements will not be accepted. Following the expiration of a customer's existing term agreement, service will be provided on a month-to-month basis at the applicable monthly extension rates until the service is discontinued. AT&T currently plans to discontinue this Service on or after June 30, 2024. (N)

ACCESS SERVICE

7 - Special Access (a.k.a. BellSouth SPA) Service (Cont'd)

7.4 Rate Regulations (Cont'd)

7.4.13 Voice Grade⁽¹⁾ (a.k.a. BellSouth SPA DS0 VG) Rate Stability Plan (N)
(Cont'd)

7.4.13.3 Rate Stability Plan Nonrecurring Charges

Nonrecurring charges for plan establishment apply for each local channel included in the Plan. There are two types of nonrecurring charges for plan establishment: (1) a conversion charge for existing local channels included in the Plan at the time of plan election; and (2) a stabilization charge applicable to new local channels, whether ordered at the time of plan election or ordered as subsequent coterminous additions to the Plan. This establishment charge applies in addition to all other applicable nonrecurring charges specified in Section 23. The nonrecurring charges for plan establishment are specified in Section 23.

7.4.13.4 Rate Stability Plan Services

The only services rate stabilized under this Plan are those identified as having Voice Grade (a.k.a. BellSouth SPA DS0 VG) transmission capability within the analog 300 to 3000 Hz frequencies, as specified in 7.2.3(A), 7.2.3(B), preceding, and in Technical Publication TR-NWT-000335. The transmission interface specification may be either two-wire or four-wire.

(1) Effective November 20, 2019, this Service will no longer be available for purchase by new or existing customers, and service agreements may no longer be renewed. In addition, requests to move, add or change existing service arrangements will not be accepted. Following the expiration of a customer's existing term agreement, service will be provided on a month-to-month basis at the applicable monthly extension rates until the service is discontinued. AT&T currently plans to discontinue this Service on or after June 30, 2024. (N)

ACCESS SERVICE

7 - Special Access (a.k.a. BellSouth SPA) Service (Cont'd)

7.4 Rate Regulations (Cont'd)

7.4.13 Voice Grade⁽¹⁾ (a.k.a. BellSouth SPA DS0 VG) Rate Stability Plan (N)
(Cont'd)

7.4.13.5 Rate Stability Plan Application

(A) Rate Elements Stabilized

(1) Recurring Rates

The Voice Grade (a.k.a. BellSouth SPA DS0 VG) Rate Stability Plan stabilizes the recurring rates for the Voice Grade (a.k.a. BellSouth SPA DS0 VG) local channel and voice grade interoffice channel rate elements for the customer and its subsidiaries. The monthly recurring rates for these elements throughout the service commitment period will be the stabilized rates in Section 23, in effect on the appropriate plan establishment effective date. The Plan establishment effective date is the date on which the customer signs a written agreement for his initial order for rate-stabilized voice grade services and otherwise meets the Plan's eligibility requirements.

Different customers may have different plan establishment dates and stabilized rates offered under this Plan may be different for the different Plan effective dates. However, each customer electing the Plan will have only one service plan establishment effective date, which will apply to all of the customer's rate elements subject to the Plan, whether those rate elements are existing and converted to the Plan, added at the time of plan establishment, or added at a later date during the rate stability service commitment period.

(1) Effective November 20, 2019, this Service will no longer be available for purchase by new or existing customers, and service agreements may no longer be renewed. In addition, requests to move, add or change existing service arrangements will not be accepted. Following the expiration of a customer's existing term agreement, service will be provided on a month-to-month basis at the applicable monthly extension rates until the service is discontinued. AT&T currently plans to discontinue this Service on or after June 30, 2024. (N)

ACCESS SERVICE

7 - Special Access (a.k.a. BellSouth SPA) Service (Cont'd)

7.4 Rate Regulations (Cont'd)

7.4.13 Voice Grade⁽¹⁾ (a.k.a. BellSouth SPA DS0 VG) Rate Stability Plan (N)
(Cont'd)

7.4.13.5 Rate Stability Plan Application (Cont'd)

(A) Rate Elements Stabilized (Cont'd)

(1) Recurring Rates (Cont'd)

Prior to the expiration of a customer's commitment period, the existing commitment period may be replaced by a currently offered Voice Grade (a.k.a. BellSouth SPA DS0 VG) Rate Stability Plan period, at the stabilized rates then in effect. A customer choosing a new commitment period will not incur termination liability charges if the length of the new commitment period is equal to or longer than the time remaining in the existing service agreement. However, one-half the nonrecurring conversion charge will apply for local channels converted to the new plan period. Billing for any services added to the Plan will be at the stabilized rate level. However, billing will not begin until the services are installed.

The Plan does not apply to the nonrecurring charges applicable for service installation. The charges specified in Section 23 will apply.

The Plan does not apply to the rates and charges for optional features and functions. Rates and charges specified in Section 23 apply for any optional features or functions required, whether existing or ordered at the time of plan election or added at some future date.

(1) Effective November 20, 2019, this Service will no longer be available for purchase by new or existing customers, and service agreements may no longer be renewed. In addition, requests to move, add or change existing service arrangements will not be accepted. Following the expiration of a customer's existing term agreement, service will be provided on a month-to-month basis at the applicable monthly extension rates until the service is discontinued. AT&T currently plans to discontinue this Service on or after June 30, 2024. (N)

ACCESS SERVICE

7 - Special Access (a.k.a. BellSouth SPA) Service (Cont'd)

7.4 Rate Regulations (Cont'd)

7.4.13 Voice Grade⁽¹⁾ (a.k.a. BellSouth SPA DS0 VG) Rate Stability Plan (N)
(Cont'd)

7.4.13.5 Rate Stability Plan Application (Cont'd)

(B) Termination Liability

A Termination Liability Charge shall apply to customers requesting complete termination of the Rate Stability Plan prior to the expiration of the selected service commitment period unless the customer has established a new plan as described in 7.4.13.5(A) (1), preceding or in 7.4.13.5(D), following. The Termination Liability Charge is calculated by multiplying the average of the two-wire and the four-wire Voice Grade (a.k.a. BellSouth SPA DS0 VG) local channel rates in effect on the date the Plan was established by the guaranteed quantity as determined on the previous plan establishment anniversary date, times the number of whole months remaining in the selected service commitment period.

(C) Plan Expiration

At the end of the service commitment period, the customer may choose either of the following options: (1) on the expiration date of the initial service commitment period, the customer's rates for the services subject to the Plan will convert to the rates then in effect in Section 23, or (2) the customer may elect a new rate stability plan, subject to the terms and conditions then in effect for the Voice Grade (a.k.a. BellSouth SPA DS0 VG) Rate Stability Plan. If the customer chooses to convert to a new rate stability plan, the new plan establishment effective date will be the day following the expiration date of the initial plan. Stabilized rates for the new plan will be the appropriate rates from Section 23 for the new plan establishment effective date. Option 1 will be the default in the event the customer does not notify the Company of its intentions prior to the Plan's expiration. No Termination Liability Charges will apply after expiration of the initial Plan, unless the customer has made those services subject to a new plan.

(1) Effective November 20, 2019, this Service will no longer be available for purchase by new or existing customers, and service agreements may no longer be renewed. In addition, requests to move, add or change existing service arrangements will not be accepted. Following the expiration of a customer's existing term agreement, service will be provided on a month-to-month basis at the applicable monthly extension rates until the service is discontinued. AT&T currently plans to discontinue this Service on or after June 30, 2024. (N)

ACCESS SERVICE

7 - Special Access (a.k.a. BellSouth SPA) Service (Cont'd)

7.4 Rate Regulations (Cont'd)

7.4.13 Voice Grade⁽¹⁾ (a.k.a. BellSouth SPA DS0 VG) Rate Stability Plan (N)
(Cont'd)

7.4.13.5 Rate Stability Plan Application (Cont'd)

(D) Service Upgrades

Prior to the expiration of a customer's selected service commitment period, the customer may request service provided under the Rate Stability Plan to be upgraded to a higher order of service provided by the Company (i.e., digital services) under the terms of the Channel Services Payment Plan (CSPP) as stipulated in Part 3, Section 2, 2.4.8(A).

- (1) The customer may request that all service provided under the Rate Stability Plan be upgraded to a higher order of service. The Termination Liability Charge described in (B) preceding shall not apply for such service disconnects subject to all of the following conditions:
 - (a) The length of the payment period for the higher order of service shall be equal to the time that was remaining on the Rate Stability Plan or the minimum payment period available under CSPP, whichever is greater.
 - (b) The customer shall have six months from the time the initial request for service upgrade is made to place all orders to convert the Rate Stability Plan services to the desired higher order of service. This time period shall be referred to as the conversion period.
 - (c) During the conversion period, rates from the Rate Stability Plan shall continue to apply for the customer's Voice Grade (a.k.a. BellSouth SPA DS0 VG) services. During the conversion period, the Growth Requirement and Local Channel Shortfall Charge will not apply.

(1) Effective November 20, 2019, this Service will no longer be available for purchase by new or existing customers, and service agreements may no longer be renewed. In addition, requests to move, add or change existing service arrangements will not be accepted. Following the expiration of a customer's existing term agreement, service will be provided on a month-to-month basis at the applicable monthly extension rates until the service is discontinued. AT&T currently plans to discontinue this Service on or after June 30, 2024. (N)

ACCESS SERVICE

7 - Special Access (a.k.a. BellSouth SPA) Service (Cont'd)

7.4 Rate Regulations (Cont'd)

7.4.13 Voice Grade⁽¹⁾ (a.k.a. BellSouth SPA DS0 VG) Rate Stability Plan (N)
(Cont'd)

7.4.13.5 Rate Stability Plan Application (Cont'd)

(D) Service Upgrades (Cont'd)

(1) (Cont'd)

(d) The service orders to install the new higher order of service and disconnect the old service are related together and received by the Telephone Company at the same time and there is no lapse in service between installation of the higher order of service and disconnection of the existing service.

(2) The customer may request that a portion of service provided under the Rate Stability Plan be upgraded to a higher order of service. The Termination Liability Charge described in (B) preceding shall not apply for such service disconnects subject to all of the following conditions:

(a) The length of the payment period for the higher order of service shall be equal to the time that was remaining on the Rate Stability Plan or the minimum payment period available under CSPP, whichever is greater.

(1) Effective November 20, 2019, this Service will no longer be available for purchase by new or existing customers, and service agreements may no longer be renewed. In addition, requests to move, add or change existing service arrangements will not be accepted. Following the expiration of a customer's existing term agreement, service will be provided on a month-to-month basis at the applicable monthly extension rates until the service is discontinued. AT&T currently plans to discontinue this Service on or after June 30, 2024. (N)

ACCESS SERVICE

7 - Special Access (a.k.a. BellSouth SPA) Service (Cont'd)

7.4 Rate Regulations (Cont'd)

7.4.13 Voice Grade⁽¹⁾ (a.k.a. BellSouth SPA DS0 VG) Rate Stability Plan (N)
(Cont'd)

7.4.13.5 Rate Stability Plan Application (Cont'd)

(D) Service Upgrades (Cont'd)

(2) (Cont'd)

(b) The customer shall have **six** months from the time the initial request for service upgrade is made to place all orders to convert the Rate Stability Plan services to the desired higher order of service. This time period shall be referred to as the conversion period. At the end of the conversion period, Voice Grade (a.k.a. BellSouth SPA DS0 VG) services not converting to a higher order of service shall be treated as follows:

- If the total quantity of Voice Grade (a.k.a. BellSouth SPA DS0 VG) service to remain still meets the minimum originally established to qualify for the Rate Stability Plan, such service shall remain under the existing Rate Stability Plan.
- If the total quantity of Voice Grade (a.k.a. BellSouth SPA DS0 VG) service to remain does not meet the minimum originally established for the Rate Stability Plan but does meet the minimum criteria stated in this Guidebook to establish a new Rate Stability Plan, such service may be converted to a new Rate Stability Plan at the end of the conversion period without Termination Liability Charge from the prior plan and shall not incur any nonrecurring charges for the establishment of the new plan. During the conversion period, the Growth Requirement and Local Channel Shortfall Charge shall not apply for the original plan.

(1) Effective November 20, 2019, this Service will no longer be available for purchase by new or existing customers, and service agreements may no longer be renewed. In addition, requests to move, add or change existing service arrangements will not be accepted. Following the expiration of a customer's existing term agreement, service will be provided on a month-to-month basis at the applicable monthly extension rates until the service is discontinued. AT&T currently plans to discontinue this Service on or after June 30, 2024. (N)

ACCESS SERVICE

7 - Special Access (a.k.a. BellSouth SPA) Service (Cont'd)

7.4 Rate Regulations (Cont'd)

7.4.13 Voice Grade⁽¹⁾ (a.k.a. BellSouth SPA DS0 VG) Rate Stability Plan (N)
(Cont'd)

7.4.13.5 Rate Stability Plan Application (Cont'd)

(D) Service Upgrades (Cont'd)

(2) (Cont'd)

(b) (Cont'd)

- If the total quantity of Voice Grade (a.k.a. BellSouth SPA DS0) service to remain does not meet the minimum originally established to qualify for the Rate Stability Plan and does not meet the minimum to establish a new Rate Stability Plan for such service, the Voice Grade services not converted to a higher order service shall revert to the existing month-to-month rate for such Voice Grade services at the end of the conversion period. During the conversion period, the Growth Requirement and Local Channel Shortfall Charge shall not apply for the original plan.

(c) The service orders to install the new higher order of service and disconnect the old service are related and received by the Telephone Company at the same time and there is no lapse in service between installation of the higher order of service and disconnection of the existing service.

(1) Effective November 20, 2019, this Service will no longer be available for purchase by new or existing customers, and service agreements may no longer be renewed. In addition, requests to move, add or change existing service arrangements will not be accepted. Following the expiration of a customer's existing term agreement, service will be provided on a month-to-month basis at the applicable monthly extension rates until the service is discontinued. AT&T currently plans to discontinue this Service on or after June 30, 2024. (N)

ACCESS SERVICE

7 - Special Access (a.k.a. BellSouth SPA) Service (Cont'd)

7.4 Rate Regulations (Cont'd)

7.4.14 Digital Data Access Service⁽¹⁾ (a.k.a. BellSouth SPA DSO Digital Data) (N)

Monthly rates and nonrecurring charges as specified in Section 23 apply for Digital Data Access Service (a.k.a. BellSouth SPA DSO Digital Data).

DDAS (a.k.a. BellSouth SPA DSO Digital Data) is available under several payment plans: Month-to-Month (with a minimum of one month), Plan A (24-48 Months) or Plan B (49-72 Months). Plans A and B are provided under conditions specified in the Channel Services Payment Plan (CSPP) described in Part 3, Section 2, paragraph 2.4.8(A), except as modified following:

- (A) A termination liability charge will be applicable if services provided under a CSPP arrangement are disconnected prior to the end of the chosen service period. The termination charge is equal to the applicable rate per rate element for the current time the CSPP contract has been in effect and the minimum contract length multiplied times a factor. The factor is 50 percent for contracts that have been in effect twelve months or less, or 20 percent for contracts that have been in effect longer than twelve months.
- (B) No charges apply for the conversion of existing DDAS (a.k.a. BellSouth SPA DSO Digital Data) under a month-to-month payment plan to a CSPP Arrangement.
- (C) Plan C offered under the CSPP arrangement, as specified in Part 3, Section 2, paragraph 2.4.8(A), is not available for DDAS (a.k.a. BellSouth SPA DSO Digital Data).
- (D) In order to accommodate more flexible customer situations, certain elements of Digital Data Access Service (a.k.a. BellSouth SPA DSO Digital Data) are available under an Area Commitment Plan (ACP) as described in 2.4.8(B) of BellSouth Telecommunications Tariff F.C.C. No. 1. The ACP commitment for DDAS (a.k.a. BellSouth SPA DSO Digital Data) is made based on a commitment level of low-speed and a commitment level of highspeed local channels and interoffice channel miles. The DDAS (a.k.a. BellSouth SPA DSO Digital Data) Interoffice Channel - Fixed rate element will receive the same rate treatment for credits and shortfall charges as long as the associated circuit mileage qualifies under the ACP. The ACP A and ACP B rates for DDAS (a.k.a. BellSouth SPA DSO Digital Data) are the same as the CSPP Plan A and Plan B rates.

(1) Effective November 20, 2019, this Service will no longer be available for purchase by new or existing customers, and service agreements may no longer be renewed. In addition, requests to move, add or change existing service arrangements will not be accepted. Following the expiration of a customer's existing term agreement, service will be provided on a month-to-month basis at the applicable monthly extension rates until the service is discontinued. AT&T currently plans to discontinue this Service on or after June 30, 2024. (N)

ACCESS SERVICE

7 - Special Access (a.k.a. BellSouth SPA) Service (Cont'd)

7.4 Rate Regulations (Cont'd)

7.4.15 DS1 High Capacity^{(1) (2) (3)} (a.k.a. BellSouth SPA DS1) Service (C)

Monthly rates and nonrecurring charges as specified in Section 23 apply for DS1 High Capacity (a.k.a. BellSouth SPA DS1) service.

DS1 High Capacity (a.k.a. BellSouth SPA DS1) service is available under several payment plans: Month-to-month (with a minimum of one month), Plan A (24-48 Months) or Plan B (49-72 Months). Plans A and B are provided under conditions specified in the Channel Services Payment Plan (CSPP) described in Part 3, Section 2, paragraph 2.4.8(A), except as modified following:

- (A) A termination liability charge will be applicable if services provided under a CSPP arrangement are disconnected prior to the end of the chosen service period. The termination charge is equal to the applicable rate per rate element for the current contract multiplied times the difference in months between the time the CSPP contract has been in effect and the minimum contract length multiplied times a factor. The factor is 50 percent for contracts that have been in effect twelve months or less, or 20 percent for contracts that have been in effect longer than twelve months.
- (B) No charges apply for the conversion of existing DS1 High Capacity (a.k.a. BellSouth SPA DS1) service under a month-to-month payment plan to a CSPP arrangement.
- (C) Plan C offered under the CSPP arrangement, as specified in Part 3, Section 2, paragraph 2.4.8(A), is not available for DS1 High Capacity (a.k.a. BellSouth SPA DS1) service.

In order to accommodate more flexible customer situations, certain elements of DS1 High Capacity (a.k.a. BellSouth SPA DS1) service are available under an Area Commitment Plan (ACP) as described in 2.4.8(B) of BellSouth Telecommunications Tariff F.C.C. No. 1. ACP for DS1 High Capacity (a.k.a. BellSouth SPA DS1) service is made available for local channels, interoffice channel miles and basic channelization. DS1 High Capacity (a.k.a. BellSouth SPA DS1) Interoffice Channel-Fixed rate elements will receive the same rate treatment for credits and shortfall charges as long as the associated circuit mileage qualifies under the ACP. The ACP A and ACP B rates for DS1 service are the same as the Plans A and B rates shown for CSPP.

7.4.16 Reserved for Future Use

- (1) Effective on November 1, 2022, all ACPs for High Capacity (a.k.a. BellSouth SPA High Capacity DS1 (a.k.a. BellSouth SPA DS1)), CSPPs of greater than 24 months for High Capacity (a.k.a. BellSouth SPA High Capacity DS1 (a.k.a. BellSouth SPA DS1)), SMARTPath Service (a.k.a. BellSouth SPA DS1 Shared Ring), and SMARTPath DS3 Transport Service (a.k.a. BellSouth SPA DS3 Shared Ring), and TPPs greater than 12 months for BellSouth DS1 Diverse Service and LightGate Systems (a.k.a. BellSouth SPA Point to Point Network), are no longer available, including for any otherwise available conversions. Circuits already subject to ACPs, CSPPs, and TPPs, as of November 1, 2022, will continue to be provided under the then-current term for the remainder of that term.
- (2) Effective December 1, 2023, CSPPs of 24 months for High Capacity (a.k.a. BellSouth SPA High Capacity DS1 (a.k.a. BellSouth SPA DS1)) are no longer available, including for any otherwise available conversions. Circuits already subject to CSPPs, as of December 1, 2023, will continue to be provided under the then-current term for the remainder of that term.
- (3) Effective on January 17, 2024, all CSPP and TPPs term plans greater than month-to-month for High Capacity (a.k.a. BellSouth SPA High Capacity DS1 (a.k.a. BellSouth SPA DS1)), SMARTPath Service (a.k.a. BellSouth SPA DS1 Shared Ring), SMARTPath DS3 Transport Service (a.k.a. BellSouth SPA DS3 Shared Ring), BellSouth DS1 Diverse Service and LightGate Systems (a.k.a. BellSouth SPA Point to Point Network), are no longer available, including for any otherwise available conversions. Existing Term Plan Services on January 17, 2024, will continue to be provided for the remainder of the then-current terms.

(N)
|
(N)

ACCESS SERVICE

7 - Special Access (a.k.a. BellSouth SPA) Service (Cont'd)

7.4 Rate Regulations (Cont'd)

7.4.17 Derived Data Channel⁽¹⁾ Service (DDCS)

(N)

(A) Rate Regulations

The derived data channel charges provide the central office data/voice multiplexing capability. The customer must also subscribe to a compatible two-wire local exchange line (e.g., business exchange line). This two-wire exchange line and its associated rates and charges are in addition to the derived data channel rates and charges.

The DS0-B interface charge is applicable for each group of a maximum of twenty multiplexed derived data channels. Each of the twenty channels in a DS0-B interface channel group operates at a bit rate of 2.4 Kbps. An interoffice channel is required when the customer's serving wire center and the serving wire center of the customer's terminating premises are not the same.

Monthly rates and nonrecurring charges specified in Section 23 apply for DDCS.

DDCS is available under several payment plans: Month-to-month (with a minimum of one month), Plan A (24-48 Months) or Plan B (49-72 Months). Plans A and B are provided under conditions specified in the Channel Services Payment Plan (CSPP) described in Part 3, Section 2, paragraph 2.4.8(A), except as modified following:

- (1) A termination liability charge will be applicable if services provided under a CSPP arrangement are disconnected prior to the end of the chosen service period. The applicable charge is equal to the number of months remaining in the rate stabilized service period times 60% of the monthly rates for DDCS services provided under the CSPP arrangement.
- (2) No charges apply for the conversion of existing DDCS under a month-to-month payment plan to a CSPP arrangement.
- (3) Plan C offered under the CSPP arrangement, as specified Part 3, Section 2, paragraph 2.4.8(A), is not available for DDCS.

- (1) Effective November 20, 2019, this Service will no longer be available for purchase by new or existing customers, and service agreements may no longer be renewed. In addition, requests to move, add or change existing service arrangements will not be accepted. Following the expiration of a customer's existing term agreement, service will be provided on a month-to-month basis at the applicable monthly extension rates until the service is discontinued. AT&T currently plans to discontinue this Service on or after June 30, 2024.

(N)

(N)

ACCESS SERVICE

7 - Special Access (a.k.a. BellSouth SPA) Service (Cont'd)

7.4 Rate Regulations (Cont'd)

7.4.18 SMARTPath Service

7.4.18.1 SMARTPath DS1 Transport Service (a.k.a. BellSouth SPA DS1 Shared Ring)

Monthly rates and charges as specified in Section 23 apply for each SMARTPath service (a.k.a. BellSouth SPA DS1 Shared Ring). The transport provided within a SMARTPath service (a.k.a. BellSouth SPA DS1 Shared Ring) area is provided at 1.544 Mbps. Rate categories include a SMARTPath Area Connection and a SMARTPath Area Junction.

The SMARTPath Area Connection rate element provides for the originating connection at the designated premises where the customer gains access to SMARTPath service (a.k.a. BellSouth SPA DS1 Shared Ring) and transport to a designated junction on the network. The SMARTPath Area Junction rate element provides for the connection between the SMARTPath service (a.k.a. BellSouth SPA DS1 Shared Ring) network and (1) another customer-designated premises, in the same SMARTPath service (a.k.a. BellSouth SPA DS1 Shared Ring) area or (2) a serving wire center in the same SMARTPath service (a.k.a. BellSouth SPA DS1 Shared Ring) area for connection to (a) DS1 Basic Channelization, BellSouth Customer Network Management Service, LightGate service (a.k.a. BellSouth SPA Point to Point Network), or BellSouth Expanded Interconnection Services under Section 20 of BellSouth Telecommunications Tariff F.C.C. No. 1, or (b) a SMARTPath Area Junction of another SMARTPath service (a.k.a. BellSouth SPA DS1 Shared Ring) area in the same Metropolitan Area.

Recurring and nonrecurring charges apply for each SMARTPath Area Connection and SMARTPath Area Junction.

SMARTPath service (a.k.a. BellSouth SPA DS1 Shared Ring) is available under several payment plans: Month-to-month (with a 4-month minimum), Plan A (24-48 Months), Plan B (49-72 Months), ACP A (24-48 Months) or ACP B (49-72 Months). Plan A and B are provided under conditions specified in the Channel Services Payment Plan (CSPP) in Part 3, Section 2, par. 2.4.8(A). ACP A and ACP B are provided under conditions specified in the Area Commitment Plan (ACP) described in BellSouth Telecommunications Tariff F.C.C. No. 2, par. 2.4.8(B). The ACP A and ACP B rates for use in calculating credits and shortfall charges will equal the CSPP Plan A and Plan B rates, respectively for SMARTPath service (a.k.a. BellSouth SPA DS1 Shared Ring).

ACCESS SERVICE

7 - Special Access (a.k.a. BellSouth SPA) Service (Cont'd)

7.4 Rate Regulations (Cont'd)

7.4.18 SMARTPath Service (Cont'd)

7.4.18.1 SMARTPath DS1 Transport Service (a.k.a. BellSouth SPA DS1 Shared Ring) (Cont'd)

In order to accommodate more flexible customer situations, SMARTPath service (a.k.a. BellSouth SPA DS1 Shared Ring) is available under an Area Commitment Plan (ACP) as described in 2.4.8(B) of BellSouth Telecommunications Tariff F.C.C. No. 1.⁽¹⁾ The ACP commitment for SMARTPath service (a.k.a. BellSouth SPA DS1 Shared Ring) is made based on a level of SMARTPath service area connections. SMARTPath Area Junction connections will receive the same rate treatment for credits and shortfall charges as long as the associated SMARTPath Area Connection qualifies under the ACP. ACP termination liability charges will be calculated using the SMARTPath Area Connection and the Central Office SMARTPath Area Junction rates. The ACP shortfall charge will not apply for 12 months after SMARTPath service (a.k.a. BellSouth SPA DS1 Shared Ring) first becomes available in an ACP billing area. (C)

Termination liability charges for SMARTPath service (a.k.a. BellSouth SPA DS1 Shared Ring) under CSPP or ACP will be calculated using the procedures for DS1 High Capacity service (a.k.a. BellSouth SPA DS1), as specified in 7.4.15(A) and 2.4.8(B) of BellSouth Telecommunications Tariff F.C.C. No. 1, respectively.

The rates applicable to a month-to-month payment plan are subject to Telephone Company initiated changes. Rates stabilized under an ACP arrangement are exempt from Telephone Company initiated increases, however, decreases for any rate element will automatically flow through to the customer.

A SMARTPath service (a.k.a. BellSouth SPA DS1 Shared Ring) performance guarantee, as specified in 7.2.13(C) preceding, will apply.

(1) Effective September 4, 2019, ACPs are no longer available for SMARTPath DS1 Transport Service (a.k.a. BellSouth SPA DS1 Shared Ring) including for any otherwise available renewals or conversions.

ACCESS SERVICE

7 - Special Access (a.k.a. BellSouth SPA) Service (Cont'd)

7.4 Rate Regulations (Cont'd)

7.4.18 SMARTPath Service (a.k.a. BellSouth SPA DS1 Shared Ring) (Cont'd)

7.4.18.2 SMARTPath DS3 Transport Service (a.k.a. BellSouth SPA DS3 Shared Ring)

Monthly rates and charges as specified in Section 23 apply for each SMARTPath DS3 Transport service (a.k.a. BellSouth SPA DS3 Shared Ring). The transport provided within a SMARTPath service (a.k.a. BellSouth SPA DS1 Shared Ring) area is provided at 44.736 Mbps. Rate categories include a SMARTPath DS3 Area Connection, a SMARTPath DS3 Area Junction and a SMARTPath DS3 Transport service (a.k.a. BellSouth SPA DS3 Shared Ring) 28 DS1 Channel System and associated interfaces.

Customers may request a C-Bit Parity framing format for a DS3 level circuit. If the request is made at the time the circuit is installed, there is no additional charge. When a request for C-Bit Parity framing format is made for an existing circuit, a nonrecurring charge will be applicable for rearranging the framing format on the circuit. This charge will also be applicable if a customer requests that the C-Bit Parity framing format be removed from a circuit. This charge is specified in Section 23 and is applied on a per circuit basis.

ACCESS SERVICE

7 - Special Access (a.k.a. BellSouth SPA) Service (Cont'd)

7.4 Rate Regulations (Cont'd)

7.4.18 SMARTPath Service (a.k.a. BellSouth SPA DS1 Shared Ring) (Cont'd)

7.4.18.2 SMARTPath DS3 Transport Service (a.k.a. BellSouth SPA DS3 Shared Ring) (Cont'd)

The SMARTPath DS3 Area Connection rate element provides for the connection at the designated premises where the customer gains access to SMARTPath DS3 Transport service (a.k.a. BellSouth SPA DS3 Shared Ring) and transport to a designated junction on the network. The SMARTPath DS3 Area Junction rate element provides for the connection between the SMARTPath DS3 Transport network and (1) another customer-designated premises in the same SMARTPath service (a.k.a. BellSouth SPA DS3 Shared Ring) area or (2) a serving wire center in the same SMARTPath area for connection (a) to DS1 Service through a SMARTPath DS3 Transport service (a.k.a. BellSouth SPA DS3 Shared Ring) service 28 DS1 Channel System, or to BellSouth SPA CNM FlexServ Service, or to BellSouth Expanded Interconnection services under Section 20 of BellSouth Telecommunications Tariff F.C.C. No. 1, or (b) to a SMARTPath DS3 Area Junction of another SMARTPath service (a.k.a. BellSouth SPA DS3 Shared Ring) area in the same metropolitan area.

Recurring charges apply for each SMARTPath DS3 Area Connection, SMARTPath DS3 Area Junction and SMARTPath DS3 Transport service (a.k.a. BellSouth SPA DS3 Shared Ring) 28 DS1 Channel System and each interface activated.

SMARTPath DS3 Transport service (a.k.a. BellSouth SPA DS3 Shared Ring) customers electing to connect with DS1 services at a serving wire center must obtain a SMARTPath DS3 Transport service (a.k.a. BellSouth SPA DS3 Shared Ring) 28 DS1 Channel System and the appropriate number of DS1 Channel Interfaces.

ACCESS SERVICE

7 - Special Access (a.k.a. BellSouth SPA) Service (Cont'd)

7.4 Rate Regulations (Cont'd)

7.4.18 SMARTPath Service (a.k.a. BellSouth SPA DS1 Shared Ring) (Cont'd)

7.4.18.2 SMARTPath DS3 Transport Service (a.k.a. BellSouth SPA DS3 Shared Ring) (Cont'd)

SMARTPath DS3 Transport service (a.k.a. BellSouth SPA DS3 Shared Ring) is available under several payment plans: Month-to-month (with a 12-month minimum), Plan A (24-48 Months) and Plan B (49-72 Months). Plan A and Plan B are provided under conditions specified in the Channel Services Payment Plan (CSPP), Part 3, Section 2, paragraph 2.4.8(A). Termination liability charges will be applicable if services provided under a CSPP are disconnected prior to the end of the chosen service period. Termination liability charges will be calculated using the procedures for DS1 High Capacity service (a.k.a. BellSouth SPA DS1) as specified in 7.4.15(A) preceding.

A SMARTPath DS3 Transport service (a.k.a. BellSouth SPA DS3 Shared Ring) performance credit, as specified in 2.4.4(B) of BellSouth Telecommunications Tariff F.C.C. No. 1, will apply.

7.4.19 Reserved for Future Use

ACCESS SERVICE

7 - Special Access (a.k.a. BellSouth SPA) Service (Cont'd)

7.4 Rate Regulations (Cont'd)

7.4.20 Voice Grade⁽²⁾ (a.k.a. BellSouth SPA DSO VG) Service⁽¹⁾ (N)

Monthly rates and nonrecurring charges as specified in Section 23 apply for Voice Grade (a.k.a. BellSouth SPA DSO VG) service.

Voice Grade (a.k.a. BellSouth SPA DSO VG) service is available under several payment plans: Voice Grade (a.k.a. BellSouth SPA DSO VG) Rate Stability Plan (with a minimum of 36 months and a maximum of 60 months), Month-to-month (with a minimum of one month), Plan A (24-48 Months) or Plan B (49-72 Months). The Voice Grade (a.k.a. BellSouth SPA DSO VG) Rate Stability Plan is provided as outlined in 7.4.13 preceding. Plans A and B are provided under conditions specified in the Channel Services Payment Plan (CSPP), Part 3, Section 2, paragraph 2.4.8(A), except as modified following:

- (A) A termination liability charge will be applicable if services provided under a CSPP arrangement are disconnected prior to the end of the chosen service period. The termination charge is equal to the applicable rate per rate element for the current contract multiplied times the difference in months between the time the CSPP contract has been in effect and the minimum contract length multiplied times a factor. The factor is 50 percent for contracts that have been in effect twelve months or less, or 20 percent for contracts that have been in effect longer than twelve months.
- (B) No charges apply for the conversion of existing Voice Grade (a.k.a. BellSouth SPA DSO VG) service under a month-to-month payment plan to a CSPP arrangement.

(1) Effective November 5, 2016, Voice Grade (a.k.a. BellSouth SPA DSO VG) service in the Carbon Hill, Alabama and Kings Point, Florida Telephone Company wire centers is no longer available.

(2) Effective November 20, 2019, this Service will no longer be available for purchase by new or existing customers, and service agreements may no longer be renewed. In addition, requests to move, add or change existing service arrangements will not be accepted. Following the expiration of a customer's existing term agreement, service will be provided on a month-to-month basis at the applicable monthly extension rates until the service is discontinued. AT&T currently plans to discontinue this Service on or after June 30, 2024.

(N)
|
(N)

ACCESS SERVICE

7 - Special Access (a.k.a. BellSouth SPA) Service (Cont'd)

7.4 Rate Regulations (Cont'd)

7.4.20 Voice Grade⁽²⁾ (a.k.a. BellSouth SPA DSO VG) Service⁽¹⁾ (Cont'd) (N)

- (C) Plan C offered under the CSPP arrangement, as specified in Part 3, Section 2, paragraph 2.4.8(A), is not available for Voice Grade (a.k.a. BellSouth SPA DSO VG) service.

In order to accommodate more flexible customer situations, certain elements of Voice Grade (a.k.a. BellSouth SPA DSO VG) service are available under an Area Commitment Plan (ACP) as described in 2.4.8(B) of BellSouth Telecommunications Tariff F.C.C. No. 1. The ACP commitment for Voice Grade (a.k.a. BellSouth SPA DSO VG) service is made based on a level of local channels and interoffice channel miles. Voice Grade (a.k.a. BellSouth SPA DSO VG) Interoffice Channel-Fixed rate elements will receive the same rate treatment for credits and shortfall charges as long as the associated circuit mileage charges qualify under the ACP. The ACP A and ACP B rates for Voice Grade (a.k.a. BellSouth SPA DSO VG) service are the same as the Plan A and Plan B rates shown for CSPP.

- (D) No charges apply for the conversion of an existing Voice Grade (a.k.a. BellSouth SPA DSO VG) Rate Stability Plan arrangement as specified in Section 7.4.13 preceding to a CSPP or ACP arrangement. The customer will be given recognition for previous service for each circuit converted from the Voice Grade (a.k.a. BellSouth SPA DSO VG) Rate Stability Plan provided that the length of the new CSPP or ACP arrangement is equal to or greater than the remaining service period of the Voice Grade (a.k.a. BellSouth SPA DSO VG) Rate Stability Plan arrangement.

7.4.21 Reserved for Future Use

- (1) Effective November 5, 2016, Voice Grade (a.k.a. BellSouth SPA DSO VG) service in the Carbon Hill, Alabama and Kings Point, Florida Telephone Company wire centers is no longer available.
- (2) Effective November 20, 2019, this Service will no longer be available for purchase by new or existing customers, and service agreements may no longer be renewed. In addition, requests to move, add or change existing service arrangements will not be accepted. Following the expiration of a customer's existing term agreement, service will be provided on a month-to-month basis at the applicable monthly extension rates until the service is discontinued. AT&T currently plans to discontinue this Service on or after June 30, 2024. (N)

ACCESS SERVICE

7 - Special Access (a.k.a. BellSouth SPA) Service (Cont'd)

7.4 Rate Regulations (Cont'd)

7.4.22 Uncompressed Switched Video (a.k.a. BellSouth SPA Uncompressed Switched Video) Service

- (A) Monthly recurring rates and nonrecurring charges apply as specified in Section 23 for each Uncompressed Switched Video (a.k.a. BellSouth SPA Uncompressed Switched Video Network) service. These rates and charges are only valid for locations where facilities exist. If new facilities must be constructed, special construction charges may apply.

Dedicated, digital video channels are available at a transmission rate over 100 Mbps. Customers are required to subscribe to a minimum of 8 video channels that connect the digital video switch to the customer designated end locations. These 8 video channels may be any combination of video channels on an Uncompressed Switched Video (a.k.a. BellSouth SPA Uncompressed Switched Video) service Single Channel and/or Multiple Channel System.

Rate categories include Local Channels and Interoffice Channels. There are two types of Local Channels and Interoffice Channels:

- Single Channel Systems
- Multiple Channel Systems

Only one nonrecurring charge is applicable for one to six video channels installed on the same system at the same time.

In addition, a Multiple Channel System Interoffice Interface is available for interoffice transport of multiple video signals, in the same direction. No video channelization is required for this Multiple Channel System Interoffice Interface. Rates and Charges for this Multiple Channel System Interoffice Interface are in addition to the Multiple Channel System Interoffice Channel rate elements, i.e. airline mileage and applicable regenerators.

Two 15 kHz audio channels are provided with each video channel. The customer may order two additional 15 kHz audio channels per video channel, per site. Customers may opt for four 20 kHz audio channels, at rates and charges set forth in Section 23 in lieu of the two 15 kHz audio channels previously discussed.

- (B) Moves to a building (customer premises) in a wire center serving area different than the customer's existing serving wire center serving area will not be treated as a discontinuance and start of service. Nonrecurring move charges are applicable for Uncompressed Switched Video Service as set forth in Section 23. Separate facilities are needed for each transmit and receive circuit.

ACCESS SERVICE

7 - Special Access (a.k.a. BellSouth SPA) Service (Cont'd)

7.4 Rate Regulations (Cont'd)

7.4.22 Uncompressed Switched Video (a.k.a. BellSouth SPA Uncompressed Switched Video) Service (Cont'd)

(C) Payment Plans

Uncompressed Switched Video (a.k.a. BellSouth SPA Uncompressed Switched Video Network) service is provided on a month-to-month basis or under conditions specified in the Channel Services Payment Plan (CSPP), Part 3, Section 2, paragraph 2.4.8, except as modified following:

- (1) Uncompressed Switched Video (a.k.a. BellSouth SPA Uncompressed Switched Video) service is initially available under Payment Plan A with a 36-month commitment period for the minimum 8 video channels. Additional 15 kHz audio channels and Single Channel Systems above the minimum requirement may be ordered under Payment Plan A with a 36-month commitment period or on a month-to-month basis. At the end of 36 months continuous service, customers may continue all service on a month-to-month basis or renew their arrangement for another 36-month CSPP commitment. The rates applicable for the renewed arrangement will be those applicable for new Uncompressed Switched Video (a.k.a. BellSouth SPA Uncompressed Switched Video) service. Month-to-month rates are subject to Telephone Company initiated changes and are available only after completion of an initial 36-month commitment period, except as modified preceding.
- (2) On a per arrangement basis, all rate elements provided under Payment Plan A will be coterminous. For example: all LCs and IOCs of the same Multiple Channel System will be disconnected at the same time.
- (3) On a per arrangement basis, all rate elements provided under a month-to-month basis are coterminous with the minimum requirement of 8 video channels. For example: if a customer has only 8 channels and a request is received to disconnect fewer than 8, all channels will be disconnected.

ACCESS SERVICE

7 - Special Access (a.k.a. BellSouth SPA) Service (Cont'd)

7.4 Rate Regulations (Cont'd)

7.4.22 Uncompressed Switched Video (a.k.a. BellSouth SPA Uncompressed Switched Video) Service (Cont'd)

(D) Termination Liability

- (1) A termination liability charge will be applicable if Uncompressed Switched Video (a.k.a. BellSouth SPA Uncompressed Switched Video Network) services are disconnected prior to the end of 36 months except for additional 15 kHz audio channels and Single Channel Systems (above the minimum requirement) which may also be purchased on a month to month basis. The applicable charge is equal to the number of months remaining in the 36-month service period times the monthly rates for Uncompressed Switched Video (a.k.a. BellSouth SPA Uncompressed Switched Video) service which includes Local Channels and Interoffice Channels. Termination liability charges are not applicable for Uncompressed Switched Video (a.k.a. BellSouth SPA Uncompressed Switched Video) service when a 36-month commitment period has been completed and then converted to month-to-month rates.

(E) Suspension of Service

Suspension of Uncompressed Switched Video (a.k.a. BellSouth SPA Uncompressed Switched Video) service is not allowed.

7.4.23 Reserved for Future Use

7.4.24 Reserved for Future Use

ACCESS SERVICE

7 - Special Access (a.k.a. BellSouth SPA) Service (Cont'd)

7.4 Rate Regulations (Cont'd)

7.4.25 Zone Pricing - Special Access (a.k.a. BellSouth SPA) Service

High Capacity DS1 (a.k.a. BellSouth SPA DS1) service, BellSouth DS1 Diverse service and LightGate service (a.k.a. BellSouth SPA Point to Point Network) are organized into three pricing zones. The pricing zone assignments for each Telephone Company serving wire center is as specified in the NATIONAL EXCHANGE CARRIER ASSOCIATION (NECA) TARIFF F.C.C. NO. 4.

Special Access (a.k.a. BellSouth SPA) interoffice channels, which terminate in different zones will be billed the higher rate. When interoffice channels are provided by more than one telephone company; this Telephone Company's portion of that circuit will be billed in accordance with that company's tariff, pursuant to Part 3, Section 2, paragraph 2.4.7(C). Channelization rates will be determined by the location of the channelization arrangement.

7.4.26 Reserved for Future Use

ACCESS SERVICE

7 - Special Access (a.k.a. BellSouth SPA) Service (Cont'd)

7.4 Rate Regulations (Cont'd)

7.4.27 BellSouth SPA Modular Video Transport Service⁽¹⁾

Rates and charges as specified in Section 23 apply for each BellSouth SPA Modular Video Transport service. BellSouth SPA Modular Video Transport service is a fiber optic transport video service that interconnects two or more customer designated end point locations to provide one-way video service with associated audio. This service may utilize an uncompressed National Television Systems Committee (NTSC) video signal, a Component 270 Mbps video signal (Multiple Channel Systems only), an Advanced Television Stream (ATV) video signal and/or an Intermediate Frequency (IF) video signal at the customer premises. Rate categories include Local Channels, Interoffice Channels and Optional Features. Multiple endpoint locations may be interconnected to form one-way video rings with separate facilities for each transmit and each receive circuit. Nonrecurring charges and recurring rates are applicable for each.

These rates and charges are only valid for locations where facilities exist. If new facilities must be constructed, special construction charges will apply as set forth in the BellSouth Telecommunications Special Construction Tariff F.C.C. No. 2.

BellSouth SPA Modular Video Transport service is provided under several payment options: Month-to-Month or under Channel Services Payment Plans (CSPP) for either Plan A (24-48 Months), Plan B (49-72 Months) or Plan C (73-96 Months). All CSPP's are provided under conditions specified in Part 3, Section 2, paragraph 2.4.8 preceding, except as modified following:

- (1) All rate elements, for a given each BellSouth SPA Modular Video Transport service must be provided under the same payment plan with the same service period and are coterminous upon disconnect of that service, for example Local Channels, Interoffice Channels and any Optional Features.
- (2) A termination liability charge will be applicable if services provided under a CSPP arrangement are disconnected prior to the end of the chosen service period. The applicable charge is equal to the number of months remaining in the rate stabilized service period times 60% of monthly rates for BellSouth SPA Modular Video Transport services which include Local Channels, Interoffice Channels and Optional Features provided under the CSPP arrangement.

(1) Effective August 25, 2011, BellSouth SPA Modular Video Transport Service is no longer available to new Customers. There is no change for existing customers.

ACCESS SERVICE

7 - Special Access (a.k.a. BellSouth SPA) Service (Cont'd)

7.4 Rates and Regulations (Cont'd)

7.4.28 BellSouth DS1 Diverse Service

Monthly rates and nonrecurring charges as specified in Section 23 apply for BellSouth DS1 Diverse service. Nonrecurring charges will not apply for BellSouth DS1 Diverse Service Local Channels when furnished under a payment plan other than month-to-month.

BellSouth DS1 Diverse service is available under several payment plans: Month-to-Month (with a minimum of 4 months), Plan A (12 to 36 months), Plan B (37 to 60 months) and Plan C (61 to 96 months). Plans A, B and C are provided under conditions specified in the Transport Payment Plan (TPP) located in Part 3, Section 2, paragraph 2.4.8(D), except as modified following:

- (A) A termination liability charge will be applicable as specified in Part 3, Section 2, paragraph 2.4.8(D) if BellSouth DS1 Diverse service elements are disconnected prior to the end of the customer-specified service period.
- (B) BellSouth DS1 Diverse service is eligible for credit of Nonrecurring Charges under provisions of the Service Installation Guarantee (SIG) as specified in Part 3, Section 2, paragraph 2.4.9.
- (C) Short Interval Charges are applicable for BellSouth DS1 Diverse service as specified in Part 3, Section 5, paragraph 5.1.1.
- (D) No charges apply for the conversion of existing BellSouth DS1 Diverse service from a Month-to-Month arrangement to a TPP arrangement.

ACCESS SERVICE

7 - Special Access (a.k.a. BellSouth SPA) Service (Cont'd)

7.4 Rates and Regulations (Cont'd)

7.4.29 Broadcast Quality Video (a.k.a. BellSouth SPA Broadcast Quality Video) Service^{/1,2/}

(C)

Rates and charges as specified in Section 23 apply for each Broadcast Quality Video (a.k.a. BellSouth SPA Broadcast Quality Video) Service. Broadcast Quality Video (a.k.a. BellSouth SPA Broadcast Quality Video) Service is a fiber optic transport video service that interconnects two customer designated end point locations or a customer designated premises and a Telephone Company central office to provide one-way video service with associated audio. This service is transported a National Televisions Systems Committee (NTSC) video signal. Rate categories include Local Channels and Interoffice Channels. Nonrecurring charges and recurring rates are applicable for each.

These rates and charges are only valid for locations where facilities exist. If new facilities must be constructed, special construction charges will apply as set forth in the BellSouth Telecommunications Special Construction Tariff F.C.C. No. 2.

/3/

/1/ Effective November 5, 2016, Broadcast Quality Video (a.k.a. BellSouth SPA Broadcast Quality Video) service in the Carbon Hill, Alabama and Kings Point, Florida Telephone Company wire centers is no longer available.

/2/ Effective December 31, 2020, this Service will no longer be available for purchase by new or existing customers, and service agreements may no longer be renewed. In addition, requests to move, add, or change existing service arrangements will not be accepted. Following the expiration of a customer's existing term agreement, service will be provided on a month-to-month basis at the applicable Month-to-Month rate until the service is discontinued. AT&T currently plans to discontinue this Service on or after December 31, 2021.

(N)

(N)

/3/ Material now appears on Page 161.1.

ACCESS SERVICE

7 - Special Access (a.k.a. BellSouth SPA) Service (Cont'd)

7.4 Rates and Regulations (Cont'd)

7.4.29 Broadcast Quality Video (a.k.a. BellSouth SPA Broadcast Quality Video) Service^{/1,2/}

(C)

Broadcast Quality Video (a.k.a. BellSouth SPA Broadcast Quality Video) Service is provided under a month-to-month rate option for customers subscribing on or after December 29, 2001. For customers subscribing prior to December 29, 2001, the NTSC option is provided under Month-to-Month rates. All CSPP's are provided under conditions specified in Part 3, Section, paragraph 2.4.8, except as modified following:

/3/

- (1) All rate elements, for each Broadcast Quality Video (a.k.a. BellSouth SPA Broadcast Quality Video) Service must be provided under the same payment plan with the same service period and are coterminous upon disconnect of that service, for example Local Channels and Interoffice Channels.
- (2) A termination liability charge will be applicable if services provided under a CSPP arrangement are disconnected prior to the end of the chosen service period. The applicable charge is equal to the number of months remaining in the rate stabilized service period times 60% of monthly rates for Broadcast Quality Video (a.k.a. BellSouth SPA Broadcast Quality Video) Service which include Local Channels and Interoffice Channels provided under the CSPP arrangement.

/3/

/1/ Effective November 5, 2016, Broadcast Quality Video (a.k.a. BellSouth SPA Broadcast Quality Video) service in the Carbon Hill, Alabama and Kings Point, Florida Telephone Company wire centers is no longer available.

/3/

/2/ Effective December 31, 2020, this Service will no longer be available for purchase by new or existing customers, and service agreements may no longer be renewed. In addition, requests to move, add, or change existing service arrangements will not be accepted. Following the expiration of a customer's existing term agreement, service will be provided on a month-to-month basis at the applicable Month-to-Month rate until the service is discontinued. AT&T currently plans to discontinue this Service on or after December 31, 2021.

/3/

(N)

/3/ Material formerly appeared on Page 161.

(N)

ACCESS SERVICE

7 - Special Access (a.k.a. BellSouth SPA) Service (Cont'd)

7.4 Rates and Regulations (Cont'd)

7.4.29 Broadcast Quality Video (a.k.a. BellSouth SPA Broadcast Quality Video) Service^{/1,2,3/} (Cont'd)

(C)

Customers under a CSPP may upgrade to Modular Video Transport Service under a CSPP without incurring any termination charges when:

- (a) the completed service period is 12 months, or 25% of the length of the originally selected CSPP service period, whichever is greater, and
- (b) the service period of the new CSPP arrangement for Modular Video Transport Service is equal to or longer than the remaining service period of the disconnected Commercial Quality Video Service, and
- (c) the service orders to install service under Modular Video Transport Service and disconnect service under Commercial Quality Video Service are related together and received by the Telephone Company at the same time, and there is no lapse in service between installation of Modular Video Transport Service and the disconnection of Commercial Quality Video Service.

/1/ Effective August 25, 2011, Commercial Quality Video Service and BellSouth SPA Modular Video Transport Service are no longer available to new Customers. There is no change for existing customers.

/2/ Effective November 5, 2016, Broadcast Quality Video (a.k.a. BellSouth SPA Broadcast Quality Video) service in the Carbon Hill, Alabama and Kings Point, Florida Telephone Company wire centers is no longer available.

/3/ Effective December 31, 2020, this Service will no longer be available for purchase by new or existing customers, and service agreements may no longer be renewed. In addition, requests to move, add, or change existing service arrangements will not be accepted. Following the expiration of a customer's existing term agreement, service will be provided on a month-to-month basis at the applicable Month-to-Month rate until the service is discontinued. AT&T currently plans to discontinue this Service on or after December 31, 2021.

(N)
|
(N)

ACCESS SERVICE

7 - Special Access (a.k.a. BellSouth SPA) Service (Cont'd)

7.5 Rates and Charges

Rates and charges for Special Access Service^{(1) (2) (3)}

Effective November 1, 2017, all rate elements, other than End User channel terminations and their applicable optional features in Non-Competitive Counties, are no longer available from Section 23 for new service subscriptions. The application of rates and charges for Special Access services is based upon the county classifications as Competitive or Non-Competitive, as provided in Section 7.4. A list of Competitive and Non-Competitive Counties is located at the front of this Section.

Rates and Charges are found in Section 23.

7.6 Reserved for Future Use

7.7 Reserved for Future Use

7.8 Reserved for Future Use

- (1) Effective on September 13, 2017, CSPPs greater than 36-months are no longer available for High Capacity (a.k.a. BellSouth SPA High Capacity DS1 (a.k.a. BellSouth SPA DS1)) service and SMARTPath Service (a.k.a. BellSouth SPA DS1 Shared Ring), and CSPPs are no longer available for Metallic (a.k.a. BellSouth SPA Metallic), Telegraph Grade (a.k.a. BellSouth SPA Telegraph), Voice Grade (a.k.a. BellSouth SPA VG), WATS Access Line (WAL) (a.k.a. BellSouth SPA WATS Lines), Derived Data Channel (a.k.a. BellSouth SPA Derived Data Channel), Digital Data Access Service (a.k.a. BellSouth SPA DS0 Digital Data) and BellSouth SPA Customer Network Management (CNM) - FlexServ Service, including for any otherwise available renewals or conversions. Circuits already subject to a CSPP, as of September 13, 2017, will continue to be provided under the then-current CSPP term for the remainder of that term.
- (2) Effective on September 13, 2017, ACPs greater than 36-months for special access services are no longer available, including for any otherwise available conversions. Circuits already subject to an ACP greater than 36-months, as of September 13, 2017, will continue to be provided under the then-current ACP term for the remainder of that term.
- (3) Effective on September 13, 2017, TPPs greater than 36-months are no longer available for LightGate (a.k.a. BellSouth SPA Point to Point Network) service and BellSouth DS1 Diverse service, including for any otherwise available renewals, extensions or conversions. Circuits already subject to a TPP greater than 36-months, as of September 13, 2017, will continue to be provided under the then-current TPP term for the remainder of that term.