

**AT&T INTERSTATE ACCESS GUIDEBOOK**

PART 7 - Special Access Services - West - CA  
SECTION 29 - Dedicated SONET Ring Service (DSRS)

2nd Revised Page 1

29. Dedicated SONET Ring Service<sup>(1)</sup>

(C)

29.1 General Description

(A) Basic Service Description

Dedicated SONET Ring OC-3, OC-12 and OC-48 Service provides customers with a dedicated custom network. The network is in a ring architecture, including sub-rings or Arc sub-rings provisioned on Next Generation SONET equipment, designed to provide increased reliability and functionality by connecting multiple customer designated locations and specified Telephone Company Central Offices (COs) via self-healing network designs. Dedicated SONET Rings OC-3, OC-12 and OC-48 are available via Self-Healing Uni-Directional Path Switched Rings (UPSR); additionally, OC-48 is available via Self-Healing Bi-Directional Line Switched Rings (BLSR). The dedicated ring can connect multiple (between 2 and 16) customer-designated locations and Telephone Company COs, where SONET facilities and equipment are available. The Dedicated SONET Ring services will interface with other compatible Telephone Company-provided Special Access Services (i.e. DS1, DS3), as provided by this Guidebook and Tariff F.C.C. No. 1.

Rates and charges for Dedicated SONET Ring Service are set forth in Section 29.4, with the exception of the services provided by the Telephone Company in the Metropolitan Statistical Areas (MSAs) in which the Telephone Company has received Phase II pricing flexibility pursuant to Subpart H of Part 69 of the Commission's Rules. The rates and charges for the Dedicated SONET Ring Service in the MSAs that have received Phase II pricing flexibility are set forth in Section 31.

Rate elements include nodes, ports, mileage between nodes and regenerators. Rates are specified in Section 29.4.

(B) Service Provisioning

(1) Manner of Provisioning

All customers will be served from the nearest suitably equipped end office. Information pertaining to end offices equipped to provide Dedicated Ring Service is set forth in National Exchange Carrier Association, Inc. Tariff F.C.C. No. 4. Dedicated SONET Ring Service will be provided subject to the availability and limitations of the Telephone Company's wire centers and outside plant facilities. Dedicated SONET Ring Service is only available where technical capabilities permit such facility distance and type of physical plant. Where facilities are not available, Special Construction charges may apply.

(2) Limitations

The Telephone Company does not undertake to originate data, but offers the use of its Dedicated SONET Ring Service, where available, to customers for the purpose of transporting data originated by the customer or a third party.

- (1) Effective on or after December 1, 2021, neither new nor existing customers will be permitted to purchase new DSRS Service (Service). In addition, (A) Service Payment Plans greater than 12-months in length will no longer be available; and (B) requests to move, add, change, upgrade, or downgrade existing service arrangements will not be accepted, with the following exceptions: (1) existing customers will be permitted to modify their existing Service and will be able to add new circuits to their existing Service, but will not be permitted to add new nodes in any locations; and (2) any such new circuits will be subject to the customer's existing term payment plan or term agreement for the Service to which they are added. Following the expiration of a customer's existing term agreement, Service will be provided on a month-to-month basis at the applicable Month-to-Month rates until the Service is discontinued. Effective November 30, 2023, unless specified to the contrary in their existing Service agreements, existing customers may not renew Term Payment Plans or term agreements for Service. In addition, no move, add, or change orders of any type will be accepted.

(N)

(N)

(1)

(C)

(3) Allowance for Service Interruptions

Dedicated SONET Ring Service provides Automatic Protection Switching to assure 100 percent availability of the services on the ring. A service interruption will result in a credit equal to one month's bill for the individual port-to-port connection involved. An interruption of service will start when an inoperative service is reported to the Telephone Company, and end when the service is operative. In any month, as a result of an interruption, the total credit per rate element of the interrupted service may not exceed 100 percent of the monthly charge for that particular rate element.

In the event that protected facilities do not exist (including dual entrance facilities) and the customer does not utilize Special Construction to provide protected facilities, the unprotected dedicated ring will be provided.

(C) Responsibility of The Telephone Company

The Telephone Company will provision and maintain Dedicated SONET Ring Service for the customer up to and including the Network Interface (NI).

(D) Rights of The Telephone Company

The Telephone Company will not provision Dedicated SONET Ring Service if it has reasonably determined that (a) it is not technically feasible over existing facilities, or (b) it will cause interference problems within the Telephone Company's network or other facilities.

During the Telephone Company's network maintenance and software update period, it may be necessary to temporarily place the Dedicated SONET Ring Service CO equipment out of service. The Telephone Company also reserves the right to temporarily interrupt Dedicated SONET Ring Service at other times in emergency situations.

- (1) Effective on or after December 1, 2021, neither new nor existing customers will be permitted to purchase new DSRS Service (Service). In addition, (A) Service Payment Plans greater than 12-months in length will no longer be available; and (B) requests to move, add, change, upgrade, or downgrade existing service arrangements will not be accepted, with the following exceptions: (1) existing customers will be permitted to modify their existing Service and will be able to add new circuits to their existing Service, but will not be permitted to add new nodes in any locations; and (2) any such new circuits will be subject to the customer's existing term payment plan or term agreement for the Service to which they are added. Following the expiration of a customer's existing term agreement, Service will be provided on a month-to-month basis at the applicable Month-to-Month rates until the Service is discontinued. Effective November 30, 2023, unless specified to the contrary in their existing Service agreements, existing customers may not renew Term Payment Plans or term agreements for Service. In addition, no move, add, or change orders of any type will be accepted.

(N)

(N)

(1)

(E) Responsibility of Customer

The customer is responsible for providing compatible Customer Provided Equipment (CPE) that is used for connection to Dedicated SONET Ring Service.

(C)

29.2 Technical Specifications

Technical specifications for Dedicated SONET Ring Service are listed in the following Telephone Company publications:

- (1) TP 76839 SONET Transmission Requirements Performance and Interface Specifications
- (2) AM TR-NIS-000111 Ameritech OC-3, OC-12, OC-48 and OC-192 Service Interface Specifications
- (3) AM TR-TMO-000101 Ameritech Digital Service Transmission Parameters for Performance
- (4) TP 76412 SBC Customer Interface Standards for 100 Mbps and Higher Excluding SONET Interfaces

Dedicated SONET Ring Service offers the following SONET (Synchronous Optical Network) based Interfaces:

- DS1 1.544 Mbps
- DS3 44.736 Mbps
- EC-1 51.84 Mbps
- OC-3 155.520 Mbps
- OC-3c 155.520 Mbps (concatenated)
- OC-12 622.080 Mbps
- OC-12c 622.080 Mbps (concatenated)
- OC-48 2488.320 Mbps
- Ethernet 100 Mbps
- Ethernet 1 Gpbs

29.3 Rate Conditions

(A) Rate Elements

(1) Nodes

The ring will provide connectivity to multiple customer designated locations (nodes). However, a ring must have a minimum of two nodes, excluding sub-ring nodes. At least one node must be a Telephone Company CO node. A maximum of 16 nodes, including regenerators, will be allowed per ring.

The Telephone Company reserves the right to determine the order of the nodes on the ring.

- (1) Effective on or after December 1, 2021, neither new nor existing customers will be permitted to purchase new DSRS Service (Service). In addition, (A) Service Payment Plans greater than 12-months in length will no longer be available; and (B) requests to move, add, change, upgrade, or downgrade existing service arrangements will not be accepted, with the following exceptions: (1) existing customers will be permitted to modify their existing Service and will be able to add new circuits to their existing Service, but will not be permitted to add new nodes in any locations; and (2) any such new circuits will be subject to the customer's existing term payment plan or term agreement for the Service to which they are added. Following the expiration of a customer's existing term agreement, Service will be provided on a month-to-month basis at the applicable Month-to-Month rates until the Service is discontinued. Effective November 30, 2023, unless specified to the contrary in their existing Service agreements, existing customers may not renew Term Payment Plans or term agreements for Service. In addition, no move, add, or change orders of any type will be accepted.

(N)

(N)

(2)

When a customer premises node is located in the same building as a CO node, diversity between the two nodes may not be available.

If a customer collocates two customer premises nodes of the same speed, on the same dedicated ring, on the same premises, the additional node will be billed as shown in Section 29.4. This option does not provide diversity between these two collocated nodes and the rest of the ring.

(a) Sub-Ring Node

A sub-ring node is a lower speed optical extension off a main ring. It traverses one or more main ring nodes via the use of OC-N port connections on and off the main ring. The primary use of sub-ring nodes is to provide the ability to fully utilize the bandwidth around the ring when the customer requires DS1/VT1.5 circuit paths.

An optional sub-ring node is available at OC-3 and OC-12 speeds from an OC-48 main ring, and OC-3 speed from an OC-12 main ring. A sub-ring node may only connect to the main ring at the same, or an adjacent, main ring node. A sub-ring node may not connect directly to another sub-ring node.<sup>(1)</sup>

Any service that enters the main ring via a port on a sub-ring node must also exit via a port on another sub-ring node (sub-ring on - sub-ring off).<sup>(1)</sup> Cascading sub-rings are not allowed off a main ring. Service circuits may not be established between sub-ring nodes connecting to the same main ring node or between a sub-ring node and a port on the same main ring node to which it connects.

Each sub-ring must be implemented as an OC-M on an OC-N ring with full complement of STS-1s, STS-3s or STS-12s, depending on the bandwidth of the sub-ring, appearing together at all associated sub-ring nodes on a given sub-ring.

Two OC-N ports and associated node charges apply for each sub-ring node connected to the main ring, as well as applicable mileage for the sub-ring.

A sub-ring node which is co-located with a main ring node at the customers premises (for the same dedicated ring) will be billed as an "Additional Node" as set forth in Section 29.4(A). A sub-ring is not available with a two-node main ring configuration.

(1) This restriction does not apply for Next Generation SONET equipment.

(2) Effective on or after December 1, 2021, neither new nor existing customers will be permitted to purchase new DSRs Service (Service). In addition, (A) Service Payment Plans greater than 12-months in length will no longer be available; and (B) requests to move, add, change, upgrade, or downgrade existing service arrangements will not be accepted, with the following exceptions: (1) existing customers will be permitted to modify their existing Service and will be able to add new circuits to their existing Service, but will not be permitted to add new nodes in any locations; and (2) any such new circuits will be subject to the customer's existing term payment plan or term agreement for the Service to which they are added. Following the expiration of a customer's existing term agreement, Service will be provided on a month-to-month basis at the applicable Month-to-Month rates until the Service is discontinued. Effective November 30, 2023, unless specified to the contrary in their existing Service agreements, existing customers may not renew Term Payment Plans or term agreements for Service. In addition, no move, add, or change orders of any type will be accepted.

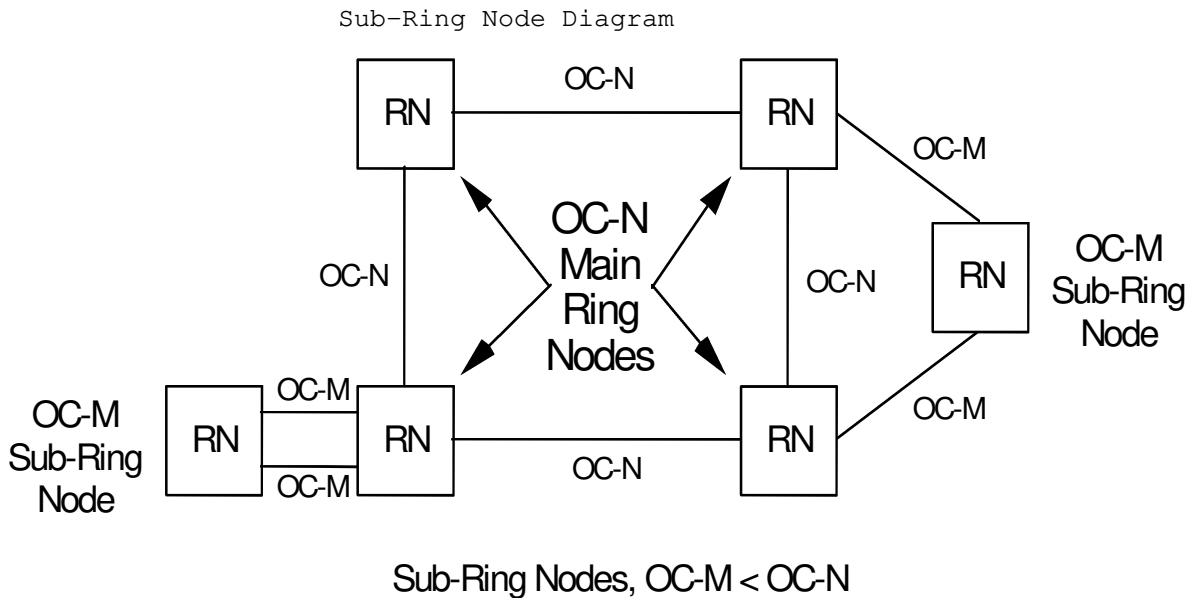
(C)

(N)

(N)

(1)

(C)



(b) Arc Sub-Ring Node

Arc sub-ring nodes are only available on Next Generation SONET equipment with service installed after November 2, 2007. An Arc sub-ring node is a lower speed optical extension off a main ring. It connects to one main ring node via the use of OC-N port connections from and to a main ring. The primary use of Arc sub-ring nodes is to add other locations to the ring that will utilize minimal amounts of bandwidth from the main ring.

Arc sub-rings are only available off of UPSR main rings. Arc sub-rings are only available where facilities and/or operating conditions permit, as determined by the Telephone Company.

An optical Arc sub-ring node is available at OC-3 and OC-12 speeds from an OC-48 main ring, and OC-3 speed from an OC-12 main ring. An Arc sub-ring node may connect to the main ring at any main ring node.

Cascading Arc sub-rings are not permitted off a main ring. Services entering an Arc sub-ring node cannot drop from the directly connecting main ring node (hairpinning).

- (1) Effective on or after December 1, 2021, neither new nor existing customers will be permitted to purchase new DSRS Service (Service). In addition, (A) Service Payment Plans greater than 12-months in length will no longer be available; and (B) requests to move, add, change, upgrade, or downgrade existing service arrangements will not be accepted, with the following exceptions: (1) existing customers will be permitted to modify their existing Service and will be able to add new circuits to their existing Service, but will not be permitted to add new nodes in any locations; and (2) any such new circuits will be subject to the customer's existing term payment plan or term agreement for the Service to which they are added. Following the expiration of a customer's existing term agreement, Service will be provided on a month-to-month basis at the applicable Month-to-Month rates until the Service is discontinued. Effective November 30, 2023, unless specified to the contrary in their existing Service agreements, existing customers may not renew Term Payment Plans or term agreements for Service. In addition, no move, add, or change orders of any type will be accepted.

(N)

(N)

(1)

More than one Arc sub-ring may be added to a main ring. Each Arc sub-ring must be implemented as an OC-M on an OC-N ring with a full compliment of STS-1s, 3s or 12s, depending on the bandwidth of the Arc sub-ring, appearing together at all associated Arc sub-ring nodes on a given Arc sub-ring.

Two OC-N ports apply for each Arc sub-ring connected to the main ring. A node charge applies for each Arc sub-ring location. Mileage charges are applicable when the sub-ring is in a different location than the main ring.

An Arc sub-ring node which is collocated in the same room with a main ring node at the customer's premises (for the same dedicated ring) will be billed as an "Additional Node."

Arc sub-rings do not reduce the bandwidth capacity of the main ring. As services are added to the main or sub-ring, only the bandwidth capacity of the service is reduced.

Arc sub-rings can be provisioned in two basic configurations:

1. Single-node, single-homed ARC
2. Multi-node, single-homed ARC

Circuit traffic can be added/dropped from an Arc sub-ring node to another Arc sub-ring node within the same Arc (known as intra-ARC), or between ARCs (known as inter-ARC). Intra-ARC circuits can only be provisioned as unprotected due to technical limitations. Circuit traffic can also originate on an Arc sub-ring node and route across and drop from a main ring node, but only when UPSR protection schemes are used.

- (1) Effective on or after December 1, 2021, neither new nor existing customers will be permitted to purchase new DSRS Service (Service). In addition, (A) Service Payment Plans greater than 12-months in length will no longer be available; and (B) requests to move, add, change, upgrade, or downgrade existing service arrangements will not be accepted, with the following exceptions: (1) existing customers will be permitted to modify their existing Service and will be able to add new circuits to their existing Service, but will not be permitted to add new nodes in any locations; and (2) any such new circuits will be subject to the customer's existing term payment plan or term agreement for the Service to which they are added. Following the expiration of a customer's existing term agreement, Service will be provided on a month-to-month basis at the applicable Month-to-Month rates until the Service is discontinued. Effective November 30, 2023, unless specified to the contrary in their existing Service agreements, existing customers may not renew Term Payment Plans or term agreements for Service. In addition, no move, add, or change orders of any type will be accepted.

(C)

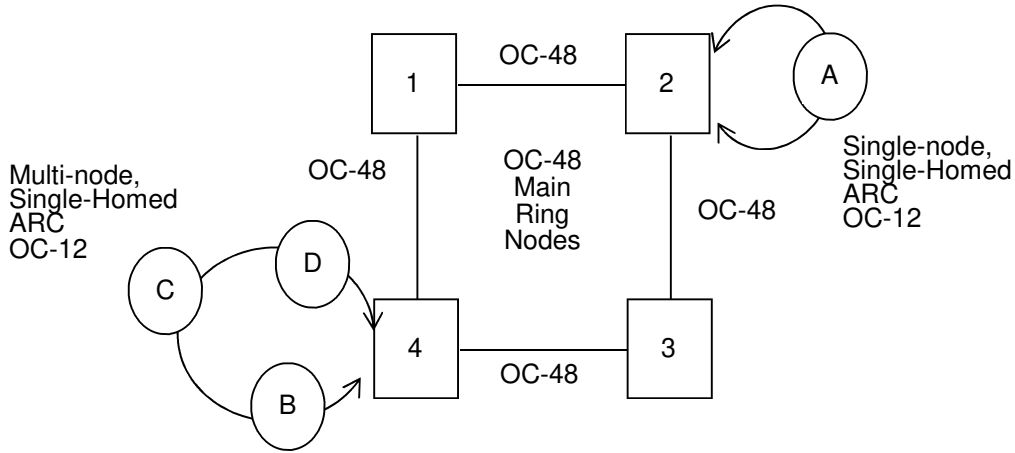
(N)

(N)

(1)

ARC Sub-Ring Node Diagram

(C)



ARC Sub-Ring Nodes, OC-M < OC-N

OC-48 Dedicated Ring shown as example.

- (1) Effective on or after December 1, 2021, neither new nor existing customers will be permitted to purchase new DSRS Service (Service). In addition, (A) Service Payment Plans greater than 12-months in length will no longer be available; and (B) requests to move, add, change, upgrade, or downgrade existing service arrangements will not be accepted, with the following exceptions: (1) existing customers will be permitted to modify their existing Service and will be able to add new circuits to their existing Service, but will not be permitted to add new nodes in any locations; and (2) any such new circuits will be subject to the customer's existing term payment plan or term agreement for the Service to which they are added. Following the expiration of a customer's existing term agreement, Service will be provided on a month-to-month basis at the applicable Month-to-Month rates until the Service is discontinued. Effective November 30, 2023, unless specified to the contrary in their existing Service agreements, existing customers may not renew Term Payment Plans or term agreements for Service. In addition, no move, add, or change orders of any type will be accepted.

(N)  
|  
(N)

(2)

(C)

(c) Re-Map Node <sup>(1)</sup>

A Re-Map node is a ring node that is pre-equipped and dedicated to customer traffic that is re-mapped/re-routed to it by the Telephone Company (upon notification by the customer of a service outage at another customer premises node on the same dedicated ring).

Re-Map is designed as a temporary service for disaster recovery purposes only. No "normal" customer traffic will be added/dropped at the Re-Map node unless the Re-Map service is activated.

(d) Flex-Ring

Flex-Ring feature provides double the standard bandwidth levels for the Dedicated Ring product. The customer has the ability to double their bandwidth without ordering the next higher ring service.

(1) Double-Rings

Double-Rings will provide the ability to place two rings on the same DSRS equipment. Nodes of the second ring must be the same as the first ring. The second OC-12 and OC-48 ring is available and will require a new TPP upon the upgrade. All nodes on the ring will be at the same level. The additional higher speed optics may contribute to slot exhaustion on the main node. The standard features and components (mileage, ports, etc.) are available as described in Section 29.3(A). The second ring will require another pair of fibers so mileage will apply to both rings. There will only be two rings available on a single SONET ring equipment. The second ring's line rate will be the same as the first ring.

(1) Effective August 1, 2013, availability of Re-Map nodes is limited to Re-Map nodes that are in service or have been ordered prior to August 1, 2013.

(2) Effective on or after December 1, 2021, neither new nor existing customers will be permitted to purchase new DSRS Service (Service). In addition, (A) Service Payment Plans greater than 12-months in length will no longer be available; and (B) requests to move, add, change, upgrade, or downgrade existing service arrangements will not be accepted, with the following exceptions: (1) existing customers will be permitted to modify their existing Service and will be able to add new circuits to their existing Service, but will not be permitted to add new nodes in any locations; and (2) any such new circuits will be subject to the customer's existing term payment plan or term agreement for the Service to which they are added. Following the expiration of a customer's existing term agreement, Service will be provided on a month-to-month basis at the applicable Month-to-Month rates until the Service is discontinued.

Effective November 30, 2023, unless specified to the contrary in their existing Service agreements, existing customers may not renew Term Payment Plans or term agreements for Service. In addition, no move, add, or change orders of any type will be accepted.

(N)

(N)



(1)

(2) OC-48 Add/Drop Capability

(C)

This provides the capability to add/drop lower speed channels from an OC-48 Dedicated Ring node location via OC-12 and OC-3 ports. OC-48 Add/Drop Capability at an OC-48 Dedicated SONET Ring Service node location will support any combination of service traffic not to exceed 48 STS-1 equivalents. The Add/Drop Capability charge is a monthly, per-node charge that will be applied once a node has 25 DS-3 ports.

Effective November 16, 2020, regarding Add/Drop capabilities, if the number of ports falls below 25 DS-3 ports, customer must notify its Telephone Company account team/sales representative, in writing, to eliminate the charge. Upon receipt of customer's notice and upon eligibility confirmation, the Telephone Company will remove the charge within two billing cycles.

Depending upon the combination of drops, an OC-48 Add/Drop Capability may be required to drop the fill capacity of the ring. When this occurs, the OC-48 Add/Drop Capability rate applies.

(3) Ports

Lower speed channels are accessible at nodes via port terminations. Ports provide access to lower-speed services at each node (e.g. DS1, DS3, STS-1, EC-1, OC-3, 100 Mbps Ethernet, 1 Gbps Ethernet, and possibly OC-12 or OC-48, depending on the bandwidth of the ring). Port configuration requirements are provided by the customer when the Dedicated SONET Ring service is ordered. The capacity of the selected OC-3, OC-12 or OC-48 Dedicated SONET Ring service is determined by the number of individual port-to-port connections available between all nodes on the ring.

- (1) Effective on or after December 1, 2021, neither new nor existing customers will be permitted to purchase new DSRS Service (Service). In addition, (A) Service Payment Plans greater than 12-months in length will no longer be available; and (B) requests to move, add, change, upgrade, or downgrade existing service arrangements will not be accepted, with the following exceptions: (1) existing customers will be permitted to modify their existing Service and will be able to add new circuits to their existing Service, but will not be permitted to add new nodes in any locations; and (2) any such new circuits will be subject to the customer's existing term payment plan or term agreement for the Service to which they are added. Following the expiration of a customer's existing term agreement, Service will be provided on a month-to-month basis at the applicable Month-to-Month rates until the Service is discontinued. Effective November 30, 2023, unless specified to the contrary in their existing Service agreements, existing customers may not renew Term Payment Plans or term agreements for Service. In addition, no move, add, or change orders of any type will be accepted.

(N)

(N)

(3)

Accepted interfaces are as follows:

(C)

	OC-3 Node	OC-12 Node	OC-48 Node
DS1 Ports	X (Max. 84/Node)	X <sup>(1)</sup> (Max. 84/OC-3 or OC-3c Port)	X <sup>(1)</sup> (Max. 84/OC-3, OC-3c Port)
DS3 Ports	X (Max. 3/Node)	X (Max. 12/Node)	X (Max. 48/Node)
EC-1 Ports	X (Max. 3/Node)	X (Max. 12/Node)	X (Max. 48/Node)
OC-3/3c Ports <sup>(2)</sup>	X (Max. 1/Node)	X (Max. 4/Node)	X (Max. 16/Node)
OC-12/12c Ports <sup>(2)</sup>	N/A	X (Max. 1/Node)	X (Max. 4/Node)
OC-48/48c Ports <sup>(2)</sup>	N/A	N/A	X (Max. 1/Node)
100 Mbps (STS-1) Ethernet Port	X (Max. 3/Node)	X (Max. 12/Node)	X (Max. 48/Node)
100 Mbps (STS-3c) Ethernet Port	N/A	X (Max. 4/Node)	X (Max. 16/Node)
1 Gbps (STS-1) Ethernet Port	X (Max. 3/Node)	X (Max. 12/Node)	X (Max. 48/Node)
1 Gbps (STS-3c) Ethernet Port	N/A	X (Max. 4/Node)	X (Max. 16/Node)
1 Gbps (STS-12c) Ethernet Port	N/A	N/A	X (Max. 4/Node)
1 Gbps (STS-24c) Ethernet Port	N/A	N/A	X (Max. 2/Node)
10/100 BaseT Ethernet Port			
VT1.5-1v (1.6 Mbps)	X (Max. 84/Node)	X (Max. 84/OC-3)	X (Max. 84/OC-3)
VT1.5-2v (3.2 Mbps)	X (Max. 42/Node)	X (Max. 42/OC-3)	X (Max. 42/OC-3)
VT1.5-3v (4.8 Mbps)	X (Max. 28/Node)	X (Max. 28/OC-3)	X (Max. 28/OC-3)
VT1.5-4v (6.4 Mbps)	X (Max. 21/Node)	X (Max. 21/OC-3)	X (Max. 21/OC-3)
VT1.5-5v (8.0 Mbps)	X (Max. 16/Node)	X (Max. 16/OC-3)	X (Max. 16/OC-3)
VT1.5-6v (9.6 Mbps)	X (Max. 14/Node)	X (Max. 14/OC-3)	X (Max. 14/OC-3)
VT1.5-7v (11.2 Mbps)	X (Max. 12/Node)	X (Max. 12/OC-3)	X (Max. 12/OC-3)
VT1.5-8v (12.40 Mbps)	X (Max. 10/Node)	X (Max. 10/OC-3)	X (Max. 10/OC-3)
VT1.5-10v (16.0 Mbps)	X (Max. 8/Node)	X (Max. 8/OC-3)	X (Max. 8/OC-3)
VT1.5-13v (20.8 Mbps)	X (Max. 6/Node)	X (Max. 6/OC-3)	X (Max. 6/OC-3)
STS-1-1v (48.38 Mbps)	X (Max. 3/Node)	X (Max. 12/Node)	X (Max. 48/Node)
STS-1-2v (96.77 Mbps)	X (Max. 1/Node)	X (Max. 6/Node)	X (Max. 24/Node)
1000 BaseSX/LX Ethernet Port			
STS-1-1v (48.38 Mbps)	X (Max. 3/Node)	X (Max. 12/Node)	X (Max. 48/Node)
STS-1-2v (96.77 Mbps)	X (Max. 1/Node)	X (Max. 6/Node)	X (Max. 24/Node)
STS-1-3v (145.15 Mbps)	X (Max. 1/Node)	X (Max. 4/Node)	X (Max. 16/Node)
STS-1-4v (193.54 Mbps)	N/A	X (Max. 3/Node)	X (Max. 12/Node)
STS-1-5v (241.92 Mbps)	N/A	X (Max. 2/Node)	X (Max. 9/Node)
STS-1-6v (290.30 Mbps)	N/A	X (Max. 2/Node)	X (Max. 8/Node)
STS-1-9v (435.46 Mbps)	N/A	X (Max. 1/Node)	X (Max. 5/Node)
STS-1-12v (580.61 Mbps)	N/A	X (Max. 1/Node)	X (Max. 4/Node)
STS-1-21v (1016.06 Mbps)	N/A	N/A	X (Max. 2/Node)
STS-3c-1v (149.76 Mbps)	N/A	X (Max. 4/Node)	X (Max. 16/Node)
STS-3c-2v (299.52 Mbps)	N/A	X (Max. 2/Node)	X (Max. 8/Node)
STS-3c-3v (449.28 Mbps)	N/A	X (Max. 1/Node)	X (Max. 5/Node)
STS-3c-4v (599.04 Mbps)	N/A	X (Max. 1/Node)	X (Max. 4/Node)
STS-3c-7v (1048.32 Mbps)	N/A	N/A	X (Max. 2/Node)

- (1) Optical to Electrical DS1 Add/Drop Capability, as described in Section 29.3(A) (5), is needed along with an OC-3 port.
- (2) OC-3 and OC-3c ports support both OC-3 and OC-3c bandwidths. OC-12 and OC-12c ports support both OC-12 and OC-12c bandwidths. OC-48 and OC-48c ports support both OC-48 and OC-48c bandwidths.
- (3) Effective on or after December 1, 2021, neither new nor existing customers will be permitted to purchase new DSRS Service (Service). In addition, (A) Service Payment Plans greater than 12-months in length will no longer be available; and (B) requests to move, add, change, upgrade, or downgrade existing service arrangements will not be accepted, with the following exceptions: (1) existing customers will be permitted to modify their existing Service and will be able to add new circuits to their existing Service, but will not be permitted to add new nodes in any locations; and (2) any such new circuits will be subject to the customer's existing term payment plan or term agreement for the Service to which they are added. Following the expiration of a customer's existing term agreement, Service will be provided on a month-to-month basis at the applicable Month-to-Month rates until the Service is discontinued. Effective November 30, 2023, unless specified to the contrary in their existing Service agreements, existing customers may not renew Term Payment Plans or term agreements for Service. In addition, no move, add, or change orders of any type will be accepted.

(N)

(N)

(2)

(C)

By using the existing OC-3 or OC-12 Service and cross-connection capability, OC-3 point-to-point service may connect to an OC-3 port of an OC-12 or OC-48 ring, or OC-12 point-to-point service may connect to an OC-12 port of an OC-48 ring located in a Telephone Company CO.

An OC-3 port will permit the connection of STS-1 channels to other STS-1 channels across the OC-12 or OC-48 Dedicated SONET Ring Service, subject to the overall ring capacity limits described in Section 29.3(A)(7). Also, an STS-1 channel with DS1 payload mapping accessing an OC-12 Dedicated SONET Ring using an OC-3 port may be connected to the Optical-to-Electrical DS1 Add/Drop Capability for the purpose of connecting up to 28 DS1 ports. An STS-1 channel with DS3 payload mapping accessing the OC-12 or OC-48 Dedicated SONET Ring using an OC-3 port may individually connect to a DS3 or EC-1 port.

When a customer orders a Re-Map node,<sup>(1)</sup> a minimum number of Re-Map ports must be equipped;

OC-3 28 DS1 Re-Map ports, or 1 DS3 Re-Map port  
 OC-12 28 DS1 Re-Map ports, or 3 DS3 Re-Map ports, or 1 OC-3 or OC-3c Re-Map port  
 OC-48 28 DS1 Re-Map ports, or 3 DS3 Re-Map ports, or 1 OC-3 or OC-3c Re-Map port or 1 OC-12 Re-Map port

Re-Map node ports must be ordered in incremental blocks as described below:

Port Type

	DS1	DS3	OC-3 or OC-3c	OC-12 or OC-12c	OC-48
OC-3 Ring	28, 56 or 84 (multiples of 28)	1, 2, or 3	1 OC-3	N/A	N/A
OC-12 Ring	28, 56 or 84 (multiples of 28)	3, 6, 9, or 12	1, 2, 3, or 4	1 OC-12	N/A
OC-48 Ring	28, 56 or 84 (multiples of 28)	3, 6, 9... or 48	1, 2, 3... or 16	1, 2, 3 or 4	1 OC-48

An OC-12 or OC-48 ring utilizing Re-Map requires an OC-3 or OC-3c Re-Map port and DS1 Re-Map Add/Drop Capability to support DS1 port types. (An OC-3 or OC-3c Re-Map port and DS1 Re-Map Add/Drop Capability supports up to 84 DS1's.)

(1) Effective August 1, 2013, availability of Re-Map nodes is limited to Re-Map nodes that are in service or have been ordered prior to August 1, 2013.

(2) Effective on or after December 1, 2021, neither new nor existing customers will be permitted to purchase new DSRS Service (Service). In addition, (A) Service Payment Plans greater than 12-months in length will no longer be available; and (B) requests to move, add, change, upgrade, or downgrade existing service arrangements will not be accepted, with the following exceptions: (1) existing customers will be permitted to modify their existing Service and will be able to add new circuits to their existing Service, but will not be permitted to add new nodes in any locations; and (2) any such new circuits will be subject to the customer's existing term payment plan or term agreement for the Service to which they are added. Following the expiration of a customer's existing term agreement, Service will be provided on a month-to-month basis at the applicable Month-to-Month rates until the Service is discontinued.

Effective November 30, 2023, unless specified to the contrary in their existing Service agreements, existing customers may not renew Term Payment Plans or term agreements for Service. In addition, no move, add, or change orders of any type will be accepted.

(N)

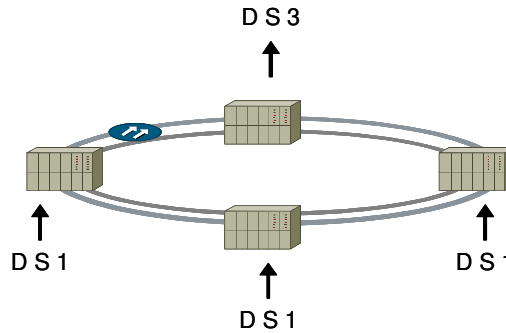
(N)

(1)

(C)

Transmux

DS3 Transmux is available on all speeds and provides the ability to aggregate multiple DS1s to a DS3 within the SONET Ring and also on a single card. DS1s are aggregated across the SONET network and terminated into a single DS3 card at a ring node. The hand-off will be a channelized DS3. Aggregation of DS1s can occur across multiple DS3/STSSs.



(4) Mileage

Mileage charges apply to the varying configurations of Dedicated SONET Ring Service. Mileage is the total airline distance between the serving wire center of each node involved in the ring. Mileage is charged based on V&H miles determined from National Exchanges Carrier Association, Inc. Tariff FCC No. 4. Fractions of a mile are rounded up to the whole mile for rate calculations.

For the dedicated ring recurring mileage is for the interoffice facilities between nodes. The chargeable mileage is that mileage per link exceeding the ten miles. Distance obtained from V&H coordinates set forth in National Exchanges Carrier Association, Inc. Tariff FCC No. 4, will determine the chargeable mileage on a per link basis. The V&H Coordinates of the normal serving wire center of the customer premises will be used for calculating mileage from Premises Nodes. The monthly mileage charge for the dedicated ring is determined by multiplying the applicable rate times the chargeable mileage.

- (1) Effective on or after December 1, 2021, neither new nor existing customers will be permitted to purchase new DSRS Service (Service). In addition, (A) Service Payment Plans greater than 12-months in length will no longer be available; and (B) requests to move, add, change, upgrade, or downgrade existing service arrangements will not be accepted, with the following exceptions: (1) existing customers will be permitted to modify their existing Service and will be able to add new circuits to their existing Service, but will not be permitted to add new nodes in any locations; and (2) any such new circuits will be subject to the customer's existing term payment plan or term agreement for the Service to which they are added. Following the expiration of a customer's existing term agreement, Service will be provided on a month-to-month basis at the applicable Month-to-Month rates until the Service is discontinued.

(N)

Effective November 30, 2023, unless specified to the contrary in their existing Service agreements, existing customers may not renew Term Payment Plans or term agreements for Service. In addition, no move, add, or change orders of any type will be accepted.

(N)

(2)

(5) Optical to Electrical DS1 Add/Drop Capability <sup>(1)</sup>

This option allows an electrical DS1 to be derived from an optical OC-12 or OC-48 ring by using this capability to add/drop the electrical DS1 from an OC-3 port. The Optical-to-Electrical DS1 Add/Drop Capability charge is a monthly per-node charge and will be applied once a node has 85 or more DS-1 ports. Additional charges will apply per each subsequent increment of 84 DS-1 ports.

Effective November 16, 2020, regarding Add/Drop capabilities, if the number of ports falls below 85 DS-1 ports per OC-12 node, or falls below 84 DS-1 ports per each subsequent increment, customer must notify its Telephone Company account team/sales representative, in writing, to eliminate the charge. Upon receipt of customer's notice and upon eligibility confirmation, the Telephone Company will remove the charge within two billing cycles.

For SONET Rings established after 08/02/07, the Optical-to-Electrical DS-1 Add/Drop Capability charge is a monthly per-node charge and will be applied once a node has 29 DS-1 ports per OC-48 node.

Effective November 16, 2020, regarding Add/Drop capabilities, if the number of ports falls below 29 DS-1 ports per OC-48 node, customer must notify its Telephone Company account team/sales representative, in writing, to eliminate the charge. Upon receipt of customer's notice and upon eligibility confirmation, the Telephone Company will remove the charge within two billing cycles.

(6) Dedicated SONET Ring Regenerator

Regenerators provide essential detection and retransmission of SONET Optical 155.52 Mbps, 622.08 Mbps and 2488.32 Mbps signals between nodes. Regenerators will only be provided as required by the Telephone Company when actual fiber facility distances between nodes exceed inter-nodal design limits (typically 20 to 25 miles). Regenerators will be located exclusively in Telephone Company COs, and do not allow ports to access customer service connections.

(C)

(M)

(M)

(1) Optical to Electrical DS1 Add/Drop Capability as described in 29.3

(A) (5), following, is needed along with an OC-3 port.

(2) Effective on or after December 1, 2021, neither new nor existing customers will be permitted to purchase new DSRS Service (Service). In addition, (A) Service Payment Plans greater than 12-months in length will no longer be available; and (B) requests to move, add, change, upgrade, or downgrade existing service arrangements will not be accepted, with the following exceptions: (1) existing customers will be permitted to modify their existing Service and will be able to add new circuits to their existing Service, but will not be permitted to add new nodes in any locations; and (2) any such new circuits will be subject to the customer's existing term payment plan or term agreement for the Service to which they are added. Following the expiration of a customer's existing term agreement, Service will be provided on a month-to-month basis at the applicable Month-to-Month rates until the Service is discontinued.

Effective November 30, 2023, unless specified to the contrary in their existing Service agreements, existing customers may not renew Term Payment Plans or term agreements for Service. In addition, no move, add, or change orders of any type will be accepted.

(N)

(N)

Material previously appearing on this page now appears on page 13.1

(1)

(7) Dedicated SONET Ring Connection Capacity

(C)  
(M)

Maximum transport capacity of OC-3, OC-12 and OC-48 Dedicated SONET Ring Service is characterized by the total quantity of individual port-to-port connections allowed between all nodes on the ring. The DS3 Port connections shown below in this section can be exchanged with EC-1 Port connections.

For OC-3 Dedicated SONET Ring Service, the maximum ring capacity will be equal to one of the following combinations:

DS3 Port to DS3 Port Connections		DS1 Port to DS1 Port Connections
Three	and	None
Two	and	Up to 28
One	and	Up to 56
None	and	Up to 84

An OC-3 sub-ring or Arc sub-ring provided as part of OC-12 or OC-48 Dedicated SONET Ring Service has a maximum capacity equal to one of the above combinations.

For OC-3 Dedicated SONET Ring Service and OC-3 sub-rings or Arc sub-rings, as part of OC-12 or OC-48 Dedicated SONET Ring Service, individual DS1 port-to-DS1 port and DS3 port-to-DS3 port connection capacities may be incrementally distributed between nodes on the ring in any manner.

(M)

- (1) Effective on or after December 1, 2021, neither new nor existing customers will be permitted to purchase new DSRS Service (Service). In addition, (A) Service Payment Plans greater than 12-months in length will no longer be available; and (B) requests to move, add, change, upgrade, or downgrade existing service arrangements will not be accepted, with the following exceptions: (1) existing customers will be permitted to modify their existing Service and will be able to add new circuits to their existing Service, but will not be permitted to add new nodes in any locations; and (2) any such new circuits will be subject to the customer's existing term payment plan or term agreement for the Service to which they are added. Following the expiration of a customer's existing term agreement, Service will be provided on a month-to-month basis at the applicable Month-to-Month rates until the Service is discontinued.

(N)

Effective November 30, 2023, unless specified to the contrary in their existing Service agreements, existing customers may not renew Term Payment Plans or term agreements for Service. In addition, no move, add, or change orders of any type will be accepted.

(N)

(1)

For OC-12 Dedicated SONET Ring Service, the maximum ring capacity will be equal to one of the following combinations:

(C)

DS3 Port to DS3 Port Connections	DS1 Port to DS1 Port Connections
Twelve	and None
Eleven	and One Group of 28
Ten	and Two Groups of 28 (56)
Nine	and Three Groups of 28 (84)
Eight	and Four Groups of 28 (112)
Seven	and Five Groups of 28 (140)
Six	and Six Groups of 28 (168)
Five	and Seven Groups of 28 (196)
Four	and Eight Groups of 28 (224)
Three	and Nine Groups of 28 (252)
Two	and Ten Groups of 28 (280)
One	and Eleven Groups of 28 (308)
None	and Twelve Groups of 28 (336)

(C)

(C)

An OC-12 sub-ring or Arc sub-ring provided as part of OC-48 Dedicated SONET Ring Service has a maximum capacity equal to one of the above combinations.

For OC-12 Dedicated SONET Ring Service and OC-12 sub-rings or Arc sub-rings, as part of OC-48 Dedicated SONET Ring Service, individual DS1 port-to-DS1 port connection and DS3 port-to-DS3 port connection capacities may be incrementally distributed between nodes on the ring in any manner.

OC-12 Dedicated SONET Ring Service will also provide capability for node-to-node connection of STS-1 or STS-3c channels using OC-3 or OC-3c ports on the OC-12 ring. Each STS-1 to STS-1 channel connection or STS-1 channel to DS3 port connection requested by the customer will reduce the remaining ring capacity by the equivalent of one DS3 port-to-DS3 port connection or 28 DS1 port-to-DS1 port connections. Each STS-3c to STS-3c channel connection requested by the customer will reduce the remaining ring capacity by the equivalent of three DS3 port-to-DS3 port connections or 84 DS1 port-to-DS1 port connections.

An OC-3 Sub-ring provided as part of an OC-12 Dedicated SONET Ring Service reduces the remaining OC-12 ring capacity by the equivalent of three DS3 port-to-DS3 port connections or 84 DS1 port-to-DS1 port connections.

Depending upon the combination of drops, an Optical to Electrical DS-1 Add/Drop Capability may be required to drop the full capacity of the ring. When this occurs, the Optical to Electrical DS-1 Add/Drop Capability rate applies.

Even though the table above does not show OC-3, 10/100 Mb, and 1 Gb amounts, the maximum node to node capacity is equal to 12 STS equivalents with any combination of DS-1s, DS-3s, and OC-3s, 10/100 Mb, and 1 Gb ports.

(1) Effective on or after December 1, 2021, neither new nor existing customers will be permitted to purchase new DSRS Service (Service). In addition, (A) Service Payment Plans greater than 12-months in length will no longer be available; and (B) requests to move, add, change, upgrade, or downgrade existing service arrangements will not be accepted, with the following exceptions: (1) existing customers will be permitted to modify their existing Service and will be able to add new circuits to their existing Service, but will not be permitted to add new nodes in any locations; and (2) any such new circuits will be subject to the customer's existing term payment plan or term agreement for the Service to which they are added. Following the expiration of a customer's existing term agreement, Service will be provided on a month-to-month basis at the applicable Month-to-Month rates until the Service is discontinued. Effective November 30, 2023, unless specified to the contrary in their existing Service agreements, existing customers may not renew Term Payment Plans or term agreements for Service. In addition, no move, add, or change orders of any type will be accepted.

(N)

(N)

(1)

For OC-48 Dedicated SONET Ring Service, the maximum ring capacity will be equal to one of the following combinations:

DS3 Port-to-DS3 Port Connections	DS1 Port-to-DS1 Port Connections
Forty-eight	and None
Forty-seven	and One Group of 28
Forty-six	and Two Groups of 28 (56)
Forty-five	and Three Groups of 28 (84)
Forty-four	and Four Groups of 28 (112)
Forty-three	and Five Groups of 28 (140)
Forty-two	and Six Groups of 28 (168)
Forty-one	and Seven Groups of 28 (196)
Forty	and Eight Groups of 28 (224)
Thirty-nine	and Nine Groups of 28 (252)
Thirty-eight	and Ten Groups of 28 (280)
Thirty-seven	and Eleven Groups of 28 (308)
Thirty-six	and Twelve Groups of 28 (336)
Continuing down the scale to:	
None	and Forty-eight Groups of 28 (1344)

For OC-48 Dedicated SONET Ring Service, individual DS1 port-to-DS1 port connection capacities may be distributed only in incremental groups of 28 between any two nodes on the ring. Individual DS3 port-to-DS3 port connection capacities may be incrementally distributed between nodes on the ring in any manner.

OC-48 Dedicated SONET Ring Service also provides capability for node-to-node connection of STS-1 or STS-3c channels using OC-3 or OC-12, 100 Mbps Ethernet and 1 Gbps Ethernet ports on the OC-48 ring. Each STS-1 to STS-1 channel connection or STS-1 channel to DS3 port connection requested by the customer reduces the remaining ring capacity by the equivalent of one DS3 port-to-port connection or 28 DS1 port-to-port connections. Each STS-3c to STS-3c channel connection requested by the customer reduces the remaining ring capacity by the equivalent of three DS3 port-to-DS3 port connections or 84 DS1 port-to-DS1 port connections.

An OC-3 Sub-ring provided as part of OC-48 Dedicated SONET Ring Service reduces the remaining OC-48 ring capacity by the equivalent of three DS3 port-to-DS3 port connections or 84 DS1 port-to-DS1 port connections.

Depending upon the combination of drops, an Optical to Electrical DS-1 Add/Drop Capability may be required to drop the full capacity of the ring. When this occurs, the Optical to Electrical DS-1 Add/Drop Capability rate applies.

Even though the table above does not show OC-3, 10/100 Mb, and 1 Gb amounts, the maximum node to node capacity is equal to 12 STS equivalents with any combination of DS-1s, DS-3s, and OC-3s, 10/100 Mb, and 1 Gb ports.

- (1) Effective on or after December 1, 2021, neither new nor existing customers will be permitted to purchase new DSRS Service (Service). In addition, (A) Service Payment Plans greater than 12-months in length will no longer be available; and (B) requests to move, add, change, upgrade, or downgrade existing service arrangements will not be accepted, with the following exceptions: (1) existing customers will be permitted to modify their existing Service and will be able to add new circuits to their existing Service, but will not be permitted to add new nodes in any locations; and (2) any such new circuits will be subject to the customer's existing term payment plan or term agreement for the Service to which they are added. Following the expiration of a customer's existing term agreement, Service will be provided on a month-to-month basis at the applicable Month-to-Month rates until the Service is discontinued. Effective November 30, 2023, unless specified to the contrary in their existing Service agreements, existing customers may not renew Term Payment Plans or term agreements for Service. In addition, no move, add, or change orders of any type will be accepted.



(1)

OC-48 Dedicated SONET Ring Service also provides capability for node-to-node connections of STS-12c channels using OC-12 ports on the OC-48 ring. Each STS-12c to STS-12c channel connection requested by the customer reduces the remaining ring capacity by the equivalent of twelve DS3 port-to-DS3 port connections or 336 DS1 port-to-DS1 port connections.

An OC-12 Sub-ring provided as part of OC-48 Dedicated SONET Ring Service reduces the remaining OC-48 ring capacity by the equivalent of twelve DS3 port-to-DS3 port connections or 336 DS1 port-to-DS1 port connections.

Ethernet over SONET (EoS) allows the efficient transport of Ethernet frames using SONET. Ethernet ports will be available in bandwidths up to the Ethernet interface of 100 Mbps or 1 Gbps on Dedicated SONET Ring Services. As SONET bandwidths will be preset, the customer will be unable to transmit data (including any bursts) beyond these preset SONET bandwidths. Interfaces of 100 Mbps Ethernet or 1 Gbps Ethernet are available only to customers with Next Generation SONET equipment. Only Single-Mode Fiber is available in the Central Office. The EoS line rates, defined in Section 29.4 (C), are based on the theoretical SONET payload line rates as per GR-253-CORE, Issue 4. These values are not representative of the true Ethernet transport capacity of the EoS circuit.

Additional features are provided with the Ethernet over SONET (EoS) capability:

Virtual Concatenation (VCAT) provides the ability and flexibility to size the customer's bandwidth, sub-rate VT1.5 and super-rate STS-1 and 3c service payloads, based on their traffic requirements. For transport of payloads that do not fit efficiently into the standard set of VT1.5, STS-1 and STS-Nc payload envelopes, virtual concatenation can be used.

(8) Electrical Connection - Level 1 (EC-1)

EC-1 is an electrical interface that can transport up to 51.84 Mb of bandwidth in a concatenated format. The EC-1 port is available on an OC-3, OC-12 and OC-48 ring. For the above connection capacity charts, the quantity of EC-1 ports is equivalent to the connection capacity of a DS-3.

- (1) Effective on or after December 1, 2021, neither new nor existing customers will be permitted to purchase new DSRS Service (Service). In addition, (A) Service Payment Plans greater than 12-months in length will no longer be available; and (B) requests to move, add, change, upgrade, or downgrade existing service arrangements will not be accepted, with the following exceptions: (1) existing customers will be permitted to modify their existing Service and will be able to add new circuits to their existing Service, but will not be permitted to add new nodes in any locations; and (2) any such new circuits will be subject to the customer's existing term payment plan or term agreement for the Service to which they are added. Following the expiration of a customer's existing term agreement, Service will be provided on a month-to-month basis at the applicable Month-to-Month rates until the Service is discontinued. Effective November 30, 2023, unless specified to the contrary in their existing Service agreements, existing customers may not renew Term Payment Plans or term agreements for Service. In addition, no move, add, or change orders of any type will be accepted.

(C)

(N)

(N)

(3)

(B) Term Pricing Plan<sup>(1) (2)</sup>

(C)

(1) General Description

Dedicated SONET Rings are available for either 12-, 36- or 60-month<sup>(2) (3)</sup> Term Pricing Plan (TPP) periods. Monthly recurring charges apply for the nodes, ports, mileage between nodes, and regenerators.

(N)

(C)

(2) Nonrecurring Charges

Nonrecurring Charges, as set forth in Section 29.4, will apply for those arrangements ordered under the Dedicated SONET Ring TPP<sup>(2)</sup>.

(3) Rate Flow Through

Any decreases in recurring rates will be passed on to customers who participate in the TPP. The Telephone Company will notify customers participating in the TPP when monthly rates are decreased.

Should the Telephone Company increase its rates during the TPP period, the customer will pay the increased rates as long as the increase does not exceed the original rate in effect at the time the customer established service under the TPP.

(4) Subsequent Activity on the Ring

If new rate elements, as described in Section 29.3(A), are added after the initial installation of the dedicated ring, the new rate element will carry the same TPP rate as the initial ring. All new rate element's terms will be independent of the term of the initial ring. If a new rate element is added during the last 12 months or less of a TPP, the customer will be billed the initial TPP ring rate for a minimum period of 12 months. If the ring is disconnected before the new rate element's term expires, termination liability for that new rate element will apply.

(1) All term plans for Dedicated SONET Ring Service which are established or renewed after November 9, 2013, for term lengths which are scheduled to expire at any time after February 1, 2019, will instead expire on February 1, 2019. All such services existing on or after February 1, 2019, will be provided on a month-to-month basis at the applicable, then current month-to-month rates. Notwithstanding anything to the contrary in the previous two sentences, this footnote does not apply to any term plans established or renewed after July 15, 2017.

(2) Effective on August 21, 2018, AT&T will no longer offer term plans longer than 36 months, including any renewals, extensions or conversions of existing term commitments.

(3) Effective on or after December 1, 2021, neither new nor existing customers will be permitted to purchase new DSRS Service (Service). In addition, (A) Service Payment Plans greater than 12-months in length will no longer be available; and (B) requests to move, add, change, upgrade, or downgrade existing service arrangements will not be accepted, with the following exceptions: (1) existing customers will be permitted to modify their existing Service and will be able to add new circuits to their existing Service, but will not be permitted to add new nodes in any locations; and (2) any such new circuits will be subject to the customer's existing term payment plan or term agreement for the Service to which they are added. Following the expiration of a customer's existing term agreement, Service will be provided on a month-to-month basis at the applicable Month-to-Month rates until the Service is discontinued.

Effective November 30, 2023, unless specified to the contrary in their existing Service agreements, existing customers may not renew Term Payment Plans or term agreements for Service. In addition, no move, add, or change orders of any type will be accepted.

(N)

(N)

(2) (5) Renegotiation (C)

The customer may choose to terminate an existing TPP any time prior to the end of the 36- or 60-month<sup>(1) (2)</sup> period and negotiate a new TPP without termination liability, provided the new TPP meets the following requirements: (C)

- (a) The minimum period for the new TPP must be greater than the remaining period currently in effect, and
- (b) The renegotiated TPP will be based on the current rates.

An existing 36-month TPP may be converted into a 60-month<sup>(1) (2)</sup> TPP without termination liabilities, provided that: (C)

- the 36-month TPP has not ended, and
- the converted TPP must be based upon the rates that are currently in effect and otherwise available to all customers.

When the customer converts to a 60-month<sup>(1) (2)</sup> TPP, actual time in service for the original TPP will be applied to the new TPP. However, no credits or refunds will apply for the billing of actual time in service for the previous TPP. (C)

The customer must meet the following to qualify for the renegotiation clause, without incurring Termination Liability charges.

- (1) The customer subscribes to a new higher speed Term Pricing Plan period that is equal to, or greater than 36 months<sup>(1) (2)</sup>; (C)
- (2) The expiration date for the new Term Pricing Plan period is beyond the end of the original Term Pricing Plan period;
- (3) No lapse in service occurs;
- (4) Nonrecurring Charges will apply, when applicable;
- (5) The monthly rates for the new service will be those rates in effect at the time the new service is installed;
- (6) The new service is provided between the same customer locations and with the same customer of record as the disconnected service;
- (7) The billed monthly recurring revenue for the new service is equal to or greater than the billed monthly recurring revenue remaining in the service being converted; and
- (8) Spare facilities and equipment must be available or a nonrecurring upfront payment, which is a Special Construction charge, may apply.

(1) Effective on August 21, 2018, AT&T will no longer offer term plans longer than 36 months, including any renewals, extensions or conversions of existing term commitments.

(2) Effective on or after December 1, 2021, neither new nor existing customers will be permitted to purchase new DSRS Service (Service). In addition, (A) Service Payment Plans greater than 12-months in length will no longer be available; and (B) requests to move, add, change, upgrade, or downgrade existing service arrangements will not be accepted, with the following exceptions: (1) existing customers will be permitted to modify their existing Service and will be able to add new circuits to their existing Service, but will not be permitted to add new nodes in any locations; and (2) any such new circuits will be subject to the customer's existing term payment plan or term agreement for the Service to which they are added. Following the expiration of a customer's existing term agreement, Service will be provided on a month-to-month basis at the applicable Month-to-Month rates until the Service is discontinued. (N)

Effective November 30, 2023, unless specified to the contrary in their existing Service agreements, existing customers may not renew Term Payment Plans or term agreements for Service. In addition, no move, add, or change orders of any type will be accepted. (N)

(2)

(6) Renewal

- (a) The customer must provide the Telephone Company with a written notice of intent to renew a TPP no later than 60 days prior to its expiration.
- (b) The customer will continue to be billed at the current TPP rates.
- (c) The new TPP must be for a 36- or 60-month<sup>(1) (2)</sup> period.
- (d) If the customer does not renew the TPP or does not notify the Telephone Company of its intent to renew the TPP, the customer's service will convert to the Monthly Extension rate until the customer cancels or renews the service with a new TPP term.

(C)

(C)

(7) Termination of Service

If a customer cancels a service order or terminates services before the completion of the term for any reason other than a service interruption, the customer agrees to pay the Telephone Company termination liability charges, which are defined below. These charges shall become due as of the effective date of the cancellation or termination, and are payable within 30 days of the invoice date, subject to interest penalty on the unpaid balance.

Customer's termination liability for cancellation or termination of service shall be equal to:

- (a) All waived and/or unpaid nonrecurring charges, plus
- (b) 50% of all recurring charges for the balance of the customer's term.

(C) Moves

(1) Moves within a Customer's Premises

A move involves a change in the physical location of the Point of Termination on the customer's premises. Such moves will be treated as an extension of Dedicated SONET Ring facilities. Extension of Dedicated SONET Ring facilities will be provided, at the customer's request, on a time-sensitive charge basis. The labor rates that apply are set forth in Section 13. There will be no change in the TPP term requirements.

(2) Moves of Dedicated SONET Ring Nodes

Moves of Dedicated SONET Ring nodes requested by the customer will be billed time and material for charges incurred. No change in the billing period is required. Termination Liability charges will not apply to moves of Dedicated SONET Ring nodes. If an additional location, monthly node is placed to facilitate migration of services to the new node location, monthly node charges will apply to both the additional node and the node being moved during the period for service transition.

- (1) Effective on August 21, 2018, AT&T will no longer offer term plans longer than 36 months, including any renewals, extensions or conversions of existing term commitments.
- (2) Effective on or after December 1, 2021, neither new nor existing customers will be permitted to purchase new DSRS Service (Service). In addition, (A) Service Payment Plans greater than 12-months in length will no longer be available; and (B) requests to move, add, change, upgrade, or downgrade existing service arrangements will not be accepted, with the following exceptions: (1) existing customers will be permitted to modify their existing Service and will be able to add new circuits to their existing Service, but will not be permitted to add new nodes in any locations; and (2) any such new circuits will be subject to the customer's existing term payment plan or term agreement for the Service to which they are added. Following the expiration of a customer's existing term agreement, Service will be provided on a month-to-month basis at the applicable Month-to-Month rates until the Service is discontinued.  
Effective November 30, 2023, unless specified to the contrary in their existing Service agreements, existing customers may not renew Term Payment Plans or term agreements for Service. In addition, no move, add, or change orders of any type will be accepted.

(N)

(N)

- (4) (D) Upgrades of Dedicated SONET Ring Service to Higher Speed Services<sup>(2)</sup> (C)
- Customers with 36- or 60-month<sup>(3) (4)</sup> Dedicated SONET Ring Service TPPs may at any time upgrade to a higher speed service (e.g., OC-3 to OC-12), without incurring the Termination Liability charge, providing the following criteria are met: (C)
- (1) The customer subscribes to a new higher speed Term Pricing Plan period that is equal to, or greater than, 36 months<sup>(3) (4)</sup>; (C)
  - (2) The expiration date for the new Term Pricing Plan period is beyond the end of the original Term Pricing Plan period;
  - (3) No lapse in service occurs;
  - (4) Nonrecurring Charges will apply;
  - (5) The monthly rates for the new service will be those rates in effect at the time the new service is installed;
  - (6) The new service is provided between the same customer locations and with the same customer of record as the disconnected service;
  - (7) The billed monthly recurring revenue for the new service is equal to or greater than the billed monthly recurring revenue remaining in the service being converted;
  - (8) Spare facilities and equipment must be available or a nonrecurring upfront payment, which is a Special Construction charge, will apply; and
  - (9) Existing service must have been in place for a minimum of 12 months.<sup>(1)</sup>

(1) This criteria does not apply to term plans purchased prior to 03/18/06.

(2) All term plans for Dedicated SONET Ring Service which are established or renewed after November 9, 2013, for term lengths which are scheduled to expire at any time after February 1, 2019, will instead expire on February 1, 2019. All such services existing on or after February 1, 2019, will be provided on a month-to-month basis at the applicable, then current month-to-month rates. Notwithstanding anything to the contrary in the previous two sentences, this footnote does not apply to any term plans established or renewed after July 15, 2017.

(3) Effective on August 21, 2018, AT&T will no longer offer term plans longer than 36 months, including any renewals, extensions or conversions of existing term commitments.

(4) Effective on or after December 1, 2021, neither new nor existing customers will be permitted to purchase new DSRS Service (Service). In addition, (A) Service Payment Plans greater than 12-months in length will no longer be available; and (B) requests to move, add, change, upgrade, or downgrade existing service arrangements will not be accepted, with the following exceptions: (1) existing customers will be permitted to modify their existing Service and will be able to add new circuits to their existing Service, but will not be permitted to add new nodes in any locations; and (2) any such new circuits will be subject to the customer's existing term payment plan or term agreement for the Service to which they are added. Following the expiration of a customer's existing term agreement, Service will be provided on a month-to-month basis at the applicable Month-to-Month rates until the Service is discontinued.

Effective November 30, 2023, unless specified to the contrary in their existing Service agreements, existing customers may not renew Term Payment Plans or term agreements for Service. In addition, no move, add, or change orders of any type will be accepted.

(3)

(C)

(E) Conversion to Dedicated SONET Ring Service<sup>(2)</sup> from Other Services

Customers may convert to one of the following existing services to Dedicated SONET Ring Service, without incurring the Termination Liability charges for those existing services, as long as the minimum requirements in that section of the Guidebook for waiver of the Termination Liability charges are met. The DS3 and OCN Point-to-Point Service sections will depict applicable termination liability exemptions.

The following services found in Tariff F.C.C. No. 1 and this Guidebook may be upgraded to Dedicated SONET Ring<sup>(2)</sup>:

- (1) Fiber Advantage Service: Tariff F.C.C. No. 1, Section 7.4.11(E)
- (2) SONET Ring and Access Service<sup>(1)</sup>: Tariff F.C.C. No. 1, Section 7.4.16(B)
- (3) Optical Carrier Network Point-to-Point<sup>(2)</sup>: Part 7, Section 32 of this Guidebook

The customer must meet the following to qualify for conversions without incurring Termination Liability charges.

- (1) The customer subscribes to a new higher speed Term Pricing Plan period that is equal to, or greater than, 36 months<sup>(2) (3)</sup>;
- (2) The expiration date for the new Term Pricing Plan period is beyond the end of the original Term Pricing Plan period;
- (3) No lapse in service occurs;
- (4) Nonrecurring Charges will apply, when applicable;
- (5) The monthly rates for the new service will be those rates in effect at the time the new service is installed;
- (6) The new service is provided between the same customer locations and with the same customer of record as the disconnected service;
- (7) The billed monthly recurring revenue for the new service is equal to or greater than the billed monthly recurring revenue remaining in the service being converted; and
- (8) Spare facilities and equipment must be available or a nonrecurring upfront payment, which is a Special Construction charge, may apply.

(C)

- (1) Effective 01/03/06, SONET Ring and Access Service is limited to existing customers at existing locations except where spare capacity exists; customers may add additional locations on existing rings. New SONET ring services will be provided via Dedicated SONET Ring Service.
- (2) Effective on August 21, 2018, AT&T will no longer offer term plans longer than 36 months, including any renewals, extensions or conversions of existing term commitments.
- (3) Effective on or after December 1, 2021, neither new nor existing customers will be permitted to purchase new DSRS Service (Service). In addition, (A) Service Payment Plans greater than 12-months in length will no longer be available; and (B) requests to move, add, change, upgrade, or downgrade existing service arrangements will not be accepted, with the following exceptions: (1) existing customers will be permitted to modify their existing Service and will be able to add new circuits to their existing Service, but will not be permitted to add new nodes in any locations; and (2) any such new circuits will be subject to the customer's existing term payment plan or term agreement for the Service to which they are added. Following the expiration of a customer's existing term agreement, Service will be provided on a month-to-month basis at the applicable Month-to-Month rates until the Service is discontinued.  
 Effective November 30, 2023, unless specified to the contrary in their existing Service agreements, existing customers may not renew Term Payment Plans or term agreements for Service. In addition, no move, add, or change orders of any type will be accepted.

(N)

(N)

(4)

(C)

(F) Shared Network Arrangement <sup>(1)</sup>

A Shared Network Arrangement is a service offering that enables a customer ("Service User") to connect subtending services to an OC-3, OC-12 or OC-48 Dedicated SONET Ring service<sup>(3)</sup> of another customer (the "Host Subscriber"), with the Telephone Company maintaining separate billing for each. Each customer will be billed for those rate elements associated with their own portion of the service configuration. The Host Subscriber will be responsible for all Dedicated SONET Ring Service<sup>(3)</sup> rate elements (for example, node, ports and mileage, etc). Under no circumstances will the rates or charges for individual rate elements be split. This offering is limited to service configurations where a Service User orders a subtending service dropped from a Host Subscriber's Dedicated SONET Ring wire center node.

Under the Shared Network Arrangement, the Telephone Company may share record information with the Host Subscriber pertaining to the services of other users of the shared network. Such disclosure will be under the sole discretion of the Telephone Company and is necessary to perform billing reconciliation and/or other functions required in connection with maintaining account records.

(G) Re-Map Service <sup>(2)</sup>

Re-Map Service is provided in conjunction with Dedicated SONET Ring Service<sup>(3)</sup> and allows for a pre-defined set of services to be re-routed by the Telephone Company from one customer premises node to another customer premises node (defined as a "Re-Map node") in the event of a customer premises disaster. Re-Map service will be tested at initial installation and once each year thereafter. Additional testing can be requested and will be charged on a per test basis. Activation upon customer request in the event of an emergency will be charged on a per occurrence basis.

Once the customer notifies the Telephone Company that they are ready to receive signals to the Re-Map node site, the Telephone Company will Re-Map up to 50 circuits within the initial hours and 20 circuits every hour thereafter. The Emergency Activation Nonrecurring Charge will not be applied if the first 50 circuits are not Re-Mapped within 4 hours due to a Telephone Company-caused delay.

Re-Map Service is available on Self-Healing Uni-Directional Path Switched Rings (UPSR) only.

- (1) Effective 05/26/06, this condition is limited to existing customers. For new customers purchasing Shared Network Arrangement, terms and conditions set forth in Part 2, Section 5 of this Guidebook, will apply.
- (2) Effective August 1, 2013, availability of Re-Map nodes is limited to Re-Map nodes that are in service or have been ordered prior to August 1, 2013.
- (3) Effective on August 21, 2018, AT&T will no longer offer term plans longer than 36 months, including any renewals, extensions or conversions of existing term commitments.
- (4) Effective on or after December 1, 2021, neither new nor existing customers will be permitted to purchase new DSRS Service (Service). In addition, (A) Service Payment Plans greater than 12-months in length will no longer be available; and (B) requests to move, add, change, upgrade, or downgrade existing service arrangements will not be accepted, with the following exceptions: (1) existing customers will be permitted to modify their existing Service and will be able to add new circuits to their existing Service, but will not be permitted to add new nodes in any locations; and (2) any such new circuits will be subject to the customer's existing term payment plan or term agreement for the Service to which they are added. Following the expiration of a customer's existing term agreement, Service will be provided on a month-to-month basis at the applicable Month-to-Month rates until the Service is discontinued.  
Effective November 30, 2023, unless specified to the contrary in their existing Service agreements, existing customers may not renew Term Payment Plans or term agreements for Service. In addition, no move, add, or change orders of any type will be accepted.

(N)

(N)

(1)

(C)

Re-Map testing or activation for OC-3 or OC-12 service requires a minimum of one DS1 (VT1.5), or 1 DS3 (STS-1) between one customer premises node and the Re-Map node. Re-Map testing or activation for OC-12 or OC-48 service requires a minimum incremental group from 1 to 28 DS1s or one DS3 (equals one STS-1) between one customer premises node and the Re-Map node.

The emergency Re-Map activation configuration will be maintained for up to 30 days. After 30 days, if the customer wishes to maintain the emergency configuration, the Emergency Activation Nonrecurring Charge will be applied once for each 30 day additional period.

(H) Shared Use

Shared Use occurs when Switched Access and Special Access services are provided over the same analog or digital high capacity facility or SONET based service through a common interface. The conditions governing the provision of Shared Use are set forth in 5.2.10 and 6.7.15 of Tariff F.C.C. No. 1.

While Shared Use of SONET facilities (i.e., Dedicated SONET Ring Service) for Switched Access Transport is permitted, the SONET Special Access facilities continue to be rated as Special Access.

(I) STS-1 Service

The STS-1 circuit allows the efficient transport of up to 51.84 Mbps of bandwidth across Dedicated SONET Ring utilizing EC-1 (Electrical Connection - Level 1) ports on the dedicated service. While the EC-1 port is comparable to the DS-3 port as far as the connection capacity per STS, the STS-1 circuit utilizes the entire bandwidth of the STS (51.84 Mbps) while the DS-3 uses 44.76 Mbps of the STS. The STS-1 circuit is available via EC-1 ports on OC-3, OC-12 and OC-48 rings.

- (1) Effective on or after December 1, 2021, neither new nor existing customers will be permitted to purchase new DSRS Service (Service). In addition, (A) Service Payment Plans greater than 12-months in length will no longer be available; and (B) requests to move, add, change, upgrade, or downgrade existing service arrangements will not be accepted, with the following exceptions: (1) existing customers will be permitted to modify their existing Service and will be able to add new circuits to their existing Service, but will not be permitted to add new nodes in any locations; and (2) any such new circuits will be subject to the customer's existing term payment plan or term agreement for the Service to which they are added. Following the expiration of a customer's existing term agreement, Service will be provided on a month-to-month basis at the applicable Month-to-Month rates until the Service is discontinued. Effective November 30, 2023, unless specified to the contrary in their existing Service agreements, existing customers may not renew Term Payment Plans or term agreements for Service. In addition, no move, add, or change orders of any type will be accepted.

(N)

(N)



(1)

(J) Unprotected Channel Transport (UCT)

UCT will allow customers to transport traffic (DS-1, DS-3, up to OC-48), over a ring without enabling SONET protection schemes. This is intended for applications in which the customer provides protection for the circuit through means other than those available through SONET. If a fault occurs on the ring along the transport path, the traffic will not be switched to a protection channel. Service will be interrupted on that circuit until the fault is corrected. The customer is required to call in and open a trouble ticket for the unprotected service. If a fault occurs in the ring, but does not occur along the transport route, service will not be interrupted on that circuit.

Customers who order Dedicated SONET Ring Service may need to replace or upgrade their existing service to invoke use of UCT for circuit assignments. Use of UCT is managed through a Special Routing Code (SRC) in relation to a circuit's Connecting Facility Assignment (CFA). When an Unprotected service is placed on a channel, the protection switching is shut off. When a UCT is disconnected, the channel will revert back to the standard protection mode.

(K) Jointly Provided Service(1) General

DSRS may be available in a meet-point billing arrangement involving another Incumbent Local Exchange Carrier (ILEC) (sometimes also referred to as an Independent Company or ICO), where suitable facilities exist and where appropriate procedures for such arrangement have been put in place between the Telephone Company and the other ILEC. When the Telephone Company and another ILEC jointly provide a meet-point ring arrangement, each ILEC involved shall provision and bill the portion of service located in its operating territory according to the terms and conditions of that ILEC's applicable tariffs or other service publications. Meet-point billing arrangements are not available for OC-3 DSRS.

(2) Ordering

The Customer shall order DSRS Service by issuing an access order, or by such other means for the exchange telephone companies to provision on the ring in each exchange telephone company territory. The Customer will place the order for service as set forth in the ordering conditions for the requested service.

(3) Credit Allowance for Service Interruption

DSRS, provided in a meet-point arrangement, is subject to the general terms and conditions in Part 2, Section 2, including, without limitation, the exclusions applicable to Credit Allowances for Service Interruptions, as provided in Part 2, Section 2.5.6(F). As clarification, but not to modify any such terms and conditions, a Credit Allowance for Service Interruptions shall not apply to any service interruption resulting from any failure attributable to the other ILEC jointly providing the service or otherwise not attributable to the Telephone Company.

- (1) Effective on or after December 1, 2021, neither new nor existing customers will be permitted to purchase new DSRS Service (Service). In addition, (A) Service Payment Plans greater than 12-months in length will no longer be available; and (B) requests to move, add, change, upgrade, or downgrade existing service arrangements will not be accepted, with the following exceptions: (1) existing customers will be permitted to modify their existing Service and will be able to add new circuits to their existing Service, but will not be permitted to add new nodes in any locations; and (2) any such new circuits will be subject to the customer's existing term payment plan or term agreement for the Service to which they are added. Following the expiration of a customer's existing term agreement, Service will be provided on a month-to-month basis at the applicable Month-to-Month rates until the Service is discontinued. Effective November 30, 2023, unless specified to the contrary in their existing Service agreements, existing customers may not renew Term Payment Plans or term agreements for Service. In addition, no move, add, or change orders of any type will be accepted.

(C)

(N)

(N)

Pages 25 through 32 are hereby deleted in their entirety and removed from this (N)  
guidebook. Rate previously listed on these pages can be found in Part 7, (N)  
Section 31. (N)

(D)

(D)

(D)

(D)

(D)



(D)

(D)

(D)

(D)

(D)

(D)



(D)

(D)

(D)



(D)

(D)