

**TARIFF DISTRIBUTION**

FILE PACKAGE NO.: FL-21-0041

DATE: December 20, 2021

STATE: FLORIDA

EFFECTIVE DATE: 06/30/2021

TYPE OF DISTRIBUTION: Approved

PURPOSE: Grandfather Metallic, Telegraph, Voice Grade, WATS, Digital Link,  
and Derived Data Services effective 6/30/21 with targeted sunset  
6/30/24.

<b><u>TARIFF SECTION</u></b>	<b><u>PAGE NUMBER</u></b>	<b><u>PAGE REVISION</u></b>
E007	1	0003
E007	2	0005
E007	4	0003
E007	6	0002
E007	7	0002
E007	8	0005
E007	9	0003
E007	10	0004
E007	11	0004
E007	12	0004
E007	13	0004
E007	14	0004
E007	15	0004
E007	16	0004
E007	17	0004
E007	18	0002
E007	19	0003
E007	20	0002
E007	21	0003
E007	22	0003
E007	26	0003
E007	27	0005
E007	27.0.1	0001
E007	27.6	0001
E007	28	0001
E007	29	0001
E007	31	0003
E007	34	0008
E007	36	0003

E007	37	0003
E007	41	0003
E007	42	0004
E007	42.1	0001
E007	47	0006
E007	49	0005
E007	50	0006
E007	51	0005
E007	52	0005
E007	53	0005
E007	54	0006
E007	55	0006
E007	56	0005
E007	57	0004
E007	58	0005
E007	59	0006
E007	63	0004
E007	64	0005
E007	69	0005
E007	71	0005

BELLSOUTH  
TELECOMMUNICATIONS  
FLORIDA  
ISSUED: June 29, 2021  
BY: Joe York, President -FL  
Jacksonville, Florida

## ACCESS SERVICES TARIFF

Third Revised Page 1  
Cancels Second Revised Page 1

EFFECTIVE: June 30, 2021

**E7. DEDICATED ACCESS SERVICES****E7.1 General**

Dedicated Access Services provide a transmission path to directly connect an IC terminal location in a LATA to the End User's premises<sup>1</sup>; two IC terminal locations; an IC terminal location and a HUB; or a HUB and an End User's premises. Dedicated Access Services include all exchange access not utilizing Company end office switches. This type of Access Service is used, for example, by IC's for the provision of private line service. When the Company incurs costs as a result of an IC generated activity, defined as the relocation of an IC POP, Dedicated Access Services nonrecurring charges will be billed to the IC. Prorating of high capacity services among End Users will not be allowed.

The connections provided by Dedicated Access Services can be either analog or digital. Analog connections are differentiated by spectrum and bandwidth. Digital connections are differentiated by bit rate.

**E7.1.1 Channel Types**

There are six types of channels used to provide Dedicated Access Services. Each type has its own characteristics. All are subdivided by one or more of the following:

- Transmission specifications
- Bandwidth
- Speed (i.e., bit rate)
- Spectrum

Customers can order a basic channel and select from a list of available transmission parameters and channel interfaces, that they desire to meet specific communications requirements.

For purposes of ordering channels, each has been identified as a type of Dedicated Access Service. However, such identification is not intended to limit a customer's use of the channel, nor to imply that the channel is limited to a particular use.

Following is a brief description of each type of channel:

1. Telegraph Grade<sup>2</sup> (a.k.a. BellSouth SPA Telegraph) (TG) - a channel for the transmission of binary signals at rates of 0 to 75 baud or 0 to 150 baud. (C)
2. Voice Grade<sup>2</sup> (a.k.a. BellSouth SPA DS0 VG) (VG) - a channel for the transmission of analog signals within an approximate bandwidth of 300-3000 Hz. (C)
3. **(DELETED)**
4. Digital Data Access<sup>2</sup> (a.k.a. BellSouth SPA DS0 Digital Data) Service (DDAS) - a channel for the digital transmission of synchronous serial data at rates of 2.4, 4.8, 9.6, 19.2, 56.0 or 64.0 Kbps. (C)
5. High Capacity (a.k.a. BellSouth SPA High Capacity) (HC) - a channel for the transmission of isochronous serial digital data at rates of 1.544, 3.152, 6.312, or 44.736 Mbps.
6. Derived Data Channel<sup>2</sup> (a.k.a. BellSouth SPA Derived Data Channel) - a digital data channel derived from a two-wire local exchange facility that transmits voice and data signals simultaneously. (C)

Note 1: Company Centrex CO-like switches and other Company CO derived services are considered to be End User's premises for purposes of this Tariff.

Note 2: Effective June 30, 2021, this Service will no longer be available for purchase by new or existing customers. In addition, requests to move, add, change, or renew existing service arrangements will not be accepted. Following the expiration of a customer's existing term agreement, service will be provided on a month-to-month basis at the applicable Monthly rates until the service is discontinued. The Company currently plans to discontinue this service on or after June 30, 2024.

(N)  
|  
(N)

BELLSOUTH  
TELECOMMUNICATIONS  
FLORIDA

ACCESS SERVICES TARIFF

Fifth Revised Page 2  
Cancels Fourth Revised Page 2

ISSUED: June 29, 2021  
BY: Joe York, President -FL  
Jacksonville, Florida

EFFECTIVE: June 30, 2021

## E7. DEDICATED ACCESS SERVICES

### E7.1 General (Cont'd)

#### E7.1.1 Channel Types (Cont'd)

Detailed descriptions of each of the channel types are provided in E7.2 following.

The customer also has the option of ordering digital high capacity facilities (i.e., 1.544 Mbps, 3.152 Mbps, 6.312 Mbps, and 44.736 Mbps) to a Company Hub for channelization to individual channels of a lower capacity. Descriptions of the types of channelization available at the hubs, as well as the number of individual channels which may be derived from each type of facility are set forth in E7.2 following. Additionally, the customer may specify optional features for the individual channels derived from the facility to further tailor the channel to meet specific communications requirements. Descriptions of the optional features and functions available are also set forth in E7.2 following.

For example, a customer may order a 44.736 Mbps facility from a designated premises to a Company Hub for channelization to twenty-eight 1.544 Mbps channels. The 1.544 Mbps channels may be further channelized at the same or a different Hub to Voice Grade<sup>1</sup> (a.k.a. BellSouth SPA DS0 VG) channels or may be extended to other customer designated premises. Optional features may be added to either the 1.544 Mbps or the Voice Grade<sup>1</sup> (a.k.a. BellSouth SPA DS0 VG) channels.

(C)  
(C)

#### E7.1.2 Rate Categories

The following basic rate categories apply to Dedicated Access Services:

- Local Channels (described in A. following)
- Interoffice Channel (described in B. following)
- Optional Features and Functions (described in C. following)
- SMARTRing<sup>®</sup> service (a.k.a. BellSouth Dedicated Ring) (described in F. following)

These basic categories are shown in the diagram in E7.1.3.A.

The rate categories for SMARTPath<sup>\*</sup> service are:

- SMARTPath<sup>®</sup> (a.k.a. BellSouth SPA DS1 Shared Ring) Area Connection (described in D. following)
- SMARTPath<sup>®</sup> (a.k.a. BellSouth SPA DS1 Shared Ring) Area Junction (described in E. following)

#### A. Local Channel

The Local Channel rate category provides for the communications path between a customer designated premises and the serving wire center of that premises. Included as part of the Local Channel is a standard channel interface arrangement which defines the technical characteristics associated with the type of facilities to which the access service is to be connected at the Point of Termination (POT) and the type of signaling capability, if any. The signaling capability itself is provided as an optional feature as set forth in C. following. One Local Channel charge applies per customer designated premises at which the channel is terminated. This charge will apply even if the customer premises and the serving wire center are co-located in a Company building. The Local Channel rate element is further designated as to whether the premises is an End User or an IC terminal location. A Hub Termination charge applies in addition to each Digital Data Access<sup>1</sup> (a.k.a. BellSouth SPA DS0 Digital Data) service Local Channel.

(C)

Note 1: Effective June 30, 2021, this Service will no longer be available for purchase by new or existing customers. In addition, requests to move, add, change, or renew existing service arrangements will not be accepted. Following the expiration of a customer's existing term agreement, service will be provided on a month-to-month basis at the applicable Monthly rates until the service is discontinued. The Company currently plans to discontinue this service on or after June 30, 2024.

(N)  
|  
(N)

## E7. DEDICATED ACCESS SERVICES

### E7.1 General (Cont'd)

#### E7.1.3 Service Configurations

There are *three* types of service configurations over which Dedicated Access Services are provided: two-point service, multipoint service and *SmartRing® service (a.k.a. BellSouth Dedicated Ring)*.

A change from *one Dedicated Access service configuration to another* will be treated as a discontinuance of existing service and an installation of a new service as set forth in E5.6 preceding, except for FlexServ® service (a.k.a. BellSouth SPA Customer Reconfiguration) reconfigurations.

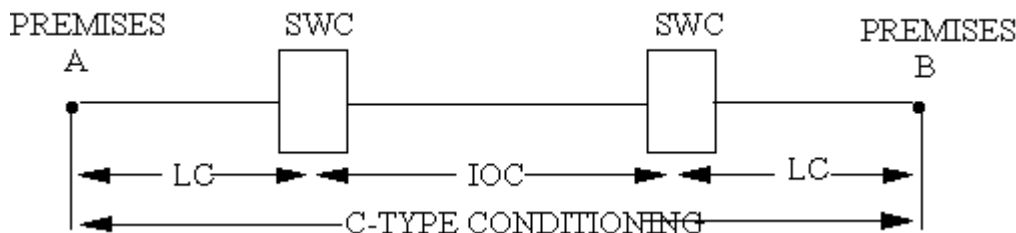
A. Two-Point Service

A two-point service connects two customer designated premises, either on a directly connected basis or through a hub where channelization functions are performed.

Applicable rate elements are:

- Local Channels
- Interoffice Channel (as applicable)
- Optional Features and Functions (when applicable)

The following diagram depicts a two-point Voice Grade<sup>2</sup> (a.k.a. BellSouth SPA DS0 VG) service connecting two customer designated premises located 15 miles apart. The service is provided with C-Type Conditioning. (C)



- LC - Local Channel<sup>1</sup>
- IOC - Interoffice Channel
- SWC - Serving Wire Center

Applicable rate elements are:

- Local Channels<sup>1</sup>(2 applicable)
- Interoffice Channel (mileage band Over 8 to 25 miles)
- Interoffice Channel (mileage band Over 8 to 25 miles)
- C-Type conditioning Optional Feature

**Note 1:** Two Local Channels are applicable.

**Note 2:** Effective June 30, 2021, this Service will no longer be available for purchase by new or existing customers. In addition, requests to move, add, change, or renew existing service arrangements will not be accepted. Following the expiration of a customer's existing term agreement, service will be provided on a month-to-month basis at the applicable Monthly rates until the service is discontinued. The Company currently plans to discontinue this service on or after June 30, 2024.

(N)  
 |  
 (N)

Material appearing on this page previously appeared on pages 3 of this section.

® Registered Service Mark of BellSouth Corporation

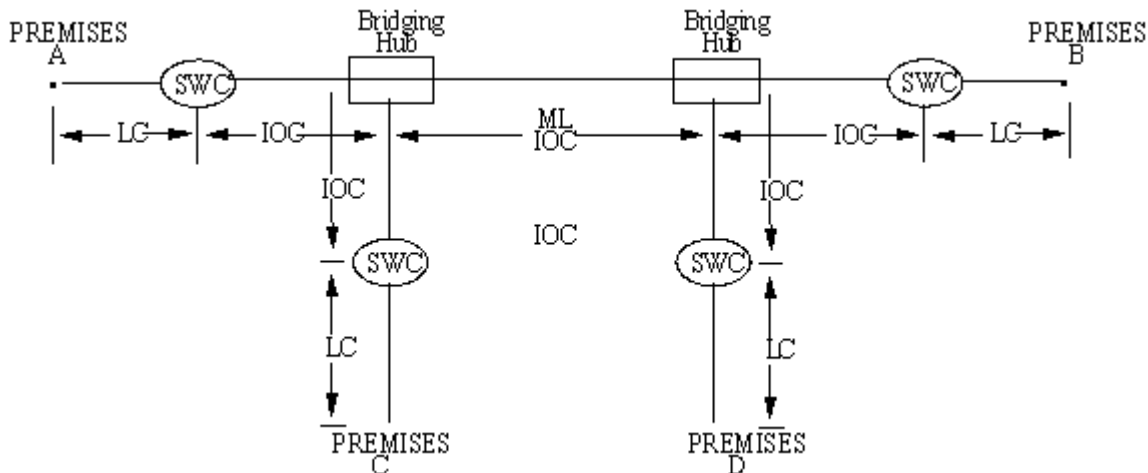
**E7. DEDICATED ACCESS SERVICES**

**E7.1 General (Cont'd)**

**E7.1.3 Service Configurations (Cont'd)**

B. Multipoint Service (Cont'd)

Example: Voice Grade<sup>1</sup> (a.k.a. BellSouth SPA DSO VG) multipoint connecting four customer premises via two customer specified bridging hubs. (C)



- IOC - Interoffice Channel
- B - Bridging
- SWC - Serving Wire Center
- LC - Local Channel

Applicable rate elements are:

- Local Channels (4 applicable)
- Interoffice Channel (5 sections, each from appropriate mileage band)
- Bridging Optional Feature (6 applicable, i.e., each bridge port)

Note 1: Effective June 30, 2021, this Service will no longer be available for purchase by new or existing customers. In addition, requests to move, add, change, or renew existing service arrangements will not be accepted. Following the expiration of a customer's existing term agreement, service will be provided on a month-to-month basis at the applicable Monthly rates until the service is discontinued. The Company currently plans to discontinue this service on or after June 30, 2024.

(N)  
 |  
 (N)

BELLSOUTH  
TELECOMMUNICATIONS  
FLORIDA  
ISSUED: June 29, 2021  
BY: Joe York, President -FL  
Jacksonville, Florida

## ACCESS SERVICES TARIFF

Second Revised Page 7  
Cancels First Revised Page 7

EFFECTIVE: June 30, 2021

**E7. DEDICATED ACCESS SERVICES****E7.1 General (Cont'd)****E7.1.4 Alternate Use**

Alternate Use occurs when a service is arranged by the Company so that the End User can select different types of transmission at different times. The End User may use a service in any privately beneficial manner. However, where technical or engineering changes are required to effectuate an alternate use, the Company will make such special arrangements available on an individual case basis.

The arrangement required to transfer the service from one operation to the other (i.e., the transfer relay and control leads) will be rated and provided on an individual case basis and filed in Section E12., Specialized Service or Arrangements. The End User will pay the stated tariff rates for the Access Service rate elements for the service ordered (i.e., Local Channels, Interoffice Channel (as applicable) and Optional Features and Functions (if any)).

**E7.1.5 Special Facilities Routing**

A customer may request that the facilities used to provide Dedicated Access Services be specially routed. The regulations, rates and charges or Special Facilities Routing (i.e., Avoidance, Diversity and Cable Only) are set forth in Section E11.

**E7.1.6 Design Layout Report**

At the request of the customer, the Company will provide the make-up of the facilities and services provided under this Tariff as Dedicated Access Services to aid the customer in designing its overall service. This information will be provided in the form of a Design Layout Report. The Design Layout Report will be provided to the customer at no charge, and will be reissued whenever these facilities are materially changed.

**E7.1.7 Acceptance Testing**

At no additional charge, the Company will, at the customer's request, cooperatively test, at the time of installation, the following parameters:

- A. For Voice Grade<sup>1</sup> (*a.k.a. BellSouth SPA DS0 VG*) services, acceptance tests will include tests for loss, 3-tone slope, DC continuity, operational signaling, C-notched noise and C-message noise when these parameters are applicable and specified in the order for service. Additionally, for Voice Grade<sup>1</sup> (*a.k.a. BellSouth SPA DS0 VG*) services, a balance (improved loss) test will be made if the customer has ordered the improved return loss optional feature. (C)
- B. For digital services (i.e., Digital Data<sup>1</sup> (*a.k.a. BellSouth SPA DS0 Digital Data*), and High Capacity (*a.k.a. BellSouth SPA High Capacity*)), acceptance tests will include tests for the parameters applicable to the service as specified in the order for service. (C)

Note 1: Effective June 30, 2021, this Service will no longer be available for purchase by new or existing customers. In addition, requests to move, add, change, or renew existing service arrangements will not be accepted. Following the expiration of a customer's existing term agreement, service will be provided on a month-to-month basis at the applicable Monthly rates until the service is discontinued. The Company currently plans to discontinue this service on or after June 30, 2024.

(N)  
|  
(N)

BELLSOUTH  
TELECOMMUNICATIONS  
FLORIDA  
ISSUED: June 29, 2021  
BY: Joe York, President -FL  
Jacksonville, Florida

## ACCESS SERVICES TARIFF

Fifth Revised Page 8  
Cancels Fourth Revised Page 8

EFFECTIVE: June 30, 2021

## E7. DEDICATED ACCESS SERVICES

### E7.1 General (Cont'd)

#### E7.1.7 Acceptance Testing (Cont'd)

- B. For digital services (i.e., Digital Data<sup>1</sup> (a.k.a. BellSouth SPA DS0 Digital Data), and High Capacity (a.k.a. BellSouth SPA High Capacity), acceptance tests will include tests for the parameters applicable to the service as specified in the order for service. (Cont'd) (C)
- In addition to the preceding tests, Additional Cooperative Acceptance Testing for Voice Grade<sup>1</sup> (a.k.a. BellSouth SPA DS0 VG) service to test other parameters, as described in E13.3.5.B., is available at the customer's request. All test results will be made available to the customer upon request. (C)
- C. If acceptance tests are not started within 30 minutes after the scheduled appointment time for such tests, as negotiated between the Company and the IC, additional charges may apply to the IC, as set forth in Section E13.

#### E7.1.8 Ordering Options and Conditions

The options and conditions for access orders are set forth in detail in Section E5. Also included in that section are other charges which may be associated with ordering Dedicated Access Services (e.g., Service Date Change Charges, Cancellation Charges, etc.).

#### E7.1.9 Jurisdictional Report Requirements

An IC or End User must order Dedicated Access Services for either interstate or intrastate use. Dedicated Access Services connecting to an interstate facility, either directly or through a customer provided switch, must be ordered as interstate Special Access (a.k.a. BellSouth SPA) service in accordance with the applicable rules and regulations of the BellSouth Telecommunications, Inc. Tariff F.C.C. No. 1.

### E7.2 Service Description

For the purpose of ordering, there are *six* categories of Dedicated Access Services. These are:

1. Telegraph Grade<sup>1</sup> (a.k.a. BellSouth SPA Telegraph) (TG) (C)
2. Voice Grade<sup>1</sup> (a.k.a. BellSouth SPA DS0 VG) (VG) (C)
3. Digital Data Access<sup>1</sup> (a.k.a. BellSouth SPA DS0 Digital Data) service (DDAS) (C)
4. High Capacity (a.k.a. BellSouth SPA High Capacity) (HC) (C)
5. Self-Healing Rings (SMARTRing service (a.k.a. BellSouth Dedicated Ring) (C)
6. Derived Data Channel<sup>1</sup> (a.k.a. BellSouth SPA Derived Data Channel) service (C)

Each service consists of a basic channel to which a technical specifications package (predefined), channel interface(s) and, when desired, optional features and functions are added to construct the service desired. Each of the components of the service are described in this section. ***Terms, conditions, and rates for Physical Collocation Cross-Connects and Virtual Access Collocation Cross-Connects are set forth in Section E13. of this Tariff for those services that are permitted to connect directly to a carrier's collocation space.***

Note 1: Effective June 30, 2021, this Service will no longer be available for purchase by new or existing customers. In addition, requests to move, add, change, or renew existing service arrangements will not be accepted. Following the expiration of a customer's existing term agreement, service will be provided on a month-to-month basis at the applicable Monthly rates until the service is discontinued. The Company currently plans to discontinue this service on or after June 30, 2024. (N)



BELLSOUTH  
TELECOMMUNICATIONS  
FLORIDA  
ISSUED: June 29, 2021  
BY: Joe York, President -FL  
Jacksonville, Florida

## ACCESS SERVICES TARIFF

Third Revised Page 9  
Cancels Second Revised Page 9

EFFECTIVE: June 30, 2021

**E7. DEDICATED ACCESS SERVICES****E7.2 Service Description (Cont'd)**

The channel description specifies the characteristics of the basic channel and indicates whether the channel is provided between customer designated premises or between a customer designated premises and a Company hub where bridging and/or channelization functions are performed.

Information pertaining to the technical specifications packages indicates the transmission parameters that are available with each package. This information is displayed in a matrix found in each service description (e.g., VG matrix in E7.2.3.B. following) with the transmission parameters listed down the left side and the packages listed across the top. Each package is identified by a code, e.g., VG1. The first two letters of the code indicate the category of Dedicated Access Services to which the parameters are applicable. These two-letter codes are shown preceding in parentheses following the category of Dedicated Access Services. The number "1" following the two-letter code indicates the technical specifications package for a service. A numeric or alpha-numeric designation following the two letter code indicates the specific predefined package. When appropriate, the Technical Reference which contains detailed specifications for the parameters is shown following the matrix.

Channel interfaces at each point of termination on a two-point service may be symmetrical or asymmetrical. On a multipoint service they may also be symmetrical or asymmetrical. However, communications can only be provided between points of termination with compatible channel interfaces. Only certain channel interfaces are compatible. These are set forth in a combination format.

Only certain channel interface combinations are available with the predefined technical specifications packages. These are delineated in the Technical References set forth herein.

The optional features and functions available with each type of Dedicated Access Services are described in this section. The optional features and functions information also indicates with which technical specifications packages they are available. Such information is displayed in a matrix with the optional feature or function listed down the left side and the technical specifications package listed across the top.

The Company will maintain existing transmission specifications on services installed prior to the effective date of this Tariff, except that the existing services with performance specifications exceeding the standard listed in this provision will be maintained at the performance levels specified in this Tariff.

All services installed after the effective date of this Tariff will conform to the transmission specification standards contained in this Tariff or in the following Technical References for such category of service:

Telegraph Grade <sup>1</sup> (a.k.a. BellSouth SPA Telegraph)	TR-NPL-000336
Voice Grade <sup>1</sup> (a.k.a. BellSouth SPA DSO VG)	TR-NPL-000335
Digital Data <sup>1</sup> (a.k.a. BellSouth SPA DSO Digital Data)	TR-NPL-000341
For 2.4, 4.8,9.6 and 56.0 Kbps	BellCore PUB 62310
For 19.2 Kbps	INC. BULLETIN CB-INC-100
For 64.0 Kbps	AT&T PUB 62310
High Capacity (a.k.a. BellSouth SPA High Capacity)	TA-TSY-000342 TR-NPL-000054

**(DELETED)**

Derived Data Channel <sup>1</sup> (a.k.a. BellSouth SPA Derived Data Channel) Service	BellSouth TR-73548 BellSouth TR-73548, Addendum 1
---	--

Note 1: Effective June 30, 2021, this Service will no longer be available for purchase by new or existing customers. In addition, requests to move, add, change, or renew existing service arrangements will not be accepted. Following the expiration of a customer's existing term agreement, service will be provided on a month-to-month basis at the applicable Monthly rates until the service is discontinued. The Company currently plans to discontinue this service on or after June 30, 2024.

(C)  
|  
(C)(N)  
|  
(N)

BELLSOUTH  
 TELECOMMUNICATIONS  
 FLORIDA  
 ISSUED: June 29, 2021  
 BY: Joe York, President -FL  
 Jacksonville, Florida

ACCESS SERVICES TARIFF

Fourth Revised Page 10  
 Cancels Third Revised Page 10

EFFECTIVE: June 30, 2021

**E7. DEDICATED ACCESS SERVICES**

**E7.2 Service Description (Cont'd)**

**E7.2.1 Reserved for Future Use**

**E7.2.2 Telegraph Grade<sup>2</sup> (a.k.a. BellSouth SPA Telegraph) Service**

(C)

A. Basic Channel Description

A Telegraph Grade (a.k.a. BellSouth SPA Telegraph) channel is an unconditioned channel capable of transmitting binary signals at rates of 0-75 baud or 0-150 baud. This channel is furnished for half-duplex or duplex operation. Telegraph Grade (a.k.a. BellSouth SPA Telegraph) channels are provided between customer designated premises or between a customer designated premises and a Company Hub. Telegraph Grade service is not available for additions, new installations or moves of service.

B. Technical Specifications Packages

Parameter	TG Matrix	
	1	2
Telegraph Distortion	X	X

The technical specifications are delineated in Technical Reference TR-NPL-000336.

C. Channel Interfaces

Compatible channel interfaces are set forth in Technical Reference TR-NPL-000336.

D. Optional Features and Functions

1. Telegraph Bridging (two-wire and four-wire)

The following table shows the technical specifications packages with which the optional features and functions are available.

Parameter	Available with Technical Specifications Package TG-	
	1	2
Telegraph Bridging	X	X

**E7.2.3 Voice Grade (a.k.a. BellSouth SPA DS0 VG) Service<sup>1, 2</sup>**

(C)

A. Basic Channel Description

A Voice Grade (a.k.a. BellSouth SPA DS0 VG) channel is a channel which provides voice frequency transmission capability in the normal frequency range of 300 to 3000 Hz and may be terminated two-wire or four-wire. Voice Grade (a.k.a. BellSouth SPA DS0 VG) channels are provided between customer designated premises or between a customer designated premises and a Company Hub.

Voice Grade (a.k.a. BellSouth SPA DS0 VG) channels are classified as Voice Grade/Voice or Voice Grade/Data depending on the suitability of the technical specification package requested by the customer. Voice Grade (a.k.a. BellSouth SPA DS0 VG) technical specification packages 1, 2, 3, 4, 5, 7, 8, 9, 11 and 12 are suitable for Voice Grade/Voice. Technical specification packages 6 and 10 are suitable for Voice Grade/Data service.

**Note 1:** Effective September 30, 2017, Voice Grade (a.k.a. BellSouth SPA DS0 VG) service in the Kings Point, Florida Telephone Company wire center is no longer available.

**Note 2:** Effective June 30, 2021, this Service will no longer be available for purchase by new or existing customers. In addition, requests to move, add, change, or renew existing service arrangements will not be accepted. Following the expiration of a customer's existing term agreement, service will be provided on a month-to-month basis at the applicable Monthly rates until the service is discontinued. The Company currently plans to discontinue this service on or after June 30, 2024.

(N)  
 |  
 (N)

BELLSOUTH  
 TELECOMMUNICATIONS  
 FLORIDA  
 ISSUED: June 29, 2021  
 BY: Joe York, President -FL  
 Jacksonville, Florida

ACCESS SERVICES TARIFF

Fourth Revised Page 11  
 Cancels Third Revised Page 11

EFFECTIVE: June 30, 2021

**E7. DEDICATED ACCESS SERVICES**

**E7.2 Service Description (Cont'd)**

**E7.2.3 Voice Grade (a.k.a. BellSouth SPA DS0 VG) Service<sup>2,3</sup> (Cont'd)**

(C)

B. Technical Specifications Packages

Parameter	VG Matrix											
	1	2	3	4	5	6	7	8	9	10	11	12
Attenuation Distortion	X	X	X	X	X	X	X	X	X	X	X	X
C-Message Noise	X	X	X	X	X	X	X	X	X	X	X	X
Echo Control	X	X	X		X		X	X			X	X
Envelope Delay												
Distortion						X	X	X	X	X	X	X
Frequency Shift						X	X	X	X	X	X	X
Impulse Noise					X	X	X	X	X	X	X	X
Intermodulation												
Distortion						X	X	X	X	X	X	X
Loss Deviation	X	X	X	X	X	X	X	X	X	X	X	X
Phase Jitter						X	X	X	X	X	X	X
Signal-to-C												
Message Noise				X								
Signal-to-C												
Notch Noise					X	X	X	X	X	X	X	X

The technical specifications for these parameters are delineated in Technical Reference TR-NPL-000335 and associated Addendum.

C. Channel Interfaces<sup>1</sup>

The following channel interfaces for Voice Grade (a.k.a. BellSouth SPA DS0 VG) service do not require signaling capability: DA, DB, DD, DE, DS, NO, PR and TF.

- Note 1:** Channel Interface Codes are found in E7.3.1 following.
- Note 2:** Effective September 30, 2017, Voice Grade (a.k.a. BellSouth SPA DSO VG) service in the Kings Point, Florida Telephone Company wire center is no longer available.
- Note 3:** Effective June 30, 2021, this Service will no longer be available for purchase by new or existing customers. In addition, requests to move, add, change, or renew existing service arrangements will not be accepted. Following the expiration of a customer's existing term agreement, service will be provided on a month-to-month basis at the applicable Monthly rates until the service is discontinued. The Company currently plans to discontinue this service on or after June 30, 2024.

(N)  
 |  
 (N)

BELLSOUTH  
TELECOMMUNICATIONS  
FLORIDA  
ISSUED: June 29, 2021  
BY: Joe York, President -FL  
Jacksonville, Florida

## ACCESS SERVICES TARIFF

Fourth Revised Page 12  
Cancels Third Revised Page 12

EFFECTIVE: June 30, 2021

**E7. DEDICATED ACCESS SERVICES****E7.2 Service Description (Cont'd)****E7.2.3 Voice Grade (a.k.a. BellSouth SPA DS0 VG) Service<sup>5, 6</sup> (Cont'd)**

(C)

C. Channel Interfaces<sup>1</sup>(Cont'd)

The following channel interfaces for Voice Grade (a.k.a. BellSouth SPA DS0 VG) service require signaling capability: AB, AC, CT, DX, EA, EB, EC, EX, GO, GS, LA, LB, LC, LO, LR, LS, RV and SF.

Compatible channel interfaces are set forth in Technical Reference TR-NPL-000054 and Associated Addendum.

## D. Optional Features and Functions

## 1. Central Office Bridging Capability

- a. Voice Bridging<sup>2</sup> (two-wire and four-wire)
- b. Data Bridging<sup>3</sup> (two-wire and four-wire)
- c. Telephoto Bridging<sup>4</sup> (two-wire and four-wire)
- d. Dataphone<sup>®</sup> Select-A-Station Bridging with sequential arrangement ports or addressable arrangement ports
- e. Telemetry and Alarm Bridging
  - Split Band, Active Bridging

## 2. Conditioning

Conditioning provides more specific transmission characteristics for Voice Grade (a.k.a. BellSouth SPA DS0 VG) services. C-Type conditioning controls attenuation distortion and envelope delay distortion. Sealing Current helps maintain continuity on dry metallic<sup>6</sup> loops.

(C)

In addition, a customer may desire that either the attenuation distortion or the envelope delay distortion, or both, be improved to more stringent specifications than those provided for C-Type conditioning. In such cases the customer has the option of ordering Improved Attenuation Distortion and/or Improved Envelope Delay Distortion.

For two-point services, the parameters apply to each service. For multipoint services, the parameters apply to each mid link or end link. C-Type conditioning and D-Conditioning may be combined on the same service.

## a. C-Type Conditioning

C-Type Conditioning is provided for the additional control of attenuation distortion and envelope delay distortion on data services. The attenuation distortion and envelope delay distortion specifications for C-Type Conditioning are:

**Note 1:** Channel Interface Codes are found in E7.3.1 following.

**Note 2:** Voice Bridging is intended for use with VG2, 5, and 12, however, it may be used on VG6 and VG10 at a customer's request.

**Note 3:** Data Bridging is intended for use with VG6 and VG10, however, it may be used on VG2, 5, and 12 at a customer's request.

**Note 4:** Telephoto Bridging is intended for use on VG-11.

**Note 5:** Effective September 30, 2017, Voice Grade (a.k.a. BellSouth SPA DSO VG) service in the Kings Point, Florida Telephone Company wire center is no longer available.

**Note 6:** Effective June 30, 2021, this Service will no longer be available for purchase by new or existing customers. In addition, requests to move, add, change, or renew existing service arrangements will not be accepted. Following the expiration of a customer's existing term agreement, service will be provided on a month-to-month basis at the applicable Monthly rates until the service is discontinued. The Company currently plans to discontinue this service on or after June 30, 2024.

(N)

(N)

BELLSOUTH  
 TELECOMMUNICATIONS  
 FLORIDA  
 ISSUED: June 29, 2021  
 BY: Joe York, President -FL  
 Jacksonville, Florida

ACCESS SERVICES TARIFF

Fourth Revised Page 13  
 Cancels Third Revised Page 13

EFFECTIVE: June 30, 2021

**E7. DEDICATED ACCESS SERVICES**

**E7.2 Service Description (Cont'd)**

**E7.2.3 Voice Grade (a.k.a. BellSouth SPA DS0 VG) Service<sup>1, 2</sup> (Cont'd)**

(C)

D. Optional Features and Functions (Cont'd)

2. Conditioning (Cont'd)

a. C-Type Conditioning (Cont'd)

Attenuation Distortion (Frequency Response) Relative to 1004 Hz

Frequency Range (Hz)	Variation (dB)
504 - 2804	-1.0 to + 3.0
304 - 3004	- 2.0 to + 6.0

Envelope Delay Distortion

Frequency Range (Hz)	Variation (micro-seconds)
1004 - 2604	Less Than 501
604 - 2604	Less Than 1501
504 - 2804	Less Than 3001

b. Improved Attenuation Distortion

Improved attenuation distortion is provided for additional control of attenuation distortion. The improved attenuation distortion specifications are:

Attenuation Distortion (Frequency Response) Relative to 1004 Hz

Frequency Range (Hz)	Variation (dB)
404-2804	-1.0 to +2.0
304-3004	-1.0 to +3.0
3004-3204	-2.0 to +6.0

c. Improved Envelope Delay Distortion

Improved envelope delay distortion is provided for additional control of envelope distortion. The improved envelope delay distortion specifications are:

Envelope Delay Distortion

Frequency Range (Hz)	Variation (micro-seconds)
1001-2604	Less Than 101
604-2604	Less Than 301
504-2804	Less Than 3001

**Note 1:** Effective September 30, 2017, Voice Grade (a.k.a. BellSouth SPA DSO VG) service in the Kings Point, Florida Telephone Company wire center is no longer available.

**Note 2:** Effective June 30, 2021, this Service will no longer be available for purchase by new or existing customers. In addition, requests to move, add, change, or renew existing service arrangements will not be accepted. Following the expiration of a customer's existing term agreement, service will be provided on a month-to-month basis at the applicable Monthly rates until the service is discontinued. The Company currently plans to discontinue this service on or after June 30, 2024.

(N)  
 |  
 (N)

BELLSOUTH  
TELECOMMUNICATIONS  
FLORIDA  
ISSUED: June 29, 2021  
BY: Joe York, President -FL  
Jacksonville, Florida

## ACCESS SERVICES TARIFF

Fourth Revised Page 14  
Cancels Third Revised Page 14

EFFECTIVE: June 30, 2021

**E7. DEDICATED ACCESS SERVICES****E7.2 Service Description (Cont'd)****E7.2.3 Voice Grade (a.k.a. BellSouth SPA DS0 VG) Service<sup>1,2</sup> (Cont'd)**

(C)

## D. Optional Features and Functions (Cont'd)

## 2. Conditioning (Cont'd)

## d. Sealing Current Conditioning

Sealing Current Conditioning is provided to help maintain continuity on dry metallic<sup>2</sup> loops. It is usually associated with four-wire DA or NO type channel interfaces.

(C)

## 3. Customer Specified Premises Receive Level

This option allows the customer to specify the receive level at the Point of Termination. The level must be within a specific range of effective four-wire transmission. The ranges are delineated in Technical Reference TR-NPL-000335.

## 4. Echo Control

## a. Improved Return Loss

On Effective Two-Wire Transmission at Two-Wire Point of Termination: Provides for more stringent Echo Control specifications. In order for this option to be applicable, the transmission path must be four-wire at one POT and two-wire at the other POT. Placement of Company equipment may be required at the customer's premises with the two-wire POT. The Improved Return Loss parameters are delineated in Technical Reference TR-NPL-000335.

## b. ELEPL 2 (Equal Level Echo Path Loss)

Specified at the Four-Wire Point of Termination and provides for more stringent Echo Control. In order for this option to be applicable, the interface must be two-wire at one Point of Termination (POT) and four-wire at the other POT. The ELEPL 2 parameters are delineated in Technical Reference TR-NPL-000335.

## 5. D-Conditioning

D-Conditioning provides transmission characteristics suitable for data communications. Specifically, D-Conditioning provides for the control of Signal to C-Notched Noise Ratio and intermodulation distortion. It is available for two-point services or multipoint services. This option is available for use with Technical Specification Packages VG6, VG7 and VG10 on Two-Point Multipoint Services. (However, it is not recommended for use with Multipoint.)

D-Conditioning transmission characteristics are described in Technical Reference TR-NPL-000335 under the name Data Capability.

The signal to C-Notched Noise Ratio and intermodulation distortion parameters for D-Conditioning are:

- Signal to C-Notched Noise Ratio is equal to or greater than 32dB

- Intermodulation distortion:

- Signal to second order modulation products (R2) is equal to or greater than 38dB

- Signal to third order modulation products (R3) is equal to or greater than 42dB

**Note 1:** Effective September 30, 2017, Voice Grade (a.k.a. BellSouth SPA DSO VG) service in the Kings Point, Florida Telephone Company wire center is no longer available.

**Note 2:** Effective June 30, 2021, this Service will no longer be available for purchase by new or existing customers. In addition, requests to move, add, change, or renew existing service arrangements will not be accepted. Following the expiration of a customer's existing term agreement, service will be provided on a month-to-month basis at the applicable Monthly rates until the service is discontinued. The Company currently plans to discontinue this service on or after June 30, 2024.

(N)

(N)

BELLSOUTH  
 TELECOMMUNICATIONS  
 FLORIDA  
 ISSUED: June 29, 2021  
 BY: Joe York, President -FL  
 Jacksonville, Florida

ACCESS SERVICES TARIFF

Fourth Revised Page 15  
 Cancels Third Revised Page 15

EFFECTIVE: June 30, 2021

**E7. DEDICATED ACCESS SERVICES**

**E7.2 Service Description (Cont'd)**

**E7.2.3 Voice Grade (a.k.a. BellSouth SPA DS0 VG) Service<sup>1,2</sup> (Cont'd)**

(C)

D. Optional Features and Functions (Cont'd)

5. D-Conditioning (Cont'd)

When a service equipped with D-Conditioning and is used for voice communications, the quality of the voice transmission may not be satisfactory.

6. Telephoto Conditioning

Telephoto Conditioning provides transmission characteristics suitable for telephotographic communications. Specifically, Telephoto Conditioning is provided for the control of attenuation distortion and envelope delay distortion parameters for Telephoto Conditioning are:

**Attenuation Distortion**

**(2204 Hz Reference)**

**Frequency Variation**

**Range (Hz)      Variation (dB)**

304 - 3204      - 1.0 to + 2.5

504 - 3004      - 0.5 to + 1.5

**Envelope Delay Distortion**

**Frequency Variation**

**Range (Hz)      Variation (mcs)**

1004 - 2604      Less Than 111

804 - 2804      Less Than 181

7. Signaling Capability

Signaling Capability provides for the process by which one customer premises alerts another customer premises on the same service with which it wishes to communicate.

8. Improved Termination

The Improved Termination option provides a fixed 600 ohm impedance, a variable level range and simplex reversal, when applicable, at the point of termination. Company equipment is required at the customer's premises when this option is ordered. The Improved Termination parameters are delineated in Technical Reference TR-NPL-000335.

9. Simplex Reversal

The Simplex Reversal option physically turns over the simplex DC path presented at the four-wire point of termination when LO, LS, GO, GS, & DX signaling is provided at the point of termination.

10. FlexServ Service (a.k.a. BellSouth SPA Customer Reconfiguration)

FlexServ service (a.k.a. BellSouth SPA Customer Reconfiguration) provides the customer the ability to monitor and reconfigure Voice Grade (a.k.a. BellSouth SPA DS0 VG) service provided by the Company. FlexServ service (a.k.a. BellSouth SPA Customer Reconfiguration) is described in E7.4.12 following. Charges for this feature are contained in E7.5.16. following.

**Note 1:** Effective September 30, 2017, Voice Grade (a.k.a. BellSouth SPA DSO VG) service in the Kings Point, Florida Telephone Company wire center is no longer available.

**Note 2:** Effective June 30, 2021, this Service will no longer be available for purchase by new or existing customers. In addition, requests to move, add, change, or renew existing service arrangements will not be accepted. Following the expiration of a customer's existing term agreement, service will be provided on a month-to-month basis at the applicable Monthly rates until the service is discontinued. The Company currently plans to discontinue this service on or after June 30, 2024.

(N)  
 |  
 (N)

BELLSOUTH  
 TELECOMMUNICATIONS  
 FLORIDA  
 ISSUED: June 29, 2021  
 BY: Joe York, President -FL  
 Jacksonville, Florida

ACCESS SERVICES TARIFF

Fourth Revised Page 16  
 Cancels Third Revised Page 16

EFFECTIVE: June 30, 2021

**E7. DEDICATED ACCESS SERVICES**

**E7.2 Service Description (Cont'd)**

**E7.2.3 Voice Grade (a.k.a. BellSouth SPA DS0 VG) Service<sup>1,2</sup> (Cont'd)**

(C)

D. Optional Features and Functions (Cont'd)

The following table shows the technical specifications packages with which the optional features and functions are available.

	Available with Technical Specifications Package VG-											
	1	2	3	4	5	6	7	8	9	10	11	12
C-Type Conditioning					X	X	X	X	X	X		
Improved Attenuation												
Distortion					X	X	X	X	X	X		
Improved Envelope												
Delay Distortion					X	X	X	X	X	X		
Sealing Current												
Conditioning							X					
D-Conditioning							X	X		X		
Central Office												
Bridging			X		X	X				X	X	X
Customer Specified												
Premises Receive												
Level			X	X			X	X	X			
Echo Control												
Improved Return												
Loss			X	X			X					
ELEPL2	X	X	X		X		X					
FlexServ Service (a.k.a. BellSouth SPA Customer Reconfiguration)	X	X	X	X	X	X	X	X	X	X	X	X
Improved Termination	X	X	X	X	X	X	X	X	X	X	X	X
Simplex Reversal	X	X	X				X	X	X			
Signaling Capability	X	X	X				X	X	X			
Telephoto												
Conditioning												X

**Note 1:** Effective September 30, 2017, Voice Grade (a.k.a. BellSouth SPA DSO VG) service in the Kings Point, Florida Telephone Company wire center is no longer available.

**Note 2:** Effective June 30, 2021, this Service will no longer be available for purchase by new or existing customers. In addition, requests to move, add, change, or renew existing service arrangements will not be accepted. Following the expiration of a customer's existing term agreement, service will be provided on a month-to-month basis at the applicable Monthly rates until the service is discontinued. The Company currently plans to discontinue this service on or after June 30, 2024.

(N)

(N)



BELLSOUTH  
TELECOMMUNICATIONS  
FLORIDA  
ISSUED: June 29, 2021  
BY: Joe York, President -FL  
Jacksonville, Florida

## ACCESS SERVICES TARIFF

Fourth Revised Page 17  
Cancels Third Revised Page 17

EFFECTIVE: June 30, 2021

**E7. DEDICATED ACCESS SERVICES****E7.2 Service Description (Cont'd)****E7.2.3 Voice Grade (a.k.a. BellSouth SPA DS0 VG) Service<sup>1, 2</sup> (Cont'd)**

(C)

## E. Four-Wire/Two-Wire Conversions

When a customer requests that an effective four-wire channel be terminated with a two-wire channel interface at the customer designated premises, a four-wire to two-wire conversion of the four-wire local channel is required. The rate for the conversion is included as part of the basic Local Channel rate.

**E7.2.4 Reserved for Future Use****E7.2.5 Digital Data Access<sup>2</sup> (a.k.a. BellSouth SPA DS0 Digital Data) Service**

(C)

## A. Basic Channel Description

A Digital Data (a.k.a. BellSouth SPA DS0 Digital Data) channel is a channel for four-wire transmission of synchronous serial data at the rate of 2.4, 4.8, 9.6, 19.2, 56, or 64 Kbps. The actual bit rate is a function of the channel interface and channel selected by the customer. The channel provides a synchronous service with timing provided by the Company through the Company's facilities to the customer in the received bit stream. Digital Data (a.k.a. BellSouth SPA DS0 Digital Data) channels are only available via Company designated Digital Data (a.k.a. BellSouth SPA DS0 Digital Data) Hubs and are provided between customer designated premises or between a customer designated premises and a Company Digital Data (a.k.a. BellSouth SPA DS0 Digital Data) Hub.

A Hub Termination Charge applies per Digital Data (a.k.a. BellSouth SPA DS0 Digital Data) Local Channel. This rate element covers the Hub functions (e.g., Timing, Testing) for the service.

Secondary Channel Capability (SCC) is a derived companion digital transmission path that is independent of the primary data path and operates at a substantially lower bit rate. This derived channel allows the customer to perform network management functions during the normal operation of the network. This diagnostics channel utilizes a portion of a customer's previously unavailable data bit stream allowing for the ability to remotely control and test the network and peripheral devices without taking the network out of service. Special customer equipment is necessary to utilize the benefits of the Secondary Channel. Customers not wishing to utilize this capability will not be impacted. Due to transmission equipment restrictions. Secondary Channel cannot be provided on 56 Kbps circuits that require the installation of loop repeater equipment for provision of service. Secondary Channel Capability, also, cannot be provided on 64 Kbps circuits, since all of the available bit stream will be used by the customer.

The customer may provide the Channel Service Unit-type equipment or other Network Channel Terminating Equipment associated with the Digital Data (a.k.a. BellSouth SPA DS0 Digital Data) channel at the customer premises. The interim program for interconnection of such equipment is set forth in Technical Reference PUB AS No. 1.

**Note 1:** Effective September 30, 2017, Voice Grade (a.k.a. BellSouth SPA DSO VG) service in the Kings Point, Florida Telephone Company wire center is no longer available.

**Note 2:** Effective June 30, 2021, this Service will no longer be available for purchase by new or existing customers. In addition, requests to move, add, change, or renew existing service arrangements will not be accepted. Following the expiration of a customer's existing term agreement, service will be provided on a month-to-month basis at the applicable Monthly rates until the service is discontinued. The Company currently plans to discontinue this service on or after June 30, 2024.

(N)

(N)

BELLSOUTH  
 TELECOMMUNICATIONS  
 FLORIDA  
 ISSUED: June 29, 2021  
 BY: Joe York, President -FL  
 Jacksonville, Florida

ACCESS SERVICES TARIFF

Second Revised Page 18  
 Cancels First Revised Page 18

EFFECTIVE: June 30, 2021

**E7. DEDICATED ACCESS SERVICES**

**E7.2 Service Description (Cont'd)**

**E7.2.5 Digital Data Access<sup>3</sup> (a.k.a. BellSouth SPA DS0 Digital Data) Service (Cont'd)**

(C)

B. Technical Specifications Packages

Parameter	DA Matrix					
	1	2	3	4	5	6
Error-Free Seconds	X	X	X	X	X	X

The Company will provide a channel capable of meeting a monthly average performance equal to or greater than 99.875 percent error-free seconds<sup>1</sup> while the channel is in service, if it is measured through a CSU equivalent which is designed, manufactured, and maintained to conform with the interconnection specifications contained in Technical Reference PUB 62310.

Interface options and service objectives are as specified in Technical Reference TR-NPL-000341.

C. Channel Interfaces

The following channel interfaces (CIs) define the bit rates that are available for a Digital Data (a.k.a. BellSouth SPA DS0 Digital Data) channel:

CI	Bit Rate
DU-24(S) <sup>2</sup>	2.4 Kbps
DU-48(S) <sup>2</sup>	4.8 Kbps
DU-96(S) <sup>2</sup>	9.6 Kbps
DU-19(S) <sup>2</sup>	19.2 Kbps
DU-56(S) <sup>2</sup>	56.0 Kbps
DU-64	64.0 Kbps

Compatible channel interfaces are set forth in Technical Reference TR-NPL-000341.

D. Optional Features and Functions

1. Central Office Bridging Capability
2. Secondary Channel Capability
3. FlexServ<sup>®</sup> Service (a.k.a. BellSouth SPA Customer Reconfiguration)

FlexServ<sup>®</sup> service (a.k.a. BellSouth SPA Customer Reconfiguration) provides the customer the ability to monitor and reconfigure Digital Data Access (a.k.a. BellSouth SPA DS0 Digital Data) service provided by the Company. FlexServ<sup>®</sup> service (a.k.a. BellSouth SPA Customer Reconfiguration) is described in E7.4.12 following. Charges for this feature are contained in E7.5.16. following.

Note 1: This channel performance does not apply when the Data Over Voice Channel option is used.

Note 2: (S) is an additional BellSouth designation for use when the optional Secondary Channel feature is required.

Note 3: Effective June 30, 2021, this Service will no longer be available for purchase by new or existing customers. In addition, requests to move, add, change, or renew existing service arrangements will not be accepted. Following the expiration of a customer's existing term agreement, service will be provided on a month-to-month basis at the applicable Monthly rates until the service is discontinued. The Company currently plans to discontinue this service on or after June 30, 2024.

(N)  
 |  
 (N)

BELLSOUTH  
 TELECOMMUNICATIONS  
 FLORIDA  
 ISSUED: June 29, 2021  
 BY: Joe York, President -FL  
 Jacksonville, Florida

ACCESS SERVICES TARIFF

Third Revised Page 19  
 Cancels Second Revised Page 19

EFFECTIVE: June 30, 2021

**E7. DEDICATED ACCESS SERVICES**

**E7.2 Service Description (Cont'd)**

**E7.2.5 Digital Data Access<sup>1</sup> (a.k.a. BellSouth SPA DS0 Digital Data) Service (Cont'd)**

(C)

- D. Optional Features and Functions (Cont'd)
- 4.

The following table shows the technical specifications packages with which the optional features and functions are available.

	Available with Technical Specifications Package DA-					
	1	2	3	4	5	6
Central Office Bridging Capability	X	X	X	X	X	
Secondary Channel Capability	X	X	X	X	X	
FlexServ <sup>®</sup> Service (a.k.a. BellSouth SPA Customer Reconfiguration)	X	X	X	X	X	X

Note 1: Effective June 30, 2021, this Service will no longer be available for purchase by new or existing customers. In addition, requests to move, add, change, or renew existing service arrangements will not be accepted. Following the expiration of a customer's existing term agreement, service will be provided on a month-to-month basis at the applicable Monthly rates until the service is discontinued. The Company currently plans to discontinue this service on or after June 30, 2024.

(N)  
 |  
 (N)

BELLSOUTH  
 TELECOMMUNICATIONS  
 FLORIDA  
 ISSUED: June 29, 2021  
 BY: Joe York, President -FL  
 Jacksonville, Florida

ACCESS SERVICES TARIFF

Second Revised Page 20  
 Cancels First Revised Page 20

EFFECTIVE: June 30, 2021

**E7. DEDICATED ACCESS SERVICES**

**E7.2 Service Description (Cont'd)**

**E7.2.6 High Capacity (a.k.a. BellSouth SPA High Capacity) Service**

A. Basic Channel Description

A High Capacity (*a.k.a. BellSouth SPA High Capacity*) channel is a channel for the transmission of nominal 64.0 Kbps<sup>1, 2</sup> or 1.544, 3.152, 6.312, or 44.736 Mbps isochronous serial data. The actual bit rate is a function of the channel interface selected by the customer. High Capacity (*a.k.a. BellSouth SPA High Capacity*) channels are provided between customer designated premises or between a customer designated premises and a Company Hub. (C)

The customer may provide the Network Channel Terminating Equipment associated with the High Capacity (*a.k.a. BellSouth SPA High Capacity*) channel at the customer's premises. The interim program for interconnection of such equipment is set forth in Technical Reference PUB AS No. 1.

B. Technical Specifications Packages

Parameters	HC Matrix			
	0	1	1C	2 3
Error-Free Seconds		X		

A channel with technical specifications package HC1 will be capable of an error-free second performance of 98.75 percent over a continuous 24 hour period as measured at the 1.544 Mbps rate through a CSU equivalent which is designed to conform with the interconnection specifications contained in Technical Reference PUB 62411.

Further technical specifications are delineated in Technical Reference TA-TSY-000342.

C. Channel Interfaces

The following channel interfaces (CIs) define the bit rates that are available for a High Capacity (*a.k.a. BellSouth SPA High Capacity*) channel:

CI	Bit Rate
DS-15 <sup>2</sup>	1.544 Mbps (DS1)
DS-31	3.152 Mbps (DS1C)
DS-44	44.736 Mbps (DS3)
DS-63	6.312 Mbps (DS2)

Compatible channel interfaces are set forth in Technical Reference TR-TSY-000342.

Note 1: Available only as a cross connect (through connection) of two 2.4, 4.8, 9.6, 19.2, 56.0 or 64.0 Kbps channels of two 1.544 Mbps facilities to a Digital Data (*a.k.a. BellSouth SPA DSO Digital Data*) Hub(s). The customer must provide system and channel assignment data.

Note 2: Effective June 30, 2021, 64.0 Kbps will no longer be available for purchase by new or existing customers. In addition, requests to move, add, change, or renew existing service arrangements will not be accepted. Following the expiration of a customer's existing term agreement, service will be provided on a month-to-month basis at the applicable Monthly rates until the service is discontinued. The Company currently plans to discontinue this service on or after June 30, 2024. (N)

BELLSOUTH  
TELECOMMUNICATIONS  
FLORIDA  
ISSUED: June 29, 2021  
BY: Joe York, President -FL  
Jacksonville, Florida

## ACCESS SERVICES TARIFF

Third Revised Page 21  
Cancels Second Revised Page 21

EFFECTIVE: June 30, 2021

**E7. DEDICATED ACCESS SERVICES****E7.2 Service Description (Cont'd)****E7.2.6 High Capacity (a.k.a. BellSouth SPA High Capacity) Service (Cont'd)**

## D. Optional Features and Functions

1.

## 2. Channelization

## a. DS3 to DS1

An arrangement that channelizes a 44.736 Mbps channel to 28 DS1 channels.

## b. DS2 to DS1

An arrangement that channelizes a 6.312 Mbps channel to four DS1 channels.

## c. DS1C to DS1

An arrangement that channelizes a 3.152 Mbps channel to two DS1 channels

## d. DS1 Basic Channelization System

An arrangement that channelizes a 1.544 Mbps channel to a maximum of twenty four 64 Kbps channels. A channel of this DS1 to the Hub can also be used for a Digital Data service. A DS1 Basic Channelization System requires a Central Office Channel Interface for each channel of lesser capacity.

e. DS0 Basic Channelization System<sup>1</sup>

An arrangement that channelizes a 64.0 Kbps channel to a subspeeds of up to twenty 2.4 Kbps, ten 4.8 Kbps, or five 9.6 Kbps channels. A DS0 Basic Channelization System requires a Central Office Channel Interface for each channel of lesser capacity.

(C)

## 3. Channel Interface

## a. DS1 Level Central Office Channel Interface

An arrangement for the connection of DS1 (1.544 Mbps) channels of higher order DS3 (44.736 Mbps) services, in Company central office locations.

## b. DS1 Level Customer Channel Interface

An arrangement for the connection of DS1 (1.544 Mbps) channels to higher order DS3 (44.736 Mbps) services, at customer locations.

c. DS0 Level Central Office Channel Interface<sup>1</sup>

An arrangement for the connection of VG/DS0 (2.4 - 64.0 Kbps) channels to higher order DS1 (1.544 Mbps) services, in Company central office locations.

(C)

Note 1: Effective June 30, 2021, this Service will no longer be available for purchase by new or existing customers. In addition, requests to move, add, change, or renew existing service arrangements will not be accepted. Following the expiration of a customer's existing term agreement, service will be provided on a month-to-month basis at the applicable Monthly rates until the service is discontinued. The Company currently plans to discontinue this service on or after June 30, 2024.

(N)

(N)

**E7. DEDICATED ACCESS SERVICES**

**E7.2 Service Description (Cont'd)**

**E7.2.6 High Capacity (a.k.a. BellSouth SPA High Capacity) Service (Cont'd)**

D. Optional Features and Functions (Cont'd)

3. Channel Interface (Cont'd)

d. Subrate Level Central Office Channel Interface<sup>2</sup>

An arrangement for the connection of subrate (2.4 - 9.6 Kbps) channels to higher order DS0 (64.0 Kbps) services, in Company central office locations.

(C)

4. Clear Channel Capability

a. Clear Channel Capability (CCC) is an arrangement that alters a DS1/1.544 Mbps signal with unconstrained information bits, to meet pulse density requirements outlined in TR-NPL-000054 and TA-TSY-000342. This will allow a customer to transport an all zero octet over a DS1/1.544 Mbps High Capacity (a.k.a. **BellSouth SPA DS1**) channel, providing an available combined maximum 1.536 Mbps data rate. This arrangement requires the customer signal at the channel interface to conform to Bipolar with 8 Zero Substitution (B8ZS) line code as described in TR-NPL-000054 and TA-TSY-000342.

b. CCC is provided on DS1/1.544 Mbps High Capacity (a.k.a. **BellSouth SPA DS1**) channels between two customer designated premises, or between a customer designated premises and a Company Hub location, and is subject to the availability of facilities. This optional feature may be ordered at the same time the DS1/1.544 Mbps High Capacity (a.k.a. **BellSouth SPA DS1**) channel is ordered, or it may be ordered as an additional feature of an existing channel.

c. When providing CCC via a DS3/44.736 Mbps High Capacity (a.k.a. **BellSouth SPA DS3**) channel, that DS3 channel must be designated, in Company records, as having Clear Channel Capability prior to the provisioning of a DS1/1.544 Mbps High Capacity (a.k.a. **BellSouth SPA DS1**) channel with CCC. Customers must agree to out-of-service periods required to add this feature to; 1) an existing DS1/1.544 Mbps High Capacity (a.k.a. **BellSouth SPA DS3**) channel or 2) a DS3/44.736 Mbps High Capacity (a.k.a. **BellSouth SPA DS3**) channel which transports a DS1/1.544 Mbps High Capacity (a.k.a. **BellSouth SPA DS1**) channel, to be optioned for B8ZS.

5. FlexServ<sup>®</sup> Service (a.k.a. **BellSouth SPA Customer Reconfiguration**)

FlexServ<sup>®</sup> service (a.k.a. **BellSouth SPA Customer Reconfiguration**) provides the customer the ability to monitor and reconfigure High Capacity (a.k.a. **BellSouth SPA High Capacity**) service provided by the Company. FlexServ<sup>®</sup> service (a.k.a. **BellSouth SPA Customer Reconfiguration**) is described in E7.4.12 following. Charges for this feature are contained in E7.5.16. following.

The following table shows the technical specifications packages with which the optional features and functions are available.

**Available With Technical Specifications Package HC-0 1 1C 2 3**

Channelization:				
DS3 to DS1				X
DS2 to DS1			X	
DS1C to DS1		X		
DS1 Basic Channelization System	X			
DS0 Basic Channelization System <sup>1,2</sup>	X			
Clear Channel Capability		X		
FlexServ <sup>®</sup> Service (a.k.a. <b>BellSouth SPA Customer Reconfiguration</b> )	X	X		

(C)

Note 1: Available only on 64 Kbps DDAS (a.k.a. **BellSouth SPA DS0 Digital Data**) service or on a DS1 (1.544 Mbps) channel with Clear Channel Capability to a Company Hub.

Note 2: Effective June 30, 2021, this Service will no longer be available for purchase by new or existing customers. In addition, requests to move, add, change, or renew existing service arrangements will not be accepted. Following the expiration of a customer's existing term agreement, service will be provided on a month-to-month basis at the applicable Monthly rates until the service is discontinued. The Company currently plans to discontinue this service on or after June 30, 2024.

(N)  
 |  
 (N)

BELLSOUTH  
 TELECOMMUNICATIONS  
 FLORIDA  
 ISSUED: June 29, 2021  
 BY: Joe York, President -FL  
 Jacksonville, Florida

ACCESS SERVICES TARIFF

Third Revised Page 26  
 Cancels Second Revised Page 26

EFFECTIVE: June 30, 2021

**E7. DEDICATED ACCESS SERVICES**

**E7.2 Service Description (Cont'd)**

**E7.2.14 (DELETED)**

**E7.2.15 Derived Data Channel<sup>1</sup> (a.k.a. BellSouth SPA Derived Data Channel) Service**

A. Basic Service Description

Derived Data Channel (a.k.a. BellSouth SPA Derived Data Channel) service (DDCS) provides full-duplex asynchronous or synchronous data transmission utilizing data over voice and subrate<sup>1</sup> multiplexing technology. DDCS (a.k.a. BellSouth SPA Derived Data Channel) provides simultaneous data and voice transmissions over the customer's existing two-wire local exchange facility. A derived data channel is provided between the customer's premises and the customer's serving wire center. (C)

At the customer's serving wire center the data/voice terminating equipment provides subrate<sup>1</sup> multiplexing into a standard DS0-B interface for a group composed of a maximum of twenty derived data channels. The customer's derived data channel must be associated with a DS0-B interface. This association requires coordination between the subscriber of the derived data channel and the subscriber of the DS0-B interface. An interoffice channel is provided for interconnection of the subrate<sup>1</sup> multiplexed DS0-B interface to the serving wire center of a customer designated premises. (C)

DDCS (a.k.a. BellSouth SPA Derived Data Channel) is provided subject to the availability of appropriate network facilities and equipment and subject to the transmission limitations of the facilities and equipment used by the Company. (C)

The customer will be responsible for selecting his own Customer Premises Equipment (CPE). CPE must be compatible with the Company provided terminating equipment at the serving wire center.

B. Channel Interfaces

The following channel interface (CI) is available for DDCS (a.k.a. BellSouth SPA Derived Data Channel).

<b>CI</b>	<b>Bit Rate</b>	
2DV5.BA	2.4 Kbps, Digital Data Over Voice <sup>1</sup>	(C)

Note 1: Effective June 30, 2021, this Service will no longer be available for purchase by new or existing customers. In addition, requests to move, add, change, or renew existing service arrangements will not be accepted. Following the expiration of a customer's existing term agreement, service will be provided on a month-to-month basis at the applicable Monthly rates until the service is discontinued. The Company currently plans to discontinue this service on or after June 30, 2024. (N)

**E7. DEDICATED ACCESS SERVICES****E7.2 Service Description (Cont'd)****E7.2.15 Derived Data Channel<sup>(2)</sup> (a.k.a. BellSouth SPA Derived Data Channel) Service (Cont'd)**

## B. Channel Interfaces (Cont'd)

The following channel interface (CI) is available for DDCS (a.k.a. BellSouth SPA Derived Data Channel). (Cont'd)  
Compatible channel interface specifications are contained in BellSouth Technical Reference Publication 73548 for data/voice multiplexing equipment and BellSouth Technical Reference 73548, Addendum 1, for the DS0-B interface. These publications are available from the Information Exchange Manager, BellSouth Telecommunications, Inc., Documentations Operations, North W5A1, 3535 Colonnade Parkway, Birmingham, Alabama 35243.

**E7.2.16 SMARTRing<sup>®</sup> service (a.k.a. BellSouth Dedicated Ring)**

## A. Self-healing Multi-nodal Alternate Route Topology Ring

1. SMARTRing<sup>®</sup> service (a.k.a. BellSouth Dedicated Ring) is a dedicated, high capacity, network designed to provide increased reliability and functionality via a self-healing ring topology between multiple customer designated locations and Telephone Company Central Offices where facilities can be made available as determined by the Company. This network consists of fiber routed through local, alternate central office, internodal and/or interoffice channel facilities that transmit DS1, DS3, STS-1, OC-3, OC-12, **OC-48** and/or **1000 Mbps** channel services simultaneously over primary and alternate paths between customer designated locations and Telephone Company Central Offices. This ring topology will continually monitor DS1, DS3, STS-1, OC-3, OC-12, **OC-48** and/or **1000 Mbps** service quality, detect any failure within the system, and automatically self-heal around a point of failure to ensure the flow of DS1, DS3, STS-1, OC-3, OC-12, **OC-48** and/or **1000 Mbps services** between locations within the network.
2. SMARTRing<sup>®</sup> service (a.k.a. BellSouth Dedicated Ring) is available at OC-1, OC-3, OC-3+ OC-12, OC-48, OC-48+, **OC-192** and **OC-192+** capacities.
3. OC-1 SMARTRing<sup>®</sup> service (a.k.a. BellSouth Dedicated Ring) is available only in Overlay Ring Arrangements riding the customer's host OC-12, OC-48, or OC-48+ SMARTRing<sup>®</sup> service (a.k.a. BellSouth Dedicated Ring). The OC-1 SMARTRing<sup>®</sup> service (a.k.a. BellSouth Dedicated Ring) shares the transport of its host SMARTRing<sup>®</sup> service (a.k.a. BellSouth Dedicated Ring). OC-1 SMARTRing<sup>®</sup> service (a.k.a. BellSouth Dedicated Ring) provides an equivalent capacity of 28 DS1s or one STS-1. When an OC-1 SMARTRing<sup>®</sup> service (a.k.a. BellSouth Dedicated Ring) overlays an OC-12, OC-48, or OC-48+ SMARTRing<sup>®</sup> service (a.k.a. BellSouth Dedicated Ring), an OC-1 channel interface is required.
4. OC-3 SMARTRing<sup>®</sup> service (a.k.a. BellSouth Dedicated Ring) is available as an individual service or in an Overlay Ring Arrangement riding the customer's host OC-12, OC-48, OC-48+, **OC-192** or **OC-192+** SMARTRing<sup>®</sup> service (a.k.a. BellSouth Dedicated Ring). OC-3 SMARTRing<sup>®</sup> service (a.k.a. BellSouth Dedicated Ring) provides an equivalent capacity of 3 DS3s, or any combination thereof not to exceed an OC-3 capacity. Channel Interface Reallocation allows the customer to reallocate STS-1, DS3 and/or DS1 capacities to OC-3 nodes subsequent to the initial configuration of an OC03 ring.
5. OC-3+ SMARTRing<sup>®(1)</sup> service (a.k.a. BellSouth Dedicated Ring) is available as an individual service, or in combination with OC-12 SMARTRing<sup>®</sup> service (a.k.a. BellSouth Dedicated Ring), or in an Overlay Ring Arrangement riding the customer's host OC-48, **OC-192** or **OC-192+** SMARTRing<sup>®</sup> service (a.k.a. BellSouth Dedicated Ring). OC-3+ SMARTRing<sup>®</sup> service (a.k.a. BellSouth Dedicated Ring) provides an equivalent OC-3 capacity, not to exceed 3 DS3s at each node, with a maximum ring capacity of 12 DS3s, not to exceed an OC-12 ring capacity.
6. When a customer orders OC-3+ SMARTRing<sup>®</sup> service (a.k.a. BellSouth Dedicated Ring) in combination with OC-12 SMARTRing<sup>®</sup> service (a.k.a. BellSouth Dedicated Ring), capacity and channel interface availability at each Customer Node and Central Office Node location is determined by the size node ordered by the customer.
7. OC-12 SMARTRing<sup>®</sup> service (a.k.a. BellSouth Dedicated Ring) is available as an individual service, or in combination with OC-3+ SMARTRing<sup>®</sup> service (a.k.a. BellSouth Dedicated Ring), or in an Overlay Ring Arrangement riding the customer's host OC-48, **OC-48+**, **OC-192** or **OC-192+** SMARTRing<sup>®</sup> service (a.k.a. BellSouth Dedicated Ring). OC-12 SMARTRing<sup>®</sup> service (a.k.a. BellSouth Dedicated Ring) provides an equivalent capacity of 12 DS3s.
8. OC-48 SMARTRing<sup>®</sup> service (a.k.a. BellSouth Dedicated Ring) is available as an individual service, **or in an Overlay Ring Arrangement riding the customer's host OC-192 or OC-192+ SMARTRing<sup>®</sup> service (a.k.a. BellSouth Dedicated Ring)**, or with overlaying rings in capacities of OC-1, OC-3, OC-3+ and/or OC-12. OC-48 SMARTRing<sup>®</sup> service (a.k.a. BellSouth Dedicated Ring) provides an equivalent capacity of 48 DS3s.

(1) Effective July 10, 2015, the Company will accept only disconnect order for OC-3+ SMARTRing service (a.k.a. BellSouth SPA Dedicated Ring), including orders associated with existing service. Move, add or change orders will no longer be accepted.

(2) Effective June 30, 2021, this Service will no longer be available for purchase by new or existing customers. In addition, requests to move, add, change, or renew existing service arrangements will not be accepted. Following the expiration of a customer's existing term agreement, service will be provided on a month-to-month basis at the applicable Monthly rates until the service is discontinued. The Company currently plans to discontinue this service on or after June 30, 2024.

(C)

(M)

(M)

(N)

(N)



BELLSOUTH  
TELECOMMUNICATIONS  
FLORIDA  
ISSUED: June 29, 2021  
BY: Joe York, President -FL  
Jacksonville, Florida

## ACCESS SERVICES TARIFF

First Revised Page 27.0.1  
Cancels Original Page 27.0.1

EFFECTIVE: June 30, 2021

**E7. DEDICATED ACCESS SERVICES****E7.2 Service Description (Cont'd)****E7.2.16 SMARTRing® service (a.k.a. BellSouth Dedicated Ring) (Cont'd)**

9. OC 48+ SMARTRing® service (a.k.a. BellSouth Dedicated Ring) is available as an individual bi directional service, or in an Overlay Ring Arrangement riding the customer's host OC-192 SMARTRing® service (a.k.a. BellSouth Dedicated Ring), or with overlaying rings in capacities of OC 1, and/or OC 3. It provides equivalent capacity of 24 DS3s between consecutive node locations on the ring. The maximum capacity of the OC 48+ SMARTRing® service (a.k.a. BellSouth Dedicated Ring) is determined by the number of Customer and Central Office nodes on the ring.
10. OC-192 SMARTRing® service (a.k.a. BellSouth Dedicated Ring) is available as an individual service, or with overlaying rings in capacities of OC-3, OC-3+, OC-12, OC-48 and /or OC-48+. OC-192 SMARTRing® service (a.k.a. BellSouth Dedicated Ring) provides an equivalent capacity of 192 DS3s.
11. OC-192+ SMARTRing® service (a.k.a. BellSouth Dedicated Ring) is available as an individual bi-directional service, or with overlaying rings in capacities of OC-3, OC-3+, OC-12 and /or OC-48. It provides equivalent capacity of 96 DS3s between consecutive node locations on the ring. The maximum capacity of the OC-192+ SMARTRing® service (a.k.a. BellSouth Dedicated Ring) is determined by the number of Customer and Central Office nodes on the ring.

(M)  
|  
(M)

BELLSOUTH  
TELECOMMUNICATIONS  
FLORIDA  
ISSUED: June 29, 2021  
BY: Joe York, President -FL  
Jacksonville, Florida

## ACCESS SERVICES TARIFF

First Revised Page 27.6  
Cancels Original Page 27.6

EFFECTIVE: June 30, 2021

**E7. DEDICATED ACCESS SERVICES****E7.3 Channel Interface and Network Channel Codes**

This section explains the Channel Interface codes and Network Channel codes that the customer must specify when ordering Dedicated Access Service. Included is an example which explains the specific characters of the code, a glossary of Channel Interface codes, impedance levels, and Network Channel codes. Compatible Channel Interface codes are contained in the services respective Technical Reference Publications as indicated in E7.2.

Example: If the customer specifies a LB Network Channel Code and a 2LC8 Channel Interface at the customer's premises, the following is being requested:

LB = Voice Grade<sup>1</sup> (a.k.a. BellSouth SPA DS0 VG) Channel with a Predefined Technical Specification Package (1) (C)

2 = Number of physical wires at customer premises

LC = Facility interface for Type C Signaling

8 = Variable impedance level

**E7.3.1 Glossary of Channel Interface Codes and Options**

Code - Option	Definition	
AB -	Accepts 20 Hz ringing signal at customer's point of termination	
AC -	Accepts 20 Hz ringing signal at the customer's point of termination	
CS -	Digital hierarchy interface at Digital Crossconnect System (DCS)	
- EA	E & M Signaling	
- GO	Ground Start Loop Signaling-Open End	
- GS	Ground Start Loop Signaling-Closed End	
- LO	Loop Start Loop Signaling-Open End	
- LS	Loop Start Loop Signaling-Closed End	
- NO	Transmission Only - No Signaling	
- R	(DS0) Customer Reconfigurable Voice Grade Service <sup>1</sup>	(C)
- 10R	DS1 to DS0 Customer Reconfigurable <sup>1</sup>	(C)
	<b>(DELETED)</b>	(D)
- 10	DS1 to DS0 <sup>1</sup>	(C)

Note 1: Effective June 30, 2021, this Service will no longer be available for purchase by new or existing customers. In addition, requests to move, add, change, or renew existing service arrangements will not be accepted. Following the expiration of a customer's existing term agreement, service will be provided on a month-to-month basis at the applicable Monthly rates until the service is discontinued. The Company currently plans to discontinue this service on or after June 30, 2024. (N)

BELLSOUTH  
 TELECOMMUNICATIONS  
 FLORIDA  
 ISSUED: June 29, 2021  
 BY: Joe York, President -FL  
 Jacksonville, Florida

ACCESS SERVICES TARIFF

First Revised Page 28  
 Cancels Original Page 28

EFFECTIVE: June 30, 2021

**E7. DEDICATED ACCESS SERVICES<sup>1</sup>**

**E7.3 Channel Interface and Network Channel Codes (Cont'd)**

**E7.3.1 Glossary of Channel Interface Codes and Options (Cont'd)**

Code - Option	Definition
- 11R	DS1 to DS1 Customer Reconfigurable
- 11	DS1 to DS1
- SP	Resistive Type: Split Path Operation for Data Polling Conference Type
- CF	Resistive Type: Split Path Operation for Symmetrical Voice Conference Type
- BC	CO Bridging: Broadcast for Broadcast Conference Type
CT -	Centrex Tie Trunk Termination
DA -	Data stream in VF frequency band at customer's point of termination
DB -	Data stream in VF frequency band at customer's point of termination
- 10	VF for TG1 and TG2
- 43	VF for 43 Telegraph <sup>2</sup> Carrier type signals, TG1 and TG2
DD -	Dataphone <sup>®</sup> Select-A-Station (and TABS) interface at customer's point of termination
DE -	Dataphone <sup>®</sup> Select-A-Station (and TABS) interface at the customer's end user's point of termination
DS -	Digital hierarchy interface
- 1K	1.544 Mbps (DS1) ANSI Extended Superframe (ESF) format
- 1S	1.544 Mbps (DS1) ANSI Extended Superframe (ESF) format and B8ZS Clear Channel Capability
- 15	1.544 Mbps (DS1) Superframe (SF) format
- 15B	1.544 Mbps (DS1) Superframe (SF) format and B8ZS Clear Channel Capability
- 15E	8-bit PCM encoded in one 64 Kbps of the DS1 signal
- 15F	8-bit PCM encoded in two 64 Kbps of the DS1 signal
- 15G	8-bit PCM encoded in three 64 Kbps of the DS1 signal
- 15H	14/11-bit PCM encoded in six 64 Kbps of the DS1 signal
- 15J	1.544 Mbps format per PUB 41451 (only available to U.S. Govt. agencies)
- 31	3.152 Mbps (DS1C)
- 31L	3.152 Mbps (DS1C) with SF signaling
- 44	44.736 Mbps (DS3)

**Note 1:** Text is shown as new due to reissue of all Tariff Sections. No changes in rates or regulations were made with this Filing.

**Note 2:** Effective June 30, 2021, this Service will no longer be available for purchase by new or existing customers. In addition, requests to move, add, change, or renew existing service arrangements will not be accepted. Following the expiration of a customer's existing term agreement, service will be provided on a month-to-month basis at the applicable Monthly rates until the service is discontinued. The Company currently plans to discontinue this service on or after June 30, 2024.

(C)

(N)

(N)

BELLSOUTH  
 TELECOMMUNICATIONS  
 FLORIDA  
 ISSUED: June 29, 2021  
 BY: Joe York, President -FL  
 Jacksonville, Florida

ACCESS SERVICES TARIFF

First Revised Page 29  
 Cancels Original Page 29

EFFECTIVE: June 30, 2021

**E7. DEDICATED ACCESS SERVICES<sup>1</sup>**

**E7.3 Channel Interface and Network Channel Codes (Cont'd)**

**E7.3.1 Glossary of Channel Interface Codes and Options (Cont'd)**

Code - Option	Definition
- 44L	44.736 Mbps (DS3) with SF signaling
- 63	6.312 Mbps (DS2)
- 63L	6.312 Mbps (DS2) with SF signaling
DU -	Digital access interface
- 19(S) <sup>2</sup>	19.2 Kbps <sup>3</sup>
- 24(S) <sup>2</sup>	2.4 Kbps <sup>3</sup>
- 48(S) <sup>2</sup>	4.8 Kbps <sup>3</sup>
- 56(S) <sup>2</sup>	56.0 Kbps <sup>3</sup>
- 64	64.0 Kbps <sup>3</sup>
- 96(S) <sup>2</sup>	9.6 Kbps <sup>3</sup>
- 1KN	DS1 (1.544 Mbps) ANSI Extended Superframe (ESF) Format per TR-NPL-000054 without line power
- 1SN	DS1 (1.544 Mbps) ANSI Extended Superframe (ESF) Format per TR-NPL-000054, with B8ZS Clear Channel Capability and without line power
- A	DS1 (1.544 Mbps) free-framing format per PUB 41451 with line power (only available to U. S. Govt. agencies)
- AN	DS1 (1.544 Mbps) free-framing format per PUB 41451 without line power (only available to U. S. Govt. agencies)
- BN	DS1 (1.544 Mbps) Superframe (SF) Format per TR-NPL-000054 without line power
- DN	DS1 (1.544 Mbps) Superframe (SF) Format per TR-NPL-000054, with B8ZS Clear Channel Capability and without line power.
- SN	1.544 Mbps (DS1) ANSI Extended Superframe (ESF) format and B8ZS Clear Channel Capability
DV -	Data and Voice Multiplexing
- BC	Digital Data Over Voice, 9.6 Kbps <sup>3</sup>
DX -	Duplex signaling interface at customer's point of termination
EA - E	Type I, E&M Lead Signaling. Customer at POT or end user at POT originates one E Lead.
EA - M	Type I E&M Lead Signaling. Customer at POT or end user at POT originated on M Lead.

(C)  
 |  
 (C)

(C)

**Note 1:** Text is shown as new due to reissue of all Tariff Sections. No changes in rates or regulations were made with this Filing.

**Note 2:** (S) is an additional BellSouth designation for use when the optional Secondary Channel feature is required.

**Note 3:** Effective June 30, 2021, this Service will no longer be available for purchase by new or existing customers. In addition, requests to move, add, change, or renew existing service arrangements will not be accepted. Following the expiration of a customer's existing term agreement, service will be provided on a month-to-month basis at the applicable Monthly rates until the service is discontinued. The Company currently plans to discontinue this service on or after June 30, 2024.

(N)  
 |  
 (N)

BELLSOUTH  
 TELECOMMUNICATIONS  
 FLORIDA  
 ISSUED: June 29, 2021  
 BY: Joe York, President -FL  
 Jacksonville, Florida

ACCESS SERVICES TARIFF

Third Revised Page 31  
 Cancels Second Revised Page 31

EFFECTIVE: June 30, 2021

**E7. DEDICATED ACCESS SERVICES**

**E7.3 Channel Interface and Network Channel Codes (Cont'd)**

**E7.3.1 Glossary of Channel Interface Codes and Options (Cont'd)**

Code - Option	Definition	
- T	Reverse battery signaling, one way operation, terminate function by customer or customer's end user	
SF -	Single frequency signaling within VF band at either customer POT or customer's end user POT	
TF -	Telephotograph <sup>2</sup> interface	(C)
TT -	Telegraph <sup>2</sup> /teletypewriter interface at either customer POT or customer's end user POT	(C)
- 2	20.0 milliamperes	
- 3	3.0 milliamperes	
- 6	62.5 milliamperes	
	<b>(DELETED)</b>	
	<b>(DELETED)</b>	

**E7.3.2 Impedance**

The nominal reference impedance with which the channel will be terminated for the purpose of evaluating transmission performance:

Value (ohms)	Code(s)
110	0
150	1
600	2
900	3 <sup>1</sup>
135	5
75	6
124	7
Variable	8
100	9

Note 1: For those interface codes with a 4-wire transmission path at the customer designated POT, rather than a standard 900 ohm impedance, the code (3) denotes a customer provided transmission equipment termination. Such terminations were provided to customers in accordance with the FCC Docket No. 20099 Settlement Agreement.

Note 2: Effective June 30, 2021, this Service will no longer be available for purchase by new or existing customers. In addition, requests to move, add, change, or renew existing service arrangements will not be accepted. Following the expiration of a customer's existing term agreement, service will be provided on a month-to-month basis at the applicable Monthly rates until the service is discontinued. The Company currently plans to discontinue this service on or after June 30, 2024.

(N)  
 |  
 (N)

BELLSOUTH  
TELECOMMUNICATIONS  
FLORIDA  
ISSUED: June 29, 2021  
BY: Joe York, President -FL  
Jacksonville, Florida

## ACCESS SERVICES TARIFF

Eighth Revised Page 34  
Cancels Seventh Revised Page 34

EFFECTIVE: June 30, 2021

**E7. DEDICATED ACCESS SERVICES****E7.4 Rate Regulations (Cont'd)****E7.4.1 Types of Rates and Charges (Cont'd)**

## A. (Cont'd)

Digital Data Access<sup>3</sup> Service and Derived Data Channel<sup>3</sup> (a.k.a. BellSouth SPA Derived Data Channel) service are offered under two contract plans. Contract plan rates are available in payment periods from twenty-four to forty-two months<sup>2</sup> and in payment periods from forty-three to sixty months<sup>2</sup> under conditions specified in the Channel Services Payment Plan in E2.4 of this Tariff. (These payment periods are an exception to those listed in E2.4 of this Tariff.) Termination Liability charges will not apply for customer requests for moves of service under CSPP subject to the provisions set forth in E2.4.9.A.11. of this Tariff. However, a Termination Liability Charge is applicable at the date of termination if the customer terminates or disconnects the service prior to fulfilling the period of the contract plan except as specified in 2. following. The Termination Liability Charge is determined by multiplying the contracted monthly rate times the number of months in the contract plan, less the contracted monthly rate times the number of months the service has been installed, **multiplied by a factor. The factor is fifty percent (50%) for contracts that have been in effect twelve months (12) or less, or twenty percent (20%) for contracts that have been in effect longer than twelve months (12).** An example is provided in 1. following.

The following list identifies the individual Dedicated Access Services provided under Section E7. of this Tariff which are eligible for credit of nonrecurring charges under "Service Installation Guarantee" found in E2.4.10 of this Tariff. Customers with these services are not eligible for the Service Installation Guarantee when the requested installation, move or rearrangement service order interval is four days or less as measured from the Application Date of the order.

- Voice Grade<sup>3</sup> (a.k.a. BellSouth SPA DS0 VG), (C)
- Digital Data Access<sup>3</sup> (a.k.a. BellSouth SPA Derived Data Channel) service<sup>1</sup>, (C)
- High Capacity (a.k.a. BellSouth SPA High Capacity) service
- SMARTPath service (a.k.a. BellSouth SPA Shared Ring)

Provided, however, that the following services are not eligible for such credit.

- FlexServ service (a.k.a. BellSouth SPA Customer Reconfiguration)
  - BellSouth Metro Ethernet service
1. A customer subscribes to Digital Data Access<sup>3</sup> (a.k.a. BellSouth SPA DS0 Digital Data) service using the twenty-four to forty-two month payment plan. The contract plan period is for thirty months. The subscriber terminates the service after twelve months. The total liability charge is thirty months times the monthly rate. The amount is then reduced to reflect the number of months the subscriber has had the service, which in this example is twelve months. Therefore, the Termination Liability Charge is **fifty percent (50%) of this amount** calculated as follows:  
Termination Liability Charge =  $.50 \times [(30 \text{ months} \times \text{monthly rate}) - (12 \text{ months} \times \text{monthly rate})]$  (C)
  2. A Termination Liability Charge will not be applicable at the date of termination if the customer terminates or disconnects the service prior to fulfilling the period of the contract plan for customer requested changes to a higher order of service covered by the Channel Services Payment Plan as specified in E2.4.9.A.4.b. of this Tariff, or customer requested changes to services not covered by the Channel Services Plan that are offered by the Company under a contract payment plan provided that the applicable conditions set forth in E2.4.9.A.4.b. of this Tariff are satisfied.

**Note 1:** The Data Over Voice Channel optional feature is not eligible for such credit.

**Note 2:** Effective March 23, 2019, Customers may not: Convert, renew, or establish CSPPs for Derived Data Channel Service, Digital Data Access Service.

**Note 3:** Effective June 30, 2021, this Service will no longer be available for purchase by new or existing customers. In addition, requests to move, add, change, or renew existing service arrangements will not be accepted. Following the expiration of a customer's existing term agreement, service will be provided on a month-to-month basis at the applicable Monthly rates until the service is discontinued. The Company currently plans to discontinue this service on or after June 30, 2024.

(N)  
|  
(N)

BELLSOUTH  
TELECOMMUNICATIONS  
FLORIDA  
ISSUED: June 29, 2021  
BY: Joe York, President -FL  
Jacksonville, Florida

## ACCESS SERVICES TARIFF

Third Revised Page 36  
Cancels Second Revised Page 36

EFFECTIVE: June 30, 2021

**E7. DEDICATED ACCESS SERVICES****E7.4 Rate Regulations (Cont'd)****E7.4.1 Types of Rates and Charges (Cont'd)****B. Nonrecurring Charges (Cont'd)****1. Installation of Service****a. Local Channels**

Nonrecurring charges apply to each Local Channel on each Dedicated Access Service installed. When one service is ordered and installed, it is billed at the First Service Installed rate. When more than one of the same type of service, between the same locations, for the same customer is ordered and installed at the same time, one at each location is billed at the First Service Installed Rate and the others are billed at the Additional Service Installed rate. If additional services are installed at a later date, then the First Service Installed rate and the Additional Service rate would apply to those services regardless of what service already existed.

**b. Interoffice Channel Mileage**

The nonrecurring charge for the Interoffice Channel mileage will be applied each time the Interoffice Channel rate element is applicable.

The nonrecurring charges for the Installation of Services are set forth in E7.5 following as nonrecurring charges for the Local Channel Rate Element and the Interoffice Channel Rate Element.

**2. Installation of Optional Features and Functions**

Nonrecurring charges apply for the installation of some of the optional features and functions available with Dedicated Access Services. The Initial nonrecurring charge applies if the feature or function is installed coincident with the primary service. The Subsequent nonrecurring charge applies if the feature or function is installed after the installation of the primary service.

One nonrecurring charge is applicable to bridging.

First and Additional nonrecurring charges are applicable to activate each individual Central Office Channel Interface of a DS1 or DS0 Basic Channelization System<sup>1</sup>, and are in addition to the nonrecurring charges for the DS1 or DS0 Basic Channelization System<sup>1</sup>. A "First" Central Office Channel Interface nonrecurring charge is applicable to the first Central Office Channel Interface installed coincident with the installation of a DS1 or DS0 Basic Channelization System<sup>1</sup>, per service request. An "Additional" nonrecurring charge applies for each additional Central Office Channel Interface, of the same type, ordered and installed at the same location, for the same customer, at the same time, on the same order request. Future requests for a Central Office Channel Interface(s) on an existing DS1 or DS0 Basic Channelization System<sup>1</sup> will be treated as new requests and will require "First" and "Additional" Central Office Channel Interface nonrecurring charge application, in addition to any other applicable charge(s).

One nonrecurring charge is applicable for each individual DS1 level Central Office or Customer channel interface and is in addition to any other applicable charge(s).

The nonrecurring charges for the installation of optional features and functions are set forth in E7.5 following as nonrecurring charges for optional features and functions associated with the specific services.

Note 1: Effective June 30, 2021, this Service will no longer be available for purchase by new or existing customers. In addition, requests to move, add, change, or renew existing service arrangements will not be accepted. Following the expiration of a customer's existing term agreement, service will be provided on a month-to-month basis at the applicable Monthly rates until the service is discontinued. The Company currently plans to discontinue this service on or after June 30, 2024.

(C)

(C)

(N)

BELLSOUTH  
TELECOMMUNICATIONS  
FLORIDA  
ISSUED: June 29, 2021  
BY: Joe York, President -FL  
Jacksonville, Florida

## ACCESS SERVICES TARIFF

Third Revised Page 37  
Cancels Second Revised Page 37

EFFECTIVE: June 30, 2021

**E7. DEDICATED ACCESS SERVICES****E7.4 Rate Regulations (Cont'd)****E7.4.1 Types of Rates and Charges (Cont'd)****B. Nonrecurring Charges (Cont'd)****3. Service Rearrangements**

Service rearrangements are changes to existing (installed) services which do not result in either a change in the minimum period requirements as set forth in E5.2.5.E. or a change in the physical location of the point of the termination at a customer designated premises. Changes which result in the establishment of new minimum period obligations are treated as disconnects and starts. Changes in the physical location of the point of the termination are treated as moves and are described and charged for as set forth in E7.4.5 following. A change which results from a transfer of service is described and charged as set forth in 4. and E7.5.13 following.

The charge to the customer for the service rearrangement is dependent on whether the change is administrative only in nature or involves actual physical change to the service.

Administrative changes, identified as follows, will be made without charge(s) to the customer. Such changes require the continued provision and billing of the Dedicated Access Service to the same entity (i.e., customer remains responsible for all outstanding indebtedness for the Dedicated Access Service). Administrative changes are as follows:

- Change of customer name (i.e., the customer of record does not change but rather the customer of record changes its name -- e.g., AT&T-Long Lines to AT&T-Communications),
- Change of customer or customer's end user premises address when the change of address is to a result of a physical relocation of equipment,
- Change in billing data (name, address, or contact name or telephone number. The customer of record does not change).
- ~H~Change of customer circuit identification,
- Change of billing account number,
- Change of customer test line number,
- Change of customer or customer's end user contact name or telephone number, and
- Change of jurisdiction.

All other service rearrangements, including physical changes to existing services, will be charged for as follows:

- If the change involves the addition of other customer designated premises to an existing multipoint service, the nonrecurring charge for the Local Channel rate element will apply. The charge(s) will apply only for the location(s) that is being added.
- If the change involves the addition of an optional feature or function which has a separate nonrecurring charge, that nonrecurring charge will apply.
- If the change involves changing the type of signaling on a Voice Grade<sup>1</sup> (a.k.a. BellSouth SPA DS0 VG) service, a charge equal to the Voice Grade<sup>1</sup> (a.k.a. BellSouth SPA DS0 VG) Local Channel rate element nonrecurring charge will apply. The charge will apply per service termination affected.

(C)  
(C)

Note 1: Effective June 30, 2021, this Service will no longer be available for purchase by new or existing customers. In addition, requests to move, add, change, or renew existing service arrangements will not be accepted. Following the expiration of a customer's existing term agreement, service will be provided on a month-to-month basis at the applicable Monthly rates until the service is discontinued. The Company currently plans to discontinue this service on or after June 30, 2024.

(N)  
|  
(N)



BELLSOUTH  
TELECOMMUNICATIONS  
FLORIDA

ACCESS SERVICES TARIFF

Third Revised Page 41  
Cancels Second Revised Page 41

ISSUED: June 29, 2021  
BY: Joe York, President -FL  
Jacksonville, Florida

EFFECTIVE: June 30, 2021

## E7. DEDICATED ACCESS SERVICES

### E7.4 Rate Regulations (Cont'd)

#### E7.4.6 Mileage Measurement (Cont'd)

Mileage is shown in E7.5 following in terms of mileage bands. To determine the rate to be billed, first compute the mileage using the V&H coordinates method, as set forth in the National Exchange Carrier Association Tariff FCC. No. 4, then find the band into which the computed mileage falls and apply the rates shown for that band. When the calculation results in a fraction of a mile, always round up to the next whole mile before determining the mileage band and applying the rates.

When Hubs are involved, mileage is computed and rates applied separately for each section of the Interoffice Channel, i.e., customer designated premises serving wire center to Hub, Hub to Hub and/or Hub or customer designated premises serving wire center. However, when any service is routed through a Hub for purposes other than customer specified bridging or channelization (e.g., the Company chooses to so route for test access purposes), rates will be applied only to the distance calculated between the serving wire centers associated with the IC or End User designated premises. For the purpose of applying multipoint charges, the bridging or hubbing locations are determined by that combination of airline distances connecting the serving wire center which will produce the lowest interoffice mileage charges.

SMARTRing<sup>®</sup> service (a.k.a. BellSouth Dedicated Ring) Local Channel, Alternate Central Office Channel and Internodal Channel rates are also distance sensitive. They are measured per quarter airline mile or fraction thereof from the customer's designated premises to the Serving Wire Center, Alternate Central Office, or other Customer Nodes. V&H coordinates are derived for each customer location through the use of longitude and latitude measurements. Using the V&H coordinate method as set forth in the NATIONAL EXCHANGE CARRIER ASSOCIATION, INC. TARIFF FCC. No. 4, compute the mileage, convert to quarter miles, and multiply the appropriate per quarter mile rate by the distance involved. Any portion of a quarter mile will always round up to the next quarter mile before determining the mileage and applying the rate.

The SMARTRing<sup>®</sup> service (a.k.a. BellSouth Dedicated Ring) Interoffice Channel mileage is calculated per quarter airline mile between two directly connected central office's on the ring. Interoffice Channel mileage is computed by using the V&H coordinates method as set forth in the NATIONAL EXCHANGE CARRIER ASSOCIATION, INC. TARIFF FCC. No. 4. To determine the rate to be billed, multiply the appropriate per quarter mile rate by the distance involved. Fractions of a quarter mile always round up to the next quarter mile before determining the mileage and applying the rate.

#### E7.4.7 Facility Hubs

A customer has the option of ordering digital high capacity facilities (i.e., DS1, DS1C, DS2 or DS3) to a facility Hub for channelizing to individual services requiring lower capacity facilities (e.g., Voice<sup>1</sup>, etc.).

Different locations may be designated as Hubs for different facility capacities, e.g., channelization from digital to digital may occur at one location while channelization from digital to analog may occur at a different location. When ordering, the customer will specify the desired channelization Hub(s) selected from the National Exchange Carrier Association Tariff FCC. No. 4. This Tariff identifies the type(s) of channelization functions which are available and the serving wire centers at which they are available.

Some of the types of channelization available include the following:

- from higher to lower bit rate
- from digital to voice frequency channels

End to end services may be provided on channels of these facilities to a hub. The transmission performance for the end to end service provided between customer designated premises will be that of the lower capacity or bit rate. For example, when a 1.544 Mbps facility is channelized to voice frequency channels, the transmission performance of the channelized services will be Voice Grade<sup>1</sup> (a.k.a. BellSouth SPA DS0 VG), not High Capacity (a.k.a. BellSouth SPA High Capacity).

Note 1: Effective June 30, 2021, this Service will no longer be available for purchase by new or existing customers. In addition, requests to move, add, change, or renew existing service arrangements will not be accepted. Following the expiration of a customer's existing term agreement, service will be provided on a month-to-month basis at the applicable Monthly rates until the service is discontinued. The Company currently plans to discontinue this service on or after June 30, 2024.

BELLSOUTH  
TELECOMMUNICATIONS  
FLORIDA

ACCESS SERVICES TARIFF

Fourth Revised Page 42  
Cancels Third Revised Page 42

ISSUED: June 29, 2021  
BY: Joe York, President -FL  
Jacksonville, Florida

EFFECTIVE: June 30, 2021

## E7. DEDICATED ACCESS SERVICES

### E7.4 Rate Regulations (Cont'd)

#### E7.4.7 Facility Hubs (Cont'd)

The Company will commence billing the monthly rate for the facility to the Hub on the date specified by the customer on the service order. Individual services utilizing these facilities may be installed coincident with the installation of the facility to the Hub or may be ordered and/or installed at a later date, at the option of the customer. The customer will be billed for a digital Local Channel, Interoffice Channel (when applicable) and the Basic Channelization System at the time the facility is installed. DS1 and DS0 Basic Channelization Systems<sup>1</sup> require a Central Office Channel Interface for activation of each lesser capacity channel. DS3 to DS1 channelization arrangements, for transport of intrastate DS1 service high capacity channels via LightGate (a.k.a. BellSouth SPA Point to Point Network) and SMARTRing services (a.k.a. BellSouth Dedicated Ring), require a DS1 channel interface for activation of each DS1 channel. Individual service rates (by service type) will apply for a Local Channel and additional Interoffice Channel and Central Office Channel Interface(s) (as required) for each channelized service. These will be billed to the customer as each individual service is installed. (C)

Cascading channelization occurs when a digital channel is channelized to provide channels with a lesser capacity and one of the lesser capacity channels is further channelized. For example, a High Capacity (a.k.a. BellSouth SPA High Capacity) facility is channelized to individual Voice Grade<sup>1</sup> (a.k.a. BellSouth SPA DS0 VG) channels. (C)

When cascading channelization is performed, whether in the same or a different Hub, a charge for the additional Basic Channelization System and Central Office Channel Interface(s) also applies. A DS1 Basic Channelization System and DDAS<sup>1</sup> (a.k.a. BellSouth SPA DS0 Digital Data) Central Office Channel Interface are required for high speed or low speed DDAS<sup>1</sup> (a.k.a. BellSouth SPA DS0 Digital Data) activations when channelized from a DS1 (1.544 Mbps) channel. A DS0 Basic Channelization System<sup>1</sup> and Subrate Central Office Channel Interface<sup>1</sup> are required for subrate<sup>1</sup> activations of 2.4, 4.8 and 9.6 Kbps when channelized from a DS0<sup>1</sup> (64 Kbps) channel. When cascading channelization is performed at different Hubbing locations, Interoffice Channel charges also apply between the Hubs. (C)

#### E7.4.8 Shared Use Analog and Digital High Capacity (a.k.a. BellSouth SPA High Capacity) Services

Shared use occurs when Dedicated Access Services and BellSouth SWA are provided over the same High Capacity (a.k.a. BellSouth SPA High Capacity) facility through a common interface. The facility will be ordered and rated as Dedicated Access Services (i.e., Local Channel, Interoffice Channel, as appropriate, and Basic Channelization System and Central Office Interface(s), if applicable) until such time as the customer chooses to use a portion of the available capacity for providing BellSouth SWA as set forth in E5.2.8 *of this Tariff*. As each individual channel is activated for BellSouth SWA, the Dedicated Access Local Channel rates, Interoffice Channel rates, and Basic Channelization System rates, if applicable, will be reduced accordingly. For SMARTPath service (a.k.a. BellSouth SPA Shared Ring) the rates will be reduced by 1/48th for each BellSouth SWA VG Circuit. The customer must place an order for each individual Switched or Dedicated Access Service utilizing the Shared Use Facilities and specify the channel assignment for each such service. BellSouth SWA rates and charges as set forth in E6.8 *of this Tariff* will apply for each channel of the shared use facility that is used to provide BellSouth SWA. Where Dedicated Access Service is provided utilizing a channel(s) of the shared use facility to the Hub, High Capacity (a.k.a. BellSouth SPA High Capacity) rates and charges will apply for the facility to the Hub as set forth preceding and individual service rates and charges will apply from the Hub to the customer designated premises. The rates and charges that will apply to the portion from the Hub to the customer designated premises will be dependent on the specific type of Dedicated Access Service that is provided (e.g., Voice Grade<sup>1</sup> (a.k.a. BellSouth SPA DS0 VG), Digital Data Access<sup>1</sup> (a.k.a. BellSouth SPA DS0 Digital Data) service, etc.). The applicable rates and charges will include a Local Channel and Interoffice Channel, if applicable. (C)

Access Collocation Cross-Connects provide a means for customers to interconnect their BellSouth Shared Use and Digital High Capacity (a.k.a. BellSouth SPA High Capacity) services to Central Office Collocation arrangements within the same Central Office. Terms, conditions, and rates for Physical Access Collocation Cross-Connects and Virtual Access Collocation Cross-Connects are set forth in Section E13. of this Tariff.

The capability exists for a customer to utilize all or part of a SMARTRing service (a.k.a. BellSouth Dedicated Ring) to transport switched access provided the SMARTRing service (a.k.a. BellSouth Dedicated Ring) channel interface transporting the BellSouth SWA service does not have FlexServ service (a.k.a. BellSouth SPA Customer Reconfiguration) capability. The customer must place an order for each individual BellSouth SWA Channel provided over Dedicated Access service Shared Use Facilities and specify the channel assignment for each such service. The switched traffic would enter and exit the SMARTRing service (a.k.a. BellSouth Dedicated Ring) at Customer and Central Office Nodes on that network. When this occurs, ratcheting of Dedicated Access rate elements (i.e. Nodes, Channel Interfaces, Local Channels, Alternate Central Office Channels, Internodal Channels, or Interoffice Channels) will be based on the number of voice grade<sup>1</sup> (a.k.a. BellSouth SPA DS0 VG) equivalent trunks/lines of that rate element used for BellSouth SWA access. (C)

Note 1: Effective June 30, 2021, this Service will no longer be available for purchase by new or existing customers. In addition, requests to move, add, change, or renew existing service arrangements will not be accepted. Following the expiration of a customer's existing term agreement, service will be provided on a month-to-month basis at the applicable Monthly rates until the service is discontinued. The Company currently plans to discontinue this service on or after June 30, 2024. (N)

(N)  
|  
(N)

BELLSOUTH  
TELECOMMUNICATIONS  
FLORIDA  
ISSUED: June 29, 2021  
BY: Joe York, President -FL  
Jacksonville, Florida

## ACCESS SERVICES TARIFF

First Revised Page 42.1  
Cancels Original Page 42.1

EFFECTIVE: June 30, 2021

**E7. DEDICATED ACCESS SERVICES****E7.4 Rate Regulations (Cont'd)****E7.4.8 Shared Use Analog and Digital High Capacity (a.k.a. BellSouth SPA High Capacity) Services (Cont'd)**

Reduction factors will be developed to reduce the charges on system level billing as well as the billing on individual DS1, DS3, STS-1, OC-3, and/or OC-12 Channel Interfaces. For ratcheting purposes, the system level charges include Customer Nodes, Central Office Nodes, Local Channels, Alternate Central Office Channels, Internodal Channels, and Interoffice Channels as appropriate to make up a customer's SMARTRing® service (a.k.a. BellSouth Dedicated Ring). Individual OC-1, OC-3 and OC-12 Channel Interfaces used in Overlay Ring Arrangements will be ratcheted as system level charges. The system reduction factor will apply to the system level charges.

The system reduction factor will be derived by dividing the number of activated BellSouth SWA access circuits by the voice grade<sup>1</sup> (a.k.a. BellSouth SPA DS0 VG) channel equivalent capacity of the self-healing ring. An OC-1 SMARTRing® service (a.k.a. BellSouth Dedicated Ring) has 672 voice grade<sup>1</sup> (a.k.a. BellSouth SPA DS0 VG) equivalent channels. An OC-3 SMARTRing® service (a.k.a. BellSouth Dedicated Ring) has 2,016 voice grade<sup>1</sup> (a.k.a. BellSouth SPA DS0 VG) equivalent channels. An OC-3+ or OC-12 SMARTRing® service (a.k.a. BellSouth Dedicated Ring) has 8,064 voice grade<sup>1</sup> equivalent channels. An OC-48 SMARTRing® service (a.k.a. BellSouth Dedicated Ring) or OC-48+ SMARTRing® service (a.k.a. BellSouth Dedicated Ring) with 48 or less activated DS3s has 32,256 voice grade<sup>1</sup> (a.k.a. BellSouth SPA DS0 VG) equivalent channels. However, when an OC-48+ SMARTRing® service (a.k.a. BellSouth Dedicated Ring) is used to transport BellSouth SWA service, and more than 48 equivalent DS3s are activated on the service, the factor will be based upon the actual number of activated DS3s times 672 DS0s. A factor for individual DS3 channel interfaces and 28 DS1 channel systems, will be derived by dividing the number of activated BellSouth SWA access circuits associated with the DS3 channel by the voice grade<sup>1</sup> (a.k.a. BellSouth SPA DS0 VG) equivalent capacity of the DS3 channel. A DS3 has 672 voice grade<sup>1</sup> (a.k.a. BellSouth SPA DS0 VG) equivalent channels. For DS1 channel interfaces, a factor is derived by dividing the number of BellSouth SWA access circuits associated with the DS1 channel by the voice grade<sup>1</sup> (a.k.a. BellSouth SPA DS0 VG) equivalent capacity of the DS1 channel, which is 24. Each reduction factor is rounded to four decimal places and then multiplied against the respective monthly charges to determine the reduction amount.

BellSouth SWA rates and charges as set forth in E6.8 preceding will apply for each channel of the shared use facility that is used to provide BellSouth SWA.

Where Dedicated Access service is provided utilizing a channel(s) of the shared use facility to the Hub, Wideband Analog<sup>1</sup> (a.k.a. BellSouth SPA Wideband Analog) or High Capacity (a.k.a. BellSouth SPA High Capacity) rates and charges will apply for the portion of the facility ordered as Dedicated Access to the Hub as set forth preceding and individual service rates and charges will apply from the Hub to the customer designated premises for the Dedicated Access services ordered. The rates and charges that will apply to the portion from the Hub to the customer designated premises will be dependent on the specific type of Dedicated Access service that is provided (e.g., Voice Grade<sup>1</sup> (a.k.a. BellSouth SPA DS0 VG), Telegraph<sup>1</sup> (a.k.a. BellSouth SPA Telegraph), etc.). The applicable rates and charges will include a local channel, interoffice channel, if applicable. Rates and charges for optional features and functions associated with the service, if any, will apply as set forth in E7.5 following.

Note 1: Effective June 30, 2021, this Service will no longer be available for purchase by new or existing customers. In addition, requests to move, add, change, or renew existing service arrangements will not be accepted. Following the expiration of a customer's existing term agreement, service will be provided on a month-to-month basis at the applicable Monthly rates until the service is discontinued. The Company currently plans to discontinue this service on or after June 30, 2024.

BELLSOUTH  
TELECOMMUNICATIONS  
FLORIDA  
ISSUED: June 29, 2021  
BY: Joe York, President -FL  
Jacksonville, Florida

## ACCESS SERVICES TARIFF

Sixth Revised Page 47  
Cancels Fifth Revised Page 47

EFFECTIVE: June 30, 2021

**E7. DEDICATED ACCESS SERVICES****E7.4 Rate Regulations (Cont'd)****E7.4.12 FlexServ Service (a.k.a. BellSouth SPA Customer Reconfiguration) (Cont'd)****B. Application of Rates (Cont'd)****2. FlexServ Service (a.k.a. BellSouth SPA Customer Reconfiguration) Options (Cont'd)****e. Subrate Reconfiguration**

There will be a nonrecurring charge for each DS0 equipped DS0B and a nonrecurring charge and a monthly rate will apply for each set of DS0As. The DS0A rates apply in sets of five for 9.6 Kbps, in sets of ten for 4.8 Kbps, and in sets of twenty for 2.4 Kbps.

**f. Reconfigurations by the Company Personnel**

A nonrecurring charge is applicable on each occasion, when the customer requests Company personnel to perform a reconfiguration or a series of reconfigurations in order to set up point-to-point or multipoint connections, to provide a status report or to establish a conference.

**3. Contract Plans**

Contract rates for FlexServ service (a.k.a. BellSouth SPA Customer Reconfiguration) are available in E7.5.16 under conditions specified in the Channel Services Payment Plan in E2.4 of this Tariff.

Termination Liability is applicable at the date of termination. The applicable charge will be *fifty percent (50%) for contracts that have been in effect twelve months (12) or less, or twenty percent (20%) for contracts that have been in effect longer than twelve months (12)*. Termination Liability will not apply for customer requests for moves of service under CSPP subject to the provisions set forth in E2.4.9.A.8 preceding.

**E7.4.13 Derived Data Channel<sup>1</sup> Service (DDCS) (a.k.a. BellSouth SPA Derived Data Channel)****A. Application of Rates**

The derived data channel charges provide the central office data/voice multiplexing capability. The customer must also subscribe to a compatible two-wire local exchange line (e.g., business exchange line, ESSX service, Digital ESSX service, MultiServ service, MultiServ PLUS service, or BellSouth Centrex service main station line). This two-wire exchange line and its associated rates and charges are in addition to the derived data channel rates and charges.

The DS0-B interface charge is applicable for each group of a maximum of twenty multiplexed derived data channels. Each of the twenty channels in a DS0-B interface channel group operates at a bit rate of 2.4 Kbps. The interoffice channel is required when the customer's serving wire center and the serving wire center of the customer's terminating premises are not the same.

**E7.4.14 SMARTRing service (a.k.a. BellSouth Dedicated Ring)****A. Self-healing Multi-nodal Alternate Route Topology Ring**

1. Monthly rates and charges as specified in E7.5.18 following apply for each SMARTRing service (a.k.a. BellSouth Dedicated Ring). Customers must specify network capacity at the time of the initial order. In an Overlay Ring Arrangement where a customer's overlaying SMARTRing service (a.k.a. BellSouth Dedicated Ring) rides the customer's host SMARTRing service (a.k.a. BellSouth Dedicated Ring), the overlay ring will share the transport of the host ring between common node locations. Rate categories at OC-3, OC-3+, OC-12, OC-24, OC-48, OC-48+, OC-192 and OC-192+ capacity levels include Customer Nodes, Central Office Nodes, Local Channels, Alternate Central Office Channels, Interoffice Channels and Internodal Channels. OC-24 SMARTRing service (a.k.a. BellSouth Dedicated Ring) is only available to existing CSPP customers or under month-to-month arrangements. Rate categories for OC-1 SMARTRing service (a.k.a. BellSouth Dedicated Ring) include Customer Nodes and Central Office Nodes. Channel Interfaces are required at each node on the network and must be associated with a SMARTRing service (a.k.a. BellSouth Dedicated Ring). An OC-1 Overlay Ring Arrangement requires an OC-1 Channel Interface at each node involved. An OC-3 Overlay Ring Arrangement requires an OC-3 Channel Interface at each node involved. An OC-3+ or OC-12 Overlay Ring Arrangement requires an OC-12 Channel Interface at each node involved. An OC-48 or OC-48+ Overlay Ring Arrangement requires an OC-48 Channel Interface at each node involved. In Overlay Ring Arrangements, the customer must order a Channel Interface for each entry to or exit from the host ring. In all other situations, the number of Channel Interfaces ordered will depend on whether the customer desires a working interface, or a working interface and a protection interface. The quantity of channel interfaces ordered may not exceed the capacity ordered. When a 28 DS1 Channel System is utilized to activate DS1 channels, the appropriate number of DS1 Channel Interfaces are required in lieu of an originating or terminating DS3 or STS-1 Channel Interface.

Note 1: Effective June 30, 2021, this Service will no longer be available for purchase by new or existing customers. In addition, requests to move, add, change, or renew existing service arrangements will not be accepted. Following the expiration of a customer's existing term agreement, service will be provided on a month-to-month basis at the applicable Monthly rates until the service is discontinued. The Company currently plans to discontinue this service on or after June 30, 2024.

(C)

(N)

(N)

BELLSOUTH  
 TELECOMMUNICATIONS  
 FLORIDA  
 ISSUED: June 29, 2021  
 BY: Joe York, President -FL  
 Jacksonville, Florida

ACCESS SERVICES TARIFF

Fifth Revised Page 49  
 Cancels Fourth Revised Page 49

EFFECTIVE: June 30, 2021

**E7. DEDICATED ACCESS SERVICES**

**E7.5 Rates and Charges**

**E7.5.1 Reserved for Future Use**

**E7.5.2 Telegraph Grade (a.k.a. BellSouth® SPA Telegraph) Service<sup>1, 2</sup>**

(C)

**A. Local Channel**

1. Per Point of Termination

	Monthly Rate	Nonrecurring Charge First	Nonrecurring Charge Additional	USOC
(a) Two-Wire	\$29.04	\$-	\$-	T6E2X
(b) Four-Wire	58.08	-	-	T6E4X

**B. Interoffice Channel**

1. Mileage Bands

	Fixed Monthly Charge	Monthly Charge Per Mile	Nonrecurring Charge Per Channel	USOC
(a) 0 mile	\$-	\$-	\$-	1L5XX
(b) 1 thru 8 miles	47.03	2.73	-	1L5XX
(c) 9 thru 25 miles	47.03	2.64	-	1L5XX
(d) Over 25 miles	47.03	2.56	-	1L5XX

**C. Optional Features and Functions**

1. Telegraph Bridging, Two-Wire and Four-Wire

	Monthly Rate	Nonrecurring Charge	USOC
(a) Two-Wire, per port	\$2.64	\$-	BCNT2
(b) Four-Wire, per port	2.64	-	BCNT4

**Note 1:** Telegraph Grade (a.k.a. BellSouth® SPA Telegraph) service is not available for additions, new installations or moves of service.

**Note 2:** Effective June 30, 2021, this Service will no longer be available for purchase by new or existing customers. In addition, requests to move, add, change, or renew existing service arrangements will not be accepted. Following the expiration of a customer's existing term agreement, service will be provided on a month-to-month basis at the applicable Monthly rates until the service is discontinued. The Company currently plans to discontinue this service on or after June 30, 2024.

(N)  
 |  
 (N)

BELLSOUTH  
 TELECOMMUNICATIONS  
 FLORIDA  
 ISSUED: June 29, 2021  
 BY: Joe York, President -FL  
 Jacksonville, Florida

ACCESS SERVICES TARIFF

Sixth Revised Page 50  
 Cancels Fifth Revised Page 50

EFFECTIVE: June 30, 2021

**E7. DEDICATED ACCESS SERVICES**

**E7.5 Rates and Charges (Cont'd)**

**E7.5.3 Voice Grade<sup>2</sup> (a.k.a. BellSouth<sup>®</sup> SPA DS0 VG) Service**

(C)

**A. Local Channel**

1. Per Point of Termination

a. Voice Grade (a.k.a. BellSouth<sup>®</sup> SPA DS0 VG)

(1) Voice

		Monthly Rate	Nonrecurring Charge		USOC
			First	Additional	
(a)	Two-Wire	<i>\$49.50</i>	<i>\$297.00</i>	<i>\$110.00</i>	<b>T6E2X</b>
(b)	Four-Wire	<i>74.25</i>	<i>302.50</i>	<i>115.50</i>	<b>T6E4X</b>
(2)	Data				
(a)	Two-Wire	<i>57.75</i>	<i>324.50</i>	<i>132.00</i>	<b>T6E2X</b>
(b)	Four-Wire	<i>74.25</i>	<i>330.00</i>	<i>137.50</i>	<b>T6E4X</b>
(3)	Loop Facilities not required <sup>1</sup>				
(a)	Two-Wire	<i>11.55</i>	<i>148.50</i>	<i>78.10</i>	<b>EUC2N</b>
(b)	Four-Wire	<i>11.55</i>	<i>148.50</i>	<i>78.10</i>	<b>EUC4N</b>

**B. Interoffice Channel**

1. Mileage Bands

	Fixed Monthly Charge	Monthly Charge Per Mile	Nonrecurring	USOC
			Charge Per Channel	
(a)	0 mile	\$-	\$-	<b>1L5XX</b>
(b)	1 thru 8 miles	<i>57.75</i>	<i>95.70</i>	<b>1L5XX</b>
(c)	9 thru 25 miles	<i>57.75</i>	<i>95.70</i>	<b>1L5XX</b>
(d)	Over 25 miles	<i>57.75</i>	<i>95.70</i>	<b>1L5XX</b>

**Note 1:** For connections to Company Centrex CO-like switches and equipment considered to be customer premises.

**Note 2:** Effective June 30, 2021, this Service will no longer be available for purchase by new or existing customers. In addition, requests to move, add, change, or renew existing service arrangements will not be accepted. Following the expiration of a customer's existing term agreement, service will be provided on a month-to-month basis at the applicable Monthly rates until the service is discontinued. The Company currently plans to discontinue this service on or after June 30, 2024.

(N)

(N)

BELLSOUTH  
TELECOMMUNICATIONS  
FLORIDA  
ISSUED: June 29, 2021  
BY: Joe York, President -FL  
Jacksonville, Florida

## ACCESS SERVICES TARIFF

Fifth Revised Page 51  
Cancels Fourth Revised Page 51

EFFECTIVE: June 30, 2021

**E7. DEDICATED ACCESS SERVICES****E7.5 Rates and Charges (Cont'd)****E7.5.3 Voice Grade<sup>1</sup> (a.k.a. BellSouth<sup>®</sup> SPA DS0 VG) Service (Cont'd)**

(C)

**C. Optional Features and Functions****1. Bridging****a. Voice Bridging, Two-Wire/Four-Wire****(1) Per port**

(a) Two-Wire

**Monthly  
Rate****Nonrecurring  
Charge****USOC***\$11.55**\$37.40***BCNV2**

(b) Four-Wire

*11.55**37.40***BCNV4****b. Data Bridging, Two-Wire/Four-Wire****(1) Per port**

(a) Two-Wire

*16.50**40.70***BCND2**

(b) Four-Wire

*16.50**40.70***BCND4****c. Telephoto Bridging, Two-Wire/Four-Wire****(1) Per port**

(a) Two-Wire

*11.55**37.40***BCNF2**

(b) Four-Wire

*11.55**37.40***BCNF4****d. Dataphone<sup>®</sup> Select-A-Station Bridging - Primary  
Data Station Selector****(1) Sequential Arrangement**

(a) Common Equipment

*188.93**264.00***DXNPS****(2) Addressable Arrangement**

(a) Common Equipment

*266.64**297.00***DXNPA****(3) Channel Connections**

(a) Per two-wire connection

*3.63**40.70***DXNP2**

(b) Per four-wire connection

*16.67**44.00***DXNP4****e. Dataphone<sup>®</sup> Select-A-Station Bridging - Secondary Data Station Selector****(1) Sequential Arrangement**

(a) Common Equipment

*188.93**264.00***DXNSS**

Note 1: Effective June 30, 2021, this Service will no longer be available for purchase by new or existing customers. In addition, requests to move, add, change, or renew existing service arrangements will not be accepted. Following the expiration of a customer's existing term agreement, service will be provided on a month-to-month basis at the applicable Monthly rates until the service is discontinued. The Company currently plans to discontinue this service on or after June 30, 2024.

(N)

(N)

BELLSOUTH  
 TELECOMMUNICATIONS  
 FLORIDA  
 ISSUED: June 29, 2021  
 BY: Joe York, President -FL  
 Jacksonville, Florida

ACCESS SERVICES TARIFF

Fifth Revised Page 52  
 Cancels Fourth Revised Page 52

EFFECTIVE: June 30, 2021

**E7. DEDICATED ACCESS SERVICES**

**E7.5 Rates and Charges (Cont'd)**

**E7.5.3 Voice Grade<sup>1</sup> (A.K.A. BellSouth<sup>®</sup> SPA DS0 VG) Service (Cont'd)**

(C)

C. Optional Features and Functions (Cont'd)

1. Bridging (Cont'd)

e. Dataphone<sup>®</sup> Select-A-Station Bridging - Secondary Data Station Selector (Cont'd)

(2) Addressable Arrangement

	<b>Monthly Rate</b>	<b>Nonrecurring Charge</b>	<b>USOC</b>
(a) Common Equipment	<i>\$266.64</i>	<i>\$297.00</i>	<b>DXNSA</b>
(3) Channel Connections			
(a) Per two-wire connection	<i>3.63</i>	<i>40.70</i>	<b>DXNS2</b>
(b) Per four-wire connection	<i>16.67</i>	<i>44.00</i>	<b>DXNS4</b>
f. Telemetry and Alarm Bridging - Split Band, Active Bridging			
(1) Common Equipment, per central office			
(a) First bridging shelf, capacity of 48 two-wire connections	<b>69.65</b>	<b>380.00</b>	<b>DXQC1</b>
(b) Additional bridging shelf, capacity of 56 two-wire connections installed subsequent to the first bridging shelf	<b>67.65</b>	<b>345.00</b>	<b>DXQC2</b>
(c) Additional bridging shelf, capacity of 56 two-wire connections installed at the same time as the first bridging shelf	<b>23.25</b>	<b>215.00</b>	<b>XW8</b>
(2) Channel connections, per channel connected			
(a) Remote station channel connection	<b>1.40</b>	<b>37.00</b>	<b>DXQRX</b>
(b) Mid-link channel connection, first channel	<b>5.60</b>	<b>49.00</b>	<b>DXQM1</b>
(c) Mid-link channel connection, subsequent channels	<b>4.85</b>	<b>49.00</b>	<b>DXQMS</b>

Note 1: Effective June 30, 2021, this Service will no longer be available for purchase by new or existing customers. In addition, requests to move, add, change, or renew existing service arrangements will not be accepted. Following the expiration of a customer's existing term agreement, service will be provided on a month-to-month basis at the applicable Monthly rates until the service is discontinued. The Company currently plans to discontinue this service on or after June 30, 2024.

(N)  
 |  
 (N)



BELLSOUTH  
 TELECOMMUNICATIONS  
 FLORIDA  
 ISSUED: June 29, 2021  
 BY: Joe York, President -FL  
 Jacksonville, Florida

ACCESS SERVICES TARIFF

Fifth Revised Page 53  
 Cancels Fourth Revised Page 53

EFFECTIVE: June 30, 2021

**E7. DEDICATED ACCESS SERVICES**

**E7.5 Rates and Charges (Cont'd)**

**E7.5.3 Voice Grade<sup>3</sup> (a.k.a. BellSouth<sup>®</sup> SPA DS0 VG) Service (Cont'd)**

(C)

C. Optional Features and Functions (Cont'd)

2. Conditioning, Per Point of Termination

		Nonrecurring Charge		USOC	
		Monthly Rate	Initial		Subsequent
(a)	C-Type	\$1.65	\$17.60	\$94.60	X1CPT
(b)	Improved Attenuation Distortion	139.02	85.80	176.00	UHW
(c)	Improved Envelope Delay Distortion	193.53	85.80	176.00	UHY
(d)	Sealing Current	.58	37.40	104.50	1HBPT
3.	Echo Control for Effective Two-Wire Service Per Point of Termination				
(a)	Improved Return Loss At the Two-Wire Point of Termination	25.00	7.70	308.00	1RL2W
(b)	ELEPL2 At the Four-Wire Point of Termination	25.00	7.70	308.00	UHZ
4.	Customer Specified Receive Level				
(a)	Per two-wire Point of Termination	27.48	4.40	79.20	RLS
5.	D-Conditioning				
(a)	Per Point of Termination	.50	11.00	341.00	XDCPT
6.	Telephoto Capability				
(a)	Per Point of Termination	3.63	4.40	302.50	XTCPT
7.	Signaling Capability, per Point of Termination				
(a)	Loop <sup>1</sup>	4.87	17.60	319.00	XSS++
(b)	Single Frequency	9.49	25.30	324.50	XSSSF
(c)	E&M <sup>2</sup>	15.68	27.50	330.00	XSS++

**Note 1:** In lieu of ++ substitute LO or LS as appropriate.

**Note 2:** In lieu of ++ substitute EA, EB, EC, or CT as appropriate.

**Note 3:** Effective June 30, 2021, this Service will no longer be available for purchase by new or existing customers. In addition, requests to move, add, change, or renew existing service arrangements will not be accepted. Following the expiration of a customer's existing term agreement, service will be provided on a month-to-month basis at the applicable Monthly rates until the service is discontinued. The Company currently plans to discontinue this service on or after June 30, 2024.

(N)

(N)

BELLSOUTH  
 TELECOMMUNICATIONS  
 FLORIDA  
 ISSUED: June 29, 2021  
 BY: Joe York, President -FL  
 Jacksonville, Florida

ACCESS SERVICES TARIFF

Sixth Revised Page 54  
 Cancels Fifth Revised Page 54

EFFECTIVE: June 30, 2021

**E7. DEDICATED ACCESS SERVICES**

**E7.5 Rates and Charges (Cont'd)**

**E7.5.3 Voice Grade<sup>4</sup> (a.k.a. BellSouth<sup>®</sup> SPA DS0 VG) Service (Cont'd)**

(C)

C. Optional Features and Functions (Cont'd)

7. Signaling Capability, per Point of Termination

	Monthly Rate	Nonrecurring Charge		USOC
		Initial	Subsequent	
(d) Ground <sup>1</sup>	\$3.96	\$12.10	\$313.50	XSS++
(e) Type C	3.96	17.60	319.00	XSSLC
(f) Other <sup>2</sup>	9.49	20.90	324.50	XSS++
8. Improved Termination				
(a) Per Point of Termination	3.63	4.40	308.00	UGD
9. Simplex Reversal				
(a) Per Point of Termination	-	4.40	95.70	UGJ

**E7.5.4 Reserved For Future Use**

**E7.5.5 Digital Data Access (a.k.a. BellSouth<sup>®</sup> SPA DS0 Digital Data) Service<sup>3,4</sup>**

(C)

A. Local Channel

1. Per Point of Termination

	Monthly Rate	Nonrecurring Charge		USOC
		First	Additional	
(a) 2.4 Kbps	\$55.00	\$350.00	\$99.00	T6ECS
(b) 4.8 Kbps	55.00	350.00	99.00	T6ECS
(c) 9.6 Kbps	55.00	350.00	99.00	T6ECS

**Note 1:** In lieu of ++ substitute GO or GS as appropriate.

**Note 2:** In lieu of ++ substitute LA, LB, LR, RV, DX, DY, EX, AB or AC as appropriate.

**Note 3:** Rates and charges for BellSouth.

**Note 4:** Effective June 30, 2021, this Service will no longer be available for purchase by new or existing customers. In addition, requests to move, add, change, or renew existing service arrangements will not be accepted. Following the expiration of a customer's existing term agreement, service will be provided on a month-to-month basis at the applicable Monthly rates until the service is discontinued. The Company currently plans to discontinue this service on or after June 30, 2024.

(N)

(N)

BELLSOUTH  
 TELECOMMUNICATIONS  
 FLORIDA  
 ISSUED: June 29, 2021  
 BY: Joe York, President -FL  
 Jacksonville, Florida

ACCESS SERVICES TARIFF

Sixth Revised Page 55  
 Cancels Fifth Revised Page 55

EFFECTIVE: June 30, 2021

**E7. DEDICATED ACCESS SERVICES**

**E7.5 Rates and Charges (Cont'd)**

**E7.5.5 Digital Data Access (a.k.a. BellSouth SPA DS0 Digital Data) Service<sup>1,3</sup> (Cont'd)**

(C)

A. Local Channel (Cont'd)

1. Per Point of Termination (Cont'd)

	Monthly Rate	Nonrecurring Charge		USOC
		First	Additional	
(d) 19.2 Kbps	\$55.00	\$350.00	\$99.00	T6ECS
(e) 56.0 Kbps	75.00	350.00	99.00	T6ECS
(f) 64.0 Kbps	75.00	350.00	99.00	T6ECS

2. Hub Termination, Per Local Channel

	Monthly Rate	First	Additional	USOC
(a) 2.4 Kbps	11.00	57.00	48.00	TUTA4
(b) 4.8 Kbps	11.00	57.00	48.00	TUTB4
(c) 9.6 Kbps	11.00	57.00	48.00	TUTC4
(d) 19.2 Kbps	11.00	57.00	48.00	TUTE4
(e) 56.0 Kbps	30.00	57.00	48.00	TUTD4
(f) 64.0 Kbps	30.00	57.00	48.00	TUTF4

3. Local Channel Contract Rates Per Point of Termination

	Monthly Rate	Nonrecurring Charge		USOC
		First	Add'l	
(a) 2.4 Kbps	\$350.00	\$99.00	\$49.00	T6ECS
(b) 4.8 Kbps	350.00	99.00	49.00	T6ECS
(c) 9.6 Kbps	350.00	99.00	49.00	T6ECS
(d) 19.2 Kbps	350.00	99.00	49.00	T6ECS
(e) 56.0 Kbps	350.00	99.00	65.00	T6ECS
(f) 64.0 Kbps	350.00	99.00	65.00	T6ECS

4. Contract Rates for Hub Termination, Per Local Channel

	Monthly Rate	First	24 to 42 Months <sup>2</sup>	43 to 60 Months <sup>2</sup>	USOC
(a) 2.4 Kbps	57.00	48.00	9.75	9.50	TUTA4
(b) 4.8 Kbps	57.00	48.00	9.75	9.50	TUTB4
(c) 9.6 Kbps	57.00	48.00	9.75	9.50	TUTC4
(d) 19.2 Kbps	57.00	48.00	9.75	9.50	TUTE4
(e) 56.0 Kbps	57.00	48.00	28.00	26.00	TUTD4

**Note 1:** Rates and charges for BellSouth.

**Note 2:** Effective March 23, 2019, Customers may not convert, renew or establish CSPPs for Digital Data Access Service.

**Note 3:** Effective June 30, 2021, this Service will no longer be available for purchase by new or existing customers. In addition, requests to move, add, change, or renew existing service arrangements will not be accepted. Following the expiration of a customer's existing term agreement, service will be provided on a month-to-month basis at the applicable Monthly rates until the service is discontinued. The Company currently plans to discontinue this service on or after June 30, 2024.

(N)  
 |  
 (N)

BELLSOUTH  
 TELECOMMUNICATIONS  
 FLORIDA  
 ISSUED: June 29, 2021  
 BY: Joe York, President -FL  
 Jacksonville, Florida

ACCESS SERVICES TARIFF

Fifth Revised Page 56  
 Cancels Fourth Revised Page 56

EFFECTIVE: June 30, 2021

**E7. DEDICATED ACCESS SERVICES**

**E7.5 Rates and Charges (Cont'd)**

**E7.5.5 Digital Data Access (a.k.a. BellSouth SPA DS0 Digital Data) Service<sup>1,3</sup> (Cont'd)**

(C)

A. Local Channel (Cont'd)

4. Contract Rates for Hub Termination, Per Local Channel (Cont'd)

Nonrecurring Charge		24 to	43 to	USOC
First	Add'l	Months <sup>2</sup>	Months <sup>2</sup>	
\$57.00	\$48.00	\$28.00	\$26.00	TUTF4

B. Interoffice Channel

1. 2.4 Kbps

**Mileage Bands**

- (a) 0 mile
- (b) 1 thru 8 miles
- (c) 9 thru 25 miles
- (d) Over 25 miles

Fixed Monthly Rate	Monthly Rate Per Mile	Nonrecurring Charge Per Channel	USOC
\$-	\$-	\$-	1L5XX
20.00	2.05	36.00	1L5XX
20.00	2.00	36.00	1L5XX
20.00	1.95	36.00	1L5XX

2. 4.8 Kbps

**Mileage Bands**

- (a) 0 mile
- (b) 1 thru 8 miles
- (c) 9 thru 25 miles
- (d) Over 25 miles

-	-	-	1L5XX
20.00	2.05	36.00	1L5XX
20.00	2.00	36.00	1L5XX
20.00	1.95	36.00	1L5XX

3. 9.6 Kbps

**Mileage Bands**

- (a) 0 mile
- (b) 1 thru 8 miles

-	-	-	1L5XX
20.00	2.05	36.00	1L5XX

**Note 1:** Rates and charges for BellSouth.

**Note 2:** Effective March 23, 2019, Customers may not convert, renew or establish CSPPs for Digital Data Access Service.

**Note 3:** Effective June 30, 2021, this Service will no longer be available for purchase by new or existing customers. In addition, requests to move, add, change, or renew existing service arrangements will not be accepted. Following the expiration of a customer's existing term agreement, service will be provided on a month-to-month basis at the applicable Monthly rates until the service is discontinued. The Company currently plans to discontinue this service on or after June 30, 2024.

(N)  
 |  
 (N)

BELLSOUTH  
 TELECOMMUNICATIONS  
 FLORIDA  
 ISSUED: June 29, 2021  
 BY: Joe York, President -FL  
 Jacksonville, Florida

ACCESS SERVICES TARIFF

Fourth Revised Page 57  
 Cancels Third Revised Page 57

EFFECTIVE: June 30, 2021

**E7. DEDICATED ACCESS SERVICES**

**E7.5 Rates and Charges (Cont'd)**

**E7.5.5 Digital Data Access (a.k.a. BellSouth SPA DS0 Digital Data) Service<sup>1,2</sup> (Cont'd)**

(C)(T)

**B. Interoffice Channel (Cont'd)**

3. 9.6 Kbps (Cont'd)

		Fixed Monthly Rate	Monthly Rate Per Mile	Nonrecurring Charge Per Channel	USOC
(c)	9 thru 25 miles	\$20.00	\$2.00	\$36.00	1L5XX
(d)	Over 25 miles	20.00	1.95	36.00	1L5XX

4. 19.2 Kbps

**Mileage Bands**

(a)	0 mile	-	-	-	1L5XX
(b)	1 thru 8 miles	20.00	2.05	36.00	1L5XX
(c)	9 thru 25 miles	20.00	2.00	36.00	1L5XX
(d)	Over 25 miles	20.00	1.95	36.00	1L5XX

5. 56 Kbps

**Mileage Bands**

(a)	0 mile	-	-	-	1L5XX
(b)	1 thru 8 miles	40.00	4.10	36.00	1L5XX
(c)	9 thru 25 miles	40.00	4.00	36.00	1L5XX
(d)	Over 25 miles	40.00	3.90	36.00	1L5XX

6. 64 Kbps

**Mileage Bands**

(a)	0 mile	-	-	-	1L5XX
(b)	1 thru 8 miles	40.00	4.10	36.00	1L5XX
(c)	9 thru 25 miles	40.00	4.00	36.00	1L5XX
(d)	Over 25 miles	40.00	3.90	36.00	1L5XX

**Note 1:** Rates and charges for BellSouth.

**Note 2:** Effective June 30, 2021, this Service will no longer be available for purchase by new or existing customers. In addition, requests to move, add, change, or renew existing service arrangements will not be accepted. Following the expiration of a customer's existing term agreement, service will be provided on a month-to-month basis at the applicable Monthly rates until the service is discontinued. The Company currently plans to discontinue this service on or after June 30, 2024.

(N)  
 |  
 (N)

BELLSOUTH  
 TELECOMMUNICATIONS  
 FLORIDA  
 ISSUED: June 29, 2021  
 BY: Joe York, President -FL  
 Jacksonville, Florida

ACCESS SERVICES TARIFF

Fifth Revised Page 58  
 Cancels Fourth Revised Page 58

EFFECTIVE: June 30, 2021

**E7. DEDICATED ACCESS SERVICES**

**E7.5 Rates and Charges (Cont'd)**

**E7.5.5 Digital Data Access (a.k.a. BellSouth SPA DS0 Digital Data) Service<sup>1, 5</sup> (Cont'd)**

(C)

**B. Interoffice Channel (Cont'd)**

7. 2.4, 4.8, 9.6 and 19.2 Kbps (Contract Rates)

**Mileage Bands**

	Nonrecurring Charge	Monthly Rate				USOC
		Fixed Monthly Rate		Per Mile		
		24 to 42 Months <sup>4</sup>	43 to 60 Months <sup>4</sup>	24 to 42 Months <sup>4</sup>	43 to 60 Months <sup>4</sup>	
(a) 0 mile	\$-	\$-	\$-	\$-	\$-	1L5XX
(b) 1 thru 8 miles	36.00	19.50	19.00	1.90	1.75	1L5XX
(c) 9 thru 25 miles	36.00	19.50	19.00	1.85	1.70	1L5XX
(d) Over 25 miles	36.00	19.50	19.00	1.80	1.65	1L5XX

8. 56.0 and 64.0 Kbps (Contract Rates)

**Mileage Bands**

(a) 0 mile	-	-	-	-	-	1L5XX
(b) 1 thru 8 miles	36.00	36.00	34.00	3.80	3.50	1L5XX
(c) 9 thru 25 miles	36.00	36.00	34.00	3.70	3.40	1L5XX
(d) Over 25 miles	36.00	36.00	34.00	3.60	3.30	1L5XX

**C. Optional Features and Functions**

1. Bridging<sup>2,3</sup>

	Rate	Monthly Nonrecurring Charge	USOC
(a) Per port (2.4, 4.8, 9.6, 19.2, 56.0 Kbps)	\$15.00	\$20.00	BCNDA

2. Digital Data Secondary Channel Capability, per Local Channel<sup>2,3</sup>

	Monthly Rate	Nonrecurring Charge	USOC
(a) Each	\$15.00	Initial \$- Subsequent \$235.00	SFS

**Note 1:** Rates and charges for BellSouth.

**Note 2:** Not available at all service locations.

**Note 3:** This option is not available with 64.0 Kbps.

**Note 4:** Effective March 23, 2019, Customers may not convert, renew or establish CSPPs for Digital Data Access Service.

**Note 5:** Effective June 30, 2021, this Service will no longer be available for purchase by new or existing customers. In addition, requests to move, add, change, or renew existing service arrangements will not be accepted. Following the expiration of a customer's existing term agreement, service will be provided on a month-to-month basis at the applicable Monthly rates until the service is discontinued. The Company currently plans to discontinue this service on or after June 30, 2024.

(N)  
 |  
 (N)

BELLSOUTH  
 TELECOMMUNICATIONS  
 FLORIDA  
 ISSUED: June 29, 2021  
 BY: Joe York, President -FL  
 Jacksonville, Florida

ACCESS SERVICES TARIFF

Sixth Revised Page 59  
 Cancels Fifth Revised Page 59

EFFECTIVE: June 30, 2021

**E7. DEDICATED ACCESS SERVICES**

**E7.5 Rates and Charges (Cont'd)**

**E7.5.5 Digital Data Access (a.k.a. BellSouth SPA DS0 Digital Data) Service<sup>1,5</sup> (Cont'd)**

(C)

C. Optional Features and Functions (Cont'd)

3. Contract Rates For Bridging<sup>2,3</sup>

		<b>Nonrecurring</b>	<b>24 to</b>	<b>43 to</b>	
		<b>Charge</b>	<b>42</b>	<b>60</b>	
	(a) Per port (2.4, 4.8, 9.6, 19.2, 56.0 Kbps)	<b>\$20.00</b>	<b>Months<sup>4</sup></b>	<b>Months<sup>4</sup></b>	<b>USOC</b>
4.	Contract Rates for Digital Data Secondary Channel, per Local Channel <sup>2,3</sup>		<b>\$13.00</b>	<b>\$12.00</b>	<b>BCNDA</b>

		<b>Nonrecurring</b>	<b>24 to</b>	<b>43 to</b>	
		<b>Charge</b>	<b>42</b>	<b>60</b>	
	(a) Each	<b>Initial</b>	<b>Months<sup>4</sup></b>	<b>Months<sup>4</sup></b>	<b>USOC</b>
		<b>\$-</b>	<b>\$14.00</b>	<b>\$13.00</b>	<b>SFS</b>
		<b>Subsequent</b>			
		<b>\$235.00</b>			

**Note 1:** Rates and charges for BellSouth..

**Note 2:** Not available at all service locations.

**Note 3:** This option is not available with 64.0 Kbps.

**Note 4:** Effective March 23, 2019, Customers may not convert, renew or establish CSPPs for Digital Data Access Service.

**Note 5:** Effective June 30, 2021, this Service will no longer be available for purchase by new or existing customers. In addition, requests to move, add, change, or renew existing service arrangements will not be accepted. Following the expiration of a customer's existing term agreement, service will be provided on a month-to-month basis at the applicable Monthly rates until the service is discontinued. The Company currently plans to discontinue this service on or after June 30, 2024.

(N)  
 |  
 (N)

BELLSOUTH  
 TELECOMMUNICATIONS  
 FLORIDA  
 ISSUED: June 29, 2021  
 BY: Joe York, President -FL  
 Jacksonville, Florida

ACCESS SERVICES TARIFF

Fourth Revised Page 63  
 Cancels Third Revised Page 63

EFFECTIVE: June 30, 2021

**E7. DEDICATED ACCESS SERVICES**

**E7.5 Rates and Charges (Cont'd)**

**E7.5.6 High Capacity (a.k.a. BellSouth SPA High Capacity) Service (Cont'd)**

C. Optional Features and Functions

1. Channelization

a. DS3 Channelization

(1) DS3 to DS1

(a) Per arrangement<sup>1</sup>

b. DS2 Channelization

(1) DS2 to DS1

(a) Per arrangement<sup>1</sup>

c. DS1C Channelization

(1) DS1C to DS1

(a) Per arrangement<sup>2</sup>

d. DS1 Channelization

(1) DS1 Basic Channelization System (DS1 to VG/DS0)

(a) Per System

e. DS0 Channelization<sup>4</sup>

(1) DS0 Basic Channelization System (DS0 to Subrate)

(Per System)

(a) Maximum of 20, 2.4 Kbps services

(b) Maximum of 10, 4.8 Kbps services

(c) Maximum of 5, 9.6 Kbps services

2. Channel Interfaces (Per Interface)

a. Sub-DS3 Interfaces

(1) DS1 Level Central Office Channel Interface<sup>1</sup>

(a) Asynchronous

(b) Synchronous

(2) DS1 Level Customer Channel Interface<sup>1</sup>

(a) Asynchronous

(b) Synchronous

**Monthly Nonrecurring**

Rate	Charge	USOC
\$-	\$-	MXB++

-	-	MXD++
---	---	-------

-	-	MXH++
---	---	-------

**Monthly Rate**

Rate Zone 1	Rate Zone 2	Rate Zone 3	Nonrecurring Charge	USOC
\$210.00	\$210.00	\$210.00	\$135.00	MQ1

**Monthly Nonrecurring**

Rate	Charge	USOC
\$120.00	\$135.00	QSU24
120.00	135.00	QSU48
120.00	135.00	QSU96

Nonrecurring Charge	Month To	24 to 48 Months <sup>3</sup>	49 to 72 Months <sup>3</sup>	73 to 96 Months <sup>3</sup>	USOC
\$155.00	\$12.00	\$8.00	\$7.00	\$6.00	1D3CA
130.00	36.00	31.00	28.00	25.00	1D3CS

295.00	17.00	13.00	13.00	13.00	1D3DA
245.00	45.00	36.00	33.00	30.00	1D3DS

**Note 1:** Contract rates are flexible to allow customer choice of payment period per E2.4.9

**Note 2:** An additional Local Channel charge will apply whenever the spare line is provided as a leg to the customer premises. This feature may not be available with lines utilizing the Clear Channel Capability line code (B8ZS).

**Note 3:** Effective March 23, 2019, Customers may not: (1) Establish CSPPs greater than 36 months for High Capacity Service, and (2) Convert or renew CSPPs for High Capacity Service.

**Note 4:** Effective June 30, 2021, this Service will no longer be available for purchase by new or existing customers. In addition, requests to move, add, change, or renew existing service arrangements will not be accepted. Following the expiration of a customer's existing term agreement, service will be provided on a month-to-month basis at the applicable Monthly rates until the service is discontinued. The Company currently plans to discontinue this service on or after June 30, 2024.

(N)  
 |  
 (N)



BELLSOUTH  
 TELECOMMUNICATIONS  
 FLORIDA  
 ISSUED: June 29, 2021  
 BY: Joe York, President -FL  
 Jacksonville, Florida

ACCESS SERVICES TARIFF

Fifth Revised Page 64  
 Cancels Fourth Revised Page 64

EFFECTIVE: June 30, 2021

**E7. DEDICATED ACCESS SERVICES**

**E7.5 Rates and Charges (Cont'd)**

**E7.5.6 High Capacity (a.k.a. BellSouth® SPA High Capacity) Service (Cont'd)**

C. Optional Features and Functions (Cont'd)

2. Channel Interfaces (Per Interface) (Cont'd)

b. Sub-DS1 Interfaces

(1) VG/DS0 Level Central Office Channel Interface<sup>1</sup>

	Nonrecurring Charge		Month		
	First	Each	to	USOC	
		Additional	Month		
(a) BellSouth® SWA	\$ 0.00	\$ 0.00	\$ 0.00	1D1SW	
(b) Telegraph <sup>2</sup> (BellSouth® SPA Telegraph)	7.00	6.00	5.00	1D1TE	(C)
(c) Voice <sup>2</sup> (BellSouth® SPA DSO VG)	7.00	6.00	9.00	1D1VG	(C)
(d) DDAS <sup>2</sup> (BellSouth® SPA DSO Digital Data)	7.00	6.00	13.00	1D1DD	(C)
c. Sub-DS0 Interfaces <sup>2</sup> (C)					
(1) Subrate Central Office Channel Interface <sup>1</sup>					
(a) Subrate (2.4, 4.8, & 9.6 Kbps)	7.00	6.00	13.00	1DOSR	

4. Clear Channel Capability is furnished on a per DS1 service channel basis.

Per DS1/1.544 Mbps High Capacity Channel optioned as:

(a) Superframe Format (SF)	-	-	655.00	CCOSF
(b) Extended Superframe Format (ESF)	-	-	655.00	CCOEF

**Note 1:** Contract rates are flexible to allow customer choice of payment period per E2.4.9.

**Note 2:** Effective June 30, 2021, this Service will no longer be available for purchase by new or existing customers. In addition, requests to move, add, change, or renew existing service arrangements will not be accepted. Following the expiration of a customer's existing term agreement, service will be provided on a month-to-month basis at the applicable Monthly rates until the service is discontinued. The Company currently plans to discontinue this service on or after June 30, 2024.

(N)  
 |  
 (N)

BELLSOUTH  
 TELECOMMUNICATIONS  
 FLORIDA  
 ISSUED: June 29, 2021  
 BY: Joe York, President -FL  
 Jacksonville, Florida

ACCESS SERVICES TARIFF

Fifth Revised Page 69  
 Cancels Fourth Revised Page 69

EFFECTIVE: June 30, 2021

**E7. DEDICATED ACCESS SERVICES**

**E7.5 Rates and Charges (Cont'd)**

**E7.5.9 Reserved for Future Use**

**E7.5.10 Reserved for Future Use**

**E7.5.11 Reserved for Future Use**

**E7.5.12 Reconfiguration Charges**

**A. Rates and Charges**

(1) Per Customer Request for Voice Grade <sup>1</sup> (a.k.a. BellSouth <sup>®</sup> SPA DS0 VG) reconfiguration			(C)
	<b>Nonrecurring</b>		
	<b>Charge</b>	<b>USOC</b>	
(a) Each	<b>\$33.00</b>	<b>PR1VM</b>	
(b) Per Voice Grade <sup>1</sup> (a.k.a. BellSouth <sup>®</sup> SPA DS0 VG) circuit reconfigured	<b>23.00</b>	<b>PR1VR</b>	(C)
(2) Per Customer Request for DDAS <sup>1</sup> (a.k.a. BellSouth <sup>®</sup> SPA DS0 Digital Data) reconfiguration			(C)
(a) Each	<b>33.00</b>	<b>PR1DM</b>	
(b) Per DDAS <sup>1</sup> (a.k.a. BellSouth <sup>®</sup> SPA DS0 Digital Data) circuit reconfigured	<b>23.00</b>	<b>PR1DR</b>	(C)
(3) Per Customer Request for DS1 reconfiguration			
(a) Each	<b>52.00</b>	<b>PR11M</b>	
(b) Per DS1 circuit reconfigured	<b>33.00</b>	<b>PR11R</b>	

**E7.5.13 Transfer of Service**

**A. Transfer of Service**

**1. Dedicated Access Circuits**

(a) Per Billing Account Number	<b>50.00</b>	<b>NRBPA</b>	
(b) Per circuit	<b>6.00</b>	<b>NRBPC</b>	

**E7.5.14 (DELETED)**

Note 1: Effective June 30, 2021, this Service will no longer be available for purchase by new or existing customers. In addition, requests to move, add, change, or renew existing service arrangements will not be accepted. Following the expiration of a customer's existing term agreement, service will be provided on a month-to-month basis at the applicable Monthly rates until the service is discontinued. The Company currently plans to discontinue this service on or after June 30, 2024.

(N)  
 |  
 (N)

BELLSOUTH  
 TELECOMMUNICATIONS  
 FLORIDA  
 ISSUED: June 29, 2021  
 BY: Joe York, President -FL  
 Jacksonville, Florida

ACCESS SERVICES TARIFF

Fifth Revised Page 71  
 Cancels Fourth Revised Page 71

EFFECTIVE: June 30, 2021

**E7. DEDICATED ACCESS SERVICES**

**E7.5 Rates and Charges (Cont'd)**

**E7.5.14 (DELETED)**

**E7.5.15 Derived Data Channel<sup>2</sup> (a.k.a. BellSouth SPA Derived Data Channel) Service**

(C)

**A. Local Channel**

1. Derived Data Channel (a.k.a. BellSouth SPA Derived Data Channel)

	<b>Nonrecurring Charge</b>	<b>Month to Month</b>	<b>24 to 42 Months<sup>1</sup></b>	<b>43 to 60 Months<sup>1</sup></b>	<b>USOC</b>
(a) Per channel at 2.4 Kbps	<b>\$460.00</b>	<b>\$17.00</b>	<b>\$13.50</b>	<b>\$11.00</b>	<b>DAXPC</b>
2. DS0-B Interface					
(a) Per group of twenty channels at 2.4 Kbps each	<b>330.00</b>	<b>70.00</b>	<b>65.00</b>	<b>62.00</b>	<b>DAXP1</b>

**B. Interoffice Channel**

1. Per group of twenty channels at 2.4 Kbps each

(a) Fixed	<b>95.00</b>	<b>25.00</b>	<b>23.00</b>	<b>22.00</b>	<b>DAXPF</b>
(b) Per mile	<b>-</b>	<b>2.05</b>	<b>1.90</b>	<b>1.75</b>	<b>DAXPM</b>

**Note 1:** Effective March 23, 2019, Customers may not convert, renew or establish CSPPs for Derived Data Channel Service.

**Note 2:** Effective June 30, 2021, this Service will no longer be available for purchase by new or existing customers. In addition, requests to move, add, change, or renew existing service arrangements will not be accepted. Following the expiration of a customer's existing term agreement, service will be provided on a month-to-month basis at the applicable Monthly rates until the service is discontinued. The Company currently plans to discontinue this service on or after June 30, 2024.

(N)  
 |  
 (N)