

TARIFF DISTRIBUTION

FILE PACKAGE NO.: 194

DATE: January 14, 2025

STATE: FCC

EFFECTIVE DATE: 01/25/2025

TYPE OF DISTRIBUTION: Pending

PURPOSE: Per FCC request remove all references to EDS services

Pending

<u>TARIFF SECTION</u>	<u>PAGE NUMBER</u>	<u>PAGE REVISION</u>
1000	1	0171
1000	2	0043
1000	3	0095
1000	6	0040
1000	7	0033
1000	8	0040
1002	2-47	0005
1002	2-48	0004
1002	2-49	0008
1002	2-50	0003
1002	2-52	0004
1002	2-58	0004
1002	2-70	0002
1002	2-72	0001
1002	2-78	0011
1002	2-80	0001
1002	2-81	0002
1002	2-84	0001
1002	2-88	0002
1002	2-89	0007
1002	2-89.1	0001
1002	2-103	0002
1002	2-106	0002
1002	2-108	0002
1002	2-156	0004
1005	5-21	0001
1007	7-1	0002
1007	7-4	0003
1007	7-5	0005
1007	7-6	0001
1007	7-7	0002

1007	7-11	0003
1007	7-12	0001
1007	7-13	0001
1007	7-14	0001
1007	7-15	0001
1007	7-16	0001
1007	7-17	0001
1007	7-19	0001
1007	7-21	0004
1007	7-22	0004
1007	7-23	0003
1007	7-25	0005
1007	7-26	0004
1007	7-38	0007
1007	7-39	0005
1007	7-41	0003
1007	7-42	0003
1007	7-45	0001
1007	7-48	0001
1007	7-52	0002
1007	7-53	0002
1007	7-55	0002
1007	7-56	0002
1007	7-61	0004
1007	7-62	0002
1007	7-63	0001
1007	7-67	0003
1007	7-68	0002
1007	7-69	0001
1007	7-71	0001
1007	7-73	0001
1007	7-74	0001
1007	7-75	0001
1007	7-77	0003
1007	7-79	0002
1007	7-80	0001
1007	7-83	0002
1007	7-102	0001
1007	7-103	0001
1007	7-104	0001
1007	7-105	0001
1007	7-106	0001
1007	7-107	0001
1007	7-108	0001
1007	7-110	0002
1007	7-111	0001
1007	7-112	0001

Pending

1007	7-113	0009
1007	7-114	0005
1007	7-116	0001
1007	7-117	0003
1007	7-119	0001
1007	7-120	0002
1007	7-131	0001
1007	7-132	0002
1007	7-133	0001
1007	7-134	0001
1007	7-135	0003
1007	7-136	0008
1007	7-140	0001
1007	7-141	0001
1007	7-142	0001
1007	7-144	0001
1007	7-146	0001
1007	7-147	0002
1007	7-151	0001
1007	7-161	0001
1007	7-163	0002
1007	7-170	0003
1007	7-171	0004
1007	7-176	0003
1007	7-177	0005
1007	7-181	0003
1007	7-187	0001
1007	7-192	0001
1007	7-199	0002
1007	7-201	0004
1007	7-203	0004
1007	7-204	0002
1007	7-205	0002
1007	7-206	0002
1007	7-207	0010
1007	7-208	0004
1007	7-209	0004
1007	7-210	0005
1007	7-211	0005
1007	7-212	0005
1007	7-213	0004
1007	7-214	0004
1007	7-215	0004
1007	7-216	0004
1007	7-217	0004
1007	7-218	0005
1007	7-219	0004

Pending

1007	7-220	0004
1007	7-221	0004
1007	7-222	0004
1007	7-225	0001
1007	7-226	0001
1007	7-227	0001
1007	7-228	0001
1007	7-230	0002
1007	7-231	0002
1007	7-237	0008
1007	7-238	0008
1007	7-239	0008
1007	7-240	0008
1007	7-242	0003
1007	7-245	0010
1007	7-246	0010
1007	7-247	0010
1007	7-248	0001
1007	7-249	0003
1007	7-250	0005
1007	7-251	0002
1007	7-252	0002
1007	7-253	0001
1007	7-254	0002
1007	7-255	0002
1007	7-256	0001
1007	7-257	0001
1007	7-258	0001
1007	7-259	0001
1007	7-260	0001
1007	7-261	0001
1007	7-262	0001
1007	7-263	0006
1007	7-264	0006
1007	7-265	0006
1007	7-266	0005
1007	7-267	0006
1007	7-268	0006
1007	7-269	0005
1007	7-270	0006
1007	7-271	0006
1007	7-272	0005
1007	7-273	0005
1007	7-274	0005
1007	7-275	0003
1007	7-276	0003
1007	7-277	0003

Pending

1007	7-278	0003
1007	7-279	0003
1007	7-280	0001
1007	7-281	0007
1007	7-282	0007
1007	7-283	0005
1007	7-284	0006
1007	7-285	0005
1007	7-286	0005
1007	7-287	0005
1007	7-288	0001
1007	7-289	0001
1007	7-290	0001
1007	7-291	0001
1007	7-292	0001
1007	7-293	0001
1007	7-294	0001
1007	7-295	0001
1007	7-296	0001
1007	7-297	0001
1007	7-298	0001
1007	7-299	0005
1007	7-300	0005
1007	7-301	0005
1007	7-302	0005
1007	7-303	0005
1007	7-304	0005
1007	7-305	0005
1007	7-306	0005
1007	7-307	0005
1007	7-308	0005
1007	7-309	0003
1007	7-310	0005
1007	7-311	0005
1007	7-312	0001
1007	7-313	0005
1007	7-314	0005
1007	7-315	0006
1007	7-316	0001
1007	7-319	0007
1007	7-320	0006
1007	7-321	0005
1007	7-322	0005

Pending

ISSUED: JANUARY 10, 2025

EFFECTIVE: JANUARY 25, 2025

Issuing Officer: Kristen E. Shore, Assistant Vice President - Regulatory

ACCESS SERVICE
 CHECK SHEET

The Title Page and Pages 1 to 29-48 inclusive of this tariff are effective as of the date shown. Original and revised pages as named below and Supplement Nos. 1 and 2 contain all changes from the original tariff that are in effect on the date hereof.

<u>Page</u>	<u>Number of Revision Except as Indicated</u>	<u>Page</u>	<u>Number of Revision Except as Indicated</u>	<u>Page</u>	<u>Number of Revision Except as Indicated</u>
Title	1st	44	2nd	88	1st
1	171st*	45	1st	89	1st
2	43rd*	46	1st	90	1st
3	95th*	47	2nd	91	1st
4	19th	48	4th	92	1st
5	22nd	49	3rd	93	2nd
6	40th*	50	2nd	94	1st
7	33rd*	51	1st	95	1st
8	40th*	52	1st	96	1st
9	1st	53	1st	97	1st
10	10th	54	1st	98	1st
11	14th	55	Original	99	1st
12	15th	56	20th	100	1st
12.1	6th	57	Original	101	2nd
13	23rd	58	2nd	102	2nd
14	13th	59	2nd	103	2nd
15	18th	60	1st	104	2nd
16	12th	61	1st	105	Original
17	3rd	62	1st	106	2nd
18	8th	63	1st	107	1st
19	1st	64	1st	108	1st
20	Original	65	1st	109	Original
21	Original	66	1st	110	1st
22	8th	67	1st	111	Original
23	12th	68	1st	112	Original
23.1	5th	69	1st	113	Original
23.2	Original	70	1st	114	Original
24	1st	71	1st	115	Original
25	3rd	72	1st	116	Original
26	2nd	73	1st	117	1st
27	2nd	74	1st	118	Original
28	1st	75	2nd	119	Original
29	2nd	76	2nd	120	Original
30	1st	77	1st	121	Original
31	3rd	78	1st	122	Original
32	2nd	79	1st	123	Original
33	2nd	80	2nd	124	Original
34	8th	81	1st	125	Original
35	1st	82	1st	126	Original
36	1st	83	1st	127	Original
37	5th	84	2nd	128	Original
38	6th	85	1st	129	Original
39	5th	86	2nd	130	Original
40	4th	87	1st	131	Original
41	3rd				
42	1st				
43	1st				

Pending

ISSUED: JANUARY 10, 2025

EFFECTIVE: JANUARY 25, 2025

ACCESS SERVICE

CHECK SHEET

<u>Page</u>	<u>Number of Revision Except as Indicated</u>	<u>Page</u>	<u>Number of Revision Except as Indicated</u>	<u>Page</u>	<u>Number of Revision Except as Indicated</u>
132	Original	2-31.1	1st	2-78	11th*
133	Original	2-32	1st	2-79	Original
134	Original	2-33	Original	2-80	1st*
135	Original	2-34	1st	2-81	1st*
136	Original	2-35	1st	2-82	6th
137	Original	2-36	Original	2-83	Original
138	Original	2-37	Original	2-84	1st*
139	Original	2-38	Original	2-85	2nd
140	Original	2-39	Original	2-86	Original
141	Original	2-40	4th	2-87	Original
142	Original	2-41	1st	2-88	2nd*
143	Original	2-42	Original	2-89	7th*
144	Original	2-43	Original	2-89-1	1st*
145	Original	2-44	Original	2-90	2nd
146	Original	2-45	Original	2-91	2nd
147	Original	2-46	Original	2-92	3rd
1-1	1st	2-47	5th*	2-93	3rd
2-1	Original	2-48	4th*	2-94	4th
2-2	Original	2-49	8th*	2-95	3rd
2-3	Original	2-50	3rd*	2-96	3rd
2-4	1st	2-51	2nd	2-97	2nd
2-5	Original	2-52	4th*	2-98	3rd
2-6	Original	2-53	2nd	2-99	10th
2-7	Original	2-54	2nd	2-100	1st
2-8	Original	2-55	2nd	2-101	Original
2-9	Original	2-56	5th	2-102	Original
2-9.1	3rd	2-57	2nd	2-103	2nd*
2-10	Original	2-58	4th*	2-104	2nd
2-11	3rd	2-59	5th	2-105	8th
2-12	Original	2-60	5th	2-106	2nd*
2-13	Original	2-61	5th	2-107	Original
2-14	Original	2-62	2nd	2-108	2nd*
2-15	Original	2-62.1	1st	2-109	1st
2-16	1st	2-63	1st	2-110	Original
2-17	Original	2-64	2nd	2-111	Original
2-18	1st	2-65	Original	2-112	Original
2-19	Original	2-66	Original	2-113	2nd
2-20	1st	2-67	Original	2-114	1st
2-21	Original	2-68	1st	2-115	3rd
2-22	Original	2-69	Original	2-116	1st
2-23	Original	2-70	2nd*	2-117	2nd
2-24	Original	2-71	Original	2-118	1st
2-25	Original	2-72	1st*1	2-119	4th
2-26	Original	2-73	Original	2-120	3rd
2-27	Original	2-74	Original	2-121	6th
2-28	Original	2-75	Original	2-122	8th
2-29	1st	2-76	Original	2-123	4th
2-30	1st	2-77	Original	2-124	3rd
2-31	1st			2-125	3rd

(This page filed under Transmittal No. 194)

* New or Revised Page

ISSUED: JANUARY 10, 2025

EFFECTIVE: JANUARY 25, 2025

ACCESS SERVICE

CHECK SHEET

<u>Page</u>	<u>Number of Revision Except as Indicated</u>	<u>Page</u>	<u>Number of Revision Except as Indicated</u>	<u>Page</u>	<u>Number of Revision Except as Indicated</u>
2-126	3rd	2-176	Original	5-2	Original
2-127	3rd	2-177	1st	5-3	Original
2-128	2nd	2-178	Original	5-4	4th
2-129	2nd	2-179	Original	5-5	Original
2-130	2nd	2-180	Original	5-6	Original
2-131	2nd	2-181	1st	5-7	Original
2-132	4th	2-182	1st	5-8	Original
2-133	2nd	2-183	Original	5-9	Original
2-134	3rd	2-184	1st	5-10	Original
2-135	4th	2-185	Original	5-11	3rd
2-136	2nd	2-186	Original	5-12	2nd
2-137	2nd	2-187	Original	5-13	Original
2-138	2nd	2-188	Original	5-14	Original
2-139	4th	2-189	1st	5-15	Original
2-140	4th	2-190	Original	5-16	2nd
2-141	2nd	2-191	1st	5-17	1st
2-142	2nd	2-192	Original	5-18	Original
2-143	2nd	2-193	1st	5-19	1st
2-144	2nd	2-194	1st	5-20	1st
2-145	2nd	3-1	2nd	5-21	1st*
2-146	2nd	3-2	1st	5-22	Original
2-147	2nd	3-3	2nd	5-23	2nd
2-148	2nd	3-4	Original	5-24	4th
2-149	2nd	3-5	1st	5-25	Original
2-150	2nd	3-6	1st	5-26	3rd
2-151	2nd	3-7	Original	5-27	Original
2-152	3rd	3-8	2nd	5-28	1st
2-153	4th	3-9	2nd	5-28.1	Original
2-154	2nd	3-10	Original	5-29	2nd
2-155	2nd	3-11	1st	5-30	Original
2-156	4th*	3-12	2nd	5-31	1st
2-157	6th	3-13	1st	5-32	1st
2-158	2nd	3-14	2nd	5-33	Original
2-159	1st	4-1	1st	5-34	1st
2-160	2nd	4-2	2nd	5-34.1	Original
2-161	1st	4-3	3rd	5-35	1st
2-162	1st	4-4	2nd	5-36	Original
2-163	Original	4-5	3rd	5-37	Original
2-164	Original	4-6	57th	5-38	2nd
2-165	Original	4-6.1	10th	5-39	Original
2-166	Original	4-7	20th	5-40	2nd
2-167	Original	4-8	20th	5-41	Original
2-168	Original	4-8.1	14th	5-42	Original
2-169	1st	4-8.2	14th	5-43	2nd
2-170	Original	4-8.3	12th	5-44	4th
2-171	Original	4-9	57th	5-45	4th
2-172	Original	4-10	43rd	5-46	4th
2-173	1st	4-11	42nd	6-1	1st
2-174	Original	4-12	42nd	6-2	Original
2-175	2nd	4-13	42nd	6-3	1st
		5-1	2nd	6-4	Original

Pending

ISSUED: JANUARY 10, 2025

EFFECTIVE: JANUARY 25, 2025

ACCESS SERVICE
 CHECK SHEET

Page	Number of Revision Except as Indicated	Page	Number of Revision Except as Indicated	Page	Number of Revision Except as Indicated
6-290	Original	6-339	2nd	7-7	2nd*
6-291	2nd	6-340	2nd	7-8	3rd
6-292	2nd	6-341	2nd	7-9	Original
6-293	2nd	6-342	Original	7-10	2nd
6-294	2nd	6-343	3rd	7-11	3rd*
6-295	1st	6-344	3rd	7-12	1st*
6-296	2nd	6-345	3rd	7-13	1st*
6-297	2nd	6-346	3rd	7-14	1st*
6-298	2nd	6-347	3rd	7-15	1st*
6-299	2nd	6-348	3rd	7-16	1st*
6-300	2nd	6-349	3rd	7-17	1st*
6-301	2nd	6-350	3rd	7-18	Original
6-302	2nd	6-351	3rd	7-19	1st*
6-303	2nd	6-352	3rd	7-20	6th
6-304	2nd	6-353	3rd	7-21	4th*
6-305	2nd	6-354	3rd	7-22	4th*
6-306	2nd	6-355	3rd	7-23	3rd*
6-307	2nd	6-356	13th	7-24	2nd
6-308	2nd	6-357	1st	7-25	5th*
6-309	2nd	6-358	1st	7-26	4th*
6-310	2nd	6-359	2nd	7-27	3rd
6-311	2nd	6-360	Original	7-28	3rd
6-312	2nd	6-361	3rd	7-29	3rd
6-313	2nd	6-362	3rd	7-30	3rd
6-314	2nd	6-363	3rd	7-31	3rd
6-315	2nd	6-364	3rd	7-32	4th
6-316	2nd	6-365	3rd	7-33	1st
6-317	2nd	6-366	3rd	7-34	3rd
6-318	2nd	6-367	3rd	7-35	4th
6-319	2nd	6-368	3rd	7-36	4th
6-320	2nd	6-369	1st	7-37	3rd
6-321	2nd	6-370	3rd	7-38	7th*
6-322	2nd	6-371	3rd	7-39	5th*
6-323	2nd	6-372	1st	7-40	4th
6-324	Original	6-373	Original	7-41	3rd*
6-325	Original	6-374	Original	7-42	3rd*
6-326	Original	6-375	2nd	7-43	2nd
6-327	Original	6-376	1st	7-44	2nd
6-328	2nd	6-377	1st	7-45	1st*
6-329	2nd	6-378	1st	7-46	3rd
6-330	2nd	6-379	3rd	7-47	Original
6-331	2nd	6-380	1st	7-48	1st*
6-332	Original	6-381	5th	7-49	2nd
6-333	Original	7-1	2nd*t	7-50	2nd
6-334	Original	7-2	6th	7-51	2nd
6-335	Original	7-3	Original	7-52	2nd*
6-336	Original	7-4	3rd*	7-53	2nd*
6-337	2nd	7-5	5th*	7-54	Original
6-338	2nd	7-6	1st*	7-55	2nd*

(This page filed under Transmittal No. 194)

* New or Revised Page

ISSUED: JANUARY 10, 2025

EFFECTIVE: JANUARY 25, 2025

ACCESS SERVICE
 CHECK SHEET

<u>Page</u>	<u>Number of Revision Except as Indicated</u>	<u>Page</u>	<u>Number of Revision Except as Indicated</u>	<u>Page</u>	<u>Number of Revision Except as Indicated</u>
7-56	2nd*	7-105	1st*	7-154	Original
7-57	1st	7-106	1st*	7-155	Original
7-58	1st	7-107	1st*	7-156	Original
7-59	1st	7-108	1st*	7-157	Original
7-60	1st	7-109	4th	7-158	Original
7-61	4th*	7-110	2nd*	7-159	1st
7-62	2nd*	7-111	1st*	7-160	1st
7-63	1st*	7-112	1st*	7-161	1st*
7-64	1st	7-113	9th*	7-162	1st
7-65	2nd	7-114	5th*	7-163	2nd*
7-66	2nd	7-114.1	2nd	7-164	1st
7-67	3rd*	7-115	5th	7-165	1st
7-68	2nd*	7-116	1st*	7-166	1st
7-69	1st*	7-117	3rd*	7-167	1st
7-70	Original	7-118	Original	7-168	1st
7-71	1st*	7-119	1st*	7-169	1st
7-72	Original	7-120	2nd*	7-170	3rd*
7-73	1st*	7-121	1st	7-171	4th*
7-74	1st*	7-122	2nd	7-172	3rd
7-75	1st*	7-123	Original	7-173	3rd
7-76	2nd	7-124	Original	7-174	1st
7-77	3rd*	7-125	Original	7-175	4th
7-78	3rd	7-126	Original	7-176	3rd*
7-79	2nd*	7-127	2nd	7-177	5th*
7-80	1st*	7-128	4th	7-178	1st
7-81	1st	7-129	Original	7-179	1st
7-82	2nd	7-130	2nd	7-180	4th
7-83	2nd*	7-131	1st*	7-181	3rd*
7-84	1st	7-132	2nd*	7-182	2nd
7-85	Original	7-133	1st*	7-183	2nd
7-86	Original	7-134	1st*	7-184	2nd
7-87	Original	7-135	3rd*	7-185	2nd
7-88	2nd	7-136	8th*	7-186	2nd
7-89	2nd	7-137	7th	7-187	1st*
7-90	2nd	7-138	4th	7-188	Original
7-91	2nd	7-139	5th	7-189	Original
7-92	2nd	7-140	1st*	7-190	3rd
7-93	2nd	7-141	1st*	7-191	3rd
7-94	2nd	7-142	1st*	7-192	1st*
7-95	2nd	7-143	Original	7-193	2nd
7-96	2nd	7-144	1st*	7-194	1st
7-97	2nd	7-145	Original	7-195	1st
7-98	1st	7-146	1st*	7-196	1st
7-99	1st	7-147	2nd*	7-197	1st
7-100	1st	7-148	Original	7-198	1st
7-101	1st	7-149	Original	7-199	2nd*
7-102	1st*	7-150	Original	7-200	2nd
7-103	1st*	7-151	1st*	7-201	4th*
7-104	1st*	7-152	Original	7-202	4th
		7-153	Original		

(This page filed under Transmittal No. 194)

* New or Revised Page

ISSUED: JANUARY 10, 2025

EFFECTIVE: JANUARY 25, 2025

ACCESS SERVICE
 CHECK SHEET

<u>Page</u>	<u>Number of Revision Except as Indicated</u>	<u>Page</u>	<u>Number of Revision Except as Indicated</u>	<u>Page</u>	<u>Number of Revision Except as Indicated</u>
7-203	4th*	7-250	5th*	7-297	1st*
7-204	2nd*	7-251	2nd*	7-298	1st*
7-205	2nd*	7-252	2nd*	7-299	5th*
7-206	2nd*	7-253	1st*	7-300	5th*
7-207	10th*	7-254	2nd*	7-301	5th*
7-208	4th*	7-255	2nd*	7-302	5th*
7-209	4th*	7-256	1st*	7-303	5th*
7-210	5th*	7-257	1st*	7-304	5th*
7-211	5th*	7-258	1st*	7-305	5th*
7-212	5th*	7-259	1st*	7-306	5th*
7-213	4th*	7-260	1st*	7-307	5th*
7-214	4th*	7-261	1st*	7-308	5th*
7-215	4th*	7-262	1st*	7-309	3rd*
7-216	4th*	7-263	6th*	7-310	5th*
7-217	4th*	7-264	6th*	7-311	5th*
7-218	5th*	7-265	6th*	7-312	1st*
7-219	4th*	7-266	5th*	7-313	5th*
7-220	4th*	7-267	6th*	7-314	5th*
7-221	4th*	7-268	6th*	7-315	6th*
7-222	4th*	7-269	5th*	7-316	1st*
7-223	2nd	7-270	6th*	7-317	Original
7-224	2nd	7-271	6th*	7-318	1st
7-225	1st*	7-272	5th*	7-319	7th*
7-226	1st*	7-273	5th*	7-320	6th*
7-227	1st*	7-274	5th*	7-321	5th*
7-228	1st*	7-275	3rd*	7-322	5th*
7-229	2nd	7-276	3rd*	7-323	Original
7-230	2nd*	7-277	4th*	7-324	Original
7-231	2nd*	7-278	3rd*	7-325	Original
7-232	1st	7-279	3rd*	7-326	2nd
7-233	1st	7-280	1st*	7-327	2nd
7-234	1st	7-281	7th*	7-328	2nd
7-235	1st	7-282	7th*	7-329	2nd
7-236	1st	7-283	5th*	7-330	2nd
7-237	8th*	7-284	6th*	7-331	2nd
7-238	8th*	7-285	5th*	7-332	Original
7-239	8th*	7-286	5th*	7-333	2nd
7-240	8th*	7-287	5th*	7-334	2nd
7-241	1st	7-288	1st*	7-335	1st
7-242	3rd*	7-289	1st*	7-336	1st
7-243	3rd	7-290	1st*	7-337	1st
7-244	1st	7-291	1st*	7-338	1st
7-245	10th*	7-292	1st*	7-339	1st
7-246	10th*	7-293	1st*	7-340	1st
7-247	10th*	7-294	1st*	7-341	1st
7-248	1st*	7-295	1st*	7-342	1st
7-249	3rd*	7-296	1st*	7-343	1st

Pending

ISSUED: JANUARY 10, 2025

EFFECTIVE: JANUARY 25, 2025

ACCESS SERVICE
2 - General Regulations (Cont'd)

2.4 Payment Arrangements and Credit Allowances (Cont'd)

2.4.4 Credit Allowance for Service Interruptions (Cont'd)

(B) When a Credit Allowance Applies

In case of an interruption to any service, allowance for the period of interruption, if not due to the negligence of the customer, shall be as follows:

- (1) For BellSouth SWA Dedicated Interoffice Channels, Channelization Equipment and Switched Local Channels, Dedicated End Office Trunk Port Service and Dedicated Tandem Trunk Port Service Special Access (a.k.a. BellSouth SPA) services other than BellSouth Dedicated Ring, SMARTPath service (a.k.a. BellSouth SPA DS1 Shared Ring), and SMARTPath DS3 Transport service (a.k.a. BellSouth SPA DS3 Shared Ring), LightGate service (a.k.a. BellSouth SPA Point to Point Network), DS1 (a.k.a. BellSouth SPA DS1) service, BellSouth DS1 Diverse Service, Program Audio⁽¹⁾ (a.k.a. BellSouth SPA Program Audio), Broadcast Quality Video (a.k.a. BellSouth SPA Broadcast Quality Video) services, Intra-Office Collocation Cross Connect Service, Physical Access Cross Connect Service and Virtual Access Cross Connect Service, no credit shall be allowed for an interruption of less than 30 minutes. The customer shall be credited for an interruption of 30 minutes or more at the rate of 1/1440 of the monthly charges for the facility or service for each period of 30 minutes or major fraction thereof that the interruption continues.

The credits will apply no more than once per month and the total of all credits, including those provided in other sections of this Tariff, shall not exceed the monthly rate for the service. The monthly charges used to determine the credit shall be as follows:

- (a) The monthly charge shall be the total of all the monthly rate element charges associated with the highest level inoperative channelized service:
For BellSouth SWA Transport: BellSouth SWA Local Channel, Dedicated End Office Trunk Port Service and Dedicated Tandem Trunk Port Service, BellSouth SWA Dedicated Interoffice Channel, Channelization Equipment (if applicable) and any Optional Features and Functions.
For Special (a.k.a. BellSouth SPA) two-point services: two Local Channels, Interoffice Channel⁽²⁾, and Optional Features and Functions⁽²⁾. (N)
- (b) For multipoint services, the monthly charge shall be only the total of all the monthly rate element charges associated with the highest level channelized service for that portion of the service that is inoperative (i.e., a local channel per customer premises, interoffice channel⁽²⁾, and optional features, and functions⁽²⁾). (N)
- (c) For Special Access (a.k.a. BellSouth SPA) channelized services, the monthly charge shall be the total of all the monthly rate element charges associated with that portion of the highest level channelized service that is inoperative.

⁽¹⁾ Program Audio is discontinued and no longer available in this publication (see WC Dkt. 19-238). (N)

⁽²⁾ These services have been de-tariffed pursuant to FCC Order No. 17-43, released April 28, 2017. (N)

BELLSOUTH TELECOMMUNICATIONS
Four AT&T Plaza, Dallas, Texas 75202

TARIFF F.C.C. NO. 1
5TH REVISED PAGE 2-47
CANCELS 4TH REVISED PAGE 2-47

ISSUED: JANUARY 10, 2025

EFFECTIVE: JANUARY 25, 2025

Terms and Conditions for de-tariffed services are available at
www.att.com/guidebook.

Pending

ISSUED: JANUARY 10, 2025

EFFECTIVE: JANUARY 25, 2025

ACCESS SERVICE

2 - General Regulations (Cont'd)

2.4 Payment Arrangements and Credit Allowances (Cont'd)

2.4.4 Credit Allowance for Service Interruptions (Cont'd)

(B) When a Credit Allowance Applies (Cont'd)

(1) (Cont'd)

(c) (Cont'd)

When the facility which is channelized or the Basic Channelization System itself is inoperative, the monthly charge shall be the total of all the monthly rate element charges associated with the highest level channelized service (i.e., the local channel, interoffice channel⁽¹⁾, central office channel interface(s)⁽¹⁾, and any optional features and functions⁽¹⁾), including the Basic Channelization System on the facility to the Hub. When the service which rides a channel of the channelized facility is inoperative (assuming the highest level channelized service is still operative) the monthly charge shall be the total of all the monthly rate element charges associated with that portion of the lower level inoperative service from the Hub to a customer premises (i.e., local channels, interoffice channel⁽¹⁾, central office channel interface(s)⁽¹⁾, and optional features and functions⁽¹⁾). For channelized service ordered under the Shared Network Arrangement, certain record keeping complexities necessitate that the host subscriber as well as each service user notify Telephone Company of any service outage in order to receive a credit allowance.

(N)
(N)
(N)

- (d) For BellSouth SWA channelized services, the monthly charge shall be the total of all monthly rate element charges associated with that portion of the highest level channelized service that is inoperative. When the facility which is channelized or the Basic Channelization System itself is inoperative, the monthly charge shall be the total of all the monthly rate element charges associated with the highest level channelized service (e.g., the Switched Local Channel, Switched Interoffice Channels, Channelization Equipment, including the Basic Channelization System on the facility to the Hub, if applicable).
- (e) For SMARTPath services (a.k.a. BellSouth SPA Shared Ring) and SMARTPath DS3 Transport service (a.k.a. BellSouth SPA DS3 Shared Ring), the monthly charge shall be the total of all the monthly rate element charges associated with the highest level inoperative channelized service (e.g., SMARTPath Area Connection and SMARTPath Area Junction).
- (f) For Intra-Office Collocation Cross Connect, Physical Access Cross Connect, and Virtual Access Cross Connect elements specified in Section 13 of this Tariff, the monthly charge shall be that associated with the specific cross connect that is inoperative.
- (g) For BellSouth SWA service, BellSouth Directory Assistance Access service, and BellSouth Line Information Data Base Access service usage sensitive rate elements, no credit shall be allowed for an interruption of less than 24 hours. The customer shall be credited for an interruption of 24 hours or more at the rate applicable to the service involved, for each period of 24 hours or major fraction thereof that the interruption continues. In the case of service billed based upon actual usage, no credit allowance is applicable.
- (h) The credit allowance(s) for an interruption or for a series of interruptions shall not exceed (a) the sum of the monthly charges for the affected services; or (b) the assumed minutes of use charge.

(M) Material now appearing on this page previously appeared on Page 2-50.

BELLSOUTH TELECOMMUNICATIONS
Four AT&T Plaza, Dallas, Texas 75202

TARIFF F.C.C. NO. 1
4TH REVISED PAGE 2-48
CANCELS 3RD REVISED PAGE 2-48

ISSUED: JANUARY 10, 2025

EFFECTIVE: JANUARY 25, 2025

⁽¹⁾ These services have been de-tariffed pursuant to FCC Order No. 17-43, released April 28, 2017. Terms and Conditions for de-tariffed services are available at www.att.com/guidebook.

(N)
(N)

Pending

ISSUED: JANUARY 10, 2025

EFFECTIVE: JANUARY 25, 2025

ACCESS SERVICE

2 - General Regulations (Cont'd)

2.4 Payment Arrangements and Credit Allowances (Cont'd)

2.4.4 Credit Allowance for Service Interruptions (Cont'd)

(B) When a Credit Allowance Applies (Cont'd)

Quick Reference Service Outage Table	
Active Services	Section Reference
BellSouth Administrative Management Service	2.4.4(B)(5)
BellSouth Wavelength SWA Channel Service Components and BellSouth Channel Service	2.4.4(B)(15)
Broadcast Quality Video	2.4.4(B)(2)
DS1 Diverse Access	2.4.4(B)(12)
DS1 Special Access subject to a current term plan in effect as of 4/4/2015	2.4.4(B)(7)
DS1 Special Access subject to a circuit term plan initiated or renewed after 4/4/2015 or being provided on a month-to-month basis	2.4.4(B)(16)
LightGate Service, excluding DS1 Channel Interfaces ⁽²⁾ and services subject to a term plan renewed on or after 3/17/2023 or being provided on a month-to-month basis	2.4.4(B)(8)
LightGate Service subject to a term plan renewed on or after 3/17/2023 or being provided on a month-to-month basis	2.4.4(B)(16)
LightGate Service DS1 Channel Interfaces ⁽²⁾	2.4.4(B)(7)
SMARTPath Service	2.4.4(B)(6)
Specialized Service or Arrangements provided under Section 12	2.4.4(B)(4)
Switched Access DS1	2.4.4(B)(10)
Switched Access DS3	2.4.4(B)(11)
Grandfathered/Discontinued Services	
Digital Data Access	2.4.4(B)(3)
Fast Packet Services	2.4.4(B)(13)
High Capacity (a.k.a. BellSouth SPA High Capacity) DS1 HC1	2.4.4(B)(3)
Program Audio	2.4.4(B)(2)

(2) For Program Audio⁽¹⁾ (a.k.a. BellSouth SPA Program Audio) and Broadcast Quality Video (a.k.a. BellSouth SPA Broadcast Quality Video) Special Access services (a.k.a. BellSouth SPA), no credit shall be allowed for an interruption of less than 30 seconds. The customer shall be credited for an interruption of 30 seconds or more as follows:

(1) Program Audio is discontinued and no longer available in this publication (see WC Dkt. 19-238).

(2) These services have been de-tariffed pursuant to FCC Order No. 17-43, released April 28, 2017. Terms and Conditions for de-tariffed services are available at www.att.com/guidebook.

(M) Material previously appearing on this page now appears on Page 2-50.

(N)

(N)

(N)

(N)

ISSUED: JANUARY 10, 2025

EFFECTIVE: JANUARY 25, 2025

ACCESS SERVICE

2 - General Regulations (Cont'd)

2.4 Payment Arrangements and Credit Allowances (Cont'd)

2.4.4 Credit Allowance for Service Interruptions (Cont'd)

(B) When a Credit Allowance Applies (Cont'd)

(2) (Cont'd)

- Pending
- (a) For two-point services, when monthly rates are applicable, the credit shall be at the rate of 1/8640 of the monthly charges for the service for each period of 5 minutes or major fraction thereof that the interruption continues.
 - (b) For two-point services, when daily rates are applicable, the credit shall be at the rate of 1/288 of the daily charges for the service for each period of 5 minutes or major fraction thereof that the interruption continues.
 - (c) For multipoint services, when monthly rates are applicable, the credit shall be at the rate of 1/8640 of the monthly charges for all channel terminations, channel mileages⁽¹⁾, and optional features and functions⁽¹⁾ that are inoperative for each period of 5 minutes or major fraction thereof that the interruption continues. (N)
 - (d) For multipoint services, when daily rates are applicable, the credit shall be at the daily rate of 1/288 of the daily charges for each channel termination, channel mileage⁽¹⁾, and optional features and functions⁽¹⁾ that is inoperative for each period of 5 minutes or major fraction thereof that the interruption continues. (N)
 - (e) For multipoint services, the credit for the monthly or daily charges includes the charges for the distribution amplifier only when the distribution amplifier is inoperative.
 - (f) When two or more interruptions occur during a period of 5 consecutive minutes, such multiple interruptions shall be considered as one interruption.

- (3) For certain Special Access (a.k.a. BellSouth SPA) services (Digital Data Access (a.k.a. BellSouth SPA DSO Digital Data), DA1-4; and High Capacity (a.k.a. BellSouth SPA High Capacity) HC1, any period during which the error performance is below that specified for the service will be considered as an interruption.

(N)

ISSUED: JANUARY 10, 2025

EFFECTIVE: JANUARY 25, 2025

⁽¹⁾ These services have been de-tariffed pursuant to FCC Order No. 17-43, released April 28, 2017. Terms and Conditions for de-tariffed services are available at www.att.com/guidebook.

(N)

(M1) Material now appearing on this page previously appeared on Page 2-49.

(M2) Material previously appearing on this page now appears on Page 2-48.

Pending

ISSUED: JANUARY 10, 2025

EFFECTIVE: JANUARY 25, 2025

ACCESS SERVICE

2 - General Regulations (Cont'd)

2.4 Payment Arrangements and Credit Allowances (Cont'd)

2.4.4 Credit Allowance for Service Interruptions (Cont'd)

(B) When a Credit Allowance Applies (Cont'd)

- Pending**
- (6) For SMARTPath service (a.k.a. BellSouth SPA Shared Ring), and SMARTPath DS3 Transport service (a.k.a. BellSouth SPA DS3 Shared Ring) rate elements, failure by the Telephone Company to meet the performance guarantee described in Sections 7.2.13(C)(2) and 7.2.14(C)(1) of this Tariff, respectively, will prompt a credit equal to 1440/1440 for effected SMARTPath service (a.k.a. BellSouth SPA DS1 Shared Ring), or SMARTPath DS3 Transport service (a.k.a. BellSouth SPA DS3 Shared Ring), rate elements. A customer request for credit will not be required. The credit will be applied through normal administrative processes and the dollar amount will be reflected on the customer's bill. The credit will apply no more than once per billing period. This credit is in addition to those provided in 2.4.4(B)(1) preceding. The combined total of the credit allowance during a month for failure to meet the performance guarantee in Section 7.2.13(C)(2) or 7.2.14(C)(1), as applicable, and the credit for service interruption contained in Section 2.4.4(B)(1) shall not exceed the monthly rate for the highest level inoperative channelized service.
- (7) The Credit Allowance for Service Interruptions, as described in Section 2.2.4(B)(7), applies only to DS1 Special Access circuits purchased under a CSPP or a TPP in effect as of April 4, 2015. For DS1 Special Access circuit purchased on a month-to-month basis, including those circuits selected for an ACP discount, the Credit Allowance for Service Interruptions will only apply to circuits in effect as of April 4, 2015. Thereafter, the Service Assurance Warranty (SAW), as described in Section 2.4.4(B)(16), will apply.

Credit allowances for service interruptions on DS1 Special Access (a.k.a. BellSouth SPA DS1) service (including DS1 Alternate Serving Wire Center service and LightGate service (a.k.a. BellSouth SPA Point to Point Network) DS1 channel interfaces⁽¹⁾ will be based on (N)

(N)

BELLSOUTH TELECOMMUNICATIONS
Four AT&T Plaza, Dallas, Texas 75202

TARIFF F.C.C. NO. 1
4TH REVISED PAGE 2-52
CANCELS 3RD REVISED PAGE 2-52

ISSUED: JANUARY 10, 2025

EFFECTIVE: JANUARY 25, 2025

⁽¹⁾ This service has been de-tariffed pursuant to FCC Order No. 17- 43,
released April 28, 2017. Terms and Conditions for de-tariffed
services are available at www.att.com/guidebook.

|
(N)

Pending

(This page filed under Transmittal No. 194)

ISSUED: JANUARY 10, 2025

EFFECTIVE: JANUARY 25, 2025

ACCESS SERVICE

2 - General Regulations (Cont'd)

2.4 Payment Arrangements and Credit Allowances (Cont'd)

2.4.4 Credit Allowance for Service Interruptions (Cont'd)

(B) When a Credit Allowance Applies (Cont'd)

(11) Application of credits for service outages for BellSouth SWA DS3 will be calculated as follows: For the affected BellSouth Local Channel, Interoffice Channel⁽¹⁾ and BellSouth SWA DS3 Channelization elements, credits will be applied to the monthly charge associated with each element affected for the highest level inoperative channelized service, after ratcheting adjustments to account for Special Access (a.k.a. BellSouth SPA) service, if any. Where service interruptions of one minute or more per occasion occur, the credit applied shall be 1440/1440 of the total monthly charge for the rate element involved. Credit allowance limitations shall be in accordance with Section 2.4.4.(B)(1) preceding.

(N)

(12) Application of credits for service outages of BellSouth DS1 Diverse service Local and Interoffice Channels⁽¹⁾ will be calculated as follows: In the event of primary facility path failure, service is guaranteed to switch to an alternate facility path in one minute or less. Failure to meet this guarantee will result in credits being applied to the customer's bill equal to 1440/1440 of the monthly charge associated with the affected service element(s) (e.g., for the affected Local Channel, Interoffice Channel⁽¹⁾, DS1 Basic Channelization System and associated Central Office Channel Interface(s)⁽¹⁾, and 1.544 Mbps elements of service associated with higher capacity Central Office Channel Interface⁽¹⁾ channelization element(s), where the trouble is on the public right-of-way). Credits will be applied through normal administrative processes and the dollar amount will be reflected on the customer's bill. Ratcheting, to account for BellSouth SWA services, will be applied to BellSouth DS1 Diverse service interruption credits. A customer must report the outage in order to receive credit. The credits will apply no more than once per month and the total of all credits, including those in other sections of this Tariff, shall not exceed the monthly rate for service.

(N)

(N)
(N)
(N)

ISSUED: JANUARY 10, 2025

EFFECTIVE: JANUARY 25, 2025

- (1) These services have been de-tariffed pursuant to FCC Order No. 17-43, released April 28, 2017. Terms and Conditions for de-tariffed services are available at www.att.com/guidebook.

|
(N)

Pending

ISSUED: JANUARY 10, 2025

EFFECTIVE: JANUARY 25, 2025

ACCESS SERVICE

2 - General Regulations (Cont'd)

2.4 Payment Arrangements and Credit Allowances (Cont'd)

2.4.7 Billing of Access Service Provided by Multiple Companies (Cont'd)

(C) Multiple Bill Arrangements

(1) General

Separate bills will be rendered by the Exchange Telephone Companies for Special Access and for FGB1, FGD, and the dedicated portions of FGA Switched Access Service if the administration of a single bill arrangement, as set forth in 2.4.7(B), is not agreed upon by the companies involved. In the event that the Exchange Telephone Companies involved agree to change from one billing arrangement to another, the customer will be notified at least 30 days prior to the effective date of such change.

(2) Ordering

The customer shall place its access service request with each Exchange Telephone Company involved in the provision of the service.

(3) Rating and Billing of Service

Each company will provide its portion of the Access Service based on the regulations, rates and charges contained in its Access Service tariff, subject to the following rules, as appropriate:

- (a) The charges billed by this company for mileage sensitive rate elements, e.g., Switched Access Service Switched Transport, Special Access Service Interoffice Channel⁽¹⁾, or Directory Assistance Transport, are determined as follows:

- (i) The total mileage for the service is computed using V&H Coordinate Method set forth in NATIONAL EXCHANGE CARRIER ASSOCIATION, INC., TARIFF F.C.C. NO. 4.

Note 1: Except where indicated herein, references to Feature Groups will also include the applicable Basic Serving Arrangement (BSA) as detailed in the matrix of Section 6.1.3(A)(5)(j) (e.g., the term FGA represents both FGA and Line Side Basic Serving Arrangement (LSBSA)).

- (1) These services have been de-tariffed pursuant to FCC Order No. 17-43, released April 28, 2017. Terms and Conditions for de-tariffed services are available at www.att.com/guidebook.

ISSUED: JANUARY 10, 2025

EFFECTIVE: JANUARY 25, 2025

ACCESS SERVICE

2 - General Regulations (Cont'd)

2.4 Payment Arrangements and Credit Allowances (Cont'd)

2.4.7 Billing of Access Service Provided by Multiple Companies (Cont'd)

(C) Multiple Bill Arrangements (Cont'd)

(3) Rating and Billing of Service (Cont'd)

(b) (Cont'd)

(iv) When rates and charges are listed on a per service basis, this company's rates and charges are allocated based upon the ratio of points on the access circuit that this company owns, in relation to the total number of points on the circuit.

(v) For Special Access Interoffice Channel fixed⁽¹⁾ rates, 50% of this company's rate will apply for each end of the Interoffice Channel⁽¹⁾ that this company provides. (N)

For example:

If the Interoffice Channel fixed⁽¹⁾ rate is \$11.80, and this company provides only one end of the Interoffice Channel⁽¹⁾, the rate would be 50% of \$11.80, or \$5.90. (N)

If this company does not provide either end of the Interoffice Channel⁽¹⁾, this company's Interoffice Channel fixed⁽¹⁾ rate shall not apply. (N)

(vi) For Switched Interoffice Channel Facility Termination rates, 50% of this company's rate will apply for each end of the Switched Interoffice Channel that this company provides.

(1) This service has been de-tariffed pursuant to FCC Order No. 17- 43, released April 28, 2017. Terms and Conditions for de-tariffed services are available at www.att.com/guidebook. (N)

ISSUED: JANUARY 10, 2025

EFFECTIVE: JANUARY 25, 2025

ACCESS SERVICE

2 - General Regulations (Cont'd)

2.4 Payment Arrangements and Credit Allowances (Cont'd)

2.4.8 Optional Payment Plans

(A) Channel Services Payment Plan

(1) General

- Pending
- (a) The regulations specified herein are applicable only to specific special access services as indicated in the rate regulations for such services in Section 7 of this tariff.
 - (b) The terms of this Channel Services Payment Plan (CSPP) apply to such specific special access services except as noted in the rate regulations for the given service.
 - (c) The CSPP allows customers to pay stabilized monthly rates for fixed service periods selected by the customer. The six payment plans offered are Plans D, A, B, C and Plans 1 and 2. The applicable payment plans for a particular service are set forth in the Rate Regulations section applicable to that service.

The service period for each plan is shown below.

- Payment Plan D, 12 Month Term Plan.⁽⁴⁾⁽⁶⁾
- Payment Plan A, service periods may be selected from 24 months to 48 months in length.⁽²⁾⁽³⁾⁽⁵⁾
-

(D)
|
(D)

As of August 23, 1996, new LightGate (a.k.a. BellSouth SPA Point to Point Network) system installations must be ordered under Transport Payment Plan (TPP)⁽³⁾ arrangements as specified in 2.4.8(D) following.

⁽¹⁾ Effective May 15, 2015, Plan C commitment periods of 74 to 96 months will no longer be available for new CSPPs. A Plan C commitment period of 73 months will continue to be available for new CSPPs. There is no change for existing CSPPs.

⁽²⁾ Effective on September 13, 2017, CSPPs greater than 36-months are no longer available for High Capacity (a.k.a. BellSouth SPA High Capacity DS1 (a.k.a. BellSouth SPA DS1)) service and SMARTPath Service (a.k.a. BellSouth SPA DS1 Shared Ring), and CSPPs are no longer available for Metallic (a.k.a. BellSouth SPA Metallic), Telegraph Grade (a.k.a. BellSouth SPA Telegraph), Voice Grade (a.k.a. BellSouth SPA VG), WATS Access Line (WAL) (a.k.a. BellSouth SPA WATS Lines), Derived Data Channel (a.k.a. BellSouth SPA Derived Data Channel), Digital Data Access Service (a.k.a. BellSouth SPA DS0 Digital Data) and BellSouth SPA Customer Network Management (CNM) - FlexServ Service, including for any otherwise available renewals or conversions. Circuits already subject to a CSPP, as of September 13, 2017, will continue to be provided under the then-current CSPP term for the remainder of that term.

⁽³⁾ Effective on November 1, 2022, all ACPs for High Capacity (a.k.a. BellSouth SPA High Capacity DS1 (a.k.a. BellSouth SPA DS1)), CSPPs of greater than 24 months for High Capacity (a.k.a. BellSouth SPA High Capacity DS1 (a.k.a. BellSouth SPA DS1)), SMARTPath Service (a.k.a. BellSouth SPA DS1 Shared Ring), and SMARTPath DS3 Transport Service (a.k.a. BellSouth SPA DS3 Shared Ring), and TPPs greater than 12 months for BellSouth DS1 Diverse Service and LightGate Systems (a.k.a. BellSouth SPA Point to Point Network), are no longer available, including for any otherwise available conversions. Circuits already subject to ACPs, CSPPs, and TPPs, as of November 1, 2022, will continue to be provided under the then-current term for the remainder of that term.

⁽⁴⁾ For services applicable to the Term Plan, see Section 7.5 on Page 7-203.

⁽⁵⁾ Effective December 1, 2023, CSPPs of 24 months for High Capacity (a.k.a. BellSouth SPA High Capacity DS1 (a.k.a. BellSouth SPA DS1)) are no longer available, including for any otherwise available conversions. Circuits already

ISSUED: JANUARY 10, 2025

EFFECTIVE: JANUARY 25, 2025

subject to CSPPs, as of December 1, 2023, will continue to be provided under the then-current term for the remainder of that term.

- ⁽⁶⁾ Effective on January 17, 2024, all CSPP and TPPs term plans greater than month-to-month for High Capacity (a.k.a. BellSouth SPA High Capacity DS1 (a.k.a. BellSouth SPA DS1)), SMARTPath Service (a.k.a. BellSouth SPA DS1 Shared Ring), SMARTPath DS3 Transport Service (a.k.a. BellSouth SPA DS3 Shared Ring), BellSouth DS1 Diverse Service and LightGate Systems (a.k.a. BellSouth SPA Point to Point Network), are no longer available, including for any otherwise available conversions. Existing Term Plan Services on January 17, 2024, will continue to be provided for the remainder of the then-current terms.

Pending

ISSUED: JANUARY 10, 2025

EFFECTIVE: JANUARY 25, 2025

ACCESS SERVICE

2 - General Regulations (Cont'd)

2.4 Payment Arrangements and Credit Allowances (Cont'd)

2.4.8 Optional Payment Plans (Cont'd)

(A) Channel Services Payment Plan (Cont'd)

(1) General (Cont'd)

Pending

(D)
—
(D)

(2) Application of Rates

- (a) The stabilized monthly recurring rates applicable are those set forth in 7.5 following for the particular service involved as of the Application Date, provided that the actual service date does not exceed the later of the following:

ISSUED: JANUARY 10, 2025

EFFECTIVE: JANUARY 25, 2025

ACCESS SERVICE
2 - General Regulations (Cont'd)

2.4 Payment Arrangements and Credit Allowances (Cont'd)

2.4.8 Optional Payment Plans (Cont'd)

(A) Channel Services Payment Plan (Cont'd)

(2) Application of Rates (Cont'd)

- (1) the Service Date under a standard service interval, or
- (2) the earliest date on which service can reasonably be made available to the customer by the Telephone Company.
- (b) If the customer desires a service date later than as provided in (a) preceding, the stabilized monthly recurring rates in effect at the time of the actual service date are applicable.

(3) Additions

- (a) Additions of services or rate elements, for activating spare or unused capacities of a service under a CSPP arrangement, must be activated at the same stabilized monthly recurring rates specified under the existing CSPP arrangement except for 2.4.8(A), 3(b) and 3(c) following.
- (b) LightGate (a.k.a. BellSouth SPA Point to Point Network) CSPP customers must activate spare or unused channel interfaces⁽¹⁾ under the same stabilized monthly recurring rates specified under the existing CSPP arrangement.
- (c) Increases in capacity of LightGate (a.k.a. BellSouth SPA Point to Point Network) systems channels and/or nodes are permitted under CSPP. Such changes may be made by converting the CSPP arrangement to a TPP arrangement as specified in 2.4.8(D) following. When a LightGate system (a.k.a. BellSouth SPA Point to Point Network) channel and/or node is added to an existing CSPP arrangement, the payment plan will convert to a TPP arrangement as specified in 2.4.8(D).

(4) Disconnects

- (a) When a service or rate element, included under a CSPP arrangement, is disconnected prior to expiration of the selected service period, termination liability charges apply as set forth in the rate regulations in this tariff for such service. Remaining services or rate elements will not be affected by such disconnections.
- (b) When a tariffed service under a CSPP arrangement is disconnected prior to the expiration of a selected service period as a result of a customer requested change to a higher order of a separately tariffed service at the same location, termination liability charges will not apply when:

(N)

(N)

ISSUED: JANUARY 10, 2025

EFFECTIVE: JANUARY 25, 2025

- (1) This service has been de-tariffed pursuant to FCC Order No. 17- 43, released April 28, 2017. Terms and Conditions for de-tariffed services are available at www.att.com/guidebook.

|
(N)

Pending

ISSUED: JANUARY 10, 2025

EFFECTIVE: JANUARY 25, 2025

ACCESS SERVICE

2 - General Regulations (Cont'd)

2.4 Payment Arrangements and Credit Allowances (Cont'd)

2.4.8 Optional Payment Plans (Cont'd)

(A) Channel Services Payment Plan (Cont'd)

(5) Moves of Service Under CSPP

(c) (Cont'd)

- The original and new premises locations must be in Company territory within the same state.
- The move from the original location to the new location must be completed within thirty days of the original premises disconnect date.
- No lapse in billing will occur for moves of service under CSPP.
- Orders to disconnect the existing service and reestablish it at the new location must be related together and received by the Company at the same time.
- Any rate elements or quantities for local channels, interoffice channels⁽¹⁾, and/or optional features⁽¹⁾ and functions from the original location that are not reestablished at the new location will be subject to applicable Termination Liability Charges.
- Any additions made at the new location will be handled in accordance with 2.4.8(A)(3) preceding.
- All regulations and charges for changes made to the service coincident to the move will apply.
- All appropriate nonrecurring charges for moves of service as specified in 7.4.5 preceding will apply.
- Moves of service that involve a change from interstate to intrastate jurisdiction will not be treated as a disconnect of service with regard to termination liability charge application. The customer must subscribe to a payment arrangement offered in the appropriate intrastate tariff which is equal to or greater than the remaining contract period.

Pending

(N)
(N)

(1) These services have been de-tariffed pursuant to FCC Order No. 17-43, released April 28, 2017. Terms and Conditions for de-tariffed services are available at www.att.com/guidebook.

(N)
|
(N)

BELLSOUTH TELECOMMUNICATIONS
Four AT&T Plaza, Dallas, Texas 75202

TARIFF F.C.C. NO. 1
1ST REVISED PAGE 2-84
CANCELS ORIGINAL PAGE 2-84

ISSUED: JANUARY 10, 2025

EFFECTIVE: JANUARY 25, 2025

Pending

ISSUED: JANUARY 10, 2025

EFFECTIVE: JANUARY 25, 2025

ACCESS SERVICE

2 - General Regulations (Cont'd)

2.4 Payment Arrangements and Credit Allowances (Cont'd)

2.4.8 Optional Payment Plans (Cont'd)

(A) Channel Services Payment Plan (Cont'd)

(9) Prepayment (Cont'd)

(b) (Cont'd)

- When a customer who has prepaid recurring monthly rates replaces the existing CSPP arrangement with a new CSPP arrangement, the customer will be credited with that portion of the prepayment amount, representing a prepayment of the monthly recurring rates remaining in the existing CSPP arrangement.
- Customers who prematurely disconnect will have termination liability charges deducted from the unused prepaid balance. The remaining prepaid balance, if any, will be credited to their bill.

(B) Area Commitment Plan (ACP)

The Area Commitment Plan (ACP) allows customers who have obtained service on a month-to-month basis to receive reduced rates, in the form of ACP credits, in exchange for a commitment to maintain a level of service for a specified period of time. The terms of this plan apply to special access services or switched access services that are available under an ACP, except as noted in the rate regulations for a service.

Services included in a Channel Services Payment Plan (CSPP) and/or a Transport Payment Plan (TPP) may not be included in an ACP or vice versa.

The customer determines the commitment level of rate elements that will be included in an ACP, i.e., the customer will provide the number of commitment rate elements expressed as a whole number (e.g., 12 DS1 Local Channels). For example, a customer wishes to establish an ACP for all of his DS1 services that are billing on a month-to-month basis. The customer has 12 DS1 Local Channels and 6 DS1 Interoffice Channels⁽¹⁾ that have a total of 90 Interoffice Channel miles⁽¹⁾. In this example, the quantity of commitment rate elements would be specified as 12 DS1 Local Channels and 90 Interoffice Channel miles⁽¹⁾. For interoffice channels⁽¹⁾, the commitment is based on a quantity of miles. When credits are applied to interoffice channel miles⁽¹⁾ on a circuit, the customer automatically receives credit for the fixed rate element component of the interoffice channel⁽¹⁾. As a further example, this customer may desire to establish a commitment level only for a small portion of these DS1 services. In this case, the customer would specify the level that is desired (e.g., 1 DS1 Local Channel). ACP commitments are made on a regional basis, i.e., one commitment for all Company service areas.

(N)
(N)
(N)
(N)
(N)

ISSUED: JANUARY 10, 2025

EFFECTIVE: JANUARY 25, 2025

- (1) These services have been de-tariffed pursuant to FCC Order No. 17-43, released April 28, 2017. Terms and Conditions for de-tariffed services are available at www.att.com/guidebook.

|
(N)

Pending

ISSUED: JANUARY 10, 2025

EFFECTIVE: JANUARY 25, 2025

ACCESS SERVICE

2 - General Regulations (Cont'd)

2.4 Payment Arrangements and Credit Allowances (Cont'd)

2.4.8 Optional Payment Plans (Cont'd)

(B) Area Commitment Plan (ACP) (Cont'd)

The Customer may choose any period of time between 24 and 72 months for the commitment.⁽¹⁾⁽³⁾ The applicable rate for use in the ACP calculation is the ACP rate selected commitment period. ACP commitment periods are offered as follows:

- ACP A, commitment periods may be selected from 24 months to 48 months in length.⁽²⁾⁽³⁾

)

(D)
(D)

Each month the Telephone Company will determine the number of in-service rate elements, by type (Local Channel, Multiplexer or Channel Mileage), for which the Telephone Company will apply credits during the following month. The amount of any ACP credit will be based on the difference between the month-to-month rate and the associated ACP rate. Credit and shortfall calculations will be performed at the end of each month, and the resulting credit/shortfall amounts will be applied to the Customer's bill during the following month.

The Telephone Company will apply credits to Local Channel and Multiplexer rate elements, by applying the following steps in the following order:

1. Credits will be applied by state, in proportion to the percentage of the relevant rate element type purchased by the Customer in each state. For example, if a Customer purchases 40 percent of its Local Channels in Florida, then the Telephone Company will apply 40 percent of the Customer's ACP credits to Local Channels to Florida.
2. Within each state, Local Channel and Multiplexer credits will be applied by Rate Zone, beginning with Rate Zone 1 and proceeding to Zone 3.
3. Within each Rate Zone, credits will be applied according to the applicable monthly charge for each rate element, beginning with the highest billed rate elements and proceeding to the lowest billed rate elements.

⁽¹⁾ Effective May 15, 2015, Plan B commitment periods of 61 to 72 months will no longer be available. Plan B commitment periods from 49 to 60 months will continue to be available for new ACPs. There is no change for existing ACPs.

⁽²⁾ Effective on September 13, 2017, ACPs greater than 36-months for special access services are no longer available, including for any otherwise available conversions. Circuits already subject to an ACP greater than 36-months, as of September 13, 2017, will continue to be provided under the then-current ACP term for the remainder of that term.

⁽³⁾ Effective on November 1, 2022, all ACPs for High Capacity (a.k.a. BellSouth SPA High Capacity DS1 (a.k.a. BellSouth SPA DS1)), CSPPs of greater than 24 months for High Capacity (a.k.a. BellSouth SPA High Capacity DS1 (a.k.a. BellSouth SPA DS1)), SMARTPath Service (a.k.a. BellSouth SPA DS1 Shared Ring), and SMARTPath DS3 Transport Service (a.k.a. BellSouth SPA DS3 Shared Ring), and TPPs greater than 12 months for BellSouth DS1 Diverse Service and LightGate Systems (a.k.a. BellSouth SPA Point to Point Network), are no longer available,

BELLSOUTH TELECOMMUNICATIONS
Four AT&T Plaza, Dallas, Texas 75202

TARIFF F.C.C. NO. 1
7TH REVISED PAGE 2-89
CANCELS 6TH REVISED PAGE 2-89

ISSUED: JANUARY 10, 2025

EFFECTIVE: JANUARY 25, 2025

including for any otherwise available conversions. Circuits already subject to ACPs, CSPPs, and TPPs, as of November 1, 2022, will continue to be provided under the then-current term for the remainder of that term.

Pending

ISSUED: JANUARY 10, 2025

EFFECTIVE: JANUARY 25, 2025

ACCESS SERVICE

2 - General Regulations (Cont'd)

2.4 Payment Arrangements and Credit Allowances (Cont'd)

2.4.8 Optional Payment Plans (Cont'd)

(B) Area Commitment Plan (ACP) (Cont'd)

The Telephone Company will apply credits to mileage⁽¹⁾ rate elements, by applying the following steps in the following order: (N)

1. Credits will be applied by state, in proportion to the percentage of the relevant rate element type purchased by the customer in each state. For example, if a Customer purchases 40 percent of its Local Channels in Florida, then the Telephone Company will apply 40 percent of the Customer's ACP credits to channel mileage⁽¹⁾ in Florida. (N)
2. Within each state, credits will be applied beginning with the longest mileage⁽¹⁾ circuit and proceeding to the shortest mileage⁽¹⁾ circuit. (N)
3. If circuits have the same mileage⁽¹⁾, credits will be applied by Rate Zone, beginning with Rate Zone 1 and proceeding to Zone 3. (N)
4. Within a Rate Zone, credits will be applied according to the applicable monthly charge for each mileage⁽¹⁾ rate element, beginning with the highest billed rate element and proceeding to the lowest billed rate element. (N)

If the number of in-service rate elements is less than the commitment level, a shortfall charge will apply. The shortfall charge will be equal to the difference between the Customer's commitment level and the number of in-service rate elements of the relevant type (Local Channel, Multiplexer⁽¹⁾ or Channel Mileage⁽¹⁾); multiplied by 50 percent of the ACP rate applicable to each rate element to which a shortfall charge is applied. To calculate shortfall charges, the Telephone Company will apply the ACP Plan B, Price Cap Zone 2 rate that is in effect on the billing date for the appropriate commitment period, i.e., the ACP rate that is effective at the end of each month for which the credit/shortfall calculations are performed. (N)

(1) These services have been de-tariffed pursuant to FCC Order No. 17-43, released April 28, 2017. Terms and Conditions for de-tariffed services are available at www.att.com/guidebook. (N)

BELLSOUTH TELECOMMUNICATIONS
Four AT&T Plaza, Dallas, Texas 75202

TARIFF F.C.C. NO. 1
1ST REVISED PAGE 2-89.1
CANCELS ORIGINAL PAGE 2-89.1

ISSUED: JANUARY 10, 2025

EFFECTIVE: JANUARY 25, 2025

Some material appearing on this page previously appeared on 3rd Revised Page 89.

Pending

ISSUED: JANUARY 10, 2025

EFFECTIVE: JANUARY 25, 2025

ACCESS SERVICE

2 - General Regulations (Cont'd)

2.4 Payment Arrangements and Credit Allowances (Cont'd)

2.4.8 Optional Payment Plans (Cont'd)

(D) Transport Payment Plan (Cont'd)

(4) Disconnects (Cont'd)

(a) (Cont'd)

BellSouth DS1 Diverse service rate elements are defined as Local and Interoffice Channels⁽¹⁾. LightGate system (a.k.a. BellSouth SPA Point to Point Network) rate elements are defined as LightGate (a.k.a. BellSouth SPA Point to Point Network) service Local and Interoffice Channel⁽¹⁾ Systems including SAFT Levels I and II. BellSouth Dedicated Ring rate elements are defined as following: Local Channel, Interoffice Channel, Internodal Channel, Alternate Central Office Channel, Customer Node and Central Office Node.

(N)

(N)

(b) Except as provided in Section 2.4.8(D)4 (c) through (f) following, when a BellSouth DS1 Diverse service, LightGate (a.k.a. BellSouth SPA Point to Point Network) or BellSouth Dedicated Ring TPP customer disconnects services or rate elements prior to the minimum number of months for the plan period selected, termination liability charges will apply. The termination liability charge will be derived at the time of disconnection by taking the difference between the rate for the TPP period for which the customer subscribed, and the rate for the TPP period that the customer's completed service would otherwise qualify, and multiplying the difference by the number of months service the customer completed under a TPP. For example, a customer subscribes to a TPP for 73 months (Plan C) and terminates service after 20 months (Plan A). The termination liability charge will be applied by multiplying the number of months in service (20) by the difference between the Plan A and Plan C monthly rates. When a BellSouth DS1 Diverse service, LightGate (a.k.a. BellSouth SPA Point to Point Network) or BellSouth Dedicated Ring customer disconnects service after the minimum number of months for the TPP arrangement selected but prior to the actual expiration date of the TPP arrangement, termination liability charges do not apply.

(N)

ISSUED: JANUARY 10, 2025

EFFECTIVE: JANUARY 25, 2025

- (1) These services have been de-tariffed pursuant to FCC Order No. 17-43, released April 28, 2017. Terms and Conditions for de-tariffed services are available at www.att.com/guidebook.

|
(N)

Pending

ISSUED: JANUARY 10, 2025

EFFECTIVE: JANUARY 25, 2025

ACCESS SERVICE

2 - General Regulations (Cont'd)

2.4 Payment Arrangements and Credit Allowances (Cont'd)

2.4.8 Optional Payment Plans (Cont'd)

(D) Transport Payment Plan (Cont'd)

(4) Disconnects (Cont'd)

- (d) A termination liability charge will not apply to disconnects of channel interfaces⁽¹⁾ associated with LightGate (a.k.a. BellSouth SPA Point to Point Network) and/or BellSouth Dedicated Ring. (N)
- (e) Disconnects, moves, or rearrangements involving the removal of the following BellSouth Dedicated Ring rate elements, local channel, interoffice channel⁽¹⁾, customer node and central office node, to allow the placement of additional nodes and channels for existing customers where the total number of nodes does not decrease, will not be subject to termination liability charges. (N)

(1) These services have been de-tariffed pursuant to FCC Order No. 17-43, released April 28, 2017. Terms and Conditions for de-tariffed services are available at www.att.com/guidebook.

(N)
|
(N)

BELLSOUTH TELECOMMUNICATIONS
Four AT&T Plaza, Dallas, Texas 75202

TARIFF F.C.C. NO. 1
2ND REVISED PAGE 2-106
CANCELS 1ST REVISED PAGE 2-106

ISSUED: JANUARY 10, 2025

EFFECTIVE: JANUARY 25, 2025

Pending

ISSUED: JANUARY 10, 2025

EFFECTIVE: JANUARY 25, 2025

ACCESS SERVICE

2 - General Regulations (Cont'd)

2.4 Payment Arrangements and Credit Allowances (Cont'd)

2.4.8 Optional Payment Plans (Cont'd)

(D) Transport Payment Plan (Cont'd)

(5) Moves of Service Under TPP (Cont'd)

(c) (Cont'd)

- Any additions made at the new location will be handled in accordance with (3) preceding.
- All regulations and charges for changes made to the service coincident with the move will apply.
- All appropriate nonrecurring charges for moves of service as specified in 7.4.5, 7.5.9 and 23.5 following will apply.

Any rate elements or quantities for local channels, interoffice channels⁽¹⁾ or optional features and functions⁽¹⁾ from the original location that are not reestablished at the new location will be subject to applicable Termination Liability Charges.

(N)
(N)

(6) Requests for Changes in Length of Service Period

(a)

Subsequent to the establishment of a TPP arrangement, and prior to the completion of the selected service period for that arrangement, the TPP arrangement may be replaced by a new TPP arrangement at rates and charges in effect on the first day of service under the new TPP arrangement, subject to the following conditions:

- No credit will be given for payments made under the original TPP arrangement, except for credits allowed under 2.4.8(D)(9)(A) following.
- The service period selected for the new TPP arrangement begins on the new TPP effective date but not later than the expiration date of the TPP being replaced.
- Nonrecurring charges do not apply for existing services.

(1) These services have been de-tariffed pursuant to FCC Order No. 17-43, released April 28, 2017. Terms and Conditions for de-tariffed services are available at www.att.com/guidebook.

(N)
|
(N)

ISSUED: JANUARY 10, 2025

EFFECTIVE: JANUARY 25, 2025

ACCESS SERVICE

2 - General Regulations (Cont'd)

2.4 Payment Arrangements and Credit Allowances (Cont'd)

2.4.9 Service Installation Guarantee

- (A) The Telephone Company assures that orders for services to which the Service Installation Guarantee applies will be installed and available for customer use no later than the Service Date as specified in Section 5.1.1. The Service Installation Guarantee is applicable only as specified in Sections 2.4.9, 6.7.1(D) and 7.4.1(C) of this Tariff and for the Cross Connect elements in Section 13 of this Tariff.
- (B) The failure of the Telephone Company to meet this commitment will result in a Service Installation Guarantee credit being applied to the Customer's bill. The Service Installation Guarantee credit will only apply to the services specified in Section 6.7.1.(D), Section 7.4.1.(C), the Connection rate element specified in Section 28.1.9(A), and Cross Connect elements in Sections 13.3.22, 13.3.23, and 13.3.24 of this tariff, for which nonrecurring charges are applicable. The Service Installation Guarantee credit will be determined as follows:
1. For DS1 Special Access (a.k.a. BellSouth SPA DS1) and BellSouth SPA DS1 Diverse services, the Service Installation Guarantee credit will equal \$350 per DS1 circuit experiencing the missed Service Date or the amount of the actual installation charge, whichever is less.
 2. For all other eligible services, the Service Installation Guarantee credit will be equal to the billed nonrecurring charges associated with the individual service having the missed Service Date.

The Service Installation Guarantee credit will not be provided if the installation charge has been waived or credited for some other reason.

- (C) For BellSouth Dedicated Ring, the Service Installation Guarantee is applicable for all channel interface⁽¹⁾ rate elements. BellSouth Dedicated Ring level rate elements are excluded from the Service Installation Guarantee. BellSouth Dedicated Ring level rate elements are defined as follows: Local Channel, Interoffice Channel, Internodal Channel, Alternate Central Office Channel, Customer Node and Central Office Node. (N)
- (D) The Service Installation Guarantee is applicable to DS1 Diverse service Local and Interoffice Channel rate elements for which nonrecurring charges are appropriate.

(1) This service has been de-tariffed pursuant to FCC Order No. 17- 43, released April 28, 2017. Terms and Conditions for de-tariffed services are available at www.att.com/guidebook. (N)

ISSUED: JANUARY 10, 2025

EFFECTIVE: JANUARY 25, 2025

ACCESS SERVICE

5 - Ordering Options for BellSouth SWA and Special Access (a.k.a. BellSouth SPA) Service (Cont'd)

5.2 Access Order (Cont'd)

5.2.7 Special Access Service (a.k.a. BellSouth SPA) and BellSouth SWA Transport Service

(A) For all Special Access (a.k.a. BellSouth SPA) Services the customer must specify the customer premises or Hubs involved, the channel type (e.g., Video (a.k.a. BellSouth SPA Video), Voice Grade (a.k.a. BellSouth SPA DSO VG), High Capacity (a.k.a. BellSouth High Capacity), etc.), the channel interface⁽¹⁾, technical specification package and options desired. When ordering Voice Grade (a.k.a. BellSouth SPA DSO VG) local channels and associated voice grade (a.k.a. BellSouth SPA DSO VG) interoffice channels⁽¹⁾, the customer must specify whether they are to be billed under the Voice Grade (a.k.a. BellSouth SPA DSO VG) Rate Stability Plan. For multipoint services the channel interface⁽¹⁾ at each premises may, at the request of the customer, be different but all such interfaces shall be compatible. When establishing Special Access (a.k.a. BellSouth SPA) Service under the Shared Network Arrangement, the host subscriber must coordinate with each service user the design, testing and maintenance of the service. Additionally, the service user must provide to the BellSouth Telephone Companies the Connecting Facility Arrangement (CFA) and the High Capacity (a.k.a. BellSouth SPA High Capacity) Billing Account Number (HBAN) of the host subscriber.

(1) This service has been de-tariffed pursuant to FCC Order No. 17- 43, released April 28, 2017. Terms and Conditions for de-tariffed services are available at www.att.com/guidebook.

ISSUED: JANUARY 10, 2025

EFFECTIVE: JANUARY 25, 2025

ACCESS SERVICE

7 - Special Access (a.k.a. BellSouth SPA) Service

7.1 General

Non-Competitive End-User Channel Terminations (and associated optional features and functions) are the Special Access Services offered under this tariff. Other Special Access Services require to complete a circuit are available at www.att.com/guidebook.

(N)
|
(N)

Special Access (a.k.a. BellSouth SPA) service provides a transmission path to connect customer designated premises or a customer designated premises and a WATS serving office, either directly or through a Telephone Company Hub where bridging or channelization functions are performed. Special Access (a.k.a. BellSouth SPA) service includes all exchange access not utilizing Telephone Company end office switches.

The connections provided by Special Access (a.k.a. BellSouth SPA) service can be either analog or digital. Analog connections are differentiated by spectrum and bandwidth. Digital connections are differentiated by bit rate.

7.1.1 Channel Types

There are ten types of channels used to provide Special Access (a.k.a. BellSouth SPA) services. Each type has its own characteristics. All are subdivided by one or more of the following:

- Transmission specifications,
- Bandwidth,
- Speed (i.e., bit rate),
- Spectrum

Customers can order a basic channel and select, from a list of available transmission parameters and channel interfaces⁽²⁾, those that they desire to meet specific communications requirements.

(N)

For purposes of ordering channels, each has been identified as a type of Special Access (a.k.a. BellSouth SPA) service. However, such identification is not intended to limit a customer's use of the channel nor to imply that the channel is limited to a particular use. For example, if a customer's equipment is capable of transmitting voice over a channel that is identified as a Metallic (a.k.a. BellSouth SPA Metallic) service in this tariff, there is no restriction against doing so.

(1) Telephone Company Centrex Type Services switches and Telephone Company Answering Service Concentrators are considered to be customer premises for purposes of administering regulations and rates contained in this tariff.

(T)

(N)

BELLSOUTH TELECOMMUNICATIONS
Four AT&T Plaza, Dallas, Texas 75202

TARIFF F.C.C. NO. 1
2ND REVISED PAGE 7-1
CANCELS 1ST REVISED PAGE 7-1

ISSUED: JANUARY 10, 2025

EFFECTIVE: JANUARY 25, 2025

(2) This service has been de-tariffed pursuant to FCC Order No. 17- 43,
released April 28, 2017.
Terms and Conditions for de-tariffed services are available at
www.att.com/guidebook.

|
(N)

Pending

ISSUED: JANUARY 10, 2025

EFFECTIVE: JANUARY 25, 2025

ACCESS SERVICE

7 - Special Access (a.k.a. BellSouth SPA) Service (Cont'd)

7.1 General (Cont'd)

7.1.1 Channel Types (Cont'd)

Derived Data Channel⁽¹⁾ (a.k.a. BellSouth SPA Derived Data Channel) - a digital data channel derived from a two-wire local exchange facility that transmits voice and data signals simultaneously.

Digital Data⁽¹⁾ (a.k.a. BellSouth SPA DSO Digital Data) - a channel for the digital transmission of synchronous serial data at rates of 2.4, 4.8, 9.6, 19.2, 56.0 or 64.0 kbps.

High Capacity (a.k.a. BellSouth SPA High Capacity) - a channel for the transmission of isochronous serial digital data at rates of 1.544 Mbps (DS1), 3.152 Mbps (DS1C), 6.312 Mbps (DS2), or 44.736 Mbps (DS3).

Detailed descriptions of each of the channel types are provided in Section 7.2.

The customer also has the option of ordering digital high capacity (a.k.a. BellSouth SPA High Capacity) facilities i.e., Group, Supergroup, Mastergroup, DS1 (1.544 Mbps), DS1C (3.152 Mbps), DS2 (6.312 Mbps), and DS3 (44.736 Mbps) to a Telephone Company Hub for channelization to individual channels of a lower capacity or bandwidth.

Descriptions of the types of channelization available at the Hubs, as well as the number of individual channels which may be derived from each type of facility are set forth in Section 7.2. Additionally, the customer may specify optional features for the individual channels derived from the facility to further tailor the channel to meet specific communications requirements. Descriptions of the optional features and functions available are also set forth in Section 7.2.

For example, a customer may order LightGate service (a.k.a. BellSouth SPA Point to Point Network) with DS3 channel interfaces⁽²⁾ at a customer designated premises and terminate it at a Telephone Company Hub with DS1 (a.k.a. BellSouth SPA DS1) (1.544 Mbps) channel interfaces⁽¹⁾. These DS1 (a.k.a. BellSouth SPA DS1) channels may be further channelized to Voice Grade (a.k.a. BellSouth SPA DSO VG) (i.e., Group level) channels or may be extended to other customer designated premises or a different Hub. Optional features may be added to either the DS1 (a.k.a. BellSouth SPA DS1) or the Voice Grade (a.k.a. BellSouth SPA DSO VG) channels. (N)

(1) Effective November 20, 2019, this Service will no longer be available for purchase by new or existing customers, and service agreements may no longer be renewed. In addition, requests to move, add or change existing service arrangements will not be accepted. Following the expiration of a customer's existing term agreement, service will be provided on a month-to-month basis at the applicable monthly extension rates until the service is discontinued. AT&T currently plans to discontinue this Service on or after June 30, 2024.

(2) This service has been de-tariffed pursuant to FCC Order No. 17- 43, released April 28, 2017. Terms and Conditions for de-tariffed services are available at www.att.com/guidebook. (N)

ISSUED: JANUARY 10, 2025

EFFECTIVE: JANUARY 25, 2025

ACCESS SERVICE

7 - Special Access (a.k.a. BellSouth SPA) Service

7.1 General (Cont'd)

7.1.2 Rate Categories

The following rate categories apply to Special Access (a.k.a. BellSouth SPA) Service:

- Local Channels (described in Section 7.1.2(A))
- Interoffice Channels (described in Section 7.1.2(B))⁽²⁾
- Optional Features and Functions (described in Section 7.1.2(C))⁽²⁾
- SMARTPath Area Connection (described in Section 7.1.2(E))
- SMARTPath Area Junction (described in Section 7.1.2(E))
- Fast Packet Access Services⁽¹⁾ (as set forth in Section 21 of this Tariff)
- Digital Subscriber Line Access Services (as set forth in Section 28 of this Tariff)

Pending

(N)
(N)

(A) Local Channel

In general, the Local Channel rate category provides for the communications path between a customer-designated premises and the serving wire center of that premises. Included as part of the Local Channel is a standard channel interface arrangement which defines the technical characteristics associated with the type of facilities to which the access service is to be connected at the Point of Termination (POT) and the type of signaling capability, if any. The signaling capability itself is provided as an optional feature as set forth in Section 7.1.2(C). One Local Channel charge will apply per customer-designated premises at which the channel is terminated. This charge will also apply where the customer designated premises and the serving Wire Center are collocated in a Telephone Company building. This charge will also apply where both customer-designated premises are in the same building, or where the service is provided without physically traversing the serving wire center. The charge also applies where the designated premises is served from a wire center other than the one from which the customer would normally obtain dial tone, i.e., an alternate serving wire center, as described in Section 7.2.9(A).

⁽¹⁾ Exchange Access Frame Relay Service (a.k.a. BellSouth Exchange Access Frame Relay Service), BellSouth Exchange Access Asynchronous Transfer Mode Service, BellSouth Managed Shared Frame Relay Service, and BellSouth Managed Shared Asynchronous Transfer Mode Service have been discontinued and are no longer available in this publication (see WC Dkt. 11-120).

⁽²⁾ These services have been de-tariffed pursuant to FCC Order No. 17-43, released April 28, 2017. Terms and Conditions for de-tariffed services are available at

(N)
|
(N)

(This page filed under Transmittal No. 194)

BELLSOUTH TELECOMMUNICATIONS
Four AT&T Plaza, Dallas, Texas 75202

TARIFF F.C.C. NO. 1
5TH REVISED PAGE 7-5
CANCELS 4TH REVISED PAGE 7-5

ISSUED: JANUARY 10, 2025

EFFECTIVE: JANUARY 25, 2025

www.att.com/guidebook.

Pending

(This page filed under Transmittal No. 194)

All AT&T and BellSouth marks contained herein and as set forth in the trademarks and service marks section of the BellSouth Tariff are owned by AT&T Intellectual Property or AT&T affiliated companies.

ISSUED: JANUARY 10, 2025

EFFECTIVE: JANUARY 25, 2025

ACCESS SERVICE

7 - Special Access (a.k.a. BellSouth SPA) Service (Cont'd)

7.1 General (Cont'd)

7.1.2 Rate Categories (Cont'd)

(B)⁽¹⁾

Pending

(D) (N)

(D)

(1) Material in this Section has been de-tariffed pursuant to FCC Order No. 17-43, released April 28, 2017. Terms and Conditions for de-tariffed services are available at www.att.com/guidebook.

(N)

(N)

ISSUED: JANUARY 10, 2025

EFFECTIVE: JANUARY 25, 2025

ACCESS SERVICE

7 - Special Access (a.k.a. BellSouth SPA) Service (Cont'd)

7.1 General (Cont'd)

7.1.2 Rate Categories (Cont'd)

(B)⁽¹⁾

Pending

(D)(N)

(D)

(C)⁽¹⁾

(D)(N)

(D)

(1) Material in this Section has been de-tariffed pursuant to FCC Order No. 17-43, released April 28, 2017. Terms and Conditions for de-tariffed services are available at www.att.com/guidebook.

(N)

(N)

ISSUED: JANUARY 10, 2025

EFFECTIVE: JANUARY 25, 2025

ACCESS SERVICE

7 - Special Access (a.k.a. BellSouth SPA) Service (Cont'd)

7.1 General (Cont'd)

7.1.2 Rate Categories (Cont'd)

Pending

(F) BellSouth Expanded Interconnection Service Cross Connects

Terms and conditions and rates for BellSouth Expanded Interconnection Service Cross Connects are as set forth in Section 20 of this Tariff.

7.1.3 Service Configurations

There are four types of service configurations over which Special Access (a.k.a. BellSouth SPA) services are provided: link service, two-point service and multipoint service .

A change from one Special Access (a.k.a. BellSouth SPA) Service configuration to another will be treated as a discontinuance of existing service and an installation of a new service as set forth in 5.6 preceding, except for BellSouth SPA CNM - FlexServ Service reconfigurations service or link service configurations.

(A) Link Service

A link is a service configuration provided as a DS3 or DS1 channel of a LightGate service (a.k.a. BellSouth SPA Point to Point Network) local channel and/or interoffice channel⁽¹⁾. DS3 or DS1 channels provided in a LightGate service (a.k.a. BellSouth SPA Point to Point Network) interoffice channel⁽¹⁾ must either be combined with corresponding DS3 or DS1 channels in a LightGate service (a.k.a. BellSouth SPA Point to Point Network) local channel system to form a single link, or they may be provided on a stand-alone link basis with BellSouth SPA CNM - FlexServ Service, or hubbing applications at Voice Grade channel (a.k.a. BellSouth SPA DS VG) service levels when not directly connected with LightGate service (a.k.a. BellSouth SPA Point to Point Network) local channels. (N)

Individual links may be installed, maintained in service, and subsequently disconnected without affecting other links connected to them. Disconnection of a link, which forms a part of a two-point service configuration, necessitates the disconnection of the non-link service elements in the two-point configuration also. (N)

(This page filed under Transmittal No. 194)

All AT&T and BellSouth marks contained herein and as set forth in the trademarks and service marks section of the BellSouth Tariff are owned by AT&T Intellectual Property or AT&T affiliated companies.

ISSUED: JANUARY 10, 2025

EFFECTIVE: JANUARY 25, 2025

- (1) These services have been de-tariffed pursuant to FCC Order No. 17-43, released April 28, 2017. Terms and Conditions for de-tariffed services are available at www.att.com/guidebook.

|
(N)

Pending

(This page filed under Transmittal No. 194)

All AT&T and BellSouth marks contained herein and as set forth in the trademarks and service marks section of the BellSouth Tariff are owned by AT&T Intellectual Property or AT&T affiliated companies.

ISSUED: JANUARY 10, 2025

EFFECTIVE: JANUARY 25, 2025

ACCESS SERVICE

7 - Special Access (a.k.a. BellSouth SPA) Service (Cont'd)

7.1 General (Cont'd)

7.1.3 Service Configurations (Cont'd)

(A) Link Service (Cont'd)

Applicable rate elements are:

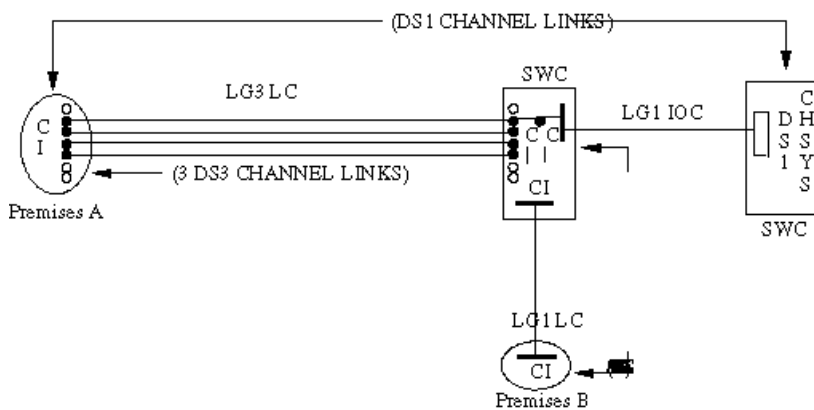
- One LightGate service (a.k.a. BellSouth Point to Point Network) Local Channel and/or LightGate service (a.k.a. BellSouth Point to Point Network) Interoffice Channel⁽¹⁾
- Optional Features and Functions (when applicable)⁽¹⁾

Pending

(1) Asynchronous Transport

In addition, a Special Access (a.k.a. BellSouth SPA) Surcharge as set forth in 7.4.2 following and a Message Station Equipment Recovery Charge as set forth in 7.4.3 following may be applicable.

The following diagram depicts Link service connecting customer premises "A" with several locations.



Applicable rate elements to this diagram are:

- Local Channels [LC] (LG1, 3)
- Interoffice Channels (as applicable)⁽¹⁾
- DS1 Channel System
- Channel Interfaces [CI] (DS1s, DS3s)⁽¹⁾

(N)

(N)

(1) These services have been de-tariffed pursuant to FCC Order No. 17-43, released April 28, 2017. Terms and Conditions for de-tariffed services are available at www.att.com/guidebook.

(N)

(N)

ISSUED: JANUARY 10, 2025

EFFECTIVE: JANUARY 25, 2025

ACCESS SERVICE

7 - Special Access (a.k.a. BellSouth SPA) Service (Cont'd)

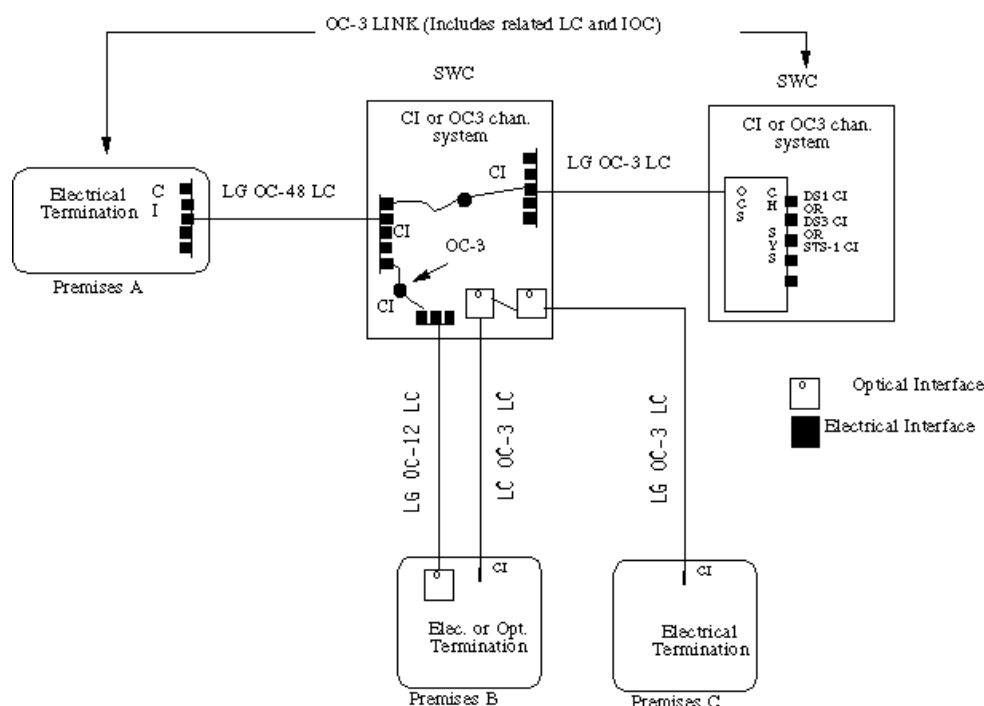
7.1 General (Cont'd)

7.1.3 Service Configurations (Cont'd)

(A) Link Service (Cont'd)

(2) Synchronous Transport

The following diagram depicts link service(s) connecting customer premises "A" with several locations.



Rate elements applicable to this diagram are:

- Local Channels [LC] (OC-3 with opt. SWC termination, OC-12 opt. cust. termination, OC-48 electrical)
- Interoffice Channels [IOC] (OC-3)⁽¹⁾
- Electrical Channel Interface [CI] (OC-3)⁽¹⁾
- OC-3 Channel System [CS] (OC-3)⁽¹⁾
- Electrical Channel Interface [CI] (DS1)⁽¹⁾
- Electrical Channel Interface [CI] (DS3)⁽¹⁾
- Electrical Channel Interface [CI] (STS-1)⁽¹⁾

(1) These services have been de-tariffed pursuant to FCC Order No. 17-43, released April 28, 2017. Terms and Conditions for de-tariffed services are available at www.att.com/guidebook.

(N)
 —
 (N)

 (N)
 —
 (N)

ISSUED: JANUARY 10, 2025

EFFECTIVE: JANUARY 25, 2025

ACCESS SERVICE

7 - Special Access (a.k.a. BellSouth SPA) Service (Cont'd)

7.1 General (Cont'd)

7.1.3 Service Configurations (Cont'd)

(B) Two-Point Service

A two-point service connects two customer designated premises, either on a directly connected basis, through a hub where multiplexing⁽¹⁾ functions are performed, or through BellSouth SPA CNM - FlexServ Service or an optional feature for BellSouth SPA CNM - FlexServ Service.

(N)

Applicable rate elements are:

- Local Channels (two applicable, except WATS (a.k.a. BellSouth SPA WATS) where only one is applicable)
- Interoffice Channels (as applicable)⁽¹⁾
- Optional Features and Functions (when applicable)⁽¹⁾

(N)

(N)

(1) These services have been de-tariffed pursuant to FCC Order No. 17-43, released April 28, 2017. Terms and Conditions for de-tariffed services are available at www.att.com/guidebook.

(N)

(N)

ISSUED: JANUARY 10, 2025

EFFECTIVE: JANUARY 25, 2025

ACCESS SERVICE

7 - Special Access (a.k.a. BellSouth SPA) Service (Cont'd)

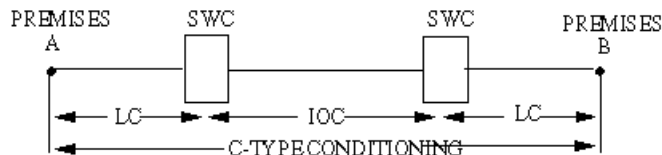
7.1 General (Cont'd)

7.1.3 Service Configurations (Cont'd)

(B) Two-Point Service (Cont'd)

In addition, a Special Access (a.k.a. BellSouth SPA) Surcharge as set forth in 7.4.2 following and a Message Station Equipment Recovery Charge as set forth in 7.4.3 following may be applicable.

The following diagram depicts a two-point Voice Grade (a.k.a. BellSouth SPA DSO VG) service connecting two customer designated premises located 15 miles apart. The service is provided with C-Type Conditioning.



LC - Local Channel¹
 IOC - Interoffice Channel⁽²⁾⁽³⁾
 SWC - Serving Wire Center

(N)

Applicable rate elements are:

- Local Channels⁽¹⁾⁽³⁾
- Interoffice Channels⁽²⁾⁽³⁾ (mileage band over 8 to 25 miles)
- C-Type Conditioning Optional Feature⁽³⁾

(N)

(N)

(N)

(1) Two Local Channels are applicable except with WATS Access Line (a.k.a. BellSouth SPA WATS Line) service. WAL (a.k.a. BellSouth SPA WATS Line) service requires only one Local Channel for the (end users) customer designated premises and none for the BellSouth SWA WATS serving office.

(C)

(2) Interoffice Channels (IOC) are applicable to a WATS Access Line (a.k.a. BellSouth SPA WATS Line) Extension when the BellSouth SWA WATS serving office and the customer's Serving Wire Center (SWC) are not collocated.

(C)

(3) These services have been de-tariffed pursuant to FCC Order No. 17-43, released April 28, 2017. Terms and Conditions for de-tariffed services are available at

(N)

|

(N)

www.att.com/guidebook.

ISSUED: JANUARY 10, 2025

EFFECTIVE: JANUARY 25, 2025

ACCESS SERVICE

7 - Special Access (a.k.a. BellSouth SPA) Service (Cont'd)

7.1 General (Cont'd)

7.1.3 Service Configurations (Cont'd)

(C) Multipoint Service

Multipoint service connects three or more customer designated premises through a BellSouth Hub. There is no limitation on the number of mid-links available with multipoint service. However, when more than three mid-links are provided in tandem, the quality of the service may be degraded. A mid-link is a channel between Hubs (i.e., bridging locations). Only certain types of Special Access (a.k.a. BellSouth SPA) service are provided as multipoint service. These are so designated in the Service Descriptions set forth in 7.2. following.

Multipoint service utilizing a customized technical specifications package as set forth in 7.2 following will be provided when technically possible. If BellSouth determines that the requested characteristics for a multipoint service are not compatible, the customer will be advised and given the opportunity to change the order.

When ordering, the customer will specify the desired bridging Hub(s) selected from the NATIONAL EXCHANGE CARRIER ASSOCIATION INC. TARIFF F.C.C. No. 4. This tariff identifies the type(s) of bridging functions which are available and the serving wire centers at which they are available.

Applicable Rate Elements are:

- Local Channels (one per customer designated premises)
- Interoffice Channels (as applicable between serving wire centers associated with two customer designated premises, between a serving wire center and a Hub, or between Hubs)⁽¹⁾
- Bridging⁽¹⁾
- Additional Optional Features (when applicable)⁽¹⁾

(N)
(N)
(N)

In addition, a Special Access (a.k.a. BellSouth SPA) Surcharge as set forth in 7.4.2 following and a Message Station Equipment Recovery Charge as set forth in 7.4.3 following may be applicable.

(1) These services have been de-tariffed pursuant to FCC Order No. 17-43, released April 28, 2017. Terms and Conditions for de-tariffed services are available at www.att.com/guidebook.

(N)
|
(N)

ISSUED: JANUARY 10, 2025

EFFECTIVE: JANUARY 25, 2025

ACCESS SERVICE

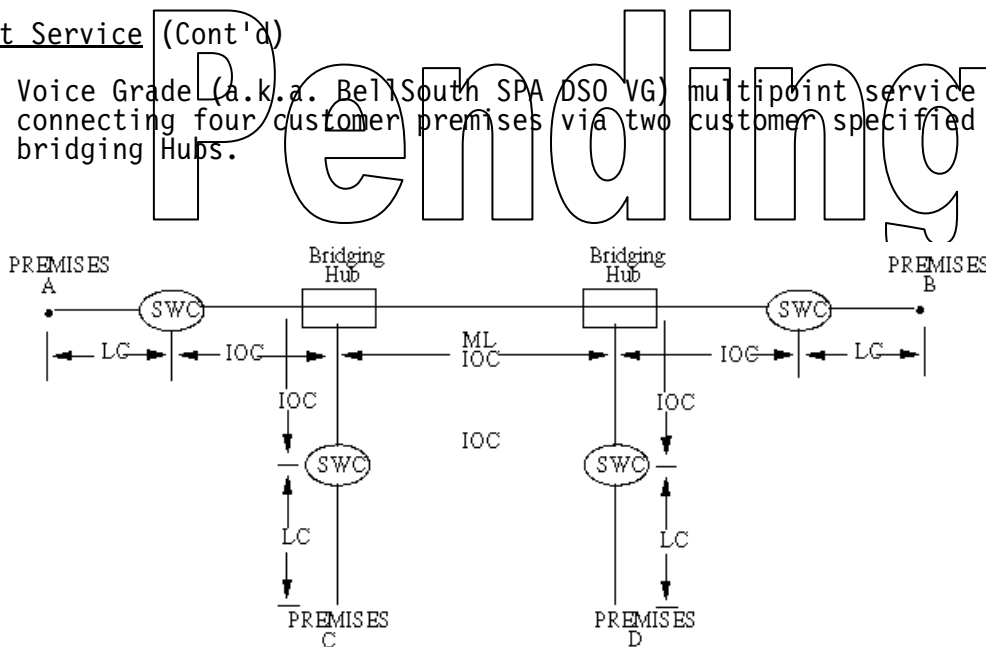
7 - Special Access (a.k.a. BellSouth SPA) Service (Cont'd)

7.1 General (Cont'd)

7.1.3 Service Configurations (Cont'd)

(C) Multipoint Service (Cont'd)

Example: Voice Grade (a.k.a. BellSouth SPA DSO VG) multipoint service connecting four customer premises via two customer specified bridging Hubs.



LC = Local Channel
 IC = Interoffice Channel⁽¹⁾
 B = Bridging⁽¹⁾
 SWC = Serving Wire Center
 ML = Mid-Link

Applicable rate elements are:

- Local Channels (4 applicable)
- Interoffice Channels (5 sections, each from appropriate mileage band)⁽¹⁾
- Bridging Optional Feature (6 applicable, i.e., each bridge port)⁽¹⁾

(1) These services have been de-tariffed pursuant to FCC Order No. 17-43, released April 28, 2017. Terms and Conditions for de-tariffed services are available at www.att.com/guidebook.

ISSUED: JANUARY 10, 2025

EFFECTIVE: JANUARY 25, 2025

ACCESS SERVICE

7 - Special Access (a.k.a. BellSouth SPA) Service (Cont'd)

7.1 General (Cont'd)

7.1.4 Alternate Use

Alternate Use occurs when a service is arranged by the Telephone Company so that the customer can select different types of transmission at different times. A customer may use a service in any privately beneficial manner. However, where technical or engineering changes are required to effectuate an alternate use, the Telephone Company will make such special arrangements available on an individual case basis.

The arrangement required to transfer the service from one operation to the other (i.e., the transfer relay and control leads) will be rated and provided on an individual case basis and filed in Section 12 of this Tariff. The customer will pay the stated tariff rates for the Access Service rate elements for the service ordered (i.e., Local Channels, Interoffice Channels⁽¹⁾ [as applicable] and Optional Features⁽¹⁾ [if any]).

(N)
(N)

7.1.5 Special Facilities Routing

A customer may request that the facilities used to provide Special Access Service (a.k.a. BellSouth SPA) be specially routed. The regulations, rates and charges for Special Facilities Routing (i.e., Avoidance, Diversity and Cable-Only) are set forth in Section 11 of this Tariff.

7.1.6 Design Layout Report

At the request of the customer, the Telephone Company will provide to the customer the make-up of the facilities and services provided under this tariff as Special Access Service (a.k.a. BellSouth SPA) to aid the customer in designing its overall service. This information will be provided in the form of a Design Layout Report. The Design Layout Report will be provided to the customer at no charge, and will be reissued or updated whenever these facilities are materially changed.

7.1.7 Acceptance Testing

At no additional charge, the Telephone Company will, at the customer's request, cooperatively test, at the time of installation, the following parameters:

(1) These services have been de-tariffed pursuant to FCC Order No. 17-43, released April 28, 2017. Terms and Conditions for de-tariffed services are available at www.att.com/guidebook.

(N)
|
(N)

ISSUED: JANUARY 10, 2025

EFFECTIVE: JANUARY 25, 2025

ACCESS SERVICE

7 - Special Access (a.k.a. BellSouth SPA) Service (Cont'd)

7.2 Service Descriptions

For the purposes of ordering, there are twelve categories of Special Access Service. These are:

- Metallic⁽²⁾ (a.k.a. BellSouth SPA Metallic) (MT)
Telegraph Grade⁽²⁾ (a.k.a. BellSouth SPA Telegraph) (TG)
Voice Grade⁽²⁾ (a.k.a. BellSouth SPA DSO/VG) (VG)
Program Audio⁽¹⁾⁽³⁾ (a.k.a. BellSouth SPA Program Audio) (AP)
Video (a.k.a. BellSouth SPA Video) (TV)
Digital Data Access⁽²⁾ (a.k.a. BellSouth SPA DSO Digital Data) Service (DDAS)
High Capacity (a.k.a. BellSouth SPA High Capacity) (HC)
WATS Access Line⁽²⁾ (a.k.a. BellSouth SPA WATS Line) (WAL)
Derived Data Channel⁽²⁾ (a.k.a. BellSouth SPA Derived Data Channel) Service (DDCS)

Each service consists of a basic channel to which a technical specifications package (predefined), channel interface(s)⁽⁴⁾ and, when desired, optional features and functions are added to construct the service desired by the customer. Each of the components of the service are described in this section. (N)

The channel description specifies the characteristics of the basic channel and indicates whether the channel is provided between customer designated premises or between a customer designated premises and a Telephone Company Hub where bridging and/or channelization functions are performed.

Information pertaining to the technical specifications packages indicates the transmission parameters that are available with each package. This information is displayed in a matrix with the transmission parameters listed down the left side and the packages listed across the top. Each package is identified by a code, e.g., VG1. The first two letters of the code indicate the category of Special Access Service to which the parameters are applicable. The number "1" following the two-letter code indicates the technical specifications package for a Voice Grade (a.k.a. BellSouth SPA DSO VG) service. The numeric designation following the two-letter code indicates the specific predefined package. When appropriate, the Technical Reference which contains detailed specifications for the parameters is shown following the matrix.

(1) Effective November 20, 2019, this Service will no longer be available for purchase by new or existing customers, and service agreements may no longer be renewed. In addition, requests to move, add or change existing service arrangements will not be accepted. Following the expiration of a customer's existing term agreement, service will be provided on a month-to-month basis at the applicable monthly extension rates until the service is discontinued. AT&T currently plans to discontinue this Service on or after November 1, 2020.

(2) Effective November 20, 2019, this Service will no longer be available for purchase by new or existing customers, and service agreements may no longer be renewed. In addition, requests to move, add or change existing service arrangements will not be accepted. Following the expiration of a customer's existing term agreement, service will be provided on a month-to-month basis at the applicable monthly extension rate until the service is discontinued. AT&T currently plans to discontinue this service on or after June 30, 2024.

(3) Program Audio is discontinued and no longer available in this publication (see WC Dkt. 19-238). (N)

(This page filed under Transmittal No. 194)

All AT&T and BellSouth marks contained herein and as set forth in the trademarks and service marks section of the BellSouth Tariff are owned by AT&T Intellectual Property or AT&T affiliated companies.

BELLSOUTH TELECOMMUNICATIONS
Four AT&T Plaza, Dallas, Texas 75202

TARIFF F.C.C. NO. 1
4TH REVISED PAGE 7-21
CANCELS 3RD REVISED PAGE 7-21

ISSUED: JANUARY 10, 2025

EFFECTIVE: JANUARY 25, 2025

⁽⁴⁾ This service has been de-tariffed pursuant to FCC Order No. 17- 43, released April 28, 2017. Terms and

Conditions for de-tariffed services are available at www.att.com/guidebook.

(N)

Pending

(This page filed under Transmittal No. 194)

All AT&T and BellSouth marks contained herein and as set forth in the trademarks and service marks section of the BellSouth Tariff are owned by AT&T Intellectual Property or AT&T affiliated companies.

ISSUED: JANUARY 10, 2025

EFFECTIVE: JANUARY 25, 2025

ACCESS SERVICE

7 - Special Access (a.k.a. BellSouth SPA) Service (Cont'd)

7.2 Service Descriptions (Cont'd)

Channel interfaces⁽⁴⁾ at each point of termination on a two-point service may be symmetrical or asymmetrical. On a multipoint service they may also be symmetrical or asymmetrical. However, communications can only be provided between points of termination with compatible channel interfaces⁽⁴⁾. Only certain channel interfaces⁽⁴⁾ are compatible. Technical references are set forth in Section 7.3.5. (N)

Only certain channel interface combinations⁽⁴⁾ are available with the predefined technical specifications packages. These are delineated in the Technical References set forth at the end of this Section 7.2. When a customized channel is requested, all channel interface combinations⁽⁴⁾ available with the specified type of service are available with the customized channel. (N)

The optional features and functions⁽⁴⁾ available with each type of Special Access (a.k.a. BellSouth SPA) service are described in this section. The optional features and functions⁽⁴⁾ information also indicates with which technical specifications packages they are available. Such information is displayed in a matrix with the optional feature or function listed down the left side and the technical specifications package listed across the top. (N)

The Telephone Company will maintain existing transmission specifications on services installed prior to the effective date of this tariff except that existing services with performance specifications exceeding the standard listed in this provision will be maintained at the performance levels specified in this tariff.

All services installed after the effective date of this tariff will conform to the transmission specification standards contained in this tariff or in the following Technical References for each category of service:

Metallic ⁽²⁾ (a.k.a. BellSouth SPA Metallic)	TR-NPL-000336
Telegraph Grade ⁽²⁾ (a.k.a. BellSouth SPA Telegraph)	TR-NPL-000336
Voice Grade ⁽²⁾ (a.k.a. BellSouth SPA DSO VG)	TR-NWT-000335 MDP 326-584
Program Audio ⁽¹⁾⁽³⁾ (a.k.a. BellSouth SPA Program Audio)	TR-NPL-000337
Video (a.k.a. BellSouth SPA Video)	TR-73583 (BellSouth) TR-73606 (BellSouth) TR-73607 (BellSouth) TR-73608 (BellSouth) TR-73609 (BellSouth) TR-73611 (BellSouth)

⁽¹⁾ Effective November 20, 2019, this Service will no longer be available for purchase by new or existing customers, and service agreements may no longer be renewed. In addition, requests to move, add or change existing service arrangements will not be accepted. Following the expiration of a customer's existing term agreement, service will be provided on a month-to-month basis at the applicable monthly extension rates until the service is discontinued. AT&T currently plans to discontinue this Service on or after November 1, 2020.

⁽²⁾ Effective November 20, 2019, this Service will no longer be available for purchase by new or existing customers, and service agreements may no longer be renewed. In addition, requests to move, add or change existing service arrangements will not be accepted. Following the expiration of a customer's existing term agreement, service will be provided on a month-to-month basis at the applicable monthly extension rates until the service is discontinued. AT&T currently plans to discontinue this Service on or after June 30, 2024.

⁽³⁾ Program Audio is discontinued and no longer available in this publication (see WC Dkt. 19-238).

⁽⁴⁾ This service has been de-tariffed pursuant to FCC Order No. 17- 43, released April 28, 2017. Terms and Conditions for de-tariffed services are available at www.att.com/guidebook. (N)

BELLSOUTH TELECOMMUNICATIONS
Four AT&T Plaza, Dallas, Texas 75202

TARIFF F.C.C. NO. 1
4TH REVISED PAGE 7-22
CANCELS 3RD REVISED PAGE 7-22

ISSUED: JANUARY 10, 2025

EFFECTIVE: JANUARY 25, 2025

Pending

ISSUED: JANUARY 10, 2025

EFFECTIVE: JANUARY 25, 2025

ACCESS SERVICE

7 - Special Access (a.k.a. BellSouth SPA) Service (Cont'd)

7.2 Service Descriptions (Cont'd)

Digital Data Access⁽²⁾ (a.k.a. BellSouth SPA DSO Digital Data) Service
 For 2.4, 4.8, 9.6 & 56.0 kbps
 For 19.2 kbps
 For 64.0 kbps
 High Capacity

TR-NWT-000341
 ANSI T1.107b-1
 ANSI T1.197b-1991
 ANSI T1.107b-1991
 TR-NPL-000054
 TR-INS-000342

WATS Access Line⁽²⁾ (a.k.a. BellSouth SPA WATS Line)
 Derived Data Channel⁽²⁾ (a.k.a. BellSouth SPA Derived Data Channel) Service

TR-NWT-000334
 TR-73548
 TR-73548, Addendum 1

SMARTPath Service (a.k.a. BellSouth SPA DS1 Shared Ring)
 SMARTPath DS3 Transport (a.k.a. BellSouth SPA DS3 Shared Ring) Service

TR-73575
 TR-73575, Addendum 1

7.2.1 Metallic Service⁽¹⁾⁽²⁾ (a.k.a. BellSouth SPA Metallic)

(A) Basic Channel Description

A Metallic (a.k.a. BellSouth SPA Metallic) channel is an unconditioned two-wire channel capable of transmitting low speed varying signals at rates up to 30 baud. This channel is provided by metallic or equivalent facilities. Metallic (a.k.a. BellSouth SPA Metallic) channels are provided between customer designated premises or between a customer designated premises and a Telephone Company Hub where bridging functions are performed. Interoffice metallic facilities will be limited in length to a total of five miles⁽³⁾ per channel. (N)

(B) Technical Specifications Packages

<u>Parameter</u>	<u>Package MT-</u>		
	<u>1</u>	<u>2</u>	<u>3</u>
DC Resistance			
Between Conductors	X	X	
Loop Resistance			X
Shunt Capacitance			X

The technical specifications are delineated in Technical Reference TR-NPL-000336.

(C) Channel Interface⁽³⁾

Compatible channel interfaces are set forth in Technical Reference TR-NPL-000336. (N)

⁽¹⁾ Effective September 20, 2017, Metallic Service has limited availability; see Section 2.1.15.

⁽²⁾ Effective November 20, 2019, this Service will no longer be available for purchase by new or existing customers, and service agreements may no longer be renewed. In addition, requests to move, add or change existing service arrangements will not be accepted. Following the expiration of a customer's existing term agreement, service will be provided on a month-to-month basis at the applicable monthly extension rates until the service is discontinued. AT&T currently plans to discontinue this Service on or after June 30, 2024.

(This page filed under Transmittal No. 194)

BELLSOUTH TELECOMMUNICATIONS
Four AT&T Plaza, Dallas, Texas 75202

TARIFF F.C.C. NO. 1
3RD REVISED PAGE 7-23
CANCELS 2ND REVISED PAGE 7-23

ISSUED: JANUARY 10, 2025

EFFECTIVE: JANUARY 25, 2025

⁽³⁾ These services have been de-tariffed pursuant to FCC Order No. 17-43, released April 28, 2017. Terms and Conditions for de-tariffed services are available at www.att.com/guidebook.

(N)
(N)

Pending

(This page filed under Transmittal No. 194)

All AT&T and BellSouth marks contained herein and as set forth in the trademarks and service marks section of the BellSouth Tariff are owned by AT&T Intellectual Property or AT&T affiliated companies.

ISSUED: JANUARY 10, 2025

EFFECTIVE: JANUARY 25, 2025

ACCESS SERVICE

7 - Special Access (a.k.a. BellSouth SPA) Service (Cont'd)

7.2 Service Descriptions (Cont'd)

7.2.2 Telegraph⁽³⁾ (a.k.a. BellSouth SPA Telegraph) Grade Service (Cont'd)

(C) Channel Interfaces⁽⁴⁾

Compatible channel interfaces are set forth in Technical Reference TR-NPL-000336.

(D) Optional Features and Functions

(1) Telegraph Bridging (two-wire and four-wire)

The following table shows the technical specifications packages with which the optional features and functions are available.

	Available with Technical Specifications Package TG-	
	<u>1</u>	<u>2</u>
Telegraph Bridging	X	X

7.2.3 Voice Grade (a.k.a. BellSouth SPA DSO VG) Service ⁽¹⁾⁽²⁾⁽³⁾

(A) Basic Channel Description

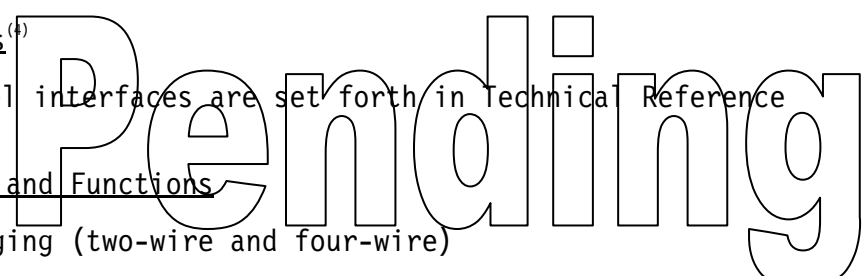
A Voice Grade (a.k.a. BellSouth SPA DSO VG) channel is a channel which provides voice frequency transmission capability in the nominal frequency range of 300 to 3000 Hz and may be terminated two-wire or four-wire. Voice Grade (a.k.a. BellSouth SPA DSO VG) channels are provided between customer designated premises or between a customer designated premises and a Telephone Company Hub.

(1) Effective November 5, 2016, Voice Grade (a.k.a. BellSouth SPA DSO VG) service in the Carbon Hill, Alabama and Kings Point, Florida Telephone Company wire centers is no longer available for new Customers at new locations. New circuits may be added at Customer locations with existing Voice Grade (a.k.a., BellSouth SPA DSO VG) circuits as of February 16, 2016. There are no changes for existing Customers except that circuit moves to different buildings are no longer permitted.

(2) Effective September 20, 2017, Voice Grade Service has limited availability; see Section 2.1.15.

(3) Effective November 20, 2019, this Service will no longer be available for purchase by new or existing customers, and service agreements may no longer be renewed. In addition, requests to move, add or change existing service arrangements will not be accepted. Following the expiration of a customer's existing term agreement, service will be provided on a month-to-month basis at the applicable monthly extension rates until the service is discontinued. AT&T currently plans to discontinue this Service on or after June 30, 2024.

(4) This service has been de-tariffed pursuant to FCC Order No. 17- 43, released April 28, 2017. Terms and Conditions for de-tariffed services are available at www.att.com/guidebook.



(N)

(N)
(N)

ISSUED: JANUARY 10, 2025

EFFECTIVE: JANUARY 25, 2025

ACCESS SERVICE

7 - Special Access (a.k.a. BellSouth SPA) Service (Cont'd)

7.2 Service Descriptions (Cont'd)

7.2.3 Voice Grade (a.k.a. BellSouth SPA DSO VG) Service⁽¹⁾⁽²⁾ (Cont'd)

(B) Technical Specifications Packages

Parameter	Package VG-											
	1	2	3	4	5	6	7	8	9	10	11	12
Attenuation												
Distortion	X	X	X	X	X	X	X	X	X	X	X	X
C-Message Noise	X	X	X	X	X	X	X	X	X	X	X	X
Echo Control	X	X	X		X		X	X			X	X
Envelope Delay												
Distortion						X	X	X	X	X	X	X
Frequency Shift						X	X	X	X	X	X	X
Impulse Noise					X	X	X	X	X	X	X	X
Intermodulation												
Distortion						X	X	X	X	X	X	
Loss Deviation	X	X	X	X	X	X	X	X	X	X	X	X
Phase Jitter						X	X	X	X	X	X	
Signal-to-C												
Message Noise				X								
Signal-to-C												
Notch Noise					X	X	X	X	X	X	X	X

The technical specifications for these parameters (except for dropouts, gain hits, and phase hits) are delineated in Technical Reference TR-NWT-000335. The technical specifications for dropouts, phase hits, and gain hits are delineated in Technical Reference MDP 326-584.

(C)⁽³⁾

(D) (N)

(D)

⁽¹⁾ Effective November 5, 2016, Voice Grade (a.k.a. BellSouth SPA DSO VG) service in the Carbon Hill, Alabama and Kings Point, Florida Telephone Company wire centers is no longer available.

⁽²⁾ Effective November 20, 2019, this Service will no longer be available for purchase by new or existing customers, and service agreements may no longer be renewed. In addition, requests to move, add or change existing service arrangements will not be accepted. Following the expiration of a customer's existing term agreement, service will be provided on a month-to-month basis at the applicable monthly extension rate until the service is discontinued. AT&T currently plans to discontinue this service on or after June 30, 2024.

⁽³⁾ Material in this Section has been de-tariffed pursuant to FCC Order No. 17-43, released April 28, 2017. Terms and Conditions for de-tariffed services are available at www.att.com/guidebook

(N)
(N)

ISSUED: JANUARY 10, 2025

EFFECTIVE: JANUARY 25, 2025

ACCESS SERVICE

7 - Special Access (a.k.a. BellSouth SPA) Service (Cont'd)

7.2 Service Descriptions (Cont'd)

7.2.3 Voice Grade (a.k.a. BellSouth SPA DSO VG) Service⁽¹⁾⁽⁴⁾ (Cont'd)

7.2.3.1 WATS Access Line (a.k.a. BellSouth SPA WATS Line) (WAL) Service⁽⁴⁾ (Cont'd)

(C) The following interfaces⁽⁶⁾ are available with WAL (a.k.a. BellSouth SPA WATS Line) Service: (N)

LO, LS, DS, GO, GS, RV, EA, EB

Compatible channel interfaces are set forth in Technical Reference TR-NWT-000334.

Pending

(D) Optional Features and Functions

- (1) Two-wire and four-wire Central Office bridging capability.
- (2) Improved two-wire voice transmission specifications.
- (3) Certain other arrangements associated with WAL (a.k.a. BellSouth SPA WATS Line) services such as WATS Access Line⁽⁴⁾ (a.k.a. BellSouth SPA WATS Line) Nonchargeable Termination Options and Common Switching Optional Features are available as defined in Section 6 preceding.
- (4) One-way or Two-way Capability

7.2.4 Program Audio (a.k.a. BellSouth SPA Program Audio) Service⁽¹⁾⁽²⁾⁽³⁾⁽⁵⁾

(A) Basic Channel Description

A Program Audio channel is a channel measured in Hz for the transmission of a complex signal voltage. The actual bandwidth is a function of the channel interface⁽⁶⁾ selected by the customer. Only one-way transmission is provided. Program Audio channels are provided between customer designated premises or between a customer designated premises and a Telephone Company Hub. (N)

- (1) Effective November 5, 2016, Voice Grade (a.k.a. BellSouth SPA DSO VG) service and Program Audio (a.k.a. BellSouth SPA Program Audio) service in the Carbon Hill, Alabama and Kings Point, Florida Telephone Company wire centers are no longer available for new Customers at new locations. New circuits may be added at Customer locations with existing Voice Grade (a.k.a., BellSouth SPA DSO VG) or Program Audio (a.k.a. BellSouth SPA Program Audio) circuits as of February 16, 2016. There are no changes for existing Customers except that circuit moves to different buildings are no longer permitted.
- (2) Effective September 20, 2017, Program Audio Service has limited availability; see Section 2.1.15.
- (3) Effective November 20, 2019, this Service will no longer be available for purchase by new or existing customers, and service agreements may no longer be renewed. In addition, requests to move, add or change existing service arrangements will not be accepted. Following the expiration of a customer's existing term agreement, service will be provided on a month-to-month basis at the applicable monthly extension rates until the service is discontinued. AT&T currently plans to discontinue this Service on or after November 1, 2020.
- (4) Effective November 20, 2019, this Service will no longer be available for purchase by new or existing customers, and service agreements may no longer be renewed. In addition, requests to move, add or change existing service arrangements will not be accepted. Following the expiration of a customer's existing term agreement, service will be provided on a month-to-month basis at the applicable monthly extension rates until the service is discontinued. AT&T currently plans to discontinue this Service on or after June 30, 2024.
- (5) Program Audio is discontinued and no longer available in this publication (see WC Dkt. 19-238).
- (6) This service has been de-tariffed pursuant to FCC Order No. 17- 43, released April 28, 2017. Terms and Conditions for de-tariffed (N)

BELLSOUTH TELECOMMUNICATIONS
Four AT&T Plaza, Dallas, Texas 75202

TARIFF F.C.C. NO. 1
7TH REVISED PAGE 7-38
CANCELS 6TH REVISED PAGE 7-38

ISSUED: JANUARY 10, 2025

EFFECTIVE: JANUARY 25, 2025

services are available at www.att.com/guidebook.

Pending

ISSUED: JANUARY 10, 2025

EFFECTIVE: JANUARY 25, 2025

ACCESS SERVICE

7 - Special Access (a.k.a. BellSouth SPA) Service (Cont'd)

7.2 Service Descriptions (Cont'd)

7.2.4 Program Audio (a.k.a. BellSouth SPA Program Audio) Service⁽¹⁾⁽²⁾⁽³⁾ (Cont'd)

(B) Technical Specifications Packages

Parameter*	Package AP-			
	1	2	3	4
Actual Measured Loss	X	X	X	X
Amplitude Tracking				
Crosstalk	X	X	X	X
Distortion Tracking				
Gain/Frequency Distortion	X	X	X	X
Group Delay				
Noise	X	X	X	X
Phase Tracking				
Short-Term Gain				
Stability				
Short-Term Loss				
Total Distortion	X	X	X	X

Pending

The technical specifications are delineated in Technical Reference TR-NPL-000337.

(C)⁽⁴⁾

(D) (N)

(D)

* The desired parameters are selected by the customer from the list of available parameters.

(1) Effective November 5, 2016, Program Audio (a.k.a. BellSouth SPA Program Audio) service in the Carbon Hill, Alabama and Kings Point, Florida Telephone Company wire centers is no longer available.

(2) Effective November 20, 2019, this Service will no longer be available for purchase by new or existing customers, and service agreements may no longer be renewed. In addition, requests to move, add or change existing service arrangements will not be accepted. Following the expiration of a customer's existing term agreement, service will be provided on a month-to-month basis at the applicable monthly extension rates until the service is discontinued. AT&T currently plans to discontinue this Service on or after November 1, 2020.

(3) Program Audio is discontinued and no longer available in this publication (see WC Dkt. 19-238).

(4) Material in this Section has been de-tariffed pursuant to FCC Order No. 17-43, released April 28, 2017. Terms and Conditions for de-tariffed services are available at www.att.com/guidebook

(N)
(N)

ISSUED: JANUARY 10, 2025

EFFECTIVE: JANUARY 25, 2025

ACCESS SERVICE

7 - Special Access (a.k.a. BellSouth SPA) Service (Cont'd)

7.2 Service Descriptions (Cont'd)

7.2.5 Video (a.k.a. BellSouth SPA Video) Services

The Telephone Company provides the following video services.

7.2.5.1 Broadcast Quality Video (a.k.a. BellSouth SPA Broadcast Quality Video) Service⁽¹⁾

(A) Basic Channel Description

Broadcast Quality Video (a.k.a. BellSouth SPA Broadcast Quality Video) service provides one-way transmission of National Television Systems Committee (NTSC) video signals between customer designated premises or between a customer designated premises and a Telephone Company central office via fiber optic facilities. A NTSC video channel provides standard 525 line/60 field, System M video signal with four (4) associated 20 kHz audio signals. The bandwidth for NTSC channels is either 30 Hz to 4.5 MHz or 30 Hz to 6.6 MHz. The associated audio signals may be either diplexed or provided as separate channels. The provision and the bandwidth of the associated audio signals is a function of the channel interface⁽²⁾ selected by the customer.

(N)

Different rates and charges apply for the two types of video signals. NTSC channels are provided under a month to month rate option.

Broadcast Quality Video customers may upgrade to Broadcast Quality Video SDI or higher video services without incurring termination liability charges, subject to the following conditions:

- (1) The customer must issue a disconnect order for the existing Broadcast Quality Video Service and place a service order for the new higher speed video service at the same locations such that there is no more than 60 days overlap between the two services.
- (2) The same locations must be utilized for the new higher-speed video service.
- (3) The customer must subscribe to a new CSPP term that is greater than or equal to the remaining months in the existing term for the lower speed service.
- (4) The existing Broadcast Quality Video Service must have been in service for a minimum period of 15 months for a 3-year term, or 18 months for a 5-year term.
- (5) Nonrecurring charges will apply where applicable.

⁽¹⁾ Effective November 5, 2016, Broadcast Quality Video (a.k.a. BellSouth SPA Broadcast Quality Video) service in the Carbon Hill, Alabama and Kings Point, Florida Telephone Company wire centers is no longer available for new Customers.

⁽²⁾ This service has been de-tariffed pursuant to FCC Order No. 17- 43, released April 28, 2017. Terms and Conditions for de-tariffed services are available at www.att.com/guidebook.

(N)
(N)

(This page filed under Transmittal No. 194)

All AT&T and BellSouth marks contained herein and as set forth in the trademarks and service marks section of the BellSouth Tariff are owned by AT&T Intellectual Property or AT&T affiliated companies.

BELLSOUTH TELECOMMUNICATIONS
Four AT&T Plaza, Dallas, Texas 75202

TARIFF F.C.C. NO. 1
3RD REVISED PAGE 7-41
CANCELS 2ND REVISED PAGE 7-41

ISSUED: JANUARY 10, 2025

EFFECTIVE: JANUARY 25, 2025

Pending

(This page filed under Transmittal No. 194)

All AT&T and BellSouth marks contained herein and as set forth in the trademarks and service marks section of the BellSouth Tariff are owned by AT&T Intellectual Property or AT&T affiliated companies.

ISSUED: JANUARY 10, 2025

EFFECTIVE: JANUARY 25, 2025

ACCESS SERVICE

7 - Special Access Service (Cont'd)

7.2 Service Descriptions (Cont'd)

7.2.5 Video (a.k.a. BellSouth SPA Video) Services (Cont'd)

7.2.5.1 Broadcast Quality Video (a.k.a. BellSouth SPA Broadcast Quality Video) Service⁽¹⁾ (Cont'd)

(B) Technical Specifications

The compatibility requirements, technical specifications, and generic requirements for Broadcast Quality Video (a.k.a. BellSouth SPA Broadcast Quality Video) terminated at the customer's designated locations are referenced in BellSouth Technical Reference 73608 for NTSC video channels.

(C)⁽²⁾

Pending

(D) (N)

(D)

(1) Effective November 5, 2016, Broadcast Quality Video (a.k.a. BellSouth SPA Broadcast Quality Video) service in the Carbon Hill, Alabama and Kings Point, Florida Telephone Company wire centers is no longer available for new Customers.

(2) Material in this Section has been de-tariffed pursuant to FCC Order No. 17-43, released April 28, 2017. Terms and Conditions for de-tariffed services are available at www.att.com/guidebook.

(N)
(N)

(This page filed under Transmittal No. 194)

All AT&T and BellSouth marks contained herein and as set forth in the trademarks and service marks section of the BellSouth Tariff are owned by AT&T Intellectual Property or AT&T affiliated companies.

BELLSOUTH TELECOMMUNICATIONS
Four AT&T Plaza, Dallas, Texas 75202

TARIFF F.C.C. NO. 1
3RD REVISED PAGE 7-42
CANCELS 2ND REVISED PAGE 7-42

ISSUED: JANUARY 10, 2025

EFFECTIVE: JANUARY 25, 2025

Pending

(This page filed under Transmittal No. 194)

All AT&T and BellSouth marks contained herein and as set forth in the trademarks and service marks section of the BellSouth Tariff are owned by AT&T Intellectual Property or AT&T affiliated companies.

ISSUED: JANUARY 10, 2025

EFFECTIVE: JANUARY 25, 2025

ACCESS SERVICE

7 - Special Access (BellSouth SPA) Service (Cont'd)

7.2 Service Descriptions (Cont'd)

7.2.5 Video (a.k.a. BellSouth SPA Video) Services (Cont'd)

7.2.5.3 Uncompressed Switched Video (a.k.a. BellSouth SPA Uncompressed Switched Video) Service

(A) Basic Description

An Uncompressed Switched Video (a.k.a. BellSouth SPA Uncompressed Switched Video) service channel is a channel that connects customer-designated video source(s) and video distribution location(s) through a customer-configurable video switch located at a Telephone Company Central Office (CO). Uncompressed Switched Video (a.k.a. BellSouth SPA Uncompressed Switched Video) service channels are single-direction and provided via fiber-optic facilities. This channel adheres to either a standard 525-line/60-field National Television Committee (NTSC) System-M video signal and includes up to four (4) 15 kHz audio signals or is a Serial Digital Interface⁽¹⁾ (SDI) uncompressed digital video signal transported at a speed of 270Mbps. (N)

- (1) Uncompressed Switched Video (a.k.a. BellSouth SPA Uncompressed Switched Video) service Local Channels (LC) (one way) provide connectivity of Single Channel or Multiple Channel Systems from each customer-designated end-location to its normal Serving Wire Center (SWC). Each Multiple Channel System also requires video channel activations. A customer may activate from one (1) to eight (8) video channels per Multiple Channel System.
- (2) Uncompressed Switched Video (a.k.a. BellSouth SPA Uncompressed Switched Video) service Interoffice Channels (IOC)⁽¹⁾ (one-way) provide connectivity of Single Channel or Multiple Channel Systems from the customer-designated location's normal SWC to the central office video switch. (N)
- (3) Uncompressed Switched Video (a.k.a. BellSouth SPA Uncompressed Switched Video) service arrangements are available in two configurations that are available as independent, or in combination of, Single Channel Video Systems and/or Multiple Channel Video Systems. Each arrangement requires a minimum 36-month commitment period and a minimum of 8 video channels. Customers meeting the minimum 8 video channel/36 month commitment period requirement may request additional Single Channel Systems be associated with the same arrangement on a month-to-month basis. Both Single Channel Systems and Multiple Channel Systems will have an interface⁽¹⁾ at the customer-designated end-location(s) with analog video and audio parameters as specified in TR-73593 or digital video signals specified in TR-73621. Customer designated end-locations are video source locations (transmit) or video distribution locations (receive). (N)

(N)

(This page filed under Transmittal No. 194)

BELLSOUTH TELECOMMUNICATIONS
Four AT&T Plaza, Dallas, Texas 75202

TARIFF F.C.C. NO. 1
1ST REVISED PAGE 7-45
CANCELS ORIGINAL PAGE 7-45

ISSUED: JANUARY 10, 2025

EFFECTIVE: JANUARY 25, 2025

- (1) This service has been de-tariffed pursuant to FCC Order No. 17- 43, released April 28, 2017. Terms and Conditions for de-tariffed services are available at www.att.com/guidebook.

|
(N)

Pending

(This page filed under Transmittal No. 194)

All BellSouth marks contained herein and as set forth in the trademarks and service marks section of the BellSouth Tariffs are owned by BellSouth Intellectual Property Corporation.

ISSUED: JANUARY 10, 2025

EFFECTIVE: JANUARY 25, 2025

ACCESS SERVICE

7 - Special Access (a.k.a. BellSouth SPA) Service (Cont'd)

7.2 Service Descriptions (Cont'd)

7.2.5 Video (a.k.a. BellSouth SPA Video) Services (Cont'd)

7.2.5.3 Uncompressed Switched Video (a.k.a. BellSouth SPA Uncompressed Switched Video) Service (Cont'd)

(C) Two-Way, Interactive Video Service

Two-way, interactive video service may be obtained by combining two one-way (opposite directions) Single Channel Video Systems or by combining two one-way (opposite directions) Multiple Channel Video Systems.

(D) Technical Specifications Packages

The compatibility requirements, technical specifications, and generic requirements for Uncompressed Switched Video (a.k.a. BellSouth SPA ncompressed Switched Video) service terminated at the customer's designated end locations are referenced in BellSouth Technical Reference 73607.

(E) ⁽¹⁾

(D) (N)
|
(D)

(1) This service has been de-tariffed pursuant to FCC Order No. 17- 43, released April 28, 2017. Terms and Conditions for de-tariffed services are available at www.att.com/guidebook.

(N)
|
(N)

ISSUED: JANUARY 10, 2025

EFFECTIVE: JANUARY 25, 2025

ACCESS SERVICE

7 - Special Access (a.k.a. BellSouth SPA) Service (Cont'd)

7.2 Service Descriptions (Cont'd)

7.2.5 Video (a.k.a. BellSouth SPA Video) Services (Cont'd)

7.2.5.6 BellSouth SPA Modular Video Transport Service¹ (Cont'd)

(A) Basic Channel Description

BellSouth SPA Modular Video Transport service is a fiber optic transport video service that interconnects two or more customer designated end point locations to provide one way video service with associated audio. Multiple endpoint locations may be interconnected to form one way video services, e.g. rings or multipoint hubs. Two-way service may be obtained by ordering two one-way (opposite directions) services. This service is available in two configurations, Multiple Channel Video Systems or Single Channel Video systems. Different rates and charges apply for the two configurations. Multiple Channel systems and Single Channel Systems are comprised of Local Channels, Interoffice Channels⁽²⁾, and Optional Features⁽²⁾. (N)

The technology that supports Multiple Channel Systems has a 16 channel capacity associated with each transport system. The specific number of channels supported are based on the design and video interface⁽²⁾ selected by the customer. The technology that supports Single Channel Systems has a capacity of one channel. (N)

This service may transport uncompressed National Television Systems Committee (NTSC) video signals, Component 270 Mbps video signals (Multiple Channel Systems only), Advanced Television Stream (ATV), and/or Intermediate Frequency (IF) video signals between customer premises.

The NTSC video interface⁽²⁾ supports transmission capability for a standard, System M - National Television Systems Committee, composite, 525 line/60 field, uncompressed, video signal and has four associated 20 kHz audio signals. NTSC video interfaces⁽²⁾ are provided as either 10 bit, NTSC10, or 8 bit, NTSC8, signals. (N)

Component 270 Video is a 270 Mbps serial digital interface⁽²⁾ that contains separate luminous and color signals plus associated audio. It is based on international standards and provides a better quality of service than NTSC composite video. (N)

Advanced Television Stream (ATV) video is a standard, dual port interface⁽²⁾ that can support up to 90 Mbps of MPEG2 video. (N)

Intermediate Frequency (IF) video provides for transmitting an analog video signal at an Intermediate Frequency between 40 and 46 mHz that can be modulated for a full 6 mHz of analog bandwidth. IF video can also be utilized to transport many Quadrature Amplitude Modulated (QAM) signals

¹ Effective August 25, 2011, BellSouth SPA Modular Video Transport Service is no longer available to new Customers. There is no change for existing customers.

BELLSOUTH TELECOMMUNICATIONS
Four AT&T Plaza, Dallas, Texas 75202

TARIFF F.C.C. NO. 1
2ND REVISED PAGE 7-52
CANCELS 1ST REVISED PAGE 7-52

ISSUED: JANUARY 10, 2025

EFFECTIVE: JANUARY 25, 2025

⁽²⁾ This service has been de-tariffed pursuant to FCC Order No. 17- 43,
released April 28, 2017.

Terms and Conditions for de-tariffed services are available at
www.att.com/guidebook.

(N)

Pending

(This page filed under Transmittal No. 194)

All BellSouth marks contained herein and as set forth in the trademarks and service marks section of the
BellSouth Tariffs are owned by BellSouth Intellectual Property Corporation.

ISSUED: JANUARY 10, 2025

EFFECTIVE: JANUARY 25, 2025

ACCESS SERVICE

7 - Special Access (a.k.a. BellSouth SPA) Service (Cont'd)

7.2 Service Descriptions (Cont'd)

7.2.5 Video (a.k.a. BellSouth SPA Video) Services (Cont'd)

7.2.5.6 BellSouth SPA Modular Video Transport Service⁽¹⁾ (Cont'd) (T)

(A) Basic Channel Description (Cont'd)

BellSouth SPA Modular Video Transport service is provided at rates and charges specified for local channels, interoffice channels⁽²⁾ and optional features⁽²⁾. This service is available under Month to Month rate options or via Channel Services Payment Plans. (N)

Local channels (one way) are available as 1) Multiple Channel Systems, 2) Single Channel Systems, 3) Single Channel Tributaries (available in conjunction with Multiple Channel Systems), and 4) Video Interfaces⁽²⁾. Multiple Channel Systems are provided as 1) Transmit, 2) Receive, or 3) Drop/Add and require video interfaces⁽²⁾ for operability. Single Channel Systems are provided as 1) Transmit or 2) Receive and require video interfaces for operability. (N)

⁽¹⁾ Effective August 25, 2011, BellSouth SPA Modular Video Transport Service is no longer available to new Customers. There is no change for existing customers. (T)

⁽²⁾ These services have been de-tariffed pursuant to FCC Order No. 17-43, released April 28, 2017. Terms and Conditions for de-tariffed services are available at www.att.com/guidebook. (N)

BELLSOUTH TELECOMMUNICATIONS
Four AT&T Plaza, Dallas, Texas 75202

TARIFF F.C.C. NO. 1
2ND REVISED PAGE 7-53
CANCELS 1ST REVISED PAGE 7-53

ISSUED: JANUARY 10, 2025

EFFECTIVE: JANUARY 25, 2025

Pending

ISSUED: JANUARY 10, 2025

EFFECTIVE: JANUARY 25, 2025

ACCESS SERVICE

7 - Special Access (a.k.a. BellSouth SPA) Service (Cont'd)

7.2 Service Descriptions (Cont'd)

7.2.5 Video (a.k.a. BellSouth SPA Video) Services (Cont'd)

7.2.5.6 BellSouth SPA Modular Video Transport Service⁽¹⁾ (Cont'd) (T)

(A) Basic Channel Description (Cont'd)

- (5) Component 270 Transmit - This video interface⁽²⁾ formats the customers 270 Mbps, component digital signal for transmission via BellSouth SPA Modular Video Transport service. In a multi-channel configuration, each Component 270 transmit video interface requires two time slots per plug in. (N)
- (6) Component 270 Receive - This video interface⁽²⁾ receives a transmission from BellSouth SPA Modular Video Transport service and reformats it to a 270 Mbps, component, digital signal. In a multi-channel configuration, each Component 270 receive video interface⁽²⁾ requires two time slots per plug in. (N)
- (7) ATV Transmit - This video interface⁽²⁾ formats the customers dual port, 90 Mbps, ATV digital signal for transmission via BellSouth SPA Modular Video Transport service. Each ATV transmit video interface⁽²⁾ requires one time slot per plug in. (N)
- (8) ATV Receive - This video interface⁽²⁾ receives a transmission from BellSouth SPA Modular Video Transport service and reformats it to a dual port, 90 Mbps, ATV signal. Each ATV receive video interface⁽²⁾ requires one time slot per plug-in. (N)
- (9) IF Transmit - This video interface⁽²⁾ converts an analog video signal between 40 and 46 mHz to an uncompressed digital signal for transmission via BellSouth SPA Modular Video Transport service. Each IF transmit interface⁽²⁾ requires one time slot per plug-in. (N)
- (10) IF Receive - This video interface⁽²⁾ receives a transmission from BellSouth SPA Modular Video Transport service and converts the uncompressed digital signal to an analog IF video signal between 40 and 46 mHz. Each IF receive interface⁽²⁾ requires one time slot per plug-in. (N)

BellSouth SPA Modular Video Transport service requires at least one Local Channel, Multiple Channel System-Transmit and one Local Channel, Multiple Channel System-Receive or one Local Channel, Single Channel System-Transmit and one Local Channel, Single Channel System-Receive. Single Channel Tributaries may only be ordered in conjunction with Local Channel, Multiple Channel Systems.

Interoffice channels include mileage and regenerators⁽²⁾. (N)

Optional Features include Network Status Monitoring, Audio/Video Jack Fields, and Fiber Optic Splitters. Network Status Monitoring provides the ability for the customer to remotely monitor and electronically rearrange transport features through the use of a customer's personal computer. This feature requires a minimum of a two way service or a one way ring.

⁽¹⁾ Effective August 25, 2011, BellSouth SPA Modular Video Transport Service is no longer available to new Customers. There is no change for existing customers. (T)

ISSUED: JANUARY 10, 2025

EFFECTIVE: JANUARY 25, 2025

(2) These services have been de-tariffed pursuant to FCC Order No. 17-43, released April 28, 2017. Terms and Conditions for de-tariffed services are available at www.att.com/guidebook.

(N)
|
(N)

Pending

(This page filed under Transmittal No. 194)

All BellSouth marks contained herein and as set forth in the trademarks and service marks section of the BellSouth Tariffs are owned by BellSouth Intellectual Property Corporation.

ISSUED: JANUARY 10, 2025

EFFECTIVE: JANUARY 25, 2025

ACCESS SERVICE

7 - Special Access (a.k.a. BellSouth SPA) Service (Cont'd)

7.2 Service Descriptions (Cont'd)

7.2.5 Video (a.k.a. BellSouth SPA Video) Services (Cont'd)

7.2.5.6 BellSouth SPA Modular Video Transport Service⁽¹⁾ (Cont'd)

(T)

Audio/Video Jack Fields are easy access points that allow a customer to locally monitor video and audio signals at the customer endpoint location. Fiber Optic Splitters provide the capability of broadcasting from one transmit system to one to four receive systems in a point to multipoint configuration. This feature is not available for ring configurations. Two or more fiber optic splitters may be utilized when more than four receive end points are required.

Two-way transport and/or counter rotating rings for electrical protection, may be obtained by combining two transport services in opposite directions.

(B) Technical Specifications Package

The compatibility requirements, technical specifications, and generic requirements for BellSouth SPA Modular Video Transport Service terminated at the customer's designated locations are referenced in BellSouth Technical Reference 73606.

(C)⁽²⁾

(N)

⁽¹⁾ Effective August 25, 2011, BellSouth SPA Modular Video Transport Service is no longer available to new Customers. There is no change for existing customers. (T)

⁽²⁾ Material in this Section has been de-tariffed pursuant to FCC Order No. 17-43, released April 28, 2017. Terms and Conditions for de-tariffed services are available at www.att.com/guidebook. (N)

BELLSOUTH TELECOMMUNICATIONS
Four AT&T Plaza, Dallas, Texas 75202

TARIFF F.C.C. NO. 1
2ND REVISED PAGE 7-56
CANCELS 1ST REVISED PAGE 7-56

ISSUED: JANUARY 10, 2025

EFFECTIVE: JANUARY 25, 2025

Pending

(This page filed under Transmittal No. 194)
All BellSouth marks contained herein and as set forth in the trademarks and service marks section of the
BellSouth Tariffs are owned by BellSouth Intellectual Property Corporation.

ISSUED: JANUARY 10, 2025

EFFECTIVE: JANUARY 25, 2025

ACCESS SERVICE

7 - Special Access (a.k.a. BellSouth SPA) Service (Cont'd)

7.2 Service Descriptions (Cont'd)

7.2.7 Reserved for Future Use (Cont'd)

7.2.8 Digital Data Access (a.k.a. BellSouth SPA DSO Digital Data) Service ⁽²⁾⁽³⁾

(A) Basic Channel Description

A Digital Data (a.k.a. BellSouth SPA DSO Digital Data) Access channel is a channel for duplex four-wire transmission of synchronous serial data at the rate of 2.4, 4.8, 9.6, 19.2, 56.0 or 64.0⁽¹⁾ kbps. Transmission speeds of 2.4, 4.8, 9.6 and 19.2 kbps are referred to as Low-speed Digital Data Access (a.k.a. BellSouth SPA DSO Digital Data) service (DDAS) options, and transmission speeds of 56.0 and 64.0 kbps are referred to as High-speed DDAS (a.k.a. BellSouth SPA DSO Digital Data) options. The actual bit rate is a function of the channel interface selected by the

(N)

(1) When 64.0 Kbps service is multiplexed on a DS1 High Capacity (a.k.a. BellSouth SPA DS1) service, the DS1 must be optioned with Clear Channel Capability.

(2) Effective September 20, 2017, Digital Data Access Service has limited availability; see Section 2.1.15.

(3) Effective November 20, 2019, this Service will no longer be available for purchase by new or existing customers, and service agreements may no longer be renewed. In addition, requests to move, add or change existing service arrangements will not be accepted. Following the expiration of a customer's existing term agreement, service will be provided on a month-to-month basis at the applicable monthly extension rates until the service is discontinued. AT&T currently plans to discontinue this Service on or after June 30, 2024.

(4) This service has been de-tariffed pursuant to FCC Order No. 17-43, released April 28, 2017. Terms and Conditions for de-tariffed services are available at www.att.com/guidebook.

(N)
(N)

ISSUED: JANUARY 10, 2025

EFFECTIVE: JANUARY 25, 2025

ACCESS SERVICE

7 - Special Access (a.k.a. BellSouth SPA) Service (Cont'd)

7.2 Service Descriptions (Cont'd)

7.2.8 Digital Data Access⁽¹⁾ (a.k.a. BellSouth SPA DSO Digital Data) Service
(Cont'd)

(A) Basic Channel Description (Cont'd)

customer. The channel provides a synchronous service with timing provided by the Telephone Company through the Telephone Company's facilities to the customer in the received bit stream. Digital Data Access (a.k.a. BellSouth SPA DSO Digital Data) service is used to connect customer designated premises or to connect customer designated premises to a Telephone Company DDAS Hub (where connection to other services may be allowed). DDAS (a.k.a. BellSouth SPA DSO Digital Data) channels are only available from Telephone Company serving wire centers designated as DDAS (a.k.a. BellSouth SPA DSO Digital Data) Hubs. A DDAS (a.k.a. BellSouth SPA DSO Digital Data) Hub is a Telephone Company designated wire center where specialized timing, testing, maintenance and monitoring is provided for DDAS (a.k.a. BellSouth SPA DSO Digital Data) circuits; DDAS (a.k.a. BellSouth SPA DSO Digital Data) bridging is provided and available only at a DDAS (a.k.a. BellSouth SPA DSO Digital Data) Hub office. Wire centers designated as DDAS (a.k.a. BellSouth SPA DSO Digital Data) Hubs are identified in the NATIONAL EXCHANGE CARRIER ASSOCIATION, INC. TARIFF F.C.C. NO. 4. In accordance with Section 7.4.6, interoffice mileage⁽²⁾ required to connect each customer designated premises to the DDAS (a.k.a. BellSouth SPA DSO Digital Data) Hub office is computed and rates applied separately for each section of the Interoffice Channel⁽²⁾, i.e., customer designated premises serving wire center to DDAS (a.k.a. BellSouth SPA DSO Digital Data) Hub, DDAS (a.k.a. BellSouth SPA DSO Digital Data) Hub to DDAS (a.k.a. BellSouth SPA DSO Digital Data) Hub and/or DDAS (a.k.a. BellSouth SPA DSO Digital Data) Hub to customer designated premises serving wire center. (N)

Secondary Channel Capability (SCC) is a derived companion digital transmission path that is independent of the primary data path and operates at a substantially lower bit rate. This derived channel allows the customer to perform network management functions during the normal operation of the network. This diagnostics channel utilizes a portion of a customer's previously unavailable data bit stream allowing for the ability to remotely control and test the network and peripheral devices without taking the network out of service. Special customer equipment is necessary to utilize the benefits of the SCC. Customers not wishing to utilize this capability will not be impacted. Due to transmission equipment restrictions, SCC cannot be provided on 56 Kbps service that require the installation of loop repeater equipment for provision of service. Also, SCC cannot be provided on 64.0 kbps service since all of the available bit stream will be used by the customer. (N)

The customer will provide the Channel Service Unit-type equipment or other Network Channel Terminating Equipment associated with the Digital Data Access (a.k.a. BellSouth SPA DSO Digital Data) channel at the customer premises. The interim program for interconnection of such equipment is set forth in Technical Reference PUB AS No. 1.

⁽¹⁾ Effective November 20, 2019, this Service will no longer be available for purchase by new or existing customers, and service agreements may no longer be renewed. In addition, requests to move, add or change existing service arrangements will not be accepted. Following the expiration of a customer's existing term agreement, service will be provided on a month-to-month basis at the applicable monthly extension rates until the service is discontinued. AT&T currently plans to discontinue this Service on or after June 30, 2024.

BELLSOUTH TELECOMMUNICATIONS
Four AT&T Plaza, Dallas, Texas 75202

TARIFF F.C.C. NO. 1
2ND REVISED PAGE 7-62
CANCELS 1ST REVISED PAGE 7-62

ISSUED: JANUARY 10, 2025

EFFECTIVE: JANUARY 25, 2025

⁽²⁾ This service has been de-tariffed pursuant to FCC Order No. 17- 43, released April 28, 2017. Terms and Conditions for de-tariffed services are available at www.att.com/guidebook.

(N)
(N)

Pending

ISSUED: JANUARY 10, 2025

EFFECTIVE: JANUARY 25, 2025

ACCESS SERVICE

7 - Special Access (a.k.a. BellSouth SPA) Service (Cont'd)

7.2 Service Descriptions (Cont'd)

7.2.8 Digital Data Access (a.k.a. BellSouth SPA DSO Digital Data) Service
 (Cont'd)

(B) Technical Specifications Packages

Parameter	Package DA-					
	1	2	3	4	5	6
Error-Free Seconds	X	X	X	X	X	X

The Telephone Company will provide a channel capable of meeting a monthly average performance equal to or greater than 99.875% error-free seconds while the channel is in service, if it is measured through a CSU equivalent which is designed, manufactured and maintained to conform with the interconnection specifications contained in Technical Reference MDP-326-726.

Interface options and service objectives are as specified in Technical Reference TR-NWT-000341.

(C)⁽¹⁾

(D)(N)

(D)⁽¹⁾

(D)

(1)Material in this Section has been de-tariffed pursuant to FCC Order No. 17-43, released April 28, 2017. Terms and Conditions for de-tariffed services are available at www.att.com/guidebook.

(N)

(N)

ISSUED: JANUARY 10, 2025

EFFECTIVE: JANUARY 25, 2025

ACCESS SERVICE

7 - Special Access (a.k.a. BellSouth SPA) Service (Cont'd)

7.2 Service Descriptions (Cont'd)

7.2.9 High Capacity (a.k.a. BellSouth SPA High Capacity) Service ⁽²⁾

(A) Basic Channel Description

A High Capacity (a.k.a. BellSouth SPA High Capacity) channel is a channel for the transmission of nominal 64.0 kbps ⁽¹⁾ or 1.544, 3.152, 6.312, or 44.736, Mbps isochronous serial data. The actual bit rate is a function of the channel interface ⁽⁴⁾ selected by the customer. High Capacity (a.k.a. BellSouth SPA High Capacity) channels are provided between customer-designated premises or between a customer-designated premises and a Telephone Company Hub. (N)

Except for DS1 Diverse service, a DS1 (1.544 Mbps) High Capacity (a.k.a. BellSouth SPA DS1) channel may also be provided over a fiber transmission path between a customer-designated premises and an alternate wire center. DS1 High Capacity (a.k.a. BellSouth SPA DS1) channels may not be provided over DS1 Diverse service. The customer must have at least one other High Capacity (a.k.a. BellSouth SPA High Capacity) service from the same customer-designated premises to its normal serving wire center. This DS1 Alternate Serving Wire Center (ASWC) transmission path avoids the wire center from which the customer would normally obtain dial tone. The ASWC local channel is provisioned between contiguous wire centers with adjacent fiber feeder routes. This service utilizes fiber facilities from the ASWC to the designated customer premises. Interoffice channel ⁽⁴⁾ facilities, if required, will avoid the normal serving wire center. The Telephone Company will designate the serving wire center to be used as the alternate. (N)

The DS1 ASWC arrangement is immediately available for all existing arrangements and, where facilities exist, for customers whose normal serving wire centers are those listed below:

ALPRGAMA	ATLNGABU	ATLNGACS	TUKRGAMA
ATLNGAEP	ATLNGAPP	ATLNGASS	
ATLNGATH	DNWDGAMA	RSWLGAMA	
SMYRGAMA	SMYRGAPF	CHMBGAMA	

(1) Available only as a channelized element of a 1.544 Mbps facility between two Telephone Company Digital Data (a.k.a. BellSouth SPA DSO Digital Data) Access Hubs or as a cross connect of two 2.4, 4.8, 9.6, 19.2, 56.0 or 64.0 Kbps channels of two 1.544 Mbps facilities at a Digital Data (a.k.a. BellSouth SPA DSO Digital Data) Access Hub. The customer must provide system and channel assignment data.

(2) Effective September 20, 2017, High Capacity Service has limited availability; see Section 2.1.15.

(3) Effective November 20, 2019, this Service will no longer be available for purchase by new or existing customers, and service agreements may no longer be renewed. In addition, requests to move, add or change existing service arrangements will not be accepted. Following the expiration of a customer's existing term agreement, service will be provided on a month-to-month basis at the applicable monthly extension rates until the service is discontinued. AT&T currently plans to discontinue this Service on or after June 30, 2024.

(4) These services have been de-tariffed pursuant to FCC Order No. 17-43, released April 28, 2017. Terms and Conditions for

(This page filed under Transmittal No. 194)

All AT&T and BellSouth marks contained herein and as set forth in the trademarks and service marks section of the BellSouth Tariff are owned by AT&T Intellectual Property or AT&T affiliated companies.

(N)

BELLSOUTH TELECOMMUNICATIONS
Four AT&T Plaza, Dallas, Texas 75202

TARIFF F.C.C. NO. 1
3RD REVISED PAGE 7-67
CANCELS 2ND REVISED PAGE 7-67

ISSUED: JANUARY 10, 2025

EFFECTIVE: JANUARY 25, 2025

de-tariffed services are available at www.att.com/guidebook.

Pending

(This page filed under Transmittal No. 194)

All AT&T and BellSouth marks contained herein and as set forth in the trademarks and service marks section of the BellSouth Tariff are owned by AT&T Intellectual Property or AT&T affiliated companies.

ISSUED: JANUARY 10, 2025

EFFECTIVE: JANUARY 25, 2025

ACCESS SERVICE

7 - Special Access (a.k.a. BellSouth SPA) Service (Cont'd)

7.2 Service Descriptions (Cont'd)

7.2.9 High Capacity Service (Cont'd)

(A) Basic Channel Description (Cont'd)

A BellSouth DS1 Diverse service local and interoffice channel⁽¹⁾ provides for a local and interoffice channel⁽¹⁾ facility, as defined in 7.1.2(A) and (B), utilizing a structurally diverse, fiber-based, architecture designed to limit single points of failure. DS1 Diverse service is available to customer locations where existing local and interoffice Channel⁽¹⁾ facilities are fiber-based and utilize structurally diverse routes. Connectivity is available from a BellSouth DS1 Diverse Local Channel⁽¹⁾ to another BellSouth DS1 Diverse service Local or Interoffice Channel⁽¹⁾, a DS1 (a.k.a. BellSouth SPA DS1) service Basic Channelization System, Centrex Type service, BellSouth SPA CNM - FlexServ Service, LightGate (a.k.a. BellSouth SPA Point to Point Network) service, BellSouth SPA Managed Shared Network service, Expanded Interconnection service, or Exchange Access Frame Relay (a.k.a. BellSouth Exchange Access Frame Relay) service (XAFRS). BellSouth DS1 Diverse Interoffice Channels⁽¹⁾ are not available without interconnection to a BellSouth DS1 Diverse service Local Channel. BellSouth DS1 Diverse service Local and Interoffice Channels⁽¹⁾ may not be connected to a DS1 (a.k.a. BellSouth SPA DS1) service Local or Interoffice Channel⁽¹⁾, and are not eligible for Alternate Serving Wire Center (ASWC) routing.

The DS1 ASWC arrangement will be provided elsewhere within 12 months of receiving a customer request. Where facilities do not exist, special construction charges for construction of a route or type of facility other than normal may apply as set forth in the Telephone Company's special construction tariff.

The charges for DS1 ASWC as specified in 7.5.9(A) following, apply on a per DS1 local channel basis and are in lieu of the per DS1 local channel charges which apply for DS1 local channels which extend from the customer-designated premises to the normal serving wire center. Interoffice channel mileage⁽¹⁾ for the alternately routed service is based on mileage measured from or to the alternate serving wire center.

(N)
(N)
(N)
(N)
(N)
(N)
(N)
(N)
(N)
(N)
(N)
(N)

(This page filed under Transmittal No. 194)

All AT&T and BellSouth marks contained herein and as set forth in the trademarks and service marks section of the BellSouth Tariff are owned by AT&T Intellectual Property or AT&T affiliated companies.

ISSUED: JANUARY 10, 2025

EFFECTIVE: JANUARY 25, 2025

(1) This service has been de-tariffed pursuant to FCC Order No. 17- 43, released April 28, 2017. Terms and Conditions for de-tariffed services are available at www.att.com/guidebook.

|
(N)

Pending

(This page filed under Transmittal No. 194)

All AT&T and BellSouth marks contained herein and as set forth in the trademarks and service marks section of the BellSouth Tariff are owned by AT&T Intellectual Property or AT&T affiliated companies.

ISSUED: JANUARY 10, 2025

EFFECTIVE: JANUARY 25, 2025

ACCESS SERVICE

7 - Special Access (a.k.a. BellSouth SPA) Service (Cont'd)

7.2 Service Descriptions (Cont'd)

7.2.9 High Capacity (a.k.a. BellSouth SPA High Capacity) Service (Cont'd)

(A) Basic Channel Description (Cont'd)

LightGate service (a.k.a. BellSouth SPA Point to Point Network) is a high capacity digital transport service consisting of DS1 and DS3 ⁽¹⁾ channels. LightGate service (a.k.a. BellSouth SPA Point to Point Network) local channels are provided in four asynchronous system sizes: LightGate 1 service (a.k.a. BellSouth SPA Point to Point Network 1 DS3 capacity) systems, LightGate 2 service (a.k.a. BellSouth SPA Point to Point Network 3 DS3 capacity) systems, LightGate 3 service (a.k.a. BellSouth SPA Point to Point Network 12 DS3 capacity) systems, and LightGate 4 service (a.k.a. BellSouth SPA Point to Point Network 24 DS3 capacity) systems. Interoffice channels ⁽¹⁾ are provided in one system size: an asynchronous LightGate 1 service (a.k.a. BellSouth SPA Point to Point Network 1 DS3 capacity) system. Asynchronous systems are capable of transporting asynchronous DS1 and DS3 channels.

(N)

(1) This service has been de-tariffed pursuant to FCC Order No. 17- 43, released April 28, 2017. Terms and Conditions for de-tariffed services are available at www.att.com/guidebook.

(N)
|
(N)

ISSUED: JANUARY 10, 2025

EFFECTIVE: JANUARY 25, 2025

ACCESS SERVICE

7 - Special Access (a.k.a. BellSouth SPA) Service (Cont'd)

7.2 Service Descriptions (Cont'd)

7.2.9 High Capacity (a.k.a. BellSouth SPA High Capacity) Service (Cont'd)

(A) Basic Channel Description (Cont'd)

Two additional levels of reliability are offered as options of basic LightGate service (a.k.a. BellSouth SPA Point to Point Network). These service levels provide guaranteed Separate Alternate Facilities Transport (SAFT Levels I & II) for improved protection of local channel systems extended from the first outside plant service access point outside the Telephone Company's serving wire center to the last outside plant service access point prior to entering a customer's premises.

SAFT Level I

Service protection facilities will be guaranteed to be provided in a separate sheath, i.e., cable, from the primary facilities.

SAFT Level II

Service protection facilities will be guaranteed to be provided in a separate sheath, i.e., cable, separate supporting structure and route from the primary facilities. Intermediate equipment, if required, will be configured to prevent a single service interruption point.

LightGate service (a.k.a. BellSouth SPA Point to Point Network) channel interfaces⁽¹⁾ are offered to provide individual DS1 and DS3 channels⁽¹⁾. Each DS3 channel has a capacity of 28 DS1 channels. A group of 28 DS1 channels or fraction thereof displaces the availability of a DS3⁽¹⁾ channel in a system. Appropriate electrical signals will be provided in accordance with the specifications of Technical Reference TR-INS-000342. The specifications for LightGate service (a.k.a. BellSouth SPA Point to Point Network) interfaces⁽¹⁾ are contained in BellSouth Telecommunications Technical Reference TR-73501. (N)

The following table lists the channel interfaces⁽¹⁾ available with each LightGate service (a.k.a. BellSouth SPA Point to Point Network) system. (N)

(1) This service has been de-tariffed pursuant to FCC Order No. 17- 43, released April 28, 2017. Terms and Conditions for de-tariffed services are available at www.att.com/guidebook.

(This page filed under Transmittal No. 194)

BELLSOUTH TELECOMMUNICATIONS
Four AT&T Plaza, Dallas, Texas 75202

TARIFF F.C.C. NO. 1
1ST REVISED PAGE 7-71
CANCELS ORIGINAL PAGE 7-71

ISSUED: JANUARY 10, 2025

EFFECTIVE: JANUARY 25, 2025

Pending

(This page filed under Transmittal No. 194)

All AT&T and BellSouth marks contained herein and as set forth in the trademarks and service marks section of the BellSouth Tariff are owned by AT&T Intellectual Property or AT&T affiliated companies.

ISSUED: JANUARY 10, 2025

EFFECTIVE: JANUARY 25, 2025

ACCESS SERVICE

7 - Special Access (a.k.a. BellSouth SPA) Service (Cont'd)

7.2 Service Descriptions (Cont'd)

7.2.9 High Capacity (a.k.a. BellSouth SPA High Capacity) Service (Cont'd)

(A) Basic Channel Description (Cont'd)

Interoffice Channel Systems⁽¹⁾.

Pending

(D) (N)

(D)

(1) Material in this Section has been de-tariffed pursuant to FCC Order No. 17-43, released April 28, 2017. Terms and Conditions for de-tariffed services are available at www.att.com/guidebook.

(N)

|

(N)

ISSUED: JANUARY 10, 2025

EFFECTIVE: JANUARY 25, 2025

ACCESS SERVICE

7 - Special Access (a.k.a. BellSouth SPA) Service (Cont'd)

7.2 Service Descriptions (Cont'd)

7.2.9 High Capacity (a.k.a. BellSouth SPA High Capacity) Service (Cont'd)

(A) Basic Channel Description (Cont'd)

LightGate service (a.k.a. BellSouth SPA Point to Point Network) local channel systems provided to a customer's designated premises will be installed in a single, common space under Telephone Company control. A local channel system may not be split between premises or terminated in multiple locations within a premises. The customer must provide suitable floor space, controlled environment, and source of non-switched suitable power to support this service at that location.

LightGate service 1 (a.k.a. BellSouth SPA Point to Point Network 1 DS3 capacity) interoffice channel systems⁽¹⁾ are intended to extend LightGate service (a.k.a. BellSouth SPA Point to Point Network) local channels to other central offices or to be provided on a stand-alone basis when connected to BellSouth Customer Network Management Service and hubbing applications at Voice Grade (a.k.a. BellSouth SPA DSO VG) service levels when not directly connected to LightGate service (a.k.a. BellSouth SPA Point to Point Network) local channels. Each LightGate service interoffice system⁽¹⁾ is only provided between two suitably equipped Telephone Company central offices. (N)

(1) This service has been de-tariffed pursuant to FCC Order No. 17- 43, released April 28, 2017. Terms and Conditions for de-tariffed services are available at www.att.com/guidebook.

(N)
(N)

ISSUED: JANUARY 10, 2025

EFFECTIVE: JANUARY 25, 2025

ACCESS SERVICE

7 - Special Access (a.k.a. BellSouth SPA) Service (Cont'd)

7.2 Service Descriptions (Cont'd)

7.2.9 High Capacity (a.k.a. BellSouth SPA High Capacity) Service (Cont'd)

(B) Technical Specifications Packages

The Compatibility requirements, technical specifications, and generic requirements for High Capacity service (a.k.a. BellSouth SPA High Capacity) service that are terminated at the customers (end users) premises are contained in Technical Reference TR-NPL-000054.

Transmission parameter limits, interface⁽¹⁾ combinations, and technical specifications applicable to Interstate Carriers are contained in Technical Reference TR-INS-000342.

BellSouth DS1 Diverse service Local and Interoffice Channels⁽¹⁾ have a performance objective of 99.98 percent circuit availability over 12 consecutive months, 99.95 percent error free seconds over a continuous 24 hour period, and .010 severely errored seconds over 30 consecutive days. These objectives apply except when a customer's equipment and/or cabling is disconnected and/or inoperative.

DS3 High Capacity service (a.k.a. BellSouth SPA DS3) service channels are measured at the DS1 rate. DS1 High Capacity service (a.k.a. BellSouth SPA DS1) service channels have a performance objective of 98.75% error-free seconds over a continuous 24 hour period. The channel availability objective over 12 consecutive months is 99.925%.

(C)⁽²⁾

(N)

(N)

(D) (N)

(D)

(N)

(N)

(1) These services have been de-tariffed pursuant to FCC Order No. 17-43, released April 28, 2017. Terms and Conditions for de-tariffed services are available at www.att.com/guidebook.

(2) Material in this Section has been de-tariffed pursuant to FCC Order No. 17-43, released April 28, 2017. Terms and Conditions for de-tariffed services are available at www.att.com/guidebook.

BELLSOUTH TELECOMMUNICATIONS
Four AT&T Plaza, Dallas, Texas 75202

TARIFF F.C.C. NO. 1
1ST REVISED PAGE 7-75
CANCELS ORIGINAL PAGE 7-75

ISSUED: JANUARY 10, 2025

EFFECTIVE: JANUARY 25, 2025

Pending

ISSUED: JANUARY 10, 2025

EFFECTIVE: JANUARY 25, 2025

ACCESS SERVICE

7 - Special Access (a.k.a. BellSouth SPA) Service (Cont'd)

7.2 Service Descriptions (Cont'd)

7.2.9 High Capacity (a.k.a. BellSouth SPA High Capacity) Service (Cont'd)

(D)⁽⁴⁾

Pending

(D)(N)

(D)

(1) DELETED

(2) DELETED

(3) DELETED

(4) Material in this Section has been de-tariffed pursuant to FCC Order No. 17-43, released April 28, 2017. Terms and Conditions for de-tariffed services are available at www.att.com/guidebook.

(C)

(C)

(N)

(N)

ISSUED: JANUARY 10, 2025

EFFECTIVE: JANUARY 25, 2025

ACCESS SERVICE

7 - Special Access (a.k.a. BellSouth SPA) Service (Cont'd)

7.2 Service Descriptions (Cont'd)

7.2.9 High Capacity (a.k.a. BellSouth SPA High Capacity) Service (Cont'd)

(D) Optional Features and Functions (Cont'd)

(3) Shared Network Arrangements

(b) Under the Shared Network Arrangement, BellSouth Telecommunications may share with the host subscriber record information pertaining to the services of other users of the shared network. Such disclosure will be under the sole discretion of BellSouth Telecommunications as is necessary to perform billing reconciliations and/or other functions required in connection with maintaining account records.

(c) Shared Network Arrangements are available in all operating areas of the Telephone Company. Section 7.4.11 contains rate regulations specific to Shared Network Arrangements.

(4) Clear Channel Capability

(a) Clear Channel Capability (CCC) is an arrangement that alters a DS1/1.544 Mbps signal with unconstrained information bits to meet pulse density requirements outlined in TR-NPL-000054 and TR-INS-000342. This will allow a customer to transport an all-zero octet over a DS1 (a.k.a. BellSouth SPA DS1) or BellSouth DS1 Diverse service local and/or interoffice channel⁽¹⁾ and will provide an available combined maximum 1.536 Mbps data rate. This arrangement requires the customer signal at the channel interface⁽¹⁾ to conform to Bipolar with eight (8) Zero Substitution (B8ZS) line code as described in Technical Reference TR-NPL-000054 and TR-INS-000342.

(N)

(N)

(1) These services have been de-tariffed pursuant to FCC Order No. 17-43, released April 28, 2017. Terms and Conditions for de-tariffed services are available at www.att.com/guidebook.

(N)

(N)

ISSUED: JANUARY 10, 2025

EFFECTIVE: JANUARY 25, 2025

ACCESS SERVICE

7 - Special Access (a.k.a. BellSouth SPA) Service (Cont'd)

7.2 Service Descriptions (Cont'd)

7.2.9 High Capacity (a.k.a. BellSouth SPA High Capacity Service) (Cont'd)

(D) Optional Features and Functions (Cont'd)

(4)⁽¹⁾

Pending

(D) (N)

(D)

(1) Material in this Section has been de-tariffed pursuant to FCC Order No. 17-43, released April 28, 2017. Terms and Conditions for de-tariffed services are available at www.att.com/guidebook.

(N)

(N)

ISSUED: JANUARY 10, 2025

EFFECTIVE: JANUARY 25, 2025

ACCESS SERVICE

7- Special Access (a.k.a. BellSouth SPA) Service (Cont'd)

7.2 Service Descriptions (Cont'd)

7.2.12 Derived Data Channel⁽¹⁾ (a.k.a. BellSouth SPA Derived Data Channel Service (Cont'd))

(A)⁽²⁾

Pending

(D) (N)

(D)

⁽¹⁾Effective November 20, 2019, this Service will no longer be available for purchase by new or existing customers, and service agreements may no longer be renewed. In addition, requests to move, add or change existing service arrangements will not be accepted. Following the expiration of a customer's existing term agreement, service will be provided on a month-to-month basis at the applicable monthly extension rates until the service is discontinued. AT&T currently plans to discontinue this Service on or after June 30, 2024.

⁽²⁾Material in this Section has been de-tariffed pursuant to FCC Order No. 17-43, released April 28, 2017. Terms and Conditions for de-tariffed services are available at www.att.com/guidebook.

(N)
(N)

ISSUED: JANUARY 10, 2025

EFFECTIVE: JANUARY 25, 2025

ACCESS SERVICE

7- Special Access (a.k.a. BellSouth SPA) Service (Cont'd)

7.3⁽¹⁾

(D)(N)

Pending

(D)

(1) Material in this Section has been de-tariffed pursuant to FCC Order No. 17-43, released April 28, 2017. Terms and Conditions for de-tariffed services are available at www.att.com/guidebook.

(N)

(N)

(This page filed under Transmittal No. 194)

All AT&T and BellSouth marks contained herein and as set forth in the trademarks and service marks section of the BellSouth Tariff are owned by AT&T Intellectual Property or AT&T affiliated companies.

ISSUED: JANUARY 10, 2025

EFFECTIVE: JANUARY 25, 2025

ACCESS SERVICE

7- Special Access (a.k.a. BellSouth SPA) Service (Cont'd)

7.3.1⁽¹⁾

Pending

(D) (N)

(D)

(N)

(N)

(1) Material in this Section has been de-tariffed pursuant to FCC Order No. 17-43, released April 28, 2017. Terms and Conditions for de-tariffed services are available at www.att.com/guidebook.

ISSUED: JANUARY 10, 2025

EFFECTIVE: JANUARY 25, 2025

ACCESS SERVICE
7 - Special Access (a.k.a. BellSouth SPA) Service (Cont'd)

7.3⁽¹⁾

(D)(N)

Pending

(D)

(1) Material in this Section has been de-tariffed pursuant to FCC Order No. 17-43, released April 28, 2017. Terms and Conditions for de-tariffed services are available at www.att.com/guidebook.

(N)

(N)

ISSUED: JANUARY 10, 2025

EFFECTIVE: JANUARY 25, 2025

ACCESS SERVICE

7 - Special Access (a.k.a. BellSouth SPA) Service (Cont'd)

7.3⁽¹⁾

Pending

(D) (N)

(D)

(1) Material in this Section has been de-tariffed pursuant to FCC Order No. 17-43, released April 28, 2017. Terms and Conditions for de-tariffed services are available at www.att.com/guidebook.

(N)

(N)

ISSUED: JANUARY 10, 2025

EFFECTIVE: JANUARY 25, 2025

ACCESS SERVICE
7 - Special Access (a.k.a. BellSouth SPA) Service (Cont'd)

7.3⁽¹⁾

(D) (N)

Pending

(1) Material in this Section has been de-tariffed pursuant to FCC Order No. 17-43, released April 28, 2017. Terms and Conditions for de-tariffed services are available at www.att.com/guidebook.

(D)
(N)
(N)

ISSUED: JANUARY 10, 2025

EFFECTIVE: JANUARY 25, 2025

ACCESS SERVICE

7 - Special Access (a.k.a. BellSouth SPA) Service (Cont'd)

7.3⁽¹⁾

Pending

(D) (N)

(D)

(1) Material in this Section has been de-tariffed pursuant to FCC Order No. 17-43, released April 28, 2017. Terms and Conditions for de-tariffed services are available at www.att.com/guidebook.

(N)

(N)

ISSUED: JANUARY 10, 2025

EFFECTIVE: JANUARY 25, 2025

ACCESS SERVICE

7 - Special Access (a.k.a. BellSouth SPA) Service (Cont'd)

7.3⁽¹⁾

Pending

(D)(N)

(D)

(1) Material in this Section has been de-tariffed pursuant to FCC Order No. 17-43, released April 28, 2017. Terms and Conditions for de-tariffed services are available at www.att.com/guidebook.

(N)

(N)

ISSUED: JANUARY 10, 2025

EFFECTIVE: JANUARY 25, 2025

ACCESS SERVICE

7 - Special Access (a.k.a. BellSouth SPA) Service (Cont'd)

7.3⁽¹⁾

(D) (N)

7.3.2⁽¹⁾

(D) (N)

Pending

7.3.3⁽¹⁾

(D)

(D) (N)

(D)

(1) Material in this Section has been de-tariffed pursuant to FCC Order No. 17-43, released April 28, 2017. Terms and Conditions for de-tariffed services are available at www.att.com/guidebook.

(N)

(N)

ISSUED: JANUARY 10, 2025

EFFECTIVE: JANUARY 25, 2025

ACCESS SERVICE

7 - Special Access (a.k.a. BellSouth SPA) Service (Cont'd)

7.3 Channel Interface and Network Channel Codes⁽¹⁾ (Cont'd)

(N)

7.3.4

Pending

(D)

(1)Material in this Section has been de-tariffed pursuant to FCC Order No. 17-43, released April 28, 2017. Terms and Conditions for de-tariffed services are available at www.att.com/guidebook.

(D)

(N)

(N)

ISSUED: JANUARY 10, 2025

EFFECTIVE: JANUARY 25, 2025

ACCESS SERVICE

7 - Special Access (a.k.a. BellSouth SPA) Service (Cont'd)

7.3 Channel Interface and Network Channel Codes⁽¹⁾ (Cont'd)

(N)

7.3.4

(D)

Pending

(D)

(1)Material in this Section has been de-tariffed pursuant to FCC Order No. 17-43,
released April 28, 2017. Terms and Conditions for de-tariffed services are available
at www.att.com/guidebook.

(N)

(N)

ISSUED: JANUARY 10, 2025

EFFECTIVE: JANUARY 25, 2025

WIDEACCESS SERVICE

7 - Special Access (a.k.a. BellSouth SPA) Service (Cont'd)

7.3 Channel Interface and Network Channel Codes⁽⁶⁾ (Cont'd)

7.3.5

Pending

(N)

(D)

(D)

(1) Delete

(D) (C)

(2) Delete

(3) Delete

(C)

(4) Delete

(C)

(5) Delete

(D) (C)

(6) Material in this Section has been de-tariffed pursuant to FCC Order No. 17-43, released April 28, 2017. Terms and Conditions for de-tariffed services are available at www.att.com/guidebook.

(N)
(N)

(This page filed under Transmittal No. 194)

All BellSouth marks contained herein and as set forth in the trademarks and service marks section of the BellSouth Tariffs are owned by BellSouth Intellectual Property Corporation.

ISSUED: JANUARY 10, 2025

EFFECTIVE: JANUARY 25, 2025

ACCESS SERVICE

7 - Special Access (a.k.a. BellSouth SPA) Service (Cont'd)

7.3 Channel Interface and Network Channel Codes⁽⁴⁾ (Cont'd)

(N)

7.3.5

(D)

Pending

(D)

7.4 Rate Regulations

This section contains the specific regulations governing the rates and charges that apply for Special Access (a.k.a. BellSouth SPA) Service.

Effective November 1, 2017, Competitive Counties and Non-Competitive Counties have been established and are defined in Section 2.6 and the wire centers within such counties are listed in Sections 15.10.3 and 15.10.4.

(D)

(D)

For End User channel terminations and their applicable optional features,⁽¹⁾⁽²⁾ the application of "non-competitive" or "competitive" is dependent upon whether or not the serving wire center is located in a Competitive County. If the End User channel termination is in a Non-Competitive County, non-competitive rates and charges apply, as provided in Section 7.5.

(C)

(D)

(C)

(1) Until February 1, 2018, End User channel terminations and their applicable optional features that had not qualified for Phase II, Level 2 pricing flexibility prior to June 1, 2017, will be rated at the price cap rate regardless of the status of the county in which the applicable wire center is located.

(2) Delete

(D) (C)

(D)

(3) Effective November 20, 2019, this Service will no longer be available for purchase by new or existing customers, and service agreements may no longer be renewed. In addition, requests to move, add or change existing service arrangements will not be accepted. Following the expiration of a customer's existing term agreement, service will be provided on a month-to-month basis at the applicable monthly extension rates until the service is discontinued. AT&T currently plans to discontinue this Service on or after June 30, 2024.

(N)

BELLSOUTH TELECOMMUNICATIONS
Four AT&T Plaza, Dallas, Texas 75202

TARIFF F.C.C. NO. 1
5TH REVISED PAGE 7-114
CANCELS 4TH REVISED PAGE 7-114

ISSUED: JANUARY 10, 2025

EFFECTIVE: JANUARY 25, 2025

(4) Material in this Section has been de-tariffed pursuant to FCC Order No. 17-43, released April 28, 2017. Terms
and
Conditions for de-tariffed services are available at www.att.com/guidebook.

(N)

Pending

ISSUED: JANUARY 10, 2025

EFFECTIVE: JANUARY 25, 2025

ACCESS SERVICE

7 - Special Access (a.k.a. BellSouth SPA) Service (Cont'd)

7.4 Rate Regulations (Cont'd)

7.4.1 Types of Rates and Charges (Cont'd)

(C) Nonrecurring Charges (Cont'd)

(1) Installation of Service

(a) Local Channels

Nonrecurring charges apply to each Local Channel on each Special Access (a.k.a. BellSouth SPA) service installed. When First and Additional nonrecurring charges apply, they are assessed as follows: When one Local Channel is ordered and installed, it is billed at the First Service Installed charge. For the installation of local channels when more than one of the same type of service between the same locations, for the same customer, is ordered and installed at the same time; one at each location is billed at the First Service Installed charge and the others are billed at the Additional Service Installed charge. Future service requests for the same access services, at a later date, will be treated as new orders and nonrecurring charges for first service and additional service will again apply. For all video services, one nonrecurring charge applies for each Local Channel.

For LightGate service (a.k.a. BellSouth SPA Point to Point Network), one nonrecurring charge applies for each system, SAFT I or II option, and channel interface⁽¹⁾.

(b) ⁽¹⁾

Pending

(N)

(D) (N)

(D)

(1) Material in this Section has been de-tariffed pursuant to FCC Order No. 17-43, released April 28, 2017. Terms and Conditions for de-tariffed services are available at www.att.com/guidebook.

(N)

(N)

ISSUED: JANUARY 10, 2025

EFFECTIVE: JANUARY 25, 2025

ACCESS SERVICE

7 - Special Access (a.k.a. BellSouth SPA) Service (Cont'd)

7.4 Rate Regulations (Cont'd)

7.4.1 Types of Rates and Charges (Cont'd)

(C) Nonrecurring Charges (Cont'd)

(2) Installation of Optional Features and Functions

Nonrecurring charges apply to the installation of Optional Features and Functions available with Special Access (a.k.a. BellSouth SPA) service. The Initial nonrecurring charge applies if the feature or function is installed coincident with the primary service. The Subsequent nonrecurring charge applies if the feature or function is installed after the installation of the primary service.

First and Additional nonrecurring charges are applicable to activate each individual Central Office Channel Interface⁽¹⁾ of a Basic Channelization System, and are in addition to the nonrecurring charges for the Basic Channelization System. A "First" nonrecurring Central Office Channel Interface⁽¹⁾ nonrecurring charge is applicable to the first Channelization Feature installed coincident with the installation of a Basic Channelization System, per service request. An "Additional" nonrecurring charge applies for each additional Central Office Channel Interface⁽¹⁾, of the same type, ordered and installed at the same location, for the same customer, at the same time, on the same order request. Future requests for a Central Office Channel Interface(s)⁽¹⁾ on an existing Basic Channelization System will be treated as new requests and will require "First" and "Additional" Central Office Channel Interface⁽¹⁾ nonrecurring charge application, in addition to any other applicable charges.

The nonrecurring charges for the installation of Optional Features and Functions are set forth in Section 7.5 following as nonrecurring charges for Optional Features and Functions associated with the specific services.

(N)
(N)
(N)
(N)
(N)
(N)

BELLSOUTH TELECOMMUNICATIONS
Four AT&T Plaza, Dallas, Texas 75202

TARIFF F.C.C. NO. 1
3RD REVISED PAGE 7-117
CANCELS 2ND REVISED PAGE 7-117

ISSUED: JANUARY 10, 2025

EFFECTIVE: JANUARY 25, 2025

(1) This service has been de-tariffed pursuant to FCC Order No. 17- 43, released April 28, 2017. Terms and Conditions for de-tariffed services are available at www.att.com/guidebook.

(N)

Pending

ISSUED: JANUARY 10, 2025

EFFECTIVE: JANUARY 25, 2025

ACCESS SERVICE

7 - Special Access (a.k.a. BellSouth SPA) Service (Cont'd)

7.4 Rate Regulations (Cont'd)

7.4.1 Types of Rates and Charges (Cont'd)

(C) Nonrecurring Charges (Cont'd)

(3) Service Rearrangements (Cont'd)

Administrative changes, as identified below, will be made without charge to the customer. Such changes require the continued provision and billing of the Access Service to the same entity (i.e., customer remains responsible for all outstanding indebtedness for the Access Service). Administrative changes are as follows:

- Change of customer name (i.e., the customer of record does not change but rather the customer of record changes its name -- e.g., AT&T-Long Lines to AT&T-Communications),
- Change of customer or customer's end user premises address when the change of address is not a result of a physical relocation of equipment,
- Change in billing data (name, address, or contact name or telephone number. The customer of record does not change),
- Change of customer circuit identification,
- Change of billing account number,
- Change of customer test line number,
- Change of customer or customer's end user contact name or telephone number, and
- Change of jurisdiction.

All other service rearrangements, including physical changes to existing services, will be charged for as follows:

- If the change involves the addition of other customer designated premises to an existing multipoint service, the nonrecurring charge for the local channel rate element(s) being added will apply. Nonrecurring charges for interoffice channel mileage⁽¹⁾ may also apply. (N)
- If the change involves the addition of other customer designated premises to an existing two-point service, resulting in a multipoint circuit configuration, the nonrecurring charge for the local channel rate element(s) being added will apply. Nonrecurring charges for interoffice channel mileage⁽¹⁾ may also apply. (N)

(N)

(This page filed under Transmittal No. 194)

BELLSOUTH TELECOMMUNICATIONS
Four AT&T Plaza, Dallas, Texas 75202

TARIFF F.C.C. NO. 1
1ST REVISED PAGE 7-119
CANCELS ORIGINAL PAGE 7-119

ISSUED: JANUARY 10, 2025

EFFECTIVE: JANUARY 25, 2025

(1) This service has been de-tariffed pursuant to FCC Order No. 17- 43, released April 28, 2017. Terms and Conditions for de-tariffed services are available at www.att.com/guidebook.

(N)

Pending

(This page filed under Transmittal No. 194)

All BellSouth marks contained herein and as set forth in the trademarks and servicemarks section of this
Tariff are owned by BellSouth Intellectual Property Corporation.

ISSUED: JANUARY 10, 2025

EFFECTIVE: JANUARY 25, 2025

ACCESS SERVICE

7 - Special Access (a.k.a. BellSouth SPA) Service (Cont'd)

7.4 Rate Regulations (Cont'd)

7.4.1 Types of Rates and Charges (Cont'd)

(C) Nonrecurring Charges (Cont'd)

(3) Service Rearrangements (Cont'd)

- Pending
- If the change involves the disconnection of customer designated premises from an existing multipoint circuit resulting in a two-point circuit configuration, no charges will apply.
 - If the change involves the addition of an optional feature or function which has a separate nonrecurring charge, that nonrecurring charge will apply.
 - If the change involves the conversion, or rollover, of DS1 High Capacity (a.k.a. BellSouth SPA DS1) service to LightGate service (a.k.a. BellSouth SPA Point to Point Network), made at a customer's request, then a separate nonrecurring charge(s), as appropriate, will apply to update the Network Channel Interface (NCI) code associated with each Voice Grade⁽¹⁾ (a.k.a. BellSouth SPA DSO VG) and/or other sub-DS1 level circuit riding the channelized DS1 High Capacity (a.k.a. BellSouth SPA DS1) service(s) being rolled over. This charge will apply only where NCI code updates are requested by the customer. Payment of the nonrecurring charge(s) will be the responsibility of the customer who leases the channelized DS1 High Capacity (a.k.a. BellSouth SPA DS1) service(s) being rolled over. (N)
 - If the change involves changing the type of signaling on a Voice Grade⁽¹⁾ (a.k.a. BellSouth SPA DSO VG) service, a charge equal to the Voice Grade (a.k.a. BellSouth SPA DSO VG) Local Channel rate element nonrecurring charge will apply. When more than one Local Channel with the same type of signaling has the same changes made at the same time between the same locations, for the same customer, the first Local Channel charge is billed at the First Service Installed charge and the other Local Channels are billed Additional Service Installed charges. These charges will apply per service termination affected.
 - If the change involves an existing Dry Fiber ICB arrangement scheduled to terminate on August 5, 1991, which converts to the standard tariffed dry fiber offering in compliance with the FCC's Memorandum Opinion and Order in FCC Docket 88-136, released July 19, 1991, associated nonrecurring charges will be waived provided that the customer's conversion request is received by August 5, 1991.

(1) Effective November 20, 2019, this Service will no longer be available for purchase by new or existing customers and service agreements may no longer be renewed. In addition, requests to move, add or change existing service arrangements will not be accepted. Following the expiration of a customer's existing term agreement, service will be provided on a month-to-month basis at the applicable monthly extension rates until the service is discontinued. AT&T currently plans to discontinue this Service on or after June 30, 2024.

(N)

BELLSOUTH TELECOMMUNICATIONS
Four AT&T Plaza, Dallas, Texas 75202

TARIFF F.C.C. NO. 1
2ND REVISED PAGE 7-120
CANCELS 1ST REVISED PAGE 7-120

ISSUED: JANUARY 10, 2025

EFFECTIVE: JANUARY 25, 2025

(2) This service has been de-tariffed pursuant to FCC Order No. 17- 43, released April 28, 2017. Terms and Conditions for de-tariffed services are available at www.att.com/guidebook.

(N)

Pending

ISSUED: JANUARY 10, 2025

EFFECTIVE: JANUARY 25, 2025

ACCESS SERVICE

7 - Special Access (a.k.a. BellSouth SPA) Service (Cont'd)

7.4 Rate Regulations (Cont'd)

7.4.5 Moves (Cont'd)

(B) Moves To a Different Building (Cont'd)

Moves to a different building (customer premises) in the customer's existing serving wire center serving area will be treated as a service move rather than a discontinuance and start of service. Nonrecurring charges for the new local channel will apply as well as any optional feature and function charges for that local channel. In addition, service reconfiguration charges are applicable per customer request and circuit moved as contained in 7.5.17 following. Service will not be available simultaneously at both the original and new customer locations. Additional cooperative end-to-end testing is available and will be conducted by the Telephone Company at a customer's request at rates and charges contained in 13.3.5(B) following. New minimum period requirements may be established for the rearranged services in accordance with the regulations for a service. The customer will also remain responsible for satisfying all outstanding minimum period charges for the original service locations. When the move involves a multipoint service, the nonrecurring charge will apply per rate element affected.

7.4.6⁽¹⁾

(D) (N)

(D)

(N)

BELLSOUTH TELECOMMUNICATIONS
Four AT&T Plaza, Dallas, Texas 75202

TARIFF F.C.C. NO. 1
1ST REVISED PAGE 7-131
CANCELS ORIGINAL PAGE 7-131

ISSUED: JANUARY 10, 2025

EFFECTIVE: JANUARY 25, 2025

(1)Material in this Section has been de-tariffed pursuant to FCC Order No. 17-43,
released April 28, 2017. Terms and Conditions for de-tariffed services are available
at www.att.com/guidebook.

|
(N)

Pending

ISSUED: JANUARY 10, 2025

EFFECTIVE: JANUARY 25, 2025

ACCESS SERVICE

7 - Special Access (a.k.a. BellSouth SPA) Service (Cont'd)

7.4 Rate Regulations (Cont'd)

7.4.6⁽²⁾

Pending

(D) (N)

(D)

(1)Delete

(D) (C)

(2)Material in this Section has been de-tariffed pursuant to FCC Order No. 17-43, released April 28, 2017. Terms and Conditions for de-tariffed services are available at www.att.com/guidebook.

(D)
(N)
(N)

(This page filed under Transmittal No. 194)

All AT&T and BellSouth marks contained herein and as set forth in the trademarks and service marks section of the BellSouth Tariff are owned by AT&T Intellectual Property or AT&T affiliated companies.

ISSUED: JANUARY 10, 2025

EFFECTIVE: JANUARY 25, 2025

ACCESS SERVICE

7 - Special Access (a.k.a. BellSouth SPA) Service (Cont'd)

7.4 Rate Regulations (Cont'd)

7.4.6⁽¹⁾

Pending

(D)(N)

(D)

(1)Material in this Section has been de-tariffed pursuant to FCC Order No. 17-43,
released April 28, 2017. Terms and Conditions for de-tariffed services are available
at www.att.com/guidebook.

(N)

(N)

ISSUED: JANUARY 10, 2025

EFFECTIVE: JANUARY 25, 2025

ACCESS SERVICE

7 - Special Access (a.k.a. BellSouth SPA) Service (Cont'd)

7.4 Rate Regulations (Cont'd)

7.4.6⁽¹⁾

Pending

(D)(N)

(D)

(1)Material in this Section has been de-tariffed pursuant to FCC Order No. 17-43,
released April 28, 2017. Terms and Conditions for de-tariffed services are available
at www.att.com/guidebook.

(N)

(N)

BELLSOUTH TELECOMMUNICATIONS
Four AT&T Plaza, Dallas, Texas 75202

TARIFF F.C.C. NO. 1
1ST REVISED PAGE 7-134
CANCELS ORIGINAL PAGE 7-134

ISSUED: JANUARY 10, 2025

EFFECTIVE: JANUARY 25, 2025

Pending

ISSUED: JANUARY 10, 2025

EFFECTIVE: JANUARY 25, 2025

ACCESS SERVICE

7 - Special Access (a.k.a. BellSouth SPA) Service (Cont'd)

7.4 Rate Regulations (Cont'd)

7.4.7 Facility Hubs

A customer has the option of ordering analog or digital high capacity facilities (i.e., Group, Supergroup, Mastergroup, DS1, DS1C, DS2, DS3, STS-1, OC-3, OC-12, OC-48, or OC-192) to a facility Hub for channelizing to individual services requiring lower capacity facilities (e.g., Digital Data Access⁽²⁾ (a.k.a. BellSouth SPA DSO Digital Data) service, Voice⁽²⁾ (a.k.a. BellSouth SPA DSO VG), Program Audio⁽¹⁾⁽³⁾ (a.k.a. BellSouth SPA Program Audio), etc.).

Different locations may be designated as Hubs for different facility capacities, e.g., channelization from digital to digital may occur at one location while channelization from digital to analog may occur at a different location. When ordering, the customer will specify the desired channelization Hub(s) selected from the NATIONAL EXCHANGE CARRIER ASSOCIATION, INC. TARIFF F.C.C. No. 4. This tariff identifies the type(s) of channelization functions which are available and the serving wire centers at which they are available.

Some of the types of channelization available include the following:

- from higher to lower bit rate
- from higher to lower bandwidth
- from digital to voice frequency channels

End to end services may be provided on channels of these facilities to a Hub. The transmission performance for the end to end service provided between customer designated premises will be that of the lower capacity or bit rate. For example, when a 1.544 Mbps facility is channelized to voice frequency channels, the transmission performance of the channelized services will be Voice Grade (a.k.a. BellSouth SPA DSO VG), not High Capacity (a.k.a. BellSouth SPA High Capacity).

The Telephone Company will commence billing the monthly rate for the facility to the Hub on the date specified by the customer on the service order. Individual services utilizing these facilities may be installed coincident with the installation of the facility to the Hub or may be ordered and/or installed at a later date, at the option of the customer. The customer will be billed for a Voice Grade or a high capacity analog or digital Local Channel, Interoffice Channel⁽⁴⁾ (when applicable) and the Basic Channelization System at the time the facility is installed. DS1 and DSO Basic Channelization Systems require a Central Office Channel Interface⁽⁴⁾ for activation of each lesser capacity channel. Individual service rates (by service type) will apply for a Local Channel, Central Office Channel Interface(s)⁽⁴⁾, and/or an additional Interoffice Channel⁽⁴⁾ (as required) for each channelized service. These will be billed to the customer as each individual service is installed.

- (1) change existing service arrangements will not be accepted. Following the expiration of a customer's existing term agreement, service will be provided on a month-to-month basis at the applicable monthly extension rates until the service is discontinued. AT&T currently plans to discontinue this Service on or after June 30, 2024. Effective No
- (2) Effective November 20, 2019, this Service will no longer be available for purchase by new or existing customers, and service agreements may no longer be renewed. In addition, requests to move, add or change existing service arrangements will not be accepted. Following the expiration of a customer's existing term agreement, service will be provided on a month-to-month basis at the applicable monthly extension rates until the

ISSUED: JANUARY 10, 2025

EFFECTIVE: JANUARY 25, 2025

service is discontinued. AT&T currently plans to discontinue this Service on or after November 1, 2020.

(3) Program Audio is discontinued and no longer available in this publication (see WC Dkt. 19-238).

(4) These services have been de-tariffed pursuant to FCC Order No. 17-43, released April 28, 2017. Terms and Conditions for de-tariffed services are available at

www.att.com/guidebook.

(N)

(N)

Pending

ISSUED: JANUARY 10, 2025

EFFECTIVE: JANUARY 25, 2025

ACCESS SERVICE

7 - Special Access (a.k.a. BellSouth SPA) Service (Cont'd)

7.4 Rate Regulations (Cont'd)

7.4.7 Facility Hubs (Cont'd)

Cascading channelization occurs when a high capacity (a.k.a. BellSouth SPA High Capacity) analog or digital channel is channelized to provide channels with a lesser capacity and one of the lesser capacity channels is further channelized. For example, a Supergroup facility is channelized to five Group facilities and then one of the Group facilities is further channelized to individual Voice Grade (a.k.a. BellSouth SPA DSO VG) channels.

When cascading channelization is performed, whether in the same or a different Hub, a charge for the additional Basic Channelization System and Central Office Channel Interface(s)⁽⁴⁾ also applies. A DS1 (a.k.a. BellSouth SPA DS1) Basic Channelization System and DDAS⁽²⁾ (a.k.a. BellSouth SPA DSO Digital Data) Central Office Channel Interface⁽⁴⁾ are required for high speed or low speed DDAS⁽²⁾ (a.k.a. BellSouth SPA DSO Digital Data) activations when channelized from a DS1 (1.544 Mbps) channel. A DSO Basic Channelization System and Subrate Central Office Channel Interface⁽⁴⁾ are required for subrate activations of 2.4, 4.8 and 9.6 Kbps when channelized from a DSO⁽²⁾ (64 Kbps) channel. When cascading channelization is performed at different Hubbing locations, Interoffice Channel⁽⁴⁾ charges also apply between the Hubs.

Although not requiring channelization, the Telephone Company will designate certain Hubs for Program Audio⁽¹⁾⁽³⁾ (a.k.a. BellSouth SPA Program Audio) service. A customer can order full-time and/or part-time service(s) between customer designated premises and a Hub and will be billed accordingly at the rates set forth in Section 7.5.4 for the full-time or part-time service, as appropriate. At the request of a customer, the full-time and/or part-time services provided to the Hub may be connected together in the following configurations: full-time to full-time, full-time to part-time or part-time to part-time. The customer will be charged for each such connection made at the rates for Other Labor as set forth in Section 13.2.6(C). The rates that apply for the service between each customer designated premises and the Hub are a Central Office Channel Interface⁽⁴⁾, Local Channel, and Interoffice Channel⁽⁴⁾, if applicable. In addition, rates for optional features and functions may be applicable.

7.4.8 Shared Use Analog and Digital High Capacity (a.k.a. BellSouth SPA High Capacity) Services

Shared use occurs when Special Access (a.k.a. BellSouth SPA) service and BellSouth SWA service are provided over the same High Capacity Special Access facility through a common interface⁽⁴⁾. The Special Access monthly rate for the Local Channel, Interoffice Channel⁽⁴⁾, if applicable Basic Channelization System and Central Office Channel Interface (s)⁽⁴⁾ will apply, regardless of whether any individual channels of the shared Special Access (BellSouth SPA) facility are used for Special Access (BellSouth SPA) service, BellSouth SWA service, or any other type of service. The practice known as "ratcheting" (to apply non-Special Access rates on a proportional basis) shall not apply in any circumstance

- (1) Effective November 20, 2019, this Service will no longer be available for purchase by new or existing customers, and service agreements may no longer be renewed. In addition, requests to move, add or change existing service arrangements will not be accepted. Following the expiration of a customer's existing term agreement, service will be provided on a month-to-month basis at the applicable monthly extension rates until the service is discontinued. AT&T currently plans to discontinue this Service on or after November 1, 2020.
- (2) Effective November 20, 2019, this Service will no longer be available for purchase by new or existing customers, and service agreements may no longer be renewed. In addition, requests to move, add or change

ISSUED: JANUARY 10, 2025

EFFECTIVE: JANUARY 25, 2025

existing service arrangements will not be accepted. Following the expiration of a customer's existing term agreement, service will be provided on a month-to-month basis at the applicable monthly extension rates until the service is discontinued. AT&T currently plans to discontinue this Service on or after June 30, 2024.

- (3) Program Audio is discontinued and no longer available in this publication (see WC Dkt. 19-238).
- (4) These services have been de-tariffed pursuant to FCC Order No. 17-43, released April 28, 2017. Terms and Conditions for de-tariffed services are available at www.att.com/guidebook.

(N)
(N)

(x) Issued under authority of Special Permission No. 24-006 of the FCC in order to withdraw material filed under Transmittal No. 186 and Transmittal No. 188.

Pending

ISSUED: JANUARY 10, 2025

EFFECTIVE: JANUARY 25, 2025

ACCESS SERVICE

7 - Special Access (a.k.a. BellSouth SPA) Service (Cont'd)

7.4 Rate Regulations (Cont'd)

7.4.9 LightGate Service (a.k.a. BellSouth SPA Point to Point Network)

Rates and charges are specified in 7.5.9 following for LightGate service (a.k.a. BellSouth SPA Point to Point Network). System rates provide system capacity and channel interfaces⁽¹⁾. Local channel systems include the transport common equipment, and first half air-mile of local channel facilities and additional lengths of local channel facilities. These rates are specified in 7.5.9(A)(3) following. Separate Alternate Facility Transport (SAFT), options for LightGate service (a.k.a. BellSouth SPA Point to Point Network), local channel system rates are offered at the rates specified in 7.5.9.A. (3)(u), (aq) and (bc) following. These rates are in addition to local channel system rates. Interoffice channel⁽¹⁾ system mileage rates and charges are as specified in 7.5.9(B)(5) following. (N)

DS3 and/or DS1 channel interfaces⁽¹⁾ are required for asynchronous LightGate service (a.k.a. BellSouth SPA Point to Point Network) local channel systems at both the customer and central office locations. DS3 channel interfaces⁽¹⁾ are not required in connection with the provision of DS1 channel interfaces⁽¹⁾ at a system's termination location. LightGate services (a.k.a. BellSouth SPA Point to Point Network) channel interfaces⁽¹⁾ are only offered in conjunction with a LightGate service (a.k.a. BellSouth SPA Point to Point Network) system. The resulting number of DS1 and DS3 channels provided by a system may not exceed the capacity of the system ordered. A minimum of four DS1 or one DS3 channel(s) is (are) required to maintain a system in service. (N)

(1) These services have been de-tariffed pursuant to FCC Order No. 17-43, released April 28, 2017. Terms and Conditions for de-tariffed services are available at www.att.com/guidebook. (N)

BELLSOUTH TELECOMMUNICATIONS
Four AT&T Plaza, Dallas, Texas 75202

TARIFF F.C.C. NO. 1
1ST REVISED PAGE 7-140
CANCELS ORIGINAL PAGE 7-140

ISSUED: JANUARY 10, 2025

EFFECTIVE: JANUARY 25, 2025

Pending

(This page filed under Transmittal No. 194)

All AT&T and BellSouth marks contained herein and as set forth in the trademarks and service marks section of the BellSouth Tariff are owned by AT&T Intellectual Property or AT&T affiliated companies.

ISSUED: JANUARY 10, 2025

EFFECTIVE: JANUARY 25, 2025

ACCESS SERVICE

7 - Special Access (a.k.a. BellSouth SPA) Service (Cont'd)

7.4 Rate Regulations (Cont'd)

7.4.9 LightGate Service (a.k.a. BellSouth SPA Point to Point Network) (Cont'd)

Customers may request a C-Bit Parity framing format for a DS3 level circuit. If the request is made at the time the circuit is installed, there is no additional charge. When a request for C-Bit Parity framing format is made for an existing circuit, a nonrecurring charge will be applicable for rearranging the framing format on the circuit. This charge will also be applicable if a customer requests that the C-Bit Parity framing format be removed from a circuit. This charge is specified in 7.5.17 following and is applied on a per circuit basis.

LightGate 3 (a.k.a. BellSouth SPA Point to Point Network 12 DS3 Capacity), LightGate 4 (a.k.a. BellSouth SPA Point to Point Network 24 DS3 Capacity) service local channel systems require a 28 DS1 system channel interface⁽¹⁾ and DS1 channel interfaces⁽¹⁾ to derive DS1 channels. When a collocater desires to derive DS1's from a Virtual Access Cross Connect Service, Physical Access Cross Connect Service, Intra-Office Collocation Cross Connect Service, a LightGate 1 service (a.k.a. BellSouth SPA Point to Point Network) local channel system is not required. However the customer is required to pay the charge for the 28 DS1 channel system channel interface⁽¹⁾ in addition to the DS1 central office interfaces⁽¹⁾. (N)

DS1 or DS3 channels provided by interoffice channel(1) systems must be combined with corresponding channels in local channel systems or may be a stand-alone link when connected with BellSouth Customer Network Management Service, or voice grade (a.k.a. BellSouth SPA DSO VG) hubbing applications without associated local channels. Customers must designate, at the time service is ordered, the association of any DS3 or DS1 channels in a LightGate service (a.k.a. BellSouth SPA Point to Point Network) interoffice⁽¹⁾ system with corresponding DS3 or DS1 channels in a LightGate service (a.k.a. BellSouth SPA Point to Point Network) local channel system to form required link configurations. DS1 or DS3 channel interfaces⁽¹⁾ are required at each terminating central office location. (N)

(This page filed under Transmittal No. 194)

All AT&T and BellSouth marks contained herein and as set forth in the trademarks and service marks section of the BellSouth Tariff are owned by AT&T Intellectual Property or AT&T affiliated companies.

(N)

BELLSOUTH TELECOMMUNICATIONS
Four AT&T Plaza, Dallas, Texas 75202

TARIFF F.C.C. NO. 1
1ST REVISED PAGE 7-141
CANCELS ORIGINAL PAGE 7-141

ISSUED: JANUARY 10, 2025

EFFECTIVE: JANUARY 25, 2025

- (1) These services have been de-tariffed pursuant to FCC Order No. 17-43, released April 28, 2017. Terms and Conditions for de-tariffed services are available at www.att.com/guidebook.

(N)

Pending

(This page filed under Transmittal No. 194)

All AT&T and BellSouth marks contained herein and as set forth in the trademarks and service marks section of the BellSouth Tariff are owned by AT&T Intellectual Property or AT&T affiliated companies.

ISSUED: JANUARY 10, 2025

EFFECTIVE: JANUARY 25, 2025

ACCESS SERVICE

7 - Special Access (a.k.a. BellSouth SPA) Service (Cont'd)

7.4 Rate Regulations (Cont'd)

7.4.9 LightGate Service (a.k.a. BellSouth SPA Point to Point Network) (Cont'd)

LightGate service (a.k.a. BellSouth SPA Point to Point Network) is available at month-to-month rates, with a four month minimum service period for all associated rate elements. However, local channel systems with SAFT levels I or II reliability, have a 4-month minimum service period. Service is also available under a Transport Payment Plan (TPP), or Channel Services Payment Plans (CSPP) A, (24-48 Months), B (49-72 Months), or C (73-96 Months) as specified in Section 2.4.8 preceding, except as modified following:

- (A) All rate elements associated with a LightGate service (a.k.a. BellSouth SPA Point to Point Network) local channel system or a interoffice channel⁽¹⁾ system must be provided under the same TPP or CSPP arrangement; provided, however, that channel interfaces⁽¹⁾ may be provided under a monthly rate arrangement which is greater than, equal to or less than the payment plan for the associated local channel or interoffice channel⁽¹⁾. (N)
(N)
- (B) A termination liability charge will be applicable for LightGate service (a.k.a. BellSouth SPA Point to Point Network) rate elements provided under a CSPP arrangement that are disconnected prior to the end of the chosen service period. The termination liability charge is equal to the number of months remaining in the service period multiplied by 60% of the monthly rates for the rate elements disconnected. LightGate service (a.k.a. BellSouth SPA Point to Point Network) rate elements provided under a TPP arrangement that are disconnected prior to the end of the chosen service period will incur termination liability in accordance with Section 2.4.8. preceding. The following exceptions apply:
 - (1) No Termination Liability Charge will be applicable for a LightGate service (a.k.a. BellSouth SPA Point to Point Network) when the customer replaces an existing CSPP arrangement with a new TPP arrangement for the same or larger system(s) and all associated rate elements at the same location(s) for a service period equal to or greater than the time remaining on the existing CSPP arrangement. This provision also applies for conversions of asynchronous LightGate service (a.k.a. BellSouth SPA Point to Point Network) systems to larger synchronous LightGate service (a.k.a. BellSouth SPA Point to Point Network) systems at the same location(s) for a service period equal to or greater than the time remaining on the existing CSPP arrangement.

(1) These services have been de-tariffed pursuant to FCC Order No. 17-43, released April 28, 2017. Terms and Conditions for de-tariffed services are available at www.att.com/guidebook. (N)
(N)

BELLSOUTH TELECOMMUNICATIONS
Four AT&T Plaza, Dallas, Texas 75202

TARIFF F.C.C. NO. 1
1ST REVISED PAGE 7-142
CANCELS ORIGINAL PAGE 7-142

ISSUED: JANUARY 10, 2025

EFFECTIVE: JANUARY 25, 2025

Pending

ISSUED: JANUARY 10, 2025

EFFECTIVE: JANUARY 25, 2025

ACCESS SERVICE

7 - Special Access (a.k.a. BellSouth SPA) Service (Cont'd)

7.4 Rate Regulations (Cont'd)

7.4.9 LightGate Service (a.k.a. BellSouth SPA Point to Point Network) (Cont'd)

LightGate (a.k.a. BellSouth SPA Point to Point Network) service links may be connected together, or links may be connected to BellSouth Customer Network Management Service to Voice Grade (a.k.a. BellSouth SPA DS0 VG) services through hubbing applications. Individual DS1 and DS3 channel link configurations may be installed, maintained, and disconnected as desired without affecting separate links.

A LightGate (a.k.a. BellSouth SPA Point to Point Network) service system is not required to have the same payment plan arrangement as other LightGate (a.k.a. BellSouth SPA Point to Point Network) service systems to which it is connected. However, when a DS1 or DS3 channel within a LightGate (a.k.a. BellSouth SPA Point to Point Network) service interoffice channel⁽¹⁾ is combined as a single link with a DS1 or DS3 channel within a LightGate (a.k.a. BellSouth SPA Point to Point Network) service local channel, the LightGate (a.k.a. BellSouth SPA Point to Point Network) service interoffice channel⁽¹⁾ system and associated interfaces⁽¹⁾ must be obtained under the same payment plan arrangement as the LightGate (a.k.a. BellSouth SPA Point to Point Network) service local channel system, or under month-to-month rates as desired by the customer. (N)

All LightGate (a.k.a. BellSouth SPA Point to Point Network) service local channel systems may be upgraded to a larger capacity LightGate (a.k.a. BellSouth SPA Point to Point Network) service local channel system without requirement to disconnect existing DS1 or DS3 channel services. DS1 channel interfaces⁽¹⁾ in a LightGate 1 (a.k.a. BellSouth SPA Point to Point Network 1 DS3 Capacity) or 2 (a.k.a. BellSouth SPA Point to Point Network 3 DS3 Capacity) service local channel system must include the rates and charges for associated DS1 channel systems when upgraded to LightGate 3 (a.k.a. BellSouth SPA Point to Point Network 12 DS3 Capacity), LightGate 4 (a.k.a. BellSouth SPA Point to Point Network 24 DS3 Capacity) or higher local channel systems. Upgrades of systems will incur a new four month minimum service period when ordered at month-to-month rates for upgraded rate elements. Upgraded systems provided with SAFT Levels I or II reliability incur a new 12 month minimum period. Upgraded systems provided under rate stabilized Channel Services Payment Plan rates and charges are subject to the terms preceding. (N)

(N)

(This page filed under Transmittal No. 194)

All AT&T and BellSouth marks contained herein and as set forth in the trademarks and service marks section of the BellSouth Tariff are owned by AT&T Intellectual Property or AT&T affiliated companies.

ISSUED: JANUARY 10, 2025

EFFECTIVE: JANUARY 25, 2025

- (1) These services have been de-tariffed pursuant to FCC Order No. 17-43, released April 28, 2017. Terms and Conditions for de-tariffed services are available at www.att.com/guidebook.

(N)

Pending

(This page filed under Transmittal No. 194)

All AT&T and BellSouth marks contained herein and as set forth in the trademarks and service marks section of the BellSouth Tariff are owned by AT&T Intellectual Property or AT&T affiliated companies.

ISSUED: JANUARY 10, 2025

EFFECTIVE: JANUARY 25, 2025

ACCESS SERVICE

7 - Special Access (a.k.a. BellSouth SPA) Service (Cont'd)

7.4 Rate Regulations (Cont'd)

7.4.9 LightGate Service (a.k.a. BellSouth SPA Point to Point Network) (Cont'd)

Notwithstanding any other provision of this tariff to the contrary, Plan C rates will apply, beginning September 1, 1994, to all LightGate services (a.k.a. BellSouth SPA Point to Point Network) which, prior to September 1, 1994, have been obtained under a term period of at least 61 months and to all LightGate services (a.k.a. BellSouth SPA Point to Point Network) which are newly obtained, during the period from September 1, 1994 through April 1, 1995, under a term period of a least 61 months. The rates are subject to the conditions of Section 2.4.8(A)(1)(f) preceding. Termination liability will not apply for decreasing a commitment period to a term of 61 to 72 months during the period from September 1, 1994 through April 1, 1995.

Customers with an existing asynchronous LightGate 2 (a.k.a. BellSouth SPA Point to Point Network 3 DS3 Capacity) or 3 service (a.k.a. BellSouth SPA Point to Point Network 12 DS3 Capacity) local channel system may elect to convert that system to an asynchronous LightGate 2 (a.k.a. BellSouth SPA Point to Point Network 3 DS3 Capacity) or 3 service (a.k.a. BellSouth SPA Point to Point Network 12 DS3 Capacity) local channel system with optical customer termination of the same size at rates contained in Section 7.5.9(A)(3) following, at the same location and payment commitment period with no changes in the Telephone Company's serving wire center termination equipment without termination liability charges or nonrecurring charges applicable to the existing system. Such election must be made by June 15, 1996. The Network Channel Interface⁽¹⁾ (NCI) Codes and System Equipment that support this offering are shown in the table below:

(N)

<u>LightGate (a.k.a. BellSouth SPA Point to Point Network) Service System Size</u>	<u>NCI Code</u>	<u>Optical Rate (Mb/s)</u>	<u>System Equipment</u>
2	04FCF.13	135	Alcatel 3X50
3	04FCF.54	560	Alcatel LTS-1565 Telco Systems M560

Asynchronous LightGate service (a.k.a. BellSouth SPA Point to Point Network) systems with optical termination at customer locations are not available for new customer requests, nor as upgrades of existing system capacities to larger systems.

(N)

(This page filed under Transmittal No. 194)

All AT&T and BellSouth marks contained herein and as set forth in the trademarks and service marks section of the BellSouth Tariff are owned by AT&T Intellectual Property or AT&T affiliated companies.

BELLSOUTH TELECOMMUNICATIONS
Four AT&T Plaza, Dallas, Texas 75202

TARIFF F.C.C. NO. 1
1ST REVISED PAGE 7-146
CANCELS ORIGINAL PAGE 7-146

ISSUED: JANUARY 10, 2025

EFFECTIVE: JANUARY 25, 2025

(1) This service has been de-tariffed pursuant to FCC Order No. 17- 43, released April 28, 2017. Terms and Conditions for de-tariffed services are available at www.att.com/guidebook.

(N)

Pending

(This page filed under Transmittal No. 194)

All AT&T and BellSouth marks contained herein and as set forth in the trademarks and service marks section of the BellSouth Tariff are owned by AT&T Intellectual Property or AT&T affiliated companies.

ISSUED: JANUARY 10, 2025

EFFECTIVE: JANUARY 25, 2025

ACCESS SERVICE

7 - Special Access (a.k.a. BellSouth SPA) Service (Cont'd)

7.4 Rate Regulations (Cont'd)

7.4.10 Reserved For Future Use

7.4.11 Shared Network Arrangement

Rate elements which comprise a service arrangement within a shared network, e.g., local channels, interoffice channel(s)⁽¹⁾, and appropriate channelization elements, must be billed to one customer.

(N)

Each customer entering into a Shared Network Arrangement is solely responsible to BellSouth Telecommunications for charges associated with that customer's portion of the shared network. Disconnection of service by the host subscriber does not relieve another user of the network of any obligation to pay access charges associated with the portion of the shared network to which that user subscribes. Billing for services and facilities will continue until a disconnect request from the service user has been received by BellSouth Telecommunications. The host subscriber is solely responsible for notifying the connecting service user in the event of disconnection of the host's service which affects that portion of the shared network service to which the user has subscribed.

(1) This service has been de-tariffed pursuant to FCC Order No. 17- 43, released April 28, 2017. Terms and Conditions for de-tariffed services are available at www.att.com/guidebook.

(N)

(N)

ISSUED: JANUARY 10, 2025

EFFECTIVE: JANUARY 25, 2025

ACCESS SERVICE

7 - Special Access (a.k.a BellSouth SPA) Service (Cont'd)

7.4 Rate Regulations (Cont'd)

7.4.12 BellSouth SPA Customer Network Management (CNM) - FlexServ Service
(Cont'd)

(A) General (Cont'd)

(2) BellSouth SPA CNM - FlexServ Service (Cont'd)

With the customer's initial order for BellSouth SPA CNM - FlexServ Service the Telephone Company provides the capability for one connection to the Telephone Company for the communication of monitoring and reconfiguration signals. This capability is referred to in this tariff as access to BellSouth SPA CNM - FlexServ Service or "User Access". One customer identification code with password security is included with such access.

With the customer's initial order, the Telephone Company also provides one customer training class for up to five (5) persons. The class length of this initial training is two consecutive eight hour days. These training classes are conducted at a Company designated location. Transportation, lodging and food for the attendees will be the responsibility of the customer. If the customer desires for the initial training to be conducted on his premises, then the customer is responsible for the transportation, lodging and food for the trainer. In addition, the customer is responsible for having the appropriate equipment on his premises.

Reconfiguration and monitoring are not available during the performance of routine maintenance of the Telephone Company's facilities and equipment used to provide BellSouth SPA CNM - FlexServ Service.

The Local and Interoffice Channels⁽¹⁾ which are managed by BellSouth SPA CNM - FlexServ Service are subject to all regulations and charges contained in their respective sections of this Tariff in addition to those contained herein. (N)

Different switching options for DS0, DS1 and DS3 channels may be available in the same central office. If customers desire more than one switching option in the same central office and facilities are available, a channel connection is required for each BellSouth SPA CNM - FlexServ Service switching option connected.

BellSouth SPA CNM - FlexServ Service is furnished only in locations where facilities exist.

BELLSOUTH TELECOMMUNICATIONS
Four AT&T Plaza, Dallas, Texas 75202

TARIFF F.C.C. NO. 1
1ST REVISED PAGE 7-151
CANCELS ORIGINAL PAGE 7-151

ISSUED: JANUARY 10, 2025

EFFECTIVE: JANUARY 25, 2025

(1) This service has been de-tariffed pursuant to FCC Order No. 17- 43, released April 28, 2017. Terms and Conditions for de-tariffed services are available at www.att.com/guidebook.

(N)

Pending

(This page filed under Transmittal No. 194)

All AT&T and BellSouth marks contained herein and as set forth in the trademarks and service marks section of the BellSouth Tariff are owned by AT&T Intellectual Property or AT&T affiliated companies.

ISSUED: JANUARY 10, 2025

EFFECTIVE: JANUARY 25, 2025

ACCESS SERVICE

7 - Special Access (a.k.a. BellSouth SPA) Service (Cont'd)

7.4 Rate Regulations (Cont'd)

7.4.13 Voice Grade (a.k.a. BellSouth SPA DS0 VG) Rate Stability Plan (Cont'd)

7.4.13.1 Rate Stability Plan Eligibility Requirements

The minimum entrance eligibility requirement for this Plan is 500 voice grade special access local channels provided by BellSouth in the BellSouth region. These local channels may be provided with or without any associated interoffice channels⁽¹⁾, but any associated interoffice channels⁽¹⁾ must be subject to the Plan.

(N)
(N)

In addition to meeting this minimum eligibility requirement, customers electing the Plan must also agree to the terms and conditions specified in 7.4.13.2, following.

7.4.13.2 Rate Stability Plan Terms And Conditions

All of the customer's Voice Grade (a.k.a. BellSouth SPA DS0 VG) special access local channels, and any associated interoffice channels⁽¹⁾, must be subject to the Plan. This requirement applies to all local and interoffice channels⁽¹⁾ existing at the time of Plan election, all local and interoffice channels⁽¹⁾ ordered when the Plan is elected, and all local or interoffice channels⁽¹⁾ added at a subsequent date during the service commitment period.

(N)
(N)
(N)

The minimum service commitment period for which the Voice Grade (a.k.a. BellSouth SPA DS0 VG) Rate Stability Plan is provided and for which stabilized rates and charges are applicable is thirty-six months.

Customers may add Voice Grade (a.k.a. BellSouth SPA DS0 VG) local channels and associated interoffice channels⁽¹⁾ to the Plan at any time during the service commitment period at the stabilized rates. The expiration date of the Plan for any local or interoffice channels⁽¹⁾ added will be coterminous with the original expiration date.

(N)
(N)

(A) Growth Requirement

The customer must guarantee to purchase 10% of the initial number of Voice Grade (a.k.a. BellSouth SPA DS0 VG) local channels established under the Plan on an annual basis for the first 36 months of any service commitment period. After 36 months, the customer shall be required to maintain a local channel count equivalent to 130% of the initial number of local channels ordered and/or converted to the plan for the duration of the service commitment period. This 10% growth will be measured

(1) This service has been de-tariffed pursuant to FCC Order No. 17- 43, released April 28, 2017. Terms and Conditions for de-tariffed services are available at www.att.com/guidebook.

(N)
(N)

ISSUED: JANUARY 10, 2025

EFFECTIVE: JANUARY 25, 2025

ACCESS SERVICE

7 - Special Access (a.k.a. BellSouth SPA) Service (Cont'd)

7.4 Rate Regulations (Cont'd)

7.4.13 Voice Grade⁽¹⁾ Rate Stability Plan (Cont'd)

7.4.13.3 Rate Stability Plan Nonrecurring Charges

Nonrecurring charges for plan establishment apply for each local channel included in the Plan. There are two types of nonrecurring charges for plan establishment: (1) a conversion charge for existing local channels included in the Plan at the time of plan election; and (2) a stabilization charge applicable to new local channels, whether ordered at the time of plan election or ordered as subsequent coterminous additions to the Plan. This establishment charge applies in addition to all other applicable nonrecurring charges specified in 7.5.3(A) and (B), following. The nonrecurring charges for plan establishment are specified in 7.7.1(A) following.

7.4.13.4 Rate Stability Plan Services

The only services rate stabilized under this Plan are those identified as having Voice Grade (a.k.a. BellSouth SPA DSO VG) transmission capability within the analog 300 to 3000 Hz frequencies, as specified in 7.2.3(A), 7.2.3(B), preceding, and in Technical Publication TR-NWT-000335. The transmission interface specification may be either two-wire or four-wire.

7.4.13.5 Rate Stability Plan Application

(A) Rate Elements Stabilized

(1) Recurring Rates

The Voice Grade (a.k.a. BellSouth SPA DSO VG) Rate Stability Plan stabilizes the recurring rates for the Voice Grade (a.k.a. BellSouth SPA DSO VG) local channel and voice grade interoffice channel⁽²⁾ rate elements for the customer and its subsidiaries. The monthly recurring rates for these elements throughout the service commitment period will be the stabilized rates in 7.7.1(A) and (B) following, in effect on the appropriate plan establishment effective date. The Plan establishment effective date is the date on which the customer signs a written agreement for his initial order for rate-stabilized voice grade services, and otherwise meets the Plan's eligibility requirements.

(1) Effective November 20, 2019, this Service will no longer be available for purchase by new or existing customers, and service agreements may no longer be renewed. In addition, requests to move, add or change existing service arrangements will not be accepted. Following the expiration of a customer's existing term agreement, service will be provided on a month-to-month basis at the applicable monthly extension rates until the service is discontinued. AT&T currently plans to discontinue this Service on or after June 30, 2024.

(2) This service has been de-tariffed pursuant to FCC Order No. 17- 43, released April 28, 2017. Terms and Conditions for de-tariffed services are available at www.att.com/guidebook.

BELLSOUTH TELECOMMUNICATIONS
Four AT&T Plaza, Dallas, Texas 75202

TARIFF F.C.C. NO. 1
2ND REVISED PAGE 7-163
CANCELS 1ST REVISED PAGE 7-163

ISSUED: JANUARY 10, 2025

EFFECTIVE: JANUARY 25, 2025

Pending

ISSUED: JANUARY 10, 2025

EFFECTIVE: JANUARY 25, 2025

ACCESS SERVICE

7 - Special Access (a.k.a. BellSouth SPA) Service (Cont'd)

7.4 Rate Regulations (Cont'd)

7.4.14 Digital Data Access Service⁽¹⁾ (a.k.a. BellSouth SPA DSO Digital Data)
(Cont'd)

- (A) A termination liability charge will be applicable if services provided under a CSPP arrangement are disconnected prior to the end of the chosen service period. The termination charge is equal to the applicable rate per rate element for the current time the CSPP contract has been in effect and the minimum contract length multiplied times a factor. The factor is 50 percent for contracts that have been in effect twelve months or less, or 20 percent for contracts that have been in effect longer than twelve months.
- (B) No charges apply for the conversion of existing DDAS (a.k.a. BellSouth SPA DSO Digital Data) under a month-to-month payment plan to a CSPP Arrangement.
- (C) Plan C offered under the CSPP arrangement, as specified in 2.4.8(A) preceding, is not available for DDAS (a.k.a. BellSouth SPA DSO Digital Data).
- (D) In order to accommodate more flexible customer situations, certain elements of Digital Data Access Service (a.k.a. BellSouth SPA DSO Digital Data) are available under an Area Commitment Plan (ACP) as described in 2.4.8(B) preceding. The ACP commitment for DDAS (a.k.a. BellSouth SPA DSO Digital Data) is made based on a commitment level of lowspeed and a commitment level of highspeed local channels and interoffice channel⁽²⁾ miles. The DDAS (a.k.a. BellSouth SPA DSO Digital Data) Interoffice Channel⁽²⁾ - Fixed rate element will receive the same rate treatment for credits and shortfall charges as long as the associated circuit mileage⁽²⁾ qualifies under the ACP. The ACP A and ACP B rates for DDAS (a.k.a. BellSouth SPA DSO Digital Data) are the same as the CSPP Plan A and Plan B rates.

(N)
(N)
(N)

7.4.15 DS1 High Capacity (a.k.a. BellSouth SPA DS1) Service

Monthly rates and nonrecurring charges as specified in 7.5.9 following apply for DS1 High Capacity (a.k.a. BellSouth SPA DS1) service.

DS1 High Capacity (a.k.a. BellSouth SPA DS1) service is available under several payment plans: Month-to-month (with a minimum of one month) or Plan A (24-48 Months). Plans A is provided under conditions specified in the Channel Services Payment Plan (CSPP), 2.4.8(A) preceding, except as modified following:

(C)
(D)

(1) Effective November 20, 2019, this Service will no longer be available for purchase by new or existing customers, and service agreements may no longer be renewed. In addition, requests to move, add or change existing service arrangements will not be accepted. Following the expiration of a customer's existing term agreement, service will be provided on a month-to-month basis at the applicable monthly extension rates until the service is discontinued. AT&T currently plans to discontinue this Service on or after June 30, 2024.

(2) This service has been de-tariffed pursuant to FCC Order No. 17- 43, released April 28, 2017. Terms and Conditions for de-tariffed services are available at www.att.com/guidebook.

(N)
(N)

ISSUED: JANUARY 10, 2025

EFFECTIVE: JANUARY 25, 2025

ACCESS SERVICE

7 - Special Access (a.k.a. BellSouth SPA) Service (Cont'd)

7.4 Rate Regulations (Cont'd)

7.4.15 DS1 High Capacity (a.k.a. BellSouth SPA DS1) Service (Cont'd)

- (A) A termination liability charge will be applicable if services provided under a CSPP arrangement are disconnected prior to the end of the chosen service period. The termination charge is equal to the applicable rate per rate element for the current contract multiplied times the difference in months between the time the CSPP contract has been in effect and the minimum contract length multiplied times a factor. The factor is 50 percent for contracts that have been in effect twelve months or less, or 20 percent for contracts that have been in effect longer than twelve months.
- (B) No charges apply for the conversion of existing DS1 High Capacity (a.k.a. BellSouth SPA DS1) service under a month-to-month payment plan to a CSPP arrangement.
- (C) Plan C offered under the CSPP arrangement, as specified in 2.4.8(A) preceding, is not available for DS1 High Capacity (a.k.a. BellSouth SPA DS1) service.

In order to accommodate more flexible customer situations, certain elements of DS1 High Capacity (a.k.a. BellSouth SPA DS1) service are available under an Area Commitment Plan (ACP) as described in 2.4.8(B) preceding. ACP for DS1 High Capacity (a.k.a. BellSouth SPA DS1) service is made available for local channels, interoffice channel miles⁽¹⁾ and basic channelization. DS1 High Capacity (a.k.a. BellSouth SPA DS1) Interoffice Channel-Fixed(1) rate elements will receive the same rate treatment for credits and shortfall charges as long as the associated circuit mileage qualifies under the ACP. The ACP A and ACP B rates for DS1 service are the same as the Plans A and B rates shown for CSPP.

(N)
(N)

(1) This service has been de-tariffed pursuant to FCC Order No. 17- 43, released April 28, 2017. Terms and Conditions for de-tariffed services are available at www.att.com/guidebook.

(N)
(N)

(This page filed under Transmittal No. 194)

BELLSOUTH TELECOMMUNICATIONS
Four AT&T Plaza, Dallas, Texas 75202

TARIFF F.C.C. NO. 1
4TH REVISED PAGE 7-171
CANCELS 3RD REVISED PAGE 7-171

ISSUED: JANUARY 10, 2025

EFFECTIVE: JANUARY 25, 2025

Pending

(This page filed under Transmittal No. 194)
All BellSouth marks contained herein and as set forth in the trademarks and servicemarks section of this
Tariff are owned by BellSouth Intellectual Property Corporation.

ISSUED: JANUARY 10, 2025

EFFECTIVE: JANUARY 25, 2025

ACCESS SERVICE

7 - Special Access (a.k.a. BellSouth SPA) Service (Cont'd)

7.4 Rate Regulations (Cont'd)

7.4.18.1 SMARTPath Service (a.k.a. BellSouth SPA DS1 Shared Ring)⁽¹⁾⁽²⁾ (Cont'd)

(A) SMARTPath Service (a.k.a. BellSouth SPA DS1 Shared Ring) (Cont'd)

In order to accommodate more flexible customer situations, SMARTPath service (a.k.a. BellSouth SPA DS1 Shared Ring) is available under an Area Commitment Plan (ACP) as described in 2.4.8(B) preceding. The ACP commitment for SMARTPath service (a.k.a. BellSouth SPA DS1 Shared Ring) is made based on a level of SMARTPath service area connections. SMARTPath Area Junction connections will receive the same rate treatment for credits and shortfall charges as long as the associated SMARTPath Area Connection qualifies under the ACP. ACP termination liability charges will be calculated using the SMARTPath Area Connection and the Central Office SMARTPath Area Junction rates. The ACP shortfall charge will not apply for 12 months after SMARTPath service (a.k.a. BellSouth SPA DS1 Shared Ring) first becomes available in an ACP billing area.

Termination liability charges for SMARTPath service (a.k.a. BellSouth SPA DS1 Shared Ring) under CSPP or ACP will be calculated using the procedures for DS1 High Capacity service (a.k.a. BellSouth SPA DS1), as specified in 7.4.16(A) and 2.4.8(B) preceding, respectively.

The rates applicable to a month-to-month payment plan are subject to Telephone Company initiated changes. Rates stabilized under an ACP arrangement are exempt from Telephone Company initiated increases, however, decreases for any rate element will automatically flow through to the customer.

A SMARTPath service (a.k.a. BellSouth SPA DS1 Shared Ring) performance guarantee, as specified in 7.2.13(C) preceding, will apply.

7.4.18.2 SMARTPath DS3 Transport Service (a.k.a. BellSouth SPA DS3 Shared Ring)⁽¹⁾⁽²⁾

(A) SMARTPath DS3 Transport Service (a.k.a. BellSouth SPA DS3 Shared Ring)

Monthly rates and charges as specified in 7.5.16.2 following apply for each SMARTPath DS3 Transport service (a.k.a. BellSouth SPA DS3 Shared Ring). The transport provided within a SMARTPath service (a.k.a. BellSouth SPA DS1 Shared Ring) area is provided at 44.736 Mbps. Rate categories include a SMARTPath DS3 Area Connection, a SMARTPath DS3 Area Junction and a SMARTPath DS3 Transport service (a.k.a. BellSouth SPA DS3 Shared Ring) 28 DS1 Channel System and associated interfaces⁽³⁾. (N)

Customers may request a C-Bit Parity framing format for a DS3 level circuit. If the request is made at the time the circuit is installed, there is no additional charge. When a request for C-Bit Parity framing format is made for an existing circuit, a nonrecurring charge will be applicable for rearranging the framing format on the circuit. This charge will also be applicable if a customer requests that the C-Bit Parity framing format be removed from a circuit. This charge is specified in 7.5.17 following and is applied on a per circuit basis.

⁽¹⁾ Effective on November 1, 2022, all ACPs for High Capacity (a.k.a. BellSouth SPA High Capacity DS1 (a.k.a. BellSouth SPA DS1)), CSPPs of greater than 24 months for High Capacity (a.k.a. BellSouth SPA High Capacity DS1 (a.k.a. BellSouth SPA DS1)), SMARTPath Service (a.k.a. BellSouth SPA DS1 Shared Ring), and SMARTPath DS3 Transport Service (a.k.a. BellSouth SPA DS3 Shared Ring), and TPPs greater than 12 months for BellSouth DS1 Diverse Service and LightGate Systems (a.k.a. BellSouth SPA Point to Point Network), are no longer available, including for any otherwise available conversions. Circuits already subject to ACPs, CSPPs, and TPPs, as of November 1, 2022, will continue to be provided under the then-current term for the remainder of that term.

ISSUED: JANUARY 10, 2025

EFFECTIVE: JANUARY 25, 2025

- ⁽²⁾ Effective on January 17, 2024, all CSPP and TPPs term plans greater than month-to-month for High Capacity (a.k.a. BellSouth SPA High Capacity DS1 (a.k.a. BellSouth SPA DS1)), SMARTPath Service (a.k.a. BellSouth SPA DS1 Shared Ring), SMARTPath DS3 Transport Service (a.k.a. BellSouth SPA DS3 Shared Ring), BellSouth DS1 Diverse Service and LightGate Systems (a.k.a. BellSouth SPA Point to Point Network), are no longer available, including for any otherwise available conversions. Existing Term Plan Services on January 17, 2024, will continue to be provided for the remainder of the then-current terms.
- (3) This service has been de-tariffed pursuant to FCC Order No. 17- 43, released April 28, 2017. Terms and Conditions for de-tariffed services are available at www.att.com/guidebook.

(N)
(N)

Pending

ISSUED: JANUARY 10, 2025

EFFECTIVE: JANUARY 25, 2025

ACCESS SERVICE

7 - Special Access (a.k.a. BellSouth SPA) Service (Cont'd)

7.4 Rate Regulations (Cont'd)

7.4.18.2 SMARTPath DS3 Transport Service (a.k.a. BellSouth SPA DS3 Shared Ring) ⁽¹⁾⁽²⁾ (Cont'd)

(A) ~~SMARTPath DS3 Transport Service (a.k.a. BellSouth SPA DS3 Shared Ring)~~ (Cont'd)

The SMARTPath DS3 Area Connection rate element provides for the connection at the designated premises where the customer gains access to SMARTPath DS3 Transport service (a.k.a. BellSouth SPA DS3 Shared Ring) and transport to a designated junction on the network. The SMARTPath DS3 Area Junction rate element provides for the connection between the SMARTPath DS3 Transport network and (1) another customer-designated premises in the same SMARTPath service (a.k.a. BellSouth SPA DS3 Shared Ring) area or (2) a serving wire center in the same SMARTPath area for connection (a) to DS1 Service through a SMARTPath DS3 Transport service (a.k.a. BellSouth SPA DS3 Shared Ring) service 28 DS1 Channel System, or to BellSouth SPA CNM FlexServ Service, or to BellSouth Expanded Interconnection services under Section 20 of this Tariff, or (b) to a SMARTPath DS3 Area Junction of another SMARTPath service (a.k.a. BellSouth SPA DS3 Shared Ring) area in the same metropolitan area.

Recurring charges apply for each SMARTPath DS3 Area Connection, SMARTPath DS3 Area Junction and SMARTPath DS3 Transport service (a.k.a. BellSouth SPA DS3 Shared Ring) 28 DS1 Channel System and each interface⁽⁴⁾ activated. (N)

SMARTPath DS3 Transport service (a.k.a. BellSouth SPA DS3 Shared Ring) customers electing to connect with DS1 services at a serving wire center must obtain a SMARTPath DS3 Transport service (a.k.a. BellSouth SPA DS3 Shared Ring) 28 DS1 Channel System and the appropriate number of DS1 Channel Interfaces⁽⁴⁾. (N)

SMARTPath DS3 Transport service (a.k.a. BellSouth SPA DS3 Shared Ring) is available under several payment plans: Month-to-month (with a 12 month minimum)⁽³⁾ and Plan A (24-48 Months)⁽¹⁾⁽²⁾. Plan A is provided under conditions specified in the Channel Services Payment Plan (CSPP), 2.4.8(A) preceding. Termination liability charges will be applicable if services provided under a CSPP are disconnected prior to the end of the chosen service period. Termination liability charges will be calculated using the procedures for DS1 High Capacity service (a.k.a. BellSouth SPA DS1) as specified in 7.4.16(A) preceding. (C)

A SMARTPath DS3 Transport service (a.k.a. BellSouth SPA DS3 Shared Ring) performance credit, as specified in Section 2.4.4(B) will apply.

⁽¹⁾ Effective on November 1, 2022, all ACPs for High Capacity (a.k.a. BellSouth SPA High Capacity DS1 (a.k.a. BellSouth SPA DS1)), CSPPs of greater than 24 months for High Capacity (a.k.a. BellSouth SPA High Capacity DS1 (a.k.a. BellSouth SPA DS1)), SMARTPath Service (a.k.a. BellSouth SPA DS1 Shared Ring), and SMARTPath DS3 Transport Service (a.k.a. BellSouth SPA DS3 Shared Ring), and TPPs greater than 12 months for BellSouth DS1 Diverse Service and LightGate Systems (a.k.a. BellSouth SPA Point to Point Network), are no longer available, including for any otherwise available conversions. Circuits already subject to ACPs, CSPPs, and TPPs, as of November 1, 2022, will continue to be provided under the then-current term for the remainder of that term.

⁽²⁾ Effective on January 17, 2024, all CSPP and TPPs term plans greater than month-to-month for High Capacity (a.k.a. BellSouth SPA High Capacity DS1 (a.k.a. BellSouth SPA DS1)), SMARTPath Service (a.k.a. BellSouth SPA DS1 Shared Ring), SMARTPath DS3 Transport Service (a.k.a. BellSouth SPA DS3 Shared Ring), BellSouth DS1 Diverse Service and LightGate Systems (a.k.a. BellSouth SPA Point to Point Network), are no longer available, including for any

ISSUED: JANUARY 10, 2025

EFFECTIVE: JANUARY 25, 2025

otherwise available conversions. Existing Term Plan Services on January 17, 2024, will continue to be provided for the remainder of the then-current terms.

⁽³⁾ Effective January 17, 2024, the 12 month minimum period no longer applies.

⁽⁴⁾ This service has been de-tariffed pursuant to FCC Order No. 17- 43, released April 28, 2017. Terms and Conditions for de-tariffed services are available at www.att.com/guidebook.

(N)
(N)

Pending

ISSUED: JANUARY 10, 2025

EFFECTIVE: JANUARY 25, 2025

ACCESS SERVICE

7 - Special Access (a.k.a BellSouth SPA) Service (Cont'd)

7.4 Rate Regulations (Cont'd)

7.4.20 Voice Grade (a.k.a. BellSouth SPA DSO VG) Service⁽¹⁾ (Cont'd)

- (A) A termination liability charge will be applicable if services provided under a CSPP arrangement are disconnected prior to the end of the chosen service period. The termination charge is equal to the applicable rate per rate element for the current contract multiplied times the difference in months between the time the CSPP contract has been in effect and the minimum contract length multiplied times a factor. The factor is 50 percent for contracts that have been in effect twelve months or less, or 20 percent for contracts that have been in effect longer than twelve months.
- (B) No charges apply for the conversion of existing Voice Grade (a.k.a. BellSouth SPA DSO VG) service under a month-to-month payment plan to a CSPP arrangement.
- (C) Plan C offered under the CSPP arrangement, as specified in 2.4.8(A) preceding, is not available for Voice Grade (a.k.a. BellSouth SPA DSO VG) service.

In order to accommodate more flexible customer situations, certain elements of Voice Grade (a.k.a. BellSouth SPA DSO VG) service are available under an Area Commitment Plan (ACP) as described in 2.4.8(B) preceding. The ACP commitment for Voice Grade (a.k.a. BellSouth SPA DSO VG) service is made based on a level of local channels and interoffice channel miles⁽²⁾. Voice Grade (a.k.a. BellSouth SPA DSO VG) Interoffice Channel-Fixed⁽²⁾ rate elements will receive the same rate treatment for credits and shortfall charges as long as the associated circuit mileage charges qualify under the ACP. The ACP A rates for Voice Grade (a.k.a. BellSouth SPA DSO VG) service are the same as the Plan A rates shown for CSPP.

- (D) No charges apply for the conversion of an existing Voice Grade (a.k.a. BellSouth SPA DSO VG) Rate Stability Plan arrangement as specified in Section 7.4.13 preceding to a CSPP or ACP arrangement. The customer will be given recognition for previous service for each circuit converted from the Voice Grade (a.k.a. BellSouth SPA DSO VG) Rate Stability Plan provided that the length of the new CSPP or ACP arrangement is equal to or greater than the remaining service period of the Voice Grade (a.k.a. BellSouth SPA DSO VG) Rate Stability Plan arrangement.

⁽¹⁾ Effective November 5, 2016, Voice Grade (a.k.a. BellSouth SPA DSO VG) service in the Carbon Hill, Alabama and Kings Point, Florida Telephone Company wire centers is no longer available.

⁽²⁾ This service has been de-tariffed pursuant to FCC Order No. 17- 43, released April 28, 2017. Terms and Conditions for de-tariffed services are available at www.att.com/guidebook.

BELLSOUTH TELECOMMUNICATIONS
Four AT&T Plaza, Dallas, Texas 75202

TARIFF F.C.C. NO. 1
3RD REVISED PAGE 7-181
CANCELS 2ND REVISED PAGE 7-181

ISSUED: JANUARY 10, 2025

EFFECTIVE: JANUARY 25, 2025

Pending

ISSUED: JANUARY 10, 2025

EFFECTIVE: JANUARY 25, 2025

ACCESS SERVICE

7 - Special Access (a.k.a. BellSouth SPA) Service (Cont'd)

7.4 Rate Regulations (Cont'd)

7.4.22 Uncompressed Switched Video (a.k.a. BellSouth SPA Uncompressed Switched Video) Service

- (A) Monthly recurring rates and nonrecurring charges apply as specified in 7.5.5 following for each Uncompressed Switched Video (a.k.a. BellSouth SPA Uncompressed Switched Video Network) service. These rates and charges are only valid for locations where facilities exist. If new facilities must be constructed, special construction charges may apply.

Dedicated, digital video channels are available at a transmission rate over 100 Mbps. Customers are required to subscribe to a minimum of 8 video channels that connect the digital video switch to the customer designated end locations. These 8 video channels may be any combination of video channels on an Uncompressed Switched Video (a.k.a. BellSouth SPA Uncompressed Switched Video) service Single Channel and/or Multiple Channel System.

Rate categories include Local Channels and Interoffice Channels⁽¹⁾. There are two types of Local Channels and Interoffice Channels⁽¹⁾:

- Single Channel Systems
- Multiple Channel Systems

Only one nonrecurring charge is applicable for one to six video channels installed on the same system at the same time.

In addition, a Multiple Channel System Interoffice Interface⁽¹⁾ is available for interoffice transport⁽¹⁾ of multiple video signals, in the same direction. No video channelization is required for this Multiple Channel System Interoffice Interface⁽¹⁾. Rates and Charges for this Multiple Channel System Interoffice Interface⁽¹⁾ are in addition to the Multiple Channel System Interoffice Channel rate elements, i.e. airline mileage and applicable regenerators.

Two 15 kHz audio channels are provided with each video channel. The customer may order two additional 15 kHz audio channels per video channel, per site. Customers may opt for four 20 kHz audio channels, at rates and charges set forth in 7.5.5.3.1.A.4 in lieu of the two 15 kHz audio channels previously discussed.

- (B) Moves to a building (customer premises) in a wire center serving area different than the customer's existing serving wire center serving area will not be treated as a discontinuance and start of service. Nonrecurring move charges are applicable for Uncompressed Switched Video Service as set forth in 7.5.5.3.1.C. Separate facilities are needed for each transmit and receive circuit.

(1) This service has been de-tariffed pursuant to FCC Order No. 17- 43, released April 28, 2017. Terms and Conditions for de-tariffed services are available at www.att.com/guidebook.

ISSUED: JANUARY 10, 2025

EFFECTIVE: JANUARY 25, 2025

ACCESS SERVICE

7 - Special Access (a.k.a. BellSouth SPA) Service (Cont'd)

7.4 Rates Regulations (Cont'd)

7.4.25 Zone Pricing - Special Access (a.k.a. BellSouth SPA) Service

High Capacity DS1 (a.k.a. BellSouth SPA DS1) service, BellSouth DS1 Diverse service, and LightGate service (a.k.a. BellSouth SPA Point to Point Network) are organized into three pricing zones. The pricing zone assignments for each Telephone Company serving wire center is as specified in the NATIONAL EXCHANGE CARRIER ASSOCIATION (NECA) TARIFF F.C.C. NO. 4.

Special Access (a.k.a. BellSouth SPA) interoffice channels⁽¹⁾, which terminate in different zones will be billed the higher rate. When interoffice channels⁽¹⁾ are provided by more than one telephone company; this Telephone Company's portion of that circuit will be billed in accordance with that company's tariff, pursuant to 2.4.7 (C) preceding. Channelization rates will be determined by the location of the channelization arrangement.

(N)
(N)

(1) This service has been de-tariffed pursuant to FCC Order No. 17- 43, released April 28, 2017. Terms and Conditions for de-tariffed services are available at www.att.com/guidebook.

(N)
(N)

(This page filed under Transmittal No. 194)

All AT&T and BellSouth marks contained herein and as set forth in the trademarks and service marks section of the BellSouth Tariff are owned by AT&T Intellectual Property or AT&T affiliated companies.

ISSUED: JANUARY 10, 2025

EFFECTIVE: JANUARY 25, 2025

ACCESS SERVICE

7 - Special Access (a.k.a. BellSouth SPA) Service (Cont'd)

7.4. Rate Regulations (Cont'd)

7.4.27 BellSouth SPA Modular Video Transport Service¹

Rates and charges as specified in 7.5.6 following apply for each BellSouth SPA Modular Video Transport service. BellSouth SPA Modular Video Transport service is a fiber optic transport video service that interconnects two or more customer designated end point locations to provide one way video service with associated audio. This service may utilize an uncompressed National Television Systems Committee (NTSC) video signal, a Component 270 Mbps video signal (Multiple Channel Systems only), an Advanced Television Stream (ATV) video signal, and/or an Intermediate Frequency (IF) video signal at the customer premises. Rate categories include Local Channels, Interoffice Channels⁽²⁾, and Optional Features⁽²⁾. Multiple endpoint locations may be interconnected to form one way video rings with separate facilities for each transmit and each receive circuit. Nonrecurring charges and recurring rates are applicable for each.

(N)

These rates and charges are only valid for locations where facilities exist. If new facilities must be constructed, special construction charges will apply as set forth in the BellSouth Telecommunications Special Construction Tariff, F.C.C. No. 2.

BellSouth SPA Modular Video Transport service is provided under several payment options: Month-to-Month or under Channel Services Payment Plans (CSPP) for Plan A (24-48 Months). All CSPP's are provided under conditions specified in Section 2.4.8 preceding, except as modified following:

(C)
(D)

- (1) All rate elements, for a given each BellSouth SPA Modular Video Transport service must be provided under the same payment plan with the same service period and are coterminous upon disconnect of that service, for example Local Channels, Interoffice Channels⁽²⁾, and any Optional Features⁽²⁾.
- (2) A termination liability charge will be applicable if services provided under a CSPP arrangement are disconnected prior to the end of the chosen service period. The applicable charge is equal to the number of months remaining in the rate stabilized service period times 60% of monthly rates for BellSouth SPA Modular Video Transport services which include Local Channels, Interoffice Channels⁽²⁾, and Optional Features⁽²⁾ provided under the CSPP arrangement.

(N)

(N)
(N)

¹ Effective August 25, 2011, BellSouth SPA Modular Video Transport Service is no longer available to new Customers. There is no change for existing customers.

⁽²⁾ These services have been de-tariffed pursuant to FCC Order No. 17-43, released

(N)
|

April 28, 2017. Terms and Conditions for de-tariffed services are available at

(N)

www.att.com/guidebook.

ISSUED: JANUARY 10, 2025

EFFECTIVE: JANUARY 25, 2025

ACCESS SERVICE

7 – Special Access (a.k.a. BellSouth SPA) Service (Cont'd)

7.4 Rates and Regulations (Cont'd)

7.4.29 Broadcast Quality Video (a.k.a. BellSouth SPA Broadcast Quality Video) Service⁽¹⁾⁽²⁾

Rates and charges as specified in 7.5.6 following apply for each Broadcast Quality Video (a.k.a. BellSouth SPA Broadcast Quality Video) Service. Broadcast Quality Video⁽²⁾ (a.k.a. BellSouth SPA Broadcast Quality Video) Service is a fiber optic transport video service that interconnects two customer designated end point locations or a customer designated premises and a Telephone Company central office to provide one-way video service with associated audio. This service is transported a National Televisions Systems Committee (NTSC) video signal. Rate categories include Local Channels and Interoffice Channels⁽³⁾. Nonrecurring charges and recurring rates are applicable for each.

(N)

These rates and charges are only valid for locations where facilities exist. If new facilities must be constructed, special construction charges will apply as set forth in the BellSouth Telecommunications Inc.'s Special Construction Tariff, F.C.C. No. 2.

Broadcast Quality Video⁽²⁾ (a.k.a. BellSouth SPA Broadcast Quality Video) Service is provided under a month-to-month rate option for customers subscribing on or after December 29, 2001. For customers subscribing prior to December 29, 2001, the NTSC option is provided under Month-to-Month rates. All CSPP's are provided under conditions specified in Section 2.4.8 preceding, except as modified following:

- (1) All rate elements, for each Broadcast Quality Video⁽²⁾ (a.k.a. BellSouth SPA Broadcast Quality Video) Service must be provided under the same payment plan with the same service period and are coterminous upon disconnect of that service, for example Local Channels and Interoffice Channels⁽³⁾. (N)
- (2) A termination liability charge will be applicable if services provided under a CSPP arrangement are disconnected prior to the end of the chosen service period. The applicable charge is equal to the number of months remaining in the rate stabilized service period times 60% of monthly rates for Broadcast Quality Video⁽²⁾ (a.k.a. BellSouth SPA Broadcast Quality Video) Service which include Local Channels and Interoffice Channels⁽³⁾ provided under the CSPP arrangement. (N)

- (1) Effective November 5, 2016, Broadcast Quality Video (a.k.a. BellSouth SPA Broadcast Quality Video) service in the Carbon Hill, Alabama and Kings Point, Florida Telephone Company wire centers is no longer available.
- (2) Effective December 31, 2020, Broadcast Video (TV1) service will no longer be available for purchase by new or existing customers, and service agreements may no longer be renewed. In addition, requests to move, add, or change existing service arrangements will not be accepted. Following the expiration of a customer's existing term agreement, service will be provided on a month-to-month basis at the applicable Monthly rate until the service is discontinued. AT&T currently plans to discontinue this Service on or after December 31, 2021.
- (3) These services have been de-tariffed pursuant to FCC Order No. 17-43, released April 28, 2017. Terms and Conditions for de-tariffed services are available at www.att.com/guidebook. (N)

(This page filed under Transmittal No. 194)

All AT&T and BellSouth marks contained herein and as set forth in the trademarks and service marks section of the BellSouth Tariff are owned by AT&T Intellectual Property or AT&T affiliated companies.

ISSUED: JANUARY 10, 2025

EFFECTIVE: JANUARY 25, 2025

ACCESS SERVICE

7 - Special Access (a.k.a. BellSouth SPA) Service (Cont'd)

7.5 Rates and Charges

Rates and charges for Special Access Service ⁽¹⁾⁽²⁾⁽³⁾

Only Non-Competitive End User channel terminations and their applicable optional features are available in this tariff.

Pending

(C)
(C)
(D)
(D)

7.5.1 Metallic (a.k.a. BellSouth SPA Metallic) Service⁽⁶⁾

ALL STATES Non-Competitive Rates

(C)

Nonrecurring Charges

First Service	Additional Service			Monthly
<u>Installed</u>	<u>Installed</u>			<u>USOC</u> <u>Rates</u>
(A) Local Channel	- Per Local Channel	T6ECS	\$37.50	\$287.03 \$109.05
(B) ⁽⁷⁾				

(D) (N)
|
(D)

- (1) Effective on September 13, 2017, CSPPs greater than 36-months are no longer available for High Capacity (a.k.a. BellSouth SPA High Capacity DS1 (a.k.a. BellSouth SPA DS1)) service and SMARTPath Service (a.k.a. BellSouth SPA DS1 Shared Ring), and CSPPs are no longer available for Metallic (a.k.a. BellSouth SPA Metallic), Telegraph Grade (a.k.a. BellSouth SPA Telegraph), Voice Grade (a.k.a. BellSouth SPA VG), WATS Access Line (WAL) (a.k.a. BellSouth SPA WATS Lines), Derived Data Channel (a.k.a. BellSouth SPA Derived Data Channel), Digital Data Access Service (a.k.a. BellSouth SPA DS0 Digital Data) and BellSouth SPA Customer Network Management (CNM) - FlexServ Service, including for any otherwise available renewals or conversions. Circuits already subject to a CSPP, as of September 13, 2017, will continue to be provided under the then-current CSPP term for the remainder of that term.
- (2) Effective on September 13, 2017, ACPs greater than 36-months for special access services are no longer available, including for any otherwise available conversions. Circuits already subject to an ACP greater than 36-months, as of September 13, 2017, will continue to be provided under the then-current ACP term for the remainder of that term.
- (3) Effective on September 13, 2017, TPPs greater than 36-months are no longer available for LightGate (a.k.a. BellSouth SPA Point to Point Network) service and BellSouth DS1 Diverse service, including for any otherwise available renewals, extensions or conversions. Circuits already subject to a TPP greater than 36-months, as of September 13, 2017, will continue to be provided under the then-current TPP term for the remainder of that term.
- (4) Until February 1, 2018, End User channel terminations and their applicable optional features that had not qualified for Phase II, Level 2 pricing flexibility prior to June 1, 2017, will be rated at the price cap rate regardless of the status of the county in which the applicable wire center is located.
- (5) Optional features for End User channel terminations includes all optional features in Section 7.5, except for the Loop Transfer Arrangement and BellSouth SPA Customer Network Management (CNM) - FlexServ Service.
- (6) Effective November 20, 2019, this Service will no longer be available for purchase by new or existing customers, and service agreements may no longer be renewed. In addition, requests to move, add or change existing service arrangements will not be accepted. Following the expiration of a customer's existing term agreement, service

(This page filed under Transmittal No. 194)

All BellSouth marks contained herein and as set forth in the trademarks and servicemarks section of this Tariff are owned by BellSouth Intellectual Property Corporation.

ISSUED: JANUARY 10, 2025

EFFECTIVE: JANUARY 25, 2025

will be provided on a month-to-month basis at the applicable monthly extension rates until the service is discontinued. AT&T currently plans to discontinue this Service on or after June 30, 2024.

(7) Material in this Section has been de-tariffed pursuant to FCC Order No. 17-43, released April 28, 2017. Terms and Conditions for de-tariffed services are available at www.att.com/guidebook.

(N)
(N)

Pending

(This page filed under Transmittal No. 194)

All BellSouth marks contained herein and as set forth in the trademarks and servicemarks section of this Tariff are owned by BellSouth Intellectual Property Corporation.

ISSUED: JANUARY 10, 2025

EFFECTIVE: JANUARY 25, 2025

ACCESS SERVICE

7 - Special Access (a.k.a. BellSouth SPA) Service (Cont'd)

7.5 Rates and Charges (Cont'd)

7.5.1 Metallic (a.k.a. BellSouth SPA Metallic) Service⁽¹⁾⁽²⁾ (Cont'd)

(D)(N)

Pending

(D)

(1) Effective November 20, 2019, this Service will no longer be available for purchase by new or existing customers, and service agreements may no longer be renewed. In addition, requests to move, add or change existing service arrangements will not be accepted. Following the expiration of a customer's existing term agreement, service will be provided on a month-to-month basis at the applicable monthly extension rates until the service is discontinued. AT&T currently plans to discontinue this Service on or after June 30, 2024.

(2) Material in this Section has been de-tariffed pursuant to FCC Order No. 17-43, released April 28, 2017. Terms and Conditions for de-tariffed services are available at www.att.com/guidebook.

(N)
(N)

(This page filed under Transmittal No. 194)

All BellSouth marks contained herein and as set forth in the trademarks and service marks section of the BellSouth Tariffs are owned by BellSouth Intellectual Property Corporation.

ISSUED: JANUARY 10, 2025

EFFECTIVE: JANUARY 25, 2025

ACCESS SERVICE

7 - Special Access (a.k.a. BellSouth SPA) Service (Cont'd)

7.5 Rates and Charges (Cont'd)

7.5.2 Telegraph Grade (a.k.a. BellSouth SPA Telegraph) Service⁽¹⁾⁽²⁾

Pending

(D) (N)

(D)

(1) Effective November 20, 2019, this Service will no longer be available for purchase by new or existing customers, and service agreements may no longer be renewed. In addition, requests to move, add or change existing service arrangements will not be accepted. Following the expiration of a customer's existing term agreement, service will be provided on a month-to-month basis at the applicable monthly extension rates until the service is discontinued. AT&T currently plans to discontinue this Service on or after June 30, 2024.

(2) Material in this Section has been de-tariffed pursuant to FCC Order No. 17-43, released April 28, 2017. Terms and Conditions for de-tariffed services are available at www.att.com/guidebook.

(N)
(N)

ISSUED: JANUARY 10, 2025

EFFECTIVE: JANUARY 25, 2025

ACCESS SERVICE

7 - Special Access (a.k.a. BellSouth SPA) Service (Cont'd)

7.5 Rates and Charges (Cont'd)

7.5.2 Telegraph Grade (a.k.a. BellSouth SPA Telegraph) Service⁽¹⁾⁽²⁾ (Cont'd)

(D)(N)

Pending

(D)

(1) Effective November 20, 2019, this Service will no longer be available for purchase by new or existing customers, and service agreements may no longer be renewed. In addition, requests to move, add or change existing service arrangements will not be accepted. Following the expiration of a customer's existing term agreement, service will be provided on a month-to-month basis at the applicable monthly extension rates until the service is discontinued. AT&T currently plans to discontinue this Service on or after June 30, 2024.

(2) Material in this Section has been de-tariffed pursuant to FCC Order No. 17-43, released April 28, 2017. Terms and Conditions for de-tariffed services are available at www.att.com/guidebook.

(N)
(N)

(This page filed under Transmittal No. 194)

All BellSouth marks contained herein and as set forth in the trademarks and service marks section of the BellSouth Tariffs are owned by BellSouth Intellectual Property Corporation.

BELLSOUTH TELECOMMUNICATIONS
Four AT&T Plaza, Dallas, Texas 75202

TARIFF F.C.C. NO. 1
10TH REVISED PAGE 7-207
CANCELS 9TH REVISED PAGE 7-207

ISSUED: JANUARY 10, 2025

EFFECTIVE: JANUARY 25, 2025

de-tariffed services are available at www.att.com/guidebook.

Pending

ISSUED: JANUARY 10, 2025

EFFECTIVE: JANUARY 25, 2025

ACCESS SERVICE

7 - Special Access (a.k.a. BellSouth SPA) Service (Cont'd)

7.5 Rates and Charges (Cont'd)

7.5.3 Voice Grade (a.k.a. BellSouth SPA DSO VG) Service⁽¹⁾⁽²⁾⁽³⁾ (Cont'd)

(D)(N)

Pending

(D)

- (1) Effective November 5, 2016, Voice Grade (a.k.a. BellSouth SPA DSO VG) service in the Carbon Hill, Alabama and Kings Point, Florida Telephone Company wire centers is no longer available.
- (2) Effective November 20, 2019, this Service will no longer be available for purchase by new or existing customers, and service agreements may no longer be renewed. In addition, requests to move, add or change existing service arrangements will not be accepted. Following the expiration of a customer's existing term agreement, service will be provided on a month-to-month basis at the applicable monthly extension rates until the service is discontinued. AT&T currently plans to discontinue this Service on or after June 30, 2024.
- (3) Material in this Section has been de-tariffed pursuant to FCC Order No. 17-43, released April 28, 2017. Terms and Conditions for de-tariffed services are available at www.att.com/guidebook.

(N)
(N)

BELLSOUTH TELECOMMUNICATIONS
Four AT&T Plaza, Dallas, Texas 75202

TARIFF F.C.C. NO. 1
4TH REVISED PAGE 7-208
CANCELS 3RD REVISED PAGE 7-208

ISSUED: JANUARY 10, 2025

EFFECTIVE: JANUARY 25, 2025

Pending

ISSUED: JANUARY 10, 2025

EFFECTIVE: JANUARY 25, 2025

ACCESS SERVICE

7 - Special Access (a.k.a. BellSouth SPA) Service (Cont'd)

7.5 Rates and Charges (Cont'd)

7.5.3 Voice Grade (a.k.a. BellSouth SPA DSO VG) Service⁽¹⁾⁽²⁾⁽³⁾ (Cont'd)

(D)(N)

Pending

(D)

- (1) Effective November 5, 2016, Voice Grade (a.k.a. BellSouth SPA DSO VG) service in the Carbon Hill, Alabama and Kings Point, Florida Telephone Company wire centers is no longer available.
- (2) Effective November 20, 2019, this Service will no longer be available for purchase by new or existing customers, and service agreements may no longer be renewed. In addition, requests to move, add or change existing service arrangements will not be accepted. Following the expiration of a customer's existing term agreement, service will be provided on a month-to-month basis at the applicable monthly extension rates until the service is discontinued. AT&T currently plans to discontinue this Service on or after June 30, 2024.
- (3) Material in this Section has been de-tariffed pursuant to FCC Order No. 17-43, released April 28, 2017. Terms and Conditions for de-tariffed services are available at www.att.com/guidebook.

(N)

ISSUED: JANUARY 10, 2025

EFFECTIVE: JANUARY 25, 2025

ACCESS SERVICE

7 - Special Access (a.k.a. BellSouth SPA) Service (Cont'd)

7.5 Rates and Charges (Cont'd)

7.5.3 ~~Voice Grade (a.k.a. BellSouth SPA DSO VG) Service~~⁽¹⁾⁽²⁾ (Cont'd)

(C) Optional Features and Functions (Cont'd)	ALL STATES (Cont'd) USOC	Monthly Rates	Nonrecurring Charges	
			Initial	Subsequent
(8) Improved Termination - Per Local Channel	UGD	\$6.00	\$4.50	\$319.11
(9) Simplex Reversal - Per Local Channel	UGJ	None	None	None

(D)
(D)

(D)⁽³⁾

(D) (N)
|
(D)

(E) Reserved for Future Use

(1) Effective November 5, 2016, Voice Grade (a.k.a. BellSouth SPA DSO VG) service in the Carbon Hill, Alabama and Kings Point, Florida Telephone Company wire centers is no longer available.
 (2) Effective November 20, 2019, this Service will no longer be available for purchase by new or existing customers, and service agreements may no longer be renewed. In addition, requests to move, add or change existing service arrangements will not be accepted. Following the expiration of a customer's existing term agreement, service will be provided on a month-to-month basis at the applicable monthly extension rates until the service is discontinued. AT&T currently plans to discontinue this Service on or after June 30, 2024.
 (3) Material in this Section has been de-tariffed pursuant to FCC Order No. 17-43, released April 28, 2017. Terms and Conditions for de-tariffed services are available at www.att.com/guidebook.

(N)
(N)

BELLSOUTH TELECOMMUNICATIONS
Four AT&T Plaza, Dallas, Texas 75202

TARIFF F.C.C. NO. 1
5TH REVISED PAGE 7-210
CANCELS 4TH REVISED PAGE 7-210

ISSUED: JANUARY 10, 2025

EFFECTIVE: JANUARY 25, 2025

Pending

ISSUED: JANUARY 10, 2025

EFFECTIVE: JANUARY 25, 2025

ACCESS SERVICE

7 - Special Access (a.k.a. BellSouth SPA) Service (Cont'd)

7.5 Rates and Charges (Cont'd)

7.5.3 Voice Grade (a.k.a. BellSouth SPA DSO VG) Service⁽¹⁾⁽²⁾⁽³⁾ (Cont'd)

Pending

(D) (N)

(D)

(1) Effective November 5, 2016, Voice Grade (a.k.a. BellSouth SPA DSO VG) service in the Carbon Hill, Alabama and Kings Point, Florida Telephone Company wire centers is no longer available.

(2) Effective November 20, 2019, this Service will no longer be available for purchase by new or existing customers, and service agreements may no longer be renewed. In addition, requests to move, add or change existing service arrangements will not be accepted. Following the expiration of a customer's existing term agreement, service will be provided on a month-to-month basis at the applicable monthly extension rates until the service is discontinued. AT&T currently plans to discontinue this Service on or after June 30, 2024.

(3) Material in this Section has been de-tariffed pursuant to FCC Order No. 17-43, released April 28, 2017. Terms and Conditions for de-tariffed services are available at www.att.com/guidebook.

(N)
(N)

ISSUED: JANUARY 10, 2025

EFFECTIVE: JANUARY 25, 2025

ACCESS SERVICE

7 - Special Access (a.k.a. BellSouth SPA) Service (Cont'd)

7.5 Rates and Charges (Cont'd)

7.5.3 Voice Grade (a.k.a. BellSouth SPA DSO VG) Service⁽¹⁾⁽²⁾⁽³⁾ (Cont'd) (N)

	ALL STATES (Cont'd)	USOC	Monthly Rates	Nonrecurring Charges
(H) Reserved for Future Use				
(I) Shared Network Arrangement				
- Coordination Charge Per Arrangement	NRBSN	None	\$	0.00
- Processing Charge Per Service Order	ORC	None	\$	0.00

Pending

(1) Effective November 5, 2016, Voice Grade (a.k.a. BellSouth SPA DSO VG) service in the Carbon Hill, Alabama and Kings Point, Florida Telephone Company wire centers is no longer available.
 (2) Effective November 20, 2019, this Service will no longer be available for purchase by new or existing customers, and service agreements may no longer be renewed. In addition, requests to move, add or change existing service arrangements will not be accepted. Following the expiration of a customer's existing term agreement, service will be provided on a month-to-month basis at the applicable monthly extension rates until the service is discontinued. AT&T currently plans to discontinue this Service on or after June 30, 2024.
 (3) This service has been de-tariffed pursuant to FCC Order No. 17-43, released April 28, 2017. Terms and Conditions for de-tariffed services are available at www.att.com/guidebook.

(N)
(N)

BELLSOUTH TELECOMMUNICATIONS
Four AT&T Plaza, Dallas, Texas 75202

TARIFF F.C.C. NO. 1
5TH REVISED PAGE 7-212
CANCELS 4TH REVISED PAGE 7-212

ISSUED: JANUARY 10, 2025

EFFECTIVE: JANUARY 25, 2025

Pending

(This page filed under Transmittal No. 194)

All BellSouth marks contained herein and as set forth in the trademarks and service marks section of the BellSouth Tariffs are owned by BellSouth Intellectual Property Corporation.

ISSUED: JANUARY 10, 2025

EFFECTIVE: JANUARY 25, 2025

ACCESS SERVICE

7 - Special Access (a.k.a. BellSouth SPA) Service (Cont'd)

7.5 Rates and Charges (Cont'd)

7.5.3 Voice Grade (a.k.a. BellSouth SPA DSO VG) Service⁽¹⁾⁽²⁾ (Cont'd)

7.5.3.1 WATS Access Line (a.k.a. BellSouth SPA WATS Line) Service⁽²⁾

ALL STATES Non-Competitive Rates

- (A) Local Channel
 - Per Local Channel
 - Two-Wire
 - Four-Wire

Per Month Rates

- Plan A (24-48 Months)
 - Two-Wire
 - Four-Wire

	Monthly Rate	Nonrecurring Charge		USOC
		First Service Installed	Additional Service Installed	
	\$50.00	\$345.00	\$121.22	X2L ¹ , X2W
	\$70.00	\$375.00	\$127.87	X4L ¹ , X4W
		CSPP ^c	ACP ^c	USOC
		\$29.00	\$29.00	X2L ¹ , X2W
		\$45.00	\$45.00	X4L ¹ , X4W

(C)

(B)⁽³⁾

Monthly Rates Nonrecurring Charge USOC

(D)

(D)

(D)(N)

(C)⁽³⁾

(D)

(D)(N)

(D)

Note 1: For use with Direct Inward Dial (DDD) or DID/DOD Access service with BSA for use with WATS Access Lines (a.k.a. BellSouth SPA WATS Line) described in Section 6.3.3(A)(10) and provided in Section 6.8.2(D) of this tariff.

Note 2: Channel Services Payment Plan (CSPP) and Area Commitment Plan (ACP) rates.

- (1) Effective November 5, 2016, Voice Grade (a.k.a. BellSouth SPA DSO VG) service in the Carbon Hill, Alabama and Kings Point, Florida Telephone Company wire centers is no longer available.
- (2) Effective November 20, 2019, this Service will no longer be available for purchase by new or existing customers, and service agreements may no longer be renewed. In addition, requests to move, add or change existing service arrangements will not be accepted. Following the expiration of a customer's existing term agreement, service will be provided on a month-to-month basis at the applicable monthly extension rates until the service is discontinued. AT&T currently plans to discontinue this Service on or after June 30, 2024.
- (3) Material in this Section has been de-tariffed pursuant to FCC Order No. 17-43, released April 28, 2017. Terms and Conditions for de-tariffed services are available at www.att.com/guidebook.

(N)
(N)

(This page filed under Transmittal No. 194)

All BellSouth marks contained herein and as set forth in the trademarks and servicemarks section of this Tariff are owned by BellSouth Intellectual Property Corporation.

ISSUED: JANUARY 10, 2025

EFFECTIVE: JANUARY 25, 2025

ACCESS SERVICE

7 - Special Access (a.k.a. BellSouth SPA) Service (Cont'd)

7.5 Rates and Charges (Cont'd)

7.5.3 Voice Grade (a.k.a. BellSouth SPA DSO VG) Service⁽¹⁾⁽²⁾ (Cont'd)

7.5.3.1 WATS Access Line (a.k.a. BellSouth SPA WATS Line) Service⁽²⁾

Pending

(C) Optional Features and Functions (Cont'd)

(2)⁽³⁾

(D) (N)
 |
 (D)

(D) Shared Network Arrangement

	<u>USOC</u>	<u>Monthly Rates</u>	<u>Nonrecurring Charges</u>
- coordination charge per arrangement	NRBSN	None	\$ 0.00
- processing charge per service order	ORC	None	\$ 0.00

(1) Effective November 5, 2016, Voice Grade (a.k.a. BellSouth SPA DSO VG) service in the Carbon Hill, Alabama and Kings Point, Florida Telephone Company wire centers is no longer available.

(2) Effective November 20, 2019, this Service will no longer be available for purchase by new or existing customers, and service agreements may no longer be renewed. In addition, requests to move, add or change existing service arrangements will not be accepted. Following the expiration of a customer's existing term agreement, service will be provided on a month-to-month basis at the applicable monthly extension rates until the service is discontinued. AT&T currently plans to discontinue this Service on or after June 30, 2024.

(3) Material in this Section has been de-tariffed pursuant to FCC Order No. 17-43, released April 28, 2017. Terms and Conditions for de-tariffed services are available at www.att.com/guidebook.

(N)
 (N)

(This page filed under Transmittal No. 194)

All BellSouth marks contained herein and as set forth in the trademarks and service marks section of the BellSouth Tariffs are owned by BellSouth Intellectual Property Corporation.

BELLSOUTH TELECOMMUNICATIONS
Four AT&T Plaza, Dallas, Texas 75202

TARIFF F.C.C. NO. 1
4TH REVISED PAGE 7-214
CANCELS 3RD REVISED PAGE 7-214

ISSUED: JANUARY 10, 2025

EFFECTIVE: JANUARY 25, 2025

Pending

(This page filed under Transmittal No. 194)

All BellSouth marks contained herein and as set forth in the trademarks and service marks section of the BellSouth Tariffs are owned by BellSouth Intellectual Property Corporation.

ISSUED: JANUARY 10, 2025

EFFECTIVE: JANUARY 25, 2025

ACCESS SERVICE

7 - Special Access (a.k.a. BellSouth SPA) Service (Cont'd)

7.5 Rates and Charges (Cont'd)

7.5.4 Program Audio (a.k.a. BellSouth SPA Program Audio) Service⁽¹⁾⁽²⁾

7.5.4.1 Monthly Rates and Charges

~~ALL STATES NON-COMPETITIVE RATES~~

Pending

<u>USOC</u>	<u>Monthly Rates</u>	<u>Nonrecurring Charges First Service Installed</u>	<u>Nonrecurring Charges Additional Service Installed</u>
-------------	----------------------	---	--

(C)

- (A) Local Channel
 - Per Local Channel
 - 200 to 3500 Hz
 - 100 to 5000 Hz
 - 50 to 8000 Hz
 - 50 TO 15000 Hz

T6ECS	\$ 25.78	\$345.89	\$135.65
T6ECS	\$ 39.20	\$380.73	\$169.79
T6ECS	\$ 39.69	\$406.23	\$176.70
T6ECS	\$ 85.26	\$444.64	\$206.87

<u>USOC</u>	<u>Monthly Rates</u>	<u>Nonrecurring Charges</u>
	<u>Fixed</u> <u>Per Mile</u>	<u>Charges</u>

(B)⁽³⁾

(D)N

(D)

(1) Effective November 5, 2016, Program Audio (a.k.a. BellSouth SPA Program Audio) service in the Carbon Hill, Alabama and Kings Point, Florida Telephone Company wire centers is no longer available.

(2) Effective November 20, 2019, this Service will no longer be available for purchase by new or existing customers, and service agreements may no longer be renewed. In addition, requests to move, add or change existing service arrangements will not be accepted. Following the expiration of a customer's existing term agreement, service will be provided on a month-to-month basis at the applicable monthly extension rates until the service is discontinued. AT&T currently plans to discontinue this Service on or after November 1, 2020.

(3) Material in this Section has been de-tariffed pursuant to FCC Order No. 17-43, released April 28, 2017. Terms and Conditions for de-tariffed services are available at www.att.com/guidebook.

(N)
(N)

BELLSOUTH TELECOMMUNICATIONS
Four AT&T Plaza, Dallas, Texas 75202

TARIFF F.C.C. NO. 1
4TH REVISED PAGE 7-215
CANCELS 3RD REVISED PAGE 7-215

ISSUED: JANUARY 10, 2025

EFFECTIVE: JANUARY 25, 2025

Pending

ISSUED: JANUARY 10, 2025

EFFECTIVE: JANUARY 25, 2025

ACCESS SERVICE

7 - Special Access (a.k.a. BellSouth SPA) Service (Cont'd)

7.5 Rates and Charges (Cont'd)

7.5.4 Program Audio (a.k.a. BellSouth SPA Program Audio) Service⁽¹⁾⁽²⁾ (Cont'd)

7.5.4.1 Monthly Rates and Charges (Cont'd)

(B)⁽³⁾

Pending

(D) (N)

(D)

- (1) Effective November 5, 2016, Program Audio (a.k.a. BellSouth SPA Program Audio) service in the Carbon Hill, Alabama and Kings Point, Florida Telephone Company wire centers is no longer available.
- (2) Effective November 20, 2019, this Service will no longer be available for purchase by new or existing customers, and service agreements may no longer be renewed. In addition, requests to move, add or change existing service arrangements will not be accepted. Following the expiration of a customer's existing term agreement, service will be provided on a month-to-month basis at the applicable monthly extension rates until the service is discontinued. AT&T currently plans to discontinue this Service on or after November 1, 2020.
- (3) Material in this Section has been de-tariffed pursuant to FCC Order No. 17-43, released April 28, 2017. Terms and Conditions for de-tariffed services are available at www.att.com/guidebook.

(N)
(N)

ISSUED: JANUARY 10, 2025

EFFECTIVE: JANUARY 25, 2025

ACCESS SERVICE

7 - Special Access (a.k.a. BellSouth SPA) Service (Cont'd)

7.5 Rates and Charges (Cont'd)

7.5.4 Program Audio (a.k.a. BellSouth SPA Program Audio) Service⁽¹⁾⁽²⁾ (Cont'd)

7.5.4.1 Monthly Rates and Charges (Cont'd)

(D)⁽³⁾

ALL STATES (Cont'd)
USOC
Monthly Rates Nonrecurring Charges
Pending

(D) (N)

(D)

(E)⁽³⁾

(D) (N)

(D)

(F) Shared Network Arrangement

- Coordination charge per arrangement	NRBSN	None	\$ 0.00
- Processing charge per service order	ORC	None	\$ 0.00

(1) Effective November 5, 2016, Program Audio (a.k.a. BellSouth SPA Program Audio) service in the Carbon Hill, Alabama and Kings Point, Florida Telephone Company wire centers is no longer available.
 (2) Effective November 20, 2019, this Service will no longer be available for purchase by new or existing customers, and service agreements may no longer be renewed. In addition, requests to move, add or change existing service arrangements will not be accepted. Following the expiration of a customer's existing term agreement, service will be provided on a month-to-month basis at the applicable monthly extension rates until the service is discontinued. AT&T currently plans to discontinue this Service on or after November 1, 2020.
 (3) Material in this Section has been de-tariffed pursuant to FCC Order No. 17-43, released April 28, 2017. Terms and Conditions for de-tariffed services are available at www.att.com/guidebook.

(N)
(N)

(This page filed under Transmittal No. 194)

All BellSouth marks contained herein and as set forth in the trademarks and service marks section of the BellSouth Tariffs are owned by BellSouth Intellectual Property Corporation.

BELLSOUTH TELECOMMUNICATIONS
Four AT&T Plaza, Dallas, Texas 75202

TARIFF F.C.C. NO. 1
4TH REVISED PAGE 7-217
CANCELS 3RD REVISED PAGE 7-217

ISSUED: JANUARY 10, 2025

EFFECTIVE: JANUARY 25, 2025

Pending

(This page filed under Transmittal No. 194)

All BellSouth marks contained herein and as set forth in the trademarks and service marks section of the BellSouth Tariffs are owned by BellSouth Intellectual Property Corporation.

ISSUED: JANUARY 10, 2025

EFFECTIVE: JANUARY 25, 2025

ACCESS SERVICE

7 - Special Access (a.k.a. BellSouth SPA) Service (Cont'd)

7.5 Rates and Charges (Cont'd)

7.5.4 Program Audio (a.k.a. BellSouth SPA Program Audio) Service⁽¹⁾⁽²⁾ (Cont'd)

7.5.4.2 Daily Rates and Charges

ALL STATES NON-COMPETITIVE RATES
Pending (C)

Nonrecurring Charges

(A) Local Channel	<u>USOC</u>	<u>Daily*</u>	<u>First</u>	<u>Additional</u>
- Per Local Channel		<u>Rates</u>	<u>Service</u>	<u>Service</u>
			<u>Installed</u>	<u>Installed</u>
- 200 to 3500 Hz	T6ECS	\$3.91	\$356.05	\$139.83
- 100 to 5000 Hz	T6ECS	\$4.77	\$398.57	\$174.12
- 50 to 8000 Hz	T6ECS	\$5.07	\$407.17	\$180.96
- 50 to 15000 Hz	T6ECS	\$9.50	\$442.01	\$211.42

(B)⁽³⁾

(D)
(D) (N)

(D)

*Daily rates will be topped and maximum rate derived as set forth in 7.4.1.(B) preceding.

(1) Effective November 5, 2016, Program Audio (a.k.a. BellSouth SPA Program Audio) service in the Carbon Hill, Alabama and Kings Point, Florida Telephone Company wire centers is no longer available.
 (2) Effective November 20, 2019, this Service will no longer be available for purchase by new or existing customers, and service agreements may no longer be renewed. In addition, requests to move, add or change existing service arrangements will not be accepted. Following the expiration of a customer's existing term agreement, service will be provided on a month-to-month basis at the applicable monthly extension rates until the service is discontinued. AT&T currently plans to discontinue this Service on or after November 1, 2020.
 (3) Material in this Section has been de-tariffed pursuant to FCC Order No. 17-43, released April 28, 2017. Terms and Conditions for de-tariffed services are available at www.att.com/guidebook.

(N)
(N)

BELLSOUTH TELECOMMUNICATIONS
Four AT&T Plaza, Dallas, Texas 75202

TARIFF F.C.C. NO. 1
5TH REVISED PAGE 7-218
CANCELS 4TH REVISED PAGE 7-218

ISSUED: JANUARY 10, 2025

EFFECTIVE: JANUARY 25, 2025

Pending

ISSUED: JANUARY 10, 2025

EFFECTIVE: JANUARY 25, 2025

ACCESS SERVICE

7 - Special Access (a.k.a. BellSouth SPA) Service (Cont'd)

7.5 Rates and Charges (Cont'd)

7.5.4 Program Audio (a.k.a. BellSouth SPA Program Audio) Service⁽¹⁾⁽²⁾⁽³⁾ (Cont'd) (D)(N)

Pending

(D)

- (1) Effective November 5, 2016, Program Audio (a.k.a. BellSouth SPA Program Audio) service in the Carbon Hill, Alabama and Kings Point, Florida Telephone Company wire centers is no longer available.
- (2) Effective November 20, 2019, this Service will no longer be available for purchase by new or existing customers, and service agreements may no longer be renewed. In addition, requests to move, add or change existing service arrangements will not be accepted. Following the expiration of a customer's existing term agreement, service will be provided on a month-to-month basis at the applicable monthly extension rates until the service is discontinued. AT&T currently plans to discontinue this Service on or after November 1, 2020.
- (3) Material in this Section has been de-tariffed pursuant to FCC Order No. 17-43, released April 28, 2017. Terms and Conditions for de-tariffed services are available at www.att.com/guidebook.

(N)
(N)

BELLSOUTH TELECOMMUNICATIONS
Four AT&T Plaza, Dallas, Texas 75202

TARIFF F.C.C. NO. 1
4TH REVISED PAGE 7-219
CANCELS 3RD REVISED PAGE 7-219

ISSUED: JANUARY 10, 2025

EFFECTIVE: JANUARY 25, 2025

Pending

ISSUED: JANUARY 10, 2025

EFFECTIVE: JANUARY 25, 2025

ACCESS SERVICE

7 - Special Access (a.k.a. BellSouth SPA) Service (Cont'd)

7.5 Rates and Charges (Cont'd)

7.5.4 Program Audio (a.k.a. BellSouth SPA Program Audio) Service⁽¹⁾⁽²⁾ (Cont'd)

7.5.4.2 Daily Rates and Charges (Cont'd)

Pending

ALL STATES (Cont'd)
 (C)' Optional Features and Functions (Cont'd) USOC Daily* Rates Nonrecurring Charges Initial Subsequent

(2)⁽³⁾

(3)⁽³⁾

(D)N
 (D)

(N)

	<u>USOC</u>	<u>Monthly Rates</u>	<u>Nonrecurring Charges</u>
(D) Shared Network Arrangement			
- Coordination charge per arrangement	NRBSN	None	\$ 0.00
- Processing charge per service order	ORC	None	\$ 0.00

*Daily rates will be topped and maximum rates derived as set forth in 7.4.1(B) preceding.

(1) Effective November 5, 2016, Program Audio (a.k.a. BellSouth SPA Program Audio) service in the Carbon Hill, Alabama and Kings Point, Florida Telephone Company wire centers is no longer available.

(2) Effective November 20, 2019, this Service will no longer be available for purchase by new or existing customers, and service agreements may no longer be renewed. In addition, requests to move, add or change existing service arrangements will not be accepted. Following the expiration of a customer's existing term agreement, service will be provided on a month-to-month basis at the applicable monthly extension rates until the service is discontinued. AT&T currently plans to discontinue this Service on or after November 1, 2020.

(3) Material in this Section has been de-tariffed pursuant to FCC Order No. 17-43, released April 28, 2017. Terms

(N)
 (N)

(This page filed under Transmittal No. 194)

BELLSOUTH TELECOMMUNICATIONS
Four AT&T Plaza, Dallas, Texas 75202

TARIFF F.C.C. NO. 1
4TH REVISED PAGE 7-220
CANCELS 3RD REVISED PAGE 7-220

ISSUED: JANUARY 10, 2025

EFFECTIVE: JANUARY 25, 2025

and Conditions for de-tariffed services are available at www.att.com/guidebook.

Pending

(This page filed under Transmittal No. 194)

All BellSouth marks contained herein and as set forth in the trademarks and service marks section of the BellSouth Tariffs are owned by BellSouth Intellectual Property Corporation.

ISSUED: JANUARY 10, 2025

EFFECTIVE: JANUARY 25, 2025

ACCESS SERVICE

7 - Special Access (a.k.a. BellSouth SPA) Service (Cont'd)

7.5 Rates and Charges (Cont'd)

7.5.5 Video (a.k.a. BellSouth SPA Video) Services

7.5.5.1 Broadcast Quality Video (a.k.a. BellSouth SPA Broadcast Quality Video) Service⁽¹⁾⁽²⁾

7.5.5.1.1 Rates and Charges

Pending

ALL STATES NON-COMPETITIVE RATES

(c)

Recurring Charges

Month		Nonrecurring			
to		Charges			
Month	USOC	Charges			

(A) Local Channel, each					
(1) NTSC Transmit	\$298.00			\$338.50	TME1T
(2) NTSC Receive	\$298.00			\$338.50	TME1R

⁽¹⁾ Effective November 5, 2016, Broadcast Quality Video (a.k.a. BellSouth SPA Broadcast Quality Video) service in the Carbon Hill, Alabama and Kings Point, Florida Telephone Company wire centers is no longer available.

(This page filed under Transmittal No. 194)

All AT&T and BellSouth marks contained herein and as set forth in the trademarks and service marks section of the BellSouth Tariff are owned by AT&T Intellectual Property or AT&T affiliated companies.

ISSUED: JANUARY 10, 2025

EFFECTIVE: JANUARY 25, 2025

- (2) Effective December 31, 2020, Broadcast Video (TV1) service will no longer be available for purchase by new or existing customers, and service agreements may no longer be renewed. In addition, requests to move, add, or change existing service arrangements will not be accepted. Following the expiration of a customer's existing term agreement, service will be provided on a month-to-month basis at the applicable Monthly rate until the service is discontinued. AT&T currently plans to discontinue this Service on or after December 31, 2021.

Pending

(This page filed under Transmittal No. 194)

All AT&T and BellSouth marks contained herein and as set forth in the trademarks and service marks section of the BellSouth Tariff are owned by AT&T Intellectual Property or AT&T affiliated companies.

ISSUED: JANUARY 10, 2025

EFFECTIVE: JANUARY 25, 2025

ACCESS SERVICE

7 - Special Access (a.k.a. BellSouth SPA) Service (Cont'd)

7.5 Rates and Charges (Cont'd)

7.5.5 Video (a.k.a. BellSouth SPA Video) Services

7.5.5.1 Broadcast Quality Video (a.k.a. BellSouth SPA Broadcast Quality Video) Service⁽¹⁾⁽²⁾⁽³⁾ (Cont'd)

7.5.5.1.1

Pending

(N)

(D)

(D)

- (1) Effective November 5, 2016, Broadcast Quality Video (a.k.a. BellSouth SPA Broadcast Quality Video) service in the Carbon Hill, Alabama and Kings Point, Florida Telephone Company wire centers is no longer available.
- (2) Effective December 31, 2020, Broadcast Video (TV1) service will no longer be available for purchase by new or existing customers, and service agreements may no longer be renewed. In addition, requests to move, add, or change existing service arrangements will not be accepted. Following the expiration of a customer's existing term agreement, service will be provided on a month-to-month basis at the applicable Monthly rate until the service is discontinued. AT&T currently plans to discontinue this Service on or after December 31, 2021.

(This page filed under Transmittal No. 194)

(N)

All AT&T and BellSouth marks contained herein and as set forth in the trademarks and service marks section of the BellSouth Tariff are owned by AT&T Intellectual Property or AT&T affiliated companies.

BELLSOUTH TELECOMMUNICATIONS
Four AT&T Plaza, Dallas, Texas 75202

TARIFF F.C.C. NO. 1
4TH REVISED PAGE 7-222
CANCELS 3RD REVISED PAGE 7-222

ISSUED: JANUARY 10, 2025

EFFECTIVE: JANUARY 25, 2025

(3) Material in this Section has been de-tariffed pursuant to FCC Order No. 17-43, released April 28, 2017. Terms

and Conditions for de-tariffed services are available at www.att.com/guidebook.

(N)

Pending

(This page filed under Transmittal No. 194)

All AT&T and BellSouth marks contained herein and as set forth in the trademarks and service marks section of the BellSouth Tariff are owned by AT&T Intellectual Property or AT&T affiliated companies.

ISSUED: JANUARY 10, 2025

EFFECTIVE: JANUARY 25, 2025

ACCESS SERVICE

7 - Special Access (a.k.a. BellSouth SPA) Service (Cont'd)

7.5 Rates and Charges (Cont'd)

7.5.5 Video (a.k.a. BellSouth SPA Video) Services (Cont'd)

~~7.5.5.3 Uncompressed Switched Video (a.k.a. BellSouth SPA Uncompressed Switched Video) Service~~

~~7.5.5.3.1 Non-Competitive Rates and Charges~~

Pending

(c)

A. Local Channel

1. Single Channel System

a. Per Video Channel, each

		<u>Nonrecurring Charge</u>	<u>Recurring Charge</u> Month to Month	<u>Plan A</u> 36 Month per month Rate	<u>USOC</u>
(1)	Transmit	\$225.00	\$448.00	\$358.00	UVSLT
(2)	Receive	\$225.00	\$438.00	\$350.00	UVSLR

2. Multiple Channel System
 (up to 6 Video Channels
 per system)

a. Per System, each

(1)	Transmit	\$780.00	\$850.00	\$773.00	UVSL1
(2)	Receive	\$780.00	\$730.00	\$663.00	UVSL2

b. Per Video Channel, each

(1)	Transmit	\$400.00	\$140.00	\$128.00	UVSL3
(2)	Receive	\$400.00	\$115.00	\$104.00	UVSL4

ISSUED: JANUARY 10, 2025

EFFECTIVE: JANUARY 25, 2025

ACCESS SERVICE

7 - Special Access (a.k.a. BellSouth SPA) Service (Cont'd)

7.5 Rates and Charges (Cont'd)

~~7.5.5 Video (a.k.a. BellSouth SPA Video) Services (Cont'd)~~

~~7.5.5.3 Uncompressed Switched Video (a.k.a. BellSouth SPA Uncompressed Switched Video) Service~~

~~7.5.5.3.1 Non-Competitive Rates and Charges~~

Pending

(C)

	<u>Nonrecurring Charge</u>	<u>Recurring Charge</u>		<u>USOC</u>
		<u>Month to Month</u>	<u>Plan A 36 Month per month Rate</u>	
A. Local Channel				
3. Additional Two Audio Channels per Video Channel ¹	\$245.00	\$89.00	\$85.00	UVSL7
4. Optional Four 20 kHz Audio Channels Per Video Channel ²	265.00	40.00	40.00	UVSLA

Note 1: Only one nonrecurring charge is applicable for 2 additional audio channels installed on the same video channel at the same time, on the same system.

Note 2: Only one nonrecurring charge is applicable for four 20 kHz audio channels installed on the same video channel at the same time, on the same system.

ISSUED: JANUARY 10, 2025

EFFECTIVE: JANUARY 25, 2025

ACCESS SERVICE

7 - Special Access (a.k.a. BellSouth SPA) Service (Cont'd)

7.5 Rates and Charges (Cont'd)

7.5.5 Video (a.k.a. BellSouth SPA Video) Services (Cont'd)

7.5.5.3 Uncompressed Switched Video (a.k.a. BellSouth SPA Uncompressed Switched Video) Service (Cont'd)

7.5.5.3.1⁽¹⁾ Rates and Charges (Cont'd)

Pending

(N)
(D)

(D)

(1) Material in this Section has been de-tariffed pursuant to FCC Order No. 17-43, released April 28, 2017. Terms and Conditions for de-tariffed services are available at www.att.com/guidebook.

(N)
(N)

ISSUED: JANUARY 10, 2025

EFFECTIVE: JANUARY 25, 2025

ACCESS SERVICE

7 - Special Access (a.k.a. BellSouth SPA) Service (Cont'd)

7.5 Rates and Charges (Cont'd)

7.5.5 Video (a.k.a. BellSouth SPA Video) Services (Cont'd)

~~7.5.5.3 Uncompressed Switched Video (a.k.a. BellSouth SPA Uncompressed Switched Video) Service (Cont'd)~~

~~7.5.5.3.1 Non-Competitive Rates and Charges (Cont'd)~~

Pending

(C)

Nonrecurring
Charge

USOC

C. Move Charges

1. Local Channel

a. Single Channel System
Per Video Channel,
Transmit or Receive

\$325.00

UVSM1

b. Multiple Channel System
Per System, Transmit
or Receive

\$370.00

UVSM2

2.⁽¹⁾

(D) (N)

(D)

(1) Material in this Section has been de-tariffed pursuant to FCC Order No. 17-43, released April 28, 2017. Terms and Conditions for de-tariffed services are available at www.att.com/guidebook.

(N)
(N)

ISSUED: JANUARY 10, 2025

EFFECTIVE: JANUARY 25, 2025

ACCESS SERVICE

7 - Special Access (a.k.a. BellSouth SPA) Service (Cont'd)

7.5 Rates and Charges (Cont'd)

7.5.5 Video (a.k.a. BellSouth SPA Video) Services (Cont'd)

7.5.5.6 BellSouth SPA Modular Video Transport Service²

7.5.5.6.1 Non-Competitive Rates and Charges

Pending

USOC

(A) Local Channel, each

				Recurring Charges	to	24-48		
				Non- recurring Charges	Month	Plan A	Months	
(1) Single Channel System, per channel								
(a) Transmit	\$276.00	\$300.00	\$270.00					MVTST
(b) Receive	\$276.00	\$308.00	\$276.00					MVTSR
(2) Multiple Channel System, per channel								
(a) Transmit	\$275.00	\$1035.00	\$900.00	\$			MVTCT	
(b) Receive	\$275.00	\$1000.00	\$870.00					MVTCR
(c) Drop/Add	\$275.00	\$1610.00	\$1399.00					MVTCB
(3) Single Channel Tributaries, per channel ¹								
(a) Drop-Transmit	\$290.00	\$188.00	\$163.00					MVTDI
(b) Drop-Receive	\$290.00	\$188.00	\$163.00					MVTDL
(c) Add-Transmit	\$290.00	\$188.00	\$163.00					MVTAT
(d) Add-Receive	\$290.00	\$188.00	\$163.00					MVTAR

(4)⁽³⁾

¹ Single Channel Tributaries may only be ordered in conjunction with Multiple Channel Systems.

² Effective August 25, 2011, BellSouth SPA Modular Video Transport Service is no longer available to new Customers. There is no change for existing customers.

³ Material in this Section has been de-tariffed pursuant to FCC Order No. 17-43(N) released April 28, 2017. Terms and Conditions for de-tariffed services are available

BELLSOUTH TELECOMMUNICATIONS
Four AT&T Plaza, Dallas, Texas 75202

TARIFF F.C.C. NO. 1
2ND REVISED PAGE 7-230
CANCELS 1ST REVISED PAGE 7-230

ISSUED: JANUARY 10, 2025

EFFECTIVE: JANUARY 25, 2025

at www.att.com/guidebook.

Pending

ISSUED: JANUARY 10, 2025

EFFECTIVE: JANUARY 25, 2025

ACCESS SERVICE

7 - Special Access (a.k.a. BellSouth SPA) Service (Cont'd)

7.5 Rates and Charges (Cont'd)

7.5.5 Video (a.k.a. BellSouth SPA Video) Services (Cont'd)

7.5.5.6 BellSouth SPA Modular Video Transport Service²³

7.5.5.6.1

Pending

(N)

(D)

(D)

¹ Delete

(D)(C)

(D)

² Effective August 25, 2011, BellSouth SPA Modular Video Transport Service is no longer available to new Customers. There is no change for existing customers.

³ Material in this Section has been de-tariffed pursuant to FCC Order No. 17-43, released April

(N)

28, 2017. Terms and Conditions for de-tariffed services are available at www.att.com/guidebook.

(N)

BELLSOUTH TELECOMMUNICATIONS
Four AT&T Plaza, Dallas, Texas 75202

TARIFF F.C.C. NO. 1
2ND REVISED PAGE 7-231
CANCELS 1ST REVISED PAGE 7-231

ISSUED: JANUARY 10, 2025

EFFECTIVE: JANUARY 25, 2025

Pending

ISSUED: JANUARY 10, 2025

EFFECTIVE: JANUARY 25, 2025

ACCESS SERVICE

7 - Special Access (a.k.a. BellSouth SPA) Service (Cont'd)

7.5 Rates and Charges (Cont'd)

7.5.8 Digital Data Access (a.k.a. BellSouth SPA DSO Digital Data) Service⁽¹⁾

<u>ALL STATES-NON-COMPETITIVE RATES</u>	<u>Monthly Rate</u>	<u>Nonrecurring Charge</u>		<u>USOC</u>
		<u>First Service Installed</u>	<u>Additional Service Installed</u>	
(A) Local Channel				
- Per Local Channel				
(4) Lowspeed DDAS ¹	\$ 81.25	\$450.00	\$300.00	T6ECS
2 Highspeed DDAS ²	\$127.50	\$520.00	\$350.00	T6ECS
<u>Per Month Rates</u>				
Plan A (24-48 Months)		CSPP ³	ACP ³	<u>USOC</u>
- Lowspeed DDAS ¹		\$56.00	\$56.00	T6ECS
- Highspeed DDAS ²		\$85.00	\$85.00	T6ECS

(B)⁽²⁾

(C)
(D)
(D)
(D)
↑
(D)

Note 1: Lowspeed DDAS (a.k.a. BellSouth SPA DSO Digital Data) is available at digital transmission speeds of 2.4, 4.8, 9.6 or 19.2 kbps.

Note 2: Highspeed DDAS (a.k.a. BellSouth SPA DSO Digital Data) is available at digital transmission speeds of 56.0 or 64.0 kbps.

Note 3: Channel Services Payment Plan (CSPP) and Area Commitment Plan (ACP) rates.

(1) Effective November 20, 2019, this Service will no longer be available for purchase by new or existing customers, and service agreements may no longer be renewed. In addition, requests to move, add or change existing service arrangements will not be accepted. Following the expiration of a customer's existing term agreement, service will be provided on a month-to-month basis at the applicable monthly extension rates until the service is discontinued. AT&T currently plans to discontinue this Service on or after June 30, 2024.

(This page filed under Transmittal No. 194)

BELLSOUTH TELECOMMUNICATIONS
Four AT&T Plaza, Dallas, Texas 75202

TARIFF F.C.C. NO. 1
8TH REVISED PAGE 7-237
CANCELS 7TH REVISED PAGE 7-237

ISSUED: JANUARY 10, 2025

EFFECTIVE: JANUARY 25, 2025

(2) Material in this Section has been de-tariffed pursuant to FCC Order No. 17-43, released April 28, 2017. Terms and Conditions for de-tariffed services are available at www.att.com/guidebook.

(N)
(N)

Pending

(This page filed under Transmittal No. 194)

All BellSouth marks contained herein and as set forth in the trademarks and servicemarks section of this Tariff are owned by BellSouth Intellectual Property Corporation.

ISSUED: JANUARY 10, 2025

EFFECTIVE: JANUARY 25, 2025

1 ACCESS SERVICE

7 - Special Access (a.k.a. BellSouth SPA) Service (Cont'd)

7.5 Rates and Charges (Cont'd)

7.5.8 Digital Data Access (a.k.a. BellSouth SPA DSO Digital Data) Service⁽¹⁾⁽²⁾ (N)
(Cont'd)

Pending

(D)

(D)

Note 1: Highspeed DDAS (a.k.a. BellSouth SPA DSO Digital Data) is available at digital transmission speeds of 56.0 or 64.0 kbps.

Note 2: Channel Services Payment Plan (CSPP) and Area Commitment Plan (ACP) rates. Vintage CSPP rates are rates that were in effect prior to 01/01/04.

- (1) Effective November 20, 2019, this Service will no longer be available for purchase by new or existing customers, and service agreements may no longer be renewed. In addition, requests to move, add or change existing service arrangements will not be accepted. Following the expiration of a customer's existing term agreement, service will be provided on a month-to-month basis at the applicable monthly extension rates until the service is discontinued. AT&T currently plans to discontinue this Service on or after June 30, 2024.
- (2) Material in this Section has been de-tariffed pursuant to FCC Order No. 17-43, released April 28, 2017. Terms and Conditions for de-tariffed

services are available at www.att.com/guidebook.

(N)
(N)

(This page filed under Transmittal No. 194)

All BellSouth marks contained herein and as set forth in the trademarks and servicemarks section of this Tariff are owned by BellSouth Intellectual Property Corporation.

BELLSOUTH TELECOMMUNICATIONS
Four AT&T Plaza, Dallas, Texas 75202

TARIFF F.C.C. NO. 1
8TH REVISED PAGE 7-238
CANCELS 7TH REVISED PAGE 7-238

ISSUED: JANUARY 10, 2025

EFFECTIVE: JANUARY 25, 2025

Pending

(This page filed under Transmittal No. 194)

All BellSouth marks contained herein and as set forth in the trademarks and servicemarks section of this
Tariff are owned by BellSouth Intellectual Property Corporation.

ISSUED: JANUARY 10, 2025

EFFECTIVE: JANUARY 25, 2025

ACCESS SERVICE

7 - Special Access (a.k.a. BellSouth SPA) Service (Cont'd)

7.5 Rates and Charges (Cont'd)

7.5.8 Digital Data Access (a.k.a. BellSouth SPA DS0 Digital Data) Service⁽¹⁾⁽²⁾ (N)
(Cont'd)

ALL STATES (Cont'd)
Pending

(D)
|
(D)

Note 1: This feature is not available with the Highspeed DDAS (a.k.a. BellSouth SPA DS0 Digital Data) 64.0 Kbps option.

Note 2: Delete.

(D) (C)

Note 3: Delete

(D) (C)
(D)

Note 4: Delete

(D) (C)

Note 5: Delete

(D) (C)

|
(D)

(1) Effective November 20, 2019, this Service will no longer be available for purchase by new or existing customers, and service agreements may no longer be renewed. In addition, requests to move, add or change existing service arrangements will not be accepted. Following the expiration of a customer's existing term agreement, service will be provided on a month-to-month basis at the applicable monthly extension rates until the service is discontinued. AT&T currently plans to discontinue this Service on or after June 30, 2024.

(2) Material in this Section has been de-tariffed pursuant to FCC Order No. 17-43, released April 28, 2017. Terms and

(N)
(N)

Conditions for de-tariffed services are available at www.att.com/guidebook.

BELLSOUTH TELECOMMUNICATIONS
Four AT&T Plaza, Dallas, Texas 75202

TARIFF F.C.C. NO. 1
8TH REVISED PAGE 7-239
CANCELS 7TH REVISED PAGE 7-239

ISSUED: JANUARY 10, 2025

EFFECTIVE: JANUARY 25, 2025

Pending

ISSUED: JANUARY 10, 2025

EFFECTIVE: JANUARY 25, 2025

ACCESS SERVICE

7 - Special Access (a.k.a. BellSouth SPA) Service (Cont'd)

7.5 Rates and Charges (Cont'd)

7.5.8 Digital Data Access (a.k.a. BellSouth SPA DSO Digital Data) Service⁽¹⁾
 (Cont'd)

ALL STATES NON-COMPETITIVE RATES (Cont'd)

(C) Optional Features and Functions (Cont'd)

Nonrecurring Charges

(24-48 Mos.)

Initial Subsequent Month Mo. Rates

(3) Secondary
 Channel
 Capability²
 - Per Local
 Channel

\$ 19.26

\$140.00

\$16.20

~~\$08.00~~SFS

Nonrecurring Charges

First

Additional

USOC

(4) Speed Change Charge
 - Per Local
 Channel

\$330.00

\$165.00

SCH

(D)⁽²⁾

Note 1: Channel Services Payment Plan rates.

Note 2: This feature is not available with the Highspeed DDAS (a.k.a. BellSouth SPA DSO Digital Data) 64.0 Kbps option.

(1) Effective November 20, 2019, this Service will no longer be available for purchase by new or existing customers, and service agreements may no longer be renewed. In addition, requests to move, add or change existing service arrangements will not be accepted. Following the expiration of a customer's existing term agreement, service will be provided on a month-to-month basis at the applicable monthly extension rates until the service is discontinued. AT&T currently plans to discontinue this Service on or after June 30, 2024.

(2) Material in this Section has been de-tariffed pursuant to FCC Order No. 17-43, released April 28, 2017. Terms and

(This page filed under Transmittal No. 194)

(C)

(D)

(D)

(D)

(N)

(N)

BELLSOUTH TELECOMMUNICATIONS
Four AT&T Plaza, Dallas, Texas 75202

TARIFF F.C.C. NO. 1
8TH REVISED PAGE 7-240
CANCELS 7TH REVISED PAGE 7-240

ISSUED: JANUARY 10, 2025

EFFECTIVE: JANUARY 25, 2025

Conditions for de-tariffed services are available at www.att.com/guidebook.

Pending

ISSUED: JANUARY 10, 2025

EFFECTIVE: JANUARY 25, 2025

ACCESS SERVICE

7 - Special Access (a.k.a. BellSouth SPA) Service (Cont'd)

7.5 Rates and Charges (Cont'd)

7.5.8 Digital Data Access (a.k.a. BellSouth SPA DS0 Digital Data) Service⁽¹⁾⁽²⁾
(Cont'd)

(G)

Pending

(N)

(D)

(D)

(1) Effective November 20, 2019, this Service will no longer be available for purchase by new or existing customers, and service agreements may no longer be renewed. In addition, requests to move, add or change existing service arrangements will not be accepted. Following the expiration of a customer's existing term agreement, service will be provided on a month-to-month basis at the applicable monthly extension rates until the service is discontinued. AT&T currently plans to discontinue this Service on or after June 30, 2024.

(2) Material in this Section has been de-tariffed pursuant to FCC Order No. 17-43, released April 28, 2017. Terms and Conditions for de-tariffed services are available at www.att.com/guidebook.

(N)
(N)

ISSUED: JANUARY 10, 2025

EFFECTIVE: JANUARY 25, 2025

ACCESS SERVICE

7 - Special Access (a.k.a. BellSouth SPA) Service (Cont'd)

7.5 Rates and Charges (Cont'd)

7.5.9 High Capacity (a.k.a. BellSouth SPA High Capacity) Service

<u>ALL STATES NON-COMPETITIVE RATES</u>		<u>Nonrecurring Charge</u>		
	<u>Monthly Rate</u>	<u>First Service Installed</u>	<u>Additional Service Installed</u>	<u>USOC</u>
(A) Local Channel-Per Local Channel				
(1) DS1 Service (a.k.a. BellSouth SPA DS1)				
- 1.544 Mbps		\$650.00	\$275.00	TMECS
Zone 1	\$260.00			TMECS
Zone 2	\$260.00			TMECS
Zone 3	\$260.00			TMECS

Channel Services Payment Plan

Zone 1 – Per Month Rates	Plan D ⁽³⁾	Plan A ⁽¹⁾⁽²⁾	USOC
	12 Months	24-48 Months	
Alabama	\$221.00	\$178.30	TMECS
Florida	\$221.00	\$178.30	TMECS
Georgia	\$221.00	\$178.30	TMECS
Kentucky	\$221.00	\$178.30	TMECS
Louisiana	\$221.00	\$178.30	TMECS
Mississippi	\$221.00	\$178.30	TMECS
North Carolina	\$221.00	\$178.30	TMECS
South Carolina	\$221.00	\$178.30	TMECS
Tennessee	\$221.00	\$178.30	TMECS

Area Commitment Plan

Zone 1 – Per Month Rates	Plan A ⁽¹⁾	USOC
	24-48 Months	
Alabama	\$178.30	TMECS
Florida	\$178.30	TMECS
Georgia	\$178.30	TMECS
Kentucky	\$178.30	TMECS
Louisiana	\$178.30	TMECS
Mississippi	\$178.30	TMECS
North Carolina	\$178.30	TMECS
South Carolina	\$178.30	TMECS
Tennessee	\$178.30	TMECS

⁽¹⁾ Delete

⁽²⁾ Effective December 1, 2023, CSPPs of 24 months for High Capacity (a.k.a. BellSouth SPA High Capacity DS1 (a.k.a. BellSouth SPA DS1)) are no longer available, including for any otherwise available conversions. Circuits already subject to CSPPs, as of December 1, 2023, will continue to be provided under the then-current term for the remainder of that term.

⁽³⁾ Effective on January 17, 2024, all CSPP and TPPs term plans greater than month-to-month for High Capacity (a.k.a. BellSouth SPA High Capacity DS1 (a.k.a. BellSouth SPA DS1)), SMARTPath Service (a.k.a. BellSouth SPA DS1 Shared Ring), SMARTPath DS3 Transport Service (a.k.a. BellSouth SPA DS3 Shared Ring), BellSouth DS1 Diverse Service and LightGate Systems (a.k.a. BellSouth SPA Point to Point Network), are no longer available, including for any otherwise available conversions. Existing Term Plan Services on January 17, 2024, will continue to be provided for the remainder of the then-current terms.

ISSUED: JANUARY 10, 2025

EFFECTIVE: JANUARY 25, 2025

ACCESS SERVICE

7 - Special Access (a.k.a. BellSouth SPA) Service (Cont'd)

7.5 Rates and Charges (Cont'd)

7.5.9 High Capacity (a.k.a. BellSouth SPA High Capacity) Service (Cont'd)

(A) Local Channel-Per Local Channel (Cont'd)

(1) DS1 Service (a.k.a. BellSouth SPA DS1) (Cont'd)
 - 1.544 Mbps (Cont'd)

Channel Services Payment Plan - Non-Competitive Rates

Zone 3 - Per Month Rates States	Plan D ⁽¹⁾	Plan A ⁽¹⁾⁽²⁾	USOC
	12 Months	24-48 Months	
Alabama	\$221.00	\$178.30	TMECS
Florida	\$221.00	\$178.30	TMECS
Georgia	\$221.00	\$178.30	TMECS
Kentucky	\$221.00	\$178.30	TMECS
Louisiana	\$221.00	\$178.30	TMECS
Mississippi	\$221.00	\$178.30	TMECS
North Carolina	\$221.00	\$178.30	TMECS
South Carolina	\$221.00	\$178.30	TMECS
Tennessee	\$221.00	\$178.30	TMECS

Area Commitment Plan - Non-Competitive Rates

Zone 3 - Per Month Rates States	Plan A ⁽¹⁾	USOC
	24-48 Months	
Alabama	\$178.30	TMECS
Florida	\$178.30	TMECS
Georgia	\$178.30	TMECS
Kentucky	\$178.30	TMECS
Louisiana	\$178.30	TMECS
Mississippi	\$178.30	TMECS
North Carolina	\$178.30	TMECS
South Carolina	\$178.30	TMECS
Tennessee	\$178.30	TMECS

⁽¹⁾ Delete

⁽²⁾ Effective December 1, 2023, CSPPs of 24 months for High Capacity (a.k.a. BellSouth SPA High Capacity DS1 (a.k.a. BellSouth SPA DS1)) are no longer available, including for any otherwise available conversions. Circuits already subject to CSPPs, as of December 1, 2023, will continue to be provided under the then-current term for the remainder of that term.

⁽³⁾ Effective on January 17, 2024, all CSPP and TPPs term plans greater than month-to-month for High Capacity (a.k.a. BellSouth SPA High Capacity DS1 (a.k.a. BellSouth SPA DS1)), SMARTPath Service (a.k.a. BellSouth SPA DS1 Shared Ring), SMARTPath DS3 Transport Service (a.k.a. BellSouth SPA DS3 Shared Ring), BellSouth DS1 Diverse Service and LightGate Systems (a.k.a. BellSouth SPA Point to Point Network), are no longer available, including for any

BELLSOUTH TELECOMMUNICATIONS
Four AT&T Plaza, Dallas, Texas 75202

TARIFF F.C.C. NO. 1
10TH REVISED PAGE 7-247
CANCELS 9TH REVISED PAGE 7-247

ISSUED: JANUARY 10, 2025

EFFECTIVE: JANUARY 25, 2025

otherwise available conversions. Existing Term Plan Services on January 17, 2024, will continue to be provided for the remainder of the then-current terms.

Pending

ISSUED: JANUARY 10, 2025

EFFECTIVE: JANUARY 25, 2025

ACCESS SERVICE

7 - Special Access (a.k.a. BellSouth SPA) Service (Cont'd)

7.5 Rates and Charges (Cont'd)

7.5.9 High Capacity (a.k.a. BellSouth SPA High Capacity) Service (Cont'd)

(A) Local Channel
- Per Local Channel (Cont'd)

Pending
~~ALL STATES NON-COMPETITIVE~~
Nonrecurring Charge
First Service Installed Additional Service Installed Monthly Rates USOC

(c)

(2) DS1C and DS2 Services

- 3.152 Mbps	ICB	ICB	ICB	TWT++
- 6.312 Mbps	ICB	ICB	ICB	TWT++

ICB rates and charges are filed in 7.6 following.

ISSUED: JANUARY 10, 2025

EFFECTIVE: JANUARY 25, 2025

ACCESS SERVICE

7 - Special Access (a.k.a. BellSouth SPA) Service (Cont'd)

7.5 Rates and Charges (Cont'd)

7.5.9 High Capacity (a.k.a. BellSouth SPA High Capacity) Service (Cont'd)

(A) Local Channel (Per Local Channel) (Cont'd)

(3) LightGate service (a.k.a. BellSouth SPA Point to Point Network)
 Local Channel Systems (Includes first one-half air mile)

(a) LightGate 1 service (a.k.a. BellSouth SPA Point to Point Network)
 DS3 Capacity) System

Per System

ALL STATES NON-COMPETITIVE RATES

(C)

Nonrecurring Charge USOC

\$300.00 HFSC6

Zone 1

Month

to
Month Rates

USOC

States

Alabama	\$1,800.00	HFSC6
Florida	\$1,800.00	HFSC6
Georgia	\$1,800.00	HFSC6
Kentucky	\$1,800.00	HFSC6
Louisiana	\$1,800.00	HFSC6
Mississippi	\$1,800.00	HFSC6
North Carolina		\$1,800.00HFSC6
South Carolina		\$1,800.00HFSC6
Tennessee	\$1,800.00	HFSC6

Zone 2

Month
 to
 Month

Rates USOC

States

Alabama	\$1,800.00	HFSC6
Florida	\$1,800.00	HFSC6
Georgia	\$1,800.00	HFSC6
Louisiana	\$1,800.00	HFSC6
Mississippi	\$1,800.00	HFSC6
North Carolina		\$1,800.00HFSC6
South Carolina		\$1,800.00HFSC6
Tennessee	\$1,800.00	HFSC6

ISSUED: JANUARY 10, 2025

EFFECTIVE: JANUARY 25, 2025

ACCESS SERVICE

7 - Special Access (a.k.a. BellSouth SPA) Service (Cont'd)

7.5 Rates and Charges (Cont'd)

7.5.9 High Capacity (a.k.a. BellSouth SPA High Capacity) Service (Cont'd)

(A) Local Channel (Per Local Channel) (Cont'd)

(3) LightGate service (a.k.a. BellSouth SPA Point to Point Network) Local Channel Systems (Includes first one-half air mile) (Cont'd)

(a) LightGate 1 service (a.k.a. BellSouth SPA Point to Point Network DS3 Capacity) System (Cont'd)

Per System (Cont'd)

NON-COMPETITIVE RATES

(C)

Zone 3	Month to Month Rates	USOC
<u>States</u>		
Alabama	\$1,800.00	HFSC6
Florida	\$1,800.00	HFSC6
Georgia	\$1,800.00	HFSC6
Kentucky	\$1,800.00	HFSC6
Louisiana	\$1,800.00	HFSC6
Mississippi	\$1,800.00	HFSC6
North Carolina	\$1,800.00	HFSC6
South Carolina	\$1,800.00	HFSC6
Tennessee	\$1,800.00	HFSC6

ISSUED: JANUARY 10, 2025

EFFECTIVE: JANUARY 25, 2025

ACCESS SERVICE

7 - Special Access (a.k.a. BellSouth SPA) Service (Cont'd)

7.5 Rates and Charges (Cont'd)

7.5.9 High Capacity (a.k.a. BellSouth SPA High Capacity) Service (Cont'd)

(A) Local Channel (Per Local Channel) (Cont'd)

(3) LightGate service (a.k.a. BellSouth SPA Point to Point Network) Local Channel Systems (Includes first one-half air mile) (Cont'd)

(b) LightGate 2 service (a.k.a. BellSouth SPA Point to Point Network 3 DS3 capacity) System

Per System

ALL STATES NON-COMPETITIVE RATES

(C)

Nonrecurring Charge

USOC

\$300.00

HFSCD

Zone 1

Month

to
 Month
RatesUSOC

States

Alabama	\$3948.00 HFSCD
Florida	\$3948.00HFSCD
Georgia	\$3948.00 HFSCD
Kentucky	\$3948.00HFSCD
Louisiana	\$3948.00 HFSCD
Mississippi	\$3948.00 HFSCD
North Carolina	\$3948.00 HFSCD
Tennessee	\$3948.00HFSCD

ISSUED: JANUARY 10, 2025

EFFECTIVE: JANUARY 25, 2025

ACCESS SERVICE

7 - Special Access (a.k.a. BellSouth SPA) Service (Cont'd)

7.5 Rates and Charges (Cont'd)

7.5.9 High Capacity (a.k.a. BellSouth SPA High Capacity) Service (Cont'd)

(A) Local Channel (Per Local Channel) (Cont'd)

(3) LightGate service (a.k.a. BellSouth SPA Point to Point Network) Local Channel Systems (Includes first one-half air mile) (Cont'd)

(b) LightGate 2 service (a.k.a. BellSouth SPA Point to Point Network 3 DS3 Capacity) System (Cont'd)

Per System (Cont'd)

Zone 2

NON-COMPETITIVE RATES
 Month

(N)

to

Month

Rates

States USOC

Alabama	\$3948.00	HFSCD
Florida	\$3948.00	HFSCD
Georgia	\$3948.00	HFSCD
Kentucky	\$3948.00	HFSCD
Louisiana	\$3948.00	HFSCD
Mississippi	\$3948.00	HFSCD
North Carolina	\$3948.00	HFSCD
South Carolina	\$3948.00	HFSCD
Tennessee	\$3948.00	HFSCD

Zone 3

Month

to

Month

Rates

States USOC

Alabama	\$3948.00	HFSCD
Florida	\$3948.00	HFSCD
Georgia	\$3948.00	HFSCD
Louisiana	\$3948.00	HFSCD
Mississippi	\$3948.00	HFSCD
South Carolina	\$3948.00	HFSCD
Tennessee	\$3948.00	HFSCD

ISSUED: JANUARY 10, 2025

EFFECTIVE: JANUARY 25, 2025

ACCESS SERVICE

7 - Special Access (a.k.a. BellSouth SPA) Service (Cont'd)

7.5 Rates and Charges (Cont'd)

7.5.9 High Capacity (a.k.a. BellSouth SPA High Capacity) Service (Cont'd)

(A) Local Channel (Per Local Channel) (Cont'd)

(3) LightGate service (a.k.a. BellSouth SPA Point to Point Network) Local Channel Systems (Includes first one-half air mile) (Cont'd)

(c) LightGate 2 service (a.k.a. BellSouth SPA Point to Point Network 3 DS3 Capacity) System (Cont'd)

Per System with Optical Customer Termination

ALL STATES NON-COMPETITIVE RATES

(C)

<u>Nonrecurring Charge</u>	<u>USOC</u>
\$300.00	HFSL2

Zone 1 Month

to

Month

Rates

States USOC

Alabama	\$3200.00	HFSL2
Florida	\$3200.00	HFSL2
Georgia	\$3200.00	HFSL2
Kentucky	\$3200.00	HFSL2
Louisiana	\$3200.00	HFSL2
Mississippi	\$3200.00	HFSL2
North Carolina	\$3200.00	HFSL2
South Carolina	\$3200.00	HFSL2
Tennessee	\$3200.00	HFSL2

Zone 2 Month

to

Month

Rates

States USOC

Alabama	\$3200.00	HFSL2
Florida	\$3200.00	HFSL2
Georgia	\$3200.00	HFSL2
Kentucky	\$3200.00	HFSL2
Louisiana	\$3200.00	HFSL2
Mississippi	\$3200.00	HFSL2
North Carolina	\$3200.00	HFSL2

BELLSOUTH TELECOMMUNICATIONS
Four AT&T Plaza, Dallas, Texas 75202

TARIFF F.C.C. NO. 1
1ST REVISED PAGE 7-253
CANCELS ORIGINAL PAGE 7-253

ISSUED: JANUARY 10, 2025

EFFECTIVE: JANUARY 25, 2025

South Carolina
Tennessee

\$3200.00
\$3200.00

HFSL2
HFSL2

Pending

ISSUED: JANUARY 10, 2025

EFFECTIVE: JANUARY 25, 2025

ACCESS SERVICE

7 - Special Access (a.k.a. BellSouth SPA) Service (Cont'd)

7.5 Rates and Charges (Cont'd)

7.5.9 High Capacity (a.k.a. BellSouth SPA High Capacity) Service (Cont'd)

(A) Local Channel (Per Local Channel) (Cont'd)

(3) LightGate service (a.k.a. BellSouth SPA Point to Point Network) Local Channel Systems (Includes first one-half air mile) (Cont'd)

(c) LightGate 2 service (a.k.a. BellSouth SPA Point to Point Network 3 DS3 Capacity) System (Cont'd)

Per System with Optical Customer Termination (Cont'd)

Zone 3	<u>Non-Competitive Rates</u>		(N)
	Month	to	
<u>States</u>	<u>Month Rates</u>	<u>USOC</u>	
Alabama	\$3200.00	HFSL2	
Florida	\$3200.00	HFSL2	
Georgia	\$3200.00	HFSL2	
Kentucky	\$3200.00	HFSL2	
Louisiana	\$3200.00	HFSL2	
Mississippi	\$3200.00	HFSL2	
North Carolina	\$3200.00	HFSL2	
South Carolina	\$3200.00	HFSL2	
Tennessee	\$3200.00	HFSL2	

(d) LightGate 3 service (a.k.a. BellSouth SPA Point to Point Network 12 DS3 capacity) System

Per System

ALL STATES

<u>Nonrecurring Charge</u>	<u>USOC</u>
\$300.00	HFSCF

Zone 1	<u>Non-Competitive Rates</u>		(N)
	Month	to	
<u>States</u>	<u>Month Rates</u>	<u>USOC</u>	
Alabama	\$5880.00	HFSCF	
Florida	\$5880.00	HFSCF	
Georgia	\$5880.00	HFSCF	
Kentucky	\$5880.00	HFSCF	
Louisiana	\$5880.00	HFSCF	
Mississippi	\$5880.00	HFSCF	
North Carolina	\$5880.00	HFSCF	
South Carolina	\$5880.00	HFSCF	
Tennessee	\$5880.00	HFSCF	

ISSUED: JANUARY 10, 2025

EFFECTIVE: JANUARY 25, 2025

ACCESS SERVICE

7 - Special Access (a.k.a. BellSouth SPA) Service (Cont'd)

7.5 Rates and Charges (Cont'd)

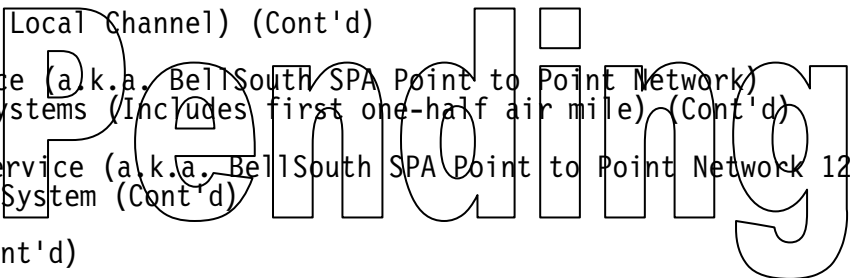
7.5.9 High Capacity (a.k.a. BellSouth SPA High Capacity) Service (Cont'd)

(A) Local Channel (Per Local Channel) (Cont'd)

(3) LightGate service (a.k.a. BellSouth SPA Point to Point Network) Local Channel Systems (Includes first one-half air mile) (Cont'd)

(d) LightGate 3 service (a.k.a. BellSouth SPA Point to Point Network 12 DS3 Capacity) System (Cont'd)

Per System (Cont'd)



<u>USOC</u>	<u>States</u>	<u>Non-Competitive Rates</u>		(N)
		Month	Month	
	Zone 2	to	Rates	
	Alabama HFSCF		\$5880.00	
	Florida HFSCF		\$5880.00	
	Georgia HFSCF		\$5880.00	
	Kentucky HFSCF		\$5880.00	
	Louisiana HFSCF		\$5880.00	
	Mississippi HFSCF		\$5880.00	
	North Carolina HFSCF		\$5880.00	
	South Carolina HFSCF		\$5880.00	
	Tennessee HFSCF		\$5880.00	

<u>USOC</u>	<u>States</u>	<u>Non-Competitive Rates</u>		(N)
		Month	Month	
	Zone 3	to	Rates	
	Alabama HFSCF		\$5880.00	
	Florida HFSCF		\$5880.00	
	Georgia HFSCF		\$5880.00	
	Kentucky HFSCF		\$5880.00	

BELLSOUTH TELECOMMUNICATIONS
Four AT&T Plaza, Dallas, Texas 75202

TARIFF F.C.C. NO. 1
2ND REVISED PAGE 7-255
CANCELS 1ST REVISED PAGE 7-255

ISSUED: JANUARY 10, 2025

EFFECTIVE: JANUARY 25, 2025

Louisiana HFSCF	\$5880.00
Mississippi HFSCF	\$5880.00
South Carolina HFSCF	\$5880.00
Tennessee HFSCF	\$5880.00

Pending

ISSUED: JANUARY 10, 2025

EFFECTIVE: JANUARY 25, 2025

ACCESS SERVICE

7 - Special Access (a.k.a. BellSouth SPA) Service (Cont'd)

7.5 Rates and Charges (Cont'd)

7.5.9 High Capacity (a.k.a. BellSouth SPA High Capacity) Service (Cont'd)

(A) Local Channel (Per Local Channel) (Cont'd)

(3) LightGate service (a.k.a. BellSouth SPA Point to Point Network) Local Channel Systems (Includes first one-half air mile) (Cont'd)

(e) LightGate 3 service (a.k.a. BellSouth SPA Point to Point Network 12 DS3 Capacity) System (Cont'd)

Per System with Optical Customer Termination

ALL STATES

Nonrecurring Charge USOC

\$300.00 HFSL3

Non-Competitive Rates

(N)

Zone 1 Month

to
Month Rates

USOC

States

Alabama	\$4800.00	HFSL3
Florida	\$4800.00	HFSL3
Georgia	\$4800.00	HFSL3
Kentucky	\$4800.00	HFSL3
Louisiana	\$4800.00	HFSL3
Mississippi	\$4800.00	HFSL3
North Carolina	\$4800.00	HFSL3
South Carolina	\$4800.00	HFSL3
Tennessee	\$4800.00	HFSL3

Non-Competitive Rates

(N)

Zone 2 Month

to
Month Rates

USOC

States

Alabama	\$4800.00	HFSL3
Florida	\$4800.00	HFSL3
Georgia	\$4800.00	HFSL3
Kentucky	\$4800.00	HFSL3
Louisiana	\$4800.00	HFSL3
Mississippi	\$4800.00	HFSL3
North Carolina	\$4800.00	HFSL3
South Carolina	\$4800.00	HFSL3
Tennessee	\$4800.00	HFSL3

ISSUED: JANUARY 10, 2025

EFFECTIVE: JANUARY 25, 2025

SSDWACCESS SERVICE

7 - Special Access (a.k.a. BellSouth SPA) Service (Cont'd)

7.5 Rates and Charges (Cont'd)

7.5.9 High Capacity (a.k.a. BellSouth SPA High Capacity) Service (Cont'd)

(A) Local Channel (Per Local Channel) (Cont'd)

(3) LightGate service (a.k.a. BellSouth SPA Point to Point Network) Local Channel Systems (Includes first one-half air mile) (Cont'd)

(e) LightGate 3 service (a.k.a. BellSouth SPA Point to Point Network 12 DS3 Capacity) System (Cont'd)

Per System with Optical Customer Termination (Cont'd)

Zone 3	<u>Non-Competitive Rates</u>		(N)
<u>States</u>	Month to Month <u>Rates</u>	<u>USOC</u>	
Alabama	\$4800.00	HFSL3	
Florida	\$4800.00	HFSL3	
Georgia	\$4800.00	HFSL3	
Kentucky	\$4800.00	HFSL3	
Louisiana	\$4800.00	HFSL3	
Mississippi	\$4800.00	HFSL3	
North Carolina	\$4800.00	HFSL3	
South Carolina	\$4800.00	HFSL3	
Tennessee	\$4800.00	HFSL3	

(f) LightGate 4 service (a.k.a. BellSouth SPA Point to Point Network 24 DS3 Capacity) System

Per System

ALL STATES

<u>Nonrecurring Charge</u>	<u>USOC</u>
\$300.00	HFSCH

Zone 1	<u>Non-Competitive Rates</u>		(N)
<u>States</u>	Month to Month <u>Rates</u>	<u>USOC</u>	
Alabama	\$10000.00	HFSCH	
Florida	\$10000.00	HFSCH	
Georgia	\$10000.00	HFSCH	
Kentucky	\$10000.00	HFSCH	
Louisiana	\$10000.00	HFSCH	
Mississippi	\$10000.00	HFSCH	
North Carolina	\$10000.00	HFSCH	
South Carolina	\$10000.00	HFSCH	
Tennessee	\$10000.00	HFSCH	

USOC

ISSUED: JANUARY 10, 2025

EFFECTIVE: JANUARY 25, 2025

ACCESS SERVICE

7 - Special Access (a.k.a. BellSouth SPA) Service (Cont'd)

7.5 Rates and Charges (Cont'd)

7.5.9 High Capacity (a.k.a. BellSouth SPA High Capacity) Service (Cont'd)

(A) Local Channel (Per Local Channel) (Cont'd)

(3) LightGate service (a.k.a. BellSouth SPA Point to Point Network) Local Channel Systems (Includes first one-half air mile) (Cont'd)

(f) LightGate 4 service (a.k.a. BellSouth SPA Point to Point Network 24 DS3 Capacity) System (Cont'd)

Per System (Cont'd)

Zone 2	<u>Non-Competitive Rates</u>		(N)
	to	Month	
<u>States</u>	<u>Month</u>	<u>Rates</u>	<u>USOC</u>
Alabama		\$10000.00	HFSCH
Florida		\$10000.00	HFSCH
Georgia		\$10000.00	HFSCH
Kentucky		\$10000.00	HFSCH
Louisiana		\$10000.00	HFSCH
Mississippi		\$10000.00	HFSCH
North Carolina		\$10000.00	HFSCH
South Carolina		\$10000.00	HFSCH
Tennessee		\$10000.00	HFSCH

Zone 3	<u>Non-Competitive Rates</u>		(N)
	to	Month	
<u>States</u>	<u>Month</u>	<u>Rates</u>	<u>USOC</u>
Alabama		\$10000.00	HFSCH
Florida		\$10000.00	HFSCH
Georgia		\$10000.00	HFSCH
Kentucky		\$10000.00	HFSCH
Louisiana		\$10000.00	HFSCH
Mississippi		\$10000.00	HFSCH
North Carolina		\$10000.00	HFSCH
South Carolina		\$10000.00	HFSCH
Tennessee		\$10000.00	HFSCH

ISSUED: JANUARY 10, 2025

EFFECTIVE: JANUARY 25, 2025

ACCESS SERVICE

7 - Special Access (a.k.a. BellSouth SPA) Service (Cont'd)

7.5 Rates and Charges (Cont'd)

7.5.9 High Capacity (a.k.a. BellSouth SPA High Capacity) Service (Cont'd)

ALL STATES (Cont'd)

(A)⁽¹⁾

Pending

(D) (N)

(D)

(1) Material in this Section has been de-tariffed pursuant to FCC Order No. 17-43, released April 28, 2017. Terms and Conditions for de-tariffed services are available at www.att.com/guidebook.

(N)

(N)

ISSUED: JANUARY 10, 2025

EFFECTIVE: JANUARY 25, 2025

ACCESS SERVICE

7 - Special Access (a.k.a. BellSouth SPA) Service (Cont'd)

7.5 Rates and Charges (Cont'd)

7.5.9 High Capacity (a.k.a. BellSouth SPA High Capacity) Service (Cont'd)

ALL STATES (Cont'd)

(A) Local Channel (Per Local Channel) (Cont'd)

(3) LightGate service (a.k.a. BellSouth Point to Point Network) Local Channel Systems (Cont'd) (Includes first one-half air mile)

(h)⁽¹⁾

Pending

(D)(N)

(D)

(1) Material in this Section has been de-tariffed pursuant to FCC Order No. 17-43, released April 28, 2017. Terms and Conditions for de-tariffed services are available at www.att.com/guidebook.

(N)

(N)

ISSUED: JANUARY 10, 2025

EFFECTIVE: JANUARY 25, 2025

ACCESS SERVICE

7 - Special Access (a.k.a. BellSouth SPA) Service (Cont'd)

7.5 Rates and Charges (Cont'd)

7.5.9 High Capacity (a.k.a. BellSouth SPA High Capacity) Service (Cont'd)

ALL STATES (Cont'd)

(A) Local Channel (Per Local Channel) (Cont'd)

(3) LightGate service (a.k.a. BellSouth Point to Point Network) Local Channel Systems (Cont'd) (Includes first one-half air mile)

(h)⁽¹⁾

Pending

(D) (N)

(D)

(1) Material in this Section has been de-tariffed pursuant to FCC Order No. 17-43, released April 28, 2017. Terms and Conditions for de-tariffed services are available at www.att.com/guidebook.

(N)
|
(N)

ISSUED: JANUARY 10, 2025

EFFECTIVE: JANUARY 25, 2025

ACCESS SERVICE

7 - Special Access (a.k.a. BellSouth SPA) Service (Cont'd)

7.5 Rates and Charges (Cont'd)

7.5.9 High Capacity (a.k.a. BellSouth SPA High Capacity) Service (Cont'd)

ALL STATES (Cont'd)

(A) Local Channel (Per Local Channel) (Cont'd)

(3) LightGate service (a.k.a. BellSouth Point to Point Network) Local Channel Systems (Cont'd) (Includes first one-half air mile)

Pending

(i)⁽¹⁾

(D) (N)

(D)

(1) Material in this Section has been de-tariffed pursuant to FCC Order No. 17-43, released April 28, 2017. Terms and Conditions for de-tariffed services are available at www.att.com/guidebook.

(N)
|
(N)

ISSUED: JANUARY 10, 2025

EFFECTIVE: JANUARY 25, 2025

ACCESS SERVICE

7 - Special Access (a.k.a. BellSouth SPA) Service (Cont'd)

7.5 Rates and Charges (Cont'd)

7.5.9 High Capacity (a.k.a. BellSouth SPA High Capacity) Service (Cont'd)

ALL STATES (Cont'd)

- (A) Local Channel (Per Local Channel) (Cont'd)
 (3) LightGate services (a.k.a. BellSouth SPA Point to Point Network) Local channel Systems (Includes first one-half air mile) (Cont'd)
 (j) LightGate 1 service (a.k.a. BellSouth SPA Point to Point Network 1 DS3 Capacity) System (Cont'd)

Per System	<u>Non-Competitive Rates</u>		(N)
Zone 1	<u>Transport Payment Plan Rates</u>		
	Plan A ⁽¹⁾⁽²⁾		(D)
	12 to 36		
	<u>Months</u>	<u>Per Month Rates</u>	<u>USOC</u>
<u>States</u>			
Alabama	\$1232.50		HFSC7
Florida	\$1232.50		HFSC7
Georgia	\$1232.50		HFSC7
Kentucky	\$1232.50		HFSC7
Louisiana	\$1232.50		HFSC7
Mississippi	\$1232.50		HFSC7
North Carolina	\$1232.50		HFSC7
South Carolina	\$1232.50		HFSC7
Tennessee	\$1232.50		HFSC7 (D)
Zone 2	<u>Transport Payment Plan Rates</u>		
	Plan A ⁽¹⁾⁽²⁾		(D)
	12 to 36		
	<u>Months</u>	<u>Per Month Rates</u>	<u>USOC</u>
<u>States</u>			
Alabama	\$1232.50		HFSC7
Florida	\$1232.50		HFSC7
Georgia	\$1232.50		HFSC7
Kentucky	\$1232.50		HFSC7
Louisiana	\$1232.50		HFSC7
Mississippi	\$1232.50		HFSC7
North Carolina	\$1232.50		HFSC7
South Carolina	\$1232.50		HFSC7
Tennessee	\$1232.50		HFSC7 (D)

⁽¹⁾ Effective on November 1, 2022, all ACPs for High Capacity (a.k.a. BellSouth SPA High Capacity DS1 (a.k.a. BellSouth SPA DS1)), CSPPs of greater than 24 months for High Capacity (a.k.a. BellSouth SPA High Capacity DS1 (a.k.a. BellSouth SPA DS1)), SMARTPath Service (a.k.a. BellSouth SPA DS1 Shared Ring), and SMARTPath DS3 Transport Service (a.k.a. BellSouth SPA DS3 Shared Ring), and TPPs greater than 12 months for BellSouth DS1 Diverse Service and LightGate Systems (a.k.a. BellSouth SPA Point to Point Network), are no longer available, including for any otherwise available conversions. Circuits already subject to ACPs, CSPPs, and TPPs, as of November 1, 2022, will continue to be provided under the then-current term for the remainder of that term.

⁽²⁾ Effective on January 17, 2024, all CSPP and TPPs term plans greater than month-to-month for High Capacity (a.k.a. BellSouth SPA High Capacity DS1 (a.k.a. BellSouth SPA DS1)), SMARTPath Service (a.k.a. BellSouth SPA DS1 Shared Ring), SMARTPath DS3 Transport Service (a.k.a. BellSouth SPA DS3 Shared Ring), BellSouth DS1

BELLSOUTH TELECOMMUNICATIONS
Four AT&T Plaza, Dallas, Texas 75202

TARIFF F.C.C. NO. 1
6TH REVISED PAGE 7-263
CANCELS 5TH REVISED PAGE 7-263

ISSUED: JANUARY 10, 2025

EFFECTIVE: JANUARY 25, 2025

Diverse Service and LightGate Systems (a.k.a. BellSouth SPA Point to Point Network), are no longer available, including for any otherwise available conversions. Existing Term Plan Services on January 17, 2024, will continue to be provided for the remainder of the then-current terms.

Pending

ISSUED: JANUARY 10, 2025

EFFECTIVE: JANUARY 25, 2025

ACCESS SERVICE

7 - Special Access (a.k.a. BellSouth SPA) Service (Cont'd)

7.5 Rates and Charges (Cont'd)

7.5.9 High Capacity a.k.a. BellSouth SPA High Capacity) Service (Cont'd)

ALL STATES (Cont'd)

(A) Local Channel (Per Local Channel) (Cont'd)

(3) LightGate services (a.k.a. BellSouth SPA Point to Point Network) Local channel Systems (Includes first one-half air mile) (Cont'd)

(j) LightGate 1 service (a.k.a. BellSouth SPA Point to Point Network) DS3 Capacity) System (Cont'd)

Per System (Cont'd)

Non-Competitive Rates

Zone 3

Transport Payment Plan Rates

Plan A⁽¹⁾⁽²⁾
 12 to 36
 Months

USOC

Per Month Rates

States

Alabama	\$1232.50	HFSC7
Florida	\$1232.50	HFSC7
Georgia	\$1232.50	HFSC7
Kentucky	\$1232.50	HFSC7
Louisiana	\$1232.50	HFSC7
Mississippi	\$1232.50	HFSC7
North Carolina	\$1232.50	HFSC7
South Carolina	\$1232.50	HFSC7
Tennessee	\$1232.50	HFSC7

(N)

(D)

(D)

(k) LightGate 2 service (a.k.a. BellSouth SPA Point to Point Network 3 DS3 Capacity) System

Per System
 Zone 1

Transport Payment Plan Rates

Plan A⁽¹⁾⁽²⁾
 12 to 36
 Months

USOC

Per Month Rates

States

Alabama	\$2609.50	HFSC7
Florida	\$2609.50	HFSC7
Georgia	\$2609.50	HFSC7
Kentucky	\$2609.50	HFSC7
Louisiana	\$2609.50	HFSC7
Mississippi	\$2609.50	HFSC7
North Carolina	\$2609.50	HFSC7
South Carolina	\$2609.50	HFSC7
Tennessee	\$2609.50	HFSC7

(D)

(D)

⁽¹⁾ Effective on November 1, 2022, all ACPs for High Capacity (a.k.a. BellSouth SPA High Capacity DS1 (a.k.a. BellSouth SPA DS1)), CSPPs of greater than 24 months for High Capacity (a.k.a. BellSouth SPA High Capacity DS1 (a.k.a. BellSouth SPA DS1)), SMARTPath Service (a.k.a. BellSouth SPA DS1 Shared Ring), and SMARTPath DS3 Transport Service (a.k.a. BellSouth SPA DS3 Shared Ring), and TPPs greater than 12 months for BellSouth DS1 Diverse Service and LightGate Systems (a.k.a. BellSouth SPA Point to Point Network), are no longer available, including for any otherwise available conversions. Circuits already subject to ACPs, CSPPs, and TPPs, as of November 1, 2022, will continue to be provided under the then-current term for the remainder of that term.

⁽²⁾ Effective on January 17, 2024, all CSPP and TPPs term plans greater than month-to-month for High Capacity (a.k.a. BellSouth SPA High Capacity DS1 (a.k.a. BellSouth SPA DS1)), SMARTPath Service (a.k.a. BellSouth SPA DS1 Shared Ring), SMARTPath DS3 Transport Service (a.k.a. BellSouth SPA DS3 Shared Ring), BellSouth DS1 Diverse Service and LightGate Systems (a.k.a. BellSouth SPA Point to Point Network), are

BELLSOUTH TELECOMMUNICATIONS
Four AT&T Plaza, Dallas, Texas 75202

TARIFF F.C.C. NO. 1
6TH REVISED PAGE 7-264
CANCELS 5TH REVISED PAGE 7-264

ISSUED: JANUARY 10, 2025

EFFECTIVE: JANUARY 25, 2025

no longer available, including for any otherwise available conversions. Existing Term Plan Services on January 17, 2024, will continue to be provided for the remainder of the then-current terms.

Pending

ISSUED: JANUARY 10, 2025

EFFECTIVE: JANUARY 25, 2025

ACCESS SERVICE

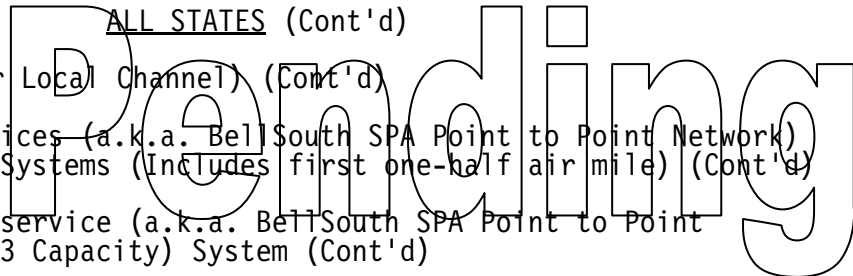
7 - Special Access (a.k.a. BellSouth SPA) Service (Cont'd)

7.5 Rates and Charges (Cont'd)

7.5.9 High Capacity (a.k.a. BellSouth SPA High Capacity) Service (Cont'd)

ALL STATES (Cont'd)

- (A) Local Channel (Per Local Channel) (Cont'd)
 (3) LightGate services (a.k.a. BellSouth SPA Point to Point Network) Local channel Systems (Includes first one-half air mile) (Cont'd)
 (k) LightGate 2 service (a.k.a. BellSouth SPA Point to Point Network 3 DS3 Capacity) System (Cont'd)



Per System (Cont'd)	<u>Non-Competitive Rates</u>	(N)
Zone 2	<u>Transport Payment Plan Rates</u>	(D)
	Plan A ⁽¹⁾⁽²⁾	
	12 to 36	
	Months	<u>USOC</u>
	<u>Per Month Rates</u>	
<u>States</u>		
Alabama	\$2609.50	HFSCE
Florida	\$2609.50	HFSCE
Georgia	\$2609.50	HFSCE
Kentucky	\$2609.50	HFSCE
Louisiana	\$2609.50	HFSCE
Mississippi	\$2609.50	HFSCE
North Carolina	\$2609.50	HFSCE
South Carolina	\$2609.50	HFSCE
Tennessee	\$2609.50	HFSCE
		(D)
Zone 3	<u>Transport Payment Plan Rates</u>	(D)
	Plan A ⁽¹⁾⁽²⁾	
	12 to 36	
	Months	<u>USOC</u>
	<u>Per Month Rates</u>	
<u>States</u>		
Alabama	\$2609.50	HFSCE
Florida	\$2609.50	HFSCE
Georgia	\$2609.50	HFSCE
Kentucky	\$2609.50	HFSCE
Louisiana	\$2609.50	HFSCE
Mississippi	\$2609.50	HFSCE
North Carolina	\$2609.50	HFSCE
South Carolina	\$2609.50	HFSCE
Tennessee	\$2609.50	HFSCE
		(D)

⁽¹⁾ Effective on November 1, 2022, all ACPs for High Capacity (a.k.a. BellSouth SPA High Capacity DS1 (a.k.a. BellSouth SPA DS1)), CSPPs of greater than 24 months for High Capacity (a.k.a. BellSouth SPA High Capacity DS1 (a.k.a. BellSouth SPA DS1)), SMARTPath Service (a.k.a. BellSouth SPA DS1 Shared Ring), and SMARTPath DS3 Transport Service (a.k.a. BellSouth SPA DS3 Shared Ring), and TPPs greater than 12 months for BellSouth DS1 Diverse Service and LightGate Systems (a.k.a. BellSouth SPA Point to Point Network), are no longer available, including for any otherwise available conversions. Circuits already subject to ACPs, CSPPs, and TPPs, as of November 1, 2022, will continue to be provided under the then-current term for the remainder of that term.

⁽²⁾ Effective on January 17, 2024, all CSPP and TPPs term plans greater than month-to-month for High Capacity (a.k.a. BellSouth SPA High Capacity DS1 (a.k.a. BellSouth SPA DS1)), SMARTPath Service (a.k.a. BellSouth SPA DS1 Shared Ring), SMARTPath DS3 Transport Service (a.k.a. BellSouth SPA DS3 Shared Ring), BellSouth DS1 Diverse Service and LightGate Systems (a.k.a. BellSouth SPA Point to Point Network), are no longer available, including for any

BELLSOUTH TELECOMMUNICATIONS
Four AT&T Plaza, Dallas, Texas 75202

TARIFF F.C.C. NO. 1
6TH REVISED PAGE 7-265
CANCELS 5TH REVISED PAGE 7-265

ISSUED: JANUARY 10, 2025

EFFECTIVE: JANUARY 25, 2025

otherwise available conversions. Existing Term Plan Services on January 17, 2024, will continue to be provided for the remainder of the then-current terms.

Pending

ISSUED: JANUARY 10, 2025

EFFECTIVE: JANUARY 25, 2025

ACCESS SERVICE

7 - Special Access (a.k.a. BellSouth SPA) Service (Cont'd)

7.5 Rates and Charges (Cont'd)

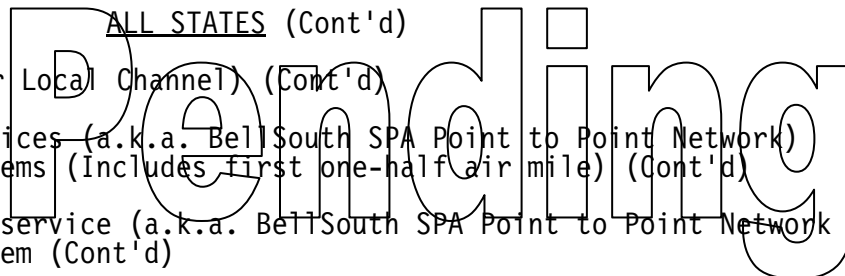
7.5.9 High Capacity (a.k.a. BellSouth SPA High Capacity) Service (Cont'd)

ALL STATES (Cont'd)

(A) Local Channel (Per Local Channel) (Cont'd)

(3) LightGate services (a.k.a. BellSouth SPA Point to Point Network) Local channel Systems (Includes first one-half air mile) (Cont'd)

(1) LightGate 2 service (a.k.a. BellSouth SPA Point to Point Network 3 DS3 Capacity) System (Cont'd)



Per System with Optical Customer Termination Non-Competitive Rates (N)

Zone 1

Transport Payment Plan Rates

Plan A⁽¹⁾⁽²⁾
 12 to 36
 Months

Per Month Rates

USOC

States

Alabama	\$2227.00	HFSL2
Florida	\$2227.00	HFSL2
Georgia	\$2227.00	HFSL2
Kentucky	\$2227.00	HFSL2
Louisiana	\$2227.00	HFSL2
Mississippi	\$2227.00	HFSL2
North Carolina	\$2227.00	HFSL2
South Carolina	\$2227.00	HFSL2
Tennessee	\$2227.00	HFSL2

Zone 2

Transport Payment Plan Rates

Plan A⁽¹⁾⁽²⁾
 12 to 36
 Months

USOC
Per Month Rates

States

Alabama	\$2227.00	HFSL2
Florida	\$2227.00	HFSL2
Georgia	\$2227.00	HFSL2
Kentucky	\$2227.00	HFSL2
Louisiana	\$2227.00	HFSL2
Mississippi	\$2227.00	HFSL2
North Carolina	\$2227.00	HFSL2
South Carolina	\$2227.00	HFSL2
Tennessee	\$2227.00	HFSL2

⁽¹⁾ Effective on November 1, 2022, all ACPs for High Capacity (a.k.a. BellSouth SPA High Capacity DS1 (a.k.a. BellSouth SPA DS1)), CSPPs of greater than 24 months for High Capacity (a.k.a. BellSouth SPA High Capacity DS1 (a.k.a. BellSouth SPA DS1)), SMARTPath Service (a.k.a. BellSouth SPA DS1 Shared Ring), and SMARTPath DS3 Transport Service (a.k.a. BellSouth SPA DS3 Shared Ring), and TPPs greater than 12 months for BellSouth DS1 Diverse Service and LightGate Systems (a.k.a. BellSouth SPA Point to Point Network), are no longer available, including for any otherwise available conversions. Circuits already subject to ACPs, CSPPs, and TPPs, as of November 1, 2022, will continue to be provided under the then-current term for the remainder of that term.

⁽²⁾ Effective on January 17, 2024, all CSPP and TPPs term plans greater than month-to-month for High Capacity (a.k.a. BellSouth SPA High Capacity DS1 (a.k.a. BellSouth SPA DS1)), SMARTPath Service (a.k.a. BellSouth SPA DS1 Shared Ring), SMARTPath DS3 Transport Service (a.k.a. BellSouth SPA DS3 Shared Ring), BellSouth DS1 Diverse Service and LightGate Systems (a.k.a. BellSouth SPA Point to Point Network), are no longer available, including for any

BELLSOUTH TELECOMMUNICATIONS
Four AT&T Plaza, Dallas, Texas 75202

TARIFF F.C.C. NO. 1
5TH REVISED PAGE 7-266
CANCELS 4TH REVISED PAGE 7-266

ISSUED: JANUARY 10, 2025

EFFECTIVE: JANUARY 25, 2025

otherwise available conversions. Existing Term Plan Services on January 17, 2024, will continue to be provided for the remainder of the then-current terms.

Pending

ISSUED: JANUARY 10, 2025

EFFECTIVE: JANUARY 25, 2025

ACCESS SERVICE

7 - Special Access (a.k.a. BellSouth SPA) Service (Cont'd)

7.5 Rates and Charges (Cont'd)

7.5.9 High Capacity (a.k.a. BellSouth SPA High Capacity) Service (Cont'd)

ALL STATES (Cont'd)

(A) Local Channel (Per Local Channel) (Cont'd)

(3) LightGate services (a.k.a. BellSouth SPA Point to Point Network) Local channel Systems (Includes first one-half air mile) (Cont'd)

(1) LightGate 2 service (a.k.a. BellSouth SPA Point to Point Network 3 DS3 Capacity) System (Cont'd)

Per System with Optical Customer Termination (Cont'd)

Payment Plan Rates	Zone 3	Non-Competitive Transport	
		Plan A ⁽¹⁾⁽²⁾ 12 to 36 Months	USOC
States	Per Month Rates		
Alabama	\$2227.00	HFSL2	(C) (D)
Florida	\$2227.00	HFSL2	
Georgia	\$2227.00	HFSL2	
Kentucky	\$2227.00	HFSL2	
Louisiana	\$2227.00	HFSL2	
Mississippi	\$2227.00	HFSL2	
North Carolina	\$2227.00	HFSL2	
South Carolina	\$2227.00	HFSL2	
Tennessee	\$2227.00	HFSL2	

(m) LightGate 3 service (a.k.a. BellSouth SPA Point to Point Network 12 DS3 Capacity) System

Per System

Plan Rates	Zone 1	Non-Competitive Transport Payment	
		Plan A ⁽¹⁾⁽²⁾ 12 to 36 Months	USOC
States	Per Month Rates		
Alabama	\$4284.00	HFSCG	(C) (D)
Florida	\$4284.00	HFSCG	
Georgia	\$4284.00	HFSCG	
Kentucky	\$4284.00	HFSCG	
Louisiana	\$4284.00	HFSCG	
Mississippi	\$4284.00	HFSCG	
North Carolina	\$4284.00	HFSCG	
South Carolina	\$4284.00	HFSCG	
Tennessee	\$4284.00	HFSCG	

(1) Effective on November 1, 2022, all ACPs for High Capacity (a.k.a BellSouth SPA High Capacity DS1 (a.k.a BellSouth SPA DS1)), CSPPs of greater than 24 months for High Capacity (a.k.a. BellSouth SPA High Capacity DS1 (a.k.a. BellSouth SPA DS1)), SMARTPath Service (a.k.a. BellSouth SPA DS1 Shared Ring), and SMARTPath DS3 Transport Service (a.k.a. BellSouth SPA DS3 Shared Ring), and TPPs greater than 12 months for BellSouth DS1 Diverse Service and LightGate Systems (a.k.a. BellSouth SPA Point to Point Network), are no longer available, including for any otherwise available conversions. Circuits already subject to ACPs, CSPPs, and TPPs, as of November 1, 2022, will continue to be provided under the then-current term for the remainder of that term.

(2) Effective on January 17, 2024, all CSPP and TPPs term plans greater than month-to-month for High Capacity (a.k.a BellSouth SPA High Capacity DS1 (a.k.a BellSouth SPA DS1)), SMARTPath Service (a.k.a. BellSouth SPA DS1 Shared Ring), SMARTPath DS3 Transport Service (a.k.a. BellSouth SPA DS3 Shared Ring), BellSouth DS1 Diverse Service and LightGate Systems (a.k.a. BellSouth SPA Point to Point Network), are no longer available, including for any

BELLSOUTH TELECOMMUNICATIONS
Four AT&T Plaza, Dallas, Texas 75202

TARIFF F.C.C. NO. 1
6TH REVISED PAGE 7-267
CANCELS 5TH REVISED PAGE 7-267

ISSUED: JANUARY 10, 2025

EFFECTIVE: JANUARY 25, 2025

otherwise available conversions. Existing Term Plan Services on January 17, 2024, will continue to be provided for the remainder of the then-current terms.

Pending

ISSUED: JANUARY 10, 2025

EFFECTIVE: JANUARY 25, 2025

ACCESS SERVICE

7 - Special Access (a.k.a. BellSouth SPA) Service (Cont'd)

7.5 Rates and Charges (Cont'd)

7.5.9 High Capacity (a.k.a. BellSouth SPA High Capacity) Service (Cont'd)

ALL STATES (Cont'd)

(A) Local Channel (Per Local Channel) (Cont'd)

(3) LightGate services (a.k.a. BellSouth SPA Point to Point Network) Local channel Systems (Includes first one-half air mile) (Cont'd)

(m) LightGate 3 service (a.k.a. BellSouth SPA Point to Point Network 12 DS3 Capacity) System (Cont'd)

Per System (Cont'd)

<u>Plan Rates</u>	Zone 2	<u>Non-Competitive Transport Payment</u>			(C) (D)
		Plan A ⁽¹⁾⁽²⁾			
		12 to 36 Months			
		<u>Per Month Rates</u>			
	<u>States</u>			<u>USOC</u>	
	Alabama	\$4284.00	\$3901.50	\$3480.00	HFSCG
	Florida	\$4284.00	\$3901.50	\$3480.00	HFSCG
	Georgia	\$4284.00	\$3901.50	\$3480.00	HFSCG
	Kentucky	\$4284.00	\$3901.50	\$3480.00	HFSCG
	Louisiana	\$4284.00	\$3901.50	\$3480.00	HFSCG
	Mississippi	\$4284.00	\$3901.50	\$3480.00	HFSCG
	North Carolina	\$4284.00	\$3901.50	\$3480.00	HFSCG
	South Carolina	\$4284.00	\$3901.50	\$3480.00	HFSCG
	Tennessee	\$4284.00	\$3901.50	\$3480.00	HFSCG

<u>Rates</u>	Zone 3	<u>Non-Competitive Transport Payment Plan</u>			(C) (D)
		Plan A ⁽¹⁾⁽²⁾			
		12 to 36 Months			
		<u>Per Month Rates</u>			
	<u>States</u>			<u>USOC</u>	
	Alabama	\$4284.00			HFSCG
	Florida	\$4284.00			HFSCG
	Georgia	\$4284.00			HFSCG
	Kentucky	\$4284.00			HFSCG
	Louisiana	\$4284.00			HFSCG
	Mississippi	\$4284.00			HFSCG
	North Carolina	\$4284.00			HFSCG
	South Carolina	\$4284.00			HFSCG
	Tennessee	\$4284.00			HFSCG

⁽¹⁾ Effective on November 1, 2022, all ACPs for High Capacity (a.k.a. BellSouth SPA High Capacity DS1 (a.k.a. BellSouth SPA DS1)), CSPPs of greater than 24 months for High Capacity (a.k.a. BellSouth SPA High Capacity DS1 (a.k.a. BellSouth SPA DS1)), SMARTPath Service (a.k.a. BellSouth SPA DS1 Shared Ring), and SMARTPath DS3 Transport Service (a.k.a. BellSouth SPA DS3 Shared Ring), and TPPs greater than 12 months for BellSouth DS1 Diverse Service and LightGate Systems (a.k.a. BellSouth SPA Point to Point Network), are no longer available, including for any otherwise available conversions. Circuits already subject to ACPs, CSPPs, and TPPs, as of November 1, 2022, will continue to be provided under the then-current term for the remainder of that term.

⁽²⁾ Effective on January 17, 2024, all CSPP and TPPs term plans greater than month-to-month for High Capacity (a.k.a. BellSouth SPA High Capacity DS1 (a.k.a. BellSouth SPA DS1)), SMARTPath Service (a.k.a. BellSouth SPA DS1 Shared Ring), SMARTPath DS3 Transport Service (a.k.a. BellSouth SPA DS3 Shared Ring), BellSouth DS1 Diverse Service and

BELLSOUTH TELECOMMUNICATIONS
Four AT&T Plaza, Dallas, Texas 75202

TARIFF F.C.C. NO. 1
6TH REVISED PAGE 7-268
CANCELS 5TH REVISED PAGE 7-268

ISSUED: JANUARY 10, 2025

EFFECTIVE: JANUARY 25, 2025

LightGate Systems (a.k.a. BellSouth SPA Point to Point Network), are no longer available, including for any otherwise available conversions. Existing Term Plan Services on January 17, 2024, will continue to be provided for the remainder of the then-current terms.

Pending

ISSUED: JANUARY 10, 2025

EFFECTIVE: JANUARY 25, 2025

ACCESS SERVICE

7 - Special Access (a.k.a. BellSouth SPA) Service (Cont'd)

7.5 Rates and Charges (Cont'd)

7.5.9 High Capacity (a.k.a. BellSouth SPA High Capacity) Service (Cont'd)

ALL STATES (Cont'd)

(A) Local Channel (Per Local Channel) (Cont'd)

(3) LightGate services (a.k.a. BellSouth SPA Point to Point Network) Local channel Systems (Includes first one-half air mile) (Cont'd)

(n) LightGate 3 service (a.k.a. BellSouth SPA Point to Point Network 12 DS3 Capacity) System (Cont'd)

Per System with Optical Customer Termination

Plan Rates	Zone 1	Non-Competitive Transport Payment		(C) (D)
		Plan A ⁽¹⁾⁽²⁾		
		12 to 36 Months	USOC	
		<u>Per Month Rates</u>		
	<u>States</u>			
	Alabama	\$3638.00	HFSL3	
	Florida	\$3638.00	HFSL3	
	Georgia	\$3638.00	HFSL3	
	Kentucky	\$3638.00	HFSL3	
	Louisiana	\$3638.00	HFSL3	
	Mississippi	\$3638.00	HFSL3	
	North Carolina	\$3638.00	HFSL3	
	South Carolina	\$3638.00	HFSL3	
	Tennessee	\$3638.00	HFSL3	(D)

Plan Rates	Zone 2	Non-Competitive Transport Payment		(C) (D)
		Plan A ⁽¹⁾⁽²⁾		
		12 to 36 Months	USOC	
		<u>Per Month Rates</u>		
	<u>States</u>			
	Alabama	\$3638.00	HFSL3	
	Florida	\$3638.00	HFSL3	
	Georgia	\$3638.00	HFSL3	
	Kentucky	\$3638.00	HFSL3	
	Louisiana	\$3638.00	HFSL3	
	Mississippi	\$3638.00	HFSL3	
	North Carolina	\$3638.00	HFSL3	
	South Carolina	\$3638.00	HFSL3	
	Tennessee	\$3638.00	HFSL3	(D)

(1) Effective on November 1, 2022, all ACPs for High Capacity (a.k.a. BellSouth SPA High Capacity DS1 (a.k.a. BellSouth SPA DS1)), CSPPs of greater than 24 months for High Capacity (a.k.a. BellSouth SPA High Capacity DS1 (a.k.a. BellSouth SPA DS1)), SMARTPath Service (a.k.a. BellSouth SPA DS1 Shared Ring), and SMARTPath DS3 Transport Service (a.k.a. BellSouth SPA DS3 Shared Ring), and TPPs greater than 12 months for BellSouth DS1 Diverse Service and LightGate Systems (a.k.a. BellSouth SPA Point to Point Network), are no longer available, including for any otherwise available conversions. Circuits already subject to ACPs, CSPPs, and TPPs, as of November 1, 2022, will continue to be provided under the then-current term for the remainder of that term.

(2) Effective on January 17, 2024, all CSPP and TPPs term plans greater than month-to-month for High Capacity (a.k.a. BellSouth SPA High Capacity DS1 (a.k.a. BellSouth SPA DS1)), SMARTPath Service (a.k.a. BellSouth SPA DS1 Shared

BELLSOUTH TELECOMMUNICATIONS
Four AT&T Plaza, Dallas, Texas 75202

TARIFF F.C.C. NO. 1
5TH REVISED PAGE 7-269
CANCELS 4TH REVISED PAGE 7-269

ISSUED: JANUARY 10, 2025

EFFECTIVE: JANUARY 25, 2025

Ring), SMARTPath DS3 Transport Service (a.k.a. BellSouth SPA DS3 Shared Ring), BellSouth DS1 Diverse Service and LightGate Systems (a.k.a. BellSouth SPA Point to Point Network), are no longer available, including for any otherwise available conversions. Existing Term Plan Services on January 17, 2024, will continue to be provided for the remainder of the then-current terms.

Pending

ISSUED: JANUARY 10, 2025

EFFECTIVE: JANUARY 25, 2025

ACCESS SERVICE

7 - Special Access (a.k.a. BellSouth SPA) Service (Cont'd)

7.5 Rates and Charges (Cont'd)

7.5.9 High Capacity (a.k.a. BellSouth SPA High Capacity) Service (Cont'd)

ALL STATES (Cont'd)

- (A) Local Channel (Per Local Channel) (Cont'd)
- (3) LightGate services (a.k.a. BellSouth SPA Point to Point Network) Local channel Systems (Includes first one-half air mile) (Cont'd)
- (n) LightGate 3 service (a.k.a. BellSouth SPA Point to Point Network 12 DS3 Capacity) System (Cont'd)

Per System with Optical Customer Termination (Cont'd)

Plan Rates	Zone 3	Non-Competitive Transport Payment	
		Plan A ⁽¹⁾⁽²⁾ 12 to 36 Months	USOC
	States	Per Month Rates	
	Alabama	\$3638.00	HFSL3
	Florida	\$3638.00	HFSL3
	Georgia	\$3638.00	HFSL3
	Kentucky	\$3638.00	HFSL3
	Louisiana	\$3638.00	HFSL3
	Mississippi	\$3638.00	HFSL3
	North Carolina	\$3638.00	HFSL3
	South Carolina	\$3638.00	HFSL3
	Tennessee	\$3638.00	HFSL3

- (o) LightGate 4 service (a.k.a. BellSouth SPA Point to Point Network 24 DS3 Capacity) System

Per System

Plan Rates	Zone 1	Non-Competitive Transport Payment	
		Plan A ⁽¹⁾⁽²⁾ 12 to 36 Months	USOC
	States	Per Month Rates	
	Alabama	\$7386.50	HFSCJ
	Florida	\$7386.50	HFSCJ
	Georgia	\$7386.50	HFSCJ
	Kentucky	\$7386.50	HFSCJ
	Louisiana	\$7386.50	HFSCJ
	Mississippi	\$7386.50	HFSCJ
	North Carolina	\$7386.50	HFSCJ
	South Carolina	\$7386.50	HFSCJ
	Tennessee	\$7386.50	HFSCJ

⁽¹⁾ Effective on November 1, 2022, all ACPs for High Capacity (a.k.a. BellSouth SPA High Capacity DS1 (a.k.a. BellSouth SPA DS1)), CSPPs of greater than 24 months for High Capacity (a.k.a. BellSouth SPA High Capacity DS1 (a.k.a. BellSouth SPA DS1)), SMARTPath Service (a.k.a. BellSouth SPA DS1 Shared Ring), and SMARTPath DS3 Transport Service (a.k.a. BellSouth SPA DS3 Shared Ring), and TPPs greater than 12 months for BellSouth DS1 Diverse Service and LightGate Systems (a.k.a. BellSouth SPA Point to Point Network), are no longer available, including for any otherwise available conversions. Circuits already subject to ACPs, CSPPs, and TPPs, as of November 1, 2022, will continue to be provided under the then-current term for the remainder of that term.

⁽²⁾ Effective on January 17, 2024, all CSPP and TPPs term plans greater than month-to-month for High Capacity (a.k.a. BellSouth SPA High Capacity DS1 (a.k.a. BellSouth SPA DS1)), SMARTPath Service (a.k.a. BellSouth SPA DS1 Shared Ring), SMARTPath DS3 Transport Service (a.k.a. BellSouth SPA DS3 Shared Ring), BellSouth DS1 Diverse Service and LightGate Systems (a.k.a. BellSouth SPA Point to Point Network), are no longer available, including for any

BELLSOUTH TELECOMMUNICATIONS
Four AT&T Plaza, Dallas, Texas 75202

TARIFF F.C.C. NO. 1
6TH REVISED PAGE 7-270
CANCELS 5TH REVISED PAGE 7-270

ISSUED: JANUARY 10, 2025

EFFECTIVE: JANUARY 25, 2025

otherwise available conversions. Existing Term Plan Services on January 17, 2024, will continue to be provided for the remainder of the then-current terms.

Pending

ISSUED: JANUARY 10, 2025

EFFECTIVE: JANUARY 25, 2025

ACCESS SERVICE

7 - Special Access (a.k.a. BellSouth SPA) Service (Cont'd)

7.5 Rates and Charges (Cont'd)

7.5.9 High Capacity (a.k.a. BellSouth SPA High Capacity) Service (Cont'd)

ALL STATES (Cont'd)

(A) Local Channel (Per Local Channel) (Cont'd)

(3) LightGate services (a.k.a. BellSouth SPA Point to Point Network) Local channel Systems (Includes first one-half air mile) (Cont'd)

(o) LightGate 4 service (a.k.a. BellSouth SPA Point to Point Network 24 DS3 Capacity) System (Cont'd)

Per System (Cont'd)

<u>Payment Plan Rates</u>	Zone 2	<u>Non-Competitive Transport</u>		(C) (D)
		Plan A ⁽¹⁾⁽²⁾		
		12 to 36 Months	USOC	
	<u>States</u>	<u>Per Month Rates</u>		
	Alabama	\$7386.50	HFSCJ	
	Florida	\$7386.50	HFSCJ	
	Georgia	\$7386.50	HFSCJ	
	Kentucky	\$7386.50	HFSCJ	
	Louisiana	\$7386.50	HFSCJ	
	Mississippi	\$7386.50	HFSCJ	
	North Carolina	\$7386.50	HFSCJ	
	South Carolina	\$7386.50	HFSCJ	
	Tennessee	\$7386.50	HFSCJ	

<u>Payment Plan Rates</u>	Zone 3	<u>Non-Competitive Transport</u>		(C) (D)
		Plan A ⁽¹⁾⁽²⁾		
		12 to 36 Months	USOC	
	<u>States</u>	<u>Per Month Rates</u>		
	Alabama	\$7386.50	HFSCJ	
	Florida	\$7386.50	HFSCJ	
	Georgia	\$7386.50	HFSCJ	
	Kentucky	\$7386.50	HFSCJ	
	Louisiana	\$7386.50	HFSCJ	
	Mississippi	\$7386.50	HFSCJ	
	North Carolina	\$7386.50	HFSCJ	
	South Carolina	\$7386.50	HFSCJ	
	Tennessee	\$7386.50	HFSCJ	

⁽¹⁾ Effective on November 1, 2022, all ACPs for High Capacity (a.k.a. BellSouth SPA High Capacity DS1 (a.k.a. BellSouth SPA DS1)), CSPPs of greater than 24 months for High Capacity (a.k.a. BellSouth SPA High Capacity DS1 (a.k.a. BellSouth SPA DS1)), SMARTPath Service (a.k.a. BellSouth SPA DS1 Shared Ring), and SMARTPath DS3 Transport Service (a.k.a. BellSouth SPA DS3 Shared Ring), and TPPs greater than 12 months for BellSouth DS1 Diverse Service and LightGate Systems (a.k.a. BellSouth SPA Point to Point Network), are no longer available, including for any otherwise available conversions. Circuits already subject to ACPs, CSPPs, and TPPs, as of November 1, 2022, will continue to be provided under the then-current term for the remainder of that term.

⁽²⁾ Effective on January 17, 2024, all CSPP and TPPs term plans greater than month-to-month for High Capacity (a.k.a. BellSouth SPA High Capacity DS1 (a.k.a. BellSouth SPA DS1)), SMARTPath Service (a.k.a. BellSouth SPA DS1 Shared Ring), SMARTPath DS3 Transport Service (a.k.a. BellSouth SPA DS3 Shared Ring), BellSouth DS1 Diverse Service and

BELLSOUTH TELECOMMUNICATIONS
Four AT&T Plaza, Dallas, Texas 75202

TARIFF F.C.C. NO. 1
6TH REVISED PAGE 7-271
CANCELS 5TH REVISED PAGE 7-271

ISSUED: JANUARY 10, 2025

EFFECTIVE: JANUARY 25, 2025

LightGate Systems (a.k.a. BellSouth SPA Point to Point Network), are no longer available, including for any otherwise available conversions. Existing Term Plan Services on January 17, 2024, will continue to be provided for the remainder of the then-current terms.

Pending

ISSUED: JANUARY 10, 2025

EFFECTIVE: JANUARY 25, 2025

ACCESS SERVICE

7 - Special Access (a.k.a. BellSouth SPA) Service (Cont'd)

7.5 Rates and Charges (Cont'd)

7.5.9 High Capacity (a.k.a. BellSouth SPA High Capacity) Service (Cont'd)

ALL STATES (Cont'd)

(A) Local Channel (Per Local Channel) (Cont'd)

(3) LightGate service (a.k.a. BellSouth SPA Point to Point Network) Local Channel Systems (Cont'd) (Includes first one-half air mile)

(p)⁽³⁾

Pending

(D) (N)

(D)

(1)Delete

(2)Delete

(3) Material in this Section has been de-tariffed pursuant to FCC Order No. 17-43, released April 28, 2017. Terms and Conditions for de-tariffed services are available at www.att.com/guidebook.

(C)

(C)

(D)

(N)

ISSUED: JANUARY 10, 2025

EFFECTIVE: JANUARY 25, 2025

ACCESS SERVICE

7 - Special Access (a.k.a. BellSouth SPA) Service (Cont'd)

7.5 Rates and Charges (Cont'd)

7.5.9 High Capacity (a.k.a. BellSouth SPA High Capacity) Service (Cont'd)

ALL STATES (Cont'd)

(A) Local Channel (Per Local Channel) (Cont'd)

(3) LightGate service (a.k.a. BellSouth SPA Point to Point Network) Local Channel Systems (Includes first one-half air mile) (Cont'd)

(p)⁽³⁾

Pending

(D) (N)

(D)

(1)Delete

(C)

(D)

(2)Delete

(C)

(3) Material in this Section has been de-tariffed pursuant to FCC Order No. 17-43, released April 28, 2017. Terms and Conditions for de-tariffed services are available at www.att.com/guidebook.

(C)

(C)

(This page filed under Transmittal No. 194)

BELLSOUTH TELECOMMUNICATIONS
Four AT&T Plaza, Dallas, Texas 75202

TARIFF F.C.C. NO. 1
5TH REVISED PAGE 7-273
CANCELS 4TH REVISED PAGE 7-273

ISSUED: JANUARY 10, 2025

EFFECTIVE: JANUARY 25, 2025

Pending

ISSUED: JANUARY 10, 2025

EFFECTIVE: JANUARY 25, 2025

ACCESS SERVICE

7 - Special Access (a.k.a. BellSouth SPA) Service (Cont'd)

7.5 Rates and Charges (Cont'd)

7.5.9 High Capacity (a.k.a. BellSouth SPA High Capacity) Service (Cont'd)

ALL STATES (Cont'd)

(A) Local Channel (Per Local Channel) (Cont'd)

(3) LightGate service (a.k.a. BellSouth SPA Point to Point Network) Local Channel Systems (Includes first one-half air mile) (Cont'd)

(q)⁽³⁾

Pending

(D) (N)

(1)Delete

(D)

(C)

(2)Delete

(D)

(C)

(3) Material in this Section has been de-tariffed pursuant to FCC Order No. 17-43, released April 28, 2017. Terms and Conditions for de-tariffed services are available at www.att.com/guidebook.

(D)

ISSUED: JANUARY 10, 2025

EFFECTIVE: JANUARY 25, 2025

ACCESS SERVICE

7 - Special Access (a.k.a. BellSouth SPA) Service

7.5 Rates and Charges (Cont'd)

7.5.9 High Capacity (a.k.a. BellSouth SPA High Capacity) Service (Cont'd)

ALL STATES

Pending

- (A) Non-Competitive Local Channel (Per Local Channel) (Cont'd) (C)
- (3) LightGate service (a.k.a. BellSouth SPA Point to Point Network) Local Channel Systems (Includes first one-half air mile) (Cont'd)
- (s) LightGate 1 service (a.k.a. BellSouth SPA Point to Point Network 1 DS3 Capacity) Local Channel Service System

Channel Services Payment Plan Rates^{1, 2, 3}

	<u>Non-Recurring Charge</u>	<u>Plan A</u> 24 to 48 <u>Months</u>	<u>USOC</u>	
		<u>Per Month Rates</u>		
Per Electrical System	\$ 300.00	\$1450.00	HFSC7	(D)
(⁴)				(D)

Note 1: As set forth in 2.4.8(A)(1), new LightGate system installations must be ordered under Transport Payment Plan (TPP) arrangements as of August 23, 1996, and renewals of existing CSPP arrangements will not be available for LightGate system installations on or after August 23, 1996.

Note 2: Effective on November 1, 2022, all ACPs for High Capacity (a.k.a BellSouth SPA High Capacity DS1 (a.k.a BellSouth SPA DS1)), CSPPs of greater than 24 months for High Capacity (a.k.a. BellSouth SPA High Capacity DS1 (a.k.a. BellSouth SPA DS1)), SMARTPath Service (a.k.a. BellSouth SPA DS1 Shared Ring), and SMARTPath DS3 Transport Service (a.k.a. BellSouth SPA DS3 Shared Ring), and TPPs greater than 12 months for BellSouth DS1 Diverse Service and LightGate Systems (a.k.a. BellSouth SPA Point to Point Network), are no longer available, including for any otherwise available conversions. Circuits already subject to ACPs, CSPPs, and TPPs, as of November 1, 2022, will continue to be provided under the then-current term for the remainder of that term.

Note 3: Effective on January 17, 2024, all CSPP and TPPs term plans greater than month-to-month for High Capacity (a.k.a BellSouth SPA High Capacity DS1 (a.k.a BellSouth SPA DS1)), SMARTPath Service (a.k.a. BellSouth SPA DS1 Shared Ring), SMARTPath DS3 Transport Service (a.k.a. BellSouth SPA DS3 Shared Ring), BellSouth DS1 Diverse Service and LightGate Systems (a.k.a. BellSouth SPA Point to Point Network), are no longer available, including for any otherwise available conversions. Existing Term

ISSUED: JANUARY 10, 2025

EFFECTIVE: JANUARY 25, 2025

Plan Services on January 17, 2024, will continue to be provided for the remainder of the then-current terms.

Note 4 Material in this Section has been de-tariffed pursuant to FCC Order No. 17-43, released April 28, 2017

. Terms and Conditions for de-tariffed services are available at

www.att.com/guidebook.

(N)
(N)

Pending

ISSUED: JANUARY 10, 2025

EFFECTIVE: JANUARY 25, 2025

ACCESS SERVICE

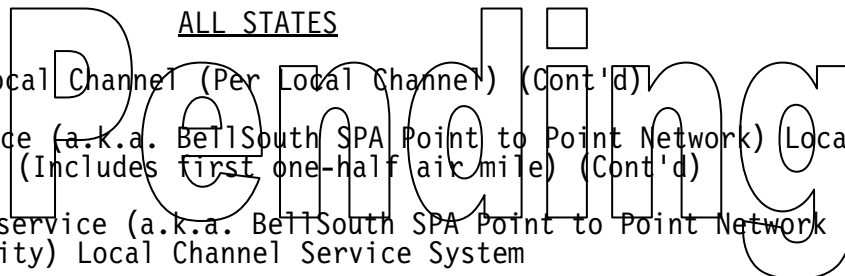
7 - Special Access (a.k.a. BellSouth SPA) Service

7.5 Rates and Charges (Cont'd)

7.5.9 High Capacity (a.k.a. BellSouth SPA High Capacity) Service (Cont'd)

ALL STATES

- (A) Non-Competitive Local Channel (Per Local Channel) (Cont'd) (C)
- (3) LightGate service (a.k.a. BellSouth SPA Point to Point Network) Local Channel Systems (Includes first one-half air mile) (Cont'd)
- (t) LightGate 2 service (a.k.a. BellSouth SPA Point to Point Network 3 DS3 Capacity) Local Channel Service System



Channel Services Payment Plan Rates^{1, 2, 3}

	Non-Recurring Charge	Plan A	USOC
		24 to 48 Months	
		<u>Per Month Rates</u>	
Per Electrical System	\$300.00	\$3070.00	HFSCE
Per System with Optical Customer Termination HFSL2	\$300.00	\$2620.00	

(4)

Note 1: As set forth in 2.4.8(A)(1), new LightGate system installations must be ordered under Transport Payment Plan (TPP) arrangements as of August 23, 1996, and renewals of existing CSPP arrangements will not be available for LightGate system installations on or after August 23, 1996.

Note 2: Effective on November 1, 2022, all ACPs for High Capacity (a.k.a BellSouth SPA High Capacity DS1 (a.k.a BellSouth SPA DS1)), CSPPs of greater than 24 months for High Capacity (a.k.a. BellSouth SPA High Capacity DS1 (a.k.a. BellSouth SPA DS1)), SMARTPath Service (a.k.a. BellSouth SPA DS1 Shared Ring), and SMARTPath DS3 Transport Service (a.k.a. BellSouth SPA DS3 Shared Ring), and TPPs greater than 12 months for BellSouth DS1 Diverse Service and LightGate Systems (a.k.a. BellSouth SPA Point to Point Network), are no longer available, including for any otherwise available conversions. Circuits already subject to ACPs, CSPPs, and TPPs, as of November 1, 2022, will continue to be provided under the then-current term for the remainder of that term.

Note 3: Effective on January 17, 2024, all CSPP and TPPs term plans greater than month-to-month for High Capacity (a.k.a BellSouth SPA High Capacity DS1 (a.k.a BellSouth SPA DS1)), SMARTPath Service (a.k.a. BellSouth SPA DS1 Shared Ring), SMARTPath DS3 Transport Service (a.k.a. BellSouth SPA DS3 Shared Ring), BellSouth DS1 Diverse Service and LightGate Systems (a.k.a. BellSouth SPA Point to Point Network), are no longer available, including for any otherwise available conversions. Existing Term

ISSUED: JANUARY 10, 2025

EFFECTIVE: JANUARY 25, 2025

Plan Services on January 17, 2024, will continue to be provided for the remainder of the then-current terms.

Note 4 Material in this Section has been de-tariffed pursuant to FCC Order No. 17-43, released April 28, 2017.

(N)
(N)

Terms and Conditions for de-tariffed services are available at www.att.com/guidebook.

Pending

ISSUED: JANUARY 10, 2025

EFFECTIVE: JANUARY 25, 2025

ACCESS SERVICE

7 - Special Access (a.k.a. BellSouth SPA) Service

7.5 Rates and Charges (Cont'd)

7.5.9 High Capacity (a.k.a. BellSouth SPA High Capacity) Service (Cont'd)

ALL STATES

- (A) Non-Competitive Local Channel (Per Local Channel) (Cont'd) (C)
- (3) LightGate service (a.k.a. BellSouth SPA Point to Point Network) Local Channel Systems (Includes first one-half air mile) (Cont'd)
- (u) LightGate 3 service (a.k.a. BellSouth SPA Point to Point Network 12 DS3 Capacity) (Includes first one-half air mile) Local Channel Service System

Channel Services Payment Plan Rates^{1, 2, 3}

	Non-Recurring Charge	Plan A	USOC
		24 to 48 Months	
		<u>Per Month Rates</u>	

Per Electrical System	\$300.00	\$5040.00	HFSCG
Per System with Optical Customer Termination	\$300.00	\$4280.00	HFSL3

(4)

Note 1: As set forth in 2.4.8(A)(1), new LightGate system installations must be ordered under Transport Payment Plan (TPP) arrangements as of August 23, 1996, and renewals of existing CSPP arrangements will not be available for LightGate system installations on or after August 23, 1996.

Note 2: Effective on November 1, 2022, all ACPs for High Capacity (a.k.a. BellSouth SPA High Capacity DS1 (a.k.a. BellSouth SPA DS1)), CSPPs of greater than 24 months for High Capacity (a.k.a. BellSouth SPA High Capacity DS1 (a.k.a. BellSouth SPA DS1)), SMARTPath Service (a.k.a. BellSouth SPA DS1 Shared Ring), and SMARTPath DS3 Transport Service (a.k.a. BellSouth SPA DS3 Shared Ring), and TPPs greater than 12 months for BellSouth DS1 Diverse Service and LightGate Systems (a.k.a. BellSouth SPA Point to Point Network), are no longer available, including for any otherwise available conversions. Circuits already subject to ACPs, CSPPs, and TPPs, as of November 1, 2022, will continue to be provided under the then-current term for the remainder of that term.

Note 3: Effective on January 17, 2024, all CSPP and TPPs term plans greater than month-to-month for High Capacity (a.k.a. BellSouth SPA High Capacity DS1 (a.k.a. BellSouth SPA DS1)), SMARTPath Service (a.k.a. BellSouth SPA DS1 Shared Ring), SMARTPath DS3 Transport Service (a.k.a. BellSouth SPA DS3 Shared Ring), BellSouth DS1 Diverse Service and LightGate Systems (a.k.a. BellSouth SPA Point to Point Network), are no longer available, including for any otherwise available conversions. Existing Term Plan Services on January 17, 2024, will continue to be provided for the remainder of the then-current terms.

BELLSOUTH TELECOMMUNICATIONS
Four AT&T Plaza, Dallas, Texas 75202

TARIFF F.C.C. NO. 1
3RD REVISED PAGE 7-277
CANCELS 2ND REVISED PAGE 7-277

ISSUED: JANUARY 10, 2025

EFFECTIVE: JANUARY 25, 2025

Note 4 Material in this Section has been de-tariffed pursuant to FCC Order No. 17-43,
released April 28, 2017.

(N)
(N)

Terms and Conditions for de-tariffed services are available at
www.att.com/guidebook.

Pending

ISSUED: JANUARY 10, 2025

EFFECTIVE: JANUARY 25, 2025

ACCESS SERVICE

7 - Special Access (a.k.a. BellSouth SPA) Service

7.5 Rates and Charges (Cont'd)

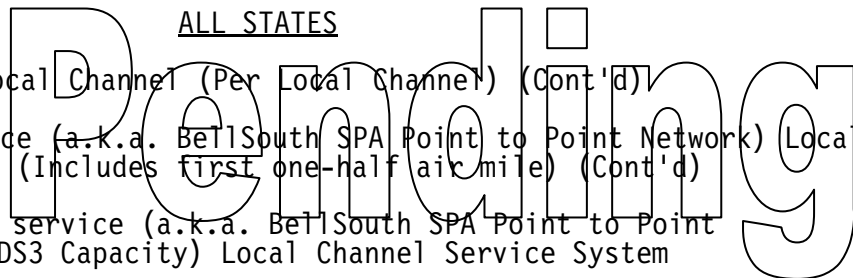
7.5.9 High Capacity (a.k.a. BellSouth SPA High Capacity) Service (Cont'd)

ALL STATES

(A) Non-Competitive Local Channel (Per Local Channel) (Cont'd) (C)

(3) LightGate service (a.k.a. BellSouth SPA Point to Point Network) Local Channel Systems (Includes first one-half air mile) (Cont'd)

(v) LightGate 4 service (a.k.a. BellSouth SPA Point to Point Network 24 DS3 Capacity) Local Channel Service System



Channel Services Payment Plan Rates^{1, 2, 3}

Non-Recurring Charge	Plan A		USOC
	24 to 48 Months	Per Month Rates	

Per Electrical System	\$300.00	\$8690.00	HFSCJ
-----------------------	----------	-----------	-------

Central Office Channel Interfaces

(4)

Note 1: As set forth in 2.4.8(A)(1), new LightGate system installations must be ordered under Transport Payment Plan (TPP) arrangements as of August 23, 1996, and renewals of existing CSPP arrangements will not be available for LightGate system installations on or after August 23, 1996.

Note 2: Effective on November 1, 2022, all ACPs for High Capacity (a.k.a. BellSouth SPA High Capacity DS1 (a.k.a. BellSouth SPA DS1)), CSPPs of greater than 24 months for High Capacity (a.k.a. BellSouth SPA High Capacity DS1 (a.k.a. BellSouth SPA DS1)), SMARTPath Service (a.k.a. BellSouth SPA DS1 Shared Ring), and SMARTPath DS3 Transport Service (a.k.a. BellSouth SPA DS3 Shared Ring), and TPPs greater than 12 months for BellSouth DS1 Diverse Service and LightGate Systems (a.k.a. BellSouth SPA Point to Point Network), are no longer available, including for any otherwise available conversions. Circuits already subject to ACPs, CSPPs, and TPPs, as of November 1, 2022, will continue to be provided under the then-current term for the remainder of that term.

Note 3: Effective on January 17, 2024, all CSPP and TPPs term plans greater than month-to-month for High Capacity (a.k.a. BellSouth SPA High Capacity DS1 (a.k.a. BellSouth SPA DS1)), SMARTPath Service (a.k.a. BellSouth SPA DS1 Shared Ring), SMARTPath DS3 Transport Service (a.k.a. BellSouth SPA DS3 Shared Ring), BellSouth DS1 Diverse Service and LightGate Systems (a.k.a. BellSouth SPA Point to Point Network), are no longer available, including for any otherwise available conversions. Existing Term Plan Services on January 17, 2024, will continue to be provided for the remainder of the then-current terms.

BELLSOUTH TELECOMMUNICATIONS
Four AT&T Plaza, Dallas, Texas 75202

TARIFF F.C.C. NO. 1
3RD REVISED PAGE 7-278
CANCELS 2ND REVISED PAGE 7-278

ISSUED: JANUARY 10, 2025

EFFECTIVE: JANUARY 25, 2025

Note 4 Material in this Section has been de-tariffed pursuant to FCC Order No. 17-43,
released April 28, 2017.

(N)
(N)

Terms and Conditions for de-tariffed services are available at
www.att.com/guidebook.

Pending

ISSUED: JANUARY 10, 2025

EFFECTIVE: JANUARY 25, 2025

ACCESS SERVICE

7 - Special Access (a.k.a. BellSouth SPA) Service

7.5 Rates and Charges (Cont'd)

7.5.9 High Capacity (a.k.a. BellSouth SPA High Capacity) Service (Cont'd)

ALL STATES (Cont'd)

(A) Local Channel (Per Local Channel) (Cont'd)

(3) LightGate service (a.k.a. BellSouth SPA Point to Point Network) Local Channel Systems (Includes first one-half air mile) (Cont'd)

(w)⁽⁴⁾

Pending

(D) (N)

Note 1: Delete

Note 2: Delete

Note 3: Delete

Note 4: Material in this Section has been de-tariffed pursuant to FCC Order No. 17-43, released April 28, 2017.

Terms and Conditions for de-tariffed services are available at www.att.com/guidebook.

(D)
(C)
(D)
(D)
(D)
(D)
(D)
(D)
(D)
(D)
(D)

BELLSOUTH TELECOMMUNICATIONS
Four AT&T Plaza, Dallas, Texas 75202

TARIFF F.C.C. NO. 1
3RD REVISED PAGE 7-279
CANCELS 2ND REVISED PAGE 7-279

ISSUED: JANUARY 10, 2025

EFFECTIVE: JANUARY 25, 2025

Pending

ISSUED: JANUARY 10, 2025

EFFECTIVE: JANUARY 25, 2025

ACCESS SERVICE

7 - Special Access (a.k.a. BellSouth SPA) Service (Cont'd)

7.5 Rates and Charges (Cont'd)

7.5.9 High Capacity (a.k.a. BellSouth SPA High Capacity) Service (Cont'd)

~~ALL STATES (Cont'd)~~
 (A) Non-Competitive Local Channel (Per Local Channel) (Cont'd) (C)
 (4) DS1 Alternate Serving Wire Center

Pending

	<u>Nonrecurring Charges</u>		<u>USOC</u>
	<u>First Service Installed</u>	<u>Additional Service Installed</u>	

DS1 Alternate Serving Wire Center

-Per DS1 Terminated	\$905.00	\$385.00	TMEAC
---------------------	----------	----------	-------

ISSUED: JANUARY 10, 2025

EFFECTIVE: JANUARY 25, 2025

ACCESS SERVICE

7 - Special Access (a.k.a. BellSouth SPA) Service (Cont'd)

7.5 Rates and Charges (Cont'd)

7.5.9 High Capacity (a.k.a. BellSouth SPA High Capacity) Service (Cont'd)

ALL STATES (Cont'd)
Pending

(A) Local Channel
 (Per Local Channel) (Cont'd)

(4) DS1 Alternate Serving Wire Center (Cont'd)
 Per DS1 terminated

Non-Competitive Per Month Rates

Zone 1 States	Month To Month	Plan D ⁽³⁾ 12 Months	Plan A ⁽¹⁾⁽²⁾ 24 to 48 Months	USOC	(C)
					(D)
Alabama	\$320.00	\$300.00	\$275.00	TMEAC	
Florida	\$320.00	\$300.00	\$275.00	TMEAC	
Georgia	\$320.00	\$300.00	\$275.00	TMEAC	
Kentucky	\$320.00	\$300.00	\$275.00	TMEAC	
Louisiana	\$320.00	\$300.00	\$275.00	TMEAC	
Mississippi	\$320.00	\$300.00	\$275.00	TMEAC	
North Carolina	\$320.00	\$300.00	\$275.00	TMEAC	
South Carolina	\$320.00	\$300.00	\$275.00	TMEAC	
Tennessee	\$320.00	\$300.00	\$275.00	TMEAC	

⁽¹⁾ Effective on November 1, 2022, all ACPs for High Capacity (a.k.a. BellSouth SPA High Capacity DS1 (a.k.a. BellSouth SPA DS1)), CSPPs of greater than 24 months for High Capacity (a.k.a. BellSouth SPA High Capacity DS1 (a.k.a. BellSouth SPA DS1)), SMARTPath Service (a.k.a. BellSouth SPA DS1 Shared Ring), and SMARTPath DS3 Transport Service (a.k.a. BellSouth SPA DS3 Shared Ring), and TPPs greater than 12 months for BellSouth DS1 Diverse Service and LightGate Systems (a.k.a. BellSouth SPA Point to Point Network), are no longer available, including for any otherwise available conversions. Circuits already subject to ACPs, CSPPs, and TPPs, as of November 1, 2022, will continue to be provided under the then-current term for the remainder of that term.

⁽²⁾ Effective December 1, 2023, CSPPs of 24 months for High Capacity (a.k.a. BellSouth SPA High Capacity DS1 (a.k.a. BellSouth SPA DS1)) are no longer available, including for any otherwise available conversions. Circuits already subject to CSPPs, as of December 1, 2023, will continue to be provided under the then-current term for the remainder of that term.

⁽³⁾ Effective on January 17, 2024, all CSPP and TPPs term plans greater than month-to-month for High Capacity (a.k.a. BellSouth SPA High Capacity DS1 (a.k.a. BellSouth SPA DS1)), SMARTPath Service (a.k.a. BellSouth SPA DS1 Shared Ring), SMARTPath DS3 Transport Service (a.k.a. BellSouth SPA DS3 Shared Ring), BellSouth DS1 Diverse Service and LightGate Systems (a.k.a. BellSouth SPA Point to Point Network), are no longer available, including for any otherwise available conversions. Existing Term Plan Services on January 17, 2024, will continue to be provided for the remainder of the then-current terms.

ISSUED: JANUARY 10, 2025

EFFECTIVE: JANUARY 25, 2025

ACCESS SERVICE

7 - Special Access (a.k.a. BellSouth SPA) Service (Cont'd)

7.5 Rates and Charges (Cont'd)

7.5.9 High Capacity (a.k.a. BellSouth SPA High Capacity) Service (Cont'd)

- (A) Local Channel
 (Per Local Channel) (Cont'd)
- (4) DS1 Alternate Serving Wire Center (Cont'd)
- Per DS1
 Terminated (Cont'd)

Pending

				<u>Non-Competitive Per Month Rates</u>	(C)
Zone 2	Month	Plan D ⁽³⁾	Plan A ⁽¹⁾⁽²⁾		(D)
<u>States</u>	<u>To</u> <u>Month</u>	<u>12</u> <u>Months</u>	<u>24 to 48</u> <u>Months</u>	<u>USOC</u>	
Alabama	\$333.00	\$300.00	\$275.00	TMEAC	
Florida	\$333.00	\$300.00	\$275.00	TMEAC	
Georgia	\$333.00	\$300.00	\$275.00	TMEAC	
Kentucky	\$333.00	\$300.00	\$275.00	TMEAC	
Louisiana	\$333.00	\$300.00	\$275.00	TMEAC	
Mississippi	\$333.00	\$300.00	\$275.00	TMEAC	
North Carolina	\$333.00	\$300.00	\$275.00	TMEAC	
South Carolina	\$333.00	\$300.00	\$275.00	TMEAC	
Tennessee	\$333.00	\$300.00	\$275.00	TMEAC	(D)

				<u>Non-Competitive Per Month Rates</u>	(C)
Zone 3	Month	Plan D ⁽³⁾	Plan A ⁽¹⁾⁽²⁾		(D)
<u>States</u>	<u>To</u> <u>Month</u>	<u>12</u> <u>Months</u>	<u>24 to 48</u> <u>Months</u>	<u>USOC</u>	
Alabama	\$343.00	\$300.00	\$275.00	TMEAC	
Florida	\$343.00	\$300.00	\$275.00	TMEAC	
Georgia	\$343.00	\$300.00	\$275.00	TMEAC	
Kentucky	\$343.00	\$300.00	\$275.00	TMEAC	
Louisiana	\$343.00	\$300.00	\$275.00	TMEAC	
Mississippi	\$343.00	\$300.00	\$275.00	TMEAC	
North Carolina	\$343.00	\$300.00	\$275.00	TMEAC	
South Carolina	\$343.00	\$300.00	\$275.00	TMEAC	
Tennessee	\$343.00	\$300.00	\$275.00	TMEAC	(D)

⁽¹⁾ Effective on November 1, 2022, all ACPs for High Capacity (a.k.a BellSouth SPA High Capacity DS1 (a.k.a BellSouth SPA DS1)), CSPPs of greater than 24 months for High Capacity (a.k.a. BellSouth SPA High Capacity DS1 (a.k.a. BellSouth SPA DS1)), SMARTPath Service (a.k.a. BellSouth SPA DS1 Shared Ring), and SMARTPath DS3 Transport Service (a.k.a. BellSouth SPA DS3 Shared Ring), and TPPs greater than 12 months for BellSouth DS1 Diverse Service and LightGate Systems (a.k.a. BellSouth SPA Point to Point Network), are no longer available, including for any otherwise available conversions. Circuits already subject to ACPs, CSPPs, and TPPs, as of November 1, 2022, will continue to be provided under the then-current term for the remainder of that term.

⁽²⁾ Effective December 1, 2023, CSPPs of 24 months for High Capacity (a.k.a. BellSouth SPA High Capacity DS1 (a.k.a. BellSouth SPA DS1)) are no longer available, including for any otherwise available conversions. Circuits already subject to CSPPs, as of December 1, 2023, will continue to be provided under the then-current term for the remainder of that term.

⁽³⁾ Effective on January 17, 2024, all CSPP and TPPs term plans greater than month-to-month for High Capacity (a.k.a BellSouth SPA High Capacity DS1 (a.k.a BellSouth SPA DS1)), SMARTPath Service (a.k.a. BellSouth SPA DS1 Shared Ring), SMARTPath DS3 Transport Service (a.k.a. BellSouth SPA DS3 Shared Ring), BellSouth DS1 Diverse Service and LightGate Systems (a.k.a. BellSouth SPA Point to Point Network), are no longer available, including for any

BELLSOUTH TELECOMMUNICATIONS
Four AT&T Plaza, Dallas, Texas 75202

TARIFF F.C.C. NO. 1
7TH REVISED PAGE 7-282
CANCELS 6TH REVISED PAGE 7-282

ISSUED: JANUARY 10, 2025

EFFECTIVE: JANUARY 25, 2025

otherwise available conversions. Existing Term Plan Services on January 17, 2024, will continue to be provided for the remainder of the then-current terms.

Pending

ISSUED: JANUARY 10, 2025

EFFECTIVE: JANUARY 25, 2025

ACCESS SERVICE

7 - Special Access (a.k.a. BellSouth SPA) Service (Cont'd)

7.5 Rates and Charges (Cont'd)

7.5.9 High Capacity (a.k.a. BellSouth SPA High Capacity) Service (Cont'd)

~~ALL STATES~~
~~Nonrecurring Charge~~
~~First Service Installed~~ ~~Additional Service Installed~~
Pending

(A) Local Channel		
- Per Local Channel		
(5) BellSouth DS1 Diverse Service		
- Each	\$750.00	\$300.00

<u>Non-Competitive Per Month Rates</u>			
<u>Zone 1</u>	<u>Month to Month</u>	<u>Plan A^{1, 2, 3} 12 to 36 Months</u>	<u>USOC</u>
<u>States</u>			
Alabama	\$230.00	\$190.00	TMEDV
Florida	\$230.00	\$190.00	TMEDV
Georgia	\$230.00	\$190.00	TMEDV
Kentucky	\$230.00	\$190.00	TMEDV
Louisiana	\$230.00	\$190.00	TMEDV
Mississippi	\$230.00	\$190.00	TMEDV
North Carolina	\$230.00	\$190.00	TMEDV
South Carolina	\$230.00	\$190.00	TMEDV
Tennessee	\$230.00	\$190.00	TMEDV
 <u>Zone 2</u>			
Alabama	\$235.00	\$195.00	TMEDV
Florida	\$235.00	\$195.00	TMEDV
Georgia	\$235.00	\$195.00	TMEDV
Kentucky	\$235.00	\$195.00	TMEDV
Louisiana	\$235.00	\$195.00	TMEDV
Mississippi	\$235.00	\$195.00	TMEDV
North Carolina	\$235.00	\$195.00	TMEDV
South Carolina	\$235.00	\$195.00	TMEDV
Tennessee	\$235.00	\$195.00	TMEDV
 <u>Zone 3</u>			
Alabama	\$240.00	\$200.00	TMEDV
Florida	\$240.00	\$200.00	TMEDV
Georgia	\$240.00	\$200.00	TMEDV
Kentucky	\$240.00	\$200.00	TMEDV
Louisiana	\$240.00	\$200.00	TMEDV
Mississippi	\$240.00	\$200.00	TMEDV
North Carolina	\$240.00	\$200.00	TMEDV
South Carolina	\$240.00	\$200.00	TMEDV
Tennessee	\$240.00	\$200.00	TMEDV

Note 1: Transport Payment Plan Rate

Note 2: Effective on November 1, 2022, all ACPs for High Capacity (a.k.a BellSouth SPA High Capacity DS1 (a.k.a BellSouth SPA DS1)), CSPPs of greater than 24 months for High Capacity (a.k.a. BellSouth SPA High Capacity DS1 (a.k.a. BellSouth SPA DS1)), SMARTPath Service (a.k.a. BellSouth SPA DS1 Shared Ring), and SMARTPath DS3 Transport Service (a.k.a. BellSouth SPA DS3 Shared Ring), and TPPs greater than 12 months for BellSouth DS1 Diverse Service and LightGate Systems (a.k.a. BellSouth SPA Point to Point Network), are no longer available, including for any otherwise available conversions. Circuits already subject to ACPs, CSPPs, and TPPs, as of November 1, 2022, will continue to be provided under the then-current term for the remainder of that term.

Note 3: Effective on January 17, 2024, all CSPP and TPPs term plans greater than month-to-month for High Capacity (a.k.a BellSouth SPA High Capacity DS1 (a.k.a BellSouth SPA DS1)), SMARTPath Service (a.k.a. BellSouth SPA

(C)
(D)

BELLSOUTH TELECOMMUNICATIONS
Four AT&T Plaza, Dallas, Texas 75202

TARIFF F.C.C. NO. 1
5TH REVISED PAGE 7-283
CANCELS 4TH REVISED PAGE 7-283

ISSUED: JANUARY 10, 2025

EFFECTIVE: JANUARY 25, 2025

DS1 Shared Ring), SMARTPath DS3 Transport Service (a.k.a. BellSouth SPA DS3 Shared Ring), BellSouth DS1 Diverse Service and LightGate Systems (a.k.a. BellSouth SPA Point to Point Network), are no longer available, including for any otherwise available conversions. Existing Term Plan Services on January 17, 2024, will continue to be provided for the remainder of the then-current terms.

Pending

ISSUED: JANUARY 10, 2025

EFFECTIVE: JANUARY 25, 2025

ACCESS SERVICE

7 - Special Access (a.k.a. BellSouth SPA) Service (Cont'd)

7.5 Rates and Charges (Cont'd)

7.5.9 High Capacity (a.k.a. BellSouth SPA High Capacity) Service (Cont'd)

ALL STATES

~~Nonrecurring~~ ~~Monthly Rates~~ ~~USOC~~
~~Charges~~ ~~Fixed~~ ~~Per Mile~~

Pending

(B) ⁽⁵⁾

(D) (N)

Note 1: Delete
(2) Delete

(3) Delete

(4) Delete

⁽⁵⁾ Material in this Section has been de-tariffed pursuant to FCC Order No. 17-43, released April 28, 2017.

Terms and Conditions for de-tariffed services are available at www.att.com/guidebook.

(This page filed under Transmittal No. 194)

DCCD
DCD
DCD
ND
N

BELLSOUTH TELECOMMUNICATIONS
Four AT&T Plaza, Dallas, Texas 75202

TARIFF F.C.C. NO. 1
6TH REVISED PAGE 7-284
CANCELS 5TH REVISED PAGE 7-284

ISSUED: JANUARY 10, 2025

EFFECTIVE: JANUARY 25, 2025

Pending

ISSUED: JANUARY 10, 2025

EFFECTIVE: JANUARY 25, 2025

ACCESS SERVICE

7 - Special Access (a.k.a. BellSouth SPA) Service (Cont'd)

7.5 Rates and Charges (Cont'd)

7.5.9 High Capacity (a.k.a. BellSouth SPA High Capacity) Service (Cont'd)

(B)⁽⁴⁾

Pending

(D)N

Note 1: Delete

Note 2: Delete

Note 3: Delete f

Note 4: Material in this Section has been de-tariffed pursuant to FCC Order No. 17-43, released April 28, 2017. Terms and Conditions

for de-tariffed services are available at www.att.com/guidebook.

(D)

(C)

(C)
(D)

(D)
(C)
(D)

(D)

(N)
(N)

ISSUED: JANUARY 10, 2025

EFFECTIVE: JANUARY 25, 2025

ACCESS SERVICE

7 - Special Access (a.k.a. BellSouth SPA) Service (Cont'd)

7.5 Rates and Charges (Cont'd)

7.5.9 High Capacity (a.k.a. BellSouth SPA High Capacity) Service (Cont'd)

(2)⁽⁴⁾

Pending

(D) (N)

(D)

Note 1: Delete

(C)

Note 2: Delete

(C)
(D)

Note 3: Delete

(D)

(C)
(D)

Note 4: Material in this Section has been de-tariffed pursuant to FCC Order No. 17-43, released April 28, 2017.
Terms and Conditions

(D)
(N)

BELLSOUTH TELECOMMUNICATIONS
Four AT&T Plaza, Dallas, Texas 75202

TARIFF F.C.C. NO. 1
5TH REVISED PAGE 7-286
CANCELS 4TH REVISED PAGE 7-286

ISSUED: JANUARY 10, 2025

EFFECTIVE: JANUARY 25, 2025

for de-tariffed services are available at www.att.com/guidebook.

Pending

ISSUED: JANUARY 10, 2025

EFFECTIVE: JANUARY 25, 2025

ACCESS SERVICE

7 - Special Access (a.k.a. BellSouth SPA) Service (Cont'd)

7.5 Rates and Charges (Cont'd)

7.5.9 High Capacity (a.k.a. BellSouth SPA High Capacity) Service (Cont'd)

(B)⁽⁴⁾

Pending

(D)(N)

(D)

Note 1: Delete
Note 2: Delete

(D)

Note 3: Delete

(D)

Note 4: Material in this Section has been de-tariffed pursuant to FCC Order No. 17-43, released April 28, 2017.
Terms and Conditions for de-tariffed services are available at www.att.com/guidebook.

(D)

ISSUED: JANUARY 10, 2025

EFFECTIVE: JANUARY 25, 2025

ACCESS SERVICE

7 - Special Access (a.k.a. BellSouth SPA) Service (Cont'd)

7.5 Rates and Charges (Cont'd)

7.5.9 High Capacity (a.k.a. BellSouth SPA High Capacity) Service (Cont'd)

~~ALL STATES (Cont'd)~~
Pending

(B) ⁽¹⁾

(D) (N)

(D)

(1) Material in this Section has been de-tariffed pursuant to FCC Order No. 17-43, released April 28, 2017. Terms and Conditions for de-tariffed services are available at www.att.com/guidebook.

(N)

(N)

ISSUED: JANUARY 10, 2025

EFFECTIVE: JANUARY 25, 2025

ACCESS SERVICE

7 - Special Access (a.k.a. BellSouth SPA) Service (Cont'd)

7.5 Rates and Charges (Cont'd)

7.5.9 High Capacity (a.k.a. BellSouth SPA High Capacity) service (Cont'd)

(B)⁽¹⁾

Pending

(D)(N)

(D)

(1) Material in this Section has been de-tariffed pursuant to FCC Order No. 17-43, released April 28, 2017. Terms and Conditions for de-tariffed services are available at www.att.com/guidebook.

(N)

(N)

ISSUED: JANUARY 10, 2025

EFFECTIVE: JANUARY 25, 2025

ACCESS SERVICE

7 - Special Access (a.k.a. BellSouth SPA) Service (Cont'd)

7.5 Rates and Charges (Cont'd)

7.5.9 High Capacity (a.k.a. BellSouth SPA High Capacity) service (Cont'd)

(B)⁽¹⁾

Pending

(D)(N)

(D)

(1) Material in this Section has been de-tariffed pursuant to FCC Order No. 17-43, released April 28, 2017. Terms and Conditions for de-tariffed services are available at www.att.com/guidebook.

(N)

(N)

ISSUED: JANUARY 10, 2025

EFFECTIVE: JANUARY 25, 2025

ACCESS SERVICE

7 - Special Access (a.k.a. BellSouth SPA) Service (Cont'd)

7.5 Rates and Charges (Cont'd)

7.5.9 High Capacity (a.k.a. BellSouth SPA High Capacity) service (Cont'd)

(B)⁽¹⁾

Pending

(D)(N)

(D)

(1) Material in this Section has been de-tariffed pursuant to FCC Order No. 17-43, released April 28, 2017. Terms and Conditions for de-tariffed services are available at www.att.com/guidebook.

(N)

(N)

ISSUED: JANUARY 10, 2025

EFFECTIVE: JANUARY 25, 2025

ACCESS SERVICE

7 - Special Access (a.k.a. BellSouth SPA) Service (Cont'd)

7.5 Rates and Charges (Cont'd)

7.5.9 High Capacity (a.k.a. BellSouth SPA High Capacity) service (Cont'd)

(B)⁽¹⁾

Pending

(D)(N)

(D)

(1) Material in this Section has been de-tariffed pursuant to FCC Order No. 17-43, released April 28, 2017. Terms and Conditions for de-tariffed services are available at www.att.com/guidebook.

(N)

(N)

ISSUED: JANUARY 10, 2025

EFFECTIVE: JANUARY 25, 2025

ACCESS SERVICE

7 - Special Access (a.k.a. BellSouth SPA) Service (Cont'd)

7.5 Rates and Charges (Cont'd)

7.5.9 High Capacity (a.k.a. BellSouth SPA High Capacity) service (Cont'd)

(B)⁽¹⁾

Pending

(D)(N)

(D)

(1) Material in this Section has been de-tariffed pursuant to FCC Order No. 17-43, released April 28, 2017. Terms and Conditions for de-tariffed services are available at www.att.com/guidebook.

(N)
(N)

ISSUED: JANUARY 10, 2025

EFFECTIVE: JANUARY 25, 2025

ACCESS SERVICE

7 - Special Access (a.k.a. BellSouth SPA) Service (Cont'd)

7.5 Rates and Charges (Cont'd)

7.5.9 High Capacity (a.k.a. BellSouth SPA High Capacity) service (Cont'd)

(B)⁽¹⁾

Pending

(D)(N)

(D)

(1) Material in this Section has been de-tariffed pursuant to FCC Order No. 17-43, released April 28, 2017. Terms and Conditions for de-tariffed services are available at www.att.com/guidebook.

(N)

(N)

ISSUED: JANUARY 10, 2025

EFFECTIVE: JANUARY 25, 2025

ACCESS SERVICE

7 - Special Access (a.k.a. BellSouth SPA) Service (Cont'd)

7.5 Rates and Charges (Cont'd)

7.5.9 High Capacity (a.k.a. BellSouth SPA High Capacity) service (Cont'd)

(B)⁽¹⁾

Pending

((D)N)

(D)

(1) Material in this Section has been de-tariffed pursuant to FCC Order No. 17-43, released April 28, 2017. Terms and Conditions for de-tariffed services are available at www.att.com/guidebook.

(N)
(N)

ISSUED: JANUARY 10, 2025

EFFECTIVE: JANUARY 25, 2025

ACCESS SERVICE

7 - Special Access (a.k.a. BellSouth SPA) Service (Cont'd)

7.5 Rates and Charges (Cont'd)

7.5.9 High Capacity (a.k.a. BellSouth SPA High Capacity) service (Cont'd)

(B)⁽¹⁾

Pending

(D)(N)

(D)

(1) Material in this Section has been de-tariffed pursuant to FCC Order No. 17-43, released April 28, 2017. Terms and Conditions for de-tariffed services are available at www.att.com/guidebook.

(N)
(N)

ISSUED: JANUARY 10, 2025

EFFECTIVE: JANUARY 25, 2025

ACCESS SERVICE

7 - Special Access (a.k.a. BellSouth SPA) Service (Cont'd)

7.5 Rates and Charges (Cont'd)

7.5.9 High Capacity (a.k.a. BellSouth SPA High Capacity) service (Cont'd)

(B)⁽¹⁾

Pending

(D)(N)

(D)

(1) Material in this Section has been de-tariffed pursuant to FCC Order No. 17-43, released April 28, 2017. Terms and Conditions for de-tariffed services are available at www.att.com/guidebook.

(N)

(N)

ISSUED: JANUARY 10, 2025

EFFECTIVE: JANUARY 25, 2025

ACCESS SERVICE

7 - Special Access (a.k.a. BellSouth SPA) Service (Cont'd)

7.5 Rates and Charges (Cont'd)

7.5.9 High Capacity (a.k.a. BellSouth SPA High Capacity) service (Cont'd)

(B)⁽¹⁾

Pending

(D)(N)

(D)

(1) Material in this Section has been de-tariffed pursuant to FCC Order No. 17-43, released April 28, 2017. Terms and Conditions for de-tariffed services are available at www.att.com/guidebook.

(N)
(N)

ISSUED: JANUARY 10, 2025

EFFECTIVE: JANUARY 25, 2025

ACCESS SERVICE

7 - Special Access (a.k.a. BellSouth SPA) Service (Cont'd)

7.5 Rates and Charges (Cont'd)

7.5.9 High Capacity (a.k.a. BellSouth SPA High Capacity) Service (Cont'd)

(B)⁽³⁾

Pending

(D)(N)

(1)Delete

(2)Delete

(3)Material in this Section has been de-tariffed pursuant to FCC Order No. 17-43, released April 28, 2017. Terms and Conditions for de-tariffed services are available at www.att.com/guidebook.

(D)
(C)
(C)
(C)
(C)
(D)

ISSUED: JANUARY 10, 2025

EFFECTIVE: JANUARY 25, 2025

ACCESS SERVICE

7 - Special Access (a.k.a. BellSouth SPA) Service (Cont'd)

7.5 Rates and Charges (Cont'd)

7.5.9 High Capacity (a.k.a. BellSouth SPA High Capacity) Service (Cont'd)

(B)⁽³⁾

Pending

(D)(N)

(D)

(1)Delete

(C)
(D)

(2)Delete

(D)
(D)
(D)

(D)

(3) Material in this Section has been de-tariffed pursuant to FCC Order No. 17-43, released April 28, 2017. Terms and Conditions for de-tariffed services are available at www.att.com/guidebook.

(N)
(N)

ISSUED: JANUARY 10, 2025

EFFECTIVE: JANUARY 25, 2025

ACCESS SERVICE

7 - Special Access (a.k.a. BellSouth SPA) Service (Cont'd)

7.5 Rates and Charges (Cont'd)

7.5.9 High Capacity (a.k.a. BellSouth SPA High Capacity) Service (Cont'd)

(B)⁽³⁾

Pending

(D)(N)

(D)

(1) Delete

(D)

(2) Delete

(D)

(3) Material in this Section has been de-tariffed pursuant to FCC Order No. 17-43, released April 28, 2017. Terms and Conditions for de-tariffed services are available at www.att.com/guidebook.

(D)

ISSUED: JANUARY 10, 2025

EFFECTIVE: JANUARY 25, 2025

ACCESS SERVICE

7 - Special Access (a.k.a. BellSouth SPA) Service (Cont'd)

7.5 Rates and Charges (Cont'd)

7.5.9 High Capacity (a.k.a. BellSouth SPA High Capacity) Service (Cont'd)

(B)⁽³⁾

Pending

(D)(N)

(1)Delete

(2)Delete

(3)Material in this Section has been de-tariffed pursuant to FCC Order No. 17-43, released April 28, 2017. Terms and Conditions for de-tariffed services are available at www.att.com/guidebook.

DCD
DCD
DCD

ISSUED: JANUARY 10, 2025

EFFECTIVE: JANUARY 25, 2025

ACCESS SERVICE

7 - Special Access (a.k.a. BellSouth SPA) Service (Cont'd)

7.5 Rates and Charges (Cont'd)

7.5.9 High Capacity (a.k.a. BellSouth SPA High Capacity) Service (Cont'd)

(B)⁽³⁾

Pending

(D)(N)

(1)Delete

(D)

(C)
(D)

(2)Delete

(D)

(C)
(D)

(2)Material in this Section has been de-tariffed pursuant to FCC Order No. 17-43, released April 28, 2017. Terms and Conditions for

(D)

(N)
(N)

BELLSOUTH TELECOMMUNICATIONS
Four AT&T Plaza, Dallas, Texas 75202

TARIFF F.C.C. NO. 1
5TH REVISED PAGE 7-303
CANCELS 4TH REVISED PAGE 7-303

ISSUED: JANUARY 10, 2025

EFFECTIVE: JANUARY 25, 2025

de-tariffed services are available at www.att.com/guidebook.

Pending

ISSUED: JANUARY 10, 2025

EFFECTIVE: JANUARY 25, 2025

ACCESS SERVICE

7 - Special Access (a.k.a. BellSouth SPA) Service (Cont'd)

7.5 Rates and Charges (Cont'd)

7.5.9 High Capacity (a.k.a. BellSouth SPA High Capacity) Service (Cont'd)

(B)⁽³⁾

Pending

(D)(N)

(1)Delete

(2)Delete

(3)Material in this Section has been de-tariffed pursuant to FCC Order No. 17-43, released April 28, 2017. Terms and Conditions for de-tariffed services are available at www.att.com/guidebook.

(D)
(C)
(C)
(C)
(C)

BELLSOUTH TELECOMMUNICATIONS
Four AT&T Plaza, Dallas, Texas 75202

TARIFF F.C.C. NO. 1
5TH REVISED PAGE 7-304
CANCELS 4TH REVISED PAGE 7-304

ISSUED: JANUARY 10, 2025

EFFECTIVE: JANUARY 25, 2025

Pending

ISSUED: JANUARY 10, 2025

EFFECTIVE: JANUARY 25, 2025

ACCESS SERVICE

7 - Special Access (a.k.a. BellSouth SPA) Service (Cont'd)

7.5 Rates and Charges (Cont'd)

7.5.9 High Capacity (a.k.a. BellSouth SPA High Capacity) Service (Cont'd)

(B)⁽³⁾

Pending

(D)(N)

(1)Delete

(D)
(C)
(D)

(2)Delete

(D)
(D)

(3)Material in this Section has been de-tariffed pursuant to FCC Order No. 17-43, released April 28, 2017. Terms and Conditions for de-tariffed services are available at www.att.com/guidebook.

(D)
(N)

BELLSOUTH TELECOMMUNICATIONS
Four AT&T Plaza, Dallas, Texas 75202

TARIFF F.C.C. NO. 1
5TH REVISED PAGE 7-305
CANCELS 4TH REVISED PAGE 7-305

ISSUED: JANUARY 10, 2025

EFFECTIVE: JANUARY 25, 2025

Pending

ISSUED: JANUARY 10, 2025

EFFECTIVE: JANUARY 25, 2025

ACCESS SERVICE

7 - Special Access (a.k.a. BellSouth SPA) Service (Cont'd)

7.5 Rates and Charges (Cont'd)

7.5.9 High Capacity (a.k.a. BellSouth SPA High Capacity) Service (Cont'd)

(B) ⁽³⁾

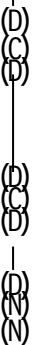
Pending

(D) (N)

(1)Delete

(2)Delete

(3)Material in this Section has been de-tariffed pursuant to FCC Order No. 17-43, released April 28, 2017. Terms and Conditions



BELLSOUTH TELECOMMUNICATIONS
Four AT&T Plaza, Dallas, Texas 75202

TARIFF F.C.C. NO. 1
5TH REVISED PAGE 7-306
CANCELS 4TH REVISED PAGE 7-306

ISSUED: JANUARY 10, 2025

EFFECTIVE: JANUARY 25, 2025

for de-tariffed services are available at www.att.com/guidebook.

Pending

ISSUED: JANUARY 10, 2025

EFFECTIVE: JANUARY 25, 2025

ACCESS SERVICE

7 - Special Access (a.k.a. BellSouth SPA) Service (Cont'd)

7.5 Rates and Charges (Cont'd)

7.5.9 High Capacity (a.k.a. BellSouth SPA High Capacity) Service (Cont'd)

(B)⁽³⁾

Pending

(D) (N)

(1)Delete

(2)Delete

(3)Material in this Section has been de-tariffed pursuant to FCC Order No. 17-43, released April 28, 2017. Terms and Conditions for de-tariffed services are available at www.att.com/guidebook.

(D)

(D)

(D)

(D)

ISSUED: JANUARY 10, 2025

EFFECTIVE: JANUARY 25, 2025

ACCESS SERVICE

7 - Special Access (a.k.a. BellSouth SPA) Service (Cont'd)

7.5 Rates and Charges (Cont'd)

7.5.9 High Capacity (a.k.a. BellSouth SPA High Capacity) Service (Cont'd)

(B)⁽³⁾

Pending

(D) (N)

(D)

(1)Delete

(C)
(D)

(2)Delete

(C)
(D)
(D)

(3)Material in this Section has been de-tariffed pursuant to FCC Order No. 17-43, released April 28, 2017. Terms and Conditions

(C)
(D)
(D)

BELLSOUTH TELECOMMUNICATIONS
Four AT&T Plaza, Dallas, Texas 75202

TARIFF F.C.C. NO. 1
5TH REVISED PAGE 7-308
CANCELS 4TH REVISED PAGE 7-308

ISSUED: JANUARY 10, 2025

EFFECTIVE: JANUARY 25, 2025

for de-tariffed services are available at www.att.com/guidebook.

Pending

ISSUED: JANUARY 10, 2025

EFFECTIVE: JANUARY 25, 2025

ACCESS SERVICE

7 - Special Access (a.k.a. BellSouth SPA) Service

7.5 Rates and Charges (Cont'd)

7.5.9 High Capacity (a.k.a. BellSouth SPA High Capacity) Service (Cont'd)

(B)⁽⁴⁾

Pending

(D)(N)

(D)

(1)

Delete

(C)

(2) Delete

(D)

(D)

(3) Delete

(D)

(D)

(4) Material in this Section has been de-tariffed pursuant to FCC Order No. 17-43, released April 28, 2017.

(D)

(N)

Terms and Conditions for de-tariffed services are available at www.att.com/guidebook.

(This page filed under Transmittal No. 194)

BELLSOUTH TELECOMMUNICATIONS
Four AT&T Plaza, Dallas, Texas 75202

TARIFF F.C.C. NO. 1
3RD REVISED PAGE 7-309
CANCELS 2ND REVISED PAGE 7-309

ISSUED: JANUARY 10, 2025

EFFECTIVE: JANUARY 25, 2025

Pending

ISSUED: JANUARY 10, 2025

EFFECTIVE: JANUARY 25, 2025

ACCESS SERVICE

7 - Special Access (a.k.a. BellSouth SPA) Service (Cont'd)

7.5 Rates and Charges (Cont'd)

7.5.9 High Capacity (a.k.a. BellSouth SPA High Capacity) Service (Cont'd)

(B)⁽⁴⁾

Pending

(D)(N)

⁽¹⁾ Delete

⁽²⁾ Delete

⁽³⁾ Delete

⁽⁴⁾ Material in this Section has been de-tariffed pursuant to FCC Order No. 17-43, released April 28, 2017. Terms and Conditions

for de-tariffed services are available at www.att.com/guidebook.

(This page filed under Transmittal No. 194)

CCD
CCD
CCD

BELLSOUTH TELECOMMUNICATIONS
Four AT&T Plaza, Dallas, Texas 75202

TARIFF F.C.C. NO. 1
5TH REVISED PAGE 7-310
CANCELS 4TH REVISED PAGE 7-310

ISSUED: JANUARY 10, 2025

EFFECTIVE: JANUARY 25, 2025

Pending

ISSUED: JANUARY 10, 2025

EFFECTIVE: JANUARY 25, 2025

ACCESS SERVICE

7 - Special Access (a.k.a. BellSouth SPA) Service (Cont'd)

7.5 Rates and Charges (Cont'd)

7.5.9 High Capacity (a.k.a. BellSouth SPA High Capacity) Service (Cont'd)

(B)⁽⁴⁾

Pending

(D)(N)

- (1) Delete
- (2) Delete

- (3) Delete

(4) Material in this Section has been de-tariffed pursuant to FCC Order No. 17-43, released April 28, 2017. Terms and Conditions for de-tariffed services are available at www.att.com/guidebook.

DCCD
DCD
ND

BELLSOUTH TELECOMMUNICATIONS
Four AT&T Plaza, Dallas, Texas 75202

TARIFF F.C.C. NO. 1
5TH REVISED PAGE 7-311
CANCELS 4TH REVISED PAGE 7-311

ISSUED: JANUARY 10, 2025

EFFECTIVE: JANUARY 25, 2025

Pending

ISSUED: JANUARY 10, 2025

EFFECTIVE: JANUARY 25, 2025

ACCESS SERVICE

7 - Special Access (a.k.a. BellSouth SPA) Service (Cont'd)

7.5 Rates and Charges (Cont'd)

7.5.9 High Capacity (a.k.a. BellSouth SPA High Capacity) Service (Cont'd)

ALL STATES (Cont'd)
Pending

(C)⁽¹⁾

(D)(N)

(D)

(1) Material in this Section has been de-tariffed pursuant to FCC Order No. 17-43, released April 28, 2017. Terms and Conditions for de-tariffed services are available at www.att.com/guidebook.

(N)
(N)

ISSUED: JANUARY 10, 2025

EFFECTIVE: JANUARY 25, 2025

ACCESS SERVICE

7 - Special Access (a.k.a. BellSouth SPA) Service (Cont'd)

7.5 Rates and Charges (Cont'd)

7.5.9 High Capacity (a.k.a. BellSouth SPA High Capacity) Service (Cont'd)

(C)⁽⁴⁾

Pending

(D)(N)

(1) Delete
(2) Delete

(3) Delete

(4) Material in this Section has been de-tariffed pursuant to FCC Order No. 17-43, released April 28, 2017. Terms and Conditions for de-tariffed services are available at www.att.com/guidebook.

(D)
DCC
DCC
DCC
DCC

ISSUED: JANUARY 10, 2025

EFFECTIVE: JANUARY 25, 2025

ACCESS SERVICE

7 - Special Access (a.k.a. BellSouth SPA) Service (Cont'd)

7.5 Rates and Charges (Cont'd)

7.5.9 High Capacity (a.k.a. BellSouth SPA High Capacity) Service (Cont'd)

(C) ⁽⁴⁾

Pending

(D) (N)

(1) Delete
(2) Delete

(3) Delete

(4) Material in this Section has been de-tariffed pursuant to FCC Order No. 17-43, released April 28, 2017. Terms and Conditions for de-tariffed services are available at www.att.com/guidebook.

(D)

(C)

(D)

(D)

(D)

(D)

(N)

(N)

BELLSOUTH TELECOMMUNICATIONS
Four AT&T Plaza, Dallas, Texas 75202

TARIFF F.C.C. NO. 1
5TH REVISED PAGE 7-314
CANCELS 4TH REVISED PAGE 7-314

ISSUED: JANUARY 10, 2025

EFFECTIVE: JANUARY 25, 2025

Pending

ISSUED: JANUARY 10, 2025

EFFECTIVE: JANUARY 25, 2025

ACCESS SERVICE

7 - Special Access (a.k.a. BellSouth SPA) Service (Cont'd)

7.5 Rates and Charges (Cont'd)

7.5.9 High Capacity (a.k.a. BellSouth SPA High Capacity) Service (Cont'd)

ALL STATES (Cont'd)
Monthly USOC Nonrecurring Charges
Rates
Pending

First
(c) ⁽⁴⁾

Additional

(D) (N)

1) Delete

(2) Delete

(3) Delete

(4) Material in this Section has been de-tariffed pursuant to FCC Order No. 17-43, released April 28, 2017. Terms and Conditions

for de-tariffed services are available at www.att.com/guidebook.

(This page filed under Transmittal No. 194)

(D)
(C)
(D)
(D)
(C)
(D)
(C)
(D)

BELLSOUTH TELECOMMUNICATIONS
Four AT&T Plaza, Dallas, Texas 75202

TARIFF F.C.C. NO. 1
6TH REVISED PAGE 7-315
CANCELS 5TH REVISED PAGE 7-315

ISSUED: JANUARY 10, 2025

EFFECTIVE: JANUARY 25, 2025

Pending

ISSUED: JANUARY 10, 2025

EFFECTIVE: JANUARY 25, 2025

ACCESS SERVICE

7 - Special Access (a.k.a. BellSouth SPA) Service (Cont'd)

7.5 Rates and Charges (Cont'd)

7.5.9 ~~High Capacity (a.k.a. BellSouth SPA High Capacity) Service~~ (Cont'd)

~~ALL STATES (Cont'd)~~
~~USOC~~ ~~Monthly Rates~~ ~~Nonrecurring Charges~~
Pending

(D)⁽¹⁾

(D) (N)

(D)

(1)Material in this Section has been de-tariffed pursuant to FCC Order No. 17-43, released April 28, 2017. Terms and Conditions for de-tariffed services are available at www.att.com/guidebook.

(N)
(N)

(This page filed under Transmittal No. 194)

All BellSouth marks contained herein and as set forth in the trademarks and service marks section of the BellSouth Tariffs are owned by BellSouth Intellectual Property Corporation.

BELLSOUTH TELECOMMUNICATIONS
Four AT&T Plaza, Dallas, Texas 75202

TARIFF F.C.C. NO. 1
1ST REVISED PAGE 7-316
CANCELS ORIGINAL PAGE 7-316

ISSUED: JANUARY 10, 2025

EFFECTIVE: JANUARY 25, 2025

Pending

ISSUED: JANUARY 10, 2025

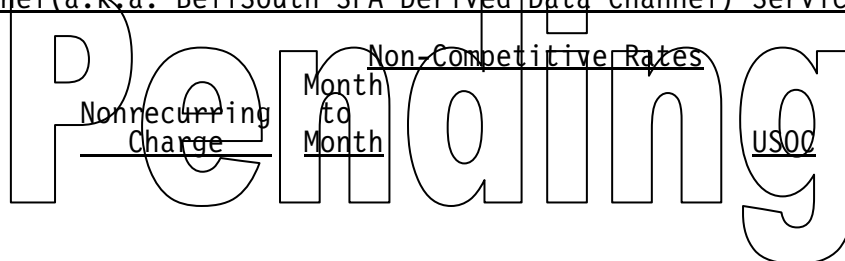
EFFECTIVE: JANUARY 25, 2025

ACCESS SERVICE

7 - Special Access (a.k.a. BellSouth SPA) Service (Cont'd)

7.5 Rates and Charges (Cont'd)

7.5.15 Derived Data Channel (a.k.a. BellSouth SPA Derived Data Channel) Service (DDCS)



1. Local Channel

(a) Per derived data channel

- 2.4 Kbps each	\$460.00	\$19.00	DAXPC	(D)
-----------------	----------	---------	-------	-----

(b)⁽¹⁾ (D)(N)

(1) Material in this Section has been de-tariffed pursuant to FCC Order No. 17-43, released April 28, 2017. Terms and Conditions for de-tariffed services are available at www.att.com/guidebook. (N)(N)

BELLSOUTH TELECOMMUNICATIONS
Four AT&T Plaza, Dallas, Texas 75202

TARIFF F.C.C. NO. 1
7TH REVISED PAGE 7-319
CANCELS 6TH REVISED PAGE 7-319

ISSUED: JANUARY 10, 2025

EFFECTIVE: JANUARY 25, 2025

Pending

ISSUED: JANUARY 10, 2025

EFFECTIVE: JANUARY 25, 2025

ACCESS SERVICE

7 - Special Access (a.k.a. BellSouth SPA) Service (Cont'd)

7.5 Rates and Charges

7.5.16 SMARTPath Service (a.k.a. BellSouth SPA DS1 Shared Ring)

- (A) SMARTPath Area Connection⁽¹⁾
- Per SMARTPath Area Connection

Pending

(N)

(D)

(D)

(1) This service has been de-tariffed pursuant to FCC Order No. 17- 43, released April 28, 2017. Terms and Conditions for de-tariffed services are available at www.att.com/guidebook.

(N)

(N)

ISSUED: JANUARY 10, 2025

EFFECTIVE: JANUARY 25, 2025

ACCESS SERVICE

7 - Special Access Service (Cont'd)

7.5 Rates and Charges (Cont'd)

7.5.16.2 SMARTPath Service (a.k.a. BellSouth SPA DS3 Shared Ring) DS3 Transport

(A) ⁽³⁾

Pending

(D)(N)

(1) Delete

(2) Delete

(3) Material in this Section has been de-tariffed pursuant to FCC Order No. 17-43, released April 28, 2017. Terms and Conditions for de-tariffed services are available at www.att.com/guidebook.

(D)
(C)
(C)
(C)
(C)
(N)

BELLSOUTH TELECOMMUNICATIONS
Four AT&T Plaza, Dallas, Texas 75202

TARIFF F.C.C. NO. 1
5TH REVISED PAGE 7-321
CANCELS 4TH REVISED PAGE 7-321

ISSUED: JANUARY 10, 2025

EFFECTIVE: JANUARY 25, 2025

Pending

ISSUED: JANUARY 10, 2025

EFFECTIVE: JANUARY 25, 2025

ACCESS SERVICE

7- Special Access (a.k.a. BellSouth SPA) Service (Cont'd)

7.5 Rates and Charges (Cont'd)

7.5.16.2 ~~SMARTPath DS3 Transport Service (a.k.a. BellSouth SPA DS3 Shared Ring)~~ (Cont'd)

- (D) Optional Features and Functions
 - Per 28 DS1 Channel System on a DS3 SMARTPath DS3 Area Junction at a serving wire center

(1)⁽³⁾

Pending

(D) (N)

(D)

(1) Delete

(2) Delete

(3) Material in this Section has been de-tariffed pursuant to FCC Order No. 17-43, released April 28, 2017. Terms and Conditions for de-tariffed services are available at www.att.com/guidebook.

(This page filed under Transmittal No. 194)

(C)

(C)

(C)