

**TARIFF DISTRIBUTION**

FILE PACKAGE NO.: 2

DATE: June 4, 2024

STATE: SWBT-FCC

EFFECTIVE DATE: 06/01/2024

TYPE OF DISTRIBUTION: Approved

PURPOSE: SWBT FCC 1 Shared Use Grandfathering and Sunset

<b><u>TARIFF SECTION</u></b>	<b><u>PAGE NUMBER</u></b>	<b><u>PAGE REVISION</u></b>
1000	1	0001
1000	1.1	0001
1000	1.2	0001
1000	1.3	0001
1000	1.5	0001
1000	1.10.1	0001
1000	1.14	0001
1000	1.16.1	0001
1000	1.17	0001
1000	1.20.4	0001
1000	1.21	0001
1000	1.22	0001
1002	2-73	0001
1005	5-1	0001
1005	5-17.3	0001
1005	5-17.6	0001
1005	5-20	0001
1006	6-3	0001
1006	6-45.6	0001
1006	6-172	0001
1006	6-176	0001
1006	6-176.1	0001
1006	6-176.2	0001
1007	7-2	0001
1007	7-46	0001
1007	7-47	0001
1007	7-47.1	0001
1010	10-13.6	0001
1019	19-1	0001
1019	19-26	0001
1019	19-27	0001

1019	19-28	0001
1020	20-2	0001
1020	20-32	0001
1020	20-36	0001
1020	20-36.1	0001
1020	20-36.2	0001
1020	20-48	0001
1020	20-74	0001
1023	23-1	0001
1023	23-8	0001
1023	23-12.1	0001
1023	23-12.2	0001
1023	23-12.3	0001
1023	23-12.4	0001
1025	25-2	0001
1025	25-15	0001
1025	25-16	0001
1025	25-17	0001
1025	25-25.1	0001
1031	31-1	0001
1031	31-10	0001
1031	31-31	0001
1031	31-32	0001
1031	31-33	0001
1031	31-34	0001
1TCP	7	0001
1TCP	10	0001
1TCP	11	0001
1TCP	25	0001
1TCP	26	0001
1TCP	30	0001
1TCP	31.1	0001

## CHECK SHEET

Title page 1 and pages 1 to 41-5 inclusive of this tariff are effective as of the date shown. Original and revised pages as named below and Supplement No. 67 contain all changes from the Original tariff that are in effect on the date hereof.

<u>Page</u>	Number of Revision Except as <u>Indicated</u>	<u>Page</u>	Number of Revision Except as <u>Indicated</u>	<u>Page</u>	Number of Revision Except as <u>Indicated</u>
Title 1	Original	1.37	Original	32	Original
1	1st*	1.38	Original	33	Original
1.1	1st*	1.39	Original	34	Original
1.2	1st*	1.40	Original	35	Original
1.3	1st*	1.41	Original	36	Original
1.4	Original	1.42	Original	37	Original
1.5	1st*	2	Original	38	Original
1.6	Original	3	Original	39	Original
1.7	Original	4	Original	39.1	Original
1.7.1	Original	5	Original	40	Original
1.8	Original	6	Original	41	Original
1.8.1	Original	7	1st*	42	Original
1.9	Original	8	Original	43	Original
1.9.1	Original	9	Original	44	Original
1.10	Original	10	1st*	1-1	Original
1.10.1	1st*	11	1st*	2-1	Original
1.11	Original	12	Original	2-2	Original
1.11.1	Original	13	Original	2-3	Original
1.12	Original	14	Original	2-4	Original
1.13	Original	15	Original	2-5	Original
1.13.1	Original	16	Original	2-6	Original
1.14	1st*	17	Original	2-6.1	Original
1.15	Original	18	Original	2-7	Original
1.16	Original	19	Original	2-8	Original
1.16.1	1st*	20	Original	2-9	Original
1.17	1st*	20.1	Original	2-10	Original
1.18	Original	20.2	Original	2-11	Original
1.19	Original	20.3	Original	2-12	Original
1.20	Original	21	Original	2-13	Original
1.20.1	Original	22	Original	2-14	Original
1.20.2	Original	23	Original	2-15	Original
1.20.3	Original	24	Original	2-16	Original
1.20.4	1st*	25	1st*	2-17	Original
1.21	1st*	26	1st*	2-17.1	Original
1.22	1st*	27	Original	2-17.2	Original
1.23	Original	28	Original	2-18	Original
1.23.1	Original	29	Original	2-19	Original
1.24	Original	30	1st*	2-20	Original
1.24.1	Original	31	Original	2-21	Original
1.25	Original	31.1	1st*	2-22	Original
1.26	Original	31.2	Original	2-23	Original
1.27	Original	31.3	Original	2-24	Original
1.28	Original	31.4	Original	2-25	Original
1.29	Original	31.5	Original	2-26	Original
1.30	Original	31.6	Original	2-27	Original
1.31	Original	31.7	Original	2-28	Original
1.32	Original	31.8	Original	2-29	Original
1.33	Original	31.9	Original	2-30	Original
1.34	Original	31.10	Original	2-31	Original
1.35	Original	31.11	Original	2-32	Original
1.36	Original	31.12	Original	2-33	Original
		31.13	Original	2-34	Original

\* New or Revised Page

Issuing Officer: Kristen E. Shore, Assistant Vice President - Regulatory

(This page filed under Transmittal No. 2 )

Issued: May 17, 2024

Effective: June 1, 2024

Four AT&T Plaza, Dallas, Texas 75202

ACCESS SERVICE  
CHECK SHEET (Cont'd)

<u>Page</u>	<u>Number of Revision Except as Indicated</u>	<u>Page</u>	<u>Number of Revision Except as Indicated</u>	<u>Page</u>	<u>Number of Revision Except as Indicated</u>
2-35	Original	2-55.1	Original	2-76.11	Original
2-36	Original	2-55.2	Original	2-76.12	Original
2-36.1	Original	2-55.3	Original	2-76.13	Original
2-37	Original	2-55.4	Original	2-76.14	Original
2-38	Original	2-55.5	Original	2-76.15	Original
2-38.1	Original	2-56	Original	2-76.16	Original
2-39	Original	2-57	Original	2-76.17	Original
2-40	Original	2-58	Original	2-76.18	Original
2-41	Original	2-59	Original	2-76.19	Original
2-42	Original	2-60	Original	2-76.20	Original
2-42.1	Original	2-61	Original	2-76.21	Original
2-43	Original	2-62	Original	2-76.22	Original
2-43.1	Original	2-63	Original	2-76.23	Original
2-44	Original	2-64	Original	2-77	Original
2-45	Original	2-65	Original	2-78	Original
2-45.1	Original	2-65.1	Original	2-78.1	Original
2-45.2	Original	2-66	Original	2-78.2	Original
2-45.3	Original	2-67	Original	2-78.3	Original
2-45.4	Original	2-68	Original	2-78.4	Original
2-45.5	Original	2-69	Original	2-78.5	Original
2-45.6	Original	2-70	Original	2-78.6	Original
2-45.7	Original	2-71	Original	2-78.7	Original
2-45.8	Original	2-71.1	Original	2-79	Original
2-46	Original	2-72	Original	2-79.1	Original
2-47	Original	2-72.1	Original	2-79.2	Original
2-48	Original	2-72.2	Original	2-80	Original
2-48.1	Original	2-73	1st*	2-81	Original
2-49	Original	2-73.1	Original	2-81.1	Original
2-50	Original	2-74	Original	2-81.2	Original
2-51	Original	2-74.1	Original	2-82	Original
2-52	Original	2-74.2	Original	2-83	Original
2-52.1	Original	2-75	Original	2-84	Original
2-52.2	Original	2-76	Original	2-85	Original
2-52.3	Original	2-76.1	Original	2-86	Original
2-52.4	Original	2-76.2	Original	2-87	Original
2-52.5	Original	2-76.3	Original	2-88	Original
2-52.6	Original	2-76.4	Original	2-89	Original
2-52.7	Original	2-76.5	Original	2-90	Original
2-52.8	Original	2-76.6	Original	2-91	Original
2-52.9	Original	2-76.7	Original	2-91.1	Original
2-52.10	Original	2-76.7.1	Original	2-91.2	Original
2-52.11	Original	2-76.7.2	Original	2-91.3	Original
2-52.12	Original	2-76.7.3	Original	2-91.4	Original
2-52.13	Original	2-76.7.4	Original	2-91.5	Original
2-52.14	Original	2-76.7.5	Original	2-91.6	Original
2-53	Original	2-76.7.6	Original	2-91.7	Original
2-54	Original	2-76.8	Original	2-92	Original
2-54.1	Original	2-76.9	Original	2-92.1	Original
2-55	Original	2-76.10	Original	2-93	Original
				2-94	Original

\* New or Revised Page

(This page filed under Transmittal No. 2 )

ACCESS SERVICE  
CHECK SHEET (Cont'd)

<u>Page</u>	<u>Number of Revision Except as Indicated</u>	<u>Page</u>	<u>Number of Revision Except as Indicated</u>	<u>Page</u>	<u>Number of Revision Except as Indicated</u>
2-95	Original	3-9	Original	5-8.1	Original
2-96	Original	3-10	Original	5-8.2	Original
2-97	Original	3-10.1	Original	5-8.3	Original
2-98	Original	3-10.2	Original	5-8.4	Original
2-98.1	Original	3-10.3	Original	5-9	Original
2-99	Original	3-11	Original	5-10	Original
2-100	Original	3-12	Original	5-11	Original
2-101	Original	3-13	Original	5-12	Original
2-102	Original	3-14	Original	5-12.1	Original
2-103	Original	3-15	Original	5-13	Original
2-103.1	Original	3-16	Original	5-14	Original
2-104	Original	3-17	Original	5-15	Original
2-105	Original	3-18	Original	5-16	Original
2-106	Original	3-19	Original	5-17	Original
2-107	Original	3-20	Original	5-17.1	Original
2-107.1	Original	4-1	Original	5-17.2	Original
2-108	Original	4-2	Original	5-17.3	1st*
2-108.1	Original	4-3	Original	5-17.4	Original
2-109	Original	4-3.1	Original	5-17.5	Original
2-109.1	Original	4-4	Original	5-17.6	1st*
2-110	Original	4-5	Original	5-17.7	Original
2-111	Original	4-5.1	Original	5-17.8	Original
2-111.1	Original	4-5.2	Original	5-17.9	Original
2-112	Original	4-5.3	Original	5-17.10	Original
2-113	Original	4-6	Original	5-17.11	Original
2-113.1	Original	4-7	Original	5-17.12	Original
2-114	Original	4-8	Original	5-17.13	Original
2-114.1	Original	4-8.1	Original	5-17.14	Original
2-115	Original	4-9	Original	5-17.15	Original
2-116	Original	4-10	Original	5-18	Original
2-117	Original	4-11	Original	5-18.1	Original
2-118	Original	4-12	Original	5-19	Original
2-118.1	Original	4-12.1	Original	5-20	1st*
2-119	Original	4-12.2	Original	5-21	Original
2-119.1	Original	4-13	Original	5-22	Original
2-120	Original	4-14	Original	5-23	Original
2-121	Original	4-15	Original	5-24	Original
2-122	Original	5-1	1st*	5-25	Original
2-123	Original	5-2	Original	5-26	Original
2-124	Original	5-3	Original	5-27	Original
2-125	Original	5-4	Original	5-27.1	Original
3-1	Original	5-4.1	Original	5-28	Original
3-2	Original	5-4.2	Original	5-29	Original
3-3	Original	5-5	Original	5-30	Original
3-4	Original	5-5.1	Original	5-30.1	Original
3-5	Original	5-6	Original	5-30.1.1	Original
3-6	Original	5-7	Original	5-30.2	Original
3-7	Original	5-7.1	Original		
3-8	Original	5-8	Original		

\* New or Revised Page

(This page filed under Transmittal No. 2 )

Issued: May 17, 2024

Effective: June 1, 2024

ACCESS SERVICE  
CHECK SHEET (Cont'd)

<u>Page</u>	<u>Number of Revision Except as Indicated</u>	<u>Page</u>	<u>Number of Revision Except as Indicated</u>	<u>Page</u>	<u>Number of Revision Except as Indicated</u>
5-34.2	Original	6-33	Original	6-54	Original
5-34.3	Original	6-34	Original	6-55	Original
5-35	Original	6-35	Original	6-56	Original
5-36	Original	6-36	Original	6-57	Original
6-1	Original	6-37	Original	6-58	Original
6-2	Original	6-38	Original	6-58.1	Original
6-2.1	Original	6-39	Original	6-59	Original
6-3	1st*	6-40	Original	6-60	Original
6-4	Original	6-41	Original	6-61	Original
6-5	Original	6-42	Original	6-62	Original
6-6	Original	6-42.1	Original	6-63	Original
6-6.1	Original	6-43	Original	6-64	Original
6-7	Original	6-43.1	Original	6-65	Original
6-7.1	Original	6-44	Original	6-66	Original
6-7.2	Original	6-45	Original	6-67	Original
6-8	Original	6-45.1	Original	6-68	Original
6-9	Original	6-45.2	Original	6-69	Original
6-10	Original	6-45.3	Original	6-69.1	Original
6-11	Original	6-45.4	Original	6-70	Original
6-12	Original	6-45.5	Original	6-71	Original
6-13	Original	6-45.6	1st*	6-72	Original
6-14	Original	6-45.7	Original	6-72.1	Original
6-15	Original	6-45.8	Original	6-72.2	Original
6-16	Original	6-45.9	Original	6-72.3	Original
6-17	Original	6-46	Original	6-73	Original
6-18	Original	6-47	Original	6-74	Original
6-19	Original	6-48	Original	6-75	Original
6-20	Original	6-49	Original	6-76	Original
6-21	Original	6-50	Original	6-77	Original
6-22	Original	6-50.1	Original	6-78	Original
6-23	Original	6-50.2	Original	6-79	Original
6-24	Original	6-50.3	Original	6-80	Original
6-25	Original	6-50.4	Original	6-81	Original
6-26	Original	6-50.5	Original	6-82	Original
6-27	Original	6-50.6	Original	6-83	Original
6-28	Original	6-51	Original	6-84	Original
6-29	Original	6-52	Original	6-85	Original
6-30	Original	6-53	Original	6-86	Original
6-31	Original				
6-32	Original				

\* New or Revised Page

(This page filed under Transmittal No. 2 )

ACCESS SERVICE  
CHECK SHEET (Cont'd)

<u>Page</u>	<u>Number of Revision Except as Indicated</u>	<u>Page</u>	<u>Number of Revision Except as Indicated</u>	<u>Page</u>	<u>Number of Revision Except as Indicated</u>
6-172	1st*	6-180.6	Original	7-12	Original
6-173	Original	6-181	Original	7-13	Original
6-173.1	Original	6-182	Original	7-14	Original
6-173.2	Original	6-183	Original	7-15	Original
6-173.3	Original	6-184	Original	7-16	Original
6-173.4	Original	6-184.1	Original	7-17	Original
6-174	Original	6-184.2	Original	7-18	Original
6-175	Original	6-185	Original	7-19	Original
6-176	1st*	6-186	Original	7-20	Original
6-176.1	1st*	6-187	Original	7-21	Original
6-176.2	1st*	6-188	Original	7-22	Original
6-177	Original	6-189	Original	7-23	Original
6-178	Original	6-190	Original	7-24	Original
6-178.1	Original	6-191	Original	7-25	Original
6-178.2	Original	6-192	Original	7-26	Original
6-178.3	Original	6-193	Original	7-27	Original
6-178.4	Original	6-194	Original	7-28	Original
6-178.5	Original	6-194.1	Original	7-29	Original
6-178.6	Original	6-195	Original	7-30	Original
6-178.7	Original	6-196	Original	7-31	Original
6-178.8	Original	6-197	Original	7-32	Original
6-178.9	Original	6-198	Original	7-33	Original
6-178.10	Original	6-199	Original	7-34	Original
6-179	Original	6-200	Original	7-35	Original
6-179.1	Original	6-201	Original	7-36	Original
6-179.2	Original	6-202	Original	7-37	Original
6-179.3	Original	6-203	Original	7-38	Original
6-179.4	Original	6-204	Original	7-39	Original
6-179.5	Original	6-205	Original	7-40	Original
6-179.6	Original	6-206	Original	7-41	Original
6-179.7	Original	6-207	Original	7-41.1	Original
6-179.8	Original	6-208	Original	7-41.2	Original
6-179.9	Original	6-209	Original	7-41.3	Original
6-179.10	Original	6-210	Original	7-41.4	Original
6-179.11	Original	6-211	Original	7-41.5	Original
6-179.12	Original	7-1	Original	7-42	Original
6-179.13	Original	7-2	1st*	7-43	Original
6-179.14	Original	7-3	Original	7-44	Original
6-179.15	Original	7-4	Original	7-45	Original
6-179.16	Original	7-5	Original	7-46	1st*
6-180	Original	7-6	Original	7-47	1st*
6-180.1	Original	7-7	Original	7-47.1	1st*
6-180.2	Original	7-8	Original	7-48	Original
6-180.3	Original	7-9	Original	7-49	Original
6-180.4	Original	7-10	Original	7-50	Original
6-180.5	Original	7-11	Original	7-51	Original

\* New or Revised Page

(This page filed under Transmittal No. 2 )

Issued: May 17, 2024

Effective: June 1, 2024

## ACCESS SERVICE

## CHECK SHEET (Cont'd)

<u>Page</u>	<u>Number of Revision Except as Indicated</u>	<u>Page</u>	<u>Number of Revision Except as Indicated</u>	<u>Page</u>	<u>Number of Revision Except as Indicated</u>
7-209.225	Original	8-2	Original	9-18	Original
7-209.226	Original	8-3	Original	9-18.1	Original
7-209.227	Original	8-4	Original	9-19	Original
7-209.228	Original	8-5	Original	9-20	Original
7-209.229	Original	8-6	Original	9-21	Original
7-209.230	Original	8-7	Original	9-22	Original
7-209.231	Original	8-8	Original	9-22.1	Original
7-209.232	Original	8-9	Original	9-22.2	Original
7-209.233	Original	8-10	Original	10-1	Original
7-209.234	Original	8-11	Original	10-2	Original
7-209.235	Original	8-12	Original	10-2.1	Original
7-209.236	Original	8-13	Original	10-3	Original
7-209.237	Original	8-14	Original	10-4	Original
7-209.238	Original	8-15	Original	10-5	Original
7-210	Original	8-16	Original	10-6	Original
7-211	Original	8-17	Original	10-7	Original
7-212	Original	8-17	Original	10-8	Original
7-212.1	Original	8-18	Original	10-9	Original
7-212.2	Original	8-19	Original	10-10	Original
7-212.2.1	Original	8-20	Original	10-11	Original
7-212.2.2	Original	8-21	Original	10-12	Original
7-212.2.3	Original	8-22	Original	10-13	Original
7-212.2.4	Original	8-23	Original	10-13.1	Original
7-212.3	Original	8-24	Original	10-13.2	Original
7-212.4	Original	8-25	Original	10-13.3	Original
7-212.5	Original	8-26	Original	10-13.4	Original
7-212.6	Original	8-27	Original	10-13.5	Original
7-212.6.1	Original	8-28	Original	10-13.6	1st*
7-212.6.2	Original	8-29	Original	10-13.7	Original
7-212.6.3	Original	8-30	Original	10-13.8	Original
7-212.6.4	Original	9-1	Original	10-13.9	Original
7-212.6.5	Original	9-2	Original	10-13.10	Original
7-212.6.6	Original	9-3	Original	10-14	Original
7-212.6.7	Original	9-4	Original	10-15	Original
7-212.6.8	Original	9-5	Original	10-16	Original
7-212.6.9	Original	9-5.1	Original	10-17	Original
7-212.6.10	Original	9-6	Original	10-18	Original
7-212.6.11	Original	9-7	Original	10-18.1	Original
7-212.7	Original	9-8	Original	10-18.2	Original
7-212.8	Original	9-9	Original	10-18.3	Original
7-212.9	Original	9-10	Original	10-18.4	Original
7-213	Original	9-11	Original	10-18.5	Original
7-214	Original	9-12	Original	10-18.5.1	Original
7-215	Original	9-13	Original	10-18.5.2	Original
7-216	Original	9-14	Original		
7-217	Original	9-15	Original		
7-218	Original	9-16	Original		
7-219	Original	9-17	Original		
7-220	Original	9-17.1	Original		
7-221	Original	9-17.2	Original		
7-222	Original	9-17.3	Original		
7-223	Original	9-17.4	Original		
8-1	Original	9-17.5	Original		

\* New or Revised Page.

(This page filed under Transmittal No. 2 )



ACCESS SERVICE  
CHECK SHEET (Cont'd)

<u>Page</u>	<u>Number of Revision Except as Indicated</u>	<u>Page</u>	<u>Number of Revision Except as Indicated</u>	<u>Page</u>	<u>Number of Revision Except as Indicated</u>
17-4	Original	18-28	Original	19-24	Original
17-5	Original	18-28.1	Original	19-24.1	Original
17-6	Original	18-28.2	Original	19-24.2	Original
17-7	Original	18-29	Original	19-25	Original
17-8	Original	18-30	Original	19-25.1	Original
17-9	Original	18-31	Original	19-25.2	Original
17-10	Original	18-31.1	Original	19-26	1st*
17-11	Original	18-31.2	Original	19-27	1st*
17-12	Original	18-32	Original	19-28	1st*
17-13	Original	18-33	Original	19-29	Original
17-14	Original	18-34	Original	19-30	Original
17-15	Original	18-35	Original	19-31	Original
17-16	Original	18-36	Original	19-32	Original
17-17	Original	18-37	Original	19-33	Original
18-1	Original	19-1	1st*	19-34	Original
18-2	Original	19-2	Original	19-35	Original
18-3	Original	19-3	Original	19-36	Original
18-4	Original	19-3.1	Original	19-36.1	Original
18-5	Original	19-4	Original	19-36.2	Original
18-6	Original	19-5	Original	19-36.3	Original
18-7	Original	19-6	Original	19-36.4	Original
18-8	Original	19-7	Original	19-36.5	Original
18-9	Original	19-8	Original	19-36.6	Original
18-10	Original	19-9	Original	19-36.7	Original
18-11	Original	19-10	Original	19-36.8	Original
18-11.1	Original	19-11	Original	19-36.9	Original
18-12	Original	19-12	Original	19-36.10	Original
18-13	Original	19-12.1	Original	19-36.11	Original
18-14	Original	19-12.2	Original	19-36.12	Original
18-15	Original	19-13	Original	19-36.13	Original
18-16	Original	19-14	Original	19-36.14	Original
18-17	Original	19-15	Original	19-36.15	Original
18-18	Original	19-15.1	Original	19-36.16	Original
18-19	Original	19-16	Original	19-36.17	Original
18-20	Original	19-17	Original	19-36.18	Original
18-21	Original	19-18	Original	19-37	Original
18-22	Original	19-19	Original	19-38	Original
18-23	Original	19-20	Original	19-39	Original
18-24	Original	19-21	Original	19-40	Original
18-25	Original	19-22	Original	19-40.1	Original
18-26	Original	19-23	Original		
18-27	Original				

\* New or Revised Page

(This page filed under Transmittal No. 2 )

Issued: May 17, 2024

Effective: June 1, 2024

Four AT&amp;T Plaza, Dallas, Texas 75202

## ACCESS SERVICE

## CHECK SHEET (Cont'd)

<u>Page</u>	<u>Number of Revision Except as Indicated</u>	<u>Page</u>	<u>Number of Revision Except as Indicated</u>
20-1	Original	20-35	Original
20-2	1st*	20-36	1st*
20-3	Original	20-36.1	1st*
20-4	Original	20-36.2	1st*
20-5	Original	20-37	Original
20-6	Original	20-38	Original
20-7	Original	20-38.1	Original
20-8	Original	20-38.2	Original
20-9	Original	20-38.3	Original
20-10	Original	20-38.4	Original
20-11	Original	20-39	Original
20-12	Original	20-40	Original
20-13	Original	20-41	Original
20-14	Original	20-41.1	Original
20-14.1	Original	20-41.2	Original
20-15	Original	20-41.3	Original
20-16	Original	20-41.4	Original
20-16.1	Original	20-42	Original
20-17	Original	20-42.1	Original
20-18	Original	20-43	Original
20-19	Original	20-44	Original
20-19.1	Original	20-45	Original
20-20	Original	20-46	Original
20-21	Original	20-47	Original
20-22	Original	20-47.1	Original
20-23	Original	20-47.2	Original
20-24	Original	20-47.3	Original
20-25	Original	20-47.4	Original
20-26	Original	20-47.5	Original
20-27	Original	20-47.6	Original
20-28	Original	20-47.7	Original
20-29	Original		
20-29.1	Original		
20-30	Original		
20-31	Original		
20-32	1st*		
20-33	Original		
20-34	Original		

\* New or Revised Page

(This page filed under Transmittal No. 2 )

Issued: May 17, 2024

Effective: June 1, 2024

Four AT&amp;T Plaza, Dallas, Texas 75202

ACCESS SERVICE  
CHECK SHEET (Cont'd)

<u>Page</u>	<u>Number of Revision Except as Indicated</u>	<u>Page</u>	<u>Number of Revision Except as Indicated</u>	<u>Page</u>	<u>Number of Revision Except as Indicated</u>
20-47.8	Original	20-47.52	Original	20-63	Original
20-47.9	Original	20-47.53	Original	20-64	Original
20-47.10	Original	20-47.54	Original	20-65	Original
20-47.11	Original	20-47.55	Original	20-66	Original
20-47.12	Original	20-47.56	Original	20-67	Original
20-47.13	Original	20-47.57	Original	20-68	Original
20-47.14	Original	20-47.58	Original	20-69	Original
20-47.15	Original	20-47.59	Original	20-70	Original
20-47.16	Original	20-47.60	Original	20-71	Original
20-47.17	Original	20-47.61	Original	20-72	Original
20-47.18	Original	20-47.62	Original	20-73	Original
20-47.19	Original	20-47.63	Original	20-74	1st*
20-47.20	Original	20-47.64	Original	20-75	Original
20-47.21	Original	20-47.65	Original	20-76	Original
20-47.22	Original	20-47.66	Original	20-77	Original
20-47.23	Original	20-47.67	Original	20-78	Original
20-47.24	Original	20-47.68	Original	20-79	Original
20-47.25	Original	20-48	1st*	20-80	Original
20-47.26	Original	20-49	Original	20-81	Original
20-47.27	Original	20-50	Original	20-82	Original
20-47.28	Original	20-51	Original	20-83	Original
20-47.29	Original	20-52	Original	20-84	Original
20-47.30	Original	20-53	Original	20-85	Original
20-47.31	Original	20-54	Original	20-86	Original
20-47.32	Original	20-55	Original	20-87	Original
20-47.33	Original	20-56	Original	20-88	Original
20-47.34	Original	20-57	Original	20-89	Original
20-47.35	Original	20-58	Original	20-90	Original
20-47.36	Original	20-59	Original	20-91	Original
20-47.37	Original	20-60	Original	20-92	Original
20-47.38	Original	20-61	Original	20-93	Original
20-47.39	Original	20-62	Original	20-94	Original
20-47.40	Original			20-95	Original
20-47.41	Original			20-96	Original
20-47.42	Original			20-97	Original
20-47.43	Original			20-98	Original
20-47.44	Original			20-99	Original
20-47.45	Original			20-100	Original
20-47.46	Original			20-101	Original
20-47.47	Original			20-102	Original
20-47.48	Original				
20-47.49	Original				
20-47.50	Original				
20-47.51	Original				

\* New or Revised Page

(This page filed under Transmittal No. 2 )

Issued: May 17, 2024

Effective: June 1, 2024

Four AT&amp;T Plaza, Dallas, Texas 75202

## ACCESS SERVICE

## CHECK SHEET (Cont'd)

<u>Page</u>	<u>Number of Revision Except as Indicated</u>	<u>Page</u>	<u>Number of Revision Except as Indicated</u>	<u>Page</u>	<u>Number of Revision Except as Indicated</u>
21-13	Original	25-1	Original	25-18.3	Original
21-14	Original	25-2	1st*	25-19	Original
21-15	Original	25-3	Original	25-20	Original
21-16	Original	25-4	Original	25-20.1	Original
22-1	Original	25-5	Original	25-20.2	Original
22-2	Original	25-6	Original	25-20.3	Original
22-3	Original	25-7	Original	25-21	Original
22-4	Original	25-8	Original	25-21.1	Original
22-5	Original	25-9	Original		
22-6	Original	25-10	Original		
22-7	Original	25-11	Original		
23-1	1st*	25-11.1	Original		
23-2	Original	25-12	Original		
23-3	Original	25-13	Original		
23-4	Original	25-14	Original		
23-5	Original	25-15	Original		
23-6	Original	25-16	Original		
23-7	Original	25-17	Original		
23-6.1	Original	25-18	Original		
23-8	1st*	25-19	Original		
23-9	Original	25-20	Original		
23-10	Original	25-11.1	Original		
23-11	Original	25-12	Original		
23-12	Original	25-13	Original		
23-13	Original	25-14	Original		
23-12.1	1st*	25-14.1	Original		
23-12.2	1st*	25-14.2	Original		
23-12.3	1st*	25-14.3	Original		
23-12.4	1st*	25-14.4	Original		
23-13	Original	25-14.5	Original		
23-14	Original	25-14.6	Original		
24-1	Original	25-15	1st*		
24-2	Original	25-16	1st*		
24-3	Original	25-16.1	Original		
24-4	Original	25-17	1st*		
24-5	Original	25-17.1	Original		
24-6	Original	25-17.2	Original		
24-7	Original	25-18	Original		
24-8	Original	25-18.1	Original		
24-9	Original	25-18.2	Original		
24-10	Original				
24-11	Original				

\* New or Revised Page

(This page filed under Transmittal No. 2 )

Issued: May 17, 2024

Effective: June 1, 2024

ACCESS SERVICE  
CHECK SHEET (Cont'd)

<u>Page</u>	Number of Revision Except as <u>Indicated</u>	<u>Page</u>	Number of Revision Except as <u>Indicated</u>	<u>Page</u>	Number of Revision Except as <u>Indicated</u>
25-22	Original	25-30.20	Original	25-66	Original
25-23	Original	25-30.21	Original	25-67	Original
25-24	Original	25-31	Original	25-68	Original
25-25	Original	25-32	Original	26-1	Original
25-25.1	1st*	25-32.1	Original	26-2	Original
25-26	Original	25-32.2	Original	26-3	Original
25-27	Original	25-32.3	Original	26-4	Original
25-27.1	Original	25-33	Original	26-5	Original
25-28	Original	25-34	Original	26-6	Original
25-29	Original	25-35	Original	26-7	Original
25-29.1	Original	25-36	Original	26-8	Original
25-29.2	Original	25-37	Original	26-9	Original
25-30	Original	25-38	Original	26-10	Original
25-30.1	Original	25-39	Original	26-11	Original
25-30.2	Original	25-40	Original	26-12	Original
25-30.2.1	Original	25-41	Original	27-1	Original
25-30.3	Original	25-42	Original	27-2	Original
25-30.4	Original	25-43	Original	27-3	Original
25-30.5	Original	25-44	Original	27-4	Original
25-30.5.1	Original	25-45	Original	27-5	Original
25-30.6	Original	25-46	Original	27-6	Original
25-30.7	Original	25-47	Original	27-7	Original
25-30.8	Original	25-48	Original	27-8	Original
25-30.8.1	Original	25-48.1	Original	28-1	Original
25-30.9	Original	25-49	Original	28-2	Original
25-30.10	Original	25-50	Original	28-3	Original
25-30.10.1	Original	25-51	Original	28-4	Original
25-30.10.2	Original	25-52	Original	28-5	Original
25-30.11	Original	25-53	Original	28-6	Original
25.30.11.1	Original	25-54	Original	28-7	Original
25-30.12	Original	25-55	Original	28-8	Original
25-30.13	Original	25-56	Original	28-9	Original
25-30.14	Original	25-57	Original	28-10	Original
25-30.15	Original	25-58	Original	28-11	Original
25-30.16	Original	25-59	Original	28-12	Original
25-30.16.1	Original	25-60	Original	28-13	Original
25-30.17	Original	25-61	Original	28-14	Original
25-30.18	Original	25-62	Original	28-15	Original
25-30.19	Original	25-63	Original	28-16	Original
25-30.19.1	Original	25-64	Original	28-17	Original
25-30.19.2	Original	25-65	Original		

\* New or Revised Page

(This page filed under Transmittal No. 2 )

Issued: May 17, 2024

Effective: June 1, 2024

Four AT&amp;T Plaza, Dallas, Texas 75202

ACCESS SERVICE  
CHECK SHEET (Cont'd)

Page	Number of Revision Except as Indicated	Page	Number of Revision Except as Indicated	Page	Number of Revision Except as Indicated
29-1	Original	30-13	Original	31-27	Original
29-2	Original	30-13.1	Original	31-28	Original
29-3	Original	30-13.2	Original	31-29	Original
29-4	Original	30-13.3	Original	31-29.1	Original
29-5	Original	30-13.4	Original	31-29.2	Original
29-6	Original	30-14	Original	31-29.3	Original
29-7	Original	30-14.1	Original	31-29.3.1	Original
29-7.1	Original	30-15	Original	31-29.4	Original
29-7.2	Original	30-16	Original	31-30	Original
29-8	Original	30-17	Original	31-31	1st*
29-9	Original	30-18	Original	31-32	1st*
29-9.1	Original	30-19	Original	31-33	1st*
29-10	Original	30-20	Original	31-34	1st*
29-11	Original	30-21	Original	31-34.1	Original
29-12	Original	30-22	Original	31-34.2	Original
29-13	Original	30-23	Original	31-34.3	Original
29-14	Original	30-24	Original	31-34.4	Original
29-15	Original	30-25	Original	31-34.5	Original
29-16	Original	30-25.1	Original	31-34.6	Original
29-16.1	Original	30-26	Original	31-34.7	Original
29-17	Original	30-27	Original	31-34.8	Original
29-18	Original	30-28	Original	31-34.9	Original
29-19	Original	31-1	1st*	31-34.10	Original
29-20	Original	31-2	Original	31-34.11	Original
29-21	Original	31-3	Original	31-34.12	Original
29-22	Original	31-4	Original	31-34.13	Original
29-23	Original	31-5	Original	31-34.14	Original
29-23.1	Original	31-6	Original	31-34.15	Original
29-23.2	Original	31-7	Original	31-34.16	Original
29-23.2.1	Original	31-8	Original	31-34.17	Original
29-23.3	Original	31-9	Original	31-34.18	Original
29-24	Original	31-10	1st*	31-34.19	Original
29-24.1	Original	31-10.1	Original	31-34.20	Original
29-25	Original	31-11	Original	31-34.21	Original
29-25.1	Original	31-11.1	Original	31-34.22	Original
29-25.2	Original	31-12	Original	31-34.23	Original
29-26	Original	31-13	Original	31-34.24	Original
29-27	Original	31-14	Original	31-34.25	Original
29-28	Original	31-15	Original	31-34.26	Original
30-1	Original	31-16	Original	31-34.27	Original
30-2	Original	31-16.1	Original	31-34.28	Original
30-3	Original	31-17	Original	31-35	Original
30-4	Original	31-18	Original	31-36	Original
30-5	Original	31-18.1	Original	31-37	Original
30-5.1	Original	31-19	Original	31-38	Original
30-5.2	Original	31-20	Original	31-39	Original
30-5.3	Original	31-20.1	Original	31-40	Original
30-5.4	Original	31-20.2	Original	31-41	Original
30-6	Original	31-21	Original	31-42	Original
30-6.1	Original	31-22	Original	31-43	Original
30-7	Original	31-23	Original	31-44	Original
30-8	Original	31-23.1	Original	31-45	Original
30-9	Original	31-24	Original	31-46	Original
30-10	Original	31-25	Original	31-47	Original
30-11	Original	31-25.1	Original	31-48	Original
30-12	Original	31-26	Original	31-49	Original

(This page filed under Transmittal No. 2 )

Issued: May 17, 2024

Effective: June 1, 2024

Four AT&amp;T Plaza, Dallas, Texas 75202

ACCESS SERVICE

2. General Regulations (Cont'd)

2.5 Billing Regulations (Cont'd)

2.5.6 Credit Allowance for Service Interruptions

(A) General

Service (with the exception of STN and ReliaNet) is considered to be interrupted when it becomes unusable to the customer because of a failure of a facility component used to furnish service under this tariff or the protective controls applied by the Telephone Company, specified in 6.7.10 (Network Management), result in the complete loss of service by the customer. An interruption period starts when an inoperative service is reported to the Telephone Company and ends when the service is operative.

The credit allowance for an interruption or for a series of interruptions shall not exceed:

1. The applicable monthly rate,
2. The assumed minutes of use charge, or
3. The billed amount for that particular rate element in those cases where the tariff rate exceeds the actual billed amount (e.g., Shared Use<sup>(1)</sup> Special Access services). (T) (C)

For STN and ReliaNet, the service is considered to be interrupted when it does not meet the following maintenance specifications as set forth in Technical Publications 76635 and 76839, respectively:

- Errored Seconds
- Severely Errored Seconds
- Consecutive Severely Errored Seconds
- Availability

For STN and ReliaNet, an interruption period starts when an interruption of service is reported to the Telephone Company and the service is released to the Telephone Company for repair and ends when the service is operative.

(1) Effective June 1, 2024, neither new nor existing customers will be permitted to create new Shared Use arrangements. In addition, requests to move, add, or change existing Shared Use arrangements will not be accepted. Shared Use arrangements existing prior to June 1, 2024 are otherwise unaffected by this change.

(N)  
|  
(N)

## ACCESS SERVICE

	<u>Page</u>	
5. Ordering for Access Service	5-1	
5.1 General	5-3	
5.2 Access Order	5-4	
5.2.1 Ordering Conditions	5-4	
5.2.2 Ordering Requirements	5-5	
(A) Feature Group A (FGA) or Circuit Switched-Line Side BSA (BSA-A) Switched Access Service	5-6	
(B) Feature Group B (FGB), Feature Group D (FGD) or Circuit Switched-Trunk Side BSA Alternatives B or D (BSA-B or BSA-D) Switched Access Service	5-7.1	
(C) Switched Transport and Directory Transport Services	5-8.1	
(D) Dedicated Network Access Link (DNAL)	5-10	
(E) 800 Number Portability Access Service (NPAS)	5-10	
(F) 900 Access Service	5-11	
(G) Directory Assistance (DA) Access Service	5-12	
(H) Special Access Service	5-12.1	
(I) WATS Access Line Service	5-13	
(J) Self-Healing Transport Networks	5-13	
(K) MegaLink Custom Services	5-14	
(L) MicroLink II Service	5-15	
(M) Operator Call Processing	5-15	
(N) Carrier Identification Code Parameter (CIP)	5-16	
(O) Common Channel Signaling/Signaling System 7 (CCS/SS7)	5-16	
(P) Line Information Data Base (LIDB) Service	5-17	
(Q) Signaling System 7 (SS7) Signaling	5-17	
(R) Expanded Interconnection	5-17.1	
(S) TIPToP Service	5-17.7	
(T) Telecommunications Relay Interconnection Service (TRIS)	5-17.5	
(U) Multiple 64 Clear Channel Capability (64 CCC)	5-17.5	
(V) Advanced Carrier Identification Service (ACIS)	5-17.6	
(W)		
(X) ReliaNet Service	5-17.11	
(Y) Service Provider Number Portability	5-17.12	
(Z) Shared Network Arrangement	5-17.12	
5.2.3 Service Provisioning Intervals	5-18	
5.2.4 Selection of Facilities for Access Orders	5-19	
5.2.5 Shared Use <sup>(1)</sup>	5-20	(C)
5.2.6 Provision of Other Services	5-21	
(A) Testing Service, Additional Labor and Telecommunications Service Priority	5-21	
(B) Additional Engineering	5-22	
(C) Special Construction	5-22	

(1) Effective June 1, 2024, neither new nor existing customers will be permitted to create new Shared Use arrangements. In addition, requests to move, add, or change existing Shared Use arrangements will not be accepted. Shared Use arrangements existing prior to June 1, 2024 are otherwise unaffected by this change.

(N)  
|  
(N)



## ACCESS SERVICE

5. Ordering for Access Service (Cont'd)5.2 Access Order (Cont'd)5.2.2 Ordering Requirements (Cont'd)(R) Expanded Interconnection (Cont'd)(1) Virtual Collocation (Cont'd)(b) Minimum Ordering Requirements (Cont'd)

The interconnector must also designate basic transmission equipment to be dedicated to its use. The interconnector must also specify the number and type of interconnection cross connects desired for the interconnection of their designated arrangement.

(c) Interconnection Cross Connect

For the interconnection cross connect specified in 25.5 (Rate Regulations for Virtual Collocation), an order is limited to a single point of termination address. The interconnector must identify each interconnection cross connect as either switched, special or shared use<sup>(1)</sup>. (C)  
When ordering the interconnection cross connect to be provided as switched or shared use<sup>(1)</sup>, the interconnector must specify the number of channels to be used for switched services. (C)

When ordering the interconnection cross connect, the interconnector must specify the existing Telephone Company-provided tariffed service or switched transport connection that connects to its interconnection cross connect. The Telephone Company-provided service or switched transport connection so specified may be either an existing or new circuit. If new, it must be ordered at the same time as the interconnection cross connect. The interconnector must also provide the frame address information (e.g., floor, aisle, bay, panel and jack) on the Access Order.

(d) Access Order Charges, as set forth in 5.4 (Access Order Charges) will apply to orders for virtual collocation.

This filing is made, under protest, in compliance with the Memorandum Opinion and Order of the F.C.C. released July 25, 1994 in CC Docket 91-141.

- (1) Effective June 1, 2024, neither new nor existing customers will be permitted (N) to create new Shared Use arrangements. In addition, requests to move, add, or change existing Shared Use arrangements will not be accepted. Shared Use arrangements existing prior to June 1, 2024 are otherwise unaffected by this change. (N)

(This page filed under Transmittal No. 2 )

Issued: May 17, 2024

Effective: June 1, 2024

Four AT&T Plaza, Dallas, Texas 75202

ACCESS SERVICE

5. Ordering for Access Service (Cont'd)

5.2 Access Order (Cont'd)

5.2.2 Ordering Requirements (Cont'd)

(R) Expanded Interconnection (Cont'd)

(3) SONET-Based Interconnection (SBI) (Cont'd)

For the interconnection cross connect specified in 30.6 (Rate Regulations), an order is limited to a single point of termination address. The interconnector must identify each interconnection cross connect as either switched, special or shared use<sup>(1)</sup>. When ordering the interconnection cross connect to be provided as switched or shared use<sup>(1)</sup>, the interconnector must specify the number of channels to be used for switched services. (C)  
(C)

When ordering the interconnection cross connect, the interconnector must specify the existing Telephone Company-provided tariffed service or switched transport connection that connects to its interconnection cross connect. The frame address information (e.g., floor, aisle, bay, panel and jack and which is contained in the SBI Work Completion Form) must also be specified on the Access Order. The Telephone Company-provided service or switched transport connection so specified may be either an existing or new circuit. If new, it must be ordered at the same time as the interconnection cross connect.

Access Order Charges, as set forth in 5.4 (Access Order Charges) will apply to orders for Interconnection Cross Connects.

Reissued material is filed under authority of Special Permission No. 95-930 of the F.C.C and is deferred to August 31, 1995.

(1) Effective June 1, 2024, neither new nor existing customers will be permitted to create new Shared Use arrangements. In addition, requests to move, add, or change existing Shared Use arrangements will not be accepted. Shared Use arrangements existing prior to June 1, 2024 are otherwise unaffected by this change. (N)  
(N)

(This page filed under Transmittal No. 2 )

## ACCESS SERVICE

5. Ordering for Access Service (Cont'd)5.2 Access Order (Cont'd)5.2.5 Shared Use<sup>(2)</sup>

(C)

Shared Use is the provision of Switched Access and Special Access services over the same DS1- or DS3-level transmission path through the use of a common interface. Shared use to a hub is allowed for the following access services: Switched Access and Special Access High Capacity Services, Switched Access and MegaLink Custom Services and Switched Access and STN Services.<sup>(1)</sup> Individual services using a shared use facility must be ordered as either Switched Access Service, Special Access High Capacity Service, MegaLink Custom Service, STN or Common Channel Signaling/Signaling System 7 (CCS/SS7) Interconnection Service. In addition, when shared use is provided on an interconnection cross connect, the customer/interconnector must specify the number of channels that will be interconnected to Switched Access.

When placing an order for the individual service(s), the customer must specify a channel assignment for each service ordered. In addition, when a customer/interconnector requests an SFM or Reconfiguration, the Connecting Facility Assignments (CFAs) must be specified for the facilities involved in the SFM or Reconfiguration for each service.

<sup>(1)</sup> Material in this Section has been de-tariffed as required by the Commission upon use of the forbearance relief pursuant to FCC Memorandum Opinion and Order No. 07-180, released October 12, 2007. Terms and Conditions associated with de-tariffed services are available at [www.att.com/guidebook](http://www.att.com/guidebook).

<sup>(2)</sup> Effective June 1, 2024, neither new nor existing customers will be permitted to create new Shared Use arrangements. In addition, requests to move, add, or change existing Shared Use arrangements will not be accepted. Shared Use arrangements existing prior to June 1, 2024 are otherwise unaffected by this change.

(N)  
|  
(N)

(This page filed under Transmittal No. 2 )

Issued: May 17, 2024

Effective: June 1, 2024

Four AT&amp;T Plaza, Dallas, Texas 75202

## ACCESS SERVICE

	<u>Page</u>
6. Switched Access Service (Cont'd)	
6.8 Rate Regulations (Cont'd)	
6.8.3 Monthly Recurring and Usage Rates	6-141
(A) Premium Rate Application	6-141
(B) Reserved for Future Use	6-143
(C) Reserved for Future Use	6-145
(D) Premium Rate Application for BSEs	6-149
(E) Switched Transport	6-149.1
(F) Local Switching	6-150
(G) DNAL Termination	6-150
(H) DNAL Mileage	6-150
(I) 800 Number Portability Access Service (NPAS)	6-150.1
(J) Multiplexing	6-150.2
(K) Advanced Carrier Identification Service (ACIS)	6-150.2
6.8.4 Determining Chargeable Access Minutes	6-151
(A) Determining Chargeable Access Minutes from Recordings	6-151
(B) Determining Chargeable Access Minutes from Factored Recordings	6-157
(C) Determining Chargeable Access Minutes from Assumed Minutes	6-161
6.8.5 Determining Switched Transport Mileage and Charges	6-163
(A) Determining Switched Transport Mileage	6-163
(B) Determining Switched Transport Mileage Charges	6-165.1
6.8.6 Minimum Period Charges	6-166
6.8.7 Message Unit Credit	6-167
6.8.8 Reserved for Future Use	6-168
6.8.9 Change of Feature Group Type or Basic Service Arrangement	6-169
(A) Change of Feature Group	6-169
(B) Change of Basic Serving Arrangements	6-169.1
(C) Conversion of Existing Feature Group to Basic Serving Arrangements	6-170
6.8.10 Moves	6-171
(A) Moves of the Point of Termination Within the Same Customer Premises	6-171
(B) Moves of Customer Premises	6-174
6.8.11 Application of Rates for Extension Service	6-175
(A) FGA and BSA-A Extensions Within a LATA	6-175
(B) FGA and BSA-A Extension in Different LATAs	6-175
6.8.12 Shared Use <sup>(1)</sup>	6-176 (C)
6.8.13 Application of Rates for FGA Service to Directory Assistance Service	6-177
6.8.14 Non-Access Charges	6-178
6.8.15 Zone Pricing	6-178.10

(1) Effective June 1, 2024, neither new nor existing customers will be permitted to create new Shared Use arrangements. In addition, requests to move, add, or change existing Shared Use arrangements will not be accepted. Shared Use arrangements existing prior to June 1, 2024 are otherwise unaffected by this change.

(N)  
|  
(N)

(This page filed under Transmittal No. 2 )

ACCESS SERVICE

6. Switched Access Service (Cont'd)

6.5 Switched Transport (Cont'd)

6.5.2 Switched Transport Connections (Cont'd)

Each type of connection identifies a specific type of channel (i.e., Voice Grade, DS1 or DS3) which is provided for use with a Switched Access Service. However, such identification does not limit the customer's use of any particular channel to Switched Access Service only. A customer may elect to use some (but not all) of the channels in a Switched Transport facility for the provision of non-switched services as set forth in other sections of this tariff. Such arrangements will be provided as set forth in 6.8.12 (Shared Use<sup>(1)</sup>).

(C)

With one exception, the customer may choose the Switched Transport connection comprising the Switched Transport facility. For the tandem to end office portion of Tandem-Switched Transport, the Telephone Company will determine the type of connection used. For all other requests, the customer may specify the type of connection by specifying an interface group or a network channel code. Interface groups and network channel codes are set forth in 6.7.6 (Interface Groups) and 6.7.7 (DNAL Network Channel Interfaces).

Each channel in a Switched Transport connection can be used to provide a transmission path. The following types of connections are available for all Switched Transport facilities.

(1) Effective June 1, 2024, neither new nor existing customers will be permitted to create new Shared Use arrangements. In addition, requests to move, add, or change existing Shared Use arrangements will not be accepted. Shared Use arrangements existing prior to June 1, 2024 are otherwise unaffected by this change.

(N)

(N)

(This page filed under Transmittal No. 2 )

ACCESS SERVICE

6. Switched Access Service (Cont'd)

6.8 Rate Regulations (Cont'd)

6.8.10 Moves (Cont'd)

(A) Service Facility Move (SFM) (Cont'd)

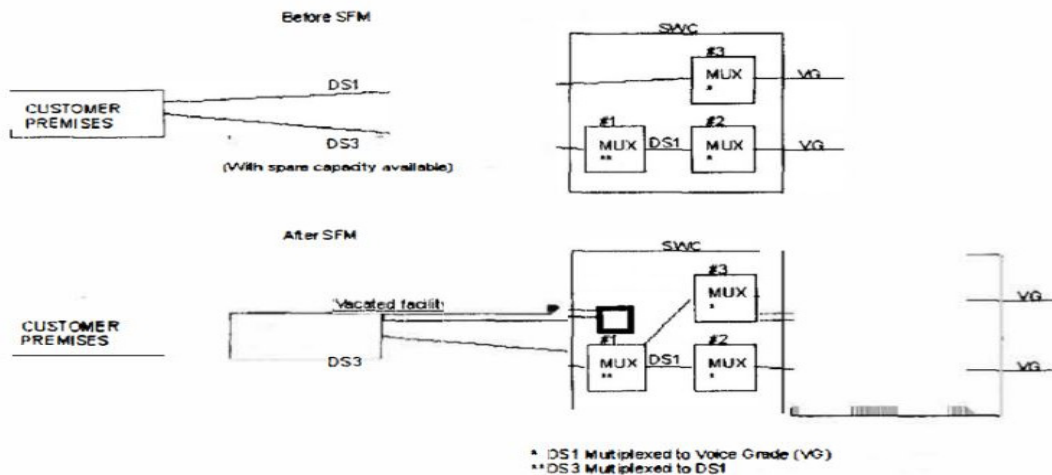
SFMs may be requested on Entrance Facilities and Direct-Trunked Transport facilities (between the serving wire center and the access tandem) and may include the move of analog to digital facilities or digital to digital facilities. In addition, an SFM may include services moving from:

- a Switched Transport facility to another Switched Transport facility (i.e., switched to switched)
- a Switched Transport facility to a Special Access High Capacity or MegaLink Custom facility (i.e., switched to shared use<sup>(1)</sup>)
- a Special Access or MegaLink Custom facility to a Switched Transport facility (i.e., special to shared use<sup>(1)</sup>). (C)

For switched to switched SFMs and switched to shared use<sup>(1)</sup> SFMs, nonrecurring charges will apply as set forth in 6.9.2(F) following. For special to shared use<sup>(1)</sup> SFMs, nonrecurring charges will apply as set forth in 7.2.7 (Moves) or 20.4.2 (Nonrecurring Charges for Moves). (C)

The following diagrams show four examples of SFMs.

Example 1: SFM - Entrance Facility (same premises)



Rates contained in this transmittal are subject to subsequent adjustment, effective retrospectively back to the transmittal's original effective date, in the event the Commission or a court subsequently authorizes SWBT to correct its rates to allow it to calculate its price cap formulas to exclude USF contributions from the operation of the X-factor, or in the event of any other adjustment pursuant to an order of the Commission or a court.

- (1) Effective June 1, 2024, neither new nor existing customers will be permitted to create new Shared Use arrangements. In addition, requests to move, add, or change existing Shared Use arrangements will not be accepted. Shared Use arrangements existing prior to June 1, 2024 are otherwise unaffected by this change.

(N)  
 |  
 (N)

(This page filed under Transmittal No. 2 )

## ACCESS SERVICE

6. Switched Access Service (Cont'd)6.8 Rate Regulations (Cont'd)6.8.12 Shared Use<sup>(2)</sup>

(C)

Shared use is the provision of Switched Access and Special Access services over the same transmission path through the use of a common interface. The following Switched Access and Special Access Services are available for providing shared use facilities:

- Switched Access Services (DS1- and DS3-level Switched Access)
- Special Access High Capacity Service
- Self-Healing Transport Network (STN)
- MegaLink Custom Service
- Common Channel Signaling/Signaling System 7 (CCS/SS7) Interconnection Service
- <sup>(1)</sup>
- <sup>(1)</sup>

Regulations for shared use facilities are set forth in 6.8.12 (Shared Use), 7.2 (Rate Regulations), 19.3 (Rate Regulations), 20.4 (Rate Regulations) and 23.3 (Rate Regulations). <sup>(1)</sup> Ordering provisions for shared use facilities are set forth in 5.2.5 (Shared Use).

Existing Switched Access transport facilities can be converted to shared use facilities by activating a portion of available capacity for Special Access. Services provided over a shared use facility are ordered, provided and rated either as Switched Access (i.e., Entrance Facility, Direct-Trunked Transport, Tandem-Switched Transport and Multiplexing) or as Special Access (i.e., Channel Termination, Channel Mileage and Multiplexing) as set forth following:

- (A) On shared use facilities, the customer for the Switched Access Service may be different from the customer for the Special Access Service. When the Switched Access Customer is not the same as the Special Access Customer, all Special Access charges and Switched Transport charges (including Switched Transport features charges) will be billed to the customer who initially ordered the facility. All other Switched Access charges will be separately billed to the customer who ordered the Switched Access Service.

<sup>(1)</sup> Material in this Section has been de-tariffed as required by the Commission upon use of the forbearance relief pursuant to FCC Memorandum Opinion and Order No. 07-180, released October 12, 2007. Terms and Conditions associated with de-tariffed services are available at [www.att.com/guidebook](http://www.att.com/guidebook).

<sup>(2)</sup> Effective June 1, 2024, neither new nor existing customers will be permitted to create new Shared Use arrangements. In addition, requests to move, add, or change existing Shared Use arrangements will not be accepted. Shared Use arrangements existing prior to June 1, 2024 are otherwise unaffected by this change.

(N)  
|  
(N)

(This page filed under Transmittal No. 2 )

## ACCESS SERVICE

6. Switched Access Service (Cont'd)6.8 Rate Regulations (Cont'd)6.8.12 Shared Use<sup>(1)</sup> (Cont'd)

(C)

- (B) When an existing Switched Access transport facility is converted to a shared use facility by using an available portion of the capacity for Special Access Service, the applicable nonrecurring charges (including the Access Order Charge) will be the nonrecurring charges associated with the Special Access service being ordered.
- (C) The customer must place an order for each individual Switched or Special Access service utilizing the shared use facility and must also specify the channel assignment for each service.
- (D) All channels within a shared use facility will be rated and billed as set forth in (1) through (6) following:
- (1) When a DS1 facility is ordered and provisioned as Switched Access, all channels, including spares, will be rated and billed as Switched Access until such time as the DS1 facility becomes shared use.
  - (2) When a DS1 facility is ordered and provisioned as a Special Access High Capacity Service, all channels, including spares, will be rated and billed as Special Access.
  - (3) Once a DS1 facility, ordered as either Switched or Special Access, becomes shared use, all spare channels on the DS1 facility will be rated and billed as Special Access.
  - (4) On a DS3 shared use facility, ordered either as Switched Access or Megalink Custom Service, the Switched Access channels on the DS3 facility must equal the cumulative value of the channels (both active and spare) counted as Switched Access on each DS1 facility.

For example, a Switched Access DS1 facility, which contains 20 active and 4 spare channels, is activated on a shared use DS3 facility. The DS1 facility is considered pure switched access and the shared use DS3 facility is prorated by 24 switched channels, i.e., 24/672.

- (1) Effective June 1, 2024, neither new nor existing customers will be permitted to create new Shared Use arrangements. In addition, requests to move, add, or change existing Shared Use arrangements will not be accepted. Shared Use arrangements existing prior to June 1, 2024 are otherwise unaffected by this change.

(N)  
|  
(N)

(This page filed under Transmittal No. 2 )

Issued: May 17, 2024

Effective: June 1, 2024

Four AT&amp;T Plaza, Dallas, Texas 75202



## ACCESS SERVICE

6. Switched Access Service (Cont'd)6.8 Rate Regulations (Cont'd)6.8.12 Shared Use<sup>(2)</sup> (Cont'd)

(C)

(D) (Cont'd)

(4) (Cont'd)

Subsequently, 6 of the switched channels from the Switched Access DS1 facility are disconnected and become spare. Since the DS1 facility is still considered pure switched, the shared use DS3 facility will continue to be prorated by 24 switched channels, i.e., 24/672.

If, at a later date, the Switched Access DS1 facility becomes shared use by the addition of 6 Special Access channels, the DS1 spare channels will then default to Special Access. The DS3 facility will be prorated by 14/672 to reflect the new switched channel value on the shared use DS1, i.e., 14 active switched, 6 active special and 4 spare.

If multiplexing were associated with the shared use facility, the monthly recurring rate for the multiplexer would be prorated in the same manner as the Entrance Facility and Channel Termination.

(5) Channels being used in conjunction with CCS/SS7 Interconnection Service are included in the channel counts for Switched Access.

(6) While Shared Use of SONET facilities<sup>(1)</sup> for Switched Access Transport is permitted, the SONET Special Access facilities continue to be rated as Special Access.

(E) Customers requesting SFM of shared use facilities will be assessed nonrecurring charges as specified in 6.8.10 (Moves), 7.2.7 (Moves), 19.3.7 (Moves), 20.4.12 (Moves) and 23.3.6 (Moves) with the nonrecurring charges being prorated as set forth in (D) (1) through (D) (5) preceding.

<sup>(1)</sup> Material in this Section has been de-tariffed as required by the Commission upon use of the forbearance relief pursuant to FCC Memorandum Opinion and Order No. 07-180, released October 12, 2007. Terms and Conditions associated with de-tariffed services are available at [www.att.com/guidebook](http://www.att.com/guidebook).

<sup>(2)</sup> Effective June 1, 2024, neither new nor existing customers will be permitted to create new Shared Use arrangements. In addition, requests to move, add, or change existing Shared Use arrangements will not be accepted. Shared Use arrangements existing prior to June 1, 2024 are otherwise unaffected by this change.

(N)  
|  
(N)

(This page filed under Transmittal No. 2 )

Issued: May 17, 2024

Effective: June 1, 2024

Four AT&amp;T Plaza, Dallas, Texas 75202

## ACCESS SERVICE

	<u>Page</u>	
7.		Special Access Service (Cont'd)
7.2		Rate Regulations (Cont'd)
7.2.5	7-35	Surcharge for Special Access Service
	7-35	(A) General Description
	7-35	(B) Exemption Certification
	7-38	(C) Surcharge Credits
	7-38	(D) Surcharge Billing
7.2.6	7-39	Mileage Measurement
7.2.7	7-40	Moves
	7-40	(A) Service Facility Move (SFM)
	7-40	(B) Moves of the Point of Termination Within the Same Customer Premises
	7-42	(C) Moves of a Customer Premises
7.2.8	7-43	Minimum Periods
7.2.9	7-44	Facility Hubs
7.2.10	7-46	Shared Use <sup>(2)</sup>
7.2.11	7-48	WATS Access Lines
7.2.12	7-50	Two-Point Service
7.2.13	7-51	Multipoint Service
7.2.14	7-53	Multiplexed Service
7.2.15	7-54	Alternate Use
7.2.16	7-55	Customized Channels
7.2.17	7-56	Message Station Equipment Recovery Charge
7.2.18	7-57	Service to Service Through Connect Arrangements
7.2.19	7-58	Optional Payment Plan
	7-58	(A) General Description
	7-59	(B) Services Available Under Optional Payment Plan
	7-60	(C) Terms and Conditions
	7-63	(D) Rate Applications
	7-65	(E) Optional Payment Plans
7.2.20	7-65.1	High Capacity Term Pricing Plan (HC-TPP)
	7-65.1	(A) General Description
	7-65.1	(B) Services Available Under HC-TPP
	7-65.2	(C) Terms and Conditions
	7-65.7	(D) Rate Applications
	7-65.8	(E) Conversion from High Capacity OPP to HCC-TPP
7.2.21		
7.2.22		
7.2.23	7-68.3	Video Pricing Plan (VPP) <sup>(1)</sup>
	7-68.3	(A) General Description
	7-68.3	(B) Services Available under VPP
	7-68.3	(C) Terms and Conditions
	7-68.4	(D) Rate Applications

(1) This offering is obsolete and limited to existing customers at existing locations as of May 15, 1997.

(2) Effective June 1, 2024, neither new nor existing customers will be permitted to create new Shared Use arrangements. In addition, requests to move, add, or change existing Shared Use arrangements will not be accepted. Shared Use arrangements existing prior to June 1, 2024 are otherwise unaffected by this change.

(N)  
|  
(N)

(This page filed under Transmittal No. 2 )

## ACCESS SERVICE

7. Special Access Service (Cont'd)7.2 Rate Regulations (Cont'd)7.2.10 Shared Use<sup>(1)</sup>

(C)

Shared use is the provision of Switched Access and Special Access High Capacity services over the same transmission path through the use of a common interface.

Regulations for shared use facilities are set forth in 6.8.12 (Shared Use), 7.2 (Rate Regulations), 19.3 (Rate Regulations), 20.4 (Rate Regulations), 23.3 (Rate Regulations), 29.3 (Rate Regulations) and 30.3 (Rate Regulations). Ordering provisions for shared use facilities are set forth in 5.2.5 (Shared Use).

Existing Special Access High Capacity Service facilities can be converted to shared use facilities by activating a portion of available capacity for Switched Access. Services provided over a shared use facility are ordered, provided and rated either as Switched Access (i.e., Entrance Facility, Direct-Trunked Transport, Tandem-Switched Transport and Multiplexing) or as Special Access (i.e., Channel Termination, Channel Mileage and Multiplexing) as set forth following:

- (A) On shared use facilities, the customer for the Switched Access Service may be different from the customer for the Special Access Service. When the Switched Access Customer is not the same as the Special Access Customer, all Special Access charges and Switched Transport charges (including Switched Transport features charges) will be billed to the customer who initially ordered the facility. All other Switched Access charges will be separately billed to the customer who ordered the Switched Access Service.
- (B) When an existing Special Access High Capacity Service facility is converted to a shared use facility by using an available portion of the capacity for Switched Access Service, the applicable nonrecurring charges (including the Access Order Charge) will be the nonrecurring charges associated with the Switched Access service being ordered.

(1) Effective June 1, 2024, neither new nor existing customers will be permitted to create new Shared Use arrangements. In addition, requests to move, add, or change existing Shared Use arrangements will not be accepted. Shared Use arrangements existing prior to June 1, 2024 are otherwise unaffected by this change.

(N)  
|  
(N)

(This page filed under Transmittal No. 2 )

Issued: May 17, 2024

Effective: June 1, 2024

Four AT&amp;T Plaza, Dallas, Texas 75202

## ACCESS SERVICE

7. Special Access Service (Cont'd)7.2 Rate Regulations (Cont'd)7.2.10 Shared Use<sup>(1)</sup> (Cont'd)

(C)

(C) The customer must place an order for each individual Switched or Special Access service utilizing the shared use facility and must also specify the channel assignment for each service.

(D) All channels within a shared use facility will be rated and billed as set forth in (1) through (6) following:

- (1) When a DS1 facility is ordered and provisioned as Switched Access, all channels, including spares, will be rated and billed as Switched Access until such time as the DS1 facility becomes shared use.
- (2) When a DS1 facility is ordered and provisioned as a Special Access High Capacity Service, all channels, including spares, will be rated and billed as Special Access until such time as the DS1 facility becomes shared use.
- (3) Once a DS1 facility, ordered as either Switched or Special Access, becomes shared use, all spare channels on the DS1 facility will be rated and billed as Special Access.
- (4) On a DS3 shared use facility, ordered either as Switched Access or Megalink Custom Service, the Switched Access channels on the DS3 facility must equal the cumulative value of the channels (both active and spare) counted as Switched Access on each DS1 facility.

For example, a Switched Access DS1 facility, which contains 20 active and 4 spare channels, is activated on a shared use DS3 facility. The DS1 facility is considered pure switched access and the shared use DS3 facility is prorated by 24 switched channels, i.e., 24/672.

Subsequently, 6 of the switched channels from the Switched Access DS1 facility are disconnected and become spare. Since the DS1 facility is still considered pure switched, the shared use DS3 facility will continue to be prorated by 24 switched channels, i.e., 24/672.

- (1) Effective June 1, 2024, neither new nor existing customers will be permitted to create new Shared Use arrangements. In addition, requests to move, add, or change existing Shared Use arrangements will not be accepted. Shared Use arrangements existing prior to June 1, 2024 are otherwise unaffected by this change.

(N)

(N)

(This page filed under Transmittal No. 2 )

Issued: May 17, 2024

Effective: June 1, 2024

Four AT&amp;T Plaza, Dallas, Texas 75202

## ACCESS SERVICE

7. Special Access Service (Cont'd)7.2 Rate Regulations (Cont'd)7.2.10 Shared Use<sup>(2)</sup> (Cont'd)

(C)

(D) (Cont'd)

(4) (Cont'd)

If, at a later date, the Switched Access DS1 facility becomes shared use by the addition of 6 Special Access channels, the DS1 spare channels will then default to Special Access. The DS3 facility will be prorated by 14/672 to reflect the new switched channel value on the shared use DS1, i.e., 14 active switched, 6 active special and 4 spare.

If multiplexing were associated with the shared use facility, the monthly recurring rate for the multiplexer would be prorated in the same manner as the Entrance Facility and Channel Termination.

(5) Channels being used in conjunction with CCS/SS7 Interconnection Service are included in the channel counts for Switched Access.

(6) While Shared Use of SONET facilities <sup>(1)</sup> for Switched Access Transport is permitted, the SONET Special Access facilities continue to be rated as Special Access.

(E) Customers requesting Service Facility Moves (SFM) of shared use facilities will be assessed nonrecurring charges as specified in 6.8.10 (Moves), 7.2.7 (Moves), 19.3.7 (Moves), 20.4.12 (Moves) and 23.3.6 (Moves) with the nonrecurring charges being prorated as set forth in (D) (1) through (D) (5) preceding.

(F) When Special Access High Capacity Service is provided utilizing a channel of a shared use facility to a hub, High Capacity rates will apply for the facility to the hub as set forth preceding and individual service rates will apply from the hub to the customer designated premises. The rates that will apply to the portion from the hub to the customer designated premises will be dependent on the specific type of Special Access Service that is provided (e.g., Voice Grade, Telegraph, etc.). The applicable rates will include a Channel Termination rate and Channel Mileage rates, if applicable. Rates for optional features, BSEs and functions, if any, associated with the service will apply as set forth in 7.3 (Service Descriptions, Rates and Charges).

<sup>(1)</sup> Material in this Section has been de-tariffed as required by the Commission upon use of the forbearance relief pursuant to FCC Memorandum Opinion and Order No. 07-180, released October 12, 2007. Terms and Conditions associated with de-tariffed services are available at [www.att.com/guidebook](http://www.att.com/guidebook).

<sup>(2)</sup> Effective June 1, 2024, neither new nor existing customers will be permitted to create new Shared Use arrangements. In addition, requests to move, add, or change existing Shared Use arrangements will not be accepted. Shared Use arrangements existing prior to June 1, 2024 are otherwise unaffected by this change.

(N)

(N)

(This page filed under Transmittal No. 2 )

ACCESS SERVICE

10. Federal Government Specialized Services or Arrangements (Cont'd)

10.3 Service Descriptions (Cont'd)

10.3.7 SBC Federal Access Solutions Transport (FAST) Program  
(Cont'd)

(C) Limitations

- (1) For Services ordered under SBC FAST Program, The following charges will be waived:
  - (a) DS1 Channel Termination Nonrecurring Charge
  - (b) DS3 Channel Termination Nonrecurring Charge
  - (c) DS3 and DS1 Multiplexing Installation Charge

However, the nonrecurring charges will apply pursuant to the DS1 or DS3 moves, Section 10.3.7.(D)(5) following.
- (2) All other nonrecurring Charges will apply including the Access Order Charge.
- (3) When a rate element is ordered under the SBC FAST Program, that rate element may not be used for non-SBC FAST Program services. Rate elements not included in this plan as specified in rate Section 10.5.8 are not available under SBC FAST Program and must be purchased from the appropriate tariff section.
- (4) Lower speed non-SBC FAST services may occupy a channel of a SBC FAST Program DS1 service as long as the lower speed service is being provided to a SBC FAST Program eligible customer.
- (5) During the term of the selected SBC FAST Program, Telephone Company initiated recurring charges (increases or decreases) will automatically be applied to the monthly charges for the remaining months of the current SBC FAST Program term.
- (6) The monthly recurring rate during the SBC FAST Program term will never exceed the rate in effect at the beginning of the customers SBC FAST Program term.
- (7) The SBC FAST Program cannot be combined with any other tariffed services, discounts, or pricing flexibility contracts, unless explicitly stated in the respective tariff terms and conditions.
- (8) Services receiving term discounts under this plan are excluded from any application of Shared Use<sup>(1)</sup> provisions in Section 7.2.10 preceding. (C)

(1) Effective June 1, 2024, neither new nor existing customers will be permitted to create new Shared Use arrangements. In addition, requests to move, add, or change existing Shared Use arrangements will not be accepted. Shared Use arrangements existing prior to June 1, 2024 are otherwise unaffected by this change.

(N)  
|  
(N)

(This page filed under Transmittal No. 2 )

	<u>Page</u>	
19. Self-healing Transport Network	19-2	
19.1 General Description	19-3	
19.2 Service Provisioning	19-7	
19.2.1 Testing	19-7	
19.2.2 Design Layout Report	19-8	
19.2.3 Special Construction	19-8	
19.3 Rate Regulations	19-9	
19.3.1 Rate Categories	19-9	
19.3.2 Nonrecurring Charges	19-13	
19.3.3 Monthly Recurring Rates	19-16	
19.3.4 Determining Transport Mileage	19-19	
19.3.5 STN Minimum Period	19-20	
19.3.6 Recast of Minimum Period	19-21	
19.3.7 Moves	19-22	
19.3.8 Additions of Service	19-23	
19.3.9 Optional Renewal Periods	19-25	
19.3.10 Upgrades	19-25.1	
19.3.11 Shared Use <sup>(1)</sup>	19-26	(C)
19.3.12 Assignment Control	19-29	
19.3.13 Special Access Surcharge	19-30	
19.3.14 Message Station Equipment Recovery Charge	19-31	
19.3.15 Termination Options	19-32	
19.3.16 Transitioning from Other Access Services to STN	19-36.2	
19.3.17 DTL Portability	19-36.3	
19.4 Rates and Charges	19-37	
Rates Effective 04/30/91	19-42	
Rates Effective 07/01/92	19-47.1	
Rates Effective 03/15/93	19-57	
Rates Effective 08/30/93	19-67	
Rates Effective 09/13/93	19-77	
Rates Effective 07/01/94	19-88	
Rates Effective 08/02/94	19-103	
Rates Effective 08/01/95	19-118	
Rates Effective 10/13/95	19-132	
Rates Effective 03/01/96	19-146	
Rates Effective 07/01/96	19-161	
Rates Effective 07/01/97	19-176	
Rates Effective 07/01/98	19-191	
Rates Effective 07/01/99	19-221	

x Issued under authority of Special Permission No. 02-112 of the F.C.C. in order to restore currently effective provisions and to withdraw material filed under Transmittal No. 2908 without becoming effective.

- (1) Effective June 1, 2024, neither new nor existing customers will be permitted to create new Shared Use arrangements. In addition, requests to move, add, or change existing Shared Use arrangements will not be accepted. Shared Use arrangements existing prior to June 1, 2024 are otherwise unaffected by this change.

(N)  
|  
(N)

(This page filed under Transmittal No. 2 )

## ACCESS SERVICE

19. Self-healing Transport Network<sup>(1)</sup> (Cont'd)19.3 Rate Regulations (Cont'd)19.3.11 Shared Use<sup>(2)</sup>

(C)

Shared Use is the provision of Switched Access over STN. The service will be ordered, provided and rated as STN; the nonrecurring charge(s) for STN will apply at the time of installation. Rating as STN will continue until such time as, at the election of the STN customer, a portion of the available STN capacity is used to provide Switched Access Service. In these cases the STN customer and the Switched Access Service customer may be different. When the STN customer is not the same as the Switched Access customer, all STN charges and Switched Transport charges (including Switched Transport features charges) will be billed to the customer who initially ordered the STN service. All other Switched Access charges will be separately billed to the customer who initially ordered the Switched Access service.

As each individual voice grade equivalent channel is activated for Switched Access, STN monthly charges for Basic Configuration, Additional Access Nodes, Additional DTLs, Transport, Multiplexers and Sonet-based Interface Options will be reduced as described below. The customer must place an order for each individual Switched Access Service utilizing the Shared Use facilities and specify the appropriate channel assignment. While the customer may designate any percentage of STN for Shared Use, credit will only be applied up to 50% of the voice grade equivalent capacity provided in conjunction with the STN.

Following are two examples of how Shared Use will apply to STN. Both examples assume the same basic network and associated charges:

1 Basic Configuration (DTL Volume Option 3)	\$12,745.00
2 Additional Access Nodes	\$7,994.00
2 Additional DTLs (Basic Configuration)	\$8,496.00
2 Additional DTLs (Additional Access Nodes)	\$5,328.00
5 Multiplexers	\$4,687.50
Transport (20 Miles)	\$3,420.00
	<u>                    </u>
TOTAL	\$42,670.50

<sup>(1)</sup> The Company currently plans to discontinue this Service on or after October 15, 2022. (Ref: WC Docket Nos. 09-185 and 11-179)

<sup>(2)</sup> Effective June 1, 2024, neither new nor existing customers will be permitted to create new Shared Use arrangements. In addition, requests to move, add, or change existing Shared Use arrangements will not be accepted. Shared Use arrangements existing prior to June 1, 2024 are otherwise unaffected by this change.

(N)

(N)

(This page filed under Transmittal No. 2 )

Issued: May 17, 2024

Effective: June 1, 2024

Four AT&amp;T Plaza, Dallas, Texas 75202



## ACCESS SERVICE

19. Self-healing Transport Network<sup>(1)</sup> (Cont'd)19.3 Rate Regulations (Cont'd)19.3.11 Shared Use<sup>(2)</sup> (Cont'd)

(C)

EXAMPLE 1:

The customer designates 150 STN voice grade equivalent channels for use as Switched Access transport. Since the number of Switched Access channels is less than 50% of the total voice grade equivalent capacity for STN, full Shared Use credit will apply and is calculated via the following formula:

$$\frac{150}{3,360} \times \$42,670.50 = \$1,904.93$$

Total monthly billing for STN in this example would be calculated as follows:

$$\$42,670.50 - \$1,904.93 = \$40,765.57$$

<sup>(1)</sup> The Company currently plans to discontinue this Service on or after October 15, 2022. (Ref: WC Docket Nos. 09-185 and 11-179)

<sup>(2)</sup> Effective June 1, 2024, neither new nor existing customers will be permitted to create new Shared Use arrangements. In addition, requests to move, add, or change existing Shared Use arrangements will not be accepted. Shared Use arrangements existing prior to June 1, 2024 are otherwise unaffected by this change.

(N)

(N)

(This page filed under Transmittal No. 2 )

---

Issued: May 17, 2024

Effective: June 1, 2024

Four AT&T Plaza, Dallas, Texas 75202

## ACCESS SERVICE

19. Self-healing Transport Network<sup>(1)</sup> (Cont'd)19.3 Rate Regulations (Cont'd)19.3.11 Shared Use<sup>(2)</sup> (Cont'd)

(C)

EXAMPLE 2:

The customer designates 1,700 STN voice grade equivalent channels for use with Switched Access. Because the number of requested channels in this case exceeds 50% of the total voice grade equivalent capacity for this example, the applicable credit is calculated as follows:

$$\frac{1,680}{3,360} \times \$42,670.50 = \$21,335.25$$

Total billing for STN in this example would be calculated as follows:

$$\$42,670.50 - \$21,335.25 = \$21,335.25$$

Switched Access Service rates and charges as set forth in Section 6.9 (Rates and Charges) preceding will apply for each channel of the Shared Use facility that is used to provide Switched Access Service.

<sup>(1)</sup> The Company currently plans to discontinue this Service on or after October 15, 2022. (Ref: WC Docket Nos. 09-185 and 11-179)

<sup>(2)</sup> Effective June 1, 2024, neither new nor existing customers will be permitted to create new Shared Use arrangements. In addition, requests to move, add, or change existing Shared Use arrangements will not be accepted. Shared Use arrangements existing prior to June 1, 2024 are otherwise unaffected by this change.

(N)  
|  
(N)

(This page filed under Transmittal No. 2 )

Issued: May 17, 2024

Effective: June 1, 2024

Four AT&amp;T Plaza, Dallas, Texas 75202

## ACCESS SERVICE

	<u>Page</u>	
20. MegaLink Custom Services (Cont'd)		
20.4 Rate Regulations (Cont'd)		
20.4.3 Monthly Recurring Rates	20-25	
(A) Monthly Recurring Rates for Channel Termination	20-25	
(B) Monthly Recurring Rates for Interoffice Mileage	20-27	
(C) Monthly Recurring Rates for Optional Features, BSEs and Functions	20-29	
20.4.4 Billing Period	20-30	
20.4.5 Minimum Service Periods	20-31	
20.4.6 Termination Charges	20-32	
20.4.7 Determining Interoffice Mileage	20-34	
20.4.8 Ordering Options and Conditions	20-35	
20.4.9 Special Access Surcharge	20-35	
20.4.10 Message Station Equipment Recovery Charge	20-35	
20.4.11 Shared Use <sup>(1)</sup>	20-36	(C)
20.4.12 Moves	20-37	
(A) Service Facility Move (SFM)	20-37	
(B) Moving the Point of Termination Within the Same Customer Premises	20-38.1	
(C) Moving Customer Premises	20-38.1	
20.4.13 Modification of Service	20-39	
20.4.14 Relocation of a DS3 to DS1 Multiplexer	20-40	
20.4.15 Service Extension	20-41	
20.4.16 Facility Hubs	20-41	
20.4.17 Connecting Facility Assignment Credits	20-41.1	
20.4.18 Temp-DS3 Service	20-41.4	
20.5 Rates and Charges	20-42	
20.5.1 Channel Termination - Electrical (All Zones)	20-42	
20.5.2 Channel Termination - Optical (All Zones)	20-47.2	
20.5.3 Interoffice Mileage - Fixed (All Zones)	20-47.7	
20.5.4 Interoffice Mileage - Per Mile (All Zones)	20-47.13	
20.5.5 Installation Charge (All Zones)	20-47.21	

(1) Effective June 1, 2024, neither new nor existing customers will be permitted to create new Shared Use arrangements. In addition, requests to move, add, or change existing Shared Use arrangements will not be accepted. Shared Use arrangements existing prior to June 1, 2024 are otherwise unaffected by this change.

(N)  
|  
(N)

(This page filed under Transmittal No. 2 )

ACCESS SERVICE

20. MegaLink Custom Services (Cont'd)

20.4 Rate Regulations (Cont'd)

20.4.6 Termination Charges

In the event service is terminated prior to the expiration of the minimum service period, charges, as specified in Section 20.4.5 (Minimum Service Periods), will apply. Termination charges do not apply to Temp-DS3 service. In the event service is terminated after the minimum service period and prior to the end of the billing period, a termination charge utilizing the following termination percentage will apply:

<u>Billing Period</u>	<u>Termination Percentage</u>
1, 3, 5 or 10 year <sup>(1)(2)(3)(4)</sup>	20%

The termination charge is based on the volume option selected by the customer.

The termination charge is calculated as follows:

$$\text{monthly rate} \times \frac{\text{months remaining in billing period}}{\text{termination percentage}}$$

Example: A customer with a \$5,000 monthly rate terminates service with 10 months remaining in a 3 year billing period. The termination charge would be calculated as follows:

$$\$5,000 \times 10 \times .20 = \$10,000$$

The termination charge would be: \$10,000

If Special Construction applied for the service being terminated, an associated Termination Charge, as set forth in F.C.C. No. 69, Section 2.6.4 (Types of Liabilities and Charges), may apply.

When a MegaLink Custom service, which is billed under the Shared Use<sup>(5)</sup> provision is terminated, <sup>(C)</sup> the termination liability will be based on the full charges as listed in Section 20.5 herein, as opposed to the Shared Use<sup>(5)</sup> billed amount. <sup>(C)</sup>

- (1) Effective October 25, 2014, MegaLink Custom Services 10 year term plans are no longer available for new circuits. There is no change for existing circuits.
- (2) Effective on September 13, 2017, MegaLink Custom Services 5-year Payment Plans are no longer available, including for any otherwise available renewals or conversions. Circuits already subject to a MegaLink Custom Services 5-year Payment Plan, as of September 13, 2017, will continue to be provided under the then-current MegaLink Custom Services 5-year Payment Plan term for the remainder of that term.
- (3) Effective November 1, 2022, DS1 Term Payment Plan 2- and 3-year and MegaLink Custom 3-year Payment Plans (collectively, Term Plan Services), are no longer available, including conversions. Existing Term Plan Services, as of November 1, 2022, will continue to be provided under the then-current terms, for the remainder of the applicable term.
- (4) Effective January 17, 2024, DS1 Term Payment Plan 1-year and MegaLink Custom 1-year Payment Plans (collectively, Term Plan Services) are no longer available, including conversions. Existing Term Plan Services on January 17, 2024, will continue to be provided for the remainder of the then-current terms.
- (5) Effective June 1, 2024, neither new nor existing customers will be permitted to create new Shared Use arrangements. In addition, requests to move, add, or change existing Shared Use arrangements will not be accepted. Shared Use arrangements existing prior to June 1, 2024 are otherwise unaffected by this change. <sup>(N)</sup>

(This page filed under Transmittal No. 2 )

## ACCESS SERVICE

20. MegaLink Custom Services (Cont'd)20.4 Rate Regulations (Cont'd)20.4.11 Shared Use<sup>(1)</sup>

(C)

Shared use is the provision of Switched Access and MegaLink Custom Services over the same transmission path through the use of a common interface. Shared use is only available with MegaLink Custom Services provided from a customer designated premises to a Telephone Company Hub Central Office including Service Extensions provided between two Telephone Company Hub Central Offices.

Regulations for shared use facilities are set forth in 6.8.12 (Shared Use), 7.2 (Rate Regulations), 19.3 (Rate Regulations), 20.4 (Rate Regulations), 23.3 (Rate Regulations), 29.3 (Rate Regulations) and 30.3 (Rate Regulations). Ordering provisions for shared use facilities are set forth in 5.2.5 (Shared Use).

Existing MegaLink Custom facilities can be converted to shared use facilities by activating a portion of available capacity for Switched Access. Services provided over a shared use facilities are ordered, provided and rated either as Switched Access (i.e., Entrance Facility, Direct-Trunked Transport, Tandem-Switched Transport and Multiplexing) or as MegaLink Custom (i.e., Channel Termination, Interoffice Mileage and Multiplexer) as set forth following:

- (A) On shared use facilities, the customer for the Switched Access Service may be different from the customer for the MegaLink Custom Service. When the Switched Access Customer is not the same as the MegaLink Custom customer, all MegaLink Custom charges and Switched Transport charges (including Switched Transport features charges) will be billed to the customer who initially ordered the facility. All other Switched Access charges will be separately billed to the customer who ordered the Switched Access Service.
- (B) When an existing MegaLink Custom facility is converted to a shared use facility by using an available portion of the capacity for Switched Access Service, the applicable nonrecurring charges (including the Access Order Charge) will be the nonrecurring charges associated with the Switched Access service being ordered.

(1) Effective June 1, 2024, neither new nor existing customers will be permitted (N) to create new Shared Use arrangements. In addition, requests to move, add, or change existing Shared Use arrangements will not be accepted. Shared Use arrangements existing prior to June 1, 2024 are otherwise unaffected by this change. (N)

(This page filed under Transmittal No. 2 )

## ACCESS SERVICE

20. MegaLink Custom Services (Cont'd)20.4 Rate Regulations (Cont'd)20.4.11 Shared Use<sup>(1)</sup> (Cont'd)

(C)

- (C) The customer must place an order for each individual Switched Access Service or MegaLink Custom Service utilizing the shared use facility and must also specify the channel assignment for each service.
- (D) All channels within a shared use facility will be rated and billed as set forth in (1) through (5) following:
- (1) When a DS1 facility is ordered and provisioned as Switched Access, all channels, including spares, will be rated and billed as Switched Access until such time as the DS1 facility becomes shared use.
  - (2) When a DS1 facility is ordered and provisioned as a Special Access High Capacity Service, all channels, including spares, will be rated and billed as Special Access until such time as the DS1 facility becomes shared use.
  - (3) Once a DS1 facility, ordered as either Switched or Special Access, becomes shared use, all spare channels on the DS1 facility will be rated and billed as Special Access.
  - (4) On a DS3 shared use facility, ordered either as Switched Access or Megalink Custom Service, the Switched Access channels on the DS3 facility must equal the cumulative value of the channels (both active and spare) counted as Switched Access on each DS1 facility.

For example, a Switched Access DS1 facility, which contains 20 active and 4 spare channels, is activated on a shared use DS3 facility. The DS1 facility is considered pure switched access and the shared use DS3 facility is prorated by 24 switched channels, i.e., 24/672.

- (1) Effective June 1, 2024, neither new nor existing customers will be permitted to create new Shared Use arrangements. In addition, requests to move, add, or change existing Shared Use arrangements will not be accepted. Shared Use arrangements existing prior to June 1, 2024 are otherwise unaffected by this change.

(N)

(This page filed under Transmittal No. 2 )

Issued: May 17, 2024

Effective: June 1, 2024

Four AT&amp;T Plaza, Dallas, Texas 75202

## ACCESS SERVICE

20. MegaLink Custom Services (Cont'd)20.4 Rate Regulations (Cont'd)20.4.11 Shared Use<sup>(1)</sup> (Cont'd)

(C)

(D) (Cont'd)

(4) (Cont'd)

Subsequently, 6 of the switched channels from the Switched Access DS1 facility are disconnected and become spare. Since the DS1 facility is still considered pure switched, the shared use DS3 facility will continue to be prorated by 24 switched channels, i.e., 24/672.

If, at a later date, the Switched Access DS1 facility becomes shared use by the addition of 6 Special Access channels, the DS1 spare channels will then default to Special Access. The DS3 facility will be prorated by 14/672 to reflect the new switched channel value on the shared use DS1, i.e., 14 active switched, 6 active special and 4 spare.

If multiplexing were associated with the shared use facility, the monthly recurring rate for the multiplexer would be prorated in the same manner as the Entrance Facility and Channel Termination.

(5) Channels being used in conjunction with CCS/SS7 Interconnection Service are included in the channel counts for Switched Access.

(E) Customers requesting Service Facility Moves (SFM) of shared use facilities will be assessed nonrecurring charges as specified in 6.8.10 (Moves), 7.2.7 (Moves), 19.3.7 (Moves), 20.4.12 (Moves) and 23.3.6 (Moves) with the nonrecurring charges being prorated as set forth in (D) (1) through (D) (5) preceding.

(1) Effective June 1, 2024, neither new nor existing customers will be permitted to create new Shared Use arrangements. In addition, requests to move, add, or change existing Shared Use arrangements will not be accepted. Shared Use arrangements existing prior to June 1, 2024 are otherwise unaffected by this change.

(N)  
|  
(N)

(This page filed under Transmittal No. 2 )

Issued: May 17, 2024

Effective: June 1, 2024

Four AT&amp;T Plaza, Dallas, Texas 75202

Rejected by the Federal Communications Commission

ACCESS SERVICE

20. MegaLink Custom Services (Cont'd)

20.6 Vintage Services

Vintage services are those MegaLink Custom Services that retain their existing rates in the event the Telephone Company initiates a rate change.

Vintage services retain vintage rates until the existing billing period expires or the service is terminated by the customer. Customer modifications to a vintage service, other than termination, that cause a revised rate or a new billing period will result in the service becoming non-vintage and the regulations, terms, conditions and rates specified in Sections 20.1 through 20.5 will apply. The exception to this restriction will be moves of shared use<sup>(1)</sup> facilities as referenced under 20.6.1(B) (5) (b)1). The Telephone Company will not initiate rate changes to vintage services. (C)

Provided the end points remain the same, a customer can convert from a MegaLink Custom Service Vintage billing period to a MegaLink Custom Service billing period with no liabilities, with the exception of the Access Order Charge as set forth in 5.3.1. No other nonrecurring charges will apply. A new Minimum Service Period must be established on the MegaLink Custom Service billing period. A customer's total Vintage services, with the same rate option, billing period and Billing Account Number (BAN), must be transferred over to MegaLink Custom Service. All terms and conditions will apply as set forth in 20.1 through 20.5.5. Termination charges will not apply provided the end points remain the same.

Issued under the authority of the Bureau's Order, DA95-1847, released August 22, 1995.

(1) Effective June 1, 2024, neither new nor existing customers will be permitted to create new Shared Use arrangements. In addition, requests to move, add, or change existing Shared Use arrangements will not be accepted. Shared Use arrangements existing prior to June 1, 2024 are otherwise unaffected by this change. (N)  
|  
(N)

(This page filed under Transmittal No. 2 )



ACCESS SERVICE

20. MegaLink Custom Services (Cont'd)

20.6 Vintage Services (Cont'd)

20.6.1 Services Established Prior to May 25, 1991 (Cont'd)

(B) Regulations, Terms, Conditions and Rates (Cont'd)

(5) Rate Regulations (Cont'd)

(b) Moves, Service Extensions, Additions, and Extension of Expiration Date

1) Moves

A move involves a change in the physical location of one of the following:

- The Point of Termination of the customer's premises;
- The customer's premises, within the same exchange;
- From one Telephone Company hub to another Telephone Company hub.

The expiration of the new billing period must extend to or beyond the expiration of the original billing period.

The charges are dependent upon the type of move requested by the customer.

A customer may request a move of the Point of Termination of Vintage MegaLink Custom Services (DS3) from one Telephone Company hub to another Telephone Company hub. Facilities and equipment must exist and be available. These moves will be permitted only on shared use<sup>(1)</sup> facilities. Orders will be accepted beginning September 26, 1994. These regulations will be valid until the expiration date of the waiver of nonrecurring charges associated with the restructure of Local Transport as referenced in Section 6.8.2.(D) (9). (C)

(1) Effective June 1, 2024, neither new nor existing customers will be permitted to create new Shared Use arrangements. In addition, requests to move, add, or change existing Shared Use arrangements will not be accepted. Shared Use arrangements existing prior to June 1, 2024 are otherwise unaffected by this change.

(N)  
|  
(N)

(This page filed under Transmittal No. 2 )

## ACCESS SERVICE

	<u>Page</u>
23. <u>Common Channel Signaling/Signaling System 7 (CCS/SS7) Interconnection Service</u>	23-2
23.1 General Description	23-2
23.2 Service Provisioning	23-3
23.2.1 Manner of Provisioning	23-3
23.2.2 Transmission Specifications	23-4
23.2.3 Acceptance Testing	23-4
23.2.4 Network Management	23-5
23.2.5 Provision of Service Performance Data	23-5
23.2.6 Forecast Report	23-6
23.2.7 Consolidation of STPs	23-6
23.3 Rate Regulations	23-7
23.3.1 Rate Categories	23-8
(A) Switched Transport DS1 (1.544 Mbps) Facility	23-8
(B) STP Access Link	23-8
(C) STP Port Termination	23-9
23.3.2 Nonrecurring Charges	23-10
(A) STP Port Termination	23-10
(B) Customer Signaling Point Code	23-10
(C) Service Rearrangement	23-10
23.3.3 Monthly Rates	23-11
(A) STP Access Link	23-11
(B) STP Port Termination	23-11
23.3.4 Determining Mileage and Charges	23-12
23.3.5 Minimum Period	23-12
23.3.6 Moves	23-12
23.3.7 Shared Use <sup>(1)</sup>	23-12.1 (C)
23.4 Rates and Charges	23-13
(A) STP Access Link	23-13
(B) STP Port Termination	23-13
(C) Customer Signaling Point Code	23-13

(1) Effective June 1, 2024, neither new nor existing customers will be permitted to create new Shared Use arrangements. In addition, requests to move, add, or change existing Shared Use arrangements will not be accepted. Shared Use arrangements existing prior to June 1, 2024 are otherwise unaffected by this change.

(N)

(N)

(This page filed under Transmittal No. 2 )

Issued: May 17, 2024

Effective: June 1, 2024

Four AT&amp;T Plaza, Dallas, Texas 75202

## ACCESS SERVICE

23. Common Channel Signaling/Signaling System 7 (CCS/SS7) Interconnection Service (Cont'd)23.3 Rate Regulations (Cont'd)23.3.1 Rate Categories

The following rate elements apply to CCS/SS7 Interconnection Service:

- Switched Transport DS1 (1.544 Mbps) Facility (optional) (described in (A) following),
- STP Access Link (described in (B) following), and
- STP Port Termination (described in (C) following)

(A) Switched Transport DS1 (1.544 Mbps) Facility

The Switched Transport DS1 (1.544 Mbps) facility provides the facilities between the Customer's premises and the Telephone Company designated hub and is composed of a Switched Transport Entrance Facility, Direct-Trunked Transport Facility and a Multiplexing feature. The monthly recurring rates and nonrecurring charges for Switched Transport DS1 (1.544 Mbps) Entrance Facility, Direct-Trunked Transport Facility and Multiplexing feature are those contained in Section 6.9.2. The DS1 capability can optionally be provided per a shared use<sup>(1)</sup> DS1 as specified (C) in Sections 7.2.10 or 20.4.11.

(B) STP Access Link

The STP Access Link rate element provides for the 56 kbps transmission facilities between a Telephone Company designated hub and the Telephone Company interconnecting STP. STP Access Links must be provisioned using a FSPOI if the LATA STP has been removed through consolidation and rehomeing.

STP Access Link is calculated according to mileage band. There are two rates that apply per band, i.e., a fixed monthly rate per mileage band and a monthly rate per mile.

(1) Effective June 1, 2024, neither new nor existing customers will be permitted to create new Shared Use arrangements. In addition, requests to move, add, or change existing Shared Use arrangements will not be accepted. Shared Use arrangements existing prior to June 1, 2024 are otherwise unaffected by this change.

(N)  
|  
(N)

(This page filed under Transmittal No. 2 )

## ACCESS SERVICE

23. Common Channel Signaling/Signaling System 7 (CCS/SS7) Interconnection Service (Cont'd)23.3 Rate Regulations (Cont'd)23.3.7 Shared Use<sup>(1)</sup>

(C)

Shared use is the provision of Switched Access and Special Access services over the same transmission path through the use of a common interface. The following Switched Access and Special Access Services are available for providing shared use facilities:

- Switched Access Services (DS1- and DS3-level Switched Access)
- Special Access High Capacity Service
- Self-Healing Transport Network (STN)
- MegaLink Custom Service
- Common Channel Signaling/Signaling System 7 (CCS/SS7) Interconnection Service
- Dedicated SONET Ring Service
- OC-192 Dedicated SONET Ring Service

Regulations for shared use facilities are set forth in 6.8.12 (Shared Use), 7.2 (Rate Regulations), 19.3 (Rate Regulations), 20.4 (Rate Regulations), 23.3 (Rate Regulations), 29.3 (Rate Regulations) and 30.3 (Rate Regulations). Ordering provisions for shared use facilities are set forth in 5.2.5 (Shared Use).

Existing Switched Access transport facilities can be converted to shared use facilities by activating a portion of available capacity for Special Access. Services provided over a shared use facility are ordered, provided and rated either as Switched Access (i.e., Entrance Facility, Direct-Trunked Transport, Tandem-Switched Transport and Multiplexing) or as Special Access (i.e., Channel Termination, Channel Mileage and Multiplexing) as set forth following:

- (A) On shared use facilities, the customer for the Switched Access Service may be different from the customer for the Special Access Service. When the Switched Access Customer is not the same as the Special Access Customer, all Special Access charges and Switched Transport charges (including Switched Transport features charges) will be billed to the customer who initially ordered the facility. All other Switched Access charges will be separately billed to the customer who ordered the Switched Access Service.

(1) Effective June 1, 2024, neither new nor existing customers will be permitted to create new Shared Use arrangements. In addition, requests to move, add, or change existing Shared Use arrangements will not be accepted. Shared Use arrangements existing prior to June 1, 2024 are otherwise unaffected by this change.

(N)

(N)

(This page filed under Transmittal No. 2 )

## ACCESS SERVICE

23. Common Channel Signaling/Signaling System 7 (CCS/SS7) Interconnection Service (Cont'd)23.3 Rate Regulations (Cont'd)23.3.7 Shared Use<sup>(1)</sup> (Cont'd)

(C)

- (B) When an existing Switched Access transport facility is converted to a shared use facility by using an available portion of the capacity for Special Access Service, the applicable nonrecurring charges (including the Access Order Charge) will be the nonrecurring charges associated with the Special Access service being ordered.
- (C) The customer must place an order for each individual Switched or Special Access service utilizing the shared use facility and must also specify the channel assignment for each service.
- (D) All channels within a shared use facility will be rated and billed as set forth in (1) through (5) following:
- (1) When a DS1 facility is ordered and provisioned as Switched Access, all channels, including spares, will be rated and billed as Switched Access until such time as the DS1 facility becomes shared use.
  - (2) When a DS1 facility is ordered and provisioned as a Special Access High Capacity Service, all channels, including spares, will be rated and billed as Special Access until such time as the DS1 facility becomes shared use.
  - (3) Once a DS1 facility, ordered as either Switched or Special Access, becomes shared use, all spare channels on the DS1 facility will be rated and billed as Special Access.
  - (4) On a DS3 shared use facility, ordered either as Switched Access or Megalink Custom Service, the Switched Access channels on the DS3 facility must equal the cumulative value of the channels (both active and spare) counted as Switched Access on each DS1 facility.

- (1) Effective June 1, 2024, neither new nor existing customers will be permitted to create new Shared Use arrangements. In addition, requests to move, add, or change existing Shared Use arrangements will not be accepted. Shared Use arrangements existing prior to June 1, 2024 are otherwise unaffected by this change.

(N)

(N)

(This page filed under Transmittal No. 2 )

Issued: May 17, 2024

Effective: June 1, 2024

Four AT&amp;T Plaza, Dallas, Texas 75202

## ACCESS SERVICE

23. Common Channel Signaling/Signaling System 7 (CCS/SS7) Interconnection Service (Cont'd)23.3 Rate Regulations (Cont'd)23.3.7 Shared Use<sup>(1)</sup> (Cont'd) (C)

(D) (Cont'd)

(4) (Cont'd)

For example, a Switched Access DS1 facility, which contains 20 active and 4 spare channels, is activated on a shared use DS3 facility. The DS1 facility is considered pure switched access and the shared use DS3 facility is prorated by 24 switched channels, i.e., 24/672.

Subsequently, 6 of the switched channels from the Switched Access DS1 facility are disconnected and become spare. Since the DS1 facility is still considered pure switched, the shared use DS3 facility will continue to be prorated by 24 switched channels, i.e., 24/672.

If, at a later date, the Switched Access DS1 facility becomes shared use by the addition of 6 Special Access channels, the DS1 spare channels will then default to Special Access. The DS3 facility will be prorated by 14/672 to reflect the new switched channel value on the shared use DS1, i.e., 14 active switched, 6 active special and 4 spare.

(5) Channels being used in conjunction with CCS/SS7 Interconnection Service are included in the channel counts for Switched Access.

(E) Customers requesting Service Facility Move (SFM) of shared use facilities will be assessed nonrecurring charges as specified in 6.8.10 (Moves), 7.2.7 (Moves), 19.3.7 (Moves), 20.4.12 (Moves) and 23.3.6 (Moves) with the nonrecurring charges being prorated as set forth in (D) (1) through (D) (5) preceding.

(1) Effective June 1, 2024, neither new nor existing customers will be permitted to create new Shared Use arrangements. In addition, requests to move, add, or change existing Shared Use arrangements will not be accepted. Shared Use arrangements existing prior to June 1, 2024 are otherwise unaffected by this change.

(N)  
|  
(N)

(This page filed under Transmittal No. 2 )

Issued: May 17, 2024

Effective: June 1, 2024

Four AT&amp;T Plaza, Dallas, Texas 75202

ACCESS SERVICE

23. Common Channel Signaling/Signaling System 7 (CCS/SS7) Interconnection Service (Cont'd)

23.3 Rate Regulations (Cont'd)

23.3.7 Shared Use<sup>(1)</sup> (Cont'd)

(C)

(F) Outbound Messaging Application - Customer Obligations

- (1) Outbound Messaging Application Customer is responsible for the delivery of signaling messages associated with Message Waiting from a Customer Designated Message Waiting Service (e.g. Voice Mail Provider) using Alternate Network Delivery (AND) to the Telephone Company's SS7 signaling network.
- (2) Outbound Messaging Application Customer is responsible for the connectivity of the Customer Designated Message Waiting Service (e.g. Voice Mail Provider) to AND for use with Outbound Messaging Application.
- (3) Outbound Messaging Application Customer is responsible for ensuring the accuracy and timeliness of Message Waiting signals sent from the Customer's Designated Message Waiting Service (e.g. Voice Mail Provider).

(1) Effective June 1, 2024, neither new nor existing customers will be permitted to create new Shared Use arrangements. In addition, requests to move, add, or change existing Shared Use arrangements will not be accepted. Shared Use arrangements existing prior to June 1, 2024 are otherwise unaffected by this change.

(N)  
|  
(N)

(This page filed under Transmittal No. 2 )

## ACCESS SERVICE

	<u>Page</u>
25. Expanded Interconnection (Cont'd)	
25.5 Rate Regulations for Virtual Collocation (Cont'd)	
25.5.3 Monthly Recurring Rates	25-22
(A) Designated Equipment	25-22
(B) Entrance Cable	25-22
(C) Nondesignated Conversion Arrangement	25-23
(D) Alarm Collection	25-23
(E) Floor Space	25-24
25.5.4 Minimum Period Charges	25-24
25.5.5 Moves	25-25
(A) Move of the Entrance Cable Point of Termination	25-25
(B) Reconfiguration	25-25
25.5.6 Shared Use <sup>(1)</sup>	25-25.1 (C)
25.5.7 Rates and Charges	25-26
(A) Alarm Collection	25-26
(B) Cable Vault Splice	25-28
(C) Entrance Cable	25-28
(D) Floor Space	25-28
(E) Nondesignated Conversion Arrangement	25-29
(F) Engineering Design Charge	25-29.1
(G) Additional Labor	25-29.1
(H) Reconfiguration	25-29.1
(I) Training	25-30.1
(J) Designated Equipment	25-30.2
25.6 Individual Case Filings	25-30.8.1

(1) Effective June 1, 2024, neither new nor existing customers will be permitted to create new Shared Use arrangements. In addition, requests to move, add, or change existing Shared Use arrangements will not be accepted. Shared Use arrangements existing prior to June 1, 2024 are otherwise unaffected by this change.

(N)  
|  
(N)

(This page filed under Transmittal No. 2 )

Issued: May 17, 2024

Effective: June 1, 2024

Four AT&T Plaza, Dallas, Texas 75202



## ACCESS SERVICE

25. Expanded Interconnection (Cont'd)25.3 Microwave Transmission Facilities

Bona fide requests for Expanded Interconnection of microwave transmission facilities will be considered for virtual collocation on a central office specific, individual case basis (ICB). Rates and charges for such ICBs will be set forth in 25.6 (Individual Case Filings).

25.4 Fresh Look

Fresh Look is a limited offering of the Telephone Company and is available only to customers of Special Access High Capacity and MegaLink Custom interstate services (shared use<sup>(1)</sup> and non-shared use (C) arrangements) who request to exit certain Optional Payment Plans and billing periods in order to accept new arrangements. These new arrangements may include longer or shorter term Optional Payment Plans or billing periods provided by the Telephone Company. The Optional Payment Plans and billing periods available for Fresh Look coverage are those plans or periods that are of 36 months (3 years) or more in duration and which were entered into on or before September 17, 1992 for services which can be replaced by an interconnector. Optional Payment Plans for Special Access High Capacity Service are set forth in 7.2.19 (Optional Payment Plan). Billing periods for MegaLink Custom Service are set forth in 20.4.4 (Billing Period).

Where available, Fresh Look provides for different termination liabilities than those set forth in 7.2.19(C) (Terms and Conditions) for Special Access High Capacity Service Optional Payment Plans and 20.4.6 (Termination Charges) for MegaLink Custom Service Billing Periods. Special Construction charges and liabilities are not included in Fresh Look.

Fresh Look is available only in those wire centers in the Fresh Look Schedule following where expiration dates are noted. As noted in the Fresh Look Schedule, the Fresh Look period for shared use<sup>(1)</sup> (C) arrangements may be the same, overlapping or different from the Fresh Look period established for non-shared use arrangements. When the Fresh Look periods are different, Fresh Look will apply only to the type of services covered.

This tariff is filed, under protest, in compliance with the Memorandum Opinion and Order of the F.C.C. released July 25, 1994 in CC Docket 91-141.

(1) Effective June 1, 2024, neither new nor existing customers will be permitted to create new Shared Use arrangements. In addition, requests to move, add, or change existing Shared Use arrangements will not be accepted. Shared Use arrangements existing prior to June 1, 2024 are otherwise unaffected by this change.

(N)  
|  
(N)

(This page filed under Transmittal No. 2 )

Issued: May 17, 2024

Effective: June 1, 2024

Four AT&T Plaza, Dallas, Texas 75202

## ACCESS SERVICE

25. Expanded Interconnection (Cont'd)25.4 Fresh Look (Cont'd)

Until Fresh Look has been initiated for both shared use<sup>(1)</sup> and non-shared use arrangements, the interconnector is responsible for notifying the Telephone Company, on all requests for installation, change or reconfiguration of an interconnection cross connect, whether the requested activity will involve interconnection only to Special Access Service or whether the requested activity will involve interconnection to Switched Access Service. The Telephone Company will initiate a Fresh Look period for non-shared use (Special Access) when the interconnector provides notification that the requested activity involves interconnection only to Special Access. The Telephone Company will activate a Fresh Look period for both shared use<sup>(1)</sup> and non-shared use when the interconnector either fails to notify the Telephone Company of the use of requested activity or notifies the Telephone Company that the requested activity involves interconnection to Switched Access. Shared use<sup>(1)</sup> arrangements are set forth in 6.8.12 (Shared Use<sup>(1)</sup>), 7.2.10 (Shared Use<sup>(1)</sup>) and 20.4.11 (Shared Use<sup>(1)</sup>).

In order for the Fresh Look termination liabilities to apply to requests to terminate existing Optional Payment Plans or billing periods, customers must notify the Telephone Company of their specific intent to terminate Optional Payment Plans and billing periods in order to take different arrangements under Fresh Look. Such notification must be in writing and be received by the Telephone Company's Interexchange Customer Service Center on or before the expiration date of the Fresh Look period. If the expiration of the Fresh Look period falls on a Saturday, Sunday or Legal Holiday, such notification must be received by the Telephone Company's Interexchange Customer Service Center on or before the last non-Holiday day preceding such Saturday, Sunday or Legal Holiday.

In addition, having made such notification, the customer must also terminate the existing Optional Payment Plan(s) or billing period(s) as follows:

- If the customer is terminating an Optional Payment Plan or billing period in order to accept a different Telephone Company Optional Payment Plan or Billing Period, the customer must terminate the existing arrangement within ninety days of making the notification.
- If the customer is terminating an Optional Payment Plan or billing period in order to take service from an interconnector and the interconnector is operational at the time of the notification, the customer must terminate the existing arrangement within ninety days of making the notification.

This tariff is filed, under protest, in compliance with the Memorandum Opinion and Order of the F.C.C. released July 25, 1994 in CC Docket 91-141.

- (1) Effective June 1, 2024, neither new nor existing customers will be permitted to create new Shared Use arrangements. In addition, requests to move, add, or change existing Shared Use arrangements will not be accepted. Shared Use arrangements existing prior to June 1, 2024 are otherwise unaffected by this change.

(This page filed under Transmittal No. 2 )

Issued: May 17, 2024

Effective: June 1, 2024

Four AT&T Plaza, Dallas, Texas 75202

## ACCESS SERVICE

25. Expanded Interconnection (Cont'd)25.4 Fresh Look (Cont'd)

## Fresh Look Schedule

<u>Wire Center</u>	<u>Fresh Look Expiration Date</u>	
	<u>Shared Use</u> <sup>(1)</sup>	<u>Non-Shared Use</u> (C)
<u>Arkansas</u>		
LTRKARFR	11/06/95	11/06/95
<u>Kansas</u>		
KSCYKSCB	11/30/96	11/30/96
<u>Missouri</u>		
KSCYMO55	06/27/95	06/27/95
STLSMO01	11/30/96	11/30/96
STLSMO21	05/01/96	05/01/96
<u>Oklahoma</u>		
OKCYOKCE	12/26/95	12/26/95
TULSOKTB	07/09/96	07/09/96
<u>Texas</u>		
AMRLTX02	08/06/97	08/06/97
AUSTTXFI	02/03/97	02/03/97
AUSTTXGR	11/30/96	11/30/96
AUSTTXTE	06/04/97	06/04/97
DLLSTXAD	10/26/94	10/26/94
DLLSTXFB	02/15/95	02/15/95
DLLSTXME	03/05/97	03/05/97
DLLSTXNO	04/05/97	04/05/97
DLLSTXRI	01/24/95	08/09/94
DLLSTXRN	08/27/95	08/27/95
DLLSTXRO	03/05/97	03/05/97
DLLSTXTA	04/05/97	04/05/97
ELPSTXMA	07/09/96	07/09/96
FTWOTXED	05/01/96	05/01/96
FTWOTXEU	07/07/97	07/07/97
HSTNTXBU	05/06/97	05/06/97
HSTNTXCA	03/05/97	03/05/97
HSTNTXCL	05/16/95	05/16/95
HSTNTXFA	04/05/97	04/05/97
HSTNTXGP	11/20/94	11/20/94
HSTNTXNA	06/10/95	06/10/95
LBCKTXPS	02/19/95	02/19/95

This tariff is filed, under protest, in compliance with the Memorandum Opinion and Order of the F.C.C. released July 25, 1994 in CC Docket 91-141.

(1) Effective June 1, 2024, neither new nor existing customers will be permitted to create new Shared Use arrangements. In addition, requests to move, add, or change existing Shared Use arrangements will not be accepted. Shared Use arrangements existing prior to June 1, 2024 are otherwise unaffected by this change.

(N)  
|  
(N)

(This page filed under Transmittal No. 2 )

Issued: May 17, 2024

Effective: June 1, 2024

Four AT&T Plaza, Dallas, Texas 75202

ACCESS SERVICE

25. Expanded Interconnection (Cont'd)

25.5 Rate Regulations for Virtual Collocation (Cont'd)

25.5.6 Shared Use<sup>(1)</sup>

(C)

Interconnection cross connects can be provided as shared use. Shared use provides interconnection to both Switched Access Services and Special Access Services through the same interconnection cross connect. When provided as shared use, the interconnector must provide the Telephone Company with the number of channels interconnected to Switched Access Services. The Telephone Company will use the number of channels interconnected to Switched Access Services to apply percent interstate usage (PIU) factors as set forth in 2.4 (Jurisdictional Report Requirements). For purposes of PIU factor application, vacant channels (which represent spare capacity) are treated as special channels.

When the interconnection cross connect is provided as shared use and the interconnector does not furnish the Telephone Company with the channels used to interconnect with Switched Access Service, the Telephone Company will, for purposes of PIU factor application, designate all channels for the interconnection cross connect as special.

This filing is made, under protest, in compliance with the Memorandum Opinion and Order of the F.C.C. released July 25, 1994 in CC Docket 91-141.

(1) Effective June 1, 2024, neither new nor existing customers will be permitted to create new Shared Use arrangements. In addition, requests to move, add, or change existing Shared Use arrangements will not be accepted. Shared Use arrangements existing prior to June 1, 2024 are otherwise unaffected by this change.

(N)  
|  
(N)

(This page filed under Transmittal No. 2 )

## ACCESS SERVICE

	<u>Page</u>	
31. <u>Synchronous Broadband Network Services</u>	31-1	
31.1 <u>Service Description - General</u>	31-2	
31.2 <u>Service Provisioning</u>	31-4	
31.2.1 Types of Service Configurations	31-4	
(A) Ring Network Service	31-4	
31.2.2 Types of Channels	31-5	
31.2.3 Testing	31-6	
(A) Acceptance Testing	31-6	
(B) Testing Capabilities	31-6	
31.2.4 Design Layout Report	31-7	
31.2.5 Special Construction	31-7	
31.3 <u>ReliaNet Service</u>	31-8	
31.3.1 Service Description	31-8	
31.3.2 Rate Regulations - (ReliaNet)	31-14	
(A) Rate Categories	31-14	
(B) Nonrecurring Charges	31-21	
(C) Monthly Recurring Rates	31-24	
(D) Minimum Period	31-25	
(E) Recast of Minimum Period	31-26	
(F) Moves	31-26	
(G) Additions of Service	31-27	
(H) Optional Renewal Periods	31-28	
(I) Special Access Surcharge	31-29	
(J) Message Station Equipment Recovery Charge	31-29	
(K) Terminations Options	31-30	
(L) Shared Use <sup>(1)</sup>	31-33	(C)
(M) Transitioning from Other Access Services to ReliaNet	31-34.1	
31.3.3 Rates and Charges	31-35	

(1) Effective June 1, 2024, neither new nor existing customers will be permitted to create new Shared Use arrangements. In addition, requests to move, add, or change existing Shared Use arrangements will not be accepted. Shared Use arrangements existing prior to June 1, 2024 are otherwise unaffected by this change.

(N)  
|  
(N)

(This page filed under Transmittal No. 2 )

## ACCESS SERVICE

31. Synchronous Broadband Network Services (Cont'd)31.3 ReliaNet Service (Cont'd)31.3.1 Service Description<sup>(2)</sup> (Cont'd)

(C)

(2) Auxiliary Connection (AC) (Cont'd)

There are three categories of Auxiliary Connections - On-Net, Off-Net and Intra-MAC. On-Net ACs are auxiliary connections ordered under three basic options. Option 1 is for those customer premises which have redundant fiber facilities to their serving wire center located on the Telephone Company inter-office network.<sup>(1)</sup> Option 1 Plus is for those customer premises which have both redundant fiber facilities as well as redundant serving wire centers located on the inter-office network. Option 2 is for those customer premises which have their serving wire center on the network but whose premises do not have redundant fiber facilities to their serving wire center. The On-Net Option 1 Plus AC provides the highest level of protection with dual-entrance facilities into the customer premises from the inter-office network in addition to serving wire center redundancy which provides protection in the event of failure at the primary serving wire center. The Intra-MAC AC is for those customer premises who have as their serving wire center the primary serving wire center of the MAC for that particular ReliaNet. Due to this configuration, no interoffice facilities are required to transport the AC traffic to the MAC. The level of protection provided by the Intra-MAC AC is dependent on the type of facility provided between the customer's premises and the associated serving wire center.<sup>1</sup> The Intra-MAC Plus AC is an enhanced Intra-MAC AC for customer premises which have as their serving wire center the primary serving wire center of the MAC, but desire serving wire center protection at all times. Some interoffice facilities are required to provide alternate serving wire center protection. Off-Net ACs are auxiliary connections for those customer premises which do not have their serving wire center on the Telephone Company inter-office network.

(1) In some limited circumstances, depending on availability of facilities, for EC-1, DS3 and OC3c interfaces, the fiber facilities from the customer premises to the serving wire center will be single loop rather than redundant. As noted in Tariff F.C.C. No. 73, Section 20.1, by the end of 1997, all but 100 of the current lines in SWBT territory will be served from wire centers providing Loop Redundancy.

(2) Effective June 1, 2024, neither new nor existing customers will be permitted to create new Shared Use arrangements. In addition, requests to move, add, or change existing Shared Use arrangements will not be accepted. Shared Use arrangements existing prior to June 1, 2024 are otherwise unaffected by this change.

(N)  
|  
(N)

(This page filed under Transmittal No. 2 )

## ACCESS SERVICE

31. Synchronous Broadband Network Services (Cont'd)31.3 ReliaNet Service (Cont'd)31.3.2 Rate Regulations - (ReliaNet) (Cont'd)(L) Shared Use\*<sup>(1)</sup> (Cont'd) (C)EXAMPLE 1:

The customer designates seven (7) ReliaNet DS1 equivalent channels for use as Switched Access transport. Since the number of Switched Access channels is less than 50% of the total DS1 equivalent capacity for ReliaNet, Shared Use credit will apply to all channels and is calculated via the following formula:

$$\text{MAC [SVO (12)]} = 12 \times 28 \text{ DS1/SVO} = 336$$

$$\frac{7}{336} \times \$20,000.00 = \$416.00$$

Total monthly billing for ReliaNet in this example would be calculated as follows:

$$\$42,800.00 - \$416.00 = \$42,384.00$$

EXAMPLE 2:

The customer designates 180 ReliaNet DS1 equivalent channels for use with Switched Access. Because the number of requested channels in this case exceeds 50% of the total DS1 equivalent capacity for this example, the applicable credit is limited to 50% and is calculated as follows:

$$\text{MAC [SVO(12)]} = 12 \times 28 \text{ DS1/SVO} = 336$$

$$\text{Maximum Ratchet Amount} = 336 \times 50\% = 168$$

$$\text{Maximum Credit} = \frac{168}{336} \times \$20,000.00 = \$10,000.00$$

Total billing for ReliaNet in this example would be calculated as follows:

$$\$42,800.00 - \$10,000.00 = \$32,800.00$$

Switched Access Service rates and charges as set forth in Section 6.9 (Rates and Charges) preceding will apply in full for each channel of the Shared Use facility that is used to provide Switched Access Service.

\*This regulation applies to customers who select a new ReliaNet service or four-year Renewal Option on or after March 29, 2003.

(y) Reissued material filed under Transmittal No. 2942 became effective on March 29, 2003

(x) Issued under the Authority of Special Permission No. 03-037 of the F.C.C.

(1) Effective June 1, 2024, neither new nor existing customers will be permitted to create new Shared Use arrangements. In addition, requests to move, add, or change existing Shared Use arrangements will not be accepted. Shared Use arrangements existing prior to June 1, 2024 are otherwise unaffected by this change.

(N)  
|  
(N)

(This page filed under Transmittal No. 2 )

ACCESS SERVICE

31. Synchronous Broadband Network Services (Cont'd)

31.3 ReliaNet Service (Cont'd)

31.3.2 Rate Regulations - (ReliaNet) (Cont'd)

(L) Shared Use\*<sup>(1)</sup> (C)

Shared Use is the provision of Switched Access over ReliaNet. The service will be ordered, provided and rated as ReliaNet; the nonrecurring charge(s) for ReliaNet will apply at the time of installation. Rating as ReliaNet will continue until such time as, at the election of the ReliaNet customer, a portion of the available ReliaNet capacity is used to provide Switched Access Service. In these cases the ReliaNet customer and the Switched Access Service customer may be different.

The ReliaNet DS1 equivalent is calculated using the desired quantity of Switched Access channels divided by the maximum DS1 equivalents of the MAC rate element. As each individual DS1 equivalent channel is activated for Switched Access, ReliaNet monthly charges for the MAC will be reduced as described below. There will be no shared use on the other rate elements of ReliaNet. ACs may be provisioned with either Special or Switched Access traffic, but the AC must be fully dedicated to one or the other type of traffic (i.e., 100% Switched or 100% Special).

The customer must place an order for each individual Switched Access Service utilizing the Shared Use facilities and specify the appropriate channel assignment. While the customer may designate any percentage of ReliaNet for Shared Use, credit will only be applied up to 50% of the DS1 equivalent capacity provided in conjunction with the ReliaNet.

Following are two examples of how Shared Use will apply to ReliaNet. Both examples assume the same basic network and associated charges:

1 MAC [SVO (12)]	\$20,000.00
152 AC-Off-Net (Opt. 2) (152 DS1s)	<u>\$22,800.00</u>
TOTAL	\$42,800.00

\*This regulation applies to customers who purchased ReliaNet service prior to March 29, 2003. This regulation does not apply to existing customers that select a new ReliaNet service or elect a four-year renewal option on or after March 29, 2003.

(y) Reissued material filed under Transmittal No. 2942 became effective on March 29, 2003

(x) Issued under the Authority of Special Permission No. 03-037 of the F.C.C.

(1) Effective June 1, 2024, neither new nor existing customers will be permitted to create new Shared Use arrangements. In addition, requests to move, add, or change existing Shared Use arrangements will not be accepted. Shared Use arrangements existing prior to June 1, 2024 are otherwise unaffected by this change.

(N)  
 |  
 (N)

(This page filed under Transmittal No. 2 )



## ACCESS SERVICE

31. Synchronous Broadband Network Services (Cont'd)31.3 ReliaNet Service (Cont'd)31.3.2 Rate Regulations - (ReliaNet) (Cont'd)(L) Shared Use\*<sup>(1)</sup> (Cont'd)

(C)

EXAMPLE 1:

The customer designates 7 ReliaNet DS1 equivalent channels for use as Switched Access transport. Since the number of Switched Access channels is less than 50% of the total DS1 equivalent capacity for ReliaNet, Shared Use credit will apply to all channels and is calculated via the following formula:

$$\text{MAC [SVO (12)]} = 12 \times 28 \text{ DS1/SVO} = 336$$

$$\frac{7}{336} \times \$20,000.00 = \$416.00$$

Total monthly billing for ReliaNet in this example would be calculated as follows:

$$\$42,800.00 - \$416.00 = \$42,384.00$$

EXAMPLE 2:

The customer designates 180 ReliaNet DS1 equivalent channels for use with Switched Access. Because the number of requested channels in this case exceeds 50% of the total DS1 equivalent capacity for this example, the applicable credit is limited to 50% and is calculated as follows:

$$\text{MAC [SVO(12)]} = 12 \times 28 \text{ DS1/SVO} = 336$$

$$\text{Maximum Ratchet Amount} = 336 \times 50\% = 168$$

$$\text{Maximum Credit} = \frac{168}{336} \times \$20,000.00 = \$10,000.00$$

Total billing for ReliaNet in this example would be calculated as follows:

$$\$42,800.00 - \$10,000.00 = \$32,800.00$$

Switched Access Service rates and charges as set forth in Section 6.9 (Rates and Charges) preceding will apply for each channel of the Shared Use facility that is used to provide Switched Access Service.

\*This regulation applies to customers who purchased ReliaNet service prior to March 29, 2003. This regulation does not apply to existing customers that select a new ReliaNet service or elect a four-year renewal option on or after March 29, 2003.

(y) Reissued material filed under Transmittal No. 2942 became effective on March 29, 2003  
(x) Issued under the Authority of Special Permission No. 03-037 of the F.C.C.

(1) Effective June 1, 2024, neither new nor existing customers will be permitted to create new Shared Use arrangements. In addition, requests to move, add, or change existing Shared Use arrangements will not be accepted. Shared Use arrangements existing prior to June 1, 2024 are otherwise unaffected by this change.

(N)  
|  
(N)

(This page filed under Transmittal No. 2 )

Issued: May 17, 2024

Effective: June 1, 2024

Four AT&amp;T Plaza, Dallas, Texas 75202

ACCESS SERVICE

31. Synchronous Broadband Network Services (Cont'd)

31.3 ReliaNet Service (Cont'd)

31.3.2 Rate Regulations - (ReliaNet) (Cont'd)

(L) Shared Use<sup>(1)</sup> (Cont'd)

(C)

(x) Issued under the Authorization of Special Permission No. 03-035 of the F.C.C.

(1) Effective June 1, 2024, neither new nor existing customers will be permitted to create new Shared Use arrangements. In addition, requests to move, add, or change existing Shared Use arrangements will not be accepted. Shared Use arrangements existing prior to June 1, 2024 are otherwise unaffected by this change.

(N)  
|  
(N)

(This page filed under Transmittal No. 2 )

Issued: May 17, 2024

Effective: June 1, 2024

Four AT&T Plaza, Dallas, Texas 75202

## ACCESS SERVICE

TABLE OF CONTENTS

	<u>Page No.</u>
5. <u>ORDERING FOR ACCESS SERVICE</u>	5-1
5.1 <u>General</u>	5-3
5.2 <u>Access Order</u>	5-4
5.2.1 Ordering Conditions	5-4
5.2.2 Ordering Requirements	5-5
5.2.3 Service Provisioning Intervals	5-18
5.2.4 Selection of Facilities for Access Orders	5-19
5.2.5 Shared Use <sup>(1)</sup>	5-20
5.2.6 Provision of Other Services	5-21
5.3 <u>Rate Regulations</u>	5-23
5.3.1 Access Order Charges	5-23
5.3.2 Access Order Modification Charges	5-25
5.3.3 Access Order Cancellation Charges (for the following Special Access Services: Self-healing Transport Network (STN) and ReliaNet)	5-31
5.3.4 Minimum Period Requirements	5-34.3
5.4 <u>Rates and Charges</u>	5-35

(C)

(1) Effective June 1, 2024, neither new nor existing customers will be permitted to create new Shared Use arrangements. In addition, requests to move, add, or change existing Shared Use arrangements will not be accepted. Shared Use arrangements existing prior to June 1, 2024 are otherwise unaffected by this change.

(N)  
|  
(N)

(This page filed under Transmittal No. 2 )

## ACCESS SERVICE

TABLE OF CONTENTS

	<u>Page No.</u>
6. <u>SWITCHED ACCESS SERVICE</u> (Cont'd)	
6.8 <u>Rate Regulations</u>	6-125
6.8.1 Rate Elements	6-126
6.8.2 Nonrecurring Charges	6-130
6.8.3 Monthly Recurring and Usage Rates	6-141
6.8.4 Determining Chargeable Access Minutes	6-151
6.8.5 Determining Switched Transport Mileage and Charges	6-163
6.8.6 Minimum Period Charges	6-166
6.8.7 Message Unit Credit	6-167
6.8.8 Reserved for Future Use	6-168
6.8.9 Change of Feature Group Type or Basic Serving Arrangements	6-170
6.8.10 Moves	6-171
6.8.11 Application of Rates for Extension Service	6-175
6.8.12 Shared Use <sup>(1)</sup>	6-176 (C)
6.8.13 Application of Rates for FGA Service to Directory Assistance Service	6-177
6.8.14 Non-Access Charges	6-178
6.8.15 Zone Pricing	6-178.10
6.9 <u>Rates and Charges</u>	6-179
6.9.1 Reserved for Future Use	6-179
6.9.2 Switched Transport	6-179
6.9.3 Local Switching	6-185
6.9.4 Basic Service Elements	6-200
6.9.5 Administrative Changes	6-206
6.9.6 Information Surcharge	6-208
6.9.7 Dedicated Network Access Link (DNAL)	6-208
6.9.8 800 Number Portability Access Service (NPAS)	6-209
6.9.9 Advanced Carrier Identification Service (ACIS)	6-209
6.9.10 Message Unit Credit	6-209

(1) Effective June 1, 2024, neither new nor existing customers will be permitted to create new Shared Use arrangements. In addition, requests to move, add, or change existing Shared Use arrangements will not be accepted. Shared Use arrangements existing prior to June 1, 2024 are otherwise unaffected by this change.

(N)  
|  
(N)

(This page filed under Transmittal No. 2 )

Issued: May 17, 2024

Effective: June 1, 2024

Four AT&T Plaza, Dallas, Texas 75202

## ACCESS SERVICE

TABLE OF CONTENTS

	<u>Page No.</u>	
7. <u>SPECIAL ACCESS SERVICES</u>	7-1	
7.1 <u>Service Provisioning</u>	7-7	
7.1.1 Types of Service Configurations	7-8	
7.1.2 Types of Channels	7-12	
7.1.3 Hubs	7-13	
7.1.4 Ordering Options and Provisions	7-16	
7.1.5 Alternate Use	7-18	
7.1.6 Diversity	7-19	
7.1.7 Acceptance Testing	7-20	
7.1.8 Design Layout Report	7-22	
7.2 <u>Rate Regulations</u>	7-23	
7.2.1 Rate Elements	7-24	
7.2.2 Monthly Rates	7-27	
7.2.3 Daily Rates	7-28	
7.2.4 Nonrecurring Charges	7-29	
7.2.5 Surcharge for Special Access Service	7-35	
7.2.6 Mileage Measurement	7-39	
7.2.7 Moves	7-40	
7.2.8 Minimum Periods	7-43	
7.2.9 Facility Hubs	7-44	
7.2.10 Shared Use <sup>(2)</sup>	7-46	(C)
7.2.11 WATS Access Lines	7-48	
7.2.12 Two-Point Service	7-50	
7.2.13 Multipoint Service	7-51	
7.2.14 Multiplexed Service	7-53	
7.2.15 Alternate Use	7-54	
7.2.16 Customized Channels	7-55	
7.2.17 Message Station Equipment Recovery Charge	7-56	
7.2.18 Service to Service Through Connect Arrangements	7-57	
7.2.19 Optional Payment Plan	7-58	
7.2.20 High Capacity Term Pricing Plan (HC-TPP)	7-65.1	
7.2.21 Reserved for Future Use	7-66	
7.2.22 DS1 Term Pricing Plan (DS1 TPP)	7-68.1	
7.2.23 Video Pricing Plan (VPP) <sup>(1)</sup>	7-68.4	
7.2.24 <sup>(1)</sup>		

<sup>(1)</sup> Material in this Section has been de-tariffed as required by the Commission upon use of the forbearance relief pursuant to FCC Memorandum Opinion and Order No. 07-180, released October 12, 2007. Terms and Conditions associated with de-tariffed services are available at [www.att.com/guidebook](http://www.att.com/guidebook).

<sup>(2)</sup> Effective June 1, 2024, neither new nor existing customers will be permitted to create new Shared Use arrangements. In addition, requests to move, add, or change existing Shared Use arrangements will not be accepted. Shared Use arrangements existing prior to June 1, 2024 are otherwise unaffected by this change.

(N)  
|  
(N)

(This page filed under Transmittal No. 2 )

## ACCESS SERVICE

TABLE OF CONTENTS

	<u>Page No.</u>	
19. <u>SELF-HEALING TRANSPORT NETWORK</u>	19-1	
19.1 <u>General Description</u>	19-3	
19.2 <u>Service Provisioning</u>	19-7	
19.2.1 Testing	19-7	
19.2.2 Design Layout Report	19-8	
19.2.3 Special Construction	19-8	
19.3 <u>Rate Regulations</u>	19-9	
19.3.1 Rate Categories	19-9	
19.3.2 Nonrecurring Charges	19-13	
19.3.3 Monthly Recurring Rates	19-16	
19.3.4 Determining Transport Mileage	19-19	
19.3.5 STN Minimum Period	19-20	
19.3.6 Recast of Minimum Period	19-21	
19.3.7 Moves	19-22	
19.3.8 Additions of Service	19-23	
19.3.9 Optional Renewal Periods	19-25	
19.3.10 Upgrades	19-25.2	
19.3.11 Shared Use <sup>(1)</sup>	19-26	(C)
19.3.12 Assignment Control	19-29	
19.3.13 Special Access Surcharge	19-30	
19.3.14 Message Station Equipment Recovery Charge	19-31	
19.3.15 Termination Options	19-32	
19.3.16 Transitioning from Other Access Services to STN	19-36.2	
19.3.17 DTL Portability	19-36.3	
19.4 <u>Rates and Charges</u>	19-36.4	

(1) Effective June 1, 2024, neither new nor existing customers will be permitted to create new Shared Use arrangements. In addition, requests to move, add, or change existing Shared Use arrangements will not be accepted. Shared Use arrangements existing prior to June 1, 2024 are otherwise unaffected by this change.

(N)  
|  
(N)

(This page filed under Transmittal No. 2 )

Issued: May 17, 2024

Effective: June 1, 2024

Four AT&T Plaza, Dallas, Texas 75202

## ACCESS SERVICE

TABLE OF CONTENTS

	<u>Page No.</u>	
20. <u>MEGALINK CUSTOM SERVICES</u>	20-1	
20.1 <u>General Description</u>	20-5	
20.2 <u>Optional Feature, BSE and Function Descriptions</u>	20-10	
20.2.1 Central Office Multiplexing BSE	20-10	
20.2.2 SecureNet	20-10	
20.2.3 Service Extension	20-14	
20.2.4 STN Interconnection with SecureNet Equipped MegaLink Custom Service	20-14.1	
20.2.5 C-Bit Parity Framing Format Option	20-14.1	
20.3 <u>Service Provisioning</u>	20-15	
20.3.1 Design Layout Report	20-15	
20.3.2 Acceptance Testing	20-15	
20.3.3 Diversity	20-15	
20.4 <u>Rate Regulations</u>	20-16	
20.4.1 Rate Categories	20-16.1	
20.4.2 Nonrecurring Charges	20-20	
20.4.3 Monthly Recurring Rates	20-25	
20.4.4 Billing Period	20-30	
20.4.5 Minimum Service Periods	20-31	
20.4.6 Termination Charges	20-32	
20.4.7 Determining Interoffice Mileage	20-34	
20.4.8 Ordering Options and Conditions	20-35	
20.4.9 Special Access Surcharge	20-35	
20.4.10 Message Station Equipment Recovery Charge	20-35	
20.4.11 Shared Use <sup>(1)</sup>	20-36	(C)
20.4.12 Moves	20-37	
20.4.13 Modification of Service	20-39	
20.4.14 Relocation of a DS3 to DS1 Multiplexer	20-40	
20.4.15 Service Extension	20-41	
20.4.16 Facility Hubs	20-41	
20.4.17 Connecting Facility Assignment Credits	20-41.1	
20.4.18 Temp-DS3 Service	20-41.4	

(1) Effective June 1, 2024, neither new nor existing customers will be permitted to create new Shared Use arrangements. In addition, requests to move, add, or change existing Shared Use arrangements will not be accepted. Shared Use arrangements existing prior to June 1, 2024 are otherwise unaffected by this change.

(N)  
|  
(N)

(This page filed under Transmittal No. 2 )

Issued: May 17, 2024

Effective: June 1, 2024

Four AT&T Plaza, Dallas, Texas 75202

## ACCESS SERVICE

TABLE OF CONTENTS

	<u>Page No.</u>	
23. <u>COMMON CHANNEL SIGNALING/SIGNALING SYSTEM 7 (CCS/SS7)</u> <u>INTERCONNECTION SERVICE</u>	23-1	
23.1 <u>General Description</u>	23-2	
23.2 <u>Service Provisioning</u>	23-3	
23.2.1 Manner of Provisioning	23-3	
23.2.2 Transmission Specifications	23-4	
23.2.3 Acceptance Testing	23-4	
23.2.4 Network Management	23-5	
23.2.5 Provision of Service Performance Data	23-5	
23.2.6 Forecast Report	23-6	
23.2.7 Consolidation of STPs	23-6	
23.3 <u>Rate Regulations</u>	23-7	
23.3.1 Rate Categories	23-8	
23.3.2 Nonrecurring Charges	23-10	
23.3.3 Monthly Rates	23-11	
23.3.4 Determining Mileage and Charges	23-12	
23.3.5 Minimum Period	23-12	
23.3.6 Moves	23-12	
23.3.7 Shared Use <sup>(1)</sup>	23-12.1	(C)
23.4 <u>Rates and Charges</u>	23-13	

(1) Effective June 1, 2024, neither new nor existing customers will be permitted to create new Shared Use arrangements. In addition, requests to move, add, or change existing Shared Use arrangements will not be accepted. Shared Use arrangements existing prior to June 1, 2024 are otherwise unaffected by this change.

(N)  
|  
(N)

(This page filed under Transmittal No. 2 )

Issued: May 17, 2024

Effective: June 1, 2024

Four AT&T Plaza, Dallas, Texas 75202



## ACCESS SERVICE

TABLE OF CONTENTS

	<u>Page No.</u>
25. <u>EXPANDED INTERCONNECTION</u>	25-1
25.1 <u>General Description</u>	25-3
25.2 <u>Virtual Collocation</u>	25-4
25.2.1 Provisioning	25-5
25.2.2 Training	25-13
25.2.3 Acceptance Testing	25-14
25.2.4 Reserved for Future Use	25-14
25.2.5 Third Party Vendor	25-14.1
25.2.6 Maintenance and Operation Management	25-14.3
25.3 <u>Microwave Transmission Facilities</u>	25-15
25.4 <u>Fresh Look</u>	25-15
25.5 <u>Rate Regulations for Virtual Collocation</u>	25-17.1
25.5.1 Rate Elements	25-17.1
25.5.2 Nonrecurring Charges	25-20
25.5.3 Monthly Recurring Charges	25-22
25.5.4 Minimum Period Charges	25-24
25.5.5 Moves	25-25
25.5.6 Shared Use <sup>(1)</sup>	25-25.1 (C)
25.5.7 Rates and Charges	25-26
25.6 <u>Individual Case Filings</u>	25-30.8.1
25.7 <u>Interconnection Cross Connects</u>	
25.30.11.1	

(1) Effective June 1, 2024, neither new nor existing customers will be permitted to create new Shared Use arrangements. In addition, requests to move, add, or change existing Shared Use arrangements will not be accepted. Shared Use arrangements existing prior to June 1, 2024 are otherwise unaffected by this change.

(N)  
|  
(N)

(This page filed under Transmittal No. 2 )

Issued: May 17, 2024

Effective: June 1, 2024

Four AT&T Plaza, Dallas, Texas 75202