

ACCESS SERVICE

	<u>Page No.</u>
27. <u>Diversity</u>	
27.1 <u>General Description</u>	27-3
27.2 <u>Category Descriptions</u>	27-4
27.2.1 Diversity BSE	27-4
27.3 <u>Diversity Service Provisioning</u>	27-7
27.4 <u>Diversity Rates and Regulations</u>	27-8

(This page filed under Transmittal No. 1)

---

Issued: April 16, 2024

Effective: May 1, 2024

Four AT&T Plaza, Dallas, Texas 75202

ACCESS SERVICE

27. Diversity

The following list matches the Telephone Company's Basic Service Element (BSE) names to the industry standard names for each BSE.

(S)  
|

<u>Telephone Company Names</u>	<u>Generic Name of ONA Service</u>
Diversity	Route Diversity

Reissued material is filed under authority of Special Permission No. 94-625 of the F.C.C. and is deferred until August 2, 1994.

(This page filed under Transmittal No. 1)

Issued: April 16, 2024

Effective: May 1, 2024

ACCESS SERVICE

27. Diversity (Cont'd)

27.1 General Description

This section contains general descriptive and ordering information for Diversity.

(S)

The services provided under this tariff are normally provided over such routes and facilities as the Telephone Company may elect. Diversity provides not more than two separate and distinct facility routes for the transmission of two or more identical services.

There are three categories of Diversity. They are Interoffice (with Common Routes), End-to-End (No Commonality) and One-Ended Diversity (with a Common Route) as described in 27.2.1 following.

(S)

Diversity is available on DS1 and DS3 access services and is provided only where facilities and equipment exist and are available. Where facilities and equipment do not exist or are not available, Special Construction may apply.

Tariff revisions on this page are filed under authority of Special Permission No. 94-720 of the F.C.C. to become effective August 2, 1994.

Reissued material is scheduled to become effective August 2, 1994.

(This page filed under Transmittal No. 1)

Issued: April 16, 2024

Effective: May 1, 2024

ACCESS SERVICE

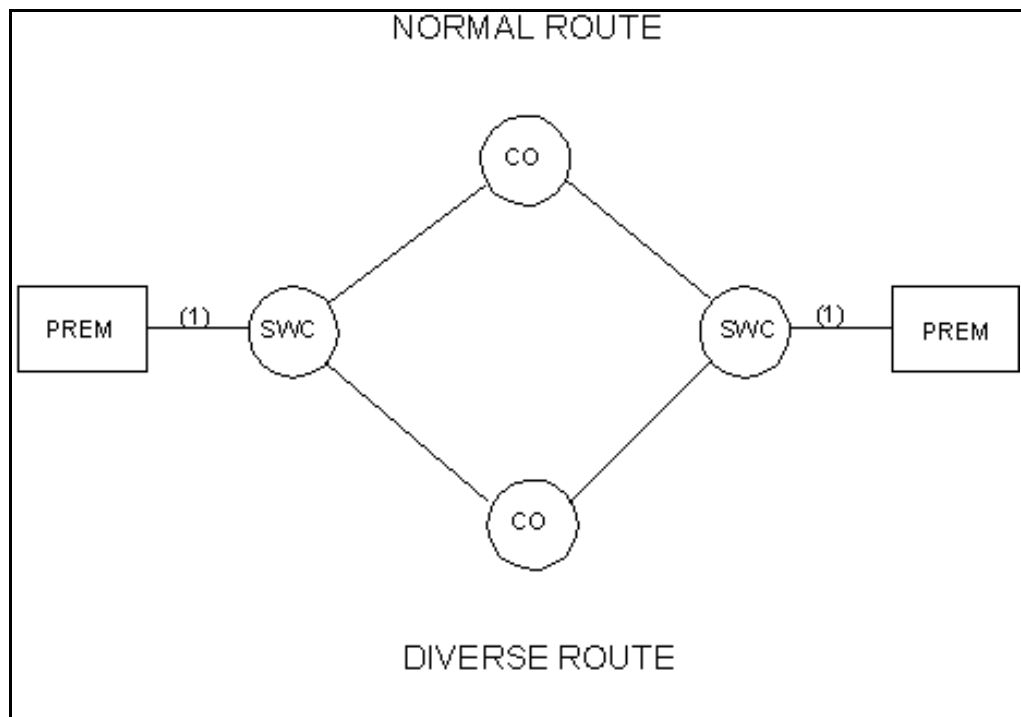
27. Diversity (Cont'd)

27.2 Category Descriptions

27.2.1 Diversity BSE

There are three (3)\* Diversity options as illustrated following:

Option A - Interoffice Diversity (Common Route)<sup>(1)</sup>



\* These diagrams are generic views of Diversity.

(1) Two or more separate identical services on the same common route.

Reissued material is filed under authority of Special Permission No. 94-625 of the F.C.C. and is deferred until August 2, 1994.

(This page filed under Transmittal No. 1)

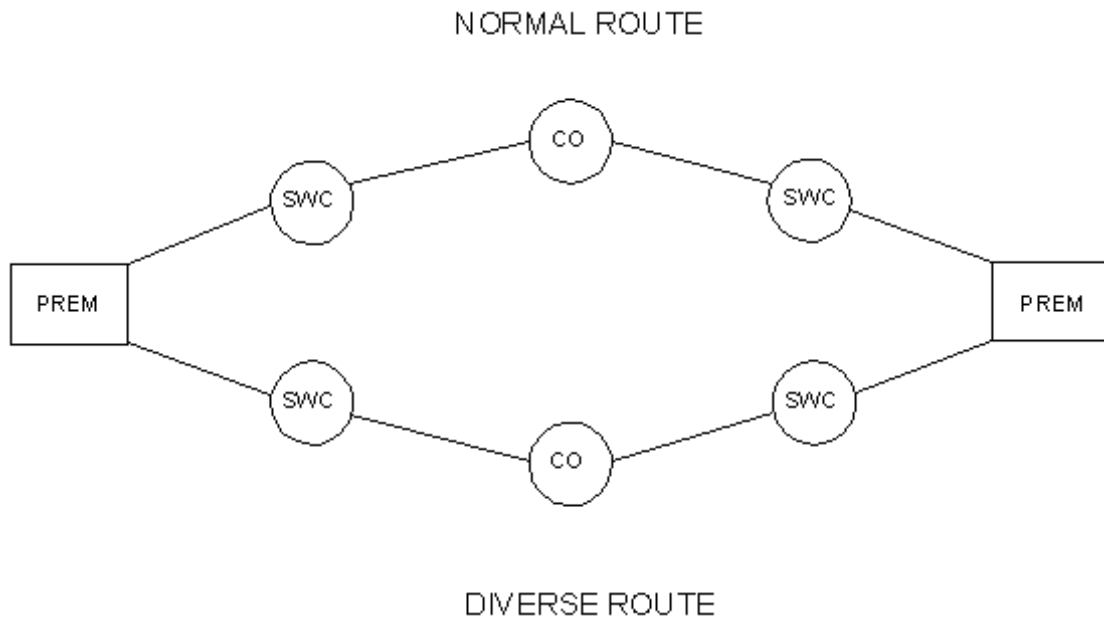
ACCESS SERVICE

27. Diversity (Cont'd)

27.2 Category Descriptions (Cont'd)

27.2.1 Diversity BSE (Cont'd)

Option B - End-to-End (No Common Routes) Diversity



Reissued material is filed under authority of Special Permission No. 94-625 of the F.C.C. and is deferred until August 2, 1994.

(This page filed under Transmittal No. 1)

Issued: April 16, 2024

Effective: May 1, 2024

Four AT&T Plaza, Dallas, Texas 75202

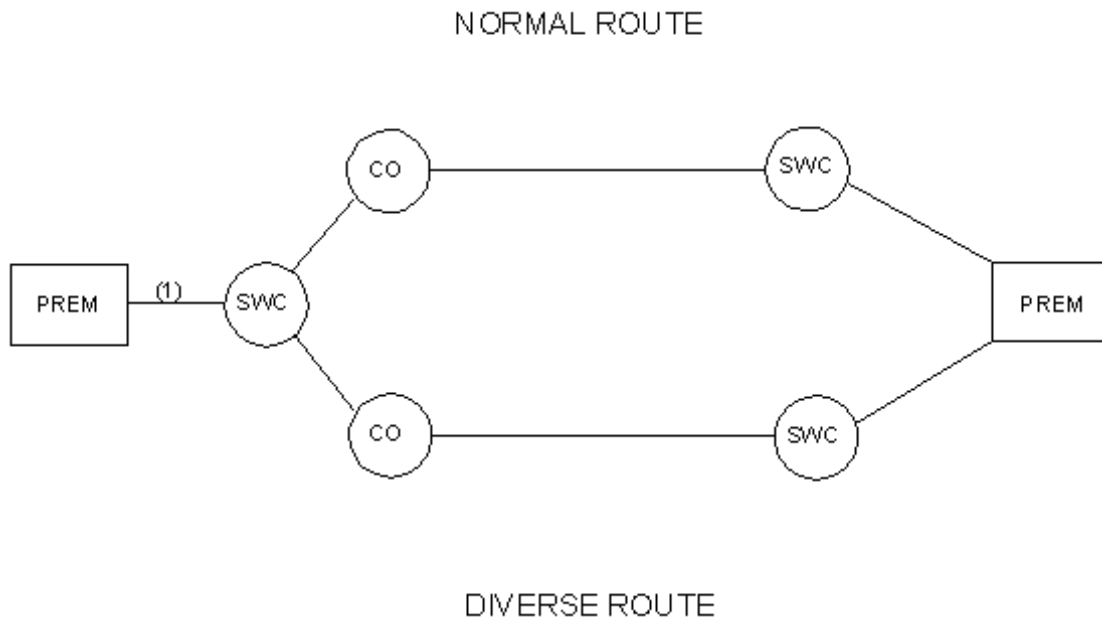
ACCESS SERVICE

27. Diversity (Cont'd)

27.2 Category Descriptions (Cont'd)

27.2.1 Diversity BSE (Cont'd)

Option C - One-Ended Diversity (Common Route<sup>(1)</sup>, Diverse



Between Serving Wire Center and one of the Premises)

(1) Two or more separate identical services on the same common route.

Reissued material is filed under authority of Special Permission No. 94-625 of the F.C.C. and is deferred until August 2, 1994.

(This page filed under Transmittal No. 1)

## ACCESS SERVICE

27. Diversity27.3 Diversity Service Provisioning

Diversity provides not more than two separate and distinct facility routes for the transmission of two or more identical services. Diversity applies to DS1 and DS3 access services and is provided only where facilities and equipment exist and are available. Where facilities and equipment do not exist or are not available, Special Construction may apply.

Loop Redundancy, as set forth in Sections 7.3.10(E)(6) (High Capacity Services) and 20.2.2 (Megalink Custom Services), may not be (s) provided in conjunction with individual services which are routed under a Diversity arrangement.

Reissued material is filed under the authority of Special Permission No. 95-180 of the F.C.C. and is deferred until March 6, 1995.

(This page filed under Transmittal No. 1)

---

Issued: April 16, 2024

Effective: May 1, 2024

Four AT&T Plaza, Dallas, Texas 75202

## ACCESS SERVICE

27. Diversity (Cont'd)27.4 Diversity Rates and Regulations

(S)

Diversity is administered on a per pair of services; i.e., DS1 or DS3 basis. For each DS1 or DS3, the customer must specify which particular DS1 or DS3 is diverse from the other.

Monthly recurring and nonrecurring charges apply to all DS1s or DS3s that are diverse from one another. For example, a customer requests a total of 4 DS3s be placed in a diversity arrangement; the customer has requested 2 DS3s on the Normal Route and 2 DS3s on the Diverse Route. The customer would incur two recurring and 2 nonrecurring charges on the Normal Route in addition to two recurring and two nonrecurring charges on the Diverse Route.

In addition to the following diversity rates and charges, all other rates and charges that are applicable for DS1 or DS3 services provided under other sections of this tariff apply.

	<u>Monthly</u>	<u>Nonrecurring</u>
<u>Option A</u>		
Applies per DS1	\$17.00	\$403.00
Applies per DS3	17.00	403.00
<u>Option B</u>		
Applies per DS1	17.00	403.00
Applies per DS3	17.00	403.00
<u>Option C</u>		
Applies per DS1	17.00	403.00
Applies per DS3	17.00	403.00

Reissued material is filed under authority of Special Permission No. 94-625 of the F.C.C. and is deferred until August 2, 1994.

(This page filed under Transmittal No. 1)

Issued: April 16, 2024

Effective: May 1, 2024

Four AT&T Plaza, Dallas, Texas 75202