

TARIFF DISTRIBUTION

FILE PACKAGE NO.: 1052

DATE: January 13, 2014

STATE: SNET-FCC

EFFECTIVE DATE: 01/07/2014

TYPE OF DISTRIBUTION: Approved

PURPOSE: SSNS Sunset

<u>TARIFF SECTION</u>	<u>PAGE NUMBER</u>	<u>PAGE REVISION</u>
3900	1	0554
3900	1.1	0252
3900	1.2	0141
3900	1.5	0076
3902	2-11.1	0006
3902	2-11.2	0005
3902	2-20	0024
3902	2-20.2	0005
3902	2-21	0007
3902	2-24	0009
3902	2-26	0014
3902	2-26.1	0012
3902	2-28.3	0002
3902	2-31.3	0005
3902	2-46.2	0009
3905	5-4	0010
3905	5-6.1	0005
3905	5-6.2	0005
3905	5-9.1	0005
3905	5-11	0009
3906	6-1.2	0006
3906	6-7.6	0007
3906	6-7.7	0008
3906	6-8	0008
3906	6-29.1	0006
3906	6-30	0008
3906	6-30.2	0007
3907	7-5	0006
3907	7-6	0013
3921	21-1	0003
3921	21-2	0003

3921	21-3	0003
3921	21-3.1	0003
3921	21-4	0008
3921	21-5	0005
3924	24-44	0002
3924	24-45	0002
39TC	4.1	0010
39TC	5	0024
39TC	7.1	0015
39TC	18.4	0007

CHECK SHEET

Title Page 1 and Original Pages 1 to 44; 1-1; 2-1 to 2-50; 3-1 to 3-15; 4-1 to 4-9; 5-1 to 5-21; 6-1 to 6-55; 7-1 to 7-81; 8-1 to 8-12; 9-1 to 9-10; 10-1 to 10-12; 11-1 to 11-4; 12-1 to 12-9; 13-1 to 13-16; 14-1; 15-1; 16-1 to 16-7; 17-1 to 17-11; 18-1 to 18-18; 19-1 to 19-7; 20-1 to 20-5; and 21-1 to 21-4 inclusive of this tariff are effective as of the date shown. Original and revised pages as named below and Supplement No. 64 contain all changes from the original tariff that are in effect on the date hereof.

<u>Page</u>	<u>Number of Revision Except as Indicated</u>	<u>Page</u>	<u>Number of Revision Except as Indicated</u>	<u>Page</u>	<u>Number of Revision Except as Indicated</u>
Title Page 1	2nd	18.4	7th*	2-4	9th
1	554rd*	18.5	33rd	2-4.1	6th
1.1	252nd*	18.6	40th	2-4.2	2nd
1.2	141st*	18.7	9th	2-5	1st
1.3	150th	18.8	3rd	2-6	Original
1.4	92nd	19	Original	2-7	2nd
1.5	76th*	20	Original	2-8	Original
1.6	28th	21	Original	2-9	3rd
1.7	24th	22	Original	2-9.1	2nd
1.8	50th	23	Original	2-10	2nd
1.9	26th	24	Original	2-11	8th
1.10	9th	25	1st	2-11.1	6th*
2	1st	26	2nd	2-11.2	5th*
3	14th	27	4th	2-11.3	1st
4	4th	28	2nd	2-12	4th
4.1	10th*	29	4th	2-13	5th
5	24th*	29.1	4th	2-13.1	4th
6	13th	30	Original	2-13.2	5th
6.1	6th	31	Original	2-13.3	5th
7	21st	32	Original	2-13.4	1st
7.1	15th*	33	Original	2-13.5	1st
7.2	5th	34	Original	2-14	1st
8	15th	35	4th	2-15	5th
9	24th	36	1st	2-15.1	3rd
10	7th	37	Original	2-16	2nd
11	7th	38	3rd	2-17	1st
12	14th	39	9th	2-18	4th
12.1	Original	40	4th	2-18.1	3rd
13	5th	41	12th	2-19	7th
14	13th	41.1	10th	2-19.1	3rd
15	10th	42	5th	2-19.2	3rd
16	3rd	43	8th	2-19.3	4th
16.1	1st	44	5th	2-19.4	3rd
17	5th	1-1	5th	2-19.5	2nd
18	5th	2-1	1st	2-19.6	2nd
18.1	9th	2-1.1	Original	2-19.7	2nd
18.2	6th	2-2	1st		
18.3	12th	2-3	Original		

* New or Revised Page

(This page filed under Transmittal No. 1052)

Issued: July 19, 2013

Effective: January 7, 2014

Four AT&T Plaza, Dallas, Texas 75202

CHECK SHEET

<u>Page</u>	<u>Number of Revision Except as Indicated</u>	<u>Page</u>	<u>Number of Revision Except as Indicated</u>	<u>Page</u>	<u>Number of Revision Except as Indicated</u>
2-20	24th*	2-41.2	Original	5-1.1	3rd
2-20.1	18th	2-41.3	Original	5-1.2	3rd
2-20.2	5th*	2-42	3rd	5-1.3	2nd
2-21	7th*	2-43	3rd	5-2	15th
2-22	Original	2-44	2nd	5-2.1	7th
2-23	19th	2-44.1	Original	5-2.2	1st
2-23.1	19th	2-45	7th	5-3	15th
2-23.1.1	Original	2-45.1	Original	5-3.1	10th
2-23.2	18th	2-46	6th	5-3.1.1	4th
2-23.3	13th	2-46.1	6th	5-3.2	9th
2-23.3.1	12th	2-46.2	9th*	5-3.3	4th
2-23.3.2	2nd	2-46.3	1st	5-4	10th*
2-23.3.3	1st	2-47	6th	5-5	10th
2-23.3.3.1	Original	2-48	3rd	5-5.1	5th
2-23.3.4	Original	2-49	12th	5-5.2	5th
2-23.4	8th	2-50	1st	5-5.3	5th
2-24	9th*	3-1	4th	5-5.4	4th
2-25	3rd	3-2	4th	5-5.5	4th
2-25.1	9th	3-3	6th	5-6	5th
2-26	14th*	3-3.1	3rd	5-6.1	5th*
2-26.1	12th*	3-4	3rd	5-6.2	5th*
2-26.2	Original	3-5	3rd	5-6.3	2nd
2-27	1st	3-6	3rd	5-7	5th
2-28	2nd	3-7	1st	5-8	2nd
2-28.1	6th	3-8	4th	5-9	8th
2-28.2	3rd	3-9	3rd	5-9.1	5th*
2-28.3	2nd*	3-10	2nd	5-10	5th
2-29	4th	3-11	2nd	5-10.1	2nd
2-29.1	6th	3-12	5th	5-10.2	4th
2-29.2	6th	3-13	5th	5-10.3	6th
2-30	1st	3-14	5th	5-10.3.1	Original
2-31	19th	3-15	46th	5-10.3.2	1st
2-31.1	8th	4-1	7th	5-10.4	2nd
2-31.2	2nd	4-2	5th	5-11	9th*
2-31.3	5th*	4-2.1	Original	5-12	1st
2-32	3rd	4-3	6th	5-13	1st
2-33	Original	4-4	20th	5-14	1st
2-34	6th	4-4.1	3rd	5-15	1st
2-34.1	4th	4-4.2	14th	5-16	2nd
2-35	9th	4-4.3	38th	5-17	1st
2-35.1	10th	4-5	77th	5-18	1st
2-35.1.1	Original	4-5.1	16th	5-19	1st
2-36	2nd	4-6	7th	5-20	1st
2-36.1	8th	4-6.1	10th	5-21	1st
2-36.2	Original	4-6.2	9th	6-1	4th
2-37	3rd	4-6.3	1st	6-1.1	2nd
2-38	4th	4-7	21st	6-1.2	6th*
2-38.1	Original	4-8	7th	6-2	2nd
2-39	3rd	4-8.1	4th	6-3	2nd
2-40	2nd	4-8.2	6th	6-4	3rd
2-41	4th	4-9	1st	6-5	2nd
2-41.1	2nd	5-1	7th		

* New or Revised Page

(This page filed under Transmittal No. 1052)

ACCESS SERVICE

CHECK SHEET

<u>Page</u>	<u>Number of Revision Except as Indicated</u>	<u>Page</u>	<u>Number of Revision Except as Indicated</u>	<u>Page</u>	<u>Number of Revision Except as Indicated</u>
6-6	6th	6-30	8th*	6-52.6	Original
6-6.1	1st	6-30.1	8th	6-53	43rd
6-7	8th	6-30.2	7th*	6-53.1	22nd
6-7.1	3rd	6-30.3	Original	6-53.1.1	4th
6-7.2	3rd	6-31	4th	6-53.2	29th
6-7.3	6th	6-32	5th	6-53.2.1	17th
6-7.4	5th	6-32.1	2nd	6-53.3	8th
6-7.5	2nd	6-33	3rd	6-54	38th
6-7.6	7th*	6-34	3rd	6-54.1	28th
6-7.7	8th*	6-35	2nd	6-54.2	9th
6-7.8	2nd	6-36	3rd	6-55	8th
6-7.9	6th	6-37	6th	7-1	2nd
6-8	8th*	6-38	4th	7-2	1st
6-9	6th	6-38.1	1st	7-3	1st
6-10	4th	6-39	2nd	7-4	3rd
6-11	8th	6-40	5th	7-5	6th*
6-12	10th	6-40.1	Original	7-6	13th*
6-13	7th	6-41	7th	7-7	1st
6-14	4th	6-42	2nd	7-7.1	1st
6-15	3rd	6-43	6th	7-8	Original
6-16	2nd	6-44	2nd	7-9	Original
6-17	5th	6-45	4th	7-10	Original
6-18	4th	6-46	3rd	7-11	1st
6-18.1	1st	6-47	9th	7-12	Original
6-19	1st	6-47.1	2nd	7-13	Original
6-20	4th	6-48	7th	7-14	Original
6-21	1st	6-48.1	5th	7-15	1st
6-22	5th	6-48.2	Original	7-16	Original
6-23	4th	6-49	2nd	7-17	Original
6-24	4th	6-49.1	1st	7-18	Original
6-25	5th	6-50	4th	7-19	Original
6-26	3rd	6-51	2nd	7-20	Original
6-27	3rd	6-51.1	1st	7-21	Original
6-28	5th	6-52	4th	7-22	Original
6-29	5th	6-52.1	6th	7-23	2nd
6-29.1	6th*	6-52.2	3rd	7-24	1st
6-29.2	2nd	6-52.3	3rd	7-25	17th
		6-52.4	3rd	7-26	5th
		6-52.5	1st	7-27	2nd

* New or Revised Page

(This page filed under Transmittal No. 1052)

ACCESS SERVICE
CHECK SHEET

Page	Number of Revision Except as Indicated	Page	Number of Revision Except as Indicated	Page	Number of Revision Except as Indicated
20-6	4th	23-26	5th	24-44	2nd*
20-6.1	2nd	23-27	5th	24-45	2nd*
20-7	6th	23-27.1	4th	24-46	5th
20-7.1	3rd	23-27.2	8th	24-47	4th
20-8	5th	23-28	6th	24-48	5th
20-8.1	4th	24-1	6th	24-49	5th
20-9	9th	24-2	2nd	24-50	4th
20-10	3rd	24-3	9th	24-51	5th
20-11	4th	24-4	5th	24-52	5th
20-12	2nd	24-5	Original	24-53	4th
20-13	2nd	24-6	5th	24-54	5th
20-14	4th	24-7	5th	24-55	5th
20-15	4th	24-8	3rd	24-55.1	5th
20-15.1	2nd	24-8.1	2nd	24-55.2	4th
20-16	2nd	24-9	2nd	24-55.3	2nd
20-17	4th	24-10	2nd	24-55.4	3rd
20-18	3rd	24-11	2nd	24-55.5	2nd
20-19	4th	24-12	Original	24-55.6	2nd
20-20	4th	24-12.1	Original	24-55.7	3rd
20-21	5th	24-12.2	Original	24-55.8	3rd
20-22	4th	24-12.3	Original	24-55.9	3rd
20-22.1	4th	24-12.4	Original	24-55.10	3rd
20-22.2	4th	24-12.5	Original	24-55.11	3rd
20-23	4th	24-12.6	Original	24-55.12	2nd
20-23.1	2nd	24-13	2nd	24-55.13	2nd
20-24	5th	24-14	1st	24-55.14	2nd
20-24.1	3rd	24-15	2nd	24-55.15	2nd
20-24.1.1	2nd	24-16	Original	24-55.16	2nd
20-24.2	4th	24-17	1st	24-55.17	2nd
20-25	6th	24-18	1st	24-55.18	2nd
20-26	4th	24-19	2nd	24-55.19	2nd
20-27	2nd	24-20	2nd	24-55.20	2nd
21-1	3rd*	24-21	1st	24-55.21	2nd
21-2	3rd*	24-21.1	2nd	24-55.22	1st
21-3	3rd*	24-22	2nd	24-55.23	1st
21-3.1	3rd*	24-23	2nd	24-55.24	1st
21-4	8th*	24-24	1st	24-55.25	1st
21-5	5th*	24-25	4th	24-56	2nd
22-1	Original	24-26	Original	24-57	3rd
22-2	Original	24-27	Original	24-58	Original
22-3	Original	24-28	4th	25-1	2nd
22-4	1st	24-29	3rd	25-2	2nd
23-1	6th	24-30	3rd	25-3	2nd
23-2	5th	24-31	Original	25-4	2nd
23-2.1	2nd	24-32	Original	25-5	2nd
23-3	3rd	24-33	Original	25-6	2nd
23-3.1	3rd	24-34	5th	25-7	2nd
23-3.2	4th	24-35	1st	25-8	2nd
23-4	5th	24-36	Original	25-9	2nd
23-5	4th	24-37	1st	25-10	2nd
23-6	5th	24-38	Original	25-11	2nd
23-7	3rd	24-39	1st	25-12	2nd
23-8	6th	24-39.1	1st	25-13	2nd
23-9	6th	24-39.2	1st	25-14	2nd
23-10	6th	24-39.3	2nd	25-15	2nd
23-10.1	3rd	24-39.4	2nd	25-16	2nd
23-11	5th	24-39.5	2nd	25-17	2nd
23-11.1	2nd	24-40	5th	25-18	2nd
23-12	4th	24-40.1	4th	25-19	2nd
23-13	8th	24-41	6th	25-20	2nd
23-14	3rd	24-41.1	5th	25-21	2nd
23-15	3rd	24-41.2	5th	25-22	2nd
23-16	3rd	24-42	6th	25-23	2nd
23-17	2nd	24-43	4th	25-24	2nd
23-18	2nd	24-43.1	4th	25-25	2nd
23-19	8th	24-43.2	5th	25-26	2nd
23-20	5th	24-43.3	8th	25-27	2nd
23-21	4th	24-43.3.1	2nd	25-28	2nd
23-22	8th	24-43.4	5th	25-29	2nd
23-23	4th	24-43.5	5th	25-30	2nd
23-24	4th	24-43.6	5th	25-31	2nd
23-25	7th				

* New or Revised Page

(This page filed under Transmittal No. 1052)

TABLE OF CONTENTS

	<u>Page No.</u>
2. <u>GENERAL REGULATIONS</u> (Cont'd)	
2.11 Types of Rates and Charges	2-23
2.11.1 Monthly Rates	2-23
2.11.1.1 Optional Payment Plans (OPPs)	2-23
A. Description	2-23
B. Termination Liability	2-23.1.1
C. Portability	2-23.3
D. Additions of Service	2-23.3
E. Extension of Commitment Period	2-23.2
F. Rate Regulations	2-23.3
G. Conversion of Existing Shared Use Facilities	2-23.3.1
2.11.2 Daily Rates	2-23.4
2.11.3 Usage Sensitive Rates	2-23.4
2.11.4 Distance Sensitive Rates	2-23.4
2.11.5 Nonrecurring Charges	2-25
A. Installation of Service	2-25
B. Installation of Optional Features and Functions	2-25
C. Switched Access and Directory Assistance Service Rearrangements	2-25
D. Special Access Service Rearrangements	2-26.1
E. Moves	2-27
F. Reestablishment of Service Following Fire, Flood or Other Occurrence	2-28
2.11.6 Service Installation Guarantee	2-28
A. General	2-28
B. Services Subject to the Service Installation Guarantee	2-28.1

(D)
(D)

(D)
(D)

(This page filed under Transmittal No. 1052)

ACCESS SERVICE

TABLE OF CONTENTS

	<u>Page No.</u>	
2. <u>GENERAL REGULATIONS</u> (Cont'd)		
2.12 Credit Allowance for Service Interruptions	2-28.3	
2.12.1 General	2-28.3	
2.12.2 When a Credit Allowance Applies	2-29	
A. Switched Access Service and DA Service	2-29	
B. Special Access Services (other than Program Audio and Video Services)	2-29.1	
C. Program Audio and Video Special Access Services	2-30	
D. Credit Allowance for DA Calls	2-30	
E. Specialized Services	2-31	
F. Service Maintenance Guarantee (SMG)*	2-31.1	(T)
G. Service Maintenance Guarantee (SMG)	2-31.2	
H. Packet Switched Data Network Service (PSDN)	2-31.1	
I.		(D)
		(D)
J. Video Service Maintenance Guarantee*	2-31.2	(T)
K. ⁽¹⁾		
2.12.3 When a Credit Allowance Does Not Apply	2-32	
2.12.4 Use of an Alternative Service During a Service Interruption	2-33	
2.12.5 Temporary Surrender of a Service	2-33	
2.13 Definitions	2-34	
Access Code	2-34	
Access Customer Name Abbreviation (ACNA)	2-34	
Access Customer Terminal Location (ACTL)	2-34	
Access Minutes	2-34	
Access Tandem	2-34	
Agent	2-34	
Aggregator	2-34	
Alternate Billing Service	2-34.1	
Answer/Disconnect Supervision	2-34.1	
Attenuation Distortion	2-34.1	
Authorized Billing Agent	2-34.1	
B8ZS	2-34.1	
Balance (100 Type) Test Line	2-34.1	
Billed Number Screening	2-35	
Billing Name and Address (BNA)	2-35	
Bit	2-35	
Broadcast Traffic	2-35	
Business Day	2-35	
Busy Line Interrupt (BLI)	2-35	
Busy Line Verification (BLV)	2-35	
Call	2-35.1	
Calling Party Number	2-35.1	

(D)

(D)

* This regulation is limited to existing customers at existing locations as of April 1, 2004. (T)

⁽¹⁾ Material in this Section has been de-tariffed as required by the Commission upon use of the forbearance relief pursuant to FCC Memorandum Opinion and Order No. 07-180, released October 12, 2007. Terms and Conditions associated with de-tariffed services are available at www.att.com/guidebook.

(This page filed under Transmittal No. 1052)

ACCESS SERVICE

TABLE OF CONTENTS

	<u>Page No.</u>
2. <u>GENERAL REGULATIONS</u> (Cont'd)	
2.13 Definitions (Cont'd)	
Signaling System 7	2-46.2
Signaling for Tandem Switching	2-46.2
Signal-to-C-Notched Noise Ratio	2-46.2
Subcontractor	2-46.2
Subtending End Office of an Access Tandem	2-46.2
Switching System	2-46.2
Switched Digital Data Service (SDDS) Interconnect	2-46.3
Synchronous Test Line	2-46.3
Tandem-Switched Directory Transport	2-46.3
Tandem Switching Provider	2-46.3
Tandem-Switched Transport	2-47
Telecommunications Relay Service (TRS)	2-47
Telecommunications Relay Service (TRS) Provider	2-47
Telecommunications Service Provider	2-47
Terminating Direction	2-47
Termination Charge	2-47
Third Party Host	2-47
Transmission Measuring (105 Type) Test Line/Responder	2-48
Transmission Path	2-48
Trunk	2-48
Trunk Group	2-48
Trunk Side Connection	2-48
Two-Wire to Four-Wire Conversion	2-48
Unicast Traffic	2-49
Uniform Service Order Code (USOC)	2-49
Unknown Traffic	2-49
V and H Coordinates Method	2-49
Virtual Switch	2-49
WATS Serving Office	2-50
Wire Center	2-50
Zero Minus Transfer (0-)	2-50
900 Access Service Screening Office	2-50
3. <u>COMMON LINE ACCESS SERVICE</u>	
3.1 General	3-1
3.2 Limitations	3-1
3.2.1 Exclusions	3-1
3.2.2 Access Groups	3-1
3.2.3 WATS Access Lines	3-1
3.3 Undertaking of the Telephone Company	3-2
3.3.1 Provision of Service	3-2
3.3.2 Interstate and Intrastate Use	3-2
3.4 Obligations of the Customer	3-2
3.4.1 Switched Access Service Requirement	3-2
3.4.2 Supervision	3-2

(D)

ACCESS SERVICE
TABLE OF CONTENTS

	<u>Page No.</u>	
21. <u>Reserved for Future Use</u>		(T)
		(D)
		(D)
22. <u>INTERNET NETWORK ACCESS SERVICE (INAS)</u>	22-1	
22.1 Service Description	22-1	
22.2 Service Components	22-1	
A. INAS Access Link	22-1	
B. Optional Features	22-2	
22.3 Regulations	22-2	
22.4 Minimum Period Charges	22-3	
22.5 Optional Payment Plans	22-3	
22.6 Rates and Charges	22-4	
23. ⁽¹⁾		

⁽¹⁾ Material in this Section has been de-tariffed as required by the Commission upon use of the forbearance relief pursuant to FCC Memorandum Opinion and Order No. 07-180, released October 12, 2007. Terms and Conditions associated with de-tariffed services are available at www.att.com/guidebook.

(This page filed under Transmittal No. 1052)

2.7 Switched Access Service Used for Both Interstate and Intrastate
Applications (Cont'd)

2.7.2 Initial Jurisdictional Report Requirements (Cont'd)

D. Busy Line Interrupt (BLI) and Busy Line Verification (BLV)
Service

When a customer orders BLI and BLV Services the customer shall, in its order provide the projected interstate percentage for terminating use in a whole number (a number of 0 through 100) for each BLI and BLV Service group ordered. The Telephone Company will derive the number by subtracting the projected interstate percentage provided by the customer from 100 (100 - customer percentage = intrastate percentage) as the projected intrastate percentage of use.

E. Dedicated Signaling Transport (DST) and Line Information Data
Base LIDB Validation Service

The jurisdictional requirements for DST and LIDB Validation Service are described in 17.5, following.

F. Entrance Facilities and Direct-Trunked Transport Facilities (D)

When a customer orders Entrance Facilities and/or Direct-Trunked Transport Facilities the customer shall, in its order, provide to the Telephone Company the projected interstate percentage of use (PIU) in a whole number (a number of 0 through 100) for each Entrance Facility and a separate PIU for each Direct-Trunked Transport Facility. These PIU factors will account for both the originating and terminating traffic of all services using these facilities. The Telephone Company will derive the projected intrastate PIU by subtracting the projected interstate percentage provided by the customer from 100 (100 - customer percentage = intrastate percentage).

(D)
(D)
(D)

(This page filed under Transmittal No. 1052)

2.7 Switched Access Service Used for Both Interstate and Intrastate Applications (Cont'd)

2.7.2 Initial Jurisdictional Report Requirements (Cont'd)

F. Entrance Facilities and Direct-Trunked Transport Facilities (D)
(Cont'd)

At the customer's option, a LATA-level PIU factor may be provided for all Entrance Facilities or for all Direct-Trunked Transport facilities provided in the LATA. These PIU factors will account for both the originating and terminating traffic of all services using these facilities within the LATA. The specified percentage will be applied to all Entrance Facilities or to all Direct-Trunked Transport facilities within the LATA. (D)

At the customer's option, a Letter on File which specifies the PIU for Entrance Facilities and for Direct-Trunked Transport may be provided to the Telephone Company. The Letter on File will be used by the Telephone Company to develop the projected intrastate percentage. (D)

The Entrance Facility and Direct-Trunked Transport facility PIU must be provided to the Telephone Company upon ordering service, and thereafter, on a quarterly basis. Provisions for updating the interstate jurisdictional report as specified in 2.7.4 will apply. (D)

G. Tandem-Switched Transport

For each Tandem-Switched Transport minute of use provided to the customer, rates and charges will be apportioned by the Telephone Company between interstate and intrastate based upon the PIUs used to apportion the rates and charges for tandem routed feature group MOU as set forth in 2.7.2 A and B, preceding.

2.7.3 Projected Intrastate Percentage

The projected intrastate percentage of use for originating and terminating access minutes is obtained by subtracting the interstate percentage from 100.

(D)
(D)

(This page filed under Transmittal No. 1052)

2.10 Minimum Period Regulations

2.10.1 General

The minimum period is the length of time for which a customer is required to make payment when Access Services are provided. The minimum period for which Access Service is provided is one month, except as follows:

- A. The minimum period for Switched Access Service FGD, 500 Access Service, 800 Database and 900 Access Service which is provided from an end office equipped with equal access capabilities is three months.
- B. The minimum period for Special Access Service provided at daily rates, e.g., Program Audio and Video Special Access Service, is one day, i.e., a continuous 24 hour period, not limited to a calendar day, even though the Access Order, e.g. one-half hour, two-hours, etc.
- C. The minimum service period for Switched Access Service Automatic Scheduled Testing, Cooperative Scheduled Testing and Manual Scheduled Testing Services is one year and annually thereafter.
- D. The minimum period for Directory Assistance Service is three months.
- E. The minimum period for a Specialized Service is established with each individual case filing. If not specified, the minimum period is one month.
- F. The minimum service period for DS3 (44.736 Mbps) High Capacity Special Access Service is a 1 year term plan. After the 1, 3 or 5 year term is satisfied, the customer must select a renewal option as referenced in Section 7.16.4.1.
- G. The minimum period for Switched Access Services is 12 months.
- H.
- I. The minimum period for Electronic Directory Assistance Service is one year.
- J. The minimum period for 1.544 Mbps High Capacity Special Access Services and Switched Access Service offered under an Optional Payment Plan (OPP) is three months.
- K. (D)
- L. The minimum period for Multichannel Video Service⁽¹⁾ is twelve months.
- M. The minimum period for Internet Network Access Service is one year.
- N. The minimum period for Optical Carrier Network (OCN) Point-to-Point Service is twelve (12) months for a one year Term Pricing Plan (TPP), thirty-six (36) months for a three year TPP, and sixty (60) months for a five year TPP. After the minimum period is satisfied, the monthly extension rate will apply unless a TPP is selected.

(D)
(D)

⁽¹⁾ Effective August 25, 2011, MVS is no longer available to new customers. There is no change for existing customers.

(This page filed under Transmittal No. 1052)

2.10 Minimum Period Regulations (Cont'd)

2.10.2 Minimum Period Charges (Cont'd)

B. Services with a Minimum Period Greater Than One Month
(Cont'd)

- (5) (D)
(D)
(D)
- (6) The minimum period charge for Multichannel Video Service⁽¹⁾ is 100% of the monthly rate applicable to the initial twelve month period of service.
- (7) The minimum period charge for Optical Carrier Network (OCN) Point-to-Point Service is 100% of the monthly rate applicable to the initial 36 month period of service.
- (8) A minimum period charge does not apply to Access Advantage Plus (AA+) Transport Service.

(D)
(D)

⁽¹⁾ Effective August 25, 2011, MVS is no longer available to new customers. There is no change for existing customers.

(This page filed under Transmittal No. 1052)

2.10 Minimum Period Regulations (Cont'd)

2.10.3 Effect of Rearrangements and Changes on the Minimum Period

A. Rearrangements Which Change the Minimum Period

The following service rearrangements and changes will be treated as the discontinuance of an existing service and the installation of a new service. A new minimum period will be established for the new service and all associated nonrecurring charges will apply for the new service. The customer will also remain responsible for all outstanding minimum period obligations associated with the disconnected service.

- (1) A change of customer of record, i.e., Access Service is provided and billed to a different entity with no assumption of outstanding charges and/or liabilities.
- (2) A move to a different building.
- (3) A change of service type, i.e., Switched Access to Special Access, one type of Special Access to another, or one type of Switched Access to another, except as set forth in Section 6.
- (4) A change in the type of Special Access Service Channel Termination.
- (5) A change in Switched Access Service or Directory Assistance Service Interface Group.
- (6) Change in Switched Access Service traffic type.
- (7) Change from two-point to multipoint or from multipoint to two-point Special Access Service.
- (8) A change in STP Access Mileage connection.
- (9) A change in STP Port Termination.
- (10) A change in STP Access Connection.
- (11) A change in Entrance Facility or Direct-Trunked Transport capacity.
- (12)

(D)
(D)

(D)
(D)

(This page filed under Transmittal No. 1052)

2.11 Types of Rates and Charges (Cont'd)

2.11.4 Distance Sensitive Rates

The application of distance sensitive rates, i.e., Switched Transport or Special Access Channel Mileage and Optical Carrier Network (OCN) Point-to-Point Service,(D) requires the determination of the airline distance between a serving wire center (SWC) and an end office or two or more serving wire center (SWC) locations as follows:

A. Determine the SWC locations:

- (1) Switched Transport - The SWC location that serves the customer location and the end office location where the call originates or terminates. The exceptions to this general rule are set forth in Section 6.2.1 A, Switched Transport Mileage Measurement.
- (2) Special Access Service including Switched Access Direct-Trunked Transport and Dedicated Signaling Transport

The SWC locations may be:

- (a) two SWCs associated with customer premises,
- (b) a SWC and a Telephone Company Hub location,
- (c) a SWC and a WATS Serving Office,
- (d) two Telephone Company Hub locations, or
- (e) a SWC and a Telephone Company Access Tandem or End Office.

When Hubs are involved, mileage is computed and rates are applied separately for each section of the Channel Mileage or Direct-Trunked Transport. However, when any service is routed through a Hub for purposes other than customer specified bridging or multiplexing, e.g., the Telephone Company routes via a Hub location for test access purposes, rates will be applied only to the distance calculated between the SWCs associated with the customer premises, end office of Telephone Company Access Tandem.

B. Compute the mileage between the SWC locations:

- (1) Look up the V&H coordinates of the SWCs in National Exchange Carrier Association, Inc. Tariff F.C.C. No. 4, Wire Center Information and Interconnection.
- (2) Determine the difference between the F&H coordinates, respectively, by subtracting the smaller coordinate from the larger coordinate.
- (3) Square the V&H differences separately.
- (4) Add the squares of the two differences and divide the sum by 10.
- (5) Take the square root of the result obtained in (4).
- (6) Round any fractional value up to the next integer.

<u>Example</u>		V	H	
	SWC A	- 5016	1430	
	SWC B	- 5038	1453	
	Differences	- 22	23	
	Differences Squared	- 484	529	Sum of squared differences - 1013
				Sum divided by 10 - 101.3
				Square root - 10.0648
				Rounded to - 11

(D)
(D)

(This page filed under Transmittal No. 1052)

2.11 Types of Rates and Charges (Cont'd)

2.11.5 Nonrecurring Charges (NRC) (Cont'd)

C. Switched Access and Directory Assistance Service
Rearrangements (Cont'd)

(2) If, due to technical limitations of the Telephone Company, a customer could not combine its 500 Access Service, 800 Database or 900 Access Service traffic with its other trunk side Switched Access Services, no charge shall apply to combine these trunk groups when it becomes technically possible.

(3) If the change involves the reconfiguration of an existing Direct-Trunked Transport facility from 1) an existing DS1 capacity facility into part of a DS3 capacity facility either Direct-Trunked Transport, or Special Access, or 2) an existing DS1 on a DS3 capacity onto a different DS3 capacity, a unique nonrecurring charge referred to as a rollover charge will apply to the existing high capacity facility as set forth in 7.16.4 A. (D)

The rollover charge applies to services requiring no additional change(s) at the time of the rollover. If the customer requests any change be made to the Feature Group Service at the time of rollover, the appropriate rearrangement charge(s) shall apply.

(4) If the change involves the retermination of an existing Switched Transport DS1 or DS3 Direct-Trunked Transport Service from the existing point of termination to a DS1 or DS3 cross-connect provided to the collocated space of an interconnect customer subscribing to Expanded Interconnection, then a unique retermination charge shall be assessed per DS1 or DS3. This retermination charge will only apply if the existing DS1 or DS3 service is routed through the same central office as the interconnect customer's collocated space. If the existing DS1 or DS3 service is not routed through the same central office as the interconnect customer's collocated space, then normal rearrangement charges shall apply as specified herein.

The DS1 and DS3 retermination charges are set forth in 7.16.4 A.

(D)
(D)

(This page filed under Transmittal No. 1052)

2.11 Types of Rates and Charges (Cont'd)

2.11.5 Nonrecurring Charges (NRC) (Cont'd)

C. Switched Access and Directory Assistance Service Rearrangements (Cont'd)

- (5) For all other changes, including the addition of, or modifications to optional features without separate nonrecurring charges, a charge equal to the nonrecurring charge for the addition of a trunk will apply as set forth in 6.3.1 F. When an optional feature is required for an entire transmission path group, an end office or a Telephone Company access tandem switch, rather than on each transmission path, only one such charge will apply, i.e., the charge will not apply per transmission path.

D. Special Access Service Rearrangements

- (1) If a change involves the addition of an optional feature or function, including Multiplexer Cross Connect, which has a separate nonrecurring charge, the nonrecurring charge applies.
- (2) If the change involves the addition of another leg to an existing multipoint Special Access Service, the nonrecurring charge for the channel termination rate element will apply for the leg that is being added only.
- (3) If the change involves changing the type of signaling on a Voice Grade Special Access Service, a charge equal to the Voice Grade channel termination rate element nonrecurring charge will apply per service termination affected.
- (4) If the change involves the reconfiguration of an existing High Capacity facility into part of a higher bit rate multiplexed Special Access or Direct-Trunked Transport High Capacity facility, a unique charge referred to as a rollover charge will apply to the existing High Capacity facility. (D)

The rollover charge applies to services requiring no additional change(s) at the time of the rollover. If the customer requests any change be made to the service at the time of rollover, the appropriate rearrangement charge(s) shall apply.

Rollover charges are set forth in 7.16.4A following.

(D)
(D)

(This page filed under Transmittal No. 1052)

2.11 Types of Rates and Charges (Cont'd)

2.11.7 Network Upgrades to higher speed Access Services

- A. When an existing DS1 or DS3 high capacity service OPP customer converts to a higher speed Access Service, termination liability will not apply on the OPPs if the total service capacity subscribed to on SNET's network remains the same (or increases) between the same two locations.

(D)

(D)

2.12 Credit Allowance for Service Interruptions

2.12.1 General

A service is interrupted when it becomes unusable to the customer because of a failure of a facility component used to furnish service under this tariff or in the event that the protective controls applied by the Telephone Company result in the complete loss of service by the customer. An interruption period starts when an unusable service is reported to the Telephone Company and ends when the service is usable.

The credit allowance(s) for an interruption or for a series of interruptions shall not exceed the sum of (a) the monthly rates; or (b) the assumed minutes of use charge; or (c) the minimum monthly usage charge, whichever is (are) applicable for the service interrupted in any one monthly billing period.

(D)

(D)

(This page filed under Transmittal No. 1052)

Issued: July 19, 2013

Effective: January 7, 2014

Four AT&T Plaza, Dallas, Texas 75202

ACCESS SERVICE

2.12 Credit Allowance for Service Interruptions (Cont'd)

2.12.2 When a Credit Allowance Applies (Cont'd)

H. Packet Switched Data Network Service (PSDN)

The credit Allowance for Packet Switched Data Network Service (PSDN) is described in 19.1.2.

I.

(D)

J. Video Service Maintenance Guarantee*

(D)
(T)

The Video Service Maintenance Guarantee provides a service credit of 100% of the monthly or daily rate, as applicable, for a service interruption of greater than one hour in duration.

The following Video Services are offered with the Video Service Maintenance Guarantee:

- Broadcast Video Service
-
-
- Multichannel Video Service⁽²⁾

The Video Service Maintenance Guarantee can only be applied once in any one monthly billing period, on a per circuit basis, or per leg affected basis for multipoint circuits. For daily rated services, the Video Service Maintenance Guarantee can only be applied once per daily billing period, on a per circuit basis, or per leg affected basis for multipoint circuits.

K.⁽¹⁾

(D)
(D)

* This regulation is limited to existing customers at existing locations as of April 1, 2004.

(T)

⁽¹⁾ Material in this Section has been de-tariffed as required by the Commission upon use of the forbearance relief pursuant to FCC Memorandum Opinion and Order No. 07-180, released October 12, 2007. Terms and Conditions associated with de-tariffed services are available at www.att.com/guidebook.

⁽²⁾ Effective August 25, 2011, MVS is no longer available to new customers. There is no change for existing customers.

(This page filed under Transmittal No. 1052)

2.13 Definitions (Cont'd)

Signaling System 7 (SS7)

The term "Signaling System 7" (SS7) denotes the signaling protocol version used in the Common Channel Signaling Network.

Signaling for Tandem Switching

The term "Signaling for Tandem Switching" denotes the Carrier Identification Code (CIC) and the OZZ code on an MF signaling basis and the CIC and Circuit Code on an SS7 basis. This information is needed to perform tandem switching functions.

Signal-to-C-Notched Noise Ratio

The term "Signal-to-C-Notched Noise Ratio" denotes the ratio in dB of a test signal to the corresponding C-Notched Noise.

(D)
|
(D)

Storage Area Network

Network which links host computers, storage servers, and systems.

Subcontractor

The term "Subcontractor" denotes the status of the Telephone Company when contracting directly with a Prime Service Vendor to provide Telecommunications Service Priority (TSP) to a service user.

Subtending End Office of an Access Tandem

The term "Subtending End Office of an Access Tandem" denotes an end office that has final trunk group routing through that tandem.

Switching System

The term "Switching System" denotes the Telephone Company facilities, including hardware and/or software, which are used to perform switching functions within a central office, end office or tandem office.

(D)
(D)

(This page filed under Transmittal No. 1052)

5.4 Access Order Modifications (Cont'd)

5.4.3 Design Change Charge

The customer may request a design change to the service ordered. A design change is any change to an Access Order which requires engineering review by Telephone Company personnel to determine what, if any, changes are necessary in the design of the service ordered to implement the changes requested by the customer.

The Telephone Company will review the requested change, notify the customer whether the change constitutes a design change, if it can be accommodated and if a new service date is required. If the customer authorizes the Telephone Company to proceed with the design change, a Design Change Charge will apply on a per order, per occurrence basis, for each order requiring a design change.

If a change of service date is required, the Order Modification Charge as set forth in Section 5.4 preceding will also apply.

A. Design changes include such things as the addition or deletion of optional features or functions or a change in the type of Transport Termination (Switched Access only), type of channel interface, type of Interface Group or technical specification package.

The Design Change Charge applies on a per order, per occurrence basis for each design change, as follows:

	<u>USOC</u>	<u>Charge</u>
Design Change Charge	H28	\$37.00

B. Design changes do not include a change of customer premises, end user premises, end office switch, Switched Transport Feature Group type, Switched Transport capacity, or Special Access Service channel type. Changes of this Nature will require the issuance of a new order and the cancellation of the original order with appropriate cancellation charges applied.

(D)

(D)

(D)

(This page filed under Transmittal No. 1052)

5.6 Service-Specific Ordering Information (Cont'd)

5.6.1 Switched Access Service (Cont'd)

A. Switched Transport and Directory Transport Services (Cont'd)

The minimum information required to order Switched Transport or Directory Transport is set forth in (1) through (3) following. Such information is in addition to the information required to order line side or trunk side Switched Access or Directory Transport as specified in 5.6.1 B, C, D and 5.6.4, as applicable.

(1) Entrance Facility

- (a) The customer premises.
- (b) The connection type (Voice Grade, DS1 or DS3).
- (c) The Switched Transport optional features, if desired (including multiplexing).
- (d) Multiplexing is required if the Entrance Facility connection type is different from the Direct-Trunked Transport connection type or, if the Entrance Facility contains Tandem-Switched Transport to more than one access tandem.

If the Entrance Facility is existing, the customer must provide the information as set forth in 5.6.1 B through D following.

(2)

(D)

(D)

(3) Direct-Trunked Transport

- (a) The connection type (Voice Grade, DS1 or DS3).
- (b) If multiplexing is requested, the customer must specify each Hub location where the multiplexer or multiplexers are to be installed.
- (c) The Entrance Facility or SSNS to which the Direct-Trunked Transport facility is interconnected. The Entrance Facility or SSNS Port must be of an equal or higher capacity than the Direct-Trunked Transport facility and must also have a compatible interface. If the Entrance Facility is new, additional information as set forth in 5.6.1 A (1) or (2) is also required.

(D)

(D)

(D)

(This page filed under Transmittal No. 1052)

5.6 Service-Specific Ordering Information (Cont'd)

5.6.1 Switched Access Service (Cont'd)

A. Switched Transport and Directory Transport Services (Cont'd)

(3) Direct-Trunked Transport (Cont'd)

- (d) Multiplexing is required if the Direct-Trunked Transport connection type is different than that required by the central office switch, or if the Direct-Trunked Transport facility contains trunks to more than one central office switch, or if any Special Access circuits will be assigned to the facility.

If the Direct-Trunked Transport facility or the Entrance Facility is existing, the customer must provide the information as set forth in 5.6.1 B through D, as applicable. (D)

With Direct-Trunked Transport or DA Direct-Trunked Transport to a Telephone Company access tandem, Tandem-Switched Transport or Tandem-Switched Directory Transport is not required to be ordered from the Telephone Company access tandem to the end office.

B. Feature Group A (FGA)

- (1) The number of lines.
- (2) The first point of switching (i.e., dial tone office).
- (3) The directionality of the service.
- (4) The Switched Transport and/or Local Switching options desired, if any.
- (5) Whether the off-hook supervisory signaling for the ordered line(s) is to be provided by the customer's equipment or is to be forwarded by the customer's equipment when the called party answers.

(D)

(D)

(This page filed under Transmittal No. 1052)

5.6 Service-Specific Ordering Information (Cont'd)

5.6.4 Directory Assistance (DA) Service

DA can be utilized with FGA, FGB, or FGD Switched Access Service. For Direct-Trunked Transport of Directory Assistance utilizing FGB or FGD directly to the DA location, the customer shall specify the number of trunks required from the customer premises to the DA location. If the DA Service is to be associated with a FGB or FGD Tandem-Switched Transport, the customer shall also specify which FGB or FGD trunk group is to be associated with the DA Service. The customer shall specify the Directory Transport options. The customer shall also specify the Percent Interstate Use (PIU).

When Directory Assistance Access Service is ordered, the customer must specify if new or existing Directory Direct-Trunked Transport services are to be used. If new Directory Transport facilities are specified, additional information as set forth in 5.6.1 (A) is also required. If an existing Directory Transport facility is specified, such facility must have a compatible interface and available capacity to install the service. The customer must also specify the connecting facility assignment for the service being ordered.

5.6.5 Special Access Service

(D)

The customer must designate the customer premises and/or Hubs involved, the channel type, e.g., Voice Grade, the network channel interface, technical specification package and options desired and the percent interstate usage in accordance with Section 2.5.9. For multipoint services, the network channel interface specified at each premises may be different, but all such interfaces shall be compatible.

(D)

(D)

(This page filed under Transmittal No. 1052)

5.7 Selection of Facilities for Access Orders

When a customer places an Access Order, it may choose to utilize Special Access facilities previously purchased to a Hub. If the customer has a high capacity interface for use with Switched Access Service DS1 or DS3, or has a Special Access Service facility purchased to a Hub, or when there are digital high capacity facilities to a Signal Transfer Point (STP) for Dedicated Signaling Transport, the customer must request that specific channels be used to implement the Access Order for all Direct-Trunked Transport and Entrance Facilities. For Tandem-Switched Transport from the Access Tandem to the End Office, the customer will only provide the connecting facility assignment for the Entrance Facility and the Direct-Trunked Transport. (D)

For all other Access Orders, the option to request a specific transmission path or channel is not provided except as provided for under Special Facilities Routing as set forth in Section 11. following.

5.8 Provision of Other Services

- A. Testing Service, Additional Labor, Telecommunications Service Priority(TSP) and Special Facilities Routing shall be ordered with an Access Order or as set forth in B. following. The rates and charges for these services, as set forth in other sections of this tariff, will apply in addition to the ordering charges set forth in this section and the rates and charges for the Access Service with which they are associated.
- B. With the agreement of the Telephone Company, the items listed in A. preceding may subsequently be added to the order at any time, up to and including the service date for the Access Service. When added subsequently, charges for a design change as set forth in 5.4 preceding will apply when an engineering review is required.
- C. Additional Engineering is not an ordering option, but will be applied to an Access Order when the Telephone Company determines that Additional Engineering is necessary to accommodate a customer request. Additional Engineering will only be required as set forth in 8. following. When it is required, the customer will be so notified and will be furnished with a written statement setting forth the justification for the Additional Engineering as well an estimate of the charges. If the customer agrees to the Additional Engineering, a firm order will be established. If the customer does not want the service or facilities after being notified that Additional Engineering of the Telephone Company facilities is required, the order will be withdrawn and no charges will apply. Once a firm order has been established, the total charge to the customer for the Additional Engineering may not exceed the estimated amount by more than 10%.

The regulations, rates and charges for Additional Engineering are as set forth in 8. following and are in addition to the regulations, rates and charges specified in this section.

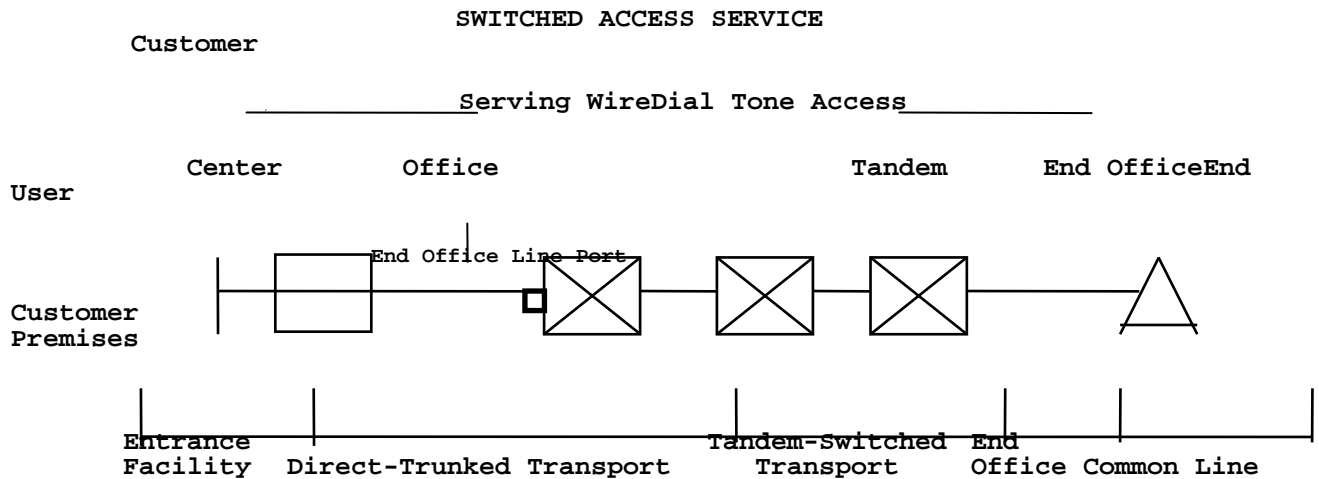
(D)
(D)

(This page filed under Transmittal No. 1052)

6.1 Switched Access Service Description (Cont'd)

6.1.1 General (Cont'd)

4. Feature Group A (FGA) Arrangement (Terminating)



Switched Transport - Provides for a transmission path between the customer premises and the end office switch(es) where a customer's traffic is switched to originate or terminate communications. This category includes capacity based Entrance Facilities and capacity based facility charges for traffic routed direct to the end office or to the Telephone Company access tandem and usage rated charges for tandem routed traffic. Direct-Trunked Transport and Tandem-Switched Transport are distance sensitive. An Interconnection Charge also applies to the Switched Transport rate category. Access Tandem Trunk Ports will apply to the Switched Transport rate category for Access Tandem routed trunks from the customer's Serving Wire Center (SWC). (D)

End Office - Provides for (A) local end office switching, i.e., the common switching functions associated with the various Switched Access Service arrangements, (B) the termination of Switched Transport at end offices and intercept functions, i.e., the termination of certain calls at a Telephone Company intercept operator or recording. This category includes a usage sensitive rate and both chargeable and nonchargeable optional features. An Information Surcharge rate as set forth in 6.2.3 following also applies to the End Office rate category. End Offices Trunk Ports will apply for direct End Office routed trunks. The End Office rate category also contains the Common Trunk Port which is the shared End Office trunk port that is used when a call is routed to the Access Tandem.

Common Line - Provides for the use of common subscriber plant, as set forth in Sections 3 and 4 respectively. An End Office Line Port will also apply to WATS Access Lines when the arrangement is for line side access and for Feature Group A lines as set forth in Section 3.

(D)
(D)

(This page filed under Transmittal No. 1052)

ACCESS SERVICE

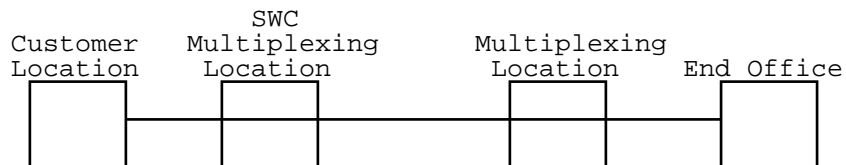
6.1 Switched Access Service Description (Cont'd)

6.1.3 Central Office Multiplexing (Cont'd)

B. Cascade Multiplexing

When a derived channel of a High Capacity Service is itself multiplexed to derive additional channels with a lesser capacity, this is referred to as cascade multiplexing. When cascade multiplexing is ordered, a charge for the additional multiplexing function applies. When cascade multiplexing is performed at a different multiplexing location, as depicted in the example which follows, Direct-Trunked Transport charges, as specified in Section 6.3.1 B, apply between the multiplexing locations and from the multiplexing location from the end office or Telephone Company access tandem.

Example



	DS3 Capacity	DS1 Capacity	Voice Capacity	
DS1	-	1.544 Mbps Capacity	SWC	- Serving Wire Center
DS3	-	44.736 Mbps Capacity	VG	- Voice Grade
M	-	Multiplexing Function		

C. Shared Use (Derived Channels Used for Switched and Special Access

Shared Use refers to a rate application applicable only when the customer orders a Switched Access High Capacity facility ⁽¹⁾ between a customer designated premises and a Telephone Company Hub, or Serving Wire Center (SWC) where the Telephone Company performs multiplexing/demultiplexing functions and the same customer then orders the derived circuits as Special Access Service. Network Reconfiguration Service (NRS) is not available for Shared Use services. (D)

The facility will be ordered, provided and rated as High Capacity (i.e. Entrance Facility, Direct-Trunked Transport, and multiplexing). ⁽¹⁾ The nonrecurring charge that applies when the shared use facility is installed will be the nonrecurring charge associated with the appropriate Switched Access Service. (D)

(D)
(D)

⁽¹⁾ Material in this Section has been de-tariffed as required by the Commission upon use of the forbearance relief pursuant to FCC Memorandum Opinion and Order No. 07-180, released October 12, 2007. Terms and Conditions associated with de-tariffed services are available at www.att.com/guidebook.

(This page filed under Transmittal No. 1052)

ACCESS SERVICE

6.1 Switched Access Service Description (Cont'd)

6.1.3 Central Office Multiplexing (Cont'd)

C. Shared Use (Derived Channels Used for Switched and Special Access) (Cont'd)

As each individual circuit is activated for Special Access Service, the High Capacity Entrance Facility, Direct-Trunked Transport and Multiplexer rates will be adjusted accordingly (e.g., for a VG capacity Special Access circuit 1/24th of a DS1 service, 1/672nd of a DS3 service, ⁽¹⁾ etc.). Special Access Service rates and charges, as set forth in Section 7 and ⁽¹⁾ Section 21 will apply for each circuit of the shared use facility that is used to provide a Special Access Service when the base service is ordered as Switched Access. The Special Access rates on the Shared Use facility to the multiplexer will be at the capacity of the Switched Access facility but adjusted for the number of channels for Special Access including the multiplexer. From the multiplexer, the Special Access rates apply. (D)

Switched Access Service rates and charges as set forth in 6. following, will apply for each circuit of the Shared Use Facility that is used to provide a Switched Access Service when the base service is ordered as Switched Access. The spare channels will be assigned to either Switched Access or Special Access for rating purposes depending on how the customer ordered the service; i.e., Switched Access or Special Access respectively.

The customer must place an order for each individual Switched or Special Access Service utilizing the shared use facilities and specify the circuit assignment for each such service.

When Switched Access Service Direct-Trunked Transport is provided utilizing a circuit of the shared use facility to a Hub, High Capacity rates and charges will apply for the facility from the customer designated premise to the Hub as set forth preceding, and individual service rates and charges will apply from the Hub to the Telephone Company Access Tandem or End Office. The rates and charges that will apply to the portion from the Hub to the Telephone Company Access Tandem or End Office will be dependent on the specific type of Switched Access Service that is provided (i.e., Voice Grade, or DS1). The rates and charges that will apply to the portion from the customer designated premise to the Hub will be prorated based on the capacity of the shared use facility to the Hub. The applicable rates and charges will include Entrance Facility and Direct-Trunked Transport rates and charges, if applicable. Rates and charges for optional features and functions associated with the service, if any, will apply for the appropriate circuit type.

(D)
(D)

⁽¹⁾ Material in this Section has been de-tariffed as required by the Commission upon use of the forbearance relief pursuant to FCC Memorandum Opinion and Order No. 07-180, released October 12, 2007. Terms and Conditions associated with de-tariffed services are available at www.att.com/guidebook.

(This page filed under Transmittal No. 1052)

6.1 Switched Access Service Description (Cont'd)

6.1.6 Signaling for Tandem Switching (Cont'd)

If the TSP customer prefers to have the Telephone Company bill the terminating FGD traffic to the IC customer the TSP must provide billing information upon which the Telephone Company can rely to bill the TSP's customers.

The TSP is responsible for ensuring the billing tape (or other medium) is accurate, complete and contains billable recordings or that TSP will be responsible for the charges associated with calls that it delivered to the Telephone Company Switch that the Telephone Company cannot bill.

The TSP is responsible for ordering the Entrance Facility or Cross Connect and Direct-Trunked Transport to its premise as specified in 5.6.1A and 5.6.17, preceding. (D)

Signaling for Tandem Switching is available for FGD services that are currently provisioned from Telephone Company end offices. Signaling for Tandem Switching is available with MF Signaling at all Telephone Company end offices and with SS7 Signaling at suitably equipped Telephone Company end offices. The SS7 signaling information is transmitted over facilities provided in accordance with the specifications set forth in Section 17 for Dedicated Signaling Transport.

The OZZ and Circuit Codes are provided in SNET Publication: Provisioning for Signaling for Tandem Switching.

6.1.7 WATS Access Line (WAL) Service

WAL Service is available to all customers and is a type of Special Access Service which connects an end user premises with a WATS serving office where it may be interconnected with FGA, FGB, and FGD Switched Access Service.

6.1.8 Feature Group Changes

Changes from one Feature Group to another, e.g., FGB to FGD, etc., will be treated as a disconnect of one type of service and a new connect of another, subject to the following:

A. Minimum Periods

- (1) When the effective dates for the disconnect of FGB and the new connect of FGD are the same, minimum period obligations will not change, i.e., the time elapsed in the existing FGB minimum period obligations will be credited to the minimum period obligations for FGD.
- (2) When the effective dates for the disconnect of FGB and the new connect of FGD are different, new minimum period obligations will be established for the FGD service.
- (3) New minimum period obligations will be established for all other changes in Feature Groups.

(D)
(D)

(This page filed under Transmittal No. 1052)

6.1 Switched Access Service Description (Cont'd)

6.1.17 Customer Requirements (Cont'd)

F. Media Stimulated Mass Calling Events

When Switched Access Service is utilized to provide services for which a substantial call volume is anticipated during a short period of time (e.g., 800, 900, etc. calls placed in response to television and radio advertising), the customer shall provide notification of such an event to the Telephone Company at least 24 hours in advance of the peak period. Such notification shall include the nature, time, duration and the frequency of the event, estimated call volume and the telephone number(s) to be utilized.

6.1.18 Rollovers

A Rollover is a customer initiated move of services from one existing transport facility to another existing transport facility, from the same customer premises and the same Telephone Company location without the addition of a multiplexer. In order for the move to be considered a Rollover, all services on the facility being vacated must move simultaneously. The facility to which the services are being rolled onto must have existing spare channels on the existing multiplexer sufficient to accommodate the services being moved.

Rollovers from digital (DS1) to digital (DS3) facilities may be requested on Entrance Facilities and Direct-Trunked Transport facilities to an end office or a Telephone Company access tandem. A Rollover may include services moving from (1) a Switched Transport facility to another Switched Transport facility, (2) a Switched Transport facility to a Special Access facility, or (3) a Special Access Facility to a Switched Transport facility. (D)

The Rollover charge as described in 2.11.5 C applies for all facility rollovers.

6.1.19 500 ACCESS SERVICE

500 Access Service is an originating only offering available to customers of Feature Group D Switched Access Service. 500 Access Service identifies the customer and provides subsequent delivery of identified calls to the customer, based on the six-digit screening of the dialed 0+ or 1+500+NXX-XXXX number.

500 Access Service is available only through designated Telephone Company access tandems. Traffic from a 500 access tandem may not be forwarded to more than one Point of Presence.

(D)
(D)

(This page filed under Transmittal No. 1052)

6.2 Switched Access Service Rate Categories

6.2.1 Switched Transport

This rate category provides for a transmission path between a customer premises and the end office switch(es) where a customer's traffic is switched to originate or terminate communications.

Switched Transport is a two-way voice frequency transmission path comprised of facilities. Such facilities will be capable of, and are typically used in the telecommunications industry for, transmitting voice and associated telephone signals within the frequency bandwidth of approximately 300 to 3000 Hz.

Switched Transport provides for the transport of calls in either the originating or terminating direction, but not simultaneously on individual channels on a facility.

Switched Transport is provisioned by means of various facilities and connections. Optional features and functions are available as set forth in 6.2.1 D. The following rate elements would be utilized to provide the Switched Access between a customer's premises and an end office: (1) Entrance Facility, (2) Direct-Trunked Transport and/or (3) Tandem-Switched Transport. An Interconnection charge is also part of the Switched Transport category. An Access Tandem Trunk Port is also part of Switched Transport if the customer has dedicated tandem routed trunks from the customer's SWC to the Access Tandem.

(D)
(T)

Entrance Facility

The Entrance Facility provides for the facility between the customer premises and the serving wire center (SWC) of the customer's premises. The Entrance Facility is dedicated to the use of a single customer. The Entrance Facility is flat rated based on capacity, i.e., Voice Grade, DS1 or DS3. The capacity type defines the technical characteristics and types of signaling capability associated with the connection. An Entrance Facility is provided even if the customer's premises and the SWC are located in the same building unless the customer establishes an Expanded Interconnection Arrangement, in which case the Cross-Connect Termination rate will apply as specified in Section 18.6.

Direct-Trunked Transport

Direct-Trunked Transport provides the transmission facility between a SWC and an end office or the Telephone Company access tandem. Direct-Trunked Transport also applies to the transmission facility between the Telephone Company's SWC and a hub that interconnects facilities for both Direct-Trunked Transport to an end office or Telephone Company access tandem. Direct-Trunked Transport facilities are dedicated to the use of a single customer. Direct-Trunked Transport is flat rated based on capacity, (i.e., Voice Grade, DS1 or DS3). Direct-Trunked Transport is not available to end offices that do not have the necessary recording and measurement capabilities (e.g., remote switching office).

(D)
(D)

(This page filed under Transmittal No. 1052)

6.2 Switched Access Service Rate Categories (Cont'd)

6.2.1 Switched Transport (Cont'd)

Tandem-Switched Transport (Cont'd)

Tandem Switched Transport consists of three charges, the Tandem-Switching charge, the Tandem Transmission charge, and the Common Transport Mux charge. The Tandem-Switching charge provides for use of the Telephone Company access tandem and is assessed on a per minute of use basis. The Tandem-Switching charge also applies for Feature Group A terminating Switched Transport when Tandem Transmission applies. The Tandem Transmission charge provides for the transport facilities from the Telephone Company access tandem to an end office and is made up of two elements; Tandem Transport Termination and Tandem Transport Facility. The Tandem Transport Termination element includes the non-distance sensitive portion of Tandem-Switched Transport, and is assessed on a per minute of use basis. The Tandem Transport Facility element includes the distance sensitive portion of Tandem-Switched Transport and is assessed on a per mile, per access minutes of use basis. The Common Transport Mux provides for multiplexing of common transport at the End Office and Access Tandem. It is a per minute of use charge that applies to all Telephone Company tandem routed access minutes of use.

Tandem-Switched Transport does not apply when the minutes of use are routed to an alternate Tandem Switch Provider.

(D)

(D)

Interconnection Charge

The Interconnection Charge is a per minute of use charge that applies to all access minutes of use. A Collocated Interconnection Charge is applied when the access minutes are direct routed to an End Office, utilizing Direct-Trunked Transport (with zero miles) and a Cross-Connect Termination. The Interconnection Charge may apply to minutes of use associated with a jointly provided service when the end office is in the operating territory of the interconnecting company. The Originating Interconnection Charge will apply to all Originating minutes including Originating 700, 800, and 900 minutes that are identified in Section 3.7.4D. The Terminating Interconnection Charge will apply to all Terminating minutes including Originating 700, 800, and 900 minutes that are identified in Section 3.7.4C.

(D)

(D)

(This page filed under Transmittal No. 1052)

ACCESS SERVICE

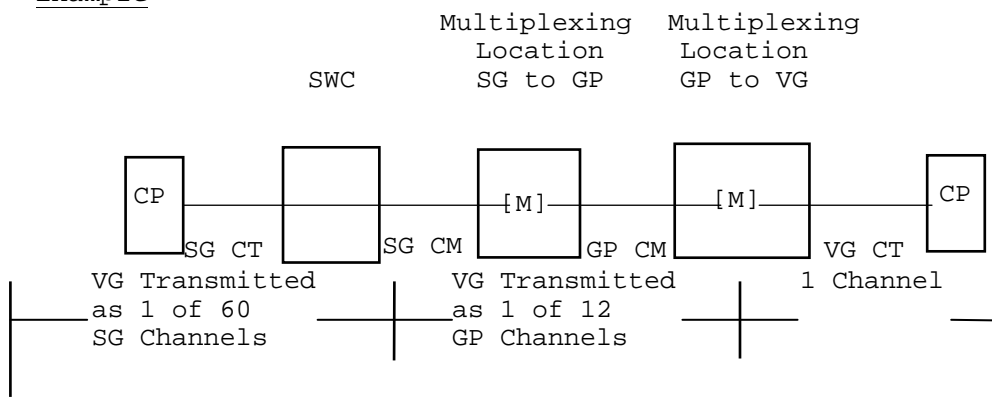
7.3 Special Access Service Configuration and Arrangements (Cont'd)

7.3.4 Central Office Multiplexing (Cont'd)

B. Cascade Multiplexing

When a derived channel of a High Capacity Analog or Digital Service is itself multiplexed to derive additional channels with a lesser capacity, this is referred to as cascade multiplexing. When cascading is ordered, a charge for the additional multiplexing function applies. When cascade multiplexing is performed at a different multiplexing location, as depicted in the example which follows, Channel Mileage charges apply between the multiplexing locations.

Example



Legend

CT - Channel Termination	CP - Customer Premises
CM - Channel Mileage	SG - Supergroup Wideband Analog Service
GP - Group Wideband Analog Service	SWC - Serving Wire Center
M - Multiplexing Function	VG - Voice Grade Service

C. Shared Use (Derived Channels Used for Switched and Special Access)

Shared Use refers to a rate application applicable only when the customer orders Special Access High Capacity facilities between a customer designated premises and a Telephone Company Hub ⁽¹⁾ where the Telephone Company performs multiplexing/demultiplexing functions and the same customer then orders the derived circuits as Switched Access Service. The Network Reconfiguration Service (NRS) is not available for shared use services.

(D)
(D)

⁽¹⁾ Material in this Section has been de-tariffed as required by the Commission upon use of the forbearance relief pursuant to FCC Memorandum Opinion and Order No. 07-180, released October 12, 2007. Terms and Conditions associated with de-tariffed services are available at www.att.com/guidebook.

(This page filed under Transmittal No. 1052)

ACCESS SERVICE

7.3 Special Access Service Configuration and Arrangements (Cont'd)

7.3.4 Central Office Multiplexing (Cont'd)

C. Shared Use (Derived Channels Used for Switched and Special Access)(Cont'd)

The facility will be ordered, provided and rated as High Capacity Service (i.e., Channel Termination, Channel Mileage, as appropriate, and Multiplexing) between the customer designated premises and the Telephone Company Hub.⁽¹⁾ The nonrecurring charge (D) that applies when the Shared Use facility is installed will be the nonrecurring charge associated with the appropriate Special Access High Capacity Channel Termination.

As each individual circuit is activated for Switched Access Service, the Special Access High Capacity Channel Termination, Channel Mileage and Multiplexer ⁽¹⁾ or SNET SONET Network Service* rates will be reduced accordingly (e.g., for Voice Grade capacity of Switched Access Service 1/24th of a DS1 service, 1/672nd of a DS3 service, ⁽¹⁾ etc). Switched Access Service rates and charges, as set forth in Section 6, preceding, or Section ⁽¹⁾ or 21, following, will apply for each circuit of the Shared Use facility that is used to provide a Switched Access Service. The Switched Access rates on the Shared Use facility to the multiplexer will be at the capacity of the Special Access facility but adjusted for the number of channels for Switched Access including the multiplexer. From the multiplexer, the Switched Access rates apply.

The customer must place an order for each individual Switched or Special Access Service utilizing the Shared Use Facilities and specify the circuit assignment for each such service.

When Special Access Service is provided utilizing a circuit of the Shared Use Facility to a Hub, High Capacity rates and charges will apply for the facility to the Hub as set forth preceding, and individual service rates and charges will apply from the Hub to the customer designated premises. The rates and charges that will apply to the portion from the Hub to the customer designated premises will be dependent on the specific type of Special Access Service that is provided (e.g., Voice Grade, etc.). The applicable rates and charges will include Channel Termination and Channel Mileage rates and charges, if applicable. Rates and charges for optional features and functions associated with the service, if any, will apply for the appropriate circuit type.

(D)
(D)

⁽¹⁾ Material in this Section has been de-tariffed as required by the Commission upon use of the forbearance relief pursuant to FCC Memorandum Opinion and Order No. 07-180, released October 12, 2007. Terms and Conditions associated with de-tariffed services are available at www.att.com/guidebook.

(This page filed under Transmittal No. 1052)

21. Reserved for Future Use

(C)

(D)

(D)

(This page filed under Transmittal No. 1052)

Issued: July 19, 2013

Effective: January 7, 2014

Four AT&T Plaza, Dallas, Texas 75202

(D)

(D)

(This page filed under Transmittal No. 1052)

Issued: July 19, 2013

Effective: January 7, 2014

Four AT&T Plaza, Dallas, Texas 75202

(D)

(D)

(This page filed under Transmittal No. 1052)

Issued: July 19, 2013

Effective: January 7, 2014

Four AT&T Plaza, Dallas, Texas 75202

(D)

(D)

(This page filed under Transmittal No. 1052)

Issued: July 19, 2013

Effective: January 7, 2014

Four AT&T Plaza, Dallas, Texas 75202

(D)

(D)

(This page filed under Transmittal No. 1052)

Issued: July 19, 2013

Effective: January 7, 2014

Four AT&T Plaza, Dallas, Texas 75202

(D)

(D)

(This page filed under Transmittal No. 1052)

Issued: July 19, 2013

Effective: January 7, 2014

Four AT&T Plaza, Dallas, Texas 75202

(D)

(D)

(This page filed under Transmittal No. 1052)

Issued: July 19, 2013

Effective: January 7, 2014

Four AT&T Plaza, Dallas, Texas 75202

(D)

(D)

(This page filed under Transmittal No. 1052)

Issued: July 19, 2013

Effective: January 7, 2014

Four AT&T Plaza, Dallas, Texas 75202