

ACCESS SERVICE

	<u>Page No.</u>
7. <u>SPECIAL ACCESS SERVICE</u>	
7.1 <u>General</u>	7-3
7.1.1 Service Types	7-3
7.1.2 Rate Categories	7-7
7.1.3 Service Configurations	7-10
7.1.4 Acceptance Testing	7-16
7.2 <u>Service Descriptions</u>	7-17
7.2 Service Description	7-17
7.2.1 Metallic Service	7-20
7.2.2 Telegraph Grade Service	7-22
7.2.3 Voice Grade Service	7-23
7.2.4 Program Audio ⁽³⁾ Service	7-42 (N)
7.2.5 Video Service	7-45
7.2.6 Reserved for Future Use	7-50
7.2.7 Reserved for Future Use	7-53
7.2.8 Generic Digital Transport Service	7-55
7.2.9 High Capacity Service	7-61
7.2.10	
7.2.11 SONET Ring and Access Services ⁽¹⁾	7-77
7.2.12 ⁽²⁾	
7.3 <u>Network Channel Codes and Channel Interfaces</u>	7-83
7.4 <u>Rate Regulations</u>	7-84
7.4.1 Types of Rates and Charges	7-84
7.4.2 Surcharge for Special Access Service	7-89
7.4.3 Message Station Equipment Recovery Charge	7-93
7.4.4 Minimum Periods	7-94
7.4.5 Mileage Measurement	7-95.1
7.4.6 Multiplexed Services	7-96
7.4.7 Video Service	7-97
7.4.8 Shared Use Analog and Digital High Capacity Services	7-100
7.4.9 Extension of WATS Access Service	7-101
7.4.10 WATS Access Line Extension	7-101
7.4.11 Fiber Advantage SM Service	7-102
7.4.12 Split Billing Arrangement	7-110
7.4.13 Zone Pricing	7-111
7.4.14 DS1 High Capacity Service Optional Pricing Plan	7-112
7.4.15 DS3 Leaseback	7-125
7.4.16 SONET Ring and Access Services ⁽¹⁾	7-129
7.4.17 DS1 Discount Value Plan (DS1 DVP)	7-135
7.4.18 DS1 Term Payment Plan (DS1 TPP)	7-140.1

⁽¹⁾ Effective 01/03/06, SONET Ring and Access Service is limited to existing customers at existing locations except where spare capacity exists; customers may add additional locations on existing rings. New SONET ring services will be provided via Dedicated SONET Ring Service.

⁽²⁾ Material in this Section has been de-tariffed as required by the Commission upon use of the forbearance relief pursuant to FCC Memorandum Opinion and Order No. 07-180, released October 12, 2007. Terms and Conditions associated with detariffed services are available at www.att.com/guidebook.

⁽³⁾ Program Audio is discontinued and no longer available in this publication (see (N) WC Dkt. 19-238). (N)

(This page filed under Transmittal No. 591)

ACCESS SERVICE

	<u>Page No.</u>
7. <u>SPECIAL ACCESS SERVICE</u> (Cont'd)	
7.5 <u>Rates and Charges</u>	7-141
7.5.1 Metallic Service	7-141
7.5.2 Telegraph Grade Service	7-142
7.5.3 Voice Grade Service	7-143
7.5.4 Program Audio ⁽³⁾ Service	7-152 (N)
7.5.5 Video Service	7-155
7.5.6 Reserved for Future Use	7-159
7.5.7 Reserved for Future Use	7-162
7.5.8 Generic Digital Transport Service	7-165
7.5.9 High Capacity Service	7-172
7.5.10	
7.5.11 Message Station Equipment Recovery Charge	7-193
7.5.12 Special Access Surcharge	7-193
7.5.13 SONET Ring and Access Services ⁽¹⁾	7-194
7.5.14 ⁽²⁾	
7.6 <u>Individual Case Filings</u>	7-208

⁽¹⁾ Effective 01/03/06, SONET Ring and Access Service is limited to existing customers at existing locations except where spare capacity exists; customers may add additional locations on existing rings. New SONET ring services will be provided via Dedicated SONET Ring Service.

⁽²⁾ Material in this Section has been de-tariffed as required by the Commission upon use of the forbearance relief pursuant to FCC Memorandum Opinion and Order No. 07-180, released October 12, 2007. Terms and Conditions associated with de-tariffed services are available at www.att.com/guidebook.

⁽³⁾ Program Audio is discontinued and no longer available in this publication (N)
 (see WC Dkt. 19-238). (N)

(This page filed under Transmittal No. 591)

ACCESS SERVICE

7. Special Access Service

Pursuant to Federal Communications Commission's Order in CC Docket No. 83-1145, Paragraphs 7.1 through 7.5 contain material which may differ from the material previously appearing in those paragraphs.

7.1 General

Special Access Service provides a transmission path to interconnect customer designated premises* either directly through a Telephone Company Wire Center or through a Telephone Company Hub where bridging or multiplexing functions are performed, or to connect a customer premises with SONET Ring and Access Services⁽¹⁾, or to connect a customer designated premises with a WATS serving office, or to connect a customer designated premises to an EIS Point of Termination. Special Access Services are ordered under the Access Order provisions set forth in Section 5. preceding. (T)

Rates and charges for Special Access Service are set forth in Section 7.5 following, with the exception of the services provided by the Telephone Company in the Metropolitan Statistical Areas (MSAs) in which the Telephone Company has received Phase II pricing flexibility pursuant to Subpart H of Part 69 of the Commission's Rules. The rates and charges for the Special Access Services in the MSAs that have received Phase II pricing flexibility are set forth in Section 31.

The connections provided by Special Access Service can be either analog or digital. Analog connections are differentiated by spectrum and bandwidth. Digital connections are differentiated by bit rate.

7.1.1 Service Types

Each type of Special Access Service has its own characteristics. All are subdivided by one or more of the following:

- Transmission specifications,
- Bandwidth,
- Speed (i.e., bit rate),
- Spectrum

Customers can order a basic service and select, from a list of available features and functions and channel interfaces, those that they desire to meet specific communications requirements.

* Telephone Company Centrex CO-like switches, as well as, Primary Rate ISDN (PRI) switches are considered to be customer premises for purposes of administering regulations and rates contained in this tariff. (D)

(D)
(D)
(D)
(T)

⁽¹⁾ Effective 01/03/06, SONET Ring and Access Service is limited to existing customers at existing locations except where spare capacity exists; customers may add additional locations on existing rings. New SONET ring services will be provided via Dedicated SONET Ring Service.

(This page filed under Transmittal No. 472)

ACCESS SERVICE

7. Special Access Service (Cont'd)

7.1 General (Cont'd)

7.1.1 Service Types (Cont'd)

Each type of Special Access Service is identified in 7.2 following. Such identification is not intended to limit a customer's use of the service nor to imply that the service is limited to a particular use. For example, if a customer's equipment is capable of transmitting voice over a service that is identified as a Metallic Service in this tariff, there is no restriction against doing so.

PACIFIC BELL/UNIFORM ONA SERVICE NAME CROSS REFERENCE

The following is a list of Pacific Bell's Open Network Architecture (ONA) Basic Service Elements (BSEs) which provides a mapping from the feature name utilized in this tariff to the industry standard feature name. (Cont'd)

<u>PACIFIC BELL</u>	<u>UNIFORM ONA SERVICE NAME</u>	
Special Access Bridging	Bridging	
Conditioning	Conditioning	
Secondary Channel	Secondary Channel Capability	
Network Reconfiguration Service ⁽¹⁾	Network Reconfiguration	(C)
Access to Clear Channel Transmission	Access to Clear Channel Transmission	
Port Access to Verify Integrity of Subscriber Lines	Verify Integrity of Subscriber Lines	

⁽¹⁾ Effective December 5, 2018, Network Reconfiguration Service (NRS) will no longer be available for purchase by new or existing customers, and NRS service agreements may no longer be renewed. Effective July 31, 2022, the Telephone Company will no longer accept new requests for physical changes to existing service arrangements including the upgrade or downgrade of access/port speed, installation of new service, or moves to different service addresses.

(N)
 |
 (N)

(This page filed under Transmittal No. 564)

ACCESS SERVICE

7. Special Access Service (Cont'd)

7.1 General (Cont'd)

7.1.1 Service Types (Cont'd)

The customer has the option of ordering analog, digital high capacity or Fiber AdvantageSM facilities (i.e., 1.544 Mbps⁽¹⁾, 3.152 Mbps, 6.312 Mbps, 44.736 Mbps and 274.176 Mbps) to a Telephone Company Hub for multiplexing to individual channels of a lower capacity or bandwidth. Descriptions of the types of multiplexing available at the Hubs, as well as the number of individual channels which may be derived from each type of facility are set forth in 7.2 following. Additionally, the customer may specify optional features for the individual channels derived from the facility to further tailor the channel to meet specific communications requirements. Descriptions of the optional features and functions available are also set forth in 7.2 following. The customer may order SONET Ring and Access Services⁽²⁾ (i.e., 1.544 Mbps - 2.488 Gbps) as described in 7.2.11 following.

(C)

(1) Effective May 17, 2003, Fiber AdvantageSM DS1 Rate Stability Payment Plan will no longer be available to new customers. There will be no change to existing customers. Refer to section 7.4.11(A) for conversion options.

(2) Effective 01/03/06, SONET Ring and Access Service is limited to existing customers at existing locations except where spare capacity exists; customers may add additional locations on existing rings. New SONET ring services will be provided via Dedicated SONET Ring Service.

(N)
(N)
(N)
(N)

(This page filed under Transmittal No. 269)

ACCESS SERVICE

7. Special Access Service (Cont'd)7.1 General (Cont'd)7.1.1 Service Types (Cont'd)

Cascading multiplexing occurs when a 3.152 Mbps facility is provided from a customer designated premises to a Telephone Company Hub for multiplexing to two 1.544 Mbps channels. The 1.544 Mbps channels may be further multiplexed at the same or a different Hub to analog or digital channels or may be extended to other customer designated premises. Optional features may be added to either the high capacity service or to individually multiplexed channel(s). When ordering, the customer will specify the desired multiplexing Hub(s) selected from the NATIONAL EXCHANGE CARRIER ASSOCIATION, INC. TARIFF F.C.C. NO. 4.

End to end services may be provided on channels of these facilities to a Hub. The transmission performance for the end to end service provided between customer designated premises will be that of the lower capacity or bit rate. For example, when a 1.544 Mbps facility is multiplexed to voice frequency channels, the transmission performance of the channelized services will be Voice Grade, not High Capacity.

(This page filed under Transmittal No. 1)

Issued: April 27, 2000

Effective: May 12, 2000

Four AT&T Plaza, Dallas, Texas 75202

ACCESS SERVICE

7. Special Access Service (Cont'd)

7.1 General (Cont'd)

7.1.2 Rate Categories

There are four basic rate categories which apply to Special Access Service:

- Channel Terminations (described in 7.1.2(A) following)
- Channel Mileage (described in 7.1.2(B) following)
- Optional Features and Functions (described in 7.1.2(C) following)
- SONET Ring and Access Services⁽¹⁾ (described in 7.2.11) following).

In addition, a Special Access Surcharge and a message station equipment Recovery Charge may apply, as set forth in 7.4 following. (C)

(A) Channel Termination

The Channel Termination rate category provides for the communications path between a customer designated premises and the serving wire center of that premises or for the communications path within a building which connects a customer's facilities with a customer designated premises without routing through a serving wire center. Included as part of the Channel Termination is a standard channel interface arrangement which defines the technical characteristics associated with the type of facilities to which the access service is to be connected at the Point of Termination (POT) and the type of signaling capability, if any. The signaling capability itself is provided as an optional feature as set forth in (E) following. One Channel Termination charge applies per customer designated premises at which the channel is terminated. For WATS Access Line Service, only one Channel Termination applies per service. This charge will apply even if the customer designated premises and the serving wire center are colocated in a Telephone Company building.

The SONET Ring and Access Service⁽¹⁾ equivalent to a channel termination is the Local Loop Access Link as defined in 7.2.11(A) (4) (a) following. (C)

⁽¹⁾ Effective 01/03/06, SONET Ring and Access Service is limited to existing customers at existing locations except where spare capacity exists; customers may add additional locations on existing rings. New SONET ring services will be provided via Dedicated SONET Ring Service. (N)
(N)
(N)
(N)

(This page filed under Transmittal No. 269)

ACCESS SERVICE

7. Special Access Service (Cont'd)

7.1 General (Cont'd)

7.1.2 Rate Categories (Cont'd)

(S)

(S)

This page, originally filed in Pacific Bell Tariff FCC No. 128 under Transmittal No. 2102, was scheduled to become effective April 6, 2000. This page was deferred to April 20, 2000 under Transmittal No. 2107. This page was further deferred to May 20, 2000 under Transmittal No. 2109.

(This page filed under Transmittal No. 1)

Issued: April 27, 2000

Effective: May 12, 2000

Four AT&T Plaza, Dallas, Texas 75202

ACCESS SERVICE

7. Special Access Service (Cont'd)

7.1 General (Cont'd)

7.1.2 Rate Categories (Cont'd)

(B) Channel Mileage

The Channel Mileage rate category provides for the transmission facilities between the serving wire centers associated with two customer designated premises, between the serving wire centers associated with a customer designated premises and a Telephone Company Hub or between two Telephone Company Hubs. Channel mileage is portrayed in mileage bands. There are two rates that apply for each band: a fixed rate per band and a rate per mile.

(S)
|
(S)

When the customer orders High Capacity Service as described in Section 7.2.9(A) and 7.5.9 following, the Channel Mileage facility must be ordered in conjunction with an associated Channel Termination, as previously described in Section 7.1.2(A).

This page, originally filed in Pacific Bell Tariff FCC No. 128 under Transmittal No. 2102, was scheduled to become effective April 6, 2000. This page was deferred to April 20, 2000 under Transmittal No. 2107. This page was further deferred to May 20, 2000 under Transmittal No. 2109.

(This page filed under Transmittal No. 1)

ACCESS SERVICE

7. Special Access Service (Cont'd)7.1 General (Cont'd)7.1.2 Rate Categories (Cont'd)(C) Optional Features and Functions

The Optional Features and Functions rate category provides for optional features and functions which may be added to a Special Access Service to improve its quality or utility to meet specific communications requirements. These are not necessarily identifiable with specific equipment, but rather characteristics may be obtained. These characteristics may be obtained by using various combinations of equipment. Although the equipment necessary to perform a specified function may be installed at various locations along the service, it will be charged for as a single rate element.

Examples of Optional Features and Functions that are available include, but are not limited to, the following:

- Signaling Capability
- Conditioning
- Bridging and/or multiplexing

Descriptions for each of the available Optional Features and Functions are set forth in 7.2 following.

(D) Collocation Transport

Collocation Transport provides for the transmission facilities between collocation arrangements located in Telephone Company Central Offices.

There are two components of Collocation Transport.

(1) Inter/Intra Office Fixed

Inter/Intra office fixed rate element provides for The electronic equipment required to terminate a channel between two collocation arrangements located either in the same central office (intra) or in two separate central offices (inter).

When the DS1 Intra Office Fixed channel is ordered between two collocation arrangements that are for the same collocator, it will be provisioned as a temporary arrangement and will be in service until the collocator's own facilities are installed. There is (C) no additional charge to disconnect these temporary facilities.

(2) Inter Office Per Mile

The Per Mile charge provides for the electronic equipment and facilities necessary to provide the interoffice transport between two collocation arrangements.

(This page filed under Transmittal No. 536)

ACCESS SERVICE

7. Special Access Service (Cont'd)

7.1 General (Cont'd)

7.1.3 Service Configurations

There are three types of service configurations over which Special Access Services are provided: two-point service, multipoint, and self-healing ring configurations (SONET Ring and Access Services⁽¹⁾).

Customized technical specifications as set forth in Technical References listed in 7.2 following, will be provided when technically possible. If the Telephone Company determines that the requested characteristics are not compatible, the customer will be advised and given the opportunity to change the request.

(C)

Descriptions of service configurations are as follows.

(A) Two-Point Service

A two-point service interconnects two customer designated premises, or to connect a customer designated premises to an EIS point of termination, or connects a customer designated premises with a WATS serving office, either directly through a Telephone Company Wire Center or through a Telephone Company Hub where multiplexing functions are performed.

⁽¹⁾ Effective 01/03/06, SONET Ring and Access Service is limited to existing customers at existing locations except where spare capacity exists; customers may add additional locations on existing rings. New SONET ring services will be provided via Dedicated SONET Ring Service.

(N)
(N)
(N)
(N)

(This page filed under Transmittal No. 269)

ACCESS SERVICE

7. Special Access Service (Cont'd)7.1 General (Cont'd)7.1.3 Service Configurations (Cont'd)(A) Two-Point Service (Cont'd)

The following diagram depicts a two-point Voice Grade service connecting two customer-designated premises located 15 miles apart. The service is provided with C-Type Conditioning as an Optional Feature.

Applicable rate elements are:

- Channel Terminations (2 applicable)*
- Channel Mileage (mileage band Over 8 to 25 miles)
- C-Type Conditioning Optional Feature (2 applicable)#

In addition, a Special Access Surcharge and a Message Station Equipment Recovery Charge may apply, as set forth in 7.4 following.

Only one C-type Conditioning Optional Feature will apply for WATS Access Line Service as set forth in 7.2.3(E) following.

* Only one Channel Termination will apply for WATS Access Line Service as set forth in 7.2.3(E) following.

(This page filed under Transmittal No. 1)

ACCESS SERVICE

7. Special Access Service (Cont'd)7.1 General (Cont'd)7.1.3 Service Configurations (Cont'd)(B) Multipoint Service

Multipoint service connects three or more customer designated premises through a Telephone Company Hub. There is no limitation on the number of mid-links available with Multipoint service. However, when more than three mid-links are provided in tandem, the quality of the service may be degraded. A mid-link is a channel between Hubs (i.e., bridging locations). Only certain types of Special Access Service are provided as multipoint service. These are so designated in the Service Descriptions set forth in 7.2 following.

When ordering, the customer will specify the desired bridging Hubs selected from the NATIONAL EXCHANGE CARRIER ASSOCIATION TARIFF, INC. F.C.C. NO. 4. TARIFF F.C.C. NO. 4 identifies the type(s) of bridging functions which are available and the serving wire centers at which they are available.

(This page filed under Transmittal No. 1)

ACCESS SERVICE

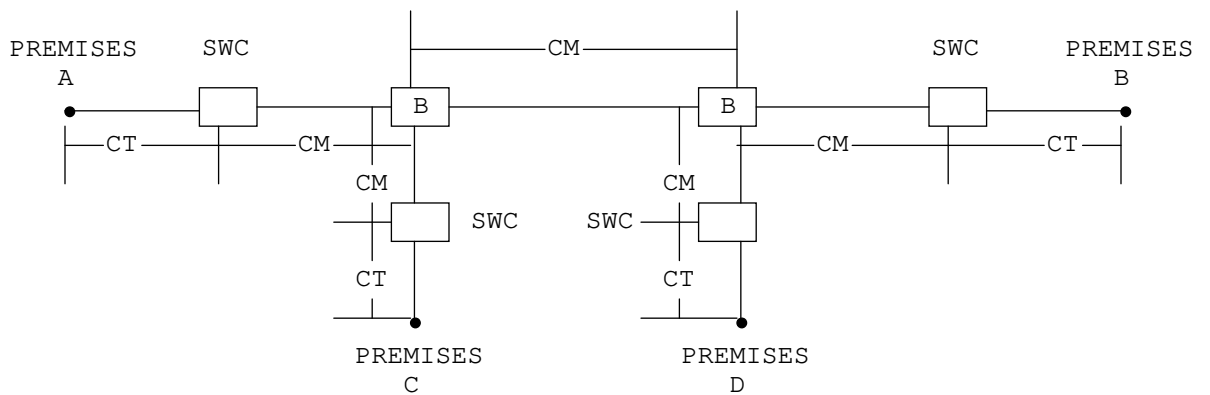
7. Special Access Service (Cont'd)

7.1 General (Cont'd)

7.1.3 Service Configurations (Cont'd)

(B) Multipoint Service (Cont'd)

Example: Voice Grade multipoint service connecting four customer premises via two customer specified bridging hubs.



CT - CHANNEL TERMINATION
CM - CHANNEL MILEAGE
B - BRIDGING HUB
SWC-SERVING WIRE CENTER

Applicable rate elements are:

- Channel Terminations (4 applicable)
- Channel Mileage (5 sections, each from appropriate mileage band)
- Bridging (6 applicable, i.e., each bridge port)

In addition, a Special Access Surcharge and a Message Station Equipment Recovery Charge may apply, as set forth in 7.4 following.

(This page filed under Transmittal No. 1)

ACCESS SERVICE

7. Special Access Service (Cont'd)

7.1 General (Cont'd)

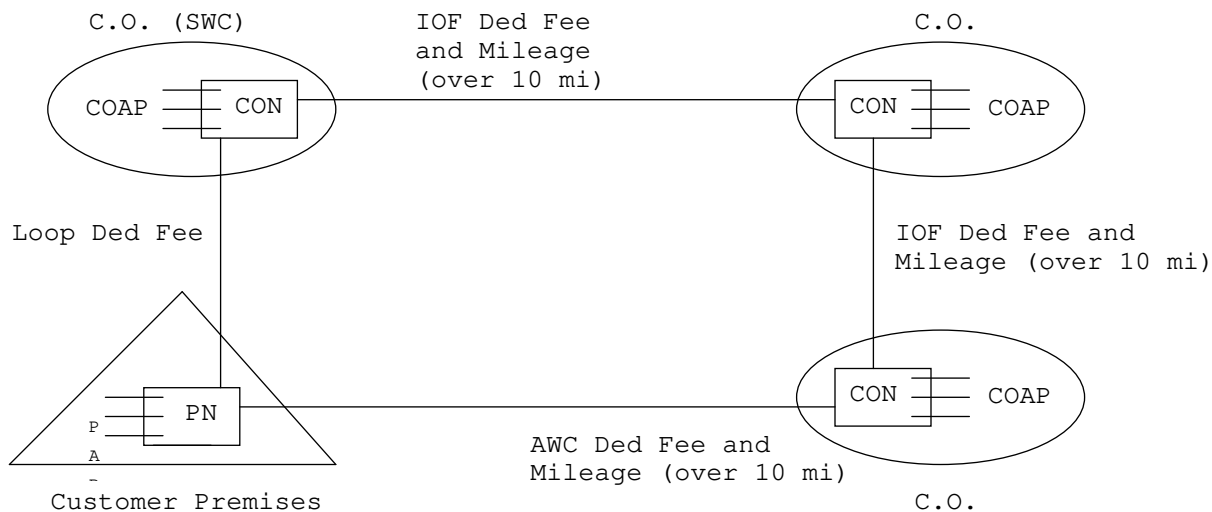
7.1.3 Service Configuration (Cont'd)

(C) SONET Ring and Access Services⁽¹⁾: Dedicated Ring Service.

The ring interconnects Telephone Company central offices or customer premises or combinations of both. The rings may interconnect to other Special Access Services. The customer subscribes to the full bandwidth capacity of the ring and designates the location and number of nodes. A node aggregates lower bandwidth capacities onto the ring facility.

(C)

Rings are defined through use of interoffice or loop facilities in connecting CO Nodes and Premises Nodes. Dedicated rings may be configured using interoffice facilities connecting CO Nodes or using loop facilities connecting one or more Premises Node to a CO Node in a serving wire center. Dedicated rings may also be configured using both loop and interoffice facilities connecting one or more Premises nodes to multiple CO Nodes



Legend:Rate Elements:
 P APremises Access Port
 PN Premises Node
 Loop Ded Fee Dedicated Ring Fee - Local Loop
 CON Central Office Node
 COA Central Office Access Port
 IOF Ded Fee Dedicated Ring Fee - Interoffice

⁽¹⁾ Effective 01/03/06, SONET Ring and Access Service is limited to existing customers at existing locations except where spare capacity exists; customers may add additional locations on existing rings. New SONET ring services will be provided via Dedicated SONET Ring Service.

(N)
 (N)
 (N)
 (N)

(This page filed under Transmittal No. 269)

ACCESS SERVICE

7. Special Access Service (Cont'd)

7.1 General (Cont'd)

7.1.3 Service Configurations (Cont'd)

(E) SONET Ring and Access Services⁽¹⁾ - Circuit Service

In the circuit service the customer selects bandwidth capacity for an end to end circuit (two point). Local Loop Access Links designate bandwidth capacity and connect the customer's premises to the central office. In the central office the circuit service connects to an interoffice facility consisting of two C O Nodes and interoffice Mileage. At the distant end the customer subscribes to another Local Loop Access Link.

(C)

⁽¹⁾ Effective 01/03/06, SONET Ring and Access Service is limited to existing customers at existing locations except where spare capacity exists; customers may add additional locations on existing rings. New SONET ring services will be provided via Dedicated SONET Ring Service.

(N)
(N)
(N)
(N)

(This page filed under Transmittal No. 269)

ACCESS SERVICE

7. Special Access Service (Cont'd)7.1 General (Cont'd)7.1.4 Acceptance Testing

At no additional charge, the Telephone Company will, at the customer's request, cooperatively test at the time of installation, the following parameters:

(A) For Voice Grade⁽²⁾ analog services, acceptance tests will include tests for loss, 3-tone slope, DC continuity, operational signaling, C-notched noise, and C-message noise when these parameters are applicable and specified in the order for service. Additionally, for Voice Grade Services⁽²⁾, a balance (improved loss) test will be made if the customer has ordered the improved loss optional feature.

(B) For other analog services (i.e., Metallic⁽²⁾, Telegraph⁽²⁾, Program Audio⁽¹⁾⁽⁴⁾, Video⁽³⁾, and WATS Access Line) and for digital services (i.e., Generic Digital Transport⁽²⁾ and High Capacity), acceptance tests will include tests for the parameters applicable to the service as specified in the order for service.

(N)

In addition to the above tests, Additional Cooperative Acceptance Testing for Voice Grade Service⁽²⁾ to test other parameters, as described in Section 13.3.5(B), is available at the customer's request. All tests results will be made available to the customer upon request.

(1) Effective November 20, 2019, this Service will no longer be available for purchase by new or existing customers, and service agreements may no longer be renewed. In addition, requests to move, add or change existing service arrangements will not be accepted. Following the expiration of a customer's existing term agreement, service will be provided on a month-to-month basis at the applicable monthly extension rates until the service is discontinued. AT&T currently plans to discontinue this Service on or after November 1, 2020.

(2) Effective November 20, 2019, this Service will no longer be available for purchase by new or existing customers, and service agreements may no longer be renewed. In addition, requests to move, add or change existing service arrangements will not be accepted. Following the expiration of a customer's existing term agreement, service will be provided on a month-to-month basis at the applicable monthly extension rates until the service is discontinued. AT&T currently plans to discontinue this Service on or after June 30, 2024.

(3) Effective December 31, 2020, Broadcast Video (TV1) service will no longer be available for purchase by new or existing customers, and service agreements may no longer be renewed. In addition, requests to move, add, or change existing service arrangements will not be accepted. Following the expiration of a customer's existing term agreement, service will be provided on a month-to-month basis at the applicable Monthly rate until the service is discontinued. AT&T currently plans to discontinue this Service on or after December 31, 2021.

(4) Program Audio is discontinued and no longer available in this publication (see WC Dkt. 19-238).

(N)

(N)

(This page filed under Transmittal No. 591)

ACCESS SERVICE

7. Special Access Service (Cont'd)

7.2 Service Descriptions

For the purposes of ordering, the types of Special Access Service are:

Metallic (MT) ⁽²⁾	TR-NPL-000336	
Telegraph Grade (TG) ⁽²⁾	TR-NPL-000336	
Voice Grade (VG) ⁽²⁾	TR-NPL-000335, PUB 41004, Table 4	
- WATS Access Line ⁽²⁾ (WAL)	TR-NPL-000334	
Program Audio (AP) ^{(3) (5)}	TR-NPL-000337	(N)
Video (TV) ⁽⁴⁾	GR-338-CORE ATT-TELCO-002-200-777	
Generic Digital Transport (GDT) ⁽²⁾	PUB 62507 and 62310 TR-NPL-000157 PUB L-780030-PB/NB, PUB L-780035-PB/NB, PUB L-780036-PB/NB, PUB L-780037-PB/NB, PUB L-780077-PB/NB	
High Capacity (HC)	PUB 62508 and 62411 PUB L-780059-PB	
Service Description and Technical Requirements for SONET Ring and Access Services ⁽¹⁾	PUB L-780046-PB/NV	

⁽¹⁾ Effective 01/03/06, SONET Ring and Access Service is limited to existing customers at existing locations except where spare capacity exists; customers may add additional locations on existing rings. New SONET ring services will be provided via Dedicated SONET Ring Service.

⁽²⁾ Effective November 20, 2019, this Service will no longer be available for purchase by new or existing customers, and service agreements may no longer be renewed. In addition, requests to move, add or change existing service arrangements will not be accepted. Following the expiration of a customer's existing term agreement, service will be provided on a month-to-month basis at the applicable monthly extension rates until the service is discontinued. AT&T currently plans to discontinue this Service on or after June 30, 2024.

⁽³⁾ Effective November 20, 2019, this Service will no longer be available for purchase by new or existing customers, and service agreements may no longer be renewed. In addition, requests to move, add or change existing service arrangements will not be accepted. Following the expiration of a customer's existing term agreement, service will be provided on a month-to-month basis at the applicable monthly extension rates until the service is discontinued. AT&T currently plans to discontinue this Service on or after November 1, 2020.

⁽⁴⁾ Effective December 31, 2020, Broadcast Video (TV1) service will no longer be available for purchase by new or existing customers, and service agreements may no longer be renewed. In addition, requests to move, add, or change existing service arrangements will not be accepted. Following the expiration of a customer's existing term agreement, service will be provided on a month-to-month basis at the applicable Monthly rate until the service is discontinued. AT&T currently plans to discontinue this Service on or after December 31, 2021.

⁽⁵⁾ Program Audio is discontinued and no longer available in this publication (see WC Dkt. 19-238).

(N)

(This page filed under Transmittal No. 591)

ACCESS SERVICE

7. Special Access Service (Cont'd)7.2 Service Descriptions (Cont'd)

Each type consists of a basic service to which technical specifications (customized or predefined), channel interface(s), and, when desired, optional features and functions are added to construct the service desired by the customer. These specifications are set forth in Technical References listed above. The basic service, channel interfaces and optional features and functions are described in this section. Possible technical limitations may exist that affect the provisioning of services as shown in 7.2.1 and 7.2.2, depending on the availability of equipment and facilities. The Telephone Company will provide reasonable notification to the customer of any limitations that materially affect the operating characteristics of the special access service. (See 2.1.7 for information concerning changes and substitutions.)

When a customized service is ordered the customer will be notified whether Additional Engineering Charges apply. In such cases, the customer will be given an estimate of the hours to be billed before any further action is taken on the order.

(This page filed under Transmittal No. 1)

Issued: April 27, 2000

Effective: May 12, 2000

Four AT&T Plaza, Dallas, Texas 75202

ACCESS SERVICE

7. Special Access Service (Cont'd)7.2 Service Descriptions (Cont'd)

The Telephone Company will maintain existing transmission specifications on services installed prior to the effective date of this tariff. However, where performance specifications exceed the standard listed in this provision they will also be maintained at the performance levels specified in this tariff. All services installed after the effective date of this tariff will conform to the transmission specification standards contained in this tariff or in the Technical References for each category of service set forth in 7.2 preceding.

(This page filed under Transmittal No. 1)

Issued: April 27, 2000

Effective: May 12, 2000

Four AT&T Plaza, Dallas, Texas 75202

ACCESS SERVICE

7. Special Access Service (Cont'd)

7.2 Service Descriptions (Cont'd)

7.2.1 Metallic Service⁽¹⁾

(N)

(A) Basic Service Description

A Metallic service is an unconditioned two-wire channel capable of transmitting low speed varying signals at rates up to 30 baud. This service is provided by metallic or equivalent facilities. Metallic services are provided between customer designated premises through serving Wire Centers, between a customer designated premises and a Telephone Company Hub where bridging functions are performed, between a customer premises and an EIS Point of Termination, or between an EIS Point of Termination and a Telephone Company Hub where bridging functions are performed. Inter office metallic facilities will be limited in length to a total of five miles per circuit.

(B) Technical Specifications

Technical specifications and examples of application are set forth in Technical References TR-NPL-000336.

(1) Effective November 20, 2019, this Service will no longer be available for purchase by new or existing customers, and service agreements may no longer be renewed. In addition, requests to move, add or change existing service arrangements will not be accepted. Following the expiration of a customer's existing term agreement, service will be provided on a month-to-month basis at the applicable monthly extension rates until the service is discontinued. AT&T currently plans to discontinue this Service on or after June 30, 2024.

(N)

(N)

(This page filed under Transmittal No. 572)

ACCESS SERVICE

7. Special Access Service (Cont'd)

7.2 Service Descriptions (Cont'd)

7.2.1 Metallic Service⁽¹⁾

(N)

(C) Channel Interfaces

Compatible channel interfaces are set forth in Technical Reference TR-NPL-000336.

(D) Optional Features and Functions

(1) Central Office Bridging Capability

- (a) Three Premises Bridging - Provision of tip-to-tip and ring-to-ring connection in a central office of a metallic pair to a third customer designated premises.
- (b) Series Bridging of up to 26 customer designated premises.

The following table shows the services with which the optional features and functions are available.

	Available with Technical Specifications Package MT-			
	<u>C</u>	<u>1</u>	<u>2</u>	<u>3</u>
Three Premises Bridging	X	X		X
Series Bridging	X		X	

(1) Effective November 20, 2019, this Service will no longer be available for purchase by new or existing customers, and service agreements may no longer be renewed. In addition, requests to move, add or change existing service arrangements will not be accepted. Following the expiration of a customer's existing term agreement, service will be provided on a month-to-month basis at the applicable monthly extension rates until the service is discontinued. AT&T currently plans to discontinue this Service on or after June 30, 2024.

(N)

(N)

(This page filed under Transmittal No. 572)

ACCESS SERVICE

7. Special Access Service (Cont'd)

7.2 Service Descriptions (Cont'd)

7.2.2 Telegraph Grade Service⁽¹⁾

(N)

(A) Basic Service Description

A Telegraph Grade service is an unconditioned channel capable of transmitting binary signals at rates of 0-75 baud or 0-150 baud. This service is furnished for half-duplex or duplex operation. Telegraph Grade services are provided between customer designated premises through Serving Wire Center(s), between a customer designated premises and a Telephone Company Hub, between a customer premises and an EIS Point of Termination, or between an EIS Point of Termination and a Telephone Company Hub.

(B) Technical Specifications

Technical specifications and examples of application are set forth in Technical Reference TR-NPL-000336.

(C) Channel Interfaces

Compatible channel interfaces are set forth in Technical Reference TR-NPL-000336.

(D) Optional Features and Functions

(1) Telegraph Bridging (two-wire and four-wire)

The following table shows the services with which the optional features and functions are available.

	Available with Technical Specifications Package TG-		
	<u>C</u>	<u>1</u>	<u>2</u>
Telegraph Bridging	X	X	X

(1) Effective November 20, 2019, this Service will no longer be available for purchase by new or existing customers, and service agreements may no longer be renewed. In addition, requests to move, add or change existing service arrangements will not be accepted. Following the expiration of a customer's existing term agreement, service will be provided on a month-to-month basis at the applicable monthly extension rates until the service is discontinued. AT&T currently plans to discontinue this Service on or after June 30, 2024.

(N)

(N)

(This page filed under Transmittal No. 572)

ACCESS SERVICE

7. Special Access Service (Cont'd)

7.2 Service Descriptions (Cont'd)

7.2.3 Voice Grade Service⁽¹⁾

(N)

(A) Basic Service Description

A Voice Grade Service provides voice frequency transmission capability in the nominal frequency range of 300 to 3000 Hz and may be terminated two-wire or four-wire. Voice Grade Services are provided between customer designated premises through Serving Wire Centers, between a customer-designated premises and a Telephone Company Hub, between a customer premises and an EIS Point of Termination, or between an EIS Point of Termination and a Telephone Company Hub. The Telephone Company provides Voice Grade Services 1 through 12 and customized service upon customer request.

(B) Technical Specifications

The technical specifications for these parameters (except for dropouts, gain hits, and phase hits) are set forth in Technical Reference TR-NPL-000335. The technical specifications for dropouts, phase hits, and gain hits are set forth in Technical Reference PUB 41004, Table 4.

(1) Effective November 20, 2019, this Service will no longer be available for purchase by new or existing customers, and service agreements may no longer be renewed. In addition, requests to move, add or change existing service arrangements will not be accepted. Following the expiration of a customer's existing term agreement, service will be provided on a month-to-month basis at the applicable monthly extension rates until the service is discontinued. AT&T currently plans to discontinue this Service on or after June 30, 2024.

(N)

(N)

(This page filed under Transmittal No. 572)

ACCESS SERVICE

7. Special Access Service (Cont'd)

7.2 Service Descriptions (Cont'd)

7.2.3 Voice Grade Service⁽¹⁾ (Cont'd)

(N)

(C) Channel Interfaces

Compatible channel interfaces are set forth in Technical Reference TR-NPL-000335.

(D) Optional Features and Functions

(1) Central Office Bridging Capability

- (a) Voice Bridging (two-wire and four-wire)
- (b) Data Bridging (two-wire and four-wire)
- (c) Telephoto Bridging (two-wire and four-wire)

(1) Effective November 20, 2019, this Service will no longer be available for purchase by new or existing customers, and service agreements may no longer be renewed. In addition, requests to move, add or change existing service arrangements will not be accepted. Following the expiration of a customer's existing term agreement, service will be provided on a month-to-month basis at the applicable monthly extension rates until the service is discontinued. AT&T currently plans to discontinue this Service on or after June 30, 2024.

(N)

(N)

(This page filed under Transmittal No. 572)

ACCESS SERVICE

7. Special Access Service (Cont'd)

7.2 Service Descriptions (Cont'd)

7.2.3 Voice Grade Service⁽¹⁾ (Cont'd)

(N)

(D) Optional Features and Functions (Cont'd)

(1) Central Office Bridging Capability (Cont'd)

(e) Telemetry and Alarm Bridging

Split Band, Active Bridging
Passive Bridging
Summation, Active Bridging

(2) Central Office Multiplexing

Voice to Telegraph Grade: An arrangement that converts a Voice Grade channel to Telegraph Grade channels using frequency division multiplexing.

(3) Conditioning

Conditioning provides more specific transmission characteristics for Voice Grade services.

In addition, a customer may desire that either the attenuation distortion or the envelope delay distortion, or both, be improved to more stringent specifications than those provided for standard C-Type conditioning. In such cases the customer has the option of ordering either Improved Attenuation Distortion or Improved Envelope Delay Distortion, or both, as desired.

(1) Effective November 20, 2019, this Service will no longer be available for purchase by new or existing customers, and service agreements may no longer be renewed. In addition, requests to move, add or change existing service arrangements will not be accepted. Following the expiration of a customer's existing term agreement, service will be provided on a month-to-month basis at the applicable monthly extension rates until the service is discontinued. AT&T currently plans to discontinue this Service on or after June 30, 2024.

(N)

(N)

(This page filed under Transmittal No. 572)

ACCESS SERVICE

7. Special Access Service (Cont'd)

7.2 Service Descriptions (Cont'd)

7.2.3 Voice Grade Service⁽¹⁾ (Cont'd)

(N)

(D) Optional Features and Functions (Cont'd)

(3) Conditioning (Cont'd)

For two-point services, the parameters apply to each service. For multipoint services, the parameters apply to each mid link or end link. C-Type conditioning and Data Capability may be combined on the same service.

(1) Effective November 20, 2019, this Service will no longer be available for purchase by new or existing customers, and service agreements may no longer be renewed. In addition, requests to move, add or change existing service arrangements will not be accepted. Following the expiration of a customer's existing term agreement, service will be provided on a month-to-month basis at the applicable monthly extension rates until the service is discontinued. AT&T currently plans to discontinue this Service on or after June 30, 2024.

(N)

(N)

(This page filed under Transmittal No. 572)

ACCESS SERVICE

7. Special Access Service (Cont'd)

7.2 Service Descriptions (Cont'd)

7.2.3 Voice Grade Service⁽¹⁾ (Cont'd)

(N)

(D) Optional Features and Functions (Cont'd)

(3) Conditioning (Cont'd)

(a) C-Type Conditioning

C-Type Conditioning is provided for the additional control of attenuation distortion and envelope delay distortion on data services. The attenuation distortion and envelope delay distortion specifications for C-Type Conditioning are:

Attenuation Distortion
 (Frequency Response)
Relative to 1004 Hz

<u>Frequency Range (Hz)</u>	<u>Variation (dB)</u>
504-2804	-1.0 to +3.0
304-3004	-2.0 to +6.0

Envelope Delay Distortion
 Variation
 (micro-seconds)

<u>Frequency Range (Hz)</u>	<u>Variation (micro-seconds)</u>
1004-2604	500
604-2604	1500
504-2804	3000

(1) Effective November 20, 2019, this Service will no longer be available for purchase by new or existing customers, and service agreements may no longer be renewed. In addition, requests to move, add or change existing service arrangements will not be accepted. Following the expiration of a customer's existing term agreement, service will be provided on a month-to-month basis at the applicable monthly extension rates until the service is discontinued. AT&T currently plans to discontinue this Service on or after June 30, 2024.

(N)

(N)

(This page filed under Transmittal No. 572)

ACCESS SERVICE

7. Special Access Service (Cont'd)

7.2 Service Descriptions (Cont'd)

7.2.3 Voice Grade Service⁽¹⁾ (Cont'd)

(N)

(D) Optional Features and Functions (Cont'd)

(3) Conditioning (Cont'd)

(b) Improved Attenuation Distortion

Improved attenuation distortion is provided for additional control of attenuation distortion. The improved attenuation distortion specifications are:

Attenuation Distortion
 (Frequency Response)
 Relative to 1004 Hz

<u>Frequency</u> <u>Range (Hz)</u>	<u>Variation</u> <u>(dB)</u>
504-2804	-1.0 to +2.0
304-3004	-1.0 to +3.0
3004-3204	-2.0 to +6.0

(c) Improved Envelope Delay Distortion

Improved envelope delay distortion is provided for additional control of envelope delay distortion. The improved envelope delay distortion specifications are:

<u>Envelope Delay</u> <u>Distortion</u>	
<u>Frequency</u> <u>Range (Hz)</u>	<u>Variation</u> <u>(micro-</u> <u>seconds)</u>
1004-2604	100
804-2604	200
604-2604	300
504-2804	600
504-3004	3000

(1) Effective November 20, 2019, this Service will no longer be available for purchase by new or existing customers, and service agreements may no longer be renewed. In addition, requests to move, add or change existing service arrangements will not be accepted. Following the expiration of a customer's existing term agreement, service will be provided on a month-to-month basis at the applicable monthly extension rates until the service is discontinued. AT&T currently plans to discontinue this Service on or after June 30, 2024.

(N)
 |
 (N)

(This page filed under Transmittal No. 572)

ACCESS SERVICE

7. Special Access Service (Cont'd)

7.2 Service Descriptions (Cont'd)

7.2.3 Voice Grade Service⁽¹⁾ (Cont'd)

(N)

(D) Optional Features and Functions (Cont'd)

(3) Conditioning (Cont'd)

(d) Sealing Current Conditioning

Sealing Current Conditioning is provided to help maintain continuity on dry metallic loops. It is usually associated with four-wire DA or NO type channel interfaces.

(1) Effective November 20, 2019, this Service will no longer be available for purchase by new or existing customers, and service agreements may no longer be renewed. In addition, requests to move, add or change existing service arrangements will not be accepted. Following the expiration of a customer's existing term agreement, service will be provided on a month-to-month basis at the applicable monthly extension rates until the service is discontinued. AT&T currently plans to discontinue this Service on or after June 30, 2024.

(N)

(N)

(This page filed under Transmittal No. 572)

ACCESS SERVICE

7. Special Access Service (Cont'd)

7.2 Service Descriptions (Cont'd)

7.2.3 Voice Grade Service⁽¹⁾ (Cont'd)

(N)

(D) Optional Features and Functions (Cont'd)

(4) Customer Specified Premises Receive Level

This option allows the customer to specify the receive or transmit level at the Point of Termination. The level must be within a specific range on four-wire or on effective four-wire transmission. The ranges are set forth in Technical Reference TR-NPL-000335.

(1) Effective November 20, 2019, this Service will no longer be available for purchase by new or existing customers, and service agreements may no longer be renewed. In addition, requests to move, add or change existing service arrangements will not be accepted. Following the expiration of a customer's existing term agreement, service will be provided on a month-to-month basis at the applicable monthly extension rates until the service is discontinued. AT&T currently plans to discontinue this Service on or after June 30, 2024.

(N)

(N)

(This page filed under Transmittal No. 572)

ACCESS SERVICE

7. Special Access Service (Cont'd)

7.2 Service Descriptions (Cont'd)

7.2.3 Voice Grade Service⁽¹⁾ (Cont'd)

(N)

(D) Optional Features and Functions (Cont'd)

(5) Improved Termination

On effective Four-Wire Transmission at Four-Wire Point of Termination (applicable to each two-wire port): Provides for a fixed 600 ohm impedance, variable level range and simplex reversal if specified. Telephone Company equipment is required at the customer's premises where this option is ordered. The Improved Termination parameters are set forth in Technical Reference TR-NPL-000335.

(6) Improved Return Loss

On effective Two-Wire Transmission at Two-Wire Point of Termination: Provides for more stringent Echo Control Specifications. In order for this option to be applicable, the transmission path must be four-wire at one POT and two-wire at the other POT. Placement of Telephone Company equipment may be required at the customer's premises with the two-wire POT. The Improved Return Loss parameters are set forth in Technical Reference TR-NPL-000335.

(7) Data Capability

Data Capability provides transmission characteristics suitable for data communications. Specifically, Data Capability provides for the control of Signal to C-Notched Noise Ratio and intermodulation distortion. It is available for two-point services or multipoint services.

When a service equipped with Data Capability is used for voice communications, the quality of the voice transmission may not be satisfactory.

(1) Effective November 20, 2019, this Service will no longer be available for purchase by new or existing customers, and service agreements may no longer be renewed. In addition, requests to move, add or change existing service arrangements will not be accepted. Following the expiration of a customer's existing term agreement, service will be provided on a month-to-month basis at the applicable monthly extension rates until the service is discontinued. AT&T currently plans to discontinue this Service on or after June 30, 2024.

(N)

(N)

(This page filed under Transmittal No. 572)

ACCESS SERVICE

7. Special Access Service (Cont'd)

7.2 Service Descriptions (Cont'd)

7.2.3 Voice Grade Service⁽¹⁾ (Cont'd)

(N)

(D) Optional Features and Functions (Cont'd)

(8) Telephoto Capability

Telephoto Capability provides transmission characteristics suitable for telephotographic communications. Specifically, Telephoto Capability is provided for the control of attenuation distortion and envelope delay distortion on telephotographic services.

(1) Effective November 20, 2019, this Service will no longer be available for purchase by new or existing customers, and service agreements may no longer be renewed. In addition, requests to move, add or change existing service arrangements will not be accepted. Following the expiration of a customer's existing term agreement, service will be provided on a month-to-month basis at the applicable monthly extension rates until the service is discontinued. AT&T currently plans to discontinue this Service on or after June 30, 2024.

(N)

(N)

(This page filed under Transmittal No. 572)

ACCESS SERVICE

7. Special Access Service (Cont'd)7.2 Service Descriptions (Cont'd)7.2.3 Voice Grade Service⁽¹⁾ (Cont'd)

(N)

(D) Optional Features and Functions (Cont'd)(9) Signaling Capability

Signaling Capability provides for the process by which one-customer premises alerts another customer premises on the same service with which it wishes to communicate.

(10) Selective Signaling Arrangement

An arrangement that permits code selective ringing for up to ten codes on a multipoint service.

(11) Transfer Arrangement

An arrangement that affords the customer an additional measure of flexibility in the use of their access service(s). The arrangement can be utilized to transfer a leg of a Special Access Service to another channel that terminates in either the same or a different customer premises. A key activated or dial-up control service is required to operate the transfer arrangement. A spare channel, if required, is not included as part of the option.

(12) Simplex Reversal

An arrangement that permits the simplex DC path to be reversed at the four-wire POT.

(1) Effective November 20, 2019, this Service will no longer be available for purchase by new or existing customers, and service agreements may no longer be renewed. In addition, requests to move, add or change existing service arrangements will not be accepted. Following the expiration of a customer's existing term agreement, service will be provided on a month-to-month basis at the applicable monthly extension rates until the service is discontinued. AT&T currently plans to discontinue this Service on or after June 30, 2024.

(N)

(N)

(This page filed under Transmittal No. 572)

ACCESS SERVICE

7. Special Access Service (Cont'd)

7.2 Service Descriptions (Cont'd)

7.2.3 Voice Grade Service⁽¹⁾ (Cont'd)

(N)

(D) Optional Features and Functions (Cont'd)

(13) ELEPL 2

ELEPL 2 (Equal Level Echo Path Loss 2) is an arrangement that establishes Echo Path Loss (EPL) values dependent on the transmitting and receiving Transmission Level Points (TLPs) at each test location. ELEPL is the difference in the level specified as the receive TLP and the measured echo level at the same point when the transmit test level is the same as the transmit TLP. $ELEPL = EPL - TLP \text{ (transmit)} + TLP \text{ (receive)}$. ELEPL 2 parameters are specified in Technical Reference TR-NPL-000335.

(1) Effective November 20, 2019, this Service will no longer be available for purchase by new or existing customers, and service agreements may no longer be renewed. In addition, requests to move, add or change existing service arrangements will not be accepted. Following the expiration of a customer's existing term agreement, service will be provided on a month-to-month basis at the applicable monthly extension rates until the service is discontinued. AT&T currently plans to discontinue this Service on or after June 30, 2024.

(N)
|
(N)

(This page filed under Transmittal No. 572)

ACCESS SERVICE

7. Special Access Service (Cont'd)7.2 Service Descriptions (Cont'd)7.2.3 Voice Grade Service⁽¹⁾ (Cont'd)

(N)

(D) Optional Features and Functions (Cont'd)(14) Port Access to Verify Integrity of Subscriber Lines -
BSE(a) Description

Port Access to Verify Integrity of Subscriber Lines (PAVISL) provides the ability for a service provider to monitor the service provider's client's single party exchange access line. The service provider is connected to a Telephone Company host computer via Special Access Voice Grade 10 services. The host computer provides access to a scanning device which is used to repetitively poll the client's Subscriber Terminal Unit (STU). The STU is connected to alarm or monitoring sensors to detect a change in status of the client's exchange access line. The status of the Client's exchange access line is then transmitted back to the host computer access port to the service provider's analog data connection. The host computer port access is limited on a first come first serve basis. PAVISL is offered only where equipment and facilities are compatible and available. This service provider's client must also order the Telephone Company's local exchange service known as PollStarSM.

- (1) Effective November 20, 2019, this Service will no longer be available for purchase by new or existing customers, and service agreements may no longer be renewed. In addition, requests to move, add or change existing service arrangements will not be accepted. Following the expiration of a customer's existing term agreement, service will be provided on a month-to-month basis at the applicable monthly extension rates until the service is discontinued. AT&T currently plans to discontinue this Service on or after June 30, 2024.

(N)

(N)

(This page filed under Transmittal No. 572)

ACCESS SERVICE

7. Special Access Service (Cont'd)

7.2 Service Descriptions (Cont'd)

7.2.3 Voice Grade Service⁽¹⁾ (Cont'd)

(N)

(D) Optional Features and Functions (Cont'd)

(14) Port Access to Verify Integrity of Subscriber Lines - BSE (Cont'd)

(b) Conditions

1. The availability of this service is conditional upon the provision of an alarm or other type of warning sensor from an alarm company.
2. The alarm company will provide a minimum of two 4-wire data voice grade channels between the alarm company's premises and the Company's premises. These will be provided in a two-point configuration at standard tariff rates.
3. The alarm company will provide equipment on each 4-wire data voice grade channel. The terminal equipment located at the premises of the alarm company and their patron is required to be compatible with the Company's equipment, and the alarm company's Terminal unit.

(15) Multiplexer Cross Connect

This arrangement is available only as a cross-connect of one channel of a Special Access High Capacity DS1 multiplexer to one channel of another Special Access High Capacity DS1 multiplexer. The customer must provide system and channel assignment information. All channel mileage charges will also apply.

(1) Effective November 20, 2019, this Service will no longer be available for purchase by new or existing customers, and service agreements may no longer be renewed. In addition, requests to move, add or change existing service arrangements will not be accepted. Following the expiration of a customer's existing term agreement, service will be provided on a month-to-month basis at the applicable monthly extension rates until the service is discontinued. AT&T currently plans to discontinue this Service on or after June 30, 2024.

(N)

(N)

(This page filed under Transmittal No. 572)

ACCESS SERVICE

7. Special Access Service (Cont'd)

7.2 Service Descriptions (Cont'd)

7.2.3 Voice Grade Service⁽¹⁾ (Cont'd)

(N)

(D) Optional Features and Functions (Cont'd)

The following table shows the services with which the optional features and functions are available.

	Available with Technical Specifications Package VG-												
	<u>C</u>	<u>1</u>	<u>2</u>	<u>3</u>	<u>4</u>	<u>5</u>	<u>6</u>	<u>7</u>	<u>8</u>	<u>9</u>	<u>10</u>	<u>11</u>	<u>12</u>
C-Type Conditioning Central Office Bridging Capability	X					X	X	X	X	X	X		
Central Office Multiplexing	X		X			X	X				X	X	
Customer Specified Premises Receive Level	X		X	X				X	X	X			
Data Capability ELEPL 2	X	X	X	X		X		X	X		X		
Improved Attenuation Distortion	X					X	X	X	X	X	X		
Improved Envelope Delay Distortion	X					X	X	X	X	X	X		
Improved Termination	X	X	X	X	X	X	X	X	X	X	X	X	X
Improved Return Loss For Effective Two-Wire Transmission	X		X	X				X					

(1) Effective November 20, 2019, this Service will no longer be available for purchase by new or existing customers, and service agreements may no longer be renewed. In addition, requests to move, add or change existing service arrangements will not be accepted. Following the expiration of a customer's existing term agreement, service will be provided on a month-to-month basis at the applicable monthly extension rates until the service is discontinued. AT&T currently plans to discontinue this Service on or after June 30, 2024.

(N)
 |
 (N)

(This page filed under Transmittal No. 572)

ACCESS SERVICE

7. Special Access Service (Cont'd)

7.2 Service Descriptions (Cont'd)

7.2.3 Voice Grade Service⁽²⁾ (Cont'd)

(N)

(D) Optional Features and Functions (Cont'd)

The following table shows the services with which the optional features and functions are available.

	Available with Technical Specifications Package VG-												
	C	1	2	3	4	5	6	7	8	9	10	11	12
PPSN Interface Arrangement ⁽¹⁾	X										X		
Sealing Current Conditioning	X					X	X				X		
Selective Signaling Arrangement	X		X										
Signaling Capability	X	X	X	X				X	X	X			
Simplex Reversal	X	X	X	X				X	X	X			
Telephoto Capability	X											X	
Transfer Arrangement	X	X	X	X	X	X	X	X	X	X	X	X	X
Multiplexer Cross Connect	X	X	X	X	X	X	X	X	X	X	X	X	X

(1)As of October 6, 2004, PPSInterface Arrangement service utilizing the X.25 protocol and the X.75 protocol is obsolete and is limited to existing installations, at existing locations, for existing customers.

(2) Effective November 20, 2019, this Service will no longer be available for purchase by new or existing customers, and service agreements may no longer be renewed. In addition, requests to move, add or change existing service arrangements will not be accepted. Following the expiration of a customer's existing term agreement, service will be provided on a month-to-month basis at the applicable monthly extension rates until the service is discontinued. AT&T currently plans to discontinue this Service on or after June 30, 2024.

(N)

(N)

(This page filed under Transmittal No. 572)

ACCESS SERVICE

7. Special Access Service (Cont'd)

7.2 Service Descriptions (Cont'd)

7.2.3 Voice Grade Service⁽¹⁾ (Cont'd)

(N)

(E) WATS Access Line (WAL) Service

(1) Basic Service Description

A WATS Access Line Service provides a service for voice frequency transmission capability. The service provides a connection between a customer designated premises and a WATS serving office associated with the closed end of 800 Service or WATS. Originating access is provided with Feature Group D Switched Access Service as set forth in Section 6. Terminating access is provided with Feature Groups A, B, or D as set forth in Section 6.

WAL service can be arranged for screening, blocking and directionality at the option of the customer and where available. It is provided with either rotary dial or dual tone multifrequency address signaling and either loop start, ground start, E&M, or reverse battery supervisory signaling. The choice of the type of signaling is at the option of the customer and subject to the technical limitations identified in the Technical Reference TR-NPL-000334. WATS Access Line Service is provided as an effective two-wire, or an effective four-wire transmission path.

WAL Service is provided for interstate Communications only. All originating intrastate calls will be blocked, as approved by the California Public Utilities Commission in Resolution No. T-12009, dated March 6, 1987. For further information refer to Pacific Bell Schedule Cal.P.U.C. Nos. A7. and 175-T.

(1) Effective November 20, 2019, this Service will no longer be available for purchase by new or existing customers, and service agreements may no longer be renewed. In addition, requests to move, add or change existing service arrangements will not be accepted. Following the expiration of a customer's existing term agreement, service will be provided on a month-to-month basis at the applicable monthly extension rates until the service is discontinued. AT&T currently plans to discontinue this Service on or after June 30, 2024.

(N)

(N)

(This page filed under Transmittal No. 572)

ACCESS SERVICE

7. Special Access Service (Cont'd)

7.2 Service Descriptions (Cont'd)

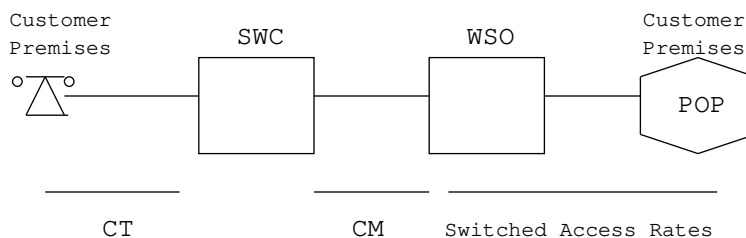
7.2.3 Voice Grade Service⁽¹⁾ (Cont'd)

(N)

(E) WATS Access Line (WAL) Service (Cont'd)

(1) Basic Service Description (Cont'd)

The following diagram depicts a WATS Access Line service.



CT - Channel Termination
 CM - Channel Mileage
 SWC - Serving Wire Center
 WSO - WATS Serving Office

Applicable Rate elements are:

- CT - Channel Termination (1 applicable)
- CM - Channel Mileage
- Optional Features and Functions when ordered (per channel termination).

(2) Technical Specifications

Technical specifications and examples of application are delineated in Technical Reference TR-NPL-000334.

(1) Effective November 20, 2019, this Service will no longer be available for purchase by new or existing customers, and service agreements may no longer be renewed. In addition, requests to move, add or change existing service arrangements will not be accepted. Following the expiration of a customer's existing term agreement, service will be provided on a month-to-month basis at the applicable monthly extension rates until the service is discontinued. AT&T currently plans to discontinue this Service on or after June 30, 2024.

(N)

(N)

(This page filed under Transmittal No. 572)

ACCESS SERVICE

7. Special Access Service (Cont'd)

7.2 Service Descriptions (Cont'd)

7.2.3 Voice Grade Service⁽¹⁾ (Cont'd)

(N)

(E) WATS Access Line (WAL) Service (Cont'd)

(3) Channel Interfaces

Compatible channel interfaces are set forth in Technical Reference TR-NPL-000334.

(4) Optional Features and Functions

- (a) Improved two-wire voice transmission specifications
- (b) Certain other options associated with WAL services are as either Line Termination or Common Switching optional features as defined in Section 6 preceding.
- (c) WATS Access Lines use the same Features and Functions as Voice Grade Service.

The following table shows the services with which the Optional Features and Functions are available.

	Available with Technical Specifications Package WALs-					
	<u>EA</u>	<u>EB</u>	<u>ED</u>	<u>EG</u>	<u>FA</u>	<u>FJ</u>
Effective 2-Wire	X				X	X
Effective 4-Wire		X		X		
Improved 2-Wire					X	X
Improved Attenuation Distortion					X	X
Improved Return Loss 2-Wire						X
Digital DS1			X			
Bridging Capability	X	X		X	X	X

(1) Effective November 20, 2019, this Service will no longer be available for purchase by new or existing customers, and service agreements may no longer be renewed. In addition, requests to move, add or change existing service arrangements will not be accepted. Following the expiration of a customer's existing term agreement, service will be provided on a month-to-month basis at the applicable monthly extension rates until the service is discontinued. AT&T currently plans to discontinue this Service on or after June 30, 2024.

(N)

(N)

(This page filed under Transmittal No. 572)

ACCESS SERVICE

7. Special Access Service (Cont'd)7.2 Service Descriptions (Cont'd)7.2.4 Program Audio Service^{(1) (2)}

(N)

(A) Basic Service Description

A Program Audio service is measured in Hz for the transmission of a complex signal voltage. The actual bandwidth is a function of the channel interface selected by the customer. Only one-way transmission is provided. Program Audio services are provided between customer designated premises through Serving Wire Center(s) or between a customer designated premises and a Telephone Company Hub.

(B) Technical Specifications

The technical specifications are set forth in Technical Reference TR-NPL-000337.

(C) Channel Interfaces

Compatible channel interfaces are set forth in Technical Reference TR-NPL-000337.

(1) Effective November 20, 2019, this Service will no longer be available for purchase by new or existing customers, and service agreements may no longer be renewed. In addition, requests to move, add or change existing service arrangements will not be accepted. Following the expiration of a customer's existing term agreement, service will be provided on a month-to-month basis at the applicable monthly extension rates until the service is discontinued. AT&T currently plans to discontinue this Service on or after November 1, 2020.

(2) Program Audio is discontinued and no longer available in this publication (see WC Dkt. 19-238).

(N)

(N)

(This page filed under Transmittal No. 591)

ACCESS SERVICE

7. Special Access Service (Cont'd)

7.2 Service Descriptions (Cont'd)

7.2.4 Program Audio Service^{(1) (2)} (Cont'd)

(N)

(D) Optional Features and Functions

(1) Central Office Bridging Capability

Distribution Amplifier

(2) Gain Conditioning

Control of 1004 Hz AML at initiation of service to 0dB + 0.5 dB.

(3) Stereo

Provision of a pair of gain/phase equalized channels for stereo applications. (Additional AP channel must be ordered separately.)

The following table shows the services with which the optional features and functions are available.

	Available with Technical Specifications Package AP-				
	<u>C</u>	<u>1</u>	<u>2</u>	<u>3</u>	<u>4</u>
Central Office Bridging Capability	X	X	X	X	X
Gain Conditioning	X	X	X	X	X
Stereo	X				X

(1) Effective November 20, 2019, this Service will no longer be available for purchase by new or existing customers, and service agreements may no longer be renewed. In addition, requests to move, add or change existing service arrangements will not be accepted. Following the expiration of a customer's existing term agreement, service will be provided on a month-to-month basis at the applicable monthly extension rates until the service is discontinued. AT&T currently plans to discontinue this Service on or after November 1, 2020.

(2) Program Audio is discontinued and no longer available in this publication (see WC Dkt. 19-238).

(N)
 (N)

(This page filed under Transmittal No. 591)

ACCESS SERVICE

7. Special Access Service (Cont'd)

7.2 Service Descriptions (Cont'd)

7.2.4 Program Audio Service^{(1) (2)} (Cont'd)

(N)

(D) Optional Features and Functions (Cont'd)

(4) Hubbing Arrangement

At the request of the customer, the Full-time and/or Part-time services provided to the Hub may be connected together in the following configurations:

- Full-time to Full-time
- Full-time to Part-time
- Part-time to Part-time

(1) Effective November 20, 2019, this Service will no longer be available for purchase by new or existing customers, and service agreements may no longer be renewed. In addition, requests to move, add or change existing service arrangements will not be accepted. Following the expiration of a customer's existing term agreement, service will be provided on a month-to-month basis at the applicable monthly extension rates until the service is discontinued. AT&T currently plans to discontinue this Service on or after November 1, 2020.

(2) Program Audio is discontinued and no longer available in this publication (see WC Dkt. 19-238).

(N)

(N)

(This page filed under Transmittal No. 591)

ACCESS SERVICE

7. Special Access Service (Cont'd)

7.2 Service Descriptions (Cont'd)

7.2.5 Video Service

(A) Basic Service Description

A Video service provides one-way transmission capability for a standard 525 line/60 field monochrome, or National Television Systems Committee color, video signal and one or more audio signals as described below. The provision and the bandwidth of the associated audio signal(s) is a function of the channel interface selected by the customer. Video services are provided between customer designated premises through Serving Wire Center(s) or between a customer-designated premises and a Telephone Company Hub. Analog Video Service⁽¹⁾ is also provided between an EIS Point of Termination and a customer-designated premises or between an EIS Point of Termination and a Telephone Company Hub. Service is provided as Analog Video Service⁽¹⁾. (N)

(1) Analog Video Service

The bandwidth for analog video service⁽¹⁾ is either 30 Hz to 4.5 Mhz or 30 Hz to 6.6 MHz. The associated audio signal(s) may be either duplexed or provided as one to four separate channels. (N)

(1) Effective December 31, 2020, Broadcast Video (TV1) service will no longer be available for purchase by new or existing customers, and service agreements may no longer be renewed. In addition, requests to move, add, or change existing service arrangements will not be accepted. Following the expiration of a customer's existing term agreement, service will be provided on a month-to-month basis at the applicable Monthly rate until the service is discontinued. AT&T currently plans to discontinue this Service on or after December 31, 2021. (N)

(This page filed under Transmittal No. FC-20-0007)

ACCESS SERVICE

7. Special Access Service (Cont'd)

7.2 Service Descriptions (Cont'd)

7.2.5 Video Service (Cont'd)

(A) Basic Service Description (Cont'd)

(2)

(D)

(D)

(c) ⁽¹⁾

⁽¹⁾ Material in this section has been de-tariffed as required by the Commission upon use of the forbearance relief pursuant to FCC Memorandum Opinion and Order No. FCC 07-180 released October 12, 2007. Terms and Conditions associated with de-tariffed services are available at www.att.com/guidebook.

(D)

(D)

(This page filed under Transmittal No. 469)

ACCESS SERVICE

7. Special Access Service (Cont'd)

7.2 Service Descriptions (Cont'd)

7.2.5 Video Service (Cont'd)

(A) Basic Service Description (Cont'd)

(2) Advanced Video Service (Cont'd)

(c) ⁽¹⁾

(B) Technical Specifications

The technical specifications are set forth in Technical Reference GR-338-CORE and L-7200026 PB/NB.

(C) Channel Interfaces

Compatible channel interfaces are set forth in Technical Reference GR-338-CORE and L-720026 PB/NB.

(D) Service to Service Through Connect - TV-1 ^{(1) (2)}

(N)

The Service to Service Through Connect Arrangement rate element provides for a permanent connection of like services in one of four Telephone Company Video Hubs. These Hubs are all located in California in the following cities: Los Angeles, San Francisco, San Diego and Sacramento. The customer billed for the through connect arrangement will be responsible for all billing associated with the interconnection. The ability to transport DVB-ASI is available on a point-to-point basis, or through a designated Video Service Hub.

(E) Optional Features and Functions

(1) ⁽¹⁾

⁽¹⁾ required by the Commission upon use of the forbearance relief pursuant to FCC Memorandum Opinion and Order No. FCC 07-180 released October 12, 2007. Terms and Conditions associated with de-tariffed services are available at www.att.com/guidebook.

(1) Effective December 31, 2020, Broadcast Video (TV1) service will no longer be available for purchase by new or existing customers, and service agreements may no longer be renewed. In addition, requests to move, add, or change existing service arrangements will not be accepted. Following the expiration of a customer's existing term agreement, service will be provided on a month-to-month basis at the applicable Monthly rate until the service is discontinued. AT&T currently plans to discontinue this Service on or after December 31, 2021.

(N)
 |
 (N)

(This page filed under Transmittal No. FC-20-0007)

ACCESS SERVICE

7. Special Access Service (Cont'd)

7.2 Service Descriptions (Cont'd)

7.2.5 Video Service (Cont'd)

(E) Optional Features and Functions (Cont'd)

- (2) ⁽¹⁾ (D)
- (D)
- (D)
- (D)
- (D)
- (D)
- (D)
- (D)
- (D)
- (D)

(3) Hubbing Arrangement

At the request of the customer, the Full-time and/or Part-time services provided to the Hub may be connected together in the following configurations:

- Full-time to Full-time
- Full-time to Part-time
- Part-time to Part-time

Hubbing arrangements will be provided on an analog-to-analog or digital-to-digital basis only.

The Access Order Charge as described in Section 5.2.1(A) (2), will be waived to all orders associated with hubbing arrangements.

- (4) ⁽¹⁾ (D)
- (D)
- (D)
- (D)
- (D)
- (D)
- (D)
- (D)

⁽¹⁾ See footnote (1) on page 7-46

(This page filed under Transmittal No. 385)

ACCESS SERVICE

7. Special Access Service (Cont'd)

7.2 Service Descriptions (Cont'd)

7.2.5 Video Service (Cont'd)

(E) Optional Features and Functions (Cont'd)

(4) ⁽¹⁾

(D)

(D)

(D)

(D)

(D)

(D)

(D)

(D)

⁽¹⁾ See footnote (1) on page 7-46

(This page filed under Transmittal No. 385)

ACCESS SERVICE

7. Special Access Service (Cont'd)

7.2 Service Descriptions (Cont'd)

7.2.6 Reserved for Future Use

(T)

(A) Basic Service Description

(D)



(D)

(This page filed under Transmittal No. 514)

Issued: October 28, 2014

Effective: November 12, 2014

Four AT&T Plaza, Dallas, Texas 75202

ACCESS SERVICE

7. Special Access Service (Cont'd)

7.2 Service Descriptions (Cont'd)

7.2.6 Reserved for Future Use (Cont'd)

(T)

(D)

(D)

(This page filed under Transmittal No. 514)

Issued: October 28, 2014

Effective: November 12, 2014

Four AT&T Plaza, Dallas, Texas 75202

ACCESS SERVICE

7. Special Access Service (Cont'd)

7.2 Service Descriptions (Cont'd)

7.2.6 Reserved for Future Use (Cont'd)

(T)

(D)

(D)

(This page filed under Transmittal No. 514)

Issued: October 28, 2014

Effective: November 12, 2014

Four AT&T Plaza, Dallas, Texas 75202

ACCESS SERVICE

7. Special Access Service (Cont'd)

7.2 Service Descriptions (Cont'd)

7.2.7 Reserved for Future Use

(T)

(D)

(D)

(This page filed under Transmittal No. 514)

Issued: October 28, 2014

Effective: November 12, 2014

Four AT&T Plaza, Dallas, Texas 75202

ACCESS SERVICE

7. Special Access Service (Cont'd)

7.2 Service Descriptions (Cont'd)

7.2.7 Reserved for Future Use (Cont'd)

(T)

(D)

(D)

(This page filed under Transmittal No. 514)

Issued: October 28, 2014

Effective: November 12, 2014

Four AT&T Plaza, Dallas, Texas 75202

ACCESS SERVICE

7. Special Access Service (Cont'd)7.2 Service Descriptions (Cont'd)7.2.8 Generic Digital Transport Service⁽¹⁾

(N)

(A) Basic Service Description

A Generic Digital Transport Service is for duplex four-wire transmission of synchronous serial data at the rate of 2.4, 4.8, 9.6, 19.2, 56, or 64 kbps. The actual bit rate is a function of the channel interface selected by the customer. The service is synchronous, with timing provided by the Telephone Company through the Telephone Company's facilities to the customer in the received bit stream. Except as set forth following, Generic Digital Transport services are only available via Telephone Company designated GDTS hubs and are provided between customer designated premises through Serving Wire Centers, between a customer designated premises and a Telephone Company GDTS Hub, between an EIS Point of Termination and a customer designated premises, between an EIS Point of Termination and a Telephone Company GDTS Hub, or between an EIS Point of Termination and a Telephone Company GDTS Hub.

The customer may provide the Channel Service Unit-type equipment or other Network Channel Terminating Equipment associated with the GDTS service at the customer premises. The interim program for interconnection of such equipment is set forth in Technical Reference PUB AS No. 1.

(1) Effective November 20, 2019, this Service will no longer be available for purchase by new or existing customers, and service agreements may no longer be renewed. In addition, requests to move, add or change existing service arrangements will not be accepted. Following the expiration of a customer's existing term agreement, service will be provided on a month-to-month basis at the applicable monthly extension rates until the service is discontinued. AT&T currently plans to discontinue this Service on or after June 30, 2024.

(N)

(N)

(This page filed under Transmittal No. 572)

ACCESS SERVICE

7. Special Access Service (Cont'd)

7.2 Service Descriptions (Cont'd)

7.2.8 Generic Digital Transport Service⁽¹⁾ (Cont'd) (N)

(B) Technical Specifications

While in service the monthly average performance of error free seconds will be equal to or greater than 99.875%. In order to meet this standard, the service must be measured through a CSU equivalent which is designed, manufactured, and maintained to conform with specifications contained in Technical Reference PUB 62310 and PUB L-780077-PB.

Technical specifications and examples of application are set forth in Technical References PUB 62507, 62310, TR-NPL-000157, L-780035-PB/NB, L-780036-PB/NB, and L-780037-PB/NB.

(C) Channel Interfaces

Compatible channel interfaces are set forth in Technical Reference PUB 62507 and L-780030-PB/NB.

(1)Effective November 20, 2019, this Service will no longer be available for purchase by new or existing customers, and service agreements may no longer be renewed. In addition, requests to move, add or change existing service arrangements will not be accepted. Following the expiration of a customer's existing term agreement, service will be provided on a month-to-month basis at the applicable monthly extension rates until the service is discontinued. AT&T currently plans to discontinue this Service on or after June 30, 2024. (N)

(This page filed under Transmittal No. 572)

ACCESS SERVICE

7. Special Access Service (Cont'd)

7.2 Service Descriptions (Cont'd)

7.2.8 Generic Digital Transport Service⁽¹⁾ (Cont'd)

(N)

(D) Optional Features and Functions

(1) Central Office Bridging Capability

(2) Transfer Arrangement

An arrangement that affords the customer an additional measure of protection and/or flexibility in the use of their access channel(s) on a 1xN basis. The arrangement can be utilized to transfer a leg of a Special Access Service to either a spare or working service that terminates in either the same or different customer premises. This arrangement is only available at a Telephone Company GDTS hub. A key activated or dial up control service is required to operate the transfer arrangement. A spare service, if required is not included as part of the option.

(1) Effective November 20, 2019, this Service will no longer be available for purchase by new or existing customers, and service agreements may no longer be renewed. In addition, requests to move, add or change existing service arrangements will not be accepted. Following the expiration of a customer's existing term agreement, service will be provided on a month-to-month basis at the applicable monthly extension rates until the service is discontinued. AT&T currently plans to discontinue this Service on or after June 30, 2024.

(N)

(N)

(This page filed under Transmittal No. 572)

ACCESS SERVICE

7. Special Access Service (Cont'd)

7.2 Service Descriptions (Cont'd)

7.2.8 Generic Digital Transport Service⁽²⁾ (Cont'd)

(N)

(D) Optional Features and Functions (Cont'd)

(4) Central Office Multiplexing

(a) DS1 to DS0

An arrangement that converts a 1.544 Mbps channel to twenty-three 64.0 kbps channels utilizing digital time division multiplexing.

(b) DS0 to Subrate

An arrangement that converts a 64.0 kbps channel to subspeeds of up to twenty 2.4 kbps, ten 4.8 kbps or five 9.6 kbps channels using digital time division multiplexing.

The following table shows the services with which the optional features and functions are available.

	Available with Technical					
	Specifications Package DA					
	<u>1</u>	<u>2</u>	<u>3</u>	<u>4</u>	<u>5</u>	<u>6</u>
Central Office Bridging Capability	X	X	X	X	X	X
Transfer Arrangement	X	X	X	X		
Central Office Multiplexing:						
DS1 to DS0	X	X	X	X	X	X
DS0 to Subrate*	X	X	X	X		
PPS Interface Arrangement ⁽¹⁾			X	X		

(1)As of October 6, 2004, PPS Interface Arrangement service utilizing the X.25 protocol and the X.75 protocol is obsolete and is limited to existing installations, at existing locations, for existing customers.

(2) Effective November 20, 2019, this Service will no longer be available for purchase by new or existing customers, and service agreements may no longer be renewed. In addition, requests to move, add or change existing service arrangements will not be accepted. Following the expiration of a customer's existing term agreement, service will be provided on a month-to-month basis at the applicable monthly extension rates until the service is discontinued. AT&T currently plans to discontinue this Service on or after June 30, 2024.

(N)

(N)

(This page filed under Transmittal No. 572)

ACCESS SERVICE

7. Special Access Service (Cont'd)7.2 Special Descriptions (Cont'd)7.2.8 Generic Digital Transport Service⁽¹⁾ (Cont'd)

(N)

(D) Optional Features and Functions (Cont'd)(5) Secondary Channel

- (a) Secondary Channel is an Optional Feature associated with a basic Generic Digital Transport Service channel(s).

Secondary Channel describes a second, totally independent, lower speed channel operating in parallel with the basic channel of a Generic Digital Transport Service.

- (b) The types of Secondary Channels offered to provide for the simultaneous, independent two-way transmission of digital signals between two or more customer premises each having Secondary Channels are as follows:

- Secondary Channel furnished for digital transmission at a synchronous rate of 133 bps, operating in parallel with a basic 2.4 kbps channel (per station).
- Secondary Channel furnished for digital transmission at a synchronous rate of 266 bps, operating in parallel with a basic 4.8 kbps channel (per station).
- Secondary Channel furnished for digital transmission at a synchronous rate of 533 bps, operating in parallel with a basic 9.6 kbps channel (per station).
- Secondary Channel furnished for digital transmission at a synchronous rate of 2,666 bps, operating in parallel with a basic 56 kbps channel (per station).

(1) Effective November 20, 2019, this Service will no longer be available for purchase by new or existing customers, and service agreements may no longer be renewed. In addition, requests to move, add or change existing service arrangements will not be accepted. Following the expiration of a customer's existing term agreement, service will be provided on a month-to-month basis at the applicable monthly extension rates until the service is discontinued. AT&T currently plans to discontinue this Service on or after June 30, 2024.

(N)

(N)

(This page filed under Transmittal No. 572)

ACCESS SERVICE

7. Special Access Service (Cont'd)

7.2 Special Descriptions (Cont'd)

7.2.8 Generic Digital Transport Service⁽²⁾ (Cont'd)

(N)

(D) Optional Features and Functions (Cont'd)

(6) Multiplexer Cross Connect

This arrangement is available only as a cross-connect of one channel of a GDTS multiplexer to one channel of another GDTS multiplexer; or one channel of a Special Access High Capacity DS1 multiplexer to one channel of another Special Access High Capacity DS1 multiplexer. Cross connects will be provided at 2.4 kbps, 4.8 kbps, 9.6 kbps, 19.2 kbps, 56 or 64 kbps. The customer must provide system and channel assignment information. All channel mileage charges will also apply.

(7) Network Reconfiguration Service⁽¹⁾

Network Reconfiguration Service (NRS) allows a customer to make changes in the individual circuit segments of their network. These changes can be mapped, stored and executed based on time of day, or the customer may request changes on demand for disaster recovery.

The NRS service is available at the Telephone Company's serving wire centers equipped with Digital Cross Connect as set forth in NECA's Tariff FCC No. 4. Two rate elements apply for NRS. One monthly rate element shall apply per DSO channel termination and one rate element shall apply per each reconfiguration completed from a Telephone Company Control Center.

NRS must be ordered at the time DOS service is ordered. NRS is required on all circuit terminations of the customer's network to be reconfigured. The customer must comply with Utility security procedures.

(1) Effective December 5, 2018, Network Reconfiguration Service (NRS) will no longer be available for purchase by new or existing customers, and NRS service agreements may no longer be renewed. Effective July 31, 2022, the Telephone Company will no longer accept new requests for physical changes to existing service arrangements including the upgrade or downgrade of access/port speed, installation of new service, or moves to different service addresses.

(2) Effective November 20, 2019, this Service will no longer be available for purchase by new or existing customers, and service agreements may no longer be renewed. In addition, requests to move, add or change existing service arrangements will not be accepted. Following the expiration of a customer's existing term agreement, service will be provided on a month-to-month basis at the applicable monthly extension rates until the service is discontinued. AT&T currently plans to discontinue this Service on or after June 30, 2024.

(N)

(N)

(This page filed under Transmittal No. 572)

ACCESS SERVICE

7. Special Access Service (Cont'd)7.2 Service Descriptions (Cont'd)7.2.8.1 Fractional DS1 Service⁽¹⁾

(N)

(A) Basic Channel Description

A Fractional DS1 channel provides for the digital transmission of nominal 128, 256, 384, 512, 768 kbps, serial data. The actual bit rate is a function of the channel interface selected by the customer. Fractional DS1 channels are provided for two-point service between customer designated premises or between a customer designated premises and a Telephone Company Digital Hub. Rates for Fractional DS1 Service can be found in Section 7.5.8.1.

When a single Fractional DS1 channel is ordered to be terminated at a customer's designated POP, which requires a minimum digital interface level at 1.544 Mbps, the Telephone Company will provide the required interface where facilities are available.

Fractional DS1 service is offered only where equipment and facilities are available. Fractional DS1 service is provisioned from specific wire centers which are listed in the National Exchange Carrier Association, Inc. Tariff F.C.C. No. 4. Availability is not restricted to customers serviced by the wire centers listed in Tariff F.C.C. No. 4, but the service must be routed through the designated offices in Tariff F.C.C. No. 4. Mileage, as defined in Section 7.4.5, will apply. (T)
(T)
(T)
(T)

It is the customer's responsibility to arrange for the Channel Service Unit-type equipment or other Network Channel Terminating Equipment associated with the Fractional DS1 channel at the customer premises.

Rates and charges for Fractional DS1 Service can be found in Section 7.5.8.1. (D)

(B) Technical Specifications Packages

Technical Specifications Package HC1 will apply for all speeds of Fractional DS1 Service.

A Fractional DS1 channel with Technical Specifications Package HC1 will be capable of an error-free second performance of 98.75% over a continuous 24 hour period as measured at the 1.544 Mbps rate through a Channel Service Unit equivalent which is designed, manufactured, and maintained to conform with the specifications contained in the Technical Reference for High Capacity Service.

⁽¹⁾ Effective October 27, 2016, Fractional DS1 Service is limited to existing Customers for existing service arrangements; no new or additional term commitments of any kind, including any otherwise available renewals, will be available; and no move, add, or change orders will be accepted.

(N)
|
(N)

(This page filed under Transmittal No. 547)

ACCESS SERVICE

7. Special Access Service (Cont'd)

7.2 Service Descriptions (Cont'd)

7.2.8.1 Fractional DS1 Service⁽¹⁾ (Cont'd) (N)

(C) Channel Interfaces (CI)

The following channel interfaces define the bit rates that are available for a Fractional DS1 channel:

CI	Bit Rate
DS-1S128,	256, 384, 512, 768 kbps

(D) Termination Liability for Fractional DS1 Services Purchased Under a Three or Five Year Term

Termination liability charges will apply in the following cases:

(1) In the event service is terminated prior to the expiration of the minimum service period, charges, specified in Section 5.2.5, will apply in addition to the termination liability charges identified in Section 7.12(D) (2). (D) (T)

(2) In the event service is terminated prior to the end of the Fractional DS1 term, a termination charge utilizing the following termination percentage will apply:

Termination Billing Period Percentage: 40%

The termination charge is calculated as follows:

(Monthly Recurring Rate) X (Months remaining in term) X (Termination Billing Period Percentage)

Example: A customer with a \$500 monthly rate terminates service with 10 months remaining in a 3 year Fractional DS1 term. The termination liability charge would be calculated as follows:

$(\$500) \times (10) \times (.40) = \2000

⁽¹⁾ Effective October 27, 2016, Fractional DS1 Service is limited to existing Customers for existing service arrangements; no new or additional term commitments of any kind, including any otherwise available renewals, will be available; and no move, add, or change orders will be accepted. (N) | (N)

(This page filed under Transmittal No. 547)

ACCESS SERVICE

7. Special Access Service (Cont'd)7.2 Service Descriptions (Cont'd)7.2.9 High Capacity Service^{(1) (3)}

(N)

(A) Basic Service Description

A High Capacity service is for the transmission of 1.544, 3.152, 6.312, 44.736 (DS3, DS3x3 and DS3x12⁽²⁾), or 274.176 Mbps isochronous serial data. The actual bit rate and framing format is a function of the channel interface selected by the customer. DS3, DS3x3 and DS3x12⁽²⁾ will be provided with or without Telephone Company provided terminal equipment on the customer's premises. When a customer desires to furnish their own terminal equipment, the Telephone Company will work cooperatively with the customer to provide a physical interface satisfactory to both parties. High Capacity services are provided between customer designated premises through serving wire centers or between a customer designated premises and a Telephone Company Hub, or between a customer designated premises to an EIS Point of Termination, or an EIS Point of Termination to a Hub. DS3x12⁽²⁾ is only provided between a customer designated premises and the serving wire center serving that premises.

DS3, DS3x3 and DS3x12⁽²⁾ service provides a total capacity of one (DS3), three (DS3x3) or twelve (DS3x12⁽²⁾) services. DS3x3 services can be point-to-point or connected at the wire center serving that premises to individual terminating DS3 services, or to individual DS3 services for multiplexing at a Hub. DS3x12⁽²⁾ services can only be connected at the serving wire center to individual terminating DS3 services, or to individual DS3 services for multiplexing at a Hub. The DS3 to DS1 multiplexing function is only available in Telephone Company Hubs as indicated in the Exchange Carrier Association Tariff F.C.C. No. 4.

This page, originally filed in Pacific Bell Tariff FCC No. 128 under Transmittal No. 2102, was scheduled to become effective April 6, 2000. This page was deferred to April 20, 2000 under Transmittal No. 2107. This page was further deferred to May 20, 2000 under Transmittal No. 2109.

⁽¹⁾ Effective on November 1, 2022, DS1 TPP 2- and 3-year, and DS3 (High Capacity and Fiber Advantagesm) 3-year Payment Plans are no longer available, including for any otherwise available conversions. Circuits already subject to a DS1 TPP 2- or 3-year or DS3 (High Capacity and Fiber Advantagesm) 3-year Payment Plan, as of November 1, 2022, will continue to be provided under the then-current DS1 TPP 2- or 3-year or DS3 (High Capacity and Fiber Advantagesm) 3-year Payment Plan term for the remainder of that term.

⁽²⁾ DS3X12 is discontinued and no longer available in this publication.

⁽³⁾ Effective January 17, 2024, DS1 Term Payment Plan 1-year and Fiber Advantagesm DS3 1-year Payment Plans (collectively, Term Plan Services), are no longer available, including conversions. Existing Term Plan Services on January 17, 2024, will continue to be provided for the remainder of the then-current terms.

(N)
|
(N)

(This page filed under Transmittal No. 596)

ACCESS SERVICE

7. Special Access Service (Cont'd)7.2 Service Descriptions (Cont'd)7.2.9 High Capacity Service (Cont'd)(A) Basic Service Description (Cont'd)

DS3, DS3x3 and DS3x12 High Capacity service offerings are only available where facilities and operating conditions permit. Where facilities and/or operating conditions do not permit, Special Construction as set forth in the Telephone Company's Tariff F.C.C. 2, Section 2.6.4(E) (2) shall apply.

Fiber Advantagesm Service is a high performance service (C)
providing transmission of 1.544⁽¹⁾, 3.152, 6.312, 44.736 (C)
(DS1⁽¹⁾ DS3, DS3x3, or DS3x12), or 274.176 Mbps isochronous (C)
serial data with reliability parameters designed to limit a (C)
single event from interrupting service. Fiber Advantagesm (C)
Service is offered as end-to-end fiber optic DS1⁽¹⁾ and DS3 (C)
(DS3, DS3x3 and DS3x12) services provided with either an
electrical or optical interface at the customer's premises.

Customers requesting an electrical interface will receive an electrical signal with a transmission speed of 44.736 Mbps per channel. When the optical interface is selected for DS3 Channel Termination (s) Without Terminal Equipment, the customer must provide the optical line termination at its premises, which must be compatible with Telephone Company equipment.

Customers requesting an optical interface for (a) Fiber Advantagesm DS3x12 Channel Terminations (s) With Terminal Equipment will receive (an) optical signal (s) at the transmission speed(s) associated with the number of DS3s requested on the Access Order. The transmission speeds for optical interfaces are stated as approximate multiples of 44.736 Mbps. If the customer selects a Fiber Advantagesm (DS3) DS3x12 Channel Termination With Terminal Equipment, and when existing facilities and equipment are in place, the customer can designate the twelve DS3 channel terminations to be provisioned over a single OC-12 optical interface.

(1) Effective May 17, 2003, Fiber Advantagesm DS1 Rate Stability Payment Plan will no longer be (N)
available to new customers. There will be no change to existing customers. Refer to section (N)
7.4.11(A) for conversion options. (N)

(This page filed under Transmittal No. 113)

ACCESS SERVICE

7. Special Access Service (Cont'd)

7.2 Service Descriptions (Cont'd)

7.2.9 High Capacity Service (Cont'd)

(A) Basic Service Description (Cont'd)

Fiber Advantagesm Services are only available where facilities and operating conditions permit as determined Telephone Company. Upon request, Fiber Advantage service may be placed on diverse fiber facilities where available. Where facilities and/or operating conditions do not permit, Special Construction as set forth in the Telephone Company's Tariff F.C.C. 2, Section 2.6.4(E) (2) shall apply. A customer may order any appropriate High Capacity Advantagesm Service.

DS3x3, and DS3x12 high capacity service shall only be provided as Fiber Advantagesm Service. At the customer's option, DS1⁽¹⁾ may be provided as High Capacity, Fiber Advantage or SONET Ring and Access Service⁽²⁾; DS3 may be provided as either Fiber Advantagesm Service or SONET Ring and Access Services⁽²⁾.

(C)
(C)

(1) Effective May 17, 2003, Fiber Advantagesm DS1 Rate Stability Payment Plan will no longer be available to new customers. There will be no change to existing customers. Refer to section 7.4.11(A) for conversion options.

(2) Effective 01/03/06, SONET Ring and Access Service is limited to existing customers at existing locations except where spare capacity exists; customers may add additional locations on existing rings. New SONET ring services will be provided via Dedicated SONET Ring Service.

(N)
(N)
(N)
(N)

(This page filed under Transmittal No. 269)

ACCESS SERVICE

7. Special Access Service (Cont'd)7.2 Service Descriptions (Cont'd)7.2.9 High Capacity Service (Cont'd)(B) Technical Specifications

While in service the average performance of error free seconds will be 98.75% over a continuous 24-hour period. In order to meet this standard, the service must be measured at the specified Mbps rate through a CSU equivalent which is designed, manufactured, and maintained to conform with the specifications set forth in Technical Reference PUB 62508.

Fiber AdvantageSM Service will provide at least 99.999% circuit availability on a monthly basis. This applies only to the Telephone Company-provided service and requires customer-provided equipment to be fully compatible and operational under the specifications set forth in Technical Publication L-780059-PB.

(C) Channel Interfaces

Compatible channel interfaces are set forth in Technical Reference 62508 and PUBL-780059-PB.

(This page filed under Transmittal No. 1)

ACCESS SERVICE

7. Special Access Service (Cont'd)

7.2 Service Descriptions (Cont'd)

7.2.9 High Capacity Service (Cont'd)

(D) Optional Features and Functions

(1)

(D)

(D)

(2) Transfer Arrangement

An arrangement that affords the customer an additional measure of flexibility in the use of their access channel(s). The arrangement can be utilized to transfer a leg of a Special Access Service to either a spare or working service that terminates in either the same or a different customer premises. A key activated or dial up control service is required to operate the transfer arrangement. A spare service, if required, is not included as part of the option.

(D)

(D)

(D)

(This page filed under Transmittal No. 457)

ACCESS SERVICE

7. Special Access Service (Cont'd)

7.2 Service Descriptions (Cont'd)

7.2.9 High Capacity Service (Cont'd)

(D) Optional Features and Functions (Cont'd)

(3) Central Office Multiplexing

(a) DS4 to DS1

An arrangement that converts a 274.176 Mbps channel to 168 DS1 channels using digital time division multiplexing.

(b) DS3 to DS1

There are two options available with this feature.

Option 1

An arrangement that converts a 44.736 Mbps channel to 28 DS1 channels using digital time division multiplexing.

Option 2

An arrangement that converts a 44.736 Mbps channel to up to 28 channels for use with DS1 service when Network Reconfiguration Service⁽¹⁾ is requested as set forth in 7.2.9 (D) following. When this option is ordered the Multiplexing Hub must be one of the Network Reconfiguration Hubs listed in NECA's Tariff FCC No. 4.

(C)

(c) DS2 to DS1

An arrangement that converts a 6.312 Mbps channel to four DS1 channels using digital time division multiplexing.

(d) DS1C to DS1

An arrangement that converts a 3.152 Mbps channel to two DS1 channels using digital time division multiplexing.

⁽¹⁾ Effective December 5, 2018, Network Reconfiguration Service (NRS) will no longer be available for purchase by new or existing customers, and NRS service agreements may no longer be renewed. Effective July 31, 2022, the Telephone Company will no longer accept new requests for physical changes to existing service arrangements including the upgrade or downgrade of access/port speed, installation of new service, or moves to different service addresses.

(N)

(N)

(This page filed under Transmittal No. 564)

ACCESS SERVICE

7. Special Access Service (Cont'd)7.2 Service Descriptions (Cont'd)7.2.9 High Capacity Service (Cont'd)(D) Optional Features and Functions (Cont'd)(3) Central Office Multiplexing (Cont'd)(e) DS1 to Voice/Digital⁽²⁾

An arrangement that converts a 1.544 Mbps channel up to 24 channels for use with Voice Grade⁽²⁾, Program Audio^{(1) (3)}, and/or Generic Digital Transport Services⁽²⁾. (N)

Customers ordering multiplexed High Capacity Service will be required to provide subsequent system and channel assignment data.

(1) Effective November 20, 2019, this Service will no longer be available for purchase by new or existing customers, and service agreements may no longer be renewed. In addition, requests to move, add or change existing service arrangements will not be accepted. Following the expiration of a customer's existing term agreement, service will be provided on a month-to-month basis at the applicable monthly extension rates until the service is discontinued. AT&T currently plans to discontinue this Service on or after November 1, 2020.

(2) Effective November 20, 2019, this Service will no longer be available for purchase by new or existing customers, and service agreements may no longer be renewed. In addition, requests to move, add or change existing service arrangements will not be accepted. Following the expiration of a customer's existing term agreement, service will be provided on a month-to-month basis at the applicable monthly extension rates until the service is discontinued. AT&T currently plans to discontinue this Service on or after June 30, 2024.

(3) Program Audio is discontinued and no longer available in this publication (see WC Dkt. 19-238). (N)
(N)

(This page filed under Transmittal No. 591)

ACCESS SERVICE

- 7. Special Access Service (Cont'd)
- 7.2 Service Descriptions (Cont'd)
 - 7.2.9 High Capacity Service (Cont'd)
 - (D) Optional Features and Functions (Cont'd)
 - (3) Central Office Multiplexing (Cont'd)

The following table shows the services with which the optional features and functions are available.

	Available with Technical Specifications Package HC-						
	<u>0</u>	<u>1</u>	<u>1C</u>	<u>2</u>	<u>3</u>	<u>3x3</u>	<u>4</u>
	Central Office Multiplexing:						
DS4 to DS1							X
DS3 to DS1							
- Option 1					X	X	
- Option 2					X	X	
DS2 to DS1				X			
DS1C to DS1			X				
DS1 to Voice/Digital ⁽²⁾		X					(N)
Transfer Arrangement		X					
Alternate Serving							
Wire Center		X			X		
Enhanced Access Diversity		X			X	X	
Multiplexer Cross Connect		X					

(4) Network Reconfiguration Service⁽¹⁾

Network Reconfiguration Service (NRS) allows a customer to make changes in the individual circuit segments of their network. These changes are made at the DS0 level which have been multiplexed onto the DS1, or at the DS1 level which have been multiplexed onto the DS3. The changes are initiated by the customer calling the Telephone Company and requesting a reconfiguration to be completed. For DS0 to DS1, the desired reconfiguration can be mapped and stored and executed based on time of day or for disaster recovery.

(1) Effective December 5, 2018, Network Reconfiguration Service (NRS) will no longer be available for purchase by new or existing customers, and NRS service agreements may no longer be renewed. Effective July 31, 2022, the Telephone Company will no longer accept new requests for physical changes to existing service arrangements including the upgrade or downgrade of access/port speed, installation of new service, or moves to different service addresses.

(2) Effective November 20, 2019, this Service will no longer be available for purchase by new or existing customers, and service agreements may no longer be renewed. In addition, requests to move, add or change existing service arrangements will not be accepted. Following the expiration of a customer's existing term agreement, service will be provided on a month-to-month basis at the applicable monthly extension rates until the service is discontinued. AT&T currently plans to discontinue this Service on or after June 30, 2024. (N)

(This page filed under Transmittal No. 572)

ACCESS SERVICE

7. Special Access Service (Cont'd)

7.2 Service Descriptions (Cont'd)

7.2.9 High Capacity Service (Cont'd)

(D) Optional Features and Functions (Cont'd)

(4) Network Reconfiguration Service⁽¹⁾ (Cont'd) (C)

The NRS service is available at the Telephone Company's serving wire center equipped with Digital Cross Connect as set forth in NECA's Tariff FCC No. 4.

(a) DS1 to DS0 Network Reconfiguration Service (T)

Two rate elements apply for NRS. One monthly rate element shall apply per DS1 channel termination equipped with NRS capability and one rate element shall apply per each reconfiguration completed by a Telephone Company Control Center at either the DS1 or DS0 level.

NRS must be ordered at the time high capacity service is ordered. NRS is required on all circuit terminations of the customer's network to be reconfigured. The customer must comply with Utility security procedures.

(b) DS3 to DS1 Network Reconfiguration Service

The NRS Termination Charge and Network Reconfiguration Charge are in addition to any applicable Channel Termination, Channel Mileage, Multiplexing, and other optional features and functions charges.

A NRS Termination Charge is required for each termination on a Digital Cross-Connect System, when connecting between Digital Cross-Connect Systems and is in addition to any applicable Channel Mileage charges. Two DS3 NRS Termination charges will apply when connecting between two central offices where DS3 NRS Terminations are provided, one charge at each termination.

The Network Reconfiguration charge occurs when the customer orders a network reconfiguration.

⁽¹⁾ Effective December 5, 2018, Network Reconfiguration Service (NRS) will no longer be available for purchase by new or existing customers, and NRS service agreements may no longer be renewed. Effective July 31, 2022, the Telephone Company will no longer accept new requests for physical changes to existing service arrangements including the upgrade or downgrade of access/port speed, installation of new service, or moves to different service addresses. (N)

(This page filed under Transmittal No. 564)

ACCESS SERVICE

7. Special Access Service (Cont'd)7.2 Service Descriptions (Cont'd)7.2.9 High Capacity Service (Cont'd)(D) Optional Features and Functions (Cont'd)(5) Alternate Serving Wire Center (ASWC)

ASWC is an optional feature in which High Capacity Channel Terminations are provided to an alternate serving wire center other than that normally serving the customer's designated premises. The Telephone Company will designate the serving wire center to be used, however, the mileage used to determine the monthly rate for channel mileage is based on the normal serving wire center associated with the customer designated premises as described in 7.1.2 preceding. The customer may order DS3 ASWC with either an electrical or optical handoff. When an optical handoff is ordered, no terminal equipment will be provided by the Telephone Company at the customer premises. This feature is not available with Shared Use Digital High Capacity Service or DS3x3 or DS3x12 Service.

When a customer orders the ASWC Optional Feature, the Alternate Serving Wire Center rate as specified in 7.5.9 following applies in addition to the Channel Termination and Channel Mileage Rates and Charges for each applicable High Capacity Service. Rates for ASWC apply per point of termination. In addition, if ASWC is ordered after installation of the DS1 or DS3 service, a Service Rearrangement Charge shall apply as set forth in 7.4.1(C) (3), following.

Listed following are serving wire center locations where ASWC is immediately available:

SNFCCA01	SNFCCA21	CLCYCA11
ANHMCA11	SCRMCA11	IGWDCA01
LSANCA01	LSANCA03	LSANCA07
OKLDCA03	LSANCA08	LSANCA10
LSANCA11		

(This page filed under Transmittal No. 1)

Issued: April 27, 2000

Effective: May 12, 2000

Four AT&T Plaza, Dallas, Texas 75202

ACCESS SERVICE

7. Special Access Service (Cont'd)

7.2 Service Descriptions (Cont'd)

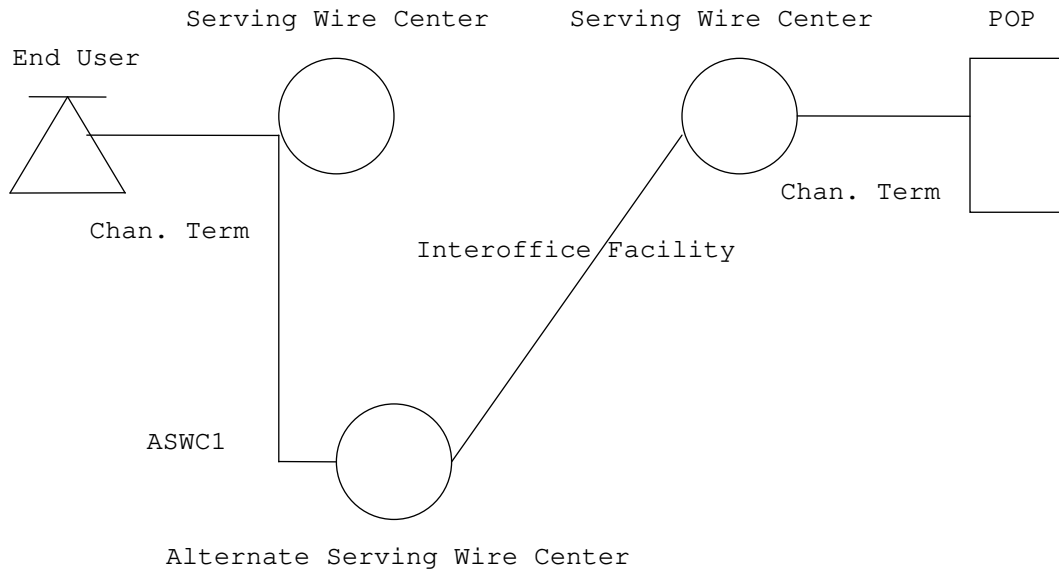
7.2.9 High Capacity Service (Cont'd)

(D) Optional Features and Functions (Cont'd)

(5) Alternate Serving Wire Center (ASWC) (Cont'd)

Subject to the provisions of 2.1.4, Provision of Services, and 5.1.3, Special Construction preceding, ASWC will be provided in other locations within one year from receiving a customer request.

Example: High Capacity DS1 or DS3 service connecting two customer premises via Alternate Serving Wire Center.



Rate Elements Applicable charges

- ① 2 Chan. Terms Monthly Recurring and Non-Recurring
- ② Interoffice Mileage Monthly Recurring
- ③ ASWC1 Monthly Recurring

(This page filed under Transmittal No. 1)

ACCESS SERVICE

7. Special Access Service (Cont'd)7.2 Service Descriptions (Cont'd)7.2.9 High Capacity Service (Cont'd)(D) Optional Features and Functions (Cont'd)(6) Enhanced Access Diversity (EAD)

EAD is an optional feature in which Special Access High Capacity Service is provided on a transmission facility alternately routed from the primary (standard) transmission facility path. The amount of diversity is determined by the option, described below, selected by the customer.

EAD may be provisioned on Telephone Company facilities where capability and capacity permit. Otherwise, the customer may order facilities under Special Construction.

When placing orders for EAD, the customer must identify the services that will be diverse. The customer must also supply all appropriate facility assignments and other information to permit the Telephone Company to provide and maintain EAD service.

When High Capacity DS3 service is multiplexed, rates and charges for each EAD service connecting to the multiplexer will apply. Applicable rates and charges for the DS3 service will also apply if identified as an EAD service. Customers leasing Telephone Company-provided multiplexers will provide and identify Connecting Facility Assignments of diverse services to the multiplexer.

(This page filed under Transmittal No. 1)

ACCESS SERVICE

7. Special Access Service (Cont'd)7.2 Service Descriptions (Cont'd)7.2.9 High Capacity Service (Cont'd)(D) Optional Features and Functions (Cont'd)(6) Enhanced Access Diversity (EAD) (Cont'd)

EAD is provided on a per DS1 or DS3 basis only.

Option 1

This option utilizes existing physically diverse interoffice facilities, excluding equipment and facilities located in a wire center extending to the first manhole outside the wire center, to provide diversity between serving wire centers only.

Option 2

This option utilizes existing physically diverse local loop and interoffice facilities, excluding equipment and facilities located in a wire center extending to the first manhole outside the wire center or from the point of termination to the first manhole outside a customer premises, to provide diversity between customer premises, between a customer premises and a hub, or between a customer premises and an EIS Point of Termination.

(This page filed under Transmittal No. 1)

ACCESS SERVICE

7. Special Access Service (Cont'd)

7.2 Service Descriptions (Cont'd)

7.2.9 High Capacity Service (Cont'd)

(D) Optional Features and Functions (Cont'd)

(6) Enhanced Access Diversity (EAD) (Cont'd)

Option 3

This option utilizes existing physically diverse local loop and interoffice facilities to provide diversity between customer premises, between a customer premises and a hub, or between a customer premises and an EIS Point of Termination.

In this option, diverse channel termination (local loop) facilities from the customer premises to a wire enter other than the customer's serving wire center must already exist.

The customer must inform the Telephone Company of existing diverse local loop facilities provided under Special Construction over which the service will be routed.

Interoffice mileage will be charged between the wire centers where the local loops actually terminate.

(This page filed under Transmittal No. 1)

ACCESS SERVICE

7. Special Access Service (Cont'd)7.2 Service Descriptions (Cont'd)7.2.9 High Capacity Service (Cont'd)(D) Optional Features and Functions (Cont'd)

(7) DS1 Multiplexer Cross Connect

This arrangement is available only as a cross-connect of one channel of a Special Access High Capacity DS3 multiplexer to a channel of another Special Access High Capacity DS3 multiplexer. Cross connects are provided at 1.544 Mbps. The customer must provide system and channel assignment information. All channel mileage charges will also apply.

(This page filed under Transmittal No. 1)

Issued: April 27, 2000

Effective: May 12, 2000

Four AT&T Plaza, Dallas, Texas 75202

ACCESS SERVICE

7. Special Access

7.2 Service Descriptions (Cont'd)

7.2.10

(D)

(D)

(This page filed under Transmittal No. 470)

Issued: August 30, 2012

Effective: September 14, 2012

Four AT&T Plaza, Dallas, Texas 75202

ACCESS SERVICE

7. Special Access Service (Cont'd)

7.2 Service Descriptions (Cont'd)

7.2.11 SONET Ring and Access Services⁽¹⁾

(C)

(A) Basic Service Description

SONET Ring and Access Services provide dedicated bandwidth capacity (bit rate capacity or bit speed) over self healing ring and two-point (a.k.a. circuit service) facility configurations for a single customer. Connecting facilities carry synchronous and asynchronous transmissions. The service includes enhanced survivability and network management per SONET (Synchronous Optical Network) technology.

Synchronous Transport Signal - level 1 (STS1) at 51 Mbps is the basic SONET technology building block. Electrical signals in the form of digital pulses are converted to light or Optical Carrier rates (OC-n) for transmission on fiber optic facilities.

The Telephone Company's service supports asynchronous bandwidth capacities at 1.5 Mbps and 45 Mbps plus synchronous bandwidth capacities at 155 Mbps, 622 Mbps, 2.4Gbps, and 100 Mbps Ethernet and 1 Gbps Ethernet. The SONET add/drop multiplexer aggregates lesser bit speed services onto the dedicated ring or two point (circuit service) configurations.

Ethernet over SONET (EoS) allows the efficient transport of Ethernet frames using SONET. Ethernet ports will be available in bandwidths up to the Ethernet interface of 100 Mbps or 1 Gbps Ethernet on SONET Ring Services as set forth in Section 7.2.11. As SONET bandwidths will be preset, the customer will be unable to transmit data (including any bursts) beyond these preset SONET bandwidths. Interfaces of 100 Mbps Ethernet or 1 Gbps Ethernet are available only to customers with Next Generation SONET equipment. Access into the Telephone Company's Ethernet ports must conform to industry standards and specifications as described in technical publication SBC-TP-76412-000.

⁽¹⁾ Effective 01/03/06, SONET Ring and Access Service is limited to existing customers at existing locations except where spare capacity exists; customers may add additional locations on existing rings. New SONET ring services will be provided via Dedicated SONET Ring Service.

(N)
(N)
(N)
(N)

(This page filed under Transmittal No. 269)

ACCESS SERVICE

7. Special Access Service (Cont'd)

7.2 Service Descriptions (Cont'd)

7.2.11 SONET Ring and Access Services⁽¹⁾ (Cont'd)

(C)

(A) Basic Service Description (Cont'd)

Rate elements are:

- Premises and Central Office Nodes for connecting to the ring, using the SONET add/drop multiplexer.
- Premises and Central Office Access Ports that identify facility interfaces.
- Local Loop Access Links that connect a customer's premise to the central office.
- Primary Node Links connecting the primary central office node to the customer's premises or Point of Presence.

Plus Dedicated Ring Fees, Mileage and Optional Features.

An EIS Cross-Connect may connect to a SONET Central or premises Office Access Node or Port.

All service configurations have one working and one standby transmission path. In the event of failure of the customer's transmission path, SONET technology will switch, within 50 milliseconds of detection, the customer's transmissions to a dedicated standby path.

During the establishment of a dedicated ring configuration the Telephone Company and Customer will establish a Cooperative Planning Agreement for the management of the design, engineering and provisioning of the ring and the migration of existing services on to the dedicated ring.

SONET Ring and Access Services are planned for the major metropolitan areas of California. By the end of 1996 facilities will be available in many areas of California including the major central offices of the San Francisco, Sacramento and Los Angeles metropolitan areas, plus Orange and San Diego counties. Where facilities and/or operating conditions do not permit the availability of services, Special Construction as set forth in the Telephone Company's Tariff F.C.C. No. 2 apply.

⁽¹⁾ Effective 01/03/06, SONET Ring and Access Service is limited to existing customers at existing locations except where spare capacity exists; customers may add additional locations on existing rings. New SONET ring services will be provided via Dedicated SONET Ring Service.

(N)
(N)
(N)
(N)

(This page filed under Transmittal No. 269)

ACCESS SERVICE

7. Special Access Service (Cont'd)

7.2 Service Descriptions (Cont'd)

7.2.11 SONET Ring and Access Services⁽¹⁾ (Cont'd)

(A) Basic Service Description (Cont'd)

(C)

Upon request, SONET Ring and Access Services may be placed on diverse fiber facilities where available. Diversity is available as shown in Section 7.5.9(F).

Channel Interface

Compatible channel interfaces are listed in Technical Reference PUB L-780046-PB/NV - Technical Requirements for SONET Ring and Access Services.

(1) Mileage

Mileage charges apply to the varying configurations of the SONET Ring and Access Services. Mileage is charged based on V&H miles determined from National Exchanges Carrier Association (NECA) Tariff FCC No. 4. Fractions of a mile are rounded up to the whole mile for rate calculations.

For the dedicated ring recurring mileage is for the interoffice facilities between nodes. The chargeable mileage is that mileage per link exceeding the ten miles included in the Dedicated Ring Fee for Interoffice or Alternate Wire Center. Distances obtained from V&H coordinates set forth in NECA Tariff FCC No. 4, will determine the chargeable mileage on a per link basis. The V&H Coordinates of the normal serving wire center of the customer premises will be used for calculating mileage from Premises Nodes. The monthly mileage charge for the dedicated ring is determined by multiplying the applicable rate times the chargeable mileage.

For circuit service configuration recurring mileage provides for interoffice facilities between the end point nodes of the circuit. The chargeable mileage is the distance between the central offices with the end point nodes. These distances are determined using the V&H coordinates of NECA Tariff FCC No. 4. The monthly mileage charge for circuit services is determined by multiplying the applicable monthly rate times the chargeable mileage.

⁽¹⁾ Effective 01/03/06, SONET Ring and Access Service is limited to existing customers at existing locations except where spare capacity exists; customers may add additional locations on existing rings. New SONET ring services will be provided via Dedicated SONET Ring Service.

(N)
(N)
(N)
(N)

(This page filed under Transmittal No. 269)

ACCESS SERVICE

7. Special Access Service (Cont'd)

7.2 Service Descriptions (Cont'd)

7.2.11 SONET Ring and Access Services⁽¹⁾ (Cont'd)

(A) Basic Service Description (Cont'd)

(C)

(2) Dedicated Ring Fee

Dedicated Ring Fees provide for the construction of dedicated transport facilities, related service order activity and ongoing ring maintenance. There are three Fees: (1) Interoffice: for CO Node to CO Node facilities; (2) Local Loop: for facilities connecting a CO Node to one or more Premises Nodes in the customer's normal serving wire center, and (3) Alternate Wire Center: for facilities connecting a Premise Node to a central office outside of the customer's normal serving wire center. The fee does not apply to circuit service (two point) configurations.

(3) CO and Premises Node

Nodes, available in Rate Stability Payment Plans, aggregate lower bandwidth capacities onto the ring or circuit service through use of the SONET add/drop multiplexer function. The CO Node is located in the central office; the Premises Node, including Customer Provided Node, at the customer's location. Customer Provided Nodes must connect to Telephone Company nodes. CO Nodes shall be required for extending the range of the ring (i.e., for ring regeneration). Circuit Service CO Nodes may be used for interconnection to other rings (appropriate Circuit Service Mileage and CO Access Ports will be charged). For ring nodes bandwidth capacities are 155Mbps, 622 Mbps, and 2.4 Gbps. For circuit service configurations, bandwidth capacities are 1.5 Mbps, 51Mbps, 155 Mbps, 622 Mbps and 2488 Mbps. A minimum of one CO Node is required on a ring.

An EIS Cross-Connect may connect to a CO Node.

⁽¹⁾ Effective 01/03/06, SONET Ring and Access Service is limited to existing customers at existing locations except where spare capacity exists; customers may add additional locations on existing rings. New SONET ring services will be provided via Dedicated SONET Ring Service.

(N)
(N)
(N)
(N)

(This page filed under Transmittal No. 269)

ACCESS SERVICE

7. Special Access Service (Cont'd)7.2 Service Descriptions (Cont'd)7.2.11 SONET Ring and Access Services⁽²⁾ (Cont'd)

(C)

(A) Basic Service Description (Cont'd)

(4) Local Loop Access Link

(a) Local Loop Access Link With Equipment

The Local Loop Access Link provides the equipment for delivering transmissions from the customer's premises to the Telephone Company's dedicated ring or circuit service. Bandwidth capabilities are 1.5Mbps, 45 Mbps, and 155 Mbps.

(b) Local Loop Access Link Without Equipment
Reserved for future use

(5) Premises Access Port

The Premises Access Port is associated with a Premises Node at the customer's location. It is identified by 1.5 Mbps, 45 Mbps, 155 Mbps, 622 Mbps, and 100 Mbps Ethernet and 1 Gbps Ethernet bandwidth capacities.

Additional Connection for 2.4 Gbps (OC48) at 622 Mbps⁽¹⁾ bandwidth capacity connects to a Premise Node to accommodate interfaces at 1.5 Mbps. This port must be purchased for each 622 Mbps⁽¹⁾ bandwidth before the 1.5 Mbps Premise Access Ports will work on an OC48 Premise Node.

The additional connection for 2.4 Gbps at 622 Mbps⁽¹⁾ is not required for an OC3 or an OC12c (622 Mbps) Premises Access Ports, 155 Mbps Premises Access Ports or DS3 (45 Mbps) Premises Access Ports. However, an OC48 Premises Node is required to provision 622 Mbps bandwidth service or OC12c Premises Access Ports.

(6) Central Office Access Port

The Central Office Access Port connects Local Loop Access Links, or channel terminations, multiplexers or circuit service facilities to the Central Office Node in dedicated ring configurations. It offers bandwidth capacities of 51Mbps, 155Mbps and 622Mbps.

An EIS Cross-Connect may connect to a Central Office Access Port.

(1) For SONET Rings established before 03/24/05, the 622 Mbps Additional Connection Interface is required for interface connections to 1.5 Mbps bandwidth service.

(2) Effective 01/03/06, SONET Ring and Access Service is limited to existing customers at existing locations except where spare capacity exists; customers may add additional locations on existing rings. New SONET ring services will be provided via Dedicated SONET Ring Service.

(N)
(N)
(N)
(N)

(This page filed under Transmittal No. 269)

ACCESS SERVICE

7. Special Access Service (Cont'd)

7.2 Service Descriptions (Cont'd)

7.2.11 SONET Ring and Access Services⁽¹⁾ (Cont'd)

(A) Basic Service Description (Cont'd)

(C)

(7) Primary Node Link

The Primary Node Link may act as the interface to the dedicated interoffice ring at the customer's designated primary CO Node location (primary node). The Primary Node Link can be located at either a customer's premises or a Point of Presence (POP). The customer can designate one primary node on a ring that has no premises node locations for use with the Primary Node Links. Other nodes on the ring require Central Office Access Ports, Local Loop Access Links and/or channel terminations for the ring interface. The Primary Node Link cannot be used on rings with a Premise Node. Primary Node Link bandwidth capacities are: 1.5 Mbps, 51 Mbps, 155 Mbps, or 622 Mbps.

(8) Optional Features and Functions

(a) Central Office Multiplexing

DS1 to DS0 (voice/digital)

An arrangement that converts DS1 channel to 24 DS0 channels that can be provided from Special Access Section 7.5.9 (C) (1).

DS3 to DS1

An arrangement that converts a DS3 channel to 28 DS1 channels using digital time division multiplexing.

There is no SONET multiplexing arrangement for bandwidth capacities above 51 Mbps.

⁽¹⁾ Effective 01/03/06, SONET Ring and Access Service is limited to existing customers at existing locations except where spare capacity exists; customers may add additional locations on existing rings. New SONET ring services will be provided via Dedicated SONET Ring Service.

(N)
 (N)
 (N)
 (N)

(This page filed under Transmittal No. 269)

ACCESS SERVICE

7. Special Access Service (Cont'd)

7.2 Service Descriptions (Cont'd)

7.2.12 ⁽¹⁾

(D)

⁽¹⁾ Material in this section has been de-tariffed as required by the Commission upon use of the forbearance relief pursuant to FCC Memorandum Opinion and Order No. FCC 07-180 released October 12, 2007. Terms and Conditions associated with de-tariffed services are available at www.att.com/guidebook.

(This page filed under Transmittal No. 385)

Issued: January 24, 2008

Effective: February 8, 2008

Four AT&T Plaza, Dallas, Texas 75202

ACCESS SERVICE

7. Special Access Service (Cont'd)

7.2 Service Descriptions (Cont'd)

7.2.12 ⁽¹⁾

(D)

⁽¹⁾ See footnote (1) on page 7-82.1

(This page filed under Transmittal No. 385)

Issued: January 24, 2008

Effective: February 8, 2008

Four AT&T Plaza, Dallas, Texas 75202

ACCESS SERVICE

7. Special Access Service (Cont'd)

7.2 Service Descriptions (Cont'd)

7.2.12 ⁽¹⁾

(D)

⁽¹⁾ See footnote (1) on page 7-82.1

(This page filed under Transmittal No. 385)

Issued: January 24, 2008

Effective: February 8, 2008

Four AT&T Plaza, Dallas, Texas 75202

ACCESS SERVICE

7. Special Access Service (Cont'd)

7.2 Service Descriptions (Cont'd)

7.2.12 ⁽¹⁾

(D)

⁽¹⁾ See footnote (1) on page 7-82.1

(This page filed under Transmittal No. 385)

Issued: January 24, 2008

Effective: February 8, 2008

Four AT&T Plaza, Dallas, Texas 75202

ACCESS SERVICE

7. Special Access Service (Cont'd)

7.2 Service Descriptions (Cont'd)

7.2.12 ⁽¹⁾

(D)

⁽¹⁾ See footnote (1) on page 7-82.1

(This page filed under Transmittal No. 385)

Issued: January 24, 2008

Effective: February 8, 2008

Four AT&T Plaza, Dallas, Texas 75202

ACCESS SERVICE

7. Special Access Service (Cont'd)

7.2 Service Descriptions (Cont'd)

7.2.12 ⁽¹⁾

(D)

⁽¹⁾ See footnote (1) on page 7-82.1

(This page filed under Transmittal No. 385)

Issued: January 24, 2008

Effective: February 8, 2008

Four AT&T Plaza, Dallas, Texas 75202

ACCESS SERVICE

7. Special Access Service (Cont'd)

7.2 Service Descriptions (Cont'd)

7.2.12 ⁽¹⁾

(D)

⁽¹⁾ See footnote (1) on page 7-82.1

(This page filed under Transmittal No. 385)

ACCESS SERVICE

7. Special Access Service (Cont'd)

7.2 Service Descriptions (Cont'd)

7.2.12 ⁽¹⁾

(D)

⁽¹⁾ See footnote (1) on page 7-82.1

(This page filed under Transmittal No. 385)

ACCESS SERVICE

7. Special Access Service (Cont'd)

7.2 Service Descriptions (Cont'd)

7.2.12 ⁽¹⁾

(D)

⁽¹⁾ See footnote (1) on page 7-82.1

(This page filed under Transmittal No. 385)

ACCESS SERVICE

7. Special Access Service (Cont'd)

7.2 Service Descriptions (Cont'd)

7.2.12 ⁽¹⁾

(D)

⁽¹⁾ See footnote (1) on page 7-82.1

(This page filed under Transmittal No. 385)

ACCESS SERVICE

7. Special Access Service (Cont'd)

7.2 Service Descriptions (Cont'd)

7.2.12 ⁽¹⁾

(D)

⁽¹⁾ See footnote (1) on page 7-82.1

(This page filed under Transmittal No. 385)

ACCESS SERVICE

7. Special Access Service (Cont'd)

7.2 Service Descriptions (Cont'd)

7.2.12 ⁽¹⁾

(D)

⁽¹⁾ See footnote (1) on page 7-82.1

(This page filed under Transmittal No. 385)

ACCESS SERVICE

7. Special Access Service (Cont'd)

7.2 Service Descriptions (Cont'd)

7.2.12 ⁽¹⁾

(D)

⁽¹⁾ See footnote (1) on page 7-82.1

(This page filed under Transmittal No. 385)

ACCESS SERVICE

7. Special Access Service (Cont'd)

7.2 Service Descriptions (Cont'd)

7.2.12 ⁽¹⁾

(D)

⁽¹⁾ See footnote (1) on page 7-82.1

(This page filed under Transmittal No. 385)

ACCESS SERVICE

7. Special Access Service (Cont'd)

7.2 Service Descriptions (Cont'd)

7.2.12 ⁽¹⁾

(D)

⁽¹⁾ See footnote (1) on page 7-82.1

(This page filed under Transmittal No. 385)

ACCESS SERVICE

7. Special Access Service (Cont'd)

7.2 Service Descriptions (Cont'd)

7.2.12 ⁽¹⁾

(D)

⁽¹⁾ See footnote (1) on page 7-82.1

(This page filed under Transmittal No. 385)

ACCESS SERVICE

7. Special Access Service (Cont'd)

7.2 Service Descriptions (Cont'd)

7.2.12 ⁽¹⁾

(D)

⁽¹⁾ See footnote (1) on page 7-82.1

(This page filed under Transmittal No. 385)

ACCESS SERVICE

7. Special Access Service (Cont'd)

7.2 Service Descriptions (Cont'd)

7.2.12 ⁽¹⁾

(D)

⁽¹⁾ See footnote (1) on page 7-82.1

(This page filed under Transmittal No. 385)

ACCESS SERVICE

7. Special Access Service (Cont'd)

7.2 Service Descriptions (Cont'd)

7.2.12 ⁽¹⁾

(D)

⁽¹⁾ See footnote (1) on page 7-82.1

(This page filed under Transmittal No. 385)

ACCESS SERVICE

7. Special Access Service (Cont'd)

7.2 Service Descriptions (Cont'd)

7.2.12 ⁽¹⁾

(D)

⁽¹⁾ See footnote (1) on page 7-82.1

(This page filed under Transmittal No. 385)

ACCESS SERVICE

7. Special Access Service (Cont'd)

7.2 Service Descriptions (Cont'd)

7.2.12 ⁽¹⁾

(D)

⁽¹⁾ See footnote (1) on page 7-82.1

(This page filed under Transmittal No. 385)

ACCESS SERVICE

7. Special Access Service (Cont'd)7.3 Network Channel Codes and Channel Interfaces

Network Channel Codes are comprised of four characters. The first and second character describe the technical specifications package within the service type. The third and fourth character describe and specifies options associated with the service. Network Channel Codes are available from the Telephone Company upon request. The Telephone Company abides by nationally accepted standards in its use of Network Channel Codes.

Network Channel Interface Codes describe the electrical characteristics of the interface at the customer location(s). Compatible Network Channel Interface Codes for the service ordered must be specified by the customer when ordering the services. Compatible Network Channel Interface Codes for each category of Special Access Service can be found in Technical Reference Publications set forth in 7.2 preceding.

(This page filed under Transmittal No. 1)

Issued: April 27, 2000

Effective: May 12, 2000

Four AT&T Plaza, Dallas, Texas 75202

ACCESS SERVICE

7. Special Access Service (Cont'd)
7.4 Rate Regulations

This section contains the specific regulations governing the rates and charges that apply for Special Access Service.

Effective November 1, 2017, Competitive Counties and Non-Competitive Counties have been established and are defined in Section 2.6 and the wire centers within such counties are listed in Sections 14.2(C) and (D). For all rate elements other than End User channel terminations and their optional features,⁽²⁾ price flex rates and charges, as provided in Section 31.5.2, apply, regardless of whether the county is Competitive or Non-Competitive. For End User channel terminations and their optional features,⁽¹⁾⁽²⁾ the application of "price cap" or "price flex" is dependent upon whether or not the serving wire center is located in a Competitive County. If the End User channel termination is in a Competitive County, price flex rates and charges apply, as provided in Section 31.5.2. If the End User channel termination is in a Non-Competitive County, price cap rates and charges apply, as provided in Section 7.5.

7.4.1 Types of Rates and Charges

There are three types of rates and charges. These are monthly rates, daily rates and nonrecurring charges. The rates and charges are described as follows:

(A) Monthly Rates

Monthly rates are fixed recurring rates that apply each month or fraction thereof that a Special Access Service is provided. For billing purposes, each month is considered to have 30 days.

(B) Daily Rates

Daily rates are fixed recurring rates that apply to each 24-hour period or fraction thereof that a Program Audio⁽³⁾⁽⁵⁾ or Video⁽⁴⁾ Special Access Service is provided for part-time or occasional use. For purposes of applying daily rates, the 24-hour period is not limited to a calendar day. (N)

The application of daily rates for Program Audio⁽³⁾⁽⁵⁾ and Video⁽⁴⁾ services during a consecutive 30-day period is as follows. Daily rates will be topped at an amount equal to the monthly rate (i.e., the charge to the customer for usage billed at daily rates will not exceed the monthly rate). For each day or part day of usage after the daily rates have been topped, a charge equal to 1/30th of the monthly rate will apply. (N)

- (1) Until February 1, 2018, End User channel terminations and their optional features that had not qualified for Phase II, Level 2 pricing flexibility prior to June 1, 2017, will be rated at the price cap rate regardless of the status of the county in which the applicable wire center is located.
- (2) Optional features for End User channel terminations includes all optional features in Section 7.5, except for the Loop Transfer Arrangement, Service to Service Through Connect - TV-1, and Network Reconfiguration Service.
- (3) Effective November 20, 2019, this Service will no longer be available for purchase by new or existing customers, and service agreements may no longer be renewed. In addition, requests to move, add or change existing service arrangements will not be accepted. Following the expiration of a customer's existing term agreement, service will be provided on a month-to-month basis at the applicable monthly extension rates until the service is discontinued. AT&T currently plans to discontinue this Service on or after November 1, 2020.
- (4) Effective December 31, 2020, Broadcast Video (TV1) service will no longer be available for purchase by new or existing customers, and service agreements may no longer be renewed. In addition, requests to move, add, or change existing service arrangements will not be accepted. Following the expiration of a customer's existing term agreement, service will be provided on a month-to-month basis at the applicable Monthly rate until the service is discontinued. AT&T currently plans to discontinue this Service on or after December 31, 2021.
- (5) Program Audio is discontinued and no longer available in this publication (see WC Dkt. 19-238). (N)

(This page filed under Transmittal No. 591)

ACCESS SERVICE

7. Special Access Service (Cont'd)7.4 Rate Regulations (Cont'd)7.4.1 Types of Rates and Charges (Cont'd)(C) Nonrecurring Charges*

Nonrecurring charges are one-time charges that apply for specific work activity (i.e., installation or change to an existing service). The types of nonrecurring charges that apply for Special Access Service are: installation of service, installation of optional features and functions, and service rearrangements. (C)

Certain services which have a first and additional nonrecurring charge rate structure will be treated as follows: When multiple identical services (i.e., services between the same work locations and for the same customer, or GDTs Service, regardless of speed) are ordered and installed, moved or rearranged at the same time, there is a charge for the first service installed and a lower charge for each additional identical service installed.

(1) Installation of Service

Nonrecurring charges apply to each service installed. The nonrecurring charges for the installation of service are set forth in 7.5 following as a Channel Termination rate element.

(2) Installation of Optional Features and Functions

Nonrecurring charges apply for the installation of some of the optional features and functions available with Special Access Service. The charge applies whether the feature or function is installed with the initial installation or at any time subsequent to the installation of the service.

The nonrecurring charges for the installation of Optional Features and Functions are set forth in 7.5 following.

* For services ordered under MVP, refer to Section 22.3 (E) (5). (C)

(This page filed under Transmittal No. 25)

ACCESS SERVICE

7. Special Access Service (Cont'd)7.4 Rate Regulations (Cont'd)7.4.1 Types of Rates and Charges (Cont'd)(C) Nonrecurring Charges* (Cont'd)

(3) Service Rearrangements

(C)

Changes which are considered to be service rearrangements are as set forth in 5.2.8 preceding. Administrative changes will be made without charge.

(a) Service Changes

Service Changes listed below, are physical changes to existing service, excluding Rollover Changes as set forth in (b) following. Charges will apply as specified below.

If the change involves the addition of or a modification to an optional feature which has a separate nonrecurring charge, that nonrecurring charge will apply.

If a Special Access change involves the addition of another leg to an existing multipoint service, the nonrecurring charge for the channel termination rate element will apply. The charge will apply only for the leg that is being added.

If a Special Access change involves changing the type of signaling on a Voice Grade service, a charge equal to the Voice Grade channel termination rate element nonrecurring charge will apply. The charge will apply per service termination affected.

For all other Special Access changes, including the addition of optional features without separate nonrecurring charges, a charge equal to a channel termination rate element nonrecurring charge will apply. Only one such charge will apply per service, per change.

* For Services ordered under MVP, refer to Section 22.3 (E) (5).

(C)

(This page filed under Transmittal No. 25)

Issued: December 15, 2000

Effective: December 30, 2000

Four AT&T Plaza, Dallas, Texas 75202

ACCESS SERVICE

7. Special Access (Cont'd)7.4 Rate Regulation (Cont'd)7.4.1 Types of Rates and Charges (Cont'd)(C) Nonrecurring Charges* (Cont'd)

(3) Service Rearrangements

(b) Rollover Changes

Rollover Changes listed below, are physical changes to, or reclassification of existing service including (a) preceding, and there is no change in either the point of termination or the EIS point of termination. A Rollover Change Charge for Special Access Service will apply as set forth in 7.5 following. No charge will apply for subtending services of the service being rolled over as long as there is no change to the subtending services. The following are examples where rollover charges will apply.

- Rearranging an existing Special Access DS1 or DS3 service from one port in the same class.
- Rearranging an existing service from one multiplexer to another multiplexer.
- Rearranging an existing lower speed service to an existing multiplexed higher speed service.
- Reclassification of 3 existing DS3 services between the same points of termination to a DS3x3 service, or 4 existing DS3x3 services between the same points of termination to a DS3x12 service as long as the Rate Stability Payment Plan is equivalent or longer than the lower bit rate services being reclassified.
- Rearranging an existing service to the dedicated ring configuration of SONET Ring and Access Services⁽¹⁾.

In the event a change involves a physical move of the point of termination at the customer's premises or a move of the customer's premises, a move charge as set forth in 7.2.3 will apply

The Rollover Change charge will be waived if the existing DS1, DS3 or OC3c service is moving to a SONET service that has a Rate Stability Payment Plan for 5 years.

* For Services ordered under MVP, refer to Section 22.3 (E) (5).

⁽¹⁾ Effective 01/03/06, SONET Ring and Access Service is limited to existing customers at existing locations except where spare capacity exists; customers may add additional locations on existing rings. New SONET ring services will be provided via Dedicated SONET Ring Service.

(This page filed under Transmittal No. 269)

ACCESS SERVICE

7. Special Access Service (Cont'd)

7.4 Rate Regulations (Cont'd)

7.4.1 Types of Rates and Charges (Cont'd)

(C) Nonrecurring Charges* (Cont'd)

(3) Service Rearrangements (Cont'd)

(b) Rollover Changes (Cont'd)

In addition, a Rollover Change will occur when existing Special Access Service is rearranged to other existing Special Access Service or expanded Interconnection Service and there is a change in the point of termination of the rolled service. Except as noted below, all facilities and equipment required for the activity must already exist. No charge will apply for subtending services of the service being rolled over as long as there is no change to the subtending services.

Rearranging an existing service from one multiplexer to another multiplexer.

Rearranging an existing lower speed service to an existing multiplexed higher speed service.

Rearranging from Special Access to or from Expanded Interconnection Service where the Expanded Interconnection Service Cross-Connect may be installed simultaneously with the rollover change.

Rearranging an existing service to the dedicated ring configuration of SONET Ring and Access Services⁽¹⁾.

(C)

When the existing service is rolling to a SONET Ring and Access with a Services Rate Stability Payment Plan of 5 Years, the customer will receive a credit equal to the change charge applicable to a rollover with no change in termination.

* For services ordered under MVP, refer to Section 22.3(E) (5).

⁽¹⁾ Effective 01/03/06, SONET Ring and Access Service is limited to existing customers at existing locations except where spare capacity exists; customers may add additional locations on existing rings. New SONET ring services will be provided via Dedicated SONET Ring Service.

(N)
(N)
(N)
(N)

(This page filed under Transmittal No. 269)

ACCESS SERVICE

7. Special Access Service (Cont'd)7.4 Rate Regulations (Cont'd)7.4.2 Surcharge for Special Access Service(A) General

In addition to the rates and charges described in 7.4.1 preceding, there is a monthly surcharge that applies to Special Access Service. The Special Access Surcharge compensates the Telephone Company for use of the local exchange network when Special Access Service is connected to a PBX or equivalent device which is capable of interconnecting the Special Access Service with local exchange service.

The surcharge will be applied to each Special Access Service installed, including services which terminate on a Centrex-CO type switch unless a written certification exemption is received from the customer as set forth in (B) following.

(B) Special Access Surcharge Exemptions

The Special Access Service will be exempted from the surcharge if the customer provides the Telephone Company with written certification that the Special Access Service termination is one of the following:

- (1) An open-end termination in a Telephone Company switch of an FX line, including CCSA and CCSA-equivalent ONALS; or
- (2) an analog channel termination that is used for radio or television program transmission; or
- (3) a termination used for TELEX service; or
- (4) a termination that by the nature of its operating characteristics could not make use of Telephone Company common lines; or

(This page filed under Transmittal No. 1)

ACCESS SERVICE

7. Special Access Service (Cont'd)7.4 Rate Regulations (Cont'd)7.4.2 Surcharge for Special Access Service (Cont'd)(B) Special Access Surcharge Exemptions (Cont'd)

- (5) a termination that interconnects either directly or indirectly to the local exchange network where the usage is subject to Carrier Common Line charges such as: where the Special Access Service accesses only FGA and no local exchange lines, or Special Access Service between customer points of termination or Special Access Service connecting CCSA or CCSA-type equipment (inter-machine trunks); or
- (6) a termination that the customer certifies to the Telephone Company, is not connected to a PBX or other device capable of interconnecting the special access facility to a local exchange subscriber line.

(This page filed under Transmittal No. 1)

ACCESS SERVICE

7. Special Access Service (Cont'd)7.4 Rate Regulations (Cont'd)7.4.2 Surcharge for Special Access Service (Cont'd)(C) Exemption Certification

- (1) Special Access Services which are terminated as set forth in (B) preceding will be exempted from the Special Access Surcharge if the customer provides the Telephone Company with a written notification certifying exemption. Such notification shall be provided by the customer (1) at the time the Special Access Service is ordered or installed; (2) at such time as the Special Access Service is reterminated to a device not capable of interconnecting to the local exchange network, or (3) at such time as the Special Access Service becomes associated with a Switched Access Service that is subject to Carrier Common Line charges.
- (2) If the written certification is not received at the time the Special Access Service is obtained, the surcharge will be applied. Exempt status will become effective on the certification date indicated by the customer, subject to the regulations in (D) following.
- (3) The exemption certification is to be provided by the customer ordering the service. The certification must be signed by the customer or authorized representative and include the category of exemption, as set forth in (B) preceding, for each termination, and the date which the exemption is effective.
- (4) The customer shall also notify the Telephone Company when an exempted Special Access Service is changed or reterminated such that the exemption is no longer applicable.

(This page filed under Transmittal No. 1)

ACCESS SERVICE

7. Special Access Service (Cont'd)

7.4 Rate Regulations (Cont'd)

7.4.2 Surcharge for Special Access Service (Cont'd)

(D) Crediting the Surcharge

The Telephone Company will cease billing the Special Access Surcharge when certification that the Special Access Service has become exempt from the surcharge, as set forth in (B) preceding is received. If the status of the Special Access Service was changed prior to receipt of the exemption certification, the Telephone Company will credit the customer's account, not to exceed ninety (90) days, based on the effective date of the change specified by the customer in the letter of certification.

(E) Application of Rates

(1) The monthly Special Access Surcharge applies to Special Access Service arranged, as set forth in (A) preceding, on a per voice equivalent basis as shown in the following example:

<u>Special Access Service</u>	<u>Voice Equivalent</u>		<u>Surcharge</u>	<u>Monthly Charge</u>	
Voice Grade	1	X	\$25	\$ 25.00	(D)
DS1*	24	X	\$25	\$600.00	(D)

* The Special Access Surcharge is assessed 24 times on a two-point service only when the DS1 service is not multiplexed by the Telephone Company. When the DS1 service is multiplexed by the Telephone Company, the Special Access Surcharge is then assessed on each individual channelized line as it is installed. No surcharge is assessed on unused channels of the DS1 when it is multiplexed by the Telephone Company.

(This page filed under Transmittal No. 514)

ACCESS SERVICE

7. Special Access Service (Cont'd)7.4 Rate Regulations (Cont'd)7.4.2 Surcharge for Special Access Service (Cont'd)(E) Application of Rates (Cont'd)

- (2) In the case of multipoint and/or multiplexed Special Access Service, one Special Access Surcharge will apply for each termination at a customer-designated premises. However, no surcharge applies at the customer-designated premises at which the Access Service is connected to Interstate Service.
- (3) The Telephone Company will bill the surcharge to the customer who orders the Special Access Service unless the Service is exempt as set forth in (B) preceding.

7.4.3 Message Station Equipment Recovery Charge

The Message Station Equipment Recovery Charge is a charge to recover that portion of Message Station equipment that is assigned to Special Access Service. This charge is assessed only to those services which the Special Access Surcharge applies.

(This page filed under Transmittal No. 1)

ACCESS SERVICE

7. Special Access Service (Cont'd)7.4 Rate Regulations (Cont'd)7.4.4 Minimum Periods

Except as set forth following the minimum service period for all services is one month.

The minimum service period for Fiber Advantage^(sm) DS3 and DS3x3 services is one month. (D)

The minimum service period for Fiber Advantage^(sm) DS3 and DS3x3 services is a 1-year⁽⁵⁾ term plan. After the 1-, 3- or 5-year Rate Stability Payment Plan is satisfied, the customer must select a renewal option as referenced in Section 7.4.11(C)⁽²⁾. (N)

The minimum period for DS3x12⁽³⁾ service is a 3-year Rate Stability Payment Plan. After the 3- or 5-year Rate Stability Payment Plan is satisfied, the customer must select a renewal option as referenced in Section 7.4.11(C).

The minimum service period for part-time and occasional Video⁽¹⁾ and Program Audio⁽⁴⁾ services is one day.

(D)
(D)

(1) Effective December 31, 2020, Broadcast Video (TV1) service will no longer be available for purchase by new or existing customers, and service agreements may no longer be renewed. In addition, requests to move, add, or change existing service arrangements will not be accepted. Following the expiration of a customer's existing term agreement, service will be provided on a month-to-month basis at the applicable Monthly rate until the service is discontinued. AT&T currently plans to discontinue this Service on or after December 31, 2021.

(2) Effective on November 1, 2022, DS1 TPP 2- and 3-year, and DS3 (High Capacity and Fiber Advantage^(sm)) 3-year Payment Plans are no longer available, including for any otherwise available conversions. Circuits already subject to a DS1 TPP 2- or 3-year or DS3 (High Capacity and Fiber Advantage^(sm)) 3-year Payment Plan, as of November 1, 2022, will continue to be provided under the then-current DS1 TPP 2- or 3-year or DS3 (High Capacity and Fiber Advantage^(sm)) 3-year Payment Plan term for the remainder of that term.

(3) DS3X12 is discontinued and no longer available in this publication.

(4) Program Audio is discontinued and no longer available in this publication (see WC Dkt. 19-238).

(5) Effective January 17, 2024, the 1-year minimum period no longer applies. (N)

(This page filed under Transmittal No. 596)

ACCESS SERVICE

7. Special Access Service (Cont'd)7.4 Rate Regulations (Cont'd)7.4.5 Mileage Measurement

Mileage used to determine the monthly rate for the Channel Mileage is calculated on airline distance between the locations involved (i.e. the serving wire centers associated with two customer designated premises, a serving wire center associated with a customer designated premises and a Telephone Company Hub, a serving wire center associated with a customer designated premises and a WATS serving office, or two Telephone Company Hubs). The serving wire center associated with a customer-designated premises is the serving wire center from which the customer-designated premises would normally obtain service.

Mileage is shown in 7.5 following in terms of mileage bands. To determine the rate to be billed, first compute the mileage using the V&H coordinates method, as set forth in the NATIONAL EXCHANGE CARRIER ASSOCIATION, INC. TARIFF F.C.C. NO. 4, then find the band into which the computed mileage falls and apply the rates (fixed and per mile) shown for that band. When the calculation results in a fraction of a mile, always round up to the next whole mile before determining the mileage band and applying the rates.

When a Special Access service is routed through a Telephone Company Hub at the customer's request (e.g., to bridge or multiplex the service), mileage is computed and rates applied separately for each section of the Channel Mileage (i.e., customer designated premises to Hub, Hub to Hub and/or Hub to customer designated premises serving wire center). However, when any service is routed through a Hub for purposes other than customer specified bridging or multiplexing (e.g., the Telephone Company chooses to so route for test access purposes), rates will be applied only to the distance calculated between the serving wire centers associated with the customer designated premises.

As an alternative to providing originating WATS Access Line Service in conjunction with FGA and FGB, a nonchargeable WATS Access Line Extension is applicable as set forth in 7.4.11.

(This page filed under Transmittal No. 1)

ACCESS SERVICE

7. Special Access Service (Cont'd)

7.4 Rate Regulations (Cont'd)

7.4.5 Mileage Measurement (Cont'd)

(S)



(S)

This page, originally filed in Pacific Bell Tariff FCC No. 128 under Transmittal No. 2102, was scheduled to become effective April 6, 2000. This page was deferred to April 20, 2000 under Transmittal No. 2107. This page was further deferred to May 20, 2000 under Transmittal No. 2109.

(This page filed under Transmittal No. 1)

(This page filed under Transmittal No. 1)

Issued: April 27, 2000

Effective: May 12, 2000

Four AT&T Plaza, Dallas, Texas 75202

ACCESS SERVICE

7. Special Access Service (Cont'd)

7.4 Rate Regulations (Cont'd)

7.4.6 Multiplexed Services

The Telephone Company will commence billing the monthly rate for the High Capacity facilities to the Hub and the associated multiplexer on the date specified by the customer on the service order. Individual services utilizing these facilities may be installed coincident with the installation of the facility to the Hub, or may be ordered and/or installed at a later date, at the option of the customer. Individual service rates (e.g., Voice Grade⁽¹⁾, Metallic⁽¹⁾ or GDS⁽¹⁾ Service) will apply for a Channel Termination and additional Channel Mileage (as required) for each channelized service. Channel Termination charges are not applied at Hubs when, by customer request, individual services are channelized by Telephone Company multiplexers. These will be billed to the customer as each individual service is installed. A High Capacity service may not be ordered with multiplexing to lower levels at both ends.

(N)

When cascading multiplexing is performed, whether in the same or a different Hub, a charge for the additional multiplexing unit also applies. When cascading multiplexing is performed at different Hubbing locations, Channel Mileage charges also apply between the Hubs at the appropriate service level (e.g., DS1 or DS3).

When a DS3x3 or DS3x12 is hubbed and segregated into individual DS3 services, a separate multiplexer charge is not required between the DS3x3 or DS3x12 service and the individual DS3 services. DS3 rates and charges will apply to the individual DS3 services as required (e.g., channel termination, channel mileage and optional features if requested). If multiplexing is used to multiplex DS3x3 or DS3x12 service to DS1 service, then at least one DS3 to DS1 multiplexer is required.

(1)Effective November 20, 2019, this Service will no longer be available for purchase by new or existing customers, and service agreements may no longer be renewed. In addition, requests to move, add or change existing service arrangements will not be accepted. Following the expiration of a customer's existing term agreement, service will be provided on a month-to-month basis at the applicable monthly extension rates until the service is discontinued. AT&T currently plans to discontinue this Service on or after June 30, 2024.

(N)

(N)

(This page filed under Transmittal No. 572)

ACCESS SERVICE

7 Special Access Service (Cont'd)

7.4 Rate Regulations (Cont'd)

7.4.7 Video Service

(A) Video⁽²⁾ and Program Audio^{(1) (3)} Hubs (N)

The Telephone Company will designate certain Hubs for Video and Program Audio Services. Full-time service will be provided between a customer designated premises and a Hub and billed accordingly at the monthly rates set forth in 7.5.4 and 7.5.5 following for a Channel Termination, Optional Features and Functions, and Channel Mileage, as applicable. The customer may order part-time and occasional Video⁽²⁾ and Program Audio services as needed between that Hub and a second customer designated premises. The rate elements required to provide the part-time or occasional service (i.e., Channel Termination, Optional Features and Functions, and Channel Mileage, as applicable) will be billed at daily rates for the duration of the service requested.

(C) Termination of Service

Customers requesting the termination of service prior to the expiration of the minimum service period, will be charged as indicated below:

Months remaining				
Monthly Rate	X	in Minimum	X	80%
Service Period				

= Termination Charge.

(1) Effective November 20, 2019, this Service will no longer be available for purchase by new or existing customers, and service agreements may no longer be renewed. In addition, requests to move, add or change existing service arrangements will not be accepted. Following the expiration of a customer's existing term agreement, service will be provided on a month-to-month basis at the applicable monthly extension rates until the service is discontinued. AT&T currently plans to discontinue this Service on or after November 1, 2020.

(2) Effective December 31, 2020, Broadcast Video (TV1) service will no longer be available for purchase by new or existing customers, and service agreements may no longer be renewed. In addition, requests to move, add, or change existing service arrangements will not be accepted. Following the expiration of a customer's existing term agreement, service will be provided on a month-to-month basis at the applicable Monthly rate until the service is discontinued. AT&T currently plans to discontinue this Service on or after December 31, 2021.

(3) Program Audio is discontinued and no longer available in this publication (see WC Dkt. 19-238). (N)
 (N)

(This page filed under Transmittal No. 591)

ACCESS SERVICE

7 Special Access Service (Cont'd)

7.4 Rate Regulations (Cont'd)

7.4.7 Video Service (Cont'd)

(D) ⁽¹⁾

(D)

⁽¹⁾ Material in this section has been de-tariffed as required by the Commission upon use of the forbearance relief pursuant to FCC Memorandum Opinion and Order No. FCC 07-180 released October 12, 2007. Terms and Conditions associated with de-tariffed services are available at www.att.com/guidebook.

(This page filed under Transmittal No. 385)

Issued: January 24, 2008

Effective: February 8, 2008

Four AT&T Plaza, Dallas, Texas 75202

ACCESS SERVICE

7. Special Access Service (Cont'd)

7.4 Rate Regulations (Cont'd)

7.4.7 Video Service (Cont'd)

(D) ⁽¹⁾

(D)

⁽¹⁾ See footnote (1) on page 7-98

(This page filed under Transmittal No. 385)

ACCESS SERVICE

7. Special Access Service (Cont'd)7.4 Rate Regulations (Cont'd)7.4.8 Shared Use Analog, Digital High Capacity and SONET Ring and Access Services

Shared use occurs when Special Access Service and Switched Access Service are provided over the same High Capacity or SONET Ring and Access Services⁽¹⁾ facilities through a common interface. The High Capacity or SONET Ring and Access Services⁽¹⁾ facility will be ordered, provided and rated as Special Access Service (i.e., Channel Termination, Mileage, as appropriate, and multiplier or rate element of SONET Ring and Access Services⁽¹⁾). (D)

The customer must place an order for each individual Switched or Special Access Service utilizing the shared use Facilities and specify the channel assignment for each service. (D)

Rates and Charges as described in Sections 7.4.1 and 7.5 will apply when each individual channel of the Shared Use facility is used to provide the Special Access service. (T)

Rates and Charges as set forth in Section 6.8 will apply when each individual channel of the Shared Use facility is used to provide Switched Access service. As each individual Switched Access service channel is activated, the High Capacity Channel Termination, Channel Mileage and Multiplier rates or SONET Ring and Access Service⁽¹⁾ rates will be reduced accordingly, e.g., 1/24th for DS1 service, 1/672nd for DS3 service, 1/2016th for DS3x3 or OC3 service, 1/8064th for OC12 or equivalent service and 1/32,256th for OC48 or equivalent service. (D)

⁽¹⁾ Effective 01/03/06, SONET Ring and Access Service is limited to existing customers at existing locations except where spare capacity exists; customers may add additional locations on existing rings. New SONET ring services will be provided via Dedicated SONET Ring Service.

(This page filed under Transmittal No. 514)

ACCESS SERVICE

7. Special Access Service (Cont'd)

7.4 Rate Regulations (Cont'd)

7.4.9 Extension of WATS Access Service

WATS Access Service is available with extensions, i.e., additional terminations, of the service at different customer designated premises in the same or different LATAs. Extensions are provided and charged for as separate Voice Grade Special Access Service. The rate elements which apply are: WATS Access Line Channel Termination, Channel Mileage, if applicable, and Signalling Capability (Optional Features and Functions), if applicable. All appropriate charges as set forth in 7.5 following will apply.

7.4.10 Reserved for Future Use

(D)
(D)
|
(D)

(This page filed under Transmittal No. 517)

ACCESS SERVICE

7. Special Access Service (Cont'd)

7.4 Rate Regulations (Cont'd)

7.4.11 Fiber Advantagesm Service

Monthly Extension Rates

Month extension rates are charges that the customer may elect to be converted to at the end of their 1, 3 or 5-year Rate Stability Payment Plan, until a new Rate Stability Payment Plan is selected or service is disconnected. Monthly extension rates are only available once the term plan has expired.

- (A) Fiber Advantagesm DS1^{(1) (2) (3) (5)} Month-to-Month, DS3 and DS3x3 Month-to-Month and for DS3, DS3x3 and DS3x12⁽⁶⁾ Rate Stability Payment Plans. (D)

Rates and Charges for DS1^{(1) (2) (3) (5)} are offered Month-to-Month or with a 1, 3 or 5-year Rate Stability Payment Plan.

Rates and Charges for DS3 and DS3x3 are offered Month-to-Month. (D)

Rates and Charges for DS3 and DS3x3 service are offered with a 1, 3 or 5-year Rate Stability Payment Plan.^{(4) (5) (7)} DS3x12⁽⁶⁾ service is offered with a 3 or 5 year Rate Stability Payment Plan. (N)

For customers that subscribe to a 1, 3 or 5 year Rate Stability Plan, the monthly rates in effect at the time the service is installed may decrease but will not increase at any time during the payment plan period.

The customer has the option to order a Rate Stability Payment Plan for each individual DS1^{(1) (2) (3) (5) (7)} or DS3 service hubbed with a DS3 or DS3x3 service. (N)

⁽¹⁾ Effective May 17, 2003, Fiber Advantagesm DS1 Rate Stability Payment Plan will no longer be available to new customers. There will be no change to existing customers.

⁽²⁾ At the expiration of the grandfathered Fiber Advantagesm DS1 Rate Stability Payment Plan term, the customer may choose a new DS1 Term Payment Plan with the prices in effect at that time. If the customer elects not to establish a new DS1 TPP, the service will be billed the tariffed month-to-month rates in effect at the time the grandfathered Fiber Advantage DS1 Rate Stability Payment Plan expires.

⁽³⁾ Conversion of existing Fiber Advantage DS1 Rate Stability Payment Plan may be made to a new DS1 Term Payment Plan (TPP) term. If the expiration date for the new DS1 TPP term is beyond the expiration of the original Fiber Advantage DS1 Rate Stability Payment Plan term, no other charges from the original plan will apply. Access Order charges associated with conversion to new DS1 TPPs will be waived. Refer to DS1 Term Payment Plan 7.4.18 following for all DS1 TPP term and conditions.

⁽⁴⁾ Effective on September 13, 2017, Fiber Advantagesm DS3 Rate Stability 5-year Payment Plans are no longer available, including for any otherwise available renewals, extensions or conversions. Circuits already subject to a Fiber Advantagesm DS3 Rate Stability 5-year Payment Plan, as of September 13, 2017, will continue to be provided under the then-current Fiber Advantagesm DS3 Rate Stability 5-year Payment Plan term for the remainder of that term.

⁽⁵⁾ Effective on November 1, 2022, DS1 TPP 2- and 3-year, and DS3 (High Capacity and Fiber Advantagesm) 3-year Payment Plans are no longer available, including for any otherwise available conversions. Circuits already subject to a DS1 TPP 2- or 3-year or DS3 (High Capacity and Fiber Advantagesm) 3-year Payment Plan, as of November 1, 2022, will continue to be provided under the then-current DS1 TPP 2- or 3-year or DS3 (High Capacity and Fiber Advantagesm) 3-year Payment Plan term for the remainder of that term.

⁽⁶⁾ DS3X12 is discontinued and no longer available in this publication.

⁽⁷⁾ Effective January 17, 2024, DS1 Term Payment Plan 1-year and Fiber Advantagesm DS3 1-year Payment Plans (collectively, Term Plan Services), are no longer available, including conversions. Existing Term Plan Services on January 17, 2024, will continue to be provided for the remainder of the then-current terms. (N)

(D)

(D)

(This page filed under Transmittal No. 596)

ACCESS SERVICE

7. Special Access Service (Cont'd)

7.4 Rate Regulations (Cont'd)

7.4.11 Fiber Advantagesm Service^{(2) (4)} (Cont'd) (N)

(B) Termination Liability Charges for Fiber Advantagesm DS1⁽¹⁾ Month-to-Month, DS3 and DS3x3 Month-to-Month and for DS1⁽¹⁾, DS3, DS3x3 and DS3x12⁽³⁾ Rate Stability Payment Plans. (D)

Minimum Periods for Fiber Advantagesm DS1⁽¹⁾, DS3, DS3x3 and DS3x12⁽³⁾ services apply as set forth in section 5.2.6(A) and 7.4.4 preceding.

For Rate Stability Payment Plans (e.g. 1, 3 and 5 year plans) discontinued prior to the end of their Payment Plan period, the Termination Liability Charges will apply as follows:

For Rate Stability Payment Plans discontinued prior to the end of the Rate Stability Payment Plan period, the customer will be liable for 45% of the total monthly charges for the unexpired portion of the service.

An existing DS3, DS3x3 or DS3x12⁽³⁾ under a 1 or 3-year billing period may be converted to a longer term (i.e., 3 or 5-year billing period) without termination liabilities, provided that:

- (1) the expiration date for the new term agreement is beyond the end of the original term agreement,
- (2) the converted DS3 must be based upon the rates that are currently in effect and otherwise available to all customers,
- (3) the customer maintains the same or greater number of DS3 circuits under the new billing period, and
- (4) No lapse in service occurs.

⁽¹⁾ Effective May 17, 2003, Fiber Advantagesm DS1 Rate Stability Payment Plan will no longer be available to new customers. There will be no change to existing customers. Refer to section 7.4.11(A) for conversion options.

⁽²⁾ Effective on November 1, 2022, DS1 TPP 2- and 3-year, and DS3 (High Capacity and Fiber Advantagesm) 3-year Payment Plans are no longer available, including for any otherwise available conversions. Circuits already subject to a DS1 TPP 2- or 3-year or DS3 (High Capacity and Fiber Advantagesm) 3-year Payment Plan, as of November 1, 2022, will continue to be provided under the then-current DS1 TPP 2- or 3-year or DS3 (High Capacity and Fiber Advantagesm) 3-year Payment Plan term for the remainder of that term.

⁽³⁾ DS3X12 is discontinued and no longer available in this publication.

⁽⁴⁾ Effective January 17, 2024, DS1 Term Payment Plan 1-year and Fiber Advantagesm DS3 1-year Payment Plans (collectively, Term Plan Services), are no longer available, including conversions. Existing Term Plan Services on January 17, 2024, will continue to be provided for the remainder of the then-current terms.

(N)
|
(N)
(D)
(D)

(This page filed under Transmittal No. 596)

ACCESS SERVICE

7. Special Access Service (Cont'd)

7.4 Rate Regulations (Cont'd)

7.4.11 Fiber AdvantageSM Service^{(3) (5)} (Cont'd) (N)

(C) Renewal Plan

- (1) DS1⁽¹⁾ Month-to-Month service Rate Stability Payment Plans.

At the end of the Rate Stability Payment Plan, the customer may renew, for any Rate Stability Payment Plan, in effect, without a new nonrecurring charge* being applied, as long as the physical serving arrangement is not changed, or the customer may continue service at the original rate, on a month-to-month basis, up to one full year after the original Rate Stability Payment Plan ends.

For a Renewed Rate Stability Payment Plan discontinued prior to the end of its Payment Plan period, the customer will be liable for 25% of the total monthly charges for the unexpired portion of the renewed service plan.

- (2) DS3 and DS3x3 service for Month-to Month and for, DS3, DS3x3 and DS3x12⁽⁴⁾ service Rate Stability Payment Plans. (D)

At the end of the Rate Stability Payment Plan, the customer may renew, for any Rate Stability Payment Plan, in effect, without a new nonrecurring charge* being applied, as long as the physical serving arrangement is not changed.

At the expiration of the billing period, the customer must select one of the following options:

- (1) Elect to renew the service for a new 1, 3 or 5 year billing period,^{(2) (3)} at rates and charges currently in effect.
- (2) Elect to be converted to monthly extension rates.
- (3) Elect to disconnect the service upon expiration of the billing period.

* For Services ordered under MVP, refer to Section 22.3 (E) (5).

(1) Effective May 17, 2003, Fiber AdvantageSM DS1 Rate Stability Payment Plan will no longer be available to new customers. There will be no change to existing customers. Refer to section 7.4.11(A) for conversion options. (D)

(2) Effective on September 13, 2017, Fiber AdvantageSM DS3 Rate Stability 5-year Payment Plans are no longer available, including for any otherwise available renewals, extensions or conversions. Circuits already subject to a Fiber AdvantageSM DS3 Rate Stability 5-year Payment Plan, as of September 13, 2017, will continue to be provided under the then-current Fiber AdvantageSM DS3 Rate Stability 5-year Payment Plan term for the remainder of that term. (D)

(3) Effective on November 1, 2022, DS1 TPP 2- and 3-year, and DS3 (High Capacity and Fiber AdvantageSM) 3-year Payment Plans are no longer available, including for any otherwise available conversions. Circuits already subject to a DS1 TPP 2- or 3-year or DS3 (High Capacity and Fiber AdvantageSM) 3-year Payment Plan, as of November 1, 2022, will continue to be provided under the then-current DS1 TPP 2- or 3-year or DS3 (High Capacity and Fiber AdvantageSM) 3-year Payment Plan term for the remainder of that term.

(4) DS3X12 is discontinued and no longer available in this publication.

(5) Effective January 17, 2024, DS1 Term Payment Plan 1-year and Fiber AdvantageSM DS3 1-year Payment Plans (collectively, Term Plan Services), are no longer available, including conversions. Existing Term Plan Services on January 17, 2024, will continue to be provided for the remainder of the then-current terms. (N)
 |
 (N)

(This page filed under Transmittal No. 596)

ACCESS SERVICE

7. Special Access Service (Cont'd)

7.4 Rate Regulations (Cont'd)

7.4.11 Fiber AdvantageSM Service (Cont'd)

(C) Renewal Plan (Cont'd)

- (2) DS3 and DS3x3 service for Month-to Month and for, DS3, (D)
DS3x3 and DS3x12 service Rate Stability Payment Plans.

If the customer does not choose one of the preceding options⁽¹⁾ prior to the expiration date of the commitment (N)
period, monthly extension rates will be applied upon expiration of the commitment period.

Option (1) as described preceding is available to customers if the term plans remain in effect and are not grandfathered. If the term plans are grandfathered and the service expires, absent customer notification, the customers expired service will be converted to monthly extension rates upon expiration.

The customer must provide the Telephone Company with a written notice of intent to extend the DS3 billing period no later than one month prior to the expiration of the service period.

The customer may continue service at the original rate, on a month-to-month basis, up to one full year after the original Rate Stability Payment Plan ends. (D)

For a Renewed Rate Stability Payment Plan discontinued prior to the end of its Payment Plan period, the customer will be liable for 25% of the total monthly charges for the unexpired portion of the renewed service plan.

(D)
(D)
(N)

⁽¹⁾ See Page 7-103 for Service availability.

(This page filed under Transmittal No. 596)

ACCESS SERVICE

7. Special Access Service (Cont'd)7.4 Rate Regulations (Cont'd)7.4.11 Fiber AdvantageSM Service^{(2) (4)} (Cont'd)

(N)

(D) Change of DS1⁽¹⁾, DS3, DS3x3 or DS3x12⁽³⁾ Rate Stability Payment Plan

At any time a customer has the option to change their current payment plan to an equivalent or longer payment plan (e.g., Month-to-Month to 3 year) without any Termination Liability Charges applicable to the current Rate Stability Payment Plan and without new nonrecurring charges* applicable to the new equivalent or longer payment plan, as long as all other aspects of the services and facilities remain unchanged. In addition, the new equivalent or longer Rate Stability Payment Plan the customer chooses begins on the service order completion date and is treated as a new Rate Stability Payment Plan period.

Customers may change to a shorter Rate Stability Payment Plan by paying the associated Termination Liability Charges with the original Rate Stability Payment Plan. The rates that will apply will be the current rates in effect for the Rate Stability Payment Plan ordered. However, no new nonrecurring charges will apply.

(E) Upgrades of Fiber Advantage DS3, DS3x3 or DS3x12⁽³⁾ Services to higher speed services

Customers with 3 or 5 year term agreements may at any time upgrade to a higher speed service (e.g., DS3 to DS3x12⁽³⁾, DS3 to BCS**, etc.), without incurring the Termination Liability charge, providing the following criteria are met:

- One the newer high speed service, the customer subscribes to a term agreement that is equal to, or greater than 36 months;
- The expiration date for the new term agreement is beyond the end of the original term agreement;

* For Services ordered under MVP, refer to Section 22.3(E) (5).

** This option is limited to existing customers at existing locations as of January 11, 2002.

(1) Effective May 17, 2003, Fiber AdvantageSM DS1 Rate Stability Payment Plan will no longer be available to new customers. There will be no change to existing customers. Refer to section 7.4.11(A) for conversion options.

(2) Effective on November 1, 2022, DS1 TPP 2- and 3-year, and DS3 (High Capacity and Fiber AdvantageSM) 3-year Payment Plans are no longer available, including for any otherwise available conversions. Circuits already subject to a DS1 TPP 2- or 3-year or DS3 (High Capacity and Fiber AdvantageSM) 3-year Payment Plan, as of November 1, 2022, will continue to be provided under the then-current DS1 TPP 2- or 3-year or DS3 (High Capacity and Fiber AdvantageSM) 3-year Payment Plan term for the remainder of that term.

(3) DS3X12 is discontinued and no longer available in this publication.

(4) Effective January 17, 2024, DS1 Term Payment Plan 1-year and Fiber AdvantageSM DS3 1-year Payment Plans (collectively, Term Plan Services), are no longer available, including conversions. Existing Term Plan Services on January 17, 2024, will continue to be provided for the remainder of the then-current terms.

(N)
|
(N)

(This page filed under Transmittal No. 596)

(x)

(x)

x Issued under authority of Special Permission No. 03-043 of the F.C.C. in order to withdraw material filed under Transmittal No. 110 without becoming effective. (x)
(x)

(This page filed under Transmittal No. 111)

Issued: April 17, 2003

Effective: April 18, 2003

Four AT&T Plaza, Dallas, Texas 75202

ACCESS SERVICE

7. Special Access Service (Cont'd)7.4 Rate Regulations (Cont'd)7.4.11 Fiber AdvantageSM Service (Cont'd)(E) Upgrades of Fiber Advantage DS3, DS3x3 or DS3x12 Service to higher speed services (Cont'd)

- No lapse in service occurs;
- Nonrecurring Charges* will apply, when applicable; (C)
- The monthly rates for the new service will be those rates in effect at the time the new service is installed;
- The new service is provided between the same customer locations and with the same customer of record as the disconnected service;
- The billed recurring revenue for the new service is equal to or greater than the billed recurring revenue remaining in the service being converted; and
- Spare facilities must be available or a nonrecurring upfront payment, which is a special construction charge, may apply.

(F) In addition to all other provisions of this section, any customer terminating any part of a Fiber AdvantageSM service that was installed under a waiver of nonrecurring charges, before the expiration of the term under which it was installed, shall be liable for the unexpired portion of the installation charges that were in effect at the time of installation, i.e., if a 3-year (36 month) term plan were selected, for each month the customer retains service, the unexpired portion of the installation charges shall be reduced by 1/36.

If only a portion of the service is disconnected prior to the expiration of the term plan, the customer shall be responsible for the unexpired installation charges of the disconnected part of the service only.

The unexpired nonrecurring charges shall continue to be reduced by the number of months in the original term plan, even if the customer chooses to increase the term before the original term expires.

* For Services ordered under MVP, refer to Section 22.3 (E) (5). (C)

(This page filed under Transmittal No. 25)

ACCESS SERVICE

7. Special Access Service (Cont'd)

7.4 Rate Regulations (Cont'd)

7.4.11 Fiber AdvantageSM Service^{(1) (3)} (Cont'd)

(N)

(G) Fresh Look Provision

Fresh Look provisions, required under CC Docket No. 91-141, will be limited to customers who entered into a Fiber AdvantageSM DS3, DS3x3, or DS3x12⁽²⁾ Service under a 3 or 5 year Rate Stability Plan on or before September 17, 1992.

Fresh Look provisions apply when a customer terminates a qualifying service to take service pursuant to an Expanded Interconnection Service arrangement as described in Section 16, following.

Fresh Look provisions for qualifying Special Access Services will apply for a period of 180 days from the date of filing of the tariff transmittal for the fresh look period for that central office as listed below. A customer must give notice during the 180-day period that it intends to terminate its existing qualifying service in order to take a qualifying service from a collocator.

The collocator that the customer intends to take service from must make a request for collocation during the fresh look period. Also, the customer must actually terminate its qualifying Fiber AdvantageSM DS3, DS3x3 or DS3x12⁽²⁾ service within 90 days after the collocation arrangement is operational to qualify for fresh look termination charges.

(1) Effective on November 1, 2022, DS1 TPP 2- and 3-year, and DS3 (High Capacity and Fiber AdvantageSM) 3-year Payment Plans are no longer available, including for any otherwise available conversions. Circuits already subject to a DS1 TPP 2- or 3-year or DS3 (High Capacity and Fiber AdvantageSM) 3-year Payment Plan, as of November 1, 2022, will continue to be provided under the then-current DS1 TPP 2- or 3-year or DS3 (High Capacity and Fiber AdvantageSM) 3-year Payment Plan term for the remainder of that term.

(2) DS3X12 is discontinued and no longer available in this publication.

(3) Effective January 17, 2024, DS1 Term Payment Plan 1-year and Fiber AdvantageSM DS3 1-year Payment Plans (collectively, Term Plan Services), are no longer available, including conversions. Existing Term Plan Services on January 17, 2024, will continue to be provided for the remainder of the then-current terms.

(N)
 |
 (N)

(This page filed under Transmittal No. 596)

ACCESS SERVICE

7. Special Access Service (Cont'd)7.4 Rate Regulations (Cont'd)7.4.11 Fiber AdvantageSM Service (Cont'd)(G) Fresh Look Provision (Cont'd)

Termination Liability under Fresh Look shall be the difference between (1) the amount the customer has already paid for the service and (2) any additional charges that the customer would have paid for the same service if a shorter term arrangement had originally been chosen, plus interest calculated at the IRS rate for tax refunds, compounded daily. The customer will be liable for Termination Liability Charges as described above or the Termination Liability Charges as described in 7.4.11(B), preceding, whichever is less.

If the actual term of service does not coincide exactly with a Rate Stability Plan term, the charges for the service will be calculated at the rates applicable at the time the service term began, for the longest-term commitment that the customer would have completed. The charge for the period beyond that term will be calculated pro rata at the rates applicable to the completed term.

(This page filed under Transmittal No. 1)

Issued: April 27, 2000

Effective: May 12, 2000

Four AT&T Plaza, Dallas, Texas 75202

ACCESS SERVICE

7. Special Access Service (Cont'd)7.4 Rate Regulations (Cont'd)7.4.11 Fiber AdvantageSM Service (Cont'd)(G) Fresh Look Provision (Cont'd)

The following central offices are subject to the Fresh Look provisions of CC Docket No. 91-141. Fresh Look is available in each central office for 180 days from the date of the transmittal filing, listed below.

<u>Central Office</u>	<u>Special Access Use Only</u>	<u>Shared Use</u>
ANHMCA01	April 15, 1994	
BKFDCA12	February 21, 1997	
CMTNCA01	September 14, 1994	
CNPKCA01	October 6, 1994	
ELSGCA12	May 2, 1994	
FRSNCA01	March 6, 1996	
FRSNCA11	August 22, 1997	
GRDNCA01	September 7, 1994	
HYWRCA11	May 1, 1997	
LSANCA01-03	July 22, 1994	
LSANCA07	May 2, 1994	
LSANCA11	October 6, 1995	
MTVWCA11	September 11, 1995	
NSCRCA11	November 14, 1997N	
OKLDCA03	September 6, 1994	
PLALCA02	October 6, 1995	
PLTNCA13	February 21, 1997	
PSDNCA11	September 14, 1994	

(This page filed under Transmittal No. 1)

Issued: April 27, 2000

Effective: May 12, 2000

Four AT&T Plaza, Dallas, Texas 75202

ACCESS SERVICE

7. Special Access Service (Cont'd)7.4 Rate Regulations (Cont'd)7.4.11 Fiber AdvantageSM Service (Cont'd)(G) Fresh Look Provision (Cont'd)

The following central offices are subject to the Fresh Look provisions of CC Docket No. 91-141. Fresh Look is available in each central office for 180 days from the date of the transmittal filing, listed below.

<u>Central Office</u>	<u>Special Access Use Only</u>	<u>Shared Use</u>
RILTCA11	February 8, 1995	
SCRMCA01	September 11, 1995	
SCRMCA02	August 22, 1997	
SCRMCA11	August 22, 1997	
SHOKCA01	April 12, 1994	
SKTNCA01	September 18, 1997	
SKTNCA11	August 22, 1997	
SNANCA01	March 7, 1995	
SNANCA11	September 18, 1997	
SNDGCA02	October 11, 1994	
SNDGCA03	August 30, 1994	August 30, 1994
SNFCCA01	April 4, 1994	
SNFCCA21	March 4, 1994	
SNBUCA02	July 15, 1994	
SNJSCA01	October 6, 1994	
SNJSCA02	May 5, 1995	
SNJSCA21	October 6, 1995	
SNLOCA01	November 14, 1997	
SNMTCA11	July 15, 1994	
SNTCCA01	August 4, 1995	
SNVACA01	March 7, 1995	
SNVACA11	February 8, 1995	
VNNYCA02	October 4, 1994	
WNCKCA11	December 18, 1997	

(This page filed under Transmittal No. 1)

Issued: April 27, 2000

Effective: May 12, 2000

Four AT&T Plaza, Dallas, Texas 75202

ACCESS SERVICE

7. Special Access Service (Cont'd)7.4 Rate Regulations (Cont'd)7.4.12 Split Billing Arrangement

Split Billing Arrangement is an option which allows for the interconnection of two or more different customers' Special Access Services in Telephone Company Serving Wire Centers for billing purposes only. This arrangement is only available when a service is hubbed for multiplexing, e.g., DS3 to DS1 or DS1 to DS0 and each customer must have a minimum of one channel termination at its designated premises. Separate billing arrangements, (Shared Network Arrangement), associated with SONET Services are set forth in Sections 7.4.16(N), 30.3(G) and 32.2(D) (5) (a). Hubbing locations are set forth in the NATIONAL EXCHANGE CARRIER ASSOCIATION, INC. TARIFF F.C.C. NO. 4.

Each customer may order its individual service(s) separately from the Telephone Company. However, the customer with the higher bit rate service (e.g., DS3 or DS1) must provide the channel assignment to the customer with the lower bit rate service prior to the ordering of the lower bit rate service.

Each customer will be billed the applicable tariff rates and charges set forth in 7.5 following, for its individual service(s). Multiplexing will be billed to the customer with the higher bit rate service.

The customer that controls the higher bit rate service shall be the primary customer for reporting service outages. Out of service adjustments will be handled in accordance with Credit Allowance for Service Interruptions as set forth in Section 2.4.4 preceding.

(T)
(T)

(This page filed under Transmittal No. 181)

ACCESS SERVICE

7. Special Access Service (Cont'd)7.4 Rate Regulations (Cont'd)7.4.13 Zone Pricing

Special Access High Capacity DS1 (1.544 Mbps) and DS3 (44.736 Mbps), including DS3x3, and DS3x12, services are divided into 3 pricing zones. The rate elements included in zone pricing are Channel Terminations, Channel Mileage, and Multiplexing. The pricing zone for each serving wire center is identified in the NECA Tariff No. 4.

Channel Termination

The rate for each Channel Termination is determined by the serving wire center.

Channel Mileage

Channel Mileage calculations will be made in accordance with Section 7.4.5, preceding. When Channel Mileage is computed between wire centers in different pricing zones, the rates of the higher rate pricing zone shall apply.

Multiplexing

The rates for multiplexing will be determined by the billing location of the multiplexing arrangement.

(This page filed under Transmittal No. 1)

ACCESS SERVICE

7. Special Access Service (Cont'd)7.4 Rate Regulations (Cont'd)7.4.14 DS1 High Capacity Service Optional Pricing Plan ^{(1) (2) (3)} _

(C)

(A) Description

DS1 High Capacity Service Optional Pricing Plan (DS1 OPP) offers the customer discounted rates for DS1 High Capacity Service when certain requirements are met:

- Applies to DS1 Services only
- A term length commitment
- Base period or interim base period volumes
- A minimum volume commitment
- Excludes Fiber AdvantageSM DS1 Service

A customer's subscription to DS1 OPP services shall apply to all of the customer's DS1 High Capacity services regardless of the number of separate billing accounts established for such services.

When ordering DS1 OPP, the customer shall select a DS1 OPP term length of 3, 4, or 5 years. During the term, the customer may elect to increase the term or volume of the plan without any Termination Liability, provided there is no lapse of time between the effective date of the increase and the termination of the previously effective volume or discount choice.

The new term length begins on the same start day as the term length it replaces. There will be no retroactive adjustments of a discount due to a customer-initiated change in term or volume commitment.

- (1) Effective May 17, 2003, The DS1 High Capacity Service (1.544 Mbps) Optional Pricing Plan (OPP) will no longer be available to new customers. There will be no change to existing customers.
- (2) At the end of the grandfathered DS1 High Capacity Service OPP term, the customer may choose a new DS1 Term Payment Plan with the prices in effect at that time. If the customer elects not to establish a new DS1 TPP, the service will be billed the tariffed month-to-month rates in effect at the time the grandfathered DS1 High Capacity Service OPP term expires.
- (3) Conversion of an existing DS1 High Capacity Service OPP may be made to a new DS1 Term Payment Plan (TPP) term. If the expiration date for the new DS1 TPP term is beyond the expiration of the original DS1 High Capacity Service OPP term, no other charges from the original plan will apply. Access Order charges associated with conversion to new DS1 TPPs will be waived. Refer to DS1 Term Payment Plan 7.4.18 following for all DS1 TPP terms and conditions.

(N)

(N)

(This page filed under Transmittal No. 113)

Issued: May 2, 2003

Effective: May 17, 2003

Four AT&T Plaza, Dallas, Texas 75202

ACCESS SERVICE

7. Special Access Service (Cont'd)

7.4 Rate Regulations (Cont'd)

7.4.14 DS1 High Capacity Service Optional Pricing Plan (Cont'd)

(A) Description (Cont'd)

When a term period is increased, the new discount will begin at the start of the following calendar quarter (performance period).

The customer may not elect to decrease the term commitment during the term. A decrease in term will be deemed to be a cancellation of the Plan.

The DS1 OPP discount corresponding to the term selected by the customer will be applied to the performance period following the calendar quarter in which the customer subscribes to DS1 OPP. The percentage discount applicable to the term selected by the customer is:

<u>Years</u>	<u>3</u>	<u>4</u>	<u>5</u>
<u>% Discount--recurring rates</u>			
Zone 1	2%	3%	4%
Zone 2	1%	1.5%	2%
Zone 3	0.5%	0.75%	1%

The percentage discount in effect at the start of DS1 OPP may increase, but shall not decrease during the term of the plan.

(This page filed under Transmittal No. 1)

ACCESS SERVICE

7. Special Access Service (Cont'd)7.4 Rate Regulations (Cont'd)7.4.14 DS1 High Capacity Service Optional Pricing Plan (Cont'd)(B) Definitions

For the purpose of OPP, the following definitions will apply.

Performance Period

A performance period is a 3 consecutive month period beginning with the first day of January, April, July, or October.

Volume Commitment Percentage

The volume commitment percentage is the percent of the qualifying DS1 base period volumes which the customer commits to maintain during its DS1 OPP. The volume of qualifying DS1 channel terminations is the sum of the end of month channel termination volumes for each month during each quarterly calendar performance period.

Qualifying Volumes

Qualifying Volumes are those DS1 channel terminations served by wire centers in each zone.

Volume Commitment Recurring Charges

Volume commitment recurring charges are the result of multiplying total qualifying recurring DS1 charges, by zone, by the volume rate percentage.

Volume Ratio

The volume ratio is calculated by dividing the customer's volume commitment, by zone, by the actual quarterly volumes, by zone.

(This page filed under Transmittal No. 1)

ACCESS SERVICE

7. Special Access Service (Cont'd)7.4 Rate Regulations (Cont'd)7.4.14 DS1 High Capacity Service Optional Pricing Plan (Cont'd)(B) Definitions (Cont'd)Base Period

The base period is the same calendar quarter as that of the first performance period, but of the previous year. A calendar quarter is a 3-month period that begins on the first day of: January, April, July, or October. In a particular zone, a customer must have qualifying DS1 channel terminations in each month of the base period, otherwise an interim base period will be used.

Interim Base Period

An interim base period is the first calendar quarter closest to the base period in which the customer does have qualifying volumes in each zone, within the last 4 calendar quarters.

Committed Volume

The committed volume is the minimum number of channel terminations that the customer must have for the performance period in order to qualify for OPP. The committed volumes are calculated by multiplying the base period volume by the volume commitment percentage.

(This page filed under Transmittal No. 1)

ACCESS SERVICE

7. Special Access Service (Cont'd)7.4 Rate Regulations (Cont'd)7.4.14 DS1 High Capacity Service Optional Pricing Plan (Cont'd)(C) Volume Commitment

When ordering DS1 OPP, the customer shall state a volume commitment percentage. The volume commitment percentage is the number of the qualifying DS1 base period volumes which the customer commits to maintain during its DS1 OPP. The volume commitment percentage must be equal to or greater than 50% of the customer's total qualifying base period volumes. The volume of qualifying DS1 channel terminations is the sum of the end of month channel termination volumes by zone for each month during each quarterly calendar performance period. A DS1 OPP discount will only apply to those zones where a customer states a volume commitment and meets all requirements for that zone discount.

The base period is the same calendar quarter as that of the first performance period, but of the previous year. A calendar quarter is a 3-month period that begins on the first day of: January, April, July, or October.

If a customer does not have any qualifying volumes during the base period described above, then the interim base period will be the first calendar quarter closest to the base period in which the customer does have qualifying volumes, within the last 4 calendar quarters.

(This page filed under Transmittal No. 1)

Issued: April 27, 2000

Effective: May 12, 2000

Four AT&T Plaza, Dallas, Texas 75202

ACCESS SERVICE

7. Special Access Service (Cont'd)7.4 Rate Regulations (Cont'd)7.4.14 DS1 High Capacity Service Optional Pricing Plan (Cont'd)(C) Volume Commitment (Cont'd)

In order to qualify for DS1 OPP, the customer must have DS1 channel terminations for the entire preceding performance period in a particular zone to qualify for a discount in that zone only.

In order to qualify for a discount, the customer's actual volumes must equal or exceed the committed volumes during the performance period in that zone.

(D) Discount on Recurring Rates

A DS1 OPP discount shall apply to a customer's monthly recurring charges during the performance period when the customer's actual volume of all qualifying DS1 channel terminations equal or exceeds the volume to which the customer committed. A customer may install, disconnect, or rearrange its DS1 services during a performance period or a base period.

If a customer's actual volumes at the end of the performance period do not equal or exceed the volumes to which it commits, then no discount will apply.

(This page filed under Transmittal No. 1)

ACCESS SERVICE

7. Special Access Service (Cont'd)7.4 Rate Regulations (Cont'd)7.4.14 DS1 High Capacity Service Optional Pricing Plan (Cont'd)(D) Discount on Recurring Rates (Cont'd)

A DS1 OPP discount shall apply only to the volume commitment of DS1 services originally committed to by the customer, unless that volume commitment by zone is increased. The customer must submit its written request to increase its volume commitment not later than 30 calendar days prior to the beginning of the performance period to which the new volume commitment will apply. Such increase shall apply to the remainder of the OPP period. For any subsequent increases in volume commitment, the customer must submit its written request no later than 30 calendar days prior to the beginning of a performance period.

(This page filed under Transmittal No. 1)

Issued: April 27, 2000

Effective: May 12, 2000

Four AT&T Plaza, Dallas, Texas 75202

ACCESS SERVICE

7. Special Access Service (Cont'd)7.4 Rate Regulations (Cont'd)7.4.14 DS1 High Capacity Service Optional Pricing Plan (Cont'd)(D) Discount on Recurring Rates (Cont'd)

The discount to which a DS1 OPP would apply by zone to each applicable performance period is calculated in the following manner:

- (1) The volume Commitment of DS1 Channel Terminations for that zone is divided by the actual number of qualifying DS1 Channel Terminations for that zone. The result is the Volume Ratio %.
- (2) The total DS1 recurring charges for that zone is multiplied by the Volume Ratio %. The result is the Volume Commitment Recurring Charges.
- (3) The Volume Commitment Recurring Charges are multiplied by the Volume Commitment %. The result is the Recurring Charges Eligible for Discounting.
- (4) The Recurring Charges Eligible for Discounting is multiplied by the Term Discount. The result is the customer's DS1 OPP Total Discount for that zone for that performance period.

(This page filed under Transmittal No. 1)

Issued: April 27, 2000

Effective: May 12, 2000

Four AT&T Plaza, Dallas, Texas 75202

ACCESS SERVICE

7. Special Access Service (Cont'd)

7.4 Rate Regulations (Cont'd)

7.4.14 DS1 High Capacity Service Optional Pricing Plan (Cont'd)

(D) Discount on Recurring Rates (Cont'd)

Example: Volume Commitment = 80%, Zone 1, 5 Year Term

	1st <u>Qtr</u>	2nd <u>Qtr</u>	3rd <u>Qtr</u>	4th <u>Qtr</u>
<u>Year 0</u>				
(A) Base Volume No. of Channel Terminations	1,000	1,000	1,000	1,000
<u>Year 1</u>				
(B) Volume Commitment	800	800	1,000	1,200
(C) Actual Quarterly Volumes	900	775	1,300	1,500
(D) Volume Ratio % (B)/(C)	89%	N/A	77%	80%

Note: In the 2nd quarter, the customer's actual volumes fell below its minimum level in Zone 1. No discount will be given. In the 3rd and 4th quarter the customer increased its volume commitment.

(This page filed under Transmittal No. 1)

ACCESS SERVICE

7. Special Access Service (Cont'd)

7.4 Rate Regulations (Cont'd)

7.4.14 DS1 High Capacity Service Optional Pricing Plan (Cont'd)

(D) Discount on Recurring Rates (Cont'd)

Calculation of discount on recurring rates:

Example: Zone 1, 5 Year Term

	1st	2nd	3rd	4th
	<u>Qtr</u>	<u>Qtr</u>	<u>Qtr</u>	<u>Qtr</u>
Year 1				
(A) Total Zone 1 DS1 Recurring Charges	\$200,000	\$ 0	\$360,000	\$450,000
(B) Volume Ratio %	89%	N/A	77%	80%
(C) Volume Commitment Recurring Charges (A) x (B)	\$178,000	\$ N/A	\$277,200	\$360,000
(D) Volume Commitment %	.80	.80	.80	.80
(E) Recurring Charges Eligible for Discounting (C) x (D)	\$142,400	\$ N/A	\$221,760	\$288,000
(F) Term Discount %	4%	4%	4%	4%
Total Discount (E) x (F)	\$ 5,696	\$ N/A	\$ 8,870	\$11,520x

(This page filed under Transmittal No. 1)

ACCESS SERVICE

7. Special Access Service (Cont'd)

7.4 Rate Regulations (Cont'd)

7.4.14 DS1 High Capacity Service Optional Pricing Plan (Cont'd)

(D) Discount on Recurring Rates (Cont'd)

Calculation of discount on recurring rates (Cont'd):

Note: In the 2nd quarter, the customer's actual volumes fell below its minimum level. No discount will be given. In the 3rd and 4th quarters, the customer increased its volume commitment.

The discount, rounded to the nearest dollar, will appear as a credit to the customer's bill. The credit will appear on the customer's bill for the first month following the close of the calendar quarter immediately following the performance period.

(This page filed under Transmittal No. 1)

Issued: April 27, 2000

Effective: May 12, 2000

Four AT&T Plaza, Dallas, Texas 75202

ACCESS SERVICE

7. Special Access Service (Cont'd)

7.4 Rate Regulations (Cont'd)

7.4.14 DS1 High Capacity Service Optional Pricing Plan (Cont'd)

(E) Discount on Nonrecurring Charges

Nonrecurring charges as specified in Sections 7.4.1 and 7.5.9 shall apply.

(This page filed under Transmittal No. 1)

Issued: April 27, 2000

Effective: May 12, 2000

Four AT&T Plaza, Dallas, Texas 75202

ACCESS SERVICE

7. Special Access Service (Cont'd)7.4 Rate Regulations (Cont'd)7.4.14 DS1 High Capacity Service Optional Pricing Plan (Cont'd)(F) Plan Changes

A customer may increase its volume and/or term by notifying the Telephone Company not later than 30 days prior to the beginning of a new performance period.

A customer may cancel or change its subscription to the DS1 OPP without incurring any termination liability by delivering written notice to the Telephone Company of the cancellation or change up until 60 days after the close of the first performance period.

A customer may terminate its subscription to DS1 OPP by providing the Telephone Company at least 30 days written notice of termination. No discount shall apply during the performance period in which the termination date occurs. In the event that the termination date occurs before two-thirds of the term period has passed, the customer shall pay to the Telephone Company a termination charge equal to the sum of the recurring charge discounts received by the customer under DS1 OPP during the four performance periods immediately preceding termination.

(This page filed under Transmittal No. 1)

7. Special Access Service (Cont'd)7.4 Rate Regulations (Cont'd)7.4.15 DS3 Leaseback

DS3 Leaseback is an option available to customers of Fiber Advantage® DS3 Special Access Service who allow the Telephone Company use of their channel terminations for the provision of any type of Special Access High Capacity DS1 channel terminations. With DS3 Leaseback, the Telephone Company will provide a credit to the customer of the Fiber Advantage® DS3 Special Access Service for the use of their DS3 channel termination and associated DS3 to DS1 multiplexer. The Telephone Company will bill the customer of the DS1 service for a DS1 Channel Termination provided over the DS3 service.

The following terms and conditions apply to a DS3 Leaseback arrangements.

- (A) The DS1 customer may be the same or different than the DS3 customer.
- (B) The DS3 customer must request a DS3 Leaseback prior to the completion of the DS1 customer's order. The DS1 customer must order DS1 Leaseback Channel Termination(s).

(This page filed under Transmittal No. 1)

ACCESS SERVICE

7. Special Access Service (Cont'd)7.4 Rate Regulations (Cont'd)7.4.15 DS3 Leaseback (Cont'd)

(C) When requesting a DS3 Leaseback arrangement, each DS3 and DS1 customer must provide the Telephone Company with information sufficient to correctly establish billing. This includes, but is not limited to, all necessary circuit identification including the DS3's Connecting Facility Assignment for the DS1 service, and the DS1 customer's name and address. The Telephone Company will work cooperatively with the DS3 customer to identify all of the necessary customer information. However, if the DS3 customer does not provide the required information or if the DS1 customer does not order DS1 Leaseback Channel Terminations, the DS3 Leaseback credit will not be established.

(D) The DS3 customer must agree to work cooperatively with the Telephone Company to maintain accurate customer records of any DS3 Leaseback arrangements. The customer records which must be jointly maintained are:

- connecting facility assignments by DS1 customer, and
- additions, moves, rollovers, or deletions of DS1 customers onto or off of the DS3 channel termination.

If the DS3 customer does not cooperate to maintain these records, the existing affected DS3 Leaseback arrangement(s) will be discontinued and additional DS3 Leaseback arrangements will not be established.

(This page filed under Transmittal No. 1)

ACCESS SERVICE

7. Special Access Service (Cont'd)7.4 Rate Regulations (Cont'd)7.4.15 DS3 Leaseback (Cont'd)

- (E) DS3 Leaseback can be established on Fiber Advantage® DS3s for subtending Special Access DS1 and Fiber Advantage® DS1 services only. If a DS1 channel becomes vacant subsequent to the establishment of a DS3 Leaseback (e.g., the DS1 customer disconnects service), the DS3 Leaseback will be eliminated for that channel.
- (F) In any month, the total DS3 Leaseback for any Fiber Advantage® DS3 service shall not exceed 100 percent of the combined monthly charges for the Fiber Advantage® DS3 service and its associated DS3 to DS1 multiplexer, net of any other billing credits or adjustments.
- (G) The Telephone Company will remove a DS1 customer from the DS3 Leaseback arrangement at the request of the DS3 customer or because the DS1 customer has disconnected, moved or rolled-over the DS1 service to a different Fiber Advantage® DS3 service channel termination. In the event the DS3 Leaseback arrangement is terminated without any physical change to the serving arrangement, the DS3 customer may request a split billing arrangement, as described in Section 7.4.12, preceding.
- (H) In the event a billing dispute is initiated by a DS1 customer, the Telephone Company will negotiate with the DS1 customer as set forth in Section 2.4, preceding.

(This page filed under Transmittal No. 1)

ACCESS SERVICE

7. Special Access Service (Cont'd)7.4 Rate Regulations (Cont'd)7.4.15 DS3 Leaseback (Cont'd)

- (I) The Telephone Company will accept requests to disconnect the DS3 service only from the Fiber Advantage® DS3 service customer. The DS3 customer is responsible for notifying each DS1 customer utilizing a channel of the DS3 under which a DS3 Leaseback is provided. Notification must be completed no later than 10 business days before the DS3 is scheduled to be disconnected; otherwise, the DS3 may not be disconnected and billing of all services will continue.
- (J) The credit to be applied for each DS1 channel termination using the DS3 channel termination is set forth in Section 7.5.9, following.
- (K) DS3 Leaseback can only be established when a new point to point DS1 service is established.
- (L) Each customer must agree to work cooperatively with the Telephone Company to ensure proper installation, testing, maintenance, and repair of the affected DS3 or DS1 service(s). The DS3 customer must immediately release its service and arrange for the immediate release, if necessary, of any other DS1 service riding that DS3 service, for repair purposes, when requested by the Telephone Company. Failure to release shall result in the immediate termination of the DS3 Leaseback arrangements for that service (DS3), and that customer being liable for any service credits that the Telephone Company may owe the DS3 or other DS1 customer riding that DS3 service.

(This page filed under Transmittal No. 1)

ACCESS SERVICE

7. Special Access Service (Cont'd)

7.4 Rate Regulations (Cont'd)

(C)

7.4.16 SONET Ring and Access Services⁽²⁾

Terms and Conditions

(A) 1, 3 and 5 Year Rate Stability Payment Plans and Termination Liability Charges

The Telephone Company provides 1, 3 or 5 Year (term) Rate Stability Payment Plans (RSPP). For the dedicated ring configuration Rate Stability Plan Payment Plans have three and five year terms; for the circuit service the Rate Stability Payment Plans have 1, 3, and 5 year terms. The RSPP allows the customer to order service at rates commensurate with the length of the term. If rates decrease during a RSPP term, the new rate, if it is lower, would automatically apply to the remainder of the fixed term. At the end of the RSPP, the customer may order a new Rate Stability Payment Plan, terminate service or, if no choice is made, the service will convert to monthly rates corresponding to the equivalent term just expired, subject to any future rate changes. If a customer does not complete the time period or term of the RSPP, Termination Liability Charges will apply, unless exceptions are met as listed in the following.

If a customer chooses to discontinue the Rate Stability Payment Plan prior to the completion of the term period, termination liabilities will apply with the exception of the following early release option⁽¹⁾. With this option, a customer under a 5 Year RSPP term, giving 6 months notice prior to disconnecting service after the start of the 48th month of the RSPP, will be released from the Termination Liability Charges.

For Rate Stability Payment Plans discontinued prior to the end of the first year of the Rate Stability Payment Plan period the customer's Termination Liability Charge will be 75% of the total monthly charges on the unexpired portion of the first year of service. In addition, the customer will be liable for 60% of the second year, 50% of the third year, 20% of the fourth year and 15% of the fifth year of the total monthly charges for the remaining portion of the Rate Stability Payment Plan Period.

(1) The early release option is limited to existing Rate Stability Payment Plan customers as of July 25, 2001.

(2) Effective 01/03/06, SONET Ring and Access Service is limited to existing customers at existing locations except where spare capacity exists; customers may add additional locations on existing rings. New SONET ring services will be provided via Dedicated SONET Ring Service.

(N)
 (N)
 (N)
 (N)

(This page filed under Transmittal No. 269)

ACCESS SERVICE

7. Special Access Service (Cont'd)

7.4 Rate Regulations (Cont'd)

7.4.16 SONET Ring and Access Services⁽¹⁾ (Cont'd)

(C)

(A) 1, 3 and 5 Year Rate Stability Payment Plans and Termination Liability Charges (Cont'd)

For Rate Stability Payment Plans disconnected after the end of the first year of service, the customer will be liable for payments for the unused portion of the RSPP. The Terminating Liability Charge will be calculated based upon a percentage of monthly payments remaining in the RSPP. Percentages of monthly payments due for unused service are: 60% for year two, 50% for year three, 20% for year four and 15% for year five, (e.g. a customer disconnecting after using fourteen months of a five year plan would owe: 10 months at 60%, 12 months at 50%, 12 months at 20% and 12 months at 15%).

⁽¹⁾ Effective 01/03/06, SONET Ring and Access Service is limited to existing customers at existing locations except where spare capacity exists; customers may add additional locations on existing rings. New SONET ring services will be provided via Dedicated SONET Ring Service.

(N)
(N)
(N)
(N)

(This page filed under Transmittal No. 269)

ACCESS SERVICE

7. Special Access Service (Cont'd)

7.4 Rate Regulations (Cont'd)

7.4.16 SONET Ring and Access Services⁽¹⁾ (Cont'd)

(C)

(B) Upgrades of SONET Ring and Access Services (SRAS) to higher speed services.

Customers with 3 or 5 year contracts may at any time upgrade to a higher speed service (e.g., SRAS OC3 to SRAS OC12), without incurring the Termination Liability charge, providing the following criteria are met:

- The customer subscribes to a new or higher speed Rate Stability Payment Plan term that is equal to, or greater than 36 months;
- The expiration date for the new Rate Stability Payment Plan term is beyond the end of the original Rate Stability Payment Plan term;
- No lapse in service occurs;
- Nonrecurring Charges* will apply, when applicable;
- The monthly rates for the new service will be those rates in effect at the time the new service is installed;
- The new service is provided between the same customer locations and with the same customer of record as the disconnected service;
- The billed recurring revenue for the new service is equal to or greater than the billed recurring revenue remaining in the service being converted; and
- Spare facilities and equipment must be available or a nonrecurring upfront payment, which is a special construction charge, may apply.

Customers may upgrade, when conditions are met, DS3 or DS1 at the same premises without incurring the Termination Liability Charge providing that a Rate Stability Payment Plan of equivalent or longer period is selected. DS1 Optional Pricing Plan (OPP) services must fulfill the conditions concerning OPP changes and notification of Section 7.4.14(F) preceding. All appropriate non recurring charges will apply.

* For service ordered under MVP, refer to Section 22.3 (E) (5).

⁽¹⁾ Effective 01/03/06, SONET Ring and Access Service is limited to existing customers at existing locations except where spare capacity exists; customers may add additional locations on existing rings. New SONET ring services will be provided via Dedicated SONET Ring Service.

(N)
 (N)
 (N)
 (N)

(This page filed under Transmittal No. 269)

ACCESS SERVICE

7. Special Access Service (Cont'd)

7.4 Rate Regulations (Cont'd)

7.4.16 SONET Ring and Access Services⁽¹⁾ (Cont'd)

(C)

(C) Migration onto SONET Ring and Access Services

- (1) For signed Cooperative Planning Agreements received by the Telephone Company prior to close of business on February 2, 2000

As part of the Telephone Company-Customers Cooperative Planning Process, a period of up to six months will be established for migrating existing services onto a new dedicated ring. When services move onto the ring the customer will be billed for a prorata share of the rate elements being used (Nodes, Ports, Mileage and Dedicated Ring Fees). Use of the ring's services will be determined by an equivalent DS3 prorata share of the ring's rate element recurring charges (1/3rd of the charges for an OC3 ring, 1/12th of the charges for an OC12 ring, 1/48th of the charges for an OC48 ring) determined on a monthly basis. For example, when the customer migrates an existing DS3 service to the ring the Telephone Company will charge a proration of the recurring charges for the ring elements and discontinue billing for the fixed and variable mileage and the related portion of the channel termination at the customer entrance facility which the SONET ring completely replaces. Existing channel termination proration applies when the existing service (i.e., DS3x3 or DS3x12) will be disconnected as part of the migration plan. At the completion of the migration period, billing will commence for all rate elements of the ring purchased by the customer (this is the commencement of the rate stability payment period). This does not apply to two point (a.k.a. circuit service) configurations.

The six-month migration period may be extended for an additional two months following the initial period. The extension must be agreed upon by the customer and the Telephone Company. Either party can request an extension to deal with developing situations. For example, if either party cannot meet the ring provisioning dates, or rollover of existing services to the ring, due to circumstances beyond their control during the initial migration period (e.g., labor disputes, resource limitations, or natural disasters), either party can request an extension. Both parties must cooperatively plan a new timeline that will not exceed two months from the date of the extension agreement.

- (2) For signed Cooperative Planning Agreements received by the Telephone Company on or after February 3, 2000.

Billing will commence upon service order completion for all rate elements (nodes, ports, mileage, and dedicated ring fees) associated with new dedicated rings. This is the commencement of the Rate Stability Payment Plan (RSPP).

⁽¹⁾ Effective 01/03/06, SONET Ring and Access Service is limited to existing customers at existing locations except where spare capacity exists; customers may add additional locations on existing rings. New SONET ring services will be provided via Dedicated SONET Ring Service. (N)
(N)
(N)
(N)

(This page filed under Transmittal No. 269)

ACCESS SERVICE

7. Special Access Service (Cont'd)

7.4 Rate Regulations (Cont'd)

7.4.16 SONET Ring and Access Services⁽¹⁾ (Cont'd)

(C)

(D) Renewal of SONET Ring and Access Services Rate Stability Payment Plans

At the end of the term of a RSPP the customer may renew its RSPP without incurring the payment of a nonrecurring charge*, if the physical serving arrangement is not changed. If a plan is not renewed, service will continue on a month to month basis with the rates as specified in 7.4.16(A) above.

With an increase in bandwidth capacity and no change in locations receiving service, the customer can forego payment of existing Terminating Liability Charges. New Terminating Liability Charges based on the term of service chosen will apply for the new Rate Stability Payment Plan chosen by the customer.

(E) Change of SONET Ring and Access Services Rate Stability Payment Plan

The customer also has the option to change the current payment plan to an equivalent or longer payment plan (e.g., 1 year to 3 year) without incurring the Termination Liability Charge applicable to the current Rate Stability Payment Plan or new nonrecurring charges* applicable to the new equivalent or longer payment plan, if other aspects of the service and facilities remain unchanged. The new equivalent or longer Rate Stability Payment Plan of the customer begins on the service order completion date and is treated as a new Rate Stability Payment Plan period.

Customers may change to a shorter Rate Stability Payment Plan by paying the associated Termination Liability Charges with the original Rate Stability Payment Plan. The rates that will apply will be the current rates in effect for the Rate Stability Payment Plan ordered. However, no new nonrecurring charges will apply.

* For Services ordered under MVP, refer to Section 22.3 (E) (5).

⁽¹⁾ Effective 01/03/06, SONET Ring and Access Service is limited to existing customers at existing locations except where spare capacity exists; customers may add additional locations on existing rings. New SONET ring services will be provided via Dedicated SONET Ring Service.

(N)
(N)
(N)
(N)

(This page filed under Transmittal No. 269)

ACCESS SERVICE

7. Special Access Service (Cont'd)7.4 Rate Regulations (Cont'd)7.4.16 SONET Ring and Access Services⁽¹⁾ (Cont'd)

(C)

(F) Portability

No Termination Liability Charge will apply to the disconnect of a Local Loop Access Link or channel termination if a like service with the same bandwidth capacity and the same RSPP term is added to the same dedicated ring. The disconnect and new connect orders must be concurrent and related to insure that the termination liability can be suppressed for the disconnect order.

(G) Customer Provided Node

Customer Provided Nodes compatible with Telephone Company specifications connect at the customer premises to dedicated ring facilities. These facilities must be connected to Telephone Company provided nodes on the ring. The customer will furnish all equipment between the Telephone Company optical network interface units serving that location. Through a mutually agreed upon interoperability agreement the Telephone Company will maintain network control and inventory as well as direct all provisioning and maintenance of the ring.

For network security purposes, the customer will place the provided node/transport equipment in a locked cabinet or other appropriate secure arrangement.

(H) Ethernet Over SONET

Effective January 21, 2004, new orders for SONET Ring and Access Service with the EoS enhancement will be served by different equipment than the equipment used for customers who placed SONET Ring and Access Service orders that were completed prior to January 21, 2004. Customers subscribing to SONET Ring and Access Service prior to January 21, 2004 requesting a change to the new equipment will incur termination liability charges for their existing service. Disconnect of the existing SONET Ring and Access Service and placement of an order for new SONET Ring and Access Service with the EoS enhancement is required. The monthly rates for the new service(s) shall be those rates in effect at the time the new service(s) is installed.

⁽¹⁾ Effective 01/03/06, SONET Ring and Access Service is limited to existing customers at existing locations except where spare capacity exists; (N)
customers may add additional locations on existing rings. New SONET ring (N)
services will be provided via Dedicated SONET Ring Service. (N)
(N)

(This page filed under Transmittal No. 269)

ACCESS SERVICE

7. Special Access Service (Cont'd)

7.4 Rate Regulations (Cont'd)

7.4.16 SONET Ring and Access Services⁽¹⁾ (Cont'd)

(I)* Upgrade to Next Generation SONET equipment (required for Ethernet ports) (C)

Customers with three or five-year OPPs may at any time upgrade to Next Generation equipment without incurring Termination Liability charges, providing the following criteria are met:

- The customer subscribes to a Term Plan period that is equal to, or greater than thirty-six months;
- The expiration date for the new Term Plan period is beyond the end of the original Optional Payment Plan period;
- No lapse in service occurs;
- Nonrecurring charges will apply, when applicable;
- The monthly rates for the new service(s) will be those rates in effect at the time the new service(s) is/are installed;
- The new service is provided between the same customer locations and with the same customer of record as the disconnected service;
- The original location of all nodes must be included in the new service.
- Billed recurring revenue for each month of the first eighteen months of the new service is equal to or greater than the billed recurring revenue for the last month of the service(s) being converted.

* This option is limited to existing customers at existing locations purchased between January 21, 2004 and March 12, 2004.

⁽¹⁾ Effective 01/03/06, SONET Ring and Access Service is limited to existing customers at existing locations except where spare capacity exists; customers may add additional locations on existing rings. New SONET ring services will be provided via Dedicated SONET Ring Service. (N)
 (N)
 (N)
 (N)

(This page filed under Transmittal No. 269)

ACCESS SERVICE

7. Special Access Service (Cont'd)

7.4 Rate Regulations (Cont'd)

7.4.16 SONET Ring and Access Services⁽¹⁾ (Cont'd)

- (J) Upgrade to a higher speed SONET Ring and Access Service with Next Generation SONET equipment (required for Ethernet ports) (C)

Customers with three or five-year OPPs may at any time upgrade to a higher speed SONET Ring and Access Service with Next Generation equipment without incurring Termination Liability charges, providing the following criteria are met:

- The customer subscribes to a Term Plan period that is equal to, or greater than thirty-six months;
- The expiration date for the new Term Plan period is beyond the end of the original Optional Payment Plan period;
- No lapse in service occurs;
- Nonrecurring charges will apply, when applicable;
- The monthly rates for the new service(s) will be those rates in effect at the time the new service(s) is/are installed;
- The new service is provided between the same customer locations and with the same customer of record as the disconnected service;
- The original location of all nodes must be included in the new service.
- Billed recurring revenue for each month of the first eighteen months of the new service is equal to or greater than the billed recurring revenue for the last month of the service(s) being converted.

- (K) SONET Multiplexing

There is no SONET multiplexing arrangement for bandwidth capacities above 51 Mbps.

- (L) Protected Services

Within the Telephone Company's network, SONET services are protection switched. The provisioning of premises access ports, either OC3c or OC12c, is a non-protected drop (i.e. one pair of fibers at the network interface).

⁽¹⁾ Effective 01/03/06, SONET Ring and Access Service is limited to existing customers at existing locations except where spare capacity exists; customers may add additional locations on existing rings. New SONET ring services will be provided via Dedicated SONET Ring Service.

(N)
(N)
(N)
(N)

(This page filed under Transmittal No. 269)

ACCESS SERVICE

7. Special Access Service (Cont'd)7.4 Rate Regulations (Cont'd)7.4.16 SONET Ring and Access Services⁽¹⁾ (Cont'd)

(M) OC12c/622 Mbps Bandwidth Service

OC12c/622 Mbps Bandwidth Service is provisioned via access ports on a SONET OC48 Node.

- (1) OC12c/622 Mbps Bandwidth Service can originate and terminate on a Dedicated SONET OC48 Ring (e.g., provide a point-to-point service between two premise nodes on a dedicated ring), or
- (2) OC12c/622 Mbps Bandwidth Service can originate on a Dedicated SONET OC48 Ring and terminate in the Telephone Company Central Office, traversing available SONET interoffice facilities.

(N) Share Network Arrangement⁽²⁾

Shared Network Arrangement is a service offering that enables a customer ("Service User") to connect services purchased pursuant to this tariff to an OC-3, OC-12, or OC-48 SONET Ring and Access service of another customer (the "Host Subscriber"), with the Telephone Company maintaining separate billing for each. Each customer will be billed for those rate elements associated with their own portion of service configuration. The Host Subscriber will be responsible for all SONET Ring and Access Service rate elements, for example, node, ports and mileage, etc. The Service User will be responsible for all rate elements associated with services which connect to Host Subscriber's SONET Ring. Under no circumstances will the rates or charges for individual rate elements be split. This offering is limited to service configurations where a Service User orders a subtending service dropped from a Host subscriber's SONET Ring and Access wire center node.

(C)

Under Shared Network Arrangement, the Telephone Company may share record information with the Host Subscriber pertaining to the services of other users of the shared network. Such disclosure will be under the sole discretion of the Telephone Company and is necessary to perform billing reconciliation and/or other functions required in connection with maintaining account records.

(1) Effective 01/03/06, SONET Ring and Access Service is limited to existing customers at existing locations except where spare capacity exists; customers may add additional locations on existing rings. New SONET ring services will be provided via Dedicated SONET Ring Service.

(2) Effective 05/26/06, this regulation is limited to existing customers. For new customers purchasing Shared Network Arrangement, terms and conditions set forth in Section 5.2 (D), will apply.

(N)
(N)
(N)

(This page filed under Transmittal No. 292)

ACCESS SERVICE

7.4 Rate Regulations (Cont'd)7.4.17 DS1 Discount Value Plan (DS1-DVP) ^{(1) (2) (3) (4) (5)}

(N)

(A) Description

The DS1 Discount Value Plan (DS1-DVP) provides the customer with a three year billing arrangement in which 6% of the total monthly charges will be credited to the customer's monthly bill for certain DS1 rate elements listed in 7.4.17(B) following. This credit is calculated based on the most current effective tariff monthly rates. The credit will only apply when the following requirements are met.

- The customer orders specific DS1 rate elements listed below;
- The customer agrees to a 3 year term length commitment;
- A Minimum Monthly Revenue Commitment (MMRC) is established on a Lata or State level; and
- The customer meets the MMRC on a monthly basis.

If the customer does not meet all requirements in any given month, the credit will not be applied for that month. Any decreases or increases in monthly recurring tariff rates will be applied and the customer's MMRC will be adjusted accordingly. Customers will be notified of changes to MMRC.

- (1) Effective May 17, 2003, The DS1 Discount Value Plan (DS1-DVP) will no longer be available to new customers. There will be no change to existing customers.
- (2) At the end of the grandfathered DS1-DVP term, the customer may choose a new DS1 Term Payment Plan with the prices in effect at that time. If the customer elects not to establish a new DS1 TPP, the service will be billed the tariffed month-to-month rates in effect at the time the grandfathered DS1-DVP term expires.
- (3) Conversion of an existing DS1-DVP may be made to a new DS1 Term Payment Plan (TPP) term. If the expiration date for the new DS1 TPP term is beyond the expiration of the original DS1-DVP term, no other charges from the original plan will apply. Access Order charges associated with conversion to new DS1 TPPs will be waived. Refer to DS1 Term Payment Plan 7.4.18 following.
- (4) Effective on November 1, 2022, DS1 TPP 2- and 3-year, and DS3 (High Capacity and Fiber Advantagesm) 3-year Payment Plans are no longer available, including for any otherwise available conversions. Circuits already subject to a DS1 TPP 2- or 3-year or DS3 (High Capacity and Fiber Advantagesm) 3-year Payment Plan, as of November 1, 2022, will continue to be provided under the then-current DS1 TPP 2- or 3-year or DS3 (High Capacity and Fiber Advantagesm) 3-year Payment Plan term for the remainder of that term.
- (5) Effective January 17, 2024, DS1 Term Payment Plan 1-year and Fiber Advantagesm DS3 1-year Payment Plans (collectively, Term Plan Services), are no longer available, including conversions. Existing Term Plan Services on January 17, 2024, will continue to be provided for the remainder of the then-current terms.

(N)
|
(N)

(This page filed under Transmittal No. 596)

ACCESS SERVICE

7.4 Rate Regulations (Cont'd)

7.4.17 DS1 Discount Value Plan (DS1-DVP) ⁽¹⁾ (Cont'd)

(B) Services Available under DS1-DVP

The following recurring rate elements are included in DS1-DVP and are described in 7.2 (Basic Service Description):

<u>Rate Element</u>	<u>USOC</u>
- DS1 High Capacity Channel Termination	(TMECS)
- DS1 High Capacity Channel Mileage (Fixed and Per Mile)	(1L5XX)
- DS1 High Capacity Multiplexing	(MQ1/MQ2)
- DS1 Collocation Transport Inter/Intra Office (Fixed and Per Mile) (1H48S)	

(M)
(C)
(M)

(1) Effective May 17, 2003, The DS1 Discount Value Plan (DS1-DVP) will no longer be available to new customers. There will be no change to existing customers. Refer to section 7.4.17(A) for conversion options.

Certain material appearing on this page previously appeared on the 3rd Revised Page 7-135.

(N)
(N)
(N)

(This page filed under Transmittal No. 113)

ACCESS SERVICE

7. Special Access Service (Cont'd)7.4 Rate Regulations (Cont'd)7.4.17 DS1 Discount Value Plan (DS1-DVP) (Cont'd)(C) Terms and Conditions(1) Minimum Monthly Revenue Commitment (MMRC)

The customer must establish a MMRC by Lata or State based on current rates when requesting a DS1-DVP. The MMRC is determined by the customer. An Adjustment⁽¹⁾ to the billed revenue will be applied monthly after the billing has been established.

(a) Adjustments to the MMRC(1) Increasing the MMRC

The customer has the option to increase the MMRC. To initiate an increase in the MMRC, the customer must provide the amount of the new MMRC in writing. The adjusted MMRC will be reflected on the customer bill no later than 60 days following receipt.

The new MMRC will be determined by the customer based upon the billed revenue of the rate elements to be included in the DS1-DVP.

An increase in the MMRC does not change any of the terms and conditions in effect during the term length of the DS1-DVP.

(2) Decreasing the MMRC

Any customer-initiated decrease in the MMRC will be subject to Termination Charges as specified in 7.4.17(D) (2), following.

(This page filed under Transmittal No. 1)

ACCESS SERVICE

7. Special Access Service (Cont'd)

7.4 Rate Regulations (Cont'd)

7.4.17 DS1 Discount Value Plan (DS1-DVP) (Cont'd)

(C) Terms and Conditions (Cont'd)

(1) Minimum Monthly Revenue Commitment (Cont'd)

(a) Adjustments to the MMRC (Cont'd)

(3) Rate Flow Through

Any decreases or increases in monthly recurring tariff rates will apply to customers who participate in DS1-DVP. The customer's MMRC will be revised accordingly. The Telephone Company will notify customers participating in DS1-DVP when monthly rates are changed.

(2) Upgrades of DS1-DVP Circuits to Other Services

A customer may upgrade DS1-DVP circuits to DS1/DS3 Fiber AdvantageSM Service, Sonet Ring and Access Services⁽¹⁾ without termination liability provided that:

(a) the customer identifies the DS1-DVP circuits being moved;

(b) the DS1-DVP circuits are being moved to a new service;

(c) the due date to disconnect the DS1-DVP and the due date to connect the new service are the same;

(d) the billed recurring revenue for the new service is equal to or greater than the billed recurring revenue remaining in the DS1-DVP service being converted;

⁽¹⁾ Effective 01/03/06, SONET Ring and Access Service is limited to existing customers at existing locations except where spare capacity exists; customers may add additional locations on existing rings. New SONET ring services will be provided via Dedicated SONET Ring Service.

(C)

(N)
(N)
(N)
(N)

(This page filed under Transmittal No. 269)

ACCESS SERVICE

7. Special Access Service (Cont'd)7.4 Rate Regulations (Cont'd)7.4.17 DS1 Discount Value Plan (DS1-DVP) (Cont'd)(C) Terms and Conditions (Cont'd)(2) Upgrades of DS1-DVP Circuits to Other Services
(Cont'd)

(e) the term length of the new service is equal to or greater than the number of months remaining in the DS1-DVP being replaced; and

(f) the new service is provided between the same customer locations and with the same customer of record as the disconnected service.

(3) Nonrecurring Charges*

All applicable nonrecurring charges as set forth in Sections 5, 7.4.1(C) and 13 will apply. (C)

The Access Order Charge will be waived when a customer's initial order for DS1-DVP moves existing DS1 or DS1 OPP service to DS1-DVP prior to December 31, 1999 and meets all the criteria listed in Section 7.4.17(E). The Access Order Charge will be waived once per customer - subsequent orders will incur all applicable nonrecurring charges, including the Access Order Charge.

For example: If a customer places an order to move or convert DS1 High Capacity circuit(s) or DS1 OPP circuit(s) to DS1-DVP on June 25, 1999, then the Access Order Charge will be waived. If the same customer places a subsequent order to add more DS1 circuit(s) to DS1-DVP, then all applicable nonrecurring charges will apply.

The nonrecurring charges cannot be included in the calculation of the MMRC.

* For Services ordered under MVP, refer to Section 22.3 (E) (5). (C)

(This page filed under Transmittal No. 25)

ACCESS SERVICE

7. Special Access Service (Cont'd)

7.4 Rate Regulations (Cont'd)

7.4.17 DS1 Discount Value Plan (DS1-DVP) (Cont'd)

(D) Rate Applications

(1) Special Construction Charges

Any special construction charges incurred for services billed under a DS1-DVP will apply as described in Section 5.1.3. Special Construction charges cannot be included in the calculation of the MMRC.

(2) Termination of Service

The following calculations will be made to determine the Termination Charge when a customer requests the termination of a DS1-DVP prior to the expiration date:

$$\text{Termination Percentage} = 45\%$$

$$\begin{array}{rcccc} \text{MMRC} & \times & \text{Months Remaining} & \times & \text{Termination} \\ & & \text{In DS1-DVP} & & \text{Percentage} \\ & & & & \\ & & & & = \text{Termination Charge} \end{array}$$

Example: A customer with a \$1,000 MMRC with 12 months remaining in the 3 year billing period requests to terminate service. The termination charge would be calculated as follows:

$$\$1,000 \times 12 \times .45 = \$5,400$$

(E) Conversion of Existing DS1 or DS1 OPP Services to DS1-DVP

A customer may convert existing DS1 High Capacity service or existing DS1 OPP service to DS1-DVP. If the customer's initial DS1-DVP order is placed by December 31, 1999 to convert DS1 High Capacity service or DS1 OPP service to DS1-DVP and meets the following criteria, then all Access Order Charges will be waived as specified in Section 7.4.17(C) (3). Any subsequent DS1-DVP orders placed by the same customer will incur all applicable nonrecurring charges. DS1 Fiber Advantagesm Service may not convert to DS1-DVP.

(This page filed under Transmittal No. 1)

ACCESS SERVICE

7. Special Access Service (Cont'd)7.4 Rate Regulations (Cont'd)7.4.17 DS1 Discount Value Plan (DS1-DVP) (Cont'd)(E) Conversion of Existing DS1s or DS1 OPP Services to DS1-DVP
(Cont'd)

- (1) the customer must provide the Telephone Company with written notice to change by August 25, 1999;
- (2) the disconnect due date of the DS1 High Capacity Service or DS1 OPP Service and the connect due date of the DS1-DVP must be the same date;
- (3) customers must change all DS1 rate elements associated with the circuits over to DS1-DVP;
- (4) the converted service must be provided between the same customer locations and with the same customer of record as the disconnected service;
- (5) the DS1 OPP service being disconnected must change service to a DS1-DVP that is greater than or equal to the number of months remaining in the current DS1 OPP term; and
- (6) the new DS1-DVP service must have billed revenue greater than or equal to the DS1 or DS1 OPP service being disconnected.

Any conversion requested after August 25, 1999 will incur all applicable Access Order Charges.

(This page filed under Transmittal No. 1)

ACCESS SERVICE

7. Special Access Service (Cont'd)

7.4 Rate Regulations (Cont'd)

7.4.18 DS1 Term Payment Plan (DS1 TPP)

(A) General Description

The DS1 Term Payment Plan (DS1 TPP) is a term plan that allows a customer to purchase DS1 High Capacity Service over a 1, 2, 3, 5, or 7 year period.^{(1) (2) (3)} During the term of the selected DS1 TPP, Telephone Company initiated recurring rate changes (increases or decreases) will automatically be applied to the monthly payments for the remaining months of the current DS1 TPP term. The monthly recurring rate during the DS1 TPP term will never exceed the initial DS1 TPP rate. The DS1 TPP rates can be found in Section 7.5.9(I).

(N)

The DS1 TPP cannot be combined with other tariffed services, discounts, or pricing flexibility contracts, unless explicitly stated in the respective tariff terms and conditions.

The following recurring rate elements are included in the DS1 TPP:

- DS1 High Capacity Service Channel Termination; refer to Section 7.2 for description
- DS1 High Capacity Service Channel Mileage - Fixed and Per Mile; refer to Section 7.2 for description
- DS1 High Capacity Service Central Office Multiplexing; refer to Section 7.2 for description
- DS1 High Capacity Service Collocation Transport (Fixed and Per Mile); refer to section 7.1 for a description.

⁽¹⁾ Effective on September 13, 2017, DS1 TPP 5- and 7-year Payment Plans are no longer available, including for any otherwise available conversions. Circuits already subject to a DS1 TPP 5- or 7-year Payment Plan, as of September 13, 2017, will continue to be provided under the then-current DS1 TPP 5- or 7-year Payment Plan term for the remainder of that term.

⁽²⁾ Effective on November 1, 2022, DS1 TPP 2- and 3-year, and DS3 (High Capacity and Fiber Advantagesm) 3-year Payment Plans are no longer available, including for any otherwise available conversions. Circuits already subject to a DS1 TPP 2- or 3-year or DS3 (High Capacity and Fiber Advantagesm) 3-year Payment Plan, as of November 1, 2022, will continue to be provided under the then-current DS1 TPP 2- or 3-year or DS3 (High Capacity and Fiber Advantagesm) 3-year Payment Plan term for the remainder of that term.

⁽³⁾ Effective January 17, 2024, DS1 Term Payment Plan 1-year and Fiber Advantagesm DS3 1-year Payment Plans (collectively, Term Plan Services), are no longer available, including conversions. Existing Term Plan Services on January 17, 2024, will continue to be provided for the remainder of the then-current terms.

(N)
|
(N)

(This page filed under Transmittal No. 596)

ACCESS SERVICE

7. Special Access Service (Cont'd)

7.4 Rate Regulations (Cont'd)

7.4.18 DS1 Term Payment Plan⁽¹⁾⁽²⁾ (Cont'd)

(N)

(B) Conversion of service to a new DS1 TPP or Higher Speed Service

During a customer's DS1 TPP term, conversion may be made to a new DS1 TPP term of the same or different length or an upgrade may be made to a higher speed service, if the expiration date for the new DS1 TPP term or for the new higher service is beyond the expiration of the original DS1 TPP term. The new DS1 TPP term or higher speed service must occur between the same two termination points as the original DS1 service being converted. The new DS1 TPP term or the higher speed service term becomes effective upon completion of the conversion activity. The rates, terms, and conditions applicable for the new DS1 TPP term or higher speed service will be those in effect at the time the conversion is requested. Credit for months under the previous DS1 TPP may not be transferred to the new DS1 TPP or to the higher speed service term. When all conditions described above are met, termination liability for the remaining months on the original DS1 TPP will not apply.

(C) Moves

During a DS1 TPP term a customer may move one end of a DS1 High Capacity Service to another location in the same LATA and keep the DS1 TPP in force provided the following requirements are met:

- (1) the customer must have met the minimum in-service period at the previous location and will be subject to a new minimum in-service period at the new location; and
- (2) the Move is accommodated on a single customer order with the stipulation that the BAN (Billing Account Number), the NC (Network Channel Code), ACTL (Access Customer Terminal Location) and the ECCKT (Circuit Id) are provided and are the same as for the existing circuit being moved.

Moves to a different wire center may result in a change in the application of the rate elements associated with the service and therefore could result in a change in the monthly recurring charges.

EXAMPLE #1: One end of a DS1 is changed from Location A to Location B within the same LATA. The new Channel Mileage associated with the one-ended Move increased by 2 miles. Therefore, the resulting Channel Mileage calculation increases the monthly recurring charge accordingly.

⁽¹⁾ Effective on November 1, 2022, DS1 TPP 2- and 3-year, and DS3 (High Capacity and Fiber Advantagesm) 3-year Payment Plans are no longer available, including for any otherwise available conversions. Circuits already subject to a DS1 TPP 2- or 3-year or DS3 (High Capacity and Fiber Advantagesm) 3-year Payment Plan, as of November 1, 2022, will continue to be provided under the then-current DS1 TPP 2- or 3-year or DS3 (High Capacity and Fiber Advantagesm) 3-year Payment Plan term for the remainder of that term.

⁽²⁾ Effective January 17, 2024, DS1 Term Payment Plan 1-year and Fiber Advantagesm DS3 1-year Payment Plans (collectively, Term Plan Services), are no longer available, including conversions. Existing Term Plan Services on January 17, 2024, will continue to be provided for the remainder of the then-current terms.

(N)
 |
 (N)

(This page filed under Transmittal No. 596)

ACCESS SERVICE

7. Special Access Service (Cont'd)7.4 Rate Regulations (Cont'd)7.4.18 DS1 Term Payment Plan^{(3) (4)} (Cont'd)

(N)

(C) Moves (Cont'd)

EXAMPLE #2: One end of a DS1 is changed from Location C to Location D within the same LATA. The new Channel Mileage associated with the one-ended Move decreased by 5 miles. Therefore, the resulting Channel Mileage calculation decreases the monthly recurring charge accordingly.

If no lapse in service occurs and if the requirements in (1) and (2) as stated previously are met, termination liability will not apply. Nonrecurring Channel Termination Charges or Nonrecurring Collocation Transport Charges and Access Order Charges for the physical move will apply.

(D) Expiration of DS1 TPP term options

The DS1 TPP is not available for renewal. At the expiration of the DS1 TPP term, the customer may select a new DS1 TPP term at the prevailing DS1 TPP rates. If a customer does not wish to purchase a new DS1 TPP at the expiration of the term, the customer's service will automatically convert to the current month-to-month rates.

(E) DS1 High Capacity Service Portability Commitment⁽²⁾

DS1 High Capacity Service Portability Commitment (Portability Commitment)⁽²⁾ provides a customer the ability to establish a regional volume commitment in the form of DS1 Channel Terminations and receive a waiver on DS1 TPP Termination Liability, as described in 7.4.18(G), during the life of the Portability Commitment⁽²⁾. The Portability Commitment⁽²⁾ will consist of a Commitment Level (CL), as described below, and will have a term of three years. The Portability Commitment⁽²⁾ does not otherwise affect the rates, terms, or conditions of the Customer's DS1 TPP. Only Portability Commitments⁽²⁾ established prior to August 30, 2016, may be renewed. To renew, the Customer must notify the Telephone Company, in writing, with such notice directed to both the Customer's account manager and the access service center, and specifically identify the Customer's Commitment Level (as defined herein), prior to the expiration of the Customer's existing Portability Commitment⁽²⁾ term.

For a Portability Commitment⁽²⁾ under Section 7.4.18(E) (1), Customers may purchase DS1 service under DS1 TPP terms of 2, 3, 5, or 7 years⁽¹⁾ and have the associated Channel Terminations count towards the Portability Commitment CL. After establishing the CL, Customer may continue to purchase DS1 service on a month-to-month arrangement or under a DS1 TPP of 1, 2, 3, 5, or 7 years⁽¹⁾ without portability and have the associated Channel Terminations not count toward the Customer's portability CL.

For a Portability Commitment⁽²⁾ under Section 7.4.18(E) (2), Customers may purchase DS1 service under DS1 TPP terms of 1, 2, 3, 5, or 7 years⁽¹⁾ or on a month-to-month basis and have the associated Channel Terminations count towards the CL.

Access Order Charges and all installation charges will be billed as applicable.

⁽¹⁾ Effective on September 13, 2017, DS1 TPP 5- and 7-year Payment Plans are no longer available, including for any otherwise available conversions. Circuits already subject to a DS1 TPP 5- or 7-year Payment Plan, as of September 13, 2017, will continue to be provided under the then-current DS1 TPP 5- or 7-year Payment Plan term for the remainder of that term.

⁽²⁾ Effective on October 30, 2020, new DS1 High Capacity Service Portability Commitments will no longer be available for new or existing customers, and existing Portability Commitments may no longer be renewed.

⁽³⁾ Effective on November 1, 2022, DS1 TPP 2- and 3-year, and DS3 (High Capacity and Fiber AdvantageSM) 3-year Payment Plans are no longer available, including for any otherwise available conversions. Circuits already subject to a DS1 TPP 2- or 3-year or DS3 (High Capacity and Fiber AdvantageSM) 3-year Payment Plan, as of November 1, 2022, will continue to be provided under the then-current DS1 TPP 2- or 3-year or DS3 (High Capacity and Fiber AdvantageSM) 3-year Payment Plan term for the remainder of that term.

⁽⁴⁾ Effective January 17, 2024, DS1 Term Payment Plan 1-year and Fiber AdvantageSM DS3 1-year Payment Plans (collectively, Term Plan Services), are no longer available, including conversions. Existing Term Plan Services on January 17, 2024, will continue to be provided for the remainder of the then-current terms.

(N)
|
(N)

(This page filed under Transmittal No. 596)

ACCESS SERVICE

7. Special Access Service (Cont'd)

7.4 Rate Regulations (Cont'd)

7.4.18 DS1 Term Payment Plan^{(2) (3)} (Cont'd)

(N)

(E) DS1 High Capacity Service Portability Commitment (Cont'd)

(1) For Portability Commitments⁽¹⁾ established prior to August 30, 2016, the terms and conditions associated with the Portability Commitment⁽¹⁾ are as follows in this Section 7.4.18(E) (1):

- (a) Customer commits to a 3-Year Commitment Level (CL) that is reviewed on a monthly basis. The initial monthly CL is calculated by the Telephone Company and is the total of all DS1 Channel Terminations in-service for the month previous to the month in which the Customer notifies the Telephone Company, in writing, of the Customer's CL. The initial monthly CL will consist of all Channel Terminations including those on Month-to-Month terms and other term pricing plans. The effective date of the Portability Commitment⁽¹⁾ will be the first day of the month immediately following the month in which the Portability Commitment⁽¹⁾ is signed;
- (b) Customer must have a minimum of 40 Channel Terminations in-service each month and at least 80% of the CL under a 2, 3, 5, or 7 year DS1 TPP each month;
- (c) At the commencement of the Customer's Portability Commitment⁽¹⁾ and upon any renewal of a Portability Commitment⁽¹⁾, at least 80 percent of the Customer's CL must be purchased under a 2, 3, 5, or 7 year DS1 TPP; and
- (d) Each month, the total number of 2, 3, 5, and 7 year DS1 TPP Channel Terminations for the previous month will be calculated and measured against the corresponding monthly CL;
 - (i) If the total number of Channel Terminations, as calculated above, is 80% - 124% of the CL, no other charges will apply for the previous month.
 - (ii) If the total number of Channel Terminations, as calculated above, is less than 80% of the CL, charges will be assessed as follows:

Customer will be billed the difference between 80% of the CL and the actual number of in-service Channel Terminations.

EXAMPLE #1: Customer A has a CL = 1,000 Channel Terminations for the month of June. Customer A must have at least 800 DS1 Channel Terminations in-service to meet the 80% target. In July, the monthly review calculated 795 DS1 Channel Terminations in-service for the month of June. The difference between 80% of the CL (800) and the actual in-service total (795) is 5 Channel Terminations. Therefore, the customer will be billed an amount equal to 5 Channel Terminations multiplied by the lowest available Price Cap Zone 1 Channel Termination rate, as set forth in Section 7.5.9(I). For subsequent months, Customer A will continue to be billed an amount equal to the difference between 80% of the CL and the actual in-service number of Channel Terminations that are below 80% of the CL (multiplied) by the lowest available Price Cap Zone 1 Channel Termination rate, as set forth in Section 7.5.9(I), until 80% of the CL is met.

⁽¹⁾ Effective on October 30, 2020, new DS1 High Capacity Service Portability Commitments will no longer be available for new or existing customers, and existing Portability Commitments may no longer be renewed.

⁽²⁾ Effective on November 1, 2022, DS1 TPP 2- and 3-year, and DS3 (High Capacity and Fiber Advantagesm) 3-year Payment Plans are no longer available, including for any otherwise available conversions. Circuits already subject to a DS1 TPP 2- or 3-year or DS3 (High Capacity and Fiber Advantagesm) 3-year Payment Plan, as of November 1, 2022, will continue to be provided under the then-current DS1 TPP 2- or 3-year or DS3 (High Capacity and Fiber Advantagesm) 3-year Payment Plan term for the remainder of that term.

⁽³⁾ Effective January 17, 2024, DS1 Term Payment Plan 1-year and Fiber Advantagesm DS3 1-year Payment Plans (collectively, Term Plan Services), are no longer available, including conversions. Existing Term Plan Services on January 17, 2024, will continue to be provided for the remainder of the then-current terms.

(N)
 |
 (N)

(This page filed under Transmittal No. 596)

ACCESS SERVICE

7. Special Access Service (Cont'd)

7.4 Rate Regulations (Cont'd)

7.4.18 DS1 Term Payment Plan^{(2) (3)} (Cont'd)

(N)

(E) DS1 High Capacity Service Portability Commitment⁽¹⁾ (Cont'd)

(1) (Cont'd)

(d) (Cont'd)

(iii) If the total number of in-service Channel Terminations, as calculated above, is more than 124% of the PC, the Customer will be billed an adjustment factor equal to the Nonrecurring Channel Termination charge multiplied by the difference between the actual number of Channel Terminations in-service and 124% of the CL.

EXAMPLE #2: Customer B has a CL of 500 Channel Terminations. In month 5 of the commitment, Customer B has 650 Channel Terminations in-service. Customer B has exceeded the CL by more than the 124% threshold (620). Customer B will be charged an adjustment factor equal to 30 Channel Terminations (650-620) multiplied by the current Nonrecurring Channel Termination rate. For subsequent months, Customer B will continue to be charged the Nonrecurring Channel Termination rate multiplied by the difference between the actual number of Channel Terminations in-service and 124% of the CL until Customer B no longer exceeds the CL by the 124% threshold.

(iv) Customers may increase the CL at any time by providing written notification to Telephone Company. Credits for previously charged adjustments billed for exceeding the CL will not be provided when a Customer increases the CL. However, an adjustment factor will not be billed if notice to increase the CL is provided to the Telephone Company within the calendar month following a reported adjustment, and the CL increase is sufficient that the number of in-service rate elements does not exceed 124% of the new CL. For instance, in Example #2 above, if the Customer increases the CL from 500 to 525 before the end of month 6, the adjustment factor applicable to month 5 will not be billed because the actual in-service volume (650) is less than or equal to the new 124% threshold (651).

⁽¹⁾ Effective on October 30, 2020, new DS1 High Capacity Service Portability Commitments will no longer be available for new or existing customers, and existing Portability Commitments may no longer be renewed.

⁽²⁾ Effective on November 1, 2022, DS1 TPP 2- and 3-year, and DS3 (High Capacity and Fiber Advantagesm) 3-year Payment Plans are no longer available, including for any otherwise available conversions. Circuits already subject to a DS1 TPP 2- or 3-year or DS3 (High Capacity and Fiber Advantagesm) 3-year Payment Plan, as of November 1, 2022, will continue to be provided under the then-current DS1 TPP 2- or 3-year or DS3 (High Capacity and Fiber Advantagesm) 3-year Payment Plan term for the remainder of that term.

⁽³⁾ Effective January 17, 2024, DS1 Term Payment Plan 1-year and Fiber Advantagesm DS3 1-year Payment Plans (collectively, Term Plan Services), are no longer available, including conversions. Existing Term Plan Services on January 17, 2024, will continue to be provided for the remainder of the then-current terms.

(N)
 |
 (N)

(This page filed under Transmittal No. 596)

ACCESS SERVICE

7. Special Access Service (Cont'd)

7.4 Rate Regulations (Cont'd)

7.4.18 DS1 Term Payment Plan^{(2) (3)} (Cont'd)

(N)

(E) DS1 High Capacity Service Portability Commitment⁽¹⁾ (Cont'd)

(1) (Cont'd)

(d) (Cont'd)

(v) If the customer elects to terminate the DS1 High Capacity Service Portability Commitment⁽¹⁾ or elects to decrease the CL prior to the 3-Year commitment, Termination Liabilities will apply. Termination Liability is calculated as the decreased number of Channel Terminations multiplied by the lowest available Price Cap Zone 1 Channel Termination rate, as set forth in Section 7.5.9(I), multiplied by the number of months remaining in the term of the Portability Commitment⁽¹⁾.

EXAMPLE #3: Customer C has a CL equal to 1,000 Channel Terminations. In month 10 of the 36-month Portability Commitment⁽¹⁾, Customer C elects to decrease the CL by 50 Channel Terminations. The Termination Liability associated with the decrease is equal to:

(50 Channel Terminations) X (26 months remaining) X
 (Lowest available Price Cap Zone 1 Channel Termination rate)

EXAMPLE #4: Customer D has a CL equal to 500 Channel Terminations. In month 20 of the 36-month Portability Commitment⁽¹⁾, Customer D elects to terminate the entire Portability Commitment⁽¹⁾. The Termination Liability associated with the termination of the entire Commitment is equal to:

(500 Channel Terminations) X (16 months remaining) X
 (Lowest available Price Cap Zone 1 Channel Termination rate)

⁽¹⁾ Effective on October 30, 2020, new DS1 High Capacity Service Portability Commitments will no longer be available for new or existing customers, and existing Portability Commitments may no longer be renewed.

⁽²⁾ Effective on November 1, 2022, DS1 TPP 2- and 3-year, and DS3 (High Capacity and Fiber AdvantageSM) 3-year Payment Plans are no longer available, including for any otherwise available conversions. Circuits already subject to a DS1 TPP 2- or 3-year or DS3 (High Capacity and Fiber AdvantageSM) 3-year Payment Plan, as of November 1, 2022, will continue to be provided under the then-current DS1 TPP 2- or 3-year or DS3 (High Capacity and Fiber AdvantageSM) 3-year Payment Plan term for the remainder of that term.

⁽³⁾ Effective January 17, 2024, DS1 Term Payment Plan 1-year and Fiber AdvantageSM DS3 1-year Payment Plans (collectively, Term Plan Services), are no longer available, including conversions. Existing Term Plan Services on January 17, 2024, will continue to be provided for the remainder of the then-current terms.

(N)
 |
 (N)

(This page filed under Transmittal No. 596)

ACCESS SERVICE

7. Special Access Service (Cont'd)

7.4 Rate Regulations (Cont'd)

7.4.18 DS1 Term Payment Plan^{(2) (3)} (Cont'd)

(N)

(E) DS1 High Capacity Service Portability Commitment⁽¹⁾ (Cont'd)

(2) For Portability Commitments⁽¹⁾ established on or after August 30, 2016, the terms and conditions associated with the Portability Commitment⁽¹⁾ are as follows in this Section 7.2.22(E)(2):

(a) Customer commits to a 3-Year Commitment Level (CL) that is reviewed on a monthly basis by the Telephone Company. To begin the process of establishing a Portability Commitment⁽¹⁾, Customer must request from the Telephone Company a list of DS1 circuits with Channel Terminations for all of the ACNAs of Customer and any entities that are then affiliated companies of Customer. Customer must designate from the provided list which DS1 circuits with Channel Terminations are to be included in, and which are to be excluded from, its Portability Commitment⁽¹⁾ and return the list with those designations to the Telephone Company. Failure to provide a designation for a listed circuit will be deemed to be a designation that such circuit is to be excluded from its Portability Commitment⁽¹⁾.

Only those DS1 circuits with Channel Terminations that are designated as being included ("Designated DS1s") will be subject to the Portability Commitment⁽¹⁾.

The Customer's initial monthly CL is the total number of Channel Termination associated with Designated DS1s.

The effective date of the Portability Commitment⁽¹⁾ will be the first day of the month immediately following the month in which the Portability Commitment⁽¹⁾ is signed.

(b) Customer must commit a minimum of 100 DS1 circuits with Channel Terminations to establish a Portability Commitment⁽¹⁾.

(c) Customer, including all of its ACNAs and Affiliates, may be subject to only one Portability Commitment⁽¹⁾ for the operating territory of the Telephone Company. An "Affiliate," as that term is used in connection with the Portability Commitment⁽¹⁾, is a person that (directly or indirectly) owns or controls, is owned or controlled by, or is under common ownership or control with, another person. For purposes of the prior sentence, "own" means to own an equity interest (or the equivalent thereof) of more than 10 percent.

(d) Designated DS1s that are disconnected during the term of the Portability Commitment⁽¹⁾ will not incur Termination Liability charges.

⁽¹⁾ Effective on October 30, 2020, new DS1 High Capacity Service Portability Commitments will no longer be available for new or existing customers, and existing Portability Commitments may no longer be renewed.

⁽²⁾ Effective on November 1, 2022, DS1 TPP 2- and 3-year, and DS3 (High Capacity and Fiber Advantagesm) 3-year Payment Plans are no longer available, including for any otherwise available conversions. Circuits already subject to a DS1 TPP 2- or 3-year or DS3 (High Capacity and Fiber Advantagesm) 3-year Payment Plan, as of November 1, 2022, will continue to be provided under the then-current DS1 TPP 2- or 3-year or DS3 (High Capacity and Fiber Advantagesm) 3-year Payment Plan term for the remainder of that term.

⁽³⁾ Effective January 17, 2024, DS1 Term Payment Plan 1-year and Fiber Advantagesm DS3 1-year Payment Plans (collectively, Term Plan Services), are no longer available, including conversions. Existing Term Plan Services on January 17, 2024, will continue to be provided for the remainder of the then-current terms.

(N)

|

(N)

(This page filed under Transmittal No. 596)

ACCESS SERVICE

7. Special Access Service (Cont'd)

7.4 Rate Regulations (Cont'd)

7.4.18 DS1 Term Payment Plan^{(2) (3)} (Cont'd)

(N)

(E) DS1 High Capacity Service Portability Commitment⁽¹⁾ (Cont'd)
 (2) (Cont'd)

- (e) Circuits which are not included in the Portability Commitment⁽¹⁾ by Customer in the initial designation, as described in Section 7.22(E) (2) (a), or ordered under the DS1 TPP on or after August 30, 2016 without being designated for the Portability Commitment⁽¹⁾, may not be added to the Portability Commitment⁽¹⁾ for the duration of the Portability Commitment⁽¹⁾ term.
- (f) Customer may add additional DS1 circuits with Channel Terminations to the Portability Commitment⁽¹⁾ during the term of the Portability Commitment⁽¹⁾ only when initially ordering such DS1 circuit. A DS1 circuit with a Channel Termination that is so added, will be considered a Designated DS1.
- (g) Any Designated DS1 with an expired term plan that is subject to month-to-month rates will continue to count toward Customer's CL.
- (h) During the monthly review of Customer's Designated DS1s and its CL, the Telephone Company will determine whether Customer met, did not meet, or exceeded its CL on the last day of the month being reviewed.

If Customer did not meet its CL, Customer will be billed a charge for each Channel Termination below its CL equal to the lowest available Price Cap Zone 1 Channel Termination rate, as set forth in Section 7.5.9(I), on such last day of the month.

Example: Customer's CL is 100 Channel Terminations. At the end of the month, Customer had 90 Channel Terminations in service. Customer will be billed:

$$(100 - 90) \times (\text{Lowest available Price Cap Zone 1 Channel Termination rate})$$

If a Customer exceeds its CL by 115 percent or greater for three consecutive months, Customer's CL will be increased to ninety percent (90%) of the average number of Designated DS1s for those three months.

Example: Customer's CL is 100 Channel Terminations. For three consecutive months during the Portability Commitment⁽¹⁾ term, the Customer's Channel Termination volumes are 118, 120 and 122, for an average of 120. The Customer's new CL will be:

$$((118+120+122)/(3)) \times (90\%) = 108$$

(1) Effective on October 30, 2020, new DS1 High Capacity Service Portability Commitments will no longer be available for new or existing customers, and existing Portability Commitments may no longer be renewed.

(2) Effective on November 1, 2022, DS1 TPP 2- and 3-year, and DS3 (High Capacity and Fiber AdvantageSM) 3-year Payment Plans are no longer available, including for any otherwise available conversions. Circuits already subject to a DS1 TPP 2- or 3-year or DS3 (High Capacity and Fiber AdvantageSM) 3-year Payment Plan, as of November 1, 2022, will continue to be provided under the then-current DS1 TPP 2- or 3-year or DS3 (High Capacity and Fiber AdvantageSM) 3-year Payment Plan term for the remainder of that term.

(3) Effective January 17, 2024, DS1 Term Payment Plan 1-year and Fiber AdvantageSM DS3 1-year Payment Plans (collectively, Term Plan Services), are no longer available, including conversions. Existing Term Plan Services on January 17, 2024, will continue to be provided for the remainder of the then-current terms.

(N)
 |
 (N)

(This page filed under Transmittal No. 596)

ACCESS SERVICE

7. Special Access Service (Cont'd)7.4 Rate Regulations (Cont'd)7.4.18 DS1 Term Payment Plan^{(2) (3)} (Cont'd)

(N)

(E) DS1 High Capacity Service Portability Commitment⁽¹⁾ (Cont'd)

(2) (Cont'd)

- (i) If Customer elects to decrease the CL prior to expiration of the 3-Year commitment, a buy-down charge will apply. The buy-down charge is calculated as the number by which the CL is decreased multiplied by the lowest available Price Cap Zone 1 Channel Termination rate, as set forth in Section 7.5.9(I), on the date of the buy-down multiplied by the number of months remaining in the term of the Portability Commitment⁽¹⁾.

Example: Customer C has a CL equal to 1,000 Channel Terminations. In month 10 of the 36-month Portability Commitment⁽¹⁾, Customer C elects to decrease the CL by 50 Channel Terminations. The buy-down charge associated with the decrease is equal to:

(50 Channel Terminations) X (Lowest available Price Cap Zone 1 Channel Termination rate) X (26 months remaining) = Buy-down Charge

(F) Applicable One-Time Charges

(1) Access Order Charge

Access Order Charges will apply, as described in section 5.2.1(A), to all order activity. An Access Order charge will apply on any changes made to a plan (e.g., moving from a 3 year to a 7 year plan, on physical moves of DS1 High Capacity Services, and new installations) as applicable.

(2) DS1 Term Payment Plan Non-Recurring Charges

Non-recurring channel termination charge will apply per channel termination on new installations of DS1 High Capacity Service on 1 year DS1 TPP term, and on all physical moves of DS1 High Capacity Services. Non-recurring channel termination charges will be waived on new installations with 2, 3, 5, and 7 year DS1 TPP terms. The Nonrecurring Channel Termination Charge will also apply, applicable as stated in 7.4.18(E) previously, for customers who have a DS1 High Capacity Service Portability Commitment⁽¹⁾.

(1) Effective on October 30, 2020, new DS1 High Capacity Service Portability Commitments will no longer be available for new or existing customers, and existing Portability Commitments may no longer be renewed.

(2) Effective on November 1, 2022, DS1 TPP 2- and 3-year, and DS3 (High Capacity and Fiber Advantagesm) 3-year Payment Plans are no longer available, including for any otherwise available conversions. Circuits already subject to a DS1 TPP 2- or 3-year or DS3 (High Capacity and Fiber Advantagesm) 3-year Payment Plan, as of November 1, 2022, will continue to be provided under the then-current DS1 TPP 2- or 3-year or DS3 (High Capacity and Fiber Advantagesm) 3-year Payment Plan term for the remainder of that term.

(3) Effective January 17, 2024, DS1 Term Payment Plan 1-year and Fiber Advantagesm DS3 1-year Payment Plans (collectively, Term Plan Services), are no longer available, including conversions. Existing Term Plan Services on January 17, 2024, will continue to be provided for the remainder of the then-current terms.

(N)
|
(N)

(This page filed under Transmittal No. 596)

ACCESS SERVICE

7. Special Access Service (Cont'd)

7.4 Rate Regulations (Cont'd)

7.4.18 DS1 Term Payment Plan^{(1) (2)} (Cont'd)

(N)

(G) Termination Liability

Termination liability charges will apply in the following cases:

- (1) In the event service is terminated prior to the expiration of the minimum service period, charges, as specified in Section 5.2.6 (Minimum Period Requirements), will apply in addition to the termination liability charges identified in 7.4.18(G) (2) following.
- (2) In the event service is terminated prior to the end of the DS1 TPP term, a termination charge utilizing the following termination percentage will apply:

Termination Billing Period Percentage: 40%

The termination charge is calculated as follows:

(Monthly Recurring Rate) X (Months remaining in DS1 TPP term) X (Termination Billing Period Percentage)

Example: A customer with a \$500 monthly rate terminates service with 10 months remaining in a 3 year DS1 TPP term. The termination liability charge would be calculated as follows:

$$(\$500) \times (10) \times (.40) = \$2000$$

- (1) Effective on November 1, 2022, DS1 TPP 2- and 3-year, and DS3 (High Capacity and Fiber Advantagesm) 3-year Payment Plans are no longer available, including for any otherwise available conversions. Circuits already subject to a DS1 TPP 2- or 3-year or DS3 (High Capacity and Fiber Advantagesm) 3-year Payment Plan, as of November 1, 2022, will continue to be provided under the then-current DS1 TPP 2- or 3-year or DS3 (High Capacity and Fiber Advantagesm) 3-year Payment Plan term for the remainder of that term.
- (2) Effective January 17, 2024, DS1 Term Payment Plan 1-year and Fiber Advantagesm DS3 1-year Payment Plans (collectively, Term Plan Services), are no longer available, including conversions. Existing Term Plan Services on January 17, 2024, will continue to be provided for the remainder of the then-current terms.

(N)
|
(N)

(This page filed under Transmittal No. 596)

ACCESS SERVICE

7. Special Access Service (Cont'd)

7.5 Rates and Charges

Effective November 1, 2017, all rate elements, other than End User channel terminations and their optional features⁽²⁾ in Non-Competitive Counties, are no longer available from Section 7.5 for new service subscriptions.⁽¹⁾ The application of rates and charges for Special Access services is based upon the county classification as Competitive or Non-Competitive, as provided in Section 7.4. A list of Competitive and Non-Competitive Counties is located in Sections 14.2(C) and (D).

7.5.1 Metallic Service⁽³⁾

	<u>USOC</u>	<u>Monthly Rates</u>	<u>Nonrecurring Charges</u>	
			<u>1st</u>	<u>Add'l</u>
(A) Channel Termination				
Per point of Termination	T6EME/T6ECS	\$39.60 (I)	\$396.00	\$384.00
(B) Channel Mileage		<u>Monthly Rates</u>		
	<u>USOC</u>	<u>Fixed</u>	<u>Per Mile</u>	
	0	1L5XX/1L5MX	None	None
	Over 0	1L5XX/1L5MX	\$32.35	\$3.42
(C) Optional Features and Functions	<u>USOC</u>	<u>Monthly Rates</u>	<u>Nonrecurring Charges</u>	
(1) Bridging				
(a) Three Premises Bridging				
- Per Port	BCNM3	\$6.00	None	
(b) Series Bridging				
- Per Port	BCNMS	6.00	None	
(D) Rollover			<u>Nonrecurring Charges</u>	
	<u>USOC</u>		<u>1st</u>	<u>Add'l</u>
- Per point of Termination	NRBRA/SVR		\$147.00	\$129.00

(1) Until February 1, 2018, End User channel terminations and their optional features that had not qualified for Phase II, Level 2 pricing flexibility prior to June 1, 2017, will be rated at the price cap rate regardless of the status of the county in which the applicable wire center is located.

(2) Optional features for End User channel terminations includes all optional features in Section 7.5, except for the Loop Transfer Arrangement, Service to Service Through Connect - TV-1, and Network Reconfiguration Service.

(3) Effective November 20, 2019, this Service will no longer be available for purchase by new or existing customers, and service agreements may no longer be renewed. In addition, requests to move, add or change existing service arrangements will not be accepted. Following the expiration of a customer's existing term agreement, service will be provided on a month-to-month basis at the applicable monthly extension rates until the service is discontinued. AT&T currently plans to discontinue this Service on or after June 30, 2024.

(This page filed under Transmittal No. 594)

ACCESS SERVICE

7. Special Access Service (Cont'd)

7.5 Rates and Charges (Cont'd)

7.5.2 Telegraph Grade Service⁽¹⁾

	<u>USOC</u>	<u>Monthly Rates</u>	<u>Nonrecurring Charges</u>	
			<u>1st</u>	<u>Add'l</u>
(A) Channel Termination				
- Per Point of termination				
Two-Wire	T6E2X	\$39.60 (I)	\$337.00	\$337.00
Four-Wire	T6E4X	49.68 (I)	396.00	384.00
(B) Channel Mileage				
		<u>Monthly Rates</u>		
	<u>USOC</u>	<u>Fixed</u>	<u>Per Mile</u>	
0	1L5XX/1L5	None	None	
Over 0	1L5XX/1L5	\$51.50	\$3.42	
(C) Optional Features and Functions				
(1) Telegraph Bridging				
Two-Wire and Four-Wire Per Port				
Two-Wire	BCNT2	\$6.00	None	
Four-Wire	BCNT4	6.00	None	
(D) Rollover				
	<u>USOC</u>		<u>Nonrecurring Charges</u>	
			<u>1st</u>	<u>Add'l</u>
- Per point of Termination	NRBRA/SVR		\$337.00	\$337.00

(1) Effective November 20, 2019, this Service will no longer be available for purchase by new or existing customers, and service agreements may no longer be renewed. In addition, requests to move, add or change existing service arrangements will not be accepted. Following the expiration of a customer's existing term agreement, service will be provided on a month-to-month basis at the applicable monthly extension rates until the service is discontinued. AT&T currently plans to discontinue this Service on or after June 30, 2024.

(This page filed under Transmittal No. 594)

ACCESS SERVICE

7. Special Access Service (Cont'd)

7.5 Rates and Charges (Cont'd)

7.5.3 Voice Grade Service⁽¹⁾

	<u>USOC</u>	<u>Monthly Rates</u>	<u>Nonrecurring Charges</u>	
			<u>1st</u>	<u>Add'l</u>
(A) Channel Termination				
Per Point of termination				
- Two-Wire	T6E2X	\$28.32 (I)	\$450.00	\$300.00
- Four-Wire	T6E4X	37.86 (I)	450.00	300.00
- WATS Access Line				
Per point of termination				
- Two-Wire with screening and blocking	X2W	28.32 (I)	502.50	325.00
- Four-Wire with screening and blocking	X4W	37.86 (I)	502.50	325.00
- WATS Access Line				
Per point of termination				
- Two-Wire with no screening and blocking	2UW	21.00	502.50	325.00
- Four-Wire with no screening and blocking	4UW	29.35	502.50	325.00

(1) Effective November 20, 2019, this Service will no longer be available for purchase by new or existing customers, and service agreements may no longer be renewed. In addition, requests to move, add or change existing service arrangements will not be accepted. Following the expiration of a customer's existing term agreement, service will be provided on a month-to-month basis at the applicable monthly extension rates until the service is discontinued. AT&T currently plans to discontinue this Service on or after June 30, 2024.

(This page filed under Transmittal No. 594)

ACCESS SERVICE

7. Special Access Service (Cont'd)

7.5 Rates and Charges (Cont'd)

7.5.3 Voice Grade Service⁽¹⁾

(N)

(B) Channel Mileage

		<u>Monthly Rates</u>	
	<u>USOC</u>	<u>Fixed</u>	<u>Per Mile</u>
0	1L5XX	None	None
Over 0	1L5XX	\$5.75	\$.85

(C) Optional Features and Functions*

(1) Bridging

		<u>Monthly Rates</u>	
	<u>USOC</u>	<u>Fixed</u>	<u>Per Mile</u>
(a) <u>Voice Bridging</u>			
- Per Port			
- Two-Wire	BCNV2	\$6.00	None
- Four-Wire	BCNV4	6.00	None

⁽¹⁾ Effective November 20, 2019, this Service will no longer be available for purchase by new or existing customers, and service agreements may no longer be renewed. In addition, requests to move, add or change existing service arrangements will not be accepted. Following the expiration of a customer's existing term agreement, service will be provided on a month-to-month basis at the applicable monthly extension rates until the service is discontinued. AT&T currently plans to discontinue this Service on or after June 30, 2024.

(N)

(N)

(This page filed under Transmittal No. 572)

ACCESS SERVICE

7. Special Access Service (Cont'd)

7.5 Rates and Charges (Cont'd)

7.5.3 Voice Grade Service⁽¹⁾ (Cont'd) (N)

	<u>USOC</u>	<u>Monthly Rates</u>	<u>Nonrecurring Charges</u>
(C) Optional Features and Functions (Cont'd)			
(1) Bridging (Cont'd)			
(b) <u>Data Bridging</u>			
Two-Wire/Four-Wire			
Per port			
Two-Wire	BCND2	\$6.00	None
Four-Wire	BCND4	6.00	None
(c) <u>Telephoto Bridging</u>			
Two-Wire/Four-Wire			
Per port			
Two-Wire	BCNF2	6.00	None
Four-Wire	BCNF4	6.00	None
(d)			

⁽¹⁾ Effective November 20, 2019, this Service will no longer be available for purchase by new or existing customers, and service agreements may no longer be renewed. In addition, requests to move, add or change existing service arrangements will not be accepted. Following the expiration of a customer's existing term agreement, service will be provided on a month-to-month basis at the applicable monthly extension rates until the service is discontinued. AT&T currently plans to discontinue this Service on or after June 30, 2024. (N)

(This page filed under Transmittal No. 572)

ACCESS SERVICE

7. Special Access Service (Cont'd)

7.5 Rates and Charges (Cont'd)

7.5.3 Voice Grade Service⁽¹⁾ (Cont'd)

(N)

	<u>USOC</u>	<u>Monthly Rates</u>	<u>Nonrecurring Charges</u>
(C) Optional Features and Functions (Cont'd)			
(1) Bridging (Cont'd)			
(e) <u>Telemetry and Alarm Bridging</u>			
Active Bridging Channel Connections			
Split Band			
- Per channel connected	CNLRX	\$1.94	None
Summation			
- Per channel connected	BCNSA	1.94	None

(1) Effective November 20, 2019, this Service will no longer be available for purchase by new or existing customers, and service agreements may no longer be renewed. In addition, requests to move, add or change existing service arrangements will not be accepted. Following the expiration of a customer's existing term agreement, service will be provided on a month-to-month basis at the applicable monthly extension rates until the service is discontinued. AT&T currently plans to discontinue this Service on or after June 30, 2024.

(N)
 |
 (N)

(This page filed under Transmittal No. 572)

ACCESS SERVICE

7. Special Access Service (Cont'd)

7.5 Rates and Charges (Cont'd)

7.5.3 Voice Grade Service⁽¹⁾ (Cont'd) (N)

	<u>USOC</u>	<u>Monthly Rates</u>	<u>Nonrecurring Charges</u>
(C) Optional Features and Functions (Cont'd)			
(1) Bridging (Cont'd)			
(e) <u>Telemetry and Alarm Bridging</u> (Cont'd)			
Passive Bridging Channel Connections			
- Per channel connected	BCNTP	\$ 1.40	None
(2) Conditioning			
- Per Point of Termination			
C - Type	X1CPT	6.46	None
Sealing Current	1HBPT	None	None
Improved Attenuation Distortion	UHW	8.32	\$134.95
Improved Envelope Delay Distortion	UHY	36.96	318.09

⁽¹⁾Effective November 20, 2019, this Service will no longer be available for purchase by new or existing customers, and service agreements may no longer be renewed. In addition, requests to move, add or change existing service arrangements will not be accepted. Following the expiration of a customer's existing term agreement, service will be provided on a month-to-month basis at the applicable monthly extension rates until the service is discontinued. AT&T currently plans to discontinue this Service on or after June 30, 2024. (N)

(This page filed under Transmittal No. 572)

ACCESS SERVICE

7. Special Access Service (Cont'd)

7.5 Rates and Charges (Cont'd)

7.5.3 Voice Grade Service⁽¹⁾ (Cont'd)

(N)

	<u>USOC</u>	<u>Monthly Rates</u>	<u>Nonrecurring Charges</u>
(C) Optional Features and Functions (Cont'd)			
(3) Improved Termination			
- Per point of termination			
- Four-Wire	1RL4W	\$9.10	None
(4) Improved Return Loss for Effective Two-wire Transmission			
- Per point of termination			
- Two-Wire	1RL2W	11.78	None
(5) Customer Specified Receive Level			
- Per point of termination	RLS	4.11	None
(6) Multiplexing Voice to Telegraph Grade			
- Per arrangement	MQX	150.00	None
(7) Data Capability			
- Per point of termination	XDCPT	1.20	\$212.84
(8) Telephoto Capability			
- Per point of termination	XTCPT	2.24	212.84

⁽¹⁾ Effective November 20, 2019, this Service will no longer be available for purchase by new or existing customers, and service agreements may no longer be renewed. In addition, requests to move, add or change existing service arrangements will not be accepted. Following the expiration of a customer's existing term agreement, service will be provided on a month-to-month basis at the applicable monthly extension rates until the service is discontinued. AT&T currently plans to discontinue this Service on or after June 30, 2024.

(N)

(N)

(This page filed under Transmittal No. 572)

ACCESS SERVICE

7. Special Access Service (Cont'd)

7.5 Rates and Charges (Cont'd)

7.5.3 Voice Grade Service⁽¹⁾ (Cont'd)

(N)

	<u>USOC</u>	<u>Monthly Rates</u>	<u>Nonrecurring Charges</u>
(C) Optional Features and Functions (Cont'd)			
(9) Signaling Capability			
- Per point of termination	XSS++	\$0.93	None
(10) Selective Signaling Arrangement			
- Per arrangement	USZ	6.47	None
(11) Transfer Arrangement (key activated* or dial up**)			
- Per four port arrangement including control channel termination***	USY	\$3.97	None
- Per five port arrangement including control channel termination***	US5	3.97	None

* The key activated control Channel is rated as a Metallic Channel Termination (use USOC: T6EME in lieu of T6ECS) and Channel Mileage, if applicable (use USOC: 1L5MX in lieu of 1L5XX).

** The Dial-up option requires the customer to purchase the Controller Arrangement (USOC: XTDDU) from 13.3.8 following.

*** An additional Channel Termination charge will apply whenever a spare Service Channel is configured leg to the customer's premises. As a Additional channel mileage charges will also apply when the transfer arrangement is not located in the customer premises serving wire center.

⁽¹⁾ Effective November 20, 2019, this Service will no longer be available for purchase by new or existing customers, and service agreements may no longer be renewed. In addition, requests to move, add or change existing service arrangements will not be accepted. Following the expiration of a customer's existing term agreement, service will be provided on a month-to-month basis at the applicable monthly extension rates until the service is discontinued. AT&T currently plans to discontinue this Service on or after June 30, 2024.

(N)
 |
 (N)

(This page filed under Transmittal No. 572)

ACCESS SERVICE

7. Special Access Service (Cont'd)

7.5 Rates and Charges (Cont'd)

7.5.3 Voice Grade Service⁽¹⁾ (Cont'd) (N)

	<u>USOC</u>	<u>Monthly Rates</u>	<u>Nonrecurring Charges</u>
(C) Optional Features and Functions (Cont'd)			
(12) Improved Two-Wire			
WAL Transmission Specifications			
- Per two-wire point of termination	X2T	\$1.39	None
(13) Simplex Reversal			
- Per point of termination	None	None	None
(14) LEPL 2			
- Per point of termination	None	None	None
(15) Port Access to Verify Integrity of Subscriber Lines BSE			
- per port	VE1SL	167.00	\$352.00
(Minimum of two ports required to provide service)			
(16) Multiplexer Cross Connect			
0 Channel Miles	1L5TC	3.00	40.00
over 0 Channel Miles	1L5TC	3.00	40.00

(1) Effective November 20, 2019, this Service will no longer be available for purchase by new or existing customers, and service agreements may no longer be renewed. In addition, requests to move, add or change existing service arrangements will not be accepted. Following the expiration of a customer's existing term agreement, service will be provided on a month-to-month basis at the applicable monthly extension rates until the service is discontinued. AT&T currently plans to discontinue this Service on or after June 30, 2024. (N)

(This page filed under Transmittal No. 572)

ACCESS SERVICE

7. Special Access Service (Cont'd)

7.5 Rates and Charges (Cont'd)

7.5.3 Voice Grade Service⁽¹⁾ (Cont'd)

(N)

(D) Rollover

	<u>USOC</u>	<u>Nonrecurring Charges</u>	
		<u>1st</u>	<u>Add'l</u>
- Per point of Termination	NRBRA/SVR	\$147.00	\$129.00

	<u>USOC</u>	<u>Nonrecurring Charges</u>	
		<u>1st</u>	<u>Add'l</u>
(E) Rollover when Point of Termination Changes			
- Per point of Termination	NRBRO/SVRPT	\$245.00	\$176.00

(1) Effective November 20, 2019, this Service will no longer be available for purchase by new or existing customers, and service agreements may no longer be renewed. In addition, requests to move, add or change existing service arrangements will not be accepted. Following the expiration of a customer's existing term agreement, service will be provided on a month-to-month basis at the applicable monthly extension rates until the service is discontinued. AT&T currently plans to discontinue this Service on or after June 30, 2024.

(N)

(N)

(This page filed under Transmittal No. 572)

Issued: November 5, 2019

Effective: November 20, 2019

Four AT&T Plaza, Dallas, Texas 75202

ACCESS SERVICE

7. Special Access Service (Cont'd)

7.5 Rates and Charges (Cont'd)

7.5.4 Program Audio Service ^{(1) (2)}

(N)

	USOC	Monthly Rates	Daily Rates	Nonrecurring Charges	
				Monthly	Daily
(A) Channel Termination					
- Per Point of termination					
- 300 to 2500 Hz	T6EAS	\$50.00	\$5.50	\$294.00	\$294.00
- 200 to 3500 Hz	T6ECS	50.00	5.50	294.00	294.00
- 100 to 5000 Hz	T6ECS	50.00	5.50	386.50	386.50
- 50 to 8000 Hz	T6ECS	40.00	5.60	399.25	399.25
- 50 to 15000 Hz	T6ECS	35.00	5.60	399.25	399.25

(B) Channel Mileage

	USOC	Monthly Rates		Daily Rates	
		Fixed	Per Mile	Fixed	Per Mile
(1) 300 to 2500 Hz					
0	1L5XX/1L5	None	None	None	None
Over 0	1L5XX/1L5	\$55.00	\$2.00	\$5.50	\$0.20
(2) 200 to 3500 Hz					
0	1L5XX/1L5	None	None	None	None
Over 0	1L5XX/1L5	\$55.00	\$2.00	\$5.50	\$0.20

(1) Effective November 20, 2019, this Service will no longer be available for purchase by new or existing customers, and service agreements may no longer be renewed. In addition, requests to move, add or change existing service arrangements will not be accepted. Following the expiration of a customer's existing term agreement, service will be provided on a month-to-month basis at the applicable monthly extension rates until the service is discontinued. AT&T currently plans to discontinue this Service on or after November 1, 2020.

(2) Program Audio is discontinued and no longer available in this publication (see WC Dkt. 19-238).

(N)
(N)

(This page filed under Transmittal No. 591)

ACCESS SERVICE

7. Special Access Service (Cont'd)

7.5 Rates and Charges (Cont'd)

7.5.4 Program Audio Service^{(1) (2)} (Cont'd)

(N)

(B) Channel Mileage (Cont'd)

	USOC	Monthly Rates		Daily Rates		
		Fixed	Per Mile	Fixed	Per Mile	
(3) 100 to 5000 Hz						
0	1L5XX/1L5	None	None	None	None	
Over 0	1L5XX/1L5	\$40.00	\$2.00	\$5.50	\$0.20	
(4) 50 to 8000 Hz						
0	1L5XX/1L5	None	None	None	None	
Over 0	1L5XX/1L5	\$45.00	\$2.00	\$7.50	\$0.20	
(5) 50 to 15000 Hz						
0	1L5XX/1L5	None	None	None	None	
Over 0	1L5XX/1L5	\$50.00	\$2.00	\$8.00	\$0.20	

⁽¹⁾ Effective November 20, 2019, this Service will no longer be available for purchase by new or existing customers, and service agreements may no longer be renewed. In addition, requests to move, add or change existing service arrangements will not be accepted. Following the expiration of a customer's existing term agreement, service will be provided on a month-to-month basis at the applicable monthly extension rates until the service is discontinued. AT&T currently plans to discontinue this Service on or after November 1, 2020.

⁽²⁾ Program Audio is discontinued and no longer available in this publication (see WC Dkt. 19-238).

(N)
(N)

(This page filed under Transmittal No. 591)

ACCESS SERVICE

7. Special Access Service (Cont'd)

7.5 Rates and Charges (Cont'd)

7.5.4 Program Audio Service⁽¹⁾⁽²⁾ (Cont'd)

(N)

(C) Optional Features and Functions

		Monthly	Daily	Nonrecurring	
	USOC	Rates	Rates	Monthly	Daily
				Charges	
(1) Bridging (Distribution Amplifier)					
- Per port	BCNPT	\$3.73	\$0.37	None	None
(2) Gain Conditioning					
Per service	XGC	None	None	\$149.17	\$149.17
(3) Stereo					
Per service	XSC	None	None	328.35	328.35
(4) Hubbing Arrangements					
				Nonrecurring	USOC
				Charge	
- Full-time to Full-time		\$ 18.95			NRBP4/BCSWA
- Full-time to Part-time		18.95			NRBP4/BCSWA
- Part-time to Part-time		18.95			NRBP4/BCSWA

(1) Effective November 20, 2019, this Service will no longer be available for purchase by new or existing customers, and service agreements may no longer be renewed. In addition, requests to move, add or change existing service arrangements will not be accepted. Following the expiration of a customer's existing term agreement, service will be provided on a month-to-month basis at the applicable monthly extension rates until the service is discontinued. AT&T currently plans to discontinue this Service on or after November 1, 2020.

(2) Program Audio is discontinued and no longer available in this publication (see WC Dkt. 19-238).

(N)
(N)

(This page filed under Transmittal No. 591)

ACCESS SERVICE

7. Special Access Service (Cont'd)

7.5 Rates and Charges (Cont'd)

7.5.5 Video Service

(A) Channel Termination

- Per point of termination

	<u>USOC</u>	<u>Monthly Rates</u>	<u>Daily Rates</u>	
(1) Analog				
- TV-1 ⁽²⁾ or 2	(TMEV1)	\$450.00	\$125.00	(N)
- 4TV-5	(TMEV4)	500.00	125.00	
- 6TV-5	(TMEV6)	500.00	125.00	
- TV-15	(TMEV5)	500.00	125.00	

(2)

(3)

(4) ⁽¹⁾

(B) Channel Mileage

(1) Analog

	<u>USOC</u>	<u>Monthly Rates</u>		<u>Daily Rates</u>	
		<u>Fixed</u>	<u>Per Mile</u>	<u>Fixed</u>	<u>Per Mile</u>
0	1L5XX/1L5	\$300.00	None	\$ 75.00	None
Over 0	1L5XX/1L5	500.00	None	137.50	None

⁽¹⁾ Material in this section has been de-tariffed as required by the Commission upon use of the forbearance relief pursuant to FCC Memorandum Opinion and Order No. FCC 07-180 released October 12, 2007. Terms and Conditions associated with de-tariffed services are available at www.att.com/guidebook.

(2) Effective December 31, 2020, Broadcast Video (TV1) service will no longer be available for purchase by new or existing customers, and service agreements may no longer be renewed. In addition, requests to move, add, or change existing service arrangements will not be accepted. Following the expiration of a customer's existing term agreement, service will be provided on a month-to-month basis at the applicable Monthly rate until the service is discontinued. AT&T currently plans to discontinue this Service on or after December 31, 2021. (N)

(This page filed under Transmittal No. FC-20-0007)

ACCESS SERVICE

7. Special Access Service (Cont'd)

7.5 Rates and Charges (Cont'd)

7.5.5 Video Service (Cont'd)

(B) Channel Mileage (Cont'd)

(2) ⁽¹⁾

	<u>USOC</u>	<u>Nonrecurring Charge</u>
(C) Service to Service Through Connect - TV-1 ⁽¹⁾	BCSTC	\$160.00

(D) Optional Features and Functions

(1) ⁽¹⁾
 (1)

(2) ⁽¹⁾
 (1)

(3) Hubbing Arrangements - Analog, ⁽¹⁾

	<u>USOC</u>	<u>Nonrecurring Charge</u>
- Full-time to Full-time	B5N6F/BCSWV	\$ 18.00
- Full-time to Part-time	B5N6F/BCSWV	18.00
- Part-time to Part-time	B5N6F/BCSWV	18.00

(4) Video Access 30 Minutes or

- Shared	<u>USOC</u> BCSW2	<u>Fraction Thereof</u> \$20.00
----------	----------------------	------------------------------------

⁽¹⁾ Material in this section has been de-tariffed as required by the Commission upon use of the forbearance relief pursuant to FCC Memorandum Opinion and Order No. FCC 07-180 released October 12, 2007. Terms and Conditions associated with de-tariffed services are available at www.att.com/guidebook.

(2) Effective December 31, 2020, Broadcast Video (TV1) service will no longer be available for purchase by new or existing customers, and service agreements may no longer be renewed. In addition, requests to move, add, or change existing service arrangements will not be accepted. Following the expiration of a customer's existing term agreement, service will be provided on a month-to-month basis at the applicable Monthly rate until the service is discontinued. AT&T currently plans to discontinue this Service on or after December 31, 2021. (N)

(This page filed under Transmittal No. FC-20-0007)

ACCESS SERVICE

7. Special Access Service (Cont'd)

7.5 Rates and Charges (Cont'd)

7.5.5 Video Service (Cont'd)

(E) Video Pricing Plan (VPP)

(1) ⁽¹⁾

(D)

⁽¹⁾ See footnote (1) on page 7-155

(This page filed under Transmittal No. 385)

Issued: January 24, 2008

Effective: February 8, 2008

Four AT&T Plaza, Dallas, Texas 75202

ACCESS SERVICE

7. Special Access Service (Cont'd)

7.5 Rates and Charges (Cont'd)

7.5.5 Video Service (Cont'd)

(E) Video Pricing Plan (VPP) - Rates Effective: 9/1/98 (Cont'd)

(3) ⁽¹⁾

(D)

⁽¹⁾ See footnote (1) on page 7-155

(This page filed under Transmittal No. 385)

Issued: January 24, 2008

Effective: February 8, 2008

Four AT&T Plaza, Dallas, Texas 75202

ACCESS SERVICE

7. Special Access Service (Cont'd)

7.5 Rates and Charges (Cont'd)

7.5.6 Reserved for Future Use

(T)

(D)

(D)

(This page filed under Transmittal No. 514)

Issued: October 28, 2014

Effective: November 12, 2014

Four AT&T Plaza, Dallas, Texas 75202

ACCESS SERVICE

7. Special Access Service (Cont'd)

7.5 Rates and Charges (Cont'd)

7.5.6 Reserved for Future Use (Cont'd)

(T)

(D)

(D)

(This page filed under Transmittal No. 514)

Issued: October 28, 2014

Effective: November 12, 2014

Four AT&T Plaza, Dallas, Texas 75202

ACCESS SERVICE

7. Special Access Service (Cont'd)

7.5 Rates and Charges (Cont'd)

7.5.6 Reserved for Future Use (Cont'd)

(T)

(D)

(D)

(This page filed under Transmittal No. 514)

Issued: October 28, 2014

Effective: November 12, 2014

Four AT&T Plaza, Dallas, Texas 75202

ACCESS SERVICE

7. Special Access Service (Cont'd)

7.5 Rates and Charges (Cont'd)

7.5.7 Reserved for Future Use

(T)

(D)

(D)

(This page filed under Transmittal No. 514)

Issued: October 28, 2014

Effective: November 12, 2014

Four AT&T Plaza, Dallas, Texas 75202

ACCESS SERVICE

7. Special Access Service (Cont'd)

7.5 Rates and Charges (Cont'd)

7.5.7 Reserved for Future Use (Cont'd)

(T)

(D)

(D)

(This page filed under Transmittal No. 514)

Issued: October 28, 2014

Effective: November 12, 2014

Four AT&T Plaza, Dallas, Texas 75202

ACCESS SERVICE

7. Special Access Service (Cont'd)

7.5 Rates and Charges (Cont'd)

7.5.7 Reserved for Future Use (Cont'd)

(T)

(D)

(D)

(This page filed under Transmittal No. 514)

Issued: October 28, 2014

Effective: November 12, 2014

Four AT&T Plaza, Dallas, Texas 75202

ACCESS SERVICE

7. Special Access Service (Cont'd)

7.5 Rates and Charges (Cont'd)

7.5.8 Generic Digital Transport Service ⁽¹⁾

(N)

	<u>USOC</u>	<u>Monthly Rates</u>	<u>Nonrecurring Charges</u>	
			<u>1st</u>	<u>Add'l</u>
(A) Channel Termination Per point of termination				
2.4 kbps	T6ECS	\$64.00	\$340.00	\$265.00
4.8 kbps	T6ECS	64.00	340.00	265.00
9.6 kbps	T6ECS	64.00	340.00	265.00
19.2 kbps	T6ECS	64.00	340.00	265.00
56.0 kbps	T6ECS	64.00	340.00	265.00
64.0 kbps	T6ECS	64.00	340.00	265.00

(1) Effective November 20, 2019, this Service will no longer be available for purchase by new or existing customers, and service agreements may no longer be renewed. In addition, requests to move, add or change existing service arrangements will not be accepted. Following the expiration of a customer's existing term agreement, service will be provided on a month-to-month basis at the applicable monthly extension rates until the service is discontinued. AT&T currently plans to discontinue this Service on or after June 30, 2024.

(N)

(N)

(This page filed under Transmittal No. 572)

ACCESS SERVICE

7. Special Access Service (Cont'd)

7.5 Rates and Charges (Cont'd)

7.5.8 Generic Digital Transport Service ⁽¹⁾ (Cont'd)

(N)

(B) Channel Mileage

(1) 2.4 kbps

	USOC	<u>Monthly Rates</u>	
		Fixed	Per Mile
0	1L5XX	None	None
Over 0	1L5XX	25.00	\$1.04

(2) 4.8 kbps

0	1L5XX	None	None
Over 0	1L5XX	25.00	\$1.04

(3) 9.6 kbps

0	1L5XX	None	None
Over 0	1L5XX	25.00	\$1.04

(4) 19.2 kbps

0	1L5XX	None	None
Over 0	1L5XX	25.00	\$1.04

⁽¹⁾ Effective November 20, 2019, this Service will no longer be available for purchase by new or existing customers, and service agreements may no longer be renewed. In addition, requests to move, add or change existing service arrangements will not be accepted. Following the expiration of a customer's existing term agreement, service will be provided on a month-to-month basis at the applicable monthly extension rates until the service is discontinued. AT&T currently plans to discontinue this Service on or after June 30, 2024.

(N)

(N)

(This page filed under Transmittal No. 572)

ACCESS SERVICE

7. Special Access Service (Cont'd)

7.5 Rates and Charges (Cont'd)

7.5.8 Generic Digital Transport Service ⁽¹⁾ (Cont'd) (N)

(B) Channel Mileage

(5) 56 kbps

	USOC	Monthly Rates	
		Fixed	Per Mile
0	1L5XX	None	None
Over 0	1L5XX	25.00	\$1.04

(6) 64 kbps

0	1L5XX	None	None
Over 0	1L5XX	25.00	\$1.04

⁽¹⁾ Effective November 20, 2019, this Service will no longer be available for purchase by new or existing customers, and service agreements may no longer be renewed. In addition, requests to move, add or change existing service arrangements will not be accepted. Following the expiration of a customer's existing term agreement, service will be provided on a month-to-month basis at the applicable monthly extension rates until the service is discontinued. AT&T currently plans to discontinue this Service on or after June 30, 2024. (N)

(This page filed under Transmittal No. 572)

ACCESS SERVICE

7. Special Access Service (Cont'd)

7.5 Rates and Charges (Cont'd)

7.5.8 Generic Digital Transport Service⁽¹⁾ (Cont'd) (N)

(C) Optional Features and Functions

	<u>USOC</u>	<u>Monthly Rates</u>	<u>Nonrecurring Charges</u>
(1) Bridging			
- Per port	BCNDA	\$6.00	None
(2) Loop Transfer Arrangement (Key activated* or Dial-up**)			
- Per initial three port arrangement (includes a spareline)***	XTD	5.42	None

* The key activated control channel is rated as a Metallic Channel Termination (use USOC T6EME in lieu of T6ECS) and Channel Mileage, if applicable (use USOC 1LM5X in lieu of 1L5XX).

** The Dial-up option requires the customer to purchase the Controller Arrangement (USOC XTDDU) from 13.3.8 following.

*** An additional channel termination charge will apply whenever a spare channel is configured as a leg to the customer premises. Additional channel mileage charges will also apply when the transfer arrangement is not located in the customer premises serving wire center.

(1) Effective November 20, 2019, this Service will no longer be available for purchase by new or existing customers, and service agreements may no longer be renewed. In addition, requests to move, add or change existing service arrangements will not be accepted. Following the expiration of a customer's existing term agreement, service will be provided on a month-to-month basis at the applicable monthly extension rates until the service is discontinued. AT&T currently plans to discontinue this Service on or after June 30, 2024. (N)

(This page filed under Transmittal No. 572)

ACCESS SERVICE

7. Special Access Service (Cont'd)

7.5 Rates and Charges (Cont'd)

7.5.8 Generic Digital Transport Service (Cont'd)

(C)

(D)

(D)

(This page filed under Transmittal No. 472)

Issued: September 12, 2012

Effective: September 27, 2012

Four AT&T Plaza, Dallas, Texas 75202

ACCESS SERVICE

7. Special Access Service (Cont'd)

7.5 Rates and Charges (Cont'd)

7.5.8 Generic Digital Transport Service⁽¹⁾ (Cont'd) (N)

(C) Optional Features and Functions (Cont'd)

	<u>USOC</u>	<u>Monthly Rates</u>	<u>Nonrecurring Charges</u>
(4) DS1 to DS0			
- Per arrangement	QMU	\$170.00 (Rx)	None
	QMUA1#	170.00 (Rx)	None
(5) DS0 to Subrates			
- Per arrangement			
- Up to 20 2.4 kbps services	QSU24	125.00	None
	QSC24#	125.00	None
- Up to 10 4.8 kbps services	QSU48	125.00	None
	QSC48#	125.00	None
- Up to 5 9.6 kbps services	QSU96	125.00	None
	QSC96#	125.00	None
(6) Secondary Channel* (per station)			
- 133 bps	DSC24	4.85	None
- 266 bps	DSC48	4.85	None
- 533 bps	DSC96	4.85	None
- 2,666 bps	DSC56	4.85	None

* Secondary Channel can only be ordered in conjunction with Digital Data Multiplexing and/or Digital Data Services.

Secondary Channel capability.

(1) Effective November 20, 2019, this Service will no longer be available for purchase by new or existing customers, and service agreements may no longer be renewed. In addition, requests to move, add or change existing service arrangements will not be accepted. Following the expiration of a customer's existing term agreement, service will be provided on a month-to-month basis at the applicable monthly extension rates until the service is discontinued. AT&T currently plans to discontinue this Service on or after June 30, 2024. (N)

(This page filed under Transmittal No. 572)

ACCESS SERVICE

7. Special Access Service (Cont'd)

7.5 Rates and Charges (Cont'd)

7.5.8 Generic Digital Transport Service ⁽²⁾ (Cont'd)

(N)

(C) Optional Features and Functions (Cont'd)

(7) Multiplexer Cross-Connect

Channel Mileage	USOC	Monthly Rates	Nonrecurring Charges
0	1L5TC	\$3.00	\$40.00
Over 0	1L5TC	3.00	40.00

(8) Customer Network Reconfiguration⁽¹⁾

	USOC	Monthly Rates	Nonrecurring Charges
- per DSO termination	CNND0	\$5.00	
- per DSO reconfiguration	RFNDO	None	\$4.25

(D) Rollover

	USOC	Nonrecurring Charges	
		1st	Add'l
- Per point of Termination	NRBRA/SVR	\$147.00	\$129.00

(E) Rollover when Point of Termination Changes

- Per point of Termination	NRBRO/SVRPT	245.00	176.00
----------------------------	-------------	--------	--------

⁽¹⁾ Effective December 5, 2018, Network Reconfiguration Service (NRS) will no longer be available for purchase by new or existing customers, and NRS service agreements may no longer be renewed. Effective July 31, 2022, the Telephone Company will no longer accept new requests for physical changes to existing service arrangements including the upgrade or downgrade of access/port speed, installation of new service, or moves to different service addresses.

⁽²⁾ Effective November 20, 2019, this Service will no longer be available for purchase by new or existing customers, and service agreements may no longer be renewed. In addition, requests to move, add or change existing service arrangements will not be accepted. Following the expiration of a customer's existing term agreement, service will be provided on a month-to-month basis at the applicable monthly extension rates until the service is discontinued. AT&T currently plans to discontinue this Service on or after June 30, 2024.

(N)
 |
 (N)

(This page filed under Transmittal No. 572)

ACCESS SERVICE

7. Special Access Service (Cont'd)

7.5 Rates and Charges (Cont'd)

7.5.8.1 Fractional DS1 Service - 128, 256, 384, 512, and 768 Kbps⁽¹⁾ (N)

(A) Channel Termination

- Per Point of Termination

USOC	MTM	3 Year	5 Year
------	-----	--------	--------

TMECS \$141.25 \$122.50 110.00

Nonrecurring Charges	
1st CKT	Addl CKT

MTM	\$900.00	\$900.00
3 Year	\$900.00	\$900.00
5 Year	\$900.00	\$900.00

(B) Channel Mileage

- Fixed

USOC	MTM	3 Year	5 Year
------	-----	--------	--------

1L5XX \$48.00 \$40.00 \$35.00

Channel Mileage

- Per Mile

USOC	MTM	3 Year	5 Year
------	-----	--------	--------

1L5XX 9.50 \$ 8.75 \$ 8.50

⁽¹⁾ Effective October 27, 2016, Fractional DS1 Service is limited to existing Customers for existing service arrangements; no new or additional term commitments of any kind, including any otherwise available renewals, will be available; and no move, add, or change orders will be accepted.

(N)
 |
 (N)

(This page filed under Transmittal No. 547)

ACCESS SERVICE

7. Special Access Service (Cont'd)

7.5 Rates and Charges (Cont'd)

7.5.9 High Capacity Service

	<u>USOC</u>	<u>Monthly Rates</u>	<u>Nonrecurring Charges</u>	
			<u>1st</u>	<u>Add'l</u>
(A) Channel Termination				
- Per point of termination				
(1) - 1.544 Mbps				
Zone 1	TMECS/TMELB	\$189.06	\$900.00	\$900.00
Zone 2	TMECS/TMELB	198.72	900.00	900.00
Zone 3	TMECS/TMELB	211.14	900.00	900.00
- DS1 Fiber Advantage SM (1)				
Month to Month	FAMCP/FAMCL FAMPP/FAMPL	\$160.00	\$500.00	\$200.00
1 Year Plan (4)	FAMCP/FAMCL FA1+P/FA1+L	120.00	500.00	200.00 (N)
3 Year Plan (3)	FAMCP/FAMCL FA3+P/FA3+L	90.00	600.00#	300.00#
5 Year Plan (2)	FAMCP/FAMCL FA5+P/FA5+L	80.00	600.00#	300.00#
- 3.152 Mbps	TWT++	ICB*	ICB*	ICB*
- 6.312 Mbps	TWT++	ICB*	ICB*	ICB*

* ICB rates and charges are filed in 7.6 following.

Nonrecurring charges associated with the installation of Fiber AdvantageSM Services under a 3 or 5 year term plan are waived.

(1) Effective May 17, 2003, Fiber AdvantageSM DS1 Rate Stability Payment Plan will no longer be available to new customers. There will be no change to existing customers. Refer to section 7.4.11(A) for conversion options.

(2) Effective on September 13, 2017, Fiber AdvantageSM DS3 Rate Stability 5-year Payment Plans are no longer available, including for any otherwise available renewals, extensions or conversions. Circuits already subject to a Fiber AdvantageSM DS3 Rate Stability 5-year Payment Plan, as of September 13, 2017, will continue to be provided under the then-current Fiber AdvantageSM DS3 Rate Stability 5-year Payment Plan term for the remainder of that term.

(3) Effective on November 1, 2022, DS1 TPP 2- and 3-year, and DS3 (High Capacity and Fiber AdvantageSM) 3-year Payment Plans are no longer available, including for any otherwise available conversions. Circuits already subject to a DS1 TPP 2- or 3-year or DS3 (High Capacity and Fiber AdvantageSM) 3-year Payment Plan, as of November 1, 2022, will continue to be provided under the then-current DS1 TPP 2- or 3-year or DS3 (High Capacity and Fiber AdvantageSM) 3-year Payment Plan term for the remainder of that term.

(4) Effective January 17, 2024, DS1 Term Payment Plan 1-year and Fiber AdvantageSM DS3 1-year Payment Plans (collectively, Term Plan Services), are no longer available, including conversions. Existing Term Plan Services on January 17, 2024, will continue to be provided for the remainder of the then-current terms.

(N)
|
(N)

(This page filed under Transmittal No. 596)

ACCESS SERVICE

7. Special Access Service (Cont'd)

7.5 Rates and Charges (Cont'd)

7.5.9 High Capacity Service (Cont'd)

(A) Channel Termination (Cont'd)

- Per point of termination (Cont'd)

(2) Fiber AdvantageSM DS3, DS3x3 and DS3x12 Monthly Extension Rates

	<u>USOC</u>	<u>Monthly Rates</u>	<u>Monthly Extension Rates</u>	<u>Nonrecurring Charges</u>	(D)
- Fiber Advantage SM DS3 with Terminal Equipment					
Zone 1	Z3MAC/Z3MAP	\$2,772.00	\$2,772.00	\$4,000.00	
Zone 2	Z3MAC/Z3MAP	2,772.00	2,772.00	4,500.00	
Zone 3	Z3MAC/Z3MAP	2,772.00	2,772.00	5,000.00	
- Fiber Advantage SM DS3 without Terminal Equipment					
Zone 1	ZOMAC/ZOMAP	2,835.60	2,835.60	4,000.00	
Zone 2	ZOMAC/ZOMAP	2,835.60	2,835.60	4,500.00	
Zone 3	ZOMAC/ZOMAP	2,835.60	2,835.60	5,000.00	
- Fiber Advantage SM DS3x3 with Terminal Equipment					
Zone 1	Z3MAC/Z3MAP	7,920.00	7,920.00	8,000.00	
Zone 2	Z3MAC/Z3MAP	7,920.00	7,920.00	9,000.00	
Zone 3	Z3MAC/Z3MAP	7,920.00	7,920.00	10,000.00	
- Fiber Advantage SM DS3x3 without Terminal Equipment					
Zone 1	ZOMAC/ZOMAP	7,980.00	7,980.00	8,000.00	
Zone 2	ZOMAC/ZOMAP	7,980.00	7,980.00	9,000.00	
Zone 3	ZOMAC/ZOMAP	7,980.00	7,980.00	10,000.00	

(D)

(D)

(This page filed under Transmittal No. 596)

Issued: January 2, 2024

Effective: January 17, 2024

Four AT&T Plaza, Dallas, Texas 75202

ACCESS SERVICE

7. Special Access Service (Cont'd)

7.5 Rates and Charges (Cont'd)

7.5.9 High Capacity Service (Cont'd)

(A) Channel Termination (Cont'd)
 -Per point of termination (Cont'd)

(2) Fiber AdvantageSM DS3, DS3x3 and DS3x12 Monthly Extension Rates (Cont'd)

	<u>USOC</u>	<u>Monthly Extension Rates</u>	<u>Nonrecurring Charges</u>
-Fiber Advantage SM DS3x12 with Terminal Equipment			
Zone 1	Z3MAC/Z3MAP	\$22,200.00 (I)	\$6,000.00
Zone 2	Z3MAC/Z3MAP	22,200.00 (I)	\$6,000.00
Zone 3	Z3MAC/Z3MAP	22,200.00 (I)	\$6,000.00
-Fiber Advantage SM DS3x12 without Terminal Equipment			
Zone 1	ZOMAC/ZOMAP	22,380.00 (I)	\$5,000.00
Zone 2	ZOMAC/ZOMAP	22,380.00 (I)	\$5,000.00
Zone 3	ZOMAC/ZOMAP	22,380.00 (I)	\$5,000.00

(This page filed under Transmittal No. 594)

Issued: September 18, 2023

Effective: October 3, 2023

ACCESS SERVICE

7. Special Access Service (Cont'd)

7.5 Rates and Charges (Cont'd)

7.5.9 High Capacity Service (Cont'd)

(A) Channel Termination (Cont'd)

- Per Point of Termination (Cont'd)

(3) Fiber AdvantageSM DS3 and DS3x3 Rate Stability Payment Plan

	<u>USOC</u>	<u>Monthly Rates</u>	<u>Nonrecurring Charges</u>	(N)
(a) <u>1 Year Plan</u> ⁽¹⁾				
- Fiber Advantage SM				
DS3 with				
Terminal Equipment				
Zone 1	Z3MAC/Z3MAP	\$1,920.00	\$2,000.00	
Zone 2	Z3MAC/Z3MAP	1,980.00	2,250.00	
Zone 3	Z3MAC/Z3MAP	2,100.00	2,500.00	
- Fiber Advantage SM				
DS3 without				
Terminal Equipment				
Zone 1	ZOMAC/ZOMAP	1,980.00	2,000.00	
Zone 2	ZOMAC/ZOMAP	2,040.00	2,250.00	
Zone 3	ZOMAC/ZOMAP	2,160.00	2,500.00	
- Fiber Advantage SM				
DS3x3 with				
Terminal Equipment				
Zone 1	Z3MAC/Z3MAP	4,608.00	4,000.00	
Zone 2	Z3MAC/Z3MAP	4,752.00	4,500.00	
Zone 3	Z3MAC/Z3MAP	5,040.00	5,000.00	
- Fiber Advantage SM				
DS3x3 without				
Terminal Equipment				
Zone 1	ZOMAC/ZOMAP	4,668.00	4,000.00	
Zone 2	ZOMAC/ZOMAP	4,812.00	4,500.00	
Zone 3	ZOMAC/ZOMAP	5,100.00	5,000.00	

(1) Effective January 17, 2024, DS1 Term Payment Plan 1-year and Fiber AdvantageSM DS3 1-year Payment Plans (collectively, Term Plan Services), are no longer available, including conversions. Existing Term Plan Services on January 17, 2024, will continue to be provided for the remainder of the then-current terms. (N)

(This page filed under Transmittal No. 596)

ACCESS SERVICE

7. Special Access Service (Cont'd)

7.5 Rates and Charges (Cont'd)

7.5.9 High Capacity Service⁽¹⁾ (Cont'd)

(N)

(A) Channel Termination (Cont'd)

- Per point of termination (Cont'd)

(3) Fiber AdvantageSM DS3, DS3x3 and DS3x12 Rate
 Stability Payment Plan (Cont'd)

	<u>USOC</u>	<u>Monthly Rates</u>	<u>Nonrecurring Charges</u>
(b) <u>3 Year Plan</u>			
- Fiber Advantage SM DS3 with Terminal Equipment			
Zone 1	Z3MAC/Z3MAP	\$850.00	\$ 500.00
Zone 2	Z3MAC/Z3MAP	900.00	500.00
Zone 3	Z3MAC/Z3MAP	950.00	500.00
- Fiber Advantage SM DS3 without Terminal Equipment			
Zone 1	ZOMAC/ZOMAP	900.00	500.00
Zone 2	ZOMAC/ZOMAP	950.00	500.00
Zone 3	ZOMAC/ZOMAP	1,000.00	500.00
- Fiber Advantage SM DS3x3 with Terminal Equipment			
Zone 1	Z3MAC/Z3MAP	2,040.00	2,500.00
Zone 2	Z3MAC/Z3MAP	2,160.00	3,000.00
Zone 3	Z3MAC/Z3MAP	2,280.00	3,250.00
- Fiber Advantage SM DS3x3 without Terminal Equipment			
Zone 1	ZOMAC/ZOMAP	2,090.00	2,000.00
Zone 2	ZOMAC/ZOMAP	2,210.00	2,250.00
Zone 3	ZOMAC/ZOMAP	2,330.00	2,500.00

(1) See Page 176 for Service Availability.

(N)

(This page filed under Transmittal No. 596)

ACCESS SERVICE

7. Special Access Service (Cont'd)

7.5 Rates and Charges (Cont'd)

7.5.9 High Capacity Service (Cont'd)

(A) Channel Termination (Cont'd)

- Per point of termination (Cont'd)

(3) Fiber AdvantageSM DS3, DS3x3 and DS3x12⁽²⁾ Rate Stability (N)
 Payment Plan (Cont'd)

	<u>USOC</u>	<u>Monthly Rates</u>	<u>Nonrecurring Charges</u>	
(b) <u>3 Year Plan</u> ⁽¹⁾ (Cont'd)				(N)
- Fiber Advantage SM DS3x12 ⁽²⁾ with Terminal Equipment				(N)
Zone 1	Z3MAC/Z3MAP	\$6,630.00	\$ 6,000.00	
Zone 2	Z3MAC/Z3MAP	7,020.00	6,000.00	
Zone 3	Z3MAC/Z3MAP	7,410.00	6,000.00	
- Fiber Advantage SM DS3x12 ⁽²⁾ without Terminal Equipment				(N)
Zone 1	ZOMAC/ZOMAP	6,780.00	5,000.00	
Zone 2	ZOMAC/ZOMAP	7,170.00	5,000.00	
Zone 3	ZOMAC/ZOMAP	7,560.00	5,000.00	

⁽¹⁾ Effective on November 1, 2022, DS1 TPP 2- and 3-year, and DS3 (High Capacity and Fiber AdvantageSM) 3-year Payment Plans are no longer available, including for any otherwise available conversions. Circuits already subject to a DS1 TPP 2- or 3-year or DS3 (High Capacity and Fiber AdvantageSM) 3-year Payment Plan, as of November 1, 2022, will continue to be provided under the then-current DS1 TPP 2- or 3-year or DS3 (High Capacity and Fiber AdvantageSM) 3-year Payment Plan term for the remainder of that term. (N)

⁽²⁾ DS3X12 is discontinued and no longer available in this publication. (N)

(This page filed under Transmittal No. 590)

ACCESS SERVICE

7. Special Access Service (Cont'd)

7.5 Rates and Charges (Cont'd)

7.5.9 High Capacity Service (Cont'd)

(A) Channel Termination (Cont'd)

- Per point of termination (Cont'd)

(3) Fiber AdvantageSM DS3, DS3x3 and DS3x12⁽²⁾ Rate Stability (N)
 Payment Plan (Cont'd)

	<u>USOC</u>	<u>Monthly Rates</u>	<u>Nonrecurring Charges</u>
(c) <u>5 Year Plan</u> ⁽¹⁾			
- Fiber Advantage SM DS3 with Terminal Equipment			
Zone 1	Z3MAC/Z3MAP	\$740.00	\$2,500.00#
Zone 2	Z3MAC/Z3MAP	765.00	3,000.00#
Zone 3	Z3MAC/Z3MAP	790.00	3,500.00#
- Fiber Advantage SM DS3 without Terminal Equipment			
Zone 1	ZOMAC/ZOMAP	790.00	1,500.00#
Zone 2	ZOMAC/ZOMAP	815.00	2,000.00#
Zone 3	ZOMAC/ZOMAP	840.00	2,500.00#
- Fiber Advantage SM DS3x3 with Terminal Equipment			
Zone 1	Z3MAC/Z3MAP	1,776.00	4,500.00#
Zone 2	Z3MAC/Z3MAP	1,836.00	5,500.00#
Zone 3	Z3MAC/Z3MAP	1,896.00	6,500.00#

Nonrecurring charges associated with the installation of Fiber AdvantageSM Service under a 5 year Rate Stability Plan are waived.

⁽¹⁾ Effective on September 13, 2017, Fiber AdvantageSM DS3 Rate Stability 5-year Payment Plans are no longer available, including for any otherwise available renewals, extensions or conversions. Circuits already subject to a Fiber AdvantageSM DS3 Rate Stability 5-year Payment Plan, as of September 13, 2017, will continue to be provided under the then-current Fiber AdvantageSM DS3 Rate Stability 5-year Payment Plan term for the remainder of that term.

⁽²⁾ DS3X12 is discontinued and no longer available in this publication.

(N)

(This page filed under Transmittal No. 590)

ACCESS SERVICE

7. Special Access Service (Cont'd)

7.5 Rates and Charges (Cont'd)

7.5.9 High Capacity Service (Cont'd)

(A) Channel Termination (Cont'd)

- Per point of termination (Cont'd)

(3) Fiber AdvantageSM DS3, DS3x3 and DS3x12⁽²⁾ Rate Stability (N)
 Payment Plan (Cont'd)

	<u>USOC</u>	<u>Monthly Nonrecurring Rates</u>	<u>Charges</u>
(c) <u>5 Year Plan</u> ⁽¹⁾ (Cont'd)			
- Fiber Advantage SM DS3x3 without Terminal Equipment			
Zone 1	ZOMAC/ZOMAP	1,826.00	3,000.00#
Zone 2	ZOMAC/ZOMAP	1,886.00	4,000.00#
Zone 3	ZOMAC/ZOMAP	1,946.00	5,000.00#
- Fiber Advantage SM DS3x12 ⁽²⁾ with Terminal Equipment			(N)
Zone 1	Z3MAC/Z3MAP	\$ 5,772.00	\$7,000.00#
Zone 2	Z3MAC/Z3MAP	5,967.00	9,000.00#
Zone 3	Z3MAC/Z3MAP	6,162.00	12,000.00#
- Fiber Advantage SM DS3x12 ⁽²⁾ without Terminal Equipment			(N)
Zone 1	ZOMAC/ZOMAP	5,922.00	6,000.00#
Zone 2	ZOMAC/ZOMAP	6,117.00	8,000.00#
Zone 3	ZOMAC/ZOMAP	6,312.00	10,000.00#
(4) 274.176 Mbps	TWT++	ICB**	ICB**

** ICB rates and charges are filed in 7.6, following.

Nonrecurring charges associated with the installation of Fiber AdvantageSM Service under a 5-year Rate Stability Plan are waived.

⁽¹⁾ Effective on September 13, 2017, Fiber AdvantageSM DS3 Rate Stability 5-year Payment Plans are no longer available, including for any otherwise available renewals, extensions or conversions. Circuits already subject to a Fiber AdvantageSM DS3 Rate Stability 5-year Payment Plan, as of September 13, 2017, will continue to be provided under the then-current Fiber AdvantageSM DS3 Rate Stability 5-year Payment Plan term for the remainder of that term.

⁽²⁾ DS3X12 is discontinued and no longer available in this publication. (N)

(This page filed under Transmittal No. 590)

ACCESS SERVICE

7. Special Access Service (Cont'd)

7.5 Rates and Charges (Cont'd)

7.5.9 High Capacity Service (Cont'd)

		Monthly Rates		
		<u>USOC</u>	<u>Fixed</u>	<u>Per Mile</u>
(B)	Channel Mileage ¹			
	(1) 1.544 Mbps			
	Zone 1			
	0	1L5XX/1L5	None	None
	Over 0	1L5XX/1L5	49.00 (I)	10.10 (I)
	Zone 2			
	0	1L5XX/1L5	None	None
	Over 0	1L5XX/1L5	49.00 (I)	10.10 (I)
	Zone 3			
	0	1L5XX/1L5	None	None
	Over 0	1L5XX/1L5	49.00 (I)	10.15
	Fiber Advantage ^{sm(2)}			
	0	1L5XX/1L5	None	None
	Over 0	1L5XX/1L5	48.00 (I)	7.50
	(2) 3.152 Mbps			
	0	1L0++	None	None
	Over 0	1L0++	ICB**	ICB**
	Fiber Advantage sm			
	0	1L0++	None	None
	Over 0	1L0++	1CB**	1CB**

Note¹: When the customer orders High Capacity Service as previously described in Section 7.2.9(A), the Channel Mileage facility must be ordered in conjunction with an associated Channel Termination, as previously described in Section 7.1.2(A).

** ICB rates and charges are filed in 7.6 following.

(2) Effective May 17, 2003, Fiber Advantagesm DS1 Rate Stability Payment Plan will no longer be available to new customers. There will be no change to existing customers. Refer to section 7.4.11(A) for conversion options.

Rates contained in this transmittal are subject to subsequent adjustment, effective retrospectively, in the event the Commission or a court subsequently authorizes Pacific to correct its rates pursuant to pending motions, or petitions for reconsideration or waiver, or in the event of any other adjustment to an order of the Commission or a court.

(This page filed under Transmittal No. 236)

ACCESS SERVICE

7. Special Access Service (Cont'd)

7.5 Rates and Charges (Cont'd)

7.5.9 High Capacity Service (Cont'd)

(B) Channel Mileage¹ (Cont'd)

(3) 6.312 Mbps

Monthly Rates

		<u>USOC</u>	<u>Fixed</u>	<u>Per Mile</u>
	0	1L0++	None	None
Over	0	1L0++	ICB**	ICB**
Fiber Advantage SM				
	0	1L0++	None	None
Over	0	1L0++	1CB**	1CB**

(4) 44.736 Mbps²

Monthly Rates

		<u>USOC</u>	<u>Fixed</u>	<u>Per Mile</u>	(D)
Zone 1					
	0	1L5XX	None	None	
Over	0	1L5XX	412.75	19.25	
Zone 2					
	0	1L5XX	None	None	
Over	0	1L5XX	422.75	21.70	
Zone 3					
	0	1L5XX	None	None	
Over	0	1L5XX	447.75	24.20	

Monthly Extension Rates

		<u>USOC</u>	<u>Fixed</u>	<u>Per Mile</u>
Zone 1				
	0	1L5XX	None	None
Over	0	1L5XX	412.75	19.25
Zone 2				
	0	1L5XX	None	None
Over	0	1L5XX	422.75	21.70
Zone 3				
	0	1L5XX	None	None
Over	0	1L5XX	447.75	24.20

- (1) When the customer order High Capacity Services as previously described in Section 7.2.9(A), the Channel Mileage facility must be ordered in conjunction with an associated Channel Termination, as previously described in Section 7.1.2(A) (T)
- (2) If a customer chooses to order a DS3x3 service, the channel Mileage applicable to that service would be three times the Appropriate channel mileage rates. (T)

** ICB rates and charges are filed in 7.6 following.

(D)
(D)

(This page filed under Transmittal No. 596)

ACCESS SERVICE

7. Special Access Service (Cont'd)

7.5 Rates and Charges (Cont'd)

7.5.9 High Capacity Service (Cont'd)

(B) Channel Mileage⁽¹⁾ (Cont'd)

(4) 44.736 Mbps⁽²⁾ (Cont'd)

			<u>1 Year Rates⁽⁵⁾</u>		(N)
		<u>USOC</u>	<u>Fixed</u>	<u>Per Mile</u>	
Zone 1					
	0	1L5XX	None	None	
Over	0	1L5XX	410.00	19.00	
Zone 2					
	0	1L5XX	None	None	
Over	0	1L5XX	420.00	21.50	
Zone 3					
	0	1L5XX	None	None	
Over	0	1L5XX	445.00	24.00	
			<u>3 Year Rates⁽⁴⁾</u>		
		<u>USOC</u>	<u>Fixed</u>	<u>Per Mile</u>	
Zone 1					
	0	1L5XX	0.00	0.00	
Over	0	1L5XX	405.00	18.50	
Zone 2					
	0	1L5XX	0.00	0.00	
Over	0	1L5XX	415.00	21.00	
Zone 3					
	0	1L5XX	0.00	0.00	
Over	0	1L5XX	440.00	23.50	
			<u>5 Year Rates⁽³⁾</u>		
		<u>USOC</u>	<u>Fixed</u>	<u>Per Mile</u>	
Zone 1					
	0	1L5XX	0.00	0.00	
Over	0	1L5XX	400.00	17.50	
Zone 2					
	0	1L5XX	0.00	0.00	
Over	0	1L5XX	410.00	20.00	
Zone 3					
	0	1L5XX	0.00	0.00	
Over	0	1L5XX	435.00	22.50	

⁽¹⁾ When the customer order High Capacity Service as previously described in Section 7.2.9(A), the Channel Mileage facility must be ordered in conjunction with an associated Channel Termination, as previously described in Section 7.1.2(A).

⁽²⁾ If a Customer chooses to order a DS3x3 service, the channel Mileage applicable to that service would be three times the appropriate channel mileage rates.

⁽³⁾ Effective on September 13, 2017, High Capacity DS3 5-year Payment Plans are no longer available, including for any otherwise available renewals, extensions or conversions. Circuits already subject to a High Capacity DS3 5-year Payment Plan, as of September 13, 2017, will continue to be provided under the then-current High Capacity DS3 5-year Payment Plan term for the remainder of that term.

⁽⁴⁾ Effective on November 1, 2022, DS1 TPP 2- and 3-year, and DS3 (High Capacity and Fiber AdvantageSM) 3-year Payment Plans are no longer available, including for any otherwise available conversions. Circuits already subject to a DS1 TPP 2- or 3-year or DS3 (High Capacity and Fiber AdvantageSM) 3-year Payment Plan, as of November 1, 2022, will continue to be provided under the then-current DS1 TPP 2- or 3-year or DS3 (High Capacity and Fiber AdvantageSM) 3-year Payment Plan term for the remainder of that term.

⁽⁵⁾ Effective January 17, 2024, DS1 Term Payment Plan 1-year and Fiber AdvantageSM DS3 1-year Payment Plans (collectively, Term Plan Services), are no longer available, including conversions. Existing Term Plan Services on January 17, 2024, will continue to be provided for the remainder of the then-current terms.

(N)
 |
 (N)

(This page filed under Transmittal No. 596)

ACCESS SERVICE

7. Special Access Service (Cont'd)

7.5 Rates and Charges (Cont'd)

7.5.9 High Capacity Service (Cont'd)

(B) Channel Mileage¹ (Cont'd)

(5) 274.176 Mbps

0	1LO++		
Over 0	1LO++	ICB**	ICB**

(C) Optional Features and Functions

(1) Multiplexing

	<u>USOC</u>	<u>Monthly Rates</u>	<u>Nonrecurring Charges</u>
DS4 to DS1 or Fiber Advantage SM DS1			
- Per arrangement	MXA++	ICB**	None

DS2 to DS1 or Fiber Advantage SM DS1			
- Per arrangement	MXD++	ICB**	None

	<u>USOC</u>	<u>Monthly Rates</u>	<u>Nonrecurring Charges</u>
DS3 to DS1 or Fiber Advantage SM DS1			
Option 1@			
Option 2@@			
- Per arrangement			

Monthly Rate				(D)
Zone 1	MQ3/MQ4	\$293.50	None	
Zone 2	MQ3/MQ4	303.50	None	
Zone 3	MQ3/MQ4	313.50	None	

Monthly Extension			
Zone 1	MQ3/MQ4	\$293.50	
Zone 2	MQ3/MQ4	303.50	
Zone 3	MQ3/MQ4	313.50	

1 Year ⁽²⁾				(N)
Zone 1		290.00	0.00	
Zone 2		300.00	0.00	
Zone 3		310.00	0.00	

(1) When the customer order High Capacity Service as previously described in Section 7.2.9(A), the Channel Mileage facility must be ordered in conjunction with an associated Channel Termination, as previously described in Section 7.1.2(A). (T)

(2) Effective January 17, 2024, DS1 Term Payment Plan 1-year and Fiber AdvantageSM DS3 1-year Payment Plans (collectively, Term Plan Services), are no longer available, including conversions. Existing Term Plan Services on January 17, 2024, will continue to be provided for the remainder of the then-current terms. (N)

** ICB rates and charges are filed in 7.6 following.

@ A channel of this DS3 can be connected to a DS1.

@@ A channel of this DS3 can be connected to a DS1 and reconfigured within the DCS hub..

(N)
(D)
(D)

(D)

(This page filed under Transmittal No. 596)

ACCESS SERVICE

7. Special Access Service (Cont'd)

7.5 Rates and Charges (Cont'd)

7.5.9 High Capacity Service (Cont'd)

(C) Optional Features and Functions (Cont'd)

(1) Multiplexing (Cont'd)

DS3 to DS1 or Fiber (Cont'd) Advantage sm DS1	<u>USOC</u>	<u>Monthly Rates</u>	<u>Nonrecurring Charges</u>	
Option 1@				
Option 2@@				
- Per arrangement				
3 Year ⁽³⁾				(N)
Zone 1		\$287.50	\$0.00	
Zone 2		297.50	0.00	
Zone 3		307.50	0.00	
5 Year ⁽⁴⁾				(N)
Zone 1		275.00	0.00	
Zone 2		285.00	0.00	
Zone 3		295.00	0.00	
DS1C to DS1				
- Per arrangement	MXH++	ICB**	None	
DS1 or Fiber Advantage sm				
DS1 to Voice/Digital* ^{(1) (2)}				
- Per arrangement				
Zone 1	MQ1/MQ2	\$240.00	None	
Zone 2	MQ1/MQ2	275.00	None	
Zone 3	MQ1/MQ2	300.00	None	

* A channel(s) of this DS1 can be connected to a WATS Access Line. If this DS1 terminates in a GDTs hub, a channel(s) of the DS1 can be used to provide GDTs. GDTs service stops at the DS1 interface.

** ICB rates and charges are filed in 7.6, following.

@ A channel of this DS3 can be connected to a DS1.

@@ A channel of this DS3 can be connected to a DS1 and reconfigured within the DCS hub...

- (1) Effective May 17, 2003, Fiber Advantagesm DS1 Rate Stability Payment Plan will no longer be available to new customers. There will be no change to existing customers. Refer to section 7.4.11(A) for conversion options.
- (2) Effective November 20, 2019, this Service will no longer be available for purchase by new or existing customers, and service agreements may no longer be renewed. In addition, requests to move, add or change existing service arrangements will not be accepted. Following the expiration of a customer's existing term agreement, service will be provided on a month-to-month basis at the applicable monthly extension rates until the service is discontinued. AT&T currently plans to discontinue this Service on or after June 30, 2024.
- (3) Effective on November 1, 2022, DS1 TPP 2- and 3-year, and DS3 (High Capacity and Fiber Advantagesm) 3-year Payment Plans are no longer available, including for any otherwise available conversions. Circuits already subject to a DS1 TPP 2- or 3-year or DS3 (High Capacity and Fiber Advantagesm) 3-year Payment Plan, as of November 1, 2022, will continue to be provided under the then-current DS1 TPP 2- or 3-year or DS3 (High Capacity and Fiber Advantagesm) 3-year Payment Plan term for the remainder of that term.
- (4) Reference Page 7-181 footnote (3).

(N)
 |
 (N)

(This page filed under Transmittal No. 590)

ACCESS SERVICE

7. Special Access Service (Cont'd)

7.5 Rates and Charges (Cont'd)

7.5.9 High Capacity Service (Cont'd)

	<u>USOC</u>	<u>Monthly Rates</u>	<u>Nonrecurring Charges</u>
(C) Optional Features and Functions (Cont'd)			
(2)			(D)
(3) Transfer Arrangement (key activated ⁽¹⁾ or dial up ⁽²⁾)			(C)
- Per four port arrangement including control channel termination ⁽³⁾			(C)
Zone 1	USV	5.66	None
Zone 2	USV	5.66	None
Zone 3	USV	5.66	None

(1) The key activated control Channel is rated as a Metallic Channel Termination (use USOC: T6EME in lieu of T6ECS) and Channel Mileage, if applicable (use USOC: 1L5MX in lieu of 1L5XX).

(2) The Dial-up option requires the customer to purchase the Controller Arrangement (USOC: XTDDU) from 13.3.8 following.

(3) An additional Channel Termination charge will apply whenever a spare Service is configured as a leg to the customer's premises. Additional channel mileage charges will also apply when the transfer arrangement is not located in the customer premises serving wire center.

(This page filed under Transmittal No. 457)

ACCESS SERVICE

7. Special Access Service (Cont'd)

7.5 Rates and Charges (Cont'd)

7.5.9 High Capacity Service (Cont'd)

	<u>USOC</u>	<u>Monthly Rates</u>	<u>Nonrecurring Charges</u>
(C) Optional Features and Functions (Cont'd)			
(4) Network Reconfiguration Service ⁽¹⁾			(C)
- per DS1 termination			
Zone 1	CNND1	\$ 40.00	\$00.00
Zone 2	CNND1	\$ 40.00	\$00.00
Zone 3	CNND1	\$ 40.00	\$00.00
- per DS3 termination	CNND3	\$300.00	\$00.00
- Per Database Establishment	FN6DD	\$120.00	\$2,400.00
- Access to NRS Support System per SecurID Card	RNQPA	\$120.00	\$00.00

⁽¹⁾ Effective December 5, 2018, Network Reconfiguration Service (NRS) will no longer be available for purchase by new or existing customers, and NRS service agreements may no longer be renewed. Effective July 31, 2022, the Telephone Company will no longer accept new requests for physical changes to existing service arrangements including the upgrade or downgrade of access/port speed, installation of new service, or moves to different service addresses. (N)

(This page filed under Transmittal No. 564)

ACCESS SERVICE

7. Special Access Service (Cont'd)

7.5 Rates and Charges (Cont'd)

7.5.9 High Capacity Service (Cont'd)

(D)

(D)

(This page filed under Transmittal No. 236)

Issued: January 20, 2004

Effective: February 4, 2004

Four AT&T Plaza, Dallas, Texas 75202

ACCESS SERVICE

7. Special Access Service (Cont'd)7.5 Rates and Charges (Cont'd)7.5.9 High Capacity Service (Cont'd)(C) Optional Features and
Functions (Cont'd)(5) Alternate Serving Wire Center (ASWC)

	<u>USOC</u>	<u>Monthly Rates</u>	
- Per point of termination			
- DS1			
Zone 1	A1VAX/ASWC1	\$140.00	(T)
Zone 2	A1VAX/ASWC1	140.00	(T)
Zone 3	A1VAX/ASWC1	140.00	(T)
- DS3 with terminal equipment (electrical)			
Zone 1	A1VBX/ASWC3	1,000.00	(T)
Zone 2	A1VBX/ASWC3	1,000.00	(T)
Zone 3	A1VBX/ASWC3	1,000.00	(T)
- DS3 without terminal equipment (optical)			
Zone 1	A1VJX/ASWC5	750.00	(T)
Zone 2	A1VJX/ASWC5	750.00	(T)
Zone 3	A1VJX/ASWC5	750.00	(T)

(This page filed under Transmittal No. 23)

Issued: November 16, 2000

Effective: December 1, 2000

Four AT&T Plaza, Dallas, Texas 75202

ACCESS SERVICE

7. Special Access Service (Cont'd)

7.5 Rates and Charges (Cont'd)

7.5.9 High Capacity Service (Cont'd)

(C) Optional Features and Functions (Cont'd)

	<u>USOC</u>	<u>Monthly Rates</u>	<u>Nonrecurring Charges</u>	
(6) Enhanced Access Diversity (EAD) - per DS1 or DS3 service				
Option 1	DEQAX/DVRS1	\$10.00	\$87.00	
Option 2	DA1AX/DVRS2	12.00	99.00	
Option 3	AVOAX/DVRS3	12.00	99.00	(T)
(7) Multiplexer Cross Connect				
0 Channel Miles	1L5TC	5.00	40.00	
Over 0 Channel Miles	1L5TC	5.00	40.00	

(This page filed under Transmittal No. 479)

ACCESS SERVICE

7. Special Access (Cont'd)

7.5 Rates and Charges (Cont'd)

7.5.9 High Capacity Service (Cont'd)

(D) Rollover

	<u>USOC</u>	<u>Nonrecurring Charges</u>	
		<u>1st</u>	<u>Add'l</u>
- Per point of Termination			
- DS1			
Zone 1	NRBR1/NRBRH	\$ 450.00	\$225.00 (I)
Zone 2	NRBR1/NRBRH	450.00	225.00 (I)
Zone 3	NRBR1/NRBRH	450.00 (I)	225.00 (I)
- DS3			
Zone 1	NRBR3	450.00	225.00 (I)
Zone 2	NRBR3	450.00	225.00 (I)
Zone 3	NRBR3	450.00 (I)	225.00 (I)
- DS3x3			
Zone 1	NRBR3	1,350.00	675.00 (I)
Zone 2	NRBR3	1,350.00	675.00 (I)
Zone 3	NRBR3	1,350.00 (I)	675.00 (I)

(This page filed under Transmittal No. 466)

Issued: June 18, 2012

Effective: July 3, 2012

Four AT&T Plaza, Dallas, Texas 75202

ACCESS SERVICE

7. Special Access (Cont'd)

7.5 Rates and Charges (Cont'd)

7.5.9 High Capacity Service (Cont'd)

(E) Rollover when Point of Termination Changes

	<u>USOC</u>	<u>Nonrecurring Charges</u>		
		<u>1st</u>	<u>Add'l</u>	
- Per point of Termination				
- DS1				
Zone 1	NRBRO	\$900.00	\$450.00	(T)
Zone 2	NRBRO	900.00	450.00	(T)
Zone 3	NRBRO	900.00	450.00	(T)
- DS3				
Zone 1	NRBRO	900.00	450.00	(T)
Zone 2	NRBRO	900.00	450.00	(T)
Zone 3	NRBRO	900.00	450.00	(T)

Nonrecurring Charges

(F) Fiber AdvantageSM
 Diversity

- Per DS1, DS3, DS3x3, or DS3x12 Service	DF4/SHF	\$200.00	
---	---------	----------	--

Monthly

Credit

(G) DS3 Leaseback

- Per DS1 Channel	NAC1X/LBK++	\$40.00	
-------------------	-------------	---------	--

(This page filed under Transmittal No. 527)

ACCESS SERVICE

7. Special Access (Cont'd)

7.5 Rates and Charges (Cont'd)

7.5.9 High Capacity Service (Cont'd)

(H) Collocation Transport

	USOC	Monthly Rate		Nonrecurring Charges	
		Fixed	Per Mile	1st Ckt.	Addl Ckt.
1.544 Mbps	(1H48S)	\$48.00	\$10.00	\$900.00	\$900.00
	USOC	Fixed	Per Mile	1st Ckt.	Addl Ckt.
Fiber Advantage ^{sm(1)}					
1.544 Mbps	(1H48S)	\$48.00	\$ 7.50	\$500.00	\$200.00
	USOC	Fixed	Per Mile	1st Ckt.	Addl Ckt.
44.736 Mbps	(1H48S)				
Month-to-Month		\$415.00	\$19.25	\$4,000.00	\$4,000.00 (D)
Monthly Extension		\$415.00	\$19.25		
1 Year ⁽⁴⁾		\$410.00	\$19.00	\$2,000.00	\$2,000.00 (N)
3 Year ⁽³⁾		\$405.00	\$18.50	\$1,000.00	\$1,000.00
5 Year ⁽²⁾		\$400.00	\$17.50	\$1,000.00	\$1,000.00

(1) Effective May 17, 2003, Fiber Advantagesm DS1 Rate Stability Payment Plan will no longer be available to new customers. There will be no change to existing customers. Refer to section 7.4.11(A) for conversion options.

(2) Effective on September 13, 2017, High Capacity DS3 5-year Payment Plans are no longer available, including for any otherwise available renewals, extensions or conversions. Circuits already subject to a High Capacity DS3 5-year Payment Plan, as of September 13, 2017, will continue to be provided under the then-current High Capacity DS3 5-year Payment Plan term for the remainder of that term.

(3) Effective on November 1, 2022, DS1 TPP 2- and 3-year, and DS3 (High Capacity and Fiber Advantagesm) 3-year Payment Plans are no longer available, including for any otherwise available conversions. Circuits already subject to a DS1 TPP 2- or 3-year or DS3 (High Capacity and Fiber Advantagesm) 3-year Payment Plan, as of November 1, 2022, will continue to be provided under the then-current DS1 TPP 2- or 3-year or DS3 (High Capacity and Fiber Advantagesm) 3-year Payment Plan term for the remainder of that term.

(4) Effective January 17, 2024, DS1 Term Payment Plan 1-year and Fiber Advantagesm DS3 1-year Payment Plans (collectively, Term Plan Services), are no longer available, including conversions. Existing Term Plan Services on January 17, 2024, will continue to be provided for the remainder of the then-current terms.

(D)
(D)

(N)
|
(N)

(This page filed under Transmittal No. 596)

ACCESS SERVICE

- 7. Special Access Service (Cont'd)
- 7.5 Rates and Charges (Cont'd)
- 7.5.9 High Capacity Service (Cont'd)

(I) DS1 Term Payment Plan

Rates and charges for the DS1 Term Payment Plan^{(1) (3) (4)}

(N)

(1) Channel Termination

- Per Point of Termination

USOC	1 Year	2 Year	3 Year	5 Year	7 Year
TMECS ZN1	\$173.88	\$144.90	\$139.15	\$113.00	\$110.00
TMECS ZN2	\$187.68	\$155.83	\$142.31	\$115.00	\$112.00
TMECS ZN3	\$198.72	\$159.85	\$153.53	\$121.50	\$118.55

(2) Channel Mileage

- Fixed

USOC	1 Year	2 Year	3 Year	5 Year	7 Year
1L5XX ZN1	\$ 48.00	\$ 44.50	\$43.00	\$ 38.00	\$ 34.50
1L5XX ZN2	\$ 48.00	\$ 47.00	\$45.50	\$ 40.50	\$ 37.00
1L5XX ZN3	\$ 48.00	\$ 47.50	\$46.00	\$ 41.00	\$ 37.50

- Per Mile

USOC	1 Year	2 Year	3 Year	5 Year	7 Year
1L5XX ZN1	\$ 10.00	\$ 9.95	\$ 9.90	\$ 9.75	\$ 9.25
1L5XX ZN2	\$ 10.05	\$ 10.00	\$ 9.90	\$ 9.75	\$ 9.25
1L5XX ZN3	\$ 10.05	\$ 10.00	\$10.00	\$ 9.75	\$ 9.25

(3) Central Office Multiplexing DS1 to DS0 voice/digital⁽²⁾

- Per arrangement

USOC	1 Year	2 Year	3 Year	5 Year	7 Year
MQ1/MQ2/QMU ZN 1	\$230.00	\$210.00	\$200.00	\$195.00	\$190.00
MQ1/MQ2/QMU ZN 2	\$250.00	\$210.00	\$200.00	\$195.00	\$190.00
MQ1/MQ2/QMU ZN 3	\$250.00	\$250.00	\$200.00	\$195.00	\$190.00

(4) Collocation Transport

- Channel Mileage

- Fixed

USOC	1 Year	2 Year	3 Year	5 Year	7 Year
1H48S	\$ 48.00	\$ 44.50	\$ 42.00	\$ 37.00	\$ 34.50

- Per Mile

USOC	1 Year	2 Year	3 Year	5 Year	7 Year
1H48S	\$10.05	\$10.05	\$ 9.90	\$ 9.50	\$ 9.25

- (1) Effective on September 13, 2017, DS1 TPP 5- and 7-year Payment Plans are no longer available, including for any otherwise available conversions. Circuits already subject to a DS1 TPP 5- or 7-year Payment Plan, as of September 13, 2017, will continue to be provided under the then-current DS1 TPP 5- or 7-year Payment Plan term for the remainder of that term.
- (2) Effective November 20, 2019, this Service will no longer be available for purchase by new or existing customers, and service agreements may no longer be renewed. In addition, requests to move, add or change existing service arrangements will not be accepted. Following the expiration of a customer's existing term agreement, service will be provided on a month-to-month basis at the applicable monthly extension rates until the service is discontinued. AT&T currently plans to discontinue this Service on or after June 30, 2024.
- (3) Effective on November 1, 2022, DS1 TPP 2- and 3-year, and DS3 (High Capacity and Fiber Advantagesm) 3-year Payment Plans are no longer available, including for any otherwise available conversions. Circuits already subject to a DS1 TPP 2- or 3-year or DS3 (High Capacity and Fiber Advantagesm) 3-year Payment Plan, as of November 1, 2022, will continue to be provided under the then-current DS1 TPP 2- or 3-year or DS3 (High Capacity and Fiber Advantagesm) 3-year Payment Plan term for the remainder of that term.
- (4) Effective January 17, 2024, DS1 Term Payment Plan 1-year and Fiber Advantagesm DS3 1-year Payment Plans (collectively, Term Plan Services), are no longer available, including conversions. Existing Term Plan Services on January 17, 2024, will continue to be provided for the remainder of the then-current terms.

(N)
 |
 (N)

(This page filed under Transmittal No. 596)

ACCESS SERVICE

7. Special Access Service (Cont'd)

7.5 Rates and Charges (Cont'd)

7.5.9 High Capacity Service (Cont'd)

(I) DS1 Term Payment Plan (Cont'd)

(5) Nonrecurring Charges - One Time Charges
 - Per point of channel termination

USOC	DESCRIPTION	RATE
TMECS	Channel Termination Nonrecurring Charge	\$ 900.00
1H48S	Collocation Transport Nonrecurring Charge	

NOTE: Channel Termination Nonrecurring Charges and Collocation Transport Nonrecurring Charges are waived on new installations of DS1 High Capacity Service with a 2, 3, 5, or 7 year DS1 TPP.

7.5.10

(D)

(D)

(This page filed under Transmittal No. 470)

ACCESS SERVICE

7. Special Access Service (Cont'd)

7.5 Rates and Charges (Cont'd)

7.5.11 Message Station Equipment Recovery Charge

	<u>USOC</u>	<u>Monthly Rates</u>
Message Station Equipment Recovery Charge		
- Per Special Access Surcharge Assessed	UTM	\$ 0.00

7.5.12 Special Access Surcharge

	<u>USOC</u>	<u>Monthly Rates</u>
Special Access Surcharge		
- Per Surcharge Assessed	S25	\$25.00

Rates contained in this transmittal are subject to subsequent adjustment, effective retrospectively back to the transmittal's original effective date, in the event the Commission or a court subsequently authorizes Pacific to correct its rates pursuant to the decision in *United States Telephone Association v. FCC* (Case No. 97-1469) (slip. op. May 21, 1999) (D.C. Cir.), or pursuant to pending motions, or petitions for reconsideration or waiver, or in the event of any other adjustment pursuant to an order of the Commission or a court.

(This page filed under Transmittal No. 1)

Issued: April 27, 2000

Effective: May 12, 2000

Four AT&T Plaza, Dallas, Texas 75202

ACCESS SERVICE

7. Special Access Service (Cont'd)

7.5 Rates and Charges

7.5.13 SONET Ring and Access Services⁽¹⁾

	<u>USOC</u>	<u>Monthly Rates</u>	(C)
(A) Mileage			
(1) Dedicated Ring			
- per interoffice mile			
155 Mbps (OC3)	0 - 10 miles	1L5XX/1L8XX	None
	over 10 miles	1L5XX/1L8XX	\$250.00
622 Mbps (OC12)	0 - 10 miles	1L5XX/1L8XX	None
	over 10 miles	1L5XX/1L8XX	300.00
2.4 Gbps (OC48)	0 - 10 miles	1L5XX/1L8XX	None
	over 10 miles	1L5XX/1L8XX	325.00
(2) Circuit Service			
- per interoffice mile			
	622 Mbps (OC12/c)	1L5XX/1L8XX	\$250.00
	622 Mbps (STS-12) *	1L5XX/1L8XX	250.00
	155 Mbps (OC3c)	1L5XX/1L8XX	100.00
	51 Mbps (DS3)	1L5XX/1L8XX	25.00
	1.5 Mbps (DS1)	1L5XX/1L8XX	15.00

* STS12 has been discontinued by the vendor and is limited to existing customers at existing locations as of January 5, 1999.

⁽¹⁾ Effective 01/03/06, SONET Ring and Access Service is limited to existing customers at existing locations except where spare capacity exists; customers may add additional locations on existing rings. New SONET ring services will be provided via Dedicated SONET Ring Service.

(N)
 |
 (N)

(This page filed under Transmittal No. 269)

Issued: December 19, 2005

Effective: January 3, 2006

Four AT&T Plaza, Dallas, Texas 75202

ACCESS SERVICES

7. Special Access Service (Cont'd)

7.5 Rates and Charges (Cont'd)

7.5.13 SONET Ring and Access Services⁽¹⁾ (Cont'd)

	<u>USOC</u>	<u>Monthly Rates</u>	<u>Nonrecurring Charges</u>	(T)
--	-------------	----------------------	-----------------------------	-----

(B) Dedicated Ring Fee

(1) Interoffice

- per CO Node to CO Node Link

3 Year Plan

155 Mbps (OC3)	FECFX/DEDF3	\$350.00	\$150.00	
622 Mbps (OC12)	FECFX/DEDF3	400.00	150.00	
2.4 Gbps (OC48)	FECFX/DEDF3	800.00	150.00	

5 Year Plan

155 Mbps (OC3)	FECFX/DEDF5	300.00	None	
622 Mbps (OC12)	FECFX/DEDF5	350.00	None	
2.4 Gbps (OC48)	FECFX/DEDF5	700.00	None	

(2) Local Loop

- per CO Node to Premises Node Link
 (within the customer's Wire Center)

3 Year Plan

155 Mbps (OC3)	FECCLX/DEDL3	800.00	150.00	
622 Mbps (OC12)	FECCLX/DEDL3	900.00	150.00	
2.4 Gbps (OC48)	FECCLX/DEDL3	1,600.00	150.00	

5 Year Plan

155 Mbps (OC3)	FECCLX/DEDL5	700.00	None	
622 Mbps (OC12)	FECCLX/DEDL5	800.00	None	
2.4 Gbps (OC48)	FECCLX/DEDL5	1,300.00	None	

⁽¹⁾ Effective 01/03/06, SONET Ring and Access Service is limited to existing customers at existing locations except where spare capacity exists; customers may add additional locations on existing rings. New SONET ring services will be provided via Dedicated SONET Ring Service. (T)

(This page filed under Transmittal No. 474)

ACCESS SERVICE

7. Special Access Service (Cont'd)

7.5 Rates and Charges (Cont'd)

7.5.13 SONET Ring and Access Services⁽¹⁾ (Cont'd)

	<u>USOC</u>	<u>Monthly Rates</u>	<u>Nonrecurring Charges</u>	(T)
(3) Alternate Wire Center				
- per CO Node to Premises Node Link (outside of customer's wire center)				
<u>3 Year Plan</u>				
155 Mbps (OC3)	FECAX/DEDA3	\$1,100.00	\$150.00	
622 Mbps (OC12)	FECAX/DEDA3	1,200.00	150.00	
2.4 Gbps (OC48)	FECAX/DEDA3	2,100.00	150.00	
<u>5 Year Plan</u>				
155 Mbps (OC3)	FECAX/DEDA5	900.00	None	
622 Mbps (OC12)	FECAX/DEDA5	1,000.00	None	
2.4 Gbps (OC48)	FECAX/DEDA5	1,750.00	None	

⁽¹⁾ Effective 01/03/06, SONET Ring and Access Service is limited to existing customers at existing locations except where spare capacity exists; customers may add additional locations on existing rings. New SONET ring services will be provided via Dedicated SONET Ring Service.

(This page filed under Transmittal No. 474)

ACCESS SERVICE

7. Special Access Service (Cont'd)

7.5 Rates and Charges (Cont'd)

7.5.13 SONET Ring and Access Services⁽¹⁾ (Cont'd)

	<u>USOC</u>	<u>Monthly Rates</u>	<u>Nonrecurring Charges</u>	(T)
(C) Nodes: CO and Premises				
- per node				
(1) CO Node for dedicated ring				
<u>3 Year Plan</u>				
155 Mbps (OC3)	FH5XC/NODC3	\$1,700.00		
		\$1,300.00		
622 Mbps (OC12)	FH5XC/NODC3	1,900.00		
1,500.00				
2.4 Gbps (OC48)	FH5XC/NODC3	4,450.00		
3,000.00				
<u>5 Year Plan</u>				
155 Mbps (OC3)	FH5XC/NODC5	1,300.00	None	
622 Mbps (OC12)	FH5XC/NODC5	1,500.00	None	
2.4 Gbps (OC48)	FH5XC/NODC5	3,350.00	None	
(2) Premises Node for dedicated ring				
<u>3 Year Plan</u>				
155 Mbps (OC3)	FP5XC/NODD3	\$2,250.00		
		\$1,300.00		
622 Mbps (OC12)	FP5XC/NODD3	2,500.00		
1,500.00				
2.4 Gbps (OC48)	FP5XC/NODD3	5,200.00		
3,000.00				
<u>5 Year Plan</u>				
155 Mbps (OC3)	FP5XC/NODD5	1,400.00	None	
622 Mbps (OC12)	FP5XC/NODD5	1,800.00	None	
2.4 Gbps (OC48)	FP5XC/NODD5	4,250.00	None	

⁽¹⁾ Effective 01/03/06, SONET Ring and Access Service is limited to existing customers at existing locations except where spare capacity exists; customers may add additional locations on existing rings. New SONET ring services will be provided via Dedicated SONET Ring Service.

(This page filed under Transmittal No. 474)

ACCESS SERVICE

7. Special Access Service (Cont'd)

7.5 Rates and Charges (Cont'd)

7.5.13 SONET Ring and Access Services⁽¹⁾ (Cont'd)

	<u>USOC</u>	<u>Monthly Rates</u>	<u>Nonrecurring Charges</u>	(T)
(C) Nodes: CO and Premises - per node				
(3) Customer Provided Node for dedicated ring				
<u>3 Year Plan</u>				
155 Mbps (OC3)	FJ5XC/NODN3	\$700.00		
		\$1,300.00		
622 Mbps (OC12)	FJ5XC/NODN3	800.00		
1,500.00				
2.4 Gbps (OC48)	FJ5XC/NODN3	900.00		
3,000.00				
<u>5 Year Plan</u>				
155 Mbps (OC3)	FJ5XC/NODN5	600.00	None	
622 Mbps (OC12)	FJ5XC/NODN5	700.00	None	
2.4 Gbps (OC48)	FJ5XC/NODN5	800.00	None	

⁽¹⁾ Effective 01/03/06, SONET Ring and Access Service is limited to existing customers at existing locations except where spare capacity exists; customers may add additional locations on existing rings. New SONET ring services will be provided via Dedicated SONET Ring Service.

(This page filed under Transmittal No. 474)

ACCESS SERVICE

7. Special Access Service (Cont'd)

7.5 Rates and Charges (Cont'd)

7.5.13 SONET Ring and Access Services⁽¹⁾ (Cont'd)

	<u>USOC</u>	<u>Monthly Rates</u>	(C)
(C) Nodes: CO and Premises (Cont'd) - per node			
(4) CO Node for two point (circuit service) configuration			
<u>Month-to-Month</u>			
622 Mbps (OC12/c)	FC6XB/NOCCM	\$4,500.00	
622 Mbps (STS12)*	FC6XB/NOCCM	4,500.00	
155 Mbps (OC3/3c)	FC6XB/NOCCM	1,500.00	
51 Mbps (STS1 or DS3)	FC6XB/NOCCM	450.00	
1.5 Mbps (DS1)	FC6XB/NOCCM	60.00	
<u>1 Year Plan</u>			
622 Mbps (OC12/c)	FC6XB/NOCC1	\$4,000.00	
622 Mbps (STS12)*	FC6XB/NOCC1	4,000.00	
155 Mbps (OC3/3c)	FC6XB/NOCC1	1,250.00	
51 Mbps (STS1 or DS3)	FC6XB/NOCC1	400.00	
1.5 Mbps (DS1)	FC6XB/NOCC1	45.00	
<u>3 Year Plan</u>			
622 Mbps (OC12/c)	FC6XB/NOCC3	\$3,000.00	
622 Mbps (STS12)*	FC6XB/NOCC3	3,000.00	
155 Mbps (OC3/3c)	FC6XB/NOCC3	1,000.00	
51 Mbps (STS1 or DS3)	FC6XB/NOCC3	300.00	
1.5 Mbps (DS1)	FC6XB/NOCC3	40.00	
<u>5 Year Plan</u>			
622 Mbps (OC12/c)	FC6XB/NOCC5	\$2,100.00	
622 Mbps (STS12)*	FC6XB/NOCC5	2,100.00	
155 Mbps (OC3/3c)	FC6XB/NOCC5	700.00	
51 Mbps (STS1 or DS3)	FC6XB/NOCC5	220.00	
1.5 Mbps (DS1)	FC6XB/NOCC5	35.00	

* STS12 has been discontinued by the vendor and is limited to existing customers at existing locations as of January 5, 1999.

⁽¹⁾ Effective 01/03/06, SONET Ring and Access Service is limited to existing customers at existing locations except where spare capacity exists; customers may add additional locations on existing rings. New SONET ring services will be provided via Dedicated SONET Ring Service.

(N)
|
(N)

(This page filed under Transmittal No. 269)

ACCESS SERVICE

7. Special Access Service (Cont'd)

7.5 Rates and Charges (Cont'd)

7.5.13 SONET Ring and Access Services⁽¹⁾ (Cont'd)

			<u>Monthly</u>	<u>Nonrecurring</u>		
	<u>USOC</u>		<u>Rates</u>	<u>Charges</u>		(C)
				<u>1st</u>	<u>Add'l</u>	
(D) Local Loop Link						
- per link (with equipment)						
		<u>Month-to-Month</u>				
155 Mbps (OC3c)	DCHSX/LLALM		\$7,500.00	\$56,200.00	\$28,100.00	
45 Mbps (DS3)	DCHSX/LLALM		2,400.00	31,000.00	15,500.00	
1.5 Mbps (DS1)	DCHSX/LLALM		130.00	720.00	360.00	
		<u>1 Year Plan</u>				
155 Mbps (OC3c)	DCHSX/LLAL1		\$5,700.00	\$6,500.00	\$3,250.00	
45 Mbps (DS3)	DCHSX/LLAL1		2,290.00	3,500.00	1,750.00	
1.5 Mbps (DS1)	DCHSX/LLAL1		130.00	720.00	360.00	
		<u>3 Year Plan</u>				
155 Mbps (OC3c)	DCHSX/LLAL3		\$3,000.00	\$3,250.00	\$1,625.00	
45 Mbps (DS3)	DCHSX/LLAL3		1,600.00	1,750.00	875.00	
1.5 Mbps (DS1)	DCHSX/LLAL3		130.00	360.00	180.00	
		<u>5 Year Plan</u>				
155 Mbps (OC3c)	DCHSX/LLAL5		\$2,225.00	None	None	
45 Mbps (DS3)	DCHSX/LLAL5		1,100.00	None	None	
1.5 Mbps (DS1)	DCHSX/LLAL5		120.00	None	None	

⁽¹⁾ Effective 01/03/06, SONET Ring and Access Service is limited to existing customers at existing locations except where spare capacity exists; customers may add additional locations on existing rings. New SONET ring services will be provided via Dedicated SONET Ring Service.

(N)
 |
 (N)

(This page filed under Transmittal No. 269)

ACCESS SERVICE

7. Special Access Service (Cont'd)

7.5 Rates and Charges (Cont'd)

7.5.13 SONET Ring and Access Services⁽¹⁾ (Cont'd)

(C)

(E)	USOC	Monthly Rates	Nonrecurring Charges	
			1st	Add'l
Premises Access Ports				
- per port				
<u>Month-to-Month</u>				
OC-48	KP6YX	\$6,000.00	850.00	\$425.00
622 Mbps (OC12c)	FP6TX/LSAUM	2,000.00	700.00	350.00
622 Mbps (OC12)	FP6TX/LSAUM	2,000.00	700.00	350.00
155.5 Mbps (OC3c)	FP6OX/LSAOM	675.00	700.00	350.00
155.5 Mbps (OC3)	FP6OX/LSAOM	675.00	700.00	350.00
45 Mbps (DS3)	FP6BX/LSA3M	330.00	700.00	350.00
1.5 Mbps (DS1)	FP6AX/LSA1M	90.00	700.00	350.00
100 Mbps Ethernet (STS-1) at OC-3 node*	S9TAX	225.00	385.00	195.00
100 Mbps Ethernet (STS-1) at OC-12 node*	S9TBX	225.00	385.00	195.00
100 Mbps Ethernet (STS-3c) at OC-12 node*	S9TCX	280.00	385.00	195.00
1 Gbps Ethernet (STS-1) at OC-12 node*	S9TDX	350.00	425.00	215.00
1 Gbps Ethernet (STS-3c) at OC-12 node*	S9TEX	350.00	425.00	215.00
100 Mbps Ethernet (STS-1) at OC-48 node*	S9TGX	225.00	385.00	195.00
100 Mbps Ethernet (STS-3c) at OC-48 node*	S9THX	280.00	385.00	195.00
1 Gbps Ethernet (STS-1) at OC-48 node*	S9TJX	350.00	425.00	215.00
1 Gbps Ethernet (STS-3c) at OC-48 node*	S9TKX	350.00	425.00	215.00
1 Gbps Ethernet (STS-12c) at OC-48 node*	S9TLX	875.00	425.00	215.00
1 Gbps Ethernet (STS-24c) at OC-48 node*	S9TMX	1,500.00	425.00	215.00

* Effective January 21, 2004, new orders for SONET Ring and Access Service with the EoS enhancement will be served by different equipment. Disconnect of the existing SONET Ring and Access Service and placement of an order for new SONET Ring and Access Service with the EoS enhancement is required. Refer to Section 7.4.16(H) for details.

⁽¹⁾ Effective 01/03/06, SONET Ring and Access Service is limited to existing customers at existing locations except where spare capacity exists; customers may add additional locations on existing rings. New SONET ring services will be provided via Dedicated SONET Ring Service.

(N)
 |
 (N)

(This page filed under Transmittal No. 269)

ACCESS SERVICE

7. Special Access Service (Cont'd)

7.5 Rates and Charges (Cont'd)

7.5.13 SONET Ring and Access Services⁽¹⁾ (Cont'd)

(C)

(E)	USOC	Monthly Rates	Nonrecurring Charges	
			1st	Add'l
<u>Premises Access Ports (Cont'd)</u>				
- per port				
<u>1 Year Plan</u>				
OC-48	KP6YX	\$5,700.00	\$850.00	\$425.00
622 Mbps (OC12c)	FP6TX/LSAU1	\$1,900.00	\$700.00	\$350.00
622 Mbps (OC12)	FP6TX/LSAU1	\$1,900.00	\$700.00	\$350.00
155.5 Mbps (OC3c)	FP6OX/LSAO1	600.00	700.00	350.00
155.5 Mbps (OC3)	FP6OX/LSAO1	600.00	700.00	350.00
45 Mbps (DS3)	FP6BX/LSA31	300.00	700.00	350.00
1.5 Mbps (DS1)	FP6AX/LSA11	80.00	700.00	350.00
<u>3 Year Plan</u>				
OC-48	KP6YX	\$5,100.00	\$450.00	\$425.00
622 Mbps (OC12c)	FP6TX/LSAU3	\$1,700.00	\$350.00	\$175.00
622 Mbps (OC12)	FP6TX/LSAU3	\$1,700.00	\$350.00	\$175.00
155.5 Mbps (OC3c)	FP6OX/LSAO3	460.00	350.00	175.00
155.5 Mbps (OC3)	FP6OX/LSAO3	460.00	350.00	175.00
45 Mbps (DS3)	FP6BX/LSA33	230.00	350.00	175.00
1.5 Mbps (DS1)	FP6AX/LSA13	60.00	350.00	175.00
100 Mbps Ethernet (STS-1) at OC-3 node*	S9TAX	145.00	385.00	195.00
100 Mbps Ethernet (STS-1) at OC-12 node*	S9TBX	145.00	385.00	195.00
100 Mbps Ethernet (STS-3c) at OC-12 node*	S9TCX	180.00	385.00	195.00
1 Gbps Ethernet (STS-1) at OC-12 node*	S9TDX	250.00	425.00	215.00
1 Gbps Ethernet (STS-3c) at OC-12 node*	S9TEX	250.00	425.00	215.00
100 Mbps Ethernet (STS-1) at OC-48 node*	S9TGX	145.00	385.00	195.00
100 Mbps Ethernet (STS-3c) at OC-48 node*	S9THX	180.00	385.00	195.00
1 Gbps Ethernet (STS-1) at OC-48 node*	S9TJX	250.00	425.00	215.00
1 Gbps Ethernet (STS-3c) at OC-48 node*	S9TKX	250.00	425.00	215.00
1 Gbps Ethernet (STS-12c) at OC-48 node*	S9TLX	600.00	425.00	215.00
1 Gbps Ethernet (STS-24c) at OC-48 node*	S9TMX	900.00	425.00	215.00

* Effective January 21, 2004, new orders for SONET Ring and Access Service with the EoS enhancement will be served by different equipment. Disconnect of the existing SONET Ring and Access Service and placement of an order for new SONET Ring and Access Service with the EoS enhancement is required. Refer to Section 7.4.16(H) for details.

⁽¹⁾ Effective 01/03/06, SONET Ring and Access Service is limited to existing customers at existing locations except where spare capacity exists; customers may add additional locations on existing rings. New SONET ring services will be provided via Dedicated SONET Ring Service.

(N)
 |
 (N)

(This page filed under Transmittal No. 269)

ACCESS SERVICE

7. Special Access Service (Cont'd)

7.5 Rates and Charges (Cont'd)

7.5.13 SONET Ring and Access Services⁽¹⁾ (Cont'd)

(C)

(E) Premises Access Ports (Cont'd)	USOC	Monthly Rates	Nonrecurring Charges	
			1st	Add'l
- per port				
<u>5 Year Plan</u>				
OC-48	KP6YX	\$4,500.00	None	None
622 Mbps (OC12c)	FP6TX/LSAU5	\$1,500.00	None	None
622 Mbps (OC12)	FP6TX/LSAU5	\$1,500.00	None	None
155.5 Mbps (OC3c)	FP6OX/LSAO5	390.00	None	None
155.5 Mbps (OC3)	FP6OX/LSAO5	390.00	None	None
45 Mbps (DS3)	FP6BX/LSA35	135.00	None	None
1.5 Mbps (DS1)	FP6AX/LSA15	45.00	None	None
100 Mbps Ethernet (STS-1) at OC-3 node*	S9TAX	130.00	385.00	195.00
100 Mbps Ethernet (STS-1) at OC-12 node*	S9TBX	130.00	385.00	195.00
100 Mbps Ethernet (STS-3c) at OC-12 node*	S9TCX	160.00	385.00	195.00
1 Gbps Ethernet (STS-1) at OC-12 node*	S9TDX	200.00	425.00	215.00
1 Gbps Ethernet (STS-3c) at OC-12 node*	S9TEX	200.00	425.00	215.00
100 Mbps Ethernet (STS-1 at OC-48 node*	S9TGX	130.00	385.00	195.00
100 Mbps Ethernet (STS-3c) at OC-48 node*	S9THX	160.00	385.00	195.00
1 Gbps Ethernet (STS-1) at OC-48 node*	S9TJX	200.00	425.00	215.00
1 Gbps Ethernet (STS-3c) at OC-48 node*	S9TKX	200.00	425.00	215.00
1 Gbps Ethernet (STS-12c) at OC-48 node*	S9TLX	500.00	425.00	215.00
1 Gbps Ethernet (STS-24c) at OC-48 node*	S9TMX	850.00	425.00	215.00

* Effective January 21, 2004, new orders for SONET Ring and Access Service with the EoS enhancement will be served by different equipment. Disconnect of the existing SONET Ring and Access Service and placement of an order for new SONET Ring and Access Service with the EoS enhancement is required. Refer to Section 7.4.16(H) for details.

⁽¹⁾ Effective 01/03/06, SONET Ring and Access Service is limited to existing customers at existing locations except where spare capacity exists; customers may add additional locations on existing rings. New SONET ring services will be provided via Dedicated SONET Ring Service.

(N)
 |
 (N)

(This page filed under Transmittal No. 269)

ACCESS SERVICE

7. Special Access Service (Cont'd)

7.5 Rates and Charges (Cont'd)

7.5.13 SONET Ring and Access Services⁽²⁾ (Cont'd)

(C)

	<u>USOC</u>	<u>Monthly Rates</u>	<u>Nonrecurring Charges</u>	
			<u>1st</u>	<u>Add'l</u>
(E) Premises Access Ports (Cont'd)				
Additional Connection for 2.4 Gbps (OC48)				
- per port				
<u>Month-to-Month</u>				
622 Mbps ⁽¹⁾	FP6EA/LSABM	\$2,100.00	\$700.00	\$350.00
<u>1 Year Plan</u>				
622 Mbps ⁽¹⁾	FP6EA/LSAB1	1,900.00	700.00	350.00
<u>3 Year Plan</u>				
622 Mbps ⁽¹⁾	FP6EA/LSAB3	1,650.00	350.00	175.00
<u>5 Year Plan</u>				
622 Mbps ⁽¹⁾	FP6EA/LSAB5	1,400.00	None	None

(1) For SONET Rings established before 03/24/05, the 622 Mbps Additional Connection Interface is required for interface connections to 1.5 Mbps bandwidth service.

(2) Effective 01/03/06, SONET Ring and Access Service is limited to existing customers at existing locations except where spare capacity exists; customers may add additional locations on existing rings. New SONET ring services will be provided via Dedicated SONET Ring Service.

(N)
 (N)
 (N)
 (N)

(This page filed under Transmittal No. 269)

Issued: December 19, 2005

Effective: January 3, 2006

Four AT&T Plaza, Dallas, Texas 75202

ACCESS SERVICE

7. Special Access Service (Cont'd)7.5 Rates and Charges (Cont'd)7.5.13 SONET Ring and Access Services⁽¹⁾ (Cont'd)

(C)

Definitions

The following definitions describe connections for Primary Node Links and Central Office Access Ports.

STS1/DS1: provides for 28 DS1 (Local Loop Access Links-copper or Fiber Advantage) services from the customer's premises to the central office Digital Crossconnect System onto the STS-1 interface.

STS1/ DS3: provides for DS3 to DS3 crossconnect of Local Loop Access Links or Fiber Advantage service from the customer's premises to the central office onto the STS-1 interface.

STS1 hardwired for DS3: provides for DS3 services from the customer premises through the central office bypassing all electronic crossconnect equipment (Capacity is one DS3).

OC3/c-12: provides for 155 Mbps bandwidth services from the customer's premises to the central office on a Dedicated OC12 Ring with an optical interface (LSAC+).

OC3/c-48: provides for 155 Mbps bandwidth services from the customer's premises to the central office on a Dedicated OC48 ring with an optical interface (LSA4+).

STS12*; provides 622 Mbps bandwidth service to interconnect two SONET rings on an electrical interface (LSAT+).

OC12: provides 622 Mbps bandwidth service to interconnect two SONET rings on an optical interface (LSAT+).

OC12c-48: provides 622 Mbps bandwidth services from the customer's premises to the central office on a Dedicated OC48 Ring with an optical interface (LSAL+).

OC-12/c: provides 622 Mbps Broadband Circuit Service** Optical Carrier Network (OCN) Point-to-Point bandwidth from customer's premises to the central office with an optical interface (LSAL+).

* STS12 has been discontinued by the vendor and is limited to existing customers at existing locations as of January 5, 1999.

**This option is limited to existing customers at existing locations as of January 11, 2002.

⁽¹⁾ Effective 01/03/06, SONET Ring and Access Service is limited to existing customers at existing locations except where spare capacity exists; customers may add additional locations on existing rings. New SONET ring services will be provided via Dedicated SONET Ring Service.

(N)
(N)
(N)
(N)

(This page filed under Transmittal No. 269)

Issued: December 19, 2005

Effective: January 3, 2006

Four AT&T Plaza, Dallas, Texas 75202

ACCESS SERVICE

7. Special Access Service (Cont'd)

7.5 Rates and Charges (Cont'd)

7.5.13 SONET Ring and Access Services⁽¹⁾ (Cont'd)

(C)

Definitions (Cont'd)

The following definitions describe connections for Premise Access Ports:

DS1: provides 1.544 Mbps bandwidth service at the customer's premise node mapping it onto the STS1 interface (LSA1+).

DS3: provides 45 Mbps bandwidth service at the customer's premise node mapping it onto the STS1 interface (LSA3+).

OC3c: provides 155 Mbps bandwidth concatenated services at the customer's premise with an optical, non-protected interface (LSAO+).

OC12c: provides 622 Mbps bandwidth concatenated services at the customer's premise with an optical, non-protected interface (LSAU+).

OC3/c: provides 155 Mbps Broadband Circuit Service* Optical Carrier Network Point-to-Point service at the customer's premise with an optical, non-protected interface (LSAO+).

OC12/c: provides 622 Mbps Broadband Circuit Service* Optical Carrier Network (OCN) Point-to-Point Service at the customer's premise with an optical, non-protected interface (LSAU+).

100 Mbps Ethernet: provides 100 Mbps bandwidth service at the customer's premise node mapping it onto the STS-1 or STS-3c interfaces.

1 Gbps Ethernet: provides 1 Gbps bandwidth service at the customer's premise node mapping it onto the STS-1, STS-3c, STS-12c, STS-24c interfaces.

*This option is limited to existing customers at existing locations as of January 11, 2002.

⁽¹⁾ Effective 01/03/06, SONET Ring and Access Service is limited to existing customers at existing locations except where spare capacity exists; customers may add additional locations on existing rings. New SONET ring services will be provided via Dedicated SONET Ring Service.

(N)
 (N)
 (N)
 (N)

(This page filed under Transmittal No. 269)

ACCESS SERVICE

7. Special Access Service (Cont'd)

(C)

7.5 Rates and Charges (Cont'd)

7.5.13 SONET Ring and Access Services⁽¹⁾ (Cont'd)

(F) Central Office Access	<u>USOC</u>	<u>Monthly Rates</u>	<u>Nonrecurring Charges</u>	
Ports			<u>1st</u>	<u>Add'l</u>
- per port				
 <u>Month-to-Month</u>				
OC-48	KC6YX	\$6,000.00	\$850.00	\$425.00
622 Mbps (OC12/c)	FC6TX/LSALM	\$2,000.00	\$600.00	\$300.00
622 Mbps (OC12)	FC6ZX/LSATM	750.00	600.00	300.00
622 Mbps (STS12) *	FC6ZX/LSATM	750.00	600.00	300.00
155 Mbps (OC3/c-48)	FC6UX/LSA4M	675.00	600.00	300.00
155 Mbps (OC3/c-12)	FC6VX/LSACM	335.00	600.00	300.00
155 Mbps (OC3/c-3)	KC65X	675.00	600.00	300.00
51 Mbps (STS1 hardwired)	FC6WX/LSADM	250.00	600.00	300.00
51 Mbps (STS1/DS3)	FC6YX/LSASM	250.00	600.00	300.00
51 Mbps (STS1/DS1s)	FC64X/LSAWM	900.00	600.00	300.00
 <u>1 Year Plan</u>				
OC-48	KC6YX	\$5,700.00	\$850.00	\$425.00
622 Mbps (OC12/c)	FC6TX/LSAL1	\$1,900.00	\$600.00	\$300.00
622 Mbps (OC12)	FC6ZX/LSAT1	675.00	600.00	300.00
622 Mbps (STS12) *	FC6ZX/LSAT1	675.00	600.00	300.00
155 Mbps (OC3/c-48)	FC6UX/LSA41	600.00	600.00	300.00
155 Mbps (OC3/c-12)	FC6VX/LSAC1	300.00	600.00	300.00
155 Mbps (OC3/c-3)	KC65X	600.00	600.00	300.00
51 Mbps (STS1 hardwired)	FC6WX/LSAD1	225.00	600.00	300.00
51 Mbps (STS1/DS3)	FC6YX/LSAS1	225.00	600.00	300.00
51 Mbps (STS1/DS1s)	FC64X/LSAW1	800.00	600.00	300.00
 <u>3 Year Plan</u>				
OC-48	KC6YX	\$5,100.00	\$450.00	\$425.00
622 Mbps s(OC12/c)	FC6TX/LSAL3	\$1,700.00	\$300.00	\$150.00
622 Mbps (OC12)	FC6ZX/LSAT3	525.00	300.00	150.00
622 Mbps (STS12) *	FC6ZX/LSAT3	525.00	300.00	150.00
155 Mbps (OC3/c-48)	FC6UX/LSA43	475.00	300.00	150.00
155 Mbps (OC3/c-12)	FC6VX/LSAC3	235.00	300.00	150.00
155 Mbps (OC3/c-3)	KC65X	475.00	300.00	150.00
51 Mbps (STS1 hardwired)	FC6WX/LSAD3	175.00	300.00	150.00
51 Mbps (STS1/DS3)	FC6YX/LSAS3	175.00	300.00	150.00
51 Mbps (STS1/DS1s)	FC64X/LSAW3	650.00	300.00	150.00

* STS12 has been discontinued by the vendor and is limited to existing customers at existing locations as of January 5, 1999.

⁽¹⁾ Effective 01/03/06, SONET Ring and Access Service is limited to existing customers at existing locations except where spare capacity exists; customers may add additional locations on existing rings. New SONET ring services will be provided via Dedicated SONET Ring Service.

(N)
(N)
(N)
(N)

(This page filed under Transmittal No. 269)

ACCESS SERVICE

7. Special Access Service (Cont'd)

7.5 Rates and Charges (Cont'd)

7.5.13 SONET Ring and Access Services⁽¹⁾ (Cont'd)

	<u>USOC</u>	<u>Monthly Rates</u>	<u>Nonrecurring Charges</u>		(C)
			<u>1st</u>	<u>Add'l</u>	
(F) Central Office Access Ports (Cont'd)					
- per port (Cont'd)					
<u>5 Year Plan</u>					
OC-48	KC6YX	\$4,500.00	None		
None					
622 Mbps (OC12/c)	FC6TX/LSAL5	\$1,500.00	None	None	
622 Mbps (OC12)	FC6ZX/LSAT5	450.00	None	None	
622 Mbps (STS12)*	FC6ZX/LSAT5	450.00	None	None	
155 Mbps (OC3/c-48)	FC6UX/LSA45	400.00	None	None	
155 Mbps (OC3/c-12)	FC6VX/LSAC5	200.00	None	None	
155 Mbps (OC3/c-3)	KC65X	400.00	None	None	
51 Mbps (STS1 hardwired)	FC6WX/LSAD5	150.00	None	None	
51 Mbps (STS1/DS3)	FC6YX/LSAS5	125.00	None	None	
51 Mbps (STS1/DS1s)	FC64X/LSAW5	550.00	None	None	

* STS12 has been discontinued by the vendor and is limited to existing customers at existing locations as of January 5, 1999.

⁽¹⁾ Effective 01/03/06, SONET Ring and Access Service is limited to existing customers at existing locations except where spare capacity exists; customers may add additional locations on existing rings. New SONET ring services will be provided via Dedicated SONET Ring Service.

(N)
 (N)
 (N)
 (N)

(This page filed under Transmittal No. 269)

ACCESS SERVICE

7. Special Access Service (Cont'd)

7.5 Rates and Charges (Cont'd)

7.5.13 SONET Ring and Access Services⁽¹⁾ (Cont'd)

	<u>USOC</u>	<u>Monthly Rates</u>	<u>Nonrecurring Charges</u>			
			<u>1st</u>	<u>Add'l</u>	(T)	
(G)Primary Node Link						
-per Link						
<u>3 Year Plan</u>						
OC-48	NB6YX	\$5,100.00	\$450.00	\$425.00	(T)	
622 Mbps (STS12)	NBPZX/PNLG3	2,200.00	400.00	200.00		
155 Mbps (OC3/c-48)	NBPUX/PNLF3	1,650.00	400.00	200.00		
155 Mbps (OC3-c12)	NBPVX/PNLE3	1,300.00	400.00	200.00		
155 Mbps (OC3/c-3)	NB65X	1,650.00	400.00	200.00		
51 Mbps (STS1 hardwired)	NBPWX/PNLB3	650.00	400.00	200.00		
51 Mbps (STS1/DS3)	NBPYX/PNLD3	650.00	400.00	200.00		
51 Mbps (STS1/DS1)	NBP4X/PNLC3	1,100.00	400.00	200.00		(T)
<u>5 Year Plan</u>						
OC-48	NB6YX	\$4,500.00	None	None	(T)	
622 Mbps (STS12)	NBPZX/PNLG5	1,900.00	None	None		
155 Mbps (OC3/c-48)	NBPUX/PNLF5	1,400.00	None	None		
155 Mbps (OC3-c12)	NBPVX/PNLE5	1,100.00	None	None		
155 Mbps (OC3/c-3)	NB65X	1,400.00	None	None		
51 Mbps (STS1 hardwired)	NBPWX/PNLB5	550.00	None	None		
51 Mbps (STS1/DS3)	NBPYX/PNLD5	550.00	None	None		
51 Mbps (STS1/DS1)	NBP4X/PNLC5	950.00	None	None		

⁽¹⁾ Effective 01/03/06, SONET Ring and Access Service is limited to existing customers at existing locations except where spare capacity exists; customers may add additional locations on existing rings. New SONET ring services will be provided via Dedicated SONET Ring Service.

(This page filed under Transmittal No. 474)

ACCESS SERVICE

7. Special Access Service (Cont'd)

7.5 Rates and Charges (Cont'd)

(C)

7.5.13 SONET Ring and Access Services⁽¹⁾ (Cont'd)

(H)Optional Features and
 Functions

(1)Central Office
 Multiplexing

-per arrangement

DS1 - DS0See Special Access section 7.5.9 (C)1

<u>DS3 - DS1</u>	<u>USOC</u>	<u>Monthly Rates</u>
Month to Month	MQ3/MQ3XM	\$500.00
1 Year Plan	MQ3/MQ3X1	450.00
3 Year Plan	MQ3/MQ3X3	330.00
5 Year Plan	MQ3/MQ3X5	190.00

⁽¹⁾ Effective 01/03/06, SONET Ring and Access Service is limited to existing customers at existing locations except where spare capacity exists; customers may add additional locations on existing rings. New SONET ring services will be provided via Dedicated SONET Ring Service.

(N)
 |
 (N)

(This page filed under Transmittal No. 269)

ACCESS SERVICE

7. Special Access Service (Cont'd)

7.5 Rates and Charges (Cont'd)

7.5.13 SONET Ring and Access Services⁽¹⁾ (Cont'd)

(C)

		<u>Nonrecurring</u>	
		<u>Charges</u>	
		<u>1st</u>	<u>Add'l</u>
		<u>USOC</u>	
(H) Optional Features and Functions (Cont'd)			
(2) Rollover			
- Per point of termination (same location)			
DS1	NRBRH/NRBR1	\$230.00	\$206.00
DS3	NRBR3	230.00	206.00
OC3c	NRBR3	230.00	206.00
- Per point of termination (location of termination changes)			
DS1	NRBR0	427.00	321.00
DS3	NRBR0	427.00	321.00
OC3c	NRBR0	427.00	321.00
(3) Shared Network Arrangement			
		<u>Nonrecurring</u>	
		<u>Charges</u>	
		<u>USOC</u>	
Processing Charge			
- Per service order		NRMCL	30.00

⁽¹⁾ Effective 01/03/06, SONET Ring and Access Service is limited to existing customers at existing locations except where spare capacity exists; customers may add additional locations on existing rings. New SONET ring services will be provided via Dedicated SONET Ring Service.

(N)
 (N)
 (N)
 (N)

(This page filed under Transmittal No. 269)

7. Special Access Service (Cont'd)

7.5 Rates and Charges (Cont'd)

7.5.14 ⁽¹⁾

(D)

⁽¹⁾ Material in this section has been de-tariffed as required by the Commission upon use of the forbearance relief pursuant to FCC Memorandum Opinion and Order No. FCC 07-180 released October 12, 2007. Terms and Conditions associated with de-tariffed services are available at www.att.com/guidebook.

(This page filed under Transmittal No. 385)

Issued: January 24, 2008

Effective: February 8, 2008

Four AT&T Plaza, Dallas, Texas 75202

ACCESS SERVICE

7. Special Access Service (Cont'd)

7.5 Rates and Charges (Cont'd)

7.5.14 ⁽¹⁾

(D)

⁽¹⁾ See footnote (1) on page 7-207.1

(This page filed under Transmittal No. 385)

Issued: January 24, 2008

Effective: February 8, 2008

Four AT&T Plaza, Dallas, Texas 75202

ACCESS SERVICE

7. Special Access Service (Cont'd)

7.5 Rates and Charges (Cont'd)

7.5.14 ⁽¹⁾

(D)

⁽¹⁾ See footnote (1) on page 7-207.1

(This page filed under Transmittal No. 385)

ACCESS SERVICE

7. Special Access Service (Cont'd)

7.6 Individual Case Filings

Rates and charges for Special Access Service provided on an individual case basis are filed following:

Case No.

(This page filed under Transmittal No. 1)

Issued: April 27, 2000

Effective: May 12, 2000

Four AT&T Plaza, Dallas, Texas 75202

ACCESS SERVICE

7. Special Access Service (Cont'd)

7.6 Individual Case Filings

Case No.

86-7 AT&T Communications
(SSE No. 05-17)

To provide high capacity service to operate 1 DS3 at 45 Mbps (44.736 Mbps) For AT&T-C From SDNGCA02 to SDNGCA16 and multiplexed to 28-DS1's at SDNGCA16. This provisioning and pricing are applicable only to this DS3.

	<u>Monthly Rate</u>	<u>Nonrecurring Charge</u>	<u>USOC</u>
Per system	\$16,460.00	\$8,500.00	TZZAG

A Termination Charge will be equal to \$1,013,500.00 less the total amount of any payments received by Pacific Bell for the service described above. Length of Agreement: 5 years.

(This page filed under Transmittal No. 1)

ACCESS SERVICE

7. Special Access Service (Cont'd)

7.6 Individual Case Filings (Cont'd)

Case No.

87-2 Com Systems Inc.
(ICB No. IEC 12-05)

To provide (1) DS3 service with protection from 700 S. Flower, Los Angeles, to 76 S. Cauldina, Anaheim, with multiplexing to 28 DS1's at each end.

	<u>Monthly Rate</u>	<u>Nonrecurring Charge</u>	<u>USOC</u>
Per System	\$13,500.00	\$18,100.00	TZZAK

A Termination Charge will be equal to \$54,300.00 to be reduced 1/60th for each month in service for the service described above.

Length of Agreement: 5 years

(This page filed under Transmittal No. 1)

Issued: April 27, 2000

Effective: May 12, 2000

Four AT&T Plaza, Dallas, Texas 75202

ACCESS SERVICE

7. Special Access Service (Cont'd)

7.6 Individual Case Filings (Cont'd)

Case No.

87-6 AT&T Communications
(ICB No. 7I05-017)

To provide one DS3 (44.736 Mbps) from Electronic Data Systems, 8000 Van Nuys Boulevard, Van Nuys to AT&T's POP at LSANCA02. Service is to be handed off at the DS3 level at both locations. Protection provided between VNNYCA02 (Telephone Company Wire Center) and 8000 Van Nuys Boulevard Van Nuys. The length of service period shall be 1 year.

	<u>Monthly Rate</u>	<u>Nonrecurring Charge</u>	<u>USOC</u>
Per System	\$9,773.00	\$22,200.00	TWTAD

(This page filed under Transmittal No. 1)

Issued: April 27, 2000

Effective: May 12, 2000

Four AT&T Plaza, Dallas, Texas 75202

ACCESS SERVICE

7. Special Access Service (Cont'd)

7.6 Individual Case Filings (Cont'd)

Case No.

88-1 AT&T Communications
(ICB No. 7I01-014)

To provide two (2) DS3s from AT&T's POP in San Diego (SNDGCA02) to the Telephone Company Central Office (SNDGCA15). The Telephone Company will provide the DS3 electronics at both locations and multiplexers to convert the DS3 signal to DS1 signal at the Telephone Company Central Office. The length of service period shall be 5 years.

	<u>Monthly Rate</u>	<u>Nonrecurring Charge</u>	<u>USOC</u>
Two-DS3 to DS1 M13 Muxes	\$ 933.00	\$ 0.00	MXBAG
Two-DS3s	5,324.00	9,100.00	TWTAG
 Total System	 6,257.00	 9,100.00	

A Termination Charge will be equal to \$375,420.00 to be reduced by the amount of monthly payments made by the customer at the time of termination.

(This page filed under Transmittal No. 1)

Issued: April 27, 2000

Effective: May 12, 2000

Four AT&T Plaza, Dallas, Texas 75202

ACCESS SERVICE

7. Special Access Service (Cont'd)

7.6 Individual Case Filings (Cont'd)

Case No.

88-2 AT&T Communications
(ICB No. 7I01-015)

To provide two (2) DS3s from AT&T's POP in San Diego (SNDGCA02) to the Telephone Company Central Office (SNDGCA03). The Telephone Company will provide the DS3 electronics at both locations and multiplexers to convert the DS3 signal to DS1 signal at the Telephone Company Central Office. The length of service period shall be 5 years.

	<u>Monthly Rate</u>	<u>Nonrecurring Charge</u>	<u>USOC</u>
Two-DS3 to DS1 M13 Muxes	\$1,322.00	\$ 0.00	MXBAH
Two-DS3s	3,817.00	18,700.00	TWTAH
 Total System	 5,139.00	 18,700.00	

A Termination Charge will be equal to \$308,340.00 to be reduced by the amount of monthly payments made by the customer at the time of termination.

(This page filed under Transmittal No. 1)

ACCESS SERVICE

7. Special Access Service (Cont'd)

7.6 Individual Case Filings (Cont'd)

Case No.

88-3 AT&T Communications
(ICB No. 7I02-017.1)

To provide one (1) DS3 from AT&T's POP in Sherman Oaks (SHOKCA02) to the Telephone Company Central Office In Van Nuys (VNNYCA02). The Telephone Company will provide the DS3 electronics at both locations and multiplexers to convert the DS3 signal to DS1 signal at the Telephone Company Central Office. The length of service period shall be 5 years.

	<u>Monthly Rate</u>	<u>Nonrecurring Charge</u>	<u>USOC</u>
One-DS3 to DS1 M13 Mux	\$ 948.00	\$ 0.00	MXBAJ
One-DS3	2,693.00	3,800.00	TWTAJ
 Total System	 3,641.00	 3,800.00	

A Termination Charge will be equal to \$218,460.00 to be reduced by the amount of monthly payments made by the customer at the time of termination.

(This page filed under Transmittal No. 1)

ACCESS SERVICE

7. Special Access Service (Cont'd)

7.6 Individual Case Filings (Cont'd)

Case No.

88-4 AT&T Communications
(ICB No. 7I02-039.2)

To provide two (2) DS3s from AT&T's POP in Anaheim (ANHMCA01) to the Telephone Company Central Office in Orange (ORNGCA14). The Telephone Company will provide the DS3 electronics at both locations and multiplexers to convert the DS3 signal to DS1 signal at the Telephone Company Central Office. The length of service period shall be 5 years.

	<u>Monthly Rate</u>	<u>Nonrecurring Charge</u>	<u>USOC</u>
Two-DS3 to DS1 M13 Muxes	\$1,198.00	\$ 0.00	MXBAK
Two-DS3s	3,604.00	7,600.00	TWTAK
 Total System	 4,802.00	 7,600.00	

A Termination Charge will be equal to \$288,120.00 to be reduced by the amount of monthly payments made by the customer at the time of termination.

(This page filed under Transmittal No. 1)

Issued: April 27, 2000

Effective: May 12, 2000

Four AT&T Plaza, Dallas, Texas 75202

ACCESS SERVICE

7. Special Access Service (Cont'd)

7.6 Individual Case Filings (Cont'd)

Case No.

88-5 AT&T Communications
(ICB No. 7I07-006)

To provide three (3) DS3s from AT&T's POP in Anaheim (ANHMCA01) to the Telephone Company Central Office in Santa Ana (SNANCA11). The Telephone Company will provide the DS3 electronics at both locations and multiplexers to convert the DS3 signal to DS1 signal at the Telephone Company Central Office. The length of service period shall be 5 years.

	<u>Monthly Rate</u>	<u>Nonrecurring Charge</u>	<u>USOC</u>
Three-DS3 to DS1 M13 Muxes	\$2,594.00	\$ 0.00	MXBAL
Three-DS3	5,506.00	22,000.00	TWTAL
 Total System	 8,100.00	 22,000.00	

A Termination Charge will be equal to \$486,000.00 to be reduced by the amount of monthly payments made by the customer at the time of termination.

(This page filed under Transmittal No. 1)

Issued: April 27, 2000

Effective: May 12, 2000

Four AT&T Plaza, Dallas, Texas 75202

ACCESS SERVICE

7. Special Access Service (Cont'd)7.6 Individual Case Filings (Cont'd)Case No.88-6 AT&T Communications
(ICB No. 7I10-026)

To provide one (1) DS3 from AT&T's POP in Oceanside (OSCDCAAT), to the Telephone Company Central Office in Oceanside (OSCDCA11). The Telephone Company will provide the DS3 electronics at both locations and a multiplexer to convert the DS3 signal to DS1 signal at the Telephone Company Central Office. The length of service period shall be 5 years.

	<u>Monthly Rate</u>	<u>Nonrecurring Charge</u>	<u>USOC</u>
DS3 to DS1 M13 Mux	\$1,503.00	\$ 0.00	MXBAM
DS3	1,323.00	2,776.00	TWTAM
Total System	2,826.00	2,776.00	

A Termination Charge will be equal to \$169,560.00 to be reduced by the amount of monthly payments made by the customer at the time of termination.

Case No.88-7 Williams Telecommunications Inc.
(ICB No. 7I08-011)

To provide nine (9) DS3s from Williams Telecommunications' POP at 274 Brannan Street, San Francisco, to the Telephone Company Central Office (SNFCCA21). The Telephone Company will provide the DS3 electronics in the Telephone Company Office and Four (4) DS3 to DS1 multiplexers to convert the DS3 signal to DS1 signal. Williams Telecommunications will provide compatible electronics at their POP location. The length of service period shall be 5 years.

	<u>Monthly Rate</u>	<u>Nonrecurring Charge</u>	<u>USOC</u>
Four-DS3 to DS1 M13 Muxes	\$5,000.00	\$0.00	MXBAE
Nine-DS3s	9,399.00	15,700.00	TWTAE
Total System	14,399.00	15,700.00	

(This page filed under Transmittal No. 1)

7. Special Access Service (Cont'd)

7.6 Individual Case Filings (Cont'd)

Case No.

88-8 Williams Telecommunications Inc.
(ICB No. 7I08-012)

To provide nine (9) DS3s from Williams Telecommunications' POP at 624 South Grand, Los Angeles, to the Telephone Company Central Office in Los Angeles (LSANCA01). The Telephone Company will provide the DS3 electronics at both locations and provide four (4) multiplexers to convert the DS3 signal to DS1 signal at the Telephone Company Central Office. The length of service period shall be 5 years.

	<u>Monthly Rate</u>	<u>Nonrecurring Charge</u>	<u>USOC</u>
Four-DS3 to DS1 M13 Muxes	\$ 2,204.00	\$0.00	MXBAF
Nine-DS3s	12,202.00	59,900.00	TWTAF
 Total System	 14,406.00	 59,900.00	

Case No.

88-9 AT&T Communications
(ICB No. 7I11-007.1)

To provide two (2) DS3s from AT&T's POP in San Francisco (SNFCCA21) to the Telephone Company Central Office in San Bruno (SNBUCA02). The Telephone Company will provide the DS3 electronics at both locations and multiplexers to convert the DS3 signal to DS1 signal at the Telephone Company Central Office. The length of service period shall be 5 years.

	<u>Monthly Rate</u>	<u>Nonrecurring Charge</u>	<u>USOC</u>
Two-DS3 to DS1 M13 Muxes	\$ 3,000.00	\$0.00	MXBAN
Two-DS3s	3,761.00	2,625.00	TWTAN
 Total System	 6,761.00	 2,625.00	

A Termination Charge will be equal to \$405,660.00 to be reduced by the amount of monthly payments made by the customer at the time of termination.

(This page filed under Transmittal No. 1)

ACCESS SERVICE

7. Special Access Service (Cont'd)

7.6 Individual Case Filings (Cont'd)

Case No.

88-10 AT&T Communications
(ICB No. 8102-001)

To provide two (2) DS3s from AT&T's POP in Walnut Creek (WNCKCA50W01), to the Telephone Company Central Office in Walnut Creek (WNCKCA11). The Telephone Company will provide the DS3 electronics at both locations and the multiplexers to convert the DS3 signal to a DS1 signal at the Telephone Company Central Office. The length of service period shall be 5 years.

	<u>Monthly Rate</u>	<u>Nonrecurring Charge</u>	<u>USOC</u>
Two-DS3 to DS1 M13 Muxes	\$ 1,577.00	\$ 0.00	MXBAO
Two-DS3s	2,647.00	17,100.00	TWTAO
 Total System	 4,224.00	 17,100.00	

A Termination Charge will be equal to \$270,540.00 to be reduced by the total dollar amount of payments made by the customer at the time of termination.

(This page filed under Transmittal No. 1)

Issued: April 27, 2000

Effective: May 12, 2000

Four AT&T Plaza, Dallas, Texas 75202

ACCESS SERVICE

7. Special Access Service (Cont'd)

7.6 Individual Case Filings (Cont'd)

Case No.

88-11 AT&T Communications
(ICB No. 8I02-003)

To provide one (1) DS3 from AT&T's POP in Salinas (SLNSCA01F08), to the Telephone Company Central Office in Monterey (MTRYCA01). The Telephone Company will provide the DS3 electronics at both locations and the multiplexer to convert the DS3 signal to a DS1 signal at the Telephone Company Central Office. The length of service period shall be 5 years.

	<u>Monthly Rate</u>	<u>Nonrecurring Charge</u>	<u>USOC</u>
DS3 to DS1 Mux	\$1,390.00	\$ 0.00	MXBAQ
1-DS3	\$4,915.00	\$12,000.00	TWTAQ
Total System	\$6,305.00	\$12,000.00	

A Termination Charge will be equal to \$390,300.00 to be reduced by the total dollar amount of payments made by the customer at the time of termination.

(This page filed under Transmittal No. 1)

Issued: April 27, 2000

Effective: May 12, 2000

Four AT&T Plaza, Dallas, Texas 75202

ACCESS SERVICE

7. Special Access Service (Cont'd)

7.6 Individual Case Filings (Cont'd)

Case No.

88-14 AT&T Communications
(ICB No. 8I05-002)

To provide two (2) DS3 services between the AT&T Point of Presence in Chico (CHICCA10) and the Pacific Bell Central Office in Chico (CHICCA01). Provide DS3 to DS1 multiplexers at the Central Office. The length of the service period shall be five years.

	<u>Monthly Rate</u>	<u>Nonrecurring Charge</u>	<u>USOC</u>
Two-DS3 to DS1 Muxes	\$1,038.00	\$ 0.00	MXBAR
Two-DS3s	1,861.00	1,100.00	TWTAS
 Total System	 2,899.00	 1,100.00	

A termination charge will be equal to \$175,040.00 to be reduced by the total dollar amount of the payments made by the customer for this service at the time of termination.

(This page filed under Transmittal No. 1)

ACCESS SERVICE

7. Special Access Service (Cont'd)

7.6 Individual Case Filings (Cont'd)

Case No.

88-15 Com Systems, Inc.
(ICB No. 8I06-045)

To provide one DS3 service (44.736 Mbps) between the Com Systems, Inc. Point of Presence at 700 S. Flower St., Los Angeles and the Williams Telecommunications Group DS3 system LSANCA03 560 FOTS Channel 10 located in the Telephone Company Central Office at LSANCA03, extending service to the Williams Telecommunications Group Point of Presence at 624 S. Grand, Los Angeles. This DS3 service will utilize specially constructed entrance facilities into Com Systems, Inc. provided for under agreement #S80604CSY.

The Telephone Company will provide DS3 electronics at LSANCA03 and hand off these services at the DS3 level at the LSANCA03 Central Office. The Telephone Company will provide a DS3 to DS1 multiplexer at Com Systems, Inc. (Ref: see also Section 12, SSA Case No. 88-3).

	<u>Monthly Rate</u>	<u>Nonrecurring Charge</u>	<u>USOC</u>
Per System	\$1,001.00	\$2,150.00	TWTAU

The length of the service shall be five years. A termination charge will be equal to \$62,210.00 to be reduced by the amount of monthly payments made by the customer at the time of termination.

(This page filed under Transmittal No. 1)

ACCESS SERVICE

7. Special Access Service (Cont'd)

7.6 Individual Case Filings (Cont'd)

Case No.

88-16 AT&T Communications
(ICB No. 8I07-009)

To provide one DS3 (44.736 Mbps) service between AT&T Communications' Point of Presence (POP) in Oceanside, OSCDCAAT, at 331 Mesa Drive and the Telephone Company Central Office in Oceanside, OSCDCA11. The Telephone Company will multiplex the DS3 signal to a DS1 signal at OSCDCA11. The DS3 service will utilize existing entrance facilities provided for under a prior Special Construction arrangement #860900ATXF3.

The Telephone Company will provide clear channel B8ZS line/code format capability for a future application. At such time as a 64 Kbps clear channel service is developed and offered by the Telephone Company, AT&T Communications may request such service in connection with the Access Service and/or Facilities described herein, upon rates, terms and conditions as set forth by the Telephone Company's filed tariffs. Should the B8ZS format not be compatible with the clear channel service offered by The Telephone Company, AT&T Communications will have the option of ordering the B8ZS format through a Specialized Service or Arrangement (SSA) as allowed by the access tariffs.

	<u>Monthly Rate</u>	<u>Nonrecurring Charge</u>	<u>USOC</u>
- DS3 to DS1 MUX	\$477.00	-	MXBAS
- DS3	<u>931.00</u>	<u>\$1,100.00</u>	TWTAT
Total System	\$1,408.00	\$1,100.00	

The length of the service period shall be five years. A termination charge will be equal to \$85,580 to be reduced by the amount of monthly payments made by the customer at the time of termination.

(This page filed under Transmittal No. 1)

ACCESS SERVICE

7. Special Access Service (Cont'd)

7.6 Individual Case Filings (Cont'd)

Case No.

88-17 AT&T Communications
(ICB No. 8I01-010)

To provide three DS3 (44.736 Mbps each) services from AT&T's Point of Presence at SNDGCA02 to Pacific Bell's Central Office at SNDGCA01. Pacific Bell will multiplex the DS3 signals to 84 DS1 signals at the SNDGCA01 Central Office.

	<u>Monthly Rate</u>	<u>Nonrecurring Charge</u>	<u>USOC</u>
- DS3 to DS1 MUXes	\$1,362.00	\$ 0.00	MXBBH
- Three DS3s	2,586.00	21,600.00	TWTBH
 Total System	 3,948.00	 21,600.00	

The length of the service period shall be five years. A termination charge will be equal to \$258,480.00 to be reduced by the amount of monthly payments made by the customer at the time of termination.

Case No.

88-18 AT&T Communications
(ICB No. 8I01-011)

To Provide two DS3 (44.736 Mbps each) services from AT&T's Point of Presence at SHOKCA02 to Pacific Bell's Central Office at CNPKCA01. Pacific Bell will multiplex the DS3 signals to 56 DS1 signals at the CNPKCA01 Central Office.

	<u>Monthly Rate</u>	<u>Nonrecurring Charge</u>	<u>USOC</u>
- DS3 to DS1 MUXes	\$ 925.00	\$ 0.00	MXBBA
- Two DS3s	2,814.00	14,500.00	TWTBA
 Total System	 3,739.00	 14,500.00	

The length of the service period shall be five years. A termination charge will be equal to \$238,840.00 to be reduced by the amount of monthly payments made by the customer at the time of termination.

(This page filed under Transmittal No. 1)

ACCESS SERVICE

7. Special Access Service (Cont'd)7.6 Individual Case Filings (Cont'd)Case No.88-19 AT&T Communications
(ICB No. 8I01-013)

To provide two DS3 (44.736 Mbps each) services from AT&T's Point of Presence at SHOKCA02 to Pacific Bell's Central Office at NHWDCA02. Pacific Bell will multiplex the DS3 signals to 56 DS1 signals at the NHWDCA02 Central Office.

	<u>Monthly Rate</u>	<u>Nonrecurring Charge</u>	<u>USOC</u>
- DS3 to DS1 MUXes	\$ 925.00	\$ 0.00	MXBBB
- Two DS3s	2,579.00	7,200.00	TWTBB
Total System	3,504.00	7,200.00	

The length of the service period shall be five years. A termination charge will be equal to \$217,440.00 to be reduced by the amount of monthly payments made by the customer at the time of termination.

Case No.88-20 AT&T Communications
(ICB No. 8I03-013)

To provide two DS3 (44.736 Mbps each) services from AT&T's Point of Presence at LSANCA02 to Pacific Bell's Central Office at WLANCA01. Pacific Bell will multiplex the DS3 signals to 56 DS1 signals at the WLANCA01 Central Office.

	<u>Monthly Rate</u>	<u>Nonrecurring Charge</u>	<u>USOC</u>
- DS3 to DS1 MUXes	\$1,298.00	\$ 0.00	MXBBJ
- Two DS3s	3,997.00	20,400.00	TWTBJ
Total System	5,295.00	20,400.00	

The length of the service period shall be five years. A termination charge will be equal to \$338,100.00 to be reduced by the amount of monthly payments made by the customer at the time of termination.

(This page filed under Transmittal No. 1)

ACCESS SERVICE

7. Special Access Service (Cont'd)

7.6 Individual Case Filings (Cont'd)

Case No.

88-21 AT&T Communications
(ICB No. 8I03-016)

To provide two DS3 (44.736 Mbps each) services from AT&T's Point of Presence at GRDNCA02 to Pacific Bell's Central Office at GRDNCA01. Pacific Bell will multiplex the DS3 signals to 56 DS1 signals at the GRDNCA01 Central Office.

	<u>Monthly Rate</u>	<u>Nonrecurring Charge</u>	<u>USOC</u>
- DS3 to DS1 MUXes	\$ 711.00	\$ 0.00	MXBBC
- Two DS3s	2,878.00	18,800.00	TWTBC
 Total System	 3,589.00	 18,800.00	

The length of the service period shall be five years. A termination charge will be equal to \$234,140.00 to be reduced by the amount of monthly payments made by the customer at the time of termination.

Case No.

88-22 AT&T Communications
(ICB No. 8I03-017)

To provide two DS3 (44.736 Mbps each) services from AT&T's Point of Presence at GRDNCA02 to Pacific Bell's Central Office at CMTNCA01. Pacific Bell will multiplex the DS3 signals to 56 DS1 signals at the CMTNCA01 Central Office.

	<u>Monthly Rate</u>	<u>Nonrecurring Charge</u>	<u>USOC</u>
- DS3 to DS1 MUXes	\$1,298.00	\$ 0.00	MXBBK
- Two DS3s	2,670.00	18,800.00	TWTBK
 Total System	 3,968.00	 18,800.00	

The length of the service period shall be five years. A termination charge will be equal to \$256,880.00 to be reduced by the amount of monthly payments made by the customer at the time of termination.

(This page filed under Transmittal No. 1)

ACCESS SERVICE

7. Special Access Service (Cont'd)

7.6 Individual Case Filings (Cont'd)

Case No.

88-23 AT&T Communications
(ICB No. 8I04-016)

To provide two DS3 (44.736 Mbps each) services from AT&T's Point of Presence at LSANCA02 to Pacific Bell's Central Office at LSANCA34. Pacific Bell will multiplex the DS3 signals to 56 DS1 signals at the LSANCA34 Central Office.

	<u>Monthly Rate</u>	<u>Nonrecurring Charge</u>	<u>USOC</u>
- DS3 to DS1 MUXes	\$1,155.00	\$ 0.00	MXBBL
- Two DS3s	2,928.00	18,800.00	TWTBL
 Total System	 4,083.00	 18,800.00	

The length of the service period shall be five years. A termination charge will be equal to \$263,780.00 to be reduced by the amount of monthly payments made by the customer at the time of termination.

Case No.

88-24 AT&T Communications
(ICB No. 8I04-017)

To provide one DS3 (44.736 Mbps) service from AT&T's Point of Presence at LSANCA02 to Pacific Bell's Central Office at LSANCA35. Pacific Bell will multiplex the DS3 signal to 28 DS1 signals at the LSANCA35 Central Office.

	<u>Monthly Rate</u>	<u>Nonrecurring Charge</u>	<u>USOC</u>
- DS3 to DS1 MUX	\$ 651.00	\$ 0.00	MXBBD
- DS3	1,354.00	11,200.00	TWTBD
 Total System	 2,005.00	 11,200.00	

The length of the service period shall be five years. A termination charge will be equal to \$131,500.00 to be reduced by the amount of monthly payments made by the customer at the time of termination.

(This page filed under Transmittal No. 1)

7. Special Access Service (Cont'd)

7.6 Individual Case Filings (Cont'd)

Case No.

88-25 AT&T Communications
(ICB No. 8I07-002)

To provide one DS3 (44.736 Mbps) service from AT&T's Point of Presence at SHOKCA02 to Pacific Bell's Central Office at NORGCA11. Pacific Bell will multiplex the DS3 signal to 28 DS1 signals at the NORGCA11 Central Office.

	<u>Monthly Rate</u>	<u>Nonrecurring Charge</u>	<u>USOC</u>
- DS3 to DS1 MUX	\$ 651.00	\$ 0.00	MXBBE
- DS3	1,567.00	12,100.00	TWTBE
 Total System	 2,218.00	 12,100.00	

The length of the service period shall be five years. A termination charge will be equal to \$145,180.00 to be reduced by the amount of monthly payments made by the customer at the time of termination.

Case No.

88-26 AT&T Communications
(ICB No. 8I07-003)

To provide two DS3 (44.736 Mbps each) services from AT&T's Point of Presence at ANHMCA01 to Pacific Bell's Central Office at IRVNCA11. Pacific Bell will multiplex the DS3 signals to 56 DS1 signals at the IRVNCA11 Central Office.

	<u>Monthly Rate</u>	<u>Nonrecurring Charge</u>	<u>USOC</u>
- DS3 to DS1 MUXes	\$1,278.00	\$ 0.00	MXBBF
- Two DS3s	2,091.00	19,500.00	TWTBF
 Total System	 3,369.00	 19,500.00	

The length of the service period shall be five years. A termination charge will be equal to \$221,640.00 to be reduced by the amount of monthly payments made by the customer at the time of termination.

(This page filed under Transmittal No. 1)

ACCESS SERVICE

7. Special Access Service (Cont'd)

7.6 Individual Case Filings (Cont'd)

Case No.

88-27 AT&T Communications
(ICB No. 8I07-004)

To provide two DS3 (44.736 Mbps each) services from AT&T's Point of Presence at ANHMCA01 to Pacific Bell's Central Office at SNANCA01. Pacific Bell will multiplex the DS3 signals to 56 DS1 signals at the SNANCA01 Central Office.

	<u>Monthly Rate</u>	<u>Nonrecurring Charge</u>	<u>USOC</u>
- DS3 to DS1 MUXes	\$ 925.00	\$ 0.00	MXBBG
- Two DS3s	2,183.00	17,500.00	TWTBG
 Total System	 3,108.00	 17,500.00	

The length of the service period shall be five years. A termination charge will be equal to \$203,980.00 to be reduced by the amount of monthly payments made by the customer at the time of termination.

Case No.

88-28 MCI
(ICB No. 8I04-024)

To provide one (1) DS3 service between the MCI Point of Presence located at 925 L Street, Sacramento and the Pacific Bell Central Office in Fair Oaks (FROKCA11). Provide DS3 to DS1 multiplexer at the Pacific Bell Central Office.

	<u>Monthly Rate</u>	<u>Nonrecurring Charge</u>	<u>USOC</u>
- DS3 to DS1 MUX	\$ 544.00	\$ 0.00	MXBAT
- DS3	2,523.00	750.00	TWTAX
 Total System	 3,067.00	 750.00	

The length of the service period shall be two years. A termination charge will be equal to \$74,358.00 to be reduced by the amount of monthly payments made by the customer for this service at the time of termination.

(This page filed under Transmittal No. 1)

ACCESS SERVICE

7. Special Access Service (Cont'd)

7.6 Individual Case Filings (Cont'd)

Case No.

88-29 AT&T Communications
(ICB No. 8I07-012)

To provide two (2) DS3 services between the AT&T Point of Presence located at SCRMCA01F09, 8th Floor, Sacramento and MCI International, at 925 L Street, 12th Floor, Suite 1250, Sacramento. Provide DS3 optical hand off at the MCI location and DS3 electrical hand off at the AT&T location. Existing entrance facilities are to be utilized at the MCI International location. These facilities may be used to carry MCI International traffic.

	<u>Monthly Rate</u>	<u>Nonrecurring Charge</u>	<u>USOC</u>
- DS3 Channel Termination	\$2,287.00	\$39,100.00	TWTBM
Total System	2,287.00	39,100.00	

The length of the service period shall be three years. A termination charge will be equal to \$121,432.00 to be reduced by the amount of monthly payments made by the customer at the time of termination.

(This page filed under Transmittal No. 1)

Issued: April 27, 2000

Effective: May 12, 2000

Four AT&T Plaza, Dallas, Texas 75202

ACCESS SERVICE

7. Special Access Service (Cont'd)

7.6 Individual Case Filings (Cont'd)

Case No.

88-30 AT&T Communications
(ICB No. 8I06-007)

To provide two (2) DS3 services between the AT&T Point of Presence located at OKLDCA03 and the Pacific Bell Central Office at VLLJCA01. Pacific Bell will multiplex the DS3 signals to 56 DS1 signals at the VLLJCA01 Central Office. AT&T will lease DS1 and other tariffed services out of the FCC 128 to be connected to these DS3 services.

	<u>Monthly Rate</u>	<u>Nonrecurring Charge</u>	<u>USOC</u>
- DS3 to DS1 MUX	\$1,020.00	\$ 0.00	MXBBM
- DS3 Channel Termination	4,171.00	35,100.00	TWTBN
 Total System	 5,191.00	 35,100.00	

The length of the service period shall be five years. A termination charge will be equal to \$346,560.00 to be reduced by the amount of monthly payments made by the customer at the time of termination.

(This page filed under Transmittal No. 1)

ACCESS SERVICE

7. Special Access Service (Cont'd)

7.6 Individual Case Filings (Cont'd)

Case No.

88-31 AT&T Communications
(ICB No. 8I06-008)

To provide two (2) DS3 services between the AT&T Point of Presence located at OKLDCA03 and the Pacific Bell Central Office at CNCRCA01. Pacific Bell will multiplex the DS3 signals to 56 DS1 signals at the CNCRCA01 Central office. AT&T will lease DS1 and other tariffed services out of FCC 128 to be connected to these DS3 services.

	<u>Monthly Rate</u>	<u>Nonrecurring Charge</u>	<u>USOC</u>
- DS3 to DS1 MUX	\$1,020.00	\$ 0.00	MXBBN
- DS3 Channel Termination	3,858.00	35,100.00	TWTBP
 Total System	 4,878.00	 35,100.00	

The length of the service period shall be five years. A termination charge will be equal to \$327,780.00 to be reduced by the amount of monthly payments made by the customer at the time of termination.

(This page filed under Transmittal No. 1)

ACCESS SERVICE

7. Special Access Service (Cont'd)

7.6 Individual Case Filings (Cont'd)

Case No.

88-32 AT&T Communications
(ICB No. 8I06-009)

To provide two (2) DS3 services between the AT&T Point of Presence located at OKLDCA03 and the Pacific Bell Central Office at WNCKCA11. Pacific Bell will multiplex the DS3 signals to 56 DS1 signals at the WNCKCA11 Central Office. AT&T will lease DS1 and other tariffed services out of FCC 128 to be connected to these DS3 services.

	<u>Monthly Rate</u>	<u>Nonrecurring Charge</u>	<u>USOC</u>
- DS3 to DS1 MUX	\$ 516.00	\$ 0.00	MXBBQ
- DS3 Channel Termination	3,383.00	34,800.00	TWTBQ
 Total System	 3,899.00	 34,800.00	

The length of the service period shall be five years. A termination charge will be equal to \$268,740.00 to be reduced by the amount of monthly payments made by the customer at the time of termination.

(This page filed under Transmittal No. 1)

ACCESS SERVICE

7. Special Access Service (Cont'd)

7.6 Individual Case Filings (Cont'd)

Case No.

88-33 AT&T Communications
(ICB No. 8I06-010)

To provide one (1) DS3 service between the AT&T Point of Presence located at OKLDCA03 and the Pacific Bell Central Office at HYWRCA01. Pacific Bell will multiplex the DS3 signal to 28 DS1 signals at the HYWRCA01 Central Office. AT&T will lease DS1 and other tariffed services out of FCC 128 to be connected to this DS3 service.

	<u>Monthly Rate</u>	<u>Nonrecurring Charge</u>	<u>USOC</u>
- DS3 to DS1 MUX	\$ 516.00	\$ 0.00	MXBBR
- DS3 Channel Termination	2,456.00	22,300.00	TWTBR
 Total System	 2,972.00	 22,300.00	

The length of the service period shall be five years. A termination charge will be equal to \$200,620.00 to be reduced by the amount of monthly payments made by the customer at the time of termination.

(This page filed under Transmittal No. 1)

Issued: April 27, 2000

Effective: May 12, 2000

Four AT&T Plaza, Dallas, Texas 75202

ACCESS SERVICE

7. Special Access Service (Cont'd)

7.6 Individual Case Filings (Cont'd)

Case No.

88-34 AT&T Communications
(ICB No. 8I06-012)

To provide two (2) DS3 services between the AT&T Point of Presence located at OKLDCA03 and the Pacific Bell Central Office at OKLDCA12. Pacific Bell will multiplex the DS3 signals to 56 DS1 signals at the OKLDCA12 Central Office. AT&T will lease DS1 and other tariffed services out of FCC 128 to be connected to these DS3 services.

	<u>Monthly Rate</u>	<u>Nonrecurring Charge</u>	<u>USOC</u>
- DS3 to DS1 MUX	\$ 516.00	\$ 0.00	MXBBS
- DS3 Channel Termination	3,115.00	35,100.00	TWTBS
 Total System	 3,631.00	 35,100.00	

The length of the service period shall be five years. A termination charge will be equal to \$252,960.00 to be reduced by the amount of monthly payments made by the customer at the time of termination.

(This page filed under Transmittal No. 1)

Issued: April 27, 2000

Effective: May 12, 2000

Four AT&T Plaza, Dallas, Texas 75202

ACCESS SERVICE

7. Special Access Service (Cont'd)

7.6 Individual Case Filings (Cont'd)

Case No.

88-35 AT&T Communications
(ICB No. 8I06-020)

To provide two (2) DS3 services between the AT&T Point of Presence located at SCRMCA01 and the Pacific Bell Central Office at FROKCA11. Pacific Bell will multiplex the DS3 signals to 56 DS1 signals at the FROKCA11 Central Office. AT&T will lease DS1 and other tariffed services out of FCC 128 to be connected to these DS3 services.

	<u>Monthly Rate</u>	<u>Nonrecurring Charge</u>	<u>USOC</u>
- DS3 to DS1 MUX	\$1,020.00	\$ 0.00	MXBBT
- DS3 Channel Termination	4,056.00	35,100.00	TWTBT

The length of the service period shall be five years. A termination charge will be equal to \$339,660.00 to be reduced by the amount of monthly payments made by the customer at the time of termination.

(This page filed under Transmittal No. 1)

Issued: April 27, 2000

Effective: May 12, 2000

Four AT&T Plaza, Dallas, Texas 75202

ACCESS SERVICE

7. Special Access Service (Cont'd)

7.6 Individual Case Filings (Cont'd)

Case No.

88-36 AT&T Communications
(ICB No. 8I06-021)

To provide two (2) DS3 services between the AT&T Point of Presence located at SCRMCA01F14 and the Pacific Bell Central Office at SCRMCA02. Pacific Bell will multiplex the DS3 signals to 56 DS1 signals at the SCRMCA02 Central Office. AT&T will lease DS1 and other tariffed services out of FCC 128 to be connected to these DS3 services.

	<u>Monthly Rate</u>	<u>Nonrecurring Charge</u>	<u>USOC</u>
- DS3 to DS1 MUX	\$1,152.00	\$ 0.00	MXBBU
- DS3 Channel Termination	3,002.00	34,800.00	TWTBU
 Total System	 4,154.00	 34,800.00	

The length of the service period shall be five years. A termination charge will be equal to \$284,040.00 to be reduced by the amount of monthly payments made by the customer at the time of termination.

(This page filed under Transmittal No. 1)

ACCESS SERVICE

7. Special Access Service (Cont'd)

7.6 Individual Case Filings (Cont'd)

Case No.

88-37 AT&T Communications
(ICB No. 8I08-033)

To provide three (3) DS3 services between the AT&T Point of Presence located at SNFCCA21 and the Pacific Bell Central Office at SNFCCA21. Pacific Bell will multiplex the DS3 signals to 84 DS1 signals at the SNFCCA21 Central Office. AT&T will lease DS1 and other tariffed services out of FCC 128 to be connected to these DS3 services.

	<u>Monthly Rate</u>	<u>Nonrecurring Charge</u>	<u>USOC</u>
- DS3 to DS1 MUX	\$1,733.00	\$ 0.00	MXBBV
- DS3 Channel Termination	1,620.00	52,700.00	TWTBV
 Total System	 3,353.00	 52,700.00	

The length of the service period shall be five years. A termination charge will be equal to \$253,880.00 to be reduced by the amount of monthly payments made by the customer at the time of termination.

(This page filed under Transmittal No. 1)

ACCESS SERVICE

7. Special Access Service (Cont'd)

7.6 Individual Case Filings (Cont'd)

Case No.

88-38 AT&T Communications
(ICB No. 8I08-034)

To provide one (1) DS3 service between the AT&T Point of Presence located at FRSNCA01F09 and the Pacific Bell Central Office at FRSNCA12. Pacific Bell will multiplex the DS3 signal to 28 DS1 signals at the FRSNCA12 Central Office. AT&T will lease DS1 and other tariffed services out of FCC 128 to be connected to this DS3 service.

	<u>Monthly Rate</u>	<u>Nonrecurring Charge</u>	<u>USOC</u>
- DS3 to DS1 MUX	\$ 449.00	\$ 0.00	MXBBW
- DS3 Channel Termination	2,787.00	31,200.00	TWTBW
 Total System	 3,236.00	 31,200.00	

The length of the service period shall be five years. A termination charge will be equal to \$225,360.00 to be reduced by the amount of monthly payments made by the customer at the time of termination.

(This page filed under Transmittal No. 1)

ACCESS SERVICE

7. Special Access Service (Cont'd)

7.6 Individual Case Filings (Cont'd)

Case No.

88-39 AT&T Communications
(ICB No. 8I08-035)

To provide two (2) DS3 services between the AT&T Point of Presence located at FRSNCA01F09 and the Pacific Bell Central Office at FRSNCA01. Pacific Bell will multiplex the DS3 signals to 56 DS1 signals at the FRSNCA01 Central Office. AT&T will lease DS1 and other tariffed services out of FCC 128 to be connected to these DS3 services.

	<u>Monthly</u> <u>Rate</u>	<u>Nonrecurring</u> <u>Charge</u>	<u>USOC</u>
- DS3 to DS1 MUX	\$ 492.00	\$ 0.00	MXBBX
- DS3 Channel Termination	837.00	13,300.00	TWTBX
 Total System	 1,329.00	 13,300.00	

The length of the service period shall be five years. A termination charge will be equal to \$93,040.00 to be reduced by the amount of monthly payments made by the customer at the time of termination.

(This page filed under Transmittal No. 1)

ACCESS SERVICE

7. Special Access Service (Cont'd)

7.6 Individual Case Filings (Cont'd)

Case No.

88-40 AT&T Communications
(ICB No. 8I08-041)

To provide one (1) DS3 service between the AT&T Point of Presence located at STKNCA01 and the Pacific Bell Central Office at LODICA01. Pacific Bell will multiplex the DS3 signal to 28 DS1 signals at the LODICA01 Central Office. AT&T will lease DS1 and other tariffed services out of FCC 128 to be connected to this DS3 service.

	<u>Monthly Rate</u>	<u>Nonrecurring Charge</u>	<u>USOC</u>
- DS3 to DS1 MUX	\$ 571.00	\$ 0.00	MXBBY
- DS3 Channel Termination	1,611.00	19,300.00	TWTBY
Total System	2,182.00	19,300.00	

The length of the service period shall be five years. A termination charge will be equal to \$150,220.00 to be reduced by the amount of monthly payments made by the customer at the time of termination.

(This page filed under Transmittal No. 1)

ACCESS SERVICE

7. Special Access Service (Cont'd)

7.6 Individual Case Filings (Cont'd)

Case No.

89-1 AT&T Communications
(ICB No. 8I06-014)

To provide two (2) DS3 services between the AT&T Point of Presence located at OKLDCA03 and the Pacific Bell Central Office at FRMTCA11. Pacific Bell will multiplex the DS3 signals to 56 DS1 signals at the FRMTCA11 Central Office. AT&T will lease DS1 and other tariffed services out of FCC 128 to be connected to these DS3 services.

	<u>Monthly Rate</u>	<u>Nonrecurring Charge</u>	<u>USOC</u>
- DS3 to DS1 MUX	\$ 754.00	\$ 0.00	MXBBZ
- DS3 Channel Termination	4,671.00	35,100.00	TWTBZ
 Total System	 5,425.00	 35,100.00	

The length of the service period shall be five years. A termination charge will be equal to \$360,600.00 to be reduced by the amount of monthly payments made by the customer at the time of termination.

(This page filed under Transmittal No. 1)

Issued: April 27, 2000

Effective: May 12, 2000

Four AT&T Plaza, Dallas, Texas 75202

ACCESS SERVICE

7. Special Access Service (Cont'd)

7.6 Individual Case Filings (Cont'd)

Case No.

89-2 AT&T Communications
(ICB No. 8I06-024)

To provide two (2) DS3 services between the AT&T Point of Presence located at SCRMCA01F14 and the Pacific Bell Central Office at NSCRCA11. Pacific Bell will multiplex the DS3 signals to 56 DS1 signals at the NSCRCA11 Central Office. AT&T will lease DS1 and other tariffed services out of FCC 128 to be connected to these DS3 services.

	<u>Monthly Rate</u>	<u>Nonrecurring Charge</u>	<u>USOC</u>
- DS3 to DS1 MUX	\$ 978.00	\$ 0.00	MXBCA
- DS3 Channel Termination	2,893.00	55,400.00	TWCA
 Total System	 3,871.00	 55,400.00	

The length of the service period shall be five years. A termination charge will be equal to \$287,660.00 to be reduced by the amount of monthly payments made by the customer at the time of termination.

(This page filed under Transmittal No. 1)

ACCESS SERVICE

7. Special Access Service (Cont'd)

7.6 Individual Case Filings (Cont'd)

Case No.

89-3 AT&T Communications
(ICB No. 8I08-036)

To provide four (4) DS3 services between the AT&T Point of Presence located at SNFCCA01 and the Pacific Bell Central Office at SNFCCA01. Pacific Bell will multiplex the DS3 signals to 112 DS1 signals at the SNFCCA01 Central Office. AT&T will lease DS1 and other tariffed services out of FCC 128 to be connected to these DS3 services.

	<u>Monthly Rate</u>	<u>Nonrecurring Charge</u>	<u>USOC</u>
- DS3 to DS1 MUX	\$1,667.00	\$ 0.00	MXBCB
- DS3 Channel Termination	2,408.00	64,000.00	TWTCB
 Total System	 4,075.00	 64,000.00	

The length of the service period shall be five years. A termination charge will be equal to \$308,500.00 to be reduced by the amount of monthly payments made by the customer at the time of termination.

(This page filed under Transmittal No. 1)

ACCESS SERVICE

7. Special Access Service (Cont'd)

7.6 Individual Case Filings (Cont'd)

Case No.

89-4 AT&T Communications
(ICB No. 8I08-042)

To provide one (1) DS3 service between the AT&T Point of Presence located at MDSTCA02 and the Pacific Bell Central Office at MRCDCA01. Pacific Bell will multiplex the DS3 signals to 28 DS1 signals at the MRCDCA01 Central Office. AT&T will lease DS1 and other tariffed services out of FCC 128 to be connected to this DS3 service.

	<u>Monthly Rate</u>	<u>Nonrecurring Charge</u>	<u>USOC</u>
- DS3 to DS1 MUX	\$ 477.00	\$ 0.00	MXBCC
- DS3 Channel Termination	10,383.00	53,200.00	TWTCC
Total System	10,860.00	53,200.00	

The length of the service period shall be five years. A termination charge will be equal to \$704,800.00 to be reduced by the amount of monthly payments made by the customer at the time of termination.

(This page filed under Transmittal No. 1)

ACCESS SERVICE

7. Special Access Service (Cont'd)

7.6 Individual Case Filings (Cont'd)

Case No.

89-5 AT&T Communications
(ICB No. 8I09-004)

To provide one (1) DS3 service between the AT&T Point of Presence located at SCRMCA01FOB in Sacramento, and USAA, 2241 Harvard Street, PBX Room, Sacramento. The Telephone Company will provide a DS3 electrical hand off at both locations.

	<u>Monthly Rate</u>	<u>Nonrecurring Charge</u>	<u>USOC</u>
- DS3 Channel Termination	\$1,728.00	\$63,800.00	TWICD

The length of the service period shall be sixty (60) months. The maximum termination liability amount equal to \$137,845.00 will be reduced by any non-recurring charges paid, and the remaining balance will be reduced by 1/60th for each month of service rendered by the Telephone Company to the Applicant.

The above Rates and Charges cover the cost of the DS3 Channel Terminations only. Rates and Charges for interoffice mileage and multiplexing for these DS3 High Capacity Services will be billed in accordance with Section 7.5.9 preceding.

(This page filed under Transmittal No. 1)

ACCESS SERVICE

7. Special Access Service (Cont'd)

7.6 Individual Case Filings (Cont'd)

Case No.

89-6 U.S. Sprint Communications
(ICB No. 9I01-008)

To provide one 1 x 1 protected DS3 service (44.736 Mbps) between the US Sprint Communications Limited Partnership Point of Presence at 1530 'C' St., Sacramento and the AT&T Point of Presence at 1423 'J' St., Sacramento. The Telephone Company will provide DS3 electrical handoff at both locations.

	<u>Monthly Rate</u>	<u>Nonrecurring Charge</u>	<u>USOC</u>
- DS3	\$2,082.00	\$1,500.00	TWICH
Total System	2,082.00	1,500.00	

The length of the service period shall be five years. A termination charge will be equal to \$78,660.00 to be reduced by the amount of monthly payments made by the customer at the time of termination.

(This page filed under Transmittal No. 1)

Issued: April 27, 2000

Effective: May 12, 2000

Four AT&T Plaza, Dallas, Texas 75202

ACCESS SERVICE

7. Special Access Service (Cont'd)

7.6 Individual Case Filings (Cont'd)

Case No.

89-7 AT&T Communications
(ICB No. 9I01-004)

To provide one DS3 service (44.736Mbps) between the AT&T Point of Presence at SNFCCA21 and Western Union World Communications at 450 Main Street, Frame Room, 3rd Floor, San Francisco. The Telephone Company will provide DS3 electrical hand off at both locations.

	<u>Monthly Rate</u>	<u>Nonrecurring Charge</u>	<u>USOC</u>
- DS3 Channel Termination	\$2,827.00	\$29,025.00	TWTCJ

The length of the service period shall be sixty (60) months. The maximum termination liability amount equal to \$149,817.00 will be reduced by any non-recurring charges paid, and the remaining balance will be reduced by 1/60th for each month of service rendered by the Telephone Company to the Applicant.

The above Rates and Charges cover the cost of the DS3 Channel Terminations only. Rates and Charges for interoffice mileage and multiplexing for these DS3 High Capacity Services are additional and will be billed in accordance with Section 7.5.9 preceding.

(This page filed under Transmittal No. 1)

ACCESS SERVICE

7. Special Access Service (Cont'd)

7.6 Individual Case Filings (Cont'd)

Case No.

89-8 AT&T Communications
(ICB No. 9I01-011)

To provide two DS3 services (44.736Mbps) between the AT&T Point of Presence at LSANCA03 and the Telephone Company Central Office (LSANCA01). The Telephone Company will provide DS3 electrical hand off at both locations.

	<u>Monthly Rate</u>	<u>Nonrecurring Charge</u>	<u>USOC</u>
- DS3 Channel Termination	\$525.00	\$7,200.00	TWTCG

The length of the service period shall be thirty-six (36) months. The maximum termination liability amount equal to \$20,410.00 will be reduced by any non-recurring charges paid, and the remaining balance will be reduced by 1/36th for each month of service rendered by the Telephone Company to the Applicant.

The above Rates and Charges cover the cost of the DS3 Channel Terminations only. Rates and Charges for interoffice mileage and multiplexing for these DS3 High Capacity Services are additional and will be billed in accordance with Section 7.5.9 preceding.

(This page filed under Transmittal No. 1)

ACCESS SERVICE

7. Special Access Service (Cont'd)

7.6 Individual Case Filings (Cont'd)

Case No.

89-9 Com Systems, Inc.
(ICB No. 9I01-005)

To provide one DS3 service (44.736Mbps) between the Com System, Inc. Point of Presence at 700 S. Flower St., Los Angeles and the Telephone Company Central Office (LSANCA01). Pacific Bell will provide DS3 electronics at both locations.

	<u>Monthly Rate</u>	<u>Nonrecurring Charge</u>	<u>USOC</u>
- DS3 Channel Termination	\$2,129.00	\$375.00	TWICY

The length of the service period shall be sixty (60) months. The maximum termination liability amount equal to \$84,816.00 will be reduced by any non-recurring charges paid, and the remaining balance will be reduced by 1/60th for each month of service rendered by the Telephone Company to the Applicant.

The above Rates and Charges cover the cost of the DS3 Channel Terminations only. Rates and Charges for interoffice mileage and multiplexing for these DS3 High Capacity Services are additional and will be billed in accordance with Section 7.5.9 preceding.

(Ref: Related activity as shown in Section 12.3, Case No. 89-1, SSA No. 9I01-005)

(This page filed under Transmittal No. 1)

ACCESS SERVICE

7. Special Access Service (Cont'd)

7.6 Individual Case Filings (Cont'd)

Case No.

89-10 Com Systems, Inc.
(ICB No. 9I01-006)

To provide one DS3 service (44.736Mbps) between the Com System, Inc. Point of Presence at 700 S. Flower St., Los Angeles and Digital Signal at 624 S. Grand, 7th Floor, Los Angeles. The Telephone Company will provide DS3 electronics at Digital Signal.

	<u>Monthly Rate</u>	<u>Nonrecurring Charge</u>	<u>USOC</u>
- DS3 Channel Termination	\$3,229.00	\$13,500.00	TWTCZ

The length of the service period shall be sixty (60) months. The maximum termination liability amount equal to \$148,177.00 will be reduced by any non-recurring charges paid, and the remaining balance will be reduced by 1/60th for each month of service rendered by the Telephone Company to the Applicant.

The above Rates and Charges cover the cost of the DS3 Channel Terminations only. Rates and Charges for interoffice mileage and multiplexing for these DS3 High Capacity Services are additional and will be billed in accordance with Section 7.5.9 preceding.

(Ref: Related activity as shown in Section 12.3, Case No. 89-2, SSA No. 9I01-006)

(This page filed under Transmittal No. 1)