

TARIFF DISTRIBUTION

FILE PACKAGE NO.: 1922

DATE: January 21, 2025

STATE: AIT-FCC

EFFECTIVE DATE: 01/21/2025

TYPE OF DISTRIBUTION: Approved

PURPOSE: Update FCC Tariff 3 to reflect AT&T Michigan structure change to LLC

<u>TARIFF SECTION</u>	<u>PAGE NUMBER</u>	<u>PAGE REVISION</u>
3000	1	0144
3000	1.1	0018
3001	6	0005
3005	100	0004
3005	108	0004
3005	111	0004
3005	113	0003
3005	114	0004
3005	115	0004
3005	121	0004
30TP	2	0011

ISSUING CARRIERS

	Company Code	
Illinois Bell Telephone Company, LLC 225 West Randolph St., Chicago, Illinois 60606 For the State of: Illinois	9329	
Indiana Bell Telephone Company, LLC 240 N. Meridian St., Indianapolis, Indiana 46204 For the State of: Indiana	9325	
Michigan Bell Telephone Company, LLC 444 Michigan Ave., Detroit, Michigan 48226 For the State of: Michigan	9323	(T)
The Ohio Bell Telephone Company, LLC 45 Erieview Plaza, Cleveland, Ohio 44114 For the State of: Ohio	9321	
Wisconsin Bell, LLC 722 N. Broadway, Milwaukee, Wisconsin 53202 For the State of: Wisconsin	9327	

(This page filed under Transmittal No. 1922)

Title pages 1 and 2 and pages 1 to 846 inclusive of this tariff are effective as of the date shown. Original and revised pages as named below and Supplement No. 341 contain all changes from the original tariff that are in effect on the date hereof.

Page	Number of Revision Except as Indicated	Page	Number of Revision Except as Indicated	Page	Number of Revision Except as Indicated
Title 1	7th	7	9th	19.3	8th
Title 2	16th*	7.1	4th	19.4	1st
1	1736th*	8	15th	20	10th
1.1	412th*	8.1	5th	20.1	5th
1.2	390th*	9	26th	20.2	4th
1.3	301st	9.1	1st	21	8th*
1.4	267th	10	33rd*	22	1st
1.5	256th*	10.1	12th	23	3rd
1.6	220th*	10.2	9th	24	1st
1.7	169th*	11	4th	25	4th
1.8	148th*	12	11th	25.1	1st
1.9	165th*	13	11th*	25.2	1st
1.10	51st*	13.1	6th	26	3rd
1.11	62nd	13.2	10th	27	9th
1.12	46th	13.3	13th	28	11th
1.13	18th	13.4	21st	28.1	5th
1.14	36th*	13.5	37th	29	1st
1.15	75th	13.6	39th	30	Original
1.15.1	7th	13.7	44th	31	Original
1.16	92nd	13.8	46th	32	Original
1.17	24th	13.8.1	32nd	33	Original
1.18	33rd	13.9	5th	34	4th
1.19	45th	14	3rd	34.1	1st
1.20	44th	15	17th	35	5th
1.21	45th	15.1	11th	35.1	1st
1.22	47th	15.2	1st	36	9th
1.23	41st	16	12th	36.1	7th
1.24	38th	16.1	11th	37	14th
1.25	29th	16.1.1	Original	37.1	4th
1.26	2nd	16.2	10th	37.2	7th
2	7th	16.3	2nd	37.3	6th
3	10th	16.4	3rd	37.4	1st
3.1	16th	16.5	Original	37.5	2nd
4	18th	16.6	3rd	38	9th
4.1	10th	16.7	3rd	38.1	11th
5	19th	17	1st	38.2	6th
5.1	20th	18	6th	38.2.1	3rd
5.2	8th	19	27th	38.3	4th
6	5th	19.1	13th	38.4	4th
6.1	6th	19.2	15th		
6.2	6th				

* New or Revised Page

Issuing Officer: Kristen E. Shore, Assistant Vice President - Regulatory

(This page filed under Transmittal No. 1922)

Page	Number of Revision Except as Indicated	Page	Number of Revision Except as Indicated	Page	Number of Revision Except as Indicated
39	6th	56	10th*	70.5	2nd
39.1	7th	56.1	4th	70.6	1st
39.1.1	1st	56.1.1	3rd*	70.7	2nd
39.2	6th	56.2	2nd	70.8	2nd
40	6th	56.3	2nd	70.9	1st
40.1	4th	56.4	2nd*	70.10	1st
40.2	4th	56.5	2nd*	70.11	2nd
40.3	1st	57	7th	70.12	2nd
40.4	1st	58	1st	70.13	3rd
41	4th	59	20th	70.14	1st
42	5th	59.1	13th	70.15	6th
42.1	1st	59.1.1	2nd	70.16	5th
43	2nd	59.2	11th	70.17	4th
44	9th	59.3	7th	70.18	3rd
45	6th	60	13th	70.18.1	3rd
45.1	3rd	60.1	Original	70.19	4th
45.2	3rd	61	15th	70.20	1st
46	12th	61.1	14th	70.21	2nd
47	15th*	61.2	2nd	70.22	3rd
47.1	4th*	62	7th	70.23	5th
48	7th*	63	9th	70.24	62nd
49	13th*	64	11th	70.24.1	11th
49.1	15th	64.1	6th	70.24.2	10th
50	15th*	65	7th	70.24.3	11th
50.1	5th	65.1	9th	70.24.4	11th
50.2	8th*	66	13th	70.25	30th
50.2.1	6th	66.1	9th	70.25.1	11th
50.2.2	1st	66.1.1	Original	71	1st
50.3	7th*	67	21st	72	3rd
50.4	2nd	67.1	10th	73	7th
50.5	3rd	68	23rd	74	9th
50.6	Original	68.1	19th	74.1	2nd
51	2nd	68.2	6th	75	9th
52	1st	69	12th	75.1	7th
53	8th*	69.1	6th	75.2	7th
53.1	7th	69.2	1st	75.2.1	Original
53.2	6th	69.3	1st	75.3	13th
53.3	11th*	70	9th	75.4	4th
54	9th*	70.1	1st	75.5	84th
54.1	16th*	70.2	3rd		
54.2	1st	70.2.1	5th		
55	2nd	70.2.2	1st		
55.1	Original	70.3	4th		
55.2	1st				

* New or Revised Page

(This page filed under Transmittal No. 1922)

Page	Number of Revision Except as Indicated	Page	Number of Revision Except as Indicated	Page	Number of Revision Except as Indicated
76	72nd	87	6th	111.1.3	2nd
77	64th	88	9th	112	7th
78	63rd	89	5th	112.1	4th
79	65th	89.1	14th	112.1.1	2nd
80	64th	89.2	16th	112.1.2	2nd
80.1	17th	90	12th	112.2	4th
80.1.1	17th	90.1	7th	113	12th
80.1.2	Original	90.1.1	Original	113.1	11th
80.2	4th	90.1.2	Original	113.1.1	3rd
80.3	4th	90.2	3rd	113.2	1st
80.4	4th	91	13th*	113.3	1st
80.5	13th	92	5th	113.4	1st
80.6	13th	92.1	3rd	113.5	1st
80.7	93rd	93	14th	114	6th
80.7.1	93rd	94	16th	115	10th
80.7.2	92nd	95	12th	115.1	6th
80.7.3	92nd	95.1	13th	115.2	4th
80.7.4	92nd	95.1.1	5th	116	15th
81	7th	96	7th	116.1	4th
81.1	4th	96.1	5th	116.2	2nd
82	5th	96.1.1	2nd	116.3	4th
82.1	4th	96.1.2	Original	117	6th
83	12th	96.2	5th	117.1	9th
83.1	4th	96.3	4th	117.2	4th
84	19th	96.4	5th	117.3	5th
84.1	9th	96.5	4th	117.4	4th
84.1.1	6th	96.6	4th	117.5	3rd
84.1.1.1	3rd	97	8th	117.6	5th
84.1.2	7th	98	16th	117.7	3rd
84.1.3	Original	99	9th	117.8	1st
84.1.4	Original	99.1	Original	118	9th
84.1.5	Original	100	Original	119	15th
84.1.6	Original	101	Original	119.1	10th
84.2	8th	102	Original	120	3rd
84.2.1	4th	103	Original	120.1	4th
84.3	1st	104	3rd	120.2	2nd
84.4	4th	105	Original	120.3	2nd
84.4.1	4th	106	Original	120.4	1st
84.4.1.1	1st	107	1st	120.5	1st
84.4.1.2	Original	108	Original	121	8th
84.4.2	3rd	109	1st	121.1	3rd
84.5	2nd	110	6th	121.2	1st
84.6	7th	110.1	4th	121.3	6th
85	12th	111	8th	121.4	2nd
85.1	7th*	111.1	2nd	121.5	3rd
85.2	3rd	111.1.1	2nd	121.6	3rd
85.3	2nd	111.1.2	3rd		
86	1st				

* New or Revised Page

(This page filed under Transmittal No. 1922)

Page	Number of Revision Except as Indicated	Page	Number of Revision Except as Indicated	Page	Number of Revision Except as Indicated	Page	Number of Revision Except as Indicated
220	6th	230.5.1.1	7th	237.2	4th*	260.5	2nd
220.1	8th	230.5.1.2	4th	237.3	6th*	261	7th
220.2	11th	230.5.1.3	4th	238	6th*	261.1	3rd
220.3	15th	230.5.1.4	4th	239	3rd*	262	5th
220.4	9th	230.6	11th	240	4th*	263	2nd
220.5	15th	230.6.1	7th	241	10th	264	4th
221	18th	230.6.1.1	2nd	242	24th*	265	7th
221.1	2nd	230.6.1.2	2nd	243	4th	266	7th
222	5th	230.6.1.3	2nd	244	30th	267	9th
223	11th	230.6.1.4	Original	244.1	13th	267.1	5th
224	3rd	230.6.2	4th	245	7th		
224.1	3rd	230.6.3	1st	246	8th		
225	19th	230.6.4	1st	247	8th		
225.1	13th	230.6.5	1st	247.1	2nd		
225.1.1	2nd	230.6.6	Original	248	11th		
225.2	5th	230.6.7	Original	249	7th		
225.3	1st	230.7	3rd	250	4th		
226	11th	230.8	Original	251	3rd		
227	12th	230.9	Original	252	6th		
228	31st	230.10	Original	253	7th		
229	13th	230.11	Original	254	6th		
230	8th	230.12	Original	255	8th		
230.1	13th	230.13	Original	255.1	2nd		
230.2	44th	230.14	Original	256	9th*		
230.2.1	19th	230.15	1st	256.1	2nd*		
230.2.2	8th	230.16	Original	257	4th		
230.2.3	15th	231	53rd	258	4th		
230.2.3.1	5th	231.1	9th	259	10th*		
230.2.4	5th	231.2	4th	259.1	4th		
230.2.5	5th	231.3	3rd	259.1.1	5th		
230.2.6	5th	231.4	3rd	259.2	6th		
230.2.7	5th	232	13th*	259.3	7th		
230.3	40th	233	14th	259.3.1	4th		
230.3.1	16th	233.1	15th	259.4	2nd		
230.3.2	2nd	234	18th*	259.5	8th		
230.4	34th	234.1	1st*	259.6	Original		
230.4.1	18th	235	14th*	260	8th		
230.4.2	8th	235.1	2nd*	260.1	10th		
230.4.3	12th	236	8th*	260.1.1	11th		
230.4.4	7th	236.1	1st*	260.2	3rd		
230.5	25th	237	5th*	260.3	3rd		
230.5.1	19th	237.1	4th*	260.4	2nd		

* New or Revised Page

(This page filed under Transmittal No. 1922)

Page	Number of Revision Except as Indicated	Page	Number of Revision Except as Indicated	Page	Number of Revision Except as Indicated
268	20th*	274	15th	278	7th
268.1	15th	274.1	15th	279	4th
268.2	7th*	274.1.1	8th	280	2nd
268.3	8th*	274.1.1.1	15th	281	6th
269	19th*	274.1.1.1.1	2nd	281.1	2nd
270	23rd*	274.1.1.2	11th	282	7th
271	30th*	274.1.2	16th	282.1	4th
272	12th	274.1.2.1	2nd	283	4th
272.1	7th	274.1.3	9th	284	4th
272.2	6th	274.2	16th	285	4th
272.3	16th*	274.2.1	10th	286	6th
272.4	10th	274.3	10th	286.1	5th
272.4.1	12th*	274.3.1	5th	286.2	2nd
272.4.1.1	10th*	274.3.1.1	5th	287	5th
272.4.1.2	3rd*	274.3.2	7th	287.1	1st
272.4.1.3	4th*	274.3.2.1	9th	288	3rd
272.4.2	10th*	274.4	5th	289	3rd
272.4.3	6th	274.5	5th	290	4th
272.5	11th	274.5.1	4th	291	3rd
272.6	6th	274.5.2	4th	292	3rd
273	21st	274.5.3	2nd	293	4th
273.1	11th	274.6	11th	294	5th
273.1.1	8th	274.6.1	9th	295	5th
273.1.1.1	4th	274.6.2	6th	295.1	2nd
273.1.1.2	3rd	274.7	9th	296	13th
273.1.1.3	3rd	274.7.1	10th	296.1	4th
273.1.2	7th	274.7.1.1	2nd	296.1.1	1st
273.1.3	6th	274.7.2	6th	296.2	3rd
273.1.4	3rd	274.7.3	6th	296.3	3rd
273.1.5	5th	274.7.4	3rd	297	18th*
273.2	14th	274.8	7th	297.1	8th
273.2.1	7th	274.9	2nd*	297.2	9th*
273.2.1.1	3rd	274.10	2nd*	297.3	11th*
273.2.2	5th	274.11	3rd*	298	13th*
273.2.3	6th	274.12	5th	298.1	9th
273.2.4	5th	274.12.1	6th	299	12th*
273.2.5	5th	274.12.1.2	4th	299.1	8th*
273.3	12th	274.12.1.3	4th	299.1.1	4th*
273.3.1	6th	274.12.1.4	4th	299.2	2nd
273.3.2	5th	274.12.2	2nd	300	12th
273.3.3	2nd	274.12.3	2nd	300.1	21st
273.4	10th	274.12.4	3rd	300.1.1	11th
273.5	12th	274.12.5	5th	300.2	10th*
273.5.1	3rd	274.12.6	5th	300.3	4th
273.5.2	3rd	274.12.7	2nd	300.4	8th
273.5.3	3rd	275	9th	300.5	2nd
273.5.4	2nd	276	11th	300.6	2nd
273.5.5	2nd	276.1	7th	300.7	7th
273.5.6	4th	277	7th		
273.6	12th	277.1	6th		

* New or Revised Page

(This page filed under Transmittal No. 1922)

Page	Number of Revision Except as Indicated	Page	Number of Revision Except as Indicated	Page	Number of Revision Except as Indicated
300.8	8th	309.3	16th	309.16	4th
300.9	7th*	309.4	12th	309.17	5th*
300.9.1	6th*	309.5	18th*	309.17.1	1st
300.9.2	6th*	309.6	14th*	309.18	3rd*
300.9.3	5th	309.6.1	8th	309.19	3rd
300.9.4	6th*	309.7	15th*	309.20	1st
300.10	6th	309.7.1	14th*	309.21	1st
300.11	6th	309.7.2	4th*	310	33rd*
300.12	6th	309.8	7th	311	13th
300.13	8th	309.9	7th	312	14th
301	3rd*	309.10	5th	312.1	1st
302	1st	309.11	6th*	313	11th
303	12th	309.12	13th	314	11th
303.1	3rd	309.12.1	3rd	315	31st*
304	28th	309.12.2	1st	316	13th
304.1	Original	309.12.3	2nd	317	14th
305	7th*	309.12.4	1st	317.1	1st
305.1	5th*	309.12.5	1st	318	13th
306	12th*	309.12.6	1st	319	10th
306.1	5th*	309.12.7	1st	320	59th*
307	9th*	309.12.8	2nd	321	29th
308	28th*	309.12.9	1st	322	13th
308.1	15th	309.12.10	2nd	323	24th
309	56th	309.12.11	2nd	324	28th
309.1	43rd	309.12.11.1	1st	325	26th
309.1.1	32nd	309.12.12	2nd	326	27th
309.1.1.1	18th	309.12.12.1	1st	326.1	30th
309.1.1.2	17th	309.12.13	2nd	327	14th
309.1.2	33rd	309.12.14	1st	328	12th
309.1.3	17th*	309.12.15	1st	329	10th
309.2	34th	309.12.16	1st	330	13th
309.2.1	33rd*	309.12.17	1st	331	12th
309.2.2	15th*	309.12.18	1st	332	10th
309.2.3	16th*	309.12.19	1st	333	12th
309.2.4	15th*	309.12.20	1st	333.1	2nd
309.2.5	15th*	309.12.21	1st	334	15th
309.2.6	15th*	309.12.22	1st	334.1	1st
309.2.7	17th*	309.12.23	1st	335	13th
309.2.8	15th*	309.12.24	1st	335.1	1st
309.2.9	15th*	309.13	1st	336	13th
309.2.10	16th*	309.14	6th	336.1	1st
309.2.11	17th*	309.15	4th		

* New or Revised Page

(This page filed under Transmittal No. 1922)

Page	Number of Revision Except as Indicated	Page	Number of Revision Except as Indicated	Page	Number of Revision Except as Indicated
337	14th	366.1	7th	402	23nd
337.1	1st	367	21st	402.1	2nd
338	13th	367.1	8th	403	21st
338.1	1st	367.2	4th	403.1	2nd
339	13th	367.3	2nd	404	22nd*
339.1	1st	367.4	1st	405	16th
340	13th	368	16th	406	18th
340.1	2nd	369	8th	407	20th
340.2	4th	370	4th	408	16th
341	13th	371	3rd	409	16th
342	11th	372	4th	410	66th*
343	10th	373	3rd	410.1	34th*
344	11th	374	2nd	410.2	12th
345	10th	375	3rd	410.3	4th
346	10th	376	3rd	410.4	5th*
347	10th	377	2nd	411	55th*
347.1	3rd	378	3rd	411.1	21st
348	12th	379	3rd	411.2	14th*
349	8th	380	2nd	411.3	6th*
350	8th	381	3rd	411.4	13th*
351	10th	382	3rd	411.5	6th*
352	8th	383	2nd	412	40th
353	8th	384	3rd	412.1	5th
354	8th	385	4th	412.2	4th
354.1	3rd	386	4th	412.3	4th
355	36th*	387	3rd	413	43rd*
356	22nd	388	3rd	413.1	15th*
357	14th	389	3rd	413.1.1	1st
358	12th	390	3rd	413.1.2	4th
359	15th	391	3rd	413.1.3	4th
359.1	1st	392	3rd	413.1.4	4th
360	13th	393	3rd	413.2	13th
360.1	1st	394	3rd	413.2.1	11th
361	13th	395	25th	413.2.1.1	4th
362	11th	396	21st	413.2.1.2	4th
363	10th	397	20th	413.2.1.3	8th
364	8th	398	22nd	413.2.2	18th
365	33rd*	399	10th	413.2.3	15th*
365.1	12th*	400	21st	413.2.4	14th*
365.1.1	3rd	401	24th*	413.2.5	13th*
366	25th	401.1	2nd	413.2.6	25th*

* New or Revised Page

(This page filed under Transmittal No. 1922)

Page	Number of Revision Except as Indicated	Page	Number of Revision Except as Indicated	Page	Number of Revision Except as Indicated
413.2.7	12th*	422.2.1	2nd	445.1.1.5	6th
413.2.8	12th*	422.2.2	2nd	445.1.1.6	6th
413.2.9	8th*	422.2.3	2nd	445.1.1.7	6th
413.3	24th*	422.3	5th	445.1.2	14th
413.4	24th*	423	14th	445.1.3	6th
414	32nd*	423.1	11th	445.1.4	6th
414.1	11th	424	23rd	445.1.5	5th
415	29th	424.1	17th	445.1.6	5th
415.1	31st	425	12th	445.1.7	6th
415.2	3rd	425.1	1st	445.2	21st
416	20th	425.2	7th	445.2.1	9th
417	39th	425.2.1	2nd	445.2.2	2nd
418	34th	425.3	2nd	445.2.3	2nd
418.1	14th	425.4	2nd	445.2.4	6th
418.1.1	29th	426	22nd	445.3	10th*
418.1.1.1	9th	427	19th	445.3.1	9th*
418.1.1.2	7th	428	17th	445.3.2	3rd*
418.1.1.2.1	6th	429	23rd	445.4	8th*
418.1.1.3	17th	429.1	18th	445.4.1	5th*
418.1.1.4	10th	430	11th	445.5	5th
418.1.1.4.1	4th	431	17th	445.5.1	7th
418.1.1.4.2	3rd	431.1	7th	446	7th*
418.1.1.5	5th	431.1.1	2nd	447	7th
418.1.1.6	6th	431.2	2nd	448	7th
418.1.1.7	3rd	432	14th	449	7th
418.1.2	25th	433	7th	449.1	10th
418.1.2.1	18th	433.1	1st	449.2	6th*
418.1.2.1.1	25th	434	11th	449.3	7th*
418.1.2.1.1.1	11th	435	4th	449.4	7th*
418.1.2.1.1.1.1	2nd	436	10th	449.5	6th
418.1.2.1.2	7th	437	4th	449.5.1	5th*
418.1.2.2	21st	438	10th	449.6	7th*
418.1.2.3	6th	439	4th	449.7	5th
418.1.3	18th	440	10th	449.7.1	5th*
418.1.4	11th	441	4th	449.8	5th*
418.1.5	6th*	442	10th	449.9	5th
418.1.6	2nd	443	4th	449.9.1	3rd
418.2	11th	444	12th	449.10	5th*
419	34th	444.1	1st	449.11	5th*
419.1	26th	445	6th	449.12	4th
420	13th	445.1	33rd	449.13	9th
421	25th	445.1.1	32nd	449.14	9th
421.1	2nd	445.1.1.1	17th	449.15	10th
422	22nd	445.1.1.2	8th	449.16	8th
422.1	5th	445.1.1.3	6th	449.17	3rd
422.2	6th	445.1.1.4	6th		

* New or Revised Page

(This page filed under Transmittal No. 1922)

Page	Number of Revision Except as Indicated	Page	Number of Revision Except as Indicated	Page	Number of Revision Except as Indicated
449.18	3rd	450.1	8th	451.1	6th
449.19	4th	450.2	8th	451.2	5th
449.20	4th	450.3	8th	451.3	6th
449.21	4th	450.4	2nd	451.4	7th
449.22	4th	450.5	2nd	451.5	5th
449.23	5th	450.6	3rd	451.6	4th
449.24	5th	450.7	3rd	451.7	7th
449.25	5th	450.8	3rd	451.8	2nd
449.26	5th	450.9	3rd	451.9	2nd
449.27	5th	450.10	3rd	451.10	3rd
449.27.1	5th	450.11	3rd	451.11	2nd
449.28	5th	450.12	2nd	451.12	2nd
449.29	5th	450.13	5th	451.13	3rd
449.30	7th	450.14	3rd	451.14	2nd
449.31	8th	450.15	2nd	451.15	2nd
449.32	8th	450.16	2nd	451.16	2nd
449.33	5th*	450.17	2nd	451.17	2nd
449.34	5th*	450.18	2nd	451.18	4th
449.35	6th*	450.19	3rd	451.19	2nd
449.36	5th	450.20	3rd	451.20	3rd
449.37	6th	450.21	3rd	451.21	2nd
449.38	6th	450.22	3rd	451.22	2nd
449.39	6th	450.23	4th	451.23	2nd
449.40	6th	450.24	4th	451.24	2nd
449.41	5th*	450.25	3rd	451.25	2nd
449.42	6th	450.26	3rd	451.26	3rd
449.43	6th	450.27	3rd	451.27	3rd
449.44	3rd	450.28	3rd	451.28	3rd
449.45	3rd	450.29	3rd	451.29	3rd
449.46	3rd	450.30	3rd	451.30	2nd
449.47	3rd	450.31	3rd	451.31	3rd
449.48	3rd	450.32	1st		
449.49	4th	450.33	1st		
449.50	5th	450.34	1st		
449.51	4th	450.35	1st		
449.52	4th	450.36	1st		
449.53	3rd	450.37	1st		
449.54	3rd	450.38	1st		
449.55	3rd	450.39	1st		
449.56	5th	450.40	1st		
449.57	Original	450.41	1st		
450	8th	451	5th		

* New or Revised Page

(This page filed under Transmittal No. 1922)

Page	Number of Revision Except as Indicated	Page	Number of Revision Except as Indicated	Page	Number of Revision Except as Indicated
514	2nd	565	2nd	592.23	Original
514.1	2nd	566	4th	592.24	Original
514.2	6th	566.1	Original	592.25	Original
514.3	3rd	567	5th	592.26	Original
514.4	4th	568	5th	592.27	Original
514.5	1st	569	2nd	592.28	Original
514.6	2nd	570	5th	592.29	Original
514.7	3rd	571	5th	592.30	Original
515	1st	572	2nd	592.31	Original
515.1	5th	573	2nd	592.32	Original
515.2	3rd	574	5th	592.33	Original
516	9th	575	2nd	592.34	Original
517	9th	576	7th	593	8th
518	10th	576.1	4th	593.1	7th
519	10th	576.2	5th	593.1.1	4th
520	9th	576.3	2nd	593.2	7th
521	9th	576.4	Original	593.3	3rd
522	11th	576.4	Original	593.3.1	5th
523	5th	576.5	Original	593.4	8th
524	4th	576.6	Original	593.5	3rd
525	3rd	576.7	Original	594	11th
526	3rd	576.8	Original	595	9th
527	5th	577	2nd	595.1	6th
528	5th	578	4th*	596	15th
529	5th	579	2nd	596.1	3rd
530	5th	580	1st	596.2	Original
531	5th	581	1st	596.3	5th
532	5th	582	1st	596.4	Original
533	3rd	583	3rd*	597	9th
534	5th	584	3rd*	597.1	4th
535	3rd	585	3rd*	598	9th
536	Original	586	4th*	598.1	8th
537	Original	587	2nd	599	9th
538	Original	588	2nd	600	8th
539	Original	589	1st	601	5th
540	Original	590	1st	602	7th
541	9th	591	4th	603	6th
542	8th	592	1st	604	6th
543	5th	592.1	Original		
544	5th	592.2	Original		
545	3rd	592.3	Original		
546	2nd	592.4	Original		
547	5th	592.6	Original		
548	5th	592.7	Original		
549	3rd	592.8	Original		
550	2nd	592.9	Original		
551	5th	592.11	Original		
552	5th	592.12	Original		
553	3rd	592.13	Original		
554	2nd	592.14	Original		
555	2nd	592.15	Original		
556	8th	592.16	Original		
557	8th	592.17	Original		
558	8th	592.18	Original		
559	9th	592.19	Original		
560	8th	592.20	Original		
561	8th	592.21	Original		
562	8th	592.22	Original		
563	8th				
564	5th				

* New or Revised Page

(This page filed under Transmittal No. 1922)

TABLE OF CONTENTS

	Page No.	
7. Special Access Service (Cont'd)		
7.4 Rate Regulations	297	
7.4.1 Rate Zones	297	
7.4.2 Types of Rates and Charges	297	
7.4.3 Surcharge for Special Access Service	301	
7.4.4 Message Station Equipment Recovery Charge	304	
7.4.5 Minimum Periods	304	
7.4.6 Moves	304.1	
7.4.7 ⁽³⁾		(N)
7.4.8 Facility Hubs	306	
7.4.9 Shared Use Analog and Base Rate, DS1, DS3, OC-3, OC-12 and OC-48 Services	308	
7.4.10 Optional Payment Plan (OPP) for Base Rate, DS1, DS3, OC-3, OC-12 and OC-48 Services	309	
7.4.11 Fiber Hubs for Direct Analog, Base Rate, DS1 or DS3 Services	309.3	
7.4.12 Shared Network Arrangement	309.4	
7.4.13 Discount Commitment Program (DCP)	309.5	
7.4.14 Network Reconfiguration Service (NRS)	309.8	
7.4.15 Installation Interval Guarantee	309.12	
7.4.16 The Optimization Plan (TOP)	309.14	
7.4.17 ⁽³⁾		(N)
7.4.18 Nonrecurring Charge (NRC) Waiver	309.17	
7.4.19 Shared Facility Credit/Shared Facility Channel Service	309.17	
7.5 Rates and Charges	310	
7.5.1 Metallic Service	310	
7.5.2 Telegraph Grade Service	315	
7.5.3 Direct Analog Service	320	
7.5.4 Program Audio Service ⁽²⁾	355	
7.5.5 Video Service	365	
7.5.6 Reserved for Future Use	370	
7.5.7 Reserved for Future Use	385	
7.5.8	395	
7.5.9 Base Rate, DS1 and DS3 Services	410	
7.5.10 ⁽¹⁾		
7.5.11 ⁽¹⁾		
7.5.12 SONET Xpress	418.1.4	
7.5.13 Message Station Equipment Recovery Charge	444	
7.5.14 Special Access Surcharge	445	
7.5.15 Installation and Rearrangement Charges	445.1	
7.6 Individual Case Filings	449.57	
7.7 Rate Zone Wire Center Assignment	450	

(1) Material in this Section has been de-tariffed as required by the Commission upon use of the forbearance relief pursuant to FCC Memorandum Opinion and Order No. 07-180, released October 12, 2007. Terms and Conditions associated with de-tariffed services are available at www.att.com/guidebook.

(2) Program Audio is discontinued and no longer available in this publication (see WC Dkt. 19-238).

(3) Material in this Section has been de-tariffed pursuant to FCC Order No. 17-43, released April 28, 2017. Terms and Conditions for de-tariffed services are available at www.att.com/guidebook. (N)

(This page filed under Transmittal No. 1922)

13. Additional Engineering, Additional Labor and Miscellaneous Services (Cont'd)		
13.3 Miscellaneous Services		522
13.3.1 Maintenance of Service		522
13.3.2 Restoration Priority		524
13.3.3 Standard Interface Devices		525
13.3.4 Testing Services		536
13.3.5 Provision of Access Service Billing Information		564
13.3.6 Protective Connecting Arrangements		567
13.3.7 Miscellaneous Equipment		576
13.3.8 Provision of Billing Name and Address Information		576.1
13.3.10 Long Distance Trouble Management Service (LDTMS)		576.4
13.4 Individual Case Filings		577
13.4.1 Provision of Access Service Billing Information		577
14. Operating Territory of the Ameritech Operating Companies		578
14.1 Operating Territory of Illinois Bell Telephone Company, LLC		578
14.2 Operating Territory of Indiana Bell Telephone Company, LLC		582
14.3 Operating Territory of Michigan Bell Telephone Company, LLC		583
14.4 Operating Territory of The Ohio Bell Telephone Company, LLC		587
14.5 Operating Territory of Wisconsin Bell, LLC		591
14.6 Competitive and Non-Competitive Counties		592.1
14.6.1 General		592.1
14.6.2 Rate Regulations		592.1
14.6.3 Competitive Counties		592.2
14.6.4 Non- Competitive Counties		592.31
15. Exceptions to Access Service Offerings		593
15.1 State of Illinois		593
15.1.1 Trunk Access Limitation		
15.1.2 Exchange Telephone Companies Using Multiple Bill/Multiple Tariff Option		

(This page filed under Transmittal No. 1922)

ACCESS SERVICE

1. Application of Tariff

- 1.1 This tariff contains regulations, rates and charges applicable to the provision of Carrier Common Line, End User Access, Switched Access and Special Access Services, Lifeline Assistance, Federal Universal Service Fund (FUSF) Surcharge, and other miscellaneous services, hereinafter referred to collectively as services(s), provided to customers by the following Ameritech Operating Companies as issuing carriers: Illinois Bell Telephone Company, LLC, Indiana Bell Telephone Company, LLC, Michigan Bell Telephone Company, LLC, The Ohio Bell Telephone Company, LLC and Wisconsin Bell, LLC, hereinafter referred to as the Telephone Company. (T)

Pursuant to the Commission's Rules at Section 69.4(c), 69.5(d), 69.104(l), 69.116, 69.117, 69.603(c) and 69.603(d), regulations concerning the administration and billing of Lifeline Assistance and FUSF Surcharge rates and charges are contained in Section 8 of the National Exchange Carrier Association, Inc. (NECA) Tariff F.C.C. No. 5. NECA will bill and collect all Lifeline Assistance and FUSF Surcharges on behalf of the Telephone Company.

- 1.2 The provision of such services by the Telephone Company as set forth in this tariff does not constitute a joint undertaking with the customer for the furnishing of any service.
- 1.3 The operating territory of the Telephone Company is comprised of the locations set forth in 14. following for the states of Illinois, Indiana, Michigan, Ohio and Wisconsin.
- 1.4 References in this tariff to local general services tariffs constitute the referencing of any state jurisdictional tariff approved by a state regulatory commission, or its equivalent, for any of the issuing carriers mentioned in 1.1 above.
- 1.5 References in this tariff to Interstate Special Construction Tariffs refer to Ameritech Operating Companies Tariff F.C.C. No. 3.

(This page filed under Transmittal No. 1922)

2. General Regulations (Cont'd)

2.4 Payment Arrangements and Credit Allowances (Cont'd)

2.4.4 Credit Allowance for Service Interruptions

(A) General

A service is interrupted when it becomes unusable to the customer because of a failure of a facility component used to furnish service under this tariff or in the event that the protective controls applied by the Telephone Company result in the complete loss of service by the customer as set forth in 6.6.1 following, except as specified in 2.4.4(B)(9) following. An interruption period starts when an inoperative service is reported to the Telephone Company, and ends when the service is operative.

(B) When a Credit Allowance Applies

In case of an interruption to any service, allowance for the period of interruption, if not due to the negligence of the customer or the customer's end user shall be as follows:

- (1) For Special Access Services, except as specified in 2.4.4(B)(2), 2.4.4(B)(10), 2.4.4(B)(12), 2.4.4(B)(13) and 2.4.4(B)(16) following, no credit shall be allowed for an interruption of less than 30 minutes. The customer shall be credited for an interruption of 30 minutes or more at the rate of 1/1440 of the monthly charges for the facility or service for each period of 30 minutes or major fraction thereof that the interruption continues for all services except those as described in Section 2.4.4(B)(2), 2.4.4(B)(9), 2.4.4(B)(10), 2.4.4(B)(12), 2.4.4(B)(13) and 2.4.4(B)(16) following. The Telephone Company may require joint out of service testing between the customer and the Telephone Company for investigation and correction of the interruption.

For Network Reconfiguration Service (NRS), no credit shall be allowed for interruptions required to perform preventative or routine maintenance, or to perform software updates when the customer has been notified at least 24 hours prior to such occurrences.

The monthly charges used to determine the credit shall be as follows:

- (a) For two-point services, the monthly charge shall be the total of all the monthly rate element charges associated with the service (i.e., two Local Distribution Channels, Channel Mileage Terminations⁽¹⁾ and Channel Mileage⁽¹⁾ as appropriate, and optional feature and functions). (N)

- (1) These services have been de-tariffed pursuant to FCC Order No. 17-43, released April 28, 2017. (N)
Terms and Conditions for de-tariffed services are available at www.att.com/guidebook. (N)

(This page filed under Transmittal No. 1922)

2. General Regulations (Cont'd)

2.4 Payment Arrangements and Credit Allowances (Cont'd)

2.4.4 Credit Allowance for Service Interruptions (Cont'd)

(B) When a Credit Allowance Applies (Cont'd)

- (b) For multipoint services and Special Access Services associated with Network Reconfiguration Service (NRS), the monthly charge shall be only the total of all the monthly rate element charges associated with the portion of the service that is inoperative (i.e., a Local Distribution Channel per customer premises, Channel Mileage Terminations⁽¹⁾ and Channel Mileage⁽¹⁾ as appropriate, and optional features and functions). (N)

(1) These services have been de-tariffed pursuant to FCC Order No. 17-43, released April 28, 2017. (N)
Terms and Conditions for de-tariffed services are available at www.att.com/guidebook. (N)

(This page filed under Transmittal No. 1922)

2. General Regulations (Cont'd)

2.4 Payment Arrangements and Credit Allowances (Cont'd)

2.4.4 Credit Allowance for Service Interruptions (Cont'd)

(B) When a Credit Allowance Applies (Cont'd)

(1) (Cont'd)

- (c) For multiplexed⁽²⁾ services, the monthly charge shall be the total of all the monthly rate element charges associated with the portion of the service that is inoperative. When the higher capacity facility which is multiplexed⁽²⁾ or the multiplexer⁽²⁾ itself is inoperative, the monthly charge shall be the total of all the monthly rate element charges associated with the higher capacity facility from the customer's premises to the hub (i.e., the Local Distribution Channel, Channel Mileage Terminations⁽²⁾ and Channel Mileage⁽²⁾ as appropriate, and optional features and functions, including the multiplexer⁽²⁾). When the lower capacity service which rides a channel of the multiplexed⁽²⁾ lower capacity facility is inoperative, the monthly charge shall be the total of all the monthly rate element charges associated with the lower capacity service from the Hub to a customer premises (i.e., Local Distribution Channel, Channel Mileage Terminations⁽²⁾ and Channel Mileage⁽²⁾, as appropriate, and optional features and functions. (N)

For DS3 service provided under a Shared Facility Credit/Shared Facility Channel Service arrangement, the monthly charge shall be the total of all the monthly rate element charges, less any applicable Shared Facility Credits, associated with the portion of the service that is inoperative.

- (2)* For Program Audio⁽¹⁾ and Video Special Access Services, no credit shall be allowed for an interruption of less than 30 seconds. The customer shall be credited for an interruption of 30 seconds or more as follows:
- (a) For two-point services, when monthly rates are applicable, the credit shall be at the rate of 1/8640 of the monthly charges for the service for each period of 5 minutes or major fraction thereof that the interruption continues.
- (b) For two-point services, when daily rates are applicable, the credit shall be at the rate of 1/288 of the daily charges for the service for each period of 5 minutes or major fraction thereof that the interruption continues.

* Effective April 1, 2004, this regulation is limited to existing customers at existing locations. Additionally, this regulation is limited to services that may be rearranged or moved pursuant to existing OPP terms and conditions found in Section 7.4.10.

(1) Program Audio is discontinued and no longer available in this publication (see WC Dkt. 19-238).

(2) These services have been de-tariffed pursuant to FCC Order No. 17-43, released April 28, 2017. Terms and Conditions for de-tariffed services are available at www.att.com/guidebook. (N)

(This page filed under Transmittal No. 1922)

2. General Regulations (Cont'd)

2.4 Payment Arrangements and Credit Allowances (Cont'd)

2.4.4 Credit Allowance for Service Interruptions (Cont'd)

(B) When A Credit Allowance Applies (Cont'd)

(2)* (Cont'd)

- (c) For multipoint services, when monthly rates are applicable, the credit shall be at the rate of 1/8640 of the monthly charges for all Local Distribution Channels, Channel Mileage Terminations⁽¹⁾ and Channel Mileage⁽¹⁾, and optional features and functions that are inoperative for each period of 5 minutes or major fraction thereof that the interruption continues. (N)
- (d) For multipoint services, when daily rates are applicable, the credit shall be at the daily rate of 1/288 of the daily charges for all Local Distribution Channels, Channel Mileage Terminations⁽¹⁾ and Channel Mileage⁽¹⁾, and optional features and functions that are inoperative for each period of 5 minutes or major fraction thereof that the interruption continues. (N)
- (e) For multipoint services, the credit for the monthly or daily charges includes the charges for the distribution amplifier only when the distribution amplifier is inoperative.
- (f) When two or more interruptions occur during a period of 5 consecutive minutes, such multiple interruptions shall be considered as one interruption.
- (3) For Switched Access Service, except as described in (9), (10) (13), (14) and (15) following, Directory Assistance Service, and Ameritech Directory Search Service, no credit shall be allowed for an interruption of less than 24 hours. The customer shall be credited for an interruption of 24 hours or more at the rate of 1/30 of (a) the applicable monthly rates or (b) any charge based on assumed minutes of use or (c) the minimum monthly usage charge for each period of 24 hours or major fraction thereof that the interruption continues. However, in no case is a credit allowance applicable when the actual usage charge exceeds the minimum monthly usage charge in any one monthly billing period.

When Switched Access traffic is diverted from a direct trunked facility as a result of a service interruption, the direct trunked facility will be credited as described in 2.4.4.(B)(9) or 2.4.4(B)(10) following.

* Effective April 1, 2004, this regulation is limited to existing customers at existing locations. Additionally, this regulation is limited to services that may be rearranged or moved pursuant to existing OPP terms and conditions found in Section 7.4.10.

(1) These services have been de-tariffed pursuant to FCC Order No. 17-43, released April 28, 2017. (N)
Terms and Conditions for de-tariffed services are available at www.att.com/guidebook. (N)

(This page filed under Transmittal No. 1922)

2. General Regulations (Cont'd)

2.4 Payment Arrangements and Credit Allowances (Cont'd)

2.4.4 Credit Allowance for Service Interruptions (Cont'd)

(B) When a Credit Allowance Applies (Cont'd)

(9)* For Special Access Metallic, Telegraph, Direct Analog and Base Rate Service Local Distribution Channels, Channel Mileage Terminations⁽¹⁾ and Channel Mileage⁽¹⁾ and Switched Access Voice Grade Service Entrance Facilities and Direct Transport Channel Mileage Termination⁽¹⁾ and Channel Mileage⁽¹⁾, except as specified in 2.4.4(B)(12) following, no credit shall be allowed for an interruption period of less than 30 minutes. An interruption period starts when an inoperative service is released by the customer to the Telephone Company for testing/repair and ends when the service is operative. The customer must make the circuit available for testing by the Telephone Company and provide access as needed. Suspension of the calculated interruption period will occur when access to the customer premises can not be gained or the customer does not release the circuit experiencing trouble. (N)

In any month, as a result of the interruption, the total credit per rate element of the interrupted service may not exceed 100 percent of the monthly charge for that particular rate element.

Credit Allowance Schedule

Interruption Period		Applicable Credit	
More than 30 minutes, but less than 2 hours		1/1440th per 30 minute Interval	
Interruption Period	Credit Per Interruption	Interruption Period	Credit Per Interruption
2 Hours to 4 Hours		Over 4 Hours	
Metallic		Metallic	
- LDC	\$4.30	- LDC	\$8.60
- CM ⁽¹⁾	2.25	- CM ⁽¹⁾	4.50 (N)
Telegraph		Telegraph	
- LDC		- LDC	
- 2 Wire	7.90	- 2 Wire	15.80
- 4 Wire	9.00	- 4 Wire	18.00
- CMT ⁽¹⁾	3.60	- CMT ⁽¹⁾	7.20 (N)
- CM ⁽¹⁾	.30	- CM ⁽¹⁾	.60 (N)
		or 1/1440 per 30 minute interval, whichever is greater	

* Effective April 1, 2004, this regulation is limited to existing customers at existing locations. Additionally, this regulation is limited to services that may be rearranged or moved pursuant to existing OPP terms and conditions found in Section 7.4.10.

(1) These services have been de-tariffed pursuant to FCC Order No. 17-43, released April 28, 2017. Terms and Conditions for de-tariffed services are available at www.att.com/guidebook. (N)

(This page filed under Transmittal No. 1922)

2. General Regulations (Cont'd)

2.4 Payment Arrangements and Credit Allowances (Cont'd)

2.4.4 Credit Allowance for Service Interruptions (Cont'd)

(B) When a Credit Allowance* Applies (Cont'd)

(10)⁽¹⁾ For Special Access DS1 and DS3 Service Local Distribution Channels, Channel Mileage Terminations⁽²⁾ and Channel Mileage⁽²⁾ and Switched Access LT1 and LT3 Service Entrance Facilities and Direct Transport Channel Mileage Terminations⁽²⁾ and Channel Mileage⁽²⁾, the customer shall be credited when the service experiences a verifiable interruption of 1 (one) minute or more. A service interruption must be reported to the Telephone Company within 24 hours of the interruption. An interruption period starts when an inoperative service is reported by the customer to the Telephone Company for repair and ends when the service is operative. The customer must make the circuit available for testing by the Telephone Company and provide access as needed. Suspension of the calculated interruption period will occur when access to the customer premises can not be gained or the customer does not release the circuit experiencing trouble. Credit allowance for service interruptions of 1 (one) minute or more will be based on the rate zone assignment of the customer's serving wire center, as specified in Sections 6.8.1 or 7.4.1 following. For Local Distribution Channels, Entrance Facilities, Channel Mileage Terminations⁽²⁾ and Channel Mileage⁽²⁾ assigned to rate zone 1, rate zone 2 or rate zone 3 wire centers, the customer shall be credited with 100 (one hundred) percent of the monthly rates for service interruptions of 1 (one) minute or more. For Local Distribution Channels, Entrance Facilities, Channel Mileage Terminations⁽²⁾ and Channel Mileage⁽²⁾ assigned to rate zone 4 or rate zone 5 wire centers, the customer shall be credited for service interruptions of more than 1 (one) minute but less than 2 (two) hours based on the following schedule. For service interruptions of more than 2 hours, the customer shall be credited with 100 percent of the monthly rate.

(N)
 |
 (N)

 (N)
 (N)

 (N)

In any month, as a result of the interruption, the total credit per rate element of the interrupted service may not exceed 100 percent of the monthly charge for that particular rate element.

Credit allowance for service interruptions for DS3 Local Distribution Channels with an Electrical Interface and LT-3 Entrance Facilities with an Electrical Interface in rate zone 1, rate zone 2 and rate zone 3 wire centers and service interruptions of more than 2 hours in rate zone 4 and 5 wire centers will be calculated after application of Volume Pricing Plan discounts as described in 6.8.2(D)(6)(g) and 7.4.10 I following.

¹ Effective April , 2004, this regulation is limited to existing customers at existing locations. Additionally, this regulation is limited to services that may be rearranged or moved pursuant to existing OPP terms and conditions found in Section 7.4.10.

² These services have been de-tariffed pursuant to FCC Order No. 17-43, released April 28, 2017. Terms and Conditions for de-tariffed services are available at www.att.com/guidebook. (N)
 (N)

* Credit allowances are not available for Optical Services associated with the DS3 Service Package, DS3 Service Channel and Entrance Facilities LT-3 subscribed to, on or after March 8, 2001.

(This page filed under Transmittal No. 1922)

ACCESS SERVICE

2. General Regulations (Cont'd)

2.4 Payment Arrangements and Credit Allowances (Cont'd)

2.4.4 Credit Allowance for Service Interruptions (Cont'd)

(B) When a Credit Allowance Applies (Cont'd)

(12)⁽¹⁾

- (13) For Access services provided as Special Facilities Routing Arrangements as described in Section 11.1.1 following, the customer shall be credited 100 percent of the monthly rates for the Special Facilities Routing Arrangements and associated Local Distribution Channels, Entrance Facilities, Channel Mileage Terminations⁽¹⁾ and Channel Mileage⁽¹⁾ for each identified service when both the normal transmission path (normal service) and the designated diverse transmission path (diverse service) experience simultaneous service interruptions of 1 minute or more. An interruption period starts when the inoperative normal and diverse services are reported by the customer to the Telephone Company for testing/repair and ends when the services are operative. In order to qualify for this credit, the outages must be determined by the Telephone Company to be in its network. (N)

The total credit allowance available to a customer regardless of the number of service interruptions in any month may not exceed 100 percent of the monthly rates of the service.

⁽¹⁾ Material in this Section has been de-tariffed as required by the Commission upon use of the forbearance relief pursuant to FCC Memorandum Opinion and Order No. 07-180, released October 12, 2007. Terms and Conditions associated with de-tariffed services are available at www.att.com/guidebook.

(This page filed under Transmittal No. 1922)

2. General Regulations (Cont'd)

2.4 Payment Arrangements and Credit Allowances (Cont'd)

2.4.7 Ordering, Rating and Billing of Access Services Where More Than One Exchange Telephone Company is Involved

- (A) When an Access Service is ordered by a customer where one end of the Switched Transport, Directory Transport or Channel Mileage⁽¹⁾ is in one Exchange Telephone Company operating territory and the other end is in another Exchange Telephone Company operating territory, or where the 900 NXX translation service and the end office are not provided by the same Exchange Telephone company (jointly provided services), the Exchange Telephone Company that accepts the order will be determined as set forth in (1) through (4) following. Each Exchange Telephone Company involved will receive a copy of the order and will arrange to provide its portion of the service. Ordering provisions for jointly provided services will conform to industry standards as established in the Multiple Exchange Carrier Ordering and Design Guidelines (MECOD). (N)
- (1) For Switched Access Services ordered in lines or trunks and 900 Access Service, the customer will place the order with the Telephone Company in whose territory the first point of switching is located.
 - (2) For Special Access Service provided without the use of a hub, or Switched Access Services ordered in busy hour minutes of capacity, the Exchange Telephone Company in whose territory the customer's end user is located will accept the order for the Access Service from the customer.
 - (3) When a Special Access Service provided with the use of a Hub is ordered by a customer, the Exchange Telephone Company in whose territory the Hub is located will accept the order for the Access Service from the customer.
 - (4) For Directory Assistance Service, the customer will place the order with the Telephone Company in whose territory the Directory Assistance Location is located.

(1) This service has been de-tariffed pursuant to FCC Order No. 17- 43, released April 28, 2017. (N)
Terms and Conditions for de-tariffed services are available at www.att.com/guidebook. (N)

(This page filed under Transmittal No. 1922)

ACCESS SERVICE

2. General Regulations (Cont'd)

2.4 Payment Arrangements and Credit Allowances (Cont'd)

2.4.7 Ordering, Rating and Billing of Access Services Where More Than One Exchange Telephone Company is Involved (Cont'd)

(B) (Cont'd)

(3) Single Bill/Multiple Tariff Billing Arrangements

When the billing company, as identified in (2) above, elects to provide a single bill which includes each Exchange Telephone Company's rates for the jointly provided service, the company that has been designated as the billing company will arrange to provide the service, bill and collect all charges. The bill will separately identify each company's rates and charges.

(4) Multiple Bill Arrangement

When an Access Service is jointly provided and the administration of a single bill arrangement cannot be agreed upon by the companies involved, each Exchange Telephone Company will provide its portion of the Access Service based on the regulations, rates and charges contained in its Access Service tariff, subject to the following rules as appropriate.

(a) The charges billed by each company for mileage sensitive rate elements, e.g., Switched Transport, or Directory Assistance Transport, are determined as follows: (D)

(i) The total mileage for the service is computed using the V&H Coordinate Method set forth in National Exchange Carrier Association Tariff F.C.C. No. 4 (NECA No. 4).

For Switched Transport routed through an Access Tandem, at the customer's option, mileage may be measured on an airline basis between the End Office and the Serving Wire Center. This option expires July 1, 1998. After that date, mileage will be measured between the End Office and the Access Tandem and between the Access Tandem and the Serving Wire Center.

(This page filed under Transmittal No. 1922)

ACCESS SERVICE**2. General Regulations (Cont'd)****2.4 Payment Arrangements and Credit Allowances (Cont'd)****2.4.7 Ordering, Rating and Billing of Access Services Where More Than One Exchange Telephone Company is Involved (Cont'd)****(B) (Cont'd)****(4) Multiple Bill Arrangement (Cont'd)****(a) (Cont'd)**

- (ii)** The billing percentage (BP), which represents the portion of the service provided by each Exchange Telephone Company, is determined as set forth in NECA No. 4.
 - (iii)** Each company's rates and charges are then multiplied by the appropriate quantity(ies) and the billing percent to obtain the charges for that company.
- (b)** The application of nondistance sensitive rate elements varies according to the rate structure and the location of the facilities involved:
- (i)** When rates and charges are listed on a per point of termination basis, each company's rates will be billed for the termination(s) within its operating territory.
 - (ii)** When rates and charges are listed on a per unit basis, e.g., central office bridging, each company's rates and charges will apply for units located in its operating territory. (D)

(This page filed under Transmittal No. 1922)

ACCESS SERVICE**2. General Regulations (Cont'd)****2.4 Payment Arrangements and Credit Allowances (Cont'd)****2.4.7 Ordering, Rating and Billing of Access Services Where More Than One Exchange Telephone Company is Involved (Cont'd)****(B) (Cont'd)****(4) Multiple Bill Arrangement (Cont'd)****(b) (Cont'd)**

(iii) When rates and charges are developed on an individual case basis, such rates will be developed for the portion of the service provided by each company.

(iv) When rates and charges are listed on a per service basis, each company's rates and charges will be multiplied by the billing percent referenced above to determine the charges to be billed.

(v) For Switched Access and Directory Assistance, the Tandem-Switched Termination and Tandem-Switched Directory Assistance Termination rates for each company terminating an end of the service will be multiplied by 50 percent. For intermediate companies not terminating an end of the service, the transport termination charges will not apply. (D)

(vi) The Tandem Switching rate will be charged by the exchange telephone company in which tandem switching occurs.

For Direct Switched Transport facilities between the tandem and the serving wire center, elements that are billed on a flat monthly basis will be billed in accordance with (a) and (b)(i), preceding.

(vii) (D)
(D)

(viii) For Feature D provided in conjunction with Data Base Services, charges associated with the data base will be billed by the company providing the SSP.

(ix) For Ameritech Frame Relay, charges associated with User-to-Network Interface (UNI), Network-to-Network Interface (NNI), Hubbed UNI and Hubbed NNI connection will be billed by the Company providing the frame relay service.

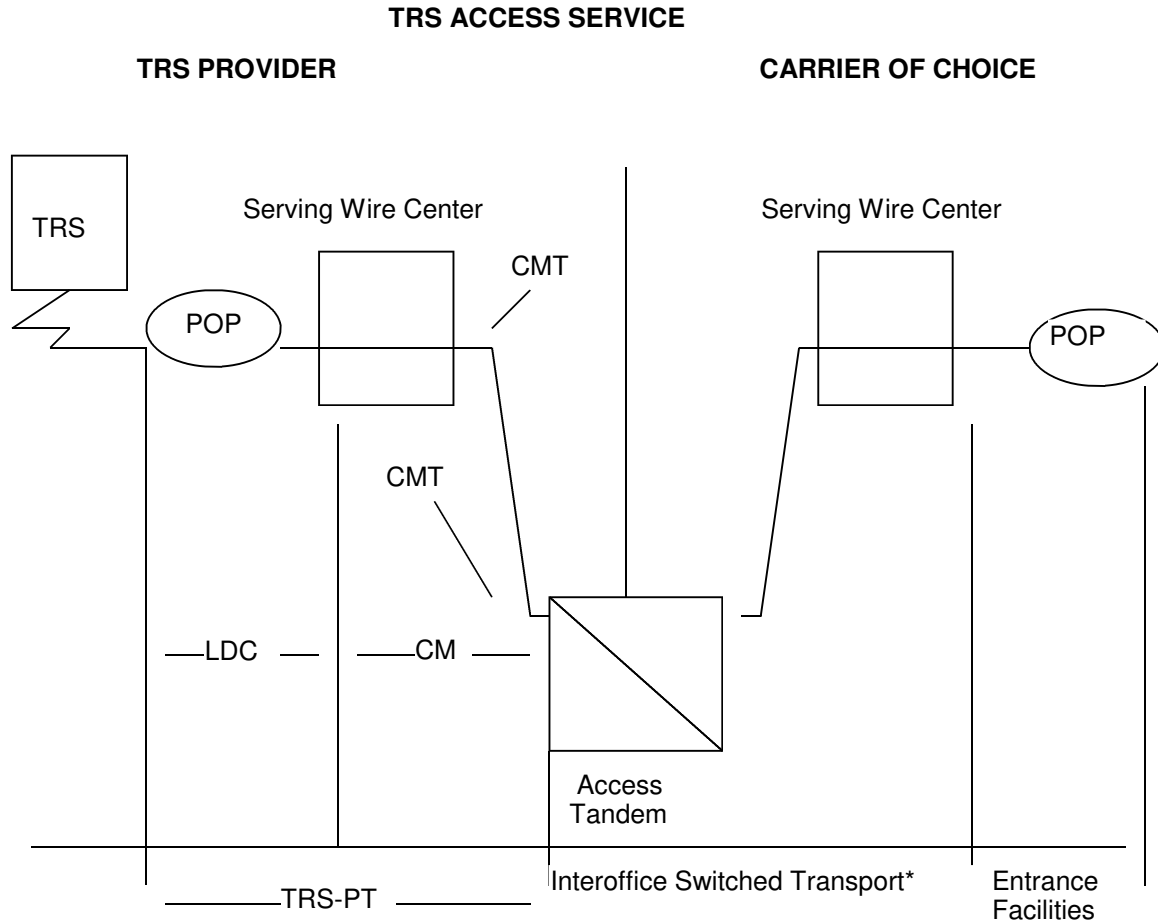
(This page filed under Transmittal No. 1922)

2. General Regulations (Cont'd)

2.4 Payment Arrangements and Credit Allowances (Cont'd)

2.4.9 Ordering, Rating and Billing of Access Services Provided in Conjunction With Telecommunications Relay Services (TRS)

(C) TRS Access Service is depicted in the following diagram:



- | | | | |
|--------------------|---|--|-----|
| TRS | = | Telecommunications Relay Services | |
| TRS-PT | = | TRS Provider Transport | |
| CM ⁽¹⁾ | = | Channel Mileage ⁽¹⁾ | (N) |
| CMT ⁽¹⁾ | = | Channel Mileage Termination ⁽¹⁾ | (N) |
| LDC | = | Local Distribution Channel | |
| SWC | = | Serving Wire Center | |
| POP | = | Point of Presence | |

* Interoffice Switched Transport may be provided as Tandem-Switched Transport or Direct Transport, per 6.1.3(A)(1). The Tandem Switching charge applies.

(1) These services have been de-tariffed pursuant to FCC Order No. 17- 43, released April 28, 2017. Terms and Conditions for de-tariffed services are available at www.att.com/guidebook. (N)

(This page filed under Transmittal No. 1922)

5. Ordering Options for Switched and Special Access Service

5.1 General (Cont'd)

5.1.1 Ordering Conditions (Cont'd)

Except as provided below, the Telephone Company shall permit a requesting telecommunications carrier to commingle an unbundled network element or a combination of unbundled network elements with wholesale services obtained from the Telephone Company, to the extent provided by and subject to the terms and conditions of the requesting telecommunications carrier's interconnection agreement with the Telephone Company (or, if applicable, of the Telephone Company intrastate tariffs).⁽¹⁾

The Telephone Company need not provide access to (1) an unbundled DS1 loop in combination, or commingled, with a dedicated DS1 transport or dedicated DS3 transport facility or service, or to an unbundled DS3 loop in combination, or commingled, with a dedicated DS3 transport facility or service, or (2) an unbundled dedicated DS1 transport facility in combination, or commingled, with an unbundled DS1 loop or a DS1 channel termination⁽²⁾ service, or to an unbundled dedicated DS3 transport facility in combination, or commingled, with an unbundled DS1 loop or a DS1 channel termination⁽²⁾ service, or to an unbundled DS3 loop or a DS3 channel termination⁽²⁾ service, unless the requesting telecommunications carrier certifies that all of the following conditions are met⁽¹⁾ (N) | (N)

(1)The requesting telecommunications carrier has received state certification to provide local voice service in the area being served or, in the absence of a state certification requirement, has complied with registration, tariffing, filing fee, or other regulatory requirements applicable to the provision of local voice service in that area.

(2)The following criteria are satisfied for each combined circuit, including each DS1 circuit, each DS1 enhanced extended link, and each DS1-equivalent circuit on a DS3 enhanced extended link:

- (i) Each circuit to be provided to each end user customer will be assigned a local number prior to the provision of service over that circuit;
- (ii) Each DS1-equivalent circuit on a DS3 enhanced extended link must have its own local number assignment, so that each DS3 must have at least 28 local voice numbers assigned to it;

(1) In the event the Commission or a court, pursuant to any regulatory or judicial review of the Commission's *Review of the Section 251 Unbundling Obligations of Incumbent Local Exchange Carriers*, Report and Order and Order on Remand and Further Notice of Proposed Rulemaking, CC Docket No. 01-338, FCC 03-36, para. 581 (released Aug. 21, 2003) (*Triennial Review Order*), vacates, stays, remands, reconsiders, or rejects the portion of the Triennial Review Order requiring ILECs to permit commingling, the terms and conditions of this tariff authorizing commingling, which are identified with a footnote, shall cease to be effective as of the effective date of the Commission order or the issuance of the court's mandate. In that event, the Telephone Company will provide customers that have commingled UNE(s) and/or UNE Combination(s) with wholesale services obtained under this Tariff written notice that, within 30 days, customers must either convert such UNE(s) or UNE Combination(s) to a comparable service, or disconnect such UNE(s) and/or UNE Combination(s) from those wholesale services. Failure to provide the Telephone Company instructions to convert or disconnect such UNE(s) and/or UNE Combination(s) within 30 days, as described above, shall be deemed authorization to convert the UNE(s) and/or UNE Combination(s) to comparable access services at month-to-month rates.

(2) This service has been de-tariffed pursuant to FCC Order No. 17- 43, released April 28, 2017. (N)
 Terms and Conditions for de-tariffed services are available at www.att.com/guidebook. (N)

(This page filed under Transmittal No. 1922)

ACCESS SERVICE

5. Ordering Options for Switched and Special Access Service (Cont'd)

5.2 Access Order (Cont'd)

- For Directory Assistance Service, the customer shall specify the number of busy hour minutes of capacity (BHMC) from the customer's premises to the Directory Assistance location. If the Directory Assistance Service is to be associated with a Feature Group B or D Switched Access Service, the customer shall also specify which Feature Group B or D Switched Access Service trunk group is to be associated with the Directory Assistance Service. This information is used to determine the number of transmission paths as set forth in 9.2(E)(3), following. The customer then specifies the Directory Transport options.
- For Ameritech Directory Search, the customer must arrange for connection to the Telephone Company's PSN service as set forth in Section 8, at a location in the same LATA as the ADS location. When the customer orders ADS service, the customer shall provide the Telephone Company with its PSN circuit ID number(s) and the PSN switch location the service is to be associated with. The order should also include the initial number of User IDs to be provided per ADS account.
- For all Special Access Services, the customer must specify the customer designated premises or Hubs involved, the type of service (e.g., Video, Direct Analog, Direct High Capacity, etc.), the channel interface, technical specification package and options desired. For multipoint services, the channel interface at each premises may, at the request of the customer, be different but all such interfaces shall be compatible.
- For Dedicated Access Line Service the customer must also specify the type of calling (i.e., two-way, originating only or terminating only) for which the service is to be provided. Additionally, when the WATS functions ordered by the customer are not provided at the wire center which serves the customer's originating or terminating premises, the Telephone Company will provide the service to the nearest wire center where these functions are available. In these circumstances, the customer will be so notified and the order will be changed to designate the appropriate wire center. No charge will apply for the order change, however, the appropriate channel mileage⁽¹⁾ charges will apply. If the desired WATS functions are later made available at the normal wire center, the Telephone Company will cease billing channel mileage⁽¹⁾ charges for the extension as of the availability date of those functions. (N)

Where the Special Access Service is exempt from the Special Access Monthly Charge as set forth in 7.4.2, following, the customer shall furnish with the order the certification as set forth in that section or reference on the access order the Special Access Service Monthly Charge Exemption Certificate on file with the Telephone Company.

(1) This service has been de-tariffed pursuant to FCC Order No. 17- 43, released April 28, 2017. (N)
Terms and Conditions for de-tariffed services are available at www.att.com/guidebook. (N)

(This page filed under Transmittal No. 1922)

7. Special Access Service

Non-Competitive End-User Channel Terminations (and associated optional features and functions) are the Special Access Services offered under this tariff. Other Special Access Services required to complete a circuit are available at www.att.com/guidebook. (N)
|
(N)

7.1 General

Special Access Service provides a transmission path to connect customer designated premises* or a customer designated premises and a WATS serving office, either directly or through a Telephone Company Hub where bridging or multiplexing⁽¹⁾ functions are performed or to connect a customer designated premises and a Telephone Company Hub where cross-connection functions are performed. Special Access Service includes all exchange access not utilizing Telephone Company end office switches. (N)

The connections provided by Special Access Service can be either analog or digital. Analog connections are differentiated by spectrum and bandwidth. Digital connections are differentiated by bit rate.

Rates and charges for Special Access Service are set forth in Section 7.5 following, with the exception of the services provided by the Telephone Company in the Metropolitan Statistical Areas (MSAs) in which the Telephone Company has received Phase II pricing flexibility pursuant to Subpart H of Part 69 of the Commission's Rules. The rates and charges for the Special Access Service in the MSAs that have received Phase II pricing flexibility are set forth in Section 21.

7.1.1 N End-User Channel Types

There are eleven types of channels used to provide Special Access Services. Each type has its own characteristics. All are subdivided by one or more of the following:

- Transmission specifications,
- Bandwidth,
- Speed (i.e., bit rate),
- Spectrum

Customers can order a basic channel and select, from a list of available transmission parameters and network channel interfaces, those that they desire to meet specific communications requirements.

For purposes of ordering channels, each has been identified as a type of Special Access Service. However, such identification is not intended to limit a customer's use of the channel nor to imply that the channel is limited to a particular use. For example, if a customer's equipment is capable of transmitting voice over a channel that is identified as a Metallic Service in this tariff, there is no restriction against doing so.

* Telephone Company Centrex CO-like switches, Telephone Company Answering Service Concentrators, and Telephone Company Direct Inward Dialing (DID) facility locations are considered to be customer premises for purposes of administering regulations and rates of Section 7 of this tariff and, in the case of DID facility locations, only to permit customers to provide DID service to Radio Common Carriers.

(1) This service has been de-tariffed pursuant to FCC Order No. 17- 43, released April 28, 2017. Terms and Conditions for de-tariffed services are available at www.att.com/guidebook. (N)
(N)

(This page filed under Transmittal No. 1922)

ACCESS SERVICE

7. Special Access Service (Cont'd)

7.1 General (Cont'd)

7.1.1 Channel Types (Cont'd)

Detailed descriptions of each of the channel types are provided in 7.2 following.

The customer also has the option of ordering direct analog service, or DS1 or DS3 Service operating at terminating speeds of 1.544 Mbps or 44.736 Mbps, to a Telephone Company Hub for multiplexing⁽¹⁾ to individual channels of a lower capacity or bandwidth. (N)(D)
(D)

Additionally, the customer may specify optional features for the individual channels derived from the facility to further tailor the channel to meet specific communications requirements. Descriptions of the optional features and functions available are also set forth in Section 7.2.

For example, a customer may order a 44.736 Mbps facility from a customer designated premises to a Telephone Company Hub for multiplexing⁽¹⁾ to twenty eight 1.544 Mbps channels. The 1.544 Mbps channels may be further multiplexed⁽¹⁾ at the same or a different Hub to Direct Analog Service (i.e., Group Level) channels or may be extended to other customer designated premises. Optional features may be added to either the 1.544 Mbps or the Direct Analog Service Channels. (N)
(N)

(1) This service has been de-tariffed pursuant to FCC Order No. 17- 43, released April 28, 2017. Terms and Conditions for de-tariffed services are available at www.att.com/guidebook. (N)
(N)

(This page filed under Transmittal No. 1922)

Special Access Service (Cont'd)

7.1 General (Cont'd)

7.1.2 End-User Rate Categories⁽¹⁾ (N)

There are two basic rate categories which apply to Special Access Service: (C)

- Non-Competitive End User Local Distribution Channel (described in 7.1.2(A) following) (N)

- (D)

- (D)

- Optional Features and Functions (described in 7.1.2(D) following).

(1) Material in this Section has been de-tariffed pursuant to FCC Order No. 17-43, released April 28, 2017. Terms and Conditions for de-tariffed services are available at www.att.com/guidebook. (N)
(N)

(This page filed under Transmittal No. 1922)

ACCESS SERVICE

7. Special Access Service (cont'd)

7.1 General (cont'd)

7.1.2 Rate Categories (cont'd)

(A) Non-Competitive End User Local Distribution Channel (N)

The non-competitive end user Local Distribution Channel rate category provides for the communications path between a customer designated premises and the serving wire center of that premises. Included as part of the non-competitive end user Local Distribution Channel is a standard network channel interface arrangement which defines the technical characteristics associated with the type of facilities to which the access service is to be connected at the Point of Termination (POT) and the type of signaling capability, if any. The signaling capability itself is provided as an optional feature as set forth in (D) following. One Local Distribution Channel charge applies per non-competitive end user customer designated premises at which the channel is terminated. This charge will apply even if the customer designated premises and the serving wire center are co-located in a Telephone Company building. (N)

DS3 non-competitive end user Local Distribution Channels with an Optical Interface are composed of two rate elements; DS3 Service Packages (SP) and DS3 Service Channels (SC). (N)

(B) ⁽¹⁾ (D)(N)

(D)

(D)

(1) Material in this Section has been de-tariffed pursuant to FCC Order No. 17-43, released April 28, 2017. Terms and Conditions for de-tariffed services are available at www.att.com/guidebook. (N)

(This page filed under Transmittal No. 1922)

ACCESS SERVICE

7. Special Access Service (Cont'd)

7.1 General (Cont'd)

7.1.2 Rate Categories

(C) ⁽¹⁾

(D)(N)

(D)

(D)

(D) Optional Features and Functions

The Optional Features and Functions rate category provides for optional features and functions which may be added to a Special Access Service to improve its quality or utility to meet specific communications requirements. These are not necessarily identifiable with specific equipment, but rather represent the end result in terms of performance characteristics which may be obtained. These characteristics may be obtained by using various combinations of equipment. Although the equipment necessary to perform a specified function may be installed at various locations along the path of the service, it will be charged for as a single rate element.

(1) Material in this Section has been de-tariffed pursuant to FCC Order No. 17-43, released April 28, 2017. Terms and Conditions for de-tariffed services are available at www.att.com/guidebook. (N)
(N)

(This page filed under Transmittal No. 1922)

ACCESS SERVICE

7. Special Access Service (Cont'd)

7.1 General (Cont'd)

7.1.2 Non-Competitive End-User Rate Categories (Cont'd) (N)

(D) Optional Features and Functions (Cont'd)

Examples of Optional Features and Functions that are available include, but are not limited to, the following:

- Signaling Capability
- Hubbing Functions
- Conditioning
- Transfer Arrangements

A Hub is a Telephone Company designated serving wire center at which bridging, multiplexing⁽¹⁾ or cross-connection functions are performed. The bridging functions performed are to connect three or more customer designated premises in a multipoint arrangement. The multiplexing functions are to channelize analog or digital facilities to individual services requiring a lower capacity or bandwidth. Hubs for multiplexing⁽¹⁾ may be designated as Intermediate or Terminus Hubs as set forth in 2.6 preceding. The cross-connection functions provide for the connection of two digital services of the same bit rate at Fiber Hub locations set forth in 7.4.10, following. (N)

Descriptions for each of the available Optional Features and Functions are set forth in 7.2 following. (N)

7.1.3 Non-Competitive End-User Service Configurations (N)

There are two types of service configurations over which Special Access Services are provided: two-point service and multipoint service.

(1) This service has been de-tariffed pursuant to FCC Order No. 17- 43, released April 28, 2017. Terms and Conditions for de-tariffed services are available at www.att.com/guidebook. (N)

(This page filed under Transmittal No. 1922)

ACCESS SERVICE

7. Special Access Service (Cont'd)

7.1 General (Cont'd)

7.1.3 Service Configurations (Cont'd)

(A) Two-Point Service

A two-point service connects two customer designated premises or a customer designated premises and a wire center for connection with other network services (e.g., WATS) either on a directly connected basis or through a Hub where multiplexing⁽¹⁾ functions are performed.

(N)

Applicable rate elements are:

- Non-Competitive End User Local Distribution Channel*
- Channel Mileage Terminations⁽¹⁾ (as applicable)
- Channel Mileage⁽¹⁾ (as applicable)
- Optional Features and Functions (when applicable)

(N)
|
(N)

* Only one Local Distribution Channel will apply for Dedicated Access Line Service. Certain material on this page previously appeared on 4th Revised Page 236.

(1) These services have been de-tariffed pursuant to FCC Order No. 17-43, released April 28, 2017. Terms and Conditions for de-tariffed services are available at www.att.com/guidebook.

(N)
(N)

(This page filed under Transmittal No. 1922)

ACCESS SERVICE

7. Special Access Service (Cont'd)

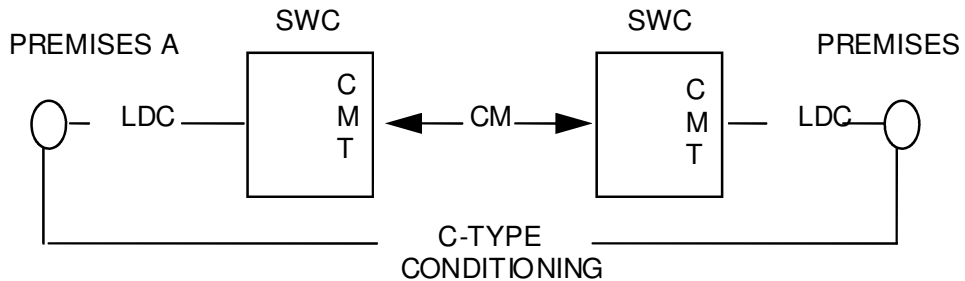
7.1 General (Cont'd)

7.1.3 Service Configurations (Cont'd)

(A) Two-Point Service (Cont'd)

In addition, a Special Access Surcharge as set forth in Section 7.4.3 and a Message Station Equipment Recovery charge as set forth in Section 7.4.4 may be applicable.

The following diagram depicts a two-point Direct Analog Service connecting two customer designated premises located 15 miles apart. The service is provided with C-Type conditioning.



- LDC - non-competitive end user local distribution channel (N)
- CMT⁽¹⁾ - mileage termination⁽¹⁾ | (N)
- CM⁽¹⁾ - channel mileage⁽¹⁾ (N)
- SWC - serving wire center

- Applicable rate elements are:
- Non-Competitive End User Local Distribution Channel (two applicable) (N)
 - Channel Mileage Termination⁽¹⁾ (two applicable) | (N)
 - Channel Mileage⁽¹⁾ (15 miles) (N)
 - C-Type Conditioning Optional Feature (two applicable)

(1) These services have been de-tariffed pursuant to FCC Order No. 17-43, released April 28, 2017. (N)
 Terms and Conditions for de-tariffed services are available at www.att.com/guidebook. (N)

(This page filed under Transmittal No. 1922)

ACCESS SERVICE

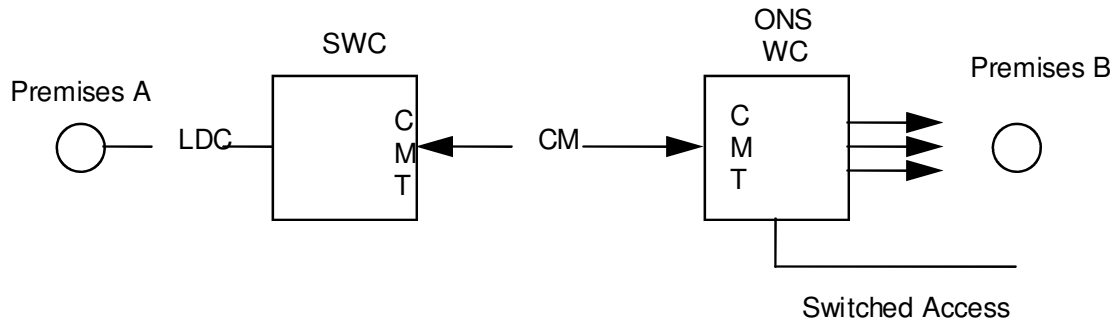
7. Special Access Service (Cont'd)

7.1 General (Cont'd)

7.1.3 Service Configurations (Cont'd)

(A) Two-Point Service (Cont'd)

The following diagram depicts a Dedicated Access Line Service where the other network service (e.g., WATS) serving office is 10 miles from serving wire center of the customer designated premises.



- LDC - Non-Competitive End User Local Distribution Channel (N)
- CMT⁽¹⁾ - Channel Mileage Termination⁽¹⁾ |
- CM⁽¹⁾ - Channel Mileage⁽¹⁾ (N)
- SWC - Serving Wire Center
- ONS - Other Network Service Wire Center (e.g., WATS)

Applicable rate elements are:

- Non-Competitive End User Local Distribution Channel (one applicable) (N)
- Channel Mileage Termination⁽¹⁾ (two applicable) |
- Channel Mileage⁽¹⁾ (10 miles) (N)
- Switched Access (see Section 6)

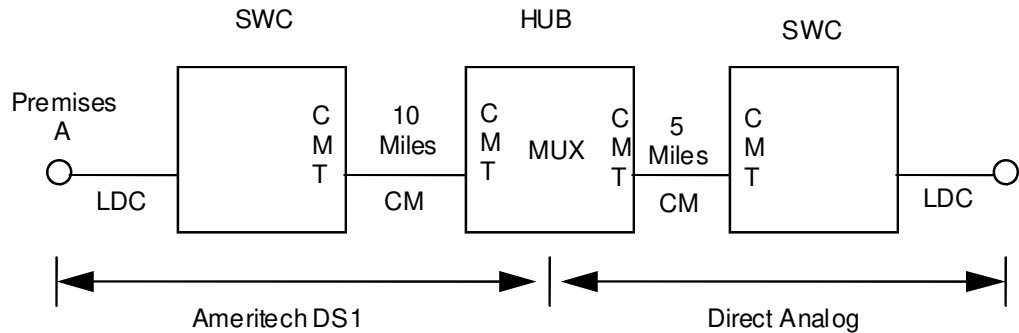
(1) These services have been de-tariffed pursuant to FCC Order No. 17-43, released April 28, 2017. (N)
 Terms and Conditions for de-tariffed services are available at www.att.com/guidebook. (N)

(This page filed under Transmittal No. 1922)

ACCESS SERVICE

- 7. Special Access Service (Cont'd)
 - 7.1 General (Cont'd)
 - 7.1.3 Service Configuration (Cont'd)
 - (A) Two-Point Service (Cont'd)

The following diagram depicts a two-point service, with Premises A served by DS1 Service and Premises B served by Direct Analog Service, multiplexed⁽¹⁾ at an Intermediate Hub located 10 miles from the serving wire center for Premises A and 5 miles from the serving wire center for Premises B. (N)



- LDC - Non-Competitive End User Local Distribution Channel (N)
- CMT⁽¹⁾ - Channel Mileage Termination⁽¹⁾ (N)
- CM⁽¹⁾ - Channel Mileage⁽¹⁾ (N)
- MUX⁽¹⁾ - DS1 to Voice Multiplexing⁽¹⁾ (N)
- SWC - Serving Wire Center

Applicable rate elements are:

- Non-Competitive End User Local Distribution Channel (N)
 - 1 Ameritech DS1
 - 1 Direct Analog
- Channel Mileage Termination⁽¹⁾ (N)
 - 2 Ameritech DS1
 - 2 Direct Analog
- Channel Mileage⁽¹⁾ (N)
 - 10 Ameritech DS1
 - 5 Direct Analog
- Multiplexing⁽¹⁾ (N)
 - 1 Ameritech DS1 to Voice/Base Rate

(1) These services have been de-tariffed pursuant to FCC Order No. 17-43, released April 28, 2017. (N)
 Terms and Conditions for de-tariffed services are available at www.att.com/guidebook. (N)

(This page filed under Transmittal No. 1922)

ACCESS SERVICE

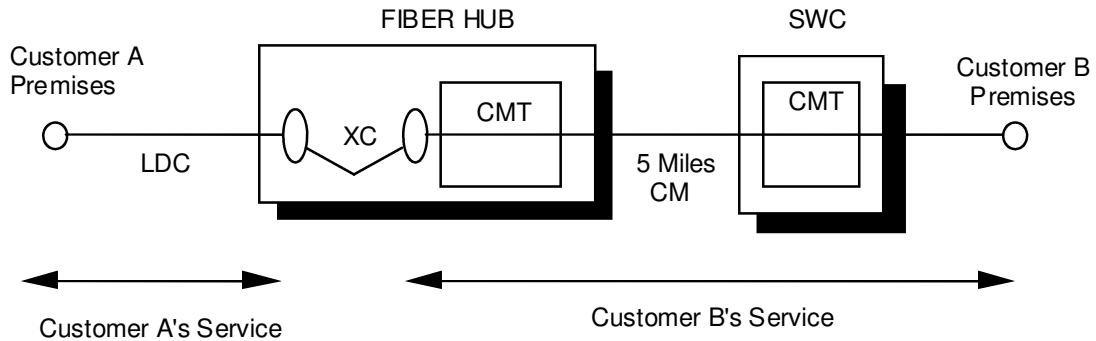
7. Special Access Service (Cont'd)

7.1 General (Cont'd)

7.1.3 Service Configuration (Cont'd)

(A) Two-Point Service (Cont'd)

The following diagram depicts two two-point DS3 Services cross-connected at a Fiber Hub. The first DS3 Service connects Customer A's designated premises to the Fiber Hub. The second DS3 Service connects Customer B's designated premises to the Fiber Hub.



- CM⁽¹⁾ - Channel Mileage⁽¹⁾ (N)
- CMT⁽¹⁾- Channel Mileage Termination⁽¹⁾ (N)
- LDC - Non-Competitive End User Local Distribution Channel (N)
- SWC - Serving Wire Center (N)
- XC - Cross-Connection (N)

Applicable rate elements are:

- Non-Competitive End User Local Distribution Channel - Customer A (N)
- Non-Competitive End User Local Distribution Channel - Customer B (N)
- Cross-Connection - DS3 to DS3 (N)
- 5 Miles Channel Mileage⁽¹⁾ - Customer B (N)
- 2 Channel Mileage Terminations⁽¹⁾ - Customer B (N)

The DS3 to DS3 Cross-Connection may be ordered by either customer, with authorization from the other customer to make the connection of the two services.

(1) These services have been de-tariffed pursuant to FCC Order No. 17-43, released April 28, 2017. (N)
 Terms and Conditions for de-tariffed services are available at www.att.com/guidebook. (N)

(This page filed under Transmittal No. 1922)

ACCESS SERVICE

7. Special Access Service (Cont'd)

7.1 General (Cont'd)

7.1.3 Service Configurations (Cont'd)

(B) Multipoint Service

Multipoint service connects three or more customer designated premises through a Telephone Company Hub. There is no limitation on the number of mid-links available with multipoint service. However, when more than three mid-links are provided in tandem, the quality of the service may be degraded. A mid-link is a channel between Hubs (i.e., bridging locations). Only certain types of Special Access Service are provided as multipoint service. These are so designated in the Service Descriptions set forth in Section 7.2.

Multipoint service utilizing a customized technical specifications package as set forth in Section 7.2 will be provided when technically possible. If the Telephone Company determines that the requested characteristics for a multipoint service are not compatible, the customer will be advised and given the opportunity to change the order.

When ordering, the customer will specify the desired bridging Hub(s) selected from the NECA Tariff FCC. NO. 4. This tariff identifies the type(s) of bridging functions which are available and the serving wire centers where they are available.

Applicable Rate Elements are:

- Non-Competitive End User Local Distribution Channels (one per customer designated premises) (N)
- Channel Mileage Termination⁽¹⁾ (one per end of Channel Mileage) (N)
- Channel Mileage⁽¹⁾ (as applicable between each designated customer premises and the Hub and between Hubs.) (N)
- Bridging
- Additional Optional Features (when applicable).

In addition, the Special Access Surcharge as set forth in Section 7.4.3 and a Message Station Equipment Recovery Charge as set forth in Section 7.4.4 may be applicable.

- (1) These services have been de-tariffed pursuant to FCC Order No. 17-43, released April 28, 2017. Terms and Conditions for de-tariffed services are available at www.att.com/guidebook. (N)

(This page filed under Transmittal No. 1922)

ACCESS SERVICE

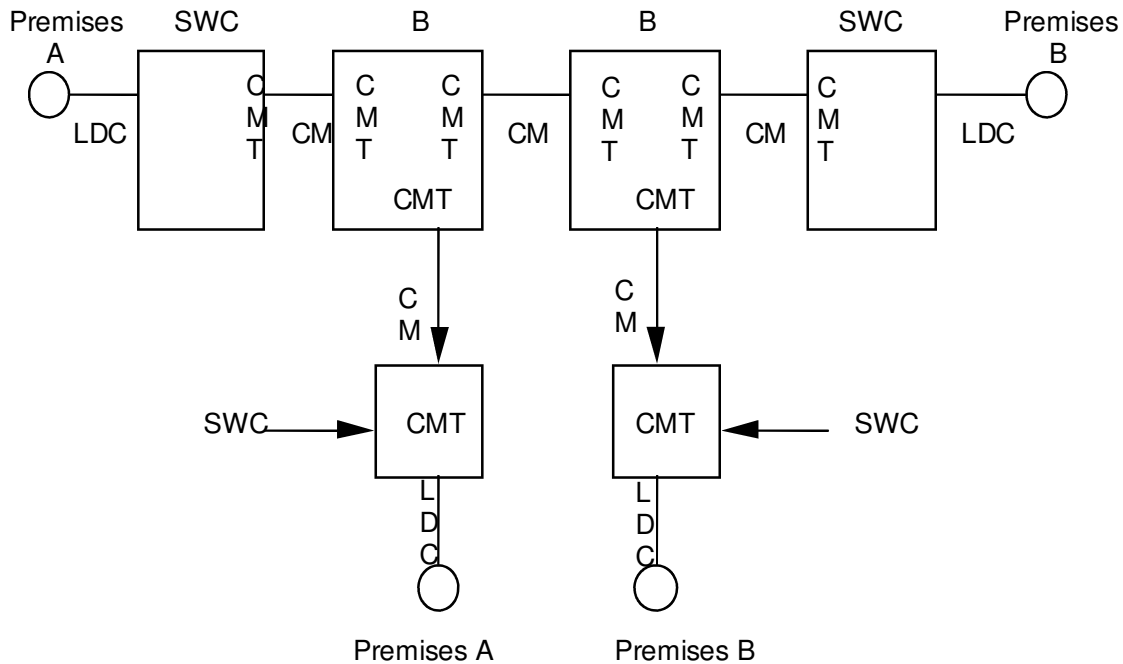
7. Special Access Service (Cont'd)

7.1 General (Cont'd)

7.1.3 Service Configurations (Cont'd)

(B) Multipoint Service (Cont'd)

Example: Direct Analog Service multipoint service connecting four customer premises via two customer specified bridging hubs.



- LDC - NON-COMPETITIVE END USER LOCAL DISTRIBUTION CHANNEL (N)
- CMT⁽¹⁾ - CHANNEL MILEAGE TERMINATION⁽¹⁾ (N)
- CM⁽¹⁾ - CHANNEL MILEAGE⁽¹⁾ (N)
- B - BRIDGING
- SWC - SERVING WIRE CENTER

Applicable rate elements are:

- Non-competitive End User Local Distribution Channels (four applicable) (N)
- Channel Mileage Terminations (ten applicable)⁽¹⁾ (N)
- Channel Mileage (for appropriate mileages)⁽¹⁾ (N)
- Bridging (six applicable, i.e., each bridge port)

(1) These services have been de-tariffed pursuant to FCC Order No. 17-43, released April 28, 2017. (N)
 Terms and Conditions for de-tariffed services are available at www.att.com/guidebook. (N)

(This page filed under Transmittal No. 1922)

ACCESS SERVICE**7. Special Access Service (Cont'd)****7.1 General (Cont'd)****7.1.4 Alternate Use**

Alternate Use occurs when a service is arranged by the Telephone Company so that the customer can select different types of transmission at different times. A customer may use a service in any privately beneficial manner. However, where technical or engineering changes are required to effectuate an alternate use, the Telephone Company will make such special arrangements available on an individual case basis.

The arrangement required to transfer the service from one operation to the other (i.e., the transfer relay and control leads) will be rated and provided on an individual case basis and filed in Section 12., Specialized Service or Arrangements. The customer will pay the stated tariff rates for the Access Service rate elements for the service ordered (i.e., Non-competitive End User Local Distribution Channels and Optional Features (if any)).

(N)
(N)(D)

7.1.5 Special Facilities Routing

A customer may request that the facilities used to provide Special Access Service be specially routed. The regulations, rates and charges for Special Facilities Routing are set forth in 11.following.

7.1.6 Design Layout Report

At the request of the customer, the Telephone Company will provide to the customer the make-up of the facilities and services provided under this tariff as Special Access Service to aid the customer in designing its overall service. This information will be provided in the form of a Design Layout Report. The Design Layout Report will be provided to the customer at no charge, and will be reissued or updated whenever these facilities are materially changed.

(This page filed under Transmittal No. 1922)

7. Special Access Service (Cont'd)

7.2 Service Descriptions

For the purposes of ordering, the categories of Special Access Service are:

Metallic (MT)⁽¹⁾
Telegraph Grade (TG)⁽¹⁾
Direct Analog Service (VG)⁽¹⁾
Dedicated Access Line (DAL)⁽¹⁾
Program Audio (AP)⁽²⁾⁽⁴⁾
Video (TV) (WV)⁽³⁾

DS1 Service (HC1) (HX)
DS3 Service (HC3)
Base Rate Services (DA1 to DA6)⁽¹⁾
OC-3 Service (HO3)
OC-12 Service (HO12)
OC-48 Service (HO48)
OC-192 Service (HO192)

Each service consists of a basic channel to which a technical specifications package (customized or predefined), network channel interface(s) and, when desired, optional features and functions are added to construct the service desired by the customer. Each of the components of the service are described in this section.

Customized technical specifications packages will be provided where technically feasible. If the Telephone Company determines that the requested parameter specifications are not compatible, the customer will be advised and given the opportunity to change the order.

When a customized channel is ordered, the customer will be notified whether Additional Engineering Charges apply. In such cases, the customer will be given an estimate of the hours and charges to be billed before any further action is taken on the order.

The channel description (NC code) specifies the characteristics of the basic channel and indicates whether the channel is provided between customer designated premises or between a customer designated premises and a Telephone Company Hub where bridging, cross-connection or multiplexing⁽⁵⁾ functions are performed. (N)

- (1) Effective November 20, 2019, this Service will no longer be available for purchase by new or existing customers, and service agreements may no longer be renewed. In addition, requests to move, add or change existing service arrangements will not be accepted. Following the expiration of a customer's existing term agreement, service will be provided on a month-to-month basis at the applicable monthly extension rates until the service is discontinued. AT&T currently plans to discontinue this Service on or after June 30, 2024.
- (2) Effective November 20, 2019, this Service will no longer be available for purchase by new or existing customers, and service agreements may no longer be renewed. In addition, requests to move, add or change existing service arrangements will not be accepted. Following the expiration of a customer's existing term agreement, service will be provided on a month-to-month basis at the applicable monthly extension rates until the service is discontinued. AT&T currently plans to discontinue this Service on or after November 1, 2020.
- (3) Effective December 31, 2020, Broadcast Video (TV1) service will no longer be available for purchase by new or existing customers, and service agreements may no longer be renewed. In addition, requests to move, add, or change existing service arrangements will not be accepted. Following the expiration of a customer's existing term agreement, service will be provided on a month-to-month basis at the applicable Monthly rate until the service is discontinued. AT&T currently plans to discontinue this Service on or after December 31, 2021.
- (4) Program Audio is discontinued and no longer available in this publication (see WC Dkt. 19-238).
- (5) This service has been de-tariffed pursuant to FCC Order No. 17-43, released April 28, 2017. Terms and Conditions for de-tariffed services are available at www.att.com/guidebook. (N)
(N)

(This page filed under Transmittal No. 1922)

ACCESS SERVICE

7. Special Access Service (Cont'd)

7.2 Service Descriptions (Cont'd)

7.2.3 Direct Analog Service (Cont'd)⁽¹⁾

(E) The following table shows the technical specifications packages with which the optional features and functions are available.

	Available with Technical Specifications Package VG-												
	C	1	2	3	4	5	6	7	8	9	10	11	12
C-Type Conditioning Central Office Bridging Capability	X					X	X	X	X	X	X		
Central Office Multiplexing ⁽²⁾	X	X				X	X				X	X	X
Code Select Signaling Arrangement	X		X				X						
Customer Specified Premises Receive Level	X		X	X				X	X	X			
Data Capability	X						X	X			X		
Improved Attenuation Distortion	X					X	X	X	X	X	X		
Improved Envelope Delay Distortion	X					X	X	X	X	X	X		
Improved Termination Improved Return Loss For Effective Two-Wire Transmission	X	X	X	X	X	X	X	X	X	X	X	X	X
Sealing Current Conditioning	X					X	X				X		
Signaling Capability	X	X	X	X				X	X	X			

(N)

(1) Effective November 20, 2019, this Service will no longer be available for purchase by new or existing customers, and service agreements may no longer be renewed. In addition, requests to move, add or change existing service arrangements will not be accepted. Following the expiration of a customer's existing term agreement, service will be provided on a month-to-month basis at the applicable monthly extension rates until the service is discontinued. AT&T currently plans to discontinue this Service on or after June 30, 2024.

(2) This service has been de-tariffed pursuant to FCC Order No. 17-43, released April 28, 2017. Terms and Conditions for de-tariffed services are available at www.att.com/guidebook. (N)

(This page filed under Transmittal No. 1922)

ACCESS SERVICE

7. Special Access Service (Cont'd)

7.2 Service Descriptions (Cont'd)

7.2.3 Direct Analog Service (Cont'd)⁽¹⁾

(F) Four-Wire/Two-Wire Conversions

When a customer requests that an effective four-wire channel be terminated with a two-wire channel interface at the customer designated premises, a four-wire to two-wire conversion is required. The rate for the conversion is included as part of the basic non-competitive end user Local Distribution Channel rate.

(N)

(1) Effective November 20, 2019, this Service will no longer be available for purchase by new or existing customers, and service agreements may no longer be renewed. In addition, requests to move, add or change existing service arrangements will not be accepted. Following the expiration of a customer's existing term agreement, service will be provided on a month-to-month basis at the applicable monthly extension rates until the service is discontinued. AT&T currently plans to discontinue this Service on or after June 30, 2024.

(This page filed under Transmittal No. 1922)

ACCESS SERVICE

7. Special Access Service (Cont'd)

7.2 Service Description (Cont'd)

7.2.5 Video Service

(A) Basic Channel Description

A Video Channel is a channel with one-way transmission capability for a standard 525 line/60 field monochrome, or National Television Systems Committee color, video signal and one or more associated audio signal(s) as described below. The Provision and the bandwidth of the associated audio signal(s) is a function of the network channel interface selected by the customer.

(1) TV Analog Video Service ⁽¹⁾

The bandwidth for TV Analog Video Service⁽¹⁾ is either 30 Hz to 4.5MHz or 30 Hz to 6.6MHz. The associated audio signal(s) may be either diplexed or provided as one or more separate channels. Up to 4 channels of audio are available, the third and fourth audio channels are optional elements. Three or four audio channels may be transported across a video switch when each segment, of the circuit, supports four audio channels, else, only two audio channels will be supported. TV Analog Video Service⁽¹⁾ channels are provided between customer designated premises, between a customer designated premises and a Telephone Company Hub or between Telephone Company Video Hubs.

TV 1 Analog Video Service⁽¹⁾ rate categories are composed of non-competitive end user Local Distribution Channels (LDCs) for facilities between the customers premises and serving wire center, Channel Mileage⁽²⁾ and Channel Mileage Terminations⁽²⁾ for interoffice facilities and Optional Features and Functions. (N)
 (N)

Daily, Monthly and Optional Payment Plan (OPP) recurring rates are available for TV 1 Analog Video Service⁽¹⁾ LDCs as set forth in Section 7.5.5(A)(1)(a).

Daily, Monthly and OPP recurring Channel Mileage Termination (CMT)⁽²⁾ and Channel Mileage (CM)⁽²⁾ rates are available for TV1 Analog Video⁽¹⁾ interoffice transport as set forth in Sections 7.5.5(A)(2)(a) and 7.5.5(A)(3)(a). Hourly rates are available for TV1 Analog Video⁽¹⁾ interoffice transport between Telephone Company video hubs as set forth in Sections 7.5.5(A)(2)(b) and 7.5.5(A)(3)(b). (N)
 (N)

TV 1 Analog Video⁽¹⁾ customers may upgrade to 270 Mbps or higher video services without incurring termination liability charges, subject to the following conditions:

- (1) The customer must issue a disconnect order for the existing TV1 Analog Video Service⁽¹⁾ and place a service order for the new higher speed video service at the same locations such that there is no more than 60 days overlap between the two services.
- (2) The same locations must be utilized for the new higher-speed video service.
- (3) The customer must subscribe to a new OPP term that is greater than or equal to the remaining months in the existing term for the lower speed service.
- (4) The existing TV1 Analog Video Service⁽¹⁾ must have been in service for a minimum period of 15 months for a 3-year term, or 18 months for a 5-year term.
- (5) Nonrecurring charges will apply where applicable.

(1)Effective December 31, 2020, Broadcast Video (TV1) service will no longer be available for purchase by new or existing customers, and service agreements may no longer be renewed. In addition, requests to move, add, or change existing service arrangements will not be accepted. Following the expiration of a customer's existing term agreement, service will be provided on a month-to-month basis at the applicable Monthly rate until the service is discontinued. AT&T currently plans to discontinue this Service on or after December 31,2021.

(2) These services have been de-tariffed pursuant to FCC Order No. 17-43, released April 28, 2017. Terms and Conditions for de-tariffed services are available at www.att.com/guidebook. (N)
 (N)

(This page filed under Transmittal No. 1922)

ACCESS SERVICE

7. Special Access Service (Cont'd)

7.2 Service Descriptions (Cont'd)

7.2.9 Base Rate Services⁽²⁾, DS1 Service and DS3 Services

(A) Basic Channel Description

(1) General

Base Rate channels, DS1 channels, and DS3 channels provide digital transmission at the discrete bit rates of 2.4 Kbps, 4.8 Kbps, 9.6 Kbps, 19.2 Kbps, 56.0 Kbps, 64.0 Kbps, and 1.544 Mbps and 44.736 Mbps, with timing provided by the Telephone Company through the Telephone Company's facilities to the customer in the received bit stream. These services provide digital transmission with the following characteristics:

- Base Rate Services provide channels operating at terminating bit rates of 2.4 Kbps, 4.8 Kbps, 9.6 Kbps, 19.2 Kbps and 56.0 Kbps, and 64.0 Kbps;
- DS1 Service provides channels operating at the terminating bit rate of 1.544 Mbps; and,
- DS3 Service provides channels operating at the terminating bit rate of 44.736 Mbps.

Base Rate, DS1 and DS3 channels may be used to connect:

- a customer designated premises to another customer designated premises, or;
- a customer designated premises to a Telephone Company location where bridging, cross-connection or multiplexing⁽³⁾ functions are performed; or an ARS system location. (N)
- two NRS⁽¹⁾ system locations may be connected via Base Rate, DS1 or DS3 Channel Mileage⁽³⁾ and Channel Mileage Terminations⁽³⁾ to interconnect Base Rate, DS1 or DS3 channels included in the customer's database for the Network Reconfiguration Service (described in 7.4.14(B)). (N)

(1) Effective December 5, 2018, Network Reconfiguration Service (NRS) will no longer be available for purchase by new or existing customers, and NRS service agreements may no longer be renewed. Effective July 31, 2022, the Telephone Company will no longer accept new requests for physical changes to existing service arrangements including the upgrade or downgrade of access/port speed, installation of new service, or moves to different service addresses.

(2) Effective November 20, 2019, this Service will no longer be available for purchase by new or existing customers, and service agreements may no longer be renewed. In addition, requests to move, add or change existing service arrangements will not be accepted. Following the expiration of a customer's existing term agreement, service will be provided on a month-to-month basis at the applicable monthly extension rates until the service is discontinued. AT&T currently plans to discontinue this Service on or after June 30, 2024.

(3) These services have been de-tariffed pursuant to FCC Order No. 17-43, released April 28, 2017. Terms and Conditions for de-tariffed services are available at www.att.com/guidebook. (N)

(This page filed under Transmittal No. 1922)

ACCESS SERVICE

7. Special Access Service (Cont'd)

7.2 Service Descriptions (Cont'd)

7.2.9 Base Rate Services, DS1 Service, and
DS3 Services (Cont'd)

(A) Basic Channel Description (Cont'd)

(1) General (Cont'd)

The customer may provide the Network Channel Terminating Equipment associated with Base Rate, DS1 and DS3 non-competitive end user Local Distribution Channels at the customer premises. In Wisconsin only, provision of 19.2 Kbps service requires the customer to provide a Channel Service Unit equipped with the secondary channels capability enabled. The interim program for interconnection of such equipment is set forth in Technical Reference PUB as No. 1. (N)

At the option of the customer, DS3 service may be provided by means of an optical channel interface at the customer's premises. When the optical interface is selected, the customer must provide the Optical Line Termination associated with the Ameritech service channels at the customer premises. Interconnection of such equipment is limited to those interfaces set forth in 7.2.9(B)(1) following and described in Technical Reference AM TR TMO-000072.

(2) Connection with Other Network Services

Base Rate Services, DS1 Service and DS3 Service may be ordered to allow connections between the non-competitive customer designated premises and the wire center which provides other network services. (N)

(a) Dedicated Access Line (DAL)

(i) DS1 DAL⁽¹⁾

A Dedicated Access Line can be provided as an DS1 transmission path between a customer designated premises and a WATS serving office. An DS1 DAL⁽¹⁾ is available only when the WATS serving office is an appropriately equipped digital switch. In other offices, DS1 Service as described above with multiplexing⁽²⁾ option must be utilized if the customer desires an DS1 Service Interface. (N)

(1) Pursuant to Ameritech F.C.C. Tariff No. 2 Section 2.1.4, DS1 Dedicated Access Line ("DS1 DAL") has been discontinued and is no longer offered from this publication as of April 16, 2022.

(2) This service has been de-tariffed pursuant to FCC Order No. 17- 43, released April 28, 2017. Terms and Conditions for de-tariffed services are available at www.att.com/guidebook. (N)

(This page filed under Transmittal No. 1922)

ACCESS SERVICE

7. Special Access Service (Cont'd)

7.2 Service Descriptions (Cont'd)

7.2.9 Base Rate Services⁽¹⁾, DS1 Service and DS3 Services (Cont'd)

(A) Basic Channel Description (Cont'd)

(2) Connection with Other Network Services

(a) Dedicated Access Line (DAL) (Cont'd)

(ii) Base Rate Service (56 Kbps) DAL

A Dedicated Access Line can be provided as an Base Rate Service (56 Kbps) transmission path between a customer designated premises and a Public Switched Digital Service (PSDS) serving office. An Base Rate Service (56 Kbps) DAL is available only when the PSDS serving office is an appropriately equipped digital switch.

(B) Channel Configuration

(1) Base Rate, DS1, and non-competitive end user DS3 Local Distribution Channels (N)

Base Rate, DS1, and DS3 channels consist of non-competitive end user Local Distribution Channels (LDCs), interoffice transport and optional features and functions. (N)

Base Rate Services, DS1 Service and DS3 non-competitive end user Local Distribution Channels provide digital interconnection between the Telephone Company Serving Wire Center (SWC) and the customer. The customer may select from a variety of channel types that define the termination at the customer location. Each type has its own bit rate and transmission characteristics defined by the network channel interface codes. The actual bit rate and/or framing format is a function of the network channel interface selected by the customer. For example, Access to Extended Superframe (BSE - Extended Superframe Conditioning) extends the customer's Ameritech DS1 framing structure from 12 to 24 frames. This framing format is available at no additional charge. (N)

- (1) Effective November 20, 2019, this Service will no longer be available for purchase by new or existing customers, and service agreements may no longer be renewed. In addition, requests to move, add or change existing service arrangements will not be accepted. Following the expiration of a customer's existing term agreement, service will be provided on a month-to-month basis at the applicable monthly extension rates until the service is discontinued. AT&T currently plans to discontinue this Service on or after June 30, 2024.

(This page filed under Transmittal No. 1922)

7. Special Access Service (Cont'd)

7.2 Service Descriptions (Cont'd)

7.2.9 Base Rate Services⁽²⁾, DS1 Service and DS3 Service (Cont'd)

(B) Channel Configuration (Cont'd)

- (1) Base Rate Services, DS1 Service and DS3 Service Non-Competitive End User Local Distribution Channels (Cont'd) (N)

The following types of LDCs are available:

Terminating Bit Rate	Loop Format	Data Transmission Format	Channel Interface
2.4 Kbps	4-Wire	Synchronous Serial	DU-24
4.8 Kbps	4-Wire	Synchronous Serial	DU-48
9.6 Kbps	4-Wire	Synchronous Serial	DU-96
19.2 Kbps	4-Wire	Synchronous Serial	DU-19
56.0 Kbps	4-Wire	Synchronous Serial	DU-56
56.0 Kbps(DAL)	2-Wire	Synchronous Serial	DU-16
56.0 Kbps(DAL)	4-Wire	Synchronous Serial	DU-56
64.0 Kbps	4-Wire	Synchronous Serial	DU-64
1.544 Mbps	4-Wire	Isochronous Serial	DS-15
44.736 Mbps	4-Wire	Isochronous Serial	DS-44
44.736 Mbps	4-Wire	Isochronous Serial	FC-56 or FC-12

When DS3 Service is provided using an optical channel interface, the customer is responsible for providing the Optical Line Termination (OLT) at the customer's premises. The OLT supplied at the customer premises must be compatible with the OLT used by the Telephone Company in the Serving Wire Center. The Telephone Company will work cooperatively with the customer to select compatible OLTs which conform to the requirements set forth in Technical Reference Publication AM TR TMO-000072.

All LDCs comprising a channel must have the same terminating bit rate unless multiplexing is performed at a Telephone Company Hub location.

Only certain LDC to LDC connections with unlike bit rates are allowable using multiplexing⁽³⁾. (N)(D)

When DS1 LDCs are used in conjunction with DS1 128.0, 256.0, 384.0, 512.0 or 768.0 Kbps transport without multiplexing⁽³⁾, the usable bandwidth available to the customer is 128.0, 256.0, 384.0, 512.0 or 768.0 Kbps, respectively⁽¹⁾. (N)

- (1) Effective October 27, 2016, 128.0, 256.0, 384.0, 512.0 and 768.0 Kbps transport is limited to existing Customers for existing service arrangements; no new or additional term commitments of any kind, including any otherwise available renewals, will be available; and no move, add, or change orders will be accepted.
- (2) Effective November 20, 2019, this Service will no longer be available for purchase by new or existing customers, and service agreements may no longer be renewed. In addition, requests to move, add or change existing service arrangements will not be accepted. Following the expiration of a customer's existing term agreement, service will be provided on a month-to-month basis at the applicable monthly extension rates until the service is discontinued. AT&T currently plans to discontinue this Service on or after June 30, 2024.
- (3) This service has been de-tariffed pursuant to FCC Order No. 17-43, released April 28, 2017. Terms and Conditions for de-tariffed services are available at www.att.com/guidebook. (N)

(This page filed under Transmittal No. 1922)

- 7. Special Access Service (Cont'd)
 - 7.2 Service Descriptions (Cont'd)
 - 7.2.9 Base Rate Services, DS1 Service and DS3 Service (Cont'd)

(B) Channel Configuration (Cont'd)

(2) ⁽⁴⁾

(D)(N)

(D)

(D)

(3) Optional Features and Functions

The following table shows the technical specifications packages with which the optional features and functions are available. Not all of the optional features and functions described in this section apply to all of the services. The following matrix shows the Optional Features and Functions by bit rate that a customer may select. The specific Optional Features and Functions are described in Section 7.2.9(B)(4), a through i. Except as specified in 7.2.9(B)(4)(f)(2), when DS1 LDCs are used in conjunction with DS1 128.0, 256.0, 384.0, 512.0 or 768.0 Kbps transport, no Optional Features and Functions are available.

* [Deleted]

(C)

(D)

- (1) Effective October 27, 2016, 128.0, 256.0, 384.0, 512.0 and 768.0 Kbps transport is limited to existing Customers for existing service arrangements; no new or additional term commitments of any kind, including any otherwise available renewals, will be available; and no move, add, or change orders will be accepted.
- (2) Effective December 5, 2018, Network Reconfiguration Service (NRS) will no longer be available for purchase by new or existing customers, and NRS service agreements may no longer be renewed. Effective July 31, 2022, the Telephone Company will no longer accept new requests for physical changes to existing service arrangements including the upgrade or downgrade of access/port speed, installation of new service, or moves to different service addresses.
- (3) Effective November 20, 2019, this Service will no longer be available for purchase by new or existing customers, and service agreements may no longer be renewed. In addition, requests to move, add or change existing service arrangements will not be accepted. Following the expiration of a customer's existing term agreement, service will be provided on a month-to-month basis at the applicable monthly extension rates until the service is discontinued. AT&T currently plans to discontinue this Service on or after June 30, 2024.
- (4) Material in this Section has been de-tariffed pursuant to FCC Order No. 17-43, released April 28, 2017. Terms and Conditions for de-tariffed services are available at www.att.com/guidebook.

(N)

(N)

(This page filed under Transmittal No. 1922)

7. Special Access Service (cont'd)

7.2 Service Descriptions (cont'd)

7.2.9 Base Rate Services⁽⁵⁾, DS1 Service and DS3 Service (cont'd)

(B) Channel Configuration (cont'd)

(3) Optional Features and Functions (cont'd)

Base Rate Services, DS1 Service and DS3 Service

(Application of Optional Features and Functions by Terminating Speeds)

	2.4 Kbps	4.8 Kbps	9.6 Kbps	56.0 Kbps	19.2 Kbps	64.0 Kbps	64.0 Kbps	1.544 Mbps	44.73 6 Mbps	
	PACKAGES									
Parameter	DA-1	DA-2	DA-3	DA-4	DA-5	DA-6	HC-0	HC-1	HC-3	
Central Office, Bridging Capability	X	X	X	X						
Secondary Channel	X	X	X	X						
Clear Channel Capability								X		
Transfer Arrangement	X	X	X	X				X		
Interconnection - Central Office Multiplexing ⁽⁶⁾										
- DS3 to DS1									X	(N)
- DS1 to Base Rate/128.0, 256.0, 384.0, 512.0, 768.0 Kbps Transport ⁽³⁾								X		
Fiber Hub Cross-Connection ⁽¹⁾								X		
NRS Terminations ⁽²⁾⁽⁴⁾	X	X	X	X	X	X	X	X	X	
Multiplexer ⁽⁶⁾ Cross-Connection								X	X	(N)

- (1) Description of this optional feature and function is delineated in Section 7.4.
- (2) Description of the Network Reconfiguration Service (NRS) is delineated in Section 7.2.9(B)(5).
- (3) Effective October 27, 2016, 128.0, 256.0, 384.0, 512.0 and 768.0 Kbps transport is limited to existing Customers for existing service arrangements; no new or additional term commitments of any kind, including any otherwise available renewals, will be available; and no move, add, or change orders will be accepted.
- (4) Effective December 5, 2018, Network Reconfiguration Service (NRS) will no longer be available for purchase by new or existing customers, and NRS service agreements may no longer be renewed. Effective July 31, 2022, the Telephone Company will no longer accept new requests for physical changes to existing service arrangements including the upgrade or downgrade of access/port speed, installation of new service, or moves to different service addresses.
- (5) Effective November 20, 2019, this Service will no longer be available for purchase by new or existing customers, and service agreements may no longer be renewed. In addition, requests to move, add or change existing service arrangements will not be accepted. Following the expiration of a customer's existing term agreement, service will be provided on a month-to-month basis at the applicable monthly extension rates until the service is discontinued. AT&T currently plans to discontinue this Service on or after June 30, 2024.
- (6) This service has been de-tariffed pursuant to FCC Order No. 17- 43, released April 28, 2017. Terms and Conditions for de-tariffed services are available at www.att.com/guidebook. (N)

(This page filed under Transmittal No. 1922)

7. Special Access Service (Cont'd)

7.2 Service Descriptions (Cont'd)

7.2.9 Base Rate Services⁽²⁾, DS1 Service and DS3 Service (Cont'd)

(B) Channel Configuration (Cont'd)

(4) Optional Features and Functions (Cont'd)

(f) ⁽⁴⁾

(D)(N)

(D)

(1) Effective October 27, 2016, 128.0, 256.0, 384.0, 512.0 and 768.0 Kbps transport is limited to existing Customers for existing service arrangements; no new or additional term commitments of any kind, including any otherwise available renewals, will be available; and no move, add, or change orders will be accepted.

(2) Effective November 20, 2019, this Service will no longer be available for purchase by new or existing customers, and service agreements may no longer be renewed. In addition, requests to move, add or change existing service arrangements will not be accepted. Following the expiration of a customer's existing term agreement, service will be provided on a month-to-month basis at the applicable monthly extension rates until the service is discontinued. AT&T currently plans to discontinue this Service on or after June 30, 2024.

(3) Program Audio is discontinued and no longer available in this publication (see WC Dkt. 19-238).

(4) Material in this Section has been de-tariffed pursuant to FCC Order No. 17-43, released April 28, 2017. Terms and Conditions for de-tariffed services are available at www.att.com/guidebook.

(N)
(N)

(This page filed under Transmittal No. 1922)

7. Special Access Service (Cont'd)

7.2 Service Description (Cont'd)

7.2.9 Base Rate Services, DS1 Service and DS3 Service (Cont'd)

(B) Channel Configuration (Cont'd)

(4) Optional Features and Functions (Cont'd)

(h) NRS⁽²⁾ Termination

An arrangement to connect an DS3, DS1 or Base Rate Non-Competitive End User Local Distribution Channel or interoffice transport facility to an Network Reconfiguration System (NRS) location to allow the connected DS3, DS1, Base Rate, DS3 or DS1 service to be reconfigured with NRS. All DS3, DS1 and Base Rate Services that are to be included in a customer's NRS database must be terminated on an NRS system location. Only services that are included in a customer's NRS database may utilize the NRS Termination feature. (N)

(i) Shared Network Arrangement⁽¹⁾

(1) A Shared Network Arrangement is a service offering that enables a customer (the "Service User") to connect subtending services to the multiplexed⁽³⁾ DS3 or DS1 service of another customer (the "Host Subscriber"), with the Telephone Company maintaining separate records and billing for each. Each customer will be billed for those rate elements associated with their own portion of the service configuration. Under no circumstances will the rates or charges for individual rate elements be split. This offering is limited to service configurations where a Service User obtains either subtending Direct Analog or Base Rate circuits from a Host's multiplexed⁽³⁾ DS1 service, or DS1 circuits from a Host's multiplexed⁽³⁾ DS3 service. (N)

(2) Under the Shared Network Arrangement, the Telephone Company may share record information with the Host Subscriber pertaining to the services of other users of the shared network. Such disclosure will be under the sole

⁽¹⁾ Effective 05/26/06, this regulation is limited to existing customers. For new customers purchasing Shared Network Arrangement, terms and conditions set forth in Section 5.2 (A), will apply.

⁽²⁾ Effective December 5, 2018, Network Reconfiguration Service (NRS) will no longer be available for purchase by new or existing customers, and NRS service agreements may no longer be renewed. Effective July 31, 2022, the Telephone Company will no longer accept new requests for physical changes to existing service arrangements including the upgrade or downgrade of access/port speed, installation of new service, or moves to different service addresses.

⁽³⁾ This service has been de-tariffed pursuant to FCC Order No. 17- 43, released April 28, 2017. Terms and Conditions for de-tariffed services are available at www.att.com/guidebook. (N)

(This page filed under Transmittal No. 1922)

7. Special Access Service (Cont'd)

7.2 Service Description (Cont'd)

7.2.9 Base Rate Services, DS1 Service and DS3 Service (Cont'd)

(B) Channel Configuration (Cont'd)

(4) Optional Features and Functions (Cont'd)

(i) Shared Network Arrangement⁽¹⁾ (Cont'd)

(2) (Cont'd)

discretion of the Telephone Company as is necessary to perform billing reconciliations and/or other functions required in connection with maintaining account records.

(3) Section 7.4.11 contains rate regulations specific to Shared Network Arrangements.

(j) ⁽²⁾

(D)(N)

(D)

(D)

(1) Effective 05/26/06, this regulation is limited to existing customers. For new customers purchasing Shared Network Arrangement, terms and conditions set forth in Section 5.2 (A), will apply.

(2) Material in this Section has been de-tariffed pursuant to FCC Order No. 17-43, released April 28, 2017. Terms and Conditions for de-tariffed services are available at www.att.com/guidebook. (N)
(N)

(This page filed under Transmittal No. 1922)

7. Special Access Service (Cont'd)

7.2 Service Description (Cont'd)

7.2.9 Base Rate Services, DS1 Service and DS3 Service (Cont'd)

(B)Channel Configuration (Cont'd)

(4) Optional Features and Functions (Cont'd)

(k) Shared Facility Credit/Shared Facility Channel Service

Shared Facility Credit (SFC) is an option available to customers of DS3 Special Access Service who allow the Telephone Company use of their Ameritech-provided DS3 service for the provision of Shared Facility Channel Service, as described following, to other Telephone Company customers. With SFC, the Telephone Company will provide a credit to the customer of the DS3 Special Access Service when the Telephone Company utilizes a portion of the DS3 non-competitive end user Local Distribution Channel (LDC), associated DS3 to DS1 multiplexer⁽¹⁾, and, if appropriate, DS3 Channel Mileage Terminations (CMT)⁽¹⁾ and Channel Mileage (CM)⁽¹⁾ to provide Shared Facility Channel Service to another Telephone Company customer.

(N)
|
(N)

Shared Facility Channel Service provides a DS1 communications channel over SFC provisioned DS3 service between the DS3 customer's premises and the Telephone Company wire center location of the DS3 multiplexer⁽¹⁾. Shared Facility Channel Service must be connected to DS1 service at the DS3 multiplexer⁽¹⁾ wire center.

(N)
(N)

Shared Facility Channel Service Charges as set forth in Section 7.5.9(B)(5)(j) will apply to the customer of the Shared Facility Channel Service for the Shared Facility non-competitive end user Local Distribution Channel and, if appropriate, Shared Facility Channel Mileage Terminations⁽¹⁾ and Channel Mileage⁽¹⁾ provided over the DS3 Special Access Service subject to the SFC.

(N)
(N)

(1) These services have been de-tariffed pursuant to FCC Order No. 17-43, released April 28, 2017. Terms and Conditions for de-tariffed services are available at www.att.com/guidebook.

(N)
(N)

(This page filed under Transmittal No. 1922)

7. Special Access Service (Cont'd)

7.2 Service Description (Cont'd)

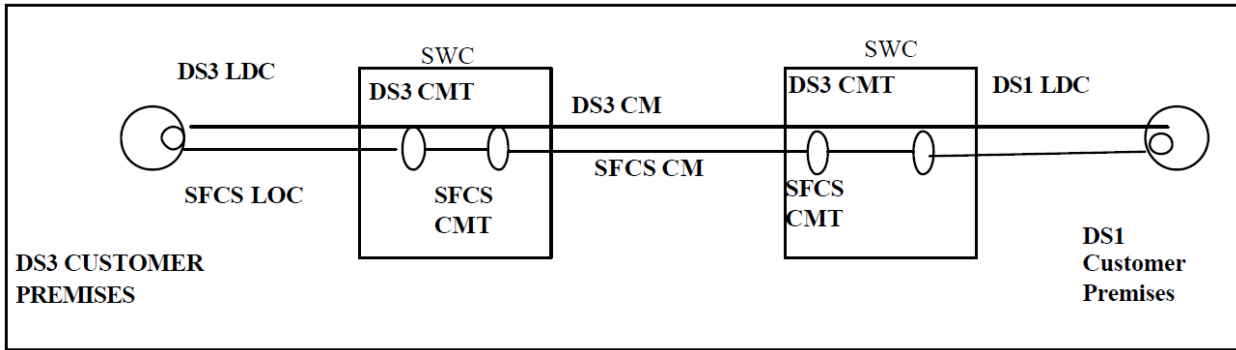
7.2.9 Base Rate Services, DS1 Service and DS3 Service (Cont'd)

(B) Channel Configuration (Cont'd)

(4) Optional Features and Functions (Cont'd)

(k) Shared Facility Credit/Shared Facility Channel Service (Cont'd)

The following diagram depicts an DS1 Service connected to a Shared Facility Channel Service (SFCS) provisioned over a Shared Facility Credit arranged DS3 Service.



- SWC - Serving Wire Center
- LDC - non-competitive end user Local Distribution Channel
- CMT⁽²⁾ - Channel Mileage Termination⁽²⁾
- CM⁽²⁾ - Channel Mileage⁽²⁾
- MUX⁽²⁾ - DS3 to DS1 Multiplexer⁽²⁾

(N)
 |
 (N)

Section 7.4.19 contains rate regulations specific to Shared Facility Credit/Shared Facility Channel Service arrangements.

(5) Network Reconfiguration Service (NRS)⁽¹⁾

(A) General

Network Reconfiguration Service (NRS) gives customers the ability to reconfigure networks, via electronic cross-connections, comprised of DS3, DS1 and Base Rate channels connected at NRS system locations. Reconfiguration may be accomplished by placing an electronic request via a customer provided terminal or by calling a Telephone Company attendant.

(1) Effective December 5, 2018, Network Reconfiguration Service (NRS) will no longer be available for purchase by new or existing customers, and NRS service agreements may no longer be renewed. Effective July 31, 2022, the Telephone Company will no longer accept new requests for physical changes to existing service arrangements including the upgrade or downgrade of access/port speed, installation of new service, or moves to different service addresses.

(2) These services have been de-tariffed pursuant to FCC Order No. 17-43, released April 28, 2017. Terms and Conditions for de-tariffed services are available at www.att.com/guidebook.

(This page filed under Transmittal No. 1922)

ACCESS SERVICE

7. Special Access Service (Cont'd)

7.2 Service Description (Cont'd)

7.2.9 Base Rate Services, DS1 Service and DS3 Service (Cont'd)

(B) Channel Configuration (Cont'd)

(5) Network Reconfiguration Service (NRS)⁽¹⁾ (Cont'd)

(B) Service Description

Network Reconfiguration Service gives customers the ability to reconfigure their networks via cross-connections of their DS3, DS1 and Base Rate Service channels which are identified in a customer specific network database. The NRS system location provides an interface at the DS3 (44.736 Mbps), DS1 (1.544 Mbps) and Base Rate (2.4 - 64 Kbps) levels. The customer may specify cross-connections at the DS3, channelized DS3, DS1, channelized DS1, or Base Rate level.

Customer access to NRS may be made directly by the customer utilizing customer provided terminal equipment on the customer's premises in conjunction with a Dedicated Network Access Link or dial-in line. Access is also available through a Telephone Company attendant reached by a dial access telephone line.

NRS will give the customer the ability to make changes in the individual channel segments of their network. Customers may reconfigure DS3, DS1 or Base Rate or DS1 service. Customers may also reconfigure Direct Analog channels that are channels of a reconfigurable channelized DS1 service. To utilize this capability, customers must order appropriate DS1 multiplexing⁽²⁾ in addition to the NRS Terminations at the DS1 level and the NRS service. (N)

NRS will be available on a continuous basis except for the performance of scheduled preventative and routine maintenance or scheduled software updates. The customer will be notified at least 24 hours in advance of any scheduled service interruptions.

NRS system locations are found in NECA Tariff FCC No. 4.

(1) Effective December 5, 2018, Network Reconfiguration Service (NRS) will no longer be available for purchase by new or existing customers, and NRS service agreements may no longer be renewed. Effective July 31, 2022, the Telephone Company will no longer accept new requests for physical changes to existing service arrangements including the upgrade or downgrade of access/port speed, installation of new service, or moves to different service addresses.

(2) This service has been de-tariffed pursuant to FCC Order No. 17- 43, released April 28, 2017. (N)
Terms and Conditions for de-tariffed services are available at www.att.com/guidebook. (N)

(This page filed under Transmittal No. 1922)

ACCESS SERVICE

7. Special Access Service (Cont'd)

7.2 Service Descriptions (Cont'd)

7.2.12 SONET Xpress Service (Cont'd)

(B) Channel Configuration (Cont'd)

(1) Network Access Connection (NAC) (Cont'd)

The optical NAC interface provides 1+1 protection at the customer's premises and is available in two versions, one with lower level signals (DS1/VT1.5) sorted and grouped within an STS-1 signal by the customer and the other with lower level signals neither sorted nor grouped. When the customer chooses to sort and group the lower level signals, and based on the customer's requirements, each signal within the STS-1 group must be routed to:

- a) one of two Telephone Company selected SONET Xpress wire centers, or
- b) any other Telephone Company wire center.

Both versions are available as 622.08 Mbps (OC-12) with:

- a) DS1/VT1.5 or
- b) DS3/STS-1 or
- c) a mix of the DS1/VT1.5 and DS3/STS-1 signals up to 336 DS1/VT1.5 equivalents.

(D)
(D)

(2) Off-Network Access Connection (ONAC)

The Off-Network Access Connection provides a SONET based connection to the SONET Xpress shared transport network at a company designated SONET Xpress central office. ONACs are available with electrical 1.544 Mbps (DS1), 44.736 Mbps (DS3) as well as protected optical OC-3 and OC-12 interfaces. The ONAC is applicable when the customer's premises is not located in a building on the SONET Xpress network.

In addition to the ONAC charge, the customer is responsible for the appropriate non-competitive end user Local Distribution Channel Charge (and Channel Mileage⁽¹⁾ and Channel Mileage Termination⁽¹⁾ charges, if appropriate) from the customer premises to the ONAC location on the network. (N)
(N)
(N)

In order to utilize the built in protection on an OC-3 or OC-12 ONAC, the customer must purchase a minimum of the basic 1+1 protection optional feature along with the appropriate non-competitive end user Local Distribution Channel. 1+1 protection with Central Office Survivability is not available with SONET Xpress service.

(1) These services have been de-tariffed pursuant to FCC Order No. 17-43, released April 28, 2017. (N)
 Terms and Conditions for de-tariffed services are available at www.att.com/guidebook. (N)

(This page filed under Transmittal No. 1922)

7. Special Access Service (Cont'd)
 7.2 Service Descriptions (Cont'd)
 7.2.12 SONET Xpress Service (Cont'd)
 (B) Channel Configuration (Cont'd)

(3) (1)

(D)(N)

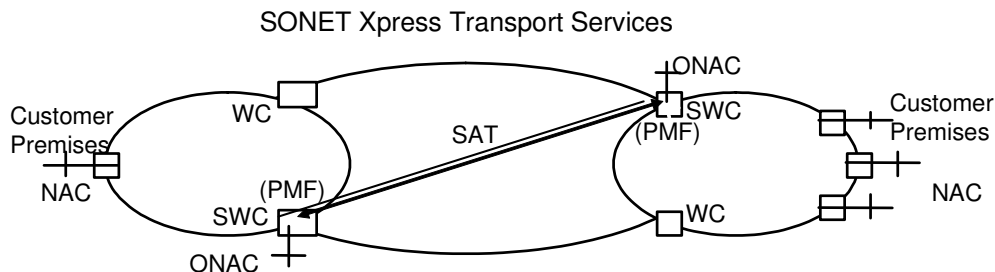
(D)

(D)

(4) Service Area Transport (SAT)

Service Area Transport provides SONET transport across the SONET Xpress network. The transport is divided into three mileage bands, up to 3 miles, greater than 3 miles up to 10 miles and greater than 10 miles. Transport charges are based on the airline miles between the serving wire center of the NAC and (a), the serving wire center of another NAC or (b), an ONAC location, and/or between two ONAC locations. SAT is available as DS1/VT1.5 point to point, DS3/STS-1 point to point or DS3, OC-3 or OC-12 channelized SAT provided on a per DS1/VT1.5 basis.

The following is an example of the SONET Xpress rate elements:



NAC = DS1, DS3 or OC-12 Network Access Connection
 ONAC = DS1, DS3, OC-3 or OC-12 Off-Network Access Connection
 SAT = DS1/VT1.5 or DS3/STS-1 Service Area Transport
 PMF = DS3 Payload Multiplexing⁽¹⁾ Function (if applicable)
 SWC = Serving Wire Center
 WC = Wire Center

(N)

(1) Material in this Section has been de-tariffed pursuant to FCC Order No. 17-43, released April 28, 2017. Terms and Conditions for de-tariffed services are available at www.att.com/guidebook.

(N)

(N)

(This page filed under Transmittal No. 1922)

7. Special Access Service (Cont'd)

7.2 Service Descriptions (Cont'd)

7.2.12 SONET Xpress Service (Cont'd)

(B) Channel Configuration (Cont'd)

(5) ⁽²⁾

(D)(N)

(D)

(D)

(6) Technical Specifications Packages

The technical specifications for SONET Xpress are described in Technical References, AM-TR-NIS-000111 and AM-TR-TMO-000101.

(C) Optional Payment Plan (OPP)

SONET Xpress is available for 12, 24, 36, 48 or 60 month periods as described in Section 7.4.10 following. Monthly recurring charges apply for NAC, ONAC, SAT and PMF, if applicable.

(1) [Deleted]

(C)

(D)

(2) Material in this Section has been de-tariffed pursuant to FCC Order No. 17-43, released April 28, 2017. Terms and Conditions for de-tariffed services are available at www.att.com/guidebook.

(N)

(N)

(This page filed under Transmittal No. 1922)

7. Special Access Service (Cont'd)

7.4 Rate Regulations⁽³⁾ (N)

This section contains the specific regulations governing the rates and charges that apply for Special Access Service.

Effective November 1, 2017, Competitive Counties and Non-Competitive Counties have been established and are defined in Section 2.6 and the wire centers within such counties are listed in Sections 14.6.3 and 14.6.4.

(D)
(D)

For End User Local Distribution Channels and their applicable optional features,⁽²⁾ the application of “price cap” or “de-tariffed” is dependent upon whether or not the serving wire center is located in a Competitive County. If the End User Local Distribution Channel is in a Competitive County, these services have been de-tariffed pursuant to FCC Order No. 17-43, released April 28, 2017. Terms and Conditions for de-tariffed services are available at www.att.com/guidebook. If the End User Local Distribution Channel is in a Non-Competitive County, price cap rates and charges apply, as provided in Section 7.5.

(C)
|
(C)

7.4.1 Rate Zones

Rate zones are applicable to DS1 (1.544 Mbps) and DS3 (44.736 Mbps) services described in this section, and Special Facilities Routing Arrangements for these services as described in Section 11. Each Telephone Company Wire Center, under an Optional Payment Plan term, has been assigned to a rate zone. To determine the rate zone wire center assignments use the following:

- For DS1 and DS3 services subscribed to prior to November 18, 2000, the wire center rate zone assignments can be found in Section 7.7.
- For DS1 and DS3 services subscribed to on or after November 18, 2000, the wire center rate zone assignments included in NECA Tariff FCC No. 4 are assigned to rate zones 1, 2, 3, 4, and 5. All other telephone company offices are assigned to zone 5.

In addition, non-competitive end user Local Distribution Channel rates are dependent upon the zone assignment of the Service Wire Center.

(N)(D)
(D)
|
(D)

7.4.2 Types of Rates and Charges

There are three types of rates and charges. These are monthly rates, daily rates and nonrecurring charges. The rates and charges are described as follows:

(A) Monthly Rates

Monthly rates are flat recurring rates that apply each month or fraction thereof that a Special Access Service is provided. For billing purposes, each month is considered to have 30 days.

- (1) [Deleted] (C)
- (2) Optional features for non-competitive End User channel terminations includes all optional features in Section 7.5, except for the Transfer Arrangement and Network Reconfiguration Service. (N)
- (3) Material in this Section has been de-tariffed pursuant to FCC Order No. 17-43, released April 28, 2017. Terms and Conditions for de-tariffed services are available at www.att.com/guidebook. (N)
(N)

(This page filed under Transmittal No. 1922)

ACCESS SERVICE

- 7. Special Access Service (cont'd)
 - 7.4 Rate Regulations (cont'd)
 - 7.4.2 Types of Rates and Charges (cont'd)

(A) Monthly Rates (cont'd)

Each DS3 Service Package with an Optical Interface provides the capability to provision a maximum number of DS3 (44.736 Mbps) channels. The DS3 Service Channels (SC) are the individually activated 44.736 Mbps channels. Each DS3 Service Package with an Optical Interface must have a minimum number of service channels activated at all times. A new DS3 Service Package with an Optical Interface must be installed with at least the minimum required Service Channels. A customer may not disconnect Service Channels from an existing DS3 Service Package with an Optical Interface below the minimum required in that package without downgrading the Service Package size or terminating the DS3 LDC Service.

DS3 Service Package With Optical Interface	Minimum Required SCs	Maximum Number of DS3 Equivalent SCs in Package
DS3012	7	12
DS3024	13	24

All DS3 Service Channels within the package must be ordered for termination at the same customer designated premises, billed to the same customer and in the same Serving Wire Center (SWC). Separate DS3 Service Packages with an Optical Interface must be ordered if provisioned by means of a Local Channel Diversity or a Serving Wire Center Avoidance Special Facilities Routing Arrangement as specified in 11.2.1 following. All Service Channels in a package are required to be connected to other service components (i.e., Channel Mileage⁽¹⁾, Multiplexing⁽¹⁾, or another Service Channel) at the time the Service Channel is installed, except at the fiber hub.

(N)
(N)

(1) These services have been de-tariffed pursuant to FCC Order No. 17-43, released April 28, 2017. Terms and Conditions for de-tariffed services are available at www.att.com/guidebook. (N)
(N)

(This page filed under Transmittal No. 1922)

7. Special Access Service (Cont'd)

7.4 Rate Regulations (Cont'd)

7.4.2 Types of Rates and Charges (Cont'd)

(A) Monthly Rates (Cont'd)

The interconnection of individual Service Channels with other components, such as Channel Mileage⁽⁴⁾ and Multiplexing⁽⁴⁾, may be different. For example, one Service Channel within the package may have Multiplexing⁽⁴⁾, while another Service Channel may have Channel Mileage⁽⁴⁾ associated with it. Components connected to each Service Channel in the service package may have different Optional Payment Plan periods from the service package in which the Service Channels reside. (N)

(B) Daily Rates

Daily rates are flat recurring rates that apply to each 24 hour period or fraction thereof that a Program Audio⁽¹⁾⁽³⁾ or Video Special Access Service⁽²⁾ is provided for part-time or occasional use. For purposes of applying daily rates, the 24 hour period is not limited to a calendar day.

The application of daily rates for Program Audio⁽¹⁾⁽³⁾ and Video⁽²⁾ services during a consecutive 30 day period is as follows. Daily rates will be topped at an amount equal to the monthly rate (i.e., the charge to the customer for usage billed at Daily rates will not exceed the monthly rate). For each day or part day of usage after the daily rates have been topped, a charge equal to 1/30th of the monthly rate will apply.

Hourly

Hourly rates are flat recurring rates that apply to each hour period or fraction thereof that a Video⁽²⁾ Special Access Service is provided

- (1) Effective November 20, 2019, this Service will no longer be available for purchase by new or existing customers, and service agreements may no longer be renewed. In addition, requests to move, add or change existing service arrangements will not be accepted. Following the expiration of a customer's existing term agreement, service will be provided on a month-to-month basis at the applicable monthly extension rates until the service is discontinued. AT&T currently plans to discontinue this Service on or after November 1, 2020.
- (2) Effective December 31, 2020, Broadcast Video (TV1) service will no longer be available for purchase by new or existing customers, and service agreements may no longer be renewed. In addition, requests to move, add, or change existing service arrangements will not be accepted. Following the expiration of a customer's existing term agreement, service will be provided on a month-to-month basis at the applicable Monthly rate until the service is discontinued. AT&T currently plans to discontinue this Service on or after December 31, 2021.
- (3) Program Audio is discontinued and no longer available in this publication (see WC Dkt. 19-238).
- (4) These services have been de-tariffed pursuant to FCC Order No. 17-43, released April 28, 2017. Terms and Conditions for de-tariffed services are available at www.att.com/guidebook. (N)

(This page filed under Transmittal No. 1922)

ACCESS SERVICE

7. Special Access Service (Cont'd)

7.4 Rate Regulations (Cont'd)

7.4.2 Types of Rates and Charges (Cont'd)

(C) Nonrecurring Charges*

Nonrecurring charges are one-time charges that apply for specific work activity (i.e., installation of new services and rearrangements of installed services). The nonrecurring charges that apply for installation of Special Access Service are described in (1) through (3), following. Application of nonrecurring charges for service rearrangements is described in (6), following.

Certain optional features and functions also have separate installation nonrecurring charges as described in (4), following. There are also separate nonrecurring charges for circuit record work associated with hub rearrangements. Applications of these charges is described in (5), following.

(1) Administrative Charge

The Administrative Charge applies any time a customer initiates an order for service. This charge applies once per customer order, as described in Section 5.1 preceding. Administrative Charges for Special Access Service are set forth in 7.5.15 following.

(2) Design and Central Office Connection Charge

The Design and Central Office Connection Charge applies to each service installed, and is charged once per circuit. The nonrecurring charges for design and central office connection are set forth in 7.5.15 following.

(3) Customer Connection Charge

The Customer Connection Charge applies to each service installed, and is charged once per non-competitive end user Local Distribution Channel. The nonrecurring charges for customer connection are set forth in 7.5.15 following.

(N)

If a single order involves 500 or more terminations at the same location on the same customer requested date, the individual nonrecurring charges for the services provided will not apply, except for the Administrative Charge. The customer will be notified and will be provided

* For Services ordered under MVP, refer to Section 19.3(E)(5).

(This page filed under Transmittal No. 1922)

ACCESS SERVICE

7. Special Access Service (Cont'd)

7.4 Rate Regulations (Cont'd)

7.4.2 Types of Rates and Charges (Cont'd)

(C) Nonrecurring Charges* (Cont'd)

(5) Hub Rearrangements

(a) No Change in Point of Termination

A Hub Rearrangement occurs when an existing channelized Ameritech digital service between a customer premises and a facility hub is multiplexed⁽²⁾ onto a new higher speed Ameritech digital service at the hub. When this occurs, the facility records of the existing lower speed analog or digital services associated with the existing channelized Ameritech digital service must be changed to reflect the transport of these lower speed services at the new higher speed interface. A Hub Rearrangement applies only when the following conditions are met: (N)

- neither customer location changes;
- the existing multiplexer⁽²⁾ associated with the lower speed services is not physically moved; and (N)
- all rearranged facilities are included in one customer request

One nonrecurring Hub Rearrangement Record Charge, as set forth in 7.5.13 following, is applicable to each existing Ameritech DS3 to Ameritech DS1 or Ameritech DS1 to Voice/Ameritech Base Rate multiplexer⁽²⁾ that requires associated lower speed service facility record changes. (N)

No Design and Central Office Connection or Customer Connection Charges apply to the multiplexed⁽²⁾ lower speed services which terminate at the hub. Absent a specific customer request, end-to-end testing will not be performed. If the customer requests end-to-end testing, a Customer Connection Charge will apply to each low speed circuit tested. (N)

When cascading multiplexing⁽²⁾ is performed, whether in the same or a different hub, a charge for the rearrangement of services associated with the additional multiplexer⁽²⁾ also applies. For example, when a hub rearrangement occurs for services associated with an DS3 to DS1 multiplexer⁽²⁾ and the DS1 services from this multiplexer⁽²⁾ are also multiplexed⁽²⁾ to Direct Analog services, one Hub Rearrangement Record Charge applies for the services rearranged on the DS3 to DS1 multiplexer⁽²⁾ and one for the services rearranged on each DS1 to Voice/Base Rate⁽¹⁾ multiplexer⁽²⁾. (N)

* For Services ordered under MVP, refer to Section 19.3(E)(5).

- (1) Effective November 20, 2019, this Service will no longer be available for purchase by new or existing customers, and service agreements may no longer be renewed. In addition, requests to move, add or change existing service arrangements will not be accepted. Following the expiration of a customer's existing term agreement, service will be provided on a month-to-month basis at the applicable monthly extension rates until the service is discontinued. AT&T currently plans to discontinue this Service on or after June 30, 2024.
- (2) This service has been de-tariffed pursuant to FCC Order No. 17- 43, released April 28, 2017. Terms and Conditions for de-tariffed services are available at www.att.com/guidebook. (N)

(This page filed under Transmittal No. 1922)

7. Special Access Service (Cont'd)

7.4 Rate Regulations (Cont'd)

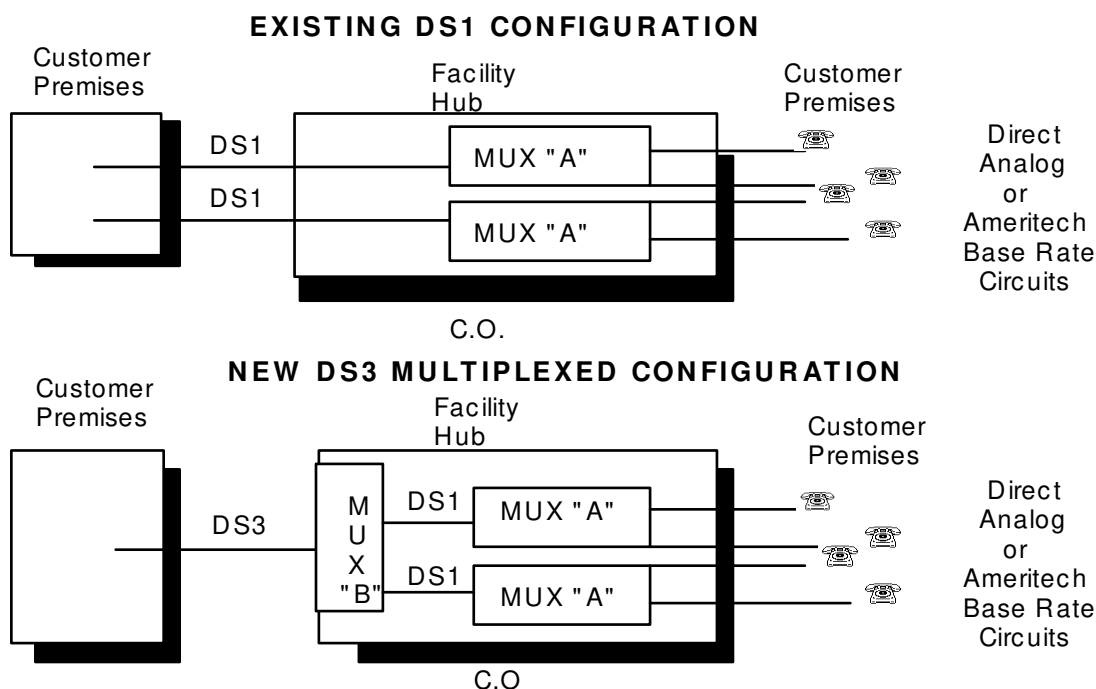
7.4.2 Types of Rates and Charges (Cont'd)

(C) Nonrecurring Charges* (Cont'd)

(5) Hub Rearrangements (Cont'd)

(a) No Change in Point of Termination (Cont'd)

Hub Rearrangement of lower speed services on a channelized DS1 service resulting from multiplexing⁽¹⁾ the DS1 service onto an DS3 service with an DS3 to DS1 multiplexer⁽¹⁾ is illustrated below: (N)



- A - DS1 to Voice/Base Rate Multiplexer⁽¹⁾ (N)
- B - DS3 to DS1 Multiplexer⁽¹⁾ (N)

In the preceding illustration, one Hub Rearrangement Record Charge applies for each of the two DS1 to Voice/Base Rate multiplexers⁽¹⁾ which have lower speed services associated with them that are affected by the hub rearrangement. Rates and charges as specified in 7.5.9 and 7.5.13 following apply for installation of the DS3 service, the DS3 to DS1 multiplexer⁽¹⁾, and each DS1 service rearranged to terminate in DS3 to DS1 multiplexer⁽¹⁾. The Direct Analog Service or the Base Rate Customer Connection Charge applies only to those specific Direct Analog or Base Rate Services for which the customer requests end-to-end testing. (N)

(1) This service has been de-tariffed pursuant to FCC Order No. 17- 43, released April 28, 2017. Terms and Conditions for de-tariffed services are available at www.att.com/guidebook. (N)

(This page filed under Transmittal No. 1922)

7. Special Access Service (Cont'd)

7.4 Rate Regulations (Cont'd)

7.4.2 Types of Rates and Charges (Cont'd)

(C) Nonrecurring Charges* (Cont'd)

(5) Hub Rearrangements (Cont'd)

(b) High Speed Point of Termination Change

Hub Rearrangement will occur when an existing channelized Ameritech digital service is rearranged to an existing Ameritech digital service or Expanded Interconnection Service with a change in the high-speed point of termination and where the location of the multiplexer⁽²⁾ and the configuration of lower speed services on the multiplexer⁽²⁾ are not affected. (N)

Except as noted below, all facilities and equipment required for the activity must already exist:

- Rearranging an existing service from one multiplexer⁽²⁾ to another multiplexer⁽²⁾. (N)
- Rearranging an existing lower speed service to an existing multiplexed⁽²⁾ higher speed service. (N)
- Rearranging from Special Access Service to/from Expanded Interconnection Service. (N)

No Design and Central Office Connection or Customer Connection charges will apply to the multiplexed⁽²⁾ lower speed services of the service being rolled over as long as there is no physical change to the lower speed services. However a Hub Rearrangement record change charge as set forth in 7.5.13 following, will apply for each multiplexer⁽²⁾ that requires associated lower speed service facility record changes. If the customer requests end-to-end testing, a Customer Connection Charge will apply to each low speed service tested. (N)

When cascading multiplexing⁽²⁾ is performed, whether in the same or a different hub, a charge for the rearrangement of services associated with the additional multiplexer⁽²⁾ also applies. For example, when a hub rearrangement occurs for services associated with an DS3 to DS1 multiplexer⁽²⁾ and the DS1 services from this multiplexer⁽²⁾ are also multiplexed⁽²⁾ to Direct Analog services, one Hub Rearrangement Record Charge applies for the services rearranged on the DS3 to DS1 multiplexer⁽²⁾ and one for the services rearranged on each DS1 to Voice/Base Rate⁽¹⁾ multiplexer⁽²⁾. (N)

- (1) Effective November 20, 2019, this Service will no longer be available for purchase by new or existing customers, and service agreements may no longer be renewed. In addition, requests to move, add or change existing service arrangements will not be accepted. Following the expiration of a customer's existing term agreement, service will be provided on a month-to-month basis at the applicable monthly extension rates until the service is discontinued. AT&T currently plans to discontinue this Service on or after June 30, 2024.
- (2) This service has been de-tariffed pursuant to FCC Order No. 17- 43, released April 28, 2017. Terms and Conditions for de-tariffed services are available at www.att.com/guidebook. (N)

(This page filed under Transmittal No. 1922)

ACCESS SERVICE

7. Special Access Service (Cont'd)

7.4 Rate Regulations (Cont'd)

7.4.2Types of Rates and Charges (Cont'd)

(C) Nonrecurring Charges* (Cont'd)

(6)Service Rearrangements (Cont'd)

- For changes made to an DS3 Service Package with an Optical Interface, nonrecurring charges will apply as follows:

Description	Number of Charges			
	Administrative	Design / Central Office	Customer Connections	
(a) Connect 14 new DS3 SCs in two New DS3012 Service Packages				
- same serving wire center	1	7	14	
- different serving wire centers, (with Channel Mileage ⁽¹⁾)	1	7	14	(N)

(1) This service has been de-tariffed pursuant to FCC Order No. 17- 43, released April 28, 2017. (N)
 Terms and Conditions for de-tariffed services are available at www.att.com/guidebook. (N)

(This page filed under Transmittal No. 1922)

ACCESS SERVICE

7. Special Access Service (Cont'd)

7.4 Rate Regulations (Cont'd)

7.4.2 Types of Rates and Charges (Cont'd)

(C) Nonrecurring Charges* (Cont'd)

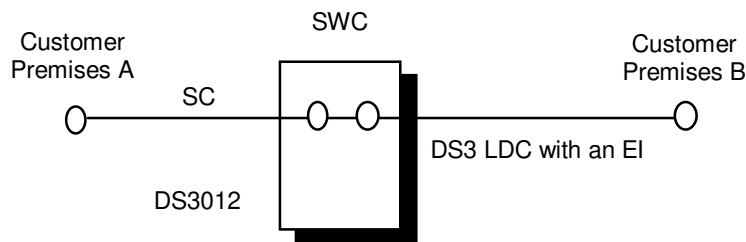
(7) DS3 Service (Cont'd)

(a) DS3 Service Packages with an Optical Interface (Cont'd)

DS3 Service Package Installation (Cont'd)

The following illustration depicts the connection of 1 DS3 SC within a DS3012 Service Package to a DS3 LDC with an Electrical Interface (EI) and the applicable nonrecurring charges incurred. Because the DS3 Service Package serving premises A and the DS3 LDC with EI serving premises B are of different sizes, separate orders are required to install the service between the two premises. The SCs in the DS3012 package not interconnected to the DS3 LDC with an EI, if ordered, are required to be interconnected to other components (i.e., channel mileage termination⁽¹⁾ or multiplexing⁽¹⁾ when activated).

(N)



Applicable nonrecurring charges are:

1 Administrative Charge

1 Design and Central Office Charges (1 per circuit)

2 Customer Connection Charges

(1 for the DS3012 at Premises A and 1 for the DS3 with an EI at Premises B)

* For Services ordered under MVP, refer to Section 19.3(E)(5).

(1) These services have been de-tariffed pursuant to FCC Order No. 17-43, released April 28, 2017. Terms and Conditions for de-tariffed services are available at www.att.com/guidebook.

(N)

(N)

(This page filed under Transmittal No. 1922)

7. Special Access Service (Cont'd)

7.4 Rate Regulations (Cont'd)

7.4.2 Types of Rates and Charges (Cont'd)

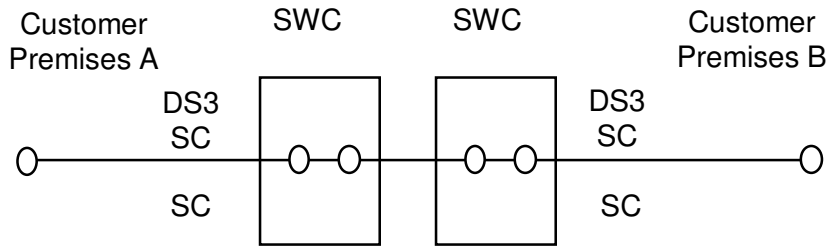
(C) Nonrecurring Charges* (Cont'd)

(7) DS3 Service (Cont'd)

(a) DS3 Service Packages with an Optical Interface (Cont'd)

DS3 Service Package Installation (Cont'd)

The following illustration depicts the connection of 2 DS3 Service Channels with channel mileage⁽¹⁾ and applicable nonrecurring charges associated with this point-to-point circuit. (N)



Applicable nonrecurring charges are:

- 1 - Administrative Charges
- 1 - Design and Central Office Connection Charge
- 2 - Customer Connection Charges
(1 per SC)

(1) This service has been de-tariffed pursuant to FCC Order No. 17-43, released April 28, 2017. Terms and Conditions for de-tariffed services are available at www.att.com/guidebook. (N)
 (N)

(This page filed under Transmittal No. 1922)

ACCESS SERVICE

7. Special Access Service (Cont'd)

7.4 Rate Regulations (Cont'd)

7.4.2 Types of Rates and Charges (Cont'd)

(C) Nonrecurring Charges* (Cont'd)

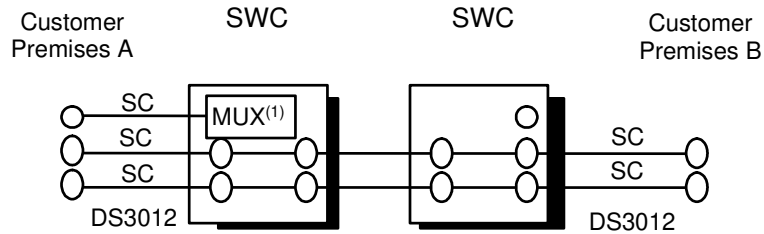
(7) DS3 Service (Cont'd)

(a) DS3 Service Packages with an Optical Interface (Cont'd)

DS3 Service Package Installation (Cont'd)

The following illustration depicts the connections of 2 DS3 SCs within 2 DS3012 service packages and applicable nonrecurring charges associated with 2 point-to-point service channels and one channel connected to a multiplexer⁽¹⁾.

(N)



(N)

Applicable nonrecurring charges are:

- 2 - Administrative Charges (1 per request)
- 3 - Design and Central Office Connection Charges (1 per circuit)
- 5 - Customer Connection Charges (1 per SC)

(1) This service has been de-tariffed pursuant to FCC Order No. 17-43, released April 28, 2017. Terms and Conditions for de-tariffed services are available at www.att.com/guidebook.

(N)

(N)

(This page filed under Transmittal No. 1922)

ACCESS SERVICE

7. Special Access Service (Cont'd)

7.4 Rate Regulations (Cont'd)

7.4.2 Types of Rates and Charges (Cont'd)

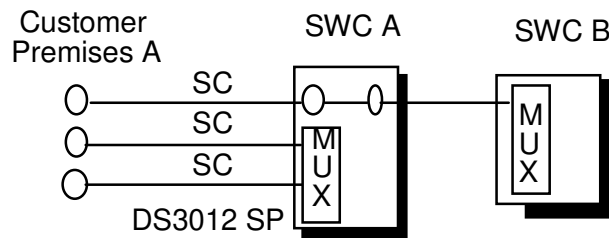
(C) Nonrecurring Charges* (Cont'd)

(7)DS3 Service (Cont'd)

(a) DS3 Service Packages with an Optical Interface (Cont'd)

DS3 Service Package Installation (Cont'd)

The following illustration depicts the connection of 3 DS3 Service Channels within a DS3012 service package, 2 Service Channels are connected to multiplexing⁽¹⁾ in SWC A, and 1 Service Channel is connected to Channel Mileage Termination⁽¹⁾ and to subsequent multiplexing⁽¹⁾ in SWC B, assuming that all Service Channels are ordered at the same time. Nonrecurring charges apply as listed. (N)
 (N)



Applicable nonrecurring charges are:

- 2 - Administrative Charges
- 3 - Design and Central Office Connection Charges (Per DS3 Circuit)
- 3 - Customer Connection Charges (Per SC)

(1) These services have been de-tariffed pursuant to FCC Order No. 17-43, released April 28, 2017. (N)
 Terms and Conditions for de-tariffed services are available at www.att.com/guidebook. (N)

(This page filed under Transmittal No. 1922)

ACCESS SERVICE**7. Special Access Service (Cont'd)****7.4 Rate Regulations (Cont'd)****7.4.3 Surcharge for Special Access Service****(A) General**

In addition to the rates and charges described in 7.4.2 preceding, there is a monthly surcharge that applies to Special Access Service. The Special Access Surcharge compensates the Telephone Company for use of the local exchange network when Special Access Service is connected to a PBX or equivalent device which is capable of interconnecting the Special Access Service with local exchange service.

The Telephone Company will automatically bill the surcharge on each Special Access Service installed irrespective of whether the interconnection capability exists in the customer's premises equipment or in a Centrex-CO type switch unless written certification is received from the customer certifying exemption status as set forth in (B) following.

Upon the effective date of the application of the Special Access Surcharge to Dedicated Access Lines, the Telephone Company will begin to bill the surcharge for Dedicated Access Lines ordered as of that date unless exemption certification has been received. Billing of the surcharge for Dedicated Access Lines in service or on order prior to the effective date for Dedicated Access lines will be deferred for a period of 90 days.

(B) Special Access Surcharge Exemptions

The Special Access Service will be exempted from the surcharge if the customer provides the Telephone Company written certification that the Special Access Service termination is one of the following;

- (1) an open-end termination in a Telephone Company switch of an FX line, including CCSA and CCSA-equivalent ONALS; or
- (2) an analog non-competitive end user Local Distribution Channel that is used for radio or television program transmission; or (N)
- (3) a termination used for TELEX service; or
- (4) a termination that by the nature of its operating characteristics could not make use of Telephone Company common lines; or

(This page filed under Transmittal No. 1922)

ACCESS SERVICE

7. Special Access Service (Cont'd)

7.4 Rate Regulations (Cont'd)

7.4.6 Moves (Cont'd)

(B) Moves To a Different Building

Moves to a different building will be treated as a discontinuance and start of service and all associated nonrecurring charges will apply. New minimum period requirements will be established for the new services. The customer will also remain responsible for satisfying all outstanding minimum period charges for the discontinued service.

7.4.7 (1)

(D)(N)

(D)

(D)

(1) Material in this Section has been de-tariffed pursuant to FCC Order No. 17-43, released April 28, 2017. Terms and Conditions for de-tariffed services are available at www.att.com/guidebook. (N)
(N)

(This page filed under Transmittal No. 1922)

ACCESS SERVICE

7. Special Access Service (Cont'd)

7.4 Rate Regulations (Cont'd)

7.4.7 ⁽¹⁾

(D)(N)

(D)

(D)

(1) Material in this Section has been de-tariffed pursuant to FCC Order No. 17-43, released April 28, 2017. Terms and Conditions for de-tariffed services are available at www.att.com/guidebook. (N)
(N)

(This page filed under Transmittal No. 1922)

ACCESS SERVICE

7. Special Access Service (Cont'd)

7.4 Rate Regulations (Cont'd)

7.4.8 Facility Hubs

A customer has the option of ordering direct analog, Ameritech DS1 or Ameritech DS3 facilities (i.e., Group, Supergroup, Mastergroup, Ameritech DS1 or Ameritech DS3) to a facility Hub for channelizing to individual services requiring lower capacity facilities (e.g., Telegraph⁽¹⁾, Voice⁽¹⁾, Program Audio⁽²⁾⁽³⁾, etc.).

Different locations may be designated as Hubs for different facility capacities, e.g., multiplexing⁽⁴⁾ from digital to digital may occur at one location while multiplexing⁽⁴⁾ from digital to analog may occur at a different location. Hub locations (Wire Centers) may be further designated as Intermediate and Terminus Hubs as set forth in Section 2.6. When ordering, the customer will specify the desired multiplexing⁽⁴⁾ Hub(s) selected from the Exchange Carrier Association Tariff F.C.C. No. 4.

(N)
 (D)
 (D)

End to end services may be provided on channels of these facilities to a Hub. The transmission performance for the end to end service provided between customer designated premises will be that of the lower capacity or bit rate. For example, when a 1.544 Mbps facility is multiplexed⁽⁴⁾ to voice frequency channels, the transmission performance of the channelized services will be Direct Analog Service, not Ameritech DS1 Service.

(N)

- (1) Effective November 20, 2019, this Service will no longer be available for purchase by new or existing customers, and service agreements may no longer be renewed. In addition, requests to move, add or change existing service arrangements will not be accepted. Following the expiration of a customer's existing term agreement, service will be provided on a month-to-month basis at the applicable monthly extension rates until the service is discontinued. AT&T currently plans to discontinue this Service on or after June 30, 2024.
- (2) Effective November 20, 2019, this Service will no longer be available for purchase by new or existing customers, and service agreements may no longer be renewed. In addition, requests to move, add or change existing service arrangements will not be accepted. Following the expiration of a customer's existing term agreement, service will be provided on a month-to-month basis at the applicable monthly extension rates until the service is discontinued. AT&T currently plans to discontinue this Service on or after November 1, 2020.
- (3) Program Audio is discontinued and no longer available in this publication (see WC Dkt. 19-238).
- (4) Material in this Section has been de-tariffed pursuant to FCC Order No. 17-43, released April 28, 2017. Terms and Conditions for de-tariffed services are available at www.att.com/guidebook.

(N)
 (N)

(This page filed under Transmittal No. 1922)

ACCESS SERVICE

7. Special Access Service (Cont'd)

7.4 Rate Regulations (Cont'd)

7.4.8 Facility Hubs

The Telephone Company will commence billing the monthly rate for the facility to the Hub on the date specified by the customer on the Access Order. Individual services utilizing these facilities may be installed coincident with the installation of the facility to the Hub, or may be ordered and/or installed at a later date, at the option of the customer. The customer will be billed for a Direct Analog Service, Ameritech DS1 or Ameritech DS3 non-competitive end user Local Distribution Channel, Channel Mileage Terminations⁽¹⁾ and Channel Mileage⁽¹⁾ (when applicable), and the multiplexer⁽¹⁾ at the time the facility is installed. Individual service rates (by service type) will apply for a non-competitive end user Local Distribution Channel and additional Channel Mileage Terminations⁽¹⁾ and Channel Mileage⁽¹⁾ (as required) for each channelized service. These will be billed to the customer as each individual service is installed.

(N)
|
(N)

(1) These services have been de-tariffed pursuant to FCC Order No. 17-43, released April 28, 2017. Terms and Conditions for de-tariffed services are available at www.att.com/guidebook.

(N)
(N)

(This page filed under Transmittal No. 1922)

ACCESS SERVICE

7. Special Access Service (Cont'd)

7.4 Rate Regulations (Cont'd)

7.4.8 Facility Hubs (Cont'd)

Cascading multiplexing⁽³⁾ occurs when an analog, Ameritech DS1 or Ameritech DS3 channel is de-multiplexed⁽³⁾ to provide channels with a lesser capacity and one of the lesser capacity channels is further de-multiplexed⁽³⁾. For example, a Supergroup facility is de-multiplexed⁽³⁾ to five Group facilities and then one of the Group facilities is further de-multiplexed⁽³⁾ to individual voice grade channels. (N)

When cascading multiplexing⁽³⁾ is performed, whether in the same or a different Hub, a charge for the additional multiplexing⁽³⁾ unit also applies. When cascading multiplexing⁽³⁾ is performed at different Hubbing locations, Channel Mileage Termination⁽³⁾ and Channel Mileage⁽³⁾ charges also apply between the Hubs.

Although not requiring multiplexing⁽³⁾, the Telephone Company will designate certain Hubs for Video and Program Audio⁽¹⁾⁽²⁾ Services. A customer can order full-time and/or part-time services(s) between customer designated premises and a Hub and will be billed accordingly at the rates set forth in 7.5.4 or 7.5.5 following for a full-time or part-time service, as appropriate. At the request of a customer, the full-time and/or part-time services provided to the Hub may be connected together in the following configurations; full-time to full-time, full-time to part-time or part-time to part-time. The customer will be charged for each such connection made at the rates for Other Labor as set forth in 13.2.6(C) following. The rates that apply for the service between each customer designated premises and the Hub are a non-competitive end user Local Distribution Channel and Channel Mileage Terminations⁽³⁾ and Channel Mileage⁽³⁾, if applicable. In addition, for Program Audio⁽¹⁾⁽²⁾ Services, rates for optional features and functions may be applicable. (N)

- (1) Effective November 20, 2019, this Service will no longer be available for purchase by new or existing customers, and service agreements may no longer be renewed. In addition, requests to move, add or change existing service arrangements will not be accepted. Following the expiration of a customer's existing term agreement, service will be provided on a month-to-month basis at the applicable monthly extension rates until the service is discontinued. AT&T currently plans to discontinue this Service on or after November 1, 2020.
- (2) Program Audio is discontinued and no longer available in this publication (see WC Dkt. 19-238).
- (3) These services have been de-tariffed pursuant to FCC Order No. 17-43, released April 28, 2017. Terms and Conditions for de-tariffed services are available at www.att.com/guidebook. (N)

(This page filed under Transmittal No. 1922)

ACCESS SERVICE

7. Special Access Service (Cont'd)

7.4 Rate Regulations (Cont'd)

7.4.9 Shared Use

Shared use occurs when Special Access Service and Switched Access Service are provided over the same Special Access facility through a common interface. The Special Access monthly rate for the non-competitive end user Local Distribution Channels, Channel Mileage⁽¹⁾, Channel Mileage Termination⁽¹⁾ if applicable, and multiplexer⁽¹⁾ will apply, regardless of whether any individual channels of the Shared Special Access facility are used for Special Access Service, Switched Access Service, or any other type of service. The practice known as "ratcheting" (to apply non-Special Access rates on a proportional basis) shall not apply in any circumstance. (N)
(N)

(1) These services have been de-tariffed pursuant to FCC Order No. 17-43, released April 28, 2017. (N)
Terms and Conditions for de-tariffed services are available at www.att.com/guidebook. (N)

(This page filed under Transmittal No. 1922)

ACCESS SERVICE

7. Special Access Service (cont'd)

7.4 Rate Regulations (cont'd)

7.4.10 Optional Payment Plan (OPP) for Base Rate, DS1, DS3, ⁽¹⁾, TV Analog Video Services⁽³⁾, and SONET Express Services⁽¹⁾⁽²⁾ (cont'd)

(E) Moves

(i) DS1 Service and Base Rate Service

During an OPP term a customer may move one non-competitive end user Local Distribution Channel (LDC) of an DS1 or Base Rate service to another location (N) in the same LATA and keep the OPP in force, provided no lapse in service occurs. Nonrecurring charges for the move will be based on the customer's existing OPP term.

During an OPP term, a customer may purchase a Local Channel Diversity Arrangement or an Interwire Center Diversity Arrangement (described in Section 11.1.1) and move an in-service DS1 or Base Rate Service to one of these arrangements while keeping the OPP in force, provided the customer's premises and serving wire center remain the same and no lapse in service occurs.

⁽¹⁾ Material in this Section has been de-tariffed as required by the Commission upon use of the forbearance relief pursuant to FCC Memorandum Opinion and Order No. 07-180, released October 12, 2007. Terms and Conditions associated with de-tariffed services are available at www.att.com/guidebook.

⁽²⁾ Effective February 16, 2012, SONET Xpress is available only to existing Customers, for existing service arrangements. Existing Customers may continue to receive service under existing service arrangements, or on a month-to-month basis after their existing service arrangements expire, until SONET Xpress is discontinued.

⁽³⁾ Effective December 31, 2020, Broadcast Video (TV1) service will no longer be available for purchase by new or existing customers, and service agreements may no longer be renewed. In addition, requests to move, add, or change existing service arrangements will not be accepted. Following the expiration of a customer's existing term agreement, service will be provided on a month-to-month basis at the applicable Monthly rate until the service is discontinued. AT&T currently plans to discontinue this Service on or after December 31, 2021.

(This page filed under Transmittal No. 1922)

ACCESS SERVICE

7. Special Access Service (cont'd)

7.4 Rate Regulations (cont'd)

7.4.10 Optional Payment Plan (OPP) for Base Rate, DS1⁽¹⁾⁽⁴⁾, DS3⁽¹⁾⁽⁴⁾, TV Analog Video Services⁽³⁾, and SONET Express Services⁽¹⁾⁽²⁾ (cont'd)

(E) Moves (cont'd)

(ii) DS3 Service

During an OPP term a customer may move one non-competitive end user Local Distribution Channel (LDC) of an DS3 Service to another location within the same LATA without incurring termination charges, as described in G following, provided the following conditions are met: (N)

- The DS3 Service has satisfied the twelve month minimum service period requirement at the old location,
- for DS3 Service Channels with an Optical Interface, the number of DS3 Service Channels with an Optical Interface at the new location must be the same or greater than the number of DS3 Service Channels with an Optical Interface being discontinued at the old location,
- the customer subscribes to a new OPP term at the new location that is equal to, or greater than the remaining period of the OPP term being discontinued at the old location and,
- no lapse in service occurs.

A new twelve month⁽⁵⁾ minimum service period requirement will apply to the DS3 Service at the new location. The monthly rates for the new service will be those rates in effect at the time the new service is installed.

⁽¹⁾ Material in this Section has been de-tariffed as required by the Commission upon use of the forbearance relief pursuant to FCC Memorandum Opinion and Order No. 07-180, released October 12, 2007. Terms and Conditions associated with de-tariffed services are available at www.att.com/guidebook.

⁽²⁾ Effective February 16, 2012, SONET Xpress is available only to existing Customers, for existing service arrangements. Existing Customers may continue to receive service under existing service arrangements, or on a month-to-month basis after their existing service arrangements expire, until SONET Xpress is discontinued.

⁽³⁾ Effective December 31, 2020, Broadcast Video (TV1) service will no longer be available for purchase by new or existing customers, and service agreements may no longer be renewed. In addition, requests to move, add, or change existing service arrangements will not be accepted. Following the expiration of a customer's existing term agreement, service will be provided on a month-to-month basis at the applicable Monthly rate until the service is discontinued. AT&T currently plans to discontinue this Service on or after December 31, 2021.

⁽⁴⁾ Effective January 17, 2024, DS1 and DS3 Optional Payment Plan Services, 12-month plans (collectively, Term Plan Services) are no longer available, including conversions. Existing Term Plan Services on January 17, 2024, will continue to be provided for the remainder of the then-current terms.

⁽⁵⁾ Effective January 17, 2024, the 1-year minimum period no longer applies.

(This page filed under Transmittal No. 1922)

ACCESS SERVICE

7. Special Access Service (Cont'd)

7.4 Rate Regulations (Cont'd)

7.4.10 Optional Payment Plan (OPP) for Base Rate, DS1, DS3, ⁽¹⁾, TV Analog Video Services⁽³⁾, and SONET Express Services⁽¹⁾⁽²⁾ (Cont'd)

(I) Volume Pricing Plan for DS3 non-competitive end user Local Distribution Channels with an Electrical Interface (N)

(1) General

The Volume Pricing Plan (VPP) will be grandfathered as of January 11, 2002. Customers with OPPs on order or in effect prior to Jan 11, 2002, will continue to receive the VPP until the expiration of their OPP term. The VPP will not be available with OPPs that are ordered on or after January 11, 2002.

The Volume Pricing Plan (VPP) for DS3 non-competitive end user Local Distribution Channels (LDCs) with an Electrical Interface (EI) provides rate discounts to customers based on the number of DS3 LDCs with an EI provided to the customer's designated premises and the Optional Payment Plan term selected by the customer. (N)

The following volume discounts, shown in terms of percentage discounts, will be applied to DS3 LDC rates as specified in Section 7.5.9(C)(1)(a). The volume discount will be based on the OPP term selected by the customer and the number of DS3 LDCs with an Electrical Interface provided to the same customer designated premises and will be provided as a credit on the customers monthly bill.

Volume Discount Band	DS3 LDC Quantity	Volume Discount Percentage		
		Optional Payment Plan Term		
		12 and 24 Month	36 and 48 Month	60 Month
A	2	19.5%	2.4%	2.3%
B	3 to 5	23.6%	5.8%	5.5%
C	6 to 11	30.6%	8.5%	12.6%
D	12 to 23	41.8%	25.2%	25.2%
E	24 or more	52.4%	38.0%	33.8%

⁽¹⁾ Material in this Section has been de-tariffed as required by the Commission upon use of the forbearance relief pursuant to FCC Memorandum Opinion and Order No. 07-180, released October 12, 2007. Terms and Conditions associated with de-tariffed services are available at www.att.com/guidebook.

⁽²⁾ Effective February 16, 2012, SONET Xpress is available only to existing Customers, for existing service arrangements. Existing Customers may continue to receive service under existing service arrangements, or on a month-to-month basis after their existing service arrangements expire, until SONET Xpress is discontinued.

⁽³⁾ Effective December 31, 2020, Broadcast Video (TV1) service will no longer be available for purchase by new or existing customers, and service agreements may no longer be renewed. In addition, requests to move, add, or change existing service arrangements will not be accepted. Following the expiration of a customer's existing term agreement, service will be provided on a month-to-month basis at the applicable Monthly rate until the service is discontinued. AT&T currently plans to discontinue this Service on or after December 31, 2021.

(This page filed under Transmittal No. 1922)

ACCESS SERVICE

7. Special Access Service (Cont'd)

7.4 Rate Regulations (Cont'd)

7.4.10 Optional Payment Plan (OPP) for Base Rate, DS1, DS3, ⁽¹⁾, TV Analog Video Services⁽³⁾, and SONET Express Services⁽¹⁾⁽²⁾ (Cont'd)

- (l) Volume Pricing Plan for DS3 non-competitive end user Local Distribution Channels with an Electrical Interface (Cont'd) (N)

(1) General (Cont'd)

At the end of each monthly billing period, billing for DS3 LDCs with an EI that are provided under an OPP term will be adjusted via a billing credit. The monthly credit will be developed by determining the number of DS3 LDCs with an EI provided to the customer's designated premises, along with their associated OPP payment term, in service at the end of the monthly billing period. The preceding discount percentages will be applied to all of the customer's DS3 LDCs with a EI that are provided under the same OPP term, and billed to the same customer billing account and will be provided as a credit to the customer's monthly DS3 billing.

(2) Regulations

All of the customers in service DS3 LDCs with an EI provided under an OPP term, (both interstate access and intrastate access), along with all of the customer's LT-3 Entrance Facilities with an EI provided under an OPP term, as described in Section 6.8.2(D)(6)(g) , will be used to determine the Volume Discount Band applicable for that monthly billing period.

When a customer has DS3 LDCs with an EI provided under different OPP payment terms, each OPP payment term will be administered separately and a Volume Discount Band will be determined for each OPP term based on the customers in service quantities for that term.

When there is more than one DS3 Local Distribution Channel termination⁽⁴⁾ location at the customer designated premises, each location will be administered separately and a Volume Discount Band(s) will be determined based on the DS3 non-competitive end user Local Distribution Channel OPP term(s) at that location. (N)
(N)
(N)

When the customer has elected the Prepayment of an OPP option as described in Section 7.4.10(B), prepaid DS3 LDCs with an EI will be included in the monthly count of DS3 LDCs with an EI in order to determine the Volume Discount Band applicable for that monthly billing period, however, only non-prepaid DS3 LDCs with an EI will be discounted under the VPP.

⁽¹⁾ Material in this Section has been de-tariffed as required by the Commission upon use of the forbearance relief pursuant to FCC Memorandum Opinion and Order No. 07-180, released October 12, 2007. Terms and Conditions associated with de-tariffed services are available at www.att.com/guidebook.

⁽²⁾ Effective February 16, 2012, SONET Xpress is available only to existing Customers, for existing service arrangements. Existing Customers may continue to receive service under existing service arrangements, or on a month-to-month basis after their existing service arrangements expire, until SONET Xpress is discontinued.

⁽³⁾ Effective December 31, 2020, Broadcast Video (TV1) service will no longer be available for purchase by new or existing customers, and service agreements may no longer be renewed. In addition, requests to move, add, or change existing service arrangements will not be accepted. Following the expiration of a customer's existing term agreement, service will be provided on a month-to-month basis at the applicable Monthly rate until the service is discontinued. AT&T currently plans to discontinue this Service on or after December 31,2021.

⁽⁴⁾ This service has been de-tariffed pursuant to FCC Order No. 17-43, released April 28, 2017. Terms and Conditions for de-tariffed services are available at www.att.com/guidebook. (N)
(N)

(This page filed under Transmittal No. 1922)

ACCESS SERVICE

7. Special Access Service (Cont'd)

7.4 Rate Regulations (Cont'd)

7.4.10 Optional Payment Plan (OPP) for Base Rate, DS1, DS3, ⁽¹⁾, TV Analog Video Services⁽³⁾, and SONET Express Services⁽¹⁾⁽²⁾ (Cont'd)

(l) Volume Pricing Plan for DS3 non-competitive end user Local Distribution Channels with an Electrical Interface (Cont'd) (N)

(3) ⁽⁴⁾ (D)(N)

(D)

(D)

⁽¹⁾ Material in this Section has been de-tariffed as required by the Commission upon use of the forbearance relief pursuant to FCC Memorandum Opinion and Order No. 07-180, released October 12, 2007. Terms and Conditions associated with de-tariffed services are available at www.att.com/guidebook.

⁽²⁾ Effective February 16, 2012, SONET Xpress is available only to existing Customers, for existing service arrangements. Existing Customers may continue to receive service under existing service arrangements, or on a month-to-month basis after their existing service arrangements expire, until SONET Xpress is discontinued.

⁽³⁾ Effective December 31, 2020, Broadcast Video (TV1) service will no longer be available for purchase by new or existing customers, and service agreements may no longer be renewed. In addition, requests to move, add, or change existing service arrangements will not be accepted. Following the expiration of a customer's existing term agreement, service will be provided on a month-to-month basis at the applicable Monthly rate until the service is discontinued. AT&T currently plans to discontinue this Service on or after December 31,2021.

⁽⁴⁾ Material in this Section has been de-tariffed pursuant to FCC Order No. 17-43, released April 28, 2017. Terms and Conditions for de-tariffed services are available at www.att.com/guidebook. (N)
(N)

(This page filed under Transmittal No. 1922)

ACCESS SERVICE

7. Special Access Service (Cont'd)

7.4 Rate Regulations (Cont'd)

7.4.10 Optional Payment Plan (OPP) for Base Rate, DS1, DS3, ⁽¹⁾, TV Analog Video Services⁽³⁾,
and SONET Express Services ⁽¹⁾⁽²⁾ (Cont'd)

(l) Volume Pricing Plan for DS3 non-competitive end user Local Distribution Channels with an Electrical Interface (Cont'd) (N)

(3) ⁽⁴⁾ (D)(N)

(D)

(D)

⁽¹⁾ Material in this Section has been de-tariffed as required by the Commission upon use of the forbearance relief pursuant to FCC Memorandum Opinion and Order No. 07-180, released October 12, 2007. Terms and Conditions associated with de-tariffed services are available at www.att.com/guidebook.

⁽²⁾ Effective February 16, 2012, SONET Xpress is available only to existing Customers, for existing service arrangements. Existing Customers may continue to receive service under existing service arrangements, or on a month-to-month basis after their existing service arrangements expire, until SONET Xpress is discontinued.

⁽³⁾ Effective December 31, 2020, Broadcast Video (TV1) service will no longer be available for purchase by new or existing customers, and service agreements may no longer be renewed. In addition, requests to move, add, or change existing service arrangements will not be accepted. Following the expiration of a customer's existing term agreement, service will be provided on a month-to-month basis at the applicable Monthly rate until the service is discontinued. AT&T currently plans to discontinue this Service on or after December 31,2021.

⁽⁴⁾ Material in this Section has been de-tariffed pursuant to FCC Order No. 17-43, released April 28, 2017. Terms and Conditions for de-tariffed services are available at www.att.com/guidebook. (N)
(N)

(This page filed under Transmittal No. 1922)

ACCESS SERVICE

7. Special Access Service (Cont'd)

7.4 Rate Regulations (Cont'd)

7.4.10 Optional Payment Plan (OPP) for Base Rate, DS1, DS3, ⁽¹⁾, TV Analog Video Services⁽³⁾, and SONET Express Services⁽¹⁾⁽²⁾ (Cont'd)

(l) Volume Pricing Plan for DS3 non-competitive end user Local Distribution Channels with an Electrical Interface (Cont'd) (N)

(3) ⁽⁴⁾ (D)(N)

(D)

(D)

⁽¹⁾ Material in this Section has been de-tariffed as required by the Commission upon use of the forbearance relief pursuant to FCC Memorandum Opinion and Order No. 07-180, released October 12, 2007. Terms and Conditions associated with de-tariffed services are available at www.att.com/guidebook.

⁽²⁾ Effective February 16, 2012, SONET Xpress is available only to existing Customers, for existing service arrangements. Existing Customers may continue to receive service under existing service arrangements, or on a month-to-month basis after their existing service arrangements expire, until SONET Xpress is discontinued.

⁽³⁾ Effective December 31, 2020, Broadcast Video (TV1) service will no longer be available for purchase by new or existing customers, and service agreements may no longer be renewed. In addition, requests to move, add, or change existing service arrangements will not be accepted. Following the expiration of a customer's existing term agreement, service will be provided on a month-to-month basis at the applicable Monthly rate until the service is discontinued. AT&T currently plans to discontinue this Service on or after December 31, 2021.

⁽⁴⁾ Material in this Section has been de-tariffed pursuant to FCC Order No. 17-43, released April 28, 2017. Terms and Conditions for de-tariffed services are available at www.att.com/guidebook. (N)
(N)

(This page filed under Transmittal No. 1922)

ACCESS SERVICE

7. Special Access Service (Cont'd)

7.4 Rate Regulations (Cont'd)

7.4.10 Optional Payment Plan (OPP) for Base Rate, DS1, DS3, ⁽¹⁾, TV Analog Video Services⁽³⁾,
and SONET Express Services ⁽¹⁾⁽²⁾ (Cont'd)

(l) Volume Pricing Plan for Ameritech DS3 non-competitive end user Local Distribution Channels with an Electrical Interface (Cont'd) (N)

(3) ⁽⁴⁾ (D)(N)
(D)

(D)

(D)

⁽¹⁾ Material in this Section has been de-tariffed as required by the Commission upon use of the forbearance relief pursuant to FCC Memorandum Opinion and Order No. 07-180, released October 12, 2007. Terms and Conditions associated with de-tariffed services are available at www.att.com/guidebook.

⁽²⁾ Effective February 16, 2012, SONET Xpress is available only to existing Customers, for existing service arrangements. Existing Customers may continue to receive service under existing service arrangements, or on a month-to-month basis after their existing service arrangements expire, until SONET Xpress is discontinued.

⁽³⁾ Effective December 31, 2020, Broadcast Video (TV1) service will no longer be available for purchase by new or existing customers, and service agreements may no longer be renewed. In addition, requests to move, add, or change existing service arrangements will not be accepted. Following the expiration of a customer's existing term agreement, service will be provided on a month-to-month basis at the applicable Monthly rate until the service is discontinued. AT&T currently plans to discontinue this Service on or after December 31, 2021.

⁽⁴⁾ Material in this Section has been de-tariffed pursuant to FCC Order No. 17-43, released April 28, 2017. Terms and Conditions for de-tariffed services are available at www.att.com/guidebook. (N)
(N)

(This page filed under Transmittal No. 1922)

ACCESS SERVICE

7. Special Access Service (Cont'd)

7.4 Rate Regulations (Cont'd)

7.4.10 Optional Payment Plan (OPP) for Base Rate, DS1⁽⁴⁾⁽⁵⁾, DS3⁽¹⁾⁽⁴⁾⁽⁵⁾, TV Analog Video Services⁽³⁾, and SONET Express Services⁽¹⁾⁽²⁾ (Cont'd)

(I) Volume Pricing Plan for DS3 non-competitive end user Local Distribution Channels with an Electrical Interface (Cont'd) (N)

(3) ⁽⁶⁾ (D)(N)
(D)

(D)

(D)

- (1) Material in this Section has been de-tariffed as required by the Commission upon use of the forbearance relief pursuant to FCC Memorandum Opinion and Order No. 07-180, released October 12, 2007. Terms and Conditions associated with de-tariffed services are available at www.att.com/guidebook.
- (2) Effective February 16, 2012, SONET Xpress is available only to existing Customers, for existing service arrangements. Existing Customers may continue to receive service under existing service arrangements, or on a month-to-month basis after their existing service arrangements expire, until SONET Xpress is discontinued.
- (3) Effective December 31, 2020, Broadcast Video (TV1) service will no longer be available for purchase by new or existing customers, and service agreements may no longer be renewed. In addition, requests to move, add, or change existing service arrangements will not be accepted. Following the expiration of a customer's existing term agreement, service will be provided on a month-to-month basis at the applicable Monthly rate until the service is discontinued. AT&T currently plans to discontinue this Service on or after December 31, 2021.
- (4) Effective November 1, 2022, DS1 and DS3 Optional Payment Plan Services, 24- and 36-month plans, and DS1 Discount Commitment Plan, 36-month plans (collectively, Term Plan Services), are no longer available, including conversions. Existing Term Plan Services, as of November 1, 2022, will continue to be provided under the then current terms, for the remainder of the applicable term.
- (5) Effective January 17, 2024, DS1 and DS3 Optional Payment Plan Services, 12-month plans (collectively, Term Plan Services) are no longer available, including conversions. Existing Term Plan Services on January 17, 2024, will continue to be provided for the remainder of the then-current terms.
- (6) Material in this Section has been de-tariffed pursuant to FCC Order No. 17-43, released April 28, 2017. Terms and Conditions for de-tariffed services are available at www.att.com/guidebook. (N)
(N)

(This page filed under Transmittal No. 1922)

ACCESS SERVICE

7. Special Access Service (Cont'd)

7.4 Rate Regulations (Cont'd)

7.4.10 Optional Payment Plan (OPP) for Base Rate, DS1, DS3, ⁽¹⁾, TV Analog Video Services⁽³⁾,
and SONET Express Services ⁽¹⁾⁽²⁾ (Cont'd)

(l) Volume Pricing Plan for Ameritech DS3 non-competitive end user Local Distribution Channels with
an Electrical Interface (Cont'd)

(3) ⁽⁴⁾

(D)(N)
(D)

(D)

(D)

⁽¹⁾ Material in this Section has been de-tariffed as required by the Commission upon use of the forbearance relief pursuant to FCC Memorandum Opinion and Order No. 07-180, released October 12, 2007. Terms and Conditions associated with de-tariffed services are available at www.att.com/guidebook.

⁽²⁾ Effective February 16, 2012, SONET Xpress is available only to existing Customers, for existing service arrangements. Existing Customers may continue to receive service under existing service arrangements, or on a month-to-month basis after their existing service arrangements expire, until SONET Xpress is discontinued.

⁽³⁾ Effective December 31, 2020, Broadcast Video (TV1) service will no longer be available for purchase by new or existing customers, and service agreements may no longer be renewed. In addition, requests to move, add, or change existing service arrangements will not be accepted. Following the expiration of a customer's existing term agreement, service will be provided on a month-to-month basis at the applicable Monthly rate until the service is discontinued. AT&T currently plans to discontinue this Service on or after December 31,2021.

⁽⁴⁾ Material in this Section has been de-tariffed pursuant to FCC Order No. 17-43, released April 28, 2017. Terms and Conditions for de-tariffed services are available at www.att.com/guidebook. (N)
(N)

(This page filed under Transmittal No. 1922)

CCESS SERVICE

7. Special Access Service (Cont'd)

7.4 Rate Regulations (Cont'd)

7.4.10 Optional Payment Plan (OPP) for Base Rate, DS1, DS3, ⁽¹⁾, TV Analog Video Services⁽³⁾, and SONET Express Services⁽¹⁾⁽²⁾ (Cont'd)

(I) Volume Pricing Plan for Ameritech DS3 non-competitive end user Local Distribution Channels with an Electrical Interface (Cont'd) (N)

(3) ⁽⁴⁾ (D)(N)
(D)

(D)

(D)

⁽¹⁾ Material in this Section has been de-tariffed as required by the Commission upon use of the forbearance relief pursuant to FCC Memorandum Opinion and Order No. 07-180, released October 12, 2007. Terms and Conditions associated with de-tariffed services are available at www.att.com/guidebook.

⁽²⁾ Effective February 16, 2012, SONET Xpress is available only to existing Customers, for existing service arrangements. Existing Customers may continue to receive service under existing service arrangements, or on a month-to-month basis after their existing service arrangements expire, until SONET Xpress is discontinued.

⁽³⁾ Effective December 31, 2020, Broadcast Video (TV1) service will no longer be available for purchase by new or existing customers, and service agreements may no longer be renewed. In addition, requests to move, add, or change existing service arrangements will not be accepted. Following the expiration of a customer's existing term agreement, service will be provided on a month-to-month basis at the applicable Monthly rate until the service is discontinued. AT&T currently plans to discontinue this Service on or after December 31,2021.

⁽⁴⁾ Material in this Section has been de-tariffed pursuant to FCC Order No. 17-43, released April 28, 2017. Terms and Conditions for de-tariffed services are available at www.att.com/guidebook. (N)
(N)

(This page filed under Transmittal No. 1922)

ACCESS SERVICE

7. Special Access Service (Cont'd)

7.4 Rate Regulations (Cont'd)

7.4.10 Optional Payment Plan (OPP) for Base Rate, DS1, DS3, ⁽¹⁾, TV Analog Video Services⁽³⁾, and SONET Express Services⁽¹⁾⁽²⁾ (Cont'd)

(l) Volume Pricing Plan for DS3 non-competitive end user Local Distribution Channels with an Electrical Interface (Cont'd) (N)

(3) ⁽⁴⁾

(D)(N)
(D)

(D)

(D)

⁽¹⁾ Material in this Section has been de-tariffed as required by the Commission upon use of the forbearance relief pursuant to FCC Memorandum Opinion and Order No. 07-180, released October 12, 2007. Terms and Conditions associated with de-tariffed services are available at www.att.com/guidebook.

⁽²⁾ Effective February 16, 2012, SONET Xpress is available only to existing Customers, for existing service arrangements. Existing Customers may continue to receive service under existing service arrangements, or on a month-to-month basis after their existing service arrangements expire, until SONET Xpress is discontinued.

⁽³⁾ Effective December 31, 2020, Broadcast Video (TV1) service will no longer be available for purchase by new or existing customers, and service agreements may no longer be renewed. In addition, requests to move, add, or change existing service arrangements will not be accepted. Following the expiration of a customer's existing term agreement, service will be provided on a month-to-month basis at the applicable Monthly rate until the service is discontinued. AT&T currently plans to discontinue this Service on or after December 31,2021.

⁽⁴⁾ Material in this Section has been de-tariffed pursuant to FCC Order No. 17-43, released April 28, 2017. Terms and Conditions for de-tariffed services are available at www.att.com/guidebook. (N)
(N)

(This page filed under Transmittal No. 1922)

ACCESS SERVICE

7. Special Access Service (Cont'd)

7.4 Rate Regulations (Cont'd)

7.4.10 Optional Payment Plan (OPP) for Base Rate, DS1, DS3, ⁽¹⁾, TV Analog Video Services⁽⁴⁾, and SONET Express Services⁽¹⁾⁽²⁾ (Cont'd)

(I) Volume Pricing Plan for DS3 non-competitive end user Local Distribution Channels with an Electrical Interface (Cont'd) (N)

(3) ⁽⁵⁾

(D)(N)
(D)
(D)

(J) Moving Services from an OPP Term to a New DCP Term ⁽³⁾

(D)

Customers who do not have an effective DCP term in place may terminate Optional Payment Plans for Base Rate and DS1 services in states where they establish a new DCP term of equal or greater length for those services. No termination liability charges will be applied to services that move from an OPP term to such a new DCP term. Upon termination of these Optional Payment Plans, the services will begin being billed DCP (as described in Section 7.4.13) rates subject to the DCP terms and conditions except for Section 7.4.13(G). Services converted from an OPP term to a new DCP term may not convert back to an OPP term.

⁽¹⁾ Material in this Section has been de-tariffed as required by the Commission upon use of the forbearance relief pursuant to FCC Memorandum Opinion and Order No. 07-180, released October 12, 2007. Terms and Conditions associated with de-tariffed services are available at www.att.com/guidebook.

⁽²⁾ Effective February 16, 2012, SONET Xpress is available only to existing Customers, for existing service arrangements. Existing Customers may continue to receive service under existing service arrangements, or on a month-to-month basis after their existing service arrangements expire, until SONET Xpress is discontinued.

⁽³⁾ For DCPs established on or after August 30, 2016, moves from OPP to DCP are not allowed.

⁽⁴⁾ Effective December 31, 2020, Broadcast Video (TV1) service will no longer be available for purchase by new or existing customers, and service agreements may no longer be renewed. In addition, requests to move, add, or change existing service arrangements will not be accepted. Following the expiration of a customer's existing term agreement, service will be provided on a month-to-month basis at the applicable Monthly rate until the service is discontinued. AT&T currently plans to discontinue this Service on or after December 31, 2021.

⁽⁵⁾ Material in this Section has been de-tariffed pursuant to FCC Order No. 17-43, released April 28, 2017. Terms and Conditions for de-tariffed services are available at www.att.com/guidebook.

(N)
(N)

(This page filed under Transmittal No. 1922)

7. Special Access Service (Cont'd)

7.4 Rate Regulations (Cont'd)

7.4.13 Discount Commitment Program (DCP) ^{*(2)}

(A) General Description

The Discount Commitment Program (DCP) provides the customer with rate stabilization and discounted rates for Direct Analog, Base Rate and DS1 services (described in Sections 7.2.3 and 7.2.9, preceding), ⁽¹⁾ except the DCP is not available for DS1 non-competitive end user Local Distribution Channels (LDC) associated with 128, 256, 384, 512, and 768 Kbps Channel Mileage Termination⁽³⁾ and Channel Mileage⁽³⁾, installed after October 2, 2000. The customer agrees to a minimum service commitment per service per state when establishing a DCP. Customers may disconnect or move non-competitive end user Local Distribution Channels within the state and not be subject to Termination Liability charges as long as commitment levels are maintained. (N)

DCPs may be established by service by state and be 3 years duration.⁽¹⁾ A customer may have only one DCP per service per state in effect at one time. For example, a customer that has a 3 year DCP for Direct Analog service in Illinois may not establish a second Direct Analog DCP in Illinois until the current DCP expires. (D)

Monthly rates for services installed under a DCP will change as Telephone Company initiated rate changes become effective but during the DCP term will not exceed the monthly rate in effect at the beginning of the customer's DCP term. During the term of the selected DCP, Telephone Company initiated rate changes (increases or decreases) will automatically be applied to the monthly rates for the remaining months of the current DCP term. But in no case will any rate change cause the monthly rate during the DCP term to exceed that in effect at the beginning of the customer's DCP term.

(B) For DCPs established prior to August 30, 2016, the terms and conditions associated with the DCP are as follows in this Section 7.4.13(B):

(D)
|
(D)

* DCP is not available for DS1 Local Distribution Channels (LDC) associated with 128, 256 384, 512, and 768 Kbps Channel Mileage Termination and Channel Mileage, installed after October 2, 2000.

(1) Effective on September 13, 2017, 5-year DCP Payment Plans for DS1 Service are no longer available, and DCP Payment Plans for Direct Analog and Base Rate Services are no longer available. Circuits already subject to a DCP Payment Plan, as of September 13, 2017, will continue to be provided under the then-current DCP term for the remainder of that term.

(2) Effective November 1, 2022, DS1 and DS3 Optional Payment Plan Services, 24- and 36-month plans, and DS1 Discount Commitment Plan, 36-month plans (collectively, Term Plan Services), are no longer available, including conversions. Existing Term Plan Services, as of November 1, 2022, will continue to be provided under the then current terms, for the remainder of the applicable term.

(3)These services have been de-tariffed pursuant to FCC Order No. 17- 43, released April 28, 2017. Terms and Conditions for de-tariffed services are available at www.att.com/guidebook. (N)

(This page filed under Transmittal No. 1922)

7. Special Access Service (Cont'd)

7.4 Rate Regulations (Cont'd)

7.4.13 Discount Commitment Program (DCP) ⁽¹⁾ (Cont'd)*

(B) ⁽²⁾

(D)(N)

(D)

(D)

* DCP is not available for DS1 Local Distribution Channels (LDC) associated with 128, 256, 384, 512, and 768 Kbps Channel Mileage Termination and Channel Mileage, installed after October 2, 2000.

(1) Effective November 1, 2022, DS1 and DS3 Optional Payment Plan Services, 24- and 36-month plans, and DS1 Discount Commitment Plan, 36-month plans (collectively, Term Plan Services), are no longer available, including conversions. Existing Term Plan Services, as of November 1, 2022, will continue to be provided under the then-current terms, for the remainder of the applicable term.

(2) Material in this Section has been de-tariffed pursuant to FCC Order No. 17-43, released April 28, 2017. Terms and Conditions for de-tariffed services are available at www.att.com/guidebook.

(N)

(N)

(This page filed under Transmittal No. 1922)

7. Special Access Service (Cont'd)

7.4 Rate Regulations (Cont'd)

7.4.13 Discount Commitment Program (DCP) (Cont'd) *

(B) ⁽¹⁾

(D)(N)

(D)

(D)

* DCP is not available for DS1 non-competitive end user Local Distribution Channels (LDC) associated with 128, 256, 384, 512, and 768 Kbps Channel Mileage Termination⁽¹⁾ and Channel Mileage⁽¹⁾, installed after October 2, 2000. (N) (N)

(1) Material in this Section has been de-tariffed pursuant to FCC Order No. 17-43, released April 28, 2017. Terms and Conditions for de-tariffed services are available at www.att.com/guidebook. (N) (N)

(This page filed under Transmittal No. 1922)

7. Special Access Service (Cont'd)

7.4 Rate Regulations (Cont'd)

7.4.13 Discount Commitment Program (DCP)⁽¹⁾ (Cont'd)*

(B) (Cont'd)

(D)

(D)

(C) For DCPs established on or after August 30, 2016, the terms and conditions associated with the DCP are as follows in this Section 7.4.13(C):

(D)

(1) Customer commits to a 5-Year Commitment Level (CL) that is reviewed on a monthly basis by the Telephone Company. To begin the process of establishing a DCP, Customer must request from the Telephone Company a list of DS1 circuits with LDCs for all of the ACNAs of Customer and any entities that are then affiliated companies of Customer. Customer must designate from the provided list which DS1 circuits with LDCs are to be included in, and which are to be excluded from, its DCP and return the list with those designations to the Telephone Company. Failure to provide a designation for a listed circuit will be deemed to be a designation that such circuit is to be excluded from its Portability Commitment.

Only those DS1 circuits with LDCs that are designated as being included ("Designated Circuits") will be subject to the DCP.

The Customer's initial CL is the total number of LDCs associated with Designated Circuits. Although the CL is based upon LDCs, the following rate elements will all receive DCP rates: Channel Mileage⁽²⁾, Channel Mileage Termination⁽²⁾, DS1 to Voice/Base Rate Multiplexer⁽²⁾, and LDCs.

(N)
(N)

The effective date of the DCP will be the first day of the month immediately following the month in which the DCP commitment is signed.

- (2) Customer must commit a minimum of 100 circuits with LDCs to establish a DCP.
- (3) Customer, including all of its ACNAs and Affiliates, may be subject to only one DCP by service and by state at any time. An "Affiliate," as that term is used in connection with the DCP, is a person that (directly or indirectly) owns or controls, is owned or controlled by, or is under common ownership or control with, another person. For purposes of the prior sentence, "own" means to own an equity interest (or the equivalent thereof) of more than 10 percent.
- (4) Designated Circuits that are disconnected during the term of the DCP will not incur Termination Liability charges.

* DCP is not available for DS1 non-competitive end user Local Distribution Channels (LDC) associated with 128, 256, 384, 512, and 768 Kbps Channel Mileage Termination⁽²⁾ and Channel Mileage⁽²⁾, installed after October 2, 2000.

(N)
(N)

(1) Effective November 1, 2022, DS1 and DS3 Optional Payment Plan Services, 24- and 36-month plans, and DS1 Discount Commitment Plan, 36-month plans (collectively, Term Plan Services), are no longer available, including conversions. Existing Term Plan Services, as of November 1, 2022, will continue to be provided under the then-current terms, for the remainder of the applicable term.

(2) These services have been de-tariffed pursuant to FCC Order No. 17-43, released April 28, 2017. Terms and Conditions for de-tariffed services are available at www.att.com/guidebook.

(N)
(N)

(This page filed under Transmittal No. 1922)

7. Special Access Service (Cont'd)

7.4 Rate Regulations (Cont'd)

7.4.13 Discount Commitment Program (DCP)⁽¹⁾ (Cont'd)*

(C) (Cont'd)

- (5) Customer may add additional circuits with LDCs to the DCP during the term of the DCP only when initially ordering such circuits. A circuit that is so added will be considered a Designated Circuit.
- (6) During the monthly review of Customer's Designated Circuits and its CL, the Telephone Company will determine whether Customer met, did not meet, or exceeded its CL as of the last day of the month being reviewed.

If Customer did not meet its CL, Customer will be billed for the CL of LDCs at DCP rates.

If Customer exceeds its CL by 115 percent or greater for three consecutive months, Customer's CL will be increased to ninety percent (90%) of the average number of LDCs associated with Designated Circuits for those three months.

Example: Customer's CL is 100 LDCs. For three consecutive months during the DCP term, the Customer's LDC volumes are 118, 120 and 122, for an average of 120. The Customer's new CL will be:

$$((118+120+122)/(3)) \times (90\%) = 108$$

- (7) If Customer elects to terminate the DCP or elects to decrease the CL prior to expiration of the 5-Year commitment, Customer will be billed a Termination Liability charge. The Termination Liability charge is calculated to be the dollar difference between the current DCP LDC rate for the DCP term that could have been completed during the time the LDC was actually in service, or the LDC monthly rate for LDCs in place less than 36 months, and the customer's then-current DCP LDC rate for each month the service was provided.

Example: Customer subscribes to a 60-month DCP term and reduces its LDC commitment by 20 LDCs during the 37th month. Customer's Termination Liability charge will be:

$$(20 \text{ LDCs} \times (36 \text{ month DCP rate} - 60 \text{ month DCP rate}) \times (37 \text{ months})) \\ = \text{Termination Liability charge}$$

* DCP is not available for DS1 non-competitive end user Local Distribution Channels (LDC) associated with 128, 256, 384, 512, and 768 Kbps Channel Mileage Termination⁽²⁾ and Channel Mileage⁽²⁾, installed after October 2, 2000. (N)

(1) Effective November 1, 2022, DS1 and DS3 Optional Payment Plan Services, 24- and 36-month plans, and DS1 Discount Commitment Plan, 36-month plans (collectively, Term Plan Services), are no longer available, including conversions. Existing Term Plan Services, as of November 1, 2022, will continue to be provided under the then-current terms, for the remainder of the applicable term.

(2) These services have been de-tariffed pursuant to FCC Order No. 17-43, released April 28, 2017. Terms and Conditions for de-tariffed services are available at www.att.com/guidebook. (N)

(This page filed under Transmittal No. 1922)

7. Special Access Service (Cont'd)

7.4 Rate Regulations (Cont'd)

7.4.13 Discount Commitment Program (DCP) (Cont'd) *

(D) Upgrading a DCP Service

When a customer upgrades a Direct Analog or Base Rate service being billed DCP rates to an DS1 service, the Direct Analog or Base Rate DCP commitment level will be reduced at the customer's request (up to a maximum of 24) and no termination liabilities will apply. If the customer has a DCP for DS1, the DS1 DCP commitment level will be increased if the customer requests that it be increased. When a customer upgrades a DS1 service being billed DCP rates to a higher speed service with the same termination points, the customer's DS1 DCP commitment level will be reduced at the customer's request and no termination liabilities will apply.

(E) Conversion to an Optional Payment Plan (OPP) ⁽¹⁾

Customers may convert services from a DCP term to an OPP as described in 7.4.10, preceding. No termination liabilities will apply to services converted to an OPP term of the same or longer length than the DCP term. Additionally, the customer's DCP commitment level will be reduced by the number of LDCs, associated with the service, converted to an OPP term.

* DCP is not available for DS1 non-competitive end user Local Distribution Channels (LDC) associated with 128, 256, 384, 512, and 768 Kbps Channel Mileage Termination⁽²⁾ and Channel Mileage⁽²⁾, installed after October 2, 2000. (N)

(1) For DCPs established on or after August 30, 2016, moves from DCP to OPP are not allowed. (N)

(2) These services have been de-tariffed pursuant to FCC Order No. 17-43, released April 28, 2017. Terms and Conditions for de-tariffed services are available at www.att.com/guidebook. (N)

(This page filed under Transmittal No. 1922)

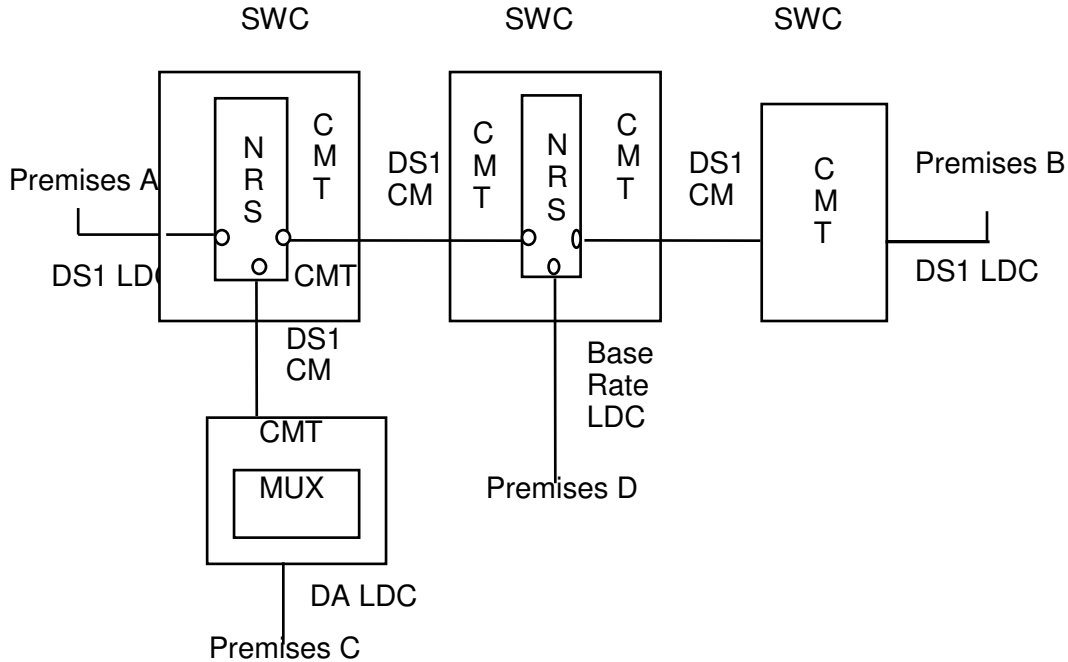
7. Special Access Service (Cont'd)

7.4 Rate Regulations (Cont'd)

7.4.14 Network Reconfiguration Service NRS⁽¹⁾ (Cont'd)

(B) Service Configuration

The following diagram depicts Network Reconfiguration Service (NRS)⁽¹⁾ utilized with DS1 and Base Rate and Direct Analog Services.



- LDC - non-competitive end user Local Distribution Channel (N)
- CMT⁽²⁾ - Channel Mileage Termination⁽²⁾ |
- CM⁽²⁾ - Channel Mileage⁽²⁾ (N)
- SWC - Serving Wire Center
- MUX⁽²⁾ - Multiplexer⁽²⁾ (N)
- NRS - NRS System Location
- o - NRS Port Termination
- DA - Direct Analog

Applicable rate elements are:

- non-competitive end user Local Distribution Channels, 2 DS1, 1 Base Rate, 1 Direct Analog (N)
- Channel Mileage Terminations⁽²⁾ - 6 DS1 (N)
- Channel Mileage⁽²⁾ - 3 DS1 mileages (N)
- NRS Port Terminations - 5 DS1, 1 Base Rate
- Multiplexing⁽²⁾ - 1 DS1 to Base Rate/Direct Analog- Appropriate NRS Basic Service and ACCESS rate elements (N)

(1) Effective December 5, 2018, Network Reconfiguration Service (NRS) will no longer be available for purchase by new or existing customers, and NRS service agreements may no longer be renewed. Effective July 31, 2022, the Telephone Company will no longer accept new requests for physical changes to existing service arrangements including the upgrade or downgrade of access/port speed, installation of new service, or moves to different service addresses.

(2) These services have been de-tariffed pursuant to FCC Order No. 17-43, released April 28, 2017. Terms and Conditions for de-tariffed services are available at www.att.com/guidebook. (N)

(This page filed under Transmittal No. 1922)

ACCESS SERVICE

7. Special Access Services (Cont'd)

7.4 Rate Regulations (Cont'd)

7.4.17 ⁽¹⁾

(D)(N)

(D)

(D)

(1) Material in this Section has been de-tariffed pursuant to FCC Order No. 17-43, released April 28, 2017. Terms and Conditions for de-tariffed services are available at www.att.com/guidebook.

(N)
(N)

(This page filed under Transmittal No. 1922)

ACCESS SERVICE

7. Special Access Service

7.4 Rate Regulations (cont'd)

7.4.19 Shared Facility Credit/Shared Facility Channel Service

DS3 Service customers who allow the Telephone Company use of their Ameritech-provided DS3 service for the provision of Shared Facility Channel Service to other Telephone Company customers may elect to receive a credit for that portion of the DS3 service used to provide the Shared Facility Channel Service. The credit will be based on the DS1 capacity of the DS3 service components (i.e., 1/28th of the monthly rates for a DS3 LDC with an Electrical Interface, DS3 Service Package with an Optical Interface and the DS3 Service Channel, DS3 to DS1 Multiplexer⁽¹⁾ and, if appropriate, DS3 Channel Mileage Terminations⁽¹⁾ and Channel Mileage⁽¹⁾). For DS3 LDCs with an Electrical Interface, the SFC will be calculated after application of Volume Pricing Plan discounts as described in 7.4.10 I preceding. In any month, the total SFC for any DS3 service element shall not exceed 100 percent of the monthly rate for the element.

(N)
(N)

The following terms and conditions apply to all DS3 Shared Facility Credit/Shared Facility Channel Service arrangements.

- (A) The customer of the DS3 service cannot be the same as the customer of the Shared Facility Channel Service.
- (B) The Telephone Company and the DS3 customer must agree to work cooperatively to maintain accurate customer records of any SFC arrangements. The customer records which must be jointly maintained are:
- connecting facility assignments by Shared Facility Channel customer and
 - additions, moves, or deletions of Shared Facility Channel customers onto or off of the DS3 service.

If the DS3 customer does not cooperate to maintain these customer records, the existing affected SFC arrangement(s) will be discontinued and additional SFC arrangements will not be established.

- (C) SFC can be established on Special Access DS3s for connection to Special Access DS1s only. If a Shared Facility Service channel of a DS3 service becomes vacant subsequent to the establishment of a DS3 SFC arrangement (e.g., the Ameritech DS1 customer disconnects service), SFC will be eliminated for that channel.

(1) These services have been de-tariffed pursuant to FCC Order No. 17-43, released April 28, 2017. Terms and Conditions for de-tariffed services are available at www.att.com/guidebook.

(N)
(N)

(This page filed under Transmittal No. 1922)

7. Special Access Service (Cont'd)

7.5 Rates and Charges

Only Non-Competitive End User Local Distribution Channels and their applicable optional features in Non-Competitive Counties are available in this tariff. (C)
 (C)
 (D)
 (D)

Rates are subject to subsequent adjustment, effective retroactively in light of *USTA v. FCC*, (Case No. 97-1469) (slip. op. May 21, 1999) (D.C. Cir.), or pursuant to pending motions or petitions or any other adjustment pursuant to a Commission or court order.

7.5.1 Metallic Service⁽³⁾⁽⁴⁾

	USOC	Monthly Rate
(A) non-competitive end user Local Distribution Channel		
- Per point of termination		
- All states	TNJG2	\$17.90

* Metallic circuits beyond five miles are limited to existing circuits.

(1) [Deleted]

(2) [Deleted]

(3) Effective November 20, 2019, this Service will no longer be available for purchase by new or existing customers, and service agreements may no longer be renewed. In addition, requests to move, add or change existing service arrangements will not be accepted. Following the expiration of a customer's existing term agreement, service will be provided on a month-to-month basis at the applicable monthly extension rates until the service is discontinued. AT&T currently plans to discontinue this Service on or after June 30, 2024.

(4) These services have been de-tariffed pursuant to FCC Order No. 17-43, released April 28, 2017. Terms and Conditions for de-tariffed services are available at www.att.com/guidebook. (N)
 (N)

(This page filed under Transmittal No. 1922)

7. Special Access Service (Cont'd)

7.5 Rates and Charges (Cont'd)

7.5.2 Telegraph Grade Service⁽¹⁾⁽²⁾

	USOC	Monthly Rate	
(A) non-competitive end user Local Distribution Channel			(N)
- Per point of termination			
- Two-Wire			
- All states	T6E2X	\$32.83	
- Four-Wire			
- All states	T6E4X	37.34	

(D)
 |
 (D)

(1) Effective November 20, 2019, this Service will no longer be available for purchase by new or existing customers, and service agreements may no longer be renewed. In addition, requests to move, add or change existing service arrangements will not be accepted. Following the expiration of a customer's existing term agreement, service will be provided on a month-to-month basis at the applicable monthly extension rates until the service is discontinued. AT&T currently plans to discontinue this Service on or after June 30, 2024.

(2) These services have been de-tariffed pursuant to FCC Order No. 17-43, released April 28, 2017. Terms and Conditions for de-tariffed services are available at www.att.com/guidebook. (N)
 (N)

(This page filed under Transmittal No. 1922)

7. Special Access Service (Cont'd)

7.5 Rates and Charges (Cont'd)

7.5.3 Direct Analog Service

- Rates and Charges for Direct Analog Service ⁽¹⁾⁽²⁾

	USOC	Monthly Rate		(D)
(A) Non-Competitive End User Local Distribution Channel				(D)
(1) Direct Analog Service				(D)
- Per point of termination				(N)
- Two-Wire				
- All states	T6E2X	\$22.40		(D)
- Four-Wire				
- All states	T6E4X	30.00		(D)
(2) Dedicated Access Line				
- Per point of termination*				
- Two Wire				
- All states	X2W	\$22.40		(D)
- Four Wire				
- All states	X4W	34.00		(D)
(B) ⁽³⁾				(D)(N)
(C) ⁽³⁾				(N)
(D) Optional Features and Functions ⁽³⁾				(D)
(1) Bridging				
(A) Voice and DAL Bridging				
Two-Wire/Four Wire				
- Per Port				
- Two-Wire				
- All states	BCNV2	\$7.85	None	
- Four-Wire				
- All states	BCNV4	6.20	None	

* One Local Distribution Channel applies per Dedicated Access Line (DAL).

(1) Effective on September 13, 2017, DCP Payment Plans for Direct Analog Service are no longer available. Circuits already subject to a DCP Payment Plan, as of September 13, 2017, will continue to be provided under the then-current DCP term for the remainder of that term.

(2) Effective November 20, 2019, this Service will no longer be available for purchase by new or existing customers, and service agreements may no longer be renewed. In addition, requests to move, add or change existing service arrangements will not be accepted. Following the expiration of a customer's existing term agreement, service will be provided on a month-to-month basis at the applicable monthly extension rates until the service is discontinued. AT&T currently plans to discontinue this Service on or after June 30, 2024.

(3) These services have been de-tariffed pursuant to FCC Order No. 17-43, released April 28, 2017. Terms and Conditions for de-tariffed services are available at www.att.com/guidebook. (N)

(This page filed under Transmittal No. 1922)

ACCESS SERVICE

7. Special Access Service (Cont'd)

7.5 Rates and Charges (Cont'd)

7.5.4 Program Audio Service⁽¹⁾⁽²⁾

	USOC	Monthly Rate	Daily Rate	
(A) Non-Competitive End User Local Distribution Channel				(N)
- Per point of termination				
- All States				
- 200 to 3500 Hz	TNJH2	\$31.00	\$2.29	
- 100 to 5000 Hz	TNJH2	61.00	4.87	
- 50 to 8000 Hz	TNJH2	61.00	4.90	
- 50 to 15000 Hz	TNJH2	66.00	5.27	

(B) ⁽³⁾

(D)(N)

(C) ⁽³⁾

(N)

(D)

(1) Effective November 20, 2019, this Service will no longer be available for purchase by new or existing customers, and service agreements may no longer be renewed. In addition, requests to move, add or change existing service arrangements will not be accepted. Following the expiration of a customer's existing term agreement, service will be provided on a month-to-month basis at the applicable monthly extension rates until the service is discontinued. AT&T currently plans to discontinue this Service on or after November 1, 2020.

(2) Program Audio is discontinued and no longer available in this publication (see WC Dkt. 19-238).

(3) These services have been de-tariffed pursuant to FCC Order No. 17-43, released April 28, 2017. (N)
 Terms and Conditions for de-tariffed services are available at www.att.com/guidebook. (N)

(This page filed under Transmittal No. 1922)

ACCESS SERVICE

7. Special Access Service (Cont'd)

7.5 Rates and Charges (Cont'd)

7.5.5 Video Service (Cont'd)

	USOC	Daily	Monthly	60 Mo.	
(A) TV Analog Video Service ⁽¹⁾					(D)
(1) Non-Competitive End User Local Distribution Channel					(N)
- Per Point of Termination					
- TV-1 or 2					
- All States	TMEV1	250.00	\$335.00	\$250.00	(D)
(2) ⁽²⁾					(D)(N)
					(D)

(1) Effective December 31, 2020, Broadcast Video (TV1) service will no longer be available for purchase by new or existing customers, and service agreements may no longer be renewed. In addition, requests to move, add, or change existing service arrangements will not be accepted. Following the expiration of a customer's existing term agreement, service will be provided on a month-to-month basis at the applicable Monthly rate until the service is discontinued. AT&T currently plans to discontinue this Service on or after December 31, 2021.

(2) This service has been de-tariffed pursuant to FCC Order No. 17-43, released April 28, 2017. (N)
 Terms and Conditions for de-tariffed services are available at www.att.com/guidebook. (N)

(This page filed under Transmittal No. 1922)

ACCESS SERVICE

7. Special Access Service (Cont'd)

7.5 Rates and Charges (Cont'd)

7.5.5 Video Service (Cont'd)

(A) TV Analog Video Service⁽¹⁾ (Cont'd)

(2) ⁽²⁾

(D)(N)

(3) ⁽²⁾

(N)

(D)

USOC	Hourly	Monthly
------	--------	---------

(D)

(D)

(4) Optional Features and Functions⁽²⁾

(N)

3rd and 4th Audio Channels	VAFAX	\$50.00
-------------------------------	-------	---------

(1) Effective December 31, 2020, Broadcast Video (TV1) service will no longer be available for purchase by new or existing customers, and service agreements may no longer be renewed. In addition, requests to move, add, or change existing service arrangements will not be accepted. Following the expiration of a customer's existing term agreement, service will be provided on a month-to-month basis at the applicable Monthly rate until the service is discontinued. AT&T currently plans to discontinue this Service on or after December 31, 2021.

(2) These services have been de-tariffed pursuant to FCC Order No. 17-43, released April 28, 2017. Terms and Conditions for de-tariffed services are available at www.att.com/guidebook.

(This page filed under Transmittal No. 1922)

ACCESS SERVICE

7. Special Access Service (cont'd)

7.5 Rates and Charges (cont'd)

7.5.8 Direct Digital Service* (cont'd)

State of Michigan	USOC	Monthly Rate	
(A) Non-Competitive End User Local Distribution Channel			(N)
- Per point of termination			
2.4 Kbps	T6ECS	\$110.00	
4.8 Kbps	T6ECS	110.00	
9.6 Kbps	T6ECS	110.00	
56.0 Kbps	T6ECS	110.00	
(B) ⁽¹⁾			(D)(N)
(C) ⁽¹⁾			(N)
			(D)

* Direct Digital Service is limited to circuits in place as of February 26, 1999 and available only until January 1, 2000, at which time the service will no longer be available. For regulations specific to DDS availability, limitations and conversions, see Section 7.4.20 preceding.

(1) These services have been de-tariffed pursuant to FCC Order No. 17-43, released April 28, 2017. (N)
 Terms and Conditions for de-tariffed services are available at www.att.com/guidebook. (N)

(This page filed under Transmittal No. 1922)

ACCESS SERVICE

7. Special Access Service (cont'd)

7.5 Rates and Charges (cont'd)

7.5.8 Direct Digital Service* (cont'd)

State of Ohio	USOC	Monthly Rate	
(A) Non-Competitive End User Local Distribution Channel			(N)
- Per point of termination			
2.4 Kbps	T6ECS	\$110.00	
4.8 Kbps	T6ECS	110.00	
9.6 Kbps	T6ECS	110.00	
56.0 Kbps	T6ECS	110.00	
(B) ⁽¹⁾			(D)(N)
(C) ⁽¹⁾			(N)
			(D)

* Direct Digital Service is limited to circuits in place as of February 26, 1999 and available only until January 1, 2000, at which time the service will no longer be available. For regulations specific to DDS availability, limitations and conversions, see Section 7.4.20 preceding.

(1) These services have been de-tariffed pursuant to FCC Order No. 17-43, released April 28, 2017. Terms and Conditions for de-tariffed services are available at www.att.com/guidebook.

(This page filed under Transmittal No. 1922)

7. Special Access Service (Cont'd)

7.5 Rates and Charges (Cont'd)

7.5.9 Base Rate Services, DS1 Service and DS3 Service

- Rates and Charges for Base Rate Services, DS1 Service and DS3 Service ^{(1) (2)}

(A) Base Rate Service⁽³⁾

	USOC	Monthly	Recurring Charges Optional Payment Plan			Discount Commitment Program 36 Mo	(D)
			12 Mo.**	24 Mo.**	36 Mo.		
(1) Non-competitive end user Local Distribution Channel - Per Point of Termination Terminating Bit Rates 2.4, 4.8, 9.6, 19.2, 56.0 and 64.0 Kbps - All States	T6ECS	\$135.00	\$80.00	\$80.00	\$65.00	\$75.40	(N)
(2) DAL* - 56.0 Kbps - All States							
2-Wire	TNT72	\$117.00	\$95.00	\$95.00	\$70.00	\$78.85	
4-Wire	T6ECS	\$117.00	\$95.00	\$95.00	\$70.00	\$78.85	
(3) ⁽⁴⁾							
(4) ⁽⁴⁾							(D)

* A Base Rate Service (56 Kbps) DAL is available only when used for terminating Public Switched Digital Service.

** For 12 month Optional Payment Plans subscribed prior to February 26, 1999, and 24 and 48 month Optional Payment Plans subscribed to prior to July 1, 1999, see Section 7.5.16, following.

(1) Effective on September 13, 2017, 48- and 60-month Optional Payment Plans for DS1 and DS3 Services are no longer available, and Optional Payment Plans for Base Rate services are no longer available, including for any otherwise available renewals or conversions. Circuits already subject to an Optional Payment Plan, as of September 13, 2017, will continue to be provided under the then-current Optional Payment Plan term for the remainder of that term.

(2) Effective on September 13, 2017, 60-month DCP Payment Plans for DS1 Service are no longer available, and DCP Payment Plans for Base Rate Services are no longer available. Circuits already subject to a DCP Payment Plan, as of September 13, 2017, will continue to be provided under the then-current DCP term for the remainder of that term.

(3) Effective November 20, 2019, this Service will no longer be available for purchase by new or existing customers, and service agreements may no longer be renewed. In addition, requests to move, add or change existing service arrangements will not be accepted. Following the expiration of a customer's existing term agreement, service will be provided on a month-to-month basis at the applicable monthly extension rates until the service is discontinued. AT&T currently plans to discontinue this Service on or after June 30, 2024.

(4) These services have been de-tariffed pursuant to FCC Order No. 17-43, released April 28, 2017. Terms and Conditions for de-tariffed services are available at www.att.com/guidebook. (N)

(This page filed under Transmittal No. 1922)

ACCESS SERVICE

7. Special Access Service (Cont'd)

7.5 Rates and Charges (Cont'd)

7.5.9 Base Rate Services, DS1 Service and DS3 Service (Cont'd)

(A) Base Rate Service⁽²⁾ (Cont'd)

(5) Optional Features and Functions

	USOC	Monthly		(D)
(a) Central Office Bridging				
- Per Port				
- All States	B5NGF	\$25.00		
(b) NRS ⁽¹⁾ System				
Location Port				
Termination				
- Per Base Rate				
Termination				
- All States	PT5	20.00		(D)
	USOC	Monthly Rate	Nonrecurring Charge	
(c) Secondary				
Channel				
- Per non-competitive end user Local Distribution Channel				
(2.4., 4.8, 9.6 and				
56.0** Kbps)				(N)
- All States	SCA	\$0.00	None	

* For 12 month Optional Payment Plans subscribed to prior to February 26, 1999, and 24 and 48 month Optional Payment Plans subscribed to prior to July 1, 1999, see Section 7.5.16 following.

** Since all 56.0 Kbps lines are not capable of furnishing Secondary Channel Services, a service inquiry must be made to determine availability.

(1) Effective December 5, 2018, Network Reconfiguration Service (NRS) will no longer be available for purchase by new or existing customers, and NRS service agreements may no longer be renewed. Effective July 31, 2022, the Telephone Company will no longer accept new requests for physical changes to existing service arrangements including the upgrade or downgrade of access/port speed, installation of new service, or moves to different service addresses.

(2) Effective November 20, 2019, this Service will no longer be available for purchase by new or existing customers, and service agreements may no longer be renewed. In addition, requests to move, add or change existing service arrangements will not be accepted. Following the expiration of a customer's existing term agreement, service will be provided on a month-to-month basis at the applicable monthly extension rates until the service is discontinued. AT&T currently plans to discontinue this Service on or after June 30, 2024.

(This page filed under Transmittal No. 1922)

7. Special Access Service (Cont'd)

7.5 Rates and Charges (Cont'd)

7.5.9 Base Rate Services, DS1 Service⁽¹⁾⁽²⁾ and DS3 Service⁽¹⁾⁽²⁾ (Cont'd)

(B) DS1 Service

(1) Non-Competitive End User Local Distribution Channel - Per Point of Termination - (N)
 Terminating Bit Rate
 (a) 1.544 Mbps;

	USOC	Monthly	Recurring Charges Optional Payment Plan* 36 Mo.	Discount Commitment Program* 36 Mo.	(D)	
Illinois						
Zone 1	TZ4X1	294.68	110.16	117.00		
Zone 2	TZ4X2	306.23	118.80	127.00		
Zone 3	TZ4X3	323.57	129.60	138.00		
Zone 4	TZ4X4	352.46	132.30	141.00		
Zone 5	TZ4X5	375.57	135.00	144.00		
Indiana						
Zone 1	TZ4X1	317.79	122.04	130.00		
Zone 2	TZ4X2	329.35	131.76	140.00		
Zone 3	TZ4X3	346.68	144.72	154.00		
Zone 4	TZ4X4	375.57	149.04	159.00		
Zone 5	TZ4X5	398.68	152.28	162.00		
Michigan						
Zone 1	TZ4X1	312.01	116.64	124.00		
Zone 2	TZ4X2	323.57	126.36	135.00		
Zone 3	TZ4X3	335.12	139.32	148.00		
Zone 4	TZ4X4	370.95	142.56	152.00		
Zone 5	TZ4X5	397.53	145.80	155.00		
Ohio						
Zone 1	TZ4X1	312.01	116.64	124.00		
Zone 2	TZ4X2	323.57	126.36	135.00		
Zone 3	TZ4X3	335.12	139.32	148.00		
Zone 4	TZ4X4	370.95	142.56	152.00		
Zone 5	TZ4X5	397.53	145.80	155.00		
Wisconsin						
Zone 1	TZ4X1	317.79	122.04	130.00		
Zone 2	TZ4X2	329.35	131.76	140.00		
Zone 3	TZ4X3	346.68	144.72	154.00		
Zone 4	TZ4X4	375.57	149.04	159.00		
Zone 5	TZ4X5	398.68	152.28	162.00		

* For all Optional Payment Plans and Discount Commitment Programs subscribed to prior to November 18, 2000, see Section 7.5.16.

(1) Effective November 1, 2022, DS1 and DS3 Optional Payment Plan Services, 24- and 36-month plans, and DS1 Discount Commitment Plan, 36-month plans (collectively, Term Plan Services), are no longer available, including conversions. Existing Term Plan Services, as of November 1, 2022, will continue to be provided under the then-current terms, for the remainder of the applicable term.

(2) Effective January 17, 2024, DS1 and DS3 Optional Payment Plan Services, 12-month plans (collectively, Term Plan Services) are no longer available, including conversions. Existing Term Plan Services on January 17, 2024, will continue to be provided for the remainder of the then-current terms.

(This page filed under Transmittal No. 1922)

7. Special Access Service (Cont'd)

7.5 Rates and Charges (Cont'd)

7.5.9 Base Rate Services, DS1 Service⁽²⁾⁽³⁾ and DS3 Service⁽²⁾⁽³⁾ (Cont'd)

(B) DS1 Service

(1) Non-Competitive End User Local Distribution Channel - Per Point of Termination - (N)

Terminating Bit Rate

(b) 128, 256, 384, 512, 768 kbps⁽¹⁾

		USOC Monthly	Recurring Charges Optional Payment Plan* 36 Mo.	Discount Commitment Program* 36 Mo.	(D)
Illinois					
Zone 1	TZ4X1	250.00	102.00	117.00	
Zone 2	TZ4X2	260.00	110.00	127.00	
Zone 3	TZ4X3	275.00	120.00	138.00	
Zone 4	TZ4X4	300.00	122.50	141.00	
Zone 5	TZ4X5	320.00	125.00	144.00	
Indiana					
Zone 1	TZ4X1	270.00	113.00	130.00	
Zone 2	TZ4X2	280.00	122.00	140.00	
Zone 3	TZ4X3	295.00	134.00	154.00	
Zone 4	TZ4X4	320.00	138.00	159.00	
Zone 5	TZ4X5	340.00	141.00	162.00	
Michigan					
Zone 1	TZ4X1	265.00	108.00	124.00	
Zone 2	TZ4X2	275.00	117.00	135.00	
Zone 3	TZ4X3	285.00	129.00	148.00	
Zone 4	TZ4X4	315.00	132.00	152.00	
Zone 5	TZ4X5	335.00	135.00	155.00	
Ohio					
Zone 1	TZ4X1	265.00	108.00	124.00	
Zone 2	TZ4X2	275.00	117.00	135.00	
Zone 3	TZ4X3	285.00	129.00	148.00	
Zone 4	TZ4X4	315.00	132.00	152.00	
Zone 5	TZ4X5	335.00	135.00	155.00	
Wisconsin					
Zone 1	TZ4X1	270.00	113.00	130.00	
Zone 2	TZ4X2	280.00	122.00	140.00	
Zone 3	TZ4X3	295.00	134.00	154.00	
Zone 4	TZ4X4	320.00	138.00	159.00	
Zone 5	TZ4X5	340.00	141.00	162.00	(D)

* For all Optional Payment Plans and Discount Commitment Programs subscribed to prior to November 18, 2000, see Section 7.5.16.

(x) A separate rate table for 1.544 MBPS service was established effective October 1, 2018 and can be found on page 410.4.

(1) Effective October 27, 2016, 128.0, 256.0, 384.0, 512.0 and 768.0 Kbps transport is limited to existing Customers for existing service arrangements; no new or additional term commitments of any kind, including any otherwise available renewals, will be available; and no move, add, or change orders will be accepted.

(2) Effective November 1, 2022, DS1 and DS3 Optional Payment Plan Services, 24- and 36-month plans, and DS1 Discount Commitment Plan, 36-month plans (collectively, Term Plan Services), are no longer available, including conversions. Existing Term Plan Services, as of November 1, 2022, will continue to be provided under the then-current terms, for the remainder of the applicable term.

(3) Effective January 17, 2024, DS1 and DS3 Optional Payment Plan Services, 12-month plans (collectively, Term Plan Services) are no longer available, including conversions. Existing Term Plan Services on January 17, 2024, will continue to be provided for the remainder of the then-current terms.

(4) This service has been de-tariffed pursuant to FCC Order No. 17- 43, released April 28, 2017. Terms and Conditions for de-tariffed services are available at www.att.com/guidebook. (N)

(This page filed under Transmittal No. 1922)

7. Special Access Service (Cont'd)

7.5 Rates and Charges (Cont'd)

7.5.9 Base Rate Services, DS1 Service and DS3 Service (Cont'd)

(B) DS1 Service (Cont'd)

(3) (1)

(D)(N)
(D)

(D)

(1) Material in this Section has been de-tariffed pursuant to FCC Order No. 17-43, released April 28, 2017. Terms and Conditions for de-tariffed services are available at www.att.com/guidebook. (N)
(N)

(This page filed under Transmittal No. 1922)

ACCESS SERVICE

7. Special Access Service (Cont'd)

7.5 Rates and Charges (Cont'd)

7.5.9 Base Rate Services, DS1 Service and DS3 Service (Cont'd)

(B) DS1 Service (Cont'd)

(3) ⁽²⁾

(D)(N)

(D)

(D)

(1) [Deleted]

(C)

(2) Material in this Section has been de-tariffed pursuant to FCC Order No. 17-43, released April 28, 2017. Terms and Conditions for de-tariffed services are available at www.att.com/guidebook.

(N)

(N)

(This page filed under Transmittal No. 1922)

7. Special Access Service (Cont'd)

7.5 Rates and Charges (Cont'd)

7.5.9 Base Rate Services, DS1 Service and DS3 Service (Cont'd)

(B) DS1 Service (Cont'd)

(4) ⁽¹⁾

(D)(N)
(D)

(D)

(1) Material in this Section has been de-tariffed pursuant to FCC Order No. 17-43, released April 28, 2017. Terms and Conditions for de-tariffed services are available at www.att.com/guidebook. (N)
(N)

(This page filed under Transmittal No. 1922)

ACCESS SERVICE

7. Special Access Service (Cont'd)

7.5 Rates and Charges (Cont'd)

7.5.9 Base Rate Services, DS1 Service and DS3 Service (Cont'd)

(B) DS1 Service (Cont'd)

(4) ⁽²⁾

(D)(N)

(D)

(D)

(1) [Deleted]

(C)

(2) Material in this Section has been de-tariffed pursuant to FCC Order No. 17-43, released April 28, 2017. Terms and Conditions for de-tariffed services are available at www.att.com/guidebook.

(N)

(N)

(This page filed under Transmittal No. 1922)

ACCESS SERVICE

7. Special Access Service (Cont'd)

7.5 Rates and Charges (Cont'd)

7.5.9 Base Rate Services, DS1 Service and DS3 Service (Cont'd)

(B) DS1 Service (Cont'd)

(5) Optional Features and Functions (Cont'd)

(d) ⁽²⁾

(D)(N)
(D)

(1) [Deleted]

(2) Material in this Section has been de-tariffed pursuant to FCC Order No. 17-43, released April 28, 2017. Terms and Conditions for de-tariffed services are available at www.att.com/guidebook.

(D)
(C)
(N)
(N)

(This page filed under Transmittal No. 1922)

ACCESS SERVICE

7. Special Access Service (Cont'd)

7.5 Rates and Charges (Cont'd)

7.5.9 Base Rate Services, DS1 Service and DS3 Service (Cont'd)

(B) DS1 Service (Cont'd)

(5) Optional Features and Functions (Cont'd)

(d) ⁽²⁾

(D)(N)
(D)

(1) [Deleted]

(2) Material in this Section has been de-tariffed pursuant to FCC Order No. 17-43, released April 28, 2017. Terms and Conditions for de-tariffed services are available at www.att.com/guidebook.

(D)
(C)
(N)
(N)

(This page filed under Transmittal No. 1922)

7. Special Access Service (Cont'd)

7.5 Rates and Charges (Cont'd)

7.5.9 Base Rate Services, DS1 Service and DS3 Service (Cont'd)

(B) DS1 Service

(5) Optional Features and Functions

(j) Shared Facility Channel Service

-Non-Competitive End User Local Distribution Channel	USOC	Monthly	USOC	Nonrecurring Charges (N)
Illinois				
Zone 1	TWBZ1	60.00	NRBZ1	40.00
Zone 2	TWBZ2	60.00	NRBZ2	40.00
Zone 3	TWBZ3	60.00	NRBZ3	40.00
Zone 4	TWBZ4	60.00	NRMZ4	40.00
Zone 5	TWBZ5	60.00	NRMZ5	40.00
Indiana				
Zone 1	TWBZ1	60.00	NRBZ1	40.00
Zone 2	TWBZ2	60.00	NRBZ2	40.00
Zone 3	TWBZ3	60.00	NRBZ3	40.00
Zone 4	TWBZ4	60.00	NRMZ4	40.00
Zone 5	TWBZ5	60.00	NRMZ5	40.00
Michigan				
Zone 1	TWBZ1	60.00	NRBZ1	40.00
Zone 2	TWBZ2	60.00	NRBZ2	40.00
Zone 3	TWBZ3	60.00	NRBZ3	40.00
Zone 4	TWBZ4	60.00	NRMZ4	40.00
Zone 5	TWBZ5	60.00	NRMZ5	40.00
Ohio				
Zone 1	TWBZ1	60.00	NRBZ1	40.00
Zone 2	TWBZ2	60.00	NRBZ2	40.00
Zone 3	TWBZ3	60.00	NRBZ3	40.00
Zone 4	TWBZ4	60.00	NRMZ4	40.00
Zone 5	TWBZ5	60.00	NRMZ5	40.00
Wisconsin				
Zone 1	TWBZ1	60.00	NRBZ1	40.00
Zone 2	TWBZ2	60.00	NRBZ2	40.00
Zone 3	TWBZ3	60.00	NRBZ3	40.00
Zone 4	TWBZ4	60.00	NRMZ4	40.00
Zone 5	TWBZ5	60.00	NRMZ5	40.00

The previous heading of "All States" has now been expanded to include each state served by the Ameritech Operating Companies.

(This page filed under Transmittal No. 1922)

7. Special Access Service (Cont'd)

7.5 Rates and Charges (Cont'd)

7.5.9 Base Rate Services, DS1 Service and DS3 Service (Cont'd)

(B) DS1 Service

(5) Optional Features and Functions

(j) Shared Facility Channel Service (Cont'd) ⁽¹⁾

USOC Monthly

(N)

(D)

(D)

(1) Material in this Section has been de-tariffed pursuant to FCC Order No. 17-43, released April 28, 2017. Terms and Conditions for de-tariffed services are available at www.att.com/guidebook. (N)
(N)

(This page filed under Transmittal No. 1922)

7. Special Access Service (Cont'd)

7.5 Rates and Charges (Cont'd)

7.5.9 Base Rate Services, DS1 Service and DS3 Service (Cont'd)

(B) DS1 Service

(5) Optional Features and Functions

(j) Shared Facility Channel Service (Cont'd) ⁽¹⁾

(N)

USOC Monthly

(D)

(D)

(1) Material in this Section has been de-tariffed pursuant to FCC Order No. 17-43, released April 28, 2017. Terms and Conditions for de-tariffed services are available at www.att.com/guidebook. (N)
(N)

(This page filed under Transmittal No. 1922)

7. Special Access Service (Cont'd)

7.5 Rates and Charges (Cont'd)

7.5.9 Base Rate Services, DS1 Service⁽¹⁾⁽²⁾ and DS3 Service⁽¹⁾⁽²⁾ (Cont'd)

(C) DS3 Service

(1) Non-Competitive End User Local Distribution Channel – Per point of Termination (N)
 – Terminating Bit Rate, 44.736 Mbps

(a) DS3 LDC With Electrical Interface

	USOC	Recurring Charges Optional Payment Plan* 36 Mo.	Monthly Extension	(D)
Illinois				
	Zone 1 TZUP1	1,045.00	3,410.00	
	Zone 2 TZUP2	1,055.00	3,630.00	
	Zone 3 TZUP3	1,115.00	3,850.00	
	Zone 4 TZUP4	1,145.00	4,070.00	
	Zone 5 TZUP5	1,070.00	4,290.00	
Indiana				
	Zone 1 TZUP1	1,085.00	3,520.00	
	Zone 2 TZUP2	1,095.00	3,740.00	
	Zone 3 TZUP3	1,165.00	3,960.00	
	Zone 4 TZUP4	1,185.00	4,180.00	
	Zone 5 TZUP5	1,070.00	4,400.00	
Michigan				
	Zone 1 TZUP1	1,075.00	3,465.00	
	Zone 2 TZUP2	1,085.00	3,685.00	
	Zone 3 TZUP3	1,145.00	3,905.00	
	Zone 4 TZUP4	1,175.00	4,125.00	
	Zone 5 TZUP5	1,070.00	4,345.00	
Ohio				
	Zone 1 TZUP1	1,075.00	3,465.00	
	Zone 2 TZUP2	1,085.00	3,685.00	
	Zone 3 TZUP3	1,145.00	3,905.00	
	Zone 4 TZUP4	1,175.00	4,125.00	
	Zone 5 TZUP5	1,070.00	4,345.00	
Wisconsin				
	Zone 1 TZUP1	1,085.00	3,520.00	
	Zone 2 TZUP2	1,095.00	3,740.00	
	Zone 3 TZUP3	1,165.00	3,960.00	
	Zone 4 TZUP4	1,185.00	4,180.00	
	Zone 5 TZUP5	1,070.00	4,400.00	(D)

* For all Optional Payment Plans subscribed to prior to November 18, 2000, see Section 7.5.16, following.

- (1) Effective November 1, 2022, DS1 and DS3 Optional Payment Plan Services, 24- and 36-month plans, and DS1 Discount Commitment Plan, 36-month plans (collectively, Term Plan Services), are no longer available, including conversions. Existing Term Plan Services, as of November 1, 2022, will continue to be provided under the then-current terms, for the remainder of the applicable term.
- (2) Effective January 17, 2024, DS1 and DS3 Optional Payment Plan Services, 12-month plans (collectively, Term Plan Services) are no longer available, including conversions. Existing Term Plan Services on January 17, 2024, will continue to be provided for the remainder of the then-current terms.

(This page filed under Transmittal No. 1922)

7. Special Access Service (Cont'd)

7.5 Rates and Charges (Cont'd)

7.5.9 Base Rate Services, DS1 Service⁽¹⁾⁽²⁾ and DS3 Service⁽¹⁾⁽²⁾ (Cont'd)

(C) DS3 Service (Cont'd)

(1) Non-Competitive End User Local Distribution Channel - Per Point of Termination – Terminating Bit Rate 44.736 Mbps (Cont'd) (N)

(b) DS3 Service Package with Optical Interface – Per Package

		USOC	Monthly Extension Rate	Recurring Charges Optional Payment Plan* 36 Mo.	(D)
Illinois	Zone 1	DS3012	PCG31	22,525.00	7,350.00
		DS3024	PCG31	38,975.00	10,500.00
	Zone 2	DS3012	PCG32	22,525.00	7,350.00
		DS3024	PCG32	38,975.00	10,500.00
	Zone 3	DS3012	PCG33	22,525.00	7,350.00
		DS3024	PCG33	38,975.00	10,500.00
	Zone 4	DS3012	PCG34	22,525.00	7,350.00
		DS3024	PCG34	38,975.00	10,500.00
	Zone 5	DS3012	PCG35	22,525.00	7,350.00
		DS3024	PCG35	38,975.00	10,500.00
Indiana	Zone 1	DS3012	PCG31	22,525.00	7,350.00
		DS3024	PCG31	38,975.00	10,500.00
	Zone 2	DS3012	PCG32	22,525.00	7,350.00
		DS3024	PCG32	38,975.00	10,500.00
	Zone 3	DS3012	PCG33	22,525.00	7,350.00
		DS3024	PCG33	38,975.00	10,500.00
	Zone 4	DS3012	PCG34	22,525.00	7,350.00
		DS3024	PCG34	38,975.00	10,500.00
	Zone 5	DS3012	PCG35	22,525.00	7,350.00
		DS3024	PCG35	38,975.00	10,500.00
Michigan	Zone 1	DS3012	PCG31	22,525.00	7,350.00
		DS3024	PCG31	38,975.00	10,500.00
	Zone 2	DS3012	PCG32	22,525.00	7,350.00
		DS3024	PCG32	38,975.00	10,500.00
	Zone 3	DS3012	PCG33	22,525.00	7,350.00
		DS3024	PCG33	38,975.00	10,500.00
	Zone 4	DS3012	PCG34	22,525.00	7,350.00
		DS3024	PCG34	38,975.00	10,500.00
	Zone 5	DS3012	PCG35	22,525.00	7,350.00
		DS3024	PCG35	38,975.00	10,500.00

* For all Optional Payment Plans subscribed to prior to November 18, 2000, see Section 7.5.16 following.

- (1) Effective November 1, 2022, DS1 and DS3 Optional Payment Plan Services, 24- and 36-month plans, and DS1 Discount Commitment Plan, 36-month plans (collectively, Term Plan Services), are no longer available, including conversions. Existing Term Plan Services, as of November 1, 2022, will continue to be provided under the then-current terms, for the remainder of the applicable term.
- (2) Effective January 17, 2024, DS1 and DS3 Optional Payment Plan Services, 12-month plans (collectively, Term Plan Services) are no longer available, including conversions. Existing Term Plan Services on January 17, 2024, will continue to be provided for the remainder of the then-current terms.

(This page filed under Transmittal No. 1922)

7. Special Access Service (Cont'd)

7.5 Rates and Charges (Cont'd)

7.5.9 Base Rate Services, DS1 Service⁽¹⁾⁽²⁾ and DS3 Service⁽¹⁾⁽²⁾ (Cont'd)

(C) DS3 Service (Cont'd)

(1) Non-Competitive End User Local Distribution Channel - Per Point of Termination – Terminating Bit Rate 44.736 Mbps (Cont'd) (N)

(b) DS3 Service Package with Optical interface – Per Package (Cont'd)

	USOC		Monthly Extension Rate	Recurring Charges Optional Payment Plan* 36 Mo.	(D)
Ohio	Zone 1	DS3012 PCG31	22,525.00	7,350.00	
		DS3024 PCG31	38,975.00	10,500.00	
	Zone 2	DS3012 PCG32	22,525.00	7,350.00	
		DS3024 PCG32	38,975.00	10,500.00	
	Zone 3	DS3012 PCG33	22,525.00	7,350.00	
		DS3024 PCG33	38,975.00	10,500.00	
	Zone 4	DS3012 PCG34	22,525.00	7,350.00	
		DS3024 PCG34	38,975.00	10,500.00	
	Zone 5	DS3012 PCG35	22,525.00	7,350.00	
		DS3024 PCG35	38,975.00	10,500.00	
Wisconsin	Zone 1	DS3012 PCG31	22,525.00	7,350.00	
		DS3024 PCG31	38,975.00	10,500.00	
	Zone 2	DS3012 PCG32	22,525.00	7,350.00	
		DS3024 PCG32	38,975.00	10,500.00	
	Zone 3	DS3012 PCG33	22,525.00	7,350.00	
		DS3024 PCG33	38,975.00	10,500.00	
	Zone 4	DS3012 PCG34	22,525.00	7,350.00	
		DS3024 PCG34	38,975.00	10,500.00	
	Zone 5	DS3012 PCG35	22,525.00	7,350.00	
		DS3024 PCG35	38,975.00	10,500.00	

* For all Optional Payment Plans subscribed to prior to November 18, 2000, see Section 7.5.16 following.

- (1) Effective November 1, 2022, DS1 and DS3 Optional Payment Plan Services, 24- and 36-month plans, and DS1 Discount Commitment Plan, 36-month plans (collectively, Term Plan Services), are no longer available, including conversions. Existing Term Plan Services, as of November 1, 2022, will continue to be provided under the then-current terms, for the remainder of the applicable term.
- (2) Effective January 17, 2024, DS1 and DS3 Optional Payment Plan Services, 12-month plans (collectively, Term Plan Services) are no longer available, including conversions. Existing Term Plan Services on January 17, 2024, will continue to be provided for the remainder of the then-current terms.

(This page filed under Transmittal No. 1922)

7. Special Access Service (Cont'd)

7.5 Rates and Charges (Cont'd)

7.5.9 Base Rate Services, DS1 Service and DS3 Service (Cont'd)

(C) DS3 Service (Cont'd)

(1) Non-Competitive End User Local Distribution Channel - Per Point of Termination – Terminating Bit Rate 44.736 Mbps (Cont'd) (N)

(c) DS3 Service Channel – Per Termination

- Terminating Bit Rate 44.736 Mbps

- Optical	USOC	Monthly Extension
Illinois		
Zone 1	HZ4X1	500.00
Zone 2	HZ4X2	500.00
Zone 3	HZ4X3	500.00
Zone 4	HZ4X4	500.00
Zone 5	HZ4X5	500.00
Indiana		
Zone 1	HZ4X1	500.00
Zone 2	HZ4X2	500.00
Zone 3	HZ4X3	500.00
Zone 4	HZ4X4	500.00
Zone 5	HZ4X5	500.00
Michigan		
Zone 1	HZ4X1	500.00
Zone 2	HZ4X2	500.00
Zone 3	HZ4X3	500.00
Zone 4	HZ4X4	500.00
Zone 5	HZ4X5	500.00
Ohio		
Zone 1	HZ4X1	500.00
Zone 2	HZ4X2	500.00
Zone 3	HZ4X3	500.00
Zone 4	HZ4X4	500.00
Zone 5	HZ4X5	500.00
Wisconsin		
Zone 1	HZ4X1	500.00
Zone 2	HZ4X2	500.00
Zone 3	HZ4X3	500.00
Zone 4	HZ4X4	500.00
Zone 5	HZ4X5	500.00

The previous heading of "All States" has now been expanded to include each state served by the Ameritech Operating Companies.

(This page filed under Transmittal No. 1922)

7. Special Access Service (Cont'd)

7.5 Rates and Charges (Cont'd)

7.5.9 Base Rate Services, DS1 Service and DS3 Service (Cont'd)

(C) DS3 Service (Cont'd)

(2) ⁽¹⁾

(D)(N)

(D)

(D)

(1) Material in this Section has been de-tariffed pursuant to FCC Order No. 17-43, released April 28, 2017. Terms and Conditions for de-tariffed services are available at www.att.com/guidebook. (N)
(N)

(This page filed under Transmittal No. 1922)

7. Special Access Service (Cont'd)

7.5 Rates and Charges (Cont'd)

7.5.9 Base Rate Services, DS1 Service and DS3 Service (Cont'd)

(C) DS3 Service (Cont'd)

(3) ⁽¹⁾

(D)(N)

(D)

(1) Material in this Section has been de-tariffed pursuant to FCC Order No. 17-43, released April 28, 2017. Terms and Conditions for de-tariffed services are available at www.att.com/guidebook. (N)
(N)

(This page filed under Transmittal No. 1922)

ACCESS SERVICE

7. Special Access Service (Cont'd)

7.5 Rates and Charges (Cont'd)

7.5.9 Base Rate Services, DS1 Service and DS3 Service (Cont'd)

(C) DS3 Service (Cont'd)

(4) Optional Features and Functions

(a) ⁽¹⁾

(D)(N)

(D)

(1) Material in this Section has been de-tariffed pursuant to FCC Order No. 17-43, released April 28, 2017. Terms and Conditions for de-tariffed services are available at www.att.com/guidebook. (N)

(This page filed under Transmittal No. 1922)

7. Special Access Service (Cont'd)

7.5 Rates and Charges (Cont'd)

7.5.12 SONET Xpress Service (Cont'd)

	USOC	Monthly Extension	12 Mo.	Recurring Charges Optional Payment Plan			
				24 Mo.*	36 Mo.	48 Mo.*	60 Mo.
(B) Off-Network Access Connection All States (Cont'd)							
- Per OC-12 Central Office Connection	NYOBX	\$ 750.00	\$625.00	\$625.00	\$580.00	\$580.00	\$550.00

(C) ⁽¹⁾

(D)
 |
 (D)

	USOC	Recurring Charges Monthly
(D) Service Area Transport All States		
- Per Band on the Network DS1/VT1.5 Point to Point		
- up to 3 miles	1Y6AA	\$ 52.00
- greater than 3 miles up to 10 miles	1Y6AB	75.00
- greater than 10 miles	1Y6AC	108.00
- Per Band on the Network DS3/STS-1 Point to Point		
- up to 3 miles	1Y6BA	728.00
- greater than 3 miles up to 10 miles	1Y6BB	1,064.00
- greater than 10 miles	1Y6BC	1,512.00

Rates contained in this transmittal are subject to subsequent adjustment, effective retrospectively, in the event the Commission or a court subsequently authorizes Ameritech to correct its rates pursuant to pending motions, or petitions for reconsideration or waiver, or in the event of any other adjustment to an order of the Commission or a court.

(1) Material in this Section has been de-tariffed pursuant to FCC Order No. 17-43, released April 28, 2017. Terms and Conditions for de-tariffed services are available at www.att.com/guidebook. (N)
 (N)

(This page filed under Transmittal No. 1922)

7. Special Access Service (Cont'd)

7.5 Rates and Charges (Cont'd)

7.5.16 ⁽¹⁾

(N)
(D)

(D)

(1) Material in this Section has been de-tariffed pursuant to FCC Order No. 17-43, released April 28, 2017. Terms and Conditions for de-tariffed services are available at www.att.com/guidebook. (N)
(N)

(This page filed under Transmittal No. 1922)

- 7. Special Access Service (Cont'd)
- 7.5 Rates and Charges (Cont'd)
- 7.5.16 ⁽¹⁾

(N)
(D)

(D)

(1) Material in this Section has been de-tariffed pursuant to FCC Order No. 17-43, released April 28, 2017. Terms and Conditions for de-tariffed services are available at www.att.com/guidebook. (N)
(N)

(This page filed under Transmittal No. 1922)

ACCESS SERVICE

7. Special Access Service (Cont'd)

7.5 Rates and Charges (Cont'd)

7.5.16 ⁽¹⁾

(D)(N)

(D)

(D)

(1) Material in this Section has been de-tariffed pursuant to FCC Order No. 17-43, released April 28, 2017. Terms and Conditions for de-tariffed services are available at www.att.com/guidebook. (N)

(This page filed under Transmittal No. 1922)

7. Special Access Service (Cont'd)

7.5 Rates and Charges (Cont'd)

7.5.16 ⁽¹⁾

(D)(N)

(D)

(D)

(1) Material in this Section has been de-tariffed pursuant to FCC Order No. 17-43, released April 28, 2017. Terms and Conditions for de-tariffed services are available at www.att.com/guidebook. (N)
(N)

(This page filed under Transmittal No. 1922)

ACCESS SERVICE

7. Special Access Service (Cont'd)

7.5 Rates and Charges (Cont'd)

7.5.16 ⁽¹⁾

(D)(N)

(D)

(D)

(1) Material in this Section has been de-tariffed pursuant to FCC Order No. 17-43, released April 28, 2017. Terms and Conditions for de-tariffed services are available at www.att.com/guidebook. (N)
(N)

(This page filed under Transmittal No. 1922)

ACCESS SERVICE

7. Special Access Service (Cont'd)

7.5 Rates and Charges (Cont'd)

7.5.16 ⁽¹⁾

(D)(N)

(D)

(D)

(1) Material in this Section has been de-tariffed pursuant to FCC Order No. 17-43, released April 28, 2017. Terms and Conditions for de-tariffed services are available at www.att.com/guidebook. (N)
(N)

(This page filed under Transmittal No. 1922)

7. Special Access Service (Cont'd)

7.5 Rates and Charges (Cont'd)

7.5.16 ⁽¹⁾

(D)(N)

(D)

(D)

(1) Material in this Section has been de-tariffed pursuant to FCC Order No. 17-43, released April 28, 2017. Terms and Conditions for de-tariffed services are available at www.att.com/guidebook.

(N)
(N)

(This page filed under Transmittal No. 1922)

ACCESS SERVICE

7. Special Access Service (Cont'd)

7.5 Rates and Charges (Cont'd)

7.5.16 ⁽¹⁾

(D)(N)

(D)

(D)

(1) Material in this Section has been de-tariffed pursuant to FCC Order No. 17-43, released April 28, 2017. Terms and Conditions for de-tariffed services are available at www.att.com/guidebook. (N)
(N)

(This page filed under Transmittal No. 1922)

7. Special Access Service (Cont'd)

7.5 Rates and Charges (Cont'd)

7.5.16 ⁽¹⁾

(D)(N)

(D)

(D)

(1) Material in this Section has been de-tariffed pursuant to FCC Order No. 17-43, released April 28, 2017. Terms and Conditions for de-tariffed services are available at www.att.com/guidebook. (N)
(N)

(This page filed under Transmittal No. 1922)

7. Special Access Service (Cont'd)

7.5 Rates and Charges (Cont'd)

7.5.16 ⁽¹⁾

(D)(N)

(D)

(D)

(1) Material in this Section has been de-tariffed pursuant to FCC Order No. 17-43, released April 28, 2017. Terms and Conditions for de-tariffed services are available at www.att.com/guidebook. (N)
(N)

(This page filed under Transmittal No. 1922)

7. Special Access Service (Cont'd)

7.5 Rates and Charges (Cont'd)

7.5.16 ⁽¹⁾

(D)(N)

(D)

(D)

(1) Material in this Section has been de-tariffed pursuant to FCC Order No. 17-43, released April 28, 2017. Terms and Conditions for de-tariffed services are available at www.att.com/guidebook. (N)
(N)

(This page filed under Transmittal No. 1922)

7. Special Access Service (Cont'd)

7.5 Rates and Charges (Cont'd)

7.5.16 ⁽¹⁾

(D)(N)

(D)

(D)

(1) Material in this Section has been de-tariffed pursuant to FCC Order No. 17-43, released April 28, 2017. Terms and Conditions for de-tariffed services are available at www.att.com/guidebook. (N)
(N)

(This page filed under Transmittal No. 1922)

7. Special Access Service (Cont'd)

7.5 Rates and Charges (Cont'd)

7.5.16 ⁽¹⁾

(D)(N)

(D)

(D)

(1) Material in this Section has been de-tariffed pursuant to FCC Order No. 17-43, released April 28, 2017. Terms and Conditions for de-tariffed services are available at www.att.com/guidebook.

(N)

(N)

(This page filed under Transmittal No. 1922)

7. Special Access Service (Cont'd)

7.5 Rates and Charges (Cont'd)

7.5.16 ⁽¹⁾

(D)(N)

(D)

(D)

(1) Material in this Section has been de-tariffed pursuant to FCC Order No. 17-43, released April 28, 2017. Terms and Conditions for de-tariffed services are available at www.att.com/guidebook. (N)
(N)

(This page filed under Transmittal No. 1922)

7. Special Access Service (Cont'd)

7.5 Rates and Charges (Cont'd)

7.5.16 ⁽¹⁾

(D)(N)

(D)

(D)

(1) Material in this Section has been de-tariffed pursuant to FCC Order No. 17-43, released April 28, 2017. Terms and Conditions for de-tariffed services are available at www.att.com/guidebook. (N)
(N)

(This page filed under Transmittal No. 1922)

7. Special Access Service (Cont'd)

7.5 Rates and Charges (Cont'd)

7.5.16 ⁽¹⁾

(D)(N)

(D)

(D)

(1) Material in this Section has been de-tariffed pursuant to FCC Order No. 17-43, released April 28, 2017. Terms and Conditions for de-tariffed services are available at www.att.com/guidebook. (N)
(N)

(This page filed under Transmittal No. 1922)

ACCESS SERVICE

7. Special Access Service (Cont'd)

7.5 Rates and Charges (Cont'd)

7.5.16 ⁽²⁾

(D)(N)

18.⁽¹⁾

(D)

(D)

⁽¹⁾ Material in this Section has been de-tariffed as required by the Commission upon use of the forbearance relief pursuant to FCC Memorandum Opinion and Order No. 07-180, released October 12, 2007. Terms and Conditions associated with de-tariffed services are available at www.att.com/guidebook.

⁽²⁾ Material in this Section has been de-tariffed pursuant to FCC Order No. 17-43, released April 28, 2017. Terms and Conditions for de-tariffed services are available at www.att.com/guidebook. (N)
(N)

(This page filed under Transmittal No. 1922)

ACCESS SERVICE

7. Special Access Service (Cont'd)

7.5 Rates and Charges (Cont'd)

7.5.16 (1)

(D)(N)

(D)

(D)

(1) Material in this Section has been de-tariffed pursuant to FCC Order No. 17-43, released April 28, 2017. Terms and Conditions for de-tariffed services are available at www.att.com/guidebook. (N)
(N)

(This page filed under Transmittal No. 1922)

ACCESS SERVICE

7. Special Access Service (Cont'd)

7.5 Rates and Charges (Cont'd)

7.5.16 ⁽¹⁾

(D)(N)

(D)

(D)

(1) Material in this Section has been de-tariffed pursuant to FCC Order No. 17-43, released April 28, 2017. Terms and Conditions for de-tariffed services are available at www.att.com/guidebook. (N)
(N)

(This page filed under Transmittal No. 1922)

ACCESS SERVICE

7. Special Access Service (Cont'd)

7.5 Rates and Charges (Cont'd)

7.5.16 ⁽¹⁾

(D)(N)

(D)

(D)

(1) Material in this Section has been de-tariffed pursuant to FCC Order No. 17-43, released April 28, 2017. Terms and Conditions for de-tariffed services are available at www.att.com/guidebook. (N)
(N)

(This page filed under Transmittal No. 1922)

ACCESS SERVICE

7. Special Access Service (Cont'd)

7.5 Rates and Charges (Cont'd)

7.5.16 ⁽¹⁾

(D)(N)

(D)

(1) Material in this Section has been de-tariffed pursuant to FCC Order No. 17-43, released April 28, 2017. Terms and Conditions for de-tariffed services are available at www.att.com/guidebook. (N)
(N)

(This page filed under Transmittal No. 1922)

ACCESS SERVICE

14. Operating Territory of the Ameritech Operating Companies

The operating territory of the Ameritech Operating Companies is comprised of the operating territories of the Illinois Bell Telephone Company, LLC, Indiana Bell Telephone Company, LLC, Michigan Bell Telephone Company, LLC, The Ohio Bell Telephone Company, LLC, and Wisconsin Bell, LLC, defined as follows: (T)

14.1 Operating Territory of the Illinois Bell Telephone Company, LLC

14.1.1 The operating territory to the Illinois Bell Telephone Company, LLC is comprised of the entire state of Illinois as defined by the names of the following rate centers.

Rate Center	Rate Center	Rate Center
Algonquin	Cary	Evanston
Alton	Catlin	Fairmount
Antioch	Centralia	Farmington
Arlington Heights	Champaign-Urbana	Fiatt
Athens	Chicago (Zone City)	Fithian
Aurora	City Zones 1 thru 11	Forest
Aviston	Chicago Heights	Forrest
Barrington	Cicero	Fowler
Bartlett	Coal City	Fox Lake
Batavia	Collinsville	Frankfort
Beardstown	Columbus	Franklin Park
Beckemeyer	Crescent City	Freeburg
Beecher	Crete	Galena
Belleville	Crystal Lake	Gardner
Bellwood	Danville	Geneva
Bensenville	Decatur	Georgetown
Berwyn	Deerfield	Germantown
Bethalto	Delavan	Gibson City
Big Rock	Des Plaines	Gilman
Blue Island	Dix	Glen Carbon
Bluford	Downers Grove	Glencoe
Braidwood	Dundee	Glen Ellyn
Breese	Dwight	Glenview
Brighton	East Moline	Granite City
Brookfield	East St. Louis	Grays Lake
Buffalo	Edgemont	Greenville
Burton	Edwardsville	Half Day
Cairo	Elburn	Hampshire
Calumet City	Elgin	Hanna City
Canton	Elk Grove	Harding
Cantrell	Elmhurst	Harmony
Carlyle	Elwood	Harristown

(This page filed under Transmittal No. 1922)

ACCESS SERVICE

14. Operating Territory of the Ameritech Operating Companies (Cont'd)

14.1 Operating Territory of the Michigan Bell Telephone Company, LLC (T)

14.3.1 The operating territory of the Michigan Bell Telephone Company, LLC is comprised of the entire state of Michigan, defined by the following names of rate centers. (T)

14.3.1(A)DETROT LATA:

Rate Center	Rate Center	Rate Center
Algonac	Flushing	Port Huron
Ann Arbor	Grand Blanc	Port Sanilac
Applegate	Hartland	Rochester
Armada	Holly	Rockwood
Auburn Heights	Howell	Romeo
Belleville	Lake Orion	Romulus
Birmingham	Lapeer	Roseville
Brighton	Lexington	Royal Oak
Bryon	Livonia	St. Clair
Carleton	Manchester	Sandusky
Carsonville	Marine City	Snover
Center Line	Mayfair	Southfield
Chelsea	Milan	South Lyon
Clarkstown	Monroe	Trenton
Clio-Mt. Morris	Mt. Clemens	Troy
Commerce	New Baltimore	Utica
Croswell	New Boston	Walled Lake
Detroit	New Haven	Warren
Dexter	Northville	Washington
Drayton Plains	Oxford	Wayne
Farmington	Peck	Whitmore
Fenton	Pinckney	Lake
Flat Rock	Plymouth	Willis
Flint	Pontiac	Wyandotte
		Ypsilanti

(This page filed under Transmittal No. 1922)

ACCESS SERVICE

14. Operating Territory of the Ameritech Operating Companies (Cont'd)

14.3 Operating Territory of the Michigan Bell Telephone Company, LLC (Cont'd) (T)

14.3.1 (Cont'd)

14.3.1(B) LANSING LATA:

Rate Center	Rate Center	Rate Center
Albion	Hillsdale	Napoleon
Charlotte	Holt	Nashville
Clarklake	Jackson	Portland
Dansville	Jonesville	Pottersville
Dimondale	Lansing	Vermontville
Eaton Rapids	Leslie	
Fowlerville	Mason	
	Mulliken	

14.3.1(C) SAGINAW LATA:

Akron	Gagetown	Saginaw
Auburn	Gladwin	St. Charles
Bad Axe	Harrison	St. Helen
Bay City	Linwood	Sebewaing
Bay Port	Mayville	Standish
Beavertown	Midland	Ubyly
Birch Run	Oscoda	Unionville
Clare	Owendale	Vassar
Coleman	Reese	West Branch
East Tawas	Rosebush	
Fairgrove		
Farwell		
Franenmuth		
Freeland		

(This page filed under Transmittal No. 1922)

ACCESS SERVICE

14. Operating Territory of the Ameritech Operating Companies (Cont'd)

14.3 Operating Territory of the Michigan Bell Telephone Company, LLC (Cont'd)

(T)

14.3.1 (Cont'd)

14.3.1(D) GRAND RAPIDS LATA:

Rate Center	Rate Center	Rate Center	Rate Center
Ada	Elk Rapids	Kalamazoo	Pellston
Alto	Ewart	Kalkaska	Petoskey
Athens	Fife Lake	Kent City	Plainwell
Baldwin	Fountain	Lake Leelanau	Reed City
Battle Creek	Franfort	Lake Odessa	Richland
Belding	Freeport	Le roy	Rockford
Bellevue	Freesoil	Lowell	St. Joseph
Benton Harbor	Fremont	Luther	Sand Lake
Berrien Springs	Fulton	Mackinaw City	Saranac
Beulah	Galesburg	Mancelona	Scotts
Big Rapids	Galien	Manistee	Scottville
Boyne City	Grand Haven	Manton	Sparta
Buchanan	Grand Rapids	Marion	Stanwood
Byron Center	Grant	Marne	Three Oaks
Cadillac	Grattan	Marshall	Traverse City
Caledonia	Greenville	Martin	Trufant
Casnovia	Harbor Springs	McBain	Tustin
Cedar Springs	Harrietta	Middleview	Vicksburg
Charlevoix	Hastings	Moline	Walloon Lake
Cheboygan	Holland	Morley	Watervliet
Clarksville	Hopkins	Newaygo	Wayland
Coloma	Hudsonville	New Buffalo	White Cloud
Coral	Indian River	Niles	Williamsburg
Dorr	Interlochen	Northport	Wolverine
Dutton	Ionia	Olivet	Zeeland
East Jordan	Irons	Onkama	
Eau Claire	Jamestown	Ostego	

(This page filed under Transmittal No. 1922)

ACCESS SERVICE

14. Operating Territory of the Ameritech Operating Companies (Cont'd)

14.3 Operating Territory of the Michigan Bell Telephone Company, LLC (Cont'd) (T)

14.3.1 (Cont'd)

14.3.1(E) UPPER PENINSULA LATA:

Rate Center	Rate Center	Rate Center	Rate Center
Amasa	Gladstone	Newberry	
Bark River	Gwinn	Norway	
Bergland	Hernansville	Perkins	
Bessemer	Houghton	Powers	
Big Bay	Iron Mountain	Rapid River	
Brevort	Iron River	Republic	
Calumet	Ironwood	Rock	
Champion	Ishpeming	St. Ignace	
Channing	Keweenaw	S. S. Marie	
Cornell	Lake Linden	Stephenson	
Crystall Falls	Mackinac Island	Trout Lake	
Curtis	Marquette	Wakefield	
Engadine	Menominee	Watersmeet	
Escanaba	Negaunee		

(This page filed under Transmittal No. 1922)

SPECIAL CONSTRUCTION

ISSUING CARRIERS

Illinois Bell Telephone Company, LLC
225 W. Randolph St., Chicago, Illinois 60606
For the State of:
Illinois

Indiana Bell Telephone Company, LLC
240 N. Meridian St., Indianapolis, Indiana 46204
For the State of:
Indiana

Michigan Bell Telephone Company, LLC
444 Michigan Ave., Detroit, Michigan 48226
For the State of:
Michigan

(T)

The Ohio Bell Telephone Company, LLC
45 Erieview Plaza, Cleveland, Ohio 44114
For the State of:
Ohio

Wisconsin Bell, LLC
722 N. Broadway, Milwaukee, Wisconsin 53202
For the State of:
Wisconsin

(This page filed under Transmittal No. 1922)

Title pages 1 and 2 and Original Pages 1 to 173.3 inclusive of this tariff are effective as of the date shown. Original and revised pages as named below and Supplement No. 83 contain all changes from the original tariff that are in effect on the date hereof.

Page	Number of Revision Except as Indicated	Page	Number of Revision Except as Indicated	Page	Number of Revision Except as Indicated
Title Page 1	6th	31	1st	63.2	2nd
Title Page 2	11th*	32	2nd	63.3	1st
1	144th*	33	1st	63.4	1st
1.1	18th*	34	Original	63.5	1st
2	1st	35	1st	63.6	1st
3	Original	36	Original	63.7	1st
4	3rd	37	2nd	63.8	1st
5	Original	38	Original	63.9	7th
6	5th*	39	Original	63.10	3rd
7	1st	40	1st	64	1st
8	Original	41	Original	65	1st
9	1st	42	1st	66	2nd
10	4th	43	1st	67	1st
10.1	2nd	44	1st	68	2nd
11	2nd	45	3rd	69	Original
12	1st	46	Original	70	2nd
13	1st	47	Original	71	2nd
14	1st	48	2nd	72	Original
15	Original	49	1st	73	2nd
16	3rd	50	1st	74	1st
17	Original	51	1st	75	2nd
18	1st	52	1st		
19	1st	53	Original		
20	1st	54	Original		
21	1st	55	2nd		
22	Original	56	Original		
23	3rd	57	Original		
24	2nd	58	1st		
25	1st	59	Original		
26	1st	60	1st		
27	Original	61	Original		
28	3rd	62	Original		
29	2nd	63	4th		
30	2nd	63.1	2nd		

* New or Revised Page

Issuing Officer: Kristen Shore, Executive Director - Regulatory

(This page filed under Transmittal No. 1922)

Page	Number of Revision Except as Indicated	Page	Number of Revision Except as Indicated	Page	Number of Revision Except as Indicated
76	1st	116	1st	152	2nd
77	3rd	117	1st	153	3rd
78	3rd	118	1st	154	2nd
79	2nd	119	1st	155	2nd
80	2nd	120	1st	156	2nd
81	1st	121	4th*	157	2nd
82	2nd	122	1st	158	2nd
83	3rd	123	1st	159	4th
84	1st	124	1st	160	2nd
84.1	2nd	124.1	3rd	161	3rd
84.2	3rd	124.2	2nd	162	2nd
84.3	Original	124.3	Original	163	2nd
84.4	1st	125	1st	164	2nd
85	2nd	126	1st	165	3rd
86	3rd	127	Original	166	3rd
87	2nd	128	Original	167	3rd
88	2nd	129	1st	168	4th
89	1st	130	1st	169	4th
90	2nd	131	Original	170	3rd
91	2nd	132	1st	171	4th
92	1st	133	1st	172	3rd
93	2nd	134	1st	173	3rd
94	2nd	135	1st	173.1	2nd
95	2nd	136	Original	173.2	2nd
96	2nd	137	Original	173.3	2nd
97	2nd	138	Original	173.4	6th
98	2nd	139	Original	173.5	3rd
99	3rd	140	1st		
100	3rd*	141	2nd		
101	2nd	142	1st		
102	2nd	143	1st		
103	2nd	143.1	3rd		
104	2nd	143.2	2nd		
105	2nd	143.3	1st		
106	1st	143.4	Original		
107	1st	143.5	2nd		
108	4th*	144	1st		
109	1st	145	2nd		
110	1st	146	1st		
111	4th*	147	1st		
112	1st	148	1st		
113	3rd*	149	2nd		
114	4th*	150	4th		
115	4th*	151	3rd		

* New or Revised Page

(This page filed under Transmittal No. 1922)

SPECIAL CONSTRUCTION**1. Application of Tariff**

This tariff contains regulations, rates, charges and liabilities applicable for the Special Construction of interstate facilities provided to customers by the following Ameritech Operating Companies: Illinois Bell Telephone Company, LLC, Indiana Bell Telephone Company, LLC, Michigan Bell Telephone Company, LLC, The Ohio Bell Telephone Company, LLC, and Wisconsin Bell, LLC, hereinafter referred to as the Telephone Company. (T)

When special construction of facilities is required, the provisions of this tariff apply in addition to all regulations, rates and charges set fourth in the appropriate service tariff of the Telephone Company.

2. Regulations**2.1 Filing of Charges**

Rates, charges and liabilities for special construction to provide facilities for use for one month or more are filed in Section 3, 4, 5, 6, and 7 following, as appropriate.

Rates, charges and liabilities for the construction of facilities for use for less than one month are filled in supplements to this tariff.

2.2 Ownership of Facilities

The Telephone Company providing specially constructed facilities under the provisions of this tariff retains ownership of all such facilities.

2.3 Interval to Provide Facilities

Based on available information and the type of service ordered, the Telephone Company will establish a completion date for the specially constructed facilities. If the scheduled completion date cannot be met due to circumstances beyond the control of the Telephone Company, a new completion date will be established and the customer will be notified.

2.4 Special Construction Involving Both Interstate and Intrastate Facilities

When special construction involves facilities to be used to provide both interstate and intrastate services, charges for the portion of the construction used to provide interstate service shall be in accordance with this tariff. Charges for the portion of the construction used to provide intrastate service shall be in accordance with the appropriate intrastate tariff.

(This page filed under Transmittal No. 1922)

SPECIAL CONSTRUCTION**5. Michigan Bell Special Construction Cases (Cont'd)****5.2 Special Construction Cases Transferred from American Telephone and Telegraph Company, Long Lines Department Tariff F.C.C. No. 262****5.2.1 Charges for the State of Michigan**

This section contains the Michigan Bell Telephone Company, LLC portion of special construction (T) cases providing permanent facilities in accordance with the regulations contained in American Telephone and Telegraph Company, Long Lines Department Tariff F.C.C. No. 262, Special Construction, prior to May 25, 1984. These cases are subject to the regulations specified in 2.1 through 2.8 preceding, with the exception of maximum termination liability period for special construction cases transferred from Tariff F.C.C. No. 262 shall retain a liability period as specified in Tariff F.C.C. No. 262. In addition, instead of underutilization liability based on costs, when there is a partial discontinuance of service on specially constructed facilities, the charge for only the rate elements containing the specially constructed facilities, as contained in the appropriate service tariff, will apply during the unexpired portion of the maximum termination liability period. For purposes of determining this charge, any facilities subject to minimum period monthly charges are considered to be in service at filed tariff rates.

Customer Name Effective Date	Description	Charge/ Liability	Expiration Date
---------------------------------	-------------	----------------------	--------------------

(This page filed under Transmittal No. 1922)

SPECIAL CONSTRUCTION**5. Michigan Bell Special Construction Cases (Cont'd)****5.3 Charges to Provide Permanent Facilities (Cont'd)****5.3.1 Charges for the State of Michigan**

Case No.	Telephone Co./ Customer Name	Description	Charge Liability	Effective Date	Effective Date	
85-06-23 1997	Michigan Bell Telephone Company, LLC /	Install 7800 feet of screened	NRC - \$1,515.60 MTL - \$117,379	Jan. 26, 1987	Jan. 26,	
2007	RCI	cable from the	MTL - \$103,612	Jan. 26, 1997	Jan. 26,	(T)
2017		Detroit Bell	MTL - \$42,665	Jan. 26, 2007	Jan. 26,	
2027		central office	MTL - \$10,195	Jan. 26, 2017	Jan. 26,	
2034		to customer's	MTL - \$6,867	Jan. 26, 2027	Jan. 26,	
1992		terminal located at 1965 Porter, Detroit, Michigan.	ILP AUL - \$68.82 per equivalent voice grade pair	Jan. 26, 1987	Jan. 26,	

(This page filed under Transmittal No. 1922)

SPECIAL CONSTRUCTION**5. Michigan Bell Special Construction Cases (Cont'd)****5.3 Charges to Provide Permanent Facilities (Cont'd)****5.3.1 Charges for the State of Michigan**

Case No.	Telephone Co./ Customer Name	Description	Charge/ Liability	Effective Date	Expiration Date	
86-09-51	Michigan Bell Telephone Company, LLC/ Mutual Signal	Install 2,557 feet of fiber cable from the Ann Arbor Main central office to the customer's terminal located at 1615 Plymouth Road, Ann Arbor, Michigan	NRC = \$1,723 MTL = \$53,053 MTL = \$53,671 MTL = \$49,278 MTL = \$33,232 ILP AUL = \$7.02 per equivalent voice grade circuit	May 19, 1987 May 19, 1997 May 19, 2007 May 19, 2017 May 19, 1987	May 19, 1997 May 19, 2007 May 19, 2017 May 19, 2025 May 19, 1992	(T)

(This page filed under Transmittal No. 1922)

SPECIAL CONSTRUCTION

5. Michigan Bell Special Construction Cases (Cont'd)

5.3 Charges to Provide Permanent Facilities (Cont'd)

5.3.1 Charges for the State of Michigan

Case No.	Telephone Co./ Customer Name	Description	Charge/ Liability	Effective Date	Expiration Date	
86-09-56 1997	Michigan Bell Telephone	Install 7,010 feet of	NRC = \$1,089 MTL = \$61,472	May 19, 1987	May 19,	
2007	Company, LLC /	fiber cable	MTL = \$60,950	May 19, 1997	May 19,	(T)
2014	Mutual Signal	from the Jackson	MTL = \$39,106	May 19, 2007	May 19,	
1992		Main central office	ILP	May 19, 1987	May 19,	
		to the customer's terminal located at 200 W. North Jackson Michigan	AUL = \$36.13 per equivalent voice grade circuit			
86-09-57 1997	Michigan Bell Telephone	Install 7,525 feet of fiber	NRC = \$2,357 MTL = \$101,041	May 19, 1987	May 19,	
2007	Company, LLC /	cable from the	MTL = \$101,353	May 19, 1997	May 19,	(T)
2017	Mutual Signal	Kalamazoo	MTL = \$88,437	May 19, 2007	May 19,	
2020		central office	MTL = \$29,383	May 19, 2017	May 19,	
1992		to the customer's	ILP	May 19, 1987	May 19,	
		terminal located at 303 Mills Kalamazoo, Michigan	AUL = \$34.66 per equivalent voice grade circuit			

(This page filed under Transmittal No. 1922)

SPECIAL CONSTRUCTION

5. Michigan Bell Special Construction Cases (Cont'd)

5.3 Charges to Provide Permanent Facilities (Cont'd)

5.3.1 Charges for the State of Michigan

Case No.	Telephone Co./ Customer Name	Description	Charge/ Liability	Effective Date	Expiration Date
86-09-59	Michigan Bell Telephone Company, LLC/ Mutual Signal	Install 7,356 feet of fiber cable from the Midland Main central office to the customer's terminal located at 1000 Jefferson, Midland Michigan	NRC = \$1,372 MTL = \$63,894 MTL = \$63,854 MTL = \$48,844 ILP AUL = \$19.97 per equivalent voice grade circuit	May 19, 1987 May 19, 1997 May 19, 2007 May 19, 1987	May 19, 1997 May 19, 2007 (T) May 19, 2017 May 19, 1992

(This page filed under Transmittal No. 1922)

SPECIAL CONSTRUCTION

5. Michigan Bell Special Construction Cases (Cont'd)

5.3 Charges to Provide Permanent Facilities (Cont'd)

5.3.1 Charges for the State of Michigan

Case No.	Telephone Co./ Customer Name	Description	Charge/ Liability	Effective Date	Expiration Date
86-09-60	Michigan Bell Telephone Company, LLC/ Mutual Signal	Install 5,100 feet of fiber cable from the Pontiac Main central office to the customer's terminal located at 324 S. Saginaw, Pontiac, Michigan	NRC = \$983 MTL = \$42,680 MTL = \$42,491 MTL = \$29,281 ILP AUL = \$7.43 per equivalent voice grade circuit	May 19, 1987 May 19, 1997 May 19, 2007 May 19, 1987	May 19, 1997 May 19, 2007 (T) May 19, 2015 May 19, 1992

(This page filed under Transmittal No. 1922)

SPECIAL CONSTRUCTION

5. Michigan Bell Special Construction Cases (Cont'd)

5.3 Charges to Provide Permanent Facilities (Cont'd)

5.3.1 Charges for the State of Michigan

Case No.	Telephone Co./ Customer Name	Description	Charge/ Liability	Effective Date	Expiration Date	
86-09-53	Michigan Bell Telephone Company, LLC/ Mutual Signal	Install 4,755 feet of fiber cable from the Dearborn Fairborn central office to customer's terminal located at 3900 Southfield Rd., Southfield Michigan	NRC = \$2,196 MTL = \$41,813 MTL = \$31,962 ILP AUL = \$13.13 per equivalent voice grade circuit	August 5, 1987 August 5, 1997 August 5, 1987	August 5, 1997 August 5, 2016 August 5, 1992	(T)

(This page filed under Transmittal No. 1922)