

TARIFF DISTRIBUTION

FILE PACKAGE NO.: 1874

DATE: December 5, 2018

STATE: AIT-FCC

EFFECTIVE DATE: 12/05/2018

TYPE OF DISTRIBUTION: Approved

PURPOSE: MW FCC TARIFF NRS GRANDFATHER

<u>TARIFF SECTION</u>	<u>PAGE NUMBER</u>	<u>PAGE REVISION</u>
2000	1	1691
2000	1.6	0212
2000	1.7	0159
2000	1.8	0136
2000	1.9	0160
2007	268	0018
2007	268.1	0014
2007	270	0021
2007	271	0028
2007	272.4.1	0011
2007	272.4.1.3	0003
2007	272.4.2	0009
2007	272.4.3	0006
2007	300.1	0020
2007	309.2	0033
2007	309.8	0007
2007	309.9	0007
2007	309.10	0005
2007	309.11	0005
2007	410.1	0032
2007	413.2.1.3	0008
2007	415.1	0031
2007	416	0020

Title pages 1 and 2 and pages 1 to 846 inclusive of this tariff are effective as of the date shown. Original and revised pages as named below and Supplement No. 341 contain all changes from the original tariff that are in effect on the date hereof.

Page	Number of Revision Except as Indicated	Page	Number of Revision Except as Indicated	Page	Number of Revision Except as Indicated
Title 1	7th	7	6th	19.3	8th
Title 2	13th	7.1	4th	19.4	1st
1	1691st*	8	15th	20	10th
1.1	382nd	8.1	5th	20.1	5th
1.2	358th	9	25th	20.2	4th
1.3	296th	9.1	1st	21	4th
1.4	257th	10	28th	22	1st
1.5	242nd	10.1	12th	23	3rd
1.6	212th*	10.2	9th	24	1st
1.7	159th*	11	4th	25	3rd
1.8	136th*	12	10th	25.1	1st
1.9	160th*	13	8th*	25.2	1st
1.10	50th	13.1	6th	26	3rd
1.11	62nd	13.2	10th	27	9th
1.12	43rd	13.3	13th	28	11th
1.13	18th	13.4	21st	28.1	5th
1.14	32nd	13.5	37th	29	1st
1.15	70th	13.6	39th	30	Original
1.15.1	5th	13.7	44th	31	Original
1.16	90th	13.8	46th	32	Original
1.17	24th	13.8.1	30th	33	Original
1.18	33rd	13.9	5th	34	4th
1.19	45th	14	3rd	34.1	1st
1.20	44th	15	16th	35	5th
1.21	45th	15.1	11th	35.1	1st
1.22	47th	15.2	1st	36	9th
1.23	41st	16	12th	36.1	7th
1.24	38th	16.1	11th	37	14th
1.25	26th	16.1.1	Original	37.1	4th
1.26	2nd	16.2	9th	37.2	7th
2	6th	16.3	2nd	37.3	6th
3	9th	16.4	3rd	37.4	1st
3.1	15th	16.5	Original	37.5	2nd
4	18th	16.6	3rd	38	9th
4.1	10th	16.7	3rd	38.1	11th
5	19th	17	1st	38.2	6th
5.1	20th	18	6th	38.2.1	3rd
5.2	5th	19	27th	38.3	4th
6	5th	19.1	13th	38.4	4th
6.1	6th	19.2	15th		
6.2	6th				

* New or Revised Page

Issuing Officer: Kristen E. Shore, Assistant Vice President - Regulatory

(This page filed under Transmittal No. 1874)

Page	Number of Revision Except as Indicated	Page	Number of Revision Except as Indicated	Page	Number of Revision Except as Indicated
268	18th*	274	15th	278	7th
268.1	14th*	274.1	15th	279	4th
268.2	5th	274.1.1	8th	280	2nd
268.3	6th	274.1.1.1	15th	281	6th
269	17th	274.1.1.1.1	2nd	281.1	2nd
270	21st*	274.1.1.2	11th	282	7th
271	28th*	274.1.2	16th	282.1	4th
272	11th	274.1.2.1	2nd	283	4th
272.1	6th	274.1.3	9th	284	4th
272.2	6th	274.2	16th	285	4th
272.3	13th	274.2.1	10th	286	6th
272.4	10th	274.3	10th	286.1	5th
272.4.1	11th*	274.3.1	5th	286.2	2nd
272.4.1.1	9th	274.3.1.1	5th	287	5th
272.4.1.2	2nd	274.3.2	7th	287.1	1st
272.4.1.3	3rd*	274.3.2.1	9th	288	3rd
272.4.2	9th*	274.4	5th	289	3rd
272.4.3	6th*	274.5	5th	290	4th
272.5	10th	274.5.1	4th	291	3rd
272.6	5th	274.5.2	4th	292	3rd
273	21st	274.5.3	2nd	293	4th
273.1	11th	274.6	11th	294	5th
273.1.1	8th	274.6.1	9th	295	5th
273.1.1.1	4th	274.6.2	6th	295.1	2nd
273.1.1.2	3rd	274.7	9th	296	13th
273.1.1.3	3rd	274.7.1	10th	296.1	4th
273.1.2	7th	274.7.1.1	2nd	296.1.1	1st
273.1.3	6th	274.7.2	6th	296.2	3rd
273.1.4	3rd	274.7.3	6th	296.3	3rd
273.1.5	5th	274.7.4	3rd	297	17 th
273.2	14th	274.8	4th	297.1	8th
273.2.1	7th	274.9	1st	297.2	8th
273.2.1.1	3rd	274.10	1st	297.3	7th
273.2.2	5th	274.11	2nd	298	12th
273.2.3	6th	274.12	5th	298.1	7th
273.2.4	5th	274.12.1	6th	299	10th
273.2.5	5th	274.12.1.2	4th	299.1	7th
273.3	12th	274.12.1.3	4th	299.1.1	2nd
273.3.1	6th	274.12.1.4	4th	299.2	2nd
273.3.2	5th	274.12.2	2nd	300	12th
273.3.3	2nd	274.12.3	2nd	300.1	20th*
273.4	10th	274.12.4	3rd	300.1.1	11th
273.5	12th	274.12.5	5th	300.2	9th
273.5.1	3rd	274.12.6	5th	300.3	4th
273.5.2	3rd	274.12.7	2nd	300.4	8th
273.5.3	3rd	275	9th	300.5	2nd
273.5.4	2nd	276	11th	300.6	2nd
273.5.5	2nd	276.1	7th	300.7	7th
273.5.6	4th	277	7th		
273.6	12th	277.1	6th		

* New or Revised Page

(This page filed under Transmittal No. 1874)

Page	Number of Revision Except as Indicated	Page	Number of Revision Except as Indicated	Page	Number of Revision Except as Indicated
300.8	8th	309.3	16th	309.16	4th
300.9	6th	309.4	9th	309.17	4th
300.9.1	5th	309.5	16th	309.17.1	1st
300.9.2	5th	309.6	12th	309.18	2nd
300.9.3	5th	309.6.1	8th	309.19	3rd
300.9.4	5th	309.7	13th	309.20	1st
300.10	6th	309.7.1	12th	309.21	1st
300.11	6th	309.7.2	3rd	310	31st
300.12	6th	309.8	7th*	311	13th
300.13	8th	309.9	7th*	312	14th
301	2nd	309.10	5th*	312.1	1st
302	1st	309.11	5th*	313	11th
303	12th	309.12	13th	314	11th
303.1	3rd	309.12.1	3rd	315	29th
304	25th	309.12.2	1st	316	13th
304.1	Original	309.12.3	2nd	317	14th
305	6th	309.12.4	1st	317.1	1st
305.1	4th	309.12.5	1st	318	13th
306	9th	309.12.6	1st	319	10th
306.1	4th	309.12.7	1st	320	57th
307	6th	309.12.8	2nd	321	28th
308	23rd	309.12.9	1st	322	13th
308.1	11th	309.12.10	2nd	323	23rd
309	55th	309.12.11	2nd	324	27th
309.1	42nd	309.12.11.1	1st	325	25th
309.1.1	29th	309.12.12	2nd	326	27th
309.1.1.1	15th	309.12.12.1	1st	326.1	29th
309.1.1.2	16th	309.12.13	2nd	327	14th
309.1.2	32nd	309.12.14	1st	328	12th
309.1.3	14th	309.12.15	1st	329	10th
309.2	33rd*	309.12.16	1st	330	13th
309.2.1	31st	309.12.17	1st	331	12th
309.2.2	13th	309.12.18	1st	332	10th
309.2.3	14th	309.12.19	1st	333	12th
309.2.4	13th	309.12.20	1st	333.1	2nd
309.2.5	13th	309.12.21	1st	334	15th
309.2.6	13th	309.12.22	1st	334.1	1st
309.2.7	13th	309.12.23	1st	335	13th
309.2.8	13th	309.12.24	1st	335.1	1st
309.2.9	13th	309.13	1st	336	13th
309.2.10	14th	309.14	6th	336.1	1st
309.2.11	15th	309.15	4th		

* New or Revised Page

(This page filed under Transmittal No. 1874)

Page	Number of Revision Except as Indicated	Page	Number of Revision Except as Indicated	Page	Number of Revision Except as Indicated
337	14th	366.1	7th	402	23nd
337.1	1st	367	21st	402.1	2nd
338	13th	367.1	8th	403	21st
338.1	1st	367.2	4th	403.1	2nd
339	13th	367.3	2nd	404	22nd
339.1	1st	367.4	1st	405	16th
340	13th	368	16th	406	18th
340.1	2nd	369	8th	407	20th
340.2	4th	370	4th	408	16th
341	13th	371	3rd	409	16th
342	11th	372	4th	410	64th
343	10th	373	3rd	410.1	32nd*
344	11th	374	2nd	410.2	11th
345	10th	375	3rd	410.3	4th
346	10th	376	3rd	410.4	Original
347	10th	377	2nd	411	52nd
347.1	3rd	378	3rd	411.1	20th
348	12th	379	3rd	411.2	13th
349	8th	380	2nd	411.3	5th
350	8th	381	3rd	411.4	12th
351	10th	382	3rd	411.5	5th
352	8th	383	2nd	412	40th
353	8th	384	3rd	412.1	5th
354	8th	385	4th	412.2	4th
354.1	3rd	386	4th	412.3	4th
355	33rd	387	3rd	413	42nd
356	20th	388	3rd	413.1	14th
357	14th	389	3rd	413.1.1	1st
358	12th	390	3rd	413.1.2	4th
359	15th	391	3rd	413.1.3	4th
359.1	1st	392	3rd	413.1.4	4th
360	13th	393	3rd	413.2	13th
360.1	1st	394	3rd	413.2.1	11th
361	13th	395	25th	413.2.1.1	4th
362	11th	396	21st	413.2.1.2	4th
363	10th	397	20th	413.2.1.3	8th*
364	8th	398	22nd	413.2.2	18th
365	31st	399	10th	413.2.3	14th
365.1	10th	400	21st	413.2.4	13th
365.1.1	3rd	401	24th	413.2.5	12th
366	25th	401.1	2nd	413.2.6	18th

* New or Revised Page

(This page filed under Transmittal No. 1874)

Page	Number of Revision Except as Indicated	Page	Number of Revision Except as Indicated	Page	Number of Revision Except as Indicated
413.2.7	8th	422.2.1	2nd	445.1.1.5	6th
413.2.8	8th	422.2.2	2nd	445.1.1.6	6th
413.2.9	7th	422.2.3	2nd	445.1.1.7	6th
413.3	22nd	422.3	5th	445.1.2	14th
413.4	22nd	423	14th	445.1.3	6th
414	30th	423.1	11th	445.1.4	6th
414.1	11th	424	23rd	445.1.5	5th
415	29th	424.1	17th	445.1.6	5th
415.1	31st*	425	12th	445.1.7	6th
415.2	3rd	425.1	1st	445.2	21st
416	20th*	425.2	7th	445.2.1	9th
417	39th	425.2.1	2nd	445.2.2	1st
418	34th	425.3	2nd	445.2.3	2nd
418.1	14th	425.4	2nd	445.2.4	6th
418.1.1	29th	426	22nd	445.3	9th
418.1.1.1	9th	427	19th	445.3.1	8th
418.1.1.2	7th	428	17th	445.3.2	2nd
418.1.1.2.1	6th	429	23rd	445.4	7th
418.1.1.3	17th	429.1	18th	445.4.1	4th
418.1.1.4	10th	430	11th	445.5	5th
418.1.1.4.1	4th	431	17th	445.5.1	7th
418.1.1.4.2	3rd	431.1	7th	446	6th
418.1.1.5	5th	431.1.1	2nd	447	7th
418.1.1.6	6th	431.2	2nd	448	7th
418.1.1.7	3rd	432	14th	449	7th
418.1.2	25th	433	7th	449.1	10th
418.1.2.1	18th	433.1	1st	449.2	5th
418.1.2.1.1	25th	434	11th	449.3	6th
418.1.2.1.1.1	11th	435	4th	449.4	6th
418.1.2.1.1.1.1	2nd	436	10th	449.5	6th
418.1.2.1.2	7th	437	4th	449.5.1	4th
418.1.2.2	21st	438	10th	449.6	6th
418.1.2.3	6th	439	4th	449.7	5th
418.1.3	18th	440	10th	449.7.1	4th
418.1.4	11th	441	4th	449.8	4th
418.1.5	5th	442	10th	449.9	5th
418.1.6	2nd	443	4th	449.9.1	3rd
418.2	11th	444	12th	449.10	4th
419	34th	444.1	1st	449.11	4th
419.1	26th	445	6th	449.12	4th
420	13th	445.1	31st	449.13	9th
421	25th	445.1.1	31st	449.14	9th
421.1	2nd	445.1.1.1	17th	449.15	10th
422	22nd	445.1.1.2	8th	449.16	8th
422.1	5th	445.1.1.3	6th	449.17	3rd
422.2	6th	445.1.1.4	6th		

* New or Revised Page

(This page filed under Transmittal No. 1874)

ACCESS SERVICE

7. Special Access Service (Cont'd)

7.2 Service Descriptions (Cont'd)

7.2.9 Base Rate Services, DS1 Service and DS3 Services

(A) Basic Channel Description

(1) General

Base Rate channels, DS1 channels, and DS3 channels provide digital transmission at the discrete bit rates of 2.4 Kbps, 4.8 Kbps, 9.6 Kbps, 19.2 Kbps, 56.0 Kbps, 64.0 Kbps, and 1.544 Mbps and 44.736 Mbps, with timing provided by the Telephone Company through the Telephone Company's facilities to the customer in the received bit stream. These services provide digital transmission with the following characteristics:

- Base Rate Services provide channels operating at terminating bit rates of 2.4 Kbps, 4.8 Kbps, 9.6 Kbps, 19.2 Kbps and 56.0 Kbps, and 64.0 Kbps;
- DS1 Service provides channels operating at the terminating bit rate of 1.544 Mbps; and,
- DS3 Service provides channels operating at the terminating bit rate of 44.736 Mbps.

Base Rate, DS1 and DS3 channels may be used to connect:

- a customer designated premises to another customer designated premises, or;
- a customer designated premises to a Telephone Company location where bridging, cross-connection or multiplexing functions are performed; or an ARS system location.
- two NRS⁽¹⁾ system locations may be connected via Base Rate, DS1 or DS3 Channel Mileage and Channel Mileage Terminations to interconnect Base Rate, DS1 or DS3 channels included in the customer's database for the Network Reconfiguration Service (described in 7.4.14(B)). (C)

(1) Effective December 5, 2018, Network Reconfiguration Service (NRS) will no longer be available for purchase by new or existing customers, and NRS service agreements may no longer be renewed. Effective July 31, 2022, the Telephone Company will no longer accept new requests for physical changes to existing service arrangements including the upgrade or downgrade of access/port speed, installation of new service, or moves to different service addresses.

(N)
 |
 (N)

(This page filed under Transmittal No. 1874)

7. Special Access Service (Cont'd)

7.2 Service Descriptions (Cont'd)

7.2.9 Base Rate Services, DS1 Service and DS3 Service (Cont'd)

(A) Basic Channel Description (Cont'd)

(1) General (Cont'd)

Digital transmission paths for Base Rate Services, DS1 Service, and DS3 Service are differentiated by bit rate, and the quality of transmission is as delineated by the Channel Interface definitions in the Technical Reference Publications cited in Section 7.2 preceding. Customer options are available to customize the channels.

Base Rate Services, DS1 Service and DS3 Service channels may be connected to any other Base Rate Service, DS1 Service or DS3 Service at a Telephone Company Hub, and to certain other Special Access services as described in Section 7.2.9(B)(4)(f) following. When a customer orders service to a Telephone Company Hub, it is the customer's responsibility to assure that the channels connected at the Hub are compatible. Compatible network channel interfaces for interstate Special services are listed in Section 7.3 following.

When service is provided between a customer designated premises and a Telephone Company Fiber Hub location, listed in 7.4.10 following, that service is considered to end at the Fiber Hub location. Performance of the service is measured between the customer designated premises and the Fiber Hub location. Interconnection at the Fiber Hub is limited to DS1 Service and DS3 Service channels terminating at speeds of 1.544 and 44.736 Mbps, only (not available with DS1 - 128.0, 256.0, 384.0, 512.0, and 768.0 Kbps transport).

When service is provided between a customer designated premises and an NRS⁽¹⁾ system location, that service is considered to end at the NRS system location. Performance of the service is measured between the customer designated premises and the NRS system location. When service is provided between two NRS system locations, that service is considered to end at the NRS system locations, and performance of the service is measured between these two locations. Interconnection at the NRS system location is limited to DS3, DS1 (1.544 Mbps and 128 - 768 Kbps) and Base Rate Services (2.4 - 64 Kbps) channels.

(C)

(1) Effective December 5, 2018, Network Reconfiguration Service (NRS) will no longer be available for purchase by new or existing customers, and NRS service agreements may no longer be renewed. Effective July 31, 2022, the Telephone Company will no longer accept new requests for physical changes to existing service arrangements including the upgrade or downgrade of access/port speed, installation of new service, or moves to different service addresses.

(N)
 |
 (N)

7. Special Access Service (Cont'd)

7.2 Service Descriptions (Cont'd)

7.2.9 Base Rate Services, DS1 Service and DS3 Service (Cont'd)

(T)

(B) Channel Configuration (Cont'd)

(2) Interoffice Transport

Interoffice Transport facilities comprised of Channel Mileage Terminations (CMT), described in Section 7.1.2(B), and Channel Mileage (CM), described in Section 7.1.2(C), provide the transmission paths between the Serving Wire Centers associated with two customer designated premises, between a Serving Wire Center associated with a customer premises and a Telephone Company Hub location or an NRS⁽²⁾ System Location or between two Telephone Company NRS system locations for NRS associated services. When NRS system locations are within the same wire center only the appropriate port charges will apply. Three interoffice transport types are available; Base Rate transport which supports bit rates from 2.4 Kbps through 64.0 Kbps, DS1 transport at bit rates of 1.544 Mbps, 128.0 Kbps, 256.0 Kbps, 384.0 Kbps, 512.0 Kbps and 768.0 Kbps and DS3 transport at the 44.736 Mbps bit rate.⁽¹⁾ (C)

Base Rate 2.4 Kbps through 64.0 Kbps LDCs are interconnected to Rate transport* while DS1 LDCs are interconnected to DS1 transport (1.544 Mbps, 128.0 Kbps, 256.0 Kbps, 384.0 Kbps, 512.0 Kbps or 768.0 Kbps) and DS3 SCs to DS3 transport. Additionally, higher speed LDCs may be cross-connected to lower speed transport using optional multiplexing features delineated in Section 7.2.9(B)(4)(f).

(3) Optional Features and Functions

The following table shows the technical specifications packages with which the optional features and functions are available. Not all of the optional features and functions described in this section apply to all of the services. The following matrix shows the Optional Features and Functions by bit rate that a customer may select. The specific Optional Features and Functions are described in Section 7.2.9(B)(4), a through i. Except as specified in 7.2.9(B)(4)(f)(2), when DS1 LDCs are used in conjunction with DS1 128.0, 256.0, 384.0, 512.0 or 768.0 Kbps transport, no Optional Features and Functions are available.

* Base Rate Interoffice Transport provides usable bandwidths to match the customer's LDC Bit Rate for Base Rate services operating at terminating speeds up to and including 64.0 Kbps. (T)

(1) Effective October 27, 2016, 128.0, 256.0, 384.0, 512.0 and 768.0 Kbps transport is limited to existing Customers for existing service arrangements; no new or additional term commitments of any kind, including any otherwise available renewals, will be available; and no move, add, or change orders will be accepted.

(2) Effective December 5, 2018, Network Reconfiguration Service (NRS) will no longer be available for purchase by new or existing customers, and NRS service agreements may no longer be renewed. Effective July 31, 2022, the Telephone Company will no longer accept new requests for physical changes to existing service arrangements including the upgrade or downgrade of access/port speed, installation of new service, or moves to different service addresses. (N)

(This page filed under Transmittal No. 1874)

7. Special Access Service (cont'd)

7.2 Service Descriptions (cont'd)

7.2.9 Base Rate Services, DS1 Service and DS3 Service (cont'd)

(B) Channel Configuration (cont'd)

(3) Optional Features and Functions (cont'd)

Base Rate Services, DS1 Service and DS3 Service

(Application of Optional Features and Functions by Terminating Speeds)

	2.4 Kbps	4.8 Kbps	9.6 Kbps	56.0 Kbps	19.2 Kbps	64.0 Kbps	64.0 Kbps	1.544 Mbps	44.73 6 Mbps
	PACKAGES								
Parameter	DA-1	DA-2	DA-3	DA-4	DA-5	DA-6	HC-0	HC-1	HC-3
Central Office, Bridging Capability	X	X	X	X					
Secondary Channel	X	X	X	X					
Clear Channel Capability Transfer Arrangement								X	
Interconnection - Central Office Multiplexing	X	X	X	X				X	
- DS3 to DS1									X
- DS1 to Base Rate/128.0, 256.0, 384.0, 512.0, 768.0 Kbps Transport ⁽³⁾								X	
Fiber Hub Cross-Connection ⁽¹⁾								X	
NRS Terminations ⁽²⁾⁽⁴⁾	X	X	X	X	X	X	X	X	X
Multiplexer Cross-Connection								X	X

(C)

- (1) Description of this optional feature and function is delineated in Section 7.4.
- (2) Description of the Network Reconfiguration Service (NRS) is delineated in Section 7.2.9(B)(5).
- (3) Effective October 27, 2016, 128.0, 256.0, 384.0, 512.0 and 768.0 Kbps transport is limited to existing Customers for existing service arrangements; no new or additional term commitments of any kind, including any otherwise available renewals, will be available; and no move, add, or change orders will be accepted.
- (4) Effective December 5, 2018, Network Reconfiguration Service (NRS) will no longer be available for purchase by new or existing customers, and NRS service agreements may no longer be renewed. Effective July 31, 2022, the Telephone Company will no longer accept new requests for physical changes to existing service arrangements including the upgrade or downgrade of access/port speed, installation of new service, or moves to different service addresses.

(N)
 |
 (N)

(This page filed under Transmittal No. 1874)

7. Special Access Service (Cont'd)

7.2 Service Description (Cont'd)

7.2.9 Base Rate Services, DS1 Service and DS3 Service (Cont'd)

(B) Channel Configuration (Cont'd)

(4) Optional Features and Functions (Cont'd)

(h) NRS⁽²⁾ Termination (C)

An arrangement to connect an DS3, DS1 or Base Rate Local Distribution Channel or interoffice transport facility to an Network Reconfiguration System (NRS) location to allow the connected DS3, DS1, Base Rate, DS3 or DS1 service to be reconfigured with NRS. All DS3, DS1 and Base Rate Services that are to be included in a customer's NRS database must be terminated on an NRS system location. Only services that are included in a customer's NRS database may utilize the NRS Termination feature. (T)

(i) Shared Network Arrangement⁽¹⁾

(1) A Shared Network Arrangement is a service offering that enables a customer (the "Service User") to connect subtending services to the multiplexed DS3 or DS1 service of another customer (the "Host Subscriber"), with the Telephone Company maintaining separate records and billing for each. Each customer will be billed for those rate elements associated with their own portion of the service configuration. Under no circumstances will the rates or charges for individual rate elements be split. This offering is limited to service configurations where a Service User obtains either subtending Direct Analog or Base Rate circuits from a Host's multiplexed DS1 service, or DS1 circuits from a Host's multiplexed DS3 service.

(2) Under the Shared Network Arrangement, the Telephone Company may share record information with the Host Subscriber pertaining to the services of other users of the shared network. Such disclosure will be under the sole

(1) Effective 05/26/06, this regulation is limited to existing customers. For new customers purchasing Shared Network Arrangement, terms and conditions set forth in Section 5.2 (A), will apply.

(2) Effective December 5, 2018, Network Reconfiguration Service (NRS) will no longer be available for purchase by new or existing customers, and NRS service agreements may no longer be renewed. Effective July 31, 2022, the Telephone Company will no longer accept new requests for physical changes to existing service arrangements including the upgrade or downgrade of access/port speed, installation of new service, or moves to different service addresses. (N)

(This page filed under Transmittal No. 1874)

7. Special Access Service (Cont'd)

7.2 Service Description (Cont'd)

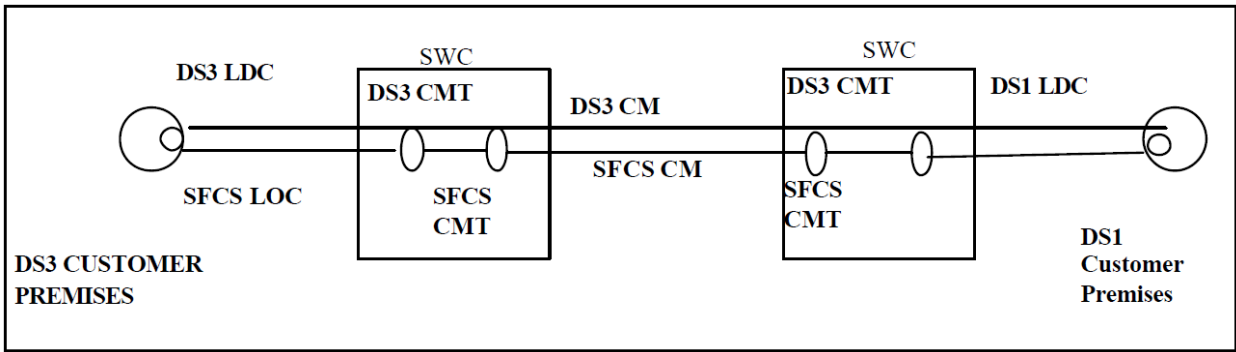
7.2.9 Base Rate Services, DS1 Service and DS3 Service (Cont'd)

(B) Channel Configuration (Cont'd)

(4) Optional Features and Functions (Cont'd)

(k) Shared Facility Credit/Shared Facility Channel Service (Cont'd)

The following diagram depicts an DS1 Service connected to a Shared Facility Channel Service (SFCS) provisioned over a Shared Facility Credit arranged DS3 Service.



- SWC - Serving Wire Center
- LDC - Local Distribution Channel
- CMT - Channel Mileage Termination
- CM - Channel Mileage
- MUX - DS3 to DS1 Multiplexer

Section 7.4.19 contains rate regulations specific to Shared Facility Credit/Shared Facility Channel Service arrangements.

(5) Network Reconfiguration Service (NRS)⁽¹⁾ (C)

(A) General

Network Reconfiguration Service (NRS) gives customers the ability to reconfigure networks, via electronic cross-connections, comprised of DS3, DS1 and Base Rate channels connected at NRS system locations. Reconfiguration may be accomplished by placing an electronic request via a customer provided terminal or by calling a Telephone Company attendant. (T)

⁽¹⁾ Effective December 5, 2018, Network Reconfiguration Service (NRS) will no longer be available for purchase by new or existing customers, and NRS service agreements may no longer be renewed. Effective July 31, 2022, the Telephone Company will no longer accept new requests for physical changes to existing service arrangements including the upgrade or downgrade of access/port speed, installation of new service, or moves to different service addresses. (N)

(This page filed under Transmittal No. 1874)

ACCESS SERVICE

7. Special Access Service (Cont'd)

7.2 Service Description (Cont'd)

7.2.9 Base Rate Services, DS1 Service and DS3 Service (Cont'd)

(B) Channel Configuration (Cont'd)

(5) Network Reconfiguration Service (NRS)⁽¹⁾ (Cont'd)

(C)

(B) Service Description

Network Reconfiguration Service gives customers the ability to reconfigure their networks via cross-connections of their DS3, DS1 and Base Rate Service channels which are identified in a customer specific network database. The NRS system location provides an interface at the DS3 (44.736 Mbps), DS1 (1.544 Mbps) and Base Rate (2.4 - 64 Kbps) levels. The customer may specify cross-connections at the DS3, channelized DS3, DS1, channelized DS1, or Base Rate level.

Customer access to NRS may be made directly by the customer utilizing customer provided terminal equipment on the customer's premises in conjunction with a Dedicated Network Access Link or dial-in line. Access is also available through a Telephone Company attendant reached by a dial access telephone line.

NRS will give the customer the ability to make changes in the individual channel segments of their network. Customers may reconfigure DS3, DS1 or Base Rate or DS1 service. Customers may also reconfigure Direct Analog channels that are channels of a reconfigurable channelized DS1 service. To utilize this capability, customers must order appropriate DS1 multiplexing in addition to the NRS Terminations at the DS1 level and the NRS service.

(T)

NRS will be available on a continuous basis except for the performance of scheduled preventative and routine maintenance or scheduled software updates. The customer will be notified at least 24 hours in advance of any scheduled service interruptions.

NRS system locations are found in NECA Tariff FCC No. 4.

⁽¹⁾ Effective December 5, 2018, Network Reconfiguration Service (NRS) will no longer be available for purchase by new or existing customers, and NRS service agreements may no longer be renewed. Effective July 31, 2022, the Telephone Company will no longer accept new requests for physical changes to existing service arrangements including the upgrade or downgrade of access/port speed, installation of new service, or moves to different service addresses.

(N)
 |
 (N)

(This page filed under Transmittal No. 1874)

ACCESS SERVICE

7. Special Access Service (Cont'd)

7.2 Service Description (Cont'd)

7.2.9 Base Rate Services, DS1 Service and DS3 Service (Cont'd)

(B) Channel Configuration (Cont'd)

(5) Network Reconfiguration Service (NRS)⁽¹⁾ (Cont'd) (C)

(C) Technical Specifications

Services that are cross-connected by the Network Reconfiguration Service will not operate properly unless they have identical technical characteristics to ensure compatibility and proper operation. NRS customers are responsible for the compatibility of the services they choose to cross-connect.

If the Telephone Company determines that the technical characteristics of services selected for cross-connection by the customer are not compatible, they will advise the customer and give them the opportunity to change the order.

The Network Reconfiguration Service specifications are delineated in Technical Reference AM-TR-OAT-000064.

⁽¹⁾ Effective December 5, 2018, Network Reconfiguration Service (NRS) will no longer be available for purchase by new or existing customers, and NRS service agreements may no longer be renewed. Effective July 31, 2022, the Telephone Company will no longer accept new requests for physical changes to existing service arrangements including the upgrade or downgrade of access/port speed, installation of new service, or moves to different service addresses. (N)
|
(N)

(This page filed under Transmittal No. 1874)

7. Special Access Service (Cont'd)

7.4 Rate Regulations (Cont'd)

7.4.2 Types of Rates and Charges (Cont'd)

(C) Nonrecurring Charges* (Cont'd)

(6) Service Rearrangements (Cont'd)

- If a change involves the addition of Optional Features and Functions with separate nonrecurring charges for any service except DS3 Service, the Design and Central Office Connection Charge and the Customer Connection Charge associated with the Special Access Service will apply in addition to the separate nonrecurring charge. The Administrative Charge will also apply.
- If a change involves the Optional Fiber Hub Cross-connection Service for DS3, DS1 or DS0 (Base Rate and Direct Analog) service, the Administrative Charge will apply in addition to the separate nonrecurring charge. No other nonrecurring charges will apply.
- If a change involves the addition of Optional Features and Functions without separate nonrecurring charges for any service except DS3 Service, the Design and Central Office Connection Charge and the Customer Connection Charge associated with the Special Access Service will apply. The Administrative Charge will also apply. This includes, but is not limited to, the inclusion of existing DS3, DS1 and Base Rate Services in the customer's Network Reconfiguration Service (NRS)⁽¹⁾ database. (C)
- If a change involves the removal of Optional Features and Functions, either with or without separate nonrecurring charges, the Design and Central Office Charge and the Administrative Charge associated with the Special Access Service will apply.
- If a change involves the rearrangement of an existing point-to-point DS1 or DS3 service onto a higher speed Ameritech digital service at a facility hub, or cross-connection to an interconnection arrangement in the same central office via Electronic Cross-Connection Service described in Section 16.4, following, the Administrative Charge and the Design and Central Office Connection Charge will apply. If a customer specifically requests end-to-end testing, then a Customer Connection Charge will also apply.
- If a change involves the rearrangement of an OCN Point-to-Point Service from point-to-point (non-channelized) service to an arrangement with an add/drop multiplexer and an Add/Drop function or vice-versa, an Administrative Charge, Design and Central Office Connection Charge and Customer Connection Charge will apply.

* For Services ordered under MVP, refer to Section 19.3(E)(5).

(1) Effective December 5, 2018, Network Reconfiguration Service (NRS) will no longer be available for purchase by new or existing customers, and NRS service agreements may no longer be renewed. Effective July 31, 2022, the Telephone Company will no longer accept new requests for physical changes to existing service arrangements including the upgrade or downgrade of access/port speed, installation of new service, or moves to different service addresses. (N)

(This page filed under Transmittal No. 1874) (N)

ACCESS SERVICE

7. Special Access Service (cont'd)

7.4 Rate Regulations (cont'd)

7.4.10 Optional Payment Plan (OPP) for Base Rate, DS1, DS3, ⁽¹⁾, TV Analog Video Services, and SONET Express Services⁽¹⁾⁽²⁾ (cont'd)(F) NRS⁽⁴⁾ (C)

During a customer's OPP term, a customer may elect to include an DS3, DS1 or an Base Rate service into the customer's Network Reconfiguration Service (NRS) database. The customer may opt to convert to a new OPP term of the same or different length or to continue the current OPP term to the original expiration date. If the expiration date for the new OPP term is beyond the end of the original OPP term, termination charges for the original term will not apply. Adding an existing service to the customer's NRS database requires that all nonrecurring charges applicable to the installation of the service apply. (T)

(G) DS3 Service Package with an Optical Interface Upgrade

During a customer's OPP term, conversion may be made from one DS3 Service Package with an Optical Interface to another larger package (e.g., DS3012 to DS3024) for a new OPP term of the same or different length. If the expiration date of the new OPP term is beyond the end of the original OPP term, termination charges will not apply to the original OPP term.

Monthly Extension rates for DS3 Service will apply only after a customer has completed an OPP term or an ICB minimum period.

(H) Moving Services from an OPP Term to a DCP Term ⁽³⁾

Customers may terminate Optional Payment Plans for Base Rate and DS1 services in states where they have effective Discount Commitment Program terms for those services. Upon termination of these Optional Payment Plans, the services will begin being billed DCP (as described in Section 7.4.13) rates subject to the DCP terms and conditions. No termination liability charges will be applied to services that move from an OPP term to a DCP term.

(1) Material in this Section has been de-tariffed as required by the Commission upon use of the forbearance relief pursuant to FCC Memorandum Opinion and Order No. 07-180, released October 12, 2007. Terms and Conditions associated with de-tariffed services are available at www.att.com/guidebook.

(2) Effective February 16, 2012, SONET Xpress is available only to existing Customers, for existing service arrangements. Existing Customers may continue to receive service under existing service arrangements, or on a month-to-month basis after their existing service arrangements expire, until SONET Xpress is discontinued.

(3) For DCPs established on or after August 30, 2016, moves from OPP to DCP are not allowed.

(4) Effective December 5, 2018, Network Reconfiguration Service (NRS) will no longer be available for purchase by new or existing customers, and NRS service agreements may no longer be renewed. Effective July 31, 2022, the Telephone Company will no longer accept new requests for physical changes to existing service arrangements including the upgrade or downgrade of access/port speed, installation of new service, or moves to different service addresses. (N)

(This page filed under Transmittal No. 1874)

ACCESS SERVICE**7. Special Access Service (Cont'd)****7.4 Rate Regulations (Cont'd)****7.4.14 Network Reconfiguration Service (NRS)⁽¹⁾**

(C)

This section contains specific regulations governing the rates and charges that apply for Network Reconfiguration Service.

(A) Types of Rates and Charges**(1) Monthly Rates****(a) NRS Service Charge (Ability to Reconfigure Networks)**

The NRS Service Charge is a monthly recurring rate that is applied per customer network database that gives the customer the ability to reconfigure their network. The NRS Service Charge applies in each state of Ameritech's operating territory in which the customer intends to reconfigure circuits.

(b) NRS Access Arrangement

The NRS Access Arrangement charge applies for each Dedicated Access Network Link or dial-in access number that the customer uses to access NRS. The Access Arrangement provides the interface between the customer and the NRS System Locations. Dedicated Network Access Links (DNALs) or dial-in access should be purchased from the applicable intrastate or interstate tariffs. This option may be utilized with a compatible DNAL as specified in Section 8.3.1(E). An Access Arrangement must be purchased for each Dedicated Network Access Link or dial-in number used to access the NRS system to request reconfigurations.

⁽¹⁾ Effective December 5, 2018, Network Reconfiguration Service (NRS) will no longer be available for purchase by new or existing customers, and NRS service agreements may no longer be renewed. Effective July 31, 2022, the Telephone Company will no longer accept new requests for physical changes to existing service arrangements including the upgrade or downgrade of access/port speed, installation of new service, or moves to different service addresses.

(N)
|
(N)

(This page filed under Transmittal No. 1874)

ACCESS SERVICE**7. Special Access Service (Cont'd)****7.4 Rate Regulations (Cont'd)****7.4.14 Network Reconfiguration Service (NRS)⁽¹⁾ (Cont'd)**

(C)

(A) Types of Rates and Charges (Cont'd)**(2) Nonrecurring Charges****(a) NRS Service Charge (Ability to Reconfigure Networks)**

There is a nonrecurring charge for initially establishing the customer network database. The network database will contain all facilities and channels that a customer will be able to reconfigure. The NRS Service Charge will apply once in each state of Ameritech's operating territory in which the customer has channels that will be reconfigured with NRS.

(b) NRS Database Modification

The Database Modification charge applies to customer initiated changes to their network database subsequent to the initial database setup. These changes include:

- (1) Addition or deletion of channel/facility terminations at the NRS system location.
- (2) Addition, deletion or change in the customer's master security password.
- (3) Establish cross-connection of two NRS subscribers located at the same NRS location. Letters of Authorization must be submitted by both customers to the Telephone Company before the modification is made.

Discontinuance of the above arrangement will also generate a modification charge.

This charge applies to each change to a customer's database. If more than one change is requested at the same time, the charge is applied to each change requested.

⁽¹⁾ Effective December 5, 2018, Network Reconfiguration Service (NRS) will no longer be available for purchase by new or existing customers, and NRS service agreements may no longer be renewed. Effective July 31, 2022, the Telephone Company will no longer accept new requests for physical changes to existing service arrangements including the upgrade or downgrade of access/port speed, installation of new service, or moves to different service addresses.

(N)
|
(N)

(This page filed under Transmittal No. 1874)

ACCESS SERVICE**7. Special Access Service (Cont'd)****7.4 Rate Regulations (Cont'd)****7.4.14 Network Reconfiguration Service (NRS)⁽¹⁾ (Cont'd)**

(C)

(A) Types of Rates and Charges (Cont'd)**(2) Nonrecurring Charges (Cont'd)****(d) NRS Access Arrangement**

There is a nonrecurring charge associated with the initial installation of the arrangement.

(e) Attendant Access

Attendant Access provides for reconfiguration activities to be performed by a Telephone Company attendant at the direction of the customer. The customer may request that the commands be performed on demand or at a later, scheduled time. On demand requests will normally be executed by the attendant within one hour of the customer's request. Attendant Access cannot be purchased independently but is available to customer's that access NRS either through a dial-in or dedicated arrangement.

The Attendant Access charge is charged on the first 30 minutes of use and subsequent 15 minute increments.

(f) NRS Training

The NRS training charge provides for additional training requested by the customer beyond the training session included with the initial installation of the NRS service.

The customer may request additional training on an hourly basis to be provided at a location agreed upon by the Telephone Company and the customer.

⁽¹⁾ Effective December 5, 2018, Network Reconfiguration Service (NRS) will no longer be available for purchase by new or existing customers, and NRS service agreements may no longer be renewed. Effective July 31, 2022, the Telephone Company will no longer accept new requests for physical changes to existing service arrangements including the upgrade or downgrade of access/port speed, installation of new service, or moves to different service addresses.

(N)
|
(N)

(This page filed under Transmittal No. 1874)

7. Special Access Service (Cont'd)

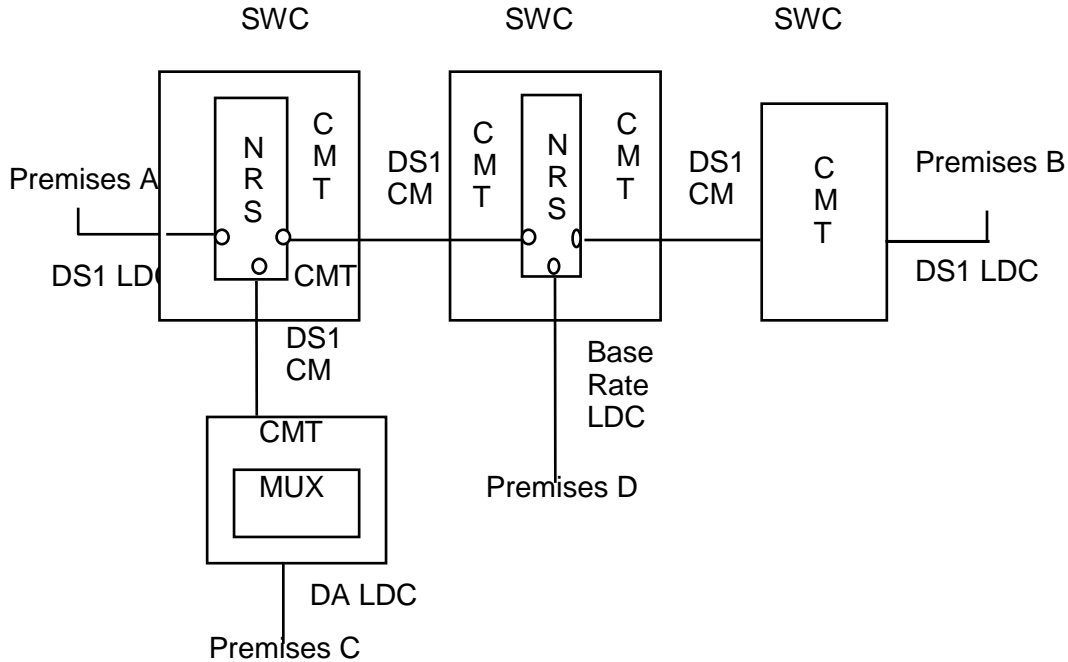
7.4 Rate Regulations (Cont'd)

7.4.14 Network Reconfiguration Service NRS⁽¹⁾ (Cont'd)

(C)

(B) Service Configuration

The following diagram depicts Network Reconfiguration Service (NRS)⁽¹⁾ utilized with DS1 and Base Rate and Direct Analog Services.



- LDC - Local Distribution Channel
- CMT - Channel Mileage Termination
- CM - Channel Mileage
- SWC - Serving Wire Center
- MUX - Multiplexer
- NRS - NRS System Location
- o - NRS Port Termination
- DA - Direct Analog

(T)

Applicable rate elements are:

- Local Distribution Channels, 2 DS1, 1 Base Rate, 1 Direct Analog
- Channel Mileage Terminations - 6 DS1
- Channel Mileage - 3 DS1 mileages
- NRS Port Terminations - 5 DS1, 1 Base Rate
- Multiplexing - 1 DS1 to Base Rate/Direct Analog- Appropriate NRS Basic Service and ACCESS rate elements

⁽¹⁾ Effective December 5, 2018, Network Reconfiguration Service (NRS) will no longer be available for purchase by new or existing customers, and NRS service agreements may no longer be renewed. Effective July 31, 2022, the Telephone Company will no longer accept new requests for physical changes to existing service arrangements including the upgrade or downgrade of access/port speed, installation of new service, or moves to different service addresses.

(N)

(N)

(This page filed under Transmittal No. 1874)

ACCESS SERVICE

7. Special Access Service (Cont'd)

7.5 Rates and Charges (Cont'd)

7.5.9 Base Rate Services, DS1 Service and DS3 Service (Cont'd)

(A) Base Rate Service (Cont'd)

(5) Optional Features and Functions

	USOC	Monthly	12 Mo.*	Recurring Charges Optional Payment Plan				60 Mo.	
				24 Mo.*	36 Mo.	48 Mo.*			
(a) Central Office Bridging - Per Port - All States	B5NGF	\$25.00	\$20.00	\$20.00	\$17.00	\$17.00	\$15.00		
(b) NRS ⁽¹⁾ System Location Port Termination - Per Base Rate Termination - All States	PT5	20.00	19.00	18.00	17.00	16.50	16.00	(C) (C)	
(c) Secondary Channel - Per Local Distribution Channel (2.4, 4.8, 9.6 and 56.0** Kbps) - All States	SCA	Monthly Rate		Nonrecurring Charge					
		\$0.00		None					

* For 12 month Optional Payment Plans subscribed to prior to February 26, 1999, and 24 and 48 month Optional Payment Plans subscribed to prior to July 1, 1999, see Section 7.5.16 following.

** Since all 56.0 Kbps lines are not capable of furnishing Secondary Channel Services, a service inquiry must be made to determine availability.

(1) Effective December 5, 2018, Network Reconfiguration Service (NRS) will no longer be available for purchase by new or existing customers, and NRS service agreements may no longer be renewed. Effective July 31, 2022, the Telephone Company will no longer accept new requests for physical changes to existing service arrangements including the upgrade or downgrade of access/port speed, installation of new service, or moves to different service addresses. (N)
(N)

(This page filed under Transmittal No. 1874)

7. Special Access Service (Cont'd)

7.5 Rates and Charges (Cont'd)

7.5.9 Base Rate Services, DS1 Service and DS3 Service (Cont'd)

(B) DS1 Service

(5) Optional Features and Functions

(h) NRS⁽¹⁾ System Location Port Terminations – DS1 Termination

(C)

	USOC	Monthly	12 Mo.	Recurring Charges Optional Payment Plan*			
				24 Mo.	36 Mo.	48 Mo.	60 Mo.
Illinois							
Zone 1	PQD11	50.00	46.00	44.00	41.00	40.00	38.00
Zone 2	PQD12	50.00	46.00	44.00	41.00	40.00	38.00
Zone 3	PQD13	50.00	46.00	44.00	41.00	40.00	38.00
Zone 4	PQD14	50.00	46.00	44.00	41.00	40.00	38.00
Zone 5	PQD15	50.00	46.00	44.00	41.00	40.00	38.00
Indiana							
Zone 1	PQD11	50.00	46.00	44.00	41.00	40.00	38.00
Zone 2	PQD12	50.00	46.00	44.00	41.00	40.00	38.00
Zone 3	PQD13	50.00	46.00	44.00	41.00	40.00	38.00
Zone 4	PQD14	50.00	46.00	44.00	41.00	40.00	38.00
Zone 5	PQD15	50.00	46.00	44.00	41.00	40.00	38.00
Michigan							
Zone 1	PQD11	50.00	46.00	44.00	41.00	40.00	38.00
Zone 2	PQD12	50.00	46.00	44.00	41.00	40.00	38.00
Zone 3	PQD13	50.00	46.00	44.00	41.00	40.00	38.00
Zone 4	PQD14	50.00	46.00	44.00	41.00	40.00	38.00
Zone 5	PQD15	50.00	46.00	44.00	41.00	40.00	38.00
Ohio							
Zone 1	PQD11	50.00	46.00	44.00	41.00	40.00	38.00
Zone 2	PQD12	50.00	46.00	44.00	41.00	40.00	38.00
Zone 3	PQD13	50.00	46.00	44.00	41.00	40.00	38.00
Zone 4	PQD14	50.00	46.00	44.00	41.00	40.00	38.00
Zone 5	PQD15	50.00	46.00	44.00	41.00	40.00	38.00
Wisconsin							
Zone 1	PQD11	50.00	46.00	44.00	41.00	40.00	38.00
Zone 2	PQD12	50.00	46.00	44.00	41.00	40.00	38.00
Zone 3	PQD13	50.00	46.00	44.00	41.00	40.00	38.00
Zone 4	PQD14	50.00	46.00	44.00	41.00	40.00	38.00
Zone 5	PQD15	50.00	46.00	44.00	41.00	40.00	38.00

* For all Optional Payment Plans subscribed to prior to November 18, 2000, see Section 7.5.16 following.

(1) Effective December 5, 2018, Network Reconfiguration Service (NRS) will no longer be available for purchase by new or existing customers, and NRS service agreements may no longer be renewed. Effective July 31, 2022, the Telephone Company will no longer accept new requests for physical changes to existing service arrangements including the upgrade or downgrade of access/port speed, installation of new service, or moves to different service addresses.

(N)
 |
 (N)

(This page filed under Transmittal No. 1874)

7. Special Access Service (Cont'd)

7.5 Rates and Charges (Cont'd)

7.5.9 Base Rate Services, DS1 Service and DS3 Service (Cont'd)

(C) DS3 Service (Cont'd)

(4) Optional Features and Functions

(c) NRS⁽¹⁾ System Location Port Termination – Per DS3 Termination

(C)

	USOC	Monthly Extension Rate	Recurring Charges				
			12 Mo.	24 Mo.	Optional Payment Plan*		
					36 Mo.	48 Mo.	60 Mo.
Illinois							
Zone 1	R6SX1	250.00	200.00	175.00	160.00	155.00	145.00
Zone 2	R6SX2	250.00	200.00	175.00	160.00	155.00	145.00
Zone 3	R6SX3	250.00	200.00	175.00	160.00	155.00	145.00
Zone 4	R6SX4	250.00	200.00	175.00	160.00	155.00	145.00
Zone 5	R6SX5	250.00	200.00	175.00	160.00	155.00	145.00
Indiana							
Zone 1	R6SX1	250.00	200.00	175.00	160.00	155.00	145.00
Zone 2	R6SX2	250.00	200.00	175.00	160.00	155.00	145.00
Zone 3	R6SX3	250.00	200.00	175.00	160.00	155.00	145.00
Zone 4	R6SX4	250.00	200.00	175.00	160.00	155.00	145.00
Zone 5	R6SX5	250.00	200.00	175.00	160.00	155.00	145.00
Michigan							
Zone 1	R6SX1	250.00	200.00	175.00	160.00	155.00	145.00
Zone 2	R6SX2	250.00	200.00	175.00	160.00	155.00	145.00
Zone 3	R6SX3	250.00	200.00	175.00	160.00	155.00	145.00
Zone 4	R6SX4	250.00	200.00	175.00	160.00	155.00	145.00
Zone 5	R6SX5	250.00	200.00	175.00	160.00	155.00	145.00
Ohio							
Zone 1	R6SX1	250.00	200.00	175.00	160.00	155.00	145.00
Zone 2	R6SX2	250.00	200.00	175.00	160.00	155.00	145.00
Zone 3	R6SX3	250.00	200.00	175.00	160.00	155.00	145.00
Zone 4	R6SX4	250.00	200.00	175.00	160.00	155.00	145.00
Zone 5	R6SX5	250.00	200.00	175.00	160.00	155.00	145.00
Wisconsin							
Zone 1	R6SX1	250.00	200.00	175.00	160.00	155.00	145.00
Zone 2	R6SX2	250.00	200.00	175.00	160.00	155.00	145.00
Zone 3	R6SX3	250.00	200.00	175.00	160.00	155.00	145.00
Zone 4	R6SX4	250.00	200.00	175.00	160.00	155.00	145.00
Zone 5	R6SX5	250.00	200.00	175.00	160.00	155.00	145.00

* For all Optional Payment Plans subscribed to prior to November 18, 2000, see Section 7.5.16 following.

(1) Effective December 5, 2018, Network Reconfiguration Service (NRS) will no longer be available for purchase by new or existing customers, and NRS service agreements may no longer be renewed. Effective July 31, 2022, the Telephone Company will no longer accept new requests for physical changes to existing service arrangements including the upgrade or downgrade of access/port speed, installation of new service, or moves to different service addresses.

(N)
 |
 (N)

(This page filed under Transmittal No. 1874)

7. Special Access Service (Cont'd)

7.5 Rates and Charges (Cont'd)

7.5.9 Base Rate Services, DS1 Service and DS1 and DS3 Service (Cont'd)

(D) Network Reconfiguration Service (NRS)⁽¹⁾

(C)

	USOC	Recurring Charges Optional Payment Plan						Nonrecurring Charge
		Monthly	12 Mo.	24 Mo.	36 Mo.	48 Mo.	60 Mo.	
(1) NRS Service Charge - Per Customer Database	FN6DD	\$240.00	\$228.00	\$221.00	\$204.00	\$198.00	\$192.00	\$3,000.00
(2) Database Modification - Per Modification	FN6DC	-----None-----						150.00
(3) NRS Access Arrangement - Per Arrangement	RNQPA	210.00	199.50	193.20	178.50	173.25	168.00	75.00
(4) Attendant Access - Per first 30 minutes per occurrence	NRBN1	-----None-----						55.00
- Per additional 15 minute increments	NRBNA	-----None-----						10.00
(5) NRS Training - Per hour of additional training	NRBNT	-----None-----						50.00

(1) Effective December 5, 2018, Network Reconfiguration Service (NRS) will no longer be available for purchase by new or existing customers, and NRS service agreements may no longer be renewed. Effective July 31, 2022, the Telephone Company will no longer accept new requests for physical changes to existing service arrangements including the upgrade or downgrade of access/port speed, installation of new service, or moves to different service addresses.

(N)
 |
 (N)

(This page filed under Transmittal No. 1874)