

OTHER SERVICES

D12. SPECIAL ACCESS SERVICE

TABLE OF CONTENTS

|  | <u>Sheet No.</u> |
|--|------------------|
| 12.1 RESERVED .....  | 1                |
| 12.2 MULTI-SERVICE OPTICAL NETWORK RING <sup>1</sup> ..... | 38               |
| A. SERVICE DESCRIPTION .....                               | 38               |
| B. REGULATIONS .....                                       | 41               |
| C. SERVICE CONFIGURATION .....                             | 44               |
| D. TECHNICAL SPECIFICATIONS .....                          | 46.1             |
| E. SERVICE COMPONENTS .....                                | 47               |
| F. CREDIT ALLOWANCES FOR SERVICE INTERRUPTIONS .....       | 48               |
| G. RATE REGULATIONS .....                                  | 49               |
| H. RESERVED .....  | 54               |
| I. RATES AND CHARGES .....                                 | 68               |
| 12.3 FibreMAN® SERVICE <sup>2</sup>                        |                  |
| 12.4 DecaMAN® SERVICE <sup>3</sup> .....                   | 99.2 (T)         |
| A. SERVICE DESCRIPTION .....                               | 99.2             |
| B. REGULATIONS .....                                       | 99.3             |
| C. STANDARD FEATURES .....                                 | 99.4             |
| D. OPTIONAL FEATURES .....                                 | 99.4             |
| E. TECHNICAL REFERENCES .....                              | 99.11            |
| F. RESERVED .....  | 99.17            |
| H. RATES AND CHARGES .....                                 | 99.20            |
| 12.5 AT&T DEDICATED ETHERNET .....                         | 100              |
| 12.5.1 SERVICE DESCRIPTION .....                           | 100              |
| 12.5.2 TYPES OF RATES AND CHARGES.....                     | 111              |
| 12.5.3 ETHERNET PAYMENT PLAN (EPP).....                    | 112              |
| 12.5.4 SERVICE LEVEL AGREEMENTS (SLAs) .....               | 117              |
| 12.5.5 RATES AND CHARGES .....                             | 120              |

NOTE 1: MON Ring Grandfathered effective December 1, 2012. See 12.2, Limited Offer.

NOTE 2: FibreMAN® Service is withdrawn effective December 12, 2014.

NOTE 3: Effective September 30, 2017, DecaMAN Service will no longer be available for purchase by new or existing customers. The Company will no longer accept orders for adds, moves, changes or new term plans for DecaMAN Service, and existing term plans may not be renewed, converted or extended. Following the expiration of a customer's existing DecaMAN term agreement, service will be provided on a month-to-month basis at the applicable monthly extension rates until the service is discontinued. (N)

Continued

OTHER SERVICES

D12. SPECIAL ACCESS SERVICE

12.0 GENERAL

(C)

In accordance with Schedule Cal.P.U.C. No. 175-T, Section 18.2.24, services provided in this tariff schedule (D12) are available for resale at their full tariffed rates. The resale discount does not apply.

(N)

(N)

Continued

OTHER SERVICES

(T)

D12. SPECIAL ACCESS SERVICE

12.1 RESERVED (Cont'd)

(T)

Continued

OTHER SERVICES

(T)

D12. SPECIAL ACCESS SERVICE

12.1 RESERVED (Cont'd)

(T)

Continued

OTHER SERVICES

(T)

D12. SPECIAL ACCESS SERVICE

12.1 RESERVED (Cont'd)

(T)

Continued

OTHER SERVICES

(T)

D12. SPECIAL ACCESS SERVICE

12.1 RESERVED (Cont'd)

(T)

Continued

OTHER SERVICES

(T)

D12. SPECIAL ACCESS SERVICE

12.1 RESERVED (Cont'd)

(T)

Continued

OTHER SERVICES

(T)

D12. SPECIAL ACCESS SERVICE

12.1 RESERVED (Cont'd)

(T)

Continued



OTHER SERVICES

(T)

D12. SPECIAL ACCESS SERVICE

12.1 RESERVED (Cont'd)

(T)

Continued

OTHER SERVICES

(T)

D12. SPECIAL ACCESS SERVICE

12.1 RESERVED (Cont'd)

(T)

Continued

OTHER SERVICES

(T)

D12. SPECIAL ACCESS SERVICE

12.1 RESERVED (Cont'd)

(T)

Continued

OTHER SERVICES

(T)

D12. SPECIAL ACCESS SERVICE

12.1 RESERVED (Cont'd)

(T)

Continued

OTHER SERVICES

(T)

D12. SPECIAL ACCESS SERVICE

12.1 RESERVED (Cont'd)

(T)

Continued

OTHER SERVICES

(T)

D12. SPECIAL ACCESS SERVICE

12.1 RESERVED (Cont'd)

(T)

Continued

OTHER SERVICES

(T)

D12. SPECIAL ACCESS SERVICE

12.1 RESERVED (Cont'd)

(T)

Continued

OTHER SERVICES

(T)

D12. SPECIAL ACCESS SERVICE

12.1 RESERVED (Cont'd)

(T)

Continued



OTHER SERVICES

(T)

D12. SPECIAL ACCESS SERVICE

12.1 RESERVED (Cont'd)

(T)

Continued

OTHER SERVICES

(T)

D12. SPECIAL ACCESS SERVICE

12.1 RESERVED (Cont'd)

(T)

Continued

OTHER SERVICES

(T)

D12. SPECIAL ACCESS SERVICE

12.1 RESERVED (Cont'd)

(T)

Continued

OTHER SERVICES

(T)

D12. SPECIAL ACCESS SERVICE

12.1 RESERVED (Cont'd)

(T)

Continued

OTHER SERVICES

(T)

D12. SPECIAL ACCESS SERVICE

12.1 RESERVED (Cont'd)

(T)

Continued

OTHER SERVICES

(T)

D12. SPECIAL ACCESS SERVICE

12.1 RESERVED (Cont'd)

(T)

Continued

OTHER SERVICES

(T)

D12. SPECIAL ACCESS SERVICE

12.1 RESERVED (Cont'd)

(T)

Continued

OTHER SERVICES

(T)

D12. SPECIAL ACCESS SERVICE

12.1 RESERVED (Cont'd)

(T)

Continued



OTHER SERVICES

(T)

D12. SPECIAL ACCESS SERVICE

12.1 RESERVED (Cont'd)

(T)

Continued

OTHER SERVICES

(T)

D12. SPECIAL ACCESS SERVICE

12.1 RESERVED (Cont'd)

(T)

Continued

OTHER SERVICES

(T)

D12. SPECIAL ACCESS SERVICE

12.1 RESERVED (Cont'd)

(T)

Continued

OTHER SERVICES

(T)

D12. SPECIAL ACCESS SERVICE

12.1 RESERVED (Cont'd)

(T)

Continued

OTHER SERVICES

(T)

D12. SPECIAL ACCESS SERVICE

12.1 RESERVED (Cont'd)

(T)

Continued

OTHER SERVICES

(T)

D12. SPECIAL ACCESS SERVICE

12.1 RESERVED (Cont'd)

(T)

Continued

OTHER SERVICES

(T)

D12. SPECIAL ACCESS SERVICE

12.1 RESERVED (Cont'd)

(T)

Continued

OTHER SERVICES

(T)

D12. SPECIAL ACCESS SERVICE

12.1 RESERVED (Cont'd)

(T)

Continued



OTHER SERVICES

(T)

D12. SPECIAL ACCESS SERVICE

12.1 RESERVED (Cont'd)

(T)

Continued

OTHER SERVICES

(T)

D12. SPECIAL ACCESS SERVICE

12.1 RESERVED (Cont'd)

(T)

Continued

OTHER SERVICES

(T)

D12. SPECIAL ACCESS SERVICE

12.1 RESERVED (Cont'd)

(T)

Continued

OTHER SERVICES

(T)

D12. SPECIAL ACCESS SERVICE

12.1 RESERVED (Cont'd)

(T)

Continued

OTHER SERVICES

(T)

D12. SPECIAL ACCESS SERVICE

12.1 RESERVED (Cont'd)

(T)

Continued

OTHER SERVICES

(T)

D12. SPECIAL ACCESS SERVICE

12.1 RESERVED (Cont'd)

(T)

Continued

OTHER SERVICES

(T)

D12. SPECIAL ACCESS SERVICE

12.1 RESERVED (Cont'd)

(T)

Continued

OTHER SERVICES

(T)

D12. SPECIAL ACCESS SERVICE

12.1 RESERVED (Cont'd)

(T)

Continued



OTHER SERVICES

(T)

D12. SPECIAL ACCESS SERVICE

12.1 RESERVED (Cont'd)

(T)

Continued

OTHER SERVICES

(T)

D12. SPECIAL ACCESS SERVICE

12.1 RESERVED (Cont'd)

(T)

Continued

OTHER SERVICES

D12. SPECIAL ACCESS SERVICE

12.2 MULTI-SERVICE OPTICAL NETWORK RING<sup>1</sup> (N)

Limited Offer (N)

Effective December 1, 2012, Multi-Service Optical (MON) Ring Service is not available for new installations. Existing MON Ring customers will be permitted to modify their service by adding new circuits to their existing service, but will not be permitted to add new nodes in new locations. New circuits added to existing locations will utilize the customer's existing Term Payment Plan (TPP) and should be coterminous with the customer's existing TPP. Customers with TPPs that expire may not extend their service contract. In addition, effective December 1, 2016, no Move, Add or Change orders of any type will be accepted. (N)

A. SERVICE DESCRIPTION (L)

Multi-service Optical Network Ring (MON Ring) Service provides high volume optical transport utilizing multiplexing technology in a dedicated ring configuration. Multiple data signals are transmitted over fiber-optic cable using different wavelengths of light. Each of these wavelengths represents a transmission channel in the MON Ring system and is protocol independent of every other channel in the system.

MON Ring Service is only available within the Local Access and Transport Areas (LATAs) served by and within the service territories of the Utility.

MON Ring Service allows customers to combine their multiple data signals so that they can be amplified and transported over one network. MON Ring Service provides dedicated capacity over a single pair of fiber in two directions that increases capacity without limiting customer-required data interfaces. (L)

NOTE 1: MON Ring Grandfathered December 1, 2012. See Limited Offer, (N)  
preceding. (N)

(L) Material formerly located on Sheet 39.

Continued

OTHER SERVICES

D12. SPECIAL ACCESS SERVICE

12.2 MULTI-SERVICE OPTICAL NETWORK RING<sup>1</sup> (N)

A. SERVICE DESCRIPTION (Cont'd) (T)

MON Ring Service offers the following port interfaces:

IBM Protocols<sup>2</sup>: (T)

ESCON<sup>TM</sup> (200 Mbps) - Enterprise Systems Connection. An IBM duplex optical connection used for computer-to-computer data exchange. ESCON<sup>TM</sup> is limited to a maximum distance of 43 km and actual data throughput is distance sensitive. Offered as a Riding Circuit where facilities and equipment permit.

ESCON<sup>TM</sup> Sub Rate System (8:1)- provides a multiplexing system which allows customers to put up to eight (8) ESCON<sup>TM</sup> Channels (no other protocol) on one Port card. (ESCON<sup>TM</sup> protocol is defined in 12.2 (A) preceding.) Available where facilities and equipment permit.

ETR/CLO<sup>TM</sup> (8 Mbps - Manchester Encoded) - External Timing References/Control Link Oscillator. This protocol is used for IBM GDPS<sup>TM</sup> architecture for multiple-location host processors. ETR/CLO<sup>TM</sup> is limited to a maximum distance of 40 km.

FICON<sup>TM</sup> (1.0625 Gbps and 2.125 Gbps) - A higher-speed evolution of ESCON<sup>TM</sup>, enabling 1 Gbps connectivity among mainframes, storage devices and peripherals. FICON<sup>TM</sup> is limited to a maximum distance of 100km and actual data throughput is distance sensitive.

ISC-1<sup>TM</sup> (1.0625 Gbps) - Inter-System Coupling. This protocol is used with IBM GDPS<sup>TM</sup> architecture for multiple-location host processors. ISC-1<sup>TM</sup> is limited to a maximum distance of 40 km.

ISC-3<sup>TM</sup> - ISC-3 links have a peak data rate of 2.125 Gbps and can interconnect IBM<sup>TM</sup> eServer z900 systems for distances up to 100 km.

FICON<sup>TM</sup> Riding Service - 1.0625 Gbps rate service capable of being multiplexed on the Gigabit Ethernet/Fibre Channel/FICON<sup>TM</sup> Sub-Rate System (2:1) port interface. (L)  
|  
(L)

NOTE 1: MON Ring Grandfathered effective December 1, 2012. See Limited Offer, preceding. (N)

NOTE 2: ESCON<sup>TM</sup>, ETR/CLO<sup>TM</sup>, FICON<sup>TM</sup>, ISC-1<sup>TM</sup>, ISC-3<sup>TM</sup> and GDPS<sup>TM</sup> are registered trademarks of the International Business Machines (IBM) Corporation, Armonk, NY 10504. (N)

(L) Material formerly located on Sheet 40.  
Material omitted now located on Sheet 38.

Continued

OTHER SERVICES

D12. SPECIAL ACCESS SERVICE

12.2 MULTI-SERVICE OPTICAL NETWORK RING<sup>1</sup> (Cont'd) (N)

A. SERVICE DESCRIPTION (Cont'd)

MON Ring Service offers the following port interfaces: (Cont'd)

Other Protocols:

Fibre Channel (1.0625 Gbps and 2.125 Gbps) - an industry standard protocol used to interconnect Storage Area Networks (SANs). Fibre Channel is limited to a maximum distance of 100 km and actual data throughput is distance sensitive.

Fast Ethernet - a version of Ethernet that allows data transmission rates of 100 Mbps. (Offered as a Riding Circuit where facilities and equipment permit).

Gigabit Ethernet - a version of Ethernet that allows data transmission rates of 1 Gbps.

10 Gigabit Ethernet (WAN-PHY) - a version of Ethernet that allows data transmission rates of 9.953 - 10 Gbps with a WAN-PHY only interface.

D1 Video - uncompressed digital video signal operating at 270 Mbps. (Offered as a Riding Circuit where facilities and equipment permit).

SONET OC-3/OC-3c<sup>2</sup> - provides a fiber-based 155.52 Mbps synchronous optical full duplex data transmission capability. (Offered as a Riding Circuit where facilities and equipment permit).

SONET OC-12/OC-12c<sup>2</sup> - provides a fiber-based 622.08 Mbps synchronous optical full duplex data transmission capability.

SONET OC-48/OC-48c<sup>2</sup> - provides a fiber-based 2488.32 Mbps synchronous optical full duplex data transmission capability.

SONET OC-192/OC-192c<sup>2</sup> - provides a fiber-based 9953.28 Mbps synchronous optical full duplex data transmission capability.

Sub-Rate System - provides a multiplexing system operating at 1.25 Gbps with 4 ports. Applicable to ESCON<sup>TM</sup>, Fast Ethernet, D1 Video, DVB-ASI and (OC3/OC-3c) port interfaces. Sub-rate multiplexing is offered at the serving wire center only for OC3/OC-3c. Available where facilities and equipment permit.

NOTE 1: MON Ring Grandfathered effective December 1, 2012. See Limited Offer, preceding. (N)

NOTE 2: These Port interfaces are available at the Customer Premise Node and the Serving Wire Center (SWC) Node. All other Port interfaces are available only at the Customer Premise Node. (N)

Material omitted now located on Sheet 39.

Continued

OTHER SERVICES

D12. SPECIAL ACCESS SERVICE

12.2 MULTI-SERVICE OPTICAL NETWORK RING<sup>1</sup> (Cont'd) (N)

A. SERVICE DESCRIPTION (Cont'd)

MON Ring Service offers the following port interfaces: (Cont'd)

Other Protocols: (Cont'd)

Gigabit Ethernet/Fibre Channel/FICON<sup>TM</sup> Sub-Rate System (2:1) - provides a multiplexing system which allows customers to put up to two (2) Gigabit Ethernet (GigE) Channels or up to two (2) 1.0625 Gbps Fibre Channels or up to two (2) 1.0625 Gbps FICON<sup>TM</sup> Channels or any combination thereof totaling two channels on the sub rate system. Gigabit Ethernet, 1.0625 Gbps Fibre Channel and 1.0625 Gbps FICON<sup>TM</sup> protocols are defined in A. preceding. Fibre Channel and FICON<sup>TM</sup> at 2.125 Gbps rates cannot be placed on this sub-rate system.

SONET OC-3/OC-3c/OC-12/OC-12c Sub-Rate system (4:1) provides a multiplexing system which allows customers to put up to either four OC-3/OC-3c signals and/or four OC-12/OC-12c signals or combinations thereof on one card. This sub-rate multiplexing system will have independent timing which allows multiple OC-3/OC-3c service or OC-12/OC-12c service on one sub-rate card. Available where facilities and equipment permit.

10 Gigabit Ethernet (LAN-PHY) - a version of Ethernet that allows data transmission rates of 10.3125 Gbps with LAN-PHY only interface.

SONET OC-12/OC-12c Riding Circuit - capable of being multiplexed on the OC3/12 Sub-rate system. Available where facilities and equipment permit.

Gigabit Ethernet Riding Service<sup>2</sup> - capable of being multiplexed on the Gigabit Ethernet/Fibre Channel/FICON<sup>TM</sup> Sub-Rate System (2:1) port interface. (T)

Fibre Channel Riding Service<sup>2</sup> - 1.0625 Gbps rate service capable of being multiplexed on the Gigabit Ethernet/Fibre Channel/FICON<sup>TM</sup> Sub-Rate System (2:1) port interface. (T)

SONET OC-48/OC-48c SONET Sub-Rate System 4:1 - provides a multiplexing system which allows customers to put up to four (4) OC-48 signals on one Port card. Available where facilities and equipment permit.

SONET OC-48/OC-48c SONET Riding Circuit - capable of being multiplexed on the OC-48 SONET Sub-rate system. Available where facilities and equipment permit.

DVB-ASI - Digital Video Broadcasting - provides an 1310 nm optical interface at 270 Mbps. (Offered on a MON Ring provisioned with Cisco equipment). Offered as a Riding circuit where facilities and equipment permit.

NOTE 1: MON Ring Grandfathered effective December 1, 2012. See Limited Offer, preceding. (N)

NOTE 2: Gigabit Ethernet Riding Service, Fibre Channel Riding Service FICON<sup>TM</sup> Riding Service only available when ordered with Gigabit Ethernet/Fibre Channel/FICON<sup>TM</sup> Sub-Rate System. Gigabit Ethernet, Fibre Channel and Gbps FICON<sup>TM</sup> services can also be ordered directly on MON Ring. (T)

Continued

OTHER SERVICES

D12. SPECIAL ACCESS SERVICE

12.2 MULTI-SERVICE OPTICAL NETWORK RING<sup>1</sup> (Cont'd) (N)

B. REGULATIONS

The regulations, rates and charges specified herein are in addition to other regulations, rates and charges as specified in this Schedule, Schedule Cal.P.U.C. No. 175-T and other Utility tariffs.

1. MON Ring Service provides physical layer transport only. The Utility assumes no responsibility for the data signals generated by the customer, for the quality of or defects in such data signals, for the reception of data signals by the customer, or address signaling to the extent addressing is performed by the customer. Error detection and correction of data generated by the customer is the customer's responsibility.
2. MON Ring Service is only available under a Term Payment Plan with a thirty-six month minimum service period. When a service is discontinued prior to the expiration of the minimum period, termination charges are applicable for the remaining portion of the minimum period, whether the service is used or not, and will be based on the rates in effect for the service at the time of discontinuance as set forth in F. following.
3. The customer provided equipment must deliver the data signals for the MON Ring Service transport within the industry specification for the subscribed data services.
4. Credit Allowances for service interruptions for MON Ring Service are set forth in Schedule Cal.P.U.C. No. 175-T, Section 2.4 Credit Allowances for MON Ring Service.
5. MON Ring Service may have distance limitations based on the services carried and may require routing through Serving Wire Centers based on loss limits between nodes. Services with facility length limitations may not be available on some MON Rings, or may not be available between some Nodes on certain MON Rings.
6. Optical Amplifiers and/or regenerators may have to be added to a MON Ring Service subsequent to the initial installation.
7. The MON Ring customer must first order the MON Transport system followed by the MON channels. When ordering ESCON™, FDDI, Fast Ethernet, D1 Video, OC-3 ports, the customer must first order a MON Ring Channel sub-rate system over which these services will be assigned.

OC-12/OC-12c, Gigabit Ethernet, Fibre Channel and FICON™ at 1.0625 Gbps rates can be ordered directly on MON Ring, or as a riding service on a subrate system. Fibre Channel and FICON™ at 2.125 Gbps rates can only be ordered directly on MON Ring, and cannot be ordered on a subrate system. OC-12, Gigabit Ethernet, Fibre Channel and FICON™ at 1.0625 Gbps rates when ordered on a subrate system, are represented by different rate elements than those ordered directly on the MON Ring.

NOTE 1: MON Ring Grandfathered effective December 1, 2012. See Limited Offer, (N)  
preceding. (N)

Continued

OTHER SERVICES

D12. SPECIAL ACCESS SERVICE

12.2 MULTI-SERVICE OPTICAL NETWORK RING<sup>1</sup> (Cont'd) (N)  
B. REGULATIONS (Cont'd)

The regulations, rates and charges specified herein are in addition to other regulations, rates and charges as specified in this Schedule, Schedule Cal.P.U.C. No. 175-T and other Utility tariffs. (Cont'd)

8. When additional services are added, such installation may cause a service interruption to existing unprotected channels, or a protection switch on protected channels.
9. MON Ring Service will be offered in two configurations where facilities and equipment permit. Customers can purchase MON Ring with growth capacity up to 16 wavelengths or up to 32 wavelengths. The 32 wavelength systems may, at the discretion of the Utility, be built as two 16 wavelength systems sharing common fiber and some common equipment. Depending upon the configuration, conversion from a 16 Wavelength Ring to a 32 Wavelength Ring is not available.
10. MON Ring Service is provided within the same LATA at the option of the Utility where facilities and/or operating conditions permit. If appropriate facilities and/or operating conditions are not available, Special Construction charges, as set forth in Schedule Cal.P.U.C. No. 175-T, Section 15. may apply.
11. Floor space for subsequent growth at a Central Office Node beyond the initial installation will be provided where available, but cannot be guaranteed for subsequent shelf growth beyond the initial installation.
12. Prior to confirming an order for service, the Utility will provide a proposed route diagram to the customer.
13. Installation of service will not begin until the customer has accepted the proposed routing by the Utility.
14. Services with time-delay sensitive protocols have facility length limitations and may affect the design/availability of MON Ring Service (e.g., CPU to CPU Communications have a maximum distance limitation of 60 Km). The Utility will work cooperatively with the customer to determine if the desired services can operate between the customer's designated premises.

NOTE 1: MON Ring Grandfathered effective December 1, 2012. See Limited Offer, preceding. (N)  
(N)

Continued



OTHER SERVICES

D12. SPECIAL ACCESS SERVICE

12.2 MULTI-SERVICE OPTICAL NETWORK RING<sup>1</sup> (Cont'd) (N)  
B. REGULATIONS (Cont'd)

The regulations, rates and charges specified herein are in addition to other regulations, rates and charges as specified in this Schedule, Schedule Cal.P.U.C. No. 175-T and other Utility tariffs. (Cont'd)

15. Channel protection may not be available for all interface types.
16. MON Ring service is not available in a Meet-Point Billing configuration as described in Schedule Cal.P.U.C. No. 175-T, Sections 2.4.8 and 5.2.10.
17. Reserved
18. Conversions from any other lower speed service to Multi-service Optical Network Ring Service are not available.
19. Neither electrical interfaces nor optical add/drop multiplexing are available with this service.
20. Rules and Regulations as set forth in Schedule Cal.P.U.C. No. 175-T Access Service are applicable to MON Ring Service unless otherwise specified in this tariff.
21. The customer must first order the MON Ring Transport System followed by the MON Ring Channels. When ordering certain port interfaces requiring a sub-rate system, the customer must first order a MON Ring Channel Sub-Rate System over which these services will be assigned. When Riding Services are ordered on a sub-rate system, they are represented by different rate elements than those services ordered directly on the MON Ring.
22. Customers may not in-service convert from existing Fibre Channel, Gigabit Ethernet, FICON™ or OC-12 port interfaces to Fibre Channel Riding Service, Gigabit Ethernet Riding Service, FICON™ or OC-12 Riding Service. Requests for such changes will be treated as a disconnect and new connect of those respective interfaces, and Early Termination charges are applicable.

NOTE 1: MON Ring Grandfathered effective December 1, 2012. See Limited Offer, preceding. (N)  
(N)

Continued

OTHER SERVICES

D12. SPECIAL ACCESS SERVICE

12.2 MULTI-SERVICE OPTICAL NETWORK RING<sup>1</sup> (Cont'd) (N)

C. SERVICE CONFIGURATION

Standard Configurations

MON Ring Service is available in different ring configurations utilizing central office nodes and customer premises nodes. The total number of circuits and total usable bandwidth to the customer depends upon the mix of services ordered and the specific traffic patterns of the customer. The Utility will determine the appropriate wavelength assignment and the design of the MON Ring.

The minimum configuration would be two customer nodes located at either a Utility Serving Wire Center or a customer premise location. If the customer Nodes are not located in a Utility Serving Wire Center, a central office management site for monitoring is required. An Optical Amplifier located at a Utility Serving Wire Center can be used as a monitoring location.

A combination of these configurations may be used in a network design depending on the customer's traffic pattern.

NOTE 1: MON Ring Grandfathered effective December 1, 2012. See Limited Offer, preceding. (N)  
(N)

Continued

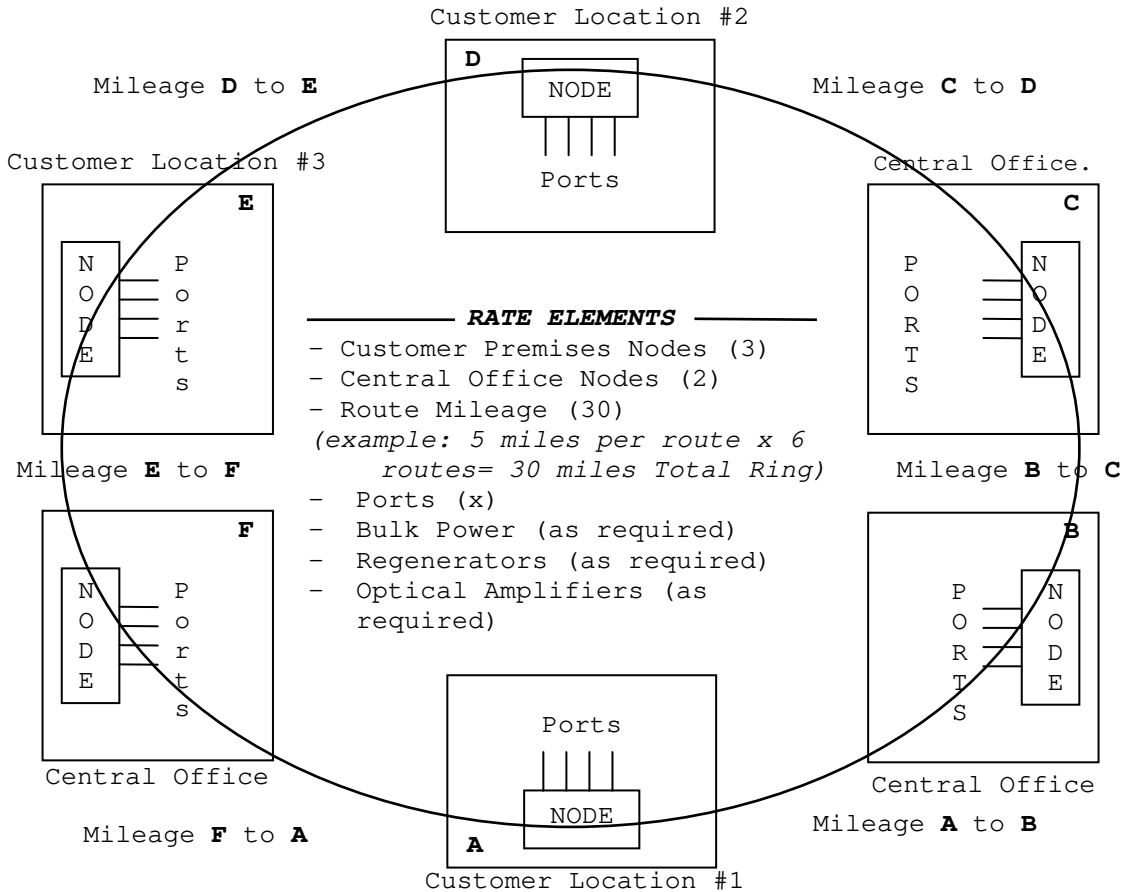
OTHER SERVICES

D12. SPECIAL ACCESS SERVICE

12.2 MULTI-SERVICE OPTICAL NETWORK RING<sup>1</sup> (Cont'd)  
 C. SERVICE CONFIGURATION (Cont'd)

(N)

**Diagram of MON Ring**



NOTE 1: MON Ring Grandfathered effective December 1, 2012. See Limited Offer, preceding. (N)  
 (N)

Continued

OTHER SERVICES

D12. SPECIAL ACCESS SERVICE

12.2 MULTI-SERVICE OPTICAL NETWORK RING<sup>1</sup> (Cont'd) (N)  
C. SERVICE CONFIGURATION (Cont'd)

2. Route Diversity

MON Ring service is configured with diversely routed fiber whenever possible. MON Ring service will be available for protected channels 99.999% of the time and protected channels will switch within 50 milliseconds (not to exceed 2 seconds). Equipment interfaces towards the customer are not protected. Unprotected channels will be lost in the event of a fiber path failure to which the circuit is assigned.

Routing of fiber may be diversified from the customer's property line to their Serving Wire Center or Alternate Wire Center as determined by the Utility where facilities and/or operating conditions permit, to ensure that loop fibers follow separate paths to the Serving Wire Center or Alternate Wire Center. In addition, the Interoffice Facility fiber paths may be diversely routed between Serving Wire Centers or Alternate Wire Centers, where facilities and/or operating conditions permit, to ensure that with any Central Office node, the fibers do not egress and ingress at the same location.

In the cases where the Serving Wire Center or Alternate Wire Center does not have multiple entrance fiber facilities, the section of the fiber from the closest manhole to the Serving Wire Center will be routed through the same duct structure.

Where facilities and/or operating conditions do not exist, Special Construction charges as set forth in Schedule Cal.P.U.C. No. 175-T, Section 15. may apply.

At the customer's request, additional protection to the customer premises nodes may be provided via diverse dual entrance facilities. This request will be considered Special Construction and charges for Special Construction as set forth in Schedule Cal.P.U.C. No. 175-T, Section 15. may apply. Absent this request, diverse fiber will be provided to the closest manhole to the customer property line. The customer or building owner will be responsible for providing conduit from the property line to the building MPOE. The customer determines route and method of protection inside the premises.

In the case where dual entrance facilities are not established at the customer premises, facilities routed through the same duct structure from the property line to the building MPOE location are not considered diverse and route diversity has not been established.

NOTE 1: MON Ring Grandfathered effective December 1, 2012. See Limited Offer, preceding. (N)  
(N)

Continued

OTHER SERVICES

D12. SPECIAL ACCESS SERVICE

12.2 MULTI-SERVICE OPTICAL NETWORK RING<sup>1</sup> (Cont'd) (N)

D. TECHNICAL SPECIFICATIONS

The customer interfaces to the MON Ring Service are as specified in:

| <u>Subject</u>   | <u>Technical Reference</u>                           |
|--|--|
| Ameritech LAN Interconnect Service - Token Ring Interface Specifications | AM TR-NIS-000100                                     |
| Ameritech LAN Interconnect Service - CSMA/CD Interface Specifications    | AM TR-NIS-000104                                     |
| Ameritech OC-3, OC-12, OC-48 and OC-192 Service Interface Specifications | AM-TR-NIS-000111                                     |
| Ameritech Digital Service Transmission Parameters                        | AM-TR-TMO-000101                                     |
| Ameritech Service's Network Channel and Network Channel Interface Codes  | AM-TR-TMO-000080                                     |
| Ameritech Technical Interface Specifications (ESCON™)                    | AM-TR-NIS-000096<br>AM-TR-NIS-000107                 |
| IBM Documentation (ESCON™)   | IBM SA22-7202-XX<br>IBM SA23-0394-XX<br>ANSI X3.T9.3 |
| Fibre Channel<br>(also includes FICON™ and ISC™)                         |  |
| Fast Ethernet  | ANSI/IEEE 802.3                                      |
| GigaBit Ethernet   | IEEE 802.3x and z<br>IEEE 802.3ae                    |
| D1 Video   | ANSI/SMPTE 259M                                      |

The Technical Reference can be obtained from:  
APEX Support Team  
(734) 523-7348

The Telcordia Technologies Research Publication(s) can be obtained from:

Telcordia Technologies  
8 Corporate Place  
Piscataway, New Jersey 08854

NOTE 1: MON Ring Grandfathered effective December 1, 2012. See Limited Offer, preceding. (N)  
(N)

Continued

OTHER SERVICES

D12. SPECIAL ACCESS SERVICE

12.2 MULTI-SERVICE OPTICAL NETWORK RING<sup>1</sup> (Cont'd) (N)

E. SERVICE COMPONENTS

Service Components

Customer Premises Nodes

Provides termination of the service at the customer's premises and presents the various selected ports to the customer.

Central Office Nodes

Provides for the termination for a service at a Utility Serving Wire Center.

Mileage

Provides for the transmission facilities between the Serving Wire Centers of each Node involved on the ring.

Optical Amplifiers

Provides for an optical signal boost if the distance between Nodes exceeds the transmission loss parameters (link loss specific). Engineering considerations may dictate the need for more than one optical amplifier on a circuit route depending upon the circuit configuration. These additions may be service affecting. Optical Amplifiers may be located at a Customer Premises Node, a Central Office Node or at a Utility Serving Wire Center.

Regenerators

Provides for re-timing, re-shaping and regeneration of the signal level if degradation exceeds the dispersion and/or Optical Amplifier noise limits.

Ports

Provides the channel interface at any Node location for each unprotected or protected channel.

Bulk Power

Provides for customer premises Node power which will be required if the customer's power source is AC.

NOTE 1: MON Ring Grandfathered effective December 1, 2012. See Limited Offer, preceding. (N)  
(N)

Continued

OTHER SERVICES

D12. SPECIAL ACCESS SERVICE

12.2 MULTI-SERVICE OPTICAL NETWORK RING<sup>1</sup> (Cont'd) (N)

F. CREDIT ALLOWANCES FOR SERVICE INTERRUPTIONS

A credit allowance will be given for interruptions of Multi-service Optical Network Ring service as set forth in Schedule Cal.P.U.C. No. 175-T, Section 2.4.4.

NOTE 1: MON Ring Grandfathered effective December 1, 2012. See Limited Offer, preceding. (N)  
(N)

Continued

OTHER SERVICES

D12. SPECIAL ACCESS SERVICE

12.2 MULTI-SERVICE OPTICAL NETWORK RING<sup>1</sup> (Cont'd) (N)

G. RATE REGULATIONS

The following rate elements are applicable to Multi-service Optical Network Ring Service:

Recurring Charges:

Customer Premises Nodes<sup>2</sup> - Applies per customer-designated premises, per first shelf and subsequent shelves. (T)

Central Office Nodes<sup>2</sup> - Applies per first shelf and subsequent shelves. (T)

Mileage

Provides for the transmission facilities between the Serving Wire Centers of each Node involved on the ring. Mileage is calculated using the V & H coordinate method described in Schedule Cal.P.U.C. No. 175-T, Section 7.4.6 and the National Exchange Carrier Association (NECA) Tariff FCC 4. A two Node ring configuration has a two mile minimum; one mile from the Serving Wire Center Node to the customer premises Node, and one mile from the customer premises Node to the Serving Wire Center Node. A one mile minimum will be billed between nodes.

Minimum Mileage charges are applicable to Optical Amplifiers or Regenerators that are located in the same SWC as a CO or Premises Node.

Optical Amplifiers

Applied as needed

Regenerators

Provides for re-timing, re-shaping and regeneration of signals if degradation exceeds the dispersion or optical amplifier noise limits.

Provided on a per shelf basis for 2.5 Gigabit Ethernet Port interface and on a per circuit basis, per each location where the circuit is regenerated for 10 Gigabit Ethernet Port interface, as determined by the Utility.

Ports

Applied per Port card per circuit terminating location.

Bulk Power

Applies per first shelf, shelves one through four, and per fifth subsequent shelf, shelves five through eight.

NOTE 1: MON Ring Grandfathered effective December 1, 2012. See Limited Offer, preceding. (N)

NOTE 2: A minimum of 2 Nodes is required on a MON Ring. (T)

Continued



OTHER SERVICES

D12. SPECIAL ACCESS SERVICE

12.2 MULTI-SERVICE OPTICAL NETWORK RING<sup>1</sup> (Cont'd) (N)  
G. RATE REGULATIONS (Cont'd)

The following rate elements are applicable to Multi-service Optical Network Ring Service: (Cont'd)

Nonrecurring charges are applicable as follows:

Administrative Charge - Applies any time a customer initiates an order for service. This charge applies once per service order.

Design and Central Office Connection Charge - Applies to each service installed, modified and removed and is charged once per each circuit riding the MON Ring.

Customer Connection Charge - Applies as follows: 1) Service Establishment Charge for the MON Ring network, applied per Node; 2) Subsequent Installation, applied per each subsequent shelf installed after the MON Ring network is established.

NOTE 1: MON Ring Grandfathered effective December 1, 2012. See Limited Offer, preceding. (N)  
(N)

Continued

OTHER SERVICES

D12. SPECIAL ACCESS SERVICE

12.2 MULTI-SERVICE OPTICAL NETWORK RING<sup>1</sup> (Cont'd) (N)  
G. RATE REGULATIONS (Cont'd)

Term Payment Plans

In addition to other regulations of this tariff, the following terms and conditions apply to Term Payment Plans:

1. Multi-service Optical Network Ring Service (MON Ring) is offered under a Term Payment Plan (TPP). The minimum service period for MON Ring is 36 months. MON Ring Service TPP provides the customer with discounted tariff rates for a 36 or 60-month period.
2. The monthly TPP rates are applicable for the new TPP are those currently in effect for new customers.
3. The customer may choose to terminate an existing TPP before the end of the three or five year plan and negotiate a new TPP. The new TPP term will be based upon the current rates that are in effect and must be of equal or greater duration than the existing TPP. No credit for months under the previous TPP may be transferred to the new TPP.
4. The customer must provide the Utility with a written notice of intent to renew a TPP no later than 90 days prior to its expiration. If a customer chooses to renew a TPP, the monthly rates for the new TPP selected are the current rates in effect for new customers. If the customer elects not to renew the TPP or does not notify the Utility of their intent to renew the TPP, the service will automatically be billed under the Monthly Extension Rates in effect at the time the TPP expires. Monthly Extension Rates are not available to new customers. At a later date, the customer may elect any TPP option currently in effect for new customers.
5. Any special construction charges incurred for service billed under a Term Pricing Plan will be applicable as set forth in Schedule Cal.P.U.C. No. 175-T, Section 15.
6. After the expiration of 25 months of a 36-month TPP term or 42 months of a 60-month TPP term, any MON Ring components added to the existing service configuration provided under that TPP will be billed under the tariffed monthly extension rates.

NOTE 1: MON Ring Grandfathered effective December 1, 2012. See Limited Offer, preceding. (N)  
(N)

Continued

OTHER SERVICES

D12. SPECIAL ACCESS SERVICE

12.2 MULTI-SERVICE OPTICAL NETWORK RING<sup>1</sup> (Cont'd) (N)  
G. RATE REGULATIONS (Cont'd)

Term Payment Plans (Cont'd)

In addition to other regulations of this tariff, the following terms and conditions apply to Term Payment Plans: (Cont'd)

7. If a customer terminates service before the completion of the term for any reason whatsoever other than as a result of renegotiation, the customer agrees to pay the Utility Termination Liability charges, which are defined below. These charges shall become due and owing as of the effective date of the cancellation or termination and be payable within the period set forth in Schedule Cal.P.U.C. No. 175-T, Section 2.4.1, (B) (3) (a). Payment of the Termination Charge does not release the customer from other previous amount owed to the Utility.
8. If during the duration of a TPP, the customer requests the rearrangement or move of a Customer Prem Node, a termination liability charge will apply for those associated rate elements. All other charges associated with rearrangements, as set forth in Schedule Cal.P.U.C. No. 175-T, Section 5.2 will apply.
9. In addition to any special construction liabilities, customer termination liability for cancellation of MON Ring service shall be equal to:
  - All waived and/or unpaid nonrecurring charges, plus;
  - Fifty percent (50%) of all recurring charges for the balance of the customer's term.

For purposes of applying MON Ring Termination Liability charges, Nodes, Ports, Regenerators, Amplifiers and Mileage are all Rate elements making up a MON Ring service and, therefore, subject to Early Termination Charges.

10. If the customer elects not to renew the TPP or does not notify the Utility of their intent to renew the TPP, the customer service will automatically be billed under the tariffed Monthly Extension Rate in effect at the time the TPP expires.

NOTE 1: MON Ring Grandfathered effective December 1, 2012. See Limited Offer, preceding. (N)  
(N)

Continued

OTHER SERVICES

D12. SPECIAL ACCESS SERVICE

12.2 MULTI-SERVICE OPTICAL NETWORK RING<sup>1</sup> (Cont'd) (N)  
G. RATE REGULATIONS (Cont'd)

Service Rearrangements

Rules for Service Rearrangements are set forth in Schedule Cal.P.U.C. No. 175-T, Section 5.2.8, and are applicable to Multi-service Optical Network Ring Service.

Modification of Access Service

Rules and regulations for Modifications to access service as set forth in Schedule Cal.P.U.C. No. 175-T, Section 5. are applicable to MON Ring service.

Ordering Options and Conditions

Rules and regulations for Ordering Options and conditions as set forth in Schedule Cal.P.U.C. No. 175-T, Section 5. are applicable to MON Ring service.

Moves

Moves of Nodes will be considered under the rules for Term Payment Plans and subject to Early Termination Liability as set forth in F. preceding.

Cancellation

Rules and regulations for Cancellation of an Access Order as set forth in Schedule Cal.P.U.C. No. 175-T, Section 5.2.3 are applicable to MON Ring service.

NOTE 1: MON Ring Grandfathered effective December 1, 2012. See Limited Offer, preceding. (N)  
(N)

Continued

OTHER SERVICES

D12. SPECIAL ACCESS SERVICE

12.2 MULTI-SERVICE OPTICAL NETWORK RING<sup>1</sup> (Cont'd)

H. RESERVED

(T)

(D)

(D)

NOTE 1: MON Ring Grandfathered effective December 1, 2012. See Limited Offer, preceding.

Continued

OTHER SERVICES

D12. SPECIAL ACCESS SERVICE

12.2 MULTI-SERVICE OPTICAL NETWORK RING<sup>1</sup> (Cont'd)

H. RESERVED (Cont'd)

(T)

(D)

(D)

NOTE 1: MON Ring Grandfathered effective December 1, 2012. See Limited Offer, preceding.

Continued

OTHER SERVICES

D12. SPECIAL ACCESS SERVICE

12.2 MULTI-SERVICE OPTICAL NETWORK RING<sup>1</sup> (Cont'd)

H. RESERVED (Cont'd)

(T)

(D)

(D)

NOTE 1: MON Ring Grandfathered effective December 1, 2012. See Limited Offer,  
preceding.

(D)

Continued

OTHER SERVICES

D12. SPECIAL ACCESS SERVICE

12.2 MULTI-SERVICE OPTICAL NETWORK RING<sup>1</sup> (Cont'd)

H. RESERVED (Cont'd)

(T)  
(D)

(D)

NOTE 1: MON Ring Grandfathered effective December 1, 2012. See Limited Offer, preceding.

Continued



OTHER SERVICES

D12. SPECIAL ACCESS SERVICE

12.2 MULTI-SERVICE OPTICAL NETWORK RING<sup>1</sup> (Cont'd)

H. RESERVED (Cont'd)

(T)  
(D)

(D)

NOTE 1: MON Ring Grandfathered effective December 1, 2012. See Limited Offer, preceding.

Continued

OTHER SERVICES

D12. SPECIAL ACCESS SERVICE

12.2 MULTI-SERVICE OPTICAL NETWORK RING<sup>1</sup> (Cont'd)

H. RESERVED (Cont'd)

(T)  
(D)

(D)

NOTE 1: MON Ring Grandfathered effective December 1, 2012. See Limited Offer, preceding.

Continued

OTHER SERVICES

D12. SPECIAL ACCESS SERVICE

12.2 MULTI-SERVICE OPTICAL NETWORK RING<sup>1</sup> (Cont'd)

H. RESERVED (Cont'd)

(T)  
(D)

(D)

NOTE 1: MON Ring Grandfathered effective December 1, 2012. See Limited Offer, preceding.

Continued

OTHER SERVICES

D12. SPECIAL ACCESS SERVICE

12.2 MULTI-SERVICE OPTICAL NETWORK RING<sup>1</sup> (Cont'd)

H. RESERVED (Cont'd)

(T)  
(D)

(D)

NOTE 1: MON Ring Grandfathered effective December 1, 2012. See Limited Offer, preceding.

Continued

OTHER SERVICES

D12. SPECIAL ACCESS SERVICE

12.2 MULTI-SERVICE OPTICAL NETWORK RING<sup>1</sup> (Cont'd)

H. RESERVED (Cont'd)

(T)  
(D)

(D)

NOTE 1: MON Ring Grandfathered effective December 1, 2012. See Limited Offer, preceding.

Continued

OTHER SERVICES

D12. SPECIAL ACCESS SERVICE

12.2 MULTI-SERVICE OPTICAL NETWORK RING<sup>1</sup> (Cont'd)

H. RESERVED (Cont'd)

(T)  
(D)

(D)

NOTE 1: MON Ring Grandfathered effective December 1, 2012. See Limited Offer,  
preceding.

(D)  
(D)

Continued

OTHER SERVICES

D12. SPECIAL ACCESS SERVICE

12.2 MULTI-SERVICE OPTICAL NETWORK RING<sup>1</sup> (Cont'd)

H. RESERVED (Cont'd)

(T)  
(D)

(D)

NOTE 1: MON Ring Grandfathered effective December 1, 2012. See Limited Offer,  
preceding.

(D)  
(D)

Continued

OTHER SERVICES

D12. SPECIAL ACCESS SERVICE

12.2 MULTI-SERVICE OPTICAL NETWORK RING<sup>1</sup> (Cont'd)

H. RESERVED (Cont'd)

(T)  
(D)

(D)

NOTE 1: MON Ring Grandfathered effective December 1, 2012. See Limited Offer,  
preceding.

(D)  
(D)

Continued



OTHER SERVICES

D12. SPECIAL ACCESS SERVICE

12.2 MULTI-SERVICE OPTICAL NETWORK RING<sup>1</sup> (Cont'd)

H. RESERVED (Cont'd)

(T)  
(D)

(D)

NOTE 1: MON Ring Grandfathered effective December 1, 2012. See Limited Offer, preceding.

(D)  
(D)  
(D)

Continued

OTHER SERVICES

D12. SPECIAL ACCESS SERVICE

12.2 MULTI-SERVICE OPTICAL NETWORK RING<sup>1</sup> (Cont'd)

H. RESERVED (Cont'd)

(T)  
(D)

(D)

NOTE 1: MON Ring Grandfathered effective December 1, 2012. See Limited Offer,  
preceding.

(D)  
(D)

Continued

OTHER SERVICES

D12. SPECIAL ACCESS SERVICE

12.2 MULTI-SERVICE OPTICAL NETWORK RING<sup>1</sup> (Cont'd)

H. RESERVED (Cont'd)

(T)

(D)

(D)

NOTE 1: MON Ring Grandfathered effective December 1, 2012. See Limited Offer, preceding.

(D)

(D)

Continued

OTHER SERVICES

D12. SPECIAL ACCESS SERVICE

12.2 MULTI-SERVICE OPTICAL NETWORK RING<sup>1</sup> (Cont'd)

H. RESERVED (Cont'd)

(T)

(D)

(D)

NOTE 1: MON Ring Grandfathered effective December 1, 2012. See Limited Offer, preceding.

(D)

(D)

Continued

OTHER SERVICES

D12. SPECIAL ACCESS SERVICE

12.2 MULTI-SERVICE OPTICAL NETWORK RING<sup>1</sup> (Cont'd)

H. RESERVED (Cont'd)

(T)  
(D)

(D)

NOTE 1: MON Ring Grandfathered effective December 1, 2012. See Limited Offer, preceding.

(D)  
(D)  
(D)

Continued

OTHER SERVICES

D12. SPECIAL ACCESS SERVICE

12.2 MULTI-SERVICE OPTICAL NETWORK RING<sup>1</sup> (Cont'd)

H. RESERVED (Cont'd)

(T)

(D)

(D)

NOTE 1: MON Ring Grandfathered effective December 1, 2012. See Limited Offer,  
preceding.

(D)

(D)

Continued

OTHER SERVICES

D12. SPECIAL ACCESS SERVICE

12.2 MULTI-SERVICE OPTICAL NETWORK RING<sup>1</sup> (Cont'd)

H. RESERVED (Cont'd)

(T)  
(D)

(D)

NOTE 1: MON Ring Grandfathered effective December 1, 2012. See Limited Offer,  
preceding.

(D)  
(D)  
(D)

Continued

OTHER SERVICES

D12. SPECIAL ACCESS SERVICE

12.2 MULTI-SERVICE OPTICAL NETWORK RING<sup>1</sup> (Cont'd)

H. RESERVED (Cont'd)

(T)  
(D)

(D)

NOTE 1: MON Ring Grandfathered effective December 1, 2012. See Limited Offer,  
preceding.

(D)  
(D)  
(D)

Continued



OTHER SERVICES

D12. SPECIAL ACCESS SERVICE

12.2 MULTI-SERVICE OPTICAL NETWORK RING<sup>1</sup> (Cont'd)

H. RESERVED (Cont'd)

(T)

(D)

(D)

NOTE 1: MON Ring Grandfathered effective December 1, 2012. See Limited Offer,  
preceding.

(D)

Continued

OTHER SERVICES

D12. SPECIAL ACCESS SERVICE

12.2 MULTI-SERVICE OPTICAL NETWORK RING<sup>1</sup> (Cont'd)

H. RESERVED (Cont'd)

(T)

(D)

(D)

NOTE 1: MON Ring Grandfathered effective December 1, 2012. See Limited Offer, preceding.

(D)

(D)

(D)

Continued

OTHER SERVICES

D12. SPECIAL ACCESS SERVICE

12.2 MULTI-SERVICE OPTICAL NETWORK RING<sup>1</sup> (Cont'd)

I. RATES AND CHARGES (T)

1. MON Transport System (D)

|                           | <u>USOC<br/>CRIS/CABS</u> | <u>Monthly<br/>Rate</u> |
|---------------------------|---------------------------|-------------------------|
| a. Customer Premises Node |                           |                         |
| - includes first shelf    |                           |                         |
| 36 month                  | F2ND/F2ND1                | \$ 7,800.00             |
| 60 month                  | F2ND/F2ND1                | 6,240.00                |
| Monthly Extension         | F2ND/F2ND1                | 10,920.00               |
| - per subsequent shelf    |                           |                         |
| 36 month                  | F2NDS/F2NDS               | 5,850.00                |
| 60 month                  | F2NDS/F2NDS               | 4,680.00                |
| Monthly Extension         | F2NDS/F2NDS               | 8,190.00                |
| b. Central Office Node    |                           |                         |
| - includes first shelf    |                           |                         |
| 36 month                  | F2NC1/F2NC1               | 7,800.00                |
| 60 month                  | F2NC1/F2NC1               | 6,240.00                |
| Monthly Extension         | F2NC1/F2NC1               | 10,920.00               |
| - per subsequent shelf    |                           |                         |
| 36 month                  | F2NCS/F2NCS               | 5,850.00                |
| 60 month                  | F2NCS/F2NCS               | 4,680.00                |
| Monthly Extension         | F2NCS/F2NCS               | 8,190.00                |

NOTE 1: MON Ring Grandfathered effective December 1, 2012. See Limited Offer, preceding.

Continued

OTHER SERVICES

D12. SPECIAL ACCESS SERVICE

12.2 MULTI-SERVICE OPTICAL NETWORK RING<sup>1</sup> (Cont'd)

I. RATES AND CHARGES (Cont'd) (T)

1. MON Transport System (Cont'd)

|                   | <u>USOC</u><br><u>CRIS/CABS</u> | <u>Monthly</u><br><u>Rate</u> | (D) |
|-------------------|---------------------------------|-------------------------------|-----|
| c. Mileage        |                                 |                               |     |
| - per mile        |                                 |                               |     |
| 36 month          |                                 |                               |     |
| 0 miles           | NA/NA                           | NA                            |     |
| Over 0 miles      | 1L5X3/1LAZX                     | \$325.00                      |     |
| 60 month          |                                 |                               |     |
| 0 miles           | NA/NA                           | NA                            |     |
| Over 0 miles      | 1L5X5/1LAZX                     | \$260.00                      |     |
| Monthly Extension |                                 |                               |     |
| 0 miles           | NA/NA                           | NA                            |     |
| Over 0 miles      | 1L5XS/1LAZX                     | \$455.00                      |     |

NOTE 1: MON Ring Grandfathered effective December 1, 2012. See Limited Offer, preceding.

Continued

OTHER SERVICES

D12. SPECIAL ACCESS SERVICE

12.2 MULTI-SERVICE OPTICAL NETWORK RING<sup>1</sup> (Cont'd)

I. RATES AND CHARGES (Cont'd) (T)

1. MON Transport System (Cont'd)

|   | <u>USOC</u><br><u>CRIS/CABS</u> | <u>Monthly</u><br><u>Rate</u> | (D) |
|---|---------------------------------|-------------------------------|-----|
| d. Optical Amplifier - C Band             |                                 |                               |     |
| - as required, per location               |                                 |                               |     |
| 36 month                                  | 67QXX/67QXX                     | \$ 5,400.00                   |     |
| 60 month                                  | 67QXX/67QXX                     | 3,600.00                      |     |
| Monthly Extension                         | 67QXX/67QXX                     | 7,600.00                      |     |
| Optical Amplifier - L Band <sup>2</sup>   |                                 |                               |     |
| - as required, per location               |                                 |                               |     |
| 36 month                                  | 67QXX/67QXX                     | 5,400.00                      |     |
| 60 month                                  | 67QXX/67QXX                     | 3,600.00                      |     |
| Monthly Extension                         | 67QXX/67QXX                     | 7,600.00                      |     |
| e. Regenerator                            |                                 |                               |     |
| - as required, up to 2.5 Gbps, per shelf  |                                 |                               |     |
| 36 month                                  | V8RXX/V8RXX                     | 7,500.00                      |     |
| 60 month                                  | V8RXX/V8RXX                     | 5,000.00                      |     |
| Monthly Extension                         | V8RXX/V8RXX                     | 10,500.00                     |     |
| - as required, up to 10 Gbps, per circuit |                                 |                               |     |
| 36 month                                  | V8R2C/V8R2C                     | 15,000.00                     |     |
| 60 month                                  | V8R2C/V8R2C                     | 10,000.00                     |     |
| Monthly Extension                         | V8R2C/V8R2C                     | 21,000.00                     |     |

NOTE 1: MON Ring Grandfathered effective December 1, 2012. See Limited Offer, preceding.

NOTE 2: Applicable where facilities and equipment permit.

Continued

OTHER SERVICES

D12. SPECIAL ACCESS SERVICE

12.2 MULTI-SERVICE OPTICAL NETWORK RING<sup>1</sup> (Cont'd)

I. RATES AND CHARGES (Cont'd) (T)

1. MON Transport System (Cont'd) (D)

|  | <u>USOC<br/>CRIS/CABS</u> | <u>Monthly<br/>Rate</u> |
|--|---------------------------|-------------------------|
| f. Bulk Power  |                           |                         |
| - includes first shelf (shelves 1-4)                             |                           |                         |
| 36 month   | CBVDX/CBVDX               | \$2,000.00              |
| 60 month   | CBVDX/CBVDX               | 1,600.00                |
| Monthly Extension  | CBVDX/CBVDX               | 2,600.00                |
| - per subsequent shelf, per fifth subsequent shelf (shelves 5-8) |                           |                         |
| 36 month   | CBVDS/CBVDS               | 1,600.00                |
| 60 month   | CBVDS/CBVDS               | 1,300.00                |
| Monthly Extension  | CBVDS/CBVDS               | 2,100.00                |
| 2. Ports   |                           |                         |
| - per port/per circuit terminating location                      |                           |                         |
| a. ETR/CLO™  |                           |                         |
| - unprotected channel  |                           |                         |
| 36 month   | POYKW/POYKW               | 975.00                  |
| 60 month   | POYKW/POYKW               | 750.00                  |
| Monthly Extension  | POYKW/POYKW               | 1,400.00                |

NOTE 1: MON Ring Grandfathered effective December 1, 2012. See Limited Offer, preceding.

Continued

OTHER SERVICES

D12. SPECIAL ACCESS SERVICE

12.2 MULTI-SERVICE OPTICAL NETWORK RING<sup>1</sup> (Cont'd)

I. RATES AND CHARGES (Cont'd)

(T)

(D)

|  | <u>USOC<br/>CRIS/CABS</u> | <u>Monthly<br/>Rate</u> |
|--|---------------------------|-------------------------|
| 2. Ports (Cont'd)                                    |                           |                         |
| - per port/per circuit terminating location (Cont'd) |                           |                         |
| b. FICON™ (1.0625 Gbps)                              |                           |                         |
| - unprotected channel                                |                           |                         |
| 36 month   | POYMW/POYMW               | \$ 975.00               |
| 60 month   | POYMW/POYMW               | 750.00                  |
| Monthly Extension                                    | POYMW/POYMW               | 1,400.00                |
| - protected channel                                  |                           |                         |
| 36 month   | POYMP/POYMP               | 1,950.00                |
| 60 month   | POYMP/POYMP               | 1,500.00                |
| Monthly Extension                                    | POYMP/POYMP               | 2,800.00                |
| c. FICON™ (2.125 Gbps)                               |                           |                         |
| - unprotected channel                                |                           |                         |
| 36 month   | POYWW/POYWW               | 1,700.00                |
| 60 month   | POYWW/POYWW               | 1,300.00                |
| Monthly Extension                                    | POYWW/POYWW               | 2,400.00                |
| - protected channel                                  |                           |                         |
| 36 month   | POYWP/POYWP               | 3,400.00                |
| 60 month   | POYWP/POYWP               | 2,600.00                |
| Monthly Extension                                    | POYWP/POYWP               | 4,800.00                |

NOTE 1: MON Ring Grandfathered effective December 1, 2012. See Limited Offer, preceding.

Continued

OTHER SERVICES

D12. SPECIAL ACCESS SERVICE

12.2 MULTI-SERVICE OPTICAL NETWORK RING<sup>1</sup> (Cont'd)

I. RATES AND CHARGES (Cont'd)

(T)

(D)

|  | <u>USOC<br/>CRIS/CABS</u> | <u>Monthly<br/>Rate</u> |
|--|---------------------------|-------------------------|
| 2. Ports (Cont'd)                                    |                           |                         |
| - per port/per circuit terminating location (Cont'd) |                           |                         |
| d. ISC-1™  |                           |                         |
| - unprotected channel                                |                           |                         |
| 36 month   | POYJW/POYJW               | \$1,800.00              |
| 60 month   | POYJW/POYJW               | 1,250.00                |
| Monthly Extension                                    | POYJW/POYJW               | 2,500.00                |
| - protected channel                                  |                           |                         |
| 36 month   | POYJP/POYJP               | 3,600.00                |
| 60 month   | POYJP/POYJP               | 2,500.00                |
| Monthly Extension                                    | POYJP/POYJP               | 5,000.00                |
| e. ISC-3™  |                           |                         |
| - unprotected channel                                |                           |                         |
| 36 month   | POY9W/POY9W               | \$ 3,750.00             |
| 60 month   | POY9W/POY9W               | 2,500.00                |
| Monthly Extension                                    | POY9W/POY9W               | 5,000.00                |
| - protected channel                                  |                           |                         |
| 36 month   | POY9P/POY9P               | 7,500.00                |
| 60 month   | POY9P/POY9P               | 5,000.00                |
| Monthly Extension                                    | POY9P/POY9P               | 10,000.00               |

NOTE 1: MON Ring Grandfathered effective December 1, 2012. See Limited Offer, preceding.

Continued



OTHER SERVICES

D12. SPECIAL ACCESS SERVICE

12.2 MULTI-SERVICE OPTICAL NETWORK RING<sup>1</sup> (Cont'd)

I. RATES AND CHARGES (Cont'd) (T)

(D)

| 2. Ports (Cont'd)                                    | <u>USOC<br/>CRIS/CABS</u> | <u>Monthly<br/>Rate</u> |
|--|---------------------------|-------------------------|
| - per port/per circuit terminating location (Cont'd) |                           |                         |
| f. Fibre Channel (1.0625 Gbps)                       |                           |                         |
| - unprotected channel                                |                           |                         |
| 36 month   | POYNW/POYNW               | \$1,200.00              |
| 60 month   | POYNW/POYNW               | 900.00                  |
| Monthly Extension                                    | POYNW/POYNW               | 1,700.00                |
| - protected channel                                  |                           |                         |
| 36 month   | POYNP/POYNP               | 2,400.00                |
| 60 month   | POYNP/POYNP               | 1,800.00                |
| Monthly Extension                                    | POYNP/POYNP               | 3,400.00                |
| g. Fibre Channel (2.125 Gbps)                        |                           |                         |
| - unprotected channel                                |                           |                         |
| 36 month   | POYYW/POYYW               | 1,700.00                |
| 60 month   | POYYW/POYYW               | 1,300.00                |
| Monthly Extension                                    | POYYW/POYYW               | 2,400.00                |
| - protected channel                                  |                           |                         |
| 36 month   | POYYP/POYYP               | 3,400.00                |
| 60 month   | POYYP/POYYP               | 2,600.00                |
| Monthly Extension                                    | POYYP/POYYP               | 4,800.00                |

NOTE 1: MON Ring Grandfathered effective December 1, 2012. See Limited Offer, preceding.

Continued

OTHER SERVICES

D12. SPECIAL ACCESS SERVICE

12.2 MULTI-SERVICE OPTICAL NETWORK RING<sup>1</sup> (Cont'd)

I. RATES AND CHARGES (Cont'd)

(T)

(D)

|  | <u>USOC<br/>CRIS/CABS</u> | <u>Monthly<br/>Rate</u> |
|--|---------------------------|-------------------------|
| 2. Ports (Cont'd)                                    |                           |                         |
| - per port/per circuit terminating location (Cont'd) |                           |                         |
| h. Gigabit Ethernet                                  |                           |                         |
| - unprotected channel                                |                           |                         |
| 36 month   | POYLW/POYLW               | \$ 1,200.00             |
| 60 month   | POYLW/POYLW               | 900.00                  |
| Monthly Extension                                    | POYLW/POYLW               | 1,700.00                |
| - protected channel                                  |                           |                         |
| 36 month   | POYLP/POYLP               | 2,400.00                |
| 60 month   | POYLP/POYLP               | 1,800.00                |
| Monthly Extension                                    | POYLP/POYLP               | 3,400.00                |
| i. 10 (Ten) Gigabit Ethernet (WAN PHY)               |                           |                         |
| - unprotected channel                                |                           |                         |
| 36 month   | POYTW/POYTW               | 15,000.00               |
| 60 month   | POYTW/POYTW               | 12,500.00               |
| Monthly Extension                                    | POYTW/POYTW               | 21,000.00               |
| - protected channel                                  |                           |                         |
| 36 month   | POYTP/POYTP               | 20,000.00               |
| 60 month   | POYTP/POYTP               | 16,700.00               |
| Monthly Extension                                    | POYTP/POYTP               | 28,000.00               |

NOTE 1: MON Ring Grandfathered effective December 1, 2012. See Limited Offer, preceding.

Continued

OTHER SERVICES

D12. SPECIAL ACCESS SERVICE

12.2 MULTI-SERVICE OPTICAL NETWORK RING<sup>1</sup> (Cont'd)

I. RATES AND CHARGES (Cont'd)

(T)

(D)

|  | <u>USOC<br/>CRIS/CABS</u> | <u>Monthly<br/>Rate</u> |
|--|---------------------------|-------------------------|
| 2. Ports (Cont'd)                                    |                           |                         |
| - per port/per circuit terminating location (Cont'd) |                           |                         |
| j. SONET OC-12/OC-12c                                |                           |                         |
| - unprotected channel                                |                           |                         |
| 36 month   | POYFW/POYFW               | \$1,300.00              |
| 60 month   | POYFW/POYFW               | 1,000.00                |
| Monthly Extension                                    | POYFW/POYFW               | 1,900.00                |
| - protected channel                                  |                           |                         |
| 36 month   | POYFP/POYFP               | 2,600.00                |
| 60 month   | POYFP/POYFP               | 2,000.00                |
| Monthly Extension                                    | POYFP/POYFP               | 3,700.00                |
| k. SONET OC-48/OC-48c                                |                           |                         |
| - unprotected channel                                |                           |                         |
| 36 month   | POYGW/POYGW               | 4,400.00                |
| 60 month   | POYGW/POYGW               | 3,700.00                |
| Monthly Extension                                    | POYGW/POYGW               | 6,000.00                |
| - protected channel                                  |                           |                         |
| 36 month   | POYGP/POYGP               | 6,600.00                |
| 60 month   | POYGP/POYGP               | 5,560.00                |
| Monthly Extension                                    | POYGP/POYGP               | 9,000.00                |

NOTE 1: MON Ring Grandfathered effective December 1, 2012. See Limited Offer, preceding.

Continued

OTHER SERVICES

D12. SPECIAL ACCESS SERVICE

12.2 MULTI-SERVICE OPTICAL NETWORK RING<sup>1</sup> (Cont'd)

I. RATES AND CHARGES (Cont'd)

(T)  
 (D)

|  | <u>USOC<br/>CRIS/CABS</u> | <u>Monthly<br/>Rate</u> |
|--|---------------------------|-------------------------|
| 2. Ports (Cont'd)                                    |                           |                         |
| - per port/per circuit terminating location (Cont'd) |                           |                         |
| 1. SONET OC-192/OC-192c                              |                           |                         |
| - unprotected channel                                |                           |                         |
| 36 month   | POYOW/POYOW               | \$15,000.00             |
| 60 month   | POYOW/POYOW               | 12,500.00               |
| Monthly Extension                                    | POYOW/POYOW               | 21,000.00               |
| - protected channel                                  |                           |                         |
| 36 month   | POYOP/POYOP               | 20,000.00               |
| 60 month   | POYOP/POYOP               | 16,700.00               |
| Monthly Extension                                    | POYOP/POYOP               | 28,000.00               |
| m. 10 Gigabit Ethernet (LAN-PHY)                     |                           |                         |
| - unprotected channel                                |                           |                         |
| 36 month   | POYUW/POYUW               | 15,375.00               |
| 60 month   | POYUW/POYUW               | 12,815.00               |
| Monthly Extension                                    | POYUW/POYUW               | 21,525.00               |
| - protected channel                                  |                           |                         |
| 36 month   | POYUP/POYUP               | 20,500.00               |
| 60 month   | POYUP/POYUP               | 17,120.00               |
| Monthly Extension                                    | POYUP/POYUP               | 28,700.00               |
| n. DVB ASI <sup>2</sup>                              |                           |                         |
| - unprotected channel                                |                           |                         |
| 36 month   | POY8W/POY8W               | 2,100.00                |
| 60 month   | POY8W/POY8W               | 1,650.00                |
| Monthly Extension                                    | POY8W/POY8W               | 3,075.00                |
| - protected channel                                  |                           |                         |
| 36 month   | POY8P/POY8P               | 4,200.00                |
| 60 month   | POY8P/POY8P               | 3,300.00                |
| Monthly Extension                                    | POY8P/POY8P               | 5,775.00                |

NOTE 1: MON Ring Grandfathered effective December 1, 2012. See Limited Offer, preceding.

NOTE 2: Available where facilities and equipment permit beginning November 30, 2005.

Continued

OTHER SERVICES

D12. SPECIAL ACCESS SERVICE

12.2 MULTI-SERVICE OPTICAL NETWORK RING<sup>1</sup> (Cont'd)

I. RATES AND CHARGES (Cont'd) (T)

|  | <u>USOC<br/>CRIS/CABS</u> | <u>Monthly<br/>Rate</u> | (D) |
|--|---------------------------|-------------------------|-----|
| 2. Ports (Cont'd)                                    |                           |                         |     |
| - per port/per circuit terminating location (Cont'd) |                           |                         |     |
| o. ESCON <sup>TM</sup> 1                             |                           |                         |     |
| - unprotected channel                                |                           |                         |     |
| 36 month   | PWY1W/PWY1W               | \$1,300.00              |     |
| 60 month   | PWY1W/PWY1W               | 1,000.00                |     |
| Monthly Extension                                    | PWY1W/PWY1W               | 1,900.00                |     |
| - protected channel                                  |                           |                         |     |
| 36 month   | PWY1P/PWY1P               | 2,600.00                |     |
| 60 month   | PWY1P/PWY1P               | 2,000.00                |     |
| Monthly Extension                                    | PWY1P/PWY1P               | 3,700.00                |     |
| p. Fast Ethernet <sup>2</sup>                        |                           |                         |     |
| - unprotected channel                                |                           |                         |     |
| 36 month   | PWY2W/PWY2W               | \$1,300.00              |     |
| 60 month   | PWY2W/PWY2W               | 1,000.00                |     |
| Monthly Extension                                    | PWY2W/PWY2W               | 1,900.00                |     |
| - protected channel                                  |                           |                         |     |
| 36 month   | PWY2P/PWY2P               | 2,600.00                |     |
| 60 month   | PWY2P/PWY2P               | 2,000.00                |     |
| Monthly Extension                                    | PWY2P/PWY2P               | 3,700.00                |     |

NOTE 1: MON Ring Grandfathered effective December 1, 2012. See Limited Offer, preceding.

NOTE 2: Available where facilities and equipment permit.

Continued

OTHER SERVICES

D12. SPECIAL ACCESS SERVICE

12.2 MULTI-SERVICE OPTICAL NETWORK RING<sup>1</sup> (Cont'd)

I. RATES AND CHARGES (Cont'd)

(T)

(D)

|  | <u>USOC<br/>CRIS/CABS</u> | <u>Monthly<br/>Rate</u> |
|--|---------------------------|-------------------------|
| 2. Ports (Cont'd)                                    |                           |                         |
| - per port/per circuit terminating location (Cont'd) |                           |                         |
| q. D1 Video  |                           |                         |
| - unprotected channel                                |                           |                         |
| 36 month   | PWY3W/PWY3W               | \$1,300.00              |
| 60 month   | PWY3W/PWY3W               | 1,000.00                |
| Monthly Extension                                    | PWY3W/PWY3W               | 1,900.00                |
| - protected channel                                  |                           |                         |
| 36 month   | PWY3P/PWY3P               | 2,600.00                |
| 60 month   | PWY3P/PWY3P               | 2,000.00                |
| Monthly Extension                                    | PWY3P/PWY3P               | 3,700.00                |
| r. SONET OC-3/OC-3c <sup>2</sup>                     |                           |                         |
| - unprotected channel                                |                           |                         |
| 36 month   | PWY4W/PWY4W               | \$1,300.00              |
| 60 month   | PWY4W/PWY4W               | 1,000.00                |
| Monthly Extension                                    | PWY4W/PWY4W               | 1,900.00                |
| - protected channel                                  |                           |                         |
| 36 month   | PWY4P/PWY4P               | 2,600.00                |
| 60 month   | PWY4P/PWY4P               | 2,000.00                |
| Monthly Extension                                    | PWY4P/PWY4P               | 3,700.00                |

NOTE 1: MON Ring Grandfathered effective December 1, 2012. See Limited Offer, preceding.

NOTE 2: Available where facilities and equipment permit.

Continued

OTHER SERVICES

D12. SPECIAL ACCESS SERVICE

12.2 MULTI-SERVICE OPTICAL NETWORK RING<sup>1</sup> (Cont'd)

I. RATES AND CHARGES (Cont'd)

(T)

(D)

|  | <u>USOC<br/>CRIS/CABS</u> | <u>Monthly<br/>Rate</u> |
|--|---------------------------|-------------------------|
| 2. Ports (Cont'd)                                    |                           |                         |
| - per port/per circuit terminating location (Cont'd) |                           |                         |
| s. Sub-Rate System                                   |                           |                         |
| (1) Sub-Rate System <sup>4</sup>                     |                           |                         |
| - unprotected channel                                |                           |                         |
| 36 month   | POYSW/POYSW               | \$1,300.00              |
| 60 month   | POYSW/POYSW               | 1,000.00                |
| Monthly Extension                                    | POYSW/POYSW               | 1,900.00                |
| - protected channel                                  |                           |                         |
| 36 month   | POYSP/POYSP               | 2,600.00                |
| 60 month   | POYSP/POYSP               | 2,000.00                |
| Monthly Extension                                    | POYSP/POYSP               | 3,700.00                |
| (2) ESCON™ Riding Circuit <sup>2,3,4</sup>           |                           |                         |
| - unprotected channel                                |                           |                         |
| 36 month   | POYHW/POYHW               | 100.00                  |
| 60 month   | POYHW/POYHW               | 100.00                  |
| Monthly Extension                                    | POYHW/POYHW               | 150.00                  |
| - protected channel                                  |                           |                         |
| 36 month   | POYHP/POYHP               | 100.00                  |
| 60 month   | POYHP/POYHP               | 100.00                  |
| Monthly Extension                                    | POYHP/POYHP               | 150.00                  |

NOTE 1: MON Ring Grandfathered effective December 1, 2012. See Limited Offer, preceding.

NOTE 2: Only available with Sub-Rate System.

NOTE 3: Also available with ESCON Sub-Rate System 8:1.

NOTE 4: Applicable where facilities and equipment permit.

Continued

OTHER SERVICES

D12. SPECIAL ACCESS SERVICE

12.2 MULTI-SERVICE OPTICAL NETWORK RING<sup>1</sup> (Cont'd)

I. RATES AND CHARGES (Cont'd) (T)

(D)

|  | <u>USOC<br/>CRIS/CABS</u> | <u>Monthly<br/>Rate</u> |
|--|---------------------------|-------------------------|
| 2. Ports (Cont'd)                                    |                           |                         |
| - per port/per circuit terminating location (Cont'd) |                           |                         |
| s. Sub-Rate System (Cont'd)                          |                           |                         |
| (3) Fast Ethernet Riding Circuit <sup>2,3</sup>      |                           |                         |
| - unprotected channel                                |                           |                         |
| 36 month   | POYCW/POYCW               | \$325.00                |
| 60 month   | POYCW/POYCW               | 250.00                  |
| Monthly Extension                                    | POYCW/POYCW               | 400.00                  |
| - protected channel                                  |                           |                         |
| 36 month   | POYCP/POYCP               | 500.00                  |
| 60 month   | POYCP/POYCP               | 400.00                  |
| Monthly Extension                                    | POYCP/POYCP               | 650.00                  |
| (4) D1 Video Riding Circuit <sup>2,3</sup>           |                           |                         |
| - unprotected channel                                |                           |                         |
| 36 month   | POYVW/POYVW               | 100.00                  |
| 60 month   | POYVW/POYVW               | 100.00                  |
| Monthly Extension                                    | POYVW/POYVW               | 150.00                  |
| - protected channel                                  |                           |                         |
| 36 month   | POYVP/POYVP               | 100.00                  |
| 60 month   | POYVP/POYVP               | 100.00                  |
| Monthly Extension                                    | POYVP/POYVP               | 150.00                  |

NOTE 1: MON Ring Grandfathered effective December 1, 2012. See Limited Offer, preceding.

NOTE 2: Only available with Sub-Rate System.

NOTE 3: Offered as Riding Circuit where facilities and equipment permit.

Continued



OTHER SERVICES

D12. SPECIAL ACCESS SERVICE

12.2 MULTI-SERVICE OPTICAL NETWORK RING<sup>1</sup> (Cont'd)

I. RATES AND CHARGES (Cont'd) (T)

(D)

|  | <u>USOC<br/>CRIS/CABS</u> | <u>Monthly<br/>Rate</u> |
|--|---------------------------|-------------------------|
| 2. Ports (Cont'd)                                    |                           |                         |
| - per port/per circuit terminating location (Cont'd) |                           |                         |
| s. Sub-Rate System (Cont'd)                          |                           |                         |
| (5) SONET OC-3/OC-3c Riding Circuit <sup>2,3</sup>   |                           |                         |
| - unprotected channel                                |                           |                         |
| 36 month   | POYEW/POYEW               | \$100.00                |
| 60 month   | POYEW/POYEW               | 100.00                  |
| Monthly Extension                                    | POYEW/POYEW               | 150.00                  |
| - protected channel                                  |                           |                         |
| 36 month   | POYEP/POYEP               | 100.00                  |
| 60 month   | POYEP/POYEP               | 100.00                  |
| Monthly Extension                                    | POYEP/POYEP               | 150.00                  |

NOTE 1: MON Ring Grandfathered effective December 1, 2012. See Limited Offer, preceding.

NOTE 2: Only available with Sub-Rate System.

NOTE 3: Offered as Riding Circuit where facilities and equipment permit.

Continued

OTHER SERVICES

D12. SPECIAL ACCESS SERVICE

12.2 MULTI-SERVICE OPTICAL NETWORK RING<sup>1</sup> (Cont'd)

I. RATES AND CHARGES (Cont'd) (T)

(D)

|  | <u>USOC<br/>CRIS/CABS</u> | <u>Monthly<br/>Rate</u> |
|--|---------------------------|-------------------------|
| 2. Ports (Cont'd)                                    |                           |                         |
| - per port/per circuit terminating location (Cont'd) |                           |                         |
| s. Sub-Rate System (Cont'd)                          |                           |                         |
| (6) ESCON™ Sub-Rate System (8:1) <sup>2,3</sup>      |                           |                         |
| - unprotected channel                                |                           |                         |
| 36 month   | POY2W/POY2W               | \$1,500.00              |
| 60 month   | POY2W/POY2W               | 1,125.00                |
| Monthly Extension                                    | POY2W/POY2W               | 1,950.00                |
| - protected channel                                  |                           |                         |
| 36 month   | POY2P/POY2P               | 3,000.00                |
| 60 month   | POY2P/POY2P               | 2,250.00                |
| Monthly Extension                                    | POY2P/POY2P               | 3,900.00                |

NOTE 1: MON Ring Grandfathered effective December 1, 2012. See Limited Offer, preceding.

NOTE 2: Only available with Sub-Rate System.

NOTE 3: Applicable where facilities and equipment permit.

Continued

OTHER SERVICES

D12. SPECIAL ACCESS SERVICE

12.2 MULTI-SERVICE OPTICAL NETWORK RING<sup>1</sup> (Cont'd)

I. RATES AND CHARGES (Cont'd) (T)

(D)

| 2. Ports (Cont'd) | <u>USOC<br/>CRIS/CABS</u> | <u>Monthly<br/>Rate</u> |
|-------------------|---------------------------|-------------------------|
|-------------------|---------------------------|-------------------------|

- per port/per circuit terminating location (Cont'd)

s. Sub-Rate System (Cont'd)

(7) Gigabit Ethernet/Fibre Channel/FICON™ Sub-Rate System (2:1)

- unprotected channel

|                   |             |           |
|-------------------|-------------|-----------|
| 36 month          | POY1W/POY1W | \$ 875.00 |
| 60 month          | POY1W/POY1W | 700.00    |
| Monthly Extension | POY1W/POY1W | 1,140.00  |

- protected channel

|                   |             |          |
|-------------------|-------------|----------|
| 36 month          | POY1P/POY1P | 1,750.00 |
| 60 month          | POY1P/POY1P | 1,400.00 |
| Monthly Extension | POY1P/POY1P | 2,280.00 |

(a) Gigabit Ethernet Riding Circuit<sup>2</sup>

- unprotected channel

|                   |             |        |
|-------------------|-------------|--------|
| 36 month          | POY4W/POY4W | 500.00 |
| 60 month          | POY4W/POY4W | 400.00 |
| Monthly Extension | POY4W/POY4W | 650.00 |

- protected channel

|                   |             |          |
|-------------------|-------------|----------|
| 36 month          | POY4P/POY4P | 1,000.00 |
| 60 month          | POY4P/POY4P | 800.00   |
| Monthly Extension | POY4P/POY4P | 1,300.00 |

(b) Fibre Channel Riding Circuit<sup>2</sup> (for 1.0625 Gbps only)

- unprotected channel

|                   |             |        |
|-------------------|-------------|--------|
| 36 month          | POY6W/POY6W | 500.00 |
| 60 month          | POY6W/POY6W | 400.00 |
| Monthly Extension | POY6W/POY6W | 650.00 |

- protected channel

|                   |             |          |
|-------------------|-------------|----------|
| 36 month          | POY6P/POY6P | 1,000.00 |
| 60 month          | POY6P/POY6P | 800.00   |
| Monthly Extension | POY6P/POY6P | 1,300.00 |

NOTE 1: MON Ring Grandfathered effective December 1, 2012. See Limited Offer, preceding.

NOTE 2: Gigabit Ethernet and Fibre Channel Riding Services only available when ordered with Gigabit Ethernet/Fibre Channel/FICON™ Sub-Rate System as set forth in B.7. preceding.

Continued

OTHER SERVICES

D12. SPECIAL ACCESS SERVICE

12.2 MULTI-SERVICE OPTICAL NETWORK RING<sup>1</sup> (Cont'd)

I. RATES AND CHARGES (Cont'd) (T)

(D)

|  | <u>USOC</u><br><u>CRIS/CABS</u> | <u>Monthly</u><br><u>Rate</u> |
|--|---------------------------------|-------------------------------|
| 2. Ports (Cont'd)  |                                 |                               |
| - per port/per circuit terminating location (Cont'd)                     |                                 |                               |
| s. Sub-Rate System (Cont'd)  |                                 |                               |
| (7) Gigabit Ethernet/Fibre Channel/FICON™ Sub-Rate System (2:1) (Cont'd) |                                 |                               |
| (c) FICON™ Riding Circuit <sup>2</sup> (for 1.0625 Gbps only)            |                                 |                               |
| - unprotected channel  |                                 |                               |
| 36 month   | POY7W/POY7W                     | \$ 400.00                     |
| 60 month   | POY7W/POY7W                     | 320.00                        |
| Monthly Extension  | POY7W/POY7W                     | 480.00                        |
| - protected channel  |                                 |                               |
| 36 month   | POY7P/POY7P                     | 800.00                        |
| 60 month   | POY7P/POY7P                     | 640.00                        |
| Monthly Extension  | POY7P/POY7P                     | 960.00                        |
| (8) SONET OC3/OC-3c/OC-12/OC-12c Sub Rate System (4:1) <sup>3</sup>      |                                 |                               |
| - unprotected channel  |                                 |                               |
| 36 month   | POY3W/POY3W                     | 1,000.00                      |
| 60 month   | POY3W/POY3W                     | 750.00                        |
| Monthly Extension  | POY3W/POY3W                     | 1,300.00                      |
| - protected channel  |                                 |                               |
| 36 month   | POY3P/POY3P                     | 2,000.00                      |
| 60 month   | POY3P/POY3P                     | 1,500.00                      |
| Monthly Extension  | POY3P/POY3P                     | 2,600.00                      |

NOTE 1: MON Ring Grandfathered effective December 1, 2012. See Limited Offer, preceding.

NOTE 2: FICON™ Riding Service only available when ordered with Gigabit Ethernet/Fibre Channel/FICON™ Sub-Rate System as set forth in B.7. preceding.

NOTE 3: Applicable where facilities and equipment permit.

Continued

OTHER SERVICES

D12. SPECIAL ACCESS SERVICE

12.2 MULTI-SERVICE OPTICAL NETWORK RING<sup>1</sup> (Cont'd)

I. RATES AND CHARGES (Cont'd)

(T)

(D)

|  | <u>USOC</u><br><u>CRIS/CABS</u> | <u>Monthly</u><br><u>Rate</u> |
|--|---------------------------------|-------------------------------|
| 2. Ports (Cont'd)                                    |                                 |                               |
| - per port/per circuit terminating location (Cont'd) |                                 |                               |
| s. Sub-Rate System (Cont'd)                          |                                 |                               |
| (9) SONET OC-12/OC-12c Riding Circuit <sup>2,3</sup> |                                 |                               |
| - unprotected channel                                |                                 |                               |
| 36 month   | POY5W/POY5W                     | \$ 500.00                     |
| 60 month   | POY5W/POY5W                     | 375.00                        |
| Monthly Extension                                    | POY5W/POY5W                     | 700.00                        |
| - protected channel                                  |                                 |                               |
| 36 month   | POY5P/POY5P                     | 1,000.00                      |
| 60 month   | POY5P/POY5P                     | 750.00                        |
| Monthly Extension                                    | POY5P/POY5P                     | 1,400.00                      |

NOTE 1: MON Ring Grandfathered effective December 1, 2012. See Limited Offer, preceding.

NOTE 2: OC-12/OC-12c Riding Circuit only available when ordered with OC-3/OC-12 Sub Rate system as set forth in B.7. preceding.

NOTE 3: Applicable where facilities and equipment permit.

Continued

OTHER SERVICES

D12. SPECIAL ACCESS SERVICE

12.2 MULTI-SERVICE OPTICAL NETWORK RING<sup>1</sup> (Cont'd)

I. RATES AND CHARGES (Cont'd)

(T)

(D)

|  | <u>USOC<br/>CRIS/CABS</u> | <u>Monthly<br/>Rate</u> |
|--|---------------------------|-------------------------|
| 2. Ports (Cont'd)  |                           |                         |
| - per port/per circuit terminating location (Cont'd)           |                           |                         |
| s. Sub-Rate System (Cont'd)                                    |                           |                         |
| (10) SONET OC-48/OC-48c SONET Sub-Rate System 4:1 <sup>2</sup> |                           |                         |
| - unprotected channel  |                           |                         |
| 36 month   | POYRW/POYRW               | \$3,500.00              |
| 60 month   | POYRW/POYRW               | 2,750.00                |
| Monthly Extension  | POYRW/POYRW               | 4,250.00                |
| - protected channel  |                           |                         |
| 36 month   | POYRP/POYRP               | 7,000.00                |
| 60 month   | POYRP/POYRP               | 5,500.00                |
| Monthly Extension  | POYRP/POYRP               | 8,500.00                |
| (a) SONET OC-48/OC-48c Riding Circuit <sup>3</sup>             |                           |                         |
| - unprotected channel  |                           |                         |
| 36 month   | POYZW/POYZW               | \$1,900.00              |
| 60 month   | POYZW/POYZW               | 1,200.00                |
| Monthly Extension  | POYZW/POYZW               | 2,800.00                |
| - protected channel  |                           |                         |
| 36 month   | POYZP/POYZP               | 3,800.00                |
| 60 month   | POYZP/POYZP               | 2,400.00                |
| Monthly Extension  | POYZP/POYZP               | 5,600.00                |

NOTE 1: MON Ring Grandfathered effective December 1, 2012. See Limited Offer, preceding.

NOTE 2: Only applicable on a MON Ring where facilities and equipment permit.

NOTE 3: Offered as Riding Circuit where facilities and equipment permit beginning November 30, 2005.

Continued

OTHER SERVICES

D12. SPECIAL ACCESS SERVICE

12.2 MULTI-SERVICE OPTICAL NETWORK RING<sup>1</sup> (Cont'd)

I. RATES AND CHARGES (Cont'd) (T)

(D)

|  | <u>USOC<br/>CRIS/CABS</u> | <u>Monthly<br/>Rate</u> |
|--|---------------------------|-------------------------|
| 2. Ports (Cont'd)                                    |                           |                         |
| - per port/per circuit terminating location (Cont'd) |                           |                         |
| s. Sub-Rate System (Cont'd)                          |                           |                         |
| (11) DVB ASI (Riding Circuit) <sup>2</sup>           |                           |                         |
| - unprotected channel                                |                           |                         |
| 36 month   | PWY5W/PWY5W               | \$100.00                |
| 60 month   | PWY5W/PWY5W               | 100.00                  |
| Monthly Extension                                    | PWY5W/PWY5W               | 150.00                  |
| - protected channel                                  |                           |                         |
| 36 month   | PWY5P/PWY5P               | 100.00                  |
| 60 month   | PWY5P/PWY5P               | 100.00                  |
| Monthly Extension                                    | PWY5P/PWY5P               | 150.00                  |

NOTE 1: MON Ring Grandfathered effective December 1, 2012. See Limited Offer, preceding.

NOTE 2: Offered as a Riding Circuit where facilities and equipment permit.

Continued

OTHER SERVICES

D12. SPECIAL ACCESS SERVICE

12.2 MULTI-SERVICE OPTICAL NETWORK RING<sup>1</sup> (Cont'd)

I. RATES AND CHARGES (Cont'd)

(T)

3. Non Recurring Charges

(D)

|   | <u>USOC<br/>CRIS/CABS</u> | <u>Nonrecurring<br/>Charge</u> |
|---|---------------------------|--------------------------------|
| a. Administrative Charge                                      |                           |                                |
| - per service order   | ORCMX/ORCMX               | \$ 125.00                      |
| b. Design and Central Office Connection Charge                |                           |                                |
| - per circuit   | NRBCL/NRMCK               | 600.00                         |
| c. Customer Connection Charge                                 |                           |                                |
| - Service Establishment <sup>2</sup>                          |                           |                                |
| per node  | NRBBL/NRBBL               | 7,500.00                       |
| - Subsequent installation <sup>3</sup> (Riding Services only) |                           |                                |
| per subsequent shelf  | NHCNL/NHCNL               | 1,000.00                       |

NOTE 1: MON Ring Grandfathered effective December 1, 2012. See Limited Offer, preceding.

NOTE 2: Applies to establish the MON Ring Network.

NOTE 3: Applies to every riding service circuit after MON Ring Network established.

Continued



OTHER SERVICES

D12. SPECIAL ACCESS SERVICE

12.3 RESERVED

(C)

(D)

(D)

Continued

OTHER SERVICES

D12. SPECIAL ACCESS SERVICE

12.3 RESERVED

(C)

(D)

(D)

Continued

OTHER SERVICES

D12. SPECIAL ACCESS SERVICE

12.3 RESERVED

(C)

(D)

(D)

Continued

OTHER SERVICES

D12. SPECIAL ACCESS SERVICE

12.3 RESERVED

(C)  
(D)

(D)

Continued

OTHER SERVICES

D12. SPECIAL ACCESS SERVICE

12.3 RESERVED

(C)  
(D)

(D)

Continued

OTHER SERVICES

D12. SPECIAL ACCESS SERVICE

12.3 RESERVED

(C)  
(D)

(D)

Continued

OTHER SERVICES

D12. SPECIAL ACCESS SERVICE

12.3 RESERVED

(C)

(D)

(D)

Continued

OTHER SERVICES

D12. SPECIAL ACCESS SERVICE

12.3 RESERVED

(C)

(D)

(D)

Continued



OTHER SERVICES

D12. SPECIAL ACCESS SERVICE

12.3 RESERVED

(C)

(D)

(D)

Continued

OTHER SERVICES

D12. SPECIAL ACCESS SERVICE

12.3 RESERVED

(C)

(D)

(D)

Continued

OTHER SERVICES

D12. SPECIAL ACCESS SERVICE

12.3 RESERVED

(C)

(D)

(D)

Continued

OTHER SERVICES

D12. SPECIAL ACCESS SERVICE

12.3 RESERVED

(C)

(D)

(D)

Continued

OTHER SERVICES

D12. SPECIAL ACCESS SERVICE

12.3 RESERVED

(C)

(D)

(D)

Continued

OTHER SERVICES

D12. SPECIAL ACCESS SERVICE

12.3 RESERVED

(C)

(D)

(D)

Continued

OTHER SERVICES

D12. SPECIAL ACCESS SERVICE

12.3 RESERVED

(C)

(D)

(D)

Continued

OTHER SERVICES

D12. SPECIAL ACCESS SERVICE

12.3 RESERVED

(C)

(D)

(D)

Continued



OTHER SERVICES

D12. SPECIAL ACCESS SERVICE

12.3 RESERVED

(C)

(D)

(D)

Continued

OTHER SERVICES

D12. SPECIAL ACCESS SERVICE

12.3 RESERVED

(C)

(D)

(D)

Continued

OTHER SERVICES

D12. SPECIAL ACCESS SERVICE

12.3 RESERVED

(C)

(D)

(D)

Continued

OTHER SERVICES

D12. SPECIAL ACCESS SERVICE

12.3 RESERVED

(C)

(D)

(D)

Continued

OTHER SERVICES

D12. SPECIAL ACCESS SERVICE

12.3 RESERVED

(C)

(D)

(D)

Continued

OTHER SERVICES

D12. SPECIAL ACCESS SERVICE

12.3 RESERVED

(C)

(D)

(D)

Continued

OTHER SERVICES

D12. SPECIAL ACCESS SERVICE

12.3 RESERVED

(C)

(D)

(D)

Continued

OTHER SERVICES

D12. SPECIAL ACCESS SERVICE

12.4 DecaMAN® SERVICE

A. SERVICE DESCRIPTION

Effective September 30, 2017, DecaMAN Service will no longer be available for purchase by new or existing customers. The Company will no longer accept orders for adds, moves, changes or new term plans for DecaMAN Service, and existing term plans may not be renewed, converted or extended. Following the expiration of a customer's existing DecaMAN term agreement, service will be provided on a month-to-month basis at the applicable monthly extension rates until the service is discontinued.

(N)  
|  
(N)

DecaMAN Service is an intraLATA, dedicated high capacity service limited to the transport of data signals between customer locations. DecaMAN provides for the transmission of data at a discrete bit rate of 10 Gbps in Ethernet format (10 Gigabit Ethernet IEEE 802.3ae). DecaMAN is available in a point-to-point (node-to-node) configuration. DecaMAN is a fiber-based transport service that enables LAN PHY and WAN PHY connectivity between customer LANs, MANs and WANs within the same LATA.

DecaMAN Service can be used to seamlessly extend customer local area networks to off-site locations such as data centers, storage locations or satellite office locations within the same metro area. Applications that could be used with DecaMAN Service include LAN-to-LAN connectivity, CAD/CAM file transfer, telemedicine and business continuity transport.

The 802.3ae 10 GigE standard defines two OSI Layer 1 Physical ("PHY") specifications:

WAN PHY provides a carrier-grade interface capability at a discrete bit rate of 9.95 Gbps (physical layer rate), allowing customers to transport data signals over a SONET infrastructure

LAN PHY provides a carrier-grade interface capability at a discrete bit rate of 10.3125 Gbps (physical layer rate), allowing customers to interconnect Ethernet LANs

DecaMAN is provisioned over dedicated fiber-optic channels, which may include Wave Division Multiplexing in all or part of the network. Each DecaMAN Service provides dedicated bandwidth to the customer. All DecaMAN Services traverse through a Utility Central Office gateway that serves to regenerate the DecaMAN signal and provides the Utility with in-band monitoring and maintenance capability. Network Terminating Equipment (NTE) may be required on customer premises, at the discretion of the Utility, based on technical design criteria.

Continued



OTHER SERVICES

D12. SPECIAL ACCESS SERVICE

12.4 DecaMAN® SERVICE (Cont'd)

(N)

B. REGULATIONS

1. The customer provided equipment (CPE) must deliver the data signal for the DecaMAN transport within the industry specification for the subscribed data service.
2. DecaMAN provides physical layer transport only. The Utility assumes no responsibility for the through transmission of signals generated by the customer's CPE, for the quality of or defects in such transmission, for the reception of signals by the customer's CPE, or address signaling to the extent addressing is performed by the customer's CPE. Error detection and correction of data generated by the customer's CPE is the customer's responsibility.
3. DecaMAN is designed to provide connectivity at the discrete bit rate of 9.95 Gbps physical layer rate (WAN PHY) or 10.3125 Gbps physical layer rate (LAN PHY). The service is considered interrupted when the customer reports to the Utility and the Utility confirms that continuity has been lost.
4. DecaMAN is available on one, two, three or five year Term Pricing Plan (TPP) offerings. The minimum period for DecaMAN service is 12 months.
5. Out of service adjustments for credit allowances for DecaMAN are set forth in Schedule Cal.P.U.C. No. 175-T, Section 2.4.4.
6. DecaMAN is not available in a meet-point billing arrangement involving other Carriers.
7. Regulations for moves of a DecaMAN service and conversion from WAN to LAN PHY (or vice versa) are set forth in 12.4.F Rate Regulations following.
8. DecaMAN Service can be distance-limited, based on circuit configuration and signal loss parameters, as determined by the Utility. One repeater (signal regenerator) is included in all DecaMAN Service designs. Additional repeaters may be used to extend the transmission of DecaMAN Service, where technically feasible. See Repeater under Standard Features and Rate Regulations following for further definition and charge application.
9. DecaMAN Service is provided at the option of the Utility where facilities permit. Where facilities and/or operating conditions do not permit, Special Construction charges as set forth in Schedule Cal.P.U.C. No. 175-T, Section 15 shall apply.

(N)

Continued

OTHER SERVICES

D12. SPECIAL ACCESS SERVICE

12.4 DecaMAN® SERVICE (Cont'd)

(N)

C. STANDARD FEATURES

Local Distribution Channel

Defined as the channel between the customer's premises and the serving wire center that provides service to the customer's premises.

Interoffice Channel Mileage (ICM)

Defined as the component of the service between the serving wire centers, consisting of a fixed charge and a per mile charge.

Repeater

A repeater (circuit regenerator) will be used to extend the transmission of DecaMAN Service. The Utility will determine when repeaters are necessary. In addition, the first repeater in a multi-repeater circuit will be used for service alarming and monitoring purposes.

D. OPTIONAL FEATURES

1. Diversity Options

The following options are available with Diversity:

- Local Channel Diversity
- Alternate Wire Center Diversity
- Inter-Wire Center Diversity

End-to-end diversity can be achieved by coupling Alternate Wire Center Diversity with Inter-Wire Center Diversity, in those instances where each end of a DecaMAN circuit is served out of different serving wire centers.

(N)

Continued

OTHER SERVICES

D12. SPECIAL ACCESS SERVICE

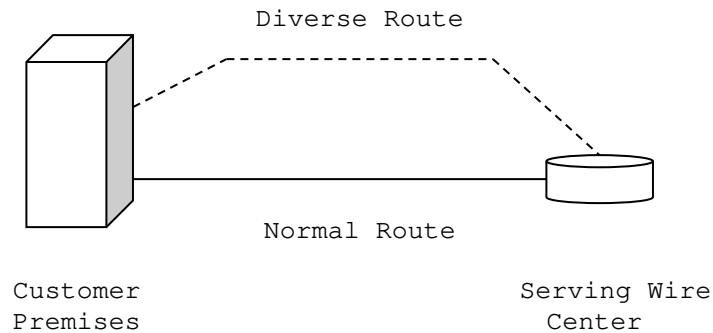
12.4 DecaMAN® SERVICE (Cont'd)

D. OPTIONAL FEATURES (Cont'd)

1. Diversity Options (Cont'd)

a. Local Channel Diversity

Local Channel Diversity provides for a transmission path between a designated customer premises and the standard serving wire center (SWC) that is diverse from the normal/standard transmission path. Local Channel Diversity requires two eligible services purchased by (or for the benefit of) the same customer. The Utility will determine which services are eligible based on technical or operational limitations. With this arrangement, one or more local distribution channels will be provisioned over the standard route and one or more local distribution channels will be provisioned over a diverse route. Local Channel Diversity does not provide for full diversity; it only allows for diversity from the splice point closest to the customer's property line to the SWC. If a customer desires full diversity, arrangements must be made for constructing dual entrance facilities into the customer's premises, at the customer's expense.



(N)

(N)

Continued

OTHER SERVICES

D12. SPECIAL ACCESS SERVICE

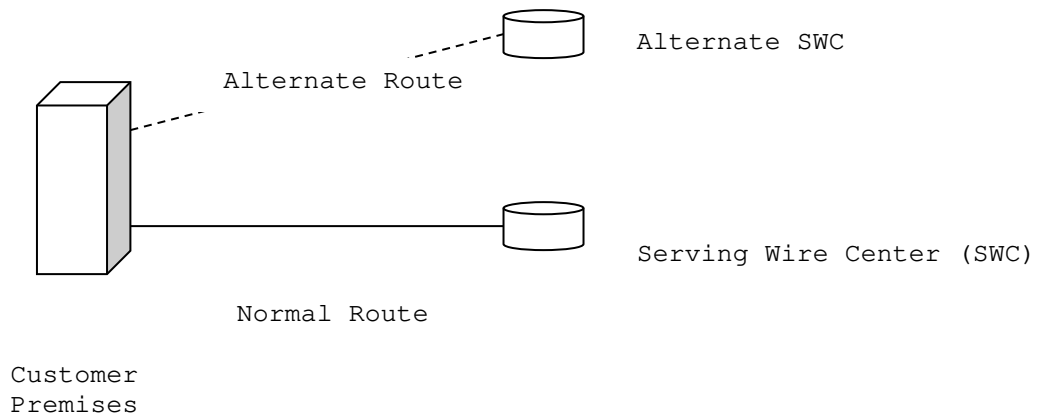
12.4 DecaMAN® SERVICE (Cont'd)

D. OPTIONAL FEATURES (Cont'd)

1. Diversity Options (Cont'd)

b. Alternate Wire Center Diversity

Alternate Wire Center Diversity is for the local loop only. It provides a local channel transmission path for DecaMAN service between the customer's designated premises and a wire center that is not the normal (or standard) serving wire center. The Utility will choose the alternate wire center closest to the customer's designated premises that is capable of providing DecaMAN Service over the alternate route. Alternate Wire Center Diversity does not require the purchase of two DecaMAN Services by (or for the benefit of) the same customer, nor does it require the customer to have an existing DecaMAN circuit operating over the normal (or standard) route to the normal (or standard) serving wire center. With this arrangement, one or more local distribution channels will be provisioned over the alternate route. If a customer desires full diversity, arrangements must be made for constructing dual entrance facilities into the customer's premises, at the customer's expense.



(N)

(N)

Continued

OTHER SERVICES

D12. SPECIAL ACCESS SERVICE

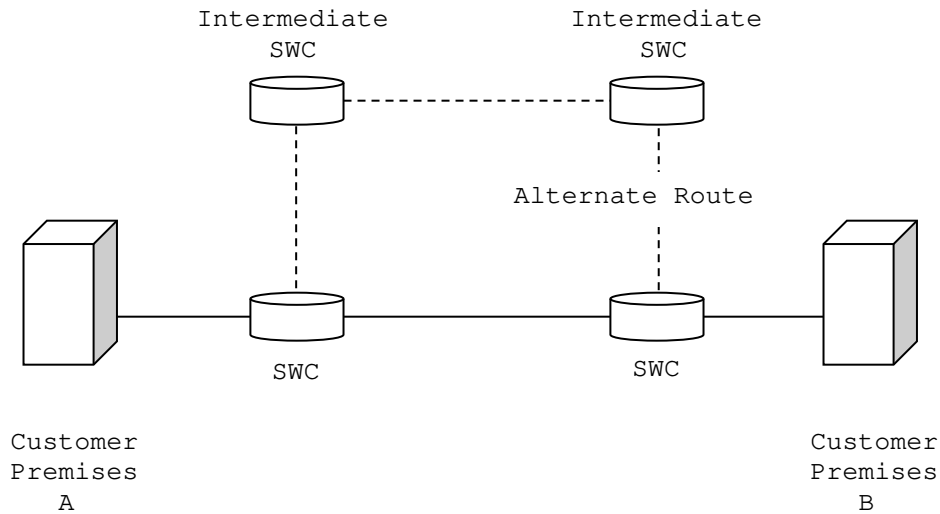
- 12.4 DecaMAN® SERVICE (Cont'd)
- D. OPTIONAL FEATURES (Cont'd)
- 1. Diversity Options (Cont'd)

(N)

c. Inter-Wire Center Diversity

Inter-Wire Center Diversity arrangements presume that each end of a DecaMAN local distribution channel is served out of a different serving wire center (SWC). This arrangement provides a transmission path for DecaMAN local distribution channels between the customer's designated SWC and the serving wire center at the distant end of the circuit, over a transmission path that is separate from the standard transmission path between the two wire centers. Interoffice mileage will be calculated between the intermediate serving wire centers along the circuit path of the diversely routed DecaMAN Service. Inter-Wire Center Diversity requires two eligible services purchased by (or for the benefit of) the same customer. The Utility will determine which services are eligible based on technical or operational limitations.

Inter-wire center diversity does not provide for full diversity; it only offers interoffice diversity. If a customer desires full diversity, Alternate Wire Center Diversity must be implemented along with Inter-Wire Center Diversity. Additionally, arrangements must be made for constructing dual entrance facilities at the customer's premises, at the customer's expense.



(N)

Continued

OTHER SERVICES

D12. SPECIAL ACCESS SERVICE

12.4 DecaMAN® SERVICE (Cont'd)

(N)

D. OPTIONAL FEATURES (Cont'd)

2. Protection Options

The following options are available for Protection:

- Equipment Only Protection
- Equipment Plus Fiber Path Protection, with ...  
    Alternate Wire Center Path Protection, or  
    Local Channel Path Protection
- Inter-Wire Center Path Protection
- Power Protection

Protection Options provide additional levels of reliability to DecaMAN Service. All Protection Options utilize NTE at the customer's premises. There are multiple options for Protection at each end of a two point circuit. The options at each end do not need to be the same, but both ends must include some form of Protection for any to be offered. A DecaMAN circuit cannot include Protection at only one end (excluding Power Protection which can be at just one end, or both ends, of the circuit).

a. Equipment Only Protection

Equipment Only Protection offers a network design where one DecaMAN signal will be routed down two different fiber pairs that co-exist in the same cable and conduit structure, and terminate at the customer's premises in the same device (but into separate and distinct modules). Protection switching will occur between the two modules if necessary. Should one fiber pair or network element become defective, service will be maintained through 50 millisecond protection switching within the network terminating equipment (NTE) at the customer's demarcation point. If both fiber pairs are cut, an Out-Of-Service condition will result. This form of protection can only be ordered per loop (per end) for each circuit the customer wishes to protect.

(N)

Continued

OTHER SERVICES

D12. SPECIAL ACCESS SERVICE

12.4 DecaMAN® SERVICE (Cont'd)

D. OPTIONAL FEATURES (Cont'd)

2. Protection Options (Cont'd)

b. Equipment Plus Fiber Path Protection

Equipment Plus Fiber Path Protection offers varying degrees of path protection for each terminating end of the circuit. For circuits that are served by different wire centers, Equipment Plus Fiber Path Protection may be combined with Inter-Wire Center Path Protection, to ensure a fully-protected circuit.

Equipment Plus Fiber Path Protection, with ...

Alternate Wire Center Path Protection

One DecaMAN signal will be routed over one fiber pair of the protected circuit from the customer's premises to the normal serving wire center, and a duplicate DecaMAN signal will be routed over a diversely routed fiber pair to the Alternate Wire Center selected by the Utility. If any location between the fiber paths is closer than 10 feet, the location or locations will be disclosed to the customer. The customer will determine whether to accept the engineered path, or agree to pay Special Construction Charges to have a completely diverse route constructed in those instances where there is not a minimum separation of 10 feet between paths. The customer can also select Equipment Only Protection for an inter-office segment where facilities are not available. This option can be selected for one or both terminating ends. If an equipment failure or fiber cable cut occurs in a segment of the circuit that has this form of protection, the circuit will be switched to the alternate path in 50 milliseconds or less. If a customer desires full path diversity, arrangements must be made for constructing dual entrance facilities into the customer's premises, at the customer's expense.

Local Channel Path Protection

The two fiber pairs of the protected service will be routed diversely to the normal serving wire center. If any location between the fiber paths is closer than 10 feet, the location or locations will be disclosed to the customer. The customer will determine whether to accept the engineered path, or agree to pay Special Construction Charges to have a completely diverse route constructed. This option can be selected for one or both terminating ends. If an equipment failure or fiber cable cut occurs in a segment of the circuit that has this form of protection, the circuit will be switched to the alternate path in 50 milliseconds or less. If a customer desires full path diversity, arrangements must be made for constructing dual entrance facilities into the customer's premises, at the customer's expense.

(N)

(N)

Continued

OTHER SERVICES

D12. SPECIAL ACCESS SERVICE

12.4 DecaMAN® SERVICE (Cont'd)

(N)

D. OPTIONAL FEATURES (Cont'd)

2. Protection Options (Cont'd)

c. Inter-Wire Center Path Protection

Each fiber pair is routed through different Central Offices between the two serving wire centers, or between the standard serving wire center and an alternate serving wire center. Inter-Wire Center Protection begins at the first manhole out of the Central Office. If only the two serving wire centers are involved, the two fiber pairs will be routed down two fiber paths that are separated by at least 10 feet. If any location between the fiber paths is closer than 10 feet, the location or locations will be disclosed to the customer. The customer will determine whether to accept the engineered path, or agree to pay Special Construction Charges to have a completely diverse route constructed. If an equipment failure or fiber cable cut occurs on one of the inter-office routes, the circuit will be switched to the alternate path in 50 milliseconds or less. Interoffice mileage will be calculated between the intermediate serving wire centers along the circuit paths of both protected fiber pairs.

d. Power Protection

Power Protection provides customers with battery back-up for up to eight (8) hours to maintain DecaMAN equipment in case of a power failure. Power Protection is provided on a per rack or cabinet basis, and customers in a multi-tenant building will require separate equipment and bays dedicated to each customer. Power Protection is not available for installations using a wall mounted cabinet. Requests for Power Protection are subject to equipment availability and compatibility. Upon receipt of a customer request for Power Protection, the Utility will determine the availability, design and engineering requirements for Power Protection, and the appropriate number of service element charges to apply. The addition of Power Protection to existing DecaMAN Service will result in a temporary service interruption.

(N)

Continued



OTHER SERVICES

D12. SPECIAL ACCESS SERVICE

12.4 DecaMAN® SERVICE (Cont'd)

(N)

E. TECHNICAL REFERENCES

DecaMAN standards are defined in IEEE Std 802.3ae™-2002 (Amendment to IEEE Std 802.3-2002): Media Access Control (MAC) Parameters, Physical Layers, and Management Parameters for 10 Gbps Operation.

The customer interface to DecaMAN Service is as specified in:

| <u>Subject</u>   | <u>Technical Reference</u> |
|--|----------------------------|
| SBC Customer Interface Standards for 100 Mbps and Higher                                     | SBC-TP-76412               |
| Ethernet suite standards for D5 10GBASE-LR and D5 10GBASE-LW                                 | IEEE 802.3ae               |
| Network Performance Parameters for Dedicated Digital Services - Definitions and Measurements | ANSI T1.503-2002           |

The Technical References can be obtained from:

APEX Support Team  
734-523-7348

The ANSI publication can be obtained from:

Alliance for Telecommunications Industry Solutions  
1200 G. Street, NW Suite 500  
Washington, DC 20005

The IEEE publication can be obtained from:

<http://standards.ieee.org/catalog/olis/lanman.html>

(N)

Continued

OTHER SERVICES

D12. SPECIAL ACCESS SERVICE

12.4 DecaMAN® SERVICE (Cont'd)

(N)

F. RATE REGULATIONS

1. Term Pricing Plan

a. General Information

DecaMAN Service is offered under a 1, 2, 3 or 5 year Term Pricing Plan (TPP). For customers that subscribe to a 1, 2, 3 or 5 year TPP, the monthly rates in effect at the time the service is installed will be in effect. If the Utility initiates rate changes resulting in a decrease of rates for an existing service with a 1, 2, 3 or 5 year fixed service period, those rate changes will be passed along to the customer. Rate changes resulting in an increase of rates for an existing service will not exceed the original rate for that selected service period unless mandated by the California Public Utilities Commission.

b. Renewal of Term Pricing Plan

At the end of a Term Pricing Plan, the customer may renew with a written notice of intent to renew no later than 90 days prior to its expiration, for any TPP in effect without incurring new nonrecurring charges.

If the customer elects not to renew the TPP or does not notify the Utility of its intent to renew the TPP, the service will automatically be billed under the Monthly Extension rates in effect at the time the TPP expires until the customer cancels or renews the service with a new TPP term. Subsequently, customers under the Monthly Extension rates may convert their existing service to either a 1, 2, 3 or 5 year TPP. The customer will not be assessed any associated nonrecurring charges as long as the physical serving arrangement does not change.

Monthly Extensions are not available to new service.

c. Change of Term Pricing Plan

At any time a customer may change an existing TPP to a new TPP only when the new TPP payment period is longer than the remaining period currently in effect, without any Termination Liability Charges or nonrecurring charges applying as long as all other aspects of the service and facilities remain unchanged. The new TPP begins on the service order completion date and is treated as a new TPP period.

Customers may change to a shorter TPP by paying the associated Termination Liability Charges with the current TPP. The rates that will apply will be the current rates in effect for the TPP ordered on the date of conversion, however, no new nonrecurring charges apply as long as all other aspects of the service and facilities remain unchanged.

(N)

Continued

OTHER SERVICES

D12. SPECIAL ACCESS SERVICE

12.4 DecaMAN® SERVICE (Cont'd)

(N)

F. RATE REGULATIONS (Cont'd)

1. Term Pricing Plan (Cont'd)

d. Other Changes to Term Pricing Plans

Any change to a TPP arrangement not otherwise permitted shall constitute a discontinuance of the existing service and all applicable Termination Liability Charges shall apply. The new service will be subject to all applicable rates and charges (e.g., nonrecurring charges, recurring and termination) in effect on the date of the service change.

e. Termination Liability Charges

Termination Liability Charges will apply to service terminated prior to the contracted period (excluding those terminated as a result of renegotiations) and shall be calculated as follows:

- Any unpaid Special Construction or nonrecurring charges (excluding any waived charges); plus
- Fifty percent (50%) of all recurring charges for the remaining months of the customer's term

2. Interoffice Channel Mileage

Interoffice channel mileage is calculated using the V and H coordinate method. Interoffice Channel Mileage charges are applicable on both paths of the DecaMAN Service when any of the Diversity or Protection Options are ordered.

3. Repeater

Repeaters (circuit regenerators) will be located in Utility wire centers as required. A monthly charge will be associated with each repeater network element, except for the first repeater in a circuit path (as the first repeater is also used for service alarming and monitoring purposes).

Additional repeaters may be required on the diverse or alternately routed path when Diversity or Protection options are ordered by the customer. The need for repeaters on the diverse or protected path will be determined by the Utility. Additional charges will apply.

(N)

Continued

OTHER SERVICES

D12. SPECIAL ACCESS SERVICE

12.4 DecaMAN® SERVICE (Cont'd)

(N)

F. RATE REGULATIONS (Cont'd)

4. Diversity and Protection Options

Diversity and Protection Options are available where facilities exist. If appropriate facilities do not exist, Special Construction charges may apply. In addition to charges for the various Diversity and Protection Options, normal charges for the Local Distribution Channel and Interoffice Channel Mileage will apply.

Additional repeaters may be required on the diverse or alternately routed path when Diversity or Protection options are ordered by the customer. The need for repeaters on the diverse or protected path will be determined by the Utility. Additional charges will apply.

Interoffice Channel Mileage charges are applicable on both paths of the DecaMAN Service when any of the Diversity or Protection Options are ordered.

5. Protection Options Changes

If Protection Options are later added to an existing DecaMAN circuit, a temporary service interruption will result as the new protected circuit must be re-designed and re-installed. This installation must occur during an agreed-upon maintenance window between a designated customer representative and the Utility. The customer will be responsible for providing adequate floor space, as determined by the Utility, to accommodate additional equipment bays and related power protection equipment (such as batteries).

Termination Liability Charges for the existing circuit will not apply, given the following conditions are met:

- The customer must issue a disconnect order for the existing circuit and place a service order for the newly protected circuit. Standard nonrecurring charges to install the newly protected DecaMAN Service will apply. (The conditions described here do not apply to Power Protection added to an existing DecaMAN circuit).
- Negotiated down time will apply, as the new circuit will need to be designed and installed.
- The term of the new contract must be equal to or greater than the remaining time left on the existing DecaMAN contract. (The conditions described here do not apply to Power Protection added to an existing DecaMAN circuit).
- Addition of Protection Options are contingent on availability of equipment and fiber facilities from premises to premises. Other Special Construction charges, as necessary, may apply.

(N)

Continued

OTHER SERVICES

D12. SPECIAL ACCESS SERVICE

12.4 DecaMAN® SERVICE (Cont'd)

(N)

F. RATE REGULATIONS (Cont'd)

6. LAN PHY and WAN PHY Conversions

Customers will be permitted to convert DecaMAN Service from a WAN PHY to LAN PHY interface, or vice versa, without incurring Termination Charges, given the following conditions are met:

- The customer must issue a disconnect order for the existing interface and place a new service order for DecaMAN Service using the new interface. Termination Liability Charges for the existing interface will be waived. Standard nonrecurring charges to install DecaMAN Service as a new circuit (using the new interface chosen) will apply.
- Negotiated down time will apply, as the new circuit will need to be designed and installed.
- The term of the new contract must be equal to or greater than the remaining time left on the existing DecaMAN contract.
- Conversions are contingent on availability of equipment, and a determination by the Utility that such conversion is technically feasible. Other Special Construction charges, as necessary, may apply.

7. Moves

Customers will be permitted to move one end of a DecaMAN Service to another location, without incurring Termination Charges, given the following conditions are met:

- The customer must issue a disconnect order for the existing location and place a new service order for DecaMAN Service at the new location. Termination Charges for the existing location will be waived. Standard nonrecurring charges to install DecaMAN Service as a new circuit will apply.
- Negotiated down time will apply, as the new circuit will need to be designed and installed.
- The term of the new contract must be equal to or greater than the remaining time left on the existing DecaMAN contract.
- The existing DecaMAN Service must have been in service for a minimum period of 12 months for a 2-year contract, 15 months for a 3-year contract or 18 months for a 5-year contract. Existing DecaMAN Service with 1-year contracts will not be eligible for this Moves option.
- Moves are contingent on availability of fiber from premises to premises. Other Special Construction charges, as necessary, may apply.

(N)

Continued

OTHER SERVICES

D12. SPECIAL ACCESS SERVICE

12.4 DecaMAN® SERVICE (Cont'd)

(N)

F. RATE REGULATIONS (Cont'd)

8. Upgrades

Customers will be permitted to upgrade to a higher-speed service provided by the Utility, without incurring Termination Liability Charges, given the following conditions are met:

- an upgrade is considered an increase in speed or capacity when comparing DecaMAN Service to the new service.
- the customer must issue a disconnect order for the existing DecaMAN Service and place a service order for the new, higher-speed service, such that there is no more than 90 days overlap in service.
- the same customer locations must be utilized for the new, higher-speed service.
- the expiration date for the new, higher-speed service is beyond the end of the original TPP term associated with the existing DecaMAN Service.
- the existing DecaMAN Service must have been in service for a minimum period of 12 months for a 2-year contract, 15 months for a 3-year contract or 18 months for a 5-year contract. Existing DecaMAN Service with 1-year contracts will not be eligible for this Upgrade option.

(N)

Continued

OTHER SERVICES

D12. SPECIAL ACCESS SERVICE

12.4 DecaMAN® SERVICE (Cont'd)

F. RATE REGULATIONS (Cont'd)

(T)

9. Migration to AT&T Dedicated Ethernet

(N)

Customers subscribing to DecaMAN Service may migrate to AT&T Dedicated Ethernet provided by the Company without incurring Termination Liability Charges, subject to the following conditions:

- The new AT&T Dedicated Ethernet and the existing DecaMAN Service must be billed to the same customer of record at the same customer locations.
- The customer's existing service must have been in place for at least 12 months.
- The minimum term for the new service must be at least 12 months and must be equal to or greater than the number of months remaining in the customer's existing Term Payment Plan (TPP) term.
- The speed (capacity/bandwidth) of the new service must be equal to or greater than that of the existing service.
- The customer must issue a disconnect order for the replaced DecaMAN Service to be effective within 90 days after the AT&T Dedicated Ethernet installation date. The disconnect and new orders must be coordinated through the Company.
- If overlapping service is required, the period will be limited to not more than 90 days and billing will apply to both services during the time both services are available.

(N)

Continued

OTHER SERVICES

D12. SPECIAL ACCESS SERVICE

12.4 DecaMAN® SERVICE (Cont'd)

G. RESERVED

(T)

Continued



OTHER SERVICES

D12. SPECIAL ACCESS SERVICE

12.4 DecaMAN® SERVICE (Cont'd)

G. RESERVED (Cont'd)

(T)

(D)

(D)

Continued

OTHER SERVICES

D12. SPECIAL ACCESS SERVICE

12.4 DecaMAN® SERVICE (Cont'd)

H. RATES AND CHARGES (T)

|                                | USOC<br>CABS/CRIS | Monthly<br>Rate         | Nonrecurring<br>Charge         |
|--------------------------------|-------------------|-------------------------|--------------------------------|
| STANDARD FEATURES              |                   |                         |                                |
| 1. Local Distribution Channel  |                   |                         |                                |
| LAN-PHY                        |                   |                         |                                |
| 1 Year Plan                    | TMECS/1RSTX       | \$15,000.00             | \$1,500.00                     |
| 2 Year Plan                    | TMECS/1RSTX       | 12,000.00               | 1,500.00                       |
| 3 Year Plan                    | TMECS/1RSTX       | 8,500.00                | 1,500.00 <sup>1</sup>          |
| 5 Year Plan                    | TMECS/1RSTX       | 7,250.00                | 1,500.00 <sup>1</sup>          |
| Monthly Extension              | TMECS/1RSTX       | 18,000.00               | 1,500.00                       |
| WAN-PHY                        |                   |                         |                                |
| 1 Year Plan                    | TMECS/1RSTX       | 16,500.00               | 1,500.00                       |
| 2 Year Plan                    | TMECS/1RSTX       | 13,200.00               | 1,500.00                       |
| 3 Year Plan                    | TMECS/1RSTX       | 9,600.00                | 1,500.00 <sup>1</sup>          |
| 5 Year Plan                    | TMECS/1RSTX       | 8,200.00                | 1,500.00 <sup>1</sup>          |
| Monthly Extension              | TMECS/1RSTX       | 19,800.00               | 1,500.00                       |
| 2. Interoffice Channel Mileage |                   |                         |                                |
|                                |                   | Monthly Rates           |                                |
|                                |                   | <u>Fixed</u>            | <u>Per Mile</u>                |
| 1 Year Plan                    | 1L5XX/JZ68S       | 2,700.00                | 300.00                         |
| 2 Year Plan                    | 1L5XX/JZ68S       | 1,800.00                | 250.00                         |
| 3 Year Plan                    | 1L5XX/JZ68S       | 1,275.00                | 125.00                         |
| 5 Year Plan                    | 1L5XX/JZ68S       | 1,150.00                | 100.00                         |
| Monthly Extension              | 1L5XX/JZ68S       | 3,600.00                | 425.00                         |
| 3. Repeater <sup>2</sup>       |                   |                         |                                |
| - each                         |                   | <u>Monthly<br/>Rate</u> | <u>Nonrecurring<br/>Charge</u> |
| 1 Year Plan                    | VU4/VU4           | 6,000.00                | None                           |
| 2 Year Plan                    | VU4/VU4           | 4,800.00                | None                           |
| 3 Year Plan                    | VU4/VU4           | 3,400.00                | None                           |
| 5 Year Plan                    | VU4/VU4           | 2,900.00                | None                           |
| Monthly Extension              | VU4/VU4           | 7,200.00                | None                           |

NOTE 1: Nonrecurring charges are not applicable for new service installed under the 3 or 5 year TPP.

NOTE 2: Applies to additional Repeaters required to provision the service. Does not apply to the first Repeater designed with the service.

Continued

OTHER SERVICES

D12. SPECIAL ACCESS SERVICE

12.4 DecaMAN® SERVICE (Cont'd)

H. RATES AND CHARGES (Cont'd) (T)

(D)

| OPTIONAL FEATURES  | USOC<br>CABS/CRIS | Monthly<br>Rate | Nonrecurring<br>Charge |
|--|-------------------|-----------------|------------------------|
| <b>1. Diversity Options</b>                              |                   |                 |                        |
| Local Channel Diversity<br>- per terminating end         |                   |                 |                        |
| 1 Year Plan  | CPALX/CPALX       | \$3,038.00      | \$850.00               |
| 2 Year Plan  | CPALX/CPALX       | 2,700.00        | 850.00                 |
| 3 Year Plan  | CPALX/CPALX       | 2,250.00        | 850.00                 |
| 5 Year Plan  | CPALX/CPALX       | 2,025.00        | 850.00                 |
| Monthly Extension  | CPALX/CPALX       | 3,938.00        | 850.00                 |
| Alternate Wire-Center Diversity<br>- per terminating end |                   |                 |                        |
| 1 Year Plan  | CPAAX/CPAAX       | 4,860.00        | 950.00                 |
| 2 Year Plan  | CPAAX/CPAAX       | 4,320.00        | 950.00                 |
| 3 Year Plan  | CPAAX/CPAAX       | 3,600.00        | 950.00                 |
| 5 Year Plan  | CPAAX/CPAAX       | 3,240.00        | 950.00                 |
| Monthly Extension  | CPAAX/CPAAX       | 6,300.00        | 950.00                 |
| Inter-Wire Center Diversity<br>- per circuit             |                   |                 |                        |
| 1 Year Plan  | CPATX/CPATX       | 2,025.00        | 700.00                 |
| 2 Year Plan  | CPATX/CPATX       | 1,800.00        | 700.00                 |
| 3 Year Plan  | CPATX/CPATX       | 1,500.00        | 700.00                 |
| 5 Year Plan  | CPATX/CPATX       | 1,350.00        | 700.00                 |
| Monthly Extension  | CPATX/CPATX       | 2,625.00        | 700.00                 |
| <b>2. Protection Options</b>                             |                   |                 |                        |
| Equipment Only Protection<br>- per terminating end       |                   |                 |                        |
| 1 Year Plan  | CPAEX/CPAEX       | 8,250.00        | 3,000.00               |
| 2 Year Plan  | CPAEX/CPAEX       | 7,350.00        | 3,000.00               |
| 3 Year Plan  | CPAEX/CPAEX       | 6,300.00        | 3,000.00               |
| 5 Year Plan  | CPAEX/CPAEX       | 5,400.00        | 3,000.00               |
| Monthly Extension  | CPAEX/CPAEX       | 9,000.00        | 3,000.00               |

Continued

OTHER SERVICES

D12. SPECIAL ACCESS SERVICE

12.4 DecaMAN® SERVICE (Cont'd)

H. RATES AND CHARGES (Cont'd) (T)

(D)

| OPTIONAL FEATURES (Cont'd) | <u>USOC<br/>CABS/CRIS</u> | <u>Monthly<br/>Rate</u> | <u>Nonrecurring<br/>Charge</u> |
|----------------------------|---------------------------|-------------------------|--------------------------------|
|----------------------------|---------------------------|-------------------------|--------------------------------|

2. Protection Options (Cont'd)

Equipment Plus Fiber Path Protection, with ...  
 - per terminating end

Alternate Wire Center

Path Protection

|                   |             |             |            |
|-------------------|-------------|-------------|------------|
| 1 Year Plan       | CPAFX/CPAFX | \$12,300.00 | \$4,500.00 |
| 2 Year Plan       | CPAFX/CPAFX | 11,040.00   | 4,500.00   |
| 3 Year Plan       | CPAFX/CPAFX | 9,600.00    | 4,500.00   |
| 5 Year Plan       | CPAFX/CPAFX | 8,400.00    | 4,500.00   |
| Monthly Extension | CPAFX/CPAFX | 14,760.00   | 4,500.00   |

Local Channel

Path Protection

|                   |             |           |          |
|-------------------|-------------|-----------|----------|
| 1 Year Plan       | CPAGX/CPAGX | 10,950.00 | 4,200.00 |
| 2 Year Plan       | CPAGX/CPAGX | 9,900.00  | 4,200.00 |
| 3 Year Plan       | CPAGX/CPAGX | 8,550.00  | 4,200.00 |
| 5 Year Plan       | CPAGX/CPAGX | 7,350.00  | 4,200.00 |
| Monthly Extension | CPAGX/CPAGX | 13,140.00 | 4,200.00 |

Inter-Wire Center Path Protection<sup>1</sup>

- per circuit

|                   |             |          |        |
|-------------------|-------------|----------|--------|
| 1 Year Plan       | CPAHX/CPAHX | 1,125.00 | 625.00 |
| 2 Year Plan       | CPAHX/CPAHX | 600.00   | 625.00 |
| 3 Year Plan       | CPAHX/CPAHX | 450.00   | 625.00 |
| 5 Year Plan       | CPAHX/CPAHX | 300.00   | 625.00 |
| Monthly Extension | CPAHX/CPAHX | 1,425.00 | 625.00 |

Power Protection

- per rack or cabinet

|                   |             |        |        |
|-------------------|-------------|--------|--------|
| 1 Year Plan       | VBBGX/VBBGX | 625.00 | 475.00 |
| 2 Year Plan       | VBBGX/VBBGX | 525.00 | 475.00 |
| 3 Year Plan       | VBBGX/VBBGX | 480.00 | 475.00 |
| 5 Year Plan       | VBBGX/VBBGX | 435.00 | 475.00 |
| Monthly Extension | VBBGX/VBBGX | 700.00 | 475.00 |

NOTE 1: Inter-Wire Center Path Protection must be ordered in conjunction with an Equipment Protection option at each end of the circuit.

Continued

OTHER SERVICES

D12. SPECIAL ACCESS SERVICE

12.5 AT&T DEDICATED ETHERNET

12.5.1 SERVICE DESCRIPTION

A. AT&T Dedicated Ethernet is a fiber based, point-to-point, Ethernet service that allows Customers to transport data signals between two locations. AT&T Dedicated Ethernet can be used to transport data as a native Ethernet signal or embedded within an Optical Transport Network (OTN) signal.

AT&T Dedicated Ethernet is available at the following speed and format options:

| Speed   | Ethernet Formats       | Optical Transport Unit (OTU) Formats |
|---------|------------------------|--------------------------------------|
| 1Gbps   | 1GE - Gigabit Ethernet | Not available                        |
| 2.5Gbps | Not available          | OTU1                                 |
| 10Gbps  | 10GE LAN-PHY           | OTU2e                                |
|         | 10GE WAN-PHY           | OTU2                                 |
| 40Gbps  | 40GE                   | OTU3                                 |
| 100Gbps | 100GE                  | OTU4                                 |
| 400Gbps | 400GE                  | Not Available                        |

(N)

B. Unless otherwise specified in this Section, the general terms and conditions of this Tariff apply to AT&T Dedicated Ethernet (e.g., D2. General Regulations).

C. Port Connection

The Port Connection is the standard rate element that includes the service interface (point of demarcation) at the Customer-designated premises (Customer Site), any network termination equipment (NTE) placed at the Customer Site, and the physical transport facilities from the Customer Site to the AT&T Dedicated Ethernet network at the serving wire center for that Site.

One Port Connection charge applies per Customer Site at which the Port Connection is terminated.

Rates and charges for the Port Connection are provided in paragraph 12.5.5.

Continued

OTHER SERVICES

D12. SPECIAL ACCESS SERVICE

12.5 AT&T DEDICATED ETHERNET (Cont'd)

12.5.1 SERVICE DESCRIPTION (Cont'd)

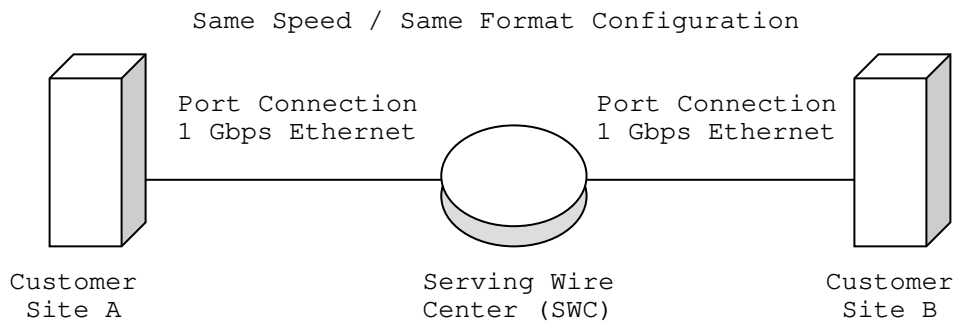
C. Port Connection (Cont'd)

AT&T Dedicated Ethernet is available with the following Port Connection configurations:

1. Same Speed / Same Format

(T)

- Ethernet to Ethernet (e.g., 1GE to 1GE); or
- Optical Transport Network (OTN) to Optical Transport Network (OTN) (e.g., OTU1 to OTU1)



This example illustrates a 1 Gbps Ethernet circuit from Customer Site A to Customer Site B for a same speed / same format arrangement. In this example, two - 1 Gbps Ethernet Port Connection charges are applicable.

Continued

OTHER SERVICES

D12. SPECIAL ACCESS SERVICE

12.5 AT&T DEDICATED ETHERNET (Cont'd)

12.5.1 SERVICE DESCRIPTION (Cont'd)

C. Port Connection (Cont'd)

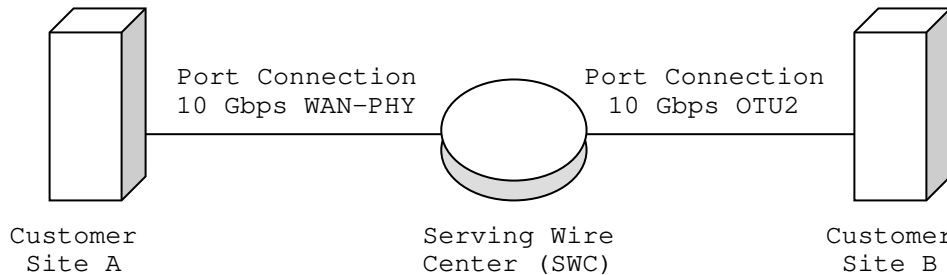
AT&T Dedicated Ethernet is available with the following Port Connection configurations: (Cont'd)

2. Same Speed / Different Format

(T)

- Optical Transport Network (OTN) to Ethernet (e.g., 10GE to OTU2)

Same Speed / Different Format Configuration



This example illustrates a same speed / different format circuit configuration where there is a 10Gbps WAN-PHY Port Connection between Customer Site A and the serving wire center and a 10Gbps OTU2 Port Connection between Customer Site B and the serving wire center. In this circuit example, both a 10Gbps WAN-PHY and a 10Gbps OTU2 Port Connection charge would apply.

Continued

OTHER SERVICES

D12. SPECIAL ACCESS SERVICE

12.5 AT&T DEDICATED ETHERNET (Cont'd)

12.5.1 SERVICE DESCRIPTION (Cont'd)

C. Port Connection (Cont'd)

AT&T Dedicated Ethernet is available with the following Port Connection configurations: (Cont'd)

3. Higher Speed Aggregation

Higher Speed Aggregation permits Customers to connect a lower-speed AT&T Dedicated Ethernet Port Connection to a channelized, higher-speed AT&T Dedicated Ethernet Port Connection.

OTU2 (10Gbps) and OTU4 (100Gbps) AT&T Dedicated Ethernet Port Connections may be purchased as either channelized or non-channelized. A channelized Port Connection includes a channelized circuit that terminates at a multiplexer within a serving wire center.

A channelized OTU2 Port Connection can be connected to up to eight (8) 1 Gbps Ethernet Port Connections or four (4) OTU1 Port Connections, or any other combination of such Port Connections, up to the available capacity of the channelized OTU2 Port Connection.

A channelized OTU4 Port Connection can be connected to up to ten (10) 10 Gbps Ethernet Port Connections in any combination of types (10GE LAN-PHY, 10GE WANPHY, OTU2e or OTU2), up to the available capacity of the channelized OTU4 Port Connection.

(N)  
|  
(N)

Continued



OTHER SERVICES

D12. SPECIAL ACCESS SERVICE

12.5 AT&T DEDICATED ETHERNET (Cont'd)

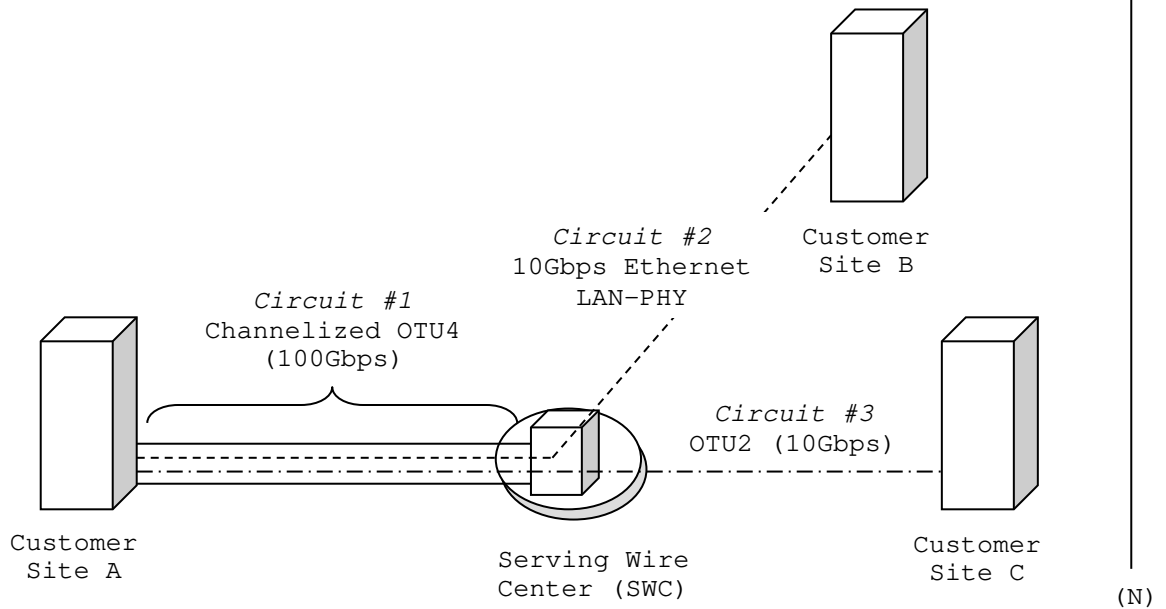
12.5.1 SERVICE DESCRIPTION (Cont'd)

C. Port Connection (Cont'd)

AT&T Dedicated Ethernet is available with the following Port Connection configurations: (Cont'd)

3. Higher Speed Aggregation (cont'd)

Higher Speed Aggregation Configuration (example)



Continued

OTHER SERVICES

D12. SPECIAL ACCESS SERVICE

12.5 AT&T DEDICATED ETHERNET (Cont'd)

12.5.1 SERVICE DESCRIPTION (Cont'd)

C. Port Connection (Cont'd)

AT&T Dedicated Ethernet is available with the following Port Connection configurations: (Cont'd)

3. Higher Speed Aggregation (cont'd)

(N)

In the example of a higher speed aggregation arrangement depicted in the diagram above, there are three AT&T Dedicated Ethernet circuits as follows:

- Circuit #1 - A Channelized OTU4 (100Gbps) circuit from Customer Site A that terminates at a multiplexer within the Serving Wire Center.

One (1) OTU4 (100Gbps) Port Connection monthly recurring charge applies to Circuit #1.

- Circuit #2 - A 10Gbps Ethernet LAN-PHY circuit from Customer Site B to Customer Site A. Circuit #2 occupies a channel of the higher-speed Circuit #1 from the Serving Wire Center location to Customer Site A.

One (1) 10 Gbps Ethernet LAN-PHY Port Connection monthly recurring charge applies to Circuit #2 for the Port Connection at Customer Site B.

No Port Connection charge applies to the portion of Circuit #2 that occupies a channel of Circuit #1 (i.e., SWC to Customer Site A).

- Circuit #3 - An OTU2 (10Gbps) circuit from Customer Site C to Customer Site A. Circuit #3 occupies a channel of the higher-speed Circuit #1 from the Serving Wire Center location to Customer Site A.

One (1) OTU2 (10Gbps) Port Connection monthly recurring charge applies to Circuit #3 for the Port Connection at Customer Site C.

No Port Connection charge applies to the portion of Circuit #3 that occupies a channel of Circuit #1 (i.e., SWC to Customer Site A).

(N)

Continued

OTHER SERVICES

D12. SPECIAL ACCESS SERVICE

12.5 AT&T DEDICATED ETHERNET (Cont'd)

(N)

12.5.1 SERVICE DESCRIPTION (Cont'd)

D. Protection and Diversity Options

Protection and Diversity options are available for the AT&T Dedicated Ethernet as follows:

*Protection Options*

- Port Protection Plus

*Diversity Options*

- Port Diversity
- Alternate Wire Center Diversity
- Inter-Wire Center Diversity

Protection cannot be combined with Diversity options except in the case of a stand-alone Alternate Wire Center Diversity option.

Protection and Diversity options are available where facilities and/or operating conditions permit. Where facilities and/or operating conditions do not permit, *Special Construction* charges as set forth in Schedule Cal.P.U.C. No. 175-T, Section 15 may apply.

(N)

Continued

OTHER SERVICES

D12. SPECIAL ACCESS SERVICE

12.5 AT&T DEDICATED ETHERNET (Cont'd)

12.5.1 SERVICE DESCRIPTION (Cont'd)

D. Protection and Diversity Options (Cont'd)

1. Protection Options

Protection offers a duplicate AT&T Dedicated Ethernet signal routed on two different fiber pairs (a working path and a standby path) to provide increased reliability.

In the event of a failure of the working path, the AT&T Dedicated Ethernet will switch to the surviving path. In the event of a failure to both fiber transmission paths, an out-of-service condition will result.

Limitations:

- Protection is not available for same speed / different format circuit configurations.
- Protection is not available for higher speed aggregation configurations (i.e., protection is not available for Channelized circuits and circuits connecting with a channelized circuit).
- Protection is not available for Meet Point arrangements. See paragraph 12.5.1, E. for more information on Meet Point arrangements.

(N)  
|  
(N)

The following Protection options are available for AT&T Dedicated Ethernet:

a. Port Protection Plus

Port Protection Plus is an end-to-end (fully protected) protection option that offers a duplicate AT&T Dedicated Ethernet signal routed over two diversely routed fiber paths, a working path and a standby path, from Customer Site to Customer Site. Port Protection Plus also includes dual card protection at each Customer Site whereby the working path and standby paths terminate into two separate cards on a single shelf in the NTE at each of the Customer Sites.

The Port Protection Plus optional feature must be selected for both Customer Sites in addition to the normal Port Connection charges.

Port Protection Plus is available only for AT&T Dedicated Ethernet circuits that meet the following conditions:

- The circuit must be configured as a same speed / same format arrangement.

Continued

OTHER SERVICES

D12. SPECIAL ACCESS SERVICE

12.5 AT&T DEDICATED ETHERNET (Cont'd)

12.5.1 SERVICE DESCRIPTION (Cont'd)

D. Protection and Diversity Options (Cont'd)

2. Diversity Options

Diversity options minimize single points of failure by creating two circuits, or portions of a circuit, that are diverse from one another. With these arrangements, one or more circuits will be provisioned over the normal path and one or more circuits will be provisioned over the diverse path. Customers may transport traffic over both circuits.

Customers requesting diversity will be billed for two circuits plus the applicable diversity charge(s) for the portions of the circuit that are physically diverse.

Diversity options do not include construction of dual entrance facilities. If a Customer desires dual entrance facilities and they do not currently exist, arrangements must be made for constructing dual entrance facilities at the Customer's expense.

Limitations:

- Port Diversity and Alternate Wire Center Diversity cannot be selected at the same Customer Site location for the same AT&T Dedicated Ethernet Port Connection.
- Diversity options are not available for Meet Point arrangements. (N)  
See paragraph 12.5.1, E. for more information on Meet Point |  
arrangements. (N)

Continued

OTHER SERVICES

D12. SPECIAL ACCESS SERVICE

12.5 AT&T DEDICATED ETHERNET (Cont'd)

12.5.1 SERVICE DESCRIPTION (Cont'd)

D. Protection and Diversity Options (Cont'd)

2. Diversity Options (Cont'd)

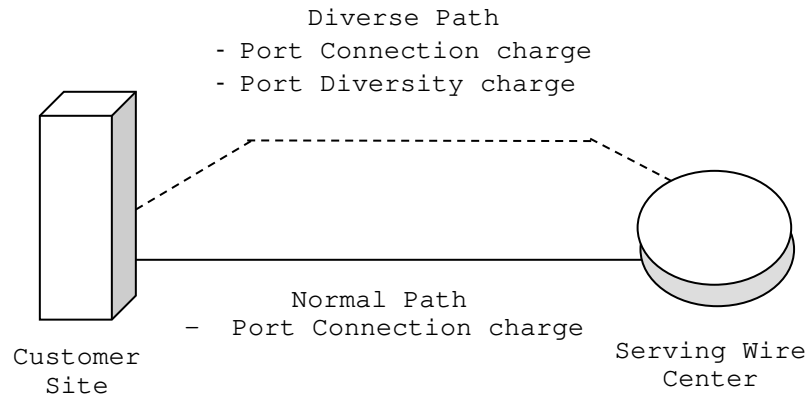
The following Diversity options are available for AT&T Dedicated Ethernet:

a. Port Diversity

Port Diversity is a feature that provides transmission paths (a normal path and a diverse path) which are diverse from each other between two designated AT&T Dedicated Ethernet Port Connections from one or more Customer Sites to their serving wire centers. (C)

The fiber path from each designated Port Connection to its serving wire center will be diverse from each other from the closest available point of divergence (e.g., the closest manhole to the Customer Site). These two designated Port Connections must be purchased by the same Customer.

Port Diversity requires the Customer to purchase duplicate Port Connections (to establish a normal path and a diverse path) from the Customer Site(s) to its serving wire center(s). In addition, a Port Diversity charge applies on the diverse path circuit for each pair of designated Port Connections at any Customer Site where Port Diversity is requested.



Continued

OTHER SERVICES

D12. SPECIAL ACCESS SERVICE

12.5 AT&T DEDICATED ETHERNET (Cont'd)

12.5.1 SERVICE DESCRIPTION (Cont'd)

D. Protection and Diversity Options (Cont'd)

2. Diversity Options (Cont'd)

The following Diversity options are available for AT&T Dedicated Ethernet: (Cont'd)

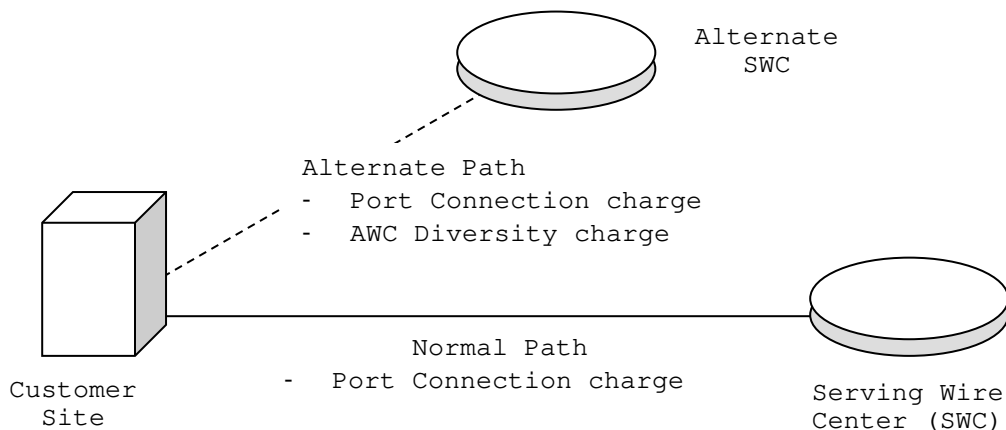
b. Alternate Wire Center Diversity

(1) Alternate Wire Center Diversity is a feature that provides transmission paths (a normal path and a diverse path), which are diverse from each other between two designated AT&T Dedicated Ethernet Port Connections. The normal path is routed to its normal serving wire center and the diverse path is routed to an alternate wire center. (D)

The Company will choose the alternate wire center that is capable of providing AT&T Dedicated Ethernet over the alternate route.

The fiber path from each designated Port Connection to its applicable serving wire center (normal and alternate) will be diverse from each other from the closest available point of divergence (e.g., the closest manhole to the Customer Site). These two designated Port Connections must be purchased by the same Customer.

Alternate Wire Center Diversity requires the Customer to purchase duplicate Port Connections (to establish a normal path and a diverse path) from the Customer Site(s) to the applicable serving wire center(s). In addition, an Alternate Wire Center Diversity charge applies on the diverse path circuit for each pair of designated Port Connections at any Customer Site where Alternate Wire Center Diversity is requested.



Continued

OTHER SERVICES

D12. SPECIAL ACCESS SERVICE

12.5 AT&T DEDICATED ETHERNET (Cont'd)

(N)

12.5.1 SERVICE DESCRIPTION (Cont'd)

D. Protection and Diversity Options (Cont'd)

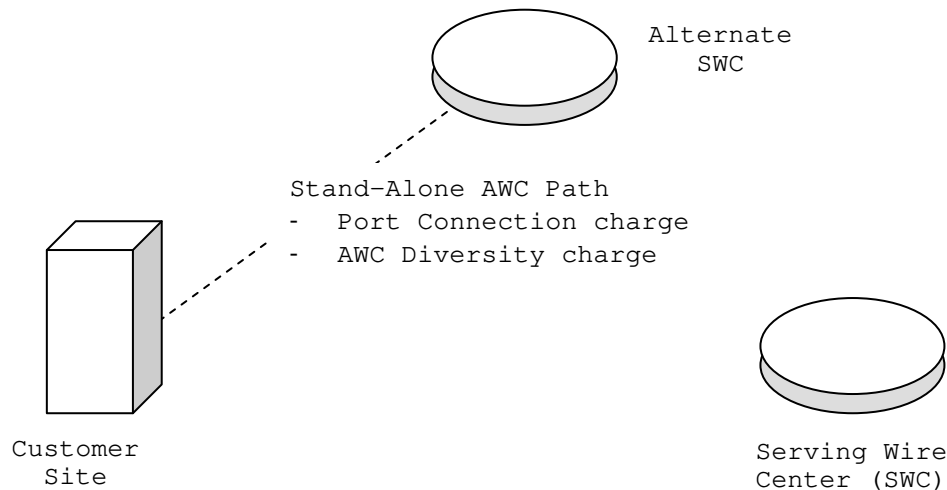
2. Diversity Options (Cont'd)

b. Alternate Wire Center Diversity (Cont'd)

(2) Stand-Alone Alternate Wire Center (AWC) Routing

Alternate Wire Center Diversity is available as a stand-alone AWC arrangement where there is no actual diversity. In this arrangement, an AT&T Dedicated Ethernet Port Connection is routed to an alternate wire center rather than its normal serving wire center.

The Customer is assessed a Port Connection charge and an Alternate Wire Center Diversity charge for a stand-alone AWC route connecting the Customer Site to the alternate serving wire center.



The Port Connection is routed to a SWC other than its normal SWC in a Stand-Alone AWC arrangement.

(N)

Continued



OTHER SERVICES

D12. SPECIAL ACCESS SERVICE

12.5 AT&T DEDICATED ETHERNET (Cont'd)

12.5.1 SERVICE DESCRIPTION (Cont'd)

D. Protection and Diversity Options (Cont'd)

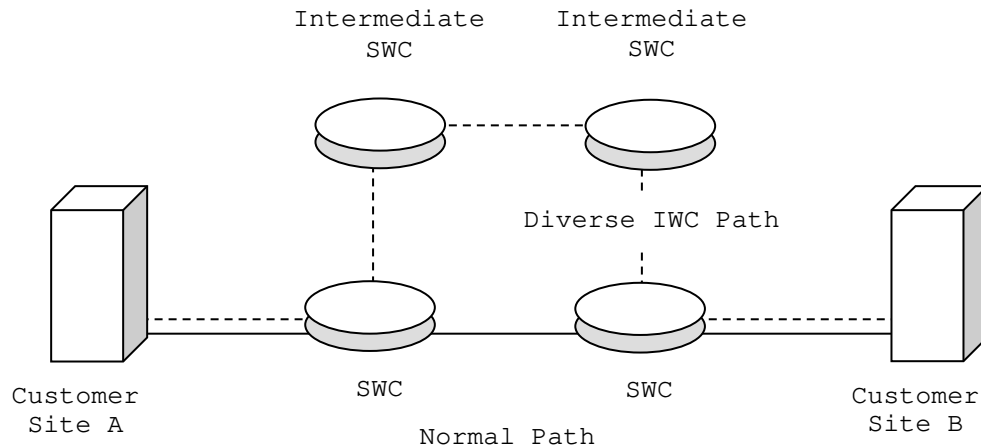
2. Diversity Options (Cont'd)

c. Inter-Wire Center (IWC) Diversity

Inter-Wire Center Diversity is a feature that provides a transmission path between the serving wire centers for each end of the circuit that is separate from the normal transmission path. IWC Diversity arrangements are available only where each end of an AT&T Dedicated Ethernet circuit is provided from a different serving wire center.

Inter-Wire Center (IWC) Diversity requires the Customer to purchase duplicate Port Connections. (D)  
An Inter-Wire Center Diversity charge applies to the AT&T Dedicated Ethernet circuit designated with the diverse IWC path. (D)  
(T)  
(D)

The Inter-Wire Center Diversity option can be selected on its own or in combination with the Port Diversity and Alternate Wire Center Diversity options.



In the IWC Diversity example above, there are two AT&T Dedicated Ethernet circuits between Customer Site A and Customer Site B as follows:

- Circuit #1 is the normal path circuit and consists of two Port Connection charges.
- Circuit #2 has the Inter-Wire Center Diversity feature to provide a diverse IWC path from circuit #1. Circuit #2 consists of two Port Connection charges plus an Inter-Wire Center Diversity charge.

Continued

OTHER SERVICES

D12. SPECIAL ACCESS SERVICE

12.5 AT&T DEDICATED ETHERNET (Cont'd)

12.5.1 SERVICE DESCRIPTION (Cont'd)

E. Meet Point Arrangements

In some cases, the Company and another Incumbent Local Exchange Carrier (ILEC, sometimes referred to as an Independent Company or ICO) may agree to jointly provide service where such service will be provided to locations in both the Company's and the other ILEC's serving territories. In such cases, the Company and the other ILEC may mutually agree to meet at a location (i.e., meet point) utilizing facilities suitable for delivery of AT&T Dedicated Ethernet. (D)  
(D)

The Company is responsible for the ordering, provisioning, billing and maintenance of such AT&T Dedicated Ethernet service up to the meet point.

The rates and charges for AT&T Dedicated Ethernet are applicable for the Company provided portion of such service as follows:

- One Port Connection charge applies for the portion of the circuit provided by the Company.
- The Administrative Charge applies in full per order received.
- The Design and Central Office Connection Charge applies in full per AT&T Dedicated Ethernet circuit.
- The Customer Connection Charge applies for the termination of the Port Connection provided by the Company.

Service Level Agreement (SLA) credits in paragraph 12.5.4, A.1 will apply only to the Company provided portion of the service.

Continued

OTHER SERVICES

D12. SPECIAL ACCESS SERVICE

12.5 AT&T DEDICATED ETHERNET (Cont'd)

(N)

12.5.2 TYPES OF RATES AND CHARGES

Nonrecurring Charges

Nonrecurring charges are one-time charges that apply for specific work activity (i.e., installation or change to an existing service) related to the provisioning of AT&T Dedicated Ethernet. The types of nonrecurring charges that apply for AT&T Dedicated Ethernet are:

*Installation of Service:* Nonrecurring charges apply to each service installed.

The *Administrative Charge* is a nonrecurring charge that applies for each service order.

A *Design and Central Office Connection Charge* applies any time a customer-initiated order for service requires engineering design and/or connection or changes at the Company central office. This charge applies once per circuit.

A *Customer Connection Charge* applies any time a customer-initiated order for service requires connection or changes to a Port Connection. This charge applies once per Port Connection affected by the order.

*Installation of Optional Features and Functions:* Nonrecurring charges apply for the installation of the optional features and functions available with AT&T Dedicated Ethernet. The charge applies whether the feature or function is installed coincident with the initial installation of service or at any time subsequent to the installation of the service.

*Service Rearrangements:* Service rearrangements are changes to existing (installed) services which **do not** result in either:

- A change in the minimum period of the service, or
- A change in the physical location of the point of termination at a Customer Site

Recurring Charges

Recurring Charges are rates that apply each month or fraction thereof that the service is provided. For billing purposes, each month is considered to have 30 days.

See paragraph 12.5.5, following, for Rates and Charges.

(N)

Continued

OTHER SERVICES

D12. SPECIAL ACCESS SERVICE

12.5 AT&T DEDICATED ETHERNET (Cont'd)

(N)

12.5.3 ETHERNET PAYMENT PLAN (EPP)

A. Standard Terms and Conditions

1. To subscribe to AT&T Dedicated Ethernet, the Customer must select one of the following EPP options: 12 Months, 24 Months, 36 Months and 60 Months. AT&T Dedicated Ethernet is not available to be subscribed to on a month-to-month basis.
2. During the Customer's EPP term, Company initiated recurring rate changes (i.e., rate increases or decreases) will be automatically applied to the Customer's EPP rates for the months remaining in the Customer's EPP term. However, at no time during the Customer's EPP term will rates exceed the Customer's initial EPP rates.
3. Customers may subscribe to the EPP Auto Renewal option at any time prior to expiration of their EPP term plan. EPP Auto Renewal provides for a continuation of the rates under the EPP term the Customer last completed for additional, consecutive 12 month periods, subject to termination as provided below.

For instance, a Customer that has subscribed to the EPP Auto Renewal option prior to completion of a 60 month EPP term will continue to receive the 60 month EPP rate during each subsequent 12 month extension period.

EPP Auto Renewal will continue to automatically extend the Customer's term every year for an additional 12 month period unless either party provides written notice of its intent not to renew at least 60 days prior to the expiration of the initial EPP term or any additional 12 month period.

An *Administrative Charge* is applicable when Customers add or remove the EPP Auto Renewal option, unless other changes for which an *Administrative Charge* is applicable are also being performed.

Termination Liability will apply, as described in paragraph 12.5.3.A.6 below, for service disconnected during any 12 month extension period, based upon the number of months remaining in that 12 month extension period.

(N)

Continued

OTHER SERVICES

D12. SPECIAL ACCESS SERVICE

12.5 AT&T DEDICATED ETHERNET (Cont'd)

12.5.3 ETHERNET PAYMENT PLAN (EPP) (Cont'd)

A. Standard Terms and Conditions (Cont'd)

4. When an EPP term or subsequent 12 month extension period expires (and the Customer's term is not extended pursuant to the Auto Renewal option above), the Customer may select a new EPP term from among any EPP options which are then available to new Customers hereunder. EPP rates in effect at the time the new EPP term starts will apply. An Administrative Charge is applicable when Customers select a new EPP term.
5. The Monthly Extension Rates in paragraph 12.5.5. *Rates and Charges* will apply when a Customer's EPP term or subsequent 12 month extension period expires (and the Customer's term is not extended pursuant to the Auto Renewal option above). The Customer will be billed the Monthly Extension rates then in effect until such time as the Customer selects a new EPP or the service is terminated.
6. Termination Liability will apply if the service is disconnected prior to the end of the selected EPP term. Termination Liability will be determined based on the number of months remaining in the EPP term times 100% of the applicable EPP monthly rates, calculated (C) as follows:

$$\text{Termination Liability Charge} = (\text{EPP Monthly Recurring rate}) \times (\text{months remaining in EPP term}) \times (100\%) \quad (C)$$

*Example:*

An AT&T Dedicated Ethernet Customer with a \$6,000.00 monthly rate terminates service after 2 years with 1 year (12 months) remaining in a 3 year EPP. The termination liability charge would be calculated as:

$$\text{Termination Liability Charge} = \$6,000 \times 12 \times 1.00 = \$72,000.00 \quad (C)$$

7. Conversions

During the Customer's EPP term, conversions may be made to a new EPP term of the same or greater length, from among any EPP options which are then available to new Customers hereunder. The expiration date of the new EPP term must be beyond the expiration date of the original EPP term. With the conversion to the new EPP term, the Customer incurs no liability for the remaining months on the original EPP term.

An *Administrative Charge* is applicable when Customers select a new EPP term or change the length of an existing EPP term.

Continued

OTHER SERVICES

D12. SPECIAL ACCESS SERVICE

12.5 AT&T DEDICATED ETHERNET (Cont'd)

12.5.3 ETHERNET PAYMENT PLAN (EPP) (Cont'd)

B. Moves

Moves will be treated as a discontinuance of service and activation of new service. The previously waived non-recurring charges at the location(s) from which the circuit is being moved will be billed (if EPP term has not expired).

The Customer must select an EPP term for the new circuit. The new EPP term will be subject to the rates in effect at the time of the move. Termination Liability will apply for such a move except where all of the following conditions apply:

- The move is limited to one end of the AT&T Dedicated Ethernet circuit moving to a different Customer Site. (D) z
- The Customer's existing service must have been in place for at least 12 months.
- The Customer must select a new EPP with a term that is greater than or equal to the remainder of the existing EPP.
- Orders from the Customer to disconnect the existing service and reestablish service at the new location must be placed by the same Customer and received by the Company on the same date.
- No lapse in billing will occur for moves of service under an EPP. If the Customer requests that both the existing AT&T Dedicated Ethernet circuit and the new AT&T Dedicated Ethernet circuit be in service at the same time, such "overlapping" service shall be provided for no more than 30 days, and all applicable charges will be billed for both circuits during the period of overlapping service.
- Spare facilities and equipment must be available or *Special Construction* charges, as set forth in this Tariff, shall apply.

z: Correction to add the word "moving".

(N)

Continued

OTHER SERVICES

D12. SPECIAL ACCESS SERVICE

12.5 AT&T DEDICATED ETHERNET (Cont'd)

(N)

12.5.3 ETHERNET PAYMENT PLAN (EPP) (Cont'd)

C. Upgrades

The following activities are considered Upgrades for AT&T Dedicated Ethernet:

- Upgrades of AT&T Dedicated Ethernet from a lower capacity to a higher-speed option (e.g., conversion from a 1Gbps to a 10Gbps speed option).
- Adding a protection option to an unprotected AT&T Dedicated Ethernet circuit.
- Same speed conversions of AT&T Dedicated Ethernet (e.g. 10GE LAN PHY to 10GE WAN PHY, 40GE to OTU3, etc.).
- Replacement of AT&T Dedicated Ethernet with another Company-provided service at a transport speed or capacity greater than the speed or capacity available with AT&T Dedicated Ethernet, or at the same transport speed or capacity as available with AT&T Dedicated Ethernet but with enhanced technology or functionality not available with AT&T Dedicated Ethernet.

Upgrades will be treated as a discontinuance of service and activation of new service. The Customer must select an EPP term for the new circuit. The monthly rates for the new service will be those rates in effect at the time the new service is installed. 100% of any waived nonrecurring charges will apply if EPP term has not expired. The Customer will experience an out of service condition unless overlapping service is requested. Upgrades are contingent on availability of equipment and fiber facilities. Special Construction charges, as necessary, may apply.

(N)

Continued

OTHER SERVICES

D12. SPECIAL ACCESS SERVICE

12.5 AT&T DEDICATED ETHERNET (Cont'd)

(N)

12.5.3 ETHERNET PAYMENT PLAN (EPP) (Cont'd)

C. Upgrades (Cont'd)

EPP Termination Liability will not apply for upgrades, if all of the following conditions are met:

- The new and existing services must be billed to the same Customer at the same Customer location; and
- The Customer's existing AT&T Dedicated Ethernet must have been in place for at least 12 months; and
- The EPP term for the new service must be equal to or greater than the remainder of the Customer's existing EPP term; and
- The order for the new service and the disconnect order for the existing service must be placed by the Customer and received by the Company on the same date; and
- If the Customer requests that both the existing AT&T Dedicated Ethernet and the new higher level service be in service at the same time, such "overlapping" service shall be provided for no more than 90 days, and all applicable charges will be billed for both services during the period of overlapping service; and
- No lapse in service occurs.

(N)

Continued



OTHER SERVICES

D12. SPECIAL ACCESS SERVICE

12.5 AT&T DEDICATED ETHERNET (Cont'd)

(N)

12.5.4 SERVICE LEVEL AGREEMENTS (SLAs)

A. Credit Allowance for Service Interruptions

AT&T Dedicated Ethernet provides credits in the event of a service interruption. The amount of the credit depends on whether AT&T Dedicated Ethernet is unprotected or protected.

A service is interrupted when it becomes unusable to the Customer because of a failure of a facility component used to furnish service under this Tariff, or in the event that the protective controls applied by the Company result in the complete loss of service by the Customer for reasons not attributable to the Customer. An interruption period starts when a service disruption of greater than ten (10) consecutive seconds is reported to the Company and the Company confirms that continuity of its service has been lost. An interruption period ends when the service is operative.

The service interruption credits listed below are in lieu of, and not in addition to, the credit allowances for service interruptions provided under this Tariff.

1. Credit Allowance for Service Interruptions (For Unprotected Arrangements)

In case of an interruption to an unprotected AT&T Dedicated Ethernet circuit, an allowance for the period of interruption shall be calculated as follows:

- No credit shall be allowed for an interruption of less than 10 seconds.
- Credit will be provided for an interruption of 10 seconds or more at the rate of 10/8640 of the monthly charges for the affected AT&T Dedicated Ethernet circuit for each period of 5 minutes or major fraction thereof that the interruption continues.

The credit allowance(s) for service interruptions shall not exceed 100 percent of the applicable monthly rates for the affected circuit(s).

(N)

Continued

OTHER SERVICES

D12. SPECIAL ACCESS SERVICE

12.5 AT&T DEDICATED ETHERNET (Cont'd)

(N)

12.5.4 SERVICE LEVEL AGREEMENTS (SLAs)

A. Credit Allowance for Service Interruptions (Cont'd)

2. Credit Allowance for Service Interruptions (Fully Protected)

A Service Level Agreement (SLA) of 99.999 percent Service Availability performance in each calendar month is provided for each fully protected AT&T Dedicated Ethernet circuit, subject to the limitations set forth herein.

An AT&T Dedicated Ethernet circuit is considered to be fully protected when the Port Protection Plus feature is selected on both ends (both Port Connections) of an AT&T Dedicated Ethernet circuit.

If this SLA is not met in any calendar month, the Customer will be entitled to a credit equal to 100 percent of the monthly rate for the Port Connections which were interrupted, including the protection feature rate elements associated with that Port Connection, not to exceed the total monthly charges for the affected circuit(s).

To qualify as a service interruption for the purposes of determining whether this Service Availability SLA has been met, any service interruption must be greater than ten (10) consecutive seconds and determined by the Company to be in its network.

The Customer is responsible for notifying the Company when the service parameter within the calendar month falls below the committed level. The Customer must request a service credit adjustment within 25 days after the end of the month when the failure occurred.

(N)

Continued

OTHER SERVICES

D12. SPECIAL ACCESS SERVICE

12.5 AT&T DEDICATED ETHERNET (Cont'd)

(N)

12.5.4 SERVICE LEVEL AGREEMENTS (SLAs) (Cont'd)

B. SLA Exclusions

The SLA provisions, measurements, and eligibility for credit shall exclude conditions wherein service performance was adversely affected by any of the following conditions:

- Any cause beyond the Company's reasonable control (force majeure events) including, but not limited to, acts of war, civil disturbances, acts of civil or military authorities or public enemies, earthquakes, hurricanes, floods, fires, storms, tornadoes, explosions, lightning, power surges or failures, fiber cuts, strikes or labor disputes;
- Failures of any structures, facilities or equipment provided by the Customer or its contractors, equipment vendors, or by any carrier or service provider other than the Company;
- Interruptions caused by the negligence of the Customer.
- Interruptions of a service during any period in which the Company is not afforded access to the premises where the service is terminated.
- When the Company and the Customer negotiate the release of the service for (1) maintenance purposes, (2) to make rearrangements or (3) to implement an order for a change in the service, a credit does not apply during the negotiated time of release.
- Periods when the Customer elects not to release the service for testing and/or repair and continues to use it on an impaired basis.
- Data loss during the Company's scheduled maintenance windows;
- Failures of any structures, facilities or equipment on the Customer's side of the demarcation point.

The total credit amount of any allowances for interruptions and SLA credits applicable in a given month shall not exceed 100% of the monthly recurring charge for the affected AT&T Dedicated Ethernet circuit(s).

(N)

Continued

OTHER SERVICES

D12. SPECIAL ACCESS SERVICE

12.5 AT&T DEDICATED ETHERNET (Cont'd)

12.5.5 RATES AND CHARGES

| <u>Description</u>      | <u>USOC</u> | <u>Monthly Payment</u><br><i>Ethernet Payment Plans</i> |                  |                  |                  | <u>Monthly Extension Rate</u> |     |
|-------------------------|-------------|---|------------------|------------------|------------------|-------------------------------|-----|
|                         |             | <u>12 Months</u>  | <u>24 Months</u> | <u>36 Months</u> | <u>60 Months</u> |                               |     |
| <i>Port Connection</i>  |             |   |                  |                  |                  |                               |     |
| 1 Gbps Ethernet         | EYFNX       | \$3,750.00  | \$3,500.00       | \$3,200.00       | \$2,750.00       | \$4,250.00                    |     |
| OTU1 (2.5Gbps)          | EYFOX       | 7,500.00  | 7,000.00         | 6,400.00         | 5,500.00         | 8,500.00                      |     |
| <i>10 Gbps Ethernet</i> |             |   |                  |                  |                  |                               |     |
| LAN-PHY                 | EYFNX       | 11,750.00   | 11,000.00        | 10,000.00        | 8,500.00         | 13,250.00                     |     |
| WAN-PHY                 | EYFNX       | 11,750.00   | 11,000.00        | 10,000.00        | 8,500.00         | 13,250.00                     |     |
| <i>OTU2/2e</i>          |             |   |                  |                  |                  |                               |     |
| (10Gbps)                | EYFOX       | 12,925.00   | 12,100.00        | 11,000.00        | 9,350.00         | 14,575.00                     |     |
| <i>40 Gbps</i>          |             |   |                  |                  |                  |                               |     |
| Ethernet                | EYFNX       | 29,375.00   | 27,500.00        | 25,000.00        | 21,250.00        | 33,125.00                     |     |
| OTU3 (40Gbps)           | EYFOX       | 29,375.00   | 27,500.00        | 25,000.00        | 21,250.00        | 33,125.00                     |     |
| <i>100 Gbps</i>         |             |   |                  |                  |                  |                               |     |
| Ethernet                | EYFNX       | 41,125.00   | 38,500.00        | 35,000.00        | 29,750.00        | 46,375.00                     |     |
| OTU4 (100Gbps)          | EYFOX       | 45,250.00   | 42,350.00        | 38,500.00        | 32,725.00        | 51,000.00                     |     |
| <i>400 Gbps</i>         |             |   |                  |                  |                  |                               |     |
| Ethernet                |             |   |                  |                  |                  |                               |     |
| (400GE)                 | EYFNX       | 123,375.00  | 115,500.00       | 105,000.00       | 89,250.00        | 139,125.00                    | (N) |

Continued

OTHER SERVICES

D12. SPECIAL ACCESS SERVICE

12.5 AT&T DEDICATED ETHERNET (Cont'd)

(N)

12.5.5 RATES AND CHARGES (Cont'd)

| Description                               | Monthly Payment<br><i>Ethernet Payment Plans</i> |            |            |            | Monthly<br>Extension<br>Rate | Nonrecurring<br>Charge |
|---|--|------------|------------|------------|------------------------------|------------------------|
|   | 12 Months  | 24 Months  | 36 Months  | 60 Months  |                              |                        |
| <i>Optional Features</i>                  |  |            |            |            |                              |                        |
| <i>Protection Options</i>                 |  |            |            |            |                              |                        |
| <i>Port Protection Plus (USOC: DV9CX)</i> |  |            |            |            |                              |                        |
| 1 Gbps Ethernet                           | \$3,950.00                                       | \$3,675.00 | \$3,360.00 | \$2,900.00 | \$4,500.00                   | \$1,000.00             |
| 10 Gbps Ethernet                          |  |            |            |            |                              |                        |
| LAN-PHY                                   | 13,600.00  | 12,700.00  | 11,550.00  | 9,825.00   | 15,300.00                    | 1,000.00               |
| WAN-PHY                                   | 13,600.00  | 12,700.00  | 11,550.00  | 9,825.00   | 15,300.00                    | 1,000.00               |
| OTU2/2e                                   |  |            |            |            |                              |                        |
| (10Gbps)                                  | 13,600.00  | 12,700.00  | 11,550.00  | 9,825.00   | 15,300.00                    | 1,000.00               |
| 40 Gbps                                   |  |            |            |            |                              |                        |
| Ethernet                                  | 35,250.00  | 33,000.00  | 30,000.00  | 25,500.00  | 39,750.00                    | 1,000.00               |
| OTU3 (40Gbps)                             | 35,250.00  | 33,000.00  | 30,000.00  | 25,500.00  | 39,750.00                    | 1,000.00               |
| 100 Gbps                                  |  |            |            |            |                              |                        |
| Ethernet                                  | 54,300.00  | 50,820.00  | 46,200.00  | 39,270.00  | 61,200.00                    | 1,000.00               |
| OTU4 (100Gbps)                            | 54,300.00  | 50,820.00  | 46,200.00  | 39,270.00  | 61,200.00                    | 1,000.00               |

(N)

Continued

OTHER SERVICES

D12. SPECIAL ACCESS SERVICE

12.5 AT&T DEDICATED ETHERNET (Cont'd)

(N)

12.5.5 RATES AND CHARGES (Cont'd)

Reserved for future use

(N)

Continued

OTHER SERVICES

D12. SPECIAL ACCESS SERVICE

12.5 AT&T DEDICATED ETHERNET (Cont'd)

(N)

12.5.5 RATES AND CHARGES (Cont'd)

| Description<br>USOC  | Monthly Payment<br><i>Ethernet Payment Plans</i> |           |           |           | Monthly<br>Extension<br>Rate | Nonrecurring<br>Charge |
|--|--|-----------|-----------|-----------|------------------------------|------------------------|
|  | 12 Months  | 24 Months | 36 Months | 60 Months |                              |                        |
| <i>Optional Features (cont'd)</i>                          |  |           |           |           |                              |                        |
| Diversity Options  |  |           |           |           |                              |                        |
| <i>Port Diversity (USOC: DV9AX)</i>                        |  |           |           |           |                              |                        |
| All speeds   | \$1,000.00                                       | \$875.00  | \$800.00  | \$700.00  | \$1,100.00                   | \$450.00               |
| <i>Alternate Wire Center (AWC) Diversity (USOC: CPAAX)</i> |  |           |           |           |                              |                        |
| All speeds   | 1,125.00   | 1,000.00  | 950.00    | 825.00    | 1,275.00                     | 625.00                 |
| <i>Inter-Wire Center (IWC) Diversity (USOC: DV9BX)</i>     |  |           |           |           |                              |                        |
| All speeds   | 750.00   | 700.00    | 650.00    | 550.00    | 850.00                       | 450.00                 |

(N)

Continued

OTHER SERVICES

D12. SPECIAL ACCESS SERVICE

12.5 AT&T DEDICATED ETHERNET (Cont'd)

12.5.5 RATES AND CHARGES (Cont'd)

| <u>Description</u>  | <u>USOC</u> | <u>Nonrecurring Charge</u> |
|---|-------------|----------------------------|
| <i>Installation and Rearrangement Charges</i>                           |             |                            |
| Administrative Charge <sup>1</sup><br>- per Order                       | ORCMX       | \$60.00                    |
| Design & Central Office Connection Charge <sup>1</sup><br>- per Circuit | NRBCL       | 600.00                     |
| Customer Connection Charge <sup>1</sup><br>- per Port Connection        | NRBBL       | 1,500.00                   |

Note 1: The Nonrecurring Charges will be waived for Customers selecting the 12 Months, 24 Months, 36 Months, or 60 Months Ethernet Payment Plan (C) options for new service. (T)

Continued