

ACCESS SERVICE

19. MegaLink Custom Services

The following list matches the Company's Basic Service Element (BSE) names to the industry standard names for each BSE.

<u>Company Names</u>	<u>Generic Name of ONA Service</u>
Multiplexing	Multiplexing - Digital
- Central Office Multiplexing	

19.1 General Description

MegaLink Custom Service is a special access service utilizing DS3 technology to provide dedicated high capacity transport between customer designated premises*, either directly or through a Company Hub where bridging, multiplexing, Transport Resource Management Service, or Network Reconfiguration Service functions are performed. (Transport Resource Management Service and Network Reconfiguration Service, as set forth in Section 15, work in conjunction with MegaLink Custom Service, allowing customers the ability to reconfigure their circuits.) The DS3 signal provides for the transmission of nominal 44.736 Mbps isochronous serial data. MegaLink Custom Services are provided (1) between two customer designated premises, (2) between a customer designated premises and a Company Hub Central Office, (3) between a Company Hub Central Office and a Transport Resource Management Service Hub, (4) between Transport Resource Management Service Hubs at 44.736 Mbps transmission, (5) between Network Reconfiguration Service Hubs at 44.736 Mbps transmission, (6) between a Network Reconfiguration Service Hub and a Transport Resource Management Service Hub at 44.736 Mbps transmission, or (7) between a Network Reconfiguration Service Hub and a Company Hub at 44.736 Mbps transmission. MegaLink Custom Services may include Optional Features, BSEs and Functions.

MegaLink Custom Service offers the customer the option of requesting either an electrical or optical interface at their premises. The interface at a Company Hub Central Office is electrical.

Customers requesting electrical interface will receive an electrical signal with a transmission speed of 44.736 Mbps per channel. Compatible channel interfaces are set forth in Technical Reference Publication TR-INS-000342.

Customers requesting an optical interface will receive (an) optical signal(s) at the transmission speed(s) associated with the equivalent number of DS3s requested on the Access Order. The transmission speeds for optical interfaces are stated as approximate multiples of 44.736 Mbps.

* Company Centrex CO-like switches and Company Answering Service Concentrators are considered to be customer premises for purposes of administering regulations and rates contained in this Guidebook.

ACCESS SERVICE

19. MegaLink Custom Services (Continued)

19.1 General Description (Continued)

Technical specifications for MegaLink Custom Services may be found in the following Technical Reference Publications:

Technical Reference PUB 76625
Technical Reference TR-INS-000342

It is the customer's responsibility to arrange for the Network Channel Terminating Equipment associated with the high capacity channel at the customer's premises.

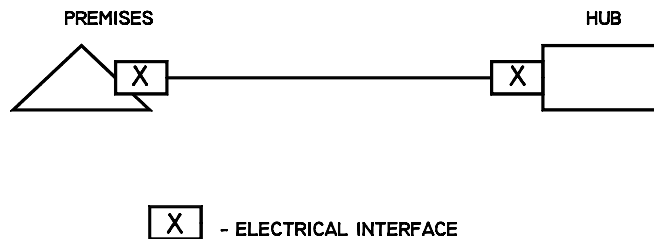
The following describes the service configurations available for MegaLink Custom Service.

Customer Designated Premises to Company Hub Central Office

Electrical Interface

This service configuration provides electrical DS3 signals at the customer designated premises and the Company Hub Central Office.

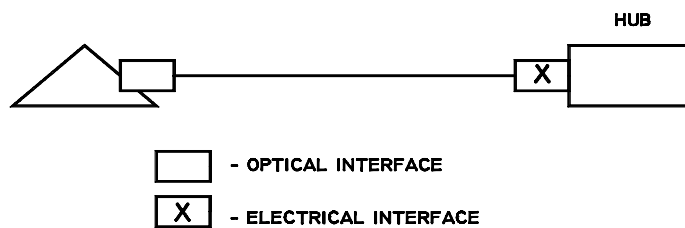
Example:



Optical Interface

This service configuration provides optical signals at the customer designated premises and electrical DS3 signals at the Company Hub Central Office.

Example:



ACCESS SERVICE

19. MegaLink Custom Services (Continued)

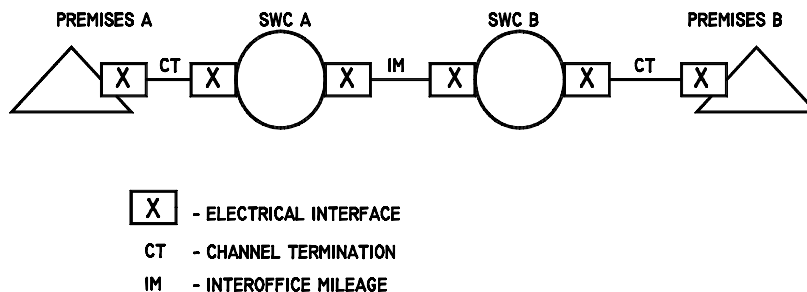
19.1 General Description (Continued)

Customer Designated Premises to Customer Designated Premises

Electrical Interface to Electrical Interface

This service configuration provides electrical DS3 signals at both customer designated premises.

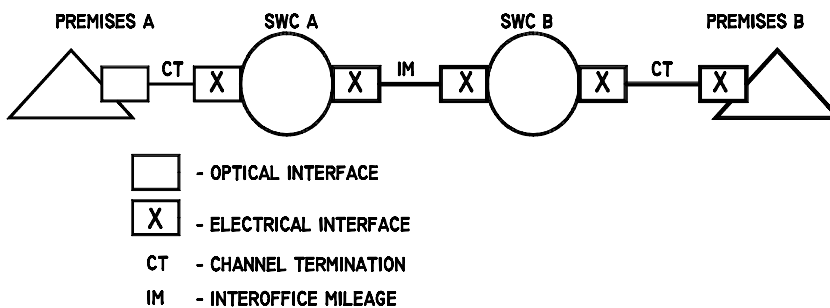
Example:



Optical Interface to Electrical Interface

This service configuration provides optical signals at one customer designated premises and electrical DS3 signals at the other customer designated premises.

Example:



ACCESS SERVICE

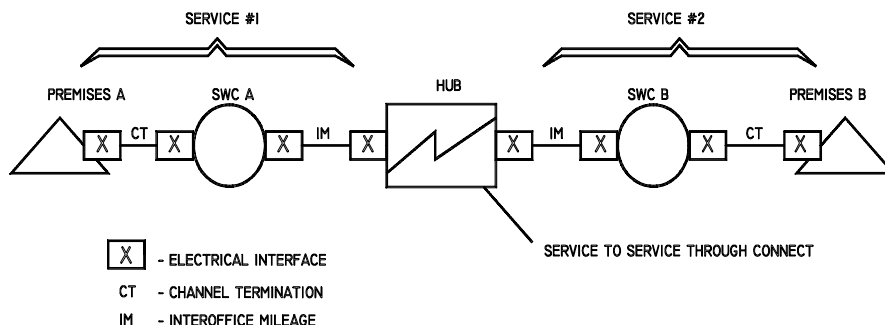
19. Megalink Custom Services (Continued)

19.1 General Description (Continued)

Service to Service Through Connect Arrangement

The Service to Service Through Connect Arrangement provides for an interconnection of two Megalink Custom Services in the same Company Hub Central Office.

Example:



19.2 Optional Feature, BSE and Function Descriptions

19.2.1 Central Office Multiplexing BSE

DS3 to DS1 multiplexing provides an arrangement in a Company Hub Central Office that converts a DS3 signal to 28 DS1 channels using digital time division multiplexing.

When ordering multiplexing, the customer will select the designated hub(s) and subtending wire center(s) from the National Exchange Carriers Association, Inc. Tariff F.C.C. No. 4 Subtending Wire Center section(s) and Wire Center section(s). A description of the types of multiplexing hubs are as set forth in 7.1.3(B)(3) (Intermediate Multiplexing Hub), 7.1.3(B)(4) (Super Intermediate Multiplexing Hub) and 7.1.3(B)(5) (Terminus Multiplexing Hub) preceding.

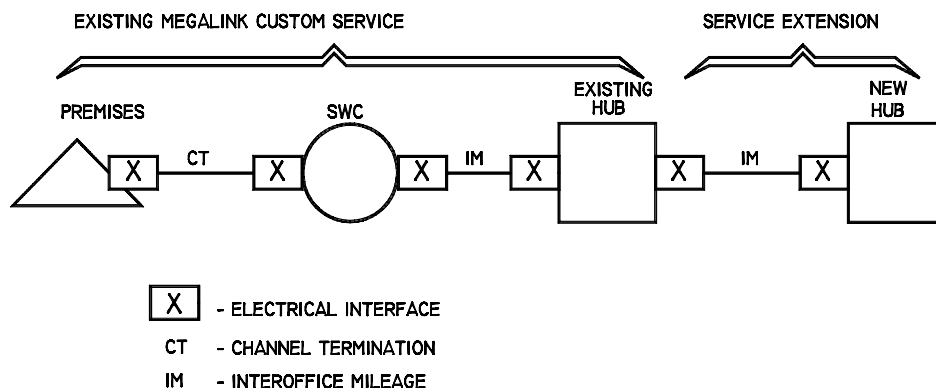
ACCESS SERVICE

19. Megalink Custom Services (Continued)

19.2 Optional Feature, BSE and Function Descriptions (Continued)

19.2.3 Service Extension

An existing Megalink Custom Service can be extended from the current Company Hub Central Office to another Company Hub Central Office via a Service Extension.



19.3 Service Provisioning

19.3.1 Design Layout Report

At the request of the customer, the Company will provide to the customer the make-up of the facilities and services provided under this Guidebook as Megalink Custom Service to aid the customer in designing its overall service. This information will be provided in the form of a Design Layout Report. The Design Layout Report will be provided to the customer at no charge, and will be reissued or updated whenever these facilities are materially changed.

19.3.2 Acceptance Testing

At no additional charge, the Company will, at the customer's request, cooperatively test at the time of installation, the parameters contained in Technical Reference PUB 76625.

In addition to the above tests, Additional Cooperative Acceptance Testing, to test other parameters not defined in Technical Reference PUB 76625, is available at the customer's request.

19.4 Rates and Charges

Rates and charges will be on an Individual Case Basis (ICB).