

8. Specialized Network Services

8.1 General

Specialized Network Services provide general service arrangements which are not offered under other sections of this tariff.

8.2

(D)

(D)

(This page filed under Transmittal No. 1772)

8. Specialized Network Services (Cont'd)

8.2

(D)

(D)

(This page filed under Transmittal No. 1772)

8. Specialized Network Services (Cont'd)

8.2

(D)

(D)

(This page filed under Transmittal No. 1772)

8. Specialized Network Services (Cont'd)

8.2

(D)

(D)

(This page filed under Transmittal No. 1772)

8. Specialized Network Services (Cont'd)

8.2

(D)

(D)

(This page filed under Transmittal No. 1772)

8. Specialized Network Services (Cont'd)

8.2

(D)

(D)

(This page filed under Transmittal No. 1772)

8. Specialized Network Services (Cont'd)

8.2

(D)

(D)

(This page filed under Transmittal No. 1772)

8. Specialized Network Services (Cont'd)

8.2

(D)

(D)

(This page filed under Transmittal No. 1772)

8. Specialized Network Services (Cont'd)

8.2

(D)

(D)

(This page filed under Transmittal No. 1772)

8. Specialized Network Services (Cont'd)

8.2

(D)

(D)

(This page filed under Transmittal No. 1772)

8. Specialized Network Services (Cont'd)

8.2

(D)

(D)

(This page filed under Transmittal No. 1772)

8. Specialized Network Services (Cont'd)

8.2

(D)

(D)

(This page filed under Transmittal No. 1772)

8. Specialized Network Services (Cont'd)

8.2

(D)

(D)

(This page filed under Transmittal No. 1772)

8. Specialized Network Services (Cont'd)

8.2

(D)

(D)

(This page filed under Transmittal No. 1772)

8. Specialized Network Services (Cont'd)

8.2

(D)

(D)

(This page filed under Transmittal No. 1772)

8. Specialized Network Services (Cont'd)

8.2

(D)

(D)

(This page filed under Transmittal No. 1772)

8. Specialized Network Services (Cont'd)

8.2

(D)

(D)

(This page filed under Transmittal No. 1772)

8. Specialized Network Services (Cont'd)

8.2

(D)

(D)

(This page filed under Transmittal No. 1772)

8. Specialized Network Services (Cont'd)

8.2

(D)

(D)

(This page filed under Transmittal No. 1772)

8. Specialized Network Services (Cont'd)

8.2

(D)

(D)

(This page filed under Transmittal No. 1772)

8. Specialized Network Services (Cont'd)

8.2

(D)

(D)

(This page filed under Transmittal No. 1772)

8. Specialized Network Services (Cont'd)

8.2

(D)

(D)

(This page filed under Transmittal No. 1772)

8. Specialized Network Services (Cont'd)

8.2

(D)

(D)

(This page filed under Transmittal No. 1772)

8. Specialized Network Services (Cont'd)

8.2

(D)

(D)

(This page filed under Transmittal No. 1772)

8. Specialized Network Services (Cont'd)

8.2

(D)

(D)

(This page filed under Transmittal No. 1772)

8. Specialized Network Services (Cont'd)

8.2

(D)

(D)

(This page filed under Transmittal No. 1772)

8. Specialized Network Services (Cont'd)

8.2

(D)

(D)

(This page filed under Transmittal No. 1772)

8. Specialized Network Services (Cont'd)

8.2

(D)

(D)

(This page filed under Transmittal No. 1772)

8. Specialized Network Services (Cont'd)

8.2

(D)

(D)

(This page filed under Transmittal No. 1772)

8. Specialized Network Services (Cont'd)

8.2

(D)

(D)

(This page filed under Transmittal No. 1772)

8. Specialized Network Services (Cont'd)

8.2

(D)

(D)

(This page filed under Transmittal No. 1772)

8. Specialized Network Services (Cont'd)

8.2

(D)

(D)

(This page filed under Transmittal No. 1772)

8. Specialized Network Services (Cont'd)

8.2

(D)

(D)

(This page filed under Transmittal No. 1772)

8. Specialized Network Services (Cont'd)

8.2

(D)

(D)

(This page filed under Transmittal No. 1772)

8. Specialized Network Services (Cont'd)

8.2

(D)

(D)

(This page filed under Transmittal No. 1772)

8. Specialized Network Services (Cont'd)

8.2

(D)

(D)

(This page filed under Transmittal No. 1772)

8. Specialized Network Services (Cont'd)

8.2

(D)

(D)

(This page filed under Transmittal No. 1772)

8. Specialized Network Services (Cont'd)

8.2

(D)

(D)

(This page filed under Transmittal No. 1772)

8. Specialized Network Services (Cont'd)

8.2

(D)

(D)

(This page filed under Transmittal No. 1772)

8. Specialized Network Services (Cont'd)

8.2

(D)

(D)

(This page filed under Transmittal No. 1772)

ACCESS SERVICE

8. Specialized Network Services (Cont'd)

8.3 Dedicated - Network Access Link (DNAL)

8.3.1 Service Description

The Dedicated - Network Access Link provides a connection between the Customer's designated premises and a Telephone Company switch or central office for the control of features and functions, or for the transfer of data from the switch or central office to the Customer. The DNAL is primarily used in conjunction with switched access or central office based services requiring a separate link for transmitting signaling or control information. Central office based services require connection to equipment in a central office that is not part of the central office switch. For example, service that requires a separate specialized switch or a modem. The switched access service determines the requirement for speed, type, and number of DNALs. (T)

- (A) Signal Transfer Point (STP) Access, as described in Section 6.1.3 preceding, requires diversified digital transmission paths between the Customer's designated premises and STPs. When a DNAL used to provide STP Access is provisioned using a Facility Signaling Point of Interconnection (FSPOI), the DNAL will provide diversified digital transmission paths between the Customer's designated premises and Telephone Company STPs. The DNAL is ordered from the Customer's designated premises to a Telephone Company designated STP or FSPOI. FSPOIs are deployed only in LATAs where the Telephone Company has removed an STP pair through consolidation and rehomings. (T)

The connection to the Telephone Company STPs or FSPOIs can be made either from the Customer's Signaling Point which requires two 56 Kbps circuits or from the Customer's STP which requires four 56 Kbps circuits. The STP Access DNAL may be Customer provided or Telephone Company provided and must be provided in accordance with the technical specifications found in technical publications TR-TSV-000905 and AM-TR-OAT-000069. The Customer provided STP Access DNAL also requires the purchase of Ameritech Cross-Connection Service for Interconnection as described in Section 16.4 following and Interconnection-Central Office Multiplexing as described in Section 7.2.9 preceding. When the Customer requests a DNAL to a Telephone Company STP that resides in a LATA other than the LATA of Customer's designated premises, the Customer is responsible for obtaining the interLATA facilities required to provision such STP Access DNAL. (T)

The Company will use existing facilities to provide transmission paths to the Customer which are as diverse as possible at no additional charge. When the STP Access DNAL Local Distribution Channel is provided on an Ameritech Operating Company provisioned and controlled 1.544 Mbps facility, the Ameritech Operating Companies may assign additional network signaling channels to that 1.544 Mbps facility (T)

(This page filed under Transmittal No. 1718)

ACCESS SERVICE

8. Specialized Network Services (Cont'd)

8.3 Dedicated - Network Access Link (DNAL) (Cont'd)

8.3.1 Service Description (Cont'd)

(A) (Cont'd)

When the Telephone Company consolidates its Common Channel Signaling (CCS) Network to reduce its number of STP pairs, Customer changes in STP Access and translations will be required. (T)

The Telephone Company will establish schedules for any consolidation and will work cooperatively with existing Customers to establish dates by which necessary changes in facilities and translations will be completed. However, all of an existing Customer's STP Access in a LATA must be connected to the new serving arrangement or disconnected no later than the date established by the Telephone Company for the consolidation. (T)

In order to avoid duplicate charges for DNALs being rehomed, Customers who move DNALs will need to place "add" and "disconnect" orders with the same Due Date. The Connecting Facility Assignment (CFA) on the "add" order must be the same as the one on the "disconnect" order for Customers who order new links to the FSPOI. (N)

The conversion to the consolidated architecture may require existing Customers to use duplicate DNALs and STP ports at the time of conversion to assure continuity of service. Where needed, such redundancy will include the Customer's existing STP Access as well as the new STP Access between the Customer and the new STP. However, a Customer may have STP Access under both the existing arrangement and the new arrangement pursuant only to the conversion schedule established by the Telephone Company. Existing facilities no longer required after all of a Customer's facilities have been converted must be disconnected within 60 days of the completion of such conversion. Requests from existing Customers for augmentation of existing capacity in a LATA will be converted to the new serving arrangement in accordance with the Telephone Company's conversion schedule. Otherwise, requests for new service will be connected to the new serving arrangement regardless of when ordered. (N)

Recurring and nonrecurring charge credits will apply to the installation of new STP Access associated with the Telephone Company's STP consolidation as follows: Recurring charge credits will apply for new DNALs and STP ports provided by the Telephone Company for the period of time beginning with the installation of the new connections until the earlier of 1) the disconnection of the first pair or quad of existing connections which has traffic being converted to the new arrangement or 2) 60 days following the completion of the conversion. Both nonrecurring and recurring charge credits will apply to any new STP Access that is required by the consolidation of traffic from other LATAs for the period of time beginning with the installation of the new STP Access until the earlier of 1) the disconnection of the first pair or quad of existing connections that have traffic being converted to the new connections or 2) four months after installation of the new connections. (T)

Due to billing system constraints, all recurring and nonrecurring charges will be billed, but appropriate credits will be applied to the Customer's bill after the associated existing facilities are disconnected. (T)

(This page filed under Transmittal No. 1718)

ACCESS SERVICE

(M)

8. Specialized Network Services (Cont'd)

8.3 Dedicated - Network Access Link (DNAL)

8.3.1 Service Description (Cont'd)

- (B) Circuit Switch Facility Control (CSFC) is an interface which passes, via the DNAL, signals that are used to busy out a customer's facilities. This interface works in conjunction with and must be related to a circuit with the make busy arrangement described in Section 6 preceding. Thus CSFC requires a two-wire analog DNAL with a basic DNAL termination. The technical parameters are as set forth in Technical Reference Publication TR-TSY-000521, Issue 2.
- (C) Simplified Message Desk Interface (SMDI) is used to pass call history data to a customer for use with Call History Package Delivery feature and to pass signaling information for use with Remote Activation of Message Waiting feature. A modem is required in the central office and a compatible modem is required at the customer's premises. This service is available only in designated offices and requires either a 1200 baud or 9600 baud data termination, on a four wire DNAL in every office a customer wants to access. The SMDI office locations can be found in National Exchange Carrier Association Tariff F.C.C. No. 4 and the ONA Wire Center Database. For use with the Call History Package Delivery option, this interface and corresponding DNAL can be utilized with an FGA line equipped with a multiline hunt group or any compatible line side service authorized under the established policy of the intrastate authorities. The technical parameters are as set forth in Technical Reference Publication AM-TR-OAT-000065.
- (D) Simplified Message Desk Interface - Expanded (SMDI-E) provides customers with the ability to serve multiple offices with a single DNAL by utilizing the signaling network to pass Call History data and signaling information within a LATA. SMDI-E is offered with either a 1200 baud or 9600 baud data termination and is available only in those designated offices equipped with the SMDI-E feature. The SMDI-E 1200 baud and 9600 baud office locations can be found in National Exchange Carrier Association Tariff F.C.C. No. 4 and the ONA Wire Center Database. SMDI-E will be offered with access to any office within the LATA where it is technically feasible. Customers must identify the Telephone Company offices they wish to access. If a customer adds an office or changes an office, an administrative charge will apply. In addition to the elements required for SMDI, the SMDI-E interface option must be ordered. However, the SMDI-E feature only requires a minimum of one DNAL per LATA, rather than a DNAL to every office.

(M)

Material on this page was previously located on page 454.24.1

(This page filed under Transmittal No. 1697)

ACCESS SERVICE

8. Specialized Network Services (Cont'd)

8.3 Dedicated - Network Access Link (DNAL) (Cont'd)

8.3.1 Service Description (Cont'd)

(E) Network Reconfiguration Service (NRS) provides customers with the ability to reconfigure networks via a DNAL. NRS may be accessed utilizing a two-wire analog DNAL with a basic DNAL termination. (T)

(F)

Alarm service provides for the transmission of signals from alarm sensors located on an end user's premises to a customer, thus providing customers with the ability to monitor a change in status on their end users' lines. This service is available only in appropriately equipped offices where facilities are available. Information regarding the availability of Alarm Service can be found on the ONA Services User Guide Wire Center Database. The Alarm interface requires a two-wire analog DNAL with a 1200 Kbps Alarm DNAL termination. This service technology inherently provides Derived Channel Monitoring and Notification of Subscriber Line Breaks functionality to a customer.

(G) Ameritech Switch to Computer Applications Interface (ASCAI) provides customers with the capability of simultaneous exchange of data between telecommunications and data processing environments. ASCAI requires a 9.6 Kbps DNAL with a 9.6 Kbps DNAL termination or a 56 Kbps DNAL with a 56 Kbps DNAL termination. ASCAI allows the customer's host computer to direct switch processes for various applications. This ASCAI interface is available at appropriately equipped central offices as set forth in National Exchange Carrier Association Tariff F.C.C. No. 4. The end user and/or customer must have an ASCAI equipped compatible local exchange service and interfaces as described in technical references AM-TR-NIS-000097 and AM-TR-NIS-000109.

(This page filed under Transmittal No. 1357)

ACCESS SERVICE

8. Specialized Network Services (Cont'd)

8.3 Dedicated - Network Access Link (DNAL) (Cont'd)

8.3.2 Rate Categories

(A) Local Distribution Channel

The Local Distribution Channel (LDC) provides for a Transmission path between the customer designated premises and the serving wire center of that premises.

- (1) The Analog 2 wire Local Distribution Channel is a two-wire facility
- (2) The Analog 4 wire Local Distribution Channel is a four-wire facility
- (3) The 9.6 Kbps Local Distribution Channel is a digital four-wire facility
- (4) The 56 Kbps Local Distribution Channel is a digital four-wire facility

(B) Channel Mileage Termination

The Channel Mileage Termination rate category provides for the termination of interoffice facilities to the central office. Therefore, it is only applied if there is interoffice mileage and not to circuits within the same central office.

(C) Channel Mileage

The Channel Mileage rate category provides for the transmission facilities between the serving wire center associated with a customer designated premises and Telephone Company Central Office equipment necessary to terminate the DNAL as described in Section 8.3.1 above.

When the DNAL used to provide STP Access is provisioned using an FSPOI, the Channel Mileage rate category provides for the transmission facilities between the serving wire center associated with a customer designated premises and the Telephone Company Central Office FSPOI equipment necessary to terminate the DNAL as described in section 8.3.1 above. (N)
(N)
(N)
(N)
(N)

(D) DNAL Termination

The DNAL Termination provides for an interface for various types of DNALs. This would include data sets and any other equipment in the central office required to provide the service.

(This page filed under Transmittal No. 1697)

ACCESS SERVICE

8. Specialized Network Services (Cont'd)

8.3 Dedicated - Network Access Link (DNAL) (Cont'd)

8.3.2 Rate Categories

(D) DNAL Termination (Cont'd)

- (1) A basic DNAL termination provides the connection of an analog LDC in the case where no modem is required. The termination can be used with either a two-wire or four-wire analog LDC.
- (2) A 1200 baud analog termination provides for the capability to transmit data at a 1200 baud rate using an analog LDC and requires a compatible modem at the customer designated premises.

A 9600 baud analog termination provides for the capability to transmit data at a 9600 baud rate using an analog LDC and requires a compatible modem at the customer designated premises.

N
|
N

The DNAL termination for 1200 baud or 9600 baud used for SMDI, which is also used with SMDI-E, is available as a monthly rate or at a fixed rate over a 36 or 60 month payment period. During the effective 36 or 60 month term, monthly rates for services installed under this arrangement will not be subject to Telephone Company initiated rate changes. The rates in effect when service is installed for the 36 or 60 month payment option will be the rates that will apply throughout the selected term. The nonrecurring charge will remain the same for all three options and may not be spread over the selected term.

C

Customers electing to terminate their service prior to the expiration of the term will be liable for a percentage of the remaining monthly term. The percentage rate is 75 percent for 36 months and 60 percent for 60 months. At the expiration of the term the customer choosing to retain the service may elect either the prevailing monthly rate or a new 36 or 60 month term at the prevailing rates, if available. If the customer doesn't make a choice, the rates will automatically revert to the monthly option.

A customer with SMDI may convert to SMDI-E without termination liability if the SMDI-E service is contracted for the same or longer contract period.

- (3) A 9.6 Kbps Digital Termination provides the capability to transmit data at 9.6 Kbps using a 9.6 Kbps LDC. It requires compatible equipment at the customer premises.

(This page filed under Transmittal No. 869)

ACCESS SERVICE

8. Specialized Network Services (Cont'd)

8.3 Dedicated - Network Access Link (DNAL) (Cont'd)

8.3.2 Rate Categories

(D) DNAL Termination (Cont'd)

- (4) A 56 Kbps Digital Termination provides the capability to transmit data at 56 Kbps using a 56 Kbps LDC. It requires compatible equipment at the customer premises.

(E) Features and Functions

- (1) Make Busy Arrangements option allows a customer to reroute traffic from one group of lines or trunks to another group by making the intended route busy. The customer may also busy out an entire group of lines or trunks. This works in conjunction with either a Feature Group A, B or D facility. The Circuit Switch Facility Control Interface DNAL (i.e., a two-wire DNAL with a basic interface) is also required. The circuits for both the DNAL and the associated switched access service must be related on their respective ASRs.

(2) Remote Activation of Message Waiting

- (a) Remote Activation of Message Waiting provides the customer the capability to notify an end user that a message is waiting for retrieval. This requires the DNAL with a SMDI interface and is available with either the SMDI and SMDI-E options. This feature can share a DNAL with Call History Package Delivery feature ordered by the customer. The end user's line must be equipped with the ability to Receive Message Waiting Indicator in order for the feature to function properly. This is available only via appropriately equipped offices. The customer and end user must be served out of the same central office for SMDI. (T)

- (b) Remote Activation of Message Waiting – Alternate Network Delivery, this optional delivery feature provides the capability for the customer to direct its Message Waiting Indicator (MWI) messages toward the customer's Alternate Network service provider within the LATA. This feature requires the DNAL with a SMDI interface and is available only with the SMDI-E option. (N)

The customer must provide the Telephone Company with information specifying:

- (1) The single pre-defined central office switch point code of the Alternate Network for the MWI messages to be routed.
(2) A list of all the alternate network provider's end user station NPA-NXXs receiving MWI messages (these must be served out of the same LATA as the SMDI-E DNAL). (N)

Certain material previously appeared on this page now appears on 6th revised page 454.24.5.

(This page filed under Transmittal No. 1484)

ACCESS SERVICE

8. Specialized Network Services (Cont'd)

8.3 Dedicated - Network Access Link (DNAL) (Cont'd)

8.3.2 Rate Categories (Cont'd)

(E) Features and Functions (Cont'd)

(2) Remote Activation of Message Waiting (Cont'd)

(b) Alternate Network Delivery (Cont'd)

The customer's Alternate Network Service Provider must provide service capability to receive and complete MWI delivery. The customer is responsible for any and all charges that the Telephone Company may incur from the customer's Alternate Network Service Provider for receiving MWI messages from the Telephone Company.

(N)

(N)

(3) Call History Package Delivery will provide the customer with real time information on telephone calls that are terminated to a designated Feature Group A Multiline hunt group or any compatible line side service authorized under the established policy of intrastate authorities. This feature requires DNAL with SMDI interface option and is available with either the SMDI and SMDI-E options. This feature will work with Remote Activation of Message Waiting and these two options can share a common DNAL. When ordered offices equipped with a DMS100 switch, the UCD feature on the line side service is also required.

(M)

The following information is available over the SMDI type DNAL when both the customer and end user are served by the same central office: Multiline hunt group (MLHG) and terminal identification of call handler, call reason, called number from which incoming call was forwarded to the customer, and the directory number of the originating call (Calling Number Identification). When call originates outside of the SMDI supported central office but terminates to line within the SMDI supported central office (i.e., call forwarded to the customer), the directory number of the originating call is not sent. When use with the SMDI-E optional DNAL, all of the information is available from any appropriately equipped office selected by the customer as specified in 8.3.1(l) preceding.

(M)

Material appearing on this page previously appeared on 2nd revised page 454.24.4

Certain material previously appeared on this page now appears on 2nd revised page 454.24.5.1.

(This page filed under Transmittal No. 1484)

ACCESS SERVICE

8. Specialized Network Services (Cont'd)

8.3 Dedicated - Network Access Link (DNAL) (Cont'd)

8.3.2 Rate Categories (Cont'd)

(E) Features and Functions (Cont'd)

- (4) Coordinated Voice and Data Delivery (CVD) allows for the simultaneous delivery of voice and data for incoming calls. The voice service is delivered to the end user via the normal connection, while the data portion is delivered via the customer's host computer connected to the ASCAI DNAL. This feature requires the ASCAI DNAL interface with a 9.6 Kbps or 56 Kbps DNAL termination on a 9.6 Kbps or 56 Kbps DNAL, respectively. This feature can share the DNAL with the other ASCAI features (BSEs) and is required to provide any ASCAI features. (M)
- (5) Call Redirection allows the customer's host computer to notify the switch either to allow the call to complete as dialed or redirect the call to an alternate number designated by the end user. This feature requires the ASCAI DNAL interface with a 9.6 Kbps or 56 Kbps DNAL termination on a 9.6 Kbps or 56 Kbps DNAL, respectively. This feature can share the DNAL with other ASCAI features (BSEs) and also requires the CVD feature. (M)
- (6) Computer Assisted Call Transfer allows the customer's host computer to notify the switch to transfer the call from one agent to another agent after the call had been completed. This feature requires the ASCAI DNAL interface with a 9.6 Kbps or 56 Kbps DNAL termination on a 9.6 Kbps or 56 Kbps DNAL, respectively. This feature can share the DNAL with the other ASCAI features (BSEs) and also requires the CVD feature.
- (7) Computer Assisted Dialing allows the customer's host computer to notify the switch to place a call to a selected number on behalf of a particular agent. This feature requires the ASCAI DNAL interface with a 9.6 Kbps or 56 Kbps DNAL termination on a 9.6 Kbps or 56 Kbps DNAL, respectively. This feature can share the DNAL with the other ASCAI features (BSEs) and also requires the CVD feature.

Material appearing on this page previously appeared on 5th revised page 454.24.5

(This page filed under Transmittal No. 1484)

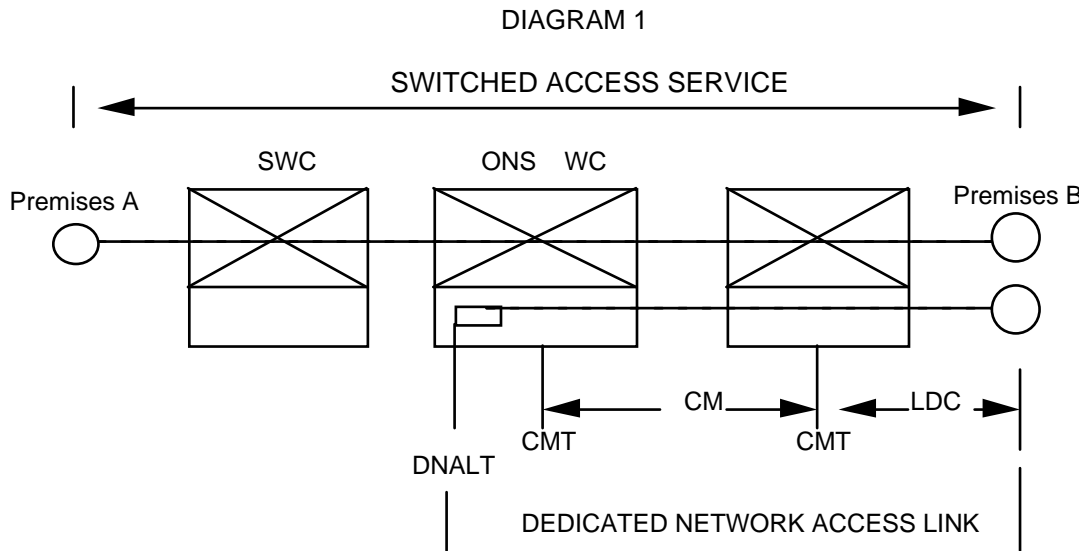
ACCESS SERVICE

8. Specialized Network Services (Cont'd)

8.3 Dedicated - Network Access Link (DNAL) (Cont'd)

8.3.3 Service Configuration

The following diagram depicts a Dedicated - Network Access Link service in conjunction with a switched access service.



- LDC - Local Distribution Channel
- CMT - Channel Mileage Termination
- CM - Channel Mileage
- DNALT - DNAL Termination
- SWC - Serving Wire Center
- ONSWC - Other Network Service Wire Center

Applicable rate elements are:

- Local Distribution Channel (one applicable)
- Channel Mileage Termination
- Channel Mileage (per mile)
- DNAL Termination
- Switched Access (see Section 6)

(This page filed under Transmittal No. 574)

ACCESS SERVICE

- 8. Specialized Network Services (Cont'd)
 - 8.3 Dedicated - Network Access Link (DNAL) (Cont'd)
 - 8.3.3 Service Configuration (Cont'd)

x Issued under authority of Special Permission No. 91-102 on not less than one day's notice.

(This page filed under Transmittal No. 514)

Issued: February 7, 1991

Effective: February 8, 1991

Four AT&T Plaza, Dallas, Texas 75202

ACCESS SERVICE

8. Specialized Network Services (Cont'd)

8.3 Dedicated - Network Access Link (DNAL) (Cont'd)

8.3.3 Service Configuration

This section contains specific regulations governing the rates and charges that apply for Dedicated - Network Access Links.

8.3.4.1 Types of Rates and Charges

There are two types of rates and charges. These are monthly and nonrecurring charges. The rates and charges are described as follows:

(A) Monthly Rates

Monthly rates are flat recurring rates that apply each month or fraction thereof that a Dedicated - Network Access Link is provided. For billing purposes, each month is considered to have 30 days.

(B) Nonrecurring Charges

Nonrecurring charges are one-time charges that apply for specific work activity (i.e., installation or change to an existing service). The types of nonrecurring charges that apply for Dedicated - Network Access Links are: installation of service and service rearrangements.

(1) Installation of Service

(a) Administrative Charge

The Administrative Charge applies any time a customer initial an order for service. This charge applies once per customer order, as described in Section 5.1 preceding. Administrative Charges for Dedicated - Network Access Link Service are set forth in 8.3.5 following.

(b) Design and Central Office Connection Charge

The Design and Central Office Connection Charge applies to service installed, and is charged once per circuit. The nonrecurring charges for design and central office connection are set forth following.

(This page filed under Transmittal No. 291)

ACCESS SERVICE

8. Specialized Network Services (Cont'd)

8.3 Dedicated - Network Access Link (DNAL) (Cont'd)

8.3.4 Rate Regulations (Cont'd)

8.3.4.1 Types of Rates and Charges (Cont'd)

(1) Installation of Service (Cont'd)

(c) Customer Connection Charge

The Customer Connection Charge applies to each service installed, and is charged once per Local Distribution Channel. The nonrecurring charges for customer connection are set forth in 8.3.5 following.

(2) Service Rearrangements

Service Rearrangements are changes to existing (installed) services. There are no optional features. Consequently, except for Priority Restoration (PR) changes in Telecommunications Service Priority (TSP) System services, service rearrangements will be treated as a disconnect and start of new service. If the PR Level is changed, the PR Level Change and the Administrative Charges apply.

8.3.4.2 Minimum Periods

The minimum service period is one month.

8.3.4.3 Mileage Measurement

The mileage to be used to determine the monthly rate for the Channel Mileage is calculated on the airline distance between the serving wire center associated with a customer designated premises and the Telephone Company Central office where the service terminates. When an FSPOI is used to provision an SS7 DNAL, the mileage to be used to determine the monthly rate for the Channel Mileage is calculated on the airline distance between the serving wire center associated with a customer-designated premises and the Telephone Company Central office where the FSPOI is located. The serving wire center associated with a customer designated premises is the serving wire center from which the customer designated premises would normally obtain dial tone. (N)
(N)
(N)
(N)
(N)
(N)

To determine the rate to be billed, first compute the mileage using the V&H Coordinates Method, as set forth in the National Exchange Carrier Association Tariff F.C.C. No. 4.

(This page filed under Transmittal No. 1697)

ACCESS SERVICE

8. Specialized Network Services (Cont'd)

8.3 Dedicated - Network Access Link (DNAL) (Cont'd)

8.3.4 Rate Regulations (Cont'd)

8.3.4.3 Mileage Measurement (Cont'd)

When the calculation results in a fraction of a mile, always round up to the next whole mile. Then multiply the per mile rate by the mileage quantity.

There is no mileage charge for circuits which have zero mileage.

8.3.5 Rates and Charges

8.3.5.1 Monthly Rates

(A) Local Distribution Channel (per point of termination)	USOC	Monthly Rate	
(1) Analog 2 Wire - All States	T6E2X	\$24.55	
(2) Analog 4 wire - All States	T6E4X	\$39.84	
(3) 9.6 Kbps Digital - All States	T6ELS	\$83.00	N N T
(4) 56 Kbps Digital - All States	T6ECS	\$107.95	

(This page filed under Transmittal No. 690)

ACCESS SERVICE

8. Specialized Network Services (Cont'd)

8.3 Dedicated - Network Access Link (DNAL) (Cont'd)

8.3.5 Rates and Charges (Cont'd)

8.3.5.1 Monthly Rates (Cont'd)

	USOC	Monthly Rate	T
(B) (1) Analog Channel Mileage Termination			
- Per point of Mileage Termination			
- All States	CM6	\$14.27	N
(2) 9.6 Kbps Digital Channel Mileage Termination			
- Per Point of Mileage Termination			N
- All States	CM6	\$14.27	T
(3) 56 Kbps Digital Channel Mileage Termination			
- Per point of Mileage Termination			
- All States	CM6	\$14.27	
(C) (1) Analog Channel Mileage			
- Per Mile			N
- All States	1L5XX	\$ 1.11	
(2) 9.6 Kbps Digital Channel Mileage			
- Per Mile			N
- All States	1L5XX	\$ 1.11	
(3) 56 Kbps Digital Channel Mileage			
- Per Mile			T
- All States	1L5XX	\$1.11	

(This page filed under Transmittal No. 690)

ACCESS SERVICE

8. Specialized Network Services (Cont'd)

8.3 Dedicated - Network Access Link (DNAL) (Cont'd)

8.3.5 Rates and Charges (Cont'd)

8.3.5.1 Monthly Rates (Cont'd)

	USOC	Monthly Rate	Nonrecurring Charge	
(D) DNAL Termination				
(1) Basic Rate (CSFC, ANRS, SS7) (2 wire, 4 wire or 56 Kbps) - All States	TAKXX	None	None	
(2) 1200 Baud Analog SMDI - All States				
- Monthly	TAK1X	\$250.00	\$1,400.00	
- 36 Month	TAK1X	190.00	1,400.00	
- 60 Month	TAK1X	170.00	1,400.00	
(3) 9600 Baud Analog SMDI - All States				N
- Monthly	TAKNX	450.00	2,500.00	
- 36 Month	TAKNX	350.00	2,500.00	N
- 60 Month	TAKNX	325.00	2,500.00	
(4) 1200 Baud Analog Alarm - All States				T
- Monthly	TB61X	21.10	None	T
(5) 9.6 Kbps ASCAI - All States				T
- Monthly	TAKZX	135.50	5,700.00	
(6) 56 Kbps Digital ASCAI - All States				
- Monthly	TAK9X	171.00	5,770.00	

(This page filed under Transmittal No. 869)

ACCESS SERVICE

8. Specialized Network Services (Cont'd)

8.3 Dedicated - Network Access Link (DNAL) (Cont'd)

8.3.5 Rates and Charges (Cont'd)

8.3.5.1 Monthly Rates (Cont'd)

	USOC	Monthly Rate	Nonrecurring Charge	
(E) Features and Functions				
(1) Make Busy Arrangement - All States	DXV	\$ 5.10	\$13.50	
(2) Remote Activation of Message Waiting -All States				
- SMDI				
- Per office	RM4PO	25.00	38.00	
- SMDI-E				
- Per DNAL	RJEPG	250.00	38.00	
- Alternate Network Delivery				(N)
- SMDI-E				
- Per DNAL		250.00	38.00	(N)
(3) Call History Package Delivery				
- All States				
- SMDI				
- Per office	MBHPO	37.00	95.00	
- SMDI-E				
- Per DNAL	MJEPG	160.00	95.00	

(This page filed under Transmittal No. 1484)

ACCESS SERVICE

8. Specialized Network Services (Cont'd)

8.3 Dedicated - Network Access Link (DNAL) (Cont'd)

8.3.5 Rates and Charges (Cont'd)

8.3.5.1 Monthly Rates (Cont'd)

(E) Features and Functions (Cont'd)

	USOC	Monthly Rate	Nonrecurring Charge
(4) Simplified Message Desk Interface - Expanded Per DNAL			
- Monthly	SOEPG	\$7,375.00	\$2,500.00
- 36 Months	SOEPG	2,725.00	2,500.00
- 60 Months	SOEPG	1,800.00	2,500.00
(5) Bridging Two Wire Data Bridge			
- Per Port			
- Illinois and Ohio	BCND2	5.93	None

D
 |
 D
 T

(This page filed under Transmittal No. 888)

ACCESS SERVICE

8. Specialized Network Services (Cont'd)

8.3 Dedicated - Network Access Link (DNAL) (Cont'd)

8.3.5 Rates and Charges (Cont'd)

8.3.5.1 Monthly Rates (Cont'd)

(E) Features and Functions (Cont'd)

	USOC	Monthly Rate	Nonrecurring Charge
(7) Coordinated Voice and Data - All States - Per DNAL	NR62C	None	\$10,920.00
(8) Call Redirection - All States - Per DNAL	NR62D	None	None
(9) Computer Assisted Call Transfer - All States - Per DNAL	NR62E	None	6,555.00
(10) Computer Assisted Dialing - All States - Per DNAL	NR62F	None	730.00

T
N
N

(This page filed under Transmittal No. 690)

ACCESS SERVICE

8. Specialized Network Services (Cont'd)

8.3 Dedicated - Network Access Link (DNAL) (Cont'd)

8.3.5 Rates and Charges (Cont'd)

8.3.5.2 Nonrecurring Charges

	Administrative Charge, per order	Design and Central Office Connection Charge, per circuit	Customer Connection Charge, per termination
Analog Local Distribution Channel	ORCMX	NRBCL	NRBBL
- All States	\$50.00	\$150.00	\$250.00
9.6 Kbps Digital DNAL			
- All States	50.00	150.00(R)	250.00(R)
56 Kbps Digital DNAL			
- All States	50.00	225.00	250.00(R)

Rates contained in this transmittal are subject to subsequent adjustment, effective retrospectively, in the event the Commission or a court subsequently authorizes Ameritech to correct its rates pursuant to pending motions, or petitions for reconsideration or waiver, or in the event of any other adjustment to an order of the Commission or a court.

(This page filed under Transmittal No. 1270)

8. Specialized Network Services (Cont'd)

8.4 Ameritech Advanced Video Service

8.4.1 General Description

(A) Basic Service Description

Ameritech Advanced Video Service (AAVS) provides bi-directional point-to-point or point-to-multipoint video transmission that complies with National Television System Committee (NTSC) 525 line/60 field color video signals and up to four associated audio signals from a customer premises to a Telephone Company video switch port where it can be connected via another AAVS service to other customer designated premises.

It is capable of operation in the following modes:

- Point-to-point broadcast (one way)
- Point-to-point interactive (two way)
- Point-to-multipoint broadcast (one to more than one)
- Point-to-multipoint interactive (one to more than one two way) with continuous viewing capability for up to four participants

This service gives a customer designated system administrator remote access ability to initiate and terminate video transmission via a Telephone Company provided scheduling and reservation system. The point-to-multipoint interactive mode allows up to four participating customer designated premises to be on the circuit via the connection of multiple AAVS services at the Telephone Company hub. Several operational options are possible:

- Rotating Conference Control (Conference leader determines who everyone will see)
- Continuous presence at all locations (up to four sites)
- Lecture Control (Lecturer selects dominant site)
- Conference leader is seen by all and can choose which participants others will view

Ameritech Advanced Video Service is only offered from Telephone Company central offices where facilities permit. Where facilities are not available, Special Construction may apply.

(B) Technical Specifications

The technical specifications for AAVS are described in Technical Reference AM-TR-NIS-000128.

(This page filed under Transmittal No. 937)

8. Specialized Network Services (Cont'd)

8.4 Ameritech Advanced Video Service (Cont'd)

8.4.1 General Description (Cont'd)

(C) Network Channel Interfaces

The following network channel interfaces (CIs) define the bandwidth and the provision of the audio signals associated with AAVS:

CI	Audio Bandwidth	Provision
08TV615	15 KHz	1 or 2 Channels, diplexed
08TV615A	15 KHz	1,2,3 or 4 Channels, diplexed

8.4.2 Rate Categories

(A) AAVS Ports

AAVS ports provide for the AAVS video switch, the customer's first 80 hours of AAVS video switch usage and the two-way transmission of AAVS video and audio signals from the customer's premises to the video switch where it can be connected to other AAVS customer premises. A flat monthly charge applies per port as set forth in Section 8.4.4(A).

(B) AAVS Usage

AAVS usage is composed of two different rate categories, AAVS Interswitch Usage and AAVS Facility Usage. AAVS Interswitch Usage provides for the interstate interoffice transport between video switches. AAVS Interswitch Usage applies to all hours of AAVS usage where the video signal is transported between two video switches in different states. AAVS Facility Usage provides for the customer's AAVS facility usage greater than 80 hours. Both types of AAVS usage are charged for on an hourly basis per each port. AAVS Facility Usage rates are set forth in Section 8.4.4(B) and AAVS Interswitch Usage rates are set forth in Section 8.4.4(C).

8.4.3 Rate Regulations

There are three different types of AAVS rates and charges. These are monthly rates, hourly rates and nonrecurring charges and are described below.

(A) Monthly Rates

Monthly rates are flat recurring rates that apply each month or fraction thereof that AAVS is provided. For billing purposes, each month is considered to have 30 days.

(This page filed under Transmittal No. 937)

N
N

8. Specialized Network Services (Cont'd)

8.4 Ameritech Advanced Video Service (Cont'd)

8.4.3 Rate Regulations (Cont'd)

(B) Hourly Rates

AAVS hourly usage rates are flat recurring rates that apply each hour or fraction thereof that AAVS is provided.

(C) Nonrecurring Charge

The nonrecurring charge for Ameritech Advanced Video Service is a onetime charge that applies for the installation of each new AAVS video service. The nonrecurring charge provides for the service order functions, design functions, central office connection and customer connection functions.

(D) Minimum Period

The minimum service period for AAVS is 12 months. A Termination Charge will apply to each AAVS port that is disconnected prior to the expiration of the minimum service period. The Termination Charge is one half of the remaining fixed monthly recurring AAVS Port charges that would have been incurred by the customer if their AAVS service had remained in service for the entire minimum service period.

(E) AAVS Optional Payment Plan (OPP)

(1) General

The AAVS Optional Payment Plan is a provision that allows a customer to select Ameritech Advanced Video Service Port charges over a 12, 36, or 60 month payment period. Monthly rates for AAVS Ports installed under this Payment Plan will change as Telephone Company initiated rate changes become effective but during the OPP term will not exceed the monthly rate in effect at the beginning of the customer's OPP term.

During the term of the selected OPP, Telephone Company initiated rate changes (increases or decreases) will automatically be applied to the monthly payments for the remaining months of the current OPP term. But in no case will any rate change cause the monthly rate during the OPP term to exceed that in effect at the beginning of the customer's OPP term.

Ameritech Advanced Video Service rates and charges for which the OPP is available are listed in 8.4.4 following.

Customers subscribing to the OPP will be subject to nonrecurring charges as specified in 8.4.4 for installation of service covered by the plan. The nonrecurring charges will not be spread over the OPP term.

(This page filed under Transmittal No. 937)

. Specialized Network Services (Cont'd)

8.4 Ameritech Advanced Video Service (Cont'd)

8.4.3 Rate Regulations (Cont'd)

(E) AAVS Optional Payment Plan (OPP) (Cont'd)

(1) General (Cont'd)

At the expiration of the OPP term and if the customer wishes to continue AAVS, the customer may select a new OPP at the prevailing OPP rate. If a customer does not wish to renew the OPP at the expiration of the term, the customer's service will automatically convert to the month-to-month rates.

(2) Prepayment of an AAVS OPP

A customer may, at any time during an OPP term, elect to prepay the remaining AAVS monthly Port charges for the rest of the OPP term. The monthly recurring fixed rate for AAVS port may be prepaid for periods of twelve, thirty-six or sixty months. Recurring port charges will cease for the rest of the term and start up again at the end of the OPP if service has not been disconnected. The prepayment charges in no way constitute a purchase and the Telephone Company retains all ownership of all equipment covered by prepayment. The following conditions apply;

- (a) Customers who prepay will have an allowance applied. The prepayment will be calculated using the loan amortization method at the annual rate specified using the Telephone Company's long term cost of capital. The allowance will be based on the number of months of the prepayment period. The prepayment amount (principle) is the total outstanding recurring charges less the payment allowance.
- (b) Customers who prematurely disconnect their service before the expiration of the OPP term, will have Termination charges deducted from the prepayment amount and any balances for the unused portion of the OPP term credited to their bill.
- (c) Monthly recurring usage rates per hour of use will continue to apply for all AAVS usage.
- (d) Once a customer selects the prepayment option, the prepaid amount is not adjusted for company initiated rate changes that occur during the period for which the customer has prepaid.

(This page filed under Transmittal No. 937)

8. Specialized Network Services (Cont'd)

8.4 Ameritech Advanced Video Service (Cont'd)

8.4.4 Rates and Charges

	USOC	Monthly	12 Mo.	36 Mo.	60 Mo.	Nonrecurring Charge
(A) AAVS Port Per Port - All States	V8P	\$2,660.00	\$2,660.00	\$2,420.00	\$2,200.00	\$1,000.00
	USOC	Monthly				
(B) AAVS Facility Usage Per Hour After the First 80 Hours Each Month - All States	V8UAH	\$15.00				
(C) AAVS Interswitch Usage Per Hour - All States	10X8X	\$20.00				

N
N

(This page filed under Transmittal No. 937)

ACCESS SERVICE

8. Specialized Network Services (cont'd)

(D)

(D)

(This page filed under Transmittal No. 1837)

ACCESS SERVICE

8. Specialized Network Services (cont'd)

(D)

(D)

(This page filed under Transmittal No. 1837)

ACCESS SERVICE

8. Specialized Network Services (cont'd)

(D)

(D)

(This page filed under Transmittal No. 1837)

ACCESS SERVICE

8. Specialized Network Services (cont'd)

(D)

(D)

(This page filed under Transmittal No. 1837)

ACCESS SERVICE

8. Specialized Network Services (cont'd)

(D)

(D)

(This page filed under Transmittal No. 1837)

ACCESS SERVICE

8. Specialized Network Services (cont'd)

(D)

(D)

(This page filed under Transmittal No. 1837)

ACCESS SERVICE

8. Specialized Network Services (cont'd)

(D)

(D)

(This page filed under Transmittal No. 1837)

ACCESS SERVICE

8. Specialized Network Services (cont'd)

(D)

(D)

(This page filed under Transmittal No. 1837)

ACCESS SERVICE

8. Specialized Network Services (cont'd)

(D)

(D)

(This page filed under Transmittal No. 1837)

ACCESS SERVICE

8. Specialized Network Services (cont'd)

(D)

(D)

(This page filed under Transmittal No. 1837)

ACCESS SERVICE

8. Specialized Network Services (cont'd)

(D)

(D)

(This page filed under Transmittal No. 1837)

ACCESS SERVICE

8. Specialized Network Services (cont'd)

(D)

(D)

(This page filed under Transmittal No. 1837)

ACCESS SERVICE

8. Specialized Network Services (cont'd)

(D)

(D)

(This page filed under Transmittal No. 1837)

ACCESS SERVICE

8. Specialized Network Services (cont'd)

(D)

(D)

(This page filed under Transmittal No. 1837)

ACCESS SERVICE

8. Specialized Network Services (cont'd)

(D)

(D)

(This page filed under Transmittal No. 1837)

ACCESS SERVICE

8. Specialized Network Services (cont'd)

(D)

(D)

(This page filed under Transmittal No. 1837)

ACCESS SERVICE

8. Specialized Network Services (cont'd)

(D)

(D)

(This page filed under Transmittal No. 1837)

ACCESS SERVICE

8. Specialized Network Services (cont'd)

(D)

(D)

(This page filed under Transmittal No. 1837)

ACCESS SERVICE

8. Specialized Network Services (cont'd)

(D)

(D)

(This page filed under Transmittal No. 1837)

ACCESS SERVICE

8. Specialized Network Services (cont'd)

(D)

(D)

(This page filed under Transmittal No. 1837)

ACCESS SERVICE

8. Specialized Network Services (cont'd)

(D)

(D)

(This page filed under Transmittal No. 1837)

ACCESS SERVICE

8. Specialized Network Services (cont'd)

(D)

(D)

(This page filed under Transmittal No. 1837)

ACCESS SERVICE

8. Specialized Network Services (cont'd)

(D)

(D)

(This page filed under Transmittal No. 1837)

ACCESS SERVICE

8. Specialized Network Services (cont'd)

(D)

(D)

(This page filed under Transmittal No. 1837)

ACCESS SERVICE

8. Specialized Network Services (cont'd)

(D)

(D)

(This page filed under Transmittal No. 1837)

ACCESS SERVICE

8. Specialized Network Services (cont'd)

(D)

(D)

(This page filed under Transmittal No. 1837)

ACCESS SERVICE

8. Specialized Network Services (cont'd)

(D)

(D)

(This page filed under Transmittal No. 1837)

ACCESS SERVICE

8. Specialized Network Services (cont'd)

(D)

(D)

(This page filed under Transmittal No. 1837)

ACCESS SERVICE

8. Specialized Network Services (Cont'd)

Dx

Dx

Issued under authority of Special Permission No. 97-279.

(This page filed under Transmittal No. 1122)

Issued: September 11, 1997

Effective: September 12, 1997

Four AT&T Plaza, Dallas, Texas 75202

ACCESS SERVICE

8. Specialized Network Services (Cont'd)

Dx

Dx

Issued under authority of Special Permission No. 97-279.

(This page filed under Transmittal No. 1122)

Issued: September 11, 1997

Effective: September 12, 1997

Four AT&T Plaza, Dallas, Texas 75202

ACCESS SERVICE

8. Specialized Network Services (Cont'd)

Dx

Dx

Issued under authority of Special Permission No. 97-279.

(This page filed under Transmittal No. 1122)

Issued: September 11, 1997

Effective: September 12, 1997

Four AT&T Plaza, Dallas, Texas 75202

ACCESS SERVICE

8. Specialized Network Services (Cont'd)

Dx

Dx

Issued under authority of Special Permission No. 97-279.

(This page filed under Transmittal No. 1122)

Issued: September 11, 1997

Effective: September 12, 1997

Four AT&T Plaza, Dallas, Texas 75202