

## 7. Special Access Service

## 7.1 General

Special Access Service provides a transmission path to connect customer designated premises\* or a customer designated premises and a WATS serving office, either directly or through a Telephone Company Hub where bridging or multiplexing functions are performed or to connect a customer designated premises and a Telephone Company Hub where cross-connection functions are performed. Special Access Service includes all exchange access not utilizing Telephone Company end office switches.

The connections provided by Special Access Service can be either analog or digital. Analog connections are differentiated by spectrum and bandwidth. Digital connections are differentiated by bit rate.

Rates and charges for Special Access Service are set forth in Section 7.5 following, with the exception of the services provided by the Telephone Company in the Metropolitan Statistical Areas (MSAs) in which the Telephone Company has received Phase II pricing flexibility pursuant to Subpart H of Part 69 of the Commission's Rules. The rates and charges for the Special Access Service in the MSAs that have received Phase II pricing flexibility are set forth in Section 21.

## 7.1.1 Channel Types

There are eleven types of channels used to provide Special Access Services. Each type has its own characteristics. All are subdivided by one or more of the following:

- Transmission specifications,
- Bandwidth,
- Speed (i.e., bit rate),
- Spectrum

Customers can order a basic channel and select, from a list of available transmission parameters and network channel interfaces, those that they desire to meet specific communications requirements.

For purposes of ordering channels, each has been identified as a type of Special Access Service. However, such identification is not intended to limit a customer's use of the channel nor to imply that the channel is limited to a particular use. For example, if a customer's equipment is capable of transmitting voice over a channel that is identified as a Metallic Service in this tariff, there is no restriction against doing so.

\* Telephone Company Centrex CO-like switches, Telephone Company Answering Service Concentrators, and Telephone Company Direct Inward Dialing (DID) facility locations are considered to be customer premises for purposes of administering regulations and rates of Section 7 of this tariff and, in the case of DID facility locations, only to permit customers to provide DID service to Radio Common Carriers.

(This page filed under Transmittal No. 1345 )

(N)  
|  
(N)

ACCESS SERVICE

7. Special Access (Cont'd)

7.1 General (Cont'd)

7.1.1 Channel Types (Cont'd)

Following is a brief description of each type of channel:

Metallic - a channel for the transmission of low speed varying signals at rates up to 30 baud.

Telegraph Grade - a channel for the transmission of binary signals at rates of 0 to 75 baud or 0 to 150 baud.

Direct Analog - A channel for the transmission of analog signals within an approximate bandwidth of 300-3000 Hz.

Dedicated Access Line (DAL) - a channel from a customer designated premises to a WATS serving office for 800 Service, WATS or similar services.

Program Audio - a channel for the transmission of audio signals. The nominal frequency bandwidths are from 50 to 15000 Hz, from 200 to 3500 Hz, from 100 to 5000 Hz or from 50 to 8000 Hz.

Video - a channel for the analog or digital transmission of a standard 525 line/60 field monochrome or National Television Systems Committee color video signal and from one to four associated 5 or 15 kHz audio signals. The bandwidth for an analog Video channel is either 30 Hz to 4.5 MHz or 30 Hz to 6.6 MHz.

(D)

(D)

(This page filed under Transmittal No. 1818 )

7. Special Access Service (Cont'd)

7.1 General (Cont'd)

7.1.1 Channel Types (Cont'd)

(D)  
|  
(D)

Base Rate Services - a channel for the digital transmission of serial data at discrete bit rates of 2.4, 4.8, 9.6, 19.2, 56.0 and 64.0 Kbps.

DS1 Service - a channel for the digital transmission of serial data at a discrete bit rate of 1.544 Mbps.

DS3 Service - a channel for the digital transmission of serial data at the discrete bit rate of 44.736 Mbps.

OC-3 Service - a channel for the optical transmission of data based upon the Synchronous Optical Network (SONET) at a rate of 155.52 Mbps.

OC-12 Service - a channel for the optical transmission of data based upon the Synchronous Optical Network (SONET) at a rate of 622.08 Mbps.

OC-48 Service - a channel for the optical transmission of data based upon the Synchronous Optical Network (SONET) at a rate of 2488.32 Mbps.

OC-192 Service – a channel for the optical transmission of data based upon the Synchronous Optical Network (SONET) at the rate of 9953.28 Mbps.

(D)  
(D)

(This page filed under Transmittal No. 1818 )

ACCESS SERVICE

7. Special Access Service (Cont'd)

7.1 General (Cont'd)

7.1.1 Channel Types (Cont'd)

Detailed descriptions of each of the channel types are provided in 7.2 following.

The customer also has the option of ordering direct analog service, or DS1 or DS3 Service operating at terminating speeds of 1.544 Mbps or 44.736 Mbps, to a Telephone Company Hub for multiplexing to individual channels of a lower capacity or bandwidth. Descriptions of the types of multiplexing available at the Hubs, as well as the number of individual channels which may be derived from each type of facility are set forth in Section 7.2. (T)  
Additionally, the customer may specify optional features for the individual channels derived from the facility to further tailor the channel to meet specific communications requirements, Descriptions of the optional features and functions available are also set forth in Section 7.2. (T)  
(D)

For example, a customer may order a 44.736 Mbps facility from a customer designated premises to a Telephone Company Hub for multiplexing to twenty eight 1.544 Mbps channels. The 1.544 Mbps channels may be further multiplexed at the same or a different Hub to Direct Analog Service (i.e., Group Level) channels or may be extended to other customer designated premises. Optional features may be added to either the 1.544 Mbps or the Direct Analog Service Channels.

(D)  
|  
(D)

(D)  
(D)

(This page filed under Transmittal No. 1825 )

Special Access Service (Cont'd)

7.1 General (Cont'd)

7.1.2 Rate Categories

There are four basic rate categories which apply to Special Access Service:

- Local Distribution Channel (described in 7.1.2(A) following)
- Channel Mileage Termination (described in 7.1.2(B) following)
- Channel Mileage (described in 7.1.2(C) following)
- Optional Features and Functions (described in 7.1.2(D) following).

M  
|  
M

(This page filed under Transmittal No. 955 )

## ACCESS SERVICE

### 7. Special Access Service (cont'd)

#### 7.1 General (cont'd)

##### 7.1.2 Rate Categories (cont'd)

###### (A) Local Distribution Channel

The Local Distribution Channel rate category provides for the communications path between a customer designated premises and the serving wire center of that premises. Included as part of the Local Distribution Channel is a standard network channel interface arrangement which defines the technical characteristics associated with the type of facilities to which the access service is to be connected at the Point of Termination (POT) and the type of signaling capability, if any. The signaling capability itself is provided as an optional feature as set forth in (D) following. One Local Distribution Channel charge applies per customer designated premises at which the channel is terminated. This charge will apply even if the customer designated premises and the serving wire center are co-located in a Telephone Company building.

DS3 Local Distribution Channels with an Optical Interface are composed of two rate elements; DS3 Service Packages (SP) and DS3 Service Channels (SC). (T)

###### (B) Channel Mileage Termination

The Channel Mileage Termination rate category provides for the termination of transmission facilities between the serving wire centers associated with two customer designated premises, between a serving wire center associated with a customer designated premises and a Telephone Company Hub, between a serving wire center associated with a customer designated premises and an international boundary point, between a serving wire center associated with a customer designated premises and a WATS serving office, or between two Telephone Company Hubs. All of these transmission facilities so terminated are categorized as Channel Mileage, as described below. One Channel Mileage Termination charge applies per end of Channel Mileage terminated in the Telephone Company's serving area. The Channel Mileage Termination charge does not apply to circuits which have no Channel Mileage.

(This page filed under Transmittal No. 1357 )

## ACCESS SERVICE

### 7. Special Access Service (Cont'd)

#### 7.1 General (Cont'd)

##### 7.1.2 Rate Categories

###### (C) Channel Mileage

The Channel Mileage rate category provides for the transmission facilities between the serving wire centers associated with two customer designated premises, between a serving wire center associated with a customer designated premises and a Telephone Company Hub, between a serving wire center associated with a customer designated premises and an international boundary point, between a serving wire center associated with a customer designated premises and a WATS serving office, or between two Telephone Company Hubs. One Channel Mileage charge applies per mile of interoffice transport, calculated as described in 7.4.6, following.

###### (D) Optional Features and Functions

The Optional Features and Functions rate category provides for optional features and functions which may be added to a Special Access Service to improve its quality or utility to meet specific communications requirements. These are not necessarily identifiable with specific equipment, but rather represent the end result in terms of performance characteristics which may be obtained. These characteristics may be obtained by using various combinations of equipment. Although the equipment necessary to perform a specified function may be installed at various locations along the path of the service, it will be charged for as a single rate element.

M  
|  
M

Certain material on this page previously appeared on 6th Revised Page 235.

(This page filed under Transmittal No. 401 )

ACCESS SERVICE

7. Special Access Service (Cont'd)

7.1 General (Cont'd)

7.1.2 Rate Categories (Cont'd)

(D) Optional Features and Functions (Cont'd)

Examples of Optional Features and Functions that are available include, but are not limited to, the following:

- Signaling Capability
- Hubbing Functions
- Conditioning
- Transfer Arrangements

A Hub is a Telephone Company designated serving wire center at which bridging, multiplexing or cross-connection functions are performed. The bridging functions performed are to connect three or more customer designated premises in a multipoint arrangement. The multiplexing functions are to channelize analog or digital facilities to individual services requiring a lower capacity or bandwidth. Hubs for multiplexing may be designated as Intermediate or Terminus Hubs as set forth in 2.6 preceding. The cross-connection functions provide for the connection of two digital services of the same bit rate at Fiber Hub locations set forth in 7.4.10, following.

C  
C  
C

Descriptions for each of the available Optional Features and Functions are set forth in 7.2 following.

7.1.3 Service Configurations

There are two types of service configurations over which Special Access Services are provided: two-point service and multipoint service.

(This page filed under Transmittal No. 440 )



ACCESS SERVICE

7. Special Access Service (Cont'd)

7.1 General (Cont'd)

7.1.3 Service Configurations (Cont'd)

(A) Two-Point Service

A two-point service connects two customer designated premises or a customer designated premises and a wire center for connection with other network services (e.g., WATS) either on a directly connected basis or through a Hub where multiplexing functions are performed.

Applicable rate elements are:

- Local Distribution Channel\*
- Channel Mileage Terminations (as applicable)
- Channel Mileage (as applicable)
- Optional Features and Functions (when applicable)

M  
|  
M

\* Only one Local Distribution Channel will apply for Dedicated Access Line Service. Certain material on this page previously appeared on 4th Revised Page 236.

(This page filed under Transmittal No. 401 )

ACCESS SERVICE

7. Special Access Service (Cont'd)

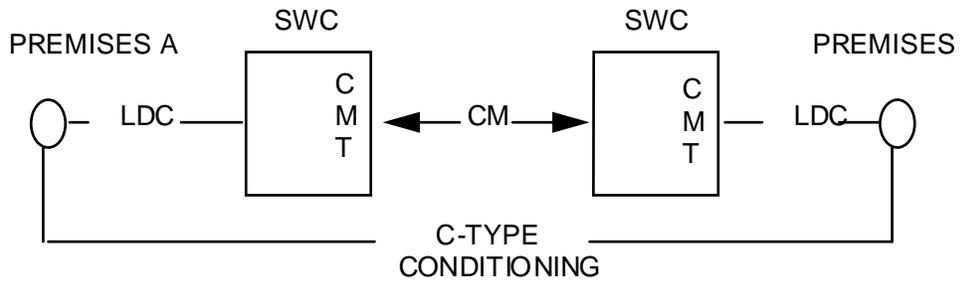
7.1 General (Cont'd)

7.1.3 Service Configurations (Cont'd)

(A) Two-Point Service (Cont'd)

In addition, a Special Access Surcharge as set forth in Section 7.4.3 and a Message Station Equipment Recovery charge as set forth in Section 7.4.4 may be applicable. (T)

The following diagram depicts a two-point Direct Analog Service connecting two customer designated premises located 15 miles apart. The service is provided with C-Type conditioning.



- ldc - local distribution channel
- CMT - mileage termination
- cm - channel mileage
- swc - serving wire center

Applicable rate elements are:

- Local Distribution Channel (two applicable)
- Channel Mileage Termination (two applicable)
- Channel Mileage (15 miles)
- C-Type Conditioning Optional Feature (two applicable)

(This page filed under Transmittal No. 1812 )

ACCESS SERVICE

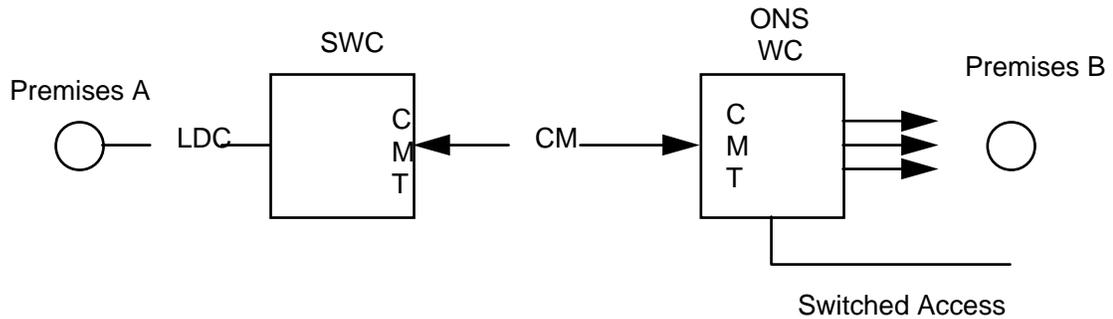
7. Special Access Service (Cont'd)

7.1 General (Cont'd)

7.1.3 Service Configurations (Cont'd)

(A) Two-Point Service (Cont'd)

The following diagram depicts a Dedicated Access Line Service where the other network service (e.g., WATS) serving office is 10 miles from serving wire center of the customer designated premises.



- LDC - Local Distribution Channel
- CMT - Channel Mileage Termination
- CM - Channel Mileage
- SWC - Serving Wire Center
- ONS - Other Network Service Wire Center (e.g., WATS)

Applicable rate elements are:

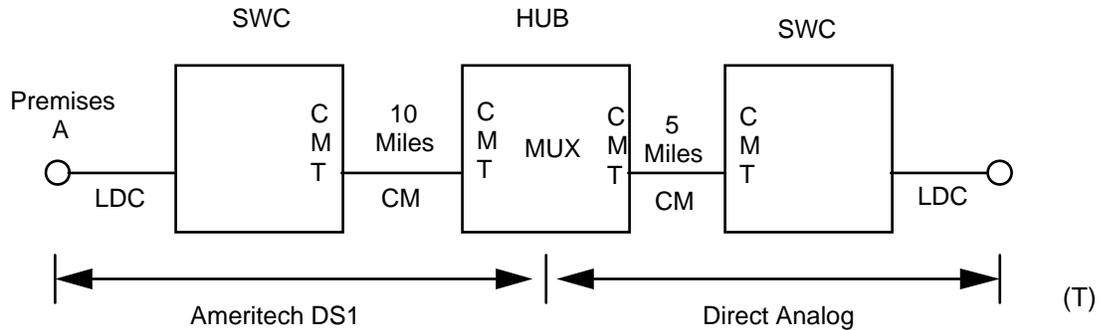
- Local Distribution Channel (one applicable)
- Channel Mileage Termination (two applicable)
- Channel Mileage (10 miles)
- Switched Access (see Section 6)

(This page filed under Transmittal No. 369 )

ACCESS SERVICE

- 7. Special Access Service (Cont'd)
  - 7.1 General (Cont'd)
    - 7.1.3 Service Configuration (Cont'd)
      - (A) Two-Point Service (Cont'd)

The following diagram depicts a two-point service, with Premises A served by DS1 Service and Premises B served by Direct Analog Service, multiplexed at an Intermediate Hub located 10 miles from the serving wire center for Premises A and 5 miles from the serving wire center for Premises B. (T)



- LDC - Local Distribution Channel
- CMT - Channel Mileage Termination
- CM - Channel Mileage
- MUX - DS1 to Voice Multiplexing
- SWC - Serving Wire Center

Applicable rate elements are:

- Local Distribution Channel (T)
  - 1 Ameritech DS1
  - 1 Direct Analog
- Channel Mileage Termination (T)
  - 2 Ameritech DS1
  - 2 Direct Analog
- Channel Mileage (T)
  - 10 Ameritech DS1
  - 5 Direct Analog
- Multiplexing (T)
  - 1 Ameritech DS1 to Voice/Base Rate

(This page filed under Transmittal No. 1357 )

ACCESS SERVICE

7. Special Access Service (Cont'd)

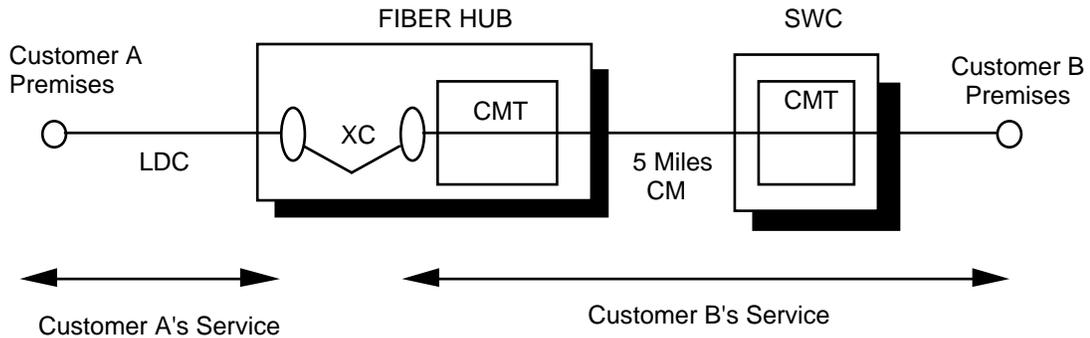
7.1 General (Cont'd)

7.1.3 Service Configuration (Cont'd)

(A) Two-Point Service (Cont'd)

The following diagram depicts two two-point DS3 Services cross-connected at a Fiber Hub. The first DS3 Service connects Customer A's designated premises to the Fiber Hub. The second DS3 Service connects Customer B's designated premises to the Fiber Hub.

(T)  
(T)  
(T)



- CM - Channel Mileage
- CMT - Channel Mileage Termination
- LDC - Local Distribution Channel
- SWC - Serving Wire Center
- XC - Cross-Connection

Applicable rate elements are:

- Local Distribution Channel - Customer A
- Local Distribution Channel - Customer B
- Cross-Connection - DS3 to DS3
- 5 Miles Channel Mileage - Customer B
- 2 Channel Mileage Terminations - Customer B

(T)  
  
  
  
(T)

The DS3 to DS3 Cross-Connection may be ordered by either customer, with authorization from the other customer to make the connection of the two services.

(This page filed under Transmittal No. 1357 )

## ACCESS SERVICE

## 7. Special Access Service (Cont'd)

## 7.1 General (Cont'd)

## 7.1.3 Service Configurations (Cont'd)

## (B) Multipoint Service

Multipoint service connects three or more customer designated premises through a Telephone Company Hub. There is no limitation on the number of mid-links available with multipoint service. However, when more than three mid-links are provided in tandem, the quality of the service may be degraded. A mid-link is a channel between Hubs (i.e., bridging locations). Only certain types of Special Access Service are provided as multipoint service. These are so designated in the Service Descriptions set forth in Section 7.2. (T)

Multipoint service utilizing a customized technical specifications package as set forth in Section 7.2 will be provided when technically possible. If the Telephone Company determines that the requested characteristics for a multipoint service are not compatible, the customer will be advised and given the opportunity to change the order. (T)

When ordering, the customer will specify the desired bridging Hub(s) selected from the NECA Tariff FCC. NO. 4. This tariff identifies the type(s) of bridging functions which are available and the serving wire centers where they are available. (T)

Applicable Rate Elements are:

- Local Distribution Channels (one per customer designated premises)
- Channel Mileage Termination (one per end of Channel Mileage)
- Channel Mileage (as applicable between each designated customer premises and the Hub and between Hubs.)
- Bridging
- Additional Optional Features (when applicable).

In addition, the Special Access Surcharge as set forth in Section 7.4.3 and a Message Station Equipment Recovery Charge as set forth in Section 7.4.4 may be applicable. (T)

(This page filed under Transmittal No. 1812 )

ACCESS SERVICE

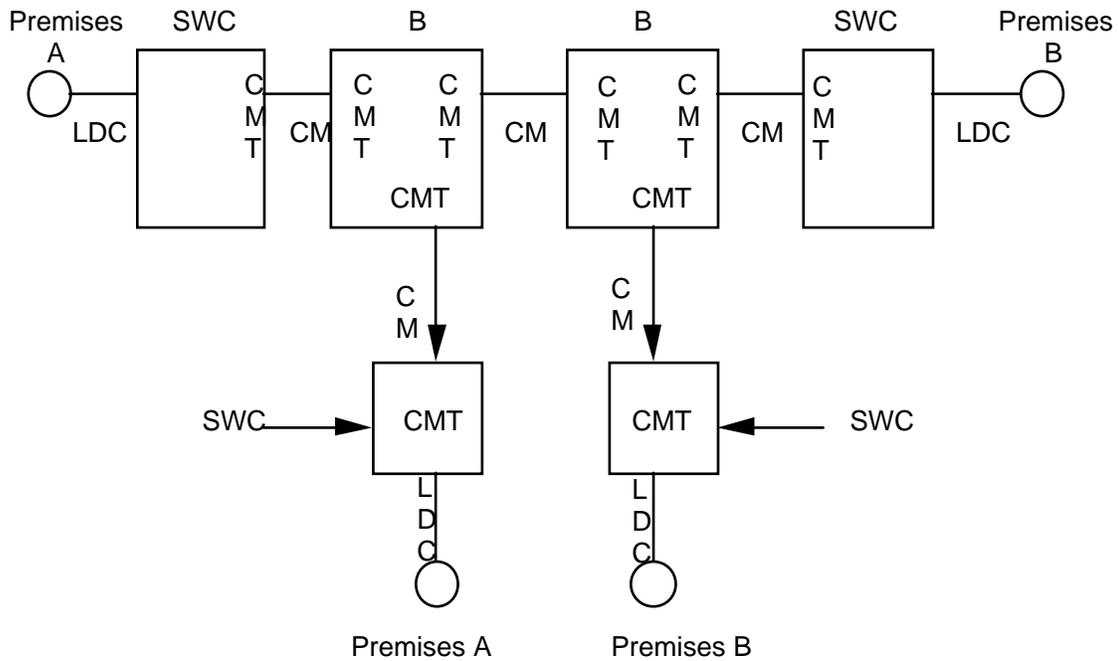
7. Special Access Service (Cont'd)

7.1 General (Cont'd)

7.1.3 Service Configurations (Cont'd)

(B) Multipoint Service (Cont'd)

Example: Direct Analog Service multipoint service connecting four customer premises via two customer specified bridging hubs.



- LDC - LOCAL DISTRIBUTION CHANNEL
- CMT - CHANNEL MILEAGE TERMINATION
- CM - CHANNEL MILEAGE
- B - BRIDGING
- SWC - SERVING WIRE CENTER

Applicable rate elements are:

- Local Distribution Channels (four applicable)
- Channel Mileage Terminations (ten applicable)
- Channel Mileage (for appropriate mileages)
- Bridging (six applicable, i.e., each bridge port)

(This page filed under Transmittal No. 369 )

**ACCESS SERVICE****7. Special Access Service (Cont'd)****7.1 General (Cont'd)****7.1.4 Alternate Use**

Alternate Use occurs when a service is arranged by the Telephone Company so that the customer can select different types of transmission at different times. A customer may use a service in any privately beneficial manner. However, where technical or engineering changes are required to effectuate an alternate use, the Telephone Company will make such special arrangements available on an individual case basis.

The arrangement required to transfer the service from one operation to the other (i.e., the transfer relay and control leads) will be rated and provided on an individual case basis and filed in Section 12., Specialized Service or Arrangements. The customer will pay the stated tariff rates for the Access Service rate elements for the service ordered (i.e., Local Distribution Channels, Channel Mileage Terminations and Channel Mileage (as applicable) and Optional Features (if any)).

**7.1.5 Special Facilities Routing**

A customer may request that the facilities used to provide Special Access Service be specially routed. The regulations, rates and charges for Special Facilities Routing are set forth in 11.following.

**7.1.6 Design Layout Report**

At the request of the customer, the Telephone Company will provide to the customer the make-up of the facilities and services provided under this tariff as Special Access Service to aid the customer in designing its overall service. This information will be provided in the form of a Design Layout Report. The Design Layout Report will be provided to the customer at no charge, and will be reissued or updated whenever these facilities are materially changed.

(This page filed under Transmittal No. 488 )



## 7. Special Access Service (Cont'd)

## 7.1 General (Cont'd)

## 7.1.7 Acceptance Testing

At no additional charge, the Telephone Company will, at the customer's request, cooperatively test, at the time of installation, the following parameters:

- (A) For Direct Analog Services, acceptance tests will include tests for loss, 3-tone slope, DC continuity, operational signaling, C-notched noise and C-message noise when these parameters are applicable and specified in the order for service. Additionally, for Direct Analog Services, a balance (improved loss) test will be made if the customer has ordered the improved loss optional feature.
- (B) For other analog services (i.e., Metallic, Telegraph, Program Audio, Video, and Dedicated Access Line) and for digital services (i.e., Base Rate, DS1 and DS3 Services), acceptance tests will include tests for the parameters specified in the order for service. (D)

In addition to the above tests, Additional Cooperative Acceptance Testing for Direct Analog Service to test other parameters. As described in 13.3.4(B) following, is available at the customer's request. All test results will be made available to the customer upon request.

## 7.1.8 Ordering Options and Conditions

Special Access Service is ordered under the Access Order Provisions set forth in 5. preceding. Also included in that section are other charges which may be associated with ordering Special Access Service (e.g., Service Date Change Charges, Cancellation Charges, etc.)

## 7.1.9 Trouble Reporting

The Telephone Company will be responsible for receiving, from customers, trouble reports sectionalized to Telephone Company facilities and/or equipment. The Telephone Company will test cooperatively or independently to assist in trouble sectionalization. Other charges as described in this tariff will still apply.

(D)

(This page filed under Transmittal No. 1818 )

## 7. Special Access Service (Cont'd)

## 7.2 Service Descriptions

For the purposes of ordering, the categories of Special Access Service are:

Metallic (MT)  
Telegraph Grade (TG)  
Direct Analog Service (VG)  
Dedicated Access Line (DAL)  
Program Audio (AP)  
Video (TV) (WV)

(D)  
(D)

DS1 Service (HC1) (HX)  
DS3 Service (HC3)  
Base Rate Services (DA1 to DA6)  
OC-3 Service (HO3)  
OC-12 Service (HO12)  
OC-48 Service (HO48)  
OC-192 Service (HO192)

Each service consists of a basic channel to which a technical specifications package (customized or predefined), network channel interface(s) and, when desired, optional features and functions are added to construct the service desired by the customer. Each of the components of the service are described in this section.

Customized technical specifications packages will be provided where technically feasible. If the Telephone Company determines that the requested parameter specifications are not compatible, the customer will be advised and given the opportunity to change the order.

When a customized channel is ordered, the customer will be notified whether Additional Engineering Charges apply. In such cases, the customer will be given an estimate of the hours and charges to be billed before any further action is taken on the order.

The channel description (NC code) specifies the characteristics of the basic channel and indicates whether the channel is provided between customer designated premises or between a customer designated premises and a Telephone Company Hub where bridging, cross-connection or multiplexing functions are performed.

(D)  
(D)

(This page filed under Transmittal No. 1818 )

## ACCESS SERVICE

## 7. Special Access Service (Cont'd)

## 7.2 Service Descriptions (Cont'd)

Information contained in the technical specifications packages indicates the transmission parameters that are available with each package. This information is displayed in a matrix with the transmission parameters listed down the left side and the packages listed across the top. Each package is identified by a code, e.g., VGC. The first two letters of the code indicate the category of Special Access Service to which the parameters are applicable. These two letter codes are shown above in parentheses following the category of Special Access Service. The letter "C" following the two letter code indicates the technical specifications package for a customized service. A numeric or alpha-numeric designation following the two letter code indicates the specific predefined package. For a customized service, the customer may select any parameters available with that category of service as long as the parameters are compatible. When appropriate, the Technical Reference which contains detailed specifications for the parameters is shown following the matrix.

Network channel interfaces at each point of termination on a two-point service may be symmetrical or asymmetrical. On a multipoint service they may also be symmetrical or asymmetrical. However, communications can only be provided between points of termination with compatible network channel interfaces. Only certain network channel interfaces are compatible. These are set forth in 7.3 following in a combination format.

Only certain network channel interface combinations are available with the predefined technical specifications packages. These are delineated in the Technical References set forth at the end of this 7.2. When a customized channel is requested, all network channel interface combinations available with the specified type of service are available.

The optional features and functions available with each type of Special Access Service are described in this section. The optional features and functions information also indicates with which technical specifications packages they are available. Such information is displayed in a matrix with the optional feature or function listed down the left side and the technical specifications package listed across the top.

(This page filed under Transmittal No. 712 )

## 7. Special Access Service (Cont'd)

## 7.2 Service Descriptions (Cont'd)

The Telephone Company will maintain existing transmission specifications on services installed prior to the effective date of this tariff, except that the existing services with performance specifications exceeding the standard listed in this provision will be maintained at the performance levels specified in this tariff. All services installed after the effective date of this tariff will conform to the transmission specification or standards contained in this tariff or in the following Technical References for each category of service:

Metallic	TR-NPL-000336
Telegraph	TR-NPL-000336
Direct Analog Service	*TR-NPL-000335
	*PUB 41004, Table 4
Dedicated Access Line	TR-NPL-000334
Program Audio	TR-NPL-000337
Video	TR-TSV-000338
	AM-TR-NTP-000119
	AM-TR-NIS-000131
	AM-TR-NIS-000137
Base Rate Services	*TR-NPL-000341
	AM-TR-OAT-000070
DAL	AM-TR-NPL-000005
Secondary Channel	*TR-NPL-000157
DS1 Service	TR-INS-000342
	*PUB 62411
	AM-TR-TMO-000106
	AM-TR-TMO-000101

(D)

\* In these publications, Direct Analog Service is referred to as Voice Grade Service, Base Rate Service as Digital Data Service and DS1 Service and DS3 Service as High Capacity Service.

(This page filed under Transmittal No. 1825 )

## 7. Special Access Service (Cont'd)

## 7.2 Service Descriptions (Cont'd)

Clear Channel Capability  
DS3 Service\*TR-NPL-000054  
TR-INS-000342Optical Interface:  
OC-3 Service,  
OC-12 Service,  
OC-48 Service and  
OC-192 ServiceAM-TR-TMO-000072,  
AM-TR-TMO-000101 and  
AM-TR-NIS-000111

## 7.2.1 Metallic Service

## (A) Basic Channel Description

A Metallic channel is an unconditioned two-wire channel capable of transmitting low speed varying signals at rates up to 30 baud. This channel is provided by metallic or equivalent facilities. Metallic channels are provided between customer designated premises. Interoffice metallic facilities will be limited in length to a total of five miles per channel, and be provided where facilities are available. Interoffice metallic facilities (wire pairs) are in diminishing supply, and can be expected to become less available as optical fiber is deployed and wire cables are removed. (D)

\* In these publications, Direct Analog Service is referred to as Voice Grade Service and Base Rate Service as Digital Data Service, and DS1 Service and DS3 Service as High Capacity Service.

(This page filed under Transmittal No. 1851 )

ACCESS SERVICE

7. Special Access Service (Cont'd)

7.2 Service Descriptions (Cont'd)

7.2.1 Metallic Service (Cont'd)

(B) Technical Specifications Packages

Parameter	C	Package MT		
		1	2	3
DC Resistance				
Between Conductors	X	X	X	
Loop Resistance	X			X
Shunt Capacitance	X			X

The technical specifications are delineated in Technical Reference TR-NPL-000336.

(C) Network Channel Interfaces

Compatible network channel interfaces are set forth in 7.3 following.

(D)  
 \_\_\_\_\_  
 (D)

(This page filed under Transmittal No. 1851 )

ACCESS SERVICE

7. Special Access Service (Cont'd)

7.2 Service Descriptions (Cont'd)

7.2.2 Telegraph Grade Service

(A) Basic Channel Description

A Telegraph Grade Channel is an unconditioned channel capable of transmitting binary signals at rates of 0-75 baud or 0-150 baud. This channel is furnished for half-duplex or duplex operation. Telegraph Grade channels are provided between customer designated premises or between a customer designated premises and a Telephone Company Hub.

(B) Technical Specifications Packages

Parameter	Package TG -		
	C	1	2
Telegraph Distortion	X	XX	

The technical specifications are delineated in Technical Reference TR-NPL-000336.

(C) Network Channel Interfaces

Compatible network channel interfaces are set forth in 7.3 following.

(D)  
-----  
(D)

(This page filed under Transmittal No. 1851 )

## ACCESS SERVICE

## 7. Special Access Service (Cont'd)

## 7.2 Service Descriptions (Cont'd)

## 7.2.3 Direct Analog Service \*

## (A) Basic Channel Description

- (1) A Direct Analog Service channel is a channel which provides voice frequency transmission capability in the nominal frequency range of 300 to 3000 Hz and may be terminated two-wire or four-wire. Direct Analog Service channels are provided between customer designated premises or between a customer designated premises and a Telephone Company Hub.
- (2) Direct Analog Service may be ordered to allow connections between the customer designated premises and wire center which provides Other Network Services.

## (a) Dedicated Access Line (DAL)

A Dedicated Access Line Service provides a channel for voice frequency transmission capability. The service provides a connection between the customer designated premises and a WATS serving office associated with the closed end of 800 Service, WATS or similar services. It is provided for use with Switched Access Service as set forth in Section 6 preceding, or as set forth in the intrastate Access Service tariff and/or local general services tariff of the Telephone Company. Switched access traffic delivered by means of a Dedicated Access Line is subject to Switched Access Service provisions of the applicable tariff. The jurisdiction of the Switched Access Service shall be determined as set forth in 2.3.10(E) preceding.

The choice of the type of signaling is at the option of the customer and subject to the technical limitations identified in the Technical Reference TR-NPL-000334. Dedicated Access Line Service is provided as an effective two-wire or an effective four-wire transmission path.

\* Also referred to as Voice Grade Service in Technical References.

(This page filed under Transmittal No. 184 )



ACCESS SERVICE

7. Special Access Service (Cont'd)  
 7.2 Service Descriptions (Cont'd)

7.2.3 Direct Analog Service (Cont'd)

(B) Technical Specifications Packages

Parameter	Package VG-												
	C*	1	2	3	4	5	6	7	8	9	10	11	12
Attenuation													
Distortion	X	X	X	X	X	X	X	X	X	X	X	X	X
C-Message Noise	X	X	X	X	X	X	X	X	X	X	X	X	X
Echo Control	X	X	X	X		X		X	X			X	X
Envelope Delay													
Distortion	X						X	X	X	X	X	X	X
Frequency Shift	X						X	X	X	X	X	X	
Impulse Noise	X					X	X	X	X	X	X	X	X
Intermodulation													
Distortion	X						X	X	X	X	X	X	
Loss Deviation	X	X	X	X	X	X	X	X	X	X	X	X	X
Phase Hits, Gain Hits, and Dropouts	X												
Phase Jitter X					X	X	X	X	X	X			
Signal-to-C-Message Noise				X									
Signal-to-C-Notch Noise	X					X	X	X	X	X	X	X	X

Package DAL

Parameters	1	2
Attenuation Distortion	X	X
C-Message Noise	X	X
Echo Control	X	X
Envelope Delay	X	X
Distortion		
Frequency Shift	X	X
Impulse Noise	X	X
Intermodulation	X	X
Distortion		
Loss Deviation	X	X
Phase Jitter	X	X
Signal-to-C	X	X
Notch Noise		

(This page filed under Transmittal No. 184 )

ACCESS SERVICE

7. Special Access Service (Cont'd)

7.2 Service Descriptions (Cont'd)

7.2.3 Direct Analog Service (Cont'd)

(B) Technical Specifications Packages (Cont'd)

The technical specifications for these parameters (except for dropouts, gain hits, and phase hits) are delineated in Technical Reference TR-NPL-000334 and TR-NPL-000335. The technical specifications for dropouts, phase hits, and gain hits are delineated in Technical Reference PUB 41004, Table 4.

(C) Network Channel Interfaces

The following network channel interfaces for Direct Analog Service do not require signaling capability: AH, DA, DB, DD, DE, DS, NO, PR and TF.

The following network channel interfaces for Direct Analog Service require signaling capability: AB, AC, CT, DX, DY, EA, EB, EC, EX, GO, GS, LA, LB, LC, LO, LR, LS, RV and SF.

The following interfaces are available with DAL Service: LO, LS, DS, GO, GS, EA, EB, RV.

Compatible network channel interfaces are set forth in 7.3 following.

(D) Optional Features and Functions

(1) Central Office Bridging Capability

- (a) Voice and DAL Bridging (two-wire and four-wire)
- (b) Data Bridging (two-wire and four-wire)

(D)  
|  
(D)

(This page filed under Transmittal No. 1851 )

## ACCESS SERVICE

## 7. Special Access Service (Cont'd)

## 7.2 Service Descriptions (Cont'd)

## 7.2.3 Direct Analog Service (Cont'd)

## (D) Optional Features and Functions (Cont'd)

(2) Reserved for Future Use (T)

(D)  
(D)

## (3) Conditioning

Conditioning provides more specific transmission characteristics for Direct Analog Service. C-Type conditioning controls attenuation distortion and envelope delay distortion. Sealing Current helps maintain continuity on dry metallic loops.

In addition, a customer may desire that either the attenuation distortion or the envelope delay distortion, or both, be improved to more stringent specifications than those provided with C-Type conditioning. In such cases the customer has the option of ordering Improved Attenuation Distortion and Improved Envelope Delay Distortion, either separately or in combination, in lieu of C-Type conditioning. When either improved option (Improved Attenuation Distortion or Improved Envelope Delay Distortion) is ordered without the other, the performance specifications for the other parameter will be those provided with C-Type conditioning at no additional charge.

For two-point services, the parameters apply to each service. For multipoint services, the parameters apply to each mid-link or end-link. C-Type conditioning and Data Capability may be combined on the same service.

(This page filed under Transmittal No. 1851 )

ACCESS SERVICE

7. Special Access Service (Cont'd)

7.2 Service Descriptions (Cont'd)

7.2.3 Direct Analog Service (Cont'd)

(D) Optional Features and Functions (Cont'd)

(3) Conditioning (Cont'd)

(a) C-Type Conditioning

C-Type Conditioning is provided for the additional control of attenuation distortion and envelope delay distortion on data services. The attenuation distortion and envelope delay distortion specifications for C-Type Conditioning are as set forth in the Technical References specified in 7.2.

(This page filed under Transmittal No. 184 )

ACCESS SERVICE

7. Special Access Service (Cont'd)

7.2 Service Descriptions (Cont'd)

7.2.3 Direct Analog Service (Cont'd)

(D) Optional Features and Functions (Cont'd)

(3) Conditioning (Cont'd)

(This page filed under Transmittal No. 184 )

## ACCESS SERVICE

## 7. Special Access Service (Cont'd)

## 7.2 Service Descriptions (Cont'd)

## 7.2.3 Direct Analog Service (Cont'd)

## (D) Optional Features and Functions (Cont'd)

## (3) Conditioning (Cont'd)

## (b) Improved Attenuation Distortion

Improved attenuation distortion is provided for additional control of attenuation distortion, and is provided in lieu of C-Type conditioning. The improved attenuation distortion specifications are as set forth in the Technical Reference specified in 7.2.

## (c) Improved Envelope Delay Distortion

Improved envelope delay distortion is provided for additional control of envelope delay distortion, and is provided in lieu of C-Type conditioning. The improved envelope delay distortion specifications are as set forth in the Technical Reference specified in 7.2.

## (d) Sealing Current Conditioning

Sealing Current Conditioning is provided to help maintain continuity on dry metallic loops. It is usually associated with four-wire DA or NO type network channel interfaces.

C

(This page filed under Transmittal No. 537 )

## ACCESS SERVICE

## 7. Special Access Service (Cont'd)

## 7.2 Service Descriptions (Cont'd)

## 7.2.3 Direct Analog Service (Cont'd)

## (D) Optional Features and Functions (Cont'd)

## (4) Customer Specified Premises Receive Level

This option allows the customer to specify the receive level at the Point of Termination. The level must be within a specific range delineated in Technical Reference TR-NPL-000335 and associated Addendum. (T)

## (5) Improved Termination

On Effective Four-Wire Transmission at Four-Wire Point of Termination (applicable to each two-wire port): Provides for a fixed 600 ohm impedance, variable level range and simplex reversal. Telephone Company equipment is required at the customer's premises where this option is ordered. The Improved Termination parameters are delineated in Technical Reference TR-NPL-000335.

## (6) Improved Return Loss

On Effective Two-Wire Transmission at Two-Wire Point of Termination: Provides for more stringent Echo Control specifications. In order for this option to be applicable, the transmission path must be four-wire at one POT and two-wire at the other POT. Placement of Telephone Company equipment may be required at the customer's premises with the two-wire POT. The Improved Return Loss parameters are delineated in Technical Reference TR-NPL-000335.

## (7) Data Capability

Data Capability provides transmission characteristics suitable for data communications. Specifically, Data Capability provides for the control of Signal to C-Notched Noise Ratio and intermodulation distortion. It is available for two-point services or multipoint services.

(This page filed under Transmittal No. 627 )

ACCESS SERVICE

7. Special Access Service (Cont'd)

7.2 Service Descriptions (Cont'd)

7.2.3 Direct Analog Service (Cont'd)

(D) Optional Features and Functions (Cont'd)

(7) Data Capability (Cont'd)

The Signal to C-Notched Noise Ratio and intermodulation distortion parameters for Data Capability are:

- Signal to C-Notched Noise Ratio is equal to or greater than 32dB
- Intermodulation distortion:
  - Signal to second order modulation products (R2) is equal to or greater than 38dB
  - Signal to third order modulation products (R3) is equal to or greater than 42dB

When a service equipped with Data Capability is used for voice communications, the quality of the voice transmission may not be satisfactory.

(8) Reserved for Future Use

(T)

(D)

(D)

(This page filed under Transmittal No. 1851 )



ACCESS SERVICE

7. Special Access Services (Cont'd)

7.2 Service Descriptions (Cont'd)

7.2.3 Direct Analog Service (Cont'd)

(D) Optional Features and Functions (Cont'd)

(9) Signaling Capability

Signaling Capability provides for the process by which one customer premises alerts another customer premises on the same service with which it wishes to communicate.

(10) Reserved for Future Use (T)

(D)  
(D)

(11) Reserved for Future Use (T)

(D)

—  
(D)

(12) DAL Options

(a) DAL Improved Voice Transmission

(i) Improved two-wire voice transmission (D)

—  
(D)

(b) Other Options

Certain other options associated with DAL services are either Line Termination or Common Switching optional features as defined in Section 6 preceding.

(This page filed under Transmittal No. 1851 )

ACCESS SERVICE

7. Special Access Services (Cont'd)

7.2 Service Descriptions (Cont'd)

7.2.3 Direct Analog Service (Cont'd)

(D) Optional Features and Functions (Cont'd)

(13) Line-Powered Data Station Termination Unit (DST)

Line-powered DSTs are available at customer-designated premises in lieu of commercial-powered DSTs. This option is available on new and existing channels with two-wire or four-wire, two-point or multi-point channels.

(14) DS0 Fiber Hub Cross-Connection

An arrangement to cross-connect DS0 (Direct Analog to Direct Analog) terminations at all designated Fiber Hub locations (described in 7.4.10 following).

N  
|  
N

(This page filed under Transmittal No. 676 )

ACCESS SERVICE

7. Special Access Service (Cont'd)

7.2 Service Descriptions (Cont'd)

7.2.3 Direct Analog Service (Cont'd)

(E) The following table shows the technical specifications packages with which the optional features and functions are available.

	Available with Technical Specifications Package VG-												
	C	1	2	3	4	5	6	7	8	9	10	11	12
C-Type Conditioning Central Office Bridging Capability	X					X	X	X	X	X	X		
Central Office Multiplexing	X		X			X	X				X	X	X
Code Select Signaling Arrangement	X		X				X						
Customer Specified Premises Receive Level	X		X	X				X	X	X			
Data Capability	X						X	X			X		
Improved Attenuation Distortion	X					X	X	X	X	X	X		
Improved Envelope Delay Distortion	X					X	X	X	X	X	X		
Improved Termination Improved Return Loss For Effective Two-Wire Transmission	X	X	X	X	X	X	X	X	X	X	X	X	X
Sealing Current Conditioning	X					X	X				X		
Signaling Capability	X	X	X	X				X	X	X			

(D)  
(D)

(This page filed under Transmittal No. 1851 )

ACCESS SERVICE

7. Special Access Service (Cont'd)

7.2 Service Descriptions (Cont'd)

7.2.3 Direct Analog Service (Cont'd)

(F) Four-Wire/Two-Wire Conversions

When a customer requests that an effective four-wire channel be terminated with a two-wire channel interface at the customer designated premises, a four-wire to two-wire conversion is required. The rate for the conversion is included as part of the basic Local Distribution Channel rate.

M  
|  
M  
|  
C  
|  
M  
|  
M

(This page filed under Transmittal No. 537 )

ACCESS SERVICE

7. Special Access Service (Cont'd)

7.2 Service Descriptions (Cont'd)

7.2.4 Program Audio Service

(A) Basic Channel Description

A Program Audio channel is a channel measured in Hz for the transmission of a complex signal voltage. The actual bandwidth is a function of the network channel interface selected by the customer. Only one-way transmission is provided. Program Audio channels are provided between customer designated premises or between a customer designated premises and a Telephone Company Hub.

(B) Technical Specifications Packages

Package AP-

Parameter	C*	1	2	3	4
Actual Measured Loss		X	X	X	X
Amplitude Tracking					
Crosstalk		X	X	X	X
Distortion Tracking		X			
Gain/Frequency					
Distortion		X	X	X	X
Group Delay		X			
Noise		X	X	X	X
Phase Tracking		X			
Short-Term Gain					
Stability		X			
Short-Term Loss		X			
Total Distortion		X	X	X	X

The technical specifications are delineated in Technical Reference TR-NPL-000337 and associated addendum.

(C) Network Channel Interfaces

T

The following network channel interfaces (CIs) define the bandwidths that are available for a Program Audio channel:

\* The desired parameters are selected by the customer from the list of available parameters.

(This page filed under Transmittal No. 584 )

ACCESS SERVICE

7. Special Access Service (Cont'd)

7.2 Service Descriptions (Cont'd)

7.2.4 Program Audio Service (Cont'd)

(C) Network Channel Interfaces (Cont'd)

CI	Bandwidth
PG-1	Nominal frequency from 50 to 15000 Hz
PG-3	Nominal frequency from 200 to 3500 Hz
PG-5	Nominal frequency from 100 to 5000 Hz
PG-8	Nominal frequency from 50 to 8000 Hz

Compatible network channel interfaces are set forth in 7.3 following.

(T)

(D) Optional Features and Functions

(1) Central Office Bridging Capability

Distribution Amplifier

(2) Gain Conditioning

Control of 1004 Hz AML at initiation of service to 0dB + 0.5 dB.

(3) Stereo

Provision of a pair of gain/phase equalized channels for stereo applications. (Additional AP channel must be ordered separately.)

The following table shows the technical specifications packages with which the optional features and functions are available.

	Available with Technical Specifications Package AP-				
	C	1	2	3	4
Central Office Bridging CapabilityXXXXX					
Gain Conditioning	X	X	X	X	X
Stereo	X				X

(This page filed under Transmittal No. 686 )

## ACCESS SERVICE

## 7. Special Access Service (Cont'd)

## 7.2 Service Description (Cont'd)

## 7.2.5 Video Service

## (A) Basic Channel Description

A Video Channel is a channel with one-way transmission capability for a standard 525 line/60 field monochrome, or National Television Systems Committee color, video signal and one or more associated audio signal(s) as described below. The Provision and the bandwidth of the associated audio signal(s) is a function of the network channel interface selected by the customer.

## (1) TV Analog Video Service

The bandwidth for TV Analog Video Service is either 30 Hz to 4.5MHz or 30 Hz to 6.6MHz. The associated audio signal(s) may be either diplexed or provided as one or more separate channels. Up to 4 channels of audio are available, the third and fourth audio channels are optional elements. Three or four audio channels may be transported across a video switch when each segment, of the circuit, supports four audio channels, else, only two audio channels will be supported. TV Analog Video Service channels are provided between customer designated premises, between a customer designated premises and a Telephone Company Hub or between Telephone Company Video Hubs.

TV 1 Analog Video Service rate categories are composed of Local Distribution Channels (LDCs) for facilities between the customers premises and serving wire center, Channel Mileage and Channel Mileage Terminations for interoffice facilities and Optional Features and Functions.

Daily, Monthly and Optional Payment Plan (OPP) recurring rates are available for TV 1 Analog Video Service LDCs as set forth in Section 7.5.5(A)(1)(a).

Daily, Monthly and OPP recurring Channel Mileage Termination (CMT) and Channel Mileage (CM) rates are available for TV1 Analog Video interoffice transport as set forth in Sections 7.5.5(A)(2)(a) and 7.5.5(A)(3)(a). Hourly rates are available for TV1 Analog Video interoffice transport between Telephone Company video hubs as set forth in Sections 7.5.5(A)(2)(b) and 7.5.5(A)(3)(b).

TV 1 Analog Video customers may upgrade to 270 Mbps or higher video services without incurring termination liability charges, subject to the following conditions:

- (1) The customer must issue a disconnect order for the existing TV1 Analog Video Service and place a service order for the new higher speed video service at the same locations such that there is no more than 60 days overlap between the two services.
- (2) The same locations must be utilized for the new higher-speed video service.
- (3) The customer must subscribe to a new OPP term that is greater than or equal to the remaining months in the existing term for the lower speed service.
- (4) The existing TV1 Analog Video Service must have been in service for a minimum period of 15 months for a 3-year term, or 18 months for a 5-year term.
- (5) Nonrecurring charges will apply where applicable.

(N)

(N)

(This page filed under Transmittal No. 1689 )

## ACCESS SERVICE

## 7. Special Access Service (Cont'd)

## 7.2 Service Description (Cont'd)

## 7.2.5 Video Service

## (A) Basic Channel Description

A Video Channel is a channel with one-way transmission capability for a standard 525 line/60 field monochrome, or National Television Systems Committee color, video signal and one or more associated audio signal(s) as described below. The Provision and the bandwidth of the associated audio signal(s) is a function of the network channel interface selected by the customer. (x)

## (1) TV Analog Video Service

The bandwidth for TV Analog Video Service is either 30 Hz to 4.5MHz or 30 Hz to 6.6MHz. The associated audio signal(s) may be either diplexed or provided as one or more separate channels. Up to 4 channels of audio are available, the third and fourth audio channels are optional elements. Three or four audio channels may be transported across a video switch when each segment, of the circuit, supports four audio channels, else, only two audio channels will be supported. TV Analog Video Service channels are provided between customer designated premises, between a customer designated premises and a Telephone Company Hub or between Telephone Company Video Hubs. (x)

TV 1 Analog Video Service rate categories are composed of Local Distribution Channels (LDCs) for facilities between the customers premises and serving wire center, Channel Mileage and Channel Mileage Terminations for interoffice facilities and Optional Features and Functions. (x)

Daily, Monthly and Optional Payment Plan (OPP) recurring rates are available for TV 1 Analog Video Service LDCs as set forth in Section 7.5.5(A)(1)(a).

Daily, Monthly and OPP recurring Channel Mileage Termination (CMT) and Channel Mileage (CM) rates are available for TV1 Analog Video interoffice transport as set forth in Sections 7.5.5(A)(2)(a) and 7.5.5(A)(3)(a). Hourly rates are available for TV1 Analog Video interoffice transport between Telephone Company video hubs as set forth in Sections 7.5.5(A)(2)(b) and 7.5.5(A)(3)(b).

TV 1 Analog Video customers may upgrade to 270 Mbps or higher video services without incurring termination liability charges, subject to the following conditions:

- (1) The customer must issue a disconnect order for the existing TV1 Analog Video Service and place a service order for the new higher speed video service at the same locations such that there is no more than 60 days overlap between the two services.
- (2) The same locations must be utilized for the new higher-speed video service.
- (3) The customer must subscribe to a new OPP term that is greater than or equal to the remaining months in the existing term for the lower speed service.
- (4) The existing TV1 Analog Video Service must have been in service for a minimum period of 15 months for a 3-year term, or 18 months for a 5-year term.
- (5) Nonrecurring charges will apply where applicable.

(x) Issued under authority of Special Permission No. 09-028 of the FCC in order to withdraw material filed under Transmittal No. 1707 without its becoming effective and to restore currently effective material.

(This page filed under Transmittal No. 1708 )

Effective: November 7, 2009



ACCESS SERVICE

7. Special Access Service (Cont'd)

7.2 Service Description (Cont'd)

7.2.5 Video Service

(A) Basic Channel Description

(2)

(D)

(D)

(This page filed under Transmittal No. 1771 )

ACCESS SERVICE

7. Special Access Service (Cont'd)

7.2 Service Description (Cont'd)

7.2.5 Video Service (Cont'd)

(A) Basic Channel Description (Cont'd)

(3)

(D)

(D)

(This page filed under Transmittal No. 1790 )

## ACCESS SERVICE

### 7. Special Access Service (cont'd)

#### 7.2 Service Description (cont'd)

##### 7.2.5 Video Service (cont'd)

###### (A) Basic Channel Description (cont'd)

###### (4) Reserved for Future Use

(T)

(D)

(D)

(This page filed under Transmittal No. 1825 )

7. Special Access Service (Cont'd)

7.2 Service Description (Cont'd)

7.2.5 Video Service (Cont'd)

(A) Basic Channel Description (Cont'd)

(4) Reserved for Future Use (Cont'd)

(T)

(D)

(D)

(This page filed under Transmittal No. 1825 )

## ACCESS SERVICE

### 7. Special Access Service (cont'd)

#### 7.2 Service Description (cont'd)

##### 7.2.5 Video Service (cont'd)

###### (A) Basic Channel Description (cont'd)

###### (4) Reserved for Future Use (Cont'd)

(T)

(D)

(D)

(This page filed under Transmittal No. 1825 )

7. Special Access Service (Cont'd)

7.2 Service Description (Cont'd)

7.2.5 Video Service (Cont'd)

(A) Basic Channel Description (Cont'd)

(5) Reserved for Future Use

(T)

(D)

(D)

(This page filed under Transmittal No. 1729 )

ACCESS SERVICE

7. Special Access Service (cont'd)

7.2 Service Descriptions (cont'd)

7.2.5 Video Service

(A) Basic Channel Description (cont'd)

(6)<sup>(1)</sup>

(D)

<sup>(1)</sup> Material in this Section has been de-tariffed as required by the Commission upon use of the forbearance relief pursuant to FCC Memorandum Opinion and Order No. 07-180, released October 12, 2007. Terms and Conditions associated with de-tariffed services are available at [www.att.com/guidebook](http://www.att.com/guidebook).

(This page filed under Transmittal No. 1666 )

ACCESS SERVICE

7. Special Access Service (Cont'd)

7.2 Service Descriptions (Cont'd)

7.2.5 Video Service

(B) Technical Specifications Packages

Parameter	Package TV -		
	C*	1	2
Amplitude vs. Frequency Response	X		
Chrominance/Luminance Inequalities			
Gain	X	X	X
Delay	X	X	X
Chrominance/Luminance Intermodulation	X		
Chrominance Nonlinear Gain	X		
Chrominance Nonlinear Phase	X		
Crosstalk	X		X
Differential Gain	X	X	X
Differential Phase	X	X	X
Dynamic Gain (picture and sync signal)	X		
Field-Time Distortion	X	X	X
Gain/Frequency Distortion	X	X	X
Gain Stability	X	X	X
Insertion Gain	X	X	X
Line-Time Distortion	X	X	X
Long-Time Distortion	X	X	X

M

M

Certain material on this page previously appeared on Original Page 259.4.

\* The desired parameters are selected by the customer from the list of available parameters.

(This page filed under Transmittal No. 1086 )



7. Special Access Service (Cont'd)  
 7.2 Service Description (Cont'd)

7.2.5 Video Service (Cont'd)

(B) Technical Specifications Packages ( Cont'd)

Parameter	Package TV -		
	C*	1	2
Luminance Nonlinearity	X		
Luminance Signal/CCIR			
Weighted Noise	X	X	X
Short-Time Distortion			
2 T Pulse	X	X	X
T - Bar Ringing	X	X	X
Signal/15 kHz Flat			
Weighted Noise	X	X	X
Signal/Low Frequency			
Noise	X		
Stereo Gain Difference	X	X	
Stereo Phase Difference	X	X	
Total Harmonic Distortion	X	X	X
Transient Sync Signal			
Non-Linearity	X		
Video/Audio Delay			
Difference	X		

The technical specifications are delineated in Technical Reference TR-TSV-000338, AM-TR-NTP-000119, AM-TR-NIS-000130, AM-TR-NIS-000131, AM-TR-NIS-000137, and associated Addendum.

(D)

(C) Network Channel Interfaces

The following network channel interfaces (CIs) define the bandwidth and the provision of the audio signal(s) associated with a Video channel:

CI	Audio Bandwidth	Provision
2TV6-1	15kHz	1 Channel, diplexed
2TV6-2	15kHz	2 Channels, diplexed
2TV7-1	15kHz	1 Channel, diplexed
2TV7-2	15kHz	2 Channels, diplexed

\* The desired parameters are selected by the customer from the list of available parameters.

(This page filed under Transmittal No. 1771 )

ACCESS SERVICE

7. Special Access Service (cont'd)

7.2 Service Description (cont'd)

7.2.5 Video Service (cont'd)

(C) Network Channel Interfaces (cont'd)

CI	Audio Bandwidth	Provision
06TV6.15	15kHz	1 or 2 Channels, diplexed
10TV6.15A	15kHz	1 to 4 Channels, diplexed
02WV6.J.-O-		1 Channel, RF
02WV6.J.-O		1 Channel, RF
01WVF.L.-O-	50Hz to 15kHz	1,2 or 4 Channels
01WVF.L.-O	50Hz to 15kHz	1,2 or 4 Channels
02WV6.K	No Audio	
02TD6.20.0-	20 kHz	1 to 6 Channels
02TD6.20.-0	20 kHz	1 to 6 Channels

(D) Optional Features and Functions

(1) Reserved for Future Use

(T)

(D)

(D)

(2) Reserved for Future Use

(T)

(D)  
(D)

(This page filed under Transmittal No. 1825 )

ACCESS SERVICE

7. Special Access Service (Cont'd)

7.2 Service Description (Cont'd)

7.2.5 Video Service (Cont'd)

(D) Optional Features and Functions (Cont'd)

(3) Reserved for Future Use

(T)

(D)

(D)

(4) Automatic Protection Switching (APS)

The Automatic Protection Switching option is available between two like point to point video services. The customer designates one video service as the primary working service and the other video service as the secondary protect service. APS automatically switches from the primary working service to the secondary protect service when light is not detected on the fiber pair associated with primary working service.

(5) TV Analog Video Optional 3rd or 4th Audio Channel

A third and fourth associated audio channel may be provided over either a diplexed channel or provided as one or two separate channels

(D)

(D)

(This page filed under Transmittal No. 1825 )

ACCESS SERVICE

7. Special Access Service (Cont'd)

7.2 Service Description (Cont'd)

(D)

(D)

(This page filed under Transmittal No. 1825 )

ACCESS SERVICE

7. Special Access Service (Cont'd)

7.2 Service Description (Cont'd)

(D)

(D)

(This page filed under Transmittal No. 1825 )

ACCESS SERVICE

7. Special Access Service (Cont'd)

7.2 Service Description (Cont'd)

(D)

(D)

(This page filed under Transmittal No. 1825 )

7. Special Access Service (Cont'd)

7.2 Service Description (Cont'd)

(D)

(D)

(This page filed under Transmittal No. 1825 )

ACCESS SERVICE

7. Special Access Service (Cont'd)

7.2 Service Descriptions (Cont'd)

(D)

(D)

(This page filed under Transmittal No. 1748 )



ACCESS SERVICE

Dx

Dx

x Issued under authority of Special Permission No. 97-255.

(This page filed under Transmittal No. 1119 )

---

Issued: August 13, 1997

Effective: September 17, 1997

Four AT&T Plaza, Dallas, Texas 75202

ACCESS SERVICE

7. Special Access Service (Cont'd)

7.2 Service Descriptions (Cont'd)

(D)

(D)

(This page filed under Transmittal No. 1748 )

ACCESS SERVICE

7. Special Access Service (Cont'd)

7.2 Service Descriptions (Cont'd)

(D)

(D)

(This page filed under Transmittal No. 1748 )

ACCESS SERVICE

7. Special Access Service (Cont'd)

7.2 Service Descriptions (Cont'd)

7.2.7 Reserved for Future Use

(T)

(D)

(D)

(This page filed under Transmittal No. 1818 )

7. Special Access Service (Cont'd)

7.2 Service Descriptions (Cont'd)

7.2.7 Reserved for Future Use (Cont'd)

(T)

(D)

(D)

(This page filed under Transmittal No. 1818 )

7. Special Access Service (Cont'd)

7.2 Service Descriptions (Cont'd)

(D)

(D)

(This page filed under Transmittal No. 1289 )

7. Special Access Service (Cont'd)

(x)

(x)

(x) Issued under the authority of Special Permission No. 04-031 of the F.C.C.

(This page filed under Transmittal No. 1392 )

---

Issued: April 12, 2004

Effective: April 27, 2004

Four AT&T Plaza, Dallas, Texas 75202

7. Special Access Service (Cont'd)

(x)

(x)

(x) Issued under the authority of Special Permission No. 04-031 of the F.C.C.

(This page filed under Transmittal No. 1392 )

---

Issued: April 12, 2004

Effective: April 27, 2004

Four AT&T Plaza, Dallas, Texas 75202



ACCESS SERVICE

7. Special Access Service (Cont'd)

7.2 Service Descriptions (Cont'd)

7.2.9 Base Rate Services, DS1 Service and DS3 Services

(A) Basic Channel Description

(1) General

Base Rate channels, DS1 channels, and DS3 channels provide digital transmission at the discrete bit rates of 2.4 Kbps, 4.8 Kbps, 9.6 Kbps, 19.2 Kbps, 56.0 Kbps, 64.0 Kbps, and 1.544 Mbps and 44.736 Mbps, with timing provided by the Telephone Company through the Telephone Company's facilities to the customer in the received bit stream. These services provide digital transmission with the following characteristics:

- Base Rate Services provide channels operating at terminating bit rates of 2.4 Kbps, 4.8 Kbps, 9.6 Kbps, 19.2 Kbps and 56.0 Kbps, and 64.0 Kbps;
- DS1 Service provides channels operating at the terminating bit rate of 1.544 Mbps; and,
- DS3 Service provides channels operating at the terminating bit rate of 44.736 Mbps.

Base Rate, DS1 and DS3 channels may be used to connect:

- a customer designated premises to another customer designated premises, or;
- a customer designated premises to a Telephone Company location where bridging, cross-connection or multiplexing functions are performed; or an ARS system location.
- two NRS<sup>(1)</sup> system locations may be connected via Base Rate, DS1 or DS3 Channel Mileage and Channel Mileage Terminations to interconnect Base Rate, DS1 or DS3 channels included in the customer's database for the Network Reconfiguration Service (described in 7.4.14(B)). (C)

(1) Effective December 5, 2018, Network Reconfiguration Service (NRS) will no longer be available for purchase by new or existing customers, and NRS service agreements may no longer be renewed. Effective July 31, 2022, the Telephone Company will no longer accept new requests for physical changes to existing service arrangements including the upgrade or downgrade of access/port speed, installation of new service, or moves to different service addresses.

(N)  
 |  
 (N)

(This page filed under Transmittal No. 1874 )

7. Special Access Service (Cont'd)

7.2 Service Descriptions (Cont'd)

7.2.9 Base Rate Services, DS1 Service and DS3 Service (Cont'd)

(A) Basic Channel Description (Cont'd)

(1) General (Cont'd)

Digital transmission paths for Base Rate Services, DS1 Service, and DS3 Service are differentiated by bit rate, and the quality of transmission is as delineated by the Channel Interface definitions in the Technical Reference Publications cited in Section 7.2 preceding. Customer options are available to customize the channels.

Base Rate Services, DS1 Service and DS3 Service channels may be connected to any other Base Rate Service, DS1 Service or DS3 Service at a Telephone Company Hub, and to certain other Special Access services as described in Section 7.2.9(B)(4)(f) following. When a customer orders service to a Telephone Company Hub, it is the customer's responsibility to assure that the channels connected at the Hub are compatible. Compatible network channel interfaces for interstate Special services are listed in Section 7.3 following.

When service is provided between a customer designated premises and a Telephone Company Fiber Hub location, listed in 7.4.10 following, that service is considered to end at the Fiber Hub location. Performance of the service is measured between the customer designated premises and the Fiber Hub location. Interconnection at the Fiber Hub is limited to DS1 Service and DS3 Service channels terminating at speeds of 1.544 and 44.736 Mbps, only (not available with DS1 - 128.0, 256.0, 384.0, 512.0, and 768.0 Kbps transport).

When service is provided between a customer designated premises and an NRS<sup>(1)</sup> system location, that service is considered to end at the NRS system location. Performance of the service is measured between the customer designated premises and the NRS system location. When service is provided between two NRS system locations, that service is considered to end at the NRS system locations, and performance of the service is measured between these two locations. Interconnection at the NRS system location is limited to DS3, DS1 (1.544 Mbps and 128 - 768 Kbps) and Base Rate Services (2.4 - 64 Kbps) channels.

(C)

<sup>(1)</sup> Effective December 5, 2018, Network Reconfiguration Service (NRS) will no longer be available for purchase by new or existing customers, and NRS service agreements may no longer be renewed. Effective July 31, 2022, the Telephone Company will no longer accept new requests for physical changes to existing service arrangements including the upgrade or downgrade of access/port speed, installation of new service, or moves to different service addresses.

(N)  
 |  
 (N)

## ACCESS SERVICE

## 7. Special Access Service (Cont'd)

## 7.2 Service Descriptions (Cont'd)

7.2.9 Base Rate Services, DS1 Service, and  
DS3 Services (Cont'd)(T)  
(T)

## (A) Basic Channel Description (Cont'd)

## (1) General (Cont'd)

The customer may provide the Network Channel Terminating Equipment associated with Base Rate, DS1 and DS3 Local Distribution Channels at the customer premises. In Wisconsin only, provision of 19.2 Kbps service requires the customer to provide a Channel Service Unit equipped with the secondary channels capability enabled. The interim program for interconnection of such equipment is set forth in Technical Reference PUB as No. 1.

(T)

At the option of the customer, DS3 service may be provided by means of an optical channel interface at the customer's premises. When the optical interface is selected, the customer must provide the Optical Line Termination associated with the Ameritech service channels at the customer premises. Interconnection of such equipment is limited to those interfaces set forth in 7.2.9(B)(1) following and described in Technical Reference AM TR TMO-000072.

(T)

## (2) Connection with Other Network Services

Base Rate Services, DS1 Service and DS3 Service may be ordered to allow connections between the customer designated premises and the wire center which provides other network services.

(T)

## (a) Dedicated Access Line (DAL)

## (i) DS1 DAL

A Dedicated Access Line can be provided as an DS1 transmission path between a customer designated premises and a WATS serving office. An DS1 DAL is available only when the WATS serving office is an appropriately equipped digital switch. In other offices, DS1 Service as described above with multiplexing option must be utilized if the customer desires an DS1 Service Interface.

(T)

(T)

(T)

(T)

(T)

(This page filed under Transmittal No. 1357 )

## ACCESS SERVICE

## 7. Special Access Service (Cont'd)

## 7.2 Service Descriptions (Cont'd)

7.2.9 Base Rate Services, DS1 Service and  
DS3 Services (Cont'd)(T)  
(T)

## (A) Basic Channel Description (Cont'd)

## (2) Connection with Other Network Services

## (a) Dedicated Access Line (DAL) (Cont'd)

## (ii) Base Rate Service (56 Kbps) DAL

(T)

A Dedicated Access Line can be provided as an Base Rate Service (56 Kbps) transmission path between a customer designated premises and a Public Switched Digital Service (PSDS) serving office. An Base Rate Service (56 Kbps) DAL is available only when the PSDS serving office is an appropriately equipped digital switch.

(T)

(T)

## (B) Channel Configuration

(1) Base Rate, DS1, and  
DS3 Local Distribution Channels

(T)

(T)

Base Rate, DS1, and DS3 channels consist of Local Distribution Channels (LDCs), interoffice transport and optional features and functions.

(T)

Base Rate Services, DS1 Service and DS3 Local Distribution Channels provide digital interconnection between the Telephone Company Serving Wire Center (SWC) and the customer. The customer may select from a variety of channel types that define the termination at the customer location. Each type has its own bit rate and transmission characteristics defined by the network channel interface codes. The actual bit rate and/or framing format is a function of the network channel interface selected by the customer. For example, Access to Extended Superframe (BSE - Extended Superframe Conditioning) extends the customer's Ameritech DS1 framing structure from 12 to 24 frames. This framing format is available at no additional charge.

(T)

(This page filed under Transmittal No. 1357 )

7. Special Access Service (Cont'd)

7.2 Service Descriptions (Cont'd)

7.2.9 Base Rate Services, DS1 Service and DS3 Service (Cont'd)

(B) Channel Configuration (Cont'd)

(1) Base Rate Services, DS1 Service and DS3 Service Local Distribution Channels (Cont'd)

The following types of LDCs are available:

Terminating Bit Rate	Loop Format	Data Transmission Format	Channel Interface
2.4 Kbps	4-Wire	Synchronous Serial	DU-24
4.8 Kbps	4-Wire	Synchronous Serial	DU-48
9.6 Kbps	4-Wire	Synchronous Serial	DU-96
19.2 Kbps	4-Wire	Synchronous Serial	DU-19
56.0 Kbps	4-Wire	Synchronous Serial	DU-56
56.0 Kbps(DAL)	2-Wire	Synchronous Serial	DU-16
56.0 Kbps(DAL)	4-Wire	Synchronous Serial	DU-56
64.0 Kbps	4-Wire	Synchronous Serial	DU-64
1.544 Mbps	4-Wire	Isochronous Serial	DS-15
44.736 Mbps	4-Wire	Isochronous Serial	DS-44
44.736 Mbps	4-Wire	Isochronous Serial	FC-56 or FC-12

When DS3 Service is provided using an optical channel interface, the customer is responsible for providing the Optical Line Termination (OLT) at the customer's premises. The OLT supplied at the customer premises must be compatible with the OLT used by the Telephone Company in the Serving Wire Center. The Telephone Company will work cooperatively with the customer to select compatible OLTs which conform to the requirements set forth in Technical Reference Publication AM TR TMO-000072.

All LDCs comprising a channel must have the same terminating bit rate unless multiplexing is performed at a Telephone Company Hub location.

Only certain LDC to LDC connections with unlike bit rates are allowable using multiplexing. The allowable multiplexing is described in Sections 7.2.9(B)(4)(f) and 7.4.7.

(D)

When DS1 LDCs are used in conjunction with DS1 128.0, 256.0, 384.0, 512.0 or 768.0 Kbps transport without multiplexing, the usable bandwidth available to the customer is 128.0, 256.0, 384.0, 512.0 or 768.0 Kbps, respectively.<sup>(1)</sup>

(N)

<sup>(1)</sup> Effective October 27, 2016, 128.0, 256.0, 384.0, 512.0 and 768.0 Kbps transport is limited to existing Customers for existing service arrangements; no new or additional term commitments of any kind, including any otherwise available renewals, will be available; and no move, add, or change orders will be accepted.

(N)  
 (N)  
 (N)

(This page filed under Transmittal No. 1854 )

7. Special Access Service (Cont'd)

7.2 Service Descriptions (Cont'd)

7.2.9 Base Rate Services, DS1 Service and DS3 Service (Cont'd)

(T)

(B) Channel Configuration (Cont'd)

(2) Interoffice Transport

Interoffice Transport facilities comprised of Channel Mileage Terminations (CMT), described in Section 7.1.2(B), and Channel Mileage (CM), described in Section 7.1.2(C), provide the transmission paths between the Serving Wire Centers associated with two customer designated premises, between a Serving Wire Center associated with a customer premises and a Telephone Company Hub location or an NRS<sup>(2)</sup> System Location or between two Telephone Company NRS system locations for NRS associated services. When NRS system locations are within the same wire center only the appropriate port charges will apply. Three interoffice transport types are available; Base Rate transport which supports bit rates from 2.4 Kbps through 64.0 Kbps, DS1 transport at bit rates of 1.544 Mbps, 128.0 Kbps, 256.0 Kbps, 384.0 Kbps, 512.0 Kbps and 768.0 Kbps and DS3 transport at the 44.736 Mbps bit rate.<sup>(1)</sup> (C)

Base Rate 2.4 Kbps through 64.0 Kbps LDCs are interconnected to Rate transport\* while DS1 LDCs are interconnected to DS1 transport (1.544 Mbps, 128.0 Kbps, 256.0 Kbps, 384.0 Kbps, 512.0 Kbps or 768.0 Kbps) and DS3 SCs to DS3 transport. Additionally, higher speed LDCs may be cross-connected to lower speed transport using optional multiplexing features delineated in Section 7.2.9(B)(4)(f).

(3) Optional Features and Functions

The following table shows the technical specifications packages with which the optional features and functions are available. Not all of the optional features and functions described in this section apply to all of the services. The following matrix shows the Optional Features and Functions by bit rate that a customer may select. The specific Optional Features and Functions are described in Section 7.2.9(B)(4), a through i. Except as specified in 7.2.9(B)(4)(f)(2), when DS1 LDCs are used in conjunction with DS1 128.0, 256.0, 384.0, 512.0 or 768.0 Kbps transport, no Optional Features and Functions are available.

\* Base Rate Interoffice Transport provides usable bandwidths to match the customer's LDC Bit Rate for Base Rate services operating at terminating speeds up to and including 64.0 Kbps. (T)

(1) Effective October 27, 2016, 128.0, 256.0, 384.0, 512.0 and 768.0 Kbps transport is limited to existing Customers for existing service arrangements; no new or additional term commitments of any kind, including any otherwise available renewals, will be available; and no move, add, or change orders will be accepted.

(2) Effective December 5, 2018, Network Reconfiguration Service (NRS) will no longer be available for purchase by new or existing customers, and NRS service agreements may no longer be renewed. Effective July 31, 2022, the Telephone Company will no longer accept new requests for physical changes to existing service arrangements including the upgrade or downgrade of access/port speed, installation of new service, or moves to different service addresses. (N)

(This page filed under Transmittal No. 1874 )

7. Special Access Service (cont'd)

7.2 Service Descriptions (cont'd)

7.2.9 Base Rate Services, DS1 Service and DS3 Service (cont'd)

(B) Channel Configuration (cont'd)

(3) Optional Features and Functions (cont'd)

Base Rate Services, DS1 Service and DS3 Service

(Application of Optional Features and Functions by Terminating Speeds)

	2.4 Kbps	4.8 Kbps	9.6 Kbps	56.0 Kbps	19.2 Kbps	64.0 Kbps	64.0 Kbps	1.544 Mbps	44.736 Mbps
	PACKAGES								
Parameter	DA-1	DA-2	DA-3	DA-4	DA-5	DA-6	HC-0	HC-1	HC-3
Central Office, Bridging Capability	X	X	X	X					
Secondary Channel	X	X	X	X					
Clear Channel Capability Transfer Arrangement								X	
Interconnection - Central Office Multiplexing								X	
- DS3 to DS1									X
- DS1 to Base Rate/128.0, 256.0, 384.0, 512.0, 768.0 Kbps Transport <sup>(3)</sup>								X	
Fiber Hub Cross-Connection <sup>(1)</sup>								X	
NRS Terminations <sup>(2)(4)</sup>	X	X	X	X	X	X	X	X	X
Multiplexer Cross-Connection								X	X

(C)

- (1) Description of this optional feature and function is delineated in Section 7.4.
- (2) Description of the Network Reconfiguration Service (NRS) is delineated in Section 7.2.9(B)(5).
- (3) Effective October 27, 2016, 128.0, 256.0, 384.0, 512.0 and 768.0 Kbps transport is limited to existing Customers for existing service arrangements; no new or additional term commitments of any kind, including any otherwise available renewals, will be available; and no move, add, or change orders will be accepted.
- (4) Effective December 5, 2018, Network Reconfiguration Service (NRS) will no longer be available for purchase by new or existing customers, and NRS service agreements may no longer be renewed. Effective July 31, 2022, the Telephone Company will no longer accept new requests for physical changes to existing service arrangements including the upgrade or downgrade of access/port speed, installation of new service, or moves to different service addresses.

(N)  
 |  
 (N)

(This page filed under Transmittal No. 1874 )

## ACCESS SERVICE

## 7. Special Access Service (Cont'd)

## 7.2 Service Descriptions (Cont'd)

7.2.9 Base Rate Services, DS1 Service and  
DS3 Service (Cont'd)(T)  
(T)

## (B) Channel Configuration (Cont'd)

## (4) Optional Features and Functions

Application of these optional features and functions are delineated in Section 7.2.9(B)(3) preceding.

## (a) Central Office Bridging Capability

This option is applicable to Base Rate channels operating at terminating speeds of 2.4, 4.8, 9.6 and 56.0 Kbps only. Central Office Bridging Capability allows for communications between three or more circuit termination locations.

(T)

## (b) Secondary Channels

The Secondary Channel feature is provided in conjunction with Base Rate channels operating at terminating speeds of 2.4, 4.8, 9.6 and 56.0 Kbps (considered the primary channel). A secondary channel provides a companion digital channel over the same facility used to provide the primary channel, but at a lower bit rate. The secondary and primary channels operate independently of each other, over the same facilities, and must be co-terminated in common customer equipment as described in Technical References Publications, cited in Section 7.2 preceding. Secondary channel is offered as a two-point or multipoint service in Telephone Company locations where facilities are available. The addition of the secondary channel option to an existing Base Rate Services will be treated as a disconnect of the existing service and an installation of a new service including the secondary channel.

(T)

(T)

\* Central Office Bridging Capability and Secondary Channels are not available

(This page filed under Transmittal No. 1357 )



ACCESS SERVICE

7. Special Access Service (Cont'd)

7.2 Service Descriptions (Cont'd)

7.2.9 Base Rate Services, DS1 Service and DS3 Service (Cont'd)

(T)  
(T)

(B) Channel Configurations (Cont'd)

(4) Optional Features and Functions (Cont'd)

(b) Secondary Channels (Cont'd)

The technical specifications for this feature are described in Technical Publications, cited in Section 7.2 preceding. The bit rates of the secondary channel are shown in the following table:

Base Rate Service Transmission Speed	Secondary Channel Transmission Speed
2.4 Kbps	133 Bps
4.8 Kbps	266 Bps
9.6 Kbps	533 Bps
56.0 Kbps	2.66 Kbps

(T)

(c) Clear Channel Capability

An arrangement which allows a customer to transport 1.536 Mbps of information on a 1.544 Mbps line rate with no constraint on the quantity or sequence of one and zero bits.

Clear Channel Capability is provided for both point to point and channelized DS1 service and is a required option for DS1 service when 64 Kbps channels are multiplexed onto the DS1 service.

(T)  
(T)

Where appropriate facilities are not immediately available, negotiated order intervals may apply. The technical specifications for this feature are as described in Technical Reference Publications, cited in Section 7.2 preceding.

(This page filed under Transmittal No. 1357 )

7. Special Access Service (cont'd)

7.2 Service Descriptions (cont'd)

7.2.9 Base Rate Services, DS1 Service and DS3 Service (cont'd)

(B) Channel Configuration (cont'd)

(3) Optional Features and Functions (cont'd)

(d) Section Not in Use

(C)

(e) Transfer Arrangement

An arrangement that affords the customer an additional measure of flexibility in the use of their access channel(s). The arrangement can be utilized to transfer a leg of a Special Access Service to either the spare or working channel that terminates in either the same or a different customer premises. A key activated or dial-up control service is required to operate the transfer arrangement. A spare channel, if required, is not included as part of the option.

(D)  
(D)  
(D)

(This page filed under Transmittal No. 1760 )

7. Special Access Service (Cont'd)

7.2 Service Descriptions (Cont'd)

7.2.9 Base Rate Services, DS1 Service and DS3 Service (Cont'd)

(B) Channel Configuration (Cont'd)

(4) Optional Features and Functions (Cont'd)

(f) Interconnection - Central Office Multiplexing

(1) DS3 to DS1 Multiplexing

An arrangement that converts an DS3 channel operating at a terminating speed of 44.736 Mbps to 28 DS1 channels operating at a terminating speed of 1.544 Mbps using digital time division multiplexing (available with 128.0, 256.0, 384.0, 512.0, and 768.0 Kbps and 1.544 Mbps transport).<sup>(1)</sup>

(N)

(2) DS1 to Voice/Base Rate/  
 128.0, 256.0, 384.0, 512.0, 768.0 Kbps Transport Multiplexing

An arrangement that converts an DS1 (1.544 Mbps only) channel to 24 channels for use with Direct Analog Service, Base Rate Service, and 128.0, 256.0, or 384.0 Kbps Transport Services (multiple channels are required to provide individual 128.0, 256.0, 384.0, 512.0, or 768.0 Kbps channels).<sup>(1)</sup> A channel of this DS1 to the Hub can also be used for Program Audio, Dedicated Network Access Line, or Dedicated Access Line Services. Multiple channels may be required to provide individual Program Audio channels.

(N)

<sup>(1)</sup> Effective October 27, 2016, 128.0, 256.0, 384.0, 512.0 and 768.0 Kbps transport is limited to existing Customers for existing service arrangements; no new or additional term commitments of any kind, including any otherwise available renewals, will be available; and no move, add, or change orders will be accepted.

(N)  
 (N)  
 (N)

(This page filed under Transmittal No. 1854 )

7. Special Access Service (Cont'd)

7.2 Service Descriptions (Cont'd)

7.2.9 Base Rate Services, DS1 Service and  
DS3 Service (Cont'd)

(B) Channel Configuration (Cont'd)

(4) Optional Features and Functions (Cont'd)

(g) Fiber Hub Cross-connection

An arrangement to cross-connect DS1 Service, (excluding DS1 - 128.0, 256.0, 384.0, 512.0, and 768.0 Kbps Transport) DS3 Service, or Base Rate Service terminations to another service of the same speed at a designated Fiber Hub location. The customer must purchase service to the Fiber Hub from his designated premises.

(N)

(This page filed under Transmittal No. 1390 )

7. Special Access Service (Cont'd)

7.2 Service Description (Cont'd)

7.2.9 Base Rate Services, DS1 Service and DS3 Service (Cont'd)

(B) Channel Configuration (Cont'd)

(4) Optional Features and Functions (Cont'd)

(h) NRS<sup>(2)</sup> Termination (C)

An arrangement to connect an DS3, DS1 or Base Rate Local Distribution Channel or interoffice transport facility to an Network Reconfiguration System (NRS) location to allow the connected DS3, DS1, Base Rate, DS3 or DS1 service to be reconfigured with NRS. All DS3, DS1 and Base Rate Services that are to be included in a customer's NRS database must be terminated on an NRS system location. Only services that are included in a customer's NRS database may utilize the NRS Termination feature. (T)

(i) Shared Network Arrangement<sup>(1)</sup>

(1) A Shared Network Arrangement is a service offering that enables a customer (the "Service User") to connect subtending services to the multiplexed DS3 or DS1 service of another customer (the "Host Subscriber"), with the Telephone Company maintaining separate records and billing for each. Each customer will be billed for those rate elements associated with their own portion of the service configuration. Under no circumstances will the rates or charges for individual rate elements be split. This offering is limited to service configurations where a Service User obtains either subtending Direct Analog or Base Rate circuits from a Host's multiplexed DS1 service, or DS1 circuits from a Host's multiplexed DS3 service.

(2) Under the Shared Network Arrangement, the Telephone Company may share record information with the Host Subscriber pertaining to the services of other users of the shared network. Such disclosure will be under the sole

(1) Effective 05/26/06, this regulation is limited to existing customers. For new customers purchasing Shared Network Arrangement, terms and conditions set forth in Section 5.2 (A), will apply.

(2) Effective December 5, 2018, Network Reconfiguration Service (NRS) will no longer be available for purchase by new or existing customers, and NRS service agreements may no longer be renewed. Effective July 31, 2022, the Telephone Company will no longer accept new requests for physical changes to existing service arrangements including the upgrade or downgrade of access/port speed, installation of new service, or moves to different service addresses. (N)

(This page filed under Transmittal No. 1874 )

7. Special Access Service (Cont'd)

7.2 Service Description (Cont'd)

7.2.9 Base Rate Services, DS1 Service and DS3 Service (Cont'd)

(B) Channel Configuration (Cont'd)

(4) Optional Features and Functions (Cont'd)

(i) Shared Network Arrangement<sup>(1)</sup> (Cont'd)

(2) (Cont'd)

discretion of the Telephone Company as is necessary to perform billing reconciliations and/or other functions required in connection with maintaining account records.

(C)

(3) Section 7.4.11 contains rate regulations specific to Shared Network Arrangements.

(j) Multiplexer Cross-Connection (MCC)

An arrangement that allows one channel of a multiplexed DS1 or DS3 Service to be connected to one channel of the same bit rate and like signaling of another multiplexed DS1 or DS3 Service.

The lesser speed channel may be a Direct Analog Service between two DS1 multiplexers, or an Base Rate Service provided at 64 Kbps of bandwidth between two DS1 multiplexers, or an DS1 Service between two DS3 multiplexers.

MCC will be provided at all Telephone Company locations where multiplexing is performed or between two Telephone Company locations where multiplexing is performed.

(1) Effective 05/26/06, this regulation is limited to existing customers. For new customers purchasing Shared Network Arrangement, terms and conditions set forth in Section 5.2 (A), will apply.

(N)  
(N)

(This page filed under Transmittal No. 1551 )

## 7. Special Access Service (Cont'd)

## 7.2 Service Description (Cont'd)

## 7.2.9 Base Rate Services, DS1 Service and DS3 Service (Cont'd) (T)

## (B)Channel Configuration (Cont'd)

## (4) Optional Features and Functions (Cont'd)

## (k) Shared Facility Credit/Shared Facility Channel Service

Shared Facility Credit (SFC) is an option available to customers of DS3 Special Access Service who allow the Telephone Company use of their Ameritech-provided DS3 service for the provision of Shared Facility Channel Service, as described following, to other Telephone Company customers. With SFC, the Telephone Company will provide a credit to the customer of the DS3 Special Access Service when the Telephone Company utilizes a portion of the DS3 Local Distribution Channel (LDC), associated DS3 to DS1 multiplexer, and, if appropriate, DS3 Channel Mileage Terminations (CMT) and Channel Mileage (CM) to provide Shared Facility Channel Service to another Telephone Company customer. (T)

Shared Facility Channel Service provides a DS1 communications channel over SFC provisioned DS3 service between the DS3 customer's premises and the Telephone Company wire center location of the DS3 multiplexer. Shared Facility Channel Service must be connected to DS1 service at the DS3 multiplexer wire center. (T)

Shared Facility Channel Service Charges as set forth in Section 7.5.9(B)(5)(j) will apply to the customer of the Shared Facility Channel Service for the Shared Facility Local Distribution Channel and, if appropriate, Shared Facility Channel Mileage Terminations and Channel Mileage provided over the DS3 Special Access Service subject to the SFC. (T)

(This page filed under Transmittal No. 1357 )

7. Special Access Service (Cont'd)

7.2 Service Description (Cont'd)

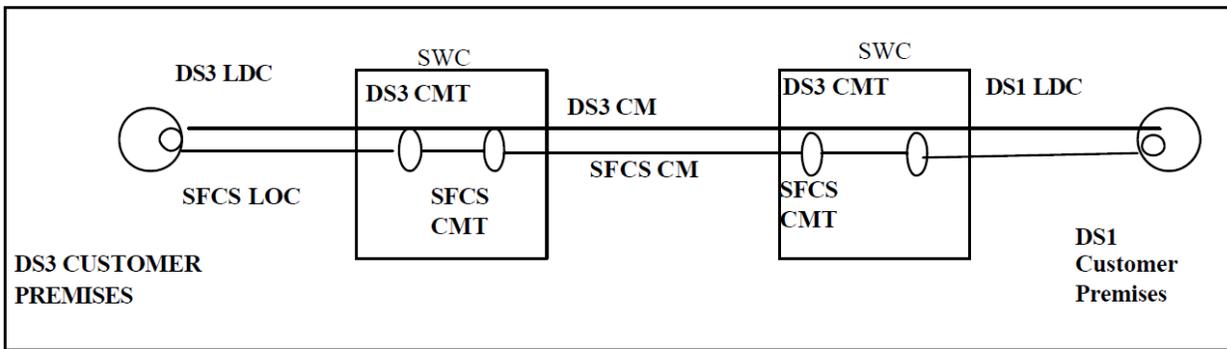
7.2.9 Base Rate Services, DS1 Service and DS3 Service (Cont'd)

(B) Channel Configuration (Cont'd)

(4) Optional Features and Functions (Cont'd)

(k) Shared Facility Credit/Shared Facility Channel Service (Cont'd)

The following diagram depicts an DS1 Service connected to a Shared Facility Channel Service (SFCS) provisioned over a Shared Facility Credit arranged DS3 Service.



- SWC - Serving Wire Center
- LDC - Local Distribution Channel
- CMT - Channel Mileage Termination
- CM - Channel Mileage
- MUX - DS3 to DS1 Multiplexer

Section 7.4.19 contains rate regulations specific to Shared Facility Credit/Shared Facility Channel Service arrangements.

(5) Network Reconfiguration Service (NRS)<sup>(1)</sup> (C)

(A) General

Network Reconfiguration Service (NRS) gives customers the ability to reconfigure networks, via electronic cross-connections, comprised of DS3, DS1 and Base Rate channels connected at NRS system locations. Reconfiguration may be accomplished by placing an electronic request via a customer provided terminal or by calling a Telephone Company attendant. (T)

<sup>(1)</sup> Effective December 5, 2018, Network Reconfiguration Service (NRS) will no longer be available for purchase by new or existing customers, and NRS service agreements may no longer be renewed. Effective July 31, 2022, the Telephone Company will no longer accept new requests for physical changes to existing service arrangements including the upgrade or downgrade of access/port speed, installation of new service, or moves to different service addresses. (N)

(This page filed under Transmittal No. 1874 )



ACCESS SERVICE

7. Special Access Service (Cont'd)

7.2 Service Description (Cont'd)

7.2.9 Base Rate Services, DS1 Service and DS3 Service (Cont'd)

(B) Channel Configuration (Cont'd)

(5) Network Reconfiguration Service (NRS)<sup>(1)</sup> (Cont'd) (C)

(B) Service Description

Network Reconfiguration Service gives customers the ability to reconfigure their networks via cross-connections of their DS3, DS1 and Base Rate Service channels which are identified in a customer specific network database. The NRS system location provides an interface at the DS3 (44.736 Mbps), DS1 (1.544 Mbps) and Base Rate (2.4 - 64 Kbps) levels. The customer may specify cross-connections at the DS3, channelized DS3, DS1, channelized DS1, or Base Rate level.

Customer access to NRS may be made directly by the customer utilizing customer provided terminal equipment on the customer's premises in conjunction with a Dedicated Network Access Link or dial-in line. Access is also available through a Telephone Company attendant reached by a dial access telephone line.

NRS will give the customer the ability to make changes in the individual channel segments of their network. Customers may reconfigure DS3, DS1 or Base Rate or DS1 service. Customers may also reconfigure Direct Analog channels that are channels of a reconfigurable channelized DS1 service. To utilize this capability, customers must order appropriate DS1 multiplexing in addition to the NRS Terminations at the DS1 level and the NRS service. (T)

NRS will be available on a continuous basis except for the performance of scheduled preventative and routine maintenance or scheduled software updates. The customer will be notified at least 24 hours in advance of any scheduled service interruptions.

NRS system locations are found in NECA Tariff FCC No. 4.

<sup>(1)</sup> Effective December 5, 2018, Network Reconfiguration Service (NRS) will no longer be available for purchase by new or existing customers, and NRS service agreements may no longer be renewed. Effective July 31, 2022, the Telephone Company will no longer accept new requests for physical changes to existing service arrangements including the upgrade or downgrade of access/port speed, installation of new service, or moves to different service addresses. (N)

(This page filed under Transmittal No. 1874 )

ACCESS SERVICE

7. Special Access Service (Cont'd)

7.2 Service Description (Cont'd)

7.2.9 Base Rate Services, DS1 Service and DS3 Service (Cont'd)

(B) Channel Configuration (Cont'd)

(5) Network Reconfiguration Service (NRS)<sup>(1)</sup> (Cont'd) (C)

(C) Technical Specifications

Services that are cross-connected by the Network Reconfiguration Service will not operate properly unless they have identical technical characteristics to ensure compatibility and proper operation. NRS customers are responsible for the compatibility of the services they choose to cross-connect.

If the Telephone Company determines that the technical characteristics of services selected for cross-connection by the customer are not compatible, they will advise the customer and give them the opportunity to change the order.

The Network Reconfiguration Service specifications are delineated in Technical Reference AM-TR-OAT-000064.

<sup>(1)</sup> Effective December 5, 2018, Network Reconfiguration Service (NRS) will no longer be available for purchase by new or existing customers, and NRS service agreements may no longer be renewed. Effective July 31, 2022, the Telephone Company will no longer accept new requests for physical changes to existing service arrangements including the upgrade or downgrade of access/port speed, installation of new service, or moves to different service addresses. (N)  
|  
(N)

(This page filed under Transmittal No. 1874 )

ACCESS SERVICE

7. Special Access Service (Cont'd)

7.2 Service Descriptions (Cont'd)

7.2.9 Base Rate Services, DS1 Service and DS3 Service (Cont'd)

(T)  
(T)

(B) Channel Configuration (Cont'd)

(6) Technical Specifications Packages

The technical specifications for Base Rate Services, DS1 Service and DS3 Service are delineated in Technical References. Base Rate Services (DA1-5) are described in TR-NPL-000341, and Base Rate (DA6) as described in AM-TR-OAT-000070. DS1 (HC1) and DS3 (HC3) are described in TR-INS-000342 and AM-TR-TMO-000101. DS1 (HX) is described in AM-TR-TMO-000106.

(T)  
|  
(T)

The Telephone Company will provide an Base Rate channel to provide connectivity at terminating speeds from 2.4 Kbps through 64.0 Kbps with error-free second performance typified by a monthly average objective of 99.875 percent while the channel is in service. Such performance must be measured through a CSU equivalent which is designed, manufactured, and maintained to conform with the specifications contained in Technical Reference PUB AM-TR-OAT-000070. The overall performance of an individual circuit will depend upon the performance characteristics of data communications equipment that is provided and maintained by the customer as well as network conditions. Error-free second performance is provided to indicate typical circuit performance objectives, not as an assurance of performance on an individual circuit.

(T)

For an DS1 channel operating at a terminating bit rate of 1.544 Mbps (HC1), the Telephone Company will provide a channel capable of an error-free second performance of 99.75 percent over a continuous 24 hour period as measured at the 1.544 Mbps rate through a NCTE equivalent which is designed, manufactured and maintained to conform with the specifications in Technical Reference Publication PUB 62411. Additional transmission performance specifications are described in AM-TR-TMO-000101; all transmission performance specifications listed in this document replace any specifications contained in other DS1 or DS3 Technical References.

(T)

(T)

(This page filed under Transmittal No. 1357 )

ACCESS SERVICE

7. Special Access Service (Cont'd)

7.2 Service Descriptions (Cont'd)

7.2.9 Base Rate Services, DS1 Service and  
DS3 Service (Cont'd)

(T)  
(T)

(B) Channel Configuration (Cont'd)

(7) Network Channel Interfaces

The network channel interfaces define the bit rates that are available for Base Rate, DS1 and DS3 channels operating at terminating speeds 2.4 Kbps, 4.8 Kbps, 9.6 Kbps, 19.2 Kbps, 56.0 Kbps, 64.0 Kbps, 1.544 Mbps and 44.736 Mbps. Network channel interfaces and codes are described in 7.3 following.

(T)  
(T)

(This page filed under Transmittal No. 1357 )

ACCESS SERVICE

7. Special Access Service (Cont'd)

7.2 Service Descriptions (Cont'd)

7.2.10<sup>(1)</sup>

(D)

<sup>(1)</sup> Material in this Section has been de-tariffed as required by the Commission upon use of the forbearance relief pursuant to FCC Memorandum Opinion and Order No. 07-180, released October 12, 2007. Terms and Conditions associated with de-tariffed services are available at [www.att.com/guidebook](http://www.att.com/guidebook).

(This page filed under Transmittal No. 1666 )

ACCESS SERVICE

7. Special Access Service (Cont'd)

7.2 Service Descriptions (Cont'd)

7.2.10<sup>(1)</sup>

(D)

<sup>(1)</sup> See footnote (1) on page 273.

(This page filed under Transmittal No. 1666 )

ACCESS SERVICE

7. Special Access Service (Cont'd)

7.2 Service Descriptions (Cont'd)

7.2.10<sup>(1)</sup>

(D)

<sup>(1)</sup> See footnote (1) on page 273.

(This page filed under Transmittal No. 1666 )

ACCESS SERVICE

7. Special Access Service (Cont'd)

7.2 Service Descriptions (Cont'd)

7.2.10<sup>(1)</sup>

(D)

<sup>(1)</sup> See footnote (1) on page 273.

(This page filed under Transmittal No. 1666 )



ACCESS SERVICE

7. Special Access Service (Cont'd)

7.2 Service Descriptions (Cont'd)

7.2.10<sup>(1)</sup>

(D)

<sup>(1)</sup> See footnote (1) on page 273.

(This page filed under Transmittal No. 1666 )

ACCESS SERVICE

7. Special Access Service (Cont'd)

7.2 Service Descriptions (Cont'd)

7.2.10 <sup>(1)</sup>

(D)

<sup>(1)</sup> See footnote (1) on page 273.

(This page filed under Transmittal No. 1666 )

ACCESS SERVICE

7. Special Access Service (Cont'd)

7.2 Service Descriptions (Cont'd)

7.2.10 <sup>(1)</sup>

(D)

<sup>(1)</sup> See footnote (1) on page 273.

(This page filed under Transmittal No. 1666 )

ACCESS SERVICE

7. Special Access Service (Cont'd)

7.2 Service Descriptions (Cont'd)

7.2.10 <sup>(1)</sup>

(D)

<sup>(1)</sup> See footnote (1) on page 273.

(This page filed under Transmittal No. 1666 )

ACCESS SERVICE

7. Special Access Service (Cont'd)

7.2 Service Descriptions (Cont'd)

7.2.10 <sup>(1)</sup>

(D)

<sup>(1)</sup> See footnote (1) on page 273.

(This page filed under Transmittal No. 1666 )

ACCESS SERVICE

7. Special Access Service (Cont'd)

7.2 Service Descriptions (Cont'd)

7.2.10<sup>(1)</sup>

(D)

<sup>(1)</sup> See footnote (1) on page 273.

(This page filed under Transmittal No. 1666 )

ACCESS SERVICE

7. Special Access Service (Cont'd)

7.2 Service Descriptions (Cont'd)

7.2.10 <sup>(1)</sup>

(D)

<sup>(1)</sup> See footnote (1) on page 273.

(This page filed under Transmittal No. 1666 )

ACCESS SERVICE

7. Special Access Service (Cont'd)

7.2 Service Descriptions (Cont'd)

7.2.10 <sup>(1)</sup>

(D)

<sup>(1)</sup> See footnote (1) on page 273.

(This page filed under Transmittal No. 1666 )



ACCESS SERVICE

7. Special Access Service (Cont'd)

7.2 Service Descriptions (Cont'd)

7.2.10 <sup>(1)</sup>

(D)

<sup>(1)</sup> See footnote (1) on page 273.

(This page filed under Transmittal No. 1666 )

ACCESS SERVICE

7. Special Access Service (Cont'd)

7.2 Service Descriptions (Cont'd)

7.2.10 <sup>(1)</sup>

(D)

<sup>(1)</sup> See footnote (1) on page 273.

(This page filed under Transmittal No. 1666 )

ACCESS SERVICE

7. Special Access Service (Cont'd)

7.2 Service Descriptions (Cont'd)

7.2.10<sup>(1)</sup>

(D)

<sup>(1)</sup> See footnote (1) on page 273.

(This page filed under Transmittal No. 1666 )

ACCESS SERVICE

7. Special Access Service (Cont'd)

7.2 Service Descriptions (Cont'd)

7.2.10<sup>(1)</sup>

(D)

<sup>(1)</sup> See footnote (1) on page 273.

(This page filed under Transmittal No. 1666 )

ACCESS SERVICE

7. Special Access Service (Cont'd)

7.2 Service Descriptions (Cont'd)

7.2.10<sup>(1)</sup>

(D)

<sup>(1)</sup> See footnote (1) on page 273.

(This page filed under Transmittal No. 1666 )

ACCESS SERVICE

7. Special Access Service (Cont'd)

7.2 Service Descriptions (Cont'd)

7.2.10<sup>(1)</sup>

(D)

<sup>(1)</sup> See footnote (1) on page 273.

(This page filed under Transmittal No. 1666 )

ACCESS SERVICE

7. Special Access Service (Cont'd)

7.2 Service Descriptions (Cont'd)

7.2.10 <sup>(1)</sup>

(D)

<sup>(1)</sup> See footnote (1) on page 273.

(This page filed under Transmittal No. 1666 )

ACCESS SERVICE

7. Special Access Service (Cont'd)

7.2 Service Descriptions (Cont'd)

7.2.10 <sup>(1)</sup>

(D)

<sup>(1)</sup> See footnote (1) on page 273.

(This page filed under Transmittal No. 1666 )



ACCESS SERVICE

7. Special Access Service (Cont'd)

7.2 Service Descriptions (Cont'd)

7.2.10 <sup>(1)</sup>

(D)

<sup>(1)</sup> See footnote (1) on page 273.

(This page filed under Transmittal No. 1666 )

ACCESS SERVICE

7. Special Access Service (Cont'd)

7.2 Service Descriptions (Cont'd)

7.2.10 <sup>(1)</sup>

(D)

<sup>(1)</sup> See footnote (1) on page 273.

(This page filed under Transmittal No. 1666 )

ACCESS SERVICE

7. Special Access Service (Cont'd)

7.2 Service Descriptions (Cont'd)

7.2.10 <sup>(1)</sup>

(D)

<sup>(1)</sup> See footnote (1) on page 273.

(This page filed under Transmittal No. 1666 )

ACCESS SERVICE

7. Special Access Service (Cont'd)

7.2 Service Descriptions (Cont'd)

7.2.10 <sup>(1)</sup>

(D)

<sup>(1)</sup> See footnote (1) on page 273.

(This page filed under Transmittal No. 1666 )

ACCESS SERVICE

7. Special Access Service (Cont'd)

7.2 Service Descriptions (Cont'd)

7.2.10<sup>(1)</sup>

(D)

<sup>(1)</sup> See footnote (1) on page 273.

(This page filed under Transmittal No. 1666 )

ACCESS SERVICE

7. Special Access Service (Cont'd)

7.2 Service Descriptions (Cont'd)

7.2.10 <sup>(1)</sup>

(D)

<sup>(1)</sup> See footnote (1) on page 273.

(This page filed under Transmittal No. 1666 )

ACCESS SERVICE

7. Special Access Service (Cont'd)

7.2 Service Descriptions (Cont'd)

7.2.10 <sup>(1)</sup>

(D)

<sup>(1)</sup> See footnote (1) on page 273.

(This page filed under Transmittal No. 1666 )

ACCESS SERVICE

7. Special Access Service (Cont'd)

7.2 Service Descriptions (Cont'd)

7.2.10<sup>(1)</sup>

(D)

<sup>(1)</sup> See footnote (1) on page 273.

(This page filed under Transmittal No. 1666 )



ACCESS SERVICE

7. Special Access Service (Cont'd)

7.2 Service Descriptions (Cont'd)

7.2.10 <sup>(1)</sup>

(D)

<sup>(1)</sup> See footnote (1) on page 273.

(This page filed under Transmittal No. 1666 )

ACCESS SERVICE

7. Special Access Service (Cont'd)

7.2 Service Descriptions (Cont'd)

7.2.11 <sup>(1)</sup>

(D)

<sup>(1)</sup> Material in this Section has been de-tariffed as required by the Commission upon use of the forbearance relief pursuant to FCC Memorandum Opinion and Order No. 07-180, released October 12, 2007. Terms and Conditions associated with de-tariffed services are available at [www.att.com/guidebook](http://www.att.com/guidebook).

(This page filed under Transmittal No. 1666 )

ACCESS SERVICE

7. Special Access Service (Cont'd)

7.2 Service Descriptions (Cont'd)

7.2.11 <sup>(1)</sup>

(D)

<sup>(1)</sup> See footnote (1) on page 273.6.

(This page filed under Transmittal No. 1666 )

ACCESS SERVICE

7. Special Access Service (Cont'd)

7.2 Service Descriptions (Cont'd)

7.2.11 <sup>(1)</sup>

(D)

<sup>(1)</sup> See footnote (1) on page 273.6.

(This page filed under Transmittal No. 1666 )

ACCESS SERVICE

7. Special Access Service (Cont'd)

7.2 Service Descriptions (Cont'd)

7.2.11 <sup>(1)</sup>

(D)

<sup>(1)</sup> See footnote (1) on page 273.6.

(This page filed under Transmittal No. 1666 )

ACCESS SERVICE

7. Special Access Service (Cont'd)

7.2 Service Descriptions (Cont'd)

7.2.11 <sup>(1)</sup>

(D)

<sup>(1)</sup> See footnote (1) on page 273.6.

(This page filed under Transmittal No. 1666 )

ACCESS SERVICE

7. Special Access Service (Cont'd)

7.2 Service Descriptions (Cont'd)

7.2.11 <sup>(1)</sup>

(D)

<sup>(1)</sup> See footnote (1) on page 273.6.

(This page filed under Transmittal No. 1666 )

ACCESS SERVICE

7. Special Access Service (Cont'd)

7.2 Service Descriptions (Cont'd)

7.2.11 <sup>(1)</sup>

(D)

<sup>(1)</sup> See footnote (1) on page 273.6.

(This page filed under Transmittal No. 1666 )



ACCESS SERVICE

7. Special Access Service (Cont'd)

7.2 Service Descriptions (Cont'd)

7.2.11 <sup>(1)</sup>

(D)

<sup>(1)</sup> See footnote (1) on page 273.6.

(This page filed under Transmittal No. 1666 )

ACCESS SERVICE

7. Special Access Service (Cont'd)

7.2 Service Descriptions (Cont'd)

7.2.11 <sup>(1)</sup>

(D)

<sup>(1)</sup> See footnote (1) on page 273.6.

(This page filed under Transmittal No. 1666 )

ACCESS SERVICE

7. Special Access Service (Cont'd)

7.2 Service Descriptions (Cont'd)

7.2.11 <sup>(1)</sup>

(D)

<sup>(1)</sup> See footnote (1) on page 273.6.

(This page filed under Transmittal No. 1666 )

ACCESS SERVICE

7. Special Access Service (Cont'd)

7.2 Service Descriptions (Cont'd)

7.2.11 <sup>(1)</sup>

(D)

<sup>(1)</sup> See footnote (1) on page 273.6.

(This page filed under Transmittal No. 1666 )

ACCESS SERVICE

7. Special Access Service (Cont'd)

7.2 Service Descriptions (Cont'd)

7.2.11 <sup>(1)</sup>

(D)

<sup>(1)</sup> See footnote (1) on page 273.6.

(This page filed under Transmittal No. 1666 )

ACCESS SERVICE

7. Special Access Service (Cont'd)

7.2 Service Descriptions (Cont'd)

7.2.11 <sup>(1)</sup>

(D)

<sup>(1)</sup> See footnote (1) on page 273.6.

(This page filed under Transmittal No. 1666 )

ACCESS SERVICE

7. Special Access Service (Cont'd)

7.2 Service Descriptions (Cont'd)

7.2.11 <sup>(1)</sup>

(D)

<sup>(1)</sup> See footnote (1) on page 273.6.

(This page filed under Transmittal No. 1666 )

ACCESS SERVICE

7. Special Access Service (Cont'd)

7.2 Service Descriptions (Cont'd)

7.2.11 <sup>(1)</sup>

(D)

<sup>(1)</sup> See footnote (1) on page 273.6.

(This page filed under Transmittal No. 1666 )



ACCESS SERVICE

7. Special Access Service (Cont'd)

7.2 Service Descriptions (Cont'd)

7.2.11 <sup>(1)</sup>

(D)

<sup>(1)</sup> See footnote (1) on page 273.6.

(This page filed under Transmittal No. 1666 )

ACCESS SERVICE

7. Special Access Service (Cont'd)

7.2 Service Descriptions (Cont'd)

7.2.11<sup>(1)</sup>

(D)

<sup>(1)</sup> See footnote (1) on page 273.6.

(This page filed under Transmittal No. 1666 )

ACCESS SERVICE

7. Special Access Service (Cont'd)

7.2 Service Descriptions (Cont'd)

7.2.11 <sup>(1)</sup>

(D)

<sup>(1)</sup> See footnote (1) on page 273.6.

(This page filed under Transmittal No. 1666 )

ACCESS SERVICE

7. Special Access Service (Cont'd)

7.2 Service Descriptions (Cont'd)

7.2.11 <sup>(1)</sup>

(D)

<sup>(1)</sup> See footnote (1) on page 273.6.

(This page filed under Transmittal No. 1666 )

ACCESS SERVICE

7. Special Access Service (Cont'd)

7.2 Service Descriptions (Cont'd)

7.2.11 <sup>(1)</sup>

(D)

<sup>(1)</sup> See footnote (1) on page 273.6.

(This page filed under Transmittal No. 1666 )

ACCESS SERVICE

7. Special Access Service (Cont'd)

7.2 Service Descriptions (Cont'd)

7.2.11 <sup>(1)</sup>

(D)

<sup>(1)</sup> See footnote (1) on page 273.6.

(This page filed under Transmittal No. 1666 )

ACCESS SERVICE

7. Special Access Service (Cont'd)

7.2 Service Descriptions (Cont'd)

7.2.11 <sup>(1)</sup>

(D)

<sup>(1)</sup> See footnote (1) on page 273.6.

(This page filed under Transmittal No. 1666 )

ACCESS SERVICE

7. Special Access Service (Cont'd)

7.2 Service Descriptions (Cont'd)

7.2.11 <sup>(1)</sup>

(D)

<sup>(1)</sup> See footnote (1) on page 273.6.

(This page filed under Transmittal No. 1666 )



ACCESS SERVICE

7. Special Access Service (Cont'd)

7.2 Service Descriptions (Cont'd)

7.2.11 <sup>(1)</sup>

(D)

<sup>(1)</sup> See footnote (1) on page 273.6.

(This page filed under Transmittal No. 1666 )

ACCESS SERVICE

7. Special Access Service (Cont'd)

7.2 Service Descriptions (Cont'd)

7.2.11 <sup>(1)</sup>

(D)

<sup>(1)</sup> See footnote (1) on page 273.6.

(This page filed under Transmittal No. 1666 )

ACCESS SERVICE

7. Special Access Service (Cont'd)

7.2 Service Descriptions (Cont'd)

7.2.11 <sup>(1)</sup>

(D)

<sup>(1)</sup> See footnote (1) on page 273.6.

(This page filed under Transmittal No. 1666 )

ACCESS SERVICE

7. Special Access Service (Cont'd)

7.2 Service Descriptions (Cont'd)

7.2.11 <sup>(1)</sup>

(D)

<sup>(1)</sup> See footnote (1) on page 273.6.

(This page filed under Transmittal No. 1666 )

ACCESS SERVICE

7. Special Access Service (Cont'd)

7.2 Service Descriptions (Cont'd)

7.2.11 <sup>(1)</sup>

(D)

<sup>(1)</sup> See footnote (1) on page 273.6.

(This page filed under Transmittal No. 1666 )

ACCESS SERVICE

7. Special Access Service (Cont'd)

7.2 Service Descriptions (Cont'd)

7.2.11 <sup>(1)</sup>

(D)

<sup>(1)</sup> See footnote (1) on page 273.6.

(This page filed under Transmittal No. 1666 )

ACCESS SERVICE

7. Special Access Service (Cont'd)

7.2 Service Descriptions (Cont'd)

7.2.11 <sup>(1)</sup>

(D)

<sup>(1)</sup> See footnote (1) on page 273.6.

(This page filed under Transmittal No. 1666 )

ACCESS SERVICE

7. Special Access Service (Cont'd)

7.2 Service Description (Cont'd)

7.2.11 <sup>(1)</sup>

(D)

<sup>(1)</sup> See footnote (1) on page 273.6.

(This page filed under Transmittal No. 1666 )



## ACCESS SERVICE

## 7. Special Access Service (Cont'd)

## 7.2 Service Descriptions (Cont'd)

7.2.12 SONET Xpress Service<sup>(1)</sup>

## A. Basic Service Description

SONET Xpress service is a shared ring service which provides high performance and reliability parameters with the level of survivability designed to limit a single event from interrupting service. It provides route, central office equipment, and signal payload protection for point-to-point DS1 and DS3 channels provisioned on the shared ring. No additional optional features are required for this level of protection. It provides flat rate transport across the network of DS1, DS3, OC-3 and OC-12 (VT1.5 and STS-1) channels. SONET Xpress utilizes SONET facilities and is available only in buildings and wire centers (SONET Xpress Network) where the Telephone Company has established shared rings.

For locations where SONET Xpress is not yet available Special Construction charges may apply. Expansion of service areas by means of Special Construction will only be allowed in designated areas consistent with the Telephone Company's construction program. The construction program is anticipated to include Chicago, Illinois; Detroit, Michigan; Columbus, Ohio; Cleveland, Ohio; Indianapolis, Indiana and Milwaukee, Wisconsin, to be completed by approximately the year 2005. SONET Xpress service areas are designated in NECA Tariff FCC No. 4. (T)  
(T)

SONET Xpress service must be specifically ordered even if a customer premises or serving wire center is located in the designated SONET Xpress serving area.

SONET Xpress will provide 50 millisecond protection switching to assure 100 percent availability of the end to end services within the network. When a customer's end to end service utilizes both the SONET Xpress network and non SONET Xpress network, the non SONET Xpress network portion will have the appropriate service guarantees as specified in Section 2.4.4. (D)

SONET Xpress Service is excluded from any application of Shared Use provisions as described in Section 7.4.9. (T)

## B. Channel Configuration

## (1) Network Access Connection (NAC)

The Network Access Connection provides SONET based access to the SONET Xpress shared transport network. NACs are available with:

- A) Electrical 1.544 Mbps (DS1) interface
- B) Electrical 44.736 Mbps (DS3) interface
- C) Optical 622.08 Mbps (OC-12) interface

The NAC is applicable when the customer's premises is located in a building on the SONET Xpress network.

<sup>(1)</sup> Effective February 16, 2012, SONET Xpress is available only to existing Customers, for existing service arrangements. Existing Customers may continue to receive service under existing service arrangements, or on a month-to-month basis after their existing service arrangements expire, until SONET Xpress is discontinued.

(This page filed under Transmittal No. 1812 )

## ACCESS SERVICE

## 7. Special Access Service (Cont'd)

## 7.2 Service Descriptions (Cont'd)

## 7.2.12 SONET Xpress Service (Cont'd)

## (B) Channel Configuration (Cont'd)

## (1) Network Access Connection (NAC) (Cont'd)

The optical NAC interface provides 1+1 protection at the customer's premises and is available in two versions, one with lower level signals (DS1/VT1.5) sorted and grouped within an STS-1 signal by the customer and the other with lower level signals neither sorted nor grouped. When the customer chooses to sort and group the lower level signals, and based on the customer's requirements, each signal within the STS-1 group must be routed to:

- a) one of two Telephone Company selected SONET Xpress wire centers, or
- b) any other Telephone Company wire center.

Both versions are available as 622.08 Mbps (OC-12) with:

- a) DS1/VT1.5 or
- b) DS3/STS-1 or
- c) a mix of the DS1/VT1.5 and DS3/STS-1 signals up to 336 DS1/VT1.5 equivalents.

DS3 Payload Multiplexing Function (PMF) as described in 7.2.12(B)(3) below is not available with the DS3/STS-1 signals in the OC-12 NAC.

## (2) Off-Network Access Connection (ONAC)

The Off-Network Access Connection provides a SONET based connection to the SONET Xpress shared transport network at a company designated SONET Xpress central office. ONACs are available with electrical 1.544 Mbps (DS1), 44.736 Mbps (DS3) as well as protected optical OC-3 and OC-12 interfaces. The ONAC is applicable when the customer's premises is not located in a building on the SONET Xpress network.

In addition to the ONAC charge, the customer is responsible for the appropriate Local Distribution Channel Charge (and Channel Mileage and Channel Mileage Termination charges, if appropriate) from the customer premises to the ONAC location on the network.

In order to utilize the built in protection on an OC-3 or OC-12 ONAC, the customer must purchase a minimum of the basic 1+1 protection optional feature along with the appropriate Local Distribution Channel. 1+1 protection with Central Office Survivability is not available with SONET Xpress service.

Certain material previously on this page now appears on 1st Revised 214.10.

(This page filed under Transmittal No. 1014 )

- 7. Special Access Service (Cont'd)
  - 7.2 Service Descriptions (Cont'd)
    - 7.2.12 SONET Xpress Service (Cont'd)
      - (B) Channel Configuration (Cont'd)

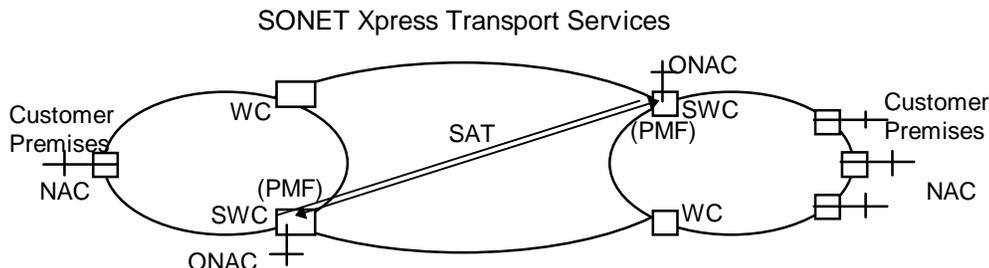
(3) DS3 Payload Multiplexing Function (PMF)

DS3 Payload Multiplexing Function provides the capability to multiplex up to 28 DS1 channels or 28 VT 1.5 channels with DS1 payload mapping to or from a specific DS3 channel or an STS-1 channel with DS3 payload mapping at a location determined by the Telephone Company within the SONET Xpress Network. Customers can continue to maintain existing DS1 to DS3 traffic relationships while using SONET Xpress access connections and banded transport. DS1 channels from across the serving area can be assigned to a specific DS3 channel for transport to a customer premises and/or a central office location. This option is only available when a DS1/VT1.5 is mapped or delivered to a DS3/STS-1 channel.

(4) Service Area Transport (SAT)

Service Area Transport provides SONET transport across the SONET Xpress network. The transport is divided into three mileage bands, up to 3 miles, greater than 3 miles up to 10 miles and greater than 10 miles. Transport charges are based on the airline miles between the serving wire center of the NAC and (a), the serving wire center of another NAC or (b), an ONAC location, and/or between two ONAC locations. SAT is available as DS1/VT1.5 point to point, DS3/STS-1 point to point or DS3, OC-3 or OC-12 channelized SAT provided on a per DS1/VT1.5 basis.

The following is an example of the SONET Xpress rate elements:



- NAC = DS1, DS3 or OC-12 Network Access Connection
- ONAC = DS1, DS3, OC-3 or OC-12 Off-Network Access Connection
- SAT = DS1/VT1.5 or DS3/STS-1 Service Area Transport
- PMF = DS3 Payload Multiplexing Function (if applicable)
- SWC = Serving Wire Center
- WC = Wire Center

Certain material on this page previously appeared on Original 274.9.

(This page filed under Transmittal No. 1014 )

## 7. Special Access Service (Cont'd)

## 7.2 Service Descriptions (Cont'd)

## 7.2.12 SONET Xpress Service (Cont'd)

## (B) Channel Configuration (Cont'd)

(5) Shared Network Arrangement<sup>(1)</sup>

(a) A Shared Network Arrangement is a service offering that enables a customer ("Service User") to connect subtending services to the multiplexed DS3 NAC, OC-12 NAC, DS3 ONAC, OC-3 ONAC or OC-12 ONAC of another customer (the "Host Subscriber"), with the Telephone Company maintaining separate billing for each. Each customer will be billed for those rate elements associated with its own portion of the service configuration. Under no circumstances will the rates or charges of individual rate elements be split. This offering is limited to service configurations where a Service User obtains either subtending DS1 NAC or DS3 NACs from a Host's Multiplexed DS3 NAC, DS3 ONAC, OC-3 ONAC or OC-12 ONAC. (C)

(b) Under the Shared Network Arrangement, the Telephone Company may share record information with the Host subscriber pertaining to the services of other users of the shared network. Such disclosure will be under the sole discretion of the Telephone Company and is necessary to perform billing reconciliation and/or other functions required in connection with maintaining account records.

(c) Section 7.4.12 contains rate regulations specific to Shared Network Arrangements.

## (6) Technical Specifications Packages

The technical specifications for SONET Xpress are described in Technical References, AM-TR-NIS-000111 and AM-TR-TMO-000101.

## (C) Optional Payment Plan (OPP)

SONET Xpress is available for 12, 24, 36, 48 or 60 month periods as described in Section 7.4.10 following. Monthly recurring charges apply for NAC, ONAC, SAT and PMF, if applicable.

(1) Effective 05/26/06, this regulation is limited to existing customers. For new customers purchasing Shared Network Arrangement, terms and conditions set forth in Section 5.2 (A), will apply.

(N)  
(N)

(This page filed under Transmittal No. 1551 )

ACCESS SERVICE

7. Special Access (Cont'd)

7.2 Service Descriptions (Cont'd)

7.2.13<sup>(1)</sup>

(D)

<sup>(1)</sup> Material in this Section has been de-tariffed as required by the Commission upon use of the forbearance relief pursuant to FCC Memorandum Opinion and Order No. 07-180, released October 12, 2007. Terms and Conditions associated with de-tariffed services are available at [www.att.com/guidebook](http://www.att.com/guidebook).

(This page filed under Transmittal No. 1666 )

ACCESS SERVICE

7. Special Access (Cont'd)

7.2 Service Descriptions (Cont'd)

7.2.13 <sup>(1)</sup>

(D)

<sup>(1)</sup> See footnote (1) on page 274.12.

(This page filed under Transmittal No. 1666 )

ACCESS SERVICE

7. Special Access (Cont'd)

7.2 Service Description (Cont'd)

7.2.13 <sup>(1)</sup>

(D)

<sup>(1)</sup> See footnote (1) on page 274.12.

(This page filed under Transmittal No. 1666 )

ACCESS SERVICE

7. Special Access (Cont'd)

7.2 Service Description (Cont'd)

7.2.13 <sup>(1)</sup>

(D)

<sup>(1)</sup> See footnote (1) on page 274.12.

(This page filed under Transmittal No. 1666 )



ACCESS SERVICE

7. Special Access (Cont'd)

7.2 Service Description (Cont'd)

7.2.13 <sup>(1)</sup>

(D)

<sup>(1)</sup> See footnote (1) on page 274.12.

(This page filed under Transmittal No. 1666 )

ACCESS SERVICE

7. Special Access (Cont'd)

7.2 Service Descriptions (Cont'd)

7.2.13<sup>(1)</sup>

(D)

<sup>(1)</sup> See footnote (1) on page 274.12.

(This page filed under Transmittal No. 1666 )

ACCESS SERVICE

7. Special Access (Cont'd)

7.2 Service Descriptions (Cont'd)

7.2.13<sup>(1)</sup>

(D)

<sup>(1)</sup> See footnote (1) on page 274.12.

(This page filed under Transmittal No. 1666 )

ACCESS SERVICE

7. Special Access (Cont'd)

7.2 Service Descriptions (Cont'd)

7.2.13 <sup>(1)</sup>

(D)

<sup>(1)</sup> See footnote (1) on page 274.12.

(This page filed under Transmittal No. 1666 )

ACCESS SERVICE

7. Special Access (Cont'd)

7.2 Service Descriptions (Cont'd)

7.2.13<sup>(1)</sup>

(D)

<sup>(1)</sup> See footnote (1) on page 274.12.

(This page filed under Transmittal No. 1666 )

ACCESS SERVICE

7. Special Access (Cont'd)

7.2 Service Descriptions (Cont'd)

7.2.13 <sup>(1)</sup>

(D)

<sup>(1)</sup> See footnote (1) on page 274.12.

(This page filed under Transmittal No. 1666 )

ACCESS SERVICE

7. Special Access (Cont'd)

7.2 Service Descriptions (Cont'd)

7.2.13 <sup>(1)</sup>

(D)

<sup>(1)</sup> See footnote (1) on page 274.12.

(This page filed under Transmittal No. 1666 )

ACCESS SERVICE

7. Special Access Service (Cont'd)

7.2 Service Descriptions (Cont'd)

7.2.13 <sup>(1)</sup>

(D)

<sup>(1)</sup> See footnote (1) on page 274.12.

(This page filed under Transmittal No. 1666 )



ACCESS SERVICE

7. Special Access Service (Cont'd)

7.2 Service Descriptions (Cont'd)

7.2.13 <sup>(1)</sup>

(D)

<sup>(1)</sup> See footnote (1) on page 274.12.

(This page filed under Transmittal No. 1666 )

ACCESS SERVICE

7. Special Access Service (Cont'd)

7.2 Service Descriptions (Cont'd)

7.2.13 <sup>(1)</sup>

(D)

<sup>(1)</sup> See footnote (1) on page 274.12.

(This page filed under Transmittal No. 1666 )

ACCESS SERVICE

7. Special Access Service (Cont'd)

7.2 Service Descriptions (Cont'd)

7.2.13 <sup>(1)</sup>

(D)

<sup>(1)</sup> See footnote (1) on page 274.12.

(This page filed under Transmittal No. 1666 )

ACCESS SERVICE

7. Special Access Service (Cont'd)

7.2 Service Descriptions (Cont'd)

7.2.13 <sup>(1)</sup>

(D)

<sup>(1)</sup> See footnote (1) on page 274.12.

(This page filed under Transmittal No. 1666 )

ACCESS SERVICE

7. Special Access Service (Cont'd)

7.2 Service Descriptions (Cont'd)

7.2.13 <sup>(1)</sup>

(D)

<sup>(1)</sup> See footnote (1) on page 274.12.

(This page filed under Transmittal No. 1666 )

ACCESS SERVICE

7. Special Access Service (Cont'd)

Dx

Dx

x Issued under authority of Special Permission No. 91-1133

(TR593)

(This page filed under Transmittal No. 1666 )

Issued: January 16, 1992

Effective: February 10, 1992

Four AT&T Plaza, Dallas, Texas 75202

**ACCESS SERVICE**

**7. Special Access Service (Cont'd)**

Dx

Dx

(This page filed under Transmittal No. 593 )

---

Issued: January 6, 1992

Effective: February 10, 1992

Four AT&T Plaza, Dallas, Texas 75202

**ACCESS SERVICE**

**7. Special Access Service (Cont'd)**

Dx

Dx

(This page filed under Transmittal No. 593 )

---

Issued: January 6, 1992

Effective: February 10, 1992

Four AT&T Plaza, Dallas, Texas 75202



**ACCESS SERVICE**

**7. Special Access Service (Cont'd)**

Dx

Dx

(This page filed under Transmittal No. 593 )

---

Issued: January 6, 1992

Effective: February 10, 1992

Four AT&T Plaza, Dallas, Texas 75202

**ACCESS SERVICE**

**7. Special Access Service (Cont'd)**

Dx

Dx

(This page filed under Transmittal No. 593 )

---

Issued: January 6, 1992

Effective: February 10, 1992

Four AT&T Plaza, Dallas, Texas 75202

**ACCESS SERVICE**

**7. Special Access Service (Cont'd)**

Dx

Dx

(This page filed under Transmittal No. 593 )

**ACCESS SERVICE**

**7. Special Access Service (Cont'd)**

Dx

Dx

(This page filed under Transmittal No. 593 )

**ACCESS SERVICE**

**7. Special Access Service (Cont'd)**

Dx

Dx

(This page filed under Transmittal No. 593 )

**ACCESS SERVICE**

**7. Special Access Service (Cont'd)**

Dx

Dx

(This page filed under Transmittal No. 593 )

---

Issued: January 6, 1992

Effective: February 10, 1992

Four AT&T Plaza, Dallas, Texas 75202

**ACCESS SERVICE**

**7. Special Access Service (Cont'd)**

Dx

Dx

(This page filed under Transmittal No. 593 )

---

Issued: January 6, 1992

Effective: February 10, 1992

Four AT&T Plaza, Dallas, Texas 75202

**ACCESS SERVICE**

**7. Special Access Service (Cont'd)**

Dx

Dx

(This page filed under Transmittal No. 593 )

---

Issued: January 6, 1992

Effective: February 10, 1992

Four AT&T Plaza, Dallas, Texas 75202



**ACCESS SERVICE**

**7. Special Access Service (Cont'd)**

Dx

Dx

(This page filed under Transmittal No. 593 )

---

Issued: January 6, 1992

Effective: February 10, 1992

Four AT&T Plaza, Dallas, Texas 75202

**ACCESS SERVICE**

**7. Special Access Service (Cont'd)**

Dx

Dx

(This page filed under Transmittal No. 593 )

---

Issued: January 6, 1992

Effective: February 10, 1992

Four AT&T Plaza, Dallas, Texas 75202

**ACCESS SERVICE**

**7. Special Access Service (Cont'd)**

Dx

Dx

(This page filed under Transmittal No. 593 )

---

Issued: January 6, 1992

Effective: February 10, 1992

Four AT&T Plaza, Dallas, Texas 75202

**ACCESS SERVICE**

**7. Special Access Service (Cont'd)**

Dx

Dx

(This page filed under Transmittal No. 593 )

---

Issued: January 6, 1992

Effective: February 10, 1992

Four AT&T Plaza, Dallas, Texas 75202

**ACCESS SERVICE**

**7. Special Access Service (Cont'd)**

Dx

Dx

(This page filed under Transmittal No. 593 )

**ACCESS SERVICE**

**7. Special Access Service (Cont'd)**

Dx

Dx

(This page filed under Transmittal No. 593 )

---

Issued: January 6, 1992

Effective: February 10, 1992

Four AT&T Plaza, Dallas, Texas 75202

**ACCESS SERVICE**

**7. Special Access Service (Cont'd)**

Dx

Dx

(This page filed under Transmittal No. 593 )

**ACCESS SERVICE**

**7. Special Access Service (Cont'd)**

Dx

Dx

(This page filed under Transmittal No. 593 )

---

Issued: January 6, 1992

Effective: February 10, 1992

Four AT&T Plaza, Dallas, Texas 75202



**ACCESS SERVICE**

**7. Special Access Service (Cont'd)**

Dx

Dx

(This page filed under Transmittal No. 593 )

---

Issued: January 6, 1992

Effective: February 10, 1992

Four AT&T Plaza, Dallas, Texas 75202

**ACCESS SERVICE**

**7. Special Access Service (Cont'd)**

Dx

Dx

(This page filed under Transmittal No. 593 )

---

Issued: January 6, 1992

Effective: February 10, 1992

Four AT&T Plaza, Dallas, Texas 75202

**ACCESS SERVICE**

**7. Special Access Service (Cont'd)**

Dx

Dx

(This page filed under Transmittal No. 593 )

---

Issued: January 6, 1992

Effective: February 10, 1992

Four AT&T Plaza, Dallas, Texas 75202

**ACCESS SERVICE**

**7. Special Access Service (Cont'd)**

Dx

Dx

(This page filed under Transmittal No. 593 )

---

Issued: January 6, 1992

Effective: February 10, 1992

Four AT&T Plaza, Dallas, Texas 75202

**ACCESS SERVICE**

**7. Special Access Service (Cont'd)**

Dx

Dx

(This page filed under Transmittal No. 593 )

---

Issued: January 6, 1992

Effective: February 10, 1992

Four AT&T Plaza, Dallas, Texas 75202

**ACCESS SERVICE**

**7. Special Access Service (Cont'd)**

Dx

Dx

(This page filed under Transmittal No. 593 )

---

Issued: January 6, 1992

Effective: February 10, 1992

Four AT&T Plaza, Dallas, Texas 75202

**ACCESS SERVICE**

**7. Special Access Service (Cont'd)**

Dx

Dx

(This page filed under Transmittal No. 593 )

---

Issued: January 6, 1992

Effective: February 10, 1992

Four AT&T Plaza, Dallas, Texas 75202

**ACCESS SERVICE**

**7. Special Access Service (Cont'd)**

Dx

Dx

(This page filed under Transmittal No. 593 )

---

Issued: January 6, 1992

Effective: February 10, 1992

Four AT&T Plaza, Dallas, Texas 75202



**ACCESS SERVICE**

**7. Special Access Service (Cont'd)**

Dx

Dx

(This page filed under Transmittal No. 593 )

7. Special Access Service (Cont'd)

7.4 Rate Regulations

This section contains the specific regulations governing the rates and charges that apply for Special Access Service.

Effective November 1, 2017, Competitive Counties and Non-Competitive Counties have been established and are defined in Section 2.6 and the wire centers within such counties are listed in Sections 14.6.3 and 14.6.4.

For all rate elements other than End User Local Distribution Channels and their applicable optional features,<sup>(2)</sup> price flex rates and charges, as provided in Section 21.5.2, apply, regardless of whether the county is Competitive or Non-Competitive.

For End User Local Distribution Channels and their applicable optional features,<sup>(1)(2)</sup> the application of "price cap" or "price flex" is dependent upon whether or not the serving wire center is located in a Competitive County. If the End User Local Distribution Channel is in a Competitive County, price flex rates and charges apply, as provided in Section 21.5.2. If the End User Local Distribution Channel is in a Non-Competitive County, price cap rates and charges apply, as provided in Section 7.5.

(N)  
 |  
 (N)

7.4.1 Rate Zones

Rate zones are applicable to DS1 (1.544 Mbps) and DS3 (44.736 Mbps) services described in this section, and Special Facilities Routing Arrangements for these services as described in Section 11. Each Telephone Company Wire Center, under an Optional Payment Plan term, has been assigned to a rate zone. To determine the rate zone wire center assignments use the following:

- For DS1 and DS3 services subscribed to prior to November 18, 2000, the wire center rate zone assignments can be found in Section 7.7.
- For DS1 and DS3 services subscribed to on or after November 18, 2000, the wire center rate zone assignments included in NECA Tariff FCC No. 4 are assigned to rate zones 1, 2, 3, 4, and 5. All other telephone company offices are assigned to zone 5.

In addition, Local Distribution Channel, Channel Mileage and Channel Mileage Termination rates are dependent upon the zone assignment of the Service Wire Center. Channel Mileage and Channel Mileage Termination that is computed between wire centers in different rate zones will be assessed the rates in the higher priced rate zone. Multiplexing rates will be determined by the location of the multiplexing arrangement.

7.4.2 Types of Rates and Charges

There are three types of rates and charges. These are monthly rates, daily rates and nonrecurring charges. The rates and charges are described as follows:

(A) Monthly Rates

Monthly rates are flat recurring rates that apply each month or fraction thereof that a Special Access Service is provided. For billing purposes, each month is considered to have 30 days.

<sup>(1)</sup> Until February 1, 2018, End User Local Distribution Channels and their applicable optional features that had not qualified for Phase II, Level 2 pricing flexibility prior to June 1, 2017, will be rated at the price cap rate regardless of the status of the county in which the applicable wire center is located.

<sup>(2)</sup> Optional features for End User channel terminations includes all optional features in Section 7.5, except for the Transfer Arrangement and Network Reconfiguration Service.

(N)  
 |  
 (N)

(This page filed under Transmittal No. 1864 )

ACCESS SERVICE

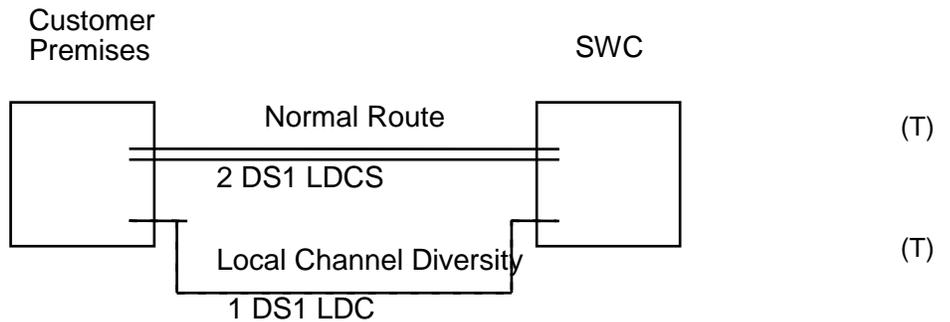
7. Special Access Service (Cont'd)

7.4 Rate Regulations (Cont'd)

7.4.2 Types of Rates and Charges (Cont'd)

(A) Monthly Rates (Cont'd)

The following example depicts the applicable recurring monthly charges for an arrangement providing one DS1 LDC provisioned over a Local Channel Diversity Arrangement and two DS1 LDCs provisioned over the normal route: (T)  
 (T)



The following recurring rates apply to the 2 LDCs provisioned over the normal route: (T)

- (1) DS1 LDC (Sec. 7.5.9) (T)
- (2) DS1 LDC (Sec. 7.5.9)

The following recurring rates apply to the LDC provisioned over a Local Channel Diversity Arrangement:

- (1) DS1 LDC (Sec. 7.5.9) (T)
- (2) Local Channel Diversity, Digital 1.544 Mbps, First Channel (Sec. 11.3.1)

Monthly rates are applied in the same manner, as depicted above, for Serving Wire Center Avoidance Arrangements.

(This page filed under Transmittal No. 1357 )

ACCESS SERVICE

- 7. Special Access Service (cont'd)
  - 7.4 Rate Regulations (cont'd)
    - 7.4.2 Types of Rates and Charges (cont'd)

(A) Monthly Rates (cont'd)

Each DS3 Service Package with an Optical Interface provides the capability to provision a maximum number of DS3 (44.736 Mbps) channels. The DS3 Service Channels (SC) are the individually activated 44.736 Mbps channels. Each DS3 Service Package with an Optical Interface must have a minimum number of service channels activated at all times. A new DS3 Service Package with an Optical Interface must be installed with at least the minimum required Service Channels. A customer may not disconnect Service Channels from an existing DS3 Service Package with an Optical Interface below the minimum required in that package without downgrading the Service Package size or terminating the DS3 LDC Service. (T)

DS3 Service Package With Optical Interface	Minimum Required SCs	Maximum Number of DS3 Equivalent SCs in Package
DS3012	7	12
DS3024	13	24

All DS3 Service Channels within the package must be ordered for termination at the same customer designated premises, billed to the same customer and in the same Serving Wire Center (SWC). Separate DS3 Service Packages with an Optical Interface must be ordered if provisioned by means of a Local Channel Diversity or a Serving Wire Center Avoidance Special Facilities Routing Arrangement as specified in 11.2.1 following. All Service Channels in a package are required to be connected to other service components (i.e., Channel Mileage, Multiplexing, or another Service Channel) at the time the Service Channel is installed, except at the fiber hub. (T)

(This page filed under Transmittal No. 1357 )

7. Special Access Service (Cont'd)

7.4 Rate Regulations (Cont'd)

7.4.2 Types of Rates and Charges (Cont'd)

(A) Monthly Rates (Cont'd)

The interconnection of individual Service Channels with other components, such as Channel Mileage and Multiplexing, may be different. For example, one Service Channel within the package may have Multiplexing, while another Service Channel may have Channel Mileage associated with it. Components connected to each Service Channel in the service package may have different Optional Payment Plan periods from the service package in which the Service Channels reside.

(B) Daily Rates

Daily rates are flat recurring rates that apply to each 24 hour period or fraction thereof that a Program Audio or Video Special Access Service is provided for part-time or occasional use. For purposes of applying daily rates, the 24 hour period is not limited to a calendar day.

The application of daily rates for Program Audio and Video services during a consecutive 30 day period is as follows. Daily rates will be topped at an amount equal to the monthly rate (i.e., the charge to the customer for usage billed at Daily rates will not exceed the monthly rate). For each day or part day of usage after the daily rates have been topped, a charge equal to 1/30th of the monthly rate will apply.

Hourly

Hourly rates are flat recurring rates that apply to each hour period or fraction thereof that a Video Special Access Service is provided

(x)  
|  
(x)

x Issued under authority of Special Permission No. 02-112 of the F.C.C. in order to restore currently effective provisions and to withdraw material filed under Transmittal No. 1313 without becoming effective.

(This page filed under Transmittal No. 1317 )

## ACCESS SERVICE

## 7. Special Access Service (Cont'd)

## 7.4 Rate Regulations (Cont'd)

## 7.4.2 Types of Rates and Charges (Cont'd)

## (C) Nonrecurring Charges\*

Nonrecurring charges are one-time charges that apply for specific work activity (i.e., installation of new services and rearrangements of installed services). The nonrecurring charges that apply for installation of Special Access Service are described in (1) through (3), following. Application of nonrecurring charges for service rearrangements is described in (6), following.

Certain optional features and functions also have separate installation nonrecurring charges as described in (4), following. There are also separate nonrecurring charges for circuit record work associated with hub rearrangements. Applications of these charges is described in (5), following.

## (1) Administrative Charge

The Administrative Charge applies any time a customer initiates an order for service. This charge applies once per customer order, as described in Section 5.1 preceding. Administrative Charges for Special Access Service are set forth in 7.5.15 following.

## (2) Design and Central Office Connection Charge

(D)

The Design and Central Office Connection Charge applies to each service installed, and is charged once per circuit. The nonrecurring charges for design and central office connection are set forth in 7.5.15 following.

(D)

## (3) Customer Connection Charge

The Customer Connection Charge applies to each service installed, and is charged once per Local Distribution Channel. The nonrecurring charges for customer connection are set forth in 7.5.15 following.

If a single order involves 500 or more terminations at the same location on the same customer requested date, the individual nonrecurring charges for the services provided will not apply, except for the Administrative Charge. The customer will be notified and will be provided

\* For Services ordered under MVP, refer to Section 19.3(E)(5).

(D)  
(D)

(This page filed under Transmittal No. 1790 )

## ACCESS SERVICE

## 7. Special Access Service (Cont'd)

## 7.4 Rate Regulations (Cont'd)

## 7.4.2 Types of Rates and Charges (Cont'd)

## (C) Nonrecurring Charges\* (Cont'd)

with an estimate of the design and installation charges involved based on the specific work to be performed. Such charges will be determined and billed to the customer as follows:

To calculate the labor charges, the Telephone Company will keep track of the labor hours used to meet the request of the customer and bill the customer at the applicable Additional Labor charges as set forth in Section 13.2.6, for engineering, and Section 13.1.1, for labor and testing. (T)

An estimate of total charges will be provided to the customer, along with a request for authorization to incur the costs. Work will not proceed until authorization is received from the customer. Total charges will not exceed the estimate by more than 10 percent, nor will they exceed the standard nonrecurring charges which would otherwise apply. (T)

## (4) Installation of Optional Features and Functions

Nonrecurring charges apply for the installation of some of the optional features and functions available with Special Access Service. The charge applies whether the feature or function is installed coincident with the initial installation of service or at any time subsequent to the installation of the service.

The optional features for which nonrecurring charges apply are:

- Direct Analog Service Data Capability
- Direct Analog Service Improved Attenuation Distortion
- Direct Analog Service Improved Envelope Delay Distortion
- Direct Analog Service Telephoto Capability
- DS1 Clear Channel Capability
- Program Audio Gain Conditioning
- Program Audio Stereo

(D)

(This page filed under Transmittal No. 1818 )

ACCESS SERVICE

7. Special Access Service (Cont'd)

7.4 Rate Regulations (Cont'd)

7.4.2 Types of Rates and Charges (Cont'd)

(C) Nonrecurring Charges\* (Cont'd)

(5) Hub Rearrangements

(a) No Change in Point of Termination

A Hub Rearrangement occurs when an existing channelized Ameritech digital service between a customer premises and a facility hub is multiplexed onto a new higher speed Ameritech digital service at the hub. When this occurs, the facility records of the existing lower speed analog or digital services associated with the existing channelized Ameritech digital service must be changed to reflect the transport of these lower speed services at the new higher speed interface. A Hub Rearrangement applies only when the following conditions are met:

- neither customer location changes;
- the existing multiplexer associated with the lower speed services is not physically moved; and
- all rearranged facilities are included in one customer request

One nonrecurring Hub Rearrangement Record Charge, as set forth in 7.5.13 following, is applicable to each existing Ameritech DS3 to Ameritech DS1 or Ameritech DS1 to Voice/Ameritech Base Rate multiplexer that requires associated lower speed service facility record changes.

No Design and Central Office Connection or Customer Connection Charges apply to the multiplexed lower speed services which terminate at the hub. Absent a specific customer request, end-to-end testing will not be performed. If the customer requests end-to-end testing, a Customer Connection Charge will apply to each low speed circuit tested.

When cascading multiplexing is performed, whether in the same or a different hub, a charge for the rearrangement of services associated with the additional multiplexer also applies. For example, when a hub rearrangement occurs for services associated with an DS3 to DS1 multiplexer and the DS1 services from this multiplexer are also multiplexed to Direct Analog services, one Hub Rearrangement Record Charge applies for the services rearranged on the DS3 to DS1 multiplexer and one for the services rearranged on each DS1 to Voice/Base Rate multiplexer.

(T)  
(T)

\* For Services ordered under MVP, refer to Section 19.3(E)(5).

(T)  
(T)

(This page filed under Transmittal No. 1357 )



7. Special Access Service (Cont'd)

7.4 Rate Regulations (Cont'd)

7.4.2 Types of Rates and Charges (Cont'd)

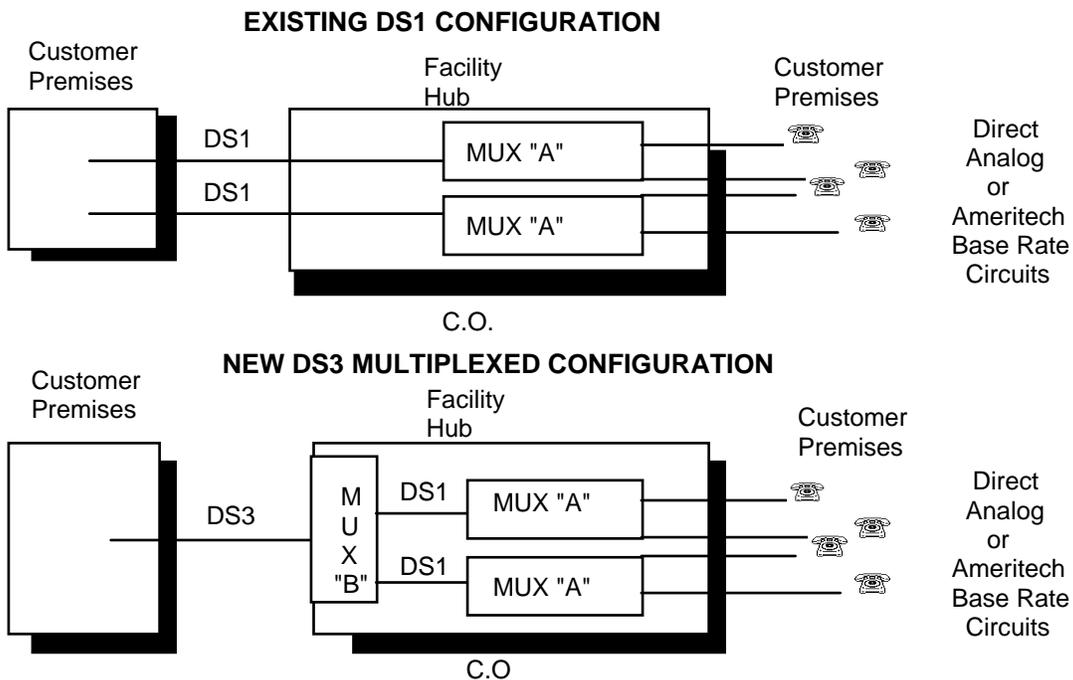
(C) Nonrecurring Charges\* (Cont'd)

(5) Hub Rearrangements (Cont'd)

(a) No Change in Point of Termination (Cont'd)

Hub Rearrangement of lower speed services on a channelized DS1 service resulting from multiplexing the DS1 service onto an DS3 service with an DS3 to DS1 multiplexer is illustrated below:

(T)  
(T)



- A - DS1 to Voice/Base Rate Multiplexer
- B - DS3 to DS1 Multiplexer

(T)  
(T)

In the preceding illustration, one Hub Rearrangement Record Charge applies for each of the two DS1 to Voice/Base Rate multiplexers which have lower speed services associated with them that are affected by the hub rearrangement. Rates and charges as specified in 7.5.9 and 7.5.13 following apply for installation of the DS3 service, the DS3 to DS1 multiplexer, and each DS1 service rearranged to terminate in DS3 to DS1 multiplexer. The Direct Analog Service or the Base Rate Customer Connection Charge applies only to those specific Direct Analog or Base Rate Services for which the customer requests end-to-end testing.

(T)  
(T)  
(T)  
(T)

(This page filed under Transmittal No. 1357 )

7. Special Access Service (Cont'd)

7.4 Rate Regulations (Cont'd)

7.4.2 Types of Rates and Charges (Cont'd)

(C) Nonrecurring Charges\* (Cont'd)

(5) Hub Rearrangements (Cont'd)

(b) High Speed Point of Termination Change

Hub Rearrangement will occur when an existing channelized Ameritech digital service is rearranged to an existing Ameritech digital service or Expanded Interconnection Service with a change in the high speed point of termination and where the location of the multiplexer and the configuration of lower speed services on the multiplexer are not affected.

Except as noted below, all facilities and equipment required for the activity must already exist:

- Rearranging an existing service from one multiplexer to another multiplexer.
- Rearranging an existing lower speed service to an existing multiplexed higher speed service.
- Rearranging from Special Access Service to/or from Expanded Interconnection Service.

No Design and Central Office Connection or Customer Connection charges will apply to the multiplexed lower speed services of the service being rolled over as long as there is no physical change to the lower speed services. However a Hub Rearrangement record change charge as set forth in 7.5.13 following, will apply for each multiplexer that requires associated lower speed service facility record changes. If the customer requests end-to-end testing, a Customer Connection Charge will apply to each low speed service tested.

When cascading multiplexing is performed, whether in the same or a different hub, a charge for the rearrangement of services associated with the additional multiplexer also applies. For example, when a hub rearrangement occurs for services associated with an DS3 to DS1 multiplexer and the DS1 services from this multiplexer are also multiplexed to Direct Analog services, one Hub Rearrangement Record Charge applies for the services rearranged on the DS3 to DS1 multiplexer and one for the services rearranged on each DS1 to Voice/Base Rate multiplexer.

(T)

(T)

(T)

(This page filed under Transmittal No. 1357 )

## ACCESS SERVICE

## 7. Special Access Service (Cont'd)

## 7.4 Rate Regulations (Cont'd)

## 7.4.2 Types of Rates and Charges (Cont'd)

## (C) Nonrecurring Charges\* (Cont'd)

## (6) Service Rearrangements (C)

Service rearrangements are changes to existing (installed) services which do not result in either a change in the minimum period requirements as set forth in 5.2.5 preceding or a change in the physical location of the point of termination at a customer or customer's end user premises. Changes which result in the establishment of new minimum period obligations are treated as disconnects and starts.

Changes in the physical location of the point of the termination are treated as moves and are described and charged for as set forth in 7.4.6 following.

The charge to the customer for the service rearrangement is dependent on whether the change is "records only" in nature or involves actual physical change to the service.

Certain "records only" changes will be made without charge(s) to the customer. Such changes require the continued provision and billing of the Access Service to the same entity (i.e., customer remains responsible for all outstanding indebtedness for the Access Service). Following are examples of "records only" changes:

(C)

(This page filed under Transmittal No. 1259 )

(T)  
(D)  
(D)

## ACCESS SERVICE

## 7. Special Access Service (Cont'd)

## 7.4 Rate Regulations (Cont'd)

## 7.4.2 Types of Rates and Charges (Cont'd)

## (C) Nonrecurring Charges\* (Cont'd)

## (6) Service Rearrangements (Cont'd)

- Change of customer name (i.e., the customer of record does not change but rather the customer of record changes its name -- e.g., AT&T Long Lines to AT&T - Communications),
- Change of customer premises or customer's end user premises address when the change of address does not require a physical relocation of equipment,
- Change in billing data (name, address, or contact name or telephone number or Optional Payment Plan information),
- Change of customer or customer's end user contact name or telephone number.

All other service rearrangements will be charged for as follows:

- If a change involves a change of the customer of record (i.e., Access Service is provided and billed to a different entity) and no physical relocation or rearrangement of the service is required, the Administrative Charge will apply. For the change of customer of record to be treated as a service rearrangement, the new customer must assume liability for both current and prior charges for the service.
- If the change involves the addition of one or more legs to an existing multipoint service, one Design and Central Office Connection Charge associated with the Special Access Service will apply, regardless of the number of legs added. One Customer Connection Charge will apply only for each leg that is being added. One Administrative Charge will also apply. (D)

\* For Services ordered under MVP, refer to Section 19.3(E)(5).

(D)  
(D)

(This page filed under Transmittal No. 1790 )

7. Special Access Service (Cont'd)

7.4 Rate Regulations (Cont'd)

7.4.2 Types of Rates and Charges (Cont'd)

(C) Nonrecurring Charges\* (Cont'd)

(6) Service Rearrangements (Cont'd)

- If a change involves the addition of Optional Features and Functions with separate nonrecurring charges for any service except DS3 Service, the Design and Central Office Connection Charge and the Customer Connection Charge associated with the Special Access Service will apply in addition to the separate nonrecurring charge. The Administrative Charge will also apply.
- If a change involves the Optional Fiber Hub Cross-connection Service for DS3, DS1 or DS0 (Base Rate and Direct Analog) service, the Administrative Charge will apply in addition to the separate nonrecurring charge. No other nonrecurring charges will apply.
- If a change involves the addition of Optional Features and Functions without separate nonrecurring charges for any service except DS3 Service, the Design and Central Office Connection Charge and the Customer Connection Charge associated with the Special Access Service will apply. The Administrative Charge will also apply. This includes, but is not limited to, the inclusion of existing DS3, DS1 and Base Rate Services in the customer's Network Reconfiguration Service (NRS)<sup>(1)</sup> database. (C)
- If a change involves the removal of Optional Features and Functions, either with or without separate nonrecurring charges, the Design and Central Office Charge and the Administrative Charge associated with the Special Access Service will apply.
- If a change involves the rearrangement of an existing point-to-point DS1 or DS3 service onto a higher speed Ameritech digital service at a facility hub, or cross-connection to an interconnection arrangement in the same central office via Electronic Cross-Connection Service described in Section 16.4, following, the Administrative Charge and the Design and Central Office Connection Charge will apply. If a customer specifically requests end-to-end testing, then a Customer Connection Charge will also apply.
- If a change involves the rearrangement of an OCN Point-to-Point Service from point-to-point (non-channelized) service to an arrangement with an add/drop multiplexer and an Add/Drop function or vice-versa, an Administrative Charge, Design and Central Office Connection Charge and Customer Connection Charge will apply.

\* For Services ordered under MVP, refer to Section 19.3(E)(5).

(1) Effective December 5, 2018, Network Reconfiguration Service (NRS) will no longer be available for purchase by new or existing customers, and NRS service agreements may no longer be renewed. Effective July 31, 2022, the Telephone Company will no longer accept new requests for physical changes to existing service arrangements including the upgrade or downgrade of access/port speed, installation of new service, or moves to different service addresses. (N)

(This page filed under Transmittal No. 1874 ) (N)

7. Special Access Service (Cont'd)

7.4 Rate Regulations (Cont'd)

7.4.2 Types of Rates and Charges (Cont'd)

(C) Nonrecurring Charges\* (Cont'd)

(6) Service Rearrangements (Cont'd)

- If a change is made in payload mapping within an OCN Point-to-Point Service package, this change will require a redesign of OCN Point-to-Point Service and an Administrative Charge and Design and Central Office Connection Charge will apply.
- If a change is made in payload mapping within an OC-3, OC-12 or OC-48 Dedicated Ring service, an Administrative Charge and Design and Central Office Connection Charge will apply.
- If the change involves a change in the type of signaling on a Direct Analog Service, the Design and Central Office Connection Charge and the Customer Connection Charge associated with Direct Analog Service will apply. The Customer Connection Charge will apply per LDC affected. The Administrative Charge will also apply.
- If the Priority Restoration (PR) Level is changed on a Telecommunications Service Priority System service, the PR Level Change Charge will apply. The Administrative Charge will also apply.
- If a change involves the option Multiplexer Cross-Connection Service for DS1 and DS3 Service, the Administrative Charge will apply in addition to the Design and Central Office Connection Charge. No other nonrecurring charges will apply.

(D)  
|  
(D)

\* For Services ordered under MVP, refer to Section 19.3(E)(5).

(D)  
(D)

(This page filed under Transmittal No. 1790 )

ACCESS SERVICE

7. Special Access Service (Cont'd)

7.4 Rate Regulations (Cont'd)

7.4.2 Types of Rates and Charges (Cont'd)

(C) Nonrecurring Charges\* (Cont'd)

(6) Service Rearrangements (Cont'd)

- For changes made to an DS3 Service Package with an Optical Interface, nonrecurring charges will apply as follows: (T)

Description	Number of Charges		
	Administrative	Design / Central Office	Customer Connections
(a) Connect 14 new DS3 SCs in two New DS3012 Service Packages (T)			
- same serving wire center	1	7	14
- different serving wire centers, (with Channel Mileage)	1	7	14

(This page filed under Transmittal No. 1357 )

**ACCESS SERVICE**

**7. Special Access Service (Cont'd)**

**7.4 Rate Regulations (Cont'd)**

**7.4.2 Types of Rates and Charges (Cont'd)**

T

**(C) Nonrecurring Charges (Cont'd)**

**(6) Service Rearrangements (Cont'd)**

(This page filed under Transmittal No. 756 )



ACCESS SERVICE

7. Special Access Service (cont'd)

7.4 Rate Regulations (cont'd)

7.4.2 Types of Rates and Charges (cont'd)

(C) Nonrecurring Charges\* (cont'd)

(6) Service Rearrangements (cont'd)

(b) DS3 Service Package with an Optical Interface Upgrade (T)

The following examples illustrate the applicable nonrecurring charges, assuming each SC in the new package is connected to another SC (typical point to point connection).

Description	Number of Charges		
	Administrative	Design / Central Office	Customer Connections
To DS3024 from DS3012			
- no premises-to-premises test	1	12	24
- with premises-to-premises test	1	12	48

(This page filed under Transmittal No. 1357 )

**ACCESS SERVICE**

**7. Special Access Service (Cont'd)**

**7.4 Rate Regulations (Cont'd)**

D

D

(This page filed under Transmittal No. 629 )

ACCESS SERVICE

7. Special Access Service (Cont'd)

7.4 Rate Regulations (Cont'd)

7.4.2 Types of Rates and Charges (Cont'd)

(C) Nonrecurring Charges\* (Cont'd)

(6) Service Rearrangements (Cont'd)

(C)

- For all other changes which require physical work to be performed, one Design and Central Office Connection Charge and one Customer Connection Charge per LDC will apply. The Administrative Charge will also apply.
- For all other changes not requiring physical work at the central office or customer premises, including a change in the customer assigned circuit identification, billing account number (when initiated by the customer), jurisdiction without a physical rearrangement of facilities, or customer assigned test line number, the Administrative Charge will apply.

Only one such charge will apply per order. If the rearrangements are initiated by the Telephone Company, or if the rearrangements are necessary to conform Telephone Company records to MECAB or MECOD requirements for jointly provided services, no charge will apply.

(C)

(This page filed under Transmittal No. 1259 )

(T)  
(D)  
(D)

ACCESS SERVICE

7. Special Access Service (Cont'd)

7.4 Rate Regulations (Cont'd)

7.4.2 Types of Rates and Charges (Cont'd)

(C) Nonrecurring Charges\* (Cont'd)

(7) DS3 Service

(T)

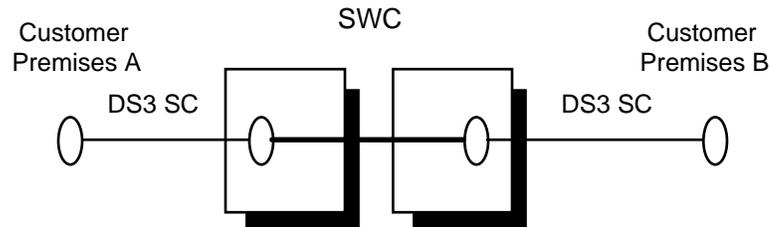
(a) DS3 Service Packages with an Optical Interface

Nonrecurring charges as specified in Section 7.5.13, following, apply for the installation of DS3 Service Channels with an Optical Interface. One Administrative Charge, per customer order, applies to all package sizes. The Design and Central Office Connection Charge is applied per circuit and does not apply to Fiber Hub Service Channels not connected to any other components. One Customer Connection Charge is applied to each Service Channel activated.

(T)

The following examples depict the applicable nonrecurring charges for the installation of two identical new DS3 Service Packages with an Optical Interface with service channels configured as premises-to-premises circuits between the same two points at the time of installation, assuming each SC in the package is connected.

(T)



Package at Customer Premises A	Package at Customer Premises B	Administrative	Design / Central Office	Customer Connections
DS3012 (12 SCs)	DS3012	1	12	24
DS3024 (24 SCs)	DS3024	1	24	48

\*For Services ordered under MVP, refer to Section 19.3(E)(5).

(This page filed under Transmittal No. 1357 )

ACCESS SERVICE

7. Special Access Service (Cont'd)

7.4 Rate Regulations (Cont'd)

7.4.2 Types of Rates and Charges (Cont'd)

(C) Nonrecurring Charges\* (Cont'd)

(7) DS3 Service (Cont'd)

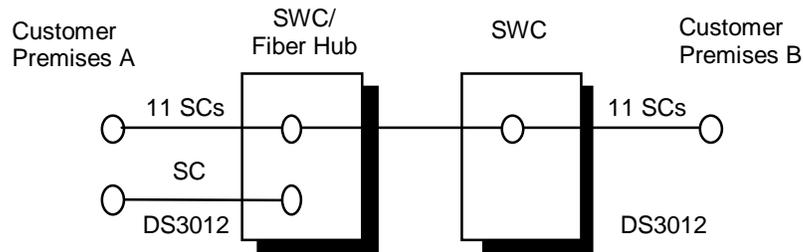
(a) DS3 Service Packages with an Optical Interface (Cont'd)

DS3 Service Package Installation

(T)

The following examples depict the applicable nonrecurring charges for the installation of new DS3 Service Packages, which terminate into a Fiber Hub office and all but one of the Service Channels are cross-connected.

(T)



(T)

Package at Customer Premises A	Package at Customer Premises B	Administrative	Design / Central Office	Customer Connections
DS3012 (12 SCs)	DS3012	2	11	23

\*For Services ordered under MVP, refer to Section 19.3(E)(5).

(This page filed under Transmittal No. 1357 )

ACCESS SERVICE

7. Special Access Service (Cont'd)

7.4 Rate Regulations (Cont'd)

7.4.2 Types of Rates and Charges (Cont'd)

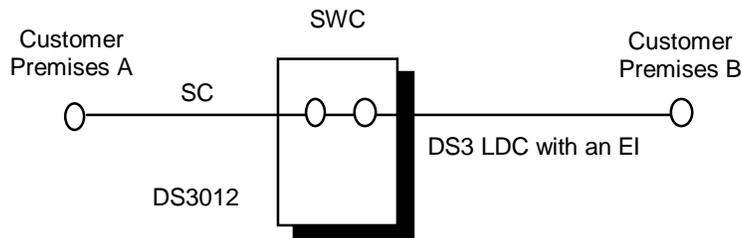
(C) Nonrecurring Charges\* (Cont'd)

(7) DS3 Service (Cont'd) (T)

(a) DS3 Service Packages with an Optical Interface (Cont'd)

DS3 Service Package Installation (Cont'd) (T)

The following illustration depicts the connection of 1 DS3 SC within a DS3012 Service Package to a DS3 LDC with an Electrical Interface (EI) and the applicable nonrecurring charges incurred. Because the DS3 Service Package serving premises A and the DS3 LDC with EI serving premises B are of different sizes, separate orders are required to install the service between the two premises. The SCs in the DS3012 package not interconnected to the DS3 LDC with an EI, if ordered, are required to be interconnected to other components (i.e., channel mileage termination or multiplexing when activated).



Applicable nonrecurring charges are:

1 Administrative Charge

1 Design and Central Office Charges (1 per circuit)

2 Customer Connection Charges

(1 for the DS3012 at Premises A and 1 for the DS3 with an EI at Premises B)

\* For Services ordered under MVP, refer to Section 19.3(E)(5).

(This page filed under Transmittal No. 1357 )

7. Special Access Service (Cont'd)

7.4 Rate Regulations (Cont'd)

7.4.2 Types of Rates and Charges (Cont'd)

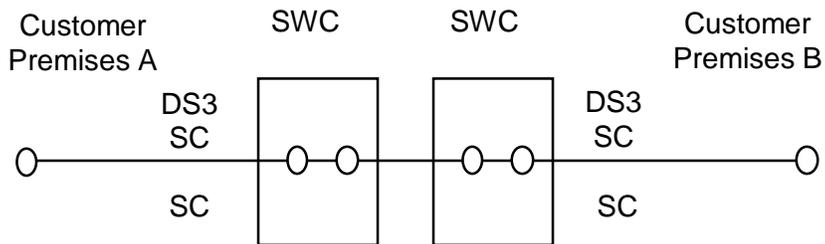
(C) Nonrecurring Charges\* (Cont'd)

(7) DS3 Service (Cont'd) (T)

(a) DS3 Service Packages with an Optical Interface (Cont'd)

DS3 Service Package Installation (Cont'd) (T)

The following illustration depicts the connection of 2 DS3 Service Channels with channel mileage and applicable nonrecurring charges associated with this point-to-point circuit.



Applicable nonrecurring charges are:

- 1 - Administrative Charges
- 1 - Design and Central Office Connection Charge
- 2 - Customer Connection Charges  
(1 per SC)

(This page filed under Transmittal No. 1357 )

ACCESS SERVICE

7. Special Access Service (Cont'd)

7.4 Rate Regulations (Cont'd)

7.4.2 Types of Rates and Charges (Cont'd)

(C) Nonrecurring Charges\* (Cont'd)

(7) DS3 Service (Cont'd)

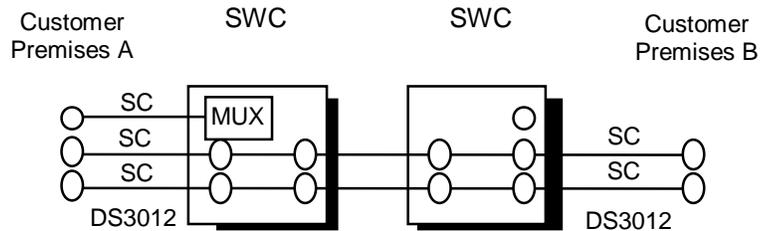
(T)

(a) DS3 Service Packages with an Optical Interface (Cont'd)

DS3 Service Package Installation (Cont'd)

(T)

The following illustration depicts the connections of 2 DS3 SCs within 2 DS3012 service packages and applicable nonrecurring charges associated with 2 point-to-point service channels and one channel connected to a multiplexer.



Applicable nonrecurring charges are:

- 2 - Administrative Charges (1 per request)
- 3 - Design and Central Office Connection Charges (1 per circuit)
- 5 - Customer Connection Charges (1 per SC)

(This page filed under Transmittal No. 1357 )



ACCESS SERVICE

7. Special Access Service (Cont'd)

7.4 Rate Regulations (Cont'd)

7.4.2 Types of Rates and Charges (Cont'd)

(C ) Nonrecurring Charges\* (Cont'd)

(7) DS3 Service (Cont'd)

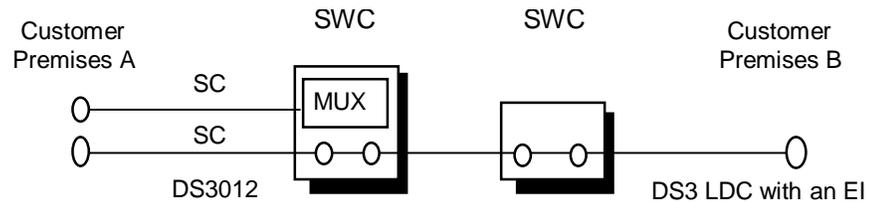
(T)

(a) DS3 Service Packages with an Optical Interface (Cont'd)

DS3 Service Package Installation (Cont'd)

(T)

The following illustration depicts the connections of a DS3 LDC with an Electrical Interface (EI) point-to-point to a Service Channel of a DS3012 Service Package. The DS3012 Service Package is configured with 1 point-to-point Service Channel and 1 multiplexed Service Channel. Applicable nonrecurring charges will apply as listed.



Applicable nonrecurring charges are:

2 - Administrative Charges (Per request, related orders)

2 - Design and Central Office Connection Charges (Per DS3 Circuit)

3 - Customer Connection Charges (1 each per SC and 1 per DS3 LDC with an EI)

(This page filed under Transmittal No. 1357 )

ACCESS SERVICE

7. Special Access Service (Cont'd)

7.4 Rate Regulations (Cont'd)

7.4.2 Types of Rates and Charges (Cont'd)

(C) Nonrecurring Charges\* (Cont'd)

(7)DS3 Service (Cont'd)

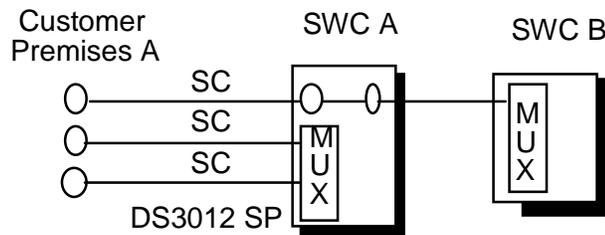
(T)

(a) DS3 Service Packages with an Optical Interface (Cont'd)

DS3 Service Package Installation (Cont'd)

(T)

The following illustration depicts the connection of 3 DS3 Service Channels within a DS3012 service package, 2 Service Channels are connected to multiplexing in SWC A, and 1 Service Channel is connected to Channel Mileage Termination and to subsequent multiplexing in SWC B, assuming that all Service Channels are ordered at the same time. Nonrecurring charges apply as listed.



Applicable nonrecurring charges are:

- 2 - Administrative Charges
- 3 - Design and Central Office Connection Charges (Per DS3 Circuit)
- 3 - Customer Connection Charges (Per SC)

(This page filed under Transmittal No. 1357 )

7. Special Access Service (cont'd)

7.4Rate Regulations (cont'd)

7.4.2 Types of Rates and Charges (cont'd)

(C) Nonrecurring Charges\* (cont'd) (T)

(7) Ameritech DS3 Service (cont'd)

(a) DS3 Service Packages with an Optical Interface (cont'd)

Nonrecurring charges are not applicable to the DS3 Service Package element.

(b) DS3 Service Package with an Optical Interface Upgrades and Downgrades

Customers have the option to upgrade their DS3 Service package sizes as their needs change. Termination Liability charges will not apply for service package upgrades.

(This page filed under Transmittal No. 1357 )

ACCESS SERVICE

7. Special Access Service (Cont'd)

7.4 Rate Regulations (Cont'd)

7.4.2 Types of Rates and Charges (Cont'd)

(C) Nonrecurring Charges\* (Cont'd)

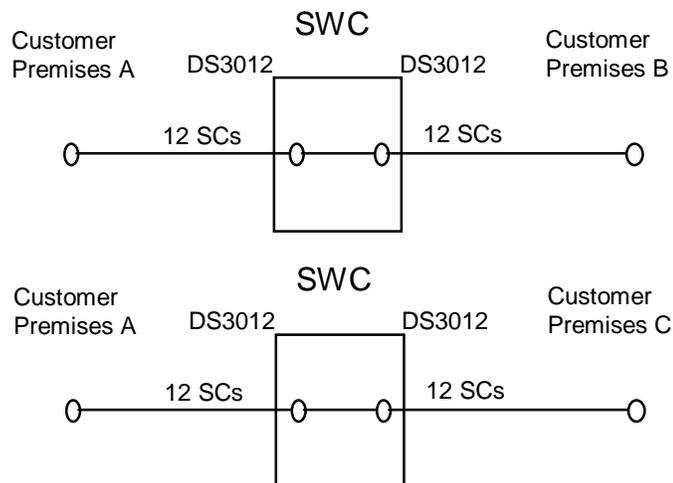
(7) DS3 Service (Cont'd)

(T)

(b) DS3 Service Package with an Optical Interface Upgrades and Downgrades (Cont'd)

The following illustration depicts two available options and applicable nonrecurring charges when a customer with existing DS3 Service Channels within a DS3012 package between Customer Premises A and B requires twelve new DS3 Service Channels within a DS3012 package between Customer Premises A and C.

In the first option, the customer retains the original DS3012 Package and adds a second DS3012 at Customer Premises A, and a new DS3012 at Customer Premises C. For clarity, assume existing DS3 packages are fully configured.



Applicable nonrecurring charges are:

- 1 - Administrative Charge
- 12 - Design and Central Office Connection Charges  
(one for each premises-to-premises DS3 Service Channel)
- 24 - Customer Connection Charges  
(one for each new DS3 Service Channel connected)

(This page filed under Transmittal No. 1357 )

ACCESS SERVICE

7. Special Access Service (cont'd)

7.4 Rate Regulations (cont'd)

7.4.2 Types of Rates and Charges (cont'd)

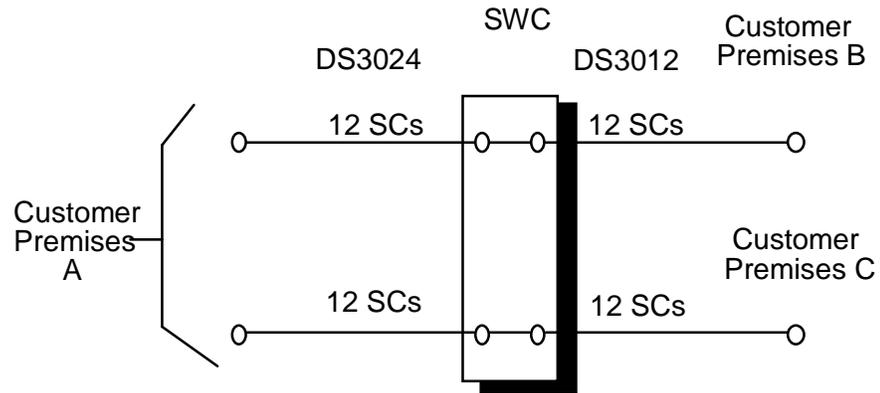
(C) Nonrecurring Charges\* (cont'd)

(7) DS3 Service (cont'd)

(T)

(b) DS3 Service Package with an Optical Interface Upgrades and Downgrades (cont'd)

In the second option, the customer disconnects the existing DS012 Package at Customer Premises A and installs a DS3024 Package at Customer Premises A connecting the Service Channels within the existing DS3012 at Customer Premises B and installs a new DS3012 at Customer Premise C.



Applicable nonrecurring charges are:

- 1 - Administrative Charge
- 12 - Design and Central Office Connection Charges  
(one for each premises-to-premises SC installed)
- 24 - Customer Connection Charges  
(one for each newly installed SC)

Premises-to-premises testing would be done on services between Customer Premises A and C, but not on the services between Customer Premises A and B. If the customer requests premises-to-remises testing between A and B, twelve additional Customer Connection Charges would apply.

(This page filed under Transmittal No. 1357 )

ACCESS SERVICE

7. Special Access Service (Cont'd)

7.4 Rate Regulations (Cont'd)

7.4.2 Types of Rates and Charges (Cont'd)

(C ) Nonrecurring Charges\* (Cont'd)

(7) DS3 Service (Cont'd)

(c) Limitations

All nonrecurring charges (Administrative, Design and C.O., and Customer Connection) for DS3 Service with an Optical Interface will be applied to the DS3 Service Channel (SC) rate element.

(T)

Customers, in service as of August 4, 1992, who have already paid a Customer Connection Charge on a Service Channel which is not in service, will not pay an additional Customer Connection Charge when the Service Channel is placed in service.

(T)

(8) OC-3, OC-12 and OC-48 Dedicated Ring

All nonrecurring charges for the initial installation of the Dedicated Ring will be included in the monthly rates, except for the actual ring design for which an Administrative Charge and Design and Central Office Connection Charge will be applied once for the entire ring (circuit).

(T)

(This page filed under Transmittal No. 1357 )

**ACCESS SERVICE****7. Special Access Service (Cont'd)****7.4 Rate Regulations (Cont'd)****7.4.3 Surcharge for Special Access Service****(A) General**

In addition to the rates and charges described in 7.4.2 preceding, there is a monthly surcharge that applies to Special Access Service. The Special Access Surcharge compensates the Telephone Company for use of the local exchange network when Special Access Service is connected to a PBX or equivalent device which is capable of interconnecting the Special Access Service with local exchange service.

The Telephone Company will automatically bill the surcharge on each Special Access Service installed irrespective of whether the interconnection capability exists in the customer's premises equipment or in a Centrex-CO type switch unless written certification is received from the customer certifying exemption status as set forth in (B) following.

Upon the effective date of the application of the Special Access Surcharge to Dedicated Access Lines, the Telephone Company will begin to bill the surcharge for Dedicated Access Lines ordered as of that date unless exemption certification has been received. Billing of the surcharge for Dedicated Access Lines in service or on order prior to the effective date for Dedicated Access lines will be deferred for a period of 90 days.

**(B) Special Access Surcharge Exemptions**

The Special Access Service will be exempted from the surcharge if the customer provides the Telephone Company written certification that the Special Access Service termination is one of the following;

- (1) an open-end termination in a Telephone Company switch of an FX line, including CCSA and CCSA-equivalent ONALS; or
- (2) an analog Local Distribution Channel that is used for radio or television program transmission; or
- (3) a termination used for TELEX service; or
- (4) a termination that by the nature of its operating characteristics could not make use of Telephone Company common lines; or

(This page filed under Transmittal No. 756 )

**ACCESS SERVICE****7. Special Access Service (Cont'd)****7.4 Rate Regulations (Cont'd)****7.4.3 Surcharge for Special Access Service (Cont'd)**

T

**(B) Special Access Surcharge Exemptions (Cont'd)**

- (5) a termination that interconnects either directly or indirectly to the local exchange network where the usage is subject to Carrier Common Line charges such as, where the Special Access Service accesses only FGA and no local exchange lines, or Special Access Service between customer points of termination or Special Access Service connecting CCSA or CCSA-type equipment (inter-machine trunks); or
- (6) a termination that the customer certifies to the Telephone Company is not connected to a PBX or other device capable of interconnecting the special access facility to a local exchange subscriber line.
- (7) During the period commencing June 1, 1986 and ending December 31, 1986 the Special Access Surcharge shall not apply to Dedicated Access Lines associated with resold WATS and/or WATS-type service where such lines were in service on March 13, 1986.

**(C) Exemption Certification**

- (1) Special Access Services which are terminated as set forth in (B) preceding will be exempted from the Special Access Surcharge if the customer provides the Telephone Company with a written notification certifying exemption. Such notification shall be provided by the customer (1) at the time the Special Access Service is ordered or installed; (2) at such time as the Special Access Service is reterminated to a device not capable of interconnecting to the local exchange network, or (3) at such time as the Special Access Service becomes associated with a Switched Access Service that is subject to Carrier Common Line charges.
- (2) If written certification is not received at the time the Special Access Service is obtained, the surcharge will be applied. Exempt status will become effective on the certification date indicated by the customer, subject to the regulations in (D) following.

(This page filed under Transmittal No. 756 )



7. Special Access Service (Cont'd)

7.4 Rate Regulations (Cont'd)

7.4.3 Surcharge for Special Access Service (Cont'd)

(C) Exemption Certification (Cont'd)

- (3) The exemption certification is to be provided by the customer or authorized representative and include the category of exemption, as set forth in (B) preceding, for each termination, and the date which the exemption is effective.
- (4) The customer shall also notify the Telephone Company when an exempted Special Access Service is changed or reterminated such that the exemption is no longer applicable.

(D) Crediting the Surcharge

The Telephone Company will cease billing the Special Access Surcharge when certification that the Special Access Service has become exempt from the surcharge, as set forth in (B) preceding is received. If the status of the Special Access Service was changed prior to receipt for the exemption certification, the Telephone Company will credit the customer's account, not to exceed ninety (90) days, based on the effective date of the change specified by the customer in the letter of certification.

(E) Application of Rates

- (1) The monthly Special Access Surcharge applies to Special Access Services arranged, as set forth in (A) preceding, on a per voice grade equivalent basis as shown in the following example.

Special Access Service	Voice Grade Equivalent	Surcharge	Monthly Charge
Direct Analog Service	1	x \$25.00	\$ 25.00
DS1			
- 1.544 Mbps	24	x 25.00	600.00
- 128.0 Kbps	2	x 25.00	50.00
- 256.0 Kbps	4	x 25.00	100.00
- 384.0 Kbps	6	x 25.00	150.00
- 512.0 Kbps	8	x 25.00	200.00
- 768.0 Kbps	12	x 25.00	300.00
DS3	672	x 25.00	16,800.00

(D)  
(D)

(D)

(This page filed under Transmittal No. 1818 )

## ACCESS SERVICE

**7. Special Access Service (cont'd)****7.4 Rate Regulations (cont'd)****7.4.3 Surcharge for Special Access Service (cont'd)**

## (E) Application of Rates (cont'd)

- (2) In the case of multipoint Special Access Service, one Special Access Surcharge will apply for each termination at a customer designated premises except that no surcharge applies at the customer designated premises at which the Access Service is connected to Interstate Service.
- (3) The Telephone Company will bill the surcharge to the customer who orders the Special Access Service unless the Service is exempt as set forth in Section 7.4.3(B).

(T)

**7.4.4 Message Station Equipment Recovery Charge**

The Message Station Equipment Recovery Charge is a charge to recover that portion of message station equipment that is assigned to Special Access Service.

Pursuant to CC Docket 83-1145 Memorandum Opinion and Order adopted by the Federal Communications Commission on November 8, 1984, and released on November 9, 1984, this charge is assessed only to those customers to which the Special Access Surcharge applies. The rate for the Message Station Equipment Recovery Charge is set forth in Section 7.5.13.

(T)

(This page filed under Transmittal No. 1812 )

7. Special Access Service (Cont'd)

7.4 Rate Regulations (Cont'd)

7.4.5 Minimum Periods

The minimum service period for all services is one month, except as follows:

- (A) The minimum service period for part-time and occasional Video and Program Audio services is one day (i.e., a continuous 24 hour period, not limited to a calendar day).
- (B) The minimum period for service provided on an Individual Case Basis (ICB) is as specified in the ICB filing.
- (C) The minimum service period for a DS3 LDC with an Electrical Interface and a DS3 Service Package with an Optical Interface is 12 months. After the minimum period is satisfied, the monthly extension rate will apply.
- (D) The minimum service period for Ameritech OC-3 and Ameritech OC-12 Services is 12 months. After the minimum period is satisfied, the monthly rate will apply unless an OPP is selected.
- (E) The minimum service period for Ameritech OC-3 Dedicated Ring and Ameritech OC-12 Dedicated Ring service is 36 months. After the minimum period is satisfied, the prevailing rates of the current plan will continue until the customer cancels or renews the service.

(D)  
 |  
 (D)

- (F) The minimum service period for SONET Xpress<sup>(1)</sup> is 12 months. After the minimum period is satisfied, the monthly extension rate will apply unless an OPP is selected.

(T)

(D)  
 (D)

<sup>(1)</sup> Effective February 16, 2012, SONET Xpress is available only to existing Customers, for existing service arrangements. Existing Customers may continue to receive service under existing service arrangements, or on a month-to-month basis after their existing service arrangements expire, until SONET Xpress is discontinued.

(T)

(This page filed under Transmittal No. 1825 )

**ACCESS SERVICE**

**7. Special Access Service (Cont'd)**

**7.4 Rate Regulations (Cont'd)**

**7.4.6 Moves**

A move involves a change in the physical location of one of the following:

- The Point of Termination at the customer's premises
- The customer's premises

The charges for the move are dependent on whether the move is to a new location within the same building or to a different building.

**(A) Moves Within the Same Building**

When the move is to a new location within the same building, the Administrative Charge and Customer Connection Charge for the service termination affected will apply. There will be no change in the minimum period requirements.

M

M

Certain material on this page previously appeared on 7th Revised Page 304.

(This page filed under Transmittal No. 922 )

**ACCESS SERVICE****7. Special Access Service (Cont'd)****7.4 Rate Regulations (Cont'd)****7.4.6 Moves (Cont'd)****(B) Moves To a Different Building**

Moves to a different building will be treated as a discontinuance and start of service and all associated nonrecurring charges will apply. New minimum period requirements will be established for the new services. The customer will also remain responsible for satisfying all outstanding minimum period charges for the discontinued service.

**7.4.7 Mileage Measurement**

The mileage to be used to determine the monthly rate for the Channel Mileage is calculated on the airline distance between the locations involved, i.e., the serving wire centers associated with two customer designated premises, the serving wire center associated with a customer designated premises and an international boundary point, a serving wire center associated with a customer designated premises and a Telephone Company Hub, a serving wire center associated with a customer designated premises and a WATS Serving Office. The serving wire center associated with a customer designated premises is the serving wire center from which the customer designated premises would normally obtain dial tone.

The Vertical and Horizontal (V&H) coordinates method is used to determine mileage. This method is set forth in NECA Tariff FCC. No. 4. When the calculation results in a fraction of a mile, always round up to the next whole mile before applying the rate. (T)

When Hubs are involved, mileage is computed and rates applied separately for each section of the Channel Mileage, i.e., customer designated premises serving wire center to Hub, Hub to Hub and/or Hub to customer designated premises serving wire center. However, when any service is routed through a Hub for purposes other than customer specified bridging or multiplexing (e.g., The Telephone Company chooses to so route for test access purposes), rates will be applied only to the distance calculated between the serving wire centers associated with the customer designated premises.

When the mileage measurement is to an international boundary point, one Channel Mileage Termination charge applies in addition to the per mile rate (Use USOC 1L5BX in lieu of 1I5xx).

(This page filed under Transmittal No. 1812 )

ACCESS SERVICE

7. Special Access Service (Cont'd)

7.4 Rate Regulations (Cont'd)

7.4.7 Mileage Measurement (Cont'd)

(D)

(D)

In the event that a WATS serving office lacks sufficient capacity for the additional traffic carried by the DAL, the Telephone Company may extend the DAL to another WATS serving office which has sufficient capacity for the additional traffic and channel mileage charges will not apply. If capacity becomes available later at the normal WATS serving office, the channel mileage charges will still not apply.

(This page filed under Transmittal No. 1821 )

**ACCESS SERVICE****7. Special Access Service (Cont'd)****7.4 Rate Regulations (Cont'd)****7.4.8 Facility Hubs**

A customer has the option of ordering direct analog, Ameritech DS1 or Ameritech DS3 facilities (i.e., Group, Supergroup, Mastergroup, Ameritech DS1 or Ameritech DS3) to a facility Hub for channelizing to individual services requiring lower capacity facilities (e.g., Telegraph, Voice, Program Audio, etc.). (D)

Different locations may be designated as Hubs for different facility capacities, e.g., multiplexing from digital to digital may occur at one location while multiplexing from digital to analog may occur at a different location. Hub locations (Wire Centers) may be further designated as Intermediate and Terminus Hubs as set forth in Section 2.6. (T)  
When ordering, the customer will specify the desired multiplexing Hub(s) selected from the Exchange Carrier Association Tariff F.C.C. No. 4. This tariff identifies the type(s) of multiplexing functions which are available and the serving wire centers where they are available.

Some of the types of multiplexing available include the following:

- from higher to lower bit rate
- from higher to lower bandwidth
- from digital to voice frequency channels

End to end services may be provided on channels of these facilities to a Hub. The transmission performance for the end to end service provided between customer designated premises will be that of the lower capacity or bit rate. For example, when a 1.544 Mbps facility is multiplexed to voice frequency channels, the transmission performance of the channelized services will be Direct Analog Service, not Ameritech DS1 Service.

(D)

(This page filed under Transmittal No. 1818 )

**ACCESS SERVICE****7. Special Access Service (Cont'd)****7.4 Rate Regulations (Cont'd)****7.4.8 Facility Hubs**

The Telephone Company will commence billing the monthly rate for the facility to the Hub on the date specified by the customer on the Access Order. Individual services utilizing these facilities may be installed coincident with the installation of the facility to the Hub, or may be ordered and/or installed at a later date, at the option of the customer. The customer will be billed for a Direct Analog Service, Ameritech DS1 or Ameritech DS3 Local Distribution Channel, Channel Mileage Terminations and Channel Mileage (when applicable), and the multiplexer at the time the facility is installed. Individual service rates (by service type) will apply for a Local Distribution Channel and additional Channel Mileage Terminations and Channel Mileage (as required) for each channelized service. These will be billed to the customer as each individual service is installed.

T

(This page filed under Transmittal No. 756 )



**ACCESS SERVICE****7. Special Access Service (Cont'd)****7.4 Rate Regulations (Cont'd)****7.4.8 Facility Hubs (Cont'd)**

T

Cascading multiplexing occurs when an analog, Ameritech DS1 or Ameritech DS3 channel is de-multiplexed to provide channels with a lesser capacity and one of the lesser capacity channels is further de-multiplexed. For example, a Supergroup facility is de-multiplexed to five Group facilities and then one of the Group facilities is further de-multiplexed to individual voice grade channels.

When cascading multiplexing is performed, whether in the same or a different Hub, a charge for the additional multiplexing unit also applies. When cascading multiplexing is performed at different Hubbing locations, Channel Mileage Termination and Channel Mileage charges also apply between the Hubs.

Although not requiring multiplexing, the Telephone Company will designate certain Hubs for Video and Program Audio Services. A customer can order full-time and/or part-time services(s) between customer designated premises and a Hub and will be billed accordingly at the rates set forth in 7.5.4 or 7.5.5 following for a full-time or part-time service, as appropriate. At the request of a customer, the full-time and/or part-time services provided to the Hub may be connected together in the following configurations; full-time to full-time, full-time to part-time or part-time to part-time. The customer will be charged for each such connection made at the rates for Other Labor as set forth in 13.2.6(C) following. The rates that apply for the service between each customer designated premises and the Hub are a Local Distribution Channel and Channel Mileage Terminations and Channel Mileage, if applicable. In addition, for Program Audio Services, rates for optional features and functions may be applicable.

(This page filed under Transmittal No. 756 )

## ACCESS SERVICE

## 7. Special Access Service (Cont'd)

## 7.4 Rate Regulations (Cont'd)

## 7.4.9 Shared Use

Shared use occurs when Special Access Service and Switched Access Service are provided over the same Ameritech DS1 or DS3 facilities or SONET based services through a common interface. The facility will be ordered, provided and rated as Special Access Service (e.g., Local Distribution Channel, DS3 Service Packages, DS3 Service Channels, Channel Mileage Terminations and Channel Mileage, as appropriate, and Multiplexing). The nonrecurring charge that applies when the Shared Use Facility is installed will be the nonrecurring charge associated with the installation of the appropriate Special Access DS1 or DS3 facility or SONET based service. Individual service (i.e., Switched or Special Access) nonrecurring charges will not apply to the individual channels of the Shared Use Facility. Rating as Special Access will continue until such time as the customer chooses to use a portion of the available capacity for providing Switched Access Direct Transport Service from the office where multiplexing occurs to either an end office or an access tandem. (D) (D)

(This page filed under Transmittal No. 1818 )

**ACCESS SERVICE****7. Special Access Service (Cont'd)****7.4 Rate Regulations (Cont'd)****7.4.9 Shared Use (Cont'd)**

When a customer designates a channel for Direct Transport Service on a DS1 or DS3 Shared Use Facility, as each individual Direct Transport Service (i.e., LT-1 Direct Transport) is activated the Special Access Local Distribution Channel, Channel Mileage Termination, Channel Mileage, Service Package, Service Channel and Multiplexing rates will be reduced accordingly (i.e., 1/28th for an DS3 Service). While Shared Use of SONET facilities<sup>(1)</sup> for Switched Access Direct Transport is permitted, the SONET Special Access facilities continue to be rated as Special Access. The customer must place an order for each individual Direct Transport Service or Special Access Service utilizing the Shared Use Facilities and specify the channel assignment for each such service. (D)

Switched Access Service rates and charges as set forth in 6.9 preceding will apply for each channel of the Shared Use Facility that is used to provide Switched Access Service, except for those nonrecurring charges waived under The Switched Optimization Plan as set forth in Section 6.8.2(C)(4).

Direct Transport rates and charges as set forth in 6.9.6 preceding, will apply for each Direct Transport service activated on the Shared Use Facility. Direct Transport Channel Mileage will be measured between the office where multiplexing occurs and the end office or access tandem.

Where Special Access Service is provided utilizing a channel of the Shared Use Facility to the Hub, DS1 or DS3 rates and charges will apply for the facility to the Hub as set forth preceding and individual service rates and charges will apply from the Hub to the customer designated premises. The rates and charges that will apply to the portion from the Hub to the customer designated premises will be dependent on the specific type of Special Access Service that is provided (e.g., Direct Analog, Telegraph, etc.). The applicable rates and charges will include a Local Distribution Channel and two Channel Mileage Terminations and Channel Mileage, if applicable. Rates and charges for optional features and functions associated with the service, if any, will apply as set forth in 7.5 following. (D)

(D)

<sup>(1)</sup> Material in this Section has been de-tariffed as required by the Commission upon use of the forbearance relief pursuant to FCC Memorandum Opinion and Order No. 07-180, released October 12, 2007. Terms and Conditions associated with de-tariffed services are available at [www.att.com/guidebook](http://www.att.com/guidebook).

(This page filed under Transmittal No. 1818 )

ACCESS SERVICE

7. Special Access Service (cont'd)

7.4 Rate Regulations (cont'd)

7.4.10 Optional Payment Plan (OPP) for Base Rate, DS1, DS3, <sup>(2)</sup>, TV Analog Video Services, and SONET Xpress Service<sup>(2)(3)</sup>

(A) General

The Optional Payment Plan is a provision that allows a customer to select Base Rate, DS1, DS3, TV Analog Video Service, <sup>(2)</sup>, <sup>(2)</sup> (excluded DS1 - 128.0, 256.0, 384.0, 512.0 and 768.0 Kbps transport) and SONET Xpress, over a 12, 24, 36, 48 or 60-month payment period. <sup>(4)</sup> Monthly rates for services installed under this Payment Plan will change as Telephone Company initiated rate changes become effective but during the OPP term will not exceed the monthly rate in effect at the beginning of the customer's OPP term. \* (N)

During the term of the selected OPP, Telephone Company initiated rate changes (increases or decreases) will automatically be applied to the monthly payments for the remaining months of the current OPP term. But in no case will any rate change cause the monthly rate during the OPP term to exceed that in effect at the beginning of the customer's OPP term.

TV Analog Video Service <sup>(2)</sup> rates and charges for which the OPP is available are listed in Section 7.5.5. Base Rate, DS1, and DS3 Service rates and charges for which the OPP is available are listed in Section 7.5.9 <sup>(2)</sup> and SONET Xpress Service rates and charges for which OPP is available are listed in Section 7.5.12.

Customers subscribing to the OPP will be subject to nonrecurring charges <sup>(1)</sup> as specified in Section 7.5.13 for installation and rearrangements of service covered by the plan. The nonrecurring charges will not be spread over the OPP term. If the customer subscribes to the OPP on an existing service with no other changes, no nonrecurring charges will apply.

\* For DS3 customers under an OPP as of August 4, 1992, the sum of the rates for the Service Package and Service Channels will not exceed, for the remainder of the OPP term, the rate in effect at the beginning of the customer's OPP Term.

<sup>(1)</sup> For Services ordered under MVP, refer to Section 19.3(E)(5).

<sup>(2)</sup> Material in this Section has been de-tariffed as required by the Commission upon use of the forbearance relief pursuant to FCC Memorandum Opinion and Order No. 07-180, released October 12, 2007. Terms and Conditions associated with de-tariffed services are available at [www.att.com/guidebook](http://www.att.com/guidebook).

<sup>(3)</sup> Effective February 16, 2012, SONET Xpress is available only to existing Customers, for existing service arrangements. Existing Customers may continue to receive service under existing service arrangements, or on a month-to-month basis after their existing service arrangements expire, until SONET Xpress is discontinued.

<sup>(4)</sup> Effective on September 13, 2017, 48- and 60-month Optional Payment Plans for DS1 and DS3 Services are no longer available, and Optional Payment Plans for Base Rate services are no longer available, including for any otherwise available renewals or conversions. Circuits already subject to an Optional Payment Plan, as of September 13, 2017, will continue to be provided under the then-current Optional Payment Plan term for the remainder of that term. (N)  
 |  
 (N)

(This page filed under Transmittal No. 1862 )

## ACCESS SERVICE

## 7. Special Access Service (Cont'd)

## 7.4 Rate Regulations (Cont'd)

- 7.4.10 Optional Payment Plan (OPP) for Base Rate, DS1, DS3,<sup>(1)</sup> TV Analog Video Services, and SONET Express Service<sup>(1)(2)</sup> (Cont'd) (D)

## (A) General (Cont'd)

At the expiration of the OPP term and if the customer wishes to continue Base Rate, DS1, DS3, TV Analog Video Service, ASVS, or SONET Xpress Service, the customer may select a new OPP at the prevailing OPP rate. If a customer does not wish to renew the OPP at the expiration of the term, the customer's service will automatically convert to month-to-month or DS3,<sup>(1)</sup> or SONET Xpress Monthly Extension rates. (D)

## (B) Prepayment of an OPP

A customer may, at any time during an OPP term, elect to prepay the remaining monthly charges for the rest of the term. The prepayment amount will be adjusted for the time value of money. Recurring charges will cease for the rest of the term and start up again at the end of the OPP if service has not been disconnected. If prepayment has been elected and the service is discontinued prior to the end of the OPP term, a credit for the unused portion of the OPP term, adjusted for the time value of money, will be given to the customer. Termination charges will still be applicable. Once a customer selects the prepayment option, the prepaid amount is not adjusted for company initiated rate changes that occur during the period for which the customer has prepaid.

## (C) OPP Termination Liabilities

Customers requesting termination of service prior to the expiration date of the OPP term will be liable for a termination charge, except for SONET Xpress Service. The termination charge for all OPP terms, except for Base Rate OPP terms subscribed to after October 8, 1997, DS1 and DS3 OPP terms subscribed to after February 20, 1997 and DS3 Service Packages with an Optical Interface (see Section 7.4.10 C(i)), will be calculated as follows: (D)

The dollar difference between the current OPP rate for the OPP term that could have been completed during the time the service was actually in service, or the monthly rate for services in place less than 12 months, and the customer's current OPP rate for each month the service was provided. (T)

<sup>(1)</sup> Material in this Section has been de-tariffed as required by the Commission upon use of the forbearance relief pursuant to FCC Memorandum Opinion and Order No. 07-180, released October 12, 2007. Terms and Conditions associated with de-tariffed services are available at [www.att.com/guidebook](http://www.att.com/guidebook).

<sup>(2)</sup> Effective February 16, 2012, SONET Xpress is available only to existing Customers, for existing service arrangements. Existing Customers may continue to receive service under existing service arrangements, or on a month-to-month basis after their existing service arrangements expire, until SONET Xpress is discontinued. (D)  
(T)

(This page filed under Transmittal No. 1825 )

ACCESS SERVICE

7. Special Access Service (Cont'd)

7.4 Rate Regulations (Cont'd)

7.4.10 Optional Payment Plan (OPP) for Base Rate, DS1, DS3, <sup>(1)</sup>, TV Analog Video Services, and SONET Express Services <sup>(1)(2)</sup> (Cont'd) (D)

C. OPP Termination Liabilities (Cont'd)

For example, a customer subscribed to a 60 month OPP term and disconnected service during the 37th month. This customer's termination charge would be:

$$[36 \text{ month OPP Rate} - 60 \text{ month OPP rate}] \times 37 = \text{Termination Charge.}$$

The 36 month OPP term could have been completed during the months the service was actually in service.

All recurring rate termination charges will be based on the recurring OPP rates in effect at the time of termination.

Termination Liability charges for all OPP terms including DS3 Service that have been initiated prior to August 29, 1992 may, at the customer's request, be charged as described above or pay a percentage of the monthly charges for the remainder of the term as indicated below:

OPP Terms in Months	Termination Percentage
12	85
36	75
60	60

<sup>(1)</sup> Material in this Section has been de-tariffed as required by the Commission upon use of the forbearance relief pursuant to FCC Memorandum Opinion and Order No. 07-180, released October 12, 2007. Terms and Conditions associated with de-tariffed services are available at [www.att.com/guidebook](http://www.att.com/guidebook).

<sup>(2)</sup> Effective February 16, 2012, SONET Xpress is available only to existing Customers, for existing service arrangements. Existing Customers may continue to receive service under existing service arrangements, or on a month-to-month basis after their existing service arrangements expire, until SONET Xpress is discontinued.

(D)  
(D)  
(T)

(This page filed under Transmittal No. 1825 )

## ACCESS SERVICE

## 7. Special Access Service (cont'd)

## 7.4 Rate Regulations (cont'd)

7.4.10 Optional Payment Plan (OPP) for Base Rate, DS1, DS3, <sup>(1)</sup>, TV Analog Video Services, and SONET Express Services <sup>(1)(2)</sup> (cont'd) (D)

## (C) OPP Termination Liabilities (cont'd)

(i) Except for DS1 and DS3 OPP terms subscribed to under the OPP Renewal Program as described in Section 17.2(6), the termination charges for Base Rate OPP terms subscribed to after October 8, 1997, DS1 and DS3 OPP terms subscribed to after February 20, 1997, and DS3 Service Packages, discontinued prior to the expiration of the selected OPP term will be calculated as follows: (T)

## (a) Service discontinued in 1st through 11th month:

## (1) DS3 Service Packages with an Optical Interface

$(.85 \times 12 \text{ Mo. OPP rate} \times [12 - \text{number of Months in service}]) + ([12 \text{ Mo. OPP rate} - \text{subscribed to OPP rate}] \times \text{number of Months in service})$

For example: A customer subscribed to a 36 month OPP term and disconnected service at the end of the fifth month. This customer's termination charge would be:

$(.85 \times 12 \text{ Mo. OPP rate} \times [12 - 5 \text{ Mos}]) + ([12 \text{ Mo. OPP rate} - 36 \text{ Mo OPP rate}] \times 5 \text{ Mos})$

## (2) Base Rate, DS1 and DS3 rate elements other than Service Packages

$(.40 \times 12 \text{ Mo. OPP rate} \times [12 - \text{number of Months in service}]) + ([12 \text{ Mo. OPP rate} - \text{subscribed to OPP rate}] \times \text{number of Months in service})$

For example: A customer subscribed to a 36 month OPP term and disconnected service at the end of the fifth month. This customer's termination charge would be:

$(.40 \times 12 \text{ Mo. OPP rate} \times [12 - 5 \text{ Mos}]) + ([12 \text{ Mo. OPP rate} - 36 \text{ Mo OPP rate}] \times 5 \text{ Mos})$

<sup>(1)</sup> Material in this Section has been de-tariffed as required by the Commission upon use of the forbearance relief pursuant to FCC Memorandum Opinion and Order No. 07-180, released October 12, 2007. Terms and Conditions associated with de-tariffed services are available at [www.att.com/guidebook](http://www.att.com/guidebook).

<sup>(2)</sup> Effective February 16, 2012, SONET Xpress is available only to existing Customers, for existing service arrangements. Existing Customers may continue to receive service under existing service arrangements, or on a month-to-month basis after their existing service arrangements expire, until SONET Xpress is discontinued. (D)  
(D)  
(T)

(This page filed under Transmittal No. 1825 )

## ACCESS SERVICE

## 7. Special Access Service (cont'd)

## 7.4 Rate Regulations (cont'd)

7.4.10 Optional Payment Plan (OPP) for Base Rate, DS1, DS3, <sup>(1)</sup>, TV Analog Video Services, and SONET Express Services <sup>(1)(2)</sup> (cont'd) (D)

## (C) OPP Termination Liabilities (cont'd)

## (b) Service discontinued in 12th through 60th month:

The dollar difference between the current OPP rate for the OPP term that could have been completed during the time the service was actually in service, and the customer's current OPP rate for each month the service was provided.

Termination liability for services provided under the Volume Pricing Plan (VPP) for DS3 LDCs with an Electrical Interface as described in Section 7.4.10(I), will be calculated prior to the application of any volume discounts associated with the plan. (T)

Except as provided in Section 7.4.10(D), any customer terminating a DS1 service that was installed after February 20, 1997, or a DS3 service that was installed after June 10, 1998, before the expiration of the term under which it was installed shall also be liable for a nonrecurring termination charge. The nonrecurring termination charge will be the dollar difference between the nonrecurring charge for an OPP term that could have been completed during the time the service was actually in service, or the nonrecurring charge associated with the minimum service period for services in place less than 12 months, and the nonrecurring charge the customer actually paid. (T)

## (D) Conversion of service to New OPP, Higher Speed, or SONET Xpress Service

During a customer's OPP term, conversion may be made to a new OPP term of the same or different length or to a higher speed service or to the same or higher speed SONET Xpress service. If the expiration date for the new service or OPP term is beyond the end of the original OPP term, the remaining OPP charges and any nonrecurring termination charges for the original term will not apply. If no physical changes are made to the service, the Administrative Charge, the Design and Central Office Connection Charge and the Customer Connection Charge will not apply.

<sup>(1)</sup> Material in this Section has been de-tariffed as required by the Commission upon use of the forbearance relief pursuant to FCC Memorandum Opinion and Order No. 07-180, released October 12, 2007. Terms and Conditions associated with de-tariffed services are available at [www.att.com/guidebook](http://www.att.com/guidebook).

<sup>(2)</sup> Effective February 16, 2012, SONET Xpress is available only to existing Customers, for existing service arrangements. Existing Customers may continue to receive service under existing service arrangements, or on a month-to-month basis after their existing service arrangements expire, until SONET Xpress is discontinued. (D)  
(T)

(This page filed under Transmittal No. 1825 )



## ACCESS SERVICE

## 7. Special Access Service (cont'd)

## 7.4 Rate Regulations (cont'd)

7.4.10 Optional Payment Plan (OPP) for Base Rate, DS1, DS3, <sup>(1)</sup>, TV Analog Video Services, and SONET Express Services <sup>(1)(2)</sup> (cont'd) (D)

## (E) Moves

## (i) DS1 Service and Base Rate Service

During an OPP term a customer may move one Local Distribution Channel (LDC) of an DS1 or Base Rate service to another location in the same LATA and keep the OPP in force, provided no lapse in service occurs. Nonrecurring charges for the move will be based on the customer's existing OPP term.

During an OPP term, a customer may purchase a Local Channel Diversity Arrangement or an Interwire Center Diversity Arrangement (described in Section 11.1.1) and move an in-service DS1 or Base Rate Service to one of these arrangements while keeping the OPP in force, provided the customer's premises and serving wire center remain the same and no lapse in service occurs.

<sup>(1)</sup> Material in this Section has been de-tariffed as required by the Commission upon use of the forbearance relief pursuant to FCC Memorandum Opinion and Order No. 07-180, released October 12, 2007. Terms and Conditions associated with de-tariffed services are available at [www.att.com/guidebook](http://www.att.com/guidebook).

<sup>(2)</sup> Effective February 16, 2012, SONET Xpress is available only to existing Customers, for existing service arrangements. Existing Customers may continue to receive service under existing service arrangements, or on a month-to-month basis after their existing service arrangements expire, until SONET Xpress is discontinued. (D)  
(D)  
(T)

(This page filed under Transmittal No. 1825 )

## ACCESS SERVICE

## 7. Special Access Service (cont'd)

## 7.4 Rate Regulations (cont'd)

7.4.10 Optional Payment Plan (OPP) for Base Rate, DS1, DS3, <sup>(1)</sup>, TV Analog Video Services, and SONET Express Services<sup>(1)(2)</sup> (cont'd) (D)

## (E) Moves (cont'd)

## (ii) DS3 Service

During an OPP term a customer may move one Local Distribution Channel (LDC) of an DS3 Service to another location within the same LATA without incurring termination charges, as described in G following, provided the following conditions are met:

- The DS3 Service has satisfied the twelve month minimum service period requirement at the old location,
- for DS3 Service Channels with an Optical Interface, the number of DS3 Service Channels with an Optical Interface at the new location must be the same or greater than the number of DS3 Service Channels with an Optical Interface being discontinued at the old location,
- the customer subscribes to a new OPP term at the new location that is equal to, or greater than the remaining period of the OPP term being discontinued at the old location and,
- no lapse in service occurs.

A new twelve month minimum service period requirement will apply to the DS3 Service at the new location. The monthly rates for the new service will be those rates in effect at the time the new service is installed.

<sup>(1)</sup> Material in this Section has been de-tariffed as required by the Commission upon use of the forbearance relief pursuant to FCC Memorandum Opinion and Order No. 07-180, released October 12, 2007. Terms and Conditions associated with de-tariffed services are available at [www.att.com/guidebook](http://www.att.com/guidebook).

<sup>(2)</sup> Effective February 16, 2012, SONET Xpress is available only to existing Customers, for existing service arrangements. Existing Customers may continue to receive service under existing service arrangements, or on a month-to-month basis after their existing service arrangements expire, until SONET Xpress is discontinued. (D)  
(T)

(This page filed under Transmittal No. 1825 )

## ACCESS SERVICE

## 7. Special Access Service (cont'd)

## 7.4 Rate Regulations (cont'd)

7.4.10 Optional Payment Plan (OPP) for Base Rate, DS1, DS3, <sup>(1)</sup>, TV Analog Video Services, and SONET Express Services<sup>(1)(2)</sup> (cont'd)(F) NRS<sup>(4)</sup> (C)

During a customer's OPP term, a customer may elect to include an DS3, DS1 or an Base Rate service into the customer's Network Reconfiguration Service (NRS) database. The customer may opt to convert to a new OPP term of the same or different length or to continue the current OPP term to the original expiration date. If the expiration date for the new OPP term is beyond the end of the original OPP term, termination charges for the original term will not apply. Adding an existing service to the customer's NRS database requires that all nonrecurring charges applicable to the installation of the service apply. (T)

## (G) DS3 Service Package with an Optical Interface Upgrade

During a customer's OPP term, conversion may be made from one DS3 Service Package with an Optical Interface to another larger package (e.g., DS3012 to DS3024) for a new OPP term of the same or different length. If the expiration date of the new OPP term is beyond the end of the original OPP term, termination charges will not apply to the original OPP term.

Monthly Extension rates for DS3 Service will apply only after a customer has completed an OPP term or an ICB minimum period.

(H) Moving Services from an OPP Term to a DCP Term <sup>(3)</sup>

Customers may terminate Optional Payment Plans for Base Rate and DS1 services in states where they have effective Discount Commitment Program terms for those services. Upon termination of these Optional Payment Plans, the services will begin being billed DCP (as described in Section 7.4.13) rates subject to the DCP terms and conditions. No termination liability charges will be applied to services that move from an OPP term to a DCP term.

(1) Material in this Section has been de-tariffed as required by the Commission upon use of the forbearance relief pursuant to FCC Memorandum Opinion and Order No. 07-180, released October 12, 2007. Terms and Conditions associated with de-tariffed services are available at [www.att.com/guidebook](http://www.att.com/guidebook).

(2) Effective February 16, 2012, SONET Xpress is available only to existing Customers, for existing service arrangements. Existing Customers may continue to receive service under existing service arrangements, or on a month-to-month basis after their existing service arrangements expire, until SONET Xpress is discontinued.

(3) For DCPs established on or after August 30, 2016, moves from OPP to DCP are not allowed.

(4) Effective December 5, 2018, Network Reconfiguration Service (NRS) will no longer be available for purchase by new or existing customers, and NRS service agreements may no longer be renewed. Effective July 31, 2022, the Telephone Company will no longer accept new requests for physical changes to existing service arrangements including the upgrade or downgrade of access/port speed, installation of new service, or moves to different service addresses. (N)

(This page filed under Transmittal No. 1874 )

ACCESS SERVICE

7. Special Access Service (Cont'd)

7.4 Rate Regulations (Cont'd)

7.4.10 Optional Payment Plan (OPP) for Base Rate, DS1, DS3, <sup>(1)</sup>, TV Analog Video Services, and SONET Express Services<sup>(1)(2)</sup> (Cont'd) (D)

(I) Volume Pricing Plan for DS3 Local Distribution Channels with an Electrical Interface

(1) General

The Volume Pricing Plan (VPP) will be grandfathered as of January 11, 2002. Customers with OPPs on order or in effect prior to Jan 11, 2002, will continue to receive the VPP until the expiration of their OPP term. The VPP will not be available with OPPs that are ordered on or after January 11, 2002.

The Volume Pricing Plan (VPP) for DS3 Local Distribution Channels (LDCs) with an Electrical Interface (EI) provides rate discounts to customers based on the number of DS3 LDCs with an EI provided to the customer's designated premises and the Optional Payment Plan term selected by the customer.

The following volume discounts, shown in terms of percentage discounts, will be applied to DS3 LDC rates as specified in Section 7.5.9(C)(1)(a). The volume discount will be based on the OPP term selected by the customer and the number of DS3 LDCs with an Electrical Interface provided to the same customer designated premises and will be provided as a credit on the customers monthly bill. (T)

Volume Discount Band	DS3 LDC Quantity	Volume Discount Percentage		
		Optional Payment Plan Term		
		12 and 24 Month	36 and 48 Month	60 Month
A	2	19.5%	2.4%	2.3%
B	3 to 5	23.6%	5.8%	5.5%
C	6 to 11	30.6%	8.5%	12.6%
D	12 to 23	41.8%	25.2%	25.2%
E	24 or more	52.4%	38.0%	33.8%

<sup>(1)</sup> Material in this Section has been de-tariffed as required by the Commission upon use of the forbearance relief pursuant to FCC Memorandum Opinion and Order No. 07-180, released October 12, 2007. Terms and Conditions associated with de-tariffed services are available at [www.att.com/guidebook](http://www.att.com/guidebook).

<sup>(2)</sup> Effective February 16, 2012, SONET Xpress is available only to existing Customers, for existing service arrangements. Existing Customers may continue to receive service under existing service arrangements, or on a month-to-month basis after their existing service arrangements expire, until SONET Xpress is discontinued. (D) (T)

(This page filed under Transmittal No. 1825 )

## ACCESS SERVICE

## 7. Special Access Service (Cont'd)

## 7.4 Rate Regulations (Cont'd)

7.4.10 Optional Payment Plan (OPP) for Base Rate, DS1, DS3, <sup>(1)</sup>, TV Analog Video Services, and SONET Express Services <sup>(1)(2)</sup> (Cont'd) (D)

(l) Volume Pricing Plan for DS3 Local Distribution Channels with an Electrical Interface (Cont'd)

## (1) General (Cont'd)

At the end of each monthly billing period, billing for DS3 LDCs with an EI that are provided under an OPP term will be adjusted via a billing credit. The monthly credit will be developed by determining the number of DS3 LDCs with an EI provided to the customer's designated premises, along with their associated OPP payment term, in service at the end of the monthly billing period. The preceding discount percentages will be applied to all of the customer's DS3 LDCs with a EI that are provided under the same OPP term, and billed to the same customer billing account and will be provided as a credit to the customer's monthly DS3 billing.

## (2) Regulations

All of the customers in service DS3 LDCs with an EI provided under an OPP term, (both interstate access and intrastate access), along with all of the customer's LT-3 Entrance Facilities with an EI provided under an OPP term, as described in Section 6.8.2(D)(6)(g) , will be used to determine the Volume Discount Band applicable for that monthly billing period. (D)

When a customer has DS3 LDCs with an EI provided under different OPP payment terms, each OPP payment term will be administered separately and a Volume Discount Band will be determined for each OPP term based on the customers in service quantities for that term.

When there is more than one DS3 Local Distribution Channel termination location at the customer designated premises, each location will be administered separately and a Volume Discount Band(s) will be determined based on the DS3 Local Distribution Channel OPP term(s) at that location.

When the customer has elected the Prepayment of an OPP option as described in Section 7.4.10(B), prepaid DS3 LDCs with an EI will be included in the monthly count of DS3 LDCs with an EI in order to determine the Volume Discount Band applicable for that monthly billing period, however, only non-prepaid DS3 LDCs with an EI will be discounted under the VPP. (T)

<sup>(1)</sup> Material in this Section has been de-tariffed as required by the Commission upon use of the forbearance relief pursuant to FCC Memorandum Opinion and Order No. 07-180, released October 12, 2007. Terms and Conditions associated with de-tariffed services are available at [www.att.com/guidebook](http://www.att.com/guidebook).

<sup>(2)</sup> Effective February 16, 2012, SONET Xpress is available only to existing Customers, for existing service arrangements. Existing Customers may continue to receive service under existing service arrangements, or on a month-to-month basis after their existing service arrangements expire, until SONET Xpress is discontinued. (D)  
(T)

(This page filed under Transmittal No. 1825 )

## ACCESS SERVICE

## 7. Special Access Service (Cont'd)

## 7.4 Rate Regulations (Cont'd)

7.4.10 Optional Payment Plan (OPP) for Base Rate, DS1, DS3, <sup>(1)</sup>, TV Analog Video Services, and SONET Express Services<sup>(1)(2)</sup> (Cont'd) (D)

(l) Volume Pricing Plan for DS3 Local Distribution Channels with an Electrical Interface (Cont'd)

(3) Conversion of DS3 Service Package and Service Channels in service prior to October 15, 1999

Except for DS3 Service Packages with an EI provided under OPP Vintage Rates as specified in Section 7.5.16, all DS3 Service Packages and Service Channels with an EI in service as of October 15, 1999, will be converted to individual DS3 LDCs with an EI. DS3 LDCs with an EI that are converted from a DS3 Service Package will be converted to the same OPP payment term, and retain the same expiration date as the Service Package. All terms and conditions described above related to the VPP will apply to converted DS3 LDCs. (T)

(i) Conversion Credit for Converted DS3 LDCs

When a converted DS3 LDC rate under the VPP is higher than its equivalent rate under the discontinued Service Package structure, the customer will be given a one time credit, as shown following, based on the difference between what the customer would have paid under the Service Package structure and what the customer will pay under the VPP. The credit will be equal to the difference between the monthly rate for the Service Package, with activated DS3s, and the VPP rate for the same number of DS3s, times the number of months remaining in the customer's OPP term.

For example: assume that 10 converted DS3s were part of a former DS3L Service Package with 10 DS3s activated and the Service Package was located in a rate zone 3 wire center under a 60 month OPP term with six months remaining on the OPP term. The DS3 Conversion Credit will be calculated as follows:

$\$415.42$  (DS3 conversion credit for a rate zone 3 DS3L Service Package with 10 activated DS3s provided under a 60 month OPP term) X 6 (months remaining on the OPP term) =  $\$2,492.52$  (Conversion Credit)

<sup>(1)</sup> Material in this Section has been de-tariffed as required by the Commission upon use of the forbearance relief pursuant to FCC Memorandum Opinion and Order No. 07-180, released October 12, 2007. Terms and Conditions associated with de-tariffed services are available at [www.att.com/guidebook](http://www.att.com/guidebook).

<sup>(2)</sup> Effective February 16, 2012, SONET Xpress is available only to existing Customers, for existing service arrangements. Existing Customers may continue to receive service under existing service arrangements, or on a month-to-month basis after their existing service arrangements expire, until SONET Xpress is discontinued. (D)  
(T)

(This page filed under Transmittal No. 1825 )

## ACCESS SERVICE

## 7. Special Access Service (Cont'd)

## 7.4 Rate Regulations (Cont'd)

7.4.10 Optional Payment Plan (OPP) for Base Rate, DS1, DS3, <sup>(1)</sup>, TV Analog Video Services, and SONET Express Services <sup>(1)(2)</sup> (Cont'd) (D)

## (l) Volume Pricing Plan for DS3 Local Distribution Channels with an Electrical Interface (Cont'd)

## (3) Conversion of DS3 Service Package and Service Channels in service prior to October 15, 1999 (Cont'd)

Any customer terminating a DS3 LDC that was provided a DS3 Conversion Credit before the expiration of the OPP term under which it was converted shall be liable for a Conversion Credit termination charge. The Conversion Credit termination charge for each DS3 LDC terminated shall be equal to the monthly DS3 Conversion Credit originally provided to the customer, divided by the number of activated DS3s in the original Service Package times the number of months remaining in the customer's OPP term.

For example: Assume that 1 DS3 Local Distribution Channel, which is part of a former DS3L Service Package with 10 activated DS3s located in a rate zone 3 wire center under a 60 month OPP term, is discontinued 3 months before the expiration of its OPP term. The Conversion Credit termination charge will be calculated as follows:

$\$415.42$  (monthly conversion credit for a DS3L Service Package with 10 activated DS3s in a rate zone 3 wire center under a 60 month OPP term) / 10 (number of converted DS3s) =  $\$41.54$  (Conversion Credit for 1 DS3) x 3 (number of months remaining in the customer's 60 month OPP term) =  $\$124.62$  (Conversion Credit termination charge).

The following one time DS3 Conversion Credit amounts, times the number of months remaining in the OPP term, apply to converted DS3 LDCs:

<sup>(1)</sup> Material in this Section has been de-tariffed as required by the Commission upon use of the forbearance relief pursuant to FCC Memorandum Opinion and Order No. 07-180, released October 12, 2007. Terms and Conditions associated with de-tariffed services are available at [www.att.com/guidebook](http://www.att.com/guidebook).

<sup>(2)</sup> Effective February 16, 2012, SONET Xpress is available only to existing Customers, for existing service arrangements. Existing Customers may continue to receive service under existing service arrangements, or on a month-to-month basis after their existing service arrangements expire, until SONET Xpress is discontinued. (D)  
(T)

(This page filed under Transmittal No. 1825 )

ACCESS SERVICE

7. Special Access Service (Cont'd)

7.4 Rate Regulations (Cont'd)

7.4.10 Optional Payment Plan (OPP) for Base Rate, DS1, DS3, <sup>(1)</sup>, TV Analog Video Services, and SONET Express Services <sup>(1)(2)</sup> (Cont'd) (D)

(l) Volume Pricing Plan for DS3 Local Distribution Channels with an Electrical Interface (Cont'd)

(3) Conversion of DS3 Service Package and Service Channels in service prior to October 15, 1999 (Cont'd)

(i) Conversion Credit for Converted DS3 LDCs

DS3 Service Package - 12 Month OPP	Conversion Credit		
	Zone 1	Zone 2	Zone 3
-DS3B Activated DS3s - 2	-	-	\$ 46.06
-DS3C Activated DS3s - 3	-	-	74.06
-DS3F Activated DS3s - 6	-	\$ 1.90	160.02
-DS3L Activated DS3s - 10	\$ 541.80	675.66	1,016.70
- 11	1,855.98	2,037.73	2,548.37
- 12	-	-	310.12
-DS3X Activated DS3s - 18	-	-	435.18
- 19	813.26	1,051.26	1,652.69
- 20	1,850.80	2,128.96	2,870.20
- 21	2,888.34	3,206.66	4,087.71
- 22	3,925.88	4,284.36	5,305.22
- 23	4,963.42	5,362.05	6,522.73
- 24	-	-	604.32

<sup>(1)</sup> Material in this Section has been de-tariffed as required by the Commission upon use of the forbearance relief pursuant to FCC Memorandum Opinion and Order No. 07-180, released October 12, 2007. Terms and Conditions associated with de-tariffed services are available at [www.att.com/guidebook](http://www.att.com/guidebook).

<sup>(2)</sup> Effective February 16, 2012, SONET Xpress is available only to existing Customers, for existing service arrangements. Existing Customers may continue to receive service under existing service arrangements, or on a month-to-month basis after their existing service arrangements expire, until SONET Xpress is discontinued. (D)  
(T)

(This page filed under Transmittal No. 1825 )



ACCESS SERVICE

7. Special Access Service (Cont'd)

7.4 Rate Regulations (Cont'd)

7.4.10 Optional Payment Plan (OPP) for Base Rate, DS1, DS3, <sup>(1)</sup>, TV Analog Video Services, and SONET Express Services <sup>(1)(2)</sup> (Cont'd) (D)

(l) Volume Pricing Plan for Ameritech DS3 Local Distribution Channels with an Electrical Interface (Cont'd)

(3) Conversion of DS3 Service Package and Service Channels in service prior to October 15, 1999 (Cont'd)

(i) Conversion Credit for Converted DS3 LDCs (Cont'd)

DS3 Service Package	Conversion Credit		
- 24 Month OPP	Zone 1	Zone 2	Zone 3
-DS3B			
Activated DS3s			
- 2	\$ 247.60	\$ 259.98	\$ 285.70
-DS3C			
Activated DS3s			
- 3	429.72	451.66	497.04
-DS3F			
Activated DS3s			
- 5	297.20	319.76	363.40
- 6	640.24	682.75	763.68
-DS3L			
Activated DS3s			
- 8	-	23.34	63.24
- 9	1,093.36	1,162.63	1,293.02
- 10	2,192.40	2,301.92	2,522.80
- 11	3,291.44	3,441.21	3,752.58
- 12	1,487.44	1,599.51	1,797.08
-DS3X			
Activated DS3s			
- 16	325.92	420.02	554.44
- 17	1,183.04	1,310.89	1,518.78
- 18	2,040.16	2,291.77	2,483.12
- 19	2,897.28	3,092.64	3,447.46
- 20	3,754.40	3,983.52	4,411.80
- 21	4,611.52	4,874.40	5,376.14
- 22	5,468.64	5,765.27	6,340.48
- 23	6,325.76	6,656.15	7,304.82
- 24	1,687.84	1,904.43	3,239.88

<sup>(1)</sup> Material in this Section has been de-tariffed as required by the Commission upon use of the forbearance relief pursuant to FCC Memorandum Opinion and Order No. 07-180, released October 12, 2007. Terms and Conditions associated with de-tariffed services are available at [www.att.com/guidebook](http://www.att.com/guidebook).

<sup>(2)</sup> Effective February 16, 2012, SONET Xpress is available only to existing Customers, for existing service arrangements. Existing Customers may continue to receive service under existing service arrangements, or on a month-to-month basis after their existing service arrangements expire, until SONET Xpress is discontinued. (D) (T)

(This page filed under Transmittal No. 1825 )

ACCESS SERVICE

7. Special Access Service (Cont'd)

7.4 Rate Regulations (Cont'd)

7.4.10 Optional Payment Plan (OPP) for Base Rate, DS1, DS3, <sup>(1)</sup>, TV Analog Video Services, and SONET Express Services <sup>(1)(2)</sup> (Cont'd) (D)

(I) Volume Pricing Plan for DS3 Local Distribution Channels with an Electrical Interface (Cont'd)

(3) Conversion of DS3 Service Package and Service Channels in service prior to October 15, 1999 (Cont'd)

(i) Conversion Credit for Converted DS3 LDCs (Cont'd)

DS3 Service Package - 36 Month OPP	Conversion Credit		
	Zone 1	Zone 2	Zone 3
-DS3B Activated DS3s			
- 2	-	\$ .55	\$ .30
-DS3C Activated DS3s			
- 3	-	-	.45
-DS3L Activated DS3s			
- 9	\$ 74.93	230.74	-
- 10	823.25	1,021.15	784.20
- 11	1,571.58	1,811.57	1,602.62
-DS3X Activated DS3s			
- 18	247.32	551.66	179.47
- 19	786.06	1,124.81	772.78
- 20	1,324.80	1,697.96	1,366.08
- 21	1,863.54	2,271.11	1,959.38
- 22	2,402.28	2,844.26	2,552.69
- 23	2,941.02	3,417.40	3,145.99

<sup>(1)</sup> Material in this Section has been de-tariffed as required by the Commission upon use of the forbearance relief pursuant to FCC Memorandum Opinion and Order No. 07-180, released October 12, 2007. Terms and Conditions associated with de-tariffed services are available at [www.att.com/guidebook](http://www.att.com/guidebook).

<sup>(2)</sup> Effective February 16, 2012, SONET Xpress is available only to existing Customers, for existing service arrangements. Existing Customers may continue to receive service under existing service arrangements, or on a month-to-month basis after their existing service arrangements expire, until SONET Xpress is discontinued. (D)  
(T)

(This page filed under Transmittal No. 1825 )

ACCESS SERVICE

7. Special Access Service (Cont'd)

7.4 Rate Regulations (Cont'd)

7.4.10 Optional Payment Plan (OPP) for Base Rate, DS1, DS3, <sup>(1)</sup>, TV Analog Video Services, and SONET Express Services <sup>(1)(2)</sup> (Cont'd) (D)

(I) Volume Pricing Plan for Ameritech DS3 Local Distribution Channels with an Electrical Interface (Cont'd)

(3) Conversion of DS3 Service Package and Service Channels in service prior to October 15, 1999 (Cont'd)

(i) Conversion Credit for Converted DS3 LDCs (Cont'd)

DS3 Service Package - 48 Month OPP	Conversion Credit		
	Zone 1	Zone 2	Zone 3
-DS3B Activated DS3s - 2	\$ 20.57	-	\$ 27.49
-DS3F Activated DS3s - 6	45.66	\$ 34.98	2.31
-DS3L Activated DS3s - 9	158.49	145.47	103.47
- 10	796.10	802.30	803.85
- 11	1,433.71	1,459.13	1,504.24
-DS3X Activated DS3s - 18	58.18	73.92	42.62
- 19	506.41	537.86	539.43
- 20	954.64	1,001.80	1,036.24
- 21	1,402.87	1,465.74	1,533.05
- 22	1,851.10	1,929.68	2,029.86
- 23	2,299.34	2,393.62	2,526.68

<sup>(1)</sup> Material in this Section has been de-tariffed as required by the Commission upon use of the forbearance relief pursuant to FCC Memorandum Opinion and Order No. 07-180, released October 12, 2007. Terms and Conditions associated with de-tariffed services are available at [www.att.com/guidebook](http://www.att.com/guidebook).

<sup>(2)</sup> Effective February 16, 2012, SONET Xpress is available only to existing Customers, for existing service arrangements. Existing Customers may continue to receive service under existing service arrangements, or on a month-to-month basis after their existing service arrangements expire, until SONET Xpress is discontinued. (D)  
(T)

(This page filed under Transmittal No. 1825 )

CCESS SERVICE

7. Special Access Service (Cont'd)

7.4 Rate Regulations (Cont'd)

7.4.10 Optional Payment Plan (OPP) for Base Rate, DS1, DS3, <sup>(1)</sup>, TV Analog Video Services, and SONET Express Services <sup>(1)(2)</sup> (Cont'd) (D)

(I) Volume Pricing Plan for Ameritech DS3 Local Distribution Channels with an Electrical Interface (Cont'd)

(3) Conversion of DS3 Service Package and Service Channels in service prior to October 15, 1999 (Cont'd)

(i) Conversion Credit for Converted DS3 LDCs (Cont'd)

DS3 Service Package - 60 Month OPP	Zone 1	Conversion Credit Zone 2	Zone 3
-DS3B Activated DS3s			
- 2	-	-	\$ .18
-DS3C Activated DS3s			
- 3	-	-	.30
-DS3F Activated DS3s			
- 6	-	\$ .49	-
-DS3L Activated DS3s			
- 9	-	47.24	-
- 10	\$ 399.92	558.82	415.42
- 11	880.91	1,070.40	946.96
- 12	-	4.97	-
-DS3X Activated DS3s			
- 19	-	248.12	6.60
- 20	329.68	628.28	401.68
- 21	683.66	1,008.44	796.76
- 22	1,037.65	1,388.61	1,191.85
- 23	1,391.63	1,768.77	1,586.93

<sup>(1)</sup> Material in this Section has been de-tariffed as required by the Commission upon use of the forbearance relief pursuant to FCC Memorandum Opinion and Order No. 07-180, released October 12, 2007. Terms and Conditions associated with de-tariffed services are available at [www.att.com/guidebook](http://www.att.com/guidebook).

<sup>(2)</sup> Effective February 16, 2012, SONET Xpress is available only to existing Customers, for existing service arrangements. Existing Customers may continue to receive service under existing service arrangements, or on a month-to-month basis after their existing service arrangements expire, until SONET Xpress is discontinued. (D)  
(T)

(This page filed under Transmittal No. 1825 )

## ACCESS SERVICE

## 7. Special Access Service (Cont'd)

## 7.4 Rate Regulations (Cont'd)

7.4.10 Optional Payment Plan (OPP) for Base Rate, DS1, DS3, <sup>(1)</sup>, TV Analog Video Services, and SONET Express Services<sup>(1)(2)</sup> (Cont'd) (D)

(I) Volume Pricing Plan for DS3 Local Distribution Channels with an Electrical Interface (Cont'd)

(3) Conversion of DS3 Service Package and Service Channels in service prior to October 15, 1999 (Cont'd)

(ii) Termination Liability for Converted DS3 LDCs

Customers requesting termination of converted DS3 LDCs with an EI prior to the expiration date of the original OPP term may be liable for a termination charge. The termination charge for all OPP terms will be calculated as follows:

If the terminated DS3 LDC was a former DS3 Service Package with a capacity of one, the termination liability will be calculated as described in Section 7.4.10(C). (T)

If the terminated DS3 LDC was part of a former DS3 Service Package with a capacity of more than one, and the terminated DS3 LDC will not bring the total number of DS3 LDCs remaining under the minimum required for the Service Package, as shown following, no termination liability will apply. If the terminated DS3 LDC will bring the total number of DS3 LDCs remaining under the minimum required for the Service Package, termination liability will be calculated as described in Section 7.4.10(C). (T)  
(D)

<sup>(1)</sup> Material in this Section has been de-tariffed as required by the Commission upon use of the forbearance relief pursuant to FCC Memorandum Opinion and Order No. 07-180, released October 12, 2007. Terms and Conditions associated with de-tariffed services are available at [www.att.com/guidebook](http://www.att.com/guidebook).

<sup>(2)</sup> Effective February 16, 2012, SONET Xpress is available only to existing Customers, for existing service arrangements. Existing Customers may continue to receive service under existing service arrangements, or on a month-to-month basis after their existing service arrangements expire, until SONET Xpress is discontinued. (D)  
(T)

(This page filed under Transmittal No. 1825 )

ACCESS SERVICE

7. Special Access Service (Cont'd)

7.4 Rate Regulations (Cont'd)

7.4.10 Optional Payment Plan (OPP) for Base Rate, DS1, DS3, <sup>(1)</sup>, TV Analog Video Services, and SONET Express Services<sup>(1)(2)</sup> (Cont'd)

(I) Volume Pricing Plan for DS3 Local Distribution Channels with an Electrical Interface (Cont'd)

(3) Conversion of DS3 Service Package and Service Channels in service prior to October 15, 1999 (Cont'd)

(ii) Termination Liability for Converted DS3 LDCs (Cont'd)

For example, if 4 DS3s were part of a former DS3F Service Package and 1 of the DS3s is terminated prior to the expiration date of the original Service Package OPP term, no termination liability will apply. However, if an additional DS3 is terminated prior to the expiration date of the original Service Package OPP term, and the customer's total number of DS3s billed under the same OPP term falls below the minimum requirement for the former Service Package (i.e., less than 3 DS3s for a DS3F Service Package) termination liability for the terminated DS3 will be calculated as described in Section 7.4.10(C).

DS3 Service Package With Electrical Interface	Minimum Required DS3 LDCs	Maximum Available DS3 LDCs
DS3B	1	2
DS3C	1	3
DS3F	3	6
DS3L	7	12
DS3X	13	24

(J) Moving Services from an OPP Term to a New DCP Term <sup>(3)</sup> (N)

Customers who do not have an effective DCP term in place may terminate Optional Payment Plans for Base Rate and DS1 services in states where they establish a new DCP term of equal or greater length for those services. No termination liability charges will be applied to services that move from an OPP term to such a new DCP term. Upon termination of these Optional Payment Plans, the services will begin being billed DCP (as described in Section 7.4.13) rates subject to the DCP terms and conditions except for Section 7.4.13(G). Services converted from an OPP term to a new DCP term may not convert back to an OPP term.

<sup>(1)</sup> Material in this Section has been de-tariffed as required by the Commission upon use of the forbearance relief pursuant to FCC Memorandum Opinion and Order No. 07-180, released October 12, 2007. Terms and Conditions associated with de-tariffed services are available at [www.att.com/guidebook](http://www.att.com/guidebook).

<sup>(2)</sup> Effective February 16, 2012, SONET Xpress is available only to existing Customers, for existing service arrangements. Existing Customers may continue to receive service under existing service arrangements, or on a month-to-month basis after their existing service arrangements expire, until SONET Xpress is discontinued.

<sup>(3)</sup> For DCPs established on or after August 30, 2016, moves from OPP to DCP are not allowed. (N)

(This page filed under Transmittal No. 1849 )

## 7. Special Access Service (Cont'd)

## 7.4 Rate Regulations (Cont'd)

## 7.4.11 Fiber Hubs for DS1 or DS3 Services

A customer has the option of ordering DS3, DS1 (excluding DS1 - 128.0, 256.0, 384.0, 512.0 and 768.0 Kbps transport) Base Rate or Direct Analog services to terminate in a Fiber Hub for cross-connection to another service of the same speed. Fiber Hub locations are specified in NECA Tariff FCC No. 4. (T)

When a customer orders a service terminating in a Fiber Hub, the service is installed, and service parameters are measured from the customer designated premises to the Fiber Hub. When this service is subsequently cross-connected to another service, the two cross-connected services are treated separately for service performance measurement and service interruption credit purposes. For example, if Customer A cross-connects to Customer B's service at a Fiber Hub, and Customer B's service is subsequently interrupted, the Telephone Company will credit only Customer B for the service interruption.

DS1 channels from two multiplexed DS3 services may be cross-connected at the Fiber Hub. The customer must provide the DS3 system and channel assignment information for the DS1 channels.

(This page filed under Transmittal No. 1812 )

**7. Special Access Service (Cont'd)****7.4 Rate Regulations (Cont'd)****7.4.12 Shared Network Arrangement<sup>(1)</sup>**

Each customer entering into a Shared Network Arrangement is solely responsible to the Telephone Company for charges associated with **that customer's portion** of the shared network. Disconnection of service by the Host Subscriber does not relieve another user of the network of any obligation to pay access charges associated with the portion of the shared network to which that user subscribes. Billing for services and facilities will continue until a disconnect request from the Service User has been received by the Telephone Company. The Host Subscriber is solely responsible for notifying the connecting Service User in the event of disconnection of the Host service which affects that portion of the shared network service to which the Service User has subscribed.

(C)

For administrative purposes, one "Arrangement" under the Shared Network Arrangement offering shall be limited to the agreement between one Host Subscriber and one Service User permitting the Service User to connect a specified number of subtending circuits to one specified multiplexer on the Host's service. Agreements between one Host Subscriber and two (or three, etc.) Service Users shall be deemed to comprise two (or three, etc., respectively) separate "Arrangements". However, an agreement to expand the scope of an existing Arrangement by subsequently increasing the number of subtending circuits on the same multiplexer shall not constitute a new or separate "Arrangement".

Shared use as described in Section 7.4.9 will apply to both the Host Subscriber's and Service User's portion of the service for which they are billed. Any reconciliation of Shared Use as described in Section 7.4.9 must be negotiated between the Host Subscribers and Service Users.

A Shared Network Arrangement shall be established between a Host Subscriber and a Service User upon the completion of the service order for the first circuit(s) in the arrangement. No Shared Network Arrangement shall be deemed to be in effect until at least one subtending circuit has been installed for the Service User. A Shared Network Arrangement shall be deemed canceled when the last subtending circuit has been disconnected.

A Processing Charge will apply for handling each service order in a Shared Network Arrangement when a Service User orders that a subtending circuit(s) be connected to a Host Subscriber's multiplexed service. The Processing Charge is contained in Section 7.5.9(D) and applies in addition to all other applicable rates and charges.

(1) Effective 05/26/06, this regulation is limited to existing customers. For new customers purchasing Shared Network Arrangement, terms and conditions set forth in Section 5.2 (A), will apply.

(N)  
(N)

(This page filed under Transmittal No. 1551 )



7. Special Access Service (Cont'd)

7.4 Rate Regulations (Cont'd)

7.4.13 Discount Commitment Program (DCP) \*

(A) General Description

The Discount Commitment Program (DCP) provides the customer with rate stabilization and discounted rates for Direct Analog, Base Rate and DS1 services (described in Sections 7.2.3 and 7.2.9, preceding), <sup>(1)</sup> except the DCP is not available for DS1 Local Distribution Channels (LDC) associated with 128, 256, 384, 512, and 768 Kbps Channel Mileage Termination and Channel Mileage, installed after October 2, 2000. The customer agrees to a minimum service commitment per service per state when establishing a DCP. Customers may disconnect or move Local Distribution Channels within the state and not be subject to Termination Liability charges as long as commitment levels are maintained. (N)

DCPs may be established by service by state and be of either 3 or 5 years duration. <sup>(1)</sup> A customer may have only one DCP per service per state in effect at one time. For example, a customer that has a 3 year DCP for Direct Analog service in Illinois may not establish a second Direct Analog DCP in Illinois until the current DCP expires. (N)

Monthly rates for services installed under a DCP will change as Telephone Company initiated rate changes become effective but during the DCP term will not exceed the monthly rate in effect at the beginning of the customer's DCP term. During the term of the selected DCP, Telephone Company initiated rate changes (increases or decreases) will automatically be applied to the monthly rates for the remaining months of the current DCP term. But in no case will any rate change cause the monthly rate during the DCP term to exceed that in effect at the beginning of the customer's DCP term.

(B) For DCPs established prior to August 30, 2016, the terms and conditions associated with the DCP are as follows in this Section 7.4.13(B):

(1) Commitment Level

A customer establishes a DCP term by committing 90 percent or more of their in service Local Distribution Channels to a term of either 3 or 5 years duration. Although the commitment is based upon Local Distribution Channels, the following rate elements will all receive DCP rates:

- Channel Mileage
- Channel Mileage Termination
- DS1 to Voice/Base Rate Multiplexer
- Local Distribution Channel

\* DCP is not available for DS1 Local Distribution Channels (LDC) associated with 128, 256 384, 512, and 768 Kbps Channel Mileage Termination and Channel Mileage, installed after October 2, 2000.

<sup>(1)</sup> Effective on September 13, 2017, 5-year DCP Payment Plans for DS1 Service are no longer available, and DCP Payment Plans for Direct Analog and Base Rate Services are no longer available. Circuits already subject to a DCP Payment Plan, as of September 13, 2017, will continue to be provided under the then-current DCP term for the remainder of that term. (N)  
(N)  
(N)

(This page filed under Transmittal No. 1862 )

7. Special Access Service (Cont'd)

7.4 Rate Regulations (Cont'd)

7.4.13 Discount Commitment Program (DCP) (Cont'd) \*

(B) (Cont'd) (N)

(1) Commitment Level (Cont'd) (T)

Only rate elements not purchased under an Optional Payment Plan (described in Section 7.4.9) will be eligible for inclusion in the commitment level and for DCP rates. After establishing the DCP commitment level, customers may continue to order new services under Monthly or OPP arrangements, without portability, or under the DCP with portability, but only LDCs purchased under the DCP will count toward meeting the DCP commitment level. (N)

As long as a customer's actual in service level of Local Distribution Channels is at the commitment level, customers will be billed DCP rate for all eligible rate elements. Additionally, if a customer's in service level exceeds the initial in service level by no more than 30 percent for a three year DCP or 50 percent for a 5 year DCP, customers will be billed the DCP rates for all eligible rate elements. For example, a customer with 100 Base Rate LDCs commits 90 LDCs (or 90 percent) to a 3 year DCP term. The customer will be billed DCP rates as long as the actual in service level of Base Rate LDCs is greater than or equal to 90 or less than 130. (N)

If a customer's in service level exceeds the initial in service level by more than 30 percent for a three year term or 50 percent for a 5 year term, the customer will be billed the monthly rate for all LDCs above the commitment level. For example, a customer with 100 Base Rate LDCs that commits 90 (or 90 percent) LDCs to a 3 year DCP actually has 140 LDCs in service. This customer will be billed DCP rates for 90 LDCs but monthly rates for the 50 LDCs above the commitment level.

If a customer's actual in service level falls below the commitment level, the customer will be billed for the commitment level of LDCs at DCP rates. For example, a customer that commits 90 LDCs but only has 70 LDCs in service will be billed the DCP rates for 90 LDCs.

In all cases, applicable associated rate elements (excluding the LDCs) for the service covered by a DCP term, will receive DCP rates even when the actual in service level of Local Distribution Channels is outside the DCP parameters, as described above.

\* DCP is not available for DS1 Local Distribution Channels (LDC) associated with 128, 256, 384, 512, and 768 Kbps Channel Mileage Termination and Channel Mileage, installed after October 2, 2000.

(This page filed under Transmittal No. 1849 )

## 7. Special Access Service (Cont'd)

## 7.4 Rate Regulations (Cont'd)

## 7.4.13 Discount Commitment Program (DCP) (Cont'd) \*

(B) (Cont'd) (N)

(2) 90 Day Review Period (T)

No adjustments, for being above or below commitment level (as described in (B) above), in monthly billing for a DCP will take place until 90 days after Telephone Company notification to the customer that the commitment level has been exceeded or not been met. This will insure that customers will not be penalized for aberrations in Local Distribution Channel counts caused by timing differentials in disconnection and installation.

Customers' bills will not be adjusted for being outside the parameters described in 7.4.13(B), preceding during the 90 day review period. Additionally, customers will continue to be billed the adjustments (following the 90 day review period) for being outside the described parameters until the commitment level is met or increased. A new 90 day review period will be initiated if the customer's actual in service level subsequently falls outside the described parameters.

(3) Increasing the DCP Commitment Level (T)

Customers may increase their commitment level at any time by notifying the Telephone Company in writing. An increase in the commitment level will not change the expiration date of the DCP.

When a commitment level is increased, the actual in service LDC level at the time of the increase will be used to calculate billing adjustments as described in Section 7.4.13(B), preceding.

(4) Decreasing the DCP Commitment Level and Termination Liabilities (T)

Customers may only decrease their commitment level by paying termination liability charges on the number of Local Distribution Channels by which the commitment level is decreased. Termination Liabilities will apply to Direct Analog, OPTINET Base Rate and DS1 services covered by a DCP. For example, a customer has a commitment level of 90 LDCs. The customer then decreases this commitment level to 70 LDCs. The customer must pay termination liabilities on 20 LDCs.

\* DCP is not available for DS1 Local Distribution Channels (LDC) associated with 128, 256, 384, 512, and 768 Kbps Channel Mileage Termination and Channel Mileage, installed after October 2, 2000.

(This page filed under Transmittal No. 1849 )

7. Special Access Service (Cont'd)

7.4 Rate Regulations (Cont'd)

7.4.13 Discount Commitment Program (DCP) (Cont'd) \*

(B) (Cont'd)

(N)

(4) Decreasing the DCP Commitment Level and Termination Liabilities (Cont'd)

(T)

The Termination Liability for DCP is calculated to be the dollar difference between the current DCP rate for the DCP term that could have been completed during the time the service was actually in service, or the monthly rate for services in place less than 36 months, and the customer's current DCP rate for each month the service was provided.

For example, a customer subscribing to a 60 month DCP term reduced their LDC commitment by 20 LDCs during the 37th month. This customer's termination charge would be:

$$20 \text{ LDCs} \times (36 \text{ month DCP rate} - 60 \text{ month DCP rate}) \times 37 \text{ months} = \text{Termination Charge}$$

Termination Liability charges will not apply to individual Local Distribution Channels disconnected or moved within a state as long as the commitment level is maintained. Normal nonrecurring charges will apply.

A decrease in the commitment level will not change the expiration date of the DCP.

(C) For DCPs established on or after August 30, 2016, the terms and conditions associated with the DCP are as follows in this Section 7.4.13(C):

(N)

(1) Customer commits to a 3- or 5-Year Commitment Level (CL) that is reviewed on a monthly basis by the Telephone Company. To begin the process of establishing a DCP, Customer must request from the Telephone Company a list of DS1 circuits with LDCs for all of the ACNAs of Customer and any entities that are then affiliated companies of Customer. Customer must designate from the provided list which DS1 circuits with LDCs are to be included in, and which are to be excluded from, its DCP and return the list with those designations to the Telephone Company. Failure to provide a designation for a listed circuit will be deemed to be a designation that such circuit is to be excluded from its Portability Commitment.

Only those DS1 circuits with LDCs that are designated as being included ("Designated Circuits") will be subject to the DCP.

The Customer's initial CL is the total number of LDCs associated with Designated Circuits. Although the CL is based upon LDCs, the following rate elements will all receive DCP rates: Channel Mileage, Channel Mileage Termination, DS1 to Voice/Base Rate Multiplexer, and LDCs.

The effective date of the DCP will be the first day of the month immediately following the month in which the DCP commitment is signed.

(2) Customer must commit a minimum of 100 circuits with LDCs to establish a DCP.

(3) Customer, including all of its ACNAs and Affiliates, may be subject to only one DCP by service and by state at any time. An "Affiliate," as that term is used in connection with the DCP, is a person that (directly or indirectly) owns or controls, is owned or controlled by, or is under common ownership or control with, another person. For purposes of the prior sentence, "own" means to own an equity interest (or the equivalent thereof) of more than 10 percent.

(4) Designated Circuits that are disconnected during the term of the DCP will not incur Termination Liability charges.

(N)

\* DCP is not available for DS1 Local Distribution Channels (LDC) associated with 128, 256, 384, 512, and 768 Kbps Channel Mileage Termination and Channel Mileage, installed after October 2, 2000.

Certain material previously appearing on this page now appears on 3rd Revised Page 309.7.2.

(This page filed under Transmittal No. 1849 )

## 7. Special Access Service (Cont'd)

## 7.4 Rate Regulations (Cont'd)

## 7.4.13 Discount Commitment Program (DCP) (Cont'd) \*

## (C) (Cont'd)

- (5) Customer may add additional circuits with LDCs to the DCP during the term of the DCP only when initially ordering such circuits. A circuit that is so added will be considered a Designated Circuit.
- (6) During the monthly review of Customer's Designated Circuits and its CL, the Telephone Company will determine whether Customer met, did not meet, or exceeded its CL as of the last day of the month being reviewed.

If Customer did not meet its CL, Customer will be billed for the CL of LDCs at DCP rates.

If Customer exceeds its CL by 115 percent or greater for three consecutive months, Customer's CL will be increased to ninety percent (90%) of the average number of LDCs associated with Designated Circuits for those three months.

Example: Customer's CL is 100 LDCs. For three consecutive months during the DCP term, the Customer's LDC volumes are 118, 120 and 122, for an average of 120. The Customer's new CL will be:

$$((118+120+122)/(3)) \times (90\%) = 108$$

- (7) If Customer elects to terminate the DCP or elects to decrease the CL prior to expiration of the 3- or 5-Year commitment, Customer will be billed a Termination Liability charge. The Termination Liability charge is calculated to be the dollar difference between the current DCP LDC rate for the DCP term that could have been completed during the time the LDC was actually in service, or the LDC monthly rate for LDCs in place less than 36 months, and the customer's then-current DCP LDC rate for each month the service was provided.

Example: Customer subscribes to a 60-month DCP term and reduces its LDC commitment by 20 LDCs during the 37th month. Customer's Termination Liability charge will be:

$$(20 \text{ LDCs}) \times (36 \text{ month DCP rate} - 60 \text{ month DCP rate}) \times (37 \text{ months}) \\ = \text{Termination Liability charge}$$

(N)

(N)

\* DCP is not available for DS1 Local Distribution Channels (LDC) associated with 128, 256, 384, 512, and 768 Kbps Channel Mileage Termination and Channel Mileage, installed after October 2, 2000.

Certain material previously appearing on this page now appears on 3rd Revised Page 309.7.2.

(This page filed under Transmittal No. 1849 )

- 7. Special Access Service (Cont'd) (N)
- 7.4 Rate Regulations (Cont'd) (N)
- 7.4.13 Discount Commitment Program (DCP) (Cont'd) \* (M)
- (D) Upgrading a DCP Service (T)
- When a customer upgrades a Direct Analog or Base Rate service being billed DCP rates to an DS1 service, the Direct Analog or Base Rate DCP commitment level will be reduced at the customer's request (up to a maximum of 24) and no termination liabilities will apply. If the customer has a DCP for DS1, the DS1 DCP commitment level will be increased if the customer requests that it be increased. When a customer upgrades a DS1 service being billed DCP rates to a higher speed service with the same termination points, the customer's DS1 DCP commitment level will be reduced at the customer's request and no termination liabilities will apply. (M)
- (E) Conversion to an Optional Payment Plan (OPP) <sup>(1)</sup> (N)
- Customers may convert services from a DCP term to an OPP as described in 7.4.10, preceding. No termination liabilities will apply to services converted to an OPP term of the same or longer length than the DCP term. Additionally, the customer's DCP commitment level will be reduced by the number of LDCs, associated with the service, converted to an OPP term. (M)

\* DCP is not available for DS1 Local Distribution Channels (LDC) associated with 128, 256, 384, 512, and 768 Kbps Channel Mileage Termination and Channel Mileage, installed after October 2, 2000. (M)

<sup>(1)</sup> For DCPs established on or after August 30, 2016, moves from DCP to OPP are not allowed. (N)

Certain material appearing on this page previously appeared on 12th Revised Page 309.7 and 11th Revised Page 309.7.1.

(This page filed under Transmittal No. 1849 )

**ACCESS SERVICE****7. Special Access Service (Cont'd)****7.4 Rate Regulations (Cont'd)****7.4.14 Network Reconfiguration Service (NRS)<sup>(1)</sup>**

(C)

This section contains specific regulations governing the rates and charges that apply for Network Reconfiguration Service.

**(A) Types of Rates and Charges****(1) Monthly Rates****(a) NRS Service Charge (Ability to Reconfigure Networks)**

The NRS Service Charge is a monthly recurring rate that is applied per customer network database that gives the customer the ability to reconfigure their network. The NRS Service Charge applies in each state of Ameritech's operating territory in which the customer intends to reconfigure circuits.

**(b) NRS Access Arrangement**

The NRS Access Arrangement charge applies for each Dedicated Access Network Link or dial-in access number that the customer uses to access NRS. The Access Arrangement provides the interface between the customer and the NRS System Locations. Dedicated Network Access Links (DNALs) or dial-in access should be purchased from the applicable intrastate or interstate tariffs. This option may be utilized with a compatible DNAL as specified in Section 8.3.1(E). An Access Arrangement must be purchased for each Dedicated Network Access Link or dial-in number used to access the NRS system to request reconfigurations.

<sup>(1)</sup> Effective December 5, 2018, Network Reconfiguration Service (NRS) will no longer be available for purchase by new or existing customers, and NRS service agreements may no longer be renewed. Effective July 31, 2022, the Telephone Company will no longer accept new requests for physical changes to existing service arrangements including the upgrade or downgrade of access/port speed, installation of new service, or moves to different service addresses.

(N)  
—  
(N)

(This page filed under Transmittal No. 1874 )

**ACCESS SERVICE****7. Special Access Service (Cont'd)****7.4 Rate Regulations (Cont'd)****7.4.14 Network Reconfiguration Service (NRS)<sup>(1)</sup> (Cont'd)**

(C)

**(A) Types of Rates and Charges (Cont'd)****(2) Nonrecurring Charges****(a) NRS Service Charge (Ability to Reconfigure Networks)**

There is a nonrecurring charge for initially establishing the customer network database. The network database will contain all facilities and channels that a customer will be able to reconfigure. The NRS Service Charge will apply once in each state of Ameritech's operating territory in which the customer has channels that will be reconfigured with NRS.

**(b) NRS Database Modification**

The Database Modification charge applies to customer initiated changes to their network database subsequent to the initial database setup. These changes include:

- (1) Addition or deletion of channel/facility terminations at the NRS system location.
- (2) Addition, deletion or change in the customer's master security password.
- (3) Establish cross-connection of two NRS subscribers located at the same NRS location. Letters of Authorization must be submitted by both customers to the Telephone Company before the modification is made.

Discontinuance of the above arrangement will also generate a modification charge.

This charge applies to each change to a customer's database. If more than one change is requested at the same time, the charge is applied to each change requested.

<sup>(1)</sup> Effective December 5, 2018, Network Reconfiguration Service (NRS) will no longer be available for purchase by new or existing customers, and NRS service agreements may no longer be renewed. Effective July 31, 2022, the Telephone Company will no longer accept new requests for physical changes to existing service arrangements including the upgrade or downgrade of access/port speed, installation of new service, or moves to different service addresses.

(N)  
|  
(N)

(This page filed under Transmittal No. 1874 )



**ACCESS SERVICE****7. Special Access Service (Cont'd)****7.4 Rate Regulations (Cont'd)****7.4.14 Network Reconfiguration Service (NRS)<sup>(1)</sup> (Cont'd)**

(C)

**(A) Types of Rates and Charges (Cont'd)****(2) Nonrecurring Charges (Cont'd)****(d) NRS Access Arrangement**

There is a nonrecurring charge associated with the initial installation of the arrangement.

**(e) Attendant Access**

Attendant Access provides for reconfiguration activities to be performed by a Telephone Company attendant at the direction of the customer. The customer may request that the commands be performed on demand or at a later, scheduled time. On demand requests will normally be executed by the attendant within one hour of the customer's request. Attendant Access cannot be purchased independently but is available to customer's that access NRS either through a dial-in or dedicated arrangement.

The Attendant Access charge is charged on the first 30 minutes of use and subsequent 15 minute increments.

**(f) NRS Training**

The NRS training charge provides for additional training requested by the customer beyond the training session included with the initial installation of the NRS service.

The customer may request additional training on an hourly basis to be provided at a location agreed upon by the Telephone Company and the customer.

<sup>(1)</sup> Effective December 5, 2018, Network Reconfiguration Service (NRS) will no longer be available for purchase by new or existing customers, and NRS service agreements may no longer be renewed. Effective July 31, 2022, the Telephone Company will no longer accept new requests for physical changes to existing service arrangements including the upgrade or downgrade of access/port speed, installation of new service, or moves to different service addresses.

(N)  
|  
(N)

(This page filed under Transmittal No. 1874 )

7. Special Access Service (Cont'd)

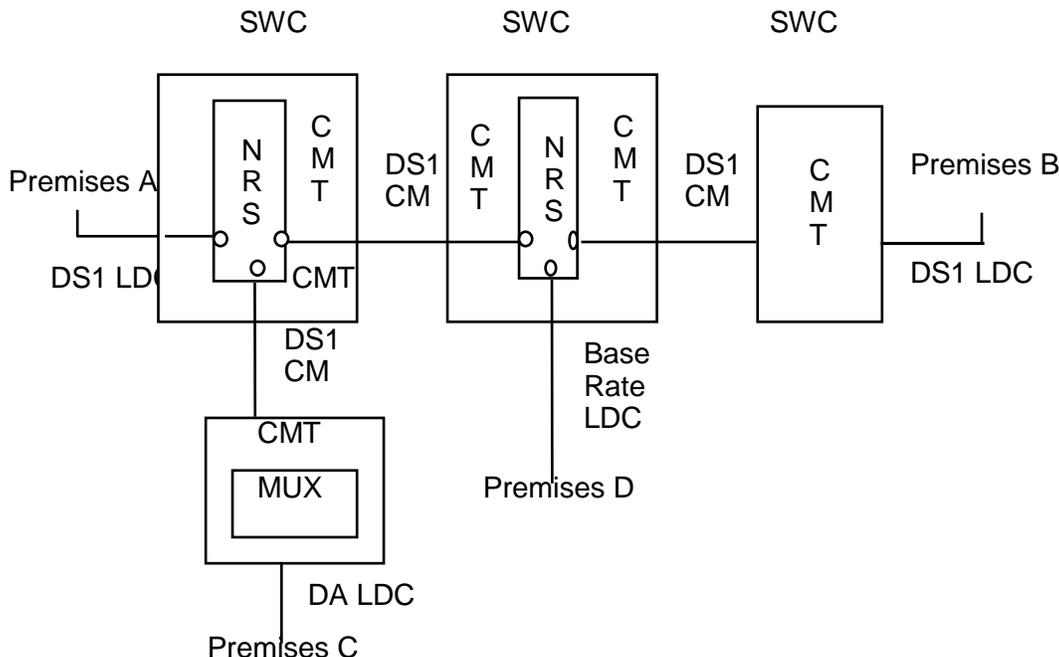
7.4 Rate Regulations (Cont'd)

7.4.14 Network Reconfiguration Service NRS<sup>(1)</sup> (Cont'd)

(C)

(B) Service Configuration

The following diagram depicts Network Reconfiguration Service (NRS)<sup>(1)</sup> utilized with DS1 and Base Rate and Direct Analog Services.



- LDC - Local Distribution Channel
- CMT - Channel Mileage Termination
- CM - Channel Mileage
- SWC - Serving Wire Center
- MUX - Multiplexer
- NRS - NRS System Location
- o - NRS Port Termination
- DA - Direct Analog

(T)

Applicable rate elements are:

- Local Distribution Channels, 2 DS1, 1 Base Rate, 1 Direct Analog
- Channel Mileage Terminations - 6 DS1
- Channel Mileage - 3 DS1 mileages
- NRS Port Terminations - 5 DS1, 1 Base Rate
- Multiplexing - 1 DS1 to Base Rate/Direct Analog- Appropriate NRS Basic Service and ACCESS rate elements

<sup>(1)</sup> Effective December 5, 2018, Network Reconfiguration Service (NRS) will no longer be available for purchase by new or existing customers, and NRS service agreements may no longer be renewed. Effective July 31, 2022, the Telephone Company will no longer accept new requests for physical changes to existing service arrangements including the upgrade or downgrade of access/port speed, installation of new service, or moves to different service addresses.

(N)

(N)

(This page filed under Transmittal No. 1874 )

7. Special Access Service (Cont'd)

7.4 Rate Regulations (Cont'd)

7.4.15 Installation Interval Guarantee

A failure to meet the confirmed due date provided by the Telephone Company for the services following, will result in a customer credit as shown below, where the responsibility for the failure is the Telephone Company's:

Services	Credit Amount
Direct Analog Service	\$200.00
Base Rate	\$250.00
DS1	\$350.00
DS3	\$600.00

(C)  
 (C)  
 (C)  
 (C)

This guarantee does not apply to any installation involving the following circumstances:

(C)

1. The customer requests expedited orders
2. Other Telephone Companies are designated as the billing company as set forth in Section 2.4.7 preceding or the AOC is the billing company as set forth in 2.4.7(B)(3) and 2.4.7(B)(4) preceding.
3. The customer's premises is inaccessible
4. The customer changes interface requirements
5. The customer is not ready to accept service
6. Building facilities are not ready (includes space, cable support structures, building risers and entrance facilities to be provided by builder or owner or owner's subcontracted vendors)
7. The customer orders termination beyond the Network Interface
8. The nonrecurring installation charges (Design and Central Office and Customer Connection) are waived or zero rated.
9. The delay is caused by civil disturbances, criminal actions, work stoppages, by fire, flooding or other occurrence attributed to an Act of God or any other circumstance beyond the Telephone Company's reasonable control.

(N)  
 (N)

(This page filed under Transmittal No. 1388 )

(D)

(D)

(This page filed under Transmittal No. 1367 )

---

Issued: November 14, 2003

Effective: November 29, 2003

Four AT&T Plaza, Dallas, Texas 75202

(D)

(D)

(This page filed under Transmittal No. 1367 )

---

Issued: November 14, 2003

Effective: November 29, 2003

Four AT&T Plaza, Dallas, Texas 75202

(D)

(D)

(This page filed under Transmittal No. 1367 )

---

Issued: November 14, 2003

Effective: November 29, 2003

Four AT&T Plaza, Dallas, Texas 75202

(D)

(D)

(This page filed under Transmittal No. 1367 )

---

Issued: November 14, 2003

Effective: November 29, 2003

Four AT&T Plaza, Dallas, Texas 75202

(D)

(D)

(This page filed under Transmittal No. 1367 )

---

Issued: November 14, 2003

Effective: November 29, 2003

Four AT&T Plaza, Dallas, Texas 75202



(D)

(D)

(This page filed under Transmittal No. 1367 )

---

Issued: November 14, 2003

Effective: November 29, 2003

Four AT&T Plaza, Dallas, Texas 75202

(D)

(D)

(This page filed under Transmittal No. 1367 )

---

Issued: November 14, 2003

Effective: November 29, 2003

Four AT&T Plaza, Dallas, Texas 75202

(D)

(D)

(This page filed under Transmittal No. 1367 )

---

Issued: November 14, 2003

Effective: November 29, 2003

Four AT&T Plaza, Dallas, Texas 75202

(D)

(D)

(This page filed under Transmittal No. 1367 )

---

Issued: November 14, 2003

Effective: November 29, 2003

Four AT&T Plaza, Dallas, Texas 75202

(D)

(D)

(This page filed under Transmittal No. 1367 )

---

Issued: November 14, 2003

Effective: November 29, 2003

Four AT&T Plaza, Dallas, Texas 75202

(D)

(D)

(This page filed under Transmittal No. 1367 )

---

Issued: November 14, 2003

Effective: November 29, 2003

Four AT&T Plaza, Dallas, Texas 75202

(D)

(D)

(This page filed under Transmittal No. 1367 )

---

Issued: November 14, 2003

Effective: November 29, 2003

Four AT&T Plaza, Dallas, Texas 75202

(D)

(D)

(This page filed under Transmittal No. 1367 )

---

Issued: November 14, 2003

Effective: November 29, 2003

Four AT&T Plaza, Dallas, Texas 75202



(D)

(D)

(This page filed under Transmittal No. 1367 )

---

Issued: November 14, 2003

Effective: November 29, 2003

Four AT&T Plaza, Dallas, Texas 75202

(D)

(D)

(This page filed under Transmittal No. 1367 )

---

Issued: November 14, 2003

Effective: November 29, 2003

Four AT&T Plaza, Dallas, Texas 75202

(D)

(D)

(This page filed under Transmittal No. 1367 )

---

Issued: November 14, 2003

Effective: November 29, 2003

Four AT&T Plaza, Dallas, Texas 75202

(D)

(D)

(This page filed under Transmittal No. 1367 )

---

Issued: November 14, 2003

Effective: November 29, 2003

Four AT&T Plaza, Dallas, Texas 75202

(D)

(D)

(This page filed under Transmittal No. 1367 )

---

Issued: November 14, 2003

Effective: November 29, 2003

Four AT&T Plaza, Dallas, Texas 75202

(D)

(D)

(This page filed under Transmittal No. 1367 )

---

Issued: November 14, 2003

Effective: November 29, 2003

Four AT&T Plaza, Dallas, Texas 75202

(D)

(D)

(This page filed under Transmittal No. 1367 )

---

Issued: November 14, 2003

Effective: November 29, 2003

Four AT&T Plaza, Dallas, Texas 75202

(D)

(D)

(This page filed under Transmittal No. 1367 )

---

Issued: November 14, 2003

Effective: November 29, 2003

Four AT&T Plaza, Dallas, Texas 75202



(D)

(D)

(This page filed under Transmittal No. 1367 )

---

Issued: November 14, 2003

Effective: November 29, 2003

Four AT&T Plaza, Dallas, Texas 75202

(D)

(D)

(This page filed under Transmittal No. 1367 )

---

Issued: November 14, 2003

Effective: November 29, 2003

Four AT&T Plaza, Dallas, Texas 75202

(D)

(D)

(This page filed under Transmittal No. 1367 )

---

Issued: November 14, 2003

Effective: November 29, 2003

Four AT&T Plaza, Dallas, Texas 75202

(D)

(D)

(This page filed under Transmittal No. 1367 )

---

Issued: November 14, 2003

Effective: November 29, 2003

Four AT&T Plaza, Dallas, Texas 75202

(D)

(D)

(This page filed under Transmittal No. 1367 )

---

Issued: November 14, 2003

Effective: November 29, 2003

Four AT&T Plaza, Dallas, Texas 75202

**ACCESS SERVICE**

Dx

Dx

(This page filed under Transmittal No. 652 )

---

Issued: August 24, 1992

Effective: August 25, 1992

Four AT&T Plaza, Dallas, Texas 75202

(This page filed under Transmittal No. 857 )

---

Issued: January 9, 1995

Effective: February 23, 1995

Four AT&T Plaza, Dallas, Texas 75202

(TR857)

(This page filed under Transmittal No. 857 )

---

Issued: January 9, 1995

Effective: February 23, 1995

Four AT&T Plaza, Dallas, Texas 75202



**(TR857)**

(This page filed under Transmittal No. 857 )

---

Issued: January 9, 1995

Effective: February 23, 1995

Four AT&T Plaza, Dallas, Texas 75202

**ACCESS SERVICE**

**7. Special Access Services (Cont'd)**

**7.4 Rate Regulations (Cont'd)**

**7.4.17 Multiplexer Cross-Connection**

Multiplexer Cross-Connection (MCC) will be charged per cross-connect per central office, where the cross-connection is performed. If MCC is provided between two Telephone Company offices where multiplexing is performed, Channel Mileage and Channel Mileage Terminations for the lower speed service will apply between the two central offices along with one MCC charge per cross-connect per central office.

When one service is cross-connected to another service, the two cross-connected services are treated separately for service performance measurement and service interruption credit purposes.

If two Customers are involved, the Host Subscriber will be responsible for the entire billing of MCC. The Service User must submit to the Telephone Company the DS1 and/or DS3 system and channel assignment information for the lower speed services being cross-connected. Additionally, the Service User must: (i) obtain a letter of authorization from the Host Subscriber, and (ii) provide a written copy of the letter of authorization to the Telephone Company if a dispute arises with respect to the authorization for the applicable Services.

(C)  
(C)  
(C)  
|  
(C)

(This page filed under Transmittal No. 1721 )

**ACCESS SERVICE****7. Special Access Services (Cont'd)****7.4 Rate Regulations (Cont'd)****7.4.18 Nonrecurring Charge (NRC) Waiver**

The NRC Waiver is a one time offering that for a limited period of time waives certain nonrecurring installation and service rearrangement charges for DS1, DS3 and Synchronous Optical Network (SONET) based services, i.e., OC-3, OC-12, OC-48, Dedicated Ring Services, etc.

(T)

Nonrecurring charges, including any associated Administrative, Design and Central Office Connection Charges and Customer Connection Charges will be waived only for orders requesting the following:

- (a) Installation of all SONET based services.
- (b) Installation of a new DS1 or DS3 service for connection to a new or existing SONET based service.
- (c) Rehomeing an existing DS1 or DS3 service to a new or existing SONET based service.

(T)

The NRC Waiver will be available from November 1, 1995, until January 31, 1996.

(T)

The NRC Waiver will apply to any orders for service received between November 1, 1995 and January 31, 1996, with a due date no later than April 1, 1996.

(This page filed under Transmittal No. 1357 )

## ACCESS SERVICE

## 7. Special Access Service

## 7.4 Rate Regulations (cont'd)

## 7.4.19 Shared Facility Credit/Shared Facility Channel Service

DS3 Service customers who allow the Telephone Company use of their Ameritech-provided DS3 service for the provision of Shared Facility Channel Service to other Telephone Company customers may elect to receive a credit for that portion of the DS3 service used to provide the Shared Facility Channel Service. The credit will be based on the DS1 capacity of the DS3 service components (i.e., 1/28th of the monthly rates for a DS3 LDC with an Electrical Interface, DS3 Service Package with an Optical Interface and the DS3 Service Channel, DS3 to DS1 Multiplexer and, if appropriate, DS3 Channel Mileage Terminations and Channel Mileage). For DS3 LDCs with an Electrical Interface, the SFC will be calculated after application of Volume Pricing Plan discounts as described in 7.4.10 I preceding. In any month, the total SFC for any DS3 service element shall not exceed 100 percent of the monthly rate for the element. (T)

The following terms and conditions apply to all DS3 Shared Facility Credit/Shared Facility Channel Service arrangements.

- (A) The customer of the DS3 service cannot be the same as the customer of the Shared Facility Channel Service. (T)
- (B) The Telephone Company and the DS3 customer must agree to work cooperatively to maintain accurate customer records of any SFC arrangements. The customer records which must be jointly maintained are:
- connecting facility assignments by Shared Facility Channel customer and
  - additions, moves, or deletions of Shared Facility Channel customers onto or off of the DS3 service.

If the DS3 customer does not cooperate to maintain these customer records, the existing affected SFC arrangement(s) will be discontinued and additional SFC arrangements will not be established.

- (C) SFC can be established on Special Access DS3s for connection to Special Access DS1s only. If a Shared Facility Service channel of a DS3 service becomes vacant subsequent to the establishment of a DS3 SFC arrangement (e.g., the Ameritech DS1 customer disconnects service), SFC will be eliminated for that channel.

(This page filed under Transmittal No. 1357 )

**7. Special Access Service (cont'd)****7.4 Rate Regulations (cont'd)****7.4.19 Shared Facility Credit/Shared Facility Channel Service (cont'd)**

- (D) The Telephone Company will only remove a Shared Facility Channel Service customer from the DS3 SFC arrangement at the request of the DS3 customer or because the DS1 customer has discontinued service or moved service to a different transport facility. In the event the DS3 SFC arrangement is terminated without any physical change to the serving arrangement, the DS3 customer may request a Shared Network Arrangement, as described in Section 5.2 (A). In the event a Shared Network Arrangement is converted to an SFC arrangement without any physical change to the serving arrangement, the Shared Facility Channel Service nonrecurring charge will not apply. (T)
- (E) In the event, a billing dispute is initiated by a Shared Facility Channel Service customer, the Telephone Company will negotiate with the Shared Facility Channel Service customer as set forth in Section 2.4, preceding.
- (F) The Telephone Company will accept requests to disconnect the DS3 service only from the DS3 service customer. The DS3 customer is responsible for notifying each DS1 customer utilizing a channel of the DS3 under a SFC arrangement. Notification must be completed no later than 10 business days before the DS3 is scheduled to be disconnected; otherwise, the DS3 may not be disconnected and billing of all services will continue.
- (G) Each customer must agree to work cooperatively with the Telephone Company to ensure proper installation, testing, maintenance, and repair of the affected DS3 or DS1 service(s). The DS3 customer must immediately release its service and arrange for the immediate release, if necessary, of any other Shared Facility Channel Service riding that DS3 service, for repair purposes, when requested by the Telephone Company. Failure to release shall result in the immediate termination of the SFC arrangements for that service (DS3), and that customer being liable for any service credits that the Telephone Company may owe the DS3 or other Shared Facility Channel customer riding that DS3 service.

(This page filed under Transmittal No. 1551 )

7. Special Access Service (cont'd)

7.4 Rate Regulations (cont'd)

(D)

(D)

(This page filed under Transmittal No. 1289 )

Issued: February 20, 2002

Effective: March 7, 2002

Four AT&T Plaza, Dallas, Texas 75202

7. Special Access Service (cont'd)

7.4 Rate Regulations (cont'd)

(D)

(D)

(This page filed under Transmittal No. 1289 )

7. Special Access Service (Cont'd)

7.5 Rates and Charges

**Effective November 1, 2017, all rate elements, other than End User Local Distribution Channels and their applicable optional features<sup>(2)</sup> in Non-Competitive Counties, are no longer available from Section 7.5 for new service subscriptions.<sup>(1)</sup> The application of rates and charges for Special Access services is based upon the county classification as Competitive or Non-Competitive, as provided in Section 7.4. A list of Competitive and Non-Competitive Counties is located in Sections 14.6.3 and 14.6.4.** (N)

Rates are subject to subsequent adjustment, effective retroactively in light of USTA v. FCC, (Case No. 97-1469) (slip. op. May 21, 1999) (D.C. Cir.), or pursuant to pending motions or petitions or any other adjustment pursuant to a Commission or court order.

7.5.1 Metallic Service

	USOC	Monthly Rate
(A) Local Distribution Channel		
- Per point of termination		
- All states	TNJK2	\$17.90
(B) Channel Mileage Termination		
- Per point of mileage termination		
- All states	CM6	None
(C) Channel Mileage*		
- Per mile		
- All states	1L5XX	9.46

\* Metallic circuits beyond five miles are limited to existing circuits.

<sup>(1)</sup> Until February 1, 2018, End User Local Distribution Channels and their applicable optional features that had not qualified for Phase II, Level 2 pricing flexibility prior to June 1, 2017, will be rated at the price cap rate regardless of the status of the county in which the applicable wire center is located. (N)

<sup>(2)</sup> Optional features for End User channel terminations includes all optional features in Section 7.5, except for the Transfer Arrangement and Network Reconfiguration Service. (N)

(This page filed under Transmittal No. 1864 )



**ACCESS SERVICE**

**7. Special Access Service (Cont'd)**

**7.5 Rates and Charges (Cont'd)**

- x State specific rates previously appearing on this page now appear as aggregate rates on 16th Revised Page 310.

(This page filed under Transmittal No. 373 )

---

Issued: September 29, 1989

Effective: November 13, 1989

Four AT&T Plaza, Dallas, Texas 75202

**ACCESS SERVICE**

**7. Special Access Service (Cont'd)**

**7.5 Rates and Charges (Cont'd)**

- x State specific rates previously appearing on this page now appear as aggregate rates on 16th Revised Page 310.

(This page filed under Transmittal No. 373 )

---

Issued: September 29, 1989

Effective: November 13, 1989

Four AT&T Plaza, Dallas, Texas 75202

**ACCESS SERVICE**

**7. Special Access Service (Cont'd)**

**7.5 Rates and Charges (Cont'd)**

**7.5.1**

x Issued on not less than 15 days' notice under authority of Special Permission No. 87-56.

(This page filed under Transmittal No. 59 )

---

Issued: February 4, 1987

Effective: February 19, 1987

Four AT&T Plaza, Dallas, Texas 75202

**ACCESS SERVICE**

**7. Special Access Service (Cont'd)**

**7.5 Rates and Charges (Cont'd)**

- x State specific rates previously appearing on this page now appear as aggregate rates on 16th Revised Page 310.

(This page filed under Transmittal No. 373 )

---

Issued: September 29, 1989

Effective: November 13, 1989

Four AT&T Plaza, Dallas, Texas 75202

**ACCESS SERVICE**

**7. Special Access Service (Cont'd)**

**7.5 Rates and Charges (Cont'd)**

- x State specific rates previously appearing on this page now appear as aggregate rates on 16th Revised Page 310.

(This page filed under Transmittal No. 373 )

---

Issued: September 29, 1989

Effective: November 13, 1989

Four AT&T Plaza, Dallas, Texas 75202

7. Special Access Service (Cont'd)

7.5 Rates and Charges (Cont'd)

7.5.2 Telegraph Grade Service

	USOC	Monthly Rate
(A) Local Distribution Channel		
- Per point of termination		
- Two-Wire		
- All states	T6E2X	\$32.83
- Four-Wire		
- All states	T6E4X	37.34
(B) Channel Mileage Termination		
- Per point of mileage termination		
- All states	CM6	14.97
(C) Channel Mileage		
- Per mile		
- All states	1L5XX	1.39

(D)

(D)

(This page filed under Transmittal No. 1851 )

**ACCESS SERVICE**

**7. Special Access Service (Cont'd)**

**7.5 Rates and Charges (Cont'd)**

- x State specific rates previously appearing on this page now appear as aggregate rates on 17th Revised Page 315.

(This page filed under Transmittal No. 373 )

---

Issued: September 29, 1989

Effective: November 13, 1989

Four AT&T Plaza, Dallas, Texas 75202

**ACCESS SERVICE**

**7. Special Access Service (Cont'd)**

**7.5 Rates and Charges (Cont'd)**

- x State specific rates previously appearing on this page now appear as aggregate rates on 17th Revised Page 315.

(This page filed under Transmittal No. 373 )

---

Issued: September 29, 1989

Effective: November 13, 1989

Four AT&T Plaza, Dallas, Texas 75202



**ACCESS SERVICE**

**7. Special Access Service (Cont'd)**

**7.5 Rates and Charges (Cont'd)**

**7.5.1**

x Issued on not less than 15 days' notice under authority of Special Permission No. 87-56.

(This page filed under Transmittal No. 59 )

---

Issued: February 4, 1987

Effective: February 19, 1987

Four AT&T Plaza, Dallas, Texas 75202

**ACCESS SERVICE**

**7. Special Access Service (Cont'd)**

**7.5 Rates and Charges (Cont'd)**

- x State specific rates previously appearing on this page now appear as aggregate rates on 17th Revised Page 315.

(This page filed under Transmittal No. 373 )

---

Issued: September 29, 1989

Effective: November 13, 1989

Four AT&T Plaza, Dallas, Texas 75202

**ACCESS SERVICE**

**7. Special Access Service (Cont'd)**

**7.5 Rates and Charges (Cont'd)**

- x State specific rates previously appearing on this page now appear as aggregate rates on 17th Revised Page 315.

(This page filed under Transmittal No. 373 )

---

Issued: September 29, 1989

Effective: November 13, 1989

Four AT&T Plaza, Dallas, Texas 75202

7. Special Access Service (Cont'd)

7.5 Rates and Charges (Cont'd)

7.5.3 Direct Analog Service

- Rates and Charges for Direct Analog Service <sup>(1)</sup>

(N)

	USOC	Monthly Rate	Discount Commitment Program	
			36 Mo.	60 Mo.
(A) Local Distribution Channel				
(1) Direct Analog Service				
- Per point of termination				
- Two-Wire				
- All states	T6E2X	\$22.40	\$20.50	\$20.00
- Four-Wire				
- All states	T6E4X	30.00	26.00	25.00
(2) Dedicated Access Line				
- Per point of termination*				
- Two Wire				
- All states	X2W	\$22.40	\$20.50	\$20.00
- Four Wire				
- All states	X4W	34.00	31.00	28.00
(B) Channel Mileage Termination				
- Per point of mileage termination				
- All states	CM6	13.00	11.50	10.00
(C) Channel Mileage				
- Per mile				
- All states	1L5XX	.90	.70	.65
(D) Optional Features and Functions	USOC	Monthly Rate	Nonrecurring Charge	
(1) Bridging				
(A) Voice and DAL Bridging				
Two-Wire/ Four Wire				
- Per Port				
- Two-Wire				
- All states	BCNV2	\$7.85	None	
- Four-Wire				
- All states	BCNV4	6.20	None	

\* One Local Distribution Channel applies per Dedicated Access Line (DAL).

<sup>(1)</sup> Effective on September 13, 2017, DCP Payment Plans for Direct Analog Service are no longer available. Circuits already subject to a DCP Payment Plan, as of September 13, 2017, will continue to be provided under the then-current DCP term for the remainder of that term.

(N)  
 (N)  
 (N)

(This page filed under Transmittal No. 1862 )

7. Special Access Service (Cont'd)

7.5 Rates and Charges (Cont'd)

7.5.3 Direct Analog Service (Cont'd)

	USOC	Monthly Rate	Nonrecurring Charge
(D) Optional Features and Functions (Cont'd)			
(1) Bridging (Cont'd)			
(b) Data Bridging			
Two-Wire/our-Wire			
- Per Port			
- Two-Wire			
- All states	BCND2	\$5.75	None
- Four-Wire			
- All states	BCND4	7.50	None

(D)  
 |  
 (D)

(This page filed under Transmittal No. 1851 )

**7. Special Access Service (Cont'd)**

**7.5 Rates and Charges (Cont'd)**

**7.5.3 Direct Analog Service (Cont'd)**

	<b>USOC</b>	<b>Monthly Rate</b>	<b>Nonrecurring Charge</b>
<b>(D)</b> Optional Features and Functions (Cont'd)			

(D)

(D)

(This page filed under Transmittal No. 1851 )

7. Special Access Service (Cont'd)

7.5 Rates and Charges (Cont'd)

7.5.3 Direct Analog Service (Cont'd)

(D) Optional Features and Functions (Cont'd)	USOC	Monthly Rate	Nonrecurring Charge
--	------	--------------	---------------------

(D)  
 \_\_\_\_\_  
 (D)

(2) Conditioning			
- Per point of termination			
C - Type			
- All states	X1CPT	\$5.10(R)	None
Improved Attenuation Distortion			
- All states	UHW	5.75(R)	\$ 77.55
Improved Envelope Delay Distortion			
- All states	UHY	66.90(R)	310.20
Sealing Current			
- All states	1HBPT	None	None

(This page filed under Transmittal No. 1851 )

7. Special Access Service (Cont'd)

7.5 Rates and Charges (Cont'd)

7.5.3 Direct Analog Service (Cont'd)

(D) Optional Features and Functions (Cont'd)	USOC	Monthly Rate	Nonrecurring Charge	
(3) Improved Return Loss for Effective Two-Wire Transmission - Per point of termination - Two-Wire - All states	1RL2W	\$ 2.35	None	
(4) Improved Termination - Per point of termination - Four-Wire All states	CP6	2.05	None	
(5) Customer Specified Receive Level - Per point of termination - All states	RLS	.75	None	
(6) Reserved for Future Use				(T) (D) (D) (D)
(7) Data Capability - Per point of termination - All states	XDCPT	6.00	\$310.20	
(8) Reserved for Future Use				(T) (D) (D) (D)

(This page filed under Transmittal No. 1851 )



7. Special Access Service (Cont'd)

7.5 Rates and Charges (Cont'd)

7.5.3 Direct Analog Service (Cont'd)

	USOC	Monthly Rate	Nonrecurring Charge
(D) Optional Features and Functions (Cont'd)			
(9) Signaling Capability			
- Per point of termination			
- All states	XSS++	\$2.00(R)	None
- In lieu of ++, substitute appropriate two digit code from following list of signaling.			
AB			
AC			
AH			
CT			
DS			
DX			
DY			
EA			
EB			
EC			
EX			
GO			
GS			
LA			
LB			
LC			
LO			
LR			
LS			
RV			
SE			
SF			

Rates contained in this transmittal are subject to subsequent adjustment, effective retrospectively, in the event the Commission or a court subsequently authorizes Ameritech to correct its rates pursuant to pending motions, or petitions for reconsideration or waiver, or in the event of any other adjustment to an order of the Commission or a court.

(This page filed under Transmittal No. 1270 )

7. Special Access Service (Cont'd)

7.5 Rates and Charges (Cont'd)

7.5.3 Direct Analog Service (Cont'd)

	USOC	Monthly Rate	Nonrecurring Charge
(D) Optional Features and Functions (Cont'd)			
(10) Reserved for Future Use			(D)
(11) Reserved for Future Use			(D)

(D)

(This page filed under Transmittal No. 1851 )

7. Special Access Service (Cont'd)

7.5 Rates and Charges (Cont'd)

7.5.3 Direct Analog Service (Cont'd)

	USOC	Monthly Rate	Nonrecurring Charge	
(D) Optional Features and Functions (Cont'd)				
(12) DAL Improved Voice Transmission Improved Two-Wire transmission specifications - Per two-wire point of termination - All states	X2T	None	None	(D)
(13) Line-Powered Data Station Termination Unit (Available with VG-6) - Per Point of Termination -All States	LUN	7.97	None	(D)
(14) DS0 Fiber Hub Cross-Connection Direct Analog to Direct Analog 1 Day Notice	CX901	None	206.80	
3 Days Notice	CX903	None	155.10	

(This page filed under Transmittal No. 1851 )

**ACCESS SERVICE**

**7. Special Access Service (Cont'd)**

**7.5 Rates and Charges (Cont'd)**

**7.5.3 Direct Analog Service (Cont'd)**

- x State specific rates previously appearing on this page now appear as aggregate rates on 18th Revised Page 320.

(This page filed under Transmittal No. 373 )

---

Issued: September 29, 1989

Effective: November 13, 1989

Four AT&T Plaza, Dallas, Texas 75202

**ACCESS SERVICE**

**7. Special Access Service (Cont'd)**

**7.5 Rates and Charges (Cont'd)**

- x State specific rates previously appearing on this page now appear as aggregate rates on 15th Revised Page 321.

(This page filed under Transmittal No. 373 )

---

Issued: September 29, 1989

Effective: November 13, 1989

Four AT&T Plaza, Dallas, Texas 75202

**ACCESS SERVICE**

**7. Special Access Service (Cont'd)**

**7.5 Rates and Charges (Cont'd)**

x State specific rates previously appearing on this page now appear as aggregate rates on 3rd Revised Page 322.

(This page filed under Transmittal No. 373 )

---

Issued: September 29, 1989

Effective: November 13, 1989

Four AT&T Plaza, Dallas, Texas 75202

**ACCESS SERVICE**

**7. Special Access Service (Cont'd)**

**7.5 Rates and Charges (Cont'd)**

x State specific rates previously appearing on this page now appear as aggregate rates on 12th Revised Page 323.

(This page filed under Transmittal No. 373 )

---

Issued: September 29, 1989

Effective: November 13, 1989

Four AT&T Plaza, Dallas, Texas 75202

**ACCESS SERVICE**

**7. Special Access Service (Cont'd)**

**7.5 Rates and Charges (Cont'd)**

x State specific rates previously appearing on this page now appear as aggregate rates on 13th Revised Page 324.

(This page filed under Transmittal No. 373 )

---

Issued: September 29, 1989

Effective: November 13, 1989

Four AT&T Plaza, Dallas, Texas 75202



**ACCESS SERVICE**

**7. Special Access Service (Cont'd)**

**7.5 Rates and Charges (Cont'd)**

- x State specific rates previously appearing on this page now appear as aggregate rates on 15th Revised Page 325.

(This page filed under Transmittal No. 373 )

**ACCESS SERVICE**

**7. Special Access Service (Cont'd)**

**7.5 Rates and Charges (Cont'd)**

- x State specific rates previously appearing on this page now appear as aggregate rates on 15th Revised Page 326.

(This page filed under Transmittal No. 373 )

---

Issued: September 29, 1989

Effective: November 13, 1989

Four AT&T Plaza, Dallas, Texas 75202

**ACCESS SERVICE**

**7. Special Access Service (Cont'd)**

**7.5 Rates and Charges (Cont'd)**

- x State specific rates previously appearing on this page now appear as aggregate rates on 14th Revised Page 326.1.

(This page filed under Transmittal No. 373 )

---

Issued: September 29, 1989

Effective: November 13, 1989

Four AT&T Plaza, Dallas, Texas 75202

**ACCESS SERVICE**

**7. Special Access Service (Cont'd)**

**7.5 Rates and Charges (Cont'd)**

- x State specific rates previously appearing on this page now appear as aggregate rates on 18th Revised Page 320.

(This page filed under Transmittal No. 373 )

---

Issued: September 29, 1989

Effective: November 13, 1989

Four AT&T Plaza, Dallas, Texas 75202

**ACCESS SERVICE**

**7. Special Access Service (Cont'd)**

**7.5 Rates and Charges (Cont'd)**

x Issued on not less than 15 days' notice under authority of Special Permission

(This page filed under Transmittal No. 59 )

---

Issued: February 4, 1987

Effective: February 19, 1987

Four AT&T Plaza, Dallas, Texas 75202

**ACCESS SERVICE**

**7. Special Access Service (Cont'd)**

**7.5 Rates and Charges (Cont'd)**

- x State specific rates previously appearing on this page now appear as aggregate rates on 15th Revised Page 321.

(This page filed under Transmittal No. 373 )

---

Issued: September 29, 1989

Effective: November 13, 1989

Four AT&T Plaza, Dallas, Texas 75202

**ACCESS SERVICE**

**7. Special Access Service (Cont'd)**

**7.5 Rates and Charges (Cont'd)**

x Issued on not less than 15 days' notice under authority of Special Permission

(This page filed under Transmittal No. 59 )

---

Issued: February 4, 1987

Effective: February 19, 1987

Four AT&T Plaza, Dallas, Texas 75202

**ACCESS SERVICE**

**7. Special Access Service (Cont'd)**

**7.5 Rates and Charges (Cont'd)**

- x State specific rates previously appearing on this page now appear as aggregate rates on 3rd Revised Page 322.

(This page filed under Transmittal No. 373 )

---

Issued: September 29, 1989

Effective: November 13, 1989

Four AT&T Plaza, Dallas, Texas 75202



**ACCESS SERVICE**

**7. Special Access Service (Cont'd)**

**7.5 Rates and Charges (Cont'd)**

x Issued on not less than 15 days' notice under authority of Special Permission No. 87-56.

(This page filed under Transmittal No. 59 )

---

Issued: February 4, 1987

Effective: February 19, 1987

Four AT&T Plaza, Dallas, Texas 75202

**ACCESS SERVICE**

**7. Special Access Service (Cont'd)**

**7.5 Rates and Charges (Cont'd)**

- x State specific rates previously appearing on this page now appear as aggregate rates on 12th Revised Page 323.

(This page filed under Transmittal No. 373 )

---

Issued: September 29, 1989

Effective: November 13, 1989

Four AT&T Plaza, Dallas, Texas 75202

**ACCESS SERVICE**

**7. Special Access Service (Cont'd)**

**7.5 Rates and Charges (Cont'd)**

x Issued on not less than 15 days' notice under authority of Special

(This page filed under Transmittal No. 59 )

---

Issued: February 4, 1987

Effective: February 19, 1987

Four AT&T Plaza, Dallas, Texas 75202

**ACCESS SERVICE**

**7. Special Access Service (Cont'd)**

**7.5 Rates and Charges (Cont'd)**

- x State specific rates previously appearing on this page now appear as aggregate rates on 13th Revised Page 324.

(This page filed under Transmittal No. 373 )

---

Issued: September 29, 1989

Effective: November 13, 1989

Four AT&T Plaza, Dallas, Texas 75202

**ACCESS SERVICE**

**7. Special Access Service (Cont'd)**

**7.5 Rates and Charges (Cont'd)**

x Issued on not less than 15 days' notice under authority of

(This page filed under Transmittal No. 59 )

---

Issued: February 4, 1987

Effective: February 19, 1987

Four AT&T Plaza, Dallas, Texas 75202

**ACCESS SERVICE**

**7. Special Access Service (Cont'd)**

**7.5 Rates and Charges (Cont'd)**

- x State specific rates previously appearing on this page now appear as aggregate rates on 15th Revised Page 325.

(This page filed under Transmittal No. 373 )

---

Issued: September 29, 1989

Effective: November 13, 1989

Four AT&T Plaza, Dallas, Texas 75202

**ACCESS SERVICE**

**7. Special Access Service (Cont'd)**

**7.5 Rates and Charges (Cont'd)**

**7.5.3**

x Issued on not less than 15 days' notice under authority of Special  
Permission No. 87-56.

(This page filed under Transmittal No. 59 )

---

Issued: February 4, 1987

Effective: February 19, 1987

Four AT&T Plaza, Dallas, Texas 75202

**ACCESS SERVICE**

**7. Special Access Service (Cont'd)**

**7.5 Rates and Charges (Cont'd)**

- x State specific rates previously appearing on this page now appear as aggregate rates on 15th Revised Page 326.

(This page filed under Transmittal No. 373 )

---

Issued: September 29, 1989

Effective: November 13, 1989

Four AT&T Plaza, Dallas, Texas 75202



**ACCESS SERVICE**

**7. Special Access Service (Cont'd)**

**7.5 Rates and Charges (Cont'd)**

**7.5.3**

x Issued on not less than 15 days' notice under authority of Special

(This page filed under Transmittal No. 59 )

---

Issued: February 4, 1987

Effective: February 19, 1987

Four AT&T Plaza, Dallas, Texas 75202

**ACCESS SERVICE**

**7. Special Access Service (Cont'd)**

**7.5 Rates and Charges (Cont'd)**

- x State specific rates previously appearing on this page now appear as aggregate rates on 14th Revised Page 326.1.

(This page filed under Transmittal No. 373 )

---

Issued: September 29, 1989

Effective: November 13, 1989

Four AT&T Plaza, Dallas, Texas 75202

**ACCESS SERVICE**

**7. Special Access Service (Cont'd)**

**7.5 Rates and Charges (Cont'd)**

- x State specific rates previously appearing on this page now appear as aggregate rates on 18th Revised Page 320.

(This page filed under Transmittal No. 373 )

---

Issued: September 29, 1989

Effective: November 13, 1989

Four AT&T Plaza, Dallas, Texas 75202

**ACCESS SERVICE**

**7. Special Access Service (Cont'd)**

**7.5 Rates and Charges (Cont'd)**

- x State specific rates previously appearing on this page now appear as aggregate rates on 15th Revised Page 321.

(This page filed under Transmittal No. 373 )

---

Issued: September 29, 1989

Effective: November 13, 1989

Four AT&T Plaza, Dallas, Texas 75202

**ACCESS SERVICE**

**7. Special Access Service (Cont'd)**

**7.5 Rates and Charges (Cont'd)**

- x State specific rates previously appearing on this page now appear as aggregate rates on 3rd Revised Page 322.

(This page filed under Transmittal No. 373 )

**ACCESS SERVICE**

**7. Special Access Service (Cont'd)**

**7.5 Rates and Charges (Cont'd)**

- x State specific rates previously appearing on this page now appear as aggregate rates on 12th Revised Page 323.

(This page filed under Transmittal No. 373 )

---

Issued: September 29, 1989

Effective: November 13, 1989

Four AT&T Plaza, Dallas, Texas 75202

**ACCESS SERVICE**

**7. Special Access Service (Cont'd)**

**7.5 Rates and Charges (Cont'd)**

- x State specific rates previously appearing on this page now appear as aggregate rates on 13th Revised Page 324.

(This page filed under Transmittal No. 373 )

---

Issued: September 29, 1989

Effective: November 13, 1989

Four AT&T Plaza, Dallas, Texas 75202

**ACCESS SERVICE**

**7. Special Access Service (Cont'd)**

**7.5 Rates and Charges (Cont'd)**

- x State specific rates previously appearing on this page now appear as aggregate rates on 15th Revised Page 325.

(This page filed under Transmittal No. 373 )

---

Issued: September 29, 1989

Effective: November 13, 1989

Four AT&T Plaza, Dallas, Texas 75202



**ACCESS SERVICE**

**7. Special Access Service (Cont'd)**

**7.5 Rates and Charges (Cont'd)**

- x State specific rates previously appearing on this page now appear as aggregate rates on 15th Revised Page 326.

(This page filed under Transmittal No. 373 )

---

Issued: September 29, 1989

Effective: November 13, 1989

Four AT&T Plaza, Dallas, Texas 75202

**ACCESS SERVICE**

**7. Special Access Service (Cont'd)**

**7.5 Rates and Charges (Cont'd)**

- x State specific rates previously appearing on this page now appear as aggregate rates on 14th Revised Page 326.1.

(This page filed under Transmittal No. 373 )

---

Issued: September 29, 1989

Effective: November 13, 1989

Four AT&T Plaza, Dallas, Texas 75202

- x State specific rates previously appearing on this page now appear as aggregate rates on 18th Revised Page 320.

(This page filed under Transmittal No. 373 )

---

Issued: September 29, 1989

Effective: November 13, 1989

Four AT&T Plaza, Dallas, Texas 75202

**ACCESS SERVICE**

**7. Special Access Service (Cont'd)**

**7.5 Rates and Charges (Cont'd)**

- x State specific rates previously appearing on this page now appear as aggregate rates on 15th Revised Page 321.

(This page filed under Transmittal No. 373 )

---

Issued: September 29, 1989

Effective: November 13, 1989

Four AT&T Plaza, Dallas, Texas 75202

**ACCESS SERVICE**

**7. Special Access Service (Cont'd)**

**7.5 Rates and Charges (Cont'd)**

- x State specific rates previously appearing on this page now appear as aggregate rates on 3rd Revised Page 322.

(This page filed under Transmittal No. 373 )

---

Issued: September 29, 1989

Effective: November 13, 1989

Four AT&T Plaza, Dallas, Texas 75202

**ACCESS SERVICE**

**7. Special Access Service (Cont'd)**

**7.5 Rates and Charges (Cont'd)**

- x State specific rates previously appearing on this page now appear as aggregate rates on 12th Revised Page 323.

(This page filed under Transmittal No. 373 )

---

Issued: September 29, 1989

Effective: November 13, 1989

Four AT&T Plaza, Dallas, Texas 75202

**ACCESS SERVICE**

**7. Special Access Service (Cont'd)**

**7.5 Rates and Charges (Cont'd)**

- x State specific rates previously appearing on this page now appear as aggregate rates on 13th Revised Page 324.

(This page filed under Transmittal No. 373 )

---

Issued: September 29, 1989

Effective: November 13, 1989

Four AT&T Plaza, Dallas, Texas 75202

**ACCESS SERVICE**

**7. Special Access Service (Cont'd)**

**7.5 Rates and Charges (Cont'd)**

- x State specific rates previously appearing on this page now appear as aggregate rates on 15th Revised Page 325.

(This page filed under Transmittal No. 373 )

---

Issued: September 29, 1989

Effective: November 13, 1989

Four AT&T Plaza, Dallas, Texas 75202



**ACCESS SERVICE**

**7. Special Access Service (Cont'd)**

**7.5 Rates and Charges (Cont'd)**

- x State specific rates previously appearing on this page now appear as aggregate rates on 15th Revised Page 326.

(This page filed under Transmittal No. 373 )

---

Issued: September 29, 1989

Effective: November 13, 1989

Four AT&T Plaza, Dallas, Texas 75202

**ACCESS SERVICE**

**7. Special Access Service (Cont'd)**

**7.5 Rates and Charges (Cont'd)**

- x State specific rates previously appearing on this page now appear as aggregate rates on 14th Revised Page 326.1.

(This page filed under Transmittal No. 373 )

---

Issued: September 29, 1989

Effective: November 13, 1989

Four AT&T Plaza, Dallas, Texas 75202

## ACCESS SERVICE

## 7. Special Access Service (Cont'd)

## 7.5 Rates and Charges (Cont'd)

## 7.5.4 Program Audio Service

	USOC	Monthly Rate	Daily Rate
(A) Local Distribution Channel			
- Per point of termination			
- All States			
- 200 to 3500 Hz	TNJH2	\$31.00(I)	\$2.29
- 100 to 5000 Hz	TNJH2	61.00(I)	4.87
- 50 to 8000 Hz	TNJH2	61.00(I)	4.90
- 50 to 15000 Hz	TNJH2	66.00(I)	5.27
(B) Channel Mileage Termination			
- Per point of mileage termination			
- All States			
- 200 to 3500 Hz	CM6	16.00	1.32
- 100 to 5000 Hz	CM6	32.00	2.96
- 50 to 8000 Hz	CM6	45.00	3.97
- 50 to 15000 Hz	CM6	90.00	8.12
(C) Channel Mileage			
- Per Mile			
- All States			
- 200 to 3500 Hz	1L5XX	2.00	.10
- 100 to 5000 Hz	1L5XX	3.00	.20
- 50 to 8000 Hz	1L5XX	4.00	.28
- 50 to 15000 Hz	1L5XX	6.00	.56

Rates contained in this transmittal are subject to subsequent adjustment, effective retrospectively, in the event the Commission or a court subsequently authorizes Ameritech to correct its rates pursuant to pending motions, or petitions for reconsideration or waiver, or in the event of any other adjustment to an order of the Commission or a court.

(This page filed under Transmittal No. 1481 )

Issued: June 16, 2005

Effective: July 1, 2005

Four AT&T Plaza, Dallas, Texas 75202

## ACCESS SERVICE

## 7. Special Access Service (Cont'd)

## 7.5 Rates and Charges (Cont'd)

## 7.5.4 Program Audio Service (Cont'd)

(D) Optional Features and Functions	USOC	Monthly Rate	Daily Rate	Nonrecurring Charges	
				Monthly	Daily
(1) Bridging (Distribution Amplifier) - Per Port - All States	BCNPT	\$16.91 R	\$1.69 R	None	None
(2) Gain Conditioning - Per service - All States	XGC	.60 R	.07	\$300.00	\$300.00
(3) Stereo - Per service	XSC	ICB	ICB	\$400.00	\$400.00
	XSC	None	None	\$400.00	\$400.00

(This page filed under Transmittal No. 717 )

**ACCESS SERVICE**

**7. Special Access Service (Cont'd)**

**7.5 Rates and Charges (Cont'd)**

- x State specific rates previously appearing on this page now appear as aggregate rates on 18th Revised Page 355.

(This page filed under Transmittal No. 373 )

**ACCESS SERVICE**

**7. Special Access Service (Cont'd)**

**7.5 Rates and Charges (Cont'd)**

- x State specific rates previously appearing on this page now appear as aggregate rates on 15th Revised Page 356.

(This page filed under Transmittal No. 373 )

---

Issued: September 29, 1989

Effective: November 13, 1989

Four AT&T Plaza, Dallas, Texas 75202

**ACCESS SERVICE**

**7. Special Access Service (Cont'd)**

**7.5 Rates and Charges (Cont'd)**

- x State specific rates previously appearing on this page now appear as aggregate rates on 18th Revised Page 355.

(This page filed under Transmittal No. 373 )

---

Issued: September 29, 1989

Effective: November 13, 1989

Four AT&T Plaza, Dallas, Texas 75202

**ACCESS SERVICE**

**7. Special Access Service (Cont'd)**

**7.5 Rates and Charges (Cont'd)**

**7.5.4**

x Issued on not less than 15 days' notice under authority of Special Permission No. 987.56.

(This page filed under Transmittal No. 59 )

---

Issued: February 4, 1987

Effective: February 19, 1987

Four AT&T Plaza, Dallas, Texas 75202



**ACCESS SERVICE**

**7. Special Access Service (Cont'd)**

**7.5 Rates and Charges (Cont'd)**

- x State specific rates previously appearing on this page now appear as aggregate rates on 15th Revised Page 356.

(This page filed under Transmittal No. 373 )

---

Issued: September 29, 1989

Effective: November 13, 1989

Four AT&T Plaza, Dallas, Texas 75202

**ACCESS SERVICE**

**7. Special Access Service (Cont'd)**

**7.5 Rates and Charges (Cont'd)**

**7.5.4**

x Issued on not less than 15 days' notice under authority of Special Permission No. 87-56.

(This page filed under Transmittal No. 59 )

---

Issued: February 4, 1987

Effective: February 19, 1987

Four AT&T Plaza, Dallas, Texas 75202

**ACCESS SERVICE**

**7. Special Access Service (Cont'd)**

**7.5 Rates and Charges (Cont'd)**

- x State specific rates previously appearing on this page now appear as aggregate rates on 15th Revised Page 356.

(This page filed under Transmittal No. 373 )

---

Issued: September 29, 1989

Effective: November 13, 1989

Four AT&T Plaza, Dallas, Texas 75202

**ACCESS SERVICE**

**7. Special Access Service (Cont'd)**

**7.5 Rates and Charges (Cont'd)**

- x State specific rates previously appearing on this page now appear as aggregate rates on 15th Revised Page 356.

(This page filed under Transmittal No. 373 )

---

Issued: September 29, 1989

Effective: November 13, 1989

Four AT&T Plaza, Dallas, Texas 75202

**ACCESS SERVICE**

**7. Special Access Service (Cont'd)**

**7.5 Rates and Charges (Cont'd)**

- x State specific rates previously appearing on this page now appear as aggregate rates on 18th Revised Page 355.

(This page filed under Transmittal No. 373 )

---

Issued: September 29, 1989

Effective: November 13, 1989

Four AT&T Plaza, Dallas, Texas 75202

**ACCESS SERVICE**

**7. Special Access Service (Cont'd)**

**7.5 Rates and Charges (Cont'd)**

- x State specific rates previously appearing on this page now appear as aggregate rates on 15th Revised Page 356.

(This page filed under Transmittal No. 373 )

---

Issued: September 29, 1989

Effective: November 13, 1989

Four AT&T Plaza, Dallas, Texas 75202

ACCESS SERVICE

7. Special Access Service (Cont'd)

7.5 Rates and Charges (Cont'd)

7.5.5 Video Service (Cont'd)

	USOC	Daily	Monthly	12 Mo.	24 Mo.	36 Mo.	48 Mo.	60 Mo.
(A) TV Analog Video Service								
(1) Local Distribution Channel								
- Per Point of Termination								
- TV-1 or 2								
- All States	TMEV1	250.00	\$335.00(R)	\$320.00(R)	\$300.00	\$290.00(R)	\$270.00	\$250.00(R)
(2) Channel Mileage Termination								
(a)								
- Per point of mileage termination								
- All States	CM6	30.72	30.00(R)	20.00	17.00	15.00	14.00	13.00

Rates contained in this transmittal are subject to subsequent adjustment, effective retrospectively, in the event the Commission or a court subsequently authorizes Ameritech to correct its rates pursuant to pending motions, or petitions for reconsideration or waiver, or in the event of any other adjustment to an order of the Commission or a court.

(This page filed under Transmittal No. 1347 )

ACCESS SERVICE

7. Special Access Service (Cont'd)

7.5 Rates and Charges (Cont'd)

7.5.5 Video Service (Cont'd)

(A) TV Analog Video Service (Cont'd)

(2) Channel Mileage Termination (Cont'd)

	USOC	Hourly
(b) Video Hub-to-Video Hub		
- Per point of mileage termination		
- All States	NRBVC	\$0.85

USOC Daily Monthly 12 Mo. 24 Mo. 36 Mo. 48 Mo. 60 Mo.

(3) Channel Mileage

(a)

- Per Mile								
- All States	1L5XX	\$23.57	\$65.00 R	\$60.00 R	\$60.00 R	\$60.00 R	\$60.00 R	\$60.00 R

	USOC	Hourly Monthly
(b) Video Hub-to-Video Hub		
- Per Mile		
- All States	NRBVB	2.40

(4) Optional Features and Functions

3rd and 4th Audio Channels	VAFAX	\$50.00
----------------------------	-------	---------

(This page filed under Transmittal No. 1218 )



**ACCESS SERVICE**

**7. Special Access Service (Cont'd)**

**7.5 Rates and Charges (Cont'd)**

**7.5.5**

(D)

(D)

(This page filed under Transmittal No. 1771 )

7. Special Access Service (Cont'd)

7.5 Rates and Charges (Cont'd)

(D)

(D)

(This page filed under Transmittal No. 1790 )

7. Special Access Service (Cont'd)

7.5 Rates and Charges (Cont'd)

(D)

(D)

(This page filed under Transmittal No. 1790 )

**. Special Access Service (Cont'd)**

**7.5 Rates and Charges (Cont'd)**

**7.5.5 Video Service (Cont'd)**

**(D) Reserved for Future Use**

(T)

(D)

(D)

(This page filed under Transmittal No. 1825 )

**7. Special Access Service (cont'd)**

**7.5 Rates and Charges (cont'd)**

**7.5.5 Video Service (Cont'd)**

(T)

**(D) Reserved for Future Use (Cont'd)**

(D)

(This page filed under Transmittal No. 1825 )

(D)

ACCESS SERVICE

7. Special Access Service (cont'd)

7.5 Rates and Charges (cont'd)

7.5.5 Video Service (cont'd)

(D) Reserved for Future Use (Cont'd)

(T)

(D)

(D)

(This page filed under Transmittal No. 1825 )

**ACCESS SERVICE**

**7. Special Access Service (Cont'd)**

**7.5 Rates and Charges (Cont'd)**

**7.5.5 Video Service (Cont'd)**

**(E) Reserved for Future Use**

(T)

(D)

(D)

(This page filed under Transmittal No. 1729 )

**7. Special Access Service (Cont'd)**

**7.5 Rates and Charges (Cont'd)**

**7.5.5 Video Service (Cont'd)**

(D)

(D)

(This page filed under Transmittal No. 1729 )

---

Issued: February 8, 2011

Effective: February 23, 2011

Four AT&T Plaza, Dallas, Texas 75202



ACCESS SERVICE

7. Special Access Service (cont'd)

7.5 Rates and Charges (cont'd)

7.5.5 Video Service (cont'd)

(F)<sup>(1)</sup>

(D)

<sup>(1)</sup> Material in this Section has been de-tariffed as required by the Commission upon use of the forbearance relief pursuant to FCC Memorandum Opinion and Order No. 07-180, released October 12, 2007. Terms and Conditions associated with de-tariffed services are available at [www.att.com/guidebook](http://www.att.com/guidebook).

(This page filed under Transmittal No. 1666 )

**ACCESS SERVICE**

**7. Special Access Service (Cont'd)**

**7.5 Rates and Charges (Cont'd)**

- x State specific rates previously appearing on this page now appear as aggregate rates on 12th Revised Page 365.

(This page filed under Transmittal No. 373 )

---

Issued: September 29, 1989

Effective: November 13, 1989

Four AT&T Plaza, Dallas, Texas 75202

**ACCESS SERVICE**

**7. Special Access Service (Cont'd)**

**7.5 Rates and Charges (Cont'd)**

**7.5.6 Reserved for Future Use**

(T)

(D)

(D)

(This page filed under Transmittal No. 1818 )

**ACCESS SERVICE**

**7. Special Access Service (Cont'd)**

**7.5 Rates and Charges (Cont'd)**

**7.5.6 Reserved for Future Use (Cont'd)**

(T)

(D)

(D)

(This page filed under Transmittal No. 1818 )

**ACCESS SERVICE**

**7. Special Access Service (Cont'd)**

**7.5 Rates and Charges (Cont'd)**

**7.5.6 Reserved for Future Use (Cont'd)**

(T)

(D)

(D)

(This page filed under Transmittal No. 1818 )

**ACCESS SERVICE**

**7. Special Access Service (Cont'd)**

**7.5 Rates and Charges (Cont'd)**

x State specific rates previously appearing on this page now appear as aggregate

(This page filed under Transmittal No. 373 )

---

Issued: September 29, 1989

Effective: November 13, 1989

Four AT&T Plaza, Dallas, Texas 75202

**ACCESS SERVICE**

**7. Special Access Service (Cont'd)**

**7.5 Rates and Charges (Cont'd)**

- x State specific rates previously appearing on this page now appear as aggregate rates on 2nd Revised Page 371.

(This page filed under Transmittal No. 373 )

---

Issued: September 29, 1989

Effective: November 13, 1989

Four AT&T Plaza, Dallas, Texas 75202

**ACCESS SERVICE**

**7. Special Access Service (Cont'd)**

**7.5 Rates and Charges (Cont'd)**

x State specific rates previously appearing on this page now appear as aggregate rates on 3rd Revised

(This page filed under Transmittal No. 373 )

---

Issued: September 29, 1989

Effective: November 13, 1989

Four AT&T Plaza, Dallas, Texas 75202



**ACCESS SERVICE**

**7. Special Access Service (Cont'd)**

**7.5 Rates and Charges (Cont'd)**

x State specific rates previously appearing on this page now appear as aggregate

(This page filed under Transmittal No. 373 )

---

Issued: September 29, 1989

Effective: November 13, 1989

Four AT&T Plaza, Dallas, Texas 75202

**ACCESS SERVICE**

**7. Special Access Service (Cont'd)**

**7.5 Rates and Charges (Cont'd)**

x State specific rates previously appearing on this page now appear as aggregate

(This page filed under Transmittal No. 373 )

---

Issued: September 29, 1989

Effective: November 13, 1989

Four AT&T Plaza, Dallas, Texas 75202

**ACCESS SERVICE**

**7. Special Access Service (Cont'd)**

**7.5 Rates and Charges (Cont'd)**

x State specific rates previously appearing on this page now appear as aggregate

(This page filed under Transmittal No. 373 )

---

Issued: September 29, 1989

Effective: November 13, 1989

Four AT&T Plaza, Dallas, Texas 75202

**ACCESS SERVICE**

**7. Special Access Service (Cont'd)**

**7.5 Rates and Charges (Cont'd)**

(This page filed under Transmittal No. 373 )

---

Issued: September 29, 1989

Effective: November 13, 1989

Four AT&T Plaza, Dallas, Texas 75202

**ACCESS SERVICE**

**7. Special Access Service (Cont'd)**

**7.5 Rates and Charges (Cont'd)**

- x State specific rates previously appearing on this page now appear as aggregate rates on 2nd Revised Page 371.

(This page filed under Transmittal No. 373 )

**ACCESS SERVICE**

**7. Special Access Service (Cont'd)**

**7.5 Rates and Charges (Cont'd)**

x State specific rates previously appearing on this page now appear as aggregate

(This page filed under Transmittal No. 373 )

---

Issued: September 29, 1989

Effective: November 13, 1989

Four AT&T Plaza, Dallas, Texas 75202

**ACCESS SERVICE**

**7. Special Access Service (Cont'd)**

**7.5 Rates and Charges (Cont'd)**

x State specific rates previously appearing on this page now appear as aggregate

(This page filed under Transmittal No. 373 )

---

Issued: September 29, 1989

Effective: November 13, 1989

Four AT&T Plaza, Dallas, Texas 75202

**ACCESS SERVICE**

**7. Special Access Service (Cont'd)**

**7.5 Rates and Charges (Cont'd)**

x State specific rates previously appearing on this page now appear as aggregate

(This page filed under Transmittal No. 373 )

---

Issued: September 29, 1989

Effective: November 13, 1989

Four AT&T Plaza, Dallas, Texas 75202



**ACCESS SERVICE**

**7. Special Access Service (Cont'd)**

**7.5 Rates and Charges (Cont'd)**

- x State specific rates previously appearing on this page now appear as aggregate rates on 3rd Revised Page 372.

(This page filed under Transmittal No. 373 )

**ACCESS SERVICE**

**7. Special Access Service (Cont'd)**

**7.5 Rates and Charges (Cont'd)**

**7.5.7 Reserved for Future Use**

(T)

(D)

(D)

(This page filed under Transmittal No. 1818 )

**ACCESS SERVICE**

**7. Special Access Service (Cont'd)**

**7.5 Rates and Charges (Cont'd)**

**7.5.7 Reserved for Future Use (Cont'd)**

(T)

(D)

(D)

(This page filed under Transmittal No. 1818 )

**ACCESS SERVICE**

**7. Special Access Service (Cont'd)**

**7.5 Rates and Charges (Cont'd)**

x State specific rates previously appearing on this page now appear as aggregate

(This page filed under Transmittal No. 373 )

---

Issued: September 29, 1989

Effective: November 13, 1989

Four AT&T Plaza, Dallas, Texas 75202

**ACCESS SERVICE**

**7. Special Access Service (Cont'd)**

**7.5 Rates and Charges (Cont'd)**

x State specific rates previously appearing on this page now appear as aggregate

(This page filed under Transmittal No. 373 )

---

Issued: September 29, 1989

Effective: November 13, 1989

Four AT&T Plaza, Dallas, Texas 75202

**ACCESS SERVICE**

**7. Special Access Service (Cont'd)**

**7.5 Rates and Charges (Cont'd)**

x State specific rates previously appearing on this page now appear as aggregate

(This page filed under Transmittal No. 373 )

---

Issued: September 29, 1989

Effective: November 13, 1989

Four AT&T Plaza, Dallas, Texas 75202

**ACCESS SERVICE**

**7. Special Access Service (Cont'd)**

**7.5 Rates and Charges (Cont'd)**

x State specific rates previously appearing on this page now appear as aggregate

(This page filed under Transmittal No. 373 )

---

Issued: September 29, 1989

Effective: November 13, 1989

Four AT&T Plaza, Dallas, Texas 75202

**ACCESS SERVICE**

**7. Special Access Service (Cont'd)**

**7.5 Rates and Charges (Cont'd)**

x State specific rates previously appearing on this page now appear as aggregate

(This page filed under Transmittal No. 373 )

---

Issued: September 29, 1989

Effective: November 13, 1989

Four AT&T Plaza, Dallas, Texas 75202



**ACCESS SERVICE**

**7. Special Access Service (Cont'd)**

**7.5 Rates and Charges (Cont'd)**

x State specific rates previously appearing on this page now appear as aggregate

(This page filed under Transmittal No. 373 )

---

Issued: September 29, 1989

Effective: November 13, 1989

Four AT&T Plaza, Dallas, Texas 75202

**ACCESS SERVICE**

**7. Special Access Service (Cont'd)**

**7.5 Rates and Charges (Cont'd)**

x State specific rates previously appearing on this page now appear as aggregate

(This page filed under Transmittal No. 373 )

---

Issued: September 29, 1989

Effective: November 13, 1989

Four AT&T Plaza, Dallas, Texas 75202

**ACCESS SERVICE**

**7. Special Access Service (Cont'd)**

**7.5 Rates and Charges (Cont'd)**

State specific rates previously appearing on this page now appear as aggregate rates on 3rd Revised Page 386.

(This page filed under Transmittal No. 373 )

---

Issued: September 29, 1989

Effective: November 13, 1989

Four AT&T Plaza, Dallas, Texas 75202

7. Special Access Service (cont'd)

7.5 Rates and Charges (cont'd)

(D)

(D)

(This page filed under Transmittal No. 1289 )

7. Special Access Service (Cont'd)

7.5 Rates and Charges (Cont'd)

(D)

(D)

(This page filed under Transmittal No. 1289 )

---

Issued: February 20, 2002

Effective: March 7, 2002

Four AT&T Plaza, Dallas, Texas 75202

7. Special Access Service (Cont'd)

7.5 Rates and Charges (Cont'd)

(D)

(D)

(This page filed under Transmittal No. 1289 )

Issued: February 20, 2002

Effective: March 7, 2002

Four AT&T Plaza, Dallas, Texas 75202

7. Special Access Service (cont'd)

7.5 Rates and Charges (cont'd)

(D)

(D)

(This page filed under Transmittal No. 1289 )

---

Issued: February 20, 2002

Effective: March 7, 2002

Four AT&T Plaza, Dallas, Texas 75202

(This page filed under Transmittal No. 369 )

---

Issued: September 15, 1989

Effective: October 30, 1989

Four AT&T Plaza, Dallas, Texas 75202



7. Special Access Service (Cont'd)

7.5 Rates and Charges (Cont'd)

(D)

(D)

(This page filed under Transmittal No. 1289 )

---

Issued: February 20, 2002

Effective: March 7, 2002

Four AT&T Plaza, Dallas, Texas 75202

ACCESS SERVICE

7. Special Access Service (cont'd)

7.5 Rates and Charges (cont'd)

7.5.8 Direct Digital Service\* (cont'd)

State of Michigan	USOC	Monthly Rate	
(A) Local Distribution Channel			
- Per point of termination			
2.4 Kbps	T6ECS	\$110.00	R
4.8 Kbps	T6ECS	110.00	
9.6 Kbps	T6ECS	110.00	
56.0 Kbps	T6ECS	110.00	R
(B) Channel Mileage Termination			
- Per point of mileage termination			
2.4 Kbps	CM6	None	
4.8 Kbps	CM6	None	
9.6 Kbps	CM6	None	
56.0 Kbps	CM6	None	
(C) Channel Mileage			
- Per mile			
2.4 Kbps	1L5XX	\$1.40	R
4.8 Kbps	1L5XX	1.40	
9.6 Kbps	1L5XX	1.40	
56.0 Kbps	1L5XX	1.40	R

\* Direct Digital Service is limited to circuits in place as of February 26, 1999 and available only until January 1, 2000, at which time the service will no longer be available. For regulations specific to DDS availability, limitations and conversions, see Section 7.4.20 preceding.

(This page filed under Transmittal No. 1203 )

(This page filed under Transmittal No. 59 )

---

Issued: February 4, 1987

Effective: February 19, 1987

Four AT&T Plaza, Dallas, Texas 75202

**ACCESS SERVICE**

**7. Special Access Service (Cont'd)**

**7.5 Rates and Charges (Cont'd)**

**7.5.8 (Cont'd)**

(D)

(D)

(This page filed under Transmittal No. 1851 )

**ACCESS SERVICE**

**7. Special Access Service (Cont'd)**

**7.5 Rates and Charges (Cont'd)**

**7.5.8**

D

D

(This page filed under Transmittal No. 59 )

---

Issued: February 4, 1987

Effective: February 19, 1987

Four AT&T Plaza, Dallas, Texas 75202

7. Special Access Service (Cont'd)

7.5 Rates and Charges (Cont'd)

(D)

(D)

(This page filed under Transmittal No. 1289 )

---

Issued: February 20, 2002

Effective: March 7, 2002

Four AT&T Plaza, Dallas, Texas 75202

x Issued under authority of Special Permission No. 87-56

(This page filed under Transmittal No. 59 )

---

Issued: February 4, 1987

Effective: February 19, 1987

Four AT&T Plaza, Dallas, Texas 75202

## ACCESS SERVICE

## 7. Special Access Service (cont'd)

## 7.5 Rates and Charges (cont'd)

## 7.5.8 Direct Digital Service\* (cont'd)

State of Ohio	USOC	Monthly Rate	
(A) Local Distribution Channel			
- Per point of termination			
2.4 Kbps	T6ECS	\$110.00	R
4.8 Kbps	T6ECS	110.00	
9.6 Kbps	T6ECS	110.00	
56.0 Kbps	T6ECS	110.00	R
(B) Channel Mileage Termination			
- Per point of mileage termination			
2.4 Kbps	CM6	None	
4.8 Kbps	CM6	None	
9.6 Kbps	CM6	None	
56.0 Kbps	CM6	None	
(C) Channel Mileage			
- Per mile			
2.4 Kbps	1L5XX	\$1.40	R
4.8 Kbps	1L5XX	1.40	
9.6 Kbps	1L5XX	1.40	
56.0 Kbps	1L5XX	1.40	R

\* Direct Digital Service is limited to circuits in place as of February 26, 1999 and available only until January 1, 2000, at which time the service will no longer be available. For regulations specific to DDS availability, limitations and conversions, see Section 7.4.20 preceding.

(This page filed under Transmittal No. 1203 )



7. Special Access Service (Cont'd)

7.5 Rates and Charges (Cont'd)

(D)

(D)

(This page filed under Transmittal No. 1289 )

---

Issued: February 20, 2002

Effective: March 7, 2002

Four AT&T Plaza, Dallas, Texas 75202

7. Special Access Service (Cont'd)

7.5 Rates and Charges (Cont'd)

(D)

(D)

(This page filed under Transmittal No. 1289 )

---

Issued: February 20, 2002

Effective: March 7, 2002

Four AT&T Plaza, Dallas, Texas 75202

7. Special Access Service (cont'd)

7.5 Rates and Charges (cont'd)

(D)

(D)

(This page filed under Transmittal No. 1289 )

---

Issued: February 20, 2002

Effective: March 7, 2002

Four AT&T Plaza, Dallas, Texas 75202

7. Special Access Service (Cont'd)

7.5 Rates and Charges (Cont'd)

(D)

(D)

(This page filed under Transmittal No. 1289 )

---

Issued: February 20, 2002

Effective: March 7, 2002

Four AT&T Plaza, Dallas, Texas 75202

7. Special Access Service (Cont'd)

7.5 Rates and Charges (Cont'd)

(D)

(D)

(This page filed under Transmittal No. 1289 )

---

Issued: February 20, 2002

Effective: March 7, 2002

Four AT&T Plaza, Dallas, Texas 75202

7. Special Access Service (Cont'd)

7.5 Rates and Charges (Cont'd)

7.5.9 Base Rate Services, DS1 Service and DS3 Service

- Rates and Charges for Base Rate Services, DS1 Service and DS3 Service <sup>(1) (2)</sup> (N)

(A) Base Rate Service

	USOC	Monthly	Recurring Charges					Discount Commitment Program	
			12 Mo.**	24 Mo.**	36 Mo.	48 Mo.**	60 Mo.	36 Mo	60 Mo.
(1) Local Distribution Channel - Per Point of Termination Terminating Bit Rates 2.4, 4.8, 9.6, 19.2, 56.0 and 64.0 Kbps - All States	T6ECS	\$135.00	\$80.00	\$80.00	\$65.00	\$65.00	\$56.85	\$75.40	\$67.50
(2) DAL* - 56.0 Kbps - All States									
2-Wire	TNT72	\$117.00	\$95.00	\$95.00	\$70.00	\$70.00	\$65.00	\$78.85	\$74.70
4-Wire	T6ECS	\$117.00	\$95.00	\$95.00	\$70.00	\$70.00	\$65.00	\$78.85	\$74.70
(3) Channel Mileage Termination - Per Point of Mileage Termination - All States	CM6	21.40	14.00	14.00	10.00	10.00	9.00	12.00	10.75
(4) Channel Mileage - Per Mile - All States	1L5XX	2.15	1.00	1.00	.80	.80	.68	.96	.90

\* A Base Rate Service (56 Kbps) DAL is available only when used for terminating Public Switched Digital Service.

\*\* For 12 month Optional Payment Plans subscribed prior to February 26, 1999, and 24 and 48 month Optional Payment Plans subscribed to prior to July 1, 1999, see Section 7.5.16, following.

(1) Effective on September 13, 2017, 48- and 60-month Optional Payment Plans for DS1 and DS3 Services are no longer available, and Optional Payment Plans for Base Rate services are no longer available, including for any otherwise available renewals or conversions. Circuits already subject to an Optional Payment Plan, as of September 13, 2017, will continue to be provided under the then-current Optional Payment Plan term for the remainder of that term.

(2) Effective on September 13, 2017, 60-month DCP Payment Plans for DS1 Service are no longer available, and DCP Payment Plans for Base Rate Services are no longer available. Circuits already subject to a DCP Payment Plan, as of September 13, 2017, will continue to be provided under the then-current DCP term for the remainder of that term.

(N)  
|  
(N)

(This page filed under Transmittal No. 1862 )

ACCESS SERVICE

7. Special Access Service (Cont'd)

7.5 Rates and Charges (Cont'd)

7.5.9 Base Rate Services, DS1 Service and DS3 Service (Cont'd)

(A) Base Rate Service (Cont'd)

(5) Optional Features and Functions

	USOC	Monthly	12 Mo.*	Recurring Charges Optional Payment Plan				60 Mo.	
				24 Mo.*	36 Mo.	48 Mo.*			
(a) Central Office Bridging - Per Port - All States	B5NGF	\$25.00	\$20.00	\$20.00	\$17.00	\$17.00	\$15.00		
(b) NRS <sup>(1)</sup> System Location Port Termination - Per Base Rate Termination - All States	PT5	20.00	19.00	18.00	17.00	16.50	16.00	(C) (C)	
(c) Secondary Channel - Per Local Distribution Channel (2.4, 4.8, 9.6 and 56.0** Kbps) - All States	SCA	Monthly Rate		Nonrecurring Charge					
		\$0.00		None					

\* For 12 month Optional Payment Plans subscribed to prior to February 26, 1999, and 24 and 48 month Optional Payment Plans subscribed to prior to July 1, 1999, see Section 7.5.16 following.

\*\* Since all 56.0 Kbps lines are not capable of furnishing Secondary Channel Services, a service inquiry must be made to determine availability.

(1) Effective December 5, 2018, Network Reconfiguration Service (NRS) will no longer be available for purchase by new or existing customers, and NRS service agreements may no longer be renewed. Effective July 31, 2022, the Telephone Company will no longer accept new requests for physical changes to existing service arrangements including the upgrade or downgrade of access/port speed, installation of new service, or moves to different service addresses. (N)  
(N)

(This page filed under Transmittal No. 1874 )

ACCESS SERVICE

7. Special Access Service (Cont'd)

7.5 Rates and Charges (Cont'd)

7.5.9 Base Rate Services, DS1 Service and DS3 Service (Cont'd)

(A) Base Rate Service (Cont'd)

(5) Optional Features and Functions (Cont'd)

	USOC	Nonrecurring Charges Customer Requested Response Time in Work Days		
		3 Day	1 Day	
(d) Cross-Connection of Services				
DSO to DSO (Base Rate to Base Rate) Cross-Connect				(T)
- All States	CX903	\$150.00		(T)
	CX901		\$200.00	
	USOC	Nonrecurring Charge		
(e) Shared Network Arrangement				
- Processing Charge Per Service Order				
- All States	NRBOP		\$30.00	

(This page filed under Transmittal No. 1357 )



ACCESS SERVICE

**7. Special Access Service (cont'd)**

**7.5 Rates and Charges (cont'd)**

**7.5.9 Base Rate Services, DS1 Service and DS3 Service (Cont'd)**

**(A) Base Rate Service (Cont'd)**

(D)

(D)

(This page filed under Transmittal No. 1851 )

## 7. Special Access Service (Cont'd)

(N)

## 7.5 Rates and Charges (Cont'd)

## 7.5.9 Base Rate Services, DS1 Service and DS3 Service (Cont'd)

## (B) DS1 Service

(1) Local Distribution Channel - Per Point of Termination - Terminating Bit Rate  
(a) 1.544 Mbps;

	USOC	Monthly	12 Mo.	24 Mo.	Recurring Charges			Discount Commitment Program*	
					Optional Payment Plan*			36 Mo.	60 Mo.
Illinois									
Zone 1	TZ4X1	255.00	190.00	130.00	102.00	102.00	90.00	117.00	104.00
Zone 2	TZ4X2	265.00	205.00	140.00	110.00	110.00	97.00	127.00	112.00
Zone 3	TZ4X3	280.00	215.00	155.00	120.00	120.00	105.00	138.00	121.00
Zone 4	TZ4X4	305.00	230.00	165.00	122.50	122.50	107.50	141.00	121.00(R)
Zone 5	TZ4X5	325.00	250.00	175.00	125.00	125.00	109.75	144.00	123.00(R)
Indiana									
Zone 1	TZ4X1	275.00	212.00	147.50	113.00	113.00	102.00	130.00	117.00
Zone 2	TZ4X2	285.00	230.00	157.50	122.00	122.00	110.00	140.00	127.00
Zone 3	TZ4X3	300.00	249.00	175.00	134.00	134.00	120.00	154.00	138.00
Zone 4	TZ4X4	325.00	275.00	185.00	138.00	138.00	124.00	159.00	140.00(R)
Zone 5	TZ4X5	345.00	300.00	200.00	141.00	141.00	118.00	162.00	142.00(R)
Michigan									
Zone 1	TZ4X1	270.00	200.00	140.00	108.00	108.00	98.00	124.00	113.00
Zone 2	TZ4X2	280.00	210.00	150.00	117.00	117.00	106.00	135.00	122.00
Zone 3	TZ4X3	290.00	235.00	165.00	129.00	129.00	115.00	148.00	132.00
Zone 4	TZ4X4	321.00	265.00	175.00	132.00	132.00	118.00	152.00	133.00(R)
Zone 5	TZ4X5	344.00	275.00	190.00	135.00	135.00	118.00	155.00	136.00(R)
Ohio									
Zone 1	TZ4X1	270.00	200.00	140.00	108.00	108.00	98.00	124.00	113.00
Zone 2	TZ4X2	280.00	210.00	150.00	117.00	117.00	106.00	135.00	122.00
Zone 3	TZ4X3	290.00	235.00	165.00	129.00	129.00	115.00	148.00	132.00
Zone 4	TZ4X4	321.00	265.00	175.00	132.00	132.00	118.00	152.00	133.00(R)
Zone 5	TZ4X5	344.00	275.00	190.00	135.00	135.00	118.00	155.00	136.00(R)
Wisconsin									
Zone 1	TZ4X1	275.00	212.00	147.50	113.00	113.00	102.00	130.00	117.00
Zone 2	TZ4X2	285.00	230.00	157.50	122.00	122.00	110.00	140.00	127.00
Zone 3	TZ4X3	300.00	249.00	175.00	134.00	134.00	120.00	154.00	138.00
Zone 4	TZ4X4	325.00	275.00	185.00	138.00	138.00	124.00	159.00	140.00(R)
Zone 5	TZ4X5	345.00	300.00	200.00	141.00	141.00	118.00	162.00	142.00(R)

\* For all Optional Payment Plans and Discount Commitment Programs subscribed to prior to November 18, 2000, see Section 7.5.16.

(N)

(This page filed under Transmittal No. 1872 )

7. Special Access Service (Cont'd)

7.5 Rates and Charges (Cont'd)

7.5.9 Base Rate Services, DS1 Service and DS3 Service (Cont'd)

(B) DS1 Service

(1) Local Distribution Channel - Per Point of Termination - Terminating Bit Rate  
(b) 128, 256, 384, 512, 768 kbps<sup>(1)</sup>

(C)(X)

	USOC	Monthly	12 Mo.	24 Mo.	Recurring Charges			Discount Commitment Program*	
					Optional Payment Plan*			36 Mo.	60 Mo.
					36 Mo.	48 Mo.	60 Mo.	36 Mo.	60 Mo.
Illinois									
Zone 1	TZ4X1	250.00(R)	190.00	130.00	102.00	102.00	90.00	117.00	104.00
Zone 2	TZ4X2	260.00(R)	205.00	140.00	110.00	110.00	97.00	127.00	112.00
Zone 3	TZ4X3	275.00(R)	215.00	155.00	120.00	120.00	105.00	138.00	121.00
Zone 4	TZ4X4	300.00(R)	230.00	165.00	122.50	122.50	107.50	141.00	124.00
Zone 5	TZ4X5	320.00(R)	250.00	175.00	125.00	125.00	109.75	144.00	126.00
Indiana									
Zone 1	TZ4X1	270.00(R)	212.00	147.50	113.00	113.00	102.00	130.00	117.00
Zone 2	TZ4X2	280.00(R)	230.00	157.50	122.00	122.00	110.00	140.00	127.00
Zone 3	TZ4X3	295.00(R)	249.00	175.00	134.00	134.00	120.00	154.00	138.00
Zone 4	TZ4X4	320.00(R)	275.00	185.00	138.00	138.00	124.00	159.00	143.00
Zone 5	TZ4X5	340.00(R)	300.00	200.00	141.00	141.00	118.00	162.00	145.50
Michigan									
Zone 1	TZ4X1	265.00(R)	200.00	140.00	108.00	108.00	98.00	124.00	113.00
Zone 2	TZ4X2	275.00(R)	210.00	150.00	117.00	117.00	106.00	135.00	122.00
Zone 3	TZ4X3	285.00(R)	235.00	165.00	129.00	129.00	115.00	148.00	132.00
Zone 4	TZ4X4	315.00(R)	265.00	175.00	132.00	132.00	118.00	152.00	136.00
Zone 5	TZ4X5	335.00(R)	275.00	190.00	135.00	135.00	118.00	155.00	139.00
Ohio									
Zone 1	TZ4X1	265.00(R)	200.00	140.00	108.00	108.00	98.00	124.00	113.00
Zone 2	TZ4X2	275.00(R)	210.00	150.00	117.00	117.00	106.00	135.00	122.00
Zone 3	TZ4X3	285.00(R)	235.00	165.00	129.00	129.00	115.00	148.00	132.00
Zone 4	TZ4X4	315.00(R)	265.00	175.00	132.00	132.00	118.00	152.00	136.00
Zone 5	TZ4X5	335.00(R)	275.00	190.00	135.00	135.00	118.00	155.00	139.00
Wisconsin									
Zone 1	TZ4X1	270.00(R)	212.00	147.50	113.00	113.00	102.00	130.00	117.00
Zone 2	TZ4X2	280.00(R)	230.00	157.50	122.00	122.00	110.00	140.00	127.00
Zone 3	TZ4X3	295.00(R)	249.00	175.00	134.00	134.00	120.00	154.00	138.00
Zone 4	TZ4X4	320.00(R)	275.00	185.00	138.00	138.00	124.00	159.00	143.00
Zone 5	TZ4X5	340.00(R)	300.00	200.00	141.00	141.00	118.00	162.00	145.50

\* For all Optional Payment Plans and Discount Commitment Programs subscribed to prior to November 18, 2000, see Section 7.5.16.

<sup>(1)</sup> Effective October 27, 2016, 128.0, 256.0, 384.0, 512.0 and 768.0 Kbps transport is limited to existing Customers for existing service arrangements; no new or additional term commitments of any kind, including any otherwise available renewals, will be available; and no move, add, or change orders will be accepted.

(x) A separate rate table for 1.544 MBPS service was established effective October 1, 2018 and can be found on page 410.4.

(This page filed under Transmittal No. 1872 )

7. Special Access Service (Cont'd)

7.5 Rates and Charges (Cont'd)

7.5.9 Base Rate Services, DS1 Service and DS3 Service (Cont'd)

(B) DS1 Service (Cont'd)

(2) DAL\*\* (1.544 Mbps)

	USOC	Monthly	12 Mo.	Recurring Charges				Discount Commitment Program*		(Tx)
				Optional Payment Plan*				36 Mo.	60 Mo.	
				24 Mo.	36 Mo.	48 Mo.	60 Mo.			
Illinois										
Zone 1	TZ4X1	250.00	190.00	130.00	102.00	102.00	90.00	117.00	104.00	
Zone 2	TZ4X2	260.00	205.00	140.00	110.00	110.00	97.00	127.00	112.00	
Zone 3	TZ4X3	275.00	215.00	155.00	120.00	120.00	105.00	138.00	121.00	
Zone 4	TZ4X4	300.00	230.00	165.00	122.50	122.50	107.50	141.00	124.00	
Zone 5	TZ4X5	320.00	250.00	175.00	125.00	125.00	110.00	144.00	127.00	
Indiana										
Zone 1	TZ4X1	270.00	212.00	147.50	113.00	113.00	102.00	130.00	117.00	
Zone 2	TZ4X2	280.00	230.00	157.50	122.00	122.00	110.00	140.00	127.00	
Zone 3	TZ4X3	295.00	249.00	175.00	134.00	134.00	120.00	154.00	138.00	
Zone 4	TZ4X4	320.00	275.00	185.00	138.00	138.00	124.00	159.00	143.00	
Zone 5	TZ4X5	340.00	300.00	200.00	141.00	141.00	127.00	162.00	146.00	
Michigan										
Zone 1	TZ4X1	265.00	200.00	140.00	108.00	108.00	98.00	124.00	113.00	
Zone 2	TZ4X2	275.00	210.00	150.00	117.00	117.00	106.00	135.00	122.00	
Zone 3	TZ4X3	285.00	235.00	165.00	129.00	129.00	115.00	148.00	132.00	
Zone 4	TZ4X4	315.00	265.00	175.00	132.00	132.00	118.00	152.00	136.00	
Zone 5	TZ4X5	335.00	275.00	190.00	135.00	135.00	121.00	155.00	139.00	
Ohio										
Zone 1	TZ4X1	265.00	200.00	140.00	108.00	108.00	98.00	124.00	113.00	
Zone 2	TZ4X2	275.00	210.00	150.00	117.00	117.00	106.00	135.00	122.00	
Zone 3	TZ4X3	285.00	235.00	165.00	129.00	129.00	115.00	148.00	132.00	
Zone 4	TZ4X4	315.00	265.00	175.00	132.00	132.00	118.00	152.00	136.00	
Zone 5	TZ4X5	335.00	275.00	190.00	135.00	135.00	121.00	155.00	139.00	
Wisconsin										
Zone 1	TZ4X1	270.00	212.00	147.50	113.00	113.00	102.00	130.00	117.00	
Zone 2	TZ4X2	280.00	230.00	157.50	122.00	122.00	110.00	140.00	127.00	
Zone 3	TZ4X3	295.00	249.00	175.00	134.00	134.00	120.00	154.00	138.00	
Zone 4	TZ4X4	320.00	275.00	185.00	138.00	138.00	124.00	159.00	143.00	
Zone 5	TZ4X5	340.00	300.00	200.00	141.00	141.00	127.00	162.00	146.00	

\* For all Optional Payment Plans and Discount Commitment Programs subscribed to prior to November 18, 2000, see Section 7.5.16 following. (Tx)

\*\* An Ameritech DS1 DAL is available only when the WATS serving office is an appropriately equipped digital switch.

(Tx)  
 (Tx)

(x) Issued under authority of Special Permission No. 14-001 of the FCC in order to withdraw material filed under Transmittal No. 1803 and suspended under Order DA-13-2349, released December 9, 2013, without its becoming effective and to restore currently effective material.

(This page filed under Transmittal No. 1806 )

7. Special Access Service (Cont'd)

7.5 Rates and Charges (Cont'd)

7.5.9 Base Rate Services, DS1 Service and DS3 Service (Cont'd)

(B) DS1 Service (Cont'd)

(3) Channel Mileage Termination

	USOC	Monthly	12 Mo.	Recurring Charges Optional Payment Plan*				Discount Commitment Program*		(Tx)
				24 Mo.	36 Mo.	48 Mo.	60 Mo.	36 Mo.	60 Mo.	
-	Per Point of Termination									
-	1.544 Mbps									
Illinois										
	Zone 1	CZ4X1	102.50	68.00	45.00	35.00	35.00	21.00	40.25	24.15
	Zone 2	CZ4X2	104.50	70.00	47.00	37.00	37.00	21.50	42.55	24.73
	Zone 3	CZ4X3	104.50	72.00	49.00	39.00	39.00	23.00	44.85	26.45
	Zone 4	CZ4X4	110.00	74.00	51.00	41.00	41.00	25.00	47.15	28.75
	Zone 5	CZ4X5	113.00	76.00	53.00	43.00	43.00	27.00	49.45	31.05
Indiana										
	Zone 1	CZ4X1	106.00	70.00	47.00	37.00	37.00	23.00	42.55	26.45
	Zone 2	CZ4X2	108.00	72.00	49.00	39.00	39.00	23.50	44.85	27.03
	Zone 3	CZ4X3	108.00	74.00	51.00	41.00	41.00	25.00	47.15	28.75
	Zone 4	CZ4X4	113.00	76.00	53.00	43.00	43.00	27.00	49.45	31.05
	Zone 5	CZ4X5	117.00	78.00	55.00	45.00	45.00	29.00	51.75	33.35
Michigan										
	Zone 1	CZ4X1	104.00	69.50	49.00	36.00	36.00	21.75	41.40	25.01
	Zone 2	CZ4X2	106.00	71.50	51.00	38.00	38.00	22.25	43.70	25.59
	Zone 3	CZ4X3	106.00	73.50	53.00	40.00	40.00	23.75	46.00	27.31
	Zone 4	CZ4X4	111.00	75.50	55.00	42.00	42.00	25.75	48.30	29.61
	Zone 5	CZ4X5	115.00	77.50	57.00	44.00	44.00	27.75	50.60	31.91
Ohio										
	Zone 1	CZ4X1	104.00	69.50	49.00	36.00	36.00	21.75	41.40	25.01
	Zone 2	CZ4X2	106.00	71.50	51.00	38.00	38.00	22.25	43.70	25.59
	Zone 3	CZ4X3	106.00	73.50	53.00	40.00	40.00	23.75	46.00	27.31
	Zone 4	CZ4X4	111.00	75.50	55.00	42.00	42.00	25.75	48.30	29.61
	Zone 5	CZ4X5	115.00	77.50	57.00	44.00	44.00	27.75	50.60	31.91
Wisconsin										
	Zone 1	CZ4X1	106.00	70.00	47.00	37.00	37.00	23.00	42.55	26.45
	Zone 2	CZ4X2	108.00	72.00	49.00	39.00	39.00	23.50	44.85	27.03
	Zone 3	CZ4X3	108.00	74.00	51.00	41.00	41.00	25.00	47.15	28.75
	Zone 4	CZ4X4	113.00	76.00	53.00	43.00	43.00	27.00	49.45	31.05
	Zone 5	CZ4X5	117.00	78.00	55.00	45.00	45.00	29.00	51.75	33.35

\* For all Optional Payment Plans and Discount Commitment Programs subscribed to prior to November 18, 2000, see Section 7.5.16 following.

(Tx)  
 (Tx)  
 (Tx)

(x) Issued under authority of Special Permission No. 14-001 of the FCC in order to withdraw material filed under Transmittal No. 1803 and suspended under Order DA-13-2349, released December 9, 2013, without its becoming effective and to restore currently effective material.

(This page filed under Transmittal No. 1806 )

ACCESS SERVICE

7. Special Access Service (Cont'd)

7.5 Rates and Charges (Cont'd)

7.5.9 Base Rate Services, DS1 Service and DS3 Service (Cont'd)

(B) DS1 Service (Cont'd)

(3) Channel Mileage Termination (Cont'd)

USOC Monthly

-Per Point of Termination

-128.0, 256.0, 384.0, 512.0 and 768.0 Kbps<sup>(1)</sup>

(N)

Illinois

Zone 1	CZ4X1	35.00
Zone 2	CZ4X2	35.00
Zone 3	CZ4X3	35.00
Zone 4	CZ4X4	35.00
Zone 5	CZ4X5	35.00

Indiana

Zone 1	CZ4X1	35.00
Zone 2	CZ4X2	35.00
Zone 3	CZ4X3	35.00
Zone 4	CZ4X4	35.00
Zone 5	CZ4X5	35.00

Michigan

Zone 1	CZ4X1	35.00
Zone 2	CZ4X2	35.00
Zone 3	CZ4X3	35.00
Zone 4	CZ4X4	35.00
Zone 5	CZ4X5	35.00

Ohio

Zone 1	CZ4X1	35.00
Zone 2	CZ4X2	35.00
Zone 3	CZ4X3	35.00
Zone 4	CZ4X4	35.00
Zone 5	CZ4X5	35.00

Wisconsin

Zone 1	CZ4X1	35.00
Zone 2	CZ4X2	35.00
Zone 3	CZ4X3	35.00
Zone 4	CZ4X4	35.00
Zone 5	CZ4X5	35.00

<sup>(1)</sup> Effective October 27, 2016, 128.0, 256.0, 384.0, 512.0 and 768.0 Kbps transport is limited to existing Customers for existing service arrangements; no new or additional term commitments of any kind, including any otherwise available renewals, will be available; and no move, add, or change orders will be accepted.

(N)  
 (N)  
 (N)

(This page filed under Transmittal No. 1854 )

7. Special Access Service (Cont'd)

7.5 Rates and Charges (Cont'd)

7.5.9 Base Rate Services, DS1 Service and DS3 Service (Cont'd)

(B) DS1 Service (Cont'd)

	USOC	Channel Mileage	Recurring Charges					Discount Commitment Program*		(Tx)
			Monthly	12 Mo.	Optional Payment Plan*	24 Mo.	36 Mo.	48 Mo.	60 Mo.	
- Per Mile										
- 1.544 Mbps										
Illinois										
Zone 1	1YZX1		27.90	24.00	17.00	13.25	13.25	11.00	15.24	12.65
Zone 2	1YZX2		29.00	24.50	18.00	13.45	13.45	11.10	15.47	12.77
Zone 3	1YZX3		32.10	25.00	19.00	13.65	13.65	11.20	15.81	12.88
Zone 4	1YZX4		35.10	26.00	20.00	13.85	13.85	11.30	15.93	13.00
Zone 5	1YZX5		37.90	29.00	21.00	14.05	14.05	11.40	16.16	13.11
Indiana										
Zone 1	1YZX1		27.10	24.25	17.25	13.50	13.50	11.25	15.53	12.94
Zone 2	1YZX2		29.20	24.75	18.25	13.70	13.70	11.35	15.76	13.05
Zone 3	1YZX3		32.40	25.25	19.25	13.90	13.90	11.45	15.99	13.17
Zone 4	1YZX4		35.40	26.25	20.25	14.10	14.10	11.55	16.22	13.28
Zone 5	1YZX5		38.20	29.25	21.25	14.30	14.30	11.65	16.45	13.40
Michigan										
Zone 1	1YZX1		28.00	24.15	17.15	13.40	13.40	11.20	15.41	12.88
Zone 2	1YZX2		29.10	24.65	18.15	13.60	13.60	11.30	15.64	13.00
Zone 3	1YZX3		32.20	25.15	19.15	13.80	13.80	11.40	15.87	13.11
Zone 4	1YZX4		35.20	26.15	20.15	14.00	14.00	11.50	16.10	13.23
Zone 5	1YZX5		38.10	29.15	21.15	14.20	14.20	11.60	16.33	13.34
Ohio										
Zone 1	1YZX1		28.00	24.15	17.15	13.40	13.40	11.20	15.41	12.88
Zone 2	1YZX2		29.10	24.65	18.15	13.60	13.60	11.30	15.64	13.00
Zone 3	1YZX3		32.20	25.15	19.15	13.80	13.80	11.40	15.87	13.11
Zone 4	1YZX4		35.20	26.15	20.15	14.00	14.00	11.50	16.10	13.23
Zone 5	1YZX5		38.10	29.15	21.15	14.20	14.20	11.60	16.33	13.34
Wisconsin										
Zone 1	1YZX1		28.10	24.25	17.25	13.50	13.50	11.25	15.53	12.94
Zone 2	1YZX2		29.20	24.75	18.25	13.70	13.70	11.35	15.76	13.05
Zone 3	1YZX3		32.40	25.25	19.25	13.90	13.90	11.45	15.99	13.17
Zone 4	1YZX4		35.40	26.25	20.25	14.10	14.10	11.55	16.22	13.28
Zone 5	1YZX5		38.20	29.25	21.25	14.30	14.30	11.65	16.45	13.40

\* For all Optional Payment Plans and Discount Commitment Programs subscribed to prior to November 18, 2000, see Section 7.5.16 following.

(Tx)

(Tx)

(Tx)

(x) Issued under authority of Special Permission No. 14-001 of the FCC in order to withdraw material filed under Transmittal No. 1803 and suspended under Order DA-13-2349, released December 9, 2013, without its becoming effective and to restore currently effective material.

(This page filed under Transmittal No. 1806 )

ACCESS SERVICE

7. Special Access Service (Cont'd)

7.5 Rates and Charges (Cont'd)

7.5.9 Base Rate Services, DS1 Service and DS3 Service (Cont'd)

(B) DS1 Service (Cont'd)

(4) Channel Mileage (Cont'd)

USOC Monthly

-Per Mile

-128.0, 256.0, 384.0, 512.0 and 768.0 Kbps<sup>(1)</sup>

(N)

Illinois

Zone 1	1YZX1	9.50
Zone 2	1YZX2	9.50
Zone 3	1YZX3	9.50
Zone 4	1YZX4	9.50
Zone 5	1YZX5	9.50

Indiana

Zone 1	1YZX1	9.50
Zone 2	1YZX2	9.50
Zone 3	1YZX3	9.50
Zone 4	1YZX4	9.50
Zone 5	1YZX5	9.50

Michigan

Zone 1	1YZX1	9.50
Zone 2	1YZX2	9.50
Zone 3	1YZX3	9.50
Zone 4	1YZX4	9.50
Zone 5	1YZX5	9.50

Ohio

Zone 1	1YZX1	9.50
Zone 2	1YZX2	9.50
Zone 3	1YZX3	9.50
Zone 4	1YZX4	9.50
Zone 5	1YZX5	9.50

Wisconsin

Zone 1	1YZX1	9.50
Zone 2	1YZX2	9.50
Zone 3	1YZX3	9.50
Zone 4	1YZX4	9.50
Zone 5	1YZX5	9.50

<sup>(1)</sup> Effective October 27, 2016, 128.0, 256.0, 384.0, 512.0 and 768.0 Kbps transport is limited to existing Customers for existing service arrangements; no new or additional term commitments of any kind, including any otherwise available renewals, will be available; and no move, add, or change orders will be accepted.

(N)  
 (N)  
 (N)

(This page filed under Transmittal No. 1854 )



## ACCESS SERVICE

## 7. Special Access Service (Cont'd)

## 7.5 Rates and Charges (Cont'd)

## 7.5.9 Base Rate Services, DS1 Service and DS3 Service (Cont'd) (T)

## (B) DS1 Service (T)

## (5) Optional Features and Functions

## (a) Clear Channel Capability – per 1.544 Mbps Circuit Arranged\*

	USOC	Nonrecurring Charge	Monthly
Illinois			
Zone 1	CLYX1	None	None
Zone 2	CLYX2	None	None
Zone 3	CLYX3	None	None
Zone 4	CLYX4	None	None
Zone 5	CLYX5	None	None
Indiana			
Zone 1	CLYX1	None	None
Zone 2	CLYX2	None	None
Zone 3	CLYX3	None	None
Zone 4	CLYX4	None	None
Zone 5	CLYX5	None	None
Michigan			
Zone 1	CLYX1	None	None
Zone 2	CLYX2	None	None
Zone 3	CLYX3	None	None
Zone 4	CLYX4	None	None
Zone 5	CLYX5	None	None
Ohio			
Zone 1	CLYX1	None	None
Zone 2	CLYX2	None	None
Zone 3	CLYX3	None	None
Zone 4	CLYX4	None	None
Zone 5	CLYX5	None	None
Wisconsin			
Zone 1	CLYX1	None	None
Zone 2	CLYX2	None	None
Zone 3	CLYX3	None	None
Zone 4	CLYX4	None	None
Zone 5	CLYX5	None	None

\*This charge applies whether the Ameritech DS1 circuit is end-to-end or multiplexed on to a higher speed service.

The previous heading of "All States" has now been expanded to include each state served by the Ameritech Operating Companies.

(This page filed under Transmittal No. 1357 )

7. Special Access Service (Cont'd)

7.5 Rates and Charges (Cont'd)

7.5.9 Base Rate Services, DS1 Service and DS3 Service (Cont'd)

(B) DS1 Service (Cont'd)

(5) Optional Features and Functions (Cont'd)

(b) Reserved for Future Use

(C)

(D)

(D)

(This page filed under Transmittal No. 1760 )

ACCESS SERVICE

7. Special Access Service (Cont'd)

7.5 Rates and Charges (Cont'd)

7.5.9 Base Rate Services, DS1 Service and DS3 Service (Cont'd)

(B) DS1 Service

(5) Optional Features and Functions

(c) Reserved for Future Use

(T)

(D)

(D)

(This page filed under Transmittal No. 1851 )

ACCESS SERVICE

7. Special Access Service (Cont'd)

7.5 Rates and Charges (Cont'd)

7.5.9 Base Rate Services, DS1 Service and DS3 Service (Cont'd)

(B) DS1 Service (Cont'd)

(5) Optional Features and Functions (Cont'd)

(c) Reserved for Future Use (Cont'd)

(T)

(D)

(D)

(This page filed under Transmittal No. 1851 )

ACCESS SERVICE

7. Special Access Service (Cont'd)

7.5 Rates and Charges (Cont'd)

7.5.9 Base Rate Services, DS1 Service and DS3 Service (Cont'd)

(B) DS1 Service (Cont'd)

(5) Optional Features and Functions (Cont'd)

(d) Interconnection Central Office Multiplexing

-DS1 to Voice/Base Rate/128.0, 256.0, 384.0, 512.0, 768.0 Kbps Transport\*\* (1) (N)

	USOC	Monthly	12 Mo.	Recurring Charges				Discount Commitment Program*	
				Optional Payment Plan *				36 Mo.	60 Mo.
				24 Mo.	36 Mo.	48 Mo.	60 Mo.		
Illinois									
Zone 1	QMVX1	432.00	265.00	252.00	191.00	191.00	168.00	220.00	193.00
Zone 2	QMVX2	436.00	267.00	255.00	193.00	193.00	170.00	222.00	196.00
Zone 3	QMVX3	463.00	281.00	268.00	200.00	200.00	176.00	230.00	202.00
Zone 4	QMVX4	510.00	299.00	285.00	210.00	210.00	186.00	242.00	214.00
Zone 5	QMVX5	520.00	306.00	292.00	215.00	215.00	190.00	247.00	219.00
Indiana									
Zone 1	QMVX1	447.00	274.00	262.00	199.00	199.00	175.00	229.00	201.00
Zone 2	QMVX2	452.00	277.00	265.00	201.00	201.00	177.00	231.00	204.00
Zone 3	QMVX3	480.00	291.00	278.00	208.00	208.00	184.00	239.00	212.00
Zone 4	QMVX4	530.00	310.00	296.00	219.00	219.00	193.00	252.00	222.00
Zone 5	QMVX5	540.00	318.00	303.00	224.00	224.00	198.00	258.00	228.00
Michigan									
Zone 1	QMVX1	440.00	270.00	257.00	195.00	195.00	172.00	224.00	198.00
Zone 2	QMVX2	444.00	272.00	260.00	197.00	197.00	173.00	227.00	199.00
Zone 3	QMVX3	471.00	286.00	273.00	204.00	204.00	180.00	235.00	207.00
Zone 4	QMVX4	520.00	304.00	291.00	214.00	214.00	190.00	246.00	219.00
Zone 5	QMVX5	530.00	312.00	298.00	220.00	220.00	194.00	253.00	223.00
Ohio									
Zone 1	QMVX1	440.00	270.00	257.00	195.00	195.00	172.00	224.00	198.00
Zone 2	QMVX2	444.00	272.00	260.00	197.00	197.00	173.00	227.00	199.00
Zone 3	QMVX3	471.00	286.00	273.00	204.00	204.00	180.00	235.00	207.00
Zone 4	QMVX4	520.00	304.00	291.00	214.00	214.00	190.00	246.00	219.00
Zone 5	QMVX5	530.00	312.00	298.00	220.00	220.00	194.00	253.00	223.00

\* For all Optional Payment Plans and Discount Commitment Programs subscribed to prior to November 18, 2000, see Section 7.5.16. (D)

\*\* A channel of this Ameritech DS1 to the hub may be used for Program Audio or Dedicated Access Line Service. Multiple channels may be required to provide individual Program Audio Channels.

(1) Effective October 27, 2016, 128.0, 256.0, 384.0, 512.0 and 768.0 Kbps transport is limited to existing Customers for existing service arrangements; no new or additional term commitments of any kind, including any otherwise available renewals, will be available; and no move, add, or change orders will be accepted. (N)  
 (N)  
 (N)

(This page filed under Transmittal No. 1854 )

ACCESS SERVICE

7. Special Access Service (Cont'd)

7.5 Rates and Charges (Cont'd)

7.5.9 Base Rate Services, DS1 Service and DS3 Service (Cont'd)

(B) DS1 Service (Cont'd)

(5) Optional Features and Functions (Cont'd)

(d) Interconnection Central Office Multiplexing (Cont'd)

- DS1 to Voice/Base Rate/128.0, 256.0, 384.0, 512.0, 768.0 Kbps Transport\*\* (1) (Cont'd) (N)

	USOC	Recurring Charges						Discount Commitment Program*	
		Monthly	12 Mo.	Optional Payment Plan *				36 Mo.	60 Mo.
				24 Mo.	36 Mo.	48 Mo.	60 Mo.		
Wisconsin									
Zone 1	QMVX1	447.00	274.00	262.00	199.00	199.00	175.00	229.00	201.00
Zone 2	QMVX2	452.00	277.00	265.00	201.00	201.00	177.00	231.00	204.00
Zone 3	QMVX3	480.00	291.00	278.00	208.00	208.00	184.00	239.00	212.00
Zone 4	QMVX4	530.00	310.00	296.00	219.00	219.00	193.00	252.00	222.00
Zone 5	QMVX5	540.00	318.00	303.00	224.00	224.00	198.00	258.00	228.00

\* For all Optional Payment Plans and Discount Commitment Programs subscribed to prior to November 18,2000, see Section 7.5.16. (D)

\*\* A channel of this Ameritech DS1 to the hub may be used for Program Audio or Dedicated Access Line Service. Multiple channels may be required to provide individual Program Audio Channels.

(1) Effective October 27, 2016, 128.0, 256.0, 384.0, 512.0 and 768.0 Kbps transport is limited to existing Customers for existing service arrangements; no new or additional term commitments of any kind, including any otherwise available renewals, will be available; and no move, add, or change orders will be accepted. (N)  
 (N)  
 (N)

(This page filed under Transmittal No. 1854 )

7. Special Access Service (Cont'd)

7.5 Rates and Charges (Cont'd)

(D)

(D)

(This page filed under Transmittal No. 1289 )

---

Issued: February 20, 2002

Effective: March 7, 2002

Four AT&T Plaza, Dallas, Texas 75202

7. Special Access Service (Cont'd)

7.5 Rates and Charges (Cont'd)

(D)

(D)

(This page filed under Transmittal No. 1289 )

---

Issued: February 20, 2002

Effective: March 7, 2002

Four AT&T Plaza, Dallas, Texas 75202



7. Special Access Service (Cont'd)

7.5 Rates and Charges (Cont'd)

(D)

(D)

(This page filed under Transmittal No. 1289 )

---

Issued: February 20, 2002

Effective: March 7, 2002

Four AT&T Plaza, Dallas, Texas 75202

7. Special Access Service (Cont'd)

7.5 Rates and Charges (Cont'd)

(D)

(D)

(This page filed under Transmittal No. 1289 )

---

Issued: February 20, 2002

Effective: March 7, 2002

Four AT&T Plaza, Dallas, Texas 75202

7. Special Access Service (Cont'd)

7.5 Rates and Charges (Cont'd)

7.5.9 Base Rate Services, DS1 Service and DS3 Service (Cont'd)

(B) DS1 Service

(5) Optional Features and Functions

(T)

(e)

(T)

(This page filed under Transmittal No. 1357 )

## 7. Special Access Service (Cont'd)

## 7.5 Rates and Charges (Cont'd)

## 7.5.9 Base Rate Services, DS1 Service and DS3 Service (Cont'd)

(T)

## (B) DS1 Service (Cont'd)

(T)

## (5) Optional Features and Functions (Cont'd)

## (f) Cross-Connection of Services

## – DS1 to DS1 Cross-Connect

		Nonrecurring	USOCCharge
Illinois – 1 Day Response			
Zone 1	CCUA1	325.00	
Zone 2	CCUA2	325.00	
Zone 3	CCUA3	325.00	
Zone 4	CCUA4	325.00	
Zone 5	CCUA5	325.00	
Indiana – 1 Day Response			
Zone 1	CCUA1	325.00	
Zone 2	CCUA2	325.00	
Zone 3	CCUA3	325.00	
Zone 4	CCUA4	325.00	
Zone 5	CCUA5	325.00	
Michigan – 1 Day Response			
Zone 1	CCUA1	325.00	
Zone 2	CCUA2	325.00	
Zone 3	CCUA3	325.00	
Zone 4	CCUA4	325.00	
Zone 5	CCUA5	325.00	
Ohio – 1 Day Response			
Zone 1	CCUA1	325.00	
Zone 2	CCUA2	325.00	
Zone 3	CCUA3	325.00	
Zone 4	CCUA4	325.00	
Zone 5	CCUA5	325.00	
Wisconsin – 1 Day Response			
Zone 1	CCUA1	325.00	
Zone 2	CCUA2	325.00	
Zone 3	CCUA3	325.00	
Zone 4	CCUA4	325.00	
Zone 5	CCUA5	325.00	

The previous heading of "All States" has now been expanded to include each state served by the Ameritech Operating Companies.

(This page filed under Transmittal No. 1357 )

## 7. Special Access Service (Cont'd)

## 7.5 Rates and Charges (Cont'd)

## 7.5.9 Base Rate Services, DS1 Service and DS3 Service (Cont'd)

## (B) DS1 Service (Cont'd)

(T)

## (5) Optional Features and Functions (Cont'd)

(T)

## (f) Cross-Connection of Services (Cont'd)

## – DS1 to DS1 Cross-Connect (Cont'd)

	USOC	Nonrecurring Charge
Illinois – 3 Day Response		
Zone 1	CCUB1	190.00
Zone 2	CCUB2	190.00
Zone 3	CCUB3	190.00
Zone 4	CCUB4	190.00
Zone 5	CCUB5	190.00
Indiana – 3 Day Response		
Zone 1	CCUB1	190.00
Zone 2	CCUB2	190.00
Zone 3	CCUB3	190.00
Zone 4	CCUB4	190.00
Zone 5	CCUB5	190.00
Michigan – 3 Day Response		
Zone 1	CCUB1	190.00
Zone 2	CCUB2	190.00
Zone 3	CCUB3	190.00
Zone 4	CCUB4	190.00
Zone 5	CCUB5	190.00
Ohio – 3 Day Response		
Zone 1	CCUB1	190.00
Zone 2	CCUB2	190.00
Zone 3	CCUB3	190.00
Zone 4	CCUB4	190.00
Zone 5	CCUB5	190.00
Wisconsin – 3 Day Response		
Zone 1	CCUB1	190.00
Zone 2	CCUB2	190.00
Zone 3	CCUB3	190.00
Zone 4	CCUB4	190.00
Zone 5	CCUB5	190.00

The previous heading of "All States" has now been expanded to include each state served by the Ameritech Operating Companies.

(This page filed under Transmittal No. 1357 )

## 7. Special Access Service (Cont'd)

## 7.5 Rates and Charges (Cont'd)

## 7.5.9 Base Rate Services, DS1 Service and DS3 Service (Cont'd)

## (B) DS1 Service

## (5) Optional Features and Functions (T)

## (g) Shared Network Arrangement – Processing Charge per Service Order (T)

## Nonrecurring

## USOCCharge

Illinois		
Zone 1	SRNX1	37.50
Zone 2	SRNX2	37.50
Zone 3	SRNX3	37.50
Zone 4	SRNX4	37.50
Zone 5	SRNX5	37.50
Indiana		
Zone 1	SRNX1	37.50
Zone 2	SRNX2	37.50
Zone 3	SRNX3	37.50
Zone 4	SRNX4	37.50
Zone 5	SRNX5	37.50
Michigan		
Zone 1	SRNX1	37.50
Zone 2	SRNX2	37.50
Zone 3	SRNX3	37.50
Zone 4	SRNX4	37.50
Zone 5	SRNX5	37.50
Ohio		
Zone 1	SRNX1	37.50
Zone 2	SRNX2	37.50
Zone 3	SRNX3	37.50
Zone 4	SRNX4	37.50
Zone 5	SRNX5	37.50
Wisconsin		
Zone 1	SRNX1	37.50
Zone 2	SRNX2	37.50
Zone 3	SRNX3	37.50
Zone 4	SRNX4	37.50
Zone 5	SRNX5	37.50

The previous heading of "All States" has now been expanded to include each state served by the Ameritech Operating Companies.

(This page filed under Transmittal No. 1357 )

7. Special Access Service (Cont'd)

7.5 Rates and Charges (Cont'd)

7.5.9 Base Rate Services, DS1 Service and DS3 Service (Cont'd)

(B) DS1 Service

(5) Optional Features and Functions

(h) NRS<sup>(1)</sup> System Location Port Terminations – DS1 Termination

(C)

	USOC	Monthly	12 Mo.	Recurring Charges Optional Payment Plan*			
				24 Mo.	36 Mo.	48 Mo.	60 Mo.
Illinois							
Zone 1	PQD11	50.00	46.00	44.00	41.00	40.00	38.00
Zone 2	PQD12	50.00	46.00	44.00	41.00	40.00	38.00
Zone 3	PQD13	50.00	46.00	44.00	41.00	40.00	38.00
Zone 4	PQD14	50.00	46.00	44.00	41.00	40.00	38.00
Zone 5	PQD15	50.00	46.00	44.00	41.00	40.00	38.00
Indiana							
Zone 1	PQD11	50.00	46.00	44.00	41.00	40.00	38.00
Zone 2	PQD12	50.00	46.00	44.00	41.00	40.00	38.00
Zone 3	PQD13	50.00	46.00	44.00	41.00	40.00	38.00
Zone 4	PQD14	50.00	46.00	44.00	41.00	40.00	38.00
Zone 5	PQD15	50.00	46.00	44.00	41.00	40.00	38.00
Michigan							
Zone 1	PQD11	50.00	46.00	44.00	41.00	40.00	38.00
Zone 2	PQD12	50.00	46.00	44.00	41.00	40.00	38.00
Zone 3	PQD13	50.00	46.00	44.00	41.00	40.00	38.00
Zone 4	PQD14	50.00	46.00	44.00	41.00	40.00	38.00
Zone 5	PQD15	50.00	46.00	44.00	41.00	40.00	38.00
Ohio							
Zone 1	PQD11	50.00	46.00	44.00	41.00	40.00	38.00
Zone 2	PQD12	50.00	46.00	44.00	41.00	40.00	38.00
Zone 3	PQD13	50.00	46.00	44.00	41.00	40.00	38.00
Zone 4	PQD14	50.00	46.00	44.00	41.00	40.00	38.00
Zone 5	PQD15	50.00	46.00	44.00	41.00	40.00	38.00
Wisconsin							
Zone 1	PQD11	50.00	46.00	44.00	41.00	40.00	38.00
Zone 2	PQD12	50.00	46.00	44.00	41.00	40.00	38.00
Zone 3	PQD13	50.00	46.00	44.00	41.00	40.00	38.00
Zone 4	PQD14	50.00	46.00	44.00	41.00	40.00	38.00
Zone 5	PQD15	50.00	46.00	44.00	41.00	40.00	38.00

\* For all Optional Payment Plans subscribed to prior to November 18, 2000, see Section 7.5.16 following.

(1) Effective December 5, 2018, Network Reconfiguration Service (NRS) will no longer be available for purchase by new or existing customers, and NRS service agreements may no longer be renewed. Effective July 31, 2022, the Telephone Company will no longer accept new requests for physical changes to existing service arrangements including the upgrade or downgrade of access/port speed, installation of new service, or moves to different service addresses.

(N)  
 |  
 (N)

(This page filed under Transmittal No. 1874 )

7. Special Access Service (Cont'd)

7.5 Rates and Charges (Cont'd)

7.5.9 Base Rate Services, DS1 Service and DS3 Service (Cont'd)

(B) DS1 Service (Cont'd)

(T)

(5) Optional Features and Functions (Cont'd)

(T)

(i) Multiplexer Cross-Connection – Per Central Office

USOC Monthly

CMO1X \$15.00

(This page filed under Transmittal No. 1357 )



## 7. Special Access Service (Cont'd)

## 7.5 Rates and Charges (Cont'd)

## 7.5.9 Base Rate Services, DS1 Service and DS3 Service (Cont'd) (T)

## (B) DS1 Service (T)

## (5) Optional Features and Functions

## (j) Shared Facility Channel Service

-Local Distribution Channel	USOC	Monthly	USOC	Nonrecurring Charges	
Illinois					
Zone 1	TWBZ1	60.00	NRBZ1	40.00	
Zone 2	TWBZ2	60.00	NRBZ2	40.00	
Zone 3	TWBZ3	60.00	NRBZ3	40.00	
Zone 4	TWBZ4	60.00	NRMZ4	40.00	(T)
Zone 5	TWBZ5	60.00	NRMZ5	40.00	(T)
Indiana					
Zone 1	TWBZ1	60.00	NRBZ1	40.00	
Zone 2	TWBZ2	60.00	NRBZ2	40.00	(T)
Zone 3	TWBZ3	60.00	NRBZ3	40.00	(T)
Zone 4	TWBZ4	60.00	NRMZ4	40.00	(T)
Zone 5	TWBZ5	60.00	NRMZ5	40.00	(T)
Michigan					
Zone 1	TWBZ1	60.00	NRBZ1	40.00	
Zone 2	TWBZ2	60.00	NRBZ2	40.00	(T)
Zone 3	TWBZ3	60.00	NRBZ3	40.00	(T)
Zone 4	TWBZ4	60.00	NRMZ4	40.00	(T)
Zone 5	TWBZ5	60.00	NRMZ5	40.00	(T)
Ohio					
Zone 1	TWBZ1	60.00	NRBZ1	40.00	
Zone 2	TWBZ2	60.00	NRBZ2	40.00	(T)
Zone 3	TWBZ3	60.00	NRBZ3	40.00	(T)
Zone 4	TWBZ4	60.00	NRMZ4	40.00	(T)
Zone 5	TWBZ5	60.00	NRMZ5	40.00	(T)
Wisconsin					
Zone 1	TWBZ1	60.00	NRBZ1	40.00	
Zone 2	TWBZ2	60.00	NRBZ2	40.00	(T)
Zone 3	TWBZ3	60.00	NRBZ3	40.00	(T)
Zone 4	TWBZ4	60.00	NRMZ4	40.00	(T)
Zone 5	TWBZ5	60.00	NRMZ5	40.00	(T)

The previous heading of "All States" has now been expanded to include each state served by the Ameritech Operating Companies.

(This page filed under Transmittal No. 1424 )

7. Special Access Service (Cont'd)

7.5 Rates and Charges (Cont'd)

7.5.9 Base Rate Services, DS1 Service and DS3 Service (Cont'd)

(B) DS1 Service

(T)

(5) Optional Features and Functions

(T)

(j) Shared Facility Channel Service (Cont'd)

USOC Monthly

-Channel Mileage  
 Termination Per Point  
 of Termination

Illinois

Zone 1	CZ4Z1	12.50
Zone 2	CZ4Z2	12.50
Zone 3	CZ4Z3	12.50
Zone 4	CZ4Z4	12.50
Zone 5	CZ4Z5	12.50

Indiana

Zone 1	CZ4Z1	12.50
Zone 2	CZ4Z2	12.50
Zone 3	CZ4Z3	12.50
Zone 4	CZ4Z4	12.50
Zone 5	CZ4Z5	12.50

Michigan

Zone 1	CZ4Z1	12.50
Zone 2	CZ4Z2	12.50
Zone 3	CZ4Z3	12.50
Zone 4	CZ4Z4	12.50
Zone 5	CZ4Z5	12.50

Ohio

Zone 1	CZ4Z1	12.50
Zone 2	CZ4Z2	12.50
Zone 3	CZ4Z3	12.50
Zone 4	CZ4Z4	12.50
Zone 5	CZ4Z5	12.50

Wisconsin

Zone 1	CZ4Z1	12.50
Zone 2	CZ4Z2	12.50
Zone 3	CZ4Z3	12.50
Zone 4	CZ4Z4	12.50
Zone 5	CZ4Z5	12.50

The previous heading of "All States" has now been expanded to include each state served by the Ameritech Operating Companies.

(This page filed under Transmittal No. 1357 )

7. Special Access Service (Cont'd)

7.5 Rates and Charges (Cont'd)

7.5.9 Base Rate Services, DS1 Service and DS3 Service (Cont'd)

(B) DS1 Service

(5) Optional Features and Functions

(j) Shared Facility Channel Service (Cont'd)

(T)

(T)

	USOC	Monthly
-Channel Mileage – Per Mile		
Illinois		
Zone 1	1YZZ1	3.50
Zone 2	1YZZ2	3.50
Zone 3	1YZZ3	3.50
Zone 4	1YZZ4	3.50
Zone 5	1YZZ5	3.50
Indiana		
Zone 1	1YZZ1	3.50
Zone 2	1YZZ2	3.50
Zone 3	1YZZ3	3.50
Zone 4	1YZZ4	3.50
Zone 5	1YZZ5	3.50
Michigan		
Zone 1	1YZZ1	3.50
Zone 2	1YZZ2	3.50
Zone 3	1YZZ3	3.50
Zone 4	1YZZ4	3.50
Zone 5	1YZZ5	3.50
Ohio		
Zone 1	1YZZ1	3.50
Zone 2	1YZZ2	3.50
Zone 3	1YZZ3	3.50
Zone 4	1YZZ4	3.50
Zone 5	1YZZ5	3.50
Wisconsin		
Zone 1	1YZZ1	3.50
Zone 2	1YZZ2	3.50
Zone 3	1YZZ3	3.50
Zone 4	1YZZ4	3.50
Zone 5	1YZZ5	3.50

The previous heading of "All States" has now been expanded to include each state served by the Ameritech Operating Companies.

(This page filed under Transmittal No. 1357 )

7. Special Access Service (Cont'd)

7.5 Rates and Charges (Cont'd)

7.5.9 Base Rate Services, DS1 Service and DS3 Service (Cont'd)

(C) DS3 Service

(1) Local Distribution Channel – Per point of Termination – Terminating Bit Rate,  
 44.736 Mbps

(a) DS3 LDC With Electrical Interface

	USOC	Recurring Charges					Monthly Extension	(Tx)
		12 Mo.	24 Mo.	36 Mo.	48 Mo.	60 Mo.		
Illinois								
Zone 1	TZUP1	2,200.00	1,800.00	1,045.00	1,045.00	850.00	3,100.00	
Zone 2	TZUP2	2,225.00	1,825.00	1,055.00	1,055.00	860.00	3,300.00	
Zone 3	TZUP3	2,325.00	1,925.00	1,115.00	1,115.00	910.00	3,500.00	
Zone 4	TZUP4	2,500.00	2,100.00	1,145.00	1,145.00	930.00	3,700.00	
Zone 5	TZUP5	2,525.00	2,125.00	1,155.00	1,155.00	940.00	3,900.00	
Indiana								
Zone 1	TZUP1	2,270.00	1,870.00	1,085.00	1,085.00	870.00	3,200.00	
Zone 2	TZUP2	2,295.00	1,895.00	1,095.00	1,095.00	880.00	3,400.00	
Zone 3	TZUP3	2,395.00	1,995.00	1,165.00	1,165.00	930.00	3,600.00	
Zone 4	TZUP4	2,570.00	2,170.00	1,185.00	1,185.00	950.00	3,800.00	
Zone 5	TZUP5	2,595.00	2,195.00	1,195.00	1,195.00	960.00	4,000.00	
Michigan								
Zone 1	TZUP1	2,250.00	1,850.00	1,075.00	1,075.00	860.00	3,150.00	
Zone 2	TZUP2	2,275.00	1,875.00	1,085.00	1,085.00	870.00	3,350.00	
Zone 3	TZUP3	2,375.00	1,975.00	1,145.00	1,145.00	920.00	3,550.00	
Zone 4	TZUP4	2,550.00	2,150.00	1,175.00	1,175.00	940.00	3,750.00	
Zone 5	TZUP5	2,575.00	2,175.00	1,185.00	1,185.00	950.00	3,950.00	
Ohio								
Zone 1	TZUP1	2,250.00	1,850.00	1,075.00	1,080.00	860.00	3,150.00	
Zone 2	TZUP2	2,275.00	1,875.00	1,085.00	1,085.00	870.00	3,350.00	
Zone 3	TZUP3	2,375.00	1,975.00	1,145.00	1,145.00	920.00	3,550.00	
Zone 4	TZUP4	2,550.00	2,150.00	1,175.00	1,175.00	940.00	3,750.00	
Zone 5	TZUP5	2,575.00	2,175.00	1,185.00	1,185.00	950.00	3,950.00	
Wisconsin								
Zone 1	TZUP1	2,270.00	1,870.00	1,085.00	1,085.00	870.00	3,200.00	
Zone 2	TZUP2	2,295.00	1,895.00	1,095.00	1,095.00	880.00	3,400.00	
Zone 3	TZUP3	2,395.00	1,995.00	1,165.00	1,165.00	930.00	3,600.00	
Zone 4	TZUP4	2,570.00	2,170.00	1,185.00	1,185.00	950.00	3,800.00	
Zone 5	TZUP5	2,595.00	2,195.00	1,195.00	1,195.00	960.00	4,000.00	

\* For all Optional Payment Plans subscribed to prior to November 18, 2000, see Section 7.5.16, following.

(Tx)  
 (Tx)

(x) Issued under authority of Special Permission No. 14-001 of the FCC in order to withdraw material filed under Transmittal No. 1803 and suspended under Order DA-13-2349, released December 9, 2013, without its becoming effective and to restore currently effective material.

(This page filed under Transmittal No. 1806 )

7. Special Access Service (Cont'd)

7.5 Rates and Charges (Cont'd)

7.5.9 Base Rate Services, DS1 Service and DS3 Service (Cont'd)

(C) DS3 Service (Cont'd)

(1) Local Distribution Channel - Per Point of Termination – Terminating Bit Rate  
 44.736 Mbps (Cont'd)

(b) DS3 Service Package with Optical Interface – Per Package

	USOC	Monthly Extension Rate	Recurring Charges					(Tx)
			12 Mo.	24 Mo.	36 Mo.	48 Mo.	60 Mo.	
Illinois								
Zone 1	DS3012	PCG31	22,525.00	18,900.00	18,900.00	7,350.00	7,350.00	4,500.00
	DS3024	PCG31	38,975.00	28,350.00	28,350.00	10,500.00	10,500.00	6,000.00
Zone 2	DS3012	PCG32	22,525.00	18,900.00	18,900.00	7,350.00	7,350.00	4,500.00
	DS3024	PCG32	38,975.00	28,350.00	28,350.00	10,500.00	10,500.00	6,000.00
Zone 3	DS3012	PCG33	22,525.00	18,900.00	18,900.00	7,350.00	7,350.00	4,500.00
	DS3024	PCG33	38,975.00	28,350.00	28,350.00	10,500.00	10,500.00	6,000.00
Zone 4	DS3012	PCG34	22,525.00	18,900.00	18,900.00	7,350.00	7,350.00	4,500.00
	DS3024	PCG34	38,975.00	28,350.00	28,350.00	10,500.00	10,500.00	6,000.00
Zone 5	DS3012	PCG35	22,525.00	18,900.00	18,900.00	7,350.00	7,350.00	4,500.00
	DS3024	PCG35	38,975.00	28,350.00	28,350.00	10,500.00	10,500.00	6,000.00
Indiana								
Zone 1	DS3012	PCG31	22,525.00	18,900.00	18,900.00	7,350.00	7,350.00	4,500.00
	DS3024	PCG31	38,975.00	28,350.00	28,350.00	10,500.00	10,500.00	6,000.00
Zone 2	DS3012	PCG32	22,525.00	18,900.00	18,900.00	7,350.00	7,350.00	4,500.00
	DS3024	PCG32	38,975.00	28,350.00	28,350.00	10,500.00	10,500.00	6,000.00
Zone 3	DS3012	PCG33	22,525.00	18,900.00	18,900.00	7,350.00	7,350.00	4,500.00
	DS3024	PCG33	38,975.00	28,350.00	28,350.00	10,500.00	10,500.00	6,000.00
Zone 4	DS3012	PCG34	22,525.00	18,900.00	18,900.00	7,350.00	7,350.00	4,500.00
	DS3024	PCG34	38,975.00	28,350.00	28,350.00	10,500.00	10,500.00	6,000.00
Zone 5	DS3012	PCG35	22,525.00	18,900.00	18,900.00	7,350.00	7,350.00	4,500.00
	DS3024	PCG35	38,975.00	28,350.00	28,350.00	10,500.00	10,500.00	6,000.00
Michigan								
Zone 1	DS3012	PCG31	22,525.00	18,900.00	18,900.00	7,350.00	7,350.00	4,500.00
	DS3024	PCG31	38,975.00	28,350.00	28,350.00	10,500.00	10,500.00	6,000.00
Zone 2	DS3012	PCG32	22,525.00	18,900.00	18,900.00	7,350.00	7,350.00	4,500.00
	DS3024	PCG32	38,975.00	28,350.00	28,350.00	10,500.00	10,500.00	6,000.00
Zone 3	DS3012	PCG33	22,525.00	18,900.00	18,900.00	7,350.00	7,350.00	4,500.00
	DS3024	PCG33	38,975.00	28,350.00	28,350.00	10,500.00	10,500.00	6,000.00
Zone 4	DS3012	PCG34	22,525.00	18,900.00	18,900.00	7,350.00	7,350.00	4,500.00
	DS3024	PCG34	38,975.00	28,350.00	28,350.00	10,500.00	10,500.00	6,000.00
Zone 5	DS3012	PCG35	22,525.00	18,900.00	18,900.00	7,350.00	7,350.00	4,500.00
	DS3024	PCG35	38,975.00	28,350.00	28,350.00	10,500.00	10,500.00	6,000.00

\* For all Optional Payment Plans subscribed to prior to November 18, 2000, see Section 7.5.16 following. (Tx)

(Tx)  
 (Tx)

(x) Issued under authority of Special Permission No. 14-001 of the FCC in order to withdraw material filed under Transmittal No. 1803 and suspended under Order DA-13-2349, released December 9, 2013, without its becoming effective and to restore currently effective material.

(This page filed under Transmittal No. 1806 )

7. Special Access Service (Cont'd)

7.5 Rates and Charges (Cont'd)

7.5.9 Base Rate Services, DS1 Service and DS3 Service (Cont'd)

(C) DS3 Service (Cont'd)

(1) Local Distribution Channel - Per Point of Termination – Terminating Bit Rate  
 44.736 Mbps (Cont'd)

(b) DS3 Service Package with Optical interface – Per Package (Cont'd)

	USOC	Monthly Extension Rate	Recurring Charges Optional Payment Plan*					(T)
			12 Mo.	24 Mo.	36 Mo.	48 Mo.	60 Mo.	
Ohio								
Zone 1	DS3012 PCG31	22,525.00	18,900.00	18,900.00	7,350.00	7,350.00	4,500.00	
	DS3024 PCG31	38,975.00	28,350.00	28,350.00	10,500.00	10,500.00	6,000.00	
Zone 2	DS3012 PCG32	22,525.00	18,900.00	18,900.00	7,350.00	7,350.00	4,500.00	
	DS3024 PCG32	38,975.00	28,350.00	28,350.00	10,500.00	10,500.00	6,000.00	
Zone 3	DS3012 PCG33	22,525.00	18,900.00	18,900.00	7,350.00	7,350.00	4,500.00	
	DS3024 PCG33	38,975.00	28,350.00	28,350.00	10,500.00	10,500.00	6,000.00	
Zone 4	DS3012 PCG34	22,525.00	18,900.00	18,900.00	7,350.00	7,350.00	4,500.00	
	DS3024 PCG34	38,975.00	28,350.00	28,350.00	10,500.00	10,500.00	6,000.00	
Zone 5	DS3012 PCG35	22,525.00	18,900.00	18,900.00	7,350.00	7,350.00	4,500.00	
	DS3024 PCG35	38,975.00	28,350.00	28,350.00	10,500.00	10,500.00	6,000.00	
Wisconsin								
Zone 1	DS3012 PCG31	22,525.00	18,900.00	18,900.00	7,350.00	7,350.00	4,500.00	
	DS3024 PCG31	38,975.00	28,350.00	28,350.00	10,500.00	10,500.00	6,000.00	
Zone 2	DS3012 PCG32	22,525.00	18,900.00	18,900.00	7,350.00	7,350.00	4,500.00	
	DS3024 PCG32	38,975.00	28,350.00	28,350.00	10,500.00	10,500.00	6,000.00	
Zone 3	DS3012 PCG33	22,525.00	18,900.00	18,900.00	7,350.00	7,350.00	4,500.00	
	DS3024 PCG33	38,975.00	28,350.00	28,350.00	10,500.00	10,500.00	6,000.00	
Zone 4	DS3012 PCG34	22,525.00	18,900.00	18,900.00	7,350.00	7,350.00	4,500.00	
	DS3024 PCG34	38,975.00	28,350.00	28,350.00	10,500.00	10,500.00	6,000.00	
Zone 5	DS3012 PCG35	22,525.00	18,900.00	18,900.00	7,350.00	7,350.00	4,500.00	
	DS3024 PCG35	38,975.00	28,350.00	28,350.00	10,500.00	10,500.00	6,000.00	

\* For all Optional Payment Plans subscribed to prior to November 18, 2000, see Section 7.5.16 following.

(Tx)  
 (Tx)  
 (Tx)

(x) Issued under authority of Special Permission No. 14-001 of the FCC in order to withdraw material filed under Transmittal No. 1803 and suspended under Order DA-13-2349, released December 9, 2013, without its becoming effective and to restore currently effective material.

(This page filed under Transmittal No. 1806 )

## 7. Special Access Service (Cont'd)

## 7.5 Rates and Charges (Cont'd)

## 7.5.9 Base Rate Services, DS1 Service and DS3 Service (Cont'd)

(T)

## (C) DS3 Service (Cont'd)

(T)

## (1) Local Distribution Channel - Per Point of Termination – Terminating Bit Rate 44.736 Mbps (Cont'd)

## (c) DS3 Service Channel – Per Termination

## - Terminating Bit Rate 44.736 Mbps

- Optical	USOC	Monthly Extension
Illinois		
Zone 1	HZ4X1	500.00
Zone 2	HZ4X2	500.00
Zone 3	HZ4X3	500.00
Zone 4	HZ4X4	500.00
Zone 5	HZ4X5	500.00
Indiana		
Zone 1	HZ4X1	500.00
Zone 2	HZ4X2	500.00
Zone 3	HZ4X3	500.00
Zone 4	HZ4X4	500.00
Zone 5	HZ4X5	500.00
Michigan		
Zone 1	HZ4X1	500.00
Zone 2	HZ4X2	500.00
Zone 3	HZ4X3	500.00
Zone 4	HZ4X4	500.00
Zone 5	HZ4X5	500.00
Ohio		
Zone 1	HZ4X1	500.00
Zone 2	HZ4X2	500.00
Zone 3	HZ4X3	500.00
Zone 4	HZ4X4	500.00
Zone 5	HZ4X5	500.00
Wisconsin		
Zone 1	HZ4X1	500.00
Zone 2	HZ4X2	500.00
Zone 3	HZ4X3	500.00
Zone 4	HZ4X4	500.00
Zone 5	HZ4X5	500.00

The previous heading of "All States" has now been expanded to include each state served by the Ameritech Operating Companies.

(This page filed under Transmittal No. 1357 )

7. Special Access Service (Cont'd)

7.5 Rates and Charges (Cont'd)

7.5.9 Base Rate Services, DS1 Service and DS3 Service (Cont'd)

(C) DS3 Service (Cont'd)

(2) Channel Mileage Termination - Per Point of Termination

	USOC	Monthly Extension Rate	Recurring Charges					(Tx)
			12 Mo.	24 Mo.	Optional Payment Plan *			
					36 Mo.	48 Mo.	60 Mo.	
Illinois								
Zone 1	CZ4X1	625.00(I)	300.00	275.00	250.00	250.00	200.00	
Zone 2	CZ4X2	635.00(I)	315.00	290.00	260.00	260.00	210.00	
Zone 3	CZ4X3	655.00(I)	330.00	305.00	270.00	270.00	220.00	
Zone 4	CZ4X4	725.00(I)	345.00	320.00	280.00	280.00	230.00	
Zone 5	CZ4X5	735.00(I)	360.00	335.00	290.00	290.00	240.00	
Indiana								
Zone 1	CZ4X1	640.00(I)	320.00	295.00	270.00	270.00	220.00	
Zone 2	CZ4X2	655.00(I)	335.00	310.00	280.00	280.00	230.00	
Zone 3	CZ4X3	675.00(I)	350.00	325.00	290.00	290.00	240.00	
Zone 4	CZ4X4	745.00(I)	365.00	340.00	300.00	300.00	250.00	
Zone 5	CZ4X5	760.00(I)	380.00	355.00	310.00	310.00	260.00	
Michigan								
Zone 1	CZ4X1	635.00(I)	310.00	285.00	260.00	260.00	210.00	
Zone 2	CZ4X2	645.00(I)	325.00	300.00	270.00	270.00	220.00	
Zone 3	CZ4X3	665.00(I)	340.00	315.00	280.00	280.00	230.00	
Zone 4	CZ4X4	735.00(I)	355.00	330.00	290.00	290.00	240.00	
Zone 5	CZ4X5	750.00(I)	370.00	345.00	300.00	300.00	250.00	
Ohio								
Zone 1	CZ4X1	635.00(I)	310.00	285.00	260.00	260.00	210.00	
Zone 2	CZ4X2	645.00(I)	325.00	300.00	270.00	270.00	220.00	
Zone 3	CZ4X3	665.00(I)	340.00	315.00	280.00	280.00	230.00	
Zone 4	CZ4X4	735.00(I)	355.00	330.00	290.00	290.00	240.00	
Zone 5	CZ4X5	750.00(I)	370.00	345.00	300.00	300.00	250.00	
Wisconsin								
Zone 1	CZ4X1	640.00(I)	320.00	295.00	270.00	270.00	220.00	
Zone 2	CZ4X2	655.00(I)	335.00	310.00	280.00	280.00	230.00	
Zone 3	CZ4X3	675.00(I)	350.00	325.00	290.00	290.00	240.00	
Zone 4	CZ4X4	745.00(I)	365.00	340.00	300.00	300.00	250.00	
Zone 5	CZ4X5	760.00(I)	380.00	355.00	310.00	310.00	260.00	

\* For all Optional Payment Plans subscribed to prior to November 18, 2000, see Section 7.5.16 following. (Tx)

(Tx)  
 (Tx)

(x) Issued under authority of Special Permission No. 14-001 of the FCC in order to withdraw material filed under Transmittal No. 1803 and suspended under Order DA-13-2349, released December 9, 2013, without its becoming effective and to restore currently effective material.

(This page filed under Transmittal No. 1806 )



7. Special Access Service (Cont'd)

7.5 Rates and Charges (Cont'd)

7.5.9 Base Rate Services, DS1 Service and DS3 Service (Cont'd)

(C) DS3 Service (Cont'd)

(3) Channel Mileage - Per Mile

	USOC	Monthly Extension Rate	Recurring Charges Optional Payment Plan*					(Tx)
			12 Mo.	24 Mo.	36 Mo.	48 Mo.	60 Mo.	
Illinois								
Zone 1	1YZX1	189.00	100.00	90.00	55.00	55.00	27.70	
Zone 2	1YZX2	199.00	105.00	95.00	57.50	57.50	29.70	
Zone 3	1YZX3	216.00	110.00	100.00	60.00	60.00	31.70	
Zone 4	1YZX4	229.00	115.00	105.00	62.50	62.50	35.70	
Zone 5	1YZX5	234.00	120.00	110.00	65.00	65.00	37.70	
Indiana								
Zone 1	1YZX1	195.00	104.00	94.00	57.00	57.00	29.70	
Zone 2	1YZX2	204.00	109.00	99.00	59.50	59.50	31.70	
Zone 3	1YZX3	222.00	115.00	105.00	62.00	62.00	33.70	
Zone 4	1YZX4	236.00	119.00	109.00	64.50	64.50	37.70	
Zone 5	1YZX5	241.00	125.00	115.00	67.00	67.00	39.70	
Michigan								
Zone 1	1YZX1	192.00	102.00	92.00	56.00	56.00	28.70	
Zone 2	1YZX2	201.00	107.00	97.00	58.50	58.50	30.70	
Zone 3	1YZX3	219.00	113.00	103.00	61.00	61.00	32.70	
Zone 4	1YZX4	233.00	117.00	107.00	63.50	63.50	36.70	
Zone 5	1YZX5	237.00	123.00	113.00	66.00	66.00	38.70	
Ohio								
Zone 1	1YZX1	192.00	102.00	92.00	56.00	56.00	28.70	
Zone 2	1YZX2	201.00	107.00	97.00	58.50	58.50	30.70	
Zone 3	1YZX3	219.00	113.00	103.00	61.00	61.00	32.70	
Zone 4	1YZX4	233.00	117.00	107.00	63.50	63.50	36.70	
Zone 5	1YZX5	237.00	123.00	113.00	66.00	66.00	38.70	
Wisconsin								
Zone 1	1YZX1	195.00	104.00	94.00	57.00	57.00	29.70	
Zone 2	1YZX2	204.00	109.00	99.00	59.50	59.50	31.70	
Zone 3	1YZX3	222.00	115.00	105.00	62.00	62.00	33.70	
Zone 4	1YZX4	236.00	119.00	109.00	64.50	64.50	37.70	
Zone 5	1YZX5	241.00	125.00	115.00	67.00	67.00	39.70	

\* For all Optional Payment Plans subscribed to prior to November 18, 2000, see Section 7.5.16 following. (Tx)  
 (Tx)  
 (Tx)

(x) Issued under authority of Special Permission No. 14-001 of the FCC in order to withdraw material filed under Transmittal No. 1803 and suspended under Order DA-13-2349, released December 9, 2013, without its becoming effective and to restore currently effective material.

(This page filed under Transmittal No. 1806 )

ACCESS SERVICE

7. Special Access Service (Cont'd)

7.5 Rates and Charges (Cont'd)

7.5.9 Base Rate Services, DS1 Service and DS3 Service (Cont'd)

(C) DS3 Service (Cont'd)

(4) Optional Features and Functions

(a) Interconnection – Central Office Multiplexing – Per Arrangement  
 – DS3 to DS1

	USOC	Monthly Extension Rate	Recurring Charges					(Tx)
			12 Mo.	24 Mo.	Optional Payment Plan*			
					36 Mo.	48 Mo.	60 Mo.	
Illinois								
Zone 1	QM3X1	765.00	565.00	570.00	466.00	466.00	420.00	
Zone 2	QM3X2	780.00	600.00	590.00	475.00	475.00	430.00	
Zone 3	QM3X3	795.00	610.00	595.00	490.00	490.00	445.00	
Zone 4	QM3X4	825.00	635.00	620.00	515.00	515.00	460.00	
Zone 5	QM3X5	830.00	640.00	635.00	525.00	525.00	470.00	
Indiana								
Zone 1	QM3X1	785.00	585.00	590.00	479.00	479.00	430.00	
Zone 2	QM3X2	785.00	610.00	600.00	488.00	488.00	440.00	
Zone 3	QM3X3	815.00	620.00	615.00	505.00	505.00	455.00	
Zone 4	QM3X4	830.00	645.00	640.00	530.00	530.00	470.00	
Zone 5	QM3X5	865.00	660.00	655.00	540.00	540.00	485.00	
Michigan								
Zone 1	QM3X1	765.00	580.00	585.00	475.00	475.00	425.00	
Zone 2	QM3X2	780.00	605.00	595.00	485.00	485.00	435.00	
Zone 3	QM3X3	795.00	615.00	605.00	500.00	500.00	450.00	
Zone 4	QM3X4	840.00	640.00	635.00	525.00	525.00	465.00	
Zone 5	QM3X5	855.00	660.00	650.00	535.00	535.00	480.00	
Ohio								
Zone 1	QM3X1	780.00	580.00	585.00	475.00	475.00	425.00	
Zone 2	QM3X2	795.00	605.00	600.00	485.00	485.00	435.00	
Zone 3	QM3X3	810.00	615.00	605.00	500.00	500.00	450.00	
Zone 4	QM3X4	825.00	645.00	635.00	525.00	525.00	465.00	
Zone 5	QM3X5	855.00	655.00	650.00	535.00	535.00	480.00	
Wisconsin								
Zone 1	QM3X1	785.00	590.00	590.00	479.00	479.00	430.00	
Zone 2	QM3X2	800.00	615.00	605.00	488.00	488.00	440.00	
Zone 3	QM3X3	815.00	620.00	615.00	505.00	505.00	455.00	
Zone 4	QM3X4	845.00	650.00	640.00	530.00	530.00	470.00	
Zone 5	QM3X5	865.00	665.00	655.00	540.00	540.00	485.00	

\* For all Optional Payment Plans subscribed to prior to November 18, 2000, see Section 7.5.16 following. (Tx)

(Tx)  
 (Tx)

(x) Issued under authority of Special Permission No. 14-001 of the FCC in order to withdraw material filed under Transmittal No. 1803 and suspended under Order DA-13-2349, released December 9, 2013, without its becoming effective and to restore currently effective material.

(This page filed under Transmittal No. 1806 )

## 7. Special Access Service (Cont'd)

## 7.5 Rates and Charges (Cont'd)

## 7.5.9 Base Rate Services, DS1 Service and DS3 Service (Cont'd) (T)

## (C) DS3 Service (Cont'd) (T)

## (4) Optional Features and Functions (Cont'd)

(b) Cross-Connection of Services – DS3 to DS3  
Nonrecurring  
Charge

	USOC	
Illinois – 1 Day Response		
Zone 1	CCUC1	350.00
Zone 2	CCUC2	350.00
Zone 3	CCUC3	350.00
Zone 4	CCUC4	350.00
Zone 5	CCUC5	350.00
Indiana – 1 Day Response		
Zone 1	CCUC1	350.00
Zone 2	CCUC2	350.00
Zone 3	CCUC3	350.00
Zone 4	CCUC4	350.00
Zone 5	CCUC5	350.00
Michigan – 1 Day Response		
Zone 1	CCUC1	350.00
Zone 2	CCUC2	350.00
Zone 3	CCUC3	350.00
Zone 4	CCUC4	350.00
Zone 5	CCUC5	350.00
Ohio – 1 Day Response		
Zone 1	CCUC1	350.00
Zone 2	CCUC2	350.00
Zone 3	CCUC3	350.00
Zone 4	CCUC4	350.00
Zone 5	CCUC5	350.00
Wisconsin – 1 Day Response		
Zone 1	CCUC1	350.00
Zone 2	CCUC2	350.00
Zone 3	CCUC3	350.00
Zone 4	CCUC4	350.00
Zone 5	CCUC5	350.00

The previous heading of "All States" has now been expanded to include each state served by the Ameritech Operating Companies.

(This page filed under Transmittal No. 1357 )

7. Special Access Service (Cont'd)

7.5 Rates and Charges (Cont'd)

7.5.9 Base Rate Services, DS1 Service and DS3 Service (Cont'd)

(C) DS3 Service (Cont'd)

(4) Optional Features and Functions (Cont'd)

(b) Cross-Connection of Services – DS3 to DS3 (Cont'd)

	USOC	Nonrecurring Charge
Illinois – 3 Day Response		
Zone 1	CCUD1	205.00
Zone 2	CCUD2	205.00
Zone 3	CCUD3	205.00
Zone 4	CCUD4	205.00
Zone 5	CCUD5	205.00
Indiana – 3 Day Response		
Zone 1	CCUD1	205.00
Zone 2	CCUD2	205.00
Zone 3	CCUD3	205.00
Zone 4	CCUD4	205.00
Zone 5	CCUD5	205.00
Michigan – 3 Day Response		
Zone 1	CCUD1	205.00
Zone 2	CCUD2	205.00
Zone 3	CCUD3	205.00
Zone 4	CCUD4	205.00
Zone 5	CCUD5	205.00
Ohio – 3 Day Response		
Zone 1	CCUD1	205.00
Zone 2	CCUD2	205.00
Zone 3	CCUD3	205.00
Zone 4	CCUD4	205.00
Zone 5	CCUD5	205.00
Wisconsin – 3 Day Response		
Zone 1	CCUD1	205.00
Zone 2	CCUD2	205.00
Zone 3	CCUD3	205.00
Zone 4	CCUD4	205.00
Zone 5	CCUD5	205.00

(T)

(T)

The previous heading of "All States" has now been expanded to include each state served by the Ameritech Operating Companies.

(This page filed under Transmittal No. 1357 )

7. Special Access Service (Cont'd)

7.5 Rates and Charges (Cont'd)

7.5.9 Base Rate Services, DS1 Service and DS3 Service (Cont'd)

(C) DS3 Service (Cont'd)

(4) Optional Features and Functions

(c) NRS<sup>(1)</sup> System Location Port Termination – Per DS3 Termination

(C)

	USOC	Monthly Extension Rate	Recurring Charges				
			12 Mo.	24 Mo.	Optional Payment Plan*		
					36 Mo.	48 Mo.	60 Mo.
<b>Illinois</b>							
Zone 1	R6SX1	250.00	200.00	175.00	160.00	155.00	145.00
Zone 2	R6SX2	250.00	200.00	175.00	160.00	155.00	145.00
Zone 3	R6SX3	250.00	200.00	175.00	160.00	155.00	145.00
Zone 4	R6SX4	250.00	200.00	175.00	160.00	155.00	145.00
Zone 5	R6SX5	250.00	200.00	175.00	160.00	155.00	145.00
<b>Indiana</b>							
Zone 1	R6SX1	250.00	200.00	175.00	160.00	155.00	145.00
Zone 2	R6SX2	250.00	200.00	175.00	160.00	155.00	145.00
Zone 3	R6SX3	250.00	200.00	175.00	160.00	155.00	145.00
Zone 4	R6SX4	250.00	200.00	175.00	160.00	155.00	145.00
Zone 5	R6SX5	250.00	200.00	175.00	160.00	155.00	145.00
<b>Michigan</b>							
Zone 1	R6SX1	250.00	200.00	175.00	160.00	155.00	145.00
Zone 2	R6SX2	250.00	200.00	175.00	160.00	155.00	145.00
Zone 3	R6SX3	250.00	200.00	175.00	160.00	155.00	145.00
Zone 4	R6SX4	250.00	200.00	175.00	160.00	155.00	145.00
Zone 5	R6SX5	250.00	200.00	175.00	160.00	155.00	145.00
<b>Ohio</b>							
Zone 1	R6SX1	250.00	200.00	175.00	160.00	155.00	145.00
Zone 2	R6SX2	250.00	200.00	175.00	160.00	155.00	145.00
Zone 3	R6SX3	250.00	200.00	175.00	160.00	155.00	145.00
Zone 4	R6SX4	250.00	200.00	175.00	160.00	155.00	145.00
Zone 5	R6SX5	250.00	200.00	175.00	160.00	155.00	145.00
<b>Wisconsin</b>							
Zone 1	R6SX1	250.00	200.00	175.00	160.00	155.00	145.00
Zone 2	R6SX2	250.00	200.00	175.00	160.00	155.00	145.00
Zone 3	R6SX3	250.00	200.00	175.00	160.00	155.00	145.00
Zone 4	R6SX4	250.00	200.00	175.00	160.00	155.00	145.00
Zone 5	R6SX5	250.00	200.00	175.00	160.00	155.00	145.00

\* For all Optional Payment Plans subscribed to prior to November 18, 2000, see Section 7.5.16 following.

(1) Effective December 5, 2018, Network Reconfiguration Service (NRS) will no longer be available for purchase by new or existing customers, and NRS service agreements may no longer be renewed. Effective July 31, 2022, the Telephone Company will no longer accept new requests for physical changes to existing service arrangements including the upgrade or downgrade of access/port speed, installation of new service, or moves to different service addresses.

(N)  
 |  
 (N)

(This page filed under Transmittal No. 1874 )

## 7. Special Access Service (Cont'd)

## 7.5 Rates and Charges (Cont'd)

7.5.9 Base Rate Services, DS1 Service and DS3 Service (Cont'd) (T)

(C) DS3 Service (Cont'd) (T)

(4) Optional Features and Functions (Cont'd)

(d) Multiplexer Cross-Connection – Per Central Office

	USOC	Monthly
Illinois		
Zone 1	CMO31	11.25
Zone 2	CMO32	12.60
Zone 3	CMO33	16.50
Zone 4	CMO34	18.75
Zone 5	CMO35	22.50
Indiana		
Zone 1	CMO31	11.25
Zone 2	CMO32	12.60
Zone 3	CMO33	16.50
Zone 4	CMO34	18.75
Zone 5	CMO35	22.50
Michigan		
Zone 1	CMO31	11.25
Zone 2	CMO32	12.60
Zone 3	CMO33	16.50
Zone 4	CMO34	18.75
Zone 5	CMO35	22.50
Ohio		
Zone 1	CMO31	11.25
Zone 2	CMO32	12.60
Zone 3	CMO33	16.50
Zone 4	CMO34	18.75
Zone 5	CMO35	22.50
Wisconsin		
Zone 1	CMO31	11.25
Zone 2	CMO32	12.60
Zone 3	CMO33	16.50
Zone 4	CMO34	18.75
Zone 5	CMO35	22.50

The previous heading of "All States" has now been expanded to include each state served by the Ameritech Operating Companies.

(This page filed under Transmittal No. 1357 )

7. Special Access Service (Cont'd)

7.5 Rates and Charges (Cont'd)

7.5.9 Base Rate Services, DS1 Service and DS1 and DS3 Service (Cont'd)

(D) Network Reconfiguration Service (NRS)<sup>(1)</sup>

(C)

	USOC	Recurring Charges Optional Payment Plan						Nonrecurring Charge
		Monthly	12 Mo.	24 Mo.	36 Mo.	48 Mo.	60 Mo.	
(1) NRS Service Charge - Per Customer Database	FN6DD	\$240.00	\$228.00	\$221.00	\$204.00	\$198.00	\$192.00	\$3,000.00
(2) Database Modification - Per Modification	FN6DC	-----None-----						150.00
(3) NRS Access Arrangement - Per Arrangement	RNQPA	210.00	199.50	193.20	178.50	173.25	168.00	75.00
(4) Attendant Access  - Per first 30 minutes per occurrence	NRBN1	-----None-----						55.00
- Per additional 15 minute increments	NRBNA	-----None-----						10.00
(5) NRS Training - Per hour of additional training	NRBNT	-----None-----						50.00

(1) Effective December 5, 2018, Network Reconfiguration Service (NRS) will no longer be available for purchase by new or existing customers, and NRS service agreements may no longer be renewed. Effective July 31, 2022, the Telephone Company will no longer accept new requests for physical changes to existing service arrangements including the upgrade or downgrade of access/port speed, installation of new service, or moves to different service addresses.

(N)  
 |  
 (N)

(This page filed under Transmittal No. 1874 )

ACCESS SERVICE

7. Special Access Service (Cont'd)

7.5 Rates and Charges (Cont'd)

7.5.10<sup>(1)</sup>

(D)

<sup>(1)</sup> Material in this Section has been de-tariffed as required by the Commission upon use of the forbearance relief pursuant to FCC Memorandum Opinion and Order No. 07-180, released October 12, 2007. Terms and Conditions associated with de-tariffed services are available at [www.att.com/guidebook](http://www.att.com/guidebook).

(This page filed under Transmittal No. 1666 )



ACCESS SERVICE

7. Special Access Service (Cont'd)

7.5 Rates and Charges (Cont'd)

7.5.10<sup>(1)</sup>

(D)

<sup>(1)</sup> See footnote (1) on page 417.

(This page filed under Transmittal No. 1666 )

ACCESS SERVICE

7. Special Access Service (Cont'd)

7.5 Rates and Charges (Cont'd)

7.5.10<sup>(1)</sup>

(D)

<sup>(1)</sup> See footnote (1) on page 417.

(This page filed under Transmittal No. 1666 )

ACCESS SERVICE

7. Special Access Service (Cont'd)

7.5 Rates and Charges (Cont'd)

7.5.10<sup>(1)</sup>

(D)

<sup>(1)</sup> See footnote (1) on page 417.

(This page filed under Transmittal No. 1666 )

ACCESS SERVICE

7. Special Access Service (Cont'd)

7.5 Rates and Charges (Cont'd)

7.5.10<sup>(1)</sup>

(D)

<sup>(1)</sup> See footnote (1) on page 417.

(This page filed under Transmittal No. 1666 )

ACCESS SERVICE

7. Special Access Service (Cont'd)

7.5 Rates and Charges (Cont'd)

7.5.10<sup>(1)</sup>

(D)

<sup>(1)</sup> See footnote (1) on page 417.

(This page filed under Transmittal No. 1666 )

ACCESS SERVICE

7. Special Access Service (Cont'd)

7.5 Rates and Charges (Cont'd)

7.5.10<sup>(1)</sup>

(D)

<sup>(1)</sup> See footnote (1) on page 417.

(This page filed under Transmittal No. 1666 )

ACCESS SERVICE

7. Special Access Service (Cont'd)

7.5 Rates and Charges (Cont'd)

7.5.10<sup>(1)</sup>

(D)

<sup>(1)</sup> See footnote (1) on page 417.

(This page filed under Transmittal No. 1666 )

ACCESS SERVICE

7. Special Access Service (Cont'd)

7.5 Rates and Charges (Cont'd)

7.5.10<sup>(1)</sup>

(D)

<sup>(1)</sup> See footnote (1) on page 417.

(This page filed under Transmittal No. 1666 )



ACCESS SERVICE

7. Special Access Service (Cont'd)

7.5 Rates and Charges (Cont'd)

7.5.10<sup>(1)</sup>

(D)

<sup>(1)</sup> See footnote (1) on page 417.

(This page filed under Transmittal No. 1666 )

ACCESS SERVICE

7. Special Access Service (Cont'd)

7.5 Rates and Charges (Cont'd)

7.5.10<sup>(1)</sup>

(D)

<sup>(1)</sup> See footnote (1) on page 417.

(This page filed under Transmittal No. 1666 )

ACCESS SERVICE

7. Special Access Service (Cont'd)

7.5 Rates and Charges (Cont'd)

7.5.10<sup>(1)</sup>

(D)

<sup>(1)</sup> See footnote (1) on page 417.

(This page filed under Transmittal No. 1666 )

ACCESS SERVICE

7. Special Access Service (Cont'd)

7.5 Rates and Charges (Cont'd)

7.5.10<sup>(1)</sup>

(D)

<sup>(1)</sup> See footnote (1) on page 417.

(This page filed under Transmittal No. 1666 )

ACCESS SERVICE

7. Special Access Service (Cont'd)

7.5 Rates and Charges (Cont'd)

7.5.10<sup>(1)</sup>

(D)

<sup>(1)</sup> See footnote (1) on page 417.

(This page filed under Transmittal No. 1666 )

ACCESS SERVICE

7. Special Access Service (Cont'd)

7.5 Rates and Charges (Cont'd)

7.5.11<sup>(1)</sup>

(D)

<sup>(1)</sup> Material in this Section has been de-tariffed as required by the Commission upon use of the forbearance relief pursuant to FCC Memorandum Opinion and Order No. 07-180, released October 12, 2007. Terms and Conditions associated with de-tariffed services are available at [www.att.com/guidebook](http://www.att.com/guidebook).

(This page filed under Transmittal No. 1666 )

ACCESS SERVICE

7. Special Access Service (Cont'd)

7.5 Rates and Charges (Cont'd)

7.5.11<sup>(1)</sup>

(D)

<sup>(1)</sup> See footnote (1) on page 418.1.2.

(This page filed under Transmittal No. 1666 )

ACCESS SERVICE

7. Special Access Service (Cont'd)

7.5 Rates and Charges (Cont'd)

7.5.11<sup>(1)</sup>

(D)

<sup>(1)</sup> See footnote (1) on page 418.1.2.

(This page filed under Transmittal No. 1666 )



ACCESS SERVICE

7. Special Access Service (Cont'd)

7.5 Rates and Charges (Cont'd)

7.5.11<sup>(1)</sup>

(D)

<sup>(1)</sup> See footnote (1) on page 418.1.2.

(This page filed under Transmittal No. 1666 )

ACCESS SERVICE

7. Special Access Service (Cont'd)

7.5 Rates and Charges (Cont'd)

7.5.11<sup>(1)</sup>

(D)

<sup>(1)</sup> See footnote (1) on page 418.1.2.

(This page filed under Transmittal No. 1666 )

ACCESS SERVICE

7. Special Access Service (Cont'd)

7.5 Rates and Charges (Cont'd)

7.5.11<sup>(1)</sup>

(D)

<sup>(1)</sup> See footnote (1) on page 418.1.2.

(This page filed under Transmittal No. 1666 )

ACCESS SERVICE

7. Special Access Service (Cont'd)

7.5 Rates and Charges (Cont'd)

7.5.11<sup>(1)</sup>

(D)

<sup>(1)</sup> See footnote (1) on page 418.1.2.

(This page filed under Transmittal No. 1666 )

ACCESS SERVICE

7. Special Access Service (Cont'd)

7.5 Rates and Charges (Cont'd)

7.5.11<sup>(1)</sup>

(D)

<sup>(1)</sup> See footnote (1) on page 418.1.2.

(This page filed under Transmittal No. 1666 )

ACCESS SERVICE

7. Special Access Service (Cont'd)

7.5 Rates and Charges (Cont'd)

7.5.11<sup>(1)</sup>

(D)

<sup>(1)</sup> See footnote (1) on page 418.1.2.

(This page filed under Transmittal No. 1666 )

7. Special Access Service (Cont'd)

7.5 Rates and Charges (Cont'd)

7.5.12 SONET Xpress Service<sup>(1)</sup>

(N)

	USOC	Monthly Extension	12 Mo.*	Recurring Charges Optional Payment Plan				
				24 Mo.*	36 Mo.*	48 Mo.*	60 Mo.*	
(A) Network Access Connection All States								
- Per DS1 Customer Premises Termination	NYA1X	\$ 157.00	\$131.00	\$131.00	\$118.00	\$118.00	\$85.00	
- Per DS3 Customer Premises Termination	NYA3X	1,861.00	1,550.00	1,472.00	1,396.00	1,318.00	1,240.00	
Per OC-12 Customer Premises Termination	NYABX	45,778.00	38,454.00	38,454.00	35,249.00	35,249.00	21,000.00	
Per OC-12 Customer Premises Termination Sorted and Grouped	NYGBX	33,062.00	27,772.00	27,772.00	25,788.00	25,788.00	14,878.00	
(B) Off-Network Access Connection All States								
- Per DS1 Central Office Connection	NYO1X	90.00	75.00	75.00	50.00	50.00	25.00	
- Per DS3 Central Office Connection	NYO3X	100.00(R)	90.00	90.00	65.00	65.00	50.00	
- Per OC-3 Central Office Connection	NYOAX	444.00	370.00	370.00	335.00	335.00	295.00	

\* For 12, 24, 36, 48 and 60 month Optional Payment Plans subscribed to prior to July 1, 1999, see Section 7.5.16 following.

(1) Effective February 16, 2012, SONET Xpress is available only to existing Customers, for existing service arrangements. Existing Customers may continue to receive service under existing service arrangements, or on a month-to-month basis after their existing service arrangements expire, until SONET Xpress is discontinued. (N)  
 (N)  
 (N)  
 (D)  
 (D)  
 (D)

(This page filed under Transmittal No. 1758 )

7. Special Access Service (Cont'd)

7.5 Rates and Charges (Cont'd)

7.5.12 SONET Xpress Service (Cont'd)

	USOC	Monthly Extension	12 Mo.	Recurring Charges Optional Payment Plan			
				24 Mo.*	36 Mo.	48 Mo.*	60 Mo.
<b>(B) Off-Network Access Connection All States (Cont'd)</b>							
- Per OC-12 Central Office Connection	NYOBX	\$ 750.00	\$625.00	\$625.00	\$580.00	\$580.00	\$550.00
<b>(C) DS3 Payload Multiplexing Function All States</b>							
- Per DS3/STS-1 to/from DS1/VT 1.5 on the Network	MPEMX	375.00(R)	350.00(R)	350.00(R)	325.00	325.00	300.00(R)
<b>(D) Service Area Transport All States</b>							
- Per Band on the Network DS1/VT1.5 Point to Point				USOC	Recurring Charges Monthly		
- up to 3 miles				1Y6AA	\$ 52.00		
- greater than 3 miles up to 10 miles				1Y6AB	75.00(R)		
- greater than 10 miles				1Y6AC	108.00		
- Per Band on the Network DS3/STS-1 Point to Point							
- up to 3 miles				1Y6BA	728.00		
- greater than 3 miles up to 10 miles				1Y6BB	1,064.00		
- greater than 10 miles				1Y6BC	1,512.00		

\* For 24 and 48 month Optional Payment Plans subscribed to prior to July 1, 1999, see Section 7.5.16 following.

Material previously appearing on this page now appears on 4th Revised Page 449.41.

**Rates contained in this transmittal are subject to subsequent adjustment, effective retrospectively, in the event the Commission or a court subsequently authorizes Ameritech to correct its rates pursuant to pending motions, or petitions for reconsideration or waiver, or in the event of any other adjustment to an order of the Commission or a court.**

(This page filed under Transmittal No. 1481 )



7. Special Access Service (Cont'd)

7.5 Rates and Charges (Cont'd)

7.5.12 SONET Xpress Service (Cont'd)

	USOC	Recurring Charges Monthly
(D) Service Area Transport All States (cont'd)		
- Per Band on the Network DS3, OC-3 or OC-12 channelized on a per DS1/VT1.5 Basis		
- up to 3 miles	1Y6EA	\$ 23.00(R)
- greater than 3 miles up to 10 Miles	1Y6EB	35.00(R)
- greater than 10 Miles	1Y6EC	45.00(R)
	USOC	Nonrecurring Charge
(E) Shared Network Arrangement All States Processing Charge Per Service Order	NRBOP	\$ 30.00

Rates contained in this transmittal are subject to subsequent adjustment, effective retrospectively, in the event the Commission or a court subsequently authorizes Ameritech to correct its rates pursuant to pending motions, or petitions for reconsideration or waiver, or in the event of any other adjustment to an order of the Commission or a court.

(This page filed under Transmittal No. 1481 )

ACCESS SERVICE

7. Special Access Service (Cont'd)

7.5 Rates and Charges (Cont'd)

7.5.13<sup>(1)</sup>

(D)

<sup>(1)</sup> Material in this Section has been de-tariffed as required by the Commission upon use of the forbearance relief pursuant to FCC Memorandum Opinion and Order No. 07-180, released October 12, 2007. Terms and Conditions associated with de-tariffed services are available at [www.att.com/guidebook](http://www.att.com/guidebook).

(This page filed under Transmittal No. 1666 )

ACCESS SERVICE

7. Special Access Service (Cont'd)

7.5 Rates and Charges (Cont'd)

7.5.13<sup>(1)</sup>

(D)

<sup>(1)</sup> See footnote (1) on page 418.2.

(This page filed under Transmittal No. 1666 )

ACCESS SERVICE

7. Special Access Service (Cont'd)

7.5 Rates and Charges (Cont'd)

7.5.13<sup>(1)</sup>

(D)

<sup>(1)</sup> See footnote (1) on page 418.2.

(This page filed under Transmittal No. 1666 )

**ACCESS SERVICE**

**7. Special Access Service (Cont'd)**

Dx

Dx

x State specific rates previously shown on this page now appear as aggregate rates

(This page filed under Transmittal No. 681 )

Issued: January 13, 1993

Effective: January 28, 1993

Four AT&T Plaza, Dallas, Texas 75202

**ACCESS SERVICE**

**7. Special Access Service (Cont'd)**

Dx

Dx

- x State specific rates previously shown on this page now appear as aggregate rates on 29th Revised Page 410, 17th Revised Page 410.1 and 12th Revised

(This page filed under Transmittal No. 681 )

---

Issued: January 13, 1993

Effective: January 28, 1993

Four AT&T Plaza, Dallas, Texas 75202

**ACCESS SERVICE**

**7. Special Access Service (Cont'd)**

**7.5 Rates and Charges (Cont'd)**

D

(This page filed under Transmittal No. 743 )

---

Issued: October 23, 1993

Effective: November 7, 1993

Four AT&T Plaza, Dallas, Texas 75202

**ACCESS SERVICE**

**7. Special Access Service (Cont'd)**

Dx

Dx

x State specific rates previously shown on this page now appear as aggregate rates on 17th Revised Page 410.1 and 29th Revised Page 412.(TR)

(This page filed under Transmittal No. 681 )

---

Issued: January 13, 1993

Effective: January 28, 1993

Four AT&T Plaza, Dallas, Texas 75202



**ACCESS SERVICE**

**7. Special Access Service (Cont'd)**

Dx

Dx

- x State specific rates previously shown on this page now appear as aggregate rates on 29th Revised Page 412.

(This page filed under Transmittal No. 681 )

**ACCESS SERVICE**

**7. Special Access Service (Cont'd)**

Dx

Dx

- x State specific rates previously shown on this page now appear as aggregate rates on 21st Revised Page 413, 1st Revised Page 413.1 and 22nd Revised Page 415.1.

(This page filed under Transmittal No. 681 )

**ACCESS SERVICE**

**7. Special Access Service (Cont'd)**

Dx

Dx

- x State specific rates previously shown on this page now appear as aggregate rates on 9th Revised Page 410.2, 7th Revised Page 413.2 and 22nd Revised Page 415.1.

(This page filed under Transmittal No. 681 )

**ACCESS SERVICE**

**7. Special Access Service (Cont'd)**

Dx

Dx

- x State specific rates previously shown on this page now appear as aggregate rates on 17th Revised Page 410.1, 9th Revised Page 410.2 and 7th Revised Page 413.2.

(This page filed under Transmittal No. 681 )

**ACCESS SERVICE**

**7. Special Access Service (Cont'd)**

Dx

Dx

x State specific rates previously shown on this page now appear as aggregate rates on 11th Revised Page 416.

(This page filed under Transmittal No. 681 )

---

Issued: January 13, 1993

Effective: January 28, 1993

Four AT&T Plaza, Dallas, Texas 75202

**ACCESS SERVICE**

**7. Special Access Service (Cont'd)**

Dx

Dx

- x State specific rates previously shown on this page now appear as aggregate rates on 29th Revised Page 410.

(This page filed under Transmittal No. 681 )

---

Issued: January 13, 1993

Effective: January 28, 1993

Four AT&T Plaza, Dallas, Texas 75202

**ACCESS SERVICE**

**7. Special Access Service (Cont'd)**

Dx

Dx

- x State specific rates previously shown on this page now appear as aggregate rates on 12th Revised Page 411.

(This page filed under Transmittal No. 681 )

---

Issued: January 13, 1993

Effective: January 28, 1993

Four AT&T Plaza, Dallas, Texas 75202

**ACCESS SERVICE**

**7. Special Access Service (Cont'd)**

Dx

Dx

x State specific rates previously shown on this page now appear as aggregate rates on 17th Revised Page 414.

(This page filed under Transmittal No. 681 )

---

Issued: January 13, 1993

Effective: January 28, 1993

Four AT&T Plaza, Dallas, Texas 75202



**ACCESS SERVICE**

**7. Special Access Service (Cont'd)**

Dx

Dx

- x State specific rates previously shown on this page now appear as aggregate rates on 29th Revised Page 410, 12th Revised Page 411 and 22nd Revised Page 415.1

(This page filed under Transmittal No. 681 )

---

Issued: January 13, 1993

Effective: January 28, 1993

Four AT&T Plaza, Dallas, Texas 75202

**ACCESS SERVICE**

**7. Special Access Service (Cont'd)**

Dx

Dx

- x State specific rates previously shown on this page now appear as aggregate rates on 29th Revised Page 410, 17th Revised Page 410.1, 12th Revised Page 411 and 22nd Revised Page 415.1.

(This page filed under Transmittal No. 681 )

**ACCESS SERVICE**

**7. Special Access Service (Cont'd)**

Dx

Dx

- x State specific rates previously shown on this page now appear as aggregate rates on 17th Revised Page 410.1 and 29th Revised Page 412.

(This page filed under Transmittal No. 681 )

---

Issued: January 13, 1993

Effective: January 28, 1993

Four AT&T Plaza, Dallas, Texas 75202

**ACCESS SERVICE**

**7. Special Access Service (Cont'd)**

Dx

Dx

x State specific rates previously shown on this page now appear as aggregate rates on 29th Revised Page 412

(This page filed under Transmittal No. 681 )

---

Issued: January 13, 1993

Effective: January 28, 1993

Four AT&T Plaza, Dallas, Texas 75202

**ACCESS SERVICE**

**7. Special Access Service (Cont'd)**

Dx

Dx

- x State specific rates previously shown on this page now appear as aggregate rates on 21st Revised Page 413, 1st Revised Page 413.1, 1and 22nd Revised Page 415.1.

(This page filed under Transmittal No. 681 )

---

Issued: January 13, 1993

Effective: January 28, 1993

Four AT&T Plaza, Dallas, Texas 75202

**ACCESS SERVICE**

**7. Special Access Service (Cont'd)**

Dx

Dx

- x State specific rates previously shown on this page now appear as aggregate rates on 9th Revised Page 410.2, 7th Revised Page 413.2 and 22nd Revised Page 415.1

(This page filed under Transmittal No. 681 )

**ACCESS SERVICE**

**7. Special Access Service (Cont'd)**

Dx

Dx

- x State specific rates previously shown on this page now appear as aggregate rates on 17th Revised Page 410.1, th Revised Page 410.2 and 7th Revised Page 413.2

(This page filed under Transmittal No. 681 )

**ACCESS SERVICE**

**7. Special Access Service (Cont'd)**

Dx

Dx

- x State specific rates previously shown on this page now appear as aggregate rates on 11th Revised Page 416.

(This page filed under Transmittal No. 681 )

---

Issued: January 13, 1993

Effective: January 28, 1993

Four AT&T Plaza, Dallas, Texas 75202



**ACCESS SERVICE**

**7. Special Access Service (Cont'd)**

Dx

Dx

- x State specific rates previously shown on this page now appear as aggregate rates on 29th Revised Page 410.

(This page filed under Transmittal No. 681 )

---

Issued: January 13, 1993

Effective: January 28, 1993

Four AT&T Plaza, Dallas, Texas 75202

**ACCESS SERVICE**

**7. Special Access Service (Cont'd)**

Dx

Dx

- x State specific rates previously shown on this page now appear as aggregate rates on 12th Revised Page 411.

(This page filed under Transmittal No. 681 )

---

Issued: January 13, 1993

Effective: January 28, 1993

Four AT&T Plaza, Dallas, Texas 75202

**ACCESS SERVICE**

**7. Special Access Service (Cont'd)**

Dx

Dx

x State specific rates previously shown on this page now appear as aggregate rates on 25th Revised Page 415.

(This page filed under Transmittal No. 681 )

---

Issued: January 13, 1993

Effective: January 28, 1993

Four AT&T Plaza, Dallas, Texas 75202

**ACCESS SERVICE**

**7. Special Access Service (Cont'd)**

Dx

Dx

- x State specific rates previously shown on this page now appear as aggregate rates on 29th Revised Page 410, 12th Revised Page 411 and 22nd Revised Page 415.1

(This page filed under Transmittal No. 681 )

---

Issued: January 13, 1993

Effective: January 28, 1993

Four AT&T Plaza, Dallas, Texas 75202

**ACCESS SERVICE**

**7. Special Access Service (Cont'd)**

Dx

Dx

- x State specific rates previously shown on this page now appear as aggregate rates on 29th Revised Page 410, 17th Revised Page 410.1, 12th Revised Page 411 and 22nd Revised Page 415.1.

(This page filed under Transmittal No. 681 )

---

Issued: January 13, 1993

Effective: January 28, 1993

Four AT&T Plaza, Dallas, Texas 75202

**ACCESS SERVICE**

**7. Special Access Service (Cont'd)**

Dx

Dx

- x State specific rates previously shown on this page now appear as aggregate rates on 17th Revised Page 410.1 and 29th Revised Page 412

(This page filed under Transmittal No. 681 )

**ACCESS SERVICE**

**7. Special Access Service (Cont'd)**

Dx

Dx

x State specific rates previously shown on this page now appear as aggregate rates on 29th Revised Page 412.

(This page filed under Transmittal No. 681 )

---

Issued: January 13, 1993

Effective: January 28, 1993

Four AT&T Plaza, Dallas, Texas 75202

**ACCESS SERVICE**

**7. Special Access Service (Cont'd)**

Dx

Dx

- x State specific rates previously shown on this page now appear as aggregate rates on 21st Revised Page 413, 1st Revised Page 413.1 and 22nd Revised Page 415.1.

(This page filed under Transmittal No. 681 )

---

Issued: January 13, 1993

Effective: January 28, 1993

Four AT&T Plaza, Dallas, Texas 75202



**ACCESS SERVICE**

**7. Special Access Service (Cont'd)**

Dx

Dx

- x State specific rates previously shown on this page now appear as aggregate rates on 9th Revised Page 410.2, 7th Revised Page 413.2 and 22nd Revised Page 415.1.

(This page filed under Transmittal No. 681 )

**ACCESS SERVICE**

**7. Special Access Service (Cont'd)**

Dx

Dx

- x State specific rates previously shown on this page now appear as aggregate rates on 17th Revised Page 410.1, 9th Revised Page 410.2 and 7th Revised Page 413.2.

(This page filed under Transmittal No. 681 )

**ACCESS SERVICE**

**7. Specialized Access Service (Cont'd)**

Certain material previously on this page now appears on 11th Revised Page 416.

(This page filed under Transmittal No. 681 )

---

Issued: December 17, 2006

Effective: January 1, 2007

Four AT&T Plaza, Dallas, Texas 75202

**ACCESS SERVICE**

**7. Specialized Access Service (Cont'd)**

Dx

Dx

(This page filed under Transmittal No. 652 )

**ACCESS SERVICE**

**7. Specialized Access Service (Cont'd)**

Dx

Dx

(This page filed under Transmittal No. 652 )

**7. Specialized Access Service (Cont'd)**

**7.5 Rates and Charges (Cont'd)**

**7.5.10 (Reserved for Future Use)**

T

Certain material previously on this page now appears on Original Page 410.2,  
8th Revised Page 411, 25th Revised Page 412 and Original Page 413.2.

(This page filed under Transmittal No. 463 )

**7. Specialized Access Service (Cont'd)**

**7.5 Rates and Charges (Cont'd)**

**7.5.10 (Reserved for Future Use)**

T

Certain material previously on this page now appears on Original Page 410.2,  
8th Revised Page 411, 25th Revised Page 412 and Original Page 413.2.

(This page filed under Transmittal No. 463 )

**7. Specialized Access Service (Cont'd)**

**7.5 Rates and Charges (Cont'd)**

**7.5.10 (Reserved for Future Use)**

T

Certain material previously on this page now appears on 13th Revised Page 415.1,  
8th Revised Page 416, 18th Revised Page 417 and Original Page 418.1.1.

(This page filed under Transmittal No. 463 )



**7. Specialized Access Service (Cont'd)**

**7.5 Rates and Charges (Cont'd)**

**7.5.10 (Reserved for Future Use)**

T

(This page filed under Transmittal No. 463 )

---

Issued: December 17, 2006

Effective: January 1, 2007

Four AT&T Plaza, Dallas, Texas 75202

**7. Specialized Access Service (Cont'd)**

**7.5 Rates and Charges (Cont'd)**

**7.5.10 (Reserved for Future Use)**

T

Certain material previously on this page now appears on 14th Revised Page 419.1,  
9th Revised Page 420, 21st Revised Page 421 and Original Page 422.1.1.

(This page filed under Transmittal No. 463 )

**7. Specialized Access Service (Cont'd)**

**7.5 Rates and Charges (Cont'd)**

**7.5.10 (Reserved for Future Use)**

T

(This page filed under Transmittal No. 463 )

---

Issued: December 17, 2006

Effective: January 1, 2007

Four AT&T Plaza, Dallas, Texas 75202

**7. Specialized Access Service (Cont'd)**

**7.5 Rates and Charges (Cont'd)**

**7.5.10 (Reserved for Future Use)**

T

Certain material previously on this page now appears on 2nd Revised Page 423.1,  
19th Revised Page 424, 13th Revised Page 424 and Original Page 425.2.

(This page filed under Transmittal No. 463 )

**7. Specialized Access Service (Cont'd)**

**7.5 Rates and Charges (Cont'd)**

**7.5.10 (Reserved for Future Use)**

T

(This page filed under Transmittal No. 463 )

---

Issued: December 17, 2006

Effective: January 1, 2007

Four AT&T Plaza, Dallas, Texas 75202

**7. Specialized Access Service (Cont'd)**

**7.5 Rates and Charges (Cont'd)**

**7.5.10 (Reserved for Future Use)**

T

Certain material previously on this page now appears on 9th Revised Page 428,  
19th Revised Page 429, 14th Revised Page 429.1 and Original Page 431.1.

(This page filed under Transmittal No. 463 )

**7. Specialized Access Service (Cont'd)**

**7.5 Rates and Charges (Cont'd)**

**7.5.10 (Reserved for Future Use)**

T

(This page filed under Transmittal No. 463 )

---

Issued: December 17, 2006

Effective: January 1, 2007

Four AT&T Plaza, Dallas, Texas 75202

**ACCESS SERVICE**

**7. Special Access Service (Cont'd)**

**7.5 Rates and Charges (Cont'd)**

**7.5.13 Message Station Equipment Recovery Charge**

	<b>USOC</b>	<b>Monthly Rate</b>	T
Message Station Equipment Recovery Charge			
- Per Special Access Surcharge Assessed	UTM	None	

(This page filed under Transmittal No. 949 )



**ACCESS SERVICE**

**7. Special Access Service (Cont'd)**

**7.5**

D  
D

(This page filed under Transmittal No. 59 )

---

Issued: February 4, 1987

Effective: February 19, 1987

Four AT&T Plaza, Dallas, Texas 75202

**ACCESS SERVICE**

**7. Special Access Service (Cont'd)**

**7.5 Rates and Charges (Cont'd)**

**7.5.14 Special Access Surcharge**

T

	<b>USOC</b>	<b>Monthly Rate</b>
- Per surcharge accessed	S25	\$25.00

(This page filed under Transmittal No. 949 )

ACCESS SERVICE

7. Special Access Service (Cont'd)

7.5 Rates and Charges (Cont'd)

7.5.15 Installation and Rearrangement Charges

All States		Administrative Charge, per order		Design and Central Office Connection Charge, per circuit	Customer Connection Charge, per termination
	USOC	ORCMX		NRBCL	NRBBL
Metallic Service		\$62.04		\$155.10	\$258.50
Telegraph Service					
- Two-wire		62.04		155.10	258.50
- Four-wire		62.04		155.10	258.50
Direct Analog Service					
- Two-wire		50.00		140.00	185.00
- Four-wire		50.00		140.00	185.00
- Dedicated Access Line					
- Two-wire		50.00		150.00	200.00
- Four-wire		50.00		150.00	200.00
Program Audio Serv.					
Monthly					
- All bandwidths		45.00		180.00	225.00
Daily					
- All bandwidths		50.00		190.00	275.00
Video Service					
Monthly, 12, 24, 36, 48 and 60 Month					
- TV1, TV2,					
Video Service <sup>(1)</sup>					(D)
Daily					(D)
- TV1 and TV2		50.00		None**	None**

\*\* Special Construction charges may apply, subject to regulations set forth in the special construction tariff defined in Section 1. (T) (D)

<sup>(1)</sup> Material in this Section has been de-tariffed as required by the Commission upon use of the forbearance relief pursuant to FCC Memorandum Opinion and Order No. 07-180, released October 12, 2007. Terms and Conditions associated with de-tariffed services are available at [www.att.com/guidebook](http://www.att.com/guidebook). (D) (D)

(This page filed under Transmittal No. 1825 )

7. Special Access Service (Cont'd)

7.5 Rates and Charges (Cont'd)

7.5.15 Installation and Rearrangement Charges (Cont'd)

	All States				
	Administrative Charge, per order		Design and Central Office Connection Charge, per circuit	Customer Connection Charge, per termination	(D)
	USOC	ORCMX	NRBCL	NRBBL	
Base Rate Service - All Speeds		50.00	150.00	200.00	

(D)

(This page filed under Transmittal No. 1818 )

## 7. Special Access Service (Cont'd)

## 7.5 Rates and Charges (Cont'd)

## 7.5.15 Installation and Rearrangement Charges (Cont'd)

		Administrative Charge, per order	Design and Central Office Connection Charge, per circuit	Customer Connection Charge, per termination
S1 Service				
- 1.544 Mbps				
Illinois				
Zone 1	USOC	NRBA1	NRMF1	NRMG1
Monthly		50.00	300.00	450.00
12 Month		50.00	100.00	225.00
24 Month		50.00	0.00(x)	0.00(x)
36 Month		50.00	0.00(x)	0.00(x)
48 Month		50.00	0.00(x)	0.00(x)
60 Month		50.00	0.00(x)	0.00(x)
Zone 2	USOC	NRBA2	NRMF2	NRMG2
Monthly		50.00	300.00	450.00
12 Month		50.00	100.00	225.00
24 Month		50.00	0.00(x)	0.00(x)
36 Month		50.00	0.00(x)	0.00(x)
48 Month		50.00	0.00(x)	0.00(x)
60 Month		50.00	0.00(x)	0.00(x)
Zone 3	USOC	NRBA3	NRMF3	NRMG3
Monthly		50.00	300.00	450.00
12 Month		50.00	100.00	225.00
24 Month		50.00	0.00(x)	0.00(x)
36 Month		50.00	0.00(x)	0.00(x)
48 Month		50.00	0.00(x)	0.00(x)
60 Month		50.00	0.00(x)	0.00(x)
Zone 4	USOC	NRMA4	NRMF4	NRMG4
Monthly		50.00	300.00	450.00
12 Month		50.00	100.00	225.00
24 Month		50.00	0.00(x)	0.00(x)
36 Month		50.00	0.00(x)	0.00(x)
48 Month		50.00	0.00(x)	0.00(x)
60 Month		50.00	0.00(x)	0.00(x)

(x) Issued under authority of Special Permission No. 12-019 of the FCC in order to withdraw material filed under Transmittal No. 1767 without its becoming effective and to restore currently effective material.

(This page filed under Transmittal No. 1768 )

## 7. Special Access Service (Cont'd)

## 7.5 Rates and Charges (Cont'd)

## 7.5.15 Installation and Rearrangement Charges (Cont'd)

		Administrative Charge, per order	Design and Central Office Connection Charge, per circuit	Customer Connection Charge, per termination
DS1 Service				
- 1.544 Mbps (Cont'd)				
Illinois				
Zone 5	USOC	NRMA5	NRMF5	NRMG5
Monthly		50.00	300.00	450.00
12 Month		50.00	100.00	225.00
24 Month		50.00	0.00(x)	0.00(x)
36 Month		50.00	0.00(x)	0.00(x)
48 Month		50.00	0.00(x)	0.00(x)
60 Month		50.00	0.00(x)	0.00(x)
Indiana				
Zone 1	USOC	NRBA1	NRMF1	NRMG1
Monthly		50.00	300.00	450.00
12 Month		50.00	100.00	225.00
24 Month		50.00	0.00(x)	0.00(x)
36 Month		50.00	0.00(x)	0.00(x)
48 Month		50.00	0.00(x)	0.00(x)
60 Month		50.00	0.00(x)	0.00(x)
Zone 2	USOC	NRBA2	NRMF2	NRMG2
Monthly		50.00	300.00	450.00
12 Month		50.00	100.00	225.00
24 Month		50.00	0.00(x)	0.00(x)
36 Month		50.00	0.00(x)	0.00(x)
48 Month		50.00	0.00(x)	0.00(x)
60 Month		50.00	0.00(x)	0.00(x)
Zone 3	USOC	NRBA3	NRMF3	NRMG3
Monthly		50.00	300.00	450.00
12 Month		50.00	100.00	225.00
24 Month		50.00	0.00(x)	0.00(x)
36 Month		50.00	0.00(x)	0.00(x)
48 Month		50.00	0.00(x)	0.00(x)
60 Month		50.00	0.00(x)	0.00(x)

(x) Issued under authority of Special Permission No. 12-019 of the FCC in order to withdraw material filed under Transmittal No. 1767 without its becoming effective and to restore currently effective material.

(This page filed under Transmittal No. 1768 )

## 7. Special Access Service (Cont'd)

## 7.5 Rates and Charges (Cont'd)

## 7.5.15 Installation and Rearrangement Charges (Cont'd)

		Administrative Charge, per order	Design and Central Office Connection Charge, per circuit	Customer Connection Charge, per termination
DS1 Service - 1.544 Mbps (Cont'd)				
Indiana				
Zone 4	USOC	NRMA4	NRMF4	NRMG4
Monthly		50.00	300.00	450.00
12 Month		50.00	100.00	225.00
24 Month		50.00	0.00(x)	0.00(x)
36 Month		50.00	0.00(x)	0.00(x)
48 Month		50.00	0.00(x)	0.00(x)
60 Month		50.00	0.00(x)	0.00(x)
Zone 5	USOC	NRMA5	NRMF5	NRMG5
Monthly		50.00	300.00	450.00
12 Month		50.00	100.00	225.00
24 Month		50.00	0.00(x)	0.00(x)
36 Month		50.00	0.00(x)	0.00(x)
48 Month		50.00	0.00(x)	0.00(x)
60 Month		50.00	0.00(x)	0.00(x)
Michigan				
Zone 1	USOC	NRBA1	NRMF1	NRMG1
Monthly		50.00	300.00	450.00
12 Month		50.00	100.00	225.00
24 Month		50.00	0.00(x)	0.00(x)
36 Month		50.00	0.00(x)	0.00(x)
48 Month		50.00	0.00(x)	0.00(x)
60 Month		50.00	0.00(x)	0.00(x)
Zone 2	USOC	NRBA2	NRMF2	NRMG2
Monthly		50.00	300.00	450.00
12 Month		50.00	100.00	225.00
24 Month		50.00	0.00(x)	0.00(x)
36 Month		50.00	0.00(x)	0.00(x)
48 Month		50.00	0.00(x)	0.00(x)
60 Month		50.00	0.00(x)	0.00(x)

(x) Issued under authority of Special Permission No. 12-019 of the FCC in order to withdraw material filed under Transmittal No. 1767 without its becoming effective and to restore currently effective material.

(This page filed under Transmittal No. 1768 )

f7. Special Access Service (Cont'd)

7.5 Rates and Charges (Cont'd)

7.5.15 Installation and Rearrangement Charges (Cont'd)

		Administrative Charge, per order	Design and Central Office Connection Charge, per circuit	Customer Connection Charge, per termination
DS1 Service - 1.544 Mbps (Cont'd)				
Michigan				
Zone 3	USOC	NRBA3	NRMF3	NRMG3
Monthly		50.00	300.00	450.00
12 Month		50.00	100.00	225.00
24 Month		50.00	0.00(x)	0.00(x)
36 Month		50.00	0.00(x)	0.00(x)
48 Month		50.00	0.00(x)	0.00(x)
60 Month		50.00	0.00(x)	0.00(x)
Zone 4	USOC	NRMA4	NRMF4	NRMG4
Monthly		50.00	300.00	450.00
12 Month		50.00	100.00	225.00
24 Month		50.00	0.00(x)	0.00(x)
36 Month		50.00	0.00(x)	0.00(x)
48 Month		50.00	0.00(x)	0.00(x)
60 Month		50.00	0.00(x)	0.00(x)
Zone 5	USOC	NRMA5	NRMF5	NRMG5
Monthly		50.00	300.00	450.00
12 Month		50.00	100.00	225.00
24 Month		50.00	0.00(x)	0.00(x)
36 Month		50.00	0.00(x)	0.00(x)
48 Month		50.00	0.00(x)	0.00(x)
60 Month		50.00	0.00(x)	0.00(x)
Ohio				
Zone 1	USOC	NRBA1	NRMF1	NRMG1
Monthly		50.00	300.00	450.00
12 Month		50.00	100.00	225.00
24 Month		50.00	0.00(x)	0.00(x)
36 Month		50.00	0.00(x)	0.00(x)
48 Month		50.00	0.00(x)	0.00(x)
60 Month		50.00	0.00(x)	0.00(x)

(x) Issued under authority of Special Permission No. 12-019 of the FCC in order to withdraw material filed under Transmittal No. 1767 without its becoming effective and to restore currently effective material.

(This page filed under Transmittal No. 1768 )



7. Special Access Service (Cont'd)

7.5 Rates and Charges (Cont'd)

7.5.15 Installation and Rearrangement Charges (Cont'd)

	Administrative Charge, per order	Design and Central Office Connection Charge, per circuit	Customer Connection Charge, per termination
DS1 Service - 1.544 Mbps (Cont'd)			
Ohio			
Zone 2	USOC NRBA2	NRMF2	NRMG2
Monthly	50.00	300.00	450.00
12 Month	50.00	100.00	225.00
24 Month	50.00	0.00(x)	0.00(x)
36 Month	50.00	0.00(x)	0.00(x)
48 Month	50.00	0.00(x)	0.00(x)
60 Month	50.00	0.00(x)	0.00(x)
Zone 3	USOC NRBA3	NRMF3	NRMG3
Monthly	50.00	300.00	450.00
12 Month	50.00	100.00	225.00
24 Month	50.00	0.00(x)	0.00(x)
36 Month	50.00	0.00(x)	0.00(x)
48 Month	50.00	0.00(x)	0.00(x)
60 Month	50.00	0.00(x)	0.00(x)
Zone 4	USOC NRMA4	NRMF4	NRMG4
Monthly	50.00	300.00	450.00
12 Month	50.00	100.00	225.00
24 Month	50.00	0.00(x)	0.00(x)
36 Month	50.00	0.00(x)	0.00(x)
48 Month	50.00	0.00(x)	0.00(x)
60 Month	50.00	0.00(x)	0.00(x)
Zone 5	USOC NRMA5	NRMF5	NRMG5
Monthly	50.00	300.00	450.00
12 Month	50.00	100.00	225.00
24 Month	50.00	0.00(x)	0.00(x)
36 Month	50.00	0.00(x)	0.00(x)
48 Month	50.00	0.00(x)	0.00(x)
60 Month	50.00	0.00(x)	0.00(x)

(x) Issued under authority of Special Permission No. 12-019 of the FCC in order to withdraw material filed under Transmittal No. 1767 without its becoming effective and to restore currently effective material.

(This page filed under Transmittal No. 1768 )

## 7. Special Access Service (Cont'd)

## 7.5 Rates and Charges (Cont'd)

## 7.5.15 Installation and Rearrangement Charges (Cont'd)

		Administrative Charge, per order	Design and Central Office Connection Charge, per circuit	Customer Connection Charge, per termination
DS1 Service - 1.544 Mbps (Cont'd)				
Wisconsin				
Zone 1	USOC	NRBA1	NRMF1	NRMG1
Monthly		50.00	300.00	450.00
12 Month		50.00	100.00	225.00
24 Month		50.00	0.00(x)	0.00(x)
36 Month		50.00	0.00(x)	0.00(x)
48 Month		50.00	0.00(x)	0.00(x)
60 Month		50.00	0.00(x)	0.00(x)
Zone 2	USOC	NRBA2	NRMF2	NRMG2
Monthly		50.00	300.00	450.00
12 Month		50.00	100.00	225.00
24 Month		50.00	0.00(x)	0.00(x)
36 Month		50.00	0.00(x)	0.00(x)
48 Month		50.00	0.00(x)	0.00(x)
60 Month		50.00	0.00(x)	0.00(x)
Zone 3	USOC	NRBA3	NRMF3	NRMG3
Monthly		50.00	300.00	450.00
12 Month		50.00	100.00	225.00
24 Month		50.00	0.00(x)	0.00(x)
36 Month		50.00	0.00(x)	0.00(x)
48 Month		50.00	0.00(x)	0.00(x)
60 Month		50.00	0.00(x)	0.00(x)
Zone 4	USOC	NRMA4	NRMF4	NRMG4
Monthly		50.00	300.00	450.00
12 Month		50.00	100.00	225.00
24 Month		50.00	0.00(x)	0.00(x)
36 Month		50.00	0.00(x)	0.00(x)
48 Month		50.00	0.00(x)	0.00(x)
60 Month		50.00	0.00(x)	0.00(x)

(x) Issued under authority of Special Permission No. 12-019 of the FCC in order to withdraw material filed under Transmittal No. 1767 without its becoming effective and to restore currently effective material.

(This page filed under Transmittal No. 1768 )

## 7. Special Access Service (Cont'd)

## 7.5 Rates and Charges (Cont'd)

## 7.5.15 Installation and Rearrangement Charges (Cont'd)

		Administrative Charge, per order	Design and Central Office Connection Charge, per circuit	Customer Connection Charge, per termination
DS1 Service				
- 1.544 Mbps (Cont'd)				
Wisconsin				
Zone 5	USOC	NRMA5	NRMF5	NRMG5
Monthly		50.00	300.00	450.00
12 Month		50.00	100.00	225.00
24 Month		50.00	0.00(x)	0.00(x)
36 Month		50.00	0.00(x)	0.00(x)
48 Month		50.00	0.00(x)	0.00(x)
60 Month		50.00	0.00(x)	0.00(x)
DS3 Service				
- 44.736 Mbps				
Illinois				
Zone 1	USOC	NRBA1	NRMF1	NRMG1
12 Month		75.00	428.00	750.00
24 Month		75.00	257.00	450.00
36 Month		75.00	0.00	0.00
48 Month		75.00	0.00	0.00
60 Month		0.00(x)	0.00	0.00
Zone 2	USOC	NRBA2	NRMF2	NRMG1
12 Month		75.00	450.00	790.00
24 Month		75.00	270.00	473.00
36 Month		75.00	0.00	0.00
48 Month		75.00	0.00	0.00
60 Month		0.00(x)	0.00	0.00

(x) Issued under authority of Special Permission No. 12-019 of the FCC in order to withdraw material filed under Transmittal No. 1767 without its becoming effective and to restore currently effective material.

(This page filed under Transmittal No. 1768 )

## 7. Special Access Service (Cont'd)

## 7.5 Rates and Charges (Cont'd)

## 7.5.15 Installation and Rearrangement Charges (Cont'd)

			Administrative Charge, per order	Design and Central Office Connection Charge, per circuit	Customer Connection Charge, per termination
DS3 Service					
- 44.736 Mbps (Cont'd)					
Illinois					
Zone 3	USOC	NRBA3		NRMF3	NRMG3
12 Month		75.00		473.00	825.00
24 Month		75.00		284.00	565.00
36 Month		75.00		0.00	0.00
48 Month		75.00		0.00	0.00
60 Month		0.00(x)		0.00	0.00
Zone 4	USOC	NRMA4		NRMF4	NRMG4
12 Month		75.00		486.00	860.00
24 Month		75.00		292.00	775.00
36 Month		75.00		0.00	0.00
48 Month		75.00		0.00	0.00
60 Month		0.00(x)		0.00	0.00
Zone 5	USOC	NRMA5		NRMF5	NRMG5
12 Month		75.00		505.00	900.00
24 Month		75.00		302.00	810.00
36 Month		75.00		0.00	0.00
48 Month		75.00		0.00	0.00
60 Month		0.00(x)		0.00	0.00
Indiana					
Zone 1	USOC	NRBA1		NRMF1	NRMG1
12 Month		75.00		428.00	750.00
24 Month		75.00		257.00	450.00
36 Month		75.00		0.00	0.00
48 Month		75.00		0.00	0.00
60 Month		0.00(x)		0.00	0.00

(x) Issued under authority of Special Permission No. 12-019 of the FCC in order to withdraw material filed under Transmittal No. 1767 without its becoming effective and to restore currently effective material.

(This page filed under Transmittal No. 1768 )

## 7. Special Access Service (Cont'd)

## 7.5 Rates and Charges (Cont'd)

## 7.5.15 Installation and Rearrangement Charges (Cont'd)

		Administrative Charge, per order	Design and Central Office Connection Charge, per circuit	Customer Connection Charge, per termination
DS3 Service				
- 44.736 Mbps (Cont'd)				
Indiana				
Zone 2	USOC	NRBA2	NRMF2	NRMG2
12 Month		75.00	450.00	790.00
24 Month		75.00	270.00	473.00
36 Month		75.00	0.00	0.00
48 Month		75.00	0.00	0.00
60 Month		0.00(x)	0.00	0.00
Zone 3	USOC	NRBA3	NRMF3	NRMG3
12 Month		75.00	473.00	825.00
24 Month		75.00	284.00	565.00
36 Month		75.00	0.00	0.00
48 Month		75.00	0.00	0.00
60 Month		0.00(x)	0.00	0.00
Zone 4	USOC	NRMA4	NRMF4	NRMG4
12 Month		75.00	486.00	860.00
24 Month		75.00	292.00	775.00
36 Month		75.00	0.00	0.00
48 Month		75.00	0.00	0.00
60 Month		0.00(x)	0.00	0.00
Zone 5	USOC	NRMA5	NRMF5	NRMG5
12 Month		75.00	505.00	900.00
24 Month		75.00	302.00	810.00
36 Month		75.00	0.00	0.00
48 Month		75.00	0.00	0.00
60 Month		0.00(x)	0.00	0.00

(x) Issued under authority of Special Permission No. 12-019 of the FCC in order to withdraw material filed under Transmittal No. 1767 without its becoming effective and to restore currently effective material.

(This page filed under Transmittal No. 1768 )

## 7. Special Access Service (Cont'd)

## 7.5 Rates and Charges (Cont'd)

## 7.5.15 Installation and Rearrangement Charges (Cont'd)

		Administrative Charge, per order	Design and Central Office Connection Charge, per circuit	Customer Connection Charge, per termination
DS3 Service				
- 44.736 Mbps (Cont'd)				
Michigan				
Zone 1	USOC	NRBA1	NRMF1	NRMG1
12 Month		75.00	428.00	750.00
24 Month		75.00	257.00	450.00
36 Month		75.00	0.00	0.00
48 Month		75.00	0.00	0.00
60 Month		0.00(x)	0.00	0.00
Zone 2	USOC	NRBA2	NRMF2	NRMG2
12 Month		75.00	450.00	790.00
24 Month		75.00	270.00	473.00
36 Month		75.00	0.00	0.00
48 Month		75.00	0.00	0.00
60 Month		0.00(x)	0.00	0.00
Zone 3	USOC	NRBA3	NRMF3	NRMG3
12 Month		75.00	473.00	825.00
24 Month		75.00	284.00	565.00
36 Month		75.00	0.00	0.00
48 Month		75.00	0.00	0.00
60 Month		0.00(x)	0.00	0.00
Zone 4	USOC	NRMA4	NRMF4	NRMG4
12 Month		75.00	486.00	860.00
24 Month		75.00	292.00	775.00
36 Month		75.00	0.00	0.00
48 Month		75.00	0.00	0.00
60 Month		0.00(x)	0.00	0.00

(x) Issued under authority of Special Permission No. 12-019 of the FCC in order to withdraw material filed under Transmittal No. 1767 without its becoming effective and to restore currently effective material.

(This page filed under Transmittal No. 1768 )

Issued: June 29, 2012

Effective: July 2, 2012

Four AT&T Plaza, Dallas, Texas 75202

## 7. Special Access Service (Cont'd)

## 7.5 Rates and Charges (Cont'd)

## 7.5.15 Installation and Rearrangement Charges (Cont'd)

		Administrative Charge, per order	Design and Central Office Connection Charge, per circuit	Customer Connection Charge, per termination
Ameritech DS3 Service				
- 44.736 Mbps (Cont'd)				
Michigan				
Zone 5	USOC	NRMA5	NRMF5	NRMG5
12 Month		75.00	505.00	900.00
24 Month		75.00	302.00	810.00
36 Month		75.00	0.00	0.00
48 Month		75.00	0.00	0.00
60 Month		0.00(x)	0.00	0.00
Ohio				
Zone 1	USOC	NRBA1	NRMF1	NRMG1
12 Month		75.00	428.00	750.00
24 Month		75.00	257.00	450.00
36 Month		75.00	0.00	0.00
48 Month		75.00	0.00	0.00
60 Month		0.00(x)	0.00	0.00
Zone 2	USOC	NRBA2	NRMF2	NRMG2
12 Month		75.00	450.00	790.00
24 Month		75.00	270.00	473.00
36 Month		75.00	0.00	0.00
48 Month		75.00	0.00	0.00
60 Month		0.00(x)	0.00	0.00
Zone 3	USOC	NRBA3	NRMF3	NRMG3
12 Month		75.00	473.00	825.00
24 Month		75.00	284.00	565.00
36 Month		75.00	0.00	0.00
48 Month		75.00	0.00	0.00
60 Month		0.00(x)	0.00	0.00

Rates contained in this transmittal are subject to subsequent adjustment, effective retrospectively, in the event the Commission or a court subsequently authorizes Ameritech to correct its rates pursuant to pending motions, or petitions for reconsideration or waiver, or in the event of any other adjustment to an order of the Commission or a court.

(x) Issued under authority of Special Permission No. 12-019 of the FCC in order to withdraw material filed under Transmittal No. 1767 without its becoming effective and to restore currently effective material.

(This page filed under Transmittal No. 1768 )

7. Special Access Service (Cont'd)

7.5 Rates and Charges (Cont'd)

7.5.15 Installation and Rearrangement Charges (Cont'd)

		Administrative Charge, per order	Design and Central Office Connection Charge, per circuit	Customer Connection Charge, per termination
Ameritech DS3 Service				
- 44.736 Mbps (Cont'd)				
Ohio				
Zone 4	USOC	NRMA4	NRMF4	NRMG4
12 Month		75.00	486.00	860.00
24 Month		75.00	292.00	775.00
36 Month		75.00	0.00	0.00
48 Month		75.00	0.00	0.00
60 Month		0.00(x)	0.00	0.00
Zone 5	USOC	NRMA5	NRMF5	NRMG5
12 Month		75.00	505.00	900.00
24 Month		75.00	302.00	810.00
36 Month		75.00	0.00	0.00
48 Month		75.00	0.00	0.00
60 Month		0.00(x)	0.00	0.00
Wisconsin				
Zone 1	USOC	NRBA1	NRMF1	NRMG1
12 Month		75.00	428.00	750.00
24 Month		75.00	257.00	450.00
36 Month		75.00	0.00	0.00
48 Month		75.00	0.00	0.00
60 Month		0.00(x)	0.00	0.00
Zone 2	USOC	NRBA2	NRMF2	NRMG2
12 Month		75.00	450.00	790.00
24 Month		75.00	270.00	473.00
36 Month		75.00	0.00	0.00
48 Month		75.00	0.00	0.00
60 Month		0.00(x)	0.00	0.00

Rates contained in this transmittal are subject to subsequent adjustment, effective retrospectively, in the event the Commission or a court subsequently authorizes Ameritech to correct its rates pursuant to pending motions, or petitions for reconsideration or waiver, or in the event of any other adjustment to an order of the Commission or a court.

(x) Issued under authority of Special Permission No. 12-019 of the FCC in order to withdraw material filed under Transmittal No. 1767 without its becoming effective and to restore currently effective material.

(This page filed under Transmittal No. 1768 )



## 7. Special Access Service (Cont'd)

## 7.5 Rates and Charges (Cont'd)

## 7.5.15 Installation and Rearrangement Charges (Cont'd)

		Administrative Charge, per order	Design and Central Office Connection Charge, per circuit	Customer Connection Charge, per termination
DS3 Service				
- 44.736 Mbps (Cont'd)				
Wisconsin				
Zone 3	USOC	NRBA3	NRMF3	NRMG3
12 Month		75.00	473.00	825.00
24 Month		75.00	284.00	565.00
36 Month		75.00	0.00	0.00
48 Month		75.00	0.00	0.00
60 Month		0.00(x)	0.00	0.00
Zone 4	USOC	NRMA4	NRMF4	NRMG4
12 Month		75.00	486.00	860.00
24 Month		75.00	292.00	775.00
36 Month		75.00	0.00	0.00
48 Month		75.00	0.00	0.00
60 Month		0.00(x)	0.00	0.00
Zone 5	USOC	NRMA5	NRMF5	NRMG5
12 Month		75.00	505.00	900.00
24 Month		75.00	302.00	810.00
36 Month		75.00	0.00	0.00
48 Month		75.00	0.00	0.00
60 Month		0.00(x)	0.00	0.00

(x) Issued under authority of Special Permission No. 12-019 of the FCC in order to withdraw material filed under Transmittal No. 1767 without its becoming effective and to restore currently effective material.

(This page filed under Transmittal No. 1768 )

ACCESS SERVICE

7. Special Access Service (Cont'd)

7.5 Rates and Charges (Cont'd)

7.5.15 Installation and Rearrangement Charges (Cont'd)

	Administrative Charge per order	Design and Central Office Connection Charge per circuit	Customer Connection Charge per termination	
USOC	ORCMX	NRBCL	NRBBL	
(1)				
SONET Xpress <sup>(2)</sup>	60.00	None	None	(N)
STS-1 Service	60.00			
Hub Rearrangement Record Charge				
- Per DS3 to DS1 Multiplexer Rearranged				
		USOC	Nonrecurring Charge	
Illinois				
Zone 1		NRBE1	650.00	
Zone 2		NRBE2	650.00	
Zone 3		NRBE3	650.00	
Zone 4		NRME4	650.00	
Zone 5		NRME5	650.00	

(1) Material in this Section has been de-tariffed as required by the Commission upon use of the forbearance relief pursuant to FCC Memorandum Opinion and Order No. 07-180, released October 12, 2007. Terms and Conditions associated with de-tariffed services are available at [www.att.com/guidebook](http://www.att.com/guidebook).

(2) Effective February 16, 2012, SONET Xpress is available only to existing Customers, for existing service arrangements. Existing Customers may continue to receive service under existing service arrangements, or on a month-to-month basis after their existing service arrangements expire, until SONET Xpress is discontinued.

(This page filed under Transmittal No. 1758 )

## 7. Special Access Service (Cont'd)

## 7.5 Rates and Charges (Cont'd)

## 7.5.15 Installation and Rearrangement Charges (Cont'd)

## Hub Rearrangement - Record Charge (Cont'd)

- Per DS3 to DS1

## Multiplexer Rearranged (Cont'd)

	USOC	Nonrecurring Charge	(T)
Indiana			
Zone 1	NRBE1	650.00	
Zone 2	NRBE2	650.00	
Zone 3	NRBE3	650.00	
Zone 4	NRME4	650.00	
Zone 5	NRME5	650.00	
Michigan			
Zone 1	NRBE1	650.00	
Zone 2	NRBE2	650.00	
Zone 3	NRBE3	650.00	
Zone 4	NRME4	650.00	
Zone 5	NRME5	650.00	
Ohio			
Zone 1	NRBE1	650.00	
Zone 2	NRBE2	650.00	
Zone 3	NRBE3	650.00	
Zone 4	NRME4	650.00	
Zone 5	NRME5	650.00	
Wisconsin			
Zone 1	NRBE1	650.00	
Zone 2	NRBE2	650.00	
Zone 3	NRBE3	650.00	
Zone 4	NRME4	650.00	
Zone 5	NRME5	650.00	

The previous heading of "All States" has now been expanded to include each state served by the Ameritech Operating Companies.

(This page filed under Transmittal No. 1357 )

## 7. Special Access Service (Cont'd)

## 7.5 Rates and Charges (Cont'd)

## 7.5.15 Installation and Rearrangement Charges (Cont'd)

## Hub Rearrangement - Record Charge (Cont'd)

- Per DS1 to Voice/Base Rate  
Multiplexer Rearranged

	USOC	Nonrecurring Charge	(T)
Illinois			
Zone 1	NRBE1	500.00	
Zone 2	NRBE2	500.00	
Zone 3	NRBE3	500.00	
Zone 4	NRME4	500.00	
Zone 5	NRME5	500.00	
Indiana			
Zone 1	NRBE1	500.00	
Zone 2	NRBE2	500.00	
Zone 3	NRBE3	500.00	
Zone 4	NRME4	500.00	
Zone 5	NRME5	500.00	
Michigan			
Zone 1	NRBE1	500.00	
Zone 2	NRBE2	500.00	
Zone 3	NRBE3	500.00	
Zone 4	NRME4	500.00	
Zone 5	NRME5	500.00	
Ohio			
Zone 1	NRBE1	500.00	
Zone 2	NRBE2	500.00	
Zone 3	NRBE3	500.00	
Zone 4	NRME4	500.00	
Zone 5	NRME5	500.00	
Wisconsin			
Zone 1	NRBE1	500.00	
Zone 2	NRBE2	500.00	
Zone 3	NRBE3	500.00	
Zone 4	NRME4	500.00	
Zone 5	NRME5	500.00	

Certain material appearing on this page previously appeared on 7th Revised Page 445.2.1.  
The previous heading of "All States" has now been expanded to include each state served by the Ameritech Operating Companies.

(This page filed under Transmittal No. 1357 )

ACCESS SERVICE

7. Special Access Service (cont'd)

7.5 Rates and Charges (cont'd)

7.5.15 Installation and Rearrangement Charges (cont'd)

(1)

(D)

<sup>(1)</sup> Material in this Section has been de-tariffed as required by the Commission upon use of the forbearance relief pursuant to FCC Memorandum Opinion and Order No. 07-180, released October 12, 2007. Terms and Conditions associated with de-tariffed services are available at [www.att.com/guidebook](http://www.att.com/guidebook).

(This page filed under Transmittal No. 1671 )

ACCESS SERVICE

7. Special Access Service (Cont'd)

7.5 Rates and Charges (Cont'd)

7.5.15 Installation and Rearrangement Charges (Cont'd)

(1)

(D)

<sup>(1)</sup> Material in this Section has been de-tariffed as required by the Commission upon use of the forbearance relief pursuant to FCC Memorandum Opinion and Order No. 07-180, released October 12, 2007. Terms and Conditions associated with de-tariffed services are available at [www.att.com/guidebook](http://www.att.com/guidebook).

(This page filed under Transmittal No. 1671 )

7. Special Access Service (Cont'd)

7.5 Rates and Charges (Cont'd)

7.5.16 Optional Payment Plan Vintage Rates

A. General Regulations

Optional Payment Plan (OPP) vintage rates are those rates that apply to existing services provided under an OPP term in the event the Telephone Company initiates a rate increase. Vintage rates as set forth following are classified as vintage because the Telephone Company ensures that rates provided under an OPP term will not be increased by the Telephone Company above the OPP rate in effect at the beginning of the customer's OPP term. Each Telephone Company Wire Center has been assigned to a rate zone. To determine the rate zone wire center assignments use the following:

- For OPP terms in effect prior to November 18, 2000, wire center rate zone assignments can be found in Section 7.7. (D)
- For OPP terms in effect on or after November 18, 2000, wire center rate zone assignments can be found in the NECA Tariff FCC No. 4. (T)

Customers under their current OPP term will continue to pay the rates as shown in Section 7.5.16(B) until such time as:

- the effective tariff rate in Section 7.5.9 becomes lower than the vintage rate,
- the assignment of a new rate zone involves a lower rate,
- the customer's existing OPP term expires, or
- the service is terminated by the customer.

In addition, other customer modifications, other than termination, that cause a new rate or OPP term to be established will result in the service becoming non-vintage and the rates as specified in Sections 7.5.5 through 7.5.12 will apply. (T)

B. Vintage Rates

1. The following rates apply to DS1 services installed prior to April 23, 1997 in Illinois, Michigan, Ohio and Wisconsin and prior to June 6, 1997 in Indiana unless rates as specified under Section 7.5.9(B) are lower, in which case the referenced rates apply. (T)

		Recurring Charges	
		Optional Payment Plan	
Local Distribution Channel - Per Point of Termination		24 Month	48 Month
All States	Zone 1	\$134.87	\$118.38
	Zone 2	139.37	122.33
	Zone 3	149.85	131.54

(This page filed under Transmittal No. 1812 )

7. Special Access Service (Cont'd)  
 7.5 Rates and Charges (Cont'd)  
 7.5.16 Optional Payment Plan Vintage Rates  
 B. Vintage Rates (Cont'd)

1. The following rates apply to DS1 services installed prior to April 23, 1997 in Illinois, Michigan, Ohio and Wisconsin and prior to June 6, 1997 in Indiana unless rates as specified under 7.5.9(B) are lower, in which case the referenced rates apply.

	Recurring Charges Optional Payment Plan	
	24 Month	48 Month
Channel Mileage Termination - Per Point of Termination		
Illinois		
Zone 1	\$ 45.63	\$ 30.88
Zone 2	45.63	30.88
Zone 3	51.03	45.30
All Other States		
Zone 1	45.63	30.88
Zone 2	45.63	30.88
Zone 3	57.04	51.48
Channel Mileage - Per Mile		
All States		
Zone 1	18.06	14.95
Zone 2	18.06	14.95
Zone 3	18.06	14.95
Multiplexing		
DS1 to Voice/Base Rate/128.0, 256.0, 384.0, 512.0, 768.0 Kbps Transport		
All States		
Zone 1	280.60	253.15
Zone 2	280.60	253.15
Zone 3	280.60	253.15

(N)

(This page filed under Transmittal No. 1390 )



## ACCESS SERVICE

## 7. Special Access Service (Cont'd)

## 7.5 Rates and Charges (Cont'd)

## 7.5.16 Optional Payment Plan Vintage Rates (Cont'd)

## B. Vintage Rates (Cont'd)

2. The following rates apply to Base Rate services installed prior to July 1, 1999, unless rates as specified under 7.5.9(A) are lower, in which case the referenced rates apply. (T)

	Recurring Charges Optional Payment Plan	
	24 Mo.	48 Mo.
Local Distribution Channel - Per Point of Termination All States	\$76.36	\$68.47
Channel Mileage Termination - Per Point of Termination All States	12.20	11.18
Channel Mileage - Per Mile All States	.98	.93
Central Office Bridging - Per Port All States	22.58	20.12

(This page filed under Transmittal No. 1357 )

## 7. Special Access Service (Cont'd)

## 7.5 Rates and Charges (Cont'd)

## 7.5.16 Optional Payment Plan Vintage Rates (Cont'd)

## B. Vintage Rates (Cont'd)

2. The following rates apply to DS1 services installed prior to July 1, 1999, unless rates as specified under 7.5.9(B) are lower, in which case the referenced rates apply.

	Recurring Charges Optional Payment Plan	
	24 Mo	48 Mo
Local Distribution Channel - Per Point of Termination		
All States		
Zone 1	\$158.00	\$122.00
Zone 2	164.00	126.00
Zone 3	176.00	136.00
Channel Mileage Termination - Per Point of Termination		
Illinois		
Zone 1	61.00	34.00
Zone 2	61.00	34.00
Zone 3	61.00	47.00
All Other States		
Zone 1	65.00	37.00
Zone 2	65.00	37.00
Zone 3	65.00	51.00
Channel Mileage - Per Mile		
All States		
Zone 1	22.00	15.00
Zone 2	22.00	15.00
Zone 3	22.00	15.00
Multiplexing DS1 to Voice/ Base Rate 128.0, 256.0, 384.0, 512.0, 768.0 Kbps Transport		
All States		
Zone 1	322.00	249.00
Zone 2	322.00	249.00
Zone 3	322.00	249.00

(N)

(This page filed under Transmittal No. 1390 )

**ACCESS SERVICE**

**7. Special Access Service (Cont'd)**

**7.5 Rates and Charges (Cont'd)**

**7.5.16 Optional Payment Plan Vintage Rates (Cont'd)**

**B. Vintage Rates (Cont'd)**

3. The following rates apply to DS3 services installed prior to July 1, 1999, unless rates as specified under 7.5.9(C) are lower, in which case the referenced rates apply.

		<b>Recurring Charges Optional Payment Plan</b>				
		<b>12 Mo.</b>	<b>24 Mo.</b>	<b>36 Mo.</b>	<b>48 Mo.</b>	<b>60 Mo.</b>
Local Distribution Channel - Per Point of Termination DS3 Optical Service Package						
All States						
Zone 1	DS3012	\$12,600.00	\$ 7,885.00	\$ 4,900.00	\$ 4,000.00	\$ 3,000.00
	DS3024	18,900.00	12,450.00	7,000.00	5,400.00	4,000.00
Zone 2	DS3012	12,600.00	7,885.00	4,900.00	4,000.00	3,000.00
	DS3024	18,900.00	12,450.00	7,000.00	5,400.00	4,000.00
Zone 3	DS3012	12,600.00	7,885.00	4,900.00	4,000.00	3,000.00
	DS3024	18,900.00	12,450.00	7,000.00	5,400.00	4,000.00

C

C

C

(This page filed under Transmittal No. 1206 )

**ACCESS SERVICE**

**7. Special Access Service (Cont'd)**

**7.5 Rates and Charges (Cont'd)**

**7.5.16 Optional Payment Plan Vintage Rates (Cont'd)**

**B. Vintage Rates (Cont'd)**

D

D

(This page filed under Transmittal No. 1206 )

ACCESS SERVICE

7. Special Access Service (Cont'd)

7.5 Rates and Charges (Cont'd)

7.5.16 Optional Payment Plan Vintage Rates (Cont'd)

(B) Vintage Rates (Cont'd)

4. Reserved for Future Use (Cont'd)

(T)

(D)

(D)

(This page filed under Transmittal No. 1825 )

## ACCESS SERVICE

## 7. Special Access Service (Cont'd)

## 7.5 Rates and Charges (Cont'd)

## 7.5.16 Optional Payment Plan Vintage Rates (Cont'd)

## B. Vintage Rates (Cont'd)

5. The following rates apply to Base Rate services installed after June 9, 1998, but prior to February 26, 1999, unless rates as specified under 7.5.9(A) are lower, in which case the referenced rates apply. (T)

	Recurring Charges Optional Payment Plan 12 Month
Local Distribution Channel - Per Point of Termination All States	\$88.00
Channel Mileage Termination - Per Point of Termination All States	13.25
Channel Mileage - Per Mile All States	1.08
Central Office Bridging - Per Port All States	23.55

(This page filed under Transmittal No. 1357 )

7. Special Access Service (Cont'd)

7.5 Rates and Charges (Cont'd)

7.5.16 Optional Payment Plan Vintage Rates (Cont'd)

B. Vintage Rates (Cont'd)

6. The following rates apply to DS1 services installed after June 9, 1998, but prior to February 26, 1999, unless rates as specified under 7.5.9(B) are lower, in which case the referenced rates apply.

	Recurring Charges Optional Payment Plan 12 Month
Local Distribution Channel - Per Point of Termination	
All States Zone 3	\$224.00
Multiplexing	
- DS1 to Voice/Base Rate 128.0, 256.0, 384.0, 512.0, 768.0 Kbps Transport	
All States Zone 3	370.00

7. The following rates apply to DS3 services installed after June 9, 1998, but prior to February 26, 1999, unless rates as specified under 7.5.9(C) are lower, in which case the referenced rates apply.

	Recurring Charges Optional Payment Plan 12 Month
Local Distribution Channel - Per Point of Termination DS3 Electrical Service Package	
All States Zone 3	
DS3	\$ 2,300.00
DS3B	3,500.00
DS3C	4,910.00
DS3F	8,685.00
DS3L	13,750.00

DS3X 20,650.00

(N)

(This page filed under Transmittal No. 1390 )

ACCESS SERVICE

7. Special Access Service (Cont'd)

7.5 Rates and Charges (Cont'd)

7.5.16 Optional Payment Plan Vintage Rates (Cont'd)

B. Vintage Rates

8.<sup>(1)</sup>

(D)

<sup>(1)</sup> Material in this Section has been de-tariffed as required by the Commission upon use of the forbearance relief pursuant to FCC Memorandum Opinion and Order No. 07-180, released October 12, 2007. Terms and Conditions associated with de-tariffed services are available at [www.att.com/guidebook](http://www.att.com/guidebook).

(This page filed under Transmittal No. 1666 )



ACCESS SERVICE

7. Special Access Service (Cont'd)

7.5 Rates and Charges (Cont'd)

7.5.16 Optional Payment Plan Vintage Rates (Cont'd)

B. Vintage Rates

9.<sup>(1)</sup>

(D)

<sup>(1)</sup> Material in this Section has been de-tariffed as required by the Commission upon use of the forbearance relief pursuant to FCC Memorandum Opinion and Order No. 07-180, released October 12, 2007. Terms and Conditions associated with de-tariffed services are available at [www.att.com/guidebook](http://www.att.com/guidebook).

(This page filed under Transmittal No. 1666 )

ACCESS SERVICE

7. Special Access Service (Cont'd)

7.5 Rates and Charges (Cont'd)

7.5.16 Optional Payment Plan Vintage Rates (Cont'd)

B. Vintage Rates

10.<sup>(1)</sup>

(D)

<sup>(1)</sup> Material in this Section has been de-tariffed as required by the Commission upon use of the forbearance relief pursuant to FCC Memorandum Opinion and Order No. 07-180, released October 12, 2007. Terms and Conditions associated with de-tariffed services are available at [www.att.com/guidebook](http://www.att.com/guidebook).

(This page filed under Transmittal No. 1666 )

ACCESS SERVICE

7. Special Access Service (Cont'd)

7.5 Rates and Charges (Cont'd)

7.5.16 Optional Payment Plan Vintage Rates (Cont'd)

B. Vintage Rates

11. The following rates apply to SONET Xpress services installed prior to July 1, 1999, unless rates as specified under 7.5.12 are lower, in which case the referenced rates apply. N

	Recurring Rates					
	Optional Payment Plan					
	12 Mo.	24 Mo.	36 Mo.	48 Mo.	60 Mo.	
Network Access Connection All States						
- Per DS1 Customer Premises Termination		\$ 124.00		\$ 111.00		
- Per DS3 Customer Premises Termination	\$994.00	944.00	\$895.00	845.00	\$795.00	
- Per OC-12 Customer Premises Termination		36,165.00		34,334.00		
- Per OC-12 Customer Premises Termination Sorted and Grouped		26,450.00		25,127.00		
Off Network Access Connection All States						
- Per DS1 Central Office Connection		60.00		42.00		
- Per DS3 Central Office Connection		75.00		60.00		
- Per OC-3 Central Office Connection		350.00		315.00		
- Per OC-12 Central Office Connection		590.00		570.00		
DS3 Payload Multiplexing All States						
- Per DS3/STS 1		355.00		315.00		N

(This page filed under Transmittal No. 1206 )

7. Special Access Service (Cont'd)

7.5 Rates and Charges (Cont'd)

7.5.16 Optional Payment Plan Vintage Rates (Cont'd)

B. Vintage Rates (Cont'd)

12. The following rates apply to DS3 services installed prior to July 1, 2000, unless  
 (N)  
 rates as specified under 7.5.9(C) are lower, in which case the referenced rates apply.

	12 Mo.	24 Mo.	Recurring Charges Optional Payment Plan		60 Mo.
			36 Mo.	48 Mo.	
Local Distribution Channel - Per Point of Termination DS3 LDC with Electrical Interface					
All States					
Zone 1 TZUP1		\$ 2,160.00		\$ 1,134.00	
Zone 2 TZUP2	\$2,539.00	2,218.00		1,155.00	
Zone 3 TZUP3		2,370.00	\$1,348.00	1,219.00	
Channel Mileage Termination - Per Point of Termination					
All States					
Zone 1 CZ4X1		324.10			
Zone 2 CZ4X2		324.10	299.44	290.63	
Zone 3 CZ4X3 (N)	350.00	324.10	299.44	290.63	\$281.82

Rates contained in this transmittal are subject to subsequent adjustment, effective retrospectively back to the transmittal's original effective date, in the event the Commission or a court subsequently authorizes Ameritech to correct its rates pursuant to pending motions, or petitions for reconsideration or waiver (and including, but not limited to, any Application for Review of the letter from Lawrence E. Strickling, Chief, Common Carrier Bureau, FCC, to Dale Robertson, SBC, dated May 18, 1999 which may be filed with the Commission), or in the event of any other adjustment pursuant to an order of the Commission or a court.

(This page filed under Transmittal No. 1238 )

7. Special Access Service (Cont'd)

7.5 Rates and Charges (Cont'd)

7.5.16 Optional Payment Plan Vintage Rates (Cont'd)

B. Vintage Rates (Cont'd)

12. The following rates apply to DS3 services installed prior to July 1, 2000, unless rates as specified under 7.5.9(C) are lower, in which case the referenced rates apply. (Cont'd)

		Recurring Charges Optional Payment Plan		
		12 Mo.	24 Mo.	48 Mo.
Channel Mileage - Per Mile				
All States				
Zone 1	IYZX1			\$59.64
Zone 2	IYZX2		\$100.00	59.64
Zone 3	IYZX3	\$110.00	100.00	74.64
Interconnection – Central Office Multiplexing - Per Arrangement - DS3 to DS1				
All States				
Zone 1	QM3X1			(T)
Zone 2	QM3X2		585.12	(T)
Zone 3	QM3X3		585.12	524.70

(This page filed under Transmittal No. 1357 )

## 7. Special Access Service (Cont'd)

## 7.5 Rates and Charges (Cont'd)

## 7.5.16 Optional Payment Plan Vintage Rates (Cont'd)

## B. Vintage Rates (Cont'd)

13. The following rates apply to DS1 services installed prior to July 1, 2000, unless rates as specified under 7.5.15 are lower, in which case the referenced rates apply.

## Installation and Rearrangement Charges

	USOC	Customer Connection Charge Per Termination	
		12 Mo.	24 Mo.
DS1 Service - 1.544 Mbps.			
All States			
Zone 1	NRBB1	\$200.00	\$200.00
Zone 2	NRBB2	230.00	230.00
Zone 3	NRBB3	260.00	260.00

(T)

(This page filed under Transmittal No. 1357 )

7. Special Access Service (Cont'd)

7.5 Rates and Charges (Cont'd)

7.5.16 Optional Payment Plan Vintage Rates (Cont'd)

(B) Vintage Rates (Cont'd)

14. The following rates apply to DS1 services installed prior to November 18, 2000, unless rates as specified under 7.5.9(B) are lower, in which case the referenced rates apply.

	USOC	Recurring Charges Optional Payment Plan					Discount Commitment Program**	
		12 Mo.	24 Mo.	36 Mo.	48 Mo.	60 Mo.	36 Mo.	60 Mo.
Local Distribution Channel								
-Per Point of Termination								
-Terminating Bit Rate								
1.544 Mbps								
All States								
Zone 1	TZ4X1	\$205.00	\$205.00	\$124.56	\$124.56	\$112.50	\$134.87	\$127.38
Zone 2	TZ4X2	211.00	211.00	128.71	128.71	115.40	139.36	131.62
Zone 3	TZ4X3	253.00	253.00	138.40	138.40	125.00	149.85	141.53
DAL* (1.544 Mbps)								
All States								
Zone 1	TZ4X1	205.00	205.00	124.56	124.56	112.50	134.87	127.38
Zone 2	TZ4X2	211.00	211.00	128.71	128.71	115.40	139.36	131.62
Zone 3	TZ4X3	253.00	253.00	138.40	138.40	125.00	149.85	141.53

\* An DS1 DAL is available only when the WATS serving office is an appropriately equipped digital switch.

\*\*DCP is not available for DS1 Local Distribution Channels (LDC) associated with 128, 256, 384, 512, and 768 Kbps Channel Mileage Termination and Channel Mileage, installed after October 2, 2000.

(N)

(This page filed under Transmittal No. 1390 )

7. Special Access Service (Cont'd)

7.5 Rates and Charges (Cont'd)

7.5.16 Optional Payment Plan Vintage Rates (Cont'd)

(B) Vintage Rates

14. The following rates apply to DS1 services installed prior to November 18, 2000, unless rates as specified under 7.5.9(B) are lower, in which case the referenced rates apply.

	USOC	Recurring Charges Optional Payment Plan					Discount Commitment Program		(T)
		12 Mo.	24 Mo.	36 Mo.	48 Mo.	60 Mo	36 Mo.	60 Mo.	
Channel Mileage Termination -Per Point of Termination									
-1.544 Mbps									
Illinois									
Zone 1	CZ4X1	\$71.00	\$71.00	\$37.89	\$37.89	\$24.80	\$47.99	\$38.78	
Zone 2	CZ4X2	71.00	71.00	37.89	37.89	24.80	47.99	38.78	
Zone 3	CZ4X3	71.00	71.00	47.45	47.45	42.51	51.61	48.74	
Indiana, Michigan, Ohio and Wisconsin									
Zone 1	CZ4X1	71.00	71.00	37.89	37.89	24.80	47.99	38.78	
Zone 2	CZ4X2	71.00	71.00	37.89	37.89	24.80	47.99	38.78	
Zone 3	CZ4X3	71.00	71.00	52.70	52.70	46.00	55.80	51.00	
Channel Mileage -Per Mile									
-1.544 Mbps									
All States									
Zone 1	1YZX1	\$23.00	\$23.00	\$15.82	\$15.82	\$13.84	\$18.68	\$17.65	
Zone 2	1YZX2	23.00	23.00	15.82	15.82	13.84	18.68	17.65	
Zone 3	1YZX3	23.00	23.00	15.82	15.82	13.84	18.68	17.65	

(This page filed under Transmittal No. 1357 )



7. Special Access Service (Cont'd)

7.5 Rates and Charges (Cont'd)

7.5.16 Optional Payment Plan Vintage Rates (Cont'd)

(B) Vintage Rates

(D)

(D)

(This page filed under Transmittal No. 1732 )

7. Special Access Service (Cont'd)

7.5 Rates and Charges (Cont'd)

7.5.16 Optional Payment Plan Vintage Rates (Cont'd)

(B) Vintage Rates

14. The following rates apply to DS1 services installed prior to November 18, 2000, unless rates as specified under 7.5.9(B) are lower, in which case the referenced rates apply.

USOC	Recurring Charges Optional Payment Plan				Discount Commitment Program				
	12 Mo.	24 Mo.	36 Mo.	48 Mo.	60 Mo.	36 Mo.	60 Mo.		
Interconnection									
Central Office									
Multiplexing									
-DS1									
to Voice/ Base									
Rate/128.0, 256.0,									
384.0, 512.0, 768.0 Kbps									
Transport*									
All States									
Zone 1	QMVX1	\$250.00	\$250.00	\$195.00	\$195.00	\$175.00	\$274.50	\$259.25	(N)
Zone 2	QMVX2	260.00	260.00	200.00	200.00	180.00	274.50	259.25	
Zone 3	QMVX3	270.00	270.00	205.00	205.00	185.00	274.50	259.25	
ANRS System Location									
Port Termination									
-DS1 Termination									
All States									
Zone 1	PQD11			45.60	\$44.16	\$40.80	\$39.60	\$38.40	
Zone 2	PQD12			45.60	44.16	40.80	39.60	38.40	
Zone 3	PQD13			45.60	44.16	40.80	39.60	38.40	

\* A channel of this DS1 to the hub may be used for Program Audio or Dedicated Access Line Service. Multiple channels may be required to provide individual Program Audio Channels.

(This page filed under Transmittal No. 1390 )

7. Special Access Service (Cont'd)

7.5 Rates and Charges (Cont'd)

7.5.16 Optional Payment Plan Vintage Rates (Cont'd)

(B) Vintage Rates

14. The following rates apply to DS3 services installed prior to November 18, 2000, unless rates as specified under 7.5.9(C) are lower, in which case the referenced rates apply.

	USOC	12 Mo.	24 Mo.	Recurring Charges Optional Payment Plan		
				36 Mo.	48 Mo.	60 Mo.
Local Distribution Channel						
-Per Point of Termination						
Terminating Bit Rate, 44.736 Mbps						
DS3 LDC With Electrical Interface						
Illinois						
Zone 1	TZUP1	\$2,470.00	\$2,470.00	\$1,250.00	\$1,250.00	\$1,000.00
Zone 2	TZUP2	2,540.00	2,540.00	1,300.00	1,300.00	1,040.00
Zone 3	TZUP3	2,800.00	2,800.00	1,350.00	1,350.00	1,080.00
Indiana						
Zone 1	TZUP1	2,470.00	2,470.00	1,250.00	1,250.00	1,000.00
Zone 2	TZUP2	2,540.00	2,540.00	1,300.00	1,300.00	1,040.00
Zone 3	TZUP3	2,800.00	2,800.00	1,350.00	1,350.00	1,080.00
Michigan						
Zone 1	TZUP1	2,470.00	2,470.00	1,250.00	1,250.00	1,000.00
Zone 2	TZUP2	2,540.00	2,540.00	1,300.00	1,300.00	1,040.00
Zone 3	TZUP3	2,800.00	2,800.00	1,350.00	1,350.00	1,080.00
Ohio						
Zone 1	TZUP1	2,470.00	2,470.00	1,250.00	1,250.00	1,000.00
Zone 2	TZUP2	2,540.00	2,540.00	1,300.00	1,300.00	1,040.00
Zone 3	TZUP3	2,800.00	2,800.00	1,350.00	1,350.00	1,080.00
Wisconsin						
Zone 1	TZUP1	2,470.00	2,470.00	1,250.00	1,250.00	1,000.00
Zone 2	TZUP2	2,540.00	2,540.00	1,300.00	1,300.00	1,040.00
Zone 3	TZUP3	2,800.00	2,800.00	1,350.00	1,350.00	1,080.00

(T)

(This page filed under Transmittal No. 1357 )

7. Special Access Service (Cont'd)

7.5 Rates and Charges (Cont'd)

7.5.16 Optional Payment Plan Vintage Rates (Cont'd)

(B) Vintage Rates

15. The following rates apply to DS3 services installed prior to November 18, 2000, unless rates as specified under 7.5.9(C) are lower, in which case the referenced rates apply.

USOC	Recurring Charges					(T)
	12 Mo.	24 Mo.	36 Mo.	48 Mo.	60 Mo.	
Terminating Bit Rate						
44.736 Mbps						
DS3 Service Package						
with Optical interface						
- Per Package						
Illinois						
Zone 1 DS3012 PCG31	\$15,750.00	\$15,750.00	\$6,125.00	\$6,125.00	\$3,750.00	
DS3024 PCG31	23,625.00	23,625.00	8,750.00	8,750.00	5,000.00	
Zone 2 DS3012 PCG32	15,750.00	15,750.00	6,125.00	6,125.00	3,750.00	
DS3024 PCG32	23,625.00	23,625.00	8,750.00	8,750.00	5,000.00	
Zone 3 DS3012 PCG33	15,750.00	15,750.00	6,125.00	6,125.00	3,750.00	
DS3024 PCG33	23,625.00	23,625.00	8,750.00	8,750.00	5,000.00	
Indiana						
Zone 1 DS3012 PCG31	\$15,750.00	\$15,750.00	\$6,125.00	\$6,125.00	\$3,750.00	
DS3024 PCG31	23,625.00	23,625.00	8,750.00	8,750.00	5,000.00	
Zone 2 DS3012 PCG32	15,750.00	15,750.00	6,125.00	6,125.00	3,750.00	
DS3024 PCG32	23,625.00	23,625.00	8,750.00	8,750.00	5,000.00	
Zone 3 DS3012 PCG33	15,750.00	15,750.00	6,125.00	6,125.00	3,750.00	
DS3024 PCG33	23,625.00	23,625.00	8,750.00	8,750.00	5,000.00	
Michigan						
Zone 1 DS3012 PCG31	\$15,750.00	\$15,750.00	\$6,125.00	\$6,125.00	\$3,750.00	
DS3024 PCG31	23,625.00	23,625.00	8,750.00	8,750.00	5,000.00	
Zone 2 DS3012 PCG32	15,750.00	15,750.00	6,125.00	6,125.00	3,750.00	
DS3024 PCG32	23,625.00	23,625.00	8,750.00	8,750.00	5,000.00	
Zone 3 DS3012 PCG33	15,750.00	15,750.00	6,125.00	6,125.00	3,750.00	
DS3024 PCG33	23,625.00	23,625.00	8,750.00	8,750.00	5,000.00	

(This page filed under Transmittal No. 1357 )

7. Special Access Service (Cont'd)

7.5 Rates and Charges (Cont'd)

7.5.16 Optional Payment Plan Vintage Rates (Cont'd)

(B) Vintage Rates

15. The following rates apply to DS3 services installed prior to November 18, 2000, unless rates as specified under 7.5.9(C) are lower, in which case the referenced rates apply.

(T)

USOC	Recurring Charges Optional Payment Plan				
	12 Mo.	24 Mo.	36 Mo.	48 Mo.	60 Mo.
Terminating Bit Rate 44.736 Mbps					
DS3 Service Package with Optical Interface - Per Package (Cont'd)					
Ohio					
Zone 1 DS3012 PCG31	\$15,750.00	\$15,750.00	\$6,125.00	\$6,125.00	\$3,750.00
DS3024 PCG31	23,625.00	23,625.00	8,750.00	8,750.00	5,000.00
Zone 2 DS3012 PCG32	15,750.00	15,750.00	6,125.00	6,125.00	3,750.00
DS3024 PCG32	23,625.00	23,625.00	8,750.00	8,750.00	5,000.00
Zone 3 DS3012 PCG33	15,750.00	15,750.00	6,125.00	6,125.00	3,750.00
DS3024 PCG33	23,625.00	23,625.00	8,750.00	8,750.00	5,000.00
Wisconsin					
Zone 1 DS3012 PCG31	\$15,750.00	\$15,750.00	\$6,125.00	\$6,125.00	\$3,750.00
DS3024 PCG31	23,625.00	23,625.00	8,750.00	8,750.00	5,000.00
Zone 2 DS3012 PCG32	15,750.00	15,750.00	6,125.00	6,125.00	3,750.00
DS3024 PCG32	23,625.00	23,625.00	8,750.00	8,750.00	5,000.00
Zone 3 DS3012 PCG33	15,750.00	15,750.00	6,125.00	6,125.00	3,750.00
DS3024 PCG33	23,625.00	23,625.00	8,750.00	8,750.00	5,000.00

(This page filed under Transmittal No. 1357 )

7. Special Access Service (Cont'd)

7.5 Rates and Charges (Cont'd)

7.5.16 Optional Payment Plan Vintage Rates (Cont'd)

(B) Vintage Rates

15. The following rates apply to DS3 services installed prior to November 18, 2000, unless rates as specified under 7.5.9(C) are lower, in which case the referenced rates apply.

Channel Mileage Termination -Per Point of Termination	USOC	Recurring Charges Optional Payment Plan				
		12 Mo.	24 Mo.	36 Mo.	48 Mo.	60 Mo.
Illinois	Zone 1 CZ4X1	\$325.00	\$325.00	\$275.00	\$275.00	\$250.00
	Zone 2 CZ4X2	350.00	350.00	300.00	300.00	275.00
	Zone 3 CZ4X3	400.00	400.00	350.00	350.00	325.00
Indiana	Zone 1 CZ4X1	325.00	325.00	275.00	275.00	250.00
	Zone 2 CZ4X2	350.00	350.00	300.00	300.00	275.00
	Zone 3 CZ4X3	400.00	400.00	350.00	350.00	325.00
Michigan	Zone 1 CZ4X1	325.00	325.00	275.00	275.00	250.00
	Zone 2 CZ4X2	350.00	350.00	300.00	300.00	275.00
	Zone 3 CZ4X3	400.00	400.00	350.00	350.00	325.00
Ohio	Zone 1 CZ4X1	325.00	325.00	275.00	275.00	250.00
	Zone 2 CZ4X2	350.00	350.00	300.00	300.00	275.00
	Zone 3 CZ4X3	400.00	400.00	350.00	350.00	325.00
Wisconsin	Zone 1 CZ4X1	325.00	325.00	275.00	275.00	250.00
	Zone 2 CZ4X2	350.00	350.00	300.00	300.00	275.00
	Zone 3 CZ4X3	400.00	400.00	350.00	350.00	325.00
Channel Mileage -Per Mile						
Illinois	Zone 1 1YZX1	100.00	100.00	60.00	60.00	35.00
	Zone 2 1YZX2	110.00	110.00	65.00	65.00	40.00
	Zone 3 1YZX3	120.00	120.00	75.00	75.00	50.00
Indiana	Zone 1 1YZX1	100.00	100.00	60.00	60.00	35.00
	Zone 2 1YZX2	110.00	110.00	65.00	65.00	40.00
	Zone 3 1YZX3	120.00	120.00	75.00	75.00	50.00

(T)

(This page filed under Transmittal No. 1357 )

7. Special Access Service (Cont'd)

7.5 Rates and Charges (Cont'd)

7.5.16 Optional Payment Plan Vintage Rates (Cont'd)

(B) Vintage Rates

15. The following rates apply to DS3 services installed prior to November 18, 2000, unless rates as specified under 7.5.9(C) are lower, in which case the referenced rates apply.

(T)

Channel Mileage -Per Mile (Cont'd)	USOC	Recurring Charges Optional Payment Plan					
		12 Mo.	24 Mo.	36 Mo.	48 Mo.	60 Mo.	
Michigan	Zone 1	1YZX1	100.00	100.00	60.00	60.00	35.00
	Zone 2	1YZX2	110.00	110.00	65.00	65.00	40.00
	Zone 3	1YZX3	120.00	120.00	75.00	75.00	50.00
Ohio	Zone 1	1YZX1	100.00	100.00	60.00	60.00	35.00
	Zone 2	1YZX2	110.00	110.00	65.00	65.00	40.00
	Zone 3	1YZX3	120.00	120.00	75.00	75.00	50.00
Wisconsin	Zone 1	1YZX1	100.00	100.00	60.00	60.00	35.00
	Zone 2	1YZX2	110.00	110.00	65.00	65.00	40.00
	Zone 3	1YZX3	120.00	120.00	75.00	75.00	50.00
Interconnection - Central Office Multiplexing -Per Arrangement -DS3 to DS1							
All States	Zone 1	QM3X1	575.00	575.00	475.00	475.00	450.00
	Zone 2	QM3X2	600.00	600.00	500.00	500.00	475.00
	Zone 3	QM3X3	625.00	625.00	525.00	525.00	500.00

(T)  
(T)

(This page filed under Transmittal No. 1357 )

7. Special Access Service (Cont'd)

7.5 Rates and Charges (Cont'd)

7.5.16 Optional Payment Plan Vintage Rates (Cont'd)

(T)

(B) Vintage Rates

15. The following rates apply to DS3 services installed prior to November 18, 2000, unless rates as specified under 7.5.9(C) are lower, in which case the referenced rates apply.

USOC	12 Mo.	Recurring Charges Optional Payment Plan				60 Mo.
		24 Mo.	36 Mo.	48 Mo.		
ANRS System Location						
Port Termination						
- Per DS3 Termination						
- All States						
Zone 1	\$166.25	\$161.00	\$148.75	\$144.00	\$140.00	
Zone 2	166.25	161.00	148.75	144.00	140.00	
Zone 3	166.25	161.00	148.75	144.00	140.00	

(This page filed under Transmittal No. 1357 )



ACCESS SERVICE

7. Special Access Service (Cont'd)

7.5 Rates and Charges (Cont'd)

7.5.16 Optional Payment Plan Vintage Rates (Cont'd)

(B) Vintage Rates (Cont'd)

16.<sup>(1)</sup>

(D)

<sup>(1)</sup> Material in this Section has been de-tariffed as required by the Commission upon use of the forbearance relief pursuant to FCC Memorandum Opinion and Order No. 07-180, released October 12, 2007. Terms and Conditions associated with de-tariffed services are available at [www.att.com/guidebook](http://www.att.com/guidebook).

(This page filed under Transmittal No. 1666 )

ACCESS SERVICE

7. Special Access Service (Cont'd)

7.5 Rates and Charges (Cont'd)

7.5.16 Optional Payment Plan Vintage Rates (Cont'd)

(B) Vintage Rates (Cont'd)

16.<sup>(1)</sup>

(D)

<sup>(1)</sup> Material in this Section has been de-tariffed as required by the Commission upon use of the forbearance relief pursuant to FCC Memorandum Opinion and Order No. 07-180, released October 12, 2007. Terms and Conditions associated with de-tariffed services are available at [www.att.com/guidebook](http://www.att.com/guidebook).

(This page filed under Transmittal No. 1666 )

ACCESS SERVICE

7. Special Access Service (Cont'd)

7.5 Rates and Charges

7.5.16 Optional Payment Plan Vintage Rates (Cont'd)

(B) Vintage Rates (Cont'd)

16.<sup>(1)</sup>

(D)

<sup>(1)</sup> Material in this Section has been de-tariffed as required by the Commission upon use of the forbearance relief pursuant to FCC Memorandum Opinion and Order No. 07-180, released October 12, 2007. Terms and Conditions associated with de-tariffed services are available at [www.att.com/guidebook](http://www.att.com/guidebook).

(This page filed under Transmittal No. 1666 )

ACCESS SERVICE

7. Special Access Service (Cont'd)

7.5 Rates and Charges (Cont'd)

7.5.16 Optional Payment Plan Vintage Rates (Cont'd)

(B) Vintage Rates (Cont'd)

17.<sup>(1)</sup>

(D)

<sup>(1)</sup> Material in this Section has been de-tariffed as required by the Commission upon use of the forbearance relief pursuant to FCC Memorandum Opinion and Order No. 07-180, released October 12, 2007. Terms and Conditions associated with de-tariffed services are available at [www.att.com/guidebook](http://www.att.com/guidebook).

(This page filed under Transmittal No. 1666 )

**ACCESS SERVICE**

**7. Special Access Service (Cont'd)**

D

D

(This page filed under Transmittal No. 596 )

---

Issued: January 16, 1992

Effective: February 20, 1992

Four AT&T Plaza, Dallas, Texas 75202

**ACCESS SERVICE**

**7. Special Access Service (Cont'd)**

D  
|  
D

(This page filed under Transmittal No. 596 )

---

Issued: January 16, 1992

Effective: February 20, 1992

Four AT&T Plaza, Dallas, Texas 75202

**ACCESS SERVICE**

**7. Special Access Service (Cont'd)**

D  
|  
D

(This page filed under Transmittal No. 596 )

---

Issued: January 16, 1992

Effective: February 20, 1992

Four AT&T Plaza, Dallas, Texas 75202

**ACCESS SERVICE**

**7. Special Access Service (Cont'd)**

D

D

(This page filed under Transmittal No. 596 )

---

Issued: January 16, 1992

Effective: February 20, 1992

Four AT&T Plaza, Dallas, Texas 75202



**ACCESS SERVICE**

**7. Special Access Service (Cont'd)**

D

D

(This page filed under Transmittal No. 596 )

---

Issued: January 16, 1992

Effective: February 20, 1992

Four AT&T Plaza, Dallas, Texas 75202

**ACCESS SERVICE**

**7. Special Access Service (Cont'd)**

D

D

(This page filed under Transmittal No. 596 )

---

Issued: January 16, 1992

Effective: February 20, 1992

Four AT&T Plaza, Dallas, Texas 75202

**ACCESS SERVICE**

**7. Special Access Service (Cont'd)**

D

D

(This page filed under Transmittal No. 596 )

---

Issued: January 16, 1992

Effective: February 20, 1992

Four AT&T Plaza, Dallas, Texas 75202

**ACCESS SERVICE**

**7. Special Access Service (Cont'd)**

D

D

(This page filed under Transmittal No. 596 )

---

Issued: January 16, 1992

Effective: February 20, 1992

Four AT&T Plaza, Dallas, Texas 75202

**ACCESS SERVICE**

**7. Special Access Service (Cont'd)**

D  
|  
D

(This page filed under Transmittal No. 596 )

---

Issued: January 16, 1992

Effective: February 20, 1992

Four AT&T Plaza, Dallas, Texas 75202

**ACCESS SERVICE**

**7. Special Access Service (Cont'd)**

D  
|  
D

(This page filed under Transmittal No. 596 )

---

Issued: January 16, 1992

Effective: February 20, 1992

Four AT&T Plaza, Dallas, Texas 75202

**ACCESS SERVICE**

**7. Special Access Service (Cont'd)**

D  
|  
D

(This page filed under Transmittal No. 596 )

---

Issued: January 16, 1992

Effective: February 20, 1992

Four AT&T Plaza, Dallas, Texas 75202

**ACCESS SERVICE**

**7. Special Access Service (Cont'd)**

D

D

(This page filed under Transmittal No. 596 )

---

Issued: January 16, 1992

Effective: February 20, 1992

Four AT&T Plaza, Dallas, Texas 75202



**ACCESS SERVICE**

**7. Special Access Service (Cont'd)**

D  
|  
D

(This page filed under Transmittal No. 596 )

---

Issued: January 16, 1992

Effective: February 20, 1992

Four AT&T Plaza, Dallas, Texas 75202

ACCESS SERVICE

7. Special Access Service (Cont'd)

7.5 Rates and Charges (Cont'd)

7.5.16 Optional Payment Plan Vintage Rates (Cont'd)

18.<sup>(1)</sup>

(D)

<sup>(1)</sup> Material in this Section has been de-tariffed as required by the Commission upon use of the forbearance relief pursuant to FCC Memorandum Opinion and Order No. 07-180, released October 12, 2007. Terms and Conditions associated with de-tariffed services are available at [www.att.com/guidebook](http://www.att.com/guidebook).

(This page filed under Transmittal No. 1666 )

ACCESS SERVICE

7. Special Access Service (Cont'd)

7.5 Rates and Charges (Cont'd)

7.5.16 Optional Payment Plan Vintage Rates (Cont'd)

18.<sup>(1)</sup>

(D)  
 \_\_\_\_\_  
 (D)

19. The following rates apply to DS1 Services installed between July 1, 2003 through September 30, 2003.

Local Distribution Channel	OPP	DCP
- Per Point of Termination	60 Mo.	60 Mo.
Terminating Bit Rate	110.00	127.00
Channel Mileage		
-Per Mile		
1.544 Mbps	11.60	13.34

20. The following rates apply to Direct Analog Service installed between July 1, 2003 through June 30, 2004.

		Discount Commitment Program	
		36 Mo.	60 Mo.
-Local Distribution Channel	USOC		
-Direct Analog Service			
-Per point of termination			
-Two-Wire			
-All states	T6E2X	17.00	12.00
-Four Wire			
-All states	T6E4X	22.00	20.00

<sup>(1)</sup> Material in this Section has been de-tariffed as required by the Commission upon use of the forbearance relief pursuant to FCC Memorandum Opinion and Order No. 07-180, released October 12, 2007. Terms and Conditions associated with de-tariffed services are available at [www.att.com/guidebook](http://www.att.com/guidebook).

(This page filed under Transmittal No. 1666 )

ACCESS SERVICE

7. Special Access Service (Cont'd)

7.5 Rates and Charges (Cont'd)

7.5.16 Optional Payment Plan Vintage Rates (Cont'd)

20. The following rates apply to Direct Analog Service installed between July 1, 2003 through June 30, 2004. (Cont'd)

	USOC	Discount Commitment Program	
		36 Mo.	60 Mo.
-Dedicated Access Line			
-Per point of termination*			
-Two Wire			
-All states	X2W	17.00	14.00
-Four Wire			
-All states	X4W	32.00	29.25

20.<sup>(1)</sup>

(D)

(D)

21.<sup>(1)</sup>

(D)

(D)

<sup>(1)</sup> Material in this Section has been de-tariffed as required by the Commission upon use of the forbearance relief pursuant to FCC Memorandum Opinion and Order No. 07-180, released October 12, 2007. Terms and Conditions associated with de-tariffed services are available at [www.att.com/guidebook](http://www.att.com/guidebook).

(This page filed under Transmittal No. 1666 )

ACCESS SERVICE

7. Special Access Service (Cont'd)

7.5 Rates and Charges (Cont'd)

7.5.16 Optional Payment Plan Vintage Rates (Cont'd)

21.<sup>(1)</sup>

(D)

21.<sup>(1)</sup>

(D)

(D)

(D)

<sup>(1)</sup> Material in this Section has been de-tariffed as required by the Commission upon use of the forbearance relief pursuant to FCC Memorandum Opinion and Order No. 07-180, released October 12, 2007. Terms and Conditions associated with de-tariffed services are available at [www.att.com/guidebook](http://www.att.com/guidebook).

(This page filed under Transmittal No. 1666 )

ACCESS SERVICE

7. Special Access Service (Cont'd)

7.5 Rates and Charges (Cont'd)

(N)

7.5.16 Optional Payment Plan Vintage Rates (Cont'd)

22. The following rates apply to DS3 Services installed between October 21, 2003 and June 30, 2005.

Local Distribution  
 Channel-Per point of  
 Termination-Terminating  
 Bit Rate, 44.736 Mbps

	USOC	Recurring Charges Optional Payment Plan *	
		36 Mo.	48 Mo.
Illinois			
Zone 1	TZUP1	1,050.00	1,050.00
Zone 2	TZUP2	1,060.00	1,060.00
Zone 3	TZUP3	1,120.00	1,120.00
Zone 4	TZUP4	1,150.00	1,150.00
Zone 5	TZUP5	1,160.00	1,160.00
Indiana			
Zone 1	TZUP1	1,090.00	1,090.00
Zone 2	TZUP2	1,100.00	1,100.00
Zone 3	TZUP3	1,170.00	1,170.00
Zone 4	TZUP4	1,190.00	1,190.00
Zone 5	TZUP5	1,200.00	1,200.00
Michigan			
Zone 1	TZUP1	1,080.00	1,080.00
Zone 2	TZUP2	1,090.00	1,090.00
Zone 3	TZUP3	1,150.00	1,150.00
Zone 4	TZUP4	1,180.00	1,180.00
Zone 5	TZUP5	1,190.00	1,190.00
Ohio			
Zone 1	TZUP1	1,080.00	
Zone 2	TZUP2	1,090.00	1,090.00
Zone 3	TZUP3	1,150.00	1,150.00
Zone 4	TZUP4	1,180.00	1,180.00
Zone 5	TZUP5	1,190.00	1,190.00
Wisconsin			
Zone 1	TZUP1	1,090.00	1,090.00
Zone 2	TZUP2	1,100.00	1,100.00
Zone 3	TZUP3	1,170.00	1,170.00
Zone 4	TZUP4	1,190.00	1,190.00
Zone 5	TZUP5	1,200.00	1,200.00

(N)  
(M)

Material now appearing on this page previously appeared on 15th Revised Page 413.2.6.

(M)

Rates contained in this transmittal are subject to subsequent adjustment, effective retrospectively, in the event the Commission or a court subsequently authorizes Ameritech to correct its rates pursuant to pending motions, or petitions for reconsideration or waiver, or in the event of any other adjustment to an order of the Commission or a court.

(This page filed under Transmittal No. 1481 )

ACCESS SERVICE

7. Special Access Service (Cont'd)

7.5 Rates and Charges (Cont'd)

7.5.16 Optional Payment Plan Vintage Rates (Cont'd)

23. The following rates apply to DS3 Services installed between February 6, 2004 and June 30, 2005.

Channel Mileage - Per Mile

	USOC	Recurring Charges Optional Payment Plan * 60 Mo.
Illinois		
Zone 1	1YZX1	28.00
Zone 2	1YZX2	30.00
Zone 3	1YZX3	32.00
Zone 4	1YZX4	36.00
Zone 5	1YZX5	38.00
Indiana		
Zone 1	1YZX1	30.00
Zone 2	1YZX2	32.00
Zone 3	1YZX3	34.00
Zone 4	1YZX4	38.00
Zone 5	1YZX5	40.00
Michigan		
Zone 1	1YZX1	29.00
Zone 2	1YZX2	31.00
Zone 3	1YZX3	33.00
Zone 4	1YZX4	37.00
Zone 5	1YZX5	39.00
Ohio		
Zone 1	1YZX1	29.00
Zone 2	1YZX2	31.00
Zone 3	1YZX3	33.00
Zone 4	1YZX4	37.00
Zone 5	1YZX5	39.00
Wisconsin		
Zone 1	1YZX1	30.00
Zone 2	1YZX2	32.00
Zone 3	1YZX3	34.00
Zone 4	1YZX4	38.00
Zone 5	1YZX5	40.00

(N)

(N)  
(M)

(M)

Material now appearing on this page previously appeared on 20th Revised Page 413.4.

Rates contained in this transmittal are subject to subsequent adjustment, effective retrospectively, in the event the Commission or a court subsequently authorizes Ameritech to correct its rates pursuant to pending motions, or petitions for reconsideration or waiver, or in the event of any other adjustment to an order of the Commission or a court.

(This page filed under Transmittal No. 1481 )

ACCESS SERVICE

7. Special Access Service (Cont'd)

7.5 Rates and Charges (Cont'd)

7.5.16 Optional Payment Plan Vintage Rates (Cont'd)

24. The following rates apply to DS3 Services installed between October 21, 2003 and June 30, 2005.

Optional Features and Functions  
 Interconnection – Central Office Multiplexing – Per Arrangement  
 DS3 to DS1

		Recurring Charges		
		Optional Payment Plan *		
USOC		12 Mo.	24 Mo.	
Illinois				(N)
Zone 1	QM3X1		555.00	(M)
Zone 2	QM3X2	595.00	585.00	
Zone 3	QM3X3	605.00		
Zone 4	QM3X4	630.00		
Zone 5	QM3X5		630.00	
Indiana				
Zone 1	QM3X1		575.00	
Zone 2	QM3X2			
Zone 3	QM3X3		610.00	
Zone 4	QM3X4		635.00	
Zone 5	QM3X5		650.00	
Michigan				
Zone 1	QM3X1		570.00	
Zone 2	QM3X2			
Zone 3	QM3X3			
Zone 4	QM3X4		630.00	
Zone 5	QM3X5	655.00	645.00	
Ohio				
Zone 1	QM3X1		570.00	
Zone 2	QM3X2		595.00	
Zone 3	QM3X3			
Zone 4	QM3X4	640.00	630.00	
Zone 5	QM3X5		645.00	
Wisconsin				
Zone 1	QM3X1	585.00	575.00	
Zone 2	QM3X2	610.00	600.00	
Zone 3	QM3X3		610.00	
Zone 4	QM3X4	645.00	635.00	
Zone 5	QM3X5	660.00	650.00	

Material now appearing on this page previously appeared on 28th Revised Page 414.

Rates contained in this transmittal are subject to subsequent adjustment, effective retrospectively, in the event the Commission or a court subsequently authorizes Ameritech to correct its rates pursuant to pending motions, or petitions for reconsideration or waiver, or in the event of any other adjustment to an order of the Commission or a court.

(This page filed under Transmittal No. 1481 )



ACCESS SERVICE

7. Special Access Service (Cont'd)

7.5 Rates and Charges (Cont'd)

7.5.16 Optional Payment Plan Vintage Rates (Cont'd)

25.<sup>(1)</sup>

(D)

(D)

26.<sup>(1)</sup>

(D)

(D)

<sup>(1)</sup> Material in this Section has been de-tariffed as required by the Commission upon use of the forbearance relief pursuant to FCC Memorandum Opinion and Order No. 07-180, released October 12, 2007. Terms and Conditions associated with de-tariffed services are available at [www.att.com/guidebook](http://www.att.com/guidebook).

(This page filed under Transmittal No. 1666 )

ACCESS SERVICE

7. Special Access Service (Cont'd)

7.5 Rates and Charges (Cont'd)

7.5.16 Optional Payment Plan Vintage Rates (Cont'd)

26.<sup>(1)</sup>

(D)

<sup>(1)</sup> Material in this Section has been de-tariffed as required by the Commission upon use of the forbearance relief pursuant to FCC Memorandum Opinion and Order No. 07-180, released October 12, 2007. Terms and Conditions associated with de-tariffed services are available at [www.att.com/guidebook](http://www.att.com/guidebook).

(This page filed under Transmittal No. 1666 )

ACCESS SERVICE

7. Special Access Service (Cont'd)

7.5 Rates and Charges (Cont'd)

7.5.16 Optional Payment Plan Vintage Rates (Cont'd)

27.<sup>(1)</sup>

(D)

<sup>(1)</sup> Material in this Section has been de-tariffed as required by the Commission upon use of the forbearance relief pursuant to FCC Memorandum Opinion and Order No. 07-180, released October 12, 2007. Terms and Conditions associated with de-tariffed services are available at [www.att.com/guidebook](http://www.att.com/guidebook).

(This page filed under Transmittal No. 1666 )

ACCESS SERVICE

7. Special Access Service (Cont'd)

7.5 Rates and Charges (Cont'd)

7.5.16 Optional Payment Plan Vintage Rates (Cont'd)

28.<sup>(1)</sup>

(D)

(D)

29.<sup>(1)</sup>

(D)

(D)

<sup>(1)</sup> Material in this Section has been de-tariffed as required by the Commission upon use of the forbearance relief pursuant to FCC Memorandum Opinion and Order No. 07-180, released October 12, 2007. Terms and Conditions associated with de-tariffed services are available at [www.att.com/guidebook](http://www.att.com/guidebook).

(This page filed under Transmittal No. 1666 )

ACCESS SERVICE

7. Special Access Service (Cont'd)

7.5 Rates and Charges (Cont'd)

7.5.16 Optional Payment Plan Vintage Rates (Cont'd)

30.<sup>(1)</sup>

(D)

31.<sup>(1)</sup>

(D)

(D)

(D)

32. The following rates apply to SONET Xpress Service installed between April 9, 2002 and June 30, 2005.

Network Access  
 Connection  
 All States

- Per DS1 Customer	<u>USOC</u>	<u>60 Month</u>
Premises		
Termination	NYA1X	\$105.00

Per OC-12		
Customer		
Premises		
Termination	NYABX	\$27,467.00

<sup>(1)</sup> Material in this Section has been de-tariffed as required by the Commission upon use of the forbearance relief pursuant to FCC Memorandum Opinion and Order No. 07-180, released October 12, 2007. Terms and Conditions associated with de-tariffed services are available at [www.att.com/guidebook](http://www.att.com/guidebook).

(This page filed under Transmittal No. 1666 )

ACCESS SERVICE

7. Special Access Service (Cont'd) (N)

7.5 Rates and Charges (Cont'd)

7.5.16 Optional Payment Plan Vintage Rates (Cont'd)

32. The following rates apply to SONET Xpress Service installed between April 9, 2002 and June 30, 2005. (Cont'd) (N)

Off-Network  
 Access  
 Connection  
 All States (M)

- Per DS1 Central Office Connection	<u>USOC</u>	<u>60 Month</u>		
	NYO1X		\$35.00	
- Per DS3 Central Office Connection				
	NYO3X		\$55.00	

DS3 Payload  
 Multiplexing  
 Function  
 All States

- Per DS3/STS-1 to/from DS1/VT 1.5 on the Network	<u>USOC</u>	<u>12Month</u>	<u>24 Month</u>	<u>60 Month</u>
	MPEMX	\$365.00	\$365.00	\$305.00

(M)

Material now appearing on this page previously appeared on 9th Revised Page 418.1.4 and 5th Revised Page 418.1.5.

**Rates contained in this transmittal are subject to subsequent adjustment, effective retrospectively, in the event the Commission or a court subsequently authorizes Ameritech to correct its rates pursuant to pending motions, or petitions for reconsideration or waiver, or in the event of any other adjustment to an order of the Commission or a court.**

(This page filed under Transmittal No. 1481 )

ACCESS SERVICE

7. Special Access Service (Cont'd)

7.5 Rates and Charges (Cont'd)

7.5.16 Optional Payment Plan Vintage Rates (Cont'd)

33.<sup>(1)</sup>

(D)

34.<sup>(1)</sup>

(D)

(D)

(D)

<sup>(1)</sup> Material in this Section has been de-tariffed as required by the Commission upon use of the forbearance relief pursuant to FCC Memorandum Opinion and Order No. 07-180, released October 12, 2007. Terms and Conditions associated with de-tariffed services are available at [www.att.com/guidebook](http://www.att.com/guidebook).

(This page filed under Transmittal No. 1666 )

ACCESS SERVICE

7. Special Access Service (Cont'd)

7.5 Rates and Charges (Cont'd)

7.5.16 Optional Payment Plan Vintage Rates (Cont'd)

35.<sup>(1)</sup>

(D)

<sup>(1)</sup> Material in this Section has been de-tariffed as required by the Commission upon use of the forbearance relief pursuant to FCC Memorandum Opinion and Order No. 07-180, released October 12, 2007. Terms and Conditions associated with de-tariffed services are available at [www.att.com/guidebook](http://www.att.com/guidebook).

(This page filed under Transmittal No. 1666 )



**ACCESS SERVICE**

**7. Special Access Service (Cont'd)**

D  
|  
D

(This page filed under Transmittal No. 596 )

---

Issued: January 16, 1992

Effective: February 20, 1992

Four AT&T Plaza, Dallas, Texas 75202

**ACCESS SERVICE**

**7. Special Access Service (Cont'd)**

D  
|  
D

(This page filed under Transmittal No. 596 )

---

Issued: January 16, 1992

Effective: February 20, 1992

Four AT&T Plaza, Dallas, Texas 75202

**ACCESS SERVICE**

**7. Special Access Service (Cont'd)**

D  
|  
D

(This page filed under Transmittal No. 596 )

---

Issued: January 16, 1992

Effective: February 20, 1992

Four AT&T Plaza, Dallas, Texas 75202

**ACCESS SERVICE**

**7. Special Access Service (Cont'd)**

D  
|  
D

(This page filed under Transmittal No. 596 )

---

Issued: January 16, 1992

Effective: February 20, 1992

Four AT&T Plaza, Dallas, Texas 75202

**ACCESS SERVICE**

**7. Special Access Service (Cont'd)**

D  
|  
D

(This page filed under Transmittal No. 596 )

---

Issued: January 16, 1992

Effective: February 20, 1992

Four AT&T Plaza, Dallas, Texas 75202

**ACCESS SERVICE**

**7. Special Access Service (Cont'd)**

D  
|  
D

(This page filed under Transmittal No. 596 )

---

Issued: January 16, 1992

Effective: February 20, 1992

Four AT&T Plaza, Dallas, Texas 75202

**ACCESS SERVICE**

**7. Special Access Service (Cont'd)**

**7.6 Individual Case Filings (Cont'd)**

**State of Ohio**

D  
|  
D

(This page filed under Transmittal No. 1082 )

**ACCESS SERVICE**

**7. Special Access Service (Cont'd)**

D  
|  
D

(This page filed under Transmittal No. 596 )



**ACCESS SERVICE**

**7. Special Access Service (Cont'd)**

D  
|  
D

(This page filed under Transmittal No. 596 )

**ACCESS SERVICE**

**7. Special Access Service (Cont'd)**

D  
|  
D

(This page filed under Transmittal No. 596 )

---

Issued: January 16, 1992

Effective: February 20, 1992

Four AT&T Plaza, Dallas, Texas 75202

**ACCESS SERVICE**

**7. Special Access Service (Cont'd)**

D  
|  
D

(This page filed under Transmittal No. 596 )

---

Issued: January 16, 1992

Effective: February 20, 1992

Four AT&T Plaza, Dallas, Texas 75202

**ACCESS SERVICE**

**7. Special Access Service (Cont'd)**

D  
|  
D

(This page filed under Transmittal No. 596 )

---

Issued: January 16, 1992

Effective: February 20, 1992

Four AT&T Plaza, Dallas, Texas 75202

ACCESS SERVICE

7. Special Access Service (Cont'd)

7.6 Individual Case Filings

(D)

(D)

(This page filed under Transmittal No. 1818 )

**ACCESS SERVICE**

**7. Special Access Service (Cont'd)**

**7.6 Individual Case Filings (Cont'd)**

**State of Illinois**

<b>Customer</b>	<b>Description</b>	<b>USOC</b>	<b>Monthly Rate</b>	<b>Nonrecurring Charge</b>
National Guardian	Telemetry and Alarm Bridging Active Bridging - Split Band			
	Split Band Bridging - Per channel connectedCNLRX	\$23.58	None	

N  
|  
N

(This page filed under Transmittal No. 553 )

## 7. Special Access Service (Cont'd)

- 7.7 Rate Zone Wire Center Assignment for DS1 and DS3 Services Provided Under Vintage Rates in effect prior to November 18, 2000. (T)

## General

Each Telephone Company wire center has been assigned to a rate zone. Rates zones are applicable to services specified in Section 7.4.1, preceding when Expanded Interconnection has become operational in a study area. This table, which applies only to DS1 and DS3 services provided under Vintage Rates in effect prior to November 18, 2000, as described in Section 7.5.16 preceding, lists by study area wire centers assigned to Rate Zones 1 and 2, all other Telephone Company offices are assigned to Zone 3. (T)

## Zone 1

Illinois	CHCGILCL CHCGILFR CHCGILID CHCGILLR CHCGILSU CHCGILWB EGVGILEG NBRKILNB NPVLILNE OKBRILOA SCBGILRS
Indiana	IPLSIN01
Michigan	DTRTMIBL DTRTMIRV
Ohio	AKRNOH25 CLEVOH62 CLMBOH11 DYTNOH22
Wisconsin	MILWWI13

## Zone 2

Illinois	ARLHILAH BLWDILBW BNSVILBV BNTOILAG CHCGILAU CHCGILBE CHCGILCA CHCGILDO CHCGILED CHCGILHB CHCGILIR
----------	--

(This page filed under Transmittal No. 1357 )

## 7. Special Access Service (Cont'd)

7.7 Rate Zone Wire Center Assignment for DS1 and DS3 Services Provided Under Vintage Rates (T)  
in effect prior to November 18, 2000. (Cont'd)

## Zone 2

Illinois (Cont'd)	CHCGILKE
	CHCGILKI
	CHCGILLA
	CHCGILLD
	CHCGILLW
	CHCGILME
	CHCGILMH
	CHCGILMO
	CHCGILNE
	CHCGILOH
	CHCGILOK
	CHCGILPM
	CHCGILPR
	CHCGILPU
	CHCGILRP
	CHCGILSC
	CHCGILST
	CICRILCI
	DSPLILXL
	DWGVILDG
	EMHRILET
	EVTNILEV
	GLVWILGV
	HFESILPC
	HLSDILHD
	HNDLILHI
	LBRDILLM
	LGRCILLG
	MRGVILMG
	OKLWILOL
	OKPKILOP
	PRRGILXL
	RVGVILRG
SCBGILCO	
SCPKILSP	
SKOKILSK	
SPFDILES	

Michigan	ABHLMIBH
	BLVLMINE
	BRHMMIMN
	DRBRMIDB
	DRBRMIFB
	DRBRMIOR
	DTRTMICL
	DTRTMIHG

(This page filed under Transmittal No. 1357 )



7. Special Access Service (Cont'd)

7.7 Rate Zone Wire Center Assignment for DS1 and DS3 Services Provided Under Vintage Rates (T)  
in effect prior to November 18, 2000. (Cont'd)

Zone 2 (Cont'd)

MichiganDTRTMILX  
(Cont'd)DTRTMIMD

DTRTMIPE  
DTRTMIPG  
DTRTMIRF  
DTRTMITE  
DTRTMITW  
DTRTMIUW  
DTRTMIVT  
DTRTMIVW  
FMHLMIFH  
GDRPMIBL  
HGPKMITS  
LNNGMIMN  
RYLOMIMN  
SFLDMIMN  
SFLDMIOK  
TROYMIMN  
TROYMISM  
WBFDMIMN  
WRRNMITL

Ohio

BCWDOH46  
BKPKOH26  
BKPKOH97  
CLEVOH25  
CLEVOH42  
CLEVOH43  
CLEVOH45  
CLEVOH53  
CLEVOH63  
CLEVOH64  
CLEVOH74  
CLHGOH32  
CLMBOH27  
CLMBOH29  
DYTNOH25  
LKWDOH52  
MPHGOH66  
SHHGOH92  
TOLDOH21

WOTNOH88

(This page filed under Transmittal No. 1357 )

7. Special Access Service (Cont'd)

7.7 Rate Zone Wire Center Assignment for DS1 and DS3 Services Provided Under Vintage Rates (T)  
in effect prior to November 18, 2000. (Cont'd)

Zone 2 (Cont'd)

WisconsinMDSNW11  
MDSNW115  
MILWW117  
MILWW122  
MILWW123  
MILWW127  
MILWW134  
MILWW138  
MILWW142  
MILWW148

(This page filed under Transmittal No. 1357 )

**ACCESS SERVICE**

D

**7. Special Access Service (Cont'd)**

(This page filed under Transmittal No. 596 )

---

Issued: January 16, 1992

Effective: February 20, 1992

Four AT&T Plaza, Dallas, Texas 75202

**ACCESS SERVICE**

D

**7. Special Access Service (Cont'd)**

(This page filed under Transmittal No. 596 )

---

Issued: January 16, 1992

Effective: February 20, 1992

Four AT&T Plaza, Dallas, Texas 75202

**ACCESS SERVICE**

**7. Special Access Service (Cont'd)**

D

(This page filed under Transmittal No. 596 )

---

Issued: January 16, 1992

Effective: February 20, 1992

Four AT&T Plaza, Dallas, Texas 75202

**ACCESS SERVICE**

**7. Special Access Service (Cont'd)**

D

(This page filed under Transmittal No. 596 )

---

Issued: January 16, 1992

Effective: February 20, 1992

Four AT&T Plaza, Dallas, Texas 75202

**ACCESS SERVICE**

**7. Special Access Service (Cont'd)**

D

(This page filed under Transmittal No. 596 )

---

Issued: January 16, 1992

Effective: February 20, 1992

Four AT&T Plaza, Dallas, Texas 75202

**ACCESS SERVICE**

**7. Special Access Service (Cont'd)**

D

(This page filed under Transmittal No. 596 )

---

Issued: January 16, 1992

Effective: February 20, 1992

Four AT&T Plaza, Dallas, Texas 75202



**ACCESS SERVICE**

**7. Special Access Service (Cont'd)**

D

(This page filed under Transmittal No. 596 )

---

Issued: January 16, 1992

Effective: February 20, 1992

Four AT&T Plaza, Dallas, Texas 75202

**ACCESS SERVICE**

**7. Special Access Service (Cont'd)**

D

(This page filed under Transmittal No. 596 )

---

Issued: January 16, 1992

Effective: February 20, 1992

Four AT&T Plaza, Dallas, Texas 75202

**ACCESS SERVICE**

**7. Special Access Service (Cont'd)**

D

(This page filed under Transmittal No. 596 )

---

Issued: January 16, 1992

Effective: February 20, 1992

Four AT&T Plaza, Dallas, Texas 75202

**ACCESS SERVICE**

**7. Special Access Service (Cont'd)**

D

(This page filed under Transmittal No. 596 )

---

Issued: January 16, 1992

Effective: February 20, 1992

Four AT&T Plaza, Dallas, Texas 75202

**ACCESS SERVICE**

**7. Special Access Service (Cont'd)**

D

(This page filed under Transmittal No. 596 )

---

Issued: January 16, 1992

Effective: February 20, 1992

Four AT&T Plaza, Dallas, Texas 75202

**ACCESS SERVICE**

**7. Special Access Service (Cont'd)**

D

(This page filed under Transmittal No. 596 )

---

Issued: January 16, 1992

Effective: February 20, 1992

Four AT&T Plaza, Dallas, Texas 75202

**ACCESS SERVICE**

**7. Special Access Service (Cont'd)**

D

(This page filed under Transmittal No. 596 )

---

Issued: January 16, 1992

Effective: February 20, 1992

Four AT&T Plaza, Dallas, Texas 75202

**ACCESS SERVICE**

**7. Special Access Service (Cont'd)**

D

(This page filed under Transmittal No. 596 )

---

Issued: January 16, 1992

Effective: February 20, 1992

Four AT&T Plaza, Dallas, Texas 75202



**ACCESS SERVICE**

**7. Special Access Service (Cont'd)**

D

(This page filed under Transmittal No. 596 )

---

Issued: January 16, 1992

Effective: February 20, 1992

Four AT&T Plaza, Dallas, Texas 75202

**ACCESS SERVICE**

**7. Special Access Service (Cont'd)**

D

(This page filed under Transmittal No. 596 )

---

Issued: January 16, 1992

Effective: February 20, 1992

Four AT&T Plaza, Dallas, Texas 75202

**ACCESS SERVICE**

**7. Special Access Service (Cont'd)**

D

(This page filed under Transmittal No. 596 )

---

Issued: January 16, 1992

Effective: February 20, 1992

Four AT&T Plaza, Dallas, Texas 75202

(This page filed under Transmittal No. 596 )

---

Issued: January 16, 1992

Effective: February 20, 1992

Four AT&T Plaza, Dallas, Texas 75202

**ACCESS SERVICE**

**7. Special Access Service (Cont'd)**

D  
|  
D

(This page filed under Transmittal No. 596 )

**ACCESS SERVICE**

**7. Special Access Service (Cont'd)**

D  
|  
D

(This page filed under Transmittal No. 596 )

---

Issued: January 16, 1992

Effective: February 20, 1992

Four AT&T Plaza, Dallas, Texas 75202

**ACCESS SERVICE**

**7. Special Access Service (Cont'd)**

D  
-----  
D

(This page filed under Transmittal No. 596 )

---

Issued: January 16, 1992

Effective: February 20, 1992

Four AT&T Plaza, Dallas, Texas 75202

**ACCESS SERVICE**

**7. Special Access Service (Cont'd)**

D  
-----  
D

(This page filed under Transmittal No. 596 )

---

Issued: January 16, 1992

Effective: February 20, 1992

Four AT&T Plaza, Dallas, Texas 75202



**ACCESS SERVICE**

**7. Special Access Service (Cont'd)**

D  
-----  
D

(This page filed under Transmittal No. 596 )

---

Issued: January 16, 1992

Effective: February 20, 1992

Four AT&T Plaza, Dallas, Texas 75202

**ACCESS SERVICE**

**7. Special Access Service (Cont'd)**

D  
|  
D

(This page filed under Transmittal No. 596 )

---

Issued: January 16, 1992

Effective: February 20, 1992

Four AT&T Plaza, Dallas, Texas 75202

**ACCESS SERVICE**

**7. Special Access Service (Cont'd)**

D  
|  
D

(This page filed under Transmittal No. 596 )

---

Issued: January 16, 1992

Effective: February 20, 1992

Four AT&T Plaza, Dallas, Texas 75202

**ACCESS SERVICE**

**7. Special Access Service (Cont'd)**

D  
|  
D

(This page filed under Transmittal No. 596 )

---

Issued: January 16, 1992

Effective: February 20, 1992

Four AT&T Plaza, Dallas, Texas 75202

**ACCESS SERVICE**

**7. Special Access Service (Cont'd)**

D  
|  
D

(This page filed under Transmittal No. 596 )

---

Issued: January 16, 1992

Effective: February 20, 1992

Four AT&T Plaza, Dallas, Texas 75202

**ACCESS SERVICE**

**7. Special Access Service (Cont'd)**

D  
-----  
D

(This page filed under Transmittal No. 596 )

**ACCESS SERVICE**

**7. Special Access Service (Cont'd)**

D

(This page filed under Transmittal No. 596 )

---

Issued: January 16, 1992

Effective: February 20, 1992

Four AT&T Plaza, Dallas, Texas 75202

**ACCESS SERVICE**

**7. Special Access Service (Cont'd)**

- x Issued on not less than one day's notice under authority of Special Permission No. 90-3 of the Federal Communications Commission

(This page filed under Transmittal No. 407 )

---

Issued: January 4, 1990

Effective: January 5, 1990

Four AT&T Plaza, Dallas, Texas 75202



**ACCESS SERVICE**

**7. Special Access Service (Cont'd)**

- x Issued on not less than one day's notice under authority of Special Permission No. 90-3 of the Federal Communications Commission

(This page filed under Transmittal No. 407 )

---

Issued: January 4, 1990

Effective: January 5, 1990

Four AT&T Plaza, Dallas, Texas 75202

**ACCESS SERVICE**

**7. Special Access Service (Cont'd)**

- x Issued on not less than one day's notice under authority of Special Permission No. 90-3 of the Federal Communications Commission

(This page filed under Transmittal No. 407 )

---

Issued: January 4, 1990

Effective: January 5, 1990

Four AT&T Plaza, Dallas, Texas 75202

**ACCESS SERVICE**

**7. Special Access Service (Cont'd)**

- x Issued on not less than one day's notice under authority of Special Permission No. 90-3 of the Federal Communications Commission

(This page filed under Transmittal No. 407 )

---

Issued: January 4, 1990

Effective: January 5, 1990

Four AT&T Plaza, Dallas, Texas 75202

**ACCESS SERVICE**

**7. Special Access Service (Cont'd)**

- x Issued on not less than one day's notice under authority of Special Permission No. 90-3 of the Federal Communications Commission

(This page filed under Transmittal No. 407 )

---

Issued: January 4, 1990

Effective: January 5, 1990

Four AT&T Plaza, Dallas, Texas 75202

**ACCESS SERVICE**

**7. Special Access Service (Cont'd)**

- x Issued on not less than one day's notice under authority of Special Permission No. 90-3 of the Federal Communications Commission

(This page filed under Transmittal No. 407 )

---

Issued: January 4, 1990

Effective: January 5, 1990

Four AT&T Plaza, Dallas, Texas 75202

**ACCESS SERVICE**

**7. Special Access Service (Cont'd)**

- x Issued on not less than one day's notice under authority of Special Permission No. 90-3 of the Federal Communications Commission

(This page filed under Transmittal No. 407 )

---

Issued: January 4, 1990

Effective: January 5, 1990

Four AT&T Plaza, Dallas, Texas 75202

**ACCESS SERVICE**

**7. Special Access Service (Cont'd)**

- x Issued on not less than one day's notice under authority of Special Permission No. 90-3 of the Federal Communications Commission

(This page filed under Transmittal No. 407 )

---

Issued: January 4, 1990

Effective: January 5, 1990

Four AT&T Plaza, Dallas, Texas 75202

**ACCESS SERVICE**

**7. Special Access Service (Cont'd)**

- x Issued on not less than one day's notice under authority of Special Permission No. 90-3 of the Federal Communications Commission

(This page filed under Transmittal No. 407 )

---

Issued: January 4, 1990

Effective: January 5, 1990

Four AT&T Plaza, Dallas, Texas 75202



**ACCESS SERVICE**

**7. Special Access Service (Cont'd)**

- x Issued on not less than one day's notice under authority of Special Permission No. 90-3 of the Federal Communications Commission

(This page filed under Transmittal No. 407 )

---

Issued: January 4, 1990

Effective: January 5, 1990

Four AT&T Plaza, Dallas, Texas 75202

**ACCESS SERVICE**

**7. Special Access Service (Cont'd)**

D

(This page filed under Transmittal No. 596 )

---

Issued: January 16, 1992

Effective: February 20, 1992

Four AT&T Plaza, Dallas, Texas 75202

**ACCESS SERVICE**

**7. Special Access Service (Cont'd)**

D

(This page filed under Transmittal No. 596 )

---

Issued: January 16, 1992

Effective: February 20, 1992

Four AT&T Plaza, Dallas, Texas 75202

**ACCESS SERVICE**

**7. Special Access Service (Cont'd)**

D

(This page filed under Transmittal No. 596 )

---

Issued: January 16, 1992

Effective: February 20, 1992

Four AT&T Plaza, Dallas, Texas 75202

**ACCESS SERVICE**

**7. Special Access Service (Cont'd)**

D

(This page filed under Transmittal No. 596 )

---

Issued: January 16, 1992

Effective: February 20, 1992

Four AT&T Plaza, Dallas, Texas 75202

**ACCESS SERVICE**

**7. Special Access Service (Cont'd)**

D

(This page filed under Transmittal No. 596 )

---

Issued: January 16, 1992

Effective: February 20, 1992

Four AT&T Plaza, Dallas, Texas 75202

**ACCESS SERVICE**

**7. Special Access Service (Cont'd)**

D

(This page filed under Transmittal No. 596 )

---

Issued: January 16, 1992

Effective: February 20, 1992

Four AT&T Plaza, Dallas, Texas 75202

**ACCESS SERVICE**

**7. Special Access Service (Cont'd)**

D

(This page filed under Transmittal No. 596 )

---

Issued: January 16, 1992

Effective: February 20, 1992

Four AT&T Plaza, Dallas, Texas 75202



**ACCESS SERVICE**

**7. Special Access Service (Cont'd)**

D

(This page filed under Transmittal No. 596 )

---

Issued: January 16, 1992

Effective: February 20, 1992

Four AT&T Plaza, Dallas, Texas 75202

**ACCESS SERVICE**

**7. Special Access Service (Cont'd)**

D

(This page filed under Transmittal No. 596 )

---

Issued: January 16, 1992

Effective: February 20, 1992

Four AT&T Plaza, Dallas, Texas 75202

**ACCESS SERVICE**

**7. Special Access Service (Cont'd)**

D

(This page filed under Transmittal No. 596 )

---

Issued: January 16, 1992

Effective: February 20, 1992

Four AT&T Plaza, Dallas, Texas 75202

**ACCESS SERVICE**

**7. Special Access Service (Cont'd)**

D

(This page filed under Transmittal No. 596 )

---

Issued: January 16, 1992

Effective: February 20, 1992

Four AT&T Plaza, Dallas, Texas 75202

**ACCESS SERVICE**

**7. Special Access Service (Cont'd)**

D

(This page filed under Transmittal No. 596 )

---

Issued: January 16, 1992

Effective: February 20, 1992

Four AT&T Plaza, Dallas, Texas 75202

**ACCESS SERVICE**

**7. Special Access Service (Cont'd)**

D

(This page filed under Transmittal No. 596 )

---

Issued: January 16, 1992

Effective: February 20, 1992

Four AT&T Plaza, Dallas, Texas 75202

**ACCESS SERVICE**

**7. Special Access Service (Cont'd)**

D

(This page filed under Transmittal No. 596 )

---

Issued: January 16, 1992

Effective: February 20, 1992

Four AT&T Plaza, Dallas, Texas 75202

**ACCESS SERVICE**

**7. Special Access Service (Cont'd)**

D

(This page filed under Transmittal No. 596 )

---

Issued: January 16, 1992

Effective: February 20, 1992

Four AT&T Plaza, Dallas, Texas 75202



**ACCESS SERVICE**

**7. Special Access Service (Cont'd)**

D

(This page filed under Transmittal No. 596 )

---

Issued: January 16, 1992

Effective: February 20, 1992

Four AT&T Plaza, Dallas, Texas 75202

**ACCESS SERVICE**

**7. Special Access Service (Cont'd)**

D

(This page filed under Transmittal No. 596 )

---

Issued: January 16, 1992

Effective: February 20, 1992

Four AT&T Plaza, Dallas, Texas 75202

**ACCESS SERVICE**

**7. Special Access Service (Cont'd)**

D

(This page filed under Transmittal No. 596 )

---

Issued: January 16, 1992

Effective: February 20, 1992

Four AT&T Plaza, Dallas, Texas 75202

**ACCESS SERVICE**

**7. Special Access Service (Cont'd)**

D

(This page filed under Transmittal No. 596 )

---

Issued: January 16, 1992

Effective: February 20, 1992

Four AT&T Plaza, Dallas, Texas 75202

**ACCESS SERVICE**

**7. Special Access Service (Cont'd)**

D

(This page filed under Transmittal No. 596 )

---

Issued: January 16, 1992

Effective: February 20, 1992

Four AT&T Plaza, Dallas, Texas 75202

**ACCESS SERVICE**

**7. Special Access Service (Cont'd)**

D

(This page filed under Transmittal No. 596 )

---

Issued: January 16, 1992

Effective: February 20, 1992

Four AT&T Plaza, Dallas, Texas 75202

**ACCESS SERVICE**

**7. Special Access Service (Cont'd)**

D

(This page filed under Transmittal No. 596 )

---

Issued: January 16, 1992

Effective: February 20, 1992

Four AT&T Plaza, Dallas, Texas 75202

**ACCESS SERVICE**

**7. Special Access Service (Cont'd)**

D

(This page filed under Transmittal No. 596 )

---

Issued: January 16, 1992

Effective: February 20, 1992

Four AT&T Plaza, Dallas, Texas 75202



**ACCESS SERVICE**

**7. Special Access Service (Cont'd)**

D

(This page filed under Transmittal No. 596 )

---

Issued: January 16, 1992

Effective: February 20, 1992

Four AT&T Plaza, Dallas, Texas 75202

**ACCESS SERVICE**

**7. Special Access Service (Cont'd)**

D

(This page filed under Transmittal No. 596 )

---

Issued: January 16, 1992

Effective: February 20, 1992

Four AT&T Plaza, Dallas, Texas 75202

**ACCESS SERVICE**

**7. Special Access Service (Cont'd)**

D

(This page filed under Transmittal No. 596 )

---

Issued: January 16, 1992

Effective: February 20, 1992

Four AT&T Plaza, Dallas, Texas 75202

**ACCESS SERVICE**

**7. Special Access Service (Cont'd)**

D

(This page filed under Transmittal No. 596 )

---

Issued: January 16, 1992

Effective: February 20, 1992

Four AT&T Plaza, Dallas, Texas 75202

**ACCESS SERVICE**

**7. Special Access Service (Cont'd)**

D

(This page filed under Transmittal No. 596 )

---

Issued: January 16, 1992

Effective: February 20, 1992

Four AT&T Plaza, Dallas, Texas 75202

**ACCESS SERVICE**

**7. Special Access Service (Cont'd)**

D

(This page filed under Transmittal No. 596 )

---

Issued: January 16, 1992

Effective: February 20, 1992

Four AT&T Plaza, Dallas, Texas 75202

**ACCESS SERVICE**

**7. Special Access Service (Cont'd)**

D

(This page filed under Transmittal No. 596 )

---

Issued: January 16, 1992

Effective: February 20, 1992

Four AT&T Plaza, Dallas, Texas 75202

**ACCESS SERVICE**

**7. Special Access Service (Cont'd)**

D

(This page filed under Transmittal No. 596 )

---

Issued: January 16, 1992

Effective: February 20, 1992

Four AT&T Plaza, Dallas, Texas 75202



**ACCESS SERVICE**

**7. Special Access Service (Cont'd)**

D

(This page filed under Transmittal No. 596 )

---

Issued: January 16, 1992

Effective: February 20, 1992

Four AT&T Plaza, Dallas, Texas 75202

**ACCESS SERVICE**

**7. Special Access Service (Cont'd)**

D

(This page filed under Transmittal No. 596 )

---

Issued: January 16, 1992

Effective: February 20, 1992

Four AT&T Plaza, Dallas, Texas 75202

**ACCESS SERVICE**

**7. Special Access Service (Cont'd)**

D

(This page filed under Transmittal No. 596 )

---

Issued: January 16, 1992

Effective: February 20, 1992

Four AT&T Plaza, Dallas, Texas 75202

**ACCESS SERVICE**

**7. Special Access Service (Cont'd)**

D

(This page filed under Transmittal No. 596 )

---

Issued: January 16, 1992

Effective: February 20, 1992

Four AT&T Plaza, Dallas, Texas 75202

**ACCESS SERVICE**

**7. Special Access Service (Cont'd)**

D

(This page filed under Transmittal No. 596 )

---

Issued: January 16, 1992

Effective: February 20, 1992

Four AT&T Plaza, Dallas, Texas 75202

**ACCESS SERVICE**

**7. Special Access Service (Cont'd)**

D

(This page filed under Transmittal No. 596 )

---

Issued: January 16, 1992

Effective: February 20, 1992

Four AT&T Plaza, Dallas, Texas 75202

**ACCESS SERVICE**

**7. Special Access Service (Cont'd)**

D

(This page filed under Transmittal No. 596 )

---

Issued: January 16, 1992

Effective: February 20, 1992

Four AT&T Plaza, Dallas, Texas 75202

**ACCESS SERVICE**

**7. Special Access Service (Cont'd)**

D

(This page filed under Transmittal No. 596 )

---

Issued: January 16, 1992

Effective: February 20, 1992

Four AT&T Plaza, Dallas, Texas 75202



**ACCESS SERVICE**

**7. Special Access Service (Cont'd)**

D

(This page filed under Transmittal No. 596 )

---

Issued: January 16, 1992

Effective: February 20, 1992

Four AT&T Plaza, Dallas, Texas 75202

**ACCESS SERVICE**

**7. Special Access Service (Cont'd)**

D

(This page filed under Transmittal No. 596 )

---

Issued: January 16, 1992

Effective: February 20, 1992

Four AT&T Plaza, Dallas, Texas 75202

**ACCESS SERVICE**

**7. Special Access Service (Cont'd)**

D

(This page filed under Transmittal No. 596 )

---

Issued: January 16, 1992

Effective: February 20, 1992

Four AT&T Plaza, Dallas, Texas 75202

**ACCESS SERVICE**

**7. Special Access Service (Cont'd)**

D

(This page filed under Transmittal No. 596 )

---

Issued: January 16, 1992

Effective: February 20, 1992

Four AT&T Plaza, Dallas, Texas 75202

**ACCESS SERVICE**

**7. Special Access Service (Cont'd)**

D

(This page filed under Transmittal No. 596 )

---

Issued: January 16, 1992

Effective: February 20, 1992

Four AT&T Plaza, Dallas, Texas 75202

**ACCESS SERVICE**

**7. Special Access Service (Cont'd)**

D

(This page filed under Transmittal No. 596 )

---

Issued: January 16, 1992

Effective: February 20, 1992

Four AT&T Plaza, Dallas, Texas 75202

**ACCESS SERVICE**

**7. Special Access Service (Cont'd)**

D

(This page filed under Transmittal No. 596 )

---

Issued: January 16, 1992

Effective: February 20, 1992

Four AT&T Plaza, Dallas, Texas 75202

**ACCESS SERVICE**

**7. Special Access Service (Cont'd)**

D

(This page filed under Transmittal No. 596 )

---

Issued: January 16, 1992

Effective: February 20, 1992

Four AT&T Plaza, Dallas, Texas 75202



**ACCESS SERVICE**

**7. Special Access Service (Cont'd)**

D

(This page filed under Transmittal No. 596 )

---

Issued: January 16, 1992

Effective: February 20, 1992

Four AT&T Plaza, Dallas, Texas 75202

**ACCESS SERVICE**

**7. Special Access Service (Cont'd)**

D

(This page filed under Transmittal No. 596 )

---

Issued: January 16, 1992

Effective: February 20, 1992

Four AT&T Plaza, Dallas, Texas 75202

**ACCESS SERVICE**

**7. Special Access Service (Cont'd)**

D

(This page filed under Transmittal No. 596 )

---

Issued: January 16, 1992

Effective: February 20, 1992

Four AT&T Plaza, Dallas, Texas 75202

**ACCESS SERVICE**

**7. Special Access Service (Cont'd)**

D

(This page filed under Transmittal No. 596 )

---

Issued: January 16, 1992

Effective: February 20, 1992

Four AT&T Plaza, Dallas, Texas 75202

**ACCESS SERVICE**

**7. Special Access Service (Cont'd)**

D

(This page filed under Transmittal No. 596 )

---

Issued: January 16, 1992

Effective: February 20, 1992

Four AT&T Plaza, Dallas, Texas 75202

**ACCESS SERVICE**

**7. Special Access Service (Cont'd)**

D

(This page filed under Transmittal No. 596 )

---

Issued: January 16, 1992

Effective: February 20, 1992

Four AT&T Plaza, Dallas, Texas 75202

**ACCESS SERVICE**

**7. Special Access Service (Cont'd)**

D

(This page filed under Transmittal No. 596 )

---

Issued: January 16, 1992

Effective: February 20, 1992

Four AT&T Plaza, Dallas, Texas 75202

**ACCESS SERVICE**

**7. Special Access Service (Cont'd)**

D

(This page filed under Transmittal No. 596 )

---

Issued: January 16, 1992

Effective: February 20, 1992

Four AT&T Plaza, Dallas, Texas 75202



**ACCESS SERVICE**

**7. Special Access Service (Cont'd)**

D

(This page filed under Transmittal No. 596 )

---

Issued: January 16, 1992

Effective: February 20, 1992

Four AT&T Plaza, Dallas, Texas 75202

**ACCESS SERVICE**

**7. Special Access Service (Cont'd)**

D

- x Issued on not less than one day's notice under authority of Special Permission No. 90-3 of the Federal Communications Commission.

(This page filed under Transmittal No. 407 )

---

Issued: January 4, 1990

Effective: January 5, 1990

Four AT&T Plaza, Dallas, Texas 75202

**ACCESS SERVICE**

**7. Special Access Service (Cont'd)**

D

- x Issued on not less than one day's notice under authority of Special Permission No. 90-3 of the Federal Communications Commission.

(This page filed under Transmittal No. 407 )

---

Issued: January 4, 1990

Effective: January 5, 1990

Four AT&T Plaza, Dallas, Texas 75202

(This page filed under Transmittal No. 596 )

---

Issued: January 16, 1992

Effective: February 20, 1992

Four AT&T Plaza, Dallas, Texas 75202

**ACCESS SERVICE**

**7. Special Access Service (Cont'd)**

D  
|  
D

(This page filed under Transmittal No. 596 )

---

Issued: January 16, 1992

Effective: February 20, 1992

Four AT&T Plaza, Dallas, Texas 75202

**ACCESS SERVICE**

**7. Special Access Service (Cont'd)**

D  
|  
D

(This page filed under Transmittal No. 596 )

**ACCESS SERVICE**

**7. Special Access Service (Cont'd)**

D  
-----  
D

(This page filed under Transmittal No. 596 )

---

Issued: January 16, 1992

Effective: February 20, 1992

Four AT&T Plaza, Dallas, Texas 75202

**ACCESS SERVICE**

**7. Special Access Service (Cont'd)**

D  
|  
D

(This page filed under Transmittal No. 596 )

---

Issued: January 16, 1992

Effective: February 20, 1992

Four AT&T Plaza, Dallas, Texas 75202



**ACCESS SERVICE**

**7. Special Access Service (Cont'd)**

D

D

(This page filed under Transmittal No. 596 )

---

Issued: January 16, 1992

Effective: February 20, 1992

Four AT&T Plaza, Dallas, Texas 75202

**ACCESS SERVICE**

**7. Special Access Service (Cont'd)**

D  
-----  
D

(This page filed under Transmittal No. 596 )

---

Issued: January 16, 1992

Effective: February 20, 1992

Four AT&T Plaza, Dallas, Texas 75202

**ACCESS SERVICE**

**7. Special Access Service (Cont'd)**

D  
|  
D

(This page filed under Transmittal No. 596 )

---

Issued: January 16, 1992

Effective: February 20, 1992

Four AT&T Plaza, Dallas, Texas 75202

**ACCESS SERVICE**

**7. Special Access Service (Cont'd)**

D  
|  
D

(This page filed under Transmittal No. 596 )

---

Issued: January 16, 1992

Effective: February 20, 1992

Four AT&T Plaza, Dallas, Texas 75202

**ACCESS SERVICE**

**7. Special Access Service (Cont'd)**

D  
-----  
D

(This page filed under Transmittal No. 596 )

**ACCESS SERVICE**

**7. Special Access Service (Cont'd)**

D

D

(This page filed under Transmittal No. 596 )

---

Issued: January 16, 1992

Effective: February 20, 1992

Four AT&T Plaza, Dallas, Texas 75202

**ACCESS SERVICE**

**7. Special Access Service (Cont'd)**

D  
|  
D

(This page filed under Transmittal No. 596 )

---

Issued: January 16, 1992

Effective: February 20, 1992

Four AT&T Plaza, Dallas, Texas 75202

**ACCESS SERVICE**

**7. Special Access Service (Cont'd)**

D  
D

(This page filed under Transmittal No. 596 )

---

Issued: January 16, 1992

Effective: February 20, 1992

Four AT&T Plaza, Dallas, Texas 75202



**ACCESS SERVICE**

**7. Special Access Service (Cont'd)**

D  
-----  
D

(This page filed under Transmittal No. 596 )

---

Issued: January 16, 1992

Effective: February 20, 1992

Four AT&T Plaza, Dallas, Texas 75202

**ACCESS SERVICE**

**7. Special Access Service (Cont'd)**

D  
|  
D

(This page filed under Transmittal No. 596 )

---

Issued: January 16, 1992

Effective: February 20, 1992

Four AT&T Plaza, Dallas, Texas 75202

**ACCESS SERVICE**

**7. Special Access Service (Cont'd)**

D  
-----  
D

(This page filed under Transmittal No. 596 )

---

Issued: January 16, 1992

Effective: February 20, 1992

Four AT&T Plaza, Dallas, Texas 75202

**ACCESS SERVICE**

**7. Special Access Service (Cont'd)**

D  
-----  
D

(This page filed under Transmittal No. 596 )

---

Issued: January 16, 1992

Effective: February 20, 1992

Four AT&T Plaza, Dallas, Texas 75202

**ACCESS SERVICE**

**7. Special Access Service (Cont'd)**

D  
|  
D

(This page filed under Transmittal No. 596 )

---

Issued: January 16, 1992

Effective: February 20, 1992

Four AT&T Plaza, Dallas, Texas 75202

**ACCESS SERVICE**

**7. Special Access Service (Cont'd)**

D  
-----  
D

(This page filed under Transmittal No. 596 )

---

Issued: January 16, 1992

Effective: February 20, 1992

Four AT&T Plaza, Dallas, Texas 75202

**ACCESS SERVICE**

**7. Special Access Service (Cont'd)**

D  
-----  
D

(This page filed under Transmittal No. 596 )

---

Issued: January 16, 1992

Effective: February 20, 1992

Four AT&T Plaza, Dallas, Texas 75202

**ACCESS SERVICE**

**7. Special Access Service (Cont'd)**

D  
|  
D

(This page filed under Transmittal No. 596 )

---

Issued: January 16, 1992

Effective: February 20, 1992

Four AT&T Plaza, Dallas, Texas 75202



(This page filed under Transmittal No. 596 )

---

Issued: January 16, 1997

Effective: February 20, 1997

Four AT&T Plaza, Dallas, Texas 75202

**ACCESS SERVICE**

**7. Special Access Service (Cont'd)**

D  
|  
D

(This page filed under Transmittal No. 596 )

**ACCESS SERVICE**

**7. Special Access Service (Cont'd)**

D  
|  
D

(This page filed under Transmittal No. 596 )

**ACCESS SERVICE**

**7. Special Access Service (Cont'd)**

D  
|  
D

(This page filed under Transmittal No. 596 )

**ACCESS SERVICE**

**7. Special Access Service (Cont'd)**

D  
|  
D

(This page filed under Transmittal No. 596 )

**ACCESS SERVICE**

**7. Special Access Service (Cont'd)**

D  
|  
D

(This page filed under Transmittal No. 596 )

**ACCESS SERVICE**

**7. Special Access Service (Cont'd)**

D  
D

(This page filed under Transmittal No. 596 )

---

Issued: January 16, 1997

Effective: February 20, 1997

Four AT&T Plaza, Dallas, Texas 75202

**ACCESS SERVICE**

**7. Special Access Service (Cont'd)**

D  
|  
D

(This page filed under Transmittal No. 596 )



**ACCESS SERVICE**

**7. Special Access Service (Cont'd)**

D  
|  
D

(This page filed under Transmittal No. 596 )

**ACCESS SERVICE**

**7. Special Access Service (Cont'd)**

D  
|  
D

(This page filed under Transmittal No. 596 )

**ACCESS SERVICE**

**7. Special Access Service (Cont'd)**

D  
D

(This page filed under Transmittal No. 596 )

---

Issued: January 16, 1997

Effective: February 20, 1997

Four AT&T Plaza, Dallas, Texas 75202

**ACCESS SERVICE**

**7. Special Access Service (Cont'd)**

D  
|  
D

(This page filed under Transmittal No. 596 )

**ACCESS SERVICE**

**7. Special Access Service (Cont'd)**

D  
|  
D

(This page filed under Transmittal No. 596 )

---

Issued: January 16, 1997

Effective: February 20, 1997

Four AT&T Plaza, Dallas, Texas 75202

**ACCESS SERVICE**

**7. Special Access Service (Cont'd)**

D  
|  
D

(This page filed under Transmittal No. 596 )

---

Issued: January 16, 1997

Effective: February 20, 1997

Four AT&T Plaza, Dallas, Texas 75202

**ACCESS SERVICE**

**7. Special Access Service (Cont'd)**

D  
D

(This page filed under Transmittal No. 596 )

---

Issued: January 16, 1997

Effective: February 20, 1997

Four AT&T Plaza, Dallas, Texas 75202

**ACCESS SERVICE**

**7. Special Access Service (Cont'd)**

D  
|  
D

(This page filed under Transmittal No. 596 )



**ACCESS SERVICE**

**7. Special Access Service (Cont'd)**

D  
|  
D

(This page filed under Transmittal No. 596 )

**ACCESS SERVICE**

**7. Special Access Service (Cont'd)**

D  
D

x Issued on not less than one day's notice under authority of Special Permsision No. 90-3 of the Federal Communications Commission

(This page filed under Transmittal No. 407 )

---

Issued: January 4, 1990

Effective: January 5, 1990

Four AT&T Plaza, Dallas, Texas 75202

**ACCESS SERVICE**

**7. Special Access Service (Cont'd)**

D  
D

x Issued on not less than one day's notice under authority of Special Permsision No. 90-3 of the Federal Communications Commission

(This page filed under Transmittal No. 407 )

---

Issued: January 4, 1990

Effective: January 5, 1990

Four AT&T Plaza, Dallas, Texas 75202

**ACCESS SERVICE**

**7. Special Access Service (Cont'd)**

D  
|  
D

x Issued on not less than one day's notice under authority of Special Permsision No. 90-3 of the Federal Communications Commission

(This page filed under Transmittal No. 407 )

---

Issued: January 4, 1990

Effective: January 5, 1990

Four AT&T Plaza, Dallas, Texas 75202

**ACCESS SERVICE**

**7. Special Access Service (Cont'd)**

D  
|  
D

(This page filed under Transmittal No. 627 )

**ACCESS SERVICE**

**7. Special Access Service (Cont'd)**

D  
D

(This page filed under Transmittal No. 627 )

**ACCESS SERVICE**

**7. Special Access Service (Cont'd)**

D  
|  
D

(This page filed under Transmittal No. 596 )

**ACCESS SERVICE**

**7. Special Access Service (Cont'd)**

D  
|  
D

(This page filed under Transmittal No. 596 )



**ACCESS SERVICE**

**7. Special Access Service (Cont'd)**

D  
|  
D

(This page filed under Transmittal No. 596 )

**ACCESS SERVICE**

**7. Special Access Service (Cont'd)**

D  
|  
D

(This page filed under Transmittal No. 596 )

---

Issued: January 16, 1992

Effective: February 20, 1992

Four AT&T Plaza, Dallas, Texas 75202

**ACCESS SERVICE**

**7. Special Access Service (Cont'd)**

D  
D

(This page filed under Transmittal No. 596 )

---

Issued: January 16, 1992

Effective: February 20, 1992

Four AT&T Plaza, Dallas, Texas 75202

**ACCESS SERVICE**

**7. Special Access Service (Cont'd)**

D  
|  
D

(This page filed under Transmittal No. 596 )

**ACCESS SERVICE**

**7. Special Access Service (Cont'd)**

D  
|  
D

(This page filed under Transmittal No. 596 )

**ACCESS SERVICE**

**7. Special Access Service (Cont'd)**

D  
|  
D

(This page filed under Transmittal No. 596 )

**ACCESS SERVICE**

**7. Special Access Service (Cont'd)**

D  
|  
D

(This page filed under Transmittal No. 596 )

**ACCESS SERVICE**

**7. Special Access Service (Cont'd)**

D  
|  
D

(This page filed under Transmittal No. 596 )



**ACCESS SERVICE**

**7. Special Access Service (Cont'd)**

D  
|  
D

(This page filed under Transmittal No. 596 )

---

Issued: January 16, 1992

Effective: February 20, 1992

Four AT&T Plaza, Dallas, Texas 75202

**ACCESS SERVICE**

**7. Special Access Service (Cont'd)**

D  
|  
D

(This page filed under Transmittal No. 596 )

**ACCESS SERVICE**

**7. Special Access Service (Cont'd)**

D  
|  
D

(This page filed under Transmittal No. 596 )

**ACCESS SERVICE**

**7. Special Access Service (Cont'd)**

D  
|  
D

(This page filed under Transmittal No. 596 )

**ACCESS SERVICE**

**7. Special Access Service (Cont'd)**

D  
|  
D

(This page filed under Transmittal No. 596 )

---

Issued: January 16, 1992

Effective: February 20, 1992

Four AT&T Plaza, Dallas, Texas 75202

**ACCESS SERVICE**

**7. Special Access Service (Cont'd)**

D  
|  
D

(This page filed under Transmittal No. 596 )

---

Issued: January 16, 1992

Effective: February 20, 1992

Four AT&T Plaza, Dallas, Texas 75202

**ACCESS SERVICE**

**7. Special Access Service (Cont'd)**

D  
|  
D

(This page filed under Transmittal No. 596 )

**ACCESS SERVICE**

**7. Special Access Service (Cont'd)**

D  
D

(This page filed under Transmittal No. 596 )

---

Issued: January 16, 1992

Effective: February 20, 1992

Four AT&T Plaza, Dallas, Texas 75202



**ACCESS SERVICE**

**7. Special Access Service (Cont'd)**

D  
|  
D

(This page filed under Transmittal No. 596 )

**ACCESS SERVICE**

**7. Special Access Service (Cont'd)**

D  
|  
D

(This page filed under Transmittal No. 596 )

**ACCESS SERVICE**

**7. Special Access Service (Cont'd)**

D  
|  
D

x Issued on not less than one day's notice under authority of Special Permission No. 90-3 of the Federal Communications Commission.

(This page filed under Transmittal No. 407 )

---

Issued: January 4, 1990

Effective: January 5, 1990

Four AT&T Plaza, Dallas, Texas 75202

**ACCESS SERVICE**

**7. Special Access Service (Cont'd)**

D  
|  
D

x Issued on not less than one day's notice under authority of Special Permission No. 90-3 of the Federal Communications Commission.

(This page filed under Transmittal No. 407 )

---

Issued: January 4, 1990

Effective: January 5, 1990

Four AT&T Plaza, Dallas, Texas 75202