

21. Metropolitan Statistical Area Access Services

21.1 General Description

- (A) This section provides the conditions, rates and terms and conditions that apply to telecommunications services provided by the Telephone Company in the Metropolitan Statistical Areas (MSAs) in which the Telephone Company has received Phase II pricing flexibility pursuant to Subpart H of Part 69 of the Commission's Rules. MSAs are divided into the categories below:

(1) Full Service MSAs

Full Service Relief MSAs are those MSAs which qualified for Phase II pricing flexibility for all elements of service, i.e., local channels (channel terminations) between LEC end offices and customer (end user) premises; entrance facilities; dedicated interoffice facilities; local channels (channel terminations) between an interexchange carrier's point of presence and a serving wire center. The Full Service Relief MSAs are set forth in Section 21.2(A). (D)

(2) Limited Service MSAs

Limited Service Relief MSAs are those MSAs that qualified for Phase II pricing flexibility for all elements of service except local channels (channel terminations) between a LEC end office and a customer (end user) premise. The Limited Service Relief MSAs are set forth in Section 21.2(B). (D)

- (B) The services provided in MSAs pursuant to this section are set forth in Section 21.3, following. These services are comparable to SWA Dedicated Transport Services in Part 6, Section 6 and Special Access Services in Part 6, Sections 7, 23, 26 and 27 of this Guidebook. The general conditions, service descriptions and rate conditions for SWA Dedicated Transport Services in Part 6, Section 6 and Special Access Services in Part 2, Section 7 and Part 6, Sections 7, 23, 26 and 27 are also applicable to the services specified in this section, except as provided below.

An exception in Section 21.4(F) applies for term pricing plans.

- (C) Unless otherwise provided for in this section, conditions set forth in Part 2, Sections 2, 5, and 13 are also applicable.

21.2 Metropolitan Statistical Areas

(A) Full Service Relief MSAs are listed below:

State	MSA
Illinois	Champaign/Urbana
Illinois	Decatur
Illinois	Rockford *
Illinois	Springfield
Indiana	Bloomington
Indiana	Kokomo****
Indiana	Louisville***
Indiana	Muncie
Indiana	South Bend-Mishawaka
Michigan	Flint
Michigan	Grand Rapids
Michigan	Jackson
Michigan	Lansing
Michigan	Saginaw/Bay City/Midland
Ohio	Cincinnati
Ohio	Columbus**
Ohio	Hamilton/Middleton
Wisconsin	Appleton/Oshkosh/Neenah
Wisconsin	Green Bay
Wisconsin	Janesville
Wisconsin	Madison
Wisconsin	Milwaukee/Waukesha *
Wisconsin	Racine
Wisconsin	Sheboygan

- \* These MSAs had previously qualified for Limited Service Relief and are now qualified for Full Service Relief per the April 11, 2002 approval of Ameritech's most recent Price Flex petition, Memorandum Opinion and Order, CCB/CPD No. 01-32, DA 02-283.
- \*\* This MSA previously qualified for Limited Service Relief and is now qualified for Full Service Relief per the May 15, 2003 approval of Ameritech's most recent Price Flex petition, Memorandum Opinion and Order, WCB/Pricing No. 03-8, DA 03-1721.
- \*\*\* This MSA previously qualified for Limited Service Relief and is now qualified for Full Service Relief per the May 12, 2006 approval of Ameritech's most recent Price Flex Petition, Memorandum Opinion and Order, WCB/Pricing No. 06-8, DA 06-1017.
- \*\*\*\*This MSA previously qualified for Limited Service Relief and is now qualified for Full Service Relief per the May 18, 2007 approval of Ameritech's most recent Price Flex Petition, Memorandum Opinion and Order, WCB/Pricing No. 07-07, DA 07-2109.

(B) Limited Service Relief MSAs are listed below:

State	MSA
Illinois	Chicago
Illinois	Peoria
Indiana	Anderson
Indiana	Evansville/Henderson
Indiana	Indianapolis
Michigan	Battle Creek
Michigan	Detroit/Ann Arbor
Michigan	Kalamazoo
Michigan	Toledo
Ohio	Akron
Ohio	Cleveland/Lorain/Elyria
Ohio	Dayton
Ohio	Toledo
Wisconsin	Eau Claire
Wisconsin	Kenosha

(D)

21.3 Services Available in an MSA

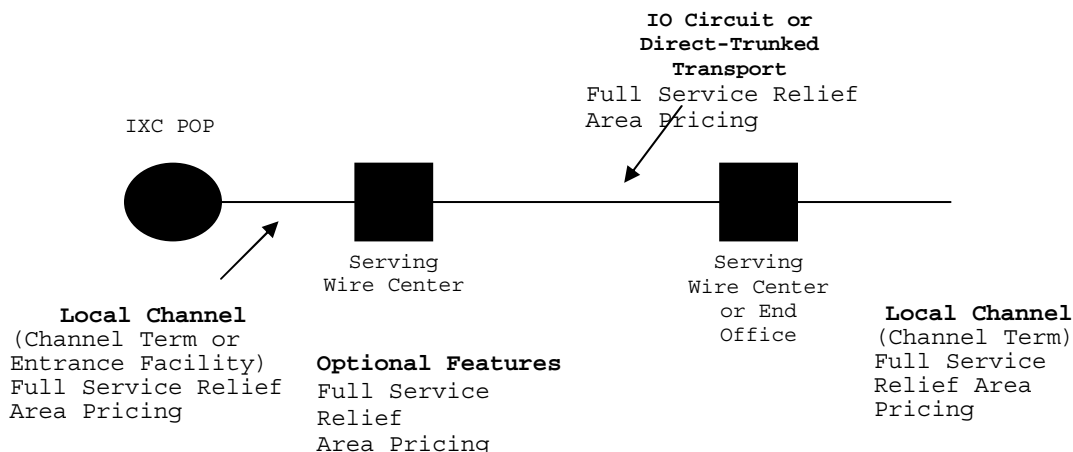
The following services are available in MSAs with Full and Limited Service Relief:

Special Access
Video Service
Optical Carrier Network (OCN) Point-to-Point Service
AIT OC-3 Dedicated Ring
AIT OC-12 Dedicated Ring
AIT OC-48 Dedicated Ring
AIT OC-192 Dedicated Ring
Gigabit Ethernet Metropolitan Area Network (GigaMAN)
Multi-service Optical Network (MON) Ring Service <sup>(1)</sup>
DecaMAN <sup>®</sup> (10 Gigabit Ethernet Metropolitan Area Network)
WaveMAN <sup>®</sup> (Wavelength Metropolitan Area Network)

21.4 Rate Conditions

- (A) Figure 1 illustrates services provided totally from an MSA located in a Full Service Relief Area. The rates and charges for all associated rate elements for services in a Full Service Relief Area are contained in Section 21.5. (D)

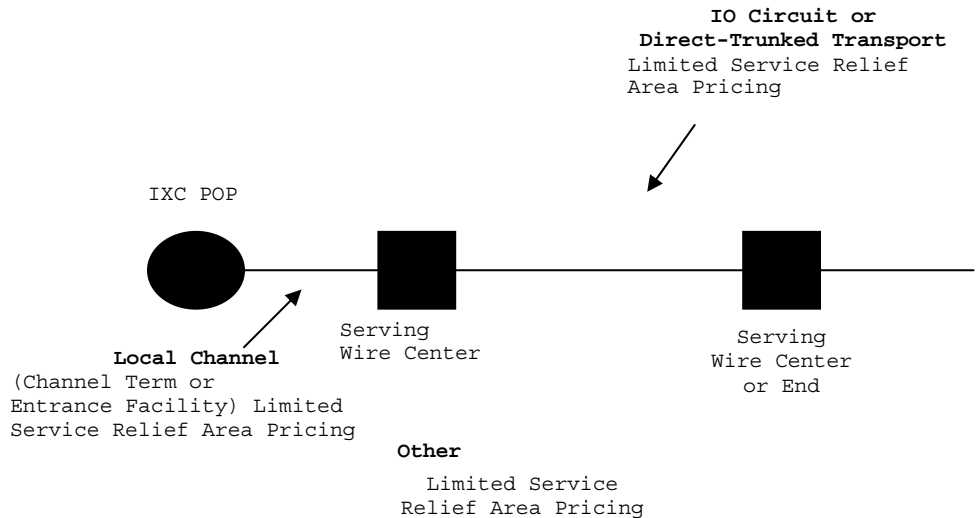
**Full Service Relief Area - Figure 1**



<sup>(1)</sup> Effective December 10, 2012, new Multi-service Optical Network (MON) Ring Service term plans are no longer available. Following the expiration of their existing term plans, MON Ring Service Customers may continue to purchase service on a month-to-month basis. Customers will be permitted to modify their existing service and will be able to add new circuits to their existing service, but will not be permitted to add new nodes in new locations. Any such new circuits will be subject to, and coterminous with, the Customer's existing term payment plan or term agreement for the service to which they are added.

(B) Figure 2 illustrates services provided within an MSA located in a Limited Service Relief Area. The rates and charges for all associated rate elements for services in a Limited Service Relief Area are contained in Section 21.5, except for the local channels (channel terminations) between a LEC end office and a customer (end user) premise, which are referenced in Part 2, Section 7 and Part 6, Sections 7, 23, 26 and 27 of this Guidebook. (T)

**Limited Service Relief Area - Figure 2**



(C) Figure 3 illustrates a service provided from two MSAs with one MSA located in a Full Service Relief Area and one MSA located in a Limited Service Relief Area. The rates and Charges for local channels and optional features located in the Full Service Relief Area are obtained as set forth (T) in Section 21.4(A). The rates and charges for local channels and optional (T) features located in the Limited Service Relief Area are obtained as set (T) forth in Section 21.4(B). Interoffice channels between a Full Service (T) Relief Area and a Limited Service Relief Area are rated the same as that of an interoffice channel in a Limited Service Relief Area and rates and (T) charges are obtained as set forth in Section 21.4(B).

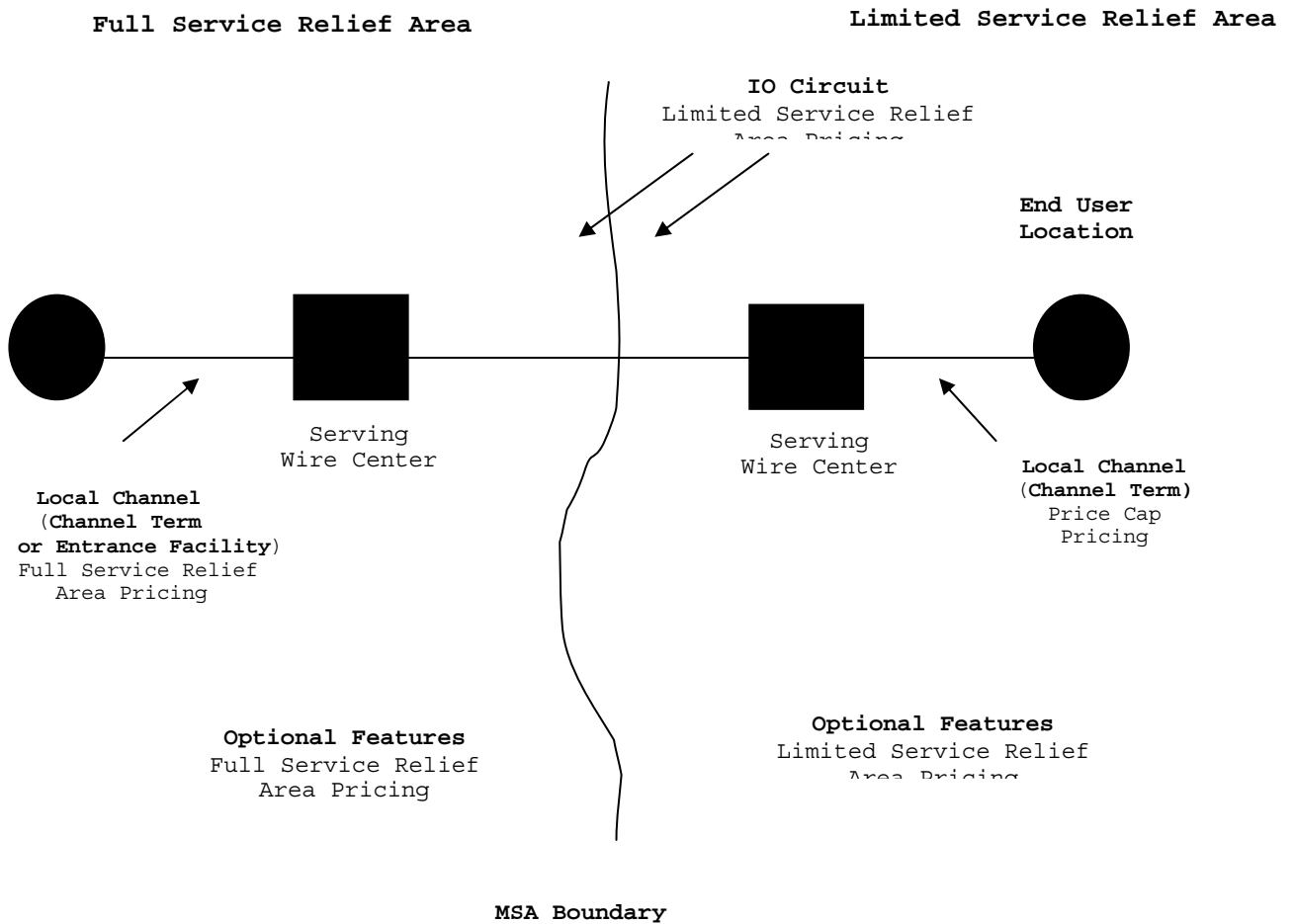


Figure 3

(D) Figure 4 illustrates a service provided from two MSAs with one MSA located in a Full Service Relief Area and one MSA located in a Non-Relief Area. The rates and charges for local channels and optional features located in the Full Service Relief Area are obtained as set forth in Section 21.4(A). Interoffice channels between a Full Service Relief Area and a Non-Relief Area are rated the same as that of an interoffice channel in a Non-Relief Area. Rates and charges for local channels, interoffice channels and optional features in a Non-Relief Area are obtained in Section 7.

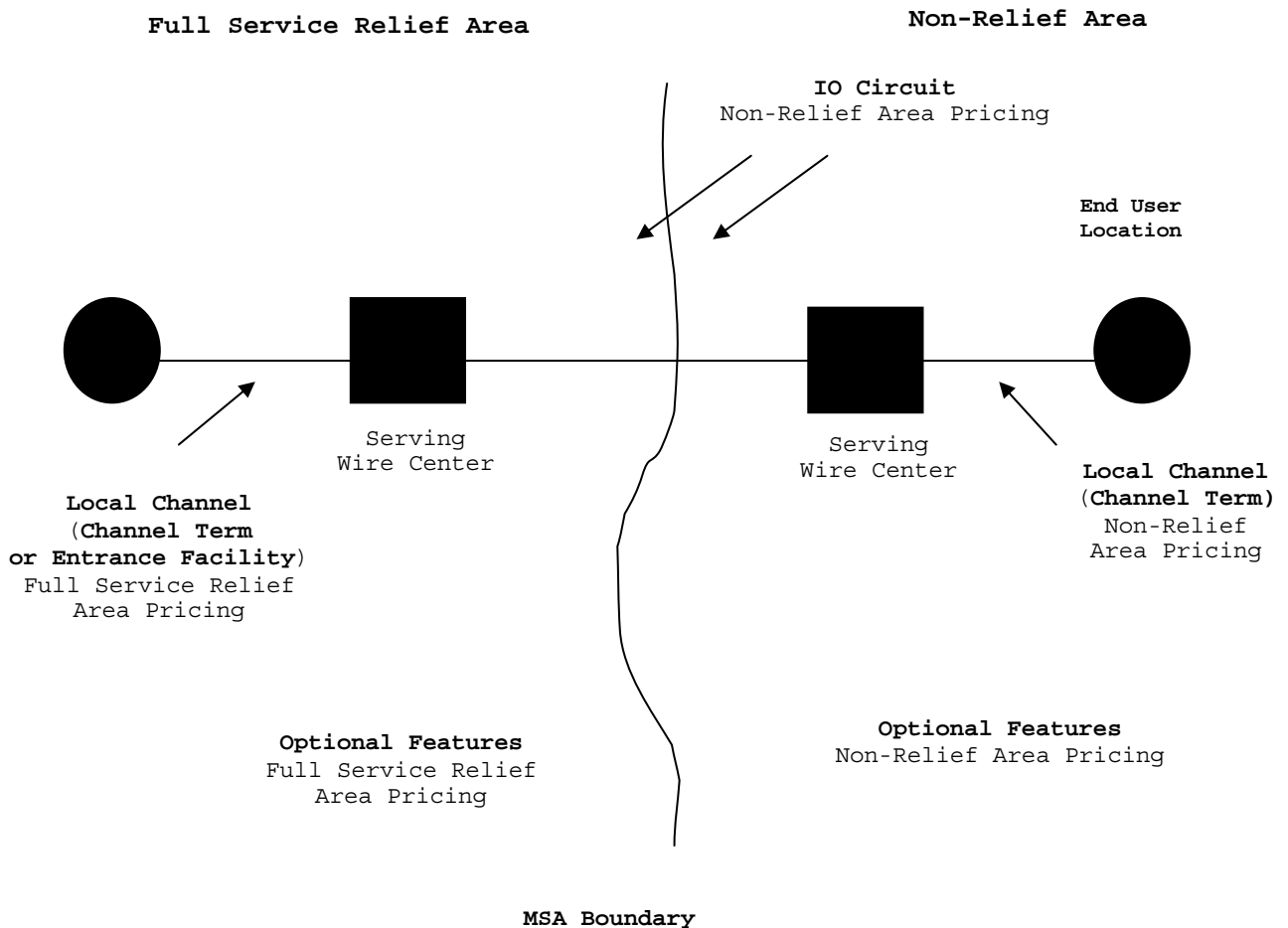


Figure 4

(E) Figure 5 illustrates service provided from two MSAs with one MSA located in a Limited Service Relief Area and one MSA located in a Non-Relief Area. The rates and charges for local channels and optional features located in the Limited Service Relief Area are obtained as set forth in Section 21.4(B). Interoffice channels between a Limited Service Relief Area and a Non-Relief Area are rated the same as that of an interoffice channel in a Non-Relief Area. Rates and charges for local channels, interoffice channels and optional features in a Non-Relief Area are obtained in Section 7.

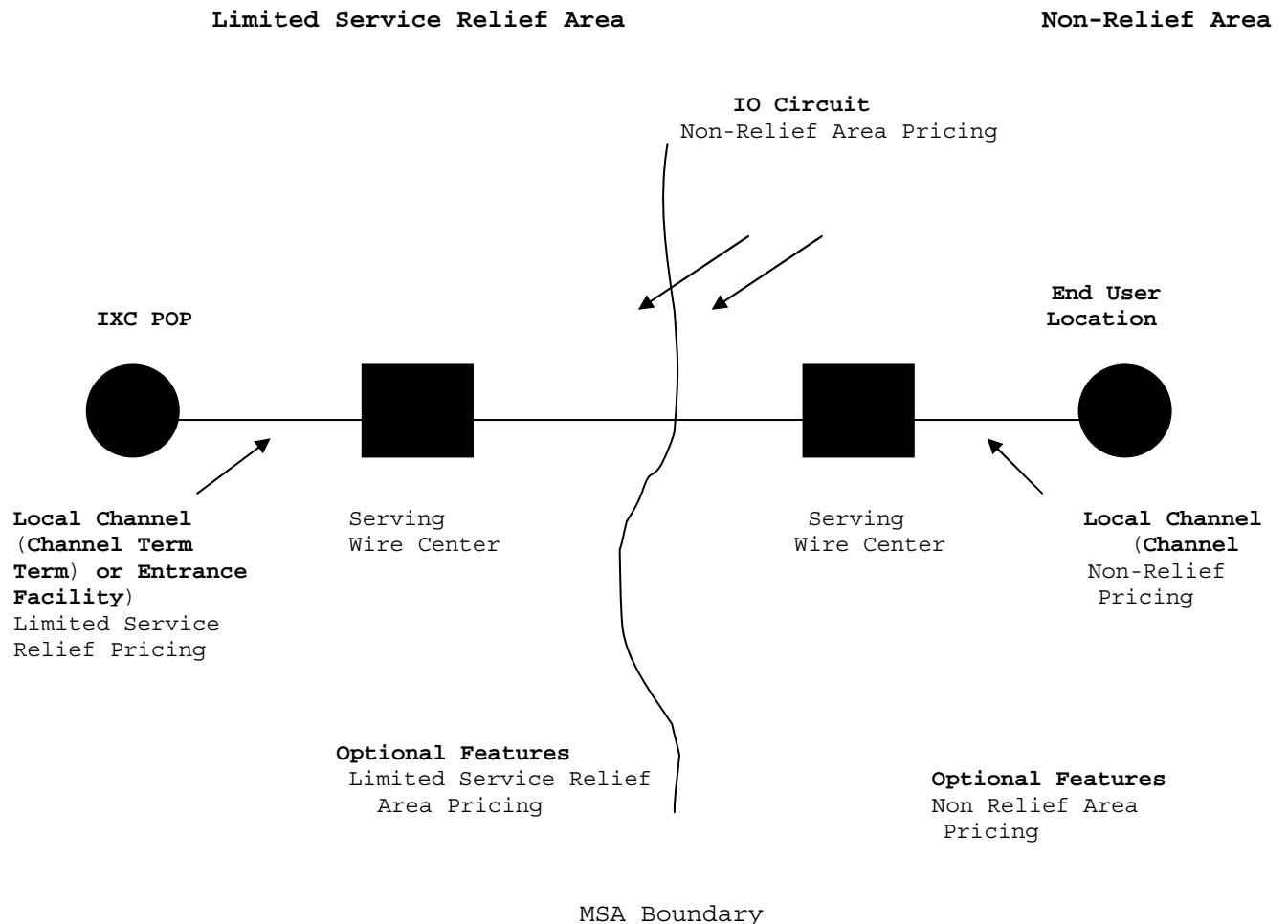


Figure 5



## (F) Pricing Plans

For the purpose of Metropolitan Statistical Area Access Services, the following plans apply when referring to Pricing Plans:

- Optional Payment Plans (OPP)
- Term Pricing Plans (TPP)

The Telephone Company ensures that rates provided under a term pricing plan will not be increased, except as provided below, by the Telephone Company, above the rate in effect at the beginning of the customer's term pricing plan period.

Customers under their current term pricing plan will continue to pay the rates in effect at the beginning of their plan period until the effective rates in Section 21.5, following become lower than the rates received under their term pricing plan, except as provided below.

Certain rates in Section 21.5.2.7 reflect interstate rate reductions that are temporary and will remain in effect through June 30, 2010. These rates are being reduced pursuant to Merger Commitment No. 6. <sup>(1)</sup> Customers currently subscribing to, or that subscribe to, interstate term pricing plans for DS1/DS3 local distribution channel services and/or mileage services, in areas where the Telephone Company has obtained Phase II Pricing Flexibility, will pay the rates in Section 21.5.2.7 for those term plans through June 30, 2010, except as provided below. Effective July 1, 2010, such Customers will pay the rates set forth in Section 21.5.2.7.1, for these services. Customers subscribing to or renewing term plans while temporary rate reductions are in effect may experience rate increases as of July 1, 2010 when temporary rate reductions are no longer in effect. For Customers on term pricing plans with vintage rates, if those vintage rates are lower than the temporarily reduced rates, the lower vintage rates will apply. Customers subscribing to a pricing flexibility contract in Section 22 that specifies fixed rates for DS1/DS3 local distribution channel and/or mileage services are not subject to this provision, and will continue to pay the rates specified in such contract.

Additional pricing flexibility relief was granted on April 11, 2002 for certain MSAs as indicated in Section 21.2. Customers in these additional relief areas\* that committed to new term pricing plans as outlined above on or after July 3, 2001 but before June 18, 2002 will pay the rates outlined in the following Table A. Customers in these relief areas signing new term pricing plans on or after June 18, 2002 will pay the rates outlined in Section 21.5.

Additional pricing flexibility relief was granted on May 15, 2003 for certain MSAs as indicated in Section 21.2. Customers in these additional relief areas\* that committed to new term pricing plans as outlined above on or after July 4, 2001 will pay the rates outlined in Section 21.5.2.18. Customers in these relief areas signing new term pricing plans on or after June 13, 2003 will pay the rates outlined in Section 21.5.

The effective date is the date upon which these rates are applicable. Customers in relief areas not falling into these specific situations would pay the rates outlined in Section 21.5.

\* This includes approved services in new full relief areas, new limited relief areas, and channel termination services for those limited relief MSAs which are becoming full relief areas.

<sup>(1)</sup> See F.C.C. Memorandum Opinion and Order, WC Docket No. 06-74, in The Matter of AT&T, Inc. and BellSouth Corporation Application for Transfer of Control.

TABLE A

SP**	ST**	ZN DESCRIPTION	RATE	RATES EFFECTIVE
SP	AM	OC-192 ADD/DROP CAP PER ARRANGEMENT-3 YR	\$5,000.00	November 29, 2001
SP	AM	OC-192 ADD/DROP CAP PER ARRANGEMENT-5 YR	\$4,000.00	November 29, 2001
SP	ALL	OC-48 LDC 36 MO	\$6,600.00	May 18, 2002
SP	ALL	OC-48 LDC 48 MO	\$6,600.00	May 18, 2002
SP	ALL	OC-48 LDC 60 MO	\$5,560.00	May 18, 2002
SP	ALL	OC-48 CM 36 MO	\$400.00	May 18, 2002
SP	ALL	OC-48 CM 48 MO	\$400.00	May 18, 2002
SP	ALL	OC-48 CM 60 MO	\$350.00	May 18, 2002
SP	ALL	OC-48 NODE CUST. PREM FIRST 60 MO	\$4,555.00	May 18, 2002

\*\* SP=Special Access Service, ST=State(s) ALL= IL, IN, MI, OH & WI.

Certain material previously appearing on this page now appears on 1st Revised Sheet 10.1 and Original Sheet 10.3.

21.5 Rates and Charges

21.5.1 Switched Access/Dedicated Transport Service

21.5.1.1 Switched Transport Chargeable Optional Features

(5) Switched Transport on OC-3 Service, OC-12 Service, and OC-48 Service

Description	USOC	Nonrecurring Charge	Monthly
Add/Drop Function			
- per LT-1, Add or Drop All States	MXRLX	None	\$50.00
- per LT-3, Add or Drop All States	MXRTX	None	\$120.00

(6) Switched Transport on OC-3 Service, OC-12 and OC-48 Dedicated Ring Service.

Description	USOC	36 Months <sup>(2)</sup>	60 Months <sup>(2)</sup>	Monthly Extension
Ports				
- per Node type (excluding Re-Map), All States				
LT-1 at OC-3	SPRQX	\$ 50.00	\$ 45.00	\$ 65.00
LT-1 at OC-12 <sup>(1)</sup>	SPRRX	50.00	45.00	65.00
LT-1 at OC-12 Direct Drop	SPRWX	50.00	45.00	65.00
LT-1 at OC-48 <sup>(1)</sup>	SPRSX	50.00	45.00	65.00
LT-3 at OC-3	SPRTX	120.00	110.00	150.00
LT-3 at OC-12	SPRUX	120.00	110.00	150.00
LT-3 at OC-12 Direct Drop	SPRYX	120.00	110.00	150.00
LT-3 at OC-48	SPRVX	120.00	110.00	150.00

<sup>(1)</sup> Optical to Electrical Add/Drop Capability as described in 7.2.11 (B)(5) is needed along with an OC-3 port unless the customer has chosen an OC-12 DDN.

<sup>(2)</sup> All term plans for OC-3, OC-12, OC-48 and OC-192 Dedicated Ring service which are established or renewed after November 9, 2013, for term lengths which are scheduled to expire at any time after February 1, 2019, will instead expire on February 1, 2019. All such services existing on or after February 1, 2019, will be provided on a month-to-month basis at the applicable, then current month-to-month rates. Notwithstanding anything to the contrary in the previous two sentences, this footnote does not apply to any term plans established or renewed after July 15, 2017.

(N)  
(N)

(6) Switched Transport on OC-3 Service, OC-12, and OC-48 Dedicated Ring Service (Cont'd)

Description	USOC	36 Months <sup>(3)</sup>	60 Months <sup>(3)</sup>	Monthly Extension
Ports (cont'd)				
- per Node type Re-Map, <sup>(2)</sup>				
All States				
Per DS1 Re-Map Block				
(consists of 28 DS1 ports) at:				
LT-1 at OC-3	P8RQX	\$1,400.00	\$1,260.00	\$1,820.00
LT-1 at OC-12 <sup>(1)</sup>	P8RRX	1,400.00	1,260.00	1,820.00
LT-1 at OC-12 Direct Drop	P8RWX	1,400.00	1,260.00	1,820.00
LT-1 at OC-48 <sup>(1)</sup>	P8RSX	1,400.00	1,260.00	1,820.00
Per DS3 Re-Map at:				
- LT-3 at OC-3 Re-Map Node	P8RTX	120.00	110.00	150.00
- LT-3 at OC-12 DDN Re-Map Node	P8RYX	120.00	110.00	150.00
Per DS3 Re-Map Block				
(consists of 3 DS3 ports) at:				
- LT-3 at OC-12 Re-Map Node	P8RUX	360.00	330.00	450.00
- LT-3 at OC-48 Re-Map Node	P8RVX	360.00	330.00	450.00
Description	USOC			Nonrecurring Charge
Nonrecurring charges for subsequent installation				
- Per port				
LT-1	NRBNF			\$350.00
LT-3	NRBNG			385.00

<sup>(1)</sup> Optical to Electrical Add/Drop Capability as described in 7.2.11 (B)(5) is needed along with an OC-3 port unless the customer has chosen an OC-12 DDN.

<sup>(2)</sup> Effective August 1, 2013, availability of Re-Map nodes is limited to Re-Map nodes that are in service or have been ordered prior to August 1, 2013.

<sup>(3)</sup> All term plans for OC-3, OC-12, OC-48 and OC-192 Dedicated Ring service which are established or renewed after November 9, 2013, for term lengths which are scheduled to expire at any time after February 1, 2019, will instead expire on February 1, 2019. All such services existing on or after February 1, 2019, will be provided on a month-to-month basis at the applicable, then current month-to-month rates. Notwithstanding anything to the contrary in the previous two sentences, this footnote does not apply to any term plans established or renewed after July 15, 2017.

(N)  
(N)

21.5.2 Special Access Service

(M)

Rates are subject to subsequent adjustment, effective retroactively in light of USTA v. FCC, (Case No. 97-1469) (slip. op. May 21, 1999) (D.C. Cir.), or pursuant to pending motions or petitions or any other adjustment pursuant to a Commission or court order.

21.5.2.1 Not in Use

21.5.2.2 Not in Use

21.5.2.3 Not in Use

21.5.2.4 Not in Use

21.5.2.6 Not in Use

21.5.2.7 Not in Use

(M)

Material now appearing on this page previously appeared on Original Sheet 10.

21.5.2.5 Video Service  
(E) Serial Component Video Service (SCVS)

		Optional Payment Plan						
USOC	Monthly	12 Month	24 Month	36 Month	48 Month	60 Month		
(1) Local Distribution Channel								
(a) SCVS Standard (270 Mbps)								
-Per Point of Termination								
-All States	T7TXX	\$ 435.00	\$ 435.00	\$ 420.00	\$ 410.00	\$ 405.00	\$ 390.00	
(b) SCVS Optional (45 Mbps)								
-Per Point of Termination								
- All States	TJ57X	2,000.00	1,900.00	1,825.00	1,750.00	1,700.00	1,650.00	
(2) Channel Mileage Termination								
-Per Point of Mileage Termination								
- All States	CM6	45.00	35.00	30.00	25.00	20.00	17.00	
(3) Channel Mileage								
-Per Mile								
- All States	1L5XX	72.66	70.00	69.00	68.00	67.00	66.00	
(4) Optional Features and Functions								
-Per Each								
(a) Regenerator								
- All States	V8R	373.00	373.00	369.00	364.00	358.00	352.00	
		Optional Payment Plan						
USOC	Monthly	12 Month	24 Month	36 Month	48 Month	60 Month	Nonrecurring Charge <sup>(1)</sup>	
(b) Optical, Wavelength and Ethernet Handoff Options and Interfaces (C)								
-OC-3 Handoff	VOF3X	\$750.00	\$650.00	\$560.00	\$300.00	\$285.00	\$275.00	\$700.00
-OC-12 Handoff	VOF1X	1,675.00	1,450.00	1,250.00	675.00	650.00	625.00	700.00
-OC-48 Handoff	VOF4X	1,675.00	1,450.00	1,250.00	675.00	650.00	625.00	700.00 (N)
-2.5Gbps Ethernet/Wavelength Handoff	VOFAX	1,675.00	1,450.00	1,250.00	675.00	650.00	625.00	700.00
-10Gbps Ethernet Handoff	VOFBX	1,675.00	1,450.00	1,250.00	675.00	650.00	625.00	700.00 (N)
-SMPTE 310M Digital Interface	V1F3X	400.00	350.00	340.00	315.00	305.00	300.00	500.00
-NTSC Analog Interface	V1FNX	200.00	190.00	185.00	180.00	175.00	170.00	500.00

<sup>(1)</sup> Nonrecurring charge is waived when feature is ordered and installed concurrently with associated Channel Termination.

21.5.2.5 Video Services (Cont'd)

(E) Serial Component Video Service (SCVS) (Cont'd)

		Recurring Charges						Nonrecurring
		Optional Payment Plan						Charge
USOC	Monthly	12 Month	24 Month	36 Month	48 Month	60 Month		

(4) Optional Features and Functions (Cont'd)

(c) Diversity Options:

-Local Channel Diversity (Per Channel Termination)	CPAMX	\$410.00	\$350.00	\$300.00	\$260.00	\$240.00	\$225.00	N/A	(N) (N)
-Alternate Wire Center Diversity (Per Channel Termination)	CPABX	660.00	570.00	490.00	420.00	400.00	360.00	N/A	(N) (N)
-Inter-Wire Center Diversity (Per Circuit)	CPAUX	290.00	250.00	210.00	180.00	165.00	150.00	N/A	(N)
-Equipment Only Diversity (Per Channel Termination)	CPACX	415.00	370.00	320.00	270.00	255.00	245.00	N/A	(N) (N)

21.5.2.5 Video Service (Cont'd)

(F) High Definition Video Transport (HDVT)

	USOC	Monthly	Recurring Charges				Nonrecurring Charge <sup>(1)</sup>
			Optional Payment Plan				
			12 Month	24 Month	36 Month	60 Month	
(1) Channel Termination -per end	TZ4DX	\$750.00	\$700.00	\$625.00	\$585.00	\$525.00	\$1500.00
(2) Interoffice Fixed Mileage	FQY2X	\$50.00	\$48.00	\$48.00	\$45.00	\$43.00	N/A
(3) Variable Mileage -per mile	1A4FX	\$110.00	\$100.00	\$95.00	\$90.00	\$80.00	N/A
(4) Optional Features and Functions -per each							
(a) Regenerator	V8R	\$440.00	\$440.00	\$430.00	\$430.00	\$420.00	N/A
(b) Optical, Wavelength and Ethernet Handoff Options							(C)
-OC-3 Handoff	VOF3X	\$750.00	\$650.00	\$560.00	\$300.00	\$275.00	\$700.00 <sup>(1,2)</sup>
-OC-12 Handoff	VOF1X	\$1,675.00	\$1,450.00	\$1,250.00	\$675.00	\$625.00	\$700.00 <sup>(1,2)</sup>
-OC-48 Handoff	VO4FX	\$1,675.00	\$1,450.00	\$1,250.00	\$675.00	\$625.00	\$700.00 <sup>(1,2)</sup>
-2.5Gbps Ethernet/Wavelength Handoff	VOFAX	\$1,675.00	\$1,450.00	\$1,250.00	\$675.00	\$625.00	\$700.00 <sup>(1,2)</sup>
-10Gbps Ethernet Handoff	VOFBX	\$1,675.00	\$1,450.00	\$1,250.00	\$675.00	\$625.00	\$700.00 <sup>(1,2)</sup>
(c) Multi Media Channel <sup>(1,3)</sup>							(N)
-1 Gbps option	HDVM1	\$2,500.00	\$2,000.00	\$2,000.00	\$1,000.00	\$950.00	\$1,500.00
(d) Diversity Options							
-Local Channel Diversity (Per Channel Termination)	CPAMX	\$410.00	\$350.00	\$300.00	\$260.00	\$225.00	N/A
-Alternate Wire Center Diversity (Per Channel Termination)	CPABX	\$660.00	\$570.00	\$490.00	\$420.00	\$360.00	N/A
-Inter-Wire Center Diversity (Per Circuit)	CPAUX	\$290.00	\$250.00	\$210.00	\$180.00	\$150.00	N/A
-Equipment Only Diversity (Per Channel Termination)	CPACX	\$415.00	\$370.00	\$320.00	\$270.00	\$245.00	N/A

<sup>(1)</sup> A nonrecurring charge will not apply when the customer subscribes to a 24-Moth or longer Optional Payment Plan.

<sup>(2)</sup> Nonrecurring charge is waived when feature is ordered and installed concurrently with associated Channel Termination.

<sup>(3)</sup> Nonrecurring charge is waived when feature is ordered and installed concurrently with associated HDVT Channel Termination.



21.5.2.8 Optical Carrier Network (OCN) Point-to-Point Service					
(A) OC-3/OC-3c Service*					
	USOC	12 Mo. <sup>(1)</sup>	36 Mo. <sup>(1)</sup>	60 Mo. <sup>(1)</sup>	Monthly
(1) Local Distribution Channel					
- Per Point of Termination					
- Terminating Bit Rate					
155.52 Mbps					
- All States	TMECS	\$1,607.00	\$1,368.00	\$1,125.00	\$2,068.00
(2) Channel Mileage Termination					
- Per Point of Mileage Termination					
- 155.52 Mbps					
- All States	CM6	\$469.00	\$399.00	\$375.00	\$604.00
(3) Channel Mileage					
- Per Mile					
- 155.52 Mbps					
- All States	1L5XX	\$250.00	\$213.00	\$200.00	\$323.00
(4) Optional Features and Functions					
(a) OC-3 Add/Drop Multiplexing**					
- Per Arrangement	MPECX	\$1,107.00	\$939.00	\$775.00	\$1,295.00

\* Effective January 11, 2002, the 24 and 48 month Optional Payment Plans for OC-3 are being grandfathered for existing customers until their term plan expires, at which time any renewed services or new contracts established on or after January 11, 2002, will no longer be available. Applicable rates for 24 and 48 month Optional Payment Plans can be found in Section 7.5.16.

\*\* Concatenated services not available.

<sup>(1)</sup> All term plans for OCN Point-to-Point Service which are established or renewed after November 9, 2013, for term lengths which are scheduled to expire at any time after December 31, 2017, will instead expire on December 31, 2017. All such services existing on or after December 31, 2017, will be provided on a month-to-month basis at the applicable, then current month-to-month rates. Notwithstanding anything to the contrary in the previous two sentences, this footnote does not apply to any term plans established or renewed after January 22, 2016. (N)  
(N)  
(N)

	USOC	Monthly	Nonrecurring Charge	
(b) Add/Drop Function				
- Per DS3 Add or Drop				
- All States	MXJBX	\$120.00	None	
- Per DS1 Add or Drop				
- All States	MXJAX	\$50.00	None	
- Per 1000 Base LX				
- All States	MX4LX	\$500.00	None	
(c) Not in Use				(N)
(d) 1+1 Protection				
- Per OC-3/OC-3c Customer Premises				(C) (C)
- All States	P8T	\$57.00	None	
(e) 1+1 Protection with Cable Survivability				
- Per OC-3/OC-3c Customer Premises				(C) (C) (C)
- All States	P3S	\$57.00	\$500.00	
(f) 1+1 Protection with Route Survivability				
- All States				
- Per OC-3/OC-3c Customer Premises				(C) (C) (C)
- All States	P8T	\$57.00	None	
<u>plus</u>				
- Per Quarter Route Mile	S2DXY	\$50.00	None	

	USOC	Monthly	Nonrecurring Charge
(g) 1+1 Protection with Central Office Survivability*			
- All States			
- Per OC-3 Local Distribution Channel	P8T	\$57.00	None
<u>plus</u>			
- Per Quarter Route Mile	S2VXY	\$50.00	None
<u>plus</u>			
- Channel Mileage Terminations		Apply CM6 rates/charges from 21.5.2.8(A) (2)	
<u>plus</u>			
- Channel Mileage		Apply 1L5XX rates/charges from 21.5.2.8(A) (3)	
(h) Shared Network Arrangement			
- Processing Charge Per Service Order			
- All States	NRBOP		\$30.00
(i) Diversity <sup>(1)</sup>			
-Per Quarter Route Mile	S2DXY	\$50.00	\$0
-Per OC-3/OC-3c	CPAPA	\$200.00	\$0

\* 1+1 Protection with Central Office Survivability for OC-3 subscribed to, on or after January 11, 2002, will no longer be available.

<sup>(1)</sup> The Per Quarter Route Mile is required for one or both ends of the second service when both services terminate at the same customer premises.

(B) OC-12/OC-12c Service\*

	USOC	12 Mo. <sup>(1)</sup>	36 Mo. <sup>(1)</sup>	60 Mo. <sup>(1)</sup>	Monthly
(1) Local Distribution Channel					
- Per Point of Termination					
- Terminating Bit Rate 622.08 Mbps					
- All States	TMECS	\$3,800.00	\$3,400.00	\$2,800.00	\$5,148.00
(2) Channel Mileage Termination					
- Per Point of Mileage Termination					
- 622.08 Mbps					
- All States	CM6	\$665.00	\$595.00	\$560.00	\$901.00
(3) Channel Mileage					
- Per Mile					
- 622.08 Mbps					
- All States	1L5XX	\$475.00	\$425.00	\$400.00	\$644.00
(4) Optional Features and Functions					
(a) OC-12 Add/Drop Multiplexing**					
- Per Arrangement	MPEDX	\$2,750.00	\$2,340.00	\$1,925.00	\$3,218.00

\* Effective January 11, 2002, the 24 and 48 month Optional Payment Plans for OC-12 are being grandfathered for existing customers until their term plan expires, at which time any renewed services or new contracts established on or after January 11, 2002, will no longer be available. Applicable rates for 24 and 48 month Optional Payment Plans can be found in Section 7.5.16.

\*\* Concatenated services not available.

<sup>(1)</sup> All term plans for OCN Point-to-Point Service which are established or renewed after November 9, 2013, for term lengths which are scheduled to expire at any time after December 31, 2017, will instead expire on December 31, 2017. All such services existing on or after December 31, 2017, will be provided on a month-to-month basis at the applicable, then current month-to-month rates. Notwithstanding anything to the contrary in the previous two sentences, this footnote does not apply to any term plans established or renewed after January 22, 2016. (N)

	USOC	Monthly	Nonrecurring Charge	
(b) Add/Drop Function				
- Per OC-3 Add or Drop				
- All States	MXJCX	\$150.00	None	
- Per DS3 Add or Drop				
- All States	MXJBX	\$120.00	None	
- Per 1000 Base LX				
- All States	MX4LX	\$500.00	None	
(c) Not in Use				(N)
(d) 1+1 Protection				
- Per OC-12/OC-12c				(C)
Customer Premises				(C)
- All States	P8T	\$250.00	None	(C)
(e) 1+1 Protection with Cable Survivability				
- Per OC-12/CO-12c				(C)
Customer Premises				(C)
- All States	P3S	\$250.00	\$600.00	(C)
(f) 1+1 Protection with Route Survivability				
- All States				
- Per OC-12/OC-12c				(C)
Customer Premises				(C)
	P8T	\$250.00	None	(C)
<u>plus</u>				
- Per Quarter Route Mile	S2DXY	\$75.00	None	

	USOC	Monthly	Nonrecurring Charge
(g) 1+1 Protection with Central Office Survivability*			
- All States			
- Per OC-12 Local Distribution Channel	P8T	\$250.00	None
plus			
- Per Quarter Route Mile	S2VXY	\$75.00	None
plus			
- Channel Mileage Terminations	Apply CM6 rates/charges from 21.5.2.8(B) (2)		
plus			
- Channel Mileage	Apply 1L5XX rates/charges from 21.5.2.8(B) (3)		

\*1+1 Protection with Central Office Survivability for OC-12 subscribed to, on or after January 11, 2002, will no longer be available.

	USOC	Monthly	Nonrecurring Charge
(h) 1+1 Protection with Customer Premises Survivability*			
- All States			
- Per OC-12 Local Distribution Channel	P8T	\$250.00	None
plus			
- CPS Mileage	1Y6WS	\$220.00	
- Per Air Mile			
plus			
- CPS Termination	CZ42X	\$100.00	
- Per Wire Center (as required)			
plus			
- CPS OC-12 Regenerator	RGYDX	\$1,760.00	
- Each (as required)			
plus			
- CPS Extension	S2VAX	\$350.00	\$700.00
- Per Alternate Customer Premises			
(i) Shared Network Arrangement			
- Processing Charge Per Service Order	NRBOP		\$30.00
- All States			
(j) Diversity <sup>(1)</sup>			
-Per Quarter Route Mile	S2DXY	75.00	\$0
-Per OC-12/OC-12c	CPAPB	\$300.00	\$0

\* 1+1 Protection with Customer Premises Survivability for OC-12 subscribed to, on or after January 11, 2002, will no longer be available.

<sup>(1)</sup> The Per Quarter Route Mile is required for one or both ends of the second service when both services terminate at the same customer premises.

(C) OC-48/OC-48c Service

	USOC	12 Mo. <sup>(1)</sup>	36 Mo. <sup>(1)</sup>	60 Mo. <sup>(1)</sup>	Monthly
(1) Local Distribution Channel					
- Per Point of Termination Terminating Bit Rate 2488.32 Mbps					
- All States	TMECS	\$7,600.00	\$6,600.00	5,500.00	\$10,296.00
(2) Channel Mileage Termination					
- Per Point of Mileage Termination 2488.32 Mbps					
- All States	CM6	\$1,497.00	1,420.00	1,340.00	2,028.00
(3) Channel Mileage					
- Per Mile 2488.32 Mbps					
- All States	1L5XX	\$523.00	400.00	350.00	709.00
(4) Optional Features and Functions					
(a) OC-48 Add/Drop Multiplexing**					
- Per Arrangement (not to exceed 12 DS3s or equivalent)	MXRFX	\$1,375.00	1,170.00	965.00	1,609.00
	USOC	Monthly	Nonrecurring Charge		
(b) Add/Drop Function					
Per OC-12 Add or Drop					
- All States	MXJEX	375.00		None	
Per OC-3 Add or Drop					
- All States	MXJCX	150.00		None	
Per DS3 Add or Drop					
- All States	MXJBX	120.00		None	
Per 1000 Base LX Add or Drop					
- All States	MX4LX	500.00		None	

\* Effective January 11, 2002, the 24 and 48 month Optional Payment Plans for OC-48 are being grandfathered for existing customers until their term plan expires, at which time any renewed services or new contracts established on or after January 11, 2002, will no longer be available. Applicable rates for 24 and 48 month Optional Payment Plans can be found in Section 7.5.16.

\*\* Concatenated services not available.

<sup>(1)</sup> All term plans for OCN Point-to-Point Service which are established or renewed after November 9, 2013, for term lengths which are scheduled to expire at any time after December 31, 2017, will instead expire on December 31, 2017. All such services existing on or after December 31, 2017, will be provided on a month-to-month basis at the applicable, then current month-to-month rates. Notwithstanding anything to the contrary in the previous two sentences, this footnote does not apply to any term plans established or renewed after January 22, 2016. (N)



	USOC	Monthly	Nonrecurring Charge	
(b) Add/Drop Function				
Per OC-12				
Add or Drop				
- All States	MXJEX	\$375.00	None	
Per OC-3				
Add or Drop				
- All States	MXJCX	\$150.00	None	
Per DS3				
Add or Drop				
- All States	MXJBX	\$120.00	None	
(c) Not in Use				(N)
(d) 1+1 Protection				
- Per OC-48/OC-48c				
Customer				(C)
Premises				(C)
- All States	P8T	1,175.00	None	
(e) 1+1 Protection				
with Cable				
Survivability				
- Per OC-48/OC-48c				
Customer				(C)
Premises				(C)
- All States	P3S	1,175.00	\$700.00	
(f) 1+1 Protection with				
Route Survivability				
- All States				
(1) Per OC-48/OC-48c				
Customer	P8T	Apply Rates and Charges		(C)
Premises		as P8T above plus (2) below		(C)
(2) Per Quarter				
Route Mile	S2DXY	100.00	None	

	USOC	Monthly	Nonrecurring Charge
(g) 1+1 Protection with Customer Premises Survivability* - All States			
(1) Per OC-48 Local Distribution Channel	P8T	Apply Rates and Charges as P8T above plus (2) through (5) below	
(2) CPS Mileage - per air mile	1Y6WS	\$ 220.00	
(3) CPS Termination - per wire center (as required)	CZ42X	100.00	
(4) CPS OC-48 Regenerator - Each (as required)	RGYDX	2,640.00	
(5) CPS Extension - per alternate customer premises	S2VAX	350.00	\$700.00
(h) Point-to-Point OC-48 Regenerator - Each (as required)	RGY48	5,280.00	None
(i) Shared Network Arrangement - Processing Charge Per Service Order - All States	NRBOP		30.00
(j) Diversity <sup>(1)</sup> -Per Quarter Route Mile	S2DXY	\$ 100.00	\$0
-Per OC-48/OC-48c	CPAPC	\$ 700.00	\$0

\*1+1 Protection with Customer Premises Survivability for OC-48 subscribed to, on or after January 11, 2002, will no longer be available.

<sup>(1)</sup> The Per Quarter Route Mile is required for one or both ends of the second service when both services terminate at the same customer premises.

(D) OC-192/OC-192c Service

	USOC	36 Mo. <sup>(1)</sup>	60 Mo. <sup>(1)</sup>	Monthly Extension
(1) Local Distribution Channel				
- Per Point of Termination Terminating Bit Rate 9953.28 Mbps				
- All States	TMECS	\$20,400.00	\$16,800.00	\$32,340.00
(2) Channel Mileage Termination				
- Per Point of Mileage Termination 9953.28 Mbps				
- All States	CM6	\$4,260.00	\$4,020.00	\$7,739.00
(3) Channel Mileage				
- Per Mile 9953.28 Mbps				
- All States	1L5XX	\$520.00	\$440.00	\$715.00
(4) Optional Features and Functions				
(a) OC-192 Add/Drop Multiplexing*				
- Per Arrangement	MXRGX	\$10,530.00	\$8,685.00	\$15,000.00
(b) Add/Drop Function Per OC-48 Add or Drop	USOC	Monthly		Nonrecurring Charge
- All States	MXJFX	\$900.00		None

\*Concatenated services not available.

<sup>(1)</sup> All term plans for OCN Point-to-Point Service which are established or renewed after November 9, 2013, for term lengths which are scheduled to expire at any time after December 31, 2017, will instead expire on December 31, 2017. All such services existing on or after December 31, 2017, will be provided on a month-to-month basis at the applicable, then current month-to-month rates. Notwithstanding anything to the contrary in the previous two sentences, this footnote does not apply to any term plans established or renewed after January 22, 2016. (N)  
(N)  
(N)

	USOC	Monthly	Nonrecurring Charge	
(b) Per OC-12 Add or Drop - All States	MXJEX	\$375.00	None	
Per OC-3 Add or Drop - All States	MXJCX	\$150.00	None	
Per 1000 Base LX - All States	MX4LX	\$500.00	None	
(c) Not in Use				(N)
(d) 1+1 Protection -Per OC-192/OC-192c Customer Premises - All States	P8T	\$5,400.00	None	(C) (C)
(e) 1+1 Protection with Cable Survivability -Per OC-192/OC-192c Customer Premises - All States	P3S	\$5,400.00	\$800.00	(C) (C) (C)
(f) 1+1 Protection with Route Survivability - All States (1) Per OC-192/OC-192c Customer Premises	P8T	Apply Rates and Charges as P8T above plus (2) below		(C) (C)
(2) Per Quarter Route Mile	S2DXY	\$150.00	None	
(g) Point-to-Point OC-192/OC-192c Regenerator -Each (as required)	RGY	\$11,000.00	None	
(h) Diversity <sup>(1)</sup> -Per Quarter Route Mile	S2DXY	\$150.00	\$0	
-Per OC-192/OC-192c	CPAPD	\$1200.00	\$0	

<sup>(1)</sup> The Per Quarter Route Mile is required for one or both ends of the second service when both services terminate at the same customer premises.

21.5.2.9 OC-3, OC-12, OC-48, and OC-192 Dedicated Ring

(A) Node

Description	USOC	36 Months <sup>(3)</sup>	60 Months <sup>(3)</sup>	Monthly Extension
Per Node:				
OC-3				
- Customer Premises				
First	FP5CX	\$1,770.00	\$1,415.00	\$2,120.00
First Re-Map <sup>(2)</sup>	RN8CX	1,770.00	1,415.00	2,120.00
Additional	FP5CA	1,000.00	800.00	1,200.00
Additional Re-Map <sup>(2)</sup>	RN8CA	1,000.00	800.00	1,200.00
- Central Office	FC5CX	1,000.00	800.00	1,200.00
OC-12				
- Customer Premises				
First	FP5DX	3,850.00	3,080.00	4,620.00
First Re-Map <sup>(2)</sup>	RN8DX	3,850.00	3,080.00	4,620.00
Additional	FP5DA	2,620.00	2,095.00	3,140.00
Additional Re-Map <sup>(2)</sup>	RN8DA	2,620.00	2,095.00	3,140.00
- Central Office	FC5DX	2,620.00	2,095.00	3,140.00
Direct Drop <sup>(1)</sup>				
- Customer Premises				
First	L8NDX	3,750.00	2,980.00	4,470.00
First Re-Map <sup>(2)</sup>	RL8DX	3,750.00	2,980.00	4,470.00
Additional	L8NDA	2,520.00	1,995.00	2,990.00
Additional Re-Map <sup>(2)</sup>	RL8DA	2,520.00	1,995.00	2,990.00
- Central Office	L9NDX	2,520.00	1,995.00	2,990.00
OC-48				
- Customer Premises				
First	FP5EX	5,890.00	4,715.00	7,070.00
First Re-Map <sup>(2)</sup>	RN8EX	5,890.00	4,715.00	7,070.00
Additional	FP5EA	5,240.00	4,190.00	6,280.00
Additional Re-Map <sup>(2)</sup>	RN8EA	5,240.00	4,190.00	6,280.00
Plus <sup>(1)</sup>	FP5SX	5,240.00	4,190.00	6,280.00
Plus Re-Map <sup>(1)</sup>	RN8SX	5,240.00	4,190.00	6,280.00
- Central Office	FC5EX	5,240.00	4,190.00	6,280.00
- Central Office Plus <sup>(1)</sup>	FC5SX	4,870.00	3,900.00	5,850.00
OC-192				
- Customer Premises				
First	GP5AX	22,000.00	17,650.00	33,000.00
First Re-Map <sup>(2)</sup>	RNFAX	19,800.00	16,000.00	33,000.00
Additional	GP5AA	19,650.00	15,700.00	29,475.00
Additional Re-Map <sup>(2)</sup>	RNFAX	17,800.00	14,200.00	29,475.00
- Central Office	GC5AX	19,650.00	15,700.00	29,475.00

<sup>(1)</sup> Effective 03/18/06, the OC-48 "Plus" and Direct Drop Node feature will no longer be available to new customers. There will be no change to existing customers.

<sup>(2)</sup> Effective August 1, 2013, availability of Re-Map nodes is limited to Re-Map nodes that are in service or have been ordered prior to August 1, 2013.

<sup>(3)</sup> All term plans for OC-3, OC-12, OC-48 and OC-192 Dedicated Ring service which are established or renewed after November 9, 2013, for term lengths which are scheduled to expire at any time after February 1, 2019, will instead expire on February 1, 2019. All such services existing on or after February 1, 2019, will be provided on a month-to-month basis at the applicable, then current month-to-month rates. Notwithstanding anything to the contrary in the previous two sentences, this footnote does not apply to any term plans established or renewed after July 15, 2017.

(N)  
(N)  
(N)

<u>Description</u>	<u>USOC</u>	<u>36</u> <u>Months</u> <sup>(3)</sup>	<u>60</u> <u>Months</u> <sup>(3)</sup>	<u>Monthly</u> <u>Extension</u>
Per node:				
Flex-Ring				
Customer Premise node for 2nd ring double on existing				
OC-12	GP5FX	2,200.00	1,800.00	2,900.00
OC-48	GP5GX	3,900.00	3,000.00	4,500.00

Central Office node for 2nd ring double on existing				
OC-12	GC5FX	1,850.00	1,500.00	2,200.00
OC-48	GC5GX	3,500.00	2,800.00	4,100.00

<u>Description</u>	<u>USOC</u>		<u>Nonrecurring</u> <u>Charge</u>
Nonrecurring charges for subsequent installation - Per Node			
Customer Premises	NRBS7		\$400.00
Customer Premises Re- Map	NRBS7		400.00
Central Office	NRBSV		325.00

<u>Description</u>	<u>USOC</u>	<u>36</u> <u>Months</u> <sup>(3)</sup>	<u>60</u> <u>Months</u> <sup>(3)</sup>	<u>Monthly</u> <u>Extension</u>
Per Arrangement	MPEFX	\$1,170.00	\$965.00	\$1,450.00
Re-Map <sup>(2)</sup>	M8RFX	1,170.00	965.00	1,450.00
Plus <sup>(1)</sup>	MPEPX	1,040.00	859.00	1,290.00
Re-Map <sup>(2)</sup>	M8RPX	1,040.00	859.00	1,290.00

<u>Description</u>	<u>USOC</u>		<u>Nonrecurring</u> <u>Charge</u>
Nonrecurring charges for subsequent installation - Per Arrangement			
	NRBS8		\$490.00

<sup>(1)</sup> Effective 03/18/06, the "Plus" feature will no longer be available to new customers. There will be no change to existing customers.

<sup>(2)</sup> Effective August 1, 2013, availability of Re-Map nodes is limited to Re-Map nodes that are in service or have been ordered prior to August 1, 2013.

<sup>(3)</sup> All term plans for OC-3, OC-12, OC-48 and OC-192 Dedicated Ring service which are established or renewed after November 9, 2013, for term lengths which are scheduled to expire at any time after February 1, 2019, will instead expire on February 1, 2019. All such services existing on or after February 1, 2019, will be provided on a month-to-month basis at the applicable, then current month-to-month rates. Notwithstanding anything to the contrary in the previous two sentences, this footnote does not apply to any term plans established or renewed after July 15, 2017.

(N)  
(N)  
(N)

(C) OC-192 Add/Drop Capability

Description	USOC	36 Months <sup>(7)</sup>	60 Months <sup>(7)</sup>	Monthly Extension
- per node <sup>(2)</sup> (not to exceed any configurable combination of ports beyond 192 STS-1 equivalents)	MXRGX	\$5,000.00	\$4,000.00	\$7,000.00
- Per Re-Map <sup>(5) (6)</sup>	M8RGX	\$4,500.00	\$3,600.00	\$7,000.00

(D) Ports

Description	USOC	36 Months <sup>(7)</sup>	60 Months <sup>(7)</sup>	Monthly Extension
- Per Port (excluding Re-Map)				
DS1 at OC-3 Node	SPRAX	\$ 50.00	\$ 45.00	\$ 65.00
DS3 at OC-3 Node	SPRBX	120.00	110.00	150.00
EC-1 at OC-3 Node	S9NSX	120.00	110.00	150.00
OC-3 at OC-3 Node	S9T1X	350.00	300.00	550.00
100 Mbps Ethernet (STS-1) at OC-3 node*	S9TAX	145.00	130.00	225.00
DS3 at OC-12 (DDN) <sup>(4)</sup>	SPRMX	120.00	110.00	150.00
DS3 at OC-12 Node	SPRCX	120.00	110.00	150.00
EC-1 at OC-12 Node	S9NUX	120.00	110.00	150.00
OC-3, OC-3c at OC-12 Node	SPREX	150.00	135.00	190.00
DS1 at OC-12 (DDN) <sup>(1) (4)</sup>	SPRNX	50.00	45.00	65.00
DS1 at OC-12 Node <sup>(1) (3)</sup>	SPRGX	50.00	45.00	65.00
OC-12 at OC-12 Node	S9T2X	850.00	725.00	1050.00
100 Mbps Ethernet (STS-1) at OC-12 node*	S9TBX	145.00	130.00	225.00
100 Mbps Ethernet (STS-3c) at OC-12 node*	S9TCX	180.00	160.00	280.00
1 Gbps Ethernet (STS-1) at OC-12 node*	S9TDX	250.00	200.00	350.00
1 Gbps Ethernet (STS-3c) at OC-12 node*	S9TEX	250.00	200.00	350.00

<sup>(1)</sup> Optical to Electrical DS1 Add/Drop Capability as described in 7.2.11(B) (5) is needed along with an OC-3 port unless the customer has chosen an OC-12 DDN.

<sup>(2)</sup> The OC-192 Add/Drop Capability charge is applied to all nodes, excluding regenerators and CO nodes without drop ports.

<sup>(3)</sup> The Optical-to-Electrical DS1 Add/Drop Capability will be charged when the 85th DS1 port is applied per OC-12 node.

<sup>(4)</sup> Effective 03/18/06, the Direct Drop Node (DDN) feature will no longer be available to new customers. There will be no change to existing customers.

<sup>(5)</sup> Available for rings established on or after 09/08/07.

<sup>(6)</sup> Effective July 1, 2013, availability of Re-Map nodes is limited to Re-Map nodes that are in service or have been ordered prior to July 1, 2013.

<sup>(7)</sup> All term plans for OC-3, OC-12, OC-48 and OC-192 Dedicated Ring service which are established or renewed after November 9, 2013, for term lengths which are scheduled to expire at any time after February 1, 2019, will instead expire on February 1, 2019. All such services existing on or after February 1, 2019, will be provided on a month-to-month basis at the applicable, then current month-to-month rates. Notwithstanding anything to the contrary in the previous two sentences, this footnote does not apply to any term plans established or renewed after July 15, 2017.

\* Effective September 5, 2003, new orders Dedicated Ring Service with the EoS enhancement will be served by different equipment. Disconnect of the existing Dedicated Ring Service and placement of an order for new Dedicated Ring Service with the EoS enhancement is required. Refer to Section 7.2.11(B) (9) for details.

(N)  
(N)  
(N)

This page intentionally left blank.



(D) Ports

Description	USOC	36 Months <sup>(2)</sup>	60 Months <sup>(2)</sup>	Monthly Extension
- Per Port (excluding Re-Map)				
OC-12, OC-12c at OC-48 Node	SPRHX	375.00	360.00	475.00
OC-3, OC-3c at OC-48 Node	SPRJX	150.00	135.00	190.00
DS3 at OC-48 Node	SPRKX	120.00	110.00	150.00
EC-1 at OC-48 Node	S9NVX	120.00	110.00	150.00
DS1 AT OC-48 Node <sup>(1)</sup>	SPRLX	50.00	45.00	65.00
OC-48 at OC-48 Node	S9T3X	1900.00	1650.00	2850.00
100 Mbps Ethernet (STS-1) at OC-48 node*	S9TGX	145.00	130.00	225.00
100 Mbps Ethernet (STS-3c) at OC-48 node*	S9THX	180.00	160.00	280.00
1 Gbps Ethernet (STS-1) at OC-48 node*	S9TJX	250.00	200.00	350.00
1 Gbps Ethernet (STS-3c) at OC-48 node*	S9TKX	250.00	200.00	350.00
1 Gbps Ethernet (STS-12c) at OC-48 node*	S9TLX	600.00	500.00	875.00
1 Gbps Ethernet (STS-24c) at OC-48 node*	S9TMX	900.00	850.00	1,500.00
OC-3, OC-3c at OC-192 Node	S9NEX	135.00	120.00	225.00
OC-12, OC-12c at OC-192 Node	S9NGX	325.00	300.00	550.00
OC-48, OC-48c at OC-192 Node	S9NJX	825.00	760.00	1,425.00
DS1 at OC-192 Node	S9QWX	50.00	45.00	65.00
DS3 at OC-192 Node	S9QGX	120.00	110.00	150.00
EC-1 at OC-192 Node	S9TZX	120.00	110.00	150.00
OC-192 at OC-192 Node	S9T4X	3300.00	3000.00	5700.00
DS3 w/Transmux	S4NGX	250.00	200.00	300.00
100 Mbps Ethernet (STS-1) at OC-192 node*	S9TNX	145.00	130.00	225.00
100 Mbps Ethernet (STS-3c) at OC-192 node*	S9TOX	180.00	160.00	280.00
1 Gbps Ethernet (STS-1) at OC-192 node*	S9TPX	250.00	200.00	350.00
1 Gbps Ethernet (STS-3c) at OC-192 node*	S9TQX	250.00	200.00	350.00
1 Gbps Ethernet (STS-12c) at OC-192 node *	S9TRX	600.00	500.00	875.00
1 Gbps Ethernet (STS-24c) at OC-192 node *	S9TSX	900.00	850.00	1,500.00

<sup>(1)</sup> Optical to Electrical DS1 add/drop capability as described in 7.2.11(B)(5) is needed along with an OC-3 port unless the customer has chosen an OC-12 DDN.

<sup>(2)</sup> All term plans for OC-3, OC-12, OC-48 and OC-192 Dedicated Ring service which are established or renewed after November 9, 2013, for term lengths which are scheduled to expire at any time after February 1, 2019, will instead expire on February 1, 2019. All such services existing on or after February 1, 2019, will be provided on a month-to-month basis at the applicable, then current month-to-month rates. Notwithstanding anything to the contrary in the previous two sentences, this footnote does not apply to any term plans established or renewed after July 15, 2017. (N)

\* Effective September 5, 2003, new orders for Dedicated Ring Service with the EoS enhancement will be served by different equipment. Disconnect of the existing Dedicated Ring Service and placement of an order for new Dedicated Ring Service with the EoS enhancement is required. Refer to Section 7.2.11(B)(9) for details. (N)

Description	USOC	36 Months <sup>(6)</sup>	60 Months <sup>(6)</sup>	Monthly Extension
EoS Ports				
Virtual Concatenation (VCAT) <sup>(1)</sup>				
- per multiplexing function				
10/100 BaseT Ethernet Port	S5P1X	250.00	180.00	350.00
Bandwidth options for port <sup>(2) (4) (5)</sup>				
VT1.5-1v (1.6 Mbps)				
VT1.5-2v (3.2 Mbps)				
VT1.5-3v (4.8 Mbps)				
VT1.5-4v (6.4 Mbps)				
VT1.5-5v (8.0 Mbps)				
VT1.5-6v (9.6 Mbps)				
VT1.5-7v (11.2 Mbps)				
VT1.5-8v (12.4 Mbps)				
VT1.5-10v (16.0 Mbps)				
VT1.5-13v (20.8 Mbps)				
STS-1-1v (48.38 Mbps)				
STS-1-2v (96.77 Mbps)				
1000 Base SX Ethernet Port	S5P2X	425.00	350.00	500.00
1000 Base LX Ethernet Port	S5P3X	425.00	350.00	500.00
Bandwidth options for port <sup>(3) (4) (5)</sup>				
STS-1-1v (48.38 Mbps)				
STS-1-2v (96.77 Mbps)				
STS-1-3v (145.15 Mbps)				
STS-1-4v (193.54 Mbps)				
STS-1-5v (241.92 Mbps)				
STS-1-6v (290.30 Mbps)				
STS-1-9v (435.46 Mbps)				
STS-1-12v (580.61 Mbps)				
STS-1-21v (1016.06 Mbps)				
STS-3c-1v (149.76 Mbps)				
STS-3c-2v (299.52 Mbps)				
STS-3c-3v (449.28 Mbps)				
STS-3c-4v (599.04 Mbps)				
STS-3c-7v (1048.32 Mbps)				

<sup>(1)</sup> Nonrecurring charges apply to EoS Ports, Virtual Concatenation (VCAT). See EoS Port charges in Section 21.5.2.9(D), for applicable nonrecurring charges.

<sup>(2)</sup> Actual payload capacity for selected bandwidth.

<sup>(3)</sup> Actual Payload capacity for selected bandwidth applies to both SX and LX.

<sup>(4)</sup> Only Single-Mode Fiber is available in the Central Office.

<sup>(5)</sup> The EoS line rates defined herein are based on the theoretical SONET payload line rates as per GR-253-CORE, Issue 4. These values are not representative of the true Ethernet transport capacity of the EoS circuit.

<sup>(6)</sup> All term plans for OC-3, OC-12, OC-48 and OC-192 Dedicated Ring service which are established or renewed after November 9, 2013, for term lengths which are scheduled to expire at any time after February 1, 2019, will instead expire on February 1, 2019. All such services existing on or after February 1, 2019, will be provided on a month-to-month basis at the applicable, then current month-to-month rates. Notwithstanding anything to the contrary in the previous two sentences, this footnote does not apply to any term plans established or renewed after July 15, 2017.

(N)  
(N)  
(N)

Description	USOC	36 Months <sup>(4)</sup>	60 Months <sup>(4)</sup>	Monthly Extension
- Per Port - Re-Map <sup>(3)</sup>				
- Per DS1 Re-Map Block (consists of 28 DS1 ports) at				
OC-3 Ring	P8RAX	1,400.00	1,260.00	1,820.00
OC-12 Ring	P8RGX	1,400.00	1,260.00	1,820.00
OC-12 DDN Ring <sup>(1)</sup>	P8RNX	1,400.00	1,260.00	1,820.00
OC-48 Ring	P8RLX	1,400.00	1,260.00	1,820.00
OC-192 Ring	RN76X	1,400.00	1,260.00	1,820.00
- Per DS3 Re-Map Port at				
OC-3 Ring	P8RBX	120.00	110.00	150.00
OC-12 DDN Ring <sup>(1)</sup>	P8RMX	120.00	110.00	150.00
OC-192 Ring	RN71X	120.00	110.00	150.00
- Per DS3 Re-Map Block (consists of 3 DS3 ports) at				
OC-12 Ring	P8RCX	360.00	330.00	450.00
OC-48 Ring	P8RKX	360.00	330.00	450.00
OC-192 Ring	RN77X	360.00	330.00	400.00
- Per DS3 Transmux Re-Map <sup>(2)</sup>	RN7TX	250.00	200.00	300.00
- Per EC-1 Re-Map Port at				
OC-3 Ring	S9N6X	120.00	110.00	150.00
OC-12 Ring	S9N8X	120.00	110.00	150.00
OC-48 Ring	S9N9X	120.00	110.00	150.00
OC-192 Ring	S4NMX	120.00	110.00	150.00
- Per OC-3,OC-3c Re-Map Port at				
OC-12 Ring	P8REX	150.00	135.00	190.00
OC-48 Ring	P8RJX	150.00	135.00	190.00
OC-192 Ring	RN72X	150.00	135.00	190.00
- Per OC-12, OC-12c Re-Map Port at				
OC-48 Ring	P8RHX	375.00	360.00	475.00
OC-192 Ring	RN73X	375.00	360.00	475.00
- Per OC-48, OC-48c Re-Map Port at				
OC-192 Ring	RN74X	825.00	700.00	1425.00

<sup>(1)</sup> Effective 03/18/06, the Direct Drop Node feature will no longer be available to new customers. There will be no change to existing customers.

<sup>(2)</sup> Available for rings established on or after 09/08/07.

<sup>(3)</sup> Effective August 1, 2013, availability of Re-Map nodes is limited to Re-Map nodes that are in service or have been ordered prior to August 1, 2013.

<sup>(4)</sup> All term plans for OC-3, OC-12, OC-48 and OC-192 Dedicated Ring service which are established or renewed after November 9, 2013, for term lengths which are scheduled to expire at any time after February 1, 2019, will instead expire on February 1, 2019. All such services existing on or after February 1, 2019, will be provided on a month-to-month basis at the applicable, then current month-to-month rates. Notwithstanding anything to the contrary in the previous two sentences, this footnote does not apply to any term plans established or renewed after July 15, 2017.

(N)  
(N)  
(N)

Description	USOC	Nonrecurring Charge	
Nonrecurring charges for subsequent Installation			
- Per port type			
OC-192	NRBN2	\$850.00	
OC-48 or OC-48c	NRBN9	425.00	
OC-12 or OC-12c	NRBSZ	400.00	
OC-3 or OC-3c	NRBSW	400.00	
EC-1	NRBSX	385.00	
DS3	NRBSX	385.00	
DS3 w/Transmux	NRBSX	385.00	
DS1	NRBSY	350.00	
100 Mbps Ethernet STS-1*	NRM63	385.00	
100 Mbps Ethernet STS-3c*	NRM64	385.00	
1 Gbps Ethernet STS-1*	NRM65	425.00	
1 Gbps Ethernet STS-3c*	NRM66	425.00	
1 Gbps Ethernet STS-12c*	NRM67	425.00	
1 Gbps Ethernet STS-24c*	NRM68	425.00	
10/100 BaseT Ethernet Port	NRM63	385.00	(N)
1000 BaseLX Ethernet Port	NRM65	425.00	(N)
1000 BaseSX Ethernet Port	NRM66	425.00	(N)

(E) Mileage

Description	USOC	36 Months	60 Months	Monthly Extension
Per mile between nodes by ring type				
OC-3	1L5XX	\$260.00	\$220.00	\$330.00
OC-12	1L5XX	260.00	220.00	330.00
OC-48	1L5XX	260.00	220.00	330.00
OC-192	1L5XX	260.00	220.00	330.00

\* Effective December 6, 2003, new orders for Dedicated Ring Service with the EoS enhancement will be served by different equipment. Disconnect of the existing Dedicated Ring Service and placement of an order for new Dedicated Ring Service with the EoS enhancement is required. Refer to Section 7.2.11(B) (9) for details.

(F) Optical-to-Electrical Add/Drop Capability

Description	USOC	36 Months <sup>(5)</sup>	60 Months <sup>(5)</sup>	Monthly Extension
Per Arrangement <sup>(1)</sup>				
- (per OC-192 node) not to exceed any configurable combination of ports beyond 192 STS-1 equivalents	MXJGX	2,500.00	2,000.00	3,500.00
- Re-Map <sup>(2) (4)</sup>				
Per Optical to Electrical DS-3 Add/Drop Capability	M6JGX	2,500.00	2,000.00	3,500.00
- Re-Map <sup>(4)</sup>				
Per OC-3 to DS1 Add/Drop <sup>(3)</sup>	M8RDX	875.00	700.00	1,050.00
Per OC-3 to DS1 Add/Drop <sup>(3)</sup>	MXJDX	875.00	700.00	1,050.00
Nonrecurring charges for Subsequent Installation				
- Per OC-3 to DS1 Add/Drop Capability	NRBS6			\$490.00

<sup>(1)</sup> When electrical drops are required, the OC-192 Optical-to-Electrical Add/Drop Capability charge is applied in addition to the Add/Drop Capability charge set forth in Section 7.5.11.(C) preceding.

<sup>(2)</sup> Available for rings established on or after 09/08/07.

<sup>(3)</sup> An OC-3 port charge is needed with each Optical-to-Electrical Add/Drop Capability - Per OC-3 to DS-1 Add/Drop.

<sup>(4)</sup> Effective August 1, 2013, availability of Re-Map nodes is limited to Re-Map nodes that are in service or have been ordered prior to August 1, 2013.

<sup>(5)</sup> All term plans for OC-3, OC-12, OC-48 and OC-192 Dedicated Ring service which are established or renewed after November 9, 2013, for term lengths which are scheduled to expire at any time after February 1, 2019, will instead expire on February 1, 2019. All such services existing on or after February 1, 2019, will be provided on a month-to-month basis at the applicable, then current month-to-month rates. Notwithstanding anything to the contrary in the previous two sentences, this footnote does not apply to any term plans established or renewed after July 15, 2017.

(N)  
(N)  
(N)

(G) Dedicated Ring Regenerator

Description	USOC	36 Months <sup>(1)</sup>	60 Months <sup>(1)</sup>	Monthly Extension
OC-3 Each (as required)	RGY	\$1,000.00	\$ 800.00	\$1,200.00
OC-12 Each (as required)	RGY	2,620.00	2,095.00	3,140.00
OC-48 Each (as required)	RGY	3,275.00	2,620.00	3,930.00
OC-192 Each (as required)	RGY	9,250.00	7,400.00	13,875.00

Description	USOC	Nonrecurring Charge
Nonrecurring charges for subsequent installation of Regenerator - Each (as required)	NRBS5	\$270.00

(H) Shared Network Arrangement

Processing Charge Per Service Order - All States	NRBOP	30.00
--	-------	-------

<sup>(1)</sup> All term plans for OC-3, OC-12, OC-48 and OC-192 Dedicated Ring service which are established or renewed after November 9, 2013, for term lengths which are scheduled to expire at any time after February 1, 2019, will instead expire on February 1, 2019. All such services existing on or after February 1, 2019, will be provided on a month-to-month basis at the applicable, then current month-to-month rates. Notwithstanding anything to the contrary in the previous two sentences, this footnote does not apply to any term plans established or renewed after July 15, 2017. (N)  
(N)  
(N)

21.5.2.11 Installation and Rearrangement

	Administrative Charge per order	Design and Central Office Connection Charge, per circuit	Customer Connection Charge per termination	
USOC	ORCMX	NRBCL	NRBBL	
Serial Component Video Service	\$50.00	\$440.00	\$ 140.00	
High Definition Video Service	50.00	440.00	140.00	(N) (N)
GigaMAN <sup>®</sup> All States				
12 Month	60.00	N/A	1,500.00	
36 Month	60.00 <sup>(1)</sup>	N/A	1,500.00 <sup>(1)</sup>	
60 Month	60.00 <sup>(1)</sup>	N/A	1,500.00 <sup>(1)</sup>	
Renewal GigaMAN <sup>®</sup> Service 1, 3, & 5 Year TPP	60.00	N/A	N/A	
OC-3 Service - 155.52 Mbps	60.00	375.00	450.00	
OC-12 Service - 622.08 Mbps	60.00	375.00	450.00	
OC-48 Service - 2488.32 Mbps	60.00	500.00	600.00	
OC-192 Service - 9953.28 Mbps	60.00	2,250.00	600.00	
Ethernet 100 Base	60.00			
Ethernet 1000 Base	60.00			
OC-3 Dedicated Ring	60.00	600.00 <sup>(2)</sup>	N/A	
OC-12 Dedicated Ring	60.00	600.00 <sup>(2)</sup>	N/A	
OC-48 Dedicated Ring	60.00	600.00 <sup>(2)</sup>	N/A	
OC-192 Dedicated Ring	60.00	2,250.00 <sup>(2)</sup>	N/A	

(1) The Administrative and Customer Connection non-recurring charges will be waived for 36 and 60-month terms for new service.

(2) Per circuit charge for Dedicated Ring Service is applied once per original ring installed.

Re-Map Service <sup>(1)</sup>

(N)

All States

Initial Service Script Establishment/Test Charge

Per OC-3 Ring	NRMR1	2,000.00
Per OC-12 Ring	NRMR1	3,500.00
Per OC-12 DDN Ring	NRMR2	2,000.00
Per OC-48 Ring	NRMR1	4,500.00
Per OC-192 Ring	NRMR1	5,500.00

Subsequent Script Activity Charge

Per OC-3 Ring	NRMR3	1,200.00
Per OC-12 Ring	NRMR3	2,100.00
Per OC-12 DDN Ring	NRMR4	1,200.00
Per OC-48 Ring	NRMR3	2,700.00
Per OC-192 Ring	NRMR3	3,200.00

Scheduled Test Charge

Per OC-3 Ring	NRMR5	1,600.00
Per OC-12 Ring	NRMR5	2,800.00
Per OC-12 DDN Ring	NRMR6	1,600.00
Per OC-48 Ring	NRMR5	3,600.00
Per OC-192 Ring	NRMR5	4,200.00

Emergency Re-Map Activation

-per request

Per OC-3 Ring	NRMR7	1,800.00
Per OC-12 Ring	NRMR7	3,150.00
Per OC-12 DDN Ring	NRMR8	1,800.00
Per OC-48 Ring	NRMR7	4,050.00
Per OC-192 Ring	NRMR7	5,000.00

<sup>(1)</sup> Effective August 1, 2013, availability of Re-Map nodes is limited to Re-Map nodes that are in service or have been ordered prior to August 1, 2013. (N)  
(N)



21.5.2.12 Not in Use

21.5.2.13 Not in Use

21.5.2.14 Not in Use

21.5.2.15 Not in Use

21.5.2.16 Gigabit Ethernet Metropolitan Area Network (GigaMAN<sup>®</sup>)

Recurring Charges  
Term Pricing Plan

	USOC	Monthly Extension	12 Mo.	36 Mo.	60 Mo.	
(1) Local Distribution Channel - Per Point of Termination Terminating Bit Rate 1 Gbps - All States	TMECS	\$3,800.00	\$3,300.00	\$2,850.00	\$2,500.00	
(2) Channel Mileage Termination - Per Point of Termination - Per Point of Mileage Termination 1 Gbps - All States	CM6	\$125.00	\$125.00	\$100.00	\$50.00	
(3) Channel Mileage - Per Mile 1 Gbps - All States	1L5XX	\$ 125.00	\$ 125.00	\$ 100.00	\$ 75.00	
(4) Repeater -each	VU4	\$2,500.00	\$2,400.00	\$1,150.00	\$850.00	
(5) Diversity Options						
			Term Pricing Plan			
	USOC	Monthly Extension	12 Mo.	36 Mo.	60 Mo.	NRC
(a) <u>Local Channel Diversity</u> - Per Channel Terminating Bit Rates 1 Gbps - All States	CPALX	\$750.00	\$750.00	\$750.00	\$750.00	\$0.00

	USOC	Monthly Extension	12 Mo.	Recurring Charges		NRC
				Term Pricing Plan 36 Mo.	60 Mo.	
(5) Diversity Options (Cont'd)						
(b) <u>Inter-Wire Diversity</u>						
- Per Channel Terminating Bit Rate 1 Gbps						
- All States						
	CPATX	\$500.00	\$500.00	\$500.00	\$500.00	0.00
(c) <u>Alternate Wire Center Diversity</u>						
- Per Channel Terminating Bit Rate 1 Gbps						
- All States						
	CPAAX	\$1,200.00	\$1,200.00	\$1200.00	\$1,200.00	0.00
(6) Protection -per GigaMAN <sup>®</sup> service arranged						
(a) <u>Equipment Only Protection</u>						
-Per Terminating End						
	CPAEX	1,500.00	\$1,375.00	1,050.00	900.00	625.00
(b) <u>Equipment Plus Alternate Wire Center Path Protection</u>						
-Per Terminating End						
	CPAFX	2,460.00	2,050.00	1,600.00	1,400.00	1,400.00
(c) <u>Equipment Plus Channel Termination (Local Channel) Path Protection</u>						
-Per Terminating End						
	CPAGX	2,190.00	1,825.00	1,425.00	1,225.00	1,225.00

	USOC	Monthly Extension	Recurring Charges Term Pricing Plan			NRC
			12 Mo.	36 Mo.	60 Mo.	
(6) Protection -per GigaMAN <sup>®</sup> service arranged (Cont'd)						
(d) <u>Inter-Wire Center Path Protection</u> -Per Interoffice Segment	CPAHX	475.00	375.00	150.00	100.00	625.00
(e) <u>Power Protection</u> <sup>(1)</sup>	VBBGX	700.00	625.00	480.00	435.00	475.00

<sup>(1)</sup> Power Protection rate elements are applicable as set forth in 7.2.13(K)(d), preceding.

21.5.2.17 Multi-service Optical Network (MON) Ring Service<sup>(1)</sup> (N)

(A) Nonrecurring Charges

	<u>USOC</u>	<u>Nonrecurring Charge</u>
(1) Administrative Charge - per customer order	ORCMX	\$125.00
(2) Design and Central Office Connection Charge - per network and per riding circuit	NRBCL	600.00
(3) Customer Connection Charge (Service Establishment) - per node	NRBBL	7,500.00
(4) Customer Connection Charge (Subsequent Installation) - per subsequent shelf	NHCNL	1,000.00

<sup>(1)</sup> Effective December 10, 2012, new Multi-service Optical Network (MON) Ring Service term plans are no longer available. Following the expiration of their existing term plans, MON Ring Service Customers may continue to purchase service on a month-to-month basis. Customers will be permitted to modify their existing service and will be able to add new circuits to their existing service, but will not be permitted to add new nodes in new locations. Any such new circuits will be subject to, and coterminous with, the Customer's existing term payment plan or term agreement for the service to which they are added. (N)

(B) Recurring Charges

	<u>USOC</u>	<u>Monthly Rates</u>		<u>Monthly Extension</u>
		<u>3 Year</u>	<u>5 Year</u>	
(1) Customer Premises Node (includes first shelf)	F2ND1	\$7,800.00	\$6,240.00	\$10,920.00
(2) Customer Premises Node - per subsequent shelf	F2NDS	5,850.00	4,680.00	8,190.00
(3) Central Office Node (includes first shelf)	F2NC1	7,800.00	6,240.00	10,920.00
(4) Central Office Node - per subsequent shelf	F2NCS	5,850.00	4,680.00	8,190.00
(5) Channel Mileage - per V-H mile or fraction thereof (2 mile min.)	1L5XX	325.00	260.00	455.00
(6) Optical Amplifier - C band (per location)	67QXX	5,400.00	3,600.00	7,600.00
- L <sup>(1)</sup> band (per location)	67QSX	5,400.00	3,600.00	7,600.00
(7) Regenerator – (as required) -up to 2.5 Gbps (per shelf)	V8RXX	7,500.00	5,000.00	10,500.00
-up to 10 Gbps (per circuit)	V8R2C	15,000.00	10,000.00	21,000.00
(8) Bulk Power -per first shelf, for shelves 1 thru 4	CBVDX	2,000.00	1,600.00	2,600.00
(9) Bulk Power -per fifth subsequent shelf for shelves 5 thru 8	CBVDS	1,600.00	1,300.00	2,100.00

<sup>(1)</sup> Available where facilities and equipment permit. This condition only applies to customers purchasing this service after 09/08/07.

(C) <u>Ports</u>		-per port/per circuit terminating location			
		<u>USOC</u>	<u>Monthly Rates</u>		<u>Monthly</u>
			<u>3 Year</u>	<u>5 Year</u>	<u>Extension</u>
(1)	ETR/LCO <sup>TM/1/</sup> - unprotected channel	POYKW	\$975.00	\$750.00	\$1,400.00
(2)	FICON <sup>TM/1/</sup> (1.0625 Gbps) - unprotected channel	POYMW	975.00	750.00	1,400.00
	- protected channel	POYMP	1,950.00	1,500.00	2,800.00
(3)	FICON <sup>TM/1/</sup> (2.125 Gbps) - unprotected channel	POYWW	1,700.00	1,300.00	2,400.00
	- protected channel	POYWP	3,400.00	2,600.00	4,800.00
(4)	ISC-1 <sup>TM/1/</sup> - unprotected channel	POYJW	1,800.00	1,250.00	2,500.00
	- protected channel	POYJP	3,600.00	2,500.00	5,000.00
(5)	ISC-3 <sup>TM/1/</sup> - unprotected channel	POY9W	3,750.00	2,500.00	5,000.00
	- protected channel	POY9P	7,500.00	5,000.00	10,000.00
(6)	Fibre Channel (1.0625 Gbps) - unprotected channel	POYNW	1,200.00	900.00	1,700.00
	- protected channel	POYNP	2,400.00	1,800.00	3,400.00

/1/ ESCON<sup>TM</sup>, ETR/CLO<sup>TM</sup>, FICON<sup>TM</sup>, ISC-1<sup>TM</sup>, ISC-3<sup>TM</sup> and GDPS<sup>TM</sup> are registered trademarks of the International Business Machines (IBM) Corporation, Armonk, NY 10504.

		-per port/per circuit terminating location			
		<u>USOC</u>	<u>Monthly Rates</u>		<u>Monthly Extension</u>
			<u>3 Year</u>	<u>5 Year</u>	
(7)	Fibre Channel (2.125 Gbps)				
	-unprotected channel	POYYW	\$1,700.00	\$1,300.00	\$2,400.00
	-protected channel	POYYP	3,400.00	2,600.00	4,800.00
(8)	Gigabit Ethernet				
	- unprotected channel	POYLW	1,200.00	900.00	1,700.00
	- protected channel	POYLP	2,400.00	1,800.00	3,400.00
(9)	10 Gigabit Ethernet (WAN-PHY)				
	- unprotected channel	POYTW	15,000.00	12,500.00	21,000.00
	- protected channel	POYTP	20,000.00	16,700.00	28,000.00
(10)	10 Gigabit Ethernet (LAN-PHY)				
	- unprotected channel	POYUW	15,375.00	12,815.00	21,525.00
	- protected channel	POYUP	20,500.00	17,120.00	28,700.00
(11)	SONET OC-12/OC-12c				
	- unprotected channel	POYFW	1,300.00	1,000.00	1,900.00
	- protect channel	POYFP	2,600.00	2,000.00	3,700.00
(12)	SONET OC-48/48c				
	- unprotected channel	POYGW	4,400.00	3,700.00	6,000.00
	- protected channel	POYGP	6,600.00	5,560.00	9,000.00
(13)	SONET OC-192/192c				
	- unprotected channel	POYOW	15,000.00	12,500.00	21,000.00
	- protected channel	POYOP	20,000.00	16,700.00	28,000.00

		-per port/per circuit terminating location			
		<u>USOC</u>	<u>Monthly Rates</u>		<u>Monthly Extension</u>
			<u>3 Year</u>	<u>5 Year</u>	
(14)	Sub-Rate System <sup>/4/</sup>				
	- unprotected channel	POYSW	\$1,300.00	\$1,000.00	\$1,900.00
	- protected channel	POYSP	2,600.00	2,000.00	3,700.00
(15)	ESCON <sup>TM</sup> Riding Circuit <sup>/1/2/4/</sup>				
	- unprotected channel	POYHW	100.00	100.00	150.00
	- protected channel	POYHP	100.00	100.00	150.00
(16)	Fast Ethernet Riding Circuit <sup>/2/4/</sup>				
	- unprotected channel	POYCW	325.00	250.00	500.00
	- protected channel	POYCP	500.00	400.00	800.00
(17)	D1 Video Riding Circuit <sup>/2/4/</sup>				
	- unprotected channel	POYVW	100.00	100.00	150.00
	- protected channel	POYVP	100.00	100.00	150.00
(18)	DVB-ASI Riding Circuit <sup>/4/</sup>				
	- unprotected channel	PWY5W	100.00	100.00	150.00
	- protected channel	PWY5P	100.00	100.00	150.00
(19)	SONET OC-3/OC-3c Riding Circuit <sup>/3/4/</sup>				
	- unprotected channel	POYEW	100.00	100.00	150.00
	- protected channel	POYEP	100.00	100.00	150.00
(20)	GigE/FC/FICON <sup>TM/1/</sup> Sub-Rate System				
	- unprotected channel	POY1W	875.00	700.00	1,140.00
	- protected channel	POY1P	1,750.00	1,400.00	2,280.00
(21)	GigE Riding Circuit <sup>/5/</sup>				
	- unprotected channel	POY4W	500.00	400.00	650.00
	- protected channel	POY4P	1,000.00	800.00	1,300.00
(22)	Fibre Channel Riding Circuit <sup>/5/</sup>				
	- unprotected channel	POY6W	500.00	400.00	650.00
	- protected channel	POY6P	1,000.00	800.00	1,300.00

/1/ ESCON<sup>TM</sup>, ETR/CLO<sup>TM</sup>, FICON<sup>TM</sup>, ISC-1<sup>TM</sup>, ISC-3<sup>TM</sup> and GDPS<sup>TM</sup> are registered trademarks of the International Business Machines (IBM) Corporation, Armonk, NY 10504.

/2/ Available only when ordered with Sub-Rate System or ESCON<sup>TM</sup> Sub-Rate System.

/3/ Available only when ordered with Sub-Rate System or OC-3/OC-12 Sub-Rate System.

/4/ Available where facilities and equipment permit. This condition only applies to customers purchasing this service after 09/08/07.

/5/ Available only when ordered with GigE/FC/FICON<sup>TM/1/</sup> Sub-Rate System.



		-per port/per circuit terminating location			
		<u>USOC</u>	<u>Monthly Rates</u>		<u>Monthly Extension</u>
			<u>3 Year</u>	<u>5 Year</u>	
(23)	FICON <sup>TM/1/2/</sup> Riding Circuit				
	- unprotected channel	POY7W	400.00	320.00	480.00
	- protected channel	POY7P	800.00	640.00	960.00
(24)	ESCON <sup>TM/1/4/</sup> Sub-Rate System				
	- unprotected channel	POY2W	1,500.00	1,125.00	1,950.00
	- protected channel	POY2P	3,000.00	2,250.00	3,900.00
(25)	OC-3/OC-3c and OC-12/OC-12c <sup>/4/</sup> Sub-Rate System				
	- unprotected channel	POY3W	1,000.00	750.00	1,300.00
	- protected channel	POY3P	2,000.00	1,500.00	2,600.00
(26)	OC-12/OC-12c <sup>/3/</sup> Riding Circuit				
	- unprotected channel	POY5W	500.00	375.00	700.00
	- protected channel	POY5P	1,000.00	750.00	1,400.00
(27)	DVB-ASI				
	- unprotected channel	POY8W	2,100.00	1,650.00	3,075.00
	- protected channel	POY8P	4,200.00	3,300.00	5,775.00
(28)	ESCON <sup>TM/4/</sup>				
	- unprotected channel	PWY1W	1,300.00	1,000.00	1,900.00
	- protected channel	PWY1P	2,600.00	2,000.00	3,700.00
(29)	Fast Ethernet <sup>/4/</sup>				
	- unprotected channel	PWY2W	1,300.00	1,000.00	1,900.00
	- protected channel	PWY2P	2,600.00	2,000.00	3,700.00
(30)	D1 Video				
	- unprotected channel	PWY3W	1,300.00	1,000.00	1,900.00
	- protected channel	PWY3P	2,600.00	2,000.00	3,700.00
(31)	SONET OC-3/OC-3c <sup>/4/</sup>				
	- unprotected channel	PWY4W	1,300.00	1,000.00	1,900.00
	- protected channel	PWY4P	2,600.00	2,000.00	3,700.00
(32)	OC-48/OC-48c SONET Sub-Rate System 4:1 <sup>/4/</sup>				
	- unprotected channel	POYRW	3,500.00	2,750.00	4,250.00
	- protected channel	POYRP	7,000.00	5,500.00	8,500.00
(33)	SONET OC-48/OC-48c <sup>/4/5/</sup> Riding Circuit				
	- unprotected channel	POYZW	1,900.00	1,200.00	2,800.00
	- protected channel	POYZP	3,800.00	2,400.00	5,600.00

/1/ ESCON<sup>TM</sup>, ETR/CLO<sup>TM</sup>, FICON<sup>TM</sup>, ISC-1<sup>TM</sup>, ISC-3<sup>TM</sup> and GDPS<sup>TM</sup> are registered trademarks of the International Business Machines (IBM) Corporation, Armonk, NY 10504.

/2/ Available only when ordered with GigE/FC/FICON<sup>TM/1/</sup> Sub-Rate System.

/3/ Available only when ordered with Sub-Rate System or OC-3/OC-12 Sub-Rate System.

/4/ Available only where facilities and equipment permit. This condition only applies to customers purchasing this service after 09/08/07.

/5/ Available only when ordered with an OC-48 Sub-Rate System.

21.5.2.17.1 10 Gigabit Ethernet Metropolitan Area Network (DecaMAN®)							
(a) Recurring Charges							
(1) LAN-PHY							
	USOC	Monthly Extension	12 Mo.	Term Pricing Plan		60 Mo.	NRC
				24 Mo.	36 Mo.		
(a) Local Distribution Channel							
-Per Point of Termination Terminating Bit Rate 10 Gbps -All States	TMECS	\$18,000.00	\$15,000.00	\$12,000.00	\$8,500.00	\$7,250.00	N/A
(b) Interoffice Transport Mileage							
(1) Channel Mileage Termination -per point of termination, per point of mileage termination -Rate 10 Gbps -All States	CM6	1,800.00	1,350.00	900.00	637.50	575.00	N/A
(2) Channel Mileage -Per Mile -Rate 10 Gbps -All States	1L5XX	425.00	300.00	250.00	125.00	100.00	N/A
(c) Repeater -each	VU4	7,200.00	6,000.00	4,800.00	3,400.00	2,900.00	N/A
(d) Diversity Options							
Local Channel Diversity -Per Channel Terminating Bit Rate 10 Gbps -All States	CPALX	3,938.00	3,038.00	2,700.00	2,250.00	2,025.00	850.00
Inter Wire Center Diversity -Per Channel Terminating Bit Rate 10 Gbps -All States	CPATX	2,625.00	2,025.00	1,800.00	1,500.00	1,350.00	700.00
Alternate Wire Center Diversity -Per Channel Terminating Bit Rate 10 Gbps -All States	CPAAX	6,300.00	4,860.00	4,320.00	3,600.00	3,240.00	950.00

	USOC	Monthly Extension	12 Mo.	Term Pricing Plan		60 Mo.	NRC
				24 Mo.	36 Mo.		
(e) Protection – per DecaMAN® service arranged							
-Equipment Only Protection, per terminating end	CPAEX	9,000.00	8,250.00	7,350.00	6,300.00	5,400.00	3,000.00
-Equipment Plus Alternate Wire Center Path Protection, per terminating end	CPAFX	14,760.00	12,300.00	11,040.00	9,600.00	8,400.00	4,500.00
-Equipment Plus Channel Termination (Local Channel) Path Protection, per terminating end	CPAGX	13,140.00	10,950.00	9,900.00	8,550.00	7,350.00	4,200.00
-Inter Wire Center Path Protection, per interoffice segment	CPAHX	1,425.00	1,125.00	600.00	450.00	300.00	625.00
-Power Protection <sup>(1)</sup>	VBBGX	700.00	625.00	525.00	480.00	435.00	475.00

<sup>(1)</sup> Power Protection rate elements are applicable, as set forth in 26(K).

		(2)	<u>WAN-PHY</u>				
	USOC	Monthly Extension	12 Mo.	Term Pricing Plan			NRC
				24 Mo.	36 Mo.	60 Mo.	
(a)	Local Distribution Channel						
	-Per Point of Termination Terminating Bit Rate 10 Gbps						
	-All States						
	TMECS	\$19,800.00	\$16,500.00	\$13,200.00	\$9,600.00	\$8,200.00	N/A
(b)	Interoffice Transport Mileage						
(a)	Channel Mileage Termination						
	-per point of termination, per point of mileage termination						
	-Rate 10 Gbps						
	-All States						
	CM6	1,800.00	1,350.00	900.00	637.50	575.00	N/A
(b)	Channel Mileage						
	-Per Mile						
	-Rate 10 Gbps						
	-All States						
	1L5XX	425.00	300.00	250.00	125.00	100.00	N/A
(c)	Repeater						
	-each						
	VU4	7,200.00	6,000.00	4,800.00	3,400.00	2,900.00	N/A
(d)	Diversity Options						
	Local Channel Diversity						
	-Per Channel Terminating Bit Rate 10 Gbps						
	-All States						
	CPALX	3,938.00	3,038.00	2,700.00	2,250.00	2,025.00	850.00
	Inter Wire Center Diversity						
	-Per Channel Terminating Bit Rate 10 Gbps						
	-All States						
	CPATX	2,625.00	2,025.00	1,800.00	1,500.00	1,350.00	700.00
	Alternate Wire Center Diversity						
	-Per Channel Terminating Bit Rate 10 Gbps						
	-All States						
	CPAAX	6,300.00	4,860.00	4,320.00	3,600.00	3,240.00	950.00

	USOC	Monthly Extension	12 Mo.	Term Pricing Plan			NRC
				24 Mo.	36 Mo.	60 Mo.	
(e) Protection – per DecaMAN® service arranged							
-Equipment Only Protection, per terminating end	CPAEX	9,000.00	8,250.00	7,350.00	6,300.00	5,400.00	3,000.00
-Equipment Plus Alternate Wire Center Path Protection, per terminating end	CPAFX	14,760.00	12,300.00	11,040.00	9,600.00	8,400.00	4,500.00
-Equipment Plus Channel Termination (Local Channel) Path Protection, per terminating end	CPAGX	13,140.00	10,950.00	9,900.00	8,550.00	7,350.00	4,200.00
-Inter Wire Center Path Protection, per interoffice segment	CPAHX	1,425.00	1,125.00	600.00	450.00	300.00	625.00
-Power Protection <sup>(1)</sup>	VBBGX	700.00	625.00	525.00	480.00	435.00	475.00

<sup>(1)</sup> Power Protection rate elements are applicable, as set forth in 26(K).

(b) Installation and Rearrangement Charges

(1) LAN-PHY

All States	USOC	<u>Nonrecurring Charge</u> <sup>(1)</sup>
(a) Administrative Charge per Order	ORCMX	\$60.00
(b) Design Central Office Connection Charge per circuit	NRBCL	\$600.00
(c) Customer Connection Charge per Termination	NRBBL	\$1,400.00

(2) WAN-PHY

All States	USOC	<u>Nonrecurring Charge</u> <sup>(1)</sup>
(a) Administrative Charge per Order	ORCMX	\$60.00
(b) Design Central Office Connection Charge per circuit	NRBCL	\$600.00
(c) Customer Connection Charge per Termination	NRBBL	\$1,400.00

<sup>(1)</sup> The Installation and Rearrangement non-recurring charges will be waived for customers purchasing a 36 or 60 month term pricing plan.

21.5.2.17.2 Wavelength Metropolitan Area Network (WaveMAN <sup>SM</sup> )								
(1) <u>Recurring Charges</u>								
(a) <u>OC-48</u>		Term Pricing Plan						
	USOC	Monthly Extension	12 Mo.	24 Mo.	36 Mo.	60 Mo.	NRC	
(1) Local Distribution Channel								
-Per Point of Termination Terminating Bit Rate 2.5 Gbps -All States	TMECS	\$9,000.00	\$7,500.00	\$6,000.00	\$4,700.00	\$3,800.00		
(2) Interoffice Transport Mileage								
a) Channel Mileage Termination -per Point of Mileage Termination Rate 2.5 Gbps -All States	CM6	\$700.00	\$550.00	\$400.00	\$300.00	\$250.00		
b) Channel Mileage -Per Mile 2.5 Gbps -All States	1L5XX	\$425.00	\$300.00	\$260.00	\$240.00	\$200.00		
(3) Repeater -each	VU4	\$3,100.00	\$2,640.00	\$2,100.00	\$1,500.00	\$1,300.00		
(4) Diversity Options								
Local Channel Diversity -Per Channel Terminating Bit Rate 2.5 Gbps -All States	CPALX	\$1,400.00	\$1,200.00	\$1,000.00	\$900.00	\$800.00	\$850.00	
Inter Wire Center Diversity -Per Channel Terminating Bit Rate 2.5 Gbps -All States	CPATX	\$1,050.00	\$800.00	\$700.00	\$600.00	\$500.00	\$700.00	
Alternate Wire Center Diversity -Per Channel Terminating Bit Rate 2.5 Gbps -All States	CPAAX	\$2,500.00	\$1,900.00	\$1,700.00	\$1,400.00	\$1,200.00	\$950.00	

	USOC	Monthly	Term Pricing Plan				NRC
		Extension	12 Mo.	24 Mo.	36 Mo.	60 Mo.	
(5) Protection – per WaveMAN <sup>SM</sup> service arranged							
-Equipment Only Protection, per terminating end	CPAEX	\$2,250.00	\$2,000.00	\$1,800.00	\$1,550.00	\$1,350.00	\$625.00
-Equipment Plus Alternate Wire Center Path Protection, per terminating end	CPAFX	\$3,700.00	\$3,050.00	\$2,750.00	\$2,400.00	\$2,100.00	\$1,400.00
-Equipment Plus Channel Termination (Local Channel) Path Protection, per terminating end	CPAGX	\$3,250.00	\$2,700.00	\$2,400.00	\$2,100.00	\$1,800.00	\$1,255.00
-Inter Wire Center Path Protection, per interoffice segment	CPAHX	\$570.00	\$450.00	\$240.00	\$180.00	\$120.00	\$625.00
-Power Protection <sup>(1)</sup>	VBBGX	\$700.00	\$625.00	\$525.00	\$480.00	\$435.00	\$475.00
(6) Collocation Transport facilities between Collocation Arrangements							
-Fixed	1H48S	\$5,200.00	\$4,100.00	\$3,250.00	\$2,800.00	\$1,800.00	
-Per Mile	1H48S	\$425.00	\$300.00	\$260.00	\$240.00	\$200.00	

<sup>(1)</sup> Power Protection rate elements are applicable, as set forth in 27.1 (J)(3)(d), preceding.



		(b) <u>OC-192</u>			Term Pricing Plan			
	USOC	Monthly Extension	12 Mo.	24 Mo.	36 Mo.	60 Mo.	NRC	
(1)	Local Distribution Channel							
	-Per Point of Termination Terminating Bit Rate 10 Gbps							
(2)	-All States Interoffice Transport Mileage	TMECS	\$22,770.00	\$18,000.00	\$15,000.00	\$10,500.00	\$9,000.00	
	a) Channel Mileage Termination -per Point of Mileage Termination Rate 10 Gbps							
	-All States	CM6	\$900.00	\$675.00	\$450.00	\$325.00	\$287.50	
	b) Channel Mileage -Per Mile 10 Gbps							
	-All States	1L5XX	\$425.00	\$300.00	\$260.00	\$240.00	\$200.00	
(3)	Repeater -each	VU4	\$7,920.00	\$6,600.00	\$5,280.00	\$3,840.00	\$3,280.00	
(4)	Diversity Options							
	Local Channel Diversity -Per Channel Terminating Bit Rate 10 Gbps							
	-All States	CPALX	\$3,938.00	\$3,038.00	\$2,700.00	\$2,250.00	\$2,025.00	\$850.00
	Inter Wire Center Diversity -Per Channel Terminating Bit Rate 10 Gbps							
	-All States	CPATX	\$2,625.00	\$2,025.00	\$1,800.00	\$1,500.00	\$1,350.00	\$700.00
	Alternate Wire Center Diversity -Per Channel Terminating Bit Rate 10 Gbps							
	-All States	CPAAX	\$6,300.00	\$4,860.00	\$4,320.00	\$3,600.00	\$3,240.00	\$950.00

	USOC	Monthly Extension	12 Mo.	Term Pricing Plan			NRC
				24 Mo.	36 Mo.	60 Mo.	
(5) Protection – per WaveMAN <sup>SM</sup> service arranged							
-Equipment Only Protection, per terminating end	CPAEX	\$9,000.00	\$8,250.00	\$7,350.00	\$6,300.00	\$5,400.00	\$3,000.00
-Equipment Plus Alternate Wire Center Path Protection, per terminating end	CPAFX	\$14,760.00	\$12,300.00	\$11,040.00	\$9,600.00	\$8,400.00	\$4,500.00
-Equipment Plus Channel Termination (Local Channel) Path Protection, per terminating end	CPAGX	\$13,140.00	\$10,950.00	\$9,900.00	\$8,550.00	\$7,350.00	\$4,200.00
-Inter Wire Center Path Protection, per interoffice segment	CPAHX	\$1,425.00	\$1,125.00	\$600.00	\$450.00	\$300.00	\$625.00
-Power Protection <sup>(1)</sup>	VBBGX	\$700.00	\$625.00	\$525.00	\$480.00	\$435.00	\$475.00
(6) Collocation Transport facilities between Collocation Arrangements							
-Fixed	1H48S	\$9,600.00	\$6,700.00	\$4,800.00	\$4,200.00	\$3,800.00	
-Per Mile	1H48S	\$425.00	\$300.00	\$260.00	\$240.00	\$200.00	

<sup>(1)</sup> Power Protection rate elements are applicable, as set forth in 27.1 (J)(3)(d), preceding.

(c) <u>Transparent Transport</u> (100 Mbps - 2.5 Gbps)				(N)
		Monthly Extension	Term Pricing Plan 60 Mo.	
(1) Local Distribution Channel	USOC			
-Per Point of Termination Terminating Bit Rate 100 Mbps - 2.5 Gbps				
-All States	TMECS	\$9,000.00	\$3,800.00	
(2) Interoffice Transport Mileage				
a) Channel Mileage Termination -per Point of Mileage Termination Rate 100 Mbps - 2.5 Gbps				
-All States	CM6	\$700.00	\$250.00	
b) Channel Mileage -Per Mile 100 Mbps - 2.5 Gbps				
-All States	1L5XX	\$425.00	\$200.00	
(d) <u>Transparent Transport</u> (2.5 Gbps - 10 Gbps)				
		Monthly Extension	Term Pricing Plan 60 Mo.	
(1) Local Distribution Channel	USOC			
-Per Point of Termination Terminating Bit Rate 2.5 Gbps to 10 Gbps				
-All States	TMECS	\$22,770.00	\$9,000.00	
(2) Interoffice Transport Mileage				
a) Channel Mileage Termination -per Point of Mileage Termination Rate 2.5 Gbps to 10 Gbps				
-All States	CM6	\$900.00	\$287.50	
b) Channel Mileage -Per Mile 10 Gbps				
-All States	1L5XX	\$425.00	\$200.00	(N)

(a) Installation and Rearrangement Charges

(a) OC-48, Transparent Transport (100 Mbps-2.5 Gbps) (N)

	<u>USOC</u>	<u>Nonrecurring Charges</u> <sup>(1)</sup>
(1) Administrative Charge per Order	ORCMX	\$60.00
(2) Design Central Office Connection Charge per circuit	NRBCL	\$600.00
(3) Customer Connection Charge per Termination	NRBBL	\$1,500.00

(b) OC-192, Transparent Transport (2.5 Gbps - 10 Gbps) (N)

	<u>USOC</u>	<u>Nonrecurring Charges</u> <sup>(1)</sup>
(1) Administrative Charge per Order	ORCMX	\$60.00
(2) Design Central Office Connection Charge per circuit	NRBCL	\$600.00
(3) Customer Connection Charge per Termination	NRBBL	\$1,500.00

21.5.2.17 Not in Use

21.5.2.19 Not in Use

<sup>(1)</sup> The installation Non-recurring charges will be waived for customers purchasing a new 36 or 60 month term pricing plan. This waiver does not include moves and upgrade of services.

## 21.6 Ameritech Wire Center Information

## 21.6.1 MSAs with Limited Service Relief

State	Wire Center CLLI	MSA Name
IL	ALGNILAQ	CHICAGO
IL	ANTCILAC	CHICAGO
IL	ARLHILAH	CHICAGO
IL	AURRILAE	CHICAGO
IL	AURRILAR	CHICAGO
IL	AURRILAW	CHICAGO
IL	BATVILFL	CHICAGO
IL	BCHRILBC	CHICAGO
IL	BGBKILBK	CHICAGO
IL	BGRKILBG	CHICAGO
IL	BLISILBI	CHICAGO
IL	BLWDILBW	CHICAGO
IL	BNSVILBV	CHICAGO
IL	BNTOILAG	CHICAGO
IL	BNTOILBA	CHICAGO
IL	BRTLILBT	CHICAGO
IL	BRWDILBR	CHICAGO
IL	CARYILCA	CHICAGO
IL	CHCGILAU	CHICAGO
IL	CHCGILBE	CHICAGO
IL	CHCGILCA	CHICAGO
IL	CHCGILCL	CHICAGO
IL	CHCGILDO	CHICAGO
IL	CHCGILED	CHICAGO
IL	CHCGILFR	CHICAGO
IL	CHCGILHB	CHICAGO
IL	CHCGILID	CHICAGO
IL	CHCGILIR	CHICAGO
IL	CHCGILKE	CHICAGO
IL	CHCGILKI	CHICAGO
IL	CHCGILLA	CHICAGO
IL	CHCGILLD	CHICAGO
IL	CHCGILLR	CHICAGO
IL	CHCGILLW	CHICAGO
IL	CHCGILME	CHICAGO
IL	CHCGILMH	CHICAGO
IL	CHCGILMO	CHICAGO
IL	CHCGILNE	CHICAGO
IL	CHCGILOH	CHICAGO
IL	CHCGILOK	CHICAGO
IL	CHCGILPM	CHICAGO
IL	CHCGILPR	CHICAGO
IL	CHCGILPU	CHICAGO

---

State	Wire Center CLLI	MSA Name
IL	CHCGILRP	CHICAGO
IL	CHCGILSC	CHICAGO
IL	CHCGILST	CHICAGO
IL	CHCGILSU	CHICAGO
IL	CHCGILWB	CHICAGO
IL	CHHGILCH	CHICAGO
IL	CICRILCI	CHICAGO
IL	CMCYILCC	CHICAGO
IL	CRETILCM	CHICAGO
IL	CRLKILCK	CHICAGO
IL	DRFDILDF	CHICAGO
IL	DSPLILXL	CHICAGO
IL	DWGVILDG	CHICAGO
IL	ECHGILEH	CHICAGO
IL	EDNDILDU	CHICAGO
IL	EGVGILEG	CHICAGO
IL	ELBNILEU	CHICAGO
IL	ELGNILEL	CHICAGO
IL	ELWDILAW	CHICAGO
IL	ELWDILEW	CHICAGO
IL	EMHRILET	CHICAGO
IL	EVTNILEV	CHICAGO
IL	FRFTILFB	CHICAGO
IL	FXLKILFK	CHICAGO
IL	GENVILGN	CHICAGO
IL	GLELILGE	CHICAGO
IL	GLVWILGV	CHICAGO
IL	GURNILAA	CHICAGO
IL	GYLKILGL	CHICAGO
IL	HCHLILHH	CHICAGO
IL	HFESILPC	CHICAGO
IL	HFESILWL	CHICAGO
IL	HGPKILHP	CHICAGO
IL	HLSDILHD	CHICAGO
IL	HMPSILHS	CHICAGO
IL	HMWDILHO	CHICAGO
IL	HNDLILHI	CHICAGO
IL	HNTLILHO	CHICAGO
IL	HRVRILAI	CHICAGO
IL	HRVRILHV	CHICAGO
IL	HRVYILHA	CHICAGO
IL	JOLTILJO	CHICAGO
IL	JOLTILJW	CHICAGO
IL	KAVLILKA	CHICAGO

---

State	Wire Center CLLI	MSA Name
IL	LBRDILLM	CHICAGO
IL	LBVLILAQ	CHICAGO
IL	LBVLILLI	CHICAGO
IL	LCPTILLP	CHICAGO
IL	LEMTILLE	CHICAGO
IL	LEMTILLN	CHICAGO
IL	LGRCELLG	CHICAGO
IL	LKFRILLF	CHICAGO
IL	LKVLILLK	CHICAGO
IL	LKZRILLZ	CHICAGO
IL	LNSRILAB	CHICAGO
IL	MCHNILMY	CHICAGO
IL	MINKILMK	CHICAGO
IL	MNHTILMA	CHICAGO
IL	MOKNILME	CHICAGO
IL	MONEILGK	CHICAGO
IL	MRGVILMG	CHICAGO
IL	MRNGILMR	CHICAGO
IL	NBRKILNB	CHICAGO
IL	NBRKILNT	CHICAGO
IL	NCHCILNC	CHICAGO
IL	NPVLILBJ	CHICAGO
IL	NPVLILNA	CHICAGO
IL	NPVLILNE	CHICAGO
IL	NPVLILSW	CHICAGO
IL	NWLNILNL	CHICAGO
IL	OKBRILOA	CHICAGO
IL	OKLWILOL	CHICAGO
IL	OKPKILOP	CHICAGO
IL	ORPKILOR	CHICAGO
IL	ORPKILOW	CHICAGO
IL	PALTILPA	CHICAGO
IL	PETNILPT	CHICAGO
IL	PKFSILPF	CHICAGO
IL	PLCTILPR	CHICAGO
IL	PLFDILPL	CHICAGO
IL	PLPKILPP	CHICAGO
IL	PRRGILXL	CHICAGO
IL	RMVLILRM	CHICAGO
IL	RNLKILRL	CHICAGO
IL	RSLILRZ	CHICAGO
IL	RVDLILRD	CHICAGO
IL	RVGVILRG	CHICAGO

State	Wire Center CLLI	MSA Name
IL	SCBGILCO	CHICAGO
IL	SCBGILRS	CHICAGO
IL	SCPKILSP	CHICAGO
IL	SGGVILSV	CHICAGO
IL	SKOKILSK	CHICAGO
IL	SMMTILSM	CHICAGO
IL	TNPKILTP	CHICAGO
IL	UNINILUN	CHICAGO
IL	WCHCILWC	CHICAGO
IL	WCNDILWU	CHICAGO
IL	WDSTILWS	CHICAGO
IL	WHTNILWH	CHICAGO
IL	WKGILWK	CHICAGO
IL	WLMGILWM	CHICAGO
IL	WLMTILWI	CHICAGO
IL	WLNILWG	CHICAGO
IL	WNTKILWN	CHICAGO
IL	WNVLILWV	CHICAGO
IL	ZIONILZN	CHICAGO
IL	BNVLILBN	PEORIA
IL	DLVNILDE	PEORIA
IL	EPERILPE	PEORIA
IL	HNCYILHC	PEORIA
IL	PEORILPB	PEORIA
IL	PEORILPJ	PEORIA
IL	PEORILPN	PEORIA
IL	SPBYILSB	PEORIA
IL	TRIVILT	PEORIA
IN	ALXNIN01	ANDERSON
IN	ARSNIN01	ANDERSON
IN	CHFDIN01	ANDERSON
IN	ELWDIN01	ANDERSON
IN	SMVIIN01	ANDERSON
IN	BNVLIN01	EVANSVILLE
IN	CHNDIN01	EVANSVILLE
IN	DALEIN01	EVANSVILLE



State	Wire Center CLLI	MSA Name
IN	EVVLIN02	EVANSVILLE
IN	EVVLIN03	EVANSVILLE
IN	MCCTIN01	EVANSVILLE
IN	MTVRIN01	EVANSVILLE
IN	MTVRINAB	EVANSVILLE
IN	NWBRIN01	EVANSVILLE
IN	NWHRIN01	EVANSVILLE
IN	SLTDIN01	EVANSVILLE
IN	STJSIN01	EVANSVILLE
IN	STPHIN01	EVANSVILLE
IN	TNSNIN01	EVANSVILLE
IN	ACTNIN01	INDIANAPOLIS
IN	BRBGIN01	INDIANAPOLIS
IN	CRMLIN01	INDIANAPOLIS
IN	DAVLIN01	INDIANAPOLIS
IN	FLRKIN01	INDIANAPOLIS
IN	FRLDIN01	INDIANAPOLIS
IN	FSHRIN01	INDIANAPOLIS
IN	GNFDIN01	INDIANAPOLIS
IN	GNWDIN01	INDIANAPOLIS
IN	IPLSIN01	INDIANAPOLIS
IN	IPLSIN02	INDIANAPOLIS
IN	IPLSIN03	INDIANAPOLIS
IN	IPLSIN04	INDIANAPOLIS
IN	IPLSIN06	INDIANAPOLIS
IN	IPLSIN07	INDIANAPOLIS
IN	IPLSIN08	INDIANAPOLIS
IN	IPLSIN09	INDIANAPOLIS
IN	IPLSIN10	INDIANAPOLIS
IN	IPLSIN18	INDIANAPOLIS
IN	IPLSIN21	INDIANAPOLIS
IN	IPLSINCM	INDIANAPOLIS
IN	IPLSINMN	INDIANAPOLIS

(D)  
(D)  
(D)

State	Wire Center CLLI	MSA Name
IN	LBNNIN01	INDIANAPOLIS
IN	MCBBIN01	INDIANAPOLIS
IN	MRVIIN01	INDIANAPOLIS
IN	MTVIIN01	INDIANAPOLIS
IN	NBVLIN01	INDIANAPOLIS
IN	NWPLIN01	INDIANAPOLIS
IN	OKLNIN01	INDIANAPOLIS
IN	PLFDIN01	INDIANAPOLIS
IN	PRGNIN01	INDIANAPOLIS
IN	SHRDIN01	INDIANAPOLIS
IN	SHVLIN01	INDIANAPOLIS
IN	WNTNIN01	INDIANAPOLIS
IN	ZIVLIN01	INDIANAPOLIS
MI	ALBNMIMN	BATTLE CREEK
MI	ATHNMIAT	BATTLE CREEK
MI	BTCKMIBC	BATTLE CREEK
MI	BTCKMISO	BATTLE CREEK
MI	FRPTMIFP	BATTLE CREEK
MI	HSNGMIHS	BATTLE CREEK
MI	MDVLMIMN	BATTLE CREEK
MI	MRSHMIMN	BATTLE CREEK
MI	ABHGMIMN	DETROIT/ANN ARBOR
MI	ABHLMIBH	DETROIT/ANN ARBOR
MI	ALGNMIMN	DETROIT/ANN ARBOR
MI	ANARMIMN	DETROIT/ANN ARBOR
MI	ANARMISE	DETROIT/ANN ARBOR
MI	ARMDMIMN	DETROIT/ANN ARBOR
MI	BITNMIES	DETROIT/ANN ARBOR
MI	BLVLMIBV	DETROIT/ANN ARBOR
MI	BLVLMINE	DETROIT/ANN ARBOR
MI	BRHMMIMN	DETROIT/ANN ARBOR
MI	CHLSMIMN	DETROIT/ANN ARBOR
MI	CKTNMIMN	DETROIT/ANN ARBOR
MI	CMRCMICM	DETROIT/ANN ARBOR
MI	CMRCMINR	DETROIT/ANN ARBOR
MI	CNLNMIMN	DETROIT/ANN ARBOR

State	Wire Center CLLI	MSA Name
MI	DRBRMIDB	DETROIT/ANN ARBOR
MI	DRBRMIFB	DETROIT/ANN ARBOR
MI	DRBRMIOR	DETROIT/ANN ARBOR
MI	DRPLMIDP	DETROIT/ANN ARBOR
MI	DTRTMIBH	DETROIT/ANN ARBOR
MI	DTRTMIBL	DETROIT/ANN ARBOR
MI	DTRTMICL	DETROIT/ANN ARBOR
MI	DTRTMIHG	DETROIT/ANN ARBOR
MI	DTRTMILX	DETROIT/ANN ARBOR
MI	DTRTMIMD	DETROIT/ANN ARBOR
MI	DTRTMINI	DETROIT/ANN ARBOR
MI	DTRTMIPE	DETROIT/ANN ARBOR
MI	DTRTMIPG	DETROIT/ANN ARBOR
MI	DTRTMIRF	DETROIT/ANN ARBOR
MI	DTRTMIRV	DETROIT/ANN ARBOR
MI	DTRTMITE	DETROIT/ANN ARBOR
MI	DTRTMITW	DETROIT/ANN ARBOR
MI	DTRTMIUV	DETROIT/ANN ARBOR
MI	DTRTMIVT	DETROIT/ANN ARBOR
MI	DTRTMIVW	DETROIT/ANN ARBOR
MI	DXTRMIDX	DETROIT/ANN ARBOR
MI	FLRKMIFR	DETROIT/ANN ARBOR
MI	FMHLMIFH	DETROIT/ANN ARBOR
MI	FRTNMIMN	DETROIT/ANN ARBOR
MI	FWVLMIMN	DETROIT/ANN ARBOR
MI	HGPKMITS	DETROIT/ANN ARBOR
MI	HLLYMIHY	DETROIT/ANN ARBOR
MI	HMBGMIMN	DETROIT/ANN ARBOR
MI	HOWLMIMN	DETROIT/ANN ARBOR
MI	HRISMIMN	DETROIT/ANN ARBOR
MI	HRLDMIHR	DETROIT/ANN ARBOR
MI	LIVNMIMN	DETROIT/ANN ARBOR
MI	LIVNMINW	DETROIT/ANN ARBOR
MI	LKORMILO	DETROIT/ANN ARBOR
MI	LNPKMIAT	DETROIT/ANN ARBOR
MI	LPERMILP	DETROIT/ANN ARBOR
MI	MILNMIMN	DETROIT/ANN ARBOR
MI	MNCHMIMN	DETROIT/ANN ARBOR
MI	MRCYMIMN	DETROIT/ANN ARBOR
MI	MTCLMICL	DETROIT/ANN ARBOR
MI	MTCLMIMN	DETROIT/ANN ARBOR

---

State	Wire Center CLLI	MSA Name
MI	MTCLMINR	DETROIT/ANN ARBOR
MI	MYVIMIMN	DETROIT/ANN ARBOR
MI	NBMRMIMN	DETROIT/ANN ARBOR
MI	NBTNMMIMN	DETROIT/ANN ARBOR
MI	NRVLMIMN	DETROIT/ANN ARBOR
MI	NWHNMIMN	DETROIT/ANN ARBOR
MI	OXFRMIOX	DETROIT/ANN ARBOR
MI	PLMOMIMN	DETROIT/ANN ARBOR
MI	PNCNMIMN	DETROIT/ANN ARBOR
MI	PNTCMIMN	DETROIT/ANN ARBOR
MI	PNTCMINE	DETROIT/ANN ARBOR
MI	PNTCMINR	DETROIT/ANN ARBOR
MI	PNTCMIWS	DETROIT/ANN ARBOR
MI	PTHRMIMN	DETROIT/ANN ARBOR
MI	PTHRMINR	DETROIT/ANN ARBOR
MI	RKWDMIRW	DETROIT/ANN ARBOR
MI	RMLSMIMN	DETROIT/ANN ARBOR
MI	ROCHMIMN	DETROIT/ANN ARBOR
MI	ROMOMIMN	DETROIT/ANN ARBOR
MI	RSVLMIMN	DETROIT/ANN ARBOR
MI	RSVLMINR	DETROIT/ANN ARBOR
MI	RYLOMIMN	DETROIT/ANN ARBOR
MI	SFLDMIMN	DETROIT/ANN ARBOR
MI	SFLDMIOK	DETROIT/ANN ARBOR
MI	SLYNMIMN	DETROIT/ANN ARBOR
MI	STCLMIMN	DETROIT/ANN ARBOR
MI	TAYLMIWK	DETROIT/ANN ARBOR
MI	TRENMIMN	DETROIT/ANN ARBOR
MI	TROYMIMN	DETROIT/ANN ARBOR
MI	TROYMISM	DETROIT/ANN ARBOR
MI	UTICMIMN	DETROIT/ANN ARBOR
MI	WASHMIWA	DETROIT/ANN ARBOR
MI	WAYNMIMN	DETROIT/ANN ARBOR
MI	WAYNMINW	DETROIT/ANN ARBOR
MI	WBFDMIMN	DETROIT/ANN ARBOR
MI	WDLKMIMN	DETROIT/ANN ARBOR
MI	WILSMIWL	DETROIT/ANN ARBOR
MI	WRLKMIMN	DETROIT/ANN ARBOR

State	Wire Center CLLI	MSA Name
MI	WRRNMITL	DETROIT/ANN ARBOR
MI	WYNDMIMN	DETROIT/ANN ARBOR
MI	YPSLMIMN	DETROIT/ANN ARBOR
MI	FLTNMIMN	KALAMAZOO
MI	GLBGMIMN	KALAMAZOO
MI	KLMZMIFA	KALAMAZOO
MI	OSHTMIWS	KALAMAZOO
MI	PRTGMILK	KALAMAZOO
MI	RCLDMIMN	KALAMAZOO
MI	SCTSMIMN	KALAMAZOO
MI	VCBGMIMN	KALAMAZOO
MI	CATNMICT	TOLEDO
MI	MONRMIMN	TOLEDO
MI	MONRMINE	TOLEDO
OH	AKRNOH25	AKRON
OH	AKRNOH72	AKRON
OH	AKRNOH78	AKRON
OH	AKRNOH86	AKRON
OH	ATWROH94	AKRON
OH	BRTNOH74	AKRON
OH	BRTNOH82	AKRON
OH	CVTPOH02	AKRON
OH	CYFLOH92	AKRON
OH	GNBGOH89	AKRON
OH	KENTOH67	AKRON
OH	MGDROH62	AKRON
OH	MNC SOH88	AKRON
OH	MNTUOH27	AKRON
OH	RTTWOH32	AKRON
OH	RVNNOH02	AKRON
OH	STBOOH62	AKRON
OH	STOWOH68	AKRON
OH	TLMDOH63	AKRON
OH	BCVLOH52	CLEVELAND
OH	BCWDOH46	CLEVELAND
OH	BDFROH23	CLEVELAND
OH	BEREOH23	CLEVELAND
OH	BKPKOH26	CLEVELAND
OH	BKPKOH97	CLEVELAND
OH	BRTOOH83	CLEVELAND
OH	CHFLOH24	CLEVELAND

---

State	Wire Center CLLI	MSA Name
OH	CLEVOH25	CLEVELAND
OH	CLEVOH42	CLEVELAND
OH	CLEVOH43	CLEVELAND
OH	CLEVOH45	CLEVELAND
OH	CLEVOH53	CLEVELAND
OH	CLEVOH62	CLEVELAND
OH	CLEVOH63	CLEVELAND
OH	CLEVOH64	CLEVELAND
OH	CLEVOH74	CLEVELAND
OH	CLHGOH32	CLEVELAND
OH	ECLDOH73	CLEVELAND
OH	INDPOH52	CLEVELAND
OH	KRLDOH25	CLEVELAND
OH	LKWDOH52	CLEVELAND
OH	LYTPOH25	CLEVELAND
OH	MNTROH25	CLEVELAND
OH	MOTLOH25	CLEVELAND
OH	MPHGOH66	CLEVELAND
OH	MYHGOH44	CLEVELAND
OH	NOLMOH77	CLEVELAND
OH	NRTNOH23	CLEVELAND
OH	OLFLOH23	CLEVELAND
OH	PARMOH88	CLEVELAND
OH	PNVLOH35	CLEVELAND
OH	RKRVOH33	CLEVELAND
OH	SCLDOH72	CLEVELAND
OH	SECLOH38	CLEVELAND
OH	SGVLOH23	CLEVELAND
OH	SHHGOH92	CLEVELAND
OH	SOLNOH24	CLEVELAND
OH	WLGHOH94	CLEVELAND
OH	WSLKOH87	CLEVELAND

---

State	Wire Center CLLI	MSA Name
OH	BLBKOH84	DAYTON
OH	BWRVOH45	DAYTON
OH	CDVLOH76	DAYTON
OH	CNTMOH43	DAYTON
OH	DYTNOH22	DAYTON
OH	DYTNOH23	DAYTON
OH	DYTNOH25	DAYTON
OH	DYTNOH26	DAYTON
OH	DYTNOH27	DAYTON
OH	DYTNOH29	DAYTON
OH	DYTNOH89	DAYTON
OH	FLTCOH99	DAYTON
OH	FRBNOH87	DAYTON
OH	JMTWOH67	DAYTON
OH	MMBGOH86	DAYTON
OH	PIQUOH77	DAYTON
OH	SPVYOH86	DAYTON
OH	XENIOH37	DAYTON
OH	YESPOH76	DAYTON
OH	ZMMNOH42	DAYTON
OH	HLLDOH11	TOLEDO
OH	MAUMOH11	TOLEDO
OH	ORGNOH69	TOLEDO
OH	PRBGOH14	TOLEDO
OH	PRBGOH66	TOLEDO
OH	TOLDOH21	TOLEDO
OH	TOLDOH38	TOLEDO
OH	TOLDOH40	TOLEDO
OH	TOLDOH47	TOLEDO
OH	TOLDOH53	TOLEDO
OH	TOLDOH72	TOLEDO
OH	WHHSOH87	TOLEDO
WI	CHFLWI11	EAU CLAIRE
WI	EUCLWI01	EAU CLAIRE
WI	KENOWI01	KENOSHA
WI	KENOWI11	KENOSHA
WI	PLPRWI11	KENOSHA
WI	PRSDWI11	KENOSHA
WI	SMRSWI11	KENOSHA

21.6.2 MSAs with Full Service Relief

State	Wire Center CLLI	MSA Name
IL	CHMPILCP	CHAMPAIGN-URBANA
IL	CHMPILCU	CHAMPAIGN-URBANA
IL	STJSILSH	CHAMPAIGN-URBANA
IL	DCTRILDC	DECATUR
IL	DCTRILDN	DECATUR
IL	HRTWILHT	DECATUR
IL	LVPKILRN	ROCKFORD
IL	RCFRILRE	ROCKFORD
IL	RCFRILRT	ROCKFORD
IL	ATHNILAN	SPRINGFIELD
IL	BFLOILBF	SPRINGFIELD
IL	CNTRILCT	SPRINGFIELD
IL	OKFRILOF	SPRINGFIELD
IL	PTBGILPG	SPRINGFIELD
IL	ROCHILRC	SPRINGFIELD
IL	RVTNILRV	SPRINGFIELD
IL	SPFDILES	SPRINGFIELD
IL	SPFDILSL	SPRINGFIELD
IL	SPFDILSW	SPRINGFIELD
IL	TALLILTL	SPRINGFIELD
IN	BLTNIN01	BLOOMINGTON
IN	BLTNINIU	BLOOMINGTON
IN	GNTWIN01	KOKOMO
IN	KOKMIN01	KOKOMO
IN	KOKMIN02	KOKOMO
IN	RSVLIN01	KOKOMO
IN	CHTWIN01	LOUISVILLE
IN	GALNIN01	LOUISVILLE
IN	JFVLIN01	LOUISVILLE
IN	NWALIN01	LOUISVILLE
IN	NWTNIN01	LOUISVILLE
IN	SLBGIN01	LOUISVILLE
IN	ALBYIN01	MUNCIE
IN	EATNIN01	MUNCIE
IN	GSTNIN01	MUNCIE
IN	MUNCIN01	MUNCIE
IN	YRTWIN01	MUNCIE



State	Wire Center CLLI	MSA Name
IN	MSHWIN02	SOUTH BEND-MISHAWAKA
IN	OSCLIN01	SOUTH BEND-MISHAWAKA
IN	SBNDIN01	SOUTH BEND-MISHAWAKA
IN	SBNDIN03	SOUTH BEND-MISHAWAKA
IN	SBNDIN04	SOUTH BEND-MISHAWAKA
IN	SBNDINND	SOUTH BEND-MISHAWAKA
MI	BTNGMIPG	FLINT
MI	BYRNMIBY	FLINT
MI	CLIOMIMN	FLINT
MI	FLNTMIMN	FLINT
MI	FLNTMINE	FLINT
MI	FLNTMINR	FLINT
MI	FLNTMINW	FLINT
MI	FLSHMIFS	FLINT
MI	FNTNMIMN	FLINT
MI	GRBLMIMN	FLINT
MI	CLDNMICL	GRAND RAPIDS
MI	CMPKMICP	GRAND RAPIDS
MI	CSNVMICB	GRAND RAPIDS
MI	DTTNMIMN	GRAND RAPIDS
MI	GDRPMIBL	GRAND RAPIDS
MI	GDRPMIEP	GRAND RAPIDS
MI	GDRPMIES	GRAND RAPIDS
MI	GDRPMISO	GRAND RAPIDS
MI	GDRPMIWS	GRAND RAPIDS
MI	GRHVMIMN	GRAND RAPIDS
MI	GRTNMIMN	GRAND RAPIDS
MI	HDVLMIMN	GRAND RAPIDS
MI	HLLDMIMN	GRAND RAPIDS
MI	HLLDMINR	GRAND RAPIDS
MI	JMTWMIMN	GRAND RAPIDS
MI	LWLLMIMN	GRAND RAPIDS

State	Wire Center CLLI	MSA Name
MI	RCFRMIMN	GRAND RAPIDS
MI	RCFRMISE	GRAND RAPIDS
MI	SDLKMIMN	GRAND RAPIDS
MI	SPRTMIMN	GRAND RAPIDS
MI	TRFNMIMN	GRAND RAPIDS
MI	WYNGMILX	GRAND RAPIDS
MI	ZELDMIZL	GRAND RAPIDS
MI	CLRKMIMN	JACKSON
MI	JCSNMIMN	JACKSON
MI	JCSNMINE	JACKSON
MI	JCSNMISA	JACKSON
MI	MCHCMIMN	JACKSON
MI	NPLNMIMN	JACKSON
MI	BLDNMIMN	LANSING
MI	BLLVMIMN	LANSING
MI	CHRLMIMN	LANSING
MI	CLVLMIMN	LANSING
MI	DMDLMIDD	LANSING
MI	DNSVMIMN	LANSING
MI	ELNSMIMN	LANSING
MI	ETRPMIER	LANSING
MI	HOLTMIHE	LANSING
MI	HSLTMIHS	LANSING
MI	IONIMIMN	LANSING
MI	LESLMIMN	LANSING
MI	LKODMIMN	LANSING
MI	LNNGMIMN	LANSING
MI	LNNGMINW	LANSING
MI	LNNGMISO	LANSING
MI	MASNMIMS	LANSING
MI	MLKNMIMN	LANSING
MI	NVFLMIMN	LANSING

---

State	Wire Center CLLI	MSA Name
MI	OKMSMIMN	LANSING
MI	OLVTMIMN	LANSING
MI	POVLMIMN	LANSING
MI	PTLDMIPT	LANSING
MI	SRNCMIDC	LANSING
MI	AUBNMIMN	SAGINAW/BAY CITY/MIDLAND
MI	BRPTMIMN	SAGINAW/BAY CITY/MIDLAND
MI	BRPTMISO	SAGINAW/BAY CITY/MIDLAND
MI	BRRNMIMN	SAGINAW/BAY CITY/MIDLAND
MI	BYCYMIMN	SAGINAW/BAY CITY/MIDLAND
MI	BYCYMIWS	SAGINAW/BAY CITY/MIDLAND
MI	CLNMIMN	SAGINAW/BAY CITY/MIDLAND
MI	FELDMIFL	SAGINAW/BAY CITY/MIDLAND
MI	FRKMMIFR	SAGINAW/BAY CITY/MIDLAND
MI	LNWDMIMN	SAGINAW/BAY CITY/MIDLAND
MI	MDLDMIMN	SAGINAW/BAY CITY/MIDLAND
MI	MDLDMISE	SAGINAW/BAY CITY/MIDLAND
MI	SGNWMIFA	SAGINAW/BAY CITY/MIDLAND
MI	SGNWMISH	SAGINAW/BAY CITY/MIDLAND
MI	SGNWMIWS	SAGINAW/BAY CITY/MIDLAND
MI	STCHMIMN	SAGINAW/BAY CITY/MIDLAND

State	Wire Center CLLI	MSA Name
OH	FKLNOH01	CINCINNATI
OH	FVPWOH88	CINCINNATI
OH	CLMBOH11	COLUMBUS
OH	CLMBOH23	COLUMBUS
OH	CLMBOH25	COLUMBUS
OH	CLMBOH26	COLUMBUS
OH	CLMBOH27	COLUMBUS
OH	CLMBOH29	COLUMBUS
OH	CLMBOH44	COLUMBUS
OH	CLMBOH47	COLUMBUS
OH	CLMBOH86	COLUMBUS
OH	CNWIOH83	COLUMBUS
OH	CRRLOH75	COLUMBUS
OH	DBLNOH89	COLUMBUS
OH	GVCYOH87	COLUMBUS
OH	HLRDOH87	COLUMBUS
OH	HRBGOH87	COLUMBUS
OH	LCKBOH49	COLUMBUS
OH	LNC SOH65	COLUMBUS
OH	LONDOH85	COLUMBUS
OH	NHLDOH49	COLUMBUS
OH	NWALOH85	COLUMBUS
OH	NWRMOH66	COLUMBUS
OH	RUVLOH53	COLUMBUS
OH	SDLIOH87	COLUMBUS
OH	SGGVOH74	COLUMBUS
OH	SSLNOH88	COLUMBUS
OH	UPAROH45	COLUMBUS
OH	UPAROH48	COLUMBUS
OH	WEVLOH88	COLUMBUS
OH	WJSNOH87	COLUMBUS
OH	WOTNOH88	COLUMBUS
OH	MDTWOH42	HAMILTON/MIDDLETOWN
OH	MONROH53	HAMILTON/MIDDLETOWN
OH	TRENOH98	HAMILTON/MIDDLETOWN

---

State	Wire Center CLLI	MSA Name
WI	APPLWI01	APPLETON-OSHKOSH-NEENAH
WI	GNVLWI12	APPLETON-OSHKOSH-NEENAH
WI	HOVLWI12	APPLETON-OSHKOSH-NEENAH
WI	KAUKWI11	APPLETON-OSHKOSH-NEENAH
WI	LCHTWI11	APPLETON-OSHKOSH-NEENAH
WI	NENHWI11	APPLETON-OSHKOSH-NEENAH
WI	OMROWI11	APPLETON-OSHKOSH-NEENAH
WI	OSHKWI01	APPLETON-OSHKOSH-NEENAH
WI	WNCNWI11	APPLETON-OSHKOSH-NEENAH
WI	DEPRWI11	GREEN BAY
WI	GNBYWI01	GREEN BAY
WI	GNBYWI11	GREEN BAY
WI	GNBYWI12	GREEN BAY
WI	GNBYWI13	GREEN BAY
WI	GNBYWIUG	GREEN BAY
WI	WRTWWI11	GREEN BAY
WI	BELTWI01	JANESVILLE
WI	EVVLWI11	JANESVILLE
WI	JNVLWI01	JANESVILLE
WI	MDSNWI11	MADISON
WI	MDSNWI12	MADISON
WI	MDSNWI13	MADISON
WI	MDSNWI14	MADISON
WI	MDSNWI15	MADISON
WI	MDSNWI16	MADISON
WI	MDSNWIUH	MADISON
WI	SGTNWI11	MADISON
WI	BGBNWI11	MILWAUKEE
WI	BFTWWI11	MILWAUKEE
WI	BRFDWI11	MILWAUKEE
WI	CDBGWI15	MILWAUKEE
WI	HBTSWI11	MILWAUKEE
WI	HRFRWI11	MILWAUKEE
WI	HRLDWI11	MILWAUKEE
WI	JCSNWI11	MILWAUKEE

---

State	Wire Center CLLI	MSA Name
WI	MILWWI10	MILWAUKEE
WI	MILWWI12	MILWAUKEE
WI	MILWWI13	MILWAUKEE
WI	MILWWI16	MILWAUKEE
WI	MILWWI17	MILWAUKEE
WI	MILWWI22	MILWAUKEE
WI	MILWWI23	MILWAUKEE
WI	MILWWI25	MILWAUKEE
WI	MILWWI27	MILWAUKEE
WI	MILWWI28	MILWAUKEE
WI	MILWWI30	MILWAUKEE
WI	MILWWI31	MILWAUKEE
WI	MILWWI34	MILWAUKEE
WI	MILWWI38	MILWAUKEE
WI	MILWWI42	MILWAUKEE
WI	MILWWI45	MILWAUKEE
WI	MILWWI48	MILWAUKEE
WI	MILWWI56	MILWAUKEE
WI	MNFLWI32	MILWAUKEE
WI	MSKGWI36	MILWAUKEE
WI	NWBGWI11	MILWAUKEE
WI	OCNMWI11	MILWAUKEE
WI	PEWKWI40	MILWAUKEE
WI	PEWKWI11	MILWAUKEE
WI	PTWAWI11	MILWAUKEE
WI	SUSXWI46	MILWAUKEE
WI	WBNDWI01	MILWAUKEE
WI	WKSHWI47	MILWAUKEE
WI	BURLWI11	RACINE
WI	CLDNWI14	RACINE
WI	RACNWI01	RACINE
WI	RACNWI11	RACINE
WI	STRTWI11	RACINE
WI	UNGVWI11	RACINE
WI	SHBYWI01	SHEBOYGAN
WI	SHFLWI12	SHEBOYGAN