

ACCESS SERVICE

	<u>Page</u>	
20. MegaLink Custom Services	20-4	
20.1 General Description	20-5	
20.2 Optional Feature, BSE and Function Descriptions	20-10	
20.2.1 Central Office Multiplexing BSE	20-10	
20.2.2 SecureNet	20-10	
(A) Hub Redundancy	20-12	
(B) Serving Wire Center and Facility Redundancy	20-13	
20.2.3 Service Extension	20-14	
20.2.4 STN Interconnection with SecureNet Equipped MegaLink Custom Service	20-14.1	
20.2.5 C-Bit Parity Framing Format Option	20-14.1	(N)
20.3 Service Provisioning	20-15	
20.3.1 Design Layout Report	20-15	
20.3.2 Acceptance Testing	20-15	
20.3.3 Diversity	20-15	
20.4 Rate Regulations	20-16	
20.4.1 Rate Categories	20-16	
(A) Channel Termination	20-17	
(B) Interoffice Mileage	20-18	
(C) Service to Service Through Connect Arrangements	20-19	
(D) Optional Features, BSEs and Functions	20-19	
(E) Collocation Transport	20-19.1	
20.4.2 Nonrecurring Charges	20-20	
(A) Nonrecurring Charges for the Installation of MegaLink Custom Service	20-20	
(B) Nonrecurring Charges for the Installation of Service Extensions	20-21	
(C) Nonrecurring Charges for the Installation of Optional Features, BSEs and Functions	20-22	
(D) Nonrecurring Charges for the Installation of Service to Service Through Connect Arrangements	20-22	
(E) Nonrecurring Charges for Service Rearrangements	20-23	
(F) Nonrecurring Charges for Moves	20-24	
(G) Nonrecurring Charges for Portability	20-24	

(This page filed under Transmittal No. 3394)

ACCESS SERVICE

	<u>Page</u>	
20. MegaLink Custom Services (Cont'd)		
20.4 Rate Regulations (Cont'd)		
20.4.3 Monthly Recurring Rates	20-25	
(A) Monthly Recurring Rates for Channel Termination	20-25	
(B) Monthly Recurring Rates for Interoffice Mileage	20-27	
(C) Monthly Recurring Rates for Optional Features, BSEs and Functions	20-29	
20.4.4 Billing Period	20-30	
20.4.5 Minimum Service Periods	20-31	
20.4.6 Termination Charges	20-32	
20.4.7 Determining Interoffice Mileage	20-34	
20.4.8 Ordering Options and Conditions	20-35	
20.4.9 Special Access Surcharge	20-35	
20.4.10 Message Station Equipment Recovery Charge	20-35	
20.4.11 Shared Use	20-36	
20.4.12 Moves	20-37	
(A) Service Facility Move (SFM)	20-37	(C)
(B) Moving the Point of Termination Within the Same Customer Premises	20-38.1	
(C) Moving Customer Premises	20-38.1	
20.4.13 Modification of Service	20-39	
20.4.14 Relocation of a DS3 to DS1 Multiplexer	20-40	
20.4.15 Service Extension	20-41	
20.4.16 Facility Hubs	20-41	
20.4.17 Connecting Facility Assignment Credits	20-41.1	
20.4.18 Temp-DS3 Service	20-41.4	
20.5 Rates and Charges	20-42	
20.5.1 Channel Termination - Electrical (All Zones)	20-42	
20.5.2 Channel Termination - Optical (All Zones)	20-47.2	
20.5.3 Interoffice Mileage - Fixed (All Zones)	20-47.7	
20.5.4 Interoffice Mileage - Per Mile (All Zones)	20-47.13	
20.5.5 Installation Charge (All Zones)	20-47.21	

(This page filed under Transmittal No. 2588)

ACCESS SERVICE

	<u>Page</u>
20. MegaLink Custom Services (Cont'd)	
20.5 Rates and Charges (Cont'd)	
20.5.6 Service to Service Through Connect Arrangement (All Zones)	20-47.25
20.5.7 Optional Features, BSEs and Functions (All Zones)	20-47.28
(A) DS3 to DS1 Multiplexing	20-47.28
(B) DS3 to DS1 Multiplexing (Installation Charges)	20-47.33
(C) SecureNet (Monthly Recurring Rates)	20-47.37
(D) SecureNet (Installation Charges)	20-47.43
(E) Service Extension (Monthly Recurring Rates)	20-47.50
(F) Service Extension (Installation Charges)	20-47.52
(G) STN Interconnection with SecureNet Equipped MegaLink Custom Service (Monthly Recurring Rates)	20-47.54
(H) STN Interconnection with SecureNet Equipped MegaLink Custom Service (Installation Charges)	20-47.58
(I) Service Facility Move (SFM)	20-47.62
20.5.8 Administrative Charges	20-47.66
20.6 Vintage Services	20-48
20.6.1 Services Established Prior to May 25, 1991	20-49
(A) General Regulations	20-49
(B) Regulations, Terms, Conditions and Rates	20-50

(This page filed under Transmittal No. 2588)

ACCESS SERVICE

20. MegaLink Custom Services

(M)

The following list matches the Telephone Company's Basic Service Element (BSE) names to the industry standard names for each BSE.

<u>Telephone Company Names</u>	<u>Generic Name of ONA Service</u>
Multiplexing	Multiplexing - Digital
- Central Office Multiplexing	

Material appearing on this page formerly appeared on Original Page 239.1 of Tariff F.C.C. No. 68.

(This page filed under Transmittal No. 2176)

Issued: March 3, 1992

Effective: July 1, 1992

Four AT&T Plaza, Dallas, Texas 75202

ACCESS SERVICE

20. MegaLink Custom Services20.1 General Description

MegaLink Custom Service is a special access service utilizing DS3 technology to provide dedicated high capacity transport between customer designated premises*, either directly or through a Telephone Company Hub where bridging, multiplexing, Transport Resource Management Service, or Network Reconfiguration Service functions are performed. (Transport Resource Management Service and Network Reconfiguration Service, as set forth in Section 18, work in conjunction with MegaLink Custom Service, allowing customers the ability to reconfigure their circuits.) The DS3 signal provides for the transmission of nominal 44.736 Mbps isochronous serial data. MegaLink Custom Services are provided (1) between two customer designated premises, (2) between a customer designated premises and a Telephone Company Hub Central Office, (3) between a Telephone Company Hub Central Office and a Transport Resource Management Service Hub, (4) between Transport Resource Management Service Hubs at 44.736 Mbps transmission, (5) between Network Reconfiguration Service Hubs at 44.736 Mbps transmission, (6) between a Network Reconfiguration Service Hub and a Transport Resource Management Service Hub at 44.736 Mbps transmission, (7) between a Network Reconfiguration Service Hub and a Telephone Company Hub at 44.736 Mbps transmission, or (8) between a Telephone Company Hub Central Office and a ReliaNet Node, for interconnection with High Capacity Services or other MegaLink Custom Services. MegaLink Custom Services may include Optional Features, BSEs and Functions.

MegaLink Custom Service offers the customer the option of requesting either an electrical or optical interface at their premises. The interface at a Telephone Company Hub Central Office is electrical.

Customers requesting electrical interface will receive an electrical signal with a transmission speed of 44.736 Mbps per channel. Compatible channel interfaces are set forth in Technical Reference Publication TR-INS-000342.

Rates and charges for MegaLink Custom Services are set forth in Section 20.5 following, with the exception of the services provided by the Telephone Company in the Metropolitan Statistical Areas (MSAs) in which the Telephone Company has received Phase II pricing flexibility pursuant to Subpart H of Part 69 of the Commission's Rules. The rates and charges for the Optical Carrier Network (OCN) Point-to-Point Service in the MSAs that have received Phase II pricing flexibility are set forth in Section 39.

*Telephone Company Centrex CO-like switches and Telephone Company Answering Service Concentrators are considered to be customer premises for purposes of administering regulations and rates contained in this tariff.

(This page filed under Transmittal No. 2951)

(N)

(N)

ACCESS SERVICE

20. MegaLink Custom Services (Cont'd)

20.1 General Description (Cont'd)

Customers requesting an optical interface will receive (an) optical signal(s) at the transmission speed(s) associated with the equivalent number of DS3s requested on the Access Order. The transmission speeds for optical interfaces are stated as approximate multiples of 44.736 Mbps.

Technical specifications for MegaLink Custom Services may be found in the following Technical Reference Publications:

Technical Reference PUB 76625
Technical Reference TR-INS-000342

It is the customer's responsibility to arrange for the Network Channel Terminating Equipment associated with the high capacity channel at the customer's premises.

The four basic rate categories which apply to MegaLink Custom Service are Channel Termination, Interoffice Mileage, Service to Service Through Connect Arrangements and Optional Features and Functions. Channel Termination provides for the communications path between a customer designated premises and the serving wire center for that premises or for the communications path within a building which connects a customer's facilities with a customer designated premises without routing through the serving wire center. Interoffice Mileage provides for the transmission facilities between the serving wire centers associated with two customer designated premises, between a serving wire center and a Telephone Company Hub Central Office or, in the case of a Service Extension, between two Telephone Company Hub Central Offices. The Service to Service Through Connect Arrangement rate category provides for an interconnection of two MegaLink Custom Services or a MegaLink Custom Service and a DTL associated with STN Service in the same Telephone Company Hub Central Office. The Optional Features, BSEs and Functions rate category provides for optional features and functions which may be added to a MegaLink Custom Service to improve its quality or utility to meet specific communications requirements.

Loop Redundancy⁽¹⁾, which provides automatic restoration of the Megalink Custom Service Channel Termination and physical route redundancy between the customer's premises and the customer's serving wire center in the event of a single loop failure, will be provided on Megalink Custom Channel Terminations in those situations where the customer's premises and serving wire center are equipped with the necessary equipment and facilities. If the equipment and facilities are not available, the interval for loop redundancy will be within 2 years from the date of customer request or the agreed upon date if Special Construction applies.

(S) (C)
|
(C)
(C)
(T)
(S)

(1) As of the effective date of the tariff, by the end of 1997, all but 100 of the current MegaLink Custom lines in SWBT territory will be served from wire centers providing Loop Redundancy (with basic DS3 service).

(C)
|
(C)

Reissued material is scheduled to become effective June 1, 1995.

Revised material is filed under the authority of Special Permission No. 95-661 of the F.C.C. to become effective June 1, 1995.

(This page filed under Transmittal No. 2466)

ACCESS SERVICE

20. MegaLink Custom Services (Cont'd)

20.1 General Description (Cont'd)

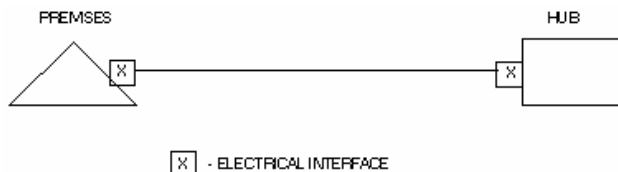
The following describes the service configurations available for MegaLink Custom Service.

Customer Designated Premises to Telephone Company Hub Central Office

Electrical Interface

This service configuration provides electrical DS3 signals at the customer designated premises and the Telephone Company Hub Central Office.

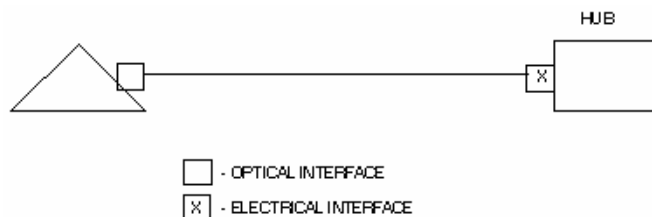
Example:



Optical Interface

This service configuration provides optical signals at the customer designated premises and electrical DS3 signals at the Telephone Company Hub Central Office.

Example:



Material and revised material appearing on this page formerly appeared on 14th Revised Page 245 of Tariff F.C.C. No. 68.

(This page filed under Transmittal No. 2176)

ACCESS SERVICE

20. MegaLink Custom Services (Cont'd)

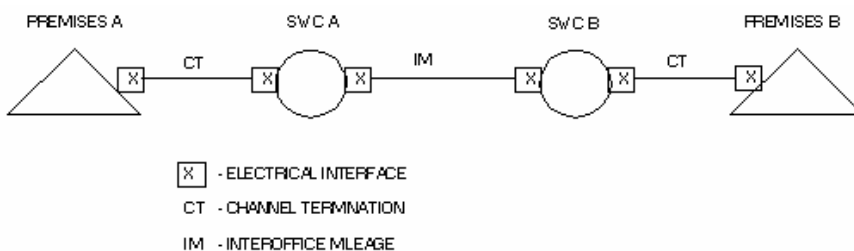
20.1 General Description (Cont'd)

Customer Designated Premises to Customer Designated Premises

Electrical Interface to Electrical Interface

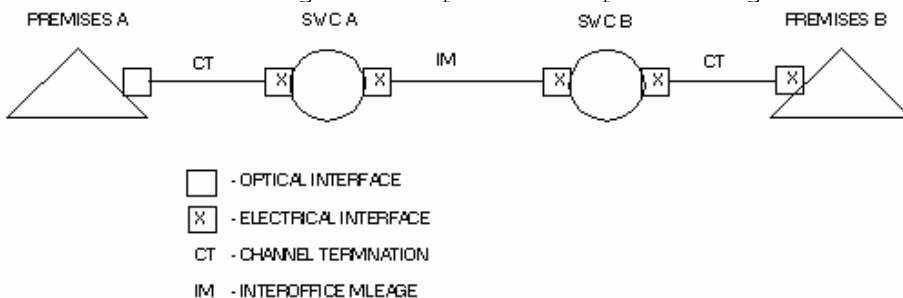
This service configuration provides electrical DS3 signals at both customer designated premises.

Example:



Optical Interface to Electrical Interface

This service configuration provides optical signals at one



Material and revised material appearing on this page formerly appeared on 9th Revised Page 246 of Tariff F.C.C. No. 68.

(This page filed under Transmittal No. 2176)

ACCESS SERVICE

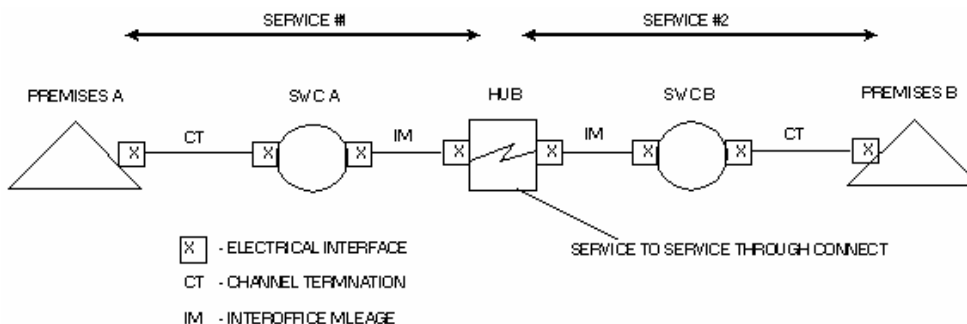
20. MegaLink Custom Services (Cont'd)

20.1 General Description (Cont'd)

Service to Service Through Connect Arrangement

The Service to Service Through Connect Arrangement provides for an interconnection of two MegaLink Custom Services, a MegaLink Custom Service and a Digital Transmission Link (DTL) associated with a Self-healing Transport Network (STN), or MegaLink Custom Service and ReliaNet DS3 Access Ports in the same Telephone Company Hub Central Office.

Example:



MegaLink Custom Service offers the customer Portability on existing services under certain provisions as set forth in Section 20.4 following. Portability is the ability to move MegaLink services to another location without incurring Termination Liabilities.

(This page filed under Transmittal No. 2643)

ACCESS SERVICE

20. MegaLink Custom Services (Cont'd)20.2 Optional Feature, BSE and Function Descriptions20.2.1 Central Office Multiplexing BSE

DS3 to DS1 multiplexing provides an arrangement in a Telephone Company Hub Central Office that converts a DS3 signal to 28 DS1 channels using digital time division multiplexing.

When ordering multiplexing, the customer will select the designated hub(s) and subtending wire center(s) from the National Exchange Carriers Association, Inc. Tariff F.C.C. No. 4 Subtending Wire Center section(s) and Wire Center section(s). A description of the types of multiplexing hubs are as set forth in 7.1.3(B)(3) (Intermediate Multiplexing Hub), 7.1.3(B)(4) (Super Intermediate Multiplexing Hub) and 7.1.3(B)(5) (Terminus Multiplexing Hub) preceding. (N)

20.2.2 SecureNet

SecureNet options provide MegaLink Custom Service with automatic restoration capabilities which prevent service interruption in the event of a single facility break or a single electronics failure. SecureNet options are available only where fiber optic facilities are used to provide the underlying MegaLink Custom Service.

The automatic restoration capabilities are provided through the use of intelligent components which are capable of sensing a transmission failure and by separately routing the primary transmission path and secondary transmission path in geographically separate fiber optic cables. In the event of a transmission failure, the intelligent components will automatically switch the MegaLink Custom Service to either the primary or secondary path within 2.0 seconds.

The primary and secondary transmission paths for MegaLink Custom Service will be routed in geographically separate fiber optic cables up to the nearest point to the customer's premises that route redundancy can be achieved.

(This page filed under Transmittal No. 2235)

ACCESS SERVICE

20. MegaLink Custom Services (Cont'd)20.2 Optional Feature, BSE and Function Descriptions (Cont'd)20.2.2 SecureNet (Cont'd)

In the event a facility break occurs in that portion of the service for which route redundancy could not be achieved, the Telephone Company cannot guarantee automatic restoration of the customer's service within 2.0 seconds and a credit as set forth for SecureNet in Section 2.5.5(B) (When A Credit Allowance Applies) will not apply.

SecureNet options are only available with MegaLink Custom Service, with electrical interfaces at the customer's premises. SecureNet options are available at those serving wire centers where equipment and facilities are available. Hub Redundancy and Serving Wire Center and Facility Redundancy will be provided in those serving wire centers found in the National Exchange Carrier Association, Inc. Tariff F.C.C. No. 4. Technical specifications may be referenced in Technical Reference TP 76625 and in Technical Reference TR-INS-000342. (T)

(This page filed under Transmittal No. 2727)

Issued: September 28, 1998

Effective: October 13, 1998

Four AT&T Plaza, Dallas, Texas 75202

ACCESS SERVICE

20. MegaLink Custom Services (Cont'd)

20.2 Optional Feature, BSE and Function Descriptions (Cont'd)20.2.2 SecureNet (Cont'd)

SecureNet is provided with three options allowing for various levels of self-healing capabilities.

(A) Hub Redundancy

This option provides automatic restoration and physical route redundancy from the customer's premises to the customer's DS3/DS1 multiplexing hub in the event of a single loop, wire center, interoffice facility or hub failure.

Hub Redundancy is only available for MegaLink Custom Service, with electrical interfaces at the customer's premises, provided from a customer's premises to a DS3/DS1 multiplexing hub office. The MegaLink Custom Service must be equipped with a DS3 to DS1 Central Office Multiplexing arrangement. The Hub Redundancy option includes the multiplexing capabilities provisioned on the secondary transmission path at the redundant DS3/DS1 multiplexing hub office. The serving wire center and multiplexing hub may be collocated. This option includes interoffice mileage for the redundant facility.

Hub Redundancy is available where more than one exchange telephone company is involved (i.e., jointly provided service) when those telephone companies have agreed upon facilities and terms and conditions of the jointly provided service.

(C)

(This page filed under Transmittal No. 2259)

ACCESS SERVICE

20. MegaLink Custom Services (Cont'd)

20.2 Optional Feature, BSE and Function Descriptions (Cont'd)

20.2.2 SecureNet (Cont'd)

(B) Serving Wire Center and Facility Redundancy

This option provides automatic restoration and physical route redundancy from the customer's premises to the customer's Telephone Company Hub Central Office or from the customer's premises to another premises in the event of a single loop, wire center or interoffice facility failure. The customer's serving wire center and Telephone Company Hub Central Office are separate locations. This option includes interoffice mileage for the redundant facility.

Serving Wire Center and Facility Redundancy is available where more than one exchange telephone company is involved (i.e., jointly provided service) when those telephone companies have agreed upon facilities and terms and conditions of the jointly provided service.

(S)
|
(S)

Reissued material is filed under the authority of Special Permission No. 95-180 of the F.C.C. and is deferred until March 6, 1995.

(This page filed under Transmittal No. 2427)

Issued: February 13, 1995

Effective: February 14, 1995

Four AT&T Plaza, Dallas, Texas 75202

ACCESS SERVICE

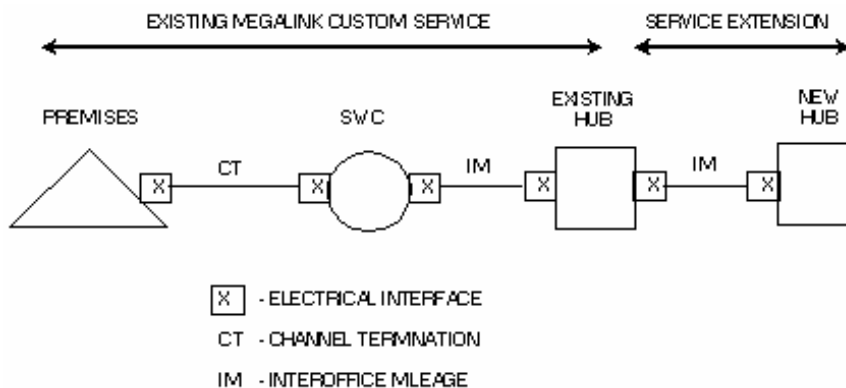
20. MegaLink Custom Services (Cont'd)

20.2 Optional Feature, BSE and Function Descriptions (Cont'd)

20.2.3 Service Extension

An existing MegaLink Custom Service can be extended from the current Telephone Company Hub Central Office to another Telephone Company Hub Central Office via a Service Extension.

Example:



Material and certain revised material appearing on this page formerly appeared on 12th Revised Page 246.3 of Tariff F.C.C. No. 68.

(This page filed under Transmittal No. 2176)

ACCESS SERVICE

20. MegaLink Custom Services (Cont'd)20.2 Optional Feature, BSE and Function Descriptions (Cont'd)20.2.4 STN Interconnection with SecureNet Equipped MegaLink Custom Service

This option is provided for interconnection of an STN with MegaLink Custom Service equipped with the SecureNet Serving Wire Center and Facility Redundancy feature as set forth in 20.2.2(B) (Serving Wire Center and Facility Redundancy).

20.2.5 C-Bit Parity Framing Format Option

(Sy)

C-Bit Parity Framing Format Option (C-Bit) allows customers to specify the C-Bit format rather than using the standard M13 multiplex format interface. C-Bit allows DS3 framing bits to be rearranged for additional performance monitoring capabilities by the customer. The performance monitoring capability is inherent to the customer's CPE. The Telephone Company does not monitor the C-Bits for performance or any other purpose.

C-Bit is available when MegaLink Custom Service is provided over SONET facilities from end to end. C-Bit is not available if the customer's MegaLink Custom Service:

- Is provided over asynchronous fiber, microwave radio, or other incompatible facility; or
- Utilizes multiplexing as described in Section 20.2.1

If C-Bit is ordered with new MegaLink Custom Service, the C-Bit nonrecurring charge does not apply. If C-Bit is ordered for existing MegaLink Custom Service and is available, a nonrecurring charge will apply as set forth in Section 20.5.7 (J) following.

Customers with existing MegaLink Custom service provided over incompatible facilities may order C-Bit if SONET facilities exist for the service route requested. SONET facilities are available at those serving wire centers where equipment and facilities exist, as found in the National Exchange Carrier Association, Inc. (NECA) Tariff F.C.C. No. 4. In this case, the customer must disconnect their existing service and order new service. Customers under an existing term pricing plan will not be charged a termination charge, provided the conditions contained in 20.4.6 following are met. All applicable nonrecurring charges for the new service will apply, however, the C-Bit nonrecurring charge will not apply for the new service being ordered as described above.

(Sy)

(Nx)

(Nx)

(Nxx)

(Nxx)

(Nxx)

(Sy)

(Sy)

x Issued under authority of Special Permission No. 99-032 of the F.C.C.

y Reissued material is scheduled to become effective March 5, 1999.

z Issued under authority of Special Permission No. 91-258 of the F.C.C.

(This page filed under Transmittal No. 2750)

Issued: March 3, 1999

Effective: March 5, 1999

Four AT&T Plaza, Dallas, Texas 75202

ACCESS SERVICE

20. MegaLink Custom Services (Cont'd)20.3 Service Provisioning20.3.1 Design Layout Report

At the request of the customer, the Telephone Company will provide to the customer the make-up of the facilities and services provided under this tariff as MegaLink Custom Service to aid the customer in designing its overall service. This information will be provided in the form of a Design Layout Report. The Design Layout Report will be provided to the customer at no charge, and will be reissued or updated whenever these facilities are materially changed.

20.3.2 Acceptance Testing

At no additional charge, the Telephone Company will, at the customer's request, cooperatively test at the time of installation, the parameters contained in Technical Reference TP 76625.

In addition to the above tests, Additional Cooperative Acceptance Testing, to test other parameters not defined in Technical Reference TP 76625, is available at the customer's request. Charges as defined in Section 13.3.7 (Special Access, MegaLink Custom Service and STN Rates and Charges) will apply. All test results will be made available to the customer upon request.

20.3.3 Diversity

A customer may request that the facilities used to provide MegaLink Custom (DS3) services be specially routed. The regulations, rates and charges for Diversity are set forth in Section 27.

(This page filed under Transmittal No. 2727)

ACCESS SERVICE

20. MegaLink Custom Services (Cont'd)20.4 Rate Regulations

This section contains the specific regulations governing the rates and charges which may apply to MegaLink Custom Service.

The rates and charges in effect at the time the MegaLink Custom Service is installed and accepted by the customer are the rates and charges which will be billed to the customer requesting the service. The rates and charges in effect at that time may not be the same as those rates and charges in effect at the time the customer requests the service.

If the Telephone Company initiates rate changes resulting in a decrease of rates for an existing service with a 1, 3, 5 or 10 year^{(1) (2)} billing period, those rate changes will be passed along to the customer. Rate changes resulting in an increase of rates for an existing service with a 1, 3, 5 or 10 year^{(1) (2)} billing period will not exceed the original rate for that selected bill period. Rate changes may occur as a result of F.C.C. action.

Rates and charges (both monthly and nonrecurring) for Kansas MegaLink Custom Services (identified as Nonzoned) will be applied as contained in 20.5. Rates and charges for Arkansas, Missouri, Oklahoma and Texas will be applied based on Pricing Zones as contained in 20.5. The Pricing Zone for each serving wire center is as specified in the National Exchange Carrier Association, Inc. Tariff F.C.C. No. 4. Additionally, if the Channel Mileage crosses Pricing Zones (e.g., serving wire center 1 is in Pricing Zone 1 and serving wire center 2 is in Pricing Zone 2), the higher priced mileage rate will be applied to the entire channel mileage.

Effective November 1, 2017, Competitive Counties and Non-Competitive Counties have been established and are defined in Section 2.7 and the wire centers within such counties are listed in Sections 15.2(C) and (D). (N)

For all rate elements other than End User channel terminations and their optional features,⁽⁴⁾ price flex rates and charges, as provided in Section 39.5.2, apply, regardless of whether the county is Competitive or Non-Competitive.

For End User channel terminations and their optional features,^{(3) (4)} the application of "price cap" or "price flex" is dependent upon whether or not the serving wire center is located in a Competitive County. If the End User channel termination is in a Competitive County, price flex rates and charges apply, as provided in Section 39.5.2. If the End User channel termination is in a Non-Competitive County, price cap rates and charges apply, as provided in Sections 7.3 and 20.5. (N)

⁽¹⁾ Effective October 25, 2014, MegaLink Custom Services 10-year term plans are no longer available for new circuits. There is no change for existing circuits.

⁽²⁾ Effective on September 13, 2017, MegaLink Custom Services 5-year Payment Plans are no longer available, including for any otherwise available renewals or conversions. Circuits already subject to a MegaLink Custom Services 5-year Payment Plan, as of September 13, 2017, will continue to be provided under the then-current MegaLink Custom Services 5-year Payment Plan term for the remainder of that term. (N)

⁽³⁾ Until February 1, 2018, End User channel terminations and their optional features that had not qualified for Phase II, Level 2 pricing flexibility prior to June 1, 2017, will be rated at the price cap rate regardless of the status of the county in which the applicable wire center is located. (N)

⁽⁴⁾ Optional features for End User channel terminations includes all optional features in Section 7.3, except for the Loop Transfer Arrangement, and all optional features in Section 20.5. Certain material previously appearing on this page now appears on 1st Revised Page 20-16.1. (N)

(This page filed under Transmittal No. 3447)

ACCESS SERVICE

20. MegaLink Custom Services (Cont'd)20.4 Rate Regulations (Cont'd)

MegaLink Custom Services offer Portability for any existing term priced service provided each of the following conditions are met:

- (a) Service to be moved is either a 5 year⁽²⁾ or 10 year⁽¹⁾ Billing Period.
- (b) Customer must begin a new Billing Period (5 years or greater)⁽¹⁾⁽²⁾ for the service to be moved and the monthly revenue must be equal to or greater than that of the service in original location.
- (c) New service location is within the same state (i.e. Arkansas, Kansas, Missouri, Oklahoma or Texas) as the original service.
- (d) Facilities and equipment are available in the desired new location.

Charges to MegaLink Custom portability are set forth in 20.4.2(G).

20.4.1 Rate Categories

There are four basic rate categories which apply to MegaLink Custom Service:

- Channel Termination
- Interoffice Mileage
- Service to Service Through Connect Arrangements
- Optional Features, BSEs and Functions

⁽¹⁾ Effective October 25, 2014, MegaLink Custom Services 10-year term plans are no longer available for new circuits. There is no change for existing circuits.

⁽²⁾ Effective on September 13, 2017, MegaLink Custom Services 5-year Payment Plans are no longer available, including for any otherwise available renewals or conversions. Circuits already subject to a MegaLink Custom Services 5-year Payment Plan, as of September 13, 2017, will continue to be provided under the then-current MegaLink Custom Services 5-year Payment Plan term for the remainder of that term.

Certain material appearing on this page previously appeared on 16th Revised Page 20-16.

(This page filed under Transmittal No. 3447)

Issued: October 17, 2017

Effective: November 1, 2017

675 W. Peachtree St. NW, Atlanta, GA 30308

ACCESS SERVICE

20. MegaLink Custom Services (Cont'd)

(M)

20.4 Rate Regulations (Cont'd)

(T)

20.4.1 Rate Categories (Cont'd)

(T)

(A) Channel Termination

(M)

Channel Termination provides for the communications path between a customer designated premises and the serving wire center for that premises or for the communications path within a building which connects a customer's facilities with a customer designated premises without routing through the serving wire center.

Two types of Channel Terminations are provided.

(1) Electrical Channel Termination

An Electrical Channel Termination provides for an electrical interface at the customer designated premises.

(2) Optical Channel Termination

An Optical Channel Termination provides for an optical interface at the customer designated premises.

Certain material and revised material appearing on this page formerly appeared on 19th Revised Page 247 of Tariff F.C.C. No. 68.

Certain material appearing on this page formerly appeared on 11th Revised Page 248 of Tariff F.C.C. No. 68.

(This page filed under Transmittal No. 2176)

Issued: March 3, 1992

Effective: July 1, 1992

Four AT&T Plaza, Dallas, Texas 75202

ACCESS SERVICE

20. MegaLink Custom Services (Cont'd)

(M)

20.4 Rate Regulations (Cont'd)

(T)

20.4.1 Rate Categories (Cont'd)

(T)

(B) Interoffice Mileage

(M)

Interoffice Mileage provides for the transmission facilities between the serving wire centers associated with two customer designated premises, between a serving wire center and a Telephone Company Hub Central Office or, in the case of a Service Extension, between two Telephone Company Hub Central Offices.

There are two components of Interoffice Mileage.

(1) Interoffice Fixed

The Interoffice Fixed charge provides for the electronic equipment required to terminate an interoffice channel in the serving wire center(s) and Telephone Company Hub Central Office(s).

(2) Per Mile

The Per Mile charge provides for the electronic equipment and fiber optic cable necessary to provide the interoffice transport.

Material and revised material appearing on this page formerly appeared on 9th Revised Page 249 of Tariff F.C.C. No. 68.

(This page filed under Transmittal No. 2176)

Issued: March 3, 1992

Effective: July 1, 1992

Four AT&T Plaza, Dallas, Texas 75202

ACCESS SERVICE

20. MegaLink Custom Services (Cont'd)20.4 Rate Regulations (Cont'd)20.4.1 Rate Categories (Cont'd)(C) Service to Service Through Connect Arrangements

The Service to Service Through Connect Arrangement rate category provides for an interconnection of two MegaLink Custom Services or services with equivalent interface transmission speeds (e.g., STN DTL at 44.736 Mbps, ReliaNet DS3 Access Ports, etc.) in the same Telephone Company Hub Central Office.

(C)
|
(C)(D) Optional Features, BSEs and Functions

The Optional Features, BSEs and Functions rate category provides for optional features, BSEs and functions which may be added to a MegaLink Custom Service to improve its quality or utility to meet specific communications requirements.

(1) Multiplexing

The Multiplexing rate category provides for an arrangement that converts a DS3 signal to 28 DS1 channels using digital time division multiplexing.

(2) STN Interconnection with SecureNet Equipped MegaLink Custom Service

The STN Interconnection with SecureNet equipped MegaLink Custom Service rate category provides automatic restoration capabilities which prevent service interruption in the event of a single facility break or a single electronics failure.

(This page filed under Transmittal No. 2628)

ACCESS SERVICE

20. MegaLink Custom Services (Cont'd)20.4 Rate Regulations (Cont'd)20.4.1 Rate Categories (Cont'd)(E) Collocation Transport

Collocation Transport provides for the transmission facilities between collocation arrangements located in Telephone Company Central Offices.

There are two components of Collocation Transport.

(1) Inter/Intra Office Fixed

Inter/Intra office fixed rate element provides for the electronic equipment required to terminate a channel between two collocation arrangements located either in the same central office (intra) or in two separate central offices (inter).

(2) Inter Office Per Mile

The Per Mile charge provides for the electronic equipment and facilities necessary to provide the interoffice transport between two collocation arrangements.

(This page filed under Transmittal No. 2827)

Issued: May 15, 2000

Effective: May 30, 2000

Four AT&T Plaza, Dallas, Texas 75202

ACCESS SERVICE

20. MegaLink Custom Services (Cont'd)20.4 Rate Regulations (Cont'd)20.4.2 Nonrecurring Charges*

(C)

Nonrecurring charges are one-time charges that apply for specific work activity (i.e., installation of service or change to an existing service). The types of nonrecurring charges that apply for MegaLink Custom Service are:

- Installation of service
- Installation of optional features, BSEs and functions
- Installation of service to service through connect arrangements
- Service rearrangements
- Moves

(A) Nonrecurring Charges for the Installation of MegaLink Custom Service

Nonrecurring charges apply for each service installed and are applied per DS3 or DS3 equivalent, per customer designated premises on a first and additional basis.

The initial DS3 or DS3 equivalent incurs the first nonrecurring charge for each channel termination associated with the DS3 or DS3 equivalent. The remaining DS3s or DS3 equivalents incur the additional nonrecurring charge for each channel termination.

In order to receive the benefit associated with ordering multiple DS3 or DS3 equivalents, the following criteria must be met:

- Same Access Service Order
- Same Application for Service Date
- Same Due Date
- Identical Services
- Same Billing Account Number (BAN)
- Same Two Service End Points

* For Services ordered under MVP, refer to Section 38.3(E)(5).

(This page filed under Transmittal No. 2852)

Issued: December 15, 2000

Effective: December 30, 2000

Four AT&T Plaza, Dallas, Texas 75202

ACCESS SERVICE

20. MegaLink Custom Services (Cont'd)20.4 Rate Regulations (Cont'd)20.4.2 Nonrecurring Charges (Cont'd)(B) Nonrecurring Charges for the Installation of Service Extensions

Service extensions to single or multiple hub locations ordered with the same due date as the associated DS3 or DS3 equivalent will not incur a nonrecurring charge. Service extensions to single or multiple hub locations ordered with a different due date than the associated DS3 or DS3 equivalent will incur a first and additional nonrecurring charge per DS3 or DS3 equivalent, per service extension.

In order to receive the benefit associated with ordering multiple DS3 or DS3 equivalents for one Service Extension, the following criteria must be met:

- Same Access Service Order
- Same Application for Service Date
- Same Due Date
- Identical Services
- Same Billing Account Number (BAN)
- Same Two Service End Points

(M)

(T)

(T)

(M)

(M)

(T)

(M)

(M)

(T)

(M)

(M)

(M)

(M)

(T)

(T)

(M)

Material and revised material appearing on this page formerly appeared on 10th Revised Page 251 of Tariff F.C.C. No. 68.

(This page filed under Transmittal No. 2176)

Issued: March 3, 1992

Effective: July 1, 1992

Four AT&T Plaza, Dallas, Texas 75202

ACCESS SERVICE

20. MegaLink Custom Services (Cont'd)20.4 Rate Regulations (Cont'd)20.4.2 Nonrecurring Charges (Cont'd)(C) Nonrecurring Charges for the Installation of Optional Features, BSEs and Functions

Nonrecurring charges apply for the installation of optional features, BSEs and functions available with MegaLink Custom Service. The charge applies whether the feature, BSE or function is installed coincident with the initial installation of service or at any time subsequent to the installation of the service, with the exception of C-Bit Parity Framing Format Option on MegaLink Custom Service, as described below. (N)

(1) DS3 to DS1 Multiplexing

The nonrecurring charges for DS3 to DS1 multiplexers are applied on a per multiplexer basis.

(2) SecureNet

The nonrecurring charges for SecureNet are applied on a per premises, per DS3 basis.

(3) STN Interconnection with SecureNet Equipped MegaLink Custom Service

The nonrecurring charges for SecureNet Interconnection are applied on a per DS3 per interconnection basis. In addition, nonrecurring charges are applicable for two (2) Service to Service Through Connect Arrangements per DS3 per interconnection. (N)

Custom Service(4) C-Bit Parity Framing Format Option on MegaLink

A nonrecurring charge is applied on a per DS3 first and additional basis when the option is added to existing MegaLink Custom Service. (N)

(D) Nonrecurring Charges for the Installation of Service to Service Through Connect Arrangements

The nonrecurring charges for Service to Service Through Connect Arrangements are applied per DS3 or DS3 equivalent basis.

(This page filed under Transmittal No. 2748)

ACCESS SERVICE

20. MegaLink Custom Services (Cont'd)20.4 Rate Regulations (Cont'd)20.4.2 Nonrecurring Charges (Cont'd)(E) Nonrecurring Charges for Service Rearrangements

Nonrecurring charges may apply for Service Rearrangements which are administrative changes to existing services which do not result in a change in the minimum period requirements or a change in the physical location of the point of termination at a customer designated premises.

The customer requesting administrative service rearrangements will be responsible for all billing associated with the changes requested.

A nonrecurring charge will apply per DS3 or DS3 equivalent on a first and additional basis for the following change or combination of changes requested by the customer on the same Access Order and will be charged as set forth in Section 20.5.8 (Administrative Charges). (T)

- Change of Access Carrier Name Abbreviation (ACNA)
- Change of Billing Account Number (BAN)
- Change of Customer Circuit Identification (CKR)
- Change in customer of record

A change in the customer of record (i.e., existing access service is provided and billed to a different entity) is considered an administrative service rearrangement when the new customer assumes liability for all current and prior charges for the service(s) and has complied with the regulations and conditions as set forth in Section 2.2.1 (Assignment and Transfer of Facilities), preceding, and no physical relocation or rearrangement of the service is required.

(This page filed under Transmittal No. 2482)

Issued: July 20, 1995

Effective: September 3, 1995

Four AT&T Plaza, Dallas, Texas 75202

ACCESS SERVICE

20. MegaLink Custom Services (Cont'd)20.4 Rate Regulations (Cont'd)20.4.2 Nonrecurring Charges (Cont'd)(E) Nonrecurring Charges for Service Rearrangements
(Cont'd)

When a change of customer name and change in billing data (name, address, contact name, or telephone number) are requested in association with a change in the customer of record, the Access Order Charge will apply as set forth in Section 5.3.1 (Access Order Charges) preceding.

Certain administrative changes will be made without charge(s) to the customer. These administrative changes are as follows:

- Change of customer name, (i.e., the customer of record does not change but rather the customer of record changes its name--e.g., ABC Communications to All Business Concepts Communications).
- Change of customer's or customer's end user premises address when the change of address is not a result of a physical relocation of the service.
- Change in billing data (name, address, contact name, or telephone number).
- Change of agency authorization.
- Change of customer test line number.
- Change of customer's or customer's end user contact name or contact telephone number.
- Change of jurisdiction.

(F) Nonrecurring Charges for Moves

Nonrecurring charges apply for the work activity necessary to provide a change in the physical location of a customer's premises or the point of termination at a customer's premises. The nonrecurring charges for move activities are further explained in Section 20.4.12 (Moves).

(G) Nonrecurring Charges for Portability

Nonrecurring charges apply when a customer elects to relocate a MegaLink Custom Service under the Portability provision, as discussed in 20.4. The nonrecurring charge will be assessed on a per DS3 relocated basis. The specific charge will be the nonrecurring charge associated with the particular rate element which is being relocated, as specified in 20.5 (Rates and Charges).

(N)

(N)

(This page filed under Transmittal No. 2643)

20. MegaLink Custom Services (Cont'd)

20.4 Rate Regulations (Cont'd)

20.4.3 Monthly Recurring Rates

Monthly recurring rates are charges that apply each month or fraction thereof that MegaLink Custom Service is provided. For billing purposes, each month is considered to have 30 days.

Monthly Extension Rates

Monthly extension rates are charges that the customer may elect to be converted to at the end of a term plan, until a new term is selected or service is disconnected. Monthly extension rates are only available once the term plan has expired.

Monthly recurring rates apply to the following rate categories.

(A) Monthly Recurring Rates For Channel Termination

The monthly recurring rates for Channel Terminations are based on the Channel Termination Volume Options and billing periods selected by the customer.

The Channel Termination Volume Options designate the number of DS3s or DS3 equivalents associated with the service. The volume options include quantities of 1, 3, 6 and 12 DS3s or DS3 equivalents.

The Channel Termination charge also depends on the channel termination interface selected by the customer. A customer may select an electrical or optical interface.

Optical interfaces are provided on fiber facilities. When selecting an optical interface, the customer restates the bit rate (i.e., transmission speed) as an appropriate DS3 equivalent in order to determine the applicable rates.

(N)
|
(N)

(This page filed under Transmittal No. 2971)

ACCESS SERVICE

20. MegaLink Custom Services (Cont'd)20.4 Rate Regulations (Cont'd)20.4.3 Monthly Recurring Rates (Cont'd)(A) Monthly Recurring Rates For Channel Termination
(Cont'd)

The following chart illustrates typical transmission speeds available for optical interfaces and the DS3 equivalent for each speed.

<u>Transmission Speed</u>	<u>Equivalent DS3s</u>
45 Mbps	1
150 Mbps	3
565 Mbps	12

Equipment utilized by the customer to terminate an optical signal provided by the Telephone Company must be compatible with the equipment the Telephone Company utilizes to transmit the optical signal.

One Channel Termination charge applies per customer designated premises at which the service is terminated. This charge applies even if the customer designated premises and the serving wire center are located in the same Telephone Company building. Channel Termination Volume Options for each Channel Termination for a customer designated premises to customer designated premises service must be the same.

(This page filed under Transmittal No. 2296)

ACCESS SERVICE

20. MegaLink Custom Services (Cont'd)

(M)

20.4 Rate Regulations (Cont'd)

(T)

20.4.3 Monthly Recurring Rates (Cont'd)

(T)

(A) Monthly Recurring Rates For Channel Termination
(Cont'd)

(T)

(T)

(M)

To develop a Channel Termination rate for a quantity of DS3s or DS3 equivalents not contained in a Channel Termination Volume Option, the customer must specify the appropriate Volume Options which result in the requested number of DS3s or DS3 equivalents.

Example: A customer who wants a 5 year billing period for 7 DS3s from a premises to a Telephone Company Hub Central Office may choose the following Channel Termination Rates:

A 5 year Electrical Channel Termination Volume Option of 6 DS3s

plus

A 5 year Electrical Channel Termination Volume Option of 1 DS3

Electrical interface and optical interface Channel Termination Volume Options may not be combined on one request for service at the same customer designated premises.

(M)

(B) Monthly Recurring Rates For Interoffice Mileage

(T)

(T)

The Interoffice Mileage charges are based on the number of interoffice miles, volume option and billing period selected.

When interoffice mileage is required, the following charges will apply.

Material and certain revised material appearing on this page formerly appeared on 11th Revised Page 248 and 10th Revised Page 264 of Tariff F.C.C. No. 68.

Certain revised material appearing on this page formerly appeared on 17th Revised Page 250 and 7th Revised Page 265 of Tariff F.C.C. No. 68.

(This page filed under Transmittal No. 2176)

Issued: March 3, 1992

Effective: July 1, 1992

Four AT&T Plaza, Dallas, Texas 75202

ACCESS SERVICE

20. MegaLink Custom Services (Cont'd) (M)
- 20.4 Rate Regulations (Cont'd) (T)
- 20.4.3 Monthly Recurring Rates (Cont'd) (T)
- (B) Monthly Recurring Rates For Interoffice Mileage (T)
(Cont'd) (T)
- (1) Interoffice Fixed (M)
- The Interoffice Fixed charge is based on the billing period selected by the customer and is applied on a per DS3 or DS3 equivalent basis. (T)
- The rate is developed by multiplying the number of DS3s or DS3 equivalents by the appropriate fixed charge based on the billing period specified by the customer. (T)
- (2) Per Mile (M)
- A Per Mile rate is based on the Channel Termination Volume Option and billing period selected by the customer and is applied on a per airline mile basis. (T)
- The Volume Option utilized to develop the Per Mile rate must be the same as the Channel Termination Volume Option specified by the customer. (T)
- To calculate the appropriate rate, multiply the number of miles, as calculated in Section 20.4.7 (Determining the Interoffice Mileage), by the appropriate Per Mile rate, for the billing period selected. (M)

Material and revised material appearing on this page formerly appeared on 17th Revised Page 250 and 7th Revised Page 265 of Tariff F.C.C. No. 68.

(This page filed under Transmittal No. 2176)

Issued: March 3, 1992

Effective: July 1, 1992

Four AT&T Plaza, Dallas, Texas 75202

ACCESS SERVICE

20. MegaLink Custom Services (Cont'd) (M)
- 20.4 Rate Regulations (Cont'd) (T)
- 20.4.3 Monthly Recurring Rates (Cont'd) (T)
- (C) Monthly Recurring Rates For Optional Features, BSEs and Functions (M)
- (1) DS3 to DS1 Multiplexing (T)
- The recurring rates for DS3 to DS1 multiplexing arrangements are applied on a per multiplexer basis and are based on the billing period selected by the customer. (M)
- (2) SecureNet (T)
- The recurring rates for SecureNet are applied on a per premises, per DS3 basis and are based on the billing period selected by the customer. (T)
- (3) Service Extensions (T)
- The recurring rates applicable for a Service Extension utilize the Interoffice Fixed and Per Mile charge applicable for MegaLink Custom Service. (M)
- The Interoffice Fixed rate is based on the billing period selected by the customer and is applied on a per DS3 or DS3 equivalent basis. The Interoffice Fixed rate for the Service Extension is applicable in addition to an Interoffice Fixed charge which may be applicable for the MegaLink Custom Service. (T)
- The Per Mile rate for a Service Extension is based on the billing period and Volume Option specified by the customer and is applicable for the appropriate number of miles from the original Telephone Company Hub Central Office to the new Telephone Company Hub Central Office. (M)

Material and certain revised material appearing on this page formerly appeared on 17th Revised Page 250, 10th Revised Page 265.1 and 13th Revised Page 265.2 of Tariff F.C.C. No. 68.

Certain revised material appearing on this page formerly appeared on 7th Revised Page 265 of Tariff F.C.C. No. 68.

(This page filed under Transmittal No. 2176)

Issued: March 3, 1992

Effective: July 1, 1992

Four AT&T Plaza, Dallas, Texas 75202

ACCESS SERVICE

20. MegaLink Custom Services (Cont'd)

20.4 Rate Regulations (Cont'd)

20.4.3 Monthly Recurring Rates (Cont'd)

(C) Monthly Recurring Rates For Optional Features, BSEs and Functions (Cont'd)

(4) STN Interconnection with SecureNet Equipped MegaLink Custom Service

(N)

The recurring rates for this interconnection are applied per DS3 per interconnection and are based on the billing period selected by the customer.

(This page filed under Transmittal No. 2255)

Issued: January 29, 1993

Effective: March 15, 1993

Four AT&T Plaza, Dallas, Texas 75202

ACCESS SERVICE

20. MegaLink Custom Services (Cont'd)20.4 Rate Regulations (Cont'd)20.4.4 Billing Period

- (A) The billing period establishes the amount of time that rates for a service are stabilized by the Telephone Company.

The following billing periods are available for MegaLink Custom Services and associated optional features, BSEs and functions:

Monthly (Temp-DS3)
Month to Month*
Monthly Extension:

1 year, 3 year, 5 year⁽²⁾ and 10 year⁽¹⁾

(N)

One month prior to the expiration of the billing period, with the exception of Temp-DS3, the customer must select one of the following options:

- (1) Renew the service for a specified period of time as provided in this tariff under the regulations, nonvintage rates in effect at the time of expiration of the existing service.
- (2) Elect to be converted to monthly extension rates.
- (3) Elect to disconnect the service upon expiration of the billing period.

If a customer selects neither (1) nor (3) preceding, the current regulations, non-vintage rates and charges for the Month to Month rate option will be applied upon expiration of the billing period.*

If the customer does not choose one of the preceding options prior to the expiration date of the commitment period, monthly extension rates will be applied upon expiration of the commitment period.

Option (1) as described preceding is available to customers if the term plans remain in effect and are not grandfathered. If the term plans are grandfathered and the service expires, absent customer notification, the customers expired service will be converted to monthly extension rates upon expiration.

The customer must provide the Telephone Company with a written notice of intent to extend the DS3 billing period no later than one month prior to the expiration of the service period.

The customer's existing service will not be subject to the 1 year minimum service period after reverting to the monthly extension rate option.

Nonrecurring charges are not applicable for services renewed, as long as the same number of DS3s are renewed. Any change in the number of DS3s will incur the appropriate nonrecurring charges.

For Temp-DS3 the minimum billing period is one (1) month and the maximum billing period is eleven (11) months.

* This option will no longer be available for new circuits provisioned on or after, November 21, 2003. There will be no change to existing circuits.

⁽¹⁾ Effective October 25, 2014, MegaLink Custom Services 10-year term plans are no longer available for new circuits. There is no change for existing circuits.

⁽²⁾ Effective on September 13, 2017, MegaLink Custom Services 5-year Payment Plans are no longer available, including for any otherwise available renewals or conversions. Circuits already subject to a MegaLink Custom Services 5-year Payment Plan, as of September 13, 2017, will continue to be provided under the then-current MegaLink Custom Services 5-year Payment Plan term for the remainder of that term.

(N)
|
(N)

(This page filed under Transmittal No. 3445)

ACCESS SERVICE

20. MegaLink Custom Services (Cont'd)20.4 Rate Regulations (Cont'd)20.4.4 Billing Period (Cont'd)

- (B) Provided the end points remain the same, a customer may request to convert from MegaLink Custom Service Vintage rates and charges to MegaLink Custom Service rates and charges. All terms and conditions will apply as set forth in 20.1 through 20.5.8.

With the exception of the Access Order Charge as set forth in 5.3.1, no nonrecurring charges will apply.

A customer must establish a minimum of a 5-year billing period if 5 or more years remain on the existing Vintage billing period. If the existing Vintage billing period is less than 5 years but more than 1 year, a minimum of a 3-year billing period must be established. For an existing Vintage billing period of 1 year or less, a customer must establish a Month-to-Month billing period for a minimum of 1 year.

20.4.5 Minimum Service Periods

Minimum service periods establish the minimum period for which a MegaLink Custom Service or an optional feature, BSE and function will be provided.

The minimum service periods are as follows:

MegaLink Custom Service	1 year	
Temp-DS3	1 month	
Service Extension	1 year	
SecureNet Options	1 year	
Central Office Multiplexing	1 month*	(C)
Central Office Multiplexing 1 year		(N)
Interoffice Mileage		(N)
-(Fixed and Per Mile) 1 year		(N)

When a service is discontinued prior to the expiration of the minimum service period, the applicable charge will be the total monthly charges for the remainder of the minimum service period plus termination charges for the remainder of the billing period as described in Section 20.4.6.

Services which are terminated after the minimum service period and prior to the expiration of the billing period are subject to termination charges as described in Section 20.4.6 (Termination Charges).

If a customer requests a change from a MegaLink Custom Service Vintage billing period to a MegaLink Custom Service billing period, a new minimum service period must be established.

*This option will no longer be available for new circuits provisioned on or after, November 21, 2003. There will be no change to existing circuits. (N)

(This page filed under Transmittal No. 2971)

ACCESS SERVICE

20. MegaLink Custom Services (Cont'd)

20.4 Rate Regulations (Cont'd)

20.4.6 Termination Charges

In the event service is terminated prior to the expiration of the minimum service period, charges, as specified in Section 20.4.5 (Minimum Service Periods), will apply. Termination charges do not apply to Temp-DS3 service. In the event service is terminated after the minimum service period and prior to the end of the billing period, a termination charge utilizing the following termination percentage will apply:

<u>Billing Period</u>	<u>Termination Percentage</u>	
1, 3, 5 or 10 year ^{(1) (2)}	20%	(N)

The termination charge is based on the volume option selected by the customer.

The termination charge is calculated as follows:

$$\text{monthly rate} \times \frac{\text{months remaining}}{\text{in billing period}} \times \text{termination percentage}$$

Example: A customer with a \$5,000 monthly rate terminates service with 10 months remaining in a 3 year billing period. The termination charge would be calculated as follows:

$$\$5,000 \times 10 \times .20 = \$10,000$$

The termination charge would be: \$10,000

If Special Construction applied for the service being terminated, an associated Termination Charge, as set forth in F.C.C. No. 69, Section 2.6.4 (Types of Liabilities and Charges), may apply.

When a MegaLink Custom service, which is billed under the Shared Use provision is terminated, the termination liability will be based on the full charges as listed in Section 20.5 herein, as opposed to the Shared Use billed amount.

⁽¹⁾ Effective October 25, 2014, MegaLink Custom Services 10 year term plans are no longer available for new circuits. There is no change for existing circuits.

⁽²⁾ Effective on September 13, 2017, MegaLink Custom Services 5-year Payment Plans are no longer available, including for any otherwise available renewals or conversions. Circuits already subject to a MegaLink Custom Services 5-year Payment Plan, as of September 13, 2017, will continue to be provided under the then-current MegaLink Custom Services 5-year Payment Plan term for the remainder of that term. (N)

(This page filed under Transmittal No. 3445)

ACCESS SERVICE

20. MegaLink Custom Services (Cont'd)20.4 Rate Regulations (Cont'd)20.4.6 Termination Charges (Cont'd)

When an existing DS3 circuit is reterminated in a Network Reconfiguration Port, termination charges as set forth in 20.4.5 (Minimum Service Periods), 20.4.6 (Termination Charges) and 20.4.12(B) (Moving Customer Premises), will only apply to the Optional Features, BSEs and Functions associated with the reterminated DS3 circuit. Termination charges will not apply to Channel Terminations and Interoffice Mileage associated with the reterminated DS3 circuit when the DS3 end points involved do not change.

Under the following conditions, a termination charge will not apply:

- At the time the customer modifies service as set forth in Section 20.4.13 (Modification of Service).
- At the time the customer relocates a DS3 to DS1 Multiplexer, as set forth in Section 20.4.14 (Relocation of a DS3 to DS1 Multiplexer).
- At the time the customer replaces a MegaLink Custom Service with a STN, DSRS or ReliaNet Service subject to the following criteria: (C)
 - (1) Both MegaLink Custom Service end points must be on the STN, DSRS or ReliaNet; (C)
 - (2) the Minimum Period for STN, DSRS or ReliaNet must be greater than or equal to the remaining MegaLink Custom Service Billing Period; and, (C)
 - (3) the total Minimum Period revenue for the STN, DSRS or ReliaNet must be greater than or equal to the remaining Billing Period revenue for the MegaLink Custom Service. (C)

(This page filed under Transmittal No. 2862)

Issued: April 12, 2001

Effective: April 27, 2001

Four AT&T Plaza, Dallas, Texas 75202

ACCESS SERVICE

20. MegaLink Custom Services (Cont'd)

(M)

20.4 Rate Regulations (Cont'd)

(T)

20.4.7 Determining Interoffice Mileage

(T)

(M)

The mileage to be used to determine the monthly rate for the Interoffice Per Mile rate is calculated on the airline distance between the two serving wire centers for a service with two channel terminations, between the serving wire center and the Telephone Company Hub Central Office or, in the case of a Service Extension, between two Telephone Company Hub Central Offices. The serving wire center associated with a customer designated premises is the serving wire center from which the customer designated premises would normally obtain dial tone.

To calculate the appropriate mileage, use the V&H coordinate method, as set forth in the National Exchange Carrier Association, Inc. Tariff F.C.C. No. 4. If the calculation results in a fraction of a mile, round up to the next whole mile.

Material and revised material appearing on this page formerly appeared on 12th Revised Page 256.2 of Tariff F.C.C. No. 68.

(This page filed under Transmittal No. 2176)

Issued: March 3, 1992

Effective: July 1, 1992

Four AT&T Plaza, Dallas, Texas 75202

ACCESS SERVICE

20. MegaLink Custom Services (Cont'd)20.4 Rate Regulations (Cont'd)20.4.8 Ordering Options and Conditions

MegaLink Custom Services are ordered under the Access Order provisions set forth in Section 5 (Ordering for Access Service) preceding. Also included in Section 5 are other charges which may be associated with ordering MegaLink Custom Service (e.g., Service Date Change Charges, Cancellation Charges, etc.)

Ordering, rating and billing procedures as set forth in Section 2.6 (Jointly Provided Access Services), preceding, will apply for MegaLink Custom Service where more than one exchange telephone company is involved (i.e., jointly provided service).

Temp-DS3 customers must submit connect and disconnect orders at the time of initial service order. Temp-DS3 service may be extended once for a maximum of 30 days provided the customer notifies the Telephone Company at least 15 days prior to the established disconnection date. Extensions beyond this period will not be permitted. (S)

20.4.9 Special Access Surcharge

Regulations for the Special Access Surcharge may apply for all jurisdictionally interstate special access facilities as set forth in Section 7.2.5 (Surcharge for Special Access Service) preceding.

20.4.10 Message Station Equipment Recovery Charge

Regulations for the Message Station Equipment Recovery Charge may apply as set forth in Section 7.2.17 (Message Station Equipment Recovery Charge) preceding.

Reissued material is filed under the authority of Special Permission No. 95-460 of the F.C.C. and is deferred until June 8, 1995.

(This page filed under Transmittal No. 2450)

Issued: April 24, 1995

Effective: April 24, 1995

Four AT&T Plaza, Dallas, Texas 75202

ACCESS SERVICE

20. MegaLink Custom Services (Cont'd)20.4 Rate Regulations (Cont'd)20.4.11 Shared Use

Shared use is the provision of Switched Access and MegaLink Custom Services over the same transmission path through the use of a common interface. Shared use is only available with MegaLink Custom Services provided from a customer designated premises to a Telephone Company Hub Central Office including Service Extensions provided between two Telephone Company Hub Central Offices.

Regulations for shared use facilities are set forth in 6.8.12 (Shared Use), 7.2 (Rate Regulations), 19.3 (Rate Regulations), 20.4 (Rate Regulations), 23.3 (Rate Regulations), 29.3 (Rate Regulations) and 30.3 (Rate Regulations). Ordering provisions for shared use facilities are set forth in 5.2.5 (Shared Use). (N) (N)

Existing MegaLink Custom facilities can be converted to shared use facilities by activating a portion of available capacity for Switched Access. Services provided over a shared use facilities are ordered, provided and rated either as Switched Access (i.e., Entrance Facility, Direct-Trunked Transport, Tandem-Switched Transport and Multiplexing) or as MegaLink Custom (i.e., Channel Termination, Interoffice Mileage and Multiplexer) as set forth following:

- (A) On shared use facilities, the customer for the Switched Access Service may be different from the customer for the MegaLink Custom Service. When the Switched Access Customer is not the same as the MegaLink Custom customer, all MegaLink Custom charges and Switched Transport charges (including Switched Transport features charges) will be billed to the customer who initially ordered the facility. All other Switched Access charges will be separately billed to the customer who ordered the Switched Access Service.
- (B) When an existing MegaLink Custom facility is converted to a shared use facility by using an available portion of the capacity for Switched Access Service, the applicable nonrecurring charges (including the Access Order Charge) will be the nonrecurring charges associated with the Switched Access service being ordered.

(This page filed under Transmittal No. 2855)

ACCESS SERVICE

20. MegaLink Custom Services (Cont'd)20.4 Rate Regulations (Cont'd)20.4.11 Shared Use (Cont'd)

- (C) The customer must place an order for each individual Switched Access Service or MegaLink Custom Service utilizing the shared use facility and must also specify the channel assignment for each service.
- (D) All channels within a shared use facility will be rated and billed as set forth in (1) through (5) following:
- (1) When a DS1 facility is ordered and provisioned as Switched Access, all channels, including spares, will be rated and billed as Switched Access until such time as the DS1 facility becomes shared use.
 - (2) When a DS1 facility is ordered and provisioned as a Special Access High Capacity Service, all channels, including spares, will be rated and billed as Special Access until such time as the DS1 facility becomes shared use.
 - (3) Once a DS1 facility, ordered as either Switched or Special Access, becomes shared use, all spare channels on the DS1 facility will be rated and billed as Special Access.
 - (4) On a DS3 shared use facility, ordered either as Switched Access or Megalink Custom Service, the Switched Access channels on the DS3 facility must equal the cumulative value of the channels (both active and spare) counted as Switched Access on each DS1 facility.

For example, a Switched Access DS1 facility, which contains 20 active and 4 spare channels, is activated on a shared use DS3 facility. The DS1 facility is considered pure switched access and the shared use DS3 facility is prorated by 24 switched channels, i.e., 24/672.

(This page filed under Transmittal No. 2490)

ACCESS SERVICE

20. MegaLink Custom Services (Cont'd)20.4 Rate Regulations (Cont'd)20.4.11 Shared Use (Cont'd)

(D) (Cont'd)

(4) (Cont'd)

Subsequently, 6 of the switched channels from the Switched Access DS1 facility are disconnected and become spare. Since the DS1 facility is still considered pure switched, the shared use DS3 facility will continue to be prorated by 24 switched channels, i.e., 24/672.

If, at a later date, the Switched Access DS1 facility becomes shared use by the addition of 6 Special Access channels, the DS1 spare channels will then default to Special Access. The DS3 facility will be prorated by 14/672 to reflect the new switched channel value on the shared use DS1, i.e., 14 active switched, 6 active special and 4 spare.

If multiplexing were associated with the shared use facility, the monthly recurring rate for the multiplexer would be prorated in the same manner as the Entrance Facility and Channel Termination.

(5) Channels being used in conjunction with CCS/SS7 Interconnection Service are included in the channel counts for Switched Access.

(E) Customers requesting Service Facility Moves (SFM) of shared use facilities will be assessed nonrecurring charges as specified in 6.8.10 (Moves), 7.2.7 (Moves), 19.3.7 (Moves), 20.4.12 (Moves) and 23.3.6 (Moves) with the nonrecurring charges being prorated as set forth in (D) (1) through (D) (5) preceding.

(This page filed under Transmittal No. 2588)

ACCESS SERVICE

20. MegaLink Custom Services (Cont'd)20.4 Rate Regulations (Cont'd)20.4.12 Moves

A move involves a change in the physical location of one of the following:

- The service facility
- The Point of Termination at the customer's premises;
- the customer's premises.

(C)

The charges are dependent upon the type of move requested by the customer.

(A) Service Facility Move (SFM)

(T)

An SFM is a customer-initiated move of one end of a Telephone Company central office distribution link (e.g., jumper cable, DSX patch cable, etc.) from one facility to another existing facility (of the same or higher transmission speed). All activity associated with the SFM must occur within a single Telephone Company location (central office).

In order to be considered an SFM, all associated order activity (disconnects and new connects) must occur simultaneously and the facility to which service is being moved must be existing and have sufficient capacity to accept the moved service.

An SFM may result in the change of one end point (i.e., customer premises location) of the circuit involved provided the following conditions are met:

- (1) The change of customer premises can only occur on the end of the circuit which has the CFA.
- (2) The customer premises locations involved in the change belongs to the same customer.

- or -

The customer premises locations involved in the change belongs to two different customers but the customer requesting the SFM has previously coordinated the activity such that all activity (disconnects and new connects) will occur simultaneously. If this coordination has not been accomplished beforehand, then the Telephone Company will proceed with the disconnect/new connect orders as non-related and new installation charges will apply for services being relocated.

(This page filed under Transmittal No. 2588)

ACCESS SERVICE

20. MegaLink Custom Services (Cont'd)20.4 Rate Regulations (Cont'd)20.4.12 Moves (Cont'd)(A) Service Facility Move (SFM) (Cont'd)

On facility moves involving multiplexed (subtending) channels, SFMs shall be charged only for the higher level facility provided the entire facility (the full complement of subtending channels) is being moved concurrent to that particular SFM request. If the subtending channels are requested to be moved one at a time, the SFM will be charged on a per each channel moved basis.

(C)

Example 1

An SFM is requested to move 20 DS1s, with subtending VG channels, to a DS3 facility (where the DS3 end of the channel is moving to a new customer premises location). The resulting SFM charge will be 20 DS1 to DS3 SFM charges with no SFM charges for the subtending VG channels.

Example 2

An SFM is requested to move a DS3, with subtending DS1 channels, to another DS3 facility (where there is no change in the customer premises location on the DS3 facility end of the circuit). The resulting SFM charge will be a DS3 to DS3 SFM with no SFM charges for the subtending DS1 channels.

Example 3

An SFM is requested to move 6 DS1s, with subtending VG channels, previously riding one DS3 facility to another DS3 facility. The resulting SFM charge would be (6) DS1 to DS3 SFMs with no SFM charges for the subtending VG channels.

Under MegaLink Custom Service, SFMs may be performed at the following service levels:

- DS3 to DS3 (or equivalent 45 Mbps service)

The charges for an SFM for the services shown above are detailed in 20.5.7(I) (SFMs) following. There will be no change in minimum period requirements.

(This page filed under Transmittal No. 2605)

ACCESS SERVICE

20. MegaLink Custom Services (Cont'd)20.4 Rate Regulations (Cont'd)20.4.12 Moves (Cont'd)(B) Moves of the Point of Termination Within the Same Customer Premises

A move of a Point of Termination of an existing service to a new location within the same customer premises, may be provided, at the customer's request, on a time sensitive charge basis.

The labor rates which apply are as set forth in Section 13.4.2(C) (Testing and Maintenance With Other Telephone Companies or Other Labor), preceding, of this tariff for Additional Labor. No change in billing period is required.

(C) Moving Customer Premises

A move of existing service may be provided at the customer's request. The customer will be billed 5% of the termination charge as set forth in 20.4.6 (Termination Charges), with the exception as follows. Following the payment of applicable termination charges, customer will be responsible for any nonrecurring charges associated with the reconnection of the service (e.g., Channel Termination Installation Charge).

If the move of the customer's premises is as a result of an SFM (Service Facility Move) according to Sect. 20.4.12(A), and the facility to the new premises is existing, then termination charges will not apply. No nonrecurring charges will apply for that end of the channel or circuit except the applicable SFM charge.

One end of a MegaLink Custom service (e.g., the customer premises) may be moved without termination liability provided the following circumstances exist:

- 1) Customer maintains the same level and commitment of service (i.e., quantity of DS3 channels and billing period length). (Tx)
- 2) All equipment and transport facilities exist at the new location. (Tx)

Charges for this one-ended move shall be on a time sensitive charge basis. The labor rates which apply are set forth in Section 13.4.2(C) (Testing and Maintenance With Other Telephone Companies or Other Labor).

The diagrams following illustrate typical service arrangements before and after an SFM has occurred.

(Tx)
(Tx)

(x) Issued under authority of Special Permission No. 14-001 of the FCC in order to withdraw material filed under Transmittal No. 3383 and suspended under Order DA-13-2349, released December 9, 2013, without its becoming effective and to restore currently effective material.

(This page filed under Transmittal No. 3386)

ACCESS SERVICE

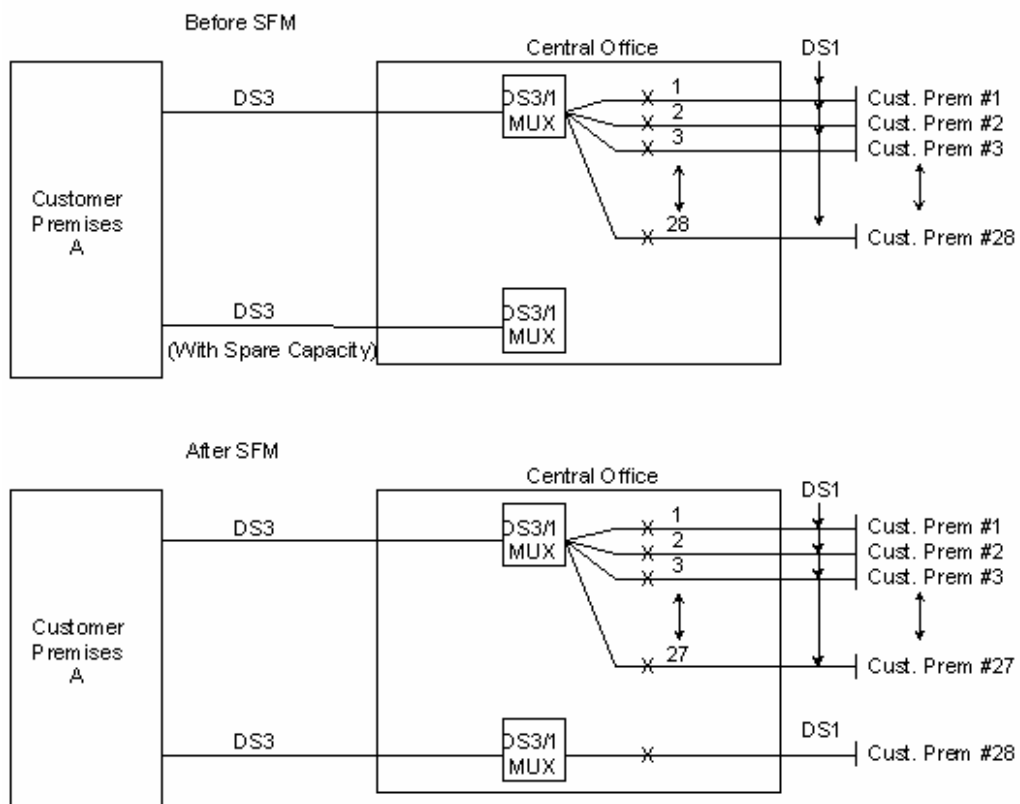
20. MegaLink Custom Services (Cont'd)

20.4 Rate Regulations (Cont'd)

20.4.12 Moves (Cont'd)

EXAMPLE 1

DS1 to DS3 SFM -SAME CUSTOMER PREMISES
(Move one DS1 at a Time)



(This page filed under Transmittal No. 2588)

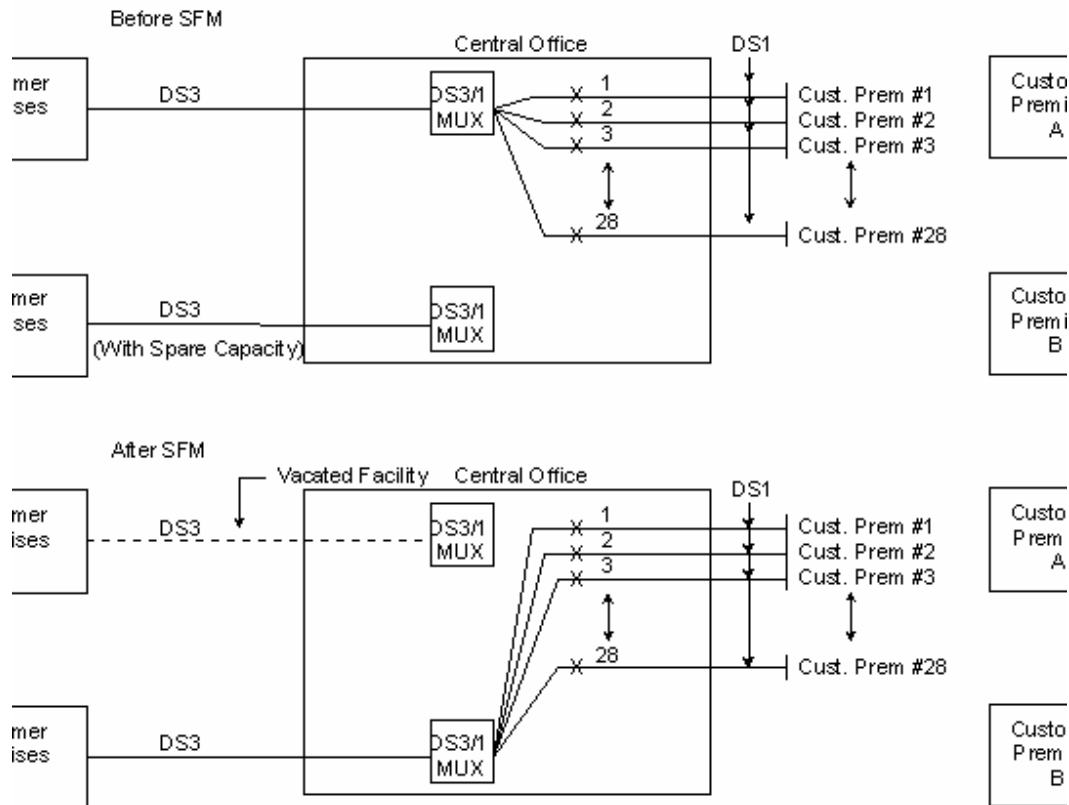
ACCESS SERVICE

20. MegaLink Custom Services (Cont'd)

20.4 Rate Regulations (Cont'd)

EXAMPLE 2

DS1 to DS3 SFM -Different CUSTOMER PREMISES
(All 28 DS1s Move at One Time)



20.4.12 Moves (Cont'd)

(This page filed under Transmittal No. 2588)

ACCESS SERVICE

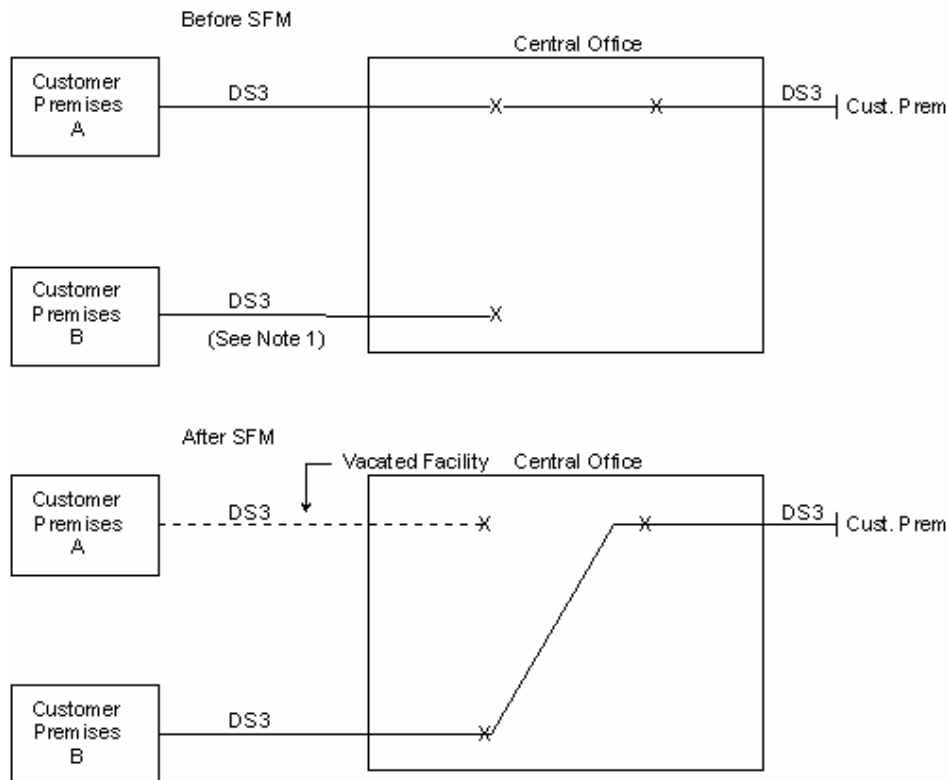
20. MegaLink Custom Services (Cont'd)

20.4 Rate Regulations (Cont'd)

20.4.12 Moves (Cont'd)

EXAMPLE 3

DS3 to DS3 SFM - Different CUSTOMER PREMISES



Note 1: This facility may exist as a result of an order for MegaLink Custom (DS3) service concurrent with the SFM request or, in the case of virtual collocation, as a cross-connect arrangement requested by the interconnector.

(This page filed under Transmittal No. 2588)

ACCESS SERVICE

20. MegaLink Custom Services (Cont'd)20.4 Rate Regulations (Cont'd)20.4.13 Modification of Service

The customer may request to modify service (i.e., establish a new billing period or add rate elements to existing service) provided all the following conditions are met:

- a new billing period is established which includes a new minimum service period
- the expiration of the new billing period must extend to or beyond the expiration of the existing billing period
- the total revenue, based on recurring rates, over the revised billing period must be equal to or greater than the remaining revenue from the existing billing period
- the service end points must remain the same

The non-vintage rates and charges (as listed in Section 20.5) in effect at the time service is modified are the rates and charges which will be billed to the customer during the new billing period. No additional administrative charges shall apply to these modifications except the Access Order Charge as set forth in 5.3.1.

(N)
|
(N)

(This page filed under Transmittal No. 2605)

Issued: January 10, 1997

Effective: February 24, 1997

Four AT&T Plaza, Dallas, Texas 75202

ACCESS SERVICE

20. MegaLink Custom Services (Cont'd)

20.4 Rate Regulations (Cont'd)

20.4.14 Relocation of a DS3 to DS1 Multiplexer

A customer may request to relocate a DS3 to DS1 Multiplexer. The customer will be charged the nonrecurring charge as specified in 20.5.7(B) (DS3 to DS1 Multiplexing), following, (T) for the installation of the relocated multiplexer. A termination charge, as described in 20.4.6 (Termination Charges), preceding, will not apply for the DS3 to DS1 Multiplexer at the time it is relocated.

(This page filed under Transmittal No. 2482)

Issued: July 20, 1995

Effective: September 3, 1995

Four AT&T Plaza, Dallas, Texas 75202

ACCESS SERVICE

20. MegaLink Custom Services (Cont'd)20.4 Rate Regulations (Cont'd)20.4.15 Service Extension

The Volume Option for a Service Extension must be less than or equal to the Channel Termination Volume Option specified by the customer for the MegaLink Custom Service being extended.

MegaLink Custom Service with Serving Wire Center and Facility Redundancy can be extended with a Service Extension. However, the Service Extension cannot be equipped with a SecureNet option.

(T)

MegaLink Custom Service with Hub Redundancy cannot be extended with a Service Extension. Likewise, an existing MegaLink Custom Service with a Service Extension cannot be equipped with a Hub Redundancy option.

20.4.16 Facility Hubs

The Telephone Company will commence billing the monthly rate for the facility to the hub on the date specified by the customer on the Access Order. Individual services utilizing these facilities may be installed coincident with the installation of the facility to the hub or may be ordered and/or installed at a later date, at the option of the customer. The customer will be billed the appropriate MegaLink Custom Channel Termination, Interoffice Mileage (when applicable) and the Multiplexer rates at the time the facility is installed. Individual service rates (by service type) will apply for a Channel Termination and additional Channel Mileage (as required) for each channelized service.

When cascading multiplexing is performed, whether in the same or a different hub, a charge for the additional multiplexing unit also applies. When cascading multiplexing is performed at different hubbing locations, Interoffice Mileage charges also apply between the hubs.

(This page filed under Transmittal No. 2605)

ACCESS SERVICE

20. MegaLink Custom Services (Cont'd)20.4 Rate Regulations (Cont'd)20.4.17 Connecting Facility Assignment Credits

Connecting Facility Assignment (CFA) Credit is an option available to customers of MegaLink Custom Services who allow the Telephone Company use of their channel terminations for the provision of Special Access High Capacity (DS1) channel terminations to other Telephone Company customers. With CFA Credits, the Telephone Company will provide a credit to the customer of the MegaLink Custom Service for the use of their DS3 channel termination and associated DS3 to DS1 multiplexer. The Telephone Company will bill the customer of the DS1 service for the DS1 Channel Termination so provided.

(D)
|

The following terms and conditions apply to all CFA Credit Arrangements.

- (A) The Access Customer Name Abbreviation (ACNA) for the Special Access High Capacity Customer must be different than the ACNA for the customer of the MegaLink Custom Service.
- (B) Requests to establish or discontinue a CFA Credit will be accepted only from the customer of the MegaLink Custom Service.
- (C) When requesting a CFA Credit, the DS3 customer must provide the Telephone Company with information sufficient to correctly establish billing for a DS1 channel termination. This includes the CFA of the DS3, the DS1 customer's name, and the channel assigned to that customer. The Telephone Company will work cooperatively with the DS3 customer to identify the DS1 customer(s). However, if the DS3 customer cannot or will not provide the required information, CFA Credits will not be established.

Issued on not less than 30 days' notice under authority of Special Permission No. 95-1582 of the F.C.C.

(This page filed under Transmittal No. 2518)

Issued: November 28, 1995

Effective: December 31, 1995

Four AT&T Plaza, Dallas, Texas 75202

ACCESS SERVICE

20. MegaLink Custom Services (Cont'd)20.4 Rate Regulations (Cont'd)20.4.17 Connecting Facility Assignment Credits (Cont'd)

(N)

(D) The Telephone Company and the DS3 customer must also agree to work cooperatively to maintain accurate customer records of any CFA Credit arrangements. The customer records which must be jointly maintained are:

- connecting facility assignments by DS1 customer and
- additions, moves or deletions of DS1 customers onto or off of the DS3 channel termination.

If the Telephone Company and the DS3 customer cannot work cooperatively to maintain these customer records, additional CFA Credits will not be established.

- (E) CFA Credits can be established on Special Access DS3s for Special Access DS1s only. In addition, if channels become vacant subsequent to the establishment of a CFA Credit (e.g., the DS1 customer disconnects service), the CFA Credit will be eliminated.
- (F) In any month, the total CFA credits for any MegaLink Custom channel termination shall not exceed 100 percent of the combined monthly charges for the MegaLink Custom channel termination and its associated DS3 to DS1 multiplexer.
- (G) After the DS3 customer has requested a CFA Credit on an existing MegaLink Custom Service, and the Telephone Company and the DS3 customer have reached agreement that sufficient information has been identified to accurately initiate or modify the CFA Credit arrangement, within five business days of the date of reaching such agreement, the Telephone Company will send the DS1 customer via U.S. Mail a 30-day advance written notification before allowing the CFA Credit arrangement to become effective.

(This page filed under Transmittal No. 2370)

Issued: July 15, 1994

Effective: August 29, 1994

Four AT&T Plaza, Dallas, Texas 75202

ACCESS SERVICE

20. MegaLink Custom Services (Cont'd)20.4 Rate Regulations (Cont'd)20.4.17 Connecting Facility Assignment Credits (Cont'd)

- (H) The Telephone Company will only remove a DS1 customer from the CFA Credit arrangement at the request of the DS3 customer or because the DS1 customer has disconnected service or moved service to a different transport facility. The DS3 customer must give the Telephone Company 14 days advance written notification of any request to remove a DS1 customer from the CFA Credit arrangement.
- (I) In the event a billing dispute is initiated by a DS1 customer, the Telephone Company will negotiate with the DS1 customer as set forth in 2.5 (Billing Regulations).
- (J) The Telephone Company will accept requests to disconnect the DS3 service only from the customer for the MegaLink Custom Service. So that DS1 customers using the DS3 channel termination will have the opportunity of continuing service without disruption, the DS3 customer is responsible for notifying all DS1 customers of the disconnection.
- (K) The credit to be applied for each DS1 channel termination using the DS3 channel termination is set forth in 20.5.5 (MegaLink Custom Service). Charges for DS1 service are set forth in 7.3.10 (High Capacity Service).

(This page filed under Transmittal No. 2518)

ACCESS SERVICE

20. MegaLink Custom Services (Cont'd)20.4 Rate Regulations (Cont'd)20.4.18 Temp-DS3 Service

(S)

Temp DS3 service is provided for customers who require a
MegaLink Custom Service for a short duration of time (less
than 12 months), such as a trade show or convention.

(S)

(T)

(T)

Temp-DS3 is provided where facilities and equipment are
available and is subject to billing in full month
increments. These rate elements will all carry 30 day
minimum periods and a maximum period of 11 months. No other
rate elements, except as listed herein, are available for
use with Temp-DS3 service. Temp-DS3 is only available with
Volume Option 1.

(S)

(S)

(S)

(C)

Revised material is filed under the authority of Special Permission No. 95-491
of the F.C.C.

Reissued material is scheduled to become effective June 8, 1995.

(This page filed under Transmittal No. 2455)

Issued: May 4, 1995

Effective: June 8, 1995

Four AT&T Plaza, Dallas, Texas 75202

ACCESS SERVICE

20. MegaLink Custom Services (Cont'd)20.5 Rates and Charges

Effective November 1, 2017, all rate elements, other than End User channel terminations and their optional features⁽⁴⁾ in Non-Competitive Counties, are no longer available from Section 20.5 for new service subscriptions.⁽³⁾ The application of rates and charges for Special Access services is based upon the county classification as Competitive or Non-Competitive, as provided in Section 20.4. A list of Competitive and Non-Competitive Counties is located in Sections 15.2(C) and (D).

(N)
|
(N)

Rates and charges for Arkansas, Kansas, Missouri, Oklahoma and Texas will be applied based on Pricing Zones as contained below.^{(1) (2)}

20.5.1 Channel Termination - Electrical - per Volume Option, per customer premises(A) Electrical Channel Termination - AR- Zone 1

Volume Option*	USOC	Month to Month**	Monthly Extension	1 year	3 year	5 Year	10 Year
1	TUZPX	\$ 1,900.00	\$ 1,900.00	\$1,850.00	\$1,150.00	\$ 800.00	\$ 800.00
3	TUZPX	\$ 5,700.00	\$ 5,700.00	\$5,550.00	\$3,105.00	\$2,160.00	\$2,160.00
6	TUZPX	\$11,400.00	\$11,400.00	\$11,100.00	\$5,520.00	\$3,840.00	\$3,840.00
12	TUZPX	\$22,800.00	\$22,800.00	\$22,200.00	\$9,660.00	\$6,720.00	\$6,720.00

(B) Electrical Channel Termination - AR - Zone 2

Volume Option*	USOC	Month to Month**	Monthly Extension	1 year	3 year	5 Year	10 Year
1	TUZPX	\$ 1,950.00	\$ 1,950.00	\$ 1,900.00	\$ 1,200.00	\$ 825.00	\$ 825.00
3	TUZPX	\$ 5,850.00	\$ 5,850.00	\$ 5,700.00	\$ 3,240.00	\$2,227.50	\$2,227.50
6	TUZPX	\$11,700.00	\$11,700.00	\$11,400.00	\$ 5,760.00	\$3,960.00	\$3,960.00
12	TUZPX	\$23,400.00	\$23,400.00	\$22,800.00	\$10,080.00	\$6,930.00	\$6,930.00

(C) Electrical Channel Termination - AR - Zone 3

Volume Option*	USOC	Month to Month**	Monthly Extension	1 year	3 year	5 Year	10 Year
1	TUZPX	\$ 2,000.00	\$ 2,000.00	\$ 1,950.00	\$ 1,250.00	\$ 850.00	\$ 850.00
3	TUZPX	\$ 6,000.00	\$ 6,000.00	\$ 5,850.00	\$ 3,375.00	\$2,295.00	\$2,295.00
6	TUZPX	\$12,000.00	\$12,000.00	\$11,700.00	\$ 6,000.00	\$4,080.00	\$4,080.00
12	TUZPX	\$24,000.00	\$24,000.00	\$23,400.00	\$10,500.00	\$7,140.00	\$7,140.00

* Volume Option specifies the number of DS3s or DS3 equivalents.

** This option will no longer be available for new circuits provisioned on or after, November 21, 2003. There will be no change to existing circuits.

⁽¹⁾ Effective October 25, 2014, MegaLink Custom Services 10-year term plans are no longer available for new circuits. There is no change for existing circuits.

⁽²⁾ Effective on September 13, 2017, MegaLink Custom Services 5-year Payment Plans are no longer available, including for any otherwise available renewals or conversions. Circuits already subject to a MegaLink Custom Services 5-year Payment Plan, as of September 13, 2017, will continue to be provided under the then-current MegaLink Custom Services 5-year Payment Plan term for the remainder of that term.

⁽³⁾ Until February 1, 2018, End User channel terminations and their optional features that had not qualified for Phase II, Level 2 pricing flexibility prior to June 1, 2017, will be rated at the price cap rate regardless of the status of the county in which the applicable wire center is located.

⁽⁴⁾ Optional features for End User channel terminations includes all optional features in Section 7.3, except for the Loop Transfer Arrangement, and all optional features in Section 20.5.

(N)
|
(N)

(This page filed under Transmittal No. 3447)

ACCESS SERVICE

20. MegaLink Custom Services (Cont'd)20.5 Rates and Charges (Cont'd)20.5.1 Channel Termination - Electrical - per Volume Option, per customer premises (Cont'd)(D) Electrical Channel Termination - KS - Zone 1

Volume Option*	USOC	Month to Month**	Monthly Extension	1 year	3 year	5 year	10 year	(Tx)
1	TUZPX	\$ 1,900.00	\$ 1,900.00	\$1,850.00	\$1,150.00	\$ 800.00	\$ 800.00	
3	TUZPX	\$ 5,700.00	\$ 5,700.00	\$5,550.00	\$3,105.00	\$2,160.00	\$2,160.00	
6	TUZPX	\$11,400.00	\$11,400.00	\$11,100.00	\$5,520.00	\$3,840.00	\$3,840.00	
12	TUZPX	\$22,800.00	\$22,800.00	\$22,200.00	\$9,660.00	\$6,720.00	\$6,720.00	

(E) Electrical Channel Termination - KS - Zone 2

Volume Option*	USOC	Month to Month**	Monthly Extension	1 year	3 year	5 year	10 year	(Tx)
1	TUZPX	\$ 1,950.00	\$ 1,950.00	\$ 1,900.00	\$ 1,200.00	\$ 825.00	\$ 825.00	
3	TUZPX	\$ 5,850.00	\$ 5,850.00	\$ 5,700.00	\$ 3,240.00	\$2,227.50	\$2,227.50	
6	TUZPX	\$11,700.00	\$11,700.00	\$11,400.00	\$ 5,760.00	\$3,960.00	\$3,960.00	
12	TUZPX	\$23,400.00	\$23,400.00	\$22,800.00	\$10,080.00	\$6,930.00	\$6,930.00	

(F) Electrical Channel Termination - KS - Zone 3

Volume Option*	USOC	Month to Month**	Monthly Extension	1 year	3 year	5 year	10 year	(Tx)
1	TUZPX	\$ 2,000.00	\$ 2,000.00	\$ 1,900.00 (R)	\$ 1,250.00	\$ 850.00	\$ 850.00	
3	TUZPX	\$ 6,000.00	\$ 6,000.00	\$ 5,850.00	\$ 3,375.00	\$2,295.00	\$2,295.00	
6	TUZPX	\$12,000.00	\$12,000.00	\$11,700.00	\$ 6,000.00	\$4,080.00	\$4,080.00	
12	TUZPX	\$24,000.00	\$24,000.00	\$23,400.00	\$10,500.00	\$7,140.00	\$7,140.00	

* Volume Option specifies the number of DS3s or DS3 equivalents.

** This option will no longer be available for new circuits provisioned on or after, November 21, 2003. There will be no change to existing circuits.

(Tx)
(Tx)

(x) Issued under authority of Special Permission No. 14-001 of the FCC in order to withdraw material filed under Transmittal No. 3383 and suspended under Order DA-13-2349, released December 9, 2013, without its becoming effective and to restore currently effective material.

(This page filed under Transmittal No. 3386)

Issued: January 15, 2014

Effective: January 16, 2014

Four AT&T Plaza, Dallas, Texas 75202

ACCESS SERVICE

20. MegaLink Custom Services (Cont'd)20.5 Rates and Charges (Cont'd)20.5.1 Channel Termination - Electrical - per Volume Option, per customer premises (Cont'd)(G) Electrical Channel Termination - MO - Zone 1

Volume Option*	USOC	Month to Month**	Monthly Extension	1 year	3 year	5 year	10 year	(Tx)
1	TUZPX	\$ 1,900.00	\$ 1,900.00	\$1,900.00 (I)	\$1,150.00	\$ 800.00	\$ 800.00	
3	TUZPX	\$ 5,700.00	\$ 5,700.00	\$5,550.00	\$3,105.00	\$2,160.00	\$2,160.00	
6	TUZPX	\$11,400.00	\$11,400.00	\$11,100.00	\$5,520.00	\$3,840.00	\$3,840.00	
12	TUZPX	\$22,800.00	\$22,800.00	\$22,200.00	\$9,660.00	\$6,720.00	\$6,720.00	

(H) Electrical Channel Termination - MO - Zone 2

Volume Option*	USOC	Month to Month**	Monthly Extension	1 year	3 year	5 year	10 year	(Tx)
1	TUZPX	\$ 1,950.00	\$ 1,950.00	\$ 1,900.00	\$ 1,200.00	\$ 825.00	\$ 825.00	
3	TUZPX	\$ 5,850.00	\$ 5,850.00	\$ 5,700.00	\$ 3,240.00	\$2,227.50	\$2,227.50	
6	TUZPX	\$11,700.00	\$11,700.00	\$11,400.00	\$ 5,760.00	\$3,960.00	\$3,960.00	
12	TUZPX	\$23,400.00	\$23,400.00	\$22,800.00	\$10,080.00	\$6,930.00	\$6,930.00	

(I) Electrical Channel Termination - MO - Zone 3

Volume Option*	USOC	Month to Month**	Monthly Extension	1 year	3 year	5 year	10 year	(Tx)
1	TUZPX	\$ 2,000.00	\$ 2,000.00	\$ 1,950.00	\$ 1,250.00	\$ 850.00	\$ 850.00	
3	TUZPX	\$ 6,000.00	\$ 6,000.00	\$ 5,850.00	\$ 3,375.00	\$2,295.00	\$2,295.00	
6	TUZPX	\$12,000.00	\$12,000.00	\$11,700.00	\$ 6,000.00	\$4,080.00	\$4,080.00	
12	TUZPX	\$24,000.00	\$24,000.00	\$23,400.00	\$10,500.00	\$7,140.00	\$7,140.00	

* Volume Option specifies the number of DS3s or DS3 equivalents.

** This option will no longer be available for new circuits provisioned on or after, November 21, 2003. There will be no change to existing circuits.

(Tx)
(Tx)

(x) Issued under authority of Special Permission No. 14-001 of the FCC in order to withdraw material filed under Transmittal No. 3383 and suspended under Order DA-13-2349, released December 9, 2013, without its becoming effective and to restore currently effective material.

(This page filed under Transmittal No. 3386)

Issued: January 15, 2014

Effective: January 16, 2014

Four AT&T Plaza, Dallas, Texas 75202

ACCESS SERVICE

20. MegaLink Custom Services (Cont'd)20.5 Rates and Charges (Cont'd)20.5.1 Channel Termination - Electrical - per Volume Option, per customer premises (Cont'd)(J) Electrical Channel Termination - OK - Zone 1

Volume Option*	USOC	Month to Month**	Monthly Extension	1 year	3 year	5 year	10 year	(Tx)
1	TUZPX	\$ 1,900.00	\$ 1,900.00	\$1,850.00	\$1,150.00	\$ 800.00	\$ 800.00	
3	TUZPX	\$ 5,700.00	\$ 5,700.00	\$5,550.00	\$3,105.00	\$2,160.00	\$2,160.00	
6	TUZPX	\$11,400.00	\$11,400.00	\$11,100.00	\$5,520.00	\$3,840.00	\$3,840.00	
12	TUZPX	\$22,800.00	\$22,800.00	\$22,200.00	\$9,660.00	\$6,720.00	\$6,720.00	

(K) Electrical Channel Termination - OK - Zone 2

Volume Option*	USOC	Month to Month**	Monthly Extension	1 year	3 year	5 year	10 year	(Tx)
1	TUZPX	\$ 1,950.00	\$ 1,950.00	\$ 1,900.00	\$ 1,200.00	\$ 825.00	\$ 825.00	
3	TUZPX	\$ 5,850.00	\$ 5,850.00	\$ 5,700.00	\$ 3,240.00	\$2,227.50	\$2,227.50	
6	TUZPX	\$11,700.00	\$11,700.00	\$11,400.00	\$ 5,760.00	\$3,960.00	\$3,960.00	
12	TUZPX	\$23,400.00	\$23,400.00	\$22,800.00	\$10,080.00	\$6,930.00	\$6,930.00	

(L) Electrical Channel Termination - OK - Zone 3

Volume Option*	USOC	Month to Month**	Monthly Extension	1 year	3 year	5 year	10 year	(Tx)
1	TUZPX	\$ 2,000.00	\$ 2,000.00	\$ 1,950.00	\$ 1,250.00	\$ 850.00	\$ 850.00	
3	TUZPX	\$ 6,000.00	\$ 6,000.00	\$ 5,850.00	\$ 3,375.00	\$2,295.00	\$2,295.00	
6	TUZPX	\$12,000.00	\$12,000.00	\$11,700.00	\$ 6,000.00	\$4,080.00	\$4,080.00	
12	TUZPX	\$24,000.00	\$24,000.00	\$23,400.00	\$10,500.00	\$7,140.00	\$7,140.00	

* Volume Option specifies the number of DS3s or DS3 equivalents.

** This option will no longer be available for new circuits provisioned on or after, November 21, 2003. There will be no change to existing circuits.

(Tx)
(Tx)

(x) Issued under authority of Special Permission No. 14-001 of the FCC in order to withdraw material filed under Transmittal No. 3383 and suspended under Order DA-13-2349, released December 9, 2013, without its becoming effective and to restore currently effective material.

(This page filed under Transmittal No. 3386)

ACCESS SERVICE

20. MegaLink Custom Services (Cont'd)20.5 Rates and Charges (Cont'd)20.5.1 Channel Termination - Electrical - per Volume Option, per customer premises (Cont'd)(M) Electrical Channel Termination - TX - Zone 1

Volume Option*	USOC	Month to Month**	Monthly Extension	1 year	3 year	5 year	10 year	(Tx)
1	TUZPX	\$ 1,900.00	\$ 1,900.00	\$1,900.00 (I)	\$1,150.00	\$ 800.00	\$ 800.00	
3	TUZPX	\$ 5,700.00	\$ 5,700.00	\$5,550.00	\$3,105.00	\$2,160.00	\$2,160.00	
6	TUZPX	\$11,400.00	\$11,400.00	\$11,100.00	\$5,520.00	\$3,840.00	\$3,840.00	
12	TUZPX	\$22,800.00	\$22,800.00	\$22,200.00	\$9,660.00	\$6,720.00	\$6,720.00	

(N) Electrical Channel Termination - TX - Zone 2

Volume Option*	USOC	Month to Month**	Monthly Extension	1 year	3 year	5 year	10 year	(Tx)
1	TUZPX	\$ 1,950.00	\$ 1,950.00	\$ 1,900.00	\$ 1,200.00	\$ 825.00	\$ 825.00	
3	TUZPX	\$ 5,850.00	\$ 5,850.00	\$ 5,700.00	\$ 3,240.00	\$2,227.50	\$2,227.50	
6	TUZPX	\$11,700.00	\$11,700.00	\$11,400.00	\$ 5,760.00	\$3,960.00	\$3,960.00	
12	TUZPX	\$23,400.00	\$23,400.00	\$22,800.00	\$10,080.00	\$6,930.00	\$6,930.00	

(O) Electrical Channel Termination - TX - Zone 3

Volume Option*	USOC	Month to Month**	Monthly Extension	1 year	3 year	5 year	10 year	(Tx)
1	TUZPX	\$ 2,000.00	\$ 2,000.00	\$ 1,950.00	\$ 1,250.00	\$ 850.00	\$ 850.00	
3	TUZPX	\$ 6,000.00	\$ 6,000.00	\$ 5,850.00	\$ 3,375.00	\$2,295.00	\$2,295.00	
6	TUZPX	\$12,000.00	\$12,000.00	\$11,700.00	\$ 6,000.00	\$4,080.00	\$4,080.00	
12	TUZPX	\$24,000.00	\$24,000.00	\$23,400.00	\$10,500.00	\$7,140.00	\$7,140.00	

* Volume Option specifies the number of DS3s or DS3 equivalents.

** This option will no longer be available for new circuits provisioned on or after, November 21, 2003. There will be no change to existing circuits.

(Tx)

(Tx)

(x) Issued under authority of Special Permission No. 14-001 of the FCC in order to withdraw material filed under Transmittal No. 3383 and suspended under Order DA-13-2349, released December 9, 2013, without its becoming effective and to restore currently effective material.

(This page filed under Transmittal No. 3386)

Issued: January 15, 2014

Effective: January 16, 2014

Four AT&T Plaza, Dallas, Texas 75202

ACCESS SERVICE

20. MegaLink Custom Services (Cont'd)20.5 Rates and Charges (Cont'd)20.5.1 Channel Termination - Electrical - per Volume Option, per customer premises (Cont'd)(P) Temp-DS3 Electrical Channel Termination - AR - Zone 1

<u>Volume Option*</u>	<u>USOC</u>	<u>Monthly</u>
1	TUZQX	\$ 2,500.00

(Q) Temp-DS3 Electrical Channel Termination - AR - Zone 2

<u>Volume Option*</u>	<u>USOC</u>	<u>Monthly</u>
1	TUZQX	\$ 2,500.00 (R)

(R) Temp-DS3 Electrical Channel Termination - AR - Zone 3

<u>Volume Option*</u>	<u>USOC</u>	<u>Monthly</u>
1	TUZQX	\$ 2,500.00 (R)

(S) Temp-DS3 Electrical Channel Termination - KS - Zone 1

<u>Volume Option*</u>	<u>USOC</u>	<u>Monthly</u>
1	TUZQX	\$ 2,500.00

(T) Temp-DS3 Electrical Channel Termination - KS - Zone 2

<u>Volume Option*</u>	<u>USOC</u>	<u>Monthly</u>
1	TUZQX	\$ 2,500.00 (R)

(U) Temp-DS3 Electrical Channel Termination - KS - Zone 3

<u>Volume Option*</u>	<u>USOC</u>	<u>Monthly</u>
1	TUZQX	\$ 2,500.00 (R)

* Volume Option specifies the number of DS3s or DS3 equivalents.

Rates contained in this transmittal are subject to subsequent adjustment, effective retrospectively back to the transmittal's original effective date, in the event the Commission or a court subsequently authorizes SWBT to correct its rates pursuant to pending motions, or petitions for reconsideration or waiver (and including, but not limited to, any application for Review of the letter from Lawrence E. Strickling, Chief, Common Carrier bureau, FCC, to Dale Robertson, SBC, dated May 18, 1999 which may be filed with the Commission), or in the event of any other adjustment pursuant to an order of the Commission or a court.

(This page filed under Transmittal No. 2837)

Issued: July 27, 2000

Effective: August 11, 2000

Four AT&T Plaza, Dallas, Texas 75202

ACCESS SERVICE

20. MegaLink Custom Services (Cont'd)20.5 Rates and Charges (Cont'd)20.5.1 Channel Termination - Electrical - per Volume Option, per customer premises (Cont'd)(V) Temp-DS3 Electrical Channel Termination - MO - Zone 1

<u>Volume Option*</u>	<u>USOC</u>	<u>Monthly</u>
1	TUZQX	\$ 2,500.00

(W) Temp-DS3 Electrical Channel Termination - MO - Zone 2

<u>Volume Option*</u>	<u>USOC</u>	<u>Monthly</u>
1	TUZQX	\$ 2,500.00 (R)

(X) Temp-DS3 Electrical Channel Termination - MO - Zone 3

<u>Volume Option*</u>	<u>USOC</u>	<u>Monthly</u>
1	TUZQX	\$ 2,500.00 (R)

(Y) Temp-DS3 Electrical Channel Termination - OK - Zone 1

<u>Volume Option*</u>	<u>USOC</u>	<u>Monthly</u>
1	TUZQX	\$ 2,500.00

(Z) Temp-DS3 Electrical Channel Termination - OK - Zone 2

<u>Volume Option*</u>	<u>USOC</u>	<u>Monthly</u>
1	TUZQX	\$ 2,500.00 (R)

(AA) Temp-DS3 Electrical Channel Termination - OK - Zone 3

<u>Volume Option*</u>	<u>USOC</u>	<u>Monthly</u>
1	TUZQX	\$ 2,500.00 (R)

* Volume Option specifies the number of DS3s or DS3 equivalents.

Rates contained in this transmittal are subject to subsequent adjustment, effective retrospectively back to the transmittal's original effective date, in the event the Commission or a court subsequently authorizes SWBT to correct its rates pursuant to pending motions, or petitions for reconsideration or waiver (and including, but not limited to, any application for Review of the letter from Lawrence E. Strickling, Chief, Common Carrier bureau, FCC, to Dale Robertson, SBC, dated May 18, 1999 which may be filed with the Commission), or in the event of any other adjustment

(This page filed under Transmittal No. 2837)

Issued: July 27, 2000

Effective: August 11, 2000

Four AT&T Plaza, Dallas, Texas 75202

ACCESS SERVICE

20. MegaLink Custom Services (Cont'd)20.5 Rates and Charges (Cont'd)20.5.1 Channel Termination - Electrical - per Volume Option, per customer premises (Cont'd)(AB) Temp-DS3 Electrical Channel Termination - TX - Zone 1

<u>Volume Option*</u>	<u>USOC</u>	<u>Monthly</u>
1	TUZQX	\$ 2,500.00

(AC) Temp-DS3 Electrical Channel Termination - TX - Zone 2

<u>Volume Option*</u>	<u>USOC</u>	<u>Monthly</u>
1	TUZQX	\$ 2,500.00 (R)

(AD) Temp-DS3 Electrical Channel Termination - TX - Zone 3

<u>Volume Option*</u>	<u>USOC</u>	<u>Monthly</u>
1	TUZQX	\$ 2,500.00 (R)

* Volume Option specifies the number of DS3s or DS3 equivalents.

Rates contained in this transmittal are subject to subsequent adjustment, effective retrospectively back to the transmittal's original effective date, in the event the Commission or a court subsequently authorizes SWBT to correct its rates pursuant to pending motions, or petitions for reconsideration or waiver (and including, but not limited to, any application for Review of the letter from Lawrence E. Strickling, Chief, Common Carrier bureau, FCC, to Dale Robertson, SBC, dated May 18, 1999 which may be filed with the Commission), or in the event of any other adjustment pursuant to an order of the Commission or a court.

(This page filed under Transmittal No. 2837)

Issued: July 27, 2000

Effective: August 11, 2000

Four AT&T Plaza, Dallas, Texas 75202

ACCESS SERVICE

20. MegaLink Custom Services (Cont'd)20.5 Rates and Charges (Cont'd)20.5.2 Channel Termination - Optical - per Volume Option, per customer premises(A) Optical Channel Termination - AR - Zone 1

Volume Option*	USOC	Month to Month**	Monthly Extension	1 year	3 year	5 year	10 year (Tx)
1	TKZPX	\$ 1,950.00	\$ 1,950.00	\$1,900.00	\$ 1,200.00	\$ 850.00	\$ 850.00
3	TKZPX	\$ 5,835.00	\$ 5,835.00	\$5,700.00	\$ 3,240.00	\$2,295.00	\$2,295.00
6	TKZPX	\$11,640.00	\$11,640.00	\$11,400.00	\$ 5,760.00	\$4,080.00	\$4,080.00
12	TKZPX	\$23,220.00	\$23,220.00	\$22,800.00	\$10,080.00	\$7,140.00	\$7,140.00

(B) Optical Channel Termination - AR - Zone 2

Volume Option*	USOC	Month to Month**	Monthly Extension	1 year	3 year	5 year	10 year (Tx)
1	TKZPX	\$ 2,000.00	\$ 2,000.00	\$1,950.00	\$ 1,250.00	\$ 875.00	\$ 875.00
3	TKZPX	\$ 5,985.00	\$ 5,985.00	\$5,850.00	\$ 3,375.00	\$2,362.50	\$2,362.50
6	TKZPX	\$11,940.00	\$11,940.00	\$11,700.00	\$ 6,000.00	\$4,200.00	\$4,200.00
12	TKZPX	\$23,820.00	\$23,820.00	\$23,400.00	\$10,500.00	\$7,350.00	\$7,350.00

(C) Optical Channel Termination - AR - Zone 3

Volume Option*	USOC	Month to Month**	Monthly Extension	1 year	3 year	5 year	10 year (Tx)
1	TKZPX	\$ 2,050.00	\$ 2,050.00	\$2,000.00	\$ 1,300.00	\$ 900.00	\$ 900.00
3	TKZPX	\$ 6,135.00	\$ 6,135.00	\$6,000.00	\$ 3,510.00	\$2,430.00	\$ 2,430.00
6	TKZPX	\$12,240.00	\$12,240.00	\$12,000.00	\$ 6,240.00	\$4,320.00	\$ 4,320.00
12	TKZPX	\$24,420.00	\$24,420.00	\$24,000.00	\$10,920.00	\$7,560.00	\$ 7,560.00

* Volume Option specifies the number of DS3s or DS3 equivalents.

** This option will no longer be available for new circuits provisioned on or after, November 21, 2003. There will be no change to existing circuits.

(Tx)

(Tx)

(x) Issued under authority of Special Permission No. 14-001 of the FCC in order to withdraw material filed under Transmittal No. 3383 and suspended under Order DA-13-2349, released December 9, 2013, without its becoming effective and to restore currently effective material.

(This page filed under Transmittal No. 3386)

Issued: January 15, 2014

Effective: January 16, 2014

Four AT&T Plaza, Dallas, Texas 75202

ACCESS SERVICE

20. MegaLink Custom Services (Cont'd)20.5 Rates and Charges (Cont'd)20.5.2 Channel Termination - Optical - per Volume Option, per customer premises (Cont'd)(D) Optical Channel Termination - KS - Zone 1

Volume Option*	USOC	Month to Month**	Monthly Extension	1 year	3 year	5 year	10 year	(Tx)
1	TKZPX	\$ 1,950.00	\$ 1,950.00	\$1,900.00	\$ 1,200.00	\$ 850.00	\$ 850.00	
3	TKZPX	\$ 5,835.00	\$ 5,835.00	\$5,700.00	\$ 3,240.00	\$2,295.00	\$2,295.00	
6	TKZPX	\$11,640.00	\$11,640.00	\$11,400.00	\$ 5,760.00	\$4,080.00	\$4,080.00	
12	TKZPX	\$23,220.00	\$23,220.00	\$22,800.00	\$10,080.00	\$7,140.00	\$7,140.00	

(E) Optical Channel Termination - KS - Zone 2

Volume Option*	USOC	Month to Month**	Monthly Extension	1 year	3 year	5 year	10 year	(Tx)
1	TKZPX	\$ 2,000.00	\$ 2,000.00	\$1,950.00	\$ 1,250.00	\$ 875.00	\$ 875.00	
3	TKZPX	\$ 5,985.00	\$ 5,985.00	\$5,850.00	\$ 3,375.00	\$2,362.50	\$2,362.50	
6	TKZPX	\$11,940.00	\$11,940.00	\$11,700.00	\$ 6,000.00	\$4,200.00	\$4,200.00	
12	TKZPX	\$23,820.00	\$23,820.00	\$23,400.00	\$10,500.00	\$7,350.00	\$7,350.00	

(F) Optical Channel Termination - KS - Zone 3

Volume Option*	USOC	Month to Month**	Monthly Extension	1 year	3 year	5 year	10 year	(Tx)
1	TKZPX	\$ 2,050.00	\$ 2,050.00	\$2,000.00	\$ 1,300.00	\$ 900.00	\$ 900.00	
3	TKZPX	\$ 6,135.00	\$ 6,135.00	\$6,000.00	\$ 3,510.00	\$2,430.00	\$ 2,430.00	
6	TKZPX	\$12,240.00	\$12,240.00	\$12,000.00	\$ 6,240.00	\$4,320.00	\$ 4,320.00	
12	TKZPX	\$24,420.00	\$24,420.00	\$24,000.00	\$10,920.00	\$7,560.00	\$ 7,560.00	

* Volume Option specifies the number of DS3s or DS3 equivalents.

** This option will no longer be available for new circuits provisioned on or after, November 21, 2003. There will be no change to existing circuits.

(Tx)

(Tx)

(x) Issued under authority of Special Permission No. 14-001 of the FCC in order to withdraw material filed under Transmittal No. 3383 and suspended under Order DA-13-2349, released December 9, 2013, without its becoming effective and to restore currently effective material.

(This page filed under Transmittal No. 3386)

Issued: January 15, 2014

Effective: January 16, 2014

Four AT&T Plaza, Dallas, Texas 75202

ACCESS SERVICE

20. MegaLink Custom Services (Cont'd)20.5 Rates and Charges (Cont'd)20.5.2 Channel Termination - Optical - per Volume Option, per customer premises (Cont'd)(G) Optical Channel Termination - MO - Zone 1

<u>Volume Option*</u>	<u>USOC</u>	<u>Month to Month**</u>	<u>Monthly Extension</u>	<u>1 year</u>	<u>3 year</u>	<u>5 year</u>	<u>10 year</u>	<u>(Tx)</u>
1	TKZPX	\$ 1,950.00	\$ 1,950.00	\$1,900.00	\$ 1,200.00	\$ 850.00	\$ 850.00	
3	TKZPX	\$ 5,835.00	\$ 5,835.00	\$5,700.00	\$ 3,240.00	\$2,295.00	\$2,295.00	
6	TKZPX	\$11,640.00	\$11,640.00	\$11,400.00	\$ 5,760.00	\$4,080.00	\$4,080.00	
12	TKZPX	\$23,220.00	\$23,220.00	\$22,800.00	\$10,080.00	\$7,140.00	\$7,140.00	

(H) Optical Channel Termination - MO - Zone 2

<u>Volume Option*</u>	<u>USOC</u>	<u>Month to Month**</u>	<u>Monthly Extension</u>	<u>1 year</u>	<u>3 year</u>	<u>5 year</u>	<u>10 year</u>	<u>(Tx)</u>
1	TKZPX	\$ 2,000.00	\$ 2,000.00	\$1,950.00	\$ 1,250.00	\$ 875.00	\$ 875.00	
3	TKZPX	\$ 5,985.00	\$ 5,985.00	\$5,850.00	\$ 3,375.00	\$2,362.50	\$2,362.50	
6	TKZPX	\$11,940.00	\$11,940.00	\$11,700.00	\$ 6,000.00	\$4,200.00	\$4,200.00	
12	TKZPX	\$23,820.00	\$23,820.00	\$23,400.00	\$10,500.00	\$7,350.00	\$7,350.00	

(I) Optical Channel Termination - MO - Zone 3

<u>Volume Option*</u>	<u>USOC</u>	<u>Month to Month**</u>	<u>Monthly Extension</u>	<u>1 year</u>	<u>3 year</u>	<u>5 year</u>	<u>10 year</u>	<u>(Tx)</u>
1	TKZPX	\$ 2,050.00	\$ 2,050.00	\$2,000.00	\$ 1,300.00	\$ 900.00	\$ 900.00	
3	TKZPX	\$ 6,135.00	\$ 6,135.00	\$6,000.00	\$ 3,510.00	\$2,430.00	\$ 2,430.00	
6	TKZPX	\$12,240.00	\$12,240.00	\$12,000.00	\$ 6,240.00	\$4,320.00	\$ 4,320.00	
12	TKZPX	\$24,420.00	\$24,420.00	\$24,000.00	\$10,920.00	\$7,560.00	\$ 7,560.00	

* Volume Option specifies the number of DS3s or DS3 equivalents.

** This option will no longer be available for new circuits provisioned on or after, November 21, 2003. There will be no change to existing circuits.

(Tx)
(Tx)

(x) Issued under authority of Special Permission No. 14-001 of the FCC in order to withdraw material filed under Transmittal No. 3383 and suspended under Order DA-13-2349, released December 9, 2013, without its becoming effective and to restore currently effective material.

(This page filed under Transmittal No. 3386)

Issued: January 15, 2014

Effective: January 16, 2014

Four AT&T Plaza, Dallas, Texas 75202

ACCESS SERVICE

20. MegaLink Custom Services (Cont'd)20.5 Rates and Charges (Cont'd)20.5.2 Channel Termination - Optical - per Volume Option, per customer premises (Cont'd)(J) Optical Channel Termination - OK - Zone 1

Volume Option*	USOC	Month to Month**	Monthly Extension	1 year	3 year	5 year	10 year	(Tx)
1	TKZPX	\$ 1,950.00	\$ 1,950.00	\$1,900.00	\$ 1,200.00	\$ 850.00	\$ 850.00	
3	TKZPX	\$ 5,835.00	\$ 5,835.00	\$5,700.00	\$ 3,240.00	\$2,295.00	\$2,295.00	
6	TKZPX	\$11,640.00	\$11,640.00	\$11,400.00	\$ 5,760.00	\$4,080.00	\$4,080.00	
12	TKZPX	\$23,220.00	\$23,220.00	\$22,800.00	\$10,080.00	\$7,140.00	\$7,140.00	

(K) Optical Channel Termination - OK - Zone 2

Volume Option*	USOC	Month to Month**	Monthly Extension	1 year	3 year	5 year	10 year	(Tx)
1	TKZPX	\$ 2,000.00	\$ 2,000.00	\$1,950.00	\$ 1,250.00	\$ 875.00	\$ 875.00	
3	TKZPX	\$ 5,985.00	\$ 5,985.00	\$5,850.00	\$ 3,375.00	\$2,362.50	\$2,362.50	
6	TKZPX	\$11,940.00	\$11,940.00	\$11,700.00	\$ 6,000.00	\$4,200.00	\$4,200.00	
12	TKZPX	\$23,820.00	\$23,820.00	\$23,400.00	\$10,500.00	\$7,350.00	\$7,350.00	

(L) Optical Channel Termination - OK - Zone 3

Volume Option*	USOC	Month to Month**	Monthly Extension	1 year	3 year	5 year	10 year	(Tx)
1	TKZPX	\$ 2,050.00	\$ 2,050.00	\$2,000.00	\$ 1,300.00	\$ 900.00	\$ 900.00	
3	TKZPX	\$ 6,135.00	\$ 6,135.00	\$6,000.00	\$ 3,510.00	\$2,430.00	\$ 2,430.00	
6	TKZPX	\$12,240.00	\$12,240.00	\$12,000.00	\$ 6,240.00	\$4,320.00	\$ 4,320.00	
12	TKZPX	\$24,420.00	\$24,420.00	\$24,000.00	\$10,920.00	\$7,560.00	\$ 7,560.00	

* Volume Option specifies the number of DS3s or DS3 equivalents.

** This option will no longer be available for new circuits provisioned on or after, November 21, 2003. There will be no change to existing circuits.

(Tx)
(Tx)

(x) Issued under authority of Special Permission No. 14-001 of the FCC in order to withdraw material filed under Transmittal No. 3383 and suspended under Order DA-13-2349, released December 9, 2013, without its becoming effective and to restore currently effective material.

(This page filed under Transmittal No. 3386)

Issued: January 15, 2014

Effective: January 16, 2014

Four AT&T Plaza, Dallas, Texas 75202

ACCESS SERVICE

20. MegaLink Custom Services (Cont'd)20.5 Rates and Charges (Cont'd)20.5.2 Channel Termination - Optical - per Volume Option, per customer premises (Cont'd)(M) Optical Channel Termination - TX - Zone 1

<u>Volume Option*</u>	<u>USOC</u>	<u>Month to Month**</u>	<u>Monthly Extension</u>	<u>1 year</u>	<u>3 year</u>	<u>5 year</u>	<u>10 year</u>	<u>(Tx)</u>
1	TKZPX	\$ 1,950.00	\$ 1,950.00	\$1,900.00	\$ 1,200.00	\$ 850.00	\$ 850.00	
3	TKZPX	\$ 5,835.00	\$ 5,835.00	\$5,700.00	\$ 3,240.00	\$2,295.00	\$2,295.00	
6	TKZPX	\$11,640.00	\$11,640.00	\$11,400.00	\$ 5,760.00	\$4,080.00	\$4,080.00	
12	TKZPX	\$23,220.00	\$23,220.00	\$22,800.00	\$10,080.00	\$7,140.00	\$7,140.00	

(N) Optical Channel Termination - TX - Zone 2

<u>Volume Option*</u>	<u>USOC</u>	<u>Month to Month**</u>	<u>Monthly Extension</u>	<u>1 year</u>	<u>3 year</u>	<u>5 year</u>	<u>10 year</u>	<u>(Tx)</u>
1	TKZPX	\$ 2,000.00	\$ 2,000.00	\$1,950.00	\$ 1,250.00	\$ 875.00	\$ 875.00	
3	TKZPX	\$ 5,985.00	\$ 5,985.00	\$5,850.00	\$ 3,375.00	\$2,362.50	\$2,362.50	
6	TKZPX	\$11,940.00	\$11,940.00	\$11,700.00	\$ 6,000.00	\$4,200.00	\$4,200.00	
12	TKZPX	\$23,820.00	\$23,820.00	\$23,400.00	\$10,500.00	\$7,350.00	\$7,350.00	

(O) Optical Channel Termination - TX - Zone 3

<u>Volume Option*</u>	<u>USOC</u>	<u>Month to Month**</u>	<u>Monthly Extension</u>	<u>1 year</u>	<u>3 year</u>	<u>5 year</u>	<u>10 year</u>	<u>(Tx)</u>
1	TKZPX	\$ 2,050.00	\$ 2,050.00	\$2,000.00	\$ 1,300.00	\$ 900.00	\$ 900.00	
3	TKZPX	\$ 6,135.00	\$ 6,135.00	\$6,000.00	\$ 3,510.00	\$2,430.00	\$ 2,430.00	
6	TKZPX	\$12,240.00	\$12,240.00	\$12,000.00	\$ 6,240.00	\$4,320.00	\$ 4,320.00	
12	TKZPX	\$24,420.00	\$24,420.00	\$24,000.00	\$10,920.00	\$7,560.00	\$ 7,560.00	

* Volume Option specifies the number of DS3s or DS3 equivalents.

** This option will no longer be available for new circuits provisioned on or after, November 21, 2003. There will be no change to existing circuits.

(Tx)
(Tx)

(x) Issued under authority of Special Permission No. 14-001 of the FCC in order to withdraw material filed under Transmittal No. 3383 and suspended under Order DA-13-2349, released December 9, 2013, without its becoming effective and to restore currently effective material.

(This page filed under Transmittal No. 3386)

Issued: January 15, 2014

Effective: January 16, 2014

Four AT&T Plaza, Dallas, Texas 75202

ACCESS SERVICE

20. MegaLink Custom Services (Cont'd)20.5 Rates and Charges (Cont'd)20.5.3 Interoffice Mileage - Fixed - Monthly Recurring Rates and Service Extension(A) Interoffice Fixed - per DS3 or DS3 equivalent - AR - Zone 1

<u>USOC</u>	<u>Month to Month*</u>	<u>Monthly Extension</u>	<u>1 year</u>	<u>3 year</u>	<u>5 year</u>	<u>10 year</u>	(Tx)
10XHX/10XLX	\$725.00	\$725.00	\$650.00	\$505.00	\$395.00	\$375.00	

(B) Interoffice Fixed - per DS3 or DS3 equivalent - AR - Zone 2

<u>USOC</u>	<u>Month to Month*</u>	<u>Monthly Extension</u>	<u>1 year</u>	<u>3 year</u>	<u>5 year</u>	<u>10 year</u>	(Tx)
10XHX/10XLX	\$750.00	\$750.00	\$675.00	\$525.00	\$400.00	\$400.00	

(C) Interoffice Fixed - per DS3 or DS3 equivalent - AR - Zone 3

<u>USOC</u>	<u>Month to Month*</u>	<u>Monthly Extension</u>	<u>1 year</u>	<u>3 year</u>	<u>5 year</u>	<u>10 year</u>	(Tx)
10XHX/10XLX	\$775.00	\$775.00	\$700.00	\$535.00	\$410.00	\$410.00	

(D) Interoffice Fixed - per DS3 or DS3 equivalent - KS - Zone 1

<u>USOC</u>	<u>Month to Month*</u>	<u>Monthly Extension</u>	<u>1 year</u>	<u>3 year</u>	<u>5 year</u>	<u>10 year</u>	(Tx)
10XHX/10XLX	\$725.00	\$725.00	\$650.00	\$505.00	\$395.00	\$375.00	

(E) Interoffice Fixed - per DS3 or DS3 equivalent - KS - Zone 2

<u>USOC</u>	<u>Month to Month*</u>	<u>Monthly Extension</u>	<u>1 year</u>	<u>3 year</u>	<u>5 year</u>	<u>10 year</u>	(Tx)
10XHX/10XLX	\$750.00	\$750.00	\$675.00	\$525.00	\$400.00	\$400.00	

(F) Interoffice Fixed - per DS3 or DS3 equivalent - KS - Zone 3

<u>USOC</u>	<u>Month to Month*</u>	<u>Monthly Extension</u>	<u>1 year</u>	<u>3 year</u>	<u>5 year</u>	<u>10 year</u>	(Tx)
10XHX/10XLX	\$775.00	\$775.00	\$700.00	\$535.00	\$410.00	\$410.00	

* This option will no longer be available for new circuits provisioned on or after, November 21, 2003. There will be no change to existing circuits.

(Tx)
(Tx)

(x) Issued under authority of Special Permission No. 14-001 of the FCC in order to withdraw material filed under Transmittal No. 3383 and suspended under Order DA-13-2349, released December 9, 2013, without its becoming effective and to restore currently effective material.

(This page filed under Transmittal No. 3386)

Issued: January 15, 2014

Effective: January 16, 2014

Four AT&T Plaza, Dallas, Texas 75202

ACCESS SERVICE

20. MegaLink Custom Services (Cont'd)

20.5 Rates and Charges (Cont'd)

20.5.3 Interoffice Mileage - Fixed - Monthly Recurring Rates and Service Extension (Cont'd)

(G) Interoffice Fixed - per DS3 or DS3 equivalent - MO - Zone 1

USOC	Month to Month*	Monthly Extension	1 year	3 year	5 year	10 year	(Tx)
10XHX/10XLX	\$725.00	\$725.00	\$650.00	\$505.00	\$395.00	\$375.00	

(H) Interoffice Fixed - per DS3 or DS3 equivalent - MO - Zone 2

USOC	Month to Month*	Monthly Extension	1 year	3 year	5 year	10 year	(Tx)
10XHX/10XLX	\$750.00	\$750.00	\$675.00	\$525.00	\$400.00	\$400.00	

(I) Interoffice Fixed - per DS3 or DS3 equivalent - MO - Zone 3

USOC	Month to Month*	Monthly Extension	1 year	3 year	5 year	10 year	(Tx)
10XHX/10XLX	\$775.00	\$775.00	\$700.00	\$535.00	\$410.00	\$410.00	

(J) Interoffice Fixed - per DS3 or DS3 equivalent - OK - Zone 1

USOC	Month to Month*	Monthly Extension	1 year	3 year	5 year	10 year	(Tx)
10XHX/10XLX	\$725.00	\$725.00	\$650.00	\$505.00	\$395.00	\$375.00	

(K) Interoffice Fixed - per DS3 or DS3 equivalent - OK - Zone 2

USOC	Month to Month*	Monthly Extension	1 year	3 year	5 year	10 year	(Tx)
10XHX/10XLX	\$750.00	\$750.00	\$675.00	\$525.00	\$400.00	\$400.00	

(L) Interoffice Fixed - per DS3 or DS3 equivalent - OK - Zone 3

USOC	Month to Month*	Monthly Extension	1 year	3 year	5 year	10 year	(Tx)
10XHX/10XLX	\$775.00	\$775.00	\$700.00	\$535.00	\$410.00	\$410.00	

* This option will no longer be available for new circuits provisioned on or after, November 21, 2003. There will be no change to existing circuits.

(Tx)
(Tx)

(x) Issued under authority of Special Permission No. 14-001 of the FCC in order to withdraw material filed under Transmittal No. 3383 and suspended under Order DA-13-2349, released December 9, 2013, without its becoming effective and to restore currently effective material.

(This page filed under Transmittal No. 3386)

ACCESS SERVICE

20. MegaLink Custom Services (Cont'd)

20.5 Rates and Charges (Cont'd)

20.5.3 Interoffice Mileage - Fixed - Monthly Recurring Rates and Service Extension (Cont'd)

(M) Interoffice Fixed - per DS3 or DS3 equivalent - TX - Zone 1

USOC	Month to Month*	Monthly Extension	1 year	3 year	5 year	10 year	(Tx)
10XHX/10XLX	\$725.00	\$725.00	\$650.00	\$505.00	\$395.00	\$395.00	

(N) Interoffice Fixed - per DS3 or DS3 equivalent - TX - Zone 2

USOC	Month to Month*	Monthly Extension	1 year	3 year	5 year	10 year	(Tx)
10XHX/10XLX	\$750.00	\$750.00	\$675.00	\$525.00	\$400.00	\$400.00	

(O) Interoffice Fixed - per DS3 or DS3 equivalent - TX - Zone 3

USOC	Month to Month*	Monthly Extension	1 year	3 year	5 year	10 year	(Tx)
10XHX/10XLX	\$775.00	\$775.00	\$700.00	\$535.00	\$410.00	\$410.00	

* This option will no longer be available for new circuits provisioned on or after, November 21, 2003. There will be no change to existing circuits.

(Tx)
 (Tx)

(x) Issued under authority of Special Permission No. 14-001 of the FCC in order to withdraw material filed under Transmittal No. 3383 and suspended under Order DA-13-2349, released December 9, 2013, without its becoming effective and to restore currently effective material.

(This page filed under Transmittal No. 3386)

ACCESS SERVICE

20. MegaLink Custom Services (Cont'd)20.5 Rates and Charges (Cont'd)20.5.3 Interoffice Mileage - Fixed - Monthly Recurring Rates
(Cont'd)(P) Temp-DS3 - Interoffice Fixed - per Temp DS3 - AR -
Zone 1USOC Monthly

10XGX \$750.00 (R)

(Q) Temp-DS3 - Interoffice Fixed - per Temp DS3 - AR -
Zone 2USOC Monthly

10XGX \$775.00 (R)

(R) Temp-DS3 - Interoffice Fixed - per Temp DS3 - AR -
Zone 3USOC Monthly

10XGX \$800.00 (R)

(S) Temp-DS3 - Interoffice Fixed - per Temp DS3 - KS -
Zone 1USOC Monthly

10XGX \$750.00 (R)

(T) Temp-DS3 - Interoffice Fixed - per Temp DS3 - KS -
Zone 2USOC Monthly

10XGX \$775.00 (R)

(U) Temp-DS3 - Interoffice Fixed - per Temp DS3 - KS -
Zone 3USOC Monthly

10XGX \$800.00 (R)

Rates contained in this transmittal are subject to subsequent adjustment, effective retrospectively back to the transmittal's original effective date, in the event the Commission or a court subsequently authorizes SWBT to correct its rates pursuant to pending motions, or petitions for reconsideration or waiver (and including, but not limited to, any application for Review of the letter from Lawrence E. Strickling, Chief, Common Carrier bureau, FCC, to Dale Robertson, SBC, dated May 18, 1999 which may be filed with the Commission), or in the event of any other adjustment

(This page filed under Transmittal No. 2837)

Issued: July 27, 2000

Effective: August 11, 2000

Four AT&T Plaza, Dallas, Texas 75202

ACCESS SERVICE

20. MegaLink Custom Services (Cont'd)20.5 Rates and Charges (Cont'd)20.5.3 Interoffice Mileage - Fixed - Monthly Recurring Rates
(Cont'd)(V) Temp-DS3 - Interoffice Fixed - per Temp DS3 - MO -
Zone 1USOCMonthly

10XGX \$750.00 (R)

(W) Temp-DS3 - Interoffice Fixed - per Temp DS3 - MO -
Zone 2USOCMonthly

10XGX \$775.00 (R)

(X) Temp-DS3 - Interoffice Fixed - per Temp DS3 - MO -
Zone 3USOCMonthly

10XGX \$800.00 (R)

(Y) Temp-DS3 - Interoffice Fixed - per Temp DS3 - OK -
Zone 1USOCMonthly

10XGX \$750.00 (R)

(Z) Temp-DS3 - Interoffice Fixed - per Temp DS3 - OK -
Zone 2USOCMonthly

10XGX \$775.00 (R)

(AA) Temp-DS3 - Interoffice Fixed - per Temp DS3 - OK -
Zone 3USOCMonthly

10XGX \$800.00 (R)

Rates contained in this transmittal are subject to subsequent adjustment, effective retrospectively back to the transmittal's original effective date, in the event the Commission or a court subsequently authorizes SWBT to correct its rates pursuant to pending motions, or petitions for reconsideration or waiver (and including, but not limited to, any application for Review of the letter from Lawrence E. Strickling, Chief, Common Carrier bureau, FCC, to Dale Robertson, SBC, dated May 18, 1999 which may be filed with the Commission), or in the event of any other adjustment pursuant to an order of the Commission or a court.

(This page filed under Transmittal No. 2837)

Issued: July 27, 2000

Effective: August 11, 2000

Four AT&T Plaza, Dallas, Texas 75202

ACCESS SERVICE

20. MegaLink Custom Services (Cont'd)20.5 Rates and Charges (Cont'd)20.5.3 Interoffice Mileage - Fixed - Monthly Recurring Rates
(Cont'd)(AB) Temp-DS3 - Interoffice Fixed - per Temp DS3 - TX -
Zone 1USOCMonthly

10XGX \$750.00 (R)

(AC) Temp-DS3 - Interoffice Fixed - per Temp DS3 - TX -
Zone 2USOCMonthly

10XGX \$775.00 (R)

(AD) Temp-DS3 - Interoffice Fixed - per Temp DS3 - TX -
Zone 3USOCMonthly

10XGX \$800.00 (R)

Rates contained in this transmittal are subject to subsequent adjustment, effective retrospectively back to the transmittal's original effective date, in the event the Commission or a court subsequently authorizes SWBT to correct its rates pursuant to pending motions, or petitions for reconsideration or waiver (and including, but not limited to, any application for Review of the letter from Lawrence E. Strickling, Chief, Common Carrier bureau, FCC, to Dale Robertson, SBC, dated May 18, 1999 which may be filed with the Commission), or in the event of any other adjustment pursuant to an order of the Commission or a court.

(This page filed under Transmittal No. 2837)

Issued: July 27, 2000

Effective: August 11, 2000

Four AT&T Plaza, Dallas, Texas 75202

ACCESS SERVICE

20. MegaLink Custom Services (Cont'd)

20.5 Rates and Charges (Cont'd)

20.5.4 Interoffice Mileage - Per Mile - Monthly Recurring Rates and Service Extension

(A) Per Mile - per Volume Option, per Mile - AR - Zone 1

Volume Option*	USOC	Month to Month**	Monthly Extension	1 year	3 year	5 year	10 year	(Tx)
1	1J5HS/1HXLS	\$ 100.00	\$ 100.00	\$ 90.00	\$ 60.00	\$ 36.00	\$ 37.00	
3	1J5HS/1HXLS	\$ 300.00	\$ 300.00	\$ 270.00	\$ 195.00	\$ 112.50	\$112.50	
6	1J5HS/1HXLS	\$ 600.00	\$ 600.00	\$ 540.00	\$ 390.00	\$ 225.00	\$225.00	
12	1J5HS/1HXLS	\$1,200.00	\$1,200.00	\$1,080.00	\$ 780.00	\$ 450.00	\$450.00	

(B) Per Mile - per Volume Option, per Mile - AR - Zone 2

Volume Option*	USOC	Month to Month**	Monthly Extension	1 year	3 year	5 year	10 year	(Tx)
1	1J5HS/1HXLS	\$ 105.00	\$ 105.00	\$ 95.00	\$ 68.00	\$ 38.25	\$ 39.00	
3	1J5HS/1HXLS	\$ 315.00	\$ 315.00	\$ 285.00	\$ 210.00	\$ 120.00	\$120.00	
6	1J5HS/1HXLS	\$ 630.00	\$ 630.00	\$ 570.00	\$ 420.00	\$ 240.00	\$240.00	
12	1J5HS/1HXLS	\$1,260.00	\$1,260.00	\$1,140.00	\$ 840.00	\$ 480.00	\$480.00	

(C) Per Mile - per Volume Option, per Mile - AR - Zone 3

Volume Option*	USOC	Month to Month**	Monthly Extension	1 year	3 year	5 year	10 year	(Tx)
1	1J5HS/1HXLS	\$ 110.00	\$ 110.00	\$ 100.00	\$ 72.00	\$ 41.00	\$ 41.00	
3	1J5HS/1HXLS	\$ 330.00	\$ 330.00	\$ 300.00	\$ 225.00	\$ 127.50	\$ 127.50	
6	1J5HS/1HXLS	\$ 660.00	\$ 660.00	\$ 600.00	\$ 450.00	\$ 255.00	\$ 255.00	
12	1J5HS/1HXLS	\$1,320.00	\$1,320.00	\$1,200.00	\$ 900.00	\$ 510.00	\$ 510.00	

* Volume Option specifies the number of DS3s or DS3 equivalents.

**This option will no longer be available for new circuits provisioned on or after, November 21, 2003. There will be no change to existing circuits.

(Tx)
 (Tx)

(x) Issued under authority of Special Permission No. 14-001 of the FCC in order to withdraw material filed under Transmittal No. 3383 and suspended under Order DA-13-2349, released December 9, 2013, without its becoming effective and to restore currently effective material.

(This page filed under Transmittal No. 3386)

ACCESS SERVICE

20. MegaLink Custom Services (Cont'd)20.5 Rates and Charges (Cont'd)20.5.4 Interoffice Mileage - Per Mile - Monthly Recurring Rates
and Service Extension (Cont'd)(D) Per Mile - per Volume Option, per Mile - KS - Zone 1

Volume Option*	USOC	Month to Month**	Monthly Extension	1 year	3 year	5 year	10 year	(Tx)
1	1J5HS/1HXL	\$ 100.00	\$ 100.00	\$ 90.00	\$ 60.00	\$ 36.00	\$37.00	
3	1J5HS/1HXL	\$ 300.00	\$ 300.00	\$ 270.00	\$ 195.00	\$ 112.50	\$112.50	
6	1J5HS/1HXL	\$ 600.00	\$ 600.00	\$ 540.00	\$ 390.00	\$ 225.00	\$225.00	
12	1J5HS/1HXL	\$1,200.00	\$1,200.00	\$1,080.00	\$ 780.00	\$ 450.00	\$450.00	

(E) Per Mile - per Volume Option, per Mile - KS - Zone 2

Volume Option*	USOC	Month to Month**	Monthly Extension	1 year	3 year	5 year	10 year	(Tx)
1	1J5HS/1HXL	\$ 105.00	\$ 105.00	\$ 95.00	\$ 68.00	\$ 38.25	\$ 39.00	
3	1J5HS/1HXL	\$ 315.00	\$ 315.00	\$ 285.00	\$ 210.00	\$ 120.00	\$120.00	
6	1J5HS/1HXL	\$ 630.00	\$ 630.00	\$ 570.00	\$ 420.00	\$ 240.00	\$240.00	
12	1J5HS/1HXL	\$1,260.00	\$1,260.00	\$1,140.00	\$ 840.00	\$ 480.00	\$480.00	

(F) Per Mile - per Volume Option, per Mile - KS - Zone 3

Volume Option*	USOC	Month to Month**	Monthly Extension	1 year	3 year	5 year	10 year	(Tx)
1	1J5HS/1HXL	\$ 110.00	\$ 110.00	\$ 100.00	\$ 72.00	\$ 41.00	\$ 41.00	
3	1J5HS/1HXL	\$ 330.00	\$ 330.00	\$ 300.00	\$ 225.00	\$ 127.50	\$ 127.50	
6	1J5HS/1HXL	\$ 660.00	\$ 660.00	\$ 600.00	\$ 450.00	\$ 255.00	\$ 255.00	
12	1J5HS/1HXL	\$1,320.00	\$1,320.00	\$1,200.00	\$ 900.00	\$ 510.00	\$ 510.00	

* Volume Option specifies the number of DS3s or DS3 equivalents.

**This option will no longer be available for new circuits provisioned on or after, November 21, 2003. There will be no change to existing circuits.

(Tx)
(Tx)

(x) Issued under authority of Special Permission No. 14-001 of the FCC in order to withdraw material filed under Transmittal No. 3383 and suspended under Order DA-13-2349, released December 9, 2013, without its becoming effective and to restore currently effective material.

(This page filed under Transmittal No. 3386)

Issued: January 15, 2014

Effective: January 16, 2014

Four AT&T Plaza, Dallas, Texas 75202

ACCESS SERVICE

20. MegaLink Custom Services (Cont'd)20.5 Rates and Charges (Cont'd)20.5.4 Interoffice Mileage - Per Mile - Monthly Recurring Rates
and Service Extension (Cont'd)(G) Per Mile - per Volume Option, per Mile - MO - Zone 1

Volume Option*	USOC	Month to Month**	Monthly Extension	1 year	3 year	5 year	10 year	(Tx)
1	1J5HS/1HXLS	\$ 100.00	\$ 100.00	\$ 90.00	\$ 60.00	\$ 36.00	\$ 37.00	
3	1J5HS/1HXLS	\$ 300.00	\$ 300.00	\$ 270.00	\$ 195.00	\$ 112.50	\$112.50	
6	1J5HS/1HXLS	\$ 600.00	\$ 600.00	\$ 540.00	\$ 390.00	\$ 225.00	\$225.00	
12	1J5HS/1HXLS	\$1,200.00	\$1,200.00	\$1,080.00	\$ 780.00	\$ 450.00	\$450.00	

(H) Per Mile - per Volume Option, per Mile - MO - Zone 2

Volume Option*	USOC	Month to Month**	Monthly Extension	1 year	3 year	5 year	10 year	(Tx)
1	1J5HS/1HXLS	\$ 105.00	\$ 105.00	\$ 95.00	\$ 68.00	\$ 38.25	\$ 39.00	
3	1J5HS/1HXLS	\$ 315.00	\$ 315.00	\$ 285.00	\$ 210.00	\$ 120.00	\$120.00	
6	1J5HS/1HXLS	\$ 630.00	\$ 630.00	\$ 570.00	\$ 420.00	\$ 240.00	\$240.00	
12	1J5HS/1HXLS	\$1,260.00	\$1,260.00	\$1,140.00	\$ 840.00	\$ 480.00	\$480.00	

(I) Per Mile - per Volume Option, per Mile - MO - Zone 3

Volume Option*	USOC	Month to Month**	Monthly Extension	1 year	3 year	5 year	10 year	(Tx)
1	1J5HS/1HXLS	\$ 110.00	\$ 110.00	\$ 100.00	\$ 72.00	\$ 41.00	\$ 41.00	
3	1J5HS/1HXLS	\$ 330.00	\$ 330.00	\$ 300.00	\$ 225.00	\$ 127.50	\$ 127.50	
6	1J5HS/1HXLS	\$ 660.00	\$ 660.00	\$ 600.00	\$ 450.00	\$ 255.00	\$ 255.00	
12	1J5HS/1HXLS	\$1,320.00	\$1,320.00	\$1,200.00	\$ 900.00	\$ 510.00	\$ 510.00	

* Volume Option specifies the number of DS3s or DS3 equivalents.

** This option will no longer be available for new circuits provisioned on or after, November 21, 2003. There will be no change to existing circuits.

(Tx)
(Tx)

(x) Issued under authority of Special Permission No. 14-001 of the FCC in order to withdraw material filed under Transmittal No. 3383 and suspended under Order DA-13-2349, released December 9, 2013, without its becoming effective and to restore currently effective material.

(This page filed under Transmittal No. 3386)

Issued: January 15, 2014

Effective: January 16, 2014

Four AT&T Plaza, Dallas, Texas 75202

ACCESS SERVICE

20. MegaLink Custom Services (Cont'd)

20.5 Rates and Charges (Cont'd)

20.5.4 Interoffice Mileage - Per Mile - Monthly Recurring Rates and Service Extension (Cont'd)

(J) Per Mile - per Volume Option, per Mile - OK - Zone 1

Volume Option*	USOC	Month to Month**	Monthly Extension	1 year	3 year	5 year	10 year	(Tx)
1	1J5HS/1HXLS	\$ 100.00	\$ 100.00	\$ 90.00	\$ 60.00	\$ 36.00	\$37.00	
3	1J5HS/1HXLS	\$ 300.00	\$ 300.00	\$ 270.00	\$ 195.00	\$ 112.50	\$112.50	
6	1J5HS/1HXLS	\$ 600.00	\$ 600.00	\$ 540.00	\$ 390.00	\$ 225.00	\$225.00	
12	1J5HS/1HXLS	\$1,200.00	\$1,200.00	\$1,080.00	\$ 780.00	\$ 450.00	\$450.00	

(K) Per Mile - per Volume Option, per Mile - OK - Zone 2

Volume Option*	USOC	Month to Month**	Monthly Extension	1 year	3 year	5 year	10 year	(Tx)
1	1J5HS/1HXLS	\$ 105.00	\$ 105.00	\$ 95.00	\$ 68.00	\$ 38.25	\$ 39.00	
3	1J5HS/1HXLS	\$ 315.00	\$ 315.00	\$ 285.00	\$ 210.00	\$ 120.00	\$120.00	
6	1J5HS/1HXLS	\$ 630.00	\$ 630.00	\$ 570.00	\$ 420.00	\$ 240.00	\$240.00	
12	1J5HS/1HXLS	\$1,260.00	\$1,260.00	\$1,140.00	\$ 840.00	\$ 480.00	\$480.00	

(L) Per Mile - per Volume Option, per Mile - OK - Zone 3

Volume Option*	USOC	Month to Month**	Monthly Extension	1 year	3 year	5 year	10 year	(Tx)
1	1J5HS/1HXLS	\$ 110.00	\$ 110.00	\$ 100.00	\$ 72.00	\$ 41.00	\$ 41.00	
3	1J5HS/1HXLS	\$ 330.00	\$ 330.00	\$ 300.00	\$ 225.00	\$ 127.50	\$ 127.50	
6	1J5HS/1HXLS	\$ 660.00	\$ 660.00	\$ 600.00	\$ 450.00	\$ 255.00	\$ 255.00	
12	1J5HS/1HXLS	\$1,320.00	\$1,320.00	\$1,200.00	\$ 900.00	\$ 510.00	\$ 510.00	

* Volume Option specifies the number of DS3s or DS3 equivalents.
 ** This option will no longer be available for new circuits provisioned on or after, November 21, 2003. There will be no change to existing circuits.

(Tx)
 (Tx)

(x) Issued under authority of Special Permission No. 14-001 of the FCC in order to withdraw material filed under Transmittal No. 3383 and suspended under Order DA-13-2349, released December 9, 2013, without its becoming effective and to restore currently effective material.

(This page filed under Transmittal No. 3386)

ACCESS SERVICE

20. MegaLink Custom Services (Cont'd)

20.5 Rates and Charges (Cont'd)

20.5.4 Interoffice Mileage - Per Mile - Monthly Recurring Rates and Service Extension (Cont'd)

(M) Per Mile - per Volume Option, per Mile - TX - Zone 1

Volume Option*	USOC	Month to Month**	Monthly Extension	1 year	3 year	5 year	10 year
1	1J5HS/1HXL	\$ 100.00	\$ 100.00	\$ 90.00	\$ 60.00	\$ 36.00	\$37.00
3	1J5HS/1HXL	\$ 300.00	\$ 300.00	\$ 270.00	\$ 195.00	\$ 112.50	\$112.50
6	1J5HS/1HXL	\$ 600.00	\$ 600.00	\$ 540.00	\$ 390.00	\$ 225.00	\$225.00
12	1J5HS/1HXL	\$1,200.00	\$1,200.00	\$1,080.00	\$ 780.00	\$ 450.00	\$450.00

(N) Per Mile - per Volume Option, per Mile - TX - Zone 2

Volume Option*	USOC	Month to Month**	Monthly Extension	1 year	3 year	5 year	10 year
1	1J5HS/1HXL	\$ 105.00	\$ 105.00	\$ 95.00	\$ 68.00	\$ 38.25	\$ 39.00
3	1J5HS/1HXL	\$ 315.00	\$ 315.00	\$ 285.00	\$ 210.00	\$ 120.00	\$120.00
6	1J5HS/1HXL	\$ 630.00	\$ 630.00	\$ 570.00	\$ 420.00	\$ 240.00	\$240.00
12	1J5HS/1HXL	\$1,260.00	\$1,260.00	\$1,140.00	\$ 840.00	\$ 480.00	\$480.00

(O) Reserved for Future Use

(T)

(P) Per Mile - per Volume Option, per Mile - TX - Zone 3

Volume Option*	USOC	Month to Month**	Monthly Extension	1 year	3 year	5 year	10 year
1	1J5HS/1HXL	\$ 110.00	\$ 110.00	\$ 100.00	\$ 72.00	\$ 41.00	\$ 41.00
3	1J5HS/1HXL	\$ 330.00	\$ 330.00	\$ 300.00	\$ 225.00	\$ 127.50	\$ 127.50
6	1J5HS/1HXL	\$ 660.00	\$ 660.00	\$ 600.00	\$ 450.00	\$ 255.00	\$ 255.00
12	1J5HS/1HXL	\$1,320.00	\$1,320.00	\$1,200.00	\$ 900.00	\$ 510.00	\$ 510.00

* Volume Option specifies the number of DS3s or DS3 equivalents.

** This option will no longer be available for new circuits provisioned on or after, November 21, 2003. There will be no change to existing circuits.

(This page filed under Transmittal No. 3390)

ACCESS SERVICE

20.	<u>MegaLink Custom Services (Cont'd)</u>	
20.5	<u>Rates and Charges (Cont'd)</u>	
20.5.4	<u>Interoffice Mileage - Per Mile - Monthly Recurring Rates (Cont'd)</u>	
	(P)	<u>Temp-DS3 - Per Mile - per Temp-DS3, per mile - AR -</u>
<u>Zone 1</u>		
		<u>Volume Option*</u>
		<u>USOC Monthly</u>
1		1A8GS \$125.00 (I)
	(Q)	<u>Temp-DS3 - Per Mile - per Temp-DS3, per mile - AR -</u>
<u>Zone 2</u>		
		<u>Volume Option*</u>
		<u>USOC Monthly</u>
1		1A8GS \$130.00 (I)
	(R)	<u>Temp-DS3 - Per Mile - per Temp-DS3, per mile - AR -</u>
<u>Zone 3</u>		
		<u>Volume Option*</u>
		<u>USOC Monthly</u>
1		1A8GS \$135.00 (I)
	(S)	<u>Temp-DS3 - Per Mile - per Temp-DS3, per mile - KS -</u>
<u>Zone 1</u>		
		<u>Volume Option*</u>
		<u>USOC Monthly</u>
1		1A8GS \$125.00 (I)
	(T)	<u>Temp-DS3 - Per Mile - per Temp-DS3, per mile - KS -</u>
<u>Zone 2</u>		
		<u>Volume Option*</u>
		<u>USOC Monthly</u>
1		1A8GS \$130.00 (I)
	(U)	<u>Temp-DS3 - Per Mile - per Temp-DS3, per mile - KS -</u>
<u>Zone 3</u>		
		<u>Volume Option*</u>
		<u>USOC Monthly</u>
1		1A8GS \$135.00 (I)

* Volume Option specifies the number of DS3s or DS3 equivalents.

Rates contained in this transmittal are subject to subsequent adjustment, effective retrospectively back to the transmittal's original effective date, in the event the Commission or a court subsequently authorizes SWBT to correct its rates pursuant to pending motions, or petitions for reconsideration or waiver (and including, but not limited to, any application for Review of the letter from Lawrence E. Strickling, Chief, Common Carrier bureau, FCC, to Dale Robertson, SBC, dated May 18, 1999 which may be filed with the Commission), or in the event of any other adjustment pursuant to an order of the Commission or a court.

(This page filed under Transmittal No. 2831)

Issued: June 16, 2000

Effective: July 1, 2000

Four AT&T Plaza, Dallas, Texas 75202

ACCESS SERVICE

20. MegaLink Custom Services (Cont'd)20.5 Rates and Charges (Cont'd)20.5.4 Interoffice Mileage - Per Mile - Monthly Recurring Rates
(Cont'd)

	(V)	<u>Temp-DS3 - Per Mile - per Temp-DS3, per mile - MO -</u>	
<u>Zone 1</u>			
Volume Option*		<u>USOCMonthly</u>	
1		1A8GS	\$125.00 (I)
	(W)	<u>Temp-DS3 - Per Mile - per Temp-DS3, per mile - MO -</u>	
<u>Zone 2</u>			
Volume Option*		<u>USOCMonthly</u>	
1		1A8GS	\$130.00 (I)
	(X)	<u>Temp-DS3 - Per Mile - per Temp-DS3, per mile - MO -</u>	
<u>Zone 3</u>			
Volume Option*		<u>USOCMonthly</u>	
1		1A8GS	\$135.00 (I)
	(Y)	<u>Temp-DS3 - Per Mile - per Temp-DS3, per mile - OK -</u>	
<u>Zone 1</u>			
Volume Option*		<u>USOCMonthly</u>	
1		1A8GS	\$125.00 (I)
	(Z)	<u>Temp-DS3 - Per Mile - per Temp-DS3, per mile - OK -</u>	
<u>Zone 2</u>			
Volume Option*		<u>USOCMonthly</u>	
1		1A8GS	\$130.00 (I)
	(AA)	<u>Temp-DS3 - Per Mile - per Temp-DS3, per mile - OK -</u>	
<u>Zone 3</u>			
Volume Option*		<u>USOCMonthly</u>	
1		1A8GS	\$135.00 (I)

* Volume Option specifies the number of DS3s or DS3 equivalents.

Rates contained in this transmittal are subject to subsequent adjustment, effective retrospectively back to the transmittal's original effective date, in the event the Commission or a court subsequently authorizes SWBT to correct its rates pursuant to pending motions, or petitions for reconsideration or waiver (and including, but not limited to, any application for Review of the letter from Lawrence E. Strickling, Chief, Common Carrier bureau, FCC, to Dale Robertson, SBC, dated May 18, 1999 which may be filed with the Commission), or in the event of any other adjustment

(This page filed under Transmittal No. 2831)

Issued: June 16, 2000

Effective: July (T) '00

Four AT&T Plaza, Dallas, Texas 75202

ACCESS SERVICE

20. MegaLink Custom Services (Cont'd)20.5 Rates and Charges (Cont'd)20.5.4 Interoffice Mileage - Per Mile - Monthly Recurring Rates
(Cont'd)(AB) Temp-DS3 - Per Mile - per Temp-DS3, per mile - TX -
Zone 1Volume
Option*USOCMonthly

1 1A8GS \$125.00 (I)

Zone 2(AC) Temp-DS3 - Per Mile - per Temp-DS3, per mile - TX -Volume
Option*USOCMonthly

1 1A8GS \$130.00 (I)

Zone 3(AD) Temp-DS3 - Per Mile - per Temp-DS3, per mile - TX -Volume
Option*USOCMonthly

1 1A8GS \$135.00 (I)

* Volume Option specifies the number of DS3s or DS3 equivalents.

Rates contained in this transmittal are subject to subsequent adjustment, effective retrospectively back to the transmittal's original effective date, in the event the Commission or a court subsequently authorizes SWBT to correct its rates pursuant to pending motions, or petitions for reconsideration or waiver (and including, but not limited to, any application for Review of the letter from Lawrence E. Strickling, Chief, Common Carrier bureau, FCC, to Dale Robertson, SBC, dated May 18, 1999 which may be filed with the Commission), or in the event of any other adjustment pursuant to an order of the Commission or a court.

(This page filed under Transmittal No. 2831)

Issued: June 16, 2000

Effective: July 1, 2000

Four AT&T Plaza, Dallas, Texas 75202

ACCESS SERVICE

20. MegaLink Custom Services (Cont'd)20.5 Rates and Charges (Cont'd)20.5.5 Installation Charge - Per DS3 or DS3 Equivalent, per customer designated premises on the same Access Order(A) Installation Charge - AR - Zone 1

	Month to Month*	1 Year	3 Year	5 Year	10 Year (Tx)
USOC	NRBSE	NRBSE	NRBMF	NRBMG	NRBMH
First	\$1,000.00	\$1,000.00	\$1,000.00	\$1,000.00	\$1,000.00
Additional	\$496.00	\$496.00	\$0.00	\$0.00	\$0.00

(B) Installation Charge - AR - Zone 2

	Month to Month*	1 Year	3 Year	5 Year	10 Year (Tx)
USOC	NRBSE	NRBSE	NRBMF	NRBMG	NRBMH
First	\$1,000.00	\$1,000.00	\$1,000.00	\$1,000.00	\$1,000.00
Additional	\$496.00	\$496.00	\$0.00	\$0.00	\$0.00

(C) Installation Charge - AR - Zone 3

	Month to Month*	1 Year	3 Year	5 Year	10 Year (Tx)
USOC	NRBSE	NRBSE	NRBMF	NRBMG	NRBMH
First	\$1,000.00	\$1,000.00	\$1,000.00	\$1,000.00	\$1,000.00
Additional	\$496.00	\$496.00	\$0.00	\$0.00	\$0.00

(D) Installation Charge - KS - Zone 1

	Month to Month*	1 Year	3 Year	5 Year	10 Year (Tx)
USOC	NRBSE	NRBSE	NRBMF	NRBMG	NRBMH
First	\$1,000.00	\$1,000.00	\$1,000.00	\$1,000.00	\$1,000.00
Additional	\$496.00	\$496.00	\$0.00	\$0.00	\$0.00

* This option will no longer be available for new circuits provisioned on or after, November 21, 2003. There will be no change to existing circuits.

(x) Issued under authority of Special Permission No. 14-001 of the FCC in order to withdraw material filed under Transmittal No. 3383 and suspended under Order DA-13-2349, released December 9, 2013, without its becoming effective and to restore currently effective material.

(This page filed under Transmittal No. 3386)

Issued: January 15, 2014

Effective: January 16, 2014

Four AT&T Plaza, Dallas, Texas 75202

(Tx)
(Tx)

ACCESS SERVICE

20. MegaLink Custom Services (Cont'd)20.5 Rates and Charges (Cont'd)20.5.5 Installation Charge - Per DS3 or DS3 Equivalent, per customer designated premises on the same Access Order (Cont'd)(E) Installation Charge - KS - Zone 2

	Month to Month*	1 Year	3 Year	5 Year	10 Year	(Tx)
USOC	NRBSE	NRBSE	NRBMF	NRBMG	NRBMH	
First	\$1,000.00	\$1,000.00	\$1,000.00	\$1,000.00	\$1,000.00	
Additional	\$496.00	\$496.00	\$0.00	\$0.00	\$0.00	

(F) Installation Charge - KS - Zone 3

	Month to Month*	1 Year	3 Year	5 Year	10 Year	(Tx)
USOC	NRBSE	NRBSE	NRBMF	NRBMG	NRBMH	
First	\$1,000.00	\$1,000.00	\$1,000.00	\$1,000.00	\$1,000.00	
Additional	\$496.00	\$496.00	\$0.00	\$0.00	\$0.00	

(G) Installation Charge - MO - Zone 1

	Month to Month*	1 Year	3 Year	5 Year	10 Year	(Tx)
USOC	NRBSE	NRBSE	NRBMF	NRBMG	NRBMH	
First	\$1,000.00	\$1,000.00	\$1,000.00	\$1,000.00	\$1,000.00	
Additional	\$496.00	\$496.00	\$0.00	\$0.00	\$0.00	

(H) Installation Charge - MO - Zone 2

	Month to Month*	1 Year	3 Year	5 Year	10 Year	(Tx)
USOC	NRBSE	NRBSE	NRBMF	NRBMG	NRBMH	
First	\$1,000.00	\$1,000.00	\$1,000.00	\$1,000.00	\$1,000.00	
Additional	\$496.00	\$496.00	\$0.00	\$0.00	\$0.00	

* This option will no longer be available for new circuits provisioned on or after, November 21, 2003. There will be no change to existing circuits.

(x) Issued under authority of Special Permission No. 14-001 of the FCC in order to withdraw material filed under Transmittal No. 3383 and suspended under Order DA-13-2349, released December 9, 2013, without its becoming effective and to restore currently effective material.

(This page filed under Transmittal No. 3386)

Issued: January 15, 2014

Effective: January 16, 2014

Four AT&T Plaza, Dallas, Texas 75202

ACCESS SERVICE

20. MegaLink Custom Services (Cont'd)20.5 Rates and Charges (Cont'd)20.5.5 Installation Charge - Per DS3 or DS3 Equivalent, per customer designated premises on the same Access Order (Cont'd)(I) Installation Charge - MO - Zone 3

(T)

	Month to Month*	1 Year	3 Year	5 Year	10 Year
USOC	NRBSE	NRBSE	NRBMF	NRBMG	NRBMH
First	\$1,000.00	\$1,000.00	\$1,000.00	\$1,000.00	\$1,000.00
Additional	\$496.00	\$496.00	\$0.00	\$0.00	\$0.00

(J) Installation Charge - OK - Zone 1

	Month to Month*	1 Year	3 Year	5 Year	10 Year
USOC	NRBSE	NRBSE	NRBMF	NRBMG	NRBMH
First	\$1,000.00	\$1,000.00	\$1,000.00	\$1,000.00	\$1,000.00
Additional	\$496.00	\$496.00	\$0.00	\$0.00	\$0.00

(K) Installation Charge - OK - Zone 2

	Month to Month*	1 Year	3 Year	5 Year	10 Year
USOC	NRBSE	NRBSE	NRBMF	NRBMG	NRBMH
First	\$1,000.00	\$1,000.00	\$1,000.00	\$1,000.00	\$1,000.00
Additional	\$496.00	\$496.00	\$0.00	\$0.00	\$0.00

(L) Installation Charge - OK - Zone 3

	Month to Month*	1 Year	3 Year	5 Year	10 Year
USOC	NRBSE	NRBSE	NRBMF	NRBMG	NRBMH
First	\$1,000.00	\$1,000.00	\$1,000.00	\$1,000.00	\$1,000.00
Additional	\$496.00	\$496.00	\$0.00	\$0.00	\$0.00

* This option will no longer be available for new circuits provisioned on or after, November 21, 2003. There will be no change to existing circuits.

(This page filed under Transmittal No. 3390)

Issued: May 23, 2014

Effective: June 7, 2014

Four AT&T Plaza, Dallas, Texas 75202

ACCESS SERVICE

20. MegaLink Custom Services (Cont'd)

20.5 Rates and Charges (Cont'd)

20.5.5 Installation Charge - Per DS3 or DS3 Equivalent, per customer premises on the same Access Order (Cont'd)

(M) Installation Charge - TX - Zone 1

	Month to Month*	1 Year	3 Year	5 Year	10 Year	(Tx)
USOC	NRBSE	NRBSE	NRBMF	NRBMG	NRBMH	
First	\$1,000.00	\$1,000.00	\$1,000.00	\$1,000.00	\$1,000.00	
Additional	\$496.00	\$496.00	\$0.00	\$0.00	\$0.00	

(N) Installation Charge - TX - Zone 2

	Month to Month*	1 Year	3 Year	5 Year	10 Year	(Tx)
USOC	NRBSE	NRBSE	NRBMF	NRBMG	NRBMH	
First	\$1,000.00	\$1,000.00	\$1,000.00	\$1,000.00	\$1,000.00	
Additional	\$496.00	\$496.00	\$0.00	\$0.00	\$0.00	

(O) Installation Charge - TX - Zone 3

	Month to Month*	1 Year	3 Year	5 Year	10 Year	(Tx)
USOC	NRBSE	NRBSE	NRBMF	NRBMG	NRBMH	
First	\$1,000.00	\$1,000.00	\$1,000.00	\$1,000.00	\$1,000.00	
Additional	\$496.00	\$496.00	\$0.00	\$0.00	\$0.00	

(P) Connecting Facility Assignment Credits - Nonzoned
 (Per DS1 Equivalent)

USOC Credit Per Month

NAC1X \$76.00

* This option will no longer be available for new circuits provisioned on or after, November 21, 2003. There will be no change to existing circuits.

(Tx)
 (Tx)

(x) Issued under authority of Special Permission No. 14-001 of the FCC in order to withdraw material filed under Transmittal No. 3383 and suspended under Order DA-13-2349, released December 9, 2013, without its becoming effective and to restore currently effective material.

(This page filed under Transmittal No. 3386)

ACCESS SERVICE

20. MegaLink Custom Services (Cont'd)20.5 Rates and Charges (Cont'd)20.5.6 Service to Service Through Connect Arrangement Per DS3 or DS3 equivalent

(A)	<u>Service to Service Through Connect Arrangement - AR - Zone 1</u>	(C)
	<u>USOC</u> <u>Installation Charge</u>	
	THA \$157.00	(C)
(B)	<u>Service to Service Through Connect Arrangement - AR - Zone 2</u>	(T)
	<u>USOC</u> <u>Installation Charge</u>	
	THA \$157.00	
(C)	<u>Service to Service Through Connect Arrangement - AR - Zone 3</u>	(T)
	<u>USOC</u> <u>Installation Charge</u>	
	THA \$157.00	
(D)	<u>Service to Service Through Connect Arrangement - KS - Zone 1</u>	(T)
	<u>USOC</u> <u>Installation Charge</u>	
	THA \$157.00	
(E)	<u>Service to Service Through Connect Arrangement - KS - Zone 2</u>	(N)
	<u>USOC</u> <u>Installation Charge</u>	
	THA \$157.00	
(F)	<u>Service to Service Through Connect Arrangement - KS - Zone 3</u>	
	<u>USOC</u> <u>Installation Charge</u>	
	THA \$157.00	

(This page filed under Transmittal No. 2563)

ACCESS SERVICE

20. MegaLink Custom Services (Cont'd)20.5 Rates and Charges (Cont'd)20.5.6 Service to Service Through Connect Arrangement Per DS3 or DS3 equivalent (Cont'd)(G) Service to Service Through Connect Arrangement - MO - Zone 1 (T)

<u>USOC</u>	<u>Installation Charge</u>
THA	\$157.00

(H) Service to Service Through Connect Arrangement - MO - Zone 2 (T)

<u>USOC</u>	<u>Installation Charge</u>
THA	\$157.00

(I) Service to Service Through Connect Arrangement - MO - Zone 3 (T)

<u>USOC</u>	<u>Installation Charge</u>
THA	\$157.00

(J) Service to Service Through Connect Arrangement - OK - Zone 1 (T)

<u>USOC</u>	<u>Installation Charge</u>
THA	\$157.00

(K) Service to Service Through Connect Arrangement - OK - Zone 2 (T)

<u>USOC</u>	<u>Installation Charge</u>
THA	\$157.00

(L) Service to Service Through Connect Arrangement - OK - Zone 3

<u>USOC</u>	<u>Installation Charge</u>
THA	\$157.00

(This page filed under Transmittal No. 2563)

ACCESS SERVICE

20. MegaLink Custom Services (Cont'd)20.5 Rates and Charges (Cont'd)20.5.6 Service to Service Through Connect Arrangement Per DS3 or DS3 equivalent (Cont'd)(M) Service to Service Through Connect Arrangement - TX - Zone 1 (T)USOC Installation Charge

THA \$157.00

(N) Service to Service Through Connect Arrangement - TX - Zone 2 (T)USOC Installation Charge

THA \$157.00

(O) Service to Service Through Connect Arrangement - TX - Zone 3USOC Installation Charge

THA \$157.00

(This page filed under Transmittal No. 2563)

Issued: August 1, 1996

Effective: September 1, 1996

Four AT&T Plaza, Dallas, Texas 75202

ACCESS SERVICE

20. MegaLink Custom Services (Cont'd)20.5 Rates and Charges (Cont'd)20.5.7 Optional Features, BSEs and Functions(A) DS3 to DS1 Multiplexing - Monthly Recurring Rates(1) DS3 to DS1 Multiplexing - AR - Zone 1
- Monthly Recurring Rates

Per Multiplexer

<u>USOC</u>	<u>Month to</u> <u>Month*</u>	<u>Monthly</u> <u>Extension</u>	<u>1 year</u>	<u>3 year</u>	<u>5 year</u>	<u>10 year</u>	(Tx)
MKM	\$725.00	\$725.00	\$650.00	\$525.00	\$475.00	\$450.00	

(2) DS3 to DS1 Multiplexing - AR - Zone 2
- Monthly Recurring Rates

Per Multiplexer

<u>USOC</u>	<u>Month to</u> <u>Month*</u>	<u>Monthly</u> <u>Extension</u>	<u>1 year</u>	<u>3 year</u>	<u>5 year</u>	<u>10 year</u>	(Tx)
MKM	\$750.00	\$750.00	\$675.00	\$550.00	\$500.00	\$475.00	

(3) DS3 to DS1 Multiplexing - AR - Zone 3
- Monthly Recurring Rates

Per Multiplexer

<u>USOC</u>	<u>Month to</u> <u>Month*</u>	<u>Monthly</u> <u>Extension</u>	<u>1 year</u>	<u>3 year</u>	<u>5 year</u>	<u>10 year</u>	(Tx)
MKM	\$775.00	\$775.00	\$700.00	\$575.00	\$525.00	\$500.00	

* This option will no longer be available for new circuits provisioned on or after, November 21, 2003. There will be no change to existing circuits.

(Tx)
(Tx)

(x) Issued under authority of Special Permission No. 14-001 of the FCC in order to withdraw material filed under Transmittal No. 3383 and suspended under Order DA-13-2349, released December 9, 2013, without its becoming effective and to restore currently effective material.

(This page filed under Transmittal No. 3386)

Issued: January 15, 2014

Effective: January 16, 2014

Four AT&T Plaza, Dallas, Texas 75202

ACCESS SERVICE

20. MegaLink Custom Services (Cont'd)20.5 Rates and Charges (Cont'd)20.5.7 Optional Features, BSEs and Functions (Cont'd)(A) DS3 to DS1 Multiplexing - Monthly Recurring Rates
(Cont'd)(4) DS3 to DS1 Multiplexing - KS - Zone 1
- Monthly Recurring Rates

Per Multiplexer

<u>USOC</u>	<u>Month to</u> <u>Month*</u>	<u>Monthly</u> <u>Extension</u>	<u>1 year</u>	<u>3 year</u>	<u>5 year</u>	<u>10 year</u>	(Tx)
MKM	\$725.00	\$725.00	\$650.00	\$525.00	\$475.00	\$450.00	

(5) DS3 to DS1 Multiplexing - KS - Zone 2
- Monthly Recurring Rates

Per Multiplexer

<u>USOC</u>	<u>Month to</u> <u>Month*</u>	<u>Monthly</u> <u>Extension</u>	<u>1 year</u>	<u>3 year</u>	<u>5 year</u>	<u>10 year</u>	(Tx)
MKM	\$750.00	\$750.00	\$675.00	\$550.00	\$500.00	\$475.00	

(6) DS3 to DS1 Multiplexing - KS - Zone 3
- Monthly Recurring Rates

Per Multiplexer

<u>USOC</u>	<u>Month to</u> <u>Month*</u>	<u>Monthly</u> <u>Extension</u>	<u>1 year</u>	<u>3 year</u>	<u>5 year</u>	<u>10 year</u>	(Tx)
MKM	\$775.00	\$775.00	\$700.00	\$575.00	\$525.00	\$500.00	

* This option will no longer be available for new circuits provisioned on or after, November 21, 2003. There will be no change to existing circuits.

(x) Issued under authority of Special Permission No. 14-001 of the FCC in order to withdraw material filed under Transmittal No. 3383 and suspended under Order DA-13-2349, released December 9, 2013, without its becoming effective and to restore currently effective material.

(This page filed under Transmittal No. 3386)

Issued: January 15, 2014

Effective: January 16, 2014

Four AT&T Plaza, Dallas, Texas 75202

ACCESS SERVICE

20. MegaLink Custom Services (Cont'd)

20.5 Rates and Charges (Cont'd)

20.5.7 Optional Features, BSEs and Functions (Cont'd)

(A) DS3 to DS1 Multiplexing - Monthly Recurring Rates
 (Cont'd)

(7) DS3 to DS1 Multiplexing - MO - Zone 1
 - Monthly Recurring Rates

Per Multiplexer

USOC	Month to Month*	Monthly Extension	1 year	3 year	5 year	10 year	(Tx)
MKM	\$725.00	\$725.00	\$650.00	\$525.00	\$475.00	\$450.00	

(8) DS3 to DS1 Multiplexing - MO - Zone 2
 - Monthly Recurring Rates

Per Multiplexer

USOC	Month to Month*	Monthly Extension	1 year	3 year	5 year	10 year	(Tx)
MKM	\$750.00	\$750.00	\$675.00	\$550.00	\$500.00	\$475.00	

(9) DS3 to DS1 Multiplexing - MO - Zone 3
 - Monthly Recurring Rates

Per Multiplexer

USOC	Month to Month*	Monthly Extension	1 year	3 year	5 year	10 year	(Tx)
MKM	\$775.00	\$775.00	\$700.00	\$575.00	\$525.00	\$500.00	

* This option will no longer be available for new circuits provisioned on or after, November 21, 2003. There will be no change to existing circuits.

(x) Issued under authority of Special Permission No. 14-001 of the FCC in order to withdraw material filed under Transmittal No. 3383 and suspended under Order DA-13-2349, released December 9, 2013, without its becoming effective and to restore currently effective material.

(This page filed under Transmittal No. 3386)

(Tx)
 (Tx)

ACCESS SERVICE

20. MegaLink Custom Services (Cont'd)

20.5 Rates and Charges (Cont'd)

20.5.7 Optional Features, BSEs and Functions (Cont'd)

(A) DS3 to DS1 Multiplexing - Monthly Recurring Rates
 (Cont'd)

(10) DS3 to DS1 Multiplexing - OK - Zone 1
 - Monthly Recurring Rates

Per Multiplexer

<u>USOC</u>	<u>Month to</u> <u>Month*</u>	<u>Monthly</u> <u>Extension</u>	<u>1 year</u>	<u>3 year</u>	<u>5 year</u>	<u>10 year</u>	(Tx)
MKM	\$725.00	\$725.00	\$650.00	\$525.00	\$475.00	\$450.00	

(11) DS3 to DS1 Multiplexing - OK - Zone 2
 - Monthly Recurring Rates

Per Multiplexer

<u>USOC</u>	<u>Month to</u> <u>Month*</u>	<u>Monthly</u> <u>Extension</u>	<u>1 year</u>	<u>3 year</u>	<u>5 year</u>	<u>10 year</u>	(Tx)
MKM	\$750.00	\$750.00	\$675.00	\$550.00	\$500.00	\$475.00	

(12) DS3 to DS1 Multiplexing - OK - Zone 3
 - Monthly Recurring Rates

Per Multiplexer

<u>USOC</u>	<u>Month to</u> <u>Month*</u>	<u>Monthly</u> <u>Extension</u>	<u>1 year</u>	<u>3 year</u>	<u>5 year</u>	<u>10 year</u>	(Tx)
MKM	\$775.00	\$775.00	\$700.00	\$575.00	\$525.00	\$500.00	

* This option will no longer be available for new circuits provisioned on or after, November 21, 2003. There will be no change to existing circuits.

(Tx)
 (Tx)

(x) Issued under authority of Special Permission No. 14-001 of the FCC in order to withdraw material filed under Transmittal No. 3383 and suspended under Order DA-13-2349, released December 9, 2013, without its becoming effective and to restore currently effective material.

(This page filed under Transmittal No. 3386)

ACCESS SERVICE

20. MegaLink Custom Services (Cont'd)

20.5 Rates and Charges (Cont'd)

20.5.7 Optional Features, BSEs and Functions (Cont'd)

(A) DS3 to DS1 Multiplexing - Monthly Recurring Rates
 (Cont'd)

(13) DS3 to DS1 Multiplexing - TX - Zone 1
 - Monthly Recurring Rates

Per Multiplexer

<u>USOC</u>	<u>Month to Month*</u>	<u>Monthly Extension</u>	<u>1 year</u>	<u>3 year</u>	<u>5 year</u>	<u>10 year</u>	(Tx)
MKM	\$725.00	\$725.00	\$650.00	\$525.00	\$475.00	\$450.00	

(14) DS3 to DS1 Multiplexing - TX - Zone 2
 - Monthly Recurring Rates

Per Multiplexer

<u>USOC</u>	<u>Month to Month*</u>	<u>Monthly Extension</u>	<u>1 year</u>	<u>3 year</u>	<u>5 year</u>	<u>10 year</u>	(Tx)
MKM	\$750.00	\$750.00	\$675.00	\$550.00	\$500.00	\$475.00	

(15) DS3 to DS1 Multiplexing - TX - Zone 3
 - Monthly Recurring Rates

Per Multiplexer

<u>USOC</u>	<u>Month to Month*</u>	<u>Monthly Extension</u>	<u>1 year</u>	<u>3 year</u>	<u>5 year</u>	<u>10 year</u>	(Tx)
MKM	\$775.00	\$775.00	\$700.00	\$575.00	\$525.00	\$500.00	

* This option will no longer be available for new circuits provisioned on or after, November 21, 2003. There will be no change to existing circuits.

(x) Issued under authority of Special Permission No. 14-001 of the FCC in order to withdraw material filed under Transmittal No. 3383 and suspended under Order DA-13-2349, released December 9, 2013, without its becoming effective and to restore currently effective material.

(This page filed under Transmittal No. 3386)

ACCESS SERVICE

20. MegaLink Custom Services (Cont'd)20.5 Rates and Charges (Cont'd)20.5.7 Optional Features, BSEs and Functions (Cont'd)(B) DS3 to DS1 Multiplexing Installation Charge - Per Multiplexer(1) Installation Charge - AR - Zone 1

<u>USOC</u>	<u>Month to Month*</u>	<u>1 year</u>	<u>3 year</u>	<u>5 year</u>	<u>10 year</u>	(Tx)
	\$202.00	\$202.00	\$101.00	\$ 0.00	\$ 0.00	

(2) Installation Charge - AR - Zone 2

<u>USOC</u>	<u>Month to Month*</u>	<u>1 year</u>	<u>3 year</u>	<u>5 year</u>	<u>10 year</u>	(Tx)
	\$202.00	\$202.00	\$101.00	\$ 0.00	\$ 0.00	

(3) Installation Charge - AR - Zone 3

<u>USOC</u>	<u>Month to Month*</u>	<u>1 year</u>	<u>3 year</u>	<u>5 year</u>	<u>10 year</u>	(Tx)
	\$202.00	\$202.00	\$101.00	\$ 0.00	\$ 0.00	

(4) Installation Charge - KS - Zone 1

<u>USOC</u>	<u>Month to Month*</u>	<u>1 year</u>	<u>3 year</u>	<u>5 year</u>	<u>10 year</u>	(Tx)
	\$202.00	\$202.00	\$101.00	\$ 0.00	\$ 0.00	

(5) Installation Charge - KS - Zone 2

<u>USOC</u>	<u>Month to Month*</u>	<u>1 year</u>	<u>3 year</u>	<u>5 year</u>	<u>10 year</u>	(Tx)
	\$202.00	\$202.00	\$101.00	\$ 0.00	\$ 0.00	

(6) Installation Charge - KS - Zone 3

<u>USOC</u>	<u>Month to Month*</u>	<u>1 year</u>	<u>3 year</u>	<u>5 year</u>	<u>10 year</u>	(Tx)
	\$202.00	\$202.00	\$101.00	\$ 0.00	\$ 0.00	

* This option will no longer be available for new circuits provisioned on or after, November 21, 2003. There will be no change to existing circuits.

(x) Issued under authority of Special Permission No. 14-001 of the FCC in order to withdraw material filed under Transmittal No. 3383 and suspended under Order DA-13-2349, released December 9, 2013, without its becoming effective and to restore currently effective material.

(This page filed under Transmittal No. 3386)

Issued: January 15, 2014

Effective: January 16, 2014

Four AT&T Plaza, Dallas, Texas 75202

ACCESS SERVICE

20. MegaLink Custom Services (Cont'd)20.5 Rates and Charges (Cont'd)20.5.7 Optional Features, BSEs and Functions (Cont'd)(B) DS3 to DS1 Multiplexing Installation Charge - Per Multiplexer (Cont'd)(7) Installation Charge - MO - Zone 1

<u>USOC</u>	<u>Month to Month*</u>	<u>1 year</u>	<u>3 year</u>	<u>5 year</u>	<u>10 year</u>	<u>(Tx)</u>
	\$202.00	\$202.00	\$101.00	\$ 0.00	\$ 0.00	

(8) Installation Charge - MO - Zone 2

<u>USOC</u>	<u>Month to Month*</u>	<u>1 year</u>	<u>3 year</u>	<u>5 year</u>	<u>10 year</u>	<u>(Tx)</u>
	\$202.00	\$202.00	\$101.00	\$ 0.00	\$ 0.00	

(9) Installation Charge - MO - Zone 3

<u>USOC</u>	<u>Month to Month*</u>	<u>1 year</u>	<u>3 year</u>	<u>5 year</u>	<u>10 year</u>	<u>(Tx)</u>
	\$202.00	\$202.00	\$101.00	\$ 0.00	\$ 0.00	

(10) Installation Charge - OK - Zone 1

<u>USOC</u>	<u>Month to Month*</u>	<u>1 year</u>	<u>3 year</u>	<u>5 year</u>	<u>10 year</u>	<u>(Tx)</u>
	\$202.00	\$202.00	\$101.00	\$ 0.00	\$ 0.00	

(11) Installation Charge - OK - Zone 2

<u>USOC</u>	<u>Month to Month*</u>	<u>1 year</u>	<u>3 year</u>	<u>5 year</u>	<u>10 year</u>	<u>(Tx)</u>
	\$202.00	\$202.00	\$101.00	\$ 0.00	\$ 0.00	

(12) Installation Charge - OK - Zone 3

<u>USOC</u>	<u>Month to Month*</u>	<u>1 year</u>	<u>3 year</u>	<u>5 year</u>	<u>10 year</u>	<u>(Tx)</u>
	\$202.00	\$202.00	\$101.00	\$ 0.00	\$ 0.00	

* This option will no longer be available for new circuits provisioned on or after, November 21, 2003. There will be no change to existing circuits.

(Tx)

(Tx)

(x) Issued under authority of Special Permission No. 14-001 of the FCC in order to withdraw material filed under Transmittal No. 3383 and suspended under Order DA-13-2349, released December 9, 2013, without its becoming effective and to restore currently effective material.

(This page filed under Transmittal No. 3386)

Issued: January 15, 2014

Effective: January 16, 2014

Four AT&T Plaza, Dallas, Texas 75202

ACCESS SERVICE

20. MegaLink Custom Services (Cont'd)20.5 Rates and Charges (Cont'd)20.5.7 Optional Features, BSEs and Functions (Cont'd)(B) DS3 to DS1 Multiplexing Installation Charge - Per Multiplexer (Cont'd)(13) Installation Charge - TX - Zone 1

<u>USOC</u>	<u>Month to Month*</u>	<u>1 year</u>	<u>3 year</u>	<u>5 year</u>	<u>10 year</u>	(Tx)
	\$202.00	\$202.00	\$101.00	\$ 0.00	\$ 0.00	

(14) Installation Charge - TX - Zone 2

<u>USOC</u>	<u>Month to Month*</u>	<u>1 year</u>	<u>3 year</u>	<u>5 year</u>	<u>10 year</u>	(Tx)
	\$202.00	\$202.00	\$101.00	\$ 0.00	\$ 0.00	

(15) Installation Charge - TX - Zone 3

<u>USOC</u>	<u>Month to Month*</u>	<u>1 year</u>	<u>3 year</u>	<u>5 year</u>	<u>10 year</u>	(Tx)
	\$202.00	\$202.00	\$101.00	\$ 0.00	\$ 0.00	

* This option will no longer be available for new circuits provisioned on or after, November 21, 2003. There will be no change to existing circuits.

(Tx)
(Tx)

(x) Issued under authority of Special Permission No. 14-001 of the FCC in order to withdraw material filed under Transmittal No. 3383 and suspended under Order DA-13-2349, released December 9, 2013, without its becoming effective and to restore currently effective material.

(This page filed under Transmittal No. 3386)

Issued: January 15, 2014

Effective: January 16, 2014

Four AT&T Plaza, Dallas, Texas 75202

ACCESS SERVICE

20. MegaLink Custom Services (Cont'd)

20.5 Rates and Charges (Cont'd)

20.5.7 Optional Features, BSEs and Functions (Cont'd)

(C) SecureNet Monthly Recurring Rates

(1) Hub Redundancy - AR Zone 1
per premises, per DS3

<u>USOC</u>	<u>Month to</u> <u>Month*</u>	<u>Monthly</u> <u>Extension</u>	<u>1 year</u>	<u>3 year</u>	<u>5 year</u>	<u>10 year</u>	(Tx)
R36AD	\$1,869.00	\$1,869.00	\$1,800.00	\$1,751.25	\$1,646.60	\$1,451.45	

(2) Hub Redundancy - AR Zone 2
per premises, per DS3

<u>USOC</u>	<u>Month to</u> <u>Month*</u>	<u>Monthly</u> <u>Extension</u>	<u>1 year</u>	<u>3 year</u>	<u>5 year</u>	<u>10 year</u>	(Tx)
R36AD	\$1,869.00	\$1,869.00	\$1,800.00	\$1,751.25	\$1,646.60	\$1,451.45	

(3) Hub Redundancy - AR Zone 3
per premises, per DS3

<u>USOC</u>	<u>Month to</u> <u>Month*</u>	<u>Monthly</u> <u>Extension</u>	<u>1 year</u>	<u>3 year</u>	<u>5 year</u>	<u>10 year</u>	(Tx)
R36AD	\$1,869.00	\$1,869.00	\$1,800.00	\$1,751.25	\$1,646.60	\$1,451.45	

(4) Hub Redundancy - KS Zone 1
per premises, per DS3

<u>USOC</u>	<u>Month to</u> <u>Month*</u>	<u>Monthly</u> <u>Extension</u>	<u>1 year</u>	<u>3 year</u>	<u>5 year</u>	<u>10 year</u>	(Tx)
R36AD	\$1,869.00	\$1,869.00	\$1,800.00	\$1,751.25	\$1,646.60	\$1,451.45	

(5) Hub Redundancy - KS Zone 2
per premises, per DS3

<u>USOC</u>	<u>Month to</u> <u>Month*</u>	<u>Monthly</u> <u>Extension</u>	<u>1 year</u>	<u>3 year</u>	<u>5 year</u>	<u>10 year</u>	(Tx)
R36AD	\$1,869.00	\$1,869.00	\$1,800.00	\$1,751.25	\$1,646.60	\$1,451.45	

(6) Hub Redundancy - KS Zone 3
per premises, per DS3

<u>USOC</u>	<u>Month to</u> <u>Month*</u>	<u>Monthly</u> <u>Extension</u>	<u>1 year</u>	<u>3 year</u>	<u>5 year</u>	<u>10 year</u>	(Tx)
R36AD	\$1,869.00	\$1,869.00	\$1,800.00	\$1,751.25	\$1,646.60	\$1,451.45	

* This option will no longer be available for new circuits provisioned on or after, November 21, 2003. There will be no change to existing circuits.

(Tx)
 (Tx)

(x) Issued under authority of Special Permission No. 14-001 of the FCC in order to withdraw material filed under Transmittal No. 3383 and suspended under Order DA-13-2349, released December 9, 2013, without its becoming effective and to restore currently effective material.

(This page filed under Transmittal No. 3386)

ACCESS SERVICE

20. MegaLink Custom Services (Cont'd)20.5 Rates and Charges (Cont'd)20.5.7 Optional Features, BSEs and Functions (Cont'd)(C) SecureNet Monthly Recurring Rates (Cont'd)(7) Hub Redundancy - MO Zone 1
per premises, per DS3

<u>USOC</u>	<u>Month to</u> <u>Month*</u>	<u>Monthly</u> <u>Extension</u>	<u>1 year</u>	<u>3 year</u>	<u>5 year</u>	<u>10 year</u>	(Tx)
R36AD	\$1,869.00	\$1,869.00	\$1,800.00	\$1,751.25	\$1,646.60	\$1,451.45	

(8) Hub Redundancy - MO Zone 2
per premises, per DS3

<u>USOC</u>	<u>Month to</u> <u>Month*</u>	<u>Monthly</u> <u>Extension</u>	<u>1 year</u>	<u>3 year</u>	<u>5 year</u>	<u>10 year</u>	(Tx)
R36AD	\$1,869.00	\$1,869.00	\$1,800.00	\$1,751.25	\$1,646.60	\$1,451.45	

(9) Hub Redundancy - MO Zone 3
per premises, per DS3

<u>USOC</u>	<u>Month to</u> <u>Month*</u>	<u>Monthly</u> <u>Extension</u>	<u>1 year</u>	<u>3 year</u>	<u>5 year</u>	<u>10 year</u>	(Tx)
R36AD	\$1,869.00	\$1,869.00	\$1,800.00	\$1,751.25	\$1,646.60	\$1,451.45	

(10) Hub Redundancy - OK Zone 1
per premises, per DS3

<u>USOC</u>	<u>Month to</u> <u>Month*</u>	<u>Monthly</u> <u>Extension</u>	<u>1 year</u>	<u>3 year</u>	<u>5 year</u>	<u>10 year</u>	(Tx)
R36AD	\$1,869.00	\$1,869.00	\$1,800.00	\$1,751.25	\$1,646.60	\$1,451.45	

(11) Hub Redundancy - OK Zone 2
per premises, per DS3

<u>USOC</u>	<u>Month to</u> <u>Month*</u>	<u>Monthly</u> <u>Extension</u>	<u>1 year</u>	<u>3 year</u>	<u>5 year</u>	<u>10 year</u>	(Tx)
R36AD	\$1,869.00	\$1,869.00	\$1,800.00	\$1,751.25	\$1,646.60	\$1,451.45	

(12) Hub Redundancy - OK Zone 3
per premises, per DS3

<u>USOC</u>	<u>Month to</u> <u>Month*</u>	<u>Monthly</u> <u>Extension</u>	<u>1 year</u>	<u>3 year</u>	<u>5 year</u>	<u>10 year</u>	(Tx)
R36AD	\$1,869.00	\$1,869.00	\$1,800.00	\$1,751.25	\$1,646.60	\$1,451.45	

* This option will no longer be available for new circuits provisioned on or after, November 21, 2003. There will be no change to existing circuits.

(Tx)

(Tx)

(x) Issued under authority of Special Permission No. 14-001 of the FCC in order to withdraw material filed under Transmittal No. 3383 and suspended under Order DA-13-2349, released December 9, 2013, without its becoming effective and to restore currently effective material.

(This page filed under Transmittal No. 3386)

Issued: January 15, 2014

Effective: January 16, 2014

Four AT&T Plaza, Dallas, Texas 75202

ACCESS SERVICE

20. MegaLink Custom Services (Cont'd)20.5 Rates and Charges (Cont'd)20.5.7 Optional Features, BSEs and Functions (Cont'd)(C) SecureNet Monthly Recurring Rates (Cont'd)(13) Hub Redundancy - TX Zone 1
per premises, per DS3

<u>USOC</u>	<u>Month to</u> <u>Month*</u>	<u>Monthly</u> <u>Extension</u>	<u>1 year</u>	<u>3 year</u>	<u>5 year</u>	<u>10 year</u>	(Tx)
R36AD	\$1,869.00	\$1,869.00	\$1,800.00	\$1,751.25	\$1,646.60	\$1,451.45	

(14) Hub Redundancy - TX Zone 2
per premises, per DS3

<u>USOC</u>	<u>Month to</u> <u>Month*</u>	<u>Monthly</u> <u>Extension</u>	<u>1 year</u>	<u>3 year</u>	<u>5 year</u>	<u>10 year</u>	(Tx)
R36AD	\$1,869.00	\$1,869.00	\$1,800.00	\$1,751.25	\$1,646.60	\$1,451.45	

(15) Hub Redundancy - TX Zone 3
per premises, per DS3

<u>USOC</u>	<u>Month to</u> <u>Month*</u>	<u>Monthly</u> <u>Extension</u>	<u>1 year</u>	<u>3 year</u>	<u>5 year</u>	<u>10 year</u>	(Tx)
R36AD	\$1,869.00	\$1,869.00	\$1,800.00	\$1,751.25	\$1,646.60	\$1,451.45	

* This option will no longer be available for new circuits provisioned on or after, November 21, 2003. There will be no change to existing circuits.

(Tx)
(Tx)

(x) Issued under authority of Special Permission No. 14-001 of the FCC in order to withdraw material filed under Transmittal No. 3383 and suspended under Order DA-13-2349, released December 9, 2013, without its becoming effective and to restore currently effective material.

(This page filed under Transmittal No. 3386)

Issued: January 15, 2014

Effective: January 16, 2014

Four AT&T Plaza, Dallas, Texas 75202

ACCESS SERVICE

20. MegaLink Custom Services (Cont'd)

20.5 Rates and Charges (Cont'd)

20.5.7 Optional Features, BSEs and Functions (Cont'd)

(C) SecureNet Monthly Recurring Rates (Cont'd)

(16) Serving Wire Center and Facility Redundancy - AR
 Zone 1
 per premises, per DS3

<u>USOC</u>	<u>Month to Month*</u>	<u>Monthly Extension</u>	<u>1 year</u>	<u>3 year</u>	<u>5 year</u>	<u>10 year</u>	(Tx)
R38AE	\$0.00	\$0.00	\$0.00	\$0.00	\$0.00	\$0.00	

(17) Serving Wire Center and Facility Redundancy - AR
 Zone 2
 per premises, per DS3

<u>USOC</u>	<u>Month to Month*</u>	<u>Monthly Extension</u>	<u>1 year</u>	<u>3 year</u>	<u>5 year</u>	<u>10 year</u>	(Tx)
R38AE	\$0.00	\$0.00	\$0.00	\$0.00	\$0.00	\$0.00	

(18) Serving Wire Center and Facility Redundancy - AR
 Zone 3
 per premises, per DS3

<u>USOC</u>	<u>Month to Month*</u>	<u>Monthly Extension</u>	<u>1 year</u>	<u>3 year</u>	<u>5 year</u>	<u>10 year</u>	(Tx)
R38AE	\$0.00	\$0.00	\$0.00	\$0.00	\$0.00	\$0.00	

* This option will no longer be available for new circuits provisioned on or after, November 21, 2003. There will be no change to existing circuits.

(Tx)
 (Tx)

(x) Issued under authority of Special Permission No. 14-001 of the FCC in order to withdraw material filed under Transmittal No. 3383 and suspended under Order DA-13-2349, released December 9, 2013, without its becoming effective and to restore currently effective material.

(This page filed under Transmittal No. 3386)

ACCESS SERVICE

20. MegaLink Custom Services (Cont'd)

20.5 Rates and Charges (Cont'd)

20.5.7 Optional Features, BSEs and Functions (Cont'd)

(C) SecureNet Monthly Recurring Rates (Cont'd)

		(19) <u>Serving Wire Center and Facility Redundancy - KS</u> <u>Zone 1</u> per premises, per DS3					
<u>USOC</u>	<u>Month to</u> <u>Month*</u>	<u>Monthly</u> <u>Extension</u>	<u>1 year</u>	<u>3 year</u>	<u>5 year</u>	<u>10 year</u>	(Tx)
R38AE	\$0.00	\$0.00	\$0.00	\$0.00	\$0.00	\$0.00	
		(20) <u>Serving Wire Center and Facility Redundancy - KS</u> <u>Zone 2</u> per premises, per DS3					
<u>USOC</u>	<u>Month to</u> <u>Month*</u>	<u>Monthly</u> <u>Extension</u>	<u>1 year</u>	<u>3 year</u>	<u>5 year</u>	<u>10 year</u>	(Tx)
R38AE	\$0.00	\$0.00	\$0.00	\$0.00	\$0.00	\$0.00	
		(21) <u>Serving Wire Center and Facility Redundancy - KS</u> <u>Zone 3</u> per premises, per DS3					
<u>USOC</u>	<u>Month to</u> <u>Month*</u>	<u>Monthly</u> <u>Extension</u>	<u>1 year</u>	<u>3 year</u>	<u>5 year</u>	<u>10 year</u>	(Tx)
R38AE	\$0.00	\$0.00	\$0.00	\$0.00	\$0.00	\$0.00	
		(22) <u>Serving Wire Center and Facility Redundancy - MO</u> <u>Zone 1</u> per premises, per DS3					
<u>USOC</u>	<u>Month to</u> <u>Month*</u>	<u>Monthly</u> <u>Extension</u>	<u>1 year</u>	<u>3 year</u>	<u>5 year</u>	<u>10 year</u>	(Tx)
R38AE	\$0.00	\$0.00	\$0.00	\$0.00	\$0.00	\$0.00	
		(23) <u>Serving Wire Center and Facility Redundancy - MO</u> <u>Zone 2</u> per premises, per DS3					
<u>USOC</u>	<u>Month to</u> <u>Month*</u>	<u>Monthly</u> <u>Extension</u>	<u>1 year</u>	<u>3 year</u>	<u>5 year</u>	<u>10 year</u>	(Tx)
R38AE	\$0.00	\$0.00	\$0.00	\$0.00	\$0.00	\$0.00	
		(24) <u>Serving Wire Center and Facility Redundancy - MO</u> <u>Zone 3</u> per premises, per DS3					
<u>USOC</u>	<u>Month to</u> <u>Month*</u>	<u>Monthly</u> <u>Extension</u>	<u>1 year</u>	<u>3 year</u>	<u>5 year</u>	<u>10 year</u>	(Tx)
R38AE	\$0.00	\$0.00	\$0.00	\$0.00	\$0.00	\$0.00	

* This option will no longer be available for new circuits provisioned on or after, November 21, 2003. There will be no change to existing circuits.

(Tx)
 (Tx)
 (x) Issued under authority of Special Permission No. 14-001 of the FCC in order to withdraw material filed under Transmittal No. 3383 and suspended under Order DA-13-2349, released December 9, 2013, without its becoming effective and to restore currently effective material.

(This page filed under Transmittal No. 3386)

ACCESS SERVICE

20. MegaLink Custom Services (Cont'd)

20.5 Rates and Charges (Cont'd)

20.5.7 Optional Features, BSEs and Functions (Cont'd)

(C) SecureNet Monthly Recurring Rates (Cont'd)

(25) Serving Wire Center and Facility Redundancy - OK
 Zone 1
 per premises, per DS3

<u>USOC</u>	<u>Month to Month*</u>	<u>Monthly Extension</u>	<u>1 year</u>	<u>3 year</u>	<u>5 year</u>	<u>10 year</u>	(Tx)
R38AE	\$0.00	\$0.00	\$0.00	\$0.00	\$0.00	\$0.00	

(26) Serving Wire Center and Facility Redundancy - OK
 Zone 2
 per premises, per DS3

<u>USOC</u>	<u>Month to Month*</u>	<u>Monthly Extension</u>	<u>1 year</u>	<u>3 year</u>	<u>5 year</u>	<u>10 year</u>	(Tx)
R38AE	\$0.00	\$0.00	\$0.00	\$0.00	\$0.00	\$0.00	

(27) Serving Wire Center and Facility Redundancy - OK
 Zone 3
 per premises, per DS3

<u>USOC</u>	<u>Month to Month*</u>	<u>Monthly Extension</u>	<u>1 year</u>	<u>3 year</u>	<u>5 year</u>	<u>10 year</u>	(Tx)
R38AE	\$0.00	\$0.00	\$0.00	\$0.00	\$0.00	\$0.00	

* This option will no longer be available for new circuits provisioned on or after, November 21, 2003. There will be no change to existing circuits.

(Tx)
 (Tx)

(x) Issued under authority of Special Permission No. 14-001 of the FCC in order to withdraw material filed under Transmittal No. 3383 and suspended under Order DA-13-2349, released December 9, 2013, without its becoming effective and to restore currently effective material.

(This page filed under Transmittal No. 3386)

ACCESS SERVICE

20. MegaLink Custom Services (Cont'd)

20.5 Rates and Charges (Cont'd)

20.5.7 Optional Features, BSEs and Functions (Cont'd)

(C) SecureNet Monthly Recurring Rates (Cont'd)

(28) Serving Wire Center and Facility Redundancy - TX
 Zone 1
 per premises, per DS3

<u>USOC</u>	<u>Month to Month*</u>	<u>Monthly Extension</u>	<u>1 year</u>	<u>3 year</u>	<u>5 year</u>	<u>10 year</u>	(Tx)
R38AE	\$0.00	\$0.00	\$0.00	\$0.00	\$0.00	\$0.00	

(29) Serving Wire Center and Facility Redundancy - TX
 Zone 2
 per premises, per DS3

<u>USOC</u>	<u>Month to Month*</u>	<u>Monthly Extension</u>	<u>1 year</u>	<u>3 year</u>	<u>5 year</u>	<u>10 year</u>	(Tx)
R38AE	\$0.00	\$0.00	\$0.00	\$0.00	\$0.00	\$0.00	

(30) Serving Wire Center and Facility Redundancy - TX
 Zone 3
 per premises, per DS3

<u>USOC</u>	<u>Month to Month*</u>	<u>Monthly Extension</u>	<u>1 year</u>	<u>3 year</u>	<u>5 year</u>	<u>10 year</u>	(Tx)
R38AE	\$0.00	\$0.00	\$0.00	\$0.00	\$0.00	\$0.00	

* This option will no longer be available for new circuits provisioned on or after, November 21, 2003. There will be no change to existing circuits.

(Tx)
 (Tx)

(x) Issued under authority of Special Permission No. 14-001 of the FCC in order to withdraw material filed under Transmittal No. 3383 and suspended under Order DA-13-2349, released December 9, 2013, without its becoming effective and to restore currently effective material.

(This page filed under Transmittal No. 3386)

ACCESS SERVICE

20. MegaLink Custom Services (Cont'd)20.5 Rates and Charges (Cont'd)20.5.7 Optional Features, BSEs and Functions (Cont'd)(D) SecureNet Installation Charge(1) Hub Redundancy - AR - Zone 1
per premises, per DS3USOC Installation Charge

XXXX \$1,848.00

(2) Hub Redundancy - AR - Zone 2
per premises, per DS3USOC Installation Charge

XXXX \$1,848.00

(3) Hub Redundancy - AR - Zone 3
per premises, per DS3USOC Installation Charge

XXXX \$1,848.00

(4) Hub Redundancy - KS - Zone 1
per premises, per DS3USOC Installation Charge

XXXX \$1,848.00

(5) Hub Redundancy - KS - Zone 2
per premises, per DS3USOC Installation Charge

XXXX \$1,848.00

(6) Hub Redundancy - KS - Zone 3
per premises, per DS3USOC Installation Charge

XXXX \$1,848.00

(C)

(C)

(T)

(T)

(T)

(N)

(This page filed under Transmittal No. 2563)

ACCESS SERVICE

20. MegaLink Custom Services (Cont'd)20.5 Rates and Charges (Cont'd)20.5.7 Optional Features, BSEs and Functions (Cont'd)(D) SecureNet Installation Charge (Cont'd)(7) Hub Redundancy - MO - Zone 1 (T)
per premises, per DS3USOC Installation Charge

XXXX \$1,848.00

(8) Hub Redundancy - MO - Zone 2 (T)
per premises, per DS3USOC Installation Charge

XXXX \$1,848.00

(9) Hub Redundancy - MO - Zone 3 (T)
per premises, per DS3USOC Installation Charge

XXXX \$1,848.00

(10) Hub Redundancy - OK - Zone 1 (T)
per premises, per DS3USOC Installation Charge

XXXX \$1,848.00

(11) Hub Redundancy - OK - Zone 2 (T)
per premises, per DS3USOC Installation Charge

XXXX \$1,848.00

(12) Hub Redundancy - OK - Zone 3
per premises, per DS3USOC Installation Charge

XXXX \$1,848.00

(This page filed under Transmittal No. 2563)

Issued: August 1, 1996

Effective: September 1, 1996

Four AT&T Plaza, Dallas, Texas 75202

ACCESS SERVICE

20. MegaLink Custom Services (Cont'd)20.5 Rates and Charges (Cont'd)20.5.7 Optional Features, BSEs and Functions (Cont'd)(D) SecureNet Installation Charge (Cont'd)(13) Hub Redundancy - TX - Zone 1 (T)
per premises, per DS3USOC Installation Charge

XXXX \$1,848.00

(14) Hub Redundancy - TX - Zone 2 (T)
per premises, per DS3USOC Installation Charge

XXXX \$1,848.00

(15) Hub Redundancy - TX - Zone 3
per premises, per DS3USOC Installation Charge

XXXX \$1,848.00

(This page filed under Transmittal No. 2563)

Issued: August 1, 1996

Effective: September 1, 1996

Four AT&T Plaza, Dallas, Texas 75202

ACCESS SERVICE

20. MegaLink Custom Services (Cont'd)20.5 Rates and Charges (Cont'd)20.5.7 Optional Features, BSEs and Functions (Cont'd)(D) SecureNet Installation Charge (Cont'd)

(16) Serving Wire Center and Facility Redundancy - AR - (T)
Zone 1
per premises, per DS3

<u>USOC</u>	<u>Installation Charge</u>
XXXX	\$ 0.00

(17) Serving Wire Center and Facility Redundancy - AR - (T)
Zone 2
per premises, per DS3

<u>USOC</u>	<u>Installation Charge</u>
XXXX	\$ 0.00

(18) Serving Wire Center and Facility Redundancy - AR - (T)
Zone 3
per premises, per DS3

<u>USOC</u>	<u>Installation Charge</u>
XXXX	\$ 0.00

(This page filed under Transmittal No. 2563)

Issued: August 1, 1996

Effective: September 1, 1996

Four AT&T Plaza, Dallas, Texas 75202

ACCESS SERVICE

20. MegaLink Custom Services (Cont'd)20.5 Rates and Charges (Cont'd)20.5.7 Optional Features, BSEs and Functions (Cont'd)(D) SecureNet Installation Charge (Cont'd)

(19)	<u>Serving Wire Center and Facility Redundancy - KS - Zone 1</u>		(N)
	per premises, per DS3		
	<u>USOC</u>	<u>Installation Charge</u>	
	XXXX	\$ 0.00	
(20)	<u>Serving Wire Center and Facility Redundancy - KS - Zone 2</u>		
	per premises, per DS3		
	<u>USOC</u>	<u>Installation Charge</u>	
	XXXX	\$ 0.00	
(21)	<u>Serving Wire Center and Facility Redundancy - KS - Zone 3</u>		
	per premises, per DS3		
	<u>USOC</u>	<u>Installation Charge</u>	
	XXXX	\$ 0.00	(N)
(22)	<u>Serving Wire Center and Facility Redundancy - MO - Zone 1</u>		(T)
	per premises, per DS3		
	<u>USOC</u>	<u>Installation Charge</u>	
	XXXX	\$ 0.00	
(23)	<u>Serving Wire Center and Facility Redundancy - MO - Zone 2</u>		(T)
	per premises, per DS3		
	<u>USOC</u>	<u>Installation Charge</u>	
	XXXX	\$ 0.00	
(24)	<u>Serving Wire Center and Facility Redundancy - MO - Zone 3</u>		
	per premises, per DS3		
	<u>USOC</u>	<u>Installation Charge</u>	
	XXXX	\$ 0.00	

(This page filed under Transmittal No. 2563)

ACCESS SERVICE

20. MegaLink Custom Services (Cont'd)20.5 Rates and Charges (Cont'd)20.5.7 Optional Features, BSEs and Functions (Cont'd)(D) SecureNet Installation Charge (Cont'd)

- (25)
- Serving Wire Center and Facility Redundancy - OK
- (T)
-
- Zone 1
-
- per premises, per DS3

USOC Installation Charge

XXXX \$ 0.00

- (26)
- Serving Wire Center and Facility Redundancy - OK
- (T)
-
- Zone 2
-
- per premises, per DS3

USOC Installation Charge

XXXX \$ 0.00

- (27)
- Serving Wire Center and Facility Redundancy - OK
-
- Zone 3
-
- per premises, per DS3

USOC Installation Charge

XXXX \$ 0.00

(This page filed under Transmittal No. 2563)

Issued: August 1, 1996

Effective: September 1, 1996

Four AT&T Plaza, Dallas, Texas 75202

ACCESS SERVICE

20. MegaLink Custom Services (Cont'd)20.5 Rates and Charges (Cont'd)20.5.7 Optional Features, BSEs and Functions (Cont'd)(D) SecureNet Installation Charge (Cont'd)

(28) Serving Wire Center and Facility Redundancy - TX - (T)
Zone 1
per premises, per DS3

<u>USOC</u>	<u>Installation Charge</u>
-------------	----------------------------

XXXX	\$ 0.00
------	---------

(29) Serving Wire Center and Facility Redundancy - TX - (T)
Zone 2
per premises, per DS3

<u>USOC</u>	<u>Installation Charge</u>
-------------	----------------------------

XXXX	\$ 0.00
------	---------

(30) Serving Wire Center and Facility Redundancy - TX -
Zone 3
per premises, per DS3

<u>USOC</u>	<u>Installation Charge</u>
-------------	----------------------------

XXXX	\$ 0.00
------	---------

(This page filed under Transmittal No. 2563)

Issued: August 1, 1996

Effective: September 1, 1996

Four AT&T Plaza, Dallas, Texas 75202

ACCESS SERVICE

20. MegaLink Custom Services (Cont'd)20.5 Rates and Charges (Cont'd)20.5.7 Optional Features, BSEs and Functions (Cont'd)(E) Service Extension

Monthly Recurring Rates

Use Interoffice Mileage as set forth in 20.5.3 and 20.5.4.

(F) Service Extension

Installation Charge

per DS3 or DS3 equivalent, per service extension on the same access order

(1) Installation Charge - AR - Zone 1

	Month to Month*	1 Year	3 Year	5 Year	10 Year	(Tx)
USOC	NRBMJ	NRBMJ	NRBMK	NRBMM	NRBMN	
First	\$637.00	\$637.00	\$319.00	\$0.00	\$0.00	
Additional	\$496.00	\$496.00	\$248.00	\$0.00	\$0.00	

(2) Installation Charge - AR - Zone 2

	Month to Month*	1 Year	3 Year	5 Year	10 Year	(Tx)
USOC	NRBMJ	NRBMJ	NRBMK	NRBMM	NRBMN	
First	\$637.00	\$637.00	\$319.00	\$0.00	\$0.00	
Additional	\$496.00	\$496.00	\$248.00	\$0.00	\$0.00	

(3) Installation Charge - AR - Zone 3

	Month to Month*	1 Year	3 Year	5 Year	10 Year	(Tx)
USOC	NRBMJ	NRBMJ	NRBMK	NRBMM	NRBMN	
First	\$637.00	\$637.00	\$319.00	\$0.00	\$0.00	
Additional	\$496.00	\$496.00	\$248.00	\$0.00	\$0.00	

(4) Installation Charge - KS - Zone 1

	Month to Month*	1 Year	3 Year	5 Year	10 Year	(Tx)
USOC	NRBMJ	NRBMJ	NRBMK	NRBMM	NRBMN	
First	\$637.00	\$637.00	\$319.00	\$0.00	\$0.00	
Additional	\$496.00	\$496.00	\$248.00	\$0.00	\$0.00	

* This option will no longer be available for new circuits provisioned on or after, November 21, 2003. There will be no change to existing circuits.

(Tx)

(Tx)

(x) Issued under authority of Special Permission No. 14-001 of the FCC in order to withdraw material filed under Transmittal No. 3383 and suspended under Order DA-13-2349, released December 9, 2013, without its becoming effective and to restore currently effective material.

(This page filed under Transmittal No. 3386)

ACCESS SERVICE

20. MegaLink Custom Services (Cont'd)20.5 Rates and Charges (Cont'd)20.5.7 Optional Features, BSEs and Functions (Cont'd)(F) Service Extension Installation Charge (Cont'd)(5) Installation Charge - KS - Zone 2

	Month to Month*	1 Year	3 Year	5 Year	10 Year	(Tx)
USOC	NRBMJ	NRBMJ	NRBMK	NRBMM	NRBMN	
First	\$637.00	\$637.00	\$319.00	\$0.00	\$0.00	
Additional	\$496.00	\$496.00	\$248.00	\$0.00	\$0.00	

(6) Installation Charge - KS - Zone 3

	Month to Month*	1 Year	3 Year	5 Year	10 Year	(Tx)
USOC	NRBMJ	NRBMJ	NRBMK	NRBMM	NRBMN	
First	\$637.00	\$637.00	\$319.00	\$0.00	\$0.00	
Additional	\$496.00	\$496.00	\$248.00	\$0.00	\$0.00	

(7) Installation Charge - MO - Zone 1

	Month to Month*	1 Year	3 Year	5 Year	10 Year	(Tx)
USOC	NRBMJ	NRBMJ	NRBMK	NRBMM	NRBMN	
First	\$637.00	\$637.00	\$319.00	\$0.00	\$0.00	
Additional	\$496.00	\$496.00	\$248.00	\$0.00	\$0.00	

(8) Installation Charge - MO - Zone 2

	Month to Month*	1 Year	3 Year	5 Year	10 Year	(Tx)
USOC	NRBMJ	NRBMJ	NRBMK	NRBMM	NRBMN	
First	\$637.00	\$637.00	\$319.00	\$0.00	\$0.00	
Additional	\$496.00	\$496.00	\$248.00	\$0.00	\$0.00	

(9) Installation Charge - MO - Zone 3

	Month to Month*	1 Year	3 Year	5 Year	10 Year	(Tx)
USOC	NRBMJ	NRBMJ	NRBMK	NRBMM	NRBMN	
First	\$637.00	\$637.00	\$319.00	\$0.00	\$0.00	
Additional	\$496.00	\$496.00	\$248.00	\$0.00	\$0.00	

* This option will no longer be available for new circuits provisioned on or after, November 21, 2003. There will be no change to existing circuits.

(Tx)
(Tx)

(x) Issued under authority of Special Permission No. 14-001 of the FCC in order to withdraw material filed under Transmittal No. 3383 and suspended under Order DA-13-2349, released December 9, 2013, without its becoming effective and to restore currently effective material.

(This page filed under Transmittal No. 3386)

Issued: January 15, 2014

Effective: January 16, 2014

Four AT&T Plaza, Dallas, Texas 75202

ACCESS SERVICE

20. MegaLink Custom Services (Cont'd)20.5 Rates and Charges (Cont'd)20.5.7 Optional Features, BSEs and Functions (Cont'd)(F) Service Extension Installation Charge (Cont'd)(10) Installation Charge - OK - Zone 1

	Month to Month*	1 Year	3 Year	5 Year	10 Year	(Tx)
USOC	NRBMJ	NRBMJ	NRBMK	NRBMM	NRBMN	
First	\$637.00	\$637.00	\$319.00	\$0.00	\$0.00	
Additional	\$496.00	\$496.00	\$248.00	\$0.00	\$0.00	

(11) Installation Charge - OK - Zone 2

	Month to Month*	1 Year	3 Year	5 Year	10 Year	(Tx)
USOC	NRBMJ	NRBMJ	NRBMK	NRBMM	NRBMN	
First	\$637.00	\$637.00	\$319.00	\$0.00	\$0.00	
Additional	\$496.00	\$496.00	\$248.00	\$0.00	\$0.00	

(12) Installation Charge - OK - Zone 3

	Month to Month*	1 Year	3 Year	5 Year	10 Year	(Tx)
USOC	NRBMJ	NRBMJ	NRBMK	NRBMM	NRBMN	
First	\$637.00	\$637.00	\$319.00	\$0.00	\$0.00	
Additional	\$496.00	\$496.00	\$248.00	\$0.00	\$0.00	

* This option will no longer be available for new circuits provisioned on or after, November 21, 2003. There will be no change to existing circuits.

(Tx)
(Tx)

(x) Issued under authority of Special Permission No. 14-001 of the FCC in order to withdraw material filed under Transmittal No. 3383 and suspended under Order DA-13-2349, released December 9, 2013, without its becoming effective and to restore currently effective material.

(This page filed under Transmittal No. 3386)

Issued: January 15, 2014

Effective: January 16, 2014

Four AT&T Plaza, Dallas, Texas 75202

ACCESS SERVICE

20. MegaLink Custom Services (Cont'd)20.5 Rates and Charges (Cont'd)20.5.7 Optional Features, BSEs and Functions (Cont'd)(F) Service Extension Installation Charge (Cont'd)(13) Installation Charge - TX - Zone 1

	Month to Month*	1 Year	3 Year	5 Year	10 Year	(Tx)
USOC	NRBMJ	NRBMJ	NRBMK	NRBMM	NRBMN	
First	\$637.00	\$637.00	\$319.00	\$0.00	\$0.00	
Additional	\$496.00	\$496.00	\$248.00	\$0.00	\$0.00	

(14) Installation Charge - TX - Zone 2

	Month to Month*	1 Year	3 Year	5 Year	10 Year	(Tx)
USOC	NRBMJ	NRBMJ	NRBMK	NRBMM	NRBMN	
First	\$637.00	\$637.00	\$319.00	\$0.00	\$0.00	
Additional	\$496.00	\$496.00	\$248.00	\$0.00	\$0.00	

(15) Installation Charge - TX - Zone 3

	Month to Month*	1 Year	3 Year	5 Year	10 Year	(Tx)
USOC	NRBMJ	NRBMJ	NRBMK	NRBMM	NRBMN	
First	\$637.00	\$637.00	\$319.00	\$0.00	\$0.00	
Additional	\$496.00	\$496.00	\$248.00	\$0.00	\$0.00	

* This option will no longer be available for new circuits provisioned on or after, November 21, 2003. There will be no change to existing circuits.

(x) Issued under authority of Special Permission No. 14-001 of the FCC in order to withdraw material filed under Transmittal No. 3383 and suspended under Order DA-13-2349, released December 9, 2013, without its becoming effective and to restore currently effective material.

(This page filed under Transmittal No. 3386)

Issued: January 15, 2014

Effective: January 16, 2014

Four AT&T Plaza, Dallas, Texas 75202

ACCESS SERVICE

20. MegaLink Custom Services (Cont'd)20.5 Rates and Charges (Cont'd)20.5.7 Optional Features, BSEs and Functions (Cont'd)(G) STN Interconnection with SecureNet Equipped MegaLink Custom Service Monthly Recurring Rates

per DS3, per Interconnection

(1) STN Interconnection with SecureNet Equipped MegaLink Custom Service - AR Zone 1

<u>USOC</u>	<u>Month to Month*</u>	<u>Monthly Extension</u>	<u>1 year</u>	<u>3 year</u>	<u>5 year</u>	<u>10 year</u>	(Tx)
R3N3X	\$278.05	\$278.05	\$270.00	\$263.20	\$248.20	\$221.40	

(2) STN Interconnection with SecureNet Equipped MegaLink Custom Service - AR Zone 2

<u>USOC</u>	<u>Month to Month*</u>	<u>Monthly Extension</u>	<u>1 year</u>	<u>3 year</u>	<u>5 year</u>	<u>10 year</u>	(Tx)
R3N3X	\$278.05	\$278.05	\$270.00	\$263.20	\$248.20	\$221.40	

(3) STN Interconnection with SecureNet Equipped MegaLink Custom Service - AR Zone 3

<u>USOC</u>	<u>Month to Month*</u>	<u>Monthly Extension</u>	<u>1 year</u>	<u>3 year</u>	<u>5 year</u>	<u>10 year</u>	(Tx)
R3N3X	\$278.05	\$278.05	\$270.00	\$263.20	\$248.20	\$221.40	

* This option will no longer be available for new circuits provisioned on or after, November 21, 2003. There will be no change to existing circuits.

(Tx)
(Tx)

(x) Issued under authority of Special Permission No. 14-001 of the FCC in order to withdraw material filed under Transmittal No. 3383 and suspended under Order DA-13-2349, released December 9, 2013, without its becoming effective and to restore currently effective material.

(This page filed under Transmittal No. 3386)

Issued: January 15, 2014

Effective: January 16, 2014

Four AT&T Plaza, Dallas, Texas 75202

ACCESS SERVICE

20. MegaLink Custom Services (Cont'd)

20.5 Rates and Charges (Cont'd)

20.5.7 Optional Features, BSEs and Functions (Cont'd)

(G) STN Interconnection with SecureNet Equipped MegaLink Custom Service Monthly Recurring Rates (Cont'd)

per DS3, per Interconnection

(4) STN Interconnection with SecureNet Equipped MegaLink Custom Service - KS Zone 1

USOC	Month to Month*	Monthly Extension	1 year	3 year	5 year	10 year	(Tx)
R3N3X	\$278.05	\$278.05	\$270.00	\$263.20	\$248.20	\$221.40	

(5) STN Interconnection with SecureNet Equipped MegaLink Custom Service - KS Zone 2

USOC	Month to Month*	Monthly Extension	1 year	3 year	5 year	10 year	(Tx)
R3N3X	\$278.05	\$278.05	\$270.00	\$263.20	\$248.20	\$221.40	

(6) STN Interconnection with SecureNet Equipped MegaLink Custom Service - KS Zone 3

USOC	Month to Month*	Monthly Extension	1 year	3 year	5 year	10 year	(Tx)
R3N3X	\$278.05	\$278.05	\$270.00	\$263.20	\$248.20	\$221.40	

(7) STN Interconnection with SecureNet Equipped MegaLink Custom Service - MO Zone 1

USOC	Month to Month*	Monthly Extension	1 year	3 year	5 year	10 year	(Tx)
R3N3X	\$278.05	\$278.05	\$270.00	\$263.20	\$248.20	\$221.40	

(8) STN Interconnection with SecureNet Equipped MegaLink Custom Service - MO Zone 2

USOC	Month to Month*	Monthly Extension	1 year	3 year	5 year	10 year	(Tx)
R3N3X	\$278.05	\$278.05	\$270.00	\$263.20	\$248.20	\$221.40	

(9) STN Interconnection with SecureNet Equipped MegaLink Custom Service - MO Zone 3

USOC	Month to Month*	Monthly Extension	1 year	3 year	5 year	10 year	(Tx)
R3N3X	\$278.05	\$278.05	\$270.00	\$263.20	\$248.20	\$221.40	

* This option will no longer be available for new circuits provisioned on or after, November 21, 2003. There will be no change to existing circuits.

(Tx)
 (Tx)

(x) Issued under authority of Special Permission No. 14-001 of the FCC in order to withdraw material filed under Transmittal No. 3383 and suspended under Order DA-13-2349, released December 9, 2013, without its becoming effective and to restore currently effective material.

(This page filed under Transmittal No. 3386)

ACCESS SERVICE

20. MegaLink Custom Services (Cont'd)20.5 Rates and Charges (Cont'd)20.5.7 Optional Features, BSEs and Functions (Cont'd)(G) STN Interconnection with SecureNet Equipped MegaLink Custom Service Monthly Recurring Rates (Cont'd)

per DS3, per Interconnection

(10) STN Interconnection with SecureNet Equipped MegaLink Custom Service - OK Zone 1

<u>USOC</u>	<u>Month to Month*</u>	<u>Monthly Extension</u>	<u>1 year</u>	<u>3 year</u>	<u>5 year</u>	<u>10 year</u>	(Tx)
R3N3X	\$278.05	\$278.05	\$270.00	\$263.20	\$248.20	\$221.40	

(11) STN Interconnection with SecureNet Equipped MegaLink Custom Service - OK Zone 2

<u>USOC</u>	<u>Month to Month*</u>	<u>Monthly Extension</u>	<u>1 year</u>	<u>3 year</u>	<u>5 year</u>	<u>10 year</u>	(Tx)
R3N3X	\$278.05	\$278.05	\$270.00	\$263.20	\$248.20	\$221.40	

(12) STN Interconnection with SecureNet Equipped MegaLink Custom Service - OK Zone 3

<u>USOC</u>	<u>Month to Month*</u>	<u>Monthly Extension</u>	<u>1 year</u>	<u>3 year</u>	<u>5 year</u>	<u>10 year</u>	(Tx)
R3N3X	\$278.05	\$278.05	\$270.00	\$263.20	\$248.20	\$221.40	

* This option will no longer be available for new circuits provisioned on or after, November 21, 2003. There will be no change to existing circuits.

(Tx)
(Tx)

(x) Issued under authority of Special Permission No. 14-001 of the FCC in order to withdraw material filed under Transmittal No. 3383 and suspended under Order DA-13-2349, released December 9, 2013, without its becoming effective and to restore currently effective material.

(This page filed under Transmittal No. 3386)

Issued: January 15, 2014

Effective: January 16, 2014

Four AT&T Plaza, Dallas, Texas 75202

ACCESS SERVICE

20. MegaLink Custom Services (Cont'd)20.5 Rates and Charges (Cont'd)20.5.7 Optional Features, BSEs and Functions (Cont'd)(G) STN Interconnection with SecureNet Equipped MegaLink Custom Service Monthly Recurring Rates (Cont'd)

per DS3, per Interconnection

(13) STN Interconnection with SecureNet Equipped MegaLink Custom Service - TX Zone 1

<u>USOC</u>	<u>Month to Month*</u>	<u>Monthly Extension</u>	<u>1 year</u>	<u>3 year</u>	<u>5 year</u>	<u>10 year</u>	(Tx)
R3N3X	\$278.05	\$278.05	\$270.00	\$263.20	\$248.20	\$221.40	

(14) STN Interconnection with SecureNet Equipped MegaLink Custom Service - TX Zone 2

<u>USOC</u>	<u>Month to Month*</u>	<u>Monthly Extension</u>	<u>1 year</u>	<u>3 year</u>	<u>5 year</u>	<u>10 year</u>	(Tx)
R3N3X	\$278.05	\$278.05	\$270.00	\$263.20	\$248.20	\$221.40	

(15) STN Interconnection with SecureNet Equipped MegaLink Custom Service - TX Zone 3

<u>USOC</u>	<u>Month to Month*</u>	<u>Monthly Extension</u>	<u>1 year</u>	<u>3 year</u>	<u>5 year</u>	<u>10 year</u>	(Tx)
R3N3X	\$278.05	\$278.05	\$270.00	\$263.20	\$248.20	\$221.40	

* This option will no longer be available for new circuits provisioned on or after, November 21, 2003. There will be no change to existing circuits.

(Tx)

(Tx)

(x) Issued under authority of Special Permission No. 14-001 of the FCC in order to withdraw material filed under Transmittal No. 3383 and suspended under Order DA-13-2349, released December 9, 2013, without its becoming effective and to restore currently effective material.

(This page filed under Transmittal No. 3386)

Issued: January 15, 2014

Effective: January 16, 2014

Four AT&T Plaza, Dallas, Texas 75202

ACCESS SERVICE

20. MegaLink Custom Services (Cont'd)

20.5 Rates and Charges (Cont'd)

20.5.7 Optional Features, BSEs and Functions (Cont'd)

(H) STN Interconnection with SecureNet Equipped MegaLink Custom Service Installation Charges

per DS3, per Interconnection

(1) STN Interconnection with SecureNet Equipped MegaLink Custom Service - AR Zone 1

<u>USOC</u>	<u>Month to Month*</u>	<u>Monthly Extension</u>	<u>1 year</u>	<u>3 year</u>	<u>5 year</u>	<u>10 year</u>	(Tx)
	\$298.00	\$298.00	\$298.00	\$149.00	\$ 0.00	\$ 0.00	

(2) STN Interconnection with SecureNet Equipped MegaLink Custom Service - AR Zone 2

<u>USOC</u>	<u>Month to Month*</u>	<u>Monthly Extension</u>	<u>1 year</u>	<u>3 year</u>	<u>5 year</u>	<u>10 year</u>	(Tx)
	\$298.00	\$298.00	\$298.00	\$149.00	\$ 0.00	\$ 0.00	

(3) STN Interconnection with SecureNet Equipped MegaLink Custom Service - AR Zone 3

<u>USOC</u>	<u>Month to Month*</u>	<u>Monthly Extension</u>	<u>1 year</u>	<u>3 year</u>	<u>5 year</u>	<u>10 year</u>	(Tx)
	\$298.00	\$298.00	\$298.00	\$149.00	\$ 0.00	\$ 0.00	

* This option will no longer be available for new circuits provisioned on or after, November 21, 2003. There will be no change to existing circuits.

(Tx)
 (Tx)

(x) Issued under authority of Special Permission No. 14-001 of the FCC in order to withdraw material filed under Transmittal No. 3383 and suspended under Order DA-13-2349, released December 9, 2013, without its becoming effective and to restore currently effective material.

(This page filed under Transmittal No. 3386)

ACCESS SERVICE

20. MegaLink Custom Services (Cont'd)

20.5 Rates and Charges (Cont'd)

20.5.7 Optional Features, BSEs and Functions (Cont'd)

(H) STN Interconnection with SecureNet Equipped MegaLink Custom Service Installation Charges (Cont'd)

per DS3, per Interconnection

(4) STN Interconnection with SecureNet Equipped MegaLink Custom Service - KS Zone 1

<u>USOC</u>	<u>Month to Month*</u>	<u>Monthly Extension</u>	<u>1 year</u>	<u>3 year</u>	<u>5 year</u>	<u>10 year</u>	(Tx)
	\$298.00	\$298.00	\$298.00	\$149.00	\$ 0.00	\$ 0.00	

(5) STN Interconnection with SecureNet Equipped MegaLink Custom Service - KS Zone 2

<u>USOC</u>	<u>Month to Month*</u>	<u>Monthly Extension</u>	<u>1 year</u>	<u>3 year</u>	<u>5 year</u>	<u>10 year</u>	(Tx)
	\$298.00	\$298.00	\$298.00	\$149.00	\$ 0.00	\$ 0.00	

(6) STN Interconnection with SecureNet Equipped MegaLink Custom Service - KS Zone 3

<u>USOC</u>	<u>Month to Month*</u>	<u>Monthly Extension</u>	<u>1 year</u>	<u>3 year</u>	<u>5 year</u>	<u>10 year</u>	(Tx)
	\$298.00	\$298.00	\$298.00	\$149.00	\$ 0.00	\$ 0.00	

(7) STN Interconnection with SecureNet Equipped MegaLink Custom Service - MO Zone 1

<u>USOC</u>	<u>Month to Month*</u>	<u>Monthly Extension</u>	<u>1 year</u>	<u>3 year</u>	<u>5 year</u>	<u>10 year</u>	(Tx)
	\$298.00	\$298.00	\$298.00	\$149.00	\$ 0.00	\$ 0.00	

(8) STN Interconnection with SecureNet Equipped MegaLink Custom Service - MO Zone 2

<u>USOC</u>	<u>Month to Month*</u>	<u>Monthly Extension</u>	<u>1 year</u>	<u>3 year</u>	<u>5 year</u>	<u>10 year</u>	(Tx)
	\$298.00	\$298.00	\$298.00	\$149.00	\$ 0.00	\$ 0.00	

(9) STN Interconnection with SecureNet Equipped MegaLink Custom Service - MO Zone 3

<u>USOC</u>	<u>Month to Month*</u>	<u>Monthly Extension</u>	<u>1 year</u>	<u>3 year</u>	<u>5 year</u>	<u>10 year</u>	(Tx)
	\$298.00	\$298.00	\$298.00	\$149.00	\$ 0.00	\$ 0.00	

* This option will no longer be available for new circuits provisioned on or after, November 21, 2003. There will be no change to existing circuits.

(Tx)
(Tx)

(x) Issued under authority of Special Permission No. 14-001 of the FCC in order to withdraw material filed under Transmittal No. 3383 and suspended under Order DA-13-2349, released December 9, 2013, without its becoming effective and to restore currently effective material.

(This page filed under Transmittal No. 3386)

ACCESS SERVICE

20. MegaLink Custom Services (Cont'd)20.5 Rates and Charges (Cont'd)20.5.7 Optional Features, BSEs and Functions (Cont'd)(H) STN Interconnection with SecureNet Equipped MegaLink Custom Service Installation Charges (Cont'd)

per DS3, per Interconnection

(10) STN Interconnection with SecureNet Equipped MegaLink Custom Service - OK Zone 1

<u>USOC</u>	<u>Month to Month*</u>	<u>Monthly Extension</u>	<u>1 year</u>	<u>3 year</u>	<u>5 year</u>	<u>10 year</u>	(Tx)
	\$298.00	\$298.00	\$298.00	\$149.00	\$ 0.00	\$ 0.00	

(11) STN Interconnection with SecureNet Equipped MegaLink Custom Service - OK Zone 2

<u>USOC</u>	<u>Month to Month*</u>	<u>Monthly Extension</u>	<u>1 year</u>	<u>3 year</u>	<u>5 year</u>	<u>10 year</u>	(Tx)
	\$298.00	\$298.00	\$298.00	\$149.00	\$ 0.00	\$ 0.00	

(12) STN Interconnection with SecureNet Equipped MegaLink Custom Service - OK Zone 3

<u>USOC</u>	<u>Month to Month*</u>	<u>Monthly Extension</u>	<u>1 year</u>	<u>3 year</u>	<u>5 year</u>	<u>10 year</u>	(Tx)
	\$298.00	\$298.00	\$298.00	\$149.00	\$ 0.00	\$ 0.00	

* This option will no longer be available for new circuits provisioned on or after, November 21, 2003. There will be no change to existing circuits.

(x) Issued under authority of Special Permission No. 14-001 of the FCC in order to withdraw material filed under Transmittal No. 3383 and suspended under Order DA-13-2349, released December 9, 2013, without its becoming effective and to restore currently effective material.

(This page filed under Transmittal No. 3386)

Issued: January 15, 2014

Effective: January 16, 2014

Four AT&T Plaza, Dallas, Texas 75202

ACCESS SERVICE

20. MegaLink Custom Services (Cont'd)

20.5 Rates and Charges (Cont'd)

20.5.7 Optional Features, BSEs and Functions (Cont'd)

(H) STN Interconnection with SecureNet Equipped MegaLink Custom Service Installation Charges (Cont'd)

per DS3, per Interconnection

(13) STN Interconnection with SecureNet Equipped MegaLink Custom Service - TX Zone 1

<u>USOC</u>	<u>Month to Month*</u>	<u>Monthly Extension</u>	<u>1 year</u>	<u>3 year</u>	<u>5 year</u>	<u>10 year</u>	(Tx)
	\$298.00	\$298.00	\$298.00	\$149.00	\$ 0.00	\$ 0.00	

(14) STN Interconnection with SecureNet Equipped MegaLink Custom Service - TX Zone 2

<u>USOC</u>	<u>Month to Month*</u>	<u>Monthly Extension</u>	<u>1 year</u>	<u>3 year</u>	<u>5 year</u>	<u>10 year</u>	(Tx)
	\$298.00	\$298.00	\$298.00	\$149.00	\$ 0.00	\$ 0.00	

(15) STN Interconnection with SecureNet Equipped MegaLink Custom Service - TX Zone 3

<u>USOC</u>	<u>Month to Month*</u>	<u>Monthly Extension</u>	<u>1 year</u>	<u>3 year</u>	<u>5 year</u>	<u>10 year</u>	(Tx)
	\$298.00	\$298.00	\$298.00	\$149.00	\$ 0.00	\$ 0.00	

* This option will no longer be available for new circuits provisioned on or after, November 21, 2003. There will be no change to existing circuits.

(Tx)
 (Tx)

(x) Issued under authority of Special Permission No. 14-001 of the FCC in order to withdraw material filed under Transmittal No. 3383 and suspended under Order DA-13-2349, released December 9, 2013, without its becoming effective and to restore currently effective material.

(This page filed under Transmittal No. 3386)

ACCESS SERVICE

20. MegaLink Custom Services (Cont'd)20.5 Rates and Charges (Cont'd)20.5.7 Optional Features, BSEs and Functions (Cont'd)(I) SFM Installation Charge

Per existing MegaLink Custom Service(s) moving to another MegaLink Custom Service or ReliaNet DS3/EC-1, on a first and additional basis.

	(1) <u>SFM AR Zone 1</u>		
	<u>USOC</u>	<u>Installation Charge</u>	
First	NRBR3		\$450.00 (I)
Additional	NRBR3		\$104.00
	(2) <u>SFM AR Zone 2</u>		
	<u>USOC</u>	<u>Installation Charge</u>	
First	NRBR3		\$450.00 (I)
Additional	NRBR3		\$104.00
	(3) <u>SFM AR Zone 3</u>		
	<u>USOC</u>	<u>Installation Charge</u>	
First	NRBR3		\$450.00 (I)
Additional	NRBR3		\$104.00

(This page filed under Transmittal No. 3340)

Issued: April 18, 2012

Effective: May 3, 2012

Four AT&T Plaza, Dallas, Texas 75202

ACCESS SERVICE

20. MegaLink Custom Services (Cont'd)20.5 Rates and Charges (Cont'd)20.5.7 Optional Features, BSEs and Functions (Cont'd)(I) SFM Installation Charge (Cont'd)

Per existing MegaLink Custom Service(s) moving to another MegaLink Custom Service or ReliaNet DS3/EC-1, on a first and additional basis.

(4) SFM KS Zone 1

	<u>USOC</u>	<u>Installation Charge</u>
First	NRBR3	\$450.00 (I)
Additional	NRBR3	\$104.00

(5) SFM KS Zone 2

	<u>USOC</u>	<u>Installation Charge</u>
First	NRBR3	\$450.00 (I)
Additional	NRBR3	\$104.00

(6) SFM KS Zone 3

	<u>USOC</u>	<u>Installation Charge</u>
First	NRBR3	\$450.00 (I)
Additional	NRBR3	\$104.00

(7) SFM MO Zone 1

	<u>USOC</u>	<u>Installation Charge</u>
First	NRBR3	\$450.00 (I)
Additional	NRBR3	\$104.00

(8) SFM MO Zone 2

	<u>USOC</u>	<u>Installation Charge</u>
First	NRBR3	\$450.00 (I)
Additional	NRBR3	\$104.00

(9) SFM MO Zone 3

	<u>USOC</u>	<u>Installation Charge</u>
First	NRBR3	\$450.00 (I)
Additional	NRBR3	\$104.00

(This page filed under Transmittal No. 3340)

ACCESS SERVICE

20. MegaLink Custom Services (Cont'd)20.5 Rates and Charges (Cont'd)20.5.7 Optional Features, BSEs and Functions (Cont'd)(I) SFM Installation Charge (Cont'd)

Per existing MegaLink Custom Service(s) moving to another MegaLink Custom Service or ReliaNet DS3/EC-1, on a first and additional basis.

(10) SFM OK Zone 1

	<u>USOC</u>	<u>Installation Charge</u>
First	NRBR3	\$450.00 (I)
Additional	NRBR3	\$104.00

(11) SFM OK Zone 2

	<u>USOC</u>	<u>Installation Charge</u>
First	NRBR3	\$450.00 (I)
Additional	NRBR3	\$104.00

(12) SFM OK Zone 3

	<u>USOC</u>	<u>Installation Charge</u>
First	NRBR3	\$450.00 (I)
Additional	NRBR3	\$104.00

(This page filed under Transmittal No. 3340)

ACCESS SERVICE

20. MegaLink Custom Services (Cont'd)20.5 Rates and Charges (Cont'd)20.5.7 Optional Features, BSEs and Functions (Cont'd)(I) SFM Installation Charge (Cont'd)

Per existing MegaLink Custom Service(s) moving to another MegaLink Custom Service or ReliaNet DS3/EC-1, on a first and additional basis.

(13) SFM TX Zone 1

	<u>USOC</u>	<u>Installation Charge</u>
First	NRBR3	\$450.00 (I)
Additional	NRBR3	\$104.00

(14) SFM TX Zone 2

	<u>USOC</u>	<u>Installation Charge</u>
First	NRBR3	\$450.00 (I)
Additional	NRBR3	\$104.00

(15) SFM TX Zone 3

	<u>USOC</u>	<u>Installation Charge</u>
First	NRBR3	\$450.00 (I)
Additional	NRBR3	\$104.00

(J) C-Bit Parity Framing Format Option per existing DS3

	<u>USOC</u>	<u>Installation Charge</u>
First	NRBPP	\$ 26.00
Additional	NRBPP	\$ 10.00

(This page filed under Transmittal No. 3340)

ACCESS SERVICE

20. MegaLink Custom Services (Cont'd)20.5 Rates and Charges (Cont'd)20.5.8 Administrative Charges(A) Service Rearrangement Nonrecurring Charges

Per DS3 or DS3 equivalent on the same Access Order for one or any combination of changes as set forth in Section 20.4.2(E).

(1) Service Rearrangement - AR Zone 1

	<u>USOC</u>	<u>Nonrecurring Charge</u>
First	NRBAC	\$ 9.00
Additional	NRBAC	\$ 5.00

(2) Service Rearrangement - AR Zone 2

	<u>USOC</u>	<u>Nonrecurring Charge</u>
First	NRBAC	\$ 9.00
Additional	NRBAC	\$ 5.00

(3) Service Rearrangement - AR Zone 3

	<u>USOC</u>	<u>Nonrecurring Charge</u>
First	NRBAC	\$ 9.00
Additional	NRBAC	\$ 5.00

(4) Service Rearrangement - KS Zone 1

	<u>USOC</u>	<u>Nonrecurring Charge</u>
First	NRBAC	\$ 9.00
Additional	NRBAC	\$ 5.00

(5) Service Rearrangement - KS Zone 2

	<u>USOC</u>	<u>Nonrecurring Charge</u>
First	NRBAC	\$ 9.00
Additional	NRBAC	\$ 5.00

(6) Service Rearrangement - KS Zone 3

	<u>USOC</u>	<u>Nonrecurring Charge</u>
First	NRBAC	\$ 9.00
Additional	NRBAC	\$ 5.00

(This page filed under Transmittal No. 2643)

ACCESS SERVICE

20. MegaLink Custom Services (Cont'd)20.5 Rates and Charges (Cont'd)20.5.8 Administrative Charges (Cont'd)

	(A) <u>Service Rearrangement</u>	Nonrecurring Charges	(Cont'd)	
	(7) <u>Service Rearrangement - MO Zone 1</u>			(T)
	<u>USOC</u>	<u>Nonrecurring Charge</u>		
First	NRBAC	\$ 9.00		
Additional	NRBAC	\$ 5.00		
	(8) <u>Service Rearrangement - MO Zone 2</u>			(T)
	<u>USOC</u>	<u>Nonrecurring Charge</u>		
First	NRBAC	\$ 9.00		
Additional	NRBAC	\$ 5.00		
	(9) <u>Service Rearrangement - MO Zone 3</u>			(T)
	<u>USOC</u>	<u>Nonrecurring Charge</u>		
First	NRBAC	\$ 9.00		
Additional	NRBAC	\$ 5.00		
	(10) <u>Service Rearrangement - OK Zone 1</u>			(T)
	<u>USOC</u>	<u>Nonrecurring Charge</u>		
First	NRBAC	\$ 9.00		
Additional	NRBAC	\$ 5.00		
	(11) <u>Service Rearrangement - OK Zone 2</u>			(T)
	<u>USOC</u>	<u>Nonrecurring Charge</u>		
First	NRBAC	\$ 9.00		
Additional	NRBAC	\$ 5.00		
	(12) <u>Service Rearrangement - OK Zone 3</u>			
	<u>USOC</u>	<u>Nonrecurring Charge</u>		
First	NRBAC	\$ 9.00		
Additional	NRBAC	\$ 5.00		

(This page filed under Transmittal No. 2563)

ACCESS SERVICE

20. MegaLink Custom Services (Cont'd)20.5 Rates and Charges (Cont'd)20.5.8 Administrative Charges (Cont'd)(A) Service Rearrangement Nonrecurring Charges
(Cont'd)(13) Service Rearrangement - TX Zone 1

	<u>USOC</u>	<u>Nonrecurring Charge</u>
First	NRBAC	\$ 9.00
Additional	NRBAC	\$ 5.00

(14) Service Rearrangement - TX Zone 2

	<u>USOC</u>	<u>Nonrecurring Charge</u>
First	NRBAC	\$ 9.00
Additional	NRBAC	\$ 5.00

(15) Service Rearrangement - TX Zone 3

	<u>USOC</u>	<u>Nonrecurring Charge</u>
First	NRBAC	\$ 9.00
Additional	NRBAC	\$ 5.00

20.5.9 Collocation Transport

	<u>USOC</u>	<u>Monthly Rate</u>		<u>Nonrecurring Charges</u>	
		<u>Fixed</u>	<u>Per Mile</u>	<u>1st Ckt.</u>	<u>Addl Ckt.</u>
44.736 Mbps (1H48S)					
Month to Month*		\$725.00	\$100.00	\$925.00 (I)	\$925.00 (I)
Monthly Extension		\$725.00	\$100.00		
1 Year		\$650.00	\$ 90.00	\$925.00 (I)	\$925.00 (I)
3 Year		\$500.00	\$ 60.00	\$925.00 (I)	\$925.00 (I)
5 Year		\$395.00	\$ 37.00	\$925.00 (I)	\$925.00 (I)

*This option will no longer be available for new circuits provisioned on or after, November 21, 2003. There will be no change to existing circuits.

Rates contained in this transmittal are subject to subsequent adjustment, effective retrospectively, in the event the Commission or a court subsequently authorizes Southwestern Bell Telephone Company to correct its rates pursuant to pending motions, or petitions for reconsideration or waiver, or in the event of any other adjustment to an order of the Commission or a court.

(This page filed under Transmittal No. 3345)

Issued: June 18, 2012

Effective: July 3, 2012

Four AT&T Plaza, Dallas, Texas 75202

Rejected by the Federal Communications Commission

ACCESS SERVICE

20. MegaLink Custom Services (Cont'd)20.6 Vintage Services

Vintage services are those MegaLink Custom Services that retain their existing rates in the event the Telephone Company initiates a rate change.

Vintage services retain vintage rates until the existing billing period expires or the service is terminated by the customer. Customer modifications to a vintage service, other than termination, that cause a revised rate or a new billing period will result in the service becoming non-vintage and the regulations, terms, conditions and rates specified in Sections 20.1 through 20.5 will apply. The exception to this restriction will be moves of shared use facilities as referenced under 20.6.1(B)(5)(b)1). The Telephone Company will not initiate rate changes to vintage services.

(D)
(D)

Provided the end points remain the same, a customer can convert from a MegaLink Custom Service Vintage billing period to a MegaLink Custom Service billing period with no liabilities, with the exception of the Access Order Charge as set forth in 5.3.1. No other nonrecurring charges will apply. A new Minimum Service Period must be established on the MegaLink Custom Service billing period. A customer's total Vintage services, with the same rate option, billing period and Billing Account Number (BAN), must be transferred over to MegaLink Custom Service. All terms and conditions will apply as set forth in 20.1 through 20.5.5. Termination charges will not apply provided the end points remain the same.

Issued under the authority of the Bureau's Order, DA95-1847, released August 22, 1995.

(This page filed under Transmittal No. 2493)

Issued: August 24, 1995

Effective: August 25, 1995

Four AT&T Plaza, Dallas, Texas 75202

ACCESS SERVICE

20. MegaLink Custom Services (Cont'd)

(M)

20.6 Vintage Services (Cont'd)

(T)

20.6.1 Services Established Prior to May 25, 1991

(T)

(A) General Regulations

(M)

The following general regulations apply for MegaLink Custom Services established prior to May 25, 1991.

(M)

Vintage regulations, terms and conditions are set forth in Section 20.6.1(B) (Regulations, Terms, Conditions and Rates), following, and are being classified as vintage as a result of Transmittal No. 2062, filed January 18, 1991, which restructured MegaLink Custom Service. As a result of the significant changes caused by this restructure, the Telephone Company is retaining the regulations, terms and conditions applicable to services established prior to May 25, 1991. The Telephone Company will not initiate changes to services established prior to May 25, 1991.

(M)

(T)

(T)

(M)

(M)

Vintage rates are set forth in Section 20.6.1(B), following, and are classified as vintage because the Telephone Company insures that rates for a service will not be changed by the Telephone Company during the billing period selected by the customer.

(T)

(M)

(M)

Nonrecurring charges specified in Section 20.6.1(B) are no longer applicable for any services.

(This page filed under Transmittal No. 2176)

Issued: March 3, 1992

Effective: July 1, 1992

Four AT&T Plaza, Dallas, Texas 75202

ACCESS SERVICE

20. MegaLink Custom Services (Cont'd)

(M)

20.6 Vintage Services (Cont'd)

(T)

20.6.1 Services Established Prior to May 25, 1991 (Cont'd)

(T)

(B) Regulations, Terms, Conditions and Rates

(M)

(1) General Description

(T)

MegaLink Custom Services include digital High Capacity Services providing transmission at speeds exceeding 1.544 Mbps. MegaLink Custom Services are provided between two customer designated premises or between a customer designated premises and a Telephone Company Hub Central Office. MegaLink Custom Services include Optional Features and Functions.

(M)

Within MegaLink Custom Services, there are three distinct arrangements. MegaLink Custom Electrical Service provides electrical DS3 signals at both service endpoints. MegaLink Custom Optical Service provides an electrical DS3 signal at one service endpoint and an optical signal at the other service endpoint. MegaLink Custom Dark Fiber provides optical interfaces at both customer designated premises.

It is the customer's responsibility to arrange for the Network Channel Terminating Equipment Associated with the high Capacity Channel at the customer's premises.

Material and revised material appearing on this page formerly appeared on 2nd Revised Page 268.2 of Tariff F.C.C. No. 68.

(This page filed under Transmittal No. 2176)

Issued: March 3, 1992

Effective: July 1, 1992

Four AT&T Plaza, Dallas, Texas 75202

ACCESS SERVICE

20. MegaLink Custom Services (Cont'd)20.6 Vintage Services (Cont'd)20.6.1 Services Established Prior to May 25, 1991 (Cont'd)(B) Regulations, Terms, Conditions and Rates (Cont'd)(2) Technical Parameters(a) Channel Interfaces

The following channel interfaces (CIs) define the bit rates that are available for MegaLink Custom Services:

<u>CI</u>	<u>Bit Rate</u>
DS-31	3.152 Mbps (DS1C)
DS-63	6.312 Mbps (DS2)
DS-44	44.736 Mbps (DS3)
DS-27	274.176 Mbps (DS4)

Compatible channel interfaces are set forth in Technical Reference Publications TR-INS-000342.

(b) Technical Specifications

Technical specifications for MegaLink Custom Services may be found in Technical Reference Publications.

Material and revised material appearing on this page formerly appeared on 2nd Revised Page 268.2 of Tariff F.C.C. No. 68.

(This page filed under Transmittal No. 2176)

Issued: March 3, 1992

Effective: July 1, 1992

Four AT&T Plaza, Dallas, Texas 75202

ACCESS SERVICE

20. MegaLink Custom Services (Cont'd) (M)
- 20.6 Vintage Services (Cont'd) (T)
- 20.6.1 Services Established Prior to May 25, 1991 (Cont'd) (T)
- (B) Regulations, Terms, Conditions and Rates (Cont'd) (M)
- (3) Rate Categories (T)
- (a) DS1C Service (M)
- A High Capacity channel for the transmission of nominal
3.152 Mbps isochronous serial data. (M)
- (b) DS2 Service (T)
- A High Capacity channel for the transmission of nominal
6.312 Mbps isochronous serial data. (M)
- (c) DS3 Service (M)
- A High Capacity channel for the transmission of nominal
44.736 Mbps isochronous serial data. (M)
- (d) DS4 Service (T)
- A High Capacity channel for the transmission of nominal
274.176 Mbps isochronous serial data. (M)

Material and revised material appearing on this page formerly appeared on 1st
Revised Page 268.3 of Tariff F.C.C. No. 68.

(This page filed under Transmittal No. 2176)

Issued: March 3, 1992

Effective: July 1, 1992

Four AT&T Plaza, Dallas, Texas 75202

ACCESS SERVICE

20. MegaLink Custom Services (Cont'd)20.6 Vintage Services (Cont'd)20.6.1 Services Established Prior to May 25, 1991 (Cont'd)(B) Regulations, Terms, Conditions and Rates (Cont'd)(3) Rate Categories (Cont'd)(e) Optional Features and Functions

This rate category provides for features and functions which may be added to a MegaLink Custom Service to meet specific customer requirements.

Optional Features and Functions include the following:

1) Central Office Multiplexinga) DS4 to DS1

An arrangement that converts a DS4 service to 168 DS1 channels using digital time division multiplexing.

b) DS3 to DS1

An arrangement that converts a DS3 service to 28 DS1 channels using digital time division multiplexing.

c) DS2 to DS1

An arrangement that converts a DS2 service to four DS1 channels using digital time division multiplexing.

Material and revised material appearing on this page formerly appeared on 1st Revised pages 268.3 and 268.4 of Tariff F.C.C. No. 68.

(This page filed under Transmittal No. 2176)

Issued: March 3, 1992

Effective: July 1, 1992

Four AT&T Plaza, Dallas, Texas 75202

ACCESS SERVICE

20. MegaLink Custom Services (Cont'd)

(M)

20.6 Vintage Services (Cont'd)

(T)

20.6.1 Services Established Prior to May 25, 1991 (Cont'd)

(T)

(B) Regulations, Terms, Conditions and Rates (Cont'd)

(M)

(3) Rate Categories (Cont'd)

(T)

(e) Optional Features and Functions (Cont'd)

(T)

1) Central Office Multiplexing (Cont'd)

(M)

d) DS1C to DS1

An arrangement that converts a DS1C service to two DS1 channels using digital time division multiplexing.

2) SecureNet

SecureNet options provide MegaLink Custom Electrical Service with automatic restoration capabilities which prevent service interruption in the event of a single facility break or a single electronics failure. SecureNet options are available only where fiber optic facilities are used to provide the underlying MegaLink Custom Electrical Service.

Material and revised material appearing on this page formerly appeared on 1st Revised Page 268.4 of Tariff F.C.C. No. 68.

(This page filed under Transmittal No. 2176)

Issued: March 3, 1992

Effective: July 1, 1992

Four AT&T Plaza, Dallas, Texas 75202

ACCESS SERVICE

20. MegaLink Custom Services (Cont'd)20.6 Vintage Services (Cont'd)20.6.1 Services Established Prior to May 25, 1991 (Cont'd)(B) Regulations, Terms, Conditions and Rates (Cont'd)(3) Rate Categories (Cont'd)(e) Optional Features and Functions (Cont'd)2) SecureNet (Cont'd)

The automatic restoration capabilities are provided through the use of intelligent components which are capable of sensing a transmission failure and by separately routing the primary transmission path and secondary transmission path in geographically separate fiber optic cables. In the event of a transmission failure, the intelligent components will automatically switch the MegaLink Custom Electrical Service to either the primary or secondary transmission path within 2.0 seconds.

The primary and secondary transmission paths for MegaLink Custom Electrical Service will be routed in geographically separate fiber optic cables up to the nearest point to the customer's premises that route redundancy can be achieved. In the event a facility break occurs in that portion of the MegaLink Custom Electrical Service for which route redundancy could not be achieved, the Telephone Company cannot guarantee automatic restoration of the customer's service within 2.0 seconds.

Certain material and revised material appearing on this page formerly appeared on 1st Revised Page 268.4 of Tariff F.C.C. No. 68.

Certain material appearing on this page formerly appeared on 2nd Revised Page 268.5 of Tariff F.C.C. No. 68.

(This page filed under Transmittal No. 2176)

Issued: March 3, 1992

Effective: July 1, 1992

Four AT&T Plaza, Dallas, Texas 75202

ACCESS SERVICE

20. MegaLink Custom Services (Cont'd)20.6 Vintage Services (Cont'd)20.6.1 Services Established Prior to May 25, 1991 (Cont'd)(B) Regulations, Terms, Conditions and Rates (Cont'd)(3) Rate Categories (Cont'd)(e) Optional Features and Functions (Cont'd)2) SecureNet (Cont'd)

SecureNet options are available with MegaLink Custom Electrical Service provided with protection and are not available with MegaLink Custom Optical Service.

SecureNet options are available at those serving wire centers where equipment and facilities are available. Those serving wire centers equipped to provide the SecureNet options, as described in (3)(e)2)a) and (3)(e)2)b), following, are found in the National Exchange Carrier Association, Inc. Tariff F.C.C. No. 4. Technical specifications may be referenced in Technical Reference TP 76625 and in Technical Reference TR-INS-000342. (T)

SecureNet is provided with three options allowing for various levels of self-healing capabilities.

(This page filed under Transmittal No. 2727)

ACCESS SERVICE

20. MegaLink Custom Services (Cont'd)

(M)

20.6 Vintage Services (Cont'd)

(T)

20.6.1 Services Established Prior to May 25, 1991 (Cont'd)

(T)

(B) Regulations, Terms, Conditions and Rates (Cont'd)

(M)

(3) Rate Categories (Cont'd)

(T)

(e) Optional Features and Functions (Cont'd)

(T)

2) SecureNet (Cont'd)

(M)

a) Hub Redundancy

This option provides automatic restoration and physical route redundancy from the customer's premises to the customer's DS3/DS1 multiplexing hub in the event of a single loop, wire center, interoffice facility or hub failure.

Hub Redundancy is only available for MegaLink Custom Electrical Service provided from a customer's premises to a DS3/DS1 multiplexing hub office. The MegaLink Custom Electrical Service must be equipped with a DS3 to DS1 Central Office Multiplexing arrangement. The Hub Redundancy option includes the multiplexing capabilities provisioned on the secondary transmission path at the redundant hub. The serving wire center and multiplexing hub may be collocated.

Material and revised material appearing on this page formerly appeared on 1st Revised Page 268.6 of Tariff F.C.C. No. 68.

(This page filed under Transmittal No. 2176)

Issued: March 3, 1992

Effective: July 1, 1992

Four AT&T Plaza, Dallas, Texas 75202

ACCESS SERVICE

20. MegaLink Custom Services (Cont'd)

(M)

20.6 Vintage Services (Cont'd)

(T)

20.6.1 Services Established Prior to May 25, 1991 (Cont'd)

(T)

(B) Regulations, Terms, Conditions and Rates (Cont'd)

(M)

(3) Rate Categories (Cont'd)

(T)

(e) Optional Features and Functions (Cont'd)

(T)

2) SecureNet (Cont'd)

(M)

b) Serving Wire Center and Facility Redundancy

This option provides automatic restoration and physical route redundancy from the customer's premises to the customer's Telephone Company Hub Central Office or from the customer's premises to another premises in the event of a single loop, wire center or interoffice facility failure. The customer's serving wire center and hub are separate locations.

c) Loop Redundancy

This option provides automatic restoration and physical route redundancy from the customer's premises to the customer's serving wire center in the event of a single loop failure.

Material and revised material appearing on this page formerly appeared on 1st Revised Page 268.6 of Tariff F.C.C. No. 68.

(This page filed under Transmittal No. 2176)

Issued: March 3, 1992

Effective: July 1, 1992

Four AT&T Plaza, Dallas, Texas 75202

ACCESS SERVICE

20. MegaLink Custom Services (Cont'd) (M)
- 20.6 Vintage Services (Cont'd) (T)
- 20.6.1 Services Established Prior to May 25, 1991 (Cont'd) (T)
- (B) Regulations, Terms, Conditions and Rates (Cont'd) (M)
- (3) Rate Categories (Cont'd) (T)
- (f) Service to Service Through Connect Arrangement (T)
- The Service to Service Through Connect Arrangement provides for an interconnection of MegaLink Custom Electrical Services in the same Telephone Company Hub Central Office as follows: (M)
- Between two MegaLink Custom Electrical Services
 - Between two MegaLink Custom Optical Services
 - Between a MegaLink Custom Electrical Service and a MegaLink Custom Optical Service (M)
- (4) Service Configurations (T)
- There are two service configurations for MegaLink Custom Electrical Services: (M)
- (a) Electrical Service from Customer Designated Premises to Telephone Company Hub Central Office (M)
- This service configuration provides electrical DS3 signals at the customer designated premises and the Telephone Company Hub Central Office. In addition, it provides protection capabilities in the event service over the primary channel or channels is interrupted. (T)

Material and revised material appearing on this page formerly appeared on 1st Revised Page 268.7 of Tariff F.C.C. No. 68.

(This page filed under Transmittal No. 2176)

Issued: March 3, 1992

Effective: July 1, 1992

Four AT&T Plaza, Dallas, Texas 75202

ACCESS SERVICE

- 20. MegaLink Custom Services (Cont'd) (M)
- 20.6 Vintage Services (Cont'd) (T)
- 20.6.1 Services Established Prior to May 25, 1991 (Cont'd) (T)
- (B) Regulations, Terms, Conditions and Rates (Cont'd) (M)
- (4) Service Configurations (Cont'd) (T)
- (b) Electrical Service between Two Customer Designated Premises (M)
 - This service configuration provides electrical DS3 signals at the customer designated premises. In addition, it provides protection capabilities in the event service over the primary channel or channels is interrupted.
 - There are two service configurations for MegaLink Custom Optical Services: (M)
- (c) Optical Service from Customer Designated Premises to Telephone Company Hub Central Office (T) (M)
 - This service configuration provides optical signals at the customer designated premises and electrical DS3 signals at the Telephone Company Hub Central Office. The transmission speed of the optical signals at the customer designated premises can be 45MB and above as outlined in (5)(f)(3) following. In addition, it provides protection capabilities in the event service over the primary channel or channels is interrupted. (M)
- (d) Optical Service between Two Customer Designated Premises (T) (M)
 - This service configuration provides electrical DS3 signals at one customer designated premises, and optical signals at the other customer designated premises. The transmission speed of the optical signals at one of the customer designated premises can be 45MB and above as outlined in (5)(f)(3) following. In addition, it provides protection capabilities in the event service over the primary channel or channels is interrupted. (M)

Material and revised material appearing on this page formerly appeared on 1st Revised Page 268.8 of Tariff F.C.C. No. 68.

(This page filed under Transmittal No. 2176)

Issued: March 3, 1992

Effective: July 1, 1992

Four AT&T Plaza, Dallas, Texas 75202

ACCESS SERVICE

20. MegaLink Custom Services (Cont'd)

(M)

20.6 Vintage Services (Cont'd)

(T)

20.6.1 Services Established Prior to May 25, 1991 (Cont'd)

(T)

(B) Regulations, Terms, Conditions and Rates (Cont'd)

(M)

(4) Service Configurations (Cont'd)

(T)

(e) MegaLink Custom Dark Fiber

(T)

This configuration provides an optical interface at two customer designated premises. The transmission speed of the optical signals can be 45MB and above as outlined in (5)(f)(3) following. The optical signal delivered to the customer will be limited to the transmission speed specified in the customer's Access Order.

(M)

(M)

(T)

(M)

The customer is responsible for providing all optical to electrical conversion equipment on the customers premises. This conversion equipment must be compatible with the central office electronics provided by the Telephone Company.

The facility is configured with a protection pair for each primary fiber pair. The actual degree of protection and reliability received by the customer is dependent upon the customer provided electronics.

CUSTOMERS ARE ADVISED TO PURCHASE MEGALINK CUSTOM DARK FIBER AT THEIR OWN RISK. THIS FACILITY CONFIGURATION IS BEING OFFERED UNDER PROTEST AND MAY BE LIMITED IN DURATION.

Material and revised material appearing on this page formerly appeared on 1st Revised Page 268.9 of Tariff F.C.C. No. 68.

(This page filed under Transmittal No. 2176)

Issued: March 3, 1992

Effective: July 1, 1992

Four AT&T Plaza, Dallas, Texas 75202

Rejected by the Federal Communications Commission

ACCESS SERVICE

20 MegaLink Custom Services (Cont'd)

20.6 Vintage Services (Cont'd)

20.6.1 Services Established Prior to May 25, 1991 (Cont'd)

(B) Regulations, Terms, Conditions and Rates (Cont'd)

(5) Rate Regulations

Regulations listed in Section 7.2 (Rate Regulations) preceding apply to MegaLink Custom Services with the following exceptions:

(a) General

MegaLink Custom Electrical Service, MegaLink Custom Optical Service, MegaLink Custom Dark Fiber, Service Extensions and SecureNet options are offered under ten different rate options with 109 billing periods. DS3 to DS1 Central Office Multiplexing is provided under eleven different rate options with 110 billing periods. The Telephone Company will not initiate rate changes, except as provided in the footnote in (6) (i) (Optional Features and Functions) following, during the billing period selected by the customer for existing services installed.

Six months prior to the expiration of the billing period, the customer must select one of the following options:

- 1) The customer may renew the service for a specified period of time as provided in this tariff at the regulations, rates and charges available at the time of renewal; or
- 2) The customer may elect to disconnect the service upon expiration; or

(D)
|
(D)

- 3) If the customer selects neither 1) nor 2) above, the current regulations, rates and charges for the 12 month rate option as set forth in (6) (Rates and Charges) following, will be applied upon expiration of the billing period.

Issued under the authority of the Bureau's Order, DA95-1847, released August 22, 1995.

(This page filed under Transmittal No. 2493)

Issued: August 24, 1995

Effective: August 25, 1995

Four AT&T Plaza, Dallas, Texas 75202

Rejected by the Federal Communications Commission

ACCESS SERVICE

20 MegaLink Custom Services (Cont'd)

20.6 Vintage Services (Cont'd)

20.6.1 Services Established Prior to May 25, 1991 (Cont'd)

(B) Regulations, Terms, Conditions and Rates (Cont'd)

(5) Rate Regulations (Cont'd)

Regulations listed in Section 7.2 (Rate Regulations) preceding apply to MegaLink Custom Services with the following exceptions: (Cont'd)

(a) General (Cont'd)

MegaLink Custom Service

In the event service is terminated prior to the end of the billing period, a termination charge will apply which is equal to the net present value of all remaining charges, calculated with a discount rate equal to the Telephone Company's interstate special access rate of return as authorized by the Federal Communications Commission at the time of termination.

The termination charge is calculated using the following present value formula:

$$\text{Present value} = \frac{\text{Rate} \times (1 - (1+i)^{-n})}{i}$$

Rate = monthly recurring rate

n = total number of months remaining for the service

i = monthly interest rate (discount rate) expressed as a decimal

Issued under the authority of the Bureau's Order, DA95-1847, released August 22, 1995.

(This page filed under Transmittal No. 2493)

Issued: August 24, 1995

Effective: August 25, 1995

Four AT&T Plaza, Dallas, Texas 75202

Rejected by the Federal Communications Commission

ACCESS SERVICE

20 MegaLink Custom Services (Cont'd)20.6 Vintage Services (Cont'd)20.6.1 Services Established Prior to May 25, 1991 (Cont'd)(B) Regulations, Terms, Conditions and Rates (Cont'd)(5) Rate Regulations (Cont'd)

Regulations listed in Section 7.2 (Rate Regulations) preceding apply to MegaLink Custom Services with the following exceptions: (Cont'd)

(a) General (Cont'd)MegaLink Custom Service (Cont'd)

Example: A customer has a monthly rate of \$4,075 from the 24-month rate option for one MegaLink Custom Electrical Service between two customer designated premises with a total mileage of 1 mile. The customer requests to terminate the service after 18 months. Therefore, the termination charge would be calculated as follows:

$$\text{Termination charge} = \frac{4,075 \times (1 - (1 + .01)^{-6})}{.01}$$

$$\text{Rate} = 4,075$$

$$n = 6$$

$$i = 12\% / 12 = .01$$

The termination charge is \$23,616.57.

(D)

- (b) If a customer requests a billing period change from Vintage Service to MegaLink Custom Service, termination charges will not apply provided the service end points remain the same.

Issued under the authority of the Bureau's Order, DA95-1847, released August 22, 1995.

(This page filed under Transmittal No. 2493)

Issued: August 24, 1995

Effective: August 25, 1995

Four AT&T Plaza, Dallas, Texas 75202

ACCESS SERVICE

20. MegaLink Custom Services (Cont'd) (M)
- 20.6 Vintage Services (Cont'd) (T)
- 20.6.1 Services Established Prior to May 25, 1991 (Cont'd) (T)
- (B) Regulations, Terms, Conditions and Rates (Cont'd) (M)
- (5) Rate Regulations (Cont'd) (T)
- Regulations listed in Section 7.2 (Rate Regulations) preceding
apply to MegaLink Custom Services with the following exceptions: (M)
(Cont'd) (M)
- (a) General (Cont'd) (T)
- Multiplexing (M)
- In the event the customer wishes to convert multiplexing
service from any billing period to a one month billing
period, a conversion charge will apply which is equal to the
net present value of the difference between the contracted
billing period rate and the one month billing period rate
for each month the multiplexer(s) was in service. Net
present value will be calculated with a discount rate equal
to the Telephone Company's interstate special access rate of
return as authorized by the Federal Communications
Commission at the time of conversion.

Material and revised material appearing on this page formerly appeared on 1st
Revised Page 268.12 of Tariff F.C.C. No. 68.

(This page filed under Transmittal No. 2176)

Issued: March 3, 1992

Effective: July 1, 1992

Four AT&T Plaza, Dallas, Texas 75202

ACCESS SERVICE

20. MegaLink Custom Services (Cont'd) (M)20.6 Vintage Services (Cont'd) (T)20.6.1 Services Established Prior to May 25, 1991 (Cont'd) (T)(B) Regulations, Terms, Conditions and Rates (Cont'd) (M)(5) Rate Regulations (Cont'd) (T)

Regulations listed in Section 7.2 (Rate Regulations) preceding apply to MegaLink Custom Services with the following exceptions: (M)
(Cont'd) (M)

(a) General (Cont'd) (T)Multiplexing (Cont'd) (T)

The conversion charge is calculated using the following future value formula: (M)

$$\text{Future value} = \sum_{y=1}^n \text{Rate} \times (1+i)^{(n-y)}$$

y = each individual month the multiplexer was in service under the original billing period, up to and including the conversion month. For example, y = 1 for the first month under the original billing period, y = 2 for the second month under the original billing period, y = n for the last month under the original billing period prior to conversion.

n = the total number of months the multiplexer was in service under the original billing period.

Rate = the difference between the existing rate and the month-to-month rate.

i = monthly interest rate expressed as a decimal. (M)

Material and revised material appearing on this page formerly appeared on 1st Revised Page 268.12 of Tariff F.C.C. No. 68.

(This page filed under Transmittal No. 2176)

Issued: March 3, 1992

Effective: July 1, 1992

Four AT&T Plaza, Dallas, Texas 75202

ACCESS SERVICE

20. MegaLink Custom Services (Cont'd) (M)
- 20.6 Vintage Services (Cont'd) (T)
- 20.6.1 Services Established Prior to May 25, 1991 (Cont'd) (T)
- (B) Regulations, Terms, Conditions and Rates (Cont'd) (M)
- (5) Rate Regulations (Cont'd) (T)
- Regulations listed in Section 7.2 (Rate Regulations), preceding, (M)
apply to MegaLink Custom Services with the following exceptions: (M)
(Cont'd)
- (a) General (Cont'd) (T)
- Multiplexing (Cont'd) (M)
- Example:
- A customer has a 12-month rate of \$1,200 for a multiplexer. The customer requests to convert to a month-to-month rate after the multiplexer has been in service for 6 months. The month-to-month rate for the multiplexer is \$1,250. Therefore, the conversion charge would be calculated as follows:
- $$50 \times (1.01)^{(6-1)} + 50 \times (1.01)^{(6-2)} + 50 \times (1.01)^{(6-3)} + 50 \times (1.01)^{(6-4)} + 50 \times (1.01)^{(6-5)} + 50 \times (1.01)^{(6-6)} = 52.55 + 52.03 + 51.52 + 51.01 + 50.5 + 50 = 307.61$$
- The conversion charge is \$307.61.

Material and revised material appearing on this page formerly appeared on 1st Revised Page 268.13 of Tariff F.C.C. No. 68.

(This page filed under Transmittal No. 2176)

Issued: March 3, 1992

Effective: July 1, 1992

Four AT&T Plaza, Dallas, Texas 75202

ACCESS SERVICE

20. MegaLink Custom Services (Cont'd) (M)
- 20.6 Vintage Services (Cont'd) (T)
- 20.6.1 Services Established Prior to May 25, 1991 (Cont'd) (T)
- (B) Regulations, Terms, Conditions and Rates (Cont'd) (M)
- (5) Rate Regulations (Cont'd) (T)
- Regulations listed in Section 7.2 (Rate Regulations), preceding, (M)
apply to MegaLink Custom Services with the following exceptions: (M)
(Cont'd)
- (a) General (Cont'd) (T)
- SecureNet (M)
- The minimum billing period for SecureNet options is 12 months. SecureNet options may only be provisioned with an underlying MegaLink Custom Electrical Service.
- If a SecureNet option is terminated prior to the end of its billing period, a termination charge will apply which is equal to the net present value of all remaining charges for the option, calculated with a discount rate equal to the Telephone Company's interstate special access rate of return as authorized by the Federal Communications Commission at the time of termination.

Material and revised material appearing on this page formerly appeared on 1st Revised Page 268.13 of Tariff F.C.C. No. 68.

(This page filed under Transmittal No. 2176)

Issued: March 3, 1992

Effective: July 1, 1992

Four AT&T Plaza, Dallas, Texas 75202

ACCESS SERVICE

20. MegaLink Custom Services (Cont'd)

(M)

20.6 Vintage Services (Cont'd)

(T)

20.6.1 Services Established Prior to May 25, 1991 (Cont'd)

(T)

(B) Regulations, Terms, Conditions and Rates (Cont'd)

(M)

(5) Rate Regulations (Cont'd)

(T)

Regulations listed in Section 7.2 (Rate Regulations), preceding, apply to MegaLink Custom Services with the following exceptions: (Cont'd)

(T)

(M)

(M)

(a) General (Cont'd)

(T)

SecureNet (Cont'd)

(M)

The termination charge is calculated using the present value formula specified for the termination of MegaLink Custom Service in (5) (a) preceding.

(M)

(T)

Special Construction

(M)

Southwestern Bell Telephone Company Tariff FCC No. 69, Special Construction, does not apply to MegaLink Custom Services.

Material and revised material appearing on this page formerly appeared on 1st Revised Page 268.14 of Tariff F.C.C. No. 68.

(This page filed under Transmittal No. 2176)

Issued: March 3, 1992

Effective: July 1, 1992

Four AT&T Plaza, Dallas, Texas 75202

ACCESS SERVICE

20. MegaLink Custom Services (Cont'd)

(M)

20.6 Vintage Services (Cont'd)

(T)

20.6.1 Services Established Prior to May 25, 1991 (Cont'd)

(T)

(B) Regulations, Terms, Conditions and Rates (Cont'd)

(M)

(5) Rate Regulations (Cont'd)

(T)

Regulations listed in Section 7.2 (Rate Regulations), preceding, apply to MegaLink Custom Services with the following exceptions: (Cont'd)

(T)

(M)

(M)

(a) General (Cont'd)

(T)

Conversion of Existing MegaLink Custom Services to the General Tariff Offering

(M)

The conversion of existing MegaLink Custom Services to the general tariff offering applies only to those services which were purchased on an Individual Case Basis. In the event the customer chooses to discontinue service at any time prior to May 19, 1991, the termination charges set forth in Section (5)(a) preceding will apply. The customer must notify the Telephone Company on or before May 18, 1991, of his intent to discontinue service on May 19, 1991. If the customer chooses to disconnect services on May 19, 1991, termination charges will not apply. Otherwise, on May 19, 1991 the service will be converted to the general tariff offering at the rate specified for the billing period which applies to the particular service being converted. The converted rate will be in effect until the expiration date of the service. Termination charges will not apply if the customer chooses to convert their service to the general tariff offering.

(M)

(T)

(M)

Material and revised material appearing on this page formerly appeared on 1st Revised Page 268.14 of Tariff F.C.C. No. 68.

(This page filed under Transmittal No. 2176)

Issued: March 3, 1992

Effective: July 1, 1992

Four AT&T Plaza, Dallas, Texas 75202

ACCESS SERVICE

20. MegaLink Custom Services (Cont'd)20.6 Vintage Services (Cont'd)20.6.1 Services Established Prior to May 25, 1991 (Cont'd)(B) Regulations, Terms, Conditions and Rates (Cont'd)(5) Rate Regulations (Cont'd)

Regulations listed in Section 7.2 (Rate Regulations), preceding, apply to MegaLink Custom Services with the following exceptions: (Cont'd)

(a) General (Cont'd)Conversion of Existing MegaLink Custom Services to the General Tariff Offering (Cont'd)

Example: A customer purchases a service for 120 months in March 1985 with a service expiration date of March 1995. In March 1991 the service converts to the general tariff offering. The customer would then be charged the 120 month rate for the remaining 48 months until March 1995.

Credit for Initial Payments

Customers whose ICB initial nonrecurring charge was greater than the general nonrecurring charge and whose ICB recurring rate was lower than the general recurring rate are eligible to receive a credit for the amount paid in excess of the benefit the customer received from paying the lower ICB recurring rate. Customers eligible for a credit will be informed of the amount within 30 days after the customer either converts to tariffed MegaLink Custom Service or terminates the MegaLink Custom ICB arrangement.

Material and revised material appearing on this page formerly appeared on 1st Revised Page 268.15 of Tariff F.C.C. No. 68.

(This page filed under Transmittal No. 2176)

Issued: March 3, 1992

Effective: July 1, 1992

Four AT&T Plaza, Dallas, Texas 75202

ACCESS SERVICE

20. MegaLink Custom Services (Cont'd)

(M)

20.6 Vintage Services (Cont'd)

(T)

20.6.1 Services Established Prior to May 25, 1991 (Cont'd)

(T)

(B) Regulations, Terms, Conditions and Rates (Cont'd)

(M)

(5) Rate Regulations (Cont'd)

(T)

Regulations listed in Section 7.2 (Rate Regulations), preceding, apply to MegaLink Custom Services with the following exceptions:
(Cont'd)

(T)

(M)

(M)

(a) General (Cont'd)

(T)

(T)

Credit for Initial Payments (Cont'd)

(M)

For purposes of determining the current general rate, the ICB service will be matched to the general tariff offering based on number of DS3s, miles and original number of months for which the service was requested.

If the customer paid an ICB nonrecurring charge that was higher than the general nonrecurring charge and the monthly ICB recurring rate was lower than the general monthly recurring rate, then the following procedure is used to determine the credit amount.

This credit does not apply to MegaLink Custom Dark Fiber.

Material and revised material appearing on this page formerly appeared on 1st Revised Page 268.15 of Tariff F.C.C. No. 68.

(This page filed under Transmittal No. 2176)

Issued: March 3, 1992

Effective: July 1, 1992

Four AT&T Plaza, Dallas, Texas 75202

ACCESS SERVICE

20. MegaLink Custom Services (Cont'd)

(M)

20.6 Vintage Services (Cont'd)

(T)

20.6.1 Services Established Prior to May 25, 1991 (Cont'd)

(T)

(B) Regulations, Terms, Conditions and Rates (Cont'd)

(M)

(5) Rate Regulations (Cont'd)

(T)

Regulations listed in Section 7.2 (Rate Regulations), preceding, apply to MegaLink Custom Services with the following exceptions: (Cont'd)

(T)

(M)

(M)

(a) General (Cont'd)

(T)

Credit for Initial Payments (Cont'd)

(M)

Procedure for Calculating Credit Due:

- A = ICB nonrecurring charge
- B = Present value of the ICB recurring rate*
- C = General nonrecurring charge
- D = Present value of the general recurring rate*

$$(A + B) - (C + D) = \text{Credit Due (if greater than 0)}$$

*The present values of B and D are calculated based on May 19, 1991 and an interest rate of 1% per month using the following formula:

$$\text{Present value} = \text{value} \times \frac{(1+i)^n - 1}{i}$$

- value = rate of B or D
- i = monthly interest rate expressed as a decimal (.01)
- n = total number of months in service until May 19, 1991

Material and revised material appearing on this page formerly appeared on 1st Revised Page 268.16 of Tariff F.C.C. No. 68.

(This page filed under Transmittal No. 2176)

Issued: March 3, 1992

Effective: July 1, 1992

Four AT&T Plaza, Dallas, Texas 75202

ACCESS SERVICE

20. MegaLink Custom Services (Cont'd)

20.6 Vintage Services (Cont'd)

20.6.1 Services Established Prior to May 25, 1991 (Cont'd)

(B) Regulations, Terms, Conditions and Rates (Cont'd)

(5) Rate Regulations (Cont'd)

(b) Moves, Service Extensions, Additions, and Extension of Expiration Date

1) Moves

A move involves a change in the physical location of one of the following:

- The Point of Termination of the customer's premises;
- The customer's premises, within the same exchange;
- From one Telephone Company hub to another Telephone Company hub. (C)

The expiration of the new billing period must extend to or beyond the expiration of the original billing period.

The charges are dependent upon the type of move requested by the customer.

A customer may request a move of the Point of Termination of Vintage MegaLink Custom Services (DS3) from one Telephone Company hub to another Telephone Company hub. Facilities and equipment must exist and be available. These moves will be permitted only on shared use facilities. Orders will be accepted beginning September 26, 1994. These regulations will be valid until the expiration date of the waiver of nonrecurring charges associated with the restructure of Local Transport as referenced in Section 6.8.2.(D) (9). (C)

(This page filed under Transmittal No. 2377)

ACCESS SERVICE

20. MegaLink Custom Services (Cont'd)20.6 Vintage Services (Cont'd)20.6.1 Services Established Prior to May 25, 1991 (Cont'd)(B) Regulations, Terms, Conditions and Rates (Cont'd)(5) Rate Regulations (Cont'd)(b) Moves, Service Extensions, Additions, and Extension of Expiration Date (Cont'd)2) Service Extensions

Service extensions for MegaLink Custom Services involve the extension of an existing MegaLink Custom Service from a Customer Designated Premises to a Telephone Company Hub Central Office to extend to another Telephone Company Hub Central Office. The expiration of the billing period for the request to extend service to another Telephone Company Hub Office may be less than but may not exceed the expiration date of the billing period for the original Customer Designated Premises to Telephone Company Hub Central Office Service.

Service extensions for MegaLink Custom Service(s) must be equal to or less than the original number of Customer Designated Premises to Telephone Company Hub Central Office Service(s).

A MegaLink Custom Electrical Service with Loop Redundancy or Serving Wire Center and Facility Redundancy can be extended with a Service Extension. However, the Service Extension cannot be equipped with a SecureNet option.

Material and revised material appearing on this page formerly appeared on 1st Revised Page 268.17 of Tariff F.C.C. No. 68.

(This page filed under Transmittal No. 2176)

Issued: March 3, 1992

Effective: July 1, 1992

Four AT&T Plaza, Dallas, Texas 75202

(M)

(T)

(T)

(M)

(T)

(T)

(M)

ACCESS SERVICE

20. MegaLink Custom Services (Cont'd) (M)
- 20.6 Vintage Services (Cont'd) (T)
- 20.6.1 Services Established Prior to May 25, 1991 (Cont'd) (T)
- (B) Regulations, Terms, Conditions and Rates (Cont'd) (M)
- (5) Rate Regulations (Cont'd) (T)
- (b) Moves, Service Extensions, Additions, and Extension of Expiration Date (Cont'd) (M)
- 2) Service Extensions (Cont'd) (T)
- MegaLink Custom Electrical Service with Hub Redundancy cannot be extended with a Service Extension. Likewise, an existing MegaLink Custom Electrical Service with a Service Extension cannot be equipped with a Hub Redundancy option. (M)
- 3) Additions (T)
- The customer may request to add MegaLink Custom Service to an existing service between two customer designated premises or between the same customer designated premises and a Telephone Company Hub Central Office. The customer has two options: (M)
- a) The customer may establish a new billing period for the revised cumulative number of services. The new billing period must extend to or beyond the original billing period; or (M)
- b) The customer may establish a new billing period for only the additional service(s) requested. (T)
- 4) Extension of Expiration Date (M)
- The customer may establish a new billing period for existing service as long as the new expiration date exceeds the original expiration date by one full year. (M)

Material and revised material appearing on this page formerly appeared on 1st Revised Page 268.18 of Tariff F.C.C. No. 68.

(This page filed under Transmittal No. 2176)

Issued: March 3, 1992

Effective: July 1, 1992

Four AT&T Plaza, Dallas, Texas 75202

ACCESS SERVICE

20. MegaLink Custom Services (Cont'd) (M)
- 20.6 Vintage Services (Cont'd) (T)
- 20.6.1 Services Established Prior to May 25, 1991 (Cont'd) (T)
- (B) Regulations, Terms, Conditions and Rates (Cont'd) (M)
- (5) Rate Regulations (Cont'd) (T)
- (c) Types of Rates and Charges (T)
- The rates and charges are described as follows: (M)
- 1) Monthly Rates (T)
- Monthly rates for MegaLink Custom Services as set forth in (6)(c), following, vary based on the following: (M)
- a) MegaLink Custom Electrical Service provisioned between two customer designated premises, MegaLink Custom Electrical Service from a customer designated premises to a Telephone Company Hub Central Office, MegaLink Custom Optical Service, MegaLink Custom Dark Fiber, or MegaLink Custom Service Extensions. (M)
- b) Quantity of MegaLink Custom Services requested. (T)
- c) Airline mileage distance between end to end service points. (M)
- d) Billing period selected by the customer. (M)

Material and revised material appearing on this page formerly appeared on 1st Revised Page 268.19 of Tariff F.C.C. No. 68.

(This page filed under Transmittal No. 2176)

Issued: March 3, 1992

Effective: July 1, 1992

Four AT&T Plaza, Dallas, Texas 75202

ACCESS SERVICE

20. MegaLink Custom Services (Cont'd) (M)20.6 Vintage Services (Cont'd) (T)20.6.1 Services Established Prior to May 25, 1991 (Cont'd) (T)(B) Regulations, Terms, Conditions and Rates (Cont'd) (M)(5) Rate Regulations (Cont'd) (T)(c) Types of Rates and Charges (Cont'd) (T)1) Monthly Rates (Cont'd) (T)

Monthly rate options for MegaLink Custom Electrical Service, MegaLink Custom Optical Service, MegaLink Custom Dark Fiber, Service Extensions and SecureNet options include 12 month, 24 month, 36 month, 48 month, 60 month, 72 month, 84 month, 96 month, 108 month and 120 month. The customer may choose service for any number of months greater than 11 months, and the rates apply as follows: (M)

<u>Rate Option</u>	<u>Applies for these Billing Periods</u>
12 month	12 to 23 months inclusive
24 month	24 to 35 months inclusive
36 month	36 to 47 months inclusive
48 month	48 to 59 months inclusive
60 month	60 to 71 months inclusive
72 month	72 to 83 months inclusive
84 month	84 to 95 months inclusive
96 month	96 to 107 months inclusive
108 month	108 to 119 months inclusive
120 month	120 months

Material and revised material appearing on this page formerly appeared on 1st Revised Page 268.20 of Tariff F.C.C. No. 68.

(This page filed under Transmittal No. 2176)

Issued: March 3, 1992

Effective: July 1, 1992

Four AT&T Plaza, Dallas, Texas 75202

ACCESS SERVICE

20. MegaLink Custom Services (Cont'd)20.6 Vintage Services (Cont'd)20.6.1 Services Established Prior to May 25, 1991 (Cont'd)(B) Regulations, Terms, Conditions and Rates (Cont'd)(5) Rate Regulations (Cont'd)(c) Types of Rates and Charges (Cont'd)1) Monthly Rates (Cont'd)

Monthly rate options for Central Office Multiplexing include 1 month, 12 month, 24 month, 36 month, 48 month, 60 month, 72 month, 84 month, 96 month, 108 month, and 120 month. The customer may choose service for any number of months, and the rates apply as indicated in the chart above. In addition, the 1 month rate applies for 1 to 11 months of service.

Monthly rates for DS1C, DS2 and DS4 services and other Central Office Multiplexing arrangements will be provided on an Individual Case Basis.

(M)
(T)
(T)
(M)
(T)
(T)
(T)
(M)

Material and revised material appearing on this page formerly appeared on 1st Revised Page 268.20 of Tariff F.C.C. No. 68.

(This page filed under Transmittal No. 2176)

Issued: March 3, 1992

Effective: July 1, 1992

Four AT&T Plaza, Dallas, Texas 75202

ACCESS SERVICE

20. MegaLink Custom Services (Cont'd)

(M)

20.6 Vintage Services (Cont'd)

(T)

20.6.1 Services Established Prior to May 25, 1991 (Cont'd)

(T)

(B) Regulations, Terms, Conditions and Rates (Cont'd)

(M)

(5) Rate Regulations (Cont'd)

(T)

(c) Types of Rates and Charges (Cont'd)

(T)

2) Nonrecurring Charges

(T)

Nonrecurring charges for MegaLink Custom Services may include: Case Preparation Charges, or Installation Charges.

(M)

(M)

(T)

a) Case Preparation Charge

(M)

The Case Preparation Charge applies for the development of a MegaLink Custom case which is provided on an Individual Case Basis.

(M)

(M)

(T)

b) Installation Charge

(M)

An Installation Charge applies for the installation of MegaLink Custom Electrical Service, MegaLink Custom Optical Service, MegaLink Custom Dark Fiber, DS3 to DS1 Central Office Multiplexing arrangement and SecureNet options as provided in (6)(c) and (6)(i) following. An Installation Charge may also be applicable for services provided on an Individual Case Basis.

(M)

(M)

(T)

(M)

(M)

Material and revised material appearing on this page formerly appeared on 1st Revised Page 268.21 of Tariff F.C.C. No. 68.

(This page filed under Transmittal No. 2176)

Issued: March 3, 1992

Effective: July 1, 1992

Four AT&T Plaza, Dallas, Texas 75202

Rejected by the Federal Communications Commission

ACCESS SERVICE

20 MegaLink Custom Services (Cont'd)

20.6 Vintage Services (Cont'd)

20.6.1 Services Established Prior to May 25, 1991 (Cont'd)

(B) Regulations, Terms, Conditions and Rates (Cont'd)

(5) Rate Regulations (Cont'd)

(c) Types of Rates and Charges (Cont'd)

2) Nonrecurring Charges (Cont'd)

b) Installation Charge (Cont'd)

An Installation Charge applies for the installation of the Service to Service Through Connect Arrangement. The charge applies whether the installation is coincident with the installation of the MegaLink Custom Electrical Service or occurs subsequently.

(d) Billing Period

The billing period for MegaLink Custom Electrical Service, MegaLink Custom Optical Service, MegaLink Custom Dark Fiber, Service Extensions and SecureNet options, is both equal to and limited to the number of months associated with the payment option selected by the customer. The service expiration date is equal to the billing expiration date or end of the billing period.

(D)

(D)

(D)

(D)

Issued under the authority of the Bureau's Order, DA95-1847, released August 22, 1995.

(This page filed under Transmittal No. 2493)

Issued: August 24, 1995

Effective: August 25, 1995

Four AT&T Plaza, Dallas, Texas 75202

ACCESS SERVICE

20. MegaLink Custom Services (Cont'd)

(M)

20.6 Vintage Services (Cont'd)

(T)

20.6.1 Services Established Prior to May 25, 1991 (Cont'd)

(T)

(B) Regulations, Terms, Conditions and Rates (Cont'd)

(M)

(5) Rate Regulations (Cont'd)

(T)

(e) Mileage Measurement

(T)

(M)

Mileage is based on the airline distance between two customer designated premises or between a customer designated premises and a Telephone Company Hub Central Office.

The mileage for service between two customer designated premises is equal to the airline distance from the customer designated premises to their respective serving wire center(s) plus the airline distance, if any, between the serving wire centers.

For customer designated premises to Telephone Company Hub Central Office arrangements, mileage is equal to the airline distance from the customer designated premises to its serving wire center plus the airline distance from the serving wire center to the Telephone Company Hub Central Office.

Mileage, following aggregation of component distances, is always rounded to the next mile for rate application purposes.

Material and revised material appearing on this page formerly appeared on 1st Revised Page 268.22 of Tariff F.C.C. No. 68.

(This page filed under Transmittal No. 2176)

Issued: March 3, 1992

Effective: July 1, 1992

Four AT&T Plaza, Dallas, Texas 75202

ACCESS SERVICE

20. MegaLink Custom Services (Cont'd) (M)
- 20.6 Vintage Services (Cont'd) (T)
- 20.6.1 Services Established Prior to May 25, 1991 (Cont'd) (T)
- (B) Regulations, Terms, Conditions and Rates (Cont'd) (M)
- (5) Rate Regulations (Cont'd) (T)
- (f) Application of Rates
- 1) General (T)
- Rates and charges are set forth in (6) following for (M)
MegaLink Custom Services. (M)
- 2) MegaLink Custom Electrical Service (T)
- a) MegaLink Custom Electrical Service from a (M)
Customer Designated Premises to Telephone Company (M)
Hub Central Office (T)
- Rates are set forth in (M)
(6) (c)1)2)3)4)5)6)7)8)9)10) following. (M)
- b) MegaLink Custom Electrical Service between Two (M)
Customer Designated Premises (M)
- Rates are set forth in (M)
(6) (c)11)12)13)14)15)16)17)18)19)20) following. (T)
- 3) MegaLink Custom Optical Service from a Customer (M)
Designated Premises to Telephone Company Hub Central (M)
Office or between Two Customer Designated Premises (T)
- Rates are set forth in (6) (d)1)2)3)4)5)6)7)8)9)10) (M)
following, using the appropriate number of DS3s
depending on the transmission speed of the service
according to the chart following. (M)

Material and revised material appearing on this page formerly appeared on 1st
Revised Page 268.23 of Tariff F.C.C. No. 68.

(This page filed under Transmittal No. 2176)

Issued: March 3, 1992

Effective: July 1, 1992

Four AT&T Plaza, Dallas, Texas 75202

ACCESS SERVICE

20. MegaLink Custom Services (Cont'd)

(M)

20.6 Vintage Services (Cont'd)

(T)

20.6.1 Services Established Prior to May 25, 1991 (Cont'd)

(T)

(B) Regulations, Terms, Conditions and Rates (Cont'd)

(M)

(5) Rate Regulations (Cont'd)

(T)

(f) Application of Rates (Cont'd)

(T)

3) MegaLink Custom Optical Service from a Customer Designated Premises to Telephone Company Hub Central Office or between Two Customer Designated Premises (Cont'd)

(T)

(M)

This chart illustrates typical transmission speeds for optical service and the equivalent number of DS3s for a particular speed.

<u>Transmission Speed</u>	<u>Equivalent DS3s</u>
45MB	1
90MB	2
139MB	3
150MB	3
405MB	9
565MB	12
1.2GB	24

Example:

The rate for a 139MB system for 1 year, 1 airline mile, is found in paragraph (6)(d)1) under the column for 3 DS3s and on the line for 1 airline mile.

(M)

(T)

(M)

Material and revised material appearing on this page formerly appeared on 1st Revised Page 268.24 of Tariff F.C.C. No. 68.

(This page filed under Transmittal No. 2176)

Issued: March 3, 1992

Effective: July 1, 1992

Four AT&T Plaza, Dallas, Texas 75202

ACCESS SERVICE

20. MegaLink Custom Services (Cont'd) (M)
- 20.6 Vintage Services (Cont'd) (T)
- 20.6.1 Services Established Prior to May 25, 1991 (Cont'd) (T)
- (B) Regulations, Terms, Conditions and Rates (Cont'd) (M)
- (5) Rate Regulations (Cont'd) (T)
- (f) Application of Rates (Cont'd)
- 4) MegaLink Custom Dark Fiber (T)
- Rates are set forth in (6) (d) 1) 2) 3) 4) 5) 6) 7) 8) 9) 10) (M)
following, using the appropriate number of DS3s (M)
depending on the transmission speed of the service (T)
according to the chart in (5) (f) (3) preceding. (T)
- 5) Optional Features and Functions (M)
- Rates and charges for optional features and functions, (T)
requested by the customer, apply as set forth in (6) (i) (M)
following. (T)
- 6) Service to Service Through Connect Arrangements (M)
- Rates and charges for Service to Service Through (M)
Connect Arrangements, requested by the customer, apply (M)
as set forth in (6) (h) following.

Material and revised material appearing on this page formerly appeared on 1st
Revised Pages 268.24 and 268.25 of Tariff F.C.C. No. 68.

(This page filed under Transmittal No. 2176)

Issued: March 3, 1992

Effective: July 1, 1992

Four AT&T Plaza, Dallas, Texas 75202

ACCESS SERVICE

- 20. MegaLink Custom Services (Cont'd) (M)
 - 20.6 Vintage Services (Cont'd) (T)
 - 20.6.1 Services Established Prior to May 25, 1991 (Cont'd) (T)
 - (B) Regulations, Terms, Conditions and Rates (Cont'd) (M)
 - (5) Rate Regulations (Cont'd) (T)
 - (f) Application of Rates (Cont'd) (T)
 - 7) Moves (T)
 - a) Moving the Point of Termination Within the Same Customer Premises (M)
 - 1) Rollovers (T)
- A rollover denotes a move involving a customer requested change of a Point of Termination from one existing MegaLink Custom Electrical Service to another existing MegaLink Custom Electrical Service or from one existing MegaLink Custom Optical Service to another existing MegaLink Custom Optical Service within the same customer premises. The Rollover must occur within the same Telephone Company location. The Nonrecurring Charges apply, as set forth in Section (6)(k) following, on a first and additional basis, per Access Order. The billing periods for the services involved in the Rollover do not change. (M)

Material and revised material appearing on this page formerly appeared on 1st Revised Page 268.25 of Tariff F.C.C. No. 68.

(This page filed under Transmittal No. 2176)

Issued: March 3, 1992

Effective: July 1, 1992

Four AT&T Plaza, Dallas, Texas 75202

ACCESS SERVICE

20. MegaLink Custom Services (Cont'd)20.6 Vintage Services (Cont'd)20.6.1 Services Established Prior to May 25, 1991 (Cont'd)(B) Regulations, Terms, Conditions and Rates (Cont'd)(5) Rate Regulations (Cont'd)(f) Application of Rates (Cont'd)7) Moves (Cont'd)a) Moving the Point of Termination Within the Same Customer Premises (Cont'd)2) Relocation

A move of a Point of Termination of an existing service to a new location within the same customer premises, may be provided, at the customer's request, on a time sensitive charge basis. The labor rates which apply are as set forth in Section 13.2.4 (Testing and Maintenance With Other Telephone Companies) or 13.2.5 (Other Labor), preceding, of this tariff for Additional Labor. No change in billing period is required.

b) Moving Customer Premises

A move of existing service to a location within a different building may be provided at the customer's request. The customer will be billed 25 percent of the termination charge calculated in accordance with procedures as set forth in (5) (a), preceding.

c) Moving the Point of Termination from One Hub to Another Hub

A move of a Point of Termination of a Telephone Company hub to another Telephone Company hub as referenced under 20.6.1(B) (5) (b) 1) will be provided on a time-sensitive charge basis. The labor rates which apply are set forth in Section 13.2.4 (Testing and Maintenance with Other Telephone Companies) and Section 13.2.5 (Other Labor) of this tariff for Additional Labor. No change in billing period is required. All other applicable Vintage MegaLink Custom Services rates and charges will apply.

(C)

(C)

(This page filed under Transmittal No. 2377)

ACCESS SERVICE

20. MegaLink Custom Services (Cont'd)

(M)

20.6 Vintage Services (Cont'd)

(T)

20.6.1 Services Established Prior to May 25, 1991 (Cont'd)

(T)

(B) Regulations, Terms, Conditions and Rates (Cont'd)

(M)

(5) Rate Regulations (Cont'd)

(T)

(f) Application of Rates (Cont'd)

(T)

8) Service Extensions

(T)

Service extended from a Telephone Company Hub Central Office to another Telephone Company Hub Central Office may be provided, at the customer's request. Rates are set forth in (6) (e) 1) 2) 3) 4) 5) 6) 7) 8) 9) 10) following.

(M)

(M)

(T)

To apply the rates found in (6) (e), first choose the table for the appropriate billing period. Next, choose the appropriate line for the number of airline miles in the existing service which is being extended. Move across that line to the appropriate number of airline miles in the service extension. Add to that rate the appropriate fixed charge for the number of services in the extension. The sum of these two figures is the monthly recurring charge for the service extension.

(T)

(M)

Material and revised material appearing on this page formerly appeared on 1st Revised Page 268.26 of Tariff F.C.C. No. 68.

(This page filed under Transmittal No. 2176)

Issued: March 3, 1992

Effective: July 1, 1992

Four AT&T Plaza, Dallas, Texas 75202

ACCESS SERVICE

20. MegaLink Custom Services (Cont'd)

(M)

20.6 Vintage Services (Cont'd)

(T)

20.6.1 Services Established Prior to May 25, 1991 (Cont'd)

(T)

(B) Regulations, Terms, Conditions and Rates (Cont'd)

(M)

(5) Rate Regulations (Cont'd)

(T)

(f) Application of Rates (Cont'd)

(T)

9) Case Preparation Charge

(M)

Case Preparation Charges are applicable for each Individual Case Basis request for service. The Case Preparation Charge for optional features and functions is not applicable when requested at the same time as an associated MegaLink Custom Service.

(M)

10) Installation Charge

(T)

An Initial Installation Charge applies per initial order to install the MegaLink Custom Electrical, MegaLink Custom Optical, or MegaLink Custom Dark Fiber system.

(M)

A Subsequent Installation Charge applies per subsequent order to add MegaLink Custom Electrical Service, MegaLink Custom Optical Service, or MegaLink Custom Dark Fiber to an existing MegaLink Custom Service.

Material and revised material appearing on this page formerly appeared on 1st Revised Page 268.27 of Tariff F.C.C. No. 68.

(This page filed under Transmittal No. 2176)

Issued: March 3, 1992

Effective: July 1, 1992

Four AT&T Plaza, Dallas, Texas 75202

ACCESS SERVICE

20. MegaLink Custom Services (Cont'd) (M)
- 20.6 Vintage Services (Cont'd) (T)
- 20.6.1 Services Established Prior to May 25, 1991 (Cont'd) (T)
- (B) Regulations, Terms, Conditions and Rates (Cont'd) (M)
- (5) Rate Regulations (Cont'd) (T)
- (f) Application of Rates (Cont'd) (T)
- 10) Installation Charge (Cont'd) (M)
- The Installation Charge for DS3 to DS1 Central Office Multiplexing as set forth in (6)(i)1)d) following is applicable per multiplexer installed subsequent to existing MegaLink Custom Service. (T)
- The Installation Charge for SecureNet options as set forth in (6)(i)2) following is applicable per premises per MegaLink Custom Electrical Service. (M)
- The Installation Charge for the Service to Service Through Connect Arrangement as set forth in (6)(h) following applies whether the installation is coincident with the installation of the MegaLink Custom Electrical Service or occurs subsequently. (T)
- 11) MegaLink Custom Services Without Protection (M)
- MegaLink Custom Services will be provided without protection at 70% of the rates set forth in (6)(c), (6)(d), and (6)(e) following. (T)
- SecureNet options are only available with MegaLink Custom Electrical Service provided with protection. (M)

Material and revised material appearing on this page formerly appeared on 1st Revised Pages 268.27 and 268.28 of Tariff F.C.C. No. 68.

(This page filed under Transmittal No. 2176)

Issued: March 3, 1992

Effective: July 1, 1992

Four AT&T Plaza, Dallas, Texas 75202

ACCESS SERVICE

20. MegaLink Custom Services (Cont'd)

20.6 Vintage Services (Cont'd)

20.6.1 Services Established Prior to May 25, 1991 (Cont'd)

(B) Regulations, Terms, Conditions and Rates (Cont'd)

(5) Rate Regulations (Cont'd)

(f) Application of Rates (Cont'd)

12) Upfront Payments

A customer may make an upfront payment to reduce or eliminate their monthly recurring payment. An upfront payment may be made on service purchased under one of the standard monthly rate options set forth in (6) (c), (6) (d), (6) (e) or (6) (i)1)d) following.

Rates and charges for upfront payment arrangements, requested by the customer, apply as follows:

For a total upfront payment resulting in no recurring monthly payment, multiply the appropriate factor (from the table following) for the desired period by the appropriate rate as set forth in (6) (c), (6) (d), or (6) (e) to obtain the upfront payment amount.

(M)
(T)
(T)
(M)
(T)
(T)
(M)
(M)
(T)
(T)
(M)
(M)
(T)

Material and revised material appearing on this page formerly appeared on 1st Revised Page 268.28 of Tariff F.C.C. No. 68.

(This page filed under Transmittal No. 2176)

Issued: March 3, 1992

Effective: July 1, 1992

Four AT&T Plaza, Dallas, Texas 75202

ACCESS SERVICE

20. MegaLink Custom Services (Cont'd)

20.6 Vintage Services (Cont'd)

20.6.1 Services Established Prior to May 25, 1991 (Cont'd)

(B) Regulations, Terms, Conditions and Rates (Cont'd)

(5) Rate Regulations (Cont'd)

(f) Application of Rates (Cont'd)

12) Upfront Payments (Cont'd)

For partial upfront payment resulting in a reduced recurring monthly payment, subtract the desired reduced monthly rate from the appropriate rate set forth in (6)(c), (6)(d), (6)(e) or (6)(i)1)d) following. Multiply the remaining payment (the amount to be converted to an upfront payment) by the appropriate factor (from the table below) for the desired period to obtain the upfront payment amount.

<u>Number of Months</u>	<u>Factor</u>	<u>Number of Months</u>	<u>Factor</u>	<u>Number of Months</u>	<u>Factor</u>
12	11.2551	26	22.7952	40	32.8347
13	12.1337	27	23.5596	41	33.4997
14	13.0037	28	24.3164	42	34.1581
15	13.8651	29	25.0658	43	34.8100
16	14.7179	30	25.8077	44	35.4555
17	15.5623	31	26.5423	45	36.0945
18	16.3983	32	27.2696	46	36.7272
19	17.2260	33	27.9897	47	37.3537
20	18.0456	34	28.7027	48	37.9740
21	18.8570	35	29.4086	49	38.5881
22	19.6604	36	30.1075	50	39.1961
23	20.4558	37	30.7995	51	39.7981
24	21.2434	38	31.4847	52	40.3942
25	22.0232	39	32.1630	53	40.9844

Material and revised material appearing on this page formerly appeared on 1st Revised Page 268.29 of Tariff F.C.C. No. 68.

(This page filed under Transmittal No. 2176)

Issued: March 3, 1992

Effective: July 1, 1992

Four AT&T Plaza, Dallas, Texas 75202

(M)
(T)
(T)
(M)
(T)
(T)
(M)
(M)
(T)
(M)

ACCESS SERVICE

20. MegaLink Custom Services (Cont'd)20.6 Vintage Services (Cont'd)20.6.1 Services Established Prior to May 25, 1991 (Cont'd)(B) Regulations, Terms, Conditions and Rates (Cont'd)(5) Rate Regulations (Cont'd)(f) Application of Rates (Cont'd)12) Upfront Payments (Cont'd)

<u>Number of Months</u>	<u>Factor</u>	<u>Number of Months</u>	<u>Factor</u>	<u>Number of Months</u>	<u>Factor</u>
54	41.5687	76	53.0565	98	62.2858
55	42.1472	77	53.5213	99	62.6592
56	42.7200	78	53.9815	100	63.0289
57	43.2871	79	54.4371	101	63.3949
58	43.8486	80	54.8882	102	63.7574
59	44.4046	81	55.3349	103	64.1162
60	44.9550	82	55.7771	104	64.4715
61	45.5000	83	56.2149	105	64.8232
62	46.0396	84	56.6485	106	65.1715
63	46.5739	85	57.0777	107	65.5164
64	47.1029	86	57.5026	108	65.8578
65	47.6266	87	57.9234	109	66.1958
66	48.1452	88	58.3400	110	66.5305
67	48.6586	89	58.7525	111	66.8619
68	49.1669	90	59.1609	112	67.1900
69	49.6702	91	59.5652	113	67.5149
70	50.1685	92	59.9656	114	67.8365
71	50.6619	93	60.3620	115	68.1549
72	51.1504	94	60.7544	116	68.4702
73	51.6341	95	61.1430	117	68.7824
74	52.1129	96	61.5277	118	69.0915
75	52.5871	97	61.9086	119	69.3975
				120	69.7005

Material and revised material appearing on this page formerly appeared on 1st Revised Pages 268.29 and 268.30 of Tariff F.C.C. No. 68.

(This page filed under Transmittal No. 2176)

Issued: March 3, 1992

Effective: July 1, 1992

Four AT&T Plaza, Dallas, Texas 75202

ACCESS SERVICE

20. <u>MegaLink Custom Services</u> (Cont'd)			(M)
20.6 <u>Vintage Services</u> (Cont'd)			(T)
20.6.1 <u>Services Established Prior to May 25, 1991</u> (Cont'd)			(T)
(B) <u>Regulations, Terms, Conditions and Rates</u> (Cont'd)			(M)
(6) <u>Rates and Charges</u>			(T)
(a) <u>DS1C Service</u>			(M)
	<u>Monthly Rate</u>	<u>Case Preparation Charge</u>	
	ICB	ICB	(M)
(b) <u>DS2 Service</u>			(T)
	<u>Monthly Rate</u>	<u>Case Preparation Charge</u>	
	ICB	ICB	(M)

Material and revised material appearing on this page formerly appeared on 1st Revised Page 268.31 of Tariff F.C.C. No. 68.

(This page filed under Transmittal No. 2176)

Issued: March 3, 1992

Effective: July 1, 1992

Four AT&T Plaza, Dallas, Texas 75202

ACCESS SERVICE

20. MegaLink Custom Services (Cont'd)

20.6 Vintage Services (Cont'd)

20.6.1 Services Established Prior to May 25, 1991 (Cont'd)

(B) Regulations, Terms, Conditions and Rates (Cont'd)

(6) Rates and Charges (Cont'd)

(c) MegaLink Custom Electrical Service

1) MegaLink Custom Electrical Service from Customer Designated Premises to a Telephone Company Hub Central Office with 12 Month Rate Option

Monthly Rate

QUANTITY OF DS3S	1	2	3	4	5	6	7
MILES							
1	\$4,269	\$6,688	\$7,068	\$8,206	\$8,397	\$8,586	\$11,812
2	\$5,265	\$7,685	\$8,064	\$9,202	\$9,393	\$9,582	\$12,807
3	\$6,214	\$8,633	\$9,013	\$10,152	\$10,341	\$10,531	\$13,757
4	\$7,068	\$9,487	\$9,866	\$11,005	\$11,195	\$11,384	\$14,610
5	\$7,874	\$10,293	\$10,673	\$11,812	\$12,001	\$12,191	\$15,417
6	\$8,681	\$11,100	\$11,480	\$12,618	\$12,807	\$12,998	\$16,223
7	\$9,487	\$11,907	\$12,286	\$13,424	\$13,614	\$13,803	\$17,029
8	\$10,293	\$12,712	\$13,092	\$14,230	\$14,421	\$14,610	\$17,836
9	\$11,100	\$13,519	\$13,899	\$15,037	\$15,226	\$15,417	\$18,642
10	\$11,907	\$14,326	\$14,705	\$15,844	\$16,033	\$16,223	\$19,449
OVER 10 MILES PER MILE	ADD \$522	ADD \$522	ADD \$522	ADD \$522	ADD \$522	ADD \$522	ADD \$522

Material and revised material appearing on this page formerly appeared on 10th Revised Page 269 of Tariff F.C.C. No. 68.

(This page filed under Transmittal No. 2176)

Issued: March 3, 1992

Effective: July 1, 1992

Four AT&T Plaza, Dallas, Texas 75202

(M)
(T)
(T)
(M)
(T)
(T)
(M)

ACCESS SERVICE

20. MegaLink Custom Services (Cont'd)

20.6 Vintage Services (Cont'd)

20.6.1 Services Established Prior to May 25, 1991 (Cont'd)

(B) Regulations, Terms, Conditions and Rates (Cont'd)

(6) Rates and Charges (Cont'd)

(c) MegaLink Custom Electrical Service (Cont'd)

1) MegaLink Custom Electrical Service from Customer Designated Premises to a Telephone Company Hub Central Office with 12 Month Rate Option (Cont'd)

Monthly Rate

QUANTITY of DS3S	8	9	10	11	12	13	14	PER DS3 OVER 14
MILES								
1	\$12,571	\$13,519	\$14,278	\$15,226	\$16,176	\$16,935	\$17,314	ADD \$380
2	\$13,567	\$14,515	\$15,274	\$16,223	\$17,172	\$17,931	\$18,310	ADD \$380
3	\$14,515	\$15,464	\$16,223	\$17,172	\$18,120	\$18,879	\$19,259	ADD \$380
4	\$15,369	\$16,317	\$17,077	\$18,026	\$18,974	\$19,733	\$20,113	ADD \$380
5	\$16,176	\$17,124	\$17,883	\$18,832	\$19,781	\$20,540	\$20,920	ADD \$380
6	\$16,982	\$17,931	\$18,690	\$19,638	\$20,587	\$21,346	\$21,725	ADD \$380
7	\$17,788	\$18,737	\$19,497	\$20,445	\$21,393	\$22,152	\$22,532	ADD \$380
8	\$18,595	\$19,543	\$20,302	\$21,252	\$22,200	\$22,959	\$23,339	ADD \$380
9	\$19,401	\$20,350	\$21,109	\$22,057	\$23,007	\$23,766	\$24,145	ADD \$380
10	\$20,208	\$21,156	\$21,916	\$22,864	\$23,812	\$24,571	\$24,951	ADD \$380
OVER 10								
MILES ADD	\$522	ADD \$522	ADD \$522	ADD \$522	ADD \$522	ADD \$522	ADD \$522	ADD \$522
PER MILE								

Material and revised material appearing on this page formerly appeared on 10th Revised Page 270 of Tariff F.C.C. No. 68.

(This page filed under Transmittal No. 2176)

Issued: March 3, 1992

Effective: July 1, 1992

Four AT&T Plaza, Dallas, Texas 75202

(M)
(T)
(T)
(M)
(T)
(T)
(M)

ACCESS SERVICE

20. MegaLink Custom Services (Cont'd)

20.6 Vintage Services (Cont'd)

20.6.1 Services Established Prior to May 25, 1991 (Cont'd)

(B) Regulations, Terms, Conditions and Rates (Cont'd)

(6) Rates and Charges (Cont'd)

(c) MegaLink Custom Electrical Service (Cont'd)

2) MegaLink Custom Electrical Service from Customer Designated Premises to a Telephone Company Hub Central Office with 24 Month Rate Option

Monthly Rate

QUANTITY OF DS3S	1	2	3	4	5	6	7
MILES							
1	\$3,890	\$6,095	\$6,475	\$7,613	\$7,803	\$7,993	\$10,982
2	\$4,815	\$7,020	\$7,400	\$8,538	\$8,729	\$8,918	\$11,907
3	\$5,692	\$7,898	\$8,277	\$9,416	\$9,606	\$9,795	\$12,784
4	\$6,475	\$8,681	\$9,061	\$10,199	\$10,388	\$10,578	\$13,567
5	\$7,210	\$9,416	\$9,795	\$10,934	\$11,123	\$11,314	\$14,302
6	\$7,945	\$10,152	\$10,531	\$11,669	\$11,859	\$12,048	\$15,037
7	\$8,681	\$10,886	\$11,266	\$12,405	\$12,594	\$12,784	\$15,772
8	\$9,416	\$11,622	\$12,001	\$13,139	\$13,330	\$13,519	\$16,508
9	\$10,152	\$12,357	\$12,737	\$13,875	\$14,065	\$14,255	\$17,243
10	\$10,886	\$13,092	\$13,471	\$14,610	\$14,800	\$14,990	\$17,978
OVER 10 MILES PER MILE	ADD \$450	ADD \$450	ADD \$450	ADD \$450	ADD \$450	ADD \$450	ADD \$450

Material and revised material appearing on this page formerly appeared on 7th Revised Page 271 of Tariff F.C.C. No. 68.

(This page filed under Transmittal No. 2176)

Issued: March 3, 1992

Effective: July 1, 1992

Four AT&T Plaza, Dallas, Texas 75202

(M)
(T)
(T)
(M)
(T)
(T)
(M)

ACCESS SERVICE

20. MegaLink Custom Services (Cont'd)

20.6 Vintage Services (Cont'd)

20.6.1 Services Established Prior to May 25, 1991 (Cont'd)

(B) Regulations, Terms, Conditions and Rates (Cont'd)

(6) Rates and Charges (Cont'd)

(c) MegaLink Custom Electrical Service (Cont'd)

2) MegaLink Custom Electrical Service from Customer Designated Premises to a Telephone Company Hub Central Office with 24 Month Rate Option (Cont'd)

Monthly Rate

QUANTITY OF DS3S	8	9	10	11	12	13	14	PER DS3 OVER 14
MILES								
1	\$11,741	\$12,594	\$13,353	\$14,207	\$15,060	\$15,772	\$16,152	ADD \$380
2	\$12,666	\$13,519	\$14,278	\$15,132	\$15,986	\$16,697	\$17,077	ADD \$380
3	\$13,543	\$14,396	\$15,156	\$16,010	\$16,863	\$17,575	\$17,954	ADD \$380
4	\$14,326	\$15,180	\$15,938	\$16,792	\$17,646	\$18,358	\$18,737	ADD \$380
5	\$15,060	\$15,915	\$16,674	\$17,528	\$18,381	\$19,093	\$19,472	ADD \$380
6	\$15,796	\$16,650	\$17,409	\$18,263	\$19,117	\$19,829	\$20,208	ADD \$380
7	\$16,531	\$17,385	\$18,144	\$18,998	\$19,852	\$20,563	\$20,943	ADD \$380
8	\$17,267	\$18,120	\$18,879	\$19,733	\$20,587	\$21,299	\$21,678	ADD \$380
9	\$18,002	\$18,856	\$19,615	\$20,468	\$21,322	\$22,034	\$22,414	ADD \$380
10	\$18,737	\$19,591	\$20,350	\$21,204	\$22,057	\$22,769	\$23,148	ADD \$380
OVER 10								
MILES ADD PER MILE	\$450	ADD \$450	ADD \$450	ADD \$450	ADD \$450	ADD \$450	ADD \$450	ADD \$450

Material and revised material appearing on this page formerly appeared on 9th Revised Page 271.1 of Tariff F.C.C. No. 68.

(This page filed under Transmittal No. 2176)

Issued: March 3, 1992

Effective: July 1, 1992

Four AT&T Plaza, Dallas, Texas 75202

(M)
(T)
(T)
(M)
(T)
(T)
(M)

ACCESS SERVICE

20. MegaLink Custom Services (Cont'd)

20.6 Vintage Services (Cont'd)

20.6.1 Services Established Prior to May 25, 1991 (Cont'd)

(B) Regulations, Terms, Conditions and Rates (Cont'd)

(6) Rates and Charges (Cont'd)

(c) MegaLink Custom Electrical Service (Cont'd)

3) MegaLink Custom Electrical Service from Customer Designated Premises to a Telephone Company Hub Central Office with 36 Month Rate Option

Monthly Rate

QUANTITY OF DS3S	1	2	3	4	5	6	7
MILES							
1	\$3,510	\$5,503	\$5,882	\$7,020	\$7,210	\$7,400	\$10,127
2	\$4,364	\$6,356	\$6,736	\$7,874	\$8,064	\$8,254	\$10,982
3	\$5,171	\$7,163	\$7,542	\$8,681	\$8,870	\$9,061	\$11,788
4	\$5,882	\$7,874	\$8,254	\$9,393	\$9,582	\$9,772	\$12,500
5	\$6,546	\$8,538	\$8,918	\$10,056	\$10,246	\$10,436	\$13,164
6	\$7,210	\$9,202	\$9,582	\$10,720	\$10,911	\$11,100	\$13,828
7	\$7,874	\$9,866	\$10,246	\$11,384	\$11,575	\$11,764	\$14,492
8	\$8,538	\$10,531	\$10,911	\$12,048	\$12,239	\$12,428	\$15,156
9	\$9,202	\$11,195	\$11,575	\$12,712	\$12,903	\$13,092	\$15,820
10	\$9,866	\$11,859	\$12,239	\$13,377	\$13,567	\$13,757	\$16,483
OVER 10 MILES PER MILE	ADD \$380	ADD \$380	ADD \$380	ADD \$380	ADD \$380	ADD \$380	ADD \$380

Material and revised material appearing on this page formerly appeared on 9th Revised Page 271.2 of Tariff F.C.C. No. 68.

(This page filed under Transmittal No. 2176)

Issued: March 3, 1992

Effective: July 1, 1992

Four AT&T Plaza, Dallas, Texas 75202

(M)
(T)
(T)
(M)
(T)
(T)
(M)

ACCESS SERVICE

20. MegaLink Custom Services (Cont'd)

20.6 Vintage Services (Cont'd)

20.6.1 Services Established Prior to May 25, 1991 (Cont'd)

(B) Regulations, Terms, Conditions and Rates (Cont'd)

(6) Rates and Charges (Cont'd)

(c) MegaLink Custom Electrical Service (Cont'd)

3) MegaLink Custom Electrical Service from Customer Designated Premises to a Telephone Company Hub Central Office with 36 Month Rate Option (Cont'd)

Monthly Rate

QUANTITY OF DS3S	8	9	10	11	12	13	14	PER DS3 OVER 14
=====								
MILES								
1	\$10,886	\$11,646	\$12,405	\$13,187	\$13,923	\$14,610	\$14,966	ADD \$380
2	\$11,741	\$12,500	\$13,258	\$14,041	\$14,776	\$15,464	\$15,820	ADD \$380
3	\$12,546	\$13,305	\$14,065	\$14,848	\$15,583	\$16,271	\$16,626	ADD \$380
4	\$13,258	\$14,017	\$14,776	\$15,559	\$16,294	\$16,982	\$17,338	ADD \$380
5	\$13,923	\$14,681	\$15,440	\$16,223	\$16,958	\$17,646	\$18,002	ADD \$380
6	\$14,587	\$15,346	\$16,105	\$16,887	\$17,622	\$18,310	\$18,666	ADD \$380
7	\$15,251	\$16,010	\$16,769	\$17,551	\$18,286	\$18,974	\$19,330	ADD \$380
8	\$15,915	\$16,674	\$17,433	\$18,215	\$18,951	\$19,638	\$19,995	ADD \$380
9	\$16,579	\$17,338	\$18,097	\$18,879	\$19,615	\$20,302	\$20,658	ADD \$380
10	\$17,243	\$18,002	\$18,761	\$19,543	\$20,279	\$20,966	\$21,322	ADD \$380
OVER 10								
MILES ADD PER MILE	ADD \$380	ADD \$380	ADD \$380	ADD \$380	ADD \$380	ADD \$380	ADD \$380	ADD \$380

Material and revised material appearing on this page formerly appeared on 10th Revised Page 272 of Tariff F.C.C. No. 68.

(This page filed under Transmittal No. 2176)

Issued: March 3, 1992

Effective: July 1, 1992

Four AT&T Plaza, Dallas, Texas 75202

(M)
(T)
(T)
(M)
(T)
(T)
(M)

ACCESS SERVICE

20. MegaLink Custom Services (Cont'd)

20.6 Vintage Services (Cont'd)

20.6.1 Services Established Prior to May 25, 1991 (Cont'd)

(B) Regulations, Terms, Conditions and Rates (Cont'd)

(6) Rates and Charges (Cont'd)

(c) MegaLink Custom Electrical Service (Cont'd)

4) MegaLink Custom Electrical Service from Customer Designated Premises to a Telephone Company Hub Central Office with 48 Month Rate Option

Monthly Rate

QUANTITY OF DS3S	1	2	3	4	5	6	7
MILES							
1	\$3,344	\$5,123	\$5,408	\$6,546	\$6,736	\$6,926	\$9,820
2	\$4,151	\$5,929	\$6,214	\$7,352	\$7,542	\$7,732	\$10,625
3	\$4,910	\$6,688	\$6,974	\$8,111	\$8,301	\$8,491	\$11,384
4	\$5,597	\$7,376	\$7,661	\$8,799	\$8,989	\$9,179	\$12,073
5	\$6,214	\$7,993	\$8,277	\$9,416	\$9,606	\$9,795	\$12,689
6	\$6,831	\$8,609	\$8,895	\$10,032	\$10,222	\$10,412	\$13,305
7	\$7,447	\$9,227	\$9,511	\$10,650	\$10,839	\$11,029	\$13,923
8	\$8,064	\$9,843	\$10,127	\$11,266	\$11,456	\$11,646	\$14,539
9	\$8,681	\$10,459	\$10,744	\$11,882	\$12,073	\$12,262	\$15,156
10	\$9,297	\$11,077	\$11,361	\$12,500	\$12,689	\$12,879	\$15,772
OVER 10 MILES PER MILE	ADD \$332	ADD \$332	ADD \$332	ADD \$332	ADD \$332	ADD \$332	ADD \$332

Material and revised material appearing on this page formerly appeared on 10th Revised Page 273 of Tariff F.C.C. No. 68.

(This page filed under Transmittal No. 2176)

Issued: March 3, 1992

Effective: July 1, 1992

Four AT&T Plaza, Dallas, Texas 75202

(M)
(T)
(T)
(M)
(T)
(T)
(M)

ACCESS SERVICE

20. MegaLink Custom Services (Cont'd)

20.6 Vintage Services (Cont'd)

20.6.1 Services Established Prior to May 25, 1991 (Cont'd)

(B) Regulations, Terms, Conditions and Rates (Cont'd)

(6) Rates and Charges (Cont'd)

(c) MegaLink Custom Electrical Service (Cont'd)

4) MegaLink Custom Electrical Service from Customer Designated Premises to a Telephone Company Hub Central Office with 48 Month Rate Option (Cont'd)

Monthly Rate

QUANTITY OF DS3S	8	9	10	11	12	13	14	PER DS3 OVER 14
MILES								
1	\$10,436	\$11,052	\$11,669	\$12,309	\$12,950	\$13,614	\$13,946	ADD \$356
2	\$11,243	\$11,859	\$12,475	\$13,116	\$13,757	\$14,421	\$14,753	ADD \$356
3	\$12,001	\$12,618	\$13,235	\$13,875	\$14,515	\$15,180	\$15,512	ADD \$356
4	\$12,689	\$13,305	\$13,923	\$14,562	\$15,203	\$15,867	\$16,199	ADD \$356
5	\$13,305	\$13,923	\$14,539	\$15,180	\$15,820	\$16,483	\$16,816	ADD \$356
6	\$13,923	\$14,539	\$15,156	\$15,796	\$16,437	\$17,101	\$17,433	ADD \$356
7	\$14,539	\$15,156	\$15,772	\$16,413	\$17,053	\$17,717	\$18,049	ADD \$356
8	\$15,156	\$15,772	\$16,389	\$17,029	\$17,670	\$18,334	\$18,666	ADD \$356
9	\$15,772	\$16,389	\$17,006	\$17,646	\$18,286	\$18,951	\$19,283	ADD \$356
10	\$16,389	\$17,006	\$17,622	\$18,263	\$18,903	\$19,567	\$19,899	ADD \$356
OVER 10								
MILES ADD PER MILE	\$332	ADD \$332	ADD \$332	ADD \$332	ADD \$332	ADD \$332	ADD \$332	ADD \$332

Material and revised material appearing on this page formerly appeared on 7th Revised Page 274 of Tariff F.C.C. No. 68.

(This page filed under Transmittal No. 2176)

Issued: March 3, 1992

Effective: July 1, 1992

Four AT&T Plaza, Dallas, Texas 75202

(M)
(T)
(T)
(M)
(T)
(T)
(M)

ACCESS SERVICE

20. MegaLink Custom Services (Cont'd)

20.6 Vintage Services (Cont'd)

20.6.1 Services Established Prior to May 25, 1991 (Cont'd)

(B) Regulations, Terms, Conditions and Rates (Cont'd)

(6) Rates and Charges (Cont'd)

(c) MegaLink Custom Electrical Service (Cont'd)

5) MegaLink Custom Electrical Service from Customer Designated Premises to a Telephone Company Hub Central Office with 60 Month Rate Option

Monthly Rate

QUANTITY OF DS3S	1	2	3	4	5	6	7
MILES							
1	\$3,178	\$4,744	\$4,933	\$6,072	\$6,262	\$6,451	\$9,511
2	\$3,937	\$5,503	\$5,692	\$6,831	\$7,020	\$7,210	\$10,270
3	\$4,649	\$6,214	\$6,404	\$7,542	\$7,732	\$7,922	\$10,982
4	\$5,313	\$6,878	\$7,068	\$8,206	\$8,397	\$8,586	\$11,646
5	\$5,882	\$7,447	\$7,637	\$8,775	\$8,965	\$9,155	\$12,214
6	\$6,451	\$8,017	\$8,206	\$9,345	\$9,534	\$9,725	\$12,784
7	\$7,020	\$8,586	\$8,775	\$9,914	\$10,104	\$10,293	\$13,353
8	\$7,590	\$9,155	\$9,345	\$10,484	\$10,673	\$10,863	\$13,923
9	\$8,159	\$9,725	\$9,914	\$11,052	\$11,243	\$11,432	\$14,492
10	\$8,729	\$10,293	\$10,484	\$11,622	\$11,812	\$12,001	\$15,060
OVER 10 MILES PER MILE	ADD \$284	ADD \$284	ADD \$284	ADD \$284	ADD \$284	ADD \$284	ADD \$284

Material and revised material appearing on this page formerly appeared on 9th Revised Page 274.1 of Tariff F.C.C. No. 68.

(This page filed under Transmittal No. 2176)

Issued: March 3, 1992

Effective: July 1, 1992

Four AT&T Plaza, Dallas, Texas 75202

(M)
(T)
(T)
(M)
(T)
(T)
(M)

ACCESS SERVICE

20. MegaLink Custom Services (Cont'd)

20.6 Vintage Services (Cont'd)

20.6.1 Services Established Prior to May 25, 1991 (Cont'd)

(B) Regulations, Terms, Conditions and Rates (Cont'd)

(6) Rates and Charges (Cont'd)

(c) MegaLink Custom Electrical Service (Cont'd)

5) MegaLink Custom Electrical Service from Customer Designated Premises to a Telephone Company Hub Central Office with 60 Month Rate Option (Cont'd)

Monthly Rate

QUANTITY OF DS3S	8	9	10	11	12	13	14	PER DS3 OVER 14
MILES								
1	\$9,986	\$10,459	\$10,934	\$11,409	\$11,977	\$12,618	\$12,926	ADD \$332
2	\$10,744	\$11,218	\$11,693	\$12,168	\$12,737	\$13,377	\$13,685	ADD \$332
3	\$11,456	\$11,930	\$12,405	\$12,879	\$13,448	\$14,089	\$14,396	ADD \$332
4	\$12,120	\$12,594	\$13,069	\$13,543	\$14,112	\$14,753	\$15,060	ADD \$332
5	\$12,689	\$13,164	\$13,637	\$14,112	\$14,681	\$15,322	\$15,630	ADD \$332
6	\$13,258	\$13,733	\$14,207	\$14,681	\$15,251	\$15,891	\$16,199	ADD \$332
7	\$13,828	\$14,302	\$14,776	\$15,251	\$15,820	\$16,460	\$16,769	ADD \$332
8	\$14,396	\$14,871	\$15,346	\$15,820	\$16,389	\$17,029	\$17,338	ADD \$332
9	\$14,966	\$15,440	\$15,915	\$16,389	\$16,958	\$17,599	\$17,907	ADD \$332
10	\$15,535	\$16,010	\$16,483	\$16,958	\$17,528	\$18,168	\$18,476	ADD \$332
OVER 10								
MILES ADD PER MILE	\$284	ADD \$284	ADD \$284	ADD \$284	ADD \$284	ADD \$284	ADD \$284	ADD \$284

Material and revised material appearing on this page formerly appeared on 9th Revised Page 274.2 of Tariff F.C.C. No. 68.

(This page filed under Transmittal No. 2176)

Issued: March 3, 1992

Effective: July 1, 1992

Four AT&T Plaza, Dallas, Texas 75202

(M)
(T)
(T)
(M)
(T)
(T)
(M)

ACCESS SERVICE

20. MegaLink Custom Services (Cont'd)

20.6 Vintage Services (Cont'd)

20.6.1 Services Established Prior to May 25, 1991 (Cont'd)

(B) Regulations, Terms, Conditions and Rates (Cont'd)

(6) Rates and Charges (Cont'd)

(c) MegaLink Custom Electrical Service (Cont'd)

6) MegaLink Custom Electrical Service from Customer Designated Premises to a Telephone Company Hub Central Office with 72 Month Rate Option

Monthly Rate

QUANTITY OF DS3S	1	2	3	4	5	6	7
MILES							
1	\$3,131	\$4,649	\$4,838	\$6,024	\$6,214	\$6,404	\$9,368
2	\$3,890	\$5,408	\$5,597	\$6,760	\$6,949	\$7,140	\$10,127
3	\$4,578	\$6,095	\$6,285	\$7,447	\$7,637	\$7,827	\$10,816
4	\$5,218	\$6,736	\$6,926	\$8,111	\$8,301	\$8,491	\$11,456
5	\$5,787	\$7,306	\$7,495	\$8,657	\$8,847	\$9,036	\$12,025
6	\$6,333	\$7,851	\$8,040	\$9,227	\$9,416	\$9,606	\$12,571
7	\$6,902	\$8,420	\$8,609	\$9,772	\$9,961	\$10,152	\$13,139
8	\$7,447	\$8,965	\$9,155	\$10,341	\$10,531	\$10,720	\$13,685
9	\$8,017	\$9,534	\$9,725	\$10,911	\$11,100	\$11,289	\$14,255
10	\$8,586	\$10,104	\$10,293	\$11,456	\$11,646	\$11,835	\$14,824
OVER 10 MILES PER MILE	ADD \$284	ADD \$284	ADD \$284	ADD \$284	ADD \$284	ADD \$284	ADD \$284

Material and revised material appearing on this page formerly appeared on 10th Revised Page 275 of Tariff F.C.C. No. 68.

(This page filed under Transmittal No. 2176)

Issued: March 3, 1992

Effective: July 1, 1992

Four AT&T Plaza, Dallas, Texas 75202

(M)
(T)
(T)
(M)
(T)
(T)
(M)

ACCESS SERVICE

20. MegaLink Custom Services (Cont'd)

20.6 Vintage Services (Cont'd)

20.6.1 Services Established Prior to May 25, 1991 (Cont'd)

(B) Regulations, Terms, Conditions and Rates (Cont'd)

(6) Rates and Charges (Cont'd)

(c) MegaLink Custom Electrical Service (Cont'd)

6) MegaLink Custom Electrical Service from Customer Designated Premises to a Telephone Company Hub Central Office with 72 Month Rate Option (Cont'd)

Monthly Rate

QUANTITY OF DS3S	8	9	10	11	12	13	14	PER DS3 OVER 14
MILES								
1	\$9,820	\$10,270	\$10,720	\$11,171	\$11,716	\$12,357	\$12,641	ADD \$332
2	\$10,554	\$11,005	\$11,456	\$11,930	\$12,452	\$13,092	\$13,401	ADD \$332
3	\$11,243	\$11,693	\$12,168	\$12,618	\$13,139	\$13,780	\$14,089	ADD \$332
4	\$11,882	\$12,357	\$12,807	\$13,258	\$13,803	\$14,421	\$14,728	ADD \$332
5	\$12,452	\$12,903	\$13,353	\$13,828	\$14,349	\$14,990	\$15,298	ADD \$332
6	\$13,021	\$13,471	\$13,923	\$14,373	\$14,919	\$15,535	\$15,844	ADD \$332
7	\$13,567	\$14,017	\$14,492	\$14,942	\$15,464	\$16,105	\$16,413	ADD \$332
8	\$14,136	\$14,587	\$15,037	\$15,488	\$16,033	\$16,674	\$16,958	ADD \$332
9	\$14,681	\$15,156	\$15,606	\$16,057	\$16,603	\$17,219	\$17,528	ADD \$332
10	\$15,251	\$15,701	\$16,152	\$16,626	\$17,148	\$17,788	\$18,097	ADD \$332
OVER 10 MILES PER MILE	ADD \$284	ADD \$284	ADD \$284	ADD \$284	ADD \$284	ADD \$284	ADD \$284	ADD \$284

Material and revised material appearing on this page formerly appeared on 10th Revised Page 276 of Tariff F.C.C. No. 68.

(This page filed under Transmittal No. 2176)

Issued: March 3, 1992

Effective: July 1, 1992

Four AT&T Plaza, Dallas, Texas 75202

(M)
(T)
(T)
(M)
(T)
(T)
(M)

ACCESS SERVICE

20. MegaLink Custom Services (Cont'd)

20.6 Vintage Services (Cont'd)

20.6.1 Services Established Prior to May 25, 1991 (Cont'd)

(B) Regulations, Terms, Conditions and Rates (Cont'd)

(6) Rates and Charges (Cont'd)

(c) MegaLink Custom Electrical Service (Cont'd)

7) MegaLink Custom Electrical Service from Customer Designated Premises to a Telephone Company Hub Central Office with 84 Month Rate Option

Monthly Rate

QUANTITY OF DS3S	1	2	3	4	5	6	7
MILES							
1	\$3,083	\$4,554	\$4,744	\$5,977	\$6,167	\$6,356	\$9,227
2	\$3,819	\$5,289	\$5,479	\$6,688	\$6,878	\$7,068	\$9,961
3	\$4,483	\$5,953	\$6,143	\$7,352	\$7,542	\$7,732	\$10,625
4	\$5,123	\$6,594	\$6,783	\$7,993	\$8,183	\$8,372	\$11,266
5	\$5,669	\$7,140	\$7,329	\$8,538	\$8,729	\$8,918	\$11,812
6	\$6,214	\$7,685	\$7,874	\$9,084	\$9,274	\$9,463	\$12,357
7	\$6,760	\$8,231	\$8,420	\$9,629	\$9,820	\$10,009	\$12,903
8	\$7,306	\$8,775	\$8,965	\$10,199	\$10,388	\$10,578	\$13,448
9	\$7,874	\$9,345	\$9,534	\$10,744	\$10,934	\$11,123	\$14,017
10	\$8,420	\$9,890	\$10,080	\$11,289	\$11,480	\$11,669	\$14,562
OVER 10 MILES PER MILE	ADD \$261	ADD \$261	ADD \$261	ADD \$261	ADD \$261	ADD \$261	ADD \$261

Material and revised material appearing on this page formerly appeared on 7th Revised Page 277 of Tariff F.C.C. No. 68.

(This page filed under Transmittal No. 2176)

Issued: March 3, 1992

Effective: July 1, 1992

Four AT&T Plaza, Dallas, Texas 75202

(M)
(T)
(T)
(M)
(T)
(T)
(M)

ACCESS SERVICE

20. MegaLink Custom Services (Cont'd)

20.6 Vintage Services (Cont'd)

20.6.1 Services Established Prior to May 25, 1991 (Cont'd)

(B) Regulations, Terms, Conditions and Rates (Cont'd)

(6) Rates and Charges (Cont'd)

(c) MegaLink Custom Electrical Service (Cont'd)

7) MegaLink Custom Electrical Service from Customer Designated Premises to a Telephone Company Hub Central Office with 84 Month Rate Option (Cont'd)

Monthly Rate

QUANTITY OF DS3S	8	9	10	11	12	13	14	PER DS3 OVER 14
MILES								
1	\$9,629	\$10,080	\$10,507	\$10,934	\$11,456	\$12,073	\$12,357	ADD \$332
2	\$10,365	\$10,791	\$11,218	\$11,669	\$12,168	\$12,784	\$13,092	ADD \$332
3	\$11,029	\$11,456	\$11,907	\$12,334	\$12,832	\$13,471	\$13,757	ADD \$332
4	\$11,646	\$12,096	\$12,523	\$12,973	\$13,471	\$14,089	\$14,396	ADD \$332
5	\$12,214	\$12,641	\$13,069	\$13,519	\$14,017	\$14,634	\$14,942	ADD \$332
6	\$12,760	\$13,187	\$13,637	\$14,065	\$14,562	\$15,180	\$15,488	ADD \$332
7	\$13,305	\$13,733	\$14,183	\$14,610	\$15,108	\$15,749	\$16,033	ADD \$332
8	\$13,851	\$14,302	\$14,728	\$15,156	\$15,678	\$16,294	\$16,579	ADD \$332
9	\$14,396	\$14,848	\$15,274	\$15,725	\$16,223	\$16,840	\$17,148	ADD \$332
10	\$14,966	\$15,393	\$15,820	\$16,271	\$16,769	\$17,385	\$17,694	ADD \$332
OVER 10								
MILES ADD PER MILE	\$261	ADD \$261	ADD \$261	ADD \$261	ADD \$261	ADD \$261	ADD \$261	ADD \$261

Material and revised material appearing on this page formerly appeared on 9th Revised Page 277.1 of Tariff F.C.C. No. 68.

(This page filed under Transmittal No. 2176)

Issued: March 3, 1992

Effective: July 1, 1992

Four AT&T Plaza, Dallas, Texas 75202

(M)
(T)
(T)
(M)
(T)
(T)
(M)

ACCESS SERVICE

20. MegaLink Custom Services (Cont'd)

20.6 Vintage Services (Cont'd)

20.6.1 Services Established Prior to May 25, 1991 (Cont'd)

(B) Regulations, Terms, Conditions and Rates (Cont'd)

(6) Rates and Charges (Cont'd)

(c) MegaLink Custom Electrical Service (Cont'd)

8) MegaLink Custom Electrical Service from Customer Designated Premises to a Telephone Company Hub Central Office with 96 Month Rate Option

Monthly Rate

QUANTITY OF DS3S	1	2	3	4	5	6	7
MILES							
1	\$3,036	\$4,459	\$4,649	\$5,906	\$6,095	\$6,285	\$9,084
2	\$3,748	\$5,171	\$5,360	\$6,617	\$6,807	\$6,997	\$9,795
3	\$4,412	\$5,835	\$6,024	\$7,258	\$7,447	\$7,637	\$10,459
4	\$5,005	\$6,428	\$6,617	\$7,874	\$8,064	\$8,254	\$11,052
5	\$5,550	\$6,974	\$7,163	\$8,420	\$8,609	\$8,799	\$11,598
6	\$6,095	\$7,518	\$7,708	\$8,965	\$9,155	\$9,345	\$12,143
7	\$6,641	\$8,064	\$8,254	\$9,487	\$9,677	\$9,866	\$12,689
8	\$7,163	\$8,586	\$8,775	\$10,032	\$10,222	\$10,412	\$13,211
9	\$7,708	\$9,131	\$9,321	\$10,578	\$10,768	\$10,957	\$13,757
10	\$8,254	\$9,677	\$9,866	\$11,123	\$11,314	\$11,503	\$14,302
OVER 10 MILES PER MILE	ADD \$261	ADD \$261	ADD \$261	ADD \$261	ADD \$261	ADD \$261	ADD \$261

Material and revised material appearing on this page formerly appeared on 9th Revised Page 277.2 of Tariff F.C.C. No. 68.

(This page filed under Transmittal No. 2176)

Issued: March 3, 1992

Effective: July 1, 1992

Four AT&T Plaza, Dallas, Texas 75202

(M)
(T)
(T)
(M)
(T)
(T)
(M)

ACCESS SERVICE

20. MegaLink Custom Services (Cont'd)

20.6 Vintage Services (Cont'd)

20.6.1 Services Established Prior to May 25, 1991 (Cont'd)

(B) Regulations, Terms, Conditions and Rates (Cont'd)

(6) Rates and Charges (Cont'd)

(c) MegaLink Custom Electrical Service (Cont'd)

8) MegaLink Custom Electrical Service from Customer Designated Premises to a Telephone Company Hub Central Office with 96 Month Rate Option (Cont'd)

Monthly Rate

QUANTITY OF DS3S	8	9	10	11	12	13	14	PER DS3 OVER 14
MILES								
1	\$9,463	\$9,866	\$10,293	\$10,697	\$11,171	\$11,788	\$12,073	ADD \$309
2	\$10,152	\$10,578	\$10,982	\$11,409	\$11,882	\$12,500	\$12,784	ADD \$309
3	\$10,816	\$11,218	\$11,646	\$12,073	\$12,523	\$13,139	\$13,448	ADD \$309
4	\$11,409	\$11,835	\$12,262	\$12,666	\$13,139	\$13,757	\$14,041	ADD \$309
5	\$11,954	\$12,380	\$12,784	\$13,211	\$13,685	\$14,302	\$14,587	ADD \$309
6	\$12,500	\$12,926	\$13,330	\$13,757	\$14,230	\$14,824	\$15,132	ADD \$309
7	\$13,045	\$13,448	\$13,875	\$14,302	\$14,753	\$15,369	\$15,678	ADD \$309
8	\$13,591	\$13,994	\$14,421	\$14,824	\$15,298	\$15,915	\$16,199	ADD \$309
9	\$14,112	\$14,539	\$14,966	\$15,369	\$15,844	\$16,460	\$16,745	ADD \$309
10	\$14,658	\$15,085	\$15,488	\$15,915	\$16,389	\$17,006	\$17,290	ADD \$309
OVER 10								
MILES ADD PER MILE	ADD \$261	ADD \$261	ADD \$261	ADD \$261	ADD \$261	ADD \$261	ADD \$261	ADD \$261

Material and revised material appearing on this page formerly appeared on 9th Revised Page 277.3 of Tariff F.C.C. No. 68.

(This page filed under Transmittal No. 2176)

Issued: March 3, 1992

Effective: July 1, 1992

Four AT&T Plaza, Dallas, Texas 75202

(M)
(T)
(T)
(M)
(T)
(T)
(M)

ACCESS SERVICE

20. MegaLink Custom Services (Cont'd)

20.6 Vintage Services (Cont'd)

20.6.1 Services Established Prior to May 25, 1991 (Cont'd)

(B) Regulations, Terms, Conditions and Rates (Cont'd)

(6) Rates and Charges (Cont'd)

(c) MegaLink Custom Electrical Service (Cont'd)

9) MegaLink Custom Electrical Service from Customer Designated Premises to a Telephone Company Hub Central Office with 108 Month Rate Option

Monthly Rate

QUANTITY OF DS3S	1	2	3	4	5	6	7
MILES							
1	\$2,989	\$4,364	\$4,554	\$5,858	\$6,048	\$6,238	\$8,942
2	\$3,676	\$5,052	\$5,242	\$6,546	\$6,736	\$6,926	\$9,629
3	\$4,317	\$5,692	\$5,882	\$7,163	\$7,352	\$7,542	\$10,270
4	\$4,910	\$6,285	\$6,475	\$7,756	\$7,945	\$8,135	\$10,863
5	\$5,431	\$6,807	\$6,997	\$8,301	\$8,491	\$8,681	\$11,384
6	\$5,977	\$7,352	\$7,542	\$8,823	\$9,013	\$9,202	\$11,930
7	\$6,499	\$7,874	\$8,064	\$9,345	\$9,534	\$9,725	\$12,452
8	\$7,020	\$8,397	\$8,586	\$9,890	\$10,080	\$10,270	\$12,973
9	\$7,566	\$8,942	\$9,131	\$10,412	\$10,602	\$10,791	\$13,519
10	\$8,088	\$9,463	\$9,654	\$10,957	\$11,148	\$11,337	\$14,041
OVER 10 MILES PER MILE	ADD \$261	ADD \$261	ADD \$261	ADD \$261	ADD \$261	ADD \$261	ADD \$261

Material and revised material appearing on this page formerly appeared on 9th Revised Page 277.4 of Tariff F.C.C. No. 68.

(This page filed under Transmittal No. 2176)

Issued: March 3, 1992

Effective: July 1, 1992

Four AT&T Plaza, Dallas, Texas 75202

(M)
(T)
(T)
(M)
(T)
(T)
(M)

ACCESS SERVICE

20. MegaLink Custom Services (Cont'd)

20.6 Vintage Services (Cont'd)

20.6.1 Services Established Prior to May 25, 1991 (Cont'd)

(B) Regulations, Terms, Conditions and Rates (Cont'd)

(6) Rates and Charges (Cont'd)

(c) MegaLink Custom Electrical Service (Cont'd)

9) MegaLink Custom Electrical Service from Customer Designated Premises to a Telephone Company Hub Central Office with 108 Month Rate Option (Cont'd)

Monthly Rate

QUANTITY OF DS3S	8	9	10	11	12	13	14	PER DS3 OVER 14
MILES								
1	\$9,274	\$9,677	\$10,080	\$10,459	\$10,911	\$11,503	\$11,788	ADD \$309
2	\$9,961	\$10,365	\$10,744	\$11,148	\$11,598	\$12,191	\$12,475	ADD \$309
3	\$10,602	\$10,982	\$11,384	\$11,788	\$12,214	\$12,832	\$13,116	ADD \$309
4	\$11,171	\$11,575	\$11,977	\$12,380	\$12,807	\$13,424	\$13,709	ADD \$309
5	\$11,716	\$12,120	\$12,500	\$12,903	\$13,353	\$13,946	\$14,230	ADD \$309
6	\$12,239	\$12,641	\$13,045	\$13,448	\$13,875	\$14,468	\$14,776	ADD \$309
7	\$12,784	\$13,164	\$13,567	\$13,969	\$14,396	\$15,014	\$15,298	ADD \$309
8	\$13,305	\$13,709	\$14,112	\$14,492	\$14,942	\$15,535	\$15,820	ADD \$309
9	\$13,828	\$14,230	\$14,634	\$15,037	\$15,464	\$16,081	\$16,365	ADD \$309
10	\$14,373	\$14,776	\$15,156	\$15,559	\$16,010	\$16,603	\$16,887	ADD \$309
OVER 10 MILES PER MILE	ADD \$261	ADD \$261	ADD \$261	ADD \$261	ADD \$261	ADD \$261	ADD \$261	ADD \$261

Material and revised material appearing on this page formerly appeared on 9th Revised Page 277.5 of Tariff F.C.C. No. 68.

(This page filed under Transmittal No. 2176)

Issued: March 3, 1992

Effective: July 1, 1992

Four AT&T Plaza, Dallas, Texas 75202

(M)
(T)
(T)
(M)
(T)
(T)
(M)

ACCESS SERVICE

20. MegaLink Custom Services (Cont'd)

20.6 Vintage Services (Cont'd)

20.6.1 Services Established Prior to May 25, 1991 (Cont'd)

(B) Regulations, Terms, Conditions and Rates (Cont'd)

(6) Rates and Charges (Cont'd)

(c) MegaLink Custom Electrical Service (Cont'd)

10) MegaLink Custom Electrical Service from Customer Designated Premises to a Telephone Company Hub Central Office with 120 Month Rate Option

Monthly Rate

QUANTITY OF DS3S	1	2	3	4	5	6	7
MILES							
1	\$2,941	\$4,269	\$4,459	\$5,787	\$5,977	\$6,167	\$8,799
2	\$3,605	\$4,933	\$5,123	\$6,451	\$6,641	\$6,831	\$9,463
3	\$4,222	\$5,550	\$5,740	\$7,068	\$7,258	\$7,447	\$10,080
4	\$4,791	\$6,119	\$6,309	\$7,637	\$7,827	\$8,017	\$10,650
5	\$5,313	\$6,641	\$6,831	\$8,159	\$8,349	\$8,538	\$11,171
6	\$5,835	\$7,163	\$7,352	\$8,681	\$8,870	\$9,061	\$11,693
7	\$6,356	\$7,685	\$7,874	\$9,202	\$9,393	\$9,582	\$12,214
8	\$6,878	\$8,206	\$8,397	\$9,725	\$9,914	\$10,104	\$12,737
9	\$7,400	\$8,729	\$8,918	\$10,246	\$10,436	\$10,625	\$13,258
10	\$7,922	\$9,250	\$9,440	\$10,768	\$10,957	\$11,148	\$13,780
OVER 10 MILES PER MILE	ADD \$237	ADD \$237	ADD \$237	ADD \$237	ADD \$237	ADD \$237	ADD \$237

Material and revised material appearing on this page formerly appeared on 9th Revised Page 277.6 of Tariff F.C.C. No. 68.

(This page filed under Transmittal No. 2176)

Issued: March 3, 1992

Effective: July 1, 1992

Four AT&T Plaza, Dallas, Texas 75202

(M)
(T)
(T)
(M)
(T)
(T)
(M)

ACCESS SERVICE

20. MegaLink Custom Services (Cont'd)

20.6 Vintage Services (Cont'd)

20.6.1 Services Established Prior to May 25, 1991 (Cont'd)

(B) Regulations, Terms, Conditions and Rates (Cont'd)

(6) Rates and Charges (Cont'd)

(c) MegaLink Custom Electrical Service (Cont'd)

10) MegaLink Custom Electrical Service from Customer Designated Premises to a Telephone Company Hub Central Office with 120 Month Rate Option (Cont'd)

Monthly Rate

QUANTITY OF DS3S	8	9	10	11	12	13	14	PER DS3 OVER 14
MILES								
1	\$9,084	\$9,463	\$9,843	\$10,222	\$10,625	\$11,218	\$11,503	ADD \$284
2	\$9,748	\$10,127	\$10,507	\$10,886	\$11,289	\$11,882	\$12,168	ADD \$284
3	\$10,365	\$10,744	\$11,123	\$11,503	\$11,907	\$12,500	\$12,784	ADD \$284
4	\$10,934	\$11,314	\$11,693	\$12,073	\$12,475	\$13,069	\$13,353	ADD \$284
5	\$11,456	\$11,835	\$12,214	\$12,594	\$12,998	\$13,591	\$13,875	ADD \$284
6	\$11,977	\$12,357	\$12,737	\$13,116	\$13,519	\$14,112	\$14,396	ADD \$284
7	\$12,500	\$12,879	\$13,258	\$13,637	\$14,041	\$14,634	\$14,919	ADD \$284
8	\$13,021	\$13,401	\$13,780	\$14,160	\$14,562	\$15,156	\$15,440	ADD \$284
9	\$13,543	\$13,923	\$14,302	\$14,681	\$15,085	\$15,678	\$15,962	ADD \$284
10	\$14,065	\$14,444	\$14,824	\$15,203	\$15,606	\$16,199	\$16,483	ADD \$284
OVER 10								
MILES ADD PER MILE	ADD \$237	ADD \$237	ADD \$237	ADD \$237	ADD \$237	ADD \$237	ADD \$237	ADD \$237

Material and revised material appearing on this page formerly appeared on 9th Revised Page 277.7 of Tariff F.C.C. No. 68.

(This page filed under Transmittal No. 2176)

Issued: March 3, 1992

Effective: July 1, 1992

Four AT&T Plaza, Dallas, Texas 75202

(M)
(T)
(T)
(M)
(T)
(T)
(M)

ACCESS SERVICE

20. MegaLink Custom Services (Cont'd)

20.6 Vintage Services (Cont'd)

20.6.1 Services Established Prior to May 25, 1991 (Cont'd)

(B) Regulations, Terms, Conditions and Rates (Cont'd)

(6) Rates and Charges (Cont'd)

(c) MegaLink Custom Electrical Service (Cont'd)

11) MegaLink Custom Electrical Service between two Customer Designated Premises with 12 Month Rate Option

Monthly Rate

QUANTITY OF DS3S	1	2	3	4	5	6	7
MILES							
1	\$4,412	\$6,783	\$7,163	\$8,301	\$8,491	\$8,681	\$12,286
2	\$5,408	\$7,779	\$8,159	\$9,297	\$9,487	\$9,677	\$13,282
3	\$6,356	\$8,729	\$9,108	\$10,246	\$10,436	\$10,625	\$14,230
4	\$7,210	\$9,582	\$9,961	\$11,100	\$11,289	\$11,480	\$15,085
5	\$8,017	\$10,388	\$10,768	\$11,907	\$12,096	\$12,286	\$15,891
6	\$8,823	\$11,195	\$11,575	\$12,712	\$12,903	\$13,092	\$16,697
7	\$9,629	\$12,001	\$12,380	\$13,519	\$13,709	\$13,899	\$17,504
8	\$10,436	\$12,807	\$13,187	\$14,326	\$14,515	\$14,705	\$18,310
9	\$11,243	\$13,614	\$13,994	\$15,132	\$15,322	\$15,512	\$19,117
10	\$12,048	\$14,421	\$14,800	\$15,938	\$16,128	\$16,317	\$19,923
OVER 10 MILES PER MILE	ADD \$522	ADD \$522	ADD \$522	ADD \$522	ADD \$522	ADD \$522	ADD \$522

Material and revised material appearing on this page formerly appeared on 9th Revised Page 277.8 of Tariff F.C.C. No. 68.

(This page filed under Transmittal No. 2176)

Issued: March 3, 1992

Effective: July 1, 1992

Four AT&T Plaza, Dallas, Texas 75202

(M)
(T)
(T)
(M)
(T)
(T)
(M)

ACCESS SERVICE

20. MegaLink Custom Services (Cont'd)

20.6 Vintage Services (Cont'd)

20.6.1 Services Established Prior to May 25, 1991 (Cont'd)

(B) Regulations, Terms, Conditions and Rates (Cont'd)

(6) Rates and Charges (Cont'd)

(c) MegaLink Custom Electrical Service (Cont'd)

11) MegaLink Custom Electrical Service between two Customer Designated Premises with 12 Month Rate Option (Cont'd)

Monthly Rate

QUANTITY OF DS3S	8	9	10	11	12	13	14	PER DS3 OVER 14
MILES								
1	\$13,045	\$13,994	\$14,753	\$15,701	\$16,650	\$17,409	\$17,788	ADD \$380
2	\$14,041	\$14,990	\$15,749	\$16,697	\$17,646	\$18,406	\$18,785	ADD \$380
3	\$14,990	\$15,938	\$16,697	\$17,646	\$18,595	\$19,354	\$19,733	ADD \$380
4	\$15,844	\$16,792	\$17,551	\$18,500	\$19,449	\$20,208	\$20,587	ADD \$380
5	\$16,650	\$17,599	\$18,358	\$19,306	\$20,255	\$21,014	\$21,393	ADD \$380
6	\$17,456	\$18,406	\$19,164	\$20,113	\$21,061	\$21,820	\$22,200	ADD \$380
7	\$18,263	\$19,211	\$19,970	\$20,920	\$21,868	\$22,627	\$23,007	ADD \$380
8	\$19,069	\$20,018	\$20,777	\$21,725	\$22,675	\$23,434	\$23,812	ADD \$380
9	\$19,875	\$20,824	\$21,584	\$22,532	\$23,480	\$24,239	\$24,619	ADD \$380
10	\$20,682	\$21,631	\$22,389	\$23,339	\$24,287	\$25,046	\$25,426	ADD \$380
OVER 10								
MILES ADD	\$522	ADD \$522	ADD \$522	ADD \$522	ADD \$522	ADD \$522	ADD \$522	ADD \$522
PER MILE								

Material and revised material appearing on this page formerly appeared on 10th Revised Page 278 of Tariff F.C.C. No. 68.

(This page filed under Transmittal No. 2176)

Issued: March 3, 1992

Effective: July 1, 1992

Four AT&T Plaza, Dallas, Texas 75202

ACCESS SERVICE

20. MegaLink Custom Services (Cont'd)

20.6 Vintage Services (Cont'd)

20.6.1 Services Established Prior to May 25, 1991 (Cont'd)

(B) Regulations, Terms, Conditions and Rates (Cont'd)

(6) Rates and Charges (Cont'd)

(c) MegaLink Custom Electrical Service (Cont'd)

12) MegaLink Custom Electrical Service between two Customer Designated Premises with 24 Month Rate Option

Monthly Rate

QUANTITY OF DS3S	1	2	3	4	5	6	7
MILES							
1	\$3,866	\$5,858	\$6,238	\$7,281	\$7,472	\$7,661	\$10,768
2	\$4,791	\$6,783	\$7,163	\$8,206	\$8,397	\$8,586	\$11,693
3	\$5,669	\$7,661	\$8,040	\$9,084	\$9,274	\$9,463	\$12,571
4	\$6,451	\$8,443	\$8,823	\$9,866	\$10,056	\$10,246	\$13,353
5	\$7,186	\$9,179	\$9,559	\$10,602	\$10,791	\$10,982	\$14,089
6	\$7,922	\$9,914	\$10,293	\$11,337	\$11,527	\$11,716	\$14,824
7	\$8,657	\$10,650	\$11,029	\$12,073	\$12,262	\$12,452	\$15,559
8	\$9,393	\$11,384	\$11,764	\$12,807	\$12,998	\$13,187	\$16,294
9	\$10,127	\$12,120	\$12,500	\$13,543	\$13,733	\$13,923	\$17,029
10	\$10,863	\$12,855	\$13,235	\$14,278	\$14,468	\$14,658	\$17,765
OVER 10 MILES PER MILE	ADD \$450	ADD \$450	ADD \$450	ADD \$450	ADD \$450	ADD \$450	ADD \$450

Material and revised material appearing on this page formerly appeared on 10th Revised Page 279 of Tariff F.C.C. No. 68.

(This page filed under Transmittal No. 2176)

Issued: March 3, 1992

Effective: July 1, 1992

Four AT&T Plaza, Dallas, Texas 75202

(M)
(T)
(T)
(M)
(T)
(T)
(M)

ACCESS SERVICE

20. MegaLink Custom Services (Cont'd)

20.6 Vintage Services (Cont'd)

20.6.1 Services Established Prior to May 25, 1991 (Cont'd)

(B) Regulations, Terms, Conditions and Rates (Cont'd)

(6) Rates and Charges (Cont'd)

(c) MegaLink Custom Electrical Service (Cont'd)

12) MegaLink Custom Electrical Service between two Customer Designated Premises with 24 Month Rate Option (Cont'd)

Monthly Rate

QUANTITY OF DS3S	8	9	10	11	12	13	14	PER DS3 OVER 14
=====								
MILES								
1	\$11,480	\$12,309	\$13,021	\$13,851	\$14,658	\$15,346	\$15,701	ADD \$356
2	\$12,405	\$13,235	\$13,946	\$14,776	\$15,583	\$16,271	\$16,626	ADD \$356
3	\$13,282	\$14,112	\$14,824	\$15,654	\$16,460	\$17,148	\$17,504	ADD \$356
4	\$14,065	\$14,894	\$15,606	\$16,437	\$17,243	\$17,931	\$18,286	ADD \$356
5	\$14,800	\$15,630	\$16,342	\$17,172	\$17,978	\$18,666	\$19,022	ADD \$356
6	\$15,535	\$16,365	\$17,077	\$17,907	\$18,713	\$19,401	\$19,757	ADD \$356
7	\$16,271	\$17,101	\$17,812	\$18,642	\$19,449	\$20,136	\$20,493	ADD \$356
8	\$17,006	\$17,836	\$18,547	\$19,377	\$20,184	\$20,872	\$21,227	ADD \$356
9	\$17,741	\$18,571	\$19,283	\$20,113	\$20,920	\$21,607	\$21,963	ADD \$356
10	\$18,476	\$19,306	\$20,018	\$20,848	\$21,654	\$22,343	\$22,698	ADD \$356
OVER 10								
MILES ADD PER MILE	\$450	ADD \$450	ADD \$450	ADD \$450	ADD \$450	ADD \$450	ADD \$450	ADD \$450

Material and revised material appearing on this page formerly appeared on 7th Revised Page 280 of Tariff F.C.C. No. 68.

(This page filed under Transmittal No. 2176)

Issued: March 3, 1992

Effective: July 1, 1992

Four AT&T Plaza, Dallas, Texas 75202

(M)
(T)
(T)
(M)
(T)
(T)
(M)

ACCESS SERVICE

20. MegaLink Custom Services (Cont'd)

20.6 Vintage Services (Cont'd)

20.6.1 Services Established Prior to May 25, 1991 (Cont'd)

(B) Regulations, Terms, Conditions and Rates (Cont'd)

(6) Rates and Charges (Cont'd)

(c) MegaLink Custom Electrical Service (Cont'd)

13) MegaLink Custom Electrical Service between two Customer Designated Premises with 36 Month Rate Option

Monthly Rate

QUANTITY OF DS3S	1	2	3	4	5	6	7
MILES							
1	\$3,321	\$4,933	\$5,313	\$6,262	\$6,451	\$6,641	\$9,250
2	\$4,174	\$5,787	\$6,167	\$7,115	\$7,306	\$7,495	\$10,104
3	\$4,981	\$6,594	\$6,974	\$7,922	\$8,111	\$8,301	\$10,911
4	\$5,692	\$7,306	\$7,685	\$8,633	\$8,823	\$9,013	\$11,622
5	\$6,356	\$7,969	\$8,349	\$9,297	\$9,487	\$9,677	\$12,286
6	\$7,020	\$8,633	\$9,013	\$9,961	\$10,152	\$10,341	\$12,950
7	\$7,685	\$9,297	\$9,677	\$10,625	\$10,816	\$11,005	\$13,614
8	\$8,349	\$9,961	\$10,341	\$11,289	\$11,480	\$11,669	\$14,278
9	\$9,013	\$10,625	\$11,005	\$11,954	\$12,143	\$12,334	\$14,942
10	\$9,677	\$11,289	\$11,669	\$12,618	\$12,807	\$12,998	\$15,606
OVER 10 MILES PER MILE	ADD \$380	ADD \$380	ADD \$380	ADD \$380	ADD \$380	ADD \$380	ADD \$380

Material and revised material appearing on this page formerly appeared on 11th Revised Page 280.1 of Tariff F.C.C. No. 68.

(This page filed under Transmittal No. 2176)

Issued: March 3, 1992

Effective: July 1, 1992

Four AT&T Plaza, Dallas, Texas 75202

(M)
(T)
(T)
(M)
(T)
(T)
(M)

ACCESS SERVICE

20. MegaLink Custom Services (Cont'd)

20.6 Vintage Services (Cont'd)

20.6.1 Services Established Prior to May 25, 1991 (Cont'd)

(B) Regulations, Terms, Conditions and Rates (Cont'd)

(6) Rates and Charges (Cont'd)

(c) MegaLink Custom Electrical Service (Cont'd)

13) MegaLink Custom Electrical Service between two Customer Designated Premises with 36 Month Rate Option (Cont'd)

Monthly Rate

QUANTITY OF DS3S	8	9	10	11	12	13	14	PER DS3 OVER 14
MILES								
1	\$9,914	\$10,625	\$11,289	\$12,001	\$12,666	\$13,282	\$13,614	ADD \$332
2	\$10,768	\$11,480	\$12,143	\$12,855	\$13,519	\$14,136	\$14,468	ADD \$332
3	\$11,575	\$12,286	\$12,950	\$13,662	\$14,326	\$14,942	\$15,274	ADD \$332
4	\$12,286	\$12,998	\$13,662	\$14,373	\$15,037	\$15,654	\$15,986	ADD \$332
5	\$12,950	\$13,662	\$14,326	\$15,037	\$15,701	\$16,317	\$16,650	ADD \$332
6	\$13,614	\$14,326	\$14,990	\$15,701	\$16,365	\$16,982	\$17,314	ADD \$332
7	\$14,278	\$14,990	\$15,654	\$16,365	\$17,029	\$17,646	\$17,978	ADD \$332
8	\$14,942	\$15,654	\$16,317	\$17,029	\$17,694	\$18,310	\$18,642	ADD \$332
9	\$15,606	\$16,317	\$16,982	\$17,694	\$18,358	\$18,974	\$19,306	ADD \$332
10	\$16,271	\$16,982	\$17,646	\$18,358	\$19,022	\$19,638	\$19,970	ADD \$332
OVER 10								
MILES ADD	\$380	ADD \$380	ADD \$380	ADD \$380	ADD \$380	ADD \$380	ADD \$380	ADD \$380
PER MILE								

Material and revised material appearing on this page formerly appeared on 11th Revised Page 280.2 of Tariff F.C.C. No. 68.

(This page filed under Transmittal No. 2176)

Issued: March 3, 1992

Effective: July 1, 1992

Four AT&T Plaza, Dallas, Texas 75202

(M)
(T)
(T)
(M)
(T)
(T)
(M)

ACCESS SERVICE

20. MegaLink Custom Services (Cont'd)

20.6 Vintage Services (Cont'd)

20.6.1 Services Established Prior to May 25, 1991 (Cont'd)

(B) Regulations, Terms, Conditions and Rates (Cont'd)

(6) Rates and Charges (Cont'd)

(c) MegaLink Custom Electrical Service (Cont'd)

14) MegaLink Custom Electrical Service between two Customer Designated Premises with 48 Month Rate Option

Monthly Rate

QUANTITY OF DS3S	1	2	3	4	5	6	7
MILES							
1	\$3,178	\$4,791	\$5,076	\$5,929	\$6,119	\$6,309	\$8,965
2	\$3,985	\$5,597	\$5,882	\$6,736	\$6,926	\$7,115	\$9,772
3	\$4,744	\$6,356	\$6,641	\$7,495	\$7,685	\$7,874	\$10,531
4	\$5,431	\$7,044	\$7,329	\$8,183	\$8,372	\$8,563	\$11,218
5	\$6,048	\$7,661	\$7,945	\$8,799	\$8,989	\$9,179	\$11,835
6	\$6,665	\$8,277	\$8,563	\$9,416	\$9,606	\$9,795	\$12,452
7	\$7,281	\$8,895	\$9,179	\$10,032	\$10,222	\$10,412	\$13,069
8	\$7,898	\$9,511	\$9,795	\$10,650	\$10,839	\$11,029	\$13,685
9	\$8,515	\$10,127	\$10,412	\$11,266	\$11,456	\$11,646	\$14,302
10	\$9,131	\$10,744	\$11,029	\$11,882	\$12,073	\$12,262	\$14,919
OVER 10 MILES PER MILE	ADD \$332	ADD \$332	ADD \$332	ADD \$332	ADD \$332	ADD \$332	ADD \$332

Material and revised material appearing on this page formerly appeared on 11th Revised Page 280.3 of Tariff F.C.C. No. 68.

(This page filed under Transmittal No. 2176)

Issued: March 3, 1992

Effective: July 1, 1992

Four AT&T Plaza, Dallas, Texas 75202

(M)
(T)
(T)
(M)
(T)
(T)
(M)

ACCESS SERVICE

20. MegaLink Custom Services (Cont'd)

20.6 Vintage Services (Cont'd)

20.6.1 Services Established Prior to May 25, 1991 (Cont'd)

(B) Regulations, Terms, Conditions and Rates (Cont'd)

(6) Rates and Charges (Cont'd)

(c) MegaLink Custom Electrical Service (Cont'd)

14) MegaLink Custom Electrical Service between two Customer Designated Premises with 48 Month Rate Option (Cont'd)

Monthly Rate

QUANTITY OF DS3S	8	9	10	11	12	13	14	PER DS3 OVER 14
=====								
MILES								
1	\$9,511	\$10,080	\$10,625	\$11,195	\$11,788	\$12,380	\$12,689	ADD \$309
2	\$10,318	\$10,886	\$11,432	\$12,001	\$12,594	\$13,187	\$13,496	ADD \$309
3	\$11,077	\$11,646	\$12,191	\$12,760	\$13,353	\$13,946	\$14,255	ADD \$309
4	\$11,764	\$12,334	\$12,879	\$13,448	\$14,041	\$14,634	\$14,942	ADD \$309
5	\$12,380	\$12,950	\$13,496	\$14,065	\$14,658	\$15,251	\$15,559	ADD \$309
6	\$12,998	\$13,567	\$14,112	\$14,681	\$15,274	\$15,867	\$16,176	ADD \$309
7	\$13,614	\$14,183	\$14,728	\$15,298	\$15,891	\$16,483	\$16,792	ADD \$309
8	\$14,230	\$14,800	\$15,346	\$15,915	\$16,508	\$17,101	\$17,409	ADD \$309
9	\$14,848	\$15,417	\$15,962	\$16,531	\$17,124	\$17,717	\$18,026	ADD \$309
10	\$15,464	\$16,033	\$16,579	\$17,148	\$17,741	\$18,334	\$18,642	ADD \$309
OVER 10								
MILES ADD PER MILE	\$332	ADD \$332	ADD \$332	ADD \$332	ADD \$332	ADD \$332	ADD \$332	ADD \$332

Material and revised material appearing on this page formerly appeared on 11th Revised Page 280.4 of Tariff F.C.C. No. 68.

(This page filed under Transmittal No. 2176)

Issued: March 3, 1992

Effective: July 1, 1992

Four AT&T Plaza, Dallas, Texas 75202

(M)
(T)
(T)
(M)
(T)
(T)
(M)

ACCESS SERVICE

20. MegaLink Custom Services (Cont'd)

20.6 Vintage Services (Cont'd)

20.6.1 Services Established Prior to May 25, 1991 (Cont'd)

(B) Regulations, Terms, Conditions and Rates (Cont'd)

(6) Rates and Charges (Cont'd)

(c) MegaLink Custom Electrical Service (Cont'd)

15) MegaLink Custom Electrical Service between two Customer Designated Premises with 60 Month Rate Option

Monthly Rate

QUANTITY OF DS3S	1	2	3	4	5	6	7
MILES							
1	\$3,036	\$4,649	\$4,838	\$5,597	\$5,787	\$5,977	\$8,681
2	\$3,794	\$5,408	\$5,597	\$6,356	\$6,546	\$6,736	\$9,440
3	\$4,506	\$6,119	\$6,309	\$7,068	\$7,258	\$7,447	\$10,152
4	\$5,171	\$6,783	\$6,974	\$7,732	\$7,922	\$8,111	\$10,816
5	\$5,740	\$7,352	\$7,542	\$8,301	\$8,491	\$8,681	\$11,384
6	\$6,309	\$7,922	\$8,111	\$8,870	\$9,061	\$9,250	\$11,954
7	\$6,878	\$8,491	\$8,681	\$9,440	\$9,629	\$9,820	\$12,523
8	\$7,447	\$9,061	\$9,250	\$10,009	\$10,199	\$10,388	\$13,092
9	\$8,017	\$9,629	\$9,820	\$10,578	\$10,768	\$10,957	\$13,662
10	\$8,586	\$10,199	\$10,388	\$11,148	\$11,337	\$11,527	\$14,230
OVER 10 MILES PER MILE	ADD \$284	ADD \$284	ADD \$284	ADD \$284	ADD \$284	ADD \$284	ADD \$284

Material and revised material appearing on this page formerly appeared on 11th Revised Page 280.5 of Tariff F.C.C. No. 68.

(This page filed under Transmittal No. 2176)

Issued: March 3, 1992

Effective: July 1, 1992

Four AT&T Plaza, Dallas, Texas 75202

(M)
(T)
(T)
(M)
(T)
(T)
(M)

ACCESS SERVICE

20. MegaLink Custom Services (Cont'd)

20.6 Vintage Services (Cont'd)

20.6.1 Services Established Prior to May 25, 1991 (Cont'd)

(B) Regulations, Terms, Conditions and Rates (Cont'd)

(6) Rates and Charges (Cont'd)

(c) MegaLink Custom Electrical Service (Cont'd)

15) MegaLink Custom Electrical Service between two Customer Designated Premises with 60 Month Rate Option (Cont'd)

Monthly Rate

QUANTITY OF DS3S	8	9	10	11	12	13	14	PER DS3 OVER 14
MILES								
1	\$9,108	\$9,534	\$9,961	\$10,388	\$10,911	\$11,480	\$11,764	ADD \$284
2	\$9,866	\$10,293	\$10,720	\$11,148	\$11,669	\$12,239	\$12,523	ADD \$284
3	\$10,578	\$11,005	\$11,432	\$11,859	\$12,380	\$12,950	\$13,235	ADD \$284
4	\$11,243	\$11,669	\$12,096	\$12,523	\$13,045	\$13,614	\$13,899	ADD \$284
5	\$11,812	\$12,239	\$12,666	\$13,092	\$13,614	\$14,183	\$14,468	ADD \$284
6	\$12,380	\$12,807	\$13,235	\$13,662	\$14,183	\$14,753	\$15,037	ADD \$284
7	\$12,950	\$13,377	\$13,803	\$14,230	\$14,753	\$15,322	\$15,606	ADD \$284
8	\$13,519	\$13,946	\$14,373	\$14,800	\$15,322	\$15,891	\$16,176	ADD \$284
9	\$14,089	\$14,515	\$14,942	\$15,369	\$15,891	\$16,460	\$16,745	ADD \$284
10	\$14,658	\$15,085	\$15,512	\$15,938	\$16,460	\$17,029	\$17,314	ADD \$284
OVER 10								
MILES ADD PER MILE	\$284	ADD \$284	ADD \$284	ADD \$284	ADD \$284	ADD \$284	ADD \$284	ADD \$284

Material and revised material appearing on this page formerly appeared on 11th Revised Page 280.6 of Tariff F.C.C. No. 68.

(This page filed under Transmittal No. 2176)

Issued: March 3, 1992

Effective: July 1, 1992

Four AT&T Plaza, Dallas, Texas 75202

(M)
(T)
(T)
(M)
(T)
(T)
(M)

ACCESS SERVICE

20. MegaLink Custom Services (Cont'd)

20.6 Vintage Services (Cont'd)

20.6.1 Services Established Prior to May 25, 1991 (Cont'd)

(B) Regulations, Terms, Conditions and Rates (Cont'd)

(6) Rates and Charges (Cont'd)

(c) MegaLink Custom Electrical Service (Cont'd)

16) MegaLink Custom Electrical Service between two Customer Designated Premises with 72 Month Rate Option

Monthly Rate

QUANTITY OF DS3S	1	2	3	4	5	6	7
MILES							
1	\$3,012	\$4,554	\$4,744	\$5,550	\$5,740	\$5,929	\$8,563
2	\$3,748	\$5,313	\$5,503	\$6,285	\$6,475	\$6,665	\$9,297
3	\$4,435	\$6,001	\$6,190	\$6,974	\$7,163	\$7,352	\$9,986
4	\$5,076	\$6,641	\$6,831	\$7,637	\$7,827	\$8,017	\$10,625
5	\$5,645	\$7,210	\$7,400	\$8,183	\$8,372	\$8,563	\$11,195
6	\$6,214	\$7,756	\$7,945	\$8,752	\$8,942	\$9,131	\$11,764
7	\$6,760	\$8,325	\$8,515	\$9,297	\$9,487	\$9,677	\$12,309
8	\$7,329	\$8,870	\$9,061	\$9,866	\$10,056	\$10,246	\$12,879
9	\$7,874	\$9,440	\$9,629	\$10,436	\$10,625	\$10,816	\$13,424
10	\$8,443	\$10,009	\$10,199	\$10,982	\$11,171	\$11,361	\$13,994
OVER 10 MILES PER MILE	ADD \$284	ADD \$284	ADD \$284	ADD \$284	ADD \$284	ADD \$284	ADD \$284

Material and revised material appearing on this page formerly appeared on 11th Revised Page 280.7 of Tariff F.C.C. No. 68.

(This page filed under Transmittal No. 2176)

Issued: March 3, 1992

Effective: July 1, 1992

Four AT&T Plaza, Dallas, Texas 75202

(M)
(T)
(T)
(M)
(T)
(T)
(M)

ACCESS SERVICE

20. MegaLink Custom Services (Cont'd)

20.6 Vintage Services (Cont'd)

20.6.1 Services Established Prior to May 25, 1991 (Cont'd)

(B) Regulations, Terms, Conditions and Rates (Cont'd)

(6) Rates and Charges (Cont'd)

(c) MegaLink Custom Electrical Service (Cont'd)

16) MegaLink Custom Electrical Service between two Customer Designated Premises with 72 Month Rate Option (Cont'd)

Monthly Rate

QUANTITY OF DS3S	8	9	10	11	12	13	14	PER DS3 OVER 14
MILES								
1	\$8,965	\$9,368	\$9,772	\$10,175	\$10,673	\$11,243	\$11,527	ADD \$284
2	\$9,700	\$10,104	\$10,507	\$10,911	\$11,409	\$11,977	\$12,262	ADD \$284
3	\$10,388	\$10,791	\$11,195	\$11,622	\$12,096	\$12,666	\$12,950	ADD \$284
4	\$11,029	\$11,432	\$11,859	\$12,262	\$12,760	\$13,305	\$13,591	ADD \$284
5	\$11,598	\$12,001	\$12,405	\$12,807	\$13,305	\$13,875	\$14,160	ADD \$284
6	\$12,143	\$12,571	\$12,973	\$13,377	\$13,875	\$14,421	\$14,705	ADD \$284
7	\$12,712	\$13,116	\$13,519	\$13,946	\$14,421	\$14,990	\$15,274	ADD \$284
8	\$13,282	\$13,685	\$14,089	\$14,492	\$14,990	\$15,559	\$15,844	ADD \$284
9	\$13,828	\$14,230	\$14,658	\$15,060	\$15,559	\$16,105	\$16,389	ADD \$284
10	\$14,396	\$14,800	\$15,203	\$15,606	\$16,105	\$16,674	\$16,958	ADD \$284
OVER 10								
MILES ADD	\$284	ADD \$284	ADD \$284	ADD \$284	ADD \$284	ADD \$284	ADD \$284	ADD \$284
PER MILE								

Material and revised material appearing on this page formerly appeared on 11th Revised Page 280.8 of Tariff F.C.C. No. 68.

(This page filed under Transmittal No. 2176)

Issued: March 3, 1992

Effective: July 1, 1992

Four AT&T Plaza, Dallas, Texas 75202

ACCESS SERVICE

20. MegaLink Custom Services (Cont'd)

20.6 Vintage Services (Cont'd)

20.6.1 Services Established Prior to May 25, 1991 (Cont'd)

(B) Regulations, Terms, Conditions and Rates (Cont'd)

(6) Rates and Charges (Cont'd)

(c) MegaLink Custom Electrical Service (Cont'd)

17) MegaLink Custom Electrical Service between two Customer Designated Premises with 84 Month Rate Option

Monthly Rate

QUANTITY OF DS3S	1	2	3	4	5	6	7
MILES							
1	\$2,965	\$4,459	\$4,649	\$5,503	\$5,692	\$5,882	\$8,420
2	\$3,700	\$5,194	\$5,384	\$6,214	\$6,404	\$6,594	\$9,155
3	\$4,364	\$5,858	\$6,048	\$6,878	\$7,068	\$7,258	\$9,820
4	\$4,981	\$6,499	\$6,688	\$7,518	\$7,708	\$7,898	\$10,436
5	\$5,550	\$7,044	\$7,234	\$8,064	\$8,254	\$8,443	\$11,005
6	\$6,095	\$7,590	\$7,779	\$8,609	\$8,799	\$8,989	\$11,550
7	\$6,641	\$8,135	\$8,325	\$9,155	\$9,345	\$9,534	\$12,096
8	\$7,186	\$8,681	\$8,870	\$9,725	\$9,914	\$10,104	\$12,641
9	\$7,732	\$9,250	\$9,440	\$10,270	\$10,459	\$10,650	\$13,187
10	\$8,301	\$9,795	\$9,986	\$10,816	\$11,005	\$11,195	\$13,757
OVER 10 MILES PER MILE	ADD \$261	ADD \$261	ADD \$261	ADD \$261	ADD \$261	ADD \$261	ADD \$261

Material and revised material appearing on this page formerly appeared on 11th Revised Page 280.9 of Tariff F.C.C. No. 68.

(This page filed under Transmittal No. 2176)

Issued: March 3, 1992

Effective: July 1, 1992

Four AT&T Plaza, Dallas, Texas 75202

(M)
(T)
(T)
(M)
(T)
(T)
(M)

ACCESS SERVICE

20. MegaLink Custom Services (Cont'd)

20.6 Vintage Services (Cont'd)

20.6.1 Services Established Prior to May 25, 1991 (Cont'd)

(B) Regulations, Terms, Conditions and Rates (Cont'd)

(6) Rates and Charges (Cont'd)

(c) MegaLink Custom Electrical Service (Cont'd)

17) MegaLink Custom Electrical Service between two Customer Designated Premises with 84 Month Rate Option (Cont'd)

Monthly Rate

QUANTITY OF DS3S	8	9	10	11	12	13	14	PER DS3 OVER 14
MILES								
1	\$8,799	\$9,179	\$9,582	\$9,961	\$10,436	\$10,982	\$11,266	ADD \$284
2	\$9,511	\$9,914	\$10,293	\$10,673	\$11,148	\$11,693	\$11,977	ADD \$284
3	\$10,199	\$10,578	\$10,957	\$11,361	\$11,812	\$12,380	\$12,666	ADD \$284
4	\$10,816	\$11,195	\$11,598	\$11,977	\$12,452	\$12,998	\$13,282	ADD \$284
5	\$11,361	\$11,764	\$12,143	\$12,523	\$12,998	\$13,543	\$13,828	ADD \$284
6	\$11,907	\$12,309	\$12,689	\$13,092	\$13,543	\$14,089	\$14,373	ADD \$284
7	\$12,475	\$12,855	\$13,235	\$13,637	\$14,089	\$14,658	\$14,942	ADD \$284
8	\$13,021	\$13,401	\$13,803	\$14,183	\$14,658	\$15,203	\$15,488	ADD \$284
9	\$13,567	\$13,946	\$14,349	\$14,728	\$15,203	\$15,749	\$16,033	ADD \$284
10	\$14,112	\$14,515	\$14,894	\$15,274	\$15,749	\$16,294	\$16,579	ADD \$284
OVER 10								
MILES PER MILE	ADD \$261	ADD \$261	ADD \$261	ADD \$261	ADD \$261	ADD \$261	ADD \$261	ADD \$261

Material and revised material appearing on this page formerly appeared on 11th Revised Page 280.10 of Tariff F.C.C. No. 68.

(This page filed under Transmittal No. 2176)

Issued: March 3, 1992

Effective: July 1, 1992

Four AT&T Plaza, Dallas, Texas 75202

ACCESS SERVICE

20. MegaLink Custom Services (Cont'd)

20.6 Vintage Services (Cont'd)

20.6.1 Services Established Prior to May 25, 1991 (Cont'd)

(B) Regulations, Terms, Conditions and Rates (Cont'd)

(6) Rates and Charges (Cont'd)

(c) MegaLink Custom Electrical Service (Cont'd)

18) MegaLink Custom Electrical Service between two Customer Designated Premises with 96 Month Rate Option

Monthly Rate

QUANTITY OF DS3S	1	2	3	4	5	6	7
MILES							
1	\$2,941	\$4,364	\$4,554	\$5,431	\$5,621	\$5,811	\$8,301
2	\$3,628	\$5,076	\$5,265	\$6,143	\$6,333	\$6,522	\$8,989
3	\$4,293	\$5,740	\$5,929	\$6,783	\$6,974	\$7,163	\$9,654
4	\$4,886	\$6,333	\$6,522	\$7,400	\$7,590	\$7,779	\$10,246
5	\$5,431	\$6,878	\$7,068	\$7,945	\$8,135	\$8,325	\$10,791
6	\$5,977	\$7,424	\$7,613	\$8,491	\$8,681	\$8,870	\$11,337
7	\$6,522	\$7,969	\$8,159	\$9,013	\$9,202	\$9,393	\$11,882
8	\$7,068	\$8,491	\$8,681	\$9,559	\$9,748	\$9,938	\$12,428
9	\$7,590	\$9,036	\$9,227	\$10,104	\$10,293	\$10,484	\$12,950
10	\$8,135	\$9,582	\$9,772	\$10,650	\$10,839	\$11,029	\$13,496
OVER 10 MILES PER MILE	ADD \$261	ADD \$261	ADD \$261	ADD \$261	ADD \$261	ADD \$261	ADD \$261

Material and revised material appearing on this page formerly appeared on 11th Revised Page 280.11 of Tariff F.C.C. No. 68.

(This page filed under Transmittal No. 2176)

Issued: March 3, 1992

Effective: July 1, 1992

Four AT&T Plaza, Dallas, Texas 75202

(M)
(T)
(T)
(M)
(T)
(T)
(M)

ACCESS SERVICE

20. MegaLink Custom Services (Cont'd)

20.6 Vintage Services (Cont'd)

20.6.1 Services Established Prior to May 25, 1991 (Cont'd)

(B) Regulations, Terms, Conditions and Rates (Cont'd)

(6) Rates and Charges (Cont'd)

(c) MegaLink Custom Electrical Service (Cont'd)

18) MegaLink Custom Electrical Service between two Customer Designated Premises with 96 Month Rate Option (Cont'd)

Monthly Rate

QUANTITY OF DS3S	8	9	10	11	12	13	14	PER DS3 OVER 14
MILES								
1	\$8,633	\$9,013	\$9,368	\$9,748	\$10,175	\$10,720	\$11,005	ADD \$284
2	\$9,345	\$9,700	\$10,080	\$10,436	\$10,886	\$11,432	\$11,716	ADD \$284
3	\$9,986	\$10,365	\$10,720	\$11,100	\$11,527	\$12,073	\$12,357	ADD \$284
4	\$10,602	\$10,957	\$11,337	\$11,716	\$12,143	\$12,689	\$12,973	ADD \$284
5	\$11,148	\$11,503	\$11,882	\$12,239	\$12,689	\$13,235	\$13,519	ADD \$284
6	\$11,669	\$12,048	\$12,428	\$12,784	\$13,235	\$13,757	\$14,041	ADD \$284
7	\$12,214	\$12,594	\$12,950	\$13,330	\$13,757	\$14,302	\$14,587	ADD \$284
8	\$12,760	\$13,139	\$13,496	\$13,875	\$14,302	\$14,848	\$15,132	ADD \$284
9	\$13,305	\$13,662	\$14,041	\$14,421	\$14,848	\$15,393	\$15,678	ADD \$284
10	\$13,851	\$14,207	\$14,587	\$14,942	\$15,393	\$15,938	\$16,223	ADD \$284
OVER 10								
MILES PER MILE	ADD \$261	ADD \$261	ADD \$261	ADD \$261	ADD \$261	ADD \$261	ADD \$261	ADD \$261

Material and revised material appearing on this page formerly appeared on 11th Revised Page 280.12 of Tariff F.C.C. No. 68.

(This page filed under Transmittal No. 2176)

Issued: March 3, 1992

Effective: July 1, 1992

Four AT&T Plaza, Dallas, Texas 75202

ACCESS SERVICE

20. MegaLink Custom Services (Cont'd)

20.6 Vintage Services (Cont'd)

20.6.1 Services Established Prior to May 25, 1991 (Cont'd)

(B) Regulations, Terms, Conditions and Rates (Cont'd)

(6) Rates and Charges (Cont'd)

(c) MegaLink Custom Electrical Service (Cont'd)

19) MegaLink Custom Electrical Service between two Customer Designated Premises with 108 Month Rate Option

Monthly Rate

QUANTITY OF DS3S	1	2	3	4	5	6	7
MILES							
1	\$2,894	\$4,269	\$4,459	\$5,384	\$5,574	\$5,763	\$8,159
2	\$3,581	\$4,957	\$5,147	\$6,072	\$6,262	\$6,451	\$8,847
3	\$4,222	\$5,597	\$5,787	\$6,688	\$6,878	\$7,068	\$9,487
4	\$4,791	\$6,190	\$6,380	\$7,281	\$7,472	\$7,661	\$10,056
5	\$5,337	\$6,712	\$6,902	\$7,827	\$8,017	\$8,206	\$10,602
6	\$5,858	\$7,258	\$7,447	\$8,349	\$8,538	\$8,729	\$11,123
7	\$6,404	\$7,779	\$7,969	\$8,870	\$9,061	\$9,250	\$11,669
8	\$6,926	\$8,301	\$8,491	\$9,416	\$9,606	\$9,795	\$12,191
9	\$7,447	\$8,847	\$9,036	\$9,938	\$10,127	\$10,318	\$12,712
10	\$7,993	\$9,368	\$9,559	\$10,484	\$10,673	\$10,863	\$13,258
OVER 10 MILES PER MILE	ADD \$261	ADD \$261	ADD \$261	ADD \$261	ADD \$261	ADD \$261	ADD \$261

Material and revised material appearing on this page formerly appeared on 11th Revised Page 280.13 of Tariff F.C.C. No. 68.

(This page filed under Transmittal No. 2176)

Issued: March 3, 1992

Effective: July 1, 1992

Four AT&T Plaza, Dallas, Texas 75202

(M)
(T)
(T)
(M)
(T)
(T)
(M)

ACCESS SERVICE

20. MegaLink Custom Services (Cont'd)

20.6 Vintage Services (Cont'd)

20.6.1 Services Established Prior to May 25, 1991 (Cont'd)

(B) Regulations, Terms, Conditions and Rates (Cont'd)

(6) Rates and Charges (Cont'd)

(c) MegaLink Custom Electrical Service (Cont'd)

19) MegaLink Custom Electrical Service between two Customer Designated Premises with 108 Month Rate Option (Cont'd)

Monthly Rate

QUANTITY OF DS3S	8	9	10	11	12	13	14	PER DS3 OVER 14
MILES								
1	\$8,467	\$8,823	\$9,179	\$9,534	\$9,938	\$10,459	\$10,744	ADD \$261
2	\$9,155	\$9,511	\$9,866	\$10,199	\$10,625	\$11,148	\$11,432	ADD \$261
3	\$9,795	\$10,152	\$10,484	\$10,839	\$11,243	\$11,788	\$12,073	ADD \$261
4	\$10,388	\$10,720	\$11,077	\$11,432	\$11,835	\$12,380	\$12,666	ADD \$261
5	\$10,911	\$11,266	\$11,622	\$11,954	\$12,380	\$12,903	\$13,187	ADD \$261
6	\$11,432	\$11,788	\$12,143	\$12,500	\$12,903	\$13,424	\$13,709	ADD \$261
7	\$11,977	\$12,334	\$12,666	\$13,021	\$13,424	\$13,969	\$14,255	ADD \$261
8	\$12,500	\$12,855	\$13,211	\$13,567	\$13,969	\$14,492	\$14,776	ADD \$261
9	\$13,045	\$13,377	\$13,733	\$14,089	\$14,492	\$15,037	\$15,322	ADD \$261
10	\$13,567	\$13,923	\$14,278	\$14,610	\$15,037	\$15,559	\$15,844	ADD \$261
OVER 10								
MILES PER MILE	ADD \$261	ADD \$261	ADD \$261	ADD \$261	ADD \$261	ADD \$261	ADD \$261	ADD \$261

Material and revised material appearing on this page formerly appeared on 11th Revised Page 280.14 of Tariff F.C.C. No. 68.

(This page filed under Transmittal No. 2176)

Issued: March 3, 1992

Effective: July 1, 1992

Four AT&T Plaza, Dallas, Texas 75202

ACCESS SERVICE

20. MegaLink Custom Services (Cont'd)

20.6 Vintage Services (Cont'd)

20.6.1 Services Established Prior to May 25, 1991 (Cont'd)

(B) Regulations, Terms, Conditions and Rates (Cont'd)

(6) Rates and Charges (Cont'd)

(c) MegaLink Custom Electrical Service (Cont'd)

20) MegaLink Custom Electrical Service between two Customer Designated Premises with 120 Month Rate Option

Monthly Rate

QUANTITY OF DS3S	1	2	3	4	5	6	7
MILES							
1	\$2,846	\$4,174	\$4,364	\$5,313	\$5,503	\$5,692	\$8,017
2	\$3,510	\$4,838	\$5,028	\$5,977	\$6,167	\$6,356	\$8,681
3	\$4,126	\$5,455	\$5,645	\$6,594	\$6,783	\$6,974	\$9,297
4	\$4,696	\$6,024	\$6,214	\$7,163	\$7,352	\$7,542	\$9,866
5	\$5,218	\$6,546	\$6,736	\$7,685	\$7,874	\$8,064	\$10,388
6	\$5,740	\$7,068	\$7,258	\$8,206	\$8,397	\$8,586	\$10,911
7	\$6,262	\$7,590	\$7,779	\$8,729	\$8,918	\$9,108	\$11,432
8	\$6,783	\$8,111	\$8,301	\$9,250	\$9,440	\$9,629	\$11,954
9	\$7,306	\$8,633	\$8,823	\$9,772	\$9,961	\$10,152	\$12,475
10	\$7,827	\$9,155	\$9,345	\$10,293	\$10,484	\$10,673	\$12,998
OVER 10 MILES PER MILE	ADD \$237	ADD \$237	ADD \$237	ADD \$237	ADD \$237	ADD \$237	ADD \$237

Material and revised material appearing on this page formerly appeared on 11th Revised Page 280.15 of Tariff F.C.C. No. 68.

(This page filed under Transmittal No. 2176)

Issued: March 3, 1992

Effective: July 1, 1992

Four AT&T Plaza, Dallas, Texas 75202

(M)
(T)
(T)
(M)
(T)
(T)
(M)

ACCESS SERVICE

20. MegaLink Custom Services (Cont'd)

20.6 Vintage Services (Cont'd)

20.6.1 Services Established Prior to May 25, 1991 (Cont'd)

(B) Regulations, Terms, Conditions and Rates (Cont'd)

(6) Rates and Charges (Cont'd)

(c) MegaLink Custom Electrical Service (Cont'd)

20) MegaLink Custom Electrical Service between two Customer Designated Premises with 120 Month Rate Option (Cont'd)

Monthly Rate

QUANTITY OF DS3S	8	9	10	11	12	13	14	PER DS3 OVER 14
MILES								
1	\$8,301	\$8,633	\$8,965	\$9,297	\$9,677	\$10,199	\$10,484	ADD \$237
2	\$8,965	\$9,297	\$9,629	\$9,961	\$10,341	\$10,863	\$11,148	ADD \$237
3	\$9,582	\$9,914	\$10,246	\$10,578	\$10,957	\$11,480	\$11,764	ADD \$237
4	\$10,152	\$10,484	\$10,816	\$11,148	\$11,527	\$12,048	\$12,334	ADD \$237
5	\$10,673	\$11,005	\$11,337	\$11,669	\$12,048	\$12,571	\$12,855	ADD \$237
6	\$11,195	\$11,527	\$11,859	\$12,191	\$12,571	\$13,092	\$13,377	ADD \$237
7	\$11,716	\$12,048	\$12,380	\$12,712	\$13,092	\$13,614	\$13,899	ADD \$237
8	\$12,239	\$12,571	\$12,903	\$13,235	\$13,614	\$14,136	\$14,421	ADD \$237
9	\$12,760	\$13,092	\$13,424	\$13,757	\$14,136	\$14,658	\$14,942	ADD \$237
10	\$13,282	\$13,614	\$13,946	\$14,278	\$14,658	\$15,180	\$15,464	ADD \$237
OVER 10								
MILES ADD PER MILE	\$237	ADD \$237	ADD \$237	ADD \$237	ADD \$237	ADD \$237	ADD \$237	ADD \$237

Material and revised material appearing on this page formerly appeared on 11th Revised Page 280.16 of Tariff F.C.C. No. 68.

(This page filed under Transmittal No. 2176)

Issued: March 3, 1992

Effective: July 1, 1992

Four AT&T Plaza, Dallas, Texas 75202

(M)
(T)
(T)
(M)
(T)
(T)
(M)

ACCESS SERVICE

20. MegaLink Custom Services (Cont'd)

20.6 Vintage Services (Cont'd)

20.6.1 Services Established Prior to May 25, 1991 (Cont'd)

(B) Regulations, Terms, Conditions and Rates (Cont'd)

(6) Rates and Charges (Cont'd)

(d) MegaLink Custom Optical Service and MegaLink Custom Dark Fiber

1) MegaLink Custom Optical Service from a Customer Designated Premises to a Telephone Company Central Office or between Two Customer Designated Premises or MegaLink Custom Dark Fiber with a 12 Month Rate Option

Monthly Rate

QUANTITY OF DS3S	1	2	3	4	5	6	7
MILES							
1	\$2,941	\$4,126	\$4,317	\$4,886	\$4,981	\$5,076	\$6,878
2	\$3,937	\$5,123	\$5,313	\$5,882	\$5,977	\$6,072	\$7,874
3	\$4,886	\$6,072	\$6,262	\$6,831	\$6,926	\$7,020	\$8,823
4	\$5,740	\$6,926	\$7,115	\$7,685	\$7,779	\$7,874	\$9,677
5	\$6,546	\$7,732	\$7,922	\$8,491	\$8,586	\$8,681	\$10,484
6	\$7,352	\$8,538	\$8,729	\$9,297	\$9,393	\$9,487	\$11,289
7	\$8,159	\$9,345	\$9,534	\$10,104	\$10,199	\$10,293	\$12,096
8	\$8,965	\$10,152	\$10,341	\$10,911	\$11,005	\$11,100	\$12,903
9	\$9,772	\$10,957	\$11,148	\$11,716	\$11,812	\$11,907	\$13,709
10	\$10,578	\$11,764	\$11,954	\$12,523	\$12,618	\$12,712	\$14,515
OVER 10 MILES ADD PER MILE	\$522	\$522	\$522	\$522	\$522	\$522	\$522

Material and revised material appearing on this page formerly appeared on 14th Revised Page 280.17 of Tariff F.C.C. No. 68.

(This page filed under Transmittal No. 2176)

Issued: March 3, 1992

Effective: July 1, 1992

Four AT&T Plaza, Dallas, Texas 75202

ACCESS SERVICE

20. MegaLink Custom Services (Cont'd)

20.6 Vintage Services (Cont'd)

20.6.1 Services Established Prior to May 25, 1991 (Cont'd)

(B) Regulations, Terms, Conditions and Rates (Cont'd)

(6) Rates and Charges (Cont'd)

(d) MegaLink Custom Optical Service and MegaLink Custom Dark Fiber (Cont'd)

1) MegaLink Custom Optical Service from a Customer Designated Premises to a Telephone Company Central Office or between Two Customer Designated Premises or MegaLink Custom Dark Fiber with a 12 Month Rate Option (Cont'd)

Monthly Rate

QUANTITY OF DS3S	8	9	10	11	12	13	14	PER DS3 OVER 14
=====								
MILES								
1	\$7,258	\$7,732	\$8,111	\$8,586	\$9,061	\$9,440	\$9,629	ADD \$189
2	\$8,254	\$8,729	\$9,108	\$9,582	\$10,056	\$10,436	\$10,625	ADD \$189
3	\$9,202	\$9,677	\$10,056	\$10,531	\$11,005	\$11,384	\$11,575	ADD \$189
4	\$10,056	\$10,531	\$10,911	\$11,384	\$11,859	\$12,239	\$12,428	ADD \$189
5	\$10,863	\$11,337	\$11,716	\$12,191	\$12,666	\$13,045	\$13,235	ADD \$189
6	\$11,669	\$12,143	\$12,523	\$12,998	\$13,471	\$13,851	\$14,041	ADD \$189
7	\$12,475	\$12,950	\$13,330	\$13,803	\$14,278	\$14,658	\$14,848	ADD \$189
8	\$13,282	\$13,757	\$14,136	\$14,610	\$15,085	\$15,464	\$15,654	ADD \$189
9	\$14,089	\$14,562	\$14,942	\$15,417	\$15,891	\$16,271	\$16,460	ADD \$189
10	\$14,894	\$15,369	\$15,749	\$16,223	\$16,697	\$17,077	\$17,267	ADD \$189
OVER 10								
MILES PER MILE	ADD \$522	ADD \$522	ADD \$522	ADD \$522	ADD \$522	ADD \$522	ADD \$522	ADD \$522

Material and revised material appearing on this page formerly appeared on 14th Revised Page 280.18 of Tariff F.C.C. No. 68.

(This page filed under Transmittal No. 2176)

Issued: March 3, 1992

Effective: July 1, 1992

Four AT&T Plaza, Dallas, Texas 75202

ACCESS SERVICE

20. MegaLink Custom Services (Cont'd)

20.6 Vintage Services (Cont'd)

20.6.1 Services Established Prior to May 25, 1991 (Cont'd)

(B) Regulations, Terms, Conditions and Rates (Cont'd)

(6) Rates and Charges (Cont'd)

(d) MegaLink Custom Optical Service and MegaLink Custom Dark Fiber (Cont'd)

2) MegaLink Custom Optical Service from a Customer Designated Premises to a Telephone Company Central Office or between Two Customer Designated Premises or MegaLink Custom Dark Fiber with a 24 Month Rate Option

Monthly Rate

QUANTITY OF DS3S	1	2	3	4	5	6	7
MILES							
1	\$2,633	\$3,628	\$3,819	\$4,340	\$4,435	\$4,530	\$6,095
2	\$3,558	\$4,554	\$4,744	\$5,265	\$5,360	\$5,455	\$7,020
3	\$4,435	\$5,431	\$5,621	\$6,143	\$6,238	\$6,333	\$7,898
4	\$5,218	\$6,214	\$6,404	\$6,926	\$7,020	\$7,115	\$8,681
5	\$5,953	\$6,949	\$7,140	\$7,661	\$7,756	\$7,851	\$9,416
6	\$6,688	\$7,685	\$7,874	\$8,397	\$8,491	\$8,586	\$10,152
7	\$7,424	\$8,420	\$8,609	\$9,131	\$9,227	\$9,321	\$10,886
8	\$8,159	\$9,155	\$9,345	\$9,866	\$9,961	\$10,056	\$11,622
9	\$8,895	\$9,890	\$10,080	\$10,602	\$10,697	\$10,791	\$12,357
10	\$9,629	\$10,625	\$10,816	\$11,337	\$11,432	\$11,527	\$13,092
OVER 10 MILES PER MILE	ADD \$450	ADD \$450	ADD \$450	ADD \$450	ADD \$450	ADD \$450	ADD \$450

Material and revised material appearing on this page formerly appeared on 14th Revised Page 280.19 of Tariff F.C.C. No. 68.

(This page filed under Transmittal No. 2176)

Issued: March 3, 1992

Effective: July 1, 1992

Four AT&T Plaza, Dallas, Texas 75202

ACCESS SERVICE

20. MegaLink Custom Services (Cont'd)

20.6 Vintage Services (Cont'd)

20.6.1 Services Established Prior to May 25, 1991 (Cont'd)

(B) Regulations, Terms, Conditions and Rates (Cont'd)

(6) Rates and Charges (Cont'd)

(d) MegaLink Custom Optical Service and MegaLink Custom Dark Fiber (Cont'd)

2) MegaLink Custom Optical Service from a Customer Designated Premises to a Telephone Company Central Office or between Two Customer Designated Premises or MegaLink Custom Dark Fiber with a 24 Month Rate Option (Cont'd)

Monthly Rate

QUANTITY OF DS3S	8	9	10	11	12	13	14	PER DS3 OVER 14
=====								
MILES								
1	\$6,451	\$6,854	\$7,210	\$7,637	\$8,040	\$8,372	\$8,563	ADD \$189
2	\$7,376	\$7,779	\$8,135	\$8,563	\$8,965	\$9,297	\$9,487	ADD \$189
3	\$8,254	\$8,657	\$9,013	\$9,440	\$9,843	\$10,175	\$10,365	ADD \$189
4	\$9,036	\$9,440	\$9,795	\$10,222	\$10,625	\$10,957	\$11,148	ADD \$189
5	\$9,772	\$10,175	\$10,531	\$10,957	\$11,361	\$11,693	\$11,882	ADD \$189
6	\$10,507	\$10,911	\$11,266	\$11,693	\$12,096	\$12,428	\$12,618	ADD \$189
7	\$11,243	\$11,646	\$12,001	\$12,428	\$12,832	\$13,164	\$13,353	ADD \$189
8	\$11,977	\$12,380	\$12,737	\$13,164	\$13,567	\$13,899	\$14,089	ADD \$189
9	\$12,712	\$13,116	\$13,471	\$13,899	\$14,302	\$14,634	\$14,824	ADD \$189
10	\$13,448	\$13,851	\$14,207	\$14,634	\$15,037	\$15,369	\$15,559	ADD \$189
OVER 10								
MILES PER MILE	ADD \$450	ADD \$450	ADD \$450	ADD \$450	ADD \$450	ADD \$450	ADD \$450	ADD \$450

Material and revised material appearing on this page formerly appeared on 14th Revised Page 280.20 of Tariff F.C.C. No. 68.

(This page filed under Transmittal No. 2176)

Issued: March 3, 1992

Effective: July 1, 1992

Four AT&T Plaza, Dallas, Texas 75202

ACCESS SERVICE

20. MegaLink Custom Services (Cont'd)

20.6 Vintage Services (Cont'd)

20.6.1 Services Established Prior to May 25, 1991 (Cont'd)

(B) Regulations, Terms, Conditions and Rates (Cont'd)

(6) Rates and Charges (Cont'd)

(d) MegaLink Custom Optical Service and MegaLink Custom Dark Fiber (Cont'd)

3) MegaLink Custom Optical Service from a Customer Designated Premises to a Telephone Company Central Office or between Two Customer Designated Premises or MegaLink Custom Dark Fiber with a 36 Month Rate Option

Monthly Rate

QUANTITY OF DS3S	1	2	3	4	5	6	7
MILES							
1	\$2,325	\$3,131	\$3,321	\$3,794	\$3,890	\$3,985	\$5,289
2	\$3,178	\$3,985	\$4,174	\$4,649	\$4,744	\$4,838	\$6,143
3	\$3,985	\$4,791	\$4,981	\$5,455	\$5,550	\$5,645	\$6,949
4	\$4,696	\$5,503	\$5,692	\$6,167	\$6,262	\$6,356	\$7,661
5	\$5,360	\$6,167	\$6,356	\$6,831	\$6,926	\$7,020	\$8,325
6	\$6,024	\$6,831	\$7,020	\$7,495	\$7,590	\$7,685	\$8,989
7	\$6,688	\$7,495	\$7,685	\$8,159	\$8,254	\$8,349	\$9,654
8	\$7,352	\$8,159	\$8,349	\$8,823	\$8,918	\$9,013	\$10,318
9	\$8,017	\$8,823	\$9,013	\$9,487	\$9,582	\$9,677	\$10,982
10	\$8,681	\$9,487	\$9,677	\$10,152	\$10,246	\$10,341	\$11,646
OVER 10 MILES PER MILE	ADD \$380	ADD \$380	ADD \$380	ADD \$380	ADD \$380	ADD \$380	ADD \$380

Material and revised material appearing on this page formerly appeared on 12th Revised Page 280.21 of Tariff F.C.C. No. 68.

(This page filed under Transmittal No. 2176)

Issued: March 3, 1992

Effective: July 1, 1992

Four AT&T Plaza, Dallas, Texas 75202

ACCESS SERVICE

20. MegaLink Custom Services (Cont'd)

20.6 Vintage Services (Cont'd)

20.6.1 Services Established Prior to May 25, 1991 (Cont'd)

(B) Regulations, Terms, Conditions and Rates (Cont'd)

(6) Rates and Charges (Cont'd)

(d) MegaLink Custom Optical Service and MegaLink Custom Dark Fiber (Cont'd)

3) MegaLink Custom Optical Service from a Customer Designated Premises to a Telephone Company Central Office or between Two Customer Designated Premises or MegaLink Custom Dark Fiber with a 36 Month Rate Option (Cont'd)

Monthly Rate

QUANTITY OF DS3S	8	9	10	11	12	13	14	PER DS3 OVER 14
MILES								
1	\$5,621	\$5,977	\$6,309	\$6,665	\$6,997	\$7,306	\$7,472	ADD \$166
2	\$6,475	\$6,831	\$7,163	\$7,518	\$7,851	\$8,159	\$8,325	ADD \$166
3	\$7,281	\$7,637	\$7,969	\$8,325	\$8,657	\$8,965	\$9,131	ADD \$166
4	\$7,993	\$8,349	\$8,681	\$9,036	\$9,368	\$9,677	\$9,843	ADD \$166
5	\$8,657	\$9,013	\$9,345	\$9,700	\$10,032	\$10,341	\$10,507	ADD \$166
6	\$9,321	\$9,677	\$10,009	\$10,365	\$10,697	\$11,005	\$11,171	ADD \$166
7	\$9,986	\$10,341	\$10,673	\$11,029	\$11,361	\$11,669	\$11,835	ADD \$166
8	\$10,650	\$11,005	\$11,337	\$11,693	\$12,025	\$12,334	\$12,500	ADD \$166
9	\$11,314	\$11,669	\$12,001	\$12,357	\$12,689	\$12,998	\$13,164	ADD \$166
10	\$11,977	\$12,334	\$12,666	\$13,021	\$13,353	\$13,662	\$13,828	ADD \$166
OVER 10 MILES ADD PER MILE	\$380	ADD \$380	ADD \$380	ADD \$380	ADD \$380	ADD \$380	ADD \$380	ADD \$380

Material and revised material appearing on this page formerly appeared on 12th Revised Page 280.22 of Tariff F.C.C. No. 68.

(This page filed under Transmittal No. 2176)

Issued: March 3, 1992

Effective: July 1, 1992

Four AT&T Plaza, Dallas, Texas 75202

ACCESS SERVICE

20. MegaLink Custom Services (Cont'd)

20.6 Vintage Services (Cont'd)

20.6.1 Services Established Prior to May 25, 1991 (Cont'd)

(B) Regulations, Terms, Conditions and Rates (Cont'd)

(6) Rates and Charges (Cont'd)

(d) MegaLink Custom Optical Service and MegaLink Custom Dark Fiber (Cont'd)

4) MegaLink Custom Optical Service from a Customer Designated Premises to a Telephone Company Central Office or between Two Customer Designated Premises or MegaLink Custom Dark Fiber with a 48 Month Rate Option

Monthly Rate

QUANTITY OF DS3S	1	2	3	4	5	6	7
MILES							
1	\$2,230	\$3,036	\$3,178	\$3,605	\$3,700	\$3,794	\$5,123
2	\$3,036	\$3,842	\$3,985	\$4,412	\$4,506	\$4,601	\$5,929
3	\$3,794	\$4,601	\$4,744	\$5,171	\$5,265	\$5,360	\$6,688
4	\$4,483	\$5,289	\$5,431	\$5,858	\$5,953	\$6,048	\$7,376
5	\$5,099	\$5,906	\$6,048	\$6,475	\$6,570	\$6,665	\$7,993
6	\$5,716	\$6,522	\$6,665	\$7,092	\$7,186	\$7,281	\$8,609
7	\$6,333	\$7,140	\$7,281	\$7,708	\$7,803	\$7,898	\$9,227
8	\$6,949	\$7,756	\$7,898	\$8,325	\$8,420	\$8,515	\$9,843
9	\$7,566	\$8,372	\$8,515	\$8,942	\$9,036	\$9,131	\$10,459
10	\$8,183	\$8,989	\$9,131	\$9,559	\$9,654	\$9,748	\$11,077
OVER 10 MILES PER MILE	ADD \$332	ADD \$332	ADD \$332	ADD \$332	ADD \$332	ADD \$332	ADD \$332

Material and revised material appearing on this page formerly appeared on 12th Revised Page 280.23 of Tariff F.C.C. No. 68.

(This page filed under Transmittal No. 2176)

Issued: March 3, 1992

Effective: July 1, 1992

Four AT&T Plaza, Dallas, Texas 75202

ACCESS SERVICE

20. MegaLink Custom Services (Cont'd)

20.6 Vintage Services (Cont'd)

20.6.1 Services Established Prior to May 25, 1991 (Cont'd)

(B) Regulations, Terms, Conditions and Rates (Cont'd)

(6) Rates and Charges (Cont'd)

(d) MegaLink Custom Optical Service and MegaLink Custom Dark Fiber (Cont'd)

4) MegaLink Custom Optical Service from a Customer Designated Premises to a Telephone Company Central Office or between Two Customer Designated Premises or MegaLink Custom Dark Fiber with a 48 Month Rate Option (Cont'd)

Monthly Rate

QUANTITY OF DS3S	8	9	10	11	12	13	14	PER DS3 OVER 14
=====								
MILES								
1	\$5,408	\$5,692	\$5,953	\$6,238	\$6,546	\$6,831	\$6,997	ADD \$166
2	\$6,214	\$6,499	\$6,760	\$7,044	\$7,352	\$7,637	\$7,803	ADD \$166
3	\$6,974	\$7,258	\$7,518	\$7,803	\$8,111	\$8,397	\$8,563	ADD \$166
4	\$7,661	\$7,945	\$8,206	\$8,491	\$8,799	\$9,084	\$9,250	ADD \$166
5	\$8,277	\$8,563	\$8,823	\$9,108	\$9,416	\$9,700	\$9,866	ADD \$166
6	\$8,895	\$9,179	\$9,440	\$9,725	\$10,032	\$10,318	\$10,484	ADD \$166
7	\$9,511	\$9,795	\$10,056	\$10,341	\$10,650	\$10,934	\$11,100	ADD \$166
8	\$10,127	\$10,412	\$10,673	\$10,957	\$11,266	\$11,550	\$11,716	ADD \$166
9	\$10,744	\$11,029	\$11,289	\$11,575	\$11,882	\$12,168	\$12,334	ADD \$166
10	\$11,361	\$11,646	\$11,907	\$12,191	\$12,500	\$12,784	\$12,950	ADD \$166
OVER 10 MILES PER MILE	ADD \$332	ADD \$332	ADD \$332	ADD \$332	ADD \$332	ADD \$332	ADD \$332	ADD \$332

Material and revised material appearing on this page formerly appeared on 12th Revised Page 280.24 of Tariff F.C.C. No. 68.

(This page filed under Transmittal No. 2176)

Issued: March 3, 1992

Effective: July 1, 1992

Four AT&T Plaza, Dallas, Texas 75202

ACCESS SERVICE

20. MegaLink Custom Services (Cont'd)

20.6 Vintage Services (Cont'd)

20.6.1 Services Established Prior to May 25, 1991 (Cont'd)

(B) Regulations, Terms, Conditions and Rates (Cont'd)

(6) Rates and Charges (Cont'd)

(d) MegaLink Custom Optical Service and MegaLink Custom Dark Fiber (Cont'd)

5) MegaLink Custom Optical Service from a Customer Designated Premises to a Telephone Company Central Office or between Two Customer Designated Premises or MegaLink Custom Dark Fiber with a 60 Month Rate Option

Monthly Rate

QUANTITY OF DS3S	1	2	3	4	5	6	7
MILES							
1	\$2,135	\$2,941	\$3,036	\$3,415	\$3,510	\$3,605	\$4,957
2	\$2,894	\$3,700	\$3,794	\$4,174	\$4,269	\$4,364	\$5,716
3	\$3,605	\$4,412	\$4,506	\$4,886	\$4,981	\$5,076	\$6,428
4	\$4,269	\$5,076	\$5,171	\$5,550	\$5,645	\$5,740	\$7,092
5	\$4,838	\$5,645	\$5,740	\$6,119	\$6,214	\$6,309	\$7,661
6	\$5,408	\$6,214	\$6,309	\$6,688	\$6,783	\$6,878	\$8,231
7	\$5,977	\$6,783	\$6,878	\$7,258	\$7,352	\$7,447	\$8,799
8	\$6,546	\$7,352	\$7,447	\$7,827	\$7,922	\$8,017	\$9,368
9	\$7,115	\$7,922	\$8,017	\$8,397	\$8,491	\$8,586	\$9,938
10	\$7,685	\$8,491	\$8,586	\$8,965	\$9,061	\$9,155	\$10,507
OVER 10 MILES PER MILE	ADD \$284	ADD \$284	ADD \$284	ADD \$284	ADD \$284	ADD \$284	ADD \$284

Material and revised material appearing on this page formerly appeared on 12th Revised Page 280.25 of Tariff F.C.C. No. 68.

(This page filed under Transmittal No. 2176)

Issued: March 3, 1992

Effective: July 1, 1992

Four AT&T Plaza, Dallas, Texas 75202

ACCESS SERVICE

20. MegaLink Custom Services (Cont'd)

20.6 Vintage Services (Cont'd)

20.6.1 Services Established Prior to May 25, 1991 (Cont'd)

(B) Regulations, Terms, Conditions and Rates (Cont'd)

(6) Rates and Charges (Cont'd)

(d) MegaLink Custom Optical Service and MegaLink Custom Dark Fiber (Cont'd)

5) MegaLink Custom Optical Service from a Customer Designated Premises to a Telephone Company Central Office or between Two Customer Designated Premises or MegaLink Custom Dark Fiber with a 60 Month Rate Option (Cont'd)

Monthly Rate

QUANTITY OF DS3S	8	9	10	11	12	13	14	PER DS3 OVER 14
=====								
MILES								
1	\$5,171	\$5,384	\$5,597	\$5,811	\$6,072	\$6,356	\$6,499	ADD \$143
2	\$5,929	\$6,143	\$6,356	\$6,570	\$6,831	\$7,115	\$7,258	ADD \$143
3	\$6,641	\$6,854	\$7,068	\$7,281	\$7,542	\$7,827	\$7,969	ADD \$143
4	\$7,306	\$7,518	\$7,732	\$7,945	\$8,206	\$8,491	\$8,633	ADD \$143
5	\$7,874	\$8,088	\$8,301	\$8,515	\$8,775	\$9,061	\$9,202	ADD \$143
6	\$8,443	\$8,657	\$8,870	\$9,084	\$9,345	\$9,629	\$9,772	ADD \$143
7	\$9,013	\$9,227	\$9,440	\$9,654	\$9,914	\$10,199	\$10,341	ADD \$143
8	\$9,582	\$9,795	\$10,009	\$10,222	\$10,484	\$10,768	\$10,911	ADD \$143
9	\$10,152	\$10,365	\$10,578	\$10,791	\$11,052	\$11,337	\$11,480	ADD \$143
10	\$10,720	\$10,934	\$11,148	\$11,361	\$11,622	\$11,907	\$12,048	ADD \$143
OVER 10								
MILES ADD	\$284	ADD \$284	ADD \$284	ADD \$284	ADD \$284	ADD \$284	ADD \$284	ADD \$284
PER MILE								

Material and revised material appearing on this page formerly appeared on 12th Revised Page 280.26 of Tariff F.C.C. No. 68.

(This page filed under Transmittal No. 2176)

Issued: March 3, 1992

Effective: July 1, 1992

Four AT&T Plaza, Dallas, Texas 75202

ACCESS SERVICE

20. MegaLink Custom Services (Cont'd)

20.6 Vintage Services (Cont'd)

20.6.1 Services Established Prior to May 25, 1991 (Cont'd)

(B) Regulations, Terms, Conditions and Rates (Cont'd)

(6) Rates and Charges (Cont'd)

(d) MegaLink Custom Optical Service and MegaLink Custom Dark Fiber (Cont'd)

6) MegaLink Custom Optical Service from a Customer Designated Premises to a Telephone Company Central Office or between Two Customer Designated Premises or MegaLink Custom Dark Fiber with a 72 Month Rate Option

Monthly Rate

QUANTITY OF DS3S	1	2	3	4	5	6	7
MILES							
1	\$2,111	\$2,894	\$2,989	\$3,392	\$3,487	\$3,581	\$4,886
2	\$2,846	\$3,628	\$3,724	\$4,126	\$4,222	\$4,317	\$5,621
3	\$3,558	\$4,317	\$4,412	\$4,815	\$4,910	\$5,005	\$6,333
4	\$4,198	\$4,981	\$5,076	\$5,455	\$5,550	\$5,645	\$6,974
5	\$4,744	\$5,526	\$5,621	\$6,024	\$6,119	\$6,214	\$7,518
6	\$5,313	\$6,095	\$6,190	\$6,594	\$6,688	\$6,783	\$8,088
7	\$5,882	\$6,641	\$6,736	\$7,140	\$7,234	\$7,329	\$8,657
8	\$6,428	\$7,210	\$7,306	\$7,708	\$7,803	\$7,898	\$9,202
9	\$6,997	\$7,779	\$7,874	\$8,254	\$8,349	\$8,443	\$9,772
10	\$7,542	\$8,325	\$8,420	\$8,823	\$8,918	\$9,013	\$10,318
OVER 10 MILES PER MILE	ADD \$284	ADD \$284	ADD \$284	ADD \$284	ADD \$284	ADD \$284	ADD \$284

Material and revised material appearing on this page formerly appeared on 12th Revised Page 280.27 of Tariff F.C.C. No. 68.

(This page filed under Transmittal No. 2176)

Issued: March 3, 1992

Effective: July 1, 1992

Four AT&T Plaza, Dallas, Texas 75202

ACCESS SERVICE

20. MegaLink Custom Services (Cont'd)

20.6 Vintage Services (Cont'd)

20.6.1 Services Established Prior to May 25, 1991 (Cont'd)

(B) Regulations, Terms, Conditions and Rates (Cont'd)

(6) Rates and Charges (Cont'd)

(d) MegaLink Custom Optical Service and MegaLink Custom Dark Fiber (Cont'd)

6) MegaLink Custom Optical Service from a Customer Designated Premises to a Telephone Company Central Office or between Two Customer Designated Premises or MegaLink Custom Dark Fiber with a 72 Month Rate Option (Cont'd)

Monthly Rate

QUANTITY OF DS3S	8	9	10	11	12	13	14	PER DS3 OVER 14
=====								
MILES								
1	\$5,099	\$5,289	\$5,503	\$5,692	\$5,953	\$6,238	\$6,380	ADD \$143
2	\$5,835	\$6,024	\$6,238	\$6,451	\$6,688	\$6,974	\$7,115	ADD \$143
3	\$6,522	\$6,736	\$6,926	\$7,140	\$7,376	\$7,661	\$7,803	ADD \$143
4	\$7,163	\$7,376	\$7,566	\$7,779	\$8,017	\$8,301	\$8,443	ADD \$143
5	\$7,732	\$7,922	\$8,135	\$8,349	\$8,586	\$8,870	\$9,013	ADD \$143
6	\$8,277	\$8,491	\$8,704	\$8,895	\$9,155	\$9,416	\$9,559	ADD \$143
7	\$8,847	\$9,061	\$9,250	\$9,463	\$9,700	\$9,986	\$10,127	ADD \$143
8	\$9,416	\$9,606	\$9,820	\$10,009	\$10,270	\$10,554	\$10,697	ADD \$143
9	\$9,961	\$10,175	\$10,365	\$10,578	\$10,816	\$11,100	\$11,243	ADD \$143
10	\$10,531	\$10,720	\$10,934	\$11,148	\$11,384	\$11,669	\$11,812	ADD \$143
OVER 10 MILES PER MILE	ADD \$284	ADD \$284	ADD \$284	ADD \$284	ADD \$284	ADD \$284	ADD \$284	ADD \$284

Material and revised material appearing on this page formerly appeared on 12th Revised Page 280.28 of Tariff F.C.C. No. 68.

(This page filed under Transmittal No. 2176)

Issued: March 3, 1992

Effective: July 1, 1992

Four AT&T Plaza, Dallas, Texas 75202

ACCESS SERVICE

20. MegaLink Custom Services (Cont'd)

20.6 Vintage Services (Cont'd)

20.6.1 Services Established Prior to May 25, 1991 (Cont'd)

(B) Regulations, Terms, Conditions and Rates (Cont'd)

(6) Rates and Charges (Cont'd)

(d) MegaLink Custom Optical Service and MegaLink Custom Dark Fiber (Cont'd)

7) MegaLink Custom Optical Service from a Customer Designated Premises to a Telephone Company Central Office or between Two Customer Designated Premises or MegaLink Custom Dark Fiber with a 84 Month Rate Option

Monthly Rate

QUANTITY OF DS3S	1	2	3	4	5	6	7
MILES							
1	\$2,087	\$2,846	\$2,941	\$3,344	\$3,439	\$3,534	\$4,815
2	\$2,799	\$3,558	\$3,653	\$4,080	\$4,174	\$4,269	\$5,526
3	\$3,487	\$4,222	\$4,317	\$4,744	\$4,838	\$4,933	\$6,214
4	\$4,103	\$4,862	\$4,957	\$5,360	\$5,455	\$5,550	\$6,831
5	\$4,649	\$5,408	\$5,503	\$5,929	\$6,024	\$6,119	\$7,376
6	\$5,218	\$5,953	\$6,048	\$6,475	\$6,570	\$6,665	\$7,945
7	\$5,763	\$6,499	\$6,594	\$7,020	\$7,115	\$7,210	\$8,491
8	\$6,309	\$7,068	\$7,163	\$7,566	\$7,661	\$7,756	\$9,036
9	\$6,854	\$7,613	\$7,708	\$8,111	\$8,206	\$8,301	\$9,582
10	\$7,400	\$8,159	\$8,254	\$8,681	\$8,775	\$8,870	\$10,127
OVER 10 MILES PER MILE	ADD \$261	ADD \$261	ADD \$261	ADD \$261	ADD \$261	ADD \$261	ADD \$261

Material and revised material appearing on this page formerly appeared on 12th Revised Page 280.29 of Tariff F.C.C. No. 68.

(This page filed under Transmittal No. 2176)

Issued: March 3, 1992

Effective: July 1, 1992

Four AT&T Plaza, Dallas, Texas 75202

ACCESS SERVICE

20. MegaLink Custom Services (Cont'd)

20.6 Vintage Services (Cont'd)

20.6.1 Services Established Prior to May 25, 1991 (Cont'd)

(B) Regulations, Terms, Conditions and Rates (Cont'd)

(6) Rates and Charges (Cont'd)

(d) MegaLink Custom Optical Service and MegaLink Custom Dark Fiber (Cont'd)

7) MegaLink Custom Optical Service from a Customer Designated Premises to a Telephone Company Central Office or between Two Customer Designated Premises or MegaLink Custom Dark Fiber with a 84 Month Rate Option (Cont'd)

Monthly Rate

QUANTITY OF DS3S	8	9	10	11	12	13	14	PER DS3 OVER 14
=====								
MILES								
1	\$5,005	\$5,194	\$5,384	\$5,574	\$5,811	\$6,095	\$6,238	ADD \$143
2	\$5,716	\$5,906	\$6,119	\$6,309	\$6,546	\$6,807	\$6,949	ADD \$143
3	\$6,404	\$6,594	\$6,783	\$6,974	\$7,210	\$7,495	\$7,637	ADD \$143
4	\$7,020	\$7,210	\$7,400	\$7,613	\$7,827	\$8,111	\$8,254	ADD \$143
5	\$7,566	\$7,756	\$7,969	\$8,159	\$8,397	\$8,657	\$8,799	ADD \$143
6	\$8,111	\$8,325	\$8,515	\$8,704	\$8,942	\$9,202	\$9,345	ADD \$143
7	\$8,681	\$8,870	\$9,061	\$9,250	\$9,487	\$9,772	\$9,914	ADD \$143
8	\$9,227	\$9,416	\$9,606	\$9,795	\$10,032	\$10,318	\$10,459	ADD \$143
9	\$9,772	\$9,961	\$10,152	\$10,365	\$10,578	\$10,863	\$11,005	ADD \$143
10	\$10,318	\$10,507	\$10,720	\$10,911	\$11,148	\$11,409	\$11,550	ADD \$143
OVER 10								
MILES ADD PER MILE	\$261	ADD \$261	ADD \$261	ADD \$261	ADD \$261	ADD \$261	ADD \$261	ADD \$261

Material and revised material appearing on this page formerly appeared on 12th Revised Page 280.30 of Tariff F.C.C. No. 68.

(This page filed under Transmittal No. 2176)

Issued: March 3, 1992

Effective: July 1, 1992

Four AT&T Plaza, Dallas, Texas 75202

ACCESS SERVICE

20. MegaLink Custom Services (Cont'd)

20.6 Vintage Services (Cont'd)

20.6.1 Services Established Prior to May 25, 1991 (Cont'd)

(B) Regulations, Terms, Conditions and Rates (Cont'd)

(6) Rates and Charges (Cont'd)

(d) MegaLink Custom Optical Service and MegaLink Custom Dark Fiber (Cont'd)

8) MegaLink Custom Optical Service from a Customer Designated Premises to a Telephone Company Central Office or between Two Customer Designated Premises or MegaLink Custom Dark Fiber with a 96 Month Rate Option

Monthly Rate

QUANTITY OF DS3S	1	2	3	4	5	6	7
MILES							
1	\$2,064	\$2,775	\$2,869	\$3,321	\$3,415	\$3,510	\$4,744
2	\$2,751	\$3,487	\$3,581	\$4,008	\$4,103	\$4,198	\$5,431
3	\$3,415	\$4,126	\$4,222	\$4,672	\$4,767	\$4,862	\$6,095
4	\$4,032	\$4,744	\$4,838	\$5,265	\$5,360	\$5,455	\$6,712
5	\$4,554	\$5,289	\$5,384	\$5,811	\$5,906	\$6,001	\$7,234
6	\$5,099	\$5,835	\$5,929	\$6,356	\$6,451	\$6,546	\$7,779
7	\$5,645	\$6,356	\$6,451	\$6,902	\$6,997	\$7,092	\$8,325
8	\$6,190	\$6,902	\$6,997	\$7,447	\$7,542	\$7,637	\$8,870
9	\$6,736	\$7,447	\$7,542	\$7,969	\$8,064	\$8,159	\$9,416
10	\$7,258	\$7,993	\$8,088	\$8,515	\$8,609	\$8,704	\$9,938
OVER 10 MILES PER MILE	ADD \$261	ADD \$261	ADD \$261	ADD \$261	ADD \$261	ADD \$261	ADD \$261

Material and revised material appearing on this page formerly appeared on 12th Revised Page 280.31 of Tariff F.C.C. No. 68.

(This page filed under Transmittal No. 2176)

Issued: March 3, 1992

Effective: July 1, 1992

Four AT&T Plaza, Dallas, Texas 75202

ACCESS SERVICE

20. MegaLink Custom Services (Cont'd)

20.6 Vintage Services (Cont'd)

20.6.1 Services Established Prior to May 25, 1991 (Cont'd)

(B) Regulations, Terms, Conditions and Rates (Cont'd)

(6) Rates and Charges (Cont'd)

(d) MegaLink Custom Optical Service and MegaLink Custom Dark Fiber (Cont'd)

8) MegaLink Custom Optical Service from a Customer Designated Premises to a Telephone Company Central Office or between Two Customer Designated Premises or MegaLink Custom Dark Fiber with a 96 Month Rate Option (Cont'd)

Monthly Rate

QUANTITY OF DS3S	8	9	10	11	12	13	14	PER DS3 OVER 14
=====								
MILES								
1	\$4,910	\$5,099	\$5,289	\$5,455	\$5,692	\$5,953	\$6,095	ADD \$143
2	\$5,621	\$5,787	\$5,977	\$6,167	\$6,380	\$6,665	\$6,807	ADD \$143
3	\$6,262	\$6,451	\$6,641	\$6,831	\$7,044	\$7,306	\$7,447	ADD \$143
4	\$6,878	\$7,068	\$7,234	\$7,424	\$7,637	\$7,922	\$8,064	ADD \$143
5	\$7,424	\$7,590	\$7,779	\$7,969	\$8,183	\$8,467	\$8,609	ADD \$143
6	\$7,945	\$8,135	\$8,325	\$8,515	\$8,729	\$8,989	\$9,131	ADD \$143
7	\$8,491	\$8,681	\$8,870	\$9,061	\$9,274	\$9,534	\$9,677	ADD \$143
8	\$9,036	\$9,227	\$9,416	\$9,582	\$9,820	\$10,080	\$10,222	ADD \$143
9	\$9,582	\$9,772	\$9,938	\$10,127	\$10,341	\$10,625	\$10,768	ADD \$143
10	\$10,127	\$10,293	\$10,484	\$10,673	\$10,886	\$11,171	\$11,314	ADD \$143
OVER 10 MILES PER MILE	ADD \$261	ADD \$261	ADD \$261	ADD \$261	ADD \$261	ADD \$261	ADD \$261	ADD \$261

Material and revised material appearing on this page formerly appeared on 12th Revised Page 280.32 of Tariff F.C.C. No. 68.

(This page filed under Transmittal No. 2176)

Issued: March 3, 1992

Effective: July 1, 1992

Four AT&T Plaza, Dallas, Texas 75202

ACCESS SERVICE

20. MegaLink Custom Services (Cont'd)

20.6 Vintage Services (Cont'd)

20.6.1 Services Established Prior to May 25, 1991 (Cont'd)

(B) Regulations, Terms, Conditions and Rates (Cont'd)

(6) Rates and Charges (Cont'd)

(d) MegaLink Custom Optical Service and MegaLink Custom Dark Fiber (Cont'd)

9) MegaLink Custom Optical Service from a Customer Designated Premises to a Telephone Company Central Office or between Two Customer Designated Premises or MegaLink Custom Dark Fiber with a 108 Month Rate Option

Monthly Rate

QUANTITY OF DS3S	1	2	3	4	5	6	7
MILES							
1	\$2,039	\$2,728	\$2,823	\$3,273	\$3,368	\$3,462	\$4,672
2	\$2,703	\$3,415	\$3,510	\$3,960	\$4,056	\$4,151	\$5,337
3	\$3,344	\$4,032	\$4,126	\$4,601	\$4,696	\$4,791	\$5,977
4	\$3,937	\$4,625	\$4,720	\$5,171	\$5,265	\$5,360	\$6,570
5	\$4,459	\$5,171	\$5,265	\$5,716	\$5,811	\$5,906	\$7,092
6	\$5,005	\$5,692	\$5,787	\$6,238	\$6,333	\$6,428	\$7,637
7	\$5,526	\$6,214	\$6,309	\$6,783	\$6,878	\$6,974	\$8,159
8	\$6,072	\$6,760	\$6,854	\$7,306	\$7,400	\$7,495	\$8,704
9	\$6,594	\$7,281	\$7,376	\$7,827	\$7,922	\$8,017	\$9,227
10	\$7,115	\$7,827	\$7,922	\$8,372	\$8,467	\$8,563	\$9,748
OVER 10 MILES PER MILE	ADD \$261	ADD \$261	ADD \$261	ADD \$261	ADD \$261	ADD \$261	ADD \$261

Material and revised material appearing on this page formerly appeared on 12th Revised Page 280.33 of Tariff F.C.C. No. 68.

(This page filed under Transmittal No. 2176)

Issued: March 3, 1992

Effective: July 1, 1992

Four AT&T Plaza, Dallas, Texas 75202

ACCESS SERVICE

20. MegaLink Custom Services (Cont'd)

20.6 Vintage Services (Cont'd)

20.6.1 Services Established Prior to May 25, 1991 (Cont'd)

(B) Regulations, Terms, Conditions and Rates (Cont'd)

(6) Rates and Charges (Cont'd)

(d) MegaLink Custom Optical Service and MegaLink Custom Dark Fiber (Cont'd)

9) MegaLink Custom Optical Service from a Customer Designated Premises to a Telephone Company Central Office or between Two Customer Designated Premises or MegaLink Custom Dark Fiber with a 108 Month Rate Option (Cont'd)

Monthly Rate

QUANTITY OF DS3S	8	9	10	11	12	13	14	PER DS3 OVER 14
=====								
MILES								
1	\$4,815	\$5,005	\$5,171	\$5,337	\$5,550	\$5,811	\$5,953	ADD \$143
2	\$5,503	\$5,669	\$5,858	\$6,024	\$6,238	\$6,499	\$6,641	ADD \$143
3	\$6,143	\$6,309	\$6,499	\$6,665	\$6,878	\$7,140	\$7,281	ADD \$143
4	\$6,736	\$6,902	\$7,068	\$7,258	\$7,447	\$7,732	\$7,874	ADD \$143
5	\$7,258	\$7,424	\$7,613	\$7,779	\$7,993	\$8,254	\$8,397	ADD \$143
6	\$7,779	\$7,969	\$8,135	\$8,325	\$8,515	\$8,775	\$8,918	ADD \$143
7	\$8,325	\$8,491	\$8,681	\$8,847	\$9,061	\$9,321	\$9,463	ADD \$143
8	\$8,847	\$9,036	\$9,202	\$9,368	\$9,582	\$9,843	\$9,986	ADD \$143
9	\$9,393	\$9,559	\$9,725	\$9,914	\$10,104	\$10,388	\$10,531	ADD \$143
10	\$9,914	\$10,080	\$10,270	\$10,436	\$10,650	\$10,911	\$11,052	ADD \$143
OVER 10 MILES PER MILE	ADD \$261	ADD \$261	ADD \$261	ADD \$261	ADD \$261	ADD \$261	ADD \$261	ADD \$261

Material and revised material appearing on this page formerly appeared on 12th Revised Page 280.34 of Tariff F.C.C. No. 68.

(This page filed under Transmittal No. 2176)

Issued: March 3, 1992

Effective: July 1, 1992

Four AT&T Plaza, Dallas, Texas 75202

ACCESS SERVICE

20. MegaLink Custom Services (Cont'd)

20.6 Vintage Services (Cont'd)

20.6.1 Services Established Prior to May 25, 1991 (Cont'd)

(B) Regulations, Terms, Conditions and Rates (Cont'd)

(6) Rates and Charges (Cont'd)

(d) MegaLink Custom Optical Service and MegaLink Custom Dark Fiber (Cont'd)

10) MegaLink Custom Optical Service from a Customer Designated Premises to a Telephone Company Central Office or between Two Customer Designated Premises or MegaLink Custom Dark Fiber with a 120 Month Rate Option

Monthly Rate

QUANTITY OF DS3S	1	2	3	4	5	6	7
MILES							
1	\$1,992	\$2,657	\$2,751	\$3,226	\$3,321	\$3,415	\$4,578
2	\$2,657	\$3,321	\$3,415	\$3,890	\$3,985	\$4,080	\$5,242
3	\$3,273	\$3,937	\$4,032	\$4,506	\$4,601	\$4,696	\$5,858
4	\$3,842	\$4,506	\$4,601	\$5,076	\$5,171	\$5,265	\$6,428
5	\$4,364	\$5,028	\$5,123	\$5,597	\$5,692	\$5,787	\$6,949
6	\$4,886	\$5,550	\$5,645	\$6,119	\$6,214	\$6,309	\$7,472
7	\$5,408	\$6,072	\$6,167	\$6,641	\$6,736	\$6,831	\$7,993
8	\$5,929	\$6,594	\$6,688	\$7,163	\$7,258	\$7,352	\$8,515
9	\$6,451	\$7,115	\$7,210	\$7,685	\$7,779	\$7,874	\$9,036
10	\$6,974	\$7,637	\$7,732	\$8,206	\$8,301	\$8,397	\$9,559
OVER 10 MILES PER MILE	ADD \$237	ADD \$237	ADD \$237	ADD \$237	ADD \$237	ADD \$237	ADD \$237

Material and revised material appearing on this page formerly appeared on 12th Revised Page 280.35 of Tariff F.C.C. No. 68.

(This page filed under Transmittal No. 2176)

Issued: March 3, 1992

Effective: July 1, 1992

Four AT&T Plaza, Dallas, Texas 75202

ACCESS SERVICE

20. MegaLink Custom Services (Cont'd)

20.6 Vintage Services (Cont'd)

20.6.1 Services Established Prior to May 25, 1991 (Cont'd)

(B) Regulations, Terms, Conditions and Rates (Cont'd)

(6) Rates and Charges (Cont'd)

(d) MegaLink Custom Optical Service and MegaLink Custom Dark Fiber (Cont'd)

10) MegaLink Custom Optical Service from a Customer Designated Premises to a Telephone Company Central Office or between Two Customer Designated Premises or MegaLink Custom Dark Fiber with a 120 Month Rate Option (Cont'd)

Monthly Rate

QUANTITY OF DS3S	8	9	10	11	12	13	14	PER DS3 OVER 14
=====								
MILES								
1	\$4,720	\$4,886	\$5,052	\$5,218	\$5,408	\$5,669	\$5,811	ADD \$118
2	\$5,384	\$5,550	\$5,716	\$5,882	\$6,072	\$6,333	\$6,475	ADD \$118
3	\$6,001	\$6,167	\$6,333	\$6,499	\$6,688	\$6,949	\$7,092	ADD \$118
4	\$6,570	\$6,736	\$6,902	\$7,068	\$7,258	\$7,518	\$7,661	ADD \$118
5	\$7,092	\$7,258	\$7,424	\$7,590	\$7,779	\$8,040	\$8,183	ADD \$118
6	\$7,613	\$7,779	\$7,945	\$8,111	\$8,301	\$8,563	\$8,704	ADD \$118
7	\$8,135	\$8,301	\$8,467	\$8,633	\$8,823	\$9,084	\$9,227	ADD \$118
8	\$8,657	\$8,823	\$8,989	\$9,155	\$9,345	\$9,606	\$9,748	ADD \$118
9	\$9,179	\$9,345	\$9,511	\$9,677	\$9,866	\$10,127	\$10,270	ADD \$118
10	\$9,700	\$9,866	\$10,032	\$10,199	\$10,388	\$10,650	\$10,791	ADD \$118
OVER 10 MILES PER MILE	ADD \$237	ADD \$237	ADD \$237	ADD \$237	ADD \$237	ADD \$237	ADD \$237	ADD \$237

Material and revised material appearing on this page formerly appeared on 12th Revised Page 280.36 of Tariff F.C.C. No. 68.

(This page filed under Transmittal No. 2176)

Issued: March 3, 1992

Effective: July 1, 1992

Four AT&T Plaza, Dallas, Texas 75202

ACCESS SERVICE

20. MegaLink Custom Services (Cont'd)

20.6 Vintage Services (Cont'd)

20.6.1 Services Established Prior to May 25, 1991 (Cont'd)

(B) Regulations, Terms, Conditions and Rates (Cont'd)

(6) Rates and Charges (Cont'd)

(e) MegaLink Custom Service Extensions

1) MegaLink Custom Service Extension with 12 Month Rate Option

		<u>Monthly Rate</u>						
NUMBER OF DS3S		1	2	3	4	5	6	7
=====								
FIXED CHARGE		\$1,328	\$2,562	\$2,751	\$3,321	\$3,415	\$3,510	\$4,933
=====								
ADDITIONAL MILES		1	2	3	4	5	6	7
=====								
EXISTING MILES								
1		\$996	\$1,945	\$2,799	\$3,605	\$4,412	\$5,218	\$6,024
2		\$948	\$1,803	\$2,609	\$3,415	\$4,222	\$5,028	\$5,835
3		\$854	\$1,660	\$2,467	\$3,273	\$4,080	\$4,886	\$5,692
4		\$807	\$1,613	\$2,419	\$3,226	\$4,032	\$4,838	\$5,360
5		\$807	\$1,613	\$2,419	\$3,226	\$4,032	\$4,554	\$5,076
6		\$807	\$1,613	\$2,419	\$3,226	\$3,748	\$4,269	\$4,791
7		\$807	\$1,613	\$2,419	\$2,941	\$3,462	\$3,985	\$4,506
8		\$807	\$1,613	\$2,135	\$2,657	\$3,178	\$3,700	\$4,222
9		\$807	\$1,328	\$1,850	\$2,371	\$2,894	\$3,415	\$3,937
10		\$522	\$1,044	\$1,566	\$2,087	\$2,609	\$3,131	\$3,653
OVER 10 MILES PER MILE		ADD \$ 0	ADD \$ 0	ADD \$ 0	ADD \$ 0	ADD \$ 0	ADD \$ 0	ADD \$ 0

Material and revised material appearing on this page formerly appeared on 9th Revised Page 280.37 of Tariff F.C.C. No. 68.

(This page filed under Transmittal No. 2176)

Issued: March 3, 1992

Effective: July 1, 1992

Four AT&T Plaza, Dallas, Texas 75202

(M)
(T)
(T)
(M)
(T)
(T)
(M)

ACCESS SERVICE

20. MegaLink Custom Services (Cont'd)

20.6 Vintage Services (Cont'd)

20.6.1 Services Established Prior to May 25, 1991 (Cont'd)

(B) Regulations, Terms, Conditions and Rates (Cont'd)

(6) Rates and Charges (Cont'd)

(e) MegaLink Custom Service Extensions (Cont'd)

1) MegaLink Custom Service Extension with 12 Month Rate Option (Cont'd)

		Monthly Rate						PER DS3
NUMBER OF DS3S	8	9	10	11	12	13	14	OVER 14
FIXED CHARGE	\$5,313	\$5,787	\$6,167	\$6,641	\$7,115	\$7,495	\$7,685	\$189
ADDITIONAL MILES		PER MILE OVER 9						
EXISTING MILES								
1	\$6,831	\$7,637	ADD \$522					
2	\$6,641	\$7,163	ADD \$522					
3	\$6,214	\$6,736	ADD \$522					
4	\$5,882	\$6,404	ADD \$522					
5	\$5,597	\$6,119	ADD \$522					
6	\$5,313	\$5,835	ADD \$522					
7	\$5,028	\$5,550	ADD \$522					
8	\$4,744	\$5,265	ADD \$522					
9	\$4,459	\$4,981	ADD \$522					
10	\$4,174	\$4,696	ADD \$522					
OVER 10 MILES PER MILE	ADD \$ 0	ADD \$ 0	ADD \$ 0					

Material and revised material appearing on this page formerly appeared on 9th Revised Page 280.38 of Tariff F.C.C. No. 68.

(This page filed under Transmittal No. 2176)

Issued: March 3, 1992

Effective: July 1, 1992

Four AT&T Plaza, Dallas, Texas 75202

(M)
(T)
(T)
(M)
(T)
(T)
(M)

ACCESS SERVICE

20. MegaLink Custom Services (Cont'd)

20.6 Vintage Services (Cont'd)

20.6.1 Services Established Prior to May 25, 1991 (Cont'd)

(B) Regulations, Terms, Conditions and Rates (Cont'd)

(6) Rates and Charges (Cont'd)

(e) MegaLink Custom Service Extensions (Cont'd)

2) MegaLink Custom Service Extension with 24 Month Rate Option

		<u>Monthly Rate</u>						
NUMBER OF DS3S		1	2	3	4	5	6	7
=====								
FIXED CHARGE		\$1,257	\$2,467	\$2,657	\$3,273	\$3,368	\$3,462	\$4,886
=====								
ADDITIONAL MILES		1	2	3	4	5	6	7
=====								
EXISTING MILES								
1		\$925	\$1,803	\$2,585	\$3,321	\$4,056	\$4,791	\$5,526
2		\$878	\$1,660	\$2,396	\$3,131	\$3,866	\$4,601	\$5,337
3		\$782	\$1,518	\$2,253	\$2,989	\$3,724	\$4,459	\$5,194
4		\$735	\$1,471	\$2,205	\$2,941	\$3,676	\$4,412	\$4,862
5		\$735	\$1,471	\$2,205	\$2,941	\$3,676	\$4,126	\$4,578
6		\$735	\$1,471	\$2,205	\$2,941	\$3,392	\$3,842	\$4,293
7		\$735	\$1,471	\$2,205	\$2,657	\$3,107	\$3,558	\$4,008
8		\$735	\$1,471	\$1,921	\$2,371	\$2,823	\$3,273	\$3,724
9		\$735	\$1,186	\$1,637	\$2,087	\$2,537	\$2,989	\$3,439
10		\$450	\$901	\$1,352	\$1,803	\$2,253	\$2,703	\$3,155
OVER 10 MILES PER MILE	ADD \$	0	0	0	0	0	0	0

Material and revised material appearing on this page formerly appeared on 9th Revised Page 280.39 of Tariff F.C.C. No. 68.

(This page filed under Transmittal No. 2176)

Issued: March 3, 1992

Effective: July 1, 1992

Four AT&T Plaza, Dallas, Texas 75202

(M)
(T)
(T)
(M)
(T)
(T)
(M)

ACCESS SERVICE

20. MegaLink Custom Services (Cont'd)

20.6 Vintage Services (Cont'd)

20.6.1 Services Established Prior to May 25, 1991 (Cont'd)

(B) Regulations, Terms, Conditions and Rates (Cont'd)

(6) Rates and Charges (Cont'd)

(e) MegaLink Custom Service Extensions (Cont'd)

2) MegaLink Custom Service Extension with 24 Month Rate Option (Cont'd)

NUMBER OF DS3S	<u>Monthly Rate</u>							PER DS3 OVER 14
	8	9	10	11	12	13	14	
FIXED CHARGE	\$5,289	\$5,740	\$6,143	\$6,594	\$7,020	\$7,400	\$7,590	\$214
ADDITIONAL MILES	8	9	PER MILE OVER 9					
EXISTING MILES								
1	\$6,262	\$6,997	ADD \$450					
2	\$6,072	\$6,522	ADD \$450					
3	\$5,645	\$6,095	ADD \$450					
4	\$5,313	\$5,763	ADD \$450					
5	\$5,028	\$5,479	ADD \$450					
6	\$4,744	\$5,194	ADD \$450					
7	\$4,459	\$4,910	ADD \$450					
8	\$4,174	\$4,625	ADD \$450					
9	\$3,890	\$4,340	ADD \$450					
10	\$3,605	\$4,056	ADD \$450					
OVER 10 MILES PER MILE	ADD \$ 0	ADD \$ 0	ADD \$ 0					

Material and revised material appearing on this page formerly appeared on 9th Revised Page 280.40 of Tariff F.C.C. No. 68.

(This page filed under Transmittal No. 2176)

Issued: March 3, 1992

Effective: July 1, 1992

Four AT&T Plaza, Dallas, Texas 75202

(M)
(T)
(T)
(M)
(T)
(T)
(M)

ACCESS SERVICE

20. MegaLink Custom Services (Cont'd)

20.6 Vintage Services (Cont'd)

20.6.1 Services Established Prior to May 25, 1991 (Cont'd)

(B) Regulations, Terms, Conditions and Rates (Cont'd)

(6) Rates and Charges (Cont'd)

(e) MegaLink Custom Service Extensions (Cont'd)

3) MegaLink Custom Service Extension with 36 Month Rate Option

		<u>Monthly Rate</u>						
NUMBER OF DS3S		1	2	3	4	5	6	7
=====								
FIXED CHARGE		\$1,186	\$2,371	\$2,562	\$3,226	\$3,321	\$3,415	\$4,838
=====								
ADDITIONAL MILES		1	2	3	4	5	6	7
=====								
EXISTING MILES								
1	\$854	\$1,660	\$2,371	\$3,036	\$3,700	\$4,364	\$5,028	
2	\$807	\$1,518	\$2,182	\$2,846	\$3,510	\$4,174	\$4,838	
3	\$712	\$1,375	\$2,039	\$2,703	\$3,368	\$4,032	\$4,696	
4	\$664	\$1,328	\$1,992	\$2,657	\$3,321	\$3,985	\$4,364	
5	\$664	\$1,328	\$1,992	\$2,657	\$3,321	\$3,700	\$4,080	
6	\$664	\$1,328	\$1,992	\$2,657	\$3,036	\$3,415	\$3,794	
7	\$664	\$1,328	\$1,992	\$2,371	\$2,751	\$3,131	\$3,510	
8	\$664	\$1,328	\$1,707	\$2,087	\$2,467	\$2,846	\$3,226	
9	\$664	\$1,044	\$1,423	\$1,803	\$2,182	\$2,562	\$2,941	
10	\$380	\$759	\$1,139	\$1,518	\$1,898	\$2,277	\$2,657	
OVER 10 MILES PER MILE	ADD \$	0	ADD \$	0	ADD \$	0	ADD \$	0

Material and revised material appearing on this page formerly appeared on 13th Revised Page 281 of Tariff F.C.C. No. 68.

(This page filed under Transmittal No. 2176)

Issued: March 3, 1992

Effective: July 1, 1992

Four AT&T Plaza, Dallas, Texas 75202

(M)
(T)
(T)
(M)
(T)
(T)
(M)

ACCESS SERVICE

20. MegaLink Custom Services (Cont'd)

20.6 Vintage Services (Cont'd)

20.6.1 Services Established Prior to May 25, 1991 (Cont'd)

(B) Regulations, Terms, Conditions and Rates (Cont'd)

(6) Rates and Charges (Cont'd)

(e) MegaLink Custom Service Extensions (Cont'd)

3) MegaLink Custom Service Extension with 36 Month Rate Option (Cont'd)

NUMBER OF DS3S	<u>Monthly Rate</u>							PER DS3 OVER 14
	8	9	10	11	12	13	14	
FIXED CHARGE	\$5,265	\$5,669	\$6,095	\$6,522	\$6,926	\$7,306	\$7,495	\$214
ADDITIONAL MILES	8	9	PER MILE OVER 9					
EXISTING MILES	1	2	3	4	5	6	7	8
	\$5,692	\$5,503	\$5,076	\$4,744	\$4,459	\$4,174	\$3,890	\$3,605
	\$6,356	\$5,882	\$5,455	\$5,123	\$4,838	\$4,554	\$4,269	\$3,985
	ADD \$380	ADD \$380	ADD \$380	ADD \$380	ADD \$380	ADD \$380	ADD \$380	ADD \$380
	\$3,321	\$3,321	\$3,321	\$3,321	\$3,321	\$3,321	\$3,321	\$3,321
	\$3,700	\$3,700	\$3,700	\$3,700	\$3,700	\$3,700	\$3,700	\$3,700
	ADD \$380	ADD \$380	ADD \$380	ADD \$380	ADD \$380	ADD \$380	ADD \$380	ADD \$380
OVER 10 MILES PER MILE	ADD \$ 0	ADD \$ 0	ADD \$ 0	ADD \$ 0	ADD \$ 0	ADD \$ 0	ADD \$ 0	ADD \$ 0

Material and revised material appearing on this page formerly appeared on 14th Revised Page 282 of Tariff F.C.C. No. 68.

(This page filed under Transmittal No. 2176)

Issued: March 3, 1992

Effective: July 1, 1992

Four AT&T Plaza, Dallas, Texas 75202

(M)
(T)
(T)
(M)
(T)
(T)
(M)

ACCESS SERVICE

20. MegaLink Custom Services (Cont'd)

20.6 Vintage Services (Cont'd)

20.6.1 Services Established Prior to May 25, 1991 (Cont'd)

(B) Regulations, Terms, Conditions and Rates (Cont'd)

(6) Rates and Charges (Cont'd)

(e) MegaLink Custom Service Extensions (Cont'd)

4) MegaLink Custom Service Extension with 48 Month Rate Option

		<u>Monthly Rate</u>						
NUMBER OF DS3S		1	2	3	4	5	6	7
=====								
FIXED CHARGE		\$1,114	\$2,087	\$2,230	\$2,941	\$3,036	\$3,131	\$4,696
=====								
<u>ADDITIONAL MILES</u>		1	2	3	4	5	6	7
=====								
EXISTING MILES								
1		\$807	\$1,566	\$2,253	\$2,869	\$3,487	\$4,103	\$4,720
2		\$759	\$1,446	\$2,064	\$2,680	\$3,296	\$3,914	\$4,530
3		\$688	\$1,305	\$1,921	\$2,537	\$3,155	\$3,771	\$4,388
4		\$616	\$1,234	\$1,850	\$2,467	\$3,083	\$3,700	\$4,032
5		\$616	\$1,234	\$1,850	\$2,467	\$3,083	\$3,415	\$3,748
6		\$616	\$1,234	\$1,850	\$2,467	\$2,799	\$3,131	\$3,462
7		\$616	\$1,234	\$1,850	\$2,182	\$2,514	\$2,846	\$3,178
8		\$616	\$1,234	\$1,566	\$1,898	\$2,230	\$2,562	\$2,894
9		\$616	\$948	\$1,280	\$1,613	\$1,945	\$2,277	\$2,609
10		\$332	\$664	\$996	\$1,328	\$1,660	\$1,992	\$2,325
OVER 10 MILES PER MILE	ADD \$	0	0	0	0	0	0	0

Material and revised material appearing on this page formerly appeared on 12th Revised Page 283 of Tariff F.C.C. No. 68.

(This page filed under Transmittal No. 2176)

Issued: March 3, 1992

Effective: July 1, 1992

Four AT&T Plaza, Dallas, Texas 75202

(M)
(T)
(T)
(M)
(T)
(T)
(M)

ACCESS SERVICE

20. MegaLink Custom Services (Cont'd)

20.6 Vintage Services (Cont'd)

20.6.1 Services Established Prior to May 25, 1991 (Cont'd)

(B) Regulations, Terms, Conditions and Rates (Cont'd)

(6) Rates and Charges (Cont'd)

(e) MegaLink Custom Service Extensions (Cont'd)

4) MegaLink Custom Service Extension with 48 Month Rate Option (Cont'd)

NUMBER OF DS3S	<u>Monthly Rate</u>							PER DS3 OVER 14
	8	9	10	11	12	13	14	
FIXED CHARGE	\$5,052	\$5,384	\$5,716	\$6,072	\$6,428	\$6,783	\$6,974	\$189
ADDITIONAL MILES	8	9	PER MILE OVER 9					
EXISTING MILES	1	2	3	4	5	6	7	8
	\$5,337	\$5,147	\$5,953	\$5,479	ADD \$332	ADD \$332	ADD \$332	ADD \$332
	\$4,720	\$4,364	\$5,052	\$4,696	ADD \$332	ADD \$332	ADD \$332	ADD \$332
	\$4,080	\$3,794	\$4,412	\$4,126	ADD \$332	ADD \$332	ADD \$332	ADD \$332
	\$3,510	\$3,226	\$3,842	\$3,558	ADD \$332	ADD \$332	ADD \$332	ADD \$332
	\$2,941	\$2,657	\$3,273	\$2,989	ADD \$332	ADD \$332	ADD \$332	ADD \$332
OVER 10 MILES PER MILE	ADD \$ 0	ADD \$ 0	ADD \$ 0	ADD \$ 0	ADD \$ 0	ADD \$ 0	ADD \$ 0	ADD \$ 0

Material and revised material appearing on this page formerly appeared on 4th Revised Page 283.1 of Tariff F.C.C. No. 68.

(This page filed under Transmittal No. 2176)

Issued: March 3, 1992

Effective: July 1, 1992

Four AT&T Plaza, Dallas, Texas 75202

(M)
(T)
(T)
(M)
(T)
(T)
(M)

ACCESS SERVICE

20. MegaLink Custom Services (Cont'd)

20.6 Vintage Services (Cont'd)

20.6.1 Services Established Prior to May 25, 1991 (Cont'd)

(B) Regulations, Terms, Conditions and Rates (Cont'd)

(6) Rates and Charges (Cont'd)

(e) MegaLink Custom Service Extensions (Cont'd)

5) MegaLink Custom Service Extension with 60 Month Rate Option

		<u>Monthly Rate</u>						
NUMBER OF DS3S		1	2	3	4	5	6	7
=====								
FIXED CHARGE		\$1,044	\$1,803	\$1,898	\$2,657	\$2,751	\$2,846	\$4,554
=====								
ADDITIONAL MILES		1	2	3	4	5	6	7
=====								
EXISTING MILES								
1	\$759	\$1,471	\$2,135	\$2,703	\$3,273	\$3,842	\$4,412	
2	\$712	\$1,375	\$1,945	\$2,514	\$3,083	\$3,653	\$4,222	
3	\$664	\$1,234	\$1,803	\$2,371	\$2,941	\$3,510	\$4,080	
4	\$569	\$1,139	\$1,707	\$2,277	\$2,846	\$3,415	\$3,700	
5	\$569	\$1,139	\$1,707	\$2,277	\$2,846	\$3,131	\$3,415	
6	\$569	\$1,139	\$1,707	\$2,277	\$2,562	\$2,846	\$3,131	
7	\$569	\$1,139	\$1,707	\$1,992	\$2,277	\$2,562	\$2,846	
8	\$569	\$1,139	\$1,423	\$1,707	\$1,992	\$2,277	\$2,562	
9	\$569	\$854	\$1,139	\$1,423	\$1,707	\$1,992	\$2,277	
10	\$284	\$569	\$854	\$1,139	\$1,423	\$1,707	\$1,992	
OVER 10 MILES PER MILE	ADD \$	0	ADD \$	0	ADD \$	0	ADD \$	0

Material and revised material appearing on this page formerly appeared on 4th Revised Page 283.2 of Tariff F.C.C. No. 68.

(This page filed under Transmittal No. 2176)

Issued: March 3, 1992

Effective: July 1, 1992

Four AT&T Plaza, Dallas, Texas 75202

(M)
(T)
(T)
(M)
(T)
(T)
(M)

ACCESS SERVICE

20. MegaLink Custom Services (Cont'd)

20.6 Vintage Services (Cont'd)

20.6.1 Services Established Prior to May 25, 1991 (Cont'd)

(B) Regulations, Terms, Conditions and Rates (Cont'd)

(6) Rates and Charges (Cont'd)

(e) MegaLink Custom Service Extensions (Cont'd)

5) MegaLink Custom Service Extension with 60 Month Rate Option (Cont'd)

		<u>Monthly Rate</u>							
NUMBER OF DS3S	8	9	10	11	12	13	14	PER DS3 OVER 14	
=====									
FIXED CHARGE	\$4,815	\$5,076	\$5,337	\$5,597	\$5,906	\$6,262	\$6,428	\$189	
=====									
ADDITIONAL MILES		8	9	PER MILE OVER 9					
=====									
EXISTING MILES									
1	\$4,981	\$5,550	ADD \$284						
2	\$4,791	\$5,076	ADD \$284						
3	\$4,364	\$4,649	ADD \$284						
4	\$3,985	\$4,269	ADD \$284						
5	\$3,700	\$3,985	ADD \$284						
6	\$3,415	\$3,700	ADD \$284						
7	\$3,131	\$3,415	ADD \$284						
8	\$2,846	\$3,131	ADD \$284						
9	\$2,562	\$2,846	ADD \$284						
10	\$2,277	\$2,562	ADD \$284						
OVER 10 MILES PER MILE	ADD \$ 0	ADD \$ 0	ADD \$ 0						

Material and revised material appearing on this page formerly appeared on 4th Revised Page 283.3 of Tariff F.C.C. No. 68.

(This page filed under Transmittal No. 2176)

Issued: March 3, 1992

Effective: July 1, 1992

Four AT&T Plaza, Dallas, Texas 75202

(M)
(T)
(T)
(M)
(T)
(T)
(M)

ACCESS SERVICE

20. MegaLink Custom Services (Cont'd)

20.6 Vintage Services (Cont'd)

20.6.1 Services Established Prior to May 25, 1991 (Cont'd)

(B) Regulations, Terms, Conditions and Rates (Cont'd)

(6) Rates and Charges (Cont'd)

(e) MegaLink Custom Service Extensions (Cont'd)

6) MegaLink Custom Service Extension with 72 Month Rate Option

		<u>Monthly Rate</u>						
NUMBER OF DS3S	1	2	3	4	5	6	7	
FIXED CHARGE	\$1,044	\$1,779	\$1,873	\$2,657	\$2,751	\$2,846	\$4,506	
=====								
ADDITIONAL MILES	1	2	3	4	5	6	7	
EXISTING MILES								
1	\$759	\$1,446	\$2,087	\$2,657	\$3,202	\$3,771	\$4,317	
2	\$712	\$1,352	\$1,898	\$2,467	\$3,036	\$3,581	\$4,151	
3	\$664	\$1,209	\$1,779	\$2,325	\$2,894	\$3,462	\$4,008	
4	\$569	\$1,139	\$1,684	\$2,253	\$2,799	\$3,368	\$3,653	
5	\$569	\$1,139	\$1,684	\$2,253	\$2,799	\$3,083	\$3,368	
6	\$569	\$1,139	\$1,684	\$2,253	\$2,514	\$2,799	\$3,083	
7	\$569	\$1,139	\$1,684	\$1,969	\$2,230	\$2,514	\$2,799	
8	\$569	\$1,139	\$1,400	\$1,684	\$1,945	\$2,230	\$2,514	
9	\$569	\$854	\$1,114	\$1,400	\$1,660	\$1,945	\$2,230	
10	\$284	\$569	\$830	\$1,114	\$1,375	\$1,660	\$1,945	
OVER 10 MILES PER MILE	ADD \$ 0	ADD \$ 0	ADD \$ 0	ADD \$ 0	ADD \$ 0	ADD \$ 0	ADD \$ 0	

Material and revised material appearing on this page formerly appeared on 4th Revised Page 283.4 of Tariff F.C.C. No. 68.

(This page filed under Transmittal No. 2176)

Issued: March 3, 1992

Effective: July 1, 1992

Four AT&T Plaza, Dallas, Texas 75202

(M)
(T)
(T)
(M)
(T)
(T)
(M)

ACCESS SERVICE

20. MegaLink Custom Services (Cont'd)

20.6 Vintage Services (Cont'd)

20.6.1 Services Established Prior to May 25, 1991 (Cont'd)

(B) Regulations, Terms, Conditions and Rates (Cont'd)

(6) Rates and Charges (Cont'd)

(e) MegaLink Custom Service Extensions (Cont'd)

6) MegaLink Custom Service Extension with 72 Month Rate Option (Cont'd)

NUMBER OF DS3S	Monthly Rate							PER DS3 OVER 14
	8	9	10	11	12	13	14	
FIXED CHARGE	\$4,744	\$4,981	\$5,242	\$5,479	\$5,787	\$6,119	\$6,285	\$189
ADDITIONAL MILES	8	9	PER MILE OVER 9					
EXISTING MILES	1	2	3	4	5	6	7	8
	\$4,886	\$4,696	\$4,293	\$3,914	\$3,628	\$3,344	\$3,060	\$2,775
	\$5,455	\$4,981	\$4,554	\$4,198	\$3,914	\$3,628	\$3,344	\$3,060
	ADD \$284	ADD \$284	ADD \$284	ADD \$284	ADD \$284	ADD \$284	ADD \$284	ADD \$284
	\$2,491	\$2,205	ADD \$0	ADD \$0	ADD \$0	ADD \$0	ADD \$0	ADD \$0
OVER 10 MILES PER MILE								

Material and revised material appearing on this page formerly appeared on 4th Revised Page 283.5 of Tariff F.C.C. No. 68.

(This page filed under Transmittal No. 2176)

Issued: March 3, 1992

Effective: July 1, 1992

Four AT&T Plaza, Dallas, Texas 75202

(M)
(T)
(T)
(M)
(T)
(T)
(M)

ACCESS SERVICE

20. MegaLink Custom Services (Cont'd)

20.6 Vintage Services (Cont'd)

20.6.1 Services Established Prior to May 25, 1991 (Cont'd)

(B) Regulations, Terms, Conditions and Rates (Cont'd)

(6) Rates and Charges (Cont'd)

(e) MegaLink Custom Service Extensions (Cont'd)

7) MegaLink Custom Service Extension with 84 Month Rate Option

		<u>Monthly Rate</u>							
NUMBER OF DS3S		1	2	3	4	5	6	7	
=====									
FIXED CHARGE		\$1,020	\$1,732	\$1,826	\$2,633	\$2,728	\$2,823	\$4,435	
=====									
<u>ADDITIONAL MILES</u>		1	2	3	4	5	6	7	
=====									
EXISTING MILES									
1		\$735	\$1,400	\$2,039	\$2,585	\$3,131	\$3,676	\$4,222	
2		\$688	\$1,305	\$1,850	\$2,419	\$2,965	\$3,510	\$4,056	
3		\$641	\$1,186	\$1,732	\$2,277	\$2,846	\$3,392	\$3,937	
4		\$569	\$1,114	\$1,660	\$2,205	\$2,751	\$3,321	\$3,581	
5		\$569	\$1,114	\$1,660	\$2,205	\$2,751	\$3,036	\$3,296	
6		\$569	\$1,114	\$1,660	\$2,205	\$2,467	\$2,751	\$3,012	
7		\$569	\$1,114	\$1,660	\$1,921	\$2,182	\$2,467	\$2,728	
8		\$569	\$1,114	\$1,375	\$1,637	\$1,898	\$2,182	\$2,443	
9		\$569	\$830	\$1,091	\$1,352	\$1,613	\$1,898	\$2,158	
10		\$284	\$546	\$807	\$1,068	\$1,328	\$1,613	\$1,873	
OVER 10 MILES PER MILE	ADD \$	0	0	0	0	0	0	0	0

Material and revised material appearing on this page formerly appeared on 4th Revised Page 283.6 of Tariff F.C.C. No. 68.

(This page filed under Transmittal No. 2176)

Issued: March 3, 1992

Effective: July 1, 1992

Four AT&T Plaza, Dallas, Texas 75202

(M)
(T)
(T)
(M)
(T)
(T)
(M)

ACCESS SERVICE

20. MegaLink Custom Services (Cont'd)

20.6 Vintage Services (Cont'd)

20.6.1 Services Established Prior to May 25, 1991 (Cont'd)

(B) Regulations, Terms, Conditions and Rates (Cont'd)

(6) Rates and Charges (Cont'd)

(e) MegaLink Custom Service Extensions (Cont'd)

7) MegaLink Custom Service Extension with 84 Month Rate Option (Cont'd)

NUMBER OF DS3S	<u>Monthly Rate</u>							PER DS3 OVER 14
	8	9	10	11	12	13	14	
FIXED CHARGE	\$4,649	\$4,886	\$5,123	\$5,360	\$5,645	\$5,977	\$6,143	\$189
ADDITIONAL MILES	8	9	PER MILE OVER 9					
EXISTING MILES	1	2	3	4	5	6	7	8
	\$4,791	\$4,601	\$4,198	\$3,842	\$3,558	\$3,273	\$2,989	\$2,703
	\$5,337	\$4,886	\$4,459	\$4,103	\$3,819	\$3,534	\$3,249	\$2,965
	ADD \$261	ADD \$261	ADD \$261	ADD \$261	ADD \$261	ADD \$261	ADD \$261	ADD \$261
	\$2,419	\$2,135	ADD \$261	ADD \$261	ADD \$261	ADD \$261	ADD \$261	ADD \$261
OVER 10 MILES PER MILE	ADD \$ 0	ADD \$ 0	ADD \$ 0	ADD \$ 0	ADD \$ 0	ADD \$ 0	ADD \$ 0	ADD \$ 0

Material and revised material appearing on this page formerly appeared on 4th Revised Page 283.7 of Tariff F.C.C. No. 68.

(This page filed under Transmittal No. 2176)

Issued: March 3, 1992

Effective: July 1, 1992

Four AT&T Plaza, Dallas, Texas 75202

(M)
(T)
(T)
(M)
(T)
(T)
(M)

ACCESS SERVICE

20. MegaLink Custom Services (Cont'd)

20.6 Vintage Services (Cont'd)

20.6.1 Services Established Prior to May 25, 1991 (Cont'd)

(B) Regulations, Terms, Conditions and Rates (Cont'd)

(6) Rates and Charges (Cont'd)

(e) MegaLink Custom Service Extensions (Cont'd)

8) MegaLink Custom Service Extension with 96 Month Rate Option

		<u>Monthly Rate</u>						
NUMBER OF DS3S		1	2	3	4	5	6	7
=====								
FIXED CHARGE		\$996	\$1,707	\$1,803	\$2,609	\$2,703	\$2,799	\$4,364
=====								
<u>ADDITIONAL MILES</u>		1	2	3	4	5	6	7
=====								
EXISTING MILES								
1		\$712	\$1,375	\$1,969	\$2,514	\$3,060	\$3,605	\$4,126
2		\$664	\$1,280	\$1,803	\$2,348	\$2,894	\$3,439	\$3,985
3		\$616	\$1,162	\$1,707	\$2,230	\$2,775	\$3,321	\$3,866
4		\$546	\$1,091	\$1,637	\$2,182	\$2,703	\$3,249	\$3,510
5		\$546	\$1,091	\$1,637	\$2,182	\$2,703	\$2,965	\$3,226
6		\$546	\$1,091	\$1,637	\$2,182	\$2,419	\$2,680	\$2,941
7		\$546	\$1,091	\$1,637	\$1,898	\$2,135	\$2,396	\$2,657
8		\$546	\$1,091	\$1,352	\$1,613	\$1,850	\$2,111	\$2,371
9		\$546	\$807	\$1,068	\$1,328	\$1,566	\$1,826	\$2,087
10		\$261	\$522	\$782	\$1,044	\$1,280	\$1,541	\$1,803
OVER 10 MILES PER MILE	ADD \$	0	0	0	0	0	0	0

Material and revised material appearing on this page formerly appeared on 4th Revised Page 283.8 of Tariff F.C.C. No. 68.

(This page filed under Transmittal No. 2176)

Issued: March 3, 1992

Effective: July 1, 1992

Four AT&T Plaza, Dallas, Texas 75202

(M)
(T)
(T)
(M)
(T)
(T)
(M)

ACCESS SERVICE

20. MegaLink Custom Services (Cont'd)

20.6 Vintage Services (Cont'd)

20.6.1 Services Established Prior to May 25, 1991 (Cont'd)

(B) Regulations, Terms, Conditions and Rates (Cont'd)

(6) Rates and Charges (Cont'd)

(e) MegaLink Custom Service Extensions (Cont'd)

8) MegaLink Custom Service Extension with 96 Month Rate Option (Cont'd)

NUMBER OF DS3S	Monthly Rate							PER DS3 OVER 14
	8	9	10	11	12	13	14	
FIXED CHARGE	\$4,554	\$4,791	\$5,028	\$5,242	\$5,503	\$5,835	\$6,001	\$166
ADDITIONAL MILES	8	9	PER MILE OVER 9					
EXISTING MILES	1	2	3	4	5	6	7	8
	\$4,672	\$4,506	\$4,126	\$3,771	\$3,487	\$3,202	\$2,917	\$2,633
	\$5,218	\$4,767	\$4,364	\$4,032	\$3,748	\$3,462	\$3,178	\$2,894
	ADD \$261	ADD \$261	ADD \$261	ADD \$261	ADD \$261	ADD \$261	ADD \$261	ADD \$261
	\$2,348	\$2,064	ADD \$261	ADD \$261	ADD \$261	ADD \$261	ADD \$261	ADD \$261
OVER 10 MILES PER MILE	ADD \$ 0	ADD \$ 0	ADD \$ 0	ADD \$ 0	ADD \$ 0	ADD \$ 0	ADD \$ 0	ADD \$ 0

Material and revised material appearing on this page formerly appeared on 4th Revised Page 283.9 of Tariff F.C.C. No. 68.

(This page filed under Transmittal No. 2176)

Issued: March 3, 1992

Effective: July 1, 1992

Four AT&T Plaza, Dallas, Texas 75202

(M)
(T)
(T)
(M)
(T)
(T)
(M)

ACCESS SERVICE

20. MegaLink Custom Services (Cont'd)

20.6 Vintage Services (Cont'd)

20.6.1 Services Established Prior to May 25, 1991 (Cont'd)

(B) Regulations, Terms, Conditions and Rates (Cont'd)

(6) Rates and Charges (Cont'd)

(e) MegaLink Custom Service Extensions (Cont'd)

9) MegaLink Custom Service Extension with 108 Month Rate Option

		<u>Monthly Rate</u>						
NUMBER OF DS3S		1	2	3	4	5	6	7
=====								
FIXED CHARGE		\$973	\$1,660	\$1,755	\$2,585	\$2,680	\$2,775	\$4,293
=====								
ADDITIONAL MILES		1	2	3	4	5	6	7
=====								
EXISTING MILES								
1		\$688	\$1,328	\$1,921	\$2,443	\$2,989	\$3,510	\$4,032
2		\$641	\$1,234	\$1,755	\$2,301	\$2,823	\$3,368	\$3,890
3		\$593	\$1,139	\$1,660	\$2,182	\$2,728	\$3,249	\$3,794
4		\$546	\$1,068	\$1,613	\$2,135	\$2,657	\$3,202	\$3,439
5		\$546	\$1,068	\$1,613	\$2,135	\$2,657	\$2,917	\$3,155
6		\$546	\$1,068	\$1,613	\$2,135	\$2,371	\$2,633	\$2,869
7		\$546	\$1,068	\$1,613	\$1,850	\$2,087	\$2,348	\$2,585
8		\$546	\$1,068	\$1,328	\$1,566	\$1,803	\$2,064	\$2,301
9		\$546	\$782	\$1,044	\$1,280	\$1,518	\$1,779	\$2,016
10		\$261	\$498	\$759	\$996	\$1,234	\$1,494	\$1,732
OVER 10 MILES PER MILE	ADD \$	0	0	0	0	0	0	0

Material and revised material appearing on this page formerly appeared on 4th Revised Page 283.10 of Tariff F.C.C. No. 68.

(This page filed under Transmittal No. 2176)

Issued: March 3, 1992

Effective: July 1, 1992

Four AT&T Plaza, Dallas, Texas 75202

(M)
(T)
(T)
(M)
(T)
(T)
(M)

ACCESS SERVICE

20. MegaLink Custom Services (Cont'd)

20.6 Vintage Services (Cont'd)

20.6.1 Services Established Prior to May 25, 1991 (Cont'd)

(B) Regulations, Terms, Conditions and Rates (Cont'd)

(6) Rates and Charges (Cont'd)

(e) MegaLink Custom Service Extensions (Cont'd)

9) MegaLink Custom Service Extension with 108 Month Rate Option (Cont'd)

NUMBER OF DS3S	<u>Monthly Rate</u>							PER DS3 OVER 14
	8	9	10	11	12	13	14	
FIXED CHARGE	\$4,459	\$4,696	\$4,910	\$5,123	\$5,360	\$5,692	\$5,858	\$166
ADDITIONAL MILES	8	9	PER MILE OVER 9					
EXISTING MILES	1	\$4,578	\$5,099	ADD \$261				
	2	\$4,412	\$4,672	ADD \$261				
	3	\$4,032	\$4,269	ADD \$261				
	4	\$3,700	\$3,937	ADD \$261				
	5	\$3,415	\$3,653	ADD \$261				
	6	\$3,131	\$3,368	ADD \$261				
	7	\$2,846	\$3,083	ADD \$261				
	8	\$2,562	\$2,799	ADD \$261				
	9	\$2,277	\$2,514	ADD \$261				
	10	\$1,992	\$2,230	ADD \$261				
OVER 10 MILES PER MILE		ADD \$ 0	ADD \$ 0	ADD \$ 0				

Material and revised material appearing on this page formerly appeared on 4th Revised Page 283.11 of Tariff F.C.C. No. 68.

(This page filed under Transmittal No. 2176)

Issued: March 3, 1992

Effective: July 1, 1992

Four AT&T Plaza, Dallas, Texas 75202

(M)
(T)
(T)
(M)
(T)
(T)
(M)

ACCESS SERVICE

20. MegaLink Custom Services (Cont'd)

20.6 Vintage Services (Cont'd)

20.6.1 Services Established Prior to May 25, 1991 (Cont'd)

(B) Regulations, Terms, Conditions and Rates (Cont'd)

(6) Rates and Charges (Cont'd)

(e) MegaLink Custom Service Extensions (Cont'd)

10) MegaLink Custom Service Extension with 120 Month Rate Option

		<u>Monthly Rate</u>						
NUMBER OF DS3S	1	2	3	4	5	6	7	
FIXED CHARGE	\$948	\$1,613	\$1,707	\$2,562	\$2,657	\$2,751	\$4,222	
=====								
ADDITIONAL MILES	1	2	3	4	5	6	7	
EXISTING MILES								
1	\$664	\$1,280	\$1,850	\$2,371	\$2,894	\$3,415	\$3,937	
2	\$616	\$1,186	\$1,707	\$2,230	\$2,751	\$3,273	\$3,794	
3	\$569	\$1,091	\$1,613	\$2,135	\$2,657	\$3,178	\$3,700	
4	\$522	\$1,044	\$1,566	\$2,087	\$2,609	\$3,131	\$3,368	
5	\$522	\$1,044	\$1,566	\$2,087	\$2,609	\$2,846	\$3,083	
6	\$522	\$1,044	\$1,566	\$2,087	\$2,325	\$2,562	\$2,799	
7	\$522	\$1,044	\$1,566	\$1,803	\$2,039	\$2,277	\$2,514	
8	\$522	\$1,044	\$1,280	\$1,518	\$1,755	\$1,992	\$2,230	
9	\$522	\$759	\$996	\$1,234	\$1,471	\$1,707	\$1,945	
10	\$237	\$475	\$712	\$948	\$1,186	\$1,423	\$1,660	
OVER 10 MILES PER MILE	ADD \$ 0	ADD \$ 0	ADD \$ 0	ADD \$ 0	ADD \$ 0	ADD \$ 0	ADD \$ 0	

Material and revised material appearing on this page formerly appeared on 4th Revised Page 283.12 of Tariff F.C.C. No. 68.

(This page filed under Transmittal No. 2176)

Issued: March 3, 1992

Effective: July 1, 1992

Four AT&T Plaza, Dallas, Texas 75202

(M)
(T)
(T)
(M)
(T)
(T)
(M)

ACCESS SERVICE

20. MegaLink Custom Services (Cont'd)

20.6 Vintage Services (Cont'd)

20.6.1 Services Established Prior to May 25, 1991 (Cont'd)

(B) Regulations, Terms, Conditions and Rates (Cont'd)

(6) Rates and Charges (Cont'd)

(e) MegaLink Custom Service Extensions (Cont'd)

10) MegaLink Custom Service Extension with 120 Month Rate Option (Cont'd)

		<u>Monthly Rate</u>							
NUMBER OF DS3S	8	9	10	11	12	13	14	PER DS3 OVER 14	
=====									
FIXED CHARGE	\$4,364	\$4,578	\$4,791	\$5,005	\$5,218	\$5,550	\$5,692	\$166	
=====									
ADDITIONAL MILES		8	9	PER MILE OVER 9					
=====									
EXISTING MILES									
1	\$4,459	\$4,981	ADD \$237						
2	\$4,317	\$4,554	ADD \$237						
3	\$3,937	\$4,174	ADD \$237						
4	\$3,605	\$3,842	ADD \$237						
5	\$3,321	\$3,558	ADD \$237						
6	\$3,036	\$3,273	ADD \$237						
7	\$2,751	\$2,989	ADD \$237						
8	\$2,467	\$2,703	ADD \$237						
9	\$2,182	\$2,419	ADD \$237						
10	\$1,898	\$2,135	ADD \$237						
OVER 10 MILES PER MILE	ADD \$ 0	ADD \$ 0	ADD \$ 0						

Material and revised material appearing on this page formerly appeared on 4th Revised Page 283.13 of Tariff F.C.C. No. 68.

(This page filed under Transmittal No. 2176)

Issued: March 3, 1992

Effective: July 1, 1992

Four AT&T Plaza, Dallas, Texas 75202

(M)
(T)
(T)
(M)
(T)
(T)
(M)

ACCESS SERVICE

- 20. MegaLink Custom Services (Cont'd) (M)
- 20.6 Vintage Services (Cont'd) (T)
- 20.6.1 Services Established Prior to May 25, 1991 (Cont'd) (T)
- (B) Regulations, Terms, Conditions and Rates (Cont'd) (M)
- (6) Rates and Charges (Cont'd) (T)
- (f) Installation Charges for MegaLink Custom Electrical Service, MegaLink Custom Optical Service, MegaLink Dark Fiber, and MegaLink Custom Service Extensions (M)

<u>Initial</u>	<u>Subsequent</u>
<u>Installation Charge</u>	<u>Installation Charge</u>
\$1350	\$ 675
- (g) DS4 Service (M)

<u>Monthly Rate</u>	<u>Case Preparation Charge</u>
ICB	ICB
- (h) Service to Service Through Connect Arrangements (T)

<u>Monthly Rate</u>	<u>Installation Charge</u>
44.736 Mbps (DS3) None	\$208
- (i) Optional Features and Functions (M)
 - 1) Central Office Multiplexing (M)

	<u>Monthly Rate</u>	<u>Case Preparation Charge</u>
a) DS4 to DS1, per arrangement	ICB	ICB
b) DS2 to DS1, per arrangement	ICB	ICB
c) DS1C to DS1, per arrangement	ICB	ICB

Material and revised material appearing on this page formerly appeared on 1st Revised Page 283.13.1 of Tariff F.C.C. No. 68.

(This page filed under Transmittal No. 2176)

Issued: March 3, 1992

Effective: July 1, 1992

Four AT&T Plaza, Dallas, Texas 75202

ACCESS SERVICE

20. MegaLink Custom Services (Cont'd)

20.6 Vintage Services (Cont'd)

20.6.1 Services Established Prior to May 25, 1991 (Cont'd)

(B) Regulations, Terms, Conditions and Rates (Cont'd)

(6) Rates and Charges (Cont'd)

(i) Optional Features and Functions (Cont'd)

d) DS3 to DS1,
per arrangement

				<u>Monthly Rate</u>			
	<u>1 Month</u>	<u>12 Months</u>	<u>24 Months</u>	<u>36 Months</u>			
	\$1186	\$1139	\$1091	\$1044			
	<u>48 Months</u>	<u>60 Months</u>	<u>72 Months</u>	<u>84 Months</u>			
	\$996	\$948	\$930	\$911			
	<u>96 Months</u>	<u>108 Months</u>	<u>120 Months</u>				
	\$892	\$873	\$854				
	<u>Installation Charge</u>						
	\$225						

2) SecureNet

		<u>USOC</u>	<u>Monthly Rates</u>	<u>Installation Charges</u>
a)	Hub Redundancy -per premises per MegaLink Custom Electrical Service	R36AD	\$1,800.00	\$1,848.00
b)	Serving Wire Center and Facility Redundancy -per premises per MegaLink Custom Electrical Service	R38AE	\$1,200.00	\$1,301.00
c)	Loop Redundancy -per premises per MegaLink Custom Electrical Service	R39AF	\$ 700.00	\$1,104.00

Material and revised material appearing on this page formerly appeared on 4th Revised Page 283.14 of Tariff F.C.C. No. 68.

(This page filed under Transmittal No. 2176)

Issued: March 3, 1992

Effective: July 1, 1992

Four AT&T Plaza, Dallas, Texas 75202

ACCESS SERVICE

20. MegaLink Custom Services (Cont'd)

(M)

20.6 Vintage Services (Cont'd)

(T)

20.6.1 Services Established Prior to May 25, 1991 (Cont'd)

(T)

(B) Regulations, Terms, Conditions and Rates (Cont'd)

(M)

(6) Rates and Charges (Cont'd)

(T)

(j) Rollover

(T)

Per existing MegaLink Custom Service(s) rolling over to another MegaLink Custom Service, on a first and additional basis, per Access Order:

(M)

USOC	<u>1st Service</u>	<u>Additional Service(s)</u>
NRBR3	\$135.00	\$104.00

Material and revised material appearing on this page formerly appeared on 1st Revised Page 283.15 of Tariff F.C.C. No. 68.

(This page filed under Transmittal No. 2176)

Issued: March 3, 1992

Effective: July 1, 1992

Four AT&T Plaza, Dallas, Texas 75202

ACCESS SERVICE

20. MegaLink Custom Services (Cont'd)20.6 Vintage Services (Cont'd)20.6.2 Services Established Between May 26, 1991 and May 24, 1992 (T)(A) Rates and Charges (S)(1) MegaLink Custom Service(a) Channel Termination - monthly recurring rates
per Volume Option, per customer designated
premises(1) Electrical Channel Termination

<u>Volume Option*</u>	<u>USOC</u>	<u>Month to Month</u>	<u>3 year</u>	<u>5 year</u>	<u>10 year</u>
1	TUZPX	\$ 2,100.00	\$ 1,968.75	\$ 1,863.75	\$ 1,633.80
3	TUZPX	\$ 6,300.00	\$ 5,610.94	\$ 5,311.69	\$ 4,656.33
6	TUZPX	\$12,600.00	\$10,040.63	\$ 9,505.13	\$ 8,332.38
12	TUZPX	\$25,200.00	\$17,718.75	\$16,773.75	\$14,704.20

(2) Optical Channel Termination

<u>Volume Option*</u>	<u>USOC</u>	<u>Month to Month</u>	<u>3 year</u>	<u>5 year</u>	<u>10 year</u>
1	TKZPX	\$ 1,890.00	\$ 1,771.88	\$ 1,667.38	\$ 1,470.42
3	TKZPX	\$ 5,670.00	\$ 5,049.84	\$ 4,780.52	\$ 4,190.70
6	TKZPX	\$11,340.00	\$ 9,036.56	\$ 8,554.61	\$ 7,499.14
12	TKZPX	\$22,680.00	\$15,946.88	\$15,096.38	\$13,233.78

* Volume Option specifies the number of DS3s or DS3 equivalents.

Reissued material is scheduled to become effective July 1, 1992.

Filed under authority of Special Permission No. 92-125 of the F.C.C.

(This page filed under Transmittal No. 2200)

Issued: May 22, 1992

Effective: July 1, 1992

Four AT&T Plaza, Dallas, Texas 75202

ACCESS SERVICE

20. MegaLink Custom Services (Cont'd)

20.6 Vintage Services (Cont'd)

20.6.2 Services Established Between May 26, 1991 and May 24, 1992
 (Cont'd)

(T)
 (S)

(A) Rates and Charges (Cont'd)

(1) MegaLink Custom Service (Cont'd)

(b) Interoffice Mileage - monthly recurring rates

	USOC	Month to Month	3 year	5 year	10 year
(1) Interoffice Fixed - per DS3 or DS3 equivalent	10XHX		\$1,047.00	\$982.00	\$929.00 \$815.00

(2) Per Mile - per Volume Option, per mile

Volume Option*	USOC	Month to Month	3 year	5 year	10 year
1	1J5HS		\$130.00	\$122.00	\$115.00 \$101.00
3	1J5HS		\$182.00	\$171.00	\$162.00 \$141.00
6	1J5HS		\$260.00	\$244.00	\$231.00 \$202.00
12	1J5HS		\$364.00	\$341.00	\$323.00 \$282.00

(S)

* Volume Option specifies the number of DS3s or DS3 equivalents. The Volume Option and billing period will be the same as the Channel Termination Volume Option selected by the customer.

(S)

Reissued material is scheduled to become effective July 1, 1992.

Filed under authority of Special Permission No. 92-125 of the F.C.C.

(This page filed under Transmittal No. 2200)

Issued: May 22, 1992

Effective: July 1, 1992

Four AT&T Plaza, Dallas, Texas 75202

ACCESS SERVICE

20. MegaLink Custom Services (Cont'd)

20.6 Vintage Services (Cont'd)

20.6.2 Services Established Between May 26, 1991 and May 24, 1992
 (Cont'd)

(T)
 (S)

(A) Rates and Charges (Cont'd)

(1) MegaLink Custom Service (Cont'd)

(c) Installation Charge

	<u>USOC</u>	<u>First</u>	<u>Additional</u>
Per DS3 or DS3 Equivalent, per customer designated premises NRBSE	\$637.00	\$496.00	
- on the same Access Order			

(2) Service to Service Through Connect Arrangement

	<u>USOC</u>	<u>Installation Charge</u>
Per DS3 or DS3 equivalent	THA	\$157.00

(3) Optional Features, BSEs and Functions

(a) DS3 to DS1 Multiplexing

per multiplexer

	<u>USOC</u>	<u>Monthly Rate</u>
Month to Month	MKM	\$1000.00
3 year	MKM	\$ 937.50
5 year	MKM	\$ 887.50
10 year	MKM	\$ 778.00
<u>Installation Charge</u>		\$ 202.00

Reissued material is scheduled to become effective July 1, 1992.

Filed under authority of Special Permission No. 92-125 of the F.C.C.

(This page filed under Transmittal No. 2200)

Issued: May 22, 1992

Effective: July 1, 1992

Four AT&T Plaza, Dallas, Texas 75202

ACCESS SERVICE

20. MegaLink Custom Services (Cont'd)

20.6 Vintage Services (Cont'd)

20.6.2 Services Established Between May 26, 1991 and May 24, 1992
 (Cont'd)

(T)
 (S)

(A) Rates and Charges (Cont'd)

(4) Optional Features, BSEs and Functions

(b) SecureNet

(1) Hub Redundancy
 -per premises, per DS3

	<u>USOC</u>	<u>Month to</u>	<u>3 year</u>	<u>5 year</u>	<u>10 year</u>
<u>Monthly</u>		<u>Month</u>			
Rate R36AD	\$2,028.17	\$1,901.41	\$1,800.00	\$1,577.92	

Installation Charge \$ 1,848.00

(2) Serving Wire Center and Facility
Redundancy
 -per premises, per DS3

	<u>USOC</u>	<u>Month to</u>	<u>3 year</u>	<u>5 year</u>	<u>10 year</u>
<u>Monthly</u>		<u>Month</u>			
Rate R38AE	\$1,352.11	\$1,267.61	\$1,200.00	\$1,051.94	

Installation Charge \$ 1,301.00

Reissued material is scheduled to become effective July 1, 1992.

Filed under authority of Special Permission No. 92-125 of the F.C.C.

(This page filed under Transmittal No. 2200)

Issued: May 22, 1992

Effective: July 1, 1992

Four AT&T Plaza, Dallas, Texas 75202

ACCESS SERVICE

20. MegaLink Custom Services (Cont'd)

20.6 Vintage Services (Cont'd)

20.6.2 Services Established Between May 26, 1991 and May 24, 1992
 (Cont'd)

(A) Rates and Charges (Cont'd)

(4) Optional Features, BSEs and Functions (Cont'd)

(b) SecureNet (Cont'd)

(S)
 |
 (S)

(c) Service Extension

Monthly Rate

Use Interoffice Mileage as set forth in
 20.5.1(B)

Installation Charge

	<u>USOC</u>	<u>First</u>	<u>Additional</u>
per DS3 or DS3 equivalent, per Service Extension	NRBSE	\$637.00	\$496.00
- on the same Access Order			

Reissued material is filed under the authority of Special Permission No. 95-180 of the F.C.C. and is deferred until March 6, 1995.

(This page filed under Transmittal No. 2427)

Issued: February 13, 1995

Effective: February 14, 1995

Four AT&T Plaza, Dallas, Texas 75202

ACCESS SERVICE

20. MegaLink Custom Services (Cont'd)20.6 Vintage Services (Cont'd)20.6.2 Services Established Between May 26, 1991 and May 24, 1992
(Cont'd)(A) Rates and Charges (Cont'd)(4) Optional Features, BSEs and Functions (Cont'd)(d) SFM

(T)

Per existing MegaLink Custom Service(s) moving (T)
to another MegaLink Custom Service, on a first
and additional basis, per Access Order:

<u>USOC</u>	<u>1st Service</u>	<u>Additional Service(s)</u>
NRBR3	\$135.00	\$104.00

(e) Administrative Charges

Service Rearrangement Charge

	<u>USOC</u>	<u>Nonrecurring Charges</u>	
		<u>First</u>	<u>Additional</u>
- Per DS3 or DS3 equivalent on the same Access Order for one or any combination of the following changes: NRBAC	\$9.00	\$5.00	
- Access Carrier Name Abbreviation (ACNA)			
- Billing Account Number (BAN)			
- Customer Circuit ID (CKR)			

(This page filed under Transmittal No. 2588)

ACCESS SERVICE

20. MegaLink Custom Services (Cont'd)20.6 Vintage Services (Cont'd)20.6.2 Services Established Between May 25, 1992 and June 30, 1992(A) Rates and Charges(1) MegaLink Custom Service(a) Channel Termination - monthly recurring rates per Volume Option, per customer designated premises(1) Electrical Channel Termination

<u>Volume Option*</u>	<u>USOC</u>	<u>Month to Month</u>	<u>3 year</u>	<u>5 year</u>	<u>10 year</u>
1	TUZPX	\$ 2,106.56	\$ 1,974.90	\$ 1,869.57	\$ 1,638.91
3	TUZPX	\$ 6,319.69	\$ 5,628.47	\$ 5,328.29	\$ 4,670.88
6	TUZPX	\$12,639.37	\$10,072.01	\$ 9,534.83	\$ 8,358.42
12	TUZPX	\$25,278.75	\$17,774.12	\$16,826.17	\$14,750.15

(2) Optical Channel Termination

<u>Volume Option*</u>	<u>USOC</u>	<u>Month to Month</u>	<u>3 year</u>	<u>5 year</u>	<u>10 year</u>
1	TKZPX	\$ 1,895.91	\$ 1,777.42	\$ 1,672.59	\$ 1,475.02
3	TKZPX	\$ 5,687.72	\$ 5,065.62	\$ 4,795.46	\$ 4,203.80
6	TKZPX	\$11,375.44	\$ 9,064.80	\$ 8,581.34	\$ 7,522.57
12	TKZPX	\$22,750.87	\$15,996.71	\$15,143.56	\$13,275.14

* Volume Option specifies the number of DS3s or DS3 equivalents.
Filed under authority of Special Permission No. 92-125 of the F.C.C.

(This page filed under Transmittal No. 2200)

Issued: May 22, 1992

Effective: July 1, 1992

Four AT&T Plaza, Dallas, Texas 75202

(N)

ACCESS SERVICE

20. MegaLink Custom Services (Cont'd)

20.6 Vintage Services (Cont'd)

20.6.2 Services Established Between May 25, 1992 and June 30, 1992
(Cont'd)

(A) Rates and Charges (Cont'd)

(1) MegaLink Custom Service (Cont'd)

(b) Interoffice Mileage - monthly recurring rates

	USOC	Month to Month	3 year	5 year	10 year
(1) Interoffice Fixed - per DS3 or DS3 equivalent	10XHX	\$1,050.27	\$985.07	\$931.90	\$817.55

(2) Per Mile - per Volume Option, per mile

Volume Option*	USOC	Month to Month	3 year	5 year	10 year
1	1J5HS	\$130.41	\$122.38	\$115.36	\$101.32
3	1J5HS	\$182.57	\$171.53	\$162.51	\$141.44
6	1J5HS	\$260.81	\$244.76	\$231.72	\$202.63
12	1J5HS	\$365.14	\$342.07	\$324.01	\$282.88

* Volume Option specifies the number of DS3s or DS3 equivalents. The Volume Option and billing period will be the same as the Channel Termination Volume Option selected by the customer.

Filed under authority of Special Permission No. 92-125 of the F.C.C.

(This page filed under Transmittal No. 2200)

Issued: May 22, 1992

Effective: July 1, 1992

Four AT&T Plaza, Dallas, Texas 75202

(N)

(N)

(N)

ACCESS SERVICE

20. MegaLink Custom Services (Cont'd)20.6 Vintage Services (Cont'd)20.6.2 Services Established Between May 25, 1992 and June 30, 1992
(Cont'd)(A) Rates and Charges (Cont'd)(1) MegaLink Custom Service (Cont'd)(c) Installation Charge

	<u>USOC</u>	<u>First</u>	<u>Additional</u>
Per DS3 or DS3 Equivalent, per customer designated premises	NRBSE	\$637.00	\$496.00
- on the same Access Order			

(2) Service to Service Through Connect Arrangement

	<u>USOC</u>	<u>Installation Charge</u>
Per DS3 or DS3 equivalent	THA	\$157.00

(3) Optional Features, BSEs and Functions(a) DS3 to DS1 Multiplexing

per multiplexer

	<u>USOC</u>	<u>Monthly Rate</u>
Month to Month	MKM	\$1003.12
3 year	MKM	\$ 940.43
5 year	MKM	\$ 890.27
10 year	MKM	\$ 780.43
<u>Installation Charge</u>		\$ 202.00

Filed under authority of Special Permission No. 92-125 of the F.C.C.

(This page filed under Transmittal No. 2200)

Issued: May 22, 1992

Effective: July 1, 1992

Four AT&T Plaza, Dallas, Texas 75202

ACCESS SERVICE

20. MegaLink Custom Services (Cont'd)

20.6 Vintage Services (Cont'd)

20.6.2 Services Established Between May 25, 1992 and June 30, 1992
(Cont'd)

(A) Rates and Charges (Cont'd)

(4) Optional Features, BSEs and Functions

(b) SecureNet

(1) Hub Redundancy
-per premises, per DS3

	<u>USOC</u>	<u>Month to</u>	<u>3 year</u>	<u>5 year</u>	<u>10 year</u>
<u>Monthly</u>		<u>Month</u>			
Rate R36AD	\$2,028.17	\$1,901.41	\$1,800.00	\$1,577.92	

Installation Charge \$ 1,848.00

(2) Serving Wire Center and Facility
Redundancy
-per premises, per DS3

	<u>USOC</u>	<u>Month to</u>	<u>3 year</u>	<u>5 year</u>	<u>10 year</u>
<u>Monthly</u>		<u>Month</u>			
Rate R38AE	\$1,352.11	\$1,267.61	\$1,200.00	\$1,051.94	

Installation Charge \$ 1,301.00

(N)

Filed under authority of Special Permission No. 92-125 of the F.C.C.

(This page filed under Transmittal No. 2200)

Issued: May 22, 1992

Effective: July 1, 1992

Four AT&T Plaza, Dallas, Texas 75202

ACCESS SERVICE

20. MegaLink Custom Services (Cont'd)

20.6 Vintage Services (Cont'd)

20.6.2 Services Established Between May 25, 1992 and June 30, 1992
(Cont'd)

(A) Rates and Charges (Cont'd)

(4) Optional Features, BSEs and Functions (Cont'd)

(b) SecureNet (Cont'd)

(S)

(S)

(c) Service Extension

Monthly Rate

Use Interoffice Mileage as set forth in
20.5.1(B)

Installation Charge

	<u>USOC</u>	<u>First</u>	<u>Additional</u>
per DS3 or DS3 equivalent, per Service Extension	NRBSE	\$637.00	\$496.00
- on the same Access Order			

Reissued material is filed under the authority of Special Permission No. 95-180 of the F.C.C. and is deferred until March 6, 1995.

(This page filed under Transmittal No. 2427)

Issued: February 13, 1995

Effective: February 14, 1995

Four AT&T Plaza, Dallas, Texas 75202

ACCESS SERVICE

20. MegaLink Custom Services (Cont'd)

20.6 Vintage Services (Cont'd)

20.6.2 Services Established Between May 25, 1992 and June 30, 1992
 (Cont'd)

(A) Rates and Charges (Cont'd)

(4) Optional Features, BSEs and Functions (Cont'd)

(d) SFM

(T)

Per existing MegaLink Custom Service(s) moving to another MegaLink Custom Service, on a first and additional basis, per Access Order: (T)

<u>USOC</u>	<u>1st Service</u>	<u>Additional Service(s)</u>
NRBR3	\$135.00	\$104.00

(e) Administrative Charges

Service Rearrangement Charge

	<u>USOC</u>	<u>Nonrecurring Charges</u>	
		<u>First</u>	<u>Additional</u>
- Per DS3 or DS3 equivalent on the same Access Order for one or any combination of the following changes:	NRBAC	\$9.00	\$5.00
- Access Carrier Name Abbreviation (ACNA)			
- Billing Account Number (BAN)			
- Customer Circuit ID (CKR)			

(This page filed under Transmittal No. 2588)

ACCESS SERVICE

20. MegaLink Custom Services (Cont'd)

20.7 Billing Periods - Services Established Between July 1, 1992 and July 30, 1995

20.7.1 Rates and Charges

All rates and charges contained in this section are applicable to Arkansas, Kansas and Oklahoma. Rates and charges for Missouri and Texas will be applied based on Pricing Zones as contained in 20.7.1.1 to 20.7.1.6, MegaLink Custom Pricing Zones.

(A) Channel Termination - monthly recurring rates per Volume Option, per customer designated premises

(1) Electrical Channel Termination

Volume Option*	USOC	Month to Month	3 year	5 year	10 year
1	TUZPX	\$ 1,950.00	\$ 1,828.00	\$ 1,658.00	\$ 1,589.00
3	TUZPX	\$ 5,850.00	\$ 5,210.00	\$ 4,724.00	\$ 4,350.00
6	TUZPX	\$11,700.00	\$ 9,323.00	\$ 8,453.00	\$ 7,785.00
12	TUZPX	\$23,400.00	\$16,453.00	\$14,918.00	\$13,738.00

(2) Optical Channel Termination

Volume Option*	USOC	Month to Month	3 year	5 year	10 year
1	TKZPX	\$ 1,755.00	\$ 1,645.00	\$ 1,492.00	\$ 1,430.00
3	TKZPX	\$ 5,265.00	\$ 4,689.00	\$ 4,251.00	\$ 3,915.00
6	TKZPX	\$10,530.00	\$ 8,391.00	\$ 7,608.00	\$ 7,006.00
12	TKZPX	\$21,060.00	\$14,808.00	\$13,426.00	\$12,364.00

(3) Temp-DS3 - Electrical Channel Termination

Volume Option*	USOC	Monthly
1	TUZQX	\$ 2,262.50

(N)

(N)

* Volume Option specifies the number of DS3s or DS3 equivalents.

(This page filed under Transmittal No. 2458)

Issued: May 9, 1995

Effective: August 1, 1995

Four AT&T Plaza, Dallas, Texas 75202

ACCESS SERVICE

20. MegaLink Custom Services (Cont'd)

20.7 Billing Periods - Services Established Between July 1, 1992 and July 30, 1995 (Cont'd)

20.7.1 Rates and Charges (Cont'd)

(B) Interoffice Mileage - monthly recurring rates

(1) DS3 or DS3 Equivalent

	USOC	Month to Month	3 year	5 year	10 year
(a) Interoffice Fixed - per DS3 or DS3 equivalent	10XHX	\$815.00	\$764.00	\$693.00	\$634.00
(b) Per Mile - per Volume Option, per mile					

Volume Option*	USOC	Month to Month	3 year	5 year	10 year
1	1J5HS	\$118.00	\$100.00	\$ 94.00	\$ 89.00
3	1J5HS	\$165.00	\$140.00	\$132.00	\$124.00
6	1J5HS	\$236.00	\$201.00	\$189.00	\$177.00
12	1J5HS	\$330.00	\$281.00	\$264.00	\$248.00

(2) Temp-DS3

	USOC	Monthly
(a) Interoffice Fixed - per Temp-DS3	10XGX	\$815.00
(b) Per Mile - per Temp-DS3, per mile		

Volume Option*	USOC	Monthly
1	1A8GS	\$118.00

* Volume Option specifies the number of DS3s or DS3 equivalents. The Volume Option and billing period will be the same as the Channel Termination Volume Option selected by the customer.

(This page filed under Transmittal No. 2458)

(N)

ACCESS SERVICE

20. MegaLink Custom Services (Cont'd)

20.7 Billing Periods - Services Established Between July 1, 1992 and July 30, 1995 (Cont'd)

20.7.1 Rates and Charges (Cont'd)

(C) Installation Charge

	<u>USOC</u>	<u>First</u>	<u>Additional</u>
Per DS3 or DS3 Equivalent, per customer designated premises NRBSE	\$637.00	\$496.00	
- on the same Access Order			

(D) Connecting Facility
Assignment Credits
(per DS1 equivalent)

<u>USOC</u>	<u>Credit per Month</u>
XXXX	\$ 76.00

(E) Service to Service Through Connect Arrangement

	<u>USOC</u>	<u>Installation Charge</u>
Per DS3 or DS3 equivalent	THA	\$157.00

(F) Optional Features, BSEs and Functions

(1) DS3 to DS1 Multiplexing
per multiplexer

	<u>USOC</u>	<u>Monthly Rate</u>
Month to Month	MKM	\$815.00
3 year	MKM	\$764.00
5 year	MKM	\$708.00
10 year	MKM	\$634.00
<u>Installation Charge</u>		\$202.00

(N)

(This page filed under Transmittal No. 2458)

Issued: May 9, 1995

Effective: August 1, 1995

Four AT&T Plaza, Dallas, Texas 75202

ACCESS SERVICE

20. MegaLink Custom Services (Cont'd)20.7 Billing Periods - Services Established Between July 1, 1992 and July 30, 1995 (Cont'd)20.7.1 Rates and Charges (Cont'd)(F) Optional Features, BSEs and Functions (Cont'd)(2) SecureNet(a) Hub Redundancy
-per premises, per DS3

	<u>USOC</u>	<u>Month to</u> <u>Month</u>	<u>3 year</u>	<u>5 year</u>	<u>10 year</u>
Monthly Rate	R36AD	\$1,869.00	\$1,751.25	\$1,646.60	\$1,451.45

Installation Charge \$ 1,848.00

(b) Serving Wire Center and Facility Redundancy
-per premises, per DS3

	<u>USOC</u>	<u>Month to</u> <u>Month</u>	<u>3 year</u>	<u>5 year</u>	<u>10 year</u>
Monthly Rate	R38AE	\$1,226.40	\$1,150.05	\$1,081.35	\$ 953.15

Installation Charge \$ 1,301.00

(This page filed under Transmittal No. 2458)

Issued: May 9, 1995

Effective: August 1, 1995

Four AT&T Plaza, Dallas, Texas 75202

(N)

ACCESS SERVICE

20. MegaLink Custom Services (Cont'd)

20.7 Billing Periods - Services Established Between July 1, 1992 and July 30, 1995 (Cont'd)

20.7.1 Rates and Charges (Cont'd)

(F) Optional Features, BSEs and Functions (Cont'd)

(2) SecureNet (Cont'd)

(3) Service Extension

Monthly Rate

Use Interoffice Mileage as set forth in 20.5.1(B)

Installation Charge

	<u>USOC</u>	<u>First</u>	<u>Additional</u>
per DS3 or DS3 equivalent, per Service Extension - on the same Access Order	NRBSE	\$637.00	\$496.00

(4) STN Interconnection with SecureNet Equipped MegaLink Custom Service

	<u>USOC</u>	<u>Month to Month</u>	<u>3 year</u>	<u>5 year</u>	<u>10 year</u>
-per DS3 per interconnection	R3N3X	\$278.05	\$263.20	\$248.20	\$221.40
		Installation Charge		\$298.00	

(N)

(This page filed under Transmittal No. 2458)

Issued: May 9, 1995

Effective: August 1, 1995

Four AT&T Plaza, Dallas, Texas 75202

ACCESS SERVICE

20. MegaLink Custom Services (Cont'd)20.7 Billing Periods - Services Established Between July 1, 1992 and July 30, 1995 (Cont'd)20.7.1 Rates and Charges (Cont'd)(G) SFM

Per existing MegaLink Custom Service(s) moving to another MegaLink Custom Service, on a first and additional basis, per Access Order:

<u>USOC</u>	<u>1st Service</u>	<u>Additional Service(s)</u>
NRBR3	\$135.00	\$104.00

(H) Administrative Charges

Service Rearrangement Charge

	<u>USOC</u>	<u>Nonrecurring Charges</u>	
		<u>First</u>	<u>Additional</u>
- Per DS3 or DS3 equivalent on the same Access Order for one or any combination of the following changes: NRBAC		\$9.00	\$5.00
- Access Carrier Name Abbreviation (ACNA)			
- Billing Account Number (BAN)			
- Customer Circuit ID (CKR)			

(This page filed under Transmittal No. 2588)

ACCESS SERVICE

20. MegaLink Custom Services (Cont'd)20.7 Billing Periods - Services Established Between July 1, 1992 and July 30, 1995 (Cont'd)20.7.1 Rates and Charges (Cont'd)20.7.1.1 Missouri - Pricing Zone 1(A) Channel Termination - monthly recurring rates per Volume Option, per customer designated premises(1) Electrical Channel Termination

<u>Volume Option*</u>	<u>USOC</u>	<u>Month to Month</u>	<u>3 year</u>	<u>5 year</u>	<u>10 year</u>
1	TUZPX	\$ 1,950.00	\$ 1,828.00	\$ 1,658.00	\$ 1,589.00
3	TUZPX	\$ 5,850.00	\$ 5,210.00	\$ 4,724.00	\$ 4,350.00
6	TUZPX	\$11,700.00	\$ 9,323.00	\$ 8,453.00	\$ 7,785.00
12	TUZPX	\$23,400.00	\$16,453.00	\$14,918.00	\$13,738.00

(2) Optical Channel Termination

<u>Volume Option*</u>	<u>USOC</u>	<u>Month to Month</u>	<u>3 year</u>	<u>5 year</u>	<u>10 year</u>
1	TKZPX	\$ 1,755.00	\$ 1,645.00	\$ 1,492.00	\$ 1,430.00
3	TKZPX	\$ 5,265.00	\$ 4,689.00	\$ 4,251.00	\$ 3,915.00
6	TKZPX	\$10,530.00	\$ 8,391.00	\$ 7,608.00	\$ 7,006.00
12	TKZPX	\$21,060.00	\$14,808.00	\$13,426.00	\$12,364.00

(3) Temp-DS3 - Electrical Channel Termination

<u>Volume Option*</u>	<u>USOC</u>	<u>Monthly</u>
1	TUZQX	\$ 2,262.50

* Volume Option specifies the number of DS3s or DS3 equivalents.

(This page filed under Transmittal No. 2458)

Issued: May 9, 1995

Effective: August 1, 1995

Four AT&T Plaza, Dallas, Texas 75202

(N)

(N)

ACCESS SERVICE

20. MegaLink Custom Services (Cont'd)

20.7 Billing Periods - Services Established Between July 1, 1992 and July 30, 1995 (Cont'd)

20.7.1 Rates and Charges (Cont'd)

20.7.1.1 Missouri - Pricing Zone 1 (Cont'd)

(B) Interoffice Mileage - monthly recurring rates

(1) DS3 or DS3 Equivalent

	<u>USOC</u>	<u>Month to</u> <u>Month</u>	<u>3 year</u>	<u>5 year</u>	<u>10 year</u>
(a) Interoffice Fixed - per DS3 or DS3 equivalent 10XHX		\$815.00	\$764.00	\$693.00	\$634.00

(b) Per Mile - per Volume Option, per mile

<u>Volume</u> <u>Option*</u>	<u>USOC</u>	<u>Month to</u> <u>Month</u>	<u>3 year</u>	<u>5 year</u>	<u>10 year</u>
1	1J5HS	\$118.00	\$100.00	\$ 94.00	\$ 89.00
3	1J5HS	\$165.00	\$140.00	\$132.00	\$124.00
6	1J5HS	\$236.00	\$201.00	\$189.00	\$177.00
12	1J5HS	\$330.00	\$281.00	\$264.00	\$248.00

(2) Temp-DS3

USOC Monthly

(a) Interoffice Fixed - per Temp-DS3 10XGX	\$815.00
--	----------

(b) Per Mile -
per Temp-DS3,
per mile

<u>Volume</u> <u>Option*</u>	<u>USOC Monthly</u>
1	1A8GS \$118.00

* Volume Option specifies the number of DS3s or DS3 equivalents. The Volume Option and billing period will be the same as the Channel Termination Volume Option selected by the customer.

(This page filed under Transmittal No. 2458)

(N)

ACCESS SERVICE

20. MegaLink Custom Services (Cont'd)20.7 Billing Periods - Services Established Between July 1, 1992 and July 30, 1995 (Cont'd)20.7.1 Rates and Charges (Cont'd)20.7.1.1 Missouri - Pricing Zone 1 (Cont'd)(C) Installation Charge

	<u>USOC</u>	<u>First</u>	<u>Additional</u>
Per DS3 or DS3 Equivalent, per customer designated premises NRBSE	\$637.00	\$496.00	
- on the same Access Order			

(D) Service to Service Through Connect Arrangement

	<u>USOC</u>	<u>Installation Charge</u>
Per DS3 or DS3 equivalent	THA	\$157.00

(E) Optional Features, BSEs and Functions(1) DS3 to DS1 Multiplexing

per multiplexer

	<u>USOC</u>	<u>Monthly Rate</u>
Month to Month	MKM	\$815.00
3 year	MKM	\$764.00
5 year	MKM	\$708.00
10 year	MKM	\$634.00
<u>Installation Charge</u>		\$202.00

(This page filed under Transmittal No. 2458)

Issued: May 9, 1995

Effective: August 1, 1995

Four AT&T Plaza, Dallas, Texas 75202

(N)

ACCESS SERVICE

20. MegaLink Custom Services (Cont'd)20.7 Billing Periods - Services Established Between July 1, 1992 and July 30, 1995 (Cont'd)20.7.1 Rates and Charges (Cont'd)20.7.1.1 Missouri - Pricing Zone 1 (Cont'd)(E) Optional Features, BSEs and Functions (Cont'd)(2) SecureNet(a) Hub Redundancy
-per premises, per DS3

	USOC	Month to Month	3 year	5 year	10 year
Monthly Rate	R36AD	\$1,869.00	\$1,751.25	\$1,646.60	\$1,451.45

Installation Charge \$ 1,848.00

(b) Serving Wire Center and Facility Redundancy
-per premises, per DS3

	USOC	Month to Month	3 year	5 year	10 year
Monthly Rate	R38AE	\$1,226.40	\$1,150.05	\$1,081.35	\$ 953.15

Installation Charge \$ 1,301.00

(This page filed under Transmittal No. 2458)

Issued: May 9, 1995

Effective: August 1, 1995

Four AT&T Plaza, Dallas, Texas 75202

(N)

ACCESS SERVICE

20. MegaLink Custom Services (Cont'd)

20.7 Billing Periods - Services Established Between July 1, 1992 and July 30, 1995 (Cont'd)

20.7.1 Rates and Charges (Cont'd)

20.7.1.1 Missouri - Pricing Zone 1 (Cont'd)

(E) Optional Features, BSEs and Functions (Cont'd)

(3) Service Extension

Monthly Rate

Use Interoffice Mileage as set forth in 20.5.1(B)

Installation Charge

	<u>USOC</u>	<u>First</u>	<u>Additional</u>
per DS3 or DS3 equivalent, per Service Extension	NRBSE	\$637.00	\$496.00
- on the same Access Order			

(4) STN Interconnection with SecureNet Equipped MegaLink Custom Service

	<u>USOC</u>	<u>Month to Month</u>	<u>3 year</u>	<u>5 year</u>	<u>10 year</u>
-per DS3	R3N3X	\$278.05	\$263.20	\$248.20	\$221.40
per interconnection					

Installation Charge \$298.00

(N)

(This page filed under Transmittal No. 2458)

Issued: May 9, 1995

Effective: August 1, 1995

Four AT&T Plaza, Dallas, Texas 75202

ACCESS SERVICE

20. MegaLink Custom Services (Cont'd)20.7 Billing Periods - Services Established Between July 1, 1992 and July 30, 1995 (Cont'd)20.7.1 Rates and Charges (Cont'd)20.7.1.1 Missouri - Pricing Zone 1 (Cont'd)(F) SFM

Per existing MegaLink Custom Service(s) moving to another MegaLink Custom Service, on a first and additional basis, per Access Order:

<u>USOC</u>	<u>1st Service</u>	<u>Additional Service(s)</u>
NRBR3	\$135.00	\$104.00

(G) Administrative Charges

Service Rearrangement Charge

	<u>USOC</u>	<u>Nonrecurring Charges</u>	
		<u>First</u>	<u>Additional</u>
- Per DS3 or DS3 equivalent on the same Access Order for one or any combination of the following changes:	NRBAC	\$9.00	\$5.00
- Access Carrier Name Abbreviation (ACNA)			
- Billing Account Number (BAN)			
- Customer Circuit ID (CKR)			

(This page filed under Transmittal No. 2588)

ACCESS SERVICE

20. MegaLink Custom Services (Cont'd)20.7 Billing Periods - Services Established Between July 1, 1992 and July 30, 1995 (Cont'd)20.7.1 Rates and Charges (Cont'd)20.7.1.2 Missouri - Pricing Zone 2(A) Channel Termination - monthly recurring rates per Volume Option, per customer designated premises(1) Electrical Channel Termination

<u>Volume Option*</u>	<u>USOC</u>	<u>Month to Month</u>	<u>3 year</u>	<u>5 year</u>	<u>10 year</u>
1	TUZPX	\$ 1,950.00	\$ 1,828.00	\$ 1,658.00	\$ 1,589.00
3	TUZPX	\$ 5,850.00	\$ 5,210.00	\$ 4,724.00	\$ 4,350.00
6	TUZPX	\$11,700.00	\$ 9,323.00	\$ 8,453.00	\$ 7,785.00
12	TUZPX	\$23,400.00	\$16,453.00	\$14,918.00	\$13,738.00

(2) Optical Channel Termination

<u>Volume Option*</u>	<u>USOC</u>	<u>Month to Month</u>	<u>3 year</u>	<u>5 year</u>	<u>10 year</u>
1	TKZPX	\$ 1,755.00	\$ 1,645.00	\$ 1,492.00	\$ 1,430.00
3	TKZPX	\$ 5,265.00	\$ 4,689.00	\$ 4,251.00	\$ 3,915.00
6	TKZPX	\$10,530.00	\$ 8,391.00	\$ 7,608.00	\$ 7,006.00
12	TKZPX	\$21,060.00	\$14,808.00	\$13,426.00	\$12,364.00

(3) Temp-DS3 - Electrical Channel Termination

<u>Volume Option*</u>	<u>USOC</u>	<u>Monthly</u>
1	TUZQX	\$ 2,262.50

* Volume Option specifies the number of DS3s or DS3 equivalents.

(This page filed under Transmittal No. 2458)

Issued: May 9, 1995

Effective: August 1, 1995

Four AT&T Plaza, Dallas, Texas 75202

(N)

(N)

ACCESS SERVICE

20. MegaLink Custom Services (Cont'd)

20.7 Billing Periods - Services Established Between July 1, 1992 and July 30, 1995 (Cont'd)

20.7.1 Rates and Charges (Cont'd)

20.7.1.2 Missouri - Pricing Zone 2 (Cont'd)

(B) Interoffice Mileage - monthly recurring rates

(1) DS3 or DS3 Equivalent

	<u>USOC</u>	<u>Month to</u> <u>Month</u>	<u>3 year</u>	<u>5 year</u>	<u>10 year</u>
(a) Interoffice Fixed - per DS3 or DS3 equivalent 10XHX		\$815.00	\$764.00	\$693.00	\$634.00
(b) Per Mile - per Volume Option, per mile					

<u>Volume</u> <u>Option*</u>	<u>USOC</u>	<u>Month to</u> <u>Month</u>	<u>3 year</u>	<u>5 year</u>	<u>10 year</u>
1	1J5HS	\$118.00	\$100.00	\$ 94.00	\$ 89.00
3	1J5HS	\$165.00	\$140.00	\$132.00	\$124.00
6	1J5HS	\$236.00	\$201.00	\$189.00	\$177.00
12	1J5HS	\$330.00	\$281.00	\$264.00	\$248.00

(2) Temp-DS3

USOC Monthly

(a) Interoffice Fixed - per Temp-DS3 10XGX	\$815.00
(b) Per Mile - per Temp-DS3, per mile	

<u>Volume</u> <u>Option*</u>	<u>USOC Monthly</u>
1	1A8GS \$118.00

* Volume Option specifies the number of DS3s or DS3 equivalents. The Volume Option and billing period will be the same as the Channel Termination Volume Option selected by the customer.

(This page filed under Transmittal No. 2458)

ACCESS SERVICE

20. MegaLink Custom Services (Cont'd)20.7 Billing Periods - Services Established Between July 1, 1992 and July 30, 1995 (Cont'd)20.7.1 Rates and Charges (Cont'd)20.7.1.2 Missouri - Pricing Zone 2 (Cont'd)(C) Installation Charge

	<u>USOC</u>	<u>First</u>	<u>Additional</u>
Per DS3 or DS3 Equivalent, per customer designated premises NRBSE	\$637.00	\$496.00	
- on the same Access Order			

(D) Service to Service Through Connect Arrangement

	<u>USOC</u>	<u>Installation Charge</u>
Per DS3 or DS3 equivalent	THA	\$157.00

(E) Optional Features, BSEs and Functions(1) DS3 to DS1 Multiplexing

per multiplexer

	<u>USOC</u>	<u>Monthly Rate</u>
Month to Month	MKM	\$815.00
3 year	MKM	\$764.00
5 year	MKM	\$708.00
10 year	MKM	\$634.00
<u>Installation Charge</u>		\$202.00

(This page filed under Transmittal No. 2458)

Issued: May 9, 1995

Effective: August 1, 1995

Four AT&T Plaza, Dallas, Texas 75202

(N)

ACCESS SERVICE

20. MegaLink Custom Services (Cont'd)

20.7 Billing Periods - Services Established Between July 1, 1992 and July 30, 1995 (Cont'd)

20.7.1 Rates and Charges (Cont'd)

20.7.1.2 Missouri - Pricing Zone 2 (Cont'd)

(E) Optional Features, BSEs and Functions (Cont'd)

(2) SecureNet

(a) Hub Redundancy
-per premises, per DS3

	<u>USOC</u>	<u>Month to</u> <u>Month</u>	<u>3 year</u>	<u>5 year</u>	<u>10 year</u>
Monthly					
Rate R36AD	\$1,869.00	\$1,751.25	\$1,646.60	\$1,451.45	

Installation Charge \$ 1,848.00

(b) Serving Wire Center and Facility Redundancy
-per premises, per DS3

	<u>USOC</u>	<u>Month to</u> <u>Month</u>	<u>3 year</u>	<u>5 year</u>	<u>10 year</u>
Monthly					
Rate R38AE	\$1,226.40	\$1,150.05	\$1,081.35	\$ 953.15	

Installation Charge \$ 1,301.00

(N)

(This page filed under Transmittal No. 2458)

Issued: May 9, 1995

Effective: August 1, 1995

Four AT&T Plaza, Dallas, Texas 75202

ACCESS SERVICE

20. MegaLink Custom Services (Cont'd)

20.10 Billing Periods - Service Established Between January 1, 1998 and June 30, 1998 (Cont'd)

(N)

20.10.1 Rates and Charges (Cont'd)

(G) Optional Features, BSEs and Functions (Cont'd)

(1) DS3 to DS1 Multiplexing - Monthly Recurring Rates (Cont'd)

(j) DS3 to DS1 Multiplexing - OK - Zone 1 - Monthly Recurring Rates

Per Multiplexer

USOC	Month to			
	Month	3 year	5 year	10 year
MKM	\$815.00	\$686.40	\$580.00	\$580.00

(k) DS3 to DS1 Multiplexing - OK - Zone 2 - Monthly Recurring Rates

Per Multiplexer

USOC	Month to			
	Month	3 year	5 year	10 year
MKM	\$815.00	\$686.40	\$580.00	\$580.00

(l) DS3 to DS1 Multiplexing - OK - Zone 3 - Monthly Recurring Rates

Per Multiplexer

USOC	Month to			
	Month	3 year	5 year	10 year
MKM	\$815.00	\$686.40	\$580.00	\$580.00

(N)

Rates contained in this transmittal are subject to subsequent adjustment, effective retrospectively back to the transmittal's original effective date, in the event the Commission or a court subsequently authorizes SWBT to correct its rates to allow it to calculate its price cap formulas to exclude USF contributions from the operation of the X-factor, or in the event of any other adjustment pursuant to an order of the Commission or a court.

Filed in compliance with FCC Order 98-106.

(This page filed under Transmittal No. 2705)

Issued: June 16, 1998

Effective: July 1, 1998

Four AT&T Plaza, Dallas, Texas 75202

ACCESS SERVICE

20. MegaLink Custom Services (Cont'd)

20.7 Billing Periods - Services Established Between July 1, 1992 and July 30, 1995 (Cont'd)

20.7.1 Rates and Charges (Cont'd)

20.7.1.2 Missouri - Pricing Zone 2 (Cont'd)

(E) Optional Features, BSEs and Functions (Cont'd)

(3) Service Extension

Monthly Rate

Use Interoffice Mileage as set forth in 20.5.1(B)

Installation Charge

	<u>USOC</u>	<u>First</u>	<u>Additional</u>
per DS3 or DS3 equivalent, per Service Extension	NRBSE	\$637.00	\$496.00
- on the same Access Order			

(4) STN Interconnection with SecureNet Equipped MegaLink Custom Service

	<u>USOC</u>	<u>Month to Month</u>	<u>3 year</u>	<u>5 year</u>	<u>10 year</u>
-per DS3	R3N3X	\$278.05	\$263.20	\$248.20	\$221.40
per interconnection					
Installation Charge			\$298.00		

(N)

(This page filed under Transmittal No. 2458)

Issued: May 9, 1995

Effective: August 1, 1995

Four AT&T Plaza, Dallas, Texas 75202

ACCESS SERVICE

20. MegaLink Custom Services (Cont'd)20.7 Billing Periods - Services Established Between July 1, 1992 and July 30, 1995 (Cont'd)20.7.1 Rates and Charges (Cont'd)20.7.1.2 Missouri - Pricing Zone 2 (Cont'd)(F) SFM

Per existing MegaLink Custom Service(s) moving to another MegaLink Custom Service, on a first and additional basis, per Access Order:

<u>USOC</u>	<u>1st Service</u>	<u>Additional Service(s)</u>
NRBR3	\$135.00	\$104.00

(G) Administrative Charges

Service Rearrangement Charge

	<u>USOC</u>	<u>Nonrecurring Charges</u>	
		<u>First</u>	<u>Additional</u>
- Per DS3 or DS3 equivalent on the same Access Order for one or any combination of the following changes:	NRBAC	\$9.00	\$5.00
- Access Carrier Name Abbreviation (ACNA)			
- Billing Account Number (BAN)			
- Customer Circuit ID (CKR)			

(This page filed under Transmittal No. 2588)

ACCESS SERVICE

20. MegaLink Custom Services (Cont'd)

20.7 Billing Periods - Services Established Between July 1, 1992 and July 30, 1995 (Cont'd)

20.7.1 Rates and Charges (Cont'd)

20.7.1.3 Missouri - Pricing Zone 3

(A) Channel Termination - monthly recurring rates per Volume Option, per customer designated premises

(1) Electrical Channel Termination

<u>Volume Option*</u>	<u>USOC</u>	<u>Month to Month</u>	<u>3 year</u>	<u>5 year</u>	<u>10 year</u>
1	TUZPX	\$ 1,950.00	\$ 1,828.00	\$ 1,658.00	\$ 1,589.00
3	TUZPX	\$ 5,850.00	\$ 5,210.00	\$ 4,724.00	\$ 4,350.00
6	TUZPX	\$11,700.00	\$ 9,323.00	\$ 8,453.00	\$ 7,785.00
12	TUZPX	\$23,400.00	\$16,453.00	\$14,918.00	\$13,738.00

(2) Optical Channel Termination

<u>Volume Option*</u>	<u>USOC</u>	<u>Month to Month</u>	<u>3 year</u>	<u>5 year</u>	<u>10 year</u>
1	TKZPX	\$ 1,755.00	\$ 1,645.00	\$ 1,492.00	\$ 1,430.00
3	TKZPX	\$ 5,265.00	\$ 4,689.00	\$ 4,251.00	\$ 3,915.00
6	TKZPX	\$10,530.00	\$ 8,391.00	\$ 7,608.00	\$ 7,006.00
12	TKZPX	\$21,060.00	\$14,808.00	\$13,426.00	\$12,364.00

(3) Temp-DS3 - Electrical Channel Termination

<u>Volume Option*</u>	<u>USOC</u>	<u>Monthly</u>
1	TUZQX	\$ 2,262.50

* Volume Option specifies the number of DS3s or DS3 equivalents.

(This page filed under Transmittal No. 2458)

(N)

ACCESS SERVICE

20. MegaLink Custom Services (Cont'd)

20.7 Billing Periods - Services Established Between July 1, 1992 and July 30, 1995 (Cont'd)

20.7.1 Rates and Charges (Cont'd)

20.7.1.3 Missouri - Pricing Zone 3 (Cont'd)

(B) Interoffice Mileage - monthly recurring rates

(1) DS3 or DS3 Equivalent

	<u>USOC</u>	<u>Month to</u> <u>Month</u>	<u>3 year</u>	<u>5 year</u>	<u>10 year</u>
(a) Interoffice Fixed - per DS3 or DS3 equivalent 10XHX		\$815.00	\$764.00	\$693.00	\$634.00

(b) Per Mile - per Volume Option, per mile

<u>Volume</u> <u>Option*</u>	<u>USOC</u>	<u>Month to</u> <u>Month</u>	<u>3 year</u>	<u>5 year</u>	<u>10 year</u>
1	1J5HS	\$118.00	\$100.00	\$ 94.00	\$ 89.00
3	1J5HS	\$165.00	\$140.00	\$132.00	\$124.00
6	1J5HS	\$236.00	\$201.00	\$189.00	\$177.00
12	1J5HS	\$330.00	\$281.00	\$264.00	\$248.00

(2) Temp-DS3

USOC Monthly

(a) Interoffice Fixed - per Temp-DS3 10XGX	\$815.00
--	----------

(b) Per Mile -
per Temp-DS3,
per mile

<u>Volume</u> <u>Option*</u>	<u>USOC Monthly</u>
1	1A8GS \$118.00

* Volume Option specifies the number of DS3s or DS3 equivalents. The Volume Option and billing period will be the same as the Channel Termination Volume Option selected by the customer.

(This page filed under Transmittal No. 2458)

(N)

ACCESS SERVICE

20. MegaLink Custom Services (Cont'd)20.7 Billing Periods - Services Established Between July 1, 1992 and July 30, 1995 (Cont'd)20.7.1 Rates and Charges (Cont'd)20.7.1.3 Missouri - Pricing Zone 3 (Cont'd)(C) Installation Charge

	<u>USOC</u>	<u>First</u>	<u>Additional</u>
Per DS3 or DS3 Equivalent, per customer designated premises NRBSE	\$637.00	\$496.00	
- on the same Access Order			

(D) Service to Service Through Connect Arrangement

	<u>USOC</u>	<u>Installation Charge</u>
Per DS3 or DS3 equivalent	THA	\$157.00

(E) Optional Features, BSEs and Functions(1) DS3 to DS1 Multiplexing

per multiplexer

	<u>USOC</u>	<u>Monthly Rate</u>
Month to Month	MKM	\$815.00
3 year	MKM	\$764.00
5 year	MKM	\$708.00
10 year	MKM	\$634.00
<u>Installation Charge</u>		\$202.00

(This page filed under Transmittal No. 2458)

Issued: May 9, 1995

Effective: August 1, 1995

Four AT&T Plaza, Dallas, Texas 75202

(N)

ACCESS SERVICE

20. MegaLink Custom Services (Cont'd)

20.7 Billing Periods - Services Established Between July 1, 1992 and July 30, 1995 (Cont'd)

20.7.1 Rates and Charges (Cont'd)

20.7.1.3 Missouri - Pricing Zone 3 (Cont'd)

(E) Optional Features, BSEs and Functions (Cont'd)

(2) SecureNet

(a) Hub Redundancy
-per premises, per DS3

	<u>USOC</u>	<u>Month to</u> <u>Month</u>	<u>3 year</u>	<u>5 year</u>	<u>10 year</u>
Monthly					
Rate R36AD	\$1,869.00	\$1,751.25	\$1,646.60	\$1,451.45	

Installation Charge \$ 1,848.00

(b) Serving Wire Center and Facility Redundancy
-per premises, per DS3

	<u>USOC</u>	<u>Month to</u> <u>Month</u>	<u>3 year</u>	<u>5 year</u>	<u>10 year</u>
Monthly					
Rate R38AE	\$1,226.40	\$1,150.05	\$1,081.35	\$ 953.15	

Installation Charge \$ 1,301.00

(N)

(This page filed under Transmittal No. 2458)

Issued: May 9, 1995

Effective: August 1, 1995

Four AT&T Plaza, Dallas, Texas 75202

ACCESS SERVICE

20. MegaLink Custom Services (Cont'd)

20.7 Billing Periods - Services Established Between July 1, 1992 and July 30, 1995 (Cont'd)

20.7.1 Rates and Charges (Cont'd)

20.7.1.3 Missouri - Pricing Zone 3 (Cont'd)

(E) Optional Features, BSEs and Functions (Cont'd)

(3) Service Extension

Monthly Rate

Use Interoffice Mileage as set forth in 20.5.1(B)

Installation Charge

	<u>USOC</u>	<u>First</u>	<u>Additional</u>
per DS3 or DS3 equivalent, per Service Extension	NRBSE	\$637.00	\$496.00
- on the same Access Order			

(4) STN Interconnection with SecureNet Equipped MegaLink Custom Service

	<u>USOC</u>	<u>Month to Month</u>	<u>3 year</u>	<u>5 year</u>	<u>10 year</u>
-per DS3 R3N3X		\$278.05	\$263.20	\$248.20	\$221.40
per interconnection					

Installation Charge \$298.00

(N)

(This page filed under Transmittal No. 2458)

Issued: May 9, 1995

Effective: August 1, 1995

Four AT&T Plaza, Dallas, Texas 75202

ACCESS SERVICE

20. MegaLink Custom Services (Cont'd)20.7 Billing Periods - Services Established Between July 1, 1992 and July 30, 1995 (Cont'd)20.7.1 Rates and Charges (Cont'd)20.7.1.3 Missouri - Pricing Zone 3 (Cont'd)(F) SFM

Per existing MegaLink Custom Service(s) moving to another MegaLink Custom Service, on a first and additional basis, per Access Order:

<u>USOC</u>	<u>1st Service</u>	<u>Additional Service(s)</u>
NRBR3	\$135.00	\$104.00

(G) Administrative Charges

Service Rearrangement Charge

	<u>USOC</u>	<u>Nonrecurring Charges</u>	
		<u>First</u>	<u>Additional</u>
- Per DS3 or DS3 equivalent on the same Access Order for one or any combination of the following changes:	NRBAC	\$9.00	\$5.00
- Access Carrier Name Abbreviation (ACNA)			
- Billing Account Number (BAN)			
- Customer Circuit ID (CKR)			

(This page filed under Transmittal No. 2588)

ACCESS SERVICE

20. MegaLink Custom Services (Cont'd)20.7 Billing Periods - Services Established Between July 1, 1992 and July 30, 1995 (Cont'd)20.7.1 Rates and Charges (Cont'd)20.7.1.4 Texas - Pricing Zone 1(A) Channel Termination - monthly recurring rates per Volume Option, per customer designated premises(1) Electrical Channel Termination

<u>Volume Option*</u>	<u>USOC</u>	<u>Month to Month</u>	<u>3 year</u>	<u>5 year</u>	<u>10 year</u>
1	TUZPX	\$ 1,950.00	\$ 1,828.00	\$ 1,658.00	\$ 1,589.00
3	TUZPX	\$ 5,850.00	\$ 5,210.00	\$ 4,724.00	\$ 4,350.00
6	TUZPX	\$11,700.00	\$ 9,323.00	\$ 8,453.00	\$ 7,785.00
12	TUZPX	\$23,400.00	\$16,453.00	\$14,918.00	\$13,738.00

(2) Optical Channel Termination

<u>Volume Option*</u>	<u>USOC</u>	<u>Month to Month</u>	<u>3 year</u>	<u>5 year</u>	<u>10 year</u>
1	TKZPX	\$ 1,755.00	\$ 1,645.00	\$ 1,492.00	\$ 1,430.00
3	TKZPX	\$ 5,265.00	\$ 4,689.00	\$ 4,251.00	\$ 3,915.00
6	TKZPX	\$10,530.00	\$ 8,391.00	\$ 7,608.00	\$ 7,006.00
12	TKZPX	\$21,060.00	\$14,808.00	\$13,426.00	\$12,364.00

(3) Temp-DS3 - Electrical Channel Termination

<u>Volume Option*</u>	<u>USOC</u>	<u>Monthly</u>
1	TUZQX	\$ 2,262.50

* Volume Option specifies the number of DS3s or DS3 equivalents.

(This page filed under Transmittal No. 2458)

Issued: May 9, 1995

Effective: August 1, 1995

Four AT&T Plaza, Dallas, Texas 75202

(N)

(N)

ACCESS SERVICE

20. MegaLink Custom Services (Cont'd)

20.7 Billing Periods - Services Established Between July 1, 1992 and July 30, 1995 (Cont'd)

20.7.1 Rates and Charges (Cont'd)

20.7.1.4 Texas - Pricing Zone 1 (Cont'd)

(B) Interoffice Mileage - monthly recurring rates

(1) DS3 or DS3 Equivalent

	<u>USOC</u>	<u>Month to</u> <u>Month</u>	<u>3 year</u>	<u>5 year</u>	<u>10 year</u>
(a) Interoffice Fixed - per DS3 or DS3 equivalent 10XHX		\$815.00	\$764.00	\$693.00	\$634.00

(b) Per Mile - per Volume Option, per mile

<u>Volume</u> <u>Option*</u>	<u>USOC</u>	<u>Month to</u> <u>Month</u>	<u>3 year</u>	<u>5 year</u>	<u>10 year</u>
1	1J5HS	\$118.00	\$100.00	\$ 94.00	\$ 89.00
3	1J5HS	\$165.00	\$140.00	\$132.00	\$124.00
6	1J5HS	\$236.00	\$201.00	\$189.00	\$177.00
12	1J5HS	\$330.00	\$281.00	\$264.00	\$248.00

(2) Temp-DS3

USOC Monthly

(a) Interoffice Fixed - per Temp-DS3 10XGX	\$815.00
--	----------

(b) Per Mile -
per Temp-DS3,
per mile

<u>Volume</u> <u>Option*</u>	<u>USOC Monthly</u>
1	1A8GS \$118.00

* Volume Option specifies the number of DS3s or DS3 equivalents. The Volume Option and billing period will be the same as the Channel Termination Volume Option selected by the customer.

(This page filed under Transmittal No. 2458)

(N)

ACCESS SERVICE

20. MegaLink Custom Services (Cont'd)20.7 Billing Periods - Services Established Between July 1, 1992 and July 30, 1995 (Cont'd)20.7.1 Rates and Charges (Cont'd)20.7.1.4 Texas - Pricing Zone 1 (Cont'd)(C) Installation Charge

	<u>USOC</u>	<u>First</u>	<u>Additional</u>
Per DS3 or DS3 Equivalent, per customer designated premises NRBSE	\$637.00	\$496.00	
- on the same Access Order			

(D) Service to Service Through Connect Arrangement

	<u>USOC</u>	<u>Installation Charge</u>
Per DS3 or DS3 equivalent	THA	\$157.00

(E) Optional Features, BSEs and Functions(1) DS3 to DS1 Multiplexing

per multiplexer

	<u>USOC</u>	<u>Monthly Rate</u>
Month to Month	MKM	\$815.00
3 year	MKM	\$764.00
5 year	MKM	\$708.00
10 year	MKM	\$634.00
<u>Installation Charge</u>		\$202.00

(This page filed under Transmittal No. 2458)

Issued: May 9, 1995

Effective: August 1, 1995

Four AT&T Plaza, Dallas, Texas 75202

(N)

ACCESS SERVICE

20. MegaLink Custom Services (Cont'd)

20.7 Billing Periods - Services Established Between July 1, 1992 and July 30, 1995 (Cont'd)

20.7.1 Rates and Charges (Cont'd)

20.7.1.4 Texas - Pricing Zone 1 (Cont'd)

(E) Optional Features, BSEs and Functions (Cont'd)

(2) SecureNet

(a) Hub Redundancy
-per premises, per DS3

	<u>USOC</u>	<u>Month to</u> <u>Month</u>	<u>3 year</u>	<u>5 year</u>	<u>10 year</u>
Monthly					
Rate R36AD	\$1,869.00	\$1,751.25	\$1,646.60	\$1,451.45	

Installation Charge \$ 1,848.00

(b) Serving Wire Center and Facility Redundancy
-per premises, per DS3

	<u>USOC</u>	<u>Month to</u> <u>Month</u>	<u>3 year</u>	<u>5 year</u>	<u>10 year</u>
Monthly					
Rate R38AE	\$1,226.40	\$1,150.05	\$1,081.35	\$ 953.15	

Installation Charge \$ 1,301.00

(N)

(This page filed under Transmittal No. 2458)

Issued: May 9, 1995

Effective: August 1, 1995

Four AT&T Plaza, Dallas, Texas 75202

ACCESS SERVICE

20. MegaLink Custom Services (Cont'd)

20.7 Billing Periods - Services Established Between July 1, 1992 and July 30, 1995 (Cont'd)

20.7.1 Rates and Charges (Cont'd)

20.7.1.4 Texas - Pricing Zone 1 (Cont'd)

(E) Optional Features, BSEs and Functions (Cont'd)

(N)

(3) Service Extension

Monthly Rate

Use Interoffice Mileage as set forth in 20.5.1(B)

Installation Charge

	<u>USOC</u>	<u>First</u>	<u>Additional</u>
per DS3 or DS3 equivalent, per Service Extension - on the same Access Order	NRBSE	\$637.00	\$496.00

(4) STN Interconnection with SecureNet Equipped MegaLink Custom Service

	<u>USOC</u>	<u>Month to Month</u>	<u>3 year</u>	<u>5 year</u>	<u>10 year</u>
-per DS3 R3N3X per interconnection		\$278.05	\$263.20	\$248.20	\$221.40
		Installation Charge		\$298.00	

(This page filed under Transmittal No. 2458)

Issued: May 9, 1995

Effective: August 1, 1995

Four AT&T Plaza, Dallas, Texas 75202

ACCESS SERVICE

20. MegaLink Custom Services (Cont'd)20.7 Billing Periods - Services Established Between July 1, 1992 and July 30, 1995 (Cont'd)20.7.1 Rates and Charges (Cont'd)20.7.1.4 Texas - Pricing Zone 1 (Cont'd)(F) SFM

Per existing MegaLink Custom Service(s) moving to another MegaLink Custom Service, on a first and additional basis, per Access Order:

<u>USOC</u>	<u>1st Service</u>	<u>Additional Service(s)</u>
NRBR3	\$135.00	\$104.00

(G) Administrative Charges

Service Rearrangement Charge

	<u>USOC</u>	<u>Nonrecurring Charges</u>	
		<u>First</u>	<u>Additional</u>
- Per DS3 or DS3 equivalent on the same Access Order for one or any combination of the following changes:	NRBAC	\$9.00	\$5.00
- Access Carrier Name Abbreviation (ACNA)			
- Billing Account Number (BAN)			
- Customer Circuit ID (CKR)			

(This page filed under Transmittal No. 2588)

ACCESS SERVICE

20. MegaLink Custom Services (Cont'd)20.7 Billing Periods - Services Established Between July 1, 1992 and July 30, 1995 (Cont'd)20.7.1 Rates and Charges (Cont'd)20.7.1.5 Texas - Pricing Zone 2(A) Channel Termination - monthly recurring rates per Volume Option, per customer designated premises(1) Electrical Channel Termination

<u>Volume Option*</u>	<u>USOC</u>	<u>Month to Month</u>	<u>3 year</u>	<u>5 year</u>	<u>10 year</u>
1	TUZPX	\$ 1,950.00	\$ 1,828.00	\$ 1,658.00	\$ 1,589.00
3	TUZPX	\$ 5,850.00	\$ 5,210.00	\$ 4,724.00	\$ 4,350.00
6	TUZPX	\$11,700.00	\$ 9,323.00	\$ 8,453.00	\$ 7,785.00
12	TUZPX	\$23,400.00	\$16,453.00	\$14,918.00	\$13,738.00

(2) Optical Channel Termination

<u>Volume Option*</u>	<u>USOC</u>	<u>Month to Month</u>	<u>3 year</u>	<u>5 year</u>	<u>10 year</u>
1	TKZPX	\$ 1,755.00	\$ 1,645.00	\$ 1,492.00	\$ 1,430.00
3	TKZPX	\$ 5,265.00	\$ 4,689.00	\$ 4,251.00	\$ 3,915.00
6	TKZPX	\$10,530.00	\$ 8,391.00	\$ 7,608.00	\$ 7,006.00
12	TKZPX	\$21,060.00	\$14,808.00	\$13,426.00	\$12,364.00

(3) Temp-DS3 - Electrical Channel Termination

<u>Volume Option*</u>	<u>USOC</u>	<u>Monthly</u>
1	TUZQX	\$ 2,262.50

* Volume Option specifies the number of DS3s or DS3 equivalents.

(This page filed under Transmittal No. 2458)

Issued: May 9, 1995

Effective: August 1, 1995

Four AT&T Plaza, Dallas, Texas 75202

(N)

(N)

ACCESS SERVICE

20. MegaLink Custom Services (Cont'd)

20.7 Billing Periods - Services Established Between July 1, 1992 and July 30, 1995 (Cont'd)

20.7.1 Rates and Charges (Cont'd)

20.7.1.5 Texas - Pricing Zone 2 (Cont'd)

(B) Interoffice Mileage - monthly recurring rates

(1) DS3 or DS3 Equivalent

	<u>USOC</u>	<u>Month to</u> <u>Month</u>	<u>3 year</u>	<u>5 year</u>	<u>10 year</u>
(a) Interoffice Fixed - per DS3 or DS3 equivalent 10XHX		\$815.00	\$764.00	\$693.00	\$634.00

(b) Per Mile - per Volume Option, per mile

<u>Volume</u> <u>Option*</u>	<u>USOC</u>	<u>Month to</u> <u>Month</u>	<u>3 year</u>	<u>5 year</u>	<u>10 year</u>
1	1J5HS	\$118.00	\$100.00	\$ 94.00	\$ 89.00
3	1J5HS	\$165.00	\$140.00	\$132.00	\$124.00
6	1J5HS	\$236.00	\$201.00	\$189.00	\$177.00
12	1J5HS	\$330.00	\$281.00	\$264.00	\$248.00

(2) Temp-DS3

USOC Monthly

(a) Interoffice Fixed - per Temp-DS3 10XGX	\$815.00
--	----------

(b) Per Mile -
per Temp-DS3,
per mile

<u>Volume</u> <u>Option*</u>	<u>USOC Monthly</u>
1	1A8GS \$118.00

* Volume Option specifies the number of DS3s or DS3 equivalents. The Volume Option and billing period will be the same as the Channel Termination Volume Option selected by the customer.

(This page filed under Transmittal No. 2458)

(N)

ACCESS SERVICE

20. MegaLink Custom Services (Cont'd)

20.7 Billing Periods - Services Established Between July 1, 1992 and July 30, 1995 (Cont'd)

20.7.1 Rates and Charges (Cont'd)

20.7.1.5 Texas - Pricing Zone 2 (Cont'd)

(C) Installation Charge

	<u>USOC</u>	<u>First</u>	<u>Additional</u>
Per DS3 or DS3 Equivalent, per customer designated premises NRBSE	\$637.00	\$496.00	
- on the same Access Order			

(D) Service to Service Through Connect Arrangement

	<u>USOC</u>	<u>Installation Charge</u>
Per DS3 or DS3 equivalent	THA	\$157.00

(E) Optional Features, BSEs and Functions

(1) DS3 to DS1 Multiplexing

per multiplexer

	<u>USOC</u>	<u>Monthly Rate</u>
Month to Month	MKM	\$815.00
3 year	MKM	\$764.00
5 year	MKM	\$708.00
10 year	MKM	\$634.00
<u>Installation Charge</u>		\$202.00

(N)

(This page filed under Transmittal No. 2458)

Issued: May 9, 1995

Effective: August 1, 1995

Four AT&T Plaza, Dallas, Texas 75202

ACCESS SERVICE

20. MegaLink Custom Services (Cont'd)20.7 Billing Periods - Services Established Between July 1, 1992 and July 30, 1995 (Cont'd)20.7.1 Rates and Charges (Cont'd)20.7.1.5 Texas - Pricing Zone 2 (Cont'd)(E) Optional Features, BSEs and Functions (Cont'd)(2) SecureNet(a) Hub Redundancy
-per premises, per DS3

	USOC	Month to Month	3 year	5 year	10 year
Monthly Rate	R36AD	\$1,869.00	\$1,751.25	\$1,646.60	\$1,451.45

Installation Charge \$ 1,848.00

(b) Serving Wire Center and Facility Redundancy
-per premises, per DS3

	USOC	Month to Month	3 year	5 year	10 year
Monthly Rate	R38AE	\$1,226.40	\$1,150.05	\$1,081.35	\$ 953.15

Installation Charge \$ 1,301.00

(This page filed under Transmittal No. 2458)

Issued: May 9, 1995

Effective: August 1, 1995

Four AT&T Plaza, Dallas, Texas 75202

(N)

ACCESS SERVICE

20. MegaLink Custom Services (Cont'd)

20.7 Billing Periods - Services Established Between July 1, 1992 and July 30, 1995 (Cont'd)

20.7.1 Rates and Charges (Cont'd)

20.7.1.5 Texas - Pricing Zone 2 (Cont'd)

(E) Optional Features, BSEs and Functions (Cont'd)

(N)

(3) Service Extension

Monthly Rate

Use Interoffice Mileage as set forth in 20.5.1(B)

Installation Charge

	<u>USOC</u>	<u>First</u>	<u>Additional</u>
per DS3 or DS3 equivalent, per Service Extension - on the same Access Order	NRBSE	\$637.00	\$496.00

(4) STN Interconnection with SecureNet Equipped MegaLink Custom Service

	<u>USOC</u>	<u>Month to Month</u>	<u>3 year</u>	<u>5 year</u>	<u>10 year</u>
-per DS3 per interconnection	R3N3X	\$278.05	\$263.20	\$248.20	\$221.40
Installation Charge			\$298.00		

(This page filed under Transmittal No. 2458)

Issued: May 9, 1995

Effective: August 1, 1995

Four AT&T Plaza, Dallas, Texas 75202

ACCESS SERVICE

20. MegaLink Custom Services (Cont'd)20.7 Billing Periods - Services Established Between July 1, 1992 and July 30, 1995 (Cont'd)20.7.1 Rates and Charges (Cont'd)20.7.1.5 Texas - Pricing Zone 2 (Cont'd)(F) SFM

Per existing MegaLink Custom Service(s) moving to another MegaLink Custom Service, on a first and additional basis, per Access Order:

<u>USOC</u>	<u>1st Service</u>	<u>Additional Service(s)</u>
NRBR3	\$135.00	\$104.00

(G) Administrative Charges

Service Rearrangement Charge

	<u>USOC</u>	<u>Nonrecurring Charges</u>	
		<u>First</u>	<u>Additional</u>
- Per DS3 or DS3 equivalent on the same Access Order for one or any combination of the following changes:	NRBAC	\$9.00	\$5.00
- Access Carrier Name Abbreviation (ACNA)			
- Billing Account Number (BAN)			
- Customer Circuit ID (CKR)			

(This page filed under Transmittal No. 2588)

ACCESS SERVICE

20. MegaLink Custom Services (Cont'd)20.7 Billing Periods - Services Established Between July 1, 1992 and July 30, 1995 (Cont'd)20.7.1 Rates and Charges (Cont'd)20.7.1.6 Texas - Pricing Zone 3(A) Channel Termination - monthly recurring rates per Volume Option, per customer designated premises(1) Electrical Channel Termination

<u>Volume Option*</u>	<u>USOC</u>	<u>Month to Month</u>	<u>3 year</u>	<u>5 year</u>	<u>10 year</u>
1	TUZPX	\$ 1,950.00	\$ 1,828.00	\$ 1,658.00	\$ 1,589.00
3	TUZPX	\$ 5,850.00	\$ 5,210.00	\$ 4,724.00	\$ 4,350.00
6	TUZPX	\$11,700.00	\$ 9,323.00	\$ 8,453.00	\$ 7,785.00
12	TUZPX	\$23,400.00	\$16,453.00	\$14,918.00	\$13,738.00

(2) Optical Channel Termination

<u>Volume Option*</u>	<u>USOC</u>	<u>Month to Month</u>	<u>3 year</u>	<u>5 year</u>	<u>10 year</u>
1	TKZPX	\$ 1,755.00	\$ 1,645.00	\$ 1,492.00	\$ 1,430.00
3	TKZPX	\$ 5,265.00	\$ 4,689.00	\$ 4,251.00	\$ 3,915.00
6	TKZPX	\$10,530.00	\$ 8,391.00	\$ 7,608.00	\$ 7,006.00
12	TKZPX	\$21,060.00	\$14,808.00	\$13,426.00	\$12,364.00

(3) Temp-DS3 - Electrical Channel Termination

<u>Volume Option*</u>	<u>USOC</u>	<u>Monthly</u>
1	TUZQX	\$ 2,262.50

* Volume Option specifies the number of DS3s or DS3 equivalents.

(This page filed under Transmittal No. 2458)

Issued: May 9, 1995

Effective: August 1, 1995

Four AT&T Plaza, Dallas, Texas 75202

(N)

(N)

ACCESS SERVICE

20. MegaLink Custom Services (Cont'd)

20.7 Billing Periods - Services Established Between July 1, 1992 and July 30, 1995 (Cont'd)

20.7.1 Rates and Charges (Cont'd)

20.7.1.6 Texas - Pricing Zone 3 (Cont'd)

(B) Interoffice Mileage - monthly recurring rates

(1) DS3 or DS3 Equivalent

	<u>USOC</u>	<u>Month to</u> <u>Month</u>	<u>3 year</u>	<u>5 year</u>	<u>10 year</u>
(a) Interoffice Fixed - per DS3 or DS3 equivalent 10XHX		\$815.00	\$764.00	\$693.00	\$634.00

(b) Per Mile - per Volume Option, per mile

<u>Volume</u> <u>Option*</u>	<u>USOC</u>	<u>Month to</u> <u>Month</u>	<u>3 year</u>	<u>5 year</u>	<u>10 year</u>
1	1J5HS	\$118.00	\$100.00	\$ 94.00	\$ 89.00
3	1J5HS	\$165.00	\$140.00	\$132.00	\$124.00
6	1J5HS	\$236.00	\$201.00	\$189.00	\$177.00
12	1J5HS	\$330.00	\$281.00	\$264.00	\$248.00

(2) Temp-DS3

USOC Monthly

(a) Interoffice Fixed - per Temp-DS3 10XGX	\$815.00
--	----------

(b) Per Mile -
per Temp-DS3,
per mile

<u>Volume</u> <u>Option*</u>	<u>USOC Monthly</u>
1	1A8GS \$118.00

* Volume Option specifies the number of DS3s or DS3 equivalents. The Volume Option and billing period will be the same as the Channel Termination Volume Option selected by the customer.

(This page filed under Transmittal No. 2458)

ACCESS SERVICE

20. MegaLink Custom Services (Cont'd)20.7 Billing Periods - Services Established Between July 1, 1992 and July 30, 1995 (Cont'd)20.7.1 Rates and Charges (Cont'd)20.7.1.6 Texas - Pricing Zone 3 (Cont'd)(C) Installation Charge

	<u>USOC</u>	<u>First</u>	<u>Additional</u>
Per DS3 or DS3 Equivalent, per customer designated premises NRBSE	\$637.00	\$496.00	
- on the same Access Order			

(D) Service to Service Through Connect Arrangement

	<u>USOC</u>	<u>Installation Charge</u>
Per DS3 or DS3 equivalent	THA	\$157.00

(E) Optional Features, BSEs and Functions(1) DS3 to DS1 Multiplexing

per multiplexer

	<u>USOC</u>	<u>Monthly Rate</u>
Month to Month	MKM	\$815.00
3 year	MKM	\$764.00
5 year	MKM	\$708.00
10 year	MKM	\$634.00
<u>Installation Charge</u>		\$202.00

(This page filed under Transmittal No. 2458)

Issued: May 9, 1995

Effective: August 1, 1995

Four AT&T Plaza, Dallas, Texas 75202

(N)

ACCESS SERVICE

20. MegaLink Custom Services (Cont'd)

20.7 Billing Periods - Services Established Between July 1, 1992 and July 30, 1995 (Cont'd)

20.7.1 Rates and Charges (Cont'd)

20.7.1.6 Texas - Pricing Zone 3 (Cont'd)

(E) Optional Features, BSEs and Functions (Cont'd)

(2) SecureNet

(a) Hub Redundancy
-per premises, per DS3

	<u>USOC</u>	<u>Month to</u>	<u>3 year</u>	<u>5 year</u>	<u>10 year</u>
<u>Monthly</u>		<u>Month</u>			
Rate R36AD	\$1,869.00	\$1,751.25	\$1,646.60	\$1,451.45	

Installation Charge \$ 1,848.00

(b) Serving Wire Center and Facility Redundancy
-per premises, per DS3

	<u>USOC</u>	<u>Month to</u>	<u>3 year</u>	<u>5 year</u>	<u>10 year</u>
<u>Monthly</u>		<u>Month</u>			
Rate R38AE	\$1,226.40	\$1,150.05	\$1,081.35	\$ 953.15	

Installation Charge \$ 1,301.00

(N)

(This page filed under Transmittal No. 2458)

Issued: May 9, 1995

Effective: August 1, 1995

Four AT&T Plaza, Dallas, Texas 75202

ACCESS SERVICE

20. MegaLink Custom Services (Cont'd)

20.7 Billing Periods - Services Established Between July 1, 1992 and July 30, 1995 (Cont'd)

20.7.1 Rates and Charges (Cont'd)

20.7.1.6 Texas - Pricing Zone 3 (Cont'd)

(E) Optional Features, BSEs and Functions (Cont'd)

(N)

(3) Service Extension

Monthly Rate

Use Interoffice Mileage as set forth in 20.5.1(B)

Installation Charge

	<u>USOC</u>	<u>First</u>	<u>Additional</u>
per DS3 or DS3 equivalent, per Service Extension - on the same Access Order	NRBSE	\$637.00	\$496.00

(4) STN Interconnection with SecureNet Equipped MegaLink Custom Service

	<u>USOC</u>	<u>Month to Month</u>	<u>3 year</u>	<u>5 year</u>	<u>10 year</u>
-per DS3 per interconnection	R3N3X	\$278.05	\$263.20	\$248.20	\$221.40
		Installation Charge		\$298.00	

(This page filed under Transmittal No. 2458)

Issued: May 9, 1995

Effective: August 1, 1995

Four AT&T Plaza, Dallas, Texas 75202

ACCESS SERVICE

20. MegaLink Custom Services (Cont'd)20.7 Billing Periods - Services Established Between July 1, 1992 and July 30, 1995 (Cont'd)20.7.1 Rates and Charges (Cont'd)20.7.1.6 Texas - Pricing Zone 3 (Cont'd)(F) SFM

Per existing MegaLink Custom Service(s) moving to another MegaLink Custom Service, on a first and additional basis, per Access Order:

<u>USOC</u>	<u>1st Service</u>	<u>Additional Service(s)</u>
NRBR3	\$135.00	\$104.00

(G) Administrative Charges

Service Rearrangement Charge

	<u>USOC</u>	<u>Nonrecurring Charges</u>	
		<u>First</u>	<u>Additional</u>
- Per DS3 or DS3 equivalent on the same Access Order for one or any combination of the following changes:	NRBAC	\$9.00	\$5.00
- Access Carrier Name Abbreviation (ACNA)			
- Billing Account Number (BAN)			
- Customer Circuit ID (CKR)			

(This page filed under Transmittal No. 2588)

ACCESS SERVICE

20. MegaLink Custom Services (Cont'd)20.8 Billing Periods - Services Established Between August 1, 1995 and June 30, 199720.8.1 Rates and Charges

Rates and charges for Arkansas, Kansas, Missouri, Oklahoma and Texas will be applied based on Pricing Zones as contained below.

(A) Channel Termination - Electrical - per Volume Option, per customer premises(1) Electrical Channel Termination - AR - Zone 1

<u>Volume Option*</u>	<u>USOC</u>	<u>Month to Month</u>	<u>3 year</u>	<u>5 year</u>	<u>10 year</u>
1	TUZPX	\$ 1,950.00	\$ 1,828.00	\$ 1,658.00	\$ 1,589.00
3	TUZPX	\$ 5,850.00	\$ 4,845.00	\$ 4,046.00	\$ 3,915.00
6	TUZPX	\$11,700.00	\$ 8,670.00	\$ 7,240.00	\$ 7,007.00
12	TUZPX	\$23,400.00	\$15,301.00	\$12,776.00	\$12,364.00

(2) Electrical Channel Termination - AR - Zone 2

<u>Volume Option*</u>	<u>USOC</u>	<u>Month to Month</u>	<u>3 year</u>	<u>5 year</u>	<u>10 year</u>
1	TUZPX	\$ 1,950.00	\$ 1,828.00	\$ 1,658.00	\$ 1,589.00
3	TUZPX	\$ 5,850.00	\$ 4,845.00	\$ 4,046.00	\$ 3,915.00
6	TUZPX	\$11,700.00	\$ 8,670.00	\$ 7,240.00	\$ 7,007.00
12	TUZPX	\$23,400.00	\$15,301.00	\$12,776.00	\$12,364.00

(3) Electrical Channel Termination - AR - Zone 3

<u>Volume Option*</u>	<u>USOC</u>	<u>Month to Month</u>	<u>3 year</u>	<u>5 year</u>	<u>10 year</u>
1	TUZPX	\$ 1,950.00	\$ 1,828.00	\$ 1,658.00	\$ 1,589.00
3	TUZPX	\$ 5,850.00	\$ 4,845.00	\$ 4,046.00	\$ 3,915.00
6	TUZPX	\$11,700.00	\$ 8,670.00	\$ 7,240.00	\$ 7,007.00
12	TUZPX	\$23,400.00	\$15,301.00	\$12,776.00	\$12,364.00

* Volume Option specifies the number of DS3s or DS3 equivalents.

(This page filed under Transmittal No. 2640)

Issued: June 16, 1997

Effective: July 1, 1997

Four AT&T Plaza, Dallas, Texas 75202

(N)

ACCESS SERVICE

20. MegaLink Custom Services (Cont'd)20.8 Billing Periods - Services Established Between August 1, 1995 and June 30, 1997 (Cont'd)20.8.1 Rates and Charges (Cont'd)(A) Channel Termination - Electrical - per Volume Option, per customer premises (Cont'd)(4) Electrical Channel Termination - KS - Zone 1

<u>Volume Option*</u>	<u>USOC</u>	<u>Month to Month</u>	<u>3 year</u>	<u>5 year</u>	<u>10 year</u>
1	TUZPX	\$ 1,950.00	\$ 1,828.00	\$ 1,658.00	\$ 1,589.00
3	TUZPX	\$ 5,850.00	\$ 4,845.00	\$ 4,046.00	\$ 3,915.00
6	TUZPX	\$11,700.00	\$ 8,670.00	\$ 7,240.00	\$ 7,007.00
12	TUZPX	\$23,400.00	\$15,301.00	\$12,776.00	\$12,364.00

(5) Electrical Channel Termination - KS - Zone 2

<u>Volume Option*</u>	<u>USOC</u>	<u>Month to Month</u>	<u>3 year</u>	<u>5 year</u>	<u>10 year</u>
1	TUZPX	\$ 1,950.00	\$ 1,828.00	\$ 1,658.00	\$ 1,589.00
3	TUZPX	\$ 5,850.00	\$ 4,845.00	\$ 4,046.00	\$ 3,915.00
6	TUZPX	\$11,700.00	\$ 8,670.00	\$ 7,240.00	\$ 7,007.00
12	TUZPX	\$23,400.00	\$15,301.00	\$12,776.00	\$12,364.00

(6) Electrical Channel Termination - KS - Zone 3

<u>Volume Option*</u>	<u>USOC</u>	<u>Month to Month</u>	<u>3 year</u>	<u>5 year</u>	<u>10 year</u>
1	TUZPX	\$ 1,950.00	\$ 1,828.00	\$ 1,658.00	\$ 1,589.00
3	TUZPX	\$ 5,850.00	\$ 4,845.00	\$ 4,046.00	\$ 3,915.00
6	TUZPX	\$11,700.00	\$ 8,670.00	\$ 7,240.00	\$ 7,007.00
12	TUZPX	\$23,400.00	\$15,301.00	\$12,776.00	\$12,364.00

* Volume Option specifies the number of DS3s or DS3 equivalents.

(This page filed under Transmittal No. 2640)

Issued: June 16, 1997

Effective: July 1, 1997

Four AT&T Plaza, Dallas, Texas 75202

(N)

ACCESS SERVICE

20. MegaLink Custom Services (Cont'd)20.8 Billing Periods - Services Established Between August 1, 1995 and June 30, 1997 (Cont'd)20.8.1 Rates and Charges (Cont'd)(A) Channel Termination - Electrical - per Volume Option, per customer premises (Cont'd)(7) Electrical Channel Termination - MO - Zone 1

<u>Volume Option*</u>	<u>USOC</u>	<u>Month to Month</u>	<u>3 year</u>	<u>5 year</u>	<u>10 year</u>
1	TUZPX	\$ 1,950.00	\$ 1,828.00	\$ 1,658.00	\$ 1,589.00
3	TUZPX	\$ 5,850.00	\$ 4,845.00	\$ 4,046.00	\$ 3,915.00
6	TUZPX	\$11,700.00	\$ 8,670.00	\$ 7,240.00	\$ 7,007.00
12	TUZPX	\$23,400.00	\$15,301.00	\$12,776.00	\$12,364.00

(8) Electrical Channel Termination - MO - Zone 2

<u>Volume Option*</u>	<u>USOC</u>	<u>Month to Month</u>	<u>3 year</u>	<u>5 year</u>	<u>10 year</u>
1	TUZPX	\$ 1,950.00	\$ 1,828.00	\$ 1,658.00	\$ 1,589.00
3	TUZPX	\$ 5,850.00	\$ 4,845.00	\$ 4,046.00	\$ 3,915.00
6	TUZPX	\$11,700.00	\$ 8,670.00	\$ 7,240.00	\$ 7,007.00
12	TUZPX	\$23,400.00	\$15,301.00	\$12,776.00	\$12,364.00

(9) Electrical Channel Termination - MO - Zone 3

<u>Volume Option*</u>	<u>USOC</u>	<u>Month to Month</u>	<u>3 year</u>	<u>5 year</u>	<u>10 year</u>
1	TUZPX	\$ 1,950.00	\$ 1,828.00	\$ 1,658.00	\$ 1,589.00
3	TUZPX	\$ 5,850.00	\$ 4,845.00	\$ 4,046.00	\$ 3,915.00
6	TUZPX	\$11,700.00	\$ 8,670.00	\$ 7,240.00	\$ 7,007.00
12	TUZPX	\$23,400.00	\$15,301.00	\$12,776.00	\$12,364.00

* Volume Option specifies the number of DS3s or DS3 equivalents.

(This page filed under Transmittal No. 2640)

Issued: June 16, 1997

Effective: July 1, 1997

Four AT&T Plaza, Dallas, Texas 75202

(N)

ACCESS SERVICE

20. MegaLink Custom Services (Cont'd)20.8 Billing Periods - Services Established Between August 1, 1995 and June 30, 1997 (Cont'd)20.8.1 Rates and Charges (Cont'd)(A) Channel Termination - Electrical - per Volume Option, per customer premises (Cont'd)(10) Electrical Channel Termination - OK - Zone 1

<u>Volume Option*</u>	<u>USOC</u>	<u>Month to Month</u>	<u>3 year</u>	<u>5 year</u>	<u>10 year</u>
1	TUZPX	\$ 1,950.00	\$ 1,828.00	\$ 1,658.00	\$ 1,589.00
3	TUZPX	\$ 5,850.00	\$ 4,845.00	\$ 4,046.00	\$ 3,915.00
6	TUZPX	\$11,700.00	\$ 8,670.00	\$ 7,240.00	\$ 7,007.00
12	TUZPX	\$23,400.00	\$15,301.00	\$12,776.00	\$12,364.00

(11) Electrical Channel Termination - OK - Zone 2

<u>Volume Option*</u>	<u>USOC</u>	<u>Month to Month</u>	<u>3 year</u>	<u>5 year</u>	<u>10 year</u>
1	TUZPX	\$ 1,950.00	\$ 1,828.00	\$ 1,658.00	\$ 1,589.00
3	TUZPX	\$ 5,850.00	\$ 4,845.00	\$ 4,046.00	\$ 3,915.00
6	TUZPX	\$11,700.00	\$ 8,670.00	\$ 7,240.00	\$ 7,007.00
12	TUZPX	\$23,400.00	\$15,301.00	\$12,776.00	\$12,364.00

(12) Electrical Channel Termination - OK - Zone 3

<u>Volume Option*</u>	<u>USOC</u>	<u>Month to Month</u>	<u>3 year</u>	<u>5 year</u>	<u>10 year</u>
1	TUZPX	\$ 1,950.00	\$ 1,828.00	\$ 1,658.00	\$ 1,589.00
3	TUZPX	\$ 5,850.00	\$ 4,845.00	\$ 4,046.00	\$ 3,915.00
6	TUZPX	\$11,700.00	\$ 8,670.00	\$ 7,240.00	\$ 7,007.00
12	TUZPX	\$23,400.00	\$15,301.00	\$12,776.00	\$12,364.00

* Volume Option specifies the number of DS3s or DS3 equivalents.

(This page filed under Transmittal No. 2640)

Issued: June 16, 1997

Effective: July 1, 1997

Four AT&T Plaza, Dallas, Texas 75202

(N)

ACCESS SERVICE

20. MegaLink Custom Services (Cont'd)

20.8 Billing Periods - Services Established Between August 1, 1995 and June 30, 1997 (Cont'd)

20.8.1 Rates and Charges (Cont'd)

(A) Channel Termination - Electrical - per Volume Option, per customer premises (Cont'd)

(13) Electrical Channel Termination - TX - Zone 1

<u>Volume Option*</u>	<u>USOC</u>	<u>Month to Month</u>	<u>3 year</u>	<u>5 year</u>	<u>10 year</u>
1	TUZPX	\$ 1,950.00	\$ 1,828.00	\$ 1,658.00	\$ 1,589.00
3	TUZPX	\$ 5,850.00	\$ 4,845.00	\$ 4,046.00	\$ 3,915.00
6	TUZPX	\$11,700.00	\$ 8,670.00	\$ 7,240.00	\$ 7,007.00
12	TUZPX	\$23,400.00	\$15,301.00	\$12,776.00	\$12,364.00

(14) Electrical Channel Termination - TX - Zone 2

<u>Volume Option*</u>	<u>USOC</u>	<u>Month to Month</u>	<u>3 year</u>	<u>5 year</u>	<u>10 year</u>
1	TUZPX	\$ 1,950.00	\$ 1,828.00	\$ 1,658.00	\$ 1,589.00
3	TUZPX	\$ 5,850.00	\$ 4,845.00	\$ 4,046.00	\$ 3,915.00
6	TUZPX	\$11,700.00	\$ 8,670.00	\$ 7,240.00	\$ 7,007.00
12	TUZPX	\$23,400.00	\$15,301.00	\$12,776.00	\$12,364.00

(15) Electrical Channel Termination - TX - Zone 3

<u>Volume Option*</u>	<u>USOC</u>	<u>Month to Month</u>	<u>3 year</u>	<u>5 year</u>	<u>10 year</u>
1	TUZPX	\$ 1,950.00	\$ 1,828.00	\$ 1,658.00	\$ 1,589.00
3	TUZPX	\$ 5,850.00	\$ 4,845.00	\$ 4,046.00	\$ 3,915.00
6	TUZPX	\$11,700.00	\$ 8,670.00	\$ 7,240.00	\$ 7,007.00
12	TUZPX	\$23,400.00	\$15,301.00	\$12,776.00	\$12,364.00

* Volume Option specifies the number of DS3s or DS3 equivalents.

(This page filed under Transmittal No. 2640)

(N)

ACCESS SERVICE

20. MegaLink Custom Services (Cont'd)20.8 Billing Periods - Services Established Between August 1, 1995 and June 30, 1997 (Cont'd)20.8.1 Rates and Charges (Cont'd)(A) Channel Termination - Electrical - per Volume Option, per customer premises (Cont'd)(16) Temp-DS3 Electrical Channel Termination - AR - Zone 1

<u>Volume Option*</u>	<u>USOC</u>	<u>Monthly</u>
1	TUZQX	\$ 2,262.50

(17) Temp-DS3 Electrical Channel Termination - AR - Zone 2

<u>Volume Option*</u>	<u>USOC</u>	<u>Monthly</u>
1	TUZQX	\$ 2,262.50

(18) Temp-DS3 Electrical Channel Termination - AR - Zone 3

<u>Volume Option*</u>	<u>USOC</u>	<u>Monthly</u>
1	TUZQX	\$ 2,262.50

(19) Temp-DS3 Electrical Channel Termination - KS - Zone 1

<u>Volume Option*</u>	<u>USOC</u>	<u>Monthly</u>
1	TUZQX	\$ 2,262.50

(20) Temp-DS3 Electrical Channel Termination - KS - Zone 2

<u>Volume Option*</u>	<u>USOC</u>	<u>Monthly</u>
1	TUZQX	\$ 2,262.50

(21) Temp-DS3 Electrical Channel Termination - KS - Zone 3

<u>Volume Option*</u>	<u>USOC</u>	<u>Monthly</u>
1	TUZQX	\$ 2,262.50

* Volume Option specifies the number of DS3s or DS3 equivalents.

(This page filed under Transmittal No. 2640)

Issued: June 16, 1997

Effective: July 1, 1997

Four AT&T Plaza, Dallas, Texas 75202

(N)

ACCESS SERVICE

20. MegaLink Custom Services (Cont'd)20.8 Billing Periods - Services Established Between August 1, 1995 and June 30, 1997 (Cont'd)20.8.1 Rates and Charges (Cont'd)(A) Channel Termination - Electrical - per Volume Option, per customer premises (Cont'd)(22) Temp-DS3 Electrical Channel Termination - MO - Zone 1

<u>Volume Option*</u>	<u>USOC</u>	<u>Monthly</u>
1	TUZQX	\$ 2,262.50

(23) Temp-DS3 Electrical Channel Termination - MO - Zone 2

<u>Volume Option*</u>	<u>USOC</u>	<u>Monthly</u>
1	TUZQX	\$ 2,262.50

(24) Temp-DS3 Electrical Channel Termination - MO - Zone 3

<u>Volume Option*</u>	<u>USOC</u>	<u>Monthly</u>
1	TUZQX	\$ 2,262.50

(25) Temp-DS3 Electrical Channel Termination - OK - Zone 1

<u>Volume Option*</u>	<u>USOC</u>	<u>Monthly</u>
1	TUZQX	\$ 2,262.50

(26) Temp-DS3 Electrical Channel Termination - OK - Zone 2

<u>Volume Option*</u>	<u>USOC</u>	<u>Monthly</u>
1	TUZQX	\$ 2,262.50

(27) Temp-DS3 Electrical Channel Termination - OK - Zone 3

<u>Volume Option*</u>	<u>USOC</u>	<u>Monthly</u>
1	TUZQX	\$ 2,262.50

* Volume Option specifies the number of DS3s or DS3 equivalents.

(This page filed under Transmittal No. 2640)

Issued: June 16, 1997

Effective: July 1, 1997

Four AT&T Plaza, Dallas, Texas 75202

(N)

ACCESS SERVICE

20. MegaLink Custom Services (Cont'd)20.8 Billing Periods - Services Established Between August 1, 1995 and June 30, 1997 (Cont'd)20.8.1 Rates and Charges (Cont'd)(A) Channel Termination - Electrical - per Volume Option, per customer premises (Cont'd)(28) Temp-DS3 Electrical Channel Termination - TX - Zone 1

<u>Volume Option*</u>	<u>USOC</u>	<u>Monthly</u>
1	TUZQX	\$ 2,262.50

(29) Temp-DS3 Electrical Channel Termination - TX - Zone 2

<u>Volume Option*</u>	<u>USOC</u>	<u>Monthly</u>
1	TUZQX	\$ 2,262.50

(30) Temp-DS3 Electrical Channel Termination - TX - Zone 3

<u>Volume Option*</u>	<u>USOC</u>	<u>Monthly</u>
1	TUZQX	\$ 2,262.50

(N)

* Volume Option specifies the number of DS3s or DS3 equivalents.

(This page filed under Transmittal No. 2640)

Issued: June 16, 1997

Effective: July 1, 1997

Four AT&T Plaza, Dallas, Texas 75202

ACCESS SERVICE

20. MegaLink Custom Services (Cont'd)20.8 Billing Periods - Services Established Between August 1, 1995 and June 30, 1997 (Cont'd)20.8.1 Rates and Charges (Cont'd)(B) Channel Termination - Optical - per Volume Option, per customer premises(1) Optical Channel Termination - AR - Zone 1

<u>Volume Option*</u>	<u>USOC</u>	<u>Month to Month</u>	<u>3 year</u>	<u>5 year</u>	<u>10 year</u>
1	TKZPX	\$ 1,755.00	\$ 1,645.00	\$ 1,492.00	\$ 1,430.00
3	TKZPX	\$ 5,265.00	\$ 4,361.00	\$ 3,953.00	\$ 3,524.00
6	TKZPX	\$10,530.00	\$ 7,804.00	\$ 7,075.00	\$ 6,305.00
12	TKZPX	\$21,060.00	\$13,771.00	\$12,486.00	\$11,128.00

(2) Optical Channel Termination - AR - Zone 2

<u>Volume Option*</u>	<u>USOC</u>	<u>Month to Month</u>	<u>3 year</u>	<u>5 year</u>	<u>10 year</u>
1	TKZPX	\$ 1,755.00	\$ 1,645.00	\$ 1,492.00	\$ 1,430.00
3	TKZPX	\$ 5,265.00	\$ 4,361.00	\$ 3,953.00	\$ 3,524.00
6	TKZPX	\$10,530.00	\$ 7,804.00	\$ 7,075.00	\$ 6,305.00
12	TKZPX	\$21,060.00	\$13,771.00	\$12,486.00	\$11,128.00

(3) Optical Channel Termination - AR - Zone 3

<u>Volume Option*</u>	<u>USOC</u>	<u>Month to Month</u>	<u>3 year</u>	<u>5 year</u>	<u>10 year</u>
1	TKZPX	\$ 1,755.00	\$ 1,645.00	\$ 1,492.00	\$ 1,430.00
3	TKZPX	\$ 5,265.00	\$ 4,361.00	\$ 3,953.00	\$ 3,524.00
6	TKZPX	\$10,530.00	\$ 7,804.00	\$ 7,075.00	\$ 6,305.00
12	TKZPX	\$21,060.00	\$13,771.00	\$12,486.00	\$11,128.00

* Volume Option specifies the number of DS3s or DS3 equivalents.

(This page filed under Transmittal No. 2640)

Issued: June 16, 1997

Effective: July 1, 1997

Four AT&T Plaza, Dallas, Texas 75202

(N)

ACCESS SERVICE

20. MegaLink Custom Services (Cont'd)20.8 Billing Periods - Services Established Between August 1, 1995 and June 30, 1997 (Cont'd)20.8.1 Rates and Charges (Cont'd)(B) Channel Termination - Optical - per Volume Option, per customer premises (Cont'd)(4) Optical Channel Termination - KS - Zone 1

<u>Volume Option*</u>	<u>USOC</u>	<u>Month to Month</u>	<u>3 year</u>	<u>5 year</u>	<u>10 year</u>
1	TKZPX	\$ 1,755.00	\$ 1,645.00	\$ 1,492.00	\$ 1,430.00
3	TKZPX	\$ 5,265.00	\$ 4,361.00	\$ 3,953.00	\$ 3,524.00
6	TKZPX	\$10,530.00	\$ 7,804.00	\$ 7,075.00	\$ 6,305.00
12	TKZPX	\$21,060.00	\$13,771.00	\$12,486.00	\$11,128.00

(5) Optical Channel Termination - KS - Zone 2

<u>Volume Option*</u>	<u>USOC</u>	<u>Month to Month</u>	<u>3 year</u>	<u>5 year</u>	<u>10 year</u>
1	TKZPX	\$ 1,755.00	\$ 1,645.00	\$ 1,492.00	\$ 1,430.00
3	TKZPX	\$ 5,265.00	\$ 4,361.00	\$ 3,953.00	\$ 3,524.00
6	TKZPX	\$10,530.00	\$ 7,804.00	\$ 7,075.00	\$ 6,305.00
12	TKZPX	\$21,060.00	\$13,771.00	\$12,486.00	\$11,128.00

(6) Optical Channel Termination - KS - Zone 3

<u>Volume Option*</u>	<u>USOC</u>	<u>Month to Month</u>	<u>3 year</u>	<u>5 year</u>	<u>10 year</u>
1	TKZPX	\$ 1,755.00	\$ 1,645.00	\$ 1,492.00	\$ 1,430.00
3	TKZPX	\$ 5,265.00	\$ 4,361.00	\$ 3,953.00	\$ 3,524.00
6	TKZPX	\$10,530.00	\$ 7,804.00	\$ 7,075.00	\$ 6,305.00
12	TKZPX	\$21,060.00	\$13,771.00	\$12,486.00	\$11,128.00

* Volume Option specifies the number of DS3s or DS3 equivalents.

(This page filed under Transmittal No. 2640)

Issued: June 16, 1997

Effective: July 1, 1997

Four AT&T Plaza, Dallas, Texas 75202

(N)

ACCESS SERVICE

20. MegaLink Custom Services (Cont'd)20.8 Billing Periods - Services Established Between August 1, 1995 and June 30, 1997 (Cont'd)20.8.1 Rates and Charges (Cont'd)(B) Channel Termination - Optical - per Volume Option, per customer premises (Cont'd)(7) Optical Channel Termination - MO - Zone 1

<u>Volume Option*</u>	<u>USOC</u>	<u>Month to Month</u>	<u>3 year</u>	<u>5 year</u>	<u>10 year</u>
1	TKZPX	\$ 1,755.00	\$ 1,645.00	\$ 1,492.00	\$ 1,430.00
3	TKZPX	\$ 5,265.00	\$ 4,361.00	\$ 3,953.00	\$ 3,524.00
6	TKZPX	\$10,530.00	\$ 7,804.00	\$ 7,075.00	\$ 6,305.00
12	TKZPX	\$21,060.00	\$13,771.00	\$12,486.00	\$11,128.00

(8) Optical Channel Termination - MO - Zone 2

<u>Volume Option*</u>	<u>USOC</u>	<u>Month to Month</u>	<u>3 year</u>	<u>5 year</u>	<u>10 year</u>
1	TKZPX	\$ 1,755.00	\$ 1,645.00	\$ 1,492.00	\$ 1,430.00
3	TKZPX	\$ 5,265.00	\$ 4,361.00	\$ 3,953.00	\$ 3,524.00
6	TKZPX	\$10,530.00	\$ 7,804.00	\$ 7,075.00	\$ 6,305.00
12	TKZPX	\$21,060.00	\$13,771.00	\$12,486.00	\$11,128.00

(9) Optical Channel Termination - MO - Zone 3

<u>Volume Option*</u>	<u>USOC</u>	<u>Month to Month</u>	<u>3 year</u>	<u>5 year</u>	<u>10 year</u>
1	TKZPX	\$ 1,755.00	\$ 1,645.00	\$ 1,492.00	\$ 1,430.00
3	TKZPX	\$ 5,265.00	\$ 4,361.00	\$ 3,953.00	\$ 3,524.00
6	TKZPX	\$10,530.00	\$ 7,804.00	\$ 7,075.00	\$ 6,305.00
12	TKZPX	\$21,060.00	\$13,771.00	\$12,486.00	\$11,128.00

* Volume Option specifies the number of DS3s or DS3 equivalents.

(This page filed under Transmittal No. 2640)

Issued: June 16, 1997

Effective: July 1, 1997

Four AT&T Plaza, Dallas, Texas 75202

(N)

ACCESS SERVICE

20. MegaLink Custom Services (Cont'd)20.8 Billing Periods - Services Established Between August 1, 1995 and June 30, 1997 (Cont'd)20.8.1 Rates and Charges (Cont'd)(B) Channel Termination - Optical - per Volume Option, per customer premises (Cont'd)(10) Optical Channel Termination - OK - Zone 1

<u>Volume Option*</u>	<u>USOC</u>	<u>Month to Month</u>	<u>3 year</u>	<u>5 year</u>	<u>10 year</u>
1	TKZPX	\$ 1,755.00	\$ 1,645.00	\$ 1,492.00	\$ 1,430.00
3	TKZPX	\$ 5,265.00	\$ 4,361.00	\$ 3,953.00	\$ 3,524.00
6	TKZPX	\$10,530.00	\$ 7,804.00	\$ 7,075.00	\$ 6,305.00
12	TKZPX	\$21,060.00	\$13,771.00	\$12,486.00	\$11,128.00

(11) Optical Channel Termination - OK - Zone 2

<u>Volume Option*</u>	<u>USOC</u>	<u>Month to Month</u>	<u>3 year</u>	<u>5 year</u>	<u>10 year</u>
1	TKZPX	\$ 1,755.00	\$ 1,645.00	\$ 1,492.00	\$ 1,430.00
3	TKZPX	\$ 5,265.00	\$ 4,361.00	\$ 3,953.00	\$ 3,524.00
6	TKZPX	\$10,530.00	\$ 7,804.00	\$ 7,075.00	\$ 6,305.00
12	TKZPX	\$21,060.00	\$13,771.00	\$12,486.00	\$11,128.00

(12) Optical Channel Termination - OK - Zone 3

<u>Volume Option*</u>	<u>USOC</u>	<u>Month to Month</u>	<u>3 year</u>	<u>5 year</u>	<u>10 year</u>
1	TKZPX	\$ 1,755.00	\$ 1,645.00	\$ 1,492.00	\$ 1,430.00
3	TKZPX	\$ 5,265.00	\$ 4,361.00	\$ 3,953.00	\$ 3,524.00
6	TKZPX	\$10,530.00	\$ 7,804.00	\$ 7,075.00	\$ 6,305.00
12	TKZPX	\$21,060.00	\$13,771.00	\$12,486.00	\$11,128.00

* Volume Option specifies the number of DS3s or DS3 equivalents.

(This page filed under Transmittal No. 2640)

Issued: June 16, 1997

Effective: July 1, 1997

Four AT&T Plaza, Dallas, Texas 75202

(N)

ACCESS SERVICE

20. MegaLink Custom Services (Cont'd)20.8 Billing Periods - Services Established Between August 1, 1995 and June 30, 1997 (Cont'd)20.8.1 Rates and Charges (Cont'd)(B) Channel Termination - Optical - per Volume Option, per customer premises (Cont'd)(13) Optical Channel Termination - TX - Zone 1

<u>Volume Option*</u>	<u>USOC</u>	<u>Month to Month</u>	<u>3 year</u>	<u>5 year</u>	<u>10 year</u>
1	TKZPX	\$ 1,755.00	\$ 1,645.00	\$ 1,492.00	\$ 1,430.00
3	TKZPX	\$ 5,265.00	\$ 4,361.00	\$ 3,953.00	\$ 3,524.00
6	TKZPX	\$10,530.00	\$ 7,804.00	\$ 7,075.00	\$ 6,305.00
12	TKZPX	\$21,060.00	\$13,771.00	\$12,486.00	\$11,128.00

(14) Optical Channel Termination - TX - Zone 2

<u>Volume Option*</u>	<u>USOC</u>	<u>Month to Month</u>	<u>3 year</u>	<u>5 year</u>	<u>10 year</u>
1	TKZPX	\$ 1,755.00	\$ 1,645.00	\$ 1,492.00	\$ 1,430.00
3	TKZPX	\$ 5,265.00	\$ 4,361.00	\$ 3,953.00	\$ 3,524.00
6	TKZPX	\$10,530.00	\$ 7,804.00	\$ 7,075.00	\$ 6,305.00
12	TKZPX	\$21,060.00	\$13,771.00	\$12,486.00	\$11,128.00

(15) Optical Channel Termination - TX - Zone 3

<u>Volume Option*</u>	<u>USOC</u>	<u>Month to Month</u>	<u>3 year</u>	<u>5 year</u>	<u>10 year</u>
1	TKZPX	\$ 1,755.00	\$ 1,645.00	\$ 1,492.00	\$ 1,430.00
3	TKZPX	\$ 5,265.00	\$ 4,361.00	\$ 3,953.00	\$ 3,524.00
6	TKZPX	\$10,530.00	\$ 7,804.00	\$ 7,075.00	\$ 6,305.00
12	TKZPX	\$21,060.00	\$13,771.00	\$12,486.00	\$11,128.00

* Volume Option specifies the number of DS3s or DS3 equivalents.

(This page filed under Transmittal No. 2640)

Issued: June 16, 1997

Effective: July 1, 1997

Four AT&T Plaza, Dallas, Texas 75202

(N)

ACCESS SERVICE

20. MegaLink Custom Services (Cont'd)

20.8 Billing Periods - Services Established Between August 1, 1995 and June 30, 1997 (Cont'd)

20.8.1 Rates and Charges (Cont'd)

(C) Interoffice Mileage - Fixed - Monthly Recurring Rates and Service Extension

(1) Interoffice Fixed - per DS3 or DS3 equivalent - AR - Zone 1

USOC	Month to			
	Month	3 year	5 year	10 year
10XHX/10XLX	\$815.00	\$764.00	\$693.00	\$634.00

(2) Interoffice Fixed - per DS3 or DS3 equivalent - AR - Zone 2

USOC	Month to			
	Month	3 year	5 year	10 year
10XHX/10XLX	\$815.00	\$764.00	\$693.00	\$634.00

(3) Interoffice Fixed - per DS3 or DS3 equivalent - AR - Zone 3

USOC	Month to			
	Month	3 year	5 year	10 year
10XHX/10XLX	\$815.00	\$764.00	\$693.00	\$634.00

(4) Interoffice Fixed - per DS3 or DS3 equivalent - KS - Zone 1

USOC	Month to			
	Month	3 year	5 year	10 year
10XHX/10XLX	\$815.00	\$764.00	\$693.00	\$634.00

(5) Interoffice Fixed - per DS3 or DS3 equivalent - KS - Zone 2

USOC	Month to			
	Month	3 year	5 year	10 year
10XHX/10XLX	\$815.00	\$764.00	\$693.00	\$634.00

(6) Interoffice Fixed - per DS3 or DS3 equivalent - KS - Zone 3

USOC	Month to			
	Month	3 year	5 year	10 year
10XHX/10XLX	\$815.00	\$764.00	\$693.00	\$634.00

(N)

(This page filed under Transmittal No. 2640)

Issued: June 16, 1997

Effective: July 1, 1997

Four AT&T Plaza, Dallas, Texas 75202

ACCESS SERVICE

20. MegaLink Custom Services (Cont'd)

20.8 Billing Periods - Services Established Between August 1, 1995 and June 30, 1997 (Cont'd)

20.8.1 Rates and Charges (Cont'd)

(C) Interoffice Mileage - Fixed - Monthly Recurring Rates and Service Extension (Cont'd)

(7) Interoffice Fixed - per DS3 or DS3 equivalent - MO - Zone 1

<u>USOC</u>	<u>Month to</u>			
	<u>Month</u>	<u>3 year</u>	<u>5 year</u>	<u>10 year</u>
10XHX/10XLX	\$815.00	\$764.00	\$693.00	\$634.00

(8) Interoffice Fixed - per DS3 or DS3 equivalent - MO - Zone 2

<u>USOC</u>	<u>Month to</u>			
	<u>Month</u>	<u>3 year</u>	<u>5 year</u>	<u>10 year</u>
10XHX/10XLX	\$815.00	\$764.00	\$693.00	\$634.00

(9) Interoffice Fixed - per DS3 or DS3 equivalent - MO - Zone 3

<u>USOC</u>	<u>Month to</u>			
	<u>Month</u>	<u>3 year</u>	<u>5 year</u>	<u>10 year</u>
10XHX/10XLX	\$815.00	\$764.00	\$693.00	\$634.00

(10) Interoffice Fixed - per DS3 or DS3 equivalent - OK - Zone 1

<u>USOC</u>	<u>Month to</u>			
	<u>Month</u>	<u>3 year</u>	<u>5 year</u>	<u>10 year</u>
10XHX/10XLX	\$815.00	\$764.00	\$693.00	\$634.00

(11) Interoffice Fixed - per DS3 or DS3 equivalent - OK - Zone 2

<u>USOC</u>	<u>Month to</u>			
	<u>Month</u>	<u>3 year</u>	<u>5 year</u>	<u>10 year</u>
10XHX/10XLX	\$815.00	\$764.00	\$693.00	\$634.00

(12) Interoffice Fixed - per DS3 or DS3 equivalent - OK - Zone 3

<u>USOC</u>	<u>Month to</u>			
	<u>Month</u>	<u>3 year</u>	<u>5 year</u>	<u>10 year</u>
10XHX/10XLX	\$815.00	\$764.00	\$693.00	\$634.00

(N)

(This page filed under Transmittal No. 2640)

Issued: June 16, 1997

Effective: July 1, 1997

Four AT&T Plaza, Dallas, Texas 75202

ACCESS SERVICE

20. MegaLink Custom Services (Cont'd)20.8 Billing Periods - Services Established Between August 1, 1995 and June 30, 1997 (Cont'd)20.8.1 Rates and Charges (Cont'd)(C) Interoffice Mileage - Fixed - Monthly Recurring Rates and Service Extension (Cont'd)(13) Interoffice Fixed - per DS3 or DS3 equivalent - TX - Zone 1

USOC	Month to			
	Month	3 year	5 year	10 year
10XHX/10XLX	\$815.00	\$764.00	\$693.00	\$634.00

(14) Interoffice Fixed - per DS3 or DS3 equivalent - TX - Zone 2

USOC	Month to			
	Month	3 year	5 year	10 year
10XHX/10XLX	\$815.00	\$764.00	\$693.00	\$634.00

(15) Interoffice Fixed - per DS3 or DS3 equivalent - TX - Zone 3

USOC	Month to			
	Month	3 year	5 year	10 year
10XHX/10XLX	\$815.00	\$764.00	\$693.00	\$634.00

(N)

(This page filed under Transmittal No. 2640)

Issued: June 16, 1997

Effective: July 1, 1997

Four AT&T Plaza, Dallas, Texas 75202

ACCESS SERVICE

20. MegaLink Custom Services (Cont'd)20.8 Billing Periods - Services Established Between August 1, 1995 and June 30, 1997 (Cont'd)20.8.1 Rates and Charges (Cont'd)(C) Interoffice Mileage - Fixed - Monthly Recurring Rates
(Cont'd)(16) Temp-DS3 - Interoffice Fixed - per Temp DS3 - AR - Zone 1USOC Monthly

10XGX \$815.00

(17) Temp-DS3 - Interoffice Fixed - per Temp DS3 - AR - Zone 2USOC Monthly

10XGX \$815.00

(18) Temp-DS3 - Interoffice Fixed - per Temp DS3 - AR - Zone 3USOC Monthly

10XGX \$815.00

(19) Temp-DS3 - Interoffice Fixed - per Temp DS3 - KS - Zone 1USOC Monthly

10XGX \$815.00

(20) Temp-DS3 - Interoffice Fixed - per Temp DS3 - KS - Zone 2USOC Monthly

10XGX \$815.00

(21) Temp-DS3 - Interoffice Fixed - per Temp DS3 - KS - Zone 3USOC Monthly

10XGX \$815.00

(N)

(This page filed under Transmittal No. 2640)

Issued: June 16, 1997

Effective: July 1, 1997

Four AT&T Plaza, Dallas, Texas 75202

ACCESS SERVICE

20. MegaLink Custom Services (Cont'd)20.8 Billing Periods - Services Established Between August 1, 1995 and June 30, 1997 (Cont'd)20.8.1 Rates and Charges (Cont'd)(C) Interoffice Mileage - Fixed - Monthly Recurring Rates
(Cont'd)(22) Temp-DS3 - Interoffice Fixed - per Temp DS3 - MO -
Zone 1USOC Monthly

10XGX \$815.00

(23) Temp-DS3 - Interoffice Fixed - per Temp DS3 - MO -
Zone 2USOC Monthly

10XGX \$815.00

(24) Temp-DS3 - Interoffice Fixed - per Temp DS3 - MO -
Zone 3USOC Monthly

10XGX \$815.00

(25) Temp-DS3 - Interoffice Fixed - per Temp DS3 - OK -
Zone 1USOC Monthly

10XGX \$815.00

(26) Temp-DS3 - Interoffice Fixed - per Temp DS3 - OK -
Zone 2USOC Monthly

10XGX \$815.00

(27) Temp-DS3 - Interoffice Fixed - per Temp DS3 - OK -
Zone 3USOC Monthly

10XGX \$815.00

(N)

(This page filed under Transmittal No. 2640)

Issued: June 16, 1997

Effective: July 1, 1997

Four AT&T Plaza, Dallas, Texas 75202

ACCESS SERVICE

20. MegaLink Custom Services (Cont'd)20.8 Billing Periods - Services Established Between August 1, 1995 and June 30, 1997 (Cont'd)20.8.1 Rates and Charges (Cont'd)(C) Interoffice Mileage - Fixed - Monthly Recurring Rates
(Cont'd)(28) Temp-DS3 - Interoffice Fixed - per Temp DS3 - TX -
Zone 1USOC Monthly

10XGX \$815.00

(29) Temp-DS3 - Interoffice Fixed - per Temp DS3 - TX -
Zone 2USOC Monthly

10XGX \$815.00

(30) Temp-DS3 - Interoffice Fixed - per Temp DS3 - TX -
Zone 3USOC Monthly

10XGX \$815.00

(N)

(This page filed under Transmittal No. 2640)

Issued: June 16, 1997

Effective: July 1, 1997

Four AT&T Plaza, Dallas, Texas 75202

ACCESS SERVICE

20. MegaLink Custom Services (Cont'd)20.8 Billing Periods - Services Established Between August 1, 1995 and June 30, 1997 (Cont'd)20.8.1 Rates and Charges (Cont'd)(D) Interoffice Mileage - Per Mile - Monthly Recurring Rates and Service Extension(1) Per Mile - per Volume Option, per Mile - AR - Zone 1

<u>Volume Option*</u>	<u>USOC</u>	<u>Month to Month</u>	<u>3 year</u>	<u>5 year</u>	<u>10 year</u>
1	1J5HS/1HXL	\$118.00	\$ 85.00	\$ 75.00	\$ 71.00
3	1J5HS/1HXL	\$165.00	\$119.00	\$106.00	\$ 99.00
6	1J5HS/1HXL	\$236.00	\$171.00	\$151.00	\$142.00
12	1J5HS/1HXL	\$330.00	\$239.00	\$211.00	\$198.00

(2) Per Mile - per Volume Option, per Mile - AR - Zone 2

<u>Volume Option*</u>	<u>USOC</u>	<u>Month to Month</u>	<u>3 year</u>	<u>5 year</u>	<u>10 year</u>
1	1J5HS/1HXL	\$118.00	\$ 85.00	\$ 75.00	\$ 71.00
3	1J5HS/1HXL	\$165.00	\$119.00	\$106.00	\$ 99.00
6	1J5HS/1HXL	\$236.00	\$171.00	\$151.00	\$142.00
12	1J5HS/1HXL	\$330.00	\$239.00	\$211.00	\$198.00

(3) Per Mile - per Volume Option, per Mile - AR - Zone 3

<u>Volume Option*</u>	<u>USOC</u>	<u>Month to Month</u>	<u>3 year</u>	<u>5 year</u>	<u>10 year</u>
1	1J5HS/1HXL	\$118.00	\$ 85.00	\$ 75.00	\$ 71.00
3	1J5HS/1HXL	\$165.00	\$119.00	\$106.00	\$ 99.00
6	1J5HS/1HXL	\$236.00	\$171.00	\$151.00	\$142.00
12	1J5HS/1HXL	\$330.00	\$239.00	\$211.00	\$198.00

* Volume Option specifies the number of DS3s or DS3 equivalents.

(This page filed under Transmittal No. 2640)

Issued: June 16, 1997

Effective: July 1, 1997

Four AT&T Plaza, Dallas, Texas 75202

(N)

ACCESS SERVICE

20. MegaLink Custom Services (Cont'd)20.8 Billing Periods - Services Established Between August 1, 1995 and June 30, 1997 (Cont'd)20.8.1 Rates and Charges (Cont'd)(D) Interoffice Mileage - Per Mile - Monthly Recurring Rates and Service Extension (Cont'd)(4) Per Mile - per Volume Option, per Mile - KS - Zone 1

<u>Volume Option*</u>	<u>USOC</u>	<u>Month to Month</u>	<u>3 year</u>	<u>5 year</u>	<u>10 year</u>
1	1J5HS/1HXL	\$118.00	\$ 80.00	\$ 75.00	\$ 71.00
3	1J5HS/1HXL	\$165.00	\$112.00	\$106.00	\$ 99.00
6	1J5HS/1HXL	\$236.00	\$161.00	\$151.00	\$142.00
12	1J5HS/1HXL	\$330.00	\$225.00	\$211.00	\$198.00

(5) Per Mile - per Volume Option, per Mile - KS - Zone 2

<u>Volume Option*</u>	<u>USOC</u>	<u>Month to Month</u>	<u>3 year</u>	<u>5 year</u>	<u>10 year</u>
1	1J5HS/1HXL	\$118.00	\$ 80.00	\$ 75.00	\$ 71.00
3	1J5HS/1HXL	\$165.00	\$112.00	\$106.00	\$ 99.00
6	1J5HS/1HXL	\$236.00	\$161.00	\$151.00	\$142.00
12	1J5HS/1HXL	\$330.00	\$225.00	\$211.00	\$198.00

(6) Per Mile - per Volume Option, per Mile - KS - Zone 3

<u>Volume Option*</u>	<u>USOC</u>	<u>Month to Month</u>	<u>3 year</u>	<u>5 year</u>	<u>10 year</u>
1	1J5HS/1HXL	\$118.00	\$ 85.00	\$ 75.00	\$ 71.00
3	1J5HS/1HXL	\$165.00	\$119.00	\$106.00	\$ 99.00
6	1J5HS/1HXL	\$236.00	\$171.00	\$151.00	\$142.00
12	1J5HS/1HXL	\$330.00	\$239.00	\$211.00	\$198.00

* Volume Option specifies the number of DS3s or DS3 equivalents.

(This page filed under Transmittal No. 2640)

Issued: June 16, 1997

Effective: July 1, 1997

Four AT&T Plaza, Dallas, Texas 75202

(N)

ACCESS SERVICE

20. MegaLink Custom Services (Cont'd)20.8 Billing Periods - Services Established Between August 1, 1995 and June 30, 1997 (Cont'd)20.8.1 Rates and Charges (Cont'd)(D) Interoffice Mileage - Per Mile - Monthly Recurring Rates and Service Extension (Cont'd)(7) Per Mile - per Volume Option, per Mile - MO - Zone 1

<u>Volume Option*</u>	<u>USOC</u>	<u>Month to Month</u>	<u>3 year</u>	<u>5 year</u>	<u>10 year</u>
1	1J5HS/1HXLs	\$118.00	\$ 80.00	\$ 75.00	\$ 71.00
3	1J5HS/1HXLs	\$165.00	\$112.00	\$106.00	\$ 99.00
6	1J5HS/1HXLs	\$236.00	\$161.00	\$151.00	\$142.00
12	1J5HS/1HXLs	\$330.00	\$225.00	\$211.00	\$198.00

(8) Per Mile - per Volume Option, per Mile - MO - Zone 2

<u>Volume Option*</u>	<u>USOC</u>	<u>Month to Month</u>	<u>3 year</u>	<u>5 year</u>	<u>10 year</u>
1	1J5HS/1HXLs	\$118.00	\$ 80.00	\$ 75.00	\$ 71.00
3	1J5HS/1HXLs	\$165.00	\$112.00	\$106.00	\$ 99.00
6	1J5HS/1HXLs	\$236.00	\$161.00	\$151.00	\$142.00
12	1J5HS/1HXLs	\$330.00	\$225.00	\$211.00	\$198.00

(9) Per Mile - per Volume Option, per Mile - MO - Zone 3

<u>Volume Option*</u>	<u>USOC</u>	<u>Month to Month</u>	<u>3 year</u>	<u>5 year</u>	<u>10 year</u>
1	1J5HS/1HXLs	\$118.00	\$ 85.00	\$ 75.00	\$ 71.00
3	1J5HS/1HXLs	\$165.00	\$119.00	\$106.00	\$ 99.00
6	1J5HS/1HXLs	\$236.00	\$171.00	\$151.00	\$142.00
12	1J5HS/1HXLs	\$330.00	\$239.00	\$211.00	\$198.00

* Volume Option specifies the number of DS3s or DS3 equivalents.

(This page filed under Transmittal No. 2640)

Issued: June 16, 1997

Effective: July 1, 1997

Four AT&T Plaza, Dallas, Texas 75202

(N)

ACCESS SERVICE

20. MegaLink Custom Services (Cont'd)20.8 Billing Periods - Services Established Between August 1, 1995 and June 30, 1997 (Cont'd)20.8.1 Rates and Charges (Cont'd)(D) Interoffice Mileage - Per Mile - Monthly Recurring Rates and Service Extension (Cont'd)(10) Per Mile - per Volume Option, per Mile - OK - Zone 1

<u>Volume Option*</u>	<u>USOC</u>	<u>Month to Month</u>	<u>3 year</u>	<u>5 year</u>	<u>10 year</u>
1	1J5HS/1HXL	\$118.00	\$ 85.00	\$ 75.00	\$ 71.00
3	1J5HS/1HXL	\$165.00	\$119.00	\$106.00	\$ 99.00
6	1J5HS/1HXL	\$236.00	\$171.00	\$151.00	\$142.00
12	1J5HS/1HXL	\$330.00	\$239.00	\$211.00	\$198.00

(11) Per Mile - per Volume Option, per Mile - OK - Zone 2

<u>Volume Option*</u>	<u>USOC</u>	<u>Month to Month</u>	<u>3 year</u>	<u>5 year</u>	<u>10 year</u>
1	1J5HS/1HXL	\$118.00	\$ 85.00	\$ 75.00	\$ 71.00
3	1J5HS/1HXL	\$165.00	\$119.00	\$106.00	\$ 99.00
6	1J5HS/1HXL	\$236.00	\$171.00	\$151.00	\$142.00
12	1J5HS/1HXL	\$330.00	\$239.00	\$211.00	\$198.00

(12) Per Mile - per Volume Option, per Mile - OK - Zone 3

<u>Volume Option*</u>	<u>USOC</u>	<u>Month to Month</u>	<u>3 year</u>	<u>5 year</u>	<u>10 year</u>
1	1J5HS/1HXL	\$118.00	\$ 85.00	\$ 75.00	\$ 71.00
3	1J5HS/1HXL	\$165.00	\$119.00	\$106.00	\$ 99.00
6	1J5HS/1HXL	\$236.00	\$171.00	\$151.00	\$142.00
12	1J5HS/1HXL	\$330.00	\$239.00	\$211.00	\$198.00

* Volume Option specifies the number of DS3s or DS3 equivalents.

(This page filed under Transmittal No. 2640)

Issued: June 16, 1997

Effective: July 1, 1997

Four AT&T Plaza, Dallas, Texas 75202

(N)

ACCESS SERVICE

20. MegaLink Custom Services (Cont'd)20.8 Billing Periods - Services Established Between August 1, 1995 and June 30, 1997 (Cont'd)20.8.1 Rates and Charges (Cont'd)(D) Interoffice Mileage - Per Mile - Monthly Recurring Rates and Service Extension (Cont'd)(13) Per Mile - per Volume Option, per Mile - TX - Zone 1

<u>Volume Option*</u>	<u>USOC</u>	<u>Month to Month</u>	<u>3 year</u>	<u>5 year</u>	<u>10 year</u>
1	1J5HS/1HXL	\$118.00	\$ 80.00	\$ 75.00	\$ 71.00
3	1J5HS/1HXL	\$165.00	\$112.00	\$106.00	\$ 99.00
6	1J5HS/1HXL	\$236.00	\$161.00	\$151.00	\$142.00
12	1J5HS/1HXL	\$330.00	\$225.00	\$211.00	\$198.00

(14) Per Mile - per Volume Option, per Mile - TX - Zone 2

<u>Volume Option*</u>	<u>USOC</u>	<u>Month to Month</u>	<u>3 year</u>	<u>5 year</u>	<u>10 year</u>
1	1J5HS/1HXL	\$118.00	\$ 80.00	\$ 75.00	\$ 71.00
3	1J5HS/1HXL	\$165.00	\$112.00	\$106.00	\$ 99.00
6	1J5HS/1HXL	\$236.00	\$161.00	\$151.00	\$142.00
12	1J5HS/1HXL	\$330.00	\$225.00	\$211.00	\$198.00

(15) Per Mile - per Volume Option, per Mile - TX - Zone 3

<u>Volume Option*</u>	<u>USOC</u>	<u>Month to Month</u>	<u>3 year</u>	<u>5 year</u>	<u>10 year</u>
1	1J5HS/1HXL	\$118.00	\$ 85.00	\$ 75.00	\$ 71.00
3	1J5HS/1HXL	\$165.00	\$119.00	\$106.00	\$ 99.00
6	1J5HS/1HXL	\$236.00	\$171.00	\$151.00	\$142.00
12	1J5HS/1HXL	\$330.00	\$239.00	\$211.00	\$198.00

* Volume Option specifies the number of DS3s or DS3 equivalents.

(This page filed under Transmittal No. 2640)

Issued: June 16, 1997

Effective: July 1, 1997

Four AT&T Plaza, Dallas, Texas 75202

(N)

ACCESS SERVICE

20. MegaLink Custom Services (Cont'd)20.8 Billing Periods - Services Established Between August 1, 1995 and June 30, 1997 (Cont'd)20.8.1 Rates and Charges (Cont'd)(D) Interoffice Mileage - Per Mile - Monthly Recurring Rates (Cont'd)

<u>Zone 1</u>		(16) <u>Temp-DS3 - Per Mile - per Temp-DS3, per mile - AR -</u>
	<u>Volume Option*</u>	<u>USOC Monthly</u>
	1	1A8GS \$118.00
<u>Zone 2</u>		(17) <u>Temp-DS3 - Per Mile - per Temp-DS3, per mile - AR -</u>
	<u>Volume Option*</u>	<u>USOC Monthly</u>
	1	1A8GS \$118.00
<u>Zone 3</u>		(18) <u>Temp-DS3 - Per Mile - per Temp-DS3, per mile - AR -</u>
	<u>Volume Option*</u>	<u>USOC Monthly</u>
	1	1A8GS \$118.00
<u>Zone 1</u>		(19) <u>Temp-DS3 - Per Mile - per Temp-DS3, per mile - KS -</u>
	<u>Volume Option*</u>	<u>USOC Monthly</u>
	1	1A8GS \$118.00
		(20) <u>Temp-DS3 - Per Mile - per Temp-DS3, per mile - KS -</u> <u>Zone 2</u>
	<u>Volume Option*</u>	<u>USOC Monthly</u>
	1	1A8GS \$118.00
<u>Zone 3</u>		(21) <u>Temp-DS3 - Per Mile - per Temp-DS3, per mile - KS -</u>
	<u>Volume Option*</u>	<u>USOC Monthly</u>
	1	1A8GS \$118.00

* Volume Option specifies the number of DS3s or DS3 equivalents.

(This page filed under Transmittal No. 2640)

Issued: June 16, 1997

Effective: July 1, 1997

Four AT&T Plaza, Dallas, Texas 75202

(N)

ACCESS SERVICE

20. MegaLink Custom Services (Cont'd)

20.8 Billing Periods - Services Established Between August 1, 1995 and June 30, 1997 (Cont'd)

20.8.1 Rates and Charges (Cont'd)

(D) Interoffice Mileage - Per Mile - Monthly Recurring Rates (Cont'd)

(22) Temp-DS3 - Per Mile - per Temp-DS3, per mile - MO -

Zone 1

Volume Option*

USOC Monthly

1

1A8GS \$118.00

(23) Temp-DS3 - Per Mile - per Temp-DS3, per mile - MO -

Zone 2

Volume Option*

USOC Monthly

1

1A8GS \$118.00

(24) Temp-DS3 - Per Mile - per Temp-DS3, per mile - MO -

Zone 3

Volume Option*

USOC Monthly

1

1A8GS \$118.00

(25) Temp-DS3 - Per Mile - per Temp-DS3, per mile - OK -

Zone 1

Volume Option*

USOC Monthly

1

1A8GS \$118.00

(26) Temp-DS3 - Per Mile - per Temp-DS3, per mile - OK -

Zone 2

Volume Option*

USOC Monthly

1

1A8GS \$118.00

(27) Temp-DS3 - Per Mile - per Temp-DS3, per mile - OK -
Zone 3

Volume Option*

USOC Monthly

1

1A8GS \$118.00

* Volume Option specifies the number of DS3s or DS3 equivalents.

(This page filed under Transmittal No. 2640)

Issued: June 16, 1997

Effective: July 1, 1997

Four AT&T Plaza, Dallas, Texas 75202

(N)

ACCESS SERVICE

20. MegaLink Custom Services (Cont'd)20.8 Billing Periods - Services Established Between August 1, 1995 and June 30, 1997 (Cont'd)20.8.1 Rates and Charges (Cont'd)(D) Interoffice Mileage - Per Mile - Monthly Recurring Rates (Cont'd)(28) Temp-DS3 - Per Mile - per Temp-DS3, per mile - TX - Zone 1Volume
Option* USOC Monthly

1 1A8GS \$118.00

Zone 2(29) Temp-DS3 - Per Mile - per Temp-DS3, per mile - TX -Volume
Option* USOC Monthly

1 1A8GS \$118.00

Zone 3(30) Temp-DS3 - Per Mile - per Temp-DS3, per mile - TX -Volume
Option* USOC Monthly

1 1A8GS \$118.00

* Volume Option specifies the number of DS3s or DS3 equivalents.

(This page filed under Transmittal No. 2640)

Issued: June 16, 1997

Effective: July 1, 1997

Four AT&T Plaza, Dallas, Texas 75202

(N)

ACCESS SERVICE

20. MegaLink Custom Services (Cont'd)20.8 Billing Periods - Services Established Between August 1, 1995 and June 30, 1997 (Cont'd)20.8.1 Rates and Charges (Cont'd)(E) Installation Charge - Per DS3 or DS3 Equivalent, per customer designated premises on the same Access Order(1) Installation Charge - AR - Zone 1

	USOC	Month to Month	3 year	5 year	10 year
First	NRBSE	\$605.00	\$605.00	\$605.00	\$605.00
Additional	NRBSE	\$496.00	\$496.00	\$496.00	\$496.00

(2) Installation Charge - AR - Zone 2

	USOC	Month to Month	3 year	5 year	10 year
First	NRBSE	\$605.00	\$605.00	\$605.00	\$605.00
Additional	NRBSE	\$496.00	\$496.00	\$496.00	\$496.00

(3) Installation Charge - AR - Zone 3

	USOC	Month to Month	3 year	5 year	10 year
First	NRBSE	\$605.00	\$605.00	\$605.00	\$605.00
Additional	NRBSE	\$496.00	\$496.00	\$496.00	\$496.00

(N)

(This page filed under Transmittal No. 2640)

Issued: June 16, 1997

Effective: July 1, 1997

Four AT&T Plaza, Dallas, Texas 75202

ACCESS SERVICE

20. MegaLink Custom Services (Cont'd)20.8 Billing Periods - Services Established Between August 1, 1995 and June 30, 1997 (Cont'd)20.8.1 Rates and Charges (Cont'd)(E) Installation Charge - Per DS3 or DS3 Equivalent, per customer designated premises on the same Access Order
(Cont'd)(4) Installation Charge - KS - Zone 1

	USOC	Month to Month	3 year	5 year	10 year
First	NRBSE	\$605.00	\$605.00	\$605.00	\$605.00
Additional	NRBSE	\$496.00	\$496.00	\$496.00	\$496.00

(5) Installation Charge - KS - Zone 2

	USOC	Month to Month	3 year	5 year	10 year
First	NRBSE	\$605.00	\$605.00	\$605.00	\$605.00
Additional	NRBSE	\$496.00	\$496.00	\$496.00	\$496.00

(6) Installation Charge - KS - Zone 3

	USOC	Month to Month	3 year	5 year	10 year
First	NRBSE	\$605.00	\$605.00	\$605.00	\$605.00
Additional	NRBSE	\$496.00	\$496.00	\$496.00	\$496.00

(7) Installation Charge - MO - Zone 1

	USOC	Month to Month	3 year	5 year	10 year
First	NRBSE	\$605.00	\$605.00	\$605.00	\$605.00
Additional	NRBSE	\$496.00	\$496.00	\$496.00	\$496.00

(8) Installation Charge - MO - Zone 2

	USOC	Month to Month	3 year	5 year	10 year
First	NRBSE	\$605.00	\$605.00	\$605.00	\$605.00
Additional	NRBSE	\$496.00	\$496.00	\$496.00	\$496.00

(9) Installation Charge - MO - Zone 3

	USOC	Month to Month	3 year	5 year	10 year
First	NRBSE	\$605.00	\$605.00	\$605.00	\$605.00
Additional	NRBSE	\$496.00	\$496.00	\$496.00	\$496.00

(This page filed under Transmittal No. 2640)

ACCESS SERVICE

20. MegaLink Custom Services (Cont'd)20.8 Billing Periods - Services Established Between August 1, 1995 and June 30, 1997 (Cont'd)20.8.1 Rates and Charges (Cont'd)(E) Installation Charge - Per DS3 or DS3 Equivalent, per customer designated premises on the same Access Order
(Cont'd)(10) Installation Charge - OK - Zone 1

	USOC	Month to Month	3 year	5 year	10 year
First	NRBSE	\$605.00	\$605.00	\$605.00	\$605.00
Additional	NRBSE	\$496.00	\$496.00	\$496.00	\$496.00

(11) Installation Charge - OK - Zone 2

	USOC	Month to Month	3 year	5 year	10 year
First	NRBSE	\$605.00	\$605.00	\$605.00	\$605.00
Additional	NRBSE	\$496.00	\$496.00	\$496.00	\$496.00

(12) Installation Charge - OK - Zone 3

	USOC	Month to Month	3 year	5 year	10 year
First	NRBSE	\$605.00	\$605.00	\$605.00	\$605.00
Additional	NRBSE	\$496.00	\$496.00	\$496.00	\$496.00

(N)

(This page filed under Transmittal No. 2640)

Issued: June 16, 1997

Effective: July 1, 1997

Four AT&T Plaza, Dallas, Texas 75202

ACCESS SERVICE

20. MegaLink Custom Services (Cont'd)

20.8 Billing Periods - Services Established Between August 1, 1995 and June 30, 1997 (Cont'd)

20.8.1 Rates and Charges (Cont'd)

(E) Installation Charge - Per DS3 or DS3 Equivalent, per customer premises on the same Access Order (Cont'd)

(13) Installation Charge - TX - Zone 1

	USOC	Month to Month	3 year	5 year	10 year
First	NRBSE	\$605.00	\$605.00	\$605.00	\$605.00
Additional	NRBSE	\$496.00	\$496.00	\$496.00	\$496.00

(14) Installation Charge - TX - Zone 2

	USOC	Month to Month	3 year	5 year	10 year
First	NRBSE	\$605.00	\$605.00	\$605.00	\$605.00
Additional	NRBSE	\$496.00	\$496.00	\$496.00	\$496.00

(15) Installation Charge - TX - Zone 3

	USOC	Month to Month	3 year	5 year	10 year
First	NRBSE	\$605.00	\$605.00	\$605.00	\$605.00
Additional	NRBSE	\$496.00	\$496.00	\$496.00	\$496.00

(16) Connecting Facility Assignment Credits - Nonzoned (Per DS1 Equivalents)

USOC	Credit Per Month
XXXX	\$76.00

(N)

(This page filed under Transmittal No. 2640)

Issued: June 16, 1997

Effective: July 1, 1997

Four AT&T Plaza, Dallas, Texas 75202

ACCESS SERVICE

20. MegaLink Custom Services (Cont'd)20.8 Billing Periods - Services Established Between August 1, 1995 and June 30, 1997 (Cont'd)20.8.1 Rates and Charges (Cont'd)(F) Service to Service Through Connect Arrangement Per DS3 or DS3 equivalent(1) Service to Service Through Connect Arrangement - AR - Zone 1

<u>USOC</u>	<u>Installation Charge</u>
THA	\$157.00

(2) Service to Service Through Connect Arrangement - AR - Zone 2

<u>USOC</u>	<u>Installation Charge</u>
THA	\$157.00

(3) Service to Service Through Connect Arrangement - AR - Zone 3

<u>USOC</u>	<u>Installation Charge</u>
THA	\$157.00

(4) Service to Service Through Connect Arrangement - KS - Zone 1

<u>USOC</u>	<u>Installation Charge</u>
THA	\$157.00

(5) Service to Service Through Connect Arrangement - KS - Zone 2

<u>USOC</u>	<u>Installation Charge</u>
THA	\$157.00

(6) Service to Service Through Connect Arrangement - KS - Zone 3

<u>USOC</u>	<u>Installation Charge</u>
THA	\$157.00

(This page filed under Transmittal No. 2640)

Issued: June 16, 1997

Effective: July 1, 1997

Four AT&T Plaza, Dallas, Texas 75202

(N)

ACCESS SERVICE

20. MegaLink Custom Services (Cont'd)20.8 Billing Periods - Services Established Between August 1, 1995 and June 30, 1997 (Cont'd)20.8.1 Rates and Charges (Cont'd)

- (F) Service to Service Through Connect Arrangement Per DS3 or DS3 equivalent (Cont'd)
- (7) Service to Service Through Connect Arrangement - MO - Zone 1
- | <u>USOC</u> | <u>Installation Charge</u> |
|-------------|----------------------------|
| THA | \$157.00 |
- (8) Service to Service Through Connect Arrangement - MO - Zone 2
- | <u>USOC</u> | <u>Installation Charge</u> |
|-------------|----------------------------|
| THA | \$157.00 |
- (9) Service to Service Through Connect Arrangement - MO - Zone 3
- | <u>USOC</u> | <u>Installation Charge</u> |
|-------------|----------------------------|
| THA | \$157.00 |
- (10) Service to Service Through Connect Arrangement - OK - Zone 1
- | <u>USOC</u> | <u>Installation Charge</u> |
|-------------|----------------------------|
| THA | \$157.00 |
- (11) Service to Service Through Connect Arrangement - OK - Zone 2
- | <u>USOC</u> | <u>Installation Charge</u> |
|-------------|----------------------------|
| THA | \$157.00 |
- (12) Service to Service Through Connect Arrangement - OK - Zone 3
- | <u>USOC</u> | <u>Installation Charge</u> |
|-------------|----------------------------|
| THA | \$157.00 |

(N)

(This page filed under Transmittal No. 2640)

Issued: June 16, 1997

Effective: July 1, 1997

Four AT&T Plaza, Dallas, Texas 75202

ACCESS SERVICE

20. MegaLink Custom Services (Cont'd)20.8 Billing Periods - Services Established Between August 1, 1995 and June 30, 1997 (Cont'd)20.8.1 Rates and Charges (Cont'd)(F) Service to Service Through Connect Arrangement Per DS3 or DS3 equivalent (Cont'd)(13) Service to Service Through Connect Arrangement - TX - Zone 1

<u>USOC</u>	<u>Installation Charge</u>
THA	\$157.00

(14) Service to Service Through Connect Arrangement - TX - Zone 2

<u>USOC</u>	<u>Installation Charge</u>
THA	\$157.00

(15) Service to Service Through Connect Arrangement - TX - Zone 3

<u>USOC</u>	<u>Installation Charge</u>
THA	\$157.00

(N)

(This page filed under Transmittal No. 2640)

Issued: June 16, 1997

Effective: July 1, 1997

Four AT&T Plaza, Dallas, Texas 75202

ACCESS SERVICE

20. MegaLink Custom Services (Cont'd)

20.8 Billing Periods - Services Established Between August 1, 1995 and June 30, 1997 (Cont'd)

20.8.1 Rates and Charges (Cont'd)

(G) Optional Features, BSEs and Functions

(1) DS3 to DS1 Multiplexing - Monthly Recurring Rates

(a) DS3 to DS1 Multiplexing - AR - Zone 1 - Monthly Recurring Rates

Per Multiplexer

USOC	Month to			
	Month	3 year	5 year	10 year
MKM	\$815.00	\$686.40	\$580.00	\$580.00

(b) DS3 to DS1 Multiplexing - AR - Zone 2 - Monthly Recurring Rates

Per Multiplexer

USOC	Month to			
	Month	3 year	5 year	10 year
MKM	\$815.00	\$686.40	\$580.00	\$580.00

(c) DS3 to DS1 Multiplexing - AR - Zone 3 - Monthly Recurring Rates

Per Multiplexer

USOC	Month to			
	Month	3 year	5 year	10 year
MKM	\$815.00	\$686.40	\$580.00	\$580.00

(N)

(This page filed under Transmittal No. 2640)

Issued: June 16, 1997

Effective: July 1, 1997

Four AT&T Plaza, Dallas, Texas 75202

ACCESS SERVICE

20. MegaLink Custom Services (Cont'd)

20.8 Billing Periods - Services Established Between August 1, 1995 and June 30, 1997 (Cont'd)

20.8.1 Rates and Charges (Cont'd)

(G) Optional Features, BSEs and Functions (Cont'd)

(1) DS3 to DS1 Multiplexing - Monthly Recurring Rates (Cont'd)

(d) DS3 to DS1 Multiplexing - KS - Zone 1 - Monthly Recurring Rates

Per Multiplexer

USOC	Month to			
	Month	3 year	5 year	10 year
MKM	\$815.00	\$686.40	\$580.00	\$580.00

(e) DS3 to DS1 Multiplexing - KS - Zone 2 - Monthly Recurring Rates

Per Multiplexer

USOC	Month to			
	Month	3 year	5 year	10 year
MKM	\$815.00	\$686.40	\$580.00	\$580.00

(f) DS3 to DS1 Multiplexing - KS - Zone 3 - Monthly Recurring Rates

Per Multiplexer

USOC	Month to			
	Month	3 year	5 year	10 year
MKM	\$815.00	\$686.40	\$580.00	\$580.00

(N)

(This page filed under Transmittal No. 2640)

Issued: June 16, 1997

Effective: July 1, 1997

Four AT&T Plaza, Dallas, Texas 75202

ACCESS SERVICE

20. MegaLink Custom Services (Cont'd)

20.8 Billing Periods - Services Established Between August 1, 1995 and June 30, 1997 (Cont'd)

20.8.1 Rates and Charges (Cont'd)

(G) Optional Features, BSEs and Functions (Cont'd)

(1) DS3 to DS1 Multiplexing - Monthly Recurring Rates (Cont'd)

(g) DS3 to DS1 Multiplexing - MO - Zone 1 - Monthly Recurring Rates

Per Multiplexer

USOC	Month to			
	Month	3 year	5 year	10 year
MKM	\$815.00	\$686.40	\$580.00	\$580.00

(h) DS3 to DS1 Multiplexing - MO - Zone 2 - Monthly Recurring Rates

Per Multiplexer

USOC	Month to			
	Month	3 year	5 year	10 year
MKM	\$815.00	\$686.40	\$580.00	\$580.00

(i) DS3 to DS1 Multiplexing - MO - Zone 3 - Monthly Recurring Rates

Per Multiplexer

USOC	Month to			
	Month	3 year	5 year	10 year
MKM	\$815.00	\$686.40	\$580.00	\$580.00

(N)

(This page filed under Transmittal No. 2640)

Issued: June 16, 1997

Effective: July 1, 1997

Four AT&T Plaza, Dallas, Texas 75202

ACCESS SERVICE

20. MegaLink Custom Services (Cont'd)

20.8 Billing Periods - Services Established Between August 1, 1995 and June 30, 1997 (Cont'd)

20.8.1 Rates and Charges (Cont'd)

(G) Optional Features, BSEs and Functions (Cont'd)

(1) DS3 to DS1 Multiplexing - Monthly Recurring Rates (Cont'd)

(j) DS3 to DS1 Multiplexing - OK - Zone 1 - Monthly Recurring Rates

Per Multiplexer

USOC	Month to			
	Month	3 year	5 year	10 year
MKM	\$815.00	\$686.40	\$580.00	\$580.00

(k) DS3 to DS1 Multiplexing - OK - Zone 2 - Monthly Recurring Rates

Per Multiplexer

USOC	Month to			
	Month	3 year	5 year	10 year
MKM	\$815.00	\$686.40	\$580.00	\$580.00

(l) DS3 to DS1 Multiplexing - OK - Zone 3 - Monthly Recurring Rates

Per Multiplexer

USOC	Month to			
	Month	3 year	5 year	10 year
MKM	\$815.00	\$686.40	\$580.00	\$580.00

(N)

(This page filed under Transmittal No. 2640)

Issued: June 16, 1997

Effective: July 1, 1997

Four AT&T Plaza, Dallas, Texas 75202

ACCESS SERVICE

20. MegaLink Custom Services (Cont'd)20.8 Billing Periods - Services Established Between August 1, 1995 and June 30, 1997 (Cont'd)20.8.1 Rates and Charges (Cont'd)(G) Optional Features, BSEs and Functions (Cont'd)(1) DS3 to DS1 Multiplexing - Monthly Recurring Rates
(Cont'd)(m) DS3 to DS1 Multiplexing - TX - Zone 1 - Monthly Recurring Rates

Per Multiplexer

<u>USOC</u>	<u>Month to</u>			
	<u>Month</u>	<u>3 year</u>	<u>5 year</u>	<u>10 year</u>
MKM	\$815.00	\$686.40	\$580.00	\$580.00

(n) DS3 to DS1 Multiplexing - TX - Zone 2 - Monthly Recurring Rates

Per Multiplexer

<u>USOC</u>	<u>Month to</u>			
	<u>Month</u>	<u>3 year</u>	<u>5 year</u>	<u>10 year</u>
MKM	\$815.00	\$686.40	\$580.00	\$580.00

(o) DS3 to DS1 Multiplexing - TX - Zone 3 - Monthly Recurring Rates

Per Multiplexer

<u>USOC</u>	<u>Month to</u>			
	<u>Month</u>	<u>3 year</u>	<u>5 year</u>	<u>10 year</u>
MKM	\$815.00	\$686.40	\$580.00	\$580.00

(N)

(This page filed under Transmittal No. 2640)

Issued: June 16, 1997

Effective: July 1, 1997

Four AT&T Plaza, Dallas, Texas 75202

ACCESS SERVICE

20. MegaLink Custom Services (Cont'd)

20.8 Billing Periods - Services Established Between August 1, 1995 and June 30, 1997 (Cont'd)

20.8.1 Rates and Charges (Cont'd)

(G) Optional Features, BSEs and Functions (Cont'd)

(2) DS3 to DS1 Multiplexing Installation Charge - Per Multiplexer

(a) Installation Charge - AR - Zone 1

	Month to			
USOC	Month	3 year	5 year	10 year
	\$202.00	\$202.00	\$202.00	\$202.00

(b) Installation Charge - AR - Zone 2

	Month to			
USOC	Month	3 year	5 year	10 year
	\$202.00	\$202.00	\$202.00	\$202.00

(c) Installation Charge - AR - Zone 3

	Month to			
USOC	Month	3 year	5 year	10 year
	\$202.00	\$202.00	\$202.00	\$202.00

(d) Installation Charge - KS - Zone 1

	Month to			
USOC	Month	3 year	5 year	10 year
	\$202.00	\$202.00	\$202.00	\$202.00

(e) Installation Charge - KS - Zone 2

	Month to			
USOC	Month	3 year	5 year	10 year
	\$202.00	\$202.00	\$202.00	\$202.00

(f) Installation Charge - KS - Zone 3

	Month to			
USOC	Month	3 year	5 year	10 year
	\$202.00	\$202.00	\$202.00	\$202.00

(N)

(This page filed under Transmittal No. 2640)

Issued: June 16, 1997

Effective: July 1, 1997

Four AT&T Plaza, Dallas, Texas 75202

ACCESS SERVICE

20. MegaLink Custom Services (Cont'd)

20.8 Billing Periods - Services Established Between August 1, 1995 and June 30, 1997 (Cont'd)

20.8.1 Rates and Charges (Cont'd)

(G) Optional Features, BSEs and Functions (Cont'd)

(2) DS3 to DS1 Multiplexing Installation Charge - Per Multiplexer (Cont'd)

(g) Installation Charge - MO - Zone 1

	Month to			
USOC	Month	3 year	5 year	10 year
	\$202.00	\$202.00	\$202.00	\$202.00

(h) Installation Charge - MO - Zone 2

	Month to			
USOC	Month	3 year	5 year	10 year
	\$202.00	\$202.00	\$202.00	\$202.00

(i) Installation Charge - MO - Zone 3

	Month to			
USOC	Month	3 year	5 year	10 year
	\$202.00	\$202.00	\$202.00	\$202.00

(j) Installation Charge - OK - Zone 1

	Month to			
USOC	Month	3 year	5 year	10 year
	\$202.00	\$202.00	\$202.00	\$202.00

(k) Installation Charge - OK - Zone 2

	Month to			
USOC	Month	3 year	5 year	10 year
	\$202.00	\$202.00	\$202.00	\$202.00

(l) Installation Charge - OK - Zone 3

	Month to			
USOC	Month	3 year	5 year	10 year
	\$202.00	\$202.00	\$202.00	\$202.00

(N)

(This page filed under Transmittal No. 2640)

ACCESS SERVICE

20. MegaLink Custom Services (Cont'd)20.8 Billing Periods - Services Established Between August 1, 1995 and June 30, 1997 (Cont'd)20.8.1 Rates and Charges (Cont'd)(G) Optional Features, BSEs and Functions (Cont'd)(2) DS3 to DS1 Multiplexing Installation Charge - Per Multiplexer (Cont'd)(m) Installation Charge - TX - Zone 1

<u>USOC</u>	<u>Month to</u>			
	<u>Month</u>	<u>3 year</u>	<u>5 year</u>	<u>10 year</u>
	\$202.00	\$202.00	\$202.00	\$202.00

(n) Installation Charge - TX - Zone 2

<u>USOC</u>	<u>Month to</u>			
	<u>Month</u>	<u>3 year</u>	<u>5 year</u>	<u>10 year</u>
	\$202.00	\$202.00	\$202.00	\$202.00

(o) Installation Charge - TX - Zone 3

<u>USOC</u>	<u>Month to</u>			
	<u>Month</u>	<u>3 year</u>	<u>5 year</u>	<u>10 year</u>
	\$202.00	\$202.00	\$202.00	\$202.00

(N)

(This page filed under Transmittal No. 2640)

Issued: June 16, 1997

Effective: July 1, 1997

Four AT&T Plaza, Dallas, Texas 75202

ACCESS SERVICE

20. MegaLink Custom Services (Cont'd)20.8 Billing Periods - Services Established Between August 1, 1995 and June 30, 1997 (Cont'd)20.8.1 Rates and Charges (Cont'd)(G) Optional Features, BSEs and Functions (Cont'd)(3) SecureNet Monthly Recurring Rates(a) Hub Redundancy - AR Zone 1
per premises, per DS3
Month to

USOC	Month	3 year	5 year	10 year
R36AD	\$1,869.00	\$1,751.25	\$1,646.60	\$1,451.45

(b) Hub Redundancy - AR Zone 2
per premises, per DS3
Month to

USOC	Month	3 year	5 year	10 year
R36AD	\$1,869.00	\$1,751.25	\$1,646.60	\$1,451.45

(c) Hub Redundancy - AR Zone 3
per premises, per DS3
Month to

USOC	Month	3 year	5 year	10 year
R36AD	\$1,869.00	\$1,751.25	\$1,646.60	\$1,451.45

(d) Hub Redundancy - KS Zone 1
per premises, per DS3
Month to

USOC	Month	3 year	5 year	10 year
R36AD	\$1,869.00	\$1,751.25	\$1,646.60	\$1,451.45

(e) Hub Redundancy - KS Zone 2
per premises, per DS3
Month to

USOC	Month	3 year	5 year	10 year
R36AD	\$1,869.00	\$1,751.25	\$1,646.60	\$1,451.45

(f) Hub Redundancy - KS Zone 3
per premises, per DS3
Month to

USOC	Month	3 year	5 year	10 year
R36AD	\$1,869.00	\$1,751.25	\$1,646.60	\$1,451.45

(This page filed under Transmittal No. 2640)

Issued: June 16, 1997

Effective: July 1, 1997

Four AT&T Plaza, Dallas, Texas 75202

(N)

ACCESS SERVICE

20. MegaLink Custom Services (Cont'd)

20.8 Billing Periods - Services Established Between August 1, 1995 and June 30, 1997 (Cont'd)

20.8.1 Rates and Charges (Cont'd)

(G) Optional Features, BSEs and Functions (Cont'd)

(3) SecureNet Monthly Recurring Rates (Cont'd)

(g) Hub Redundancy - MO Zone 1
per premises, per DS3

USOC	Month to Month	3 year	5 year	10 year
R36AD	\$1,869.00	\$1,751.25	\$1,646.60	\$1,451.45

(h) Hub Redundancy - MO Zone 2
per premises, per DS3

USOC	Month to Month	3 year	5 year	10 year
R36AD	\$1,869.00	\$1,751.25	\$1,646.60	\$1,451.45

(i) Hub Redundancy - MO Zone 3
per premises, per DS3

USOC	Month to Month	3 year	5 year	10 year
R36AD	\$1,869.00	\$1,751.25	\$1,646.60	\$1,451.45

(j) Hub Redundancy - OK Zone 1
per premises, per DS3

USOC	Month to Month	3 year	5 year	10 year
R36AD	\$1,869.00	\$1,751.25	\$1,646.60	\$1,451.45

(k) Hub Redundancy - OK Zone 2
per premises, per DS3

USOC	Month to Month	3 year	5 year	10 year
R36AD	\$1,869.00	\$1,751.25	\$1,646.60	\$1,451.45

(l) Hub Redundancy - OK Zone 3
per premises, per DS3

USOC	Month to Month	3 year	5 year	10 year
R36AD	\$1,869.00	\$1,751.25	\$1,646.60	\$1,451.45

(N)

(This page filed under Transmittal No. 2640)

Issued: June 16, 1997

Effective: July 1, 1997

Four AT&T Plaza, Dallas, Texas 75202

ACCESS SERVICE

20. MegaLink Custom Services (Cont'd)20.8 Billing Periods - Services Established Between August 1, 1995 and June 30, 1997 (Cont'd)20.8.1 Rates and Charges (Cont'd)(G) Optional Features, BSEs and Functions (Cont'd)(3) SecureNet Monthly Recurring Rates (Cont'd)(m) Hub Redundancy - TX Zone 1
per premises, per DS3

<u>USOC</u>	<u>Month to</u> <u>Month</u>	<u>3 year</u>	<u>5 year</u>	<u>10 year</u>
R36AD	\$1,869.00	\$1,751.25	\$1,646.60	\$1,451.45

(n) Hub Redundancy - TX Zone 2
per premises, per DS3

<u>USOC</u>	<u>Month to</u> <u>Month</u>	<u>3 year</u>	<u>5 year</u>	<u>10 year</u>
R36AD	\$1,869.00	\$1,751.25	\$1,646.60	\$1,451.45

(o) Hub Redundancy - TX Zone 3
per premises, per DS3

<u>USOC</u>	<u>Month to</u> <u>Month</u>	<u>3 year</u>	<u>5 year</u>	<u>10 year</u>
R36AD	\$1,869.00	\$1,751.25	\$1,646.60	\$1,451.45

(N)

(This page filed under Transmittal No. 2640)

Issued: June 16, 1997

Effective: July 1, 1997

Four AT&T Plaza, Dallas, Texas 75202

ACCESS SERVICE

20. MegaLink Custom Services (Cont'd)

20.8 Billing Periods - Services Established Between August 1, 1995 and June 30, 1997 (Cont'd)

20.8.1 Rates and Charges (Cont'd)

(G) Optional Features, BSEs and Functions (Cont'd)

(3) SecureNet Monthly Recurring Rates (Cont'd)

Zone 1

(p) Serving Wire Center and Facility Redundancy - AR
per premises, per DS3

<u>USOC</u>	<u>Month to Month</u>	<u>3 year</u>	<u>5 year</u>	<u>10 year</u>
R38AE	\$ 0.00	\$ 0.00	\$ 0.00	\$ 0.00

(q) Serving Wire Center and Facility Redundancy - AR
Zone 2
per premises, per DS3

<u>USOC</u>	<u>Month to Month</u>	<u>3 year</u>	<u>5 year</u>	<u>10 year</u>
R38AE	\$ 0.00	\$ 0.00	\$ 0.00	\$ 0.00

(r) Serving Wire Center and Facility Redundancy - AR
Zone 3
per premises, per DS3

<u>USOC</u>	<u>Month to Month</u>	<u>3 year</u>	<u>5 year</u>	<u>10 year</u>
R38AE	\$ 0.00	\$ 0.00	\$ 0.00	\$ 0.00

(N)

(This page filed under Transmittal No. 2640)

Issued: June 16, 1997

Effective: July 1, 1997

Four AT&T Plaza, Dallas, Texas 75202

ACCESS SERVICE

20. MegaLink Custom Services (Cont'd)

20.8 Billing Periods - Services Established Between August 1, 1995 and June 30, 1997 (Cont'd)

20.8.1 Rates and Charges (Cont'd)

(G) Optional Features, BSEs and Functions (Cont'd)

(3) SecureNet Monthly Recurring Rates (Cont'd)

(s) Serving Wire Center and Facility Redundancy - KS Zone 1, per premises, per DS3

<u>USOC</u>	<u>Month to Month</u>	<u>3 year</u>	<u>5 year</u>	<u>10 year</u>
R38AE	\$ 0.00	\$ 0.00	\$ 0.00	\$ 0.00

(t) Serving Wire Center and Facility Redundancy - KS Zone 2, per premises, per DS3

<u>USOC</u>	<u>Month to Month</u>	<u>3 year</u>	<u>5 year</u>	<u>10 year</u>
R38AE	\$ 0.00	\$ 0.00	\$ 0.00	\$ 0.00

(u) Serving Wire Center and Facility Redundancy - KS Zone 3, per premises, per DS3

<u>USOC</u>	<u>Month to Month</u>	<u>3 year</u>	<u>5 year</u>	<u>10 year</u>
R38AE	\$ 0.00	\$ 0.00	\$ 0.00	\$ 0.00

(v) Serving Wire Center and Facility Redundancy - MO Zone 1, per premises, per DS3

<u>USOC</u>	<u>Month to Month</u>	<u>3 year</u>	<u>5 year</u>	<u>10 year</u>
R38AE	\$ 0.00	\$ 0.00	\$ 0.00	\$ 0.00

(w) Serving Wire Center and Facility Redundancy - MO Zone 2, per premises, per DS3

<u>USOC</u>	<u>Month to Month</u>	<u>3 year</u>	<u>5 year</u>	<u>10 year</u>
R38AE	\$ 0.00	\$ 0.00	\$ 0.00	\$ 0.00

(x) Serving Wire Center and Facility Redundancy - MO Zone 3, per premises, per DS3

<u>USOC</u>	<u>Month to Month</u>	<u>3 year</u>	<u>5 year</u>	<u>10 year</u>
R38AE	\$ 0.00	\$ 0.00	\$ 0.00	\$ 0.00

(This page filed under Transmittal No. 2640)

(N)

ACCESS SERVICE

20. MegaLink Custom Services (Cont'd)

20.8 Billing Periods - Services Established Between August 1, 1995 and June 30, 1997 (Cont'd)

20.8.1 Rates and Charges (Cont'd)

(G) Optional Features, BSEs and Functions (Cont'd)

(3) SecureNet Monthly Recurring Rates (Cont'd)

(y) Serving Wire Center and Facility Redundancy - OK
per premises, per DS3

Zone 1

<u>USOC</u>	<u>Month to Month</u>	<u>3 year</u>	<u>5 year</u>	<u>10 year</u>
R38AE	\$ 0.00	\$ 0.00	\$ 0.00	\$ 0.00

(z) Serving Wire Center and Facility Redundancy - OK
Zone 2
per premises, per DS3

<u>USOC</u>	<u>Month to Month</u>	<u>3 year</u>	<u>5 year</u>	<u>10 year</u>
R38AE	\$ 0.00	\$ 0.00	\$ 0.00	\$ 0.00

(aa) Serving Wire Center and Facility Redundancy - OK
Zone 3
per premises, per DS3

<u>USOC</u>	<u>Month to Month</u>	<u>3 year</u>	<u>5 year</u>	<u>10 year</u>
R38AE	\$ 0.00	\$ 0.00	\$ 0.00	\$ 0.00

(N)

(This page filed under Transmittal No. 2640)

Issued: June 16, 1997

Effective: July 1, 1997

Four AT&T Plaza, Dallas, Texas 75202

ACCESS SERVICE

20. MegaLink Custom Services (Cont'd)20.8 Billing Periods - Services Established Between August 1, 1995 and June 30, 1997 (Cont'd)20.8.1 Rates and Charges (Cont'd)(G) Optional Features, BSEs and Functions (Cont'd)(3) SecureNet Monthly Recurring Rates (Cont'd)(ab) Serving Wire Center and Facility Redundancy - TX Zone 1
per premises, per DS3

<u>USOC</u>	<u>Month to</u> <u>Month</u>	<u>3 year</u>	<u>5 year</u>	<u>10 year</u>
R38AE	\$ 0.00	\$ 0.00	\$ 0.00	\$ 0.00

(ac) Serving Wire Center and Facility Redundancy - TX Zone 2
per premises, per DS3

<u>USOC</u>	<u>Month to</u> <u>Month</u>	<u>3 year</u>	<u>5 year</u>	<u>10 year</u>
R38AE	\$ 0.00	\$ 0.00	\$ 0.00	\$ 0.00

(ad) Serving Wire Center and Facility Redundancy - TX Zone 3
per premises, per DS3

<u>USOC</u>	<u>Month to</u> <u>Month</u>	<u>3 year</u>	<u>5 year</u>	<u>10 year</u>
R38AE	\$ 0.00	\$ 0.00	\$ 0.00	\$ 0.00

(This page filed under Transmittal No. 2640)

Issued: June 16, 1997

Effective: July 1, 1997

Four AT&T Plaza, Dallas, Texas 75202

(N)

ACCESS SERVICE

20. MegaLink Custom Services (Cont'd)20.8 Billing Periods - Services Established Between August 1, 1995 and June 30, 1997 (Cont'd)20.8.1 Rates and Charges (Cont'd)(G) Optional Features, BSEs and Functions (Cont'd)(4) SecureNet Installation Charge(a) Hub Redundancy - AR - Zone 1
per premises, per DS3

<u>USOC</u>	<u>Installation Charge</u>
XXXX	\$1,848.00

(b) Hub Redundancy - AR - Zone 2
per premises, per DS3

<u>USOC</u>	<u>Installation Charge</u>
XXXX	\$1,848.00

(c) Hub Redundancy - AR - Zone 3
per premises, per DS3

<u>USOC</u>	<u>Installation Charge</u>
XXXX	\$1,848.00

(d) Hub Redundancy - KS - Zone 1
per premises, per DS3

<u>USOC</u>	<u>Installation Charge</u>
XXXX	\$1,848.00

(e) Hub Redundancy - KS - Zone 2
per premises, per DS3

<u>USOC</u>	<u>Installation Charge</u>
XXXX	\$1,848.00

(f) Hub Redundancy - KS - Zone 3
per premises, per DS3

<u>USOC</u>	<u>Installation Charge</u>
XXXX	\$1,848.00

(This page filed under Transmittal No. 2640)

Issued: June 16, 1997

Effective: July 1, 1997

Four AT&T Plaza, Dallas, Texas 75202

(N)

ACCESS SERVICE

20. MegaLink Custom Services (Cont'd)20.8 Billing Periods - Services Established Between August 1, 1995 and June 30, 1997 (Cont'd)20.8.1 Rates and Charges (Cont'd)(G) Optional Features, BSEs and Functions (Cont'd)(4) SecureNet Installation Charge (Cont'd)(g) Hub Redundancy - MO - Zone 1
per premises, per DS3

<u>USOC</u>	<u>Installation Charge</u>
XXXX	\$1,848.00

(h) Hub Redundancy - MO - Zone 2
per premises, per DS3

<u>USOC</u>	<u>Installation Charge</u>
XXXX	\$1,848.00

(i) Hub Redundancy - MO - Zone 3
per premises, per DS3

<u>USOC</u>	<u>Installation Charge</u>
XXXX	\$1,848.00

(j) Hub Redundancy - OK - Zone 1
per premises, per DS3

<u>USOC</u>	<u>Installation Charge</u>
XXXX	\$1,848.00

(k) Hub Redundancy - OK - Zone 2
per premises, per DS3

<u>USOC</u>	<u>Installation Charge</u>
XXXX	\$1,848.00

(l) Hub Redundancy - OK - Zone 3
per premises, per DS3

<u>USOC</u>	<u>Installation Charge</u>
XXXX	\$1,848.00

(This page filed under Transmittal No. 2640)

Issued: June 16, 1997

Effective: July 1, 1997

Four AT&T Plaza, Dallas, Texas 75202

(N)

ACCESS SERVICE

20. MegaLink Custom Services (Cont'd)20.8 Billing Periods - Services Established Between August 1, 1995 and June 30, 1997 (Cont'd)20.8.1 Rates and Charges (Cont'd)(G) Optional Features, BSEs and Functions (Cont'd)(4) SecureNet Installation Charge (Cont'd)(m) Hub Redundancy - TX - Zone 1
per premises, per DS3

<u>USOC</u>	<u>Installation Charge</u>
XXXX	\$1,848.00

(n) Hub Redundancy - TX - Zone 2
per premises, per DS3

<u>USOC</u>	<u>Installation Charge</u>
XXXX	\$1,848.00

(o) Hub Redundancy - TX - Zone 3
per premises, per DS3

<u>USOC</u>	<u>Installation Charge</u>
XXXX	\$1,848.00

(N)

(This page filed under Transmittal No. 2640)

Issued: June 16, 1997

Effective: July 1, 1997

Four AT&T Plaza, Dallas, Texas 75202

ACCESS SERVICE

20. MegaLink Custom Services (Cont'd)20.8 Billing Periods - Services Established Between August 1, 1995 and June 30, 1997 (Cont'd)20.8.1 Rates and Charges (Cont'd)(G) Optional Features, BSEs and Functions (Cont'd)(4) SecureNet Installation Charge (Cont'd)(p) Serving Wire Center and Facility Redundancy - AR - Zone 1
per premises, per DS3

<u>USOC</u>	<u>Installation Charge</u>
XXXX	\$ 0.00

(q) Serving Wire Center and Facility Redundancy - AR - Zone 2
per premises, per DS3

<u>USOC</u>	<u>Installation Charge</u>
XXXX	\$ 0.00

(r) Serving Wire Center and Facility Redundancy - AR - Zone 3
per premises, per DS3

<u>USOC</u>	<u>Installation Charge</u>
XXXX	\$ 0.00

(N)

(This page filed under Transmittal No. 2640)

Issued: June 16, 1997

Effective: July 1, 1997

Four AT&T Plaza, Dallas, Texas 75202

ACCESS SERVICE

20. MegaLink Custom Services (Cont'd)20.8 Billing Periods - Services Established Between August 1, 1995 and June 30, 1997 (Cont'd)20.8.1 Rates and Charges (Cont'd)(G) Optional Features, BSEs and Functions (Cont'd)(4) SecureNet Installation Charge (Cont'd)

- (s)
- Serving Wire Center and Facility Redundancy - KS - Zone 1
-
- per premises, per DS3

<u>USOC</u>	<u>Installation Charge</u>
XXXX	\$ 0.00

- (t)
- Serving Wire Center and Facility Redundancy - KS - Zone 2
-
- per premises, per DS3

<u>USOC</u>	<u>Installation Charge</u>
XXXX	\$ 0.00

- (u)
- Serving Wire Center and Facility Redundancy - KS - Zone 3
-
- per premises, per DS3

<u>USOC</u>	<u>Installation Charge</u>
XXXX	\$ 0.00

- (v)
- Serving Wire Center and Facility Redundancy - MO - Zone 1
-
- per premises, per DS3

<u>USOC</u>	<u>Installation Charge</u>
XXXX	\$ 0.00

- (w)
- Serving Wire Center and Facility Redundancy - MO - Zone 2
-
- per premises, per DS3

<u>USOC</u>	<u>Installation Charge</u>
XXXX	\$ 0.00

- (x)
- Serving Wire Center and Facility Redundancy - MO - Zone 3
-
- per premises, per DS3

<u>USOC</u>	<u>Installation Charge</u>
XXXX	\$ 0.00

(This page filed under Transmittal No. 2640)

ACCESS SERVICE

20. MegaLink Custom Services (Cont'd)20.8 Billing Periods - Services Established Between August 1, 1995 and June 30, 1997 (Cont'd)20.8.1 Rates and Charges (Cont'd)(G) Optional Features, BSEs and Functions (Cont'd)(4) SecureNet Installation Charge (Cont'd)(y) Serving Wire Center and Facility Redundancy - OK Zone 1
per premises, per DS3

<u>USOC</u>	<u>Installation Charge</u>
XXXX	\$ 0.00

(z) Serving Wire Center and Facility Redundancy - OK Zone 2
per premises, per DS3

<u>USOC</u>	<u>Installation Charge</u>
XXXX	\$ 0.00

(aa) Serving Wire Center and Facility Redundancy - OK Zone 3
per premises, per DS3

<u>USOC</u>	<u>Installation Charge</u>
XXXX	\$ 0.00

(N)

(This page filed under Transmittal No. 2640)

Issued: June 16, 1997

Effective: July 1, 1997

Four AT&T Plaza, Dallas, Texas 75202

ACCESS SERVICE

20. MegaLink Custom Services (Cont'd)20.8 Billing Periods - Services Established Between August 1, 1995 and June 30, 1997 (Cont'd)20.8.1 Rates and Charges (Cont'd)(G) Optional Features, BSEs and Functions (Cont'd)(4) SecureNet Installation Charge (Cont'd)(ab) Serving Wire Center and Facility Redundancy - TX - Zone 1
per premises, per DS3

<u>USOC</u>	<u>Installation Charge</u>
XXXX	\$ 0.00

(ac) Serving Wire Center and Facility Redundancy - TX - Zone 2
per premises, per DS3

<u>USOC</u>	<u>Installation Charge</u>
XXXX	\$ 0.00

(ad) Serving Wire Center and Facility Redundancy - TX - Zone 3
per premises, per DS3

<u>USOC</u>	<u>Installation Charge</u>
XXXX	\$ 0.00

(N)

(This page filed under Transmittal No. 2640)

Issued: June 16, 1997

Effective: July 1, 1997

Four AT&T Plaza, Dallas, Texas 75202

ACCESS SERVICE

20. MegaLink Custom Services (Cont'd)20.8 Billing Periods - Services Established Between August 1, 1995 and June 30, 1997 (Cont'd)20.8.1 Rates and Charges (Cont'd)(G) Optional Features, BSEs and Functions (Cont'd)(5) Service Extension Monthly Recurring Rates

Use Interoffice Mileage as set forth in 20.8.1(C) and 20.8.1(D).

(6) Service Extension Installation Charge per DS3 or DS3 equivalent, per service extension on the same access order(a) Installation Charge - AR - Zone 1

	USOC	Month to Month	3 year	5 year	10 year
First	NRBSE		\$637.00	\$637.00	\$637.00
Additional	NRBSE		\$496.00	\$496.00	\$496.00

(b) Installation Charge - AR - Zone 2

	USOC	Month to Month	3 year	5 year	10 year
First	NRBSE		\$637.00	\$637.00	\$637.00
Additional	NRBSE		\$496.00	\$496.00	\$496.00

(c) Installation Charge - AR - Zone 3

	USOC	Month to Month	3 year	5 year	10 year
First	NRBSE		\$637.00	\$637.00	\$637.00
Additional	NRBSE		\$496.00	\$496.00	\$496.00

(N)

(This page filed under Transmittal No. 2640)

Issued: June 16, 1997

Effective: July 1, 1997

Four AT&T Plaza, Dallas, Texas 75202

ACCESS SERVICE

20. MegaLink Custom Services (Cont'd)20.8 Billing Periods - Services Established Between August 1, 1995 and June 30, 1997 (Cont'd)20.8.1 Rates and Charges (Cont'd)(G) Optional Features, BSEs and Functions (Cont'd)(6) Service Extension Installation Charge (Cont'd)(d) Installation Charge - KS - Zone 1

	USOC	Month to Month	3 year	5 year	10 year
First	NRBSE		\$637.00	\$637.00	\$637.00
Additional	NRBSE		\$496.00	\$496.00	\$496.00

(e) Installation Charge - KS - Zone 2

	USOC	Month to Month	3 year	5 year	10 year
First	NRBSE		\$637.00	\$637.00	\$637.00
Additional	NRBSE		\$496.00	\$496.00	\$496.00

(f) Installation Charge - KS - Zone 3

	USOC	Month to Month	3 year	5 year	10 year
First	NRBSE		\$637.00	\$637.00	\$637.00
Additional	NRBSE		\$496.00	\$496.00	\$496.00

(g) Installation Charge - MO - Zone 1

	USOC	Month to Month	3 year	5 year	10 year
First	NRBSE		\$637.00	\$637.00	\$637.00
Additional	NRBSE		\$496.00	\$496.00	\$496.00

(h) Installation Charge - MO - Zone 2

	USOC	Month to Month	3 year	5 year	10 year
First	NRBSE		\$637.00	\$637.00	\$637.00
Additional	NRBSE		\$496.00	\$496.00	\$496.00

(i) Installation Charge - MO - Zone 3

	USOC	Month to Month	3 year	5 year	10 year
First	NRBSE		\$637.00	\$637.00	\$637.00
Additional	NRBSE		\$496.00	\$496.00	\$496.00

(This page filed under Transmittal No. 2640)

ACCESS SERVICE

20. MegaLink Custom Services (Cont'd)

20.8 Billing Periods - Services Established Between August 1, 1995 and June 30, 1997 (Cont'd)

20.8.1 Rates and Charges (Cont'd)

(G) Optional Features, BSEs and Functions (Cont'd)

(6) Service Extension Installation Charge (Cont'd)

(j) Installation Charge - OK - Zone 1

	USOC	Month to			
		Month	3 year	5 year	10 year
First	NRBSE	\$637.00	\$637.00	\$637.00	\$637.00
Additional	NRBSE	\$496.00	\$496.00	\$496.00	\$496.00

(k) Installation Charge - OK - Zone 2

	USOC	Month to			
		Month	3 year	5 year	10 year
First	NRBSE	\$637.00	\$637.00	\$637.00	\$637.00
Additional	NRBSE	\$496.00	\$496.00	\$496.00	\$496.00

(l) Installation Charge - OK - Zone 3

	USOC	Month to			
		Month	3 year	5 year	10 year
First	NRBSE	\$637.00	\$637.00	\$637.00	\$637.00
Additional	NRBSE	\$496.00	\$496.00	\$496.00	\$496.00

(N)

(This page filed under Transmittal No. 2640)

Issued: June 16, 1997

Effective: July 1, 1997

Four AT&T Plaza, Dallas, Texas 75202

ACCESS SERVICE

20. MegaLink Custom Services (Cont'd)20.8 Billing Periods - Services Established Between August 1, 1995 and June 30, 1997 (Cont'd)20.8.1 Rates and Charges (Cont'd)(G) Optional Features, BSEs and Functions (Cont'd)(6) Service Extension Installation Charge (Cont'd)(m) Installation Charge - TX - Zone 1

		Month to			
	USOC	Month	3 year	5 year	10 year
First	NRBSE	\$637.00	\$637.00	\$637.00	\$637.00
Additional	NRBSE	\$496.00	\$496.00	\$496.00	\$496.00

(n) Installation Charge - TX - Zone 2

		Month to			
	USOC	Month	3 year	5 year	10 year
First	NRBSE	\$637.00	\$637.00	\$637.00	\$637.00
Additional	NRBSE	\$496.00	\$496.00	\$496.00	\$496.00

(o) Installation Charge - TX - Zone 3

		Month to			
	USOC	Month	3 year	5 year	10 year
First	NRBSE	\$637.00	\$637.00	\$637.00	\$637.00
Additional	NRBSE	\$496.00	\$496.00	\$496.00	\$496.00

(N)

(This page filed under Transmittal No. 2640)

Issued: June 16, 1997

Effective: July 1, 1997

Four AT&T Plaza, Dallas, Texas 75202

ACCESS SERVICE

20. MegaLink Custom Services (Cont'd)

20.8 Billing Periods - Services Established Between August 1, 1995 and June 30, 1997 (Cont'd)

20.8.1 Rates and Charges (Cont'd)

(G) Optional Features, BSEs and Functions (Cont'd)

(7) STN Interconnection with SecureNet Equipped MegaLink Custom Service Monthly Recurring Rates

per DS3, per Interconnection

(a) STN Interconnection with SecureNet Equipped MegaLink Custom Service - AR Zone 1

<u>USOC</u>	<u>Month to Month</u>	<u>3 year</u>	<u>5 year</u>	<u>10 year</u>
R3N3X	\$278.05	\$263.20	\$248.20	\$221.40

(b) STN Interconnection with SecureNet Equipped MegaLink Custom Service - AR Zone 2

<u>USOC</u>	<u>Month to Month</u>	<u>3 year</u>	<u>5 year</u>	<u>10 year</u>
R3N3X	\$278.05	\$263.20	\$248.20	\$221.40

(c) STN Interconnection with SecureNet Equipped MegaLink Custom Service - AR Zone 3

<u>USOC</u>	<u>Month to Month</u>	<u>3 year</u>	<u>5 year</u>	<u>10 year</u>
R3N3X	\$278.05	\$263.20	\$248.20	\$221.40

(N)

(This page filed under Transmittal No. 2640)

Issued: June 16, 1997

Effective: July 1, 1997

Four AT&T Plaza, Dallas, Texas 75202

ACCESS SERVICE

20. MegaLink Custom Services (Cont'd)

20.8 Billing Periods - Services Established Between August 1, 1995 and June 30, 1997 (Cont'd)

20.8.1 Rates and Charges (Cont'd)

(G) Optional Features, BSEs and Functions (Cont'd)

(7) STN Interconnection with SecureNet Equipped MegaLink Custom Service Monthly Recurring Rates (Cont'd)

per DS3, per Interconnection

(d) STN Interconnection with SecureNet Equipped MegaLink Custom Service - KS Zone 1

USOC	Month to Month	3 year	5 year	10 year
R3N3X	\$278.05	\$263.20	\$248.20	\$221.40

(e) STN Interconnection with SecureNet Equipped MegaLink Custom Service - KS Zone 2

USOC	Month to Month	3 year	5 year	10 year
R3N3X	\$278.05	\$263.20	\$248.20	\$221.40

(f) STN Interconnection with SecureNet Equipped MegaLink Custom Service - KS Zone 3

USOC	Month to Month	3 year	5 year	10 year
R3N3X	\$278.05	\$263.20	\$248.20	\$221.40

(g) STN Interconnection with SecureNet Equipped MegaLink Custom Service - MO Zone 1

USOC	Month to Month	3 year	5 year	10 year
R3N3X	\$278.05	\$263.20	\$248.20	\$221.40

(h) STN Interconnection with SecureNet Equipped MegaLink Custom Service - MO Zone 2

USOC	Month to Month	3 year	5 year	10 year
R3N3X	\$278.05	\$263.20	\$248.20	\$221.40

(i) STN Interconnection with SecureNet Equipped MegaLink Custom Service - MO Zone 3

USOC	Month to Month	3 year	5 year	10 year
R3N3X	\$278.05	\$263.20	\$248.20	\$221.40

(This page filed under Transmittal No. 2640)

(N)

ACCESS SERVICE

20. MegaLink Custom Services (Cont'd)

20.8 Billing Periods - Services Established Between August 1, 1995 and June 30, 1997 (Cont'd)

20.8.1 Rates and Charges (Cont'd)

(G) Optional Features, BSEs and Functions (Cont'd)

(7) STN Interconnection with SecureNet Equipped MegaLink Custom Service Monthly Recurring Rates (Cont'd)

per DS3, per Interconnection

(j) STN Interconnection with SecureNet Equipped MegaLink Custom Service - OK Zone 1

<u>USOC</u>	<u>Month to Month</u>	<u>3 year</u>	<u>5 year</u>	<u>10 year</u>
R3N3X	\$278.05	\$263.20	\$248.20	\$221.40

(k) STN Interconnection with SecureNet Equipped MegaLink Custom Service - OK Zone 2

<u>USOC</u>	<u>Month to Month</u>	<u>3 year</u>	<u>5 year</u>	<u>10 year</u>
R3N3X	\$278.05	\$263.20	\$248.20	\$221.40

(l) STN Interconnection with SecureNet Equipped MegaLink Custom Service - OK Zone 3

<u>USOC</u>	<u>Month to Month</u>	<u>3 year</u>	<u>5 year</u>	<u>10 year</u>
R3N3X	\$278.05	\$263.20	\$248.20	\$221.40

(N)

(This page filed under Transmittal No. 2640)

Issued: June 16, 1997

Effective: July 1, 1997

Four AT&T Plaza, Dallas, Texas 75202

ACCESS SERVICE

20. MegaLink Custom Services (Cont'd)20.8 Billing Periods - Services Established Between August 1, 1995 and June 30, 1997 (Cont'd)20.8.1 Rates and Charges (Cont'd)(G) Optional Features, BSEs and Functions (Cont'd)(7) STN Interconnection with SecureNet Equipped MegaLink Custom Service Monthly Recurring Rates (Cont'd)

per DS3, per Interconnection

(m) STN Interconnection with SecureNet Equipped MegaLink Custom Service - TX Zone 1

<u>USOC</u>	<u>Month to Month</u>	<u>3 year</u>	<u>5 year</u>	<u>10 year</u>
R3N3X	\$278.05	\$263.20	\$248.20	\$221.40

(n) STN Interconnection with SecureNet Equipped MegaLink Custom Service - TX Zone 2

<u>USOC</u>	<u>Month to Month</u>	<u>3 year</u>	<u>5 year</u>	<u>10 year</u>
R3N3X	\$278.05	\$263.20	\$248.20	\$221.40

(o) STN Interconnection with SecureNet Equipped MegaLink Custom Service - TX Zone 3

<u>USOC</u>	<u>Month to Month</u>	<u>3 year</u>	<u>5 year</u>	<u>10 year</u>
R3N3X	\$278.05	\$263.20	\$248.20	\$221.40

(N)

(This page filed under Transmittal No. 2640)

Issued: June 16, 1997

Effective: July 1, 1997

Four AT&T Plaza, Dallas, Texas 75202

ACCESS SERVICE

20. MegaLink Custom Services (Cont'd)20.8 Billing Periods - Services Established Between August 1, 1995 and June 30, 1997 (Cont'd)20.8.1 Rates and Charges (Cont'd)(G) Optional Features, BSEs and Functions (Cont'd)(8) STN Interconnection with SecureNet Equipped MegaLink Custom Service Installation Charges

per DS3, per Interconnection

(a) STN Interconnection with SecureNet Equipped MegaLink Custom Service - AR Zone 1

<u>USOC</u>	<u>Month to Month</u>	<u>3 year</u>	<u>5 year</u>	<u>10 year</u>
	\$298.00	\$298.00	\$298.00	\$298.00

(b) STN Interconnection with SecureNet Equipped MegaLink Custom Service - AR Zone 2

<u>USOC</u>	<u>Month to Month</u>	<u>3 year</u>	<u>5 year</u>	<u>10 year</u>
	\$298.00	\$298.00	\$298.00	\$298.00

(c) STN Interconnection with SecureNet Equipped MegaLink Custom Service - AR Zone 3

<u>USOC</u>	<u>Month to Month</u>	<u>3 year</u>	<u>5 year</u>	<u>10 year</u>
	\$298.00	\$298.00	\$298.00	\$298.00

(N)

(This page filed under Transmittal No. 2640)

Issued: June 16, 1997

Effective: July 1, 1997

Four AT&T Plaza, Dallas, Texas 75202

ACCESS SERVICE

20. MegaLink Custom Services (Cont'd)

20.8 Billing Periods - Services Established Between August 1, 1995 and June 30, 1997 (Cont'd)

20.8.1 Rates and Charges (Cont'd)

(G) Optional Features, BSEs and Functions (Cont'd)

(8) STN Interconnection with SecureNet Equipped MegaLink Custom Service Installation Charges (Cont'd)

per DS3, per Interconnection

(d) STN Interconnection with SecureNet Equipped MegaLink Custom Service - KS Zone 1

<u>USOC</u>	<u>Month to Month</u>	<u>3 year</u>	<u>5 year</u>	<u>10 year</u>
	\$298.00	\$298.00	\$298.00	\$298.00

(e) STN Interconnection with SecureNet Equipped MegaLink Custom Service - KS Zone 2

<u>USOC</u>	<u>Month to Month</u>	<u>3 year</u>	<u>5 year</u>	<u>10 year</u>
	\$298.00	\$298.00	\$298.00	\$298.00

(f) STN Interconnection with SecureNet Equipped MegaLink Custom Service - KS Zone 3

<u>USOC</u>	<u>Month to Month</u>	<u>3 year</u>	<u>5 year</u>	<u>10 year</u>
	\$298.00	\$298.00	\$298.00	\$298.00

(g) STN Interconnection with SecureNet Equipped MegaLink Custom Service - MO Zone 1

<u>USOC</u>	<u>Month to Month</u>	<u>3 year</u>	<u>5 year</u>	<u>10 year</u>
	\$298.00	\$298.00	\$298.00	\$298.00

(h) STN Interconnection with SecureNet Equipped MegaLink Custom Service - MO Zone 2

<u>USOC</u>	<u>Month to Month</u>	<u>3 year</u>	<u>5 year</u>	<u>10 year</u>
	\$298.00	\$298.00	\$298.00	\$298.00

(i) STN Interconnection with SecureNet Equipped MegaLink Custom Service - MO Zone 3

<u>USOC</u>	<u>Month to Month</u>	<u>3 year</u>	<u>5 year</u>	<u>10 year</u>
	\$298.00	\$298.00	\$298.00	\$298.00

(N)

(This page filed under Transmittal No. 2640)

ACCESS SERVICE

20. MegaLink Custom Services (Cont'd)

20.8 Billing Periods - Services Established Between August 1, 1995 and June 30, 1997 (Cont'd)

20.8.1 Rates and Charges (Cont'd)

(G) Optional Features, BSEs and Functions (Cont'd)

(8) STN Interconnection with SecureNet Equipped MegaLink Custom Service Installation Charges (Cont'd)

per DS3, per Interconnection

(j) STN Interconnection with SecureNet Equipped MegaLink Custom Service - OK Zone 1

<u>USOC</u>	<u>Month to Month</u>	<u>3 year</u>	<u>5 year</u>	<u>10 year</u>
	\$298.00	\$298.00	\$298.00	\$298.00

(k) STN Interconnection with SecureNet Equipped MegaLink Custom Service - OK Zone 2

<u>USOC</u>	<u>Month to Month</u>	<u>3 year</u>	<u>5 year</u>	<u>10 year</u>
	\$298.00	\$298.00	\$298.00	\$298.00

(l) STN Interconnection with SecureNet Equipped MegaLink Custom Service - OK Zone 3

<u>USOC</u>	<u>Month to Month</u>	<u>3 year</u>	<u>5 year</u>	<u>10 year</u>
	\$298.00	\$298.00	\$298.00	\$298.00

(N)

(This page filed under Transmittal No. 2640)

Issued: June 16, 1997

Effective: July 1, 1997

Four AT&T Plaza, Dallas, Texas 75202

ACCESS SERVICE

20. MegaLink Custom Services (Cont'd)20.8 Billing Periods - Services Established Between August 1, 1995 and June 30, 1997 (Cont'd)20.8.1 Rates and Charges (Cont'd)(G) Optional Features, BSEs and Functions (Cont'd)(8) STN Interconnection with SecureNet Equipped MegaLink Custom Service Installation Charges (Cont'd)

per DS3, per Interconnection

(m) STN Interconnection with SecureNet Equipped MegaLink Custom Service - TX Zone 1

<u>USOC</u>	<u>Month to Month</u>	<u>3 year</u>	<u>5 year</u>	<u>10 year</u>
	\$298.00	\$298.00	\$298.00	\$298.00

(n) STN Interconnection with SecureNet Equipped MegaLink Custom Service - TX Zone 2

<u>USOC</u>	<u>Month to Month</u>	<u>3 year</u>	<u>5 year</u>	<u>10 year</u>
	\$298.00	\$298.00	\$298.00	\$298.00

(o) STN Interconnection with SecureNet Equipped MegaLink Custom Service - TX Zone 3

<u>USOC</u>	<u>Month to Month</u>	<u>3 year</u>	<u>5 year</u>	<u>10 year</u>
	\$298.00	\$298.00	\$298.00	\$298.00

(N)

(This page filed under Transmittal No. 2640)

Issued: June 16, 1997

Effective: July 1, 1997

Four AT&T Plaza, Dallas, Texas 75202

ACCESS SERVICE

20. MegaLink Custom Services (Cont'd)20.8 Billing Periods - Services Established Between August 1, 1995 and June 30, 1997 (Cont'd)20.8.1 Rates and Charges (Cont'd)(G) Optional Features, BSEs and Functions (Cont'd)(9) SFM Installation Charge

Per existing MegaLink Custom Service(s) moving to another MegaLink Custom Service or ReliaNet DS3/EC-1, on a first and additional basis.

(a) SFM AR Zone 1

	<u>USOC</u>	<u>Installation Charge</u>
First	NRBR3	\$135.00
Additional	NRBR3	\$104.00

(b) SFM AR Zone 2

	<u>USOC</u>	<u>Installation Charge</u>
First	NRBR3	\$135.00
Additional	NRBR3	\$104.00

(c) SFM AR Zone 3

	<u>USOC</u>	<u>Installation Charge</u>
First	NRBR3	\$135.00
Additional	NRBR3	\$104.00

(N)

(This page filed under Transmittal No. 2640)

Issued: June 16, 1997

Effective: July 1, 1997

Four AT&T Plaza, Dallas, Texas 75202

ACCESS SERVICE

20. MegaLink Custom Services (Cont'd)20.8 Billing Periods - Services Established Between August 1, 1995 and June 30, 1997 (Cont'd)20.8.1 Rates and Charges (Cont'd)(G) Optional Features, BSEs and Functions (Cont'd)(9) SFM Installation Charge (Cont'd)

Per existing MegaLink Custom Service(s) moving to another MegaLink Custom Service or ReliaNet DS3/EC-1, on a first and additional basis.

(d) SFM KS Zone 1

	<u>USOC</u>	<u>Installation Charge</u>
First	NRBR3	\$135.00
Additional	NRBR3	\$104.00

(e) SFM KS Zone 2

	<u>USOC</u>	<u>Installation Charge</u>
First	NRBR3	\$135.00
Additional	NRBR3	\$104.00

(f) SFM KS Zone 3

	<u>USOC</u>	<u>Installation Charge</u>
First	NRBR3	\$135.00
Additional	NRBR3	\$104.00

(g) SFM MO Zone 1

	<u>USOC</u>	<u>Installation Charge</u>
First	NRBR3	\$135.00
Additional	NRBR3	\$104.00

(h) SFM MO Zone 2

	<u>USOC</u>	<u>Installation Charge</u>
First	NRBR3	\$135.00
Additional	NRBR3	\$104.00

(i) SFM MO Zone 3

	<u>USOC</u>	<u>Installation Charge</u>
First	NRBR3	\$135.00
Additional	NRBR3	\$104.00

(This page filed under Transmittal No. 2640)

ACCESS SERVICE

20. MegaLink Custom Services (Cont'd)20.8 Billing Periods - Services Established Between August 1, 1995 and June 30, 1997 (Cont'd)20.8.1 Rates and Charges (Cont'd)(G) Optional Features, BSEs and Functions (Cont'd)(9) SFM Installation Charge (Cont'd)

Per existing MegaLink Custom Service(s) moving to another MegaLink Custom Service or ReliaNet DS3/EC-1, on a first and additional basis.

(j) SFM OK Zone 1

	<u>USOC</u>	<u>Installation Charge</u>
First	NRBR3	\$135.00
Additional	NRBR3	\$104.00

(k) SFM OK Zone 2

	<u>USOC</u>	<u>Installation Charge</u>
First	NRBR3	\$135.00
Additional	NRBR3	\$104.00

(l) SFM OK Zone 3

	<u>USOC</u>	<u>Installation Charge</u>
First	NRBR3	\$135.00
Additional	NRBR3	\$104.00

(N)

(This page filed under Transmittal No. 2640)

Issued: June 16, 1997

Effective: July 1, 1997

Four AT&T Plaza, Dallas, Texas 75202

ACCESS SERVICE

20. MegaLink Custom Services (Cont'd)20.8 Billing Periods - Services Established Between August 1, 1995 and June 30, 1997 (Cont'd)20.8.1 Rates and Charges (Cont'd)(G) Optional Features, BSEs and Functions (Cont'd)(9) SFM Installation Charge (Cont'd)

Per existing MegaLink Custom Service(s) moving to another MegaLink Custom Service or ReliaNet DS3/EC-1, on a first and additional basis.

(m) SFM TX Zone 1

	<u>USOC</u>	<u>Installation Charge</u>
First	NRBR3	\$135.00
Additional	NRBR3	\$104.00

(n) SFM TX Zone 2

	<u>USOC</u>	<u>Installation Charge</u>
First	NRBR3	\$135.00
Additional	NRBR3	\$104.00

(o) SFM TX Zone 3

	<u>USOC</u>	<u>Installation Charge</u>
First	NRBR3	\$135.00
Additional	NRBR3	\$104.00

(N)

(This page filed under Transmittal No. 2640)

Issued: June 16, 1997

Effective: July 1, 1997

Four AT&T Plaza, Dallas, Texas 75202

ACCESS SERVICE

20. MegaLink Custom Services (Cont'd)20.8 Billing Periods - Services Established Between August 1, 1995 and June 30, 1997 (Cont'd)20.8.1 Rates and Charges (Cont'd)(H) Administrative Charges(1) Service Rearrangement Nonrecurring Charges

Per DS3 or DS3 equivalent on the same Access Order for one or any combination of the following changes:

- Access Carrier Name Abbreviation (ACNA)
- Billing Account Number (BAN)
- Customer Circuit ID (CKR)

(a) Service Rearrangement - AR Zone 1

	<u>USOC</u>	<u>Nonrecurring Charge</u>
First	NRBAC	\$ 9.00
Additional	NRBAC	\$ 5.00

(b) Service Rearrangement - AR Zone 2

	<u>USOC</u>	<u>Nonrecurring Charge</u>
First	NRBAC	\$ 9.00
Additional	NRBAC	\$ 5.00

(c) Service Rearrangement - AR Zone 3

	<u>USOC</u>	<u>Nonrecurring Charge</u>
First	NRBAC	\$ 9.00
Additional	NRBAC	\$ 5.00

(d) Service Rearrangement - KS Zone 1

	<u>USOC</u>	<u>Nonrecurring Charge</u>
First	NRBAC	\$ 9.00
Additional	NRBAC	\$ 5.00

(e) Service Rearrangement - KS Zone 2

	<u>USOC</u>	<u>Nonrecurring Charge</u>
First	NRBAC	\$ 9.00
Additional	NRBAC	\$ 5.00

(f) Service Rearrangement - KS Zone 3

	<u>USOC</u>	<u>Nonrecurring Charge</u>
First	NRBAC	\$ 9.00
Additional	NRBAC	\$ 5.00

(This page filed under Transmittal No. 2640)

ACCESS SERVICE

20. MegaLink Custom Services (Cont'd)20.8 Billing Periods - Services Established Between August 1, 1995 and June 30, 1997 (Cont'd)20.8.1 Rates and Charges (Cont'd)(H) Administrative Charges (Cont'd)(1) Service Rearrangement Nonrecurring Charges (Cont'd)(g) Service Rearrangement - MO Zone 1

	<u>USOC</u>	<u>Nonrecurring Charge</u>
First	NRBAC	\$ 9.00
Additional	NRBAC	\$ 5.00

(h) Service Rearrangement - MO Zone 2

	<u>USOC</u>	<u>Nonrecurring Charge</u>
First	NRBAC	\$ 9.00
Additional	NRBAC	\$ 5.00

(i) Service Rearrangement - MO Zone 3

	<u>USOC</u>	<u>Nonrecurring Charge</u>
First	NRBAC	\$ 9.00
Additional	NRBAC	\$ 5.00

(j) Service Rearrangement - OK Zone 1

	<u>USOC</u>	<u>Nonrecurring Charge</u>
First	NRBAC	\$ 9.00
Additional	NRBAC	\$ 5.00

(k) Service Rearrangement - OK Zone 2

	<u>USOC</u>	<u>Nonrecurring Charge</u>
First	NRBAC	\$ 9.00
Additional	NRBAC	\$ 5.00

(l) Service Rearrangement - OK Zone 3

	<u>USOC</u>	<u>Nonrecurring Charge</u>
First	NRBAC	\$ 9.00
Additional	NRBAC	\$ 5.00

(This page filed under Transmittal No. 2640)

ACCESS SERVICE

20. MegaLink Custom Services (Cont'd)20.8 Billing Periods - Services Established Between August 1, 1995 and June 30, 1997 (Cont'd)20.8.1 Rates and Charges (Cont'd)(H) Administrative Charges (Cont'd)(1) Service Rearrangement Nonrecurring Charges (Cont'd)(m) Service Rearrangement - TX Zone 1

	<u>USOC</u>	<u>Nonrecurring Charge</u>
First	NRBAC	\$ 9.00
Additional	NRBAC	\$ 5.00

(n) Service Rearrangement - TX Zone 2

	<u>USOC</u>	<u>Nonrecurring Charge</u>
First	NRBAC	\$ 9.00
Additional	NRBAC	\$ 5.00

(o) Service Rearrangement - TX Zone 3

	<u>USOC</u>	<u>Nonrecurring Charge</u>
First	NRBAC	\$ 9.00
Additional	NRBAC	\$ 5.00

(N)

(This page filed under Transmittal No. 2640)

Issued: June 16, 1997

Effective: July 1, 1997

Four AT&T Plaza, Dallas, Texas 75202

ACCESS SERVICE

20. MegaLink Custom Services (Cont'd)

20.9 Billing Periods - Service Established Between July 1, 1997 and December 31, 1997

(N)

20.9.1 Rates and Charges

Rates and charges for Arkansas, Kansas, Missouri, Oklahoma and Texas will be applied based on Pricing Zones as contained below.

(A) Channel Termination - Electrical - per Volume Option, per customer premises

(1) Electrical Channel Termination - AR - Zone 1

<u>Volume Option*</u>	<u>USOC</u>	<u>Month to Month</u>	<u>3 year</u>	<u>5 year</u>	<u>10 year</u>
1	TUZPX	\$ 1,950.00	\$ 1,828.00	\$ 1,658.00	\$ 1,589.00
3	TUZPX	\$ 5,850.00	\$ 4,845.00	\$ 4,046.00	\$ 3,915.00
6	TUZPX	\$11,700.00	\$ 8,670.00	\$ 7,240.00	\$ 7,007.00
12	TUZPX	\$23,400.00	\$15,301.00	\$12,776.00	\$12,364.00

(2) Electrical Channel Termination - AR - Zone 2

<u>Volume Option*</u>	<u>USOC</u>	<u>Month to Month</u>	<u>3 year</u>	<u>5 year</u>	<u>10 year</u>
1	TUZPX	\$ 1,950.00	\$ 1,828.00	\$ 1,658.00	\$ 1,589.00
3	TUZPX	\$ 5,850.00	\$ 4,845.00	\$ 4,046.00	\$ 3,915.00
6	TUZPX	\$11,700.00	\$ 8,670.00	\$ 7,240.00	\$ 7,007.00
12	TUZPX	\$23,400.00	\$15,301.00	\$12,776.00	\$12,364.00

(3) Electrical Channel Termination - AR - Zone 3

<u>Volume Option*</u>	<u>USOC</u>	<u>Month to Month</u>	<u>3 year</u>	<u>5 year</u>	<u>10 year</u>
1	TUZPX	\$ 1,950.00	\$ 1,828.00	\$ 1,658.00	\$ 1,589.00
3	TUZPX	\$ 5,850.00	\$ 4,845.00	\$ 4,046.00	\$ 3,915.00
6	TUZPX	\$11,700.00	\$ 8,670.00	\$ 7,240.00	\$ 7,007.00
12	TUZPX	\$23,400.00	\$15,301.00	\$12,776.00	\$12,364.00

(N)

* Volume Option specifies the number of DS3s or DS3 equivalents.

Filed in compliance with FCC Orders DA 97-2358; FCC 97-158, as amended; FCC 97-401; and FCC 97-403.

(This page filed under Transmittal No. 2678)

Issued: December 17, 1997

Effective: January 1, 1998

Four AT&T Plaza, Dallas, Texas 75202

ACCESS SERVICE

20. MegaLink Custom Services (Cont'd)

20.9 Billing Periods - Service Established Between July 1, 1997 and December 31, 1997 (Cont'd)

20.9.1 Rates and Charges (Cont'd)

(A) Channel Termination - Electrical - per Volume Option, per customer premises (Cont'd)

(4) Electrical Channel Termination - KS - Zone 1

<u>Volume Option*</u>	<u>USOC</u>	<u>Month to Month</u>	<u>3 year</u>	<u>5 year</u>	<u>10 year</u>
1	TUZPX	\$ 1,950.00	\$ 1,828.00	\$ 1,658.00	\$ 1,589.00
3	TUZPX	\$ 5,850.00	\$ 4,845.00	\$ 4,046.00	\$ 3,915.00
6	TUZPX	\$11,700.00	\$ 8,670.00	\$ 7,240.00	\$ 7,007.00
12	TUZPX	\$23,400.00	\$15,301.00	\$12,776.00	\$12,364.00

(5) Electrical Channel Termination - KS - Zone 2

<u>Volume Option*</u>	<u>USOC</u>	<u>Month to Month</u>	<u>3 year</u>	<u>5 year</u>	<u>10 year</u>
1	TUZPX	\$ 1,950.00	\$ 1,828.00	\$ 1,658.00	\$ 1,589.00
3	TUZPX	\$ 5,850.00	\$ 4,845.00	\$ 4,046.00	\$ 3,915.00
6	TUZPX	\$11,700.00	\$ 8,670.00	\$ 7,240.00	\$ 7,007.00
12	TUZPX	\$23,400.00	\$15,301.00	\$12,776.00	\$12,364.00

(6) Electrical Channel Termination - KS - Zone 3

<u>Volume Option*</u>	<u>USOC</u>	<u>Month to Month</u>	<u>3 year</u>	<u>5 year</u>	<u>10 year</u>
1	TUZPX	\$ 1,950.00	\$ 1,828.00	\$ 1,658.00	\$ 1,589.00
3	TUZPX	\$ 5,850.00	\$ 4,845.00	\$ 4,046.00	\$ 3,915.00
6	TUZPX	\$11,700.00	\$ 8,670.00	\$ 7,240.00	\$ 7,007.00
12	TUZPX	\$23,400.00	\$15,301.00	\$12,776.00	\$12,364.00

* Volume Option specifies the number of DS3s or DS3 equivalents.

Filed in compliance with FCC Orders Da 97-2358; FCC 97-158, as amended; FCC

(This page filed under Transmittal No. 2678)

Issued: December 17, 1997

Effective: January 1, 1998

Four AT&T Plaza, Dallas, Texas 75202

(N)

(N)

(N)

ACCESS SERVICE

20. MegaLink Custom Services (Cont'd)20.9 Billing Periods - Service Established Between July 1, 1997 and December 31, 1997 (Cont'd)20.9.1 Rates and Charges (Cont'd)(A) Channel Termination - Electrical - per Volume Option, per customer premises (Cont'd)(7) Electrical Channel Termination - MO - Zone 1

<u>Volume Option*</u>	<u>USOC</u>	<u>Month to Month</u>	<u>3 year</u>	<u>5 year</u>	<u>10 year</u>
1	TUZPX	\$ 1,950.00	\$ 1,828.00	\$ 1,658.00	\$ 1,589.00
3	TUZPX	\$ 5,850.00	\$ 4,845.00	\$ 4,046.00	\$ 3,915.00
6	TUZPX	\$11,700.00	\$ 8,670.00	\$ 7,240.00	\$ 7,007.00
12	TUZPX	\$23,400.00	\$15,301.00	\$12,776.00	\$12,364.00

(8) Electrical Channel Termination - MO - Zone 2

<u>Volume Option*</u>	<u>USOC</u>	<u>Month to Month</u>	<u>3 year</u>	<u>5 year</u>	<u>10 year</u>
1	TUZPX	\$ 1,950.00	\$ 1,828.00	\$ 1,658.00	\$ 1,589.00
3	TUZPX	\$ 5,850.00	\$ 4,845.00	\$ 4,046.00	\$ 3,915.00
6	TUZPX	\$11,700.00	\$ 8,670.00	\$ 7,240.00	\$ 7,007.00
12	TUZPX	\$23,400.00	\$15,301.00	\$12,776.00	\$12,364.00

(9) Electrical Channel Termination - MO - Zone 3

<u>Volume Option*</u>	<u>USOC</u>	<u>Month to Month</u>	<u>3 year</u>	<u>5 year</u>	<u>10 year</u>
1	TUZPX	\$ 1,950.00	\$ 1,828.00	\$ 1,658.00	\$ 1,589.00
3	TUZPX	\$ 5,850.00	\$ 4,845.00	\$ 4,046.00	\$ 3,915.00
6	TUZPX	\$11,700.00	\$ 8,670.00	\$ 7,240.00	\$ 7,007.00
12	TUZPX	\$23,400.00	\$15,301.00	\$12,776.00	\$12,364.00

* Volume Option specifies the number of DS3s or DS3 equivalents.

Filed in compliance with FCC Orders DA 97-2358; FCC 97-158, as amended; FCC

(This page filed under Transmittal No. 2678)

Issued: December 17, 1997

Effective: January 1, 1998

Four AT&T Plaza, Dallas, Texas 75202

(N)

(N)

ACCESS SERVICE

20. MegaLink Custom Services (Cont'd)

20.9 Billing Periods - Service Established Between July 1, 1997 and December 31, 1997 (Cont'd)

(N)

20.9.1 Rates and Charges (Cont'd)

(A) Channel Termination - Electrical - per Volume Option, per customer premises (Cont'd)

(10) Electrical Channel Termination - OK - Zone 1

<u>Volume Option*</u>	<u>USOC</u>	<u>Month to Month</u>	<u>3 year</u>	<u>5 year</u>	<u>10 year</u>
1	TUZPX	\$ 1,950.00	\$ 1,828.00	\$ 1,658.00	\$ 1,589.00
3	TUZPX	\$ 5,850.00	\$ 4,845.00	\$ 4,046.00	\$ 3,915.00
6	TUZPX	\$11,700.00	\$ 8,670.00	\$ 7,240.00	\$ 7,007.00
12	TUZPX	\$23,400.00	\$15,301.00	\$12,776.00	\$12,364.00

(11) Electrical Channel Termination - OK - Zone 2

<u>Volume Option*</u>	<u>USOC</u>	<u>Month to Month</u>	<u>3 year</u>	<u>5 year</u>	<u>10 year</u>
1	TUZPX	\$ 1,950.00	\$ 1,828.00	\$ 1,658.00	\$ 1,589.00
3	TUZPX	\$ 5,850.00	\$ 4,845.00	\$ 4,046.00	\$ 3,915.00
6	TUZPX	\$11,700.00	\$ 8,670.00	\$ 7,240.00	\$ 7,007.00
12	TUZPX	\$23,400.00	\$15,301.00	\$12,776.00	\$12,364.00

(12) Electrical Channel Termination - OK - Zone 3

<u>Volume Option*</u>	<u>USOC</u>	<u>Month to Month</u>	<u>3 year</u>	<u>5 year</u>	<u>10 year</u>
1	TUZPX	\$ 1,950.00	\$ 1,828.00	\$ 1,658.00	\$ 1,589.00
3	TUZPX	\$ 5,850.00	\$ 4,845.00	\$ 4,046.00	\$ 3,915.00
6	TUZPX	\$11,700.00	\$ 8,670.00	\$ 7,240.00	\$ 7,007.00
12	TUZPX	\$23,400.00	\$15,301.00	\$12,776.00	\$12,364.00

(N)

* Volume Option specifies the number of DS3s or DS3 equivalents.

Filed in compliance with FCC Orders Da 97-2358; FCC 97-158, as amended; FCC

(This page filed under Transmittal No. 2678)

Issued: December 17, 1997

Effective: January 1, 1998

Four AT&T Plaza, Dallas, Texas 75202

ACCESS SERVICE

20. MegaLink Custom Services (Cont'd)

20.9 Billing Periods - Service Established Between July 1, 1997 and December 31, 1997 (Cont'd)

(N)

20.9.1 Rates and Charges (Cont'd)

(A) Channel Termination - Electrical - per Volume Option, per customer premises (Cont'd)

(13) Electrical Channel Termination - TX - Zone 1

<u>Volume Option*</u>	<u>USOC</u>	<u>Month to Month</u>	<u>3 year</u>	<u>5 year</u>	<u>10 year</u>
1	TUZPX	\$ 1,950.00	\$ 1,828.00	\$ 1,658.00	\$ 1,589.00
3	TUZPX	\$ 5,850.00	\$ 4,845.00	\$ 4,046.00	\$ 3,915.00
6	TUZPX	\$11,700.00	\$ 8,670.00	\$ 7,240.00	\$ 7,007.00
12	TUZPX	\$23,400.00	\$15,301.00	\$12,776.00	\$12,364.00

(14) Electrical Channel Termination - TX - Zone 2

<u>Volume Option*</u>	<u>USOC</u>	<u>Month to Month</u>	<u>3 year</u>	<u>5 year</u>	<u>10 year</u>
1	TUZPX	\$ 1,950.00	\$ 1,828.00	\$ 1,658.00	\$ 1,589.00
3	TUZPX	\$ 5,850.00	\$ 4,845.00	\$ 4,046.00	\$ 3,915.00
6	TUZPX	\$11,700.00	\$ 8,670.00	\$ 7,240.00	\$ 7,007.00
12	TUZPX	\$23,400.00	\$15,301.00	\$12,776.00	\$12,364.00

(15) Electrical Channel Termination - TX - Zone 3

<u>Volume Option*</u>	<u>USOC</u>	<u>Month to Month</u>	<u>3 year</u>	<u>5 year</u>	<u>10 year</u>
1	TUZPX	\$ 1,950.00	\$ 1,828.00	\$ 1,658.00	\$ 1,589.00
3	TUZPX	\$ 5,850.00	\$ 4,845.00	\$ 4,046.00	\$ 3,915.00
6	TUZPX	\$11,700.00	\$ 8,670.00	\$ 7,240.00	\$ 7,007.00
12	TUZPX	\$23,400.00	\$15,301.00	\$12,776.00	\$12,364.00

(N)

* Volume Option specifies the number of DS3s or DS3 equivalents.

Filed in compliance with FCC Orders Da 97-2358; FCC 97-158, as amended; FCC 97-401; and FCC 97-403.

(This page filed under Transmittal No. 2678)

Issued: December 17, 1997

Effective: January 1, 1998

Four AT&T Plaza, Dallas, Texas 75202

ACCESS SERVICE

20. MegaLink Custom Services (Cont'd)

20.9 Billing Periods - Service Established Between July 1, 1997 and December 31, 1997 (Cont'd)

(N)

20.9.1 Rates and Charges (Cont'd)

(A) Channel Termination - Electrical - per Volume Option, per customer premises (Cont'd)

(16) Temp-DS3 Electrical Channel Termination - AR - Zone 1

<u>Volume Option*</u>	<u>USOC</u>	<u>Monthly</u>
1	TUZQX	\$ 2,262.50

(17) Temp-DS3 Electrical Channel Termination - AR - Zone 2

<u>Volume Option*</u>	<u>USOC</u>	<u>Monthly</u>
1	TUZQX	\$ 2,262.50

(18) Temp-DS3 Electrical Channel Termination - AR - Zone 3

<u>Volume Option*</u>	<u>USOC</u>	<u>Monthly</u>
1	TUZQX	\$ 2,262.50

(19) Temp-DS3 Electrical Channel Termination - KS - Zone 1

<u>Volume Option*</u>	<u>USOC</u>	<u>Monthly</u>
1	TUZQX	\$ 2,262.50

(20) Temp-DS3 Electrical Channel Termination - KS - Zone 2

<u>Volume Option*</u>	<u>USOC</u>	<u>Monthly</u>
1	TUZQX	\$ 2,262.50

(21) Temp-DS3 Electrical Channel Termination - KS - Zone 3

<u>Volume Option*</u>	<u>USOC</u>	<u>Monthly</u>
1	TUZQX	\$ 2,262.50

(N)

* Volume Option specifies the number of DS3s or DS3 equivalents.

(N)

Filed in compliance with FCC Orders Da 97-2358; FCC 97-158, as amended: FCC

(This page filed under Transmittal No. 2678)

Issued: December 17, 1997

Effective: January 1, 1998

Four AT&T Plaza, Dallas, Texas 75202

ACCESS SERVICE

20. MegaLink Custom Services (Cont'd)

20.9 Billing Periods - Service Established Between July 1, 1997 and December 31, 1997 (Cont'd)

(N)

20.9.1 Rates and Charges (Cont'd)

(A) Channel Termination - Electrical - per Volume Option, per customer premises (Cont'd)

(22) Temp-DS3 Electrical Channel Termination - MO - Zone 1

Volume Option*	USOC	Monthly
1	TUZQX	\$ 2,262.50

(23) Temp-DS3 Electrical Channel Termination - MO - Zone 2

Volume Option*	USOC	Monthly
1	TUZQX	\$ 2,262.50

(24) Temp-DS3 Electrical Channel Termination - MO - Zone 3

Volume Option*	USOC	Monthly
1	TUZQX	\$ 2,262.50

(25) Temp-DS3 Electrical Channel Termination - OK - Zone 1

Volume Option*	USOC	Monthly
1	TUZQX	\$ 2,262.50

(26) Temp-DS3 Electrical Channel Termination - OK - Zone 2

Volume Option*	USOC	Monthly
1	TUZQX	\$ 2,262.50

(27) Temp-DS3 Electrical Channel Termination - OK - Zone 3

Volume Option*	USOC	Monthly
1	TUZQX	\$ 2,262.50

(N)

* Volume Option specifies the number of DS3s or DS3 equivalents.

Filed in compliance with FCC Orders Da 97-2358; FCC 97-158, as amended; FCC

(This page filed under Transmittal No. 2678)

Issued: December 17, 1997

Effective: January 1, 1998

Four AT&T Plaza, Dallas, Texas 75202

ACCESS SERVICE

20. MegaLink Custom Services (Cont'd)20.9 Billing Periods - Service Established Between July 1, 1997 and December 31, 1997 (Cont'd)20.9.1 Rates and Charges (Cont'd)(A) Channel Termination - Electrical - per Volume Option, per customer premises (Cont'd)(28) Temp-DS3 Electrical Channel Termination - TX - Zone 1

Volume Option*	USOC	Monthly
1	TUZQX	\$ 2,262.50

(29) Temp-DS3 Electrical Channel Termination - TX - Zone 2

Volume Option*	USOC	Monthly
1	TUZQX	\$ 2,262.50

(30) Temp-DS3 Electrical Channel Termination - TX - Zone 3

Volume Option*	USOC	Monthly
1	TUZQX	\$ 2,262.50

(N)

(N)

* Volume Option specifies the number of DS3s or DS3 equivalents.

Filed in compliance with FCC Orders Da 97-2358; FCC 97-158, as amended; FCC 97-401; and FCC 97-403.

(This page filed under Transmittal No. 2678)

Issued: December 17, 1997

Effective: January 1, 1998

Four AT&T Plaza, Dallas, Texas 75202

ACCESS SERVICE

20. MegaLink Custom Services (Cont'd)20.9 Billing Periods - Service Established Between July 1, 1997 and December 31, 1997 (Cont'd)

(N)

20.9.1 Rates and Charges (Cont'd)(B) Channel Termination - Optical - per Volume Option, per customer premises(1) Optical Channel Termination - AR - Zone 1

Volume Option*	USOC	Month to Month	3 year	5 year	10 year
1	TKZPX	\$ 1,755.00	\$ 1,645.00	\$ 1,492.00	\$ 1,430.00
3	TKZPX	\$ 5,265.00	\$ 4,361.00	\$ 3,953.00	\$ 3,524.00
6	TKZPX	\$10,530.00	\$ 7,804.00	\$ 7,075.00	\$ 6,305.00
12	TKZPX	\$21,060.00	\$13,771.00	\$12,486.00	\$11,128.00

(2) Optical Channel Termination - AR - Zone 2

Volume Option*	USOC	Month to Month	3 year	5 year	10 year
1	TKZPX	\$ 1,755.00	\$ 1,645.00	\$ 1,492.00	\$ 1,430.00
3	TKZPX	\$ 5,265.00	\$ 4,361.00	\$ 3,953.00	\$ 3,524.00
6	TKZPX	\$10,530.00	\$ 7,804.00	\$ 7,075.00	\$ 6,305.00
12	TKZPX	\$21,060.00	\$13,771.00	\$12,486.00	\$11,128.00

(3) Optical Channel Termination - AR - Zone 3

Volume Option*	USOC	Month to Month	3 year	5 year	10 year
1	TKZPX	\$ 1,755.00	\$ 1,645.00	\$ 1,492.00	\$ 1,430.00
3	TKZPX	\$ 5,265.00	\$ 4,361.00	\$ 3,953.00	\$ 3,524.00
6	TKZPX	\$10,530.00	\$ 7,804.00	\$ 7,075.00	\$ 6,305.00
12	TKZPX	\$21,060.00	\$13,771.00	\$12,486.00	\$11,128.00

(N)

* Volume Option specifies the number of DS3s or DS3 equivalents.

Filed in compliance with FCC Orders DA 97-2358; FCC 97-158, as amended; FCC 97-401; and FCC 97-403.

(This page filed under Transmittal No. 2678)

Issued: December 17, 1997

Effective: January 1, 1998

Four AT&T Plaza, Dallas, Texas 75202

ACCESS SERVICE

20. MegaLink Custom Services (Cont'd)20.9 Billing Periods - Service Established Between July 1, 1997 and December 31, 1997 (Cont'd)

(N)

20.9.1 Rates and Charges (Cont'd)(B) Channel Termination - Optical - per Volume Option, per customer premises (Cont'd)(4) Optical Channel Termination - KS - Zone 1

<u>Volume Option*</u>	<u>USOC</u>	<u>Month to Month</u>	<u>3 year</u>	<u>5 year</u>	<u>10 year</u>
1	TKZPX	\$ 1,755.00	\$ 1,645.00	\$ 1,492.00	\$ 1,430.00
3	TKZPX	\$ 5,265.00	\$ 4,361.00	\$ 3,953.00	\$ 3,524.00
6	TKZPX	\$10,530.00	\$ 7,804.00	\$ 7,075.00	\$ 6,305.00
12	TKZPX	\$21,060.00	\$13,771.00	\$12,486.00	\$11,128.00

(5) Optical Channel Termination - KS - Zone 2

<u>Volume Option*</u>	<u>USOC</u>	<u>Month to Month</u>	<u>3 year</u>	<u>5 year</u>	<u>10 year</u>
1	TKZPX	\$ 1,755.00	\$ 1,645.00	\$ 1,492.00	\$ 1,430.00
3	TKZPX	\$ 5,265.00	\$ 4,361.00	\$ 3,953.00	\$ 3,524.00
6	TKZPX	\$10,530.00	\$ 7,804.00	\$ 7,075.00	\$ 6,305.00
12	TKZPX	\$21,060.00	\$13,771.00	\$12,486.00	\$11,128.00

(6) Optical Channel Termination - KS - Zone 3

<u>Volume Option*</u>	<u>USOC</u>	<u>Month to Month</u>	<u>3 year</u>	<u>5 year</u>	<u>10 year</u>
1	TKZPX	\$ 1,755.00	\$ 1,645.00	\$ 1,492.00	\$ 1,430.00
3	TKZPX	\$ 5,265.00	\$ 4,361.00	\$ 3,953.00	\$ 3,524.00
6	TKZPX	\$10,530.00	\$ 7,804.00	\$ 7,075.00	\$ 6,305.00
12	TKZPX	\$21,060.00	\$13,771.00	\$12,486.00	\$11,128.00

(N)

* Volume Option specifies the number of DS3s or DS3 equivalents.

Filed in compliance with FCC Orders DA 97-2358; FCC 97-158, as amended; FCC 97-401; and FCC 97-403.

(This page filed under Transmittal No. 2678)

Issued: December 17, 1997

Effective: January 1, 1998

Four AT&T Plaza, Dallas, Texas 75202

ACCESS SERVICE

20. MegaLink Custom Services (Cont'd)

20.9 Billing Periods - Service Established Between July 1, 1997 and December 30, 1997 (Cont'd)

(N)

20.9.1 Rates and Charges (Cont'd)

(B) Channel Termination - Optical - per Volume Option, per customer premises (Cont'd)

(7) Optical Channel Termination - MO - Zone 1

<u>Volume Option*</u>	<u>USOC</u>	<u>Month to Month</u>	<u>3 year</u>	<u>5 year</u>	<u>10 year</u>
1	TKZPX	\$ 1,755.00	\$ 1,645.00	\$ 1,492.00	\$ 1,430.00
3	TKZPX	\$ 5,265.00	\$ 4,361.00	\$ 3,953.00	\$ 3,524.00
6	TKZPX	\$10,530.00	\$ 7,804.00	\$ 7,075.00	\$ 6,305.00
12	TKZPX	\$21,060.00	\$13,771.00	\$12,486.00	\$11,128.00

(8) Optical Channel Termination - MO - Zone 2

<u>Volume Option*</u>	<u>USOC</u>	<u>Month to Month</u>	<u>3 year</u>	<u>5 year</u>	<u>10 year</u>
1	TKZPX	\$ 1,755.00	\$ 1,645.00	\$ 1,492.00	\$ 1,430.00
3	TKZPX	\$ 5,265.00	\$ 4,361.00	\$ 3,953.00	\$ 3,524.00
6	TKZPX	\$10,530.00	\$ 7,804.00	\$ 7,075.00	\$ 6,305.00
12	TKZPX	\$21,060.00	\$13,771.00	\$12,486.00	\$11,128.00

(9) Optical Channel Termination - MO - Zone 3

<u>Volume Option*</u>	<u>USOC</u>	<u>Month to Month</u>	<u>3 year</u>	<u>5 year</u>	<u>10 year</u>
1	TKZPX	\$ 1,755.00	\$ 1,645.00	\$ 1,492.00	\$ 1,430.00
3	TKZPX	\$ 5,265.00	\$ 4,361.00	\$ 3,953.00	\$ 3,524.00
6	TKZPX	\$10,530.00	\$ 7,804.00	\$ 7,075.00	\$ 6,305.00
12	TKZPX	\$21,060.00	\$13,771.00	\$12,486.00	\$11,128.00

(N)

* Volume Option specifies the number of DS3s or DS3 equivalents.

Filed in compliance with FCC Orders DA 97-2358; FCC 97-158, as amended; FCC 97-401; and FCC 97-403.

(This page filed under Transmittal No. 2678)

Issued: December 17, 1997

Effective: January 1, 1998

Four AT&T Plaza, Dallas, Texas 75202

ACCESS SERVICE

20. MegaLink Custom Services (Cont'd)

20.9 Billing Periods - Service Established Between July 1, 1997 and December 31, 1997 (Cont'd)

(N)

20.9.1 Rates and Charges (Cont'd)

(B) Channel Termination - Optical - per Volume Option, per customer premises (Cont'd)

(10) Optical Channel Termination - OK - Zone 1

<u>Volume Option*</u>	<u>USOC</u>	<u>Month to Month</u>	<u>3 year</u>	<u>5 year</u>	<u>10 year</u>
1	TKZPX	\$ 1,755.00	\$ 1,645.00	\$ 1,492.00	\$ 1,430.00
3	TKZPX	\$ 5,265.00	\$ 4,361.00	\$ 3,953.00	\$ 3,524.00
6	TKZPX	\$10,530.00	\$ 7,804.00	\$ 7,075.00	\$ 6,305.00
12	TKZPX	\$21,060.00	\$13,771.00	\$12,486.00	\$11,128.00

(11) Optical Channel Termination - OK - Zone 2

<u>Volume Option*</u>	<u>USOC</u>	<u>Month to Month</u>	<u>3 year</u>	<u>5 year</u>	<u>10 year</u>
1	TKZPX	\$ 1,755.00	\$ 1,645.00	\$ 1,492.00	\$ 1,430.00
3	TKZPX	\$ 5,265.00	\$ 4,361.00	\$ 3,953.00	\$ 3,524.00
6	TKZPX	\$10,530.00	\$ 7,804.00	\$ 7,075.00	\$ 6,305.00
12	TKZPX	\$21,060.00	\$13,771.00	\$12,486.00	\$11,128.00

(12) Optical Channel Termination - OK - Zone 3

<u>Volume Option*</u>	<u>USOC</u>	<u>Month to Month</u>	<u>3 year</u>	<u>5 year</u>	<u>10 year</u>
1	TKZPX	\$ 1,755.00	\$ 1,645.00	\$ 1,492.00	\$ 1,430.00
3	TKZPX	\$ 5,265.00	\$ 4,361.00	\$ 3,953.00	\$ 3,524.00
6	TKZPX	\$10,530.00	\$ 7,804.00	\$ 7,075.00	\$ 6,305.00
12	TKZPX	\$21,060.00	\$13,771.00	\$12,486.00	\$11,128.00

(N)

* Volume Option specifies the number of DS3s or DS3 equivalents.

Filed in compliance with FCC Orders Da 97-2358; FCC 97-158, as amended; FCC 97-401; and FCC 97-403.

(This page filed under Transmittal No. 2678)

Issued: December 17, 1997

Effective: January 1, 1998

Four AT&T Plaza, Dallas, Texas 75202

ACCESS SERVICE

20. MegaLink Custom Services (Cont'd)20.9 Billing Periods - Service Established Between July 1, 1997 and December 31, 1997 (Cont'd)

(N)

20.9.1 Rates and Charges (Cont'd)(B) Channel Termination - Optical - per Volume Option, per customer premises (Cont'd)(13) Optical Channel Termination - TX - Zone 1

<u>Volume Option*</u>	<u>USOC</u>	<u>Month to Month</u>	<u>3 year</u>	<u>5 year</u>	<u>10 year</u>
1	TKZPX	\$ 1,755.00	\$ 1,645.00	\$ 1,492.00	\$ 1,430.00
3	TKZPX	\$ 5,265.00	\$ 4,361.00	\$ 3,953.00	\$ 3,524.00
6	TKZPX	\$10,530.00	\$ 7,804.00	\$ 7,075.00	\$ 6,305.00
12	TKZPX	\$21,060.00	\$13,771.00	\$12,486.00	\$11,128.00

(14) Optical Channel Termination - TX - Zone 2

<u>Volume Option*</u>	<u>USOC</u>	<u>Month to Month</u>	<u>3 year</u>	<u>5 year</u>	<u>10 year</u>
1	TKZPX	\$ 1,755.00	\$ 1,645.00	\$ 1,492.00	\$ 1,430.00
3	TKZPX	\$ 5,265.00	\$ 4,361.00	\$ 3,953.00	\$ 3,524.00
6	TKZPX	\$10,530.00	\$ 7,804.00	\$ 7,075.00	\$ 6,305.00
12	TKZPX	\$21,060.00	\$13,771.00	\$12,486.00	\$11,128.00

(15) Optical Channel Termination - TX - Zone 3

<u>Volume Option*</u>	<u>USOC</u>	<u>Month to Month</u>	<u>3 year</u>	<u>5 year</u>	<u>10 year</u>
1	TKZPX	\$ 1,755.00	\$ 1,645.00	\$ 1,492.00	\$ 1,430.00
3	TKZPX	\$ 5,265.00	\$ 4,361.00	\$ 3,953.00	\$ 3,524.00
6	TKZPX	\$10,530.00	\$ 7,804.00	\$ 7,075.00	\$ 6,305.00
12	TKZPX	\$21,060.00	\$13,771.00	\$12,486.00	\$11,128.00

(N)

* Volume Option specifies the number of DS3s or DS3 equivalents.

Filed in compliance with FCC Orders DA 97-2358; FCC 97-158, as amended; FCC 97-401; and FCC 97-403.

(This page filed under Transmittal No. 2678)

Issued: December 17, 1997

Effective: January 1, 1998

Four AT&T Plaza, Dallas, Texas 75202

ACCESS SERVICE

20. MegaLink Custom Services (Cont'd)

20.9 Billing Periods - Service Established Between July 1, 1997 and December 31, 1997 (Cont'd)

(N)

20.9.1 Rates and Charges (Cont'd)

(C) Interoffice Mileage - Fixed - Monthly Recurring Rates and Service Extension

(1) Interoffice Fixed - per DS3 or DS3 equivalent - AR - Zone 1

USOC	Month to			
	Month	3 year	5 year	10 year
10XHX/10XLX	\$815.00	\$764.00	\$693.00	\$634.00

(2) Interoffice Fixed - per DS3 or DS3 equivalent - AR - Zone 2

USOC	Month to			
	Month	3 year	5 year	10 year
10XHX/10XLX	\$815.00	\$764.00	\$693.00	\$634.00

(3) Interoffice Fixed - per DS3 or DS3 equivalent - AR - Zone 3

USOC	Month to			
	Month	3 year	5 year	10 year
10XHX/10XLX	\$815.00	\$764.00	\$693.00	\$634.00

(4) Interoffice Fixed - per DS3 or DS3 equivalent - KS - Zone 1

USOC	Month to			
	Month	3 year	5 year	10 year
10XHX/10XLX	\$815.00	\$764.00	\$693.00	\$634.00

(5) Interoffice Fixed - per DS3 or DS3 equivalent - KS - Zone 2

USOC	Month to			
	Month	3 year	5 year	10 year
10XHX/10XLX	\$815.00	\$764.00	\$693.00	\$634.00

(6) Interoffice Fixed - per DS3 or DS3 equivalent - KS - Zone 3

USOC	Month to			
	Month	3 year	5 year	10 year
10XHX/10XLX	\$815.00	\$764.00	\$693.00	\$634.00

(N)

Filed in compliance with FCC Orders Da 97-2358; FCC 97-158, as amended; FCC 97-401; and FCC 97-403.

(This page filed under Transmittal No. 2678)

Issued: December 17, 1997

Effective: January 1, 1998

Four AT&T Plaza, Dallas, Texas 75202

ACCESS SERVICE

20. MegaLink Custom Services (Cont'd)

20.9 Billing Periods - Service Established Between July 1, 1997 and December 31, 1997 (Cont'd)

(N)

20.9.1 Rates and Charges (Cont'd)

(C) Interoffice Mileage - Fixed - Monthly Recurring Rates and Service Extension (Cont'd)

(7) Interoffice Fixed - per DS3 or DS3 equivalent - MO - Zone 1

USOC	Month to			
	Month	3 year	5 year	10 year
10XHX/10XLX	\$815.00	\$764.00	\$693.00	\$634.00

(8) Interoffice Fixed - per DS3 or DS3 equivalent - MO - Zone 2

USOC	Month to			
	Month	3 year	5 year	10 year
10XHX/10XLX	\$815.00	\$764.00	\$693.00	\$634.00

(9) Interoffice Fixed - per DS3 or DS3 equivalent - MO - Zone 3

USOC	Month to			
	Month	3 year	5 year	10 year
10XHX/10XLX	\$815.00	\$764.00	\$693.00	\$634.00

(10) Interoffice Fixed - per DS3 or DS3 equivalent - OK - Zone 1

USOC	Month to			
	Month	3 year	5 year	10 year
10XHX/10XLX	\$815.00	\$764.00	\$693.00	\$634.00

(11) Interoffice Fixed - per DS3 or DS3 equivalent - OK - Zone 2

USOC	Month to			
	Month	3 year	5 year	10 year
10XHX/10XLX	\$815.00	\$764.00	\$693.00	\$634.00

(12) Interoffice Fixed - per DS3 or DS3 equivalent - OK - Zone 3

USOC	Month to			
	Month	3 year	5 year	10 year
10XHX/10XLX	\$815.00	\$764.00	\$693.00	\$634.00

Filed in compliance with FCC Orders DA 97-2358; FCC 97-158, as amended; FCC 97-401; and FCC 97-403.

(This page filed under Transmittal No. 2678)

Issued: December 17, 1997

Effective: January 1, 1998

Four AT&T Plaza, Dallas, Texas 75202

ACCESS SERVICE

20. MegaLink Custom Services (Cont'd)20.9 Billing Periods - Service Established Between July 1, 1997 and December 31, 1997 (Cont'd)

(N)

20.9.1 Rates and Charges (Cont'd)(C) Interoffice Mileage - Fixed - Monthly Recurring Rates and Service Extension (Cont'd)(13) Interoffice Fixed - per DS3 or DS3 equivalent - TX - Zone 1

<u>USOC</u>	<u>Month to</u>			
	<u>Month</u>	<u>3 year</u>	<u>5 year</u>	<u>10 year</u>
10XHX/10XLX	\$815.00	\$764.00	\$693.00	\$634.00

(14) Interoffice Fixed - per DS3 or DS3 equivalent - TX - Zone 2

<u>USOC</u>	<u>Month to</u>			
	<u>Month</u>	<u>3 year</u>	<u>5 year</u>	<u>10 year</u>
10XHX/10XLX	\$815.00	\$764.00	\$693.00	\$634.00

(15) Interoffice Fixed - per DS3 or DS3 equivalent - TX - Zone 3

<u>USOC</u>	<u>Month to</u>			
	<u>Month</u>	<u>3 year</u>	<u>5 year</u>	<u>10 year</u>
10XHX/10XLX	\$815.00	\$764.00	\$693.00	\$634.00

Filed in compliance with FCC Orders DA 97-2358; FCC 97-158, as amended; FCC 97-401; and FCC 97-403.

(This page filed under Transmittal No. 2678)

Issued: December 17, 1997

Effective: January 1, 1998

Four AT&T Plaza, Dallas, Texas 75202

ACCESS SERVICE

20. MegaLink Custom Services (Cont'd)20.9 Billing Periods - Service Established Between July 1, 1997 and December 31, 1997 (Cont'd)

(N)

20.9.1 Rates and Charges (Cont'd)(C) Interoffice Mileage - Fixed - Monthly Recurring Rates
(Cont'd)(16) Temp-DS3 - Interoffice Fixed - per Temp DS3 - AR -
Zone 1USOC Monthly

10XGX \$815.00

(17) Temp-DS3 - Interoffice Fixed - per Temp DS3 - AR -
Zone 2USOC Monthly

10XGX \$815.00

(18) Temp-DS3 - Interoffice Fixed - per Temp DS3 - AR -
Zone 3USOC Monthly

10XGX \$815.00

(19) Temp-DS3 - Interoffice Fixed - per Temp DS3 - KS -
Zone 1USOC Monthly

10XGX \$815.00

(20) Temp-DS3 - Interoffice Fixed - per Temp DS3 - KS -
Zone 2USOC Monthly

10XGX \$815.00

(21) Temp-DS3 - Interoffice Fixed - per Temp DS3 - KS -
Zone 3USOC Monthly

10XGX \$815.00

Filed in compliance with FCC Orders Da 97-2358; FCC 97-158, as amended; FCC 97-401; and FCC 97-403.

(This page filed under Transmittal No. 2678)

Issued: December 17, 1997

Effective: January 1, 1998

Four AT&T Plaza, Dallas, Texas 75202

ACCESS SERVICE

20. MegaLink Custom Services (Cont'd)20.9 Billing Periods - Service Established Between July 1, 1997 and December 31, 1997 (Cont'd)

(N)

20.9.1 Rates and Charges (Cont'd)(C) Interoffice Mileage - Fixed - Monthly Recurring Rates
(Cont'd)(22) Temp-DS3 - Interoffice Fixed - per Temp DS3 - MO - Zone 1USOCMonthly

10XGX \$815.00

(23) Temp-DS3 - Interoffice Fixed - per Temp DS3 - MO - Zone 2USOCMonthly

10XGX \$815.00

(24) Temp-DS3 - Interoffice Fixed - per Temp DS3 - MO - Zone 3USOCMonthly

10XGX \$815.00

(25) Temp-DS3 - Interoffice Fixed - per Temp DS3 - OK - Zone 1USOCMonthly

10XGX \$815.00

(26) Temp-DS3 - Interoffice Fixed - per Temp DS3 - OK - Zone 2USOCMonthly

10XGX \$815.00

(27) Temp-DS3 - Interoffice Fixed - per Temp DS3 - OK - Zone 3USOCMonthly

10XGX \$815.00

Filed in compliance with FCC Orders Da 97-2358; FCC 97-158, as amended; FCC 97-401; and FCC 97-403.

(This page filed under Transmittal No. 2678)

Issued: December 17, 1997

Effective: January 1, 1998

Four AT&T Plaza, Dallas, Texas 75202

ACCESS SERVICE

20. MegaLink Custom Services (Cont'd)20.9 Billing Periods - Service Established Between July 1, 1997 and December 31, 1997 (Cont'd)

(N)

20.9.1 Rates and Charges (Cont'd)(C) Interoffice Mileage - Fixed - Monthly Recurring Rates
(Cont'd)(28) Temp-DS3 - Interoffice Fixed - per Temp DS3 - TX - Zone 1USOCMonthly

10XGX \$815.00

(29) Temp-DS3 - Interoffice Fixed - per Temp DS3 - TX - Zone 2USOCMonthly

10XGX \$815.00

(30) Temp-DS3 - Interoffice Fixed - per Temp DS3 - TX - Zone 3USOCMonthly

10XGX \$815.00

Filed in compliance with FCC Orders DA 97-2358; FCC 97-158, as amended; FCC 97-401; and FCC 97-403.

(This page filed under Transmittal No. 2678)

Issued: December 17, 1997

Effective: January 1, 1998

Four AT&T Plaza, Dallas, Texas 75202

ACCESS SERVICE

20. MegaLink Custom Services (Cont'd)20.9 Billing Periods - Service Established Between July 1, 1997 and December 31, 1997 (Cont'd)

(N)

20.9.1 Rates and Charges (Cont'd)(D) Interoffice Mileage - Per Mile - Monthly Recurring Rates and Service Extension(1) Per Mile - per Volume Option, per Mile - AR - Zone 1

<u>Volume Option*</u>	<u>USOC</u>	<u>Month to Month</u>	<u>3 year</u>	<u>5 year</u>	<u>10 year</u>
1	1J5HS/1HXL	\$118.00	\$ 85.00	\$ 75.00	\$ 71.00
3	1J5HS/1HXL	\$165.00	\$119.00	\$106.00	\$ 99.00
6	1J5HS/1HXL	\$236.00	\$171.00	\$151.00	\$142.00
12	1J5HS/1HXL	\$330.00	\$239.00	\$211.00	\$198.00

(2) Per Mile - per Volume Option, per Mile - AR - Zone 2

<u>Volume Option*</u>	<u>USOC</u>	<u>Month to Month</u>	<u>3 year</u>	<u>5 year</u>	<u>10 year</u>
1	1J5HS/1HXL	\$118.00	\$ 85.00	\$ 75.00	\$ 71.00
3	1J5HS/1HXL	\$165.00	\$119.00	\$106.00	\$ 99.00
6	1J5HS/1HXL	\$236.00	\$171.00	\$151.00	\$142.00
12	1J5HS/1HXL	\$330.00	\$239.00	\$211.00	\$198.00

(3) Per Mile - per Volume Option, per Mile - AR - Zone 3

<u>Volume Option*</u>	<u>USOC</u>	<u>Month to Month</u>	<u>3 year</u>	<u>5 year</u>	<u>10 year</u>
1	1J5HS/1HXL	\$118.00	\$ 85.00	\$ 75.00	\$ 71.00
3	1J5HS/1HXL	\$165.00	\$119.00	\$106.00	\$ 99.00
6	1J5HS/1HXL	\$236.00	\$171.00	\$151.00	\$142.00
12	1J5HS/1HXL	\$330.00	\$239.00	\$211.00	\$198.00

(N)

* Volume Option specifies the number of DS3s or DS3 equivalents.

Filed in compliance with FCC Orders DA 97-2358; FCC 97-158, as amended; FCC 97-401; and FCC 97-403.

(This page filed under Transmittal No. 2678)

Issued: December 17, 1997

Effective: January 1, 1998

Four AT&T Plaza, Dallas, Texas 75202

ACCESS SERVICE

20. MegaLink Custom Services (Cont'd)20.9 Billing Periods - Service Established Between July 1, 1997 and December 31, 1997 (Cont'd)

(N)

20.9.1 Rates and Charges (Cont'd)(D) Interoffice Mileage - Per Mile - Monthly Recurring Rates and Service Extension (Cont'd)(4) Per Mile - per Volume Option, per Mile - KS - Zone 1

<u>Volume Option*</u>	<u>USOC</u>	<u>Month to Month</u>	<u>3 year</u>	<u>5 year</u>	<u>10 year</u>
1	1J5HS/1HXLs	\$118.00	\$ 80.00	\$ 75.00	\$ 71.00
3	1J5HS/1HXLs	\$165.00	\$112.00	\$106.00	\$ 99.00
6	1J5HS/1HXLs	\$236.00	\$161.00	\$151.00	\$142.00
12	1J5HS/1HXLs	\$330.00	\$225.00	\$211.00	\$198.00

(5) Per Mile - per Volume Option, per Mile - KS - Zone 2

<u>Volume Option*</u>	<u>USOC</u>	<u>Month to Month</u>	<u>3 year</u>	<u>5 year</u>	<u>10 year</u>
1	1J5HS/1HXLs	\$118.00	\$ 80.00	\$ 75.00	\$ 71.00
3	1J5HS/1HXLs	\$165.00	\$112.00	\$106.00	\$ 99.00
6	1J5HS/1HXLs	\$236.00	\$161.00	\$151.00	\$142.00
12	1J5HS/1HXLs	\$330.00	\$225.00	\$211.00	\$198.00

(6) Per Mile - per Volume Option, per Mile - KS - Zone 3

<u>Volume Option*</u>	<u>USOC</u>	<u>Month to Month</u>	<u>3 year</u>	<u>5 year</u>	<u>10 year</u>
1	1J5HS/1HXLs	\$118.00	\$ 85.00	\$ 75.00	\$ 71.00
3	1J5HS/1HXLs	\$165.00	\$119.00	\$106.00	\$ 99.00
6	1J5HS/1HXLs	\$236.00	\$171.00	\$151.00	\$142.00
12	1J5HS/1HXLs	\$330.00	\$239.00	\$211.00	\$198.00

(N)

* Volume Option specifies the number of DS3s or DS3 equivalents.

Filed in compliance with FCC Orders Da 97-2358; FCC 97-158, as amended; FCC 97-401; and 97-403.

(This page filed under Transmittal No. 2678)

Issued: December 17, 1997

Effective: January 1, 1998

Four AT&T Plaza, Dallas, Texas 75202

ACCESS SERVICE

20. MegaLink Custom Services (Cont'd)20.9 Billing Periods - Service Established Between July 1, 1997 and December 31, 1997 (Cont'd)

(N)

20.9.1 Rates and Charges (Cont'd)(D) Interoffice Mileage - Per Mile - Monthly Recurring Rates and Service Extension (Cont'd)(7) Per Mile - per Volume Option, per Mile - MO - Zone 1

<u>Volume Option*</u>	<u>USOC</u>	<u>Month to Month</u>	<u>3 year</u>	<u>5 year</u>	<u>10 year</u>
1	1J5HS/1HXL	\$118.00	\$ 80.00	\$ 75.00	\$ 71.00
3	1J5HS/1HXL	\$165.00	\$112.00	\$106.00	\$ 99.00
6	1J5HS/1HXL	\$236.00	\$161.00	\$151.00	\$142.00
12	1J5HS/1HXL	\$330.00	\$225.00	\$211.00	\$198.00

(8) Per Mile - per Volume Option, per Mile - MO - Zone 2

<u>Volume Option*</u>	<u>USOC</u>	<u>Month to Month</u>	<u>3 year</u>	<u>5 year</u>	<u>10 year</u>
1	1J5HS/1HXL	\$118.00	\$ 80.00	\$ 75.00	\$ 71.00
3	1J5HS/1HXL	\$165.00	\$112.00	\$106.00	\$ 99.00
6	1J5HS/1HXL	\$236.00	\$161.00	\$151.00	\$142.00
12	1J5HS/1HXL	\$330.00	\$225.00	\$211.00	\$198.00

(9) Per Mile - per Volume Option, per Mile - MO - Zone 3

<u>Volume Option*</u>	<u>USOC</u>	<u>Month to Month</u>	<u>3 year</u>	<u>5 year</u>	<u>10 year</u>
1	1J5HS/1HXL	\$118.00	\$ 85.00	\$ 75.00	\$ 71.00
3	1J5HS/1HXL	\$165.00	\$119.00	\$106.00	\$ 99.00
6	1J5HS/1HXL	\$236.00	\$171.00	\$151.00	\$142.00
12	1J5HS/1HXL	\$330.00	\$239.00	\$211.00	\$198.00

(N)

* Volume Option specifies the number of DS3s or DS3 equivalents.

Filed in compliance with FCC Orders Da 97-2358; FCC 97-158, as amended; FCC 97-401; and FCC 97-403.

(This page filed under Transmittal No. 2678)

Issued: December 17, 1997

Effective: January 1, 1998

Four AT&T Plaza, Dallas, Texas 75202

ACCESS SERVICE

20. MegaLink Custom Services (Cont'd)20.9 Billing Periods - Service Established Between July 1, 1997 and December 31, 1997 (Cont'd)

(N)

20.9.1 Rates and Charges (Cont'd)D) Interoffice Mileage - Per Mile - Monthly Recurring Rates and Service Extension (Cont'd)(10) Per Mile - per Volume Option, per Mile - OK - Zone 1

<u>Volume Option*</u>	<u>USOC</u>	<u>Month to Month</u>	<u>3 year</u>	<u>5 year</u>	<u>10 year</u>
1	1J5HS/1HXLs	\$118.00	\$ 85.00	\$ 75.00	\$ 71.00
3	1J5HS/1HXLs	\$165.00	\$119.00	\$106.00	\$ 99.00
6	1J5HS/1HXLs	\$236.00	\$171.00	\$151.00	\$142.00
12	1J5HS/1HXLs	\$330.00	\$239.00	\$211.00	\$198.00

(11) Per Mile - per Volume Option, per Mile - OK - Zone 2

<u>Volume Option*</u>	<u>USOC</u>	<u>Month to Month</u>	<u>3 year</u>	<u>5 year</u>	<u>10 year</u>
1	1J5HS/1HXLs	\$118.00	\$ 85.00	\$ 75.00	\$ 71.00
3	1J5HS/1HXLs	\$165.00	\$119.00	\$106.00	\$ 99.00
6	1J5HS/1HXLs	\$236.00	\$171.00	\$151.00	\$142.00
12	1J5HS/1HXLs	\$330.00	\$239.00	\$211.00	\$198.00

(12) Per Mile - per Volume Option, per Mile - OK - Zone 3

<u>Volume Option*</u>	<u>USOC</u>	<u>Month to Month</u>	<u>3 year</u>	<u>5 year</u>	<u>10 year</u>
1	1J5HS/1HXLs	\$118.00	\$ 85.00	\$ 75.00	\$ 71.00
3	1J5HS/1HXLs	\$165.00	\$119.00	\$106.00	\$ 99.00
6	1J5HS/1HXLs	\$236.00	\$171.00	\$151.00	\$142.00
12	1J5HS/1HXLs	\$330.00	\$239.00	\$211.00	\$198.00

(N)

* Volume Option specifies the number of DS3s or DS3 equivalents.

Filed in compliance with FCC Orders Da 97-2358; FCC 97-158, as amended; FCC 97-401; and FCC 97-403.

(This page filed under Transmittal No. 2678)

Issued: December 17, 1997

Effective: January 1, 1998

Four AT&T Plaza, Dallas, Texas 75202

ACCESS SERVICE

20. MegaLink Custom Services (Cont'd)20.9 Billing Periods - Service Established Between July 1, 1997 and December 31, 1997 (Cont'd)

(N)

20.9.1 Rates and Charges (Cont'd)(D) Interoffice Mileage - Per Mile - Monthly Recurring Rates and Service Extension (Cont'd)(13) Per Mile - per Volume Option, per Mile - TX - Zone 1

<u>Volume Option*</u>	<u>USOC</u>	<u>Month to Month</u>	<u>3 year</u>	<u>5 year</u>	<u>10 year</u>
1	1J5HS/1HXL	\$118.00	\$ 80.00	\$ 75.00	\$ 71.00
3	1J5HS/1HXL	\$165.00	\$112.00	\$106.00	\$ 99.00
6	1J5HS/1HXL	\$236.00	\$161.00	\$151.00	\$142.00
12	1J5HS/1HXL	\$330.00	\$225.00	\$211.00	\$198.00

(14) Per Mile - per Volume Option, per Mile - TX - Zone 2

<u>Volume Option*</u>	<u>USOC</u>	<u>Month to Month</u>	<u>3 year</u>	<u>5 year</u>	<u>10 year</u>
1	1J5HS/1HXL	\$118.00	\$ 80.00	\$ 75.00	\$ 71.00
3	1J5HS/1HXL	\$165.00	\$112.00	\$106.00	\$ 99.00
6	1J5HS/1HXL	\$236.00	\$161.00	\$151.00	\$142.00
12	1J5HS/1HXL	\$330.00	\$225.00	\$211.00	\$198.00

(15) Per Mile - per Volume Option, per Mile - TX - Zone 3

<u>Volume Option*</u>	<u>USOC</u>	<u>Month to Month</u>	<u>3 year</u>	<u>5 year</u>	<u>10 year</u>
1	1J5HS/1HXL	\$118.00	\$ 85.00	\$ 75.00	\$ 71.00
3	1J5HS/1HXL	\$165.00	\$119.00	\$106.00	\$ 99.00
6	1J5HS/1HXL	\$236.00	\$171.00	\$151.00	\$142.00
12	1J5HS/1HXL	\$330.00	\$239.00	\$211.00	\$198.00

(N)

* Volume Option specifies the number of DS3s or DS3 equivalents.

Filed in compliance with FCC Orders DA 97-2358; FCC 97-158, as amended; FCC 97-401; and FCC 97-403.

(This page filed under Transmittal No. 2678)

Issued: December 17, 1997

Effective: January 1, 1998

Four AT&T Plaza, Dallas, Texas 75202

ACCESS SERVICE

20. MegaLink Custom Services (Cont'd)

20.9 Billing Periods - Service Established Between July 1, 1997 and December 31, 1997 (Cont'd)

20.9.1 Rates and Charges (Cont'd)

(D) Interoffice Mileage - Per Mile - Monthly Recurring Rates (Cont'd)

	(16)	<u>Temp-DS3 - Per Mile - per Temp-DS3, per mile - AR -</u>	
<u>Zone 1</u>			
<u>Volume Option*</u>		<u>USOC Monthly</u>	
1		1A8GS	\$118.00
	(17)	<u>Temp-DS3 - Per Mile - per Temp-DS3, per mile - AR -</u>	
<u>Zone 2</u>			
<u>Volume Option*</u>		<u>USOC Monthly</u>	
1		1A8GS	\$118.00
	(18)	<u>Temp-DS3 - Per Mile - per Temp-DS3, per mile - AR -</u>	
<u>Zone 3</u>			
<u>Volume Option*</u>		<u>USOC Monthly</u>	
1		1A8GS	\$118.00
	(19)	<u>Temp-DS3 - Per Mile - per Temp-DS3, per mile - KS -</u>	
<u>Zone 1</u>			
<u>Volume Option*</u>		<u>USOC Monthly</u>	
1		1A8GS	\$118.00
	(20)	<u>Temp-DS3 - Per Mile - per Temp-DS3, per mile - KS -</u>	
<u>Zone 2</u>			
<u>Volume Option*</u>		<u>USOC Monthly</u>	
1		1A8GS	\$118.00
	(21)	<u>Temp-DS3 - Per Mile - per Temp-DS3, per mile - KS -</u>	
<u>Zone 3</u>			
<u>Volume Option*</u>		<u>USOC Monthly</u>	
1		1A8GS	\$118.00

(N)

(N)

* Volume Option specifies the number of DS3s or DS3 equivalents.

Filed in compliance with FCC Orders DA 97-2358; FCC 97-158, as amended; FCC 97-401; and FCC 97-403.

(This page filed under Transmittal No. 2678)

Issued: December 17, 1997

Effective: January 1, 1998

Four AT&T Plaza, Dallas, Texas 75202

ACCESS SERVICE

20. MegaLink Custom Services (Cont'd)

20.9 Billing Periods - Service Established Between July 1, 1997 and December 31, 1997 (Cont'd)

(N)

20.9.1 Rates and Charges (Cont'd)

(D) Interoffice Mileage - Per Mile - Monthly Recurring Rates
(Cont'd)

	(22)	<u>Temp-DS3 - Per Mile - per Temp-DS3, per mile - MO -</u>	
<u>Zone 1</u>			
<u>Volume Option*</u>		<u>USOCMonthly</u>	
1		1A8GS	\$118.00
	(23)	<u>Temp-DS3 - Per Mile - per Temp-DS3, per mile - MO -</u>	
<u>Zone 2</u>			
<u>Volume Option*</u>		<u>USOCMonthly</u>	
1		1A8GS	\$118.00
	(24)	<u>Temp-DS3 - Per Mile - per Temp-DS3, per mile - MO -</u>	
<u>Zone 3</u>			
<u>Volume Option*</u>		<u>USOCMonthly</u>	
1		1A8GS	\$118.00
	(25)	<u>Temp-DS3 - Per Mile - per Temp-DS3, per mile - OK -</u>	
<u>Zone 1</u>			
<u>Volume Option*</u>		<u>USOCMonthly</u>	
1		1A8GS	\$118.00
	(26)	<u>Temp-DS3 - Per Mile - per Temp-DS3, per mile - OK -</u>	
<u>Zone 2</u>			
<u>Volume Option*</u>		<u>USOCMonthly</u>	
1		1A8GS	\$118.00
	(27)	<u>Temp-DS3 - Per Mile - per Temp-DS3, per mile - OK -</u>	
<u>Zone 3</u>			
<u>Volume Option*</u>		<u>USOCMonthly</u>	
1		1A8GS	\$118.00

(N)

* Volume Option specifies the number of DS3s or DS3 equivalents.

Filed in compliance with FCC Orders DA 97-2358; FCC 97-158, as amended; FCC 97-401; and FCC 97-403.

(This page filed under Transmittal No. 2678)

Issued: December 17, 1997

Effective: January 1, 1998

Four AT&T Plaza, Dallas, Texas 75202

ACCESS SERVICE

20. MegaLink Custom Services (Cont'd)

20.9 Billing Periods - Service Established Between July 1, 1997 and December 31, 1998 (Cont'd)

(N)

20.9.1 Rates and Charges (Cont'd)

(D) Interoffice Mileage - Per Mile - Monthly Recurring Rates
(Cont'd)

(28) Temp-DS3 - Per Mile - per Temp-DS3, per mile - TX - Zone 1

Volume Option* USOCMonthly

1 1A8GS \$118.00

Zone 2

(29) Temp-DS3 - Per Mile - per Temp-DS3, per mile - TX -

Volume Option* USOCMonthly

1 1A8GS \$118.00

Zone 3

(30) Temp-DS3 - Per Mile - per Temp-DS3, per mile - TX -

Volume Option* USOCMonthly

1 1A8GS \$118.00

(N)

* Volume Option specifies the number of DS3s or DS3 equivalents.

Filed in compliance with FCC Orders DA 97-2358; FCC 97-158, as amended; FCC 97-401; and FCC 97-403.

(This page filed under Transmittal No. 2678)

Issued: December 17, 1997

Effective: January 1, 1998

Four AT&T Plaza, Dallas, Texas 75202

ACCESS SERVICE

20. MegaLink Custom Services (Cont'd)20.9 Billing Periods - Service Established Between July 1, 1997 and December 31, 1997 (Cont'd)

(N)

20.9.1 Rates and Charges (Cont'd)(E) Installation Charge - Per DS3 or DS3 Equivalent, per customer designated premises on the same Access Order(1) Installation Charge - AR - Zone 1

	USOC	Month to Month	3 year	5 year	10 year
First	NRBSE	\$605.00	\$303.00	\$ 0.00	\$ 0.00
Additional	NRBSE	\$496.00	\$248.00	\$ 0.00	\$ 0.00

(2) Installation Charge - AR - Zone 2

	USOC	Month to Month	3 year	5 year	10 year
First	NRBSE	\$605.00	\$303.00	\$ 0.00	\$ 0.00
Additional	NRBSE	\$496.00	\$248.00	\$ 0.00	\$ 0.00

(3) Installation Charge - AR - Zone 3

	USOC	Month to Month	3 year	5 year	10 year
First	NRBSE	\$605.00	\$303.00	\$ 0.00	\$ 0.00
Additional	NRBSE	\$496.00	\$248.00	\$ 0.00	\$ 0.00

Filed in compliance with FCC Orders DA 97-2358; FCC 97-158, as amended; FCC 97-401; and FCC 97-403.

(This page filed under Transmittal No. 2678)

Issued: December 17, 1997

Effective: January 1, 1998

Four AT&T Plaza, Dallas, Texas 75202

ACCESS SERVICE

20. MegaLink Custom Services (Cont'd)

20.9 Billing Periods - Service Established Between July 1, 1997 and December 31, 1997 (Cont'd)

(N)

20.9.1 Rates and Charges (Cont'd)

(E) Installation Charge - Per DS3 or DS3 Equivalent, per customer designated premises on the same Access Order
(Cont'd)

(4) Installation Charge - KS - Zone 1

	USOC	Month to			
		Month	3 year	5 year	10 year
First	NRBSE	\$605.00	\$303.00	\$ 0.00	\$ 0.00
Additional	NRBSE	\$496.00	\$248.00	\$ 0.00	\$ 0.00

(5) Installation Charge - KS - Zone 2

	USOC	Month to			
		Month	3 year	5 year	10 year
First	NRBSE	\$605.00	\$303.00	\$ 0.00	\$ 0.00
Additional	NRBSE	\$496.00	\$248.00	\$ 0.00	\$ 0.00

(6) Installation Charge - KS - Zone 3

	USOC	Month to			
		Month	3 year	5 year	10 year
First	NRBSE	\$605.00	\$303.00	\$ 0.00	\$ 0.00
Additional	NRBSE	\$496.00	\$248.00	\$ 0.00	\$ 0.00

(7) Installation Charge - MO - Zone 1

	USOC	Month to			
		Month	3 year	5 year	10 year
First	NRBSE	\$605.00	\$303.00	\$ 0.00	\$ 0.00
Additional	NRBSE	\$496.00	\$248.00	\$ 0.00	\$ 0.00

(8) Installation Charge - MO - Zone 2

	USOC	Month to			
		Month	3 year	5 year	10 year
First	NRBSE	\$605.00	\$303.00	\$ 0.00	\$ 0.00
Additional	NRBSE	\$496.00	\$248.00	\$ 0.00	\$ 0.00

Filed in compliance with FCC Orders DA 97-2358; FCC 97-158, as amended; FCC 97-401; and FCC 97-403.

(This page filed under Transmittal No. 2678)

Issued: December 17, 1997

Effective: January 1, 1998

Four AT&T Plaza, Dallas, Texas 75202

ACCESS SERVICE

20. MegaLink Custom Services (Cont'd)20.9 Billing Periods - Service Established Between July 1, 1997 and December 31, 1997 (Cont'd)

(N)

20.9.1 Rates and Charges (Cont'd)(E) Installation Charge - Per DS3 or DS3 Equivalent, per customer designated premises on the same Access Order
(Cont'd)(9) Installation Charge - MO - Zone 3

	USOC	Month to Month	3 year	5 year	10 year
First	NRBSE	\$605.00	\$303.00	\$ 0.00	\$ 0.00
Additional	NRBSE	\$496.00	\$248.00	\$ 0.00	\$ 0.00

(10) Installation Charge - OK - Zone 1

	USOC	Month to Month	3 year	5 year	10 year
First	NRBSE	\$605.00	\$303.00	\$ 0.00	\$ 0.00
Additional	NRBSE	\$496.00	\$248.00	\$ 0.00	\$ 0.00

(11) Installation Charge - OK - Zone 2

	USOC	Month to Month	3 year	5 year	10 year
First	NRBSE	\$605.00	\$303.00	\$ 0.00	\$ 0.00
Additional	NRBSE	\$496.00	\$248.00	\$ 0.00	\$ 0.00

(12) Installation Charge - OK - Zone 3

	USOC	Month to Month	3 year	5 year	10 year
First	NRBSE	\$605.00	\$303.00	\$ 0.00	\$ 0.00
Additional	NRBSE	\$496.00	\$248.00	\$ 0.00	\$ 0.00

Filed in compliance with FCC Orders DA 97-2358; FCC 97-158; as amended; FCC 97-401; and FCC 97-403.

(This page filed under Transmittal No. 2678)

Issued: December 17, 1997

Effective: January 1, 1998

Four AT&T Plaza, Dallas, Texas 75202

ACCESS SERVICE

20. MegaLink Custom Services (Cont'd)

20.9 Billing Periods - Service Established Between July 1, 1997 and December 31, 1997 (Cont'd)

(N)

20.9.1 Rates and Charges (Cont'd)

(E) Installation Charge - Per DS3 or DS3 Equivalent, per customer premises on the same Access Order (Cont'd)

(13) Installation Charge - TX - Zone 1

	USOC	Month to Month	3 year	5 year	10 year
First	NRBSE	\$605.00	\$303.00	\$ 0.00	\$ 0.00
Additional	NRBSE	\$496.00	\$248.00	\$ 0.00	\$ 0.00

(14) Installation Charge - TX - Zone 2

	USOC	Month to Month	3 year	5 year	10 year
First	NRBSE	\$605.00	\$303.00	\$ 0.00	\$ 0.00
Additional	NRBSE	\$496.00	\$248.00	\$ 0.00	\$ 0.00

(15) Installation Charge - TX - Zone 3

	USOC	Month to Month	3 year	5 year	10 year
First	NRBSE	\$605.00	\$303.00	\$ 0.00	\$ 0.00
Additional	NRBSE	\$496.00	\$248.00	\$ 0.00	\$ 0.00

(16) Connecting Facility Assignment Credits - Nonzoned (Per DS1 Equivalents)

USOC	Credit Per Month
XXXX	\$76.00

Filed in compliance with FCC Orders DA 97-2358; FCC 97-158, as amended; FCC 97-401; and FCC 97-403.

(This page filed under Transmittal No. 2678)

Issued: December 17, 1997

Effective: January 1, 1998

Four AT&T Plaza, Dallas, Texas 75202

ACCESS SERVICE

20. MegaLink Custom Services (Cont'd)20.9 Billing Periods - Service Established Between July 1, 1997 and December 31, 1997 (Cont'd)

(N)

20.9.1 Rates and Charges (Cont'd)

(F) Service to Service Through Connect Arrangement Per DS3 or DS3 equivalent(1) Service to Service Through Connect Arrangement - AR - Zone 1

<u>USOC</u>	<u>Installation Charge</u>
THA	\$157.00

(2) Service to Service Through Connect Arrangement - AR - Zone 2

<u>USOC</u>	<u>Installation Charge</u>
THA	\$157.00

(3) Service to Service Through Connect Arrangement - AR - Zone 3

<u>USOC</u>	<u>Installation Charge</u>
THA	\$157.00

(4) Service to Service Through Connect Arrangement - KS - Zone 1

<u>USOC</u>	<u>Installation Charge</u>
THA	\$157.00

(5) Service to Service Through Connect Arrangement - KS - Zone 2

<u>USOC</u>	<u>Installation Charge</u>
THA	\$157.00

(6) Service to Service Through Connect Arrangement - KS - Zone 3

<u>USOC</u>	<u>Installation Charge</u>
THA	\$157.00

Filed in compliance with FCC Orders DA 97-2358; FCC 97-158, as amended; FCC 97-401; and FCC 97-403.

(This page filed under Transmittal No. 2678)

Issued: December 17, 1997

Effective: January 1, 1998

Four AT&T Plaza, Dallas, Texas 75202

ACCESS SERVICE

20. MegaLink Custom Services (Cont'd)20.9 Billing Periods - Service Established Between July 1, 1997 and December 31, 1997 (Cont'd)

(N)

20.9.1 Rates and Charges (Cont'd)(F) Service to Service Through Connect Arrangement Per DS3 or DS3 equivalent (Cont'd)(7) Service to Service Through Connect Arrangement - MO - Zone 1

<u>USOC</u>	<u>Installation Charge</u>
THA	\$157.00

(8) Service to Service Through Connect Arrangement - MO - Zone 2

<u>USOC</u>	<u>Installation Charge</u>
THA	\$157.00

(9) Service to Service Through Connect Arrangement - MO - Zone 3

<u>USOC</u>	<u>Installation Charge</u>
THA	\$157.00

(10) Service to Service Through Connect Arrangement - OK - Zone 1

<u>USOC</u>	<u>Installation Charge</u>
THA	\$157.00

(11) Service to Service Through Connect Arrangement - OK - Zone 2

<u>USOC</u>	<u>Installation Charge</u>
THA	\$157.00

(12) Service to Service Through Connect Arrangement - OK - Zone 3

<u>USOC</u>	<u>Installation Charge</u>
THA	\$157.00

Filed in compliance with FCC Orders DA 97-2358; FCC 97-158, as amended, FCC 97-401; and FCC 97-403.

(This page filed under Transmittal No. 2678)

Issued: December 17, 1997

Effective: January 1, 1998

Four AT&T Plaza, Dallas, Texas 75202

ACCESS SERVICE

20. MegaLink Custom Services (Cont'd)20.9 Billing Periods - Service Established Between July 1, 1997 and December 31, 1997 (Cont'd)

(N)

20.9.1 Rates and Charges (Cont'd)(F) Service to Service Through Connect Arrangement Per DS3 or DS3 equivalent (Cont'd)(13) Service to Service Through Connect Arrangement - TX - Zone 1

<u>USOC</u>	<u>Installation Charge</u>
THA	\$157.00

(14) Service to Service Through Connect Arrangement - TX - Zone 2

<u>USOC</u>	<u>Installation Charge</u>
THA	\$157.00

(15) Service to Service Through Connect Arrangement - TX - Zone 3

<u>USOC</u>	<u>Installation Charge</u>
THA	\$157.00

Filed in compliance with FCC Orders DA 97-2358; FCC 97-158, as amended; FCC 97-401; and FCC 97-403.

(This page filed under Transmittal No. 2678)

Issued: December 17, 1997

Effective: January 1, 1998

Four AT&T Plaza, Dallas, Texas 75202

ACCESS SERVICE

20. MegaLink Custom Services (Cont'd)20.9 Billing Periods - Service Established Between July 1, 1997 and December 31, 1997 (Cont'd)

(N)

20.9.1 Rates and Charges (Cont'd)(G) Optional Features, BSEs and Functions(1) DS3 to DS1 Multiplexing - Monthly Recurring Rates(a) DS3 to DS1 Multiplexing - AR - Zone 1 - Monthly Recurring Rates

Per Multiplexer

USOC	Month to			
	Month	3 year	5 year	10 year
MKM	\$815.00	\$686.40	\$580.00	\$580.00

(b) DS3 to DS1 Multiplexing - AR - Zone 2 - Monthly Recurring Rates

Per Multiplexer

USOC	Month to			
	Month	3 year	5 year	10 year
MKM	\$815.00	\$686.40	\$580.00	\$580.00

(c) DS3 to DS1 Multiplexing - AR - Zone 3 - Monthly Recurring Rates

Per Multiplexer

USOC	Month to			
	Month	3 year	5 year	10 year
MKM	\$815.00	\$686.40	\$580.00	\$580.00

Filed in compliance with FCC Orders DA 97-2358; FCC 97-158, as amended; FCC 97-401; and FCC 97-403.

(This page filed under Transmittal No. 2678)

Issued: December 17, 1997

Effective: January 1, 1998

Four AT&T Plaza, Dallas, Texas 75202

ACCESS SERVICE

20. MegaLink Custom Services (Cont'd)

20.9 Billing Periods - Service Established Between July 1, 1997 and December 31, 1997 (Cont'd)

(N)

20.9.1 Rates and Charges (Cont'd)

(G) Optional Features, BSEs and Functions (Cont'd)

(1) DS3 to DS1 Multiplexing - Monthly Recurring Rates (Cont'd)

(d) DS3 to DS1 Multiplexing - KS - Zone 1 - Monthly Recurring Rates

Per Multiplexer

USOC	Month to			
	Month	3 year	5 year	10 year
MKM	\$815.00	\$686.40	\$580.00	\$580.00

(e) DS3 to DS1 Multiplexing - KS - Zone 2 - Monthly Recurring Rates

Per Multiplexer

USOC	Month to			
	Month	3 year	5 year	10 year
MKM	\$815.00	\$686.40	\$580.00	\$580.00

(f) DS3 to DS1 Multiplexing - KS - Zone 3 - Monthly Recurring Rates

Per Multiplexer

USOC	Month to			
	Month	3 year	5 year	10 year
MKM	\$815.00	\$686.40	\$580.00	\$580.00

Filed in compliance with FCC Orders DA 97-2358; FCC 97-158, as amended; FCC 97-401; and FCC 97-403.

(This page filed under Transmittal No. 2678)

Issued: December 17, 1997

Effective: January 1, 1998

Four AT&T Plaza, Dallas, Texas 75202

ACCESS SERVICE

20. MegaLink Custom Services (Cont'd)

20.9 Billing Periods - Service Established Between July 1, 1997 and December 31, 1997 (Cont'd)

(N)

20.9.1 Rates and Charges (Cont'd)

(G) Optional Features, BSEs and Functions (Cont'd)

(1) DS3 to DS1 Multiplexing - Monthly Recurring Rates (Cont'd)

(g) DS3 to DS1 Multiplexing - MO - Zone 1 - Monthly Recurring Rates

Per Multiplexer

USOC	Month to			
	Month	3 year	5 year	10 year
MKM	\$815.00	\$686.40	\$580.00	\$580.00

(h) DS3 to DS1 Multiplexing - MO - Zone 2 - Monthly Recurring Rates

Per Multiplexer

USOC	Month to			
	Month	3 year	5 year	10 year
MKM	\$815.00	\$686.40	\$580.00	\$580.00

(i) DS3 to DS1 Multiplexing - MO - Zone 3 - Monthly Recurring Rates

Per Multiplexer

USOC	Month to			
	Month	3 year	5 year	10 year
MKM	\$815.00	\$686.40	\$580.00	\$580.00

Filed in compliance with FCC Orders DA 97-2358; FCC 97-158, as amended; FCC 97-401; and FCC 97-403.

(This page filed under Transmittal No. 2678)

Issued: December 17, 1997

Effective: January 1, 1998

Four AT&T Plaza, Dallas, Texas 75202

ACCESS SERVICE

20. MegaLink Custom Services (Cont'd)

20.9 Billing Periods - Service Established Between July 1, 1997 and December 31, 1997 (Cont'd)

(N)

20.9.1 Rates and Charges (Cont'd)

(G) Optional Features, BSEs and Functions (Cont'd)

(1) DS3 to DS1 Multiplexing - Monthly Recurring Rates (Cont'd)

(j) DS3 to DS1 Multiplexing - OK - Zone 1 - Monthly Recurring Rates

Per Multiplexer

USOC	Month to			
	Month	3 year	5 year	10 year
MKM	\$815.00	\$686.40	\$580.00	\$580.00

(k) DS3 to DS1 Multiplexing - OK - Zone 2 - Monthly Recurring Rates

Per Multiplexer

USOC	Month to			
	Month	3 year	5 year	10 year
MKM	\$815.00	\$686.40	\$580.00	\$580.00

(l) DS3 to DS1 Multiplexing - OK - Zone 3 - Monthly Recurring Rates

Per Multiplexer

USOC	Month to			
	Month	3 year	5 year	10 year
MKM	\$815.00	\$686.40	\$580.00	\$580.00

Filed in compliance with FCC Orders DA 97-2358; FCC 97-158, as amended; FCC 97-401; and FCC 97-403.

(This page filed under Transmittal No. 2678)

Issued: December 17, 1997

Effective: January 1, 1998

Four AT&T Plaza, Dallas, Texas 75202

ACCESS SERVICE

20. MegaLink Custom Services (Cont'd)

20.9 Billing Periods - Service Established Between July 1, 1997 and December 31, 1997 (Cont'd)

(N)

20.9.1 Rates and Charges (Cont'd)

(G) Optional Features, BSEs and Functions (Cont'd)

(1) DS3 to DS1 Multiplexing - Monthly Recurring Rates (Cont'd)

(m) DS3 to DS1 Multiplexing - TX - Zone 1 - Monthly Recurring Rates

Per Multiplexer

USOC	Month to			
	Month	3 year	5 year	10 year
MKM	\$749.80 (R)	\$631.49 (R)	\$533.60 (R)	\$533.60 (R)

(n) DS3 to DS1 Multiplexing - TX - Zone 2 - Monthly Recurring Rates

Per Multiplexer

USOC	Month to			
	Month	3 year	5 year	10 year
MKM	\$815.00	\$686.40	\$580.00	\$580.00

(o) DS3 to DS1 Multiplexing - TX - Zone 3 - Monthly Recurring Rates

Per Multiplexer

USOC	Month to			
	Month	3 year	5 year	10 year
MKM	\$815.00	\$686.40	\$580.00	\$580.00

(N)

Filed in compliance with FCC Orders DA 97-2358; FCC 97-158, as amended; FCC 97-401; and FCC 97-403.

(This page filed under Transmittal No. 2678)

Issued: December 17, 1997

Effective: January 1, 1998

Four AT&T Plaza, Dallas, Texas 75202

ACCESS SERVICE

20. MegaLink Custom Services (Cont'd)

20.9 Billing Periods - Service Established Between July 1, 1997 and December 31, 1997 (Cont'd)

(N)

20.9.1 Rates and Charges (Cont'd)

(G) Optional Features, BSEs and Functions (Cont'd)

(2) DS3 to DS1 Multiplexing Installation Charge - Per Multiplexer

(a) Installation Charge - AR - Zone 1

<u>USOC</u>	<u>Month to</u>			
	<u>Month</u>	<u>3 year</u>	<u>5 year</u>	<u>10 year</u>
	\$202.00	\$101.00	\$ 0.00	\$ 0.00

(b) Installation Charge - AR - Zone 2

<u>USOC</u>	<u>Month to</u>			
	<u>Month</u>	<u>3 year</u>	<u>5 year</u>	<u>10 year</u>
	\$202.00	\$101.00	\$ 0.00	\$ 0.00

(c) Installation Charge - AR - Zone 3

<u>USOC</u>	<u>Month to</u>			
	<u>Month</u>	<u>3 year</u>	<u>5 year</u>	<u>10 year</u>
	\$202.00	\$101.00	\$ 0.00	\$ 0.00

(d) Installation Charge - KS - Zone 1

<u>USOC</u>	<u>Month to</u>			
	<u>Month</u>	<u>3 year</u>	<u>5 year</u>	<u>10 year</u>
	\$202.00	\$101.00	0.00	\$ 0.00

(e) Installation Charge - KS - Zone 2

<u>USOC</u>	<u>Month to</u>			
	<u>Month</u>	<u>3 year</u>	<u>5 year</u>	<u>10 year</u>
	\$202.00	\$101.00	\$ 0.00	\$ 0.00

(f) Installation Charge - KS - Zone 3

<u>USOC</u>	<u>Month to</u>			
	<u>Month</u>	<u>3 year</u>	<u>5 year</u>	<u>10 year</u>
	\$202.00	\$101.00	\$ 0.00	\$ 0.00

Filed in compliance with FCC Orders DA 97-2358; FCC 97-158, as amended; FCC 97-401; and FCC 97-403.

(This page filed under Transmittal No. 2678)

Issued: December 17, 1997

Effective: January 1, 1998

Four AT&T Plaza, Dallas, Texas 75202

ACCESS SERVICE

20. MegaLink Custom Services (Cont'd)20.9 Billing Periods - Service Established Between July 1, 1997 and December 31, 1997 (Cont'd)

(N)

20.9.1 Rates and Charges (Cont'd)(G) Optional Features, BSEs and Functions (Cont'd)(2) DS3 to DS1 Multiplexing Installation Charge - Per Multiplexer (Cont'd)(g) Installation Charge - MO - Zone 1

USOC	Month to			
	Month	3 year	5 year	10 year
	\$202.00	\$101.00	\$ 0.00	\$ 0.00

(h) Installation Charge - MO - Zone 2

USOC	Month to			
	Month	3 year	5 year	10 year
	\$202.00	\$101.00	\$ 0.00	\$ 0.00

(i) Installation Charge - MO - Zone 3

USOC	Month to			
	Month	3 year	5 year	10 year
	\$202.00	\$101.00	\$ 0.00	\$ 0.00

(j) Installation Charge - OK - Zone 1

USOC	Month to			
	Month	3 year	5 year	10 year
	\$202.00	\$101.00	\$ 0.00	\$ 0.00

(k) Installation Charge - OK - Zone 2

USOC	Month to			
	Month	3 year	5 year	10 year
	\$202.00	\$101.00	\$ 0.00	\$ 0.00

(l) Installation Charge - OK - Zone 3

USOC	Month to			
	Month	3 year	5 year	10 year
	\$202.00	\$101.00	\$ 0.00	\$ 0.00

Filed in compliance with FCC Orders DA 97-2358; FCC 97-158, as amended; FCC 97-401; and FCC 97-403.

(This page filed under Transmittal No. 2678)

Issued: December 17, 1997

Effective: January 1, 1998

Four AT&T Plaza, Dallas, Texas 75202

ACCESS SERVICE

20. MegaLink Custom Services (Cont'd)20.9 Billing Periods - Service Established Between July 1, 1997 and December 31, 1997 (Cont'd)

(N)

20.9.1 Rates and Charges (Cont'd)(G) Optional Features, BSEs and Functions (Cont'd)(2) DS3 to DS1 Multiplexing Installation Charge - Per Multiplexer (Cont'd)(m) Installation Charge - TX - Zone 1

<u>USOC</u>	<u>Month to</u>			
	<u>Month</u>	<u>3 year</u>	<u>5 year</u>	<u>10 year</u>
	\$202.00	\$101.00	\$ 0.00	\$ 0.00

(n) Installation Charge - TX - Zone 2

<u>USOC</u>	<u>Month to</u>			
	<u>Month</u>	<u>3 year</u>	<u>5 year</u>	<u>10 year</u>
	\$202.00	\$101.00	\$ 0.00	\$ 0.00

(o) Installation Charge - TX - Zone 3

<u>USOC</u>	<u>Month to</u>			
	<u>Month</u>	<u>3 year</u>	<u>5 year</u>	<u>10 year</u>
	\$202.00	\$101.00	\$ 0.00	\$ 0.00

Filed in compliance with FCC Orders DA 97-2358; FCC 97-158, as amended; FCC 97-401; and FCC 97-403.

(This page filed under Transmittal No. 2678)

Issued: December 17, 1997

Effective: January 1, 1998

Four AT&T Plaza, Dallas, Texas 75202

ACCESS SERVICE

20. MegaLink Custom Services (Cont'd)

20.9 Billing Periods - Service Established Between July 1, 1997 and December 31, 1997 (Cont'd)

(N)

20.9.1 Rates and Charges (Cont'd)

(G) Optional Features, BSEs and Functions (Cont'd)

(3) SecureNet Monthly Recurring Rates

(a) Hub Redundancy - AR Zone 1
per premises, per DS3

USOC	Month to	3 year	5 year	10 year
R36AD	\$1,869.00	\$1,751.25	\$1,646.60	\$1,451.45

(b) Hub Redundancy - AR Zone 2
per premises, per DS3

USOC	Month to	3 year	5 year	10 year
R36AD	\$1,869.00	\$1,751.25	\$1,646.60	\$1,451.45

(c) Hub Redundancy - AR Zone 3
per premises, per DS3

USOC	Month to	3 year	5 year	10 year
R36AD	\$1,869.00	\$1,751.25	\$1,646.60	\$1,451.45

(d) Hub Redundancy - KS Zone 1
per premises, per DS3

USOC	Month to	3 year	5 year	10 year
R36AD	\$1,869.00	\$1,751.25	\$1,646.60	\$1,451.45

(e) Hub Redundancy - KS Zone 2
per premises, per DS3

USOC	Month to	3 year	5 year	10 year
R36AD	\$1,869.00	\$1,751.25	\$1,646.60	\$1,451.45

(f) Hub Redundancy - KS Zone 3
per premises, per DS3

USOC	Month to	3 year	5 year	10 year
R36AD	\$1,869.00	\$1,751.25	\$1,646.60	\$1,451.45

Filed in compliance with FCC Orders DA 97-2358; FCC 97-158, as amended; FCC 97-401; and FCC 97-403.

(This page filed under Transmittal No. 2678)

Issued: December 17, 1997

Effective: January 1, 1998

Four AT&T Plaza, Dallas, Texas 75202

ACCESS SERVICE

20. MegaLink Custom Services (Cont'd)20.9 Billing Periods - Service Established Between July 1, 1997 and December 31, 1997 (Cont'd)

(N)

20.9.1 Rates and Charges (Cont'd)(G) Optional Features, BSEs and Functions (Cont'd)(3) SecureNet Monthly Recurring Rates (Cont'd)(g) Hub Redundancy - MO Zone 1
per premises, per DS3

<u>USOC</u>	<u>Month to</u> <u>Month</u>	<u>3 year</u>	<u>5 year</u>	<u>10 year</u>
R36AD	\$1,869.00	\$1,751.25	\$1,646.60	\$1,451.45

(h) Hub Redundancy - MO Zone 2
per premises, per DS3

<u>USOC</u>	<u>Month to</u> <u>Month</u>	<u>3 year</u>	<u>5 year</u>	<u>10 year</u>
R36AD	\$1,869.00	\$1,751.25	\$1,646.60	\$1,451.45

(i) Hub Redundancy - MO Zone 3
per premises, per DS3

<u>USOC</u>	<u>Month to</u> <u>Month</u>	<u>3 year</u>	<u>5 year</u>	<u>10 year</u>
R36AD	\$1,869.00	\$1,751.25	\$1,646.60	\$1,451.45

(j) Hub Redundancy - OK Zone 1
per premises, per DS3

<u>USOC</u>	<u>Month to</u> <u>Month</u>	<u>3 year</u>	<u>5 year</u>	<u>10 year</u>
R36AD	\$1,869.00	\$1,751.25	\$1,646.60	\$1,451.45

(k) Hub Redundancy - OK Zone 2
per premises, per DS3

<u>USOC</u>	<u>Month to</u> <u>Month</u>	<u>3 year</u>	<u>5 year</u>	<u>10 year</u>
R36AD	\$1,869.00	\$1,751.25	\$1,646.60	\$1,451.45

Filed in compliance with FCC Orders DA 97-2358; FCC 97-158, as amended; FCC 97-401; and FCC 97-403.

(This page filed under Transmittal No. 2678)

Issued: December 17, 1997

Effective: January 1, 1998

Four AT&T Plaza, Dallas, Texas 75202

ACCESS SERVICE

20. MegaLink Custom Services (Cont'd)20.9 Billing Periods - Service Established Between July 1, 1997 and December 31, 1997 (Cont'd)

(N)

20.9.1 Rates and Charges (Cont'd)(G) Optional Features, BSEs and Functions (Cont'd)(3) SecureNet Monthly Recurring Rates (Cont'd)(l) Hub Redundancy - OK Zone 3
per premises, per DS3

<u>USOC</u>	<u>Month to</u> <u>Month</u>	<u>3 year</u>	<u>5 year</u>	<u>10 year</u>
R36AD	\$1,869.00	\$1,751.25	\$1,646.60	\$1,451.45

(m) Hub Redundancy - TX Zone 1
per premises, per DS3

<u>USOC</u>	<u>Month to</u> <u>Month</u>	<u>3 year</u>	<u>5 year</u>	<u>10 year</u>
R36AD	\$1,869.00	\$1,751.25	\$1,646.60	\$1,451.45

(n) Hub Redundancy - TX Zone 2
per premises, per DS3

<u>USOC</u>	<u>Month to</u> <u>Month</u>	<u>3 year</u>	<u>5 year</u>	<u>10 year</u>
R36AD	\$1,869.00	\$1,751.25	\$1,646.60	\$1,451.45

(o) Hub Redundancy - TX Zone 3
per premises, per DS3

<u>USOC</u>	<u>Month to</u> <u>Month</u>	<u>3 year</u>	<u>5 year</u>	<u>10 year</u>
R36AD	\$1,869.00	\$1,751.25	\$1,646.60	\$1,451.45

Filed in compliance with FCC Orders DA 97-2358; FCC 97-158, as amended; FCC 97-401; and FCC 97-403.

(This page filed under Transmittal No. 2678)

Issued: December 17, 1997

Effective: January 1, 1998

Four AT&T Plaza, Dallas, Texas 75202

ACCESS SERVICE

20. MegaLink Custom Services (Cont'd)

20.9 Billing Periods - Service Established Between July 1, 1997 and December 31, 1997 (Cont'd)

(N)

20.9.1 Rates and Charges (Cont'd)

(G) Optional Features, BSEs and Functions (Cont'd)

(3) SecureNet Monthly Recurring Rates (Cont'd)

Zone 1

(p) Serving Wire Center and Facility Redundancy - AR
per premises, per DS3

USOC	Month to Month	3 year	5 year	10 year
R38AE	\$ 0.00	\$ 0.00	\$ 0.00	\$ 0.00

(q) Serving Wire Center and Facility Redundancy - AR
Zone 2
per premises, per DS3

USOC	Month to Month	3 year	5 year	10 year
R38AE	\$ 0.00	\$ 0.00	\$ 0.00	\$ 0.00

(r) Serving Wire Center and Facility Redundancy - AR
Zone 3
per premises, per DS3

USOC	Month to Month	3 year	5 year	10 year
R38AE	\$ 0.00	\$ 0.00	\$ 0.00	\$ 0.00

Filed in compliance with FCC Orders DA 97-2358; FCC 97-158, as amended; FCC 97-401; and FCC 97-403.

(This page filed under Transmittal No. 2678)

Issued: December 17, 1997

Effective: January 1, 1998

Four AT&T Plaza, Dallas, Texas 75202

ACCESS SERVICE

20. MegaLink Custom Services (Cont'd)

20.9 Billing Periods - Service Established Between July 1, 1997 and December 31, 1997 (Cont'd)

20.9.1 Rates and Charges (Cont'd)

(G) Optional Features, BSEs and Functions (Cont'd)

(3) SecureNet Monthly Recurring Rates (Cont'd)

Zone 1 (s) Serving Wire Center and Facility Redundancy - KS
per premises, per DS3

USOC	Month to Month	3 year	5 year	10 year
R38AE	\$ 0.00	\$ 0.00	\$ 0.00	\$ 0.00

(t) Serving Wire Center and Facility Redundancy - KS Zone 2
per premises, per DS3

USOC	Month to Month	3 year	5 year	10 year
R38AE	\$ 0.00	\$ 0.00	\$ 0.00	\$ 0.00

(u) Serving Wire Center and Facility Redundancy - KS Zone 3
per premises, per DS3

USOC	Month to Month	3 year	5 year	10 year
R38AE	\$ 0.00	\$ 0.00	\$ 0.00	\$ 0.00

Zone 1 (v) Serving Wire Center and Facility Redundancy - MO
per premises, per DS3

USOC	Month to Month	3 year	5 year	10 year
R38AE	\$ 0.00	\$ 0.00	\$ 0.00	\$ 0.00

(w) Serving Wire Center and Facility Redundancy - MO Zone 2
per premises, per DS3

USOC	Month to Month	3 year	5 year	10 year
R38AE	\$ 0.00	\$ 0.00	\$ 0.00	\$ 0.00

Filed in compliance with FCC Orders DA 97-2358; FCC 97-158, as amended; FCC 97-401; and FCC 97-403.

(This page filed under Transmittal No. 2678)

Issued: December 17, 1997

Effective: January 1, 1998

Four AT&T Plaza, Dallas, Texas 75202

(N)

ACCESS SERVICE

20. MegaLink Custom Services (Cont'd)20.9 Billing Periods - Service Established Between July 1, 1997 and December 31, 1997 (Cont'd)

(N)

20.9.1 Rates and Charges (Cont'd)(G) Optional Features, BSEs and Functions (Cont'd)(3) SecureNet Monthly Recurring Rates (Cont'd)(x) Serving Wire Center and Facility Redundancy - MO Zone 3
per premises, per DS3

<u>USOC</u>	<u>Month to</u> <u>Month</u>	<u>3 year</u>	<u>5 year</u>	<u>10 year</u>
R38AE	\$ 0.00	\$ 0.00	\$ 0.00	\$ 0.00

(y) Serving Wire Center and Facility Redundancy - OK Zone 1
per premises, per DS3

<u>USOC</u>	<u>Month to</u> <u>Month</u>	<u>3 year</u>	<u>5 year</u>	<u>10 year</u>
R38AE	\$ 0.00	\$ 0.00	\$ 0.00	\$ 0.00

(z) Serving Wire Center and Facility Redundancy - OK Zone 2
per premises, per DS3

<u>USOC</u>	<u>Month to</u> <u>Month</u>	<u>3 year</u>	<u>5 year</u>	<u>10 year</u>
R38AE	\$ 0.00	\$ 0.00	\$ 0.00	\$ 0.00

(aa) Serving Wire Center and Facility Redundancy - OK Zone 3
per premises, per DS3

<u>USOC</u>	<u>Month to</u> <u>Month</u>	<u>3 year</u>	<u>5 year</u>	<u>10 year</u>
R38AE	\$ 0.00	\$ 0.00	\$ 0.00	\$ 0.00

Filed in compliance with FCC Orders DA 97-2358; FCC 97-158, as amended; FCC 97-401; and FCC 97-403.

(This page filed under Transmittal No. 2678)

Issued: December 17, 1997

Effective: January 1, 1998

Four AT&T Plaza, Dallas, Texas 75202

ACCESS SERVICE

20. MegaLink Custom Services (Cont'd)

20.9 Billing Periods - Service Established Between July 1, 1997 and December 31, 1997 (Cont'd)

(N)

20.9.1 Rates and Charges (Cont'd)

(G) Optional Features, BSEs and Functions (Cont'd)

(3) SecureNet Monthly Recurring Rates (Cont'd)

(ab) Serving Wire Center and Facility Redundancy - TX Zone 1
per premises, per DS3

<u>USOC</u>	<u>Month to Month</u>	<u>3 year</u>	<u>5 year</u>	<u>10 year</u>
R38AE	\$ 0.00	\$ 0.00	\$ 0.00	\$ 0.00

(ac) Serving Wire Center and Facility Redundancy - TX Zone 2
per premises, per DS3

<u>USOC</u>	<u>Month to Month</u>	<u>3 year</u>	<u>5 year</u>	<u>10 year</u>
R38AE	\$ 0.00	\$ 0.00	\$ 0.00	\$ 0.00

(ad) Serving Wire Center and Facility Redundancy - TX Zone 3
per premises, per DS3

<u>USOC</u>	<u>Month to Month</u>	<u>3 year</u>	<u>5 year</u>	<u>10 year</u>
R38AE	\$ 0.00	\$ 0.00	\$ 0.00	\$ 0.00

Filed in compliance with FCC Orders DA 97-2358; FCC 97-158, as amended; FCC 97-401; and FCC 97-403.

(This page filed under Transmittal No. 2678)

Issued: December 17, 1997

Effective: January 1, 1998

Four AT&T Plaza, Dallas, Texas 75202

ACCESS SERVICE

20. MegaLink Custom Services (Cont'd)20.9 Billing Periods - Service Established Between July 1, 1997 and December 31, 1997 (Cont'd)

(N)

20.9.1 Rates and Charges (Cont'd)(G) Optional Features, BSEs and Functions (Cont'd)(4) SecureNet Installation Charge(a) Hub Redundancy - AR - Zone 1
per premises, per DS3

<u>USOC</u>	<u>Installation Charge</u>
XXXX	\$1,848.00

(b) Hub Redundancy - AR - Zone 2
per premises, per DS3

<u>USOC</u>	<u>Installation Charge</u>
XXXX	\$1,848.00

(c) Hub Redundancy - AR - Zone 3
per premises, per DS3

<u>USOC</u>	<u>Installation Charge</u>
XXXX	\$1,848.00

(d) Hub Redundancy - KS - Zone 1
per premises, per DS3

<u>USOC</u>	<u>Installation Charge</u>
XXXX	\$1,848.00

(e) Hub Redundancy - KS - Zone 2
per premises, per DS3

<u>USOC</u>	<u>Installation Charge</u>
XXXX	\$1,848.00

(f) Hub Redundancy - KS - Zone 3
per premises, per DS3

<u>USOC</u>	<u>Installation Charge</u>
XXXX	\$1,848.00

Filed in compliance with FCC Orders DA 97-2358; FCC 97-158, as amended; FCC 97-401; and FCC 97-403.

(This page filed under Transmittal No. 2678)

Issued: December 17, 1997

Effective: January 1, 1998

Four AT&T Plaza, Dallas, Texas 75202

ACCESS SERVICE

20. MegaLink Custom Services (Cont'd)20.9 Billing Periods - Service Established Between July 1, 1997 and December 31, 1997 (Cont'd)

(N)

20.9.1 Rates and Charges (Cont'd)(G) Optional Features, BSEs and Functions (Cont'd)(4) SecureNet Installation Charge (Cont'd)(g) Hub Redundancy - MO - Zone 1
per premises, per DS3

<u>USOC</u>	<u>Installation Charge</u>
XXXX	\$1,848.00

(h) Hub Redundancy - MO - Zone 2
per premises, per DS3

<u>USOC</u>	<u>Installation Charge</u>
XXXX	\$1,848.00

(i) Hub Redundancy - MO - Zone 3
per premises, per DS3

<u>USOC</u>	<u>Installation Charge</u>
XXXX	\$1,848.00

(j) Hub Redundancy - OK - Zone 1
per premises, per DS3

<u>USOC</u>	<u>Installation Charge</u>
XXXX	\$1,848.00

(k) Hub Redundancy - OK - Zone 2
per premises, per DS3

<u>USOC</u>	<u>Installation Charge</u>
XXXX	\$1,848.00

(l) Hub Redundancy - OK - Zone 3
per premises, per DS3

<u>USOC</u>	<u>Installation Charge</u>
XXXX	\$1,848.00

Filed in compliance with FCC Orders DA 07-2358; FCC 97-158, as amended; FCC 97-401; and FCC 97-403.

(This page filed under Transmittal No. 2678)

Issued: December 17, 1997

Effective: January 1, 1998

Four AT&T Plaza, Dallas, Texas 75202

ACCESS SERVICE

20. MegaLink Custom Services (Cont'd)20.9 Billing Periods - Service Established Between July 1, 1997 and December 31, 1997 (Cont'd)

(N)

20.9.1 Rates and Charges (Cont'd)(G) Optional Features, BSEs and Functions (Cont'd)(4) SecureNet Installation Charge (Cont'd)(m) Hub Redundancy - TX - Zone 1
per premises, per DS3

<u>USOC</u>	<u>Installation Charge</u>
XXXX	\$1,848.00

(n) Hub Redundancy - TX - Zone 2
per premises, per DS3

<u>USOC</u>	<u>Installation Charge</u>
XXXX	\$1,848.00

(o) Hub Redundancy - TX - Zone 3
per premises, per DS3

<u>USOC</u>	<u>Installation Charge</u>
XXXX	\$1,848.00

Filed in compliance with FCC Orders DA 07-2358; FCC 97-158, as amended; FCC 97-401; and FCC 97-403.

(This page filed under Transmittal No. 2678)

Issued: December 17, 1997

Effective: January 1, 1998

Four AT&T Plaza, Dallas, Texas 75202

ACCESS SERVICE

20. MegaLink Custom Services (Cont'd)20.9 Billing Periods - Service Established Between July 1, 1997 and December 31, 1997 (Cont'd)

(N)

20.9.1 Rates and Charges (Cont'd)(G) Optional Features, BSEs and Functions (Cont'd)(4) SecureNet Installation Charge (Cont'd)(p) Serving Wire Center and Facility Redundancy - AR - Zone 1
per premises, per DS3

<u>USOC</u>	<u>Installation Charge</u>
XXXX	\$ 0.00

(q) Serving Wire Center and Facility Redundancy - AR - Zone 2
per premises, per DS3

<u>USOC</u>	<u>Installation Charge</u>
XXXX	\$ 0.00

(r) Serving Wire Center and Facility Redundancy - AR - Zone 3
per premises, per DS3

<u>USOC</u>	<u>Installation Charge</u>
XXXX	\$ 0.00

Filed in compliance with FCC Orders DA 07-2358; FCC 97-158, as amended; FCC 97-401; and FCC 97-403.

(This page filed under Transmittal No. 2678)

Issued: December 17, 1997

Effective: January 1, 1998

Four AT&T Plaza, Dallas, Texas 75202

ACCESS SERVICE

20. MegaLink Custom Services (Cont'd)20.9 Billing Periods - Service Established Between July 1, 1997 and December 31, 1997 (Cont'd)

(N)

20.9.1 Rates and Charges (Cont'd)(G) Optional Features, BSEs and Functions (Cont'd)(4) SecureNet Installation Charge (Cont'd)

- (s)
- Serving Wire Center and Facility Redundancy - KS - Zone 1
-
- per premises, per DS3

<u>USOC</u>	<u>Installation Charge</u>
XXXX	\$ 0.00

- (t)
- Serving Wire Center and Facility Redundancy - KS - Zone 2
-
- per premises, per DS3

<u>USOC</u>	<u>Installation Charge</u>
XXXX	\$ 0.00

- (u)
- Serving Wire Center and Facility Redundancy - KS - Zone 3
-
- per premises, per DS3

<u>USOC</u>	<u>Installation Charge</u>
XXXX	\$ 0.00

- (v)
- Serving Wire Center and Facility Redundancy - MO - Zone 1
-
- per premises, per DS3

<u>USOC</u>	<u>Installation Charge</u>
XXXX	\$ 0.00

- (w)
- Serving Wire Center and Facility Redundancy - MO - Zone 2
-
- per premises, per DS3

<u>USOC</u>	<u>Installation Charge</u>
XXXX	\$ 0.00

Filed in compliance with FCC Orders DA 07-2358; FCC 97-158, as amended; FCC 97-401; and FCC 97-403.

(This page filed under Transmittal No. 2678)

Issued: December 17, 1997

Effective: January 1, 1998

Four AT&T Plaza, Dallas, Texas 75202

ACCESS SERVICE

20. MegaLink Custom Services (Cont'd)20.9 Billing Periods - Service Established Between July 1, 1997 and December 31, 1997 (Cont'd)

(N)

20.9.1 Rates and Charges (Cont'd)(G) Optional Features, BSEs and Functions (Cont'd)(4) SecureNet Installation Charge (Cont'd)(x) Serving Wire Center and Facility Redundancy - MO - Zone 3
per premises, per DS3

<u>USOC</u>	<u>Installation Charge</u>
XXXX	\$ 0.00

(y) Serving Wire Center and Facility Redundancy - OK Zone 1
per premises, per DS3

<u>USOC</u>	<u>Installation Charge</u>
XXXX	\$ 0.00

(z) Serving Wire Center and Facility Redundancy - OK Zone 2
per premises, per DS3

<u>USOC</u>	<u>Installation Charge</u>
XXXX	\$ 0.00

(aa) Serving Wire Center and Facility Redundancy - OK Zone 3
per premises, per DS3

<u>USOC</u>	<u>Installation Charge</u>
XXXX	\$ 0.00

Filed in compliance with FCC Orders DA 97-2358; FCC 97-158, as amended; FCC 97-401; and FCC 97-403.

(This page filed under Transmittal No. 2678)

Issued: December 17, 1997

Effective: January 1, 1998

Four AT&T Plaza, Dallas, Texas 75202

ACCESS SERVICE

20. MegaLink Custom Services (Cont'd)20.9 Billing Periods - Service Established Between July 1, 1997 and December 31, 1997 (Cont'd)

(N)

20.9.1 Rates and Charges (Cont'd)(G) Optional Features, BSEs and Functions (Cont'd)(4) SecureNet Installation Charge (Cont'd)(ab) Serving Wire Center and Facility Redundancy - TX - Zone 1
per premises, per DS3

<u>USOC</u>	<u>Installation Charge</u>
XXXX	\$ 0.00

(ac) Serving Wire Center and Facility Redundancy - TX - Zone 2
per premises, per DS3

<u>USOC</u>	<u>Installation Charge</u>
XXXX	\$ 0.00

(ad) Serving Wire Center and Facility Redundancy - TX - Zone 3
per premises, per DS3

<u>USOC</u>	<u>Installation Charge</u>
XXXX	\$ 0.00

Filed in compliance with FCC Orders DA 97-2358; FCC 97-158, as amended; FCC 97-401; and FCC 97-403.

(This page filed under Transmittal No. 2678)

Issued: December 17, 1997

Effective: January 1, 1998

Four AT&T Plaza, Dallas, Texas 75202

ACCESS SERVICE

20. MegaLink Custom Services (Cont'd)

20.9 Billing Periods - Service Established Between July 1, 1997 and December 31, 1997 (Cont'd)

(N)

20.9.1 Rates and Charges (Cont'd)

(G) Optional Features, BSEs and Functions (Cont'd)

(5) Service Extension Monthly Recurring Rates

Use Interoffice Mileage as set forth in 20.5.3 and 20.5.4.

(6) Service Extension Installation Charge per DS3 or DS3 equivalent, per service extension on the same access order

(a) Installation Charge - AR - Zone 1

	USOC	Month to Month	3 year	5 year	10 year
First	NRBSE	\$637.00	\$319.00	\$ 0.00	\$ 0.00
Additional	NRBSE	\$496.00	\$248.00	\$ 0.00	\$ 0.00

(b) Installation Charge - AR - Zone 2

	USOC	Month to Month	3 year	5 year	10 year
First	NRBSE	\$637.00	\$319.00	\$ 0.00	\$ 0.00
Additional	NRBSE	\$496.00	\$248.00	\$ 0.00	\$ 0.00

(c) Installation Charge - AR - Zone 3

	USOC	Month to Month	3 year	5 year	10 year
First	NRBSE	\$637.00	\$319.00	\$ 0.00	\$ 0.00
Additional	NRBSE	\$496.00	\$248.00	\$ 0.00	\$ 0.00

Filed in compliance with FCC Orders DA 97-2358; FCC 97-158, as amended; FCC 97-401; and FCC 97-403.

(This page filed under Transmittal No. 2678)

Issued: December 17, 1997

Effective: January 1, 1998

Four AT&T Plaza, Dallas, Texas 75202

ACCESS SERVICE

20. MegaLink Custom Services (Cont'd)

20.9 Billing Periods - Service Established Between July 1, 1997 and December 31, 1997 (Cont'd)

(N)

20.9.1 Rates and Charges (Cont'd)

(G) Optional Features, BSEs and Functions (Cont'd)

(6) Service Extension Installation Charge (Cont'd)

(d) Installation Charge - KS - Zone 1

	USOC	Month to			
		Month	3 year	5 year	10 year
First	NRBSE	\$637.00	\$319.00	\$ 0.00	\$ 0.00
Additional	NRBSE	\$496.00	\$248.00	\$ 0.00	\$ 0.00

(e) Installation Charge - KS - Zone 2

	USOC	Month to			
		Month	3 year	5 year	10 year
First	NRBSE	\$637.00	\$319.00	\$ 0.00	\$ 0.00
Additional	NRBSE	\$496.00	\$248.00	\$ 0.00	\$ 0.00

(f) Installation Charge - KS - Zone 3

	USOC	Month to			
		Month	3 year	5 year	10 year
First	NRBSE	\$637.00	\$319.00	\$ 0.00	\$ 0.00
Additional	NRBSE	\$496.00	\$248.00	\$ 0.00	\$ 0.00

(g) Installation Charge - MO - Zone 1

	USOC	Month to			
		Month	3 year	5 year	10 year
First	NRBSE	\$637.00	\$319.00	\$ 0.00	\$ 0.00
Additional	NRBSE	\$496.00	\$248.00	\$ 0.00	\$ 0.00

(h) Installation Charge - MO - Zone 2

	USOC	Month to			
		Month	3 year	5 year	10 year
First	NRBSE	\$637.00	\$319.00	\$ 0.00	\$ 0.00
Additional	NRBSE	\$496.00	\$248.00	\$ 0.00	\$ 0.00

Filed in compliance with FCC Orders DA 97-2358; FCC 97-158, as amended; FCC 97-401; and FCC 97-403.

(This page filed under Transmittal No. 2678)

Issued: December 17, 1997

Effective: January 1, 1998

Four AT&T Plaza, Dallas, Texas 75202

ACCESS SERVICE

20. MegaLink Custom Services (Cont'd)

20.9 Billing Periods - Service Established Between July 1, 1997 and December 31, 1997 (Cont'd)

(N)

20.9.1 Rates and Charges (Cont'd)

(G) Optional Features, BSEs and Functions (Cont'd)

(6) Service Extension Installation Charge (Cont'd)

(i) Installation Charge - MO - Zone 3

	USOC	Month to			
		Month	3 year	5 year	10 year
First	NRBSE	\$637.00	\$319.00	\$ 0.00	\$ 0.00
Additional	NRBSE	\$496.00	\$248.00	\$ 0.00	\$ 0.00

(j) Installation Charge - OK - Zone 1

	USOC	Month to			
		Month	3 year	5 year	10 year
First	NRBSE	\$637.00	\$319.00	\$ 0.00	\$ 0.00
Additional	NRBSE	\$496.00	\$248.00	\$ 0.00	\$ 0.00

(k) Installation Charge - OK - Zone 2

	USOC	Month to			
		Month	3 year	5 year	10 year
First	NRBSE	\$637.00	\$319.00	\$ 0.00	\$ 0.00
Additional	NRBSE	\$496.00	\$248.00	\$ 0.00	\$ 0.00

(l) Installation Charge - OK - Zone 3

	USOC	Month to			
		Month	3 year	5 year	10 year
First	NRBSE	\$637.00	\$319.00	\$ 0.00	\$ 0.00
Additional	NRBSE	\$496.00	\$248.00	\$ 0.00	\$ 0.00

Filed in compliance with FCC Orders DA 97-2358; FCC 97-158m as amended; FCC 97-401; and FCC 97-403.

(This page filed under Transmittal No. 2678)

Issued: December 17, 1997

Effective: January 1, 1998

Four AT&T Plaza, Dallas, Texas 75202

ACCESS SERVICE

20. MegaLink Custom Services (Cont'd)

20.9 Billing Periods - Service Established Between July 1, 1997 and December 31, 1997 (Cont'd)

(N)

20.9.1 Rates and Charges (Cont'd)

(G) Optional Features, BSEs and Functions (Cont'd)

(6) Service Extension Installation Charge (Cont'd)

(m) Installation Charge - TX - Zone 1

		Month to			
	USOC	Month	3 year	5 year	10 year
First	NRBSE	\$637.00	\$319.00	\$ 0.00	\$ 0.00
Additional	NRBSE	\$496.00	\$248.00	\$ 0.00	\$ 0.00

(n) Installation Charge - TX - Zone 2

		Month to			
	USOC	Month	3 year	5 year	10 year
First	NRBSE	\$637.00	\$319.00	\$ 0.00	\$ 0.00
Additional	NRBSE	\$496.00	\$248.00	\$ 0.00	\$ 0.00

(o) Installation Charge - TX - Zone 3

		Month to			
	USOC	Month	3 year	5 year	10 year
First	NRBSE	\$637.00	\$319.00	\$ 0.00	\$ 0.00
Additional	NRBSE	\$496.00	\$248.00	\$ 0.00	\$ 0.00

Filed in compliance with FCC Orders DA 97-2358; FCC 97-158; as amended; FCC 97-401; and FCC 97-403.

(This page filed under Transmittal No. 2678)

Issued: December 17, 1997

Effective: January 1, 1998

Four AT&T Plaza, Dallas, Texas 75202

ACCESS SERVICE

20. MegaLink Custom Services (Cont'd)

20.9 Billing Periods - Service Established Between July 1, 1997 and December 31, 1997 (Cont'd)

(N)

20.9.1 Rates and Charges (Cont'd)

(G) Optional Features, BSEs and Functions (Cont'd)

(7) STN Interconnection with SecureNet Equipped MegaLink Custom Service Monthly Recurring Rates

per DS3, per Interconnection

(a) STN Interconnection with SecureNet Equipped MegaLink Custom Service - AR Zone 1

<u>USOC</u>	<u>Month to Month</u>	<u>3 year</u>	<u>5 year</u>	<u>10 year</u>
R3N3X	\$278.05	\$263.20	\$248.20	\$221.40

(b) STN Interconnection with SecureNet Equipped MegaLink Custom Service - AR Zone 2

<u>USOC</u>	<u>Month to Month</u>	<u>3 year</u>	<u>5 year</u>	<u>10 year</u>
R3N3X	\$278.05	\$263.20	\$248.20	\$221.40

(c) STN Interconnection with SecureNet Equipped MegaLink Custom Service - AR Zone 3

<u>USOC</u>	<u>Month to Month</u>	<u>3 year</u>	<u>5 year</u>	<u>10 year</u>
R3N3X	\$278.05	\$263.20	\$248.20	\$221.40

Filed in compliance with FCC Orders DA 97-2358; FCC 97-158; as amended; FCC 97-401; and FCC 97-403.

(This page filed under Transmittal No. 2678)

Issued: December 17, 1997

Effective: January 1, 1998

Four AT&T Plaza, Dallas, Texas 75202

ACCESS SERVICE

20. MegaLink Custom Services (Cont'd)

20.9 Billing Periods - Service Established Between July 1, 1997 and December 31, 1997 (Cont'd)

(N)

20.9.1 Rates and Charges (Cont'd)

(G) Optional Features, BSEs and Functions (Cont'd)

(7) STN Interconnection with SecureNet Equipped MegaLink Custom Service Monthly Recurring Rates (Cont'd)

per DS3, per Interconnection

(d) STN Interconnection with SecureNet Equipped MegaLink Custom Service - KS Zone 1

USOC	Month to Month	3 year	5 year	10 year
R3N3X	\$278.05	\$263.20	\$248.20	\$221.40

(e) STN Interconnection with SecureNet Equipped MegaLink Custom Service - KS Zone 2

USOC	Month to Month	3 year	5 year	10 year
R3N3X	\$278.05	\$263.20	\$248.20	\$221.40

(f) STN Interconnection with SecureNet Equipped MegaLink Custom Service - KS Zone 3

USOC	Month to Month	3 year	5 year	10 year
R3N3X	\$278.05	\$263.20	\$248.20	\$221.40

(g) STN Interconnection with SecureNet Equipped MegaLink Custom Service - MO Zone 1

USOC	Month to Month	3 year	5 year	10 year
R3N3X	\$278.05	\$263.20	\$248.20	\$221.40

(h) STN Interconnection with SecureNet Equipped MegaLink Custom Service - MO Zone 2

USOC	Month to Month	3 year	5 year	10 year
R3N3X	\$278.05	\$263.20	\$248.20	\$221.40

Filed in compliance with FCC Orders DA 97-2358; FCC 97-158; as amended; FCC 97-401; and FCC 97-403.

(This page filed under Transmittal No. 2678)

Issued: December 17, 1997

Effective: January 1, 1998

Four AT&T Plaza, Dallas, Texas 75202

ACCESS SERVICE

20. MegaLink Custom Services (Cont'd)

20.9 Billing Periods - Service Established Between July 1, 1997 and December 31, 1997 (Cont'd)

(N)

20.9.1 Rates and Charges (Cont'd)

(G) Optional Features, BSEs and Functions (Cont'd)

(7) STN Interconnection with SecureNet Equipped MegaLink Custom Service Monthly Recurring Rates (Cont'd)

per DS3, per Interconnection

(i) STN Interconnection with SecureNet Equipped MegaLink Custom Service - MO Zone 3

<u>USOC</u>	<u>Month to Month</u>	<u>3 year</u>	<u>5 year</u>	<u>10 year</u>
R3N3X	\$278.05	\$263.20	\$248.20	\$221.40

(j) STN Interconnection with SecureNet Equipped MegaLink Custom Service - OK Zone 1

<u>USOC</u>	<u>Month to Month</u>	<u>3 year</u>	<u>5 year</u>	<u>10 year</u>
R3N3X	\$278.05	\$263.20	\$248.20	\$221.40

(k) STN Interconnection with SecureNet Equipped MegaLink Custom Service - OK Zone 2

<u>USOC</u>	<u>Month to Month</u>	<u>3 year</u>	<u>5 year</u>	<u>10 year</u>
R3N3X	\$278.05	\$263.20	\$248.20	\$221.40

(l) STN Interconnection with SecureNet Equipped MegaLink Custom Service - OK Zone 3

<u>USOC</u>	<u>Month to Month</u>	<u>3 year</u>	<u>5 year</u>	<u>10 year</u>
R3N3X	\$278.05	\$263.20	\$248.20	\$221.40

Filed in compliance with FCC Orders DA 97-2358; FCC 97-158, as amended; FCC 97-401; and FCC 97-403.

(This page filed under Transmittal No. 2678)

Issued: December 17, 1997

Effective: January 1, 1998

Four AT&T Plaza, Dallas, Texas 75202

ACCESS SERVICE

20. MegaLink Custom Services (Cont'd)20.9 Billing Periods - Service Established Between July 1, 1997 and December 31, 1997 (Cont'd)

(N)

20.9.1 Rates and Charges (Cont'd)(G) Optional Features, BSEs and Functions (Cont'd)(7) STN Interconnection with SecureNet Equipped MegaLink Custom Service Monthly Recurring Rates (Cont'd)

per DS3, per Interconnection

(m) STN Interconnection with SecureNet Equipped MegaLink Custom Service - TX Zone 1

<u>USOC</u>	<u>Month to Month</u>	<u>3 year</u>	<u>5 year</u>	<u>10 year</u>
R3N3X	\$278.05	\$263.20	\$248.20	\$221.40

(n) STN Interconnection with SecureNet Equipped MegaLink Custom Service - TX Zone 2

<u>USOC</u>	<u>Month to Month</u>	<u>3 year</u>	<u>5 year</u>	<u>10 year</u>
R3N3X	\$278.05	\$263.20	\$248.20	\$221.40

(o) STN Interconnection with SecureNet Equipped MegaLink Custom Service - TX Zone 3

<u>USOC</u>	<u>Month to Month</u>	<u>3 year</u>	<u>5 year</u>	<u>10 year</u>
R3N3X	\$278.05	\$263.20	\$248.20	\$221.40

Filed in compliance with FCC Orders DA 97-2358; FCC 97-158, as amended; FCC 97-401; and FCC 97-403.

(This page filed under Transmittal No. 2678)

Issued: December 17, 1997

Effective: January 1, 1998

Four AT&T Plaza, Dallas, Texas 75202

ACCESS SERVICE

20. MegaLink Custom Services (Cont'd)

20.9 Billing Periods - Service Established Between July 1, 1997 and December 31, 1997 (Cont'd)

(N)

20.9.1 Rates and Charges (Cont'd)

(G) Optional Features, BSEs and Functions (Cont'd)

(8) STN Interconnection with SecureNet Equipped MegaLink Custom Service Installation Charges

per DS3, per Interconnection

(a) STN Interconnection with SecureNet Equipped MegaLink Custom Service - AR Zone 1

<u>USOC</u>	<u>Month to Month</u>	<u>3 year</u>	<u>5 year</u>	<u>10 year</u>
	\$298.00	\$149.00	\$ 0.00	\$ 0.00

(b) STN Interconnection with SecureNet Equipped MegaLink Custom Service - AR Zone 2

<u>USOC</u>	<u>Month to Month</u>	<u>3 year</u>	<u>5 year</u>	<u>10 year</u>
	\$298.00	\$149.00	\$ 0.00	\$ 0.00

(c) STN Interconnection with SecureNet Equipped MegaLink Custom Service - AR Zone 3

<u>USOC</u>	<u>Month to Month</u>	<u>3 year</u>	<u>5 year</u>	<u>10 year</u>
	\$298.00	\$149.00	\$ 0.00	\$ 0.00

Filed in compliance with FCC Orders DA 97-2358; FCC 97-158, as amended; FCC 97-401; and FCC 97-403.

(This page filed under Transmittal No. 2678)

Issued: December 17, 1997

Effective: January 1, 1998

Four AT&T Plaza, Dallas, Texas 75202

ACCESS SERVICE

20. MegaLink Custom Services (Cont'd)

20.9 Billing Periods - Service Established Between July 1, 1997 and December 31, 1997 (Cont'd)

(N)

20.9.1 Rates and Charges (Cont'd)

(G) Optional Features, BSEs and Functions (Cont'd)

(8) STN Interconnection with SecureNet Equipped MegaLink Custom Service Installation Charges (Cont'd)

per DS3, per Interconnection

(d) STN Interconnection with SecureNet Equipped MegaLink Custom Service - KS Zone 1

<u>USOC</u>	<u>Month to Month</u>	<u>3 year</u>	<u>5 year</u>	<u>10 year</u>
	\$298.00	\$149.00	\$ 0.00	\$ 0.00

(e) STN Interconnection with SecureNet Equipped MegaLink Custom Service - KS Zone 2

<u>USOC</u>	<u>Month to Month</u>	<u>3 year</u>	<u>5 year</u>	<u>10 year</u>
	\$298.00	\$149.00	\$ 0.00	\$ 0.00

(f) STN Interconnection with SecureNet Equipped MegaLink Custom Service - KS Zone 3

<u>USOC</u>	<u>Month to Month</u>	<u>3 year</u>	<u>5 year</u>	<u>10 year</u>
	\$298.00	\$149.00(R)	\$ 0.00(R)	\$

0.00(R)

(g) STN Interconnection with SecureNet Equipped MegaLink Custom Service - MO Zone 1

<u>USOC</u>	<u>Month to Month</u>	<u>3 year</u>	<u>5 year</u>	<u>10 year</u>
	\$298.00	\$149.00	\$ 0.00	\$ 0.00

(h) STN Interconnection with SecureNet Equipped MegaLink Custom Service - MO Zone 2

<u>USOC</u>	<u>Month to Month</u>	<u>3 year</u>	<u>5 year</u>	<u>10 year</u>
	\$298.00	\$149.00	\$ 0.00	\$ 0.00

Filed in compliance with FCC Orders DA 97-2358; FCC 97-158, as amended; FCC 97-401; and FCC 97-403.

(This page filed under Transmittal No. 2678)

Issued: December 17, 1997

Effective: January 1, 1998

Four AT&T Plaza, Dallas, Texas 75202

ACCESS SERVICE

20. MegaLink Custom Services (Cont'd)

20.9 Billing Periods - Service Established Between July 1, 1997 and December 31, 1997 (Cont'd)

(N)

20.9.1 Rates and Charges (Cont'd)

(G) Optional Features, BSEs and Functions (Cont'd)

(8) STN Interconnection with SecureNet Equipped MegaLink Custom Service Installation Charges (Cont'd)

per DS3, per Interconnection

(i) STN Interconnection with SecureNet Equipped MegaLink Custom Service - MO Zone 3

<u>USOC</u>	<u>Month to Month</u>	<u>3 year</u>	<u>5 year</u>	<u>10 year</u>
	\$298.00	\$149.00	\$ 0.00	\$ 0.00

(j) STN Interconnection with SecureNet Equipped MegaLink Custom Service - OK Zone 1

<u>USOC</u>	<u>Month to Month</u>	<u>3 year</u>	<u>5 year</u>	<u>10 year</u>
	\$298.00	\$149.00	\$ 0.00	\$ 0.00

(k) STN Interconnection with SecureNet Equipped MegaLink Custom Service - OK Zone 2

<u>USOC</u>	<u>Month to Month</u>	<u>3 year</u>	<u>5 year</u>	<u>10 year</u>
	\$298.00	\$149.00	\$ 0.00	\$ 0.00

(l) STN Interconnection with SecureNet Equipped MegaLink Custom Service - OK Zone 3

<u>USOC</u>	<u>Month to Month</u>	<u>3 year</u>	<u>5 year</u>	<u>10 year</u>
	\$298.00	\$149.00	\$ 0.00	\$ 0.00

Filed in compliance with FCC Orders DA 97-2358; FCC 97-158, as amended; FCC 97-401; and FCC 97-403.

(This page filed under Transmittal No. 2678)

Issued: December 17, 1997

Effective: January 1, 1998

Four AT&T Plaza, Dallas, Texas 75202

ACCESS SERVICE

20. MegaLink Custom Services (Cont'd)20.9 Billing Periods - Service Established Between July 1, 1997 and December 31, 1997 (Cont'd)

(N)

20.9.1 Rates and Charges (Cont'd)(G) Optional Features, BSEs and Functions (Cont'd)(8) STN Interconnection with SecureNet Equipped MegaLink Custom Service Installation Charges (Cont'd)

per DS3, per Interconnection

(m) STN Interconnection with SecureNet Equipped MegaLink Custom Service - TX Zone 1

<u>USOC</u>	<u>Month to Month</u>	<u>3 year</u>	<u>5 year</u>	<u>10 year</u>
	\$298.00	\$149.00	\$ 0.00	\$ 0.00

(n) STN Interconnection with SecureNet Equipped MegaLink Custom Service - TX Zone 2

<u>USOC</u>	<u>Month to Month</u>	<u>3 year</u>	<u>5 year</u>	<u>10 year</u>
	\$298.00	\$149.00	\$ 0.00	\$ 0.00

(o) STN Interconnection with SecureNet Equipped MegaLink Custom Service - TX Zone 3

<u>USOC</u>	<u>Month to Month</u>	<u>3 year</u>	<u>5 year</u>	<u>10 year</u>
	\$298.00	\$149.00	\$ 0.00	\$ 0.00

Filed in compliance with FCC Orders DA 97-2358; FCC 97-158, as amended; FCC 97-401; and FCC 97-403.

(This page filed under Transmittal No. 2678)

Issued: December 17, 1997

Effective: January 1, 1998

Four AT&T Plaza, Dallas, Texas 75202

ACCESS SERVICE

20. MegaLink Custom Services (Cont'd)20.9 Billing Periods - Service Established Between July 1, 1997 and December 31, 1997 (Cont'd)

(N)

20.9.1 Rates and Charges (Cont'd)(G) Optional Features, BSEs and Functions (Cont'd)(9) SFM Installation Charge

Per existing MegaLink Custom Service(s) moving to another MegaLink Custom Service or ReliaNet DS3/EC-1, on a first and additional basis.

(a) SFM AR Zone 1

	<u>USOC</u>	<u>Installation Charge</u>
First	NRBR3	\$135.00
Additional	NRBR3	\$104.00

(b) SFM AR Zone 2

	<u>USOC</u>	<u>Installation Charge</u>
First	NRBR3	\$135.00
Additional	NRBR3	\$104.00

(c) SFM AR Zone 3

	<u>USOC</u>	<u>Installation Charge</u>
First	NRBR3	\$135.00
Additional	NRBR3	\$104.00

Filed in compliance with FCC Orders DA 97-2358; FCC 97-158, as amended; FCC 97-401; and FCC 97-403.

(This page filed under Transmittal No. 2678)

Issued: December 17, 1997

Effective: January 1, 1998

Four AT&T Plaza, Dallas, Texas 75202

ACCESS SERVICE

20. MegaLink Custom Services (Cont'd)20.9 Billing Periods - Service Established Between July 1, 1997 and December 310, 1997 (Cont'd)

(N)

20.9.1 Rates and Charges (Cont'd)(G) Optional Features, BSEs and Functions (Cont'd)(9) SFM Installation Charge (Cont'd)

Per existing MegaLink Custom Service(s) moving to another MegaLink Custom Service or ReliaNet DS3/EC-1, on a first and additional basis.

(d) SFM KS Zone 1

	<u>USOC</u>	<u>Installation Charge</u>
First	NRBR3	\$135.00
Additional	NRBR3	\$104.00

(e) SFM KS Zone 2

	<u>USOC</u>	<u>Installation Charge</u>
First	NRBR3	\$135.00
Additional	NRBR3	\$104.00

(f) SFM KS Zone 3

	<u>USOC</u>	<u>Installation Charge</u>
First	NRBR3	\$135.00
Additional	NRBR3	\$104.00

(g) SFM MO Zone 1

	<u>USOC</u>	<u>Installation Charge</u>
First	NRBR3	\$135.00
Additional	NRBR3	\$104.00

(h) SFM MO Zone 2

	<u>USOC</u>	<u>Installation Charge</u>
First	NRBR3	\$135.00
Additional	NRBR3	\$104.00

(i) SFM MO Zone 3

	<u>USOC</u>	<u>Installation Charge</u>
First	NRBR3	\$135.00
Additional	NRBR3	\$104.00

Filed in compliance with FCC Orders DA 97-2358; FCC 97-158, as amended; FCC 97-401; and FCC 97-403.

(This page filed under Transmittal No. 2678)

Issued: December 17, 1997

Effective: January 1, 1998

Four AT&T Plaza, Dallas, Texas 75202

ACCESS SERVICE

20. MegaLink Custom Services (Cont'd)20.9 Billing Periods - Service Established Between July 1, 1997 and December 31, 1997 (Cont'd)

(N)

20.9.1 Rates and Charges (Cont'd)(G) Optional Features, BSEs and Functions (Cont'd)(9) SFM Installation Charge (Cont'd)

Per existing MegaLink Custom Service(s) moving to another MegaLink Custom Service or ReliaNet DS3/EC-1, on a first and additional basis.

(j) SFM OK Zone 1

	<u>USOC</u>	<u>Installation Charge</u>
First	NRBR3	\$135.00
Additional	NRBR3	\$104.00

(k) SFM OK Zone 2

	<u>USOC</u>	<u>Installation Charge</u>
First	NRBR3	\$135.00
Additional	NRBR3	\$104.00

(l) SFM OK Zone 3

	<u>USOC</u>	<u>Installation Charge</u>
First	NRBR3	\$135.00
Additional	NRBR3	\$104.00

(N)

Filed in compliance with FCC Orders DA 97-2358; FCC 97-158, as amended; FCC 97-401; and FCC 97-403.

(This page filed under Transmittal No. 2678)

Issued: December 17, 1997

Effective: January 1, 1998

Four AT&T Plaza, Dallas, Texas 75202

ACCESS SERVICE

20. MegaLink Custom Services (Cont'd)20.9 Billing Periods - Service Established Between July 1, 1997 and December 31, 1997 (Cont'd)

(N)

20.9.1 Rates and Charges (Cont'd)(G) Optional Features, BSEs and Functions (Cont'd)(9) SFM Installation Charge (Cont'd)

Per existing MegaLink Custom Service(s) moving to another MegaLink Custom Service or ReliaNet DS3/EC-1, on a first and additional basis.

(m) SFM TX Zone 1

	<u>USOC</u>	<u>Installation Charge</u>
First	NRBR3	\$135.00
Additional	NRBR3	\$104.00

(n) SFM TX Zone 2

	<u>USOC</u>	<u>Installation Charge</u>
First	NRBR3	\$135.00
Additional	NRBR3	\$104.00

(o) SFM TX Zone 3

	<u>USOC</u>	<u>Installation Charge</u>
First	NRBR3	\$135.00
Additional	NRBR3	\$104.00

Filed in compliance with FCC Orders DA 97-2358; FCC 97-158, as amended; FCC 97-401; and FCC 97-403.

(This page filed under Transmittal No. 2678)

Issued: December 17, 1997

Effective: January 1, 1998

Four AT&T Plaza, Dallas, Texas 75202

ACCESS SERVICE

20. MegaLink Custom Services (Cont'd)20.9 Billing Periods - Service Established Between July 1, 1997 and
December 31, 1997 (Cont'd)20.9.1 Rates and Charges (Cont'd)(H) Administrative Charges(1) Service Rearrangement Nonrecurring Charges

Per DS3 or DS3 equivalent on the same Access Order for one or any combination of changes as set forth in Section 20.4.2(E).

(a) Service Rearrangement - AR Zone 1

	<u>USOC</u>	<u>Nonrecurring Charge</u>
First	NRBAC	\$ 9.00
Additional	NRBAC	\$ 5.00

(b) Service Rearrangement - AR Zone 2

	<u>USOC</u>	<u>Nonrecurring Charge</u>
First	NRBAC	\$ 9.00
Additional	NRBAC	\$ 5.00

(c) Service Rearrangement - AR Zone 3

	<u>USOC</u>	<u>Nonrecurring Charge</u>
First	NRBAC	\$ 9.00
Additional	NRBAC	\$ 5.00

(d) Service Rearrangement - KS Zone 1

	<u>USOC</u>	<u>Nonrecurring Charge</u>
First	NRBAC	\$ 9.00
Additional	NRBAC	\$ 5.00

(e) Service Rearrangement - KS Zone 2

	<u>USOC</u>	<u>Nonrecurring Charge</u>
First	NRBAC	\$ 9.00
Additional	NRBAC	\$ 5.00

(f) Service Rearrangement - KS Zone 3

	<u>USOC</u>	<u>Nonrecurring Charge</u>
First	NRBAC	\$ 9.00
Additional	NRBAC	\$ 5.00

Filed in compliance with FCC Orders DA 97-2358; FCC 97-158, as amended; FCC 97-401; and FCC 97-403.

(This page filed under Transmittal No. 2678)

Issued: December 17, 1997

Effective: January 1, 1998

Four AT&T Plaza, Dallas, Texas 75202

(N)

ACCESS SERVICE

20. MegaLink Custom Services (Cont'd)20.9 Billing Periods - Service Established Between July 1, 1997 and December 31, 1997 (Cont'd)

(N)

20.9.1 Rates and Charges (Cont'd)(H) Administrative Charges (Cont'd)(1) Service Rearrangement Nonrecurring Charges (Cont'd)(g) Service Rearrangement - MO Zone 1

	<u>USOC</u>	<u>Nonrecurring Charge</u>
First	NRBAC	\$ 9.00
Additional	NRBAC	\$ 5.00

(h) Service Rearrangement - MO Zone 2

	<u>USOC</u>	<u>Nonrecurring Charge</u>
First	NRBAC	\$ 9.00
Additional	NRBAC	\$ 5.00

(i) Service Rearrangement - MO Zone 3

	<u>USOC</u>	<u>Nonrecurring Charge</u>
First	NRBAC	\$ 9.00
Additional	NRBAC	\$ 5.00

(j) Service Rearrangement - OK Zone 1

	<u>USOC</u>	<u>Nonrecurring Charge</u>
First	NRBAC	\$ 9.00
Additional	NRBAC	\$ 5.00

(k) Service Rearrangement - OK Zone 2

	<u>USOC</u>	<u>Nonrecurring Charge</u>
First	NRBAC	\$ 9.00
Additional	NRBAC	\$ 5.00

(l) Service Rearrangement - OK Zone 3

	<u>USOC</u>	<u>Nonrecurring Charge</u>
First	NRBAC	\$ 9.00
Additional	NRBAC	\$ 5.00

Filed in compliance with FCC Orders DA 97-2358; FCC 97-158, as amended; FCC 97-401; and FCC 97-403.

(This page filed under Transmittal No. 2678)

Issued: December 17, 1997

Effective: January 1, 1998

Four AT&T Plaza, Dallas, Texas 75202

ACCESS SERVICE

20. MegaLink Custom Services (Cont'd)20.9 Billing Periods - Service Established Between July 1, 1997 and December 31, 1997 (Cont'd)

(N)

20.9.1 Rates and Charges (Cont'd)(H) Administrative Charges (Cont'd)(1) Service Rearrangement Nonrecurring Charges (Cont'd)(m) Service Rearrangement - TX Zone 1

	<u>USOC</u>	<u>Nonrecurring Charge</u>
First	NRBAC	\$ 9.00
Additional	NRBAC	\$ 5.00

(n) Service Rearrangement - TX Zone 2

	<u>USOC</u>	<u>Nonrecurring Charge</u>
First	NRBAC	\$ 9.00
Additional	NRBAC	\$ 5.00

(o) Service Rearrangement - TX Zone 3

	<u>USOC</u>	<u>Nonrecurring Charge</u>
First	NRBAC	\$ 9.00
Additional	NRBAC	\$ 5.00

Filed in compliance with FCC Orders DA 97-2358; FCC 97-158, as amended; FCC 97-401; and FCC 97-403.

(This page filed under Transmittal No. 2678)

Issued: December 17, 1997

Effective: January 1, 1998

Four AT&T Plaza, Dallas, Texas 75202

ACCESS SERVICE

20. MegaLink Custom Services (Cont'd)20.10 Billing Periods - Service Established Between January 1, 1998
and June 30, 199820.10.1 Rates and Charges

Rates and charges for Arkansas, Kansas, Missouri, Oklahoma and Texas will be applied based on Pricing Zones as contained below.

(A) Channel Termination - Electrical - per Volume Option, per customer premises(1) Electrical Channel Termination - AR - Zone 1

<u>Volume Option*</u>	<u>USOC</u>	<u>Month to Month</u>	<u>3 year</u>	<u>5 year</u>	<u>10 year</u>
1	TUZPX	\$ 1,950.00	\$ 1,828.00	\$ 1,658.00	\$ 1,589.00
3	TUZPX	\$ 5,850.00	\$ 4,845.00	\$ 3,722.32	\$ 3,915.00
6	TUZPX	\$11,700.00	\$ 8,670.00	\$ 6,660.80	\$ 7,007.00
12	TUZPX	\$23,400.00	\$15,301.00	\$11,753.92	\$12,364.00

(2) Electrical Channel Termination - AR - Zone 2

<u>Volume Option*</u>	<u>USOC</u>	<u>Month to Month</u>	<u>3 year</u>	<u>5 year</u>	<u>10 year</u>
1	TUZPX	\$ 1,950.00	\$ 1,828.00	\$ 1,658.00	\$ 1,589.00
3	TUZPX	\$ 5,850.00	\$ 4,845.00	\$ 4,046.00	\$ 3,915.00
6	TUZPX	\$11,700.00	\$ 8,670.00	\$ 7,240.00	\$ 7,007.00
12	TUZPX	\$23,400.00	\$15,301.00	\$12,776.00	\$12,364.00

(3) Electrical Channel Termination - AR - Zone 3

<u>Volume Option*</u>	<u>USOC</u>	<u>Month to Month</u>	<u>3 year</u>	<u>5 year</u>	<u>10 year</u>
1	TUZPX	\$ 1,950.00	\$ 1,828.00	\$ 1,658.00	\$ 1,589.00
3	TUZPX	\$ 5,850.00	\$ 4,845.00	\$ 4,046.00	\$ 3,915.00
6	TUZPX	\$11,700.00	\$ 8,670.00	\$ 7,240.00	\$ 7,007.00
12	TUZPX	\$23,400.00	\$15,301.00	\$12,776.00	\$12,364.00

Rates contained in this transmittal are subject to subsequent adjustment, effective retrospectively back to the transmittal's original effective date, in the event the Commission or a court subsequently authorizes SWBT to correct its rates to allow it to calculate its price cap formulas to exclude USF contributions from the operation of the X-factor, or in the event of any other adjustment pursuant to an order of the Commission or a court.

Filed in compliance with FCC Order 98-106.

(This page filed under Transmittal No. 2705)

Issued: June 16, 1998

Effective: July 1, 1998

Four AT&T Plaza, Dallas, Texas 75202

(N)

(N)

ACCESS SERVICE

20. MegaLink Custom Services (Cont'd)20.10 Billing Periods - Service Established Between January 1, 1998
and June 30, 1998 (Cont'd)20.10.1 Rates and Charges (Cont'd)(A) Channel Termination - Electrical - per Volume Option, per customer premises
(Cont'd)(4) Electrical Channel Termination - KS - Zone 1

<u>Volume Option*</u>	<u>USOC</u>	<u>Month to Month</u>	<u>3 year</u>	<u>5 year</u>	<u>10 year</u>
1	TUZPX	\$ 1,950.00	\$ 1,828.00	\$ 1,658.00	\$ 1,589.00
3	TUZPX	\$ 5,850.00	\$ 4,845.00	\$ 4,046.00	\$ 3,915.00
6	TUZPX	\$11,700.00	\$ 8,670.00	\$ 7,240.00	\$ 7,007.00
12	TUZPX	\$23,400.00	\$15,301.00	\$12,776.00	\$12,364.00

(5) Electrical Channel Termination - KS - Zone 2

<u>Volume Option*</u>	<u>USOC</u>	<u>Month to Month</u>	<u>3 year</u>	<u>5 year</u>	<u>10 year</u>
1	TUZPX	\$ 1,950.00	\$ 1,828.00	\$ 1,658.00	\$ 1,589.00
3	TUZPX	\$ 5,850.00	\$ 4,845.00	\$ 4,046.00	\$ 3,915.00
6	TUZPX	\$11,700.00	\$ 8,670.00	\$ 7,240.00	\$ 7,007.00
12	TUZPX	\$23,400.00	\$15,301.00	\$12,776.00	\$12,364.00

(6) Electrical Channel Termination - KS - Zone 3

<u>Volume Option*</u>	<u>USOC</u>	<u>Month to Month</u>	<u>3 year</u>	<u>5 year</u>	<u>10 year</u>
1	TUZPX	\$ 1,950.00	\$ 1,828.00	\$ 1,658.00	\$ 1,589.00
3	TUZPX	\$ 5,850.00	\$ 4,845.00	\$ 4,046.00	\$ 3,915.00
6	TUZPX	\$11,700.00	\$ 8,670.00	\$ 7,240.00	\$ 7,007.00
12	TUZPX	\$23,400.00	\$15,301.00	\$12,776.00	\$12,364.00

Rates contained in this transmittal are subject to subsequent adjustment, effective retrospectively back to the transmittal's original effective date, in the event the Commission or a court subsequently authorizes SWBT to correct its rates to allow it to calculate its price cap formulas to exclude USF contributions from the operation of the X-factor, or in the event of any other adjustment pursuant to an order of the Commission or a court.

Filed in compliance with FCC Order 98-106.

* Volume Option specifies the number of DS3s or DS3 equivalents.

(This page filed under Transmittal No. 2705)

Issued: June 16, 1998

Effective: July 1, 1998

Four AT&T Plaza, Dallas, Texas 75202

(N)

ACCESS SERVICE

20. MegaLink Custom Services (Cont'd)20.10 Billing Periods - Service Established Between January 1, 1998
and June 30, 1998 (Cont'd)20.10.1 Rates and Charges (Cont'd)(A) Channel Termination - Electrical - per Volume Option, per customer premises
(Cont'd)(7) Electrical Channel Termination - MO - Zone 1

<u>Volume Option*</u>	<u>USOC</u>	<u>Month to Month</u>	<u>3 year</u>	<u>5 year</u>	<u>10 year</u>
1	TUZPX	\$ 1,950.00	\$ 1,828.00	\$ 1,525.36	\$ 1,589.00
3	TUZPX	\$ 5,850.00	\$ 4,845.00	\$ 3,722.32	\$ 3,915.00
6	TUZPX	\$11,700.00	\$ 8,670.00	\$ 6,660.80	\$ 7,007.00
12	TUZPX	\$23,400.00	\$15,301.00	\$11,753.92	\$12,364.00

(8) Electrical Channel Termination - MO - Zone 2

<u>Volume Option*</u>	<u>USOC</u>	<u>Month to Month</u>	<u>3 year</u>	<u>5 year</u>	<u>10 year</u>
1	TUZPX	\$ 1,950.00	\$ 1,828.00	\$ 1,658.00	\$ 1,589.00
3	TUZPX	\$ 5,850.00	\$ 4,845.00	\$ 4,046.00	\$ 3,915.00
6	TUZPX	\$11,700.00	\$ 8,670.00	\$ 7,240.00	\$ 7,007.00
12	TUZPX	\$23,400.00	\$15,301.00	\$12,776.00	\$12,364.00

(9) Electrical Channel Termination - MO - Zone 3

<u>Volume Option*</u>	<u>USOC</u>	<u>Month to Month</u>	<u>3 year</u>	<u>5 year</u>	<u>10 year</u>
1	TUZPX	\$ 1,950.00	\$ 1,828.00	\$ 1,658.00	\$ 1,589.00
3	TUZPX	\$ 5,850.00	\$ 4,845.00	\$ 4,046.00	\$ 3,915.00
6	TUZPX	\$11,700.00	\$ 8,670.00	\$ 7,240.00	\$ 7,007.00
12	TUZPX	\$23,400.00	\$15,301.00	\$12,776.00	\$12,364.00

Rates contained in this transmittal are subject to subsequent adjustment, effective retrospectively back to the transmittal's original effective date, in the event the Commission or a court subsequently authorizes SWBT to correct its rates to allow it to calculate its price cap formulas to exclude USF contributions from the operation of the X-factor, or in the event of any other adjustment pursuant to an order of the Commission or a court.

Filed in compliance with FCC Order 98-106.

* Volume Option specifies the number of DS3s or DS3 equivalents.

(This page filed under Transmittal No. 2705)

Issued: June 16, 1998

Effective: July 1, 1998

Four AT&T Plaza, Dallas, Texas 75202

(N)

(N)

ACCESS SERVICE

20. MegaLink Custom Services (Cont'd)

20.10 Billing Periods - Service Established Between January 1, 1998 and June 30, 1998 (Cont'd)

20.10.1 Rates and Charges (Cont'd)

(A) Channel Termination - Electrical - per Volume Option, per customer premises (Cont'd)

(10) Electrical Channel Termination - OK - Zone 1

Volume Option*	USOC	Month to Month	3 year	5 year	10 year
1	TUZPX	\$ 1,950.00	\$ 1,828.00	\$ 1,525.36	\$ 1,589.00
3	TUZPX	\$ 5,850.00	\$ 4,845.00	\$ 3,722.32	\$ 3,915.00
6	TUZPX	\$11,700.00	\$ 8,670.00	\$ 6,660.80	\$ 7,007.00
12	TUZPX	\$23,400.00	\$15,301.00	\$11,753.92	\$12,364.00

(11) Electrical Channel Termination - OK - Zone 2

Volume Option*	USOC	Month to Month	3 year	5 year	10 year
1	TUZPX	\$ 1,950.00	\$ 1,828.00	\$ 1,658.00	\$ 1,589.00
3	TUZPX	\$ 5,850.00	\$ 4,845.00	\$ 4,046.00	\$ 3,915.00
6	TUZPX	\$11,700.00	\$ 8,670.00	\$ 7,240.00	\$ 7,007.00
12	TUZPX	\$23,400.00	\$15,301.00	\$12,776.00	\$12,364.00

(12) Electrical Channel Termination - OK - Zone 3

Volume Option*	USOC	Month to Month	3 year	5 year	10 year
1	TUZPX	\$ 1,950.00	\$ 1,828.00	\$ 1,658.00	\$ 1,589.00
3	TUZPX	\$ 5,850.00	\$ 4,845.00	\$ 4,046.00	\$ 3,915.00
6	TUZPX	\$11,700.00	\$ 8,670.00	\$ 7,240.00	\$ 7,007.00
12	TUZPX	\$23,400.00	\$15,301.00	\$12,776.00	\$12,364.00

(N)

Rates contained in this transmittal are subject to subsequent adjustment, effective retrospectively back to the transmittal's original effective date, in the event the Commission or a court subsequently authorizes SWBT to correct its rates to allow it to calculate its price cap formulas to exclude USF contributions from the operation of the X-factor, or in the event of any other adjustment pursuant to an order of the Commission or a court.

Filed in compliance with FCC Order 98-106.

* Volume Option specifies the number of DS3s or DS3 equivalents

(This page filed under Transmittal No. 2705)

ACCESS SERVICE

20. MegaLink Custom Services (Cont'd)20.10 Billing Periods - Service Established Between January 1, 1998
and June 30, 1998 (Cont'd)20.10.1 Rates and Charges (Cont'd)(A) Channel Termination - Electrical - per Volume Option, per customer premises
(Cont'd)(13) Electrical Channel Termination - TX - Zone 1

<u>Volume Option*</u>	<u>USOC</u>	<u>Month to Month</u>	<u>3 year</u>	<u>5 year</u>	<u>10 year</u>
1	TUZPX	\$ 1,950.00	\$ 1,681.76	\$ 1,525.36	\$ 1,589.00
3	TUZPX	\$ 5,382.00	\$ 4,457.40	\$ 3,722.32	\$ 3,915.00
6	TUZPX	\$10,764.00	\$ 7,976.40	\$ 6,660.80	\$ 7,007.00
12	TUZPX	\$21,528.00	\$14,076.92	\$11,753.92	\$12,364.00

(14) Electrical Channel Termination - TX - Zone 2

<u>Volume Option*</u>	<u>USOC</u>	<u>Month to Month</u>	<u>3 year</u>	<u>5 year</u>	<u>10 year</u>
1	TUZPX	\$ 1,950.00	\$ 1,828.00	\$ 1,658.00	\$ 1,589.00
3	TUZPX	\$ 5,850.00	\$ 4,845.00	\$ 4,046.00	\$ 3,915.00
6	TUZPX	\$11,700.00	\$ 8,670.00	\$ 7,240.00	\$ 7,007.00
12	TUZPX	\$23,400.00	\$15,301.00	\$12,776.00	\$12,364.00

(15) Electrical Channel Termination - TX - Zone 3

<u>Volume Option*</u>	<u>USOC</u>	<u>Month to Month</u>	<u>3 year</u>	<u>5 year</u>	<u>10 year</u>
1	TUZPX	\$ 1,950.00	\$ 1,828.00	\$ 1,658.00	\$ 1,589.00
3	TUZPX	\$ 5,850.00	\$ 4,845.00	\$ 4,046.00	\$ 3,915.00
6	TUZPX	\$11,700.00	\$ 8,670.00	\$ 7,240.00	\$ 7,007.00
12	TUZPX	\$23,400.00	\$15,301.00	\$12,776.00	\$12,364.00

Rates contained in this transmittal are subject to subsequent adjustment, effective retrospectively back to the transmittal's original effective date, in the event the Commission or a court subsequently authorizes SWBT to correct its rates to allow it to calculate its price cap formulas to exclude USF contributions from the operation of the X-factor, or in the event of any other adjustment pursuant to an order of the Commission or a court.

Filed in compliance with FCC Order 90-106.

* Volume Option specifies the number of DS3s or DS3 equivalents.

(This page filed under Transmittal No. 2705)

Issued: June 16, 1998

Effective: July 1, 1998

Four AT&T Plaza, Dallas, Texas 75202

ACCESS SERVICE

20. MegaLink Custom Services (Cont'd)20.10 Billing Periods - Service Established Between January 1, 1998
and June 30, 1998 (Cont'd)20.10.1 Rates and Charges (Cont'd)(A) Channel Termination - Electrical - per Volume Option, per customer premises
(Cont'd)(16) Temp-DS3 Electrical Channel Termination - AR - Zone 1

<u>Volume Option*</u>	<u>USOC</u>	<u>Monthly</u>
1	TUZQX\$	2,262.50

(17) Temp-DS3 Electrical Channel Termination - AR - Zone 2

<u>Volume Option*</u>	<u>USOC</u>	<u>Monthly</u>
1	TUZQX\$	2,262.50

(18) Temp-DS3 Electrical Channel Termination - AR - Zone 3

<u>Volume Option*</u>	<u>USOC</u>	<u>Monthly</u>
1	TUZQX\$	2,262.50

(19) Temp-DS3 Electrical Channel Termination - KS - Zone 1

<u>Volume Option*</u>	<u>USOC</u>	<u>Monthly</u>
1	TUZQX\$	2,262.50

(20) Temp-DS3 Electrical Channel Termination - KS - Zone 2

<u>Volume Option*</u>	<u>USOC</u>	<u>Monthly</u>
1	TUZQX\$	2,262.50

(21) Temp-DS3 Electrical Channel Termination - KS - Zone 3

<u>Volume Option*</u>	<u>USOC</u>	<u>Monthly</u>
1	TUZQX\$	2,262.50

Rates contained in this transmittal are subject to subsequent adjustment, effective retrospectively back to the transmittal's original effective date, in the event the Commission or a court subsequently authorizes SWBT to correct its rates to allow it to calculate its price cap formulas to exclude USF contributions from the operation of the X-factor, or in the event of any other adjustment pursuant to an order of the Commission or a court.

Filed in compliance with FCC Order 98-106.

* Volume Option specifies the number of DS3s or DS3 equivalents

(This page filed under Transmittal No. 2705)

Issued: July 16, 1998

Effective: July 1, 1998

Four AT&T Plaza, Dallas, Texas 75202

(N)

ACCESS SERVICE

20. MegaLink Custom Services (Cont'd)

20.10 Billing Periods - Service Established Between January 1, 1998 and June 30, 1998 (Cont'd)

(N)

20.10.1 Rates and Charges (Cont'd)

(A) Channel Termination - Electrical - per Volume Option, per customer premises (Cont'd)

(22) Temp-DS3 Electrical Channel Termination - MO - Zone 1

<u>Volume Option*</u>	<u>USOC</u>	<u>Monthly</u>
1	TUZQX	\$ 2,262.50

(23) Temp-DS3 Electrical Channel Termination - MO - Zone 2

<u>Volume Option*</u>	<u>USOC</u>	<u>Monthly</u>
1	TUZQX	\$ 2,262.50

(24) Temp-DS3 Electrical Channel Termination - MO - Zone 3

<u>Volume Option*</u>	<u>USOC</u>	<u>Monthly</u>
1	TUZQX	\$ 2,262.50

(25) Temp-DS3 Electrical Channel Termination - OK - Zone 1

<u>Volume Option*</u>	<u>USOC</u>	<u>Monthly</u>
1	TUZQX	\$ 2,262.50

(26) Temp-DS3 Electrical Channel Termination - OK - Zone 2

<u>Volume Option*</u>	<u>USOC</u>	<u>Monthly</u>
1	TUZQX	\$ 2,262.50

(27) Temp-DS3 Electrical Channel Termination - OK - Zone 3

<u>Volume Option*</u>	<u>USOC</u>	<u>Monthly</u>
1	TUZQX	\$ 2,262.50

(N)

Rates contained in this transmittal are subject to subsequent adjustment, effective retrospectively back to the transmittal's original effective date, in the event the Commission or a court subsequently authorizes SWBT to correct its rates to allow it to calculate its price cap formulas to exclude USF contributions from the operation of the X-factor, or in the event of any other adjustment pursuant to an order of the Commission or a court.

Filed in compliance with FCC Order 98-106.

* Volume Option specifies the number of DS3s or DS3 equivalents.

(This page filed under Transmittal No. 2705)

Issued: June 16, 1998

Effective: July 1, 1998

Four AT&T Plaza, Dallas, Texas 75202

ACCESS SERVICE

20. MegaLink Custom Services (Cont'd)

20.10 Billing Periods - Service Established Between January 1, 1998 and June 30, 1998 (Cont'd)

(N)

20.10.1 Rates and Charges (Cont'd)

(A) Channel Termination - Electrical - per Volume Option, per customer premises (Cont'd)

(28) Temp-DS3 Electrical Channel Termination - TX - Zone 1

<u>Volume Option*</u>	<u>USOC</u>	<u>Monthly</u>
1	TUZQX	\$ 2,262.50

(29) Temp-DS3 Electrical Channel Termination - TX - Zone 2

<u>Volume Option*</u>	<u>USOC</u>	<u>Monthly</u>
1	TUZQX	\$ 2,262.50

(30) Temp-DS3 Electrical Channel Termination - TX - Zone 3

<u>Volume Option*</u>	<u>USOC</u>	<u>Monthly</u>
1	TUZQX	\$ 2,262.50

(N)

Rates contained in this transmittal are subject to subsequent adjustment, effective retrospectively back to the transmittal's original effective date, in the event the Commission or a court subsequently authorizes SWBT to correct its rates to allow it to calculate its price cap formulas to exclude USF contributions from the operation of the X-factor, or in the event of any other adjustment pursuant to an order of the Commission or a court.

Filed in compliance with FCC Order 98-106.

* Volume Option specifies the number of DS3s or DS3 equivalents.

(This page filed under Transmittal No. 2705)

Issued: June 16, 1998

Effective: July 1, 1998

Four AT&T Plaza, Dallas, Texas 75202

ACCESS SERVICE

20. MegaLink Custom Services (Cont'd)

20.10 Billing Periods - Service Established Between January 1, 1998 and June 30, 1998 (Cont'd)

(N)

20.10.1 Rates and Charges (Cont'd)

(B) Channel Termination - Optical - per Volume Option, per customer premises

(1) Optical Channel Termination - AR - Zone 1

<u>Volume Option*</u>	<u>USOC</u>	<u>Month to Month</u>	<u>3 year</u>	<u>5 year</u>	<u>10 year</u>
1	TKZPX	\$ 1,755.00	\$ 1,645.00	\$ 1,492.00	\$ 1,430.00
3	TKZPX	\$ 5,265.00	\$ 4,361.00	\$ 3,953.00	\$ 3,524.00
6	TKZPX	\$10,530.00	\$ 7,804.00	\$ 7,075.00	\$ 6,305.00
12	TKZPX	\$21,060.00	\$13,771.00	\$12,486.00	\$11,128.00

(2) Optical Channel Termination - AR - Zone 2

<u>Volume Option*</u>	<u>USOC</u>	<u>Month to Month</u>	<u>3 year</u>	<u>5 year</u>	<u>10 year</u>
1	TKZPX	\$ 1,755.00	\$ 1,645.00	\$ 1,492.00	\$ 1,430.00
3	TKZPX	\$ 5,265.00	\$ 4,361.00	\$ 3,953.00	\$ 3,524.00
6	TKZPX	\$10,530.00	\$ 7,804.00	\$ 7,075.00	\$ 6,305.00
12	TKZPX	\$21,060.00	\$13,771.00	\$12,486.00	\$11,128.00

(3) Optical Channel Termination - AR - Zone 3

<u>Volume Option*</u>	<u>USOC</u>	<u>Month to Month</u>	<u>3 year</u>	<u>5 year</u>	<u>10 year</u>
1	TKZPX	\$ 1,755.00	\$ 1,645.00	\$ 1,492.00	\$ 1,430.00
3	TKZPX	\$ 5,265.00	\$ 4,361.00	\$ 3,953.00	\$ 3,524.00
6	TKZPX	\$10,530.00	\$ 7,804.00	\$ 7,075.00	\$ 6,305.00
12	TKZPX	\$21,060.00	\$13,771.00	\$12,486.00	\$11,128.00

(N)

Rates contained in this transmittal are subject to subsequent adjustment, effective retrospectively back to the transmittal's original effective date, in the event the Commission or a court subsequently authorizes SWBT to correct its rates to allow it to calculate its price cap formulas to exclude USF contributions from the operation of the X-factor, or in the event of any other adjustment pursuant to an order of the Commission or a court.

Filed in compliance with FCC Order 98-106.

* Volume Option specifies the number of DS3s or DS3 equivalents.

(This page filed under Transmittal No. 2705)

ACCESS SERVICE

20. MegaLink Custom Services (Cont'd)

20.10 Billing Periods - Service Established Between January 1, 1998 and June 30, 1998 (Cont'd)

(N)

20.10.1 Rates and Charges (Cont'd)

(B) Channel Termination - Optical - per Volume Option, per customer premises (Cont'd)

(4) Optical Channel Termination - KS - Zone 1

<u>Volume Option*</u>	<u>USOC</u>	<u>Month to Month</u>	<u>3 year</u>	<u>5 year</u>	<u>10 year</u>
1	TKZPX	\$ 1,755.00	\$ 1,645.00	\$ 1,492.00	\$ 1,430.00
3	TKZPX	\$ 5,265.00	\$ 4,361.00	\$ 3,953.00	\$ 3,524.00
6	TKZPX	\$10,530.00	\$ 7,804.00	\$ 7,075.00	\$ 6,305.00
12	TKZPX	\$21,060.00	\$13,771.00	\$12,486.00	\$11,128.00

(5) Optical Channel Termination - KS - Zone 2

<u>Volume Option*</u>	<u>USOC</u>	<u>Month to Month</u>	<u>3 year</u>	<u>5 year</u>	<u>10 year</u>
1	TKZPX	\$ 1,755.00	\$ 1,645.00	\$ 1,492.00	\$ 1,430.00
3	TKZPX	\$ 5,265.00	\$ 4,361.00	\$ 3,953.00	\$ 3,524.00
6	TKZPX	\$10,530.00	\$ 7,804.00	\$ 7,075.00	\$ 6,305.00
12	TKZPX	\$21,060.00	\$13,771.00	\$12,486.00	\$11,128.00

(6) Optical Channel Termination - KS - Zone 3

<u>Volume Option*</u>	<u>USOC</u>	<u>Month to Month</u>	<u>3 year</u>	<u>5 year</u>	<u>10 year</u>
1	TKZPX	\$ 1,755.00	\$ 1,645.00	\$ 1,492.00	\$ 1,430.00
3	TKZPX	\$ 5,265.00	\$ 4,361.00	\$ 3,953.00	\$ 3,524.00
6	TKZPX	\$10,530.00	\$ 7,804.00	\$ 7,075.00	\$ 6,305.00
12	TKZPX	\$21,060.00	\$13,771.00	\$12,486.00	\$11,128.00

Rates contained in this transmittal are subject to subsequent adjustment, effective retrospectively back to the transmittal's original effective date, in the event the Commission or a court subsequently authorizes SWBT to correct its rates to allow it to calculate its price cap formulas to exclude USF contributions from the operation of the X-factor, or in the event of any other adjustment pursuant to an order of the Commission or a court.

Filed in compliance with FCC Order 98-106.

* Volume Option specifies the number of DS3s or DS3 equivalents.

(This page filed under Transmittal No. 2705)

Issued: June 16, 1998

Effective: July 1, 1998

Four AT&T Plaza, Dallas, Texas 75202

ACCESS SERVICE

20. MegaLink Custom Services (Cont'd)20.10 Billing Periods - Service Established Between January 1, 1998
and June 30, 1998 (Cont'd)

(N)

20.10.1 Rates and Charges (Cont'd)(B) Channel Termination - Optical - per Volume Option, per
customer premises (Cont'd)(7) Optical Channel Termination - MO - Zone 1

<u>Volume Option*</u>	<u>USOC</u>	<u>Month to Month</u>	<u>3 year</u>	<u>5 year</u>	<u>10 year</u>
1	TKZPX	\$ 1,755.00	\$ 1,645.00	\$ 1,492.00	\$ 1,430.00
3	TKZPX	\$ 5,265.00	\$ 4,361.00	\$ 3,953.00	\$ 3,524.00
6	TKZPX	\$10,530.00	\$ 7,804.00	\$ 7,075.00	\$ 6,305.00
12	TKZPX	\$21,060.00	\$13,771.00	\$12,486.00	\$11,128.00

(8) Optical Channel Termination - MO - Zone 2

<u>Volume Option*</u>	<u>USOC</u>	<u>Month to Month</u>	<u>3 year</u>	<u>5 year</u>	<u>10 year</u>
1	TKZPX	\$ 1,755.00	\$ 1,645.00	\$ 1,492.00	\$ 1,430.00
3	TKZPX	\$ 5,265.00	\$ 4,361.00	\$ 3,953.00	\$ 3,524.00
6	TKZPX	\$10,530.00	\$ 7,804.00	\$ 7,075.00	\$ 6,305.00
12	TKZPX	\$21,060.00	\$13,771.00	\$12,486.00	\$11,128.00

(9) Optical Channel Termination - MO - Zone 3

<u>Volume Option*</u>	<u>USOC</u>	<u>Month to Month</u>	<u>3 year</u>	<u>5 year</u>	<u>10 year</u>
1	TKZPX	\$ 1,755.00	\$ 1,645.00	\$ 1,492.00	\$ 1,430.00
3	TKZPX	\$ 5,265.00	\$ 4,361.00	\$ 3,953.00	\$ 3,524.00
6	TKZPX	\$10,530.00	\$ 7,804.00	\$ 7,075.00	\$ 6,305.00
12	TKZPX	\$21,060.00	\$13,771.00	\$12,486.00	\$11,128.00

Rates contained in this transmittal are subject to subsequent adjustment, effective retrospectively back to the transmittal's original effective date, in the event the Commission or a court subsequently authorizes SWBT to correct its rates to allow it to calculate its price cap formulas to exclude USF contributions from the operation of the X-factor, or in the event of any other adjustment pursuant to an order of the Commission or a court.

Filed in compliance with FCC Order 98-106.

* Volume Option specifies the number of DS3s or DS3 equivalents.

(This page filed under Transmittal No. 2705)

Issued: June 16, 1998

Effective: July 1, 1998

Four AT&T Plaza, Dallas, Texas 75202

ACCESS SERVICE

20. MegaLink Custom Services (Cont'd)20.10 Billing Periods - Service Established Between January 1, 1998
and June 30, 1998 (Cont'd)

(N)

20.10.1 Rates and Charges (Cont'd)(B) Channel Termination - Optical - per Volume Option, per
customer premises (Cont'd)(10) Optical Channel Termination - OK - Zone 1

<u>Volume Option*</u>	<u>USOC</u>	<u>Month to Month</u>	<u>3 year</u>	<u>5 year</u>	<u>10 year</u>
1	TKZPX	\$ 1,755.00	\$ 1,645.00	\$ 1,492.00	\$ 1,430.00
3	TKZPX	\$ 5,265.00	\$ 4,361.00	\$ 3,953.00	\$ 3,524.00
6	TKZPX	\$10,530.00	\$ 7,804.00	\$ 7,075.00	\$ 6,305.00
12	TKZPX	\$21,060.00	\$13,771.00	\$12,486.00	\$11,128.00

(11) Optical Channel Termination - OK - Zone 2

<u>Volume Option*</u>	<u>USOC</u>	<u>Month to Month</u>	<u>3 year</u>	<u>5 year</u>	<u>10 year</u>
1	TKZPX	\$ 1,755.00	\$ 1,645.00	\$ 1,492.00	\$ 1,430.00
3	TKZPX	\$ 5,265.00	\$ 4,361.00	\$ 3,953.00	\$ 3,524.00
6	TKZPX	\$10,530.00	\$ 7,804.00	\$ 7,075.00	\$ 6,305.00
12	TKZPX	\$21,060.00	\$13,771.00	\$12,486.00	\$11,128.00

(12) Optical Channel Termination - OK - Zone 3

<u>Volume Option*</u>	<u>USOC</u>	<u>Month to Month</u>	<u>3 year</u>	<u>5 year</u>	<u>10 year</u>
1	TKZPX	\$ 1,755.00	\$ 1,645.00	\$ 1,492.00	\$ 1,430.00
3	TKZPX	\$ 5,265.00	\$ 4,361.00	\$ 3,953.00	\$ 3,524.00
6	TKZPX	\$10,530.00	\$ 7,804.00	\$ 7,075.00	\$ 6,305.00
12	TKZPX	\$21,060.00	\$13,771.00	\$12,486.00	\$11,128.00

Rates contained in this transmittal are subject to subsequent adjustment, effective retrospectively back to the transmittal's original effective date, in the event the Commission or a court subsequently authorizes SWBT to correct its rates to allow it to calculate its price cap formulas to exclude USF contributions from the operation of the X-factor, or in the event of any other adjustment pursuant to an order of the Commission or a court.

Filed in compliance with FCC Order 98-106.

* Volume Option specifies the number of DS3s or DS3 equivalents.

(This page filed under Transmittal No. 2705)

Issued: June 16, 1998

Effective: July 1, 1998

Four AT&T Plaza, Dallas, Texas 75202

ACCESS SERVICE

20. MegaLink Custom Services (Cont'd)

20.10 Billing Periods - Service Established Between January 1, 1998 and June 30, 1998 (Cont'd)

(N)

20.10.1 Rates and Charges (Cont'd)

(B) Channel Termination - Optical - per Volume Option, per customer premises (Cont'd)

(13) Optical Channel Termination - TX - Zone 1

<u>Volume Option*</u>	<u>USOC</u>	<u>Month to Month</u>	<u>3 year</u>	<u>5 year</u>	<u>10 year</u>
1	TKZPX	\$ 1,755.00	\$ 1,645.00	\$ 1,492.00	\$ 1,430.00
3	TKZPX	\$ 5,265.00	\$ 4,361.00	\$ 3,953.00	\$ 3,524.00
6	TKZPX	\$10,530.00	\$ 7,804.00	\$ 7,075.00	\$ 6,305.00
12	TKZPX	\$21,060.00	\$13,771.00	\$12,486.00	\$11,128.00

(14) Optical Channel Termination - TX - Zone 2

<u>Volume Option*</u>	<u>USOC</u>	<u>Month to Month</u>	<u>3 year</u>	<u>5 year</u>	<u>10 year</u>
1	TKZPX	\$ 1,755.00	\$ 1,645.00	\$ 1,492.00	\$ 1,430.00
3	TKZPX	\$ 5,265.00	\$ 4,361.00	\$ 3,953.00	\$ 3,524.00
6	TKZPX	\$10,530.00	\$ 7,804.00	\$ 7,075.00	\$ 6,305.00
12	TKZPX	\$21,060.00	\$13,771.00	\$12,486.00	\$11,128.00

(15) Optical Channel Termination - TX - Zone 3

<u>Volume Option*</u>	<u>USOC</u>	<u>Month to Month</u>	<u>3 year</u>	<u>5 year</u>	<u>10 year</u>
1	TKZPX	\$ 1,755.00	\$ 1,645.00	\$ 1,492.00	\$ 1,430.00
3	TKZPX	\$ 5,265.00	\$ 4,361.00	\$ 3,953.00	\$ 3,524.00
6	TKZPX	\$10,530.00	\$ 7,804.00	\$ 7,075.00	\$ 6,305.00
12	TKZPX	\$21,060.00	\$13,771.00	\$12,486.00	\$11,128.00

(N)

Rates contained in this transmittal are subject to subsequent adjustment, effective retrospectively back to the transmittal's original effective date, in the event the Commission or a court subsequently authorizes SWBT to correct its rates to allow it to calculate its price cap formulas to exclude USF contributions from the operation of the X-factor, or in the event of any other adjustment pursuant to an order of the Commission or a court.

Filed in compliance with FCC Order 98-106.

* Volume Option specifies the number of DS3s or DS3 equivalents.

(This page filed under Transmittal No. 2705)

Issued: June 16, 1998

Effective: July 1, 1998

Four AT&T Plaza, Dallas, Texas 75202

ACCESS SERVICE

20. MegaLink Custom Services (Cont'd)

20.10 Billing Periods - Service Established Between January 1, 1998 and June 30, 1998 (Cont'd)

(N)

20.10.1 Rates and Charges (Cont'd)

(C) Interoffice Mileage - Fixed - Monthly Recurring Rates and Service Extension

(1) Interoffice Fixed - per DS3 or DS3 equivalent - AR - Zone 1

USOC	Month to			
	Month	3 year	5 year	10 year
10XHX/10XLX	\$815.00	\$764.00	\$693.00	\$634.00

(2) Interoffice Fixed - per DS3 or DS3 equivalent - AR - Zone 2

USOC	Month to			
	Month	3 year	5 year	10 year
10XHX/10XLX	\$815.00	\$764.00	\$693.00	\$634.00

(3) Interoffice Fixed - per DS3 or DS3 equivalent - AR - Zone 3

USOC	Month to			
	Month	3 year	5 year	10 year
10XHX/10XLX	\$815.00	\$764.00	\$693.00	\$634.00

(4) Interoffice Fixed - per DS3 or DS3 equivalent - KS - Zone 1

USOC	Month to			
	Month	3 year	5 year	10 year
10XHX/10XLX	\$815.00	\$764.00	\$693.00	\$634.00

(5) Interoffice Fixed - per DS3 or DS3 equivalent - KS - Zone 2

USOC	Month to			
	Month	3 year	5 year	10 year
10XHX/10XLX	\$815.00	\$764.00	\$693.00	\$634.00

(6) Interoffice Fixed - per DS3 or DS3 equivalent - KS - Zone 3

USOC	Month to			
	Month	3 year	5 year	10 year
10XHX/10XLX	\$815.00	\$764.00	\$693.00	\$634.00

(N)

Rates contained in this transmittal are subject to subsequent adjustment, effective retrospectively back to the transmittal's original effective date, in the event the Commission or a court subsequently authorizes SWBT to correct its rates to allow it to calculate its price cap formulas to exclude USF contributions from the operation of the X-factor, or in the event of any other adjustment pursuant to an order of the Commission or a court.

Filed in compliance with FCC Order 98-106.

(This page filed under Transmittal No. 2705)

Issued: June 16, 1998

Effective: July 1, 1998

Four AT&T Plaza, Dallas, Texas 75202

ACCESS SERVICE

20. MegaLink Custom Services (Cont'd)
 20.10 Billing Periods - Service Established Between January 1, 1998 and June 30, 1998 (Cont'd)
 20.10.1 Rates and Charges (Cont'd)

(N)

(C) Interoffice Mileage - Fixed - Monthly Recurring Rates and Service Extension (Cont'd)

(7) Interoffice Fixed - per DS3 or DS3 equivalent - MO - Zone 1

USOC	Month to			
	Month	3 year	5 year	10 year
10XHX/10XLX	\$815.00	\$764.00	\$693.00	\$634.00

(8) Interoffice Fixed - per DS3 or DS3 equivalent - MO - Zone 2

USOC	Month to			
	Month	3 year	5 year	10 year
10XHX/10XLX	\$815.00	\$764.00	\$693.00	\$634.00

(9) Interoffice Fixed - per DS3 or DS3 equivalent - MO - Zone 3

USOC	Month to			
	Month	3 year	5 year	10 year
10XHX/10XLX	\$815.00	\$764.00	\$693.00	\$634.00

(10) Interoffice Fixed - per DS3 or DS3 equivalent - OK - Zone 1

USOC	Month to			
	Month	3 year	5 year	10 year
10XHX/10XLX	\$815.00	\$764.00	\$693.00	\$634.00

(11) Interoffice Fixed - per DS3 or DS3 equivalent - OK - Zone 2

USOC	Month to			
	Month	3 year	5 year	10 year
10XHX/10XLX	\$815.00	\$764.00	\$693.00	\$634.00

(12) Interoffice Fixed - per DS3 or DS3 equivalent - OK - Zone 3

USOC	Month to			
	Month	3 year	5 year	10 year
10XHX/10XLX	\$815.00	\$764.00	\$693.00	\$634.00

(N)

Rates contained in this transmittal are subject to subsequent adjustment, effective retrospectively back to the transmittal's original effective date, in the event the Commission or a court subsequently authorizes SWBT to correct its rates to allow it to calculate its price cap formulas to exclude USF contributions from the operation of the X-factor, or in the event of any other adjustment pursuant to an order of the Commission or a court.

(This page filed under Transmittal No. 2705)

Issued: July 16, 1998

Effective: July 1, 1998

Four AT&T Plaza, Dallas, Texas 75202

ACCESS SERVICE

20. MegaLink Custom Services (Cont'd)

20.10 Billing Periods - Service Established Between January 1, 1998 and June 30, 1998 (Cont'd)

(N)

20.10.1 Rates and Charges (Cont'd)

(C) Interoffice Mileage - Fixed - Monthly Recurring Rates and Service Extension (Cont'd)

(13) Interoffice Fixed - per DS3 or DS3 equivalent - TX - Zone 1

USOC	Month to			
	Month	3 year	5 year	10 year
10XHX/10XLX	\$815.00	\$764.00	\$693.00	\$634.00

(14) Interoffice Fixed - per DS3 or DS3 equivalent - TX - Zone 2

USOC	Month to			
	Month	3 year	5 year	10 year
10XHX/10XLX	\$815.00	\$764.00	\$693.00	\$634.00

(15) Interoffice Fixed - per DS3 or DS3 equivalent - TX - Zone 3

USOC	Month to			
	Month	3 year	5 year	10 year
10XHX/10XLX	\$815.00	\$764.00	\$693.00	\$634.00

Rates contained in this transmittal are subject to subsequent adjustment, effective retrospectively back to the transmittal's original effective date, in the event the Commission or a court subsequently authorizes SWBT to correct its rates to allow it to calculate its price cap formulas to exclude USF contributions from the operation of the X-factor, or in the event of any other adjustment pursuant to an order of the Commission or a court.

Filed in compliance with FCC Order 98-106.

(This page filed under Transmittal No. 2705)

Issued: June 16, 1998

Effective: July 1, 1998

Four AT&T Plaza, Dallas, Texas 75202

ACCESS SERVICE

20. MegaLink Custom Services (Cont'd)20.10 Billing Periods - Service Established Between January 1, 1998
and June 30, 1998 (Cont'd)20.10.1 Rates and Charges (Cont'd)(C) Interoffice Mileage - Fixed - Monthly Recurring Rates
and Service Extension (Cont'd)(16) Temp-DS3 - Interoffice Fixed - per Temp DS3 - AR -
Zone 1USOC Monthly

10XGX \$815.00

(17) Temp-DS3 - Interoffice Fixed - per Temp DS3 - AR -
Zone 2USOC Monthly

10XGX \$815.00

(18) Temp-DS3 - Interoffice Fixed - per Temp DS3 - AR -
Zone 3USOC Monthly

10XGX \$815.00

(19) Temp-DS3 - Interoffice Fixed - per Temp DS3 - KS -
Zone 1USOC Monthly

10XGX \$815.00

(20) Temp-DS3 - Interoffice Fixed - per Temp DS3 - KS -
Zone 2USOC Monthly

10XGX \$815.00

(21) Temp-DS3 - Interoffice Fixed - per Temp DS3 - KS -
Zone 3USOC Monthly

10XGX \$815.00

Rates contained in this transmittal are subject to subsequent adjustment, effective retrospectively back to the transmittal's original effective date, in the event the Commission or a court subsequently authorizes SWBT to correct its rates to allow it to calculate its price cap formulas to exclude USF contributions from the operation of the X-factor, or in the event of any other adjustment pursuant to an order of the Commission or a court.

Filed in compliance with FCC Order 98-106.

(This page filed under Transmittal No. 2705)

Issued: June 16, 1998

Effective: July 1, 1998

Four AT&T Plaza, Dallas, Texas 75202

(N)

(N)

ACCESS SERVICE

20. MegaLink Custom Services (Cont'd)20.10 Billing Periods - Service Established Between January 1, 1998
and June 30, 1998 (Cont'd)20.10.1 Rates and Charges (Cont'd)(C) Interoffice Mileage - Fixed - Monthly Recurring Rates
and Service Extension (Cont'd)(22) Temp-DS3 - Interoffice Fixed - per Temp DS3 - MO -
Zone 1USOC Monthly

10XGX \$815.00

(23) Temp-DS3 - Interoffice Fixed - per Temp DS3 - MO -
Zone 2USOC Monthly

10XGX \$815.00

(24) Temp-DS3 - Interoffice Fixed - per Temp DS3 - MO -
Zone 3USOC Monthly

10XGX \$815.00

(25) Temp-DS3 - Interoffice Fixed - per Temp DS3 - OK -
Zone 1USOC Monthly

10XGX \$815.00

(26) Temp-DS3 - Interoffice Fixed - per Temp DS3 - OK -
Zone 2USOC Monthly

10XGX \$815.00

(27) Temp-DS3 - Interoffice Fixed - per Temp DS3 - OK -
Zone 3USOC Monthly

10XGX \$815.00

Rates contained in this transmittal are subject to subsequent adjustment, effective retrospectively back to the transmittal's original effective date, in the event the Commission or a court subsequently authorizes SWBT to correct its rates to allow it to calculate its price cap formulas to exclude USF contributions from the operation of the X-factor, or in the event of any other adjustment pursuant to an order of the Commission or a court.

Filed in compliance with FCC Order 98-106.

(This page filed under Transmittal No. 2705)

Issued: July 16, 1998

Effective: July 1, 1998

Four AT&T Plaza, Dallas, Texas 75202

(N)

(N)

ACCESS SERVICE

20. MegaLink Custom Services (Cont'd)20.10 Billing Periods - Service Established Between January 1, 1998
and June 30, 1998 (Cont'd)20.10.1 Rates and Charges (Cont'd)(C) Interoffice Mileage - Fixed - Monthly Recurring Rates
and Service Extension (Cont'd)(28) Temp-DS3 - Interoffice Fixed - per Temp DS3 - TX -
Zone 1USOC Monthly

10XGX \$815.00

(29) Temp-DS3 - Interoffice Fixed - per Temp DS3 - TX -
Zone 2USOC Monthly

10XGX \$815.00

(30) Temp-DS3 - Interoffice Fixed - per Temp DS3 - TX -
Zone 3USOC Monthly

10XGX \$815.00

(N)

(N)

Rates contained in this transmittal are subject to subsequent adjustment, effective retrospectively back to the transmittal's original effective date, in the event the Commission or a court subsequently authorizes SWBT to correct its rates to allow it to calculate its price cap formulas to exclude USF contributions from the operation of the X-factor, or in the event of any other adjustment pursuant to an order of the Commission or a court.

Filed in compliance with F.C.C. Order 98-106.

(This page filed under Transmittal No. 2705)

Issued: June 16, 1998

Effective: July 1, 1998

Four AT&T Plaza, Dallas, Texas 75202

ACCESS SERVICE

20. MegaLink Custom Services (Cont'd)20.10 Billing Periods - Service Established Between January 1, 1998 and June 30, 1998 (Cont'd)20.10.1 Rates and Charges (Cont'd)(D) Interoffice Mileage - Per Mile - Monthly Recurring Rates and Service Extension(1) Per Mile - per Volume Option, per Mile - AR - Zone 1

<u>Volume Option*</u>	<u>USOC</u>	<u>Month to Month</u>	<u>3 year</u>	<u>5 year</u>	<u>10 year</u>
1	1J5HS/1HXLS	\$118.00	\$ 85.00	\$ 75.00	\$ 71.00
3	1J5HS/1HXLS	\$165.00	\$119.00	\$106.00	\$ 99.00
6	1J5HS/1HXLS	\$236.00	\$171.00	\$151.00	\$142.00
12	1J5HS/1HXLS	\$330.00	\$239.00	\$211.00	\$198.00

(2) Per Mile - per Volume Option, per Mile - AR - Zone 2

<u>Volume Option*</u>	<u>USOC</u>	<u>Month to Month</u>	<u>3 year</u>	<u>5 year</u>	<u>10 year</u>
1	1J5HS/1HXLS	\$118.00	\$ 72.25	\$ 63.75	\$ 60.35
3	1J5HS/1HXLS	\$165.00	\$101.15	\$ 90.10	\$ 84.15
6	1J5HS/1HXLS	\$236.00	\$145.35	\$128.35	\$120.70
12	1J5HS/1HXLS	\$330.00	\$203.15	\$179.35	\$168.30

(3) Per Mile - per Volume Option, per Mile - AR - Zone 3

<u>Volume Option*</u>	<u>USOC</u>	<u>Month to Month</u>	<u>3 year</u>	<u>5 year</u>	<u>10 year</u>
1	1J5HS/1HXLS	\$118.00	\$ 77.35	\$ 68.25	\$ 64.61
3	1J5HS/1HXLS	\$165.00	\$108.29	\$ 96.46	\$ 90.09
6	1J5HS/1HXLS	\$236.00	\$155.61	\$137.41	\$129.22
12	1J5HS/1HXLS	\$330.00	\$217.49	\$192.01	\$168.30

Rates contained in this transmittal are subject to subsequent adjustment, effective retrospectively back to the transmittal's original effective date, in the event the Commission or a court subsequently authorizes SWBT to correct its rates to allow it to calculate its price cap formulas to exclude USF contributions from the operation of the X-factor, or in the event of any other adjustment pursuant to an order of the Commission or a court.

Filed in compliance with FCC Order 98-106.

* Volume Option specifies the number of DS3s or DS3 equivalents.

(This page filed under Transmittal No. 2705)

Issued: June 16, 1998

Effective: July 1, 1998

Four AT&T Plaza, Dallas, Texas 75202

(N)

(N)

ACCESS SERVICE

20. MegaLink Custom Services (Cont'd)

20.10 Billing Periods - Service Established Between January 1, 1998 and June 30, 1998 (Cont'd)

20.10.1 Rates and Charges (Cont'd)

(D) Interoffice Mileage - Per Mile - Monthly Recurring Rates and Service Extension (Cont'd)

(4) Per Mile - per Volume Option, per Mile - KS - Zone 1

Volume Option*	USOC	Month to Month	3 year	5 year	10 year
1	1J5HS/1HXLS	\$118.00	\$ 85.00	\$75.00	\$ 71.00
3	1J5HS/1HXLS	\$165.00	\$119.00	\$106.00	\$ 99.00
6	1J5HS/1HXLS	\$236.00	\$171.00	\$151.00	\$142.00
12	1J5HS/1HXLS	\$330.00	\$239.00	\$211.00	\$198.00

(5) Per Mile - per Volume Option, per Mile - KS - Zone 2

Volume Option*	USOC	Month to Month	3 year	5 year	10 year
1	1J5HS/1HXLS	\$118.00	\$ 72.25	\$ 63.75	\$ 60.35
3	1J5HS/1HXLS	\$165.00	\$101.15	\$ 90.10	\$ 84.15
6	1J5HS/1HXLS	\$236.00	\$145.35	\$128.35	\$120.70
12	1J5HS/1HXLS	\$330.00	\$203.15	\$179.35	\$168.30

(6) Per Mile - per Volume Option, per Mile - KS - Zone 3

Volume Option*	USOC	Month to Month	3 year	5 year	10 year
1	1J5HS/1HXLS	\$118.00	\$ 77.35	\$ 68.25	\$ 64.61
3	1J5HS/1HXLS	\$165.00	\$108.29	\$ 96.46	\$ 90.09
6	1J5HS/1HXLS	\$236.00	\$155.61	\$137.41	\$129.22
12	1J5HS/1HXLS	\$330.00	\$217.49	\$192.01	\$180.18

(N)

(N)

Rates contained in this transmittal are subject to subsequent adjustment, effective retrospectively back to the transmittal's original effective date, in the event the Commission or a court subsequently authorizes SWBT to correct its rates to allow it to calculate its price cap formulas to exclude USF contributions from the operation of the X-factor, or in the event of any other adjustment pursuant to an order of the Commission or a court.

Filed in compliance with FCC Order 98-106.

* Volume Option specifies the number of DS3s or DS3 equivalents.

(This page filed under Transmittal No. 2705)

Issued: June 16, 1998

Effective: July 1, 1998

Four AT&T Plaza, Dallas, Texas 75202

ACCESS SERVICE

20. MegaLink Custom Services (Cont'd)20.10 Billing Periods - Service Established Between January 1, 1998 and June 30, 1998 (Cont'd)20.10.1 Rates and Charges (Cont'd)(D) Interoffice Mileage - Per Mile - Monthly Recurring Rates and Service Extension (Cont'd)(7) Per Mile - per Volume Option, per Mile - MO - Zone 1

<u>Volume Option*</u>	<u>USOC</u>	<u>Month to Month</u>	<u>3 year</u>	<u>5 year</u>	<u>10 year</u>
1	1J5HS/1HXLS	\$118.00	\$ 75.00	\$ 75.00	\$ 71.00
3	1J5HS/1HXLS	\$165.00	\$112.00	\$106.00	\$ 99.00
6	1J5HS/1HXLS	\$236.00	\$161.00	\$151.00	\$142.00
12	1J5HS/1HXLS	\$330.00	\$225.00	\$211.00	\$198.00

(8) Per Mile - per Volume Option, per Mile - MO - Zone 2

<u>Volume Option*</u>	<u>USOC</u>	<u>Month to Month</u>	<u>3 year</u>	<u>5 year</u>	<u>10 year</u>
1	1J5HS/1HXLS	\$100.30	\$ 68.00	\$ 63.75	\$ 60.35
3	1J5HS/1HXLS	\$140.25	\$ 95.20	\$ 90.10	\$ 84.15
6	1J5HS/1HXLS	\$200.60	\$136.85	\$128.35	\$120.70
12	1J5HS/1HXLS	\$280.50	\$191.25	\$179.35	\$168.30

(9) Per Mile - per Volume Option, per Mile - MO - Zone 3

<u>Volume Option*</u>	<u>USOC</u>	<u>Month to Month</u>	<u>3 year</u>	<u>5 year</u>	<u>10 year</u>
1	1J5HS/1HXLS	\$118.00	\$ 77.35	\$ 68.25	\$ 64.61
3	1J5HS/1HXLS	\$165.00	\$108.29	\$ 96.46	\$ 90.09
6	1J5HS/1HXLS	\$236.00	\$155.61	\$137.41	\$129.22
12	1J5HS/1HXLS	\$330.00	\$217.49	\$192.01	\$180.18

Rates contained in this transmittal are subject to subsequent adjustment, effective retrospectively back to the transmittal's original effective date, in the event the Commission or a court subsequently authorizes SWBT to correct its rates to allow it to calculate its price cap formulas to exclude USF contributions from the operation of the X-factor, or in the event of any other adjustment pursuant to an order of the Commission or a court.

Filed in compliance with FCC Order 98-106.

* Volume Option specifies the number of DS3s or DS3 equivalents.

(This page filed under Transmittal No. 2705)

Issued: June 16, 1998

Effective: July 1, 1998

Four AT&T Plaza, Dallas, Texas 75202

ACCESS SERVICE

20. MegaLink Custom Services (Cont'd)

20.10 Billing Periods - Service Established Between January 1, 1998 and June 30, 1998 (Cont'd)

20.10.1 Rates and Charges (Cont'd)

(D) Interoffice Mileage - Per Mile - Monthly Recurring Rates and Service Extension (Cont'd)

(10) Per Mile - per Volume Option, per Mile - OK - Zone 1

<u>Volume Option*</u>	<u>USOC</u>	<u>Month to Month</u>	<u>3 year</u>	<u>5 year</u>	<u>10 year</u>
1	1J5HS/1HXLs	\$118.00	\$ 80.00	\$ 75.00	\$ 71.00
3	1J5HS/1HXLs	\$165.00	\$119.00	\$106.00	\$ 99.00
6	1J5HS/1HXLs	\$236.00	\$171.00	\$151.00	\$142.00
12	1J5HS/1HXLs	\$330.00	\$239.00	\$211.00	\$198.00

(11) Per Mile - per Volume Option, per Mile - OK - Zone 2

<u>Volume Option*</u>	<u>USOC</u>	<u>Month to Month</u>	<u>3 year</u>	<u>5 year</u>	<u>10 year</u>
1	1J5HS/1HXLs	\$118.00	\$ 72.25	\$ 63.75	\$ 60.35
3	1J5HS/1HXLs	\$165.00	\$101.15	\$ 90.10	\$ 84.15
6	1J5HS/1HXLs	\$236.00	\$145.35	\$128.35	\$120.70
12	1J5HS/1HXLs	\$330.00	\$203.15	\$179.35	\$168.30

(12) Per Mile - per Volume Option, per Mile - OK - Zone 3

<u>Volume Option*</u>	<u>USOC</u>	<u>Month to Month</u>	<u>3 year</u>	<u>5 year</u>	<u>10 year</u>
1	1J5HS/1HXLs	\$118.00	\$ 77.35	\$ 68.25	\$ 64.61
3	1J5HS/1HXLs	\$165.00	\$108.29	\$ 96.46	\$ 90.09
6	1J5HS/1HXLs	\$236.00	\$155.61	\$137.41	\$129.22
12	1J5HS/1HXLs	\$330.00	\$217.49\$	\$192.01	\$180.18

(N)

(N)

Rates contained in this transmittal are subject to subsequent adjustment, effective retrospectively back to the transmittal's original effective date, in the event the Commission or a court subsequently authorizes SWBT to correct its rates to allow it to calculate its price cap formulas to exclude USF contributions from the operation of the X-factor, or in the event of any other adjustment pursuant to an order of the Commission or a court.

Filed in compliance with FCC Order 98-106.

* Volume Option specifies the number of DS3s or DS3 equivalents.

(This page filed under Transmittal No. 2705)

Issued: June 16, 1998

Effective: July 1, 1998

Four AT&T Plaza, Dallas, Texas 75202

ACCESS SERVICE

20. MegaLink Custom Services (Cont'd)20.10 Billing Periods - Service Established Between January 1, 1998 and June 30, 1998 (Cont'd)20.10.1 Rates and Charges (Cont'd)(D) Interoffice Mileage - Per Mile - Monthly Recurring Rates and Service Extension (Cont'd)(13) Per Mile - per Volume Option, per Mile - TX - Zone 1

<u>Volume Option*</u>	<u>USOC</u>	<u>Month to Month</u>	<u>3 year</u>	<u>5 year</u>	<u>10 year</u>
1	1J5HS/1HXL	\$108.56	\$ 73.60	\$ 69.00	\$ 65.32
3	1J5HS/1HXL	\$165.00 (Iy)	\$103.04	\$ 97.52	\$ 91.08
6	1J5HS/1HXL	\$236.00 (Iy)	\$148.12	\$138.92	\$130.64
12	1J5HS/1HXL	\$330.00 (Iy)	\$207.00	\$194.12	\$182.16

(14) Per Mile - per Volume Option, per Mile - TX - Zone 2

<u>Volume Option*</u>	<u>USOC</u>	<u>Month to Month</u>	<u>3 year</u>	<u>5 year</u>	<u>10 year</u>
1	1J5HS/1HXL	\$118.00 (Iy)	\$ 80.00 (Iy)	\$60.00	\$ 56.80
3	1J5HS/1HXL	\$165.00 (Iy)	\$ 89.60	\$ 84.80	\$ 79.20
6	1J5HS/1HXL	\$236.00 (Iy)	\$128.80	\$120.80	\$113.60
12	1J5HS/1HXL	\$330.00 (Iy)	\$180.00	\$168.80	\$158.40

(15) Per Mile - per Volume Option, per Mile - TX - Zone 3

<u>Volume Option*</u>	<u>USOC</u>	<u>Month to Month</u>	<u>3 year</u>	<u>5 year</u>	<u>10 year</u>
1	1J5HS/1HXL	\$118.00 (Iy)	\$ 85.00 (Iy)	\$56.25	\$ 53.25
3	1J5HS/1HXL	\$165.00 (Iy)	\$ 89.25	\$ 79.50	\$ 74.25
6	1J5HS/1HXL	\$236.00 (Iy)	\$128.25	\$113.25	\$106.50
12	1J5HS/1HXL	\$330.00 (Iy)	\$179.25	\$158.25	\$148.50

- x Reissued material is scheduled to become effective July 1, 1998.
y Material issued under authority of Special Permission No. 98-144 of the F.C.C.

Rates contained in this transmittal are subject to subsequent adjustment, effective retrospectively back to the transmittal's original effective date, in the event the Commission or a court subsequently authorizes SWBT to correct its rates to allow it to calculate its price cap formulas to exclude USF contributions from the operation of the X-factor, or in the event of any other adjustment pursuant to an order of the Commission or a court.

* Volume Option specifies the number of DS3s or DS3 equivalents.

(This page filed under Transmittal No. 2708)

Issued: June 30, 1998

Effective: July 1, 1998

Four AT&T Plaza, Dallas, Texas 75202

(Sx)

(Sx)

ACCESS SERVICE

20. MegaLink Custom Services (Cont'd)

20.10 Billing Periods - Service Established Between January 1, 1998 and June 30, 1998 (Cont'd)

20.10.1 Rates and Charges (Cont'd)

(D) Interoffice Mileage - Per Mile - Monthly Recurring Rates and Service Extension (Cont'd)

		(16) <u>Temp-DS3 - Per Mile - per Temp-DS3, per mile - AR -</u>
<u>Zone 1</u>		
	<u>Volume Option*</u>	<u>USOC Monthly</u>
	1	1A8GS \$118.00
		(17) <u>Temp-DS3 - Per Mile - per Temp-DS3, per mile - AR -</u>
<u>Zone 2</u>		
	<u>Volume Option*</u>	<u>USOC Monthly</u>
	1	1A8GS \$118.00
		(18) <u>Temp-DS3 - Per Mile - per Temp-DS3, per mile - AR -</u>
<u>Zone 3</u>		
	<u>Volume Option*</u>	<u>USOC Monthly</u>
	1	1A8GS \$118.00
		(19) <u>Temp-DS3 - Per Mile - per Temp-DS3, per mile - KS -</u>
<u>Zone 1</u>		
	<u>Volume Option*</u>	<u>USOC Monthly</u>
	1	1A8GS \$118.00
		(20) <u>Temp-DS3 - Per Mile - per Temp-DS3, per mile - KS -</u>
<u>Zone 2</u>		
	<u>Volume Option*</u>	<u>USOC Monthly</u>
	1	1A8GS \$118.00
		(21) <u>Temp-DS3 - Per Mile - per Temp-DS3, per mile - KS -</u>
<u>Zone 3</u>		
	<u>Volume Option*</u>	<u>USOC Monthly</u>
	1	1A8GS \$118.00

(N)

(N)

Rates contained in this transmittal are subject to subsequent adjustment, effective retrospectively back to the transmittal's original effective date, in the event the Commission or a court subsequently authorizes SWBT to correct its rates to allow it to calculate its price cap formulas to exclude USF contributions from the operation of the X-factor, or in the event of any other adjustment pursuant to an order of the Commission or a court.

Filed in compliance with FCC Order 98-106.

* Volume Option specifies the number of DS3s or DS3 equivalents.

(This page filed under Transmittal No. 2705)

ACCESS SERVICE

20. MegaLink Custom Services (Cont'd)20.10 Billing Periods - Service Established Between January 1, 1998 and June 30, 1998 (Cont'd)

(N)

20.10.1 Rates and Charges (Cont'd)(D) Interoffice Mileage - Per Mile - Monthly Recurring Rates and Service Extension (Cont'd)

		(22) <u>Temp-DS3 - Per Mile - per Temp-DS3, per mile - MO -</u>
<u>Zone 1</u>		
	<u>Volume Option*</u>	<u>USOC Monthly</u>
	1	1A8GS \$118.00
		(23) <u>Temp-DS3 - Per Mile - per Temp-DS3, per mile - MO -</u>
<u>Zone 2</u>		
	<u>Volume Option*</u>	<u>USOC Monthly</u>
	1	1A8GS \$118.00
		(24) <u>Temp-DS3 - Per Mile - per Temp-DS3, per mile - MO -</u>
<u>Zone 3</u>		
	<u>Volume Option*</u>	<u>USOC Monthly</u>
	1	1A8GS \$118.00
		(25) <u>Temp-DS3 - Per Mile - per Temp-DS3, per mile - OK -</u>
<u>Zone 1</u>		
	<u>Volume Option*</u>	<u>USOC Monthly</u>
	1	1A8GS \$118.00
		(26) <u>Temp-DS3 - Per Mile - per Temp-DS3, per mile - OK -</u>
<u>Zone 2</u>		
	<u>Volume Option*</u>	<u>USOC Monthly</u>
	1	1A8GS \$118.00
		(27) <u>Temp-DS3 - Per Mile - per Temp-DS3, per mile - OK -</u>
<u>Zone 3</u>		
	<u>Volume Option*</u>	<u>USOC Monthly</u>
	1	1A8GS \$118.00

Rates contained in this transmittal are subject to subsequent adjustment, effective retrospectively back to the transmittal's original effective date, in the event the Commission or a court subsequently authorizes SWBT to correct its rates to allow it to calculate its price cap formulas to exclude USF contributions from the operation of the X-factor, or in the event of any other adjustment pursuant to an order of the Commission or a court.

Filed in compliance with FCC Order 98-106.

* Volume Option specifies the number of DS3s or DS3 equivalents.

(This page filed under Transmittal No. 2705)

Issued: June 16, 1998

Effective: July 1, 1998

Four AT&T Plaza, Dallas, Texas 75202

ACCESS SERVICE

20. MegaLink Custom Services (Cont'd)

20.10 Billing Periods - Service Established Between January 1, 1998 and June 30, 1998 (Cont'd)

(N)

20.10.1 Rates and Charges (Cont'd)

(D) Interoffice Mileage - Per Mile - Monthly Recurring Rates and Service Extension (Cont'd)

(28) Temp-DS3 - Per Mile - per Temp-DS3, per mile - TX - Zone 1

<u>Volume Option*</u>	<u>USOC Monthly</u>	
1	1A8GS	\$118.00

Zone 2

(29) Temp-DS3 - Per Mile - per Temp-DS3, per mile - TX -

<u>Volume Option*</u>	<u>USOC Monthly</u>	
1	1A8GS	\$118.00

Zone 3

(30) Temp-DS3 - Per Mile - per Temp-DS3, per mile - TX -

<u>Volume Option*</u>	<u>USOC Monthly</u>	
1	1A8GS	\$118.00

(N)

Rates contained in this transmittal are subject to subsequent adjustment, effective retrospectively back to the transmittal's original effective date, in the event the Commission or a court subsequently authorizes SWBT to correct its rates to allow it to calculate its price cap formulas to exclude USF contributions from the operation of the X-factor, or in the event of any other adjustment pursuant to an order of the Commission or a court.

Filed in compliance with FCC Order 98-106.

* Volume Option specifies the number of DS3s or DS3 equivalents.

(This page filed under Transmittal No. 2705)

Issued: June 16, 1998

Effective: July 1, 1998

Four AT&T Plaza, Dallas, Texas 75202

ACCESS SERVICE

20. MegaLink Custom Services (Cont'd)

20.10 Billing Periods - Service Established Between January 1, 1998 and June 30, 1998 (Cont'd)

(N)

20.10.1 Rates and Charges (Cont'd)

(E) Installation Charge - Per DS3 or DS3 Equivalent, per customer designated premises on the same Access Order

(1) Installation Charge - AR - Zone 1

	USOC	Month to Month	3 year	5 year	10 year
First	NRBSE	\$605.00	\$303.00	\$ 0.00	\$ 0.00
Additional	NRBSE	\$496.00	\$248.00	\$ 0.00	\$ 0.00

(2) Installation Charge - AR - Zone 2

	USOC	Month to Month	3 year	5 year	10 year
First	NRBSE	\$605.00	\$303.00	\$ 0.00	\$ 0.00
Additional	NRBSE	\$496.00	\$248.00	\$ 0.00	\$ 0.00

(3) Installation Charge - AR - Zone 3

	USOC	Month to Month	3 year	5 year	10 year
First	NRBSE	\$605.00	\$303.00	\$ 0.00	\$ 0.00
Additional	NRBSE	\$496.00	\$248.00	\$ 0.00	\$ 0.00

(N)

Rates contained in this transmittal are subject to subsequent adjustment, effective retrospectively back to the transmittal's original effective date, in the event the Commission or a court subsequently authorizes SWBT to correct its rates to allow it to calculate its price cap formulas to exclude USF contributions from the operation of the X-factor, or in the event of any other adjustment pursuant to an order of the Commission or a court.

Filed in compliance with FCC Order 98-106.

(This page filed under Transmittal No. 2705)

Issued: June 16, 1998

Effective: July 1, 1998

Four AT&T Plaza, Dallas, Texas 75202

ACCESS SERVICE

20. MegaLink Custom Services (Cont'd)

20.10 Billing Periods - Service Established Between January 1, 1998 and June 30, 1998 (Cont'd)

20.10.1 Rates and Charges (Cont'd)

(E) Installation Charge - Per DS3 or DS3 Equivalent, per customer designated premises on the same Access Order (Cont'd)

(4) Installation Charge - KS - Zone 1

	USOC	Month to Month	3 year	5 year	10 year
First	NRBSE	\$605.00	\$303.00	\$303.00	\$ 0.00
Additional	NRBSE	\$496.00	\$248.00	\$ 0.00	\$ 0.00

(5) Installation Charge - KS - Zone 2

	USOC	Month to Month	3 year	5 year	10 year
First	NRBSE	\$605.00	\$303.00	\$ 0.00	\$ 0.00
Additional	NRBSE	\$496.00	\$248.00	\$ 0.00	\$ 0.00

(6) Installation Charge - KS - Zone 3

	USOC	Month to Month	3 year	5 year	10 year
First	NRBSE	\$605.00	\$303.00	\$ 0.00	\$ 0.00
Additional	NRBSE	\$496.00	\$248.00	\$ 0.00	\$ 0.00

(7) Installation Charge - MO - Zone 1

	USOC	Month to Month	3 year	5 year	10 year
First	NRBSE	\$605.00	\$303.00	\$ 0.00	\$ 0.00
Additional	NRBSE	\$496.00	\$248.00	\$ 0.00	\$ 0.00

(8) Installation Charge - MO - Zone 2

	USOC	Month to Month	3 year	5 year	10 year
First	NRBSE	\$605.00	\$303.00	\$ 0.00	\$ 0.00
Additional	NRBSE	\$496.00	\$248.00	\$ 0.00	\$ 0.00

(9) Installation Charge - MO - Zone 3

	USOC	Month to Month	3 year	5 year	10 year
First	NRBSE	\$605.00	\$303.00	\$ 0.00	\$ 0.00
Additional	NRBSE	\$496.00	\$248.00	\$ 0.00	\$ 0.00

(N)

Rates contained in this transmittal are subject to subsequent adjustment, effective retrospectively back to the transmittal's original effective date, in the event the Commission or a court subsequently authorizes SWBT to correct its rates to allow it to calculate its price cap formulas to exclude USF contributions from the operation of the X-factor, or in the event of any other adjustment pursuant to an order of the Commission or a court.

(This page filed under Transmittal No. 2705)

Issued: June 16, 1998

Effective: July 1, 1998

Four AT&T Plaza, Dallas, Texas 75202

ACCESS SERVICE

20. MegaLink Custom Services (Cont'd)

20.10 Billing Periods - Service Established Between January 1, 1998 and June 30, 1998 (Cont'd)

(N)

20.10.1 Rates and Charges (Cont'd)

(E) Installation Charge - Per DS3 or DS3 Equivalent, per customer designated premises on the same Access Order
(Cont'd)

(10) Installation Charge - OK - Zone 1

	USOC	Month to			
		Month	3 year	5 year	10 year
First	NRBSE	\$605.00	\$303.00	\$ 0.00	\$ 0.00
Additional	NRBSE	\$496.00	\$248.00	\$ 0.00	\$ 0.00

(11) Installation Charge - OK - Zone 2

	USOC	Month to			
		Month	3 year	5 year	10 year
First	NRBSE	\$605.00	\$303.00	\$ 0.00	\$ 0.00
Additional	NRBSE	\$496.00	\$248.00	\$ 0.00	\$ 0.00

(12) Installation Charge - OK - Zone 3

	USOC	Month to			
		Month	3 year	5 year	10 year
First	NRBSE	\$605.00	\$303.00	\$ 0.00	\$ 0.00
Additional	NRBSE	\$496.00	\$248.00	\$ 0.00	\$ 0.00

Rates contained in this transmittal are subject to subsequent adjustment, effective retrospectively back to the transmittal's original effective date, in the event the Commission or a court subsequently authorizes SWBT to correct its rates to allow it to calculate its price cap formulas to exclude USF contributions from the operation of the X-factor, or in the event of any other adjustment pursuant to an order of the Commission or a court.

Filed in compliance with FCC Order 98-106.

(This page filed under Transmittal No. 2705)

Issued: June 16, 1998

Effective: July 1, 1998

Four AT&T Plaza, Dallas, Texas 75202

ACCESS SERVICE

20. MegaLink Custom Services (Cont'd)

20.10 Billing Periods - Service Established Between January 1, 1998 and June 30, 1998 (Cont'd)

(N)

20.10.1 Rates and Charges (Cont'd)

(E) Installation Charge - Per DS3 or DS3 Equivalent, per customer designated premises on the same Access Order (Cont'd)

(13) Installation Charge - TX - Zone 1

	USOC	Month to Month	3 year	5 year	10 year
First	NRBSE	\$605.00	\$303.00	\$ 0.00	\$ 0.00
Additional	NRBSE	\$496.00	\$248.00	\$ 0.00	\$ 0.00

(14) Installation Charge - TX - Zone 2

	USOC	Month to Month	3 year	5 year	10 year
First	NRBSE	\$605.00	\$303.00	\$ 0.00	\$ 0.00
Additional	NRBSE	\$496.00	\$248.00	\$ 0.00	\$ 0.00

(15) Installation Charge - TX - Zone 3

	USOC	Month to Month	3 year	5 year	10 year
First	NRBSE	\$605.00	\$303.00	\$ 0.00	\$ 0.00
Additional	NRBSE	\$496.00	\$248.00	\$ 0.00	\$ 0.00

(16) Connecting Facility Assignment Credits - Nonzoned (Per DS1 Equivalents)

USOC	Credit Per Month
XXXX	\$76.00

Rates contained in this transmittal are subject to subsequent adjustment, effective retrospectively back to the transmittal's original effective date, in the event the Commission or a court subsequently authorizes SWBT to correct its rates to allow it to calculate its price cap formulas to exclude USF contributions from the operation of the X-factor, or in the event of any other adjustment pursuant to an order of the Commission or a court.

Filed in compliance with FCC Order 98-106.

(This page filed under Transmittal No. 2705)

Issued: June 16, 1998

Effective: July 1, 1998

Four AT&T Plaza, Dallas, Texas 75202

ACCESS SERVICE

20. MegaLink Custom Services (Cont'd)20.10 Billing Periods - Service Established Between January 1, 1998
and June 30, 1998 (Cont'd)

(N)

20.10.1 Rates and Charges (Cont'd)

(F)	<u>Service to Service Through Connect Arrangement Per DS3 or DS3 equivalent</u>	
(1)	<u>Service to Service Through Connect Arrangement - AR - Zone 1</u>	
	<u>USOC</u>	<u>Installation Charge</u>
	THA	\$157.00
(2)	<u>Service to Service Through Connect Arrangement - AR - Zone 2</u>	
	<u>USOC</u>	<u>Installation Charge</u>
	THA	\$157.00
(3)	<u>Service to Service Through Connect Arrangement - AR - Zone 3</u>	
	<u>USOC</u>	<u>Installation Charge</u>
	THA	\$157.00
(4)	<u>Service to Service Through Connect Arrangement - KS - Zone 1</u>	
	<u>USOC</u>	<u>Installation Charge</u>
	THA	\$157.00
(5)	<u>Service to Service Through Connect Arrangement - KS - Zone 2</u>	
	<u>USOC</u>	<u>Installation Charge</u>
	THA	\$157.00
(6)	<u>Service to Service Through Connect Arrangement - KS - Zone 3</u>	
	<u>USOC</u>	<u>Installation Charge</u>
	THA	\$157.00

(N)

Rates contained in this transmittal are subject to subsequent adjustment, effective retrospectively back to the transmittal's original effective date, in the event the Commission or a court subsequently authorizes SWBT to correct its rates to allow it to calculate its price cap formulas to exclude USF contributions from the operation of the X-factor, or in the event of any other adjustment pursuant to an order of the Commission or a court.

Filed in compliance with FCC Order 98-106.

(This page filed under Transmittal No. 2705)

Issued: June 16, 1998

Effective: July 1, 1998

Four AT&T Plaza, Dallas, Texas 75202

ACCESS SERVICE

20. MegaLink Custom Services (Cont'd)20.10 Billing Periods - Service Established Between January 1, 1998
and June 30, 1998 (Cont'd)

(N)

20.10.1 Rates and Charges (Cont'd)(F) Service to Service Through Connect Arrangement Per DS3 or
DS3 equivalent (Cont'd)(7) Service to Service Through Connect Arrangement - MO - Zone 1USOC Installation Charge

THA \$157.00

(8) Service to Service Through Connect Arrangement - MO - Zone 2USOC Installation Charge

THA \$157.00

(9) Service to Service Through Connect Arrangement - MO - Zone 3USOC Installation Charge

THA \$157.00

(10) Service to Service Through Connect Arrangement - OK - Zone 1USOC Installation Charge

THA \$157.00

(11) Service to Service Through Connect Arrangement - OK - Zone 2USOC Installation Charge

THA \$157.00

(12) Service to Service Through Connect Arrangement - OK - Zone 3USOC Installation Charge

THA \$157.00

(N)

Rates contained in this transmittal are subject to subsequent adjustment, effective retrospectively back to the transmittal's original effective date, in the event the Commission or a court subsequently authorizes SWBT to correct its rates to allow it to calculate its price cap formulas to exclude USF contributions from the operation of the X-factor, or in the event of any other adjustment pursuant to an order of the Commission or a court.

Filed in compliance with FCC Order 98-106.

(This page filed under Transmittal No. 2705)

Issued: June 16, 1998

Effective: July 1, 1998

Four AT&T Plaza, Dallas, Texas 75202

ACCESS SERVICE

20. MegaLink Custom Services (Cont'd)20.10 Billing Periods - Service Established Between January 1, 1998
and June 30, 1998 (Cont'd)20.10.1 Rates and Charges (Cont'd)(F) Service to Service Through Connect Arrangement Per DS3 or
DS3 equivalent (Cont'd)(13) Service to Service Through Connect Arrangement - TX - Zone 1USOC Installation Charge

THA \$157.00

(14) Service to Service Through Connect Arrangement - TX - Zone 2USOC Installation Charge

THA \$157.00

(15) Service to Service Through Connect Arrangement - TX - Zone 3USOC Installation Charge

THA \$157.00

(N)

(N)

Rates contained in this transmittal are subject to subsequent adjustment, effective retrospectively back to the transmittal's original effective date, in the event the Commission or a court subsequently authorizes SWBT to correct its rates to allow it to calculate its price cap formulas to exclude USF contributions from the operation of the X-factor, or in the event of any other adjustment pursuant to an order of the Commission or a court.

Filed in compliance with FCC Order 98-106.

(This page filed under Transmittal No. 2705)

Issued: June 16, 1998

Effective: July 1, 1998

Four AT&T Plaza, Dallas, Texas 75202

ACCESS SERVICE

20. MegaLink Custom Services (Cont'd)

20.10 Billing Periods - Service Established Between January 1, 1998 and June 30, 1998 (Cont'd)

(N)

20.10.1 Rates and Charges (Cont'd)

(G) Optional Features, BSEs and Functions

(1) DS3 to DS1 Multiplexing - Monthly Recurring Rates

Rates (a) DS3 to DS1 Multiplexing - AR - Zone 1 - Monthly Recurring

Per Multiplexer

USOC	Month to Month	3 year	5 year	10 year
MKM	\$815.00	\$686.40	\$580.00	\$580.00

(b) DS3 to DS1 Multiplexing - AR - Zone 2 - Monthly Recurring Rates

Per Multiplexer

USOC	Month to Month	3 year	5 year	10 year
MKM	\$815.00	\$686.40	\$580.00	\$580.00

(c) DS3 to DS1 Multiplexing - AR - Zone 3 - Monthly Recurring Rates

Per Multiplexer

USOC	Month to Month	3 year	5 year	10 year
MKM	\$815.00	\$686.40	\$580.00	\$580.00

(N)

Rates contained in this transmittal are subject to subsequent adjustment, effective retrospectively back to the transmittal's original effective date, in the event the Commission or a court subsequently authorizes SWBT to correct its rates to allow it to calculate its price cap formulas to exclude USF contributions from the operation of the X-factor, or in the event of any other adjustment pursuant to an order of the Commission or a court.

Filed in compliance with FCC Order 98-106.

(This page filed under Transmittal No. 2705)

Issued: June 16, 1998

Effective: July 1, 1998

Four AT&T Plaza, Dallas, Texas 75202

ACCESS SERVICE

20. MegaLink Custom Services (Cont'd)

20.10 Billing Periods - Service Established Between January 1, 1998 and June 30, 1998 (Cont'd)

(N)

20.10.1 Rates and Charges (Cont'd)

(G) Optional Features, BSEs and Functions (Cont'd)

(1) DS3 to DS1 Multiplexing - Monthly Recurring Rates (Cont'd)

(d) DS3 to DS1 Multiplexing - KS - Zone 1 - Monthly Recurring Rates

Per Multiplexer

USOC	Month to			
	Month	3 year	5 year	10 year
MKM	\$815.00	\$686.40	\$580.00	\$580.00

(e) DS3 to DS1 Multiplexing - KS - Zone 2 - Monthly Recurring Rates

Per Multiplexer

USOC	Month to			
	Month	3 year	5 year	10 year
MKM	\$815.00	\$686.40	\$580.00	\$580.00

(f) DS3 to DS1 Multiplexing - KS - Zone 3 - Monthly Recurring Rates

Per Multiplexer

USOC	Month to			
	Month	3 year	5 year	10 year
MKM	\$815.00	\$686.40	\$580.00	\$580.00

(N)

Rates contained in this transmittal are subject to subsequent adjustment, effective retrospectively back to the transmittal's original effective date, in the event the Commission or a court subsequently authorizes SWBT to correct its rates to allow it to calculate its price cap formulas to exclude USF contributions from the operation of the X-factor, or in the event of any other adjustment pursuant to an order of the Commission or a court.

Filed in compliance with FCC Order 98-106.

(This page filed under Transmittal No. 2705)

Issued: June 16, 1998

Effective: July 1, 1998

Four AT&T Plaza, Dallas, Texas 75202

ACCESS SERVICE

20. MegaLink Custom Services (Cont'd)

20.10 Billing Periods - Service Established Between January 1, 1998 and June 30, 1998 (Cont'd)

(N)

20.10.1 Rates and Charges (Cont'd)

(G) Optional Features, BSEs and Functions (Cont'd) 20. MegaLink Custom Services (Cont'd)

(1) DS3 to DS1 Multiplexing - Monthly Recurring Rates (Cont'd)

(g) DS3 to DS1 Multiplexing - MO - Zone 1 - Monthly Recurring Rates

Per Multiplexer

	Month to	3 year	5 year	10 year
USOC	Month			
MKM	\$815.00	\$686.40	\$580.00	\$580.00

(h) DS3 to DS1 Multiplexing - MO - Zone 2 - Monthly Recurring Rates

Per Multiplexer

	Month to	3 year	5 year	10 year
USOC	Month			
MKM	\$815.00	\$686.40	\$580.00	\$580.00

(i) DS3 to DS1 Multiplexing - MO - Zone 3 - Monthly Recurring Rates

Per Multiplexer

	Month to	3 year	5 year	10 year
USOC	Month			
MKM	\$815.00	\$686.40	\$580.00	\$580.00

(N)

Rates contained in this transmittal are subject to subsequent adjustment, effective retrospectively back to the transmittal's original effective date, in the event the Commission or a court subsequently authorizes SWBT to correct its rates to allow it to calculate its price cap formulas to exclude USF contributions from the operation of the X-factor, or in the event of any other adjustment pursuant to an order of the Commission or a court.

Filed in compliance with FCC Order 98-106.

(This page filed under Transmittal No. 2705)

Issued: June 16, 1998

Effective: July 1, 1998

Four AT&T Plaza, Dallas, Texas 75202

ACCESS SERVICE

20. MegaLink Custom Services (Cont'd)

20.10 Billing Periods - Service Established Between January 1, 1998 and June 30, 1998 (Cont'd)

(N)

20.10.1 Rates and Charges (Cont'd)

(G) Optional Features, BSEs and Functions (Cont'd)

(1) DS3 to DS1 Multiplexing - Monthly Recurring Rates (Cont'd)

(j) DS3 to DS1 Multiplexing - OK - Zone 1 - Monthly Recurring Rates

Per Multiplexer

USOC	Month to			
	Month	3 year	5 year	10 year
MKM	\$815.00	\$686.40	\$580.00	\$580.00

(k) DS3 to DS1 Multiplexing - OK - Zone 2 - Monthly Recurring Rates

Per Multiplexer

USOC	Month to			
	Month	3 year	5 year	10 year
MKM	\$815.00	\$686.40	\$580.00	\$580.00

(l) DS3 to DS1 Multiplexing - OK - Zone 3 - Monthly Recurring Rates

Per Multiplexer

USOC	Month to			
	Month	3 year	5 year	10 year
MKM	\$815.00	\$686.40	\$580.00	\$580.00

(N)

Rates contained in this transmittal are subject to subsequent adjustment, effective retrospectively back to the transmittal's original effective date, in the event the Commission or a court subsequently authorizes SWBT to correct its rates to allow it to calculate its price cap formulas to exclude USF contributions from the operation of the X-factor, or in the event of any other adjustment pursuant to an order of the Commission or a court.

Filed in compliance with FCC Order 98-106.

(This page filed under Transmittal No. 2705)

Issued: June 16, 1998

Effective: July 1, 1998

Four AT&T Plaza, Dallas, Texas 75202

ACCESS SERVICE

20. MegaLink Custom Services (Cont'd)

20.10 Billing Periods - Service Established Between January 1, 1998 and June 30, 1998 (Cont'd)

(N)

20.10.1 Rates and Charges (Cont'd)

(G) Optional Features, BSEs and Functions (Cont'd)

(1) DS1 to DS1 Multiplexing - Monthly Recurring Rates (Cont'd)

(m) DS3 to DS1 Multiplexing - TX - Zone 1 - Monthly Recurring Rates

Per Multiplexer

USOC	Month to			
	Month	3 year	5 year	10 year
MKM	\$749.80	\$631.49	\$533.60	\$533.60

(n) DS3 to DS1 Multiplexing - TX - Zone 2 - Monthly Recurring Rates

Per Multiplexer

USOC	Month to			
	Month	3 year	5 year	10 year
MKM	\$815.00	\$686.40	\$580.00	\$580.00

(o) DS3 to DS1 Multiplexing - TX - Zone 3 - Monthly Recurring Rates

Per Multiplexer

USOC	Month to			
	Month	3 year	5 year	10 year
MKM	\$815.00	\$686.40	\$580.00	\$580.00

(N)

Rates contained in this transmittal are subject to subsequent adjustment, effective retrospectively back to the transmittal's original effective date, in the event the Commission or a court subsequently authorizes SWBT to correct its rates to allow it to calculate its price cap formulas to exclude USF contributions from the operation of the X-factor, or in the event of any other adjustment pursuant to an order of the Commission or a court.

Filed in compliance with FCC Order 98-106.

(This page filed under Transmittal No. 2705)

Issued: June 16, 1998

Effective: July 1, 1998

Four AT&T Plaza, Dallas, Texas 75202

ACCESS SERVICE

20. MegaLink Custom Services (Cont'd)

20.10 Billing Periods - Service Established Between January 1, 1998 and June 30, 1998 (Cont'd)

(N)

20.10.1 Rates and Charges (Cont'd)

(G) Optional Features, BSEs and Functions (Cont'd)

(2) DS3 to DS1 Multiplexing Installation Charge - Per Multiplexer

(a) Installation Charge - AR - Zone 1

	Month to			
USOC	Month	3 year	5 year	10 year
	\$202.00	\$101.00	\$ 0.00	\$ 0.00

(b) Installation Charge - AR - Zone 2

	Month to			
USOC	Month	3 year	5 year	10 year
	\$202.00	\$101.00	\$ 0.00	\$ 0.00

(c) Installation Charge - AR - Zone 3

	Month to			
USOC	Month	3 year	5 year	10 year
	\$202.00	\$101.00	\$ 0.00	\$ 0.00

(d) Installation Charge - KS - Zone 1

	Month to			
USOC	Month	3 year	5 year	10 year
	\$202.00	\$101.00	\$ 0.00	\$ 0.00

(e) Installation Charge - KS - Zone 2

	Month to			
USOC	Month	3 year	5 year	10 year
	\$202.00	\$101.00	\$ 0.00	\$ 0.00

(f) Installation Charge - KS - Zone 3

	Month to			
USOC	Month	3 year	5 year	10 year
	\$202.00	\$101.00	\$ 0.00	\$ 0.00

(N)

Rates contained in this transmittal are subject to subsequent adjustment, effective retrospectively back to the transmittal's original effective date, in the event the Commission or a court subsequently authorizes SWBT to correct its rates to allow it to calculate its price cap formulas to exclude USF contributions from the operation of the X-factor, or in the event of any other adjustment pursuant to an order of the Commission or a court.

Filed in compliance with FCC Order 98-106.

(This page filed under Transmittal No. 2705)

Issued: June 16, 1998

Effective: July 1, 1998

Four AT&T Plaza, Dallas, Texas 75202

ACCESS SERVICE

20. MegaLink Custom Services (Cont'd)

20.10 Billing Periods - Service Established Between January 1, 1998 and June 30, 1998 (Cont'd)

(N)

20.10.1 Rates and Charges (Cont'd)

(G) Optional Features, BSEs and Functions (Cont'd)

(2) DS3 to DS1 Multiplexing Installation Charge - Per Multiplexer (Cont'd)

(g) Installation Charge - MO - Zone 1

USOC	Month to Month	3 year	5 year	10 year
	\$202.00	\$101.00	\$ 0.00	\$ 0.00

(h) Installation Charge - MO - Zone 2

USOC	Month to Month	3 year	5 year	10 year
	\$202.00	\$101.00	\$ 0.00	\$ 0.00

(i) Installation Charge - MO - Zone 3

USOC	Month to Month	3 year	5 year	10 year
	\$202.00	\$101.00	\$ 0.00	\$ 0.00

(j) Installation Charge - OK - Zone 1

USOC	Month to Month	3 year	5 year	10 year
	\$202.00	\$101.00	\$ 0.00	\$ 0.00

(k) Installation Charge - OK - Zone 2

USOC	Month to Month	3 year	5 year	10 year
	\$202.00	\$101.00	\$ 0.00	\$ 0.00

(l) Installation Charge - OK - Zone 3

USOC	Month to Month	3 year	5 year	10 year
	\$202.00	\$101.00	\$ 0.00	\$ 0.00

Rates contained in this transmittal are subject to subsequent adjustment, effective retrospectively back to the transmittal's original effective date, in the event the Commission or a court subsequently authorizes SWBT to correct its rates to allow it to calculate its price cap formulas to exclude USF contributions from the operation of the X-factor, or in the event of any other adjustment pursuant to an order of the Commission or a court.

(This page filed under Transmittal No. 2705)

Issued: June 16, 1998

Effective: July 1, 1998

Four AT&T Plaza, Dallas, Texas 75202

ACCESS SERVICE

20. MegaLink Custom Services (Cont'd)

20.10 Billing Periods - Service Established Between January 1, 1998 and June 30, 1998 (Cont'd)

(N)

20.10.1 Rates and Charges (Cont'd)

(G) Optional Features, BSEs and Functions (Cont'd)

(2) DS3 to DS1 Multiplexing Installation Charge - Per Multiplexer (Cont'd)

(m) Installation Charge - TX - Zone 1

USOC	Month to Month	3 year	5 year	10 year
	\$202.00	\$101.00	\$ 0.00	\$ 0.00

(n) Installation Charge - TX - Zone 2

USOC	Month to Month	3 year	5 year	10 year
	\$202.00	\$101.00	\$ 0.00	\$ 0.00

(o) Installation Charge - TX - Zone 3

USOC	Month to Month	3 year	5 year	10 year
	\$202.00	\$101.00	\$ 0.00	\$ 0.00

Rates contained in this transmittal are subject to subsequent adjustment, effective retrospectively back to the transmittal's original effective date, in the event the Commission or a court subsequently authorizes SWBT to correct its rates to allow it to calculate its price cap formulas to exclude USF contributions from the operation of the X-factor, or in the event of any other adjustment pursuant to an order of the Commission or a court.

Filed in compliance with FCC Order 98-106.

(This page filed under Transmittal No. 2705)

Issued: June 16, 1998

Effective: July 1, 1998

Four AT&T Plaza, Dallas, Texas 75202

ACCESS SERVICE

20. MegaLink Custom Services (Cont'd)

20.10 Billing Periods - Service Established Between January 1, 1998 and June 30, 1998 (Cont'd)

(N)

20.10.1 Rates and Charges (Cont'd)

(G) Optional Features, BSEs and Functions (Cont'd)

(3) SecureNet Monthly Recurring Rates

(a) Hub Redundancy - AR Zone 1
per premises, per DS3
Month to

USOC	Month	3 year	5 year	10 year
R36AD	\$1,869.00	\$1,751.25	\$1,646.60	\$1,451.45

(b) Hub Redundancy - AR Zone 2
per premises, per DS3
Month to

USOC	Month	3 year	5 year	10 year
R36AD	\$1,869.00	\$1,751.25	\$1,646.60	\$1,451.45

(c) Hub Redundancy - AR Zone 3
per premises, per DS3
Month to

USOC	Month	3 year	5 year	10 year
R36AD	\$1,869.00	\$1,751.25	\$1,646.60	\$1,451.45

(d) Hub Redundancy - KS Zone 1
per premises, per DS3
Month to

USOC	Month	3 year	5 year	10 year
R36AD	\$1,869.00	\$1,751.25	\$1,646.60	\$1,451.45

(e) Hub Redundancy - KS Zone 2
per premises, per DS3
Month to

USOC	Month	3 year	5 year	10 year
R36AD	\$1,869.00	\$1,751.25	\$1,646.60	\$1,451.45

(f) Hub Redundancy - KS Zone 3
per premises, per DS3
Month to

USOC	Month	3 year	5 year	10 year
R36AD	\$1,869.00	\$1,751.25	\$1,646.60	\$1,451.45

(N)

Rates contained in this transmittal are subject to subsequent adjustment, effective retrospectively back to the transmittal's original effective date, in the event the Commission or a court subsequently authorizes SWBT to correct its rates to allow it to calculate its price cap formulas to exclude USF contributions from the operation of the X-factor, or in the event of any other adjustment pursuant to an order of the Commission or a court.

Filed in compliance with FCC Order 98-106.

(This page filed under Transmittal No. 2705)

Issued: June 16, 1998

Effective: July 1, 1998

Four AT&T Plaza, Dallas, Texas 75202

ACCESS SERVICE

20. MegaLink Custom Services (Cont'd)
20.10 Billing Periods - Service Established Between January 1, 1998
and June 30, 1998 (Cont'd)

20.10.1 Rates and Charges (Cont'd)
(G) Optional Features, BSEs and Functions (Cont'd)

(3) SecureNet Monthly Recurring Rates (Cont'd)

(g) Hub Redundancy - MO Zone 1
per premises, per DS3

USOC	Month to Month	3 year	5 year	10 year
R36AD	\$1,869.00	\$1,751.25	\$1,646.60	\$1,451.45

(h) Hub Redundancy - MO Zone 2
per premises, per DS3

USOC	Month to Month	3 year	5 year	10 year
R36AD	\$1,869.00	\$1,751.25	\$1,646.60	\$1,451.45

(i) Hub Redundancy - MO Zone 3
per premises, per DS3

USOC	Month to Month	3 year	5 year	10 year
R36AD	\$1,869.00	\$1,751.25	\$1,646.60	\$1,451.45

(j) Hub Redundancy - OK Zone 1
per premises, per DS3

USOC	Month to Month	3 year	5 year	10 year
R36AD	\$1,869.00	\$1,751.25	\$1,646.60	\$1,451.45

(k) Hub Redundancy - OK Zone 2
per premises, per DS3

USOC	Month to Month	3 year	5 year	10 year
R36AD	\$1,869.00	\$1,751.25	\$1,646.60	\$1,451.45

(l) Hub Redundancy - OK Zone 3
per premises, per DS3

USOC	Month to Month	3 year	5 year	10 year
R36AD	\$1,869.00	\$1,751.25	\$1,646.60	\$1,451.45

Rates contained in this transmittal are subject to subsequent adjustment, effective retrospectively back to the transmittal's original effective date, in the event the Commission or a court subsequently authorizes SWBT to correct its rates to allow it to calculate its price cap formulas to exclude USF contributions from the operation of the X-factor, or in the event of any other adjustment pursuant to an order of the Commission or a court.

(This page filed under Transmittal No. 2705)

Issued: June 16, 1998

Effective: July 1, 1998

Four AT&T Plaza, Dallas, Texas 75202

(N)

(N)

ACCESS SERVICE

20. MegaLink Custom Services (Cont'd)

20.10 Billing Periods - Service Established Between January 1, 1998 and June 30, 1998 (Cont'd)

(N)

20.10.1 Rates and Charges (Cont'd)

(G) Optional Features, BSEs and Functions (Cont'd)

(3) SecureNet Monthly Recurring Rates (Cont'd)

(m) Hub Redundancy - TX Zone 1
per premises, per DS3

USOC	Month to Month	3 year	5 year	10 year
R36AD	\$1,869.00	\$1,751.25	\$1,646.60	\$1,451.45

(n) Hub Redundancy - TX Zone 2
per premises, per DS3

USOC	Month to Month	3 year	5 year	10 year
R36AD	\$1,869.00	\$1,751.25	\$1,646.60	\$1,451.45

(o) Hub Redundancy - TX Zone 3
per premises, per DS3

USOC	Month to Month	3 year	5 year	10 year
R36AD	\$1,869.00	\$1,751.25	\$1,646.60	\$1,451.45

(N)

Rates contained in this transmittal are subject to subsequent adjustment, effective retrospectively back to the transmittal's original effective date, in the event the Commission or a court subsequently authorizes SWBT to correct its rates to allow it to calculate its price cap formulas to exclude USF contributions from the operation of the X-factor, or in the event of any other adjustment pursuant to an order of the Commission or a court.

Filed in compliance with FCC Order 98-106.

(This page filed under Transmittal No. 2705)

Issued: June 16, 1998

Effective: July 1, 1998

Four AT&T Plaza, Dallas, Texas 75202

ACCESS SERVICE

20. MegaLink Custom Services (Cont'd)

20.10 Billing Periods - Service Established Between January 1, 1998 and June 30, 1998 (Cont'd)

(N)

20.10.1 Rates and Charges (Cont'd)

(G) Optional Features, BSEs and Functions (Cont'd)

(3) SecureNet Monthly Recurring Rates (Cont'd)

(p) Serving Wire Center and Facility Redundancy - AR Zone 1 per premises, per DS3

		<u>Month to</u>			
<u>USOC</u>		<u>Month</u>	<u>3 year</u>	<u>5 year</u>	<u>10 year</u>
R38AE	\$	0.00	\$ 0.00	\$ 0.00	\$ 0.00

(q) Serving Wire Center and Facility Redundancy - AR Zone 2 per premises, per DS3

		<u>Month to</u>			
<u>USOC</u>		<u>Month</u>	<u>3 year</u>	<u>5 year</u>	<u>10 year</u>
R38AE	\$	0.00	\$ 0.00	\$ 0.00	\$ 0.00

(r) Serving Wire Center and Facility Redundancy - AR Zone 3 per premises, per DS3

		<u>Month to</u>			
<u>USOC</u>		<u>Month</u>	<u>3 year</u>	<u>5 year</u>	<u>10 year</u>
R38AE	\$	0.00	\$ 0.00	\$ 0.00	\$ 0.00

(N)

Rates contained in this transmittal are subject to subsequent adjustment, effective retrospectively back to the transmittal's original effective date, in the event the Commission or a court subsequently authorizes SWBT to correct its rates to allow it to calculate its price cap formulas to exclude USF contributions from the operation of the X-factor, or in the event of any other adjustment pursuant to an order of the Commission or a court.

Filed in compliance with FCC Order 98-106.

(This page filed under Transmittal No. 2705)

Issued: June 16, 1998

Effective: July 1, 1998

Four AT&T Plaza, Dallas, Texas 75202

ACCESS SERVICE

20. MegaLink Custom Services (Cont'd)

20.10 Billing Periods - Service Established Between January 1, 1998 and June 30, 1998 (Cont'd)

20.10.1 Rates and Charges (Cont'd)

(G) Optional Features, BSEs and Functions (Cont'd)

(3) SecureNet Monthly Recurring Rates (Cont'd)

(s) Serving Wire Center and Facility Redundancy - KS Zone 1 per premises, per DS3

	USOC	Month to Month	3 year	5 year	10 year
R38AE	\$	0.00	\$ 0.00	\$ 0.00	\$ 0.00

(t) Serving Wire Center and Facility Redundancy - KS Zone 2 per premises, per DS3

	USOC	Month to Month	3 year	5 year	10 year
R38AE	\$	0.00	\$ 0.00	\$ 0.00	\$ 0.00

(u) Serving Wire Center and Facility Redundancy - KS Zone 3 per premises, per DS3

	USOC	Month to Month	3 year	5 year	10 year
R38AE	\$	0.00	\$ 0.00	\$ 0.00	\$ 0.00

(v) Serving Wire Center and Facility Redundancy - MO Zone 1 per premises, per DS3

	USOC	Month to Month	3 year	5 year	10 year
R38AE	\$	0.00	\$ 0.00	\$ 0.00	\$ 0.00

(w) Serving Wire Center and Facility Redundancy - MO Zone 2 per premises, per DS3

	USOC	Month to Month	3 year	5 year	10 year
R38AE	\$	0.00	\$ 0.00	\$ 0.00	\$ 0.00

(x) Serving Wire Center and Facility Redundancy - MO Zone 3 per premises, per DS3

	USOC	Month to Month	3 year	5 year	10 year
R38AE	\$	0.00	\$ 0.00	\$ 0.00	\$ 0.00

Rates contained in this transmittal are subject to subsequent adjustment, effective retrospectively back to the transmittal's original effective date, in the event the Commission or a court subsequently authorizes SWBT to correct its rates to allow it to calculate its price cap formulas to exclude USF contributions from the operation of the X-factor, or in the event of any other adjustment pursuant to an order of the Commission or a court.

Filed in compliance with FCC Order 98-106.

(This page filed under Transmittal No. 2705)

Issued: June 16, 1998

Effective: July 1, 1998

Four AT&T Plaza, Dallas, Texas 75202

(N)

ACCESS SERVICE

20. MegaLink Custom Services (Cont'd)

20.10 Billing Periods - Service Established Between January 1, 1998 and June 30, 1998 (Cont'd)

(N)

20.10.1 Rates and Charges (Cont'd)

(G) Optional Features, BSEs and Functions (Cont'd)

(3) SecureNet Monthly Recurring Rates (Cont'd)

(y) Serving Wire Center and Facility Redundancy - OK Zone 1
per premises, per DS3

<u>USOC</u>	<u>Month to</u> <u>Month</u>	<u>3 year</u>	<u>5 year</u>	<u>10 year</u>
R38AE	\$ 0.00	\$ 0.00	\$ 0.00	\$ 0.00

(z) Serving Wire Center and Facility Redundancy - OK Zone 2
per premises, per DS3

<u>USOC</u>	<u>Month to</u> <u>Month</u>	<u>3 year</u>	<u>5 year</u>	<u>10 year</u>
R38AE	\$ 0.00	\$ 0.00	\$ 0.00	\$ 0.00

(aa) Serving Wire Center and Facility Redundancy - OK Zone 3
per premises, per DS3

<u>USOC</u>	<u>Month to</u> <u>Month</u>	<u>3 year</u>	<u>5 year</u>	<u>10 year</u>
R38AE	\$ 0.00	\$ 0.00	\$ 0.00	\$ 0.00

(N)

Rates contained in this transmittal are subject to subsequent adjustment, effective retrospectively back to the transmittal's original effective date, in the event the Commission or a court subsequently authorizes SWBT to correct its rates to allow it to calculate its price cap formulas to exclude USF contributions from the operation of the X-factor, or in the event of any other adjustment pursuant to an order of the Commission or a court.

Filed in compliance with FCC Order 98-106.

(This page filed under Transmittal No. 2705)

Issued: June 16, 1998

Effective: July 1, 1998

Four AT&T Plaza, Dallas, Texas 75202

ACCESS SERVICE

20. MegaLink Custom Services (Cont'd)

20.10 Billing Periods - Service Established Between January 1, 1998 and June 30, 1998 (Cont'd)

(N)

20.10.1 Rates and Charges (Cont'd)

(G) Optional Features, BSEs and Functions (Cont'd)

(3) SecureNet Monthly Recurring Rates (Cont'd)

(bb) Serving Wire Center and Facility Redundancy - TX Zone 1
per premises, per DS3

<u>USOC</u>	<u>Month to Month</u>	<u>3 year</u>	<u>5 year</u>	<u>10 year</u>
R38AE	\$ 0.00	\$ 0.00	\$ 0.00	\$ 0.00

(cc) Serving Wire Center and Facility Redundancy - TX Zone 2
per premises, per DS3

<u>USOC</u>	<u>Month to Month</u>	<u>3 year</u>	<u>5 year</u>	<u>10 year</u>
R38AE	\$ 0.00	\$ 0.00	\$ 0.00	\$ 0.00

(dd) Serving Wire Center and Facility Redundancy - TX Zone 3
per premises, per DS3

<u>USOC</u>	<u>Month to Month</u>	<u>3 year</u>	<u>5 year</u>	<u>10 year</u>
R38AE	\$ 0.00	\$ 0.00	\$ 0.00	\$ 0.00

(N)

Rates contained in this transmittal are subject to subsequent adjustment, effective retrospectively back to the transmittal's original effective date, in the event the Commission or a court subsequently authorizes SWBT to correct its rates to allow it to calculate its price cap formulas to exclude USF contributions from the operation of the X-factor, or in the event of any other adjustment pursuant to an order of the Commission or a court.

Filed in compliance with FCC Order 98-106.

(This page filed under Transmittal No. 2705)

Issued: June 16, 1998

Effective: July 1, 1998

Four AT&T Plaza, Dallas, Texas 75202

ACCESS SERVICE

20. MegaLink Custom Services (Cont'd)20.10 Billing Periods - Service Established Between January 1, 1998
and June 30, 1998 (Cont'd)

(N)

20.10.1 Rates and Charges (Cont'd)(G) Optional Features, BSEs and Functions (Cont'd)(4) SecureNet Installation Charge(a) Hub Redundancy - AR - Zone 1
per premises, per DS3

<u>USOC</u>	<u>Installation Charge</u>
XXXX	\$1,848.00

(b) Hub Redundancy - AR - Zone 2
per premises, per DS3

<u>USOC</u>	<u>Installation Charge</u>
XXXX	\$1,848.00

(c) Hub Redundancy - AR - Zone 3
per premises, per DS3

<u>USOC</u>	<u>Installation Charge</u>
XXXX	\$1,848.00

(d) Hub Redundancy - KS - Zone 1
per premises, per DS3

<u>USOC</u>	<u>Installation Charge</u>
XXXX	\$1,848.00

(e) Hub Redundancy - KS - Zone 2
per premises, per DS3

<u>USOC</u>	<u>Installation Charge</u>
XXXX	\$1,848.00

(f) Hub Redundancy - KS - Zone 3
per premises, per DS3

<u>USOC</u>	<u>Installation Charge</u>
XXXX	\$1,848.00

(N)

Rates contained in this transmittal are subject to subsequent adjustment, effective retrospectively back to the transmittal's original effective date, in the event the Commission or a court subsequently authorizes SWBT to correct its rates to allow it to calculate its price cap formulas to exclude USF contributions from the operation of the X-factor, or in the event of any other adjustment pursuant to an order of the Commission or a court.

Filed in compliance with FCC Order 98-106.

(This page filed under Transmittal No. 2705)

Issued: June 16, 1998

Effective: July 1, 1998

Four AT&T Plaza, Dallas, Texas 75202

ACCESS SERVICE

20. MegaLink Custom Services (Cont'd)20.10 Billing Periods - Service Established Between January 1, 1998
and June 30, 1998 (Cont'd)

(N)

20.10.1 Rates and Charges (Cont'd)(G) Optional Features, BSEs and Functions (Cont'd)(4) SecureNet Installation Charge (Contd)(g) Hub Redundancy - MO - Zone 1
per premises, per DS3

<u>USOC</u>	<u>Installation Charge</u>
XXXX	\$1,848.00

(h) Hub Redundancy - MO - Zone 2
per premises, per DS3

<u>USOC</u>	<u>Installation Charge</u>
XXXX	\$1,848.00

(i) Hub Redundancy - MO - Zone 3
per premises, per DS3

<u>USOC</u>	<u>Installation Charge</u>
XXXX	\$1,848.00

(j) Hub Redundancy - OK - Zone 1
per premises, per DS3

<u>USOC</u>	<u>Installation Charge</u>
XXXX	\$1,848.00

(k) Hub Redundancy - OK - Zone 2
per premises, per DS3

<u>USOC</u>	<u>Installation Charge</u>
XXXX	\$1,848.00

(l) Hub Redundancy - OK - Zone 3
per premises, per DS3

<u>USOC</u>	<u>Installation Charge</u>
XXXX	\$1,848.00

(N)

Rates contained in this transmittal are subject to subsequent adjustment, effective retrospectively back to the transmittal's original effective date, in the event the Commission or a court subsequently authorizes SWBT to correct its rates to allow it to calculate its price cap formulas to exclude USF contributions from the operation of the X-factor, or in the event of any other adjustment pursuant to an order of the Commission or a court.

Filed in compliance with FCC Order 98-106.

(This page filed under Transmittal No. 2705)

Issued: June 16, 1998

Effective: July 1, 1998

Four AT&T Plaza, Dallas, Texas 75202

ACCESS SERVICE

20. MegaLink Custom Services (Cont'd)

20.10 Billing Periods - Service Established Between January 1, 1998 and June 30, 1998 (Cont'd)

(N)

20.10.1 Rates and Charges (Cont'd)

(G) Optional Features, BSEs and Functions (Cont'd)

(4) SecureNet Installation Charge (Contd)

(m) Hub Redundancy - TX - Zone 1
per premises, per DS3

<u>USOC</u>	<u>Installation Charge</u>
XXXX	\$1,848.00

(n) Hub Redundancy - TX - Zone 2
per premises, per DS3

<u>USOC</u>	<u>Installation Charge</u>
XXXX	\$1,848.00

(o) Hub Redundancy - TX - Zone 3
per premises, per DS3

<u>USOC</u>	<u>Installation Charge</u>
XXXX	\$1,848.00

(N)

Rates contained in this transmittal are subject to subsequent adjustment, effective retrospectively back to the transmittal's original effective date, in the event the Commission or a court subsequently authorizes SWBT to correct its rates to allow it to calculate its price cap formulas to exclude USF contributions from the operation of the X-factor, or in the event of any other adjustment pursuant to an order of the Commission or a court.

Filed in compliance with FCC Order 98-106.

(This page filed under Transmittal No. 2705)

Issued: June 16, 1998

Effective: July 1, 1998

Four AT&T Plaza, Dallas, Texas 75202

ACCESS SERVICE

20. MegaLink Custom Services (Cont'd)

20.10 Billing Periods - Service Established Between January 1, 1998 and June 30, 1998 (Cont'd)

(N)

20.10.1 Rates and Charges (Cont'd)

(G) Optional Features, BSEs and Functions (Cont'd)

(4) SecureNet Installation Charge (Contd)

(p) Serving Wire Center and Facility Redundancy - AR - Zone 1
per premises, per DS3

<u>USOC</u>	<u>Installation Charge</u>
XXXX	\$ 0.00

(q) Serving Wire Center and Facility Redundancy - AR - Zone 2
per premises, per DS3

<u>USOC</u>	<u>Installation Charge</u>
XXXX	\$ 0.00

(r) Serving Wire Center and Facility Redundancy - AR - Zone 3
per premises, per DS3

<u>USOC</u>	<u>Installation Charge</u>
XXXX	\$ 0.00

(N)

Rates contained in this transmittal are subject to subsequent adjustment, effective retrospectively back to the transmittal's original effective date, in the event the Commission or a court subsequently authorizes SWBT to correct its rates to allow it to calculate its price cap formulas to exclude USF contributions from the operation of the X-factor, or in the event of any other adjustment pursuant to an order of the Commission or a court.

Filed in compliance with FCC Order 98-106.

(This page filed under Transmittal No. 2705)

Issued: June 16, 1998

Effective: July 1, 1998

Four AT&T Plaza, Dallas, Texas 75202

ACCESS SERVICE

20. MegaLink Custom Services (Cont'd)20.10 Billing Periods - Service Established Between January 1, 1998
and June 30, 1998 (Cont'd)20.10.1 Rates and Charges (Cont'd)(G) Optional Features, BSEs and Functions (Cont'd)(4) SecureNet Installation Charge (Contd)(s) Serving Wire Center and Facility Redundancy - KS -Zone 1
per premises, per DS3

<u>USOC</u>	<u>Installation Charge</u>
XXXX	\$ 0.00

(t) Serving Wire Center and Facility Redundancy - KS -Zone 2
per premises, per DS3

<u>USOC</u>	<u>Installation Charge</u>
XXXX	\$ 0.00

(u) Serving Wire Center and Facility Redundancy - KS -
Zone 3
per premises, per DS3

<u>USOC</u>	<u>Installation Charge</u>
XXXX	\$ 0.00

(v) Serving Wire Center and Facility Redundancy - MO -Zone 1
per premises, per DS3

<u>USOC</u>	<u>Installation Charge</u>
XXXX	\$ 0.00

(w) Serving Wire Center and Facility Redundancy - MO -Zone 2
per premises, per DS3

<u>USOC</u>	<u>Installation Charge</u>
XXXX	\$ 0.00

(x) Serving Wire Center and Facility Redundancy - MO -
Zone 3
per premises, per DS3

<u>USOC</u>	<u>Installation Charge</u>
XXXX	\$ 0.00

Rates contained in this transmittal are subject to subsequent adjustment, effective retrospectively back to the transmittal's original effective date, in the event the Commission or a court subsequently authorizes SWBT to correct its rates to allow it to calculate its price cap formulas to exclude USF contributions from the operation of the X-factor, or in the event of any other adjustment pursuant to an order of the Commission or a court.

Filed in compliance with FCC Order 98-106.

(This page filed under Transmittal No. 2705)

Issued: June 16, 1998

Effective: July 1, 1998

Four AT&T Plaza, Dallas, Texas 75202

ACCESS SERVICE

20. MegaLink Custom Services (Cont'd)20.10 Billing Periods - Service Established Between January 1, 1998
and June 30, 1998 (Cont'd)

(N)

20.10.1 Rates and Charges (Cont'd)(G) Optional Features, BSEs and Functions (Cont'd)(4) SecureNet Installation Charge (Contd)(y) Serving Wire Center and Facility Redundancy - OK
Zone 1
per premises, per DS3

<u>USOC</u>	<u>Installation Charge</u>
XXXX	\$ 0.00

(z) Serving Wire Center and Facility Redundancy - OK
Zone 2
per premises, per DS3

<u>USOC</u>	<u>Installation Charge</u>
XXXX	\$ 0.00

(aa) Serving Wire Center and Facility Redundancy - OK Zone 3
per premises, per DS3

<u>USOC</u>	<u>Installation Charge</u>
XXXX	\$ 0.00

(N)

Rates contained in this transmittal are subject to subsequent adjustment, effective retrospectively back to the transmittal's original effective date, in the event the Commission or a court subsequently authorizes SWBT to correct its rates to allow it to calculate its price cap formulas to exclude USF contributions from the operation of the X-factor, or in the event of any other adjustment pursuant to an order of the Commission or a court.

Filed in compliance with FCC Order 98-106.

(This page filed under Transmittal No. 2705)

Issued: June 16, 1998

Effective: July 1, 1998

Four AT&T Plaza, Dallas, Texas 75202

ACCESS SERVICE

20. MegaLink Custom Services (Cont'd)20.10 Billing Periods - Service Established Between January 1, 1998
and June 30, 1998 (Cont'd)

(N)

20.10.1 Rates and Charges (Cont'd)(G) Optional Features, BSEs and Functions (Cont'd)(4) SecureNet Installation Charge (Contd)(bb) Serving Wire Center and Facility Redundancy - TX -
Zone 1
per premises, per DS3

<u>USOC</u>	<u>Installation Charge</u>
XXXX	\$ 0.00

(cc) Serving Wire Center and Facility Redundancy - TX -
Zone 2
per premises, per DS3

<u>USOC</u>	<u>Installation Charge</u>
XXXX	\$ 0.00

(dd) Serving Wire Center and Facility Redundancy - TX -
Zone 3
per premises, per DS3

<u>USOC</u>	<u>Installation Charge</u>
XXXX	\$ 0.00

(N)

Rates contained in this transmittal are subject to subsequent adjustment, effective retrospectively back to the transmittal's original effective date, in the event the Commission or a court subsequently authorizes SWBT to correct its rates to allow it to calculate its price cap formulas to exclude USF contributions from the operation of the X-factor, or in the event of any other adjustment pursuant to an order of the Commission or a court.

Filed in compliance with FCC Order 98-106.

(This page filed under Transmittal No. 2705)

Issued: June 16, 1998

Effective: July 1, 1998

Four AT&T Plaza, Dallas, Texas 75202

ACCESS SERVICE

20. MegaLink Custom Services (Cont'd)20.10 Billing Periods - Service Established Between January 1, 1998
and June 30, 1998 (Cont'd)

(N)

20.10.1 Rates and Charges (Cont'd)(G) Optional Features, BSEs and Functions (Cont'd)(5) Service Extension Monthly Recurring Rates

Use Interoffice Mileage as set forth in 20.5.3 and 20.5.4.

(6) Service Extension Installation Charge
per DS3 or DS3 equivalent, per service extension on the same
access order(a) Installation Charge - AR - Zone 1

	USOC	Month to Month	3 year	5 year	10 year	
First		NRBSE	\$637.00	\$319.00	\$ 0.00	\$ 0.00
Additional		NRBSE	\$496.00	\$248.00	\$ 0.00	\$ 0.00

(b) Installation Charge - AR - Zone 2

	USOC	Month to Month	3 year	5 year	10 year	
First		NRBSE	\$637.00	\$319.00	\$ 0.00	\$ 0.00
Additional		NRBSE	\$496.00	\$248.00	\$ 0.00	\$ 0.00

(c) Installation Charge - AR - Zone 3

	USOC	Month to Month	3 year	5 year	10 year	
First		NRBSE	\$637.00	\$319.00	\$ 0.00	\$ 0.00
Additional		NRBSE	\$496.00	\$248.00	\$ 0.00	\$ 0.00

Rates contained in this transmittal are subject to subsequent adjustment, effective retrospectively back to the transmittal's original effective date, in the event the Commission or a court subsequently authorizes SWBT to correct its rates to allow it to calculate its price cap formulas to exclude USF contributions from the operation of the X-factor, or in the event of any other adjustment pursuant to an order of the Commission or a court.

Filed in compliance with FC Order 98-106.

(This page filed under Transmittal No. 2705)

Issued: June 16, 1998

Effective: July 1, 1998

Four AT&T Plaza, Dallas, Texas 75202

ACCESS SERVICE

20. MegaLink Custom Services (Cont'd)

20.10 Billing Periods - Service Established Between January 1, 1998 and June 30, 1998 (Cont'd)

(N)

20.10.1 Rates and Charges (Cont'd)

(G) Optional Features, BSEs and Functions (Cont'd)

(6) Service Extension Installation Charge (Cont'd)

(d) Installation Charge - KS - Zone 1

		Month to			
	USOC	Month	3 year	5 year	10 year
First	NRBSE		\$637.00	\$319.00	\$ 0.00
Additional	NRBSE		\$496.00	\$248.00	\$ 0.00
(e)	<u>Installation Charge - KS - Zone 2</u>				

		Month to			
	USOC	Month	3 year	5 year	10 year
First	NRBSE		\$637.00	\$319.00	\$ 0.00
Additional	NRBSE		\$496.00	\$248.00	\$ 0.00
(f)	<u>Installation Charge - KS - Zone 3</u>				

		Month to			
	USOC	Month	3 year	5 year	10 year
First	NRBSE		\$637.00	\$319.00	\$ 0.00
Additional	NRBSE		\$496.00	\$248.00	\$ 0.00
(g)	<u>Installation Charge - MO - Zone 1</u>				

		Month to			
	USOC	Month	3 year	5 year	10 year
First	NRBSE		\$637.00	\$319.00	\$ 0.00
Additional	NRBSE		\$496.00	\$248.00	\$ 0.00
(h)	<u>Installation Charge - MO - Zone 2</u>				

		Month to			
	USOC	Month	3 year	5 year	10 year
First	NRBSE		\$637.00	\$319.00	\$ 0.00
Additional	NRBSE		\$496.00	\$248.00	\$ 0.00
(i)	<u>Installation Charge - MO - Zone 3</u>				

		Month to			
	USOC	Month	3 year	5 year	10 year
First	NRBSE		\$637.00	\$319.00	\$ 0.00
Additional	NRBSE		\$496.00	\$248.00	\$ 0.00

Rates contained in this transmittal are subject to subsequent adjustment, effective retrospectively back to the transmittal's original effective date, in the event the Commission or a court subsequently authorizes SWBT to correct its rates to allow it to calculate its price cap formulas to exclude USF contributions from the operation of the X-factor, or in the event of any other adjustment pursuant to an order of the Commission or a court.

Filed in compliance with FCC Order 98-106.

(This page filed under Transmittal No. 2705)

Issued: June 16, 1998

Effective: July 1, 1998

Four AT&T Plaza, Dallas, Texas 75202

ACCESS SERVICE

20. MegaLink Custom Services (Cont'd)

20.10 Billing Periods - Service Established Between January 1, 1998 and June 30, 1998 (Cont'd)

(N)

20.10.1 Rates and Charges (Cont'd)

(G) Optional Features, BSEs and Functions (Cont'd)

(6) Service Extension Installation Charge (Cont'd)

(j) Installation Charge - OK - Zone 1

	USOC	Month to Month	3 year	5 year	10 year	
First	NRBSE		\$637.00	\$319.00	\$ 0.00	\$ 0.00
Additional	NRBSE		\$496.00	\$248.00	\$ 0.00	\$ 0.00

(k) Installation Charge - OK - Zone 2

	USOC	Month to Month	3 year	5 year	10 year	
First	NRBSE		\$637.00	\$319.00	\$ 0.00	\$ 0.00
Additional	NRBSE		\$496.00	\$248.00	\$ 0.00	\$ 0.00

(l) Installation Charge - OK - Zone 3

	USOC	Month to Month	3 year	5 year	10 year	
First	NRBSE		\$637.00	\$319.00	\$ 0.00	\$ 0.00
Additional	NRBSE		\$496.00	\$248.00	\$ 0.00	\$ 0.00

Rates contained in this transmittal are subject to subsequent adjustment, effective retrospectively back to the transmittal's original effective date, in the event the Commission or a court subsequently authorizes SWBT to correct its rates to allow it to calculate its price cap formulas to exclude USF contributions from the operation of the X-factor, or in the event of any other adjustment pursuant to an order of the Commission or a court.

Filed in compliance with FCC Order 98-106.

(This page filed under Transmittal No. 2705)

Issued: June 16, 1998

Effective: July 1, 1998

Four AT&T Plaza, Dallas, Texas 75202

ACCESS SERVICE

20. MegaLink Custom Services (Cont'd)20.10 Billing Periods - Service Established Between January 1, 1998
and June 30, 1998 (Cont'd)20.10.1 Rates and Charges (Cont'd)(G) Optional Features, BSEs and Functions (Cont'd)(6) Service Extension Installation Charge (Cont'd)(m) Installation Charge - TX - Zone 1

	USOC	Month to Month	3 year	5 year	10 year
First	NRBSE	\$637.00	\$319.00	\$ 0.00	\$ 0.00
Additional	NRBSE	\$496.00	\$248.00	\$ 0.00	\$ 0.00

(n) Installation Charge - TX - Zone 2

	USOC	Month to Month	3 year	5 year	10 year
First	NRBSE	\$637.00	\$319.00	\$ 0.00	\$ 0.00
Additional	NRBSE	\$496.00	\$248.00	\$ 0.00	\$ 0.00

(o) Installation Charge - TX - Zone 3

	USOC	Month to Month	3 year	5 year	10 year
First	NRBSE	\$637.00	\$319.00	\$ 0.00	\$ 0.00
Additional	NRBSE	\$496.00	\$248.00	\$ 0.00	\$ 0.00

Rates contained in this transmittal are subject to subsequent adjustment, effective retrospectively back to the transmittal's original effective date, in the event the Commission or a court subsequently authorizes SWBT to correct its rates to allow it to calculate its price cap formulas to exclude USF contributions from the operation of the X-factor, or in the event of any other adjustment pursuant to an order of the Commission or a court.

Filed in compliance with FCC Order 98-106.

(This page filed under Transmittal No. 2705)

Issued: June 16, 1998

Effective: July 1, 1998

Four AT&T Plaza, Dallas, Texas 75202

(N)

(N)

ACCESS SERVICE

20. MegaLink Custom Services (Cont'd)20.10 Billing Periods - Service Established Between January 1, 1998
and June 30, 1998 (Cont'd)20.10.1 Rates and Charges (Cont'd)(G) Optional Features, BSEs and Functions (Cont'd)(7) STN Interconnection with SecureNet Equipped MegaLink Custom
Service Monthly Recurring Rates

per DS3, per Interconnection

(a) STN Interconnection with SecureNet Equipped MegaLink Custom
Service - AR Zone 1

	<u>USOC</u>	<u>Month to Month</u>	<u>3 year</u>	<u>5 year</u>	<u>10 year</u>
R3N3X		\$278.05	\$263.20	\$248.20	\$221.40

(b) STN Interconnection with SecureNet Equipped MegaLink Custom
Service - AR Zone 2

	<u>USOC</u>	<u>Month to Month</u>	<u>3 year</u>	<u>5 year</u>	<u>10 year</u>
R3N3X		\$278.05	\$263.20	\$248.20	\$221.40

(c) STN Interconnection with SecureNet Equipped MegaLink Custom
Service - AR Zone 3

	<u>USOC</u>	<u>Month to Month</u>	<u>3 year</u>	<u>5 year</u>	<u>10 year</u>
R3N3X		\$278.05	\$263.20	\$248.20	\$221.40

Rates contained in this transmittal are subject to subsequent adjustment, effective retrospectively back to the transmittal's original effective date, in the event the Commission or a court subsequently authorizes SWBT to correct its rates to allow it to calculate its price cap formulas to exclude USF contributions from the operation of the X-factor, or in the event of any other adjustment pursuant to an order of the Commission or a court.

Filed in compliance with FCC Order 98-106.

(This page filed under Transmittal No. 2705)

Issued: June 16, 1998

Effective: July 1, 1998

Four AT&T Plaza, Dallas, Texas 75202

(N)

(N)

ACCESS SERVICE

20. MegaLink Custom Services (Cont'd)

20.10 Billing Periods - Service Established Between January 1, 1998 and June 30, 1998 (Cont'd)

20.10.1 Rates and Charges (Cont'd)

(G) Optional Features, BSEs and Functions (Cont'd)

(7) STN Interconnection with SecureNet Equipped MegaLink Custom Service - Monthly Recurring Rates (Cont'd)

per DS3, per Interconnection

(d) STN Interconnection with SecureNet Equipped MegaLink Custom Service - KS Zone 1

<u>USOC</u>	<u>Month to Month</u>	<u>3 year</u>	<u>5 year</u>	<u>10 year</u>
R3N3X	\$278.05	\$263.20	\$248.20	\$221.40

(e) STN Interconnection with SecureNet Equipped MegaLink Custom Service - KS Zone 2

<u>USOC</u>	<u>Month to Month</u>	<u>3 year</u>	<u>5 year</u>	<u>10 year</u>
R3N3X	\$278.05	\$263.20	\$248.20	\$221.40

(f) STN Interconnection with SecureNet Equipped MegaLink Custom Service - KS Zone 3

<u>USOC</u>	<u>Month to Month</u>	<u>3 year</u>	<u>5 year</u>	<u>10 year</u>
R3N3X	\$278.05	\$263.20	\$248.20	\$221.40

(g) STN Interconnection with SecureNet Equipped MegaLink Custom Service - MO Zone 1

<u>USOC</u>	<u>Month to Month</u>	<u>3 year</u>	<u>5 year</u>	<u>10 year</u>
R3N3X	\$278.05	\$263.20	\$248.20	\$221.40

(h) STN Interconnection with SecureNet Equipped MegaLink Custom Service - MO Zone 2

<u>USOC</u>	<u>Month to Month</u>	<u>3 year</u>	<u>5 year</u>	<u>10 year</u>
R3N3X	\$278.05	\$263.20	\$248.20	\$221.40

(i) STN Interconnection with SecureNet Equipped MegaLink Custom Service - MO Zone 3

<u>USOC</u>	<u>Month to Month</u>	<u>3 year</u>	<u>5 year</u>	<u>10 year</u>
R3N3X	\$278.05	\$263.20	\$248.20	\$221.40

Rates contained in this transmittal are subject to subsequent adjustment, effective retroactively back to the transmittal's original effective date, in the event the Commission or a court subsequently authorizes SWBT to correct its rates to allow it to calculate its price cap formulas to exclude USF contributions from the operation of the X-factor, or in the event of any other adjustment pursuant to an order of the Commission or a court.

(This page filed under Transmittal No. 2705)

(N)

(N)

ACCESS SERVICE

20. MegaLink Custom Services (Cont'd)

20.10 Billing Periods - Service Established Between January 1, 1998 and June 30, 1998 (Cont'd)

(N)

20.10.1 Rates and Charges (Cont'd)

(G) Optional Features, BSEs and Functions (Cont'd)

(7) STN Interconnection with SecureNet Equipped MegaLink Custom Service Monthly Recurring Rates (Cont'd)

per DS3, per Interconnection

(j) STN Interconnection with SecureNet Equipped MegaLink Custom Service - OK Zone 1

<u>USOC</u>	<u>Month to Month</u>	<u>3 year</u>	<u>5 year</u>	<u>10 year</u>
R3N3X	\$278.05	\$263.20	\$248.20	\$221.40

(k) STN Interconnection with SecureNet Equipped MegaLink Custom Service - OK Zone 2

<u>USOC</u>	<u>Month to Month</u>	<u>3 year</u>	<u>5 year</u>	<u>10 year</u>
R3N3X	\$278.05	\$263.20	\$248.20	\$221.40

(l) STN Interconnection with SecureNet Equipped MegaLink Custom Service - OK Zone 3

<u>USOC</u>	<u>Month to Month</u>	<u>3 year</u>	<u>5 year</u>	<u>10 year</u>
R3N3X	\$278.05	\$263.20	\$248.20	\$221.40

(N)

Rates contained in this transmittal are subject to subsequent adjustment, effective retrospectively back to the transmittal's original effective date, in the event the Commission or a court subsequently authorizes SWBT to correct its rates to allow it to calculate its price cap formulas to exclude USF contributions from the operation of the X-factor, or in the event of any other adjustment pursuant to an order of the Commission or a court.

Filed in compliance with FCC Order 98-106.

(This page filed under Transmittal No. 2705)

Issued: June 16, 1998

Effective: July 1, 1998

Four AT&T Plaza, Dallas, Texas 75202

ACCESS SERVICE

20. MegaLink Custom Services (Cont'd)

20.10 Billing Periods - Service Established Between January 1, 1998 and June 30, 1998 (Cont'd)

(N)

20.10.1 Rates and Charges (Cont'd)

(G) Optional Features, BSEs and Functions (Cont'd)

(7) STN Interconnection with SecureNet Equipped MegaLink Custom Service Monthly Recurring Rates (Cont'd)

per DS3, per Interconnection

(m) STN Interconnection with SecureNet Equipped MegaLink Custom Service - TX Zone 1

	<u>USOC</u>	<u>Month to Month</u>	<u>3 year</u>	<u>5 year</u>	<u>10 year</u>
R3N3X		\$278.05	\$263.20	\$248.20	\$221.40

(n) STN Interconnection with SecureNet Equipped MegaLink Custom Service - TX Zone 2

	<u>USOC</u>	<u>Month to Month</u>	<u>3 year</u>	<u>5 year</u>	<u>10 year</u>
R3N3X		\$278.05	\$263.20	\$248.20	\$221.40

(o) STN Interconnection with SecureNet Equipped MegaLink Custom Service - TX Zone 3

	<u>USOC</u>	<u>Month to Month</u>	<u>3 year</u>	<u>5 year</u>	<u>10 year</u>
R3N3X		\$278.05	\$263.20	\$248.20	\$221.40

(N)

Rates contained in this transmittal are subject to subsequent adjustment, effective retrospectively back to the transmittal's original effective date, in the event the Commission or a court subsequently authorizes SWBT to correct its rates to allow it to calculate its price cap formulas to exclude USF contributions from the operation of the X-factor, or in the event of any other adjustment pursuant to an order of the Commission or a court.

Filed in compliance with FCC Order 98-106.

(This page filed under Transmittal No. 2705)

Issued: June 16, 1998

Effective: July 1, 1998

Four AT&T Plaza, Dallas, Texas 75202

ACCESS SERVICE

20. MegaLink Custom Services (Cont'd)

20.10 Billing Periods - Service Established Between January 1, 1998 and June 30, 1998 (Cont'd)

(N)

20.10.1 Rates and Charges (Cont'd)

(G) Optional Features, BSEs and Functions (Cont'd)

(8) STN Interconnection with SecureNet Equipped MegaLink Custom Service Installation Charges

per DS3, per Interconnection

(a) STN Interconnection with SecureNet Equipped MegaLink Custom Service - AR Zone 1

<u>USOC</u>	<u>Month to Month</u>	<u>3 year</u>	<u>5 year</u>	<u>10 year</u>
	\$298.00	\$149.00	\$ 0.00	\$ 0.00

(b) STN Interconnection with SecureNet Equipped MegaLink Custom Service - AR Zone 2

<u>USOC</u>	<u>Month to Month</u>	<u>3 year</u>	<u>5 year</u>	<u>10 year</u>
	\$298.00	\$149.00	\$ 0.00	\$ 0.00

(c) STN Interconnection with SecureNet Equipped MegaLink Custom Service - AR Zone 3

<u>USOC</u>	<u>Month to Month</u>	<u>3 year</u>	<u>5 year</u>	<u>10 year</u>
	\$298.00	\$149.00	\$ 0.00	\$ 0.00

Rates contained in this transmittal are subject to subsequent adjustment, effective retrospectively back to the transmittal's original effective date, in the event the Commission or a court subsequently authorizes SWBT to correct its rates to allow it to calculate its price cap formulas to exclude USF contributions from the operation of the X-factor, or in the event of any other adjustment pursuant to an order of the Commission or a court.

Filed in compliance with FCC Order 98-106.

(This page filed under Transmittal No. 2705)

Issued: June 16, 1998

Effective: July 1, 1998

Four AT&T Plaza, Dallas, Texas 75202

ACCESS SERVICE

20. MegaLink Custom Services (Cont'd)

20.10 Billing Periods - Service Established Between January 1, 1998 and June 30, 1998 (Cont'd)

(N)

20.10.1 Rates and Charges (Cont'd)

(G) Optional Features, BSEs and Functions (Cont'd)

(8) STN Interconnection with SecureNet Equipped MegaLink Custom Service Installation Charges(Cont'd)

per DS3, per Interconnection

(d) STN Interconnection with SecureNet Equipped MegaLink Custom Service - KS Zone 1

<u>USOC</u>	<u>Month to Month</u>	<u>3 year</u>	<u>5 year</u>	<u>10 year</u>
	\$298.00	\$149.00	\$ 0.00	\$ 0.00

(e) STN Interconnection with SecureNet Equipped MegaLink Custom Service - KS Zone 2

<u>USOC</u>	<u>Month to Month</u>	<u>3 year</u>	<u>5 year</u>	<u>10 year</u>
	\$298.00	\$149.00	\$ 0.00	\$ 0.00

(f) STN Interconnection with SecureNet Equipped MegaLink Custom Service - KS Zone 3

<u>USOC</u>	<u>Month to Month</u>	<u>3 year</u>	<u>5 year</u>	<u>10 year</u>
	\$298.00	\$149.00	\$ 0.00	\$ 0.00

(g) STN Interconnection with SecureNet Equipped MegaLink Custom Service - MO Zone 1

<u>USOC</u>	<u>Month to Month</u>	<u>3 year</u>	<u>5 year</u>	<u>10 year</u>
	\$298.00	\$149.00	\$ 0.00	\$ 0.00

(h) STN Interconnection with SecureNet Equipped MegaLink Custom Service - MO Zone 2

<u>USOC</u>	<u>Month to Month</u>	<u>3 year</u>	<u>5 year</u>	<u>10 year</u>
	\$298.00	\$149.00	\$ 0.00	\$ 0.00

(i) STN Interconnection with SecureNet Equipped MegaLink Custom Service - MO Zone 3

<u>USOC</u>	<u>Month to Month</u>	<u>3 year</u>	<u>5 year</u>	<u>10 year</u>
	\$298.00	\$149.00	\$ 0.00	\$ 0.00

Rates contained in this transmittal are subject to subsequent adjustment, effective retroactively back to the transmittal's original effective date, in the event the Commission or a court subsequently authorizes SWBT to correct its rates to allow it to calculate its price cap formulas to exclude USF contributions from the operation of the X-factor, or in the event of any other adjustment pursuant to an order of the Commission or a court.

(This page filed under Transmittal No. 2705)

Issued: June 16, 1998

Effective: July 1, 1998

Four AT&T Plaza, Dallas, Texas 75202

ACCESS SERVICE

20. MegaLink Custom Services (Cont'd)

20.10 Billing Periods - Service Established Between January 1, 1998 and June 30, 1998 (Cont'd)

(N)

20.10.1 Rates and Charges (Cont'd)

(G) Optional Features, BSEs and Functions (Cont'd)

(8) STN Interconnection with SecureNet Equipped MegaLink Custom Service Installation Charges (Cont'd)

per DS3, per Interconnection

(j) STN Interconnection with SecureNet Equipped MegaLink Custom Service - OK Zone 1

<u>USOC</u>	<u>Month to Month</u>	<u>3 year</u>	<u>5 year</u>	<u>10 year</u>
	\$298.00	\$149.00	\$ 0.00	\$ 0.00

(k) STN Interconnection with SecureNet Equipped MegaLink Custom Service - OK Zone 2

<u>USOC</u>	<u>Month to Month</u>	<u>3 year</u>	<u>5 year</u>	<u>10 year</u>
	\$298.00	\$149.00	\$ 0.00	\$ 0.00

(l) STN Interconnection with SecureNet Equipped MegaLink Custom Service - OK Zone 3

<u>USOC</u>	<u>Month to Month</u>	<u>3 year</u>	<u>5 year</u>	<u>10 year</u>
	\$298.00	\$149.00	\$ 0.00	\$ 0.00

(N)

Rates contained in this transmittal are subject to subsequent adjustment, effective retrospectively back to the transmittal's original effective date, in the event the Commission or a court subsequently authorizes SWBT to correct its rates to allow it to calculate its price cap formulas to exclude USF contributions from the operation of the X-factor, or in the event of any other adjustment pursuant to an order of the Commission or a court.

Filed in compliance with FCC Order 98-106.

(This page filed under Transmittal No. 2705)

Issued: June 16, 1998

Effective: July 1, 1998

Four AT&T Plaza, Dallas, Texas 75202

ACCESS SERVICE

20. MegaLink Custom Services (Cont'd)

20.10 Billing Periods - Service Established Between January 1, 1998 and June 30, 1998 (Cont'd)

(N)

20.10.1 Rates and Charges (Cont'd)

(G) Optional Features, BSEs and Functions (Cont'd)

(8) STN Interconnection with SecureNet Equipped MegaLink Custom Service Installation Charges (Cont'd)

per DS3, per Interconnection

(m) STN Interconnection with SecureNet Equipped MegaLink Custom Service - TX Zone 1

<u>USOC</u>	<u>Month to Month</u>	<u>3 year</u>	<u>5 year</u>	<u>10 year</u>
	\$298.00	\$149.00	\$ 0.00	\$ 0.00

(n) STN Interconnection with SecureNet Equipped MegaLink Custom Service - TX Zone 2

<u>USOC</u>	<u>Month to Month</u>	<u>3 year</u>	<u>5 year</u>	<u>10 year</u>
	\$298.00	\$149.00	\$ 0.00	\$ 0.00

(o) STN Interconnection with SecureNet Equipped MegaLink Custom Service - TX Zone 3

<u>USOC</u>	<u>Month to Month</u>	<u>3 year</u>	<u>5 year</u>	<u>10 year</u>
	\$298.00	\$149.00	\$ 0.00	\$ 0.00

Rates contained in this transmittal are subject to subsequent adjustment, effective retrospectively back to the transmittal's original effective date, in the event the Commission or a court subsequently authorizes SWBT to correct its rates to allow it to calculate its price cap formulas to exclude USF contributions from the operation of the X-factor, or in the event of any other adjustment pursuant to an order of the Commission or a court.

Filed in compliance with FCC Order 98-106.

(This page filed under Transmittal No. 2705)

Issued: June 16, 1998

Effective: July 1, 1998

Four AT&T Plaza, Dallas, Texas 75202

ACCESS SERVICE

20. MegaLink Custom Services (Cont'd)20.10 Billing Periods - Service Established Between January 1, 1998
and June 30, 1998 (Cont'd)

(N)

20.10.1 Rates and Charges (Cont'd)(G) Optional Features, BSEs and Functions (Cont'd)(9) SFM Installation Charge

Per existing MegaLink Custom Service(s) moving to another MegaLink Custom Service or ReliaNet DS3/EC-1, on a first and additional basis.

(a) SFM AR Zone 1

	<u>USOC</u>	<u>Installation Charge</u>
First	NRBR3	\$135.00
Additional	NRBR3	\$104.00

(b) SFM AR Zone 2

	<u>USOC</u>	<u>Installation Charge</u>
First	NRBR3	\$135.00
Additional	NRBR3	\$104.00

(c) SFM AR Zone 3

	<u>USOC</u>	<u>Installation Charge</u>
First	NRBR3	\$135.00
Additional	NRBR3	\$104.00

Rates contained in this transmittal are subject to subsequent adjustment, effective retrospectively back to the transmittal's original effective date, in the event the Commission or a court subsequently authorizes SWBT to correct its rates to allow it to calculate its price cap formulas to exclude USF contributions from the operation of the X-factor, or in the event of any other adjustment pursuant to an order of the Commission or a court.

Filed in compliance with FCC Order 98-106.

(This page filed under Transmittal No. 2705)

Issued: June 16, 1998

Effective: July 1, 1998

Four AT&T Plaza, Dallas, Texas 75202

ACCESS SERVICE

20. MegaLink Custom Services (Cont'd)20.10 Billing Periods - Service Established Between January 1, 1998
and June 30, 1998 (Cont'd)

(N)

20.10.1 Rates and Charges (Cont'd)(G) Optional Features, BSEs and Functions (Cont'd)(9) SFM Installation Charge (Cont'd)

Per existing MegaLink Custom Service(s) moving to another MegaLink Custom Service or ReliaNet DS3/EC-1, on a first and additional basis.

(d) SFM KS Zone 1

	<u>USOC</u>	<u>Installation Charge</u>
First	NRBR3	\$135.00
Additional	NRBR3	\$104.00

(e) SFM KS Zone 2

	<u>USOC</u>	<u>Installation Charge</u>
First	NRBR3	\$135.00
Additional	NRBR3	\$104.00

(f) SFM KS Zone 3

	<u>USOC</u>	<u>Installation Charge</u>
First	NRBR3	\$135.00
Additional	NRBR3	\$104.00

(g) SFM MO Zone 1

	<u>USOC</u>	<u>Installation Charge</u>
First	NRBR3	\$135.00
Additional	NRBR3	\$104.00

(h) SFM MO Zone 2

	<u>USOC</u>	<u>Installation Charge</u>
First	NRBR3	\$135.00
Additional	NRBR3	\$104.00

(i) SFM MO Zone 3

	<u>USOC</u>	<u>Installation Charge</u>
First	NRBR3	\$135.00
Additional	NRBR3	\$104.00

(N)

Rates contained in this transmittal are subject to subsequent adjustment, effective retrospectively back to the transmittal's original effective date, in the event the Commission or a court subsequently authorizes SWBT to correct its rates to allow it to calculate its price cap formulas to exclude USF contributions from the operation of the X-factor, or in the event of any other adjustment pursuant to an order of the Commission or a court.

(This page filed under Transmittal No. 2705)

Issued: June 16, 1998

Effective: July 1, 1998

Four AT&T Plaza, Dallas, Texas 75202

ACCESS SERVICE

20. MegaLink Custom Services (Cont'd)20.10 Billing Periods - Service Established Between January 1, 1998
and June 30, 1998 (Cont'd)

(N)

20.10.1 Rates and Charges (Cont'd)(G) Optional Features, BSEs and Functions (Cont'd)(9) SFM Installation Charge (Cont'd)

Per existing MegaLink Custom Service(s) moving to another MegaLink Custom Service or ReliaNet DS3/EC-1, on a first and additional basis.

(j) SFM OK Zone 1

	<u>USOC</u>	<u>Installation Charge</u>
First	NRBR3	\$135.00
Additional	NRBR3	\$104.00

(k) SFM OK Zone 2

	<u>USOC</u>	<u>Installation Charge</u>
First	NRBR3	\$135.00
Additional	NRBR3	\$104.00

(l) SFM OK Zone 3

	<u>USOC</u>	<u>Installation Charge</u>
First	NRBR3	\$135.00
Additional	NRBR3	\$104.00

(N)

Rates contained in this transmittal are subject to subsequent adjustment, effective retrospectively back to the transmittal's original effective date, in the event the Commission or a court subsequently authorizes SWBT to correct its rates to allow it to calculate its price cap formulas to exclude USF contributions from the operation of the X-factor, or in the event of any other adjustment pursuant to an order of the Commission or a court.

Filed in compliance with FCC Order 98-106.

(This page filed under Transmittal No. 2705)

Issued: June 16, 1998

Effective: July 1, 1998

Four AT&T Plaza, Dallas, Texas 75202

ACCESS SERVICE

20. MegaLink Custom Services (Cont'd)20.10 Billing Periods - Service Established Between January 1, 1998
and June 30, 1998 (Cont'd)

(N)

20.10.1 Rates and Charges (Cont'd)(G) Optional Features, BSEs and Functions (Cont'd)(9) SFM Installation Charge (Cont'd)

Per existing MegaLink Custom Service(s) moving to another MegaLink Custom Service or ReliaNet DS3/EC-1, on a first and additional basis.

(m) SFM TX Zone 1

	<u>USOC</u>	<u>Installation Charge</u>
First	NRBR3	\$135.00
Additional	NRBR3	\$104.00

(n) SFM TX Zone 2

	<u>USOC</u>	<u>Installation Charge</u>
First	NRBR3	\$135.00
Additional	NRBR3	\$104.00

(o) SFM TX Zone 3

	<u>USOC</u>	<u>Installation Charge</u>
First	NRBR3	\$135.00
Additional	NRBR3	\$104.00

(N)

Rates contained in this transmittal are subject to subsequent adjustment, effective retrospectively back to the transmittal's original effective date, in the event the Commission or a court subsequently authorizes SWBT to correct its rates to allow it to calculate its price cap formulas to exclude USF contributions from the operation of the X-factor, or in the event of any other adjustment pursuant to an order of the Commission or a court.

Filed in compliance with FCC Order 98-106.

(This page filed under Transmittal No. 2705)

Issued: June 16, 1998

Effective: July 1, 1998

Four AT&T Plaza, Dallas, Texas 75202

ACCESS SERVICE

20. MegaLink Custom Services (Cont'd)

(N)

20.10 Billing Periods - Service Established Between January 1, 1998
and June 30, 1998 (Cont'd)20.10.1 Rates and Charges (Cont'd)(H) Administrative Charges(1) Service Rearrangement Nonrecurring Charges

Per DS3 or DS3 equivalent on the same Access Order for one or any combination of changes as set forth in Section 20.4.2(E).

(a) Service Rearrangement - AR Zone 1

	<u>USOC</u>	<u>Nonrecurring Charge</u>	
First	NRBAC		\$ 9.00
Additional	NRBAC		\$ 5.00

(b) Service Rearrangement - AR Zone 2

	<u>USOC</u>	<u>Nonrecurring Charge</u>	
First	NRBAC		\$ 9.00
Additional	NRBAC		\$ 5.00

(c) Service Rearrangement - AR Zone 3

	<u>USOC</u>	<u>Nonrecurring Charge</u>	
First	NRBAC		\$ 9.00
Additional	NRBAC		\$ 5.00

(d) Service Rearrangement - KS Zone 1

	<u>USOC</u>	<u>Nonrecurring Charge</u>	
First	NRBAC		\$ 9.00
Additional	NRBAC		\$ 5.00

(e) Service Rearrangement - KS Zone 2

	<u>USOC</u>	<u>Nonrecurring Charge</u>	
First	NRBAC		\$ 9.00
Additional	NRBAC		\$ 5.00

(f) Service Rearrangement - KS Zone 3

	<u>USOC</u>	<u>Nonrecurring Charge</u>	
First	NRBAC		\$ 9.00
Additional	NRBAC		\$ 5.00

Rates contained in this transmittal are subject to subsequent adjustment, effective retrospectively back to the transmittal's original effective date, in the event the Commission or a court subsequently authorizes SWBT to correct its rates to allow it to calculate its price cap formulas to exclude USF contributions from the operation of the X-factor, or in the event of any other adjustment pursuant to an order of the Commission or a court.

Filed in compliance with FCC Order 98-106.

(This page filed under Transmittal No. 2705)

Issued: June 16, 1998

Effective: July 1, 1998

Four AT&T Plaza, Dallas, Texas 75202

ACCESS SERVICE

20. MegaLink Custom Services (Cont'd)20.10 Billing Periods - Service Established Between January 1, 1998
and June 30, 1998 (Cont'd)

(N)

20.10.1 Rates and Charges (Cont'd)(H) Administrative Charges(1) Service Rearrangement Nonrecurring Charges (Cont'd)(g) Service Rearrangement - MO Zone 1

	<u>USOC</u>	<u>Nonrecurring Charge</u>	
First	NRBAC		\$ 9.00
Additional	NRBAC		\$ 5.00

(h) Service Rearrangement - MO Zone 2

	<u>USOC</u>	<u>Nonrecurring Charge</u>	
First	NRBAC		\$ 9.00
Additional	NRBAC		\$ 5.00

(i) Service Rearrangement - MO Zone 3

	<u>USOC</u>	<u>Nonrecurring Charge</u>	
First	NRBAC		\$ 9.00
Additional	NRBAC		\$ 5.00

(j) Service Rearrangement - OK Zone 1

	<u>USOC</u>	<u>Nonrecurring Charge</u>	
First	NRBAC		\$ 9.00
Additional	NRBAC		\$ 5.00

(k) Service Rearrangement - OK Zone 2

	<u>USOC</u>	<u>Nonrecurring Charge</u>	
First	NRBAC		\$ 9.00
Additional	NRBAC		\$ 5.00

(l) Service Rearrangement - OK Zone 3

	<u>USOC</u>	<u>Nonrecurring Charge</u>	
First	NRBAC		\$ 9.00
Additional	NRBAC		\$ 5.00

(N)

Rates contained in this transmittal are subject to subsequent adjustment, effective retrospectively back to the transmittal's original effective date, in the event the Commission or a court subsequently authorizes SWBT to correct its rates to allow it to calculate its price cap formulas to exclude USF contributions from the operation of the X-factor, or in the event of any other adjustment pursuant to an order of the Commission or a court.

Filed in compliance with FCC Order 98-106.

(This page filed under Transmittal No. 2705)

Issued: June 16, 1998

Effective: July 1, 1998

Four AT&T Plaza, Dallas, Texas 75202

ACCESS SERVICE

20. MegaLink Custom Services (Cont'd)

20.10 Billing Periods - Service Established Between January 1, 1998 and June 30, 1998 (Cont'd)

(N)

20.10.1 Rates and Charges (Cont'd)

(H) Administrative Charges

(1) Service Rearrangement Nonrecurring Charges (Cont'd)

(m) Service Rearrangement - TX Zone 1

	<u>USOC</u>	<u>Nonrecurring Charge</u>	
First	NRBAC		\$ 9.00
Additional	NRBAC		\$ 5.00

(n) Service Rearrangement - TX Zone 2

	<u>USOC</u>	<u>Nonrecurring Charge</u>	
First	NRBAC		\$ 9.00
Additional	NRBAC		\$ 5.00

(o) Service Rearrangement - TX Zone 3

	<u>USOC</u>	<u>Nonrecurring Charge</u>	
First	NRBAC		\$ 9.00
Additional	NRBAC		\$ 5.00

(N)

Rates contained in this transmittal are subject to subsequent adjustment, effective retrospectively back to the transmittal's original effective date, in the event the Commission or a court subsequently authorizes SWBT to correct its rates to allow it to calculate its price cap formulas to exclude USF contributions from the operation of the X-factor, or in the event of any other adjustment pursuant to an order of the Commission or a court.

Filed in compliance with FCC Order 98-106.

(This page filed under Transmittal No. 2705)

Issued: June 16, 1998

Effective: July 1, 1998

Four AT&T Plaza, Dallas, Texas 75202

ACCESS SERVICE

20. MegaLink Custom Services (Cont'd)

(N)

20.11 Billing Periods - Service Established Between July 1, 1998 and June 30, 1999.20.11.1 Rates and Charges

Rates and charges for Arkansas, Kansas, Missouri, Oklahoma and Texas will be applied based on Pricing Zones as contained below.

(A) Channel Termination - Electrical - per Volume Option, per customer premises(1) Electrical Channel Termination - AR - Zone 1

<u>Volume Option*</u>	<u>USOC</u>	<u>Month to Month</u>	<u>3 year</u>	<u>5 year</u>	<u>10 year</u>
1	TUZPX	\$ 1,950.00	\$ 1,828.00	\$ 1,658.00	\$ 1,589.00
3	TUZPX	\$ 5,850.00	\$ 4,845.00	\$ 4,046.00	\$ 3,915.00
6	TUZPX	\$11,700.00	\$ 8,670.00	\$ 7,240.00	\$ 7,007.00
12	TUZPX	\$23,400.00	\$15,301.00	\$12,776.00	\$12,364.00

(2) Electrical Channel Termination - AR - Zone 2

<u>Volume Option*</u>	<u>USOC</u>	<u>Month to Month</u>	<u>3 year</u>	<u>5 year</u>	<u>10 year</u>
1	TUZPX	\$ 1,950.00	\$ 1,828.00	\$ 1,658.00	\$ 1,589.00
3	TUZPX	\$ 5,850.00	\$ 4,845.00	\$ 4,046.00	\$ 3,915.00
6	TUZPX	\$11,700.00	\$ 8,670.00	\$ 7,240.00	\$ 7,007.00
12	TUZPX	\$23,400.00	\$15,301.00	\$12,776.00	\$12,364.00

(3) Electrical Channel Termination - AR - Zone 3

<u>Volume Option*</u>	<u>USOC</u>	<u>Month to Month</u>	<u>3 year</u>	<u>5 year</u>	<u>10 year</u>
1	TUZPX	\$ 1,950.00	\$ 1,828.00	\$ 1,658.00	\$ 1,589.00
3	TUZPX	\$ 5,850.00	\$ 4,845.00	\$ 4,046.00	\$ 3,915.00
6	TUZPX	\$11,700.00	\$ 8,670.00	\$ 7,240.00	\$ 7,007.00
12	TUZPX	\$23,400.00	\$15,301.00	\$12,776.00	\$12,364.00

(N)

Rates contained in this transmittal are subject to subsequent adjustment, effective retrospectively back to the transmittal's original effective date, in the event the Commission or a court subsequently authorizes SWBT to correct its rates pursuant to the decision in United States Telephone Association v. FCC (Case No. 97-1469)(slip. op. May 21, 1999)(D.C. Cir.), or pursuant to pending motions, or petitions for reconsideration or waiver (and including, but not limited to, any Application for Review of the letter from Lawrence E. Strickling, Chief, Common Carrier Bureau, FCC, to Dale Robertson, SBC, dated May 18, 1999 which may be filed with the Commission), or in the event of any other adjustment pursuant to an order of the Commission or a court.

* Volume Option specifies the number of DS3s or DS3 equivalents.

(This page filed under Transmittal No. 2763)

Issued: June 16, 1999

Effective: July 1, 1999

Four AT&T Plaza, Dallas, Texas 75202

ACCESS SERVICE

(N)

20. MegaLink Custom Services (Cont'd)20.11 Billing Periods - Service Established Between July 1, 1998 and June 30, 1999. (Cont'd)20.11.1 Rates and Charges (Cont'd)(A) Channel Termination - Electrical - per Volume Option, per customer premises (Cont'd)(4) Electrical Channel Termination - KS - Zone 1

<u>Volume Option*</u>	<u>USOC</u>	<u>Month to Month</u>	<u>3 year</u>	<u>5 year</u>	<u>10 year</u>
1	TUZPX	\$ 1,950.00	\$ 1,828.00	\$ 1,658.00	\$ 1,589.00
3	TUZPX	\$ 5,850.00	\$ 4,845.00	\$ 4,046.00	\$ 3,915.00
6	TUZPX	\$11,700.00	\$ 8,670.00	\$ 7,240.00	\$ 7,007.00
12	TUZPX	\$23,400.00	\$15,301.00	\$12,776.00	\$12,364.00

(5) Electrical Channel Termination - KS - Zone 2

<u>Volume Option*</u>	<u>USOC</u>	<u>Month to Month</u>	<u>3 year</u>	<u>5 year</u>	<u>10 year</u>
1	TUZPX	\$ 1,950.00	\$ 1,828.00	\$ 1,658.00	\$ 1,589.00
3	TUZPX	\$ 5,850.00	\$ 4,845.00	\$ 4,046.00	\$ 3,915.00
6	TUZPX	\$11,700.00	\$ 8,670.00	\$ 7,240.00	\$ 7,007.00
12	TUZPX	\$23,400.00	\$15,301.00	\$12,776.00	\$12,364.00

(6) Electrical Channel Termination - KS - Zone 3

<u>Volume Option*</u>	<u>USOC</u>	<u>Month to Month</u>	<u>3 year</u>	<u>5 year</u>	<u>10 year</u>
1	TUZPX	\$ 1,950.00	\$ 1,828.00	\$ 1,658.00	\$ 1,589.00
3	TUZPX	\$ 5,850.00	\$ 4,845.00	\$ 4,046.00	\$ 3,915.00
6	TUZPX	\$11,700.00	\$ 8,670.00	\$ 7,240.00	\$ 7,007.00
12	TUZPX	\$23,400.00	\$15,301.00	\$12,776.00	\$12,364.00

Rates contained in this transmittal are subject to subsequent adjustment, effective retrospectively back to the transmittals original effective date, in the event the Commission or a court subsequently authorizes SWBT to correct its rates pursuant to the decision in *United States Telephone Association v. FCC* (Case No. 97-1469)(slip. op. May 21, 1999)(D.C. Cir.), or pursuant to pending motions, or petitions for reconsideration or waiver (and including, but not limited to, any Application for Review of the letter from Lawrence E. Strickling, Chief, Common Carrier Bureau, FCC, to Dale Robertson, SBC, dated May 18, 1999 which may be filed with the Commission), or in the event of any other adjustment pursuant to an order of the Commission or a court.

* Volume Option specifies the number of DS3s or DS3 equivalents.

(This page filed under Transmittal No. 2763)

Issued: June 16, 1999

Effective: July 1, 1999

Four AT&T Plaza, Dallas, Texas 75202

ACCESS SERVICE

20. MegaLink Custom Services (Cont'd)

(N)

20.11 Billing Periods - Service Established Between July 1, 1998 and June 30, 1999. (Cont'd)20.11.1 Rates and Charges (Cont'd)(A) Channel Termination - Electrical - per Volume Option, per customer premises (Cont'd)(7) Electrical Channel Termination - MO - Zone 1

<u>Volume Option*</u>	<u>USOC</u>	<u>Month to Month</u>	<u>3 year</u>	<u>5 year</u>	<u>10 year</u>
1	TUZPX	\$ 1,950.00	\$ 1,828.00	\$ 1,658.00	\$ 1,589.00
3	TUZPX	\$ 5,850.00	\$ 4,845.00	\$ 4,046.00	\$ 3,915.00
6	TUZPX	\$11,700.00	\$ 8,670.00	\$ 7,240.00	\$ 7,007.00
12	TUZPX	\$23,400.00	\$15,301.00	\$12,776.00	\$12,364.00

(8) Electrical Channel Termination - MO - Zone 2

<u>Volume Option*</u>	<u>USOC</u>	<u>Month to Month</u>	<u>3 year</u>	<u>5 year</u>	<u>10 year</u>
1	TUZPX	\$ 1,950.00	\$ 1,828.00	\$ 1,658.00	\$ 1,589.00
3	TUZPX	\$ 5,850.00	\$ 4,845.00	\$ 4,046.00	\$ 3,915.00
6	TUZPX	\$11,700.00	\$ 8,670.00	\$ 7,240.00	\$ 7,007.00
12	TUZPX	\$23,400.00	\$15,301.00	\$12,776.00	\$12,364.00

(9) Electrical Channel Termination - MO - Zone 3

<u>Volume Option*</u>	<u>USOC</u>	<u>Month to Month</u>	<u>3 year</u>	<u>5 year</u>	<u>10 year</u>
1	TUZPX	\$ 1,950.00	\$ 1,828.00	\$ 1,658.00	\$ 1,589.00
3	TUZPX	\$ 5,850.00	\$ 4,845.00	\$ 4,046.00	\$ 3,915.00
6	TUZPX	\$11,700.00	\$ 8,670.00	\$ 7,240.00	\$ 7,007.00
12	TUZPX	\$23,400.00	\$15,301.00	\$12,776.00	\$12,364.00

(N)

Rates contained in this transmittal are subject to subsequent adjustment, effective retrospectively back to the transmittal's original effective date, in the event the Commission or a court subsequently authorizes SWBT to correct its rates pursuant to the decision in United States Telephone Association v. FCC (Case No. 97-1469)(slip. Op. May 21, 1999)(D.C. Cir.), or pursuant to pending motions, or petitions for reconsideration or waiver (and including, but not limited to, any Application for Review of the letter from Lawrence E. Strickling, Chief, Common Carrier Bureau, FCC, to Dale Robertson, SBC, dated May 18, 1999 which may be filed with the Commission), or in the event of any other adjustment pursuant to an order of the Commission or a court.

* Volume Option specifies the number of DS3s or DS3 equivalents.

(This page filed under Transmittal No. 2763)

Issued: June 16, 1999

Effective: July 1, 1999

Four AT&T Plaza, Dallas, Texas 75202

ACCESS SERVICE

20. MegaLink Custom Services (Cont'd)

(N)

20.11 Billing Periods - Service Established Between July 1, 1998 and June 30, 1999. (Cont'd)20.11.1 Rates and Charges (Cont'd)(A) Channel Termination - Electrical - per Volume Option, per customer premises (Cont'd)(10) Electrical Channel Termination - OK - Zone 1

<u>Volume Option*</u>	<u>USOC</u>	<u>Month to Month</u>	<u>3 year</u>	<u>5 year</u>	<u>10 year</u>
1	TUZPX	\$ 1,950.00	\$ 1,828.00	\$ 1,658.00	\$ 1,589.00
3	TUZPX	\$ 5,850.00	\$ 4,845.00	\$ 4,046.00	\$ 3,915.00
6	TUZPX	\$11,700.00	\$ 8,670.00	\$ 7,240.00	\$ 7,007.00
12	TUZPX	\$23,400.00	\$15,301.00	\$12,776.00	\$12,364.00

(11) Electrical Channel Termination - OK - Zone 2

<u>Volume Option*</u>	<u>USOC</u>	<u>Month to Month</u>	<u>3 year</u>	<u>5 year</u>	<u>10 year</u>
1	TUZPX	\$ 1,950.00	\$ 1,828.00	\$ 1,658.00	\$ 1,589.00
3	TUZPX	\$ 5,850.00	\$ 4,845.00	\$ 4,046.00	\$ 3,915.00
6	TUZPX	\$11,700.00	\$ 8,670.00	\$ 7,240.00	\$ 7,007.00
12	TUZPX	\$23,400.00	\$15,301.00	\$12,776.00	\$12,364.00

(12) Electrical Channel Termination - OK - Zone 3

<u>Volume Option*</u>	<u>USOC</u>	<u>Month to Month</u>	<u>3 year</u>	<u>5 year</u>	<u>10 year</u>
1	TUZPX	\$ 1,950.00	\$ 1,828.00	\$ 1,658.00	\$ 1,589.00
3	TUZPX	\$ 5,850.00	\$ 4,845.00	\$ 4,046.00	\$ 3,915.00
6	TUZPX	\$11,700.00	\$ 8,670.00	\$ 7,240.00	\$ 7,007.00
12	TUZPX	\$23,400.00	\$15,301.00	\$12,776.00	\$12,364.00

(N)

Rates contained in this transmittal are subject to subsequent adjustment, effective retrospectively back to the transmittal's original effective date, in the event the Commission or a court subsequently authorizes SWBT to correct its rates pursuant to the decision in United States Telephone Association v. FCC (Case No. 97-1469)(slip. op. May 21, 1999)(D.C. Cir.), or pursuant to pending motions, or petitions for reconsideration or waiver (and including, but not limited to, any Application for Review of the letter from Lawrence E. Strickling, Chief, Common Carrier Bureau, FCC, to Dale Robertson, SBC, dated May 18, 1999 which may be filed with the Commission), or in the event of any other adjustment pursuant to an order of the Commission or a court.

* Volume Option specifies the number of DS3s or DS3 equivalents.

(This page filed under Transmittal No. 2763)

Issued: June 16, 1999

Effective: July 1, 1999

Four AT&T Plaza, Dallas, Texas 75202

ACCESS SERVICE

(N)

20. MegaLink Custom Services (Cont'd)20.11 Billing Periods - Service Established Between July 1, 1998 and June 30, 1999. (Cont'd)20.11.1 Rates and Charges (Cont'd)(A) Channel Termination - Electrical - per Volume Option, per customer premises (Cont'd)(13) Electrical Channel Termination - TX - Zone 1

<u>Volume Option*</u>	<u>USOC</u>	<u>Month to Month</u>	<u>3 year</u>	<u>5 year</u>	<u>10 year</u>
1	TUZPX	\$ 1,950.00	\$ 1,828.00	\$ 1,658.00	\$ 1,589.00
3	TUZPX	\$ 5,850.00	\$ 4,845.00	\$ 4,046.00	\$ 3,915.00
6	TUZPX	\$11,700.00	\$ 8,670.00	\$ 7,240.00	\$ 7,007.00
12	TUZPX	\$23,400.00	\$15,301.00	\$12,776.00	\$12,364.00

(14) Electrical Channel Termination - TX - Zone 2

<u>Volume Option*</u>	<u>USOC</u>	<u>Month to Month</u>	<u>3 year</u>	<u>5 year</u>	<u>10 year</u>
1	TUZPX	\$ 1,950.00	\$ 1,828.00	\$ 1,658.00	\$ 1,589.00
3	TUZPX	\$ 5,850.00	\$ 4,845.00	\$ 4,046.00	\$ 3,915.00
6	TUZPX	\$11,700.00	\$ 8,670.00	\$ 7,240.00	\$ 7,007.00
12	TUZPX	\$23,400.00	\$15,301.00	\$12,776.00	\$12,364.00

(15) Electrical Channel Termination - TX - Zone 3

<u>Volume Option*</u>	<u>USOC</u>	<u>Month to Month</u>	<u>3 year</u>	<u>5 year</u>	<u>10 year</u>
1	TUZPX	\$ 1,950.00	\$ 1,828.00	\$ 1,658.00	\$ 1,589.00
3	TUZPX	\$ 5,850.00	\$ 4,845.00	\$ 4,046.00	\$ 3,915.00
6	TUZPX	\$11,700.00	\$ 8,670.00	\$ 7,240.00	\$ 7,007.00
12	TUZPX	\$23,400.00	\$15,301.00	\$12,776.00	\$12,364.00

(N)

Rates contained in this transmittal are subject to subsequent adjustment, effective retrospectively back to the transmittal's original effective date, in the event the Commission or a court subsequently authorizes SWBT to correct its rates pursuant to the decision in *United States Telephone Association v. FCC* (Case No. 97-1469)(slip. op. May 21, 1999)(D.C. Cir.), or pursuant to pending motions, or petitions for reconsideration or waiver (and including, but not limited to, any Application for Review of the letter from Lawrence E. Strickling, Chief, Common Carrier Bureau, FCC, to Dale Robertson, SBC, dated May 18, 1999 which may be filed with the Commission), or in the event of any other adjustment pursuant to an order of the Commission or a court.

* Volume Option specifies the number of DS3s or DS3 equivalents.

(This page filed under Transmittal No. 2763)

Issued: June 16, 1999

Effective: July 1, 1999

Four AT&T Plaza, Dallas, Texas 75202

ACCESS SERVICE

(N)

20. MegaLink Custom Services (Cont'd)20.11 Billing Periods - Service Established Between July 1, 1998 and June 30, 1999. (Cont'd)20.11.1 Rates and Charges (Cont'd)(A) Channel Termination - Electrical - per Volume Option, per customer premises (Cont'd)(16) Temp-DS3 Electrical Channel Termination - AR - Zone 1

<u>Volume Option*</u>	<u>USOC</u>	<u>Monthly</u>
1	TUZQX	\$ 2,262.50

(17) Temp-DS3 Electrical Channel Termination - AR - Zone 2

<u>Volume Option*</u>	<u>USOC</u>	<u>Monthly</u>
1	TUZQX	\$ 2,262.50

(18) Temp-DS3 Electrical Channel Termination - AR - Zone 3

<u>Volume Option*</u>	<u>USOC</u>	<u>Monthly</u>
1	TUZQX	\$ 2,262.50

(19) Temp-DS3 Electrical Channel Termination - KS - Zone 1

<u>Volume Option*</u>	<u>USOC</u>	<u>Monthly</u>
1	TUZQX	\$ 2,262.50

(20) Temp-DS3 Electrical Channel Termination - KS - Zone 2

<u>Volume Option*</u>	<u>USOC</u>	<u>Monthly</u>
1	TUZQX	\$ 2,262.50

(21) Temp-DS3 Electrical Channel Termination - KS - Zone 3

<u>Volume Option*</u>	<u>USOC</u>	<u>Monthly</u>
1	TUZQX	\$ 2,262.50

Rates contained in this transmittal are subject to subsequent adjustment, effective retrospectively back to the transmittal's original effective date, in the event the Commission or a court subsequently authorizes SWBT to correct its rates pursuant to the decision in *United States Telephone Association v. FCC* (Case No. 97-1469)(slip. op. May 21, 1999)(D.C. Cir.), or pursuant to pending motions, or petitions for reconsideration or waiver (and including, but not limited to, any Application for Review of the letter from Lawrence E. Strickling, Chief, Common Carrier Bureau, FCC, to Dale Robertson, SBC, dated May 18, 1999 which may be filed with the Commission), or in the event of any other adjustment pursuant to an order of the Commission or a court.

* Volume Option specifies the number of DS3s or DS3 equivalents.

(This page filed under Transmittal No. 2763)

Issued: June 16, 1999

Effective: July 1, 1999

Four AT&T Plaza, Dallas, Texas 75202

ACCESS SERVICE

(N)

20. MegaLink Custom Services (Cont'd)20.11 Billing Periods - Service Established Between July 1, 1998 and June 30, 1999. (Cont'd)20.11.1 Rates and Charges (Cont'd)(A) Channel Termination - Electrical - per Volume Option, per customer premises (Cont'd)(22) Temp-DS3 Electrical Channel Termination - MO - Zone 1

<u>Volume Option*</u>	<u>USOC</u>	<u>Monthly</u>
1	TUZQX	\$ 2,262.50

(23) Temp-DS3 Electrical Channel Termination - MO - Zone 2

<u>Volume Option*</u>	<u>USOC</u>	<u>Monthly</u>
1	TUZQX	\$ 2,262.50

(24) Temp-DS3 Electrical Channel Termination - MO - Zone 3

<u>Volume Option*</u>	<u>USOC</u>	<u>Monthly</u>
1	TUZQX	\$ 2,262.50

(25) Temp-DS3 Electrical Channel Termination - OK - Zone 1

<u>Volume Option*</u>	<u>USOC</u>	<u>Monthly</u>
1	TUZQX	\$ 2,262.50

(26) Temp-DS3 Electrical Channel Termination - OK - Zone 2

<u>Volume Option*</u>	<u>USOC</u>	<u>Monthly</u>
1	TUZQX	\$ 2,262.50

(27) Temp-DS3 Electrical Channel Termination - OK - Zone 3

<u>Volume Option*</u>	<u>USOC</u>	<u>Monthly</u>
1	TUZQX	\$ 2,262.50

Rates contained in this transmittal are subject to subsequent adjustment, effective retrospectively back to the transmittals original effective date, in the event the Commission or a court subsequently authorizes SWBT to correct its rates pursuant to the decision in *United States Telephone Association v. FCC* (Case No. 97-1469)(slip. op. May 21, 1999)(D.C. Cir.), or pursuant to pending motions, or petitions for reconsideration or waiver (and including, but not limited to, any Application for Review of the letter from Lawrence E. Strickling, Chief, Common Carrier Bureau, FCC, to Dale Robertson, SBC, dated May 18, 1999 which may be filed with the Commission), or in the event of any other adjustment pursuant to an order of the Commission or a court.

* Volume Option specifies the number of DS3s or DS3 equivalents.

(This page filed under Transmittal No. 2763)

Issued: June 16, 1999

Effective: July 1, 1999

Four AT&T Plaza, Dallas, Texas 75202

ACCESS SERVICE

(N)

20. MegaLink Custom Services (Cont'd)20.11 Billing Periods - Service Established Between July 1, 1998 and June 30, 1999. (Cont'd)20.11.1 Rates and Charges (Cont'd)(A) Channel Termination - Electrical - per Volume Option, per customer premises (Cont'd)(28) Temp-DS3 Electrical Channel Termination - TX - Zone 1

<u>Volume Option*</u>	<u>USOC</u>	<u>Monthly</u>
1	TUZQX	\$ 2,262.50

(29) Temp-DS3 Electrical Channel Termination - TX - Zone 2

<u>Volume Option*</u>	<u>USOC</u>	<u>Monthly</u>
1	TUZQX	\$ 2,262.50

(30) Temp-DS3 Electrical Channel Termination - TX - Zone 3

<u>Volume Option*</u>	<u>USOC</u>	<u>Monthly</u>
1	TUZQX	\$ 2,262.50

Rates contained in this transmittal are subject to subsequent adjustment, effective retrospectively back to the transmittal's original effective date, in the event the Commission or a court subsequently authorizes SWBT to correct its rates pursuant to the decision in *United States Telephone Association v. FCC* (Case No. 97-1469)(slip. Op. May 21, 1999)(D.C. Cir.), or pursuant to pending motions, or petitions for reconsideration or waiver (and including, but not limited to, any Application for Review of the letter from Lawrence E. Strickling, Chief, Common Carrier Bureau, FCC, to Dale Robertson, SBC, dated May 18, 1999 which may be filed with the Commission), or in the event of any other adjustment pursuant to an order of the Commission or a court.

* Volume Option specifies the number of DS3s or DS3 equivalents.

(This page filed under Transmittal No. 2763)

Issued: June 16, 1999

Effective: July 1, 1999

Four AT&T Plaza, Dallas, Texas 75202

ACCESS SERVICE

20. MegaLink Custom Services (Cont'd)

(N)

20.11 Billing Periods - Service Established Between July 1, 1998 and June 30, 1999. (Cont'd)20.11.1 Rates and Charges (Cont'd)(B) Channel Termination - Optical - per Volume Option, per customer premises(1) Optical Channel Termination - AR - Zone 1

Volume Option*	USOC	Month to Month	3 year	5 year	10 year
1	TKZPX	\$ 1,755.00	\$ 1,645.00	\$ 1,492.00	\$ 1,430.00
3	TKZPX	\$ 5,265.00	\$ 4,361.00	\$ 3,953.00	\$ 3,524.00
6	TKZPX	\$10,530.00	\$ 7,804.00	\$ 7,075.00	\$ 6,305.00
12	TKZPX	\$21,060.00	\$13,771.00	\$12,486.00	\$11,128.00

(2) Optical Channel Termination - AR - Zone 2

Volume Option*	USOC	Month to Month	3 year	5 year	10 year
1	TKZPX	\$ 1,755.00	\$ 1,645.00	\$ 1,492.00	\$ 1,430.00
3	TKZPX	\$ 5,265.00	\$ 4,361.00	\$ 3,953.00	\$ 3,524.00
6	TKZPX	\$10,530.00	\$ 7,804.00	\$ 7,075.00	\$ 6,305.00
12	TKZPX	\$21,060.00	\$13,771.00	\$12,486.00	\$11,128.00

(3) Optical Channel Termination - AR - Zone 3

Volume Option*	USOC	Month to Month	3 year	5 year	10 year
1	TKZPX	\$ 1,755.00	\$ 1,645.00	\$ 1,492.00	\$ 1,430.00
3	TKZPX	\$ 5,265.00	\$ 4,361.00	\$ 3,953.00	\$ 3,524.00
6	TKZPX	\$10,530.00	\$ 7,804.00	\$ 7,075.00	\$ 6,305.00
12	TKZPX	\$21,060.00	\$13,771.00	\$12,486.00	\$11,128.00

(N)

Rates contained in this transmittal are subject to subsequent adjustment, effective retrospectively back to the transmittal's original effective date, in the event the Commission or a court subsequently authorizes SWBT to correct its rates pursuant to the decision in United States Telephone Association v. FCC (Case No. 97-1469)(slip. op. May 21, 1999)(D.C. Cir.), or pursuant to pending motions, or petitions for reconsideration or waiver (and including, but not limited to, any Application for Review of the letter from Lawrence E. Strickling, Chief, Common Carrier Bureau, FCC, to Dale Robertson, SBC, dated May 18, 1999 which may be filed with the Commission), or in the event of any other adjustment pursuant to an order of the Commission or a court.

* Volume Option specifies the number of DS3s or DS3 equivalents.

(This page filed under Transmittal No. 2763)

Issued: June 16, 1999

Effective: July 1, 1999

Four AT&T Plaza, Dallas, Texas 75202

ACCESS SERVICE

(N)

20. MegaLink Custom Services (Cont'd)20.11 Billing Periods - Service Established Between July 1, 1998 and June 30, 1999. (Cont'd)20.11.1 Rates and Charges (Cont'd)(B) Channel Termination - Optical - per Volume Option, per customer premises (Cont'd)(4) Optical Channel Termination - KS - Zone 1

<u>Volume Option*</u>	<u>USOC</u>	<u>Month to Month</u>	<u>3 year</u>	<u>5 year</u>	<u>10 year</u>
1	TKZPX	\$ 1,755.00	\$ 1,645.00	\$ 1,492.00	\$ 1,430.00
3	TKZPX	\$ 5,265.00	\$ 4,361.00	\$ 3,953.00	\$ 3,524.00
6	TKZPX	\$10,530.00	\$ 7,804.00	\$ 7,075.00	\$ 6,305.00
12	TKZPX	\$21,060.00	\$13,771.00	\$12,486.00	\$11,128.00

(5) Optical Channel Termination - KS - Zone 2

<u>Volume Option*</u>	<u>USOC</u>	<u>Month to Month</u>	<u>3 year</u>	<u>5 year</u>	<u>10 year</u>
1	TKZPX	\$ 1,755.00	\$ 1,645.00	\$ 1,492.00	\$ 1,430.00
3	TKZPX	\$ 5,265.00	\$ 4,361.00	\$ 3,953.00	\$ 3,524.00
6	TKZPX	\$10,530.00	\$ 7,804.00	\$ 7,075.00	\$ 6,305.00
12	TKZPX	\$21,060.00	\$13,771.00	\$12,486.00	\$11,128.00

(6) Optical Channel Termination - KS - Zone 3

<u>Volume Option*</u>	<u>USOC</u>	<u>Month to Month</u>	<u>3 year</u>	<u>5 year</u>	<u>10 year</u>
1	TKZPX	\$ 1,755.00	\$ 1,645.00	\$ 1,492.00	\$ 1,430.00
3	TKZPX	\$ 5,265.00	\$ 4,361.00	\$ 3,953.00	\$ 3,524.00
6	TKZPX	\$10,530.00	\$ 7,804.00	\$ 7,075.00	\$ 6,305.00
12	TKZPX	\$21,060.00	\$13,771.00	\$12,486.00	\$11,128.00

Rates contained in this transmittal are subject to subsequent adjustment, effective retrospectively back to the transmittal's original effective date, in the event the Commission or a court subsequently authorizes SWBT to correct its rates pursuant to the decision in *United States Telephone Association v. FCC* (Case No. 97-1469)(slip. op. May 21, 1999)(D.C. Cir.), or pursuant to pending motions, or petitions for reconsideration or waiver (and including, but not limited to, any Application for Review of the letter from Lawrence E. Strickling, Chief, Common Carrier Bureau, FCC, to Dale Robertson, SBC, dated May 18, 1999 which may be filed with the Commission), or in the event of any other adjustment pursuant to an order of the Commission or a court.

* Volume Option specifies the number of DS3s or DS3 equivalents.

(This page filed under Transmittal No. 2763)

Issued: June 16, 1999

Effective: July 1, 1999

Four AT&T Plaza, Dallas, Texas 75202

ACCESS SERVICE

(N)

20. MegaLink Custom Services (Cont'd)20.11 Billing Periods - Service Established Between July 1, 1998 and June 30, 1999. (Cont'd)20.11.1 Rates and Charges (Cont'd)(B) Channel Termination - Optical - per Volume Option, per customer premises (Cont'd)(7) Optical Channel Termination - MO - Zone 1

<u>Volume Option*</u>	<u>USOC</u>	<u>Month to Month</u>	<u>3 year</u>	<u>5 year</u>	<u>10 year</u>
1	TKZPX	\$ 1,755.00	\$ 1,645.00	\$ 1,492.00	\$ 1,430.00
3	TKZPX	\$ 5,265.00	\$ 4,361.00	\$ 3,953.00	\$ 3,524.00
6	TKZPX	\$10,530.00	\$ 7,804.00	\$ 7,075.00	\$ 6,305.00
12	TKZPX	\$21,060.00	\$13,771.00	\$12,486.00	\$11,128.00

(8) Optical Channel Termination - MO - Zone 2

<u>Volume Option*</u>	<u>USOC</u>	<u>Month to Month</u>	<u>3 year</u>	<u>5 year</u>	<u>10 year</u>
1	TKZPX	\$ 1,755.00	\$ 1,645.00	\$ 1,492.00	\$ 1,430.00
3	TKZPX	\$ 5,265.00	\$ 4,361.00	\$ 3,953.00	\$ 3,524.00
6	TKZPX	\$10,530.00	\$ 7,804.00	\$ 7,075.00	\$ 6,305.00
12	TKZPX	\$21,060.00	\$13,771.00	\$12,486.00	\$11,128.00

(9) Optical Channel Termination - MO - Zone 3

<u>Volume Option*</u>	<u>USOC</u>	<u>Month to Month</u>	<u>3 year</u>	<u>5 year</u>	<u>10 year</u>
1	TKZPX	\$ 1,755.00	\$ 1,645.00	\$ 1,492.00	\$ 1,430.00
3	TKZPX	\$ 5,265.00	\$ 4,361.00	\$ 3,953.00	\$ 3,524.00
6	TKZPX	\$10,530.00	\$ 7,804.00	\$ 7,075.00	\$ 6,305.00
12	TKZPX	\$21,060.00	\$13,771.00	\$12,486.00	\$11,128.00

Rates contained in this transmittal are subject to subsequent adjustment, effective retrospectively back to the transmittal's original effective date, in the event the Commission or a court subsequently authorizes SWBT to correct its rates pursuant to the decision in *United States Telephone Association v. FCC* (Case No. 97-1469)(slip. op. May 21, 1999)(D.C. Cir.), or pursuant to pending motions, or petitions for reconsideration or waiver (and including, but not limited to, any Application for Review of the letter from Lawrence E. Strickling, Chief, Common Carrier Bureau, FCC, to Dale Robertson, SBC, dated May 18, 1999 which may be filed with the Commission), or in the event of any other adjustment pursuant to an order of the Commission or a court.

* Volume Option specifies the number of DS3s or DS3 equivalents.

(This page filed under Transmittal No. 2763)

Issued: June 16, 1999

Effective: July 1, 1999

Four AT&T Plaza, Dallas, Texas 75202

ACCESS SERVICE

(N)

20. MegaLink Custom Services (Cont'd)20.11 Billing Periods - Service Established Between July 1, 1998 and June 30, 1999. (Cont'd)20.11.1 Rates and Charges (Cont'd)(B) Channel Termination - Optical - per Volume Option, per customer premises (Cont'd)(10) Optical Channel Termination - OK - Zone 1

<u>Volume Option*</u>	<u>USOC</u>	<u>Month to Month</u>	<u>3 year</u>	<u>5 year</u>	<u>10 year</u>
1	TKZPX	\$ 1,755.00	\$ 1,645.00	\$ 1,492.00	\$ 1,430.00
3	TKZPX	\$ 5,265.00	\$ 4,361.00	\$ 3,953.00	\$ 3,524.00
6	TKZPX	\$10,530.00	\$ 7,804.00	\$ 7,075.00	\$ 6,305.00
12	TKZPX	\$21,060.00	\$13,771.00	\$12,486.00	\$11,128.00

(11) Optical Channel Termination - OK - Zone 2

<u>Volume Option*</u>	<u>USOC</u>	<u>Month to Month</u>	<u>3 year</u>	<u>5 year</u>	<u>10 year</u>
1	TKZPX	\$ 1,755.00	\$ 1,645.00	\$ 1,492.00	\$ 1,430.00
3	TKZPX	\$ 5,265.00	\$ 4,361.00	\$ 3,953.00	\$ 3,524.00
6	TKZPX	\$10,530.00	\$ 7,804.00	\$ 7,075.00	\$ 6,305.00
12	TKZPX	\$21,060.00	\$13,771.00	\$12,486.00	\$11,128.00

(12) Optical Channel Termination - OK - Zone 3

<u>Volume Option*</u>	<u>USOC</u>	<u>Month to Month</u>	<u>3 year</u>	<u>5 year</u>	<u>10 year</u>
1	TKZPX	\$ 1,755.00	\$ 1,645.00	\$ 1,492.00	\$ 1,430.00
3	TKZPX	\$ 5,265.00	\$ 4,361.00	\$ 3,953.00	\$ 3,524.00
6	TKZPX	\$10,530.00	\$ 7,804.00	\$ 7,075.00	\$ 6,305.00
12	TKZPX	\$21,060.00	\$13,771.00	\$12,486.00	\$11,128.00

Rates contained in this transmittal are subject to subsequent adjustment, effective retrospectively back to the transmittal's original effective date, in the event the Commission or a court subsequently authorizes SWBT to correct its rates pursuant to the decision in United States Telephone Association v. FCC (Case No. 97-1469)(slip. op. May 21, 1999)(D.C. Cir.), or pursuant to pending motions, or petitions for reconsideration or waiver (and including, but not limited to, any Application for Review of the letter from Lawrence E. Strickling, Chief, Common Carrier Bureau, FCC, to Dale Robertson, SBC, dated May 18, 1999 which may be filed with the Commission), or in the event of any other adjustment pursuant to an order of the Commission or a court.

* Volume Option specifies the number of DS3s or DS3 equivalents.

(This page filed under Transmittal No. 2763)

Issued: June 16, 1999

Effective: July 1, 1999

Four AT&T Plaza, Dallas, Texas 75202

ACCESS SERVICE

20. MegaLink Custom Services (Cont'd)

(N)

20.11 Billing Periods - Service Established Between July 1, 1998 and June 30, 1999. (Cont'd)20.11.1 Rates and Charges (Cont'd)(B) Channel Termination - Optical - per Volume Option, per customer premises (Cont'd)(13) Optical Channel Termination - TX - Zone 1

<u>Volume Option*</u>	<u>USOC</u>	<u>Month to Month</u>	<u>3 year</u>	<u>5 year</u>	<u>10 year</u>
1	TKZPX	\$ 1,755.00	\$ 1,645.00	\$ 1,492.00	\$ 1,430.00
3	TKZPX	\$ 5,265.00	\$ 4,361.00	\$ 3,953.00	\$ 3,524.00
6	TKZPX	\$10,530.00	\$ 7,804.00	\$ 7,075.00	\$ 6,305.00
12	TKZPX	\$21,060.00	\$13,771.00	\$12,486.00	\$11,128.00

(14) Optical Channel Termination - TX - Zone 2

<u>Volume Option*</u>	<u>USOC</u>	<u>Month to Month</u>	<u>3 year</u>	<u>5 year</u>	<u>10 year</u>
1	TKZPX	\$ 1,755.00	\$ 1,645.00	\$ 1,492.00	\$ 1,430.00
3	TKZPX	\$ 5,265.00	\$ 4,361.00	\$ 3,953.00	\$ 3,524.00
6	TKZPX	\$10,530.00	\$ 7,804.00	\$ 7,075.00	\$ 6,305.00
12	TKZPX	\$21,060.00	\$13,771.00	\$12,486.00	\$11,128.00

(15) Optical Channel Termination - TX - Zone 3

<u>Volume Option*</u>	<u>USOC</u>	<u>Month to Month</u>	<u>3 year</u>	<u>5 year</u>	<u>10 year</u>
1	TKZPX	\$ 1,755.00	\$ 1,645.00	\$ 1,492.00	\$ 1,430.00
3	TKZPX	\$ 5,265.00	\$ 4,361.00	\$ 3,953.00	\$ 3,524.00
6	TKZPX	\$10,530.00	\$ 7,804.00	\$ 7,075.00	\$ 6,305.00
12	TKZPX	\$21,060.00	\$13,771.00	\$12,486.00	\$11,128.00

Rates contained in this transmittal are subject to subsequent adjustment, effective retrospectively back to the transmittals original effective date, in the event the Commission or a court subsequently authorizes SWBT to correct its rates pursuant to the decision in United States Telephone Association v. FCC (Case No. 97-1469)(slip. op. May 21, 1999)(D.C. Cir.), or pursuant to pending motions, or petitions for reconsideration or waiver (and including, but not limited to, any Application for Review of the letter from Lawrence E. Strickling, Chief, Common Carrier Bureau, FCC, to Dale Robertson, SBC, dated May 18, 1999 which may be filed with the Commission), or in the event of any other adjustment pursuant to an order of the Commission or a court.

* Volume Option specifies the number of DS3s or DS3 equivalents.

(This page filed under Transmittal No. 2763)

Issued: June 16, 1999

Effective: July 1, 1999

Four AT&T Plaza, Dallas, Texas 75202

ACCESS SERVICE

(N)

20. MegaLink Custom Services (Cont'd)20.11 Billing Periods - Service Established Between July 1, 1998 and June 30, 1999. (Cont'd)20.11.1 Rates and Charges (Cont'd)(C) Interoffice Mileage - Fixed - Monthly Recurring Rates and Service Extension

(1)	<u>Interoffice Fixed - per DS3 or DS3 equivalent - AR - Zone 1</u>				
	USOC	<u>Month to Month</u>	<u>3 year</u>	<u>5 year</u>	<u>10 year</u>
	10XHX/10XLX	\$815.00	\$764.00	\$693.00	\$634.00
(2)	<u>Interoffice Fixed - per DS3 or DS3 equivalent - AR - Zone 2</u>				
	USOC	<u>Month to Month</u>	<u>3 year</u>	<u>5 year</u>	<u>10 year</u>
	10XHX/10XLX	\$815.00	\$764.00	\$693.00	\$634.00
(3)	<u>Interoffice Fixed - per DS3 or DS3 equivalent - AR - Zone 3</u>				
	USOC	<u>Month to Month</u>	<u>3 year</u>	<u>5 year</u>	<u>10 year</u>
	10XHX/10XLX	\$815.00	\$764.00	\$693.00	\$634.00
(4)	<u>Interoffice Fixed - per DS3 or DS3 equivalent - KS - Zone 1</u>				
	USOC	<u>Month to Month</u>	<u>3 year</u>	<u>5 year</u>	<u>10 year</u>
	10XHX/10XLX	\$815.00	\$764.00	\$693.00	\$634.00
(5)	<u>Interoffice Fixed - per DS3 or DS3 equivalent - KS - Zone 2</u>				
	USOC	<u>Month to Month</u>	<u>3 year</u>	<u>5 year</u>	<u>10 year</u>
	10XHX/10XLX	\$815.00	\$764.00	\$693.00	\$634.00
(6)	<u>Interoffice Fixed - per DS3 or DS3 equivalent - KS - Zone 3</u>				
	USOC	<u>Month to Month</u>	<u>3 year</u>	<u>5 year</u>	<u>10 year</u>
	10XHX/10XLX	\$815.00	\$764.00	\$693.00	\$634.00

Rates contained in this transmittal are subject to subsequent adjustment, effective retrospectively back to the transmittal's original effective date, in the event the Commission or a court subsequently authorizes SWBT to correct its rates pursuant to the decision in *United States Telephone Association v. FCC* (Case No. 97-1469) (slip. op. May 21, 1999) (D.C. Cir.), or pursuant to pending motions, or petitions for reconsideration or waiver (and including, but not limited to, any Application for Review of the letter from Lawrence E. Strickling, Chief, Common Carrier Bureau, FCC, to Dale Robertson, SBC, dated May 18, 1999 which may be filed with the Commission), or in the event of any other adjustment pursuant to an order of the Commission or a court.

(This page filed under Transmittal No. 2763)

Issued: June 16, 1999

Effective: July 1, 1999

Four AT&T Plaza, Dallas, Texas 75202

ACCESS SERVICE

(N)

20. MegaLink Custom Services (Cont'd)

20.11 Billing Periods - Service Established Between July 1, 1998 and June 30, 1999. (Cont'd)

20.11.1 Rates and Charges (Cont'd)

(C) Interoffice Mileage - Fixed - Monthly Recurring Rates and Service Extension (Cont'd)

(7) Interoffice Fixed - per DS3 or DS3 equivalent - MO - Zone 1

<u>USOC</u>	<u>Month to Month</u>	<u>3 year</u>	<u>5 year</u>	<u>10 year</u>
10XHX/10XLX	\$815.00	\$764.00	\$693.00	\$634.00

(8) Interoffice Fixed - per DS3 or DS3 equivalent - MO - Zone 2

<u>USOC</u>	<u>Month to Month</u>	<u>3 year</u>	<u>5 year</u>	<u>10 year</u>
10XHX/10XLX	\$815.00	\$764.00	\$693.00	\$634.00

(9) Interoffice Fixed - per DS3 or DS3 equivalent - MO - Zone 3

<u>USOC</u>	<u>Month to Month</u>	<u>3 year</u>	<u>5 year</u>	<u>10 year</u>
10XHX/10XLX	\$815.00	\$764.00	\$693.00	\$634.00

(10) Interoffice Fixed - per DS3 or DS3 equivalent - OK - Zone 1

<u>USOC</u>	<u>Month to Month</u>	<u>3 year</u>	<u>5 year</u>	<u>10 year</u>
10XHX/10XLX	\$815.00	\$764.00	\$693.00	\$634.00

(11) Interoffice Fixed - per DS3 or DS3 equivalent - OK - Zone 2

<u>USOC</u>	<u>Month to Month</u>	<u>3 year</u>	<u>5 year</u>	<u>10 year</u>
10XHX/10XLX	\$815.00	\$764.00	\$693.00	\$634.00

(12) Interoffice Fixed - per DS3 or DS3 equivalent - OK - Zone 3

<u>USOC</u>	<u>Month to Month</u>	<u>3 year</u>	<u>5 year</u>	<u>10 year</u>
10XHX/10XLX	\$815.00	\$764.00	\$693.00	\$634.00

Rates contained in this transmittal are subject to subsequent adjustment, effective retrospectively back to the transmittals original effective date, in the event the Commission or a court subsequently authorizes SWBT to correct its rates pursuant to the decision in United States Telephone Association v. FCC (Case No. 97-1469)(slip. op. May 21, 1999)(D.C. Cir.), or pursuant to pending motions, or petitions for reconsideration or waiver (and including, but not limited to, any Application for Review of the letter from Lawrence E. Strickling, Chief, Common Carrier Bureau, FCC, to Dale Robertson, SBC, dated May 18, 1999 which may be filed with the Commission), or in the event of any other adjustment pursuant to an order of the Commission or a court.

(N)

(This page filed under Transmittal No. 2763)

Issued: June 16, 1999

Effective: July 1, 1999

Four AT&T Plaza, Dallas, Texas 75202

ACCESS SERVICE

20. MegaLink Custom Services (Cont'd)

(N)

20.11 Billing Periods - Service Established Between July 1, 1998 and June 30, 1999. (Cont'd)20.11.1 Rates and Charges (Cont'd)(C) Interoffice Mileage - Fixed - Monthly Recurring Rates and Service Extension (Cont'd)(13) Interoffice Fixed - per DS3 or DS3 equivalent - TX - Zone 1

<u>USOC</u>	<u>Month to Month</u>	<u>3 year</u>	<u>5 year</u>	<u>10 year</u>
10XHX/10XLX	\$815.00	\$764.00	\$693.00	\$634.00

(14) Interoffice Fixed - per DS3 or DS3 equivalent - TX - Zone 2

<u>USOC</u>	<u>Month to Month</u>	<u>3 year</u>	<u>5 year</u>	<u>10 year</u>
10XHX/10XLX	\$815.00	\$764.00	\$693.00	\$634.00

(15) Interoffice Fixed - per DS3 or DS3 equivalent - TX - Zone 3

<u>USOC</u>	<u>Month to Month</u>	<u>3 year</u>	<u>5 year</u>	<u>10 year</u>
10XHX/10XLX	\$815.00	\$764.00	\$693.00	\$634.00

(N)

Rates contained in this transmittal are subject to subsequent adjustment, effective retrospectively back to the transmittal's original effective date, in the event the Commission or a court subsequently authorizes SWBT to correct its rates pursuant to the decision in *United States Telephone Association v. FCC* (Case No. 97-1469)(slip. op. May 21, 1999)(D.C. Cir.), or pursuant to pending motions, or petitions for reconsideration or waiver (and including, but not limited to, any Application for Review of the letter from Lawrence E. Strickling, Chief, Common Carrier Bureau, FCC, to Dale Robertson, SBC, dated May 18, 1999 which may be filed with the Commission), or in the event of any other adjustment pursuant to an order of the Commission or a court.

(This page filed under Transmittal No. 2763)

Issued: June 16, 1999

Effective: July 1, 1999

Four AT&T Plaza, Dallas, Texas 75202

ACCESS SERVICE

(N)

20. MegaLink Custom Services (Cont'd)20.11 Billing Periods - Service Established Between July 1, 1998 and June 30, 1999. (Cont'd)20.11.1 Rates and Charges (Cont'd)(C) Interoffice Mileage - Fixed - Monthly Recurring Rates and Service Extension (Cont'd)(16) Temp-DS3 - Interoffice Fixed - per Temp DS3 - AR - Zone 1USOC Monthly

10XGX \$815.00

(17) Temp-DS3 - Interoffice Fixed - per Temp DS3 - AR - Zone 2USOC Monthly

10XGX \$815.00

(18) Temp-DS3 - Interoffice Fixed - per Temp DS3 - AR - Zone 3USOC Monthly

10XGX \$815.00

(19) Temp-DS3 - Interoffice Fixed - per Temp DS3 - KS - Zone 1USOC Monthly

10XGX \$815.00

(20) Temp-DS3 - Interoffice Fixed - per Temp DS3 - KS - Zone 2USOC Monthly

10XGX \$815.00

(21) Temp-DS3 - Interoffice Fixed - per Temp DS3 - KS - Zone 3USOC Monthly

10XGX \$815.00

Rates contained in this transmittal are subject to subsequent adjustment, effective retrospectively back to the transmittal's original effective date, in the event the Commission or a court subsequently authorizes SWBT to correct its rates pursuant to the decision in *United States Telephone Association v. FCC* (Case No. 97-1469)(slip. op. May 21, 1999)(D.C. Cir.), or pursuant to pending motions, or petitions for reconsideration or waiver (and including, but not limited to, any Application for Review of the letter from Lawrence E. Strickling, Chief, Common Carrier Bureau, FCC, to Dale Robertson, SBC, dated May 18, 1999 which may be filed with the Commission), or in the event of any other adjustment pursuant to an order of the Commission or a court.

(This page filed under Transmittal No. 2763)

Issued: June 16, 1999

Effective: July 1, 1999

Four AT&T Plaza, Dallas, Texas 75202

ACCESS SERVICE

(N)

20. MegaLink Custom Services (Cont'd)20.11 Billing Periods - Service Established Between July 1, 1998 and June 30, 1999. (Cont'd)20.11.1 Rates and Charges (Cont'd)(C) Interoffice Mileage - Fixed - Monthly Recurring Rates and Service Extension (Cont'd)(22) Temp-DS3 - Interoffice Fixed - per Temp DS3 - MO - Zone 1USOCMonthly

10XGX \$815.00

(23) Temp-DS3 - Interoffice Fixed - per Temp DS3 - MO - Zone 2USOCMonthly

10XGX \$815.00

(24) Temp-DS3 - Interoffice Fixed - per Temp DS3 - MO - Zone 3USOCMonthly

10XGX \$815.00

(25) Temp-DS3 - Interoffice Fixed - per Temp DS3 - OK - Zone 1USOCMonthly

10XGX \$815.00

(26) Temp-DS3 - Interoffice Fixed - per Temp DS3 - OK - Zone 2USOCMonthly

10XGX \$815.00

(27) Temp-DS3 - Interoffice Fixed - per Temp DS3 - OK - Zone 3USOCMonthly

10XGX \$815.00

Rates contained in this transmittal are subject to subsequent adjustment, effective retrospectively back to the transmittal's original effective date, in the event the Commission or a court subsequently authorizes SWBT to correct its rates pursuant to the decision in *United States Telephone Association v. FCC* (Case No. 97-1469)(slip. op. May 21, 1999)(D.C. Cir.), or pursuant to pending motions, or petitions for reconsideration or waiver (and including, but not limited to, any Application for Review of the letter from Lawrence E. Strickling, Chief, Common Carrier Bureau, FCC, to Dale Robertson, SBC, dated May 18, 1999 which may be filed with the Commission), or in the event of any other adjustment pursuant to an order of the Commission or a court.

(This page filed under Transmittal No. 2763)

Issued: June 16, 1999

Effective: July 1, 1999

Four AT&T Plaza, Dallas, Texas 75202

ACCESS SERVICE

20. MegaLink Custom Services (Cont'd)

(N)

20.11 Billing Periods - Service Established Between July 1, 1998 and June 30, 1999. (Cont'd)20.11.1 Rates and Charges (Cont'd)(C) Interoffice Mileage - Fixed - Monthly Recurring Rates and Service Extension (Cont'd)(28) Temp-DS3 - Interoffice Fixed - per Temp DS3 - TX - Zone 1USOCMonthly

10XGX \$815.00

(29) Temp-DS3 - Interoffice Fixed - per Temp DS3 - TX - Zone 2USOCMonthly

10XGX \$815.00

(30) Temp-DS3 - Interoffice Fixed - per Temp DS3 - TX - Zone 3USOCMonthly

10XGX \$815.00

Rates contained in this transmittal are subject to subsequent adjustment, effective retrospectively back to the transmittal's original effective date, in the event the Commission or a court subsequently authorizes SWBT to correct its rates pursuant to the decision in *United States Telephone Association v. FCC* (Case No. 97-1469)(slip. op. May 21, 1999)(D.C. Cir.), or pursuant to pending motions, or petitions for reconsideration or waiver (and including, but not limited to, any Application for Review of the letter from Lawrence E. Strickling, Chief, Common Carrier Bureau, FCC, to Dale Robertson, SBC, dated May 18, 1999 which may be filed with the Commission), or in the event of any other adjustment pursuant to an order of the Commission or a court.

(This page filed under Transmittal No. 2763)

Issued: June 16, 1999

Effective: July 1, 1999

Four AT&T Plaza, Dallas, Texas 75202

ACCESS SERVICE

20. MegaLink Custom Services (Cont'd)

(N)

20.11 Billing Periods - Service Established Between July 1, 1998 and June 30, 1999. (Cont'd)20.1.1 Rates and Charges (Cont'd)(D) Interoffice Mileage - Per Mile - Monthly Recurring Rates and Service Extension(1) Per Mile - per Volume Option, per Mile - AR - Zone 1

<u>Volume Option*</u>	<u>USOC</u>	<u>Month to Month</u>	<u>3 year</u>	<u>5 year</u>	<u>10 year</u>
1	1J5HS/1HXLS	\$118.00	\$ 85.00	\$ 75.00	\$ 71.00
3	1J5HS/1HXLS	\$165.00	\$119.00	\$106.00	\$ 99.00
6	1J5HS/1HXLS	\$236.00	\$171.00	\$151.00	\$142.00
12	1J5HS/1HXLS	\$330.00	\$239.00	\$211.00	\$198.00

(2) Per Mile - per Volume Option, per Mile - AR - Zone 2

<u>Volume Option*</u>	<u>USOC</u>	<u>Month to Month</u>	<u>3 year</u>	<u>5 year</u>	<u>10 year</u>
1	1J5HS/1HXLS	\$118.00	\$ 85.00	\$ 75.00	\$ 71.00
3	1J5HS/1HXLS	\$165.00	\$119.00	\$106.00	\$ 99.00
6	1J5HS/1HXLS	\$236.00	\$171.00	\$151.00	\$142.00
12	1J5HS/1HXLS	\$330.00	\$239.00	\$211.00	\$198.00

(3) Per Mile - per Volume Option, per Mile - AR - Zone 3

<u>Volume Option*</u>	<u>USOC</u>	<u>Month to Month</u>	<u>3 year</u>	<u>5 year</u>	<u>10 year</u>
1	1J5HS/1HXLS	\$118.00	\$ 85.00	\$ 75.00	\$ 71.00
3	1J5HS/1HXLS	\$165.00	\$119.00	\$106.00	\$ 99.00
6	1J5HS/1HXLS	\$236.00	\$171.00	\$151.00	\$142.00
12	1J5HS/1HXLS	\$330.00	\$239.00	\$211.00	\$198.00

(N)

Rates contained in this transmittal are subject to subsequent adjustment, effective retrospectively back to the transmittal's original effective date, in the event the Commission or a court subsequently authorizes SWBT to correct its rates pursuant to the decision in United States Telephone Association v. FCC (Case No. 97-1469)(slip. op. May 21, 1999)(D.C. Cir.), or pursuant to pending motions, or petitions for reconsideration or waiver (and including, but not limited to, any Application for Review of the letter from Lawrence E. Strickling, Chief, Common Carrier Bureau, FCC, to Dale Robertson, SBC, dated May 18, 1999 which may be filed with the Commission), or in the event of any other adjustment pursuant to an order of the Commission or a court.

* Volume Option specifies the number of DS3s or DS3 equivalents.

(This page filed under Transmittal No. 2763)

Issued: June 19, 1999

Effective: July 1, 1999

Four AT&T Plaza, Dallas, Texas 75202

ACCESS SERVICE

20. MegaLink Custom Services (Cont'd)

(N)

20.11 Billing Periods - Service Established Between July 1, 1998 and June 30, 1999. (Cont'd)20.1.1 Rates and Charges (Cont'd)(D) Interoffice Mileage - Per Mile - Monthly Recurring Rates and Service Extension (Cont'd)(4) Per Mile - per Volume Option, per Mile - KS - Zone 1

<u>Volume Option*</u>	<u>USOC</u>	<u>Month to Month</u>	<u>3 year</u>	<u>5 year</u>	<u>10 year</u>
1	1J5HS/1HXLs	\$118.00	\$ 85.00	\$75.00	\$ 71.00
3	1J5HS/1HXLs	\$165.00	\$119.00	\$106.00	\$ 99.00
6	1J5HS/1HXLs	\$236.00	\$171.00	\$151.00	\$142.00
12	1J5HS/1HXLs	\$330.00	\$239.00	\$211.00	\$198.00

(5) Per Mile - per Volume Option, per Mile - KS - Zone 2

<u>Volume Option*</u>	<u>USOC</u>	<u>Month to Month</u>	<u>3 year</u>	<u>5 year</u>	<u>10 year</u>
1	1J5HS/1HXLs	\$118.00	\$ 85.00	\$ 75.00	\$ 71.00
3	1J5HS/1HXLs	\$165.00	\$119.00	\$106.00	\$ 99.00
6	1J5HS/1HXLs	\$236.00	\$171.00	\$151.00	\$142.00
12	1J5HS/1HXLs	\$330.00	\$239.00	\$211.00	\$198.00

(6) Per Mile - per Volume Option, per Mile - KS - Zone 3

<u>Volume Option*</u>	<u>USOC</u>	<u>Month to Month</u>	<u>3 year</u>	<u>5 year</u>	<u>10 year</u>
1	1J5HS/1HXLs	\$118.00	\$ 85.00	\$ 75.00	\$ 71.00
3	1J5HS/1HXLs	\$165.00	\$119.00	\$106.00	\$ 99.00
6	1J5HS/1HXLs	\$236.00	\$171.00	\$151.00	\$142.00
12	1J5HS/1HXLs	\$330.00	\$239.00	\$211.00	\$198.00

(N)

Rates contained in this transmittal are subject to subsequent adjustment, effective retrospectively back to the transmittal's original effective date, in the event the Commission or a court subsequently authorizes SWBT to correct its rates pursuant to the decision in *United States Telephone Association v. FCC* (Case No. 97-1469)(slip. op. May 21, 1999)(D.C. Cir.), or pursuant to pending motions, or petitions for reconsideration or waiver (and including, but not limited to, any Application for Review of the letter from Lawrence E. Strickling, Chief, Common Carrier Bureau, FCC, to Dale Robertson, SBC, dated May 18, 1999 which may be filed with the Commission), or in the event of any other adjustment pursuant to an order of the Commission or a court.

* Volume Option specifies the number of DS3s or DS3 equivalents.

(This page filed under Transmittal No. 2763)

Issued: June 19, 1999

Effective: July 1, 1999

Four AT&T Plaza, Dallas, Texas 75202

ACCESS SERVICE

(N)

20. MegaLink Custom Services (Cont'd)20.11 Billing Periods - Service Established Between July 1, 1998 and June 30, 1999. (Cont'd)20.11.1 Rates and Charges (Cont'd)(D) Interoffice Mileage - Per Mile - Monthly Recurring Rates and Service Extension (Cont'd)(7) Per Mile - per Volume Option, per Mile - MO - Zone 1

<u>Volume Option*</u>	<u>USOC</u>	<u>Month to Month</u>	<u>3 year</u>	<u>5 year</u>	<u>10 year</u>
1	1J5HS/1HXLs	\$118.00	\$ 80.00	\$ 75.00	\$ 71.00
3	1J5HS/1HXLs	\$165.00	\$112.00	\$106.00	\$ 99.00
6	1J5HS/1HXLs	\$236.00	\$161.00	\$151.00	\$142.00
12	1J5HS/1HXLs	\$330.00	\$225.00	\$211.00	\$198.00

(8) Per Mile - per Volume Option, per Mile - MO - Zone 2

<u>Volume Option*</u>	<u>USOC</u>	<u>Month to Month</u>	<u>3 year</u>	<u>5 year</u>	<u>10 year</u>
1	1J5HS/1HXLs	\$118.00	\$ 80.00	\$ 75.00	\$ 71.00
3	1J5HS/1HXLs	\$165.00	\$112.00	\$106.00	\$ 99.00
6	1J5HS/1HXLs	\$236.00	\$161.00	\$151.00	\$142.00
12	1J5HS/1HXLs	\$330.00	\$225.00	\$211.00	\$198.00

(9) Per Mile - per Volume Option, per Mile - MO - Zone 3

<u>Volume Option*</u>	<u>USOC</u>	<u>Month to Month</u>	<u>3 year</u>	<u>5 year</u>	<u>10 year</u>
1	1J5HS/1HXLs	\$118.00	\$ 85.00	\$ 75.00	\$ 71.00
3	1J5HS/1HXLs	\$165.00	\$119.00	\$106.00	\$ 99.00
6	1J5HS/1HXLs	\$236.00	\$171.00	\$151.00	\$142.00
12	1J5HS/1HXLs	\$330.00	\$239.00	\$211.00	\$198.00

Rates contained in this transmittal are subject to subsequent adjustment, effective retrospectively back to the transmittals original effective date, in the event the Commission or a court subsequently authorizes SWBT to correct its rates pursuant to the decision in United States Telephone Association v. FCC (Case No. 97-1469)(slip. op. May 21, 1999)(D.C. Cir.), or pursuant to pending motions, or petitions for reconsideration or waiver (and including, but not limited to, any Application for Review of the letter from Lawrence E. Strickling, Chief, Common Carrier Bureau, FCC, to Dale Robertson, SBC, dated May 18, 1999 which may be filed with the Commission), or in the event of any other adjustment pursuant to an order of the Commission or a court.

* Volume Option specifies the number of DS3s or DS3 equivalents.

(This page filed under Transmittal No. 2763)

Issued: June 16, 1999

Effective: July 1, 1999

Four AT&T Plaza, Dallas, Texas 75202

ACCESS SERVICE

20. MegaLink Custom Services (Cont'd)

(N)

20.11 Billing Periods - Service Established Between July 1, 1998 and June 30, 1999. (Cont'd)20.11.1 Rates and Charges (Cont'd)(D) Interoffice Mileage - Per Mile - Monthly Recurring Rates and Service Extension (Cont'd)(10) Per Mile - per Volume Option, per Mile - OK - Zone 1

<u>Volume Option*</u>	<u>USOC</u>	<u>Month to Month</u>	<u>3 year</u>	<u>5 year</u>	<u>10 year</u>
1	1J5HS/1HXL	\$118.00	\$ 85.00	\$ 75.00	\$ 71.00
3	1J5HS/1HXL	\$165.00	\$119.00	\$106.00	\$ 99.00
6	1J5HS/1HXL	\$236.00	\$171.00	\$151.00	\$142.00
12	1J5HS/1HXL	\$330.00	\$239.00	\$211.00	\$198.00

(11) Per Mile - per Volume Option, per Mile - OK - Zone 2

<u>Volume Option*</u>	<u>USOC</u>	<u>Month to Month</u>	<u>3 year</u>	<u>5 year</u>	<u>10 year</u>
1	1J5HS/1HXL	\$118.00	\$ 85.00	\$ 75.00	\$ 71.00
3	1J5HS/1HXL	\$165.00	\$119.00	\$106.00	\$ 99.00
6	1J5HS/1HXL	\$236.00	\$171.00	\$151.00	\$142.00
12	1J5HS/1HXL	\$330.00	\$239.00	\$211.00	\$198.00

(12) Per Mile - per Volume Option, per Mile - OK - Zone 3

<u>Volume Option*</u>	<u>USOC</u>	<u>Month to Month</u>	<u>3 year</u>	<u>5 year</u>	<u>10 year</u>
1	1J5HS/1HXL	\$118.00	\$ 85.00	\$ 75.00	\$ 71.00
3	1J5HS/1HXL	\$165.00	\$119.00	\$106.00	\$ 99.00
6	1J5HS/1HXL	\$236.00	\$171.00	\$151.00	\$142.00
12	1J5HS/1HXL	\$330.00	\$239.00	\$211.00	\$198.00

(N)

Rates contained in this transmittal are subject to subsequent adjustment, effective retrospectively back to the transmittal's original effective date, in the event the Commission or a court subsequently authorizes SWBT to correct its rates pursuant to the decision in *United States Telephone Association v. FCC* (Case No. 97-1469) (slip. op. May 21, 1999) (D.C. Cir.), or pursuant to pending motions, or petitions for reconsideration or waiver (and including, but not limited to, any Application for Review of the letter from Lawrence E. Strickling, Chief, Common Carrier Bureau, FCC, to Dale Robertson, SBC, dated May 18, 1999 which may be filed with the Commission), or in the event of any other adjustment pursuant to an order of the Commission or a court.

* Volume Option specifies the number of DS3s or DS3 equivalents.

(This page filed under Transmittal No. 2763)

Issued: June 16, 1999

Effective: July 1, 1999

Four AT&T Plaza, Dallas, Texas 75202

ACCESS SERVICE

20. MegaLink Custom Services (Cont'd)

(N)

20.11 Billing Periods - Service Established Between July 1, 1998 and June 30, 1999. (Cont'd)20.11.1 Rates and Charges (Cont'd)(D) Interoffice Mileage - Per Mile - Monthly Recurring Rates and Service Extension (Cont'd)(13) Per Mile - per Volume Option, per Mile - TX - Zone 1

<u>Volume Option*</u>	<u>USOC</u>	<u>Month to Month</u>	<u>3 year</u>	<u>5 year</u>	<u>10 year</u>
1	1J5HS/1HXLs	\$118.00	\$ 80.00	\$ 69.00	\$ 65.32
3	1J5HS/1HXLs	\$151.80	\$103.04	\$ 97.52	\$ 91.08
6	1J5HS/1HXLs	\$217.12	\$148.12	\$138.92	\$130.64
12	1J5HS/1HXLs	\$303.60	\$207.00	\$194.12	\$182.16

(14) Per Mile - per Volume Option, per Mile - TX - Zone 2

<u>Volume Option*</u>	<u>USOC</u>	<u>Month to Month</u>	<u>3 year</u>	<u>5 year</u>	<u>10 year</u>
1	1J5HS/1HXLs	\$ 94.40	\$ 64.00	\$ 60.00	\$ 56.80
3	1J5HS/1HXLs	\$132.00	\$ 89.60	\$ 84.80	\$ 79.20
6	1J5HS/1HXLs	\$188.80	\$128.80	\$120.80	\$113.60
12	1J5HS/1HXLs	\$264.00	\$180.00	\$168.80	\$158.40

(15) Per Mile - per Volume Option, per Mile - TX - Zone 3

<u>Volume Option*</u>	<u>USOC</u>	<u>Month to Month</u>	<u>3 year</u>	<u>5 year</u>	<u>10 year</u>
1	1J5HS/1HXLs	\$ 88.50	\$ 63.75	\$ 56.25	\$ 53.25
3	1J5HS/1HXLs	\$123.75	\$ 89.25	\$ 79.50	\$ 74.25
6	1J5HS/1HXLs	\$177.00	\$128.25	\$113.25	\$106.50
12	1J5HS/1HXLs	\$247.50	\$179.25	\$158.25	\$148.50

Rates contained in this transmittal are subject to subsequent adjustment, effective retrospectively back to the transmittals original effective date, in the event the Commission or a court subsequently authorizes SWBT to correct its rates pursuant to the decision in United States Telephone Association v. FCC (Case No. 97-1469)(slip. op. May 21, 1999)(D.C. Cir.), or pursuant to pending motions, or petitions for reconsideration or waiver (and including, but not limited to, any Application for Review of the letter from Lawrence E. Strickling, Chief, Common Carrier Bureau, FCC, to Dale Robertson, SBC, dated May 18, 1999 which may be filed with the Commission), or in the event of any other adjustment pursuant to an order of the Commission or a court.

* Volume Option specifies the number of DS3s or DS3 equivalents.

(This page filed under Transmittal No. 2763)

Issued: June 16, 1999

Effective: July 1, 1999

Four AT&T Plaza, Dallas, Texas 75202

ACCESS SERVICE

20. MegaLink Custom Services (Cont'd)

(N)

20.11 Billing Periods - Service Established Between July 1, 1998 and June 30, 1999. (Cont'd)20.11.1 Rates and Charges (Cont'd)(D) Interoffice Mileage - Per Mile - Monthly Recurring Rates and Service Extension (Cont'd)

	(16) <u>Temp-DS3 - Per Mile - per Temp-DS3, per mile - AR -</u>
<u>Zone 1</u>	
<u>Volume Option*</u>	<u>USOC</u> <u>Monthly</u>
1	1A8GS \$118.00
	(17) <u>Temp-DS3 - Per Mile - per Temp-DS3, per mile - AR -</u>
<u>Zone 2</u>	
<u>Volume Option*</u>	<u>USOC</u> <u>Monthly</u>
1	1A8GS \$118.00
	(18) <u>Temp-DS3 - Per Mile - per Temp-DS3, per mile - AR -</u>
<u>Zone 3</u>	
<u>Volume Option*</u>	<u>USOC</u> <u>Monthly</u>
1	1A8GS \$118.00
	(19) <u>Temp-DS3 - Per Mile - per Temp-DS3, per mile - KS -</u>
<u>Zone 1</u>	
<u>Volume Option*</u>	<u>USOC</u> <u>Monthly</u>
1	1A8GS \$118.00
	(20) <u>Temp-DS3 - Per Mile - per Temp-DS3, per mile - KS -</u>
<u>Zone 2</u>	
<u>Volume Option*</u>	<u>USOC</u> <u>Monthly</u>
1	1A8GS \$118.00
	(21) <u>Temp-DS3 - Per Mile - per Temp-DS3, per mile - KS -</u>
<u>Zone 3</u>	
<u>Volume Option*</u>	<u>USOC</u> <u>Monthly</u>
1	1A8GS \$118.00

Rates contained in this transmittal are subject to subsequent adjustment, effective retrospectively back to the transmittal's original effective date, in the event the Commission or a court subsequently authorizes SWBT to correct its rates pursuant to the decision in United States Telephone Association v. FCC (Case No. 97-1469)(slip. op. May 21, 1999)(D.C. Cir.), or pursuant to pending motions, or petitions for reconsideration or waiver (and including, but not limited to, any Application for Review of the letter from Lawrence E. Strickling, Chief, Common Carrier Bureau, FCC, to Dale Robertson, SBC, dated May 18, 1999 which may be filed with the Commission), or in the event of any other adjustment pursuant to an order of the Commission or a court.

* Volume Option specifies the number of DS3s or DS3 equivalents.

(This page filed under Transmittal No. 2763)

Issued: June 16, 1999

Effective: July 1, 1999

Four AT&T Plaza, Dallas, Texas 75202

ACCESS SERVICE

(N)

20. MegaLink Custom Services (Cont'd)20.11 Billing Periods - Service Established Between July 1, 1998 and June 30, 1999. (Cont'd)20.11.1 Rates and Charges (Cont'd)(D) Interoffice Mileage - Per Mile - Monthly Recurring Rates and Service Extension (Cont'd)

	(22)	<u>Temp-DS3 - Per Mile - per Temp-DS3, per mile - MO -</u>	
<u>Zone 1</u>			
<u>Volume Option*</u>		<u>USOC</u>	<u>Monthly</u>
1		1A8GS	\$118.00
	(23)	<u>Temp-DS3 - Per Mile - per Temp-DS3, per mile - MO -</u>	
<u>Zone 2</u>			
<u>Volume Option*</u>		<u>USOC</u>	<u>Monthly</u>
1		1A8GS	\$118.00
	(24)	<u>Temp-DS3 - Per Mile - per Temp-DS3, per mile - MO -</u>	
<u>Zone 3</u>			
<u>Volume Option*</u>		<u>USOC</u>	<u>Monthly</u>
1		1A8GS	\$118.00
	(25)	<u>Temp-DS3 - Per Mile - per Temp-DS3, per mile - OK -</u>	
<u>Zone 1</u>			
<u>Volume Option*</u>		<u>USOC</u>	<u>Monthly</u>
1		1A8GS	\$118.00
	(26)	<u>Temp-DS3 - Per Mile - per Temp-DS3, per mile - OK -</u>	
<u>Zone 2</u>			
<u>Volume Option*</u>		<u>USOC</u>	<u>Monthly</u>
1		1A8GS	\$118.00
	(27)	<u>Temp-DS3 - Per Mile - per Temp-DS3, per mile - OK -</u>	
<u>Zone 3</u>			
<u>Volume Option*</u>		<u>USOC</u>	<u>Monthly</u>
1		1A8GS	\$118.00

Rates contained in this transmittal are subject to subsequent adjustment, effective retrospectively back to the transmittal's original effective date, in the event the Commission or a court subsequently authorizes SWBT to correct its rates pursuant to the decision in *United States Telephone Association v. FCC* (Case No. 97-1469)(slip. op. May 21, 1999)(D.C. Cir.), or pursuant to pending motions, or petitions for reconsideration or waiver (and including, but not limited to, any Application for Review of the letter from Lawrence E. Strickling, Chief, Common Carrier Bureau, FCC, to Dale Robertson, SBC, dated May 18, 1999 which may be filed with the Commission), or in the event of any other adjustment pursuant to an order of the Commission or a court.

* Volume Option specifies the number of DS3s or DS3 equivalents.

(This page filed under Transmittal No. 2763)

Issued: June 16, 1999

Effective: July 1, 1999

Four AT&T Plaza, Dallas, Texas 75202

ACCESS SERVICE

(N)

20. MegaLink Custom Services (Cont'd)20.11 Billing Periods - Service Established Between July 1, 1998 and June 30, 1999. (Cont'd)20.11.1 Rates and Charges (Cont'd)(D) Interoffice Mileage - Per Mile - Monthly Recurring Rates and Service Extension (Cont'd)(28) Temp-DS3 - Per Mile - per Temp-DS3, per mile - TX - Zone 1

<u>Volume Option*</u>	<u>USOC</u>	<u>Monthly</u>
1	1A8GS	\$118.00

Zone 2 (29) Temp-DS3 - Per Mile - per Temp-DS3, per mile - TX -

<u>Volume Option*</u>	<u>USOC</u>	<u>Monthly</u>
1	1A8GS	\$118.00

Zone 3 (30) Temp-DS3 - Per Mile - per Temp-DS3, per mile - TX -

<u>Volume Option*</u>	<u>USOC</u>	<u>Monthly</u>
1	1A8GS	\$118.00

Rates contained in this transmittal are subject to subsequent adjustment, effective retrospectively back to the transmittal's original effective date, in the event the Commission or a court subsequently authorizes SWBT to correct its rates pursuant to the decision in United States Telephone Association v. FCC (Case No. 97-1469)(slip. op. May 21, 1999)(D.C. Cir.), or pursuant to pending motions, or petitions for reconsideration or waiver (and including, but not limited to, any Application for Review of the letter from Lawrence E. Strickling, Chief, Common Carrier Bureau, FCC, to Dale Robertson, SBC, dated May 18, 1999 which may be filed with the Commission), or in the event of any other adjustment pursuant to an order of the Commission or a court.

* Volume Option specifies the number of DS3s or DS3 equivalents.

(This page filed under Transmittal No. 2763)

Issued: June 16, 1999

Effective: July 1, 1999

Four AT&T Plaza, Dallas, Texas 75202

ACCESS SERVICE

(N)

20. MegaLink Custom Services (Cont'd)20.11 Billing Periods - Service Established Between July 1, 1998 and June 30, 1999. (Cont'd)20.11.1 Rates and Charges (Cont'd)(E) Installation Charge - Per DS3 or DS3 Equivalent, per customer designated premises on the same Access Order(1) Installation Charge - AR - Zone 1

	<u>USOC</u>	<u>Month to</u> <u>Month</u>	<u>3 year</u>	<u>5 year</u>	<u>10 year</u>
First	NRBSE	\$605.00	\$303.00	\$ 0.00	\$ 0.00
Additional	NRBSE	\$496.00	\$248.00	\$ 0.00	\$ 0.00

(2) Installation Charge - AR - Zone 2

	<u>USOC</u>	<u>Month to</u> <u>Month</u>	<u>3 year</u>	<u>5 year</u>	<u>10 year</u>
First	NRBSE	\$605.00	\$303.00	\$ 0.00	\$ 0.00
Additional	NRBSE	\$496.00	\$248.00	\$ 0.00	\$ 0.00

(3) Installation Charge - AR - Zone 3

	<u>USOC</u>	<u>Month to</u> <u>Month</u>	<u>3 year</u>	<u>5 year</u>	<u>10 year</u>
First	NRBSE	\$605.00	\$303.00	\$ 0.00	\$ 0.00
Additional	NRBSE	\$496.00	\$248.00	\$ 0.00	\$ 0.00

Rates contained in this transmittal are subject to subsequent adjustment, effective retrospectively back to the transmittal's original effective date, in the event the Commission or a court subsequently authorizes SWBT to correct its rates pursuant to the decision in United States Telephone Association v. FCC (Case No. 97-1469)(slip. op. May 21, 1999)(D.C. Cir.), or pursuant to pending motions, or petitions for reconsideration or waiver (and including, but not limited to, any Application for Review of the letter from Lawrence E. Strickling, Chief, Common Carrier Bureau, FCC, to Dale Robertson, SBC, dated May 18, 1999 which may be filed with the Commission), or in the event of any other adjustment pursuant to an order of the Commission or a court.

(This page filed under Transmittal No. 2763)

Issued: June 16, 1999

Effective: July 1, 1999

Four AT&T Plaza, Dallas, Texas 75202

ACCESS SERVICE

20. 20. MegaLink Custom Services (Cont'd)

(N)

20.11 Billing Periods - Service Established Between July 1, 1998 and June 30, 1999. (Cont'd)20.11.1 Rates and Charges (Cont'd)(E) Installation Charge - Per DS3 or DS3 Equivalent, per customer designated premises on the same Access Order (Cont'd)(4) Installation Charge - KS - Zone 1

	USOC	Month to Month	3 year	5 year	10 year
First	NRBSE	\$605.00	\$303.00	\$ 0.00	\$ 0.00
Additional	NRBSE	\$496.00	\$248.00	\$ 0.00	\$ 0.00

(5) Installation Charge - KS - Zone 2

	USOC	Month to Month	3 year	5 year	10 year
First	NRBSE	\$605.00	\$303.00	\$ 0.00	\$ 0.00
Additional	NRBSE	\$496.00	\$248.00	\$ 0.00	\$ 0.00

(6) Installation Charge - KS - Zone 3

	USOC	Month to Month	3 year	5 year	10 year
First	NRBSE	\$605.00	\$303.00	\$ 0.00	\$ 0.00
Additional	NRBSE	\$496.00	\$248.00	\$ 0.00	\$ 0.00

(7) Installation Charge - MO - Zone 1

	USOC	Month to Month	3 year	5 year	10 year
First	NRBSE	\$605.00	\$303.00	\$ 0.00	\$ 0.00
Additional	NRBSE	\$496.00	\$248.00	\$ 0.00	\$ 0.00

(8) Installation Charge - MO - Zone 2

	USOC	Month to Month	3 year	5 year	10 year
First	NRBSE	\$605.00	\$303.00	\$ 0.00	\$ 0.00
Additional	NRBSE	\$496.00	\$248.00	\$ 0.00	\$ 0.00

(9) Installation Charge - MO - Zone 3

	USOC	Month to Month	3 year	5 year	10 year
First	NRBSE	\$605.00	\$303.00	\$ 0.00	\$ 0.00
Additional	NRBSE	\$496.00	\$248.00	\$ 0.00	\$ 0.00

Rates contained in this transmittal are subject to subsequent adjustment, effective retrospectively back to the transmittal's original effective date, in the event the Commission or a court subsequently authorizes SWBT to correct its rates pursuant to the decision in United States Telephone Association v. FCC (Case No. 97-1469)(slip. op. May 21, 1999)(D.C. Cir.), or pursuant to pending motions, or petitions for reconsideration or waiver (and including, but not limited to, any Application for Review of the letter from Lawrence E. Strickling, Chief, Common Carrier Bureau, FCC, to Dale Robertson, SBC, dated May 18, 1999 which may be filed with the Commission), or in the event of any other adjustment pursuant to an order of the Commission or a court.

(This page filed under Transmittal No. 2763)

Issued: June 16, 1999

Effective: July 1, 1999

Four AT&T Plaza, Dallas, Texas 75202

ACCESS SERVICE

(N)

20. MegaLink Custom Services (Cont'd)20.11 Billing Periods - Service Established Between July 1, 1998 and June 30, 1999. (Cont'd)20.11.1 Rates and Charges (Cont'd)(E) Installation Charge - Per DS3 or DS3 Equivalent, per customer designated premises on the same Access Order
(Cont'd)(10) Installation Charge - OK - Zone 1

	USOC	Month to Month	3 year	5 year	10 year
First	NRBSE	\$605.00	\$303.00	\$ 0.00	\$ 0.00
Additional	NRBSE	\$496.00	\$248.00	\$ 0.00	\$ 0.00

(11) Installation Charge - OK - Zone 2

	USOC	Month to Month	3 year	5 year	10 year
First	NRBSE	\$605.00	\$303.00	\$ 0.00	\$ 0.00
Additional	NRBSE	\$496.00	\$248.00	\$ 0.00	\$ 0.00

(12) Installation Charge - OK - Zone 3

	USOC	Month to Month	3 year	5 year	10 year
First	NRBSE	\$605.00	\$303.00	\$ 0.00	\$ 0.00
Additional	NRBSE	\$496.00	\$248.00	\$ 0.00	\$ 0.00

Rates contained in this transmittal are subject to subsequent adjustment, effective retrospectively back to the transmittal's original effective date, in the event the Commission or a court subsequently authorizes SWBT to correct its rates pursuant to the decision in United States Telephone Association v. FCC (Case No. 97-1469)(slip. op. May 21, 1999)(D.C. Cir.), or pursuant to pending motions, or petitions for reconsideration or waiver (and including, but not limited to, any Application for Review of the letter from Lawrence E. Strickling, Chief, Common Carrier Bureau, FCC, to Dale Robertson, SBC, dated May 18, 1999 which may be filed with the Commission), or in the event of any other adjustment pursuant to an order of the Commission or a court.

(This page filed under Transmittal No. 2763)

Issued: June 16, 1999

Effective: July 1, 1999

Four AT&T Plaza, Dallas, Texas 75202

ACCESS SERVICE

(N)

20. MegaLink Custom Services (Cont'd)20.11 Billing Periods - Service Established Between July 1, 1998 and June 30, 1999. (Cont'd)20.11.1 Rates and Charges (Cont'd)(E) Installation Charge - Per DS3 or DS3 Equivalent, per customer designated premises on the same Access Order
(Cont'd)(13) Installation Charge - TX - Zone 1

	<u>USOC</u>	<u>Month to Month</u>	<u>3 year</u>	<u>5 year</u>	<u>10 year</u>
First	NRBSE	\$605.00	\$303.00	\$ 0.00	\$ 0.00
Additional	NRBSE	\$496.00	\$248.00	\$ 0.00	\$ 0.00

(14) Installation Charge - TX - Zone 2

	<u>USOC</u>	<u>Month to Month</u>	<u>3 year</u>	<u>5 year</u>	<u>10 year</u>
First	NRBSE	\$605.00	\$303.00	\$ 0.00	\$ 0.00
Additional	NRBSE	\$496.00	\$248.00	\$ 0.00	\$ 0.00

(15) Installation Charge - TX - Zone 3

	<u>USOC</u>	<u>Month to Month</u>	<u>3 year</u>	<u>5 year</u>	<u>10 year</u>
First	NRBSE	\$605.00	\$303.00	\$ 0.00	\$ 0.00
Additional	NRBSE	\$496.00	\$248.00	\$ 0.00	\$ 0.00

(16) Connecting Facility Assignment Credits - Nonzoned
(Per DS1 Equivalents)

<u>USOC</u>	<u>Credit Per Month</u>
XXXX	\$76.00

Rates contained in this transmittal are subject to subsequent adjustment, effective retrospectively back to the transmittal's original effective date, in the event the Commission or a court subsequently authorizes SWBT to correct its rates pursuant to the decision in United States Telephone Association v. FCC (Case No. 97-1469)(slip. op. May 21, 1999)(D.C. Cir.), or pursuant to pending motions, or petitions for reconsideration or waiver (and including, but not limited to, any Application for Review of the letter from Lawrence E. Strickling, Chief, Common Carrier Bureau, FCC, to Dale Robertson, SBC, dated May 18, 1999 which may be filed with the Commission), or in the event of any other adjustment pursuant to an order of the Commission or a court.

(This page filed under Transmittal No. 2763)

Issued: June 16, 1999

Effective: July 1, 1999

Four AT&T Plaza, Dallas, Texas 75202

ACCESS SERVICE

(N)

20. MegaLink Custom Services (Cont'd)20.11 Billing Periods - Service Established Between July 1, 1998 and June 30, 1999. (Cont'd)20.11.1 Rates and Charges (Cont'd)(F) Service to Service Through Connect Arrangement Per DS3 or DS3 equivalent(1) Service to Service Through Connect Arrangement -
AR - Zone 1USOC Installation Charge

THA \$157.00

(2) Service to Service Through Connect Arrangement -
AR - Zone 2USOC Installation Charge

THA \$157.00

(3) Service to Service Through Connect Arrangement -
AR - Zone 3USOC Installation Charge

THA \$157.00

(4) Service to Service Through Connect Arrangement -
KS - Zone 1USOC Installation Charge

THA \$157.00

(5) Service to Service Through Connect Arrangement -
KS - Zone 2USOC Installation Charge

THA \$157.00

(6) Service to Service Through Connect Arrangement -
KS - Zone 3USOC Installation Charge

THA \$157.00

Rates contained in this transmittal are subject to subsequent adjustment, effective retrospectively back to the transmittal's original effective date, in the event the Commission or a court subsequently authorizes SWBT to correct its rates pursuant to the decision in United States Telephone Association v. FCC (Case No. 97-1469)(slip. op. May 21, 1999)(D.C. Cir.), or pursuant to pending motions, or petitions for reconsideration or waiver (and including, but not limited to, any Application for Review of the letter from Lawrence E. Strickling, Chief, Common Carrier Bureau, FCC, to Dale Robertson, SBC, dated May 18, 1999 which may be filed with the Commission), or in the event of any other adjustment pursuant to an order of the Commission or a court.

(This page filed under Transmittal No. 2763)

Issued: June 16, 1999

Effective: July 1, 1999

Four AT&T Plaza, Dallas, Texas 75202

ACCESS SERVICE

(N)

20. MegaLink Custom Services (Cont'd)20.11 Billing Periods - Service Established Between July 1, 1998 and June 30, 1999. (Cont'd)20.11.1 Rates and Charges (Cont'd)Equivalent. (F) Service to Service Through Connect Arrangement Per DS3
(Cont'd)(7) Service to Service Through Connect Arrangement -
MO - Zone 1USOC Installation Charge

THA \$157.00

(8) Service to Service Through Connect Arrangement -
MO - Zone 2USOC Installation Charge

THA \$157.00

(9) Service to Service Through Connect Arrangement -
MO - Zone 3USOC Installation Charge

THA \$157.00

(10) Service to Service Through Connect Arrangement -
OK - Zone 1USOC Installation Charge

THA \$157.00

(11) Service to Service Through Connect Arrangement -
OK - Zone 2USOC Installation Charge

THA \$157.00

(12) Service to Service Through Connect Arrangement -
OK - Zone 3USOC Installation Charge

THA \$157.00

(N)

Rates contained in this transmittal are subject to subsequent adjustment, effective retrospectively back to the transmittal's original effective date, in the event the Commission or a court subsequently authorizes SWBT to correct its rates pursuant to the decision in United States Telephone Association v. FCC (Case No. 97-1469)(slip. op. May 21, 1999)(D.C. Cir.), or pursuant to pending motions, or petitions for reconsideration or waiver (and including, but not limited to, any Application for Review of the letter from Lawrence E. Strickling, Chief, Common Carrier Bureau, FCC, to Dale Robertson, SBC, dated May 18, 1999 which may be filed with the Commission), or in the event of any other adjustment pursuant to an order of the Commission or a court.

(This page filed under Transmittal No. 2763)

Issued: June 16, 1999

Effective: July 1, 1999

Four AT&T Plaza, Dallas, Texas 75202

ACCESS SERVICE

20. MegaLink Custom Services (Cont'd)

(N)

20.11 Billing Periods - Service Established Between July 1, 1998 and June 30, 1999. (Cont'd)20.11.1 Rates and Charges (Cont'd)(F) Service to Service Through Connect Arrangement Per DS3 or DS3 Equivalent(13) Service to Service Through Connect Arrangement - TX - Zone 1

<u>USOC</u>	<u>Installation Charge</u>
THA	\$157.00

(14) Service to Service Through Connect Arrangement - TX - Zone 2

<u>USOC</u>	<u>Installation Charge</u>
THA	\$157.00

(15) Service to Service Through Connect Arrangement - TX - Zone 3

<u>USOC</u>	<u>Installation Charge</u>
THA	\$157.00

Rates contained in this transmittal are subject to subsequent adjustment, effective retrospectively back to the transmittal's original effective date, in the event the Commission or a court subsequently authorizes SWBT to correct its rates pursuant to the decision in United States Telephone Association v. FCC (Case No. 97-1469)(slip. op. May 21, 1999)(D.C. Cir.), or pursuant to pending motions, or petitions for reconsideration or waiver (and including, but not limited to, any Application for Review of the letter from Lawrence E. Strickling, Chief, Common Carrier Bureau, FCC, to Dale Robertson, SBC, dated May 18, 1999 which may be filed with the Commission), or in the event of any other adjustment pursuant to an order of the Commission or a court.

(This page filed under Transmittal No. 2763)

Issued: June 16, 1999

Effective: July 1, 1999

Four AT&T Plaza, Dallas, Texas 75202

ACCESS SERVICE

(N)

20. MegaLink Custom Services (Cont'd)

20.11 Billing Periods - Service Established Between July 1, 1998 and June 30, 1999. (Cont'd)

20.11.1 Rates and Charges (Cont'd)

(G) Optional Features, BSEs and Functions

(1) DS3 to DS1 Multiplexing - Monthly Recurring Rates

(a) DS3 to DS1 Multiplexing - AR - Zone 1 - Monthly Recurring Rates

Per Multiplexer

<u>USOC</u>	<u>Month to Month</u>	<u>3 year</u>	<u>5 year</u>	<u>10 year</u>
MKM	\$815.00	\$686.40	\$580.00	\$580.00

(b) DS3 to DS1 Multiplexing - AR - Zone 2 - Monthly Recurring Rates

Per Multiplexer

<u>USOC</u>	<u>Month to Month</u>	<u>3 year</u>	<u>5 year</u>	<u>10 year</u>
MKM	\$815.00	\$686.40	\$580.00	\$580.00

(c) DS3 to DS1 Multiplexing - AR - Zone 3 - Monthly Recurring Rates

Per Multiplexer

<u>USOC</u>	<u>Month to Month</u>	<u>3 year</u>	<u>5 year</u>	<u>10 year</u>
MKM	\$815.00	\$686.40	\$580.00	\$580.00

(N)

Rates contained in this transmittal are subject to subsequent adjustment, effective retrospectively back to the transmittal's original effective date, in the event the Commission or a court subsequently authorizes SWBT to correct its rates pursuant to the decision in United States Telephone Association v. FCC (Case No. 97-1469)(slip. op. May 21, 1999)(D.C. Cir.), or pursuant to pending motions, or petitions for reconsideration or waiver (and including, but not limited to, any Application for Review of the letter from Lawrence E. Strickling, Chief, Common Carrier Bureau, FCC, to Dale Robertson, SBC, dated May 18, 1999 which may be filed with the Commission), or in the event of any other adjustment pursuant to an order of the Commission or a court.

(This page filed under Transmittal No. 2763)

Issued: June 16, 1999

Effective: July 1, 1999

Four AT&T Plaza, Dallas, Texas 75202

ACCESS SERVICE

20. MegaLink Custom Services (Cont'd)

(N)

20.11 Billing Periods - Service Established Between July 1, 1998 and June 30, 1999. (Cont'd)

20.11.1 Rates and Charges (Cont'd)

(G) Optional Features, BSEs and Functions (Cont'd)

(Cont'd)

(1) DS3 to DS1 Multiplexing - Monthly Recurring Rates

(d) DS3 to DS1 Multiplexing - KS - Zone 1 - Monthly Recurring Rates

Per Multiplexer

<u>USOC</u>	<u>Month to Month</u>	<u>3 year</u>	<u>5 year</u>	<u>10 year</u>
MKM	\$815.00	\$686.40	\$580.00	\$580.00

(e) DS3 to DS1 Multiplexing - KS - Zone 2 - Monthly Recurring Rates

Per Multiplexer

<u>USOC</u>	<u>Month to Month</u>	<u>3 year</u>	<u>5 year</u>	<u>10 year</u>
MKM	\$815.00	\$686.40	\$580.00	\$580.00

(f) DS3 to DS1 Multiplexing - KS - Zone 3 - Monthly Recurring Rates

Per Multiplexer

<u>USOC</u>	<u>Month to Month</u>	<u>3 year</u>	<u>5 year</u>	<u>10 year</u>
MKM	\$815.00	\$686.40	\$580.00	\$580.00

(N)

Rates contained in this transmittal are subject to subsequent adjustment, effective retrospectively back to the transmittal's original effective date, in the event the Commission or a court subsequently authorizes SWBT to correct its rates pursuant to the decision in United States Telephone Association v. FCC (Case No. 97-1469)(slip. op. May 21, 1999)(D.C. Cir.), or pursuant to pending motions, or petitions for reconsideration or waiver (and including, but not limited to, any Application for Review of the letter from Lawrence E. Strickling, Chief, Common Carrier Bureau, FCC, to Dale Robertson, SBC, dated May 18, 1999 which may be filed with the Commission), or in the event of any other adjustment pursuant to an order of the Commission or a court.

(This page filed under Transmittal No. 2763)

Issued: June 16, 1999

Effective: January 1, 2007

Four AT&T Plaza, Dallas, Texas 75202

ACCESS SERVICE

(N)

20. MegaLink Custom Services (Cont'd)20.11 Billing Periods - Service Established Between July 1, 1998 and June 30, 1999. (Cont'd)20.11.1 Rates and Charges (Cont'd)(G) Optional Features, BSEs and Functions (Cont'd)(1) DS3 to DS1 Multiplexing - Monthly Recurring Rates

(Cont'd)

(g) DS3 to DS1 Multiplexing - MO - Zone 1 - Monthly Recurring Rates

Per Multiplexer

<u>USOC</u>	<u>Month to Month</u>	<u>3 year</u>	<u>5 year</u>	<u>10 year</u>
MKM	\$815.00	\$686.40	\$580.00	\$580.00

(h) DS3 to DS1 Multiplexing - MO - Zone 2 - Monthly Recurring Rates

Per Multiplexer

<u>USOC</u>	<u>Month to Month</u>	<u>3 year</u>	<u>5 year</u>	<u>10 year</u>
MKM	\$815.00	\$686.40	\$580.00	\$580.00

(i) DS3 to DS1 Multiplexing - MO - Zone 3 - Monthly Recurring Rates

Per Multiplexer

<u>USOC</u>	<u>Month to Month</u>	<u>3 year</u>	<u>5 year</u>	<u>10 year</u>
MKM	\$815.00	\$686.40	\$580.00	\$580.00

Rates contained in this transmittal are subject to subsequent adjustment, effective retrospectively back to the transmittal's original effective date, in the event the Commission or a court subsequently authorizes SWBT to correct its rates pursuant to the decision in United States Telephone Association v. FCC (Case No. 97-1469)(slip. op. May 21, 1999)(D.C. Cir.), or pursuant to pending motions, or petitions for reconsideration or waiver (and including, but not limited to, any Application for Review of the letter from Lawrence E. Strickling, Chief, Common Carrier Bureau, FCC, to Dale Robertson, SBC, dated May 18, 1999 which may be filed with the Commission), or in the event of any other adjustment pursuant to an order of the Commission or a court.

(This page filed under Transmittal No. 2763)

Issued: June 16, 1999

Effective: July 1, 1999

Four AT&T Plaza, Dallas, Texas 75202

ACCESS SERVICE

(N)

20. MegaLink Custom Services (Cont'd)20.11 Billing Periods - Service Established Between July 1, 1998 and June 30, 1999. (Cont'd)20.11.1 Rates and Charges (Cont'd)(G) Optional Features, BSEs and Functions (Cont'd)(1) DS3 to DS1 Multiplexing - Monthly Recurring Rates

(Cont'd)

(j) DS3 to DS1 Multiplexing - OK - Zone 1 - Monthly Recurring Rates

Per Multiplexer

USOC	Month to Month	3 year	5 year	10 year
MKM	\$815.00	\$686.40	\$580.00	\$580.00

(k) DS3 to DS1 Multiplexing - OK - Zone 2 - Monthly Recurring Rates

Per Multiplexer

USOC	Month to Month	3 year	5 year	10 year
MKM	\$815.00	\$686.40	\$580.00	\$580.00

(l) DS3 to DS1 Multiplexing - OK - Zone 3 - Monthly Recurring Rates

Per Multiplexer

USOC	Month to Month	3 year	5 year	10 year
MKM	\$815.00	\$686.40	\$580.00	\$580.00

Rates contained in this transmittal are subject to subsequent adjustment, effective retrospectively back to the transmittal's original effective date, in the event the Commission or a court subsequently authorizes SWBT to correct its rates pursuant to the decision in United States Telephone Association v. FCC (Case No. 97-1469)(slip. op. May 21, 1999)(D.C. Cir.), or pursuant to pending motions, or petitions for reconsideration or waiver (and including, but not limited to, any Application for Review of the letter from Lawrence E. Strickling, Chief, Common Carrier Bureau, FCC, to Dale Robertson, SBC, dated May 18, 1999 which may be filed with the Commission), or in the event of any other adjustment pursuant to an order of the Commission or a court.

(This page filed under Transmittal No. 2763)

Issued: June 16, 1999

Effective: July 1, 1999

Four AT&T Plaza, Dallas, Texas 75202

ACCESS SERVICE

20. MegaLink Custom Services (Cont'd)

(N)

20.11 Billing Periods - Service Established Between July 1, 1998 and June 30, 1999. (Cont'd)20.11.1 Rates and Charges (Cont'd)(G) Optional Features, BSEs and Functions (Cont'd)(1) DS3 to DS1 Multiplexing - Monthly Recurring Rates

(Cont'd)

(m) DS3 to DS1 Multiplexing - OK - Zone 1 - Monthly Recurring Rates

Per Multiplexer

<u>USOC</u>	<u>Month to Month</u>	<u>3 year</u>	<u>5 year</u>	<u>10 year</u>
MKM	\$815.00	\$686.40	\$580.00	\$580.00

(n) DS3 to DS1 Multiplexing - OK - Zone 2 - Monthly Recurring Rates

Per Multiplexer

<u>USOC</u>	<u>Month to Month</u>	<u>3 year</u>	<u>5 year</u>	<u>10 year</u>
MKM	\$815.00	\$686.40	\$580.00	\$580.00

(o) DS3 to DS1 Multiplexing - OK - Zone 3 - Monthly Recurring Rates

Per Multiplexer

<u>USOC</u>	<u>Month to Month</u>	<u>3 year</u>	<u>5 year</u>	<u>10 year</u>
MKM	\$815.00	\$686.40	\$580.00	\$580.00

Rates contained in this transmittal are subject to subsequent adjustment, effective retrospectively back to the transmittal's original effective date, in the event the Commission or a court subsequently authorizes SWBT to correct its rates pursuant to the decision in United States Telephone Association v. FCC (Case No. 97-1469)(slip. op. May 21, 1999)(D.C. Cir.), or pursuant to pending motions, or petitions for reconsideration or waiver (and including, but not limited to, any Application for Review of the letter from Lawrence E. Strickling, Chief, Common Carrier Bureau, FCC, to Dale Robertson, SBC, dated May 18, 1999 which may be filed with the Commission), or in the event of any other adjustment pursuant to an order of the Commission or a court.

(This page filed under Transmittal No. 2763)

Issued: June 16, 1999

Effective: July 1, 1999

Four AT&T Plaza, Dallas, Texas 75202

ACCESS SERVICE

(N)

20. MegaLink Custom Services (Cont'd)20.11 Billing Periods - Service Established Between July 1, 1998 and June 30, 1999. (Cont'd)20.11.1 Rates and Charges (Cont'd)(G) Optional Features, BSEs and Functions (Cont'd)

<u>Per</u>	(2) <u>DS3 to DS1 Multiplexing - Installation Charge - Multiplexer</u>				
	(a) <u>Installation Charge - AR - Zone 1</u>				
	<u>USOC</u>	<u>Month to Month</u>	<u>3 year</u>	<u>5 year</u>	<u>10 year</u>
		\$202.00	\$101.00	\$ 0.00	\$ 0.00
	(b) <u>Installation Charge - AR - Zone 2</u>				
	<u>USOC</u>	<u>Month to Month</u>	<u>3 year</u>	<u>5 year</u>	<u>10 year</u>
		\$202.00	\$101.00	\$ 0.00	\$ 0.00
	(c) <u>Installation Charge - AR - Zone 3</u>				
	<u>USOC</u>	<u>Month to Month</u>	<u>3 year</u>	<u>5 year</u>	<u>10 year</u>
		\$202.00	\$101.00	\$ 0.00	\$ 0.00
	(d) <u>Installation Charge - KS - Zone 1</u>				
	<u>USOC</u>	<u>Month to Month</u>	<u>3 year</u>	<u>5 year</u>	<u>10 year</u>
		\$202.00	\$101.00	\$ 0.00	\$ 0.00
	(e) <u>Installation Charge - KS - Zone 2</u>				
	<u>USOC</u>	<u>Month to Month</u>	<u>3 year</u>	<u>5 year</u>	<u>10 year</u>
		\$202.00	\$101.00	\$ 0.00	\$ 0.00
	(f) <u>Installation Charge - KS - Zone 3</u>				
	<u>USOC</u>	<u>Month to Month</u>	<u>3 year</u>	<u>5 year</u>	<u>10 year</u>
		\$202.00	\$101.00	\$ 0.00	\$ 0.00

Rates contained in this transmittal are subject to subsequent adjustment, effective retrospectively back to the transmittal's original effective date, in the event the Commission or a court subsequently authorizes SWBT to correct its rates pursuant to the decision in United States Telephone Association v. FCC (Case No. 97-1469)(slip. op. May 21, 1999)(D.C. Cir.), or pursuant to pending motions, or petitions for reconsideration or waiver (and including, but not limited to, any Application for Review of the letter from Lawrence E. Strickling, Chief, Common Carrier Bureau, FCC, to Dale Robertson, SBC, dated May 18, 1999 which may be filed with the Commission), or in the event of any other adjustment pursuant to an order of the Commission or a court.

(This page filed under Transmittal No. 2763)

Issued: June 16, 1999

Effective: July 1, 1999

Four AT&T Plaza, Dallas, Texas 75202

ACCESS SERVICE

(N)

20. MegaLink Custom Services (Cont'd)20.11 Billing Periods - Service Established Between July 1, 1998 and June 30, 1999. (Cont'd)20.11.1 Rates and Charges (Cont'd)(G) Optional Features, BSEs and Functions (Cont'd)(2) DS3 to DS1 Multiplexing - Installation Charge - Per Multiplexer (Cont'd)

(g) <u>Installation Charge - MO - Zone 1</u>				
<u>USOC</u>	<u>Month to Month</u>	<u>3 year</u>	<u>5 year</u>	<u>10 year</u>
	\$202.00	\$101.00	\$ 0.00	\$ 0.00
(h) <u>Installation Charge - MO - Zone 2</u>				
<u>USOC</u>	<u>Month to Month</u>	<u>3 year</u>	<u>5 year</u>	<u>10 year</u>
	\$202.00	\$101.00	\$ 0.00	\$ 0.00
(i) <u>Installation Charge - MO - Zone 3</u>				
<u>USOC</u>	<u>Month to Month</u>	<u>3 year</u>	<u>5 year</u>	<u>10 year</u>
	\$202.00	\$101.00	\$ 0.00	\$ 0.00
(j) <u>Installation Charge - OK - Zone 1</u>				
<u>USOC</u>	<u>Month to Month</u>	<u>3 year</u>	<u>5 year</u>	<u>10 year</u>
	\$202.00	\$101.00	\$ 0.00	\$ 0.00
(k) <u>Installation Charge - OK - Zone 2</u>				
<u>USOC</u>	<u>Month to Month</u>	<u>3 year</u>	<u>5 year</u>	<u>10 year</u>
	\$202.00	\$101.00	\$ 0.00	\$ 0.00
(l) <u>Installation Charge - OK - Zone 3</u>				
<u>USOC</u>	<u>Month to Month</u>	<u>3 year</u>	<u>5 year</u>	<u>10 year</u>
	\$202.00	\$101.00	\$ 0.00	\$ 0.00

Rates contained in this transmittal are subject to subsequent adjustment, effective retrospectively back to the transmittal's original effective date, in the event the Commission or a court subsequently authorizes SWBT to correct its rates pursuant to the decision in United States Telephone Association v. FCC (Case No. 97-1469)(slip. op. May 21, 1999)(D.C. Cir.), or pursuant to pending motions, or petitions for reconsideration or waiver (and including, but not limited to, any Application for Review of the letter from Lawrence E. Strickling, Chief, Common Carrier Bureau, FCC, to Dale Robertson, SBC, dated May 18, 1999 which may be filed with the Commission), or in the event of any other adjustment pursuant to an order of the Commission or a court.

(This page filed under Transmittal No. 2763)

Issued: June 16, 1999

Effective: July 1, 1999

Four AT&T Plaza, Dallas, Texas 75202

ACCESS SERVICE

20. MegaLink Custom Services (Cont'd)

(N)

20.11 Billing Periods - Service Established Between July 1, 1998 and June 30, 1999. (Cont'd)

20.11.1 Rates and Charges (Cont'd)

(G) Optional Features, BSEs and Functions (Cont'd)

(2) DS3 to DS1 Multiplexing -Installation Charge - Per Multiplexer (Cont'd)

(m) Installation Charge - TX - Zone 1

<u>USOC</u>	<u>Month to Month</u>	<u>3 year</u>	<u>5 year</u>	<u>10 year</u>
	\$202.00	\$101.00	\$ 0.00	\$ 0.00

(n) Installation Charge - TX - Zone 2

<u>USOC</u>	<u>Month to Month</u>	<u>3 year</u>	<u>5 year</u>	<u>10 year</u>
	\$202.00	\$101.00	\$ 0.00	\$ 0.00

(o) Installation Charge - TX - Zone 3

<u>USOC</u>	<u>Month to Month</u>	<u>3 year</u>	<u>5 year</u>	<u>10 year</u>
	\$202.00	\$101.00	\$ 0.00\$	\$ 0.00

(N)

Rates contained in this transmittal are subject to subsequent adjustment, effective retrospectively back to the transmittal's original effective date, in the event the Commission or a court subsequently authorizes SWBT to correct its rates pursuant to the decision in United States Telephone Association v. FCC (Case No. 97-1469)(slip. op. May 21, 1999)(D.C. Cir.), or pursuant to pending motions, or petitions for reconsideration or waiver (and including, but not limited to, any Application for Review of the letter from Lawrence E. Strickling, Chief, Common Carrier Bureau, FCC, to Dale Robertson, SBC, dated May 18, 1999 which may be filed with the Commission), or in the event of any other adjustment pursuant to an order of the Commission or a court.

(This page filed under Transmittal No. 2763)

Issued: June 16, 1999

Effective: July 1, 1999

Four AT&T Plaza, Dallas, Texas 75202

ACCESS SERVICE

20. MegaLink Custom Services (Cont'd)

(N)

20.11 Billing Periods - Service Established Between July 1, 1998 and June 30, 1999. (Cont'd)20.11.1 Rates and Charges (Cont'd)(G) Optional Features, BSEs and Functions (Cont'd)(3) SecureNet Monthly Recurring Rates(a) Hub Redundancy - AR Zone 1
per premises, per DS3
Month to

USOC	Month	3 year	5 year	10 year
R36AD	\$1,869.00	\$1,751.25	\$1,646.60	\$1,451.45

(b) Hub Redundancy - AR Zone 2
per premises, per DS3
Month to

USOC	Month	3 year	5 year	10 year
R36AD	\$1,869.00	\$1,751.25	\$1,646.60	\$1,451.45

(c) Hub Redundancy - AR Zone 3
per premises, per DS3
Month to

USOC	Month	3 year	5 year	10 year
R36AD	\$1,869.00	\$1,751.25	\$1,646.60	\$1,451.45

(d) Hub Redundancy - KS Zone 1
per premises, per DS3
Month to

USOC	Month	3 year	5 year	10 year
R36AD	\$1,869.00	\$1,751.25	\$1,646.60	\$1,451.45

(e) Hub Redundancy - KS Zone 2
per premises, per DS3
Month to

USOC	Month	3 year	5 year	10 year
R36AD	\$1,869.00	\$1,751.25	\$1,646.60	\$1,451.45

(f) Hub Redundancy - KS Zone 3
per premises, per DS3
Month to

USOC	Month	3 year	5 year	10 year
R36AD	\$1,869.00	\$1,751.25	\$1,646.60	\$1,451.45

(N)

Rates contained in this transmittal are subject to subsequent adjustment, effective retrospectively back to the transmittal's original effective date, in the event the Commission or a court subsequently authorizes SWBT to correct its rates pursuant to the decision in United States Telephone Association v. FCC (Case No. 97-1469)(slip. op. May 21, 1999)(D.C. Cir.), or pursuant to pending motions, or petitions for reconsideration or waiver (and including, but not limited to, any Application for Review of the letter from Lawrence E. Strickling, Chief, Common Carrier Bureau, FCC, to Dale Robertson, SBC, dated May 18, 1999 which may be filed with the Commission), or in the event of any other adjustment pursuant to an order of the Commission or a court.

(This page filed under Transmittal No. 2763)

Issued: June 16, 1999

Effective: July 1, 1999

Four AT&T Plaza, Dallas, Texas 75202

ACCESS SERVICE

20. MegaLink Custom Services (Cont'd)

(N)

20.11 Billing Periods - Service Established Between July 1, 1998 and June 30, 1999. (Cont'd)20.11.1 Rates and Charges (Cont'd)(G) Optional Features, BSEs and Functions (Cont'd)(3) SecureNet Monthly Recurring Rates (Cont'd)(g) Hub Redundancy - MO Zone 1
per premises, per DS3
Month to

USOC	Month	3 year	5 year	10 year
R36AD	\$1,869.00	\$1,751.25	\$1,646.60	\$1,451.45

(h) Hub Redundancy - MO Zone 2
per premises, per DS3
Month to

USOC	Month	3 year	5 year	10 year
R36AD	\$1,869.00	\$1,751.25	\$1,646.60	\$1,451.45

(i) Hub Redundancy - MO Zone 3
per premises, per DS3
Month to

USOC	Month	3 year	5 year	10 year
R36AD	\$1,869.00	\$1,751.25	\$1,646.60	\$1,451.45

(j) Hub Redundancy - OK Zone 1
per premises, per DS3
Month to

USOC	Month	3 year	5 year	10 year
R36AD	\$1,869.00	\$1,751.25	\$1,646.60	\$1,451.45

(k) Hub Redundancy - OK Zone 2
per premises, per DS3
Month to

USOC	Month	3 year	5 year	10 year
R36AD	\$1,869.00	\$1,751.25	\$1,646.60	\$1,451.45

(l) Hub Redundancy - OK Zone 3
per premises, per DS3
Month to

USOC	Month	3 year	5 year	10 year
R36AD	\$1,869.00	\$1,751.25	\$1,646.60	\$1,451.45

Rates contained in this transmittal are subject to subsequent adjustment, effective retrospectively back to the transmittal's original effective date, in the event the Commission or a court subsequently authorizes SWBT to correct its rates pursuant to the decision in *United States Telephone Association v. FCC* (Case No. 97-1469)(slip. op. May 21, 1999)(D.C. Cir.), or pursuant to pending motions, or petitions for reconsideration or waiver (and including, but not limited to, any Application for Review of the letter from Lawrence E. Strickling, Chief, Common Carrier Bureau, FCC, to Dale Robertson, SBC, dated May 18, 1999 which may be filed with the Commission), or in the event of any other adjustment pursuant to an order of the Commission or a court.

(This page filed under Transmittal No. 2763)

Issued: June 16, 1999

Effective: July 1, 1999

Four AT&T Plaza, Dallas, Texas 75202

ACCESS SERVICE

20. MegaLink Custom Services (Cont'd)

(N)

20.11 Billing Periods - Service Established Between July 1, 1998 and June 30, 1999. (Cont'd)20.11.1 Rates and Charges (Cont'd)(G) Optional Features, BSEs and Functions (Cont'd)(3) SecureNet Monthly Recurring Rates (Cont'd)(m) Hub Redundancy - TX Zone 1
per premises, per DS3

<u>USOC</u>	<u>Month to</u> <u>Month</u>	<u>3 year</u>	<u>5 year</u>	<u>10 year</u>
R36AD	\$1,869.00	\$1,751.25	\$1,646.60	\$1,451.45

(n) Hub Redundancy - TX Zone 2
per premises, per DS3

<u>USOC</u>	<u>Month to</u> <u>Month</u>	<u>3 year</u>	<u>5 year</u>	<u>10 year</u>
R36AD	\$1,869.00	\$1,751.25	\$1,646.60	\$1,451.45

(o) Hub Redundancy - TX Zone 3
per premises, per DS3

<u>USOC</u>	<u>Month to</u> <u>Month</u>	<u>3 year</u>	<u>5 year</u>	<u>10 year</u>
R36AD	\$1,869.00	\$1,751.25	\$1,646.60	\$1,451.45

(N)

Rates contained in this transmittal are subject to subsequent adjustment, effective retrospectively back to the transmittal's original effective date, in the event the Commission or a court subsequently authorizes SWBT to correct its rates pursuant to the decision in United States Telephone Association v. FCC (Case No. 97-1469)(slip. op. May 21, 1999)(D.C. Cir.), or pursuant to pending motions, or petitions for reconsideration or waiver (and including, but not limited to, any Application for Review of the letter from Lawrence E. Strickling, Chief, Common Carrier Bureau, FCC, to Dale Robertson, SBC, dated May 18, 1999 which may be filed with the Commission), or in the event of any other adjustment pursuant to an order of the Commission or a court.

(This page filed under Transmittal No. 2763)

Issued: June 16, 1999

Effective: July 1, 1999

Four AT&T Plaza, Dallas, Texas 75202

ACCESS SERVICE

(N)

20. MegaLink Custom Services (Cont'd)

20.11 Billing Periods - Service Established Between July 1, 1998 and June 30, 1999. (Cont'd)

20.11.1 Rates and Charges (Cont'd)

(G) Optional Features, BSEs and Functions (Cont'd)

(3) SecureNet Monthly Recurring Rates (Cont'd)

Zone 1 (p) Serving Wire Center and Facility Redundancy - AR
per premises, per DS3

USOC	Month to Month	3 year	5 year	10 year
R38AE	\$ 0.00	\$ 0.00	\$ 0.00	\$ 0.00

(q) Serving Wire Center and Facility Redundancy - AR
Zone 2
per premises, per DS3

USOC	Month to Month	3 year	5 year	10 year
R38AE	\$ 0.00	\$ 0.00	\$ 0.00	\$ 0.00

(r) Serving Wire Center and Facility Redundancy - AR
Zone 3
per premises, per DS3

USOC	Month to Month	3 year	5 year	10 year
R38AE	\$ 0.00	\$ 0.00	\$ 0.00	\$ 0.00

Rates contained in this transmittal are subject to subsequent adjustment, effective retrospectively back to the transmittal's original effective date, in the event the Commission or a court subsequently authorizes SWBT to correct its rates pursuant to the decision in United States Telephone Association v. FCC (Case No. 97-1469)(slip. op. May 21, 1999)(D.C. Cir.), or pursuant to pending motions, or petitions for reconsideration or waiver (and including, but not limited to, any Application for Review of the letter from Lawrence E. Strickling, Chief, Common Carrier Bureau, FCC, to Dale Robertson, SBC, dated May 18, 1999 which may be filed with the Commission), or in the event of any other adjustment pursuant to an order of the Commission or a court.

(This page filed under Transmittal No. 2763)

Issued: June 16, 1999

Effective: July 1, 1999

Four AT&T Plaza, Dallas, Texas 75202

ACCESS SERVICE

(N)

20. MegaLink Custom Services (Cont'd)20.11 Billing Periods - Service Established Between July 1, 1998 and June 30, 1999. (Cont'd)20.11.1 Rates and Charges (Cont'd)(G) Optional Features, BSEs and Functions (Cont'd)(3) SecureNet Monthly Recurring Rates (Cont'd)(s) Serving Wire Center and Facility Redundancy - KS Zone 1
per premises, per DS3

	Month to			
USOC	Month	3 year	5 year	10 year
R38AE	\$ 0.00	\$ 0.00	\$ 0.00	\$ 0.00

(t) Serving Wire Center and Facility Redundancy - KS Zone 2
per premises, per DS3

	Month to			
USOC	Month	3 year	5 year	10 year
R38AE	\$ 0.00	\$ 0.00	\$ 0.00	\$ 0.00

(u) Serving Wire Center and Facility Redundancy - KS Zone 3
per premises, per DS3

	Month to			
USOC	Month	3 year	5 year	10 year
R38AE	\$ 0.00	\$ 0.00	\$ 0.00	\$ 0.00

(v) Serving Wire Center and Facility Redundancy - MO Zone 1
per premises, per DS3

	Month to			
USOC	Month	3 year	5 year	10 year
R38AE	\$ 0.00	\$ 0.00	\$ 0.00	\$ 0.00

(w) Serving Wire Center and Facility Redundancy - MO Zone 2
per premises, per DS3

	Month to			
USOC	Month	3 year	5 year	10 year
R38AE	\$ 0.00	\$ 0.00	\$ 0.00	\$ 0.00

(x) Serving Wire Center and Facility Redundancy - MO Zone 3
per premises, per DS3

	Month to			
USOC	Month	3 year	5 year	10 year
R38AE	\$ 0.00	\$ 0.00	\$ 0.00	\$ 0.00

Rates contained in this transmittal are subject to subsequent adjustment, effective retrospectively back to the transmittal's original effective date, in the event the Commission or a court subsequently authorizes SWBT to correct its rates pursuant to the decision in United States Telephone Association v. FCC (Case No. 97-1469) (slip. op. May 21, 1999) (D.C. Cir.), or pursuant to pending motions, or petitions for reconsideration or waiver (and including, but not limited to, any Application for Review of the letter from Lawrence E. Strickling, Chief, Common Carrier Bureau, FCC, to Dale Robertson, SBC, dated May 18, 1999 which may be filed with the Commission), or in the

(This page filed under Transmittal No. 2763)

Issued: June 16, 1999

Effective: July 1, 1999

Four AT&T Plaza, Dallas, Texas 75202

ACCESS SERVICE

(N)

20. MegaLink Custom Services (Cont'd)20.11 Billing Periods - Service Established Between July 1, 1998 and June 30, 1999. (Cont'd)20.11.1 Rates and Charges (Cont'd)(G) Optional Features, BSEs and Functions (Cont'd)(3) SecureNet Monthly Recurring Rates (Cont'd)(y) Serving Wire Center and Facility Redundancy - OKZone 1

per premises, per DS3

<u>USOC</u>	<u>Month to</u> <u>Month</u>	<u>3 year</u>	<u>5 year</u>	<u>10 year</u>
R38AE	\$ 0.00	\$ 0.00	\$ 0.00	\$ 0.00

(z) Serving Wire Center and Facility Redundancy - OKZone 2

per premises, per DS3

<u>USOC</u>	<u>Month to</u> <u>Month</u>	<u>3 year</u>	<u>5 year</u>	<u>10 year</u>
R38AE	\$ 0.00	\$ 0.00	\$ 0.00	\$ 0.00

(aa) Serving Wire Center and Facility Redundancy - OKZone 3

per premises, per DS3

<u>USOC</u>	<u>Month to</u> <u>Month</u>	<u>3 year</u>	<u>5 year</u>	<u>10 year</u>
R38AE	\$ 0.00	\$ 0.00	\$ 0.00	\$ 0.00

Rates contained in this transmittal are subject to subsequent adjustment, effective retrospectively back to the transmittal's original effective date, in the event the Commission or a court subsequently authorizes SWBT to correct its rates pursuant to the decision in United States Telephone Association v. FCC (Case No. 97-1469)(slip. op. May 21, 1999)(D.C. Cir.), or pursuant to pending motions, or petitions for reconsideration or waiver (and including, but not limited to, any Application for Review of the letter from Lawrence E. Strickling, Chief, Common Carrier Bureau, FCC, to Dale Robertson, SBC, dated May 18, 1999 which may be filed with the Commission), or in the event of any other adjustment pursuant to an order of the Commission or a court.

(This page filed under Transmittal No. 2763)

Issued: June 16, 1999

Effective: July 1, 1999

Four AT&T Plaza, Dallas, Texas 75202

ACCESS SERVICE

(N)

20. MegaLink Custom Services (Cont'd)20.11 Billing Periods - Service Established Between July 1, 1998 and June 30, 1999. (Cont'd)20.11.1 Rates and Charges (Cont'd)(G) Optional Features, BSEs and Functions (Cont'd)(3) SecureNet Monthly Recurring Rates (Cont'd)(ab) Serving Wire Center and Facility Redundancy - TX Zone 1
per premises, per DS3

USOC	Month to Month	3 year	5 year	10 year
R38AE	\$ 0.00	\$ 0.00	\$ 0.00	\$ 0.00

(ac) Serving Wire Center and Facility Redundancy - TX Zone 2
per premises, per DS3

USOC	Month to Month	3 year	5 year	10 year
R38AE	\$ 0.00	\$ 0.00	\$ 0.00	\$ 0.00

(ad) Serving Wire Center and Facility Redundancy - TX Zone 3
per premises, per DS3

USOC	Month to Month	3 year	5 year	10 year
R38AE	\$ 0.00	\$ 0.00	\$ 0.00	\$ 0.00

(N)

Rates contained in this transmittal are subject to subsequent adjustment, effective retrospectively back to the transmittal's original effective date, in the event the Commission or a court subsequently authorizes SWBT to correct its rates pursuant to the decision in United States Telephone Association v. FCC (Case No. 97-1469)(slip. op. May 21, 1999)(D.C. Cir.), or pursuant to pending motions, or petitions for reconsideration or waiver (and including, but not limited to, any Application for Review of the letter from Lawrence E. Strickling, Chief, Common Carrier Bureau, FCC, to Dale Robertson, SBC, dated May 18, 1999 which may be filed with the Commission), or in the event of any other adjustment pursuant to an order of the Commission or a court.

(This page filed under Transmittal No. 2763)

Issued: June 16, 1999

Effective: July 1, 1999

Four AT&T Plaza, Dallas, Texas 75202

ACCESS SERVICE

20. MegaLink Custom Services (Cont'd)

(N)

20.11 Billing Periods - Service Established Between July 1, 1998 and June 30, 1999. (Cont'd)20.11.1 Rates and Charges (Cont'd)(G) Optional Features, BSEs and Functions (Cont'd)(4) SecureNet Installation Charge (Cont'd)(a) Hub Redundancy - AR - Zone 1
per premises, per DS3

<u>USOC</u>	<u>Installation Charge</u>
XXXX	\$1,848.00

(b) Hub Redundancy - AR - Zone 2
per premises, per DS3

<u>USOC</u>	<u>Installation Charge</u>
XXXX	\$1,848.00

(c) Hub Redundancy - AR - Zone 3
per premises, per DS3

<u>USOC</u>	<u>Installation Charge</u>
XXXX	\$1,848.00

(d) Hub Redundancy - KS - Zone 1
per premises, per DS3

<u>USOC</u>	<u>Installation Charge</u>
XXXX	\$1,848.00

(e) Hub Redundancy - KS - Zone 2
per premises, per DS3

<u>USOC</u>	<u>Installation Charge</u>
XXXX	\$1,848.00

(f) Hub Redundancy - KS - Zone 3
per premises, per DS3

<u>USOC</u>	<u>Installation Charge</u>
XXXX	\$1,848.00

(N)

Rates contained in this transmittal are subject to subsequent adjustment, effective retrospectively back to the transmittal's original effective date, in the event the Commission or a court subsequently authorizes SWBT to correct its rates pursuant to the decision in United States Telephone Association v. FCC (Case No. 97-1469)(slip. op. May 21, 1999)(D.C. Cir.), or pursuant to pending motions, or petitions for reconsideration or waiver (and including, but not limited to, any Application for Review of the letter from Lawrence E. Strickling, Chief, Common Carrier Bureau, FCC, to Dale Robertson, SBC, dated May 18, 1999 which may be filed with the Commission), or in the event of any other adjustment pursuant to an order of the Commission or a court.

(This page filed under Transmittal No. 2763)

Issued: June 16, 1999

Effective: July 1, 1999

Four AT&T Plaza, Dallas, Texas 75202

ACCESS SERVICE

(N)

20. MegaLink Custom Services (Cont'd)20.11 Billing Periods - Service Established Between July 1, 1998 and June 30, 1999. (Cont'd)20.11.1 Rates and Charges (Cont'd)(G) Optional Features, BSEs and Functions (Cont'd)(4) SecureNet Installation Charge (Cont'd)(g) Hub Redundancy - MO - Zone 1
per premises, per DS3

<u>USOC</u>	<u>Installation Charge</u>
XXXX	\$1,848.00

(h) Hub Redundancy - MO - Zone 2
per premises, per DS3

<u>USOC</u>	<u>Installation Charge</u>
XXXX	\$1,848.00

(i) Hub Redundancy - MO - Zone 3
per premises, per DS3

<u>USOC</u>	<u>Installation Charge</u>
XXXX	\$1,848.00

(j) Hub Redundancy - OK - Zone 1
per premises, per DS3

<u>USOC</u>	<u>Installation Charge</u>
XXXX	\$1,848.00

(k) Hub Redundancy - OK - Zone 2
per premises, per DS3

<u>USOC</u>	<u>Installation Charge</u>
XXXX	\$1,848.00

(l) Hub Redundancy - OK - Zone 3
per premises, per DS3

<u>USOC</u>	<u>Installation Charge</u>
XXXX	\$1,848.00

Rates contained in this transmittal are subject to subsequent adjustment, effective retrospectively back to the transmittal's original effective date, in the event the Commission or a court subsequently authorizes SWBT to correct its rates pursuant to the decision in United States Telephone Association v. FCC (Case No. 97-1469)(slip. op. May 21, 1999)(D.C. Cir.), or pursuant to pending motions, or petitions for reconsideration or waiver (and including, but not limited to, any Application for Review of the letter from Lawrence E. Strickling, Chief, Common Carrier Bureau, FCC, to Dale Robertson, SBC, dated May 18, 1999 which may be filed with the Commission), or in the event of any other adjustment pursuant to an order of the Commission or a court.

(This page filed under Transmittal No. 2763)

Issued: June 16, 1999

Effective: July 1, 1999

Four AT&T Plaza, Dallas, Texas 75202

ACCESS SERVICE

20. MegaLink Custom Services (Cont'd)

(N)

20.11 Billing Periods - Service Established Between July 1, 1998 and June 30, 1999. (Cont'd)20.11.1 Rates and Charges (Cont'd)(G) Optional Features, BSEs and Functions (Cont'd)(4) SecureNet Installation Charge (Cont'd)(m) Hub Redundancy - TX - Zone 1
per premises, per DS3

<u>USOC</u>	<u>Installation Charge</u>
XXXX	\$1,848.00

(n) Hub Redundancy - TX - Zone 2
per premises, per DS3

<u>USOC</u>	<u>Installation Charge</u>
XXXX	\$1,848.00

(o) Hub Redundancy - TX - Zone 3
per premises, per DS3

<u>USOC</u>	<u>Installation Charge</u>
XXXX	\$1,848.00

(N)

Rates contained in this transmittal are subject to subsequent adjustment, effective retrospectively back to the transmittal's original effective date, in the event the Commission or a court subsequently authorizes SWBT to correct its rates pursuant to the decision in United States Telephone Association v. FCC (Case No. 97-1469)(slip. op. May 21, 1999)(D.C. Cir.), or pursuant to pending motions, or petitions for reconsideration or waiver (and including, but not limited to, any Application for Review of the letter from Lawrence E. Strickling, Chief, Common Carrier Bureau, FCC, to Dale Robertson, SBC, dated May 18, 1999 which may be filed with the Commission), or in the event of any other adjustment pursuant to an order of the Commission or a court.

(This page filed under Transmittal No. 2763)

Issued: June 16, 1999

Effective: July 1, 1999

Four AT&T Plaza, Dallas, Texas 75202

ACCESS SERVICE

20. MegaLink Custom Services (Cont'd)

(N)

20.11 Billing Periods - Service Established Between July 1, 1998 and June 30, 1999. (Cont'd)20.11.1 Rates and Charges (Cont'd)(G) Optional Features, BSEs and Functions (Cont'd)(4) SecureNet Installation Charge (Cont'd)(p) Serving Wire Center and Facility Redundancy - AR - Zone 1
per premises, per DS3

<u>USOC</u>	<u>Installation Charge</u>
XXXX	\$ 0.00

(q) Serving Wire Center and Facility Redundancy - AR - Zone 2
per premises, per DS3

<u>USOC</u>	<u>Installation Charge</u>
XXXX	\$ 0.00

(r) Serving Wire Center and Facility Redundancy - AR - Zone 3
per premises, per DS3

<u>USOC</u>	<u>Installation Charge</u>
XXXX	\$ 0.00

(N)

Rates contained in this transmittal are subject to subsequent adjustment, effective retrospectively back to the transmittal's original effective date, in the event the Commission or a court subsequently authorizes SWBT to correct its rates pursuant to the decision in United States Telephone Association v. FCC (Case No. 97-1469)(slip. op. May 21, 1999)(D.C. Cir.), or pursuant to pending motions, or petitions for reconsideration or waiver (and including, but not limited to, any Application for Review of the letter from Lawrence E. Strickling, Chief, Common Carrier Bureau, FCC, to Dale Robertson, SBC, dated May 18, 1999 which may be filed with the Commission), or in the event of any other adjustment pursuant to an order of the Commission or a court.

(This page filed under Transmittal No. 2763)

Issued: June 16, 1999

Effective: July 1, 1999

Four AT&T Plaza, Dallas, Texas 75202

ACCESS SERVICE

(N)

20. MegaLink Custom Services (Cont'd)20.11 Billing Periods - Service Established Between July 1, 1998 and June 30, 1999. (Cont'd)20.11.1 Rates and Charges (Cont'd)(G) Optional Features, BSEs and Functions (Cont'd)(4) SecureNet Installation Charge (Cont'd)

- (s)
- Serving Wire Center and Facility Redundancy - KS - Zone 1
-
- per premises, per DS3

<u>USOC</u>	<u>Installation Charge</u>
XXXX	\$ 0.00

- (t)
- Serving Wire Center and Facility Redundancy - KS - Zone 2
-
- per premises, per DS3

<u>USOC</u>	<u>Installation Charge</u>
XXXX	\$ 0.00

- (u)
- Serving Wire Center and Facility Redundancy - KS - Zone 3
-
- per premises, per DS3

<u>USOC</u>	<u>Installation Charge</u>
XXXX	\$ 0.00

- (v)
- Serving Wire Center and Facility Redundancy - MO - Zone 1
-
- per premises, per DS3

<u>USOC</u>	<u>Installation Charge</u>
XXXX	\$ 0.00

- (w)
- Serving Wire Center and Facility Redundancy - MO - Zone 2
-
- per premises, per DS3

<u>USOC</u>	<u>Installation Charge</u>
XXXX	\$ 0.00

- (x)
- Serving Wire Center and Facility Redundancy - MO - Zone 3
-
- per premises, per DS3

<u>USOC</u>	<u>Installation Charge</u>
XXXX	\$ 0.00

Rates contained in this transmittal are subject to subsequent adjustment, effective retrospectively back to the transmittal's original effective date, in the event the Commission or a court subsequently authorizes SWBT to correct its rates pursuant to the decision in United States Telephone Association v. FCC (Case No. 97-1469)(slip. op. May 21, 1999)(D.C. Cir.), or pursuant to pending motions, or petitions for reconsideration or waiver (and including, but not limited to, any Application for Review of the letter from Lawrence E. Strickling, Chief, Common Carrier Bureau, FCC, to Dale Robertson, SBC, dated May 18, 1999 which may be filed with the Commission), or in the event of any other adjustment pursuant to an order of the Commission or a court.

(This page filed under Transmittal No. 2763)

Issued: June 16, 1999

Effective: July 1, 1999

Four AT&T Plaza, Dallas, Texas 75202

ACCESS SERVICE

(N)

20. MegaLink Custom Services (Cont'd)20.11 Billing Periods - Service Established Between July 1, 1998 and June 30, 1999. (Cont'd)20.11.1 Rates and Charges (Cont'd)(G) Optional Features, BSEs and Functions (Cont'd)(4) SecureNet Installation Charge (Cont'd)(y) Serving Wire Center and Facility Redundancy - OK - Zone 1
per premises, per DS3

<u>USOC</u>	<u>Installation Charge</u>
XXXX	\$ 0.00

(z) Serving Wire Center and Facility Redundancy - OK - Zone 2
per premises, per DS3

<u>USOC</u>	<u>Installation Charge</u>
XXXX	\$ 0.00

(aa) Serving Wire Center and Facility Redundancy - OK - Zone 3
per premises, per DS3

<u>USOC</u>	<u>Installation Charge</u>
XXXX	\$ 0.00

Rates contained in this transmittal are subject to subsequent adjustment, effective retrospectively back to the transmittal's original effective date, in the event the Commission or a court subsequently authorizes SWBT to correct its rates pursuant to the decision in United States Telephone Association v. FCC (Case No. 97-1469)(slip. op. May 21, 1999)(D.C. Cir.), or pursuant to pending motions, or petitions for reconsideration or waiver (and including, but not limited to, any Application for Review of the letter from Lawrence E. Strickling, Chief, Common Carrier Bureau, FCC, to Dale Robertson, SBC, dated May 18, 1999 which may be filed with the Commission), or in the event of any other adjustment pursuant to an order of the Commission or a court.

(This page filed under Transmittal No. 2763)

Issued: June 16, 1999

Effective: July 1, 1999

Four AT&T Plaza, Dallas, Texas 75202

ACCESS SERVICE

(N)

20. MegaLink Custom Services (Cont'd)20.11 Billing Periods - Service Established Between July 1, 1998 and June 30, 1999. (Cont'd)20.11.1 Rates and Charges (Cont'd)(G) Optional Features, BSEs and Functions (Cont'd)(4) SecureNet Installation Charge (Cont'd)(ab) Serving Wire Center and Facility Redundancy - TX - Zone 1
per premises, per DS3

<u>USOC</u>	<u>Installation Charge</u>
XXXX	\$ 0.00

(ac) Serving Wire Center and Facility Redundancy - TX - Zone 2
per premises, per DS3

<u>USOC</u>	<u>Installation Charge</u>
XXXX	\$ 0.00

(ad) Serving Wire Center and Facility Redundancy - Tx - Zone 3
per premises, per DS3

<u>USOC</u>	<u>Installation Charge</u>
XXXX	\$ 0.00

Rates contained in this transmittal are subject to subsequent adjustment, effective retrospectively back to the transmittal's original effective date, in the event the Commission or a court subsequently authorizes SWBT to correct its rates pursuant to the decision in United States Telephone Association v. FCC (Case No. 97-1469)(slip. op. May 21, 1999)(D.C. Cir.), or pursuant to pending motions, or petitions for reconsideration or waiver (and including, but not limited to, any Application for Review of the letter from Lawrence E. Strickling, Chief, Common Carrier Bureau, FCC, to Dale Robertson, SBC, dated May 18, 1999 which may be filed with the Commission), or in the event of any other adjustment pursuant to an order of the Commission or a court.

(This page filed under Transmittal No. 2763)

Issued: June 16, 1999

Effective: July 1, 1999

Four AT&T Plaza, Dallas, Texas 75202

ACCESS SERVICE

20. MegaLink Custom Services (Cont'd)

(N)

20.11 Billing Periods - Service Established Between July 1, 1998 and June 30, 1999 (Cont'd)20.11.1 Rates and Charges (Cont'd)(G) Optional Features, BSEs and Functions (Cont'd)(5) Service Extension Monthly Recurring Rates

Use Interoffice Mileage as set forth in 20.5.3 and 20.5.4.

(6) Service Extension Installation Charge

per DS3 or DS3 equivalent, per service extension on the same access order

(a) Installation Charge - AR - Zone 1

	USOC	Month to Month	3 year	5 year	10 year
First	NRBSE	\$637.00	\$319.00	\$ 0.00	\$ 0.00
Additional	NRBSE	\$496.00	\$248.00	\$ 0.00	\$ 0.00

(b) Installation Charge - AR - Zone 2

	USOC	Month to Month	3 year	5 year	10 year
First	NRBSE	\$637.00	\$319.00	\$ 0.00	\$ 0.00
Additional	NRBSE	\$496.00	\$248.00	\$ 0.00	\$ 0.00

(N)

(c) Installation Charge - AR - Zone 3

	USOC	Month to Month	3 year	5 year	10 year
First	NRBSE	\$637.00	\$319.00	\$ 0.00	\$ 0.00
Additional	NRBSE	\$496.00	\$248.00	\$ 0.00	\$ 0.00

Rates contained in this transmittal are subject to subsequent adjustment, effective retrospectively back to the transmittal's original effective date, in the event the Commission or a court subsequently authorizes SWBT to correct its rates pursuant to the decision in United States Telephone Association v. FCC (Case No. 97-1469)(slip. op. May 21, 1999)(D.C. Cir.), or pursuant to pending motions, or petitions for reconsideration or waiver (and including, but not limited to, any Application for Review of the letter from Lawrence E. Strickling, Chief, Common Carrier Bureau, FCC, to Dale Robertson, SBC, dated May 18, 1999 which may be filed with the Commission), or in the event of any other adjustment pursuant to an order of the Commission or a court.

(This page filed under Transmittal No. 2763)

Issued: June 16, 1999

Effective: July 1, 1999

Four AT&T Plaza, Dallas, Texas 75202

ACCESS SERVICE

20. MegaLink Custom Services (Cont'd)

(N)

20.11 Billing Periods - Service Established Between July 1, 1998 and June 30, 1999 (Cont'd)20.11.1 Rates and Charges (Cont'd)(G) Optional Features, BSEs and Functions (Cont'd)(6) Service Extension Installation Charge (Cont'd)(d) Installation Charge - KS - Zone 1

	USOC	Month to Month	3 year	5 year	10 year
First	NRBSE	\$637.00	\$319.00	\$ 0.00	\$ 0.00
Additional	NRBSE	\$496.00	\$248.00	\$ 0.00	\$ 0.00

(e) Installation Charge - KS - Zone 2

	USOC	Month to Month	3 year	5 year	10 year
First	NRBSE	\$637.00	\$319.00	\$ 0.00	\$ 0.00
Additional	NRBSE	\$496.00	\$248.00	\$ 0.00	\$ 0.00

(f) Installation Charge - KS - Zone 3

	USOC	Month to Month	3 year	5 year	10 year
First	NRBSE	\$637.00	\$319.00	\$ 0.00	\$ 0.00
Additional	NRBSE	\$496.00	\$248.00	\$ 0.00	\$ 0.00

(g) Installation Charge - MO - Zone 1

	USOC	Month to Month	3 year	5 year	10 year
First	NRBSE	\$637.00	\$319.00	\$ 0.00	\$ 0.00
Additional	NRBSE	\$496.00	\$248.00	\$ 0.00	\$ 0.00

(h) Installation Charge - MO - Zone 2

	USOC	Month to Month	3 year	5 year	10 year
First	NRBSE	\$637.00	\$319.00	\$ 0.00	\$ 0.00
Additional	NRBSE	\$496.00	\$248.00	\$ 0.00	\$ 0.00

(i) Installation Charge - MO - Zone 3

	USOC	Month to Month	3 year	5 year	10 year
First	NRBSE	\$637.00	\$319.00	\$ 0.00	\$ 0.00
Additional	NRBSE	\$496.00	\$248.00	\$ 0.00	\$ 0.00

(N)

Rates contained in this transmittal are subject to subsequent adjustment, effective retrospectively back to the transmittal's original effective date, in the event the Commission or a court subsequently authorizes SWBT to correct its rates pursuant to the decision in United States Telephone Association v. FCC (Case No. 97-1469)(slip. op. May 21, 1999)(D.C. Cir.), or pursuant to pending motions, or petitions for reconsideration or waiver (and including, but not limited to, any Application for Review of the letter from Lawrence E. Strickling, Chief, Common Carrier Bureau, FCC, to Dale Robertson, SBC, dated May 18, 1999 which may be filed with the Commission), or in the event of any other adjustment pursuant to an order of the Commission or a court.

(This page filed under Transmittal No. 2763)

Issued: June 16, 1999

Effective: July 1, 1999

Four AT&T Plaza, Dallas, Texas 75202

ACCESS SERVICE

(N)

20. MegaLink Custom Services (Cont'd)20.11 Billing Periods - Service Established Between July 1, 1998 and June 30, 1999. (Cont'd)20.11.1 Rates and Charges (Cont'd)(G) Optional Features, BSEs and Functions (Cont'd)(6) Service Extension Installation Charge (Cont'd)(j) Installation Charge - OK - Zone 1

	USOC	Month to Month	3 year	5 year	10 year
First	NRBSE	\$637.00	\$319.00	\$ 0.00	\$ 0.00
Additional	NRBSE	\$496.00	\$248.00	\$ 0.00	\$ 0.00

(k) Installation Charge - OK - Zone 2

	USOC	Month to Month	3 year	5 year	10 year
First	NRBSE	\$637.00	\$319.00	\$ 0.00	\$ 0.00
Additional	NRBSE	\$496.00	\$248.00	\$ 0.00	\$ 0.00

(l) Installation Charge - OK - Zone 3

	USOC	Month to Month	3 year	5 year	10 year
First	NRBSE	\$637.00	\$319.00	\$ 0.00	\$ 0.00
Additional	NRBSE	\$496.00	\$248.00	\$ 0.00	\$ 0.00

Rates contained in this transmittal are subject to subsequent adjustment, effective retrospectively back to the transmittal's original effective date, in the event the Commission or a court subsequently authorizes SWBT to correct its rates pursuant to the decision in United States Telephone Association v. FCC (Case No. 97-1469)(slip. op. May 21, 1999)(D.C. Cir.), or pursuant to pending motions, or petitions for reconsideration or waiver (and including, but not limited to, any Application for Review of the letter from Lawrence E. Strickling, Chief, Common Carrier Bureau, FCC, to Dale Robertson, SBC, dated May 18, 1999 which may be filed with the Commission), or in the event of any other adjustment pursuant to an order of the Commission or a court.

(This page filed under Transmittal No. 2763)

Issued: June 16, 1999

Effective: July 1, 1999

Four AT&T Plaza, Dallas, Texas 75202

ACCESS SERVICE

20. MegaLink Custom Services (Cont'd)

(N)

20.11 Billing Period - Service Established Between July 1, 1998 and June 30, 1999 (Cont'd)20.11.1 Rates and Charges (Cont'd)(G) Optional Features, BSEs and Functions (Cont'd)(6) Service Extension Installation Charge (Cont'd)(m) Installation Charge - TX - Zone 1

	USOC	Month to Month	3 year	5 year	10 year
First	NRBSE	\$637.00	\$319.00	\$ 0.00	\$ 0.00
Additional	NRBSE	\$496.00	\$248.00	\$ 0.00	\$ 0.00

(n) Installation Charge - TX - Zone 2

	USOC	Month to Month	3 year	5 year	10 year
First	NRBSE	\$637.00	\$319.00	\$ 0.00	\$ 0.00
Additional	NRBSE	\$496.00	\$248.00	\$ 0.00	\$ 0.00

(o) Installation Charge - TX - Zone 3

	USOC	Month to Month	3 year	5 year	10 year
First	NRBSE	\$637.00	\$319.00	\$ 0.00	\$ 0.00
Additional	NRBSE	\$496.00	\$248.00	\$ 0.00	\$ 0.00

Rates contained in this transmittal are subject to subsequent adjustment, effective retrospectively back to the transmittal's original effective date, in the event the Commission or a court subsequently authorizes SWBT to correct its rates pursuant to the decision in United States Telephone Association v. FCC (Case No. 97-1469)(slip. op. May 21, 1999)(D.C. Cir.), or pursuant to pending motions, or petitions for reconsideration or waiver (and including, but not limited to, any Application for Review of the letter from Lawrence E. Strickling, Chief, Common Carrier Bureau, FCC, to Dale Robertson, SBC, dated May 18, 1999 which may be filed with the Commission), or in the event of any other adjustment pursuant to an order of the Commission or a court.

(This page filed under Transmittal No. 2763)

Issued: June 16, 1999

Effective: July 1, 1999

Four AT&T Plaza, Dallas, Texas 75202

ACCESS SERVICE

20. MegaLink Custom Services (Cont'd)

(N)

20.11. Billing Periods - Service Established Between July 1, 1998 and June 30, 1999 (Cont'd)

20.11.1 Rates and Charges (Cont'd)

(G) Optional Features, BSEs and Functions (Cont'd)

(7) STN Interconnection with SecureNet Equipped MegaLink Custom Service Monthly Recurring Rates

per DS3, per Interconnection

(a) STN Interconnection with SecureNet Equipped MegaLink Custom Service - AR Zone 1

USOC	Month to Month	3 year	5 year	10year
R3N3X	\$278.05	\$263.20	\$248.20	\$221.40

(b) STN Interconnection with SecureNet Equipped MegaLink Custom Service - AR Zone 2

USOC	Month to Month	3 year	5 year	10 year
R3N3X	\$278.05	\$263.20	\$248.20	\$221.40

(c) STN Interconnection with SecureNet Equipped MegaLink Custom Service - AR Zone 3

USOC	Month to Month	3 year	5 year	10year
R3N3X	\$278.05	\$263.20	\$248.20	\$221.40

(N)

Rates contained in this transmittal are subject to subsequent adjustment, effective retrospectively back to the transmittal's original effective date, in the event the Commission or a court subsequently authorizes SWBT to correct its rates pursuant to the decision in United States Telephone Association v. FCC (Case 97-1469) (slip. op. May 21, 1999) (D.C. Cir.), or pursuant to pending motions, or petitions for reconsideration or waiver (and including, but not limited to, any Application for Review of the letter from Lawrence E. Strickling, Chief, Common Carrier Bureau, FCC, to Dale Robertson, SBC, dated May 18, 1999 which may be filed with the Commission), or in the

(This page filed under Transmittal No. 2763)

Issued: June 16, 1999

Effective: July 1, 1999

Four AT&T Plaza, Dallas, Texas 75202

ACCESS SERVICE

(N)

- 20. MegaLink Custom Services (Cont'd)
- 20.11 Billing Periods - Service Established Between July 1, 1998 and June 30, 1999 (Cont'd)
- 20.11.1 Rates and Charges (Cont'd)
- (G) Optional Features, BSEs and Functions (Cont'd)

(7) STN Interconnection with SecureNet Equipped MegaLink Custom Service Monthly Recurring Rates (Cont'd)

per DS3, per Interconnection

(d) STN Interconnection with SecureNet Equipped MegaLink Custom Service - KS Zone 1

	USOC	Month to Month	3 year	5 year	10 year
R3N3X		\$278.05	\$263.20	\$248.20	\$221.40

(e) STN Interconnection with SecureNet Equipped MegaLink Custom Service - KS Zone 2

	USOC	Month to Month	3 year	5 year	10 year
R3N3X		\$278.05	\$263.20	\$248.20	\$221.40

(f) STN Interconnection with SecureNet Equipped MegaLink Custom Service - KS Zone 3

	USOC	Month to Month	3 year	5 year	10 year
R3N3X		\$278.05	\$263.20	\$248.20	\$221.40

(g) STN Interconnection with SecureNet Equipped MegaLink Custom Service - MO Zone 1

	USOC	Month to Month	3 year	5 year	10 year
R3N3X		\$278.05	\$263.20	\$248.20	\$221.40

(h) STN Interconnection with SecureNet Equipped MegaLink Custom Service - MO Zone 2

	USOC	Month to Month	3 year	5 year	10 year
R3N3X		\$278.05	\$263.20	\$248.20	\$221.40

(i) STN Interconnection with SecureNet Equipped MegaLink Custom Service - MO Zone 3

	USOC	Month to Month	3 year	5 year	10 year
R3N3X		\$278.05	\$263.20	\$248.20	\$221.40

(N)

Rates contained in this transmittal are subject to subsequent adjustment, effective retrospectively back to the transmittal's original effective date, in the event the Commission or a court subsequently authorizes SWBT to correct its rates pursuant to the decision in United States Telephone Association v. FCC (Case 97-1469) (slip. op. May 21, 1999) (D.C. Cir.), or pursuant to pending motions, or petitions for reconsideration or waiver (and including, but not limited to, any Application for Review of the letter from Lawrence E. Strickling, Chief, Common Carrier Bureau, FCC, to Dale Robertson, SBC, dated May 18, 1999 which may be filed with the Commission), or in the

(This page filed under Transmittal No. 2763)

ACCESS SERVICE

20. MegaLink Custom Services (Cont'd)

(N)

20.11 Billing Periods - Service Established Between July 1, 1998 and June 30, 1999 (Cont'd)

20.11.1 Rates and Charges (Cont'd)

(G) Optional Features, BSEs and Functions (Cont'd)

(7) STN Interconnection with SecureNet Equipped MegaLink Custom Service Monthly Recurring Rates (Cont'd)

per DS3, per Interconnection

(j) STN Interconnection with SecureNet Equipped MegaLink Custom Service - OK Zone 1

USOC	Month to Month	3 year	5 year	10 year
R3N3X	\$278.05	\$263.20	\$248.20	\$221.40

(k) STN Interconnection with SecureNet Equipped MegaLink Custom Service - OK Zone 2

USOC	Month to Month	3 year	5 year	10 year
R3N3X	\$278.05	\$263.20	\$248.20	\$221.40

(l) STN Interconnection with SecureNet Equipped MegaLink Custom Service - OK Zone 3

USOC	Month to Month	3 year	5 year	10 year
R3N3X	\$278.05	\$263.20	\$248.20	\$221.40

(N)

Rates contained in this transmittal are subject to subsequent adjustment, effective retrospectively back to the transmittal's original effective date, in the event the Commission or a court subsequently authorizes SWBT to correct its rates pursuant to the decision in United States Telephone Association v. FCC (Case 97-1469)(slip. op. May 21, 1999)(D.C. Cir.), or pursuant to pending motions, or petitions for reconsideration or waiver (and including, but not limited to, any Application for Review of the letter from Lawrence E. Strickling, Chief, Common Carrier Bureau, FCC, to Dale Robertson, SBC, dated May 18, 1999 which may be filed with the Commission), or in the event of any other adjustment pursuant to an order of the Commission or a court

(This page filed under Transmittal No. 2763)

Issued: June 16, 1999

Effective: July 1, 1999

Four AT&T Plaza, Dallas, Texas 75202

ACCESS SERVICE

20. MegaLink Custom Services (Cont'd)

(N)

20.11 Billing Periods - Service Established Between July 1, 1998 and June 30, 1999 (Cont'd)20.11.1 Rates and Charges (Cont'd)(G) Optional Features, BSEs and Functions (Cont'd)(7) STN Interconnection with SecureNet Equipped MegaLink Custom Service Monthly Recurring Rates (Cont'd)

per DS3, per Interconnection

(m) STN Interconnection with SecureNet Equipped MegaLink Custom Service - TX Zone 1

USOC	Month to Month	3 year	5 year	10 year
R3N3X	\$278.05	\$263.20	\$248.20	\$221.40

(n) STN Interconnection with SecureNet Equipped MegaLink Custom Service - TX Zone 2

USOC	Month to Month	3 year	5 year	10 year
R3N3X	\$278.05	\$263.20	\$248.20	\$221.40

(o) STN Interconnection with SecureNet Equipped MegaLink Custom Service - TX Zone 3

USOC	Month to Month	3 year	5 year	10 year
R3N3X	\$278.05	\$263.20	\$248.20	\$221.40

(N)

Rates contained in this transmittal are subject to subsequent adjustment, effective retrospectively back to the transmittal's original effective date, in the event the Commission or a court subsequently authorizes SWBT to correct its rates pursuant to the decision in United States Telephone Association v. FCC (Case 97-1469)(slip. op. May 21, 1999)(D.C. Cir.), or pursuant to pending motions, or petitions for reconsideration or waiver (and including, but not limited to, any Application for Review of the letter from Lawrence E. Strickling, Chief, Common Carrier Bureau, FCC, to Dale Robertson, SBC, dated May 18, 1999 which may be filed with the Commission), or in the event of any other adjustment pursuant to an order of the Commission or a court

(This page filed under Transmittal No. 2763)

Issued: June 16, 1999

Effective: July 1, 1999

Four AT&T Plaza, Dallas, Texas 75202

ACCESS SERVICE

20. MegaLink Custom Services (Cont'd)

(N)

20.11 Billing Periods - Service Established Between July 1, 1998 and June 30, 1999 (Cont'd)

20.11.1 Rates and Charges (Cont'd)

(G) Optional Features, BSEs and Functions (Cont'd)

(8) STN Interconnection with SecureNet Equipped MegaLink Custom Service Installation Charges

per DS3, per Interconnection

(a) STN Interconnection with SecureNet Equipped MegaLink Custom Service - AR Zone 1

<u>USOC</u>	<u>Month to Month</u>	<u>3 year</u>	<u>5 year</u>	<u>10 year</u>
	\$298.00	\$149.00	\$ 0.00	\$ 0.00(R)

(b) STN Interconnection with SecureNet Equipped MegaLink Custom Service - AR Zone 2

<u>USOC</u>	<u>Month to Month</u>	<u>3 year</u>	<u>5 year</u>	<u>10 year</u>
	\$298.00	\$149.00	\$ 0.00	\$ 0.00(R)

(c) STN Interconnection with SecureNet Equipped MegaLink Custom Service - AR Zone 3

<u>USOC</u>	<u>Month to Month</u>	<u>3 year</u>	<u>5 year</u>	<u>10 year</u>
	\$298.00	\$149.00	\$ 0.00	\$ 0.00

(N)

Rates contained in this transmittal are subject to subsequent adjustment, effective retrospectively back to the transmittal's original effective date, in the event the Commission or a court subsequently authorizes SWBT to correct its rates pursuant to the decision in United States Telephone Association v. FCC (Case 97-1469)(slip. op. May 21, 1999)(D.C. Cir.), or pursuant to pending motions, or petitions for reconsideration or waiver (and including, but not limited to, any Application for Review of the letter from Lawrence E. Strickling, Chief, Common Carrier Bureau, FCC, to Dale Robertson, SBC, dated May 18, 1999 which may be filed with the Commission), or in the event of any other adjustment pursuant to an order of the Commission or a court.

(This page filed under Transmittal No. 2763)

Issued: June 16, 1999

Effective: July 1, 1999

Four AT&T Plaza, Dallas, Texas 75202

ACCESS SERVICE

20. MegaLink Custom Services (Cont'd)

(N)

20.11 Billing Periods - Service Established Between July 1, 1998 and June 30, 1999 (Cont'd)20.11.1 Rates and Charges (Cont'd)(G) Optional Features, BSEs and Functions (Cont'd)(8) STN Interconnection with SecureNet Equipped MegaLink Custom Service Installation Charges Cont'd)

per DS3, per Interconnection

(d) STN Interconnection with SecureNet Equipped MegaLink Custom Service - KS Zone 1

<u>USOC</u>	<u>Month to</u> <u>Month</u>	<u>3 year</u>	<u>5 year</u>	<u>10 year</u>
	\$298.00	\$149.00	\$ 0.00	\$ 0.00

(e) STN Interconnection with SecureNet Equipped MegaLink Custom Service - KS Zone 2

<u>USOC</u>	<u>Month to</u> <u>Month</u>	<u>3 year</u>	<u>5 year</u>	<u>10 year</u>
	\$298.00	\$149.00	\$ 0.00	\$ 0.00

(f) STN Interconnection with SecureNet Equipped MegaLink Custom Service - KS Zone 3

<u>USOC</u>	<u>Month to</u> <u>Month</u>	<u>3 year</u>	<u>5 year</u>	<u>10 year</u>
	\$298.00	\$149.00	\$ 0.00	\$ 0.00

(g) STN Interconnection with SecureNet Equipped MegaLink Custom Service - MO Zone 1

<u>USOC</u>	<u>Month to</u> <u>Month</u>	<u>3 year</u>	<u>5 year</u>	<u>10 year</u>
	\$298.00	\$149.00	\$ 0.00	\$ 0.00

(h) STN Interconnection with SecureNet Equipped MegaLink Custom Service - MO Zone 2

<u>USOC</u>	<u>Month to</u> <u>Month</u>	<u>3 year</u>	<u>5 year</u>	<u>10 year</u>
	\$298.00	\$149.00	\$ 0.00	\$ 0.00

(i) STN Interconnection with SecureNet Equipped MegaLink Custom Service - MO Zone 3

<u>USOC</u>	<u>Month to</u> <u>Month</u>	<u>3 year</u>	<u>5 year</u>	<u>10 year</u>
	\$298.00	\$149.00	\$ 0.00	\$ 0.00

Rates contained in this transmittal are subject to subsequent adjustment, effective retrospectively back to the transmittal's original effective date, in the event the Commission or a court subsequently authorizes SWBT to correct its rates pursuant to the decision in United States Telephone Association v. FCC (Case 97-1469) (slip. op. May 21, 1999) (D.C. Cir.), or pursuant to pending motions, or petitions for reconsideration or waiver (and including, but not limited to, any Application for Review of the letter from Lawrence E. Strickling, Chief, Common Carrier Bureau, FCC, to Dale Robertson, SBC, dated May 18, 1999 which may be filed with the Commission), or in the

(This page filed under Transmittal No. 2763)

Issued: June 16, 1999

Effective: July 1, 1999

Four AT&T Plaza, Dallas, Texas 75202

ACCESS SERVICE

20. MegaLink Custom Services (Cont'd)

(N)

20.11 Billing Periods - Service Established Between July 1, 1998 and June 30, 1999 (cont'd)20.11.1 Rates and Charges (Cont'd)(G) Optional Features, BSEs and Functions (Cont'd)(8) STN Interconnection with SecureNet Equipped MegaLink Custom Service Installation Charges (Cont'd)

per DS3, per Interconnection

(j) STN Interconnection with SecureNet Equipped MegaLink Custom Service - OK Zone 1

<u>USOC</u>	<u>Month to</u> <u>Month</u>	<u>3 year</u>	<u>5 year</u>	<u>10 year</u>
	\$298.00	\$149.00	\$ 0.00	\$0.00(R)

(k) STN Interconnection with SecureNet Equipped MegaLink Custom Service - OK Zone 2

<u>USOC</u>	<u>Month to</u> <u>Month</u>	<u>3 year</u>	<u>5 year</u>	<u>10 year</u>
	\$298.00	\$149.00	\$0.00	\$0.00

(l) STN Interconnection with SecureNet Equipped MegaLink Custom Service - OK Zone 3

<u>USOC</u>	<u>Month to</u> <u>Month</u>	<u>3 year</u>	<u>5 year</u>	<u>10 year</u>
	\$298.00	\$149.00	\$0.00	\$0.00

Rates contained in this transmittal are subject to subsequent adjustment, effective retrospectively back to the transmittal's original effective date, in the event the Commission or a court subsequently authorizes SWBT to correct its rates pursuant to the decision in United States Telephone Association v. FCC (Case 97-1469) (slip. op. May 21, 1999) (D.C. Cir.), or pursuant to pending motions, or petitions for reconsideration or waiver (and including, but not limited to, any Application for Review of the letter from Lawrence E. Strickling, Chief, Common Carrier Bureau, FCC, to Dale Robertson, SBC, dated May 18, 1999 which may be filed with the Commission), or in the

(This page filed under Transmittal No. 2763)

Issued: June 16, 1999

Effective: July 1, 1999

Four AT&T Plaza, Dallas, Texas 75202

ACCESS SERVICE

20. MegaLink Custom Services (Cont'd)

(N)

20.11 Billing Periods - Service Established Between July 1, 1998 and June 30, 1999 (Cont'd)20.11.1 Rates and Charges (Cont'd)(G) Optional Features, BSEs and Functions (Cont'd)(8) STN Interconnection with SecureNet Equipped MegaLink Custom Service Installation Charges (Cont'd)

per DS3, per Interconnection

(m) STN Interconnection with SecureNet Equipped MegaLink Custom Service - TX Zone 1

USOC	Month to Month	3 year	5 year	10 year
	\$298.00	\$149.00	\$ 0.00	\$ 0.00

(n) STN Interconnection with SecureNet Equipped MegaLink Custom Service - TX Zone 2

USOC	Month to Month	3 year	5 year	10 year
	\$298.00	\$149.00	\$ 0.00	\$ 0.00

(o) STN Interconnection with SecureNet Equipped MegaLink Custom Service - TX Zone 3

USOC	Month to Month	3 year	5 year	10 year
	\$298.00	\$149.00	\$ 0.00	\$ 0.00

Rates contained in this transmittal are subject to subsequent adjustment, effective retrospectively back to the transmittal's original effective date, in the event the Commission or a court subsequently authorizes SWBT to correct its rates pursuant to the decision in United States Telephone Association v. FCC (Case 97-1469)(slip. op. May 21, 1999)(D.C. Cir.), or pursuant to pending motions, or petitions for reconsideration or waiver (and including, but not limited to, any Application for Review of the letter from Lawrence E. Strickling, Chief, Common Carrier Bureau, FCC, to Dale Robertson, SBC, dated May 18, 1999 which may be filed with the Commission), or in the event of any other adjustment pursuant to an order of the Commission or a court.

(This page filed under Transmittal No. 2763)

Issued: June 16, 1999

Effective: July 1, 1999

Four AT&T Plaza, Dallas, Texas 75202

ACCESS SERVICE

20. MegaLink Custom Services (Cont'd)

(N)

20.11 Billing Periods - Service Established Between July 1, 1998 and June 30, 1999 (Cont'd)20.11.1 Rates and Charges (Cont'd)(F) Optional Features, BSEs and Functions (Cont'd)(9) SFM Installation Charge

Per existing MegaLink Custom Service(s) moving to another MegaLink Custom Service or ReliaNet DS3/EC-1, on a first and additional basis.

(a) SFM AR Zone 1

	<u>USOC</u>	<u>Installation Charge</u>
First	NRBR3	\$135.00
Additional	NRBR3	\$104.00

(b) SFM AR Zone 2

	<u>USOC</u>	<u>Installation Charge</u>
First	NRBR3	\$135.00
Additional	NRBR3	\$104.00

(c) SFM AR Zone 3

	<u>USOC</u>	<u>Installation Charge</u>
First	NRBR3	\$135.00
Additional	NRBR3	\$104.00

(N)

Rates contained in this transmittal are subject to subsequent adjustment, effective retrospectively back to the transmittal's original effective date, in the event the Commission or a court subsequently authorizes SWBT to correct its rates pursuant to the decision in United States Telephone Association v. FCC (Case 97-1469)(slip. op. May 21, 1999)(D.C. Cir.), or pursuant to pending motions, or petitions for reconsideration or waiver (and including, but not limited to, any Application for Review of the letter from Lawrence E. Strickling, Chief, Common Carrier Bureau, FCC, to Dale Robertson, SBC, dated May 18, 1999 which may be filed with the Commission), or in the event of any other adjustment pursuant to an order of the Commission or a court.

(This page filed under Transmittal No. 2763)

Issued: June 16, 1999

Effective: July 1, 1999

Four AT&T Plaza, Dallas, Texas 75202

ACCESS SERVICE

20. MegaLink Custom Services (Cont'd)

(N)

20.11 Billing Periods - Service Established Between July 1, 1998 and June 30, 1999 (Cont'd)20.11.1 Rates and Charges (Cont'd)(G) Optional Features, BSEs and Functions (Cont'd)(9) SFM Installation Charge (Cont'd)

Per existing MegaLink Custom Service(s) moving to another MegaLink Custom Service or ReliaNet DS3/EC-1, on a first and additional basis.

(d) SFM KS Zone 1

	<u>USOC</u>	<u>Installation Charge</u>
First	NRBR3	\$135.00
Additional	NRBR3	\$104.00

(e) SFM KS Zone 2

	<u>USOC</u>	<u>Installation Charge</u>
First	NRBR3	\$135.00
Additional	NRBR3	\$104.00

(f) SFM KS Zone 3

	<u>USOC</u>	<u>Installation Charge</u>
First	NRBR3	\$135.00
Additional	NRBR3	\$104.00

(g) SFM MO Zone 1

	<u>USOC</u>	<u>Installation Charge</u>
First	NRBR3	\$135.00
Additional	NRBR3	\$104.00

(h) SFM MO Zone 2

	<u>USOC</u>	<u>Installation Charge</u>
First	NRBR3	\$135.00
Additional	NRBR3	\$104.00

(i) SFM MO Zone 3

	<u>USOC</u>	<u>Installation Charge</u>
First	NRBR3	\$135.00
Additional	NRBR3	\$104.00

(N)

Rates contained in this transmittal are subject to subsequent adjustment, effective retrospectively back to the transmittal's original effective date, in the event the Commission or a court subsequently authorizes SWBT to correct its rates pursuant to the decision in *United States Telephone Association v. FCC* (Case 97-1469)(slip. op. May 21, 1999)(D.C. Cir.), or pursuant to pending motions, or petitions for reconsideration or waiver (and including, but not limited to, any Application for Review of the letter from Lawrence E. Strickling, Chief, Common Carrier Bureau, FCC, to Dale Robertson, SBC, dated May 18, 1999 which may be filed with the Commission), or in the

(This page filed under Transmittal No. 2763)

Issued: June 16, 1999

Effective: July 1, 1999

Four AT&T Plaza, Dallas, Texas 75202

ACCESS SERVICE

20. MegaLink Custom Services (Cont'd)

(N)

20.11 Billing Periods - Services Established Between July 1, 1998 and June 30, 1999 (Cont'd)20.11.1 Rates and Charges (Cont'd)(G) Optional Features, BSEs and Functions (Cont'd)(9) SFM Installation Charge (Cont'd)

Per existing MegaLink Custom Service(s) moving to another MegaLink Custom Service or ReliaNet DS3/EC-1, on a first and additional basis.

(j) SFM OK Zone 1

	<u>USOC</u>	<u>Installation Charge</u>
First	NRBR3	\$135.00
Additional	NRBR3	\$104.00

(k) SFM OK Zone 2

	<u>USOC</u>	<u>Installation Charge</u>
First	NRBR3	\$135.00
Additional	NRBR3	\$104.00

(l) SFM OK Zone 3

	<u>USOC</u>	<u>Installation Charge</u>
First	NRBR3	\$135.00
Additional	NRBR3	\$104.00

Rates contained in this transmittal are subject to subsequent adjustment, effective retrospectively back to the transmittal's original effective date, in the event the Commission or a court subsequently authorizes SWBT to correct its rates pursuant to the decision in United States Telephone Association v. FCC (Case 97-1469)(slip. op. May 21, 1999)(D.C. Cir.), or pursuant to pending motions, or petitions for reconsideration or waiver (and including, but not limited to, any Application for Review of the letter from Lawrence E. Strickling, Chief, Common Carrier Bureau, FCC, to Dale Robertson, SBC, dated May 18, 1999 which may be filed with the Commission), or in the event of any other adjustment pursuant to an order of the Commission or a court.

(This page filed under Transmittal No. 2763)

Issued: June 16, 1999

Effective: July 1, 1999

Four AT&T Plaza, Dallas, Texas 75202

ACCESS SERVICE

20. MegaLink Custom Services (Cont'd)

(N)

20.11 Billing Periods - Service Established Between July 1, 1998 and June 30, 1999 (Cont'd)20.11.1 Rates and Charges (Cont'd)(G) Optional Features, BSEs and Functions (Cont'd)(9) SFM Installation Charge (Cont'd)

Per existing MegaLink Custom Service(s) moving to another MegaLink Custom Service or ReliaNet DS3/EC-1, on a first and additional basis.

(m) SFM TX Zone 1

	<u>USOC</u>	<u>Installation Charge</u>
First	NRBR3	\$135.00
Additional	NRBR3	\$104.00

(n) SFM TX Zone 2

	<u>USOC</u>	<u>Installation Charge</u>
First	NRBR3	\$135.00
Additional	NRBR3	\$104.00

(o) SFM TX Zone 3

	<u>USOC</u>	<u>Installation Charge</u>
First	NRBR3	\$135.00
Additional	NRBR3	\$104.00

(10)C-Bit Parity Framing Format Option per existing DS3

	<u>USOC</u>	<u>Installation Charge</u>
First	NRBPP	\$ 26.00
Additional	NRBPP	\$ 10.00

Rates contained in this transmittal are subject to subsequent adjustment, effective retrospectively back to the transmittal's original effective date, in the event the Commission or a court subsequently authorizes SWBT to correct its rates pursuant to the decision in United States Telephone Association v. FCC (Case 97-1469)(slip. op. May 21, 1999)(D.C. Cir.), or pursuant to pending motions, or petitions for reconsideration or waiver (and including, but not limited to, any Application for Review of the letter from Lawrence E. Strickling, Chief, Common Carrier Bureau, FCC, to Dale Robertson, SBC, dated May 18, 1999 which may be filed with the Commission), or in the event of any other adjustment pursuant to an order of the Commission or a court.

(This page filed under Transmittal No. 2763)

Issued: June 16, 1999

Effective: July 1, 1999

Four AT&T Plaza, Dallas, Texas 75202

ACCESS SERVICE

20. MegaLink Custom Services (Cont'd)

(N)

20.11 Billing Periods - Services Established Between July 1, 1998 and June 30, 1999 (Cont'd)20.11.1 Rates and Charges (Cont'd)(H) Administrative Charges(1) Service Rearrangement Nonrecurring Charges

Per DS3 or DS3 equivalent on the same Access Order for one or any combination of changes as set forth in Section 20.4.2(E).

(a) Service Rearrangement - AR Zone 1

	USOC	<u>Nonrecurring Charge</u>
First	NRBAC	\$ 9.00
Additional	NRBAC	\$ 5.00

(b) Service Rearrangement - AR Zone 2

	USOC	<u>Nonrecurring Charge</u>
First	NRBAC	\$ 9.00
Additional	NRBAC	\$ 5.00

(c) Service Rearrangement - AR Zone 3

	USOC	<u>Nonrecurring Charge</u>
First	NRBAC	\$ 9.00
Additional	NRBAC	\$ 5.00

(d) Service Rearrangement - KS Zone 1

	USOC	<u>Nonrecurring Charge</u>
First	NRBAC	\$ 9.00
Additional	NRBAC	\$ 5.00

(e) Service Rearrangement - KS Zone 2

	USOC	<u>Nonrecurring Charge</u>
First	NRBAC	\$ 9.00
Additional	NRBAC	\$ 5.00

(f) Service Rearrangement - KS Zone 3

	USOC	<u>Nonrecurring Charge</u>
First	NRBAC	\$ 9.00
Additional	NRBAC	\$ 5.00

Rates contained in this transmittal are subject to subsequent adjustment, effective retrospectively back to the transmittal's original effective date, in the event the Commission or a court subsequently authorizes SWBT to correct its rates pursuant to the decision in United States Telephone Association v. FCC (Case 97-1469)(slip. op. May 21, 1999)(D.C. Cir.), or pursuant to pending motions, or petitions for reconsideration or waiver (and including, but not limited to, any Application for Review of the letter from Lawrence E. Strickling, Chief, Common Carrier Bureau, FCC, to Dale Robertson, SBC, dated May 18, 1999 which may be filed with the Commission), or in the event of any other adjustment pursuant to an order of the Commission or a court.

(This page filed under Transmittal No. 2763)

Issued: June 16, 1999

Effective: July 1, 1999

Four AT&T Plaza, Dallas, Texas 75202

ACCESS SERVICE

20. MegaLink Custom Services (Cont'd)

(N)

20.11 Billing Periods - Service Established Between July 1, 1998 and June 30, 1999 (Cont'd)20.11.1 Rates and Charges (Cont'd)(H) Administrative Charges (Cont'd)(1) Service Rearrangement Nonrecurring Charges
(Cont'd)(g) Service Rearrangement - MO Zone 1

	<u>USOC</u>	<u>Nonrecurring Charge</u>
First	NRBAC	\$ 9.00
Additional	NRBAC	\$ 5.00

(h) Service Rearrangement - MO Zone 2

	<u>USOC</u>	<u>Nonrecurring Charge</u>
First	NRBAC	\$ 9.00
Additional	NRBAC	\$ 5.00

(i) Service Rearrangement - MO Zone 3

	<u>USOC</u>	<u>Nonrecurring Charge</u>
First	NRBAC	\$ 9.00
Additional	NRBAC	\$ 5.00

(j) Service Rearrangement - OK Zone 1

	<u>USOC</u>	<u>Nonrecurring Charge</u>
First	NRBAC	\$ 9.00
Additional	NRBAC	\$ 5.00

(k) Service Rearrangement - OK Zone 2

	<u>USOC</u>	<u>Nonrecurring Charge</u>
First	NRBAC	\$ 9.00
Additional	NRBAC	\$ 5.00

(l) Service Rearrangement - OK Zone 3

	<u>USOC</u>	<u>Nonrecurring Charge</u>
First	NRBAC	\$ 9.00
Additional	NRBAC	\$ 5.00

(N)

Rates contained in this transmittal are subject to subsequent adjustment, effective retrospectively back to the transmittal's original effective date, in the event the Commission or a court subsequently authorizes SWBT to correct its rates pursuant to the decision in United States Telephone Association v. FCC (Case 97-1469)(slip. op. May 21, 1999)(D.C. Cir.), or pursuant to pending motions, or petitions for reconsideration or waiver (and including, but not limited to, any Application for Review of the letter from Lawrence E. Strickling, Chief, Common Carrier Bureau, FCC, to Dale Robertson, SBC, dated May 18, 1999 which may be filed with the Commission), or in the event of any other adjustment pursuant to an order of the Commission or a court.

(This page filed under Transmittal No. 2763)

Issued: June 16, 1999

Effective: July 1, 1999

Four AT&T Plaza, Dallas, Texas 75202

ACCESS SERVICE

20. MegaLink Custom Services (Cont'd)

(N)

20.11 Billing Periods - Service Established Between July 1, 1998 and June 30, 1999 (Cont'd)20.11.1 Rates and Charges (Cont'd)(H) Administrative Charges (Cont'd)(1) Service Rearrangement Nonrecurring Charges
(Cont'd)(m) Service Rearrangement - TX Zone 1

	<u>USOC</u>	<u>Nonrecurring Charge</u>
First	NRBAC	\$ 9.00
Additional	NRBAC	\$ 5.00

(n) Service Rearrangement - TX Zone 2

	<u>USOC</u>	<u>Nonrecurring Charge</u>
First	NRBAC	\$ 9.00
Additional	NRBAC	\$ 5.00

(o) Service Rearrangement - TX Zone 3

	<u>USOC</u>	<u>Nonrecurring Charge</u>
First	NRBAC	\$ 9.00
Additional	NRBAC	\$ 5.00

Rates contained in this transmittal are subject to subsequent adjustment, effective retrospectively back to the transmittal's original effective date, in the event the Commission or a court subsequently authorizes SWBT to correct its rates pursuant to the decision in United States Telephone Association v. FCC (Case 97-1469)(slip. op. May 21, 1999) D.C. Cir.), or pursuant to pending motions, or petitions for reconsideration or waiver (and including, but not limited to, any Application for Review of the letter from Lawrence E. Strickling, Chief, Common Carrier Bureau, FCC, to Dale Robertson, SBC, dated May 18, 1999 which may be filed with the Commission), or in the event of any other adjustment pursuant to an order of the Commission or a court.

(This page filed under Transmittal No. 2763)

Issued: June 16, 1999

Effective: July 1, 1999

Four AT&T Plaza, Dallas, Texas 75202

ACCESS SERVICE

20. MegaLink Custom Services (Cont'd)

(T)

20.12 Billing Periods - Service Established Between July 1, 1999 and March 1, 200020.12.1 Rates and Charges

Rates and charges for Arkansas, Kansas, Missouri, Oklahoma and Texas will be applied based on Pricing Zones as contained below.

(A) Channel Termination - Electrical - per Volume Option, per customer premises(1) Electrical Channel Termination - AR - Zone 1

<u>Volume Option*</u>	<u>USOC</u>	<u>Month to Month</u>	<u>3 year</u>	<u>5 year</u>	<u>10 year</u>
1	TUZPX	\$ 1,950.00	\$ 1,700.00	\$ 1,400.00	\$ 1,350.00
3	TUZPX	\$ 5,850.00	\$ 4,845.00	\$ 4,046.00	\$ 3,915.00
6	TUZPX	\$11,700.00	\$ 8,670.00	\$ 7,240.00	\$ 7,007.00
12	TUZPX	\$23,400.00	\$15,301.00	\$12,776.00	\$12,364.00

(2) Electrical Channel Termination - AR - Zone 2

<u>Volume Option*</u>	<u>USOC</u>	<u>Month to Month</u>	<u>3 year</u>	<u>5 year</u>	<u>10 year</u>
1	TUZPX	\$ 2,100.00	\$ 1,700.00	\$ 1,400.00	\$ 1,350.00
3	TUZPX	\$ 5,850.00	\$ 4,845.00	\$ 4,046.00	\$ 3,915.00
6	TUZPX	\$11,700.00	\$ 8,670.00	\$ 7,240.00	\$ 7,007.00
12	TUZPX	\$23,400.00	\$15,301.00	\$12,776.00	\$12,364.00

(3) Electrical Channel Termination - AR - Zone 3

<u>Volume Option*</u>	<u>USOC</u>	<u>Month to Month</u>	<u>3 year</u>	<u>5 year</u>	<u>10 year</u>
1	TUZPX	\$ 2,100.00	\$ 1,700.00	\$ 1,400.00	\$ 1,350.00
3	TUZPX	\$ 5,850.00	\$ 4,845.00	\$ 4,046.00	\$ 3,915.00
6	TUZPX	\$11,700.00	\$ 8,670.00	\$ 7,240.00	\$ 7,007.00
12	TUZPX	\$23,400.00	\$15,301.00	\$12,776.00	\$12,364.00

Rates contained in this transmittal are subject to subsequent adjustment, effective retrospectively back to the transmittal's original effective date, in the event the Commission or a court subsequently authorizes SWBT to correct its rates pursuant to the decision in United States Telephone Association v. FCC (Case No. 97-1469)(slip. op. May 21, 1999)(D.C. Cir.), or pursuant to pending motions, or petitions for reconsideration or waiver (and including, but not limited to, any Application for Review of the letter from Lawrence E. Strickling Chief, Common Carrier Bureau, FCC, to Dale Robertson, SBC, dated May 18, 1999 which may be filed with the Commission), or in the event of any other adjustment pursuant to an order of the Commission or a court.

* Volume Option specifies the number of DS3s or DS3 equivalents.

(This page filed under Transmittal No. 2827)

Issued: May 15, 2000

Effective: May 30, 2000

Four AT&T Plaza, Dallas, Texas 75202

ACCESS SERVICE

20. MegaLink Custom Services (Cont'd)20.12 Billing Periods - Services Established Between July 1, 1999 and March 1, 2000 (Cont'd)

(T)

20.12.1 Rates and Charges (Cont'd)(A) Channel Termination - Electrical - per Volume Option, per customer premises (Cont'd)(4) Electrical Channel Termination - KS - Zone 1

Volume Option*	USOC	Month to Month	3 year	5 year	10 year
1	TUZPX	\$ 1,950.00	\$ 1,700.00	\$ 1,400.00	\$ 1,350.00
3	TUZPX	\$ 5,850.00	\$ 4,845.00	\$ 4,046.00	\$ 3,915.00
6	TUZPX	\$11,700.00	\$ 8,670.00	\$ 7,240.00	\$ 7,007.00
12	TUZPX	\$23,400.00	\$15,301.00	\$12,776.00	\$12,364.00

(5) Electrical Channel Termination - KS - Zone 2

Volume Option*	USOC	Month to Month	3 year	5 year	10 year
1	TUZPX	\$ 2,100.00	\$ 1,700.00	\$ 1,400.00	\$ 1,325.00
3	TUZPX	\$ 5,850.00	\$ 4,845.00	\$ 4,046.00	\$ 3,915.00
6	TUZPX	\$11,700.00	\$ 8,670.00	\$ 7,240.00	\$ 7,007.00
12	TUZPX	\$23,400.00	\$15,301.00	\$12,776.00	\$12,364.00

(6) Electrical Channel Termination - KS - Zone 3

Volume Option*	USOC	Month to Month	3 year	5 year	10 year
1	TUZPX	\$ 2,100.00	\$ 1,700.00	\$ 1,400.00	\$ 1,350.00
3	TUZPX	\$ 5,850.00	\$ 4,845.00	\$ 4,046.00	\$ 3,915.00
6	TUZPX	\$11,700.00	\$ 8,670.00	\$ 7,240.00	\$ 7,007.00
12	TUZPX	\$23,400.00	\$15,301.00	\$12,776.00	\$12,364.00

Rates contained in this transmittal are subject to subsequent adjustment, effective retrospectively back to the transmittal's original effective date, in the event the Commission or a court subsequently authorizes SWBT to correct its rates pursuant to the decision in *United States Telephone Association v. FCC* (Case No. 97-1469)(slip. op. May 21, 1999)(D.C. Cir.), or pursuant to pending motions, or petitions for reconsideration or waiver (and including, but not limited to, any Application for Review of the letter from Lawrence E. Strickling Chief, Common Carrier Bureau, FCC, to Dale Robertson, SBC, dated May 18, 1999 which may be filed with the Commission), or in the event of any other adjustment pursuant to an order of the Commission or a court.

* Volume Option specifies the number of DS3s or DS3 equivalents.

(This page filed under Transmittal No. 2827)

Issued: May 15, 2000

Effective: May 30, 2000

Four AT&T Plaza, Dallas, Texas 75202

ACCESS SERVICE

20. MegaLink Custom Services (Cont'd)

(T)

20.12 Billing Periods - Service Established Between July 1, 1999 and March 1, 2000 (Cont'd)20.12.1 Rates and Charges (Cont'd)(A) Channel Termination - Electrical - per Volume Option, per customer premises (Cont'd)(7) Electrical Channel Termination - MO - Zone 1

Volume Option*	USOC	Month to Month	3 year	5 year	10 year
1	TUZPX	\$ 1,950.00	\$ 1,700.00	\$ 1,400.00	\$ 1,350.00
3	TUZPX	\$ 5,850.00	\$ 4,845.00	\$ 4,046.00	\$ 3,915.00
6	TUZPX	\$11,700.00	\$ 8,670.00	\$ 7,240.00	\$ 7,007.00
12	TUZPX	\$23,400.00	\$15,301.00	\$12,776.00	\$12,364.00

(8) Electrical Channel Termination - MO - Zone 2

Volume Option*	USOC	Month to Month	3 year	5 year	10 year
1	TUZPX	\$ 2,100.00	\$ 1,700.00	\$ 1,400.00	\$ 1,350.00
3	TUZPX	\$ 5,850.00	\$ 4,845.00	\$ 4,046.00	\$ 3,915.00
6	TUZPX	\$11,700.00	\$ 8,670.00	\$ 7,240.00	\$ 7,007.00
12	TUZPX	\$23,400.00	\$15,301.00	\$12,776.00	\$12,364.00

(9) Electrical Channel Termination - MO - Zone 3

Volume Option*	USOC	Month to Month	3 year	5 year	10 year
1	TUZPX	\$ 2,100.00	\$ 1,700.00	\$ 1,400.00	\$ 1,350.00
3	TUZPX	\$ 5,850.00	\$ 4,845.00	\$ 4,046.00	\$ 3,915.00
6	TUZPX	\$11,700.00	\$ 8,670.00	\$ 7,240.00	\$ 7,007.00
12	TUZPX	\$23,400.00	\$15,301.00	\$12,776.00	\$12,364.00

Rates contained in this transmittal are subject to subsequent adjustment, effective retrospectively back to the transmittal's original effective date, in the event the Commission or a court subsequently authorizes SWBT to correct its rates pursuant to the decision in *United States Telephone Association v. FCC* (Case No. 97-1469)(slip. op. May 21, 1999)(D.C. Cir.), or pursuant to pending motions, or petitions for reconsideration or waiver (and including, but not limited to, any Application for Review of the letter from Lawrence E. Strickling Chief, Common Carrier Bureau, FCC, to Dale Robertson, SBC, dated May 18, 1999 which may be filed with the Commission), or in the event of any other adjustment pursuant to an order of the Commission or a court.

* Volume Option specifies the number of DS3s or DS3 equivalents.

(This page filed under Transmittal No. 2827)

Issued: May 15, 2000

Effective: May 30, 2000

Four AT&T Plaza, Dallas, Texas 75202

ACCESS SERVICE

20. MegaLink Custom Services (Cont'd)20.12 Billing Periods - Services Established Between July 1, 1999 and March 1, 2000 (Cont'd)

(T)

20.12.1 Rates and Charges (Cont'd)(A) Channel Termination - Electrical - per Volume Option, per customer premises (Cont'd)(10) Electrical Channel Termination - OK - Zone 1

Volume Option*	USOC	Month to Month	3 year	5 year	10 year
1	TUZPX	\$ 1,950.00	\$ 1,700.00	\$ 1,400.00	\$ 1,350.00
3	TUZPX	\$ 5,850.00	\$ 4,845.00	\$ 4,046.00	\$ 3,915.00
6	TUZPX	\$11,700.00	\$ 8,670.00	\$ 7,240.00	\$ 7,007.00
12	TUZPX	\$23,400.00	\$15,301.00	\$12,776.00	\$12,364.00

(11) Electrical Channel Termination - OK - Zone 2

Volume Option*	USOC	Month to Month	3 year	5 year	10 year
1	TUZPX	\$ 2,100.00	\$ 1,700.00	\$ 1,400.00	\$ 1,350.00
3	TUZPX	\$ 5,850.00	\$ 4,845.00	\$ 4,046.00	\$ 3,915.00
6	TUZPX	\$11,700.00	\$ 8,670.00	\$ 7,240.00	\$ 7,007.00
12	TUZPX	\$23,400.00	\$15,301.00	\$12,776.00	\$12,364.00

(12) Electrical Channel Termination - OK - Zone 3

Volume Option*	USOC	Month to Month	3 year	5 year	10 year
1	TUZPX	\$ 2,100.00	\$ 1,700.00	\$ 1,400.00	\$ 1,350.00
3	TUZPX	\$ 5,850.00	\$ 4,845.00	\$ 4,046.00	\$ 3,915.00
6	TUZPX	\$11,700.00	\$ 8,670.00	\$ 7,240.00	\$ 7,007.00
12	TUZPX	\$23,400.00	\$15,301.00	\$12,776.00	\$12,364.00

Rates contained in this transmittal are subject to subsequent adjustment, effective retrospectively back to the transmittal's original effective date, in the event the Commission or a court subsequently authorizes SWBT to correct its rates pursuant to the decision in *United States Telephone Association v. FCC* (Case No. 97-1469)(slip. op. May 21, 1999)(D.C. Cir.), or pursuant to pending motions, or petitions for reconsideration or waiver (and including, but not limited to, any Application for Review of the letter from Lawrence E. Strickling Chief, Common Carrier Bureau, FCC, to Dale Robertson, SBC, dated May 18, 1999 which may be filed with the Commission), or in the event of any other adjustment pursuant to an order of the Commission or a court.

* Volume Option specifies the number of DS3s or DS3 equivalents.

(This page filed under Transmittal No. 2827)

Issued: May 15, 2000

Effective: May 30, 2000

Four AT&T Plaza, Dallas, Texas 75202

ACCESS SERVICE

20. MegaLink Custom Services (Cont'd)20.12 Billing Periods - Services Established Between July 1, 1999 and March 1, 2000 (Cont'd)

(T)

20.12.1 Rates and Charges (Cont'd)(A) Channel Termination - Electrical - per Volume Option, per customer premises (Cont'd)(13) Electrical Channel Termination - TX - Zone 1

Volume Option*	USOC	Month to Month	3 year	5 year	10 year
1	TUZPX	\$ 1,950.00	\$ 1,700.00	\$ 1,400.00	\$ 1,350.00
3	TUZPX	\$ 5,850.00	\$ 4,845.00	\$ 4,046.00	\$ 3,915.00
6	TUZPX	\$11,700.00	\$ 8,670.00	\$ 7,240.00	\$ 7,007.00
12	TUZPX	\$23,400.00	\$15,301.00	\$12,776.00	\$12,364.00

(14) Electrical Channel Termination - TX - Zone 2

Volume Option*	USOC	Month to Month	3 year	5 year	10 year
1	TUZPX	\$ 2,100.00	\$ 1,700.00	\$ 1,400.00	\$ 1,350.00
3	TUZPX	\$ 5,850.00	\$ 4,845.00	\$ 4,046.00	\$ 3,915.00
6	TUZPX	\$11,700.00	\$ 8,670.00	\$ 7,240.00	\$ 7,007.00
12	TUZPX	\$23,400.00	\$15,301.00	\$12,776.00	\$12,364.00

(15) Electrical Channel Termination - TX - Zone 3

Volume Option*	USOC	Month to Month	3 year	5 year	10 year
1	TUZPX	\$ 2,100.00	\$ 1,700.00	\$ 1,400.00	\$ 1,350.00
3	TUZPX	\$ 5,850.00	\$ 4,845.00	\$ 4,046.00	\$ 3,915.00
6	TUZPX	\$11,700.00	\$ 8,670.00	\$ 7,240.00	\$ 7,007.00
12	TUZPX	\$23,400.00	\$15,301.00	\$12,776.00	\$12,364.00

Rates contained in this transmittal are subject to subsequent adjustment, effective retrospectively back to the transmittal's original effective date, in the event the Commission or a court subsequently authorizes SWBT to correct its rates pursuant to the decision in *United States Telephone Association v. FCC* (Case No. 97-1469)(slip. op. May 21, 1999)(D.C. Cir.), or pursuant to pending motions, or petitions for reconsideration or waiver (and including, but not limited to, any Application for Review of the letter from Lawrence E. Strickling, Chief, Common Carrier Bureau, FCC, to Dale Robertson, SBC, dated May 18, 1999 which may be filed with the Commission), or in the event of any other adjustment pursuant to an order of the Commission or a court.

* Volume Option specifies the number of DS3s or DS3 equivalents.

(This page filed under Transmittal No. 2827)

Issued: May 15, 2000

Effective: May 30, 2000

Four AT&T Plaza, Dallas, Texas 75202

ACCESS SERVICE

20. MegaLink Custom Services (Cont'd)20.12 Billing Periods - Services Established Between July 1, 1999 and March 1, 2000 (Cont'd)20.12.1 Rates and Charges (Cont'd)(A) Channel Termination - Electrical - per Volume Option, per customer premises (Cont'd)(16) Temp-DS3 Electrical Channel Termination - AR - Zone 1

<u>Volume Option*</u>	<u>USOC</u>	<u>Monthly</u>
1	TUZQX	\$ 2,500.00

(17) Temp-DS3 Electrical Channel Termination - AR - Zone 2

<u>Volume Option*</u>	<u>USOC</u>	<u>Monthly</u>
1	TUZQX	\$ 2,500.00

(18) Temp-DS3 Electrical Channel Termination - AR - Zone 3

<u>Volume Option*</u>	<u>USOC</u>	<u>Monthly</u>
1	TUZQX	\$ 2,500.00

(19) Temp-DS3 Electrical Channel Termination - KS - Zone 1

<u>Volume Option*</u>	<u>USOC</u>	<u>Monthly</u>
1	TUZQX	\$ 2,500.00

(20) Temp-DS3 Electrical Channel Termination - KS - Zone 2

<u>Volume Option*</u>	<u>USOC</u>	<u>Monthly</u>
1	TUZQX	\$ 2,500.00

(21) Temp-DS3 Electrical Channel Termination - KS - Zone 3

<u>Volume Option*</u>	<u>USOC</u>	<u>Monthly</u>
1	TUZQX	\$ 2,500.00

* Volume Option specifies the number of DS3s or DS3 equivalents.

Rates contained in this transmittal are subject to subsequent adjustment, effective retrospectively back to the transmittal's original effective date, in the event the Commission or a court subsequently authorizes SWBT to correct its rates pursuant to the decision in United States Telephone Association v. FCC (Case No. 97-1469)(slip. op. May 21, 1999)(D.C. Cir.), or pursuant to pending motions, or petitions for reconsideration or waiver (and including, but not limited to, any Application for Review of the letter from Lawrence E. Strickling, Chief, Common Carrier Bureau, FCC, to Dale Robertson, SBC, dated May 18, 1999 which may be filed with the Commission), or in the event of any other adjustment pursuant to an order of the Commission or a court.

(This page filed under Transmittal No. 2827)

Issued: May 15, 2000

Effective: May 30, 2000

Four AT&T Plaza, Dallas, Texas 75202

ACCESS SERVICE

20. MegaLink Custom Services (Cont'd)20.12 Billing Periods - Services Established Between July 1, 1999 and March 1, 2000 (Cont'd)

(T)

20.12.1 Rates and Charges (Cont'd)(A) Channel Termination - Electrical - per Volume Option, per customer premises (Cont'd)(22) Temp-DS3 Electrical Channel Termination - MO - Zone 1

<u>Volume Option*</u>	<u>USOC</u>	<u>Monthly</u>
1	TUZQX	\$ 2,500.00

(23) Temp-DS3 Electrical Channel Termination - MO - Zone 2

<u>Volume Option*</u>	<u>USOC</u>	<u>Monthly</u>
1	TUZQX	\$ 2,500.00

(24) Temp-DS3 Electrical Channel Termination - MO - Zone 3

<u>Volume Option*</u>	<u>USOC</u>	<u>Monthly</u>
1	TUZQX	\$ 2,500.00

(25) Temp-DS3 Electrical Channel Termination - OK - Zone 1

<u>Volume Option*</u>	<u>USOC</u>	<u>Monthly</u>
1	TUZQX	\$ 2,500.00

(26) Temp-DS3 Electrical Channel Termination - OK - Zone 2

<u>Volume Option*</u>	<u>USOC</u>	<u>Monthly</u>
1	TUZQX	\$ 2,500.00

(27) Temp-DS3 Electrical Channel Termination - OK -Zone 3

<u>Volume Option*</u>	<u>USOC</u>	<u>Monthly</u>
1	TUZQX	\$ 2,500.00

Rates contained in this transmittal are subject to subsequent adjustment, effective retrospectively back to the transmittal's original effective date, in the event the Commission or a court subsequently authorizes SWBT to correct its rates pursuant to the decision in United States Telephone Association v. FCC (Case No. 97-1469)(slip. op. May 21, 1999)(D.C. Cir.), or pursuant to pending motions, or petitions for reconsideration or waiver (and including, but not limited to, any Application for Review of the letter from Lawrence E. Strickling Chief, Common Carrier Bureau, FCC, to Dale Robertson, SBC, dated May 18, 1999 which may be filed with the Commission), or in the event of any other adjustment pursuant to an order of the Commission or a court.

(This page filed under Transmittal No. 2827)

Issued: May 15, 2000

Effective: May 30, 2000

Four AT&T Plaza, Dallas, Texas 75202

ACCESS SERVICE

20. MegaLink Custom Services (Cont'd)20.12 Billing Periods - Services Established Between July 1, 1999 and
March 1, 2000 (Cont'd)

(T)

20.12.1 Rates and Charges(A) Channel Termination - Electrical - per Volume Option, per
customer premises (Cont'd)(28) Temp-DS3 Electrical Channel Termination - TX - Zone 1

	<u>Volume Option*</u>	<u>USOC</u>	<u>Monthly</u>
1	TUZQX		\$ 2,500.00

(29) Temp-DS3 Electrical Channel Termination - TX - Zone 2

	<u>Volume Option*</u>	<u>USOC</u>	<u>Monthly</u>
1	TUZQX		\$ 2,500.00

(30) Temp-DS3 Electrical Channel Termination - TX - Zone 3

	<u>Volume Option*</u>	<u>USOC</u>	<u>Monthly</u>
1	TUZQX		\$ 2,500.00

Rates contained in this transmittal are subject to subsequent adjustment, effective retrospectively back to the transmittal's original effective date, in the event the Commission or a court subsequently authorizes SWBT to correct its rates pursuant to the decision in United States Telephone Association v. FCC (Case No. 97-1469)(slip. op. May 21, 1999)(D.C. Cir.), or pursuant to pending motions, or petitions for reconsideration or waiver (and including, but not limited to, any Application for Review of the letter from Lawrence E. Strickling, Chief, Common Carrier Bureau, FCC, to Dale Robertson, SBC, dated May 18, 1999 which may be filed with the Commission), or in the event of any other adjustment pursuant to an order of the Commission or a court.

* Volume Option specifies the number of DS3s or DS3 equivalents.

(This page filed under Transmittal No. 2827)

Issued: May 15, 2000

Effective: May 30, 2000

Four AT&T Plaza, Dallas, Texas 75202

ACCESS SERVICE

20. MegaLink Custom Services (Cont'd)20.12 Billing Periods - Services Established Between July 1, 1999 and March 1, 2000 (Cont'd)

(T)

20.12.1 Rates and Charges (Cont'd)(B) Channel Termination - Optical - per Volume Option, per customer premises(1) Optical Channel Termination - AR - Zone 1

Volume Option*	USOC	Month to Month	3 year	5 year	10 year
1	TKZPX	\$ 1,755.00	\$ 1,645.00	\$ 1,492.00	\$ 1,430.00
3	TKZPX	\$ 5,265.00	\$ 4,361.00	\$ 3,953.00	\$ 3,524.00
6	TKZPX	\$10,530.00	\$ 7,804.00	\$ 7,075.00	\$ 6,305.00
12	TKZPX	\$21,060.00	\$13,771.00	\$12,486.00	\$11,128.00

(2) Optical Channel Termination - AR - Zone 2

Volume Option*	USOC	Month to Month	3 year	5 year	10 year
1	TKZPX	\$ 1,755.00	\$ 1,645.00	\$ 1,492.00	\$ 1,430.00
3	TKZPX	\$ 5,265.00	\$ 4,361.00	\$ 3,953.00	\$ 3,524.00
6	TKZPX	\$10,530.00	\$ 7,804.00	\$ 7,075.00	\$ 6,305.00
12	TKZPX	\$21,060.00	\$13,771.00	\$12,486.00	\$11,128.00

(3) Optical Channel Termination - AR - Zone 3

Volume Option*	USOC	Month to Month	3 year	5 year	10 year
1	TKZPX	\$ 1,755.00	\$ 1,645.00	\$ 1,492.00	\$ 1,430.00
3	TKZPX	\$ 5,265.00	\$ 4,361.00	\$ 3,953.00	\$ 3,524.00
6	TKZPX	\$10,530.00	\$ 7,804.00	\$ 7,075.00	\$ 6,305.00
12	TKZPX	\$21,060.00	\$13,771.00	\$12,486.00	\$11,128.00

Rates contained in this transmittal are subject to subsequent adjustment, effective retrospectively back to the transmittal's original effective date, in the event the Commission or a court subsequently authorizes SWBT to correct its rates pursuant to the decision in United States Telephone Association v. FCC (Case No. 97-1469)(slip. op. May 21, 1999)(D.C. Cir.), or pursuant to pending motions, or petitions for reconsideration or waiver (and including, but not limited to, any Application for Review of the letter from Lawrence E. Strickling Chief, Common Carrier Bureau, FCC to Dale Robertson, SBC, date May 18, 1999 which may be filed with the Commission), or in the event of any other adjustment pursuant to an order of the Commission or a court.

* Volume Option specifies the number of DS3s or DS3 equivalents.

(This page filed under Transmittal No. 2827)

Issued: May 15, 2000

Effective: May 30, 2000

Four AT&T Plaza, Dallas, Texas 75202

ACCESS SERVICE

20. MegaLink Custom Services (Cont'd)20.12 Billing Periods - Services Established Between July 1, 1999 and March 1, 2000 (Cont'd)

(T)

20.12.1 Rates and Charges (Cont'd)(B) Channel Termination - Optical - per Volume Option, per customer premises (Cont'd)(4) Optical Channel Termination - KS - Zone 1

Volume Option*	USOC	Month to Month	3 year	5 year	10 year
1	TKZPX	\$ 1,755.00	\$ 1,645.00	\$ 1,492.00	\$ 1,430.00
3	TKZPX	\$ 5,265.00	\$ 4,361.00	\$ 3,953.00	\$ 3,524.00
6	TKZPX	\$10,530.00	\$ 7,804.00	\$ 7,075.00	\$ 6,305.00
12	TKZPX	\$21,060.00	\$13,771.00	\$12,486.00	\$11,128.00

(5) Optical Channel Termination - KS - Zone 2

Volume Option*	USOC	Month to Month	3 year	5 year	10 year
1	TKZPX	\$ 1,755.00	\$ 1,645.00	\$ 1,492.00	\$ 1,430.00
3	TKZPX	\$ 5,265.00	\$ 4,361.00	\$ 3,953.00	\$ 3,524.00
6	TKZPX	\$10,530.00	\$ 7,804.00	\$ 7,075.00	\$ 6,305.00
12	TKZPX	\$21,060.00	\$13,771.00	\$12,486.00	\$11,128.00

(6) Optical Channel Termination - KS - Zone 3

Volume Option*	USOC	Month to Month	3 year	5 year	10 year
1	TKZPX	\$ 1,755.00	\$ 1,645.00	\$ 1,492.00	\$ 1,430.00
3	TKZPX	\$ 5,265.00	\$ 4,361.00	\$ 3,953.00	\$ 3,524.00
6	TKZPX	\$10,530.00	\$ 7,804.00	\$ 7,075.00	\$ 6,305.00
12	TKZPX	\$21,060.00	\$13,771.00	\$12,486.00	\$11,128.00

Rates contained in this transmittal are subject to subsequent adjustment, effective retrospectively back to the transmittal's original effective date, in the event the Commission or a court subsequently authorizes SWBT to correct its rates pursuant to the decision in United States Telephone Association v. FCC (Case No. 97-1469)(slip. op. May 21, 1999)(D.C. Cir.), or pursuant to pending motions, or petitions for reconsideration or waiver (and including, but not limited to, any Application for Review of the letter from Lawrence E. Strickling Chief, Common Carrier Bureau, FCC, to Dale Robertson, SBC, dated May 18, 1999 which may be filed with the Commission), or in the event of any other adjustment pursuant to an order of the Commission or a court.

* Volume Option specifies the number of DS3s or DS3 equivalents.

(This page filed under Transmittal No. 2827)

Issued: May 15, 2000

Effective: May 30, 2000

Four AT&T Plaza, Dallas, Texas 75202

ACCESS SERVICE

20. MegaLink Custom Services (Cont'd)20.12 Billing Periods - Services Established Between July 1, 1999 and March 1, 2000 (Cont'd)

(T)

20.12.1 Rates and Charges (Cont'd)(B) Channel Termination - Optical - per Volume Option, per customer premises (Cont'd)(7) Optical Channel Termination - MO - Zone 1

<u>Volume Option*</u>	<u>USOC</u>	<u>Month to Month</u>	<u>3 year</u>	<u>5 year</u>	<u>10 year</u>
1	TKZPX	\$ 1,755.00	\$ 1,645.00	\$ 1,492.00	\$ 1,430.00
3	TKZPX	\$ 5,265.00	\$ 4,361.00	\$ 3,953.00	\$ 3,524.00
6	TKZPX	\$10,530.00	\$ 7,804.00	\$ 7,075.00	\$ 6,305.00
12	TKZPX	\$21,060.00	\$13,771.00	\$12,486.00	\$11,128.00

(8) Optical Channel Termination - MO - Zone 2

<u>Volume Option*</u>	<u>USOC</u>	<u>Month to Month</u>	<u>3 year</u>	<u>5 year</u>	<u>10 year</u>
1	TKZPX	\$ 1,755.00	\$ 1,645.00	\$ 1,492.00	\$ 1,430.00
3	TKZPX	\$ 5,265.00	\$ 4,361.00	\$ 3,953.00	\$ 3,524.00
6	TKZPX	\$10,530.00	\$ 7,804.00	\$ 7,075.00	\$ 6,305.00
12	TKZPX	\$21,060.00	\$13,771.00	\$12,486.00	\$11,128.00

(9) Optical Channel Termination - MO - Zone 3

<u>Volume Option*</u>	<u>USOC</u>	<u>Month to Month</u>	<u>3 year</u>	<u>5 year</u>	<u>10 year</u>
1	TKZPX	\$ 1,755.00	\$ 1,645.00	\$ 1,492.00	\$ 1,430.00
3	TKZPX	\$ 5,265.00	\$ 4,361.00	\$ 3,953.00	\$ 3,524.00
6	TKZPX	\$10,530.00	\$ 7,804.00	\$ 7,075.00	\$ 6,305.00
12	TKZPX	\$21,060.00	\$13,771.00	\$12,486.00	\$11,128.00

Rates contained in this transmittal are subject to subsequent adjustment, effective retrospectively back to the transmittal's original effective date, in the even the Commission or a court subsequently authorizes SWBT to correct its rates pursuant to the decision in United States Telephone Association v. FCC (Case No. 97-1469)(slip. op. May 21, 1999)(D.C. Cir.), or pursuant to pending motions, or petitions for reconsideration or waiver (and including, but not limited to, any Application for Review of the letter from Lawrence E. Strickling Chief, Common Carrier Bureau, FCC, to Dale Robertson, SBC, dated May 18, 1999 which may be filed with the Commission), or in the even of any other adjustment pursuant to an order of the Commission or a court.

* Volume Option specifies the number of DS3s or DS3 equivalents.

(This page filed under Transmittal No. 2827)

Issued: May 15, 2000

Effective: May 30, 2000

Four AT&T Plaza, Dallas, Texas 75202

ACCESS SERVICE

20. MegaLink Custom Services (Cont'd)20.12 Billing Periods - Service Established Between July 1, 1999 and March 1, 2000 (Cont'd)

(T)

20.12.1 Rates and Charges (Cont'd)(B) Channel Termination - Optical - per Volume Option, per customer premises (Cont'd)(10) Optical Channel Termination - OK - Zone 1

<u>Volume Option*</u>	<u>USOC</u>	<u>Month to Month</u>	<u>3 year</u>	<u>5 year</u>	<u>10 year</u>
1	TKZPX	\$ 1,755.00	\$ 1,645.00	\$ 1,492.00	\$ 1,430.00
3	TKZPX	\$ 5,265.00	\$ 4,361.00	\$ 3,953.00	\$ 3,524.00
6	TKZPX	\$10,530.00	\$ 7,804.00	\$ 7,075.00	\$ 6,305.00
12	TKZPX	\$21,060.00	\$13,771.00	\$12,486.00	\$11,128.00

(11) Optical Channel Termination - OK - Zone 2

<u>Volume Option*</u>	<u>USOC</u>	<u>Month to Month</u>	<u>3 year</u>	<u>5 year</u>	<u>10 year</u>
1	TKZPX	\$ 1,755.00	\$ 1,645.00	\$ 1,492.00	\$ 1,430.00
3	TKZPX	\$ 5,265.00	\$ 4,361.00	\$ 3,953.00	\$ 3,524.00
6	TKZPX	\$10,530.00	\$ 7,804.00	\$ 7,075.00	\$ 6,305.00
12	TKZPX	\$21,060.00	\$13,771.00	\$12,486.00	\$11,128.00

(12) Optical Channel Termination - OK - Zone 3

<u>Volume Option*</u>	<u>USOC</u>	<u>Month to Month</u>	<u>3 year</u>	<u>5 year</u>	<u>10 year</u>
1	TKZPX	\$ 1,755.00	\$ 1,645.00	\$ 1,492.00	\$ 1,430.00
3	TKZPX	\$ 5,265.00	\$ 4,361.00	\$ 3,953.00	\$ 3,524.00
6	TKZPX	\$10,530.00	\$ 7,804.00	\$ 7,075.00	\$ 6,305.00
12	TKZPX	\$21,060.00	\$13,771.00	\$12,486.00	\$11,128.00

Rates contained in this transmittal are subject to subsequent adjustment, effective retrospectively back to the transmittal's original effective date, in the even the Commission or a court subsequently authorizes SWBT to correct its rates pursuant to the decision in United States Telephone Association v. FCC (Case No. 97-1469)(slip. op. May 21, 1999)(D.C. Cir.), or pursuant to pending motions, or petitions for reconsideration or waiver (and including, but not limited to, any Application for Review of the letter from Lawrence E. Strickling Chief, Common Carrier Bureau, FCC, to Dale Robertson, SBC, dated May 18, 1999 which may be filed with the Commission), or in the even of any other adjustment pursuant to an order of the Commission or a court.

* Volume Option specifies the number of DS3s or DS3 equivalents.

(This page filed under Transmittal No. 2827)

Issued: May 15, 2000

Effective: May 30, 2000

Four AT&T Plaza, Dallas, Texas 75202

ACCESS SERVICE

20. MegaLink Custom Services (Cont'd)20.12 Billing Periods - Service Established Between July 1, 1999 and March 1, 2000 (Cont'd)

(T)

20.12.1 Rates and Charges (Cont'd)(B) Channel Termination - Optical - per Volume Option, per customer premises (Cont'd)(13) Optical Channel Termination - TX - Zone 1

Volume Option*	USOC	Month to Month	3 year	5 year	10 year
1	TKZPX	\$ 1,755.00	\$ 1,645.00	\$ 1,492.00	\$ 1,430.00
3	TKZPX	\$ 5,265.00	\$ 4,361.00	\$ 3,953.00	\$ 3,524.00
6	TKZPX	\$10,530.00	\$ 7,804.00	\$ 7,075.00	\$ 6,305.00
12	TKZPX	\$21,060.00	\$13,771.00	\$12,486.00	\$11,128.00

(14) Optical Channel Termination - TX - Zone 2

Volume Option*	USOC	Month to Month	3 year	5 year	10 year
1	TKZPX	\$ 1,755.00	\$ 1,645.00	\$ 1,492.00	\$ 1,430.00
3	TKZPX	\$ 5,265.00	\$ 4,361.00	\$ 3,953.00	\$ 3,524.00
6	TKZPX	\$10,530.00	\$ 7,804.00	\$ 7,075.00	\$ 6,305.00
12	TKZPX	\$21,060.00	\$13,771.00	\$12,486.00	\$11,128.00

(15) Optical Channel Termination - TX - Zone 3

Volume Option*	USOC	Month to Month	3 year	5 year	10 year
1	TKZPX	\$ 1,755.00	\$ 1,645.00	\$ 1,492.00	\$ 1,430.00
3	TKZPX	\$ 5,265.00	\$ 4,361.00	\$ 3,953.00	\$ 3,524.00
6	TKZPX	\$10,530.00	\$ 7,804.00	\$ 7,075.00	\$ 6,305.00
12	TKZPX	\$21,060.00	\$13,771.00	\$12,486.00	\$11,128.00

Rates contained in this transmittal are subject to subsequent adjustment, effective retrospectively back to the transmittal's original effective date, in the even the Commission or a court subsequently authorizes SWBT to correct its rates pursuant to the decision in United States Telephone Association v. FCC (Case No. 97-1469)(slip. op. May 21, 1999)(D.C. Cir.), or pursuant to pending motions, or petitions for reconsideration or waiver (and including, but not limited to, any Application for Review of the letter from Lawrence E. Strickling Chief, Common Carrier Bureau, FCC, to Dale Robertson, SBC, dated May 18, 1999 which may be filed with the Commission), or in the even of any other adjustment pursuant to an order of the Commission or a court.

* Volume Option specifies the number of DS3s or DS3 equivalents.

(This page filed under Transmittal No. 2827)

Issued: May 15, 2000

Effective: May 30, 2000

Four AT&T Plaza, Dallas, Texas 75202

ACCESS SERVICE

20. MegaLink Custom Services (Cont'd)20.12 Billing Periods - Service Established Between July 1, 1999 and March 1, 2000 (Cont'd)

(T)

20.12.1 Rates and Charges (Cont'd)(C) Interoffice Mileage - Fixed - Monthly Recurring Rates and Service Extension

(1) <u>Interoffice Fixed - per DS3 or DS3 equivalent - AR</u> <u>Zone 1</u>	<u>Month to</u>				
	<u>USOC</u>	<u>Month</u>	<u>3 year</u>	<u>5 year</u>	<u>10 year</u>
10XHX/10XLX	\$815.00	\$600.00	\$500.00	\$450.00	
(2) <u>Interoffice Fixed - per DS3 or DS3 equivalent - AR</u> <u>Zone 2</u>	<u>Month to</u>				
<u>USOC</u>	<u>Month</u>	<u>3 year</u>	<u>5 year</u>	<u>10 year</u>	
10XHX/10XLX	\$717.20	\$600.00	\$500.00	\$450.00	
(3) <u>Interoffice Fixed - per DS3 or DS3 equivalent - AR</u> <u>Zone 3</u>	<u>Month to</u>				
<u>USOC</u>	<u>Month</u>	<u>3 year</u>	<u>5 year</u>	<u>10 year</u>	
10XHX/10XLX	\$815.00	\$600.00	\$500.00	\$450.00	
(4) <u>Interoffice Fixed - per DS3 or DS3 equivalent - KS</u> <u>Zone 1</u>	<u>Month to</u>				
<u>USOC</u>	<u>Month</u>	<u>3 year</u>	<u>5 year</u>	<u>10 year</u>	
10XHX/10XLX	\$815.00	\$600.00	\$500.00	\$450.00	
(5) <u>Interoffice Fixed - per DS3 or DS3 equivalent - KS</u> <u>Zone 2</u>	<u>Month to</u>				
<u>USOC</u>	<u>Month</u>	<u>3 year</u>	<u>5 year</u>	<u>10 year</u>	
10XHX/10XLX	\$815.00	\$600.00	\$500.00	\$450.00	
(6) <u>Interoffice Fixed - per DS3 or DS3 equivalent - KS</u> <u>Zone 3</u>	<u>Month to</u>				
<u>USOC</u>	<u>Month</u>	<u>3 year</u>	<u>5 year</u>	<u>10 year</u>	
10XHX/10XLX	\$815.00	\$600.00	\$500.00	\$450.00	

Rates contained in this transmittal are subject to subsequent adjustment, effective retrospectively back to the transmittal's original effective date, in the event the Commission or a court subsequently authorizes SWBT to correct its rates pursuant to the decision in United States Telephone Association v. FCC (Case No. 97-1469)(slip. Op. May 21, 1999)(D.C. Cir.), or pursuant to pending motions, or petitions for reconsideration or waiver (and including, but not limited to, any Application for Review of the letter from Lawrence E. Strickling, Chief, Common Carrier Bureau, FCC, to Dale Robertson, SBC, dated May 18, 1999 which may be filed with the Commission), or in the event of any other adjustment pursuant to an order of the Commission or a court.

(This page filed under Transmittal No. 2827)

Issued: May 15, 2000

Effective: May 30, 2000

Four AT&T Plaza, Dallas, Texas 75202

ACCESS SERVICE

20. MegaLink Custom Services (Cont'd)20.12 Billing Periods - Services Established Between July 1, 1999 and March 1, 2000 (Cont'd) (T)20.12.1 Rates and Charges (Cont'd)(C) Interoffice Mileage - Fixed - Monthly Recurring Rates and Service Extension (Cont'd)(7) Interoffice Fixed - per DS3 or DS3 equivalent - MO - Zone 1

<u>USOC</u>	<u>Month to Month</u>	<u>3 year</u>	<u>5 year</u>	<u>10 year</u>
10XHX/10XLX	\$815.00	\$600.00	\$500.00	\$450.00

(8) Interoffice Fixed - per DS3 or DS3 equivalent - MO - Zone 2

<u>USOC</u>	<u>Month to Month</u>	<u>3 year</u>	<u>5 year</u>	<u>10 year</u>
10XHX/10XLX	\$717.20 (R)	\$600.00	\$500.00	\$450.00

(9) Interoffice Fixed - per DS3 or DS3 equivalent - MO - Zone 3

<u>USOC</u>	<u>Month to Month</u>	<u>3 year</u>	<u>5 year</u>	<u>10 year</u>
10XHX/10XLX	\$815.00	\$600.00	\$500.00	\$450.00

(10) Interoffice Fixed - per DS3 or DS3 equivalent - OK - Zone 1

<u>USOC</u>	<u>Month to Month</u>	<u>3 year</u>	<u>5 year</u>	<u>10 year</u>
10XHX/10XLX	\$815.00	\$600.00	\$500.00	\$450.00

(11) Interoffice Fixed - per DS3 or DS3 equivalent - OK - Zone 2

<u>USOC</u>	<u>Month to Month</u>	<u>3 year</u>	<u>5 year</u>	<u>10 year</u>
10XHX/10XLX	\$717.20	\$600.00	\$500.00	\$450.00

(12) Interoffice Fixed - per DS3 or DS3 equivalent - OK - Zone 3

<u>USOC</u>	<u>Month to Month</u>	<u>3 year</u>	<u>5 year</u>	<u>10 year</u>
10XHX/10XLX	\$815.00	\$600.00	\$500.00	\$450.00

Rates contained in this transmittal are subject to subsequent adjustment, effective retrospectively back to the transmittal's original effective date, in the event the Commission or a court subsequently authorizes SWBT to correct its rates pursuant to the decision in United States Telephone Association v. FCC (Case No. 97-1469)(slip. Op. May 21, 1999)(D.C. Cir.), or pursuant to pending motions, or petitions for reconsideration or waiver (and including, but not limited to, any Application for Review of the letter from Lawrence E. Strickling, Chief, Common Carrier Bureau, FCC, to Dale Robertson, SBC, dated May 18, 1999 which may be filed with the Commission), or in the event of any other adjustment pursuant to an order of the Commission or a court.

(This page filed under Transmittal No. 2827)

Issued: May 15, 2000

Effective: May 30, 2000

Four AT&T Plaza, Dallas, Texas 75202

ACCESS SERVICE

20. MegaLink Custom Services (Cont'd)20.12 Billing Periods - Services Established Between July 1, 1999 and March 1, 2000 (Cont'd) (T)20.12.1 Rates and Charges (Cont'd)(C) Interoffice Mileage - Fixed - Monthly Recurring Rates and Service Extension (Cont'd)(13) Interoffice Fixed - per DS3 or DS3 equivalent - TX - Zone 1

<u>USOC</u>	<u>Month to Month</u>	<u>3 year</u>	<u>5 year</u>	<u>10 year</u>
10XHX/10XLX	\$815.00	\$600.00	\$500.00	\$450.00

(14) Interoffice Fixed - per DS3 or DS3 equivalent - TX - Zone 2

<u>USOC</u>	<u>Month to Month</u>	<u>3 year</u>	<u>5 year</u>	<u>10 year</u>
10XHX/10XLX	\$815.00	\$600.00	\$500.00	\$450.00

(15) Interoffice Fixed - per DS3 or DS3 equivalent - TX - Zone 3

<u>USOC</u>	<u>Month to Month</u>	<u>3 year</u>	<u>5 year</u>	<u>10 year</u>
10XHX/10XLX	\$815.00	\$600.00	\$500.00	\$450.00

Rates contained in this transmittal are subject to subsequent adjustment, effective retrospectively back to the transmittal's original effective date, in the event the Commission or a court subsequently authorizes SWBT to correct its rates pursuant to the decision in United States Telephone Association v. FCC (Case No. 97-1469)(slip. op. May 21, 1999)(D.C. Cir.), or pursuant to pending motions, or petitions for reconsideration or waiver (and including, but not limited to, any Application for Review of the letter from Lawrence E. Strickling, Chief, Common Carrier Bureau, FCC, to Dale Robertson, SBC, dated May 18, 1999 which may be filed with the Commission), or in the event of any other adjustment pursuant to an order of the Commission or a court.

(This page filed under Transmittal No. 2827)

Issued: May 15, 2000

Effective: May 30, 2000

Four AT&T Plaza, Dallas, Texas 75202

ACCESS SERVICE

20. MegaLink Custom Services (Cont'd)20.12 Billing Periods - Service Established Between July 1, 1999 and March 1, 2000 (Cont'd) (T)20.12.1 Rates and Charges (Cont'd)(C) Interoffice Mileage - Fixed - Monthly Recurring Rates
(Cont'd)(16) Temp-DS3 - Interoffice Fixed - per Temp DS3 - AR - Zone 1

<u>USOC</u>	<u>Monthly</u>
10XGX	\$815.00

(17) Temp-DS3 - Interoffice Fixed - per Temp DS3 - AR -**Zone 2**

<u>USOC</u>	<u>Monthly</u>
10XGX	\$815.00

(18) Temp-DS3 - Interoffice Fixed - per Temp DS3 - AR -**Zone 3**

<u>USOC</u>	<u>Monthly</u>
10XGX	\$815.00

(19) Temp-DS3 - Interoffice Fixed - per Temp DS3 - KS - Zone 1

<u>USOC</u>	<u>Monthly</u>
10XGX	\$815.00

(20) Temp-DS3 - Interoffice Fixed - per Temp DS3 - KS - Zone 2

<u>USOC</u>	<u>Monthly</u>
10XGX	\$815.00

(21) Temp-DS3 - Interoffice Fixed - per Temp DS3 - KS - Zone 3

<u>USOC</u>	<u>Monthly</u>
10XGX	\$815.00

Rates contained in this transmittal are subject to subsequent adjustment, effective retrospectively back to the transmittal's original effective date, in the event the Commission or a court subsequently authorizes SWBT to correct its rates pursuant to the decision in United States Telephone Association v. FCC (Case No. 97-1469)(slip. op. May 21, 1999)(D.C. Cir.), or pursuant to pending motions, or petitions for reconsideration or waiver (and including, but not limited to, any Application for Review of the letter from Lawrence E. Strickling Chief, Common Carrier Bureau, FCC, to Dale Robertson, SBC, dated May 18, 1999 which may be filed with the Commission), or in the event of any other adjustment pursuant to an order of the Commission or a court.

(This page filed under Transmittal No. 2827)

Issued: May 15, 2000

Effective: May 30, 2000

Four AT&T Plaza, Dallas, Texas 75202

ACCESS SERVICE

20. MegaLink Custom Services (Cont'd)20.12 Billing Periods - Service Established Between July 1, 1999 and March 1, 2000 (Cont'd)

(T)

20.12.1 Rates and Charges (Cont'd)(C) Interoffice Mileage - Fixed - Monthly Recurring Rates
(Cont'd)(22) Temp-DS3 - Interoffice Fixed - per Temp DS3 - MO - Zone 1

<u>USOC</u>	<u>Monthly</u>
10XGX	\$815.00

(23) Temp-DS3 - Interoffice Fixed - per Temp DS3 - MO - Zone 2

<u>USOC</u>	<u>Monthly</u>
10XGX	\$815.00

(24) Temp-DS3 - Interoffice Fixed - per Temp DS3 - MO - Zone 3

<u>USOC</u>	<u>Monthly</u>
10XGX	\$815.00

(25) Temp-DS3 - Interoffice Fixed - per Temp DS3 - OK - Zone 1

<u>USOC</u>	<u>Monthly</u>
10XGX	\$815.00

(26) Temp-DS3 - Interoffice Fixed - per Temp DS3 - OK - Zone 2

<u>USOC</u>	<u>Monthly</u>
10XGX	\$815.00

(27) Temp-DS3 - Interoffice Fixed - per Temp DS3 - OK - Zone 3

<u>USOC</u>	<u>Monthly</u>
10XGX	\$815.00

Rates contained in this transmittal are subject to subsequent adjustment, effective retrospectively back to the transmittal's original effective date, in the even the Commission or a court subsequently authorizes SWBT to correct its rates pursuant to the decision in United States Telephone Association v. FCC (Case No. 97-1469)(slip. op. May 21, 1999)(D.C. Cir.), or pursuant to pending motions, or petitions for reconsideration or waiver (and including, but not limited to, any Application for Review of the letter from Lawrence E. Strickling Chief, Common Carrier Bureau, FCC, to Dale Robertson, SBC, dated May 18, 1999 which may be filed with the Commission), or in the even of any other adjustment pursuant to an order of the Commission or a court.

(This page filed under Transmittal No. 2827)

Issued: May 15, 2000

Effective: May 30, 2000

Four AT&T Plaza, Dallas, Texas 75202

ACCESS SERVICE

20. MegaLink Custom Services (Cont'd)20.12 Billing Periods - Service Established Between July 1, 1999 and March 1, 2000 (Cont'd)

(T)

20.12.1 Rates and Charges (Cont'd)(C) Interoffice Mileage - Fixed - Monthly Recurring Rates (Cont'd)(28) Temp-DS3 - Interoffice Fixed - per Temp DS3 - TX - Zone 1

<u>USOC</u>	<u>Monthly</u>
10XGX	\$815.00

(29) Temp-DS3 - Interoffice Fixed - per Temp DS3 - TX - Zone 2

<u>USOC</u>	<u>Monthly</u>
10XGX	\$815.00

(30) Temp-DS3 - Interoffice Fixed - per Temp DS3 - TX - Zone 3

<u>USOC</u>	<u>Monthly</u>
10XGX	\$815.00

Rates contained in this transmittal are subject to subsequent adjustment, effective retrospectively back to the transmittal's original effective date, in the event the Commission or a court subsequently authorizes SWBT to correct its rates pursuant to the decision in United States Telephone Association v. FCC (Case No. 97-1469)(slip. op. May 21, 1999)(D.C. Cir.), or pursuant to pending motions, or petitions for reconsideration or waiver (and including, but not limited to, any Application for Review of the letter from Lawrence. E. Strickling, Chief, Common Carrier Bureau, FCC, to Dale Robertson, SBC, dated May 18, 1999 which may be filed with the Commission), or in the event of any other adjustment pursuant to an order of the Commission or a court.

(This page filed under Transmittal No. 2827)

Issued: May 15, 2000

Effective: May 30, 2000

Four AT&T Plaza, Dallas, Texas 75202

ACCESS SERVICE

20. MegaLink Custom Services (Cont'd)

(T)

20.12 Billing Periods - Service Established Between July 1, 1999 and March 1, 2000 (Cont'd)20.21.1 Rates and Charges (Cont'd)(D) Interoffice Mileage - Per Mile - Monthly Recurring Rates and Service Extension(1) Per Mile - per Volume Option, per Mile - AR - Zone 1

<u>Volume Option*</u>	<u>USOC</u>	<u>Month to Month</u>	<u>3 year</u>	<u>5 year</u>	<u>10 year</u>
1	1J5HS/1HXLs	\$100.00	\$ 75.00	\$ 50.00	\$ 45.00
3	1J5HS/1HXLs	\$165.00	\$119.00	\$106.00	\$ 99.00
6	1J5HS/1HXLs	\$236.00	\$171.00	\$151.00	\$142.00
12	1J5HS/1HXLs	\$330.00	\$239.00	\$211.00	\$198.00

(2) Per Mile - per Volume Option, per Mile - AR - Zone 2

<u>Volume Option*</u>	<u>USOC</u>	<u>Month to Month</u>	<u>3 year</u>	<u>5 year</u>	<u>10 year</u>
1	1J5HS/1HXLs	\$100.00	\$ 75.00	\$ 50.00	\$ 45.00
3	1J5HS/1HXLs	\$165.00	\$119.00	\$106.00	\$ 99.00
6	1J5HS/1HXLs	\$236.00	\$171.00	\$151.00	\$142.00
12	1J5HS/1HXLs	\$330.00	\$239.00	\$211.00	\$198.00

(3) Per Mile - per Volume Option, per Mile - AR - Zone 3

<u>Volume Option*</u>	<u>USOC</u>	<u>Month to Month</u>	<u>3 year</u>	<u>5 year</u>	<u>10 year</u>
1	1J5HS/1HXLs	\$100.00	\$ 75.00	\$ 50.00	\$ 45.00
3	1J5HS/1HXLs	\$165.00	\$119.00	\$106.00	\$ 99.00
6	1J5HS/1HXLs	\$236.00	\$171.00	\$151.00	\$142.00
12	1J5HS/1HXLs	\$330.00	\$239.00	\$211.00	\$198.00

Rates contained in this transmittal are subject to subsequent adjustment, effective retrospectively back to the transmittal's original effective date, in the event the Commission or a court subsequently authorizes SWBT to correct its rates pursuant to the decision in United States Telephone Association v. FCC (Case No. 97-1469)(slip. op. May 21, 1999)(D.C. Cir.), or pursuant to pending motions, or petitions for reconsideration or waiver (and including, but not limited to, any Application for Review of the letter from Lawrence E. Strickling, Chief, Common Carrier Bureau, FCC, to Dale Robertson, SBC, dated May 18, 1999 which may be filed with the Commission), or in the event of any other adjustment pursuant to an order of the Commission or a court.

* Volume Option specifies the number of DS3s or DS3 equivalents.

(This page filed under Transmittal No. 2827)

Issued: May 15, 2000

Effective: May 30, 2000

Four AT&T Plaza, Dallas, Texas 75202

ACCESS SERVICE

20. MegaLink Custom Services (Cont'd)20.12 Billing Periods - Service Established Between July 1, 1999 and March 1, 2000 (Cont'd) (T)20.12.1 Rates and Charges (Cont'd)(D) Interoffice Mileage - Per Mile - Monthly Recurring Rates and Service Extension (Cont'd)(4) Per Mile - per Volume Option, per Mile - KS - Zone 1

<u>Volume Option*</u>	<u>USOC</u>	<u>Month to Month</u>	<u>3 year</u>	<u>5 year</u>	<u>10 year</u>
1	1J5HS/1HXL	\$100.00	\$ 75.00	\$ 50.00	\$ 45.00
3	1J5HS/1HXL	\$165.00	\$119.00	\$106.00	\$ 99.00
6	1J5HS/1HXL	\$236.00	\$171.00	\$151.00	\$142.00
12	1J5HS/1HXL	\$330.00	\$239.00	\$211.00	\$198.00

(5) Per Mile - per Volume Option, per Mile - KS - Zone 2

<u>Volume Option*</u>	<u>USOC</u>	<u>Month to Month</u>	<u>3 year</u>	<u>5 year</u>	<u>10 year</u>
1	1J5HS/1HXL	\$100.00	\$ 75.00	\$ 50.00	\$ 45.00
3	1J5HS/1HXL	\$165.00	\$119.00	\$106.00	\$ 99.00
6	1J5HS/1HXL	\$236.00	\$171.00	\$151.00	\$142.00
12	1J5HS/1HXL	\$330.00	\$239.00	\$211.00	\$198.00

(6) Per Mile - per Volume Option, per Mile - KS - Zone 3

<u>Volume Option*</u>	<u>USOC</u>	<u>Month to Month</u>	<u>3 year</u>	<u>5 year</u>	<u>10 year</u>
1	1J5HS/1HXL	\$100.00	\$ 75.00	\$ 50.00	\$ 45.00
3	1J5HS/1HXL	\$165.00	\$119.00	\$106.00	\$ 99.00
6	1J5HS/1HXL	\$236.00	\$171.00	\$151.00	\$142.00
12	1J5HS/1HXL	\$330.00	\$239.00	\$211.00	\$198.00

Rates contained in this transmittal are subject to subsequent adjustment, effective retrospectively back to the transmittal's original effective date, in the event the Commission or a court subsequently authorizes SWBT to correct its rates pursuant to the decision in United States Telephone Association v. FCC (Case No. 97-1469)(slip. op. May 21, 1999)(D.C. Cir.), or pursuant to pending motions, or petitions for reconsideration or waiver (and including, but not limited to, any Application for Review of the letter from Lawrence E. Strickling, Chief, Common Carrier Bureau, FCC, to Dale Robertson, SBC, dated May 18, 1999 which may be filed with the Commission), or in the event of any other adjustment pursuant to an order of the Commission or a court.

* Volume Option specifies the number of DS3s or DS3 equivalents.

(This page filed under Transmittal No. 2827)

Issued: May 15, 2000

Effective: May 30, 2000

Four AT&T Plaza, Dallas, Texas 75202

ACCESS SERVICE

20. MegaLink Custom Services (Cont'd)20.12 Billing Periods - Service Established Between July 1, 1999 and March 1, 2000 (Cont'd) (T)20.12.1 Rates and Charges (Cont'd)(D) Interoffice Mileage - Per Mile - Monthly Recurring Rates and Service Extension (Cont'd)(7) Per Mile- per Volume Option, per Mile - MO - Zone 1

<u>Volume Option*</u>	<u>USOC</u>	<u>Month to Month</u>	<u>3 year</u>	<u>5 year</u>	<u>10 year</u>
1	1J5HS/1HXLs	\$100.00	\$ 75.00	\$ 50.00	\$ 45.00
3	1J5HS/1HXLs	\$165.00	\$112.00	\$106.00	\$ 99.00
6	1J5HS/1HXLs	\$236.00	\$161.00	\$151.00	\$142.00
12	1J5HS/1HXLs	\$330.00	\$225.00	\$211.00	\$198.00

(8) Per Mile- per Volume Option, per Mile - MO - Zone 2

<u>Volume Option*</u>	<u>USOC</u>	<u>Month to Month</u>	<u>3 year</u>	<u>5 year</u>	<u>10 year</u>
1	1J5HS/1HXLs	\$100.00	\$ 75.00	\$ 50.00	\$ 45.00
3	1J5HS/1HXLs	\$165.00	\$112.00	\$106.00	\$ 99.00
6	1J5HS/1HXLs	\$236.00	\$161.00	\$151.00	\$142.00
12	1J5HS/1HXLs	\$330.00	\$225.00	\$211.00	\$198.00

(9) Per Mile- per Volume Option, per Mile - MO - Zone 3

<u>Volume Option*</u>	<u>USOC</u>	<u>Month to Month</u>	<u>3 year</u>	<u>5 year</u>	<u>10 year</u>
1	1J5HS/1HXLs	\$100.00	\$ 75.00	\$ 50.00	\$ 45.00
3	1J5HS/1HXLs	\$165.00	\$119.00	\$106.00	\$ 99.00
6	1J5HS/1HXLs	\$236.00	\$171.00	\$151.00	\$142.00
12	1J5HS/1HXLs	\$330.00	\$239.00	\$211.00	\$198.00

Rates contained in this transmittal are subject to subsequent adjustment, effective retrospectively back to the transmittal's original effective date, in the event the Commission or a court subsequently authorizes SWBT to correct its rates pursuant to the decision in United States Telephone Association v. FCC (Case No. 97-1469)(slip. op. May 21, 1999)(D.C. Cir.), or pursuant to pending motions, or petitions for reconsideration or waiver (and including, but not limited to, any Application for Review of the letter from Lawrence E. Strickling, Chief, Common Carrier Bureau, FCC, to Dale Robertson, SBC, dated May 18, 1999 which may be filed with the Commission), or in the event of any other adjustment pursuant to an order of the Commission or a court.

* Volume Option specifies the number of DS3s or DS3 equivalents.

(This page filed under Transmittal No. 2827)

Issued: May 15, 2000

Effective: May 30, 2000

Four AT&T Plaza, Dallas, Texas 75202

ACCESS SERVICE

20. MegaLink Custom Services (Cont'd)

(T)

20.12 Billing Periods - Service Established Between July 1, 1999 and March 1, 2000 (Cont'd)20.12.1 Rates and Charges (Cont'd)(D) Interoffice Mileage - Per Mile - Monthly Recurring Rates and Service Extension (Cont'd)(10) Per Mile- per Volume Option, per Mile - OK - Zone 1

<u>Volume Option*</u>	<u>USOC</u>	<u>Month to Month</u>	<u>3 year</u>	<u>5 year</u>	<u>10 year</u>
1	1J5HS/1HXL	\$100.00	\$ 75.00	\$ 50.00	\$ 45.00
3	1J5HS/1HXL	\$165.00	\$119.00	\$106.00	\$ 99.00
6	1J5HS/1HXL	\$236.00	\$171.00	\$151.00	\$142.00
12	1J5HS/1HXL	\$330.00	\$239.00	\$211.00	\$198.00

(11) Per Mile- per Volume Option, per Mile - OK - Zone 2

<u>Volume Option*</u>	<u>USOC</u>	<u>Month to Month</u>	<u>3 year</u>	<u>5 year</u>	<u>10 year</u>
1	1J5HS/1HXL	\$100.00	\$ 75.00	\$ 50.00	\$ 45.00
3	1J5HS/1HXL	\$165.00	\$119.00	\$106.00	\$ 99.00
6	1J5HS/1HXL	\$236.00	\$171.00	\$151.00	\$142.00
12	1J5HS/1HXL	\$330.00	\$239.00	\$211.00	\$198.00

(12) Per Mile- per Volume Option, per Mile - OK - Zone 3

<u>Volume Option*</u>	<u>USOC</u>	<u>Month to Month</u>	<u>3 year</u>	<u>5 year</u>	<u>10 year</u>
1	1J5HS/1HXL	\$100.00	\$ 75.00	\$ 50.00	\$ 45.00
3	1J5HS/1HXL	\$165.00	\$119.00	\$106.00	\$ 99.00
6	1J5HS/1HXL	\$236.00	\$171.00	\$151.00	\$142.00
12	1J5HS/1HXL	\$330.00	\$239.00	\$211.00	\$198.00

Rates contained in this transmittal are subject to subsequent adjustment, effective retrospectively back to the transmittal's original effective date, in the event the Commission or a court subsequently authorizes SWBT to correct its rates pursuant to the decision in United States Telephone Association v. FCC (Case No. 97-1469)(slip. op. May 21, 1999)(D.C. Cir.), or pursuant to pending motions, or petitions for reconsideration or waiver (and including, but not limited to, any Application for Review of the letter from Lawrence E. Strickling, Chief, Common Carrier Bureau, FCC, to Dale Robertson, SBC, dated May 18, 1999 which may be filed with the Commission), or in the event of any other adjustment pursuant to an order of the Commission or a court.

* Volume Option specifies the number of DS3s or DS3 equivalents.

(This page filed under Transmittal No. 2827)

Issued: May 15, 2000

Effective: May 30, 2000

Four AT&T Plaza, Dallas, Texas 75202

ACCESS SERVICE

20. MegaLink Custom Services (Cont'd)20.12 Billing Periods - Service Established Between July 1, 1999 and March 1, 2000 (Cont'd)20.12.1 Rates and Charges (Cont'd)

(T)

(D) Interoffice Mileage - Per Mile - Monthly Recurring Rates and Service Extension (Cont'd)(13) Per Mile- per Volume Option, per Mile - TX - Zone 1

<u>Volume Option*</u>	<u>USOC</u>	<u>Month to Month</u>	<u>3 year</u>	<u>5 year</u>	<u>10 year</u>
1	1J5HS/1HXLs	\$100.00	\$ 75.00	\$ 50.00	\$ 45.00
3	1J5HS/1HXLs	\$151.80	\$103.04	\$ 97.52	\$ 91.08
6	1J5HS/1HXLs	\$217.12	\$148.12	\$138.92	\$130.64
12	1J5HS/1HXLs	\$303.60	\$207.00	\$194.12	\$182.16

(14) Per Mile- per Volume Option, per Mile - TX - Zone 2

<u>Volume Option*</u>	<u>USOC</u>	<u>Month to Month</u>	<u>3 year</u>	<u>5 year</u>	<u>10 year</u>
1	1J5HS/1HXLs	\$100.00	\$ 75.00	\$ 50.00	\$ 45.00
3	1J5HS/1HXLs	\$132.00	\$ 89.60	\$ 84.80	\$ 79.20
6	1J5HS/1HXLs	\$188.80	\$128.80	\$120.80	\$113.60
12	1J5HS/1HXLs	\$264.00	\$180.00	\$168.80	\$158.40

(15) Per Mile- per Volume Option, per Mile - TX - Zone 3

<u>Volume Option*</u>	<u>USOC</u>	<u>Month to Month</u>	<u>3 year</u>	<u>5 year</u>	<u>10 year</u>
1	1J5HS/1HXLs	\$100.00	\$ 75.00	\$ 50.00	\$ 45.00
3	1J5HS/1HXLs	\$123.75	\$ 89.25	\$ 79.50	\$ 74.25
6	1J5HS/1HXLs	\$177.00	\$128.25	\$113.25	\$106.50
12	1J5HS/1HXLs	\$247.50	\$179.25	\$158.25	\$148.50

Rates contained in this transmittal are subject to subsequent adjustment, effective retrospectively back to the transmittal's original effective date, in the event the Commission or a court subsequently authorizes SWBT to correct its rates pursuant to the decision in United States Telephone Association v. FCC (Case No. 97-1469)(slip. op. May 21, 1999)(D.C. Cir.), or pursuant to pending motions, or petitions for reconsideration or waiver (and including, but not limited to, any Application for Review of the letter from Lawrence. E. Strickling, Chief, Common Carrier Bureau, FCC, to Dale Robertson, SBC, dated May 18, 1999 which may be filed with the Commission), or in the event of any other adjustment pursuant to an order of the Commission or a court.

* Volume Option specifies the number of DS3s or DS3 equivalents.

(This page filed under Transmittal No. 2827)

Issued: May 15, 2000

Effective: May 30, 2000

Four AT&T Plaza, Dallas, Texas 75202

ACCESS SERVICE

20. MegaLink Custom Services (Cont'd)20.12 Billing Periods - Service Established Between July 1, 1999 and
March 1, 2000 (Cont'd)

(T)

20.12.1 Rates and Charges (Cont'd)

(D)	<u>Interoffice Mileage - Per Mile - Monthly Recurring Rates</u> (Cont'd)		
(16)	<u>Temp-DS3 - Per Mile - per Temp-DS3, per mile - AR - Zone 1</u>		
	<u>Volume</u>	<u>USOC</u>	<u>Monthly</u>
	Option*		
	1	1A8GS	\$118.00
(17)	<u>Temp-DS3 - Per Mile - per Temp-DS3, per mile - AR - Zone 2</u>		
	<u>Volume</u>	<u>USOC</u>	<u>Monthly</u>
	Option*		
	1	1A8GS	\$118.00
(18)	<u>Temp-DS3 - Per Mile - per Temp-DS3, per mile - AR - Zone 3</u>		
	<u>Volume</u>	<u>USOC</u>	<u>Monthly</u>
	Option*		
	1	1A8GS	\$118.00
(19)	<u>Temp-DS3 - Per Mile - per Temp-DS3, per mile - KS - Zone 1</u>		
	<u>Volume</u>	<u>USOC</u>	<u>Monthly</u>
	Option*		
	1	1A8GS	\$118.00
(20)	<u>Temp-DS3 - Per Mile - per Temp-DS3, per mile - KS - Zone 2</u>		
	<u>Volume</u>	<u>USOC</u>	<u>Monthly</u>
	Option*		
	1	1A8GS	\$118.00
(21)	<u>Temp-DS3 - Per Mile - per Temp-DS3, per mile - KS - Zone 3</u>		
	<u>Volume</u>	<u>USOC</u>	<u>Monthly</u>
	Option*		
	1	1A8GS	\$118.00

Rates contained in this transmittal are subject to subsequent adjustment, effective retrospectively back to the transmittal's original effective date, in the event the Commission or a court subsequently authorizes SWBT to correct its rates pursuant to the decision in United States Telephone Association v. FCC (Case No. 97-1469)(slip. op. May 21, 1999)(D.C. Cir.), or pursuant to pending motions, or petitions for reconsideration or waiver (and including, but not limited to, any Application for Review of the letter from Lawrence. E. Strickling, Chief, Common Carrier Bureau, FCC, to Dale Robertson, SBC, dated May 18, 1999 which may be filed with the Commission), or in the event of any other adjustment pursuant to an order of the Commission or a court.

* Volume Option specifies the number of DS3s or DS3 equivalents.

(This page filed under Transmittal No. 2827)

Issued: May 15, 2000

Effective: May 30, 2000

Four AT&T Plaza, Dallas, Texas 75202

ACCESS SERVICE

20. MegaLink Custom Services (Cont'd)20.12 Billing Periods - Service Established Between July 1, 1999 and March 1, 2000 (Cont'd)

(T)

20.12.1 Rates and Charges (Cont'd)(D) Interoffice Mileage - Per Mile - Monthly Recurring Rates (Cont'd)

(22)	<u>Temp-DS3 - Per Mile - per Temp-DS3, per mile - MO - Zone 1</u> <u>Volume</u> <u>Option*</u>	<u>USOC</u>	<u>Monthly</u>
	1	1A8GS	\$118.00
(23)	<u>Temp-DS3 - Per Mile - per Temp-DS3, per mile - MO - Zone 2</u> <u>Volume</u> <u>Option*</u>	<u>USOC</u>	<u>Monthly</u>
	1	1A8GS	\$118.00
(24)	<u>Temp-DS3 - Per Mile - per Temp-DS3, per mile - MO - Zone 3</u> <u>Volume</u> <u>Option*</u>	<u>USOC</u>	<u>Monthly</u>
	1	1A8GS	\$118.00
(25)	<u>Temp-DS3 - Per Mile - per Temp-DS3, per mile - OK - Zone 1</u> <u>Volume</u> <u>Option*</u>	<u>USOC</u>	<u>Monthly</u>
	1	1A8GS	\$118.00
(26)	<u>Temp-DS3 - Per Mile - per Temp-DS3, per mile - OK - Zone 2</u> <u>Volume</u> <u>Option*</u>	<u>USOC</u>	<u>Monthly</u>
	1	1A8GS	\$118.00
(27)	<u>Temp-DS3 - Per Mile - per Temp-DS3, per mile - OK - Zone 3</u> <u>Volume</u> <u>Option*</u>	<u>USOC</u>	<u>Monthly</u>
	1	1A8GS	\$118.00

Rates contained in this transmittal are subject to subsequent adjustment, effective retrospectively back to the transmittal's original effective date, in the event the Commission or a court subsequently authorizes SWBT to correct its rates pursuant to the decision in *United States Telephone Association v. FCC* (Case No. 97-1469)(slip. op. May 21, 1999)(D.C. Cir.), or pursuant to pending motions, or petitions for reconsideration or waiver (and including, but not limited to, any Application for Review of the letter from Lawrence. E. Strickling, Chief, Common Carrier Bureau, FCC, to Dale Robertson, SBC, dated May 18, 1999 which may be filed with the Commission), or in the event of any other adjustment pursuant to an order of the Commission or a court.

* Volume Option specifies the number of DS3s or DS3 equivalents.

(This page filed under Transmittal No. 2827)

Issued: May 15, 2000

Effective: May 30, 2000

Four AT&T Plaza, Dallas, Texas 75202

ACCESS SERVICE

20. MegaLink Custom Services (Cont'd)20.12 Billing Periods - Service Established Between July 1, 1999 and March 1, 2000 (Cont'd)

(T)

20.12.1 Rates and Charges (Cont'd)(D) Interoffice Mileage - Per Mile - Monthly Recurring Rates (Cont'd)(28) Temp-DS3 - Per Mile - per Temp-DS3, per mile - TX - Zone 1

<u>Volume Option*</u>	<u>USOC</u>	<u>Monthly</u>
1	1A8GS	\$118.00

Zone 2(29) Temp-DS3 - Per Mile - per Temp-DS3, per mile - TX -

<u>Volume Option*</u>	<u>USOC</u>	<u>Monthly</u>
1	1A8GS	\$118.00

Zone 3(30) Temp-DS3 - Per Mile - per Temp-DS3, per mile - TX -

<u>Volume Option*</u>	<u>USOC</u>	<u>Monthly</u>
1	1A8GS	\$118.00

Rates contained in this transmittal are subject to subsequent adjustment, effective retrospectively back to the transmittal's original effective date, in the event the Commission or a court subsequently authorizes SWBT to correct its rates pursuant to the decision in United States Telephone Association v. FCC (Case No. 97-1469)(slip. op. May 21, 1999)(D.C. Cir.), or pursuant to pending motions, or petitions for reconsideration or waiver (and including, but not limited to, any Application for Review of the letter from Lawrence. E. Strickling, Chief, Common Carrier Bureau, FCC, to Dale Robertson, SBC, dated May 18, 1999 which may be filed with the Commission), or in the event of any other adjustment pursuant to an order of the Commission or a court.

* Volume Option specifies the number of DS3s or DS3 equivalents.

(This page filed under Transmittal No. 2827)

Issued: May 15, 2000

Effective: May 30, 2000

Four AT&T Plaza, Dallas, Texas 75202

ACCESS SERVICE

20. MegaLink Custom Services (Cont'd)20.12 Billing Periods - Service Established Between July 1, 1999 and March 1, 2000 (Cont'd)

(T)

20.12.1 Rates and Charges (Cont'd)(E) Installation Charge - Per DS3 or DS3 Equivalent, per customer designated premises on the same Access Order(1) Installation Charge - AR - Zone 1

	USOC	Month to Month	3 year	5 year	10 year
First	NRBSE	\$605.00	\$303.00	\$ 0.00	\$ 0.00
Additional	NRBSE	\$496.00	\$248.00	\$ 0.00	\$ 0.00

(2) Installation Charge - AR - Zone 2

	USOC	Month to Month	3 year	5 year	10 year
First	NRBSE	\$605.00	\$303.00	\$ 0.00	\$ 0.00
Additional	NRBSE	\$496.00	\$248.00	\$ 0.00	\$ 0.00

(3) Installation Charge - AR - Zone 3

	USOC	Month to Month	3 year	5 year	10 year
First	NRBSE	\$605.00	\$303.00	\$ 0.00	\$ 0.00
Additional	NRBSE	\$496.00	\$248.00	\$ 0.00	\$ 0.00

Rates contained in this transmittal are subject to subsequent adjustment, effective retrospectively back to the transmittal's original effective date, in the event the Commission or a court subsequently authorizes SWBT to correct its rates pursuant to the decision in United States Telephone Association v. FCC (Case No. 97-1469)(slip. op. May 21, 1999)(D.C. Cir.), or pursuant to pending motions, or petitions for reconsideration or waiver (and including, but not limited to, any Application for Review of the letter from Lawrence. E. Strickling, Chief, Common Carrier Bureau, FCC, to Dale Robertson, SBC, dated May 18, 1999 which may be filed with the Commission), or in the event of any other adjustment pursuant to an order of the Commission or a court.

(This page filed under Transmittal No. 2827)

Issued: May 15, 2000

Effective: May 30, 2000

Four AT&T Plaza, Dallas, Texas 75202

ACCESS SERVICE

20. MegaLink Custom Services (Cont'd)20.12 Billing Periods - Service Established Between July 1, 1999 and March 1, 2000 (Cont'd) (T)20.12.1 Rates and Charges (Cont'd)(E) Installation Charge - Per DS3 or DS3 Equivalent, per customer designated premises on the same Access Order
(Cont'd)(4) Installation Charge - KS - Zone 1

		Month to	3 year	5 year	10 year
	USOC	Month			
First	NRBSE	\$605.00	\$303.00	\$ 0.00	\$ 0.00
Additional	NRBSE	\$496.00	\$248.00	\$ 0.00	\$ 0.00

(5) Installation Charge - KS - Zone 2

		Month to	3 year	5 year	10 year
	USOC	Month			
First	NRBSE	\$605.00	\$303.00	\$ 0.00	\$ 0.00
Additional	NRBSE	\$496.00	\$248.00	\$ 0.00	\$ 0.00

(6) Installation Charge - KS - Zone 3

		Month to	3 year	5 year	10 year
	USOC	Month			
First	NRBSE	\$605.00	\$303.00	\$ 0.00	\$ 0.00
Additional	NRBSE	\$496.00	\$248.00	\$ 0.00	\$ 0.00

(7) Installation Charge - MO - Zone 1

		Month to	3 year	5 year	10 year
	USOC	Month			
First	NRBSE	\$605.00	\$303.00	\$ 0.00	\$ 0.00
Additional	NRBSE	\$496.00	\$248.00	\$ 0.00	\$ 0.00

(8) Installation Charge - MO - Zone 2

		Month to	3 year	5 year	10 year
	USOC	Month			
First	NRBSE	\$605.00	\$303.00	\$ 0.00	\$ 0.00
Additional	NRBSE	\$496.00	\$248.00	\$ 0.00	\$ 0.00

(9) Installation Charge - MO - Zone 3

		Month to	3 year	5 year	10 year
	USOC	Month			
First	NRBSE	\$605.00	\$303.00	\$ 0.00	\$ 0.00
Additional	NRBSE	\$496.00	\$248.00	\$ 0.00	\$ 0.00

Rates contained in this transmittal are subject to subsequent adjustment, effective retrospectively back to the transmittal's original effective date, in the event the Commission or a court subsequently authorizes SWBT to correct its rates pursuant to the decision in United States Telephone Association v. FCC (Case No. 97-1469)(slip. op. May 21, 1999)(D.C. Cir.), or pursuant to pending motions, or petitions for reconsideration or waiver (and including, but not limited to, any Application for Review of the letter from Lawrence. E. Strickling, Chief, Common Carrier Bureau, FCC, to Dale Robertson, SBC, dated May 18, 1999 which may be filed with the Commission), or in the event of any other adjustment pursuant to an order of the Commission or a court.

(This page filed under Transmittal No. 2827)

Issued: May 15, 2000

Effective: May 30, 2000

Four AT&T Plaza, Dallas, Texas 75202

ACCESS SERVICE

20. MegaLink Custom Services (Cont'd)20.12 Billing Periods - Service Established Between July 1, 1999 and March 1, 2000 (Cont'd)

(T)

20.12.1 Rates and Charges (Cont'd)(E) Installation Charge - Per DS3 or DS3 Equivalent, per customer designated premises on the same Access Order
(Cont'd)(10) Installation Charge - OK - Zone 1

	<u>USOC</u>	<u>Month to</u> <u>Month</u>	<u>3 year</u>	<u>5 year</u>	<u>10 year</u>
First	NRBSE	\$605.00	\$303.00	\$ 0.00	\$ 0.00
Additional	NRBSE	\$496.00	\$248.00	\$ 0.00	\$ 0.00

(11) Installation Charge - OK - Zone 2

	<u>USOC</u>	<u>Month to</u> <u>Month</u>	<u>3 year</u>	<u>5 year</u>	<u>10 year</u>
First	NRBSE	\$605.00	\$303.00	\$ 0.00	\$ 0.00
Additional	NRBSE	\$496.00	\$248.00	\$ 0.00	\$ 0.00

(12) Installation Charge - OK - Zone 3

	<u>USOC</u>	<u>Month to</u> <u>Month</u>	<u>3 year</u>	<u>5 year</u>	<u>10 year</u>
First	NRBSE	\$605.00	\$303.00	\$ 0.00	\$ 0.00
Additional	NRBSE	\$496.00	\$248.00	\$ 0.00	\$ 0.00

Rates contained in this transmittal are subject to subsequent adjustment, effective retrospectively back to the transmittal's original effective date, in the event the Commission or a court subsequently authorizes SWBT to correct its rates pursuant to the decision in United States Telephone Association v. FCC (Case No. 97-1469)(slip. op. May 21, 1999)(D.C. Cir.), or pursuant to pending motions, or petitions for reconsideration or waiver (and including, but not limited to, any Application for Review of the letter from Lawrence. E. Strickling, Chief, Common Carrier Bureau, FCC, to Dale Robertson, SBC, dated May 18, 1999 which may be filed with the Commission), or in the event of any other adjustment pursuant to an order of the Commission or a court.

(This page filed under Transmittal No. 2827)

Issued: May 15, 2000

Effective: May 30, 2000

Four AT&T Plaza, Dallas, Texas 75202

ACCESS SERVICE

20. MegaLink Custom Services (Cont'd)20.12 Billing Periods - Service Established Between July 1, 1999 and March 1, 2000 (Cont'd)

(T)

20.12.1 Rates and Charges (Cont'd)(E) Installation Charge - Per DS3 or DS3 Equivalent, per customer designated premises on the same Access Order
(Cont'd)(13) Installation Charge - TX - Zone 1

	<u>USOC</u>	<u>Month to Month</u>	<u>3 year</u>	<u>5 year</u>	<u>10 year</u>
First	NRBSE	\$605.00	\$303.00	\$ 0.00	\$ 0.00
Additional	NRBSE	\$496.00	\$248.00	\$ 0.00	\$ 0.00

(14) Installation Charge - TX - Zone 2

	<u>USOC</u>	<u>Month to Month</u>	<u>3 year</u>	<u>5 year</u>	<u>10 year</u>
First	NRBSE	\$605.00	\$303.00	\$ 0.00	\$ 0.00
Additional	NRBSE	\$496.00	\$248.00	\$ 0.00	\$ 0.00

(15) Installation Charge - TX - Zone 3

	<u>USOC</u>	<u>Month to Month</u>	<u>3 year</u>	<u>5 year</u>	<u>10 year</u>
First	NRBSE	\$605.00	\$303.00	\$ 0.00	\$ 0.00
Additional	NRBSE	\$496.00	\$248.00	\$ 0.00	\$ 0.00

(16) Connecting Facility Assignment Credits - Nonzoned
(Per DS1 Equivalents)

<u>USOC</u>	<u>Credit Per Month</u>
XXXX	\$76.00

Rates contained in this transmittal are subject to subsequent adjustment, effective retrospectively back to the transmittal's original effective date, in the event the Commission or a court subsequently authorizes SWBT to correct its rates pursuant to the decision in United States Telephone Association v. FCC (Case No. 97-1469)(slip. op. May 21, 1999)(D.C. Cir.), or pursuant to pending motions, or petitions for reconsideration or waiver (and including, but not limited to, any Application for Review of the letter from Lawrence. E. Strickling, Chief, Common Carrier Bureau, FCC, to Dale Robertson, SBC, dated May 18, 1999 which may be filed with the Commission), or in the event of any other adjustment pursuant to an order of the Commission or a court.

(This page filed under Transmittal No. 2827)

Issued: May 15, 2000

Effective: May 30, 2000

Four AT&T Plaza, Dallas, Texas 75202

ACCESS SERVICE

20. MegaLink Custom Services (Cont'd)20.12 Billing Periods - Service Established Between July 1, 1999 and March 1, 2000 (Cont'd)

(T)

20.12.1 Rates and Charges (Cont'd)

(F)	<u>Service to Service Through Connect Arrangement Per DS3 or DS3 equivalent</u>	
(1)	<u>Service to Service Through Connect Arrangement - AR - Zone 1</u>	
	<u>USOC</u>	<u>Installation Charge</u>
	THA	\$157.00
(2)	<u>Service to Service Through Connect Arrangement - AR - Zone 2</u>	
	<u>USOC</u>	<u>Installation Charge</u>
	THA	\$157.00
(3)	<u>Service to Service Through Connect Arrangement - AR - Zone 3</u>	
	<u>USOC</u>	<u>Installation Charge</u>
	THA	\$157.00
(4)	<u>Service to Service Through Connect Arrangement - KS - Zone 1</u>	
	<u>USOC</u>	<u>Installation Charge</u>
	THA	\$157.00
(5)	<u>Service to Service Through Connect Arrangement - KS - Zone 2</u>	
	<u>USOC</u>	<u>Installation Charge</u>
	THA	\$157.00
(6)	<u>Service to Service Through Connect Arrangement - KS - Zone 3</u>	
	<u>USOC</u>	<u>Installation Charge</u>
	THA	\$157.00

Rates contained in this transmittal are subject to subsequent adjustment, effective retrospectively back to the transmittal's original effective date, in the event the Commission or a court subsequently authorizes SWBT to correct its rates pursuant to the decision in United States Telephone Association v. FCC (Case No. 97-1469)(slip. op. May 21, 1999)(D.C. Cir.), or pursuant to pending motions, or petitions for reconsideration or waiver (and including, but not limited to, any Application for Review of the letter from Lawrence E. Strickling, Chief, Common Carrier Bureau, FCC, to Dale Robertson, SBC, dated May 18, 1999 which may be filed with the Commission), or in the event of any other adjustment pursuant to an order of the Commission or a court.

(This page filed under Transmittal No. 2827)

Issued: May 15, 2000

Effective: May 30, 2000

Four AT&T Plaza, Dallas, Texas 75202

ACCESS SERVICE

20. MegaLink Custom Services (Cont'd)20.12 Billing Periods - Service Established Between July 1, 1999 and
March 1, 2000 (Cont'd) (T)20.12.1 Rates and Charges (Cont'd)(F) Service to Service Through Connect Arrangement Per DS3 or
DS3 equivalent (Cont'd)(7) Service to Service Through Connect Arrangement - MO -
Zone 1

<u>USOC</u>	<u>Installation Charge</u>
THA	\$157.00

(8) Service to Service Through Connect Arrangement - MO -
Zone 2

<u>USOC</u>	<u>Installation Charge</u>
THA	\$157.00

(9) Service to Service Through Connect Arrangement - MO -
Zone 3

<u>USOC</u>	<u>Installation Charge</u>
THA	\$157.00

(10) Service to Service Through Connect Arrangement - OK -
Zone 1

<u>USOC</u>	<u>Installation Charge</u>
THA	\$157.00

(11) Service to Service Through Connect Arrangement - OK -
Zone 2

<u>USOC</u>	<u>Installation Charge</u>
THA	\$157.00

(12) Service to Service Through Connect Arrangement - OK -
Zone 3

<u>USOC</u>	<u>Installation Charge</u>
THA	\$157.00

Rates contained in this transmittal are subject to subsequent adjustment, effective retrospectively back to the transmittal's original effective date, in the event the Commission or a court subsequently authorizes SWBT to correct its rates pursuant to the decision in United States Telephone Association v. FCC (Case No. 97-1469)(slip. op. May 21, 1999)(D.C. Cir.), or pursuant to pending motions, or petitions for reconsideration or waiver (and including, but not limited to, any Application for Review of the letter from Lawrence E. Strickling, Chief, Common Carrier Bureau, FCC, to Dale Robertson, SBC, dated May 18, 1999 which may be filed with the Commission), or in the event of any other adjustment pursuant to an order of the Commission or a court.

(This page filed under Transmittal No. 2827)

Issued: May 15, 2000

Effective: May 30, 2000

Four AT&T Plaza, Dallas, Texas 75202

ACCESS SERVICE

20. MegaLink Custom Services (Cont'd)20.12 Billing Periods - Service Established Between July 1, 1999 and
March 1, 2000 (Cont'd)

(T)

20.12.1 Rates and Charges (Cont'd)(F) Service to Service Through Connect Arrangement Per DS3 or
DS3 equivalent (Cont'd)(13) Service to Service Through Connect Arrangement - TX -
Zone 1

<u>USOC</u>	<u>Installation Charge</u>
THA	\$157.00

(14) Service to Service Through Connect Arrangement - TX -
Zone 2

<u>USOC</u>	<u>Installation Charge</u>
THA	\$157.00

(15) Service to Service Through Connect Arrangement - TX -
Zone 3

<u>USOC</u>	<u>Installation Charge</u>
THA	\$157.00

Rates contained in this transmittal are subject to subsequent adjustment, effective retrospectively back to the transmittal's original effective date, in the event the Commission or a court subsequently authorizes SWBT to correct its rates pursuant to the decision in United States Telephone Association v. FCC (Case No. 97-1469)(slip. op. May 21, 1999)(D.C. Cir.), or pursuant to pending motions, or petitions for reconsideration or waiver (and including, but not limited to, any Application for Review of the letter from Lawrence E. Strickling, Chief, Common Carrier Bureau, FCC, to Dale Robertson, SBC, dated May 18, 1999 which may be filed with the Commission), or in the event of any other adjustment pursuant to an order of the Commission or a court.

(This page filed under Transmittal No. 2827)

Issued: May 15, 2000

Effective: May 30, 2000

Four AT&T Plaza, Dallas, Texas 75202

ACCESS SERVICE

20. MegaLink Custom Services (Cont'd)20.12 Billing Periods - Service Established Between July 1, 1999 and March 1, 2000 (Cont'd)

(T)

20.12.1 Rates and Charges (Cont'd)(G) Optional Features, BSEs and Functions(1) DS3 to DS1 Multiplexing - Monthly Recurring Rates(a) DS3 to DS1 Multiplexing - AR - Zone 1 - Monthly Recurring Rates

Per Multiplexer

<u>USOC</u>	<u>Month to Month</u>	<u>3 year</u>	<u>5 year</u>	<u>10 year</u>
MKM	\$815.00	\$600.00	\$500.00	\$450.00

(b) DS3 to DS1 Multiplexing - AR - Zone 2 - Monthly Recurring Rates

Per Multiplexer

<u>USOC</u>	<u>Month to Month</u>	<u>3 year</u>	<u>5 year</u>	<u>10 year</u>
MKM	\$815.00	\$600.00	\$500.00	\$450.00

(c) DS3 to DS1 Multiplexing - AR - Zone 3 - Monthly Recurring Rates

Per Multiplexer

<u>USOC</u>	<u>Month to Month</u>	<u>3 year</u>	<u>5 year</u>	<u>10 year</u>
MKM	\$815.00	\$600.00	\$500.00	\$450.00

Rates contained in this transmittal are subject to subsequent adjustment, effective retrospectively back to the transmittal's original effective date, in the event the Commission or a court subsequently authorizes SWBT to correct its rates pursuant to the decision in United States Telephone Association v. FCC (Case No. 97-1469)(slip. op. May 21, 1999)(D.C. Cir.), or pursuant to pending motions, or petitions for reconsideration or waiver (and including, but not limited to, any Application for Review of the letter from Lawrence E. Strickling, Chief, Common Carrier Bureau, FCC, to Dale Robertson, SBC, dated May 18, 1999 which may be filed with the Commission), or in the event of any other adjustment pursuant to an order of the Commission or a court.

(This page filed under Transmittal No. 2827)

Issued: May 15, 2000

Effective: May 30, 2000

Four AT&T Plaza, Dallas, Texas 75202

ACCESS SERVICE

20. MegaLink Custom Services (Cont'd)20.12 Billing Periods - Service Established Between July 1, 1999 and
March 1, 2000 (Cont'd) (T)20.12.1 Rates and Charges (Cont'd)(G) Optional Features, BSEs and Functions (Cont'd)(1) DS3 to DS1 Multiplexing - Monthly Recurring Rates
(Cont'd)(d) DS3 to DS1 Multiplexing - KS - Zone 1 - Monthly
Recurring Rates

Per Multiplexer

<u>USOC</u>	<u>Month to Month</u>	<u>3 year</u>	<u>5 year</u>	<u>10 year</u>
MKM	\$815.00	\$600.00	\$500.00	\$450.00

(e) DS3 to DS1 Multiplexing - KS - Zone 2 - Monthly
Recurring Rates

Per Multiplexer

<u>USOC</u>	<u>Month to Month</u>	<u>3 year</u>	<u>5 year</u>	<u>10 year</u>
MKM	\$815.00	\$600.00	\$500.00	\$450.00

(f) DS3 to DS1 Multiplexing - KS - Zone 3 - Monthly
Recurring Rates

Per Multiplexer

<u>USOC</u>	<u>Month to Month</u>	<u>3 year</u>	<u>5 year</u>	<u>10 year</u>
MKM	\$815.00	\$600.00	\$500.00	\$450.00

Rates contained in this transmittal are subject to subsequent adjustment, effective retrospectively back to the transmittal's original effective date, in the event the Commission or a court subsequently authorizes SWBT to correct its rates pursuant to the decision in United States Telephone Association v. FCC (Case No. 97-1469)(slip. op. May 21, 1999)(D.C. Cir.), or pursuant to pending motions, or petitions for reconsideration or waiver (and including, but not limited to, any Application for Review of the letter from Lawrence E. Strickling, Chief, Common Carrier Bureau, FCC, to Dale Robertson, SBC, dated May 18, 1999 which may be filed with the Commission), or in the event of any other adjustment pursuant to an order of the Commission or a court.

(This page filed under Transmittal No. 2827)

Issued: May 15, 2000

Effective: May 30, 2000

Four AT&T Plaza, Dallas, Texas 75202

ACCESS SERVICE

20. MegaLink Custom Services (Cont'd)20.12 Billing Periods - Service Established Between July 1, 1999 and March 1, 2000 (Cont'd) (T)20.12.1 Rates and Charges (Cont'd)(G) Optional Features, BSEs and Functions (Cont'd)(1) DS3 to DS1 Multiplexing - Monthly Recurring Rates
(Cont'd)(g) DS3 to DS1 Multiplexing - MO - Zone 1 - Monthly Recurring Rates

Per Multiplexer

<u>USOC</u>	<u>Month to Month</u>	<u>3 year</u>	<u>5 year</u>	<u>10 year</u>
MKM	\$815.00	\$600.00	\$500.00	\$450.00

(h) DS3 to DS1 Multiplexing - MO - Zone 2 - Monthly Recurring Rates

Per Multiplexer

<u>USOC</u>	<u>Month to Month</u>	<u>3 year</u>	<u>5 year</u>	<u>10 year</u>
MKM	\$815.00	\$600.00	\$500.00	\$450.00

(i) DS3 to DS1 Multiplexing - MO - Zone 3 - Monthly Recurring Rates

Per Multiplexer

<u>USOC</u>	<u>Month to Month</u>	<u>3 year</u>	<u>5 year</u>	<u>10 year</u>
MKM	\$815.00	\$600.00	\$500.00	\$450.00

Rates contained in this transmittal are subject to subsequent adjustment, effective retrospectively back to the transmittal's original effective date, in the event the Commission or a court subsequently authorizes SWBT to correct its rates pursuant to the decision in United States Telephone Association v. FCC (Case No. 97-1469)(slip. op. May 21, 1999)(D.C. Cir.), or pursuant to pending motions, or petitions for reconsideration or waiver (and including, but not limited to, any Application for Review of the letter from Lawrence E. Strickling, Chief, Common Carrier Bureau, FCC, to Dale Robertson, SBC, dated May 18, 1999 which may be filed with the Commission), or in the event of any other adjustment pursuant to an order of the Commission or a court.

(This page filed under Transmittal No. 2827)

Issued: May 15, 2000

Effective: May 30, 2000

Four AT&T Plaza, Dallas, Texas 75202

ACCESS SERVICE

20. MegaLink Custom Services (Cont'd)20.12 Billing Periods - Service Established Between July 1, 1999 and March 1, 2000 (Cont'd)

(T)

20.12.1 Rates and Charges (Cont'd)(G) Optional Features, BSEs and Functions (Cont'd)(1) DS3 to DS1 Multiplexing - Monthly Recurring Rates
(Cont'd)(j) DS3 to DS1 Multiplexing - OK - Zone 1 - Monthly Recurring Rates

Per Multiplexer

<u>USOC</u>	<u>Month to Month</u>	<u>3 year</u>	<u>5 year</u>	<u>10 year</u>
MKM	\$815.00	\$600.00	\$500.00	\$450.00

(k) DS3 to DS1 Multiplexing - OK - Zone 2 - Monthly Recurring Rates

Per Multiplexer

<u>USOC</u>	<u>Month to Month</u>	<u>3 year</u>	<u>5 year</u>	<u>10 year</u>
MKM	\$815.00	\$600.00	\$500.00	\$450.00

(l) DS3 to DS1 Multiplexing - OK - Zone 3 - Monthly Recurring Rates

Per Multiplexer

<u>USOC</u>	<u>Month to Month</u>	<u>3 year</u>	<u>5 year</u>	<u>10 year</u>
MKM	\$815.00	\$600.00	\$500.00	\$450.00

Rates contained in this transmittal are subject to subsequent adjustment, effective retrospectively back to the transmittal's original effective date, in the event the Commission or a court subsequently authorizes SWBT to correct its rates pursuant to the decision in United States Telephone Association v. FCC (Case No. 97-1469)(slip. op. May 21, 1999)(D.C. Cir.), or pursuant to pending motions, or petitions for reconsideration or waiver (and including, but not limited to, any Application for Review of the letter from Lawrence E. Strickling, Chief, Common Carrier Bureau, FCC, to Dale Robertson, SBC, dated May 18, 1999 which may be filed with the Commission), or in the event of any other adjustment pursuant to an order of the Commission or a court.

(This page filed under Transmittal No. 2827)

Issued: May 15, 2000

Effective: May 30, 2000

Four AT&T Plaza, Dallas, Texas 75202

ACCESS SERVICE

20. MegaLink Custom Services (Cont'd)20.12 Billing Periods - Service Established Between July 1, 1999 and March 1, 2000 (Cont'd)

(T)

20.12.1 Rates and Charges (Cont'd)(G) Optional Features, BSEs and Functions (Cont'd)(1) DS3 to DS1 Multiplexing - Monthly Recurring Rates
(Cont'd)(m) DS3 to DS1 Multiplexing - TX - Zone 1 - Monthly Recurring Rates

Per Multiplexer

USOC	Month to			
	Month	3 year	5 year	10 year
MKM	\$749.80	\$600.00	\$500.00	\$450.00

(n) DS3 to DS1 Multiplexing - TX - Zone 2 - Monthly Recurring Rates

Per Multiplexer

USOC	Month to			
	Month	3 year	5 year	10 year
MKM	\$815.00	\$600.00	\$500.00	\$450.00

(o) DS3 to DS1 Multiplexing - TX - Zone 3 - Monthly Recurring Rates

Per Multiplexer

USOC	Month to			
	Month	3 year	5 year	10 year
MKM	\$815.00	\$600.00	\$500.00	\$450.00

Rates contained in this transmittal are subject to subsequent adjustment, effective retrospectively back to the transmittal's original effective date, in the event the Commission or a court subsequently authorizes SWBT to correct its rates pursuant to the decision in United States Telephone Association v. FCC (Case No. 97-1469)(slip. op. May 21, 1999)(D.C. Cir.), or pursuant to pending motions, or petitions for reconsideration or waiver (and including, but not limited to, any Application for Review of the letter from Lawrence E. Strickling, Chief, Common Carrier Bureau, FCC, to Dale Robertson, SBC, dated May 18, 1999 which may be filed with the Commission), or in the event of any other adjustment pursuant to an order of the Commission or a court.

(This page filed under Transmittal No. 2827)

Issued: May 15, 2000

Effective: May 30, 2000

Four AT&T Plaza, Dallas, Texas 75202

ACCESS SERVICE

20. MegaLink Custom Services (Cont'd)20.12 Billing Periods - Service Established Between July 1, 1999 and March 1, 2000 (Cont'd) (T)20.12.1 Rates and Charges (Cont'd)(G) Optional Features, BSEs and Functions (Cont'd)(2) DS3 to DS1 Multiplexing Installation Charge - Per Multiplexer(a) Installation Charge - AR - Zone 1

USOC	Month to			
	Month	3 year	5 year	10 year
	\$202.00	\$101.00	\$ 0.00	\$ 0.00

(b) Installation Charge - AR - Zone 2

USOC	Month to			
	Month	3 year	5 year	10 year
	\$202.00	\$101.00	\$ 0.00	\$ 0.00

(c) Installation Charge - AR - Zone 3

USOC	Month to			
	Month	3 year	5 year	10 year
	\$202.00	\$101.00	\$ 0.00	\$ 0.00

(d) Installation Charge - KS - Zone 1

USOC	Month to			
	Month	3 year	5 year	10 year
	\$202.00	\$101.00	\$ 0.00	\$ 0.00

(e) Installation Charge - KS - Zone 2

USOC	Month to			
	Month	3 year	5 year	10 year
	\$202.00	\$101.00	\$ 0.00	\$ 0.00

(f) Installation Charge - KS - Zone 3

USOC	Month to			
	Month	3 year	5 year	10 year
	\$202.00	\$101.00	\$ 0.00	\$ 0.00

Rates contained in this transmittal are subject to subsequent adjustment, effective retrospectively back to the transmittal's original effective date, in the event the Commission or a court subsequently authorizes SWBT to correct its rates pursuant to the decision in United States Telephone Association v. FCC (Case No. 97-1469)(slip. op. May 21, 1999)(D.C. Cir.), or pursuant to pending motions, or petitions for reconsideration or waiver (and including, but not limited to, any Application for Review of the letter from Lawrence E. Strickling, Chief, Common Carrier Bureau, FCC, to Dale Robertson, SBC, dated May 18, 1999 which may be filed with the Commission), or in the event of any other adjustment pursuant to an order of the Commission or a court.

(This page filed under Transmittal No. 2827)

Issued: May 15, 2000

Effective: May 30, 2000

Four AT&T Plaza, Dallas, Texas 75202

ACCESS SERVICE

20. MegaLink Custom Services (Cont'd)20.12 Billing Periods - Service Established Between July 1, 1999 and March 1, 2000 (Cont'd) (T)20.12.1 Rates and Charges (Cont'd)(G) Optional Features, BSEs and Functions (Cont'd)(2) DS3 to DS1 Multiplexing Installation Charge - Per Multiplexer (Cont'd)(g) Installation Charge - MO - Zone 1

USOC	Month to			
	Month	3 year	5 year	10 year
	\$202.00	\$101.00	\$ 0.00	\$ 0.00

(h) Installation Charge - MO - Zone 2

USOC	Month to			
	Month	3 year	5 year	10 year
	\$202.00	\$101.00	\$ 0.00	\$ 0.00

(i) Installation Charge - MO - Zone 3

USOC	Month to			
	Month	3 year	5 year	10 year
	\$202.00	\$101.00	\$ 0.00	\$ 0.00

(j) Installation Charge - OK - Zone 1

USOC	Month to			
	Month	3 year	5 year	10 year
	\$202.00	\$101.00	\$ 0.00	\$ 0.00

(k) Installation Charge - OK - Zone 2

USOC	Month to			
	Month	3 year	5 year	10 year
	\$202.00	\$101.00	\$ 0.00	\$ 0.00

(l) Installation Charge - OK - Zone 3

USOC	Month to			
	Month	3 year	5 year	10 year
	\$202.00	\$101.00	\$ 0.00	\$ 0.00

Rates contained in this transmittal are subject to subsequent adjustment, effective retrospectively back to the transmittal's original effective date, in the event the Commission or a court subsequently authorizes SWBT to correct its rates pursuant to the decision in United States Telephone Association v. FCC (Case No. 97-1469)(slip. op. May 21, 1999)(D.C. Cir.), or pursuant to pending motions, or petitions for reconsideration or waiver (and including, but not limited to, any Application for Review of the letter from Lawrence E. Strickling, Chief, Common Carrier Bureau, FCC, to Dale Robertson, SBC, dated May 18, 1999 which may be filed with the Commission), or in the event of any other adjustment pursuant to an order of the Commission or a court.

(This page filed under Transmittal No. 2827)

Issued: May 15, 2000

Effective: May 30, 2000

Four AT&T Plaza, Dallas, Texas 75202

ACCESS SERVICE

20. MegaLink Custom Services (Cont'd)20.12 Billing Periods - Service Established Between July 1, 1999 and March 1, 2000 (Cont'd) (T)20.12.1 Rates and Charges (Cont'd)(G) Optional Features, BSEs and Functions (Cont'd)(2) DS3 to DS1 Multiplexing Installation Charge - Per Multiplexer (Cont'd)(m) Installation Charge - TX - Zone 1

USOC	Month to			
	Month	3 year	5 year	10 year
	\$202.00	\$101.00	\$ 0.00	\$ 0.00

(n) Installation Charge - TX - Zone 2

USOC	Month to			
	Month	3 year	5 year	10 year
	\$202.00	\$101.00	\$ 0.00	\$ 0.00

(o) Installation Charge - TX - Zone 3

USOC	Month to			
	Month	3 year	5 year	10 year
	\$202.00	\$101.00	\$ 0.00	\$ 0.00

Rates contained in this transmittal are subject to subsequent adjustment, effective retrospectively back to the transmittal's original effective date, in the event the Commission or a court subsequently authorizes SWBT to correct its rates pursuant to the decision in United States Telephone Association v. FCC (Case No. 97-1469)(slip. op. May 21, 1999)(D.C. Cir.), or pursuant to pending motions, or petitions for reconsideration or waiver (and including, but not limited to, any Application for Review of the letter from Lawrence E. Strickling, Chief, Common Carrier Bureau, FCC, to Dale Robertson, SBC, dated May 18, 1999 which may be filed with the Commission), or in the event of any other adjustment pursuant to an order of the Commission or a court.

(This page filed under Transmittal No. 2827)

Issued: May 15, 2000

Effective: May 30, 2000

Four AT&T Plaza, Dallas, Texas 75202

ACCESS SERVICE

20. MegaLink Custom Services (Cont'd)12.12 Billing Periods - Service Established Between July 1, 1999 and March 1, 2000 (Cont'd) (T)20.12.1 Rates and Charges (Cont'd)(G) Optional Features, BSEs and Functions (Cont'd)(3) SecureNet Monthly Recurring Rates(a) Hub Redundancy - AR Zone 1
per premises, per DS3

USOC	Month to	3 year	5 year	10 year
R36AD	\$1,869.00	\$1,751.25	\$1,646.60	\$1,451.45

(b) Hub Redundancy - AR Zone 2
per premises, per DS3

USOC	Month to	3 year	5 year	10 year
R36AD	\$1,869.00	\$1,751.25	\$1,646.60	\$1,451.45

(c) Hub Redundancy - AR Zone 3
per premises, per DS3

USOC	Month to	3 year	5 year	10 year
R36AD	\$1,869.00	\$1,751.25	\$1,646.60	\$1,451.45

(d) Hub Redundancy - KS Zone 1
per premises, per DS3

USOC	Month to	3 year	5 year	10 year
R36AD	\$1,869.00	\$1,751.25	\$1,646.60	\$1,451.45

(e) Hub Redundancy - KS Zone 2
per premises, per DS3

USOC	Month to	3 year	5 year	10 year
R36AD	\$1,869.00	\$1,751.25	\$1,646.60	\$1,451.45

(f) Hub Redundancy - KS Zone 3
per premises, per DS3

USOC	Month to	3 year	5 year	10 year
R36AD	\$1,869.00	\$1,751.25	\$1,646.60	\$1,451.45

Rates contained in this transmittal are subject to subsequent adjustment, effective retrospectively back to the transmittal's original effective date, in the event the Commission or a court subsequently authorizes SWBT to correct its rates pursuant to the decision in United States Telephone Association v. FCC (Case No. 97-1469)(slip. op. May 21, 1999)(D.C. Cir.), or pursuant to pending motions, or petitions for reconsideration or waiver (and including, but not limited to, any Application for Review of the letter from Lawrence E. Strickling, Chief, Common Carrier Bureau, FCC, to Dale Robertson, SBC, dated May 18, 1999 which may be filed with the Commission), or in the event of any other adjustment pursuant to an order of the Commission or a court.

(This page filed under Transmittal No. 2827)

Issued: May 15, 2000

Effective: May 30, 2000

Four AT&T Plaza, Dallas, Texas 75202

ACCESS SERVICE

20. MegaLink Custom Services (Cont'd)20.12 Billing Periods - Service Established Between July 1, 1999 and March 1, 2000 (Cont'd) (T)20.12.1 Rates and Charges (Cont'd)(G) Optional Features, BSEs and Functions (Cont'd)(3) SecureNet Monthly Recurring Rates (Cont'd)(g) Hub Redundancy - MO Zone 1
per premises, per DS3

USOC	Month to Month	3 year	5 year	10 year
R36AD	\$1,869.00	\$1,751.25	\$1,646.60	\$1,451.45

(h) Hub Redundancy - MO Zone 2
per premises, per DS3

USOC	Month to Month	3 year	5 year	10 year
R36AD	\$1,869.00	\$1,751.25	\$1,646.60	\$1,451.45

(i) Hub Redundancy - MO Zone 3
per premises, per DS3

USOC	Month to Month	3 year	5 year	10 year
R36AD	\$1,869.00	\$1,751.25	\$1,646.60	\$1,451.45

(j) Hub Redundancy - OK Zone 1
per premises, per DS3

USOC	Month to Month	3 year	5 year	10 year
R36AD	\$1,869.00	\$1,751.25	\$1,646.60	\$1,451.45

(k) Hub Redundancy - OK Zone 2
per premises, per DS3

USOC	Month to Month	3 year	5 year	10 year
R36AD	\$1,869.00	\$1,751.25	\$1,646.60	\$1,451.45

(l) Hub Redundancy - OK Zone 3
per premises, per DS3

USOC	Month to Month	3 year	5 year	10 year
R36AD	\$1,869.00	\$1,751.25	\$1,646.60	\$1,451.45

Rates contained in this transmittal are subject to subsequent adjustment, effective retrospectively back to the transmittal's original effective date, in the event the Commission or a court subsequently authorizes SWBT to correct its rates pursuant to the decision in United States Telephone Association v. FCC (Case No. 97-1469) (slip. op. May 21, 1999) (D.C. Cir.), or pursuant to pending motions, or petitions for reconsideration or waiver (and including, but not limited to, any Application for Review of the letter from Lawrence E. Strickling, Chief, Common Carrier Bureau, FCC, to Dale Robertson, SBC, dated May 18, 1999 which may be filed with the Commission), or in the

(This page filed under Transmittal No. 2827)

Issued: May 15, 2000

Effective: May 30, 2000

Four AT&T Plaza, Dallas, Texas 75202

ACCESS SERVICE

20. MegaLink Custom Services (Cont'd)20.12 Billing Periods - Service Established Between July 1, 1999 and March 1, 2000 (Cont'd) (T)20.12.1 Rates and Charges (Cont'd)(G) Optional Features, BSEs and Functions (Cont'd)(3) SecureNet Monthly Recurring Rates (Cont'd)(m) Hub Redundancy - TX Zone 1
per premises, per DS3

<u>USOC</u>	<u>Month to</u> <u>Month</u>	<u>3 year</u>	<u>5 year</u>	<u>10 year</u>
R36AD	\$1,869.00	\$1,751.25	\$1,646.60	\$1,451.45

(n) Hub Redundancy - TX Zone 2
per premises, per DS3

<u>USOC</u>	<u>Month to</u> <u>Month</u>	<u>3 year</u>	<u>5 year</u>	<u>10 year</u>
R36AD	\$1,869.00	\$1,751.25	\$1,646.60	\$1,451.45

(o) Hub Redundancy - TX Zone 3
per premises, per DS3

<u>USOC</u>	<u>Month to</u> <u>Month</u>	<u>3 year</u>	<u>5 year</u>	<u>10 year</u>
R36AD	\$1,869.00	\$1,751.25	\$1,646.60	\$1,451.45

Rates contained in this transmittal are subject to subsequent adjustment, effective retrospectively back to the transmittal's original effective date, in the event the Commission or a court subsequently authorizes SWBT to correct its rates pursuant to the decision in United States Telephone Association v. FCC (Case No. 97-1469)(slip. op. May 21, 1999)(D.C. Cir.), or pursuant to pending motions, or petitions for reconsideration or waiver (and including, but not limited to, any Application for Review of the letter from Lawrence E. Strickling, Chief, Common Carrier Bureau, FCC, to Dale Robertson, SBC, dated May 18, 1999 which may be filed with the Commission), or in the event of any other adjustment pursuant to an order of the Commission or a court.

(This page filed under Transmittal No. 2827)

Issued: May 15, 2000

Effective: May 30, 2000

Four AT&T Plaza, Dallas, Texas 75202

ACCESS SERVICE

20. MegaLink Custom Services (Cont'd)20.12 Billing Periods - Service Established Between July 1, 1999 and
March 1, 2000 (Cont'd) (T)20.12.1 Rates and Charges (Cont'd)(G) Optional Features, BSEs and Functions (Cont'd)(3) SecureNet Monthly Recurring Rates (Cont'd)(p) Serving Wire Center and Facility Redundancy - ARZone 1

per premises, per DS3

<u>USOC</u>	<u>Month to</u> <u>Month</u>	<u>3 year</u>	<u>5 year</u>	<u>10 year</u>
R38AE	\$ 0.00	\$ 0.00	\$ 0.00	\$ 0.00

(q) Serving Wire Center and Facility Redundancy - AR
Zone 2
per premises, per DS3

<u>USOC</u>	<u>Month to</u> <u>Month</u>	<u>3 year</u>	<u>5 year</u>	<u>10 year</u>
R38AE	\$ 0.00	\$ 0.00	\$ 0.00	\$ 0.00

(r) Serving Wire Center and Facility Redundancy - AR
Zone 3
per premises, per DS3

<u>USOC</u>	<u>Month to</u> <u>Month</u>	<u>3 year</u>	<u>5 year</u>	<u>10 year</u>
R38AE	\$ 0.00	\$ 0.00	\$ 0.00	\$ 0.00

Rates contained in this transmittal are subject to subsequent adjustment, effective retrospectively back to the transmittal's original effective date, in the event the Commission or a court subsequently authorizes SWBT to correct its rates pursuant to the decision in United States Telephone Association v. FCC (Case No. 97-1469)(slip. op. May 21, 1999)(D.C. Cir.), or pursuant to pending motions, or petitions for reconsideration or waiver (and including, but not limited to, any Application for Review of the letter from Lawrence E. Strickling, Chief, Common Carrier Bureau, FCC, to Dale Robertson, SBC, dated May 18, 1999 which may be filed with the Commission), or in the event of any other adjustment pursuant to an order of the Commission or a court.

(This page filed under Transmittal No. 2827)

Issued: May 15, 2000

Effective: May 30, 2000

Four AT&T Plaza, Dallas, Texas 75202

ACCESS SERVICE

20. MegaLink Custom Services (Cont'd)20.12 Billing Periods - Service Established Between July 1, 1999 and March 1, 2000 (Cont'd)

(T)

20.12.1 Rates and Charges (Cont'd)(G) Optional Features, BSEs and Functions (Cont'd)(3) SecureNet Monthly Recurring Rates (Cont'd)(s) Serving Wire Center and Facility Redundancy - KS Zone 1 per premises, per DS3

	Month to			
USOC	Month	3 year	5 year	10 year
R38AE	\$ 0.00	\$ 0.00	\$ 0.00	\$ 0.00

(t) Serving Wire Center and Facility Redundancy - KS Zone 2 per premises, per DS3

	Month to			
USOC	Month	3 year	5 year	10 year
R38AE	\$ 0.00	\$ 0.00	\$ 0.00	\$ 0.00

(u) Serving Wire Center and Facility Redundancy - KS Zone 3 per premises, per DS3

	Month to			
USOC	Month	3 year	5 year	10 year
R38AE	\$ 0.00	\$ 0.00	\$ 0.00	\$ 0.00

(v) Serving Wire Center and Facility Redundancy - MO Zone 1 per premises, per DS3

	Month to			
USOC	Month	3 year	5 year	10 year
R38AE	\$ 0.00	\$ 0.00	\$ 0.00	\$ 0.00

(w) Serving Wire Center and Facility Redundancy - MO Zone 2 per premises, per DS3

	Month to			
USOC	Month	3 year	5 year	10 year
R38AE	\$ 0.00	\$ 0.00	\$ 0.00	\$ 0.00

(x) Serving Wire Center and Facility Redundancy - MO Zone 3 per premises, per DS3

	Month to			
USOC	Month	3 year	5 year	10 year
R38AE	\$ 0.00	\$ 0.00	\$ 0.00	\$ 0.00

Rates contained in this transmittal are subject to subsequent adjustment, effective retrospectively back to the transmittal's original effective date, in the event the Commission or a court subsequently authorizes SWBT to correct its rates pursuant to the decision in *United States Telephone Association v. FCC* (Case No. 97-1469)(slip. Op. May 21, 1999)(D.C. Cir.), or pursuant to pending motions, or petitions for reconsideration or waiver (and including, but not limited to, any Application for Review of the letter from Lawrence E. Strickling, Chief, Common Carrier Bureau, FCC, to Dale Robertson, SBC, dated May 18, 1999 which may be filed with the Commission), or in the

(This page filed under Transmittal No. 2827)

Issued: May 15, 2000

Effective: May 30, 2000

Four AT&T Plaza, Dallas, Texas 75202

ACCESS SERVICE

20. MegaLink Custom Services (Cont'd)20.12 Billing Periods - Service Established Between July 1, 1999 and March 1, 2000 (Cont'd)

(T)

20.12.1 Rates and Charges (Cont'd)(G) Optional Features, BSEs and Functions (Cont'd)(3) SecureNet Monthly Recurring Rates (Cont'd)Zone 1(y) Serving Wire Center and Facility Redundancy - OK
per premises, per DS3

<u>USOC</u>	<u>Month to</u> <u>Month</u>	<u>3 year</u>	<u>5 year</u>	<u>10 year</u>
R38AE	\$ 0.00	\$ 0.00	\$ 0.00	\$ 0.00

(z) Serving Wire Center and Facility Redundancy - OK
Zone 2
per premises, per DS3

<u>USOC</u>	<u>Month to</u> <u>Month</u>	<u>3 year</u>	<u>5 year</u>	<u>10 year</u>
R38AE	\$ 0.00	\$ 0.00	\$ 0.00	\$ 0.00

(aa) Serving Wire Center and Facility Redundancy - OK
Zone 3
per premises, per DS3

<u>USOC</u>	<u>Month to</u> <u>Month</u>	<u>3 year</u>	<u>5 year</u>	<u>10 year</u>
R38AE	\$ 0.00	\$ 0.00	\$ 0.00	\$ 0.00

Rates contained in this transmittal are subject to subsequent adjustment, effective retrospectively back to the transmittal's original effective date, in the event the Commission or a court subsequently authorizes SWBT to correct its rates pursuant to the decision in *United States Telephone Association v. FCC* (Case No. 97-1469)(slip. op. May 21, 1999)(D.C. Cir.), or pursuant to pending motions, or petitions for reconsideration or waiver (and including, but not limited to, any Application for Review of the letter from Lawrence E. Strickling, Chief, Common Carrier Bureau, FCC, to Dale Robertson, SBC, dated May 18, 1999 which may be filed with the Commission), or in the event of any other adjustment pursuant to an order of the Commission or a court.

(This page filed under Transmittal No. 2827)

Issued: May 15, 2000

Effective: May 30, 2000

Four AT&T Plaza, Dallas, Texas 75202

ACCESS SERVICE

20. MegaLink Custom Services (Cont'd)20.11 Billing Periods - Service Established Between July 1, 1999 and March 1, 2000. (Cont'd) (T)20.11.1 Rates and Charges (Cont'd)(G) Optional Features, BSEs and Functions (Cont'd)(3) SecureNet Monthly Recurring Rates (Cont'd)(ab) Serving Wire Center and Facility Redundancy - TX Zone 1
per premises, per DS3

USOC	Month to Month	3 year	5 year	10 year
R38AE	\$ 0.00	\$ 0.00	\$ 0.00	\$ 0.00

(ac) Serving Wire Center and Facility Redundancy - TX Zone 2
per premises, per DS3

USOC	Month to Month	3 year	5 year	10 year
R38AE	\$ 0.00	\$ 0.00	\$ 0.00	\$ 0.00

(ad) Serving Wire Center and Facility Redundancy - TX Zone 3
per premises, per DS3

USOC	Month to Month	3 year	5 year	10 year
R38AE	\$ 0.00	\$ 0.00	\$ 0.00	\$ 0.00

Rates contained in this transmittal are subject to subsequent adjustment, effective retrospectively back to the transmittal's original effective date, in the event the Commission or a court subsequently authorizes SWBT to correct its rates pursuant to the decision in United States Telephone Association v. FCC (Case No. 97-1469)(slip. op. May 21, 1999)(D.C. Cir.), or pursuant to pending motions, or petitions for reconsideration or waiver (and including, but not limited to, any Application for Review of the letter from Lawrence E. Strickling, Chief, Common Carrier Bureau, FCC, to Dale Robertson, SBC, dated May 18, 1999 which may be filed with the Commission), or in the event of any other adjustment pursuant to an order of the Commission or a court.

(This page filed under Transmittal No. 2827)

Issued: May 15, 2000

Effective: May 30, 2000

Four AT&T Plaza, Dallas, Texas 75202

ACCESS SERVICE

20. MegaLink Custom Services (Cont'd)20.12 Billing Periods - Service Established Between July 1, 1999 and
March 1, 2000 (Cont'd) (T)20.12.1 Rates and Charges (Cont'd)(G) Optional Features, BSEs and Functions (Cont'd)(4) SecureNet Installation Charge(a) Hub Redundancy - AR - Zone 1
per premises, per DS3

<u>USOC</u>	<u>Installation Charge</u>
XXXX	\$1,848.00

(b) Hub Redundancy - AR - Zone 2
per premises, per DS3

<u>USOC</u>	<u>Installation Charge</u>
XXXX	\$1,848.00

(c) Hub Redundancy - AR - Zone 3
per premises, per DS3

<u>USOC</u>	<u>Installation Charge</u>
XXXX	\$1,848.00

(d) Hub Redundancy - KS - Zone 1
per premises, per DS3

<u>USOC</u>	<u>Installation Charge</u>
XXXX	\$1,848.00

(e) Hub Redundancy - KS - Zone 2
per premises, per DS3

<u>USOC</u>	<u>Installation Charge</u>
XXXX	\$1,848.00

(f) Hub Redundancy - KS - Zone 3
per premises, per DS3

<u>USOC</u>	<u>Installation Charge</u>
XXXX	\$1,848.00

Rates contained in this transmittal are subject to subsequent adjustment, effective retrospectively back to the transmittal's original effective date, in the event the Commission or a court subsequently authorizes SWBT to correct its rates pursuant to the decision in United States Telephone Association v. FCC (Case No. 97-1469)(slip. op. May 21, 1999)(D.C. Cir.), or pursuant to pending motions, or petitions for reconsideration or waiver (and including, but not limited to, any Application for Review of the letter from Lawrence E. Strickling, Chief, Common Carrier Bureau, FCC, to Dale Robertson, SBC, dated May 18, 1999 which may be filed with the Commission), or in the event of any other adjustment pursuant to an order of the Commission or a court.

(This page filed under Transmittal No. 2827)

Issued: May 15, 2000

Effective: May 30, 2000

Four AT&T Plaza, Dallas, Texas 75202

ACCESS SERVICE

20. MegaLink Custom Services (Cont'd)20.12 Billing Periods - Service Established Between July 1, 1999 and
March 1, 2000 (Cont'd)

(T)

20.12.1 Rates and Charges (Cont'd)(G) Optional Features, BSEs and Functions (Cont'd)(4) SecureNet Installation Charge (Cont'd)(g) Hub Redundancy - MO - Zone 1
per premises, per DS3

<u>USOC</u>	<u>Installation Charge</u>
XXXX	\$1,848.00

(h) Hub Redundancy - MO - Zone 2
per premises, per DS3

<u>USOC</u>	<u>Installation Charge</u>
XXXX	\$1,848.00

(i) Hub Redundancy - MO - Zone 3
per premises, per DS3

<u>USOC</u>	<u>Installation Charge</u>
XXXX	\$1,848.00

(j) Hub Redundancy - OK - Zone 1
per premises, per DS3

<u>USOC</u>	<u>Installation Charge</u>
XXXX	\$1,848.00

(k) Hub Redundancy - OK - Zone 2
per premises, per DS3

<u>USOC</u>	<u>Installation Charge</u>
XXXX	\$1,848.00

(l) Hub Redundancy - OK - Zone 3
per premises, per DS3

<u>USOC</u>	<u>Installation Charge</u>
XXXX	\$1,848.00

Rates contained in this transmittal are subject to subsequent adjustment, effective retrospectively back to the transmittal's original effective date, in the event the Commission or a court subsequently authorizes SWBT to correct its rates pursuant to the decision in United States Telephone Association v. FCC (Case No. 97-1469)(slip. op. May 21, 1999)(D.C. Cir.), or pursuant to pending motions, or petitions for reconsideration or waiver (and including, but not limited to, any Application for Review of the letter from Lawrence E. Strickling, Chief, Common Carrier Bureau, FCC, to Dale Robertson, SBC, dated May 18, 1999 which may be filed with the Commission), or in the event of any other adjustment pursuant to an order of the Commission or a court.

(This page filed under Transmittal No. 2827)

Issued: May 15, 2000

Effective: May 30, 2000

Four AT&T Plaza, Dallas, Texas 75202

ACCESS SERVICE

20. MegaLink Custom Services (Cont'd)20.12 Billing Periods - Service Established Between July 1, 1999 and (T)
March 1, 2000 (Cont'd)20.12.1 Rates and Charges (Cont'd)(G) Optional Features, BSEs and Functions (Cont'd)(4) SecureNet Installation Charge (Cont'd)(m) Hub Redundancy - TX - Zone 1
per premises, per DS3

<u>USOC</u>	<u>Installation Charge</u>
XXXX	\$1,848.00

(n) Hub Redundancy - TX - Zone 2
per premises, per DS3

<u>USOC</u>	<u>Installation Charge</u>
XXXX	\$1,848.00

(o) Hub Redundancy - TX - Zone 3
per premises, per DS3

<u>USOC</u>	<u>Installation Charge</u>
XXXX	\$1,848.00

Rates contained in this transmittal are subject to subsequent adjustment, effective retrospectively back to the transmittal's original effective date, in the event the Commission or a court subsequently authorizes SWBT to correct its rates pursuant to the decision in United States Telephone Association v. FCC (Case No. 97-1469)(slip. op. May 21, 1999)(D.C. Cir.), or pursuant to pending motions, or petitions for reconsideration or waiver (and including, but not limited to, any Application for Review of the letter from Lawrence E. Strickling, Chief, Common Carrier Bureau, FCC, to Dale Robertson, SBC, dated May 18, 1999 which may be filed with the Commission), or in the event of any other adjustment pursuant to an order of the Commission or a court.

(This page filed under Transmittal No. 2827)

Issued: May 15, 2000

Effective: May 30, 2000

Four AT&T Plaza, Dallas, Texas 75202

ACCESS SERVICE

20. MegaLink Custom Services (Cont'd)20.12 Billing Periods - Service Established Between July 1, 1999 and (T)
March 1, 2000 (Cont'd)20.12.1 Rates and Charges (Cont'd)(G) Optional Features, BSEs and Functions (Cont'd)(4) SecureNet Installation Charge (Cont'd)(p) Serving Wire Center and Facility Redundancy - AR -
Zone 1
per premises, per DS3

<u>USOC</u>	<u>Installation Charge</u>
XXXX	\$ 0.00

(q) Serving Wire Center and Facility Redundancy - AR -
Zone 2
per premises, per DS3

<u>USOC</u>	<u>Installation Charge</u>
XXXX	\$ 0.00

(r) Serving Wire Center and Facility Redundancy - AR -
Zone 3
per premises, per DS3

<u>USOC</u>	<u>Installation Charge</u>
XXXX	\$ 0.00

Rates contained in this transmittal are subject to subsequent adjustment, effective retrospectively back to the transmittal's original effective date, in the event the Commission or a court subsequently authorizes SWBT to correct its rates pursuant to the decision in United States Telephone Association v. FCC (Case No. 97-1469)(slip. op. May 21, 1999)(D.C. Cir.), or pursuant to pending motions, or petitions for reconsideration or waiver (and including, but not limited to, any Application for Review of the letter from Lawrence E. Strickling, Chief, Common Carrier Bureau, FCC, to Dale Robertson, SBC, dated May 18, 1999 which may be filed with the Commission), or in the event of any other adjustment pursuant to an order of the Commission or a court.

(This page filed under Transmittal No. 2827)

Issued: May 15, 2000

Effective: May 30, 2000

Four AT&T Plaza, Dallas, Texas 75202

ACCESS SERVICE

20. MegaLink Custom Services (Cont'd)20.12 Billing Periods - Service Established Between July 1, 1999 and March 1, 2000 (Cont'd)

(T)

20.12.1 Rates and Charges (Cont'd)(G) Optional Features, BSEs and Functions (Cont'd)(4) SecureNet Installation Charge (Cont'd)

- (s)
- Serving Wire Center and Facility Redundancy - KS - Zone 1
-
- per premises, per DS3

<u>USOC</u>	<u>Installation Charge</u>
XXXX	\$ 0.00

- (t)
- Serving Wire Center and Facility Redundancy - KS - Zone 2
-
- per premises, per DS3

<u>USOC</u>	<u>Installation Charge</u>
XXXX	\$ 0.00

- (u)
- Serving Wire Center and Facility Redundancy - KS - Zone 3
-
- per premises, per DS3

<u>USOC</u>	<u>Installation Charge</u>
XXXX	\$ 0.00

- (v)
- Serving Wire Center and Facility Redundancy - MO - Zone 1
-
- per premises, per DS3

<u>USOC</u>	<u>Installation Charge</u>
XXXX	\$ 0.00

- (w)
- Serving Wire Center and Facility Redundancy - MO - Zone 2
-
- per premises, per DS3

<u>USOC</u>	<u>Installation Charge</u>
XXXX	\$ 0.00

- (x)
- Serving Wire Center and Facility Redundancy - MO - Zone 3
-
- per premises, per DS3

<u>USOC</u>	<u>Installation Charge</u>
XXXX	\$ 0.00

Rates contained in this transmittal are subject to subsequent adjustment, effective retrospectively back to the transmittal's original effective date, in the event the Commission or a court subsequently authorizes SWBT to correct its rates pursuant to the decision in United States Telephone Association v. FCC (Case No. 97-1469)(slip. op. May 21, 1999)(D.C. Cir.), or pursuant to pending motions, or petitions for reconsideration or waiver (and including, but not limited to, any Application for Review of the letter from Lawrence E. Strickling, Chief, Common Carrier Bureau, FCC, to Dale Robertson, SBC, dated May 18, 1999 which may be filed with the Commission), or in the event of any other adjustment pursuant to an order of the Commission or a court.

(This page filed under Transmittal No. 2827)

Issued: May 15, 2000

Effective: May 30, 2000

Four AT&T Plaza, Dallas, Texas 75202

ACCESS SERVICE

20. MegaLink Custom Services (Cont'd)20.12 Billing Periods - Service Established Between July 1, 1999 and
March 1, 2000 (Cont'd)

(T)

20.12.1 Rates and Charges (Cont'd)(G) Optional Features, BSEs and Functions (Cont'd)(4) SecureNet Installation Charge (Cont'd)(y) Serving Wire Center and Facility Redundancy - OK
Zone 1
per premises, per DS3

<u>USOC</u>	<u>Installation Charge</u>
XXXX	\$ 0.00

(z) Serving Wire Center and Facility Redundancy - OK
Zone 2
per premises, per DS3

<u>USOC</u>	<u>Installation Charge</u>
XXXX	\$ 0.00

(aa) Serving Wire Center and Facility Redundancy - OK
Zone 3
per premises, per DS3

<u>USOC</u>	<u>Installation Charge</u>
XXXX	\$ 0.00

Rates contained in this transmittal are subject to subsequent adjustment, effective retrospectively back to the transmittal's original effective date, in the event the Commission or a court subsequently authorizes SWBT to correct its rates pursuant to the decision in United States Telephone Association v. FCC (Case No. 97-1469)(slip. op. May 21, 1999)(D.C. Cir.), or pursuant to pending motions, or petitions for reconsideration or waiver (and including, but not limited to, any Application for Review of the letter from Lawrence E. Strickling, Chief, Common Carrier Bureau, FCC, to Dale Robertson, SBC, dated May 18, 1999 which may be filed with the Commission), or in the event of any other adjustment pursuant to an order of the Commission or a court.

(This page filed under Transmittal No. 2827)

Issued: May 15, 2000

Effective: May 30, 2000

Four AT&T Plaza, Dallas, Texas 75202

ACCESS SERVICE

20. MegaLink Custom Services (Cont'd)20.12 Billing Periods - Service Established Between July 1, 1999 and
March 1, 2000 (Cont'd)

(T)

20.12.1 Rates and Charges (Cont'd)(G) Optional Features, BSEs and Functions (Cont'd)(4) SecureNet Installation Charge (Cont'd)(ab) Serving Wire Center and Facility Redundancy - TX -
Zone 1
per premises, per DS3

<u>USOC</u>	<u>Installation Charge</u>
XXXX	\$ 0.00

(ac) Serving Wire Center and Facility Redundancy - TX -
Zone 2
per premises, per DS3

<u>USOC</u>	<u>Installation Charge</u>
XXXX	\$ 0.00

(ad) Serving Wire Center and Facility Redundancy - TX -
Zone 3
per premises, per DS3

<u>USOC</u>	<u>Installation Charge</u>
XXXX	\$ 0.00

Rates contained in this transmittal are subject to subsequent adjustment, effective retrospectively back to the transmittal's original effective date, in the event the Commission or a court subsequently authorizes SWBT to correct its rates pursuant to the decision in United States Telephone Association v. FCC (Case No. 97-1469)(slip. op. May 21, 1999)(D.C. Cir.), or pursuant to pending motions, or petitions for reconsideration or waiver (and including, but not limited to, any Application for Review of the letter from Lawrence E. Strickling, Chief, Common Carrier Bureau, FCC, to Dale Robertson, SBC, dated May 18, 1999 which may be filed with the Commission), or in the event of any other adjustment pursuant to an order of the Commission or a court.

(This page filed under Transmittal No. 2827)

Issued: May 15, 2000

Effective: May 30, 2000

Four AT&T Plaza, Dallas, Texas 75202

ACCESS SERVICE

20. MegaLink Custom Services (Cont'd)20.12 Billing Periods - Service Established Between July 1, 1999 and March 1, 2000 (Cont'd) (T)20.12.1 Rates and Charges (Cont'd)(G) Optional Features, BSEs and Functions (Cont'd)(5) Service Extension Monthly Recurring Rates

Use Interoffice Mileage as set forth in 20.5.3 and 20.5.4.

(6) Service Extension Installation Charge per DS3 or DS3 equivalent, per service extension on the same access order(a) Installation Charge - AR - Zone 1

		Month to			
	USOC	Month	3 year	5 year	10 year
First	NRBSE	\$637.00	\$319.00	\$ 0.00	\$ 0.00
Additional	NRBSE	\$496.00	\$248.00	\$ 0.00	\$ 0.00

(b) Installation Charge - AR - Zone 2

		Month to			
	USOC	Month	3 year	5 year	10 year
First	NRBSE	\$637.00	\$319.00	\$ 0.00	\$ 0.00
Additional	NRBSE	\$496.00	\$248.00	\$ 0.00	\$ 0.00

(c) Installation Charge - AR - Zone 3

		Month to			
	USOC	Month	3 year	5 year	10 year
First	NRBSE	\$637.00	\$319.00	\$ 0.00	\$ 0.00
Additional	NRBSE	\$496.00	\$248.00	\$ 0.00	\$ 0.00

Rates contained in this transmittal are subject to subsequent adjustment, effective retrospectively back to the transmittal's original effective date, in the event the Commission or a court subsequently authorizes SWBT to correct its rates pursuant to the decision in United States Telephone Association v. FCC (Case No. 97-1469)(slip. op. May 21, 1999)(D.C. Cir.), or pursuant to pending motions, or petitions for reconsideration or waiver (and including, but not limited to, any Application for Review of the letter from Lawrence E. Strickling, Chief, Common Carrier Bureau, FCC, to Dale Robertson, SBC, dated May 18, 1999 which may be filed with the Commission), or in the event of any other adjustment pursuant to an order of the Commission or a court.

(This page filed under Transmittal No. 2827)

Issued: May 15, 2000

Effective: May 30, 2000

Four AT&T Plaza, Dallas, Texas 75202

ACCESS SERVICE

20. MegaLink Custom Services (Cont'd)

20.12 Billing Periods - Service Established Between July 1, 1999 and March 1, 2000 (Cont'd)

(T)

20.12.1 Rates and Charges (Cont'd)

(G) Optional Features, BSEs and Functions (Cont'd)

(6) Service Extension Installation Charge (Cont'd)

(d) Installation Charge - KS - Zone 1

	USOC	Month to	3 year	5 year	10 year
First	NRBSE	\$637.00	\$319.00	\$ 0.00	\$ 0.00
Additional	NRBSE	\$496.00	\$248.00	\$ 0.00	\$ 0.00

(e) Installation Charge - KS - Zone 2

	USOC	Month to	3 year	5 year	10 year
First	NRBSE	\$637.00	\$319.00	\$ 0.00	\$ 0.00
Additional	NRBSE	\$496.00	\$248.00	\$ 0.00	\$ 0.00

(f) Installation Charge - KS - Zone 3

	USOC	Month to	3 year	5 year	10 year
First	NRBSE	\$637.00	\$319.00	\$ 0.00	\$ 0.00
Additional	NRBSE	\$496.00	\$248.00	\$ 0.00	\$ 0.00

(g) Installation Charge - MO - Zone 1

	USOC	Month to	3 year	5 year	10 year
First	NRBSE	\$637.00	\$319.00	\$ 0.00	\$ 0.00
Additional	NRBSE	\$496.00	\$248.00	\$ 0.00	\$ 0.00

(h) Installation Charge - MO - Zone 2

	USOC	Month to	3 year	5 year	10 year
First	NRBSE	\$637.00	\$319.00	\$ 0.00	\$ 0.00
Additional	NRBSE	\$496.00	\$248.00	\$ 0.00	\$ 0.00

(i) Installation Charge - MO - Zone 3

	USOC	Month to	3 year	5 year	10 year
First	NRBSE	\$637.00	\$319.00	\$ 0.00	\$ 0.00
Additional	NRBSE	\$496.00	\$248.00	\$ 0.00	\$ 0.00

Rates contained in this transmittal are subject to subsequent adjustment, effective retroactively back to the transmittal's original effective date, in the event the Commission or a court subsequently authorizes SWBT to correct its rates pursuant to the decision in *United States Telephone Association v. FCC* (Case No. 97-1469)(slip. op. May 21, 1999)(D.C. Cir.), or pursuant to pending motions, or petitions for reconsideration or waiver (and including, but not limited to, any Application for Review of the letter from Lawrence E. Strickling, Chief, Common Carrier Bureau, FCC, to Dale Robertson, SBC, dated May 18, 1999 which may be filed with the Commission), or in the event of any other adjustment pursuant to an order of the Commission or a court.

(This page filed under Transmittal No. 2827)

ACCESS SERVICE

20. MegaLink Custom Services (Cont'd)20.12 Billing Periods - Service Established Between July 1, 1999 and March 1, 2000 (Cont'd) (T)20.12.1 Rates and Charges (Cont'd)(G) Optional Features, BSEs and Functions (Cont'd)(6) Service Extension Installation Charge (Cont'd)(j) Installation Charge - OK - Zone 1

		Month to USOC Month	3 year	5 year	10 year
First	NRBSE	\$637.00	\$319.00	\$ 0.00	\$ 0.00
Additional	NRBSE	\$496.00	\$248.00	\$ 0.00	\$ 0.00

(k) Installation Charge - OK - Zone 2

		Month to USOC Month	3 year	5 year	10 year
First	NRBSE	\$637.00	\$319.00	\$ 0.00	\$ 0.00
Additional	NRBSE	\$496.00	\$248.00	\$ 0.00	\$ 0.00

(l) Installation Charge - OK - Zone 3

		Month to USOC Month	3 year	5 year	10 year
First	NRBSE	\$637.00	\$319.00	\$ 0.00	\$ 0.00
Additional	NRBSE	\$496.00	\$248.00	\$ 0.00	\$ 0.00

Rates contained in this transmittal are subject to subsequent adjustment, effective retrospectively back to the transmittal's original effective date, in the event the Commission or a court subsequently authorizes SWBT to correct its rates pursuant to the decision in United States Telephone Association v. FCC (Case No. 97-1469)(slip. op. May 21, 1999)(D.C. Cir.), or pursuant to pending motions, or petitions for reconsideration or waiver (and including, but not limited to, any Application for Review of the letter from Lawrence E. Strickling, Chief, Common Carrier Bureau, FCC, to Dale Robertson, SBC, dated May 18, 1999 which may be filed with the Commission), or in the event of any other adjustment pursuant to an order of the Commission or a court.

(This page filed under Transmittal No. 2827)

Issued: May 15, 2000

Effective: May 30, 2000

Four AT&T Plaza, Dallas, Texas 75202

ACCESS SERVICE

20. MegaLink Custom Services (Cont'd)20.12 Billing Periods - Service Established Between July 1, 1999 and March 1, 2000 (Cont'd) (T)20.12.1 Rates and Charges (Cont'd)(G) Optional Features, BSEs and Functions (Cont'd)(6) Service Extension Installation Charge (Cont'd)(m) Installation Charge - TX - Zone 1

	USOC	Month to Month	3 year	5 year	10 year
First	NRBSE	\$637.00	\$319.00	\$ 0.00	\$ 0.00
Additional	NRBSE	\$496.00	\$248.00	\$ 0.00	\$ 0.00

(n) Installation Charge - TX - Zone 2

	USOC	Month to Month	3 year	5 year	10 year
First	NRBSE	\$637.00	\$319.00	\$ 0.00	\$ 0.00
Additional	NRBSE	\$496.00	\$248.00	\$ 0.00	\$ 0.00

(o) Installation Charge - TX - Zone 3

	USOC	Month to Month	3 year	5 year	10 year
First	NRBSE	\$637.00	\$319.00	\$ 0.00	\$ 0.00
Additional	NRBSE	\$496.00	\$248.0	\$ 0.00	\$ 0.00

Rates contained in this transmittal are subject to subsequent adjustment, effective retrospectively back to the transmittal's original effective date, in the event the Commission or a court subsequently authorizes SWBT to correct its rates pursuant to the decision in United States Telephone Association v. FCC (Case No. 97-1469)(slip. op. May 21, 1999)(D.C. Cir.), or pursuant to pending motions, or petitions for reconsideration or waiver (and including, but not limited to, any Application for Review of the letter from Lawrence E. Strickling, Chief, Common Carrier Bureau, FCC, to Dale Robertson, SBC, dated May 18, 1999 which may be filed with the Commission), or in the event of any other adjustment pursuant to an order of the Commission or a court.

(This page filed under Transmittal No. 2827)

Issued: May 15, 2000

Effective: May 30, 2000

Four AT&T Plaza, Dallas, Texas 75202

ACCESS SERVICE

20. MegaLink Custom Services (Cont'd)20.12 Billing Periods - Service Established Between July 1, 1999 and
March 1, 2000 (Cont'd)

(T)

20.12.1 Rates and Charges (Cont'd)(G) Optional Features, BSEs and Functions (Cont'd)(7) STN Interconnection with SecureNet Equipped MegaLink
Custom Service Monthly Recurring Rates

per DS3, per Interconnection

(a) STN Interconnection with SecureNet Equipped
MegaLink Custom Service - AR Zone 1

<u>USOC</u>	<u>Month to Month</u>	<u>3 year</u>	<u>5 year</u>	<u>10 year</u>
R3N3X	\$278.05	\$263.20	\$248.20	\$221.40

(b) STN Interconnection with SecureNet Equipped
MegaLink Custom Service - AR Zone 2

<u>USOC</u>	<u>Month to Month</u>	<u>3 year</u>	<u>5 year</u>	<u>10 year</u>
R3N3X	\$278.05	\$263.20	\$248.20	\$221.40

(c) STN Interconnection with SecureNet Equipped
MegaLink Custom Service - AR Zone 3

<u>USOC</u>	<u>Month to Month</u>	<u>3 year</u>	<u>5 year</u>	<u>10 year</u>
R3N3X	\$278.05	\$263.20	\$248.20	\$221.40

Rates contained in this transmittal are subject to subsequent adjustment, effective retrospectively back to the transmittal's original effective date, in the event the Commission or a court subsequently authorizes SWBT to correct its rates pursuant to the decision in United States Telephone Association v. FCC (Case No. 97-1469)(slip. op. May 21, 1999)(D.C. Cir.), or pursuant to pending motions, or petitions for reconsideration or waiver (and including, but not limited to, any Application for Review of the letter from Lawrence E. Strickling, Chief, Common Carrier Bureau, FCC, to Dale Robertson, SBC, dated May 18, 1999 which may be filed with the Commission), or in the event of any other adjustment pursuant to an order of the Commission or a court.

(This page filed under Transmittal No. 2827)

Issued: May 15, 2000

Effective: May 30, 2000

Four AT&T Plaza, Dallas, Texas 75202

ACCESS SERVICE

20. MegaLink Custom Services (Cont'd)20.12 Billing Periods - Service Established Between July 1, 1999 and March 1, 2000 (Cont'd)20.12.1 Rates and Charges (Cont'd)

(T)

(G) Optional Features, BSEs and Functions (Cont'd)(7) STN Interconnection with SecureNet Equipped MegaLink Custom Service Monthly Recurring Rates (Cont'd)

per DS3, per Interconnection

(d) STN Interconnection with SecureNet Equipped MegaLink Custom Service - KS Zone 1

	Month to	3 year	5 year	10 year
USOC	Month			
R3N3X	\$278.05	\$263.20	\$248.20	\$221.40

(e) STN Interconnection with SecureNet Equipped MegaLink Custom Service - KS Zone 2

	Month to	3 year	5 year	10 year
USOC	Month			
R3N3X	\$278.05	\$263.20	\$248.20	\$221.40

(f) STN Interconnection with SecureNet Equipped MegaLink Custom Service - KS Zone 3

	Month to	3 year	5 year	10 year
USOC	Month			
R3N3X	\$278.05	\$263.20	\$248.20	\$221.40

(g) STN Interconnection with SecureNet Equipped MegaLink Custom Service - MO Zone 1

	Month to	3 year	5 year	10 year
USOC	Month			
R3N3X	\$278.05	\$263.20	\$248.20	\$221.40

(h) STN Interconnection with SecureNet Equipped MegaLink Custom Service - MO Zone 2

	Month to	3 year	5 year	10 year
USOC	Month			
R3N3X	\$278.05	\$263.20	\$248.20	\$221.40

(i) STN Interconnection with SecureNet Equipped MegaLink Custom Service - MO Zone 3

	Month to	3 year	5 year	10 year
USOC	Month			
R3N3X	\$278.05	\$263.20	\$248.20	\$221.40

Rates contained in this transmittal are subject to subsequent adjustment, effective retrospectively back to the transmittal's original effective date, in the event the Commission or a court subsequently authorizes SWBT to correct its rates pursuant to the decision in United States Telephone Association v. FCC (Case No. 97-1469) (slip. op. May 21, 1999) (D.C. Cir.), or pursuant to pending motions, or petitions for reconsideration or waiver (and including, but not limited to, any Application for Review of the letter from Lawrence E. Strickling, Chief, Common Carrier Bureau, FCC, to Dale Robertson, SBC, dated May 18, 1999 which may be filed with the Commission), or in the event of any other adjustment pursuant to an order of the Commission or a court.

(This page filed under Transmittal No. 2827)

Issued: May 15, 2000

Effective: May 30, 2000

Four AT&T Plaza, Dallas, Texas 75202

ACCESS SERVICE

20. MegaLink Custom Services (Cont'd)20.12 Billing Periods - Service Established Between July 1, 1999 and
March 1, 2000 (Cont'd)

(T)

20.12.1 Rates and Charges (Cont'd)(G) Optional Features, BSEs and Functions (Cont'd)(7) STN Interconnection with SecureNet Equipped MegaLink
Custom Service Monthly Recurring Rates (Cont'd)

per DS3, per Interconnection

(j) STN Interconnection with SecureNet Equipped
MegaLink Custom Service - OK Zone 1

<u>USOC</u>	<u>Month to Month</u>	<u>3 year</u>	<u>5 year</u>	<u>10 year</u>
R3N3X	\$278.05	\$263.20	\$248.20	\$221.40

(k) STN Interconnection with SecureNet Equipped
MegaLink Custom Service - OK Zone 2

<u>USOC</u>	<u>Month to Month</u>	<u>3 year</u>	<u>5 year</u>	<u>10 year</u>
R3N3X	\$278.05	\$263.20	\$248.20	\$221.40

(l) STN Interconnection with SecureNet Equipped
MegaLink Custom Service - OK Zone 3

<u>USOC</u>	<u>Month to Month</u>	<u>3 year</u>	<u>5 year</u>	<u>10 year</u>
R3N3X	\$278.05	\$263.20	\$248.20	\$221.40

Rates contained in this transmittal are subject to subsequent adjustment, effective retrospectively back to the transmittal's original effective date, in the event the Commission or a court subsequently authorizes SWBT to correct its rates pursuant to the decision in United States Telephone Association v. FCC (Case No. 97-1469)(slip. op. May 21, 1999)(D.C. Cir.), or pursuant to pending motions, or petitions for reconsideration or waiver (and including, but not limited to, any Application for Review of the letter from Lawrence E. Strickling, Chief, Common Carrier Bureau, FCC, to Dale Robertson, SBC, dated May 18, 1999 which may be filed with the Commission), or in the event of any other adjustment pursuant to an order of the Commission or a court.

(This page filed under Transmittal No. 2827)

Issued: May 15, 2000

Effective: May 30, 2000

Four AT&T Plaza, Dallas, Texas 75202

ACCESS SERVICE

20. MegaLink Custom Services (Cont'd)20.12 Billing Periods - Service Established Between July 1, 1999 and March 1, 2000 (Cont'd) (T)20.12.1 Rates and Charges (Cont'd)(G) Optional Features, BSEs and Functions (Cont'd)(7) STN Interconnection with SecureNet Equipped MegaLink Custom Service Monthly Recurring Rates (Cont'd)

per DS3, per Interconnection

(m) STN Interconnection with SecureNet Equipped MegaLink Custom Service - TX Zone 1

<u>USOC</u>	<u>Month to Month</u>	<u>3 year</u>	<u>5 year</u>	<u>10 year</u>
R3N3X	\$278.05	\$263.20	\$248.20	\$221.40

(n) STN Interconnection with SecureNet Equipped MegaLink Custom Service - TX Zone 2

<u>USOC</u>	<u>Month to Month</u>	<u>3 year</u>	<u>5 year</u>	<u>10 year</u>
R3N3X	\$278.05	\$263.20	\$248.20	\$221.40

(o) STN Interconnection with SecureNet Equipped MegaLink Custom Service - TX Zone 3

<u>USOC</u>	<u>Month to Month</u>	<u>3 year</u>	<u>5 year</u>	<u>10 year</u>
R3N3X	\$278.05	\$263.20	\$248.20	\$221.40

Rates contained in this transmittal are subject to subsequent adjustment, effective retrospectively back to the transmittal's original effective date, in the event the Commission or a court subsequently authorizes SWBT to correct its rates pursuant to the decision in United States Telephone Association v. FCC (Case No. 97-1469) (slip. op. May 21, 1999) (D.C. Cir.), or pursuant to pending motions, or petitions for reconsideration or waiver (and including, but not limited to, any Application for Review of the letter from Lawrence E. Strickling, Chief, Common Carrier Bureau, FCC, to Dale Robertson, SBC, dated May 18, 1999 which may be filed with the Commission), or in the event of any other adjustment pursuant to an order of the Commission or a court.

(This page filed under Transmittal No. 2827)

Issued: May 15, 2000

Effective: May 30, 2000

Four AT&T Plaza, Dallas, Texas 75202

ACCESS SERVICE

20. MegaLink Custom Services (Cont'd)20.12 Billing Periods - Service Established Between July 1, 1999 and
March 1, 2000 (Cont'd)

(T)

20.12.1 Rates and Charges (Cont'd)(G) Optional Features, BSEs and Functions (Cont'd)(8) STN Interconnection with SecureNet Equipped MegaLink
Custom Service Installation Charges

per DS3, per Interconnection

(a) STN Interconnection with SecureNet Equipped
MegaLink Custom Service - AR Zone 1

USOC	Month to Month	3 year	5 year	10 year
	\$298.00	\$149.00	\$ 0.00	\$ 0.00

(b) STN Interconnection with SecureNet Equipped
MegaLink Custom Service - AR Zone 2

USOC	Month to Month	3 year	5 year	10 year
	\$298.00	\$149.00	\$ 0.00	\$ 0.00

(c) STN Interconnection with SecureNet Equipped
MegaLink Custom Service - AR Zone 3

USOC	Month to Month	3 year	5 year	10 year
	\$298.00	\$149.00	\$ 0.00	\$ 0.00

Rates contained in this transmittal are subject to subsequent adjustment, effective retrospectively back to the transmittal's original effective date, in the event the Commission or a court subsequently authorizes SWBT to correct its rates pursuant to the decision in *United States Telephone Association v. FCC* (Case No. 97-1469)(slip. op. May 21, 1999)(D.C. Cir.), or pursuant to pending motions, or petitions for reconsideration or waiver (and including, but not limited to, any Application for Review of the letter from Lawrence E. Strickling, Chief, Common Carrier Bureau, FCC, to Dale Robertson, SBC, dated May 18, 1999 which may be filed with the Commission), or in the event of any other adjustment pursuant to an order of the Commission or a court.

(This page filed under Transmittal No. 2827)

Issued: May 15, 2000

Effective: May 30, 2000

Four AT&T Plaza, Dallas, Texas 75202

ACCESS SERVICE

20. MegaLink Custom Services (Cont'd)20.12 Billing Periods - Service Established Between July 1, 1999 and March 1, 2000 (Cont'd)

(T)

20.12.1 Rates and Charges (Cont'd)(G) Optional Features, BSEs and Functions (Cont'd)(8) STN Interconnection with SecureNet Equipped MegaLink Custom Service Installation Charges (Cont'd)

per DS3, per Interconnection

(d) STN Interconnection with SecureNet Equipped MegaLink Custom Service - KS Zone 1

<u>USOC</u>	<u>Month to</u> <u>Month</u>	<u>3 year</u>	<u>5 year</u>	<u>10 year</u>
	\$298.00	\$149.00	\$ 0.00	\$ 0.00

(e) STN Interconnection with SecureNet Equipped MegaLink Custom Service - KS Zone 2

<u>USOC</u>	<u>Month to</u> <u>Month</u>	<u>3 year</u>	<u>5 year</u>	<u>10 year</u>
	\$298.00	\$149.00	\$ 0.00	\$ 0.00

(f) STN Interconnection with SecureNet Equipped MegaLink Custom Service - KS Zone 3

<u>USOC</u>	<u>Month to</u> <u>Month</u>	<u>3 year</u>	<u>5 year</u>	<u>10 year</u>
	\$298.00	\$149.00	\$ 0.00	\$ 0.00

(g) STN Interconnection with SecureNet Equipped MegaLink Custom Service - MO Zone 1

<u>USOC</u>	<u>Month to</u> <u>Month</u>	<u>3 year</u>	<u>5 year</u>	<u>10 year</u>
	\$298.00	\$149.00	\$ 0.00	\$ 0.00

(h) STN Interconnection with SecureNet Equipped MegaLink Custom Service - MO Zone 2

<u>USOC</u>	<u>Month to</u> <u>Month</u>	<u>3 year</u>	<u>5 year</u>	<u>10 year</u>
	\$298.00	\$149.00	\$ 0.00	\$ 0.00

(i) STN Interconnection with SecureNet Equipped MegaLink Custom Service - MO Zone 3

<u>USOC</u>	<u>Month to</u> <u>Month</u>	<u>3 year</u>	<u>5 year</u>	<u>10 year</u>
	\$298.00	\$149.00	\$ 0.00	\$ 0.00

Rates contained in this transmittal are subject to subsequent adjustment, effective retrospectively back to the transmittal's original effective date, in the event the Commission or a court subsequently authorizes SWBT to correct its rates pursuant to the decision in *United States Telephone Association v. FCC* (Case No. 97-1469)(slip. op. May 21, 1999)(D.C. Cir.), or pursuant to pending motions, or petitions for reconsideration or waiver (and including, but not limited to, any Application for Review of the letter from Lawrence E. Strickling, Chief, Common Carrier Bureau, FCC, to Dale Robertson, SBC, dated May 18, 1999 which may be filed with the Commission), or in the event of any other adjustment pursuant to an order of the Commission or a court.

(This page filed under Transmittal No. 2827)

Issued: May 15, 2000

Effective: May 30, 2000

Four AT&T Plaza, Dallas, Texas 75202

ACCESS SERVICE

20. MegaLink Custom Services (Cont'd)20.12 Billing Periods - Service Established Between July 1, 1999 and
March 1, 2000 (Cont'd)

(T)

20.12.1 Rates and Charges (Cont'd)(G) Optional Features, BSEs and Functions (Cont'd)(8) STN Interconnection with SecureNet Equipped MegaLink
Custom Service Installation Charges (Cont'd)

per DS3, per Interconnection

(j) STN Interconnection with SecureNet Equipped
MegaLink Custom Service - OK Zone 1

<u>USOC</u>	<u>Month to</u> <u>Month</u>	<u>3 year</u>	<u>5 year</u>	<u>10 year</u>
	\$298.00	\$149.00	\$ 0.00	\$ 0.00

(k) STN Interconnection with SecureNet Equipped
MegaLink Custom Service - OK Zone 2

<u>USOC</u>	<u>Month to</u> <u>Month</u>	<u>3 year</u>	<u>5 year</u>	<u>10 year</u>
	\$298.00	\$149.00	\$ 0.00	\$ 0.00

(l) STN Interconnection with SecureNet Equipped
MegaLink Custom Service - OK Zone 3

<u>USOC</u>	<u>Month to</u> <u>Month</u>	<u>3 year</u>	<u>5 year</u>	<u>10 year</u>
	\$298.00	\$149.00	\$ 0.00	\$ 0.00

Rates contained in this transmittal are subject to subsequent adjustment, effective retrospectively back to the transmittal's original effective date, in the event the Commission or a court subsequently authorizes SWBT to correct its rates pursuant to the decision in United States Telephone Association v. FCC (Case No. 97-1469)(slip. op. May 21, 1999)(D.C. Cir.), or pursuant to pending motions, or petitions for reconsideration or waiver (and including, but not limited to, any Application for Review of the letter from Lawrence E. Strickling, Chief, Common Carrier Bureau, FCC, to Dale Robertson, SBC, dated May 18, 1999 which may be filed with the Commission), or in the event of any other adjustment pursuant to an order of the Commission or a court.

(This page filed under Transmittal No. 2827)

Issued: May 15, 2000

Effective: May 30, 2000

Four AT&T Plaza, Dallas, Texas 75202

ACCESS SERVICE

20. MegaLink Custom Services (Cont'd)20.12 Billing Periods - Service Established Between July 1, 1999 and March 1, 2000 (Cont'd) (T)20.12.1 Rates and Charges (Cont'd)(G) Optional Features, BSEs and Functions (Cont'd)(8) STN Interconnection with SecureNet Equipped MegaLink Custom Service Installation Charges (Cont'd)

per DS3, per Interconnection

(m) STN Interconnection with SecureNet Equipped MegaLink Custom Service - TX Zone 1

<u>USOC</u>	<u>Month to Month</u>	<u>3 year</u>	<u>5 year</u>	<u>10 year</u>
	\$298.00	\$149.00	\$ 0.00	\$ 0.00

(n) STN Interconnection with SecureNet Equipped MegaLink Custom Service - TX Zone 2

<u>USOC</u>	<u>Month to Month</u>	<u>3 year</u>	<u>5 year</u>	<u>10 year</u>
	\$298.00	\$149.00	\$ 0.00	\$ 0.00

(o) STN Interconnection with SecureNet Equipped MegaLink Custom Service - TX Zone 3

<u>USOC</u>	<u>Month to Month</u>	<u>3 year</u>	<u>5 year</u>	<u>10 year</u>
	\$298.00	\$149.00	\$ 0.00	\$ 0.00

Rates contained in this transmittal are subject to subsequent adjustment, effective retrospectively back to the transmittal's original effective date, in the event the Commission or a court subsequently authorizes SWBT to correct its rates pursuant to the decision in United States Telephone Association v. FCC (Case No. 97-1469)(slip. op. May 21, 1999)(D.C. Cir.), or pursuant to pending motions, or petitions for reconsideration or waiver (and including, but not limited to, any Application for Review of the letter from Lawrence E. Strickling, Chief, Common Carrier Bureau, FCC, to Dale Robertson, SBC, dated May 18, 1999 which may be filed with the Commission), or in the event of any other adjustment pursuant to an order of the Commission or a court.

(This page filed under Transmittal No. 2827)

Issued: May 15, 2000

Effective: May 30, 2000

Four AT&T Plaza, Dallas, Texas 75202

ACCESS SERVICE

20. MegaLink Custom Services (Cont'd)20.12 Billing Periods - Service Established Between July 1, 1999 and
March 1, 2000 (Cont'd) (T)20.12.1 Rates and Charges (Cont'd)(G) Optional Features, BSEs and Functions (Cont'd)(9) SFM Installation Charge

Per existing MegaLink Custom Service(s) moving to another MegaLink Custom Service or ReliaNet DS3/EC-1, on a first and additional basis.

(a) SFM AR Zone 1

	<u>USOC</u>	<u>Installation Charge</u>
First	NRBR3	\$135.00
Additional	NRBR3	\$104.00

(b) SFM AR Zone 2

	<u>USOC</u>	<u>Installation Charge</u>
First	NRBR3	\$135.00
Additional	NRBR3	\$104.00

(c) SFM AR Zone 3

	<u>USOC</u>	<u>Installation Charge</u>
First	NRBR3	\$135.00
Additional	NRBR3	\$104.00

Rates contained in this transmittal are subject to subsequent adjustment, effective retrospectively back to the transmittal's original effective date, in the event the Commission or a court subsequently authorizes SWBT to correct its rates pursuant to the decision in United States Telephone Association v. FCC (Case No. 97-1469)(slip. op. May 21, 1999)(D.C. Cir.), or pursuant to pending motions, or petitions for reconsideration or waiver (and including, but not limited to, any Application for Review of the letter from Lawrence E. Strickling, Chief, Common Carrier Bureau, FCC, to Dale Robertson, SBC, dated May 18, 1999 which may be filed with the Commission), or in the event of any other adjustment pursuant to an order of the Commission or a court.

(This page filed under Transmittal No. 2827)

Issued: May 15, 2000

Effective: May 30, 2000

Four AT&T Plaza, Dallas, Texas 75202

ACCESS SERVICE

20. MegaLink Custom Services (Cont'd)20.12 Billing Periods - Service Established Between July 1, 1999 and
March 1, 2000 (Cont'd) (T)20.12.1 Rates and Charges (Cont'd)(G) Optional Features, BSEs and Functions (Cont'd)(9) SFM Installation Charge (Cont'd)

Per existing MegaLink Custom Service(s) moving to another MegaLink Custom Service or ReliaNet DS3/EC-1, on a first and additional basis.

(d) SFM KS Zone 1

	<u>USOC</u>	<u>Installation Charge</u>
First	NRBR3	\$135.00
Additional	NRBR3	\$104.00

(e) SFM KS Zone 2

	<u>USOC</u>	<u>Installation Charge</u>
First	NRBR3	\$135.00
Additional	NRBR3	\$104.00

(f) SFM KS Zone 3

	<u>USOC</u>	<u>Installation Charge</u>
First	NRBR3	\$135.00
Additional	NRBR3	\$104.00

(g) SFM MO Zone 1

	<u>USOC</u>	<u>Installation Charge</u>
First	NRBR3	\$135.00
Additional	NRBR3	\$104.00

(h) SFM MO Zone 2

	<u>USOC</u>	<u>Installation Charge</u>
First	NRBR3	\$135.00
Additional	NRBR3	\$104.00

(i) SFM MO Zone 3

	<u>USOC</u>	<u>Installation Charge</u>
First	NRBR3	\$135.00
Additional	NRBR3	\$104.00

Rates contained in this transmittal are subject to subsequent adjustment, effective retrospectively back to the transmittal's original effective date, in the event the Commission or a court subsequently authorizes SWBT to correct its rates pursuant to the decision in *United States Telephone Association v. FCC* (Case No. 97-1469) (slip. op. May 21, 1999) (D.C. Cir.), or pursuant to pending motions, or petitions for reconsideration or waiver (and including, but not limited to, any Application for Review of the letter from Lawrence E. Strickling, Chief, Common Carrier Bureau, FCC, to Dale Robertson, SBC, dated May 18, 1999 which may be filed with the Commission), or in the

(This page filed under Transmittal No. 2827)

ACCESS SERVICE

20. MegaLink Custom Services (Cont'd)20.12 Billing Periods - Service Established Between July 1, 1999 and
March 1, 2000 (Cont'd)

(T)

20.12.1 Rates and Charges (Cont'd)(G) Optional Features, BSEs and Functions (Cont'd)(9) SFM Installation Charge (Cont'd)

Per existing MegaLink Custom Service(s) moving to another MegaLink Custom Service or ReliaNet DS3/EC-1, on a first and additional basis.

(j) SFM OK Zone 1

	<u>USOC</u>	<u>Installation Charge</u>
First	NRBR3	\$135.00
Additional	NRBR3	\$104.00

(k) SFM OK Zone 2

	<u>USOC</u>	<u>Installation Charge</u>
First	NRBR3	\$135.00
Additional	NRBR3	\$104.00

(l) SFM OK Zone 3

	<u>USOC</u>	<u>Installation Charge</u>
First	NRBR3	\$135.00
Additional	NRBR3	\$104.00

Rates contained in this transmittal are subject to subsequent adjustment, effective retrospectively back to the transmittal's original effective date, in the event the Commission or a court subsequently authorizes SWBT to correct its rates pursuant to the decision in United States Telephone Association v. FCC (Case No. 97-1469)(slip. op. May 21, 1999)(D.C. Cir.), or pursuant to pending motions, or petitions for reconsideration or waiver (and including, but not limited to, any Application for Review of the letter from Lawrence E. Strickling, Chief, Common Carrier Bureau, FCC, to Dale Robertson, SBC, dated May 18, 1999 which may be filed with the Commission), or in the event of any other adjustment pursuant to an order of the Commission or a court.

(This page filed under Transmittal No. 2827)

Issued: May 15, 2000

Effective: May 30, 2000

Four AT&T Plaza, Dallas, Texas 75202

ACCESS SERVICE

20. MegaLink Custom Services (Cont'd)20.12 Billing Periods - Service Established Between July 1, 1999 and
March 1, 2000 (Cont'd)20.12.1 Rates and Charges (Cont'd)(G) Optional Features, BSEs and Functions (Cont'd)(9) SFM Installation Charge (Cont'd)

Per existing MegaLink Custom Service(s) moving to another MegaLink Custom Service or ReliaNet DS3/EC-1, on a first and additional basis.

(m) SFM TX Zone 1

	<u>USOC</u>	<u>Installation Charge</u>
First	NRBR3	\$135.00
Additional	NRBR3	\$104.00

(n) SFM TX Zone 2

	<u>USOC</u>	<u>Installation Charge</u>
First	NRBR3	\$135.00
Additional	NRBR3	\$104.00

(o) SFM TX Zone 3

	<u>USOC</u>	<u>Installation Charge</u>
First	NRBR3	\$135.00
Additional	NRBR3	\$104.00

(10) C-Bit Parity Framing Format Option per existing DS3

	<u>USOC</u>	<u>Installation Charge</u>
First	NRBPP	\$ 26.00
Additional	NRBPP	\$ 10.00

Rates contained in this transmittal are subject to subsequent adjustment, effective retrospectively back to the transmittal's original effective date, in the event the Commission or a court subsequently authorizes SWBT to correct its rates pursuant to the decision in United States Telephone Association v. FCC (Case No. 97-1469) (slip. op. May 21, 1999) (D.C. Cir.), or pursuant to pending motions, or petitions for reconsideration or waiver (and including, but not limited to, any Application for Review of the letter from Lawrence E. Strickling, Chief, Common Carrier Bureau, FCC, to Dale Robertson, SBC, dated May 18, 1999 which may be filed with the Commission), or in the event of any other adjustment pursuant to an order of the Commission or a court.

(This page filed under Transmittal No. 2827)

Issued: May 15, 2000

Effective: May 30, 2000

Four AT&T Plaza, Dallas, Texas 75202

ACCESS SERVICE

20. MegaLink Custom Services (Cont'd)20.12 Billing Periods - Service Established Between July 1, 1999 and March 1, 2000 (Cont'd)

(T)

20.12.1 Rates and Charges (Cont'd)(H) Administrative Charges(1) Service Rearrangement Nonrecurring Charges

Per DS3 or DS3 equivalent on the same Access Order for one or any combination of changes as set forth in Section 20.4.2(E).

(a) Service Rearrangement - AR Zone 1

	<u>USOC</u>	<u>Nonrecurring Charge</u>
First	NRBAC	\$ 9.00
Additional	NRBAC	\$ 5.00

(b) Service Rearrangement - AR Zone 2

	<u>USOC</u>	<u>Nonrecurring Charge</u>
First	NRBAC	\$ 9.00
Additional	NRBAC	\$ 5.00

(c) Service Rearrangement - AR Zone 3

	<u>USOC</u>	<u>Nonrecurring Charge</u>
First	NRBAC	\$ 9.00
Additional	NRBAC	\$ 5.00

(d) Service Rearrangement - KS Zone 1

	<u>USOC</u>	<u>Nonrecurring Charge</u>
First	NRBAC	\$ 9.00
Additional	NRBAC	\$ 5.00

(e) Service Rearrangement - KS Zone 2

	<u>USOC</u>	<u>Nonrecurring Charge</u>
First	NRBAC	\$ 9.00
Additional	NRBAC	\$ 5.00

(f) Service Rearrangement - KS Zone 3

	<u>USOC</u>	<u>Nonrecurring Charge</u>
First	NRBAC	\$ 9.00
Additional	NRBAC	\$ 5.00

Rates contained in this transmittal are subject to subsequent adjustment, effective retrospectively back to the transmittal's original effective date, in the event the Commission or a court subsequently authorizes SWBT to correct its rates pursuant to the decision in *United States Telephone Association v. FCC* (Case No. 97-1469) (slip. op. May 21, 1999) (D.C. Cir.), or pursuant to pending motions, or petitions for reconsideration or waiver (and including, but not limited to, any Application for Review of the letter from Lawrence E. Strickling, Chief, Common Carrier Bureau, FCC, to Dale Robertson, SBC, dated May 18, 1999 which may be filed with the Commission), or in the

(This page filed under Transmittal No. 2827)

Issued: May 15, 2000

Effective: May 30, 2000

Four AT&T Plaza, Dallas, Texas 75202

ACCESS SERVICE

20. MegaLink Custom Services (Cont'd)20.12 Billing Periods - Service Established Between July 1, 1999 and (T)
March 1, 2000 (Cont'd)20.12.1 Rates and Charges (Cont'd)(H) Administrative Charges (Cont'd)(1) Service Rearrangement Nonrecurring Charges (Cont'd)(g) Service Rearrangement - MO Zone 1

	<u>USOC</u>	<u>Nonrecurring Charge</u>
First	NRBAC	\$ 9.00
Additional	NRBAC	\$ 5.00

(h) Service Rearrangement - MO Zone 2

	<u>USOC</u>	<u>Nonrecurring Charge</u>
First	NRBAC	\$ 9.00
Additional	NRBAC	\$ 5.00

(i) Service Rearrangement - MO Zone 3

	<u>USOC</u>	<u>Nonrecurring Charge</u>
First	NRBAC	\$ 9.00
Additional	NRBAC	\$ 5.00

(j) Service Rearrangement - OK Zone 1

	<u>USOC</u>	<u>Nonrecurring Charge</u>
First	NRBAC	\$ 9.00
Additional	NRBAC	\$ 5.00

(k) Service Rearrangement - OK Zone 2

	<u>USOC</u>	<u>Nonrecurring Charge</u>
First	NRBAC	\$ 9.00
Additional	NRBAC	\$ 5.00

(l) Service Rearrangement - OK Zone 3

	<u>USOC</u>	<u>Nonrecurring Charge</u>
First	NRBAC	\$ 9.00
Additional	NRBAC	\$ 5.00

Rates contained in this transmittal are subject to subsequent adjustment, effective retrospectively back to the transmittal's original effective date, in the event the Commission or a court subsequently authorizes SWBT to correct its rates pursuant to the decision in *United States Telephone Association v. FCC* (Case No. 97-1469)(slip. op. May 21, 1999)(D.C. Cir.), or pursuant to pending motions, or petitions for reconsideration or waiver (and including, but not limited to, any Application for Review of the letter from Lawrence E. Strickling, Chief, Common Carrier Bureau, FCC, to Dale Robertson, SBC, dated May 18, 1999 which may be filed with the Commission), or in the event of any other adjustment pursuant to an order of the Commission or a court.

(This page filed under Transmittal No. 2827)

Issued: May 15, 2000

Effective: May 30, 2000

Four AT&T Plaza, Dallas, Texas 75202

ACCESS SERVICE

20. MegaLink Custom Services (Cont'd)20.12 Billing Periods - Service Established Between July 1, 1999 and
March 1, 2000 (Cont'd)

(T)

20.12.1 Rates and Charges (Cont'd)(H) Administrative Charges (Cont'd)(1) Service Rearrangement Nonrecurring Charges (Cont'd)(m) Service Rearrangement - TX Zone 1

	<u>USOC</u>	<u>Nonrecurring Charge</u>
First	NRBAC	\$ 9.00
Additional	NRBAC	\$ 5.00

(n) Service Rearrangement - TX Zone 2

	<u>USOC</u>	<u>Nonrecurring Charge</u>
First	NRBAC	\$ 9.00
Additional	NRBAC	\$ 5.00

(o) Service Rearrangement - TX Zone 3

	<u>USOC</u>	<u>Nonrecurring Charge</u>
First	NRBAC	\$ 9.00
Additional	NRBAC	\$ 5.00

Rates contained in this transmittal are subject to subsequent adjustment, effective retrospectively back to the transmittal's original effective date, in the event the Commission or a court subsequently authorizes SWBT to correct its rates pursuant to the decision in United States Telephone Association v. FCC (Case No. 97-1469)(slip. op. May 21, 1999)(D.C. Cir.), or pursuant to pending motions, or petitions for reconsideration or waiver (and including, but not limited to, any Application for Review of the letter from Lawrence E. Strickling, Chief, Common Carrier Bureau, FCC, to Dale Robertson, SBC, dated May 18, 1999 which may be filed with the Commission), or in the event of any other adjustment pursuant to an order of the Commission or a court.

(This page filed under Transmittal No. 2827)

Issued: May 15, 2000

Effective: May 30, 2000

Four AT&T Plaza, Dallas, Texas 75202

ACCESS SERVICE

20. MegaLink Custom Services (Cont'd)

(N)

20.13 Billing Periods - Service Established Between March 2, 2000 and May 29, 200020.13.1 Rates and Charges

Rates and charges for Arkansas, Kansas, Missouri, Oklahoma and Texas will be applied based on Pricing Zones as contained below.

(A) Channel Termination - Electrical - per Volume Option, per customer premises(1) Electrical Channel Termination - AR - Zone 1

Volume Option*	USOC	Month to Month	3 year	5 year	10 year
1	TUZPX	\$ 1,950.00	\$ 1,700.00	\$ 1,400.00	\$ 1,350.00
3	TUZPX	\$ 5,850.00	\$ 4,845.00	\$ 4,046.00	\$ 3,915.00
6	TUZPX	\$11,700.00	\$ 8,670.00	\$ 7,240.00	\$ 7,007.00
12	TUZPX	\$23,400.00	\$15,301.00	\$12,776.00	\$12,364.00

(2) Electrical Channel Termination - AR - Zone 2

Volume Option*	USOC	Month to Month	3 year	5 year	10 year
1	TUZPX	\$ 2,100.00	\$ 1,700.00	\$ 1,400.00	\$ 1,350.00
3	TUZPX	\$ 5,850.00	\$ 4,845.00	\$ 4,046.00	\$ 3,915.00
6	TUZPX	\$11,700.00	\$ 8,670.00	\$ 7,240.00	\$ 7,007.00
12	TUZPX	\$23,400.00	\$15,301.00	\$12,776.00	\$12,364.00

(3) Electrical Channel Termination - AR - Zone 3

Volume Option*	USOC	Month to Month	3 year	5 year	10 year
1	TUZPX	\$ 2,100.00	\$ 1,700.00	\$ 1,400.00	\$ 1,350.00
3	TUZPX	\$ 5,850.00	\$ 4,845.00	\$ 4,046.00	\$ 3,915.00
6	TUZPX	\$11,700.00	\$ 8,670.00	\$ 7,240.00	\$ 7,007.00
12	TUZPX	\$23,400.00	\$15,301.00	\$12,776.00	\$12,364.00

(N)

Rates contained in this transmittal are subject to subsequent adjustment, effective retrospectively back to the transmittal's original effective date, in the event the Commission or a court subsequently authorizes SWBT to correct its rates pursuant to the decision in United States Telephone Association v. FCC (Case No. 97-1469)(slip. op. May 21, 1999)(D.C. Cir.), or pursuant to pending motions, or petitions for reconsideration or waiver (and including, but not limited to, any Application for Review of the letter from Lawrence E. Strickling Chief, Common Carrier Bureau, FCC, to Dale Robertson, SBC, dated May 18, 1999 which may be filed with the Commission), or in the event of any other adjustment pursuant to an order of the Commission or a court.

* Volume Option specifies the number of DS3s or DS3 equivalents.

(This page filed under Transmittal No. 2827)

Issued: May 15, 2000

Effective: May 30, 2000

Four AT&T Plaza, Dallas, Texas 75202

ACCESS SERVICE

20. MegaLink Custom Services (Cont'd)20.13 Billing Periods - Services Established Between March 2, 2000 and May 29, 2000 (Cont'd) (N)20.13.1 Rates and Charges (Cont'd)(A) Channel Termination - Electrical - per Volume Option, per customer premises (Cont'd)(4) Electrical Channel Termination - KS - Zone 1

<u>Volume Option*</u>	<u>USOC</u>	<u>Month to Month</u>	<u>3 year</u>	<u>5 year</u>	<u>10 year</u>
1	TUZPX	\$ 1,950.00	\$ 1,700.00	\$ 1,400.00	\$ 1,350.00
3	TUZPX	\$ 5,850.00	\$ 4,845.00	\$ 4,046.00	\$ 3,915.00
6	TUZPX	\$11,700.00	\$ 8,670.00	\$ 7,240.00	\$ 7,007.00
12	TUZPX	\$23,400.00	\$15,301.00	\$12,776.00	\$12,364.00

(5) Electrical Channel Termination - KS - Zone 2

<u>Volume Option*</u>	<u>USOC</u>	<u>Month to Month</u>	<u>3 year</u>	<u>5 year</u>	<u>10 year</u>
1	TUZPX	\$ 1,950.00	\$ 1,700.00	\$ 1,400.00	\$ 1,325.00
3	TUZPX	\$ 5,850.00	\$ 4,845.00	\$ 4,046.00	\$ 3,915.00
6	TUZPX	\$11,700.00	\$ 8,670.00	\$ 7,240.00	\$ 7,007.00
12	TUZPX	\$23,400.00	\$15,301.00	\$12,776.00	\$12,364.00

(6) Electrical Channel Termination - KS - Zone 3

<u>Volume Option*</u>	<u>USOC</u>	<u>Month to Month</u>	<u>3 year</u>	<u>5 year</u>	<u>10 year</u>
1	TUZPX	\$ 1,950.00	\$ 1,700.00	\$ 1,400.00	\$ 1,350.00
3	TUZPX	\$ 5,850.00	\$ 4,845.00	\$ 4,046.00	\$ 3,915.00
6	TUZPX	\$11,700.00	\$ 8,670.00	\$ 7,240.00	\$ 7,007.00
12	TUZPX	\$23,400.00	\$15,301.00	\$12,776.00	\$12,364.00

Rates contained in this transmittal are subject to subsequent adjustment, effective retrospectively back to the transmittal's original effective date, in the event the Commission or a court subsequently authorizes SWBT to correct its rates pursuant to the decision in United States Telephone Association v. FCC (Case No. 97-1469)(slip. op. May 21, 1999)(D.C. Cir.), or pursuant to pending motions, or petitions for reconsideration or waiver (and including, but not limited to, any Application for Review of the letter from Lawrence E. Strickling Chief, Common Carrier Bureau, FCC, to Dale Robertson, SBC, dated May 18, 1999 which may be filed with the Commission), or in the event of any other adjustment pursuant to an order of the Commission or a court.

(This page filed under Transmittal No. 2827)

Issued: May 15, 2000

Effective: May 30, 2000

Four AT&T Plaza, Dallas, Texas 75202

ACCESS SERVICE

20. MegaLink Custom Services (Cont'd)

(N)

20.13 Billing Periods - Service Established Between March 2, 2000 and May 29, 2000 (Cont'd)20.13.1 Rates and Charges (Cont'd)(A) Channel Termination - Electrical - per Volume Option, per customer premises (Cont'd)(7) Electrical Channel Termination - MO - Zone 1

<u>Volume Option*</u>	<u>USOC</u>	<u>Month to Month</u>	<u>3 year</u>	<u>5 year</u>	<u>10 year</u>
1	TUZPX	\$ 1,950.00	\$ 1,700.00	\$ 1,400.00	\$ 1,350.00
3	TUZPX	\$ 5,850.00	\$ 4,845.00	\$ 4,046.00	\$ 3,915.00
6	TUZPX	\$11,700.00	\$ 8,670.00	\$ 7,240.00	\$ 7,007.00
12	TUZPX	\$23,400.00	\$15,301.00	\$12,776.00	\$12,364.00

(8) Electrical Channel Termination - MO - Zone 2

<u>Volume Option*</u>	<u>USOC</u>	<u>Month to Month</u>	<u>3 year</u>	<u>5 year</u>	<u>10 year</u>
1	TUZPX	\$ 2,100.00	\$ 1,700.00	\$ 1,400.00	\$ 1,350.00
3	TUZPX	\$ 5,850.00	\$ 4,845.00	\$ 4,046.00	\$ 3,915.00
6	TUZPX	\$11,700.00	\$ 8,670.00	\$ 7,240.00	\$ 7,007.00
12	TUZPX	\$23,400.00	\$15,301.00	\$12,776.00	\$12,364.00

(9) Electrical Channel Termination - MO - Zone 3

(N)

<u>Volume Option*</u>	<u>USOC</u>	<u>Month to Month</u>	<u>3 year</u>	<u>5 year</u>	<u>10 year</u>
1	TUZPX	\$ 2,100.00	\$ 1,700.00	\$ 1,400.00	\$ 1,350.00
3	TUZPX	\$ 5,850.00	\$ 4,845.00	\$ 4,046.00	\$ 3,915.00
6	TUZPX	\$11,700.00	\$ 8,670.00	\$ 7,240.00	\$ 7,007.00
12	TUZPX	\$23,400.00	\$15,301.00	\$12,776.00	\$12,364.00

Rates contained in this transmittal are subject to subsequent adjustment, effective retrospectively back to the transmittal's original effective date, in the event the Commission or a court subsequently authorizes SWBT to correct its rates pursuant to the decision in *United States Telephone Association v. FCC* (Case No. 97-1469)(slip. op. May 21, 1999)(D.C. Cir.), or pursuant to pending motions, or petitions for reconsideration or waiver (and including, but not limited to, any Application for Review of the letter from Lawrence E. Strickling Chief, Common Carrier Bureau, FCC, to Dale Robertson, SBC, dated May 18, 1999 which may be filed with the Commission), or in the event of any other adjustment pursuant to an order of the Commission or a court.

(This page filed under Transmittal No. 2827)

Issued: May 15, 2000

Effective: May 30, 2000

Four AT&T Plaza, Dallas, Texas 75202

ACCESS SERVICE

20. MegaLink Custom Services (Cont'd)20.13 Billing Periods - Services Established Between March 2, 2000 and May 29, 2000 (Cont'd) (N)20.13.1 Rates and Charges (Cont'd)(A) Channel Termination - Electrical - per Volume Option, per customer premises (Cont'd)(10) Electrical Channel Termination - OK - Zone 1

<u>Volume Option*</u>	<u>USOC</u>	<u>Month to Month</u>	<u>3 year</u>	<u>5 year</u>	<u>10 year</u>
1	TUZPX	\$ 1,950.00	\$ 1,700.00	\$ 1,400.00	\$ 1,350.00
3	TUZPX	\$ 5,850.00	\$ 4,845.00	\$ 4,046.00	\$ 3,915.00
6	TUZPX	\$11,700.00	\$ 8,670.00	\$ 7,240.00	\$ 7,007.00
12	TUZPX	\$23,400.00	\$15,301.00	\$12,776.00	\$12,364.00

(11) Electrical Channel Termination - OK - Zone 2

<u>Volume Option*</u>	<u>USOC</u>	<u>Month to Month</u>	<u>3 year</u>	<u>5 year</u>	<u>10 year</u>
1	TUZPX	\$ 2,100.00	\$ 1,700.00	\$ 1,400.00	\$ 1,350.00
3	TUZPX	\$ 5,850.00	\$ 4,845.00	\$ 4,046.00	\$ 3,915.00
6	TUZPX	\$11,700.00	\$ 8,670.00	\$ 7,240.00	\$ 7,007.00
12	TUZPX	\$23,400.00	\$15,301.00	\$12,776.00	\$12,364.00

(12) Electrical Channel Termination - OK - Zone 3

<u>Volume Option*</u>	<u>USOC</u>	<u>Month to Month</u>	<u>3 year</u>	<u>5 year</u>	<u>10 year</u>
1	TUZPX	\$ 2,100.00	\$ 1,700.00	\$ 1,400.00	\$ 1,350.00
3	TUZPX	\$ 5,850.00	\$ 4,845.00	\$ 4,046.00	\$ 3,915.00
6	TUZPX	\$11,700.00	\$ 8,670.00	\$ 7,240.00	\$ 7,007.00
12	TUZPX	\$23,400.00	\$15,301.00	\$12,776.00	\$12,364.00

Rates contained in this transmittal are subject to subsequent adjustment, effective retrospectively back to the transmittal's original effective date, in the event the Commission or a court subsequently authorizes SWBT to correct its rates pursuant to the decision in *United States Telephone Association v. FCC* (Case No. 97-1469)(slip. op. May 21, 1999)(D.C. Cir.), or pursuant to pending motions, or petitions for reconsideration or waiver (and including, but not limited to, any Application for Review of the letter from Lawrence E. Strickling Chief, Common Carrier Bureau, FCC, to Dale Robertson, SBC, dated May 18, 1999 which may be filed with the Commission), or in the event of any other adjustment pursuant to an order of the Commission or a court.

* Volume Option specifies the number of DS3s or DS3 equivalents.

(This page filed under Transmittal No. 2827)

Issued: May 15, 2000

Effective: May 30, 2000

Four AT&T Plaza, Dallas, Texas 75202

ACCESS SERVICE

20. MegaLink Custom Services (Cont'd)20.13 Billing Periods - Services Established Between March 2, 2000 and May 29, 2000 (Cont'd) (N)20.13.1 Rates and Charges (Cont'd)(A) Channel Termination - Electrical - per Volume Option, per customer premises (Cont'd)(13) Electrical Channel Termination - TX - Zone 1

<u>Volume Option*</u>	<u>USOC</u>	<u>Month to Month</u>	<u>3 year</u>	<u>5 year</u>	<u>10 year</u>
1	TUZPX	\$ 1,950.00	\$ 1,700.00	\$ 1,400.00	\$ 1,350.00
3	TUZPX	\$ 5,850.00	\$ 4,845.00	\$ 4,046.00	\$ 3,915.00
6	TUZPX	\$11,700.00	\$ 8,670.00	\$ 7,240.00	\$ 7,007.00
12	TUZPX	\$23,400.00	\$15,301.00	\$12,776.00	\$12,364.00

(14) Electrical Channel Termination - TX - Zone 2

<u>Volume Option*</u>	<u>USOC</u>	<u>Month to Month</u>	<u>3 year</u>	<u>5 year</u>	<u>10 year</u>
1	TUZPX	\$ 2,100.00	\$ 1,700.00	\$ 1,400.00	\$ 1,350.00
3	TUZPX	\$ 5,850.00	\$ 4,845.00	\$ 4,046.00	\$ 3,915.00
6	TUZPX	\$11,700.00	\$ 8,670.00	\$ 7,240.00	\$ 7,007.00
12	TUZPX	\$23,400.00	\$15,301.00	\$12,776.00	\$12,364.00

(15) Electrical Channel Termination - TX - Zone 3

<u>Volume Option*</u>	<u>USOC</u>	<u>Month to Month</u>	<u>3 year</u>	<u>5 year</u>	<u>10 year</u>
1	TUZPX	\$ 2,100.00	\$ 1,700.00	\$ 1,400.00	\$ 1,350.00
3	TUZPX	\$ 5,850.00	\$ 4,845.00	\$ 4,046.00	\$ 3,915.00
6	TUZPX	\$11,700.00	\$ 8,670.00	\$ 7,240.00	\$ 7,007.00
12	TUZPX	\$23,400.00	\$15,301.00	\$12,776.00	\$12,364.00

(N)

Rates contained in this transmittal are subject to subsequent adjustment, effective retrospectively back to the transmittal's original effective date, in the event the Commission or a court subsequently authorizes SWBT to correct its rates pursuant to the decision in *United States Telephone Association v. FCC* (Case No. 97-1469)(slip. op. May 21, 1999)(D.C. Cir.), or pursuant to pending motions, or petitions for reconsideration or waiver (and including, but not limited to, any Application for Review of the letter from Lawrence E. Strickling, Chief, Common Carrier Bureau, FCC, to Dale Robertson, SBC, dated May 18, 1999 which may be filed with the Commission), or in the event of any other adjustment pursuant to an order of the Commission or a court.

* Volume Option specifies the number of DS3s or DS3 equivalents.

(This page filed under Transmittal No. 2827)

Issued: May 15, 2000

Effective: May 30, 2000

Four AT&T Plaza, Dallas, Texas 75202

ACCESS SERVICE

20. MegaLink Custom Services (Cont'd)20.13 Billing Periods - Services Established Between March 2, 2000 and May 29, 2000 (Cont'd) (N)20.13.1 Rates and Charges (Cont'd)(A) Channel Termination - Electrical - per Volume Option, per customer premises (Cont'd)(16) Temp-DS3 Electrical Channel Termination - AR - Zone 1

<u>Volume Option*</u>	<u>USOC</u>	<u>Monthly</u>
1	TUZQX	\$ 2,500.00

(17) Temp-DS3 Electrical Channel Termination - AR - Zone 2

<u>Volume Option*</u>	<u>USOC</u>	<u>Monthly</u>
1	TUZQX	\$ 2,500.00

(18) Temp-DS3 Electrical Channel Termination - AR - Zone 3

<u>Volume Option*</u>	<u>USOC</u>	<u>Monthly</u>
1	TUZQX	\$ 2,500.00

(19) Temp-DS3 Electrical Channel Termination - KS - Zone 1

<u>Volume Option*</u>	<u>USOC</u>	<u>Monthly</u>
1	TUZQX	\$ 2,500.00

(20) Temp-DS3 Electrical Channel Termination - KS - Zone 2

<u>Volume Option*</u>	<u>USOC</u>	<u>Monthly</u>
1	TUZQX	\$ 2,500.00

(21) Temp-DS3 Electrical Channel Termination - KS - Zone 3

<u>Volume Option*</u>	<u>USOC</u>	<u>Monthly</u>
1	TUZQX	\$ 2,500.00

(N)

* Volume Option specifies the number of DS3s or DS3 equivalents.

Rates contained in this transmittal are subject to subsequent adjustment, effective retrospectively back to the transmittal's original effective date, in the event the Commission or a court subsequently authorizes SWBT to correct its rates pursuant to the decision in United States Telephone Association v. FCC (Case No. 97-1469)(slip. op. May 21, 1999)(D.C. Cir.), or pursuant to pending motions, or petitions for reconsideration or waiver (and including, but not limited to, any Application for Review of the letter from Lawrence E. Strickling, Chief, Common Carrier Bureau, FCC, to Dale Robertson, SBC, dated May 18, 1999 which may be filed with the Commission), or in the event of any other adjustment pursuant to an order of the Commission or a court.

(This page filed under Transmittal No. 2827)

Issued: May 15, 2000

Effective: May 30, 2000

Four AT&T Plaza, Dallas, Texas 75202

ACCESS SERVICE

20. MegaLink Custom Services (Cont'd)

(N)

20.13 Billing Periods - Services Established Between March 2, 2000 and May 29, 2000 (Cont'd)20.13.1 Rates and Charges (Cont'd)(A) Channel Termination - Electrical - per Volume Option, per customer premises (Cont'd)(22) Temp-DS3 Electrical Channel Termination - MO - Zone 1

<u>Volume Option*</u>	<u>USOC</u>	<u>Monthly</u>
1	TUZQX	\$ 2,500.00

(23) Temp-DS3 Electrical Channel Termination - MO - Zone 2

<u>Volume Option*</u>	<u>USOC</u>	<u>Monthly</u>
1	TUZQX	\$ 2,500.00

(24) Temp-DS3 Electrical Channel Termination - MO - Zone 3

<u>Volume Option*</u>	<u>USOC</u>	<u>Monthly</u>
1	TUZQX	\$ 2,500.00

(25) Temp-DS3 Electrical Channel Termination - OK - Zone 1

<u>Volume Option*</u>	<u>USOC</u>	<u>Monthly</u>
1	TUZQX	\$ 2,500.00

(26) Temp-DS3 Electrical Channel Termination - OK - Zone 2

<u>Volume Option*</u>	<u>USOC</u>	<u>Monthly</u>
1	TUZQX	\$ 2,500.00

(27) Temp-DS3 Electrical Channel Termination - OK -Zone 3

<u>Volume Option*</u>	<u>USOC</u>	<u>Monthly</u>
1	TUZQX	\$ 2,500.00

(N)

Rates contained in this transmittal are subject to subsequent adjustment, effective retrospectively back to the transmittal's original effective date, in the event the Commission or a court subsequently authorizes SWBT to correct its rates pursuant to the decision in United States Telephone Association v. FCC (Case No. 97-1469)(slip. op. May 21, 1999)(D.C. Cir.), or pursuant to pending motions, or petitions for reconsideration or waiver (and including, but not limited to, any Application for Review of the letter from Lawrence E. Strickling Chief, Common Carrier Bureau, FCC, to Dale Robertson, SBC, dated May 18, 1999 which may be filed with the Commission), or in the event of any other adjustment pursuant to an order of the Commission or a court.

(This page filed under Transmittal No. 2827)

Issued: May 15, 2000

Effective: May 30, 2000

Four AT&T Plaza, Dallas, Texas 75202

ACCESS SERVICE

20. MegaLink Custom Services (Cont'd)20.13 Billing Periods - Services Established Between March 2, 2000 and May 29, 2000 (Cont'd) (N)20.13.1 Rates and Charges(A) Channel Termination - Electrical - per Volume Option, per customer premises (Cont'd)(28) Temp-DS3 Electrical Channel Termination - TX - Zone 1

<u>Volume Option*</u>	<u>USOC</u>	<u>Monthly</u>
1	TUZQX	\$ 2,500.00

(29) Temp-DS3 Electrical Channel Termination - TX - Zone 2

<u>Volume Option*</u>	<u>USOC</u>	<u>Monthly</u>
1	TUZQX	\$ 2,500.00

(30) Temp-DS3 Electrical Channel Termination - TX - Zone 3

<u>Volume Option*</u>	<u>USOC</u>	<u>Monthly</u>
1	TUZQX	\$ 2,500.00

(N)

Rates contained in this transmittal are subject to subsequent adjustment, effective retrospectively back to the transmittal's original effective date, in the event the Commission or a court subsequently authorizes SWBT to correct its rates pursuant to the decision in United States Telephone Association v. FCC (Case No. 97-1469)(slip. op. May 21, 1999)(D.C. Cir.), or pursuant to pending motions, or petitions for reconsideration or waiver (and including, but not limited to, any Application for Review of the letter from Lawrence E. Strickling, Chief, Common Carrier Bureau, FCC, to Dale Robertson, SBC, dated May 18, 1999 which may be filed with the Commission), or in the event of any other adjustment pursuant to an order of the Commission or a court.

* Volume Option specifies the number of DS3s or DS3 equivalents.

(This page filed under Transmittal No. 2827)

Issued: May 15, 2000

Effective: May 30, 2000

Four AT&T Plaza, Dallas, Texas 75202

ACCESS SERVICE

20. MegaLink Custom Services (Cont'd)20.13 Billing Periods - Services Established Between March 2, 2000 and May 29, 2000 (Cont'd) (N)20.13.1 Rates and Charges (Cont'd)(B) Channel Termination - Optical - per Volume Option, per customer premises(1) Optical Channel Termination - AR - Zone 1

<u>Volume Option*</u>	<u>USOC</u>	<u>Month to Month</u>	<u>3 year</u>	<u>5 year</u>	<u>10 year</u>
1	TKZPX	\$ 1,755.00	\$ 1,645.00	\$ 1,492.00	\$ 1,430.00
3	TKZPX	\$ 5,265.00	\$ 4,361.00	\$ 3,953.00	\$ 3,524.00
6	TKZPX	\$10,530.00	\$ 7,804.00	\$ 7,075.00	\$ 6,305.00
12	TKZPX	\$21,060.00	\$13,771.00	\$12,486.00	\$11,128.00

(2) Optical Channel Termination - AR - Zone 2

<u>Volume Option*</u>	<u>USOC</u>	<u>Month to Month</u>	<u>3 year</u>	<u>5 year</u>	<u>10 year</u>
1	TKZPX	\$ 1,755.00	\$ 1,645.00	\$ 1,492.00	\$ 1,430.00
3	TKZPX	\$ 5,265.00	\$ 4,361.00	\$ 3,953.00	\$ 3,524.00
6	TKZPX	\$10,530.00	\$ 7,804.00	\$ 7,075.00	\$ 6,305.00
12	TKZPX	\$21,060.00	\$13,771.00	\$12,486.00	\$11,128.00

(3) Optical Channel Termination - AR - Zone 3

<u>Volume Option*</u>	<u>USOC</u>	<u>Month to Month</u>	<u>3 year</u>	<u>5 year</u>	<u>10 year</u>
1	TKZPX	\$ 1,755.00	\$ 1,645.00	\$ 1,492.00	\$ 1,430.00
3	TKZPX	\$ 5,265.00	\$ 4,361.00	\$ 3,953.00	\$ 3,524.00
6	TKZPX	\$10,530.00	\$ 7,804.00	\$ 7,075.00	\$ 6,305.00
12	TKZPX	\$21,060.00	\$13,771.00	\$12,486.00	\$11,128.00

Rates contained in this transmittal are subject to subsequent adjustment, effective retrospectively back to the transmittal's original effective date, in the event the Commission or a court subsequently authorizes SWBT to correct its rates pursuant to the decision in United States Telephone Association v. FCC (Case No. 97-1469)(slip. op. May 21, 1999)(D.C. Cir.), or pursuant to pending motions, or petitions for reconsideration or waiver (and including, but not limited to, any Application for Review of the letter from Lawrence E. Strickling Chief, Common Carrier Bureau, FCC to Dale Robertson, SBC, date May 18, 1999 which may be filed with the Commission), or in the event of any other adjustment pursuant to an order of the Commission or a court.

* Volume Option specifies the number of DS3s or DS3 equivalents.

(This page filed under Transmittal No. 2827)

Issued: May 15, 2000

Effective: May 30, 2000

Four AT&T Plaza, Dallas, Texas 75202

ACCESS SERVICE

20. MegaLink Custom Services (Cont'd)20.13 Billing Periods - Services Established Between March 2, 2000 and May 29, 2000 (Cont'd) (N)20.13.1 Rates and Charges (Cont'd)(B) Channel Termination - Optical - per Volume Option, per customer premises (Cont'd)(4) Optical Channel Termination - KS - Zone 1

<u>Volume Option*</u>	<u>USOC</u>	<u>Month to Month</u>	<u>3 year</u>	<u>5 year</u>	<u>10 year</u>
1	TKZPX	\$ 1,755.00	\$ 1,645.00	\$ 1,492.00	\$ 1,430.00
3	TKZPX	\$ 5,265.00	\$ 4,361.00	\$ 3,953.00	\$ 3,524.00
6	TKZPX	\$10,530.00	\$ 7,804.00	\$ 7,075.00	\$ 6,305.00
12	TKZPX	\$21,060.00	\$13,771.00	\$12,486.00	\$11,128.00

(5) Optical Channel Termination - KS - Zone 2

<u>Volume Option*</u>	<u>USOC</u>	<u>Month to Month</u>	<u>3 year</u>	<u>5 year</u>	<u>10 year</u>
1	TKZPX	\$ 1,755.00	\$ 1,645.00	\$ 1,492.00	\$ 1,430.00
3	TKZPX	\$ 5,265.00	\$ 4,361.00	\$ 3,953.00	\$ 3,524.00
6	TKZPX	\$10,530.00	\$ 7,804.00	\$ 7,075.00	\$ 6,305.00
12	TKZPX	\$21,060.00	\$13,771.00	\$12,486.00	\$11,128.00

(6) Optical Channel Termination - KS - Zone 3

<u>Volume Option*</u>	<u>USOC</u>	<u>Month to Month</u>	<u>3 year</u>	<u>5 year</u>	<u>10 year</u>
1	TKZPX	\$ 1,755.00	\$ 1,645.00	\$ 1,492.00	\$ 1,430.00
3	TKZPX	\$ 5,265.00	\$ 4,361.00	\$ 3,953.00	\$ 3,524.00
6	TKZPX	\$10,530.00	\$ 7,804.00	\$ 7,075.00	\$ 6,305.00
12	TKZPX	\$21,060.00	\$13,771.00	\$12,486.00	\$11,128.00

(N)

Rates contained in this transmittal are subject to subsequent adjustment, effective retrospectively back to the transmittal's original effective date, in the even the Commission or a court subsequently authorizes SWBT to correct its rates pursuant to the decision in United States Telephone Association v. FCC (Case No. 97-1469)(slip. op. May 21, 1999)(D.C. Cir.), or pursuant to pending motions, or petitions for reconsideration or waiver (and including, but not limited to, any Application for Review of the letter from Lawrence E. Strickling Chief, Common Carrier Bureau, FCC, to Dale Robertson, SBC, dated May 18, 1999 which may be filed with the Commission), or in the even of any other adjustment pursuant to an order of the Commission or a court.

* Volume Option specifies the number of DS3s or DS3 equivalents.

(This page filed under Transmittal No. 2827)

Issued: May 15, 2000

Effective: May 30, 2000

Four AT&T Plaza, Dallas, Texas 75202

ACCESS SERVICE

20. MegaLink Custom Services (Cont'd)20.13 Billing Periods - Services Established Between March 2, 2000 and May 29, 2000 (Cont'd) (N)20.13.1 Rates and Charges (Cont'd)(B) Channel Termination - Optical - per Volume Option, per customer premises (Cont'd)(7) Optical Channel Termination - MO - Zone 1

<u>Volume Option*</u>	<u>USOC</u>	<u>Month to Month</u>	<u>3 year</u>	<u>5 year</u>	<u>10 year</u>
1	TKZPX	\$ 1,755.00	\$ 1,645.00	\$ 1,492.00	\$ 1,430.00
3	TKZPX	\$ 5,265.00	\$ 4,361.00	\$ 3,953.00	\$ 3,524.00
6	TKZPX	\$10,530.00	\$ 7,804.00	\$ 7,075.00	\$ 6,305.00
12	TKZPX	\$21,060.00	\$13,771.00	\$12,486.00	\$11,128.00

(8) Optical Channel Termination - MO - Zone 2

<u>Volume Option*</u>	<u>USOC</u>	<u>Month to Month</u>	<u>3 year</u>	<u>5 year</u>	<u>10 year</u>
1	TKZPX	\$ 1,755.00	\$ 1,645.00	\$ 1,492.00	\$ 1,430.00
3	TKZPX	\$ 5,265.00	\$ 4,361.00	\$ 3,953.00	\$ 3,524.00
6	TKZPX	\$10,530.00	\$ 7,804.00	\$ 7,075.00	\$ 6,305.00
12	TKZPX	\$21,060.00	\$13,771.00	\$12,486.00	\$11,128.00

(9) Optical Channel Termination - MO - Zone 3

<u>Volume Option*</u>	<u>USOC</u>	<u>Month to Month</u>	<u>3 year</u>	<u>5 year</u>	<u>10 year</u>
1	TKZPX	\$ 1,755.00	\$ 1,645.00	\$ 1,492.00	\$ 1,430.00
3	TKZPX	\$ 5,265.00	\$ 4,361.00	\$ 3,953.00	\$ 3,524.00
6	TKZPX	\$10,530.00	\$ 7,804.00	\$ 7,075.00	\$ 6,305.00
12	TKZPX	\$21,060.00	\$13,771.00	\$12,486.00	\$11,128.00

Rates contained in this transmittal are subject to subsequent adjustment, effective retrospectively back to the transmittal's original effective date, in the event the Commission or a court subsequently authorizes SWBT to correct its rates pursuant to the decision in *United States Telephone Association v. FCC* (Case No. 97-1469)(slip. op. May 21, 1999)(D.C. Cir.), or pursuant to pending motions, or petitions for reconsideration or waiver (and including, but not limited to, any Application for Review of the letter from Lawrence E. Strickling Chief, Common Carrier Bureau, FCC, to Dale Robertson, SBC, dated May 18, 1999 which may be filed with the Commission), or in the event of any other adjustment pursuant to an order of the Commission or a court.

* Volume Option specifies the number of DS3s or DS3 equivalents.

(This page filed under Transmittal No. 2827)

Issued: May 15, 2000

Effective: May 30, 2000

Four AT&T Plaza, Dallas, Texas 75202

ACCESS SERVICE

20. MegaLink Custom Services (Cont'd)20.13 Billing Periods - Service Established Between March 2, 2000 and May 29, 2000 (Cont'd) (N)20.13.1 Rates and Charges (Cont'd)(B) Channel Termination - Optical - per Volume Option, per customer premises (Cont'd)(10) Optical Channel Termination - OK - Zone 1

<u>Volume Option*</u>	<u>USOC</u>	<u>Month to Month</u>	<u>3 year</u>	<u>5 year</u>	<u>10 year</u>
1	TKZPX	\$ 1,755.00	\$ 1,645.00	\$ 1,492.00	\$ 1,430.00
3	TKZPX	\$ 5,265.00	\$ 4,361.00	\$ 3,953.00	\$ 3,524.00
6	TKZPX	\$10,530.00	\$ 7,804.00	\$ 7,075.00	\$ 6,305.00
12	TKZPX	\$21,060.00	\$13,771.00	\$12,486.00	\$11,128.00

(11) Optical Channel Termination - OK - Zone 2

<u>Volume Option*</u>	<u>USOC</u>	<u>Month to Month</u>	<u>3 year</u>	<u>5 year</u>	<u>10 year</u>
1	TKZPX	\$ 1,755.00	\$ 1,645.00	\$ 1,492.00	\$ 1,430.00
3	TKZPX	\$ 5,265.00	\$ 4,361.00	\$ 3,953.00	\$ 3,524.00
6	TKZPX	\$10,530.00	\$ 7,804.00	\$ 7,075.00	\$ 6,305.00
12	TKZPX	\$21,060.00	\$13,771.00	\$12,486.00	\$11,128.00

(12) Optical Channel Termination - OK - Zone 3

<u>Volume Option*</u>	<u>USOC</u>	<u>Month to Month</u>	<u>3 year</u>	<u>5 year</u>	<u>10 year</u>
1	TKZPX	\$ 1,755.00	\$ 1,645.00	\$ 1,492.00	\$ 1,430.00
3	TKZPX	\$ 5,265.00	\$ 4,361.00	\$ 3,953.00	\$ 3,524.00
6	TKZPX	\$10,530.00	\$ 7,804.00	\$ 7,075.00	\$ 6,305.00
12	TKZPX	\$21,060.00	\$13,771.00	\$12,486.00	\$11,128.00

Rates contained in this transmittal are subject to subsequent adjustment, effective retrospectively back to the transmittal's original effective date, in the event the Commission or a court subsequently authorizes SWBT to correct its rates pursuant to the decision in *United States Telephone Association v. FCC* (Case No. 97-1469)(slip. op. May 21, 1999)(D.C. Cir.), or pursuant to pending motions, or petitions for reconsideration or waiver (and including, but not limited to, any Application for Review of the letter from Lawrence E. Strickling Chief, Common Carrier Bureau, FCC, to Dale Robertson, SBC, dated May 18, 1999 which may be filed with the Commission), or in the event of any other adjustment pursuant to an order of the Commission or a court.

* Volume Option specifies the number of DS3s or DS3 equivalents.

(This page filed under Transmittal No. 2827)

Issued: May 15, 2000

Effective: May 30, 2000

Four AT&T Plaza, Dallas, Texas 75202

ACCESS SERVICE

20. MegaLink Custom Services (Cont'd)20.13 Billing Periods - Service Established Between March 2, 2000 and May 29, 2000 (Cont'd) (N)20.13.1 Rates and Charges (Cont'd)(B) Channel Termination - Optical - per Volume Option, per customer premises (Cont'd)(13) Optical Channel Termination - TX - Zone 1

<u>Volume Option*</u>	<u>USOC</u>	<u>Month to Month</u>	<u>3 year</u>	<u>5 year</u>	<u>10 year</u>
1	TKZPX	\$ 1,755.00	\$ 1,645.00	\$ 1,492.00	\$ 1,430.00
3	TKZPX	\$ 5,265.00	\$ 4,361.00	\$ 3,953.00	\$ 3,524.00
6	TKZPX	\$10,530.00	\$ 7,804.00	\$ 7,075.00	\$ 6,305.00
12	TKZPX	\$21,060.00	\$13,771.00	\$12,486.00	\$11,128.00

(14) Optical Channel Termination - TX - Zone 2

<u>Volume Option*</u>	<u>USOC</u>	<u>Month to Month</u>	<u>3 year</u>	<u>5 year</u>	<u>10 year</u>
1	TKZPX	\$ 1,755.00	\$ 1,645.00	\$ 1,492.00	\$ 1,430.00
3	TKZPX	\$ 5,265.00	\$ 4,361.00	\$ 3,953.00	\$ 3,524.00
6	TKZPX	\$10,530.00	\$ 7,804.00	\$ 7,075.00	\$ 6,305.00
12	TKZPX	\$21,060.00	\$13,771.00	\$12,486.00	\$11,128.00

(15) Optical Channel Termination - TX - Zone 3

<u>Volume Option*</u>	<u>USOC</u>	<u>Month to Month</u>	<u>3 year</u>	<u>5 year</u>	<u>10 year</u>
1	TKZPX	\$ 1,755.00	\$ 1,645.00	\$ 1,492.00	\$ 1,430.00
3	TKZPX	\$ 5,265.00	\$ 4,361.00	\$ 3,953.00	\$ 3,524.00
6	TKZPX	\$10,530.00	\$ 7,804.00	\$ 7,075.00	\$ 6,305.00
12	TKZPX	\$21,060.00	\$13,771.00	\$12,486.00	\$11,128.00

Rates contained in this transmittal are subject to subsequent adjustment, effective retrospectively back to the transmittal's original effective date, in the even the Commission or a court subsequently authorizes SWBT to correct its rates pursuant to the decision in United States Telephone Association v. FCC (Case No. 97-1469)(slip. op. May 21, 1999)(D.C. Cir.), or pursuant to pending motions, or petitions for reconsideration or waiver (and including, but not limited to, any Application for Review of the letter from Lawrence E. Strickling Chief, Common Carrier Bureau, FCC, to Dale Robertson, SBC, dated May 18, 1999 which may be filed with the Commission), or in the even of any other adjustment pursuant to an order of the Commission or a court.

* Volume Option specifies the number of DS3s or DS3 equivalents.

(This page filed under Transmittal No. 2827)

Issued: May 15, 2000

Effective: May 30, 2000

Four AT&T Plaza, Dallas, Texas 75202

ACCESS SERVICE

20. MegaLink Custom Services (Cont'd)20.13 Billing Periods - Service Established Between March 2, 2000 and May 29, 2000 (Cont'd) (N)20.13.1 Rates and Charges (Cont'd)(C) Interoffice Mileage - Fixed - Monthly Recurring Rates and Service Extension

(1)	<u>Interoffice Fixed - per DS3 or DS3 equivalent - AR</u>	<u>Zone 1</u>			
			<u>Month to</u>		
	<u>USOC</u>		<u>Month</u>	<u>3 year</u>	<u>5 year</u>
					<u>10 year</u>
	10XHX/10XLX	\$815.00	\$600.00	\$500.00	\$450.00
(2)	<u>Interoffice Fixed - per DS3 or DS3 equivalent - AR</u>	<u>Zone 2</u>			
			<u>Month to</u>		
	<u>USOC</u>		<u>Month</u>	<u>3 year</u>	<u>5 year</u>
					<u>10 year</u>
	10XHX/10XLX	\$717.20	\$600.00	\$500.00	\$450.00
(3)	<u>Interoffice Fixed - per DS3 or DS3 equivalent - AR</u>	<u>Zone 3</u>			
			<u>Month to</u>		
	<u>USOC</u>		<u>Month</u>	<u>3 year</u>	<u>5 year</u>
					<u>10 year</u>
	10XHX/10XLX	\$815.00	\$600.00	\$500.00	\$450.00
(4)	<u>Interoffice Fixed - per DS3 or DS3 equivalent - KS</u>	<u>Zone 1</u>			
			<u>Month to</u>		
	<u>USOC</u>		<u>Month</u>	<u>3 year</u>	<u>5 year</u>
					<u>10 year</u>
	10XHX/10XLX	\$815.00	\$600.00	\$500.00	\$450.00
(5)	<u>Interoffice Fixed - per DS3 or DS3 equivalent - KS</u>	<u>Zone 2</u>			
			<u>Month to</u>		
	<u>USOC</u>		<u>Month</u>	<u>3 year</u>	<u>5 year</u>
					<u>10 year</u>
	10XHX/10XLX	\$815.00	\$600.00	\$500.00	\$450.00
(6)	<u>Interoffice Fixed - per DS3 or DS3 equivalent - KS</u>	<u>Zone 3</u>			
			<u>Month to</u>		
	<u>USOC</u>		<u>Month</u>	<u>3 year</u>	<u>5 year</u>
					<u>10 year</u>
	10XHX/10XLX	\$815.00	\$600.00	\$500.00	\$450.00

(N)

Rates contained in this transmittal are subject to subsequent adjustment, effective retrospectively back to the transmittal's original effective date, in the event the Commission or a court subsequently authorizes SWBT to correct its rates pursuant to the decision in United States Telephone Association v. FCC (Case No. 97-1469)(slip. Op. May 21, 1999)(D.C. Cir.), or pursuant to pending motions, or petitions for reconsideration or waiver (and including, but not limited to, any Application for Review of the letter from Lawrence E. Strickling, Chief, Common Carrier Bureau, FCC, to Dale Robertson, SBC, dated May 18, 1999 which may be filed with the Commission), or in the event of any other adjustment pursuant to an order of the Commission or a court.

(This page filed under Transmittal No. 2827)

Issued: May 15, 2000

Effective: May 30, 2000

Four AT&T Plaza, Dallas, Texas 75202

ACCESS SERVICE

20. MegaLink Custom Services (Cont'd)20.13 Billing Periods - Services Established Between March 2, 2000 and May 29, 2000 (Cont'd) (N)20.13.1 Rates and Charges (Cont'd)(C) Interoffice Mileage - Fixed - Monthly Recurring Rates and Service Extension (Cont'd)(7) Interoffice Fixed - per DS3 or DS3 equivalent - MO - Zone 1

<u>USOC</u>	<u>Month to Month</u>	<u>3 year</u>	<u>5 year</u>	<u>10 year</u>
10XHX/10XLX	\$815.00	\$600.00	\$500.00	\$450.00

(8) Interoffice Fixed - per DS3 or DS3 equivalent - MO - Zone 2

<u>USOC</u>	<u>Month to Month</u>	<u>3 year</u>	<u>5 year</u>	<u>10 year</u>
10XHX/10XLX	\$717.20	\$600.00	\$500.00	\$450.00

(9) Interoffice Fixed - per DS3 or DS3 equivalent - MO - Zone 3

<u>USOC</u>	<u>Month to Month</u>	<u>3 year</u>	<u>5 year</u>	<u>10 year</u>
10XHX/10XLX	\$815.00	\$600.00	\$500.00	\$450.00

(10) Interoffice Fixed - per DS3 or DS3 equivalent - OK - Zone 1

<u>USOC</u>	<u>Month to Month</u>	<u>3 year</u>	<u>5 year</u>	<u>10 year</u>
10XHX/10XLX	\$815.00	\$600.00	\$500.00	\$450.00

(11) Interoffice Fixed - per DS3 or DS3 equivalent - OK - Zone 2

<u>USOC</u>	<u>Month to Month</u>	<u>3 year</u>	<u>5 year</u>	<u>10 year</u>
10XHX/10XLX	\$717.20	\$600.00	\$500.00	\$450.00

(12) Interoffice Fixed - per DS3 or DS3 equivalent - OK - Zone 3

<u>USOC</u>	<u>Month to Month</u>	<u>3 year</u>	<u>5 year</u>	<u>10 year</u>
10XHX/10XLX	\$815.00	\$600.00	\$500.00	\$450.00

Rates contained in this transmittal are subject to subsequent adjustment, effective retrospectively back to the transmittal's original effective date, in the event the Commission or a court subsequently authorizes SWBT to correct its rates pursuant to the decision in United States Telephone Association v. FCC (Case No. 97-1469)(slip. Op. May 21, 1999)(D.C. Cir.), or pursuant to pending motions, or petitions for reconsideration or waiver (and including, but not limited to, any Application for Review of the letter from Lawrence E. Strickling, Chief, Common Carrier Bureau, FCC, to Dale Robertson, SBC, dated May 18, 1999 which may be filed with the Commission), or in the event of any other adjustment pursuant to an order of the Commission or a court.

(This page filed under Transmittal No. 2827)

Issued: May 15, 2000

Effective: May 30, 2000

Four AT&T Plaza, Dallas, Texas 75202

ACCESS SERVICE

20. MegaLink Custom Services (Cont'd)20.13 Billing Periods - Services Established Between March 2, 2000 and May 29, 2000 (Cont'd) (N)20.13.1 Rates and Charges (Cont'd)(C) Interoffice Mileage - Fixed - Monthly Recurring Rates and Service Extension (Cont'd)(13) Interoffice Fixed - per DS3 or DS3 equivalent - TX - Zone 1

<u>USOC</u>	<u>Month to Month</u>	<u>3 year</u>	<u>5 year</u>	<u>10 year</u>
10XHX/10XLX	\$815.00	\$600.00	\$500.00	\$450.00

(14) Interoffice Fixed - per DS3 or DS3 equivalent - TX - Zone 2

<u>USOC</u>	<u>Month to Month</u>	<u>3 year</u>	<u>5 year</u>	<u>10 year</u>
10XHX/10XLX	\$815.00	\$600.00	\$500.00	\$450.00

(15) Interoffice Fixed - per DS3 or DS3 equivalent - TX - Zone 3

<u>USOC</u>	<u>Month to Month</u>	<u>3 year</u>	<u>5 year</u>	<u>10 year</u>
10XHX/10XLX	\$815.00	\$600.00	\$500.00	\$450.00

(N)

Rates contained in this transmittal are subject to subsequent adjustment, effective retrospectively back to the transmittal's original effective date, in the event the Commission or a court subsequently authorizes SWBT to correct its rates pursuant to the decision in United States Telephone Association v. FCC (Case No. 97-1469)(slip. op. May 21, 1999)(D.C. Cir.), or pursuant to pending motions, or petitions for reconsideration or waiver (and including, but not limited to, any Application for Review of the letter from Lawrence E. Strickling, Chief, Common Carrier Bureau, FCC, to Dale Robertson, SBC, dated May 18, 1999 which may be filed with the Commission), or in the event of any other adjustment pursuant to an order of the Commission or a court.

(This page filed under Transmittal No. 2827)

Issued: May 15, 2000

Effective: May 30, 2000

Four AT&T Plaza, Dallas, Texas 75202

ACCESS SERVICE

20. MegaLink Custom Services (Cont'd)20.13 Billing Periods - Service Established Between March 2, 200 and May 29, 2000 (Cont'd)

(N)

20.13.1 Rates and Charges (Cont'd)(C) Interoffice Mileage - Fixed - Monthly Recurring Rates (Cont'd)(16) Temp-DS3 - Interoffice Fixed - per Temp DS3 - AR - Zone 1

<u>USOC</u>	<u>Monthly</u>
10XGX	\$815.00

(17) Temp-DS3 - Interoffice Fixed - per Temp DS3 - AR - Zone 2

<u>USOC</u>	<u>Monthly</u>
10XGX	\$815.00

(18) Temp-DS3 - Interoffice Fixed - per Temp DS3 - AR - Zone 3

<u>USOC</u>	<u>Monthly</u>
10XGX	\$815.00

(19) Temp-DS3 - Interoffice Fixed - per Temp DS3 - KS - Zone 1

<u>USOC</u>	<u>Monthly</u>
10XGX	\$815.00

(20) Temp-DS3 - Interoffice Fixed - per Temp DS3 - KS - Zone 2

<u>USOC</u>	<u>Monthly</u>
10XGX	\$815.00

(21) Temp-DS3 - Interoffice Fixed - per Temp DS3 - KS - Zone 3

<u>USOC</u>	<u>Monthly</u>
10XGX	\$815.00

Rates contained in this transmittal are subject to subsequent adjustment, effective retrospectively back to the transmittal's original effective date, in the even the Commission or a court subsequently authorizes SWBT to correct its rates pursuant to the decision in United States Telephone Association v. FCC (Case No. 97-1469) (slip. op. May 21, 1999) (D.C. Cir.), or pursuant to pending motions, or petitions for reconsideration or waiver (and including, but not limited to, any Application for Review of the letter from Lawrence E. Strickling Chief, Common Carrier Bureau, FCC, to Dale Robertson, SBC, dated May 18, 1999 which may be filed with the Commission), or in the even of any other adjustment pursuant to an order of the Commission or a court.

(N)

(This page filed under Transmittal No. 2827)

Issued: May 15, 2000

Effective: May 30, 2000

Four AT&T Plaza, Dallas, Texas 75202

ACCESS SERVICE

20. MegaLink Custom Services (Cont'd)20.13 Billing Periods - Service Established Between March 2, 2000 and May 29, 2000 (Cont'd) (N)20.13.1 Rates and Charges (Cont'd)(C) Interoffice Mileage - Fixed - Monthly Recurring Rates
(Cont'd)(22) Temp-DS3 - Interoffice Fixed - per Temp DS3 - MO - Zone 1

<u>USOC</u>	<u>Monthly</u>
10XGX	\$815.00

(23) Temp-DS3 - Interoffice Fixed - per Temp DS3 - MO - Zone 2

<u>USOC</u>	<u>Monthly</u>
10XGX	\$815.00

(24) Temp-DS3 - Interoffice Fixed - per Temp DS3 - MO - Zone 3

<u>USOC</u>	<u>Monthly</u>
10XGX	\$815.00

(25) Temp-DS3 - Interoffice Fixed - per Temp DS3 - OK - Zone 1

<u>USOC</u>	<u>Monthly</u>
10XGX	\$815.00

(26) Temp-DS3 - Interoffice Fixed - per Temp DS3 - OK - Zone 2

<u>USOC</u>	<u>Monthly</u>
10XGX	\$815.00

(27) Temp-DS3 - Interoffice Fixed - per Temp DS3 - OK - Zone 3

<u>USOC</u>	<u>Monthly</u>
10XGX	\$815.00

Rates contained in this transmittal are subject to subsequent adjustment, effective retrospectively back to the transmittal's original effective date, in the even the Commission or a court subsequently authorizes SWBT to correct its rates pursuant to the decision in United States Telephone Association v. FCC (Case No. 97-1469)(slip. op. May 21, 1999)(D.C. Cir.), or pursuant to pending motions, or petitions for reconsideration or waiver (and including, but not limited to, any Application for Review of the letter from Lawrence E. Strickling Chief, Common Carrier Bureau, FCC, to Dale Robertson, SBC, dated May 18, 1999 which may be filed with the Commission), or in the even of any other adjustment pursuant to an order of the Commission or a court.

(This page filed under Transmittal No. 2827)

Issued: May 15, 2000

Effective: May 30, 2000

Four AT&T Plaza, Dallas, Texas 75202

ACCESS SERVICE

20. MegaLink Custom Services (Cont'd)20.13 Billing Periods - Service Established Between March 2, 2000 and May 29, 2000 (Cont'd) (N)20.13.1 Rates and Charges (Cont'd)(C) Interoffice Mileage - Fixed - Monthly Recurring Rates (Cont'd)(28) Temp-DS3 - Interoffice Fixed - per Temp DS3 - TX - Zone 1

<u>USOC</u>	<u>Monthly</u>
10XGX	\$815.00

(29) Temp-DS3 - Interoffice Fixed - per Temp DS3 - TX - Zone 2

<u>USOC</u>	<u>Monthly</u>
10XGX	\$815.00

(30) Temp-DS3 - Interoffice Fixed - per Temp DS3 - TX - Zone 3

<u>USOC</u>	<u>Monthly</u>
10XGX	\$815.00

Rates contained in this transmittal are subject to subsequent adjustment, effective retrospectively back to the transmittal's original effective date, in the event the Commission or a court subsequently authorizes SWBT to correct its rates pursuant to the decision in United States Telephone Association v. FCC (Case No. 97-1469)(slip. op. May 21, 1999)(D.C. Cir.), or pursuant to pending motions, or petitions for reconsideration or waiver (and including, but not limited to, any Application for Review of the letter from Lawrence. E. Strickling, Chief, Common Carrier Bureau, FCC, to Dale Robertson, SBC, dated May 18, 1999 which may be filed with the Commission), or in the event of any other adjustment pursuant to an order of the Commission or a court.

(This page filed under Transmittal No. 2827)

Issued: May 15, 2000

Effective: May 30, 2000

Four AT&T Plaza, Dallas, Texas 75202

ACCESS SERVICE

20. MegaLink Custom Services (Cont'd)

(N)

20.13 Billing Periods - Service Established Between March 2, 2000 and May 29, 2000 (Cont'd)20.13.1 Rates and Charges (Cont'd)(D) Interoffice Mileage - Per Mile - Monthly Recurring Rates and Service Extension(1) Per Mile - per Volume Option, per Mile - AR - Zone 1

<u>Volume Option*</u>	<u>USOC</u>	<u>Month to Month</u>	<u>3 year</u>	<u>5 year</u>	<u>10 year</u>
1	1J5HS/1HXLs	\$100.00	\$ 75.00	\$ 50.00	\$ 45.00
3	1J5HS/1HXLs	\$165.00	\$119.00	\$106.00	\$ 99.00
6	1J5HS/1HXLs	\$236.00	\$171.00	\$151.00	\$142.00
12	1J5HS/1HXLs	\$330.00	\$239.00	\$211.00	\$198.00

(2) Per Mile - per Volume Option, per Mile - AR - Zone 2

<u>Volume Option*</u>	<u>USOC</u>	<u>Month to Month</u>	<u>3 year</u>	<u>5 year</u>	<u>10 year</u>
1	1J5HS/1HXLs	\$100.00	\$ 75.00	\$ 50.00	\$ 45.00
3	1J5HS/1HXLs	\$165.00	\$119.00	\$106.00	\$ 99.00
6	1J5HS/1HXLs	\$236.00	\$171.00	\$151.00	\$142.00
12	1J5HS/1HXLs	\$330.00	\$239.00	\$211.00	\$198.00

(3) Per Mile - per Volume Option, per Mile - AR - Zone 3

<u>Volume Option*</u>	<u>USOC</u>	<u>Month to Month</u>	<u>3 year</u>	<u>5 year</u>	<u>10 year</u>
1	1J5HS/1HXLs	\$100.00	\$ 75.00	\$ 50.00	\$ 45.00
3	1J5HS/1HXLs	\$165.00	\$119.00	\$106.00	\$ 99.00
6	1J5HS/1HXLs	\$236.00	\$171.00	\$151.00	\$142.00
12	1J5HS/1HXLs	\$330.00	\$239.00	\$211.00	\$198.00

Rates contained in this transmittal are subject to subsequent adjustment, effective retrospectively back to the transmittal's original effective date, in the event the Commission or a court subsequently authorizes SWBT to correct its rates pursuant to the decision in United States Telephone Association v. FCC (Case No. 97-1469)(slip. op. May 21, 1999)(D.C. Cir.), or pursuant to pending motions, or petitions for reconsideration or waiver (and including, but not limited to, any Application for Review of the letter from Lawrence E. Strickling, Chief, Common Carrier Bureau, FCC, to Dale Robertson, SBC, dated May 18, 1999 which may be filed with the Commission), or in the event of any other adjustment pursuant to an order of the Commission or a court.

* Volume Option specifies the number of DS3s or DS3 equivalents.

(This page filed under Transmittal No. 2827)

Issued: May 15, 2000

Effective: May 30, 2000

Four AT&T Plaza, Dallas, Texas 75202

ACCESS SERVICE

20. MegaLink Custom Services (Cont'd)20.13 Billing Periods - Service Established Between March 2, 2000 and May 29, 2000 (Cont'd) (N)20.13.1 Rates and Charges (Cont'd)(D) Interoffice Mileage - Per Mile - Monthly Recurring Rates and Service Extension (Cont'd)(4) Per Mile - per Volume Option, per Mile - KS - Zone 1

<u>Volume Option*</u>	<u>USOC</u>	<u>Month to Month</u>	<u>3 year</u>	<u>5 year</u>	<u>10 year</u>
1	1J5HS/1HXLs	\$100.00	\$ 75.00	\$ 50.00	\$ 45.00
3	1J5HS/1HXLs	\$165.00	\$119.00	\$106.00	\$ 99.00
6	1J5HS/1HXLs	\$236.00	\$171.00	\$151.00	\$142.00
12	1J5HS/1HXLs	\$330.00	\$239.00	\$211.00	\$198.00

(5) Per Mile - per Volume Option, per Mile - KS - Zone 2

<u>Volume Option*</u>	<u>USOC</u>	<u>Month to Month</u>	<u>3 year</u>	<u>5 year</u>	<u>10 year</u>
1	1J5HS/1HXLs	\$100.00	\$ 75.00	\$ 50.00	\$ 45.00
3	1J5HS/1HXLs	\$165.00	\$119.00	\$106.00	\$ 99.00
6	1J5HS/1HXLs	\$236.00	\$171.00	\$151.00	\$142.00
12	1J5HS/1HXLs	\$330.00	\$239.00	\$211.00	\$198.00

(6) Per Mile - per Volume Option, per Mile - KS - Zone 3

<u>Volume Option*</u>	<u>USOC</u>	<u>Month to Month</u>	<u>3 year</u>	<u>5 year</u>	<u>10 year</u>
1	1J5HS/1HXLs	\$100.00	\$ 75.00	\$ 50.00	\$ 45.00
3	1J5HS/1HXLs	\$165.00	\$119.00	\$106.00	\$ 99.00
6	1J5HS/1HXLs	\$236.00	\$171.00	\$151.00	\$142.00
12	1J5HS/1HXLs	\$330.00	\$239.00	\$211.00	\$198.00

(N)

Rates contained in this transmittal are subject to subsequent adjustment, effective retrospectively back to the transmittal's original effective date, in the event the Commission or a court subsequently authorizes SWBT to correct its rates pursuant to the decision in United States Telephone Association v. FCC (Case No. 97-1469)(slip. op. May 21, 1999)(D.C. Cir.), or pursuant to pending motions, or petitions for reconsideration or waiver (and including, but not limited to, any Application for Review of the letter from Lawrence E. Strickling, Chief, Common Carrier Bureau, FCC, to Dale Robertson, SBC, dated May 18, 1999 which may be filed with the Commission), or in the event of any other adjustment pursuant to an order of the Commission or a court.

* Volume Option specifies the number of DS3s or DS3 equivalents.

(This page filed under Transmittal No. 2827)

Issued: May 15, 2000

Effective: May 30, 2000

Four AT&T Plaza, Dallas, Texas 75202

ACCESS SERVICE

20. MegaLink Custom Services (Cont'd)

(N)

20.13 Billing Periods - Service Established Between March 2, 2000 and May 29, 2000 (Cont'd)20.13.1 Rates and Charges (Cont'd)(D) Interoffice Mileage - Per Mile - Monthly Recurring Rates and Service Extension (Cont'd)(7) Per Mile- per Volume Option, per Mile - MO - Zone 1

<u>Volume Option*</u>	<u>USOC</u>	<u>Month to Month</u>	<u>3 year</u>	<u>5 year</u>	<u>10 year</u>
1	1J5HS/1HXLs	\$100.00	\$ 75.00	\$ 50.00	\$ 45.00
3	1J5HS/1HXLs	\$165.00	\$112.00	\$106.00	\$ 99.00
6	1J5HS/1HXLs	\$236.00	\$161.00	\$151.00	\$142.00
12	1J5HS/1HXLs	\$330.00	\$225.00	\$211.00	\$198.00

(8) Per Mile- per Volume Option, per Mile - MO - Zone 2

<u>Volume Option*</u>	<u>USOC</u>	<u>Month to Month</u>	<u>3 year</u>	<u>5 year</u>	<u>10 year</u>
1	1J5HS/1HXLs	\$100.00	\$ 75.00	\$ 50.00	\$ 45.00
3	1J5HS/1HXLs	\$165.00	\$112.00	\$106.00	\$ 99.00
6	1J5HS/1HXLs	\$236.00	\$161.00	\$151.00	\$142.00
12	1J5HS/1HXLs	\$330.00	\$225.00	\$211.00	\$198.00

(9) Per Mile- per Volume Option, per Mile - MO - Zone 3

<u>Volume Option*</u>	<u>USOC</u>	<u>Month to Month</u>	<u>3 year</u>	<u>5 year</u>	<u>10 year</u>
1	1J5HS/1HXLs	\$100.00	\$ 75.00	\$ 50.00	\$ 45.00
3	1J5HS/1HXLs	\$165.00	\$119.00	\$106.00	\$ 99.00
6	1J5HS/1HXLs	\$236.00	\$171.00	\$151.00	\$142.00
12	1J5HS/1HXLs	\$330.00	\$239.00	\$211.00	\$198.00

Rates contained in this transmittal are subject to subsequent adjustment, effective retrospectively back to the transmittal's original effective date, in the event the Commission or a court subsequently authorizes SWBT to correct its rates pursuant to the decision in United States Telephone Association v. FCC (Case No. 97-1469)(slip. op. May 21, 1999)(D.C. Cir.), or pursuant to pending motions, or petitions for reconsideration or waiver (and including, but not limited to, any Application for Review of the letter from Lawrence E. Strickling, Chief, Common Carrier Bureau, FCC, to Dale Robertson, SBC, dated May 18, 1999 which may be filed with the Commission), or in the event of any other adjustment pursuant to an order of the Commission or a court.

* Volume Option specifies the number of DS3s or DS3 equivalents.

(This page filed under Transmittal No. 2827)

Issued: May 15, 2000

Effective: May 30, 2000

Four AT&T Plaza, Dallas, Texas 75202

ACCESS SERVICE

20. MegaLink Custom Services (Cont'd)

(N)

20.13 Billing Periods - Service Established Between March 2, 2000 and May 29, 2000 (Cont'd)20.13.1 Rates and Charges (Cont'd)(D) Interoffice Mileage - Per Mile - Monthly Recurring Rates and Service Extension (Cont'd)(10) Per Mile- per Volume Option, per Mile - OK - Zone 1

<u>Volume Option*</u>	<u>USOC</u>	<u>Month to Month</u>	<u>3 year</u>	<u>5 year</u>	<u>10 year</u>
1	1J5HS/1HXLs	\$100.00	\$ 75.00	\$ 50.00	\$ 45.00
3	1J5HS/1HXLs	\$165.00	\$119.00	\$106.00	\$ 99.00
6	1J5HS/1HXLs	\$236.00	\$171.00	\$151.00	\$142.00
12	1J5HS/1HXLs	\$330.00	\$239.00	\$211.00	\$198.00

(11) Per Mile- per Volume Option, per Mile - OK - Zone 2

<u>Volume Option*</u>	<u>USOC</u>	<u>Month to Month</u>	<u>3 year</u>	<u>5 year</u>	<u>10 year</u>
1	1J5HS/1HXLs	\$100.00	\$ 75.00	\$ 50.00	\$ 45.00
3	1J5HS/1HXLs	\$165.00	\$119.00	\$106.00	\$ 99.00
6	1J5HS/1HXLs	\$236.00	\$171.00	\$151.00	\$142.00
12	1J5HS/1HXLs	\$330.00	\$239.00	\$211.00	\$198.00

(12) Per Mile- per Volume Option, per Mile - OK - Zone 3

<u>Volume Option*</u>	<u>USOC</u>	<u>Month to Month</u>	<u>3 year</u>	<u>5 year</u>	<u>10 year</u>
1	1J5HS/1HXLs	\$100.00	\$ 75.00	\$ 50.00	\$ 45.00
3	1J5HS/1HXLs	\$165.00	\$119.00	\$106.00	\$ 99.00
6	1J5HS/1HXLs	\$236.00	\$171.00	\$151.00	\$142.00
12	1J5HS/1HXLs	\$330.00	\$239.00	\$211.00	\$198.00

(N)

Rates contained in this transmittal are subject to subsequent adjustment, effective retrospectively back to the transmittal's original effective date, in the event the Commission or a court subsequently authorizes SWBT to correct its rates pursuant to the decision in United States Telephone Association v. FCC (Case No. 97-1469)(slip. op. May 21, 1999)(D.C. Cir.), or pursuant to pending motions, or petitions for reconsideration or waiver (and including, but not limited to, any Application for Review of the letter from Lawrence E. Strickling, Chief, Common Carrier Bureau, FCC, to Dale Robertson, SBC, dated May 18, 1999 which may be filed with the Commission), or in the event of any other adjustment pursuant to an order of the Commission or a court.

* Volume Option specifies the number of DS3s or DS3 equivalents.

(This page filed under Transmittal No. 2827)

Issued: May 15, 2000

Effective: May 30, 2000

Four AT&T Plaza, Dallas, Texas 75202

ACCESS SERVICE

20. MegaLink Custom Services (Cont'd)20.13 Billing Periods - Service Established Between March 2, 2000 and May 29, 2000 (Cont'd)

(N)

20.13.1 Rates and Charges (Cont'd)(D) Interoffice Mileage - Per Mile - Monthly Recurring Rates and Service Extension (Cont'd)(13) Per Mile- per Volume Option, per Mile - TX - Zone 1

<u>Volume Option*</u>	<u>USOC</u>	<u>Month to Month</u>	<u>3 year</u>	<u>5 year</u>	<u>10 year</u>
1	1J5HS/1HXLs	\$100.00	\$ 75.00	\$ 50.00	\$ 45.00
3	1J5HS/1HXLs	\$151.80	\$103.04	\$ 97.52	\$ 91.08
6	1J5HS/1HXLs	\$217.12	\$148.12	\$138.92	\$130.64
12	1J5HS/1HXLs	\$303.60	\$207.00	\$194.12	\$182.16

(14) Per Mile- per Volume Option, per Mile - TX - Zone 2

<u>Volume Option*</u>	<u>USOC</u>	<u>Month to Month</u>	<u>3 year</u>	<u>5 year</u>	<u>10 year</u>
1	1J5HS/1HXLs	\$100.00	\$ 75.00	\$ 50.00	\$ 45.00
3	1J5HS/1HXLs	\$132.00	\$ 89.60	\$ 84.80	\$ 79.20
6	1J5HS/1HXLs	\$188.80	\$128.80	\$120.80	\$113.60
12	1J5HS/1HXLs	\$264.00	\$180.00	\$168.80	\$158.40

(15) Per Mile- per Volume Option, per Mile - TX - Zone 3

<u>Volume Option*</u>	<u>USOC</u>	<u>Month to Month</u>	<u>3 year</u>	<u>5 year</u>	<u>10 year</u>
1	1J5HS/1HXLs	\$100.00	\$ 75.00	\$ 50.00	\$ 45.00
3	1J5HS/1HXLs	\$123.75	\$ 89.25	\$ 79.50	\$ 74.25
6	1J5HS/1HXLs	\$177.00	\$128.25	\$113.25	\$106.50
12	1J5HS/1HXLs	\$247.50	\$179.25	\$158.25	\$148.50

(N)

Rates contained in this transmittal are subject to subsequent adjustment, effective retrospectively back to the transmittal's original effective date, in the event the Commission or a court subsequently authorizes SWBT to correct its rates pursuant to the decision in United States Telephone Association v. FCC (Case No. 97-1469)(slip. op. May 21, 1999)(D.C. Cir.), or pursuant to pending motions, or petitions for reconsideration or waiver (and including, but not limited to, any Application for Review of the letter from Lawrence. E. Strickling, Chief, Common Carrier Bureau, FCC, to Dale Robertson, SBC, dated May 18, 1999 which may be filed with the Commission), or in the event of any other adjustment pursuant to an order of the Commission or a court.

* Volume Option specifies the number of DS3s or DS3 equivalents.

(This page filed under Transmittal No. 2827)

Issued: May 15, 2000

Effective: May 30, 2000

Four AT&T Plaza, Dallas, Texas 75202

ACCESS SERVICE

20. MegaLink Custom Services (Cont'd)

(N)

20.13 Billing Periods - Service Established Between March 2, 2000 and May 29, 2000 (Cont'd)20.13.1 Rates and Charges (Cont'd)(D) Interoffice Mileage - Per Mile - Monthly Recurring Rates (Cont'd)

(16)	<u>Temp-DS3 - Per Mile - per Temp-DS3, per mile - AR - Zone 1</u>		
	<u>Volume</u>		
	<u>Option*</u>	<u>USOC</u>	<u>Monthly</u>
	1	1A8GS	\$118.00
(17)	<u>Temp-DS3 - Per Mile - per Temp-DS3, per mile - AR - Zone 2</u>		
	<u>Volume</u>		
	<u>Option*</u>	<u>USOC</u>	<u>Monthly</u>
	1	1A8GS	\$118.00
(18)	<u>Temp-DS3 - Per Mile - per Temp-DS3, per mile - AR - Zone 3</u>		
	<u>Volume</u>		
	<u>Option*</u>	<u>USOC</u>	<u>Monthly</u>
	1	1A8GS	\$118.00
(19)	<u>Temp-DS3 - Per Mile - per Temp-DS3, per mile - KS - Zone 1</u>		
	<u>Volume</u>		
	<u>Option*</u>	<u>USOC</u>	<u>Monthly</u>
	1	1A8GS	\$118.00
(20)	<u>Temp-DS3 - Per Mile - per Temp-DS3, per mile - KS - Zone 2</u>		
	<u>Volume</u>		
	<u>Option*</u>	<u>USOC</u>	<u>Monthly</u>
	1	1A8GS	\$118.00
(21)	<u>Temp-DS3 - Per Mile - per Temp-DS3, per mile - KS - Zone 3</u>		
	<u>Volume</u>		
	<u>Option*</u>	<u>USOC</u>	<u>Monthly</u>
	1	1A8GS	\$118.00

(N)

Rates contained in this transmittal are subject to subsequent adjustment, effective retrospectively back to the transmittal's original effective date, in the event the Commission or a court subsequently authorizes SWBT to correct its rates pursuant to the decision in United States Telephone Association v. FCC (Case No. 97-1469)(slip. op. May 21, 1999)(D.C. Cir.), or pursuant to pending motions, or petitions for reconsideration or waiver (and including, but not limited to, any Application for Review of the letter from Lawrence. E. Strickling, Chief, Common Carrier Bureau, FCC, to Dale Robertson, SBC, dated May 18, 1999 which may be filed with the Commission), or in the event of any other adjustment pursuant to an order of the Commission or a court.

* Volume Option specifies the number of DS3s or DS3 equivalents.

(This page filed under Transmittal No. 2827)

Issued: May 15, 2000

Effective: May 30, 2000

Four AT&T Plaza, Dallas, Texas 75202

ACCESS SERVICE

20. MegaLink Custom Services (Cont'd)20.13 Billing Periods - Service Established Between March 2, 2000 and May 29, 2000 (Cont'd)

(N)

20.13.1 Rates and Charges (Cont'd)(D) Interoffice Mileage - Per Mile - Monthly Recurring Rates (Cont'd)

(22)	<u>Temp-DS3 - Per Mile - per Temp-DS3, per mile - MO - Zone 1</u> <u>Volume</u> <u>Option*</u>	<u>USOC</u>	<u>Monthly</u>
	1	1A8GS	\$118.00
(23)	<u>Temp-DS3 - Per Mile - per Temp-DS3, per mile - MO - Zone 2</u> <u>Volume</u> <u>Option*</u>	<u>USOC</u>	<u>Monthly</u>
	1	1A8GS	\$118.00
(24)	<u>Temp-DS3 - Per Mile - per Temp-DS3, per mile - MO - Zone 3</u> <u>Volume</u> <u>Option*</u>	<u>USOC</u>	<u>Monthly</u>
	1	1A8GS	\$118.00
(25)	<u>Temp-DS3 - Per Mile - per Temp-DS3, per mile - OK - Zone 1</u> <u>Volume</u> <u>Option*</u>	<u>USOC</u>	<u>Monthly</u>
	1	1A8GS	\$118.00
(26)	<u>Temp-DS3 - Per Mile - per Temp-DS3, per mile - OK - Zone 2</u> <u>Volume</u> <u>Option*</u>	<u>USOC</u>	<u>Monthly</u>
	1	1A8GS	\$118.00
(27)	<u>Temp-DS3 - Per Mile - per Temp-DS3, per mile - OK - Zone 3</u> <u>Volume</u> <u>Option*</u>	<u>USOC</u>	<u>Monthly</u>
	1	1A8GS	\$118.00

Rates contained in this transmittal are subject to subsequent adjustment, effective retrospectively back to the transmittal's original effective date, in the event the Commission or a court subsequently authorizes SWBT to correct its rates pursuant to the decision in United States Telephone Association v. FCC (Case No. 97-1469)(slip. op. May 21, 1999)(D.C. Cir.), or pursuant to pending motions, or petitions for reconsideration or waiver (and including, but not limited to, any Application for Review of the letter from Lawrence. E. Strickling, Chief, Common Carrier Bureau, FCC, to Dale Robertson, SBC, dated May 18, 1999 which may be filed with the Commission), or in the event of any other adjustment pursuant to an order of the Commission or a court.

* Volume Option specifies the number of DS3s or DS3 equivalents.

(This page filed under Transmittal No. 2827)

Issued: May 15, 2000

Effective: May 30, 2000

Four AT&T Plaza, Dallas, Texas 75202

ACCESS SERVICE

20. MegaLink Custom Services (Cont'd)20.13 Billing Periods - Service Established Between March 2, 2000 and May 29, 2000 (Cont'd) (N)20.13.1 Rates and Charges (Cont'd)(D) Interoffice Mileage - Per Mile - Monthly Recurring Rates (Cont'd)(28) Temp-DS3 - Per Mile - per Temp-DS3, per mile - TX - Zone 1

<u>Volume Option*</u>	<u>USOC</u>	<u>Monthly</u>
1	1A8GS	\$118.00

Zone 2 (29) Temp-DS3 - Per Mile - per Temp-DS3, per mile - TX -

<u>Volume Option*</u>	<u>USOC</u>	<u>Monthly</u>
1	1A8GS	\$118.00

Zone 3 (30) Temp-DS3 - Per Mile - per Temp-DS3, per mile - TX -

<u>Volume Option*</u>	<u>USOC</u>	<u>Monthly</u>
1	1A8GS	\$118.00

(N)

Rates contained in this transmittal are subject to subsequent adjustment, effective retrospectively back to the transmittal's original effective date, in the event the Commission or a court subsequently authorizes SWBT to correct its rates pursuant to the decision in United States Telephone Association v. FCC (Case No. 97-1469)(slip. op. May 21, 1999)(D.C. Cir.), or pursuant to pending motions, or petitions for reconsideration or waiver (and including, but not limited to, any Application for Review of the letter from Lawrence. E. Strickling, Chief, Common Carrier Bureau, FCC, to Dale Robertson, SBC, dated May 18, 1999 which may be filed with the Commission), or in the event of any other adjustment pursuant to an order of the Commission or a court.

* Volume Option specifies the number of DS3s or DS3 equivalents.

(This page filed under Transmittal No. 2827)

Issued: May 15, 2000

Effective: May 30, 2000

Four AT&T Plaza, Dallas, Texas 75202

ACCESS SERVICE

20. MegaLink Custom Services (Cont'd)20.13 Billing Periods - Service Established Between March 2, 2000 and May 29, 2000 (Cont'd) (N)20.13.1 Rates and Charges (Cont'd)(E) Installation Charge - Per DS3 or DS3 Equivalent, per customer designated premises on the same Access Order(1) Installation Charge - AR - Zone 1

	USOC	Month to Month	3 year	5 year	10 year
First	NRBSE	\$605.00	\$303.00	\$ 0.00	\$ 0.00
Additional	NRBSE	\$496.00	\$248.00	\$ 0.00	\$ 0.00

(2) Installation Charge - AR - Zone 2

	USOC	Month to Month	3 year	5 year	10 year
First	NRBSE	\$605.00	\$303.00	\$ 0.00	\$ 0.00
Additional	NRBSE	\$496.00	\$248.00	\$ 0.00	\$ 0.00

(3) Installation Charge - AR - Zone 3

	USOC	Month to Month	3 year	5 year	10 year
First	NRBSE	\$605.00	\$303.00	\$ 0.00	\$ 0.00
Additional	NRBSE	\$496.00	\$248.00	\$ 0.00	\$ 0.00

(N)

Rates contained in this transmittal are subject to subsequent adjustment, effective retrospectively back to the transmittal's original effective date, in the event the Commission or a court subsequently authorizes SWBT to correct its rates pursuant to the decision in United States Telephone Association v. FCC (Case No. 97-1469) (slip. op. May 21, 1999) (D.C. Cir.), or pursuant to pending motions, or petitions for reconsideration or waiver (and including, but not limited to, any Application for Review of the letter from Lawrence. E. Strickling, Chief, Common Carrier Bureau, FCC, to Dale Robertson, SBC, dated May 18, 1999 which may be filed with the Commission), or in the

(This page filed under Transmittal No. 2827)

Issued: May 15, 2000

Effective: May 30, 2000

Four AT&T Plaza, Dallas, Texas 75202

ACCESS SERVICE

20. MegaLink Custom Services (Cont'd)

(N)

20.13 Billing Periods - Service Established Between March 2, 2000 and May 29, 2000 (Cont'd)20.13.1 Rates and Charges (Cont'd)(E) Installation Charge - Per DS3 or DS3 Equivalent, per customer designated premises on the same Access Order
(Cont'd)(4) Installation Charge - KS - Zone 1

	<u>USOC</u>	<u>Month to</u> <u>Month</u>	<u>3 year</u>	<u>5 year</u>	<u>10 year</u>
First	NRBSE	\$605.00	\$303.00	\$ 0.00	\$ 0.00
Additional	NRBSE	\$496.00	\$248.00	\$ 0.00	\$ 0.00

(5) Installation Charge - KS - Zone 2

	<u>USOC</u>	<u>Month to</u> <u>Month</u>	<u>3 year</u>	<u>5 year</u>	<u>10 year</u>
First	NRBSE	\$605.00	\$303.00	\$ 0.00	\$ 0.00
Additional	NRBSE	\$496.00	\$248.00	\$ 0.00	\$ 0.00

(6) Installation Charge - KS - Zone 3

	<u>USOC</u>	<u>Month to</u> <u>Month</u>	<u>3 year</u>	<u>5 year</u>	<u>10 year</u>
First	NRBSE	\$605.00	\$303.00	\$ 0.00	\$ 0.00
Additional	NRBSE	\$496.00	\$248.00	\$ 0.00	\$ 0.00

(7) Installation Charge - MO - Zone 1

	<u>USOC</u>	<u>Month to</u> <u>Month</u>	<u>3 year</u>	<u>5 year</u>	<u>10 year</u>
First	NRBSE	\$605.00	\$303.00	\$ 0.00	\$ 0.00
Additional	NRBSE	\$496.00	\$248.00	\$ 0.00	\$ 0.00

(8) Installation Charge - MO - Zone 2

	<u>USOC</u>	<u>Month to</u> <u>Month</u>	<u>3 year</u>	<u>5 year</u>	<u>10 year</u>
First	NRBSE	\$605.00	\$303.00	\$ 0.00	\$ 0.00
Additional	NRBSE	\$496.00	\$248.00	\$ 0.00	\$ 0.00

(9) Installation Charge - MO - Zone 3

	<u>USOC</u>	<u>Month to</u> <u>Month</u>	<u>3 year</u>	<u>5 year</u>	<u>10 year</u>
First	NRBSE	\$605.00	\$303.00	\$ 0.00	\$ 0.00
Additional	NRBSE	\$496.00	\$248.00	\$ 0.00	\$ 0.00

Rates contained in this transmittal are subject to subsequent adjustment, effective retrospectively back to the transmittal's original effective date, in the event the Commission or a court subsequently authorizes SWBT to correct its rates pursuant to the decision in United States Telephone Association v. FCC (Case No. 97-1469)(slip. op. May 21, 1999)(D.C. Cir.), or pursuant to pending motions, or petitions for reconsideration or waiver (and including, but not limited to, any Application for Review of the letter from Lawrence. E. Strickling, Chief, Common Carrier Bureau, FCC, to Dale Robertson, SBC, dated May 18, 1999 which may be filed with the Commission), or in the event of any other adjustment pursuant to an order of the Commission or a court.

(This page filed under Transmittal No. 2827)

Issued: May 15, 2000

Effective: May 30, 2000

Four AT&T Plaza, Dallas, Texas 75202

ACCESS SERVICE

20. MegaLink Custom Services (Cont'd)20.13 Billing Periods - Service Established Between March 2, 2000 and May 29, 2000 (Cont'd) (N)20.13.1 Rates and Charges (Cont'd)(E) Installation Charge - Per DS3 or DS3 Equivalent, per customer designated premises on the same Access Order
(Cont'd)(10) Installation Charge - OK - Zone 1

	<u>USOC</u>	<u>Month to</u> <u>Month</u>	<u>3 year</u>	<u>5 year</u>	<u>10 year</u>
First	NRBSE	\$605.00	\$303.00	\$ 0.00	\$ 0.00
Additional	NRBSE	\$496.00	\$248.00	\$ 0.00	\$ 0.00

(11) Installation Charge - OK - Zone 2

	<u>USOC</u>	<u>Month to</u> <u>Month</u>	<u>3 year</u>	<u>5 year</u>	<u>10 year</u>
First	NRBSE	\$605.00	\$303.00	\$ 0.00	\$ 0.00
Additional	NRBSE	\$496.00	\$248.00	\$ 0.00	\$ 0.00

(12) Installation Charge - OK - Zone 3

	<u>USOC</u>	<u>Month to</u> <u>Month</u>	<u>3 year</u>	<u>5 year</u>	<u>10 year</u>
First	NRBSE	\$605.00	\$303.00	\$ 0.00	\$ 0.00
Additional	NRBSE	\$496.00	\$248.00	\$ 0.00	\$ 0.00

(N)

Rates contained in this transmittal are subject to subsequent adjustment, effective retrospectively back to the transmittal's original effective date, in the event the Commission or a court subsequently authorizes SWBT to correct its rates pursuant to the decision in United States Telephone Association v. FCC (Case No. 97-1469)(slip. op. May 21, 1999)(D.C. Cir.), or pursuant to pending motions, or petitions for reconsideration or waiver (and including, but not limited to, any Application for Review of the letter from Lawrence. E. Strickling, Chief, Common Carrier Bureau, FCC, to Dale Robertson, SBC, dated May 18, 1999 which may be filed with the Commission), or in the event of any other adjustment pursuant to an order of the Commission or a court.

(This page filed under Transmittal No. 2827)

Issued: May 15, 2000

Effective: May 30, 2000

Four AT&T Plaza, Dallas, Texas 75202

ACCESS SERVICE

20. MegaLink Custom Services (Cont'd)20.13 Billing Periods - Service Established Between March 2, 2000 and May 29, 2000 (Cont'd) (N)20.13.1 Rates and Charges (Cont'd)(E) Installation Charge - Per DS3 or DS3 Equivalent, per customer designated premises on the same Access Order
(Cont'd)(13) Installation Charge - TX - Zone 1

	<u>USOC</u>	<u>Month to</u> <u>Month</u>	<u>3 year</u>	<u>5 year</u>	<u>10 year</u>
First	NRBSE	\$605.00	\$303.00	\$ 0.00	\$ 0.00
Additional	NRBSE	\$496.00	\$248.00	\$ 0.00	\$ 0.00

(14) Installation Charge - TX - Zone 2

	<u>USOC</u>	<u>Month to</u> <u>Month</u>	<u>3 year</u>	<u>5 year</u>	<u>10 year</u>
First	NRBSE	\$605.00	\$303.00	\$ 0.00	\$ 0.00
Additional	NRBSE	\$496.00	\$248.00	\$ 0.00	\$ 0.00

(15) Installation Charge - TX - Zone 3

	<u>USOC</u>	<u>Month to</u> <u>Month</u>	<u>3 year</u>	<u>5 year</u>	<u>10 year</u>
First	NRBSE	\$605.00	\$303.00	\$ 0.00	\$ 0.00
Additional	NRBSE	\$496.00	\$248.00	\$ 0.00	\$ 0.00

(16) Connecting Facility Assignment Credits - Nonzoned
(Per DS1 Equivalents)

<u>USOC</u>	<u>Credit Per Month</u>
XXXX	\$76.00

Rates contained in this transmittal are subject to subsequent adjustment, effective retrospectively back to the transmittal's original effective date, in the event the Commission or a court subsequently authorizes SWBT to correct its rates pursuant to the decision in United States Telephone Association v. FCC (Case No. 97-1469)(slip. op. May 21, 1999)(D.C. Cir.), or pursuant to pending motions, or petitions for reconsideration or waiver (and including, but not limited to, any Application for Review of the letter from Lawrence. E. Strickling, Chief, Common Carrier Bureau, FCC, to Dale Robertson, SBC, dated May 18, 1999 which may be filed with the Commission), or in the event of any other adjustment pursuant to an order of the Commission or a court.

(This page filed under Transmittal No. 2827)

Issued: May 15, 2000

Effective: May 30, 2000

Four AT&T Plaza, Dallas, Texas 75202

ACCESS SERVICE

20. MegaLink Custom Services (Cont'd)20.13 Billing Periods - Service Established Between March 2, 2000 and May 29, 2000 (Cont'd) (N)20.13.1 Rates and Charges (Cont'd)

(F)	<u>Service to Service Through Connect Arrangement Per DS3 or DS3 equivalent</u>	
(1)	<u>Service to Service Through Connect Arrangement - AR - Zone 1</u>	
	<u>USOC</u>	<u>Installation Charge</u>
	THA	\$157.00
(2)	<u>Service to Service Through Connect Arrangement - AR - Zone 2</u>	
	<u>USOC</u>	<u>Installation Charge</u>
	THA	\$157.00
(3)	<u>Service to Service Through Connect Arrangement - AR - Zone 3</u>	
	<u>USOC</u>	<u>Installation Charge</u>
	THA	\$157.00
(4)	<u>Service to Service Through Connect Arrangement - KS - Zone 1</u>	
	<u>USOC</u>	<u>Installation Charge</u>
	THA	\$157.00
(5)	<u>Service to Service Through Connect Arrangement - KS - Zone 2</u>	
	<u>USOC</u>	<u>Installation Charge</u>
	THA	\$157.00
(6)	<u>Service to Service Through Connect Arrangement - KS - Zone 3</u>	
	<u>USOC</u>	<u>Installation Charge</u>
	THA	\$157.00

Rates contained in this transmittal are subject to subsequent adjustment, effective retrospectively back to the transmittal's original effective date, in the event the Commission or a court subsequently authorizes SWBT to correct its rates pursuant to the decision in United States Telephone Association v. FCC (Case No. 97-1469)(slip. op. May 21, 1999)(D.C. Cir.), or pursuant to pending motions, or petitions for reconsideration or waiver (and including, but not limited to, any Application for Review of the letter from Lawrence E. Strickling, Chief, Common Carrier Bureau, FCC, to Dale Robertson, SBC, dated May 18, 1999 which may be filed with the Commission), or in the event of any other adjustment pursuant to an order of the Commission or a court.

(This page filed under Transmittal No. 2827)

Issued: May 15, 2000

Effective: May 30, 2000

Four AT&T Plaza, Dallas, Texas 75202

ACCESS SERVICE

20. MegaLink Custom Services (Cont'd)

(N)

20.13 Billing Periods - Service Established Between March 2, 2000 and May 29, 2000 (Cont'd)20.13.1 Rates and Charges (Cont'd)(F) Service to Service Through Connect Arrangement Per DS3 or DS3 equivalent (Cont'd)(7) Service to Service Through Connect Arrangement - MO - Zone 1

<u>USOC</u>	<u>Installation Charge</u>
THA	\$157.00

(8) Service to Service Through Connect Arrangement - MO - Zone 2

<u>USOC</u>	<u>Installation Charge</u>
THA	\$157.00

(9) Service to Service Through Connect Arrangement - MO - Zone 3

<u>USOC</u>	<u>Installation Charge</u>
THA	\$157.00

(10) Service to Service Through Connect Arrangement - OK - Zone 1

<u>USOC</u>	<u>Installation Charge</u>
THA	\$157.00

(11) Service to Service Through Connect Arrangement - OK - Zone 2

<u>USOC</u>	<u>Installation Charge</u>
THA	\$157.00

(12) Service to Service Through Connect Arrangement - OK - Zone 3

<u>USOC</u>	<u>Installation Charge</u>
THA	\$157.00

Rates contained in this transmittal are subject to subsequent adjustment, effective retrospectively back to the transmittal's original effective date, in the event the Commission or a court subsequently authorizes SWBT to correct its rates pursuant to the decision in United States Telephone Association v. FCC (Case No. 97-1469)(slip. op. May 21, 1999)(D.C. Cir.), or pursuant to pending motions, or petitions for reconsideration or waiver (and including, but not limited to, any Application for Review of the letter from Lawrence E. Strickling, Chief, Common Carrier Bureau, FCC, to Dale Robertson, SBC, dated May 18, 1999 which may be filed with the Commission), or in the event of any other adjustment pursuant to an order of the Commission or a court.

(This page filed under Transmittal No. 2827)

Issued: May 15, 2000

Effective: May 30, 2000

Four AT&T Plaza, Dallas, Texas 75202

ACCESS SERVICE

20. MegaLink Custom Services (Cont'd)

(N)

20.13 Billing Periods - Service Established Between March 2, 2000 and
May 29, 2000 (Cont'd)20.13.1 Rates and Charges (Cont'd)(F) Service to Service Through Connect Arrangement Per DS3 or
DS3 equivalent (Cont'd)(13) Service to Service Through Connect Arrangement - TX -
Zone 1

<u>USOC</u>	<u>Installation Charge</u>
THA	\$157.00

(14) Service to Service Through Connect Arrangement - TX -
Zone 2

<u>USOC</u>	<u>Installation Charge</u>
THA	\$157.00

(15) Service to Service Through Connect Arrangement - TX -
Zone 3

<u>USOC</u>	<u>Installation Charge</u>
THA	\$157.00

(N)

Rates contained in this transmittal are subject to subsequent adjustment, effective retrospectively back to the transmittal's original effective date, in the event the Commission or a court subsequently authorizes SWBT to correct its rates pursuant to the decision in United States Telephone Association v. FCC (Case No. 97-1469)(slip. op. May 21, 1999)(D.C. Cir.), or pursuant to pending motions, or petitions for reconsideration or waiver (and including, but not limited to, any Application for Review of the letter from Lawrence E. Strickling, Chief, Common Carrier Bureau, FCC, to Dale Robertson, SBC, dated May 18, 1999 which may be filed with the Commission), or in the event of any other adjustment pursuant to an order of the Commission or a court.

(This page filed under Transmittal No. 2827)

Issued: May 15, 2000

Effective: May 30, 2000

Four AT&T Plaza, Dallas, Texas 75202

ACCESS SERVICE

20. MegaLink Custom Services (Cont'd)

20.13 Billing Periods - Service Established Between March 2, 2000 (N)
and
May 29, 2000 (Cont'd)

20.13.1 Rates and Charges (Cont'd)

(G) Optional Features, BSEs and Functions

(1) DS3 to DS1 Multiplexing - Monthly Recurring Rates

(a) DS3 to DS1 Multiplexing - AR - Zone 1 - Monthly Recurring Rates

Per Multiplexer

<u>USOC</u>	<u>Month to Month</u>	<u>3 year</u>	<u>5 year</u>	<u>10 year</u>
MKM	\$815.00	\$600.00	\$500.00	\$450.00

(b) DS3 to DS1 Multiplexing - AR - Zone 2 - Monthly Recurring Rates

Per Multiplexer

<u>USOC</u>	<u>Month to Month</u>	<u>3 year</u>	<u>5 year</u>	<u>10 year</u>
MKM	\$815.00	\$600.00	\$500.00	\$450.00

(c) DS3 to DS1 Multiplexing - AR - Zone 3 - Monthly Recurring Rates

Per Multiplexer

<u>USOC</u>	<u>Month to Month</u>	<u>3 year</u>	<u>5 year</u>	<u>10 year</u>
MKM	\$815.00	\$600.00	\$500.00	\$450.00

Rates contained in this transmittal are subject to subsequent adjustment, effective retrospectively back to the transmittal's original effective date, in the event the Commission or a court subsequently authorizes SWBT to correct its rates pursuant to the decision in United States Telephone Association v. FCC (Case No. 97-1469)(slip. op. May 21, 1999)(D.C. Cir.), or pursuant to pending motions, or petitions for reconsideration or waiver (and including, but not limited to, any Application for Review of the letter from Lawrence E. Strickling, Chief, Common Carrier Bureau, FCC, to Dale Robertson, SBC, dated May 18, 1999 which may be filed with the Commission), or in the event of any other adjustment pursuant to an order of the Commission or a court.

(This page filed under Transmittal No. 2827)

Issued: May 15, 2000

Effective: May 30, 2000

Four AT&T Plaza, Dallas, Texas 75202

ACCESS SERVICE

20. MegaLink Custom Services (Cont'd)

(N)

20.13 Billing Periods - Service Established Between March 2, 2000 and May 29, 2000 (Cont'd)

20.13.1 Rates and Charges (Cont'd)

(G) Optional Features, BSEs and Functions (Cont'd)

(1) DS3 to DS1 Multiplexing - Monthly Recurring Rates (Cont'd)

(d) DS3 to DS1 Multiplexing - KS - Zone 1 - Monthly Recurring Rates

Per Multiplexer

<u>USOC</u>	<u>Month to Month</u>	<u>3 year</u>	<u>5 year</u>	<u>10 year</u>
MKM	\$815.00	\$600.00	\$500.00	\$450.00

(e) DS3 to DS1 Multiplexing - KS - Zone 2 - Monthly Recurring Rates

Per Multiplexer

<u>USOC</u>	<u>Month to Month</u>	<u>3 year</u>	<u>5 year</u>	<u>10 year</u>
MKM	\$815.00	\$600.00	\$500.00	\$450.00

(f) DS3 to DS1 Multiplexing - KS - Zone 3 - Monthly Recurring Rates

Per Multiplexer

<u>USOC</u>	<u>Month to Month</u>	<u>3 year</u>	<u>5 year</u>	<u>10 year</u>
MKM	\$815.00	\$600.00	\$500.00	\$450.00

(N)

Rates contained in this transmittal are subject to subsequent adjustment, effective retrospectively back to the transmittal's original effective date, in the event the Commission or a court subsequently authorizes SWBT to correct its rates pursuant to the decision in United States Telephone Association v. FCC (Case No. 97-1469)(slip. op. May 21, 1999)(D.C. Cir.), or pursuant to pending motions, or petitions for reconsideration or waiver (and including, but not limited to, any Application for Review of the letter from Lawrence E. Strickling, Chief, Common Carrier Bureau, FCC, to Dale Robertson, SBC, dated May 18, 1999 which may be filed with the Commission), or in the event of any other adjustment pursuant to an order of the Commission or a court.

(This page filed under Transmittal No. 2827)

Issued: May 15, 2000

Effective: May 30, 2000

Four AT&T Plaza, Dallas, Texas 75202

ACCESS SERVICE

20. MegaLink Custom Services (Cont'd)

(N)

20.13 Billing Periods - Service Established Between March 2, 2000 and May 29, 2000 (Cont'd)20.13.1 Rates and Charges (Cont'd)(G) Optional Features, BSEs and Functions (Cont'd)(1) DS3 to DS1 Multiplexing - Monthly Recurring Rates
(Cont'd)(g) DS3 to DS1 Multiplexing - MO - Zone 1 - Monthly Recurring Rates

Per Multiplexer

<u>USOC</u>	<u>Month to Month</u>	<u>3 year</u>	<u>5 year</u>	<u>10 year</u>
MKM	\$815.00	\$600.00	\$500.00	\$450.00

(h) DS3 to DS1 Multiplexing - MO - Zone 2 - Monthly Recurring Rates

Per Multiplexer

<u>USOC</u>	<u>Month to Month</u>	<u>3 year</u>	<u>5 year</u>	<u>10 year</u>
MKM	\$815.00	\$600.00	\$500.00	\$450.00

(i) DS3 to DS1 Multiplexing - MO - Zone 3 - Monthly Recurring Rates

Per Multiplexer

<u>USOC</u>	<u>Month to Month</u>	<u>3 year</u>	<u>5 year</u>	<u>10 year</u>
MKM	\$815.00	\$600.00	\$500.00	\$450.00

Rates contained in this transmittal are subject to subsequent adjustment, effective retrospectively back to the transmittal's original effective date, in the event the Commission or a court subsequently authorizes SWBT to correct its rates pursuant to the decision in United States Telephone Association v. FCC (Case No. 97-1469)(slip. op. May 21, 1999)(D.C. Cir.), or pursuant to pending motions, or petitions for reconsideration or waiver (and including, but not limited to, any Application for Review of the letter from Lawrence E. Strickling, Chief, Common Carrier Bureau, FCC, to Dale Robertson, SBC, dated May 18, 1999 which may be filed with the Commission), or in the event of any other adjustment pursuant to an order of the Commission or a court.

(This page filed under Transmittal No. 2827)

Issued: May 15, 2000

Effective: May 30, 2000

Four AT&T Plaza, Dallas, Texas 75202

ACCESS SERVICE

20. MegaLink Custom Services (Cont'd)

(N)

20.13 Billing Periods - Service Established Between March 2, 2000 and May 29, 2000 (Cont'd)20.13.1 Rates and Charges (Cont'd)(G) Optional Features, BSEs and Functions (Cont'd)(1) DS3 to DS1 Multiplexing - Monthly Recurring Rates
(Cont'd)(j) DS3 to DS1 Multiplexing - OK - Zone 1 - Monthly Recurring Rates

Per Multiplexer

<u>USOC</u>	<u>Month to Month</u>	<u>3 year</u>	<u>5 year</u>	<u>10 year</u>
MKM	\$815.00	\$600.00	\$500.00	\$450.00

(k) DS3 to DS1 Multiplexing - OK - Zone 2 - Monthly Recurring Rates

Per Multiplexer

<u>USOC</u>	<u>Month to Month</u>	<u>3 year</u>	<u>5 year</u>	<u>10 year</u>
MKM	\$815.00	\$600.00	\$500.00	\$450.00

(l) DS3 to DS1 Multiplexing - OK - Zone 3 - Monthly Recurring Rates

Per Multiplexer

<u>USOC</u>	<u>Month to Month</u>	<u>3 year</u>	<u>5 year</u>	<u>10 year</u>
MKM	\$815.00	\$600.00	\$500.00	\$450.00

Rates contained in this transmittal are subject to subsequent adjustment, effective retrospectively back to the transmittal's original effective date, in the event the Commission or a court subsequently authorizes SWBT to correct its rates pursuant to the decision in United States Telephone Association v. FCC (Case No. 97-1469)(slip. op. May 21, 1999)(D.C. Cir.), or pursuant to pending motions, or petitions for reconsideration or waiver (and including, but not limited to, any Application for Review of the letter from Lawrence E. Strickling, Chief, Common Carrier Bureau, FCC, to Dale Robertson, SBC, dated May 18, 1999 which may be filed with the Commission), or in the event of any other adjustment pursuant to an order of the Commission or a court.

(This page filed under Transmittal No. 2827)

Issued: May 15, 2000

Effective: May 30, 2000

Four AT&T Plaza, Dallas, Texas 75202

ACCESS SERVICE

20. MegaLink Custom Services (Cont'd)

(N)

20.13 Billing Periods - Service Established Between March 2, 2000 and May 29, 2000 (Cont'd)20.13.1 Rates and Charges (Cont'd)(G) Optional Features, BSEs and Functions (Cont'd)(1) DS3 to DS1 Multiplexing - Monthly Recurring Rates
(Cont'd)(m) DS3 to DS1 Multiplexing - TX - Zone 1 - Monthly Recurring Rates

Per Multiplexer

USOC	Month to			
	Month	3 year	5 year	10 year
MKM	\$749.80	\$600.00	\$500.00	\$450.00

(n) DS3 to DS1 Multiplexing - TX - Zone 2 - Monthly Recurring Rates

Per Multiplexer

USOC	Month to			
	Month	3 year	5 year	10 year
MKM	\$815.00	\$600.00	\$500.00	\$450.00

(o) DS3 to DS1 Multiplexing - TX - Zone 3 - Monthly Recurring Rates

Per Multiplexer

USOC	Month to			
	Month	3 year	5 year	10 year
MKM	\$815.00	\$600.00	\$500.00	\$450.00

Rates contained in this transmittal are subject to subsequent adjustment, effective retrospectively back to the transmittal's original effective date, in the event the Commission or a court subsequently authorizes SWBT to correct its rates pursuant to the decision in *United States Telephone Association v. FCC* (Case No. 97-1469)(slip. op. May 21, 1999)(D.C. Cir.), or pursuant to pending motions, or petitions for reconsideration or waiver (and including, but not limited to, any Application for Review of the letter from Lawrence E. Strickling, Chief, Common Carrier Bureau, FCC, to Dale Robertson, SBC, dated May 18, 1999 which may be filed with the Commission), or in the event of any other adjustment pursuant to an order of the Commission or a court.

(This page filed under Transmittal No. 2827)

Issued: May 15, 2000

Effective: May 30, 2000

Four AT&T Plaza, Dallas, Texas 75202

ACCESS SERVICE

20. MegaLink Custom Services (Cont'd)

(N)

20.13 Billing Periods - Service Established Between March 2, 2000 and May 29, 2000 (Cont'd)

20.13.1 Rates and Charges (Cont'd)

(G) Optional Features, BSEs and Functions (Cont'd)

(2) DS3 to DS1 Multiplexing Installation Charge - Per Multiplexer

(a) Installation Charge - AR - Zone 1

	Month to			
<u>USOC</u>	<u>Month</u>	<u>3 year</u>	<u>5 year</u>	<u>10 year</u>
	\$202.00	\$101.00	\$ 0.00	\$ 0.00

(b) Installation Charge - AR - Zone 2

	Month to			
<u>USOC</u>	<u>Month</u>	<u>3 year</u>	<u>5 year</u>	<u>10 year</u>
	\$202.00	\$101.00	\$ 0.00	\$ 0.00

(c) Installation Charge - AR - Zone 3

	Month to			
<u>USOC</u>	<u>Month</u>	<u>3 year</u>	<u>5 year</u>	<u>10 year</u>
	\$202.00	\$101.00	\$ 0.00	\$ 0.00

(d) Installation Charge - KS - Zone 1

	Month to			
<u>USOC</u>	<u>Month</u>	<u>3 year</u>	<u>5 year</u>	<u>10 year</u>
	\$202.00	\$101.00	\$ 0.00	\$ 0.00

(e) Installation Charge - KS - Zone 2

	Month to			
<u>USOC</u>	<u>Month</u>	<u>3 year</u>	<u>5 year</u>	<u>10 year</u>
	\$202.00	\$101.00	\$ 0.00	\$ 0.00

(f) Installation Charge - KS - Zone 3

	Month to			
<u>USOC</u>	<u>Month</u>	<u>3 year</u>	<u>5 year</u>	<u>10 year</u>
	\$202.00	\$101.00	\$ 0.00	\$ 0.00

Rates contained in this transmittal are subject to subsequent adjustment, effective retrospectively back to the transmittal's original effective date, in the event the Commission or a court subsequently authorizes SWBT to correct its rates pursuant to the decision in United States Telephone Association v. FCC (Case No. 97-1469)(slip. op. May 21, 1999)(D.C. Cir.), or pursuant to pending motions, or petitions for reconsideration or waiver (and including, but not limited to, any Application for Review of the letter from Lawrence E. Strickling, Chief, Common Carrier Bureau, FCC, to Dale Robertson, SBC, dated May 18, 1999 which may be filed with the Commission), or in the event of any other adjustment pursuant to an order of the Commission or a court.

(This page filed under Transmittal No. 2827)

Issued: May 15, 2000

Effective: May 30, 2000

Four AT&T Plaza, Dallas, Texas 75202

ACCESS SERVICE

20. MegaLink Custom Services (Cont'd)

(N)

20.13 Billing Periods - Service Established Between March 2, 2000 and May 29, 2000 (Cont'd)20.13.1 Rates and Charges (Cont'd)(G) Optional Features, BSEs and Functions (Cont'd)(2) DS3 to DS1 Multiplexing Installation Charge - Per Multiplexer (Cont'd)(g) Installation Charge - MO - Zone 1

USOC	Month to			
	Month	3 year	5 year	10 year
	\$202.00	\$101.00	\$ 0.00	\$ 0.00

(h) Installation Charge - MO - Zone 2

USOC	Month to			
	Month	3 year	5 year	10 year
	\$202.00	\$101.00	\$ 0.00	\$ 0.00

(i) Installation Charge - MO - Zone 3

USOC	Month to			
	Month	3 year	5 year	10 year
	\$202.00	\$101.00	\$ 0.00	\$ 0.00

(j) Installation Charge - OK - Zone 1

USOC	Month to			
	Month	3 year	5 year	10 year
	\$202.00	\$101.00	\$ 0.00	\$ 0.00

(k) Installation Charge - OK - Zone 2

USOC	Month to			
	Month	3 year	5 year	10 year
	\$202.00	\$101.00	\$ 0.00	\$ 0.00

(l) Installation Charge - OK - Zone 3

USOC	Month to			
	Month	3 year	5 year	10 year
	\$202.00	\$101.00	\$ 0.00	\$ 0.00

Rates contained in this transmittal are subject to subsequent adjustment, effective retrospectively back to the transmittal's original effective date, in the event the Commission or a court subsequently authorizes SWBT to correct its rates pursuant to the decision in United States Telephone Association v. FCC (Case No. 97-1469)(slip. op. May 21, 1999)(D.C. Cir.), or pursuant to pending motions, or petitions for reconsideration or waiver (and including, but not limited to, any Application for Review of the letter from Lawrence E. Strickling, Chief, Common Carrier Bureau, FCC, to Dale Robertson, SBC, dated May 18, 1999 which may be filed with the Commission), or in the event of any other adjustment pursuant to an order of the Commission or a court.

(This page filed under Transmittal No. 2827)

Issued: May 15, 2000

Effective: May 30, 2000

Four AT&T Plaza, Dallas, Texas 75202

ACCESS SERVICE

20. MegaLink Custom Services (Cont'd)

(N)

20.13 Billing Periods - Service Established Between March 2, 2000 and May 29, 2000 (Cont'd)20.13.1 Rates and Charges (Cont'd)(G) Optional Features, BSEs and Functions (Cont'd)(2) DS3 to DS1 Multiplexing Installation Charge - Per Multiplexer (Cont'd)(m) Installation Charge - TX - Zone 1

USOC	Month to			
	Month	3 year	5 year	10 year
	\$202.00	\$101.00	\$ 0.00	\$ 0.00

(n) Installation Charge - TX - Zone 2

USOC	Month to			
	Month	3 year	5 year	10 year
	\$202.00	\$101.00	\$ 0.00	\$ 0.00

(o) Installation Charge - TX - Zone 3

USOC	Month to			
	Month	3 year	5 year	10 year
	\$202.00	\$101.00	\$ 0.00	\$ 0.00

Rates contained in this transmittal are subject to subsequent adjustment, effective retrospectively back to the transmittal's original effective date, in the event the Commission or a court subsequently authorizes SWBT to correct its rates pursuant to the decision in United States Telephone Association v. FCC (Case No. 97-1469)(slip. op. May 21, 1999)(D.C. Cir.), or pursuant to pending motions, or petitions for reconsideration or waiver (and including, but not limited to, any Application for Review of the letter from Lawrence E. Strickling, Chief, Common Carrier Bureau, FCC, to Dale Robertson, SBC, dated May 18, 1999 which may be filed with the Commission), or in the event of any other adjustment pursuant to an order of the Commission or a court.

(This page filed under Transmittal No. 2827)

Issued: May 15, 2000

Effective: May 30, 2000

Four AT&T Plaza, Dallas, Texas 75202

ACCESS SERVICE

20. MegaLink Custom Services (Cont'd)

(N)

12.13 Billing Periods - Service Established Between March 2, 2000 and May 29, 2000 (Cont'd)20.13.1 Rates and Charges (Cont'd)(G) Optional Features, BSEs and Functions (Cont'd)(3) SecureNet Monthly Recurring Rates(a) Hub Redundancy - AR Zone 1
per premises, per DS3

USOC	Month to	3 year	5 year	10 year
R36AD	\$1,869.00	\$1,751.25	\$1,646.60	\$1,451.45

(b) Hub Redundancy - AR Zone 2
per premises, per DS3

USOC	Month to	3 year	5 year	10 year
R36AD	\$1,869.00	\$1,751.25	\$1,646.60	\$1,451.45

(c) Hub Redundancy - AR Zone 3
per premises, per DS3

USOC	Month to	3 year	5 year	10 year
R36AD	\$1,869.00	\$1,751.25	\$1,646.60	\$1,451.45

(d) Hub Redundancy - KS Zone 1
per premises, per DS3

USOC	Month to	3 year	5 year	10 year
R36AD	\$1,869.00	\$1,751.25	\$1,646.60	\$1,451.45

(e) Hub Redundancy - KS Zone 2
per premises, per DS3

USOC	Month to	3 year	5 year	10 year
R36AD	\$1,869.00	\$1,751.25	\$1,646.60	\$1,451.45

(f) Hub Redundancy - KS Zone 3
per premises, per DS3

USOC	Month to	3 year	5 year	10 year
R36AD	\$1,869.00	\$1,751.25	\$1,646.60	\$1,451.45

Rates contained in this transmittal are subject to subsequent adjustment, effective retrospectively back to the transmittal's original effective date, in the event the Commission or a court subsequently authorizes SWBT to correct its rates pursuant to the decision in United States Telephone Association v. FCC (Case No. 97-1469)(slip. op. May 21, 1999)(D.C. Cir.), or pursuant to pending motions, or petitions for reconsideration or waiver (and including, but not limited to, any Application for Review of the letter from Lawrence E. Strickling, Chief, Common Carrier Bureau, FCC, to Dale Robertson, SBC, dated May 18, 1999 which may be filed with the Commission), or in the event of any other adjustment pursuant to an order of the Commission or a court.

(This page filed under Transmittal No. 2827)

Issued: May 15, 2000

Effective: May 30, 2000

Four AT&T Plaza, Dallas, Texas 75202

ACCESS SERVICE

20. MegaLink Custom Services (Cont'd)

(N)

20.13 Billing Periods - Service Established Between March 2, 2000 and May 29, 2000 (Cont'd)

20.13.1 Rates and Charges (Cont'd)

(G) Optional Features, BSEs and Functions (Cont'd)

(3) SecureNet Monthly Recurring Rates (Cont'd)

(g) Hub Redundancy - MO Zone 1
per premises, per DS3

USOC	Month to Month	3 year	5 year	10 year
R36AD	\$1,869.00	\$1,751.25	\$1,646.60	\$1,451.45

(h) Hub Redundancy - MO Zone 2
per premises, per DS3

USOC	Month to Month	3 year	5 year	10 year
R36AD	\$1,869.00	\$1,751.25	\$1,646.60	\$1,451.45

(i) Hub Redundancy - MO Zone 3
per premises, per DS3

USOC	Month to Month	3 year	5 year	10 year
R36AD	\$1,869.00	\$1,751.25	\$1,646.60	\$1,451.45

(j) Hub Redundancy - OK Zone 1
per premises, per DS3

USOC	Month to Month	3 year	5 year	10 year
R36AD	\$1,869.00	\$1,751.25	\$1,646.60	\$1,451.45

(k) Hub Redundancy - OK Zone 2
per premises, per DS3

USOC	Month to Month	3 year	5 year	10 year
R36AD	\$1,869.00	\$1,751.25	\$1,646.60	\$1,451.45

(l) Hub Redundancy - OK Zone 3
per premises, per DS3

USOC	Month to Month	3 year	5 year	10 year
R36AD	\$1,869.00	\$1,751.25	\$1,646.60	\$1,451.45

Rates contained in this transmittal are subject to subsequent adjustment, effective retrospectively back to the transmittal's original effective date, in the event the Commission or a court subsequently authorizes SWBT to correct its rates pursuant to the decision in United States Telephone Association v. FCC (Case No. 97-1469) (slip. op. May 21, 1999) (D.C. Cir.), or pursuant to pending motions, or petitions for reconsideration or waiver (and including, but not limited to, any Application for Review of the letter from Lawrence E. Strickling, Chief, Common Carrier Bureau, FCC, to Dale Robertson, SBC, dated May 18, 1999 which may be filed with the Commission), or in the

(This page filed under Transmittal No. 2827)

Issued: May 15, 2000

Effective: May 30, 2000

Four AT&T Plaza, Dallas, Texas 75202

ACCESS SERVICE

20. MegaLink Custom Services (Cont'd)

(N)

20.13 Billing Periods - Service Established Between March 2, 2000 and May 29, 2000 (Cont'd)20.13.1 Rates and Charges (Cont'd)(G) Optional Features, BSEs and Functions (Cont'd)(3) SecureNet Monthly Recurring Rates (Cont'd)(m) Hub Redundancy - TX Zone 1
per premises, per DS3

<u>USOC</u>	<u>Month to</u> <u>Month</u>	<u>3 year</u>	<u>5 year</u>	<u>10 year</u>
R36AD	\$1,869.00	\$1,751.25	\$1,646.60	\$1,451.45

(n) Hub Redundancy - TX Zone 2
per premises, per DS3

<u>USOC</u>	<u>Month to</u> <u>Month</u>	<u>3 year</u>	<u>5 year</u>	<u>10 year</u>
R36AD	\$1,869.00	\$1,751.25	\$1,646.60	\$1,451.45

(o) Hub Redundancy - TX Zone 3
per premises, per DS3

<u>USOC</u>	<u>Month to</u> <u>Month</u>	<u>3 year</u>	<u>5 year</u>	<u>10 year</u>
R36AD	\$1,869.00	\$1,751.25	\$1,646.60	\$1,451.45

Rates contained in this transmittal are subject to subsequent adjustment, effective retrospectively back to the transmittal's original effective date, in the event the Commission or a court subsequently authorizes SWBT to correct its rates pursuant to the decision in United States Telephone Association v. FCC (Case No. 97-1469)(slip. op. May 21, 1999)(D.C. Cir.), or pursuant to pending motions, or petitions for reconsideration or waiver (and including, but not limited to, any Application for Review of the letter from Lawrence E. Strickling, Chief, Common Carrier Bureau, FCC, to Dale Robertson, SBC, dated May 18, 1999 which may be filed with the Commission), or in the event of any other adjustment pursuant to an order of the Commission or a court.

(This page filed under Transmittal No. 2827)

Issued: May 15, 2000

Effective: May 30, 2000

Four AT&T Plaza, Dallas, Texas 75202

ACCESS SERVICE

20. MegaLink Custom Services (Cont'd)

(N)

20.13 Billing Periods - Service Established Between March 2, 2000 and May 29, 2000 (Cont'd)20.13.1 Rates and Charges (Cont'd)(G) Optional Features, BSEs and Functions (Cont'd)(3) SecureNet Monthly Recurring Rates (Cont'd)(p) Serving Wire Center and Facility Redundancy - AR Zone 1
per premises, per DS3

USOC	Month to Month	3 year	5 year	10 year
R38AE	\$ 0.00	\$ 0.00	\$ 0.00	\$ 0.00

(q) Serving Wire Center and Facility Redundancy - AR Zone 2
per premises, per DS3

USOC	Month to Month	3 year	5 year	10 year
R38AE	\$ 0.00	\$ 0.00	\$ 0.00	\$ 0.00

(r) Serving Wire Center and Facility Redundancy - AR Zone 3
per premises, per DS3

USOC	Month to Month	3 year	5 year	10 year
R38AE	\$ 0.00	\$ 0.00	\$ 0.00	\$ 0.00

Rates contained in this transmittal are subject to subsequent adjustment, effective retrospectively back to the transmittal's original effective date, in the event the Commission or a court subsequently authorizes SWBT to correct its rates pursuant to the decision in *United States Telephone Association v. FCC* (Case No. 97-1469)(slip. op. May 21, 1999)(D.C. Cir.), or pursuant to pending motions, or petitions for reconsideration or waiver (and including, but not limited to, any Application for Review of the letter from Lawrence E. Strickling, Chief, Common Carrier Bureau, FCC, to Dale Robertson, SBC, dated May 18, 1999 which may be filed with the Commission), or in the event of any other adjustment pursuant to an order of the Commission or a court.

(This page filed under Transmittal No. 2827)

Issued: May 15, 2000

Effective: May 30, 2000

Four AT&T Plaza, Dallas, Texas 75202

ACCESS SERVICE

20. MegaLink Custom Services (Cont'd)

(N)

20.13 Billing Periods - Service Established Between March 2, 2000 and May 29, 2000 (Cont'd)20.13.1 Rates and Charges (Cont'd)(G) Optional Features, BSEs and Functions (Cont'd)(3) SecureNet Monthly Recurring Rates (Cont'd)(s) Serving Wire Center and Facility Redundancy - KS
Zone 1
per premises, per DS3

	Month to	3 year	5 year	10 year
USOC	Month			
R38AE	\$ 0.00	\$ 0.00	\$ 0.00	\$ 0.00

(t) Serving Wire Center and Facility Redundancy - KS
Zone 2
per premises, per DS3

	Month to	3 year	5 year	10 year
USOC	Month			
R38AE	\$ 0.00	\$ 0.00	\$ 0.00	\$ 0.00

(u) Serving Wire Center and Facility Redundancy - KS
Zone 3
per premises, per DS3

	Month to	3 year	5 year	10 year
USOC	Month			
R38AE	\$ 0.00	\$ 0.00	\$ 0.00	\$ 0.00

(v) Serving Wire Center and Facility Redundancy - MO
Zone 1
per premises, per DS3

	Month to	3 year	5 year	10 year
USOC	Month			
R38AE	\$ 0.00	\$ 0.00	\$ 0.00	\$ 0.00

(w) Serving Wire Center and Facility Redundancy - MO
Zone 2
per premises, per DS3

	Month to	3 year	5 year	10 year
USOC	Month			
R38AE	\$ 0.00	\$ 0.00	\$ 0.00	\$ 0.00

(x) Serving Wire Center and Facility Redundancy - MO
Zone 3
per premises, per DS3

	Month to	3 year	5 year	10 year
USOC	Month			
R38AE	\$ 0.00	\$ 0.00	\$ 0.00	\$ 0.00

Rates contained in this transmittal are subject to subsequent adjustment, effective retrospectively back to the transmittal's original effective date, in the event the Commission or a court subsequently authorizes SWBT to correct its rates pursuant to the decision in United States Telephone Association v. FCC (Case No. 97-1469)(slip. Op. May 21, 1999)(D.C. Cir.), or pursuant to pending motions, or petitions for reconsideration or waiver (and including, but not limited to, any Application for Review of the letter from Lawrence E. Strickling, Chief, Common Carrier Bureau, FCC, to Dale Robertson, SBC, dated May 18, 1999 which may be filed with the Commission), or in the

(This page filed under Transmittal No. 2827)

Issued: May 15, 2000

Effective: May 30, 2000

Four AT&T Plaza, Dallas, Texas 75202

ACCESS SERVICE

20. MegaLink Custom Services (Cont'd)20.13 Billing Periods - Service Established Between March 2, 2000 and May 29, 2000 (Cont'd) (N)20.13.1 Rates and Charges (Cont'd)(G) Optional Features, BSEs and Functions (Cont'd)(3) SecureNet Monthly Recurring Rates (Cont'd)(y) Serving Wire Center and Facility Redundancy - OK Zone 1
per premises, per DS3

USOC	Month to Month	3 year	5 year	10 year
R38AE	\$ 0.00	\$ 0.00	\$ 0.00	\$ 0.00

(z) Serving Wire Center and Facility Redundancy - OK Zone 2
per premises, per DS3

USOC	Month to Month	3 year	5 year	10 year
R38AE	\$ 0.00	\$ 0.00	\$ 0.00	\$ 0.00

(aa) Serving Wire Center and Facility Redundancy - OK Zone 3
per premises, per DS3

USOC	Month to Month	3 year	5 year	10 year
R38AE	\$ 0.00	\$ 0.00	\$ 0.00	\$ 0.00

Rates contained in this transmittal are subject to subsequent adjustment, effective retrospectively back to the transmittal's original effective date, in the event the Commission or a court subsequently authorizes SWBT to correct its rates pursuant to the decision in United States Telephone Association v. FCC (Case No. 97-1469)(slip. op. May 21, 1999)(D.C. Cir.), or pursuant to pending motions, or petitions for reconsideration or waiver (and including, but not limited to, any Application for Review of the letter from Lawrence E. Strickling, Chief, Common Carrier Bureau, FCC, to Dale Robertson, SBC, dated May 18, 1999 which may be filed with the Commission), or in the event of any other adjustment pursuant to an order of the Commission or a court.

(This page filed under Transmittal No. 2827)

Issued: May 15, 2000

Effective: May 30, 2000

Four AT&T Plaza, Dallas, Texas 75202

ACCESS SERVICE

(N)

20. MegaLink Custom Services (Cont'd)20.13 Billing Periods - Service Established Between March 2, 2000 and May 29, 2000. (Cont'd)20.13.1 Rates and Charges (Cont'd)(G) Optional Features, BSEs and Functions (Cont'd)(3) SecureNet Monthly Recurring Rates (Cont'd)(ab) Serving Wire Center and Facility Redundancy - TX Zone 1
per premises, per DS3

USOC	Month to Month	3 year	5 year	10 year
R38AE	\$ 0.00	\$ 0.00	\$ 0.00	\$ 0.00

(ac) Serving Wire Center and Facility Redundancy - TX Zone 2
per premises, per DS3

USOC	Month to Month	3 year	5 year	10 year
R38AE	\$ 0.00	\$ 0.00	\$ 0.00	\$ 0.00

(ad) Serving Wire Center and Facility Redundancy - TX Zone 3
per premises, per DS3

USOC	Month to Month	3 year	5 year	10 year
R38AE	\$ 0.00	\$ 0.00	\$ 0.00	\$ 0.00

(N)

Rates contained in this transmittal are subject to subsequent adjustment, effective retrospectively back to the transmittal's original effective date, in the event the Commission or a court subsequently authorizes SWBT to correct its rates pursuant to the decision in United States Telephone Association v. FCC (Case No. 97-1469)(slip. op. May 21, 1999)(D.C. Cir.), or pursuant to pending motions, or petitions for reconsideration or waiver (and including, but not limited to, any Application for Review of the letter from Lawrence E. Strickling, Chief, Common Carrier Bureau, FCC, to Dale Robertson, SBC, dated May 18, 1999 which may be filed with the Commission), or in the event of any other adjustment pursuant to an order of the Commission or a court.

(This page filed under Transmittal No. 2827)

Issued: May 15, 2000

Effective: May 30, 2000

Four AT&T Plaza, Dallas, Texas 75202

ACCESS SERVICE

20. MegaLink Custom Services (Cont'd)20.13 Billing Periods - Service Established Between March 2, 2000 and May 29, 2000 (Cont'd) (N)20.13.1 Rates and Charges (Cont'd)(G) Optional Features, BSEs and Functions (Cont'd)(4) SecureNet Installation Charge(a) Hub Redundancy - AR - Zone 1
per premises, per DS3

<u>USOC</u>	<u>Installation Charge</u>
XXXX	\$1,848.00

(b) Hub Redundancy - AR - Zone 2
per premises, per DS3

<u>USOC</u>	<u>Installation Charge</u>
XXXX	\$1,848.00

(c) Hub Redundancy - AR - Zone 3
per premises, per DS3

<u>USOC</u>	<u>Installation Charge</u>
XXXX	\$1,848.00

(d) Hub Redundancy - KS - Zone 1
per premises, per DS3

<u>USOC</u>	<u>Installation Charge</u>
XXXX	\$1,848.00

(e) Hub Redundancy - KS - Zone 2
per premises, per DS3

<u>USOC</u>	<u>Installation Charge</u>
XXXX	\$1,848.00

(f) Hub Redundancy - KS - Zone 3
per premises, per DS3

<u>USOC</u>	<u>Installation Charge</u>
XXXX	\$1,848.00

(N)

Rates contained in this transmittal are subject to subsequent adjustment, effective retrospectively back to the transmittal's original effective date, in the event the Commission or a court subsequently authorizes SWBT to correct its rates pursuant to the decision in United States Telephone Association v. FCC (Case No. 97-1469)(slip. op. May 21, 1999)(D.C. Cir.), or pursuant to pending motions, or petitions for reconsideration or waiver (and including, but not limited to, any Application for Review of the letter from Lawrence E. Strickling, Chief, Common Carrier Bureau, FCC, to Dale Robertson, SBC, dated May 18, 1999 which may be filed with the Commission), or in the event of any other adjustment pursuant to an order of the Commission or a court.

(This page filed under Transmittal No. 2827)

Issued: May 15, 2000

Effective: May 30, 2000

Four AT&T Plaza, Dallas, Texas 75202

ACCESS SERVICE

20. MegaLink Custom Services (Cont'd)20.13 Billing Periods - Service Established Between March 2, 2000 and May 29, 2000 (Cont'd) (N)20.13.1 Rates and Charges (Cont'd)(G) Optional Features, BSEs and Functions (Cont'd)(4) SecureNet Installation Charge (Cont'd)(g) Hub Redundancy - MO - Zone 1
per premises, per DS3

<u>USOC</u>	<u>Installation Charge</u>
XXXX	\$1,848.00

(h) Hub Redundancy - MO - Zone 2
per premises, per DS3

<u>USOC</u>	<u>Installation Charge</u>
XXXX	\$1,848.00

(i) Hub Redundancy - MO - Zone 3
per premises, per DS3

<u>USOC</u>	<u>Installation Charge</u>
XXXX	\$1,848.00

(j) Hub Redundancy - OK - Zone 1
per premises, per DS3

<u>USOC</u>	<u>Installation Charge</u>
XXXX	\$1,848.00

(k) Hub Redundancy - OK - Zone 2
per premises, per DS3

<u>USOC</u>	<u>Installation Charge</u>
XXXX	\$1,848.00

(l) Hub Redundancy - OK - Zone 3
per premises, per DS3

<u>USOC</u>	<u>Installation Charge</u>
XXXX	\$1,848.00

Rates contained in this transmittal are subject to subsequent adjustment, effective retrospectively back to the transmittal's original effective date, in the event the Commission or a court subsequently authorizes SWBT to correct its rates pursuant to the decision in United States Telephone Association v. FCC (Case No. 97-1469) (slip. op. May 21, 1999) (D.C. Cir.), or pursuant to pending motions, or petitions for reconsideration or waiver (and including, but not limited to, any Application for Review of the letter from Lawrence E. Strickling, Chief, Common Carrier Bureau, FCC, to Dale Robertson, SBC, dated May 18, 1999 which may be filed with the Commission), or in the event of any other adjustment pursuant to an order of the Commission or a court.

(This page filed under Transmittal No. 2827)

Issued: May 15, 2000

Effective: May 30, 2000

Four AT&T Plaza, Dallas, Texas 75202

ACCESS SERVICE

20. MegaLink Custom Services (Cont'd)20.13 Billing Periods - Service Established Between March 2, 2000 and (N)
May 29, 2000 (Cont'd)20.13.1 Rates and Charges (Cont'd)(G) Optional Features, BSEs and Functions (Cont'd)(4) SecureNet Installation Charge (Cont'd)(m) Hub Redundancy - TX - Zone 1
per premises, per DS3

<u>USOC</u>	<u>Installation Charge</u>
XXXX	\$1,848.00

(n) Hub Redundancy - TX - Zone 2
per premises, per DS3

<u>USOC</u>	<u>Installation Charge</u>
XXXX	\$1,848.00

(o) Hub Redundancy - TX - Zone 3
per premises, per DS3

<u>USOC</u>	<u>Installation Charge</u>
XXXX	\$1,848.00

Rates contained in this transmittal are subject to subsequent adjustment, effective retrospectively back to the transmittal's original effective date, in the event the Commission or a court subsequently authorizes SWBT to correct its rates pursuant to the decision in United States Telephone Association v. FCC (Case No. 97-1469)(slip. op. May 21, 1999)(D.C. Cir.), or pursuant to pending motions, or petitions for reconsideration or waiver (and including, but not limited to, any Application for Review of the letter from Lawrence E. Strickling, Chief, Common Carrier Bureau, FCC, to Dale Robertson, SBC, dated May 18, 1999 which may be filed with the Commission), or in the event of any other adjustment pursuant to an order of the Commission or a court.

(This page filed under Transmittal No. 2827)

Issued: May 15, 2000

Effective: May 30, 2000

Four AT&T Plaza, Dallas, Texas 75202

ACCESS SERVICE

20. MegaLink Custom Services (Cont'd)

(N)

20.13 Billing Periods - Service Established Between March 2, 2000 and May 29, 2000 (Cont'd)20.13.1 Rates and Charges (Cont'd)(G) Optional Features, BSEs and Functions (Cont'd)(4) SecureNet Installation Charge (Cont'd)

- (p)
- Serving Wire Center and Facility Redundancy - AR - Zone 1
-
- per premises, per DS3

<u>USOC</u>	<u>Installation Charge</u>
XXXX	\$ 0.00

- (q)
- Serving Wire Center and Facility Redundancy - AR - Zone 2
-
- per premises, per DS3

<u>USOC</u>	<u>Installation Charge</u>
XXXX	\$ 0.00

- (r)
- Serving Wire Center and Facility Redundancy - AR - Zone 3
-
- per premises, per DS3

<u>USOC</u>	<u>Installation Charge</u>
XXXX	\$ 0.00

Rates contained in this transmittal are subject to subsequent adjustment, effective retrospectively back to the transmittal's original effective date, in the event the Commission or a court subsequently authorizes SWBT to correct its rates pursuant to the decision in United States Telephone Association v. FCC (Case No. 97-1469)(slip. op. May 21, 1999)(D.C. Cir.), or pursuant to pending motions, or petitions for reconsideration or waiver (and including, but not limited to, any Application for Review of the letter from Lawrence E. Strickling, Chief, Common Carrier Bureau, FCC, to Dale Robertson, SBC, dated May 18, 1999 which may be filed with the Commission), or in the event of any other adjustment pursuant to an order of the Commission or a court.

(This page filed under Transmittal No. 2827)

Issued: May 15, 2000

Effective: May 30, 2000

Four AT&T Plaza, Dallas, Texas 75202

ACCESS SERVICE

20. MegaLink Custom Services (Cont'd)

(N)

20.13 Billing Periods - Service Established Between March 2, 2000 and May 29, 2000 (Cont'd)20.13.1 Rates and Charges (Cont'd)(G) Optional Features, BSEs and Functions (Cont'd)(4) SecureNet Installation Charge (Cont'd)(s) Serving Wire Center and Facility Redundancy - KS - Zone 1
per premises, per DS3

<u>USOC</u>	<u>Installation Charge</u>
XXXX	\$ 0.00

(t) Serving Wire Center and Facility Redundancy - KS - Zone 2
per premises, per DS3

<u>USOC</u>	<u>Installation Charge</u>
XXXX	\$ 0.00

(u) Serving Wire Center and Facility Redundancy - KS - Zone 3
per premises, per DS3

<u>USOC</u>	<u>Installation Charge</u>
XXXX	\$ 0.00

(v) Serving Wire Center and Facility Redundancy - MO - Zone 1
per premises, per DS3

<u>USOC</u>	<u>Installation Charge</u>
XXXX	\$ 0.00

(w) Serving Wire Center and Facility Redundancy - MO - Zone 2
per premises, per DS3

<u>USOC</u>	<u>Installation Charge</u>
XXXX	\$ 0.00

(x) Serving Wire Center and Facility Redundancy - MO - Zone 3
per premises, per DS3

<u>USOC</u>	<u>Installation Charge</u>
XXXX	\$ 0.00

Rates contained in this transmittal are subject to subsequent adjustment, effective retrospectively back to the transmittal's original effective date, in the event the Commission or a court subsequently authorizes SWBT to correct its rates pursuant to the decision in United States Telephone Association v. FCC (Case No. 97-1469)(slip. op. May 21, 1999)(D.C. Cir.), or pursuant to pending motions, or petitions for reconsideration or waiver (and including, but not limited to, any Application for Review of the letter from Lawrence E. Strickling, Chief, Common Carrier Bureau, FCC, to Dale Robertson, SBC, dated May 18, 1999 which may be filed with the Commission), or in the

(This page filed under Transmittal No. 2827)

Issued: May 15, 2000

Effective: May 30, 2000

Four AT&T Plaza, Dallas, Texas 75202

ACCESS SERVICE

20. MegaLink Custom Services (Cont'd)

(N)

20.13 Billing Periods - Service Established Between March 2, 2000 and May 29, 2000 (Cont'd)20.13.1 Rates and Charges (Cont'd)(G) Optional Features, BSEs and Functions (Cont'd)(4) SecureNet Installation Charge (Cont'd)(y) Serving Wire Center and Facility Redundancy - OK
Zone 1
per premises, per DS3

<u>USOC</u>	<u>Installation Charge</u>
XXXX	\$ 0.00

(z) Serving Wire Center and Facility Redundancy - OK
Zone 2
per premises, per DS3

<u>USOC</u>	<u>Installation Charge</u>
XXXX	\$ 0.00

(aa) Serving Wire Center and Facility Redundancy - OK
Zone 3
per premises, per DS3

<u>USOC</u>	<u>Installation Charge</u>
XXXX	\$ 0.00

Rates contained in this transmittal are subject to subsequent adjustment, effective retrospectively back to the transmittal's original effective date, in the event the Commission or a court subsequently authorizes SWBT to correct its rates pursuant to the decision in United States Telephone Association v. FCC (Case No. 97-1469)(slip. op. May 21, 1999)(D.C. Cir.), or pursuant to pending motions, or petitions for reconsideration or waiver (and including, but not limited to, any Application for Review of the letter from Lawrence E. Strickling, Chief, Common Carrier Bureau, FCC, to Dale Robertson, SBC, dated May 18, 1999 which may be filed with the Commission), or in the event of any other adjustment pursuant to an order of the Commission or a court.

(This page filed under Transmittal No. 2827)

Issued: May 15, 2000

Effective: May 30, 2000

Four AT&T Plaza, Dallas, Texas 75202

ACCESS SERVICE

20. MegaLink Custom Services (Cont'd)

(N)

20.13 Billing Periods - Service Established Between March 2, 2000 and May 29, 2000 (Cont'd)20.13.1 Rates and Charges (Cont'd)(G) Optional Features, BSEs and Functions (Cont'd)(4) SecureNet Installation Charge (Cont'd)(ab) Serving Wire Center and Facility Redundancy - TX - Zone 1
per premises, per DS3

<u>USOC</u>	<u>Installation Charge</u>
XXXX	\$ 0.00

(ac) Serving Wire Center and Facility Redundancy - TX - Zone 2
per premises, per DS3

<u>USOC</u>	<u>Installation Charge</u>
XXXX	\$ 0.00

(ad) Serving Wire Center and Facility Redundancy - TX - Zone 3
per premises, per DS3

<u>USOC</u>	<u>Installation Charge</u>
XXXX	\$ 0.00

Rates contained in this transmittal are subject to subsequent adjustment, effective retrospectively back to the transmittal's original effective date, in the event the Commission or a court subsequently authorizes SWBT to correct its rates pursuant to the decision in United States Telephone Association v. FCC (Case No. 97-1469)(slip. op. May 21, 1999)(D.C. Cir.), or pursuant to pending motions, or petitions for reconsideration or waiver (and including, but not limited to, any Application for Review of the letter from Lawrence E. Strickling, Chief, Common Carrier Bureau, FCC, to Dale Robertson, SBC, dated May 18, 1999 which may be filed with the Commission), or in the event of any other adjustment pursuant to an order of the Commission or a court.

(This page filed under Transmittal No. 2827)

Issued: May 15, 2000

Effective: May 30, 2000

Four AT&T Plaza, Dallas, Texas 75202

ACCESS SERVICE

20. MegaLink Custom Services (Cont'd)

(N)

20.13 Billing Periods - Service Established Between March 2, 2000 and May 29, 2000 (Cont'd)20.13.1 Rates and Charges (Cont'd)(G) Optional Features, BSEs and Functions (Cont'd)(5) Service Extension Monthly Recurring Rates

Use Interoffice Mileage as set forth in 20.5.3 and 20.5.4.

(6) Service Extension Installation Charge
per DS3 or DS3 equivalent, per service extension on the same access order(a) Installation Charge - AR - Zone 1

	USOC	Month to Month	3 year	5 year	10 year
First	NRBSE	\$637.00	\$319.00	\$ 0.00	\$ 0.00
Additional	NRBSE	\$496.00	\$248.00	\$ 0.00	\$ 0.00

(b) Installation Charge - AR - Zone 2

	USOC	Month to Month	3 year	5 year	10 year
First	NRBSE	\$637.00	\$319.00	\$ 0.00	\$ 0.00
Additional	NRBSE	\$496.00	\$248.00	\$ 0.00	\$ 0.00

(c) Installation Charge - AR - Zone 3

	USOC	Month to Month	3 year	5 year	10 year
First	NRBSE	\$637.00	\$319.00	\$ 0.00	\$ 0.00
Additional	NRBSE	\$496.00	\$248.00	\$ 0.00	\$ 0.00

Rates contained in this transmittal are subject to subsequent adjustment, effective retrospectively back to the transmittal's original effective date, in the event the Commission or a court subsequently authorizes SWBT to correct its rates pursuant to the decision in United States Telephone Association v. FCC (Case No. 97-1469)(slip. op. May 21, 1999)(D.C. Cir.), or pursuant to pending motions, or petitions for reconsideration or waiver (and including, but not limited to, any Application for Review of the letter from Lawrence E. Strickling, Chief, Common Carrier Bureau, FCC, to Dale Robertson, SBC, dated May 18, 1999 which may be filed with the Commission), or in the event of any other adjustment pursuant to an order of the Commission or a court.

(This page filed under Transmittal No. 2827)

Issued: May 15, 2000

Effective: May 30, 2000

Four AT&T Plaza, Dallas, Texas 75202

ACCESS SERVICE

20. MegaLink Custom Services (Cont'd)

(N)

20.13 Billing Periods - Service Established Between March 2, 2000 and May 29, 2000 (Cont'd)

20.13.1 Rates and Charges (Cont'd)

(G) Optional Features, BSEs and Functions (Cont'd)

(6) Service Extension Installation Charge (Cont'd)

(d) Installation Charge - KS - Zone 1

	USOC	Month to Month	3 year	5 year	10 year
First	NRBSE	\$637.00	\$319.00	\$ 0.00	\$ 0.00
Additional	NRBSE	\$496.00	\$248.00	\$ 0.00	\$ 0.00

(e) Installation Charge - KS - Zone 2

	USOC	Month to Month	3 year	5 year	10 year
First	NRBSE	\$637.00	\$319.00	\$ 0.00	\$ 0.00
Additional	NRBSE	\$496.00	\$248.00	\$ 0.00	\$ 0.00

(f) Installation Charge - KS - Zone 3

	USOC	Month to Month	3 year	5 year	10 year
First	NRBSE	\$637.00	\$319.00	\$ 0.00	\$ 0.00
Additional	NRBSE	\$496.00	\$248.00	\$ 0.00	\$ 0.00

(g) Installation Charge - MO - Zone 1

	USOC	Month to Month	3 year	5 year	10 year
First	NRBSE	\$637.00	\$319.00	\$ 0.00	\$ 0.00
Additional	NRBSE	\$496.00	\$248.00	\$ 0.00	\$ 0.00

(h) Installation Charge - MO - Zone 2

	USOC	Month to Month	3 year	5 year	10 year
First	NRBSE	\$637.00	\$319.00	\$ 0.00	\$ 0.00
Additional	NRBSE	\$496.00	\$248.00	\$ 0.00	\$ 0.00

(i) Installation Charge - MO - Zone 3

	USOC	Month to Month	3 year	5 year	10 year
First	NRBSE	\$637.00	\$319.00	\$ 0.00	\$ 0.00
Additional	NRBSE	\$496.00	\$248.00	\$ 0.00	\$ 0.00

Rates contained in this transmittal are subject to subsequent adjustment, effective retroactively back to the transmittal's original effective date, in the event the Commission or a court subsequently authorizes SWBT to correct its rates pursuant to the decision in United States Telephone Association v. FCC (Case No. 97-1469) (slip. op. May 21, 1999) (D.C. Cir.), or pursuant to pending motions, or petitions for reconsideration or waiver (and including, but not limited to, any Application for Review of the letter from Lawrence E. Strickling, Chief, Common Carrier Bureau, FCC, to Dale Robertson, SBC, dated May 18, 1999 which may be filed with the Commission), or in the

(This page filed under Transmittal No. 2827)

Issued: May 15, 2000

Effective: May 30, 2000

Four AT&T Plaza, Dallas, Texas 75202

ACCESS SERVICE

20. MegaLink Custom Services (Cont'd)

(N)

20.13 Billing Periods - Service Established Between March 2, 2000 and May 29, 2000 (Cont'd)20.13.1 Rates and Charges (Cont'd)(G) Optional Features, BSEs and Functions (Cont'd)(6) Service Extension Installation Charge (Cont'd)(j) Installation Charge - OK - Zone 1

		Month to			
	USOC	Month	3 year	5 year	10 year
First	NRBSE	\$637.00	\$319.00	\$ 0.00	\$ 0.00
Additional	NRBSE	\$496.00	\$248.00	\$ 0.00	\$ 0.00

(k) Installation Charge - OK - Zone 2

		Month to			
	USOC	Month	3 year	5 year	10 year
First	NRBSE	\$637.00	\$319.00	\$ 0.00	\$ 0.00
Additional	NRBSE	\$496.00	\$248.00	\$ 0.00	\$ 0.00

(l) Installation Charge - OK - Zone 3

		Month to			
	USOC	Month	3 year	5 year	10 year
First	NRBSE	\$637.00	\$319.00	\$ 0.00	\$ 0.00
Additional	NRBSE	\$496.00	\$248.00	\$ 0.00	\$ 0.00

Rates contained in this transmittal are subject to subsequent adjustment, effective retrospectively back to the transmittal's original effective date, in the event the Commission or a court subsequently authorizes SWBT to correct its rates pursuant to the decision in United States Telephone Association v. FCC (Case No. 97-1469)(slip. op. May 21, 1999)(D.C. Cir.), or pursuant to pending motions, or petitions for reconsideration or waiver (and including, but not limited to, any Application for Review of the letter from Lawrence E. Strickling, Chief, Common Carrier Bureau, FCC, to Dale Robertson, SBC, dated May 18, 1999 which may be filed with the Commission), or in the event of any other adjustment pursuant to an order of the Commission or a court.

(This page filed under Transmittal No. 2827)

Issued: May 15, 2000

Effective: May 30, 2000

Four AT&T Plaza, Dallas, Texas 75202

ACCESS SERVICE

20. MegaLink Custom Services (Cont'd)

(N)

20.13 Billing Periods - Service Established Between March 2, 2000 and May 29, 2000 (Cont'd)20.13.1 Rates and Charges (Cont'd)(G) Optional Features, BSEs and Functions (Cont'd)(6) Service Extension Installation Charge (Cont'd)(m) Installation Charge - TX - Zone 1

		Month to			
	USOC	Month	3 year	5 year	10 year
First	NRBSE	\$637.00	\$319.00	\$ 0.00	\$ 0.00
Additional	NRBSE	\$496.00	\$248.00	\$ 0.00	\$ 0.00

(n) Installation Charge - TX - Zone 2

		Month to			
	USOC	Month	3 year	5 year	10 year
First	NRBSE	\$637.00	\$319.00	\$ 0.00	\$ 0.00
Additional	NRBSE	\$496.00	\$248.00	\$ 0.00	\$ 0.00

(o) Installation Charge - TX - Zone 3

		Month to			
	USOC	Month	3 year	5 year	10 year
First	NRBSE	\$637.00	\$319.00	\$ 0.00	\$ 0.00
Additional	NRBSE	\$496.00	\$248.0	\$ 0.00	\$ 0.00

Rates contained in this transmittal are subject to subsequent adjustment, effective retrospectively back to the transmittal's original effective date, in the event the Commission or a court subsequently authorizes SWBT to correct its rates pursuant to the decision in United States Telephone Association v. FCC (Case No. 97-1469)(slip. op. May 21, 1999)(D.C. Cir.), or pursuant to pending motions, or petitions for reconsideration or waiver (and including, but not limited to, any Application for Review of the letter from Lawrence E. Strickling, Chief, Common Carrier Bureau, FCC, to Dale Robertson, SBC, dated May 18, 1999 which may be filed with the Commission), or in the event of any other adjustment pursuant to an order of the Commission or a court.

(This page filed under Transmittal No. 2827)

Issued: May 15, 2000

Effective: May 30, 2000

Four AT&T Plaza, Dallas, Texas 75202

ACCESS SERVICE

20. MegaLink Custom Services (Cont'd)

(N)

20.13 Billing Periods - Service Established Between March 2, 2000 and May 29, 2000 (Cont'd)

20.13.1 Rates and Charges (Cont'd)

(G) Optional Features, BSEs and Functions (Cont'd)

(7) STN Interconnection with SecureNet Equipped MegaLink Custom Service Monthly Recurring Rates

per DS3, per Interconnection

(a) STN Interconnection with SecureNet Equipped MegaLink Custom Service - AR Zone 1

<u>USOC</u>	<u>Month to Month</u>	<u>3 year</u>	<u>5 year</u>	<u>10 year</u>
R3N3X	\$278.05	\$263.20	\$248.20	\$221.40

(b) STN Interconnection with SecureNet Equipped MegaLink Custom Service - AR Zone 2

<u>USOC</u>	<u>Month to Month</u>	<u>3 year</u>	<u>5 year</u>	<u>10 year</u>
R3N3X	\$278.05	\$263.20	\$248.20	\$221.40

(c) STN Interconnection with SecureNet Equipped MegaLink Custom Service - AR Zone 3

<u>USOC</u>	<u>Month to Month</u>	<u>3 year</u>	<u>5 year</u>	<u>10 year</u>
R3N3X	\$278.05	\$263.20	\$248.20	\$221.40

Rates contained in this transmittal are subject to subsequent adjustment, effective retrospectively back to the transmittal's original effective date, in the event the Commission or a court subsequently authorizes SWBT to correct its rates pursuant to the decision in United States Telephone Association v. FCC (Case No. 97-1469)(slip. op. May 21, 1999)(D.C. Cir.), or pursuant to pending motions, or petitions for reconsideration or waiver (and including, but not limited to, any Application for Review of the letter from Lawrence E. Strickling, Chief, Common Carrier Bureau, FCC, to Dale Robertson, SBC, dated May 18, 1999 which may be filed with the Commission), or in the event of any other adjustment pursuant to an order of the Commission or a court.

(This page filed under Transmittal No. 2827)

Issued: May 15, 2000

Effective: May 30, 2000

Four AT&T Plaza, Dallas, Texas 75202

ACCESS SERVICE

20. MegaLink Custom Services (Cont'd)

20.13 Billing Periods - Service Established Between March 2, 2000 and May 29, 2000 (Cont'd)

(N)

20.13.1 Rates and Charges (Cont'd)

(G) Optional Features, BSEs and Functions (Cont'd)

(7) STN Interconnection with SecureNet Equipped MegaLink Custom Service Monthly Recurring Rates (Cont'd)

per DS3, per Interconnection

(d) STN Interconnection with SecureNet Equipped MegaLink Custom Service - KS Zone 1

	Month to			
USOC	Month	3 year	5 year	10 year
R3N3X	\$278.05	\$263.20	\$248.20	\$221.40

(e) STN Interconnection with SecureNet Equipped MegaLink Custom Service - KS Zone 2

	Month to			
USOC	Month	3 year	5 year	10 year
R3N3X	\$278.05	\$263.20	\$248.20	\$221.40

(f) STN Interconnection with SecureNet Equipped MegaLink Custom Service - KS Zone 3

	Month to			
USOC	Month	3 year	5 year	10 year
R3N3X	\$278.05	\$263.20	\$248.20	\$221.40

(g) STN Interconnection with SecureNet Equipped MegaLink Custom Service - MO Zone 1

	Month to			
USOC	Month	3 year	5 year	10 year
R3N3X	\$278.05	\$263.20	\$248.20	\$221.40

(h) STN Interconnection with SecureNet Equipped MegaLink Custom Service - MO Zone 2

	Month to			
USOC	Month	3 year	5 year	10 year
R3N3X	\$278.05	\$263.20	\$248.20	\$221.40

(i) STN Interconnection with SecureNet Equipped MegaLink Custom Service - MO Zone 3

	Month to			
USOC	Month	3 year	5 year	10 year
R3N3X	\$278.05	\$263.20	\$248.20	\$221.40

Rates contained in this transmittal are subject to subsequent adjustment, effective retrospectively back to the transmittal's original effective date, in the event the Commission or a court subsequently authorizes SWBT to correct its rates pursuant to the decision in United States Telephone Association v. FCC (Case No. 97-1469) (slip. op. May 21, 1999) (D.C. Cir.), or pursuant to pending motions, or petitions for reconsideration or waiver (and including, but not limited to, any Application for Review of the letter from Lawrence E. Strickling, Chief, Common Carrier Bureau, FCC, to Dale Robertson, SBC, dated May 18, 1999 which may be filed with the Commission), or in the event of any other adjustment pursuant to an order of the Commission or a court.

(This page filed under Transmittal No. 2827)

Issued: May 15, 2000

Effective: May 30, 2000

Four AT&T Plaza, Dallas, Texas 75202

ACCESS SERVICE

20. MegaLink Custom Services (Cont'd)20.13 Billing Periods - Service Established Between March 2, 2000 and May 29, 2000 (Cont'd) (N)20.13.1 Rates and Charges (Cont'd)(G) Optional Features, BSEs and Functions (Cont'd)(7) STN Interconnection with SecureNet Equipped MegaLink Custom Service Monthly Recurring Rates (Cont'd)

per DS3, per Interconnection

(j) STN Interconnection with SecureNet Equipped MegaLink Custom Service - OK Zone 1

<u>USOC</u>	<u>Month to Month</u>	<u>3 year</u>	<u>5 year</u>	<u>10 year</u>
R3N3X	\$278.05	\$263.20	\$248.20	\$221.40

(k) STN Interconnection with SecureNet Equipped MegaLink Custom Service - OK Zone 2

<u>USOC</u>	<u>Month to Month</u>	<u>3 year</u>	<u>5 year</u>	<u>10 year</u>
R3N3X	\$278.05	\$263.20	\$248.20	\$221.40

(l) STN Interconnection with SecureNet Equipped MegaLink Custom Service - OK Zone 3

<u>USOC</u>	<u>Month to Month</u>	<u>3 year</u>	<u>5 year</u>	<u>10 year</u>
R3N3X	\$278.05	\$263.20	\$248.20	\$221.40

Rates contained in this transmittal are subject to subsequent adjustment, effective retrospectively back to the transmittal's original effective date, in the event the Commission or a court subsequently authorizes SWBT to correct its rates pursuant to the decision in United States Telephone Association v. FCC (Case No. 97-1469)(slip. op. May 21, 1999)(D.C. Cir.), or pursuant to pending motions, or petitions for reconsideration or waiver (and including, but not limited to, any Application for Review of the letter from Lawrence E. Strickling, Chief, Common Carrier Bureau, FCC, to Dale Robertson, SBC, dated May 18, 1999 which may be filed with the Commission), or in the event of any other adjustment pursuant to an order of the Commission or a court.

(This page filed under Transmittal No. 2827)

Issued: May 15, 2000

Effective: May 30, 2000

Four AT&T Plaza, Dallas, Texas 75202

ACCESS SERVICE

20. MegaLink Custom Services (Cont'd)

(N)

20.13 Billing Periods - Service Established Between March 2, 2000 and May 29, 2000 (Cont'd)20.13.1 Rates and Charges (Cont'd)(G) Optional Features, BSEs and Functions (Cont'd)(7) STN Interconnection with SecureNet Equipped MegaLink Custom Service Monthly Recurring Rates (Cont'd)

per DS3, per Interconnection

(m) STN Interconnection with SecureNet Equipped MegaLink Custom Service - TX Zone 1

<u>USOC</u>	<u>Month to Month</u>	<u>3 year</u>	<u>5 year</u>	<u>10 year</u>
R3N3X	\$278.05	\$263.20	\$248.20	\$221.40

(n) STN Interconnection with SecureNet Equipped MegaLink Custom Service - TX Zone 2

<u>USOC</u>	<u>Month to Month</u>	<u>3 year</u>	<u>5 year</u>	<u>10 year</u>
R3N3X	\$278.05	\$263.20	\$248.20	\$221.40

(o) STN Interconnection with SecureNet Equipped MegaLink Custom Service - TX Zone 3

<u>USOC</u>	<u>Month to Month</u>	<u>3 year</u>	<u>5 year</u>	<u>10 year</u>
R3N3X	\$278.05	\$263.20	\$248.20	\$221.40

Rates contained in this transmittal are subject to subsequent adjustment, effective retrospectively back to the transmittal's original effective date, in the event the Commission or a court subsequently authorizes SWBT to correct its rates pursuant to the decision in United States Telephone Association v. FCC (Case No. 97-1469) (slip. op. May 21, 1999) (D.C. Cir.), or pursuant to pending motions, or petitions for reconsideration or waiver (and including, but not limited to, any Application for Review of the letter from Lawrence E. Strickling, Chief, Common Carrier Bureau, FCC, to Dale Robertson, SBC, dated May 18, 1999 which may be filed with the Commission), or in the event of any other adjustment pursuant to an order of the Commission or a court.

(This page filed under Transmittal No. 2827)

Issued: May 15, 2000

Effective: May 30, 2000

Four AT&T Plaza, Dallas, Texas 75202

ACCESS SERVICE

20. MegaLink Custom Services (Cont'd)

(N)

20.13 Billing Periods - Service Established Between March 2, 2000 and May 29, 2000 (Cont'd)

20.13.1 Rates and Charges (Cont'd)

(G) Optional Features, BSEs and Functions (Cont'd)

(8) STN Interconnection with SecureNet Equipped MegaLink Custom Service Installation Charges

per DS3, per Interconnection

(a) STN Interconnection with SecureNet Equipped MegaLink Custom Service - AR Zone 1

<u>USOC</u>	<u>Month to Month</u>	<u>3 year</u>	<u>5 year</u>	<u>10 year</u>
	\$298.00	\$149.00	\$ 0.00	\$ 0.00

(b) STN Interconnection with SecureNet Equipped MegaLink Custom Service - AR Zone 2

<u>USOC</u>	<u>Month to Month</u>	<u>3 year</u>	<u>5 year</u>	<u>10 year</u>
	\$298.00	\$149.00	\$ 0.00	\$ 0.00

(c) STN Interconnection with SecureNet Equipped MegaLink Custom Service - AR Zone 3

<u>USOC</u>	<u>Month to Month</u>	<u>3 year</u>	<u>5 year</u>	<u>10 year</u>
	\$298.00	\$149.00	\$ 0.00	\$ 0.00

Rates contained in this transmittal are subject to subsequent adjustment, effective retrospectively back to the transmittal's original effective date, in the event the Commission or a court subsequently authorizes SWBT to correct its rates pursuant to the decision in United States Telephone Association v. FCC (Case No. 97-1469)(slip. op. May 21, 1999)(D.C. Cir.), or pursuant to pending motions, or petitions for reconsideration or waiver (and including, but not limited to, any Application for Review of the letter from Lawrence E. Strickling, Chief, Common Carrier Bureau, FCC, to Dale Robertson, SBC, dated May 18, 1999 which may be filed with the Commission), or in the event of any other adjustment pursuant to an order of the Commission or a court.

(This page filed under Transmittal No. 2827)

Issued: May 15, 2000

Effective: May 30, 2000

Four AT&T Plaza, Dallas, Texas 75202

ACCESS SERVICE

20. MegaLink Custom Services (Cont'd)

(N)

20.13 Billing Periods - Service Established Between March 2, 2000 and May 29, 2000 (Cont'd)

20.13.1 Rates and Charges (Cont'd)

(G) Optional Features, BSEs and Functions (Cont'd)

(8) STN Interconnection with SecureNet Equipped MegaLink Custom Service Installation Charges (Cont'd)

per DS3, per Interconnection

(d) STN Interconnection with SecureNet Equipped MegaLink Custom Service - KS Zone 1

	Month to			
<u>USOC</u>	<u>Month</u>	<u>3 year</u>	<u>5 year</u>	<u>10 year</u>
	\$298.00	\$149.00	\$ 0.00	\$ 0.00

(e) STN Interconnection with SecureNet Equipped MegaLink Custom Service - KS Zone 2

	Month to			
<u>USOC</u>	<u>Month</u>	<u>3 year</u>	<u>5 year</u>	<u>10 year</u>
	\$298.00	\$149.00	\$ 0.00	\$ 0.00

(f) STN Interconnection with SecureNet Equipped MegaLink Custom Service - KS Zone 3

	Month to			
<u>USOC</u>	<u>Month</u>	<u>3 year</u>	<u>5 year</u>	<u>10 year</u>
	\$298.00	\$149.00	\$ 0.00	\$ 0.00

(g) STN Interconnection with SecureNet Equipped MegaLink Custom Service - MO Zone 1

	Month to			
<u>USOC</u>	<u>Month</u>	<u>3 year</u>	<u>5 year</u>	<u>10 year</u>
	\$298.00	\$149.00	\$ 0.00	\$ 0.00

(h) STN Interconnection with SecureNet Equipped MegaLink Custom Service - MO Zone 2

	Month to			
<u>USOC</u>	<u>Month</u>	<u>3 year</u>	<u>5 year</u>	<u>10 year</u>
	\$298.00	\$149.00	\$ 0.00	\$ 0.00

(i) STN Interconnection with SecureNet Equipped MegaLink Custom Service - MO Zone 3

	Month to			
<u>USOC</u>	<u>Month</u>	<u>3 year</u>	<u>5 year</u>	<u>10 year</u>
	\$298.00	\$149.00	\$ 0.00	\$ 0.00

Rates contained in this transmittal are subject to subsequent adjustment, effective retrospectively back to the transmittal's original effective date, in the event the Commission or a court subsequently authorizes SWBT to correct its rates pursuant to the decision in *United States Telephone Association v. FCC* (Case No. 97-1469)(slip. op. May 21, 1999)(D.C. Cir.), or pursuant to pending motions, or petitions for reconsideration or waiver (and including, but not limited to, any Application for Review of the letter from Lawrence E. Strickling, Chief, Common Carrier Bureau, FCC, to Dale Robertson, SBC, dated May 18, 1999 which may be filed with the Commission), or in the event of any other adjustment pursuant to an order of the Commission or a court.

(This page filed under Transmittal No. 2827)

Issued: May 15, 2000

Effective: May 30, 2000

Four AT&T Plaza, Dallas, Texas 75202

ACCESS SERVICE

20. MegaLink Custom Services (Cont'd)

(N)

20.13 Billing Periods - Service Established Between March 2, 2000 and May 29, 2000 (Cont'd)

20.13.1 Rates and Charges (Cont'd)

(G) Optional Features, BSEs and Functions (Cont'd)

(8) STN Interconnection with SecureNet Equipped MegaLink Custom Service Installation Charges (Cont'd)

per DS3, per Interconnection

(j) STN Interconnection with SecureNet Equipped MegaLink Custom Service - OK Zone 1

<u>USOC</u>	<u>Month to Month</u>	<u>3 year</u>	<u>5 year</u>	<u>10 year</u>
	\$298.00	\$149.00	\$ 0.00	\$ 0.00

(k) STN Interconnection with SecureNet Equipped MegaLink Custom Service - OK Zone 2

<u>USOC</u>	<u>Month to Month</u>	<u>3 year</u>	<u>5 year</u>	<u>10 year</u>
	\$298.00	\$149.00	\$ 0.00	\$ 0.00

(l) STN Interconnection with SecureNet Equipped MegaLink Custom Service - OK Zone 3

<u>USOC</u>	<u>Month to Month</u>	<u>3 year</u>	<u>5 year</u>	<u>10 year</u>
	\$298.00	\$149.00	\$ 0.00	\$ 0.00

Rates contained in this transmittal are subject to subsequent adjustment, effective retrospectively back to the transmittal's original effective date, in the event the Commission or a court subsequently authorizes SWBT to correct its rates pursuant to the decision in United States Telephone Association v. FCC (Case No. 97-1469)(slip. op. May 21, 1999)(D.C. Cir.), or pursuant to pending motions, or petitions for reconsideration or waiver (and including, but not limited to, any Application for Review of the letter from Lawrence E. Strickling, Chief, Common Carrier Bureau, FCC, to Dale Robertson, SBC, dated May 18, 1999 which may be filed with the Commission), or in the event of any other adjustment pursuant to an order of the Commission or a court.

(This page filed under Transmittal No. 2827)

Issued: May 15, 2000

Effective: May 30, 2000

Four AT&T Plaza, Dallas, Texas 75202

ACCESS SERVICE

20. MegaLink Custom Services (Cont'd)

(N)

20.13 Billing Periods - Service Established Between March 2, 2000 and May 29, 2000 (Cont'd)20.13.1 Rates and Charges (Cont'd)(G) Optional Features, BSEs and Functions (Cont'd)(8) STN Interconnection with SecureNet Equipped MegaLink Custom Service Installation Charges (Cont'd)

per DS3, per Interconnection

(m) STN Interconnection with SecureNet Equipped MegaLink Custom Service - TX Zone 1

<u>USOC</u>	<u>Month to Month</u>	<u>3 year</u>	<u>5 year</u>	<u>10 year</u>
	\$298.00	\$149.00	\$ 0.00	\$ 0.00

(n) STN Interconnection with SecureNet Equipped MegaLink Custom Service - TX Zone 2

<u>USOC</u>	<u>Month to Month</u>	<u>3 year</u>	<u>5 year</u>	<u>10 year</u>
	\$298.00	\$149.00	\$ 0.00	\$ 0.00

(o) STN Interconnection with SecureNet Equipped MegaLink Custom Service - TX Zone 3

<u>USOC</u>	<u>Month to Month</u>	<u>3 year</u>	<u>5 year</u>	<u>10 year</u>
	\$298.00	\$149.00	\$ 0.00	\$ 0.00

Rates contained in this transmittal are subject to subsequent adjustment, effective retrospectively back to the transmittal's original effective date, in the event the Commission or a court subsequently authorizes SWBT to correct its rates pursuant to the decision in United States Telephone Association v. FCC (Case No. 97-1469)(slip. op. May 21, 1999)(D.C. Cir.), or pursuant to pending motions, or petitions for reconsideration or waiver (and including, but not limited to, any Application for Review of the letter from Lawrence E. Strickling, Chief, Common Carrier Bureau, FCC, to Dale Robertson, SBC, dated May 18, 1999 which may be filed with the Commission), or in the event of any other adjustment pursuant to an order of the Commission or a court.

(This page filed under Transmittal No. 2827)

Issued: May 15, 2000

Effective: May 30, 2000

Four AT&T Plaza, Dallas, Texas 75202

ACCESS SERVICE

20. MegaLink Custom Services (Cont'd)

(N)

20.13 Billing Periods - Service Established Between March 2, 2000 and May 29, 2000 (Cont'd)20.13.1 Rates and Charges (Cont'd)(G) Optional Features, BSEs and Functions (Cont'd)(9) SFM Installation Charge

Per existing MegaLink Custom Service(s) moving to another MegaLink Custom Service or ReliaNet DS3/EC-1, on a first and additional basis.

(a) SFM AR Zone 1

	<u>USOC</u>	<u>Installation Charge</u>
First	NRBR3	\$135.00
Additional	NRBR3	\$104.00

(b) SFM AR Zone 2

	<u>USOC</u>	<u>Installation Charge</u>
First	NRBR3	\$135.00
Additional	NRBR3	\$104.00

(c) SFM AR Zone 3

	<u>USOC</u>	<u>Installation Charge</u>
First	NRBR3	\$135.00
Additional	NRBR3	\$104.00

Rates contained in this transmittal are subject to subsequent adjustment, effective retrospectively back to the transmittal's original effective date, in the event the Commission or a court subsequently authorizes SWBT to correct its rates pursuant to the decision in United States Telephone Association v. FCC (Case No. 97-1469)(slip. op. May 21, 1999)(D.C. Cir.), or pursuant to pending motions, or petitions for reconsideration or waiver (and including, but not limited to, any Application for Review of the letter from Lawrence E. Strickling, Chief, Common Carrier Bureau, FCC, to Dale Robertson, SBC, dated May 18, 1999 which may be filed with the Commission), or in the event of any other adjustment pursuant to an order of the Commission or a court.

(This page filed under Transmittal No. 2827)

Issued: May 15, 2000

Effective: May 30, 2000

Four AT&T Plaza, Dallas, Texas 75202

ACCESS SERVICE

20. MegaLink Custom Services (Cont'd)

(N)

20.13 Billing Periods - Service Established Between March 2, 2000 and May 29, 2000 (Cont'd)20.13.1 Rates and Charges (Cont'd)(G) Optional Features, BSEs and Functions (Cont'd)(9) SFM Installation Charge (Cont'd)

Per existing MegaLink Custom Service(s) moving to another MegaLink Custom Service or ReliaNet DS3/EC-1, on a first and additional basis.

(d) SFM KS Zone 1

	<u>USOC</u>	<u>Installation Charge</u>
First	NRBR3	\$135.00
Additional	NRBR3	\$104.00

(e) SFM KS Zone 2

	<u>USOC</u>	<u>Installation Charge</u>
First	NRBR3	\$135.00
Additional	NRBR3	\$104.00

(f) SFM KS Zone 3

	<u>USOC</u>	<u>Installation Charge</u>
First	NRBR3	\$135.00
Additional	NRBR3	\$104.00

(g) SFM MO Zone 1

	<u>USOC</u>	<u>Installation Charge</u>
First	NRBR3	\$135.00
Additional	NRBR3	\$104.00

(h) SFM MO Zone 2

	<u>USOC</u>	<u>Installation Charge</u>
First	NRBR3	\$135.00
Additional	NRBR3	\$104.00

(i) SFM MO Zone 3

	<u>USOC</u>	<u>Installation Charge</u>
First	NRBR3	\$135.00
Additional	NRBR3	\$104.00

Rates contained in this transmittal are subject to subsequent adjustment, effective retrospectively back to the transmittal's original effective date, in the event the Commission or a court subsequently authorizes SWBT to correct its rates pursuant to the decision in United States Telephone Association v. FCC (Case No. 97-1469) (slip. op. May 21, 1999) (D.C. Cir.), or pursuant to pending motions, or petitions for reconsideration or waiver (and including, but not limited to, any Application for Review of the letter from Lawrence E. Strickling, Chief, Common Carrier Bureau, FCC, to Dale Robertson, SBC, dated May 18, 1999 which may be filed with the Commission), or in the

(This page filed under Transmittal No. 2827)

Issued: May 15, 2000

Effective: May 30, 2000

Four AT&T Plaza, Dallas, Texas 75202

ACCESS SERVICE

20. MegaLink Custom Services (Cont'd)

(N)

20.13 Billing Periods - Service Established Between March 2, 2000 and May 29, 2000 (Cont'd)20.13.1 Rates and Charges (Cont'd)(G) Optional Features, BSEs and Functions (Cont'd)(9) SFM Installation Charge (Cont'd)

Per existing MegaLink Custom Service(s) moving to another MegaLink Custom Service or ReliaNet DS3/EC-1, on a first and additional basis.

(j) SFM OK Zone 1

	<u>USOC</u>	<u>Installation Charge</u>
First	NRBR3	\$135.00
Additional	NRBR3	\$104.00

(k) SFM OK Zone 2

	<u>USOC</u>	<u>Installation Charge</u>
First	NRBR3	\$135.00
Additional	NRBR3	\$104.00

(l) SFM OK Zone 3

	<u>USOC</u>	<u>Installation Charge</u>
First	NRBR3	\$135.00
Additional	NRBR3	\$104.00

Rates contained in this transmittal are subject to subsequent adjustment, effective retrospectively back to the transmittal's original effective date, in the event the Commission or a court subsequently authorizes SWBT to correct its rates pursuant to the decision in United States Telephone Association v. FCC (Case No. 97-1469)(slip. op. May 21, 1999)(D.C. Cir.), or pursuant to pending motions, or petitions for reconsideration or waiver (and including, but not limited to, any Application for Review of the letter from Lawrence E. Strickling, Chief, Common Carrier Bureau, FCC, to Dale Robertson, SBC, dated May 18, 1999 which may be filed with the Commission), or in the event of any other adjustment pursuant to an order of the Commission or a court.

(This page filed under Transmittal No. 2827)

Issued: May 15, 2000

Effective: May 30, 2000

Four AT&T Plaza, Dallas, Texas 75202

ACCESS SERVICE

20. MegaLink Custom Services (Cont'd)20.13 Billing Periods - Service Established Between March 2, 2000 and
May 29, 2000 (Cont'd)20.13.1 Rates and Charges (Cont'd)(G) Optional Features, BSEs and Functions (Cont'd)(9) SFM Installation Charge (Cont'd)

Per existing MegaLink Custom Service(s) moving to another MegaLink Custom Service or ReliaNet DS3/EC-1, on a first and additional basis.

(m) SFM TX Zone 1

	<u>USOC</u>	<u>Installation Charge</u>
First	NRBR3	\$135.00
Additional	NRBR3	\$104.00

(n) SFM TX Zone 2

	<u>USOC</u>	<u>Installation Charge</u>
First	NRBR3	\$135.00
Additional	NRBR3	\$104.00

(o) SFM TX Zone 3

	<u>USOC</u>	<u>Installation Charge</u>
First	NRBR3	\$135.00
Additional	NRBR3	\$104.00

(10) C-Bit Parity Framing Format Option per existing DS3

	<u>USOC</u>	<u>Installation Charge</u>
First	NRBPP	\$ 26.00
Additional	NRBPP	\$ 10.00

Rates contained in this transmittal are subject to subsequent adjustment, effective retrospectively back to the transmittal's original effective date, in the event the Commission or a court subsequently authorizes SWBT to correct its rates pursuant to the decision in United States Telephone Association v. FCC (Case No. 97-1469)(slip. op. May 21, 1999)(D.C. Cir.), or pursuant to pending motions, or petitions for reconsideration or waiver (and including, but not limited to, any Application for Review of the letter from Lawrence E. Strickling, Chief, Common Carrier Bureau, FCC, to Dale Robertson, SBC, dated May 18, 1999 which may be filed with the Commission), or in the event of any other adjustment pursuant to an order of the Commission or a court.

(This page filed under Transmittal No. 2827)

Issued: May 15, 2000

Effective: May 30, 2000

Four AT&T Plaza, Dallas, Texas 75202

ACCESS SERVICE

20. MegaLink Custom Services (Cont'd)

(N)

20.13 Billing Periods - Service Established Between March 2, 2000 and May 29, 2000 (Cont'd)20.13.1 Rates and Charges (Cont'd)(H) Administrative Charges(1) Service Rearrangement Nonrecurring Charges

Per DS3 or DS3 equivalent on the same Access Order for one or any combination of changes as set forth in Section 20.4.2(E).

(a) Service Rearrangement - AR Zone 1

	<u>USOC</u>	<u>Nonrecurring Charge</u>
First	NRBAC	\$ 9.00
Additional	NRBAC	\$ 5.00

(b) Service Rearrangement - AR Zone 2

	<u>USOC</u>	<u>Nonrecurring Charge</u>
First	NRBAC	\$ 9.00
Additional	NRBAC	\$ 5.00

(c) Service Rearrangement - AR Zone 3

	<u>USOC</u>	<u>Nonrecurring Charge</u>
First	NRBAC	\$ 9.00
Additional	NRBAC	\$ 5.00

(d) Service Rearrangement - KS Zone 1

	<u>USOC</u>	<u>Nonrecurring Charge</u>
First	NRBAC	\$ 9.00
Additional	NRBAC	\$ 5.00

(e) Service Rearrangement - KS Zone 2

	<u>USOC</u>	<u>Nonrecurring Charge</u>
First	NRBAC	\$ 9.00
Additional	NRBAC	\$ 5.00

(f) Service Rearrangement - KS Zone 3

	<u>USOC</u>	<u>Nonrecurring Charge</u>
First	NRBAC	\$ 9.00
Additional	NRBAC	\$ 5.00

Rates contained in this transmittal are subject to subsequent adjustment, effective retrospectively back to the transmittal's original effective date, in the event the Commission or a court subsequently authorizes SWBT to correct its rates pursuant to the decision in United States Telephone Association v. FCC (Case No. 97-1469) (slip. op. May 21, 1999) (D.C. Cir.), or pursuant to pending motions, or petitions for reconsideration or waiver (and including, but not limited to, any Application for Review of the letter from Lawrence E. Strickling, Chief, Common Carrier Bureau, FCC, to Dale Robertson, SBC, dated May 18, 1999 which may be filed with the Commission), or in the

(This page filed under Transmittal No. 2827)

Issued: May 15, 2000

Effective: May 30, 2000

Four AT&T Plaza, Dallas, Texas 75202

ACCESS SERVICE

20. MegaLink Custom Services (Cont'd)

(N)

20.13 Billing Periods - Service Established Between March 2, 2000 and May 29, 2000 (Cont'd)20.13.1 Rates and Charges (Cont'd)(H) Administrative Charges (Cont'd)(1) Service Rearrangement Nonrecurring Charges (Cont'd)(g) Service Rearrangement - MO Zone 1

	<u>USOC</u>	<u>Nonrecurring Charge</u>
First	NRBAC	\$ 9.00
Additional	NRBAC	\$ 5.00

(h) Service Rearrangement - MO Zone 2

	<u>USOC</u>	<u>Nonrecurring Charge</u>
First	NRBAC	\$ 9.00
Additional	NRBAC	\$ 5.00

(i) Service Rearrangement - MO Zone 3

	<u>USOC</u>	<u>Nonrecurring Charge</u>
First	NRBAC	\$ 9.00
Additional	NRBAC	\$ 5.00

(j) Service Rearrangement - OK Zone 1

	<u>USOC</u>	<u>Nonrecurring Charge</u>
First	NRBAC	\$ 9.00
Additional	NRBAC	\$ 5.00

(k) Service Rearrangement - OK Zone 2

	<u>USOC</u>	<u>Nonrecurring Charge</u>
First	NRBAC	\$ 9.00
Additional	NRBAC	\$ 5.00

(l) Service Rearrangement - OK Zone 3

	<u>USOC</u>	<u>Nonrecurring Charge</u>
First	NRBAC	\$ 9.00
Additional	NRBAC	\$ 5.00

Rates contained in this transmittal are subject to subsequent adjustment, effective retrospectively back to the transmittal's original effective date, in the event the Commission or a court subsequently authorizes SWBT to correct its rates pursuant to the decision in United States Telephone Association v. FCC (Case No. 97-1469)(slip. op. May 21, 1999)(D.C. Cir.), or pursuant to pending motions, or petitions for reconsideration or waiver (and including, but not limited to, any Application for Review of the letter from Lawrence E. Strickling, Chief, Common Carrier Bureau, FCC, to Dale Robertson, SBC, dated May 18, 1999 which may be filed with the Commission), or in the event of any other adjustment pursuant to an order of the Commission or a court.

(This page filed under Transmittal No. 2827)

Issued: May 15, 2000

Effective: May 30, 2000

Four AT&T Plaza, Dallas, Texas 75202

ACCESS SERVICE

20. MegaLink Custom Services (Cont'd)

(N)

20.13 Billing Periods - Service Established Between November 1, 1999 and May 29, 2000 (Cont'd)

20.13.1 Rates and Charges (Cont'd)

(H) Administrative Charges (Cont'd)

(1) Service Rearrangement Nonrecurring Charges (Cont'd)

(m) Service Rearrangement - TX Zone 1

	<u>USOC</u>	<u>Nonrecurring Charge</u>
First	NRBAC	\$ 9.00
Additional	NRBAC	\$ 5.00

(n) Service Rearrangement - TX Zone 2

	<u>USOC</u>	<u>Nonrecurring Charge</u>
First	NRBAC	\$ 9.00
Additional	NRBAC	\$ 5.00

(o) Service Rearrangement - TX Zone 3

	<u>USOC</u>	<u>Nonrecurring Charge</u>
First	NRBAC	\$ 9.00
Additional	NRBAC	\$ 5.00

(I)

	<u>USOC</u>	<u>Monthly Rate</u>		<u>Nonrecurring Charges</u>	
		<u>Fixed</u>	<u>Per Mile</u>	<u>1st Ckt.</u>	<u>Addl Ckt.</u>
44.736 Mbps (1H48S)					
(1) Month-to-Month		\$815.00	\$100.00	\$605.00	\$496.00

Rates contained in this transmittal are subject to subsequent adjustment, effective retrospectively back to the transmittal's original effective date, in the event the Commission or a court subsequently authorizes SWBT to correct its rates pursuant to the decision in United States Telephone Association v. FCC (Case No. 97-1469)(slip. op. May 21, 1999)(D.C. Cir.), or pursuant to pending motions, or petitions for reconsideration or waiver (and including, but not limited to, any Application for Review of the letter from Lawrence E. Strickling, Chief, Common Carrier Bureau, FCC, to Dale Robertson, SBC, dated May 18, 1999 which may be filed with the Commission), or in the event of any other adjustment pursuant to an order of the Commission or a court.

(This page filed under Transmittal No. 2827)

Issued: May 15, 2000

Effective: May 30, 2000

Four AT&T Plaza, Dallas, Texas 75202

ACCESS SERVICE

20. MegaLink Custom Services (Cont'd)20.14 Billing Periods - Service Established Between May 30, 2000 and June 30, 2000 (N)20.14.1 Rates and Charges

Rates and charges for Arkansas, Kansas, Missouri, Oklahoma and Texas will be applied based on Pricing Zones as contained below.

(A) Channel Termination - Electrical - per Volume Option, per customer premises(1) Electrical Channel Termination - AR - Zone 1

Volume Option*	USOC	<u>3 year</u>	<u>5 year</u>	<u>10 year</u>
1	TUZPX	\$ 1,700.00	\$ 1,400.00	\$ 1,350.00
3	TUZPX	\$ 4,845.00	\$ 4,046.00	\$ 3,915.00
6	TUZPX	\$ 8,670.00	\$ 7,240.00	\$ 7,007.00
12	TUZPX	\$15,301.00	\$12,776.00	\$12,364.00

(2) Electrical Channel Termination - AR - Zone 2

Volume Option*	USOC	<u>3 year</u>	<u>5 year</u>	<u>10 year</u>
1	TUZPX	\$ 1,700.00	\$ 1,400.00	\$ 1,350.00
3	TUZPX	\$ 4,845.00	\$ 4,046.00	\$ 3,915.00
6	TUZPX	\$ 8,670.00	\$ 7,240.00	\$ 7,007.00
12	TUZPX	\$15,301.00	\$12,776.00	\$12,364.00

(3) Electrical Channel Termination - AR - Zone 3

Volume Option*	USOC	<u>3 year</u>	<u>5 year</u>	<u>10 year</u>
1	TUZPX	\$ 1,700.00	\$ 1,400.00	\$ 1,350.00
3	TUZPX	\$ 4,845.00	\$ 4,046.00	\$ 3,915.00
6	TUZPX	\$ 8,670.00	\$ 7,240.00	\$ 7,007.00
12	TUZPX	\$15,301.00	\$12,776.00	\$12,364.00

(N)

* Volume Option specifies the number of DS3s or DS3 equivalents.

Rates contained in this transmittal are subject to subsequent adjustment, effective retrospectively back to the transmittal's original effective date, in the event the Commission or a court subsequently authorizes SWBT to correct its rates pursuant to pending motions, or petitions for reconsideration or waiver (and including, but not limited to, any application for review of the letter from Lawrence E. Strickling, Chief, Common Carrier bureau, FCC, to Dale Robertson, SBC, dated May 18, 1999 which may be filed with the Commission), or in the event of any other adjustment pursuant to an order of the Commission or a court.

(This page filed under Transmittal No. 2831)

Issued: June 16, 2000

Effective: July 1, 2000

Four AT&T Plaza, Dallas, Texas 75202

ACCESS SERVICE

20. MegaLink Custom Services (Cont'd)20.14 Billing Periods - Services Established Between May 30, 2000 and June 30, 2000 (Cont'd) (N)20.14.1 Rates and Charges (Cont'd)(A) Channel Termination - Electrical - per Volume Option, per customer premises (Cont'd)(4) Electrical Channel Termination - KS - Zone 1

<u>Volume Option*</u>	<u>USOC</u>	<u>3 year</u>	<u>5 year</u>	<u>10 year</u>
1	TUZPX	\$ 1,700.00	\$ 1,400.00	\$ 1,350.00
3	TUZPX	\$ 4,845.00	\$ 4,046.00	\$ 3,915.00
6	TUZPX	\$ 8,670.00	\$ 7,240.00	\$ 7,007.00
12	TUZPX	\$15,301.00	\$12,776.00	\$12,364.00

(5) Electrical Channel Termination - KS - Zone 2

<u>Volume Option*</u>	<u>USOC</u>	<u>3 year</u>	<u>5 year</u>	<u>10 year</u>
1	TUZPX	\$ 1,700.00	\$ 1,400.00	\$ 1,325.00
3	TUZPX	\$ 4,845.00	\$ 4,046.00	\$ 3,915.00
6	TUZPX	\$ 8,670.00	\$ 7,240.00	\$ 7,007.00
12	TUZPX	\$15,301.00	\$12,776.00	\$12,364.00

(6) Electrical Channel Termination - KS - Zone 3

<u>Volume Option*</u>	<u>USOC</u>	<u>3 year</u>	<u>5 year</u>	<u>10 year</u>
1	TUZPX	\$ 1,700.00	\$ 1,400.00	\$ 1,350.00
3	TUZPX	\$ 4,845.00	\$ 4,046.00	\$ 3,915.00
6	TUZPX	\$ 8,670.00	\$ 7,240.00	\$ 7,007.00
12	TUZPX	\$15,301.00	\$12,776.00	\$12,364.00

* Volume Option specifies the number of DS3s or DS3 equivalents. (N)

Rates contained in this transmittal are subject to subsequent adjustment, effective retrospectively back to the transmittal's original effective date, in the event the Commission or a court subsequently authorizes SWBT to correct its rates pursuant to pending motions, or petitions for reconsideration or waiver (and including, but not limited to, any application for Review of the letter from Lawrence E. Strickling, Chief, Common Carrier bureau, FCC, to Dale Robertson, SBC, dated May 18, 1999 which may be filed with the Commission), or in the event of any other adjustment pursuant to an order of the Commission or a court.

(This page filed under Transmittal No. 2831)

ACCESS SERVICE

20. MegaLink Custom Services (Cont'd)

(N)

20.14 Billing Periods - Service Established Between May 30, 2000 and June 30, 2000 (Cont'd)20.14.1 Rates and Charges (Cont'd)(A) Channel Termination - Electrical - per Volume Option, per customer premises (Cont'd)(7) Electrical Channel Termination - MO - Zone 1

<u>Volume Option*</u>	<u>USOC</u>	<u>3 year</u>	<u>5 year</u>	<u>10 year</u>
1	TUZPX	\$ 1,700.00	\$ 1,400.00	\$ 1,350.00
3	TUZPX	\$ 4,845.00	\$ 4,046.00	\$ 3,915.00
6	TUZPX	\$ 8,670.00	\$ 7,240.00	\$ 7,007.00
12	TUZPX	\$15,301.00	\$12,776.00	\$12,364.00

(8) Electrical Channel Termination - MO - Zone 2

<u>Volume Option*</u>	<u>USOC</u>	<u>3 year</u>	<u>5 year</u>	<u>10 year</u>
1	TUZPX	\$ 1,700.00	\$ 1,400.00	\$ 1,350.00
3	TUZPX	\$ 4,845.00	\$ 4,046.00	\$ 3,915.00
6	TUZPX	\$ 8,670.00	\$ 7,240.00	\$ 7,007.00
12	TUZPX	\$15,301.00	\$12,776.00	\$12,364.00

(9) Electrical Channel Termination - MO - Zone 3

<u>Volume Option*</u>	<u>USOC</u>	<u>3 year</u>	<u>5 year</u>	<u>10 year</u>
1	TUZPX	\$ 1,700.00	\$ 1,400.00	\$ 1,350.00
3	TUZPX	\$ 4,845.00	\$ 4,046.00	\$ 3,915.00
6	TUZPX	\$ 8,670.00	\$ 7,240.00	\$ 7,007.00
12	TUZPX	\$15,301.00	\$12,776.00	\$12,364.00

(N)

* Volume Option specifies the number of DS3s or DS3 equivalents.

Rates contained in this transmittal are subject to subsequent adjustment, effective retrospectively back to the transmittal's original effective date, in the event the Commission or a court subsequently authorizes SWBT to correct its rates pursuant to pending motions, or petitions for reconsideration or waiver (and including, but not limited to, any application for Review of the letter from Lawrence E. Strickling, Chief, Common Carrier bureau, FCC, to Dale Robertson, SBC, dated May 18, 1999 which may be filed with the Commission), or in the event of any other adjustment pursuant to an order of the Commission or a court.

(This page filed under Transmittal No. 2831)

Issued: June 16, 2000

Effective: July 1, 2000

Four AT&T Plaza, Dallas, Texas 75202

ACCESS SERVICE

20. MegaLink Custom Services (Cont'd)20.14 Billing Periods - Services Established Between May 30, 2000 and June 30, 2000 (Cont'd)

(N)

20.14.1 Rates and Charges (Cont'd)(A) Channel Termination - Electrical - per Volume Option, per customer premises (Cont'd)(10) Electrical Channel Termination - OK - Zone 1

<u>Volume Option*</u>	<u>USOC</u>	<u>3 year</u>	<u>5 year</u>	<u>10 year</u>
1	TUZPX	\$ 1,700.00	\$ 1,400.00	\$ 1,350.00
3	TUZPX	\$ 4,845.00	\$ 4,046.00	\$ 3,915.00
6	TUZPX	\$ 8,670.00	\$ 7,240.00	\$ 7,007.00
12	TUZPX	\$15,301.00	\$12,776.00	\$12,364.00

(11) Electrical Channel Termination - OK - Zone 2

<u>Volume Option*</u>	<u>USOC</u>	<u>3 year</u>	<u>5 year</u>	<u>10 year</u>
1	TUZPX	\$ 1,700.00	\$ 1,400.00	\$ 1,350.00
3	TUZPX	\$ 4,845.00	\$ 4,046.00	\$ 3,915.00
6	TUZPX	\$ 8,670.00	\$ 7,240.00	\$ 7,007.00
12	TUZPX	\$15,301.00	\$12,776.00	\$12,364.00

(12) Electrical Channel Termination - OK - Zone 3

<u>Volume Option*</u>	<u>USOC</u>	<u>3 year</u>	<u>5 year</u>	<u>10 year</u>
1	TUZPX	\$ 1,700.00	\$ 1,400.00	\$ 1,350.00
3	TUZPX	\$ 4,845.00	\$ 4,046.00	\$ 3,915.00
6	TUZPX	\$ 8,670.00	\$ 7,240.00	\$ 7,007.00
12	TUZPX	\$15,301.00	\$12,776.00	\$12,364.00

* Volume Option specifies the number of DS3s or DS3 equivalents.

(N)

Rates contained in this transmittal are subject to subsequent adjustment, effective retrospectively back to the transmittal's original effective date, in the event the Commission or a court subsequently authorizes SWBT to correct its rates pursuant to pending motions, or petitions for reconsideration or waiver (and including, but not limited to, any application for Review of the letter from Lawrence E. Strickling, Chief, Common Carrier bureau, FCC, to Dale Robertson, SBC, dated May 18, 1999 which may be filed with the Commission), or in the event of any other adjustment pursuant to an order of the Commission or a court.

(This page filed under Transmittal No. 2831)

Issued: June 16, 2000

Effective: July 1, 2000

Four AT&T Plaza, Dallas, Texas 75202

ACCESS SERVICE

20. MegaLink Custom Services (Cont'd)20.14 Billing Periods - Services Established Between May 30, 2000 and June 30, 2000 (Cont'd)

(N)

20.14.1 Rates and Charges (Cont'd)(A) Channel Termination - Electrical - per Volume Option, per customer premises (Cont'd)(13) Electrical Channel Termination - TX - Zone 1

<u>Volume Option*</u>	<u>USOC</u>	<u>3 year</u>	<u>5 year</u>	<u>10 year</u>
1	TUZPX	\$ 1,700.00	\$ 1,400.00	\$ 1,350.00
3	TUZPX	\$ 4,845.00	\$ 4,046.00	\$ 3,915.00
6	TUZPX	\$ 8,670.00	\$ 7,240.00	\$ 7,007.00
12	TUZPX	\$15,301.00	\$12,776.00	\$12,364.00

(14) Electrical Channel Termination - TX - Zone 2

<u>Volume Option*</u>	<u>USOC</u>	<u>3 year</u>	<u>5 year</u>	<u>10 year</u>
1	TUZPX	\$ 1,700.00	\$ 1,400.00	\$ 1,350.00
3	TUZPX	\$ 4,845.00	\$ 4,046.00	\$ 3,915.00
6	TUZPX	\$ 8,670.00	\$ 7,240.00	\$ 7,007.00
12	TUZPX	\$15,301.00	\$12,776.00	\$12,364.00

(15) Electrical Channel Termination - TX - Zone 3

<u>Volume Option*</u>	<u>USOC</u>	<u>3 year</u>	<u>5 year</u>	<u>10 year</u>
1	TUZPX	\$ 1,700.00	\$ 1,400.00	\$ 1,350.00
3	TUZPX	\$ 4,845.00	\$ 4,046.00	\$ 3,915.00
6	TUZPX	\$ 8,670.00	\$ 7,240.00	\$ 7,007.00
12	TUZPX	\$15,301.00	\$12,776.00	\$12,364.00

* Volume Option specifies the number of DS3s or DS3 equivalents.

(N)

Rates contained in this transmittal are subject to subsequent adjustment, effective retrospectively back to the transmittal's original effective date, in the event the Commission or a court subsequently authorizes SWBT to correct its rates pursuant to pending motions, or petitions for reconsideration or waiver (and including, but not limited to, any application for Review of the letter from Lawrence E. Strickling, Chief, Common Carrier bureau, FCC, to Dale Robertson, SBC, dated May 18, 1999 which may be filed with the Commission), or in the event of any other adjustment pursuant to an order of the Commission or a court.

(This page filed under Transmittal No. 2831)

Issued: June 16, 2000

Effective: July 1, 2000

Four AT&T Plaza, Dallas, Texas 75202

ACCESS SERVICE

20. MegaLink Custom Services (Cont'd)

(N)

20.14 Billing Periods - Services Established Between May 30, 2000 and June 30, 2000 (Cont'd)20.14.1 Rates and Charges (Cont'd)(A) Channel Termination - Electrical - per Volume Option, per customer premises (Cont'd)(16) Temp-DS3 Electrical Channel Termination - AR - Zone 1

<u>Volume Option*</u>	<u>USOC</u>	<u>Monthly</u>
1	TUZQX	\$ 2,500.00

(17) Temp-DS3 Electrical Channel Termination - AR - Zone 2

<u>Volume Option*</u>	<u>USOC</u>	<u>Monthly</u>
1	TUZQX	\$ 2,500.00

(18) Temp-DS3 Electrical Channel Termination - AR - Zone 3

<u>Volume Option*</u>	<u>USOC</u>	<u>Monthly</u>
1	TUZQX	\$ 2,500.00

(19) Temp-DS3 Electrical Channel Termination - KS - Zone 1

<u>Volume Option*</u>	<u>USOC</u>	<u>Monthly</u>
1	TUZQX	\$ 2,500.00

(20) Temp-DS3 Electrical Channel Termination - KS - Zone 2

<u>Volume Option*</u>	<u>USOC</u>	<u>Monthly</u>
1	TUZQX	\$ 2,500.00

(21) Temp-DS3 Electrical Channel Termination - KS - Zone 3

<u>Volume Option*</u>	<u>USOC</u>	<u>Monthly</u>
1	TUZQX	\$ 2,500.00

(N)

* Volume Option specifies the number of DS3s or DS3 equivalents.

Rates contained in this transmittal are subject to subsequent adjustment, effective retrospectively back to the transmittal's original effective date, in the event the Commission or a court subsequently authorizes SWBT to correct its rates pursuant to pending motions, or petitions for reconsideration or waiver (and including, but not limited to, any application for Review of the letter from Lawrence E. Strickling, Chief, Common Carrier bureau, FCC, to Dale Robertson, SBC, dated May 18, 1999 which may be filed with the Commission), or in the event of any other adjustment pursuant to an order of the Commission or a court.

(This page filed under Transmittal No. 2831)

Issued: June 16, 2000

Effective: July 1, 2000

Four AT&T Plaza, Dallas, Texas 75202

ACCESS SERVICE

20. MegaLink Custom Services (Cont'd)

(N)

20.14 Billing Periods - Services Established Between May 30, 2000 and June 30, 2000 (Cont'd)20.14.1 Rates and Charges (Cont'd)(A) Channel Termination - Electrical - per Volume Option, per customer premises (Cont'd)(22) Temp-DS3 Electrical Channel Termination - MO - Zone 1

<u>Volume Option*</u>	<u>USOC</u>	<u>Monthly</u>
1	TUZQX	\$ 2,500.00

(23) Temp-DS3 Electrical Channel Termination - MO - Zone 2

<u>Volume Option*</u>	<u>USOC</u>	<u>Monthly</u>
1	TUZQX	\$ 2,500.00

(24) Temp-DS3 Electrical Channel Termination - MO - Zone 3

<u>Volume Option*</u>	<u>USOC</u>	<u>Monthly</u>
1	TUZQX	\$ 2,500.00

(25) Temp-DS3 Electrical Channel Termination - OK - Zone 1

<u>Volume Option*</u>	<u>USOC</u>	<u>Monthly</u>
1	TUZQX	\$ 2,500.00

(26) Temp-DS3 Electrical Channel Termination - OK - Zone 2

<u>Volume Option*</u>	<u>USOC</u>	<u>Monthly</u>
1	TUZQX	\$ 2,500.00

(27) Temp-DS3 Electrical Channel Termination - OK -Zone 3

<u>Volume Option*</u>	<u>USOC</u>	<u>Monthly</u>
1	TUZQX	\$ 2,500.00

(N)

* Volume Option specifies the number of DS3s or DS3 equivalents.

Rates contained in this transmittal are subject to subsequent adjustment, effective retrospectively back to the transmittal's original effective date, in the event the Commission or a court subsequently authorizes SWBT to correct its rates pursuant to pending motions, or petitions for reconsideration or waiver (and including, but not limited to, any application for Review of the letter from Lawrence E. Strickling, Chief, Common Carrier bureau, FCC, to Dale Robertson, SBC, dated May 18, 1999 which may be filed with the Commission), or in the event of any other adjustment pursuant to an order of the Commission or a court.

(This page filed under Transmittal No. 2831)

Issued: June 16, 2000

Effective: July 1, 2000

Four AT&T Plaza, Dallas, Texas 75202

ACCESS SERVICE

20. MegaLink Custom Services (Cont'd)20.14 Billing Periods - Services Established Between May 30, 2000 and June 30, 2000 (Cont'd) (N)20.14.1 Rates and Charges(A) Channel Termination - Electrical - per Volume Option, per customer premises (Cont'd)(28) Temp-DS3 Electrical Channel Termination - TX - Zone 1

<u>Volume Option*</u>	<u>USOC</u>	<u>Monthly</u>
1	TUZQX	\$ 2,500.00

(29) Temp-DS3 Electrical Channel Termination - TX - Zone 2

<u>Volume Option*</u>	<u>USOC</u>	<u>Monthly</u>
1	TUZQX	\$ 2,500.00

(30) Temp-DS3 Electrical Channel Termination - TX - Zone 3

<u>Volume Option*</u>	<u>USOC</u>	<u>Monthly</u>
1	TUZQX	\$ 2,500.00

* Volume Option specifies the number of DS3s or DS3 equivalents. (N)

Rates contained in this transmittal are subject to subsequent adjustment, effective retrospectively back to the transmittal's original effective date, in the event the Commission or a court subsequently authorizes SWBT to correct its rates pursuant to pending motions, or petitions for reconsideration or waiver (and including, but not limited to, any application for Review of the letter from Lawrence E. Strickling, Chief, Common Carrier bureau, FCC, to Dale Robertson, SBC, dated May 18, 1999 which may be filed with the Commission), or in the event of any other adjustment pursuant to an order of the Commission or a court.

(This page filed under Transmittal No. 2831)

Issued: June 16, 2000

Effective: July 1, 2000

Four AT&T Plaza, Dallas, Texas 75202

ACCESS SERVICE

20. MegaLink Custom Services (Cont'd)20.14 Billing Periods - Services Established Between May 30, 2000 and June 30, 2000 (Cont'd)

(N)

20.14.1 Rates and Charges (Cont'd)(B) Channel Termination - Optical - per Volume Option, per customer premises(1) Optical Channel Termination - AR - Zone 1

<u>Volume Option*</u>	<u>USOC</u>	<u>3 year</u>	<u>5 year</u>	<u>10 year</u>
1	TKZPX	\$ 1,645.00	\$ 1,492.00	\$ 1,430.00
3	TKZPX	\$ 4,361.00	\$ 3,953.00	\$ 3,524.00
6	TKZPX	\$ 7,804.00	\$ 7,075.00	\$ 6,305.00
12	TKZPX	\$13,771.00	\$12,486.00	\$11,128.00

(2) Optical Channel Termination - AR - Zone 2

<u>Volume Option*</u>	<u>USOC</u>	<u>3 year</u>	<u>5 year</u>	<u>10 year</u>
1	TKZPX	\$ 1,645.00	\$ 1,492.00	\$ 1,430.00
3	TKZPX	\$ 4,361.00	\$ 3,953.00	\$ 3,524.00
6	TKZPX	\$ 7,804.00	\$ 7,075.00	\$ 6,305.00
12	TKZPX	\$13,771.00	\$12,486.00	\$11,128.00

(3) Optical Channel Termination - AR - Zone 3

<u>Volume Option*</u>	<u>USOC</u>	<u>3 year</u>	<u>5 year</u>	<u>10 year</u>
1	TKZPX	\$ 1,645.00	\$ 1,492.00	\$ 1,430.00
3	TKZPX	\$ 4,361.00	\$ 3,953.00	\$ 3,524.00
6	TKZPX	\$ 7,804.00	\$ 7,075.00	\$ 6,305.00
12	TKZPX	\$13,771.00	\$12,486.00	\$11,128.00

* Volume Option specifies the number of DS3s or DS3 equivalents.

Rates contained in this transmittal are subject to subsequent adjustment, effective retrospectively back to the transmittal's original effective date, in the event the Commission or a court subsequently authorizes SWBT to correct its rates pursuant to pending motions, or petitions for reconsideration or waiver (and including, but not limited to, any application for Review of the letter from Lawrence E. Strickling, Chief, Common Carrier bureau, FCC, to Dale Robertson, SBC, dated May 18, 1999 which may be filed with the Commission), or in the event of any other adjustment pursuant to an order of the Commission or a court.

(This page filed under Transmittal No. 2831)

Issued: June 16, 2000

Effective: July 1, 2000

Four AT&T Plaza, Dallas, Texas 75202

ACCESS SERVICE

20. MegaLink Custom Services (Cont'd)20.14 Billing Periods - Services Established Between May 30, 2000 and June 30, 2000 (Cont'd) (N)20.14.1 Rates and Charges (Cont'd)(B) Channel Termination - Optical - per Volume Option, per customer premises (Cont'd)(4) Optical Channel Termination - KS - Zone 1

<u>Volume Option*</u>	<u>USOC</u>	<u>3 year</u>	<u>5 year</u>	<u>10 year</u>
1	TKZPX	\$ 1,645.00	\$ 1,492.00	\$ 1,430.00
3	TKZPX	\$ 4,361.00	\$ 3,953.00	\$ 3,524.00
6	TKZPX	\$ 7,804.00	\$ 7,075.00	\$ 6,305.00
12	TKZPX	\$13,771.00	\$12,486.00	\$11,128.00

(5) Optical Channel Termination - KS - Zone 2

<u>Volume Option*</u>	<u>USOC</u>	<u>3 year</u>	<u>5 year</u>	<u>10 year</u>
1	TKZPX	\$ 1,645.00	\$ 1,492.00	\$ 1,430.00
3	TKZPX	\$ 4,361.00	\$ 3,953.00	\$ 3,524.00
6	TKZPX	\$ 7,804.00	\$ 7,075.00	\$ 6,305.00
12	TKZPX	\$13,771.00	\$12,486.00	\$11,128.00

(6) Optical Channel Termination - KS - Zone 3

<u>Volume Option*</u>	<u>USOC</u>	<u>3 year</u>	<u>5 year</u>	<u>10 year</u>
1	TKZPX	\$ 1,645.00	\$ 1,492.00	\$ 1,430.00
3	TKZPX	\$ 4,361.00	\$ 3,953.00	\$ 3,524.00
6	TKZPX	\$ 7,804.00	\$ 7,075.00	\$ 6,305.00
12	TKZPX	\$13,771.00	\$12,486.00	\$11,128.00

* Volume Option specifies the number of DS3s or DS3 equivalents. (N)

Rates contained in this transmittal are subject to subsequent adjustment, effective retrospectively back to the transmittal's original effective date, in the event the Commission or a court subsequently authorizes SWBT to correct its rates pursuant to pending motions, or petitions for reconsideration or waiver (and including, but not limited to, any application for Review of the letter from Lawrence E. Strickling, Chief, Common Carrier bureau, FCC, to Dale Robertson, SBC, dated May 18, 1999 which may be filed with the Commission), or in the event of any other adjustment pursuant to an order of the Commission or a court.

(This page filed under Transmittal No. 2831)

Issued: June 16, 2000

Effective: July 1, 2000

Four AT&T Plaza, Dallas, Texas 75202

ACCESS SERVICE

20. MegaLink Custom Services (Cont'd)20.14 Billing Periods - Services Established Between May 30, 2000 and June 30, 2000 (Cont'd) (N)20.14.1 Rates and Charges (Cont'd)(B) Channel Termination - Optical - per Volume Option, per customer premises (Cont'd)(7) Optical Channel Termination - MO - Zone 1

<u>Volume Option*</u>	<u>USOC</u>	<u>3 year</u>	<u>5 year</u>	<u>10 year</u>
1	TKZPX	\$ 1,645.00	\$ 1,492.00	\$ 1,430.00
3	TKZPX	\$ 4,361.00	\$ 3,953.00	\$ 3,524.00
6	TKZPX	\$ 7,804.00	\$ 7,075.00	\$ 6,305.00
12	TKZPX	\$13,771.00	\$12,486.00	\$11,128.00

(8) Optical Channel Termination - MO - Zone 2

<u>Volume Option*</u>	<u>USOC</u>	<u>3 year</u>	<u>5 year</u>	<u>10 year</u>
1	TKZPX	\$ 1,645.00	\$ 1,492.00	\$ 1,430.00
3	TKZPX	\$ 4,361.00	\$ 3,953.00	\$ 3,524.00
6	TKZPX	\$ 7,804.00	\$ 7,075.00	\$ 6,305.00
12	TKZPX	\$13,771.00	\$12,486.00	\$11,128.00

(9) Optical Channel Termination - MO - Zone 3

<u>Volume Option*</u>	<u>USOC</u>	<u>3 year</u>	<u>5 year</u>	<u>10 year</u>
1	TKZPX	\$ 1,645.00	\$ 1,492.00	\$ 1,430.00
3	TKZPX	\$ 4,361.00	\$ 3,953.00	\$ 3,524.00
6	TKZPX	\$ 7,804.00	\$ 7,075.00	\$ 6,305.00
12	TKZPX	\$13,771.00	\$12,486.00	\$11,128.00

* Volume Option specifies the number of DS3s or DS3 equivalents.

Rates contained in this transmittal are subject to subsequent adjustment, effective retrospectively back to the transmittal's original effective date, in the event the Commission or a court subsequently authorizes SWBT to correct its rates pursuant to pending motions, or petitions for reconsideration or waiver (and including, but not limited to, any application for Review of the letter from Lawrence E. Strickling, Chief, Common Carrier bureau, FCC, to Dale Robertson, SBC, dated May 18, 1999 which may be filed with the Commission), or in the event of any other adjustment pursuant to an order of the Commission or a court.

(This page filed under Transmittal No. 2831)

Issued: June 16, 2000

Effective: July 1, 2000

Four AT&T Plaza, Dallas, Texas 75202

ACCESS SERVICE

20. MegaLink Custom Services (Cont'd)20.14 Billing Periods - Service Established Between May 30, 2000 and June 30, 2000 (Cont'd) (N)20.14.1 Rates and Charges (Cont'd)(B) Channel Termination - Optical - per Volume Option, per customer premises (Cont'd)(10) Optical Channel Termination - OK - Zone 1

<u>Volume Option*</u>	<u>USOC</u>	<u>3 year</u>	<u>5 year</u>	<u>10 year</u>
1	TKZPX	\$ 1,645.00	\$ 1,492.00	\$ 1,430.00
3	TKZPX	\$ 4,361.00	\$ 3,953.00	\$ 3,524.00
6	TKZPX	\$ 7,804.00	\$ 7,075.00	\$ 6,305.00
12	TKZPX	\$13,771.00	\$12,486.00	\$11,128.00

(11) Optical Channel Termination - OK - Zone 2

<u>Volume Option*</u>	<u>USOC</u>	<u>3 year</u>	<u>5 year</u>	<u>10 year</u>
1	TKZPX	\$ 1,645.00	\$ 1,492.00	\$ 1,430.00
3	TKZPX	\$ 4,361.00	\$ 3,953.00	\$ 3,524.00
6	TKZPX	\$ 7,804.00	\$ 7,075.00	\$ 6,305.00
12	TKZPX	\$13,771.00	\$12,486.00	\$11,128.00

(12) Optical Channel Termination - OK - Zone 3

<u>Volume Option*</u>	<u>USOC</u>	<u>3 year</u>	<u>5 year</u>	<u>10 year</u>
1	TKZPX	\$ 1,645.00	\$ 1,492.00	\$ 1,430.00
3	TKZPX	\$ 4,361.00	\$ 3,953.00	\$ 3,524.00
6	TKZPX	\$ 7,804.00	\$ 7,075.00	\$ 6,305.00
12	TKZPX	\$13,771.00	\$12,486.00	\$11,128.00

* Volume Option specifies the number of DS3s or DS3 equivalents.

Rates contained in this transmittal are subject to subsequent adjustment, effective retrospectively back to the transmittal's original effective date, in the event the Commission or a court subsequently authorizes SWBT to correct its rates pursuant to pending motions, or petitions for reconsideration or waiver (and including, but not limited to, any application for Review of the letter from Lawrence E. Strickling, Chief, Common Carrier bureau, FCC, to Dale Robertson, SBC, dated May 18, 1999 which may be filed with the Commission), or in the event of any other adjustment pursuant to an order of the Commission or a court.

(This page filed under Transmittal No. 2831)

Issued: June 16, 2000

Effective: July 1, 2000

Four AT&T Plaza, Dallas, Texas 75202

ACCESS SERVICE

20. MegaLink Custom Services (Cont'd)20.14 Billing Periods - Service Established Between May 30, 2000 and June 30, 2000 (Cont'd) (N)20.14.1 Rates and Charges (Cont'd)(B) Channel Termination - Optical - per Volume Option, per customer premises (Cont'd)(13) Optical Channel Termination - TX - Zone 1

<u>Volume Option*</u>	<u>USOC</u>	<u>3 year</u>	<u>5 year</u>	<u>10 year</u>
1	TKZPX	\$ 1,645.00	\$ 1,492.00	\$ 1,430.00
3	TKZPX	\$ 4,361.00	\$ 3,953.00	\$ 3,524.00
6	TKZPX	\$ 7,804.00	\$ 7,075.00	\$ 6,305.00
12	TKZPX	\$13,771.00	\$12,486.00	\$11,128.00

(14) Optical Channel Termination - TX - Zone 2

<u>Volume Option*</u>	<u>USOC</u>	<u>3 year</u>	<u>5 year</u>	<u>10 year</u>
1	TKZPX	\$ 1,645.00	\$ 1,492.00	\$ 1,430.00
3	TKZPX	\$ 4,361.00	\$ 3,953.00	\$ 3,524.00
6	TKZPX	\$ 7,804.00	\$ 7,075.00	\$ 6,305.00
12	TKZPX	\$13,771.00	\$12,486.00	\$11,128.00

(15) Optical Channel Termination - TX - Zone 3

<u>Volume Option*</u>	<u>USOC</u>	<u>3 year</u>	<u>5 year</u>	<u>10 year</u>
1	TKZPX	\$ 1,645.00	\$ 1,492.00	\$ 1,430.00
3	TKZPX	\$ 4,361.00	\$ 3,953.00	\$ 3,524.00
6	TKZPX	\$ 7,804.00	\$ 7,075.00	\$ 6,305.00
12	TKZPX	\$13,771.00	\$12,486.00	\$11,128.00

* Volume Option specifies the number of DS3s or DS3 equivalents.

Rates contained in this transmittal are subject to subsequent adjustment, effective retrospectively back to the transmittal's original effective date, in the event the Commission or a court subsequently authorizes SWBT to correct its rates pursuant to pending motions, or petitions for reconsideration or waiver (and including, but not limited to, any application for Review of the letter from Lawrence E. Strickling, Chief, Common Carrier bureau, FCC, to Dale Robertson, SBC, dated May 18, 1999 which may be filed with the Commission), or in the event of any other adjustment pursuant to an order of the Commission or a court.

(This page filed under Transmittal No. 2831)

Issued: June 16, 2000

Effective: July 1, 2000

Four AT&T Plaza, Dallas, Texas 75202

ACCESS SERVICE

20. MegaLink Custom Services (Cont'd)20.14 Billing Periods - Service Established Between May 30, 2000 and June 30, 2000 (Cont'd) (N)20.14.1 Rates and Charges (Cont'd)(C) Interoffice Mileage - Fixed - Monthly Recurring Rates and Service Extension(1) Interoffice Fixed - per DS3 or DS3 equivalent - AR Zone 1

<u>USOC</u>	<u>3 year</u>	<u>5 year</u>	<u>10 year</u>
10XHX/10XLX	\$600.00	\$500.00	\$450.00

(2) Interoffice Fixed - per DS3 or DS3 equivalent - AR Zone 2

<u>USOC</u>	<u>3 year</u>	<u>5 year</u>	<u>10 year</u>
10XHX/10XLX	\$600.00	\$500.00	\$450.00

(3) Interoffice Fixed - per DS3 or DS3 equivalent - AR Zone 3

<u>USOC</u>	<u>3 year</u>	<u>5 year</u>	<u>10 year</u>
10XHX/10XLX	\$600.00	\$500.00	\$450.00

(4) Interoffice Fixed - per DS3 or DS3 equivalent - KS Zone 1

<u>USOC</u>	<u>3 year</u>	<u>5 year</u>	<u>10 year</u>
10XHX/10XLX	\$600.00	\$500.00	\$450.00

(5) Interoffice Fixed - per DS3 or DS3 equivalent - KS Zone 2

<u>USOC</u>	<u>3 year</u>	<u>5 year</u>	<u>10 year</u>
10XHX/10XLX	\$600.00	\$500.00	\$450.00

(6) Interoffice Fixed - per DS3 or DS3 equivalent - KS Zone 3

<u>USOC</u>	<u>3 year</u>	<u>5 year</u>	<u>10 year</u>
10XHX/10XLX	\$600.00	\$500.00	\$450.00

(N)

Rates contained in this transmittal are subject to subsequent adjustment, effective retrospectively back to the transmittal's original effective date, in the event the Commission or a court subsequently authorizes SWBT to correct its rates pursuant to pending motions, or petitions for reconsideration or waiver (and including, but not limited to, any application for Review of the letter from Lawrence E. Strickling, Chief, Common Carrier bureau, FCC, to Dale Robertson, SBC, dated May 18, 1999 which may be filed with the Commission), or in the event of any other adjustment pursuant to an order of the Commission or a court.

(This page filed under Transmittal No. 2831)

Issued: June 16, 2000

Effective: July 1, 2000

Four AT&T Plaza, Dallas, Texas 75202

ACCESS SERVICE

20. MegaLink Custom Services (Cont'd)

(N)

20.14 Billing Periods - Services Established Between May 30, 2000 and June 30, 2000 (Cont'd)20.14.1 Rates and Charges (Cont'd)(C) Interoffice Mileage - Fixed - Monthly Recurring Rates and Service Extension (Cont'd)(7) Interoffice Fixed - per DS3 or DS3 equivalent - MO - Zone 1

<u>USOC</u>	<u>3 year</u>	<u>5 year</u>	<u>10 year</u>
10XHX/10XLX	\$600.00	\$500.00	\$450.00

(8) Interoffice Fixed - per DS3 or DS3 equivalent - MO - Zone 2

<u>USOC</u>	<u>3 year</u>	<u>5 year</u>	<u>10 year</u>
10XHX/10XLX	\$600.00	\$500.00	\$450.00

(9) Interoffice Fixed - per DS3 or DS3 equivalent - MO - Zone 3

<u>USOC</u>	<u>3 year</u>	<u>5 year</u>	<u>10 year</u>
10XHX/10XLX	\$600.00	\$500.00	\$450.00

(10) Interoffice Fixed - per DS3 or DS3 equivalent - OK - Zone 1

<u>USOC</u>	<u>3 year</u>	<u>5 year</u>	<u>10 year</u>
10XHX/10XLX	\$600.00	\$500.00	\$450.00

(11) Interoffice Fixed - per DS3 or DS3 equivalent - OK - Zone 2

<u>USOC</u>	<u>3 year</u>	<u>5 year</u>	<u>10 year</u>
10XHX/10XLX	\$600.00	\$500.00	\$450.00

(12) Interoffice Fixed - per DS3 or DS3 equivalent - OK - Zone 3

<u>USOC</u>	<u>3 year</u>	<u>5 year</u>	<u>10 year</u>
10XHX/10XLX	\$600.00	\$500.00	\$450.00

Rates contained in this transmittal are subject to subsequent adjustment, effective retrospectively back to the transmittal's original effective date, in the event the Commission or a court subsequently authorizes SWBT to correct its rates pursuant to pending motions, or petitions for reconsideration or waiver (and including, but not limited to, any application for Review of the letter from Lawrence E. Strickling, Chief, Common Carrier bureau, FCC, to Dale Robertson, SBC, dated May 18, 1999 which may be filed with the Commission), or in the event of any other adjustment pursuant to an order of the Commission or a court.

(This page filed under Transmittal No. 2831)

Issued: June 16, 2000

Effective: July 1, 2000

Four AT&T Plaza, Dallas, Texas 75202

ACCESS SERVICE

20. MegaLink Custom Services (Cont'd)20.14 Billing Periods - Services Established Between May 30, 2000 and June 30, 2000 (Cont'd) (N)20.14.1 Rates and Charges (Cont'd)(C) Interoffice Mileage - Fixed - Monthly Recurring Rates and Service Extension (Cont'd)(13) Interoffice Fixed - per DS3 or DS3 equivalent - TX - Zone 1

<u>USOC</u>	<u>3 year</u>	<u>5 year</u>	<u>10 year</u>
10XHX/10XLX	\$600.00	\$500.00	\$450.00

(14) Interoffice Fixed - per DS3 or DS3 equivalent - TX - Zone 2

<u>USOC</u>	<u>3 year</u>	<u>5 year</u>	<u>10 year</u>
10XHX/10XLX	\$600.00	\$500.00	\$450.00

(15) Interoffice Fixed - per DS3 or DS3 equivalent - TX - Zone 3

<u>USOC</u>	<u>3 year</u>	<u>5 year</u>	<u>10 year</u>
10XHX/10XLX	\$600.00	\$500.00	\$450.00

(N)

Rates contained in this transmittal are subject to subsequent adjustment, effective retrospectively back to the transmittal's original effective date, in the event the Commission or a court subsequently authorizes SWBT to correct its rates pursuant to pending motions, or petitions for reconsideration or waiver (and including, but not limited to, any application for Review of the letter from Lawrence E. Strickling, Chief, Common Carrier bureau, FCC, to Dale Robertson, SBC, dated May 18, 1999 which may be filed with the Commission), or in the event of any other adjustment pursuant to an order of the Commission or a court.

(This page filed under Transmittal No. 2831)

Issued: June 16, 2000

Effective: July 1, 2000

Four AT&T Plaza, Dallas, Texas 75202

ACCESS SERVICE

20. MegaLink Custom Services (Cont'd)20.14 Billing Periods - Service Established Between May 30, 200 and June 30, 2000 (Cont'd) (N)20.14.1 Rates and Charges (Cont'd)(C) Interoffice Mileage - Fixed - Monthly Recurring Rates
(Cont'd)(16) Temp-DS3 - Interoffice Fixed - per Temp DS3 - AR -
Zone 1USOC Monthly

10XGX \$815.00

(17) Temp-DS3 - Interoffice Fixed - per Temp DS3 - AR -**Zone 2**USOC Monthly

10XGX \$815.00

(18) Temp-DS3 - Interoffice Fixed - per Temp DS3 - AR -**Zone 3**USOC Monthly

10XGX \$815.00

(19) Temp-DS3 - Interoffice Fixed - per Temp DS3 - KS -
Zone 1USOC Monthly

10XGX \$815.00

(20) Temp-DS3 - Interoffice Fixed - per Temp DS3 - KS -
Zone 2USOC Monthly

10XGX \$815.00

(21) Temp-DS3 - Interoffice Fixed - per Temp DS3 - KS -
Zone 3USOC Monthly

10XGX \$815.00 (N)

Rates contained in this transmittal are subject to subsequent adjustment, effective retrospectively back to the transmittal's original effective date, in the event the Commission or a court subsequently authorizes SWBT to correct its rates pursuant to pending motions, or petitions for reconsideration or waiver (and including, but not limited to, any application for Review of the letter from Lawrence E. Strickling, Chief, Common Carrier bureau, FCC, to Dale Robertson, SBC, dated May 18, 1999 which may be filed with the Commission), or in the event of any other adjustment pursuant to an order of the Commission or a court.

(This page filed under Transmittal No. 2831)

Issued: June 16, 2000

Effective: July 1, 2000

Four AT&T Plaza, Dallas, Texas 75202

ACCESS SERVICE

20. MegaLink Custom Services (Cont'd)20.14 Billing Periods - Service Established Between May 30, 2000 and June 30, 2000 (Cont'd) (N)20.14.1 Rates and Charges (Cont'd)(C) Interoffice Mileage - Fixed - Monthly Recurring Rates
(Cont'd)(22) Temp-DS3 - Interoffice Fixed - per Temp DS3 - MO - Zone 1USOC Monthly

10XGX \$815.00

(23) Temp-DS3 - Interoffice Fixed - per Temp DS3 - MO - Zone 2USOC Monthly

10XGX \$815.00

(24) Temp-DS3 - Interoffice Fixed - per Temp DS3 - MO - Zone 3USOC Monthly

10XGX \$815.00

(25) Temp-DS3 - Interoffice Fixed - per Temp DS3 - OK - Zone 1USOC Monthly

10XGX \$815.00

(26) Temp-DS3 - Interoffice Fixed - per Temp DS3 - OK - Zone 2USOC Monthly

10XGX \$815.00

(27) Temp-DS3 - Interoffice Fixed - per Temp DS3 - OK - Zone 3USOC Monthly

10XGX \$815.00

Rates contained in this transmittal are subject to subsequent adjustment, effective retrospectively back to the transmittal's original effective date, in the event the Commission or a court subsequently authorizes SWBT to correct its rates pursuant to pending motions, or petitions for reconsideration or waiver (and including, but not limited to, any application for Review of the letter from Lawrence E. Strickling, Chief, Common Carrier bureau, FCC, to Dale Robertson, SBC, dated May 18, 1999 which may be filed with the Commission), or in the event of any other adjustment

(This page filed under Transmittal No. 2831)

Issued: June 16, 2000

Effective: July 1, 2000

Four AT&T Plaza, Dallas, Texas 75202

ACCESS SERVICE

20. MegaLink Custom Services (Cont'd)20.14 Billing Periods - Service Established Between May 30, 2000 and June 30, 2000 (Cont'd) (N)20.14.1 Rates and Charges (Cont'd)(C) Interoffice Mileage - Fixed - Monthly Recurring Rates (Cont'd)(28) Temp-DS3 - Interoffice Fixed - per Temp DS3 - TX - Zone 1USOC Monthly

10XGX \$815.00

(29) Temp-DS3 - Interoffice Fixed - per Temp DS3 - TX - Zone 2USOC Monthly

10XGX \$815.00

(30) Temp-DS3 - Interoffice Fixed - per Temp DS3 - TX - Zone 3USOC Monthly

10XGX \$815.00

Rates contained in this transmittal are subject to subsequent adjustment, effective retrospectively back to the transmittal's original effective date, in the event the Commission or a court subsequently authorizes SWBT to correct its rates pursuant to pending motions, or petitions for reconsideration or waiver (and including, but not limited to, any application for Review of the letter from Lawrence E. Strickling, Chief, Common Carrier bureau, FCC, to Dale Robertson, SBC, dated May 18, 1999 which may be filed with the Commission), or in the event of any other adjustment pursuant to an order of the Commission or a court.

(This page filed under Transmittal No. 2831)

Issued: June 16, 2000

Effective: July 1, 2000

Four AT&T Plaza, Dallas, Texas 75202

ACCESS SERVICE

20. MegaLink Custom Services (Cont'd)

(N)

20.14 Billing Periods - Service Established Between May 30, 2000 and June 30, 2000 (Cont'd)20.14.1 Rates and Charges (Cont'd)(D) Interoffice Mileage - Per Mile - Monthly Recurring Rates and Service Extension(1) Per Mile - per Volume Option, per Mile - AR - Zone 1

<u>Volume Option*</u>	<u>USOC</u>	<u>3 year</u>	<u>5 year</u>	<u>10 year</u>
1	1J5HS/1HXLs	\$ 75.00	\$ 50.00	\$ 45.00
3	1J5HS/1HXLs	\$119.00	\$106.00	\$ 99.00
6	1J5HS/1HXLs	\$171.00	\$151.00	\$142.00
12	1J5HS/1HXLs	\$239.00	\$211.00	\$198.00

(2) Per Mile - per Volume Option, per Mile - AR - Zone 2

<u>Volume Option*</u>	<u>USOC</u>	<u>3 year</u>	<u>5 year</u>	<u>10 year</u>
1	1J5HS/1HXLs	\$ 75.00	\$ 50.00	\$ 45.00
3	1J5HS/1HXLs	\$119.00	\$106.00	\$ 99.00
6	1J5HS/1HXLs	\$171.00	\$151.00	\$142.00
12	1J5HS/1HXLs	\$239.00	\$211.00	\$198.00

(3) Per Mile - per Volume Option, per Mile - AR - Zone 3

<u>Volume Option*</u>	<u>USOC</u>	<u>3 year</u>	<u>5 year</u>	<u>10 year</u>
1	1J5HS/1HXLs	\$ 75.00	\$ 50.00	\$ 45.00
3	1J5HS/1HXLs	\$119.00	\$106.00	\$ 99.00
6	1J5HS/1HXLs	\$171.00	\$151.00	\$142.00
12	1J5HS/1HXLs	\$239.00	\$211.00	\$198.00

* Volume Option specifies the number of DS3s or DS3 equivalents.

Rates contained in this transmittal are subject to subsequent adjustment, effective retrospectively back to the transmittal's original effective date, in the event the Commission or a court subsequently authorizes SWBT to correct its rates pursuant to pending motions, or petitions for reconsideration or waiver (and including, but not limited to, any application for Review of the letter from Lawrence E. Strickling, Chief, Common Carrier bureau, FCC, to Dale Robertson, SBC, dated May 18, 1999 which may be filed with the Commission), or in the event of any other adjustment pursuant to an order of the Commission or a court.

(This page filed under Transmittal No. 2831)

Issued: June 16, 2000

Effective: July 1, 2000

Four AT&T Plaza, Dallas, Texas 75202

ACCESS SERVICE

20. MegaLink Custom Services (Cont'd)20.14 Billing Periods - Service Established Between May 30, 2000 and June 30, 2000 (Cont'd) (N)20.14.1 Rates and Charges (Cont'd)(D) Interoffice Mileage - Per Mile - Monthly Recurring Rates and Service Extension (Cont'd)(4) Per Mile - per Volume Option, per Mile - KS - Zone 1

<u>Volume Option*</u>	<u>USOC</u>	<u>3 year</u>	<u>5 year</u>	<u>10 year</u>
1	1J5HS/1HXLs	\$ 75.00	\$ 50.00	\$ 45.00
3	1J5HS/1HXLs	\$119.00	\$106.00	\$ 99.00
6	1J5HS/1HXLs	\$171.00	\$151.00	\$142.00
12	1J5HS/1HXLs	\$239.00	\$211.00	\$198.00

(5) Per Mile - per Volume Option, per Mile - KS - Zone 2

<u>Volume Option*</u>	<u>USOC</u>	<u>3 year</u>	<u>5 year</u>	<u>10 year</u>
1	1J5HS/1HXLs	\$ 75.00	\$ 50.00	\$ 45.00
3	1J5HS/1HXLs	\$119.00	\$106.00	\$ 99.00
6	1J5HS/1HXLs	\$171.00	\$151.00	\$142.00
12	1J5HS/1HXLs	\$239.00	\$211.00	\$198.00

(6) Per Mile - per Volume Option, per Mile - KS - Zone 3

<u>Volume Option*</u>	<u>USOC</u>	<u>3 year</u>	<u>5 year</u>	<u>10 year</u>
1	1J5HS/1HXLs	\$ 75.00	\$ 50.00	\$ 45.00
3	1J5HS/1HXLs	\$119.00	\$106.00	\$ 99.00
6	1J5HS/1HXLs	\$171.00	\$151.00	\$142.00
12	1J5HS/1HXLs	\$239.00	\$211.00	\$198.00

* Volume Option specifies the number of DS3s or DS3 equivalents. (N)

Rates contained in this transmittal are subject to subsequent adjustment, effective retrospectively back to the transmittal's original effective date, in the event the Commission or a court subsequently authorizes SWBT to correct its rates pursuant to pending motions, or petitions for reconsideration or waiver (and including, but not limited to, any application for Review of the letter from Lawrence E. Strickling, Chief, Common Carrier bureau, FCC, to Dale Robertson, SBC, dated May 18, 1999 which may be filed with the Commission), or in the event of any other adjustment pursuant to an order of the Commission or a court.

(This page filed under Transmittal No. 2831)

Issued: June 16, 2000

Effective: July 1, 2000

Four AT&T Plaza, Dallas, Texas 75202

ACCESS SERVICE

20. MegaLink Custom Services (Cont'd)

(N)

20.14 Billing Periods - Service Established Between May 30, 2000 and June 30, 2000 (Cont'd)20.14.1 Rates and Charges (Cont'd)(D) Interoffice Mileage - Per Mile - Monthly Recurring Rates and Service Extension (Cont'd)(7) Per Mile- per Volume Option, per Mile - MO - Zone 1

<u>Volume Option*</u>	<u>USOC</u>	<u>3 year</u>	<u>5 year</u>	<u>10 year</u>
1	1J5HS/1HXLs	\$ 75.00	\$ 50.00	\$ 45.00
3	1J5HS/1HXLs	\$112.00	\$106.00	\$ 99.00
6	1J5HS/1HXLs	\$161.00	\$151.00	\$142.00
12	1J5HS/1HXLs	\$225.00	\$211.00	\$198.00

(8) Per Mile- per Volume Option, per Mile - MO - Zone 2

<u>Volume Option*</u>	<u>USOC</u>	<u>3 year</u>	<u>5 year</u>	<u>10 year</u>
1	1J5HS/1HXLs	\$ 75.00	\$ 50.00	\$ 45.00
3	1J5HS/1HXLs	\$112.00	\$106.00	\$ 99.00
6	1J5HS/1HXLs	\$161.00	\$151.00	\$142.00
12	1J5HS/1HXLs	\$225.00	\$211.00	\$198.00

(9) Per Mile- per Volume Option, per Mile - MO - Zone 3

<u>Volume Option*</u>	<u>USOC</u>	<u>3 year</u>	<u>5 year</u>	<u>10 year</u>
1	1J5HS/1HXLs	\$ 75.00	\$ 50.00	\$ 45.00
3	1J5HS/1HXLs	\$119.00	\$106.00	\$ 99.00
6	1J5HS/1HXLs	\$171.00	\$151.00	\$142.00
12	1J5HS/1HXLs	\$239.00	\$211.00	\$198.00

* Volume Option specifies the number of DS3s or DS3 equivalents.

Rates contained in this transmittal are subject to subsequent adjustment, effective retrospectively back to the transmittal's original effective date, in the event the Commission or a court subsequently authorizes SWBT to correct its rates pursuant to pending motions, or petitions for reconsideration or waiver (and including, but not limited to, any application for Review of the letter from Lawrence E. Strickling, Chief, Common Carrier bureau, FCC, to Dale Robertson, SBC, dated May 18, 1999 which may be filed with the Commission), or in the event of any other adjustment pursuant to an order of the Commission or a court.

(This page filed under Transmittal No. 2831)

Issued: June 16, 2000

Effective: July 1, 2000

Four AT&T Plaza, Dallas, Texas 75202

ACCESS SERVICE

20. MegaLink Custom Services (Cont'd)

(N)

20.14 Billing Periods - Service Established Between May 30, 2000 and June 30, 2000 (Cont'd)20.14.1 Rates and Charges (Cont'd)(D) Interoffice Mileage - Per Mile - Monthly Recurring Rates and Service Extension (Cont'd)(10) Per Mile- per Volume Option, per Mile - OK - Zone 1

<u>Volume Option*</u>	<u>USOC</u>	<u>3 year</u>	<u>5 year</u>	<u>10 year</u>
1	1J5HS/1HXLs	\$ 75.00	\$ 50.00	\$ 45.00
3	1J5HS/1HXLs	\$119.00	\$106.00	\$ 99.00
6	1J5HS/1HXLs	\$171.00	\$151.00	\$142.00
12	1J5HS/1HXLs	\$239.00	\$211.00	\$198.00

(11) Per Mile- per Volume Option, per Mile - OK - Zone 2

<u>Volume Option*</u>	<u>USOC</u>	<u>3 year</u>	<u>5 year</u>	<u>10 year</u>
1	1J5HS/1HXLs	\$ 75.00	\$ 50.00	\$ 45.00
3	1J5HS/1HXLs	\$119.00	\$106.00	\$ 99.00
6	1J5HS/1HXLs	\$171.00	\$151.00	\$142.00
12	1J5HS/1HXLs	\$239.00	\$211.00	\$198.00

(12) Per Mile- per Volume Option, per Mile - OK - Zone 3

<u>Volume Option*</u>	<u>USOC</u>	<u>3 year</u>	<u>5 year</u>	<u>10 year</u>
1	1J5HS/1HXLs	\$ 75.00	\$ 50.00	\$ 45.00
3	1J5HS/1HXLs	\$119.00	\$106.00	\$ 99.00
6	1J5HS/1HXLs	\$171.00	\$151.00	\$142.00
12	1J5HS/1HXLs	\$239.00	\$211.00	\$198.00

(N)

* Volume Option specifies the number of DS3s or DS3 equivalents.

Rates contained in this transmittal are subject to subsequent adjustment, effective retrospectively back to the transmittal's original effective date, in the event the Commission or a court subsequently authorizes SWBT to correct its rates pursuant to pending motions, or petitions for reconsideration or waiver (and including, but not limited to, any application for Review of the letter from Lawrence E. Strickling, Chief, Common Carrier bureau, FCC, to Dale Robertson, SBC, dated May 18, 1999 which may be filed with the Commission), or in the event of any other adjustment pursuant to an order of the Commission or a court.

(This page filed under Transmittal No. 2831)

Issued: June 16, 2000

Effective: July 1, 2000

Four AT&T Plaza, Dallas, Texas 75202

ACCESS SERVICE

20. MegaLink Custom Services (Cont'd)20.14 Billing Periods - Service Established Between May 30, 2000 and June 30, 2000 (Cont'd)

(N)

20.14.1 Rates and Charges (Cont'd)(D) Interoffice Mileage - Per Mile - Monthly Recurring Rates and Service Extension (Cont'd)(13) Per Mile- per Volume Option, per Mile - TX - Zone 1

<u>Volume Option*</u>	<u>USOC</u>	<u>3 year</u>	<u>5 year</u>	<u>10 year</u>
1	1J5HS/1HXLs	\$ 75.00	\$ 50.00	\$ 45.00
3	1J5HS/1HXLs	\$103.04	\$ 97.52	\$ 91.08
6	1J5HS/1HXLs	\$148.12	\$138.92	\$130.64
12	1J5HS/1HXLs	\$207.00	\$194.12	\$182.16

(14) Per Mile- per Volume Option, per Mile - TX - Zone 2

<u>Volume Option*</u>	<u>USOC</u>	<u>3 year</u>	<u>5 year</u>	<u>10 year</u>
1	1J5HS/1HXLs	\$ 75.00	\$ 50.00	\$ 45.00
3	1J5HS/1HXLs	\$ 89.60	\$ 84.80	\$ 79.20
6	1J5HS/1HXLs	\$128.80	\$120.80	\$113.60
12	1J5HS/1HXLs	\$180.00	\$168.80	\$158.40

(15) Per Mile- per Volume Option, per Mile - TX - Zone 3

<u>Volume Option*</u>	<u>USOC</u>	<u>3 year</u>	<u>5 year</u>	<u>10 year</u>
1	1J5HS/1HXLs	\$ 75.00	\$ 50.00	\$ 45.00
3	1J5HS/1HXLs	\$ 89.25	\$ 79.50	\$ 74.25
6	1J5HS/1HXLs	\$128.25	\$113.25	\$106.50
12	1J5HS/1HXLs	\$179.25	\$158.25	\$148.50

* Volume Option specifies the number of DS3s or DS3 equivalents.

(N)

Rates contained in this transmittal are subject to subsequent adjustment, effective retrospectively back to the transmittal's original effective date, in the event the Commission or a court subsequently authorizes SWBT to correct its rates pursuant to pending motions, or petitions for reconsideration or waiver (and including, but not limited to, any application for review of the letter from Lawrence E. Strickling, Chief, Common Carrier bureau, FCC, to Dale Robertson, SBC, dated May 18, 1999 which may be filed with the Commission), or in the event of any other adjustment pursuant to an order of the Commission or a court.

(This page filed under Transmittal No. 2831)

Issued: June 16, 2000

Effective: July 1, 2000

Four AT&T Plaza, Dallas, Texas 75202

ACCESS SERVICE

20. MegaLink Custom Services (Cont'd)

(N)

20.14 Billing Periods - Service Established Between May 30, 2000 and June 30, 2000 (Cont'd)20.14.1 Rates and Charges (Cont'd)

(D)	<u>Interoffice Mileage - Per Mile - Monthly Recurring Rates</u> (Cont'd)		
(16)	<u>Temp-DS3 - Per Mile - per Temp-DS3, per mile - AR - Zone 1</u>		
	<u>Volume Option*</u>	<u>USOC</u>	<u>Monthly</u>
	1	1A8GS	\$118.00
(17)	<u>Temp-DS3 - Per Mile - per Temp-DS3, per mile - AR - Zone 2</u>		
	<u>Volume Option*</u>	<u>USOC</u>	<u>Monthly</u>
	1	1A8GS	\$118.00
(18)	<u>Temp-DS3 - Per Mile - per Temp-DS3, per mile - AR - Zone 3</u>		
	<u>Volume Option*</u>	<u>USOC</u>	<u>Monthly</u>
	1	1A8GS	\$118.00
(19)	<u>Temp-DS3 - Per Mile - per Temp-DS3, per mile - KS - Zone 1</u>		
	<u>Volume Option*</u>	<u>USOC</u>	<u>Monthly</u>
	1	1A8GS	\$118.00
(20)	<u>Temp-DS3 - Per Mile - per Temp-DS3, per mile - KS - Zone 2</u>		
	<u>Volume Option*</u>	<u>USOC</u>	<u>Monthly</u>
	1	1A8GS	\$118.00
(21)	<u>Temp-DS3 - Per Mile - per Temp-DS3, per mile - KS - Zone 3</u>		
	<u>Volume Option*</u>	<u>USOC</u>	<u>Monthly</u>
	1	1A8GS	\$118.00

(N)

* Volume Option specifies the number of DS3s or DS3 equivalents.

Rates contained in this transmittal are subject to subsequent adjustment, effective retrospectively back to the transmittal's original effective date, in the event the Commission or a court subsequently authorizes SWBT to correct its rates pursuant to pending motions, or petitions for reconsideration or waiver (and including, but not limited to, any application for Review of the letter from Lawrence E. Strickling, Chief, Common Carrier bureau, FCC, to Dale Robertson, SBC, dated May 18, 1999 which may be filed with the Commission), or in the event of any other adjustment pursuant to an order of the Commission or a court.

(This page filed under Transmittal No. 2831)

Issued: June 16, 2000

Effective: July 1, 2000

Four AT&T Plaza, Dallas, Texas 75202

ACCESS SERVICE

20. MegaLink Custom Services (Cont'd)20.14 Billing Periods - Service Established Between May 30, 2000 and June 30, 2000 (Cont'd)

(N)

20.14.1 Rates and Charges (Cont'd)(D) Interoffice Mileage - Per Mile - Monthly Recurring Rates (Cont'd)

(22)	<u>Temp-DS3 - Per Mile - per Temp-DS3, per mile - MO - Zone 1</u> <u>Volume</u> <u>Option*</u>	<u>USOC</u>	<u>Monthly</u>
	1	1A8GS	\$118.00
(23)	<u>Temp-DS3 - Per Mile - per Temp-DS3, per mile - MO - Zone 2</u> <u>Volume</u> <u>Option*</u>	<u>USOC</u>	<u>Monthly</u>
	1	1A8GS	\$118.00
(24)	<u>Temp-DS3 - Per Mile - per Temp-DS3, per mile - MO - Zone 3</u> <u>Volume</u> <u>Option*</u>	<u>USOC</u>	<u>Monthly</u>
	1	1A8GS	\$118.00
(25)	<u>Temp-DS3 - Per Mile - per Temp-DS3, per mile - OK - Zone 1</u> <u>Volume</u> <u>Option*</u>	<u>USOC</u>	<u>Monthly</u>
	1	1A8GS	\$118.00
(26)	<u>Temp-DS3 - Per Mile - per Temp-DS3, per mile - OK - Zone 2</u> <u>Volume</u> <u>Option*</u>	<u>USOC</u>	<u>Monthly</u>
	1	1A8GS	\$118.00
(27)	<u>Temp-DS3 - Per Mile - per Temp-DS3, per mile - OK - Zone 3</u> <u>Volume</u> <u>Option*</u>	<u>USOC</u>	<u>Monthly</u>
	1	1A8GS	\$118.00

* Volume Option specifies the number of DS3s or DS3 equivalents.

Rates contained in this transmittal are subject to subsequent adjustment, effective retrospectively back to the transmittal's original effective date, in the event the Commission or a court subsequently authorizes SWBT to correct its rates pursuant to pending motions, or petitions for reconsideration or waiver (and including, but not limited to, any application for Review of the letter from Lawrence E. Strickling, Chief, Common Carrier bureau, FCC, to Dale Robertson, SBC, dated May 18, 1999 which may be filed with the Commission), or in the event of any other adjustment pursuant to an order of the Commission or a court.

(This page filed under Transmittal No. 2831)

Issued: June 16, 2000

Effective: July 1, 2000

Four AT&T Plaza, Dallas, Texas 75202

ACCESS SERVICE

20. MegaLink Custom Services (Cont'd)20.14 Billing Periods - Service Established Between May 30, 2000 and June 30, 2000 (Cont'd) (N)20.14.1 Rates and Charges (Cont'd)(D) Interoffice Mileage - Per Mile - Monthly Recurring Rates (Cont'd)(28) Temp-DS3 - Per Mile - per Temp-DS3, per mile - TX - Zone 1

<u>Volume Option*</u>	<u>USOC</u>	<u>Monthly</u>
1	1A8GS	\$118.00

Zone 2(29) Temp-DS3 - Per Mile - per Temp-DS3, per mile - TX -

<u>Volume Option*</u>	<u>USOC</u>	<u>Monthly</u>
1	1A8GS	\$118.00

Zone 3(30) Temp-DS3 - Per Mile - per Temp-DS3, per mile - TX -

<u>Volume Option*</u>	<u>USOC</u>	<u>Monthly</u>
1	1A8GS	\$118.00

* Volume Option specifies the number of DS3s or DS3 equivalents. (N)

Rates contained in this transmittal are subject to subsequent adjustment, effective retrospectively back to the transmittal's original effective date, in the event the Commission or a court subsequently authorizes SWBT to correct its rates pursuant to pending motions, or petitions for reconsideration or waiver (and including, but not limited to, any application for Review of the letter from Lawrence E. Strickling, Chief, Common Carrier bureau, FCC, to Dale Robertson, SBC, dated May 18, 1999 which may be filed with the Commission), or in the event of any other adjustment pursuant to an order of the Commission or a court.

(This page filed under Transmittal No. 2831)

Issued: June 16, 2000

Effective: July 1, 2000

Four AT&T Plaza, Dallas, Texas 75202

ACCESS SERVICE

20. MegaLink Custom Services (Cont'd)20.14 Billing Periods - Service Established Between May 30, 2000 and June 30, 2000 (Cont'd) (N)20.14.1 Rates and Charges (Cont'd)(E) Installation Charge - Per DS3 or DS3 Equivalent, per customer designated premises on the same Access Order(1) Installation Charge - AR - Zone 1

	<u>USOC</u>	<u>3 year</u>	<u>5 year</u>	<u>10 year</u>
First	NRB++	\$303.00	\$ 0.00	\$ 0.00
Additional	NRB++	\$248.00	\$ 0.00	\$ 0.00

(2) Installation Charge - AR - Zone 2

	<u>USOC</u>	<u>3 year</u>	<u>5 year</u>	<u>10 year</u>
First	NRB++	\$303.00	\$ 0.00	\$ 0.00
Additional	NRB++	\$248.00	\$ 0.00	\$ 0.00

(3) Installation Charge - AR - Zone 3

	<u>USOC</u>	<u>3 year</u>	<u>5 year</u>	<u>10 year</u>
First	NRB++	\$303.00	\$ 0.00	\$ 0.00
Additional	NRB++	\$248.00	\$ 0.00	\$ 0.00

(N)

Rates contained in this transmittal are subject to subsequent adjustment, effective retrospectively back to the transmittal's original effective date, in the event the Commission or a court subsequently authorizes SWBT to correct its rates pursuant to pending motions, or petitions for reconsideration or waiver (and including, but not limited to, any application for Review of the letter from Lawrence E. Strickling, Chief, Common Carrier bureau, FCC, to Dale Robertson, SBC, dated May 18, 1999 which may be filed with the Commission), or in the event of any other adjustment pursuant to an order of the Commission or a court.

(This page filed under Transmittal No. 2831)

Issued: June 16, 2000

Effective: July 1, 2000

Four AT&T Plaza, Dallas, Texas 75202

ACCESS SERVICE

20. MegaLink Custom Services (Cont'd)

(N)

20.14 Billing Periods - Service Established Between May 30, 2000 and June 30, 2000 (Cont'd)20.14.1 Rates and Charges (Cont'd)(E) Installation Charge - Per DS3 or DS3 Equivalent, per customer designated premises on the same Access Order
(Cont'd)(4) Installation Charge - KS - Zone 1

	USOC	<u>3 year</u>	<u>5 year</u>	<u>10 year</u>
First	NRB++	\$303.00	\$ 0.00	\$ 0.00
Additional	NRB++	\$248.00	\$ 0.00	\$ 0.00

(5) Installation Charge - KS - Zone 2

	USOC	<u>3 year</u>	<u>5 year</u>	<u>10 year</u>
First	NRB++	\$303.00	\$ 0.00	\$ 0.00
Additional	NRB++	\$248.00	\$ 0.00	\$ 0.00

(6) Installation Charge - KS - Zone 3

	USOC	<u>3 year</u>	<u>5 year</u>	<u>10 year</u>
First	NRB++	\$303.00	\$ 0.00	\$ 0.00
Additional	NRB++	\$248.00	\$ 0.00	\$ 0.00

(7) Installation Charge - MO - Zone 1

	USOC	<u>3 year</u>	<u>5 year</u>	<u>10 year</u>
First	NRB++	\$303.00	\$ 0.00	\$ 0.00
Additional	NRB++	\$248.00	\$ 0.00	\$ 0.00

(8) Installation Charge - MO - Zone 2

	USOC	<u>3 year</u>	<u>5 year</u>	<u>10 year</u>
First	NRB++	\$303.00	\$ 0.00	\$ 0.00
Additional	NRB++	\$248.00	\$ 0.00	\$ 0.00

(9) Installation Charge - MO - Zone 3

	USOC	<u>3 year</u>	<u>5 year</u>	<u>10 year</u>
First	NRB++	\$303.00	\$ 0.00	\$ 0.00
Additional	NRB++	\$248.00	\$ 0.00	\$ 0.00

Rates contained in this transmittal are subject to subsequent adjustment, effective retrospectively back to the transmittal's original effective date, in the event the Commission or a court subsequently authorizes SWBT to correct its rates pursuant to pending motions, or petitions for reconsideration or waiver (and including, but not limited to, any application for Review of the letter from Lawrence E. Strickling, Chief, Common Carrier bureau, FCC, to Dale Robertson, SBC, dated May 18, 1999 which may be filed with the Commission), or in the event of any other adjustment pursuant to an order of the Commission or a court.

(This page filed under Transmittal No. 2831)

Issued: June 16, 2000

Effective: July 1, 2000

Four AT&T Plaza, Dallas, Texas 75202

ACCESS SERVICE

20. MegaLink Custom Services (Cont'd)20.14 Billing Periods - Service Established Between May 30, 2000 and June 30, 2000 (Cont'd) (N)20.14.1 Rates and Charges (Cont'd)(E) Installation Charge - Per DS3 or DS3 Equivalent, per customer designated premises on the same Access Order
(Cont'd)(10) Installation Charge - OK - Zone 1

	<u>USOC</u>	<u>3 year</u>	<u>5 year</u>	<u>10 year</u>
First	NRB++	\$303.00	\$ 0.00	\$ 0.00
Additional	NRB++	\$248.00	\$ 0.00	\$ 0.00

(11) Installation Charge - OK - Zone 2

	<u>USOC</u>	<u>3 year</u>	<u>5 year</u>	<u>10 year</u>
First	NRB++	\$303.00	\$ 0.00	\$ 0.00
Additional	NRB++	\$248.00	\$ 0.00	\$ 0.00

(12) Installation Charge - OK - Zone 3

	<u>USOC</u>	<u>3 year</u>	<u>5 year</u>	<u>10 year</u>
First	NRB++	\$303.00	\$ 0.00	\$ 0.00
Additional	NRB++	\$248.00	\$ 0.00	\$ 0.00

(N)

Rates contained in this transmittal are subject to subsequent adjustment, effective retrospectively back to the transmittal's original effective date, in the event the Commission or a court subsequently authorizes SWBT to correct its rates pursuant to pending motions, or petitions for reconsideration or waiver (and including, but not limited to, any application for Review of the letter from Lawrence E. Strickling, Chief, Common Carrier bureau, FCC, to Dale Robertson, SBC, dated May 18, 1999 which may be filed with the Commission), or in the event of any other adjustment pursuant to an order of the Commission or a court.

(This page filed under Transmittal No. 2831)

Issued: June 16, 2000

Effective: July 1, 2000

Four AT&T Plaza, Dallas, Texas 75202

ACCESS SERVICE

20. MegaLink Custom Services (Cont'd)20.14 Billing Periods - Service Established Between May 30, 2000 and June 30, 2000 (Cont'd) (N)20.14.1 Rates and Charges (Cont'd)(E) Installation Charge - Per DS3 or DS3 Equivalent, per customer designated premises on the same Access Order
(Cont'd)(13) Installation Charge - TX - Zone 1

	<u>USOC</u>	<u>3 year</u>	<u>5 year</u>	<u>10 year</u>
First	NRB++	\$303.00	\$ 0.00	\$ 0.00
Additional	NRB++	\$248.00	\$ 0.00	\$ 0.00

(14) Installation Charge - TX - Zone 2

	<u>USOC</u>	<u>3 year</u>	<u>5 year</u>	<u>10 year</u>
First	NRB++	\$303.00	\$ 0.00	\$ 0.00
Additional	NRB++	\$248.00	\$ 0.00	\$ 0.00

(15) Installation Charge - TX - Zone 3

	<u>USOC</u>	<u>3 year</u>	<u>5 year</u>	<u>10 year</u>
First	NRB++	\$303.00	\$ 0.00	\$ 0.00
Additional	NRB++	\$248.00	\$ 0.00	\$ 0.00

(16) Connecting Facility Assignment Credits - Nonzoned
(Per DS1 Equivalents)

<u>USOC</u>	<u>Credit Per Month</u>
NAC1X	\$76.00

Rates contained in this transmittal are subject to subsequent adjustment, effective retrospectively back to the transmittal's original effective date, in the event the Commission or a court subsequently authorizes SWBT to correct its rates pursuant to pending motions, or petitions for reconsideration or waiver (and including, but not limited to, any application for Review of the letter from Lawrence E. Strickling, Chief, Common Carrier bureau, FCC, to Dale Robertson, SBC, dated May 18, 1999 which may be filed with the Commission), or in the event of any other adjustment pursuant to an order of the Commission or a court.

(This page filed under Transmittal No. 2831)

Issued: June 16, 2000

Effective: July 1, 2000

Four AT&T Plaza, Dallas, Texas 75202

ACCESS SERVICE

20. MegaLink Custom Services (Cont'd)20.14 Billing Periods - Service Established Between May 30, 2000 and June 30, 2000 (Cont'd) (N)20.14.1 Rates and Charges (Cont'd)(F) Service to Service Through Connect Arrangement Per DS3 or DS3 equivalent(1) Service to Service Through Connect Arrangement - AR - Zone 1

<u>USOC</u>	<u>Installation Charge</u>
THA	\$157.00

(2) Service to Service Through Connect Arrangement - AR - Zone 2

<u>USOC</u>	<u>Installation Charge</u>
THA	\$157.00

(3) Service to Service Through Connect Arrangement - AR - Zone 3

<u>USOC</u>	<u>Installation Charge</u>
THA	\$157.00

(4) Service to Service Through Connect Arrangement - KS - Zone 1

<u>USOC</u>	<u>Installation Charge</u>
THA	\$157.00

(5) Service to Service Through Connect Arrangement - KS - Zone 2

<u>USOC</u>	<u>Installation Charge</u>
THA	\$157.00

(6) Service to Service Through Connect Arrangement - KS - Zone 3

<u>USOC</u>	<u>Installation Charge</u>
THA	\$157.00

Rates contained in this transmittal are subject to subsequent adjustment, effective retrospectively back to the transmittal's original effective date, in the event the Commission or a court subsequently authorizes SWBT to correct its rates pursuant to pending motions, or petitions for reconsideration or waiver (and including, but not limited to, any application for Review of the letter from Lawrence E. Strickling, Chief, Common Carrier bureau, FCC, to Dale Robertson, SBC, dated May 18, 1999 which may be filed with the Commission), or in the event of any other adjustment pursuant to an order of the Commission or a court.

(This page filed under Transmittal No. 2831)

Issued: June 16, 2000

Effective: July 1, 2000

Four AT&T Plaza, Dallas, Texas 75202

ACCESS SERVICE

20. MegaLink Custom Services (Cont'd)

(N)

20.14 Billing Periods - Service Established Between May 30, 2000 and June 30, 2000 (Cont'd)20.14.1 Rates and Charges (Cont'd)(F) Service to Service Through Connect Arrangement Per DS3 or DS3 equivalent (Cont'd)(7) Service to Service Through Connect Arrangement - MO - Zone 1

<u>USOC</u>	<u>Installation Charge</u>
THA	\$157.00

(8) Service to Service Through Connect Arrangement - MO - Zone 2

<u>USOC</u>	<u>Installation Charge</u>
THA	\$157.00

(9) Service to Service Through Connect Arrangement - MO - Zone 3

<u>USOC</u>	<u>Installation Charge</u>
THA	\$157.00

(10) Service to Service Through Connect Arrangement - OK - Zone 1

<u>USOC</u>	<u>Installation Charge</u>
THA	\$157.00

(11) Service to Service Through Connect Arrangement - OK - Zone 2

<u>USOC</u>	<u>Installation Charge</u>
THA	\$157.00

(12) Service to Service Through Connect Arrangement - OK - Zone 3

<u>USOC</u>	<u>Installation Charge</u>
THA	\$157.00

Rates contained in this transmittal are subject to subsequent adjustment, effective retrospectively back to the transmittal's original effective date, in the event the Commission or a court subsequently authorizes SWBT to correct its rates pursuant to pending motions, or petitions for reconsideration or waiver (and including, but not limited to, any application for Review of the letter from Lawrence E. Strickling, Chief, Common Carrier bureau, FCC, to Dale Robertson, SBC, dated May 18, 1999 which may be filed with the Commission), or in the event of any other adjustment pursuant to an order of the Commission or a court.

(This page filed under Transmittal No. 2831)

Issued: June 16, 2000

Effective: July 1, 2000

Four AT&T Plaza, Dallas, Texas 75202

ACCESS SERVICE

20. MegaLink Custom Services (Cont'd) (N)
- 20.14 Billing Periods - Service Established Between May 30, 2000 and June 30, 2000 (Cont'd)
- 20.14.1 Rates and Charges (Cont'd)
- (F) Service to Service Through Connect Arrangement Per DS3 or DS3 equivalent (Cont'd)
- (13) Service to Service Through Connect Arrangement - TX - Zone 1
- | <u>USOC</u> | <u>Installation Charge</u> |
|-------------|----------------------------|
| THA | \$157.00 |
- (14) Service to Service Through Connect Arrangement - TX - Zone 2
- | <u>USOC</u> | <u>Installation Charge</u> |
|-------------|----------------------------|
| THA | \$157.00 |
- (15) Service to Service Through Connect Arrangement - TX - Zone 3
- | <u>USOC</u> | <u>Installation Charge</u> |
|-------------|----------------------------|
| THA | \$157.00 |
- (N)

Rates contained in this transmittal are subject to subsequent adjustment, effective retrospectively back to the transmittal's original effective date, in the event the Commission or a court subsequently authorizes SWBT to correct its rates pursuant to pending motions, or petitions for reconsideration or waiver (and including, but not limited to, any application for Review of the letter from Lawrence E. Strickling, Chief, Common Carrier bureau, FCC, to Dale Robertson, SBC, dated May 18, 1999 which may be filed with the Commission), or in the event of any other adjustment pursuant to an order of the Commission or a court.

(This page filed under Transmittal No. 2831)

Issued: June 16, 2000

Effective: July 1, 2000

Four AT&T Plaza, Dallas, Texas 75202

ACCESS SERVICE

20. MegaLink Custom Services (Cont'd)

(N)

20.14 Billing Periods - Service Established Between May 30, 2000 and June 30, 2000 (Cont'd)20.14.1 Rates and Charges (Cont'd)(G) Optional Features, BSEs and Functions(1) DS3 to DS1 Multiplexing - Monthly Recurring Rates(a) DS3 to DS1 Multiplexing - AR - Zone 1 - Monthly Recurring Rates

Per Multiplexer

<u>USOC</u>	<u>3 year</u>	<u>5 year</u>	<u>10 year</u>
MKM	\$600.00	\$500.00	\$450.00

(b) DS3 to DS1 Multiplexing - AR - Zone 2 - Monthly Recurring Rates

Per Multiplexer

<u>USOC</u>	<u>3 year</u>	<u>5 year</u>	<u>10 year</u>
MKM	\$600.00	\$500.00	\$450.00

(c) DS3 to DS1 Multiplexing - AR - Zone 3 - Monthly Recurring Rates

Per Multiplexer

<u>USOC</u>	<u>3 year</u>	<u>5 year</u>	<u>10 year</u>
MKM	\$600.00	\$500.00	\$450.00

Rates contained in this transmittal are subject to subsequent adjustment, effective retrospectively back to the transmittal's original effective date, in the event the Commission or a court subsequently authorizes SWBT to correct its rates pursuant to pending motions, or petitions for reconsideration or waiver (and including, but not limited to, any application for Review of the letter from Lawrence E. Strickling, Chief, Common Carrier bureau, FCC, to Dale Robertson, SBC, dated May 18, 1999 which may be filed with the Commission), or in the event of any other adjustment pursuant to an order of the Commission or a court.

(This page filed under Transmittal No. 2831)

Issued: June 16, 2000

Effective: July 1, 2000

Four AT&T Plaza, Dallas, Texas 75202

ACCESS SERVICE

20. MegaLink Custom Services (Cont'd)

(N)

20.14 Billing Periods - Service Established Between May 30, 2000 and June 30, 2000 (Cont'd)

20.14.1 Rates and Charges (Cont'd)

(G) Optional Features, BSEs and Functions (Cont'd)

(1) DS3 to DS1 Multiplexing - Monthly Recurring Rates (Cont'd)

(d) DS3 to DS1 Multiplexing - KS - Zone 1 - Monthly Recurring Rates

Per Multiplexer

<u>USOC</u>	<u>3 year</u>	<u>5 year</u>	<u>10 year</u>
MKM	\$600.00	\$500.00	\$450.00

(e) DS3 to DS1 Multiplexing - KS - Zone 2 - Monthly Recurring Rates

Per Multiplexer

<u>USOC</u>	<u>3 year</u>	<u>5 year</u>	<u>10 year</u>
MKM	\$600.00	\$500.00	\$450.00

(f) DS3 to DS1 Multiplexing - KS - Zone 3 - Monthly Recurring Rates

Per Multiplexer

<u>USOC</u>	<u>3 year</u>	<u>5 year</u>	<u>10 year</u>
MKM	\$600.00	\$500.00	\$450.00

(N)

Rates contained in this transmittal are subject to subsequent adjustment, effective retrospectively back to the transmittal's original effective date, in the event the Commission or a court subsequently authorizes SWBT to correct its rates pursuant to pending motions, or petitions for reconsideration or waiver (and including, but not limited to, any application for Review of the letter from Lawrence E. Strickling, Chief, Common Carrier bureau, FCC, to Dale Robertson, SBC, dated May 18, 1999 which may be filed with the Commission), or in the event of any other adjustment pursuant to an order of the Commission or a court.

(This page filed under Transmittal No. 2831)

Issued: June 16, 2000

Effective: July 1, 2000

Four AT&T Plaza, Dallas, Texas 75202

ACCESS SERVICE

20. MegaLink Custom Services (Cont'd)

(N)

20.14 Billing Periods - Service Established Between May 30, 2000 and June 30, 2000 (Cont'd)20.14.1 Rates and Charges (Cont'd)(G) Optional Features, BSEs and Functions (Cont'd)(1) DS3 to DS1 Multiplexing - Monthly Recurring Rates
(Cont'd)(g) DS3 to DS1 Multiplexing - MO - Zone 1 - Monthly Recurring Rates

Per Multiplexer

<u>USOC</u>	<u>3 year</u>	<u>5 year</u>	<u>10 year</u>
MKM	\$600.00	\$500.00	\$450.00

(h) DS3 to DS1 Multiplexing - MO - Zone 2 - Monthly Recurring Rates

Per Multiplexer

<u>USOC</u>	<u>3 year</u>	<u>5 year</u>	<u>10 year</u>
MKM	\$600.00	\$500.00	\$450.00

(i) DS3 to DS1 Multiplexing - MO - Zone 3 - Monthly Recurring Rates

Per Multiplexer

<u>USOC</u>	<u>3 year</u>	<u>5 year</u>	<u>10 year</u>
MKM	\$600.00	\$500.00	\$450.00

Rates contained in this transmittal are subject to subsequent adjustment, effective retrospectively back to the transmittal's original effective date, in the event the Commission or a court subsequently authorizes SWBT to correct its rates pursuant to pending motions, or petitions for reconsideration or waiver (and including, but not limited to, any application for Review of the letter from Lawrence E. Strickling, Chief, Common Carrier bureau, FCC, to Dale Robertson, SBC, dated May 18, 1999 which may be filed with the Commission), or in the event of any other adjustment pursuant to an order of the Commission or a court.

(This page filed under Transmittal No. 2831)

Issued: June 16, 2000

Effective: July 1, 2000

Four AT&T Plaza, Dallas, Texas 75202

ACCESS SERVICE

20. MegaLink Custom Services (Cont'd)

(N)

20.14 Billing Periods - Service Established Between May 30, 2000 and June 30, 2000 (Cont'd)20.14.1 Rates and Charges (Cont'd)(G) Optional Features, BSEs and Functions (Cont'd)(1) DS3 to DS1 Multiplexing - Monthly Recurring Rates
(Cont'd)(j) DS3 to DS1 Multiplexing - OK - Zone 1 - Monthly Recurring Rates

Per Multiplexer

<u>USOC</u>	<u>3 year</u>	<u>5 year</u>	<u>10 year</u>
MKM	\$600.00	\$500.00	\$450.00

(k) DS3 to DS1 Multiplexing - OK - Zone 2 - Monthly Recurring Rates

Per Multiplexer

<u>USOC</u>	<u>3 year</u>	<u>5 year</u>	<u>10 year</u>
MKM	\$600.00	\$500.00	\$450.00

(l) DS3 to DS1 Multiplexing - OK - Zone 3 - Monthly Recurring Rates

Per Multiplexer

<u>USOC</u>	<u>3 year</u>	<u>5 year</u>	<u>10 year</u>
MKM	\$600.00	\$500.00	\$450.00

Rates contained in this transmittal are subject to subsequent adjustment, effective retrospectively back to the transmittal's original effective date, in the event the Commission or a court subsequently authorizes SWBT to correct its rates pursuant to pending motions, or petitions for reconsideration or waiver (and including, but not limited to, any application for Review of the letter from Lawrence E. Strickling, Chief, Common Carrier bureau, FCC, to Dale Robertson, SBC, dated May 18, 1999 which may be filed with the Commission), or in the event of any other adjustment pursuant to an order of the Commission or a court.

(This page filed under Transmittal No. 2831)

Issued: June 16, 2000

Effective: July 1, 2000

Four AT&T Plaza, Dallas, Texas 75202

ACCESS SERVICE

20. MegaLink Custom Services (Cont'd)

(N)

20.14 Billing Periods - Service Established Between May 30, 2000 and June 30, 2000 (Cont'd)20.14.1 Rates and Charges (Cont'd)(G) Optional Features, BSEs and Functions (Cont'd)(1) DS3 to DS1 Multiplexing - Monthly Recurring Rates
(Cont'd)(m) DS3 to DS1 Multiplexing - TX - Zone 1 - Monthly Recurring Rates

Per Multiplexer

USOC 3 year 5 year 10 year

MKM \$600.00 \$500.00 \$450.00

(n) DS3 to DS1 Multiplexing - TX - Zone 2 - Monthly Recurring Rates

Per Multiplexer

USOC 3 year 5 year 10 year

MKM \$600.00 \$500.00 \$450.00

(o) DS3 to DS1 Multiplexing - TX - Zone 3 - Monthly Recurring Rates

Per Multiplexer

USOC 3 year 5 year 10 year

MKM \$600.00 \$500.00 \$450.00

Rates contained in this transmittal are subject to subsequent adjustment, effective retrospectively back to the transmittal's original effective date, in the event the Commission or a court subsequently authorizes SWBT to correct its rates pursuant to pending motions, or petitions for reconsideration or waiver (and including, but not limited to, any application for Review of the letter from Lawrence E. Strickling, Chief, Common Carrier bureau, FCC, to Dale Robertson, SBC, dated May 18, 1999 which may be filed with the Commission), or in the event of any other adjustment pursuant to an order of the Commission or a court.

(This page filed under Transmittal No. 2831)

Issued: June 16, 2000

Effective: July 1, 2000

Four AT&T Plaza, Dallas, Texas 75202

ACCESS SERVICE

20. MegaLink Custom Services (Cont'd)

(N)

20.14 Billing Periods - Service Established Between May 30, 2000 and June 30, 2000 (Cont'd)20.14.1 Rates and Charges (Cont'd)(G) Optional Features, BSEs and Functions (Cont'd)(2) DS3 to DS1 Multiplexing Installation Charge - Per Multiplexer(a) Installation Charge - AR - Zone 1

<u>USOC</u>	<u>3 year</u>	<u>5 year</u>	<u>10 year</u>
	\$101.00	\$ 0.00	\$ 0.00

(b) Installation Charge - AR - Zone 2

<u>USOC</u>	<u>3 year</u>	<u>5 year</u>	<u>10 year</u>
	\$101.00	\$ 0.00	\$ 0.00

(c) Installation Charge - AR - Zone 3

<u>USOC</u>	<u>3 year</u>	<u>5 year</u>	<u>10 year</u>
	\$101.00	\$ 0.00	\$ 0.00

(d) Installation Charge - KS - Zone 1

<u>USOC</u>	<u>3 year</u>	<u>5 year</u>	<u>10 year</u>
	\$101.00	\$ 0.00	\$ 0.00

(e) Installation Charge - KS - Zone 2

<u>USOC</u>	<u>3 year</u>	<u>5 year</u>	<u>10 year</u>
	\$101.00	\$ 0.00	\$ 0.00

(f) Installation Charge - KS - Zone 3

<u>USOC</u>	<u>3 year</u>	<u>5 year</u>	<u>10 year</u>
	\$101.00	\$ 0.00	\$ 0.00

Rates contained in this transmittal are subject to subsequent adjustment, effective retrospectively back to the transmittal's original effective date, in the event the Commission or a court subsequently authorizes SWBT to correct its rates pursuant to pending motions, or petitions for reconsideration or waiver (and including, but not limited to, any application for Review of the letter from Lawrence E. Strickling, Chief, Common Carrier bureau, FCC, to Dale Robertson, SBC, dated May 18, 1999 which may be filed with the Commission), or in the event of any other adjustment pursuant to an order of the Commission or a court.

(This page filed under Transmittal No. 2831)

Issued: June 16, 2000

Effective: July 1, 2000

Four AT&T Plaza, Dallas, Texas 75202

ACCESS SERVICE

20. MegaLink Custom Services (Cont'd)

(N)

20.14 Billing Periods - Service Established Between May 30, 2000 and June 30, 2000 (Cont'd)20.14.1 Rates and Charges (Cont'd)(G) Optional Features, BSEs and Functions (Cont'd)(2) DS3 to DS1 Multiplexing Installation Charge - Per Multiplexer (Cont'd)(g) Installation Charge - MO - Zone 1

<u>USOC</u>	<u>3 year</u>	<u>5 year</u>	<u>10 year</u>
	\$101.00	\$ 0.00	\$ 0.00

(h) Installation Charge - MO - Zone 2

<u>USOC</u>	<u>3 year</u>	<u>5 year</u>	<u>10 year</u>
	\$101.00	\$ 0.00	\$ 0.00

(i) Installation Charge - MO - Zone 3

<u>USOC</u>	<u>3 year</u>	<u>5 year</u>	<u>10 year</u>
	\$101.00	\$ 0.00	\$ 0.00

(j) Installation Charge - OK - Zone 1

<u>USOC</u>	<u>3 year</u>	<u>5 year</u>	<u>10 year</u>
	\$101.00	\$ 0.00	\$ 0.00

(k) Installation Charge - OK - Zone 2

<u>USOC</u>	<u>3 year</u>	<u>5 year</u>	<u>10 year</u>
	\$101.00	\$ 0.00	\$ 0.00

(l) Installation Charge - OK - Zone 3

<u>USOC</u>	<u>3 year</u>	<u>5 year</u>	<u>10 year</u>
	\$101.00	\$ 0.00	\$ 0.00

Rates contained in this transmittal are subject to subsequent adjustment, effective retrospectively back to the transmittal's original effective date, in the event the Commission or a court subsequently authorizes SWBT to correct its rates pursuant to pending motions, or petitions for reconsideration or waiver (and including, but not limited to, any application for Review of the letter from Lawrence E. Strickling, Chief, Common Carrier bureau, FCC, to Dale Robertson, SBC, dated May 18, 1999 which may be filed with the Commission), or in the event of any other adjustment

(This page filed under Transmittal No. 2831)

Issued: June 16, 2000

Effective: July 1, 2000

Four AT&T Plaza, Dallas, Texas 75202

ACCESS SERVICE

20. MegaLink Custom Services (Cont'd)

(N)

20.14 Billing Periods - Service Established Between May 30, 2000 and June 30, 2000 (Cont'd)20.14.1 Rates and Charges (Cont'd)(G) Optional Features, BSEs and Functions (Cont'd)(2) DS3 to DS1 Multiplexing Installation Charge - Per Multiplexer (Cont'd)(m) Installation Charge - TX - Zone 1

<u>USOC</u>	<u>3 year</u>	<u>5 year</u>	<u>10 year</u>
	\$101.00	\$ 0.00	\$ 0.00

(n) Installation Charge - TX - Zone 2

<u>USOC</u>	<u>3 year</u>	<u>5 year</u>	<u>10 year</u>
	\$101.00	\$ 0.00	\$ 0.00

(o) Installation Charge - TX - Zone 3

<u>USOC</u>	<u>3 year</u>	<u>5 year</u>	<u>10 year</u>
	\$101.00	\$ 0.00	\$ 0.00

Rates contained in this transmittal are subject to subsequent adjustment, effective retrospectively back to the transmittal's original effective date, in the event the Commission or a court subsequently authorizes SWBT to correct its rates pursuant to pending motions, or petitions for reconsideration or waiver (and including, but not limited to, any application for Review of the letter from Lawrence E. Strickling, Chief, Common Carrier bureau, FCC, to Dale Robertson, SBC, dated May 18, 1999 which may be filed with the Commission), or in the event of any other adjustment pursuant to an order of the Commission or a court.

(This page filed under Transmittal No. 2831)

Issued: June 16, 2000

Effective: July 1, 2000

Four AT&T Plaza, Dallas, Texas 75202

ACCESS SERVICE

20. MegaLink Custom Services (Cont'd)

(N)

12.14 Billing Periods - Service Established Between May 30, 2000 and June 30, 2000 (Cont'd)20.14.1 Rates and Charges (Cont'd)(G) Optional Features, BSEs and Functions (Cont'd)(3) SecureNet Monthly Recurring Rates(a) Hub Redundancy - AR Zone 1
per premises, per DS3

<u>USOC</u>	<u>3 year</u>	<u>5 year</u>	<u>10 year</u>
R36AD	\$1,751.25	\$1,646.60	\$1,451.45

(b) Hub Redundancy - AR Zone 2
per premises, per DS3

<u>USOC</u>	<u>3 year</u>	<u>5 year</u>	<u>10 year</u>
R36AD	\$1,751.25	\$1,646.60	\$1,451.45

(c) Hub Redundancy - AR Zone 3
per premises, per DS3

<u>USOC</u>	<u>3 year</u>	<u>5 year</u>	<u>10 year</u>
R36AD	\$1,751.25	\$1,646.60	\$1,451.45

(d) Hub Redundancy - KS Zone 1
per premises, per DS3

<u>USOC</u>	<u>3 year</u>	<u>5 year</u>	<u>10 year</u>
R36AD	\$1,751.25	\$1,646.60	\$1,451.45

(e) Hub Redundancy - KS Zone 2
per premises, per DS3

<u>USOC</u>	<u>3 year</u>	<u>5 year</u>	<u>10 year</u>
R36AD	\$1,751.25	\$1,646.60	\$1,451.45

(f) Hub Redundancy - KS Zone 3
per premises, per DS3

<u>USOC</u>	<u>3 year</u>	<u>5 year</u>	<u>10 year</u>
R36AD	\$1,751.25	\$1,646.60	\$1,451.45

Rates contained in this transmittal are subject to subsequent adjustment, effective retrospectively back to the transmittal's original effective date, in the event the Commission or a court subsequently authorizes SWBT to correct its rates pursuant to pending motions, or petitions for reconsideration or waiver (and including, but not limited to, any application for Review of the letter from Lawrence E. Strickling, Chief, Common Carrier bureau, FCC, to Dale Robertson, SBC, dated May 18, 1999 which may be filed with the Commission), or in the event of any other adjustment pursuant to an order of the Commission or a court.

(This page filed under Transmittal No. 2831)

Issued: June 16, 2000

Effective: July 1, 2000

Four AT&T Plaza, Dallas, Texas 75202

ACCESS SERVICE

20. MegaLink Custom Services (Cont'd)

(N)

20.14 Billing Periods - Service Established Between May 30, 2000 and June 30, 2000 (Cont'd)20.14.1 Rates and Charges (Cont'd)(G) Optional Features, BSEs and Functions (Cont'd)(3) SecureNet Monthly Recurring Rates (Cont'd)(g) Hub Redundancy - MO Zone 1
per premises, per DS3

	<u>3 year</u>	<u>5 year</u>	<u>10 year</u>
USOC			
R36AD	\$1,751.25	\$1,646.60	\$1,451.45

(h) Hub Redundancy - MO Zone 2
per premises, per DS3

	<u>3 year</u>	<u>5 year</u>	<u>10 year</u>
USOC			
R36AD	\$1,751.25	\$1,646.60	\$1,451.45

(i) Hub Redundancy - MO Zone 3
per premises, per DS3

	<u>3 year</u>	<u>5 year</u>	<u>10 year</u>
USOC			
R36AD	\$1,751.25	\$1,646.60	\$1,451.45

(j) Hub Redundancy - OK Zone 1
per premises, per DS3

	<u>3 year</u>	<u>5 year</u>	<u>10 year</u>
USOC			
R36AD	\$1,751.25	\$1,646.60	\$1,451.45

(k) Hub Redundancy - OK Zone 2
per premises, per DS3

	<u>3 year</u>	<u>5 year</u>	<u>10 year</u>
USOC			
R36AD	\$1,751.25	\$1,646.60	\$1,451.45

(l) Hub Redundancy - OK Zone 3
per premises, per DS3

	<u>3 year</u>	<u>5 year</u>	<u>10 year</u>
USOC			
R36AD	\$1,751.25	\$1,646.60	\$1,451.45

Rates contained in this transmittal are subject to subsequent adjustment, effective retrospectively back to the transmittal's original effective date, in the event the Commission or a court subsequently authorizes SWBT to correct its rates pursuant to pending motions, or petitions for reconsideration or waiver (and including, but not limited to, any application for Review of the letter from Lawrence E. Strickling, Chief, Common Carrier bureau, FCC, to Dale Robertson, SBC, dated May 18, 1999 which may be filed with the Commission), or in the event of any other adjustment pursuant to an order of the Commission or a court.

(This page filed under Transmittal No. 2831)

Issued: June 16, 2000

Effective: July 1, 2000

Four AT&T Plaza, Dallas, Texas 75202

ACCESS SERVICE

20. MegaLink Custom Services (Cont'd)20.14 Billing Periods - Service Established Between May 30, 2000 and June 30, 2000 (Cont'd) (N)20.14.1 Rates and Charges (Cont'd)(G) Optional Features, BSEs and Functions (Cont'd)(3) SecureNet Monthly Recurring Rates (Cont'd)(m) Hub Redundancy - TX Zone 1
per premises, per DS3

<u>USOC</u>	<u>3 year</u>	<u>5 year</u>	<u>10 year</u>
R36AD	\$1,751.25	\$1,646.60	\$1,451.45

(n) Hub Redundancy - TX Zone 2
per premises, per DS3

<u>USOC</u>	<u>3 year</u>	<u>5 year</u>	<u>10 year</u>
R36AD	\$1,751.25	\$1,646.60	\$1,451.45

(o) Hub Redundancy - TX Zone 3
per premises, per DS3

<u>USOC</u>	<u>3 year</u>	<u>5 year</u>	<u>10 year</u>
R36AD	\$1,751.25	\$1,646.60	\$1,451.45

Rates contained in this transmittal are subject to subsequent adjustment, effective retrospectively back to the transmittal's original effective date, in the event the Commission or a court subsequently authorizes SWBT to correct its rates pursuant to pending motions, or petitions for reconsideration or waiver (and including, but not limited to, any application for Review of the letter from Lawrence E. Strickling, Chief, Common Carrier bureau, FCC, to Dale Robertson, SBC, dated May 18, 1999 which may be filed with the Commission), or in the event of any other adjustment pursuant to an order of the Commission or a court.

(This page filed under Transmittal No. 2831)

Issued: June 16, 2000

Effective: July 1, 2000

Four AT&T Plaza, Dallas, Texas 75202

ACCESS SERVICE

20. MegaLink Custom Services (Cont'd)

(N)

20.14 Billing Periods - Service Established Between May 30, 2000 and June 30, 2000 (Cont'd)20.14.1 Rates and Charges (Cont'd)(G) Optional Features, BSEs and Functions (Cont'd)(3) SecureNet Monthly Recurring Rates (Cont'd)(p) Serving Wire Center and Facility Redundancy - AR
Zone 1
per premises, per DS3

<u>USOC</u>	<u>3 year</u>	<u>5 year</u>	<u>10 year</u>
R38AE	\$ 0.00	\$ 0.00	\$ 0.00

(q) Serving Wire Center and Facility Redundancy - AR
Zone 2
per premises, per DS3

<u>USOC</u>	<u>3 year</u>	<u>5 year</u>	<u>10 year</u>
R38AE	\$ 0.00	\$ 0.00	\$ 0.00

(r) Serving Wire Center and Facility Redundancy - AR
Zone 3
per premises, per DS3

<u>USOC</u>	<u>3 year</u>	<u>5 year</u>	<u>10 year</u>
R38AE	\$ 0.00	\$ 0.00	\$ 0.00

Rates contained in this transmittal are subject to subsequent adjustment, effective retrospectively back to the transmittal's original effective date, in the event the Commission or a court subsequently authorizes SWBT to correct its rates pursuant to pending motions, or petitions for reconsideration or waiver (and including, but not limited to, any application for Review of the letter from Lawrence E. Strickling, Chief, Common Carrier bureau, FCC, to Dale Robertson, SBC, dated May 18, 1999 which may be filed with the Commission), or in the event of any other adjustment pursuant to an order of the Commission or a court.

(This page filed under Transmittal No. 2831)

Issued: June 16, 2000

Effective: July 1, 2000

Four AT&T Plaza, Dallas, Texas 75202

ACCESS SERVICE

20. MegaLink Custom Services (Cont'd)

(N)

20.14 Billing Periods - Service Established Between May 30, 2000 and June 30, 2000 (Cont'd)20.14.1 Rates and Charges (Cont'd)(G) Optional Features, BSEs and Functions (Cont'd)(3) SecureNet Monthly Recurring Rates (Cont'd)(s) Serving Wire Center and Facility Redundancy - KS
Zone 1
per premises, per DS3

USOC	<u>3 year</u>	<u>5 year</u>	<u>10 year</u>
R38AE	\$ 0.00	\$ 0.00	\$ 0.00

(t) Serving Wire Center and Facility Redundancy - KS
Zone 2
per premises, per DS3

USOC	<u>3 year</u>	<u>5 year</u>	<u>10 year</u>
R38AE	\$ 0.00	\$ 0.00	\$ 0.00

(u) Serving Wire Center and Facility Redundancy - KS
Zone 3
per premises, per DS3

USOC	<u>3 year</u>	<u>5 year</u>	<u>10 year</u>
R38AE	\$ 0.00	\$ 0.00	\$ 0.00

(v) Serving Wire Center and Facility Redundancy - MO
Zone 1
per premises, per DS3

USOC	<u>3 year</u>	<u>5 year</u>	<u>10 year</u>
R38AE	\$ 0.00	\$ 0.00	\$ 0.00

(w) Serving Wire Center and Facility Redundancy - MO
Zone 2
per premises, per DS3

USOC	<u>3 year</u>	<u>5 year</u>	<u>10 year</u>
R38AE	\$ 0.00	\$ 0.00	\$ 0.00

(x) Serving Wire Center and Facility Redundancy - MO
Zone 3
per premises, per DS3

USOC	<u>3 year</u>	<u>5 year</u>	<u>10 year</u>
R38AE	\$ 0.00	\$ 0.00	\$ 0.00

Rates contained in this transmittal are subject to subsequent adjustment, effective retrospectively back to the transmittal's original effective date, in the event the Commission or a court subsequently authorizes SWBT to correct its rates pursuant to pending motions, or petitions for reconsideration or waiver (and including, but not limited to, any application for Review of the letter from Lawrence E. Strickling, Chief, Common Carrier bureau, FCC, to Dale Robertson, SBC, dated May 18, 1999 which may be filed with the Commission), or in the event of any other adjustment pursuant to an order of the Commission or a court.

(This page filed under Transmittal No. 2831)

Issued: June 16, 2000

Effective: July 1, 2000

Four AT&T Plaza, Dallas, Texas 75202

ACCESS SERVICE

20. MegaLink Custom Services (Cont'd)

(N)

20.14 Billing Periods - Service Established Between May 30, 2000 and June 30, 2000 (Cont'd)20.14.1 Rates and Charges (Cont'd)(G) Optional Features, BSEs and Functions (Cont'd)(3) SecureNet Monthly Recurring Rates (Cont'd)(y) Serving Wire Center and Facility Redundancy - OK
Zone 1
per premises, per DS3

<u>USOC</u>	<u>3 year</u>	<u>5 year</u>	<u>10 year</u>
R38AE	\$ 0.00	\$ 0.00	\$ 0.00

(z) Serving Wire Center and Facility Redundancy - OK
Zone 2
per premises, per DS3

<u>USOC</u>	<u>3 year</u>	<u>5 year</u>	<u>10 year</u>
R38AE	\$ 0.00	\$ 0.00	\$ 0.00

(aa) Serving Wire Center and Facility Redundancy - OK
Zone 3
per premises, per DS3

<u>USOC</u>	<u>3 year</u>	<u>5 year</u>	<u>10 year</u>
R38AE	\$ 0.00	\$ 0.00	\$ 0.00

Rates contained in this transmittal are subject to subsequent adjustment, effective retrospectively back to the transmittal's original effective date, in the event the Commission or a court subsequently authorizes SWBT to correct its rates pursuant to pending motions, or petitions for reconsideration or waiver (and including, but not limited to, any application for Review of the letter from Lawrence E. Strickling, Chief, Common Carrier bureau, FCC, to Dale Robertson, SBC, dated May 18, 1999 which may be filed with the Commission), or in the event of any other adjustment pursuant to an order of the Commission or a court.

(This page filed under Transmittal No. 2831)

Issued: June 16, 2000

Effective: July 1, 2000

Four AT&T Plaza, Dallas, Texas 75202

ACCESS SERVICE

20. MegaLink Custom Services (Cont'd)

(N)

20.14 Billing Periods - Service Established Between May 30, 2000 and June 30, 2000. (Cont'd)20.14.1 Rates and Charges (Cont'd)(G) Optional Features, BSEs and Functions (Cont'd)(3) SecureNet Monthly Recurring Rates (Cont'd)(ab) Serving Wire Center and Facility Redundancy - TX Zone 1
per premises, per DS3

USOC	<u>3 year</u>	<u>5 year</u>	<u>10 year</u>
R38AE	\$ 0.00	\$ 0.00	\$ 0.00

(ac) Serving Wire Center and Facility Redundancy - TX Zone 2
per premises, per DS3

USOC	<u>3 year</u>	<u>5 year</u>	<u>10 year</u>
R38AE	\$ 0.00	\$ 0.00	\$ 0.00

(ad) Serving Wire Center and Facility Redundancy - TX Zone 3
per premises, per DS3

USOC	<u>3 year</u>	<u>5 year</u>	<u>10 year</u>
R38AE	\$ 0.00	\$ 0.00	\$ 0.00

(N)

Rates contained in this transmittal are subject to subsequent adjustment, effective retrospectively back to the transmittal's original effective date, in the event the Commission or a court subsequently authorizes SWBT to correct its rates pursuant to pending motions, or petitions for reconsideration or waiver (and including, but not limited to, any application for Review of the letter from Lawrence E. Strickling, Chief, Common Carrier bureau, FCC, to Dale Robertson, SBC, dated May 18, 1999 which may be filed with the Commission), or in the event of any other adjustment pursuant to an order of the Commission or a court.

(This page filed under Transmittal No. 2831)

Issued: June 16, 2000

Effective: July 1, 2000

Four AT&T Plaza, Dallas, Texas 75202

ACCESS SERVICE

20. MegaLink Custom Services (Cont'd)

(N)

20.14 Billing Periods - Service Established Between May 30, 2000 and June 30, 2000 (Cont'd)20.14.1 Rates and Charges (Cont'd)(G) Optional Features, BSEs and Functions (Cont'd)(4) SecureNet Installation Charge(a) Hub Redundancy - AR - Zone 1
per premises, per DS3

<u>USOC</u>	<u>Installation Charge</u>
XXXX	\$1,848.00

(b) Hub Redundancy - AR - Zone 2
per premises, per DS3

<u>USOC</u>	<u>Installation Charge</u>
XXXX	\$1,848.00

(c) Hub Redundancy - AR - Zone 3
per premises, per DS3

<u>USOC</u>	<u>Installation Charge</u>
XXXX	\$1,848.00

(d) Hub Redundancy - KS - Zone 1
per premises, per DS3

<u>USOC</u>	<u>Installation Charge</u>
XXXX	\$1,848.00

(e) Hub Redundancy - KS - Zone 2
per premises, per DS3

<u>USOC</u>	<u>Installation Charge</u>
XXXX	\$1,848.00

(f) Hub Redundancy - KS - Zone 3
per premises, per DS3

<u>USOC</u>	<u>Installation Charge</u>
XXXX	\$1,848.00

(N)

Rates contained in this transmittal are subject to subsequent adjustment, effective retrospectively back to the transmittal's original effective date, in the event the Commission or a court subsequently authorizes SWBT to correct its rates pursuant to pending motions, or petitions for reconsideration or waiver (and including, but not limited to, any application for Review of the letter from Lawrence E. Strickling, Chief, Common Carrier bureau, FCC, to Dale Robertson, SBC, dated May 18, 1999 which may be filed with the Commission), or in the event of any other adjustment pursuant to an order of the Commission or a court.

(This page filed under Transmittal No. 2831)

Issued: June 16, 2000

Effective: July 1, 2000

Four AT&T Plaza, Dallas, Texas 75202

ACCESS SERVICE

20. MegaLink Custom Services (Cont'd)20.14 Billing Periods - Service Established Between May 30, 2000 and June 30, 2000 (Cont'd) (N)20.14.1 Rates and Charges (Cont'd)(G) Optional Features, BSEs and Functions (Cont'd)(4) SecureNet Installation Charge (Cont'd)(g) Hub Redundancy - MO - Zone 1
per premises, per DS3

<u>USOC</u>	<u>Installation Charge</u>
XXXX	\$1,848.00

(h) Hub Redundancy - MO - Zone 2
per premises, per DS3

<u>USOC</u>	<u>Installation Charge</u>
XXXX	\$1,848.00

(i) Hub Redundancy - MO - Zone 3
per premises, per DS3

<u>USOC</u>	<u>Installation Charge</u>
XXXX	\$1,848.00

(j) Hub Redundancy - OK - Zone 1
per premises, per DS3

<u>USOC</u>	<u>Installation Charge</u>
XXXX	\$1,848.00

(k) Hub Redundancy - OK - Zone 2
per premises, per DS3

<u>USOC</u>	<u>Installation Charge</u>
XXXX	\$1,848.00

(l) Hub Redundancy - OK - Zone 3
per premises, per DS3

<u>USOC</u>	<u>Installation Charge</u>
XXXX	\$1,848.00

Rates contained in this transmittal are subject to subsequent adjustment, effective retrospectively back to the transmittal's original effective date, in the event the Commission or a court subsequently authorizes SWBT to correct its rates pursuant to pending motions, or petitions for reconsideration or waiver (and including, but not limited to, any application for Review of the letter from Lawrence E. Strickling, Chief, Common Carrier bureau, FCC, to Dale Robertson, SBC, dated May 18, 1999 which may be filed with the Commission), or in the event of any other adjustment pursuant to an order of the Commission or a court.

(This page filed under Transmittal No. 2831)

Issued: June 16, 2000

Effective: July 1, 2000

Four AT&T Plaza, Dallas, Texas 75202

ACCESS SERVICE

20. MegaLink Custom Services (Cont'd)

(N)

20.14 Billing Periods - Service Established Between May 30, 2000 and June 30, 2000 (Cont'd)20.14.1 Rates and Charges (Cont'd)(G) Optional Features, BSEs and Functions (Cont'd)(4) SecureNet Installation Charge (Cont'd)(m) Hub Redundancy - TX - Zone 1
per premises, per DS3USOC Installation Charge

XXXX \$1,848.00

(n) Hub Redundancy - TX - Zone 2
per premises, per DS3USOC Installation Charge

XXXX \$1,848.00

(o) Hub Redundancy - TX - Zone 3
per premises, per DS3USOC Installation Charge

XXXX \$1,848.00

Rates contained in this transmittal are subject to subsequent adjustment, effective retrospectively back to the transmittal's original effective date, in the event the Commission or a court subsequently authorizes SWBT to correct its rates pursuant to pending motions, or petitions for reconsideration or waiver (and including, but not limited to, any application for Review of the letter from Lawrence E. Strickling, Chief, Common Carrier bureau, FCC, to Dale Robertson, SBC, dated May 18, 1999 which may be filed with the Commission), or in the event of any other adjustment pursuant to an order of the Commission or a court.

(This page filed under Transmittal No. 2831)

Issued: June 16, 2000

Effective: July 1, 2000

Four AT&T Plaza, Dallas, Texas 75202

ACCESS SERVICE

20. MegaLink Custom Services (Cont'd)

(N)

20.14 Billing Periods - Service Established Between May 30, 2000 and June 30, 2000 (Cont'd)20.14.1 Rates and Charges (Cont'd)(G) Optional Features, BSEs and Functions (Cont'd)(4) SecureNet Installation Charge (Cont'd)(p) Serving Wire Center and Facility Redundancy - AR - Zone 1
per premises, per DS3

<u>USOC</u>	<u>Installation Charge</u>
XXXX	\$ 0.00

(q) Serving Wire Center and Facility Redundancy - AR - Zone 2
per premises, per DS3

<u>USOC</u>	<u>Installation Charge</u>
XXXX	\$ 0.00

(r) Serving Wire Center and Facility Redundancy - AR - Zone 3
per premises, per DS3

<u>USOC</u>	<u>Installation Charge</u>
XXXX	\$ 0.00

Rates contained in this transmittal are subject to subsequent adjustment, effective retrospectively back to the transmittal's original effective date, in the event the Commission or a court subsequently authorizes SWBT to correct its rates pursuant to pending motions, or petitions for reconsideration or waiver (and including, but not limited to, any application for Review of the letter from Lawrence E. Strickling, Chief, Common Carrier bureau, FCC, to Dale Robertson, SBC, dated May 18, 1999 which may be filed with the Commission), or in the event of any other adjustment pursuant to an order of the Commission or a court.

(This page filed under Transmittal No. 2831)

Issued: June 16, 2000

Effective: July 1, 2000

Four AT&T Plaza, Dallas, Texas 75202

ACCESS SERVICE

20. MegaLink Custom Services (Cont'd) (N)20.14 Billing Periods - Service Established Between May 30, 2000 and June 30, 2000 (Cont'd)20.14.1 Rates and Charges (Cont'd)(G) Optional Features, BSEs and Functions (Cont'd)(4) SecureNet Installation Charge (Cont'd)

- (s)
- Serving Wire Center and Facility Redundancy - KS - Zone 1
-
- per premises, per DS3

<u>USOC</u>	<u>Installation Charge</u>
XXXX	\$ 0.00

- (t)
- Serving Wire Center and Facility Redundancy - KS - Zone 2
-
- per premises, per DS3

<u>USOC</u>	<u>Installation Charge</u>
XXXX	\$ 0.00

- (u)
- Serving Wire Center and Facility Redundancy - KS - Zone 3
-
- per premises, per DS3

<u>USOC</u>	<u>Installation Charge</u>
XXXX	\$ 0.00

- (v)
- Serving Wire Center and Facility Redundancy - MO - Zone 1
-
- per premises, per DS3

<u>USOC</u>	<u>Installation Charge</u>
XXXX	\$ 0.00

- (w)
- Serving Wire Center and Facility Redundancy - MO - Zone 2
-
- per premises, per DS3

<u>USOC</u>	<u>Installation Charge</u>
XXXX	\$ 0.00

- (x)
- Serving Wire Center and Facility Redundancy - MO - Zone 3
-
- per premises, per DS3

<u>USOC</u>	<u>Installation Charge</u>
XXXX	\$ 0.00

Rates contained in this transmittal are subject to subsequent adjustment, effective retrospectively back to the transmittal's original effective date, in the event the Commission or a court subsequently authorizes SWBT to correct its rates pursuant to pending motions, or petitions for reconsideration or waiver (and including, but not limited to, any application for Review of the letter from Lawrence E. Strickling, Chief, Common Carrier bureau, FCC, to Dale Robertson, SBC, dated May 18, 1999 which may be filed with the Commission), or in the event of any other adjustment pursuant to an order of the Commission or a court.

(This page filed under Transmittal No. 2831)

Issued: June 16, 2000

Effective: July 1, 2000

Four AT&T Plaza, Dallas, Texas 75202

ACCESS SERVICE

20. MegaLink Custom Services (Cont'd)

(N)

20.14 Billing Periods - Service Established Between May 30, 2000 and June 30, 2000 (Cont'd)20.14.1 Rates and Charges (Cont'd)(G) Optional Features, BSEs and Functions (Cont'd)(4) SecureNet Installation Charge (Cont'd)(y) Serving Wire Center and Facility Redundancy - OK
Zone 1
per premises, per DS3

<u>USOC</u>	<u>Installation Charge</u>
XXXX	\$ 0.00

(z) Serving Wire Center and Facility Redundancy - OK
Zone 2
per premises, per DS3

<u>USOC</u>	<u>Installation Charge</u>
XXXX	\$ 0.00

(aa) Serving Wire Center and Facility Redundancy - OK
Zone 3
per premises, per DS3

<u>USOC</u>	<u>Installation Charge</u>
XXXX	\$ 0.00

Rates contained in this transmittal are subject to subsequent adjustment, effective retrospectively back to the transmittal's original effective date, in the event the Commission or a court subsequently authorizes SWBT to correct its rates pursuant to pending motions, or petitions for reconsideration or waiver (and including, but not limited to, any application for Review of the letter from Lawrence E. Strickling, Chief, Common Carrier bureau, FCC, to Dale Robertson, SBC, dated May 18, 1999 which may be filed with the Commission), or in the event of any other adjustment pursuant to an order of the Commission or a court.

(This page filed under Transmittal No. 2831)

Issued: June 16, 2000

Effective: July 1, 2000

Four AT&T Plaza, Dallas, Texas 75202

ACCESS SERVICE

20. MegaLink Custom Services (Cont'd)

(N)

20.14 Billing Periods - Service Established Between May 30, 2000 and June 30, 2000 (Cont'd)20.14.1 Rates and Charges (Cont'd)(G) Optional Features, BSEs and Functions (Cont'd)(4) SecureNet Installation Charge (Cont'd)(ab) Serving Wire Center and Facility Redundancy - TX - Zone 1
per premises, per DS3

<u>USOC</u>	<u>Installation Charge</u>
XXXX	\$ 0.00

(ac) Serving Wire Center and Facility Redundancy - TX - Zone 2
per premises, per DS3

<u>USOC</u>	<u>Installation Charge</u>
XXXX	\$ 0.00

(ad) Serving Wire Center and Facility Redundancy - TX - Zone 3
per premises, per DS3

<u>USOC</u>	<u>Installation Charge</u>
XXXX	\$ 0.00

Rates contained in this transmittal are subject to subsequent adjustment, effective retrospectively back to the transmittal's original effective date, in the event the Commission or a court subsequently authorizes SWBT to correct its rates pursuant to pending motions, or petitions for reconsideration or waiver (and including, but not limited to, any application for Review of the letter from Lawrence E. Strickling, Chief, Common Carrier bureau, FCC, to Dale Robertson, SBC, dated May 18, 1999 which may be filed with the Commission), or in the event of any other adjustment pursuant to an order of the Commission or a court.

(This page filed under Transmittal No. 2831)

Issued: June 16, 2000

Effective: July 1, 2000

Four AT&T Plaza, Dallas, Texas 75202

ACCESS SERVICE

20. MegaLink Custom Services (Cont'd)

(N)

20.14 Billing Periods - Service Established Between May 30, 2000 and June 30, 2000 (Cont'd)20.14.1 Rates and Charges (Cont'd)(G) Optional Features, BSEs and Functions (Cont'd)(5) Service Extension Monthly Recurring Rates

Use Interoffice Mileage as set forth in 20.5.3 and 20.5.4.

(6) Service Extension Installation Charge per DS3 or DS3 equivalent, per service extension on the same access order(a) Installation Charge - AR - Zone 1

	<u>USOC</u>	<u>3 year</u>	<u>5 year</u>	<u>10 year</u>
First	NRBSE	\$319.00	\$ 0.00	\$ 0.00
Additional	NRBSE	\$248.00	\$ 0.00	\$ 0.00

(b) Installation Charge - AR - Zone 2

	<u>USOC</u>	<u>3 year</u>	<u>5 year</u>	<u>10 year</u>
First	NRBSE	\$319.00	\$ 0.00	\$ 0.00
Additional	NRBSE	\$248.00	\$ 0.00	\$ 0.00

(c) Installation Charge - AR - Zone 3

	<u>USOC</u>	<u>3 year</u>	<u>5 year</u>	<u>10 year</u>
First	NRBSE	\$319.00	\$ 0.00	\$ 0.00
Additional	NRBSE	\$248.00	\$ 0.00	\$ 0.00

Rates contained in this transmittal are subject to subsequent adjustment, effective retrospectively back to the transmittal's original effective date, in the event the Commission or a court subsequently authorizes SWBT to correct its rates pursuant to pending motions, or petitions for reconsideration or waiver (and including, but not limited to, any application for Review of the letter from Lawrence E. Strickling, Chief, Common Carrier bureau, FCC, to Dale Robertson, SBC, dated May 18, 1999 which may be filed with the Commission), or in the event of any other adjustment pursuant to an order of the Commission or a court.

(This page filed under Transmittal No. 2831)

Issued: June 16, 2000

Effective: July 1, 2000

Four AT&T Plaza, Dallas, Texas 75202

ACCESS SERVICE

20. MegaLink Custom Services (Cont'd)

(N)

20.14 Billing Periods - Service Established Between May 30, 2000 and June 30, 2000 (Cont'd)

20.14.1 Rates and Charges (Cont'd)

(G) Optional Features, BSEs and Functions (Cont'd)

(6) Service Extension Installation Charge (Cont'd)

(d) Installation Charge - KS - Zone 1

	<u>USOC</u>	<u>3 year</u>	<u>5 year</u>	<u>10 year</u>
First	NRBSE	\$319.00	\$ 0.00	\$ 0.00
Additional	NRBSE	\$248.00	\$ 0.00	\$ 0.00

(e) Installation Charge - KS - Zone 2

	<u>USOC</u>	<u>3 year</u>	<u>5 year</u>	<u>10 year</u>
First	NRBSE	\$319.00	\$ 0.00	\$ 0.00
Additional	NRBSE	\$248.00	\$ 0.00	\$ 0.00

(f) Installation Charge - KS - Zone 3

	<u>USOC</u>	<u>3 year</u>	<u>5 year</u>	<u>10 year</u>
First	NRBSE	\$319.00	\$ 0.00	\$ 0.00
Additional	NRBSE	\$248.00	\$ 0.00	\$ 0.00

(g) Installation Charge - MO - Zone 1

	<u>USOC</u>	<u>3 year</u>	<u>5 year</u>	<u>10 year</u>
First	NRBSE	\$319.00	\$ 0.00	\$ 0.00
Additional	NRBSE	\$248.00	\$ 0.00	\$ 0.00

(h) Installation Charge - MO - Zone 2

	<u>USOC</u>	<u>3 year</u>	<u>5 year</u>	<u>10 year</u>
First	NRBSE	\$319.00	\$ 0.00	\$ 0.00
Additional	NRBSE	\$248.00	\$ 0.00	\$ 0.00

(i) Installation Charge - MO - Zone 3

	<u>USOC</u>	<u>3 year</u>	<u>5 year</u>	<u>10 year</u>
First	NRBSE	\$319.00	\$ 0.00	\$ 0.00
Additional	NRBSE	\$248.00	\$ 0.00	\$ 0.00

Rates contained in this transmittal are subject to subsequent adjustment, effective retrospectively back to the transmittal's original effective date, in the event the Commission or a court subsequently authorizes SWBT to correct its rates pursuant to pending motions, or petitions for reconsideration or waiver (and including, but not limited to, any application for Review of the letter from Lawrence E. Strickling, Chief, Common Carrier bureau, FCC, to Dale Robertson, SBC, dated May 18, 1999 which may be filed with the Commission), or in the event of any other adjustment

(This page filed under Transmittal No. 2831)

ACCESS SERVICE

20. MegaLink Custom Services (Cont'd)

(N)

20.14 Billing Periods - Service Established Between May 30, 2000 and June 30, 2000 (Cont'd)20.14.1 Rates and Charges (Cont'd)(G) Optional Features, BSEs and Functions (Cont'd)(6) Service Extension Installation Charge (Cont'd)(j) Installation Charge - OK - Zone 1

	<u>USOC</u>	<u>3 year</u>	<u>5 year</u>	<u>10 year</u>
First	NRBSE	\$319.00	\$ 0.00	\$ 0.00
Additional	NRBSE	\$248.00	\$ 0.00	\$ 0.00

(k) Installation Charge - OK - Zone 2

	<u>USOC</u>	<u>3 year</u>	<u>5 year</u>	<u>10 year</u>
First	NRBSE	\$319.00	\$ 0.00	\$ 0.00
Additional	NRBSE	\$248.00	\$ 0.00	\$ 0.00

(l) Installation Charge - OK - Zone 3

	<u>USOC</u>	<u>3 year</u>	<u>5 year</u>	<u>10 year</u>
First	NRBSE	\$319.00	\$ 0.00	\$ 0.00
Additional	NRBSE	\$248.00	\$ 0.00	\$ 0.00

Rates contained in this transmittal are subject to subsequent adjustment, effective retrospectively back to the transmittal's original effective date, in the event the Commission or a court subsequently authorizes SWBT to correct its rates pursuant to pending motions, or petitions for reconsideration or waiver (and including, but not limited to, any application for Review of the letter from Lawrence E. Strickling, Chief, Common Carrier bureau, FCC, to Dale Robertson, SBC, dated May 18, 1999 which may be filed with the Commission), or in the event of any other adjustment pursuant to an order of the Commission or a court.

(This page filed under Transmittal No. 2831)

Issued: June 16, 2000

Effective: July 1, 2000

Four AT&T Plaza, Dallas, Texas 75202

ACCESS SERVICE

20. MegaLink Custom Services (Cont'd)

(N)

20.14 Billing Periods - Service Established Between May 30, 2000 and June 30, 2000 (Cont'd)20.14.1 Rates and Charges (Cont'd)(G) Optional Features, BSEs and Functions (Cont'd)(6) Service Extension Installation Charge (Cont'd)(m) Installation Charge - TX - Zone 1

	USOC	<u>3 year</u>	<u>5 year</u>	<u>10 year</u>
First	NRBSE	\$319.00	\$ 0.00	\$ 0.00
Additional	NRBSE	\$248.00	\$ 0.00	\$ 0.00

(n) Installation Charge - TX - Zone 2

	USOC	<u>3 year</u>	<u>5 year</u>	<u>10 year</u>
First	NRBSE	\$319.00	\$ 0.00	\$ 0.00
Additional	NRBSE	\$248.00	\$ 0.00	\$ 0.00

(o) Installation Charge - TX - Zone 3

	USOC	<u>3 year</u>	<u>5 year</u>	<u>10 year</u>
First	NRBSE	\$319.00	\$ 0.00	\$ 0.00
Additional	NRBSE	\$248.00	\$ 0.00	\$ 0.00

Rates contained in this transmittal are subject to subsequent adjustment, effective retrospectively back to the transmittal's original effective date, in the event the Commission or a court subsequently authorizes SWBT to correct its rates pursuant to pending motions, or petitions for reconsideration or waiver (and including, but not limited to, any application for Review of the letter from Lawrence E. Strickling, Chief, Common Carrier bureau, FCC, to Dale Robertson, SBC, dated May 18, 1999 which may be filed with the Commission), or in the event of any other adjustment pursuant to an order of the Commission or a court.

(This page filed under Transmittal No. 2831)

Issued: June 16, 2000

Effective: July 1, 2000

Four AT&T Plaza, Dallas, Texas 75202

ACCESS SERVICE

20. MegaLink Custom Services (Cont'd)

(N)

20.14 Billing Periods - Service Established Between May 30, 2000 and June 30, 2000 (Cont'd)20.14.1 Rates and Charges (Cont'd)(G) Optional Features, BSEs and Functions (Cont'd)(7) STN Interconnection with SecureNet Equipped MegaLink Custom Service Monthly Recurring Rates

per DS3, per Interconnection

(a) STN Interconnection with SecureNet Equipped MegaLink Custom Service - AR Zone 1

<u>USOC</u>	<u>3 year</u>	<u>5 year</u>	<u>10 year</u>
R3N3X	\$263.20	\$248.20	\$221.40

(b) STN Interconnection with SecureNet Equipped MegaLink Custom Service - AR Zone 2

<u>USOC</u>	<u>3 year</u>	<u>5 year</u>	<u>10 year</u>
R3N3X	\$263.20	\$248.20	\$221.40

(c) STN Interconnection with SecureNet Equipped MegaLink Custom Service - AR Zone 3

<u>USOC</u>	<u>3 year</u>	<u>5 year</u>	<u>10 year</u>
R3N3X	\$263.20	\$248.20	\$221.40

Rates contained in this transmittal are subject to subsequent adjustment, effective retrospectively back to the transmittal's original effective date, in the event the Commission or a court subsequently authorizes SWBT to correct its rates pursuant to pending motions, or petitions for reconsideration or waiver (and including, but not limited to, any Application for Review of the letter from Lawrence E. Strickling, Chief, Common Carrier Bureau, FCC, to Dale Robertson, SBC, dated May 18, 1999 which may be filed with the Commission), or in the event of any other adjustment pursuant to an order of the Commission or a court.

(This page filed under Transmittal No. 2831)

Issued: June 16, 2000

Effective: July 1, 2000

Four AT&T Plaza, Dallas, Texas 75202

ACCESS SERVICE

20. MegaLink Custom Services (Cont'd)

(N)

20.14 Billing Periods - Service Established Between May 30, 2000 and June 30, 2000 (Cont'd)20.14.1 Rates and Charges (Cont'd)(G) Optional Features, BSEs and Functions (Cont'd)(7) STN Interconnection with SecureNet Equipped MegaLink Custom Service Monthly Recurring Rates (Cont'd)

per DS3, per Interconnection

(d) STN Interconnection with SecureNet Equipped MegaLink Custom Service - KS Zone 1

USOC	<u>3 year</u>	<u>5 year</u>	<u>10 year</u>
R3N3X	\$263.20	\$248.20	\$221.40

(e) STN Interconnection with SecureNet Equipped MegaLink Custom Service - KS Zone 2

USOC	<u>3 year</u>	<u>5 year</u>	<u>10 year</u>
R3N3X	\$263.20	\$248.20	\$221.40

(f) STN Interconnection with SecureNet Equipped MegaLink Custom Service - KS Zone 3

USOC	<u>3 year</u>	<u>5 year</u>	<u>10 year</u>
R3N3X	\$263.20	\$248.20	\$221.40

(g) STN Interconnection with SecureNet Equipped MegaLink Custom Service - MO Zone 1

USOC	<u>3 year</u>	<u>5 year</u>	<u>10 year</u>
R3N3X	\$263.20	\$248.20	\$221.40

(h) STN Interconnection with SecureNet Equipped MegaLink Custom Service - MO Zone 2

USOC	<u>3 year</u>	<u>5 year</u>	<u>10 year</u>
R3N3X	\$263.20	\$248.20	\$221.40

(i) STN Interconnection with SecureNet Equipped MegaLink Custom Service - MO Zone 3

USOC	<u>3 year</u>	<u>5 year</u>	<u>10 year</u>
R3N3X	\$263.20	\$248.20	\$221.40

Rates contained in this transmittal are subject to subsequent adjustment, effective retrospectively back to the transmittal's original effective date, in the event the Commission or a court subsequently authorizes SWBT to correct its rates pursuant to pending motions, or petitions for reconsideration or waiver (and including, but not limited to, any application for Review of the letter from Lawrence E. Strickling, Chief, Common Carrier bureau, FCC, to Dale Robertson, SBC, dated May 18, 1999 which may be filed with the Commission), or in the event of any other adjustment

(This page filed under Transmittal No. 2831)

Issued: June 16, 2000

Effective: July 1, 2000

Four AT&T Plaza, Dallas, Texas 75202

ACCESS SERVICE

20. MegaLink Custom Services (Cont'd)20.14 Billing Periods - Service Established Between May 30, 2000 and June 30, 2000 (Cont'd) (N)20.14.1 Rates and Charges (Cont'd)(G) Optional Features, BSEs and Functions (Cont'd)(7) STN Interconnection with SecureNet Equipped MegaLink Custom Service Monthly Recurring Rates (Cont'd)

per DS3, per Interconnection

(j) STN Interconnection with SecureNet Equipped MegaLink Custom Service - OK Zone 1

<u>USOC</u>	<u>3 year</u>	<u>5 year</u>	<u>10 year</u>
R3N3X	\$263.20	\$248.20	\$221.40

(k) STN Interconnection with SecureNet Equipped MegaLink Custom Service - OK Zone 2

<u>USOC</u>	<u>3 year</u>	<u>5 year</u>	<u>10 year</u>
R3N3X	\$263.20	\$248.20	\$221.40

(l) STN Interconnection with SecureNet Equipped MegaLink Custom Service - OK Zone 3

<u>USOC</u>	<u>3 year</u>	<u>5 year</u>	<u>10 year</u>
R3N3X	\$263.20	\$248.20	\$221.40

Rates contained in this transmittal are subject to subsequent adjustment, effective retrospectively back to the transmittal's original effective date, in the event the Commission or a court subsequently authorizes SWBT to correct its rates pursuant to pending motions, or petitions for reconsideration or waiver (and including, but not limited to, any Application for Review of the letter from Lawrence E. Strickling, Chief, Common Carrier Bureau, FCC, to Dale Robertson, SBC, dated May 18, 1999 which may be filed with the Commission), or in the event of any other adjustment pursuant to an order of the Commission or a court.

(This page filed under Transmittal No. 2831)

Issued: June 16, 2000

Effective: July 1, 2000

Four AT&T Plaza, Dallas, Texas 75202

ACCESS SERVICE

20. MegaLink Custom Services (Cont'd)

(N)

20.14 Billing Periods - Service Established Between May 30, 2000 and June 30, 2000 (Cont'd)20.14.1 Rates and Charges (Cont'd)(G) Optional Features, BSEs and Functions (Cont'd)(7) STN Interconnection with SecureNet Equipped MegaLink Custom Service Monthly Recurring Rates (Cont'd)

per DS3, per Interconnection

(m) STN Interconnection with SecureNet Equipped MegaLink Custom Service - TX Zone 1

<u>USOC</u>	<u>3 year</u>	<u>5 year</u>	<u>10 year</u>
R3N3X	263.20	\$248.20	\$221.40

(n) STN Interconnection with SecureNet Equipped MegaLink Custom Service - TX Zone 2

<u>USOC</u>	<u>3 year</u>	<u>5 year</u>	<u>10 year</u>
R3N3X	\$263.20	\$248.20	\$221.40

(o) STN Interconnection with SecureNet Equipped MegaLink Custom Service - TX Zone 3

<u>USOC</u>	<u>3 year</u>	<u>5 year</u>	<u>10 year</u>
R3N3X	\$263.20	\$248.20	\$221.40

Rates contained in this transmittal are subject to subsequent adjustment, effective retrospectively back to the transmittal's original effective date, in the event the Commission or a court subsequently authorizes SWBT to correct its rates pursuant to pending motions, or petitions for reconsideration or waiver (and including, but not limited to, any Application for Review of the letter from Lawrence E. Strickling, Chief, Common Carrier Bureau, FCC, to Dale Robertson, SBC, dated May 18, 1999 which may be filed with the Commission), or in the event of any other adjustment pursuant to an order of the Commission or a court.

(This page filed under Transmittal No. 2831)

Issued: June 16, 2000

Effective: July 1, 2000

Four AT&T Plaza, Dallas, Texas 75202

ACCESS SERVICE

20. MegaLink Custom Services (Cont'd)

(N)

20.14 Billing Periods - Service Established Between May 30, 2000 and June 30, 2000 (Cont'd)20.14.1 Rates and Charges (Cont'd)(G) Optional Features, BSEs and Functions (Cont'd)(8) STN Interconnection with SecureNet Equipped MegaLink Custom Service Installation Charges

per DS3, per Interconnection

(a) STN Interconnection with SecureNet Equipped MegaLink Custom Service - AR Zone 1

<u>USOC</u>	<u>3 year</u>	<u>5 year</u>	<u>10 year</u>
	\$149.00	\$ 0.00	\$ 0.00

(b) STN Interconnection with SecureNet Equipped MegaLink Custom Service - AR Zone 2

<u>USOC</u>	<u>3 year</u>	<u>5 year</u>	<u>10 year</u>
	\$149.00	\$ 0.00	\$ 0.00

(c) STN Interconnection with SecureNet Equipped MegaLink Custom Service - AR Zone 3

<u>USOC</u>	<u>3 year</u>	<u>5 year</u>	<u>10 year</u>
	\$149.00	\$ 0.00	\$ 0.00

Rates contained in this transmittal are subject to subsequent adjustment, effective retrospectively back to the transmittal's original effective date, in the event the Commission or a court subsequently authorizes SWBT to correct its rates pursuant to pending motions, or petitions for reconsideration or waiver (and including, but not limited to, any Application for Review of the letter from Lawrence E. Strickling, Chief, Common Carrier Bureau, FCC, to Dale Robertson, SBC, dated May 18, 1999 which may be filed with the Commission), or in the event of any other adjustment pursuant to an order of the Commission or a court.

(This page filed under Transmittal No. 2831)

Issued: June 16, 2000

Effective: July 1, 2000

Four AT&T Plaza, Dallas, Texas 75202

ACCESS SERVICE

20. MegaLink Custom Services (Cont'd)

(N)

20.14 Billing Periods - Service Established Between May 30, 2000 and June 30, 2000 (Cont'd)20.14.1 Rates and Charges (Cont'd)(G) Optional Features, BSEs and Functions (Cont'd)(8) STN Interconnection with SecureNet Equipped MegaLink Custom Service Installation Charges (Cont'd)

per DS3, per Interconnection

(d) STN Interconnection with SecureNet Equipped MegaLink Custom Service - KS Zone 1

<u>USOC</u>	<u>3 year</u>	<u>5 year</u>	<u>10 year</u>
	\$149.00	\$ 0.00	\$ 0.00

(e) STN Interconnection with SecureNet Equipped MegaLink Custom Service - KS Zone 2

<u>USOC</u>	<u>3 year</u>	<u>5 year</u>	<u>10 year</u>
	\$149.00	\$ 0.00	\$ 0.00

(f) STN Interconnection with SecureNet Equipped MegaLink Custom Service - KS Zone 3

<u>USOC</u>	<u>3 year</u>	<u>5 year</u>	<u>10 year</u>
	\$149.00	\$ 0.00	\$ 0.00

(g) STN Interconnection with SecureNet Equipped MegaLink Custom Service - MO Zone 1

<u>USOC</u>	<u>3 year</u>	<u>5 year</u>	<u>10 year</u>
	\$149.00	\$ 0.00	\$ 0.00

(h) STN Interconnection with SecureNet Equipped MegaLink Custom Service - MO Zone 2

<u>USOC</u>	<u>3 year</u>	<u>5 year</u>	<u>10 year</u>
	\$149.00	\$ 0.00	\$ 0.00

(i) STN Interconnection with SecureNet Equipped MegaLink Custom Service - MO Zone 3

<u>USOC</u>	<u>3 year</u>	<u>5 year</u>	<u>10 year</u>
	\$149.00	\$ 0.00	\$ 0.00

Rates contained in this transmittal are subject to subsequent adjustment, effective retrospectively back to the transmittal's original effective date, in the event the Commission or a court subsequently authorizes SWBT to correct its rates pursuant to pending motions, or petitions for reconsideration or waiver (and including, but not limited to, any Application for Review of the letter from Lawrence E. Strickling, Chief, Common Carrier Bureau, FCC, to Dale Robertson, SBC, dated May 18, 1999 which may be filed with the Commission), or in the event of any other adjustment pursuant to an order of the Commission or a court.

(This page filed under Transmittal No. 2831)

Issued: June 16, 2000

Effective: July 1, 2000

Four AT&T Plaza, Dallas, Texas 75202

ACCESS SERVICE

20. MegaLink Custom Services (Cont'd)

(N)

20.14 Billing Periods - Service Established Between May 30, 2000 and June 30, 2000 (Cont'd)20.14.1 Rates and Charges (Cont'd)(G) Optional Features, BSEs and Functions (Cont'd)(8) STN Interconnection with SecureNet Equipped MegaLink Custom Service Installation Charges (Cont'd)

per DS3, per Interconnection

(j) STN Interconnection with SecureNet Equipped MegaLink Custom Service - OK Zone 1

<u>USOC</u>	<u>3 year</u>	<u>5 year</u>	<u>10 year</u>
	\$149.00	\$ 0.00	\$ 0.00

(k) STN Interconnection with SecureNet Equipped MegaLink Custom Service - OK Zone 2

<u>USOC</u>	<u>3 year</u>	<u>5 year</u>	<u>10 year</u>
	\$149.00	\$ 0.00	\$ 0.00

(l) STN Interconnection with SecureNet Equipped MegaLink Custom Service - OK Zone 3

<u>USOC</u>	<u>3 year</u>	<u>5 year</u>	<u>10 year</u>
	\$149.00	\$ 0.00	\$ 0.00

Rates contained in this transmittal are subject to subsequent adjustment, effective retrospectively back to the transmittal's original effective date, in the event the Commission or a court subsequently authorizes SWBT to correct its rates pursuant to pending motions, or petitions for reconsideration or waiver (and including, but not limited to, any Application for Review of the letter from Lawrence E. Strickling, Chief, Common Carrier Bureau, FCC, to Dale Robertson, SBC, dated May 18, 1999 which may be filed with the Commission), or in the event of any other adjustment pursuant to an order of the Commission or a court.

(This page filed under Transmittal No. 2831)

Issued: June 16, 2000

Effective: July 1, 2000

Four AT&T Plaza, Dallas, Texas 75202

ACCESS SERVICE

20. MegaLink Custom Services (Cont'd)

(N)

20.14 Billing Periods - Service Established Between May 30, 2000 and June 30, 2000 (Cont'd)20.14.1 Rates and Charges (Cont'd)(G) Optional Features, BSEs and Functions (Cont'd)(8) STN Interconnection with SecureNet Equipped MegaLink Custom Service Installation Charges (Cont'd)

per DS3, per Interconnection

(m) STN Interconnection with SecureNet Equipped MegaLink Custom Service - TX Zone 1

<u>USOC</u>	<u>3 year</u>	<u>5 year</u>	<u>10 year</u>
	\$149.00	\$ 0.00	\$ 0.00

(n) STN Interconnection with SecureNet Equipped MegaLink Custom Service - TX Zone 2

<u>USOC</u>	<u>3 year</u>	<u>5 year</u>	<u>10 year</u>
	\$149.00	\$ 0.00	\$ 0.00

(o) STN Interconnection with SecureNet Equipped MegaLink Custom Service - TX Zone 3

<u>USOC</u>	<u>3 year</u>	<u>5 year</u>	<u>10 year</u>
	\$149.00	\$ 0.00	\$ 0.00

Rates contained in this transmittal are subject to subsequent adjustment, effective retrospectively back to the transmittal's original effective date, in the event the Commission or a court subsequently authorizes SWBT to correct its rates pursuant to pending motions, or petitions for reconsideration or waiver (and including, but not limited to, any Application for Review of the letter from Lawrence E. Strickling, Chief, Common Carrier Bureau, FCC, to Dale Robertson, SBC, dated May 18, 1999 which may be filed with the Commission), or in the event of any other adjustment pursuant to an order of the Commission or a court.

(This page filed under Transmittal No. 2831)

Issued: June 16, 2000

Effective: July 1, 2000

Four AT&T Plaza, Dallas, Texas 75202

ACCESS SERVICE

20. MegaLink Custom Services (Cont'd)

(N)

20.14 Billing Periods - Service Established Between May 30, 2000 and June 30, 2000 (Cont'd)20.14.1 Rates and Charges (Cont'd)(G) Optional Features, BSEs and Functions (Cont'd)(9) SFM Installation Charge

Per existing MegaLink Custom Service(s) moving to another MegaLink Custom Service or ReliaNet DS3/EC-1, on a first and additional basis.

(a) SFM AR Zone 1

	<u>USOC</u>	<u>Installation Charge</u>
First	NRBR3	\$135.00
Additional	NRBR3	\$104.00

(b) SFM AR Zone 2

	<u>USOC</u>	<u>Installation Charge</u>
First	NRBR3	\$135.00
Additional	NRBR3	\$104.00

(c) SFM AR Zone 3

	<u>USOC</u>	<u>Installation Charge</u>
First	NRBR3	\$135.00
Additional	NRBR3	\$104.00

Rates contained in this transmittal are subject to subsequent adjustment, effective retrospectively back to the transmittal's original effective date, in the event the Commission or a court subsequently authorizes SWBT to correct its rates pursuant to pending motions, or petitions for reconsideration or waiver (and including, but not limited to, any Application for Review of the letter from Lawrence E. Strickling, Chief, Common Carrier Bureau, FCC, to Dale Robertson, SBC, dated May 18, 1999 which may be filed with the Commission), or in the event of any other adjustment pursuant to an order of the Commission or a court.

(This page filed under Transmittal No. 2831)

Issued: June 16, 2000

Effective: July 1, 2000

Four AT&T Plaza, Dallas, Texas 75202

ACCESS SERVICE

20. MegaLink Custom Services (Cont'd)20.14 Billing Periods - Service Established Between May 30, 2000 and June 30, 2000 (Cont'd) (N)20.14.1 Rates and Charges (Cont'd)(G) Optional Features, BSEs and Functions (Cont'd)(9) SFM Installation Charge (Cont'd)

Per existing MegaLink Custom Service(s) moving to another MegaLink Custom Service or ReliaNet DS3/EC-1, on a first and additional basis.

(d) SFM KS Zone 1

	<u>USOC</u>	<u>Installation Charge</u>
First	NRBR3	\$135.00
Additional	NRBR3	\$104.00

(e) SFM KS Zone 2

	<u>USOC</u>	<u>Installation Charge</u>
First	NRBR3	\$135.00
Additional	NRBR3	\$104.00

(f) SFM KS Zone 3

	<u>USOC</u>	<u>Installation Charge</u>
First	NRBR3	\$135.00
Additional	NRBR3	\$104.00

(g) SFM MO Zone 1

	<u>USOC</u>	<u>Installation Charge</u>
First	NRBR3	\$135.00
Additional	NRBR3	\$104.00

(h) SFM MO Zone 2

	<u>USOC</u>	<u>Installation Charge</u>
First	NRBR3	\$135.00
Additional	NRBR3	\$104.00

(i) SFM MO Zone 3

	<u>USOC</u>	<u>Installation Charge</u>
First	NRBR3	\$135.00
Additional	NRBR3	\$104.00

Rates contained in this transmittal are subject to subsequent adjustment, effective retrospectively back to the transmittal's original effective date, in the event the Commission or a court subsequently authorizes SWBT to correct its rates pursuant to pending motions, or petitions for reconsideration or waiver (and including, but not limited to, any Application for Review of the letter from Lawrence E. Strickling, Chief, Common Carrier Bureau, FCC, to Dale Robertson, SBC, dated May 18, 1999 which may be filed with the Commission), or in the event of any other adjustment pursuant to an order of the Commission or

(This page filed under Transmittal No. 2831)

Issued: June 16, 2000

Effective: July 1, 2000

Four AT&T Plaza, Dallas, Texas 75202

ACCESS SERVICE

20. MegaLink Custom Services (Cont'd)20.14 Billing Periods - Service Established Between May 30, 2000 and June 30, 2000 (Cont'd) (N)20.14.1 Rates and Charges (Cont'd)(G) Optional Features, BSEs and Functions (Cont'd)(9) SFM Installation Charge (Cont'd)

Per existing MegaLink Custom Service(s) moving to another MegaLink Custom Service or ReliaNet DS3/EC-1, on a first and additional basis.

(j) SFM OK Zone 1

	<u>USOC</u>	<u>Installation Charge</u>
First	NRBR3	\$135.00
Additional	NRBR3	\$104.00

(k) SFM OK Zone 2

	<u>USOC</u>	<u>Installation Charge</u>
First	NRBR3	\$135.00
Additional	NRBR3	\$104.00

(l) SFM OK Zone 3

	<u>USOC</u>	<u>Installation Charge</u>
First	NRBR3	\$135.00
Additional	NRBR3	\$104.00

Rates contained in this transmittal are subject to subsequent adjustment, effective retrospectively back to the transmittal's original effective date, in the event the Commission or a court subsequently authorizes SWBT to correct its rates pursuant to pending motions, or petitions for reconsideration or waiver (and including, but not limited to, any Application for Review of the letter from Lawrence E. Strickling, Chief, Common Carrier Bureau, FCC, to Dale Robertson, SBC, dated May 18, 1999 which may be filed with the Commission), or in the event of any other adjustment pursuant to an order of the Commission or a court.

(This page filed under Transmittal No. 2831)

Issued: June 16, 2000

Effective: July 1, 2000

Four AT&T Plaza, Dallas, Texas 75202

ACCESS SERVICE

20. MegaLink Custom Services (Cont'd)20.14 Billing Periods - Service Established Between May 30, 2000 and June 30, 2000 (Cont'd)20.14.1 Rates and Charges (Cont'd)(G) Optional Features, BSEs and Functions (Cont'd)(9) SFM Installation Charge (Cont'd)

Per existing MegaLink Custom Service(s) moving to another MegaLink Custom Service or ReliaNet DS3/EC-1, on a first and additional basis.

(m) SFM TX Zone 1

	<u>USOC</u>	<u>Installation Charge</u>
First	NRBR3	\$135.00
Additional	NRBR3	\$104.00

(n) SFM TX Zone 2

	<u>USOC</u>	<u>Installation Charge</u>
First	NRBR3	\$135.00
Additional	NRBR3	\$104.00

(o) SFM TX Zone 3

	<u>USOC</u>	<u>Installation Charge</u>
First	NRBR3	\$135.00
Additional	NRBR3	\$104.00

(10) C-Bit Parity Framing Format Option per existing DS3

	<u>USOC</u>	<u>Installation Charge</u>
First	NRBPP	\$ 26.00
Additional	NRBPP	\$ 10.00

Rates contained in this transmittal are subject to subsequent adjustment, effective retrospectively back to the transmittal's original effective date, in the event the Commission or a court subsequently authorizes SWBT to correct its rates pursuant to pending motions, or petitions for reconsideration or waiver (and including, but not limited to, any Application for Review of the letter from Lawrence E. Strickling, Chief, Common Carrier Bureau, FCC, to Dale Robertson, SBC, dated May 18, 1999 which may be filed with the Commission), or in the event of any other adjustment pursuant to an order of the Commission or a court.

(This page filed under Transmittal No. 2831)

Issued: June 16, 2000

Effective: July 1, 2000

Four AT&T Plaza, Dallas, Texas 75202

ACCESS SERVICE

20. MegaLink Custom Services (Cont'd)20.14 Billing Periods - Service Established Between May 30, 2000 and June 30, 2000 (Cont'd) (N)20.14.1 Rates and Charges (Cont'd)(H) Administrative Charges(1) Service Rearrangement Nonrecurring Charges

Per DS3 or DS3 equivalent on the same Access Order for one or any combination of changes as set forth in Section 20.4.2(E).

(a) Service Rearrangement - AR Zone 1

	<u>USOC</u>	<u>Nonrecurring Charge</u>
First	NRBAC	\$ 9.00
Additional	NRBAC	\$ 5.00

(b) Service Rearrangement - AR Zone 2

	<u>USOC</u>	<u>Nonrecurring Charge</u>
First	NRBAC	\$ 9.00
Additional	NRBAC	\$ 5.00

(c) Service Rearrangement - AR Zone 3

	<u>USOC</u>	<u>Nonrecurring Charge</u>
First	NRBAC	\$ 9.00
Additional	NRBAC	\$ 5.00

(d) Service Rearrangement - KS Zone 1

	<u>USOC</u>	<u>Nonrecurring Charge</u>
First	NRBAC	\$ 9.00
Additional	NRBAC	\$ 5.00

(e) Service Rearrangement - KS Zone 2

	<u>USOC</u>	<u>Nonrecurring Charge</u>
First	NRBAC	\$ 9.00
Additional	NRBAC	\$ 5.00

(f) Service Rearrangement - KS Zone 3

	<u>USOC</u>	<u>Nonrecurring Charge</u>
First	NRBAC	\$ 9.00
Additional	NRBAC	\$ 5.00

Rates contained in this transmittal are subject to subsequent adjustment, effective retrospectively back to the transmittal's original effective date, in the event the Commission or a court subsequently authorizes SWBT to correct its rates pursuant to pending motions, or petitions for reconsideration or waiver (and including, but not limited to, any Application for Review of the letter from Lawrence E. Strickling, Chief, Common Carrier Bureau, FCC, to Dale Robertson, SBC, dated May 18, 1999 which may be filed with the Commission), or in the event of any other adjustment pursuant to an order of the Commission or a court.

(This page filed under Transmittal No. 2831)

Issued: June 16, 2000

Effective: July 1, 2000

Four AT&T Plaza, Dallas, Texas 75202

ACCESS SERVICE

20. MegaLink Custom Services (Cont'd)

(N)

20.14 Billing Periods - Service Established Between May 30, 2000 and June 30, 2000 (Cont'd)20.14.1 Rates and Charges (Cont'd)(H) Administrative Charges (Cont'd)(1) Service Rearrangement Nonrecurring Charges (Cont'd)(g) Service Rearrangement - MO Zone 1

	<u>USOC</u>	<u>Nonrecurring Charge</u>
First	NRBAC	\$ 9.00
Additional	NRBAC	\$ 5.00

(h) Service Rearrangement - MO Zone 2

	<u>USOC</u>	<u>Nonrecurring Charge</u>
First	NRBAC	\$ 9.00
Additional	NRBAC	\$ 5.00

(i) Service Rearrangement - MO Zone 3

	<u>USOC</u>	<u>Nonrecurring Charge</u>
First	NRBAC	\$ 9.00
Additional	NRBAC	\$ 5.00

(j) Service Rearrangement - OK Zone 1

	<u>USOC</u>	<u>Nonrecurring Charge</u>
First	NRBAC	\$ 9.00
Additional	NRBAC	\$ 5.00

(k) Service Rearrangement - OK Zone 2

	<u>USOC</u>	<u>Nonrecurring Charge</u>
First	NRBAC	\$ 9.00
Additional	NRBAC	\$ 5.00

(l) Service Rearrangement - OK Zone 3

	<u>USOC</u>	<u>Nonrecurring Charge</u>
First	NRBAC	\$ 9.00
Additional	NRBAC	\$ 5.00

Rates contained in this transmittal are subject to subsequent adjustment, effective retrospectively back to the transmittal's original effective date, in the event the Commission or a court subsequently authorizes SWBT to correct its rates pursuant to pending motions, or petitions for reconsideration or waiver (and including, but not limited to, any Application for Review of the letter from Lawrence E. Strickling, Chief, Common Carrier Bureau, FCC, to Dale Robertson, SBC, dated May 18, 1999 which may be filed with the Commission), or in the event of any other adjustment pursuant to an order of the Commission or a court.

(This page filed under Transmittal No. 2831)

Issued: June 16, 2000

Effective: July 1, 2000

Four AT&T Plaza, Dallas, Texas 75202

ACCESS SERVICE

20. MegaLink Custom Services (Cont'd)

20.14 Billing Periods - Service Established Between May 30, 1999 and June 30, 2000 (Cont'd) (N)

20.14.1 Rates and Charges (Cont'd)

(H) Administrative Charges (Cont'd)

(1) Service Rearrangement Nonrecurring Charges (Cont'd)

(m) Service Rearrangement - TX Zone 1

	<u>USOC</u>	<u>Nonrecurring Charge</u>
First	NRBAC	\$ 9.00
Additional	NRBAC	\$ 5.00

(n) Service Rearrangement - TX Zone 2

	<u>USOC</u>	<u>Nonrecurring Charge</u>
First	NRBAC	\$ 9.00
Additional	NRBAC	\$ 5.00

(o) Service Rearrangement - TX Zone 3

	<u>USOC</u>	<u>Nonrecurring Charge</u>
First	NRBAC	\$ 9.00
Additional	NRBAC	\$ 5.00

(I) Collocation Transport

	<u>USOC</u>	<u>Monthly Rate</u>	<u>Nonrecurring Charges</u>		
		<u>Fixed</u>	<u>Per Mile</u>	<u>1st Ckt.</u>	<u>Addl Ckt.</u>
44.736 Mbps (1H48S)					
(1) 3 Year		\$600.00	\$ 75.00	\$303.00	\$248.00
(2) 5 Year		\$500.00	\$ 50.00	\$ 0.00	\$ 0.00

Rates contained in this transmittal are subject to subsequent adjustment, effective retrospectively back to the transmittal's original effective date, in the event the Commission or a court subsequently authorizes SWBT to correct its rates pursuant to pending motions, or petitions for reconsideration or waiver (and including, but not limited to, any Application for Review of the letter from Lawrence E. Strickling, Chief, Common Carrier Bureau, FCC, to Dale Robertson, SBC, dated May 18, 1999 which may be filed with the Commission), or in the event of any other adjustment pursuant to an order of the Commission or a court.

(This page filed under Transmittal No. 2831)

Issued: June 16, 2000

Effective: July 1, 2000

Four AT&T Plaza, Dallas, Texas 75202

ACCESS SERVICE

20. MegaLink Custom Services (Cont'd)

(N)

20.15 Billing Periods - Service Established between July 1, 2000 and August 10, 200020.15.1 Rates and Charges

Rates and charges for Arkansas, Kansas, Missouri, Oklahoma and Texas will be applied based on Pricing Zones as contained below.

(A) Channel Termination - Electrical - per Volume Option, per customer premises(1) Electrical Channel Termination - AR - Zone 1

<u>Volume Option*</u>	<u>USOC</u>	<u>3 year</u>	<u>5 year</u>	<u>10 year</u>
1	TUZPX	\$ 1,250.00	\$ 1,025.00	\$ 1,350.00
3	TUZPX	\$ 3,560.00	\$ 2,920.00	\$ 3,915.00
6	TUZPX	\$ 6,750.00	\$ 5,540.00	\$ 7,007.00
12	TUZPX	\$11,250.00	\$ 9,230.00	\$12,364.00

(2) Electrical Channel Termination - AR - Zone 2

<u>Volume Option*</u>	<u>USOC</u>	<u>3 year</u>	<u>5 year</u>	<u>10 year</u>
1	TUZPX	\$ 1,300.00	\$ 1,075.00	\$ 1,350.00
3	TUZPX	\$ 3,710.00	\$ 3,060.00	\$ 3,915.00
6	TUZPX	\$ 7,020.00	\$ 5,810.00	\$ 7,007.00
12	TUZPX	\$11,700.00	\$ 9,680.00	\$12,364.00

(3) Electrical Channel Termination - AR - Zone 3

<u>Volume Option*</u>	<u>USOC</u>	<u>3 year</u>	<u>5 year</u>	<u>10 year</u>
1	TUZPX	\$ 1,350.00	\$ 1,125.00	\$ 1,350.00
3	TUZPX	\$ 3,850.00	\$ 3,210.00	\$ 3,915.00
6	TUZPX	\$ 7,290.00	\$ 6,080.00	\$ 7,007.00
12	TUZPX	\$12,150.00	\$10,130.00	\$12,364.00

* Volume Option specifies the number of DS3s or DS3 equivalents.

Rates contained in this transmittal are subject to subsequent adjustment, effective retrospectively back to the transmittal's original effective date, in the event the Commission or a court subsequently authorizes SWBT to correct its rates pursuant to pending motions, or petitions for reconsideration or waiver (and including, but not limited to, any application for Review of the letter from Lawrence E. Strickling, Chief, Common Carrier bureau, FCC, to Dale Robertson, SBC, dated May 18, 1999 which may be filed with the Commission), or in the event of any other adjustment pursuant to an order of the Commission or a court.

(This page filed under Transmittal No. 2837)

Issued: July 27, 2000

Effective: August 11, 2000

Four AT&T Plaza, Dallas, Texas 75202

ACCESS SERVICE

20. MegaLink Custom Services (Cont'd)20.15 Billing Periods - Service Established between July 1, 2000 and August 10, 2000 (Cont'd)20.15.1 Rates and Charges (Cont'd)(A) Channel Termination - Electrical - per Volume Option, per customer premises (Cont'd)(4) Electrical Channel Termination - KS - Zone 1

<u>Volume Option*</u>	<u>USOC</u>	<u>3 year</u>	<u>5 year</u>	<u>10 year</u>
1	TUZPX	\$ 1,250.00	\$ 1,025.00	\$ 1,350.00
3	TUZPX	\$ 3,560.00	\$ 2,920.00	\$ 3,915.00
6	TUZPX	\$ 6,750.00	\$ 5,540.00	\$ 7,007.00
12	TUZPX	\$11,250.00	\$ 9,230.00	\$12,364.00

(5) Electrical Channel Termination - KS - Zone 2

<u>Volume Option*</u>	<u>USOC</u>	<u>3 year</u>	<u>5 year</u>	<u>10 year</u>
1	TUZPX	\$ 1,300.00	\$ 1,075.00	\$ 1,350.00
3	TUZPX	\$ 3,710.00	\$ 3,060.00	\$ 3,915.00
6	TUZPX	\$ 7,020.00	\$ 5,810.00	\$ 7,007.00
12	TUZPX	\$11,700.00	\$ 9,680.00	\$12,364.00

(6) Electrical Channel Termination - KS - Zone 3

<u>Volume Option*</u>	<u>USOC</u>	<u>3 year</u>	<u>5 year</u>	<u>10 year</u>
1	TUZPX	\$ 1,350.00	\$ 1,125.00	\$ 1,350.00
3	TUZPX	\$ 3,850.00	\$ 3,210.00	\$ 3,915.00
6	TUZPX	\$ 7,290.00	\$ 6,080.00	\$ 7,007.00
12	TUZPX	\$12,150.00	\$10,130.00	\$12,364.00

* Volume Option specifies the number of DS3s or DS3 equivalents. Rates contained in this transmittal are subject to subsequent adjustment, effective retrospectively back to the transmittal's original effective date, in the event the Commission or a court subsequently authorizes SWBT to correct its rates pursuant to pending motions, or petitions for reconsideration or waiver (and including, but not limited to, any application for Review of the letter from Lawrence E. Strickling, Chief, Common Carrier bureau, FCC, to Dale Robertson, SBC, dated May 18, 1999 which may be filed with the Commission), or in the event of any other adjustment pursuant to an order of the Commission or a court.

(This page filed under Transmittal No. 2837)

Issued: July 27, 2000

Effective: August 11, 2000

Four AT&T Plaza, Dallas, Texas 75202

(N)

(N)

ACCESS SERVICE

20. MegaLink Custom Services (Cont'd)

(N)

20.15 Billing Periods - Service Established between July 1, 2000 and August 10, 2000 (Cont'd)20.15.1 Rates and Charges (Cont'd)(A) Channel Termination - Electrical - per Volume Option, per customer premises (Cont'd)(7) Electrical Channel Termination - MO - Zone 1

Volume Option*	USOC	3 year	5 year	10 year
1	TUZPX	\$ 1,250.00	\$ 1,025.00	\$ 1,350.00
3	TUZPX	\$ 3,560.00	\$ 2,920.00	\$ 3,915.00
6	TUZPX	\$ 6,750.00	\$ 5,540.00	\$ 7,007.00
12	TUZPX	\$11,250.00	\$ 9,230.00	\$12,364.00

(8) Electrical Channel Termination - MO - Zone 2

Volume Option*	USOC	3 year	5 year	10 year
1	TUZPX	\$ 1,300.00	\$ 1,075.00	\$ 1,350.00
3	TUZPX	\$ 3,710.00	\$ 3,060.00	\$ 3,915.00
6	TUZPX	\$ 7,020.00	\$ 5,810.00	\$ 7,007.00
12	TUZPX	\$11,700.00	\$ 9,680.00	\$12,364.00

(9) Electrical Channel Termination - MO - Zone 3

Volume Option*	USOC	3 year	5 year	10 year
1	TUZPX	\$ 1,350.00	\$ 1,125.00	\$ 1,350.00
3	TUZPX	\$ 3,850.00	\$ 3,210.00	\$ 3,915.00
6	TUZPX	\$ 7,290.00	\$ 6,080.00	\$ 7,007.00
12	TUZPX	\$12,150.00	\$10,130.00	\$12,364.00

* Volume Option specifies the number of DS3s or DS3 equivalents.

(N)

Rates contained in this transmittal are subject to subsequent adjustment, effective retrospectively back to the transmittal's original effective date, in the event the Commission or a court subsequently authorizes SWBT to correct its rates pursuant to pending motions, or petitions for reconsideration or waiver (and including, but not limited to, any application for Review of the letter from Lawrence E. Strickling, Chief, Common Carrier bureau, FCC, to Dale Robertson, SBC, dated May 18, 1999 which may be filed with the Commission), or in the event of any other adjustment pursuant to an order of the Commission or a court.

(This page filed under Transmittal No. 2837)

Issued: July 27, 2000

Effective: August 11, 2000

Four AT&T Plaza, Dallas, Texas 75202

ACCESS SERVICE

20. MegaLink Custom Services (Cont'd)

(N)

20.15 Billing Periods - Service Established between July 1, 2000 and August 10, 2000 (Cont'd)20.15.1 Rates and Charges (Cont'd)(A) Channel Termination - Electrical - per Volume Option, per customer premises (Cont'd)(10) Electrical Channel Termination - OK - Zone 1

<u>Volume Option*</u>	<u>USOC</u>	<u>3 year</u>	<u>5 year</u>	<u>10 year</u>
1	TUZPX	\$ 1,250.00	\$ 1,025.00	\$ 1,350.00
3	TUZPX	\$ 3,560.00	\$ 2,920.00	\$ 3,915.00
6	TUZPX	\$ 6,750.00	\$ 5,540.00	\$ 7,007.00
12	TUZPX	\$11,250.00	\$ 9,230.00	\$12,364.00

(11) Electrical Channel Termination - OK - Zone 2

<u>Volume Option*</u>	<u>USOC</u>	<u>3 year</u>	<u>5 year</u>	<u>10 year</u>
1	TUZPX	\$ 1,300.00	\$ 1,075.00	\$ 1,350.00
3	TUZPX	\$ 3,710.00	\$ 3,060.00	\$ 3,915.00
6	TUZPX	\$ 7,020.00	\$ 5,810.00	\$ 7,007.00
12	TUZPX	\$11,700.00	\$ 9,680.00	\$12,364.00

(12) Electrical Channel Termination - OK - Zone 3

<u>Volume Option*</u>	<u>USOC</u>	<u>3 year</u>	<u>5 year</u>	<u>10 year</u>
1	TUZPX	\$ 1,350.00	\$ 1,125.00	\$ 1,350.00
3	TUZPX	\$ 3,850.00	\$ 3,210.00	\$ 3,915.00
6	TUZPX	\$ 7,290.00	\$ 6,080.00	\$ 7,007.00
12	TUZPX	\$12,150.00	\$10,130.00	\$12,364.00

* Volume Option specifies the number of DS3s or DS3 equivalents.

(N)

Rates contained in this transmittal are subject to subsequent adjustment, effective retrospectively back to the transmittal's original effective date, in the event the Commission or a court subsequently authorizes SWBT to correct its rates pursuant to pending motions, or petitions for reconsideration or waiver (and including, but not limited to, any application for Review of the letter from Lawrence E. Strickling, Chief, Common Carrier bureau, FCC, to Dale Robertson, SBC, dated May 18, 1999 which may be filed with the Commission), or in the event of any other adjustment pursuant to an order of the Commission or a court.

(This page filed under Transmittal No. 2837)

Issued: July 27, 2000

Effective: August 11, 2000

Four AT&T Plaza, Dallas, Texas 75202

ACCESS SERVICE

20. MegaLink Custom Services (Cont'd)

(N)

20.15 Billing Periods - Service Established between July 1, 2000 and August 10, 2000 (Cont'd)20.15.1 Rates and Charges (Cont'd)(A) Channel Termination - Electrical - per Volume Option, per customer premises (Cont'd)(13) Electrical Channel Termination - TX - Zone 1

<u>Volume Option*</u>	<u>USOC</u>	<u>3 year</u>	<u>5 year</u>	<u>10 year</u>
1	TUZPX	\$ 1,250.00	\$ 1,025.00	\$ 1,350.00
3	TUZPX	\$ 3,560.00	\$ 2,920.00	\$ 3,915.00
6	TUZPX	\$ 6,750.00	\$ 5,540.00	\$ 7,007.00
12	TUZPX	\$11,250.00	\$ 9,230.00	\$12,364.00

(14) Electrical Channel Termination - TX - Zone 2

<u>Volume Option*</u>	<u>USOC</u>	<u>3 year</u>	<u>5 year</u>	<u>10 year</u>
1	TUZPX	\$ 1,300.00	\$ 1,075.00	\$ 1,350.00
3	TUZPX	\$ 3,710.00	\$ 3,060.00	\$ 3,915.00
6	TUZPX	\$ 7,020.00	\$ 5,810.00	\$ 7,007.00
12	TUZPX	\$11,700.00	\$ 9,680.00	\$12,364.00

(15) Electrical Channel Termination - TX - Zone 3

<u>Volume Option*</u>	<u>USOC</u>	<u>3 year</u>	<u>5 year</u>	<u>10 year</u>
1	TUZPX	\$ 1,350.00	\$ 1,125.00	\$ 1,350.00
3	TUZPX	\$ 3,850.00	\$ 3,210.00	\$ 3,915.00
6	TUZPX	\$ 7,290.00	\$ 6,080.00	\$ 7,007.00
12	TUZPX	\$12,150.00	\$10,130.00	\$12,364.00

* Volume Option specifies the number of DS3s or DS3 equivalents.

(N)

Rates contained in this transmittal are subject to subsequent adjustment, effective retrospectively back to the transmittal's original effective date, in the event the Commission or a court subsequently authorizes SWBT to correct its rates pursuant to pending motions, or petitions for reconsideration or waiver (and including, but not limited to, any application for Review of the letter from Lawrence E. Strickling, Chief, Common Carrier bureau, FCC, to Dale Robertson, SBC, dated May 18, 1999 which may be filed with the Commission), or in the event of any other adjustment pursuant to an order of the Commission or a court.

(This page filed under Transmittal No. 2837)

Issued: July 27, 2000

Effective: August 11, 2000

Four AT&T Plaza, Dallas, Texas 75202

ACCESS SERVICE

20. MegaLink Custom Services (Cont'd)

(N)

20.15 Billing Periods - Service Established between July 1, 2000 and August 10, 2000 (Cont'd)20.15.1 Rates and Charges (Cont'd)(B) Channel Termination - Optical - per Volume Option, per customer premises(1) Optical Channel Termination - AR - Zone 1

Volume Option*	USOC	3 year	5 year	10 year
1	TKZPX	\$ 1,645.00	\$ 1,492.00	\$ 1,430.00
3	TKZPX	\$ 4,361.00	\$ 3,953.00	\$ 3,524.00
6	TKZPX	\$ 7,804.00	\$ 7,075.00	\$ 6,305.00
12	TKZPX	\$13,771.00	\$12,406.00	\$11,128.00

(2) Optical Channel Termination - AR - Zone 2

Volume Option*	USOC	3 year	5 year	10 year
1	TKZPX	\$ 1,645.00	\$ 1,492.00	\$ 1,430.00
3	TKZPX	\$ 4,361.00	\$ 3,953.00	\$ 3,524.00
6	TKZPX	\$ 7,804.00	\$ 7,075.00	\$ 6,305.00
12	TKZPX	\$13,771.00	\$12,486.00	\$11,128.00

(3) Optical Channel Termination - AR - Zone 3

Volume Option*	USOC	3 year	5 year	10 year
1	TKZPX	\$ 1,645.00	\$ 1,492.00	\$ 1,430.00
3	TKZPX	\$ 4,361.00	\$ 3,953.00	\$ 3,524.00
6	TKZPX	\$ 7,804.00	\$ 7,075.00	\$ 6,305.00
12	TKZPX	\$13,771.00	\$12,486.00	\$11,128.00

* Volume Option specifies the number of DS3s or DS3 equivalents.

(N)

Rates contained in this transmittal are subject to subsequent adjustment, effective retrospectively back to the transmittal's original effective date, in the event the Commission or a court subsequently authorizes SWBT to correct its rates pursuant to pending motions, or petitions for reconsideration or waiver (and including, but not limited to, any application for Review of the letter from Lawrence E. Strickling, Chief, Common Carrier bureau, FCC, to Dale Robertson, SBC, dated May 18, 1999 which may be filed with the Commission), or in the event of any other adjustment pursuant to an order of the Commission or a court.

(This page filed under Transmittal No. 2837)

Issued: July 27, 2000

Effective: August 11, 2000

Four AT&T Plaza, Dallas, Texas 75202

ACCESS SERVICE

20. MegaLink Custom Services (Cont'd)

(N)

20.15 Billing Periods - Service Established between July 1, 2000 and August 10, 2000 (Cont'd)20.15.1 Rates and Charges (Cont'd)(B) Channel Termination - Optical - per Volume Option, per customer premises (Cont'd)(4) Optical Channel Termination - KS - Zone 1

<u>Volume Option*</u>	<u>USOC</u>	<u>3 year</u>	<u>5 year</u>	<u>10 year</u>
1	TKZPX	\$ 1,645.00	\$ 1,492.00	\$ 1,430.00
3	TKZPX	\$ 4,361.00	\$ 3,953.00	\$ 3,524.00
6	TKZPX	\$ 7,804.00	\$ 7,075.00	\$ 6,305.00
12	TKZPX	\$13,771.00	\$12,406.00	\$11,128.00

(5) Optical Channel Termination - KS - Zone 2

<u>Volume Option*</u>	<u>USOC</u>	<u>3 year</u>	<u>5 year</u>	<u>10 year</u>
1	TKZPX	\$ 1,645.00	\$ 1,492.00	\$ 1,430.00
3	TKZPX	\$ 4,361.00	\$ 3,953.00	\$ 3,524.00
6	TKZPX	\$ 7,804.00	\$ 7,075.00	\$ 6,305.00
12	TKZPX	\$13,771.00	\$12,486.00	\$11,128.00

(6) Optical Channel Termination - KS - Zone 3

<u>Volume Option*</u>	<u>USOC</u>	<u>3 year</u>	<u>5 year</u>	<u>10 year</u>
1	TKZPX	\$ 1,645.00	\$ 1,492.00	\$ 1,430.00
3	TKZPX	\$ 4,361.00	\$ 3,953.00	\$ 3,524.00
6	TKZPX	\$ 7,804.00	\$ 7,075.00	\$ 6,305.00
12	TKZPX	\$13,771.00	\$12,486.00	\$11,128.00

* Volume Option specifies the number of DS3s or DS3 equivalents.

(N)

Rates contained in this transmittal are subject to subsequent adjustment, effective retrospectively back to the transmittal's original effective date, in the event the Commission or a court subsequently authorizes SWBT to correct its rates pursuant to pending motions, or petitions for reconsideration or waiver (and including, but not limited to, any application for Review of the letter from Lawrence E. Strickling, Chief, Common Carrier bureau, FCC, to Dale Robertson, SBC, dated May 18, 1999 which may be filed with the Commission), or in the event of any other adjustment pursuant to an order of the Commission or a court.

(This page filed under Transmittal No. 2837)

Issued: July 27, 2000

Effective: August 11, 2000

Four AT&T Plaza, Dallas, Texas 75202

ACCESS SERVICE

20. MegaLink Custom Services (Cont'd)

(N)

20.15 Billing Periods - Service Established between July 1, 2000 and August 10, 2000 (Cont'd)20.15.1 Rates and Charges (Cont'd)(B) Channel Termination - Optical - per Volume Option, per customer premises (Cont'd)(7) Optical Channel Termination - MO - Zone 1

<u>Volume Option*</u>	<u>USOC</u>	<u>3 year</u>	<u>5 year</u>	<u>10 year</u>
1	TKZPX	\$ 1,645.00	\$ 1,492.00	\$ 1,430.00
3	TKZPX	\$ 4,361.00	\$ 3,953.00	\$ 3,524.00
6	TKZPX	\$ 7,804.00	\$ 7,075.00	\$ 6,305.00
12	TKZPX	\$13,771.00	\$12,406.00	\$11,128.00

(8) Optical Channel Termination - MO - Zone 2

<u>Volume Option*</u>	<u>USOC</u>	<u>3 year</u>	<u>5 year</u>	<u>10 year</u>
1	TKZPX	\$ 1,645.00	\$ 1,492.00	\$ 1,430.00
3	TKZPX	\$ 4,361.00	\$ 3,953.00	\$ 3,524.00
6	TKZPX	\$ 7,804.00	\$ 7,075.00	\$ 6,305.00
12	TKZPX	\$13,771.00	\$12,486.00	\$11,128.00

(9) Optical Channel Termination - MO - Zone 3

<u>Volume Option*</u>	<u>USOC</u>	<u>3 year</u>	<u>5 year</u>	<u>10 year</u>
1	TKZPX	\$ 1,645.00	\$ 1,492.00	\$ 1,430.00
3	TKZPX	\$ 4,361.00	\$ 3,953.00	\$ 3,524.00
6	TKZPX	\$ 7,804.00	\$ 7,075.00	\$ 6,305.00
12	TKZPX	\$13,771.00	\$12,486.00	\$11,128.00

* Volume Option specifies the number of DS3s or DS3 equivalents.

(N)

Rates contained in this transmittal are subject to subsequent adjustment, effective retrospectively back to the transmittal's original effective date, in the event the Commission or a court subsequently authorizes SWBT to correct its rates pursuant to pending motions, or petitions for reconsideration or waiver (and including, but not limited to, any application for Review of the letter from Lawrence E. Strickling, Chief, Common Carrier bureau, FCC, to Dale Robertson, SBC, dated May 18, 1999 which may be filed with the Commission), or in the event of any other adjustment pursuant to an order of the Commission or a court.

(This page filed under Transmittal No. 2837)

Issued: July 27, 2000

Effective: August 11, 2000

Four AT&T Plaza, Dallas, Texas 75202

ACCESS SERVICE

20. MegaLink Custom Services (Cont'd)

(N)

20.15 Billing Periods - Service Established between July 1, 2000 and August 10, 2000 (Cont'd)20.15.1 Rates and Charges (Cont'd)(B) Channel Termination - Optical - per Volume Option, per customer premises (Cont'd)(10) Optical Channel Termination - OK - Zone 1

<u>Volume Option*</u>	<u>USOC</u>	<u>3 year</u>	<u>5 year</u>	<u>10 year</u>
1	TKZPX	\$ 1,645.00	\$ 1,492.00	\$ 1,430.00
3	TKZPX	\$ 4,361.00	\$ 3,953.00	\$ 3,524.00
6	TKZPX	\$ 7,804.00	\$ 7,075.00	\$ 6,305.00
12	TKZPX	\$13,771.00	\$12,406.00	\$11,128.00

(11) Optical Channel Termination - OK - Zone 2

<u>Volume Option*</u>	<u>USOC</u>	<u>3 year</u>	<u>5 year</u>	<u>10 year</u>
1	TKZPX	\$ 1,645.00	\$ 1,492.00	\$ 1,430.00
3	TKZPX	\$ 4,361.00	\$ 3,953.00	\$ 3,524.00
6	TKZPX	\$ 7,804.00	\$ 7,075.00	\$ 6,305.00
12	TKZPX	\$13,771.00	\$12,486.00	\$11,128.00

(12) Optical Channel Termination - OK - Zone 3

<u>Volume Option*</u>	<u>USOC</u>	<u>3 year</u>	<u>5 year</u>	<u>10 year</u>
1	TKZPX	\$ 1,645.00	\$ 1,492.00	\$ 1,430.00
3	TKZPX	\$ 4,361.00	\$ 3,953.00	\$ 3,524.00
6	TKZPX	\$ 7,804.00	\$ 7,075.00	\$ 6,305.00
12	TKZPX	\$13,771.00	\$12,486.00	\$11,128.00

* Volume Option specifies the number of DS3s or DS3 equivalents.

(N)

Rates contained in this transmittal are subject to subsequent adjustment, effective retrospectively back to the transmittal's original effective date, in the event the Commission or a court subsequently authorizes SWBT to correct its rates pursuant to pending motions, or petitions for reconsideration or waiver (and including, but not limited to, any application for Review of the letter from Lawrence E. Strickling, Chief, Common Carrier bureau, FCC, to Dale Robertson, SBC, dated May 18, 1999 which may be filed with the Commission), or in the event of any other adjustment pursuant to an order of the Commission or a court.

(This page filed under Transmittal No. 2837)

Issued: July 27, 2000

Effective: August 11, 2000

Four AT&T Plaza, Dallas, Texas 75202

ACCESS SERVICE

20. MegaLink Custom Services (Cont'd)

(N)

20.15 Billing Periods - Service Established between July 1, 2000 and August 10, 2000 (Cont'd)20.15.1 Rates and Charges (Cont'd)(B) Channel Termination - Optical - per Volume Option, per customer premises (Cont'd)(13) Optical Channel Termination - TX - Zone 1

<u>Volume Option*</u>	<u>USOC</u>	<u>3 year</u>	<u>5 year</u>	<u>10 year</u>
1	TKZPX	\$ 1,645.00	\$ 1,492.00	\$ 1,430.00
3	TKZPX	\$ 4,361.00	\$ 3,953.00	\$ 3,524.00
6	TKZPX	\$ 7,804.00	\$ 7,075.00	\$ 6,305.00
12	TKZPX	\$13,771.00	\$12,406.00	\$11,128.00

(14) Optical Channel Termination - TX - Zone 2

<u>Volume Option*</u>	<u>USOC</u>	<u>3 year</u>	<u>5 year</u>	<u>10 year</u>
1	TKZPX	\$ 1,645.00	\$ 1,492.00	\$ 1,430.00
3	TKZPX	\$ 4,361.00	\$ 3,953.00	\$ 3,524.00
6	TKZPX	\$ 7,804.00	\$ 7,075.00	\$ 6,305.00
12	TKZPX	\$13,771.00	\$12,486.00	\$11,128.00

(15) Optical Channel Termination - TX - Zone 3

<u>Volume Option*</u>	<u>USOC</u>	<u>3 year</u>	<u>5 year</u>	<u>10 year</u>
1	TKZPX	\$ 1,645.00	\$ 1,492.00	\$ 1,430.00
3	TKZPX	\$ 4,361.00	\$ 3,953.00	\$ 3,524.00
6	TKZPX	\$ 7,804.00	\$ 7,075.00	\$ 6,305.00
12	TKZPX	\$13,771.00	\$12,486.00	\$11,128.00

* Volume Option specifies the number of DS3s or DS3 equivalents.

(N)

Rates contained in this transmittal are subject to subsequent adjustment, effective retrospectively back to the transmittal's original effective date, in the event the Commission or a court subsequently authorizes SWBT to correct its rates pursuant to pending motions, or petitions for reconsideration or waiver (and including, but not limited to, any application for Review of the letter from Lawrence E. Strickling, Chief, Common Carrier bureau, FCC, to Dale Robertson, SBC, dated May 18, 1999 which may be filed with the Commission), or in the event of any other adjustment

(This page filed under Transmittal No. 2837)

Issued: July 27, 2000

Effective: August 11, 2000

Four AT&T Plaza, Dallas, Texas 75202

ACCESS SERVICE

20. MegaLink Custom Services (Cont'd) (N)20.15 Billing Periods - Service Established between July 1, 2000 and August 10, 2000 (Cont'd)20.15.1 Rates and Charges (Cont'd)(C) Interoffice Mileage - Fixed - Monthly Recurring Rates and Service Extension(1) Interoffice Fixed - per DS3 or DS3 equivalent - AR - Zone 1

<u>USOC</u>	<u>3 year</u>	<u>5 year</u>	<u>10 year</u>
10XHX/10XLX	\$575.00	\$500.00	\$450.00

(2) Interoffice Fixed - per DS3 or DS3 equivalent - AR - Zone 2

<u>USOC</u>	<u>3 year</u>	<u>5 year</u>	<u>10 year</u>
10XHX/10XLX	\$600.00	\$520.00	\$450.00

(3) Interoffice Fixed - per DS3 or DS3 equivalent - AR - Zone 3

<u>USOC</u>	<u>3 year</u>	<u>5 year</u>	<u>10 year</u>
10XHX/10XLX	\$625.00	\$540.00	\$450.00

(4) Interoffice Fixed - per DS3 or DS3 equivalent - KS - Zone 1

<u>USOC</u>	<u>3 year</u>	<u>5 year</u>	<u>10 year</u>
10XHX/10XLX	\$575.00	\$500.00	\$450.00

(5) Interoffice Fixed - per DS3 or DS3 equivalent - KS - Zone 2

<u>USOC</u>	<u>3 year</u>	<u>5 year</u>	<u>10 year</u>
10XHX/10XLX	\$600.00	\$520.00	\$450.00

(6) Interoffice Fixed - per DS3 or DS3 equivalent - KS - Zone 3

<u>USOC</u>	<u>3 year</u>	<u>5 year</u>	<u>10 year</u>
10XHX/10XLX	\$625.00	\$540.00	\$450.00

(N)

Rates contained in this transmittal are subject to subsequent adjustment, effective retrospectively back to the transmittal's original effective date, in the event the Commission or a court subsequently authorizes SWBT to correct its rates pursuant to pending motions, or petitions for reconsideration or waiver (and including, but not limited to, any application for Review of the letter from Lawrence E. Strickling, Chief, Common Carrier bureau, FCC, to Dale Robertson, SBC, dated May 18, 1999 which may be filed with the Commission), or in the event of any other adjustment pursuant to an order of the Commission or a court.

(This page filed under Transmittal No. 2837)

Issued: July 27, 2000

Effective: August 11, 2000

Four AT&T Plaza, Dallas, Texas 75202

ACCESS SERVICE

20. MegaLink Custom Services (Cont'd)

(N)

20.15 Billing Periods - Service Established between July 1, 2000 and August 10, 2000 (Cont'd)20.15.1 Rates and Charges (Cont'd)(C) Interoffice Mileage - Fixed - Monthly Recurring Rates and Service Extension (Cont'd)(7) Interoffice Fixed - per DS3 or DS3 equivalent - MO - Zone 1

<u>USOC</u>	<u>3 year</u>	<u>5 year</u>	<u>10 year</u>
10XHX/10XLX	\$575.00	\$500.00	\$450.00

(8) Interoffice Fixed - per DS3 or DS3 equivalent - MO - Zone 2

<u>USOC</u>	<u>3 year</u>	<u>5 year</u>	<u>10 year</u>
10XHX/10XLX	\$600.00	\$520.00	\$450.00

(9) Interoffice Fixed - per DS3 or DS3 equivalent - MO - Zone 3

<u>USOC</u>	<u>3 year</u>	<u>5 year</u>	<u>10 year</u>
10XHX/10XLX	\$625.00	\$540.00	\$450.00

(10) Interoffice Fixed - per DS3 or DS3 equivalent - OK - Zone 1

<u>USOC</u>	<u>3 year</u>	<u>5 year</u>	<u>10 year</u>
10XHX/10XLX	\$575.00	\$500.00	\$450.00

(11) Interoffice Fixed - per DS3 or DS3 equivalent - OK - Zone 2

<u>USOC</u>	<u>3 year</u>	<u>5 year</u>	<u>10 year</u>
10XHX/10XLX	\$600.00	\$520.00	\$450.00

(12) Interoffice Fixed - per DS3 or DS3 equivalent - OK - Zone 3

<u>USOC</u>	<u>3 year</u>	<u>5 year</u>	<u>10 year</u>
10XHX/10XLX	\$625.00	\$540.00	\$450.00

Rates contained in this transmittal are subject to subsequent adjustment, effective retrospectively back to the transmittal's original effective date, in the event the Commission or a court subsequently authorizes SWBT to correct its rates pursuant to pending motions, or petitions for reconsideration or waiver (and including, but not limited to, any application for Review of the letter from Lawrence E. Strickling, Chief, Common Carrier bureau, FCC, to Dale Robertson, SBC, dated May 18, 1999 which may be filed with the Commission), or in the event of any other adjustment pursuant to an order of the Commission or a court.

(This page filed under Transmittal No. 2837)

Issued: July 27, 2000

Effective: August 11, 2000

Four AT&T Plaza, Dallas, Texas 75202

ACCESS SERVICE

20. MegaLink Custom Services (Cont'd) (N)20.15 Billing Periods - Service Established between July 1, 2000 and August 10, 2000 (Cont'd)20.15.1 Rates and Charges (Cont'd)(C) Interoffice Mileage - Fixed - Monthly Recurring Rates and Service Extension (Cont'd)(13) Interoffice Fixed - per DS3 or DS3 equivalent - TX - Zone 1

<u>USOC</u>	<u>3 year</u>	<u>5 year</u>	<u>10 year</u>
10XHX/10XLX	\$575.00	\$500.00	\$450.00

(14) Interoffice Fixed - per DS3 or DS3 equivalent - TX - Zone 2

<u>USOC</u>	<u>3 year</u>	<u>5 year</u>	<u>10 year</u>
10XHX/10XLX	\$600.00	\$520.00	\$450.00

(15) Interoffice Fixed - per DS3 or DS3 equivalent - TX - Zone 3

<u>USOC</u>	<u>3 year</u>	<u>5 year</u>	<u>10 year</u>
10XHX/10XLX	\$625.00	\$540.00	\$450.00

(N)

Rates contained in this transmittal are subject to subsequent adjustment, effective retrospectively back to the transmittal's original effective date, in the event the Commission or a court subsequently authorizes SWBT to correct its rates pursuant to the decision in United States Telephone Association v. FCC (Case No. 97-1469)(slip. op. May 21, 1999)(D.C. Cir.), or pursuant to pending motions, or petitions for reconsideration or waiver (and including, but not limited to, any Application for Review of the letter from Lawrence E. Strickling, Chief, Common Carrier Bureau, FCC, to Dale Robertson, SBC, dated May 18, 1999 which may be filed with the Commission), or in the event of any other adjustment pursuant to an order of the Commission or a court.

(This page filed under Transmittal No. 2837)

Issued: July 27, 2000

Effective: August 11, 2000

Four AT&T Plaza, Dallas, Texas 75202

ACCESS SERVICE

20. MegaLink Custom Services (Cont'd)

(N)

20.15 Billing Periods - Service Established between July 1, 2000 and August 10, 2000 (Cont'd)20.15.1 Rates and Charges (Cont'd)(D) Interoffice Mileage - Per Mile - Monthly Recurring Rates and Service Extension(1) Per Mile - per Volume Option, per Mile - AR - Zone 1

<u>Volume Option*</u>	<u>USOC</u>	<u>3 year</u>	<u>5 year</u>	<u>10 year</u>
1	1J5HS/1HXLS	\$ 70.00	\$ 45.00	\$ 45.00
3	1J5HS/1HXLS	\$ 210.00	\$ 135.00	\$ 91.08
6	1J5HS/1HXLS	\$ 420.00	\$ 270.00	\$ 130.64
12	1J5HS/1HXLS	\$ 840.00	\$ 540.00	\$ 182.16

(2) Per Mile - per Volume Option, per Mile - AR - Zone 2

<u>Volume Option*</u>	<u>USOC</u>	<u>3 year</u>	<u>5 year</u>	<u>10 year</u>
1	1J5HS/1HXLS	\$ 75.00	\$ 50.00	\$ 45.00
3	1J5HS/1HXLS	\$ 225.00	\$ 150.00	\$ 79.20
6	1J5HS/1HXLS	\$ 450.00	\$ 300.00	\$ 113.60
12	1J5HS/1HXLS	\$ 900.00	\$ 600.00	\$ 158.40

(3) Per Mile - per Volume Option, per Mile - AR - Zone 3

<u>Volume Option*</u>	<u>USOC</u>	<u>3 year</u>	<u>5 year</u>	<u>10 year</u>
1	1J5HS/1HXLS	\$ 80.00	\$ 55.00	\$ 45.00
3	1J5HS/1HXLS	\$ 240.00	\$ 165.00	\$ 74.25
6	1J5HS/1HXLS	\$ 480.00	\$ 330.00	\$ 106.50
12	1J5HS/1HXLS	\$ 960.00	\$ 660.00	\$ 148.50

* Volume Option specifies the number of DS3s or DS3 equivalents.

Rates contained in this transmittal are subject to subsequent adjustment, effective retrospectively back to the transmittal's original effective date, in the event the Commission or a court subsequently authorizes SWBT to correct its rates pursuant to pending motions, or petitions for reconsideration or waiver (and including, but not limited to, any application for Review of the letter from Lawrence E. Strickling, Chief, Common Carrier bureau, FCC, to Dale Robertson, SBC, dated May 18, 1999 which may be filed with the Commission), or in the event of any other adjustment pursuant to an order of the Commission or a court.

(This page filed under Transmittal No. 2837)

Issued: July 27, 2000

Effective: August 11, 2000

Four AT&T Plaza, Dallas, Texas 75202

ACCESS SERVICE

20. MegaLink Custom Services (Cont'd)

(N)

20.15 Billing Periods - Service Established between July 1, 2000 and August 10, 2000 (Cont'd)20.15.1 Rates and Charges (Cont'd)(D) Interoffice Mileage - Per Mile - Monthly Recurring Rates and Service Extension (Cont'd)(4) Per Mile - per Volume Option, per Mile - KS - Zone 1

<u>Volume Option*</u>	<u>USOC</u>	<u>3 year</u>	<u>5 year</u>	<u>10 year</u>
1	1J5HS/1HXLS	\$ 70.00	\$ 45.00	\$ 45.00
3	1J5HS/1HXLS	\$ 210.00	\$ 135.00	\$ 91.08
6	1J5HS/1HXLS	\$ 420.00	\$ 270.00	\$130.64
12	1J5HS/1HXLS	\$ 840.00	\$ 540.00	\$182.16

(5) Per Mile - per Volume Option, per Mile - KS - Zone 2

<u>Volume Option*</u>	<u>USOC</u>	<u>3 year</u>	<u>5 year</u>	<u>10 year</u>
1	1J5HS/1HXLS	\$ 75.00	\$ 50.00	\$ 45.00
3	1J5HS/1HXLS	\$ 225.00	\$ 150.00	\$ 79.20
6	1J5HS/1HXLS	\$ 450.00	\$ 300.00	\$113.60
12	1J5HS/1HXLS	\$ 900.00	\$ 600.00	\$158.40

(6) Per Mile - per Volume Option, per Mile - KS - Zone 3

<u>Volume Option*</u>	<u>USOC</u>	<u>3 year</u>	<u>5 year</u>	<u>10 year</u>
1	1J5HS/1HXLS	\$ 80.00	\$ 55.00	\$ 45.00
3	1J5HS/1HXLS	\$ 240.00	\$ 165.00	\$ 74.25
6	1J5HS/1HXLS	\$ 480.00	\$ 330.00	\$ 106.50
12	1J5HS/1HXLS	\$ 960.00	\$ 660.00	\$ 148.50

* Volume Option specifies the number of DS3s or DS3 equivalents.

Rates contained in this transmittal are subject to subsequent adjustment, effective retrospectively back to the transmittal's original effective date, in the event the Commission or a court subsequently authorizes SWBT to correct its rates pursuant to pending motions, or petitions for reconsideration or waiver (and including, but not limited to, any application for Review of the letter from Lawrence E. Strickling, Chief, Common Carrier bureau, FCC, to Dale Robertson, SBC, dated May 18, 1999 which may be filed with the Commission), or in the event of any other adjustment pursuant to an order of the Commission or a court.

(This page filed under Transmittal No. 2837)

Issued: July 27, 2000

Effective: August 11, 2000

Four AT&T Plaza, Dallas, Texas 75202

ACCESS SERVICE

(N)

20. MegaLink Custom Services (Cont'd)20.15 Billing Periods - Service Established between July 1, 2000 and August 10, 2000 (Cont'd)20.15.1 Rates and Charges (Cont'd)(D) Interoffice Mileage - Per Mile - Monthly Recurring Rates and Service Extension (Cont'd)(7) Per Mile - per Volume Option, per Mile - MO - Zone 1

<u>Volume Option*</u>	<u>USOC</u>	<u>3 year</u>	<u>5 year</u>	<u>10 year</u>
1	1J5HS/1HXLS	\$ 70.00	\$ 45.00	\$ 45.00
3	1J5HS/1HXLS	\$210.00	\$ 135.00	\$ 99.00
6	1J5HS/1HXLS	\$420.00	\$ 270.00	\$130.64
12	1J5HS/1HXLS	\$840.00	\$ 540.00	\$198.00

(8) Per Mile - per Volume Option, per Mile - MO - Zone 2

<u>Volume Option*</u>	<u>USOC</u>	<u>3 year</u>	<u>5 year</u>	<u>10 year</u>
1	1J5HS/1HXLS	\$ 75.00	\$ 50.00	\$ 45.00
3	1J5HS/1HXLS	\$225.00	\$150.00	\$ 99.00
6	1J5HS/1HXLS	\$450.00	\$300.00	\$113.60
12	1J5HS/1HXLS	\$900.00	\$600.00	\$198.00

(9) Per Mile - per Volume Option, per Mile - MO - Zone 3

<u>Volume Option*</u>	<u>USOC</u>	<u>3 year</u>	<u>5 year</u>	<u>10 year</u>
1	1J5HS/1HXLS	\$ 80.00	\$ 55.00	\$ 45.00
3	1J5HS/1HXLS	\$240.00	\$165.00	\$ 99.00
6	1J5HS/1HXLS	\$480.00	\$330.00	\$106.50
12	1J5HS/1HXLS	\$960.00	\$660.00	\$198.00

* Volume Option specifies the number of DS3s or DS3 equivalents.

Rates contained in this transmittal are subject to subsequent adjustment, effective retrospectively back to the transmittal's original effective date, in the event the Commission or a court subsequently authorizes SWBT to correct its rates pursuant to pending motions, or petitions for reconsideration or waiver (and including, but not limited to, any application for Review of the letter from Lawrence E. Strickling, Chief, Common Carrier bureau, FCC, to Dale Robertson, SBC, dated May 18, 1999 which may be filed with the Commission), or in the event of any other adjustment pursuant to an order of the Commission or a court.

(This page filed under Transmittal No. 2837)

Issued: July 27, 2000

Effective: August 11, 2000

Four AT&T Plaza, Dallas, Texas 75202

ACCESS SERVICE

20. MegaLink Custom Services (Cont'd)

(N)

20.15 Billing Periods - Service Established between July 1, 2000 and August 10, 2000 (Cont'd)20.15.1 Rates and Tariffs (Cont'd)(D) Interoffice Mileage - Per Mile - Monthly Recurring Rates and Service Extension (Cont'd)(10) Per Mile - per Volume Option, per Mile - OK - Zone 1

<u>Volume Option*</u>	<u>USOC</u>	<u>3 year</u>	<u>5 year</u>	<u>10 year</u>
1	1J5HS/1HXLS	\$ 70.00	\$ 45.00	\$ 45.00
3	1J5HS/1HXLS	\$210.00	\$135.00	\$ 91.08
6	1J5HS/1HXLS	\$420.00	\$270.00	\$130.64
12	1J5HS/1HXLS	\$840.00	\$540.00	\$182.16

(11) Per Mile - per Volume Option, per Mile - OK - Zone 2

<u>Volume Option*</u>	<u>USOC</u>	<u>3 year</u>	<u>5 year</u>	<u>10 year</u>
1	1J5HS/1HXLS	\$ 75.00	\$ 50.00	\$ 45.00
3	1J5HS/1HXLS	\$225.00	\$150.00	\$ 79.20
6	1J5HS/1HXLS	\$450.00	\$300.00	\$113.60
12	1J5HS/1HXLS	\$900.00	\$600.00	\$158.40

(12) Per Mile - per Volume Option, per Mile - OK - Zone 3

<u>Volume Option*</u>	<u>USOC</u>	<u>3 year</u>	<u>5 year</u>	<u>10 year</u>
1	1J5HS/1HXLS	\$ 80.00	\$ 55.00	\$ 45.00
3	1J5HS/1HXLS	\$240.00	\$165.00	\$ 74.25
6	1J5HS/1HXLS	\$480.00	\$330.00	\$106.50
12	1J5HS/1HXLS	\$960.00	\$660.00	\$148.50

* Volume Option specifies the number of DS3s or DS3 equivalents.

Rates contained in this transmittal are subject to subsequent adjustment, effective retrospectively back to the transmittal's original effective date, in the event the Commission or a court subsequently authorizes SWBT to correct its rates pursuant to pending motions, or petitions for reconsideration or waiver (and including, but not limited to, any application for Review of the letter from Lawrence E. Strickling, Chief, Common Carrier bureau, FCC, to Dale Robertson, SBC, dated May 18, 1999 which may be filed with the Commission), or in the event of any other adjustment pursuant to an order of the Commission or a court.

(This page filed under Transmittal No. 2837)

Issued: July 27, 2000

Effective: August 11, 2000

Four AT&T Plaza, Dallas, Texas 75202

ACCESS SERVICE

20. MegaLink Custom Services (Cont'd)

(N)

20.15 Billing Periods - Service Established between July 1, 2000 and August 10, 2000 (Cont'd)20.15.1 Rates and Charges (Cont'd)(D) Interoffice Mileage - Per Mile - Monthly Recurring Rates and Service Extension (Cont'd)(13) Per Mile - per Volume Option, per Mile - TX - Zone 1

<u>Volume Option*</u>	<u>USOC</u>	<u>3 year</u>	<u>5 year</u>	<u>10 year</u>
1	1J5HS/1HXLS	\$ 70.00	\$ 45.00	\$ 45.00
3	1J5HS/1HXLS	\$ 210.00	\$ 135.00	\$ 91.08
6	1J5HS/1HXLS	\$ 420.00	\$ 270.00	\$130.64
12	1J5HS/1HXLS	\$ 840.00	\$ 540.00	\$182.16

(14) Per Mile - per Volume Option, per Mile - TX - Zone 2

<u>Volume Option*</u>	<u>USOC</u>	<u>3 year</u>	<u>5 year</u>	<u>10 year</u>
1	1J5HS/1HXLS	\$ 75.00	\$ 50.00	\$ 45.00
3	1J5HS/1HXLS	\$ 225.00	\$ 150.00	\$ 79.20
6	1J5HS/1HXLS	\$ 450.00	\$ 300.00	\$113.60
12	1J5HS/1HXLS	\$ 900.00	\$ 600.00	\$158.40

(15) Per Mile - per Volume Option, per Mile - TX - Zone 3

<u>Volume Option*</u>	<u>USOC</u>	<u>3 year</u>	<u>5 year</u>	<u>10 year</u>
1	1J5HS/1HXLS	\$ 80.00	\$ 55.00	\$ 45.00
3	1J5HS/1HXLS	\$ 240.00	\$ 165.00	\$ 74.25
6	1J5HS/1HXLS	\$ 480.00	\$ 330.00	\$106.50
12	1J5HS/1HXLS	\$ 960.00	\$ 660.00	\$148.50

* Volume Option specifies the number of DS3s or DS3 equivalents.

Rates contained in this transmittal are subject to subsequent adjustment, effective retrospectively back to the transmittal's original effective date, in the event the Commission or a court subsequently authorizes SWBT to correct its rates pursuant to pending motions, or petitions for reconsideration or waiver (and including, but not limited to, any application for Review of the letter from Lawrence E. Strickling, Chief, Common Carrier bureau, FCC, to Dale Robertson, SBC, dated May 18, 1999 which may be filed with the Commission), or in the event of any other adjustment pursuant to an order of the Commission or a court.

(This page filed under Transmittal No. 2837)

Issued: July 27, 2000

Effective: August 11, 2000

Four AT&T Plaza, Dallas, Texas 75202

ACCESS SERVICE

20. MegaLink Custom Services (Cont'd)

(N)

20.15 Billing Periods - Service Established between July 1, 2000 and August 10, 2000 (Cont'd)20.15.1 Rates and Charges (Cont'd)(E) Installation Charge - Per DS3 or DS3 Equivalent, per customer designated premises on the same Access Order(1) Installation Charge - AR - Zone 1

	<u>USOC</u>	<u>3 year</u>	<u>5 year</u>	<u>10 year</u>
First	NRB++	\$303.00	\$ 0.00	\$ 0.00
Additional	NRB++	\$248.00	\$ 0.00	\$ 0.00

(2) Installation Charge - AR - Zone 2

	<u>USOC</u>	<u>3 year</u>	<u>5 year</u>	<u>10 year</u>
First	NRB++	\$303.00	\$ 0.00	\$ 0.00
Additional	NRB++	\$248.00	\$ 0.00	\$ 0.00

(3) Installation Charge - AR - Zone 3

	<u>USOC</u>	<u>3 year</u>	<u>5 year</u>	<u>10 year</u>
First	NRB++	\$303.00	\$ 0.00	\$ 0.00
Additional	NRB++	\$248.00	\$ 0.00	\$ 0.00

(N)

Rates contained in this transmittal are subject to subsequent adjustment, effective retrospectively back to the transmittal's original effective date, in the event the Commission or a court subsequently authorizes SWBT to correct its rates pursuant to pending motions, or petitions for reconsideration or waiver (and including, but not limited to, any application for Review of the letter from Lawrence E. Strickling, Chief, Common Carrier bureau, FCC, to Dale Robertson, SBC, dated May 18, 1999 which may be filed with the Commission), or in the event of any other adjustment pursuant to an order of the Commission or a court.

(This page filed under Transmittal No. 2837)

Issued: July 27, 2000

Effective: August 11, 2000

Four AT&T Plaza, Dallas, Texas 75202

ACCESS SERVICE

20. MegaLink Custom Services (Cont'd)

(N)

20.15 Billing Periods - Service Established between July 1, 2000 and August 10, 2000 (Cont'd)20.15.1 Rates and Charges (Cont'd)(E) Installation Charge - Per DS3 or DS3 Equivalent, per customer designated premises on the same Access Order
(Cont'd)(4) Installation Charge - KS - Zone 1

	<u>USOC</u>	<u>3 year</u>	<u>5 year</u>	<u>10 year</u>
First	NRB++	\$303.00	\$ 0.00	\$ 0.00
Additional	NRB++	\$248.00	\$ 0.00	\$ 0.00

(5) Installation Charge - KS - Zone 2

	<u>USOC</u>	<u>3 year</u>	<u>5 year</u>	<u>10 year</u>
First	NRB++	\$303.00	\$ 0.00	\$ 0.00
Additional	NRB++	\$248.00	\$ 0.00	0.00

(6) Installation Charge - KS - Zone 3

	<u>USOC</u>	<u>3 year</u>	<u>5 year</u>	<u>10 year</u>
First	NRB++	\$303.00	\$ 0.00	\$ 0.00
Additional	NRB++	\$248.00	\$ 0.00	\$ 0.00

(7) Installation Charge - MO - Zone 1

	<u>USOC</u>	<u>3 year</u>	<u>5 year</u>	<u>10 year</u>
First	NRB++	\$303.00	\$ 0.00	\$ 0.00
Additional	NRB++	\$248.00	\$ 0.00	\$ 0.00

(8) Installation Charge - MO - Zone 2

	<u>USOC</u>	<u>3 year</u>	<u>5 year</u>	<u>10 year</u>
First	NRB++	\$303.00	\$ 0.00	\$ 0.00
Additional	NRB++	\$248.00	\$ 0.00	\$ 0.00

Rates contained in this transmittal are subject to subsequent adjustment, effective retrospectively back to the transmittal's original effective date, in the event the Commission or a court subsequently authorizes SWBT to correct its rates pursuant to pending motions, or petitions for reconsideration or waiver (and including, but not limited to, any application for Review of the letter from Lawrence E. Strickling, Chief, Common Carrier bureau, FCC, to Dale Robertson, SBC, dated May 18, 1999 which may be filed with the Commission), or in the event of any other adjustment pursuant to an order of the Commission or a court.

(This page filed under Transmittal No. 2837)

Issued: July 27, 2000

Effective: August 11, 2000

Four AT&T Plaza, Dallas, Texas 75202

ACCESS SERVICE

20. MegaLink Custom Services (Cont'd) (N)20.15 Billing Periods - Service Established between July 1, 2000 and August 10, 2000 (Cont'd)20.15.1 Rates and Charges (Cont'd)(E) Installation Charge - Per DS3 or DS3 Equivalent, per customer designated premises on the same Access Order
(Cont'd)(9) Installation Charge - MO - Zone 3

	<u>USOC</u>	<u>3 year</u>	<u>5 year</u>	<u>10 year</u>
First	NRB++	\$303.00	\$ 0.00	\$ 0.00
Additional	NRB++	\$248.00	\$ 0.00	\$ 0.00

(10) Installation Charge - OK - Zone 1

	<u>USOC</u>	<u>3 year</u>	<u>5 year</u>	<u>10 year</u>
First	NRB++	\$303.00	\$ 0.00	\$ 0.00
Additional	NRB++	\$248.00	\$ 0.00	\$ 0.00

(11) Installation Charge - OK - Zone 2

	<u>USOC</u>	<u>3 year</u>	<u>5 year</u>	<u>10 year</u>
First	NRB++	\$303.00	\$ 0.00	\$ 0.00
Additional	NRB++	\$248.00	\$ 0.00	\$ 0.00

(12) Installation Charge - OK - Zone 3

	<u>USOC</u>	<u>3 year</u>	<u>5 year</u>	<u>10 year</u>
First	NRB++	\$303.00	\$ 0.00	\$ 0.00
Additional	NRB++	\$248.00	\$ 0.00	\$ 0.00

(N)

Rates contained in this transmittal are subject to subsequent adjustment, effective retrospectively back to the transmittal's original effective date, in the event the Commission or a court subsequently authorizes SWBT to correct its rates pursuant to pending motions, or petitions for reconsideration or waiver (and including, but not limited to, any application for Review of the letter from Lawrence E. Strickling, Chief, Common Carrier bureau, FCC, to Dale Robertson, SBC, dated May 18, 1999 which may be filed with the Commission), or in the event of any other adjustment pursuant to an order of the Commission or a court.

(This page filed under Transmittal No. 2837)

Issued: July 27, 2000

Effective: August 11, 2000

Four AT&T Plaza, Dallas, Texas 75202

ACCESS SERVICE

20. MegaLink Custom Services (Cont'd)

(N)

20.15 Billing Periods - Service Established between July 1, 2000 and August 10, 2000 (Cont'd)20.15.1 Rates and Charges (Cont'd)(E) Installation Charge - Per DS3 or DS3 Equivalent, per customer premises on the same Access Order (Cont'd)(13) Installation Charge - TX - Zone 1

	<u>USOC</u>	<u>3 year</u>	<u>5 year</u>	<u>10 year</u>
First	NRB++	\$303.00	\$ 0.00	\$ 0.00
Additional	NRB++	\$248.00	\$ 0.00	\$ 0.00

(14) Installation Charge - TX - Zone 2

	<u>USOC</u>	<u>3 year</u>	<u>5 year</u>	<u>10 year</u>
First	NRB++	\$303.00	\$ 0.00	\$ 0.00
Additional	NRB++	\$248.00	\$ 0.00	\$ 0.00

(15) Installation Charge - TX - Zone 3

	<u>USOC</u>	<u>3 year</u>	<u>5 year</u>	<u>10 year</u>
First	NRB++	\$303.00	\$ 0.00	\$ 0.00
Additional	NRB++	\$248.00	\$ 0.00	\$ 0.00

(N)

Rates contained in this transmittal are subject to subsequent adjustment, effective retrospectively back to the transmittal's original effective date, in the event the Commission or a court subsequently authorizes SWBT to correct its rates pursuant to pending motions, or petitions for reconsideration or waiver (and including, but not limited to, any application for Review of the letter from Lawrence E. Strickling, Chief, Common Carrier bureau, FCC, to Dale Robertson, SBC, dated May 18, 1999 which may be filed with the Commission), or in the event of any other adjustment pursuant to an order of the Commission or a court.

(This page filed under Transmittal No. 2837)

Issued: July 27, 2000

Effective: August 11, 2000

Four AT&T Plaza, Dallas, Texas 75202

ACCESS SERVICE

20. MegaLink Custom Services (Cont'd)

(N)

20.15 Billing Periods - Service Established between July 1, 2000 and August 10, 2000 (Cont'd)20.15.1 Rates and Charges (Cont'd)(F) Service to Service Through Connect Arrangement Per DS3 or DS3 equivalentZone 1(1) Service to Service Through Connect Arrangement - AR -

<u>USOC</u>	<u>Installation Charge</u>
THA	\$157.00

(2) Service to Service Through Connect Arrangement - AR - Zone 2

<u>USOC</u>	<u>Installation Charge</u>
THA	\$157.00

(3) Service to Service Through Connect Arrangement - AR - Zone 3

<u>USOC</u>	<u>Installation Charge</u>
THA	\$157.00

(4) Service to Service Through Connect Arrangement - KS - Zone 1

<u>USOC</u>	<u>Installation Charge</u>
THA	\$157.00

(5) Service to Service Through Connect Arrangement - KS - Zone 2

<u>USOC</u>	<u>Installation Charge</u>
THA	\$157.00

Rates contained in this transmittal are subject to subsequent adjustment, effective retrospectively back to the transmittal's original effective date, in the event the Commission or a court subsequently authorizes SWBT to correct its rates pursuant to pending motions, or petitions for reconsideration or waiver (and including, but not limited to, any application for Review of the letter from Lawrence E. Strickling, Chief, Common Carrier bureau, FCC, to Dale Robertson, SBC, dated May 18, 1999 which may be filed with the Commission), or in the event of any other adjustment pursuant to an order of the Commission or a court.

(This page filed under Transmittal No. 2837)

Issued: July 27, 2000

Effective: August 11, 2000

Four AT&T Plaza, Dallas, Texas 75202

ACCESS SERVICE

20. MegaLink Custom Services (Cont'd) (N)20.15 Billing Periods - Service Established between July 1, 2000 and August 10, 2000 (Cont'd)20.15.1 Rates and Charges (Cont'd)(F) Service to Service Through Connect Arrangement Per DS3 or DS3 equivalent (Cont'd)(6) Service to Service Through Connect Arrangement - KS - Zone 3

<u>USOC</u>	<u>Installation Charge</u>
-------------	----------------------------

THA	\$157.00
-----	----------

(7) Service to Service Through Connect Arrangement - MO - Zone 1

<u>USOC</u>	<u>Installation Charge</u>
-------------	----------------------------

THA	\$157.00
-----	----------

(8) Service to Service Through Connect Arrangement - MO - Zone 2

<u>USOC</u>	<u>Installation Charge</u>
-------------	----------------------------

THA	\$157.00
-----	----------

(9) Service to Service Through Connect Arrangement - MO - Zone 3

<u>USOC</u>	<u>Installation Charge</u>
-------------	----------------------------

THA	\$157.00
-----	----------

(10) Service to Service Through Connect Arrangement - OK - Zone 1

<u>USOC</u>	<u>Installation Charge</u>
-------------	----------------------------

THA	\$157.00
-----	----------

(11) Service to Service Through Connect Arrangement - OK - Zone 2

<u>USOC</u>	<u>Installation Charge</u>
-------------	----------------------------

THA	\$157.00
-----	----------

(N)

Rates contained in this transmittal are subject to subsequent adjustment, effective retrospectively back to the transmittal's original effective date, in the event the Commission or a court subsequently authorizes SWBT to correct its rates pursuant to pending motions, or petitions for reconsideration or waiver (and including, but not limited to, any application for Review of the letter from Lawrence E. Strickling, Chief, Common Carrier bureau, FCC, to Dale Robertson, SBC, dated May 18, 1999 which may be filed with the Commission), or in the event of any other adjustment pursuant to an order of the Commission or a court.

(This page filed under Transmittal No. 2837)

Issued: July 27, 2000

Effective: August 11, 2000

Four AT&T Plaza, Dallas, Texas 75202

ACCESS SERVICE

20. MegaLink Custom Services (Cont'd) (N)20.15 Billing Periods - Service Established between July 1, 2000 and August 10, 2000 (Cont'd)20.15.1 Rates and Charges (Cont'd)(F) Service to Service Through Connect Arrangement Per DS3 or DS3 equivalent (Cont'd)(12) Service to Service Through Connect Arrangement - OK - Zone 3

<u>USOC</u>	<u>Installation Charge</u>
THA	\$157.00

(13) Service to Service Through Connect Arrangement - TX - Zone 1

<u>USOC</u>	<u>Installation Charge</u>
THA	\$157.00

(14) Service to Service Through Connect Arrangement - TX - Zone 2

<u>USOC</u>	<u>Installation Charge</u>
THA	\$157.00

(15) Service to Service Through Connect Arrangement - TX - Zone 3

<u>USOC</u>	<u>Installation Charge</u>
THA	\$157.00

(N)

Rates contained in this transmittal are subject to subsequent adjustment, effective retrospectively back to the transmittal's original effective date, in the event the Commission or a court subsequently authorizes SWBT to correct its rates pursuant to pending motions, or petitions for reconsideration or waiver (and including, but not limited to, any application for Review of the letter from Lawrence E. Strickling, Chief, Common Carrier bureau, FCC, to Dale Robertson, SBC, dated May 18, 1999 which may be filed with the Commission), or in the event of any other adjustment pursuant to an order of the Commission or a court.

(This page filed under Transmittal No. 2837)

Issued: July 27, 2000

Effective: August 11, 2000

Four AT&T Plaza, Dallas, Texas 75202

ACCESS SERVICE

20. MegaLink Custom Services (Cont'd) (N)20.15 Billing Periods - Service Established between July 1, 2000 and August 10, 2000 (Cont'd)20.15.1 Rates and Charges (Cont'd)(G) Optional Features, BSEs and Functions(1) DS3 to DS1 Multiplexing - Monthly Recurring Rates(a) DS3 to DS1 Multiplexing - AR - Zone 1 - Monthly Recurring Rates

Per Multiplexer

<u>USOC</u>	<u>3 year</u>	<u>5 year</u>	<u>10 year</u>
MKM	\$525.00	\$475.00	\$450.00

(b) DS3 to DS1 Multiplexing - AR - Zone 2 - Monthly Recurring Rates

Per Multiplexer

<u>USOC</u>	<u>3 year</u>	<u>5 year</u>	<u>10 year</u>
MKM	\$550.00	\$500.00	\$450.00

(c) DS3 to DS1 Multiplexing - AR - Zone 3 - Monthly Recurring Rates

Per Multiplexer

<u>USOC</u>	<u>3 year</u>	<u>5 year</u>	<u>10 year</u>
MKM	\$575.00	\$525.00	\$450.00

(N)

Rates contained in this transmittal are subject to subsequent adjustment, effective retrospectively back to the transmittal's original effective date, in the event the Commission or a court subsequently authorizes SWBT to correct its rates pursuant to pending motions, or petitions for reconsideration or waiver (and including, but not limited to, any application for Review of the letter from Lawrence E. Strickling, Chief, Common Carrier bureau, FCC, to Dale Robertson, SBC, dated May 18, 1999 which may be filed with the Commission), or in the event of any other adjustment pursuant to an order of the Commission or a court.

(This page filed under Transmittal No. 2837)

Issued: July 27, 2000

Effective: August 11, 2000

Four AT&T Plaza, Dallas, Texas 75202

ACCESS SERVICE

20. MegaLink Custom Services (Cont'd) (N)20.15 Billing Periods - Service Established between July 1, 2000 and August 10, 2000 (Cont'd)20.15.1 Rates and Charges (Cont'd)(G) Optional Features, BSEs and Functions (Cont'd)(1) DS3 to DS1 Multiplexing - Monthly Recurring Rates
(Cont'd)(d) DS3 to DS1 Multiplexing - KS - Zone 1 - Monthly Recurring Rates

Per Multiplexer

<u>USOC</u>	<u>3 year</u>	<u>5 year</u>	<u>10 year</u>
MKM	\$525.00	\$475.00	\$450.00

(e) DS3 to DS1 Multiplexing - KS - Zone 2 - Monthly Recurring Rates

Per Multiplexer

<u>USOC</u>	<u>3 year</u>	<u>5 year</u>	<u>10 year</u>
MKM	\$550.00	\$500.00	\$450.00

(f) DS3 to DS1 Multiplexing - KS - Zone 3 - Monthly Recurring Rates

Per Multiplexer

<u>USOC</u>	<u>3 year</u>	<u>5 year</u>	<u>10 year</u>
MKM	\$575.00	\$525.00	\$450.00

(N)

Rates contained in this transmittal are subject to subsequent adjustment, effective retrospectively back to the transmittal's original effective date, in the event the Commission or a court subsequently authorizes SWBT to correct its rates pursuant to pending motions, or petitions for reconsideration or waiver (and including, but not limited to, any application for Review of the letter from Lawrence E. Strickling, Chief, Common Carrier bureau, FCC, to Dale Robertson, SBC, dated May 18, 1999 which may be filed with the Commission), or in the event of any other adjustment pursuant to an order of the Commission or a court.

(This page filed under Transmittal No. 2837)

Issued: July 27, 2000

Effective: August 11, 2000

Four AT&T Plaza, Dallas, Texas 75202

ACCESS SERVICE

20. MegaLink Custom Services (Cont'd) (N)20.15 Billing Periods - Service Established between July 1, 2000 and August 10, 2000 (Cont'd)20.15.1 Rates and Charges (Cont'd)(G) Optional Features, BSEs and Functions (Cont'd)(1) DS3 to DS1 Multiplexing - Monthly Recurring Rates
(Cont'd)(g) DS3 to DS1 Multiplexing - MO - Zone 1 - Monthly Recurring Rates

Per Multiplexer

<u>USOC</u>	<u>3 year</u>	<u>5 year</u>	<u>10 year</u>
MKM	\$525.00	\$475.00	\$450.00

(h) DS3 to DS1 Multiplexing - MO - Zone 2 - Monthly Recurring Rates

Per Multiplexer

<u>USOC</u>	<u>3 year</u>	<u>5 year</u>	<u>10 year</u>
MKM	\$550.00	\$500.00	\$450.00

(i) DS3 to DS1 Multiplexing - MO - Zone 3 - Monthly Recurring Rates

Per Multiplexer

<u>USOC</u>	<u>3 year</u>	<u>5 year</u>	<u>10 year</u>
MKM	\$575.00	\$525.00	\$450.00

(N)

Rates contained in this transmittal are subject to subsequent adjustment, effective retrospectively back to the transmittal's original effective date, in the event the Commission or a court subsequently authorizes SWBT to correct its rates pursuant to pending motions, or petitions for reconsideration or waiver (and including, but not limited to, any application for Review of the letter from Lawrence E. Strickling, Chief, Common Carrier bureau, FCC, to Dale Robertson, SBC, dated May 18, 1999 which may be filed with the Commission), or in the event of any other adjustment pursuant to an order of the Commission or a court.

(This page filed under Transmittal No. 2837)

Issued: July 27, 2000

Effective: August 11, 2000

Four AT&T Plaza, Dallas, Texas 75202

ACCESS SERVICE

20. MegaLink Custom Services (Cont'd) (N)20.15 Billing Periods - Service Established between July 1, 2000 and August 10, 2000 (Cont'd)20.15.1 Rates and Charges (Cont'd)(G) Optional Features, BSEs and Functions (Cont'd)(1) DS3 to DS1 Multiplexing - Monthly Recurring Rates
(Cont'd)(j) DS3 to DS1 Multiplexing - OK - Zone 1 - Monthly Recurring Rates

Per Multiplexer

<u>USOC</u>	<u>3 year</u>	<u>5 year</u>	<u>10 year</u>
MKM	\$525.00	\$475.00	\$450.00

(k) DS3 to DS1 Multiplexing - OK - Zone 2 - Monthly Recurring Rates

Per Multiplexer

<u>USOC</u>	<u>3 year</u>	<u>5 year</u>	<u>10 year</u>
MKM	\$550.00	\$500.00	\$450.00

(l) DS3 to DS1 Multiplexing - OK - Zone 3 - Monthly Recurring Rates

Per Multiplexer

<u>USOC</u>	<u>3 year</u>	<u>5 year</u>	<u>10 year</u>
MKM	\$575.00	\$525.00	\$450.00

(N)

Rates contained in this transmittal are subject to subsequent adjustment, effective retrospectively back to the transmittal's original effective date, in the event the Commission or a court subsequently authorizes SWBT to correct its rates pursuant to pending motions, or petitions for reconsideration or waiver (and including, but not limited to, any application for Review of the letter from Lawrence E. Strickling, Chief, Common Carrier bureau, FCC, to Dale Robertson, SBC, dated May 18, 1999 which may be filed with the Commission), or in the event of any other adjustment pursuant to an order of the Commission or a court.

(This page filed under Transmittal No. 2837)

Issued: July 27, 2000

Effective: August 11, 2000

Four AT&T Plaza, Dallas, Texas 75202

ACCESS SERVICE

20. MegaLink Custom Services (Cont'd) (N)20.15 Billing Periods - Service Established between July 1, 2000 and August 10, 2000 (Cont'd)20.15.1 Rates and Charges (Cont'd)(G) Optional Features, BSEs and Functions (Cont'd)(1) DS3 to DS1 Multiplexing - Monthly Recurring Rates
(Cont'd)(m) DS3 to DS1 Multiplexing - TX - Zone 1 - Monthly Recurring Rates

Per Multiplexer

USOC	<u>3 year</u>	<u>5 year</u>	<u>10 year</u>
------	---------------	---------------	----------------

MKM	\$525.00	\$475.00	\$450.00
-----	----------	----------	----------

(n) DS3 to DS1 Multiplexing - TX - Zone 2 - Monthly Recurring Rates

Per Multiplexer

USOC	<u>3 year</u>	<u>5 year</u>	<u>10 year</u>
------	---------------	---------------	----------------

MKM	\$550.00	\$500.00	\$450.00
-----	----------	----------	----------

(o) DS3 to DS1 Multiplexing - TX - Zone 3 - Monthly Recurring Rates

Per Multiplexer

USOC	<u>3 year</u>	<u>5 year</u>	<u>10 year</u>
------	---------------	---------------	----------------

MKM	\$575.00	\$525.00	\$450.00
-----	----------	----------	----------

(N)

Rates contained in this transmittal are subject to subsequent adjustment, effective retrospectively back to the transmittal's original effective date, in the event the Commission or a court subsequently authorizes SWBT to correct its rates pursuant to pending motions, or petitions for reconsideration or waiver (and including, but not limited to, any application for Review of the letter from Lawrence E. Strickling, Chief, Common Carrier bureau, FCC, to Dale Robertson, SBC, dated May 18, 1999 which may be filed with the Commission), or in the event of any other adjustment pursuant to an order of the Commission or a court.

(This page filed under Transmittal No. 2837)

Issued: July 27, 2000

Effective: August 11, 2000

Four AT&T Plaza, Dallas, Texas 75202

ACCESS SERVICE

20. MegaLink Custom Services (Cont'd)

(N)

20.15 Billing Periods - Service Established between July 1, 2000 and August 10, 2000 (Cont'd)20.15.1 Rates and Charges (Cont'd)(G) Optional Features, BSEs and Functions (Cont'd)(2) DS3 to DS1 Multiplexing Installation Charge - Per Multiplexer(a) Installation Charge - AR - Zone 1

<u>USOC</u>	<u>3 year</u>	<u>5 year</u>	<u>10 year</u>
	\$101.00	\$ 0.00	\$ 0.00

(b) Installation Charge - AR - Zone 2

<u>USOC</u>	<u>3 year</u>	<u>5 year</u>	<u>10 year</u>
	\$101.00	\$ 0.00	\$ 0.00

(c) Installation Charge - AR - Zone 3

<u>USOC</u>	<u>3 year</u>	<u>5 year</u>	<u>10 year</u>
	\$101.00	\$ 0.00	\$ 0.00

(d) Installation Charge - KS - Zone 1

<u>USOC</u>	<u>3 year</u>	<u>5 year</u>	<u>10 year</u>
	\$101.00	\$ 0.00	\$ 0.00

(e) Installation Charge - KS - Zone 2

<u>USOC</u>	<u>3 year</u>	<u>5 year</u>	<u>10 year</u>
	\$101.00	\$ 0.00	\$ 0.00

(f) Installation Charge - KS - Zone 3

<u>USOC</u>	<u>3 year</u>	<u>5 year</u>	<u>10 year</u>
	\$101.00	\$ 0.00	\$ 0.00

(N)

Rates contained in this transmittal are subject to subsequent adjustment, effective retrospectively back to the transmittal's original effective date, in the event the Commission or a court subsequently authorizes SWBT to correct its rates pursuant to pending motions, or petitions for reconsideration or waiver (and including, but not limited to, any application for Review of the letter from Lawrence E. Strickling, Chief, Common Carrier bureau, FCC, to Dale Robertson, SBC, dated May 18, 1999 which may be filed with the Commission), or in the event of any other adjustment pursuant to an order of the Commission or a court.

(This page filed under Transmittal No. 2837)

Issued: July 27, 2000

Effective: August 11, 2000

Four AT&T Plaza, Dallas, Texas 75202

ACCESS SERVICE

(N)

20. MegaLink Custom Services (Cont'd)20.15 Billing Periods - Service Established between July 1, 2000 and August 10, 2000 (Cont'd)20.15.1 Rates and Charges (Cont'd)(G) Optional Features, BSEs and Functions (Cont'd)(2) DS3 to DS1 Multiplexing Installation Charge - Per Multiplexer (Cont'd)(g) Installation Charge - MO - Zone 1

<u>USOC</u>	<u>3 year</u>	<u>5 year</u>	<u>10 year</u>
	\$101.00	\$ 0.00	\$ 0.00

(h) Installation Charge - MO - Zone 2

<u>USOC</u>	<u>3 year</u>	<u>5 year</u>	<u>10 year</u>
	\$101.00	\$ 0.00	\$ 0.00

(i) Installation Charge - MO - Zone 3

<u>USOC</u>	<u>3 year</u>	<u>5 year</u>	<u>10 year</u>
	\$101.00	\$ 0.00	\$ 0.00

(j) Installation Charge - OK - Zone 1

<u>USOC</u>	<u>3 year</u>	<u>5 year</u>	<u>10 year</u>
	\$101.00	\$ 0.00	\$ 0.00

(k) Installation Charge - OK - Zone 2

<u>USOC</u>	<u>3 year</u>	<u>5 year</u>	<u>10 year</u>
	\$101.00	\$ 0.00	\$ 0.00

(l) Installation Charge - OK - Zone 3

<u>USOC</u>	<u>3 year</u>	<u>5 year</u>	<u>10 year</u>
	\$101.00	\$ 0.00	\$ 0.00

Rates contained in this transmittal are subject to subsequent adjustment, effective retrospectively back to the transmittal's original effective date, in the event the Commission or a court subsequently authorizes SWBT to correct its rates pursuant to pending motions, or petitions for reconsideration or waiver (and including, but not limited to, any application for Review of the letter from Lawrence E. Strickling, Chief, Common Carrier bureau, FCC, to Dale Robertson, SBC, dated May 18, 1999 which may be filed with the Commission), or in the event of any other adjustment pursuant to an order of the Commission or a court.

(This page filed under Transmittal No. 2837)

Issued: July 27, 2000

Effective: August 11, 2000

Four AT&T Plaza, Dallas, Texas 75202

ACCESS SERVICE

20. MegaLink Custom Services (Cont'd)20.15 Billing Periods - Service Established between July 1, 2000 and August 10, 2000 (Cont'd)20.15.1 Rates and Charges (Cont'd)(G) Optional Features, BSEs and Functions (Cont'd)(2) DS3 to DS1 Multiplexing Installation Charge - Per Multiplexer (Cont'd)(m) Installation Charge - TX - Zone 1

<u>USOC</u>	<u>3 year</u>	<u>5 year</u>	<u>10 year</u>
	\$101.00	\$ 0.00	\$ 0.00

(n) Installation Charge - TX - Zone 2

<u>USOC</u>	<u>3 year</u>	<u>5 year</u>	<u>10 year</u>
	\$101.00	\$ 0.00	\$ 0.00

(o) Installation Charge - TX - Zone 3

<u>USOC</u>	<u>3 year</u>	<u>5 year</u>	<u>10 year</u>
	\$101.00	\$ 0.00	\$ 0.00

Rates contained in this transmittal are subject to subsequent adjustment, effective retrospectively back to the transmittal's original effective date, in the event the Commission or a court subsequently authorizes SWBT to correct its rates pursuant to pending motions, or petitions for reconsideration or waiver (and including, but not limited to, any application for Review of the letter from Lawrence E. Strickling, Chief, Common Carrier bureau, FCC, to Dale Robertson, SBC, dated May 18, 1999 which may be filed with the Commission), or in the event of any other adjustment pursuant to an order of the Commission or a court.

(This page filed under Transmittal No. 2837)

Issued: July 27, 2000

Effective: August 11, 2000

Four AT&T Plaza, Dallas, Texas 75202

ACCESS SERVICE

(N)

20. MegaLink Custom Services (Cont'd)20.15 Billing Periods - Service Established between July 1, 2000 and August 10, 2000 (Cont'd)20.15.1 Rates and Charges (Cont'd)(G) Optional Features, BSEs and Functions (Cont'd)(3) SecureNet Monthly Recurring Rates(a) Hub Redundancy - AR Zone 1
per premises, per DS3

<u>USOC</u>	<u>3 year</u>	<u>5 year</u>	<u>10 year</u>
R36AD	\$1,751.25	\$1,646.60	\$1,451.45

(b) Hub Redundancy - AR Zone 2
per premises, per DS3

<u>USOC</u>	<u>3 year</u>	<u>5 year</u>	<u>10 year</u>
R36AD	\$1,751.25	\$1,646.60	\$1,451.45

(c) Hub Redundancy - AR Zone 3
per premises, per DS3

<u>USOC</u>	<u>3 year</u>	<u>5 year</u>	<u>10 year</u>
R36AD	\$1,751.25	\$1,646.60	\$1,451.45

(d) Hub Redundancy - KS Zone 1
per premises, per DS3

<u>USOC</u>	<u>3 year</u>	<u>5 year</u>	<u>10 year</u>
R36AD	\$1,751.25	\$1,646.60	\$1,451.45

(e) Hub Redundancy - KS Zone 2
per premises, per DS3

<u>USOC</u>	<u>3 year</u>	<u>5 year</u>	<u>10 year</u>
R36AD	\$1,751.25	\$1,646.60	\$1,451.45

(f) Hub Redundancy - KS Zone 3
per premises, per DS3

<u>USOC</u>	<u>3 year</u>	<u>5 year</u>	<u>10 year</u>
R36AD	\$1,751.25	\$1,646.60	\$1,451.45

Rates contained in this transmittal are subject to subsequent adjustment, effective retrospectively back to the transmittal's original effective date, in the event the Commission or a court subsequently authorizes SWBT to correct its rates pursuant to pending motions, or petitions for reconsideration or waiver (and including, but not limited to, any application for Review of the letter from Lawrence E. Strickling, Chief, Common Carrier bureau, FCC, to Dale Robertson, SBC, dated May 18, 1999 which may be filed with the Commission), or in the event of any other adjustment pursuant to an order of the Commission or a court.

(This page filed under Transmittal No. 2837)

Issued: July 27, 2000

Effective: August 11, 2000

Four AT&T Plaza, Dallas, Texas 75202

ACCESS SERVICE

20. MegaLink Custom Services (Cont'd)

(N)

20.15 Billing Periods - Service Established between July 1, 2000 and August 10, 2000 (Cont'd)20.15.1 Rates and Charges (Cont'd)(G) Optional Features, BSEs and Functions (Cont'd)(3) SecureNet Monthly Recurring Rates (Cont'd)(g) Hub Redundancy - MO Zone 1
per premises, per DS3

USOC	<u>3 year</u>	<u>5 year</u>	<u>10 year</u>
R36AD	\$1,751.25	\$1,646.60	\$1,451.45

(h) Hub Redundancy - MO Zone 2
per premises, per DS3

USOC	<u>3 year</u>	<u>5 year</u>	<u>10 year</u>
R36AD	\$1,751.25	\$1,646.60	\$1,451.45

(i) Hub Redundancy - MO Zone 3
per premises, per DS3

USOC	<u>3 year</u>	<u>5 year</u>	<u>10 year</u>
R36AD	\$1,751.25	\$1,646.60	\$1,451.45

(j) Hub Redundancy - OK Zone 1
per premises, per DS3

USOC	<u>3 year</u>	<u>5 year</u>	<u>10 year</u>
R36AD	\$1,751.25	\$1,646.60	\$1,451.45

(k) Hub Redundancy - OK Zone 2
per premises, per DS3

USOC	<u>3 year</u>	<u>5 year</u>	<u>10 year</u>
R36AD	\$1,751.25	\$1,646.60	\$1,451.45

(l) Hub Redundancy - OK Zone 3
per premises, per DS3

USOC	<u>3 year</u>	<u>5 year</u>	<u>10 year</u>
R36AD	\$1,751.25	\$1,646.60	\$1,451.45

Rates contained in this transmittal are subject to subsequent adjustment, effective retrospectively back to the transmittal's original effective date, in the event the Commission or a court subsequently authorizes SWBT to correct its rates pursuant to pending motions, or petitions for reconsideration or waiver (and including, but not limited to, any application for Review of the letter from Lawrence E. Strickling, Chief, Common Carrier bureau, FCC, to Dale Robertson, SBC, dated May 18, 1999 which may be filed with the Commission), or in the event of any other adjustment

(This page filed under Transmittal No. 2837)

Issued: July 27, 2000

Effective: August 11, 2000

Four AT&T Plaza, Dallas, Texas 75202

ACCESS SERVICE

20. MegaLink Custom Services (Cont'd)

(N)

20.15 Billing Periods - Service Established between July 1, 2000 and August 10, 2000 (Cont'd)20.15.1 Rates and Charges (Cont'd)(G) Optional Features, BSEs and Functions (Cont'd)(3) SecureNet Monthly Recurring Rates (Cont'd)(m) Hub Redundancy - TX Zone 1
per premises, per DS3

<u>USOC</u>	<u>3 year</u>	<u>5 year</u>	<u>10 year</u>
R36AD	\$1,751.25	\$1,646.60	\$1,451.45

(n) Hub Redundancy - TX Zone 2
per premises, per DS3

<u>USOC</u>	<u>3 year</u>	<u>5 year</u>	<u>10 year</u>
R36AD	\$1,751.25	\$1,646.60	\$1,451.45

(o) Hub Redundancy - TX Zone 3
per premises, per DS3

<u>USOC</u>	<u>3 year</u>	<u>5 year</u>	<u>10 year</u>
R36AD	\$1,751.25	\$1,646.60	\$1,451.45

Rates contained in this transmittal are subject to subsequent adjustment, effective retrospectively back to the transmittal's original effective date, in the event the Commission or a court subsequently authorizes SWBT to correct its rates pursuant to pending motions, or petitions for reconsideration or waiver (and including, but not limited to, any application for Review of the letter from Lawrence E. Strickling, Chief, Common Carrier bureau, FCC, to Dale Robertson, SBC, dated May 18, 1999 which may be filed with the Commission), or in the event of any other adjustment pursuant to an order of the Commission or a court.

(This page filed under Transmittal No. 2837)

Issued: July 27, 2000

Effective: August 11, 2000

Four AT&T Plaza, Dallas, Texas 75202

ACCESS SERVICE

20. MegaLink Custom Services (Cont'd)

20.15 Billing Periods - Service Established between July 1, 2000 and August 10, 2000 (Cont'd)

20.15.1 Rates and Charges (Cont'd)

(G) Optional Features, BSEs and Functions (Cont'd)

(3) SecureNet Monthly Recurring Rates (Cont'd)

Zone 1

(p) Serving Wire Center and Facility Redundancy - AR
per premises, per DS3

<u>USOC</u>	<u>3 year</u>	<u>5 year</u>	<u>10 year</u>
R38AE	\$ 0.00	\$ 0.00	\$ 0.00

(q) Serving Wire Center and Facility Redundancy - AR
Zone 2
per premises, per DS3

<u>USOC</u>	<u>3 year</u>	<u>5 year</u>	<u>10 year</u>
R38AE	\$ 0.00	\$ 0.00	\$ 0.00

(r) Serving Wire Center and Facility Redundancy - AR
Zone 3
per premises, per DS3

<u>USOC</u>	<u>3 year</u>	<u>5 year</u>	<u>10 year</u>
R38AE	\$ 0.00	\$ 0.00	\$ 0.00

(N)

(N)

Rates contained in this transmittal are subject to subsequent adjustment, effective retrospectively back to the transmittal's original effective date, in the event the Commission or a court subsequently authorizes SWBT to correct its rates pursuant to pending motions, or petitions for reconsideration or waiver (and including, but not limited to, any application for Review of the letter from Lawrence E. Strickling, Chief, Common Carrier bureau, FCC, to Dale Robertson, SBC, dated May 18, 1999 which may be filed with the Commission), or in the event of any other adjustment pursuant to an order of the Commission or a court.

(This page filed under Transmittal No. 2837)

Issued: July 27, 2000

Effective: August 11, 2000

Four AT&T Plaza, Dallas, Texas 75202

ACCESS SERVICE

20. MegaLink Custom Services (Cont'd)20.15 Billing Periods - Service Established between July 1, 2000 and August 10, 2000 (Cont'd)20.15.1 Rates and Charges (Cont'd)(G) Optional Features, BSEs and Functions (Cont'd)(3) SecureNet Monthly Recurring Rates (Cont'd)(s) Serving Wire Center and Facility Redundancy - KS Zone 1 per premises, per DS3

<u>USOC</u>	<u>3 year</u>	<u>5 year</u>	<u>10 year</u>
R38AE \$	0.00	\$ 0.00	\$ 0.00

(t) Serving Wire Center and Facility Redundancy - KS Zone 2 per premises, per DS3

<u>USOC</u>	<u>3 year</u>	<u>5 year</u>	<u>10 year</u>
R38AE \$	0.00	\$ 0.00	\$ 0.00

(u) Serving Wire Center and Facility Redundancy - KS Zone 3 per premises, per DS3

<u>USOC</u>	<u>3 year</u>	<u>5 year</u>	<u>10 year</u>
R38AE \$	0.00	\$ 0.00	\$ 0.00

(v) Serving Wire Center and Facility Redundancy - MO Zone 1 per premises, per DS3

<u>USOC</u>	<u>3 year</u>	<u>5 year</u>	<u>10 year</u>
R38AE \$	0.00	\$ 0.00	\$ 0.00

(w) Serving Wire Center and Facility Redundancy - MO Zone 2 per premises, per DS3

<u>USOC</u>	<u>3 year</u>	<u>5 year</u>	<u>10 year</u>
R38AE \$	0.00	\$ 0.00	\$ 0.00

(x) Serving Wire Center and Facility Redundancy - MO Zone 3 per premises, per DS3

<u>USOC</u>	<u>3 year</u>	<u>5 year</u>	<u>10 year</u>
R38AE \$	0.00	\$ 0.00	\$ 0.00

(N)

Rates contained in this transmittal are subject to subsequent adjustment, effective retrospectively back to the transmittal's original effective date, in the event the Commission or a court subsequently authorizes SWBT to correct its rates pursuant to pending motions, or petitions for reconsideration or waiver (and including, but not limited to, any application for Review of the letter from Lawrence E. Strickling, Chief, Common Carrier bureau, FCC, to Dale Robertson, SBC, dated May 18, 1999 which may be filed with the Commission), or in the event of any other adjustment pursuant to an order of the Commission or a court.

(This page filed under Transmittal No. 2837)

Issued: July 27, 2000

Effective: August 11, 2000

Four AT&T Plaza, Dallas, Texas 75202

ACCESS SERVICE

20. MegaLink Custom Services (Cont'd) (N)20.15 Billing Periods - Service Established between July 1, 2000 and August 10, 2000 (Cont'd)20.15.1 Rates and Charges (Cont'd)(G) Optional Features, BSEs and Functions (Cont'd)(3) SecureNet Monthly Recurring Rates (Cont'd)Zone 1
(y) Serving Wire Center and Facility Redundancy - OK
per premises, per DS3

<u>USOC</u>	<u>3 year</u>	<u>5 year</u>	<u>10 year</u>
R38AE	\$ 0.00	\$ 0.00	\$ 0.00

(z) Serving Wire Center and Facility Redundancy - OK
Zone 2
per premises, per DS3

<u>USOC</u>	<u>3 year</u>	<u>5 year</u>	<u>10 year</u>
R38AE	\$ 0.00	\$ 0.00	\$ 0.00

(aa) Serving Wire Center and Facility Redundancy - OK
Zone 3
per premises, per DS3

<u>USOC</u>	<u>3 year</u>	<u>5 year</u>	<u>10 year</u>
R38AE	\$ 0.00	\$ 0.00	\$ 0.00

Rates contained in this transmittal are subject to subsequent adjustment, effective retrospectively back to the transmittal's original effective date, in the event the Commission or a court subsequently authorizes SWBT to correct its rates pursuant to pending motions, or petitions for reconsideration or waiver (and including, but not limited to, any application for Review of the letter from Lawrence E. Strickling, Chief, Common Carrier bureau, FCC, to Dale Robertson, SBC, dated May 18, 1999 which may be filed with the Commission), or in the event of any other adjustment pursuant to an order of the Commission or a court.

(This page filed under Transmittal No. 2837)

Issued: July 27, 2000

Effective: August 11, 2000

Four AT&T Plaza, Dallas, Texas 75202

ACCESS SERVICE

20. MegaLink Custom Services (Cont'd) (N)20.15 Billing Periods - Service Established between July 1, 2000 and August 10, 2000 (Cont'd)20.15.1 Rates and Charges (Cont'd)(G) Optional Features, BSEs and Functions (Cont'd)(3) SecureNet Monthly Recurring Rates (Cont'd)(ab) Serving Wire Center and Facility Redundancy - TX Zone 1
per premises, per DS3

<u>USOC</u>	<u>3 year</u>	<u>5 year</u>	<u>10 year</u>
R38AE	\$ 0.00	\$ 0.00	\$ 0.00

(ac) Serving Wire Center and Facility Redundancy - TX Zone 2
per premises, per DS3

<u>USOC</u>	<u>3 year</u>	<u>5 year</u>	<u>10 year</u>
R38AE	\$ 0.00	\$ 0.00	\$ 0.00

(ad) Serving Wire Center and Facility Redundancy - TX Zone 3
per premises, per DS3

<u>USOC</u>	<u>3 year</u>	<u>5 year</u>	<u>10 year</u>
R38AE	\$ 0.00	\$ 0.00	\$ 0.00

(N)

Rates contained in this transmittal are subject to subsequent adjustment, effective retrospectively back to the transmittal's original effective date, in the event the Commission or a court subsequently authorizes SWBT to correct its rates pursuant to pending motions, or petitions for reconsideration or waiver (and including, but not limited to, any application for Review of the letter from Lawrence E. Strickling, Chief, Common Carrier bureau, FCC, to Dale Robertson, SBC, dated May 18, 1999 which may be filed with the Commission), or in the event of any other adjustment pursuant to an order of the Commission or a court.

(This page filed under Transmittal No. 2837)

Issued: July 27, 2000

Effective: August 11, 2000

Four AT&T Plaza, Dallas, Texas 75202

ACCESS SERVICE

20. MegaLink Custom Services (Cont'd)

(N)

20.15 Billing Periods - Service Established between July 1, 2000 and August 10, 2000 (Cont'd)20.15.1 Rates and Charges (Cont'd)(G) Optional Features, BSEs and Functions (Cont'd)(4) SecureNet Installation Charge(a) Hub Redundancy - AR - Zone 1
per premises, per DS3

<u>USOC</u>	<u>Installation Charge</u>
XXXX	\$1,848.00

(b) Hub Redundancy - AR - Zone 2
per premises, per DS3

<u>USOC</u>	<u>Installation Charge</u>
XXXX	\$1,848.00

(c) Hub Redundancy - AR - Zone 3
per premises, per DS3

<u>USOC</u>	<u>Installation Charge</u>
XXXX	\$1,848.00

(d) Hub Redundancy - KS - Zone 1
per premises, per DS3

<u>USOC</u>	<u>Installation Charge</u>
XXXX	\$1,848.00

(e) Hub Redundancy - KS - Zone 2
per premises, per DS3

<u>USOC</u>	<u>Installation Charge</u>
XXXX	\$1,848.00

(f) Hub Redundancy - KS - Zone 3
per premises, per DS3

<u>USOC</u>	<u>Installation Charge</u>
XXXX	\$1,848.00

(N)

Rates contained in this transmittal are subject to subsequent adjustment, effective retrospectively back to the transmittal's original effective date, in the event the Commission or a court subsequently authorizes SWBT to correct its rates pursuant to pending motions, or petitions for reconsideration or waiver (and including, but not limited to, any application for Review of the letter from Lawrence E. Strickling, Chief, Common Carrier bureau, FCC, to Dale Robertson, SBC, dated May 18, 1999 which may be filed with the Commission), or in the event of any other adjustment pursuant to an order of the Commission or a court.

(This page filed under Transmittal No. 2837)

Issued: July 27, 2000

Effective: August 11, 1000

Four AT&T Plaza, Dallas, Texas 75202

ACCESS SERVICE

20. MegaLink Custom Services (Cont'd)

(N)

20.15 Billing Periods - Service Established between July 1, 2000 and August 10, 2000 (Cont'd)20.15.1 Rates and Charges (Cont'd)(G) Optional Features, BSEs and Functions (Cont'd)(4) SecureNet Installation Charge (Cont'd)(g) Hub Redundancy - MO - Zone 1
per premises, per DS3

<u>USOC</u>	<u>Installation Charge</u>
XXXX	\$1,848.00

(h) Hub Redundancy - MO - Zone 2
per premises, per DS3

<u>USOC</u>	<u>Installation Charge</u>
XXXX	\$1,848.00

(i) Hub Redundancy - MO - Zone 3
per premises, per DS3

<u>USOC</u>	<u>Installation Charge</u>
XXXX	\$1,848.00

(j) Hub Redundancy - OK - Zone 1
per premises, per DS3

<u>USOC</u>	<u>Installation Charge</u>
XXXX	\$1,848.00

(k) Hub Redundancy - OK - Zone 2
per premises, per DS3

<u>USOC</u>	<u>Installation Charge</u>
XXXX	\$1,848.00

(l) Hub Redundancy - OK - Zone 3
per premises, per DS3

<u>USOC</u>	<u>Installation Charge</u>
XXXX	\$1,848.00

(N)

Rates contained in this transmittal are subject to subsequent adjustment, effective retrospectively back to the transmittal's original effective date, in the event the Commission or a court subsequently authorizes SWBT to correct its rates pursuant to pending motions, or petitions for reconsideration or waiver (and including, but not limited to, any application for Review of the letter from Lawrence E. Strickling, Chief, Common Carrier bureau, FCC, to Dale Robertson, SBC, dated May 18, 1999 which may be filed with the Commission), or in the event of any other adjustment pursuant to an order of the Commission or a court.

(This page filed under Transmittal No. 2837)

Issued: July 27, 2000

Effective: August 11, 2000

Four AT&T Plaza, Dallas, Texas 75202

ACCESS SERVICE

20. MegaLink Custom Services (Cont'd)

(N)

20.15 Billing Periods - Service Established between July 1, 2000 and August 10, 2000 (Cont'd)20.15.1 Rates and Charges (Cont'd)(G) Optional Features, BSEs and Functions (Cont'd)(4) SecureNet Installation Charge (Cont'd)(m) Hub Redundancy - TX - Zone 1
per premises, per DS3

<u>USOC</u>	<u>Installation Charge</u>
XXXX	\$1,848.00

(n) Hub Redundancy - TX - Zone 2
per premises, per DS3

<u>USOC</u>	<u>Installation Charge</u>
XXXX	\$1,848.00

(o) Hub Redundancy - TX - Zone 3
per premises, per DS3

<u>USOC</u>	<u>Installation Charge</u>
XXXX	\$1,848.00

Rates contained in this transmittal are subject to subsequent adjustment, effective retrospectively back to the transmittal's original effective date, in the event the Commission or a court subsequently authorizes SWBT to correct its rates pursuant to pending motions, or petitions for reconsideration or waiver (and including, but not limited to, any application for Review of the letter from Lawrence E. Strickling, Chief, Common Carrier bureau, FCC, to Dale Robertson, SBC, dated May 18, 1999 which may be filed with the Commission), or in the event of any other adjustment pursuant to an order of the Commission or a court.

(This page filed under Transmittal No. 2837)

Issued: July 27, 2000

Effective: August 11, 2000

Four AT&T Plaza, Dallas, Texas 75202

ACCESS SERVICE

(N)

20. MegaLink Custom Services (Cont'd)

20.15 Billing Periods - Services Established between July 1, 2000 and August 10, 2000 (Cont'd)

20.15.1 Rates and Charges (Cont'd)

(G) Optional Features, BSEs and Functions (Cont'd)

(4) SecureNet Installation Charge (Cont'd)

(p) Serving Wire Center and Facility Redundancy - AR - Zone 1
per premises, per DS3

<u>USOC</u>	<u>Installation Charge</u>
XXXX	\$ 0.00

(q) Serving Wire Center and Facility Redundancy - AR - Zone 2
per premises, per DS3

<u>USOC</u>	<u>Installation Charge</u>
XXXX	\$ 0.00

(r) Serving Wire Center and Facility Redundancy - AR - Zone 3
per premises, per DS3

<u>USOC</u>	<u>Installation Charge</u>
XXXX	\$ 0.00

(N)

Rates contained in this transmittal are subject to subsequent adjustment, effective retrospectively back to the transmittal's original effective date, in the event the Commission or a court subsequently authorizes SWBT to correct its rates pursuant to pending motions, or petitions for reconsideration or waiver (and including, but not limited to, any application for Review of the letter from Lawrence E. Strickling, Chief, Common Carrier bureau, FCC, to Dale Robertson, SBC, dated May 18, 1999 which may be filed with the Commission), or in the event of any other adjustment pursuant to an order of the Commission or a court.

(This page filed under Transmittal No. 2837)

Issued: July 27, 2000

Effective: August 11, 2000

Four AT&T Plaza, Dallas, Texas 75202

ACCESS SERVICE

20. MegaLink Custom Services (Cont'd)

(N)

20.15 Billing Periods - Service Established between July 1, 2000 and August 10, 2000 (Cont'd)20.15.1 Rates and Charges (Cont'd)(G) Optional Features, BSEs and Functions (Cont'd)(4) SecureNet Installation Charge (Cont'd)

- (s)
- Serving Wire Center and Facility Redundancy - KS - Zone 1
-
- per premises, per DS3

<u>USOC</u>	<u>Installation Charge</u>
XXXX	\$ 0.00

- (t)
- Serving Wire Center and Facility Redundancy - KS - Zone 2
-
- per premises, per DS3

<u>USOC</u>	<u>Installation Charge</u>
XXXX	\$ 0.00

- (u)
- Serving Wire Center and Facility Redundancy - KS - Zone 3
-
- per premises, per DS3

<u>USOC</u>	<u>Installation Charge</u>
XXXX	\$ 0.00

- (v)
- Serving Wire Center and Facility Redundancy - MO - Zone 1
-
- per premises, per DS3

<u>USOC</u>	<u>Installation Charge</u>
XXXX	\$ 0.00

- (w)
- Serving Wire Center and Facility Redundancy - MO - Zone 2
-
- per premises, per DS3

<u>USOC</u>	<u>Installation Charge</u>
XXXX	\$ 0.00

- (x)
- Serving Wire Center and Facility Redundancy - MO - Zone 3
-
- per premises, per DS3

<u>USOC</u>	<u>Installation Charge</u>
XXXX	\$ 0.00

Rates contained in this transmittal are subject to subsequent adjustment, effective retrospectively back to the transmittal's original effective date, in the event the Commission or a court subsequently authorizes SWBT to correct its rates pursuant to pending motions, or petitions for reconsideration or waiver (and including, but not limited to, any application for Review of the letter from Lawrence E. Strickling, Chief, Common Carrier bureau, FCC, to Dale Robertson, SBC, dated May 18, 1999 which may be filed with the Commission), or in the event of any other adjustment pursuant to an order of the Commission or a court.

(This page filed under Transmittal No. 2837)

Issued: July 27, 2000

Effective: August 11, 2000

Four AT&T Plaza, Dallas, Texas 75202

ACCESS SERVICE

20. MegaLink Custom Services (Cont'd)

(N)

20.15 Billing Periods - Service Established between July 1, 2000 and August 10, 2000 (Cont'd)20.15.1 Rates and Charges (Cont'd)(G) Optional Features, BSEs and Functions (Cont'd)(4) SecureNet Installation Charge (Cont'd)

- (y)
- Serving Wire Center and Facility Redundancy - OK - Zone 1
-
- per premises, per DS3

<u>USOC</u>	<u>Installation Charge</u>
XXXX	\$ 0.00

- (z)
- Serving Wire Center and Facility Redundancy - OK - Zone 2
-
- per premises, per DS3

<u>USOC</u>	<u>Installation Charge</u>
XXXX	\$ 0.00

- (aa)
- Serving Wire Center and Facility Redundancy - OK - Zone 3
-
- per premises, per DS3

<u>USOC</u>	<u>Installation Charge</u>
XXXX	\$ 0.00

(N)

Rates contained in this transmittal are subject to subsequent adjustment, effective retrospectively back to the transmittal's original effective date, in the event the Commission or a court subsequently authorizes SWBT to correct its rates pursuant to pending motions, or petitions for reconsideration or waiver (and including, but not limited to, any application for Review of the letter from Lawrence E. Strickling, Chief, Common Carrier bureau, FCC, to Dale Robertson, SBC, dated May 18, 1999 which may be filed with the Commission), or in the event of any other adjustment pursuant to an order of the Commission or a court.

(This page filed under Transmittal No. 2837)

Issued: July 27, 2000

Effective: August 11, 2000

Four AT&T Plaza, Dallas, Texas 75202

ACCESS SERVICE

20. MegaLink Custom Services (Cont'd)

(N)

20.15 Billing Periods - Service Established between July 1, 2000 and August 10, 2000 (Cont'd)20.15.1 Rates and Charges (Cont'd)(G) Optional Features, BSEs and Functions (Cont'd)(4) SecureNet Installation Charge (Cont'd)(ab) Serving Wire Center and Facility Redundancy - TX - Zone 1
per premises, per DS3

<u>USOC</u>	<u>Installation Charge</u>
XXXX	\$ 0.00

(ac) Serving Wire Center and Facility Redundancy - TX - Zone 2
per premises, per DS3

<u>USOC</u>	<u>Installation Charge</u>
XXXX	\$ 0.00

(ad) Serving Wire Center and Facility Redundancy - Tx - Zone 3
per premises, per DS3

<u>USOC</u>	<u>Installation Charge</u>
XXXX	\$ 0.00

(N)

Rates contained in this transmittal are subject to subsequent adjustment, effective retrospectively back to the transmittal's original effective date, in the event the Commission or a court subsequently authorizes SWBT to correct its rates pursuant to pending motions, or petitions for reconsideration or waiver (and including, but not limited to, any application for Review of the letter from Lawrence E. Strickling, Chief, Common Carrier bureau, FCC, to Dale Robertson, SBC, dated May 18, 1999 which may be filed with the Commission), or in the event of any other adjustment pursuant to an order of the Commission or a court.

(This page filed under Transmittal No. 2837)

Issued: July 27, 2000

Effective: August 11, 2000

Four AT&T Plaza, Dallas, Texas 75202

ACCESS SERVICE

(N)

20. MegaLink Custom Services (Cont'd)20.15 Billing Periods - Service Established between July 1, 2000 and**August 10, 2000 (Cont'd)**20.15.1 Rates and Charges (Cont'd)(G) Optional Features, BSEs and Functions (Cont'd)(5) Service Extension Monthly Recurring Rates

Use Interoffice Mileage as set forth in 20.5.3 and 20.5.4.

(6) Service Extension Installation Charge per DS3 or DS3 equivalent, per service extension on the same access order(a) Installation Charge - AR - Zone 1

	<u>USOC</u>	<u>3 year</u>	<u>5 year</u>	<u>10 year</u>
First	NRBSE	\$319.00	\$ 0.00	\$ 0.00
Additional	NRBSE	\$248.00	\$ 0.00	\$ 0.00

(b) Installation Charge - AR - Zone 2

	<u>USOC</u>	<u>3 year</u>	<u>5 year</u>	<u>10 year</u>
First	NRBSE	\$319.00	\$ 0.00	\$ 0.00
Additional	NRBSE	\$248.00	\$ 0.00	\$ 0.00

(c) Installation Charge - AR - Zone 3

	<u>USOC</u>	<u>3 year</u>	<u>5 year</u>	<u>10 year</u>
First	NRBSE	\$319.00	\$ 0.00	\$ 0.00
Additional	NRBSE	\$248.00	\$ 0.00	\$ 0.00

Rates contained in this transmittal are subject to subsequent adjustment, effective retrospectively back to the transmittal's original effective date, in the event the Commission or a court subsequently authorizes SWBT to correct its rates pursuant to pending motions, or petitions for reconsideration or waiver (and including, but not limited to, any application for Review of the letter from Lawrence E. Strickling, Chief, Common Carrier bureau, FCC, to Dale Robertson, SBC, dated May 18, 1999 which may be filed with the Commission), or in the event of any other adjustment pursuant to an order of the Commission or a court.

(This page filed under Transmittal No. 2837)

Issued: July 27, 2000

Effective: August 11, 2000

Four AT&T Plaza, Dallas, Texas 75202

ACCESS SERVICE

(N)

20. MegaLink Custom Services (Cont'd)

20.15 Billing Periods - Service Established between July 1, 2000 and

August 10, 2000 (Cont'd)

20.15.1 Rates and Charges (Cont'd)

(G) Optional Features, BSEs and Functions (Cont'd)

(6) Service Extension Installation Charge (Cont'd)

(d) Installation Charge - KS - Zone 1

	<u>USOC</u>	<u>3 year</u>	<u>5 year</u>	<u>10 year</u>
First	NRBSE	\$319.00	\$ 0.00	\$ 0.00
Additional	NRBSE	\$248.00	\$ 0.00	\$ 0.00

(e) Installation Charge - KS - Zone 2

	<u>USOC</u>	<u>3 year</u>	<u>5 year</u>	<u>10 year</u>
First	NRBSE	\$319.00	\$ 0.00	\$ 0.00
Additional	NRBSE	\$248.00	\$ 0.00	\$ 0.00

(f) Installation Charge - KS - Zone 3

	<u>USOC</u>	<u>3 year</u>	<u>5 year</u>	<u>10 year</u>
First	NRBSE	\$319.00 (R)	\$ 0.00 (R)	\$ 0.00 (R)
Additional	NRBSE	\$248.00 (R)	\$ 0.00 (R)	\$ 0.00 (R)

(g) Installation Charge - MO - Zone 1

	<u>USOC</u>	<u>3 year</u>	<u>5 year</u>	<u>10 year</u>
First	NRBSE	\$319.00	\$ 0.00	\$ 0.00
Additional	NRBSE	\$248.00	\$ 0.00	\$ 0.00

(h) Installation Charge - MO - Zone 2

	<u>USOC</u>	<u>3 year</u>	<u>5 year</u>	<u>10 year</u>
First	NRBSE	\$319.00	\$ 0.00	\$ 0.00
Additional	NRBSE	\$248.00	\$ 0.00	\$ 0.00

(i) Installation Charge - MO - Zone 3

	<u>USOC</u>	<u>3 year</u>	<u>5 year</u>	<u>10 year</u>
First	NRBSE	\$319.00	\$ 0.00	\$ 0.00
Additional	NRBSE	\$248.00	\$ 0.00	\$ 0.00

Rates contained in this transmittal are subject to subsequent adjustment, effective retrospectively back to the transmittal's original effective date, in the event the Commission or a court subsequently authorizes SWBT to correct its rates pursuant to pending motions, or petitions for reconsideration or waiver (and including, but not limited to, any application for Review of the letter from Lawrence E. Strickling, Chief, Common Carrier bureau, FCC, to Dale Robertson, SBC, dated May 18, 1999 which may be filed with the Commission), or in the event of any other adjustment

(This page filed under Transmittal No. 2837)

Issued: July 27, 2000

Effective: August 11, 2000

Four AT&T Plaza, Dallas, Texas 75202

ACCESS SERVICE

20. MegaLink Custom Services (Cont'd)

(N)

20.15 Billing Periods - Service Established between July 1, 2000 and**August 10, 2000 (Cont'd)**20.15.1 Rates and Charges (Cont'd)(G) Optional Features, BSEs and Functions (Cont'd)(6) Service Extension Installation Charge (Cont'd)(j) Installation Charge - OK - Zone 1

	<u>USOC</u>	<u>3 year</u>	<u>5 year</u>	<u>10 year</u>
First	NRBSE	\$319.00	\$ 0.00	\$ 0.00
Additional	NRBSE	\$248.00	\$ 0.00	\$ 0.00

(k) Installation Charge - OK - Zone 2

	<u>USOC</u>	<u>3 year</u>	<u>5 year</u>	<u>10 year</u>
First	NRBSE	\$319.00	\$ 0.00	\$ 0.00
Additional	NRBSE	\$248.00	\$ 0.00	\$ 0.00

(l) Installation Charge - OK - Zone 3

	<u>USOC</u>	<u>3 year</u>	<u>5 year</u>	<u>10 year</u>
First	NRBSE	\$319.00	\$ 0.00	\$ 0.00
Additional	NRBSE	\$248.00	\$ 0.00	\$ 0.00

(N)

Rates contained in this transmittal are subject to subsequent adjustment, effective retrospectively back to the transmittal's original effective date, in the event the Commission or a court subsequently authorizes SWBT to correct its rates pursuant to pending motions, or petitions for reconsideration or waiver (and including, but not limited to, any application for Review of the letter from Lawrence E. Strickling, Chief, Common Carrier bureau, FCC, to Dale Robertson, SBC, dated May 18, 1999 which may be filed with the Commission), or in the event of any other adjustment pursuant to an order of the Commission or a court.

(This page filed under Transmittal No. 2837)

Issued: July 27, 2000

Effective: August 11, 2000

Four AT&T Plaza, Dallas, Texas 75202

ACCESS SERVICE

20. MegaLink Custom Services (Cont'd)

(N)

20.15 Billing Periods - Service Established between July 1, 2000 and**August 10, 2000 (Cont'd)**20.15.1 Rates and Charges (Cont'd)(G) Optional Features, BSEs and Functions (Cont'd)(6) Service Extension Installation Charge (Cont'd)(m) Installation Charge - TX - Zone 1

	<u>USOC</u>	<u>3 year</u>	<u>5 year</u>	<u>10 year</u>
First	NRBSE	\$319.00	\$ 0.00	\$ 0.00
Additional	NRBSE	\$248.00	\$ 0.00	\$ 0.00

(n) Installation Charge - TX - Zone 2

	<u>USOC</u>	<u>3 year</u>	<u>5 year</u>	<u>10 year</u>
First	NRBSE	\$319.00	\$ 0.00	\$ 0.00
Additional	NRBSE	\$248.00	\$ 0.00	\$ 0.00

(o) Installation Charge - TX - Zone 3

	<u>USOC</u>	<u>3 year</u>	<u>5 year</u>	<u>10 year</u>
First	NRBSE	\$319.00	\$ 0.00	\$ 0.00
Additional	NRBSE	\$248.00	\$ 0.00	\$ 0.00

(N)

Rates contained in this transmittal are subject to subsequent adjustment, effective retrospectively back to the transmittal's original effective date, in the event the Commission or a court subsequently authorizes SWBT to correct its rates pursuant to pending motions, or petitions for reconsideration or waiver (and including, but not limited to, any application for Review of the letter from Lawrence E. Strickling, Chief, Common Carrier bureau, FCC, to Dale Robertson, SBC, dated May 18, 1999 which may be filed with the Commission), or in the event of any other adjustment pursuant to an order of the Commission or a court.

(This page filed under Transmittal No. 2837)

Issued: July 27, 2000

Effective: August 11, 2000

Four AT&T Plaza, Dallas, Texas 75202

ACCESS SERVICE

20. MegaLink Custom Services (Cont'd)

(N)

20.15 Billing Periods - Service Established between July 1, 2000 and**August 10, 2000 (Cont'd)**20.15.1` Rates and Charges (Cont'd)(G) Optional Features, BSEs and Functions (Cont'd)(7) STN Interconnection with SecureNet Equipped MegaLink Custom Service Monthly Recurring Rates

per DS3, per Interconnection

(a) STN Interconnection with SecureNet Equipped MegaLink Custom Service - AR Zone 1

<u>USOC</u>	<u>3 year</u>	<u>5 year</u>	<u>10 year</u>
R3N3X	\$263.20	\$248.20	\$221.40

(b) STN Interconnection with SecureNet Equipped MegaLink Custom Service - AR Zone 2

<u>USOC</u>	<u>3 year</u>	<u>5 year</u>	<u>10 year</u>
R3N3X	\$263.20	\$248.20	\$221.40

(c) STN Interconnection with SecureNet Equipped MegaLink Custom Service - AR Zone 3

<u>USOC</u>	<u>3 year</u>	<u>5 year</u>	<u>10 year</u>
R3N3X	\$263.20	\$248.20	\$221.40

(N)

Rates contained in this transmittal are subject to subsequent adjustment, effective retrospectively back to the transmittal's original effective date, in the event the Commission or a court subsequently authorizes SWBT to correct its rates pursuant to pending motions, or petitions for reconsideration or waiver (and including, but not limited to, any application for Review of the letter from Lawrence E. Strickling, Chief, Common Carrier bureau, FCC, to Dale Robertson, SBC, dated May 18, 1999 which may be filed with the Commission), or in the event of any other adjustment pursuant to an order of the Commission or a court.

(This page filed under Transmittal No. 2837)

Issued: July 27, 2000

Effective: August 11, 2000

Four AT&T Plaza, Dallas, Texas 75202

ACCESS SERVICE

(N)

20. MegaLink Custom Services (Cont'd)20.15 Billing Periods - Service Established between July 1, 2000 and**August 10, 2000 (Cont'd)**20.15.1 Rates and Charges (Cont'd)(G) Optional Features, BSEs and Functions (Cont'd)(7) STN Interconnection with SecureNet Equipped MegaLink Custom Service Monthly Recurring Rates (Cont'd)

per DS3, per Interconnection

(d) STN Interconnection with SecureNet Equipped MegaLink Custom Service - KS Zone 1

USOC	3 year	5 year	10 year
R3N3X	\$263.20	\$248.20	\$221.40

(e) STN Interconnection with SecureNet Equipped MegaLink Custom Service - KS Zone 2

USOC	3 year	5 year	10 year
R3N3X	\$263.20	\$248.20	\$221.40

(f) STN Interconnection with SecureNet Equipped MegaLink Custom Service - KS Zone 3

USOC	3 year	5 year	10 year
R3N3X	\$263.20	\$248.20	\$221.40

(g) STN Interconnection with SecureNet Equipped MegaLink Custom Service - MO Zone 1

USOC	3 year	5 year	10 year
R3N3X	\$263.20	\$248.20	\$221.40

(h) STN Interconnection with SecureNet Equipped MegaLink Custom Service - MO Zone 2

USOC	3 year	5 year	10 year
R3N3X	\$263.20	\$248.20	\$221.40

(i) STN Interconnection with SecureNet Equipped MegaLink Custom Service - MO Zone 3

USOC	3 year	5 year	10 year
R3N3X	\$263.20	\$248.20	\$221.40

Rates contained in this transmittal are subject to subsequent adjustment, effective retrospectively back to the transmittal's original effective date, in the event the Commission or a court subsequently authorizes SWBT to correct its rates pursuant to pending motions, or petitions for reconsideration or waiver (and including, but not limited to, any application for Review of the letter from Lawrence E. Strickling, Chief, Common Carrier bureau, FCC, to Dale Robertson, SBC, dated May 18, 1999 which may be filed with the Commission), or in the event of any other adjustment pursuant to an order of the Commission or a court.

(This page filed under Transmittal No. 2837)

Issued: July 27, 2000

Effective: August 11, 2000

Four AT&T Plaza, Dallas, Texas 75202

ACCESS SERVICE

(N)

20. MegaLink Custom Services (Cont'd)20.15 Billing Periods - Service Established between July 1, 2000 and August 10, 2000 (Cont'd)20.15.1 Rates and Charges (Cont'd)(G) Optional Features, BSEs and Functions (Cont'd)(7) STN Interconnection with SecureNet Equipped MegaLink Custom Service Monthly Recurring Rates (Cont'd)

per DS3, per Interconnection

(j) STN Interconnection with SecureNet Equipped MegaLink Custom Service - OK Zone 1

<u>USOC</u>	<u>3 year</u>	<u>5 year</u>	<u>10 year</u>
R3N3X	\$263.20	\$248.20	\$221.40

(k) STN Interconnection with SecureNet Equipped MegaLink Custom Service - OK Zone 2

<u>USOC</u>	<u>3 year</u>	<u>5 year</u>	<u>10 year</u>
R3N3X	\$263.20	\$248.20	\$221.40

(l) STN Interconnection with SecureNet Equipped MegaLink Custom Service - OK Zone 3

<u>USOC</u>	<u>3 year</u>	<u>5 year</u>	<u>10 year</u>
R3N3X	\$263.20	\$248.20	\$221.40

Rates contained in this transmittal are subject to subsequent adjustment, effective retrospectively back to the transmittal's original effective date, in the event the Commission or a court subsequently authorizes SWBT to correct its rates pursuant to pending motions, or petitions for reconsideration or waiver (and including, but not limited to, any application for Review of the letter from Lawrence E. Strickling, Chief, Common Carrier bureau, FCC, to Dale Robertson, SBC, dated May 18, 1999 which may be filed with the Commission), or in the event of any other adjustment pursuant to an order of the Commission or a court.

(This page filed under Transmittal No. 2837)

Issued: July 27, 2000

Effective: August 11, 2000

Four AT&T Plaza, Dallas, Texas 75202

ACCESS SERVICE

20. MegaLink Custom Services (Cont'd)

(N)

20.15 Blling Periods - Service Established between July 1, 2000 and**August 10, 2000 (Cont'd)**20.15.1 Rates and Charges (Cont'd)(G) Optional Features, BSEs and Functions (Cont'd)(7) STN Interconnection with SecureNet Equipped MegaLink Custom Service Monthly Recurring Rates (Cont'd)

per DS3, per Interconnection

(m) STN Interconnection with SecureNet Equipped MegaLink Custom Service - TX Zone 1

<u>USOC</u>	<u>3 year</u>	<u>5 year</u>	<u>10 year</u>
R3N3X	\$263.20	\$248.20	\$221.40

(n) STN Interconnection with SecureNet Equipped MegaLink Custom Service - TX Zone 2

<u>USOC</u>	<u>3 year</u>	<u>5 year</u>	<u>10 year</u>
R3N3X	\$263.20	\$248.20	\$221.40

(o) STN Interconnection with SecureNet Equipped MegaLink Custom Service - TX Zone 3

<u>USOC</u>	<u>3 year</u>	<u>5 year</u>	<u>10 year</u>
R3N3X	\$263.20	\$248.20	\$221.40

Rates contained in this transmittal are subject to subsequent adjustment, effective retrospectively back to the transmittal's original effective date, in the event the Commission or a court subsequently authorizes SWBT to correct its rates pursuant to pending motions, or petitions for reconsideration or waiver (and including, but not limited to, any application for Review of the letter from Lawrence E. Strickling, Chief, Common Carrier bureau, FCC, to Dale Robertson, SBC, dated May 18, 1999 which may be filed with the Commission), or in the event of any other adjustment pursuant to an order of the Commission or a court.

(This page filed under Transmittal No. 2837)

Issued: July 27, 2000

Effective: August 11, 2000

Four AT&T Plaza, Dallas, Texas 75202

ACCESS SERVICE

20. MegaLink Custom Services (Cont'd)

(N)

20.15 Billing Periods - Service Established between July 1, 2000 and August 10, 2000 (Cont'd)20.15.1 Rates and Charges (Cont'd)(G) Optional Features, BSEs and Functions (Cont'd)(8) STN Interconnection with SecureNet Equipped MegaLink Custom Service Installation Charges

per DS3, per Interconnection

(a) STN Interconnection with SecureNet Equipped MegaLink Custom Service - AR Zone 1

<u>USOC</u>	<u>3 year</u>	<u>5 year</u>	<u>10 year</u>
	\$149.00	\$ 0.00	\$ 0.00

(b) STN Interconnection with SecureNet Equipped MegaLink Custom Service - AR Zone 2

<u>USOC</u>	<u>3 year</u>	<u>5 year</u>	<u>10 year</u>
	\$149.00	\$ 0.00	\$ 0.00

(c) STN Interconnection with SecureNet Equipped MegaLink Custom Service - AR Zone 3

<u>USOC</u>	<u>3 year</u>	<u>5 year</u>	<u>10 year</u>
	\$149.00	\$ 0.00	\$ 0.00

Rates contained in this transmittal are subject to subsequent adjustment, effective retrospectively back to the transmittal's original effective date, in the event the Commission or a court subsequently authorizes SWBT to correct its rates pursuant to pending motions, or petitions for reconsideration or waiver (and including, but not limited to, any application for Review of the letter from Lawrence E. Strickling, Chief, Common Carrier bureau, FCC, to Dale Robertson, SBC, dated May 18, 1999 which may be filed with the Commission), or in the event of any other adjustment pursuant to an order of the Commission or a court.

(This page filed under Transmittal No. 2837)

Issued: July 27, 2000

Effective: August 11, 2000

Four AT&T Plaza, Dallas, Texas 75202

ACCESS SERVICE

(N)

20. MegaLink Custom Services (Cont'd)20.15 Billing Periods - Service Established between July 1, 2000 and August 10, 2000 (Cont'd)20.15.1 Rates and Charges (Cont'd)(G) Optional Features, BSEs and Functions (Cont'd)(8) STN Interconnection with SecureNet Equipped MegaLink Custom Service Installation Charges (Cont'd)

per DS3, per Interconnection

(d) STN Interconnection with SecureNet Equipped MegaLink Custom Service - KS Zone 1

<u>USOC</u>	<u>3 year</u>	<u>5 year</u>	<u>10 year</u>
	\$149.00	\$ 0.00	\$ 0.00

(e) STN Interconnection with SecureNet Equipped MegaLink Custom Service - KS Zone 2

<u>USOC</u>	<u>3 year</u>	<u>5 year</u>	<u>10 year</u>
	\$149.00	\$ 0.00	\$ 0.00

(f) STN Interconnection with SecureNet Equipped MegaLink Custom Service - KS Zone 3

<u>USOC</u>	<u>3 year</u>	<u>5 year</u>	<u>10 year</u>
	\$149.00	\$ 0.00	\$ 0.00

(g) STN Interconnection with SecureNet Equipped MegaLink Custom Service - MO Zone 1

<u>USOC</u>	<u>3 year</u>	<u>5 year</u>	<u>10 year</u>
	\$149.00	\$ 0.00	\$ 0.00

(h) STN Interconnection with SecureNet Equipped MegaLink Custom Service - MO Zone 2

<u>USOC</u>	<u>3 year</u>	<u>5 year</u>	<u>10 year</u>
	\$149.00	\$ 0.00	\$ 0.00

(i) STN Interconnection with SecureNet Equipped MegaLink Custom Service - MO Zone 3

<u>USOC</u>	<u>3 year</u>	<u>5 year</u>	<u>10 year</u>
	\$149.00	\$ 0.00	\$ 0.00

Rates contained in this transmittal are subject to subsequent adjustment, effective retrospectively back to the transmittal's original effective date, in the event the Commission or a court subsequently authorizes SWBT to correct its rates pursuant to pending motions, or petitions for reconsideration or waiver (and including, but not limited to, any application for Review of the letter from Lawrence E. Strickling, Chief, Common Carrier bureau, FCC, to Dale Robertson, SBC, dated May 18, 1999 which may be filed with the Commission), or in the event of any other adjustment pursuant to an order of the Commission or a court.

(This page filed under Transmittal No. 2837)

Issued: July 27, 2000

Effective: August 11, 2000

Four AT&T Plaza, Dallas, Texas 75202

ACCESS SERVICE

(N)

20. MegaLink Custom Services (Cont'd)20.15 Billing Periods - Service Established between July 1, 2000 and August 10, 2000 (Cont'd)20.15.1 Rates and Charges (Cont'd)(G) Optional Features, BSEs and Functions (Cont'd)(8) STN Interconnection with SecureNet Equipped MegaLink Custom Service Installation Charges (Cont'd)

per DS3, per Interconnection

(j) STN Interconnection with SecureNet Equipped MegaLink Custom Service - OK Zone 1

<u>USOC</u>	<u>3 year</u>	<u>5 year</u>	<u>10 year</u>
	\$149.00	\$ 0.00	\$ 0.00

(k) STN Interconnection with SecureNet Equipped MegaLink Custom Service - OK Zone 2

<u>USOC</u>	<u>3 year</u>	<u>5 year</u>	<u>10 year</u>
	\$149.00	\$ 0.00	\$ 0.00

(l) STN Interconnection with SecureNet Equipped MegaLink Custom Service - OK Zone 3

<u>USOC</u>	<u>3 year</u>	<u>5 year</u>	<u>10 year</u>
	\$149.00	\$ 0.00	\$ 0.00

Rates contained in this transmittal are subject to subsequent adjustment, effective retrospectively back to the transmittal's original effective date, in the event the Commission or a court subsequently authorizes SWBT to correct its rates pursuant to pending motions, or petitions for reconsideration or waiver (and including, but not limited to, any application for Review of the letter from Lawrence E. Strickling, Chief, Common Carrier bureau, FCC, to Dale Robertson, SBC, dated May 18, 1999 which may be filed with the Commission), or in the event of any other adjustment pursuant to an order of the Commission or a court.

(This page filed under Transmittal No. 2837)

Issued: July 27, 2000

Effective: August 11, 2000

Four AT&T Plaza, Dallas, Texas 75202

ACCESS SERVICE

(N)

20. MegaLink Custom Services (Cont'd)20.15 Billing Periods - Service Established between July 1, 2000 and August 10, 2000 (Cont'd)20.15.1 Rates and Charges (Cont'd)(G) Optional Features, BSEs and Functions (Cont'd)(8) STN Interconnection with SecureNet Equipped MegaLink Custom Service Installation Charges (Cont'd)

per DS3, per Interconnection

(m) STN Interconnection with SecureNet Equipped MegaLink Custom Service - TX Zone 1

<u>USOC</u>	<u>3 year</u>	<u>5 year</u>	<u>10 year</u>
	\$149.00	\$ 0.00	\$ 0.00

(n) STN Interconnection with SecureNet Equipped MegaLink Custom Service - TX Zone 2

<u>USOC</u>	<u>3 year</u>	<u>5 year</u>	<u>10 year</u>
	\$149.00	\$ 0.00	\$ 0.00

(o) STN Interconnection with SecureNet Equipped MegaLink Custom Service - TX Zone 3

<u>USOC</u>	<u>3 year</u>	<u>5 year</u>	<u>10 year</u>
	\$149.00	\$ 0.00	\$ 0.00

Rates contained in this transmittal are subject to subsequent adjustment, effective retrospectively back to the transmittal's original effective date, in the event the Commission or a court subsequently authorizes SWBT to correct its rates pursuant to pending motions, or petitions for reconsideration or waiver (and including, but not limited to, any application for Review of the letter from Lawrence E. Strickling, Chief, Common Carrier bureau, FCC, to Dale Robertson, SBC, dated May 18, 1999 which may be filed with the Commission), or in the event of any other adjustment pursuant to an order of the Commission or a court.

(This page filed under Transmittal No. 2837)

Issued: July 27, 2000

Effective: August 11, 2000

Four AT&T Plaza, Dallas, Texas 75202

ACCESS SERVICE

20. MegaLink Custom Services (Cont'd)

(N)

20.15 Billing Periods - Service Established between July 1, 2000 and**August 10, 2000 (Cont'd)**20.15.1 Rates and Charges (Cont'd)(G) Optional Features, BSEs and Functions (Cont'd)(9) SFM Installation Charge

Per existing MegaLink Custom Service(s) moving to another MegaLink Custom Service or ReliaNet DS3/EC-1, on a first and additional basis.

(a) SFM AR Zone 1

	<u>USOC</u>	<u>Installation Charge</u>
First	NRBR3	\$135.00
Additional	NRBR3	\$104.00

(b) SFM AR Zone 2

	<u>USOC</u>	<u>Installation Charge</u>
First	NRBR3	\$135.00
Additional	NRBR3	\$104.00

(c) SFM AR Zone 3

	<u>USOC</u>	<u>Installation Charge</u>
First	NRBR3	\$135.00
Additional	NRBR3	\$104.00

Rates contained in this transmittal are subject to subsequent adjustment, effective retrospectively back to the transmittal's original effective date, in the event the Commission or a court subsequently authorizes SWBT to correct its rates pursuant to pending motions, or petitions for reconsideration or waiver (and including, but not limited to, any application for Review of the letter from Lawrence E. Strickling, Chief, Common Carrier bureau, FCC, to Dale Robertson, SBC, dated May 18, 1999 which may be filed with the Commission), or in the event of any other adjustment pursuant to an order of the Commission or a court.

(This page filed under Transmittal No. 2837)

Issued: July 27, 2000

Effective: August 11, 2000

Four AT&T Plaza, Dallas, Texas 75202

ACCESS SERVICE

20. MegaLink Custom Services (Cont'd)

(N)

20.15 Billing Periods - Service Established between July 1, 2000 and**August 10, 2000 (Cont'd)**20.15.1 Rates and Charges (Cont'd)(G) Optional Features, BSEs and Functions (Cont'd)(9) SFM Installation Charge (Cont'd)

Per existing MegaLink Custom Service(s) moving to another MegaLink Custom Service or ReliaNet DS3/EC-1, on a first and additional basis.

(d) SFM KS Zone 1

	<u>USOC</u>	<u>Installation Charge</u>
First	NRBR3	\$135.00
Additional	NRBR3	\$104.00

(e) SFM KS Zone 2

	<u>USOC</u>	<u>Installation Charge</u>
First	NRBR3	\$135.00
Additional	NRBR3	\$104.00

(f) SFM KS Zone 3

	<u>USOC</u>	<u>Installation Charge</u>
First	NRBR3	\$135.00
Additional	NRBR3	\$104.00

(g) SFM MO Zone 1

	<u>USOC</u>	<u>Installation Charge</u>
First	NRBR3	\$135.00
Additional	NRBR3	\$104.00

(h) SFM MO Zone 2

	<u>USOC</u>	<u>Installation Charge</u>
First	NRBR3	\$135.00
Additional	NRBR3	\$104.00

(i) SFM MO Zone 3

	<u>USOC</u>	<u>Installation Charge</u>
First	NRBR3	\$135.00
Additional	NRBR3	\$104.00

(N)

Rates contained in this transmittal are subject to subsequent adjustment, effective retrospectively back to the transmittal's original effective date, in the event the Commission or a court subsequently authorizes SWBT to correct its rates pursuant to pending motions, or petitions for reconsideration or waiver (and including, but not limited to, any application for Review of the letter from Lawrence E. Strickling, Chief, Common Carrier bureau, FCC, to Dale Robertson, SBC, dated May 18, 1999 which may be filed with the Commission), or in the event of any other adjustment

(This page filed under Transmittal No. 2837)

Issued: July 27, 2000

Effective: August 11, 2000

Four AT&T Plaza, Dallas, Texas 75202

ACCESS SERVICE

20. MegaLink Custom Services (Cont'd)

(N)

20.15 Billing Periods - Service Established between July 1, 2000 and**August 10, 2000 (Cont'd)**20.15.1 Rates and Charges (Cont'd)(G) Optional Features, BSEs and Functions (Cont'd)(9) SFM Installation Charge (Cont'd)

Per existing MegaLink Custom Service(s) moving to another MegaLink Custom Service or ReliaNet DS3/EC-1, on a first and additional basis.

(j) SFM OK Zone 1

	<u>USOC</u>	<u>Installation Charge</u>
First	NRBR3	\$135.00
Additional	NRBR3	\$104.00

(k) SFM OK Zone 2

	<u>USOC</u>	<u>Installation Charge</u>
First	NRBR3	\$135.00
Additional	NRBR3	\$104.00

(l) SFM OK Zone 3

	<u>USOC</u>	<u>Installation Charge</u>
First	NRBR3	\$135.00
Additional	NRBR3	\$104.00

(N)

Rates contained in this transmittal are subject to subsequent adjustment, effective retrospectively back to the transmittal's original effective date, in the event the Commission or a court subsequently authorizes SWBT to correct its rates pursuant to pending motions, or petitions for reconsideration or waiver (and including, but not limited to, any application for Review of the letter from Lawrence E. Strickling, Chief, Common Carrier bureau, FCC, to Dale Robertson, SBC, dated May 18, 1999 which may be filed with the Commission), or in the event of any other adjustment pursuant to an order of the Commission or a court.

(This page filed under Transmittal No. 2837)

Issued: July 27, 2000

Effective: August 11, 2000

Four AT&T Plaza, Dallas, Texas 75202

ACCESS SERVICE

20. MegaLink Custom Services (Cont'd)

(N)

20.15 Billing Periods - Service Established between July 1, 2000 and**August 10, 2000 (Cont'd)**20.15.1 Rates and Charges (Cont'd)(G) Optional Features, BSEs and Functions (Cont'd)(9) SFM Installation Charge (Cont'd)

Per existing MegaLink Custom Service(s) moving to another MegaLink Custom Service or ReliaNet DS3/EC-1, on a first and additional basis.

(m) SFM OK Zone 1

	<u>USOC</u>	<u>Installation Charge</u>
First	NRBR3	\$135.00
Additional	NRBR3	\$104.00

(n) SFM OK Zone 2

	<u>USOC</u>	<u>Installation Charge</u>
First	NRBR3	\$135.00
Additional	NRBR3	\$104.00

(o) SFM OK Zone 3

	<u>USOC</u>	<u>Installation Charge</u>
First	NRBR3	\$135.00
Additional	NRBR3	\$104.00

(10) C-Bit Parity Framing Format Option per existing DS3

	<u>USOC</u>	<u>Installation Charge</u>
First	NRBPP	\$ 26.00
Additional	NRBPP	\$ 10.00

(N)

Rates contained in this transmittal are subject to subsequent adjustment, effective retrospectively back to the transmittal's original effective date, in the event the Commission or a court subsequently authorizes SWBT to correct its rates pursuant to pending motions, or petitions for reconsideration or waiver (and including, but not limited to, any application for Review of the letter from Lawrence E. Strickling, Chief, Common Carrier bureau, FCC, to Dale Robertson, SBC, dated May 18, 1999 which may be filed with the Commission), or in the event of any other adjustment pursuant to an order of the Commission or a court.

(This page filed under Transmittal No. 2837)

Issued: July 27, 2000

Effective: August 11, 2000

Four AT&T Plaza, Dallas, Texas 75202

ACCESS SERVICE

20. MegaLink Custom Services (Cont'd)

(N)

20.15 Billing Periods - Service Established between July 1, 2000 and August 10, 2000 (Cont'd)20.15.1 Rates and Charges (Cont'd)(H) Administrative Charges(1) Service Rearrangement Nonrecurring Charges

Per DS3 or DS3 equivalent on the same Access Order for one or any combination of changes as set forth in Section 20.4.2(E).

(a) Service Rearrangement - AR Zone 1

	<u>USOC</u>	<u>Nonrecurring Charge</u>
First	NRBAC	\$ 9.00
Additional	NRBAC	\$ 5.00

(b) Service Rearrangement - AR Zone 2

	<u>USOC</u>	<u>Nonrecurring Charge</u>
First	NRBAC	\$ 9.00
Additional	NRBAC	\$ 5.00

(c) Service Rearrangement - AR Zone 3

	<u>USOC</u>	<u>Nonrecurring Charge</u>
First	NRBAC	\$ 9.00
Additional	NRBAC	\$ 5.00

(d) Service Rearrangement - KS Zone 1

	<u>USOC</u>	<u>Nonrecurring Charge</u>
First	NRBAC	\$ 9.00
Additional	NRBAC	\$ 5.00

(e) Service Rearrangement - KS Zone 2

	<u>USOC</u>	<u>Nonrecurring Charge</u>
First	NRBAC	\$ 9.00
Additional	NRBAC	\$ 5.00

(f) Service Rearrangement - KS Zone 3

	<u>USOC</u>	<u>Nonrecurring Charge</u>
First	NRBAC	\$ 9.00
Additional	NRBAC	\$ 5.00

Rates contained in this transmittal are subject to subsequent adjustment, effective retrospectively back to the transmittal's original effective date, in the event the Commission or a court subsequently authorizes SWBT to correct its rates pursuant to pending motions, or petitions for reconsideration or waiver (and including, but not limited to, any application for Review of the letter from Lawrence E. Strickling, Chief, Common Carrier bureau, FCC, to Dale Robertson, SBC, dated May 18, 1999 which may be filed with the Commission), or in the event of any other adjustment pursuant to an order of the Commission or a court.

(This page filed under Transmittal No. 2837)

Issued: July 27, 2000

Effective: August 11, 2000

Four AT&T Plaza, Dallas, Texas 75202

ACCESS SERVICE

20. MegaLink Custom Services (Cont'd)

(N)

20.15 Billing Periods - Service Established between July 1, 2000 and August 10, 2000 (Cont'd)

20.15.1 Rates and Charges (Cont'd)(H) Administrative Charges (Cont'd)(1) Service Rearrangement Nonrecurring Charges (Cont'd)(g) Service Rearrangement - MO Zone 1

	<u>USOC</u>	<u>Nonrecurring Charge</u>
First	NRBAC	\$ 9.00
Additional	NRBAC	\$ 5.00

(h) Service Rearrangement - MO Zone 2

	<u>USOC</u>	<u>Nonrecurring Charge</u>
First	NRBAC	\$ 9.00
Additional	NRBAC	\$ 5.00

(i) Service Rearrangement - MO Zone 3

	<u>USOC</u>	<u>Nonrecurring Charge</u>
First	NRBAC	\$ 9.00
Additional	NRBAC	\$ 5.00

(j) Service Rearrangement - OK Zone 1

	<u>USOC</u>	<u>Nonrecurring Charge</u>
First	NRBAC	\$ 9.00
Additional	NRBAC	\$ 5.00

(k) Service Rearrangement - OK Zone 2

	<u>USOC</u>	<u>Nonrecurring Charge</u>
First	NRBAC	\$ 9.00
Additional	NRBAC	\$ 5.00

(l) Service Rearrangement - OK Zone 3

	<u>USOC</u>	<u>Nonrecurring Charge</u>
First	NRBAC	\$ 9.00
Additional	NRBAC	\$ 5.00

(N)

Rates contained in this transmittal are subject to subsequent adjustment, effective retrospectively back to the transmittal's original effective date, in the event the Commission or a court subsequently authorizes SWBT to correct its rates pursuant to pending motions, or petitions for reconsideration or waiver (and including, but not limited to, any application for Review of the letter from Lawrence E. Strickling, Chief, Common Carrier bureau, FCC, to Dale Robertson, SBC, dated May 18, 1999 which may be filed with the Commission), or in the event of any other adjustment pursuant to an order of the Commission or a court.

(This page filed under Transmittal No. 2837)

Issued: July 27, 2000

Effective: August 11, 2000

Four AT&T Plaza, Dallas, Texas 75202

ACCESS SERVICE

(N)

20. MegaLink Custom Services (Cont'd)

20.15 Billing Periods - Service Established between July 1, 2000 and August 10, 2000 (Cont'd)

20.15.1 Rates and Charges (Cont'd)

(H) Administrative Charges (Cont'd)

(l) Service Rearrangement Nonrecurring Charges (Cont'd)

(m) Service Rearrangement - TX Zone 1

	<u>USOC</u>	<u>Nonrecurring Charge</u>
First	NRBAC	\$ 9.00
Additional	NRBAC	\$ 5.00

(n) Service Rearrangement - TX Zone 2

	<u>USOC</u>	<u>Nonrecurring Charge</u>
First	NRBAC	\$ 9.00
Additional	NRBAC	\$ 5.00

(o) Service Rearrangement - TX Zone 3

	<u>USOC</u>	<u>Nonrecurring Charge</u>
First	NRBAC	\$ 9.00
Additional	NRBAC	\$ 5.00

(I) Collocation Transport

	<u>USOC</u>	<u>Monthly Rate</u>		<u>Nonrecurring Charges</u>	
		<u>Fixed</u>	<u>Per Mile</u>	<u>1st Ckt.</u>	<u>Addl Ckt.</u>
44.736 Mbps (1H48S)					
3 Year		\$600.00	\$ 75.00	\$303.00	\$248.00
5 Year		\$500.00	\$ 50.00	\$ 0.00	\$ 0.00

Rates contained in this transmittal are subject to subsequent adjustment, effective retrospectively back to the transmittal's original effective date, in the event the Commission or a court subsequently authorizes SWBT to correct its rates pursuant to pending motions, or petitions for reconsideration or waiver (and including, but not limited to, any application for Review of the letter from Lawrence E. Strickling, Chief, Common Carrier bureau, FCC, to Dale Robertson, SBC, dated May 18, 1999 which may be filed with the Commission), or in the event of any other adjustment pursuant to an order of the Commission or a court.

(This page filed under Transmittal No. 2837)

Issued: July 27, 2000

Effective: August 11, 2000

Four AT&T Plaza, Dallas, Texas 75202

ACCESS SERVICE

20. MegaLink Custom Services (Cont'd)

(N)

20.16 Billing Periods - Service Established between August 11, 2000 and September 29, 200020.16.1 Rates and Charges

Rates and charges for Arkansas, Kansas, Missouri, Oklahoma and Texas will be applied based on Pricing Zones as contained below.

(A) Channel Termination - Electrical - per Volume Option, per customer premises

(1) Electrical Channel Termination - AR - Zone 1

<u>Volume Option*</u>	<u>USOC</u>	<u>3 year</u>	<u>5 year</u>	<u>10 year</u>
1	TUZPX	\$ 1,250.00	\$ 1,025.00	\$ 1,025.00
3	TUZPX	\$ 3,560.00	\$ 2,920.00	\$ 2,920.00
6	TUZPX	\$ 6,750.00	\$ 5,540.00	\$ 5,540.00
12	TUZPX	\$11,250.00	\$ 9,230.00	\$ 9,230.00

(2) Electrical Channel Termination - AR - Zone 2

<u>Volume Option*</u>	<u>USOC</u>	<u>3 year</u>	<u>5 year</u>	<u>10 year</u>
1	TUZPX	\$ 1,300.00	\$ 1,075.00	\$ 1,075.00
3	TUZPX	\$ 3,710.00	\$ 3,060.00	\$ 3,060.00
6	TUZPX	\$ 7,020.00	\$ 5,810.00	\$ 5,810.00
12	TUZPX	\$11,700.00	\$ 9,680.00	\$ 9,680.00

(3) Electrical Channel Termination - AR - Zone 3

<u>Volume Option*</u>	<u>USOC</u>	<u>3 year</u>	<u>5 year</u>	<u>10 year</u>
1	TUZPX	\$ 1,400.00	\$ 1,175.00	\$ 1,175.00
3	TUZPX	\$ 3,990.00	\$ 3,350.00	\$ 3,350.00
6	TUZPX	\$ 7,560.00	\$ 6,350.00	\$ 6,350.00
12	TUZPX	\$12,600.00	\$10,580.00	\$10,580.00

* Volume Option specifies the number of DS3s or DS3 equivalents.

(This page filed under Transmittal No. 2845)

Issued: September 15, 2000

Effective: September 30, 2000

Four AT&T Plaza, Dallas, Texas 75202

ACCESS SERVICE

20. MegaLink Custom Services (Cont'd)20.16 Billing Periods - Service Established between August 11, 2000 and September 29, 2000 (Cont'd)20.16.1 Rates and Charges (Cont'd)(A) Channel Termination - Electrical - per Volume Option, per customer premises (Cont'd)(4) Electrical Channel Termination - KS - Zone 1

Volume Option*	USOC	3 year	5 year	10 year
1	TUZPX	\$ 1,250.00	\$ 1,025.00	\$ 1,025.00
3	TUZPX	\$ 3,560.00	\$ 2,920.00	\$ 2,920.00
6	TUZPX	\$ 6,750.00	\$ 5,540.00	\$ 5,540.00
12	TUZPX	\$11,250.00	\$ 9,230.00	\$ 9,230.00

(5) Electrical Channel Termination - KS - Zone 2

Volume Option*	USOC	3 year	5 year	10 year
1	TUZPX	\$ 1,300.00	\$ 1,075.00	\$ 1,075.00
3	TUZPX	\$ 3,710.00	\$ 3,060.00	\$ 3,060.00
6	TUZPX	\$ 7,020.00	\$ 5,810.00	\$ 5,810.00
12	TUZPX	\$11,700.00	\$ 9,680.00	\$ 9,680.00

(6) Electrical Channel Termination - KS - Zone 3

Volume Option*	USOC	3 year	5 year	10 year
1	TUZPX	\$ 1,400.00	\$ 1,175.00	\$ 1,175.00
3	TUZPX	\$ 3,990.00	\$ 3,350.00	\$ 3,350.00
6	TUZPX	\$ 7,560.00	\$ 6,350.00	\$ 6,350.00
12	TUZPX	\$12,600.00	\$10,580.00	\$10,580.00

* Volume Option specifies the number of DS3s or DS3 equivalents.

(This page filed under Transmittal No. 2845)

Issued: September 15, 2000

Effective: September 30, 2000

Four AT&T Plaza, Dallas, Texas 75202

(N)

(N)

ACCESS SERVICE

20. MegaLink Custom Services (Cont'd)

(N)

20.16 Billing Periods - Service Established between August 11,2000 and September 29, 2000 (Cont'd)20.16.1 Rates and Charges (Cont'd)(A) Channel Termination - Electrical - per Volume Option, per customer premises (Cont'd)(7) Electrical Channel Termination - MO - Zone 1

<u>Volume Option*</u>	<u>USOC</u>	<u>3 year</u>	<u>5 year</u>	<u>10 year</u>
1	TUZPX	\$ 1,250.00	\$ 1,025.00	\$ 1,025.00
3	TUZPX	\$ 3,560.00	\$ 2,920.00	\$ 2,920.00
6	TUZPX	\$ 6,750.00	\$ 5,540.00	\$ 5,540.00
12	TUZPX	\$11,250.00	\$ 9,230.00	\$ 9,230.00

(8) Electrical Channel Termination - MO - Zone 2

<u>Volume Option*</u>	<u>USOC</u>	<u>3 year</u>	<u>5 year</u>	<u>10 year</u>
1	TUZPX	\$ 1,300.00	\$ 1,075.00	\$ 1,075.00
3	TUZPX	\$ 3,710.00	\$ 3,060.00	\$ 3,060.00
6	TUZPX	\$ 7,020.00	\$ 5,810.00	\$ 5,810.00
12	TUZPX	\$11,700.00	\$ 9,680.00	\$ 9,680.00

(9) Electrical Channel Termination - MO - Zone 3

<u>Volume Option*</u>	<u>USOC</u>	<u>3 year</u>	<u>5 year</u>	<u>10 year</u>
1	TUZPX	\$ 1,400.00	\$ 1,175.00	\$ 1,175.00
3	TUZPX	\$ 3,990.00	\$ 3,350.00	\$ 3,350.00
6	TUZPX	\$ 7,560.00	\$ 6,350.00	\$ 6,350.00
12	TUZPX	\$12,600.00	\$10,580.00	\$10,580.00

(N)

* Volume Option specifies the number of DS3s or DS3 equivalents.

(This page filed under Transmittal No. 2845)

Issued: September 15, 2000

Effective: September 30, 2000

Four AT&T Plaza, Dallas, Texas 75202

ACCESS SERVICE

20. MegaLink Custom Services (Cont'd)

(N)

20.16 Billing Periods - Service Established between August 11, 2000 and September 29, 2000 (Cont'd)20.16.1 Rates and Charges (Cont'd)(A) Channel Termination - Electrical - per Volume Option, per customer premises (Cont'd)(10) Electrical Channel Termination - OK - Zone 1

<u>Volume Option*</u>	<u>USOC</u>	<u>3 year</u>	<u>5 year</u>	<u>10 year</u>
1	TUZPX	\$ 1,250.00	\$ 1,025.00	\$ 1,025.00
3	TUZPX	\$ 3,560.00	\$ 2,920.00	\$ 2,920.00
6	TUZPX	\$ 6,750.00	\$ 5,540.00	\$ 5,540.00
12	TUZPX	\$11,250.00	\$ 9,230.00	\$ 9,230.00

(11) Electrical Channel Termination - OK - Zone 2

<u>Volume Option*</u>	<u>USOC</u>	<u>3 year</u>	<u>5 year</u>	<u>10 year</u>
1	TUZPX	\$ 1,300.00	\$ 1,075.00	\$ 1,075.00
3	TUZPX	\$ 3,710.00	\$ 3,060.00	\$ 3,060.00
6	TUZPX	\$ 7,020.00	\$ 5,810.00	\$ 5,810.00
12	TUZPX	\$11,700.00	\$ 9,680.00	\$ 9,680.00

(12) Electrical Channel Termination - OK - Zone 3

<u>Volume Option*</u>	<u>USOC</u>	<u>3 year</u>	<u>5 year</u>	<u>10 year</u>
1	TUZPX	\$ 1,400.00	\$ 1,175.00	\$ 1,175.00
3	TUZPX	\$ 3,990.00	\$ 3,350.00	\$ 3,350.00
6	TUZPX	\$ 7,560.00	\$ 6,350.00	\$ 6,350.00
12	TUZPX	\$12,600.00	\$10,580.00	\$10,580.00

* Volume Option specifies the number of DS3s or DS3 equivalents.

(N)

(This page filed under Transmittal No. 2845)

Issued: September 15, 2000

Effective: September 30, 2000

Four AT&T Plaza, Dallas, Texas 75202

ACCESS SERVICE

20. MegaLink Custom Services (Cont'd)

(N)

20.16 Billing Periods - Service Established between August 11, 2000 and September 29, 2000 (Cont'd)20.16.1 Rates and Charges (Cont'd)(A) Channel Termination - Electrical - per Volume Option, per customer premises (Cont'd)(13) Electrical Channel Termination - TX - Zone 1

<u>Volume Option*</u>	<u>USOC</u>	<u>3 year</u>	<u>5 year</u>	<u>10 year</u>
1	TUZPX	\$ 1,250.00	\$ 1,025.00	\$ 1,025.00
3	TUZPX	\$ 3,560.00	\$ 2,920.00	\$ 2,920.00
6	TUZPX	\$ 6,750.00	\$ 5,540.00	\$ 5,540.00
12	TUZPX	\$11,250.00	\$ 9,230.00	\$ 9,230.00

(14) Electrical Channel Termination - TX - Zone 2

<u>Volume Option*</u>	<u>USOC</u>	<u>3 year</u>	<u>5 year</u>	<u>10 year</u>
1	TUZPX	\$ 1,300.00	\$ 1,075.00	\$ 1,075.00
3	TUZPX	\$ 3,710.00	\$ 3,060.00	\$ 3,060.00
6	TUZPX	\$ 7,020.00	\$ 5,810.00	\$ 5,810.00
12	TUZPX	\$11,700.00	\$ 9,680.00	\$ 9,680.00

(15) Electrical Channel Termination - TX - Zone 3

<u>Volume Option*</u>	<u>USOC</u>	<u>3 year</u>	<u>5 year</u>	<u>10 year</u>
1	TUZPX	\$ 1,400.00	\$ 1,175.00	\$ 1,175.00
3	TUZPX	\$ 3,990.00	\$ 3,350.00	\$ 3,350.00
6	TUZPX	\$ 7,560.00	\$ 6,350.00	\$ 6,350.00
12	TUZPX	\$12,600.00	\$10,580.00	\$10,580.00

* Volume Option specifies the number of DS3s or DS3 equivalents.

(This page filed under Transmittal No. 2845)

Issued: September 15, 2000

Effective: September 30, 2000

Four AT&T Plaza, Dallas, Texas 75202

ACCESS SERVICE

20. MegaLink Custom Services (Cont'd)

(N)

20.16 Billing Periods - Service Established between August 11, 2000 and September 29, 2000 (Cont'd)20.16.1 Rates and Charges (Cont'd)(B) Channel Termination - Optical - per Volume Option, per customer premises(1) Optical Channel Termination - AR - Zone 1

Volume Option*	USOC	3 year	5 year	10 year
1	TKZPX	\$ 1,645.00	\$ 1,492.00	\$ 1,430.00
3	TKZPX	\$ 4,361.00	\$ 3,953.00	\$ 3,524.00
6	TKZPX	\$ 7,804.00	\$ 7,075.00	\$ 6,305.00
12	TKZPX	\$13,771.00	\$12,406.00	\$11,128.00

(2) Optical Channel Termination - AR - Zone 2

Volume Option*	USOC	3 year	5 year	10 year
1	TKZPX	\$ 1,645.00	\$ 1,492.00	\$ 1,430.00
3	TKZPX	\$ 4,361.00	\$ 3,953.00	\$ 3,524.00
6	TKZPX	\$ 7,804.00	\$ 7,075.00	\$ 6,305.00
12	TKZPX	\$13,771.00	\$12,486.00	\$11,128.00

(3) Optical Channel Termination - AR - Zone 3

Volume Option*	USOC	3 year	5 year	10 year
1	TKZPX	\$ 1,645.00	\$ 1,492.00	\$ 1,430.00
3	TKZPX	\$ 4,361.00	\$ 3,953.00	\$ 3,524.00
6	TKZPX	\$ 7,804.00	\$ 7,075.00	\$ 6,305.00
12	TKZPX	\$13,771.00	\$12,486.00	\$11,128.00

* Volume Option specifies the number of DS3s or DS3 equivalents.

(N)

(This page filed under Transmittal No. 2845)

Issued: September 15, 2000

Effective: September 30, 2000

Four AT&T Plaza, Dallas, Texas 75202

ACCESS SERVICE

20. MegaLink Custom Services (Cont'd)

(N)

20.16 Billing Periods - Service Established between August 11, 2000 and September 29, 2000 (Cont'd)20.16.1 Rates and Charges (Cont'd)(B) Channel Termination - Optical - per Volume Option, per customer premises (Cont'd)(4) Optical Channel Termination - KS - Zone 1

<u>Volume Option*</u>	<u>USOC</u>	<u>3 year</u>	<u>5 year</u>	<u>10 year</u>
1	TKZPX	\$ 1,645.00	\$ 1,492.00	\$ 1,430.00
3	TKZPX	\$ 4,361.00	\$ 3,953.00	\$ 3,524.00
6	TKZPX	\$ 7,804.00	\$ 7,075.00	\$ 6,305.00
12	TKZPX	\$13,771.00	\$12,406.00	\$11,128.00

(5) Optical Channel Termination - KS - Zone 2

<u>Volume Option*</u>	<u>USOC</u>	<u>3 year</u>	<u>5 year</u>	<u>10 year</u>
1	TKZPX	\$ 1,645.00	\$ 1,492.00	\$ 1,430.00
3	TKZPX	\$ 4,361.00	\$ 3,953.00	\$ 3,524.00
6	TKZPX	\$ 7,804.00	\$ 7,075.00	\$ 6,305.00
12	TKZPX	\$13,771.00	\$12,486.00	\$11,128.00

(6) Optical Channel Termination - KS - Zone 3

<u>Volume Option*</u>	<u>USOC</u>	<u>3 year</u>	<u>5 year</u>	<u>10 year</u>
1	TKZPX	\$ 1,645.00	\$ 1,492.00	\$ 1,430.00
3	TKZPX	\$ 4,361.00	\$ 3,953.00	\$ 3,524.00
6	TKZPX	\$ 7,804.00	\$ 7,075.00	\$ 6,305.00
12	TKZPX	\$13,771.00	\$12,486.00	\$11,128.00

* Volume Option specifies the number of DS3s or DS3 equivalents.

(N)

(This page filed under Transmittal No. 2845)

Issued: September 15, 2000

Effective: September 30, 2000

Four AT&T Plaza, Dallas, Texas 75202

ACCESS SERVICE

20. MegaLink Custom Services (Cont'd)

(N)

20.16 Billing Periods - Service Established between August 11, 2000 and September 29, 2000 (Cont'd)20.16.1 Rates and Charges (Cont'd)(B) Channel Termination - Optical - per Volume Option, per customer premises (Cont'd)(7) Optical Channel Termination - MO - Zone 1

<u>Volume Option*</u>	<u>USOC</u>	<u>3 year</u>	<u>5 year</u>	<u>10 year</u>
1	TKZPX	\$ 1,645.00	\$ 1,492.00	\$ 1,430.00
3	TKZPX	\$ 4,361.00	\$ 3,953.00	\$ 3,524.00
6	TKZPX	\$ 7,804.00	\$ 7,075.00	\$ 6,305.00
12	TKZPX	\$13,771.00	\$12,406.00	\$11,128.00

(8) Optical Channel Termination - MO - Zone 2

<u>Volume Option*</u>	<u>USOC</u>	<u>3 year</u>	<u>5 year</u>	<u>10 year</u>
1	TKZPX	\$ 1,645.00	\$ 1,492.00	\$ 1,430.00
3	TKZPX	\$ 4,361.00	\$ 3,953.00	\$ 3,524.00
6	TKZPX	\$ 7,804.00	\$ 7,075.00	\$ 6,305.00
12	TKZPX	\$13,771.00	\$12,486.00	\$11,128.00

(9) Optical Channel Termination - MO - Zone 3

<u>Volume Option*</u>	<u>USOC</u>	<u>3 year</u>	<u>5 year</u>	<u>10 year</u>
1	TKZPX	\$ 1,645.00	\$ 1,492.00	\$ 1,430.00
3	TKZPX	\$ 4,361.00	\$ 3,953.00	\$ 3,524.00
6	TKZPX	\$ 7,804.00	\$ 7,075.00	\$ 6,305.00
12	TKZPX	\$13,771.00	\$12,486.00	\$11,128.00

* Volume Option specifies the number of DS3s or DS3 equivalents.

(N)

(This page filed under Transmittal No. 2845)

Issued: September 15, 2000

Effective: September 30, 2000

Four AT&T Plaza, Dallas, Texas 75202

ACCESS SERVICE

20. MegaLink Custom Services (Cont'd)

(N)

20.16 Billing Periods - Service Established between August 11, 2000 and September 29, 2000 (Cont'd)20.16.1 Rates and Charges (Cont'd)(B) Channel Termination - Optical - per Volume Option, per customer premises (Cont'd)(10) Optical Channel Termination - OK - Zone 1

<u>Volume Option*</u>	<u>USOC</u>	<u>3 year</u>	<u>5 year</u>	<u>10 year</u>
1	TKZPX	\$ 1,645.00	\$ 1,492.00	\$ 1,430.00
3	TKZPX	\$ 4,361.00	\$ 3,953.00	\$ 3,524.00
6	TKZPX	\$ 7,804.00	\$ 7,075.00	\$ 6,305.00
12	TKZPX	\$13,771.00	\$12,406.00	\$11,128.00

(11) Optical Channel Termination - OK - Zone 2

<u>Volume Option*</u>	<u>USOC</u>	<u>3 year</u>	<u>5 year</u>	<u>10 year</u>
1	TKZPX	\$ 1,645.00	\$ 1,492.00	\$ 1,430.00
3	TKZPX	\$ 4,361.00	\$ 3,953.00	\$ 3,524.00
6	TKZPX	\$ 7,804.00	\$ 7,075.00	\$ 6,305.00
12	TKZPX	\$13,771.00	\$12,486.00	\$11,128.00

(12) Optical Channel Termination - OK - Zone 3

<u>Volume Option*</u>	<u>USOC</u>	<u>3 year</u>	<u>5 year</u>	<u>10 year</u>
1	TKZPX	\$ 1,645.00	\$ 1,492.00	\$ 1,430.00
3	TKZPX	\$ 4,361.00	\$ 3,953.00	\$ 3,524.00
6	TKZPX	\$ 7,804.00	\$ 7,075.00	\$ 6,305.00
12	TKZPX	\$13,771.00	\$12,486.00	\$11,128.00

* Volume Option specifies the number of DS3s or DS3 equivalents.

(N)

(This page filed under Transmittal No. 2845)

Issued: September 15, 2000

Effective: September 30, 2000

Four AT&T Plaza, Dallas, Texas 75202

ACCESS SERVICE

20. MegaLink Custom Services (Cont'd)

(N)

20.16 Billing Periods - Service Established between August 11, 2000 and September 29, 2000 (Cont'd)20.16.1 Rates and Charges (Cont'd)(B) Channel Termination - Optical - per Volume Option, per customer premises (Cont'd)(13) Optical Channel Termination - TX - Zone 1

<u>Volume Option*</u>	<u>USOC</u>	<u>3 year</u>	<u>5 year</u>	<u>10 year</u>
1	TKZPX	\$ 1,645.00	\$ 1,492.00	\$ 1,430.00
3	TKZPX	\$ 4,361.00	\$ 3,953.00	\$ 3,524.00
6	TKZPX	\$ 7,804.00	\$ 7,075.00	\$ 6,305.00
12	TKZPX	\$13,771.00	\$12,406.00	\$11,128.00

(14) Optical Channel Termination - TX - Zone 2

<u>Volume Option*</u>	<u>USOC</u>	<u>3 year</u>	<u>5 year</u>	<u>10 year</u>
1	TKZPX	\$ 1,645.00	\$ 1,492.00	\$ 1,430.00
3	TKZPX	\$ 4,361.00	\$ 3,953.00	\$ 3,524.00
6	TKZPX	\$ 7,804.00	\$ 7,075.00	\$ 6,305.00
12	TKZPX	\$13,771.00	\$12,486.00	\$11,128.00

(15) Optical Channel Termination - TX - Zone 3

<u>Volume Option*</u>	<u>USOC</u>	<u>3 year</u>	<u>5 year</u>	<u>10 year</u>
1	TKZPX	\$ 1,645.00	\$ 1,492.00	\$ 1,430.00
3	TKZPX	\$ 4,361.00	\$ 3,953.00	\$ 3,524.00
6	TKZPX	\$ 7,804.00	\$ 7,075.00	\$ 6,305.00
12	TKZPX	\$13,771.00	\$12,486.00	\$11,128.00

* Volume Option specifies the number of DS3s or DS3 equivalents.

(N)

(This page filed under Transmittal No. 2845)

Issued: September 15, 2000

Effective: September 30, 2000

Four AT&T Plaza, Dallas, Texas 75202

ACCESS SERVICE

20. MegaLink Custom Services (Cont'd)

(N)

20.16 Billing Periods - Service Established between August 11, 2000 and September 29, 2000 (Cont'd)20.16.1 Rates and Charges (Cont'd)(C) Interoffice Mileage - Fixed - Monthly Recurring Rates and Service Extension(1) Interoffice Fixed - per DS3 or DS3 equivalent - AR - Zone 1

<u>USOC</u>	<u>3 year</u>	<u>5 year</u>	<u>10 year</u>
10XHX/10XLX	\$575.00	\$500.00	\$450.00

(2) Interoffice Fixed - per DS3 or DS3 equivalent - AR - Zone 2

<u>USOC</u>	<u>3 year</u>	<u>5 year</u>	<u>10 year</u>
10XHX/10XLX	\$600.00	\$520.00	\$450.00

(3) Interoffice Fixed - per DS3 or DS3 equivalent - AR - Zone 3

<u>USOC</u>	<u>3 year</u>	<u>5 year</u>	<u>10 year</u>
10XHX/10XLX	\$625.00	\$540.00	\$450.00

(4) Interoffice Fixed - per DS3 or DS3 equivalent - KS - Zone 1

<u>USOC</u>	<u>3 year</u>	<u>5 year</u>	<u>10 year</u>
10XHX/10XLX	\$575.00	\$500.00	\$450.00

(5) Interoffice Fixed - per DS3 or DS3 equivalent - KS - Zone 2

<u>USOC</u>	<u>3 year</u>	<u>5 year</u>	<u>10 year</u>
10XHX/10XLX	\$600.00	\$520.00	\$450.00

(6) Interoffice Fixed - per DS3 or DS3 equivalent - KS - Zone 3

<u>USOC</u>	<u>3 year</u>	<u>5 year</u>	<u>10 year</u>
10XHX/10XLX	\$625.00	\$540.00	\$450.00

(N)

(This page filed under Transmittal No. 2845)

Issued: September 5, 2000

Effective: September 30, 2000

Four AT&T Plaza, Dallas, Texas 75202

ACCESS SERVICE

20. MegaLink Custom Services (Cont'd)

(N)

20.16 Billing Periods - Service Established between August 11, 2000 and September 29, 2000 (Cont'd)20.16.1 Rates and Charges (Cont'd)(C) Interoffice Mileage - Fixed - Monthly Recurring Rates and Service Extension (Cont'd)(7) Interoffice Fixed - per DS3 or DS3 equivalent - MO - Zone 1

<u>USOC</u>	<u>3 year</u>	<u>5 year</u>	<u>10 year</u>
10XHX/10XLX	\$575.00	\$500.00	\$450.00

(8) Interoffice Fixed - per DS3 or DS3 equivalent - MO - Zone 2

<u>USOC</u>	<u>3 year</u>	<u>5 year</u>	<u>10 year</u>
10XHX/10XLX	\$600.00	\$520.00	\$450.00

(9) Interoffice Fixed - per DS3 or DS3 equivalent - MO - Zone 3

<u>USOC</u>	<u>3 year</u>	<u>5 year</u>	<u>10 year</u>
10XHX/10XLX	\$625.00	\$540.00	\$450.00

(10) Interoffice Fixed - per DS3 or DS3 equivalent - OK - Zone 1

<u>USOC</u>	<u>3 year</u>	<u>5 year</u>	<u>10 year</u>
10XHX/10XLX	\$575.00	\$500.00	\$450.00

(11) Interoffice Fixed - per DS3 or DS3 equivalent - OK - Zone 2

<u>USOC</u>	<u>3 year</u>	<u>5 year</u>	<u>10 year</u>
10XHX/10XLX	\$600.00	\$520.00	\$450.00

(12) Interoffice Fixed - per DS3 or DS3 equivalent - OK - Zone 3

<u>USOC</u>	<u>3 year</u>	<u>5 year</u>	<u>10 year</u>
10XHX/10XLX	\$625.00	\$540.00	\$450.00

(This page filed under Transmittal No. 2845)

Issued: September 15, 2000

Effective: September 30, 2000

Four AT&T Plaza, Dallas, Texas 75202

ACCESS SERVICE

20. MegaLink Custom Services (Cont'd)

(N)

20.16 Billing Periods - Service Established between August 11, 2000 and September 29, 2000 (Cont'd)20.16.1 Rates and Charges (Cont'd)(C) Interoffice Mileage - Fixed - Monthly Recurring Rates and Service Extension (Cont'd)(13) Interoffice Fixed - per DS3 or DS3 equivalent - TX - Zone 1

<u>USOC</u>	<u>3 year</u>	<u>5 year</u>	<u>10 year</u>
10XHX/10XLX	\$575.00	\$500.00	\$450.00

(14) Interoffice Fixed - per DS3 or DS3 equivalent - TX - Zone 2

<u>USOC</u>	<u>3 year</u>	<u>5 year</u>	<u>10 year</u>
10XHX/10XLX	\$600.00	\$520.00	\$450.00

(15) Interoffice Fixed - per DS3 or DS3 equivalent - TX - Zone 3

<u>USOC</u>	<u>3 year</u>	<u>5 year</u>	<u>10 year</u>
10XHX/10XLX	\$625.00	\$540.00	\$450.00

(N)

(This page filed under Transmittal No. 2845)

Issued: September 15, 2000

Effective: September 30, 2000

Four AT&T Plaza, Dallas, Texas 75202

ACCESS SERVICE

20. MegaLink Custom Services (Cont'd)

(N)

20.16 Billing Periods - Service Established between August 11, 2000 and September 29, 2000 (Cont'd)20.16.1 Rates and Charges (Cont'd)(D) Interoffice Mileage - Per Mile - Monthly Recurring Rates and Service Extension(1) Per Mile - per Volume Option, per Mile - AR - Zone 1

<u>Volume Option*</u>	<u>USOC</u>	<u>3 year</u>	<u>5 year</u>	<u>10 year</u>
1	1J5HS/1HXLS	\$ 70.00	\$ 45.00	\$ 45.00
3	1J5HS/1HXLS	\$ 210.00	\$ 135.00	\$ 91.08
6	1J5HS/1HXLS	\$ 420.00	\$ 270.00	\$ 130.64
12	1J5HS/1HXLS	\$ 840.00	\$ 540.00	\$ 182.16

(2) Per Mile - per Volume Option, per Mile - AR - Zone 2

<u>Volume Option*</u>	<u>USOC</u>	<u>3 year</u>	<u>5 year</u>	<u>10 year</u>
1	1J5HS/1HXLS	\$ 75.00	\$ 50.00	\$ 45.00
3	1J5HS/1HXLS	\$ 225.00	\$ 150.00	\$ 79.20
6	1J5HS/1HXLS	\$ 450.00	\$ 300.00	\$ 113.60
12	1J5HS/1HXLS	\$ 900.00	\$ 600.00	\$ 158.40

(3) Per Mile - per Volume Option, per Mile - AR - Zone 3

<u>Volume Option*</u>	<u>USOC</u>	<u>3 year</u>	<u>5 year</u>	<u>10 year</u>
1	1J5HS/1HXLS	\$ 80.00	\$ 55.00	\$ 45.00
3	1J5HS/1HXLS	\$ 240.00	\$ 165.00	\$ 74.25
6	1J5HS/1HXLS	\$ 480.00	\$ 330.00	\$ 106.50
12	1J5HS/1HXLS	\$ 960.00	\$ 660.00	\$ 148.50

* Volume Option specifies the number of DS3s or DS3 equivalents.

(This page filed under Transmittal No. 2845)

Issued: September 15, 2000

Effective: September 30, 2000

Four AT&T Plaza, Dallas, Texas 75202

ACCESS SERVICE

20. MegaLink Custom Services (Cont'd)

(N)

20.16 Billing Periods - Service Established between August 11, 2000 and September 29, 2000 (Cont'd)20.16.1 Rates and Charges (Cont'd)(D) Interoffice Mileage - Per Mile - Monthly Recurring Rates and Service Extension (Cont'd)(4) Per Mile - per Volume Option, per Mile - KS - Zone 1

<u>Volume Option*</u>	<u>USOC</u>	<u>3 year</u>	<u>5 year</u>	<u>10 year</u>
1	1J5HS/1HXLS	\$ 70.00	\$ 45.00	\$ 45.00
3	1J5HS/1HXLS	\$ 210.00	\$ 135.00	\$ 91.08
6	1J5HS/1HXLS	\$ 420.00	\$ 270.00	\$130.64
12	1J5HS/1HXLS	\$ 840.00	\$ 540.00	\$182.16

(5) Per Mile - per Volume Option, per Mile - KS - Zone 2

<u>Volume Option*</u>	<u>USOC</u>	<u>3 year</u>	<u>5 year</u>	<u>10 year</u>
1	1J5HS/1HXLS	\$ 75.00	\$ 50.00	\$ 45.00
3	1J5HS/1HXLS	\$ 225.00	\$ 150.00	\$ 79.20
6	1J5HS/1HXLS	\$ 450.00	\$ 300.00	\$113.60
12	1J5HS/1HXLS	\$ 900.00	\$ 600.00	\$158.40

(6) Per Mile - per Volume Option, per Mile - KS - Zone 3

<u>Volume Option*</u>	<u>USOC</u>	<u>3 year</u>	<u>5 year</u>	<u>10 year</u>
1	1J5HS/1HXLS	\$ 80.00	\$ 55.00	\$ 45.00
3	1J5HS/1HXLS	\$ 240.00	\$ 165.00	\$ 74.25
6	1J5HS/1HXLS	\$ 480.00	\$ 330.00	\$ 106.50
12	1J5HS/1HXLS	\$ 960.00	\$ 660.00	\$ 148.50

* Volume Option specifies the number of DS3s or DS3 equivalents.

(This page filed under Transmittal No. 2845)

Issued: September 15, 2000

Effective: September 30, 2000

Four AT&T Plaza, Dallas, Texas 75202

ACCESS SERVICE

(N)

20. MegaLink Custom Services (Cont'd)20.16 Billing Periods - Service Established between August 11, 2000 and September 29, 2000 (Cont'd)20.16.1 Rates and Charges (Cont'd)(D) Interoffice Mileage - Per Mile - Monthly Recurring Rates and Service Extension (Cont'd)(7) Per Mile - per Volume Option, per Mile - MO - Zone 1

<u>Volume Option*</u>	<u>USOC</u>	<u>3 year</u>	<u>5 year</u>	<u>10 year</u>
1	1J5HS/1HXLS	\$ 70.00	\$ 45.00	\$ 45.00
3	1J5HS/1HXLS	\$210.00	\$ 135.00	\$ 99.00
6	1J5HS/1HXLS	\$420.00	\$ 270.00	\$130.64
12	1J5HS/1HXLS	\$840.00	\$ 540.00	\$198.00

(8) Per Mile - per Volume Option, per Mile - MO - Zone 2

<u>Volume Option*</u>	<u>USOC</u>	<u>3 year</u>	<u>5 year</u>	<u>10 year</u>
1	1J5HS/1HXLS	\$ 75.00	\$ 50.00	\$ 45.00
3	1J5HS/1HXLS	\$225.00	\$150.00	\$ 99.00
6	1J5HS/1HXLS	\$450.00	\$300.00	\$113.60
12	1J5HS/1HXLS	\$900.00	\$600.00	\$198.00

(9) Per Mile - per Volume Option, per Mile - MO - Zone 3

<u>Volume Option*</u>	<u>USOC</u>	<u>3 year</u>	<u>5 year</u>	<u>10 year</u>
1	1J5HS/1HXLS	\$ 80.00	\$ 55.00	\$ 45.00
3	1J5HS/1HXLS	\$240.00	\$165.00	\$ 99.00
6	1J5HS/1HXLS	\$480.00	\$330.00	\$106.50
12	1J5HS/1HXLS	\$960.00	\$660.00	\$198.00

* Volume Option specifies the number of DS3s or DS3 equivalents.

(This page filed under Transmittal No. 2845)

Issued: September 15, 2000

Effective: September 30, 2000

Four AT&T Plaza, Dallas, Texas 75202

ACCESS SERVICE

20. MegaLink Custom Services (Cont'd)

(N)

20.16 Billing Periods - Service Established between August 11, 2000 and September 29, 2000 (Cont'd)20.16.1 Rates and Tariffs (Cont'd)(D) Interoffice Mileage - Per Mile - Monthly Recurring Rates and Service Extension (Cont'd)(10) Per Mile - per Volume Option, per Mile - OK - Zone 1

<u>Volume Option*</u>	<u>USOC</u>	<u>3 year</u>	<u>5 year</u>	<u>10 year</u>
1	1J5HS/1HXLS	\$ 70.00	\$ 45.00	\$ 45.00
3	1J5HS/1HXLS	\$210.00	\$135.00	\$ 91.08
6	1J5HS/1HXLS	\$420.00	\$270.00	\$130.64
12	1J5HS/1HXLS	\$840.00	\$540.00	\$182.16

(11) Per Mile - per Volume Option, per Mile - OK - Zone 2

<u>Volume Option*</u>	<u>USOC</u>	<u>3 year</u>	<u>5 year</u>	<u>10 year</u>
1	1J5HS/1HXLS	\$ 75.00	\$ 50.00	\$ 45.00
3	1J5HS/1HXLS	\$225.00	\$150.00	\$ 79.20
6	1J5HS/1HXLS	\$450.00	\$300.00	\$113.60
12	1J5HS/1HXLS	\$900.00	\$600.00	\$158.40

(12) Per Mile - per Volume Option, per Mile - OK - Zone 3

<u>Volume Option*</u>	<u>USOC</u>	<u>3 year</u>	<u>5 year</u>	<u>10 year</u>
1	1J5HS/1HXLS	\$ 80.00	\$ 55.00	\$ 45.00
3	1J5HS/1HXLS	\$240.00	\$165.00	\$ 74.25
6	1J5HS/1HXLS	\$480.00	\$330.00	\$106.50
12	1J5HS/1HXLS	\$960.00	\$660.00	\$148.50

* Volume Option specifies the number of DS3s or DS3 equivalents.

(This page filed under Transmittal No. 2845)

Issued: September 15, 2000

Effective: September 30, 2000

Four AT&T Plaza, Dallas, Texas 75202

ACCESS SERVICE

20. MegaLink Custom Services (Cont'd)

(N)

20.16 Billing Periods - Service Established between August 11, 2000 and September 29, 2000 (Cont'd)20.16.1 Rates and Charges (Cont'd)(D) Interoffice Mileage - Per Mile - Monthly Recurring Rates and Service Extension (Cont'd)(13) Per Mile - per Volume Option, per Mile - TX - Zone 1

<u>Volume Option*</u>	<u>USOC</u>	<u>3 year</u>	<u>5 year</u>	<u>10 year</u>
1	1J5HS/1HXLS	\$ 70.00	\$ 45.00	\$ 45.00
3	1J5HS/1HXLS	\$ 210.00	\$ 135.00	\$ 91.08
6	1J5HS/1HXLS	\$ 420.00	\$ 270.00	\$130.64
12	1J5HS/1HXLS	\$ 840.00	\$ 540.00	\$182.16

(14) Per Mile - per Volume Option, per Mile - TX - Zone 2

<u>Volume Option*</u>	<u>USOC</u>	<u>3 year</u>	<u>5 year</u>	<u>10 year</u>
1	1J5HS/1HXLS	\$ 75.00	\$ 50.00	\$ 45.00
3	1J5HS/1HXLS	\$ 225.00	\$ 150.00	\$ 79.20
6	1J5HS/1HXLS	\$ 450.00	\$ 300.00	\$113.60
12	1J5HS/1HXLS	\$ 900.00	\$ 600.00	\$158.40

(15) Per Mile - per Volume Option, per Mile - TX - Zone 3

<u>Volume Option*</u>	<u>USOC</u>	<u>3 year</u>	<u>5 year</u>	<u>10 year</u>
1	1J5HS/1HXLS	\$ 80.00	\$ 55.00	\$ 45.00
3	1J5HS/1HXLS	\$ 240.00	\$ 165.00	\$ 74.25
6	1J5HS/1HXLS	\$ 480.00	\$ 330.00	\$106.50
12	1J5HS/1HXLS	\$ 960.00	\$ 660.00	\$148.50

* Volume Option specifies the number of DS3s or DS3 equivalents.

(This page filed under Transmittal No. 2845)

Issued: September 15, 2000

Effective: September 30, 2000

Four AT&T Plaza, Dallas, Texas 75202

ACCESS SERVICE

20. MegaLink Custom Services (Cont'd)

(N)

20.16 Billing Periods - Service Established between August 11, 2000 and September 29, 2000 (Cont'd)20.16.1 Rates and Charges (Cont'd)(E) Installation Charge - Per DS3 or DS3 Equivalent, per customer designated premises on the same Access Order(1) Installation Charge - AR - Zone 1

	<u>USOC</u>	<u>3 year</u>	<u>5 year</u>	<u>10 year</u>
First	NRB++	\$303.00	\$ 0.00	\$ 0.00
Additional	NRB++	\$248.00	\$ 0.00	\$ 0.00

(2) Installation Charge - AR - Zone 2

	<u>USOC</u>	<u>3 year</u>	<u>5 year</u>	<u>10 year</u>
First	NRB++	\$303.00	\$ 0.00	\$ 0.00
Additional	NRB++	\$248.00	\$ 0.00	\$ 0.00

(3) Installation Charge - AR - Zone 3

	<u>USOC</u>	<u>3 year</u>	<u>5 year</u>	<u>10 year</u>
First	NRB++	\$303.00	\$ 0.00	\$ 0.00
Additional	NRB++	\$248.00	\$ 0.00	\$ 0.00

(N)

(This page filed under Transmittal No. 2845)

Issued: September 15, 2000

Effective: September 30, 2000

Four AT&T Plaza, Dallas, Texas 75202

ACCESS SERVICE

20. MegaLink Custom Services (Cont'd)

(N)

20.16 Billing Periods - Service Established between August 11, 2000 and September 29, 2000 (Cont'd)20.16.1 Rates and Charges (Cont'd)(E) Installation Charge - Per DS3 or DS3 Equivalent, per customer designated premises on the same Access Order
(Cont'd)(4) Installation Charge - KS - Zone 1

	<u>USOC</u>	<u>3 year</u>	<u>5 year</u>	<u>10 year</u>
First	NRB++	\$303.00	\$ 0.00	\$ 0.00
Additional	NRB++	\$248.00	\$ 0.00	\$ 0.00

(5) Installation Charge - KS - Zone 2

	<u>USOC</u>	<u>3 year</u>	<u>5 year</u>	<u>10 year</u>
First	NRB++	\$303.00	\$ 0.00	\$ 0.00
Additional	NRB++	\$248.00	\$ 0.00	0.00

(6) Installation Charge - KS - Zone 3

	<u>USOC</u>	<u>3 year</u>	<u>5 year</u>	<u>10 year</u>
First	NRB++	\$303.00	\$ 0.00	\$ 0.00
Additional	NRB++	\$248.00	\$ 0.00	\$ 0.00

(7) Installation Charge - MO - Zone 1

	<u>USOC</u>	<u>3 year</u>	<u>5 year</u>	<u>10 year</u>
First	NRB++	\$303.00	\$ 0.00	\$ 0.00
Additional	NRB++	\$248.00	\$ 0.00	\$ 0.00

(8) Installation Charge - MO - Zone 2

	<u>USOC</u>	<u>3 year</u>	<u>5 year</u>	<u>10 year</u>
First	NRB++	\$303.00	\$ 0.00	\$ 0.00
Additional	NRB++	\$248.00	\$ 0.00	\$ 0.00

(This page filed under Transmittal No. 2845)

Issued: September 15, 2000

Effective: September 30, 2000

Four AT&T Plaza, Dallas, Texas 75202

ACCESS SERVICE

20. MegaLink Custom Services (Cont'd)

(N)

20.16 Billing Periods - Service Established between August 11, 2000 and September 29, 2000 (Cont'd)20.16.1 Rates and Charges (Cont'd)(E) Installation Charge - Per DS3 or DS3 Equivalent, per customer designated premises on the same Access Order
(Cont'd)(9) Installation Charge - MO - Zone 3

	<u>USOC</u>	<u>3 year</u>	<u>5 year</u>	<u>10 year</u>
First	NRB++	\$303.00	\$ 0.00	\$ 0.00
Additional	NRB++	\$248.00	\$ 0.00	\$ 0.00

(10) Installation Charge - OK - Zone 1

	<u>USOC</u>	<u>3 year</u>	<u>5 year</u>	<u>10 year</u>
First	NRB++	\$303.00	\$ 0.00	\$ 0.00
Additional	NRB++	\$248.00	\$ 0.00	\$ 0.00

(11) Installation Charge - OK - Zone 2

	<u>USOC</u>	<u>3 year</u>	<u>5 year</u>	<u>10 year</u>
First	NRB++	\$303.00	\$ 0.00	\$ 0.00
Additional	NRB++	\$248.00	\$ 0.00	\$ 0.00

(12) Installation Charge - OK - Zone 3

	<u>USOC</u>	<u>3 year</u>	<u>5 year</u>	<u>10 year</u>
First	NRB++	\$303.00	\$ 0.00	\$ 0.00
Additional	NRB++	\$248.00	\$ 0.00	\$ 0.00

(N)

(This page filed under Transmittal No. 2845)

Issued: September 15, 2000

Effective: September 30, 2000

Four AT&T Plaza, Dallas, Texas 75202

ACCESS SERVICE

20. MegaLink Custom Services (Cont'd)

(N)

20.16 Billing Periods - Service Established between August 11, 2000 and September 29, 2000 (Cont'd)20.16.1 Rates and Charges (Cont'd)(E) Installation Charge - Per DS3 or DS3 Equivalent, per customer premises on the same Access Order (Cont'd)(13) Installation Charge - TX - Zone 1

	<u>USOC</u>	<u>3 year</u>	<u>5 year</u>	<u>10 year</u>
First	NRB++	\$303.00	\$ 0.00	\$ 0.00
Additional	NRB++	\$248.00	\$ 0.00	\$ 0.00

(14) Installation Charge - TX - Zone 2

	<u>USOC</u>	<u>3 year</u>	<u>5 year</u>	<u>10 year</u>
First	NRB++	\$303.00	\$ 0.00	\$ 0.00
Additional	NRB++	\$248.00	\$ 0.00	\$ 0.00

(15) Installation Charge - TX - Zone 3

	<u>USOC</u>	<u>3 year</u>	<u>5 year</u>	<u>10 year</u>
First	NRB++	\$303.00	\$ 0.00	\$ 0.00
Additional	NRB++	\$248.00	\$ 0.00	\$ 0.00

(N)

(This page filed under Transmittal No. 2845)

Issued: September 15, 2000

Effective: September 30, 2000

Four AT&T Plaza, Dallas, Texas 75202

ACCESS SERVICE

20. MegaLink Custom Services (Cont'd)

(N)

20.16 Billing Periods - Service Established between August 11, 2000 and September 29, 2000 (Cont'd)20.16.1 Rates and Charges (Cont'd)(F) Service to Service Through Connect Arrangement Per DS3 or DS3 equivalentZone 1(1) Service to Service Through Connect Arrangement - AR -

<u>USOC</u>	<u>Installation Charge</u>
THA	\$157.00

(2) Service to Service Through Connect Arrangement - AR - Zone 2

<u>USOC</u>	<u>Installation Charge</u>
THA	\$157.00

(3) Service to Service Through Connect Arrangement - AR - Zone 3

<u>USOC</u>	<u>Installation Charge</u>
THA	\$157.00

(4) Service to Service Through Connect Arrangement - KS - Zone 1

<u>USOC</u>	<u>Installation Charge</u>
THA	\$157.00

(5) Service to Service Through Connect Arrangement - KS - Zone 2

<u>USOC</u>	<u>Installation Charge</u>
THA	\$157.00

(This page filed under Transmittal No. 2845)

Issued: September 15, 2000

Effective: September 30, 2000

Four AT&T Plaza, Dallas, Texas 75202

ACCESS SERVICE

20. MegaLink Custom Services (Cont'd) (N)20.16 Billing Periods - Service Established between August 11, 2000 and September 29, 2000 (Cont'd)20.16.1 Rates and Charges (Cont'd)(F) Service to Service Through Connect Arrangement Per DS3 or DS3 equivalent (Cont'd)(6) Service to Service Through Connect Arrangement - KS - Zone 3

<u>USOC</u>	<u>Installation Charge</u>
-------------	----------------------------

THA	\$157.00
-----	----------

(7) Service to Service Through Connect Arrangement - MO - Zone 1

<u>USOC</u>	<u>Installation Charge</u>
-------------	----------------------------

THA	\$157.00
-----	----------

(8) Service to Service Through Connect Arrangement - MO - Zone 2

<u>USOC</u>	<u>Installation Charge</u>
-------------	----------------------------

THA	\$157.00
-----	----------

(9) Service to Service Through Connect Arrangement - MO - Zone 3

<u>USOC</u>	<u>Installation Charge</u>
-------------	----------------------------

THA	\$157.00
-----	----------

(10) Service to Service Through Connect Arrangement - OK - Zone 1

<u>USOC</u>	<u>Installation Charge</u>
-------------	----------------------------

THA	\$157.00
-----	----------

(11) Service to Service Through Connect Arrangement - OK - Zone 2

<u>USOC</u>	<u>Installation Charge</u>
-------------	----------------------------

THA	\$157.00
-----	----------

(N)

(This page filed under Transmittal No. 2845)

Issued: September 15, 2000

Effective: September 30, 2000

Four AT&T Plaza, Dallas, Texas 75202

ACCESS SERVICE

20. MegaLink Custom Services (Cont'd)

(N)

20.16 Billing Periods - Service Established between August 11, 2000 and
September 29, 2000 (Cont'd)20.16.1 Rates and Charges (Cont'd)(F) Service to Service Through Connect Arrangement Per DS3
or DS3 equivalent (Cont'd)(12) Service to Service Through Connect Arrangement - OK -
Zone 3

<u>USOC</u>	<u>Installation Charge</u>
THA	\$157.00

(13) Service to Service Through Connect Arrangement - TX -
Zone 1

<u>USOC</u>	<u>Installation Charge</u>
THA	\$157.00

(14) Service to Service Through Connect Arrangement - TX -
Zone 2

<u>USOC</u>	<u>Installation Charge</u>
THA	\$157.00

(15) Service to Service Through Connect Arrangement - TX -
Zone 3

<u>USOC</u>	<u>Installation Charge</u>
THA	\$157.00

(N)

(This page filed under Transmittal No. 2845)

Issued: September 15, 2000

Effective: September 30, 2000

Four AT&T Plaza, Dallas, Texas 75202

ACCESS SERVICE

20. MegaLink Custom Services (Cont'd) (N)20.16 Billing Periods - Service Established between August 11, 2000 and September 29, 2000 (Cont'd)20.16.1 Rates and Charges (Cont'd)(G) Optional Features, BSEs and Functions(1) DS3 to DS1 Multiplexing - Monthly Recurring Rates(a) DS3 to DS1 Multiplexing - AR - Zone 1 - Monthly Recurring Rates

Per Multiplexer

<u>USOC</u>	<u>3 year</u>	<u>5 year</u>	<u>10 year</u>
MKM	\$525.00	\$475.00	\$450.00

(b) DS3 to DS1 Multiplexing - AR - Zone 2 - Monthly Recurring Rates

Per Multiplexer

<u>USOC</u>	<u>3 year</u>	<u>5 year</u>	<u>10 year</u>
MKM	\$550.00	\$500.00	\$450.00

(c) DS3 to DS1 Multiplexing - AR - Zone 3 - Monthly Recurring Rates

Per Multiplexer

<u>USOC</u>	<u>3 year</u>	<u>5 year</u>	<u>10 year</u>
MKM	\$575.00	\$525.00	\$450.00

(N)

(This page filed under Transmittal No. 2845)

Issued: September 15, 2000

Effective: September 30, 2000

Four AT&T Plaza, Dallas, Texas 75202

ACCESS SERVICE

20. MegaLink Custom Services (Cont'd)

(N)

20.16 Billing Periods - Service Established between August 11, 2000 and September 29, 2000 (Cont'd)20.16.1 Rates and Charges (Cont'd)(G) Optional Features, BSEs and Functions (Cont'd)(1) DS3 to DS1 Multiplexing - Monthly Recurring Rates
(Cont'd)(d) DS3 to DS1 Multiplexing - KS - Zone 1 - Monthly
Recurring Rates

Per Multiplexer

<u>USOC</u>	<u>3 year</u>	<u>5 year</u>	<u>10 year</u>
MKM	\$525.00	\$475.00	\$450.00

(e) DS3 to DS1 Multiplexing - KS - Zone 2 - Monthly
Recurring Rates

Per Multiplexer

<u>USOC</u>	<u>3 year</u>	<u>5 year</u>	<u>10 year</u>
MKM	\$550.00	\$500.00	\$450.00

(f) DS3 to DS1 Multiplexing - KS - Zone 3 - Monthly
Recurring Rates

Per Multiplexer

<u>USOC</u>	<u>3 year</u>	<u>5 year</u>	<u>10 year</u>
MKM	\$575.00	\$525.00	\$450.00

(N)

(This page filed under Transmittal No. 2845)

Issued: September 15, 2000

Effective: September 30, 2000

Four AT&T Plaza, Dallas, Texas 75202

ACCESS SERVICE

20. MegaLink Custom Services (Cont'd) (N)20.16 Billing Periods - Service Established between August 11, 2000 and September 29, 2000 (Cont'd)20.16.1 Rates and Charges (Cont'd)(G) Optional Features, BSEs and Functions (Cont'd)(1) DS3 to DS1 Multiplexing - Monthly Recurring Rates
(Cont'd)(g) DS3 to DS1 Multiplexing - MO - Zone 1 - Monthly
Recurring Rates

Per Multiplexer

<u>USOC</u>	<u>3 year</u>	<u>5 year</u>	<u>10 year</u>
-------------	---------------	---------------	----------------

MKM	\$525.00	\$475.00	\$450.00
-----	----------	----------	----------

(h) DS3 to DS1 Multiplexing - MO - Zone 2 - Monthly
Recurring Rates

Per Multiplexer

<u>USOC</u>	<u>3 year</u>	<u>5 year</u>	<u>10 year</u>
-------------	---------------	---------------	----------------

MKM	\$550.00	\$500.00	\$450.00
-----	----------	----------	----------

(i) DS3 to DS1 Multiplexing - MO - Zone 3 - Monthly
Recurring Rates

Per Multiplexer

<u>USOC</u>	<u>3 year</u>	<u>5 year</u>	<u>10 year</u>
-------------	---------------	---------------	----------------

MKM	\$575.00	\$525.00	\$450.00
-----	----------	----------	----------

(N)

(This page filed under Transmittal No. 2845)

Issued: September 15, 2000

Effective: September 30, 2000

Four AT&T Plaza, Dallas, Texas 75202

ACCESS SERVICE

20. MegaLink Custom Services (Cont'd) (N)20.16 Billing Periods - Service Established between August 11, 2000 and September 29, 2000 (Cont'd)20.16.1 Rates and Charges (Cont'd)(G) Optional Features, BSEs and Functions (Cont'd)(1) DS3 to DS1 Multiplexing - Monthly Recurring Rates
(Cont'd)(j) DS3 to DS1 Multiplexing - OK - Zone 1 - Monthly Recurring Rates

Per Multiplexer

<u>USOC</u>	<u>3 year</u>	<u>5 year</u>	<u>10 year</u>
MKM	\$525.00	\$475.00	\$450.00

(k) DS3 to DS1 Multiplexing - OK - Zone 2 - Monthly Recurring Rates

Per Multiplexer

<u>USOC</u>	<u>3 year</u>	<u>5 year</u>	<u>10 year</u>
MKM	\$550.00	\$500.00	\$450.00

(l) DS3 to DS1 Multiplexing - OK - Zone 3 - Monthly Recurring Rates

Per Multiplexer

<u>USOC</u>	<u>3 year</u>	<u>5 year</u>	<u>10 year</u>
MKM	\$575.00	\$525.00	\$450.00

(N)

(This page filed under Transmittal No. 2845)

Issued: September 15, 2000

Effective: September 30, 2000

Four AT&T Plaza, Dallas, Texas 75202

ACCESS SERVICE

20. MegaLink Custom Services (Cont'd) (N)20.16 Billing Periods - Service Established between August 11, 2000 and September 29, 2000 (Cont'd)20.16.1 Rates and Charges (Cont'd)(G) Optional Features, BSEs and Functions (Cont'd)(1) DS3 to DS1 Multiplexing - Monthly Recurring Rates
(Cont'd)(m) DS3 to DS1 Multiplexing - TX - Zone 1 - Monthly Recurring Rates

Per Multiplexer

USOC 3 year 5 year 10 year

MKM \$525.00 \$475.00 \$450.00

(n) DS3 to DS1 Multiplexing - TX - Zone 2 - Monthly Recurring Rates

Per Multiplexer

USOC 3 year 5 year 10 year

MKM \$550.00 \$500.00 \$450.00

(o) DS3 to DS1 Multiplexing - TX - Zone 3 - Monthly Recurring Rates

Per Multiplexer

USOC 3 year 5 year 10 year

MKM \$575.00 \$525.00 \$450.00

(N)

(This page filed under Transmittal No. 2845)

Issued: September 15, 2000

Effective: September 30, 2000

Four AT&T Plaza, Dallas, Texas 75202

ACCESS SERVICE

20. MegaLink Custom Services (Cont'd)

(N)

20.16 Billing Periods - Service Established between August 11, 2000 and
September 29, 2000 (Cont'd)20.16.1 Rates and Charges (Cont'd)(G) Optional Features, BSEs and Functions (Cont'd)(2) DS3 to DS1 Multiplexing Installation Charge - Per
Multiplexer(a) Installation Charge - AR - Zone 1

<u>USOC</u>	<u>3 year</u>	<u>5 year</u>	<u>10 year</u>
	\$101.00	\$ 0.00	\$ 0.00

(b) Installation Charge - AR - Zone 2

<u>USOC</u>	<u>3 year</u>	<u>5 year</u>	<u>10 year</u>
	\$101.00	\$ 0.00	\$ 0.00

(c) Installation Charge - AR - Zone 3

<u>USOC</u>	<u>3 year</u>	<u>5 year</u>	<u>10 year</u>
	\$101.00	\$ 0.00	\$ 0.00

(d) Installation Charge - KS - Zone 1

<u>USOC</u>	<u>3 year</u>	<u>5 year</u>	<u>10 year</u>
	\$101.00	\$ 0.00	\$ 0.00

(e) Installation Charge - KS - Zone 2

<u>USOC</u>	<u>3 year</u>	<u>5 year</u>	<u>10 year</u>
	\$101.00	\$ 0.00	\$ 0.00

(f) Installation Charge - KS - Zone 3

<u>USOC</u>	<u>3 year</u>	<u>5 year</u>	<u>10 year</u>
	\$101.00	\$ 0.00	\$ 0.00

(N)

(This page filed under Transmittal No. 2845)

Issued: September 15, 2000

Effective: September 30, 2000

Four AT&T Plaza, Dallas, Texas 75202

ACCESS SERVICE

20. MegaLink Custom Services (Cont'd)

(N)

20.16 Billing Periods - Service Established between August 11, 2000 and
September 29, 2000 (Cont'd)20.16.1 Rates and Charges (Cont'd)(G) Optional Features, BSEs and Functions (Cont'd)(2) DS3 to DS1 Multiplexing Installation Charge - Per
Multiplexer (Cont'd)(g) Installation Charge - MO - Zone 1

<u>USOC</u>	<u>3 year</u>	<u>5 year</u>	<u>10 year</u>
	\$101.00	\$ 0.00	\$ 0.00

(h) Installation Charge - MO - Zone 2

<u>USOC</u>	<u>3 year</u>	<u>5 year</u>	<u>10 year</u>
	\$101.00	\$ 0.00	\$ 0.00

(i) Installation Charge - MO - Zone 3

<u>USOC</u>	<u>3 year</u>	<u>5 year</u>	<u>10 year</u>
	\$101.00	\$ 0.00	\$ 0.00

(j) Installation Charge - OK - Zone 1

<u>USOC</u>	<u>3 year</u>	<u>5 year</u>	<u>10 year</u>
	\$101.00	\$ 0.00	\$ 0.00

(k) Installation Charge - OK - Zone 2

<u>USOC</u>	<u>3 year</u>	<u>5 year</u>	<u>10 year</u>
	\$101.00	\$ 0.00	\$ 0.00

(l) Installation Charge - OK - Zone 3

<u>USOC</u>	<u>3 year</u>	<u>5 year</u>	<u>10 year</u>
	\$101.00	\$ 0.00	\$ 0.00

(This page filed under Transmittal No. 2845)

Issued: September 15, 2000

Effective: September 30, 2000

Four AT&T Plaza, Dallas, Texas 75202

ACCESS SERVICE

20. MegaLink Custom Services (Cont'd)

(N)

20.16 Billing Periods - Service Established between August 11, 2000 and
September 29, 2000 (Cont'd)20.16.1 Rates and Charges (Cont'd)(G) Optional Features, BSEs and Functions (Cont'd)(2) DS3 to DS1 Multiplexing Installation Charge - Per
Multiplexer (Cont'd)(m) Installation Charge - TX - Zone 1

<u>USOC</u>	<u>3 year</u>	<u>5 year</u>	<u>10 year</u>
	\$101.00	\$ 0.00	\$ 0.00

(n) Installation Charge - TX - Zone 2

<u>USOC</u>	<u>3 year</u>	<u>5 year</u>	<u>10 year</u>
	\$101.00	\$ 0.00	\$ 0.00

(o) Installation Charge - TX - Zone 3

<u>USOC</u>	<u>3 year</u>	<u>5 year</u>	<u>10 year</u>
	\$101.00	\$ 0.00	\$ 0.00

(N)

(This page filed under Transmittal No. 2845)

Issued: September 15, 2000

Effective: September 30, 2000

Four AT&T Plaza, Dallas, Texas 75202

ACCESS SERVICE

(N)

20. MegaLink Custom Services (Cont'd)20.16 Billing Periods - Service Established between August 11, 2000 and
September 29, 2000 (Cont'd)20.16.1 Rates and Charges (Cont'd)(G) Optional Features, BSEs and Functions (Cont'd)(3) SecureNet Monthly Recurring Rates(a) Hub Redundancy - AR Zone 1
per premises, per DS3

<u>USOC</u>	<u>3 year</u>	<u>5 year</u>	<u>10 year</u>
R36AD	\$1,751.25	\$1,646.60	\$1,451.45

(b) Hub Redundancy - AR Zone 2
per premises, per DS3

<u>USOC</u>	<u>3 year</u>	<u>5 year</u>	<u>10 year</u>
R36AD	\$1,751.25	\$1,646.60	\$1,451.45

(c) Hub Redundancy - AR Zone 3
per premises, per DS3

<u>USOC</u>	<u>3 year</u>	<u>5 year</u>	<u>10 year</u>
R36AD	\$1,751.25	\$1,646.60	\$1,451.45

(d) Hub Redundancy - KS Zone 1
per premises, per DS3

<u>USOC</u>	<u>3 year</u>	<u>5 year</u>	<u>10 year</u>
R36AD	\$1,751.25	\$1,646.60	\$1,451.45

(e) Hub Redundancy - KS Zone 2
per premises, per DS3

<u>USOC</u>	<u>3 year</u>	<u>5 year</u>	<u>10 year</u>
R36AD	\$1,751.25	\$1,646.60	\$1,451.45

(f) Hub Redundancy - KS Zone 3
per premises, per DS3

<u>USOC</u>	<u>3 year</u>	<u>5 year</u>	<u>10 year</u>
R36AD	\$1,751.25	\$1,646.60	\$1,451.45

(This page filed under Transmittal No. 2845)

Issued: September 15, 2000

Effective: September 30, 2000

Four AT&T Plaza, Dallas, Texas 75202

ACCESS SERVICE

(N)

20. MegaLink Custom Services (Cont'd)20.16 Billing Periods - Service Established between August 11, 2000 and September 29, 2000 (Cont'd)20.16.1 Rates and Charges (Cont'd)(G) Optional Features, BSEs and Functions (Cont'd)(3) SecureNet Monthly Recurring Rates (Cont'd)(g) Hub Redundancy - MO Zone 1
per premises, per DS3

<u>USOC</u>	<u>3 year</u>	<u>5 year</u>	<u>10 year</u>
R36AD	\$1,751.25	\$1,646.60	\$1,451.45

(h) Hub Redundancy - MO Zone 2
per premises, per DS3

<u>USOC</u>	<u>3 year</u>	<u>5 year</u>	<u>10 year</u>
R36AD	\$1,751.25	\$1,646.60	\$1,451.45

(i) Hub Redundancy - MO Zone 3
per premises, per DS3

<u>USOC</u>	<u>3 year</u>	<u>5 year</u>	<u>10 year</u>
R36AD	\$1,751.25	\$1,646.60	\$1,451.45

(j) Hub Redundancy - OK Zone 1
per premises, per DS3

<u>USOC</u>	<u>3 year</u>	<u>5 year</u>	<u>10 year</u>
R36AD	\$1,751.25	\$1,646.60	\$1,451.45

(k) Hub Redundancy - OK Zone 2
per premises, per DS3

<u>USOC</u>	<u>3 year</u>	<u>5 year</u>	<u>10 year</u>
R36AD	\$1,751.25	\$1,646.60	\$1,451.45

(l) Hub Redundancy - OK Zone 3
per premises, per DS3

<u>USOC</u>	<u>3 year</u>	<u>5 year</u>	<u>10 year</u>
R36AD	\$1,751.25	\$1,646.60	\$1,451.45

(This page filed under Transmittal No. 2845)

Issued: September 15, 2000

Effective: September 30, 2000

Four AT&T Plaza, Dallas, Texas 75202

ACCESS SERVICE

20. MegaLink Custom Services (Cont'd)

(N)

20.16 Billing Periods - Service Established between August 11, 2000 and September 29, 2000 (Cont'd)20.16.1 Rates and Charges (Cont'd)(G) Optional Features, BSEs and Functions (Cont'd)(3) SecureNet Monthly Recurring Rates (Cont'd)(m) Hub Redundancy - TX Zone 1
per premises, per DS3

<u>USOC</u>	<u>3 year</u>	<u>5 year</u>	<u>10 year</u>
R36AD	\$1,751.25	\$1,646.60	\$1,451.45

(n) Hub Redundancy - TX Zone 2
per premises, per DS3

<u>USOC</u>	<u>3 year</u>	<u>5 year</u>	<u>10 year</u>
R36AD	\$1,751.25	\$1,646.60	\$1,451.45

(o) Hub Redundancy - TX Zone 3
per premises, per DS3

<u>USOC</u>	<u>3 year</u>	<u>5 year</u>	<u>10 year</u>
R36AD	\$1,751.25	\$1,646.60	\$1,451.45

(This page filed under Transmittal No. 2845)

Issued: September 15, 2000

Effective: September 30, 2000

Four AT&T Plaza, Dallas, Texas 75202

ACCESS SERVICE

20. MegaLink Custom Services (Cont'd)

20.16 Billing Periods - Service Established between August 11, 2000 and September 29, 2000 (Cont'd)

20.16.1 Rates and Charges (Cont'd)

(G) Optional Features, BSEs and Functions (Cont'd)

(3) SecureNet Monthly Recurring Rates (Cont'd)

Zone 1

(p) Serving Wire Center and Facility Redundancy - AR
per premises, per DS3

<u>USOC</u>	<u>3 year</u>	<u>5 year</u>	<u>10 year</u>
R38AE	\$ 0.00	\$ 0.00	\$ 0.00

(q) Serving Wire Center and Facility Redundancy - AR
Zone 2
per premises, per DS3

<u>USOC</u>	<u>3 year</u>	<u>5 year</u>	<u>10 year</u>
R38AE	\$ 0.00	\$ 0.00	\$ 0.00

(r) Serving Wire Center and Facility Redundancy - AR
Zone 3
per premises, per DS3

<u>USOC</u>	<u>3 year</u>	<u>5 year</u>	<u>10 year</u>
R38AE	\$ 0.00	\$ 0.00	\$ 0.00

(N)

(N)

(This page filed under Transmittal No. 2845)

Issued: September 15, 2000

Effective: September 30, 2000

Four AT&T Plaza, Dallas, Texas 75202

ACCESS SERVICE

20. MegaLink Custom Services (Cont'd)20.16 Billing Periods - Service Established between August 11, 2000 and September 29, 2000 (Cont'd)20.16.1 Rates and Charges (Cont'd)(G) Optional Features, BSEs and Functions (Cont'd)(3) SecureNet Monthly Recurring Rates (Cont'd)(s) Serving Wire Center and Facility Redundancy - KS Zone 1
per premises, per DS3

<u>USOC</u>	<u>3 year</u>	<u>5 year</u>	<u>10 year</u>
R38AE \$	0.00	\$ 0.00	\$ 0.00

(t) Serving Wire Center and Facility Redundancy - KS Zone 2
per premises, per DS3

<u>USOC</u>	<u>3 year</u>	<u>5 year</u>	<u>10 year</u>
R38AE \$	0.00	\$ 0.00	\$ 0.00

(u) Serving Wire Center and Facility Redundancy - KS Zone 3
per premises, per DS3

<u>USOC</u>	<u>3 year</u>	<u>5 year</u>	<u>10 year</u>
R38AE \$	0.00	\$ 0.00	\$ 0.00

(v) Serving Wire Center and Facility Redundancy - MO Zone 1
per premises, per DS3

<u>USOC</u>	<u>3 year</u>	<u>5 year</u>	<u>10 year</u>
R38AE \$	0.00	\$ 0.00	\$ 0.00

(w) Serving Wire Center and Facility Redundancy - MO Zone 2
per premises, per DS3

<u>USOC</u>	<u>3 year</u>	<u>5 year</u>	<u>10 year</u>
R38AE \$	0.00	\$ 0.00	\$ 0.00

(x) Serving Wire Center and Facility Redundancy - MO Zone 3
per premises, per DS3

<u>USOC</u>	<u>3 year</u>	<u>5 year</u>	<u>10 year</u>
R38AE \$	0.00	\$ 0.00	\$ 0.00

(N)

(This page filed under Transmittal No. 2845)

Issued: September 15, 2000

Effective: September 30, 2000

Four AT&T Plaza, Dallas, Texas 75202

ACCESS SERVICE

20. MegaLink Custom Services (Cont'd)

(N)

20.16 Billing Periods - Service Established between August 11, 2000 and September 29, 2000 (Cont'd)20.16.1 Rates and Charges (Cont'd)(G) Optional Features, BSEs and Functions (Cont'd)(3) SecureNet Monthly Recurring Rates (Cont'd)(y) Serving Wire Center and Facility Redundancy - OKZone 1

per premises, per DS3

<u>USOC</u>	<u>3 year</u>	<u>5 year</u>	<u>10 year</u>
R38AE	\$ 0.00	\$ 0.00	\$ 0.00

(z) Serving Wire Center and Facility Redundancy - OK
Zone 2
per premises, per DS3

<u>USOC</u>	<u>3 year</u>	<u>5 year</u>	<u>10 year</u>
R38AE	\$ 0.00	\$ 0.00	\$ 0.00

(aa) Serving Wire Center and Facility Redundancy - OK
Zone 3
per premises, per DS3

<u>USOC</u>	<u>3 year</u>	<u>5 year</u>	<u>10 year</u>
R38AE	\$ 0.00	\$ 0.00	\$ 0.00

(This page filed under Transmittal No. 2845)

Issued: September 15, 2000

Effective: September 30, 2000

Four AT&T Plaza, Dallas, Texas 75202

ACCESS SERVICE

20. MegaLink Custom Services (Cont'd) (N)20.16 Billing Periods - Service Established between August 11, 2000 and September 29, 2000 (Cont'd)20.16.1 Rates and Charges (Cont'd)(G) Optional Features, BSEs and Functions (Cont'd)(3) SecureNet Monthly Recurring Rates (Cont'd)(ab) Serving Wire Center and Facility Redundancy - TX Zone 1
per premises, per DS3

<u>USOC</u>	<u>3 year</u>	<u>5 year</u>	<u>10 year</u>
R38AE	\$ 0.00	\$ 0.00	\$ 0.00

(ac) Serving Wire Center and Facility Redundancy - TX Zone 2
per premises, per DS3

<u>USOC</u>	<u>3 year</u>	<u>5 year</u>	<u>10 year</u>
R38AE	\$ 0.00	\$ 0.00	\$ 0.00

(ad) Serving Wire Center and Facility Redundancy - TX Zone 3
per premises, per DS3

<u>USOC</u>	<u>3 year</u>	<u>5 year</u>	<u>10 year</u>
R38AE	\$ 0.00	\$ 0.00	\$ 0.00

(N)

(This page filed under Transmittal No. 2845)

Issued: September 15, 2000

Effective: September 30, 2000

Four AT&T Plaza, Dallas, Texas 75202

ACCESS SERVICE

20. MegaLink Custom Services (Cont'd)

(N)

20.16 Billing Periods - Service Established between August 11, 2000 and September 29, 2000 (Cont'd)20.16.1 Rates and Charges (Cont'd)(G) Optional Features, BSEs and Functions (Cont'd)(4) SecureNet Installation Charge(a) Hub Redundancy - AR - Zone 1
per premises, per DS3

<u>USOC</u>	<u>Installation Charge</u>
XXXX	\$1,848.00

(b) Hub Redundancy - AR - Zone 2
per premises, per DS3

<u>USOC</u>	<u>Installation Charge</u>
XXXX	\$1,848.00

(c) Hub Redundancy - AR - Zone 3
per premises, per DS3

<u>USOC</u>	<u>Installation Charge</u>
XXXX	\$1,848.00

(d) Hub Redundancy - KS - Zone 1
per premises, per DS3

<u>USOC</u>	<u>Installation Charge</u>
XXXX	\$1,848.00

(e) Hub Redundancy - KS - Zone 2
per premises, per DS3

<u>USOC</u>	<u>Installation Charge</u>
XXXX	\$1,848.00

(f) Hub Redundancy - KS - Zone 3
per premises, per DS3

<u>USOC</u>	<u>Installation Charge</u>
XXXX	\$1,848.00

(N)

(This page filed under Transmittal No. 2845)

Issued: September 15, 2000

Effective: September 30, 1000

Four AT&T Plaza, Dallas, Texas 75202

ACCESS SERVICE

20. MegaLink Custom Services (Cont'd)

(N)

20.16 Billing Periods - Service Established between August 11, 2000 and September 29, 2000 (Cont'd)20.16.1 Rates and Charges (Cont'd)(G) Optional Features, BSEs and Functions (Cont'd)(4) SecureNet Installation Charge (Cont'd)(g) Hub Redundancy - MO - Zone 1
per premises, per DS3

<u>USOC</u>	<u>Installation Charge</u>
XXXX	\$1,848.00

(h) Hub Redundancy - MO - Zone 2
per premises, per DS3

<u>USOC</u>	<u>Installation Charge</u>
XXXX	\$1,848.00

(i) Hub Redundancy - MO - Zone 3
per premises, per DS3

<u>USOC</u>	<u>Installation Charge</u>
XXXX	\$1,848.00

(j) Hub Redundancy - OK - Zone 1
per premises, per DS3

<u>USOC</u>	<u>Installation Charge</u>
XXXX	\$1,848.00

(k) Hub Redundancy - OK - Zone 2
per premises, per DS3

<u>USOC</u>	<u>Installation Charge</u>
XXXX	\$1,848.00

(l) Hub Redundancy - OK - Zone 3
per premises, per DS3

<u>USOC</u>	<u>Installation Charge</u>
XXXX	\$1,848.00

(N)

(This page filed under Transmittal No. 2845)

Issued: September 15, 2000

Effective: September 30, 2000

Four AT&T Plaza, Dallas, Texas 75202

ACCESS SERVICE

20. MegaLink Custom Services (Cont'd)

(N)

20.16 Billing Periods - Service Established between August 11, 2000 and
September 29, 2000 (Cont'd)20.16.1 Rates and Charges (Cont'd)(G) Optional Features, BSEs and Functions (Cont'd)(4) SecureNet Installation Charge (Cont'd)(m) Hub Redundancy - TX - Zone 1
per premises, per DS3USOC Installation Charge

XXXX \$1,848.00

(n) Hub Redundancy - TX - Zone 2
per premises, per DS3USOC Installation Charge

XXXX \$1,848.00

(o) Hub Redundancy - TX - Zone 3
per premises, per DS3USOC Installation Charge

XXXX \$1,848.00

(This page filed under Transmittal No. 2845)

Issued: September 15, 2000

Effective: September 30, 2000

Four AT&T Plaza, Dallas, Texas 75202

ACCESS SERVICE

(N)

20. MegaLink Custom Services (Cont'd)20.16 Billing Periods - Services Established between August 11, 2000 and September 29, 2000 (Cont'd)20.16.1 Rates and Charges (Cont'd)(G) Optional Features, BSEs and Functions (Cont'd)(4) SecureNet Installation Charge (Cont'd)(p) Serving Wire Center and Facility Redundancy - AR - Zone 1
per premises, per DS3

<u>USOC</u>	<u>Installation Charge</u>
XXXX	\$ 0.00

(q) Serving Wire Center and Facility Redundancy - AR - Zone 2
per premises, per DS3

<u>USOC</u>	<u>Installation Charge</u>
XXXX	\$ 0.00

(r) Serving Wire Center and Facility Redundancy - AR - Zone 3
per premises, per DS3

<u>USOC</u>	<u>Installation Charge</u>
XXXX	\$ 0.00

(N)

(This page filed under Transmittal No. 2845)

Issued: September 15, 2000

Effective: September 30, 2000

Four AT&T Plaza, Dallas, Texas 75202

ACCESS SERVICE

(N)

20. MegaLink Custom Services (Cont'd)20.16 Billing Periods - Service Established between August 11, 2000 and September 29, 2000 (Cont'd)20.16.1 Rates and Charges (Cont'd)(G) Optional Features, BSEs and Functions (Cont'd)(4) SecureNet Installation Charge (Cont'd)

- (s)
- Serving Wire Center and Facility Redundancy - KS - Zone 1
-
- per premises, per DS3

<u>USOC</u>	<u>Installation Charge</u>
XXXX	\$ 0.00

- (t)
- Serving Wire Center and Facility Redundancy - KS - Zone 2
-
- per premises, per DS3

<u>USOC</u>	<u>Installation Charge</u>
XXXX	\$ 0.00

- (u)
- Serving Wire Center and Facility Redundancy - KS - Zone 3
-
- per premises, per DS3

<u>USOC</u>	<u>Installation Charge</u>
XXXX	\$ 0.00

- (v)
- Serving Wire Center and Facility Redundancy - MO - Zone 1
-
- per premises, per DS3

<u>USOC</u>	<u>Installation Charge</u>
XXXX	\$ 0.00

- (w)
- Serving Wire Center and Facility Redundancy - MO - Zone 2
-
- per premises, per DS3

<u>USOC</u>	<u>Installation Charge</u>
XXXX	\$ 0.00

- (x)
- Serving Wire Center and Facility Redundancy - MO - Zone 3
-
- per premises, per DS3

<u>USOC</u>	<u>Installation Charge</u>
XXXX	\$ 0.00

(This page filed under Transmittal No. 2845)

Issued: September 15, 2000

Effective: September 30, 2000

Four AT&T Plaza, Dallas, Texas 75202

ACCESS SERVICE

20. MegaLink Custom Services (Cont'd)

(N)

20.16 Billing Periods - Service Established between August 11, 2000 and September 29, 2000 (Cont'd)20.16.1 Rates and Charges (Cont'd)(G) Optional Features, BSEs and Functions (Cont'd)(4) SecureNet Installation Charge (Cont'd)(y) Serving Wire Center and Facility Redundancy - OK - Zone 1
per premises, per DS3

<u>USOC</u>	<u>Installation Charge</u>
XXXX	\$ 0.00

(z) Serving Wire Center and Facility Redundancy - OK - Zone 2
per premises, per DS3

<u>USOC</u>	<u>Installation Charge</u>
XXXX	\$ 0.00

(aa) Serving Wire Center and Facility Redundancy - OK - Zone 3
per premises, per DS3

<u>USOC</u>	<u>Installation Charge</u>
XXXX	\$ 0.00

(N)

(This page filed under Transmittal No. 2845)

Issued: September 15, 2000

Effective: September 30, 2000

Four AT&T Plaza, Dallas, Texas 75202

ACCESS SERVICE

20. MegaLink Custom Services (Cont'd)

(N)

20.16 Billing Periods - Service Established between August 11, 2000 and September 29, 2000 (Cont'd)20.16.1 Rates and Charges (Cont'd)(G) Optional Features, BSEs and Functions (Cont'd)(4) SecureNet Installation Charge (Cont'd)(ab) Serving Wire Center and Facility Redundancy - TX - Zone 1
per premises, per DS3

<u>USOC</u>	<u>Installation Charge</u>
XXXX	\$ 0.00

(ac) Serving Wire Center and Facility Redundancy - TX - Zone 2
per premises, per DS3

<u>USOC</u>	<u>Installation Charge</u>
XXXX	\$ 0.00

(ad) Serving Wire Center and Facility Redundancy - Tx - Zone 3
per premises, per DS3

<u>USOC</u>	<u>Installation Charge</u>
XXXX	\$ 0.00

(N)

(This page filed under Transmittal No. 2845)

Issued: September 15, 2000

Effective: September 30, 2000

Four AT&T Plaza, Dallas, Texas 75202

ACCESS SERVICE

20. MegaLink Custom Services (Cont'd)

(N)

20.16 Billing Periods - Service Established between August 11, 2000 and
September 29, 2000 (Cont'd)20.16.1 Rates and Charges (Cont'd)(G) Optional Features, BSEs and Functions (Cont'd)(5) Service Extension Monthly Recurring RatesUse Interoffice Mileage as set forth in 20.5.3 and
20.5.4.(6) Service Extension Installation Charge
per DS3 or DS3 equivalent, per service extension on the
same access order(a) Installation Charge - AR - Zone 1

	<u>USOC</u>	<u>3 year</u>	<u>5 year</u>	<u>10 year</u>
First	NRBSE	\$319.00	\$ 0.00	\$ 0.00
Additional	NRBSE	\$248.00	\$ 0.00	\$ 0.00

(b) Installation Charge - AR - Zone 2

	<u>USOC</u>	<u>3 year</u>	<u>5 year</u>	<u>10 year</u>
First	NRBSE	\$319.00	\$ 0.00	\$ 0.00
Additional	NRBSE	\$248.00	\$ 0.00	\$ 0.00

(c) Installation Charge - AR - Zone 3

	<u>USOC</u>	<u>3 year</u>	<u>5 year</u>	<u>10 year</u>
First	NRBSE	\$319.00	\$ 0.00	\$ 0.00
Additional	NRBSE	\$248.00	\$ 0.00	\$ 0.00

(N)

(This page filed under Transmittal No. 2845)

Issued: September 15, 2000

Effective: September 30, 2000

Four AT&T Plaza, Dallas, Texas 75202

ACCESS SERVICE

(N)

20. MegaLink Custom Services (Cont'd)

20.16 Billing Periods - Service Established between August 11, 2000 and September 29, 2000 (Cont'd)

20.16.1 Rates and Charges (Cont'd)

(G) Optional Features, BSEs and Functions (Cont'd)

(6) Service Extension Installation Charge (Cont'd)

(d) Installation Charge - KS - Zone 1

	<u>USOC</u>	<u>3 year</u>	<u>5 year</u>	<u>10 year</u>
First	NRBSE	\$319.00	\$ 0.00	\$ 0.00
Additional	NRBSE	\$248.00	\$ 0.00	\$ 0.00

(e) Installation Charge - KS - Zone 2

	<u>USOC</u>	<u>3 year</u>	<u>5 year</u>	<u>10 year</u>
First	NRBSE	\$319.00	\$ 0.00	\$ 0.00
Additional	NRBSE	\$248.00	\$ 0.00	\$ 0.00

(f) Installation Charge - KS - Zone 3

	<u>USOC</u>	<u>3 year</u>	<u>5 year</u>	<u>10 year</u>
First	NRBSE	\$319.00 (R)	\$ 0.00 (R)	\$ 0.00 (R)
Additional	NRBSE	\$248.00 (R)	\$ 0.00 (R)	\$ 0.00 (R)

(g) Installation Charge - MO - Zone 1

	<u>USOC</u>	<u>3 year</u>	<u>5 year</u>	<u>10 year</u>
First	NRBSE	\$319.00	\$ 0.00	\$ 0.00
Additional	NRBSE	\$248.00	\$ 0.00	\$ 0.00

(h) Installation Charge - MO - Zone 2

	<u>USOC</u>	<u>3 year</u>	<u>5 year</u>	<u>10 year</u>
First	NRBSE	\$319.00	\$ 0.00	\$ 0.00
Additional	NRBSE	\$248.00	\$ 0.00	\$ 0.00

(i) Installation Charge - MO - Zone 3

	<u>USOC</u>	<u>3 year</u>	<u>5 year</u>	<u>10 year</u>
First	NRBSE	\$319.00	\$ 0.00	\$ 0.00
Additional	NRBSE	\$248.00	\$ 0.00	\$ 0.00

(This page filed under Transmittal No. 2845)

ACCESS SERVICE

20. MegaLink Custom Services (Cont'd)

(N)

20.16 Billing Periods - Service Established between August 11, 2000 and
September 29, 2000 (Cont'd)20.16.1 Rates and Charges (Cont'd)(G) Optional Features, BSEs and Functions (Cont'd)(6) Service Extension Installation Charge (Cont'd)(j) Installation Charge - OK - Zone 1

	<u>USOC</u>	<u>3 year</u>	<u>5 year</u>	<u>10 year</u>
First	NRBSE	\$319.00	\$ 0.00	\$ 0.00
Additional	NRBSE	\$248.00	\$ 0.00	\$ 0.00

(k) Installation Charge - OK - Zone 2

	<u>USOC</u>	<u>3 year</u>	<u>5 year</u>	<u>10 year</u>
First	NRBSE	\$319.00	\$ 0.00	\$ 0.00
Additional	NRBSE	\$248.00	\$ 0.00	\$ 0.00

(l) Installation Charge - OK - Zone 3

	<u>USOC</u>	<u>3 year</u>	<u>5 year</u>	<u>10 year</u>
First	NRBSE	\$319.00	\$ 0.00	\$ 0.00
Additional	NRBSE	\$248.00	\$ 0.00	\$ 0.00

(N)

(This page filed under Transmittal No. 2845)

Issued: September 15, 2000

Effective: September 30, 2000

Four AT&T Plaza, Dallas, Texas 75202

ACCESS SERVICE

20. MegaLink Custom Services (Cont'd)

(N)

20.16 Billing Periods - Service Established between August 11, 2000 and
September 29, 2000 (Cont'd)20.16.1 Rates and Charges (Cont'd)(G) Optional Features, BSEs and Functions (Cont'd)(6) Service Extension Installation Charge (Cont'd)(m) Installation Charge - TX - Zone 1

	<u>USOC</u>	<u>3 year</u>	<u>5 year</u>	<u>10 year</u>
First	NRBSE	\$319.00	\$ 0.00	\$ 0.00
Additional	NRBSE	\$248.00	\$ 0.00	\$ 0.00

(n) Installation Charge - TX - Zone 2

	<u>USOC</u>	<u>3 year</u>	<u>5 year</u>	<u>10 year</u>
First	NRBSE	\$319.00	\$ 0.00	\$ 0.00
Additional	NRBSE	\$248.00	\$ 0.00	\$ 0.00

(o) Installation Charge - TX - Zone 3

	<u>USOC</u>	<u>3 year</u>	<u>5 year</u>	<u>10 year</u>
First	NRBSE	\$319.00	\$ 0.00	\$ 0.00
Additional	NRBSE	\$248.00	\$ 0.00	\$ 0.00

(N)

(This page filed under Transmittal No. 2845)

Issued: September 15, 2000

Effective: September 30, 2000

Four AT&T Plaza, Dallas, Texas 75202

ACCESS SERVICE

20. MegaLink Custom Services (Cont'd)

(N)

20.16 Billing Periods - Service Established between August 11, 2000 and
September 29, 2000 (Cont'd)20.16.1` Rates and Charges (Cont'd)(G) Optional Features, BSEs and Functions (Cont'd)(7) STN Interconnection with SecureNet Equipped MegaLink
Custom Service Monthly Recurring Rates

per DS3, per Interconnection

(a) STN Interconnection with SecureNet Equipped
MegaLink Custom Service - AR Zone 1

<u>USOC</u>	<u>3 year</u>	<u>5 year</u>	<u>10 year</u>
R3N3X	\$263.20	\$248.20	\$221.40

(b) STN Interconnection with SecureNet Equipped
MegaLink Custom Service - AR Zone 2

<u>USOC</u>	<u>3 year</u>	<u>5 year</u>	<u>10 year</u>
R3N3X	\$263.20	\$248.20	\$221.40

(c) STN Interconnection with SecureNet Equipped
MegaLink Custom Service - AR Zone 3

<u>USOC</u>	<u>3 year</u>	<u>5 year</u>	<u>10 year</u>
R3N3X	\$263.20	\$248.20	\$221.40

(N)

(This page filed under Transmittal No. 2845)

Issued: September 15, 2000

Effective: September 30, 2000

Four AT&T Plaza, Dallas, Texas 75202

ACCESS SERVICE

(N)

20. MegaLink Custom Services (Cont'd)20.16 Billing Periods - Service Established between August 11, 2000 and
September 29, 2000 (Cont'd)20.16.1 Rates and Charges (Cont'd)(G) Optional Features, BSEs and Functions (Cont'd)(7) STN Interconnection with SecureNet Equipped MegaLink
Custom Service Monthly Recurring Rates (Cont'd)

per DS3, per Interconnection

(d) STN Interconnection with SecureNet Equipped
MegaLink Custom Service - KS Zone 1

USOC	3 year	5 year	10 year
R3N3X	\$263.20	\$248.20	\$221.40

(e) STN Interconnection with SecureNet Equipped
MegaLink Custom Service - KS Zone 2

USOC	3 year	5 year	10 year
R3N3X	\$263.20	\$248.20	\$221.40

(f) STN Interconnection with SecureNet Equipped
MegaLink Custom Service - KS Zone 3

USOC	3 year	5 year	10 year
R3N3X	\$263.20	\$248.20	\$221.40

(g) STN Interconnection with SecureNet Equipped
MegaLink Custom Service - MO Zone 1

USOC	3 year	5 year	10 year
R3N3X	\$263.20	\$248.20	\$221.40

(h) STN Interconnection with SecureNet Equipped
MegaLink Custom Service - MO Zone 2

USOC	3 year	5 year	10 year
R3N3X	\$263.20	\$248.20	\$221.40

(i) STN Interconnection with SecureNet Equipped
MegaLink Custom Service - MO Zone 3

USOC	3 year	5 year	10 year
R3N3X	\$263.20	\$248.20	\$221.40

(This page filed under Transmittal No. 2845)

Issued: September 15, 2000

Effective: September 30, 2000

Four AT&T Plaza, Dallas, Texas 75202

ACCESS SERVICE

20. MegaLink Custom Services (Cont'd)

(N)

20.16 Billing Periods - Service Established between August 11, 2000 and
September 29, 2000 (Cont'd)20.16.1 Rates and Charges (Cont'd)(G) Optional Features, BSEs and Functions (Cont'd)(7) STN Interconnection with SecureNet Equipped MegaLink
Custom Service Monthly Recurring Rates (Cont'd)

per DS3, per Interconnection

(j) STN Interconnection with SecureNet Equipped
MegaLink Custom Service - OK Zone 1

<u>USOC</u>	<u>3 year</u>	<u>5 year</u>	<u>10 year</u>
R3N3X	\$263.20	\$248.20	\$221.40

(k) STN Interconnection with SecureNet Equipped
MegaLink Custom Service - OK Zone 2

<u>USOC</u>	<u>3 year</u>	<u>5 year</u>	<u>10 year</u>
R3N3X	\$263.20	\$248.20	\$221.40

(l) STN Interconnection with SecureNet Equipped
MegaLink Custom Service - OK Zone 3

<u>USOC</u>	<u>3 year</u>	<u>5 year</u>	<u>10 year</u>
R3N3X	\$263.20	\$248.20	\$221.40

(This page filed under Transmittal No. 2845)

Issued: September 15, 2000

Effective: September 30, 2000

Four AT&T Plaza, Dallas, Texas 75202

ACCESS SERVICE

20. MegaLink Custom Services (Cont'd)

(N)

20.16 Billing Periods - Service Established between August 11, 2000 and
September 29, 2000 (Cont'd)20.16.1 Rates and Charges (Cont'd)(G) Optional Features, BSEs and Functions (Cont'd)(7) STN Interconnection with SecureNet Equipped MegaLink
Custom Service Monthly Recurring Rates (Cont'd)

per DS3, per Interconnection

(m) STN Interconnection with SecureNet Equipped
MegaLink Custom Service - TX Zone 1

<u>USOC</u>	<u>3 year</u>	<u>5 year</u>	<u>10 year</u>
R3N3X	\$263.20	\$248.20	\$221.40

(n) STN Interconnection with SecureNet Equipped
MegaLink Custom Service - TX Zone 2

<u>USOC</u>	<u>3 year</u>	<u>5 year</u>	<u>10 year</u>
R3N3X	\$263.20	\$248.20	\$221.40

(o) STN Interconnection with SecureNet Equipped
MegaLink Custom Service - TX Zone 3

<u>USOC</u>	<u>3 year</u>	<u>5 year</u>	<u>10 year</u>
R3N3X	\$263.20	\$248.20	\$221.40

(This page filed under Transmittal No. 2845)

Issued: September 15, 2000

Effective: September 30, 2000

Four AT&T Plaza, Dallas, Texas 75202

ACCESS SERVICE

20. MegaLink Custom Services (Cont'd)

(N)

20.16 Billing Periods - Service Established between August 11, 2000 and September 29, 2000 (Cont'd)20.16.1 Rates and Charges (Cont'd)(G) Optional Features, BSEs and Functions (Cont'd)(8) STN Interconnection with SecureNet Equipped MegaLink Custom Service Installation Charges

per DS3, per Interconnection

(a) STN Interconnection with SecureNet Equipped MegaLink Custom Service - AR Zone 1

<u>USOC</u>	<u>3 year</u>	<u>5 year</u>	<u>10 year</u>
	\$149.00	\$ 0.00	\$ 0.00

(b) STN Interconnection with SecureNet Equipped MegaLink Custom Service - AR Zone 2

<u>USOC</u>	<u>3 year</u>	<u>5 year</u>	<u>10 year</u>
	\$149.00	\$ 0.00	\$ 0.00

(c) STN Interconnection with SecureNet Equipped MegaLink Custom Service - AR Zone 3

<u>USOC</u>	<u>3 year</u>	<u>5 year</u>	<u>10 year</u>
	\$149.00	\$ 0.00	\$ 0.00

(This page filed under Transmittal No. 2845)

Issued: September 15, 2000

Effective: September 30, 2000

Four AT&T Plaza, Dallas, Texas 75202

ACCESS SERVICE

(N)

20. MegaLink Custom Services (Cont'd)20.16 Billing Periods - Service Established between August 11, 2000 and
September 29, 2000 (Cont'd)20.16.1 Rates and Charges (Cont'd)(G) Optional Features, BSEs and Functions (Cont'd)(8) STN Interconnection with SecureNet Equipped MegaLink
Custom Service Installation Charges (Cont'd)

per DS3, per Interconnection

(d) STN Interconnection with SecureNet Equipped
MegaLink Custom Service - KS Zone 1

<u>USOC</u>	<u>3 year</u>	<u>5 year</u>	<u>10 year</u>
	\$149.00	\$ 0.00	\$ 0.00

(e) STN Interconnection with SecureNet Equipped
MegaLink Custom Service - KS Zone 2

<u>USOC</u>	<u>3 year</u>	<u>5 year</u>	<u>10 year</u>
	\$149.00	\$ 0.00	\$ 0.00

(f) STN Interconnection with SecureNet Equipped
MegaLink Custom Service - KS Zone 3

<u>USOC</u>	<u>3 year</u>	<u>5 year</u>	<u>10 year</u>
	\$149.00	\$ 0.00	\$ 0.00

(g) STN Interconnection with SecureNet Equipped
MegaLink Custom Service - MO Zone 1

<u>USOC</u>	<u>3 year</u>	<u>5 year</u>	<u>10 year</u>
	\$149.00	\$ 0.00	\$ 0.00

(h) STN Interconnection with SecureNet Equipped
MegaLink Custom Service - MO Zone 2

<u>USOC</u>	<u>3 year</u>	<u>5 year</u>	<u>10 year</u>
	\$149.00	\$ 0.00	\$ 0.00

(i) STN Interconnection with SecureNet Equipped
MegaLink Custom Service - MO Zone 3

<u>USOC</u>	<u>3 year</u>	<u>5 year</u>	<u>10 year</u>
	\$149.00	\$ 0.00	\$ 0.00

(This page filed under Transmittal No. 2845)

Issued: September 15, 2000

Effective: September 30, 2000

Four AT&T Plaza, Dallas, Texas 75202

ACCESS SERVICE

20. MegaLink Custom Services (Cont'd)

(N)

20.16 Billing Periods - Service Established between August 11, 2000 and
September 29, 2000 (Cont'd)20.16.1 Rates and Charges (Cont'd)(G) Optional Features, BSEs and Functions (Cont'd)(8) STN Interconnection with SecureNet Equipped MegaLink
Custom Service Installation Charges (Cont'd)

per DS3, per Interconnection

(j) STN Interconnection with SecureNet Equipped
MegaLink Custom Service - OK Zone 1

<u>USOC</u>	<u>3 year</u>	<u>5 year</u>	<u>10 year</u>
	\$149.00	\$ 0.00	\$ 0.00

(k) STN Interconnection with SecureNet Equipped
MegaLink Custom Service - OK Zone 2

<u>USOC</u>	<u>3 year</u>	<u>5 year</u>	<u>10 year</u>
	\$149.00	\$ 0.00	\$ 0.00

(l) STN Interconnection with SecureNet Equipped
MegaLink Custom Service - OK Zone 3

<u>USOC</u>	<u>3 year</u>	<u>5 year</u>	<u>10 year</u>
	\$149.00	\$ 0.00	\$ 0.00

(This page filed under Transmittal No. 2845)

Issued: September 15, 2000

Effective: September 30, 2000

Four AT&T Plaza, Dallas, Texas 75202

ACCESS SERVICE

20. MegaLink Custom Services (Cont'd)

(N)

20.16 Billing Periods - Service Established between August 11, 2000 and
September 29, 2000 (Cont'd)20.16.1 Rates and Charges (Cont'd)(G) Optional Features, BSEs and Functions (Cont'd)(8) STN Interconnection with SecureNet Equipped MegaLink
Custom Service Installation Charges (Cont'd)

per DS3, per Interconnection

(m) STN Interconnection with SecureNet Equipped
MegaLink Custom Service - TX Zone 1

<u>USOC</u>	<u>3 year</u>	<u>5 year</u>	<u>10 year</u>
	\$149.00	\$ 0.00	\$ 0.00

(n) STN Interconnection with SecureNet Equipped
MegaLink Custom Service - TX Zone 2

<u>USOC</u>	<u>3 year</u>	<u>5 year</u>	<u>10 year</u>
	\$149.00	\$ 0.00	\$ 0.00

(o) STN Interconnection with SecureNet Equipped
MegaLink Custom Service - TX Zone 3

<u>USOC</u>	<u>3 year</u>	<u>5 year</u>	<u>10 year</u>
	\$149.00	\$ 0.00	\$ 0.00

(This page filed under Transmittal No. 2845)

Issued: September 15, 2000

Effective: September 30, 2000

Four AT&T Plaza, Dallas, Texas 75202

ACCESS SERVICE

20. MegaLink Custom Services (Cont'd)

(N)

20.16 Billing Periods - Service Established between August 11, 2000 and
September 29, 2000 (Cont'd)20.16.1 Rates and Charges (Cont'd)(G) Optional Features, BSEs and Functions (Cont'd)(9) SFM Installation Charge

Per existing MegaLink Custom Service(s) moving to another MegaLink Custom Service or ReliaNet DS3/EC-1, on a first and additional basis.

(a) SFM AR Zone 1

	<u>USOC</u>	<u>Installation Charge</u>
First	NRBR3	\$135.00
Additional	NRBR3	\$104.00

(b) SFM AR Zone 2

	<u>USOC</u>	<u>Installation Charge</u>
First	NRBR3	\$135.00
Additional	NRBR3	\$104.00

(c) SFM AR Zone 3

	<u>USOC</u>	<u>Installation Charge</u>
First	NRBR3	\$135.00
Additional	NRBR3	\$104.00

(This page filed under Transmittal No. 2845)

Issued: September 15, 2000

Effective: September 30, 2000

Four AT&T Plaza, Dallas, Texas 75202

ACCESS SERVICE

20. MegaLink Custom Services (Cont'd)

(N)

20.16 Billing Periods - Service Established between August 11, 2000 and
September 29, 2000 (Cont'd)20.16.1 Rates and Charges (Cont'd)(G) Optional Features, BSEs and Functions (Cont'd)(9) SFM Installation Charge (Cont'd)

Per existing MegaLink Custom Service(s) moving to another MegaLink Custom Service or ReliaNet DS3/EC-1, on a first and additional basis.

(d) SFM KS Zone 1

	<u>USOC</u>	<u>Installation Charge</u>
First	NRBR3	\$135.00
Additional	NRBR3	\$104.00

(e) SFM KS Zone 2

	<u>USOC</u>	<u>Installation Charge</u>
First	NRBR3	\$135.00
Additional	NRBR3	\$104.00

(f) SFM KS Zone 3

	<u>USOC</u>	<u>Installation Charge</u>
First	NRBR3	\$135.00
Additional	NRBR3	\$104.00

(g) SFM MO Zone 1

	<u>USOC</u>	<u>Installation Charge</u>
First	NRBR3	\$135.00
Additional	NRBR3	\$104.00

(h) SFM MO Zone 2

	<u>USOC</u>	<u>Installation Charge</u>
First	NRBR3	\$135.00
Additional	NRBR3	\$104.00

(i) SFM MO Zone 3

	<u>USOC</u>	<u>Installation Charge</u>
First	NRBR3	\$135.00
Additional	NRBR3	\$104.00

(N)

(This page filed under Transmittal No. 2845)

Issued: September 15, 2000

Effective: September 30, 2000

Four AT&T Plaza, Dallas, Texas 75202

ACCESS SERVICE

20. MegaLink Custom Services (Cont'd)

(N)

20.16 Billing Periods - Service Established between August 11, 2000 and
September 29, 2000 (Cont'd)20.16.1 Rates and Charges (Cont'd)(G) Optional Features, BSEs and Functions (Cont'd)(9) SFM Installation Charge (Cont'd)

Per existing MegaLink Custom Service(s) moving to another MegaLink Custom Service or ReliaNet DS3/EC-1, on a first and additional basis.

(j) SFM OK Zone 1

	<u>USOC</u>	<u>Installation Charge</u>
First	NRBR3	\$135.00
Additional	NRBR3	\$104.00

(k) SFM OK Zone 2

	<u>USOC</u>	<u>Installation Charge</u>
First	NRBR3	\$135.00
Additional	NRBR3	\$104.00

(l) SFM OK Zone 3

	<u>USOC</u>	<u>Installation Charge</u>
First	NRBR3	\$135.00
Additional	NRBR3	\$104.00

(N)

(This page filed under Transmittal No. 2845)

Issued: September 15, 2000

Effective: September 30, 2000

Four AT&T Plaza, Dallas, Texas 75202

ACCESS SERVICE

20. MegaLink Custom Services (Cont'd)

(N)

20.16 Billing Periods - Service Established between August 11, 2000 and
September 29, 2000 (Cont'd)20.16.1 Rates and Charges (Cont'd)(G) Optional Features, BSEs and Functions (Cont'd)(9) SFM Installation Charge (Cont'd)

Per existing MegaLink Custom Service(s) moving to another MegaLink Custom Service or ReliaNet DS3/EC-1, on a first and additional basis.

(m) SFM OK Zone 1

	<u>USOC</u>	<u>Installation Charge</u>
First	NRBR3	\$135.00
Additional	NRBR3	\$104.00

(n) SFM OK Zone 2

	<u>USOC</u>	<u>Installation Charge</u>
First	NRBR3	\$135.00
Additional	NRBR3	\$104.00

(o) SFM OK Zone 3

	<u>USOC</u>	<u>Installation Charge</u>
First	NRBR3	\$135.00
Additional	NRBR3	\$104.00

(10) C-Bit Parity Framing Format Option per existing DS3

	<u>USOC</u>	<u>Installation Charge</u>
First	NRBPP	\$ 26.00
Additional	NRBPP	\$ 10.00

(N)

(This page filed under Transmittal No. 2845)

Issued: September 15, 2000

Effective: September 30, 2000

Four AT&T Plaza, Dallas, Texas 75202

ACCESS SERVICE

20. MegaLink Custom Services (Cont'd)

(N)

20.16 Billing Periods - Service Established between August 11, 2000 and September 29, 2000 (Cont'd)20.16.1 Rates and Charges (Cont'd)(H) Administrative Charges(1) Service Rearrangement Nonrecurring Charges

Per DS3 or DS3 equivalent on the same Access Order for one or any combination of changes as set forth in Section 20.4.2(E).

(a) Service Rearrangement - AR Zone 1

	<u>USOC</u>	<u>Nonrecurring Charge</u>
First	NRBAC	\$ 9.00
Additional	NRBAC	\$ 5.00

(b) Service Rearrangement - AR Zone 2

	<u>USOC</u>	<u>Nonrecurring Charge</u>
First	NRBAC	\$ 9.00
Additional	NRBAC	\$ 5.00

(c) Service Rearrangement - AR Zone 3

	<u>USOC</u>	<u>Nonrecurring Charge</u>
First	NRBAC	\$ 9.00
Additional	NRBAC	\$ 5.00

(d) Service Rearrangement - KS Zone 1

	<u>USOC</u>	<u>Nonrecurring Charge</u>
First	NRBAC	\$ 9.00
Additional	NRBAC	\$ 5.00

(e) Service Rearrangement - KS Zone 2

	<u>USOC</u>	<u>Nonrecurring Charge</u>
First	NRBAC	\$ 9.00
Additional	NRBAC	\$ 5.00

(f) Service Rearrangement - KS Zone 3

	<u>USOC</u>	<u>Nonrecurring Charge</u>
First	NRBAC	\$ 9.00
Additional	NRBAC	\$ 5.00

(This page filed under Transmittal No. 2845)

Issued: September 15, 2000

Effective: September 30, 2000

Four AT&T Plaza, Dallas, Texas 75202

ACCESS SERVICE

20. MegaLink Custom Services (Cont'd)

(N)

20.16 Billing Periods - Service Established between August 11, 2000 and
September 29, 2000 (Cont'd)20.16.1 Rates and Charges (Cont'd)(H) Administrative Charges (Cont'd)(1) Service Rearrangement Nonrecurring Charges (Cont'd)(g) Service Rearrangement - MO Zone 1

	<u>USOC</u>	<u>Nonrecurring Charge</u>
First	NRBAC	\$ 9.00
Additional	NRBAC	\$ 5.00

(h) Service Rearrangement - MO Zone 2

	<u>USOC</u>	<u>Nonrecurring Charge</u>
First	NRBAC	\$ 9.00
Additional	NRBAC	\$ 5.00

(i) Service Rearrangement - MO Zone 3

	<u>USOC</u>	<u>Nonrecurring Charge</u>
First	NRBAC	\$ 9.00
Additional	NRBAC	\$ 5.00

(j) Service Rearrangement - OK Zone 1

	<u>USOC</u>	<u>Nonrecurring Charge</u>
First	NRBAC	\$ 9.00
Additional	NRBAC	\$ 5.00

(k) Service Rearrangement - OK Zone 2

	<u>USOC</u>	<u>Nonrecurring Charge</u>
First	NRBAC	\$ 9.00
Additional	NRBAC	\$ 5.00

(l) Service Rearrangement - OK Zone 3

	<u>USOC</u>	<u>Nonrecurring Charge</u>
First	NRBAC	\$ 9.00
Additional	NRBAC	\$ 5.00

(N)

(This page filed under Transmittal No. 2845)

Issued: September 15, 2000

Effective: September 30, 2000

Four AT&T Plaza, Dallas, Texas 75202

ACCESS SERVICE

(N)

20. MegaLink Custom Services (Cont'd)20.16 Billing Periods - Service Established between August 11, 2000 and
September 29, 2000 (Cont'd)20.16.1 Rates and Charges (Cont'd)(H) Administrative Charges (Cont'd)(I) Service Rearrangement Nonrecurring Charges (Cont'd)(m) Service Rearrangement - TX Zone 1

	<u>USOC</u>	<u>Nonrecurring Charge</u>
First	NRBAC	\$ 9.00
Additional	NRBAC	\$ 5.00

(n) Service Rearrangement - TX Zone 2

	<u>USOC</u>	<u>Nonrecurring Charge</u>
First	NRBAC	\$ 9.00
Additional	NRBAC	\$ 5.00

(o) Service Rearrangement - TX Zone 3

	<u>USOC</u>	<u>Nonrecurring Charge</u>
First	NRBAC	\$ 9.00
Additional	NRBAC	\$ 5.00

(I) Collocation Transport

	<u>USOC</u>	<u>Monthly Rate</u>		<u>Nonrecurring Charges</u>	
		<u>Fixed</u>	<u>Per Mile</u>	<u>1st Ckt.</u>	<u>Addl Ckt.</u>
44.736 Mbps (1H48S)					
3 Year		\$600.00	\$ 75.00	\$303.00	\$248.00
5 Year		\$500.00	\$ 50.00	\$ 0.00	\$ 0.00

(This page filed under Transmittal No. 2845)

Issued: September 15, 2000

Effective: September 30, 2000

Four AT&T Plaza, Dallas, Texas 75202

ACCESS SERVICE

20. MegaLink Custom Services (Cont'd)20.17 Billing Periods - Service Established between September 30, 2000 and July 2, 200120.17.1 Rates and Charges

Rates and charges for Arkansas, Kansas, Missouri, Oklahoma and Texas will be applied based on Pricing Zones as contained below.

(A) Channel Termination - Electrical - per Volume Option, per customer premises(1) Electrical Channel Termination - AR - Zone 1

<u>Volume Option*</u>	<u>USOC</u>	<u>Month to Month</u>	<u>3 year</u>	<u>5 year</u>	<u>10 year</u>
1	TUZPX	\$ 1,950.00	\$ 1,250.00	\$ 975.00	\$ 975.00
3	TUZPX	\$ 5,850.00	\$ 3,560.00	\$ 2,920.00	\$ 2,920.00
6	TUZPX	\$11,700.00	\$ 6,750.00	\$ 5,540.00	\$ 5,540.00
12	TUZPX	\$23,400.00	\$11,250.00	\$ 9,230.00	\$ 9,230.00

(2) Electrical Channel Termination - AR - Zone 2

<u>Volume Option*</u>	<u>USOC</u>	<u>Month to Month</u>	<u>3 year</u>	<u>5 year</u>	<u>10 year</u>
1	TUZPX	\$ 2,100.00	\$ 1,300.00	\$ 1,050.00	\$ 1,050.00
3	TUZPX	\$ 5,850.00	\$ 3,710.00	\$ 3,060.00	\$ 3,060.00
6	TUZPX	\$11,700.00	\$ 7,020.00	\$ 5,810.00	\$ 5,810.00
12	TUZPX	\$23,400.00	\$11,700.00	\$ 9,680.00	\$ 9,680.00

(3) Electrical Channel Termination - AR - Zone 3

<u>Volume Option*</u>	<u>USOC</u>	<u>Month to Month</u>	<u>3 year</u>	<u>5 year</u>	<u>10 year</u>
1	TUZPX	\$ 2,100.00	\$ 1,400.00	\$ 1,125.00	\$ 1,125.00
3	TUZPX	\$ 5,850.00	\$ 3,990.00	\$ 3,350.00	\$ 3,350.00
6	TUZPX	\$11,700.00	\$ 7,560.00	\$ 6,350.00	\$ 6,350.00
12	TUZPX	\$23,400.00	\$12,600.00	\$10,580.00	\$10,580.00

* Volume Option specifies the number of DS3s or DS3 equivalents.

Rates contained in this transmittal are subject to subsequent adjustment, effective retrospectively, in the event the Commission or a court subsequently authorizes Southwestern Bell Telephone Company to correct its rates pursuant to pending motions, or petitions for reconsideration or waiver, or in the event of any other adjustment to an order of the Commission or a court.

(This page filed under Transmittal No. 2865)

Issued: June 18, 2001

Effective: July 3, 2001

Four AT&T Plaza, Dallas, Texas 75202

ACCESS SERVICE

20. MegaLink Custom Services (Cont'd)20.17 Billing Periods - Service Established between September 30, 2000 and July 2, 200120.17.1 Rates and Charges (Cont'd)(A) Channel Termination - Electrical - per Volume Option, per customer premises (Cont'd)(4) Electrical Channel Termination - KS - Zone 1

Volume Option*	USOC	Month to Month	3 year	5 year	10 year
1	TUZPX	\$ 1,950.00	\$ 1,250.00	\$ 975.00	\$ 975.00
3	TUZPX	\$ 5,850.00	\$ 3,560.00	\$ 2,920.00	\$ 2,920.00
6	TUZPX	\$11,700.00	\$ 6,750.00	\$ 5,540.00	\$ 5,540.00
12	TUZPX	\$23,400.00	\$11,250.00	\$ 9,230.00	\$ 9,230.00

(5) Electrical Channel Termination - KS - Zone 2

Volume Option*	USOC	Month to Month	3 year	5 year	10 year
1	TUZPX	\$ 2,100.00	\$ 1,300.00	\$ 1,050.00	\$ 1,050.00
3	TUZPX	\$ 5,850.00	\$ 3,710.00	\$ 3,060.00	\$ 3,060.00
6	TUZPX	\$11,700.00	\$ 7,020.00	\$ 5,810.00	\$ 5,810.00
12	TUZPX	\$23,400.00	\$11,700.00	\$ 9,680.00	\$ 9,680.00

(6) Electrical Channel Termination - KS - Zone 3

Volume Option*	USOC	Month to Month	3 year	5 year	10 year
1	TUZPX	\$ 2,100.00	\$ 1,400.00	\$ 1,125.00	\$ 1,125.00
3	TUZPX	\$ 5,850.00	\$ 3,990.00	\$ 3,350.00	\$ 3,350.00
6	TUZPX	\$11,700.00	\$ 7,560.00	\$ 6,350.00	\$ 6,350.00
12	TUZPX	\$23,400.00	\$12,600.00	\$10,580.00	\$10,580.00

• Volume Option specifies the number of DS3s or DS3 equivalents. Rates contained in this transmittal are subject to subsequent adjustment, effective retrospectively, in the event the Commission or a court subsequently authorizes Southwestern Bell Telephone Company to correct its rates pursuant to pending motions, or petitions for reconsideration or waiver, or in the event of any other adjustment to an order of the Commission

(This page filed under Transmittal No. 2865)

Issued: June 18, 2001

Effective: July 3, 2001

Four AT&T Plaza, Dallas, Texas 75202

ACCESS SERVICE

20. MegaLink Custom Services (Cont'd)20.17 Billing Periods - Service Established between September 30, 2000
and July 2, 200120.17.1 Rates and Charges (Cont'd)(A) Channel Termination - Electrical - per Volume Option,
per customer premises (Cont'd)(7) Electrical Channel Termination - MO - Zone 1

<u>Volume Option*</u>	<u>USOC</u>	<u>Month to Month</u>	<u>3 year</u>	<u>5 year</u>	<u>10 year</u>
1	TUZPX	\$ 1,950.00	\$ 1,250.00	\$ 975.00	\$ 975.00
3	TUZPX	\$ 5,850.00	\$ 3,560.00	\$ 2,920.00	\$ 2,920.00
6	TUZPX	\$11,700.00	\$ 6,750.00	\$ 5,540.00	\$ 5,540.00
12	TUZPX	\$23,400.00	\$11,250.00	\$ 9,230.00	\$ 9,230.00

(8) Electrical Channel Termination - MO - Zone 2

<u>Volume Option*</u>	<u>USOC</u>	<u>Month to Month</u>	<u>3 year</u>	<u>5 year</u>	<u>10 year</u>
1	TUZPX	\$ 2,100.00	\$ 1,300.00	\$ 1,050.00	\$ 1,050.00
3	TUZPX	\$ 5,850.00	\$ 3,710.00	\$ 3,060.00	\$ 3,060.00
6	TUZPX	\$11,700.00	\$ 7,020.00	\$ 5,810.00	\$ 5,810.00
12	TUZPX	\$23,400.00	\$11,700.00	\$ 9,680.00	\$ 9,680.00

(9) Electrical Channel Termination - MO - Zone 3

<u>Volume Option*</u>	<u>USOC</u>	<u>Month to Month</u>	<u>3 year</u>	<u>5 year</u>	<u>10 year</u>
1	TUZPX	\$ 2,100.00	\$ 1,400.00	\$ 1,125.00	\$ 1,125.00
3	TUZPX	\$ 5,850.00	\$ 3,990.00	\$ 3,350.00	\$ 3,350.00
6	TUZPX	\$11,700.00	\$ 7,560.00	\$ 6,350.00	\$ 6,350.00
12	TUZPX	\$23,400.00	\$12,600.00	\$10,580.00	\$10,580.00

* Volume Option specifies the number of DS3s or DS3 equivalents.
Rates contained in this transmittal are subject to subsequent adjustment, effective retrospectively, in the event the Commission or a court subsequently authorizes Southwestern Bell Telephone Company to correct its rates pursuant to pending motions, or petitions for reconsideration or waiver, or in the event of any other adjustment to an order of the Commission or a court.

(This page filed under Transmittal No. 2865)

Issued: June 18, 2001

Effective: July 3, 2001

Four AT&T Plaza, Dallas, Texas 75202

ACCESS SERVICE

20. MegaLink Custom Services (Cont'd)20.17 Billing Periods - Service Established between September 30, 2000
and July 2, 200120.17.1 Rates and Charges (Cont'd)(A) Channel Termination - Electrical - per Volume Option,
per customer premises (Cont'd)(10) Electrical Channel Termination - OK - Zone 1

Volume Option*	USOC	Month to Month	3 year	5 year	10 year
1	TUZPX	\$ 1,950.00	\$ 1,250.00	\$ 975.00	\$ 975.00
3	TUZPX	\$ 5,850.00	\$ 3,560.00	\$ 2,920.00	\$ 2,920.00
6	TUZPX	\$11,700.00	\$ 6,750.00	\$ 5,540.00	\$ 5,540.00
12	TUZPX	\$23,400.00	\$11,250.00	\$ 9,230.00	\$ 9,230.00

(11) Electrical Channel Termination - OK - Zone 2

Volume Option*	USOC	Month to Month	3 year	5 year	10 year
1	TUZPX	\$ 2,100.00	\$ 1,300.00	\$ 1,050.00	\$ 1,050.00
3	TUZPX	\$ 5,850.00	\$ 3,710.00	\$ 3,060.00	\$ 3,060.00
6	TUZPX	\$11,700.00	\$ 7,020.00	\$ 5,810.00	\$ 5,810.00
12	TUZPX	\$23,400.00	\$11,700.00	\$ 9,680.00	\$ 9,680.00

(12) Electrical Channel Termination - OK - Zone 3

Volume Option*	USOC	Month to Month	3 year	5 year	10 year
1	TUZPX	\$ 2,100.00	\$ 1,400.00	\$ 1,125.00	\$ 1,125.00
3	TUZPX	\$ 5,850.00	\$ 3,990.00	\$ 3,350.00	\$ 3,350.00
6	TUZPX	\$11,700.00	\$ 7,560.00	\$ 6,350.00	\$ 6,350.00
12	TUZPX	\$23,400.00	\$12,600.00	\$10,580.00	\$10,580.00

* Volume Option specifies the number of DS3s or DS3 equivalents.
Rates contained in this transmittal are subject to subsequent adjustment, effective retrospectively, in the event the Commission or a court subsequently authorizes Southwestern Bell Telephone Company to correct its rates pursuant to pending motions, or petitions for reconsideration or waiver, or in the event of any other adjustment to an order of the Commission or a court.

(This page filed under Transmittal No. 2865)

Issued: June 18, 2001

Effective: July 3, 2001

Four AT&T Plaza, Dallas, Texas 75202

ACCESS SERVICE

20. MegaLink Custom Services (Cont'd)20.17 Billing Periods - Service Established between September 30, 2000
and July 2, 200120.17.1 Rates and Charges (Cont'd)(A) Channel Termination - Electrical - per Volume Option, per
customer premises (Cont'd)(13) Electrical Channel Termination - TX - Zone 1

<u>Volume Option*</u>	<u>USOC</u>	<u>Month to Month</u>	<u>3 year</u>	<u>5 year</u>	<u>10 year</u>
1	TUZPX	\$ 1,950.00	\$ 1,250.00	\$ 975.00	\$ 975.00
3	TUZPX	\$ 5,850.00	\$ 3,560.00	\$ 2,920.00	\$ 2,920.00
6	TUZPX	\$11,700.00	\$ 6,750.00	\$ 5,540.00	\$ 5,540.00
12	TUZPX	\$23,400.00	\$11,250.00	\$ 9,230.00	\$ 9,230.00

(14) Electrical Channel Termination - TX - Zone 2

<u>Volume Option*</u>	<u>USOC</u>	<u>Month to Month</u>	<u>3 year</u>	<u>5 year</u>	<u>10 year</u>
1	TUZPX	\$ 2,100.00	\$ 1,300.00	\$ 1,050.00	\$ 1,050.00
3	TUZPX	\$ 5,850.00	\$ 3,710.00	\$ 3,060.00	\$ 3,060.00
6	TUZPX	\$11,700.00	\$ 7,020.00	\$ 5,810.00	\$ 5,810.00
12	TUZPX	\$23,400.00	\$11,700.00	\$ 9,680.00	\$ 9,680.00

(15) Electrical Channel Termination - TX - Zone 3

<u>Volume Option*</u>	<u>USOC</u>	<u>Month to Month</u>	<u>3 year</u>	<u>5 year</u>	<u>10 year</u>
1	TUZPX	\$ 2,100.00	\$ 1,400.00	\$ 1,125.00	\$ 1,125.00
3	TUZPX	\$ 5,850.00	\$ 3,990.00	\$ 3,350.00	\$ 3,350.00
6	TUZPX	\$11,700.00	\$ 7,560.00	\$ 6,350.00	\$ 6,350.00
12	TUZPX	\$23,400.00	\$12,600.00	\$10,580.00	\$10,580.00

* Volume Option specifies the number of DS3s or DS3 equivalents.
Rates contained in this transmittal are subject to subsequent adjustment, effective retrospectively, in the event the Commission or a court subsequently authorizes Southwestern Bell Telephone Company to correct its rates pursuant to pending motions, or petitions for reconsideration or waiver, or in the event of any other adjustment to an order of the Commission or a court.

(This page filed under Transmittal No. 2865)

Issued: June 18, 2001

Effective: July 3, 2001

Four AT&T Plaza, Dallas, Texas 75202

ACCESS SERVICE

20. MegaLink Custom Services (Cont'd)20.17 Billing Periods - Service Established between September 30, 2000 and July 2, 200120.17.1 Rates and Charges (Cont'd)(A) Channel Termination - Electrical - per Volume Option, per customer premises (Cont'd)(16) Temp-DS3 Electrical Channel Termination - AR - Zone 1

<u>Volume Option*</u>	<u>USOC</u>	<u>Monthly</u>
1	TUZQX	\$ 2,500.00

(17) Temp-DS3 Electrical Channel Termination - AR - Zone 2

<u>Volume Option*</u>	<u>USOC</u>	<u>Monthly</u>
1	TUZQX	\$ 2,500.00

(18) Temp-DS3 Electrical Channel Termination - AR - Zone 3

<u>Volume Option*</u>	<u>USOC</u>	<u>Monthly</u>
1	TUZQX	\$ 2,500.00

(19) Temp-DS3 Electrical Channel Termination - KS - Zone 1

<u>Volume Option*</u>	<u>USOC</u>	<u>Monthly</u>
1	TUZQX	\$ 2,500.00

(20) Temp-DS3 Electrical Channel Termination - KS - Zone 2

<u>Volume Option*</u>	<u>USOC</u>	<u>Monthly</u>
1	TUZQX	\$ 2,500.00

(21) Temp-DS3 Electrical Channel Termination - KS - Zone 3

<u>Volume Option*</u>	<u>USOC</u>	<u>Monthly</u>
1	TUZQX	\$ 2,500.00

* Volume Option specifies the number of DS3s or DS3 equivalents.

Rates contained in this transmittal are subject to subsequent adjustment, effective retrospectively, in the event the Commission or a court subsequently authorizes Southwestern Bell Telephone Company to correct its rates pursuant to pending motions, or petitions for reconsideration or waiver, or in the event of any other adjustment to an order of the Commission or a court.

(This page filed under Transmittal No. 2865)

Issued: June 18, 2001

Effective: July 3, 2001

Four AT&T Plaza, Dallas, Texas 75202

(N)

(N)

ACCESS SERVICE

20. MegaLink Custom Services (Cont'd)

(N)

20.17 Billing Periods - Service Established between September 30, 2000 and July 2, 2001

20.17.1 Rates and Charges (Cont'd)

(A) Channel Termination - Electrical - per Volume Option, per customer premises (Cont'd)

1 (22) Temp-DS3 Electrical Channel Termination - MO - Zone

<u>Volume Option*</u>	<u>USOC</u>	<u>Monthly</u>
1	TUZQX	\$ 2,500.00

2 (23) Temp-DS3 Electrical Channel Termination - MO - Zone

<u>Volume Option*</u>	<u>USOC</u>	<u>Monthly</u>
1	TUZQX	\$ 2,500.00

3 (24) Temp-DS3 Electrical Channel Termination - MO - Zone

<u>Volume Option*</u>	<u>USOC</u>	<u>Monthly</u>
1	TUZQX	\$ 2,500.00

1 (25) Temp-DS3 Electrical Channel Termination - OK - Zone

<u>Volume Option*</u>	<u>USOC</u>	<u>Monthly</u>
1	TUZQX	\$ 2,500.00

2 (26) Temp-DS3 Electrical Channel Termination - OK - Zone

<u>Volume Option*</u>	<u>USOC</u>	<u>Monthly</u>
1	TUZQX	\$ 2,500.00

(27) Temp-DS3 Electrical Channel Termination - OK - Zone
3

<u>Volume Option*</u>	<u>USOC</u>	<u>Monthly</u>
1	TUZQX	\$ 2,500.00

* Volume Option specifies the number of DS3s or DS3 equivalents.

Rates contained in this transmittal are subject to subsequent adjustment, effective retrospectively, in the event the Commission or a court subsequently authorizes Southwestern Bell Telephone Company to correct its rates pursuant to pending motions, or petitions for reconsideration or waiver, or in the event of any other adjustment to an order of the Commission or a court.

(This page filed under Transmittal No. 2865)

Issued: June 18, 2001

Effective: July 3, 2001

Four AT&T Plaza, Dallas, Texas 75202

ACCESS SERVICE

20. MegaLink Custom Services (Cont'd)

(N)

20.17 Billing Periods - Service Established between September 30, 2000
and July 2, 200120.17.1 Rates and Charges (Cont'd)(A) Channel Termination - Electrical - per Volume Option, per
customer premises (Cont'd)1(28) Temp-DS3 Electrical Channel Termination - TX - Zone

<u>Volume Option*</u>	<u>USOC</u>	<u>Monthly</u>
1	TUZQX	\$ 2,500.00

2(29) Temp-DS3 Electrical Channel Termination - TX - Zone

<u>Volume Option*</u>	<u>USOC</u>	<u>Monthly</u>
1	TUZQX	\$ 2,500.00

3(30) Temp-DS3 Electrical Channel Termination - TX - Zone

<u>Volume Option*</u>	<u>USOC</u>	<u>Monthly</u>
1	TUZQX	\$ 2,500.00

* Volume Option specifies the number of DS3s or DS3 equivalents.

Rates contained in this transmittal are subject to subsequent adjustment, effective retrospectively, in the event the Commission or a court subsequently authorizes Southwestern Bell Telephone Company to correct its rates pursuant to pending motions, or petitions for reconsideration or waiver, or in the event of any other adjustment to an order of the Commission or a court.

(This page filed under Transmittal No. 2865)

Issued: June 18, 2001

Effective: July 3, 2001

Four AT&T Plaza, Dallas, Texas 75202

ACCESS SERVICE

20. MegaLink Custom Services (Cont'd)20.17 Billing Periods - Service Established between September 30, 2000 and July 2, 200120.17.1 Rates and Charges (Cont'd)(B) Channel Termination - Optical - per Volume Option, per customer premises(1) Optical Channel Termination - AR - Zone 1

Volume Option*	USOC	Month to Month	3 year	5 year	10 year
1	TKZPX	\$ 1,755.00	\$ 1,250.00	\$ 1,025.00	\$ 1,025.00
3	TKZPX	\$ 5,265.00	\$ 3,560.00	\$ 2,920.00	\$ 2,920.00
6	TKZPX	\$10,530.00	\$ 6,750.00	\$ 5,540.00	\$ 5,540.00
12	TKZPX	\$21,060.00	\$11,250.00	\$ 9,230.00	\$ 9,230.00

(2) Optical Channel Termination - AR - Zone 2

Volume Option*	USOC	Month to Month	3 year	5 year	10 year
1	TKZPX	\$ 1,755.00	\$ 1,645.00	\$ 1,492.00	\$ 1,430.00
3	TKZPX	\$ 5,265.00	\$ 4,361.00	\$ 3,953.00	\$ 3,524.00
6	TKZPX	\$10,530.00	\$ 7,804.00	\$ 7,075.00	\$ 6,305.00
12	TKZPX	\$21,060.00	\$13,771.00	\$12,486.00	\$11,128.00

(3) Optical Channel Termination - AR - Zone 3

Volume Option*	USOC	Month to Month	3 year	5 year	10 year
1	TKZPX	\$ 1,755.00	\$ 1,645.00	\$ 1,492.00	\$ 1,430.00
3	TKZPX	\$ 5,265.00	\$ 4,361.00	\$ 3,953.00	\$ 3,524.00
6	TKZPX	\$10,530.00	\$ 7,804.00	\$ 7,075.00	\$ 6,305.00
12	TKZPX	\$21,060.00	\$13,771.00	\$12,486.00	\$11,128.00

* Volume Option specifies the number of DS3s or DS3 equivalents.

Rates contained in this transmittal are subject to subsequent adjustment, effective retrospectively, in the event the Commission or a court subsequently authorizes Southwestern Bell Telephone Company to correct its rates pursuant to pending motions, or petitions for reconsideration or waiver, or in the event of any other adjustment to an order of the Commission or a court.

(This page filed under Transmittal No. 2865)

Issued: June 18, 2001

Effective: July 3, 2001

Four AT&T Plaza, Dallas, Texas 75202

(N)

(N)

ACCESS SERVICE

20. MegaLink Custom Services (Cont'd)

(N)

20.17 Billing Periods - Service Established between September 30, 2000 and July 2, 2001

20.17.1 Rates and Charges (Cont'd)

(B) Channel Termination - Optical - per Volume Option, per customer premises

(4) Optical Channel Termination - KS - Zone 1

<u>Volume Option*</u>	<u>USOC</u>	<u>Month to Month</u>	<u>3 year</u>	<u>5 year</u>	<u>10 year</u>
1	TKZPX	\$ 1,755.00	\$ 1,250.00	\$ 1,025.00	\$1,025.00
3	TKZPX	\$ 5,265.00	\$ 3,560.00	\$ 2,920.00	\$2,920.00
6	TKZPX	\$10,530.00	\$ 6,750.00	\$ 5,540.00	\$5,540.00
12	TKZPX	\$21,060.00	\$11,250.00	\$ 9,230.00	\$9,230.00

(5) Optical Channel Termination - KS - Zone 2

<u>Volume Option*</u>	<u>USOC</u>	<u>Month to Month</u>	<u>3 year</u>	<u>5 year</u>	<u>10 year</u>
1	TKZPX	\$ 1,755.00	\$ 1,645.00	\$ 1,492.00	\$ 1,430.00
3	TKZPX	\$ 5,265.00	\$ 4,361.00	\$ 3,953.00	\$ 3,524.00
6	TKZPX	\$10,530.00	\$ 7,804.00	\$ 7,075.00	\$ 6,305.00
12	TKZPX	\$21,060.00	\$13,771.00	\$12,486.00	\$11,128.00

(6) Optical Channel Termination - KS - Zone 3

<u>Volume Option*</u>	<u>USOC</u>	<u>Month to Month</u>	<u>3 year</u>	<u>5 year</u>	<u>10 year</u>
1	TKZPX	\$ 1,755.00	\$ 1,645.00	\$ 1,492.00	\$ 1,430.00
3	TKZPX	\$ 5,265.00	\$ 4,361.00	\$ 3,953.00	\$ 3,524.00
6	TKZPX	\$10,530.00	\$ 7,804.00	\$ 7,075.00	\$ 6,305.00
12	TKZPX	\$21,060.00	\$13,771.00	\$12,486.00	\$11,128.00

* Volume Option specifies the number of DS3s or DS3 equivalents.

Rates contained in this transmittal are subject to subsequent adjustment, effective retrospectively, in the event the Commission or a court subsequently authorizes Southwestern Bell Telephone Company to correct its rates pursuant to pending motions, or petitions for reconsideration or waiver, or in the event of any other adjustment to an order of the Commission or a court.

(N)

(This page filed under Transmittal No. 2865)

Issued: June 18, 2001

Effective: July 3, 2001

Four AT&T Plaza, Dallas, Texas 75202

ACCESS SERVICE

20. MegaLink Custom Services (Cont'd)

(N)

20.17 Billing Periods - Service Established between September 30, 2000 and July 2, 200120.17.1 Rates and Charges (Cont'd)(B) Channel Termination - Optical - per Volume Option, per customer premises(7) Optical Channel Termination - MO - Zone 1

<u>Volume Option*</u>	<u>USOC</u>	<u>Month to Month</u>	<u>3 year</u>	<u>5 year</u>	<u>10 year</u>
1	TKZPX	\$ 1,755.00	\$ 1,250.00	\$ 1,025.00	\$ 1,025.00
3	TKZPX	\$ 5,265.00	\$ 3,560.00	\$ 2,920.00	\$ 2,920.00
6	TKZPX	\$10,530.00	\$ 6,750.00	\$ 5,540.00	\$ 5,540.00
12	TKZPX	\$21,060.00	\$11,250.00	\$ 9,230.00	\$ 9,230.00

(8) Optical Channel Termination - MO - Zone 2

<u>Volume Option*</u>	<u>USOC</u>	<u>Month to Month</u>	<u>3 year</u>	<u>5 year</u>	<u>10 year</u>
1	TKZPX	\$ 1,755.00	\$ 1,645.00	\$ 1,492.00	\$ 1,430.00
3	TKZPX	\$ 5,265.00	\$ 4,361.00	\$ 3,953.00	\$ 3,524.00
6	TKZPX	\$10,530.00	\$ 7,804.00	\$ 7,075.00	\$ 6,305.00
12	TKZPX	\$21,060.00	\$13,771.00	\$12,486.00	\$11,128.00

(9) Optical Channel Termination - MO - Zone 3

<u>Volume Option*</u>	<u>USOC</u>	<u>Month to Month</u>	<u>3 year</u>	<u>5 year</u>	<u>10 year</u>
1	TKZPX	\$ 1,755.00	\$ 1,645.00	\$ 1,492.00	\$ 1,430.00
3	TKZPX	\$ 5,265.00	\$ 4,361.00	\$ 3,953.00	\$ 3,524.00
6	TKZPX	\$10,530.00	\$ 7,804.00	\$ 7,075.00	\$ 6,305.00
12	TKZPX	\$21,060.00	\$13,771.00	\$12,486.00	\$11,128.00

* Volume Option specifies the number of DS3s or DS3 equivalents.

Rates contained in this transmittal are subject to subsequent adjustment, effective retrospectively, in the event the Commission or a court subsequently authorizes Southwestern Bell Telephone Company to correct its rates pursuant to pending motions, or petitions for reconsideration or waiver, or in the event of any other adjustment to an order of the Commission or a court.

(This page filed under Transmittal No. 2865)

Issued: June 18, 2001

Effective: July 3, 2001

Four AT&T Plaza, Dallas, Texas 75202

ACCESS SERVICE

20. MegaLink Custom Services (Cont'd)

(N)

20.17 Billing Periods - Service Established between September 30, 2000 and July 2, 200120.17.1 Rates and Charges (Cont'd)(B) Channel Termination - Optical - per Volume Option, per customer premises(10) Optical Channel Termination - OK - Zone 1

<u>Volume Option*</u>	<u>USOC</u>	<u>Month to Month</u>	<u>3 year</u>	<u>5 year</u>	<u>10 year</u>
1	TKZPX	\$ 1,755.00	\$ 1,250.00	\$ 1,025.00	\$ 1,025.00
3	TKZPX	\$ 5,265.00	\$ 3,560.00	\$ 2,920.00	\$ 2,920.00
6	TKZPX	\$10,530.00	\$ 6,750.00	\$ 5,540.00	\$ 5,540.00
12	TKZPX	\$21,060.00	\$11,250.00	\$ 9,230.00	\$ 9,230.00

(11) Optical Channel Termination - OK - Zone 2

<u>Volume Option*</u>	<u>USOC</u>	<u>Month to Month</u>	<u>3 year</u>	<u>5 year</u>	<u>10 year</u>
1	TKZPX	\$ 1,755.00	\$ 1,645.00	\$ 1,492.00	\$ 1,430.00
3	TKZPX	\$ 5,265.00	\$ 4,361.00	\$ 3,953.00	\$ 3,524.00
6	TKZPX	\$10,530.00	\$ 7,804.00	\$ 7,075.00	\$ 6,305.00
12	TKZPX	\$21,060.00	\$13,771.00	\$12,486.00	\$11,128.00

(12) Optical Channel Termination - OK - Zone 3

<u>Volume Option*</u>	<u>USOC</u>	<u>Month to Month</u>	<u>3 year</u>	<u>5 year</u>	<u>10 year</u>
1	TKZPX	\$ 1,755.00	\$ 1,645.00	\$ 1,492.00	\$ 1,430.00
3	TKZPX	\$ 5,265.00	\$ 4,361.00	\$ 3,953.00	\$ 3,524.00
6	TKZPX	\$10,530.00	\$ 7,804.00	\$ 7,075.00	\$ 6,305.00
12	TKZPX	\$21,060.00	\$13,771.00	\$12,486.00	\$11,128.00

* Volume Option specifies the number of DS3s or DS3 equivalents.

Rates contained in this transmittal are subject to subsequent adjustment, effective retrospectively, in the event the Commission or a court subsequently authorizes Southwestern Bell Telephone Company to correct its rates pursuant to pending motions, or petitions for reconsideration or waiver, or in the event of any other adjustment to an order of the Commission or a court.

(N)

(This page filed under Transmittal No. 2865)

Issued: June 18, 2001

Effective: July 3, 2001

Four AT&T Plaza, Dallas, Texas 75202

ACCESS SERVICE

20. MegaLink Custom Services (Cont'd)20.17 Billing Periods - Service Established between September 30, 2000 and July 2, 200120.17.1 Rates and Charges (Cont'd)(B) Channel Termination - Optical - per Volume Option, per customer premises(13) Optical Channel Termination - TX - Zone 1

<u>Volume Option*</u>	<u>USOC</u>	<u>Month to Month</u>	<u>3 year</u>	<u>5 year</u>	<u>10 year</u>
1	TKZPX	\$ 1,755.00	\$ 1,250.00	\$ 1,025.00	\$ 1,025.00
3	TKZPX	\$ 5,265.00	\$ 3,560.00	\$ 2,920.00	\$ 2,920.00
6	TKZPX	\$10,530.00	\$ 6,750.00	\$ 5,540.00	\$ 5,540.00
12	TKZPX	\$21,060.00	\$11,250.00	\$ 9,230.00	\$ 9,230.00

(14) Optical Channel Termination - TX - Zone 2

<u>Volume Option*</u>	<u>USOC</u>	<u>Month to Month</u>	<u>3 year</u>	<u>5 year</u>	<u>10 year</u>
1	TKZPX	\$ 1,755.00	\$ 1,645.00	\$ 1,492.00	\$ 1,430.00
3	TKZPX	\$ 5,265.00	\$ 4,361.00	\$ 3,953.00	\$ 3,524.00
6	TKZPX	\$10,530.00	\$ 7,804.00	\$ 7,075.00	\$ 6,305.00
12	TKZPX	\$21,060.00	\$13,771.00	\$12,486.00	\$11,128.00

(15) Optical Channel Termination - TX - Zone 3

<u>Volume Option*</u>	<u>USOC</u>	<u>Month to Month</u>	<u>3 year</u>	<u>5 year</u>	<u>10 year</u>
1	TKZPX	\$ 1,755.00	\$ 1,645.00	\$ 1,492.00	\$ 1,430.00
3	TKZPX	\$ 5,265.00	\$ 4,361.00	\$ 3,953.00	\$ 3,524.00
6	TKZPX	\$10,530.00	\$ 7,804.00	\$ 7,075.00	\$ 6,305.00
12	TKZPX	\$21,060.00	\$13,771.00	\$12,486.00	\$11,128.00

* Volume Option specifies the number of DS3s or DS3 equivalents.

Rates contained in this transmittal are subject to subsequent adjustment, effective retrospectively, in the event the Commission or a court subsequently authorizes Southwestern Bell Telephone Company to correct its rates pursuant to pending motions, or petitions for reconsideration or waiver, or in the event of any other adjustment to an order of the Commission or a court.

(This page filed under Transmittal No. 2865)

Issued: June 18, 2001

Effective: July 3, 2001

Four AT&T Plaza, Dallas, Texas 75202

(N)

(N)

ACCESS SERVICE

20. MegaLink Custom Services (Cont'd)

(N)

20.17 Billing Periods - Service Established between September 30, 2000 and July 2, 200120.17.1 Rates and Charges (Cont'd)(C) Interoffice Mileage - Fixed - Monthly Recurring Rates and Service Extension(1) Interoffice Fixed - per DS3 or DS3 equivalent - AR - Zone 1

<u>USOC</u>	<u>Month to Month</u>	<u>3 year</u>	<u>5 year</u>	<u>10 year</u>
10XHX/10XLX	\$725.00	\$550.00	\$450.00	\$450.00

(2) Interoffice Fixed - per DS3 or DS3 equivalent - AR - Zone 2

<u>USOC</u>	<u>Month to Month</u>	<u>3 year</u>	<u>5 year</u>	<u>10 year</u>
10XHX/10XLX	\$750.00	\$575.00	\$475.00	\$475.00

(3) Interoffice Fixed - per DS3 or DS3 equivalent - AR - Zone 3

<u>USOC</u>	<u>Month to Month</u>	<u>3 year</u>	<u>5 year</u>	<u>10 year</u>
10XHX/10XLX	\$775.00	\$600.00	\$500.00	\$500.00

(4) Interoffice Fixed - per DS3 or DS3 equivalent - KS - Zone 1

<u>USOC</u>	<u>Month to Month</u>	<u>3 year</u>	<u>5 year</u>	<u>10 year</u>
10XHX/10XLX	\$725.00	\$550.00	\$450.00	\$450.00

(5) Interoffice Fixed - per DS3 or DS3 equivalent - KS - Zone 2

<u>USOC</u>	<u>Month to Month</u>	<u>3 year</u>	<u>5 year</u>	<u>10 year</u>
10XHX/10XLX	\$750.00	\$575.00	\$475.00	\$475.00

(6) Interoffice Fixed - per DS3 or DS3 equivalent - KS - Zone 3

<u>USOC</u>	<u>Month to Month</u>	<u>3 year</u>	<u>5 year</u>	<u>10 year</u>
10XHX/10XLX	\$775.00	\$600.00	\$500.00	\$500.00

Rates contained in this transmittal are subject to subsequent adjustment, effective retrospectively, in the event the Commission or a court subsequently authorizes Southwestern Bell Telephone Company to correct its rates pursuant to pending motions, or petitions for reconsideration or waiver, or in the event of any other adjustment to an order of the Commission or a court.

(N)

(This page filed under Transmittal No. 2865)

Issued: June 18, 2001

Effective: July 3, 2001

Four AT&T Plaza, Dallas, Texas 75202

ACCESS SERVICE

20. MegaLink Custom Services (Cont'd)

20.17 Billing Periods - Service Established between September 30, 2000 and July 2, 2001

20.17.1 Rates and Charges (Cont'd)

(C) Interoffice Mileage - Fixed - Monthly Recurring Rates and Service Extension

(7) Interoffice Fixed - per DS3 or DS3 equivalent - MO - Zone 1

<u>USOC</u>	<u>Month to Month</u>	<u>3 year</u>	<u>5 year</u>	<u>10 year</u>
10XHX/10XLX	\$725.00	\$550.00	\$450.00	\$450.00

(8) Interoffice Fixed - per DS3 or DS3 equivalent - MO - Zone 2

<u>USOC</u>	<u>Month to Month</u>	<u>3 year</u>	<u>5 year</u>	<u>10 year</u>
10XHX/10XLX	\$750.00	\$575.00	\$475.00	\$475.00

(9) Interoffice Fixed - per DS3 or DS3 equivalent - MO - Zone 3

<u>USOC</u>	<u>Month to Month</u>	<u>3 year</u>	<u>5 year</u>	<u>10 year</u>
10XHX/10XLX	\$775.00	\$600.00	\$500.00	\$500.00

(10) Interoffice Fixed - per DS3 or DS3 equivalent - OK - Zone 1

<u>USOC</u>	<u>Month to Month</u>	<u>3 year</u>	<u>5 year</u>	<u>10 year</u>
10XHX/10XLX	\$725.00	\$550.00	\$450.00	\$450.00

(11) Interoffice Fixed - per DS3 or DS3 equivalent - OK - Zone 2

<u>USOC</u>	<u>Month to Month</u>	<u>3 year</u>	<u>5 year</u>	<u>10 year</u>
10XHX/10XLX	\$750.00	\$575.00	\$475.00	\$475.00

(12) Interoffice Fixed - per DS3 or DS3 equivalent - OK - Zone 3

<u>USOC</u>	<u>Month to Month</u>	<u>3 year</u>	<u>5 year</u>	<u>10 year</u>
10XHX/10XLX	\$775.00	\$600.00	\$500.00	\$500.00

Rates contained in this transmittal are subject to subsequent adjustment, effective retrospectively, in the event the Commission or a court subsequently authorizes Southwestern Bell Telephone Company to correct its rates pursuant to pending motions, or petitions for reconsideration or waiver, or in the event of any other adjustment to an order of the Commission or a court.

(This page filed under Transmittal No. 2865)

Issued: June 18, 2001

Effective: July 3, 2001

Four AT&T Plaza, Dallas, Texas 75202

(N)

(N)

ACCESS SERVICE

20. MegaLink Custom Services (Cont'd)

(N)

20.17 Billing Periods - Service Established between September 30, 2000 and July 2, 200120.17.1 Rates and Charges (Cont'd)(C) Interoffice Mileage - Fixed - Monthly Recurring Rates and Service Extension(13) Interoffice Fixed - per DS3 or DS3 equivalent - TX - Zone 1

<u>USOC</u>	<u>Month to Month</u>	<u>3 year</u>	<u>5 year</u>	<u>10 year</u>
10XHX/10XLX	\$725.00	\$550.00	\$450.00	\$450.00

(14) Interoffice Fixed - per DS3 or DS3 equivalent - TX - Zone 2

<u>USOC</u>	<u>Month to Month</u>	<u>3 year</u>	<u>5 year</u>	<u>10 year</u>
10XHX/10XLX	\$750.00	\$575.00	\$475.00	\$475.00

(15) Interoffice Fixed - per DS3 or DS3 equivalent - TX - Zone 3

<u>USOC</u>	<u>Month to Month</u>	<u>3 year</u>	<u>5 year</u>	<u>10 year</u>
10XHX/10XLX	\$775.00	\$600.00	\$500.00	\$500.00

(N)

Rates contained in this transmittal are subject to subsequent adjustment, effective retrospectively, in the event the Commission or a court subsequently authorizes Southwestern Bell Telephone Company to correct its rates pursuant to pending motions, or petitions for reconsideration or waiver, or in the event of any other adjustment to an order of the Commission or a court.

(This page filed under Transmittal No. 2865)

Issued: June 18, 2001

Effective: July 3, 2001

Four AT&T Plaza, Dallas, Texas 75202

ACCESS SERVICE

20. MegaLink Custom Services (Cont'd)

(N)

20.17 Billing Periods - Service Established between September 30, 2000 and July 2, 200120.17.1 Rates and Charges (Cont'd)(C) Interoffice Mileage - Fixed - Monthly Recurring Rates and Service Extension(16) Temp-DS3 - Interoffice Fixed - per Temp DS3 - AR - Zone 1USOC Monthly

10XGX \$750.00

(17) Temp-DS3 - Interoffice Fixed - per Temp DS3 - AR - Zone 2USOC Monthly

10XGX \$775.00

(18) Temp-DS3 - Interoffice Fixed - per Temp DS3 - AR - Zone 3USOC Monthly

10XGX \$800.00

(19) Temp-DS3 - Interoffice Fixed - per Temp DS3 - KS - Zone 1USOC Monthly

10XGX \$750.00

(20) Temp-DS3 - Interoffice Fixed - per Temp DS3 - KS - Zone 2USOC Monthly

10XGX \$775.00

(21) Temp-DS3 - Interoffice Fixed - per Temp DS3 - KS - Zone 3USOC Monthly

10XGX \$800.00

Rates contained in this transmittal are subject to subsequent adjustment, effective retrospectively, in the event the Commission or a court subsequently authorizes Southwestern Bell Telephone Company to correct its rates pursuant to pending motions, or petitions for reconsideration or waiver, or in the event of any other adjustment to an order of the Commission or a court.

(N)

(This page filed under Transmittal No. 2865)

Issued: June 18, 2001

Effective: July 3, 2001

Four AT&T Plaza, Dallas, Texas 75202

ACCESS SERVICE

20. MegaLink Custom Services (Cont'd)20.17 Billing Periods - Service Established between September 30, 2000 and July 2, 200120.17.1 Rates and Charges (Cont'd)(C) Interoffice Mileage - Fixed - Monthly Recurring Rates and Service Extension(22) Temp-DS3 - Interoffice Fixed - per Temp DS3 - MO - Zone 1USOCMonthly

10XGX \$750.00

(23) Temp-DS3 - Interoffice Fixed - per Temp DS3 - MO - Zone 2USOCMonthly

10XGX \$775.00

(24) Temp-DS3 - Interoffice Fixed - per Temp DS3 - MO - Zone 3USOCMonthly

10XGX \$800.00

(25) Temp-DS3 - Interoffice Fixed - per Temp DS3 - OK - Zone 1USOCMonthly

10XGX \$750.00

(26) Temp-DS3 - Interoffice Fixed - per Temp DS3 - OK - Zone 2USOCMonthly

10XGX \$775.00

(27) Temp-DS3 - Interoffice Fixed - per Temp DS3 - OK - Zone 3USOCMonthly

10XGX \$800.00

Rates contained in this transmittal are subject to subsequent adjustment, effective retrospectively, in the event the Commission or a court subsequently authorizes Southwestern Bell Telephone Company to correct its rates pursuant to pending motions, or petitions for reconsideration or waiver, or in the event of any other adjustment to an order of the Commission or a court.

(This page filed under Transmittal No. 2865)

Issued: June 18, 2001

Effective: July 3, 2001

Four AT&T Plaza, Dallas, Texas 75202

ACCESS SERVICE

20. MegaLink Custom Services (Cont'd)

(N)

20.17 Billing Periods - Service Established between September 30, 2000
and July 2, 200120.17.1 Rates and Charges (Cont'd)(C) Interoffice Mileage - Fixed - Monthly Recurring Rates
and Service Extension(28) Temp-DS3 - Interoffice Fixed - per Temp DS3 - TX -
Zone 1USOCMonthly

10XGX \$750.00

(29) Temp-DS3 - Interoffice Fixed - per Temp DS3 - TX -
Zone 2USOCMonthly

10XGX \$775.00

(30) Temp-DS3 - Interoffice Fixed - per Temp DS3 - TX -
Zone 3USOCMonthly

10XGX \$800.00

(N)

Rates contained in this transmittal are subject to subsequent adjustment, effective retrospectively, in the event the Commission or a court subsequently authorizes Southwestern Bell Telephone Company to correct its rates pursuant to pending motions, or petitions for reconsideration or waiver, or in the event of any other adjustment to an order of the Commission or a court.

(This page filed under Transmittal No. 2865)

Issued: June 18, 2001

Effective: July 3, 2001

Four AT&T Plaza, Dallas, Texas 75202

ACCESS SERVICE

20. MegaLink Custom Services (Cont'd)

20.17 Billing Periods - Service Established between September 30, 2000 and July 2, 2001

20.17.1 Rates and Charges (Cont'd)

(D) Interoffice Mileage - Per Mile - Monthly Recurring Rates and Service Extension

(1) Per Mile - per Volume Option, per Mile - AR - Zone 1

Volume Option*	USOC	Month to Month	3 year	5 year	10 year
1	1J5HS/1HXLS	\$ 100.00	\$ 70.00	\$ 45.00	\$ 45.00
3	1J5HS/1HXLS	\$ 300.00	\$ 210.00	\$ 135.00	\$ 135.00
6	1J5HS/1HXLS	\$ 600.00	\$ 420.00	\$ 270.00	\$ 270.00
12	1J5HS/1HXLS	\$1,200.00	\$ 840.00	\$ 540.00	\$ 185.00

(2) Per Mile - per Volume Option, per Mile - AR - Zone 2

Volume Option*	USOC	Month to Month	3 year	5 year	10 year
1	1J5HS/1HXLS	\$ 105.00	\$ 75.00	\$ 50.00	\$ 50.00
3	1J5HS/1HXLS	\$ 315.00	\$ 225.00	\$ 150.00	\$ 150.00
6	1J5HS/1HXLS	\$ 630.00	\$ 450.00	\$ 300.00	\$ 300.00
12	1J5HS/1HXLS	\$1,260.00	\$ 900.00	\$ 600.00	\$ 160.00

(3) Per Mile - per Volume Option, per Mile - AR - Zone 3

Volume Option*	USOC	Month to Month	3 year	5 year	10 year
1	1J5HS/1HXLS	\$ 110.00	\$ 80.00	\$ 55.00	\$ 55.00
3	1J5HS/1HXLS	\$ 330.00	\$ 240.00	\$ 165.00	\$ 165.00
6	1J5HS/1HXLS	\$ 660.00	\$ 480.00	\$ 330.00	\$ 330.00
12	1J5HS/1HXLS	\$1,320.00	\$ 960.00	\$ 660.00	\$ 150.00

* Volume Option specifies the number of DS3s or DS3 equivalents.

Rates contained in this transmittal are subject to subsequent adjustment, effective retrospectively, in the event the Commission or a court subsequently authorizes Southwestern Bell Telephone Company to correct its rates pursuant to pending motions, or petitions for reconsideration or waiver, or in

(This page filed under Transmittal No. 2865)

Issued: June 18, 2001

Effective: July 3, 2001

Four AT&T Plaza, Dallas, Texas 75202

(N)

(N)

ACCESS SERVICE

20. MegaLink Custom Services (Cont'd)20.17 Billing Periods - Service Established between September 30, 2000 and July 2, 200120.17.1 Rates and Charges (Cont'd)(D) Interoffice Mileage - Per Mile - Monthly Recurring Rates and Service Extension(4) Per Mile - per Volume Option, per Mile - KS - Zone 1

<u>Volume Option*</u>	<u>USOC</u>	<u>Month to Month</u>	<u>3 year</u>	<u>5 year</u>	<u>10 year</u>
1	1J5HS/1HXLS	\$ 100.00	\$ 70.00	\$ 45.00	\$ 45.00
3	1J5HS/1HXLS	\$ 300.00	\$ 210.00	\$ 135.00	\$135.00
6	1J5HS/1HXLS	\$ 600.00	\$ 420.00	\$ 270.00	\$270.00
12	1J5HS/1HXLS	\$1,200.00	\$ 840.00	\$ 540.00	\$185.00

(5) Per Mile - per Volume Option, per Mile - KS - Zone 2

<u>Volume Option*</u>	<u>USOC</u>	<u>Month to Month</u>	<u>3 year</u>	<u>5 year</u>	<u>10 year</u>
1	1J5HS/1HXLS	\$ 105.00	\$ 75.00	\$ 50.00	\$ 50.00
3	1J5HS/1HXLS	\$ 315.00	\$ 225.00	\$ 150.00	\$150.00
6	1J5HS/1HXLS	\$ 630.00	\$ 450.00	\$ 300.00	\$300.00
12	1J5HS/1HXLS	\$1,260.00	\$ 900.00	\$ 600.00	\$160.00

(6) Per Mile - per Volume Option, per Mile - KS - Zone 3

<u>Volume Option*</u>	<u>USOC</u>	<u>Month to Month</u>	<u>3 year</u>	<u>5 year</u>	<u>10 year</u>
1	1J5HS/1HXLS	\$ 110.00	\$ 80.00	\$ 55.00	\$ 55.00
3	1J5HS/1HXLS	\$ 330.00	\$ 240.00	\$ 165.00	\$ 165.00
6	1J5HS/1HXLS	\$ 660.00	\$ 480.00	\$ 330.00	\$ 330.00
12	1J5HS/1HXLS	\$1,320.00	\$ 960.00	\$ 660.00	\$ 150.00

* Volume Option specifies the number of DS3s or DS3 equivalents.

Rates contained in this transmittal are subject to subsequent adjustment, effective retrospectively, in the event the Commission or a court subsequently authorizes Southwestern Bell Telephone Company to correct its rates pursuant to pending motions, or petitions for reconsideration or waiver, or in the event of any other adjustment to an order of the Commission or a court.

(This page filed under Transmittal No. 2865)

Issued: June 18, 2001

Effective: July 3, 2001

Four AT&T Plaza, Dallas, Texas 75202

(N)

(N)

ACCESS SERVICE

20. MegaLink Custom Services (Cont'd)20.17 Billing Periods - Service Established between September 30, 2000 and July 2, 200120.17.1 Rates and Charges (Cont'd)(D) Interoffice Mileage - Per Mile - Monthly Recurring Rates and Service Extension(7) Per Mile - per Volume Option, per Mile - MO - Zone 1

<u>Volume Option*</u>	<u>USOC</u>	<u>Month to Month</u>	<u>3 year</u>	<u>5 year</u>	<u>10 year</u>
1	1J5HS/1HXLS	\$ 100.00	\$ 70.00	\$ 45.00	\$ 45.00
3	1J5HS/1HXLS	\$ 300.00	\$ 210.00	\$ 135.00	\$135.00
6	1J5HS/1HXLS	\$ 600.00	\$ 420.00	\$ 270.00	\$270.00
12	1J5HS/1HXLS	\$1,200.00	\$ 840.00	\$ 540.00	\$185.00

(8) Per Mile - per Volume Option, per Mile - MO - Zone 2

<u>Volume Option*</u>	<u>USOC</u>	<u>Month to Month</u>	<u>3 year</u>	<u>5 year</u>	<u>10 year</u>
1	1J5HS/1HXLS	\$ 105.00	\$ 75.00	\$ 50.00	\$ 50.00
3	1J5HS/1HXLS	\$ 315.00	\$225.00	\$150.00	\$150.00
6	1J5HS/1HXLS	\$ 630.00	\$450.00	\$300.00	\$300.00
12	1J5HS/1HXLS	\$1,260.00	\$900.00	\$600.00	\$160.00

(9) Per Mile - per Volume Option, per Mile - MO - Zone 3

<u>Volume Option*</u>	<u>USOC</u>	<u>Month to Month</u>	<u>3 year</u>	<u>5 year</u>	<u>10 year</u>
1	1J5HS/1HXLS	\$ 110.00	\$ 80.00	\$ 55.00	\$ 55.00
3	1J5HS/1HXLS	\$ 330.00	\$240.00	\$165.00	\$165.00
6	1J5HS/1HXLS	\$ 660.00	\$480.00	\$330.00	\$330.00
12	1J5HS/1HXLS	\$1,320.00	\$960.00	\$660.00	\$150.00

* Volume Option specifies the number of DS3s or DS3 equivalents.

Rates contained in this transmittal are subject to subsequent adjustment, effective retrospectively, in the event the Commission or a court subsequently authorizes Southwestern Bell Telephone Company to correct its rates pursuant to pending motions, or petitions for reconsideration or waiver, or in the event of any other adjustment to an order of the Commission or a court.

(This page filed under Transmittal No. 2865)

Issued: June 18, 2001

Effective: July 3, 2001

Four AT&T Plaza, Dallas, Texas 75202

ACCESS SERVICE

20. MegaLink Custom Services (Cont'd)20.17 Billing Periods - Service Established between September 30, 2000 and July 2, 200120.17.1 Rates and Charges (Cont'd)(D) Interoffice Mileage - Per Mile - Monthly Recurring Rates and Service Extension(10) Per Mile - per Volume Option, per Mile - OK - Zone 1

Volume Option*	USOC	Month to Month	3 year	5 year	10 year
1	1J5HS/1HXLS	\$ 100.00	\$ 70.00	\$ 45.00	\$ 45.00
3	1J5HS/1HXLS	\$ 300.00	\$210.00	\$135.00	\$135.00
6	1J5HS/1HXLS	\$ 600.00	\$420.00	\$270.00	\$270.00
12	1J5HS/1HXLS	\$1,200.00	\$840.00	\$540.00	\$185.00

(11) Per Mile - per Volume Option, per Mile - OK - Zone 2

Volume Option*	USOC	Month to Month	3 year	5 year	10 year
1	1J5HS/1HXLS	\$ 105.00	\$ 75.00	\$ 50.00	\$ 50.00
3	1J5HS/1HXLS	\$ 315.00	\$225.00	\$150.00	\$150.00
6	1J5HS/1HXLS	\$ 630.00	\$450.00	\$300.00	\$300.00
12	1J5HS/1HXLS	\$1,260.00	\$900.00	\$600.00	\$160.00

(12) Per Mile - per Volume Option, per Mile - OK - Zone 3

Volume Option*	USOC	Month to Month	3 year	5 year	10 year
1	1J5HS/1HXLS	\$ 110.00	\$ 80.00	\$ 55.00	\$ 55.00
3	1J5HS/1HXLS	\$ 330.00	\$240.00	\$165.00	\$165.00
6	1J5HS/1HXLS	\$ 660.00	\$480.00	\$330.00	\$330.00
12	1J5HS/1HXLS	\$1,320.00	\$960.00	\$660.00	\$150.00

* Volume Option specifies the number of DS3s or DS3 equivalents.

Rates contained in this transmittal are subject to subsequent adjustment, effective retrospectively, in the event the Commission or a court subsequently authorizes Southwestern Bell Telephone Company to correct its rates pursuant to pending motions, or petitions for reconsideration or waiver, or in the event of any other adjustment to an order of the Commission or a court.

(This page filed under Transmittal No. 2865)

Issued: June 18, 2001

Effective: July 3, 2001

Four AT&T Plaza, Dallas, Texas 75202

(N)

(N)

ACCESS SERVICE

20. MegaLink Custom Services (Cont'd)20.17 Billing Periods - Service Established between September 30, 2000 and July 2, 200120.17.1 Rates and Charges (Cont'd)(D) Interoffice Mileage - Per Mile - Monthly Recurring Rates and Service Extension(13) Per Mile - per Volume Option, per Mile - TX - Zone 1

<u>Volume Option*</u>	<u>USOC</u>	<u>Month to Month</u>	<u>3 year</u>	<u>5 year</u>	<u>10 year</u>
1	1J5HS/1HXLS	\$ 100.00	\$ 70.00	\$ 45.00	\$ 45.00
3	1J5HS/1HXLS	\$ 300.00	\$ 210.00	\$ 135.00	\$135.00
6	1J5HS/1HXLS	\$ 600.00	\$ 420.00	\$ 270.00	\$270.00
12	1J5HS/1HXLS	\$1,200.00	\$ 840.00	\$ 540.00	\$185.00

(14) Per Mile - per Volume Option, per Mile - TX - Zone 2

<u>Volume Option*</u>	<u>USOC</u>	<u>Month to Month</u>	<u>3 year</u>	<u>5 year</u>	<u>10 year</u>
1	1J5HS/1HXLS	\$ 105.00	\$ 75.00	\$ 50.00	\$ 50.00
3	1J5HS/1HXLS	\$ 315.00	\$ 225.00	\$ 150.00	\$150.00
6	1J5HS/1HXLS	\$ 630.00	\$ 450.00	\$ 300.00	\$300.00
12	1J5HS/1HXLS	\$1,260.00	\$ 900.00	\$ 600.00	\$160.00

(15) Per Mile - per Volume Option, per Mile - TX - Zone 3

<u>Volume Option*</u>	<u>USOC</u>	<u>Month to Month</u>	<u>3 year</u>	<u>5 year</u>	<u>10 year</u>
1	1J5HS/1HXLS	\$ 110.00	\$ 80.00	\$ 55.00	\$ 55.00
3	1J5HS/1HXLS	\$ 330.00	\$ 240.00	\$ 165.00	\$165.00
6	1J5HS/1HXLS	\$ 660.00	\$ 480.00	\$ 330.00	\$330.00
12	1J5HS/1HXLS	\$1,320.00	\$ 960.00	\$ 660.00	\$150.00

* Volume Option specifies the number of DS3s or DS3 equivalents.

Rates contained in this transmittal are subject to subsequent adjustment, effective retrospectively, in the event the Commission or a court subsequently authorizes Southwestern Bell Telephone Company to correct its rates pursuant to pending motions, or petitions for reconsideration or waiver, or in the event of any other adjustment to an order of the Commission or a court.

(This page filed under Transmittal No. 2865)

Issued: June 18, 2001

Effective: July 3, 2001

Four AT&T Plaza, Dallas, Texas 75202

ACCESS SERVICE

20. MegaLink Custom Services (Cont'd)

20.17 Billing Periods - Service Established between September 30, 2000 and July 2, 2001

20.17.1 Rates and Charges (Cont'd)

(D) Interoffice Mileage - Per Mile - Monthly Recurring Rates and Service Extension

		(16) <u>Temp-DS3 - Per Mile - per Temp-DS3, per mile - AR -</u>
<u>Zone 1</u>		
	<u>Volume Option*</u>	<u>USOC Monthly</u>
	1	1A8GS \$125.00
<u>Zone 2</u>		(17) <u>Temp-DS3 - Per Mile - per Temp-DS3, per mile - AR -</u>
	<u>Volume Option*</u>	<u>USOC Monthly</u>
	1	1A8GS \$130.00
<u>Zone 3</u>		(18) <u>Temp-DS3 - Per Mile - per Temp-DS3, per mile - AR -</u>
	<u>Volume Option*</u>	<u>USOC Monthly</u>
	1	1A8GS \$135.00
<u>Zone 1</u>		(19) <u>Temp-DS3 - Per Mile - per Temp-DS3, per mile - KS -</u>
	<u>Volume Option*</u>	<u>USOC Monthly</u>
	1	1A8GS \$125.00
<u>Zone 2</u>		(20) <u>Temp-DS3 - Per Mile - per Temp-DS3, per mile - KS -</u>
	<u>Volume Option*</u>	<u>USOC Monthly</u>
	1	1A8GS \$130.00
<u>Zone 3</u>		(21) <u>Temp-DS3 - Per Mile - per Temp-DS3, per mile - KS -</u>
	<u>Volume Option*</u>	<u>USOC Monthly</u>
	1	1A8GS \$135.00

* Volume Option specifies the number of DS3s or DS3 equivalents.

Rates contained in this transmittal are subject to subsequent adjustment, effective retrospectively, in the event the Commission or a court subsequently authorizes Southwestern Bell Telephone Company to correct its rates pursuant to pending motions, or petitions for reconsideration or waiver, or in the event of any other adjustment to an order of the Commission or a court.

(This page filed under Transmittal No. 2865)

Issued: June 18, 2001

Effective: July 3, 2001

Four AT&T Plaza, Dallas, Texas 75202

(N)

(N)

ACCESS SERVICE

20. MegaLink Custom Services (Cont'd)

20.17 Billing Periods - Service Established between September 30, 2000 and July 2, 2001

20.17.1 Rates and Charges (Cont'd)

(D) Interoffice Mileage - Per Mile - Monthly Recurring Rates and Service Extension

<p><u>Zone 1</u> Volume Option*</p>	<p>(22) <u>Temp-DS3 - Per Mile - per Temp-DS3, per mile - MO -</u></p>
<p>1</p>	<p><u>USOCMonthly</u> 1A8GS \$125.00</p>
<p><u>Zone 2</u> Volume Option*</p>	<p>(23) <u>Temp-DS3 - Per Mile - per Temp-DS3, per mile - MO -</u></p>
<p>1</p>	<p><u>USOCMonthly</u> 1A8GS \$130.00</p>
<p><u>Zone 3</u> Volume Option*</p>	<p>(24) <u>Temp-DS3 - Per Mile - per Temp-DS3, per mile - MO -</u></p>
<p>1</p>	<p><u>USOCMonthly</u> 1A8GS \$135.00</p>
<p><u>Zone 1</u> Volume Option*</p>	<p>(25) <u>Temp-DS3 - Per Mile - per Temp-DS3, per mile - OK -</u></p>
<p>1</p>	<p><u>USOCMonthly</u> 1A8GS \$125.00</p>
<p><u>Zone 2</u> Volume Option*</p>	<p>(26) <u>Temp-DS3 - Per Mile - per Temp-DS3, per mile - OK -</u></p>
<p>1</p>	<p><u>USOCMonthly</u> 1A8GS \$130.00</p>
<p><u>Zone 3</u> Volume Option*</p>	<p>(27) <u>Temp-DS3 - Per Mile - per Temp-DS3, per mile - OK -</u></p>
<p>1</p>	<p><u>USOCMonthly</u> 1A8GS \$135.00</p>

* Volume Option specifies the number of DS3s or DS3 equivalents.

Rates contained in this transmittal are subject to subsequent adjustment, effective retrospectively, in the event the Commission or a court subsequently authorizes Southwestern Bell Telephone Company to correct its rates pursuant to pending motions, or petitions for reconsideration or waiver, or in the event of any other adjustment to an order of the Commission or a court.

(This page filed under Transmittal No. 2865)

Issued: June 18, 2001

Effective: July 3, 2001

Four AT&T Plaza, Dallas, Texas 75202

(N)

(N)

ACCESS SERVICE

20. MegaLink Custom Services (Cont'd)20.17 Billing Periods - Service Established between September 30, 2000 and July 2, 200120.17.1 Rates and Charges (Cont'd)(D) Interoffice Mileage - Per Mile - Monthly Recurring Rates and Service Extension(28) Temp-DS3 - Per Mile - per Temp-DS3, per mile - TX - Zone 1Volume Option*USOCMonthly

1

1A8GS \$125.00

Zone 2(29) Temp-DS3 - Per Mile - per Temp-DS3, per mile - TX -Volume Option*USOCMonthly

1

1A8GS \$130.00

Zone 3(30) Temp-DS3 - Per Mile - per Temp-DS3, per mile - TX -Volume Option*USOCMonthly

1

1A8GS \$135.00

* Volume Option specifies the number of DS3s or DS3 equivalents.

Rates contained in this transmittal are subject to subsequent adjustment, effective retrospectively, in the event the Commission or a court subsequently authorizes Southwestern Bell Telephone Company to correct its rates pursuant to pending motions, or petitions for reconsideration or waiver, or in the event of any other adjustment to an order of the Commission or a court.

(This page filed under Transmittal No. 2865)

Issued: June 18, 2001

Effective: July 3, 2001

Four AT&T Plaza, Dallas, Texas 75202

(N)

(N)

ACCESS SERVICE

20. MegaLink Custom Services (Cont'd)20.17 Billing Periods - Service Established between September 30, 2000 and July 2, 200120.17.1 Rates and Charges (Cont'd)(E) Installation Charge - Per DS3 or DS3 Equivalent, per customer designated premises on the same Access Order(1) Installation Charge - AR - Zone 1

	<u>USOC</u>	<u>Month to</u> <u>Month</u>	<u>3 year</u>	<u>5 year</u>	<u>10 year</u>
First	NRB++	\$605.00	\$303.00	\$ 0.00	\$ 0.00
Additional	NRB++	\$496.00	\$248.00	\$ 0.00	\$ 0.00

(2) Installation Charge - AR - Zone 2

	<u>USOC</u>	<u>Month to</u> <u>Month</u>	<u>3 year</u>	<u>5 year</u>	<u>10 year</u>
First	NRB++	\$605.00	\$303.00	\$ 0.00	\$ 0.00
Additional	NRB++	\$496.00	\$248.00	\$ 0.00	\$ 0.00

(3) Installation Charge - AR - Zone 3

	<u>USOC</u>	<u>Month to</u> <u>Month</u>	<u>3 year</u>	<u>5 year</u>	<u>10 year</u>
First	NRB++	\$605.00	\$303.00	\$ 0.00	\$ 0.00
Additional	NRB++	\$496.00	\$248.00	\$ 0.00	\$ 0.00

Rates contained in this transmittal are subject to subsequent adjustment, effective retrospectively, in the event the Commission or a court subsequently authorizes Southwestern Bell Telephone Company to correct its rates pursuant to pending motions, or petitions for reconsideration or waiver, or in the event of any other adjustment to an order of the Commission or a court.

(This page filed under Transmittal No. 2865)

Issued: June 18, 2001

Effective: July 3, 2001

Four AT&T Plaza, Dallas, Texas 75202

(N)

ACCESS SERVICE

20. MegaLink Custom Services (Cont'd)20.17 Billing Periods - Service Established between September 30, 2000 and July 2, 200120.17.1 Rates and Charges (Cont'd)

- (E) Installation Charge - Per DS3 or DS3 Equivalent, per customer designated premises on the same Access Order
 (4) Installation Charge - KS - Zone 1

	<u>USOC</u>	<u>Month to Month</u>	<u>3 year</u>	<u>5 year</u>	<u>10 year</u>
First	NRB++	\$605.00	\$303.00	\$ 0.00	\$ 0.00
Additional	NRB++	\$496.00	\$248.00	\$ 0.00	\$ 0.00

- (5) Installation Charge - KS - Zone 2

	<u>USOC</u>	<u>Month to Month</u>	<u>3 year</u>	<u>5 year</u>	<u>10 year</u>
First	NRB++	\$605.00	\$303.00	\$ 0.00	\$ 0.00
Additional	NRB++	\$496.00	\$248.00	\$ 0.00	0.00

- (6) Installation Charge - KS - Zone 3

	<u>USOC</u>	<u>Month to Month</u>	<u>3 year</u>	<u>5 year</u>	<u>10 year</u>
First	NRB++	\$605.00	\$303.00	\$ 0.00	\$ 0.00
Additional	NRB++	\$496.00	\$248.00	\$ 0.00	\$ 0.00

- (7) Installation Charge - MO - Zone 1

	<u>USOC</u>	<u>Month to Month</u>	<u>3 year</u>	<u>5 year</u>	<u>10 year</u>
First	NRB++	\$605.00	\$303.00	\$ 0.00	\$ 0.00
Additional	NRB++	\$496.00	\$248.00	\$ 0.00	\$ 0.00

- (8) Installation Charge - MO - Zone 2

	<u>USOC</u>	<u>Month to Month</u>	<u>3 year</u>	<u>5 year</u>	<u>10 year</u>
First	NRB++	\$605.00	\$303.00	\$ 0.00	\$ 0.00
Additional	NRB++	\$496.00	\$248.00	\$ 0.00	\$ 0.00

- (9) Installation Charge - MO - Zone 3

	<u>USOC</u>	<u>Month to Month</u>	<u>3 year</u>	<u>5 year</u>	<u>10 year</u>
First	NRB++	\$605.00	\$303.00	\$ 0.00	\$ 0.00
Additional	NRB++	\$496.00	\$248.00	\$ 0.00	\$ 0.00

Rates contained in this transmittal are subject to subsequent adjustment, effective retrospectively, in the event the Commission or a court subsequently authorizes Southwestern Bell Telephone Company to correct its rates pursuant to pending motions, or petitions for reconsideration or waiver, or in the event of any other adjustment to an order of the Commission or a court.

(This page filed under Transmittal No. 2865)

Issued: June 18, 2001

Effective: July 3, 2001

Four AT&T Plaza, Dallas, Texas 75202

ACCESS SERVICE

20. MegaLink Custom Services (Cont'd)

(N)

20.17 Billing Periods - Service Established between September 30, 2000 and July 2, 200120.17.1 Rates and Charges (Cont'd)(E) Installation Charge - Per DS3 or DS3 Equivalent, per customer designated premises on the same Access Order(10) Installation Charge - OK - Zone 1

	<u>USOC</u>	<u>Month to Month</u>	<u>3 year</u>	<u>5 year</u>	<u>10 year</u>
First	NRB++	\$605.00	\$303.00	\$ 0.00	\$ 0.00
Additional	NRB++	\$496.00	\$248.00	\$ 0.00	\$ 0.00

(11) Installation Charge - OK - Zone 2

	<u>USOC</u>	<u>Month to Month</u>	<u>3 year</u>	<u>5 year</u>	<u>10 year</u>
First	NRB++	\$605.00	\$303.00	\$ 0.00	\$ 0.00
Additional	NRB++	\$496.00	\$248.00	\$ 0.00	\$ 0.00

(12) Installation Charge - OK - Zone 3

	<u>USOC</u>	<u>Month to Month</u>	<u>3 year</u>	<u>5 year</u>	<u>10 year</u>
First	NRB++	\$605.00	\$303.00	\$ 0.00	\$ 0.00
Additional	NRB++	\$496.00	\$248.00	\$ 0.00	\$ 0.00

Rates contained in this transmittal are subject to subsequent adjustment, effective retrospectively, in the event the Commission or a court subsequently authorizes Southwestern Bell Telephone Company to correct its rates pursuant to pending motions, or petitions for reconsideration or waiver, or in the event of any other adjustment to an order of the Commission or a court.

(This page filed under Transmittal No. 2865)

Issued: June 18, 2001

Effective: July 3, 2001

Four AT&T Plaza, Dallas, Texas 75202

ACCESS SERVICE

20. MegaLink Custom Services (Cont'd)

(N)

20.17 Billing Periods - Service Established between September 30, 2000 and July 2, 200120.17.1 Rates and Charges (Cont'd)

- (E) Installation Charge - Per DS3 or DS3 Equivalent, per customer designated premises on the same Access Order
 (13) Installation Charge - TX - Zone 1

	<u>USOC</u>	<u>Month to Month</u>	<u>3 year</u>	<u>5 year</u>	<u>10 year</u>
First	NRB++	\$605.00	\$303.00	\$ 0.00	\$ 0.00
Additional	NRB++	\$496.00	\$248.00	\$ 0.00	\$ 0.00

- (14)
- Installation Charge - TX - Zone 2

	<u>USOC</u>	<u>Month to Month</u>	<u>3 year</u>	<u>5 year</u>	<u>10 year</u>
First	NRB++	\$605.00	\$303.00	\$ 0.00	\$ 0.00
Additional	NRB++	\$496.00	\$248.00	\$ 0.00	\$ 0.00

- (15)
- Installation Charge - TX - Zone 3

	<u>USOC</u>	<u>Month to Month</u>	<u>3 year</u>	<u>5 year</u>	<u>10 year</u>
First	NRB++	\$605.00	\$303.00	\$ 0.00	\$ 0.00
Additional	NRB++	\$496.00	\$248.00	\$ 0.00	\$ 0.00

- (16)
- Connecting Facility Assignment Credits - Nonzoned (Per DS1 Equivalents)

<u>USOC</u>	<u>Credit Per Month</u>
NAC1X	\$76.00

Rates contained in this transmittal are subject to subsequent adjustment, effective retrospectively, in the event the Commission or a court subsequently authorizes Southwestern Bell Telephone Company to correct its rates pursuant to pending motions, or petitions for reconsideration or waiver, or in the event of any other adjustment to an order of the Commission or a court.

(This page filed under Transmittal No. 2865)

Issued: June 18, 2001

Effective: July 3, 2001

Four AT&T Plaza, Dallas, Texas 75202

ACCESS SERVICE

20. MegaLink Custom Services (Cont'd)

(N)

20.17 Billing Periods - Service Established between September 30, 2000
and July 2, 200120.17.1 Rates and Charges (Cont'd)

- (F) Service to Service Through Connect Arrangement Per DS3 or DS3 equivalent
- (1) Service to Service Through Connect Arrangement - AR - Zone 1
- | <u>USOC</u> | <u>Installation Charge</u> |
|-------------|----------------------------|
| THA | \$157.00 |
- (2) Service to Service Through Connect Arrangement - AR - Zone 2
- | <u>USOC</u> | <u>Installation Charge</u> |
|-------------|----------------------------|
| THA | \$157.00 |
- (3) Service to Service Through Connect Arrangement - AR - Zone 3
- | <u>USOC</u> | <u>Installation Charge</u> |
|-------------|----------------------------|
| THA | \$157.00 |
- (4) Service to Service Through Connect Arrangement - KS - Zone 1
- | <u>USOC</u> | <u>Installation Charge</u> |
|-------------|----------------------------|
| THA | \$157.00 |
- (5) Service to Service Through Connect Arrangement - KS - Zone 2
- | <u>USOC</u> | <u>Installation Charge</u> |
|-------------|----------------------------|
| THA | \$157.00 |
- (6) Service to Service Through Connect Arrangement - KS - Zone 3
- | <u>USOC</u> | <u>Installation Charge</u> |
|-------------|----------------------------|
| THA | \$157.00 |

Rates contained in this transmittal are subject to subsequent adjustment, effective retrospectively, in the event the Commission or a court subsequently authorizes Southwestern Bell Telephone Company to correct its rates pursuant to pending motions, or petitions for reconsideration or waiver, or in the event of any other adjustment to an order of the Commission or a court.

(This page filed under Transmittal No. 2865)

Issued: June 18, 2001

Effective: July 3, 2001

Four AT&T Plaza, Dallas, Texas 75202

ACCESS SERVICE

20. MegaLink Custom Services (Cont'd)

(N)

20.17 Billing Periods - Service Established between September 30, 2000
and July 2, 200120.17.1 Rates and Charges (Cont'd)

(F)	<u>Service to Service Through Connect Arrangement Per DS3 or DS3 equivalent</u>	
(7)	<u>Service to Service Through Connect Arrangement - MO - Zone 1</u>	
	<u>USOC</u>	<u>Installation Charge</u>
	THA	\$157.00
(8)	<u>Service to Service Through Connect Arrangement - MO - Zone 2</u>	
	<u>USOC</u>	<u>Installation Charge</u>
	THA	\$157.00
(9)	<u>Service to Service Through Connect Arrangement - MO - Zone 3</u>	
	<u>USOC</u>	<u>Installation Charge</u>
	THA	\$157.00
(10)	<u>Service to Service Through Connect Arrangement - OK - Zone 1</u>	
	<u>USOC</u>	<u>Installation Charge</u>
	THA	\$157.00
(11)	<u>Service to Service Through Connect Arrangement - OK - Zone 2</u>	
	<u>USOC</u>	<u>Installation Charge</u>
	THA	\$157.00
(12)	<u>Service to Service Through Connect Arrangement - OK - Zone 3</u>	
	<u>USOC</u>	<u>Installation Charge</u>
	THA	\$157.00

Rates contained in this transmittal are subject to subsequent adjustment, effective retrospectively, in the event the Commission or a court subsequently authorizes Southwestern Bell Telephone Company to correct its rates pursuant to pending motions, or petitions for reconsideration or waiver, or in the event of any other adjustment to an order of the Commission or a court.

(This page filed under Transmittal No. 2865)

Issued: June 18, 2001

Effective: July 3, 2001

Four AT&T Plaza, Dallas, Texas 75202

ACCESS SERVICE

20. MegaLink Custom Services (Cont'd)20.17 Billing Periods - Service Established between September 30, 2000
and July 2, 200120.17.1 Rates and Charges (Cont'd)(F) Service to Service Through Connect Arrangement Per
DS3 or DS3 equivalent(13) Service to Service Through Connect Arrangement - TX -
Zone 1

<u>USOC</u>	<u>Installation Charge</u>
THA	\$157.00

(14) Service to Service Through Connect Arrangement - TX -
Zone 2

<u>USOC</u>	<u>Installation Charge</u>
THA	\$157.00

(15) Service to Service Through Connect Arrangement - TX -
Zone 3

<u>USOC</u>	<u>Installation Charge</u>
THA	\$157.00

(N)

(N)

Rates contained in this transmittal are subject to subsequent adjustment, effective retrospectively, in the event the Commission or a court subsequently authorizes Southwestern Bell Telephone Company to correct its rates pursuant to pending motions, or petitions for reconsideration or waiver, or in the event of any other adjustment to an order of the Commission or a court.

(This page filed under Transmittal No. 2865)

Issued: June 18, 2001

Effective: July 3, 2001

Four AT&T Plaza, Dallas, Texas 75202

ACCESS SERVICE

20. MegaLink Custom Services (Cont'd)

(N)

20.17 Billing Periods - Service Established between September 30, 2000 and July 2, 2001

20.17.1 Rates and Charges (Cont'd)

(G) Optional Features, BSEs and Functions

(1) DS3 to DS1 Multiplexing - Monthly Recurring Rates

(a) DS3 to DS1 Multiplexing - AR - Zone 1 - Monthly Recurring Rates

Per Multiplexer

<u>USOC</u>	<u>Month to Month</u>	<u>3 year</u>	<u>5 year</u>	<u>10 year</u>
MKM	\$725.00	\$525.00	\$475.00	\$450.00

(b) DS3 to DS1 Multiplexing - AR - Zone 2 - Monthly Recurring Rates

Per Multiplexer

<u>USOC</u>	<u>Month to Month</u>	<u>3 year</u>	<u>5 year</u>	<u>10 year</u>
MKM	\$750.00	\$550.00	\$500.00	\$450.00

(c) DS3 to DS1 Multiplexing - AR - Zone 3 - Monthly Recurring Rates

Per Multiplexer

<u>USOC</u>	<u>Month to Month</u>	<u>3 year</u>	<u>5 year</u>	<u>10 year</u>
MKM	\$775.00	\$575.00	\$500.00	\$450.00

(N)

Rates contained in this transmittal are subject to subsequent adjustment, effective retrospectively, in the event the Commission or a court subsequently authorizes Southwestern Bell Telephone Company to correct its rates pursuant to pending motions, or petitions for reconsideration or waiver, or in the event of any other adjustment to an order of the Commission or a court.

(This page filed under Transmittal No. 2865)

Issued: June 18, 2001

Effective: July 3, 2001

Four AT&T Plaza, Dallas, Texas 75202

ACCESS SERVICE

20. MegaLink Custom Services (Cont'd)

(N)

20.17 Billing Periods - Service Established between September 30, 2000 and July 2, 2001

20.17.1 Rates and Charges (Cont'd)

(G) Optional Features, BSEs and Functions

(1) DS3 to DS1 Multiplexing - Monthly Recurring Rates

(d) DS3 to DS1 Multiplexing - KS - Zone 1 - Monthly Recurring Rates

Per Multiplexer

<u>USOC</u>	<u>Month to Month</u>	<u>3 year</u>	<u>5 year</u>	<u>10 year</u>
MKM	\$725.00	\$525.00	\$475.00	\$450.00

(e) DS3 to DS1 Multiplexing - KS - Zone 2 - Monthly Recurring Rates

Per Multiplexer

<u>USOC</u>	<u>Month to Month</u>	<u>3 year</u>	<u>5 year</u>	<u>10 year</u>
MKM	\$750.00	\$550.00	\$500.00	\$450.00

(f) DS3 to DS1 Multiplexing - KS - Zone 3 - Monthly Recurring Rates

Per Multiplexer

<u>USOC</u>	<u>Month to Month</u>	<u>3 year</u>	<u>5 year</u>	<u>10 year</u>
MKM	\$775.00	\$575.00	\$500.00	\$450.00

(N)

Rates contained in this transmittal are subject to subsequent adjustment, effective retrospectively, in the event the Commission or a court subsequently authorizes Southwestern Bell Telephone Company to correct its rates pursuant to pending motions, or petitions for reconsideration or waiver, or in the event of any other adjustment to an order of the Commission or a court.

(This page filed under Transmittal No. 2865)

Issued: June 18, 2001

Effective: July 3, 2001

Four AT&T Plaza, Dallas, Texas 75202

ACCESS SERVICE

20. MegaLink Custom Services (Cont'd)20.17 Billing Periods - Service Established between September 30, 2000 and July 2, 200120.17.1 Rates and Charges (Cont'd)(G) Optional Features, BSEs and Functions(1) DS3 to DS1 Multiplexing - Monthly Recurring Rates(g) DS3 to DS1 Multiplexing - MO - Zone 1 - Monthly Recurring Rates

Per Multiplexer

<u>USOC</u>	<u>Month to Month</u>	<u>3 year</u>	<u>5 year</u>	<u>10 year</u>
MKM	\$725.00	\$525.00	\$475.00	\$450.00

(h) DS3 to DS1 Multiplexing - MO - Zone 2 - Monthly Recurring Rates

Per Multiplexer

<u>USOC</u>	<u>Month to Month</u>	<u>3 year</u>	<u>5 year</u>	<u>10 year</u>
MKM	\$750.00	\$550.00	\$500.00	\$450.00

(i) DS3 to DS1 Multiplexing - MO - Zone 3 - Monthly Recurring Rates

Per Multiplexer

<u>USOC</u>	<u>Month to Month</u>	<u>3 year</u>	<u>5 year</u>	<u>10 year</u>
MKM	\$775.00	\$575.00	\$500.00	\$450.00

Rates contained in this transmittal are subject to subsequent adjustment, effective retrospectively, in the event the Commission or a court subsequently authorizes Southwestern Bell Telephone Company to correct its rates pursuant to pending motions, or petitions for reconsideration or waiver, or in the event of any other adjustment to an order of the Commission or a court.

(This page filed under Transmittal No. 2865)

Issued: June 18, 2001

Effective: July 3, 2001

Four AT&T Plaza, Dallas, Texas 75202

ACCESS SERVICE

20. MegaLink Custom Services (Cont'd)

(N)

20.17 Billing Periods - Service Established between September 30, 2000 and July 2, 200120.17.1 Rates and Charges (Cont'd)(G) Optional Features, BSEs and Functions(1) DS3 to DS1 Multiplexing - Monthly Recurring Rates(j) DS3 to DS1 Multiplexing - OK - Zone 1 - Monthly Recurring Rates

Per Multiplexer

<u>USOC</u>	<u>Month to Month</u>	<u>3 year</u>	<u>5 year</u>	<u>10 year</u>
MKM	\$725.00	\$525.00	\$475.00	\$450.00

(k) DS3 to DS1 Multiplexing - OK - Zone 2 - Monthly Recurring Rates

Per Multiplexer

<u>USOC</u>	<u>Month to Month</u>	<u>3 year</u>	<u>5 year</u>	<u>10 year</u>
MKM	\$750.00	\$550.00	\$500.00	\$450.00

(l) DS3 to DS1 Multiplexing - OK - Zone 3 - Monthly Recurring Rates

Per Multiplexer

<u>USOC</u>	<u>Month to Month</u>	<u>3 year</u>	<u>5 year</u>	<u>10 year</u>
MKM	\$775.00	\$575.00	\$500.00	\$450.00

(N)

Rates contained in this transmittal are subject to subsequent adjustment, effective retrospectively, in the event the Commission or a court subsequently authorizes Southwestern Bell Telephone Company to correct its rates pursuant to pending motions, or petitions for reconsideration or waiver, or in the event of any other adjustment to an order of the Commission or a court.

(This page filed under Transmittal No. 2865)

Issued: June 18, 2001

Effective: July 3, 2001

Four AT&T Plaza, Dallas, Texas 75202

ACCESS SERVICE

20. MegaLink Custom Services (Cont'd)20.17 Billing Periods - Service Established between September 30, 2000 and July 2, 200120.17.1 Rates and Charges (Cont'd)(G) Optional Features, BSEs and Functions(1) DS3 to DS1 Multiplexing - Monthly Recurring Rates(m) DS3 to DS1 Multiplexing - TX - Zone 1 - Monthly Recurring Rates

Per Multiplexer

USOC	Month to			
	Month	3 year	5 year	10 year
MKM	\$725.00	\$525.00	\$475.00	\$450.00

(n) DS3 to DS1 Multiplexing - TX - Zone 2 - Monthly Recurring Rates

Per Multiplexer

USOC	Month to			
	Month	3 year	5 year	10 year
MKM	\$750.00	\$550.00	\$500.00	\$450.00

(o) DS3 to DS1 Multiplexing - TX - Zone 3 - Monthly Recurring Rates

Per Multiplexer

USOC	Month to			
	Month	3 year	5 year	10 year
MKM	\$775.00	\$575.00	\$500.00	\$450.00

Rates contained in this transmittal are subject to subsequent adjustment, effective retrospectively, in the event the Commission or a court subsequently authorizes Southwestern Bell Telephone Company to correct its rates pursuant to pending motions, or petitions for reconsideration or waiver, or in the event of any other adjustment to an order of the Commission or a court.

(This page filed under Transmittal No. 2865)

Issued: June 18, 2001

Effective: July 3, 2001

Four AT&T Plaza, Dallas, Texas 75202

(N)

(N)

ACCESS SERVICE

20. MegaLink Custom Services (Cont'd)20.17 Billing Periods - Service Established between September 30, 2000 and July 2, 200120.17.1 Rates and Charges (Cont'd)(G) Optional Features, BSEs and Functions(2) DS3 to DS1 Multiplexing Installation Charge - Per Multiplexer

(a) <u>Installation Charge - AR - Zone 1</u>				
	Month to			
USOC	<u>Month</u>	<u>3 year</u>	<u>5 year</u>	<u>10 year</u>
	\$202.00	\$101.00 (R)	\$ 0.00	\$ 0.00
(b) <u>Installation Charge - AR - Zone 2</u>				
	Month to			
USOC	<u>Month</u>	<u>3 year</u>	<u>5 year</u>	<u>10 year</u>
	\$202.00	\$101.00 (R)	\$ 0.00	\$ 0.00
(c) <u>Installation Charge - AR - Zone 3</u>				
	Month to			
USOC	<u>Month</u>	<u>3 year</u>	<u>5 year</u>	<u>10 year</u>
	\$202.00	\$101.00	\$ 0.00	\$ 0.00
(d) <u>Installation Charge - KS - Zone 1</u>				
	Month to			
USOC	<u>Month</u>	<u>3 year</u>	<u>5 year</u>	<u>10 year</u>
	\$202.00	\$101.00	\$ 0.00	\$ 0.00
(e) <u>Installation Charge - KS - Zone 2</u>				
	Month to			
USOC	<u>Month</u>	<u>3 year</u>	<u>5 year</u>	<u>10 year</u>
	\$202.00	\$101.00	\$ 0.00	\$ 0.00
(f) <u>Installation Charge - KS - Zone 3</u>				
	Month to			
USOC	<u>Month</u>	<u>3 year</u>	<u>5 year</u>	<u>10 year</u>
	\$202.00	\$101.00	\$ 0.00	\$ 0.00

Rates contained in this transmittal are subject to subsequent adjustment, effective retrospectively, in the event the Commission or a court subsequently authorizes Southwestern Bell Telephone Company to correct its rates pursuant to pending motions, or petitions for reconsideration or waiver, or in the event of any other adjustment to an order of the Commission or a court.

(This page filed under Transmittal No. 2865)

Issued: June 18, 2001

Effective: July 3, 2001

Four AT&T Plaza, Dallas, Texas 75202

ACCESS SERVICE

20. MegaLink Custom Services (Cont'd)20.17 Billing Periods - Service Established between September 30, 2000 and July 2, 200120.17.1 Rates and Charges (Cont'd)(G) Optional Features, BSEs and Functions(2) DS3 to DS1 Multiplexing Installation Charge - Per Multiplexer

(g)	<u>Installation Charge - MO - Zone 1</u>			
	Month to			
USOC	<u>Month</u>	<u>3 year</u>	<u>5 year</u>	<u>10 year</u>
	\$202.00	\$101.00 (R)	\$ 0.00	\$ 0.00
(h)	<u>Installation Charge - MO - Zone 2</u>			
	Month to			
USOC	<u>Month</u>	<u>3 year</u>	<u>5 year</u>	<u>10 year</u>
	\$202.00	\$101.00	\$ 0.00	\$ 0.00
(i)	<u>Installation Charge - MO - Zone 3</u>			
	Month to			
USOC	<u>Month</u>	<u>3 year</u>	<u>5 year</u>	<u>10 year</u>
	\$202.00	\$101.00	\$ 0.00	\$ 0.00
(j)	<u>Installation Charge - OK - Zone 1</u>			
	Month to			
USOC	<u>Month</u>	<u>3 year</u>	<u>5 year</u>	<u>10 year</u>
	\$202.00	\$101.00	\$ 0.00	\$ 0.00
(k)	<u>Installation Charge - OK - Zone 2</u>			
	Month to			
USOC	<u>Month</u>	<u>3 year</u>	<u>5 year</u>	<u>10 year</u>
	\$202.00	\$101.00	\$ 0.00	\$ 0.00
(l)	<u>Installation Charge - OK - Zone 3</u>			
	Month to			
USOC	<u>Month</u>	<u>3 year</u>	<u>5 year</u>	<u>10 year</u>
	\$202.00	\$101.00	\$ 0.00	\$ 0.00

Rates contained in this transmittal are subject to subsequent adjustment, effective retrospectively, in the event the Commission or a court subsequently authorizes Southwestern Bell Telephone Company to correct its rates pursuant to pending motions, or petitions for reconsideration or waiver, or in the event of any other adjustment to an order of the Commission or a court.

(This page filed under Transmittal No. 2865)

Issued: June 18, 2001

Effective: July 3, 2001

Four AT&T Plaza, Dallas, Texas 75202

ACCESS SERVICE

20. MegaLink Custom Services (Cont'd)20.17 Billing Periods - Service Established between September 30, 2000 and July 2, 200120.17.1 Rates and Charges (Cont'd)(G) Optional Features, BSEs and Functions(2) DS3 to DS1 Multiplexing Installation Charge - Per Multiplexer(m) Installation Charge - TX - Zone 1

<u>USOC</u>	<u>Month to Month</u>	<u>3 year</u>	<u>5 year</u>	<u>10 year</u>
	\$202.00	\$101.00	\$ 0.00	\$ 0.00

(n) Installation Charge - TX - Zone 2

<u>USOC</u>	<u>Month to Month</u>	<u>3 year</u>	<u>5 year</u>	<u>10 year</u>
	\$202.00	\$101.00	\$ 0.00	\$ 0.00

(o) Installation Charge - TX - Zone 3

<u>USOC</u>	<u>Month to Month</u>	<u>3 year</u>	<u>5 year</u>	<u>10 year</u>
	\$202.00	\$101.00	\$ 0.00	\$ 0.00

(N)

(N)

Rates contained in this transmittal are subject to subsequent adjustment, effective retrospectively, in the event the Commission or a court subsequently authorizes Southwestern Bell Telephone Company to correct its rates pursuant to pending motions, or petitions for reconsideration or waiver, or in the event of any other adjustment to an order of the Commission or a court.

(This page filed under Transmittal No. 2865)

Issued: June 18, 2001

Effective: July 3, 2001

Four AT&T Plaza, Dallas, Texas 75202

ACCESS SERVICE

20. MegaLink Custom Services (Cont'd)20.17 Billing Periods - Service Established between September 30, 2000 and July 2, 200120.17.1 Rates and Charges (Cont'd)(G) Optional Features, BSEs and Functions (Cont'd)(3) SecureNet Monthly Recurring Rates(a) Hub Redundancy - AR Zone 1
per premises, per DS3
Month to

USOC	Month	3 year	5 year	10 year
R36AD	\$1,869.00	\$1,751.25	\$1,646.60	\$1,451.45

(b) Hub Redundancy - AR Zone 2
per premises, per DS3
Month to

USOC	Month	3 year	5 year	10 year
R36AD	\$1,869.00	\$1,751.25	\$1,646.60	\$1,451.45

(c) Hub Redundancy - AR Zone 3
per premises, per DS3
Month to

USOC	Month	3 year	5 year	10 year
R36AD	\$1,869.00	\$1,751.25	\$1,646.60	\$1,451.45

(d) Hub Redundancy - KS Zone 1
per premises, per DS3
Month to

USOC	Month	3 year	5 year	10 year
R36AD	\$1,869.00	\$1,751.25	\$1,646.60	\$1,451.45

(e) Hub Redundancy - KS Zone 2
per premises, per DS3
Month to

USOC	Month	3 year	5 year	10 year
R36AD	\$1,869.00	\$1,751.25	\$1,646.60	\$1,451.45

(f) Hub Redundancy - KS Zone 3
per premises, per DS3
Month to

USOC	Month	3 year	5 year	10 year
R36AD	\$1,869.00	\$1,751.25	\$1,646.60	\$1,451.45

Rates contained in this transmittal are subject to subsequent adjustment, effective retrospectively, in the event the Commission or a court subsequently authorizes Southwestern Bell Telephone Company to correct its rates pursuant to pending motions, or petitions for reconsideration or waiver, or in the event of any other adjustment to an order of the Commission or a court.

(This page filed under Transmittal No. 2865)

Issued: June 18, 2001

Effective: July 3, 2001

Four AT&T Plaza, Dallas, Texas 75202

(N)

ACCESS SERVICE

20. MegaLink Custom Services (Cont'd)20.17 Billing Periods - Service Established between September 30, 2000 and July 2, 200120.17.1 Rates and Charges (Cont'd)(G) Optional Features, BSEs and Functions (Cont'd)(3) SecureNet Monthly Recurring Rates(g) Hub Redundancy - MO Zone 1
per premises, per DS3

<u>USOC</u>	<u>Month to</u> <u>Month</u>	<u>3 year</u>	<u>5 year</u>	<u>10 year</u>
R36AD	\$1,869.00	\$1,751.25	\$1,646.60	\$1,451.45

(h) Hub Redundancy - MO Zone 2
per premises, per DS3

<u>USOC</u>	<u>Month to</u> <u>Month</u>	<u>3 year</u>	<u>5 year</u>	<u>10 year</u>
R36AD	\$1,869.00	\$1,751.25	\$1,646.60	\$1,451.45

(i) Hub Redundancy - MO Zone 3
per premises, per DS3

<u>USOC</u>	<u>Month to</u> <u>Month</u>	<u>3 year</u>	<u>5 year</u>	<u>10 year</u>
R36AD	\$1,869.00	\$1,751.25	\$1,646.60	\$1,451.45

(j) Hub Redundancy - OK Zone 1
per premises, per DS3

<u>USOC</u>	<u>Month to</u> <u>Month</u>	<u>3 year</u>	<u>5 year</u>	<u>10 year</u>
R36AD	\$1,869.00	\$1,751.25	\$1,646.60	\$1,451.45

(k) Hub Redundancy - OK Zone 2
per premises, per DS3

<u>USOC</u>	<u>Month to</u> <u>Month</u>	<u>3 year</u>	<u>5 year</u>	<u>10 year</u>
R36AD	\$1,869.00	\$1,751.25	\$1,646.60	\$1,451.45

(l) Hub Redundancy - OK Zone 3
per premises, per DS3

<u>USOC</u>	<u>Month to</u> <u>Month</u>	<u>3 year</u>	<u>5 year</u>	<u>10 year</u>
R36AD	\$1,869.00	\$1,751.25	\$1,646.60	\$1,451.45

Rates contained in this transmittal are subject to subsequent adjustment, effective retrospectively, in the event the Commission or a court subsequently authorizes Southwestern Bell Telephone Company to correct its rates pursuant to pending motions, or petitions for reconsideration or waiver, or in the event of any other adjustment to an order of the Commission or a court.

(This page filed under Transmittal No. 2865)

Issued: June 18, 2001

Effective: July 3, 2001

Four AT&T Plaza, Dallas, Texas 75202

ACCESS SERVICE

20. MegaLink Custom Services (Cont'd)

(N)

20.17 Billing Periods - Service Established between September 30, 2000 and July 2, 200120.17.1 Rates and Charges (Cont'd)(G) Optional Features, BSEs and Functions (Cont'd)(3) SecureNet Monthly Recurring Rates(m) Hub Redundancy - TX Zone 1
per premises, per DS3

<u>USOC</u>	<u>Month to</u> <u>Month</u>	<u>3 year</u>	<u>5 year</u>	<u>10 year</u>
R36AD	\$1,869.00	\$1,751.25	\$1,646.60	\$1,451.45

(n) Hub Redundancy - TX Zone 2
per premises, per DS3

<u>USOC</u>	<u>Month to</u> <u>Month</u>	<u>3 year</u>	<u>5 year</u>	<u>10 year</u>
R36AD	\$1,869.00	\$1,751.25	\$1,646.60	\$1,451.45

(o) Hub Redundancy - TX Zone 3
per premises, per DS3

<u>USOC</u>	<u>Month to</u> <u>Month</u>	<u>3 year</u>	<u>5 year</u>	<u>10 year</u>
R36AD	\$1,869.00	\$1,751.25	\$1,646.60	\$1,451.45

Rates contained in this transmittal are subject to subsequent adjustment, effective retrospectively, in the event the Commission or a court subsequently authorizes Southwestern Bell Telephone Company to correct its rates pursuant to pending motions, or petitions for reconsideration or waiver, or in the event of any other adjustment to an order of the Commission or a court.

(This page filed under Transmittal No. 2865)

Issued: June 18, 2001

Effective: July 3, 2001

Four AT&T Plaza, Dallas, Texas 75202

ACCESS SERVICE

20. MegaLink Custom Services (Cont'd)

20.17 Billing Periods - Service Established between September 30, 2000 and July 2, 2001

20.17.1 Rates and Charges (Cont'd)

(G) Optional Features, BSEs and Functions (Cont'd)

(3) SecureNet Monthly Recurring Rates

Zone 1

(p) Serving Wire Center and Facility Redundancy - AR
per premises, per DS3

<u>USOC</u>	<u>Month to</u> <u>Month</u>	<u>3 year</u>	<u>5 year</u>	<u>10 year</u>
R38AE	\$ 0.00	\$ 0.00	\$ 0.00	\$ 0.00

(q) Serving Wire Center and Facility Redundancy - AR
Zone 2
per premises, per DS3

<u>USOC</u>	<u>Month to</u> <u>Month</u>	<u>3 year</u>	<u>5 year</u>	<u>10 year</u>
R38AE	\$ 0.00	\$ 0.00	\$ 0.00	\$ 0.00

(r) Serving Wire Center and Facility Redundancy - AR
Zone 3
per premises, per DS3

<u>USOC</u>	<u>Month to</u> <u>Month</u>	<u>3 year</u>	<u>5 year</u>	<u>10 year</u>
R38AE	\$ 0.00	\$ 0.00	\$ 0.00	\$ 0.00

Rates contained in this transmittal are subject to subsequent adjustment, effective retrospectively, in the event the Commission or a court subsequently authorizes Southwestern Bell Telephone Company to correct its rates pursuant to pending motions, or petitions for reconsideration or waiver, or in the event of any other adjustment to an order of the Commission or a court.

(This page filed under Transmittal No. 2865)

Issued: June 18, 2001

Effective: July 3, 2001

Four AT&T Plaza, Dallas, Texas 75202

(N)

ACCESS SERVICE

20.17 Billing Periods - Service Established between September 30, 2000 and July 2, 200120.17.1 Rates and Charges (Cont'd)(G) Optional Features, BSEs and Functions (Cont'd)(3) SecureNet Monthly Recurring Rates(s) Serving Wire Center and Facility Redundancy - KS Zone 1
per premises, per DS3

<u>USOC</u>	<u>Month to</u> <u>Month</u>	<u>3 year</u>	<u>5 year</u>	<u>10 year</u>
R38AE	\$ 0.00	\$ 0.00	\$ 0.00	\$ 0.00

(t) Serving Wire Center and Facility Redundancy - KS Zone 2
per premises, per DS3

<u>USOC</u>	<u>Month to</u> <u>Month</u>	<u>3 year</u>	<u>5 year</u>	<u>10 year</u>
R38AE	\$ 0.00	\$ 0.00	\$ 0.00	\$ 0.00

(u) Serving Wire Center and Facility Redundancy - KS Zone 3
per premises, per DS3

<u>USOC</u>	<u>Month to</u> <u>Month</u>	<u>3 year</u>	<u>5 year</u>	<u>10 year</u>
R38AE	\$ 0.00	\$ 0.00	\$ 0.00	\$ 0.00

(v) Serving Wire Center and Facility Redundancy - MO Zone 1
per premises, per DS3

<u>USOC</u>	<u>Month to</u> <u>Month</u>	<u>3 year</u>	<u>5 year</u>	<u>10 year</u>
R38AE	\$ 0.00	\$ 0.00	\$ 0.00	\$ 0.00

(w) Serving Wire Center and Facility Redundancy - MO Zone 2
per premises, per DS3

<u>USOC</u>	<u>Month to</u> <u>Month</u>	<u>3 year</u>	<u>5 year</u>	<u>10 year</u>
R38AE	\$ 0.00	\$ 0.00	\$ 0.00	\$ 0.00

(x) Serving Wire Center and Facility Redundancy - MO Zone 3
per premises, per DS3

<u>USOC</u>	<u>Month to</u> <u>Month</u>	<u>3 year</u>	<u>5 year</u>	<u>10 year</u>
R38AE	\$ 0.00	\$ 0.00	\$ 0.00	\$ 0.00

Rates contained in this transmittal are subject to subsequent adjustment, effective retrospectively, in the event the Commission or a court subsequently authorizes Southwestern Bell Telephone Company to correct its rates pursuant to pending motions, or petitions for reconsideration or waiver, or in the event of any other adjustment to an order of the Commission or a court.

(This page filed under Transmittal No. 2865)

Issued: June 18, 2001

Effective: July 3, 2001

Four AT&T Plaza, Dallas, Texas 75202

ACCESS SERVICE

20. MegaLink Custom Services (Cont'd)20.17 Billing Periods - Service Established between September 30, 2000 and July 2, 200120.17.1 Rates and Charges (Cont'd)(G) Optional Features, BSEs and Functions (Cont'd)(3) SecureNet Monthly Recurring Rates(y) Serving Wire Center and Facility Redundancy - OK Zone 1
per premises, per DS3

<u>USOC</u>	<u>Month to</u> <u>Month</u>	<u>3 year</u>	<u>5 year</u>	<u>10 year</u>
R38AE	\$ 0.00	\$ 0.00	\$ 0.00	\$ 0.00

(z) Serving Wire Center and Facility Redundancy - OK Zone 2
per premises, per DS3

<u>USOC</u>	<u>Month to</u> <u>Month</u>	<u>3 year</u>	<u>5 year</u>	<u>10 year</u>
R38AE	\$ 0.00	\$ 0.00	\$ 0.00	\$ 0.00

(aa) Serving Wire Center and Facility Redundancy - OK Zone 3
per premises, per DS3

<u>USOC</u>	<u>Month to</u> <u>Month</u>	<u>3 year</u>	<u>5 year</u>	<u>10 year</u>
R38AE	\$ 0.00	\$ 0.00	\$ 0.00	\$ 0.00

Rates contained in this transmittal are subject to subsequent adjustment, effective retrospectively, in the event the Commission or a court subsequently authorizes Southwestern Bell Telephone Company to correct its rates pursuant to pending motions, or petitions for reconsideration or waiver, or in the event of any other adjustment to an order of the Commission or a court.

(This page filed under Transmittal No. 2865)

Issued: June 18, 2001

Effective: July 3, 2001

Four AT&T Plaza, Dallas, Texas 75202

ACCESS SERVICE

20. MegaLink Custom Services (Cont'd)20.17 Billing Periods - Service Established between September 30, 2000 and July 2, 200120.17.1 Rates and Charges (Cont'd)(G) Optional Features, BSEs and Functions (Cont'd)(3) SecureNet Monthly Recurring Rates(ab) Serving Wire Center and Facility Redundancy - TX Zone 1
per premises, per DS3

<u>USOC</u>	<u>Month to</u> <u>Month</u>	<u>3 year</u>	<u>5 year</u>	<u>10 year</u>
R38AE	\$ 0.00	\$ 0.00	\$ 0.00	\$ 0.00

(ac) Serving Wire Center and Facility Redundancy - TX Zone 2
per premises, per DS3

<u>USOC</u>	<u>Month to</u> <u>Month</u>	<u>3 year</u>	<u>5 year</u>	<u>10 year</u>
R38AE	\$ 0.00	\$ 0.00	\$ 0.00	\$ 0.00

(ad) Serving Wire Center and Facility Redundancy - TX Zone 3
per premises, per DS3

<u>USOC</u>	<u>Month to</u> <u>Month</u>	<u>3 year</u>	<u>5 year</u>	<u>10 year</u>
R38AE	\$ 0.00	\$ 0.00	\$ 0.00	\$ 0.00

Rates contained in this transmittal are subject to subsequent adjustment, effective retrospectively, in the event the Commission or a court subsequently authorizes Southwestern Bell Telephone Company to correct its rates pursuant to pending motions, or petitions for reconsideration or waiver, or in the event of any other adjustment to an order of the Commission or a court.

(This page filed under Transmittal No. 2865)

Issued: June 18, 2001

Effective: July 3, 2001

Four AT&T Plaza, Dallas, Texas 75202

ACCESS SERVICE

20. MegaLink Custom Services (Cont'd)20.17 Billing Period - Service Established between September 30, 2000 and July 2, 200120.17.1 Rates and Charges (Cont'd)(G) Optional Features, BSEs and Functions (Cont'd)(4) SecureNet Installation Charge(a) Hub Redundancy - AR - Zone 1
per premises, per DS3

<u>USOC</u>	<u>Installation Charge</u>
XXXX	\$1,848.00

(b) Hub Redundancy - AR - Zone 2
per premises, per DS3

<u>USOC</u>	<u>Installation Charge</u>
XXXX	\$1,848.00

(c) Hub Redundancy - AR - Zone 3
per premises, per DS3

<u>USOC</u>	<u>Installation Charge</u>
XXXX	\$1,848.00

(d) Hub Redundancy - KS - Zone 1
per premises, per DS3

<u>USOC</u>	<u>Installation Charge</u>
XXXX	\$1,848.00

(e) Hub Redundancy - KS - Zone 2
per premises, per DS3

<u>USOC</u>	<u>Installation Charge</u>
XXXX	\$1,848.00

(f) Hub Redundancy - KS - Zone 3
per premises, per DS3

<u>USOC</u>	<u>Installation Charge</u>
XXXX	\$1,848.00

Rates contained in this transmittal are subject to subsequent adjustment, effective retrospectively, in the event the Commission or a court subsequently authorizes Southwestern Bell Telephone Company to correct its rates pursuant to pending motions, or petitions for reconsideration or waiver, or in the event of any other adjustment to an order of the Commission or a court.

(This page filed under Transmittal No. 2865)

Issued: June 18, 2001

Effective: July 3, 2001

Four AT&T Plaza, Dallas, Texas 75202

ACCESS SERVICE

20. MegaLink Custom Services (Cont'd)

(N)

20.17 Billing Period - Service Established between September 30, 2000 and July 2, 200120.17.1 Rates and Charges (Cont'd)(G) Optional Features, BSEs and Functions (Cont'd)(4) SecureNet Installation Charge(g) Hub Redundancy - MO - Zone 1
per premises, per DS3

<u>USOC</u>	<u>Installation Charge</u>
XXXX	\$1,848.00

(h) Hub Redundancy - MO - Zone 2
per premises, per DS3

<u>USOC</u>	<u>Installation Charge</u>
XXXX	\$1,848.00

(i) Hub Redundancy - MO - Zone 3
per premises, per DS3

<u>USOC</u>	<u>Installation Charge</u>
XXXX	\$1,848.00

(j) Hub Redundancy - OK - Zone 1
per premises, per DS3

<u>USOC</u>	<u>Installation Charge</u>
XXXX	\$1,848.00

(k) Hub Redundancy - OK - Zone 2
per premises, per DS3

<u>USOC</u>	<u>Installation Charge</u>
XXXX	\$1,848.00

(l) Hub Redundancy - OK - Zone 3
per premises, per DS3

<u>USOC</u>	<u>Installation Charge</u>
XXXX	\$1,848.00

Rates contained in this transmittal are subject to subsequent adjustment, effective retrospectively, in the event the Commission or a court subsequently authorizes Southwestern Bell Telephone Company to correct its rates pursuant to pending motions, or petitions for reconsideration or waiver, or in the event of any other adjustment to an order of the Commission or a court.

(This page filed under Transmittal No. 2865)

Issued: June 18, 2001

Effective: July 3, 2001

Four AT&T Plaza, Dallas, Texas 75202

ACCESS SERVICE

20. MegaLink Custom Services (Cont'd)20.17 Billing Period - Service Established between September 30, 2000 and July 2, 200120.17.1 Rates and Charges (Cont'd)(G) Optional Features, BSEs and Functions (Cont'd)(4) SecureNet Installation Charge(m) Hub Redundancy - TX - Zone 1
per premises, per DS3

<u>USOC</u>	<u>Installation Charge</u>
XXXX	\$1,848.00

(n) Hub Redundancy - TX - Zone 2
per premises, per DS3

<u>USOC</u>	<u>Installation Charge</u>
XXXX	\$1,848.00

(o) Hub Redundancy - TX - Zone 3
per premises, per DS3

<u>USOC</u>	<u>Installation Charge</u>
XXXX	\$1,848.00

Rates contained in this transmittal are subject to subsequent adjustment, effective retrospectively, in the event the Commission or a court subsequently authorizes Southwestern Bell Telephone Company to correct its rates pursuant to pending motions, or petitions for reconsideration or waiver, or in the event of any other adjustment to an order of the Commission or a court.

(This page filed under Transmittal No. 2865)

Issued: June 18, 2001

Effective: July 3, 2001

Four AT&T Plaza, Dallas, Texas 75202

ACCESS SERVICE

20. MegaLink Custom Services (Cont'd)20.17 Billing Period - Service Established between September 30, 2000 and July 2, 200120.17.1 Rates and Charges (Cont'd)(G) Optional Features, BSEs and Functions (Cont'd)(4) SecureNet Installation Charge(p) Serving Wire Center and Facility Redundancy - AR - Zone 1
per premises, per DS3

<u>USOC</u>	<u>Installation Charge</u>
XXXX	\$ 0.00

(q) Serving Wire Center and Facility Redundancy - AR - Zone 2
per premises, per DS3

<u>USOC</u>	<u>Installation Charge</u>
XXXX	\$ 0.00

(r) Serving Wire Center and Facility Redundancy - AR - Zone 3
per premises, per DS3

<u>USOC</u>	<u>Installation Charge</u>
XXXX	\$ 0.00

Rates contained in this transmittal are subject to subsequent adjustment, effective retrospectively, in the event the Commission or a court subsequently authorizes Southwestern Bell Telephone Company to correct its rates pursuant to pending motions, or petitions for reconsideration or waiver, or in the event of any other adjustment to an order of the Commission or a court.

(This page filed under Transmittal No. 2865)

Issued: June 18, 2001

Effective: July 3, 2001

Four AT&T Plaza, Dallas, Texas 75202

(N)

ACCESS SERVICE

20. MegaLink Custom Services (Cont'd)20.17 Billing Period - Service Established between September 30, 2000 and July 2, 200120.17.1 Rates and Charges (Cont'd)(G) Optional Features, BSEs and Functions (Cont'd)(4) SecureNet Installation Charge(s) Serving Wire Center and Facility Redundancy - KS - Zone 1
per premises, per DS3

<u>USOC</u>	<u>Installation Charge</u>
XXXX	\$ 0.00

(t) Serving Wire Center and Facility Redundancy - KS - Zone 2
per premises, per DS3

<u>USOC</u>	<u>Installation Charge</u>
XXXX	\$ 0.00

(u) Serving Wire Center and Facility Redundancy - KS - Zone 3
per premises, per DS3

<u>USOC</u>	<u>Installation Charge</u>
XXXX	\$ 0.00

(v) Serving Wire Center and Facility Redundancy - MO - Zone 1
per premises, per DS3

<u>USOC</u>	<u>Installation Charge</u>
XXXX	\$ 0.00

(w) Serving Wire Center and Facility Redundancy - MO - Zone 2
per premises, per DS3

<u>USOC</u>	<u>Installation Charge</u>
XXXX	\$ 0.00

(x) Serving Wire Center and Facility Redundancy - MO - Zone 3
per premises, per DS3

<u>USOC</u>	<u>Installation Charge</u>
XXXX	\$ 0.00

Rates contained in this transmittal are subject to subsequent adjustment, effective retrospectively, in the event the Commission or a court subsequently authorizes Southwestern Bell Telephone Company to correct its rates pursuant to pending motions, or petitions for reconsideration or waiver, or in the event of any other adjustment to an order of the Commission or a court.

(This page filed under Transmittal No. 2865)

Issued: June 18, 2001

Effective: July 3, 2001

Four AT&T Plaza, Dallas, Texas 75202

ACCESS SERVICE

20. MegaLink Custom Services (Cont'd)20.17 Billing Period - Service Established between September 30, 2000 and July 2, 200120.17.1 Rates and Charges (Cont'd)(G) Optional Features, BSEs and Functions (Cont'd)(4) SecureNet Installation Charge(y) Serving Wire Center and Facility Redundancy - OK Zone 1
per premises, per DS3

<u>USOC</u>	<u>Installation Charge</u>
XXXX	\$ 0.00

(z) Serving Wire Center and Facility Redundancy - OK Zone 2
per premises, per DS3

<u>USOC</u>	<u>Installation Charge</u>
XXXX	\$ 0.00

(aa) Serving Wire Center and Facility Redundancy - OK Zone 3
per premises, per DS3

<u>USOC</u>	<u>Installation Charge</u>
XXXX	\$ 0.00

Rates contained in this transmittal are subject to subsequent adjustment, effective retrospectively, in the event the Commission or a court subsequently authorizes Southwestern Bell Telephone Company to correct its rates pursuant to pending motions, or petitions for reconsideration or waiver, or in the event of any other adjustment to an order of the Commission or a court.

(This page filed under Transmittal No. 2865)

Issued: June 18, 2001

Effective: July 3, 2001

Four AT&T Plaza, Dallas, Texas 75202

ACCESS SERVICE

20. MegaLink Custom Services (Cont'd)20.17 Billing Period - Service Established between September 30, 2000 and July 2, 200120.17.1 Rates and Charges (Cont'd)(G) Optional Features, BSEs and Functions (Cont'd)(4) SecureNet Installation Charge(ab) Serving Wire Center and Facility Redundancy - TX

-

Zone 1
per premises, per DS3USOC Installation Charge

XXXX \$ 0.00

(ac) Serving Wire Center and Facility Redundancy - TX

-

Zone 2
per premises, per DS3USOC Installation Charge

XXXX \$ 0.00

(ad) Serving Wire Center and Facility Redundancy - TX

-

Zone 3
per premises, per DS3USOC Installation Charge

XXXX \$ 0.00

Rates contained in this transmittal are subject to subsequent adjustment, effective retrospectively, in the event the Commission or a court subsequently authorizes Southwestern Bell Telephone Company to correct its rates pursuant to pending motions, or petitions for reconsideration or waiver, or in the event of any other adjustment to an order of the Commission or a court.

(This page filed under Transmittal No. 2865)

Issued: June 18, 2001

Effective: July 3, 2001

Four AT&T Plaza, Dallas, Texas 75202

ACCESS SERVICE

20. MegaLink Custom Services (Cont'd)

(N)

20.17 Billing Periods - services Established between September 30, 2000 and July 2, 2001

20.17.1 Rates and Charges (Cont'd)

(G) Optional Features, BSEs and Functions (Cont'd)

(5) Service Extension Monthly Recurring Rates

Use Interoffice Mileage as set forth in 20.5.3 and 20.5.4.

(6) Service Extension Installation Charge per DS3 or DS3 equivalent, per service extension on the same access order

(a) Installation Charge - AR - Zone 1

	USOC	Month to Month	3 year	5 year	10 year
First	NRBSE	\$637.00	\$319.00	\$ 0.00	\$ 0.00
Additional	NRBSE	\$496.00	\$248.00	\$ 0.00	\$ 0.00

(b) Installation Charge - AR - Zone 2

	USOC	Month to Month	3 year	5 year	10 year
First	NRBSE	\$637.00	\$319.00	\$ 0.00	\$ 0.00
Additional	NRBSE	\$496.00	\$248.00	\$ 0.00	\$ 0.00

(c) Installation Charge - AR - Zone 3

	USOC	Month to Month	3 year	5 year	10 year
First	NRBSE	\$637.00	\$319.00	\$ 0.00	\$ 0.00
Additional	NRBSE	\$496.00	\$248.00	\$ 0.00	\$ 0.00

Rates contained in this transmittal are subject to subsequent adjustment, effective retrospectively, in the event the Commission or a court subsequently authorizes Southwestern Bell Telephone Company to correct its rates pursuant to pending motions, or petitions for reconsideration or waiver, or in the event of any other adjustment to an order of the Commission or a court.

(This page filed under Transmittal No. 2865)

Issued: June 18, 2001

Effective: July 3, 2001

Four AT&T Plaza, Dallas, Texas 75202

ACCESS SERVICE

20. MegaLink Custom Services (Cont'd)20.17 Billing Periods - Service Established between September 30, 2000 and July 2, 200120.17.1 Rates and Charges (Cont'd)(G) Optional Features, BSEs and Functions (Cont'd)(6) Service Extension Installation Charge (Cont'd)(d) Installation Charge - KS - Zone 1

	USOC	Month to Month	3 year	5 year	10 year
First	NRBSE	\$637.00	\$319.00	\$ 0.00	\$ 0.00
Additional	NRBSE	\$496.00	\$248.00	\$ 0.00	\$ 0.00

(e) Installation Charge - KS - Zone 2

	USOC	Month to Month	3 year	5 year	10 year
First	NRBSE	\$637.00	\$319.00	\$ 0.00	\$ 0.00
Additional	NRBSE	\$496.00	\$248.00	\$ 0.00	\$ 0.00

(f) Installation Charge - KS - Zone 3

	USOC	Month to Month	3 year	5 year	10 year
First	NRBSE	\$637.00	\$319.00	\$ 0.00	\$ 0.00
Additional	NRBSE	\$496.00	\$248.00	\$ 0.00	\$ 0.00

(g) Installation Charge - MO - Zone 1

	USOC	Month to Month	3 year	5 year	10 year
First	NRBSE	\$637.00	\$319.00	\$ 0.00	\$ 0.00
Additional	NRBSE	\$496.00	\$248.00	\$ 0.00	\$ 0.00

(h) Installation Charge - MO - Zone 2

	USOC	Month to Month	3 year	5 year	10 year
First	NRBSE	\$637.00	\$319.00	\$ 0.00	\$ 0.00
Additional	NRBSE	\$496.00	\$248.00	\$ 0.00	\$ 0.00

(i) Installation Charge - MO - Zone 3

	USOC	Month to Month	3 year	5 year	10 year
First	NRBSE	\$637.00	\$319.00	\$ 0.00	\$ 0.00
Additional	NRBSE	\$496.00	\$248.00	\$ 0.00	\$ 0.00

Rates contained in this transmittal are subject to subsequent adjustment, effective retrospectively, in the event the Commission or a court subsequently authorizes Southwestern Bell Telephone Company to correct its rates pursuant to pending motions, or petitions for reconsideration or waiver, or in the event of any other adjustment to an order of the Commission or a court.

(This page filed under Transmittal No. 2865)

Issued: June 18, 2001

Effective: July 3, 2001

Four AT&T Plaza, Dallas, Texas 75202

ACCESS SERVICE

20. MegaLink Custom Services (Cont'd)20.17 Billing Periods - services Established between September 30, 2000 and July 2, 200120.17.1 Rates and Charges (Cont'd)(G) Optional Features, BSEs and Functions (Cont'd)(6) Service Extension Installation Charge (Cont'd)(j) Installation Charge - OK - Zone 1

	USOC	Month to Month	3 year	5 year	10 year
First	NRBSE	\$637.00	\$319.00	\$ 0.00	\$ 0.00
Additional	NRBSE	\$496.00	\$248.00	\$ 0.00	\$ 0.00

(k) Installation Charge - OK - Zone 2

	USOC	Month to Month	3 year	5 year	10 year
First	NRBSE	\$637.00	\$319.00	\$ 0.00	\$ 0.00
Additional	NRBSE	\$496.00	\$248.00	\$ 0.00	\$ 0.00

(l) Installation Charge - OK - Zone 3

	USOC	Month to Month	3 year	5 year	10 year
First	NRBSE	\$637.00	\$319.00	\$ 0.00	\$ 0.00
Additional	NRBSE	\$496.00	\$248.00	\$ 0.00	\$ 0.00

Rates contained in this transmittal are subject to subsequent adjustment, effective retrospectively, in the event the Commission or a court subsequently authorizes Southwestern Bell Telephone Company to correct its rates pursuant to pending motions, or petitions for reconsideration or waiver, or in the event of any other adjustment to an order of the Commission or a court.

(This page filed under Transmittal No. 2865)

Issued: June 18, 2001

Effective: July 3, 2001

Four AT&T Plaza, Dallas, Texas 75202

ACCESS SERVICE

20. MegaLink Custom Services (Cont'd)

20.17 Billing Periods - services Established between September 30, 2000 and July 2, 2001

20.17.1 Rates and Charges (Cont'd)

(G) Optional Features, BSEs and Functions (Cont'd)

(6) Service Extension Installation Charge (Cont'd)

(m) Installation Charge - TX - Zone 1

		Month to			
	USOC	Month	3 year	5 year	10 year
First	NRBSE	\$637.00	\$319.00	\$ 0.00	\$ 0.00
Additional	NRBSE	\$496.00	\$248.00	\$ 0.00	\$ 0.00

(n) Installation Charge - TX - Zone 2

		Month to			
	USOC	Month	3 year	5 year	10 year
First	NRBSE	\$637.00	\$319.00	\$ 0.00	\$ 0.00
Additional	NRBSE	\$496.00	\$248.00	\$ 0.00	\$ 0.00

(o) Installation Charge - TX - Zone 3

		Month to			
	USOC	Month	3 year	5 year	10 year
First	NRBSE	\$637.00	\$319.00	\$ 0.00 ^b	\$ 0.00
Additional	NRBSE	\$496.00	\$248.00	\$ 0.00	\$ 0.00

(N)

(N)

Rates contained in this transmittal are subject to subsequent adjustment, effective retrospectively, in the event the Commission or a court subsequently authorizes Southwestern Bell Telephone Company to correct its rates pursuant to pending motions, or petitions for reconsideration or waiver, or in the event of any other adjustment to an order of the Commission or a court.

(This page filed under Transmittal No. 2865)

Issued: June 18, 2001

Effective: July 3, 2001

Four AT&T Plaza, Dallas, Texas 75202

ACCESS SERVICE

20. MegaLink Custom Services (Cont'd)

(N)

20.17 Billing Period - Services Established between September 30, 2000 and July 2, 2001

20.17.1 Rates and Charges (Cont'd)

(G) Optional Features, BSEs and Functions (Cont'd)

(7) STN Interconnection with SecureNet Equipped MegaLink Custom Service Monthly Recurring Rates per DS3, per Interconnection

(a) STN Interconnection with SecureNet Equipped MegaLink Custom Service - AR Zone 1

<u>USOC</u>	<u>Month to Month</u>	<u>3 year</u>	<u>5 year</u>	<u>10 year</u>
R3N3X	\$278.05	\$263.20	\$248.20	\$221.40

(b) STN Interconnection with SecureNet Equipped MegaLink Custom Service - AR Zone 2

<u>USOC</u>	<u>Month to Month</u>	<u>3 year</u>	<u>5 year</u>	<u>10 year</u>
R3N3X	\$278.05	\$263.20	\$248.20	\$221.40

(c) STN Interconnection with SecureNet Equipped MegaLink Custom Service - AR Zone 3

<u>USOC</u>	<u>Month to Month</u>	<u>3 year</u>	<u>5 year</u>	<u>10 year</u>
R3N3X	\$278.05	\$263.20	\$248.20	\$221.40

Rates contained in this transmittal are subject to subsequent adjustment, effective retrospectively, in the event the Commission or a court subsequently authorizes Southwestern Bell Telephone Company to correct its rates pursuant to pending motions, or petitions for reconsideration or waiver, or in the event of any other adjustment to an order of the Commission or a court.

(This page filed under Transmittal No. 2865)

Issued: June 18, 2001

Effective: July 3, 2001

Four AT&T Plaza, Dallas, Texas 75202

ACCESS SERVICE

20. MegaLink Custom Services (Cont'd)20.17 Billing Period - Services Established between September 30, 2000 and July 2, 200120.17.1 Rates and Charges (Cont'd)(G) Optional Features, BSEs and Functions (Cont'd)(7) STN Interconnection with SecureNet Equipped MegaLink Custom Service Monthly Recurring

per DS3, per Interconnection

(d) STN Interconnection with SecureNet Equipped MegaLink Custom Service - KS Zone 1

USOC	Month to Month	3 year	5 year	10 year
R3N3X	\$278.05	\$263.20	\$248.20	\$221.40

(e) STN Interconnection with SecureNet Equipped MegaLink Custom Service - KS Zone 2

USOC	Month to Month	3 year	5 year	10 year
R3N3X	\$278.05	\$263.20	\$248.20	\$221.40

(f) STN Interconnection with SecureNet Equipped MegaLink Custom Service - KS Zone 3

USOC	Month to Month	3 year	5 year	10 year
R3N3X	\$278.05	\$263.20	\$248.20	\$221.40

(g) STN Interconnection with SecureNet Equipped MegaLink Custom Service - MO Zone 1

USOC	Month to Month	3 year	5 year	10 year
R3N3X	\$278.05	\$263.20	\$248.20	\$221.40

(h) STN Interconnection with SecureNet Equipped MegaLink Custom Service - MO Zone 2

USOC	Month to Month	3 year	5 year	10 year
R3N3X	\$278.05	\$263.20	\$248.20	\$221.40

(i) STN Interconnection with SecureNet Equipped MegaLink Custom Service - MO Zone 3

USOC	Month to Month	3 year	5 year	10 year
R3N3X	\$278.05	\$263.20	\$248.20	\$221.40

Rates contained in this transmittal are subject to subsequent adjustment, effective retrospectively, in the event the Commission or a court subsequently authorizes Southwestern Bell Telephone Company to correct its rates pursuant to pending motions, or petitions for reconsideration or waiver, or in the event of any other adjustment to an order of the Commission or a court.

(This page filed under Transmittal No. 2865)

Issued: June 18, 2001

Effective: July 3, 2001

Four AT&T Plaza, Dallas, Texas 75202

ACCESS SERVICE

20. MegaLink Custom Services (Cont'd)20.17 Billing Period - Services Established between September 30, 2000 and July 2, 200120.17.1 Rates and Charges (Cont'd)(G) Optional Features, BSEs and Functions (Cont'd)(7) STN Interconnection with SecureNet Equipped MegaLink Custom Service Monthly Recurring

per DS3, per Interconnection

(j) STN Interconnection with SecureNet Equipped MegaLink Custom Service - OK Zone 1

<u>USOC</u>	<u>Month to Month</u>	<u>3 year</u>	<u>5 year</u>	<u>10 year</u>
R3N3X	\$278.05	\$263.20	\$248.20	\$221.40

(k) STN Interconnection with SecureNet Equipped MegaLink Custom Service - OK Zone 2

<u>USOC</u>	<u>Month to Month</u>	<u>3 year</u>	<u>5 year</u>	<u>10 year</u>
R3N3X	\$278.05	\$263.20	\$248.20	\$221.40

(l) STN Interconnection with SecureNet Equipped MegaLink Custom Service - OK Zone 3

<u>USOC</u>	<u>Month to Month</u>	<u>3 year</u>	<u>5 year</u>	<u>10 year</u>
R3N3X	\$278.05	\$263.20	\$248.20	\$221.40

Rates contained in this transmittal are subject to subsequent adjustment, effective retrospectively, in the event the Commission or a court subsequently authorizes Southwestern Bell Telephone Company to correct its rates pursuant to pending motions, or petitions for reconsideration or waiver, or in the event of any other adjustment to an order of the Commission or a court.

(This page filed under Transmittal No. 2865)

Issued: June 18, 2001

Effective: July 3, 2001

Four AT&T Plaza, Dallas, Texas 75202

ACCESS SERVICE

20. MegaLink Custom Services (Cont'd)

20.17 Billing Period - Services Established between September 30, 2000 and July 2, 2001

20.17.1 Rates and Charges (Cont'd)

(G) Optional Features, BSEs and Functions (Cont'd)

(7) STN Interconnection with SecureNet Equipped MegaLink Custom Service Monthly Recurring
per DS3, per Interconnection

(m) STN Interconnection with SecureNet Equipped MegaLink Custom Service - TX Zone 1

<u>USOC</u>	<u>Month to Month</u>	<u>3 year</u>	<u>5 year</u>	<u>10 year</u>
R3N3X	\$278.05	\$263.20	\$248.20	\$221.40

(n) STN Interconnection with SecureNet Equipped MegaLink Custom Service - TX Zone 2

<u>USOC</u>	<u>Month to Month</u>	<u>3 year</u>	<u>5 year</u>	<u>10 year</u>
R3N3X	\$278.05	\$263.20	\$248.20	\$221.40

(o) STN Interconnection with SecureNet Equipped MegaLink Custom Service - TX Zone 3

<u>USOC</u>	<u>Month to Month</u>	<u>3 year</u>	<u>5 year</u>	<u>10 year</u>
R3N3X	\$278.05	\$263.20	\$248.20	\$221.40

Rates contained in this transmittal are subject to subsequent adjustment, effective retrospectively, in the event the Commission or a court subsequently authorizes Southwestern Bell Telephone Company to correct its rates pursuant to pending motions, or petitions for reconsideration or waiver, or in the event of any other adjustment to an order of the Commission or a court.

(This page filed under Transmittal No. 2865)

Issued: June 18, 2001

Effective: July 3, 2001

Four AT&T Plaza, Dallas, Texas 75202

(N)

(N)

ACCESS SERVICE

20. MegaLink Custom Services (Cont'd)

20.17 Billing Period - Service Established between September 30, 2000 and July 2, 2001

20.17.1 Rates and Charges (Cont'd)

(G) Optional Features, BSEs and Functions (Cont'd)

(8) STN Interconnection with SecureNet Equipped MegaLink Custom Service Installation Charges

per DS3, per Interconnection

(a) STN Interconnection with SecureNet Equipped MegaLink Custom Service - AR Zone 1

<u>USOC</u>	<u>Month to Month</u>	<u>3 year</u>	<u>5 year</u>	<u>10 year</u>
	\$298.00	\$149.00	\$ 0.00	\$ 0.00

(b) STN Interconnection with SecureNet Equipped MegaLink Custom Service - AR Zone 2

<u>USOC</u>	<u>Month to Month</u>	<u>3 year</u>	<u>5 year</u>	<u>10 year</u>
	\$298.00	\$149.00	\$ 0.00	\$ 0.00

(c) STN Interconnection with SecureNet Equipped MegaLink Custom Service - AR Zone 3

<u>USOC</u>	<u>Month to Month</u>	<u>3 year</u>	<u>5 year</u>	<u>10 year</u>
	\$298.00	\$149.00	\$ 0.00	\$ 0.00

(N)

(N)

Rates contained in this transmittal are subject to subsequent adjustment, effective retrospectively, in the event the Commission or a court subsequently authorizes Southwestern Bell Telephone Company to correct its rates pursuant to pending motions, or petitions for reconsideration or waiver, or in the event of any other adjustment to an order of the Commission or a court.

(This page filed under Transmittal No. 2865)

Issued: June 18, 2001

Effective: July 3, 2001

Four AT&T Plaza, Dallas, Texas 75202

ACCESS SERVICE

20. MegaLink Custom Services (Cont'd)

20.17 Billing Period - Service Established between September 30, 2000 and July 2, 2001

20.17.1 Rates and Charges (Cont'd)

(G) Optional Features, BSEs and Functions (Cont'd)

(8) STN Interconnection with SecureNet Equipped MegaLink Custom Service Installation Charges

per DS3, per Interconnection

(d) STN Interconnection with SecureNet Equipped MegaLink Custom Service - KS Zone 1

<u>USOC</u>	<u>Month to</u> <u>Month</u>	<u>3 year</u>	<u>5 year</u>	<u>10 year</u>
	\$298.00	\$149.00	\$ 0.00	\$ 0.00

(e) STN Interconnection with SecureNet Equipped MegaLink Custom Service - KS Zone 2

<u>USOC</u>	<u>Month to</u> <u>Month</u>	<u>3 year</u>	<u>5 year</u>	<u>10 year</u>
	\$298.00	\$149.00	\$ 0.00	\$ 0.00

(f) STN Interconnection with SecureNet Equipped MegaLink Custom Service - KS Zone 3

<u>USOC</u>	<u>Month to</u> <u>Month</u>	<u>3 year</u>	<u>5 year</u>	<u>10 year</u>
	\$298.00	\$149.00	\$ 0.00	\$ 0.00

(g) STN Interconnection with SecureNet Equipped MegaLink Custom Service - MO Zone 1

<u>USOC</u>	<u>Month to</u> <u>Month</u>	<u>3 year</u>	<u>5 year</u>	<u>10 year</u>
	\$298.00	\$149.00	\$ 0.00	\$ 0.00

(h) STN Interconnection with SecureNet Equipped MegaLink Custom Service - MO Zone 2

<u>USOC</u>	<u>Month to</u> <u>Month</u>	<u>3 year</u>	<u>5 year</u>	<u>10 year</u>
	\$298.00	\$149.00	\$ 0.00	\$ 0.00

(i) STN Interconnection with SecureNet Equipped MegaLink Custom Service - MO Zone 3

<u>USOC</u>	<u>Month to</u> <u>Month</u>	<u>3 year</u>	<u>5 year</u>	<u>10 year</u>
	\$298.00	\$149.00	\$ 0.00	\$ 0.00

Rates contained in this transmittal are subject to subsequent adjustment, effective retrospectively, in the event the Commission or a court subsequently authorizes Southwestern Bell Telephone Company to correct its rates pursuant to pending motions, or petitions for reconsideration or waiver, or in the event of any other adjustment to an order of the Commission or a court.

(This page filed under Transmittal No. 2865)

ACCESS SERVICE

20. MegaLink Custom Services (Cont'd)

(N)

20.17 Billing Period - Service Established between September 30, 2000 and July 2, 200120.17.1 Rates and Charges (Cont'd)(G) Optional Features, BSEs and Functions (Cont'd)(8) STN Interconnection with SecureNet Equipped MegaLink Custom Service Installation Charges

per DS3, per Interconnection

(j) STN Interconnection with SecureNet Equipped MegaLink Custom Service - OK Zone 1

<u>USOC</u>	<u>Month to Month</u>	<u>3 year</u>	<u>5 year</u>	<u>10 year</u>
	\$298.00	\$149.00	\$ 0.00	\$ 0.00

(k) STN Interconnection with SecureNet Equipped MegaLink Custom Service - OK Zone 2

<u>USOC</u>	<u>Month to Month</u>	<u>3 year</u>	<u>5 year</u>	<u>10 year</u>
	\$298.00	\$149.00	\$ 0.00	\$ 0.00

(l) STN Interconnection with SecureNet Equipped MegaLink Custom Service - OK Zone 3

<u>USOC</u>	<u>Month to Month</u>	<u>3 year</u>	<u>5 year</u>	<u>10 year</u>
	\$298.00	\$149.00	\$ 0.00	\$ 0.00

Rates contained in this transmittal are subject to subsequent adjustment, effective retrospectively, in the event the Commission or a court subsequently authorizes Southwestern Bell Telephone Company to correct its rates pursuant to pending motions, or petitions for reconsideration or waiver, or in the event of any other adjustment to an order of the Commission or a court.

(This page filed under Transmittal No. 2865)

Issued: June 18, 2001

Effective: July 3, 2001

Four AT&T Plaza, Dallas, Texas 75202

ACCESS SERVICE

20. MegaLink Custom Services (Cont'd)

(N)

20.17 Billing Period - Service Established between September 30, 2000 and July 2, 2001

20.17.1 Rates and Charges (Cont'd)

(G) Optional Features, BSEs and Functions (Cont'd)

(8) STN Interconnection with SecureNet Equipped MegaLink Custom Service Installation Charges (Cont'd)

per DS3, per Interconnection

(m) STN Interconnection with SecureNet Equipped MegaLink Custom Service - TX Zone 1

<u>USOC</u>	<u>Month to Month</u>	<u>3 year</u>	<u>5 year</u>	<u>10 year</u>
	\$298.00	\$149.00	\$ 0.00	\$ 0.00

(n) STN Interconnection with SecureNet Equipped MegaLink Custom Service - TX Zone 2

<u>USOC</u>	<u>Month to Month</u>	<u>3 year</u>	<u>5 year</u>	<u>10 year</u>
	\$298.00	\$149.00	\$ 0.00	\$ 0.00

(o) STN Interconnection with SecureNet Equipped MegaLink Custom Service - TX Zone 3

<u>USOC</u>	<u>Month to Month</u>	<u>3 year</u>	<u>5 year</u>	<u>10 year</u>
	\$298.00	\$149.00	\$ 0.00	\$ 0.00

Rates contained in this transmittal are subject to subsequent adjustment, effective retrospectively, in the event the Commission or a court subsequently authorizes Southwestern Bell Telephone Company to correct its rates pursuant to pending motions, or petitions for reconsideration or waiver, or in the event of any other adjustment to an order of the Commission or a court.

(This page filed under Transmittal No. 2865)

Issued: June 18, 2001

Effective: July 3, 2001

Four AT&T Plaza, Dallas, Texas 75202

ACCESS SERVICE

20. MegaLink Custom Services (Cont'd)20.17 Billing Period - Service Established between September 30, 2000
and July 2, 200120.17.1 Rates and Charges (Cont'd)(G) Optional Features, BSEs and Functions (Cont'd)(9) SFM Installation Charge

Per existing MegaLink Custom Service(s) moving to another MegaLink Custom Service or ReliaNet DS3/EC-1, on a first and additional basis.

(a) SFM AR Zone 1

	<u>USOC</u>	<u>Installation Charge</u>
First	NRBR3	\$135.00
Additional	NRBR3	\$104.00

(b) SFM AR Zone 2

	<u>USOC</u>	<u>Installation Charge</u>
First	NRBR3	\$135.00
Additional	NRBR3	\$104.00

(c) SFM AR Zone 3

	<u>USOC</u>	<u>Installation Charge</u>
First	NRBR3	\$135.00
Additional	NRBR3	\$104.00

Rates contained in this transmittal are subject to subsequent adjustment, effective retrospectively, in the event the Commission or a court subsequently authorizes Southwestern Bell Telephone Company to correct its rates pursuant to pending motions, or petitions for reconsideration or waiver, or in the event of any other adjustment to an order of the Commission or a court.

(This page filed under Transmittal No. 2865)

Issued: June 18, 2001

Effective: July 3, 2001

Four AT&T Plaza, Dallas, Texas 75202

ACCESS SERVICE

20. MegaLink Custom Services (Cont'd)20.17 Billing Period - Service Established between September 30, 2000
and July 2, 200120.17.1 Rates and Charges (Cont'd)(G) Optional Features, BSEs and Functions (Cont'd)(9) SFM Installation Charge

Per existing MegaLink Custom Service(s) moving to another MegaLink Custom Service or ReliaNet DS3/EC-1, on a first and additional basis.

(d) SFM KS Zone 1

	<u>USOC</u>	<u>Installation Charge</u>
First	NRBR3	\$135.00
Additional	NRBR3	\$104.00

(e) SFM KS Zone 2

	<u>USOC</u>	<u>Installation Charge</u>
First	NRBR3	\$135.00
Additional	NRBR3	\$104.00

(f) SFM KS Zone 3

	<u>USOC</u>	<u>Installation Charge</u>
First	NRBR3	\$135.00
Additional	NRBR3	\$104.00

(g) SFM MO Zone 1

	<u>USOC</u>	<u>Installation Charge</u>
First	NRBR3	\$135.00
Additional	NRBR3	\$104.00

(h) SFM MO Zone 2

	<u>USOC</u>	<u>Installation Charge</u>
First	NRBR3	\$135.00
Additional	NRBR3	\$104.00

(i) SFM MO Zone 3

	<u>USOC</u>	<u>Installation Charge</u>
First	NRBR3	\$135.00
Additional	NRBR3	\$104.00

Rates contained in this transmittal are subject to subsequent adjustment, effective retrospectively, in the event the Commission or a court subsequently authorizes Southwestern Bell Telephone Company to correct its rates pursuant to pending motions, or petitions for reconsideration or waiver, or in the event of any other adjustment to an order of the Commission or a court.

(This page filed under Transmittal No. 2865)

Issued: June 18, 2001

Effective: July 3, 2001

Four AT&T Plaza, Dallas, Texas 75202

(N)

ACCESS SERVICE

20. MegaLink Custom Services (Cont'd)20.17 Billing Period - Service Established between September 30, 2000
and July 2, 200120.17.1 Rates and Charges (Cont'd)(G) Optional Features, BSEs and Functions (Cont'd)(9) SFM Installation Charge

Per existing MegaLink Custom Service(s) moving to another MegaLink Custom Service or ReliaNet DS3/EC-1, on a first and additional basis.

(j) SFM OK Zone 1

	<u>USOC</u>	<u>Installation Charge</u>
First	NRBR3	\$135.00
Additional	NRBR3	\$104.00

(k) SFM OK Zone 2

	<u>USOC</u>	<u>Installation Charge</u>
First	NRBR3	\$135.00
Additional	NRBR3	\$104.00

(l) SFM OK Zone 3

	<u>USOC</u>	<u>Installation Charge</u>
First	NRBR3	\$135.00
Additional	NRBR3	\$104.00

Rates contained in this transmittal are subject to subsequent adjustment, effective retrospectively, in the event the Commission or a court subsequently authorizes Southwestern Bell Telephone Company to correct its rates pursuant to pending motions, or petitions for reconsideration or waiver, or in the event of any other adjustment to an order of the Commission or a court.

(This page filed under Transmittal No. 2865)

Issued: June 18, 2001

Effective: July 3, 2001

Four AT&T Plaza, Dallas, Texas 75202

(N)

ACCESS SERVICE

20. MegaLink Custom Services (Cont'd)20.17 Billing Period - Service Established between September 30, 2000 and July 2, 200120.17.1 Rates and Charges (Cont'd)(G) Optional Features, BSEs and Functions (Cont'd)(9) SFM Installation Charge

Per existing MegaLink Custom Service(s) moving to another MegaLink Custom Service or ReliaNet DS3/EC-1, on a first and additional basis.

(m) SFM TX Zone 1

	<u>USOC</u>	<u>Installation Charge</u>
First	NRBR3	\$135.00
Additional	NRBR3	\$104.00

(n) SFM TX Zone 2

	<u>USOC</u>	<u>Installation Charge</u>
First	NRBR3	\$135.00
Additional	NRBR3	\$104.00

(o) SFM TX Zone 3

	<u>USOC</u>	<u>Installation Charge</u>
First	NRBR3	\$135.00
Additional	NRBR3	\$104.00

(10) C-Bit Parity Framing Format
Option per existing DS3

	<u>USOC</u>	<u>Installation Charge</u>
First	NRBPP	\$ 26.00
Additional	NRBPP	\$ 10.00

Rates contained in this transmittal are subject to subsequent adjustment, effective retrospectively, in the event the Commission or a court subsequently authorizes Southwestern Bell Telephone Company to correct its rates pursuant to pending motions, or petitions for reconsideration or waiver, or in the event of any other adjustment to an order of the Commission or a court.

(This page filed under Transmittal No. 2865)

Issued: June 18, 2001

Effective: July 3, 2001

Four AT&T Plaza, Dallas, Texas 75202

ACCESS SERVICE

20. MegaLink Custom Services (Cont'd)

(N)

20.17 Billing Period - Service Established between September 30, 2000 and July 2, 200120.17.1 Rates and Charges (Cont'd)(H) Administrative Charges(1) Service Rearrangement Nonrecurring Charges

Per DS3 or DS3 equivalent on the same Access Order for one or any combination of changes as set forth in Section 20.4.2(E).

(a) Service Rearrangement - AR Zone 1

	<u>USOC</u>	<u>Nonrecurring Charge</u>
First	NRBAC	\$ 9.00
Additional	NRBAC	\$ 5.00

(b) Service Rearrangement - AR Zone 2

	<u>USOC</u>	<u>Nonrecurring Charge</u>
First	NRBAC	\$ 9.00
Additional	NRBAC	\$ 5.00

(c) Service Rearrangement - AR Zone 3

	<u>USOC</u>	<u>Nonrecurring Charge</u>
First	NRBAC	\$ 9.00
Additional	NRBAC	\$ 5.00

(d) Service Rearrangement - KS Zone 1

	<u>USOC</u>	<u>Nonrecurring Charge</u>
First	NRBAC	\$ 9.00
Additional	NRBAC	\$ 5.00

(e) Service Rearrangement - KS Zone 2

	<u>USOC</u>	<u>Nonrecurring Charge</u>
First	NRBAC	\$ 9.00
Additional	NRBAC	\$ 5.00

(f) Service Rearrangement - KS Zone 3

	<u>USOC</u>	<u>Nonrecurring Charge</u>
First	NRBAC	\$ 9.00
Additional	NRBAC	\$ 5.00

Rates contained in this transmittal are subject to subsequent adjustment, effective retrospectively, in the event the Commission or a court subsequently authorizes Southwestern Bell Telephone Company to correct its rates pursuant to pending motions, or petitions for reconsideration or waiver, or in the event of any other adjustment to an order of the Commission or a court.

(This page filed under Transmittal No. 2865)

Issued: June 18, 2001

Effective: July 3, 2001

Four AT&T Plaza, Dallas, Texas 75202

ACCESS SERVICE

20. MegaLink Custom Services (Cont'd)

(N)

20.17 Billing Period - Service Established between September 30, 2000 and July 2, 200120.17.1 Rates and Charges (Cont'd)(H) Administrative Charges(1) Service Rearrangement Nonrecurring Charges
(Cont'd)(g) Service Rearrangement - MO Zone 1

	<u>USOC</u>	<u>Nonrecurring Charge</u>
First	NRBAC	\$ 9.00
Additional	NRBAC	\$ 5.00

(h) Service Rearrangement - MO Zone 2

	<u>USOC</u>	<u>Nonrecurring Charge</u>
First	NRBAC	\$ 9.00
Additional	NRBAC	\$ 5.00

(i) Service Rearrangement - MO Zone 3

	<u>USOC</u>	<u>Nonrecurring Charge</u>
First	NRBAC	\$ 9.00
Additional	NRBAC	\$ 5.00

(j) Service Rearrangement - OK Zone 1

	<u>USOC</u>	<u>Nonrecurring Charge</u>
First	NRBAC	\$ 9.00
Additional	NRBAC	\$ 5.00

(k) Service Rearrangement - OK Zone 2

	<u>USOC</u>	<u>Nonrecurring Charge</u>
First	NRBAC	\$ 9.00
Additional	NRBAC	\$ 5.00

(l) Service Rearrangement - OK Zone 3

	<u>USOC</u>	<u>Nonrecurring Charge</u>
First	NRBAC	\$ 9.00
Additional	NRBAC	\$ 5.00

Rates contained in this transmittal are subject to subsequent adjustment, effective retrospectively, in the event the Commission or a court subsequently authorizes Southwestern Bell Telephone Company to correct its rates pursuant to pending motions, or petitions for reconsideration or waiver, or in the event of any other adjustment to an order of the Commission or a court.

(This page filed under Transmittal No. 2865)

Issued: June 18, 2001

Effective: July 3, 2001

Four AT&T Plaza, Dallas, Texas 75202

ACCESS SERVICE

20. MegaLink Custom Services (Cont'd)

(N)

20.17 Billing Period - Service Established between September 30, 2000 and July 2, 2001

20.17.1 Rates and Charges (Cont'd)

(H) Administrative Charges

(1) Service Rearrangement Nonrecurring Charges
(Cont'd)

(m) Service Rearrangement - TX Zone 1

	<u>USOC</u>	<u>Nonrecurring Charge</u>
First	NRBAC	\$ 9.00
Additional	NRBAC	\$ 5.00

(n) Service Rearrangement - TX Zone 2

	<u>USOC</u>	<u>Nonrecurring Charge</u>
First	NRBAC	\$ 9.00
Additional	NRBAC	\$ 5.00

(o) Service Rearrangement - TX Zone 3

	<u>USOC</u>	<u>Nonrecurring Charge</u>
First	NRBAC	\$ 9.00
Additional	NRBAC	\$ 5.00

(I) Collocation Transport

	<u>USOC</u>	<u>Monthly Rate</u>		<u>Nonrecurring Charges</u>	
		<u>Fixed</u>	<u>Per Mile</u>	<u>1st Ckt.</u>	<u>Addl Ckt.</u>
44.736 Mbps (1H48S)					
Month to Month		\$815.00	\$100.00	\$605.00	\$496.00
3 Year		\$600.00	\$ 75.00	\$303.00	\$248.00
5 Year		\$500.00	\$ 50.00	\$ 0.00	\$ 0.00

Rates contained in this transmittal are subject to subsequent adjustment, effective retrospectively, in the event the Commission or a court subsequently authorizes Southwestern Bell Telephone Company to correct its rates pursuant to pending motions, or petitions for reconsideration or waiver, or in the event of any other adjustment to an order of the Commission or a court.

(This page filed under Transmittal No. 2865)

Issued: June 18, 2001

Effective: July 3, 2001

Four AT&T Plaza, Dallas, Texas 75202