

ACCESS SERVICE

	<u>Page</u>
7. Special Access Service	7-6
7.1 Service Provisioning	7-7
7.1.1 Types of Service Configurations	7-8
(A) Two-Point Service	7-8
(B) Multipoint Service	7-8
(C) Multiplexed Service	7-9
(D) WATS Access Line Service	7-11
(E) Service to Service Through Connect Arrangement	7-11
7.1.2 Types of Channels	7-12
7.1.3 Hubs	7-13
(A) General	7-13
(B) Types of Hubs	7-14
7.1.4 Ordering Options and Provisions	7-16
7.1.5 Alternate Use	7-18
7.1.6 Diversity	7-19
7.1.7 Acceptance Testing	7-20
7.1.8 Design Layout Report	7-22
7.2 Rate Regulations	7-23
7.2.1 Rate Elements	7-24
(A) Channel Termination	7-24
(B) Channel Mileage	7-25
(C) Optional Features, BSEs and Functions	7-25
(D) Service to Service Through Connect Arrangement	7-26
(E) Collocation Transport	7-26
(N) 7.2.2 Monthly Rates	7-27
7.2.3 Daily Rates	7-28
7.2.4 Nonrecurring Charges	7-29
(A) Installation of Service	7-29
(B) Installation of Optional Features, BSEs and Functions	7-30
(C) Installation of Service to Service Through Connect Arrangement	7-30
(D) Service Rearrangements	7-31

(This page filed under Transmittal No. 2816)

ACCESS SERVICE

	<u>Page</u>
7. Special Access Service (Cont'd)	
7.2 Rate Regulations (Cont'd)	
7.2.5 Surcharge for Special Access Service	7-35
(A) General Description	7-35
(B) Exemption Certification	7-35
(C) Surcharge Credits	7-38
(D) Surcharge Billing	7-38
7.2.6 Mileage Measurement	7-39
7.2.7 Moves	7-40
(A) Service Facility Move (SFM)	7-40
(B) Moves of the Point of Termination Within the Same Customer Premises	7-40
(C) Moves of a Customer Premises	7-42
7.2.8 Minimum Periods	7-43
7.2.9 Facility Hubs	7-44
7.2.10 Shared Use	7-46
7.2.11 WATS Access Lines	7-48
7.2.12 Two-Point Service	7-50
7.2.13 Multipoint Service	7-51
7.2.14 Multiplexed Service	7-53
7.2.15 Alternate Use	7-54
7.2.16 Customized Channels	7-55
7.2.17 Message Station Equipment Recovery Charge	7-56
7.2.18 Service to Service Through Connect Arrangements	7-57
7.2.19 Optional Payment Plan	7-58
(A) General Description	7-58
(B) Services Available Under Optional Payment Plan	7-59
(C) Terms and Conditions	7-60
(D) Rate Applications	7-63
(E) Optional Payment Plans	7-65
7.2.20 High Capacity Term Pricing Plan (HC-TPP)	7-65.1
(A) General Description	7-65.1
(B) Services Available Under HC-TPP	7-65.1
(C) Terms and Conditions	7-65.2
(D) Rate Applications	7-65.7
(E) Conversion from High Capacity OPP to HCC-TPP	7-65.8
7.2.21	(D)
7.2.22	(D)
7.2.23 Video Pricing Plan (VPP) ⁽¹⁾	7-68.3
(A) General Description	7-68.3
(B) Services Available under VPP	7-68.3
(C) Terms and Conditions	7-68.3
(D) Rate Applications	7-68.4

(1) This offering is obsolete and limited to existing customers at existing locations as of May 15, 1997.

(This page filed under Transmittal No. 3350)

ACCESS SERVICE

	<u>Page</u>
7. Special Access Service (Cont'd)	
7.2 Rate Regulations (Cont'd)	
7.2.24 ⁽¹⁾	
	(D)
	(D)
7.3 Service Descriptions, Rates and Charges	7-69
7.3.1 General	7-69
(A) Descriptions	7-69
(B) Technical Specifications Packages	7-70
(C) Channel Interfaces	7-72
(D) Optional Features, BSEs and Functions	7-73
7.3.2 Metallic Service	7-74
(A) Basic Channel Descriptions	7-74
(B) Technical Specifications Packages	7-74
(C) Channel Interfaces (CI)	7-74
(D) Optional Features, BSEs and Functions	7-75
(E) Rates and Charges	7-76
7.3.3 Telegraph Service	7-77
(A) Basic Channel Descriptions	7-77
(B) Technical Specifications Packages	7-77
(C) Channel Interfaces (CI)	7-77
(D) Optional Features, BSEs and Functions	7-77
(E) Rates and Charges	7-78
7.3.4 Voice Grade Service	7-79
(A) Basic Channel Descriptions	7-79
(B) Technical Specifications Packages	7-79
(C) Channel Interfaces (CI)	7-80
(D) Analog Service to Service Through Connect Arrangement	7-81
(E) Four-wire/Two-wire Conversion	7-81
(F) Optional Features, BSEs and Functions	7-82
(G) Rates and Charges	7-89
7.3.5 Program Audio Service	7-127
(A) Basic Channel Descriptions	7-127
(B) Technical Specifications Packages	7-127
(C) Channel Interfaces (CI)	7-128
(D) Service to Service Through Connect Arrangement	7-128
(E) Optional Features, BSEs and Functions	7-128
(F) Rates and Charges	7-130

⁽¹⁾ Material in this Section has been de-tariffed as required by the Commission upon use of the forbearance relief pursuant to FCC Memorandum Opinion and Order No. 07-180, released October 12, 2007. Terms and Conditions associated with de-tariffed services are available at www.att.com/guidebook.

(This page filed under Transmittal No. 3251)

ACCESS SERVICE

	<u>Page</u>	
7. Special Access Service (Cont'd)		
7.3 Service Descriptions, Rates and Charges (Cont'd)		
7.3.6 Video Service	7-133	
(A) Basic Channel Descriptions	7-133	
(B) Technical Specifications Packages	7-135	
(C) Channel Interfaces (CI)	7-136	
(D) Optional Features, BSEs and Functions	7-137	
(E) Rates and Charges	7-138	
7.3.7 Reserved for Future Use	7-140	(T) (D)
7.3.8 Reserved for Future Use	7-145	(D) (T) (D)
7.3.9 MegaLink Data Service	7-149	(D)
(A) Basic Channel Descriptions	7-149	
(B) Technical Specifications Packages	7-149	
(C) Channel Interfaces (CI)	7-150	
(D) Service to Service Through Connect Arrangement	7-150	
(E) Optional Features, BSEs and Functions	7-150	
(F) Rates and Charges	7-152	
7.3.10 High Capacity Service	7-170	
(A) Basic Channel Descriptions	7-170	
(B) Technical Specifications Packages	7-170	
(C) Channel Interfaces (CI)	7-171	
(D) Service to Service Through Connect Arrangement	7-171	
(E) Optional Features, BSEs and Functions	7-172	
(F) Rates and Charges	7-185	

(This page filed under Transmittal No. 3400)

ACCESS SERVICE

Page

7. Special Access Service (Cont'd)

7.3 Service Descriptions, Rates and Charges (Cont'd)

7.3.11

(D)

(D)

7.3.12⁽¹⁾

7.4	Miscellaneous Rates and Charges	7-213
	(A) SFMs	7-213
	(B) Special Access Surcharge	7-214
	(C) Message Station Equipment Recovery Charge	7-214
	(D) Access Order Charge	7-214
	(E) Service Rearrangement Charge	7-214
7.5	Individual Case Filings	7-215

⁽¹⁾ Material in this Section has been de-tariffed as required by the Commission upon use of the forbearance relief pursuant to FCC Memorandum Opinion and Order No. 07-180, released October 12, 2007. Terms and Conditions associated with de-tariffed services are available at www.att.com/guidebook.

(This page filed under Transmittal No. 3351)

ACCESS SERVICE

7. Special Access Service

The following list matches the Telephone Company's Basic Service Element (BSE) names to the industry standard names for each BSE.

<u>Telephone Company Names</u>	<u>Generic Name of ONA Service</u>
Bridging	Bridging
- Central Office Bridging Capability	
- Telegraph Bridging	
Clear Channel Capability on 1.544 Mbps	Access To Clear Channel Transmission
Conditioning	Conditioning
Extended Superframe Format	Extended Superframe Conditioning
Multiplexing	Multiplexing - Digital
- Central Office Multiplexing	
Secondary Channel Capability	Secondary Channel Capability

(D)
(D)

(This page filed under Transmittal No. 3331)

Issued: October 17, 2011

Effective: November 1, 2011

Four AT&T Plaza, Dallas, Texas 75202

ACCESS SERVICE

7. Special Access Service (Cont'd)7.1 Service Provisioning

Special Access Service includes all exchange access not utilizing Telephone Company end office switches.

- Special Access Service, with the exception of the WATS Access Line, Network Reconfiguration Service and Transport Resource Management Service, provides a transmission path connecting customer designated premises*, either directly or through a Telephone Company Hub where bridging, multiplexing, Network Reconfiguration Service or Transport Resource Management Service functions are performed. Network Reconfiguration Service and Transport Resource Management Service, as set forth in Section 18 (Network Management Services), work in conjunction with Special Access Service allowing customers the ability to reconfigure their circuits. (TD)
(D)
(D)
- The WATS Access Line, offered under Voice Grade Service, provides a transmission path connecting a customer designated premises with the WATS serving office.

The connections provided by Special Access Service can be either analog or digital. Analog connections are differentiated by spectrum and bandwidth. Digital connections are differentiated by bit rate.

* Telephone Company Centrex CO-like switches and Telephone Company Answering Service Concentrators are considered to be customer premises for purposes of administering regulations and rates contained in this tariff.

(This page filed under Transmittal No. 2818)

ACCESS SERVICE

7. Special Access Service (Cont'd)7.1 Service Provisioning (Cont'd)7.1.1 Types of Service Configurations

There are types of service configurations over which Special Access Services are provided, as shown following.

(A) Two-Point Service

A two-point service connects two customer designated premises, either on a directly connected basis or through a hub where multiplexing, Network Reconfiguration Service, or Transport Resource Management Service functions are performed.

(B) Multipoint Service

Multipoint service connects three or more customer designated premises through a Telephone Company Hub.

Only certain types of Special Access Service are provided as multipoint service. These are so designated in the Service Descriptions set forth in 7.3 (Service Descriptions, Rates and Charges).

There is no limitation on the number of mid-links (channels between hubs) available with multipoint service. However, when more than three mid-links are provided in tandem, the quality of the service may be degraded.

Multipoint service utilizing a customized technical specifications package, as set forth in 7.3 (Service Descriptions, Rates and Charges), will be provided when technically possible. If the Telephone Company determines that the requested characteristics for a multipoint service are not compatible, the customer will be advised and given the opportunity to change the order.

(This page filed under Transmittal No. 2258)

ACCESS SERVICE

7. Special Access Service (Cont'd)

7.1 Service Provisioning (Cont'd)

7.1.1 Types of Service Configurations (Cont'd)

(C) Multiplexed Service

Multiplexed service is an arrangement that allows the conversion of Voice Grade, Analog, and Digital High Capacity facilities to lower capacity or bandwidth. The types of multiplexing available are as follows:

(1) Voice Grade to Telegraph (43 Type Carrier)

An arrangement that converts a Voice Grade channel to Telegraph Grade channels using frequency division multiplexing.

(D)

(D)

(This page filed under Transmittal No. 3400)

ACCESS SERVICE

7. Special Access Service (Cont'd)7.1 Service Provisioning (Cont'd)7.1.1 Types of Service Configurations (Cont'd)(C) Multiplexed Service (Cont'd)

- | | | |
|-----|--|-----|
| | | (D) |
| | | |
| | | (D) |
| (2) | <u>High Capacity (DS1) to Voice Grade</u> | (T) |
| | An arrangement that converts a 1.544 Mbps channel to 24 channels for use with Voice Grade services. A channel of this DS1 to the hub can also be used for MegaLink Data, Program Audio or Metallic service or WATS Access Lines. | |
| (3) | <u>High Capacity (DS1) to DS0</u> | (T) |
| | An arrangement that converts a 1.544 Mbps channel to 23 64.0 kbps channels utilizing digital time division multiplexing. | |
| (4) | <u>High Capacity DS0 to Subrate</u> | (T) |
| | An arrangement that converts a 64.0 kbps channel to subspeeds of up to twenty 2.4 kbps, ten 4.8 kbps, or five 9.6 kbps channels using digital time division multiplexing. | |
| (5) | <u>DS0 to Subrate</u> | (T) |
| | An arrangement that converts a 64.0 kbps channel to subspeeds of up to twenty 2.4 kbps, ten 4.8 kbps, or five 9.6 kbps channels using digital time division multiplexing. | |

(This page filed under Transmittal No. 3400)

ACCESS SERVICE

7. Special Access Service (Cont'd)

7.1 Service Provisioning (Cont'd)

7.1.1 Types of Service Configurations (Cont'd)

(D) WATS Access Line Service

WATS Access Line Service connects a customer designated premises with the WATS serving office and is provided solely in conjunction with Switched Access Service, FGA, FGB, FGD, BSA-A, BSA-B, and BSA-D, as set forth in Section 6. (D)

(E) Service to Service Through Connect Arrangement

The Service to Service Through Connect Arrangement rate element provides for an interconnection of like services in a Telephone Company Hub or serving wire center.

(This page filed under Transmittal No. 3382)

ACCESS SERVICE

7. Special Access Service (Cont'd)

7.1 Service Provisioning (Cont'd)

7.1.2 Types of Channels

For the purpose of ordering, there are ten categories (channel types) of Special Access Service. These are as follows:

Metallic
Telegraph Grade
Voice Grade
Program Audio
Video

(D)
(D)

MegaLink Data
High Capacity

Detailed descriptions of each of the channel types are provided in Section 7.3.

(T)

(This page filed under Transmittal No. 3400)

ACCESS SERVICE

7. Special Access Service (Cont'd)7.1 Service Provisioning (Cont'd)7.1.3 Hubs(A) General

A hub is a Telephone Company designated serving wire center at which bridging, multiplexing or Network Reconfiguration Service functions are performed.

- The bridging functions (1) connect three or more customer designate premises in a multipoint arrangement, (2) connect full-time and/or part-time video services as set forth in 7.3.6, or (3) reterminate Network Reconfiguration Service or Transport Resource Management Service, as set forth in Section 18 (Network Management Services).
- The multiplexing functions channelize analog or digital facilities to individual services requiring a lower capacity or bandwidth.

Some of the types of multiplexing available include the following:

- from higher to lower bit rate
- from higher to lower bandwidth
- from digital to voice frequency channels.

End to end services may be provided on channels of these facilities to a hub. The transmission performance for the end to end service provided between customer designated premises will be that of the lower capacity or bit rate. For example, when a 1.544 Mbps facility is multiplexed to voice frequency channels, the transmission performance of the channelized services will be Voice Grade, not High Capacity.

(This page filed under Transmittal No. 2258)

ACCESS SERVICE

7. Special Access Service (Cont'd)7.1 Service Provisioning (Cont'd)7.1.3 Hubs (Cont'd)(A) General (Cont'd)

Cascading multiplexing occurs when a High Capacity (D) digital channel is de-multiplexed to provide channels with a lesser capacity and one of the lesser capacity channels is further de-multiplexed. For example, a Supergroup facility is de-multiplexed to five Group facilities and then one of the Group facilities is further de-multiplexed to individual Voice Grade channels.

- The Network Reconfiguration Service and Transport Resource Management Service offerings allow the customer to reconfigure their Special Access Services.

(B) Types of Hubs

There are two types of bridging hubs and three types of multiplexing hubs. Bridging hubs are either intermediate or terminus. Multiplexing hubs are intermediate, super intermediate or terminus. The definitions for these hubs are as follows:

(1) Intermediate Bridging Hub

An intermediate bridging hub provides for the connection of three or more customer designated premises to form a Special Access multipoint service serving itself and a specified number of subtending wire centers.

Single office(s), subtending from different intermediate bridging hubs, that are to be bridged with multiple offices subtending from a common intermediate bridge will be bridged with the multiple offices at the common bridging hub.

(This page filed under Transmittal No. 3400)

ACCESS SERVICE

7. Special Access Service (Cont'd) (M)
- 7.1 Service Provisioning (Cont'd) (T)
- 7.1.3 Hubs (Cont'd)
- (B) Types of Hubs (Cont'd)
- (2) Terminus Bridging Hub (T)
- A terminus bridging hub provides for the connection of three or more customer designated premises to form a Special Access multipoint service within that bridging hub. For the purpose of multipoint service, the only instance when a terminus bridging hub may be connected to another office will be to interconnect to another bridging office when a bridging function is being performed. (M)
- (3) Intermediate Multiplexing Hub (T)
- An intermediate multiplexing hub converts from higher to lower bit rate, or bandwidth, or from digital to voice grade channels, serving itself and a specified number of subtending wire centers. (M)
- (4) Super Intermediate Multiplexing Hub (T)
- A super intermediate multiplexing hub converts from higher to lower bit rate, or bandwidth, or from digital to voice grade channels, serving itself and/or subtending wire centers in an entire LATA, or one or more Numbering Plan Areas (NPAs). (M)
- (5) Terminus Multiplexing Hub (T)
- A terminus multiplexing hub converts from higher to lower bit rate, or bandwidth, or from digital to voice grade channels, serving customers in that wire center only. (M)

Material and revised material appearing on this page formerly appeared on 3rd Revised Page 99.5.2 of Tariff F.C.C. No. 68.

(This page filed under Transmittal No. 2176)

Issued: March 3, 1992

Effective: July 1, 1992

Four AT&T Plaza, Dallas, Texas 75202

ACCESS SERVICE

7. Special Access Service (Cont'd)7.1 Service Provisioning (Cont'd)7.1.4 Ordering Options and Provisions

Each channel type is identified as a type of Special Access Service. However, such identification is not intended to limit a customer's use of the channel nor to imply that the channel is limited to a particular use. For example, if a customer's equipment is capable of transmitting voice over a channel that is identified as a Metallic Service in this tariff, there is no restriction against doing so.

Customers can order a basic channel and select from a list of available transmission parameters and channel interfaces to meet specific communications requirements.

Additionally, the customer may specify optional features and BSEs for the individual channels derived from the facility to further tailor the channels to meet specific communications requirements. Descriptions of the optional features, BSEs and functions available are set forth in 7.3 (Service Descriptions, Rates and Charges).

The customer has the option of ordering Voice Grade and High Capacity (analog or digital) facilities (i.e., Group, Supergroup, Mastergroup, DS1 and DS3) to a Telephone Company Facility Hub for multiplexing to individual channels of lower capacity or bandwidth (i.e., Telegraph, Voice, Program Audio, etc.). Descriptions of the types of multiplexing available at the hubs, as well as the number of individual channels which may be derived from each type of facility are set forth in 7.3 (Service Descriptions, Rates and Charges).

(This page filed under Transmittal No. 2268)

ACCESS SERVICE

7. Special Access Service (Cont'd)7.1 Service Provisioning (Cont'd)7.1.4 Ordering Options and Provisions (Cont'd)

For example, a customer may order a 1.544 Mbps facility from a customer designated premises to a Telephone Company Hub for multiplexing to Voice Grade (i.e., Group level) channels, which may be extended to other customer designated premises. Optional features and BSEs may be added to either the 1.544 Mbps or the Voice Grade channels. (D)

When ordering multipoint service, bridging or multiplexing, the customer will select the designated bridging hub(s) for his serving wire center from NECA Tariff F.C.C. No. 4 and will select the appropriate subtending wire centers from the Subtending Wire Center Section of NECA Tariff F.C.C. No. 4. Different locations may be designated as hubs for different facility capacities, e.g., multiplexing from digital to digital may occur at one location, while multiplexing from digital to analog may occur at a different location. (T)

Special Access Service is ordered under the Access Order provisions set forth in Section 5. Also included in that section are other charges which may be associated with ordering Special Access Service (e.g., Service Date Change Charges, Cancellation Charges, etc.). Ordering provisions as set forth in Section 2.6 will apply when more than one Exchange Telephone Company is involved. (D)

(This page filed under Transmittal No. 3400)

ACCESS SERVICE

7. Special Access Service (Cont'd)

(M)

7.1 Service Provisioning (Cont'd)

(T)

7.1.5 Alternate Use

(T)

Alternate Use occurs when a service is arranged by the Telephone Company so that the customer can select different types of transmission at different times. A customer may use a service in any privately beneficial manner. However, where technical or engineering changes are required to effectuate an alternate use, the Telephone Company will make such special arrangements available on an individual case basis as set forth in Section 12 (Specialized Service or Arrangements).

(M)

(M)

(T)

Material and revised material appearing on this page formerly appeared on 1st Revised Page 99.9 of Tariff F.C.C. No. 68.

(This page filed under Transmittal No. 2176)

Issued: March 3, 1992

Effective: July 1, 1992

Four AT&T Plaza, Dallas, Texas 75202

ACCESS SERVICE

7. Special Access Service (Cont'd)

7.1 Service Provisioning (Cont'd)

7.1.6 Diversity

(S)

A customer may request that the facilities used to provide 1.544 High Capacity (DS1) Special Access Service be specially routed. The regulations, rates and charges for Diversity are set forth in Section 27.

(S)

(S)

(This page filed under Transmittal No. 2359)

Issued: May 27, 1994

Effective: June 2, 1994

One Bell Center, St. Louis, Missouri 63101

(This page filed under Transmittal No. 2359)

Issued: May 27, 1994

Effective: June 2, 1994

Four AT&T Plaza, Dallas, Texas 75202

ACCESS SERVICE

7. Special Access Service (Cont'd)7.1 Service Provisioning (Cont'd)7.1.7 Acceptance Testing

Testing and test results, are available at the customer's request as follows:

- (A) At no additional charge, the Telephone Company will cooperatively test the following parameters at the time of installation:
- (1) For Voice Grade analog services (including WATS Access Lines), acceptance test will include tests for loss, 3-tone slope, DC continuity, operational signaling, C-notched noise, and C-message noise when these parameters are applicable and specified in the order for service. Additionally, for Voice Grade services, a balance test will be made if the customer has ordered the Improved Return Loss or Improved Equal Level Echo Path Loss optional features.
 - (2) For other analog services (i.e., Metallic, Telegraph, Program Audio, and Video) acceptance tests will include tests for the parameters applicable to the service as specified by the customer in the order for service. (D)
 - (3) For digital services, acceptance tests will include tests applicable to the service as specified in the appropriate Technical References for MegaLink Data and High Capacity services.

(This page filed under Transmittal No. 3400)

ACCESS SERVICE

7. Special Access Service (Cont'd)

7.1 Service Provisioning (Cont'd)

7.1.7 Acceptance Testing (Cont'd)

- (B) In addition to the above tests, Additional Cooperative Acceptance Testing for Voice Grade and Digital services to test other parameters, as described in 13.3.7(A) (Additional Cooperative Acceptance Testing), is available.

(D)
|
(D)

(This page filed under Transmittal No. 3350)

Issued: August 15, 2012

Effective: August 30, 2012

Four AT&T Plaza, Dallas, Texas 75202

ACCESS SERVICE

7. Special Access Service (Cont'd)

(M)

7.1 Service Provisioning (Cont'd)

(T)

7.1.8 Design Layout Report

(T)

At the request of the customer, the Telephone Company will provide the make-up of the facilities and services provided under this tariff as Special Access Service to aid the customer in designing its overall service. This information will be provided in the form of a Design Layout Report. The Design Layout Report will be provided to the customer at no charge, and will be reissued or updated whenever the facilities are materially changed.

(M)

(T)

(M)

Material and revised material appearing on this page formerly appeared on 1st Revised Page 99.9 of Tariff F.C.C. No. 68.

(This page filed under Transmittal No. 2176)

Issued: March 3, 1992

Effective: July 1, 1992

Four AT&T Plaza, Dallas, Texas 75202

ACCESS SERVICE

7. Special Access Service (Cont'd)7.2 Rate Regulations

This section contains the specific regulations governing the rates and charges that are applicable to Special Access Service. Changes to rates, including rate stability plans, may occur as a result of F.C.C. action.

Rates and charges for Special Access Service are set forth in Section 7.3 following, with the exception of the services provided by the Telephone Company in the Metropolitan Statistical Areas (MSAs) in which the Telephone Company has received Phase II pricing flexibility pursuant to Subpart H of Part 69 of the Commission's Rules. The rates and charges for the Special Access Services in the MSAs that have received Phase II pricing flexibility are set forth in Section 39.

Jurisdictional proration of rates and charges is set forth in 2.4 (Jurisdictional Report Requirements). Where Access Services are jointly-provided, additional regulations are set forth in 2.6 (Jointly Provided Access Service).

Effective November 1, 2017, Competitive Counties and Non-Competitive Counties have been established and are defined in Section 2.7 and the wire centers within such counties are listed in Sections 15.2(C) and (D).

For all rate elements other than End User channel terminations and their optional features,⁽²⁾ price flex rates and charges, as provided in Section 39.5.2, apply, regardless of whether the county is Competitive or Non-Competitive.

For End User channel terminations and their optional features,⁽¹⁾⁽²⁾ the application of "price cap" or "price flex" is dependent upon whether or not the serving wire center is located in a Competitive County. If the End User channel termination is in a Competitive County, price flex rates and charges apply, as provided in Section 39.5.2. If the End User channel termination is in a Non-Competitive County, price cap rates and charges apply, as provided in Section 7.3.

⁽¹⁾ Until February 1, 2018, End User channel terminations and their optional features that had not qualified for Phase II, Level 2 pricing flexibility prior to June 1, 2017, will be rated at the price cap rate regardless of the status of the county in which the applicable wire center is located.

⁽²⁾ Optional features for End User channel terminations includes all optional features in Section 7.3, except for the Loop Transfer Arrangement.

(This page filed under Transmittal No. 3447)

ACCESS SERVICE

7. Special Access Service (Cont'd)7.2 Rate Regulations (Cont'd)7.2.1 Rate Elements

There are four basic rate elements which apply to Special Access Service.

Rates and charges (both monthly and nonrecurring) for Arkansas, Kansas, Missouri, Oklahoma and Texas will be applied based on Pricing Zones as contained in Section 7.3.10 (High Capacity Service). The Pricing Zone for each serving wire center is as specified in National Exchange Carrier Association, Inc. Tariff F.C.C. No. 4. Additionally, if the Channel Mileage crosses Pricing Zones (e.g., serving wire center 1 is in Pricing Zone 1 and serving wire center 2 is in Pricing Zone 2), the higher priced mileage rate will be applied to the entire channel mileage.

(A) Channel Termination

The Channel Termination rate element provides for the communications path between a customer designated premises and the serving wire center of that premises, or for the communications path within a building which connects a customer's facilities with a customer designated premises without routing through the serving wire center.

Included as part of the Channel Termination is a standard channel interface arrangement which defines the technical characteristics associated with the type of facilities to which the access service is to be connected at the Point of Termination (POT) and the type of signaling capability, if any. The signaling capability itself is provided as an optional feature as set forth in (C) following.

One Channel Termination charge applies per customer designated premises at which the channel is terminated. This charge will apply even if the customer designated premises and the serving wire center are both located in the same Telephone Company building.

(This page filed under Transmittal No. 2563)

ACCESS SERVICE

- 7. Special Access Service (Cont'd) (M)
- 7.2 Rate Regulations (Cont'd) (T)
- 7.2.1 Rate Elements (Cont'd) (T)
- (B) Channel Mileage (M)
- The Channel Mileage rate element provides for the transmission facilities between the serving wire centers associated with two customer designated premises, between a serving wire center associated with a customer designated premises and a Telephone Company Hub, between two Telephone Company Hubs, or between a serving wire center associated with a customer designated premises and a WATS serving office. (M)
- A flat rate and a rate per mile applies to Channel Mileage. (T)
- (C) Optional Features, BSEs and Functions (T)
- The various Optional Features and Functions rate elements provide for optional features, BSEs and functions which may be added to a Special Access Service to improve its quality or utility to meet specific communications requirements. These are not necessarily identifiable with specific equipment, but rather represent the end result in terms of performance characteristics. Although the equipment necessary to perform a specified function may be installed at various locations along the path of service, it will be charged for as a single rate element. (M)
- Examples of Optional Features, BSEs and Functions that are available include, but are not limited to, the following: (T)
- Signaling Capability (M)
- Hubbing Functions
- Conditioning
- Transfer Arrangements

Material and revised material appearing on this page formerly appeared on 8th Revised Page 99.4 and 11th Revised Page 99.5 of Tariff F.C.C. No. 68.

(This page filed under Transmittal No. 2176)

ACCESS SERVICE

7. Special Access Service (Cont'd)7.2 Rate Regulations (Cont'd)7.2.1 Rate Elements (Cont'd)(D) Service to Service Through Connect Arrangement

The Service to Service Through Connect Arrangement rate element provides for an interconnection of like services in a Telephone Company Hub or serving wire center. The through connection is provided in conjunction with Voice Grade Analog, Program Audio, MegaLink Data and High Capacity services. The customer billed for the through connect arrangement will be responsible for all billing associated with the interconnection.

(E) Collocation Transport

Collocation Transport provides for the transmission facilities between collocation arrangements located in Telephone Company Central Offices.

There are two components of Collocation Transport.

(1) Inter/Intra Office Fixed

Inter/Intra office fixed rate element provides for the electronic equipment required to terminate a channel between two collocation arrangements located either in the same central office (intra) or in two separate central offices (inter).

When the Intra Office Fixed channel is ordered between two collocation arrangements that are for the same collocator, it will be provisioned as a temporary arrangement and will be in service until the collocator's own facilities are installed. There is no additional charge to disconnect these temporary facilities. (C)

(2) Inter Office Per Mile

The Per Mile charge provides for the electronic equipment and facilities necessary to provide the interoffice transport between two collocation arrangements.

(This page filed under Transmittal No. 3425)

ACCESS SERVICE

7. Special Access Service (Cont'd)

(M)

7.2 Rate Regulations (Cont'd)

(T)

7.2.2 Monthly Rates

(T)

Monthly rates are flat recurring rates that apply each month or fraction thereof that a Special Access Service is provided. For billing purposes, each month is considered to have 30 days.

(M)

Material and revised material appearing on this page formerly appeared on 8th Revised Page 99.64 of Tariff F.C.C. No. 68.

(This page filed under Transmittal No. 2176)

Issued: March 3, 1992

Effective: July 1, 1992

Four AT&T Plaza, Dallas, Texas 75202

ACCESS SERVICE

7. Special Access Service (Cont'd)

(M)

7.2 Rate Regulations (Cont'd)

(T)

7.2.3 Daily Rates

(T)

Daily rates are flat recurring rates that apply to each 24 hour period or fraction thereof that a Program Audio or Video Special Access Service is provided for part-time or occasional use. For purposes of applying daily rates, the 24 hour period is not limited to a calendar day.

(M)

Part-time or occasional Video or Program Audio Service provided within a consecutive 30 day period will be charged the daily rate, not to exceed an amount equal to the monthly rate. For each subsequent day or part day, a charge equal to 1/30th of the monthly rate shall apply.

Material and revised material appearing on this page formerly appeared on 8th Revised Page 99.64 of Tariff F.C.C. No. 68.

(This page filed under Transmittal No. 2176)

Issued: March 3, 1992

Effective: July 1, 1992

Four AT&T Plaza, Dallas, Texas 75202

ACCESS SERVICE

7. Special Access Service (Cont'd)7.2 Rate Regulations (Cont'd)7.2.4 Nonrecurring Charges

(D)

Nonrecurring charges are one-time charges that apply for specific work activity (i.e., installation or change to an existing service). The types of nonrecurring charges that apply for Special Access Service are:

- Installation of Service
- Installation of Optional Features, BSEs and Functions
- Installation of Service to Service Through Connect Arrangements
- Service Rearrangements

(T)

(A) Installation of Service

Nonrecurring charges apply to each service installed. These charges are set forth in Section 7.3 as a nonrecurring charge for the Channel Termination rate element and are applied per circuit on a first and additional basis for each service ordered. The initial circuit incurs the first nonrecurring charge for each Channel Termination associated with that circuit. Each subsequent circuit incurs the additional nonrecurring charge for each Channel Termination associated with that additional circuit.

(T)

In order to receive the benefit associated with ordering multiple circuits, the following criteria must be met:

- Same Access Service Order
- Same Application for Service Date
- Same Due Date
- Identical Services
- Same Billing Account Number (BAN)
- Same Originating and Terminating Customer Designated Premises

(D)

(This page filed under Transmittal No. 3394)

ACCESS SERVICE

7. Special Access Service (Cont'd)7.2 Rate Regulations (Cont'd)7.2.4 Nonrecurring Charges* (Cont'd)(B) Installation of Optional Features, BSEs and Functions

Nonrecurring charges apply for the installation of some of the optional features, BSEs and functions available with Special Access Service. The charge applies whether the feature, BSE or function is installed coincident with the initial installation of service or at any time subsequent to the installation of the service.

The optional features for which nonrecurring charges apply are:

- Voice Grade Data Capability
- Program Audio Gain Conditioning
- Program Audio Stereo
- MegaLink Data Loop Transfer Arrangement
- MegaLink Data Secondary Channel
- High Capacity Transfer Arrangement
- High Capacity Clear Channel Capability
- High Capacity SecureNet Hub Redundancy
- High Capacity SecureNet Serving Wire Center and Facility Redundancy

(D)

(C) Installation of Service to Service Through Connect Arrangements

Nonrecurring charges apply for the work activity necessary to provide the intraoffice connection between dedicated, like services. The through connection is provided in conjunction with Voice Grade Analog, Program Audio, MegaLink Data, and High Capacity two-point services.

* For Services ordered under MVP, refer to Section 38.3(E) (5).

(This page filed under Transmittal No. 3442)

Issued: April 5, 2017

Effective: April 20, 2017

675 W. Peachtree St. NW, Atlanta, GA 30308

ACCESS SERVICE

7. Special Access Service (Cont'd)7.2 Rate Regulations (Cont'd)7.2.4 Nonrecurring Charges* (Cont'd)

(C)

(D) Service Rearrangements

Service Rearrangements are changes to existing (installed) services which do not result in either (1) a change in the minimum period requirements as set forth in Section 5.3.4 (Minimum Period Requirements) or (2) a change in the physical location of the point of termination at a customer designated premises.

Changes which result in the establishment of new minimum period obligations are treated as disconnects and starts. Changes in the physical location of the point of termination are treated as moves and are described and charged for as set forth in 7.2.7 (Moves) and 7.4(A) (Rollovers).

The charge to the customer for the service rearrangement is dependent on whether the change is administrative only in nature or involves actual physical change to the service.

(1) Certain administrative changes will be made without charge to the customer. These administrative changes are as follows:

- Change of customer name, (i.e., the customer of record does not change but rather the customer of record changes its name--e.g., ABC Communications to All Business Concepts Communications).
- Change of customer's or customer's end user premises address when the change of address does not involve a physical relocation of the service.

* For Services ordered under MVP, refer to Section 38.3(E) (5).

(C)

(This page filed under Transmittal No. 2852)

Issued: December 15, 2000

Effective: December 30, 2000

Four AT&T Plaza, Dallas, Texas 75202

ACCESS SERVICE

7. Special Access Service (Cont'd)7.2 Rate Regulations (Cont'd)

(C)

7.2.4 Nonrecurring Charges* (Cont'd)(D) Service Rearrangements (Cont'd)

(1) (Cont'd)

- Change in billing data (name, address, contact name, or telephone number).
- Change of agency authorization.
- Change of customer test line number.
- Change of customer's or customer's end user contact name or contact telephone number.
- Change of jurisdiction.

- (2) When a customer requests a change in the customer of record (i.e., existing access service is provided and billed to a different entity), a nonrecurring charge will apply. This change is considered an administrative service rearrangement when the new customer assumes liability for all current and prior charges for the service(s) and has complied with the regulations and conditions as set forth in 2.2.1 (Assignment and Transfer of Facilities) for the Assignment and Transfer of Facilities, and no physical relocation or rearrangement of the service is required.

* For Services ordered under MVP, refer to Section 38.3(E)(5).

(C)

(This page filed under Transmittal No. 2852)

Issued: December 15, 2000

Effective: December 30, 2000

Four AT&T Plaza, Dallas, Texas 75202

ACCESS SERVICE

7. Special Access Service (Cont'd)7.2 Rate Regulations (Cont'd)7.2.4 Nonrecurring Charges* (Cont'd)

(C)

(D) Service Rearrangements (Cont'd)

(3) When a customer requests the following administrative changes, a nonrecurring charge will apply as set forth in 7.4(E) (Service Rearrangement Charge) per circuit on a first and additional basis for the following change or combination of changes requested on the same Access Order. Each leg of a multipoint service will be treated as a separate circuit and nonrecurring charges will apply per leg on a first and additional basis. If a change(s) for more than one multipoint service is requested on the same Access Order, one First nonrecurring charge will apply to a leg of the first multipoint service. One Additional nonrecurring charge will apply to each of the remaining legs of all multipoint services on the same Access Order. The customer requesting administrative service rearrangements will be responsible for all billing associated with the changes requested.

- Change of Access Carrier Name Abbreviation (ACNA).
- Change of Billing Account Number (BAN) (e.g., a customer requests to aggregate all voice grade circuits on one BAN).
- Change of customer Circuit Identification (CKR).

* For Services ordered under MVP, refer to Section 38.3(E) (5).

(C)

(This page filed under Transmittal No. 2852)

Issued: December 15, 2000

Effective: December 30, 2000

Four AT&T Plaza, Dallas, Texas 75202

ACCESS SERVICE

7. Special Access Service (Cont'd)7.2 Rate Regulations (Cont'd)7.2.4 Nonrecurring Charges* (Cont'd)

(C)

(D) Service Rearrangements (Cont'd)

- (4) When a change of customer name and change in billing data (name, address, contact name, or telephone number) are requested in association with a change in the customer of record, the Access Order Charge will apply as set forth in 5.3.1 (Access Order Charge).
- (5) If the change involves the addition of other customer designated premises to an existing multipoint service, the nonrecurring charge for the Channel Termination rate element will apply. The charge(s) will apply only for the location(s) that is being added.
- (6) If the change involves the addition of an optional feature, BSE or function which has a separate nonrecurring charge, that nonrecurring charge will apply.
- (7) If the change involves changing the type of signaling on a Voice Grade service, a charge equal to the Voice Grade channel termination rate element nonrecurring charge will apply. The charge will apply per service termination affected.
- (8) For all other changes, including the addition of an optional feature, BSE or function without a separate nonrecurring charge, and the retermination of circuits in a Network Reconfiguration Service Hub or Transport Resource Management Service Hub, a charge equal to a channel termination rate element nonrecurring charge will apply. Only one such charge will apply per service, per change.

* For Services ordered under MVP, refer to Section 38.3(E) (5).

(C)

(This page filed under Transmittal No. 2852)

Issued: December 15, 2000

Effective: December 30, 2000

Four AT&T Plaza, Dallas, Texas 75202

ACCESS SERVICE

7. Special Access Service (Cont'd)7.2 Rate Regulations (Cont'd)7.2.5 Surcharge for Special Access Service(A) General Description

The Special Access Surcharge, with the exception of part-time or occasional Video and Program Audio Services, applies to all jurisdictionally interstate special access facilities ordered from the Special Access, MegaLink Custom Services, Self-healing Transport Network and Synchronous Broadband Network Services (SBNS) sections of the Access Service Tariff unless exempted as specified in (B) following. (S) (S)

All such facilities terminated at an end user's PBX or other device that connect the special access facility with local exchange lines or trunks, irrespective of whether the interconnection capability exists in the customer's premises equipment or in a Centrex CO type switch are subject to the surcharge.

(B) Exemption Certification

(1) The special access facility will be exempted from the monthly surcharge if the customer provides the Telephone Company written certification or an Access Service Request (ASR) indicating that the interstate special access facility termination is one of the following:

(a) An open-end termination in a Telephone Company switch of an FX line, including CCSA and CCSA-equivalent ONALs; or

(b) An analog channel termination that is used for full-time radio or television program transmission; or

Reissued material is filed under the authority of Special Permission No. 96-294 of the F.C.C. and is deferred until May 1, 1996.

(This page filed under Transmittal No. 2543)

Issued: March 21, 1996

Effective: March 24, 1996

Four AT&T Plaza, Dallas, Texas 75202

ACCESS SERVICE

7. Special Access Service (Cont'd) (M)
- 7.2 Rate Regulations (Cont'd) (T)
- 7.2.5 Surcharge for Special Access Service (Cont'd) (T)
- (B) Exemption Certification (Cont'd) (M)
- (1) (Cont'd) (M)
- (c) A termination used for TELEX service; or (T)
- (d) A termination that by the nature of its operating characteristics could not make use of Telephone Company common lines; or (T)
(M)
(M)
- (e) A termination that interconnects either directly or indirectly to the local exchange network where the usage is subject to Carrier Common Line charges such as, where the special access facility accesses only (T)
(M)
(M)
(T)
- FGA and no local exchange lines, or
- special access facility between customer points of termination, or (T)
(M)
- special access facility connecting CCSA or CCSA-type equipment (inter-machine trunks); or (T)
(M)
(M)
- (f) A termination that the customer certifies to the Telephone Company is not connected to a PBX or other device capable of interconnecting the special access facility to a local exchange subscriber line, or the PBX or other device has been rendered incapable of interconnection by software or hardware changes. (T)
(M)

Material and revised material appearing on this page formerly appeared on 18th Revised Page 99.68 and 3rd Revised Page 99.68.1 of Tariff F.C.C. No. 68.

(This page filed under Transmittal No. 2176)

Issued: March 3, 1992

Effective: July 1, 1992

Four AT&T Plaza, Dallas, Texas 75202

ACCESS SERVICE

7. Special Access Service (Cont'd) (M)
- 7.2 Rate Regulations (Cont'd) (T)
- 7.2.5 Surcharge for Special Access Service (Cont'd) (T)
- (B) Exemption Certification (Cont'd) (M)
- (2) Exemption certification shall be in the form of an ASR or written notification to the Telephone Company. Such notification shall be provided by the customer (1) when ordered or installed or (2) at such time as the facility is reterminated to a device not capable of interconnecting to the local exchange network, or (3) at such time as the special access facility becomes associated with a Switched Access Service that is subject to Carrier Common Line charges.
- If certification is not received at the time the special access facility is obtained, the surcharge will be applied. Exempt status will become effective on the certification date indicated by the customer, subject to the regulations following. (M)
(T)
- The exemption certification is to be provided by the customer ordering the service. If written, the certification must be signed by the customer or authorized representative. The ASR or written certification must include the category of exemption, as set forth in (B) preceding, for each termination, and the date which the exemption is effective. (M)
- The customer shall also notify the Telephone Company when an exempted Special Access Service is changed or reterminated such that the exemption is no longer applicable.

Certain material appearing on this page formerly appeared on 5th Revised Page 99.69 of Tariff F.C.C. No. 68.

(This page filed under Transmittal No. 2176)

Issued: March 3, 1992

Effective: July 1, 1992

Four AT&T Plaza, Dallas, Texas 75202

ACCESS SERVICE

7. Special Access Service (Cont'd)

7.2 Rate Regulations (Cont'd)

7.2.5 Surcharge for Special Access Service (Cont'd)

(C) Surcharge Credits

The Telephone Company will cease billing the Special Access Surcharge when certification that the special access facility has become exempt from the surcharge, as set forth in (B) preceding, is received. If the status of the special access facility was changed prior to receipt of the exemption certification, the Telephone Company will credit the customer's account, not to exceed ninety (90) days, based on the effective date of the change specified by the customer in the letter of certification.

(D) Surcharge Billing

The monthly Special Access Surcharge applies to special access facilities arranged, as set forth in (A) preceding, on a per voice grade channel equivalent basis as shown in the following example.

<u>Private Line Facility</u>	<u>Voice Grade Equivalent</u>		<u>Surcharge</u>	=	<u>Monthly Charge</u>
Group	12	x	\$25	=	\$300.00
DS1	24	x	\$25	=	\$600.00

In the case of multipoint special access facilities, one Special Access Surcharge will apply for each termination of a special access channel at an end user's premises.

The Telephone Company will bill the surcharge to the customer who orders the special access facility unless the facility is exempt as set forth in (B) preceding.

(M)
(T)
(T)
(M)
(T)
(M)

Certain material appearing on this page formerly appeared on 4th Revised Page 99.70 of Tariff F.C.C. No. 68.

(This page filed under Transmittal No. 2176)

ACCESS SERVICE

7. Special Access Service (Cont'd)7.2 Rate Regulations (Cont'd)7.2.6 Mileage Measurement

The mileage to be used to determine the monthly rate for the Channel Mileage is calculated on the airline distance between the locations involved, i.e., the serving wire centers associated with two customer designated premises, a serving wire center associated with a customer designated premises and a Telephone Company Hub, two Telephone Company Hubs or a serving wire center associated with a customer designated premises and the WATS serving office. The serving wire center associated with a customer designated premises is the serving wire center from which the customer designated premises would normally obtain dial tone.

To determine the rate to be billed, first compute the mileage using the V&H coordinates method, as set forth in the National Exchange Carrier Association, Inc. Tariff F.C.C. No. 4, then find the band into which the computed mileage falls and apply the rate shown in 7.3 (Service Descriptions, Rates and Charges) for that band. When the calculation results in a fraction of a mile, always round up to the next whole mile before determining the mileage and applying the rates.

When hubs are involved, mileage is computed and rates applied separately for each section of the Channel Mileage, i.e., customer designated premises serving wire center to hub, hub to hub and/or hub to customer designated premises serving wire center. However, when any service is routed through a hub for purposes other than customer specified bridging, multiplexing, Network Reconfiguration Service, or Transport Resource Management Service (e.g., the Telephone Company chooses to so route for test access purposes), rates will be applied only to the distance calculated between the serving wire centers associated with the customer designated premises.

(This page filed under Transmittal No. 2258)

Issued: February 10, 1993

Effective: March 27, 1993

Four AT&T Plaza, Dallas, Texas 75202

ACCESS SERVICE

7. Special Access Service (Cont'd)7.2 Rate Regulations (Cont'd)7.2.7 Moves

A move involves a change in the physical location of one of the following:

- The service facility
- The Point of Termination at the customer's premises
- The customer's premises

(C)

The charges are dependent on the type of move requested by the customer.

(A) Service Facility Move (SFM)

(T)

An SFM is a customer-initiated move of one end of a Telephone Company central office distribution link (e.g., jumper cable, DSX patch cable, etc.) from one facility to another existing facility (of the same or higher transmission speed). All activity associated with the SFM must occur within a single Telephone Company location (central office).

In order to be considered an SFM, all associated order activity (disconnects and new connects) must occur simultaneously and the facility to which service is being moved must be existing and have sufficient capacity to accept the moved service.

An SFM may result in the change of one end point (i.e., customer premises location) of the circuit involved provided the following conditions are met:

- (1) The change of customer premises can only occur on the end of the circuit which has the CFA.
- (2) The customer premises locations involved in the change belongs to the same customer.

- or -

The customer premises locations involved in the change belongs to two different customers but the customer requesting the SFM has previously coordinated the activity such that all activity (disconnects and new connects) will occur simultaneously. If this coordination has not been accomplished beforehand, then the Telephone Company will proceed with the disconnect/new connect orders as non-related and new installation charges will apply for services being relocated.

Certain revised material previously appearing on this page now appears on 1st Revised Page 7-41.

(This page filed under Transmittal No. 2588)

ACCESS SERVICE

7. Special Access Service (Cont'd)7.2 Rate Regulations (Cont'd)7.2.7 Moves (Cont'd)(A) Service Facility Move (SFM) (Cont'd)

On facility moves involving multiplexed (subtending) channels, SFMs shall be charged only for the higher level facility provided the entire facility (the full complement of subtending channels) is being moved concurrent to that particular SFM request. If the subtending channels are requested to be moved one at a time, the SFM will be charged on a per each channel moved basis.

Example 1

An SFM is requested to move 20 DS1s, with subtending VG channels, to a DS3 facility (where the DS3 end of the channel is moving to a new customer premises location). The resulting SFM charge will be 20 DS1 to DS3 SFM charges with no SFM charges for the subtending VG channels.

Example 2

An SFM is requested to move a DS3, with subtending DS1 channels, to another DS3 facility (where there is no change in the customer premises location on the DS3 facility end of the circuit). The resulting SFM charge will be a DS3 to DS3 SFM with no SFM charges for the subtending DS1 channels.

Example 3

An SFM is requested to move 6 DS1s, with subtending VG channels, previously riding one DS3 facility to another DS3 facility. The resulting SFM charge would be (6) DS1 to DS3 SFMs with no SFM charges for the subtending VG channels.

SFMs may be performed at the following service levels:

- Analog*/MegaLink Data to 1.544 Mbps High Capacity (DS1)
- 1.544 Mbps High Capacity (DS1) to 1.544 Mbps High Capacity (DS1)/ReliaNet (DS1)
- 1.544 Mbps High Capacity (DS1) to MegaLink Custom (DS3)/ReliaNet (EC-1/DS3)

The charges for an SFM for the services shown above are detailed in 7.4(A) (SFMs) following. There will be no change in minimum period requirements.

The diagrams following illustrate typical service arrangements before and after an SFM has occurred.

* Analog services include: Metallic Service, Telegraph Grade Service, Voice Grade Service or Program Audio Service.

(This page filed under Transmittal No. 2605)

ACCESS SERVICE

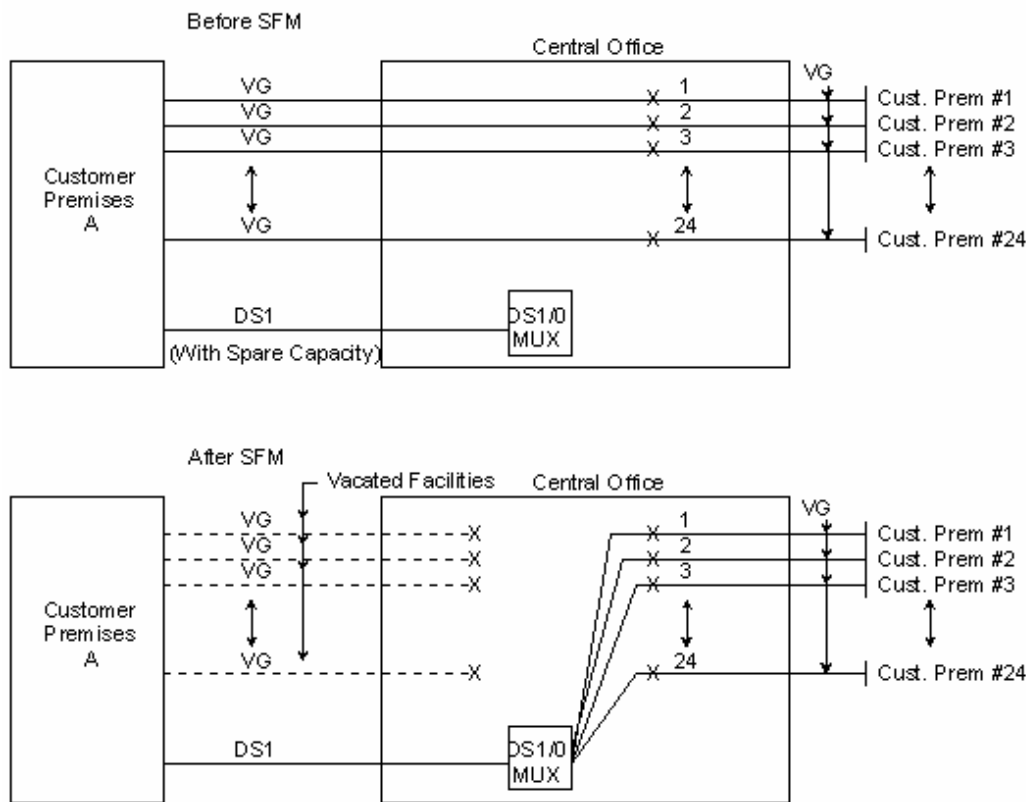
7. Special Access Service (Cont'd)

7.2 Rate Regulations (Cont'd)

7.2.7 Moves (Cont'd)

EXAMPLE 1

MLD/VG to DS1 SFM - SAME CUSTOMER PREMISES
(All 24 Moved at Same Time)



(A) Service Facility Move (SFM) (Cont'd)

(This page filed under Transmittal No. 2588)

ACCESS SERVICE

7. Special Access Service (Cont'd)

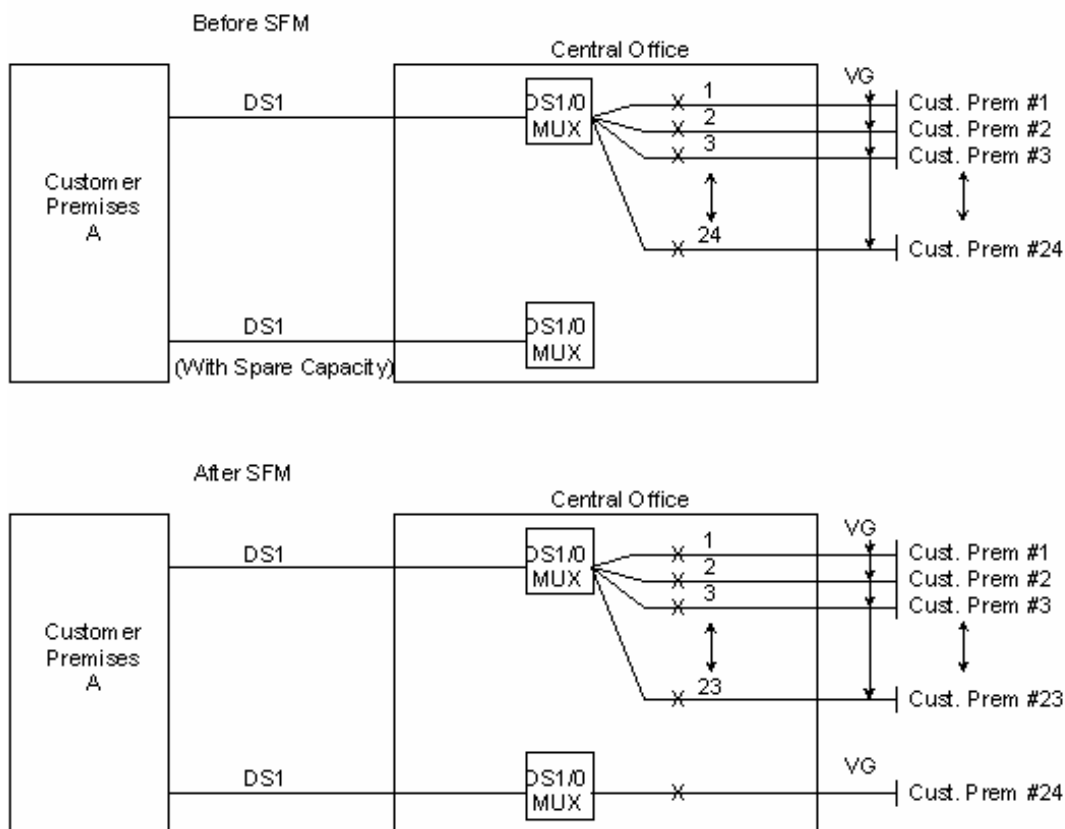
7.2 Rate Regulations (Cont'd)

7.2.7 Moves (Cont'd)

(A) Service Facility Move (SFM) (Cont'd)

EXAMPLE 2

MLD/VG to DS1 SFM - SAME CUSTOMER PREMISES
(Move one DDS/VG at a time)



(This page filed under Transmittal No. 2588)

ACCESS SERVICE

7. Special Access Service (Cont'd)

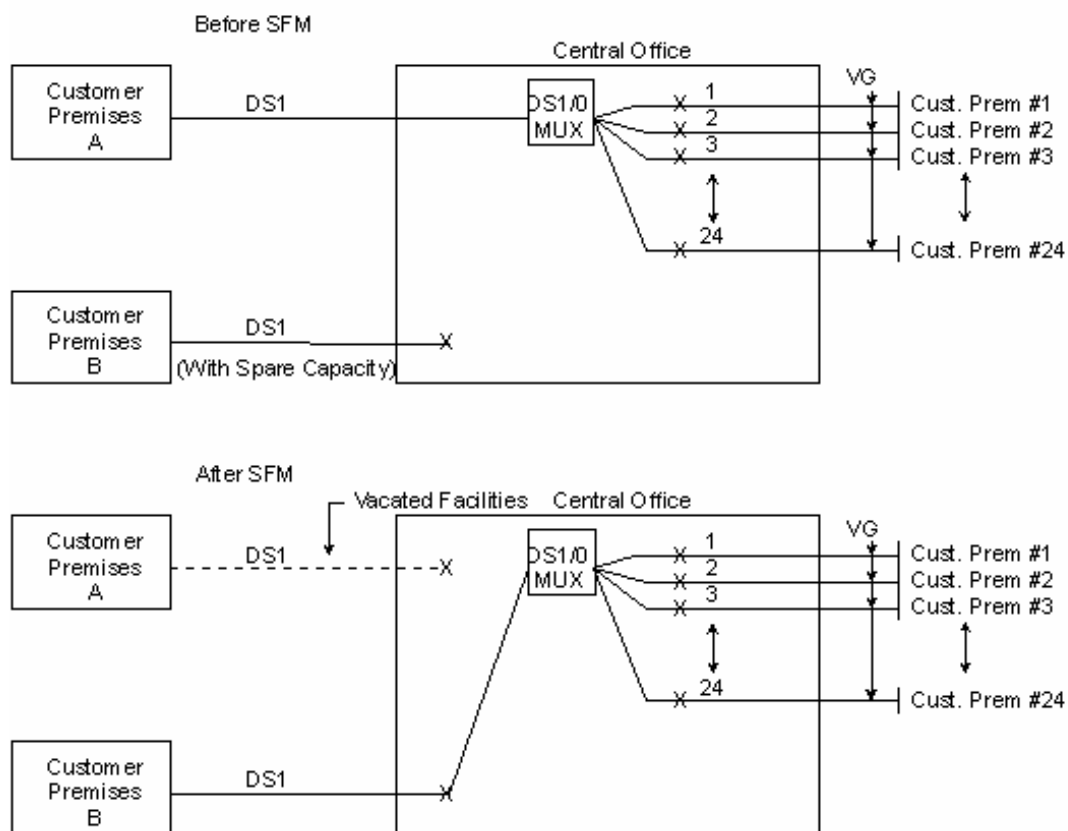
7.2 Rate Regulations (Cont'd)

7.2.7 Moves (Cont'd)

(A) Service Facility Move (SFM) (Cont'd)

EXAMPLE 3

MLD/VG to DS1 SFM -DIFFERENT CUSTOMER PREMISES
(All 24 Moved at Same Time)



(This page filed under Transmittal No. 2588)

ACCESS SERVICE

7. Special Access Service (Cont'd)

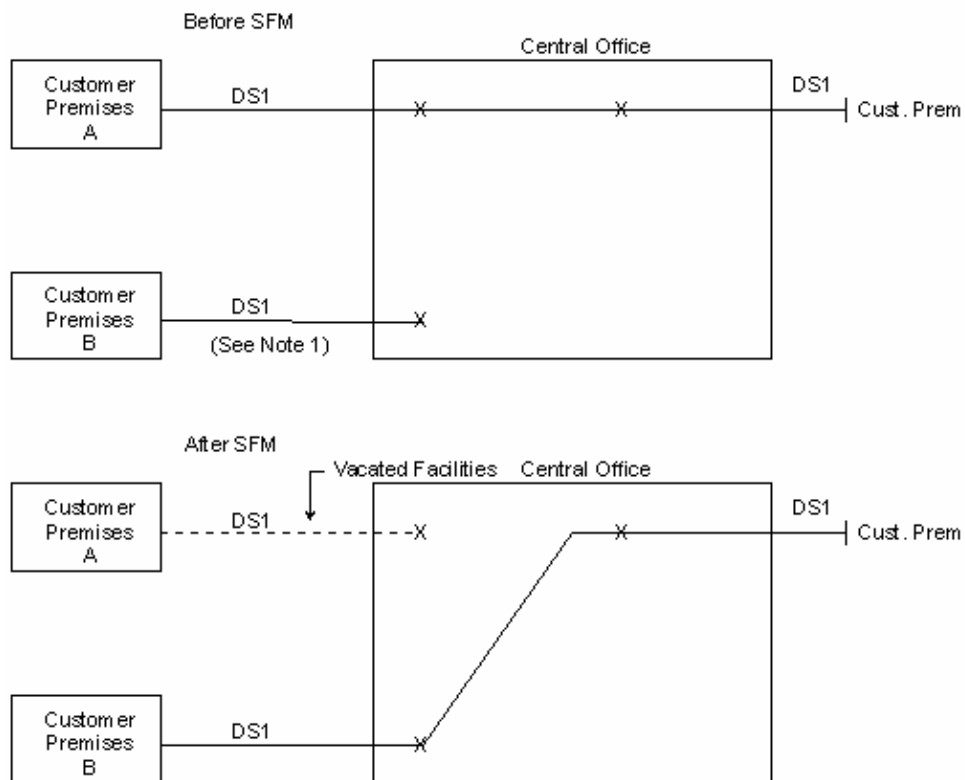
7.2 Rate Regulations (Cont'd)

7.2.7 Moves (Cont'd)

(A) Service Facility Move (SFM) (Cont'd)

EXAMPLE 4

DS1 to DS1 SFM -DIFFERENT CUSTOMER PREMISES



Note 1: This facility may exist as a result of an order for DS1 service concurrent with the SFM request or, in the case of virtual collocation, as a cross-connect arrangement requested by the interconnector.

(This page filed under Transmittal No. 2588)

ACCESS SERVICE

7. Special Access Service (Cont'd)

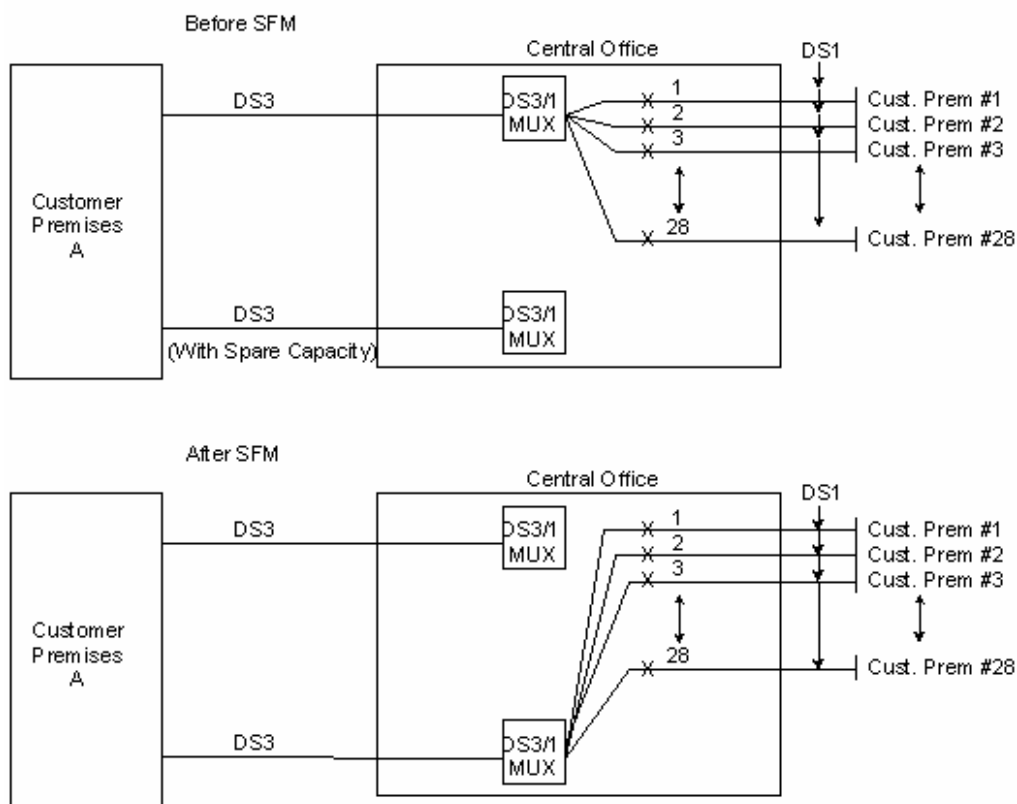
7.2 Rate Regulations (Cont'd)

7.2.7 Moves (Cont'd)

(A) Service Facility Move (SFM) (Cont'd)

EXAMPLE 5

DS1 to DS3 SFM -SAME CUSTOMER PREMISES
(DS1 all moved at same time)



Revised material appearing on this page formerly appeared on Original Page 7-41.

(This page filed under Transmittal No. 2588)

ACCESS SERVICE

7. Special Access Service (Cont'd)7.2 Rate Regulations (Cont'd)7.2.7 Moves (Cont'd)(B) Moves of the Point of Termination Within the Same Customer Premises

When the move of the Point of Termination is to a new location within the same customer premises, the move will be treated as an extension of access service facilities. Extension of access service facilities will be provided, at the customer's request, on a time sensitive charge basis. The labor rates which apply are as set forth in 13.4 (Rates and Charges). There will be no change in minimum period requirements.

(C) Moves of a Customer Premises

Moves to a different customer premises will be treated as a discontinuance and start of service, with exception as stated below, and all associated nonrecurring charges will apply. New minimum period requirements will be established for the new services except for Business Video Service. The customer will also remain responsible for satisfying all outstanding minimum period charges for the discontinued service.

If the move of the customer's premises is as a result of an SFM (Service Facility Move) according to Sect. 7.2.7(A), and the facility to the new premises is existing, then no additional nonrecurring charges will apply for that end of the channel or circuit. Only the SFM charge will be applicable for such moves.

(D)
(D)
(D)

(This page filed under Transmittal No. 3350)

Issued: August 15, 2012

Effective: August 30, 2012

Four AT&T Plaza, Dallas, Texas 75202

ACCESS SERVICE

7. Special Access Service (Cont'd)

7.2 Rate Regulations (Cont'd)

7.2.8 Minimum Periods

The minimum service period for all services, except part-time and occasional Broadcast Video, Program Audio services and 128, 256, and 384 kbps MegaLink Data Service, is one month. The minimum service period for part-time and occasional Broadcast Video and Program Audio services is one day (i.e., a continuous 24-hour period, not limited to a calendar day). The minimum service period for 128, 256, and 384 kbps MegaLink Data Service is 6 months. (D)

(D)
|
(D)

(This page filed under Transmittal No. 3350)

ACCESS SERVICE

7. Special Access Service (Cont'd)7.2 Rate Regulations (Cont'd)7.2.9 Facility Hubs

The Telephone Company will commence billing the monthly rate for the facility to the hub on the date specified by the customer on the Access Order. Individual services utilizing these facilities may be installed coincident with the installation of the facility to the hub or may be ordered and/or installed at a later date, at the option of the customer. The customer will be billed for a Voice Grade or (D) High Capacity digital Channel Termination, Channel Mileage (when applicable) and the Multiplexer at the time the facility is installed. Individual service rates (by service type) will apply for a Channel Termination and additional Channel Mileage (as required) for each channelized service.

When cascading multiplexing is performed, whether in the same or a different hub, a charge for the additional multiplexing unit also applies. When cascading multiplexing is performed at different hubbing locations, Channel Mileage charges also apply between the hubs.

(This page filed under Transmittal No. 3400)

Issued: October 28, 2014

Effective: November 12, 2014

Four AT&T Plaza, Dallas, Texas 75202

ACCESS SERVICE

7. Special Access Service (Cont'd)

(M)

7.2 Rate Regulations (Cont'd)

(T)

7.2.9 Facility Hubs (Cont'd)

(T)

The Telephone Company will designate certain hubs for multipoint configurations and cross-connection of full-time and/or part-time Video Services. A customer can order full-time and/or part-time service(s) between customer designated premises and a hub and will be billed accordingly at the rates set forth in 7.3 (Service Descriptions, Rates and Charges) for the full-time or part-time service, as appropriate. At the request of a customer, the full-time and/or part-time services provided to the hub may be connected together in the following configurations: full-time to full-time, full-time to part-time or part-time to part-time. The customer will be charged for each such connection made at the rates for Other Labor as set forth in 13.4 (Rates and Charges). The rates that apply for the service between each customer designated premises and the hub are a Channel Termination and Channel Mileage, if applicable.

(M)

(M)

(T)

(T)

(M)

(M)

(T)

(M)

Material and revised material appearing on this page formerly appeared on 6th Revised Page 99.75 of Tariff F.C.C. No. 68.

(This page filed under Transmittal No. 2176)

Issued: March 3, 1992

Effective: July 1, 1992

Four AT&T Plaza, Dallas, Texas 75202

ACCESS SERVICE

7. Special Access Service (Cont'd)7.2 Rate Regulations (Cont'd)7.2.10 Shared Use

Shared use is the provision of Switched Access and Special Access High Capacity services over the same transmission path through the use of a common interface.

Regulations for shared use facilities are set forth in 6.8.12 (Shared Use), 7.2 (Rate Regulations), 19.3 (Rate Regulations), 20.4 (Rate Regulations), 23.3 (Rate Regulations), 29.3 (Rate Regulations) and 30.3 (Rate Regulations). Ordering provisions for shared use facilities are set forth in 5.2.5 (Shared Use). (N) (N)

Existing Special Access High Capacity Service facilities can be converted to shared use facilities by activating a portion of available capacity for Switched Access. Services provided over a shared use facility are ordered, provided and rated either as Switched Access (i.e., Entrance Facility, Direct-Trunked Transport, Tandem-Switched Transport and Multiplexing) or as Special Access (i.e., Channel Termination, Channel Mileage and Multiplexing) as set forth following:

- (A) On shared use facilities, the customer for the Switched Access Service may be different from the customer for the Special Access Service. When the Switched Access Customer is not the same as the Special Access Customer, all Special Access charges and Switched Transport charges (including Switched Transport features charges) will be billed to the customer who initially ordered the facility. All other Switched Access charges will be separately billed to the customer who ordered the Switched Access Service.
- (B) When an existing Special Access High Capacity Service facility is converted to a shared use facility by using an available portion of the capacity for Switched Access Service, the applicable nonrecurring charges (including the Access Order Charge) will be the nonrecurring charges associated with the Switched Access service being ordered.

(This page filed under Transmittal No. 2855)

ACCESS SERVICE

7. Special Access Service (Cont'd)7.2 Rate Regulations (Cont'd)7.2.10 Shared Use (Cont'd)

- (C) The customer must place an order for each individual Switched or Special Access service utilizing the shared use facility and must also specify the channel assignment for each service.
- (D) All channels within a shared use facility will be rated and billed as set forth in (1) through (6) following: (T)
- (1) When a DS1 facility is ordered and provisioned as Switched Access, all channels, including spares, will be rated and billed as Switched Access until such time as the DS1 facility becomes shared use.
 - (2) When a DS1 facility is ordered and provisioned as a Special Access High Capacity Service, all channels, including spares, will be rated and billed as Special Access until such time as the DS1 facility becomes shared use.
 - (3) Once a DS1 facility, ordered as either Switched or Special Access, becomes shared use, all spare channels on the DS1 facility will be rated and billed as Special Access.
 - (4) On a DS3 shared use facility, ordered either as Switched Access or Megalink Custom Service, the Switched Access channels on the DS3 facility must equal the cumulative value of the channels (both active and spare) counted as Switched Access on each DS1 facility.

For example, a Switched Access DS1 facility, which contains 20 active and 4 spare channels, is activated on a shared use DS3 facility. The DS1 facility is considered pure switched access and the shared use DS3 facility is prorated by 24 switched channels, i.e., 24/672.

Subsequently, 6 of the switched channels from the Switched Access DS1 facility are disconnected and become spare. Since the DS1 facility is still considered pure switched, the shared use DS3 facility will continue to be prorated by 24 switched channels, i.e., 24/672.

(This page filed under Transmittal No. 2855)

ACCESS SERVICE

7. Special Access Service (Cont'd)7.2 Rate Regulations (Cont'd)7.2.10 Shared Use (Cont'd)

(D) (Cont'd)

(4) (Cont'd)

If, at a later date, the Switched Access DS1 facility becomes shared use by the addition of 6 Special Access channels, the DS1 spare channels will then default to Special Access. The DS3 facility will be prorated by 14/672 to reflect the new switched channel value on the shared use DS1, i.e., 14 active switched, 6 active special and 4 spare.

If multiplexing were associated with the shared use facility, the monthly recurring rate for the multiplexer would be prorated in the same manner as the Entrance Facility and Channel Termination.

(5) Channels being used in conjunction with CCS/SS7 Interconnection Service are included in the channel counts for Switched Access.

(6) While Shared Use of SONET facilities ⁽¹⁾ for Switched Access Transport is permitted, the SONET Special Access facilities continue to be rated as Special Access. (D)

(E) Customers requesting Service Facility Moves (SFM) of shared use facilities will be assessed nonrecurring charges as specified in 6.8.10 (Moves), 7.2.7 (Moves), 19.3.7 (Moves), 20.4.12 (Moves) and 23.3.6 (Moves) with the nonrecurring charges being prorated as set forth in (D) (1) through (D) (5) preceding.

(F) When Special Access High Capacity Service is provided utilizing a channel of a shared use facility to a hub, High Capacity rates will apply for the facility to the hub as set forth preceding and individual service rates will apply from the hub to the customer designated premises. The rates that will apply to the portion from the hub to the customer designated premises will be dependent on the specific type of Special Access Service that is provided (e.g., Voice Grade, Telegraph, etc.). The applicable rates will include a Channel Termination rate and Channel Mileage rates, if applicable. Rates for optional features, BSEs and functions, if any, associated with the service will apply as set forth in 7.3 (Service Descriptions, Rates and Charges).

⁽¹⁾ Material in this Section has been de-tariffed as required by the Commission upon use of the forbearance relief pursuant to FCC Memorandum Opinion and Order No. 07-180, released October 12, 2007. Terms and Conditions associated with de-tariffed services are available at www.att.com/guidebook.

(This page filed under Transmittal No. 3251)

ACCESS SERVICE

7. Special Access Service (Cont'd)

(M)

7.2 Rate Regulations (Cont'd)

(T)

7.2.11 WATS Access Lines

When WATS Access Lines (WAL) are provided, the rate elements which apply are:

- WAL Channel Termination (CT) between the customer designated premises and the serving wire center associated with that premises
- Channel Mileage (CM) between the serving wire center associated with a customer designated premises and the WATS serving office * (when the serving wire center is not a WATS serving office).

(T)

(M)

(M)

(T)

(M)

(T)

(M)

In addition, the Special Access Line Surcharge, as set forth in 7.2.5, and Message Station Equipment Recovery Charge, as set forth in 7.2.17, will apply.

(M)

(T)

(T)

When extensions (i.e., additional terminations of the service at a different premises in the same or a different LATA) are provided, they are rated in the following manner. Both interLATA and intraLATA extensions require an additional WAL Channel Termination and Channel Mileage (as needed). In addition, the Special Access Line Surcharge and Message Station Equipment Recovery Charge will apply.

(M)

(M)

(M)

(M)

(M)

(M)

(M)

* When the WAL is used in conjunction with unrestricted WATS Access Line Service and the WSO has inherent technical limitations requiring additional transport, the WATS Access Line Extender (WALE) rating will only be between the customer designated premises serving wire center and the WATS Serving Office normally used for the provisioning of WATS and WATS type service.

(T)

(M)

Material and revised material appearing on this page formerly appeared on 6th Revised Page 99.8.1 and 5th Revised Page 99.76.2 of Tariff F.C.C. No. 68.

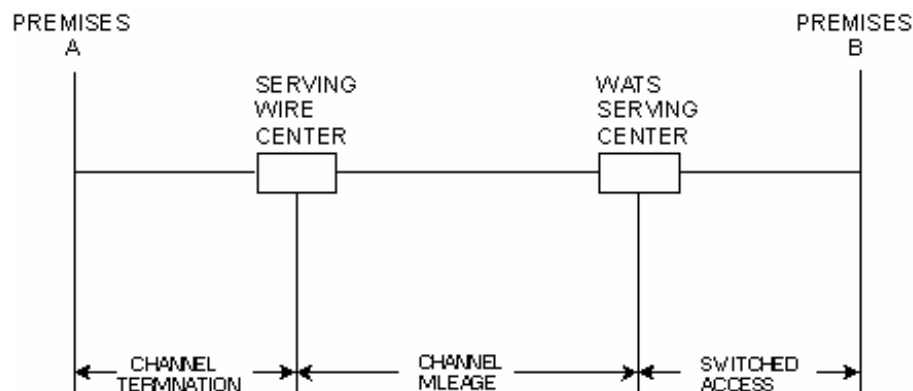
(This page filed under Transmittal No. 2176)

ACCESS SERVICE

7. Special Access Service (Cont'd)7.2 Rate Regulations (Cont'd)7.2.11 WATS Access Lines (Cont'd)

The following diagram depicts a WATS Access Line Service connecting a customer designated premises to a WATS serving office. The customer's serving wire center and the WATS serving office are located 10 miles apart. The applicable rate elements are:

- Channel Termination (1 applicable)
- Channel Mileage



Material and revised material appearing on this page formerly appeared on 6th Revised Page 99.8.1 of Tariff F.C.C. No. 68.

(This page filed under Transmittal No. 2176)

Issued: March 3, 1992

Effective: July 1, 1992

Four AT&T Plaza, Dallas, Texas 75202

ACCESS SERVICE

7. Special Access Service (Cont'd)

7.2 Rate Regulations (Cont'd)

7.2.12 Two-Point Service

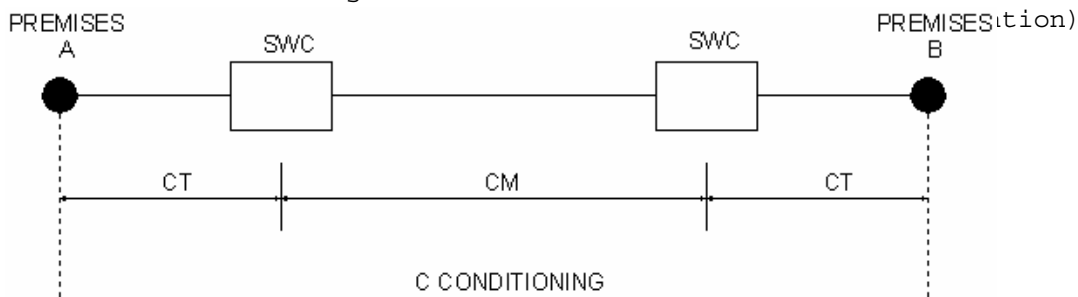
The rate elements applicable to a two-point service are:

- Channel Terminations
- Channel Mileage (as applicable)
- Optional Features, BSEs and Functions (when applicable)

In addition, a Special Access Surcharge, as set forth in 7.2.5 and a Message Station Equipment Recovery Charge, as set forth in 7.2.17 may be applicable.

The following diagram depicts a two-point Voice Grade service, provided with C-Conditioning, connecting two customer designated premises located 15 miles apart. The applicable rate elements are:

- Channel Termination (2 applicable)
- Channel Mileage



SWC - Serving Wire Center
CT - Channel Termination
CM - Channel Mileage

Material and revised material appearing on this page formerly appeared on 2nd Revised Page 99.6 of Tariff F.C.C. No. 68.

(This page filed under Transmittal No. 2176)

ACCESS SERVICE

7. Special Access Service (Cont'd)

7.2 Rate Regulations (Cont'd)

7.2.13 Multipoint Service

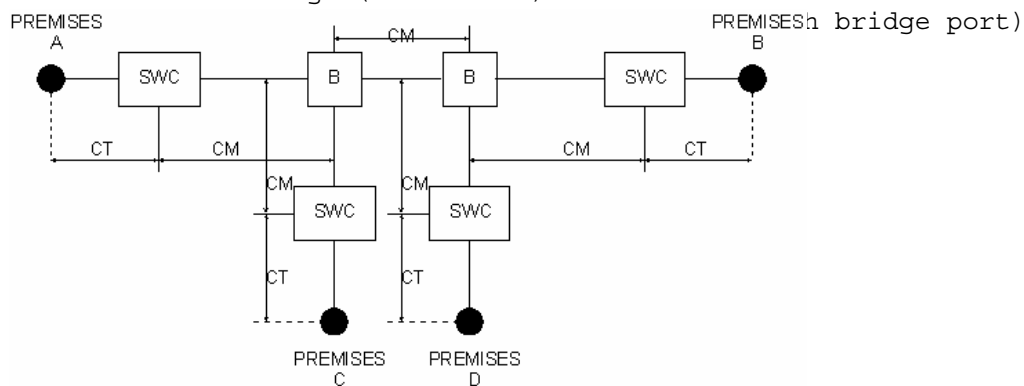
The rate elements applicable to multipoint service are as follows:

- Channel Terminations (one per customer designated premises)
- Channel Mileage (as applicable)
- Bridging
- Additional Optional Features, BSEs and Functions (when applicable)

In addition, the Special Access Surcharge, as set forth in 7.2.5, and a Message Station Equipment Recovery Charge, as set forth in 7.2.17, may be applicable.

(A) Following is an example of a multipoint service in which Voice Grade multipoint service connects four customer premises via two customer specified bridging hubs. The applicable rate elements are:

- Channel Termination (4 applicable)
- Channel Mileage (5 sections)



SWC - Serving Wire Center
CT - Channel Termination
CM - Channel Mileage
B - Bridging

Material and revised material appearing on this page formerly appeared on 11th Revised Page 99.7 and 7th Revised Page 99.8 of Tariff F.C.C. No. 68.

(This page filed under Transmittal No. 2176)

ACCESS SERVICE

7. Special Access Service (Cont'd)

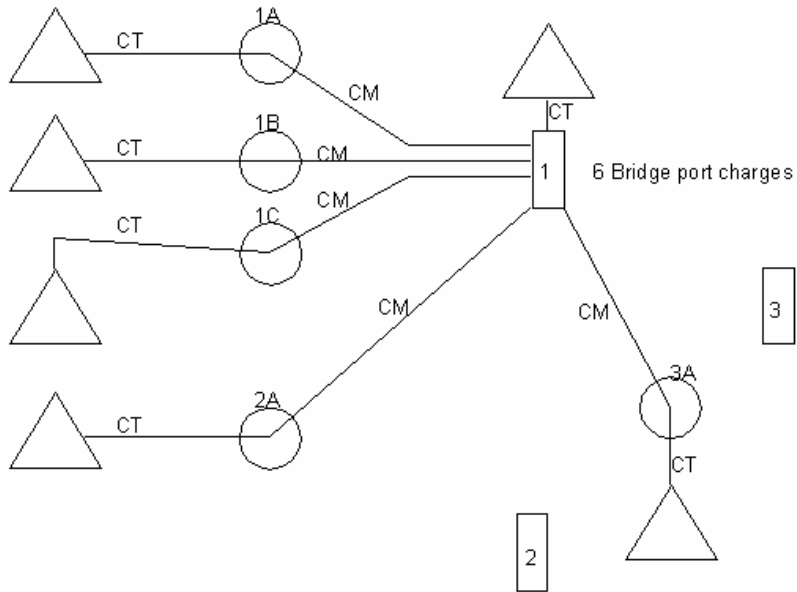
7.2 Rate Regulations (Cont'd)

7.2.13 Multipoint Service (Cont'd)

(B) An example of a hubbing arrangement, with its applicable rate elements indicated, is shown following:

Voice Grade Multipoint where two offices do not subtend from Intermediate Bridging Hub 1. The two offices subtend from separate Intermediate Hubs.

Office 2A subtends from Intermediate Hub 2. Office 3A subtends from Intermediate Hub 3.



Legend	
△	Customer Premises
CM	Channel Mileage
CT	Channel Termination
□	Intermediate Bridging Hub and Serving Wire Center
○	Terminus Bridging Hub and Serving Wire Center

H
u
b

3. However, the Telephone Company will serve offices 2A and 3A from the common bridge in Intermediate Hub 1.

Material and revised material appearing on this page formerly appeared on 4th Revised Page 99.5.1 of Tariff F.C.C. No. 68.

(This page filed under Transmittal No. 2176)

ACCESS SERVICE

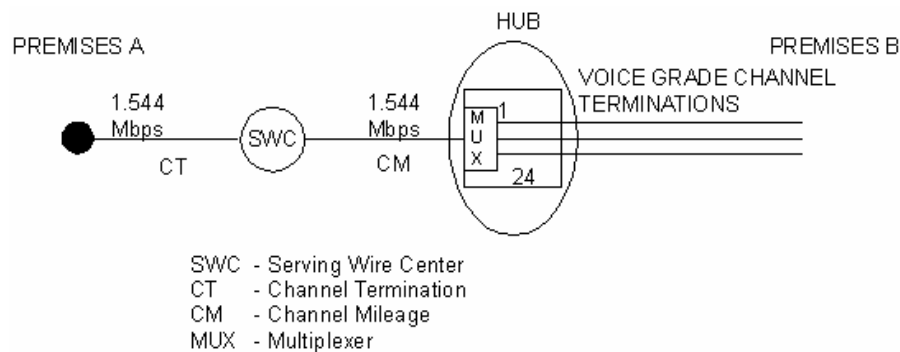
7. Special Access Service (Cont'd)7.2 Rate Regulations (Cont'd)7.2.14 Multiplexed Service

The rate elements applicable to multiplexed service are as follows:

- Channel Terminations
- Channel Mileage
- Multiplexing BSE

In addition, the Special Access Surcharge, as set forth in 7.2.5, and a Message Station Equipment Recovery Charge, as set forth in 7.2.17, may be applicable.

Following is an example of multiplexing a 1.544 Mbps channel to 24 Voice Grade channels.



Material and revised material appearing on this page formerly appeared on 2nd Revised Page 99.6 of Tariff F.C.C. No. 68.

(This page filed under Transmittal No. 2176)

ACCESS SERVICE

7. Special Access Service (Cont'd) (M)

7.2 Rate Regulations (Cont'd) (T)

7.2.15 Alternate Use (T)

The arrangement required to transfer the service from one (M)
operation to the other (i.e., the transfer relay and control |
leads) will be rated and provided on an individual case basis (M)
and filed in Section 12 (Specialized Service or (T)
Arrangements). In addition, the customer will pay the stated (T)
tariff rates for the Access Service rate elements for the (M)
service ordered (i.e., Channel Terminations, Channel Mileage (M)
and Optional Features, BSEs and Functions).

Certain material and certain revised material appearing on this page formerly
appeared on 1st Revised Page 99.9 of Tariff F.C.C. No. 68.

(This page filed under Transmittal No. 2176)

Issued: March 3, 1992

Effective: July 1, 1992

Four AT&T Plaza, Dallas, Texas 75202

ACCESS SERVICE

7. Special Access Service (Cont'd) (M)

7.2 Rate Regulations (Cont'd) (T)

7.2.16 Customized Channels (T)

When a customized channel is ordered, the customer will be notified whether Additional Engineering Charges apply. In such cases, the customer will be given an estimate of the hours to be billed before any further action is taken on the order. (M)

Material and revised material appearing on this page formerly appeared on 2nd Revised Page 99.11 of Tariff F.C.C. No. 68.

(This page filed under Transmittal No. 2176)

Issued: March 3, 1992

Effective: July 1, 1992

Four AT&T Plaza, Dallas, Texas 75202

ACCESS SERVICE

7. Special Access Service (Cont'd) (M)

7.2 Rate Regulations (Cont'd) (T)

7.2.17 Message Station Equipment Recovery Charge (T)

The Message Station Equipment Recovery Charge is a charge to (M)
recover that portion of message station equipment that is
assigned to Special Access Service. |

This charge is assessed only to those customers to which the (M)
Special Access Surcharge applies. The rate for the Message
Station Equipment Recovery is set forth in 7.4(C). (M)

Material and revised material appearing on this page formerly appeared on 5th
Revised Page 99.70 of Tariff F.C.C. No. 68.

(This page filed under Transmittal No. 2176)

Issued: March 3, 1992

Effective: July 1, 1992

Four AT&T Plaza, Dallas, Texas 75202

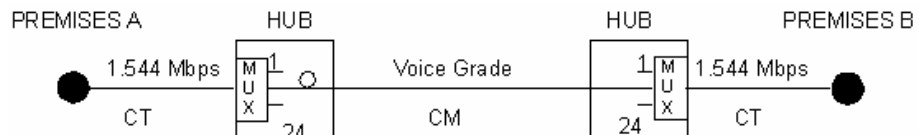
ACCESS SERVICE

7. Special Access Service (Cont'd)7.2 Rate Regulations (Cont'd)7.2.18 Service to Service Through Connect Arrangements

The Service to Service Through Connect Arrangement rate element provides for an interconnection of like services in a Telephone Company Hub or serving wire center. This arrangement is an intraoffice connection that is provisioned in lieu of a channel termination to a customer designated premises. The through connection is provided in conjunction with Voice Grade Analog, Program Audio, MegaLink Data and High Capacity services. Additional Channel Mileage would apply if the two like services are located in different hubs or serving wire centers. The customer billed for the through connect arrangement will be responsible for all billing associated with the interconnection.

The following diagram depicts a Service to Service Through Connect Arrangement in which Voice Grade Services, extended from DS1 multiplexed services, utilize a through connect arrangement in a Telephone Company Hub. Additional channel mileage was required to coterminate the services. The applicable rate elements are:

- 1.544 Mbps Channel Terminations (2 applicable) *
- DS1 to Voice Multiplexers (2 applicable) *
- Voice Grade Channel Mileage
- Multiplexer to Multiplexer Service to Service Through Connect Arrangement



CT - Channel Termination
 CM - Channel Mileage
 MUX - Multiplexer
 - Service to Service through Connect Arrangement

* Service already established.

Material and revised material appearing on this page formerly appeared on 8th Revised Page 99.4 and 3rd Revised Page 99.8.2 of Tariff F.C.C. No. 68.

(This page filed under Transmittal No. 2176)

Issued: March 3, 1992

Effective: July 1, 1992

Four AT&T Plaza, Dallas, Texas 75202

ACCESS SERVICE

7. Special Access Service (Cont'd)7.2 Rate Regulations (Cont'd)7.2.19 Optional Payment Plan(A) General Description

Optional Payment Plan (OPP) provides the customer with rate stabilization and a discount of existing tariffed rates for three or five years commitments.

The customer agrees to a **State** or **Company** (i.e., within areas served by the Telephone Company) minimum monthly revenue commitment as set forth in 7.2.19(C). Decreases in OPP recurring monthly tariffed rates will be passed on to existing participants; however, the minimum monthly revenue commitment will not be reduced. Should the Telephone Company increase its OPP recurring monthly tariffed rates during the OPP commitment, the customer will continue to pay the customer established OPP rates.

(T)

(This page filed under Transmittal No. 2677)

Issued: December 12, 1997

Effective: December 27, 1997

Four AT&T Plaza, Dallas, Texas 75202

ACCESS SERVICE

7. Special Access Service (Cont'd)7.2 Rate Regulations (Cont'd)7.2.19 Optional Payment Plan (Cont'd)(B) Services Available Under Optional Payment Plan

A customer may elect to participate in an OPP for the following services and rate elements as described in 7.3 (Service Descriptions, Rates and Charges):

- (1) Four-Wire Voice Grade Service ⁽⁴⁾ (N)
 - Channel Termination
 - Channel Mileage (Fixed and Per Mile)
 - Optional Features, Basic Service Elements (BSEs) and Functions
- (2) MegaLink Data Service (All Speeds) ⁽⁴⁾ (N)
 - Channel Termination
 - Channel Mileage (Fixed and Per Mile)
 - Optional Features, BSEs and Functions
- (3) High Capacity Service (1.544 Mbps) ^{(1) (2) (3)}
 - Channel Termination
 - Channel Mileage (Fixed and Per Mile)
 - Optional Features, BSEs and Functions

⁽¹⁾ Effective May 17, 2003, High Capacity Service (1.544 Mbps) Optional Pricing Plan (OPP) service will no longer be available to new customers. There will be no change to existing customers.

⁽²⁾ At the expiration of the grandfathered DS1 High Capacity Service OPP term, the customer may choose a new DS1 Term Payment Plan with the prices in effect at that time. If the customer elects not to establish a new DS1 TPP, or does not renew the existing OPP as stipulated in 7.2.19(E), the service will be billed the tariffed month-to-month rates in effect at the time the grandfathered DS1 High Capacity Service OPP term expires.

⁽³⁾ Existing DS1 High Capacity Service OPP terms may be converted to a new DS1 Term Payment Plan. If the expiration date for the new DS1 Term Payment Plan is beyond the expiration of the original DS1 High Capacity Service OPP term, the remaining charges and any nonrecurring termination charges for the original DS1 High Capacity Service OPP term will not apply. Access Order charges associated with conversion to new DS1 TPPs will be waived. Refer to DS1 Term Payment Plan in section 7.2.22 following for all DS1 TPP terms and conditions.

⁽⁴⁾ Effective on September 13, 2017, Optional Payment Plans are no longer available for Four-Wire Voice Grade Service and MegaLink Data Service, including for any otherwise available renewals, extensions or conversions. Circuits already subject to a Four-Wire Voice Grade Service or MegaLink Data Service Optional Payment Plan, as of September 13, 2017, will continue to be provided under the then-current Optional Payment Plan term for the remainder of that term. (N)

(This page filed under Transmittal No. 3445)

ACCESS SERVICE

7. Special Access Service (Cont'd)

7.2 Rate Regulations (Cont'd)

7.2.19 Optional Payment Plan (Cont'd)

(C) Terms and Conditions

(1) Minimum Monthly Revenue Commitment (MMRC)

(T)

The minimum monthly revenue commitment (MMRC) is established at a State or Company (i.e., within the areas served by the Telephone Company) level. The initial MMRC is determined by multiplying the quantity of services to be included in the OPP, as specified by the customer, at the OPP establish date by the current OPP rates.

$$\text{MMRC} = \text{NUMBER OF SERVICES} \times \text{RATES}$$

The customer has a grace period of six months following the establishment of an OPP. This grace period is provided in order to allow the customer adequate time to finalize the MMRC for the account.

Nonrecurring charges will not be included in the MMRC.

(M)

Special construction charges incurred for a service billed under an OPP will not be included in the MMRC.

(M)

(a) Exceeding the MMRC

The MMRC can be exceeded by 25 percent throughout the three year or five year OPP without penalty. The MMRC will be reconciled quarterly. If the excess is greater than 25 percent, the excess above 25 percent is billed a 5 percent adjustment factor. The customer can increase the MMRC, rather than pay the 5 percent adjustment factor.

(T)

Certain material appearing on this page formerly appeared on 3rd Revised Page 7-61 and 3rd Revised Page 7-64.

(This page filed under Transmittal No. 2677)

ACCESS SERVICE

7. Special Access Service (Cont'd)

7.2 Rate Regulations (Cont'd)

7.2.19 Optional Payment Plan (Cont'd)

(C) Terms and Conditions (Cont'd)

(1) Minimum Monthly Revenue Commitment (MMRC) (Cont'd)

(b) Increasing the MMRC

The customer has the option to increase the MMRC rather than pay the adjustment factor. If the increase is received within 30 days of the time the adjustment factor was billed, the adjustment factor will not apply. To initiate an increase in MMRC, the customer must provide the amount of the increase in writing with the understanding that this increased MMRC becomes the new MMRC.

(C)
|
(C)

The new MMRC equals the existing MMRC plus the increased service(s) multiplied by the customer-established rate(s).

$$\begin{aligned} \text{NEW INCREASED MMRC} &= \\ \text{EXISTING MMRC} &+ \\ (\text{INCREASED SERVICE(S)} &\times \\ \text{CUSTOMER ESTABLISHED RATE(S)} &) \end{aligned}$$

An increase in the MMRC does not change any of the terms or conditions in effect.

(c) Decreasing the MMRC

The customer may elect to decrease the MMRC at any time during the life of the OPP. To initiate a decrease in the MMRC, the customer must provide the amount of the decrease in writing with the understanding that the decreased MMRC becomes the new MMRC.

The decreased MMRC will be calculated as follows:

$$\begin{aligned} \text{NEW DECREASED MMRC} &= \\ \text{EXISTING MMRC} &- \text{DECREASE IN MMRC} \end{aligned}$$

When the MMRC is decreased, the customer will be assessed the following termination charge:

$$\begin{aligned} \text{TERMINATION CHARGE} &= \\ \text{TERMINATION \%} &\times \\ \text{DECREASE IN MMRC} &\times \\ \text{MONTHS REMAINING IN OPP} & \end{aligned}$$

$$\begin{aligned} \text{TERMINATION \%} &= 50\% \text{ FOR THREE YEAR OPP} \\ &= 40\% \text{ FOR FIVE YEAR OPP} \end{aligned}$$

A decrease in the MMRC does not change any of the terms or conditions in effect

(This page filed under Transmittal No. 2712)

ACCESS SERVICE

7. Special Access Service (Cont'd)7.2 Rate Regulations (Cont'd)7.2.19 Optional Payment Plan (Cont'd)(C) Terms and Conditions (Cont'd)

(N)

(2) Conversion to Other Telephone Company Services

A customer may convert to other Telephone Company services not covered by another term pricing plan(s) without incurring termination liabilities. The new service must represent equal to or greater than revenues remaining in the existing OPP service period being converted.

At the time of disconnect from the existing OPP service and the connect of the new service, if the total revenue for the new service (i.e., total monthly recurring charges for the minimum period for the new service) is less than the revenue that would have been collected under the existing OPP, a termination charge as set forth in 7.2.19(D)(3) will apply.

(N)

(D) OPP Renegotiation

- (1) The customer may terminate an existing OPP prior to the end of the three or five year commitment and renegotiate a new OPP.
- (2) The renegotiated OPP may be a three or five year commitment.
- (3) The renegotiated OPP will be based on the current rates.
- (4) The renegotiated OPP MMRC must reflect an increase from the previous OPP MMRC.

(This page filed under Transmittal No. 2738)

ACCESS SERVICE

7. Special Access Service (Cont'd)7.2 Rate Regulations (Cont'd)7.2.19 Optional Payment Plan (Cont'd)(E) OPP Renewal

- (1) Customers electing to renew an existing OPP must provide the Telephone Company, in writing, their intent to renew their OPP. Written notification must be provided 90 days prior to the expiration of the current OPP.
- (2) The customer must renew at the same commitment as the customer's existing OPP, i.e., three year or five year.
- (3) The customer will continue to be billed at the current OPP rates.
- (4) The customer is not required to increase the MMRC.
- (5) If the customer does not renew the OPP, the customer's service will be billed at the applicable tariffed monthly rates in effect at the time the OPP expires.

(T) (M)

Certain material appearing on this page formerly appeared on 1st Revised Page 7-62.3.

Material previously appearing on this page now appears on 4th Revised Page 7-61.

(This page filed under Transmittal No. 2677)

Issued: December 12, 1997

Effective: December 27, 1997

Four AT&T Plaza, Dallas, Texas 75202

ACCESS SERVICE

7. Special Access Service (Cont'd)7.2 Rate Regulations (Cont'd)7.2.19 Optional Payment Plan (Cont'd)(F) OPP Extension

(1) Customers may extend an OPP by providing written notification to the Telephone Company 60 days prior to the expiration of the current OPP. An OPP may be extended one time only.

(2) The extension period for a three year or five year OPP is 60 months.

(3) (a) Three Year OPP customers with the 60 month extension will be billed customer-established rates. The customer-established rates will be modified as follows:

THREE YEAR EXTENSION RATE =
CUSTOMER-ESTABLISHED OPP RATES X .95

(b) Five year OPP customers with the 60 month extension will be billed customer-established rates. For existing customers with extensions prior to 3/31/00, the per mile rate elements will be modified as follows: (C)
(C)

FIVE YEAR EXTENSION RATE =
CUSTOMER-ESTABLISHED OPP PER MILE RATE X
MULTIPLIER

<u>Per Mile Rate Elements</u>	<u>Multiplier</u>
Voice Grade	.255
MegaLink Data 9.6 Kbps	.519
MegaLink Data 56 Kbps	.458
High Capacity 1.544	.950

Note: For new customers after 3/31/00, the Per Mile Rate Element Multiplier will not apply. (N)
(N)

(c) Customers currently enrolled in the 24 month extension may remain with the customer-established 24 month extension; however, the rate modifications do not apply.

(This page filed under Transmittal No. 2820)

Issued: March 17, 2000

Effective: April 1, 2000

Four AT&T Plaza, Dallas, Texas 75202

ACCESS SERVICE

7. Special Access Service (Cont'd)

7.2 Rate Regulations (Cont'd)

7.2.19 Optional Payment Plan (Cont'd)

(F) OPP Extension (Cont'd)

(T) (M)

(4) The customer who elects a 60 month extension will have a one-time option to increase or decrease the MMRC based upon the preceding rate modifications. This MMRC adjustment must be provided to the Telephone Company within 90 days of the start of the 60 month extension. The access order charge will not be applied to the one-time MMRC adjustment.

(5) A 60 month extension OPP customer may convert to other Telephone Company services not covered by another term pricing plan(s) without incurring termination liabilities. The new service must represent equal to or greater than revenues remaining in the existing OPP service period being converted. (T)

At the time of disconnect from the existing OPP service and the connect of the new service, if the total revenue for the new service (i.e., total monthly recurring charges for the minimum period for the new service) is less than the revenue that would have been collected under the existing OPP, a termination charge as set forth in 7.2.19(D)(3) will apply. (T)

Material previously appearing on this page now appears on 2nd Revised Pages 7-62 and 7-62.1 and 1st Revised Page 7-62.4.

Certain material appearing on this page formerly appeared on 2nd Revised Page 7-63.

(This page filed under Transmittal No. 2677)

ACCESS SERVICE

7. Special Access Service (Cont'd)7.2 Rate Regulations (Cont'd)7.2.19 Optional Payment Plan (Cont'd)(G) Conversion to Other Telephone Company Term Pricing Plans

Conversion to other Telephone Company term pricing plan(s) will be allowed, without incurring termination charges, providing all of the following conditions are met:

- 1) a minimum period of 12 months has been completed under the existing OPP,
- 2) the due date of the new connect order must be the same as the due date of the disconnect order,
- 3) the OPP service being disconnected must convert service, on a circuit equivalent basis, to a new service with a term pricing plan period that is greater than the number of months remaining in the current OPP, and (Tx)
- 4) the new service must be provided between the same customer locations and with the same customer of record as the disconnected service.
- 5) the monthly rates for the new service will be those in effect at the time the service is converted. Nonrecurring charges for the new service will apply.

(Tx)
(Tx)
(Tx)

(x) Issued under authority of Special Permission No. 14-001 of the FCC in order to withdraw material filed under Transmittal No. 3383 and suspended under Order DA-13-2349, released December 9, 2013, without its becoming effective and to restore currently effective material.

(This page filed under Transmittal No. 3386)

Issued: January 15, 2014

Effective: January 16, 2014

Four AT&T Plaza, Dallas, Texas 75202

ACCESS SERVICE

7. Special Access Service (Cont'd)7.2 Rate Regulations (Cont'd)7.2.19 Optional Payment Plan (Cont'd)(H) Rate Applications(1) Billed Revenues

When the customer's actual billed revenues fall below the MMRC, the customer will be billed the MMRC.

(2) Nonrecurring Charges*

(C)

The OPP nonrecurring charges, as shown in 7.3 (Service Descriptions, Rates and Charges) and the Access Order Charge as set forth in 5.2 (Access Order), will apply for those services ordered and installed under a new three year or five year OPP.

For existing five year OPP customers who order and install new services:

- The OPP nonrecurring charge will be waived when the customer increases the MMRC by 50% of the monthly rate associated with the newly installed services.
- The OPP nonrecurring charges will apply if the customer does not increase the MMRC by 50% of the monthly rate associated with the newly installed services.

The Access Order Charge will apply to all orders for new service.

The OPP nonrecurring charges do not apply to existing services that are to be converted to an OPP; however, the Access Order Charge will apply.

* For Services ordered under MVP, refer to Section 38.3(E) (5).

(C)

(This page filed under Transmittal No. 2852)

ACCESS SERVICE

7. Special Access Service (Cont'd)

7.2 Rate Regulations (Cont'd)

7.2.19 Optional Payment Plan (Cont'd)

(H) Rate Applications (Cont'd)

(3) Termination of Service

Customers requesting the termination of an OPP prior to the expiration date, excluding OPPs terminated as a result of a renegotiation, will be charged a percentage of the MMRC for the remainder of the term as indicated below.

TERMINATION % = 50% FOR A THREE YEAR OPP AND
 40% FOR A FIVE YEAR OPP

The termination charge is calculated as follows:

TERMINATION CHARGE =
 MMRC X
 MONTHS REMAINING IN OPP X
 TERMINATION PERCENTAGE

Customers who ordered OPP service prior to October 6, 1999 and request the termination of an OPP prior to the expiration date of an extension of service will be calculated as follows: (C)
 (C)

TERMINATION CHARGE =
 NUMBER OF MONTHS UTILIZED OF THE EXTENSION X
 (CURRENT MONTHLY RATE -
 OPP MONTHLY RATE)

Customers who ordered OPP service on or after October 6, 1999 and request the termination of an OPP prior to the expiration date of an extension of service will be calculated as follows: (N)

of	Minimum Monthly Revenue	X	Months remaining	X	Termination percentage
	Commitment		in OPP Extension		45%
	= Termination Charge				

(This page filed under Transmittal No. 2782)

ACCESS SERVICE

- 7. Special Access Service (Cont'd)
- 7.2 Rate Regulations (Cont'd)
- 7.2.19 Optional Payment Plan (Cont'd)

(D)

(D)

(This page filed under Transmittal No. 2677)

Issued: December 12, 1997

Effective: December 27, 1997

Four AT&T Plaza, Dallas, Texas 75202

ACCESS SERVICE

7. Special Access Service (Cont'd)7.2 Rate Regulations (Cont'd)7.2.20 High Capacity Term Pricing Plan (HC-TPP) ^{(1) (2) (3)}(A) General Description

High Capacity Term Pricing Plan (HC-TPP) provides the customer with rate stabilization and discounted tariff rates. The customer agrees to a minimum monthly revenue commitment when establishing service under HC-TPP.

The minimum monthly revenue commitment is established on a per LATA, state or company level as described in 7.2.20(C) (1) (Minimum Monthly Revenue Commitment). When the minimum monthly revenue commitment is met at the LATA, state or company level, the customer has the ability to move an HC-TPP circuit within the level specified from one location to another location without incurring a Termination Charge.

Decreases in HC-TPP monthly recurring tariff rates will be passed on to customers who participate in an HC-TPP. The customer's minimum monthly revenue commitment will be reduced accordingly. The Telephone Company will notify customers participating in HC-TPP when monthly rates are decreased.

Should the Telephone Company increase its rates during the HC-TPP period, the customer would continue to pay the rates in effect at the time the customer elected to establish service under HC-TPP. If the customer upgrades to MegaLink Custom, STN or ReliaNet Service, the minimum monthly revenue commitment will be decreased to reflect the decreased number of circuits.

- (1) Effective May 17, 2003, High Capacity Service (1.544 Mbps) Term Pricing Plan (HC-TPP) service will no longer be available to new customers. There will be no change to existing customers.
- (2) At the expiration of the grandfathered DS1 High HC-TPP, the customer may choose a new DS1 Term Payment Plan with the prices in effect at that time. If the customer elects not to establish a new DS1 TPP, or does not renew the existing HC-TPP as stipulated in 7.2.20(C) (4), the service will be billed the tariffed month-to-month rates in effect at the time the grandfathered HC-TPP term expires.
- (3) Existing HC-TPPs may be converted to a new DS1 Term Payment Plan (TPP) term. If the expiration date for the new DS1 TPP term is beyond the expiration of the original HC-TPP, no other charges from the original plan will apply. Access Order charges associated with conversion to new DS1 TPPs will be waived. Refer to DS1 Term Payment Plan in section 7.2.22 following for all DS1 TPP terms and conditions.

Certain material previously appearing on this page now appears on Original Page 7-65.1.1.

(This page filed under Transmittal No. 2948)

Issued: May 2, 2003

Effective: May 17, 2003

Four AT&T Plaza, Dallas, Texas 75202

(C)

(N)

(N)

ACCESS SERVICE

7. Special Access Service (Cont'd)

7.2 Rate Regulations (Cont'd)

7.2.20 High Capacity Term Pricing Plan (HC-TPP) (Cont'd) ^{(1) (2) (3)}

(B) Services Available Under HC-TPP

A customer may elect to participate in HC-TPP for the following rate elements as described in 7.3 (Service Descriptions, Rates and Charges):

(C) (M)

High Capacity Channel Termination

- High Capacity Channel Mileage (Fixed and Per Mile)
- High Capacity Multiplexing
- Securenet options for Missouri as set forth in 7.2.20 (F)
- Collocation Transport Inter/Intra Office (Fixed and Per Mile)

(M)

- (1) Effective May 17, 2003, High Capacity Service (1.544 Mbps) Term Pricing Plan (HC-TPP) service will no longer be available to new customers. There will be no change to existing customers.
- (2) At the expiration of the grandfathered DS1 High HC-TPP, the customer may choose a new DS1 Term Payment Plan with the prices in effect at that time. If the customer elects not to establish a new DS1 TPP, or does not renew the existing HC-TPP as stipulated in 7.2.20(C) (4), the service will be billed the tariffed month-to-month rates in effect at the time the grandfathered HC-TPP term expires.
- (3) Existing HC-TPPs may be converted to a new DS1 Term Payment Plan (TPP) term. If the expiration date for the new DS1 TPP term is beyond the expiration of the original HC-TPP, no other charges from the original plan will apply. Access Order charges associated with conversion to new DS1 TPPs will be waived. Refer to DS1 Term Payment Plan in section 7.2.22 following for all DS1 TPP terms and conditions.

(N)

Certain material appearing on this page previously appeared on 6th Revised Page 7-65.1.

(N)

(This page filed under Transmittal No. 2948)

ACCESS SERVICE

7. Special Access Service (Cont'd)7.2 Rate Regulations (Cont'd)7.2.20 High Capacity Term Pricing Plan (HC-TPP) (Cont'd)(C) Terms and Conditions(1) Minimum Monthly Revenue Commitment

The customer agrees to a minimum monthly revenue commitment when electing to participate in a HC-TPP.

The minimum monthly revenue commitment is determined when the customer specifies the quantity of services to be included in the HC-TPP. That amount is then calculated using the current HC-TPP rates in effect at the time to arrive at the minimum monthly revenue commitment.

The minimum monthly revenue commitment is calculated as follows:

(Number of circuits)		(Rates in effect when)
(ordered)	X (customer establishes)
		(service under HC-TPP)

= Initial minimum monthly revenue commitment.

The customer may establish the HC-TPP minimum monthly revenue requirement at LATA, state or company level as follows: (C)
(C)

Less than 71% of total DS1 revenues is established as HC-TPP = LATA

71% to 90.99% of total DS1 revenues is established as HC-TPP = state (C)

91% or greater of total DS1 revenues is established as HC-TPP = company (C)
(C)

(a) Maintaining the Minimum Monthly Revenue Commitment

A customer who chooses the state level must maintain that level of minimum monthly revenue commitment for a minimum of one quarter before returning to a LATA level. At the quarterly review, if the level is below 71%, the customer has 30 days to increase the revenue to between 71% and 90.99% to maintain the state level. (T)
(C)

If the customer elects not to increase the revenues, the minimum monthly revenue commitment will be modified to reflect the LATA level and an Access Order charge will apply.

(This page filed under Transmittal No. 2474)

ACCESS SERVICE

7. Special Access Service (Cont'd)7.2 Rate Regulations (Cont'd)7.2.20 High Capacity Term Pricing Plan (HC-TPP) (Cont'd)(C) Terms and Conditions (Cont'd)(1) Minimum Monthly Revenue Commitment (Cont'd)(a) Maintaining the Minimum Monthly Revenue Commitment (Cont'd)

A customer who chooses the company level must maintain that level of minimum monthly revenue commitment for a minimum of one year.

After the minimum one year commitment is met, quarterly reviews will be conducted. At the quarterly review, if the level is below 91%, the customer has 30 days to increase the revenue to 91% or greater to maintain the company level.

If the customer elects not to increase the revenues, the minimum monthly revenue commitment will be modified to reflect the state level and an Access Order charge will apply.

(b) Exceeding the Minimum Monthly Revenue Commitment

The customer is permitted to exceed the minimum monthly revenue commitment by 10 percent throughout the life of a 3 year HC-TPP or by 15 percent throughout the life of a 5 year HC-TPP. If the customer exceeds the minimum monthly revenue commitment by more than 10 percent on a 3 year HC-TPP, that portion of the minimum monthly revenue commitment will be assessed and billed a 20 percent adjustment factor. If the customer exceeds the minimum monthly revenue commitment by more than the 15 percent on a 5 year HC-TPP, that portion of the minimum monthly revenue commitment will be assessed and billed a 30 percent adjustment factor. The revenue commitment amount will be reconciled quarterly.

(This page filed under Transmittal No. 2528)

ACCESS SERVICE

7. Special Access Service (Cont'd)

7.2 Rate Regulations (Cont'd)

7.2.20 High Capacity Term Pricing Plan (HC-TPP) (Cont'd)

(C) Terms and Conditions (Cont'd)

(1) Minimum Monthly Revenue Commitment (Cont'd)

(b) Exceeding the Minimum Monthly Revenue Commitment (Cont'd)

The adjustment factor will be billed until such time as the customer establishes a new revenue commitment or the billing no longer exceeds the 10 or 15 percent allowance.

The adjustment factor will not apply to the company level minimum monthly revenue commitment.

(c) Increasing the Minimum Monthly Revenue Commitment

The customer has the option to increase the minimum monthly revenue commitment rather than pay the adjustment factor. If the increase is received within 30 days of the time the adjustment factor was billed, the adjustment factor will not apply. To initiate an increase in the minimum monthly revenue commitment, the customer must provide the amount of the increase in writing with the understanding that this increased minimum monthly revenue commitment becomes the new minimum monthly revenue commitment.

The increased minimum monthly revenue commitment would be calculated as follows:

$$\begin{array}{r}
 \text{(Rates in effect Service to)} \quad \text{(Existing)} \\
 \text{(when customer X be added)} + \text{(minimum)} \\
 \text{(established)} \quad \text{(monthly)} \\
 \text{(increased service)} \quad \text{(revenue)} \\
 \text{(under HC-TPP)} \quad \text{(commitment)}
 \end{array}$$

= Increased minimum monthly revenue commitment.

An increase in the minimum monthly revenue commitment does not change any of the conditions in effect during the life of the HC-TPP.

(M)
|
(M)

Certain material appearing on this page formerly appeared on 1st Revised Page 7-65.3.

(This page filed under Transmittal No. 2474)

ACCESS SERVICE

7. Special Access Service (Cont'd)

7.2 Rate Regulations (Cont'd)

7.2.20 High Capacity Term Pricing Plan (HC-TPP) (Cont'd)

(C) Terms and Conditions (Cont'd)

(1) Minimum Monthly Revenue Commitment (Cont'd)

(d) Decreasing the Minimum Monthly Revenue Commitment

(T)
(M)

The customer may elect to decrease the minimum monthly revenue commitment at any time during the life of the HC-TPP. To initiate a decrease in the minimum monthly revenue commitment, the customer must provide the amount of the decrease in writing with the understanding that the decreased minimum monthly revenue commitment becomes the new minimum monthly revenue commitment.

The decreased minimum monthly revenue commitment will be calculated as follows:

Existing minimum monthly revenue commitment	-	Decrease in minimum monthly revenue commitment
---	---	--

= Decreased (new) minimum monthly revenue commitment.

In addition, the customer will be assessed a termination charge of 20% on either a 3 year or 5 year HC-TPP as follows:

Termination percentage	X	Decrease in minimum monthly revenue commitment	X	Months remaining in revenue commitment
------------------------	---	--	---	--

= Termination charge.

A decrease in the minimum monthly revenue commitment does not change any of the conditions in effect during the life of the HC-TPP.

Material and revised material appearing on this page previously appeared on Original Page 7-65.4.

Material previously appearing on this page now appears on 1st Revised Page 7-65.6.

(This page filed under Transmittal No. 2374)

Issued: July 29, 1994

Effective: September 12, 1994

Four AT&T Plaza, Dallas, Texas 75202

ACCESS SERVICE

7. Special Access Service (Cont'd)7.2 Rate Regulations (Cont'd)7.2.20 High Capacity Term Pricing Plan (HC-TPP) (Cont'd)(C) Terms and Conditions (Cont'd)(2) Nonrecurring Charges* (C)

The HC-TPP nonrecurring charges, as described in 7.3 (Service Descriptions, Rates and Charges), will apply for those services ordered and installed under a 5 Year HC-TPP. The nonrecurring charges will not apply toward the minimum monthly revenue commitment.

The HC-TPP nonrecurring charges, as described in 7.3 (Service Descriptions, Rates and Charges), do not apply to existing services that are to be billed under HC-TPP; however, the Access Order Charge (AOC) as defined in 5.2 (Access Order) will apply.

(3) Renegotiation

The customer may choose to terminate an existing HC-TPP before the end of the three or five year period and negotiate a new three or five year HC-TPP without termination liability provided the new HC-TPP meets the following requirements:

- (a) the new HC-TPP must represent a greater minimum monthly revenue commitment than the previous HC-TPP, and
- (b) the new HC-TPP must be based upon the rates that are currently in effect and available to all customers.

An existing three year HC-TPP may be converted into a five year HC-TPP without termination liabilities, provided that:

- (a) the three year HC-TPP has not ended,
- (b) the converted HC-TPP must be based upon the rates that are currently in effect and otherwise available to all customers, and
- (c) the customer's minimum monthly revenue commitment will be adjusted accordingly, based upon the applicable five year HC-TPP rates times the customer's current HC-TPP number of circuits ordered.

* For Services ordered under MVP, refer to Section 38.3(E) (5). (C)

(This page filed under Transmittal No. 2852)

ACCESS SERVICE

7. Special Access Service (Cont'd)7.2 Rate Regulations (Cont'd)7.2.20 High Capacity Term Pricing Plan (HC-TPP) (Cont'd)(C) Terms and Conditions (Cont'd)(3) Renegotiation (Cont'd)

When the customer converts to a five year HC-TPP, actual time in service for the original HC-TPP will be applied to the new HC-TPP. However, no credits or refunds will apply for the billing of actual time in service for the previous HC-TPP.

(4) Renewal

The customer must provide the Telephone Company with a written notice of intent to renew or extend an HC-TPP no later than 60 days prior to its expiration. The renewal rates will be the rates that are currently in effect and available to all customers. If the customer elects not to renew or extend the HC-TPP, or does not notify the Telephone Company of its intent to renew or extend the HC-TPP, the customer's service will automatically be billed under the tariffed month-to-month rates in effect at the time the HC-TPP expires.

(5) Extension of Service

The customer must provide the Telephone Company with a written notice of intent to extend the HC-TPP no later than 60 days prior to the expiration of the service period.

(C)
(C)

- (a) The customer may elect to extend the existing HC-TPP for an additional 24 month period at the current rates for the three or five year HC-TPP being extended. If the current HC-TPP rates are lower than the original HC-TPP rates, the customer's minimum monthly revenue commitment will be adjusted accordingly. If current HC-TPP rates create a minimum monthly revenue commitment higher than the existing minimum monthly revenue commitment, the customer's existing minimum monthly revenue commitment will continue to apply.

(N)

- (b) After completion of the first 24 month extension period, the customer may elect to extend the existing HC-TPP for another 24 month period at the current tariffed rates for the three or five year HC-TPP being extended originally. The Lata, State, or Company level MMRC, established with the MMRC developed in 7.2.20(C)(5)(a) above, will be recomputed based on the customer's current recurring HC-TPP billing.

(N)

(This page filed under Transmittal No. 2782)

ACCESS SERVICE

7. Special Access Service (Cont'd)

7.2 Rate Regulations (Cont'd)

7.2.20 High Capacity Term Pricing Plan (HC-TPP) (Cont'd)

(C) Terms and Conditions (Cont'd)

(6) Upgrades of Service

A customer may upgrade HC-TPP circuits to MegaLink Custom, STN or ReliaNet Service without termination liability given that:

- (a) the customer identifies the High Capacity circuits being moved,
- (b) the MegaLink Custom, STN or ReliaNet Service that the above High Capacity circuits are being moved to is a new MegaLink Custom, STN or ReliaNet Service,
- (c) the upgrade rates are based on those rates currently in effect in Sections 19.4, 20.5 or 31.3.3 (Rates and Charges) and available to all customers, and
- (d) the due date to disconnect the HC-TPP and the due date to connect the MegaLink Custom, STN or ReliaNet Service must be the same.

The AOC will apply.

(7) Conversion from HC-TPP to Other SWBT Services

(C)

A customer may convert an existing HC-TPP to other access services, without termination liabilities if all of the following criteria are met:

(C)

- (a) the customer identifies the HC-TPP circuits being moved,
- (b) the HC-TPP circuits must be converted to other SWBT services,
- (c) the new service represents equal to or greater than revenue remaining in the HC-TPP service period being converted,
- (d) the new contract should have termination liability plan equal to or greater than the HC-TPP being replaced,

(C)

(C)

The AOC will apply.

(This page filed under Transmittal No. 2712)

ACCESS SERVICE

- 7. Special Access Service (Cont'd)
- 7.2 Rate Regulations (Cont'd)
- 7.2.20 High Capacity Term Pricing Plan (HC-TPP) (Cont'd)

(D) Rate Applications

(1) Billed Revenues

If the customer reduces the number of circuits under HC-TPP without decreasing the minimum monthly revenue commitment, the initial minimum monthly revenue commitment will be billed.

(2) Special Construction Charges

Any special construction charges incurred for services billed under an HC-TPP will apply. These charges do not apply toward the minimum monthly revenue commitment.

(3) Termination of Service

Customers requesting the termination of an HC-TPP prior to the expiration date, excluding HC-TPP terminated as a result of a renegotiation, will be charged as indicated following:

<u>HC-TPP</u>	<u>Termination</u>
3 years	<u>Percentage</u>
5 years	20%
	20%

The termination charge will be calculated as follows:

Minimum monthly revenue commitment X Months remaining in HC-TPP X Termination percentage

= Termination charge.

Customers requesting the termination of an HC-TPP prior to the expiration date of the first extension of service will be charged a termination charge as calculated below: (C)

Number of months utilized of the extension of service X Current Monthly Rate - HC-TPP Monthly Rate

= Termination charge.

Customers requesting the termination of an HC-TPP prior to the expiration of the second extension of service will be charge a termination charge as calculated below. (N)

Minimum monthly revenue commitment X Months remaining in 24 month extension X Termination percentage of 45%

= Termination charge. (N)

(This page filed under Transmittal No. 2782)

ACCESS SERVICE

7. Special Access Service (Cont'd)7.2 Rate Regulations (Cont'd)7.2.20 High Capacity Term Pricing Plan (HC-TPP) (Cont'd) ^{(1) (2) (3)}

(E) Conversion from High Capacity OPP to HC-TPP ⁽⁴⁾
Customers may convert existing High Capacity OPP to HC-TPP under the rules and regulations set forth in Section 7.2.19(G) of the tariff at any time.

(F) Right of Successor of an HC-TPP Agreement

If a current HCTPP customer, at any time during the term of an HCTPP Agreement, assigns or transfers part or all of the Services Available Under HC-TPP identified in 7.2.20(B) to a unaffiliated customer, the assignor or transferor (former customer) may choose either (1) or (2) below:

(1) If the current HC-TPP customer (assignor or transferor) can qualify for HC-TPP with the remaining access services, an one-time adjustment to the MMRC will be made for the amount of transferred services; and

(a) If the new customer (assignee or transferee) is not a current HC-TPP customer and chooses not to subscribe to HC-TPP, the current HC-TPP customer (assignor or transferor) must pay termination liability charges as set forth in Section 7.2.20(C)(1)(d), preceding, for the amount of services assigned or transferred. If within sixty (60) days, however, the customer (assignee or transferee) includes the assigned or transferred services in a new HC-TPP MMRC, termination liability will be waived on the portion of assigned or transferred services included in the HC-TPP MMRC by the customer (assignee or transferee); or

- (1) Effective May 17, 2003, High Capacity Service (1.544 Mbps) Term Pricing Plan (HC-TPP) service will no longer be available to new customers. There will be no change to existing customers.
- (2) At the expiration of the grandfathered DS1 High HC-TPP, the customer may choose a new DS1 Term Payment Plan with the prices in effect at that time. If the customer elects not to establish a new DS1 TPP, or does not renew the existing HC-TPP as stipulated in 7.2.20(C)(4), the service will be billed the tariffed month-to-month rates in effect at the time the grandfathered HC-TPP term expires.
- (3) Existing HC-TPPs may be converted to a new DS1 Term Payment Plan (TPP) term. If the expiration date for the new DS1 TPP term is beyond the expiration of the original HC-TPP, no other charges from the original plan will apply. Access Order charges associated with conversion to new DS1 TPPs will be waived. Refer to DS1 Term Payment Plan in section 7.2.22 following for all DS1 TPP terms and conditions.
- (4) Conversion of existing OPPs may not be made to a new HCTPP after May xx, 2003. Existing OPPs and HCTPPs can convert to a new DS1 TPP as described in 7.2.22 following. Access Order charges associated with conversion to new DS1 TPPs will be waived.

(This page filed under Transmittal No. 2962)

ACCESS SERVICE

7. Special Access Service (Cont'd)

(N)

7.2 Rate Regulations (Cont'd)7.2.20 High Capacity Term Pricing Plan (HC-TPP) (Cont'd) ^{(1) (2) (3)}(F) Right of Successor of an HC-TPP Agreement (Cont'd)

(1) (Cont'd)

(b) If the new customer (assignee or transferee) is a current HC-TPP customer and chooses not to include the assigned or transferred services in its HC-TPP MMRC, the HC-TPP customer (assignor or transferor) must pay termination liability charges as set forth in Section 7.2.20(D)(3), preceding, for the amount of access services assigned or transferred. If within sixty (60) days, however, the customer (assignee or transferee) includes the transferred services in the HC-TPP MMRC, termination liability will be waived on the portion of assigned or transferred services included in the HC-TPP MMRC by the customer (assignee or transferee).

(2) In keeping with existing terms and conditions, if the current HC-TPP customer (assignor or transferor) cannot qualify for HC-TPP with the remaining access revenues, the customer (assignor or transferor) must pay termination liability charges as set forth in Section 7.2.20(D)(3), preceding, for the most current MMRC that includes the access services assigned or transferred.

However, if within sixty (60) days the customer (assignee or transferee) includes the assigned or transferred services in the HC-TPP MMRC, termination liability will be waived on the portion of assigned or transferred services included in the HC-TPP MMRC by the customer (assignee or transferee).

If (1) or (2) are not applicable, Termination Liability charges, as described in Section 7.2.20(D)(3), will apply.

(N)

- (1) Effective May 17, 2003, High Capacity Service (1.544 Mbps) Term Pricing Plan (HC-TPP) service will no longer be available to new customers. There will be no change to existing customers.
- (2) At the expiration of the grandfathered DS1 High HC-TPP, the customer may choose a new DS1 Term Payment Plan with the prices in effect at that time. If the customer elects not to establish a new DS1 TPP, or does not renew the existing HC-TPP as stipulated in 7.2.20(C)(4), the service will be billed the tariffed month-to-month rates in effect at the time the grandfathered HC-TPP term expires.
- (3) Existing HC-TPPs may be converted to a new DS1 Term Payment Plan (TPP) term. If the expiration date for the new DS1 TPP term is beyond the expiration of the original HC-TPP, no other charges from the original plan will apply. Access Order charges associated with conversion to new DS1 TPPs will be waived. Refer to DS1 Term Payment Plan in section 7.2.22 following for all DS1 TPP terms and conditions.

(This page filed under Transmittal No. 2962)

ACCESS SERVICE

7. Special Access Service (Cont'd)7.2 Rate Regulations (Cont'd)7.2.20 High Capacity Term Pricing Plan (HC-TPP) (Cont'd)(F) SecureNet

(M)

The following provisions will apply for SecureNet options offered in the state of Missouri:

- (1) Three (3) and five (5) year SNS billing periods are available.
- (2) With the exception of availability, all terms and conditions as set forth in 7.3.10(E)(6) apply.
- (3) Revenue from SecureNet options will be included in the Minimum Monthly Revenue Commitment as set forth in 7.2.20(C)(1).
- (4) A customer may elect to upgrade existing High Capacity SecureNet options to MegaLink Custom Service SecureNet options without incurring termination liabilities. All rates and charges as set forth in Section 20.5.3(B) will apply.
- (5) Discontinuance of a SecureNet option at an existing customer location will result in termination liabilities as set forth in (7) following.
- (6) A customer may renew an SNS option for another 3- or 5-year period. The customer must provide the Telephone Company with a written notice of intent to renew an SNS option no later than 90 days prior to its expiration. The renewal rates will be the rates that are currently in effect and available to all customers. If the customer elects not to renew an SNS option, or does not notify the Telephone Company of its intent to renew the option, the customer's service will automatically be billed under the tariffed month-to-month rates in effect at the time the SNS option expires.

Material appearing on this page previously appeared on 2nd Revised Page 7-65.10.

Material previously appearing on this page now appears on Original Page 7-65.12.

(This page filed under Transmittal No. 2610)

Issued: January 27, 1997

Effective: March 13, 1997

Four AT&T Plaza, Dallas, Texas 75202

ACCESS SERVICE

7. Special Access Service (Cont'd)

7.2 Rate Regulations (Cont'd)

7.2.20 High Capacity Term Pricing Plan (HC-TPP) (Cont'd)

(F) SecureNet (Cont'd)

(M)

(7) A SecureNet option which is terminated prior to the expiration of a 3 or 5 year billing period will be subject to termination charges as follows:

Monthly Rate for Securenet Option	X	Number of Months Remaining on the SNS Option	X	Termination = Percentage
Termination Charge				

The Termination Percentage is 20%.

The Monthly Rate referenced above will be the customer's current monthly rate for the SNS option at the time of termination.

(8) SecureNet nonrecurring charges apply per Channel Termination. Nonrecurring charges associated with new SecureNet options will be waived on new or existing High Capacity Service from July 1, 1994 through December 31, 1994. However, the Access Order Charge (AOC), as set forth in 5.2, will apply. Access Service Requests received after December 31, 1994 will incur nonrecurring charges as set forth in 7.3.10(F)(22)(d).

Material appearing on this page previously appeared on Original Page 7-65.11.

(This page filed under Transmittal No. 2610)

Issued: January 27, 1997

Effective: March 13, 1997

Four AT&T Plaza, Dallas, Texas 75202

ACCESS SERVICE

7. Special Access Service (Cont'd)

7.2 Rate Regulations (Cont'd)

7.2.21 Reserved for Future Use

(T)

(This page filed under Transmittal No. 3394)

Issued: August 29, 2014

Effective: September 13, 2014

Four AT&T Plaza, Dallas, Texas 75202

ACCESS SERVICE

- 7. Special Access Service (Cont'd)
- 7.2 Rate Regulations (Cont'd)

(D)

(This page filed under Transmittal No. 3394)

Issued: August 29, 2014

Effective: September 13, 2014

Four AT&T Plaza, Dallas, Texas 75202

ACCESS SERVICE

7. Special Access Service (Cont'd)

7.2 Rate Regulations (Cont'd)

(D)

(This page filed under Transmittal No. 3394)

Issued: August 29, 2014

Effective: September 13, 2014

Four AT&T Plaza, Dallas, Texas 75202

ACCESS SERVICE

7. Special Access Service (Cont'd)7.2 Rate Regulations (Cont'd)7.2.22 DS1 Term Payment Plan (DS1 TPP)(A) General Description

The DS1 Term Payment Plan (DS1 TPP) is a term plan that allows a customer to purchase DS1 High Capacity Service over a 1, 2, 3, 5, or 7 year period.⁽¹⁾ During the term of the selected DS1 TPP, Telephone Company initiated recurring rate changes (increases or decreases) will automatically be applied to the monthly payments for the remaining months of the current DS1 TPP term. The monthly recurring rate during the DS1 TPP term will never exceed the initial DS1 TPP rate. The DS1 TPP rates can be found in Section 7.3.10 (F) (10.4). (N)

The DS1 TPP cannot be combined with other discounts, or pricing flexibility contracts, unless explicitly stated in the respective tariff terms and conditions.

The following recurring rate elements are included in the DS1 TPP and are described in Section 7.3 (Service Descriptions):

- DS1 High Capacity Service Channel Termination
- DS1 High Capacity Service Channel Mileage - Fixed and Per Mile
- DS1 High Capacity Service Central Office Multiplexing
- DS1 High Capacity Service Collocation Transport (Fixed and Per Mile)

⁽¹⁾ Effective on September 13, 2017, DS1 TPP 5- and 7-year Payment Plans are no longer available, including for any otherwise available conversions. Circuits already subject to a DS1 TPP 5- or 7-year Payment Plan, as of September 13, 2017, will continue to be provided under the then-current DS1 TPP 5- or 7-year Payment Plan term for the remainder of that term. (N)

(This page filed under Transmittal No. 3445)

ACCESS SERVICE

7. Special Access Service (Cont'd)7.2 Rate Regulations (Cont'd)7.2.22 DS1 Term Payment Plan (Cont'd)(B) Conversion of service to a new DS1 TPP or Higher Speed Service

During a customer's DS1 TPP term, conversion may be made to a new DS1 TPP term of the same or different length or an upgrade may be made to a higher speed service, if the expiration date for the new DS1 TPP term or for the new higher service is beyond the end of the original DS1 TPP term. The new DS1 TPP term or higher speed service must occur between the same two termination points as the original DS1 service being converted. The new DS1 TPP term or the higher speed service term becomes effective upon completion of the conversion activity. The rates, terms, and conditions applicable for the new DS1 TPP term or higher speed service will be those in effect at the time the conversion is requested. Credit for months under the previous DS1 TPP may not be transferred to the new DS1 TPP or to the higher speed service term. When all conditions described above are met, termination liability for the remaining months on the original DS1 TPP will not apply. (Tx)

(C) Moves

During a DS1 TPP term a customer may move one end of a DS1 High Capacity Service to another location in the same LATA and keep the DS1 TPP in force provided the following requirements are met:

- (1) the customer must have met the minimum in-service period at the previous location and will be subject to a new minimum in-service period at the new location; and
- (2) the Move is accommodated on a single customer order with the stipulation that the BAN (Billing Account Number), the NC (Network Channel Code), ACTL (Access Customer Terminal Location) and the ECCKT (Circuit Id) are provided and are the same as for the existing circuit being moved.

(Tx)

(Tx)

(x) Issued under authority of Special Permission No. 14-001 of the FCC in order to withdraw material filed under Transmittal No. 3383 and suspended under Order DA-13-2349, released December 9, 2013, without its becoming effective and to restore currently effective material.

(This page filed under Transmittal No. 3386)

Issued: January 15, 2014

Effective: January 16, 2014

Four AT&T Plaza, Dallas, Texas 75202

ACCESS SERVICE

7. Special Access Service (Cont'd)7.2 Rate Regulations (Cont'd)

(N)

7.2.22 DS1 Term Payment Plan (Cont'd)(C) Moves (Cont'd)

Moves to a different wire center may result in a change in the application of the rate elements associated with the service and therefore could result in a change in the monthly recurring charges.

EXAMPLE #1: One end of a DS1 is changed from Location A to Location B within the same LATA. The new Channel Mileage associated with the one-ended Move increased by 2 miles. Therefore, the resulting Channel Mileage calculation increases the monthly recurring charge accordingly.

EXAMPLE #2: One end of a DS1 is changed from Location C to Location D within the same LATA. The new Channel Mileage associated with the one-ended Move decreased by 5 miles. Therefore, the resulting Channel Mileage calculation decreases the monthly recurring charge accordingly.

If no lapse in service occurs and if the requirements in (1) and (2) as stated previously are met, termination liability will not apply. Nonrecurring Channel Termination Charges or Nonrecurring Collocation Transport Charges and Access Order Charges for the physical move will apply.

(D) Expiration of DS1 TPP Term Options

DS1 TPP is not available for renewal. At the expiration of the DS1 TPP term, the customer may select a new DS1 TPP term at the prevailing DS1 TPP rates. If a customer does not wish to purchase a new DS1 TPP at the expiration of the term, the customer's service will automatically convert to the current month-to-month rates.

(N)

(This page filed under Transmittal No. 2948)

ACCESS SERVICE

7. Special Access Service (Cont'd)7.2 Rate Regulations (Cont'd)7.2.22 DS1 Term Payment Plan (Cont'd)(E) DS1 High Capacity Service Portability Commitment

DS1 High Capacity Service Portability Commitment (Portability Commitment) provides a Customer the ability to establish a volume commitment in the form of DS1 Channel Terminations and receive a waiver on DS1 TPP Termination Liability, as described in 7.2.22 (G), during the life of the Portability Commitment. The Portability Commitment will consist of a Commitment Level (CL), as described below, and will have a term of three years. The Portability Commitment does not otherwise affect the rates, terms, or conditions of the Customer's DS1 TPP. Only Portability Commitments established prior to August 30, 2016, may be renewed. To renew, the Customer must notify the Telephone Company, in writing, with such notice directed to both the Customer's account manager and the access service center, and specifically identify the Customer's Commitment Level (as defined herein), prior to the expiration of the Customer's existing Portability Commitment term.

For a Portability Commitment under Section 7.2.22(E) (1), Customers may purchase DS1 service under DS1 TPP terms of 2, 3, 5, or 7 years ⁽¹⁾ and have the associated Channel Terminations count towards the CL. After establishing the CL, Customer may continue to purchase DS1 service on a month-to-month arrangement or under a DS1 TPP of 1, 2, 3, 5, or 7 years ⁽¹⁾ without portability and have the associated Channel Terminations not count toward the Customer's portability CL. (N)

For a Portability Commitment under Section 7.2.22(E) (2), Customers may purchase DS1 service under DS1 TPP terms of 1, 2, 3, 5, or 7 years ⁽¹⁾ or on a month-to-month basis and have the associated Channel Terminations count towards the CL. (N)

Access Order Charges and all installation charges will be billed as applicable.

(1) For Portability Commitments established prior to August 30, 2016, the terms and conditions associated with the Portability Commitment are as follows in this Section 7.2.22(E) (1):

- (a) Customer commits to a 3-Year Commitment Level (CL) that is reviewed on a monthly basis. The initial monthly CL is calculated by the Telephone Company and is the total of all DS1 Channel Terminations in-service for the month previous to the month in which the Customer notifies the Telephone Company, in writing, of the Customer's CL. The initial monthly CL will consist of all Channel Terminations including those on Month-to-Month terms and other term pricing plans. The effective date of the Portability Commitment will be the first day of the month immediately following the month in which the Portability Commitment is signed;
- (b) Customer must have a minimum of 40 Channel Terminations in-service each month and at least 80% of the CL under a 2, 3, 5, or 7 year DS1 TPP each month;
- (c) At the commencement of the Customer's Portability Commitment and upon any renewal of a Portability Commitment, at least 80 percent of the Customer's CL must be purchased under a 2, 3, 5, or 7 year DS1 TPP; and

⁽¹⁾ Effective on September 13, 2017, DS1 TPP 5- and 7-year Payment Plans are no longer available, including for any otherwise available conversions. Circuits already subject to a DS1 TPP 5- or 7-year Payment Plan, as of September 13, 2017, will continue to be provided under the then-current DS1 TPP 5 or 7-year Payment Plan term for the remainder of that term. (N)

(This page filed under Transmittal No. 3445)

ACCESS SERVICE

7. Special Access Service (Cont'd)

7.2 Rate Regulations (Cont'd)

7.2.22 DS1 Term Payment Plan (Cont'd)

(E) DS1 High Capacity Service Portability Commitment (Cont'd)

(1) (Cont'd) (N)

(d) Each month, the total number of 2, 3, 5, and 7 year DS1 TPP Channel Terminations for the previous month will be calculated and measured against the corresponding monthly CL; (T)

(i) If the total number of Channel Terminations, as calculated above, is 80% - 124% of the CL, no other charges will apply for the previous month. (T)

(ii) If the total number of Channel Terminations, as calculated above, is less than 80% of the CL, charges will be assessed as follows: (T)

Customer will be billed the difference between 80% of the CL and the actual number of in-service Channel Terminations.

EXAMPLE #1: Customer A has a CL = 1,000 Channel Terminations for the month of June. Customer A must have at least 800 DS1 Channel Terminations in-service to meet the 80% target. In July, the monthly review calculated 795 DS1 Channel Terminations in-service for the month of June. The difference between 80% of the CL (800) and the actual in-service total (795) is 5 Channel Terminations. Therefore, the Customer will be billed an amount equal to 5 Channel Terminations multiplied by the lowest available Price Cap Zone 1 Channel Termination rate, as set forth in Section 7.3.10(F)(10.4). For subsequent months, Customer A will continue to be billed an amount equal to the difference between 80% of the CL and the actual in-service number of Channel Terminations that are below 80% of the CL (multiplied) by the lowest available Price Cap Zone 1 Channel Termination rate, as set forth in Section 7.3.10(F)(10.4), until 80% of the CL is met. (T) (C) (C) (C)

(This page filed under Transmittal No. 3432)

ACCESS SERVICE

7. Special Access Service (Cont'd)7.2 Rate Regulations (Cont'd)7.2.22 DS1 Term Payment Plan (Cont'd)(E) DS1 High Capacity Service Portability Commitment (Cont'd)

(1) (Cont'd) (N)

(d) (Cont'd) (T)

(iii) If the total number of in-service Channel Terminations, as calculated above, is more than 124% of the CL, the Customer will be billed an adjustment factor equal to the Nonrecurring Channel Termination charge multiplied by the difference between the actual number of Channel Terminations in-service and 124% of the CL. (T)

EXAMPLE #2: Customer B has a CL of 500 Channel Terminations. In month 5 of the commitment, Customer B has 650 Channel Terminations in-service. Customer B has exceeded the CL by more than the 124% threshold (620). Customer B will be charged an adjustment factor equal to 30 Channel Terminations (650-620) multiplied by the current Nonrecurring Channel Termination rate. For subsequent months, Customer B will continue to be charged the Nonrecurring Channel Termination rate multiplied by the difference between the actual number of Channel Terminations in-service and 124% of the CL until Customer B no longer exceeds the CL by the 124% threshold.

(iv) Customers may increase the CL at any time by providing written notification to Telephone Company. Credits for previously charged adjustments billed for exceeding the CL will not be provided when a Customer increases the CL. However, an adjustment factor will not be billed if notice to increase the CL is provided to the Telephone Company within the calendar month following a reported adjustment, and the CL increase is sufficient that the number of in-service rate elements does not exceed 124% of the new CL. For instance, in Example #2 above, if the Customer increases the CL from 500 to 525 before the end of month 6, the adjustment factor applicable to month 5 will not be billed because the actual in-service volume (650) is less than or equal to the new 124% threshold (651). (T)

Certain material previously appearing on this page now appears on 5th Revised Page 7-68.3.4.

(This page filed under Transmittal No. 3432)

Issued: August 15, 2016

Effective: August 30, 2016

675 W. Peachtree St. NW, Atlanta, GA 30308

ACCESS SERVICE

7. Special Access Service (Cont'd)

7.2 Rate Regulations (Cont'd)

7.2.22 DS1 Term Payment Plan (Cont'd)

(E) DS1 High Capacity Service Portability Commitment (Cont'd)

(1) (Cont'd) (N)

(d) (Cont'd) (N)

(v) If the Customer elects to terminate the DS1 High Capacity Service Portability Commitment or elects to decrease the CL prior to the 3-Year commitment, Termination Liabilities will apply. Termination Liability is calculated as the decreased number of Channel Terminations multiplied by the lowest available Price Cap Zone 1 Channel Termination rate, as set forth in Section 7.3.10(F)(10.4), multiplied by the number of months remaining in the term of the Portability Commitment. (T) (M) (M) (C) (C)

EXAMPLE #3: Customer C has a CL equal to 1,000 Channel Terminations. In month 10 of the 36-month Portability Commitment, Customer C elects to decrease the CL by 50 Channel Terminations. The Termination Liability associated with the decrease is equal to:

(50 Channel Terminations) X (26 months remaining) X (Lowest Available Price Cap Zone 1 Channel Termination rate) (C) (C)

EXAMPLE #4: Customer D has a CL equal to 500 Channel Terminations. In month 20 of the 36-month Portability Commitment, Customer D elects to terminate the entire Portability Commitment. The Termination Liability associated with the termination of the entire commitment is equal to:

(500 Channel Terminations) X (16 months remaining) X (Lowest Available Price Cap Zone 1 Channel Termination rate) (C) (C)

Certain material now appearing on this page previously appeared on 5th Revised Page 7-68.3.3.

Certain material previously appearing on this page now appears on 5th Revised Page 7-68.3.5.

(This page filed under Transmittal No. 3432)

ACCESS SERVICE

7. Special Access Service (Cont'd)7.2 Rate Regulations (Cont'd)7.2.22 DS1 Term Payment Plan (Cont'd)(E) DS1 High Capacity Service Portability Commitment (Cont'd)

(2) For Portability Commitments established on or after August 30, 2016, the terms and conditions associated with the Portability Commitment are as follows in this Section 7.2.22(E) (2):

- (a) Customer commits to a 3-Year Commitment Level (CL) that is reviewed on a monthly basis by the Telephone Company. To begin the process of establishing a Portability Commitment, Customer must request from the Telephone Company a list of DS1 circuits with Channel Terminations for all of the ACNAs of Customer and any entities that are then affiliated companies of Customer. Customer must designate from the provided list which DS1 circuits with Channel Terminations are to be included in, and which are to be excluded from, its Portability Commitment and return the list with those designations to the Telephone Company. Failure to provide a designation for a listed circuit will be deemed to be a designation that such circuit is to be excluded from its Portability Commitment.

Only those DS1 circuits with Channel Terminations that are designated as being included ("Designated DS1s") will be subject to the Portability Commitment.

The Customer's initial monthly CL is the total number of Channel Termination associated with Designated DS1s.

The effective date of the Portability Commitment will be the first day of the month immediately following the month in which the Portability Commitment is signed.

- (b) Customer must commit a minimum of 100 DS1 circuits with Channel Terminations to establish a Portability Commitment.
- (c) Customer, including all of its ACNAs and Affiliates, may be subject to only one Portability Commitment for the operating territory of the Telephone Company. An "Affiliate," as that term is used in connection with the Portability Commitment, is a person that (directly or indirectly) owns or controls, is owned or controlled by, or is under common ownership or control with, another person. For purposes of the prior sentence, "own" means to own an equity interest (or the equivalent thereof) of more than 10 percent.
- (d) Designated DS1s that are disconnected during the term of the Portability Commitment will not incur Termination Liability charges.

(This page filed under Transmittal No. 3432)

ACCESS SERVICE

7. Special Access Service (Cont'd)7.2 Rate Regulations (Cont'd)7.2.22 DS1 Term Payment Plan (Cont'd)(E) DS1 High Capacity Service Portability Commitment (Cont'd)

(2) (Cont'd)

- (e) Circuits which are not included in the Portability Commitment by Customer in the initial designation, as described in Section 7.22(E)(2)(a), or ordered under the DS1 TPP on or after August 30, 2016 without being designated for the Portability Commitment, may not be added to the Portability Commitment for the duration of the Portability Commitment term.
- (f) Customer may add additional DS1 circuits with channel terminations to the Portability Commitment during the term of the Portability Commitment only when initially ordering such DS1 circuit. A DS1 circuit with a Channel Termination that is so added, will be considered a Designated DS1.
- (g) Any Designated DS1 with an expired term plan that is subject to month-to-month rates will continue to count toward Customer's CL.
- (h) During the monthly review of Customer's Designated DS1s and its CL by the Telephone Company, it will be determined if Customer met, did not meet, or exceeded its CL on the last day of the month being reviewed.

If Customer did not meet its CL, Customer will be billed a charge for each Channel Termination below its CL equal to the lowest available Price Cap Zone 1 Channel Termination rate, as set forth in Section 7.3.10(F)(10.4), on such last day of the month.

Example: Customer's CL is 100 Channel Terminations. At the end of the month, Customer had 90 Channel Terminations in service. Customer will be billed:

$(100 - 90) \times (\text{Lowest available Price Cap Zone 1 Channel Termination rate})$

If a Customer exceeds its CL by 115 percent or greater for three consecutive months, Customer's CL will be increased to ninety percent (90%) of the average number of Designated DS1s for those three months.

Example: Customer's CL is 100 Channel Terminations. For three consecutive months during the Portability Commitment term, the Customer's Channel Termination volumes are 118, 120 and 122, for an average of 120. The Customer's new CL will be:

$((118+120+122)/(3)) \times (90\%) = 108$

- (i) If Customer elects to decrease the CL prior to expiration of the 3-Year commitment, a buy-down charge will apply. The buy-down charge is calculated as the number by which the CL is decreased multiplied by the lowest available Price Cap Zone 1 Channel Termination rate, as set forth in Section 7.3.10(F)(10.4), on the date of the buy-down multiplied by the number of months remaining in the term of the Portability Commitment.

Example: Customer C has a CL equal to 1,000 Channel Terminations. In month 10 of the 36-month Portability Commitment, Customer C elects to decrease the CL by 50 Channel Terminations. The buy-down charge associated with the decrease is equal to:

$(50 \text{ Channel Terminations}) \times (\text{Lowest available Price Cap Zone 1 Channel Termination rate}) \times (26 \text{ months remaining})$
= Buy-down Charge

(This page filed under Transmittal No. 3432)

ACCESS SERVICE

7. Special Access Service (Cont'd)7.2 Rate Regulations (Cont'd)7.2.22 DS1 Term Payment Plan (Cont'd)(F) Applicable One-Time Charges

(1) Access Order Charge

Access Order Charges will apply, as described in section 5.3.1, to all order activity. An Access Order charge will apply on any changes made to a plan (e.g., moving from a 3 year to a 7 year plan, on physical moves of DS1 High Capacity Services, and new installations) as applicable.

(M)

(M)

(2) DS1 Term Payment Plan Non-Recurring Charges

Nonrecurring Channel Termination charges will apply per Channel Termination or the nonrecurring Collocation Transport nonrecurring charge will apply on new installations of DS1 High Capacity Service on 1 year DS1 TPP term, and on all physical moves of DS1 High Capacity Services. Nonrecurring Channel Termination charges and nonrecurring Collocation Transport charges will be waived on new installations with 2, 3, 5, and 7 year DS1 TPP terms. The Nonrecurring Channel Termination Charge will also apply, applicable as stated in 7.2.22(E) previously, for Customers who have a DS1 High Capacity Service Portability Commitment.

(T)

(G) Termination Liability

Termination liability charges will apply in the following cases:

- (1) In the event service is terminated prior to the expiration of the minimum service period, charges, as specified in Section 5.3.4 (Minimum Period Requirements), will apply in addition to the termination liability charges identified in 7.2.22(G)(2) following.
- (2) In the event service is terminated prior to the end of the DS1 TPP term, a termination charge utilizing the following termination percentage will apply:

Termination Billing Period Percentage: 40%

The termination charge is calculated as follows:

(Monthly Recurring Rate) X (Months remaining in DS1 TPP term) X (Termination Billing Period Percentage)

Example: A Customer with a \$500 monthly rate terminates service with 10 months remaining in a 3 year DS1 TPP term. The termination liability charge would be calculated as follows:

$$(\$500) \times (10) \times (.40) = \$2000$$

(T)

Certain material now appearing on this page previously appeared on 4th Revised Page 7-68.3.4.

(This page filed under Transmittal No. 3432)

Issued: August 15, 2016

Effective: August 30, 2016

675 W. Peachtree St. NW, Atlanta, GA 30308

ACCESS SERVICE

7. Special Access Service (Cont'd)7.2 Rate Regulations (Cont'd)7.2.23 Video Pricing Plan (VPP)

(D)

(A) General Description

Video Pricing Plan (VPP) provides the customer with rate stabilization and discounted tariff rates. The customer agrees to a 1, 3 or 5 year fixed service period.

If the Telephone Company initiates rate changes resulting in a decrease of rates for an existing service with a 1, 3 or 5 year fixed service period, those rate changes will be passed along to the customer. Rate changes resulting in an increase of rates for an existing service with a 1, 3 or 5 year fixed service period will not exceed the original rate for that selected service period. Rate changes may occur as a result of F.C.C. action.

(B) Services Available Under VPP

A customer may elect to participate in VPP for the following rate elements as described in 7.3 (Service Descriptions, Rates and Charges):

(1) Broadcast Video Service (TV1)

- Channel Termination
- Channel Mileage (Fixed and Per Mile)
- Optional Features, BSEs and Functions

(C) Terms and Conditions(1) Renewal

The customer must provide the Telephone Company with a written notice of intent to renew an VPP no later than 60 days prior to its expiration. The renewal rates will be the rates that are currently in effect and available to all customers. If the customer elects not to renew the VPP, or does not notify the Telephone Company of its intent to renew the VPP, the customer's service will automatically be billed under the tariffed month-to-month rates in effect at the time the VPP expires.

(D)

(D)

(This page filed under Transmittal No. 3185)

ACCESS SERVICE

7. Special Access Service (Cont'd)7.2 Rate Regulations (Cont'd)7.2.23 Video Pricing Plan (VPP) (Cont'd)

(D)

(D) Rate Applications(1) Termination of Service

Customers requesting the termination of an VPP prior to the expiration date, will be charged as indicated following:

<u>VPP</u>	<u>Termination Percentage</u>
1 year	30%
3 years	20%
5 years	15%

The termination charge will be calculated as follows:

Fixed Service	Months	Termination
Period	X remaining	X percentage
Monthly Rate	in VPP	

= Termination charge.

(D)

(D)

(This page filed under Transmittal No. 3185)

Issued: March 1, 2007

Effective: March 16, 2007

Four AT&T Plaza, Dallas, Texas 75202

ACCESS SERVICE

7. Special Access Service (Cont'd)

7.2 Rate Regulations (Cont'd)

7.2.24⁽¹⁾

(D)

⁽¹⁾ Material in this Section has been de-tariffed as required by the Commission upon use of the forbearance relief pursuant to FCC Memorandum Opinion and Order No. 07-180, released October 12, 2007. Terms and Conditions associated with de-tariffed services are available at www.att.com/guidebook.

(This page filed under Transmittal No. 3251)

Issued: January 24, 2008

Effective: February 8, 2008

Four AT&T Plaza, Dallas, Texas 75202

ACCESS SERVICE

7. Special Access Service (Cont'd)

7.3 Service Descriptions, Rates and Charges

Effective November 1, 2017, all rate elements, other than End User channel terminations and their optional features⁽²⁾ in Non-Competitive Counties, are no longer available from Section 7.3 for new service subscriptions.⁽¹⁾ The application of rates and charges for Special Access services is based upon the county classification as Competitive or Non-Competitive, as provided in Section 7.2. A list of Competitive and Non-Competitive Counties is located in Sections 15.2(C) and (D).

(N)
|
(N)

7.3.1 General

The types of Special Access Service are:

- Metallic (MT)
- Telegraph Grade (TG)
- Voice Grade (VG)
- Program Audio (AP)
- Video
- MegaLink Data (DA)
- High Capacity (HC)

Each of the channel types has its own characteristics. All are subdivided by one or more of the following:

- Transmission specifications
- Bandwidth
- Speed (i.e., bit rate)
- Spectrum.

(A) Descriptions

Each service consists of a basic channel to which the following services can be added as required to construct the service desired by the customer:

- Technical specifications packages (customized or predefined)
- Channel interface(s)
- Optional features, BSEs and functions.

⁽¹⁾ Until February 1, 2018, End User channel terminations and their optional features that had not qualified for Phase II, Level 2 pricing flexibility prior to June 1, 2017, will be rated at the price cap rate regardless of the status of the county in which the applicable wire center is located.

⁽²⁾ Optional features for End User channel terminations includes all optional features in Section 7.3, except for the Loop Transfer Arrangement.

(N)
|
(N)

(This page filed under Transmittal No. 3447)

ACCESS SERVICE

7. Special Access Service (Cont'd)7.3 Service Descriptions, Rates and Charges (Cont'd)7.3.1 General (Cont'd)(A) Descriptions (Cont'd)

Paragraph (A) of 7.3.2 through 7.3.10 provides a description of the characteristics of each basic channel type and indicates whether the channel is provided between customer designated premises or between a customer designated premises and a Telephone Company Hub where bridging or multiplexing functions are performed. Customized channels are available as specified in 7.2.16.

(B) Technical Specifications Packages

A matrix is provided in paragraph (B) of 7.3.2 through 7.3.10 which indicates the transmission parameters that are available with each Technical Specifications Package. The codes used to design the packages are constructed using the information shown across the top of the matrix as follows:

- The first two symbols of the code are letters which indicate the category of Special Access Service to which the parameters are applicable. These two letter codes also are shown in parentheses following the channel type in 7.3.1 preceding.
- An alpha, numeric or alpha-numeric designation follows these two letters to indicate the specific predefined package.

Material and revised material appearing on this page formerly appeared on 2nd Revised Page 99.11 and 3rd Revised Page 99.12 of Tariff F.C.C. No. 68.

(This page filed under Transmittal No. 2176)

Issued: March 3, 1992

Effective: July 1, 1992

Four AT&T Plaza, Dallas, Texas 75202

ACCESS SERVICE

7. Special Access Service (Cont'd)7.3 Service Descriptions, Rates and Charges (Cont'd)7.3.1 General (Cont'd)(B) Technical Specifications Packages (Cont'd)

- The letter "C" following the two letter code indicates the technical specifications package for a customized service. For a customized service, the customer may select any parameters available with that category of service as long as the parameters are compatible. Customized technical specifications packages will be provided where technically feasible. If the Telephone Company determines that the requested parameter specifications are not compatible, the customer will be advised and given the opportunity to change the order.

(D)
|

All services installed after the effective date of this tariff will conform to the transmission specification standards contained in this tariff or in the following Technical References for each category of service:

(This page filed under Transmittal No. 2215)

Issued: July 30, 1992

Effective: August 13, 1992

Four AT&T Plaza, Dallas, Texas 75202

ACCESS SERVICE

7. Special Access Service (Cont'd)7.3 Service Descriptions, Rates and Charges (Cont'd)7.3.1 General (Cont'd)(B) Technical Specifications Packages (Cont'd)

Metallic	TR-NPL-000336
Telegraph Grade	TR-NPL-000336
Voice Grade	TR-TSY-000335
	PUB 41004, Table 4
WALS	TR-NWT-000334
Program Audio	TR-NPL-000337
Broadcast Video	GR-0338-CORE
Business Video	TP-76644

MegaLink Data	TR-NPL-000341
	PUB 62310
High Capacity	TP-76625
	PUB 62411
	TR-INS-000342

(D)
(D)

Customers who wish to obtain copies of these references may obtain ordering information from the User's Guide section of this tariff.

(C) Channel Interfaces

A matrix is provided in paragraph (C) of Sections 7.3.2 through 7.3.10 that indicates the channel interfaces which are compatible with each channel type. (T)

Channel interfaces at each Point of Termination on a two-point or multipoint service may be symmetrical or asymmetrical. However, communications can only be provided between points of termination with compatible channel interfaces. Only certain channel interfaces are compatible. These may be found in the appropriate Technical Reference cited for each channel type.

⁽¹⁾ Material in this Section has been de-tariffed as required by the Commission upon use of the forbearance relief pursuant to FCC Memorandum Opinion and Order No. 07-180, released October 12, 2007. Terms and Conditions associated with de-tariffed services are available at www.att.com/guidebook.

(This page filed under Transmittal No. 3400)

ACCESS SERVICE

7. Special Access Service (Cont'd)

(M)

7.3 Service Descriptions, Rates and Charges (Cont'd)

(T)

7.3.1 General (Cont'd)

(C) Channel Interfaces (Cont'd)

(T)

Only certain channel interface combinations are available with the predefined technical specifications packages. These are delineated in the Technical References cited in (B) preceding. When a customized channel is requested, all channel interface combinations available with the specified type of service are available with the customized channel.

(M)

(M)

(T)

(M)

(M)

(D) Optional Features, BSEs and Functions

(T)

Information is included in 7.3.2 through 7.3.10, where appropriate, to provide a description of the optional features, BSEs and functions available with each type of Special Access Service and to indicate with which technical packages they are available. A description of each optional feature, BSE and function is also provided.

Material and revised material appearing on this page formerly appeared on 3rd Revised Page 99.12 of Tariff F.C.C. No. 68.

(This page filed under Transmittal No. 2176)

Issued: March 3, 1992

Effective: July 1, 1992

Four AT&T Plaza, Dallas, Texas 75202

ACCESS SERVICE

7. Special Access Service (Cont'd)

7.3 Service Descriptions, Rates and Charges (Cont'd)

7.3.2 Metallic Service

(A) Basic Channel Description

A Metallic channel is an unconditioned two-wire channel capable of transmitting low speed varying signals at rates up to 30 baud. This channel is provided by metallic or equivalent facilities. Metallic channels are provided between customer designated premises or between a customer designated premises and a Telephone Company Hub where bridging functions are performed. Interoffice metallic facilities will be limited in length to a total of five miles per channel.

(B) Technical Specifications Packages

Transmission Parameter	Package MT-		
	C	1	2 3
<u>DC Resistance</u>			
Between Conductors	X	X	X
Loop Resistance	X		X
Shunt Capacitance	X		X

(C) Channel Interfaces (CI)

The following channel interfaces identify the direct current or voltage at the interface.

CI	DC/Voltage
DC-1	Monitoring with series RC combination
DC-2	Energized interface
DC-3	DC Continuity

Material and revised material appearing on this page formerly appeared on 1st Revised Page 99.14 and 3rd Revised Page 99.15 of Tariff F.C.C. No. 68.

(This page filed under Transmittal No. 2176)

ACCESS SERVICE

- 7. Special Access Service (Cont'd) (M)
- 7.3 Service Descriptions, Rates and Charges (Cont'd) (T)
- 7.3.2 Metallic Service (Cont'd) (T)
- (D) Optional Features, BSEs and Functions (M)
- Central Office Bridging: (T)
- Series Bridging (M)
- Three Premises Bridging (M)
- (1) Central Office Bridging BSE Capability (T)
- (a) Series Bridging (M)
- Bridging of up to 26 customer designated premises. (M)
- (b) Three Premises Bridging (T)
- Provision of tip-to-tip and ring-to-ring connection in a central office of a metallic pair to a third customer designated premises. (M)

Material and revised material appearing on this page formerly appeared on 3rd Revised Page 99.15 of Tariff F.C.C. No. 68.

(This page filed under Transmittal No. 2176)

Issued: March 3, 1992

Effective: July 1, 1992

Four AT&T Plaza, Dallas, Texas 75202

7. Special Access Service (Cont'd)7.3 Service Descriptions, Rates and Charges (Cont'd)7.3.2 Metallic Service (Cont'd)(E) Rates and Charges

All rates and charges apply to Arkansas, Kansas, Missouri, Oklahoma, and Texas. Each rate element is shown with its associated USOC, where appropriate.

(1)	<u>Channel Termination</u> (T6ECS)	Monthly Rate		Nonrecurring Charge	
		<u>Fixed</u>	<u>Per Mile</u>	<u>1st Ckt</u>	<u>Addl Ckt</u>
	Per point of termination	\$ 27.00 (R)		\$129.00	\$ 89.00
(2)	<u>Channel Mileage</u> (1L5XX)				
	0 miles	\$ 0.00	\$ 0.00		
	Over 0 miles	\$ 25.00	\$ 1.00		
(3)	<u>Series Bridging</u> (BCNMS)			<u>Nonrecurring Charge</u>	
	Per Port	\$ 0.13		\$ 0.00	
(4)	<u>Three Premises Bridging</u> (BCNM3)				
	Per Port	\$ 0.13		\$ 0.00	

Rates contained in this transmittal are subject to subsequent adjustment, effective retrospectively, in the event the Commission or a court subsequently authorizes Southwestern Bell Telephone Company to correct its rates pursuant to pending motions, or petitions for reconsideration or waiver, or in the event of any other adjustment to an order of the Commission or a court.

(This page filed under Transmittal No. 2901)

Issued: June 17, 2002

Effective: July 2, 2002

Four AT&T Plaza, Dallas, Texas 75202

ACCESS SERVICE

7. Special Access Service (Cont'd)

7.3 Service Descriptions, Rates and Charges (Cont'd)

7.3.3 Telegraph Grade Service

(A) Basic Channel Description

A Telegraph Grade channel is an unconditioned channel capable of transmitting binary signals at rates of 0-75 baud or 0-150 baud. This channel is furnished for half-duplex or duplex operation. Telegraph Grade channels are provided between customer designated premises or between a customer designated premises and a Telephone Company Hub.

(B) Technical Specifications Packages

Transmission Parameter	Package TG-		
	C	1	2
Telegraph Distortion	X	X	X

(C) Channel Interfaces (CI)

Following are channel interfaces normally associated with Telegraph Grade Service.

CI	Definition
DB10	108 Data Set
DB43	43 Telegraph Carrier
IA	E.I.A. RS-232
TT2	20 Ma
TT3	3 Ma
TT6	62.5 Ma

(D) Optional Features, BSEs and Functions

		Package TG-		
		C	1	2
Telegraph Bridging	X	X	X	

(1) Telegraph bridging is available as two-wire. (D)

(This page filed under Transmittal No. 3442)

ACCESS SERVICE

7. Special Access Service (Cont'd)7.3 Service Descriptions, Rates and Charges (Cont'd)7.3.3 Telegraph Grade Service (Cont'd)(E) Rates and Charges

All rates and charges apply to Arkansas, Kansas, Missouri, Oklahoma, and Texas. Each rate element is shown with its associated USOC, where appropriate.

	Monthly Rate		Nonrecurring Charge	
	Fixed	Per Mile	1st Ckt	Addl Ckt
(1) <u>Channel Termination</u>				
Per point of termination				
Two-wire (T6E2X)	\$ 30.00 (I)		\$185.00	\$132.00
Four-Wire (T6E4X)	\$ 45.00 (I)		\$174.00	\$132.00
(2) <u>Channel Mileage</u> (1L5XX)				
0 miles	\$ 0.00	\$ 0.00		
Over 0 miles	\$ 18.44	\$ 2.41		
(3) <u>Telegraph Bridging</u>			<u>Nonrecurring Charge</u>	
Per Port				
Two-wire (BCNT2)	\$ 5.31		\$ 0.00	

(D)

(This page filed under Transmittal No. 3442)

Issued: April 5, 2017

Effective: April 20, 2017

675 W. Peachtree St. NW, Atlanta, GA 30308

ACCESS SERVICE

7. Special Access Service (Cont'd)

(S)

7.3 Service Descriptions, Rates and Charges (Cont'd)

7.3.4 Voice Grade Service

(A) Basic Channel Description

A Voice Grade channel is a channel which provides voice frequency transmission capability in the nominal frequency range of 300 to 3000 hertz (Hz) and may be terminated two-wire or four-wire. Voice Grade channels are provided between customer designated premises, between a customer designated premises and a Telephone Company Hub or between a customer designated premises and a WATS serving office. When a single Voice Grade channel is ordered to be terminated at a customer's designated Interexchange Carrier's all-digital POP which requires a minimum digital interface level of 1.544 Mbps, the Telephone Company will provide the required interface where facilities are available.

(S)
(T)

(T)

(B) Technical Specifications Packages

(S)

Transmission Parameter	Package VG-												W**	
	C*	1	2	3	4	5	6	7	8	9	10	11		12
Attenuation														
Distortion	X	X	X	X	X	X	X	X	X	X	X	X	X	X
C-Message Noise	X	X	X	X	X	X	X	X	X	X	X	X	X	X
Echo Control	X	X	X	X	X	X	X	X						X***
Envelope Delay														
Distortion	X						X	X	X	X	X	X	X	X
Frequency Shift	X						X	X	X	X	X	X	X	X
Impulse Noise	X					X	X	X	X	X	X	X	X	X
Intermodulation														
Distortion	X						X	X	X	X	X	X	X	X
Loss Deviation	X	X	X	X	X	X	X	X	X	X	X	X	X	X
Phase Hits, Gain Hits, and Dropouts	X						X	X	X	X	X	X	X	X
Phase Jitter	X						X	X	X	X	X	X	X	X
Signal-to-C Message Noise			X											
Signal-to-C Notch Noise	X					X	X	X	X	X	X	X	X	X

* The desired parameters are selected by the customer from the list of available parameters.
 ** Denotes WATS Access Lines (WALs).
 *** When WAL extensions are provided, Echo Control limits are not applicable.

Reissued material is scheduled to become effective July 1, 1992.

Revised material is filed under the authority of Special Permission No. 92-125 of the F.C.C.

(This page filed under Transmittal No. 2185)

ACCESS SERVICE

7. Special Access Service (Cont'd)7.3 Service Descriptions, Rates and Charges (Cont'd)7.3.4 Voice Grade Service (Cont'd)(C) Channel Interfaces (CI)

The following channel interfaces are for Voice Grade Service.

<u>CI</u>	<u>Signaling Capability Required</u>	<u>Signaling Capability Not Required</u>
AB	X	
AC	X	
AH		X
CT	X	
DA		X
DB		X
DD		X
DE		X
DS		X
DX	X	
DY	X	
EA	X	
EB	X	
EC	X	
EX	X	
GO	X	
GS	X	
LA	X	
LB	X	
LC	X	
LO	X	
LR	X	
LS	X	
NO		X
PR		X
RV	X	
SF ¹	X	
TF		X

(C)

(1) This feature is obsolete, and limited to existing installations at existing locations, for existing customers as of June 19, 1995. (C)
(C)

(This page filed under Transmittal No. 2456)

Issued: May 5, 1995

Effective: June 19, 1995

Four AT&T Plaza, Dallas, Texas 75202

ACCESS SERVICE

7. Special Access Service (Cont'd)

7.3 Service Descriptions, Rates and Charges (Cont'd)

7.3.4 Voice Grade Service (Cont'd)

(C) Channel Interfaces (CI) (Cont'd)

The following channel interfaces are for WALs.

<u>CI</u>	<u>Signaling*</u> <u>Required</u>	<u>Signaling</u> <u>Not Required</u>
DS	X	
GS	X	
LS	X	

(D) Analog Service to Service Through Connect Arrangement
Multiplexed Arrangement

This provides for the interconnection of two subtending analog channels derived from DS1 multiplexed services. The through connect will be provisioned in lieu of a typical voice grade channel termination. The ordering customer must provide channel assignments for both. Voice Grade channel mileage is required if the multiplexed services are terminated in two separate hubs.

(E) Four-Wire/Two-Wire Conversion

When a customer requests that an effective four-wire channel be terminated with a two-wire channel interface at the customer designated premises, a four-wire to two-wire conversion is required. The rate for the conversion is included as part of the basic Channel Termination rate.

* Signaling as defined in 6.3 (Miscellaneous Services Descriptions).

Material and revised material appearing on this page formerly appeared on 5th Revised Page 99.18 and 1st Revised Page 99.26.1 of Tariff F.C.C. No. 68.

(This page filed under Transmittal No. 2176)

(M)
(T)
(M)
(T)
(M)
(T)
(M)
(M)

ACCESS SERVICE

7. Special Access Service (Cont'd)

7.3 Service Descriptions, Rates and Charges (Cont'd)

7.3.4 Voice Grade Service (Cont'd)

(F) Optional Features, BSEs and Functions

	Package VG-													
	C	1	2	3	4	5	6	7	8	9	10	11	12	W*
Central Office Bridging Capability	X		X			X	X					X	X	X
Central Office Multiplexing	X						X							
C-Conditioning	X					X	X	X	X	X		X		
C-Type Conditioning ⁽¹⁾		X				X	X	X	X	X		X		
Data Capability	X						X					X		
Improved Attenuation Distortion	X					X	X	X	X	X		X		X
Improved Echo Control at two-wire WAL POT														X**
Improved Envelope Delay Distortion	X					X	X	X	X	X		X		
Improved Equal Level Echo Path Loss	X	X	X	X		X		X						
Improved Return Loss at two-wire POT	X		X	X				X						
Improved Termination at four-wire POT	X	X	X	X	X	X	X	X	X	X		X	X	X
Sealing Current Conditioning	X					X	X					X		
Selective Signaling Arrangement	X		X											
Signaling Capability	X	X	X	X			X	X	X					***

(D)
(D)

(1) Obsolete, and limited to existing installations at existing locations, for existing customers as of February 8, 1989.

* Denotes WATS Access Lines (WALs).

** When WAL extensions are provided, Echo Control limits are not applicable.

*** Signaling is provided in conjunction with Switched Access service, 6.3 (Miscellaneous Services Descriptions).

(This page filed under Transmittal No. 3442)

ACCESS SERVICE

7. Special Access Service (Cont'd)7.3 Service Descriptions, Rates and Charges (Cont'd)7.3.4 Voice Grade Service (Cont'd)(F) Optional Features, BSEs and Functions (Cont'd)(1) Central Office Bridging BSE Capability

(a) Data Bridging (two-wire and four-wire)

(b) Voice Bridging (two-wire and four-wire)

(D)
(T)(2) Central Office Multiplexing BSE

Voice to Telegraph Grade (43 Type Carrier): An arrangement that converts a Voice Grade channel to Telegraph Grade channels using frequency division multiplexing.

(3) Conditioning BSE

Conditioning provides more specific transmission characteristics for Voice Grade services. C-Type conditioning controls attenuation distortion and envelope delay distortion. Sealing Current helps maintain continuity on dry metallic loops.

(This page filed under Transmittal No. 3442)

ACCESS SERVICE

7. Special Access Service (Cont'd)7.3 Service Descriptions, Rates and Charges (Cont'd)7.3.4 Voice Grade Service (Cont'd)(F) Optional Features, BSEs and Functions (Cont'd)(3) Conditioning BSE (Cont'd)

For two-point services, the parameters apply to each service. For multipoint services, the parameters apply to each mid link or end link. C-Type conditioning and Data Capability may be combined on the same service.

(a) C-Conditioning

C-Conditioning upgrades the frequency response and envelope delay distortion limits of the analog data channel. The specifications for C-Conditioning, which are less stringent than C-Type conditioning, are delineated in the appropriate Technical Reference for Voice Grade Service.

(b) C-Type Conditioning⁽¹⁾

C-Type Conditioning is provided for the additional control of attenuation distortion and envelope delay distortion on data services. The attenuation distortion and envelope delay distortion specifications for C-Type Conditioning are delineated in the appropriate Technical Reference for Voice Grade Service.

(1) This feature is obsolete, and limited to existing installations at existing locations, for existing customers as of February 8, 1989.

Certain material appearing on this page formerly appeared on 4th Revised Page 99.19 and 9th Revised Page 99.26 of Tariff F.C.C. No. 68.

Certain material and revised material appearing on this page formerly appeared on 8th Revised Page 99.20 of Tariff F.C.C. No. 68.

(This page filed under Transmittal No. 2176)

ACCESS SERVICE

7. Special Access Service (Cont'd)

7.3 Service Descriptions, Rates and Charges (Cont'd)

7.3.4 Voice Grade Service (Cont'd)

(F) Optional Features, BSEs and Functions (Cont'd)

(3) Conditioning BSE (Cont'd)

(c) Improved Attenuation Distortion (IAD)

Improved Attenuation Distortion upgrades the frequency response limits of the analog data channel. The specifications for Improved Attenuation Distortion are delineated in the appropriate Technical References for WAL application and Voice Grade Services.

(d) Improved Envelope Delay Distortion (IEDD)

Improved Envelope Delay Distortion upgrades the frequency versus delay response limits of the analog data channel. The specifications for Improved Envelope Delay Distortion are delineated in the appropriate Technical Reference for Voice Grade Service.

(e) Sealing Current Conditioning

Sealing Current Conditioning is provided to help maintain continuity on dry metallic loops. It is associated with four-wire DA or NO type channel interfaces.

(4) Data Capability

Data Capability provides transmission characteristics suitable for data communications. Specifically, Data Capability provides for the control of Signal to C-Notched Noise Ratio and intermodulation distortion.

(M)
(T)
|
(T)
(M)
|
(M)
(T)
(M)
(T)
(M)
(T)
(M)
|
(M)
(T)
(M)
|
(M)

Material and revised material appearing on this page formerly appeared on 12th Revised Page 99.21, 10th Revised Page 99.22 and 6th Revised Page 99.23 of Tariff F.C.C. No. 68.

(This page filed under Transmittal No. 2176)

ACCESS SERVICE

- 7. Special Access Service (Cont'd) (M)
- 7.3 Service Descriptions, Rates and Charges (Cont'd) (T)
- 7.3.4 Voice Grade Service (Cont'd)
- (F) Optional Features, BSEs and Functions (Cont'd) (T)
- (4) Data Capability (Cont'd) (M)
- The Signal to C-Notched Noise Ratio and intermodulation distortion specifications for Data Capability are delineated in the appropriate Technical Reference for Voice Grade Service. (M)
- When a service equipped with Data Capability is used for voice communications, the quality of the voice transmission may not be satisfactory. (T)
- (5) Improved Echo Control (M)
- Improved Echo Control for two-wire WALs provides more stringent control of reflected signals. Specifications can only be met with limited facility configurations. (M)
- The Improved Echo Control specifications are delineated in the appropriate Technical Reference for Voice Grade Service. (T)
- (6) Improved Equal Level Echo Path Loss (M)
- Provides improved Echo Control at four-wire interface for effective two-wire voice grade configurations. Specifications can only be met with limited facility configurations. Improved Equal Level Echo Path Loss specifications are delineated in the appropriate Technical Reference for Voice Grade Service. (M)

Material and revised material appearing on this page formerly appeared on 6th Revised Page 99.23 of Tariff F.C.C. No. 68.

(This page filed under Transmittal No. 2176)

Issued: March 3, 1992

Effective: July 1, 1992

Four AT&T Plaza, Dallas, Texas 75202

ACCESS SERVICE

7. Special Access Service (Cont'd) (M)
- 7.3 Service Descriptions, Rates and Charges (Cont'd) (T)
- 7.3.4 Voice Grade Service (Cont'd)
- (F) Optional Features, BSEs and Functions (Cont'd) (T)
- (7) Improved Return Loss (M)
- Improved Return Loss at a two-wire point of termination provides for more stringent Echo Control specifications. This option is only applicable when ordered on effective two-wire channels and the transmission path is four-wire at one POT and two-wire at the other POT. Specifications can only be met with limited facility configurations. The Improved Return Loss specifications are delineated in the appropriate Technical Reference for Voice Grade Service. (M)
- (8) Improved Termination (T)
- Improved Termination at a four-wire point of termination provides, for a fixed 600 ohm impedance, variable level range and simplex reversal capability when ordered with either an effective two-wire or four-wire channel. Telephone Company equipment is required at the customer's premises where this option is ordered. The Improved Termination specifications are delineated in the appropriate Technical Reference for Voice Grade Service. (M)
- (9) Selective Signaling Arrangement (T)
- An arrangement that permits code selective ringing for up to ten codes on a multipoint service. Signaling Capability must also be ordered when the Selective Signaling Arrangement is provided. (M)

Material and revised material appearing on this page formerly appeared on 10th Revised Page 99.22 and 5th Revised Page 99.25 of Tariff F.C.C. No. 68.

(This page filed under Transmittal No. 2176)

Issued: March 3, 1992

Effective: July 1, 1992

Four AT&T Plaza, Dallas, Texas 75202

ACCESS SERVICE

7. Special Access Service (Cont'd)

7.3 Service Descriptions, Rates and Charges (Cont'd)

7.3.4 Voice Grade Service (Cont'd)

(F) Optional Features, BSEs and Functions (Cont'd)

(10) Signaling Capability

Signaling Capability provides for the process by which one customer premises alerts another customer premises on the same service with which it wishes to communicate.

(D)

(D)

(This page filed under Transmittal No. 3442)

Issued: April 5, 2017

Effective: April 20, 2017

675 W. Peachtree St. NW, Atlanta, GA 30308

7. Special Access Service (Cont'd)

7.3 Service Descriptions, Rates and Charges (Cont'd)

7.3.4 Voice Grade Service (Cont'd)

(G) Rates and Charges

All rates and charges apply to Arkansas, Kansas, Missouri, Oklahoma, and Texas. ⁽¹⁾ Each rate element is shown with its associated USOC, where appropriate. (N)

(1) Channel	Monthly Rate		Nonrecurring Charge	
	Fixed	Per Mile	1st Ckt	Addl Ckt
Termination Per point of Termination				
Two-wire (T6E2X)	\$ 24.20		\$166.00	\$116.00
Four-wire (T6E4X)	\$ 29.05		\$200.00	\$150.00

Four-wire per point of termination (T6E4X)	3 Year Monthly Rate		Nonrecurring Charge	
	Fixed	Per Mile	1st Ckt	Addl Ckt
	\$ 22.00		\$201.00	\$149.00

Four-wire per point of termination (T6E4X)	5 Year Monthly Rate		Nonrecurring Charge	
	Fixed	Per Mile	1st Ckt	Addl Ckt
	\$ 20.00		\$201.00	\$149.00

(2) Channel Mileage (1L5XX)	Monthly Rate	
	Fixed	Per Mile
0 miles	\$ 0.00	\$ 0.00
Over 0 miles	\$ 17.00	\$ 1.00

0 miles Over 0 miles	3 Year Monthly Rate	
	Fixed	Per Mile
0 miles	\$ 0.00	\$ 0.00
Over 0 miles	\$14.00	\$ 0.80

0 miles Over 0 miles	5 Year Monthly Rate	
	Fixed	Per Mile
0 miles	\$ 0.00	\$ 0.00
Over 0 miles	\$13.00	\$ 0.72

⁽¹⁾ Effective on September 13, 2017, Optional Payment Plans are no longer available for Four-Wire Voice Grade Service, including for any otherwise available renewals, extensions or conversions. Circuits already subject to a Four-Wire Voice Grade Service Optional Payment Plan, as of September 13, 2017, will continue to be provided under the then-current Optional Payment Plan term for the remainder of that term. (N)

(This page filed under Transmittal No. 3445)

7. Special Access Service (Cont'd)

7.3 Service Descriptions, Rates and Charges (Cont'd)

7.3.4 Voice Grade Service (Cont'd)

(G) Rates and Charges (Cont'd)

(3)	<u>Analog Service to Service Through Connect Arrangement</u>	<u>Monthly Rate</u>	<u>Nonrecurring Charge</u> <u>1st Ckt</u> <u>Addl Ckt</u>	
	Multiplexed Arrangement (Derived from a DS1 multiplexer) (THK)	\$6.08	\$103.00	\$92.00
		<u>3 Year Monthly Rate</u>	<u>Nonrecurring Charge</u> <u>1st Ckt</u> <u>Addl Ckt</u>	
	Multiplexed Arrangement (THK)	\$6.08	\$103.00	\$92.00
		<u>5 Year Monthly Rate</u>	<u>Nonrecurring Charge</u> (Tx) <u>1st Ckt</u> <u>Addl Ckt</u>	
	Multiplexed Arrangement (THK)	\$5.78	\$103.00	\$92.00
(4)	<u>Data Bridging</u>	<u>Monthly Rate</u>	<u>Nonrecurring Charge</u>	
	Per port			
	Two-wire (BCND2)	\$1.00	\$0.00	
	Four-wire (BCND4)	\$4.00	\$0.00	
		<u>3 Year Monthly Rate</u>	<u>Nonrecurring Charge</u>	
	Four-wire per port (BCND4)	\$4.00	\$0.00	
		<u>5 Year Monthly Rate</u>	<u>Nonrecurring Charge</u> (Tx)	
	Four-wire per port (BCND4)	\$3.00	\$0.00	
(5)				

(Tx)
(Tx)

(x) Issued under authority of Special Permission No. 14-001 of the FCC in order to withdraw material filed under Transmittal No. 3383 and suspended under Order DA-13-2349, released December 9, 2013, without its becoming effective and to restore currently effective material.

(This page filed under Transmittal No. 3386)

7. Special Access Service (Cont'd)

7.3 Service Descriptions, Rates and Charges (Cont'd)

7.3.4 Voice Grade Service (Cont'd)

(G) Rates and Charges (Cont'd)

(D)

(6) Reserved for Future Use

(D)
(T)

(D)

(D)

(This page filed under Transmittal No. 3442)

Issued: April 5, 2017

Effective: April 20, 2017

675 W. Peachtree St. NW, Atlanta, GA 30308

7. Special Access Service (Cont'd)

7.3 Service Descriptions, Rates and Charges (Cont'd)

7.3.4 Voice Grade Service (Cont'd)

(G) Rates and Charges (Cont'd)

(D)

(D)

(This page filed under Transmittal No. 3442)

Issued: April 5, 2017

Effective: April 20, 2017

675 W. Peachtree St. NW, Atlanta, GA 30308

7. Special Access Service (Cont'd)

7.3 Service Descriptions, Rates and Charges (Cont'd)

7.3.4 Voice Grade Service (Cont'd)

- (G) Rates and Charges (Cont'd)
- (7) Reserved for Future Use

(D)
 (T)
 (D)
 (D)

(8) <u>Voice Bridging</u>	<u>Monthly Rate</u>	<u>Nonrecurring Charge</u>
Per port		
Two-wire (BCNV2)	\$8.00	\$0.00
Four-wire (BCNV4)	\$4.22	\$0.00
	<u>3 Year Monthly Rate</u>	<u>Nonrecurring Charge</u>
Four-wire per port (BCNV4)	\$4.00	\$0.00
	<u>5 Year Monthly Rate</u>	<u>Nonrecurring Charge</u>
Four-wire per port (BCNV4)	\$3.80	\$0.00
(9) <u>Central Office Multiplexing</u>	<u>Monthly Rate</u>	<u>Nonrecurring Charge</u>
Voiceto Telegraph Grade (43-Type Carrier)		
Per arrangement (MQX)	\$24.12	\$0.00

(This page filed under Transmittal No. 3442)

7. Special Access Service (Cont'd)7.3 Service Descriptions, Rates and Charges (Cont'd)7.3.4 Voice Grade Service (Cont'd)(G) Rates and Charges (Cont'd)

(10) <u>Conditioning</u>	<u>Monthly Rate</u>	<u>Nonrecurring Charge</u>
<u>C-Conditioning</u>		
Per point of termination (UHV)	\$ 2.00	\$0.00
<u>C-Type⁽¹⁾</u>		
Per point of termination (X1CPT)	\$ 35.00	\$0.00
<u>Improved Attenuation Distortion (IAD)</u>		
Per WAL point of termination (ORA)	\$ 0.00	\$0.00
Per point of termination (UHW)	\$ 0.30 (x)	\$0.00
<u>Improved Envelope Delay Distortion (IEDD)</u>		
Per point of termination (UHY)	\$ 32.00 (x)	\$0.00
<u>Sealing Current Conditioning (1HBPT)</u>		
	\$ 0.00	\$0.00

(1) Obsolete, and limited to existing installations at existing locations, for existing customers as of February 8, 1989.

Rates contained in this transmittal are subject to subsequent adjustment, effective retrospectively, in the event the Commission or a court subsequently authorizes Southwestern Bell Telephone Company to correct its rates pursuant to pending motions, or petitions for reconsideration or waiver, or in the event of any other adjustment to an order of the Commission or a court.

(x) Issued under authority of Special Permission No. 12-019 of the FCC in order to withdraw material filed under Transmittal No. 3345 without its becoming effective and to restore currently effective material.

(This page filed under Transmittal No. 3346)

Issued: June 29, 2012

Effective: July 2, 2012

Four AT&T Plaza, Dallas, Texas 75202

7. Special Access Service (Cont'd)7.3 Service Descriptions, Rates and Charges (Cont'd)7.3.4 Voice Grade Service (Cont'd)(G) Rates and Charges (Cont'd)

(10) <u>C-Conditioning</u> (UHV)	<u>3 Year</u> <u>Monthly Rate</u>	<u>Nonrecurring</u> <u>Charge</u>
Per point of termination	\$ 2.00	\$ 0.00
<u>Improved</u> <u>Attenuation</u> <u>Distortion (IAD)</u> (UHW)		
Per point of termination	\$ 0.30 (x)	\$ 0.00
<u>Improved Envelope</u> <u>Delay Distortion</u> (IEDD) (UHY)		
Per point of termination	\$30.00 (x)	\$ 0.00
<u>Sealing Current</u> <u>Conditioning</u> (1HBPT)		
	\$ 0.00	\$ 0.00

(x) Issued under authority of Special Permission No. 12-019 of the FCC in order to withdraw material filed under Transmittal No. 3345 without its becoming effective and to restore currently effective material.

(This page filed under Transmittal No. 3346)

Issued: June 29, 2012

Effective: July 2, 2012

Four AT&T Plaza, Dallas, Texas 75202

7. Special Access Service (Cont'd)7.3 Service Descriptions, Rates and Charges (Cont'd)7.3.4 Voice Grade Service (Cont'd)(G) Rates and Charges (Cont'd)

(10) <u>C-Conditioning</u> (UHV)	<u>5 Year</u> <u>Monthly Rate</u>	<u>Nonrecurring</u> <u>Charge</u>	(Tx)
Per point of termination	\$ 1.90	\$ 0.00	
<u>Improved</u> <u>Attenuation</u> <u>Distortion (IAD)</u> (UHW)			
Per point of termination	\$ 0.29	\$ 0.00	
<u>Improved Envelope</u> <u>Delay Distortion</u> (IEDD) (UHY)			
Per point of termination	\$28.50	\$ 0.00	
<u>Sealing Current</u> <u>Conditioning</u> (1HBPT)			
	\$ 0.00	\$ 0.00	

(Tx)
(Tx)

(x) Issued under authority of Special Permission No. 14-001 of the FCC in order to withdraw material filed under Transmittal No. 3383 and suspended under Order DA-13-2349, released December 9, 2013, without its becoming effective and to restore currently effective material.

(This page filed under Transmittal No. 3386)

Issued: January 15, 2014

Effective: January 16, 2014

Four AT&T Plaza, Dallas, Texas 75202

7. Special Access Service (Cont'd)7.3 Service Descriptions, Rates and Charges (Cont'd)7.3.4 Voice Grade Service (Cont'd)(G) Rates and Charges (Cont'd)

(11) <u>Data Capability</u>	<u>Monthly Rate</u>	<u>Nonrecurring Charge</u>
Per point of Termination (XDCPT)	\$ 6.00	\$219.50
	3 Year <u>Monthly Rate</u>	<u>Nonrecurring Charge</u>
Per point of Termination (XDCPT)	\$ 5.00 (x)	\$219.50
	Nonrecurring <u>Monthly Rate</u>	5 Year <u>Charge</u>
Per point of Termination (XDCPT)	\$ 4.75 (x)	\$219.50
	<u>Monthly Rate</u>	<u>Nonrecurring Charge</u>
(12) <u>Improved Echo Control</u>		
Per two-wire WAL point of termination (ORH)	\$ 0.00	\$ 0.00
	<u>Monthly Rate</u>	<u>Nonrecurring Charge</u>
(13) <u>Improved Equal Level Echo Path Loss</u>		
Per point of termination (UHZ)	\$ 0.00	\$ 0.00
	3 Year <u>Monthly Rate</u>	<u>Nonrecurring Charge</u>
Per point of Termination (UHZ)	\$ 0.00	\$ 0.00
	5 Year <u>Monthly Rate</u>	<u>Nonrecurring Charge</u>
Per point of Termination (UHZ)	\$ 0.00	\$ 0.00
	<u>Monthly Rate</u>	<u>Nonrecurring Charge</u>
(14) <u>Improved Return Loss</u>		
Per two-wire point of termination (1RL2W)	\$ 1.00	\$ 0.00

Rates contained in this transmittal are subject to subsequent adjustment, effective retrospectively, in the event the Commission or a court subsequently authorizes Southwestern Bell Telephone Company to correct its rates pursuant to pending motions, or petitions for reconsideration or waiver, or in the event of any other adjustment to an order of the Commission or a court.

(x) Issued under authority of Special Permission No. 12-019 of the FCC in order to withdraw material filed under Transmittal No. 3345 without its becoming effective and to restore currently effective material.

(This page filed under Transmittal No. 3346)

Issued: June 29, 2012

Effective: July 2, 2012

Four AT&T Plaza, Dallas, Texas 75202

7. Special Access Service (Cont'd)7.3 Service Descriptions, Rates and Charges (Cont'd)7.3.4 Voice Grade Service (Cont'd)(G) Rates and Charges (Cont'd)

<u>(15) Improved Termination</u>	<u>Monthly Rate</u>	<u>Nonrecurring Charge</u>	
Per four-wire point of termination (1RL4W)	\$ 5.00	\$ 0.00	
	<u>3 Year Monthly Rate</u>	<u>Nonrecurring Charge</u>	
Per four-wire point of termination (1RL4W)	\$ 4.50	\$ 0.00	
	<u>5 Year Monthly Rate</u>	<u>Nonrecurring Charge</u>	(Tx)
Per four-wire point of termination (1RL4W)	\$ 4.00	\$ 0.00	
<u>(16) Selective Signaling Arrangement</u>	<u>Monthly Rate</u>	<u>Nonrecurring Charge</u>	
Per point of termination (USZ)	\$ 12.00	\$ 0.00	
	<u>3 Year Monthly Rate</u>	<u>Nonrecurring Charge</u>	
Per point of Termination (USZ)	\$12.00	\$ 0.00	
	<u>5 Year Monthly Rate</u>	<u>Nonrecurring Charge</u>	(Tx)
Per point of Termination (USZ)	\$11.40	\$ 0.00	

(Tx)
(Tx)

(x) Issued under authority of Special Permission No. 14-001 of the FCC in order to withdraw material filed under Transmittal No. 3383 and suspended under Order DA-13-2349, released December 9, 2013, without its becoming effective and to restore currently effective material.

(This page filed under Transmittal No. 3386)

Issued: January 15, 2014

Effective: January 16, 2014

Four AT&T Plaza, Dallas, Texas 75202

7. Special Access Service (Cont'd)

7.3 Service Descriptions, Rates and Charges (Cont'd)

7.3.4 Voice Grade Service (Cont'd)

(G) Rates and Charges (Cont'd)

(17) <u>Signaling Capability</u>	<u>Monthly Rate</u>	<u>Nonrecurring Charge</u>
Per point of Termination (XSS++) *	\$ 14.00	\$ 0.00
	<u>3 Year Monthly Rate</u>	<u>Nonrecurring Charge</u>
Per point of Termination (XSS++) *	\$10.00	\$ 0.00
	<u>5 Year Monthly Rate</u>	<u>Nonrecurring Charge</u>
Per point of Termination (XSS++) *	\$ 8.00	\$ 0.00

(18) Reserved for Future Use

(D)
 (T)
 (D)

 (D)

*In lieu of ++, substitute appropriate two digit code from the following list to specify type of signaling:

AB AC CT DX DY EA EB EC EX GO GS LA LB LC LO LR LS RV SF⁽¹⁾

⁽¹⁾ This feature is obsolete, and limited to existing installations at existing locations, for existing customers as of June 19, 1995.

(This page filed under Transmittal No. 3442)

7. Special Access Service (Cont'd)

7.3 Service Descriptions, Rates and Charges (Cont'd)

7.3.4 Voice Grade Service (Cont'd)

(G) Rates and Charges (Cont'd)

(19) Reserved for Future Use

(D)

(D)

(D)

(This page filed under Transmittal No. 3442)

Issued: April 5, 2017

Effective: April 20, 2017

675 W. Peachtree St. NW, Atlanta, GA 30308

ACCESS SERVICE

7. Special Access Service (Cont'd)

7.3 Service Descriptions, Rates and Charges (Cont'd)

7.3.4 Voice Grade Service (Cont'd)

(G) Rates and Charges (Cont'd)

(20) Optional Payment Plan **Rates Effective: 04/02/90**

	3 Year		5 Year		(Tx)
	Fixed	Per Mile	Fixed	Per Mile	
(a) <u>Channel Termination</u>					
Four-wire per point of termination (T6E4X)	\$ 29.72		\$ 28.23		
(b) <u>Channel Mileage</u> (1L5XX)					
0 miles	\$ 0.00	\$ 0.00	\$ 0.00	\$ 0.00	
Over 0 miles	\$ 17.10	\$ 1.99	\$ 16.25	\$ 1.89	
(c) <u>Analog Service to Service Through Connect Arrangement</u> (THK)					
Multiplexed Arrangement	\$ 4.91		\$ 4.66		
(d) <u>Data Bridging</u> (BCND4)					
Four-wire per port	\$ 4.16		\$ 3.95		

(Tx)
 (Tx)

(x) Issued under authority of Special Permission No. 14-001 of the FCC in order to withdraw material filed under Transmittal No. 3383 and suspended under Order DA-13-2349, released December 9, 2013, without its becoming effective and to restore currently effective material.

(This page filed under Transmittal No. 3386)

Issued: January 15, 2014

Effective: January 16, 2014

Four AT&T Plaza, Dallas, Texas 75202

ACCESS SERVICE

7. Special Access Service (Cont'd)

7.3 Service Descriptions, Rates and Charges (Cont'd)

7.3.4 Voice Grade Service (Cont'd)

(G) Rates and Charges (Cont'd)

(20) Optional Payment Plan **Rates Effective: 04/02/90**
(Cont'd)

	3 Year Monthly Rate		5 Year Monthly Rate		
	Fixed	Per Mile	Fixed	Per Mile	
(e) <u>Reserved for Future Use</u>					(T)
(f) <u>Reserved for Future Use</u>					(T) (D)

(T)
(D)
|
(D)

(This page filed under Transmittal No. 3442)

ACCESS SERVICE

7. Special Access Service (Cont'd)7.3 Service Descriptions, Rates and Charges (Cont'd)7.3.4 Voice Grade Service (Cont'd)(G) Rates and Charges (Cont'd)(20) Optional Payment Plan **Rates Effective: 04/02/90**
(Cont'd)

	3 Year Monthly Rate		5 Year Monthly Rate		
	Fixed	Per Mile	Fixed	Per Mile	
(f) <u>Reserved for Future Use</u>					(T) (D)
(g) <u>Reserved for Future Use</u>					(T) (D)
(h) <u>Voice Bridging</u> (BCNV4)					
Four-wire per port	\$	4.34	\$	4.12	
(i) <u>C-Conditioning</u> (UHV)					
Per point of termination	\$	0.23	\$	0.22	

(This page filed under Transmittal No. 3442)

Issued: April 5, 2017

Effective: April 20, 2017

675 W. Peachtree St. NW, Atlanta, GA 30308

ACCESS SERVICE

7. Special Access Service (Cont'd)

7.3 Service Descriptions, Rates and Charges (Cont'd)

7.3.4 Voice Grade Service (Cont'd)

(G) Rates and Charges (Cont'd)

(20) Optional Payment Plan **Rates Effective: 04/02/90**
 (Cont'd)

	3 Year Monthly Rate		5 Year Monthly Rate		(Tx)
	<u>Fixed</u>	<u>Per Mile</u>	<u>Fixed</u>	<u>Per Mile</u>	
(j) <u>Improved Attenuation Distortion (IAD)</u> (UHW)					
Per point of termination	\$	0.13	\$	0.12	
(k) <u>Improved Envelope Delay Distortion (IEDD)</u> (UHY)					
Per point of termination	\$	7.98	\$	7.58	
(l) <u>Sealing Current Conditioning</u> (1HBPT)					
Per point of termination	\$	0.00	\$	0.00	
(m) <u>Data Capability</u> (XDCPT)					
Per point of termination	\$	3.27	\$	3.11	
(n) <u>Improved Equal Level Echo Path Loss</u> (UHZ)					
Per point of termination	\$	0.00	\$	0.00	

(Tx)
 (Tx)

(x) Issued under authority of Special Permission No. 14-001 of the FCC in order to withdraw material filed under Transmittal No. 3383 and suspended under Order DA-13-2349, released December 9, 2013, without its becoming effective and to restore currently effective material.

(This page filed under Transmittal No. 3386)

ACCESS SERVICE

7. Special Access Service (Cont'd)

7.3 Service Descriptions, Rates and Charges (Cont'd)

7.3.4 Voice Grade Service (Cont'd)

(G) Rates and Charges (Cont'd)

(20) Optional Payment Plan **Rates Effective: 04/02/90**
 (Cont'd)

	3 Year		5 Year	
	Fixed	Per Mile	Fixed	Per Mile
(o) <u>Improved Termination</u> (1RL4W)				
Per four-wire point of termination	\$ 2.83		\$ 2.69	
(p) <u>Selective Signaling Arrangement</u> (USZ)				
Per point of termination	\$ 7.42		\$ 7.05	
(q) <u>Signaling Capability</u> (XSS++) *				
Per point of termination	\$ 11.31		\$ 10.74	

(D)
 |
 (D)

* In lieu of ++, substitute appropriate two digit code from the following list to specify type of signaling:

AB AC CT DX DY EA EB EC EX GO GS LA LB LC LO LR LS RV SF⁽¹⁾

⁽¹⁾ This feature is obsolete, and limited to existing installations at existing locations, for existing customers as of June 19, 1995.

(This page filed under Transmittal No. 3442)

Issued: April 5, 2017

Effective: April 20, 2017

675 W. Peachtree St. NW, Atlanta, GA 30308

ACCESS SERVICE

7. Special Access Service (Cont'd)

7.3 Service Descriptions, Rates and Charges (Cont'd)

7.3.4 Voice Grade Service (Cont'd)

(G) Rates and Charges (Cont'd)

(20) Optional Payment Plan **Rates Effective: 04/02/90**
(Cont'd)

(D)

(D)

(This page filed under Transmittal No. 3442)

Issued: April 5, 2017

Effective: April 20, 2017

675 W. Peachtree St. NW, Atlanta, GA 30308

ACCESS SERVICE

7. Special Access Service (Cont'd)

7.3 Service Descriptions, Rates and Charges (Cont'd)

7.3.4 Voice Grade Service (Cont'd)

(G) Rates and Charges (Cont'd)

(21) Optional Payment Plan **Rates Effective: 07/01/90**

	3 Year		5 Year		(Tx)
	Monthly Rate	Monthly Rate	Monthly Rate	Monthly Rate	
	Fixed	Per Mile	Fixed	Per Mile	
(a) <u>Channel Termination</u>					
Four-wire per point of termination (T6E4X)	\$ 36.09		\$ 34.29		
(b) <u>Channel Mileage</u> (1L5XX)					
0 miles	\$ 0.00	\$ 0.00	\$ 0.00	\$ 0.00	
Over 0 miles	\$ 17.03	\$ 1.53	\$ 16.18	\$ 1.45	
(c) <u>Analog Service to Service Through Connect Arrangement</u> (THK)					
Multiplexed Arrangement	\$ 5.96		\$ 5.66		
(d) <u>Data Bridging</u> (BCND4)					
Four-wire per port	\$ 3.47		\$ 3.30		

(Tx)
(Tx)

(x) Issued under authority of Special Permission No. 14-001 of the FCC in order to withdraw material filed under Transmittal No. 3383 and suspended under Order DA-13-2349, released December 9, 2013, without its becoming effective and to restore currently effective material.

(This page filed under Transmittal No. 3386)

Issued: January 15, 2014

Effective: January 16, 2014

Four AT&T Plaza, Dallas, Texas 75202

ACCESS SERVICE

7. Special Access Service (Cont'd)

7.3 Service Descriptions, Rates and Charges (Cont'd)

7.3.4 Voice Grade Service (Cont'd)

(G) Rates and Charges (Cont'd)

(21) Optional Payment Plan **Rates Effective: 07/01/90**
(Cont'd)

	3 Year		5 Year		
	Monthly Rate		Monthly Rate		
	Fixed	Per Mile	Fixed	Per Mile	
(e) <u>Reserved for Future Use</u>					(T)
(f) <u>Reserved for Future Use</u>					(T) (D)

(T)
(D)
|
(D)

(This page filed under Transmittal No. 3442)

ACCESS SERVICE

7. Special Access Service (Cont'd)7.3 Service Descriptions, Rates and Charges (Cont'd)7.3.4 Voice Grade Service (Cont'd)(G) Rates and Charges (Cont'd)(21) Optional Payment Plan **Rates Effective: 07/01/90**
(Cont'd)

	3 Year		5 Year		(Tx)
	Monthly Rate		Monthly Rate		
	<u>Fixed</u>	<u>Per Mile</u>	<u>Fixed</u>	<u>Per Mile</u>	
(f) <u>Telemetry and Alarm Bridging</u> (Cont'd)					
<u>Passive Bridging Channel Connections</u>					
Per channel connected (BCNTP)	\$	0.73	\$	0.69	
(g) <u>Telephoto Bridging</u> (BCNF4)					
Four-wire per port	\$	4.44	\$	4.22	
(h) <u>Voice Bridging</u> (BCNV4)					
Four-wire per port	\$	2.38	\$	2.26	
(i) <u>C-Conditioning</u> (UHV)					
Per point of termination	\$	0.23	\$	0.22	

(Tx)
(Tx)

(x) Issued under authority of Special Permission No. 14-001 of the FCC in order to withdraw material filed under Transmittal No. 3383 and suspended under Order DA-13-2349, released December 9, 2013, without its becoming effective and to restore currently effective material.

(This page filed under Transmittal No. 3386)

Issued: January 15, 2014

Effective: January 16, 2014

Four AT&T Plaza, Dallas, Texas 75202

ACCESS SERVICE

7. Special Access Service (Cont'd)7.3 Service Descriptions, Rates and Charges (Cont'd)7.3.4 Voice Grade Service (Cont'd)(G) Rates and Charges (Cont'd)(21) Optional Payment Plan **Rates Effective: 07/01/90**
(Cont'd)

	3 Year		5 Year		(Tx)
	Monthly Rate		Monthly Rate		
	<u>Fixed</u>	<u>Per Mile</u>	<u>Fixed</u>	<u>Per Mile</u>	
(j) <u>Improved Attenuation Distortion</u> (IAD) (UHW)					
Per point of termination	\$	0.16	\$	0.15	
(k) <u>Improved Envelope Delay Distortion</u> (IEDD) (UHY)					
Per point of termination	\$	9.69	\$	9.21	
(l) <u>Sealing Current Conditioning</u> (1HBPT)	\$	0.00	\$	0.00	
(m) <u>Data Capability</u> (XDCPT)					
Per point of termination	\$	3.97	\$	3.77	
(n) <u>Improved Equal Level Echo Path Loss</u> (UHZ)					
Per point of termination	\$	0.00	\$	0.00	

(Tx)

(Tx)

(x) Issued under authority of Special Permission No. 14-001 of the FCC in order to withdraw material filed under Transmittal No. 3383 and suspended under Order DA-13-2349, released December 9, 2013, without its becoming effective and to restore currently effective material.

(This page filed under Transmittal No. 3386)

Issued: January 15, 2014

Effective: January 16, 2014

Four AT&T Plaza, Dallas, Texas 75202

ACCESS SERVICE

7. Special Access Service (Cont'd)

7.3 Service Descriptions, Rates and Charges (Cont'd)

7.3.4 Voice Grade Service (Cont'd)

(G) Rates and Charges (Cont'd)

(21) Optional Payment Plan **Rates Effective: 07/01/90**
 (Cont'd)

	3 Year Monthly Rate		5 Year Monthly Rate	
	Fixed	Per Mile	Fixed	Per Mile
(o) <u>Improved Termination</u> (1RL4W)				
Per four-wire point of termination	\$	3.40	\$	3.23
(p) <u>Selective Signaling Arrangement</u> (USZ)				
Per point of termination	\$	9.01	\$	8.56
(q) <u>Signaling Capability</u> (XSS++) *				
Per point of termination	\$	12.08	\$	11.48

(D)
 |
 (D)

* In lieu of ++, substitute appropriate two digit code from the following list to specify type of signaling:

AB AC CT DX DY EA EB EC EX GO GS LA LB LC LO LR LS RV SF⁽¹⁾

⁽¹⁾ This feature is obsolete, and limited to existing installations at existing locations, for existing customers as of June 19, 1995.

(This page filed under Transmittal No. 3442)

ACCESS SERVICE

7. Special Access Service (Cont'd)

7.3 Service Descriptions, Rates and Charges (Cont'd)

7.3.4 Voice Grade Service (Cont'd)

(G) Rates and Charges (Cont'd)

(21) Optional Payment Plan **Rates Effective: 07/01/90**
(Cont'd)

(D)

(D)

(This page filed under Transmittal No. 3442)

Issued: April 5, 2017

Effective: April 20, 2017

675 W. Peachtree St. NW, Atlanta, GA 30308

ACCESS SERVICE

7. Special Access Service (Cont'd)

7.3 Service Descriptions, Rates and Charges (Cont'd)

7.3.4 Voice Grade Service (Cont'd)

(G) Rates and Charges (Cont'd)

(22) Optional Payment Plan **Rates Effective: 01/01/91**

	3 Year		5 Year		(Tx)
	Fixed	Per Mile	Fixed	Per Mile	
(a) <u>Channel Termination</u>					
Four-wire per point of termination (T6E4X)	\$ 35.25		\$ 33.49		
(b) <u>Channel Mileage</u> (1L5XX)					
0 miles	\$ 0.00	\$ 0.00	\$ 0.00	\$ 0.00	
Over 0 miles	\$ 16.63	\$ 1.49	\$ 15.80	\$ 1.42	
(c) <u>Analog Service to Service Through Connect Arrangement</u> (THK)					
Multiplexed Arrangement	\$ 5.82		\$ 5.53		
(d) <u>Data Bridging</u> (BCND4)					
Four-wire per port	\$ 3.39		\$ 3.22		

(Tx)
 (Tx)

(x) Issued under authority of Special Permission No. 14-001 of the FCC in order to withdraw material filed under Transmittal No. 3383 and suspended under Order DA-13-2349, released December 9, 2013, without its becoming effective and to restore currently effective material.

(This page filed under Transmittal No. 3386)

Issued: January 15, 2014

Effective: January 16, 2014

Four AT&T Plaza, Dallas, Texas 75202

ACCESS SERVICE

7. Special Access Service (Cont'd)

7.3 Service Descriptions, Rates and Charges (Cont'd)

7.3.4 Voice Grade Service (Cont'd)

(G) Rates and Charges (Cont'd)

(22) Optional Payment Plan **Rates Effective: 01/01/91**
(Cont'd)

(e) Reserved for Future Use

(f) Reserved for Future Use

(D)
(D)
(D)
(T)

(T)
(D)

(D)

(This page filed under Transmittal No. 3442)

Issued: April 5, 2017

Effective: April 20, 2017

675 W. Peachtree St. NW, Atlanta, GA 30308

ACCESS SERVICE

7. Special Access Service (Cont'd)7.3 Service Descriptions, Rates and Charges (Cont'd)7.3.4 Voice Grade Service (Cont'd)(G) Rates and Charges (Cont'd)(22) Optional Payment Plan **Rates Effective: 01/01/91**
(Cont'd)

	3 Year Monthly Rate		5 Year Monthly Rate		
	Fixed	Per Mile	Fixed	Per Mile	
(f) <u>Reserved for Future Use</u>			<u>Alarm Bridging</u>		(T) (D)
(g) <u>Reserved for Future Use</u>					(T) (D)
(h) <u>Voice Bridging</u> (BCNV4)					
Four-wire per port	\$	2.32	\$	2.21	
(i) <u>C-Conditioning</u> (UHV)					
Per point of termination	\$	0.22	\$	0.21	

(This page filed under Transmittal No. 3442)

Issued: April 5, 2017

Effective: April 20, 2017

675 W. Peachtree St. NW, Atlanta, GA 30308

ACCESS SERVICE

7. Special Access Service (Cont'd)

7.3 Service Descriptions, Rates and Charges (Cont'd)

7.3.4 Voice Grade Service (Cont'd)

(G) Rates and Charges (Cont'd)

(22) Optional Payment Plan **Rates Effective: 01/01/91**
 (Cont'd)

	3 Year Monthly Rate		5 Year Monthly Rate		(Tx)
	<u>Fixed</u>	<u>Per Mile</u>	<u>Fixed</u>	<u>Per Mile</u>	
(j) <u>Improved Attenuation Distortion (IAD)</u> (UHW)					
Per point of termination	\$	0.16	\$	0.15	
(k) <u>Improved Envelope Delay Distortion (IEDD)</u> (UHY)					
Per point of termination	\$	9.46	\$	9.00	
(l) <u>Sealing Current Conditioning</u> (1HBPT)					
Per point of termination	\$	0.00	\$	0.00	
(m) <u>Data Capability</u> (XDCPT)					
Per point of termination	\$	3.88	\$	3.68	
(n) <u>Improved Equal Level Echo Path Loss</u> (UHZ)					
Per point of termination	\$	0.00	\$	0.00	

(Tx)
 (Tx)

(x) Issued under authority of Special Permission No. 14-001 of the FCC in order to withdraw material filed under Transmittal No. 3383 and suspended under Order DA-13-2349, released December 9, 2013, without its becoming effective and to restore currently effective material.

(This page filed under Transmittal No. 3386)

Issued: January 15, 2014

Effective: January 16, 2014

Four AT&T Plaza, Dallas, Texas 75202

ACCESS SERVICE

7. Special Access Service (Cont'd)

7.3 Service Descriptions, Rates and Charges (Cont'd)

7.3.4 Voice Grade Service (Cont'd)

(G) Rates and Charges (Cont'd)

(22) Optional Payment Plan **Rates Effective: 01/01/91**
 (Cont'd)

	3 Year		5 Year	
	Fixed	Per Mile	Fixed	Per Mile
(o) <u>Improved Termination</u> (1RL4W)				
Per four-wire point of termination	\$ 3.32		\$ 3.15	
(p) <u>Selective Signaling Arrangement</u> (USZ)				
Per point of termination	\$ 8.80		\$ 8.36	
(q) <u>Signaling Capability</u> (XSS++) *				
Per point of termination	\$ 11.80		\$ 11.21	

(D)
 |
 (D)

* In lieu of ++, substitute appropriate two digit code from the following list to specify type of signaling:

AB AC CT DX DY EA EB EC EX GO GS LA LB LC LO LR LS RV SF⁽¹⁾

⁽¹⁾ This feature is obsolete, and limited to existing installations at existing locations, for existing customers as of June 19, 1995.

(This page filed under Transmittal No. 3442)

ACCESS SERVICE

7. Special Access Service (Cont'd)

7.3 Service Descriptions, Rates and Charges (Cont'd)

7.3.4 Voice Grade Service (Cont'd)

(G) Rates and Charges (Cont'd)

(22) Optional Payment Plan **Rates Effective: 01/01/91**
(Cont'd)

(D)

(D)

(This page filed under Transmittal No. 3442)

Issued: April 5, 2017

Effective: April 20, 2017

675 W. Peachtree St. NW, Atlanta, GA 30308

ACCESS SERVICE

7. Special Access Service (Cont'd)

7.3 Service Descriptions, Rates and Charges (Cont'd)

7.3.4 Voice Grade Service (Cont'd)

(G) Rates and Charges (Cont'd)

(23) Optional Payment Plan **Rates Effective: 07/01/91**

	3 Year		5 Year		(Tx)
	Monthly Rate	Monthly Rate	Monthly Rate	Monthly Rate	
	Fixed	Per Mile	Fixed	Per Mile	
(a) <u>Channel Termination</u>					
Four-wire per point of termination (T6E4X)	\$ 36.71		\$ 34.87		
(b) <u>Channel Mileage</u> (1L5XX)					
0 miles	\$ 0.00	\$ 0.00	\$ 0.00	\$ 0.00	
Over 0 miles	\$ 17.32	\$ 1.51	\$ 16.45	\$ 1.43	
(c) <u>Analog Service to Service Through Connect Arrangement</u> (THK)					
Multiplexed Arrangement	\$ 6.06		\$ 5.76		
(d) <u>Data Bridging</u> (BCND4)					
Four-wire per port	\$ 3.53		\$ 3.35		

(Tx)
(Tx)

(x) Issued under authority of Special Permission No. 14-001 of the FCC in order to withdraw material filed under Transmittal No. 3383 and suspended under Order DA-13-2349, released December 9, 2013, without its becoming effective and to restore currently effective material.

(This page filed under Transmittal No. 3386)

Issued: January 15, 2014

Effective: January 16, 2014

Four AT&T Plaza, Dallas, Texas 75202

ACCESS SERVICE

7. Special Access Service (Cont'd)

7.3 Service Descriptions, Rates and Charges (Cont'd)

7.3.4 Voice Grade Service (Cont'd)

(G) Rates and Charges (Cont'd)

(23) Optional Payment Plan **Rates Effective: 07/01/91**
(Cont'd)

(e) Reserved for Future Use

(f) Reserved for Future Use

(D)
(D)
(D)
(T)

(T)
(D)

(D)

(This page filed under Transmittal No. 3442)

Issued: April 5, 2017

Effective: April 20, 2017

675 W. Peachtree St. NW, Atlanta, GA 30308

ACCESS SERVICE

7. Special Access Service (Cont'd)

7.3 Service Descriptions, Rates and Charges (Cont'd)

7.3.4 Voice Grade Service (Cont'd)

(G) Rates and Charges (Cont'd)

(23) Optional Payment Plan **Rates Effective: 07/01/91**
 (Cont'd)

	3 Year Monthly Rate	5 Year Monthly Rate
(g) <u>Reserved for Future Use</u>		
(h) <u>Voice Bridging</u> (BCNV4)		
Four-wire per port	\$ 2.41	\$ 2.29
(i) <u>C-Conditioning</u> (UHV)		
Per point of termination	\$ 1.00	\$ 0.95

(D)
 |
 (D)
 (T)
 (D)

(This page filed under Transmittal No. 3442)

Issued: April 5, 2017

Effective: April 20, 2017

ACCESS SERVICE

7. Special Access Service (Cont'd)7.3 Service Descriptions, Rates and Charges (Cont'd)7.3.4 Voice Grade Service (Cont'd)(G) Rates and Charges (Cont'd)(23) Optional Payment Plan **Rates Effective: 07/01/91**
(Cont'd)

	3 Year		5 Year		(Tx)
	Monthly	Monthly	Monthly	Monthly	
	Fixed	Per Mile	Fixed	Per Mile	
(j) <u>Improved Attenuation Distortion</u> (IAD) (UHW)					
Per point of termination	\$	0.16	\$	0.15	
(k) <u>Improved Envelope Delay Distortion</u> (IEDD) (UHY)					
Per point of termination	\$	15.00	\$	14.25	
(l) <u>Sealing Current Conditioning</u> (1HBPT)	\$	0.00	\$	0.00	
(m) <u>Data Capability</u> (XDCPT)					
Per point of termination	\$	4.04	\$	3.84	
(n) <u>Improved Equal Level Echo Path Loss</u> (UHZ)					
Per point of termination	\$	0.00	\$	0.00	

(Tx)
(Tx)

(x) Issued under authority of Special Permission No. 14-001 of the FCC in order to withdraw material filed under Transmittal No. 3383 and suspended under Order DA-13-2349, released December 9, 2013, without its becoming effective and to restore currently effective material.

(This page filed under Transmittal No. 3386)

Issued: January 15, 2014

Effective: January 16, 2014

Four AT&T Plaza, Dallas, Texas 75202

ACCESS SERVICE

7. Special Access Service (Cont'd)

7.3 Service Descriptions, Rates and Charges (Cont'd)

7.3.4 Voice Grade Service (Cont'd)

(G) Rates and Charges (Cont'd)

(23) Optional Payment Plan **Rates Effective: 07/01/91**
 (Cont'd)

	3 Year		5 Year	
	Fixed	Per Mile	Fixed	Per Mile
(o) <u>Improved Termination</u> (1RL4W)				
Per four-wire point of termination	\$ 3.46		\$ 3.29	
(p) <u>Selective Signaling Arrangement</u> (USZ)				
Per point of termination	\$ 9.16		\$ 8.70	
(q) <u>Signaling Capability</u> (XSS++) *				
Per point of termination	\$ 12.29		\$ 11.68	

(D)
 |
 (D)

* In lieu of ++, substitute appropriate two digit code from the following list to specify type of signaling:

AB AC CT DX DY EA EB EC EX GO GS LA LB LC LO LR LS RV SF⁽¹⁾

⁽¹⁾ This feature is obsolete, and limited to existing installations at existing locations, for existing customers as of June 19, 1995.

(This page filed under Transmittal No. 3442)

ACCESS SERVICE

7. Special Access Service (Cont'd)

7.3 Service Descriptions, Rates and Charges (Cont'd)

7.3.4 Voice Grade Service (Cont'd)

(G) Rates and Charges (Cont'd)

(23) Optional Payment Plan **Rates Effective: 07/01/91**
(Cont'd)

(D)

(D)

(This page filed under Transmittal No. 3442)

Issued: April 5, 2017

Effective: April 20, 2017

675 W. Peachtree St. NW, Atlanta, GA 30308

ACCESS SERVICE

7. Special Access Service (Cont'd)

7.3 Service Descriptions, Rates and Charges (Cont'd)

7.3.4 Voice Grade Service (Cont'd)

(G) Rates and Charges (Cont'd)

(24) Optional Payment Plan **Rates Effective: 07/24/91**

	3 Year		5 Year		(Tx)
	Monthly Rate	Monthly Rate	Monthly Rate	Monthly Rate	
	Fixed	Per Mile	Fixed	Per Mile	
(a) <u>Channel Termination</u>					
Four-wire per point of termination (T6E4X)	\$ 36.71		\$ 34.87		
(b) <u>Channel Mileage</u> (1L5XX)					
0 miles	\$ 0.00	\$ 0.00	\$ 0.00	\$ 0.00	
Over 0 miles	\$ 17.45	\$ 1.60	\$ 16.58	\$ 1.52	
(c) <u>Analog Service to Service Through Connect Arrangement</u> (THK)					
Multiplexed Arrangement	\$ 6.06		\$ 5.76		
(d) <u>Data Bridging</u> (BCND4)					
Four-wire per port	\$ 3.53		\$ 3.35		

(Tx)
(Tx)

(x) Issued under authority of Special Permission No. 14-001 of the FCC in order to withdraw material filed under Transmittal No. 3383 and suspended under Order DA-13-2349, released December 9, 2013, without its becoming effective and to restore currently effective material.

(This page filed under Transmittal No. 3386)

Issued: January 15, 2014

Effective: January 16, 2014

Four AT&T Plaza, Dallas, Texas 75202

ACCESS SERVICE

7. Special Access Service (Cont'd)

7.3 Service Descriptions, Rates and Charges (Cont'd)

7.3.4 Voice Grade Service (Cont'd)

(G) Rates and Charges (Cont'd)

(24) Optional Payment Plan **Rates Effective: 07/24/91**
(Cont'd)

(e) Reserved for Future Use

(f) Reserved for Future Use

(D)
(D)
(D)
(T)

(T)
(D)

(D)

(This page filed under Transmittal No. 3442)

ACCESS SERVICE

7. Special Access Service (Cont'd)

7.3 Service Descriptions, Rates and Charges (Cont'd)

7.3.4 Voice Grade Service (Cont'd)

(G) Rates and Charges (Cont'd)

(24) Optional Payment Plan **Rates Effective: 07/24/91**
 (Cont'd)

	3 Year Monthly Rate		5 Year Monthly Rate		
	<u>Fixed</u>	<u>Per Mile</u>	<u>Fixed</u>	<u>Per Mile</u>	
(g) <u>Reserved for Future Use</u>					(D)
(h) <u>Voice Bridging</u> (BCNV4)					(D)
Four-wire per port	\$	2.41	\$	2.29	
(i) <u>C-Conditioning</u> (UHV)					(T)
Per point of termination	\$	1.00	\$	0.95	(D)

(This page filed under Transmittal No. 3442)

ACCESS SERVICE

7. Special Access Service (Cont'd)7.3 Service Descriptions, Rates and Charges (Cont'd)7.3.4 Voice Grade Service (Cont'd)(G) Rates and Charges (Cont'd)(24) Optional Payment Plan **Rates Effective: 07/24/91**
(Cont'd)

	3 Year		5 Year		(Tx)
	Monthly Rate	Monthly Rate	Monthly Rate	Monthly Rate	
	Fixed	Per Mile	Fixed	Per Mile	
(j) <u>Improved Attenuation Distortion</u> (IAD) (UHW)					
Per point of termination	\$	0.16	\$	0.15	
(k) <u>Improved Envelope Delay Distortion</u> (IEDD) (UHY)					
Per point of termination	\$	15.00	\$	14.25	
(l) <u>Sealing Current Conditioning</u> (1HBPT)	\$	0.00	\$	0.00	
(m) <u>Data Capability</u> (XDCPT)					
Per point of termination	\$	4.04	\$	3.84	
(n) <u>Improved Equal Level Echo Path Loss</u> (UHZ)					
Per point of termination	\$	0.00	\$	0.00	

(Tx)
(Tx)

(x) Issued under authority of Special Permission No. 14-001 of the FCC in order to withdraw material filed under Transmittal No. 3383 and suspended under Order DA-13-2349, released December 9, 2013, without its becoming effective and to restore currently effective material.

(This page filed under Transmittal No. 3386)

Issued: January 15, 2014

Effective: January 16, 2014

Four AT&T Plaza, Dallas, Texas 75202

ACCESS SERVICE

7. Special Access Service (Cont'd)

7.3 Service Descriptions, Rates and Charges (Cont'd)

7.3.4 Voice Grade Service (Cont'd)

(G) Rates and Charges (Cont'd)

(24) Optional Payment Plan **Rates Effective: 07/24/91**
 (Cont'd)

	3 Year Monthly Rate		5 Year Monthly Rate	
	Fixed	Per Mile	Fixed	Per Mile
(o) <u>Improved Termination</u> (1RL4W)				
Per four-wire point of termination	\$	3.46	\$	3.29
(p) <u>Selective Signaling Arrangement</u> (USZ)				
Per point of termination	\$	9.16	\$	8.70
(q) <u>Signaling Capability</u> (XSS++) *				
Per point of termination	\$	12.29	\$	11.68

(D)
 |
 (D)

* In lieu of ++, substitute appropriate two digit code from the following list to specify type of signaling:

AB AC CT DX DY EA EB EC EX GO GS LA LB LC LO LR LS RV SF⁽¹⁾

⁽¹⁾ This feature is obsolete, and limited to existing installations at existing locations, for existing customers as of June 19, 1995.

(This page filed under Transmittal No. 3442)

ACCESS SERVICE

7. Special Access Service (Cont'd)

7.3 Service Descriptions, Rates and Charges (Cont'd)

7.3.4 Voice Grade Service (Cont'd)

(G) Rates and Charges (Cont'd)

(24) Optional Payment Plan **Rates Effective: 07/24/91**
(Cont'd)

(D)

(D)

(This page filed under Transmittal No. 3442)

Issued: April 5, 2017

Effective: April 20, 2017

675 W. Peachtree St. NW, Atlanta, GA 30308

ACCESS SERVICE

7. Special Access Service (Cont'd)7.3 Service Descriptions, Rates and Charges (Cont'd)7.3.4 Voice Grade Service (Cont'd)(G) Rates and Charges (Cont'd)(25) Optional Payment Plan **Rates Effective: 07/01/92**

	3 Year		5 Year		(Tx)
	Fixed	Per Mile	Fixed	Per Mile	
(a) <u>Channel Termination</u>					
Four-wire per point of termination (T6E4X)	\$39.52		\$37.54		
(b) <u>Channel Mileage</u> (1L5XX)					
0 miles	\$ 0.00	\$ 0.00	\$ 0.00	\$ 0.00	
Over 0 miles	\$17.37	1.60	\$16.50	\$ 1.52	
(c) <u>Analog Service to Service Through Connect Arrangement</u> (THK)					
Multiplexed Arrangement	\$ 6.08		\$ 5.78		
(d) <u>Data Bridging</u> (BCND4)					
Four-wire per port	\$ 3.54		\$ 3.36		

(Tx)
(Tx)

(x) Issued under authority of Special Permission No. 14-001 of the FCC in order to withdraw material filed under Transmittal No. 3383 and suspended under Order DA-13-2349, released December 9, 2013, without its becoming effective and to restore currently effective material.

(This page filed under Transmittal No. 3386)

Issued: January 15, 2014

Effective: January 16, 2014

Four AT&T Plaza, Dallas, Texas 75202

ACCESS SERVICE

7. Special Access Service (Cont'd)

7.3 Service Descriptions, Rates and Charges (Cont'd)

7.3.4 Voice Grade Service (Cont'd)

(G) Rates and Charges (Cont'd)

(25) Optional Payment Plan **Rates Effective: 07/01/92**
(Cont'd)

(e) Reserved for Future Use

(f) Reserved for Future Use

(D)
(D)
(D)
(T)

(T)
(D)

(D)

(This page filed under Transmittal No. 3442)

Issued: April 5, 2017

Effective: April 20, 2017

675 W. Peachtree St. NW, Atlanta, GA 30308

ACCESS SERVICE

7. Special Access Service (Cont'd)

7.3 Service Descriptions, Rates and Charges (Cont'd)

7.3.4 Voice Grade Service (Cont'd)

(G) Rates and Charges (Cont'd)

(25) Optional Payment Plan **Rates Effective: 07/01/92**
 (Cont'd)

	3 Year Monthly Rate		5 Year Monthly Rate		
	<u>Fixed</u>	<u>Per Mile</u>	<u>Fixed</u>	<u>Per Mile</u>	
(g) <u>Reserved for Future Use</u>					(D) (D)
(h) <u>Voice Bridging</u> (BCNV4)					
Four-wire per port	\$	2.42	\$	2.30	
(i) <u>C-Conditioning</u> (UHV)					
Per point of termination	\$	1.00	\$	0.95	

(This page filed under Transmittal No. 3442)

ACCESS SERVICE

7. Special Access Service (Cont'd)

7.3 Service Descriptions, Rates and Charges (Cont'd)

7.3.4 Voice Grade Service (Cont'd)

(G) Rates and Charges (Cont'd)

(25) Optional Payment Plan Rates Effective: 07/01/92
 (Cont'd)

	3 Year Monthly Rate		5 Year Monthly Rate		(Tx)
	<u>Fixed</u>	<u>Per Mile</u>	<u>Fixed</u>	<u>Per Mile</u>	
(j) <u>Improved Attenuation Distortion (IAD)</u> (UHW)					
Per point of termination	\$ 0.30		\$ 0.29		
(k) <u>Improved Envelope Delay Distortion (IEDD)</u> (UHY)					
Per point of termination	\$ 16.05		\$ 15.25		
(l) <u>Sealing Current Conditioning</u> (1HBPT)	\$ 0.00		\$ 0.00		
(m) <u>Data Capability</u> (XDCPT)					
Per point of termination	\$ 4.05		\$ 3.85		
(n) <u>Improved Equal Level Echo Path Loss</u> (UHZ)					
Per point of termination	\$ 0.00		\$ 0.00		

(Tx)
 (Tx)

(x) Issued under authority of Special Permission No. 14-001 of the FCC in order to withdraw material filed under Transmittal No. 3383 and suspended under Order DA-13-2349, released December 9, 2013, without its becoming effective and to restore currently effective material.

(This page filed under Transmittal No. 3386)

Issued: January 15, 2014

Effective: January 16, 2014

Four AT&T Plaza, Dallas, Texas 75202

ACCESS SERVICE

7. Special Access Service (Cont'd)

7.3 Service Descriptions, Rates and Charges (Cont'd)

7.3.4 Voice Grade Service (Cont'd)

(G) Rates and Charges (Cont'd)

(25) Optional Payment Plan **Rates Effective: 07/01/92**
 (Cont'd)

	3 Year Monthly Rate		5 Year Monthly Rate	
	Fixed	Per Mile	Fixed	Per Mile
(o) <u>Improved Termination</u> (1RL4W)				
Per four-wire point of termination	\$	3.47	\$	3.30
(p) <u>Selective Signaling Arrangement</u> (USZ)				
Per point of termination	\$	10.53	\$	10.00
(q) <u>Signaling Capability</u> (XSS++) *				
Per point of termination	\$	13.04	\$	12.39

(D)
 |
 (D)

* In lieu of ++, substitute appropriate two digit code from the following list to specify type of signaling:

AB AC CT DX DY EA EB EC EX GO GS LA LB LC LO LR LS RV SF⁽¹⁾

⁽¹⁾ This feature is obsolete, and limited to existing installations at existing locations, for existing customers as of June 19, 1995.

(This page filed under Transmittal No. 3442)

ACCESS SERVICE

7. Special Access Service (Cont'd)

7.3 Service Descriptions, Rates and Charges (Cont'd)

7.3.4 Voice Grade Service (Cont'd)

(G) Rates and Charges (Cont'd)

(25) Optional Payment Plan **Rates Effective: 07/01/92**
(Cont'd)

(D)

(D)

(This page filed under Transmittal No. 3442)

Issued: April 5, 2017

Effective: April 20, 2017

675 W. Peachtree St. NW, Atlanta, GA 30308

ACCESS SERVICE

7. Special Access Service (Cont'd)7.3 Service Descriptions, Rates and Charges (Cont'd)7.3.4 Voice Grade Service (Cont'd)
(G) Rates and Charges (Cont'd)(26) Optional Payment Plan **Rates Effective: 07/01/93**

	3 Year		5 Year		(Tx)
	Monthly Rate		Monthly Rate		
(a) <u>Channel Termination</u>	<u>Fixed</u>	<u>Per Mile</u>	<u>Fixed</u>	<u>Per Mile</u>	
Four-wire per point of termination (T6E4X)	\$40.00		\$38.00		
(b) <u>Channel Mileage</u> (1L5XX)					
0 miles	\$ 0.00	\$ 0.00	\$ 0.00	\$ 0.00	
Over 0 miles	\$18.29	\$ 1.30	\$17.38	\$ 1.24	
(c) <u>Analog Service to Service Through Connect Arrangement</u> (THK)					
Multiplexed Arrangement	\$ 6.08		\$ 5.78		
(d) <u>Data Bridging</u> (BCND4)					
Four-wire per port	\$ 5.00		\$ 4.75		

(Tx)
(Tx)

(x) Issued under authority of Special Permission No. 14-001 of the FCC in order to withdraw material filed under Transmittal No. 3383 and suspended under Order DA-13-2349, released December 9, 2013, without its becoming effective and to restore currently effective material.

(This page filed under Transmittal No. 3386)

Issued: January 15, 2014

Effective: January 16, 2014

Four AT&T Plaza, Dallas, Texas 75202

ACCESS SERVICE

7. Special Access Service (Cont'd)

7.3 Service Descriptions, Rates and Charges (Cont'd)

7.3.4 Voice Grade Service (Cont'd)

(G) Rates and Charges (Cont'd)

(26) Optional Payment Plan **Rates Effective: 07/01/93**
(Cont'd)

(e) Reserved for Future Use

(f) Reserved for Future Use

(D)

(D)

(D)

(T)

(T)

(D)

(D)

(This page filed under Transmittal No. 3442)

Issued: April 5, 2017

Effective: April 20, 2017

675 W. Peachtree St. NW, Atlanta, GA 30308

ACCESS SERVICE

7. Special Access Service (Cont'd)

7.3 Service Descriptions, Rates and Charges (Cont'd)

7.3.4 Voice Grade Service (Cont'd)

(G) Rates and Charges (Cont'd)

(26) Optional Payment Plan **Rates Effective: 07/01/93**
 (Cont'd)

	3 Year Monthly Rate		5 Year Monthly Rate ¹⁾		
	<u>Fixed</u>	<u>Per Mile</u>	<u>Fixed</u>	<u>Per Mile</u>	
(g) <u>Reserved for Future Use</u>					(D) (D)
(h) <u>Voice Bridging</u> (BCNV4)					
Four-wire per port	\$ 4.00		\$ 3.80		
(i) <u>C-Conditioning</u> (UHV)					(T) (D)
Per point of termination	\$ 2.00		\$ 1.90		

(This page filed under Transmittal No. 3442)

ACCESS SERVICE

7. Special Access Service (Cont'd)7.3 Service Descriptions, Rates and Charges (Cont'd)7.3.4 Voice Grade Service (Cont'd)(G) Rates and Charges (Cont'd)(26) Optional Payment Plan **Rates Effective: 07/01/93**
(Cont'd)

	3 Year		5 Year		(Tx)
	Fixed	Per Mile	Fixed	Per Mile	
(j) <u>Improved Attenuation Distortion (IAD)</u> (UHW)					
Per point of termination	\$	0.30	\$	0.29	
(k) <u>Improved Envelope Delay Distortion (IEDD)</u> (UHY)					
Per point of termination	\$	25.00	\$	23.75	
(l) <u>Sealing Current Conditioning</u> (1HBPT)	\$	0.00	\$	0.00	
(m) <u>Data Capability</u> (XDCPT)					
Per point of termination	\$	5.00	\$	4.75	
(n) <u>Improved Equal Level Echo Path Loss</u> (UHZ)					
Per point of termination	\$	0.00	\$	0.00	

(Tx)
(Tx)

(x) Issued under authority of Special Permission No. 14-001 of the FCC in order to withdraw material filed under Transmittal No. 3383 and suspended under Order DA-13-2349, released December 9, 2013, without its becoming effective and to restore currently effective material.

(This page filed under Transmittal No. 3386)

Issued: January 15, 2014

Effective: January 16, 2014

Four AT&T Plaza, Dallas, Texas 75202

ACCESS SERVICE

7. Special Access Service (Cont'd)

7.3 Service Descriptions, Rates and Charges (Cont'd)

7.3.4 Voice Grade Service (Cont'd)

(G) Rates and Charges (Cont'd)

(26) Optional Payment Plan **Rates Effective: 07/01/93**
 (Cont'd)

	3 Year Monthly Rate		5 Year Monthly Rate	
	Fixed	Per Mile	Fixed	Per Mile
(o) <u>Improved Termination</u> (1RL4W)				
Per four-wire point of termination	\$ 4.00		\$ 3.80	
(p) <u>Selective Signaling Arrangement</u> (USZ)				
Per point of termination	\$ 12.00		\$ 11.40	
(q) <u>Signaling Capability</u> (XSS++) *				
Per point of termination	\$ 15.00		\$ 14.25	

(D)
 |
 (D)

* In lieu of ++, substitute appropriate two digit code from the following list to specify type of signaling:

AB AC CT DX DY EA EB EC EX GO GS LA LB LC LO LR LS RV SF⁽¹⁾

⁽¹⁾ This feature is obsolete, and limited to existing installations at existing locations, for existing customers as of June 19, 1995.

(This page filed under Transmittal No. 3442)

ACCESS SERVICE

7. Special Access Service (Cont'd)

7.3 Service Descriptions, Rates and Charges (Cont'd)

7.3.4 Voice Grade Service (Cont'd)

(26) Optional Payment Plan **Rates Effective: 07/01/93**
(Cont'd)

(D)

(D)

(This page filed under Transmittal No. 3442)

Issued: April 5, 2017

Effective: April 20, 2017

675 W. Peachtree St. NW, Atlanta, GA 30308

ACCESS SERVICE

7. Special Access Service (Cont'd)7.3 Service Descriptions, Rates and Charges (Cont'd)7.3.4 Voice Grade Service (Cont'd)(G) Rates and Charges (Cont'd)(27) Optional Payment Plan **Rates Effective: 01/01/94**

	3 Year		5 Year		(Tx)
	Monthly Rate	Per Mile	Monthly Rate	Per Mile	
(a) <u>Channel Termination</u>					
Four-wire per point of termination (T6E4X)	\$ 40.00		\$ 38.00		
(b) <u>Channel Mileage</u> (1L5XX)					
0 miles	\$ 0.00	\$ 0.00	\$ 0.00	\$ 0.00	
Over 0 miles	\$ 17.46	\$ 1.30	\$ 16.59	\$ 1.24	
(c) <u>Analog Service to Service Through Connect Arrangement</u> (THK)					
Multiplexed Arrangement	\$ 6.08		\$ 5.78		
(d) <u>Data Bridging</u> (BCND4)					
Four-wire per port	\$ 5.00		\$ 4.75		

(Tx)
(Tx)

(x) Issued under authority of Special Permission No. 14-001 of the FCC in order to withdraw material filed under Transmittal No. 3383 and suspended under Order DA-13-2349, released December 9, 2013, without its becoming effective and to restore currently effective material.

(This page filed under Transmittal No. 3386)

Issued: January 15, 2014

Effective: January 16, 2014

Four AT&T Plaza, Dallas, Texas 75202

ACCESS SERVICE

7. Special Access Service (Cont'd)

7.3 Service Descriptions, Rates and Charges (Cont'd)

7.3.4 Voice Grade Service (Cont'd)

(G) Rates and Charges (Cont'd)

(27) Optional Payment Plan **Rates Effective: 01/01/94**
(Cont'd)

(e) Reserved for Future Use

(f) Reserved for Future Use

(D)

(D)

(D)

(T)

(T)

(D)

(D)

(This page filed under Transmittal No. 3442)

Issued: April 5, 2017

Effective: April 20, 2017

675 W. Peachtree St. NW, Atlanta, GA 30308

ACCESS SERVICE

7. Special Access Service (Cont'd)

7.3 Service Descriptions, Rates and Charges (Cont'd)

7.3.4 Voice Grade Service (Cont'd)

(G) Rates and Charges (Cont'd)

(27) Optional Payment Plan **Rates Effective: 01/01/94**
 (Cont'd)

	3 Year Monthly Rate		5 Year Monthly Rate		
	<u>Fixed</u>	<u>Per Mile</u>	<u>Fixed</u>	<u>Per Mile</u>	
(g) <u>Reserved for Future Use</u>					(D)
(h) <u>Voice Bridging</u> (BCNV4)					(D)
Four-wire per port	\$ 4.00		\$ 3.80		
(i) <u>C-Conditioning</u> (UHV)					(T)
Per point of termination	\$ 2.00		\$ 1.90		(D)

(This page filed under Transmittal No. 3442)

ACCESS SERVICE

7. Special Access Service (Cont'd)

7.3 Service Descriptions, Rates and Charges (Cont'd)

7.3.4 Voice Grade Service (Cont'd)

(G) Rates and Charges (Cont'd)

(27) Optional Payment Plan **Rates Effective: 01/01/94**
 (Cont'd)

	3 Year		5 Year		(Tx)
	Monthly Rate		Monthly Rate		
	<u>Fixed</u>	<u>Per Mile</u>	<u>Fixed</u>	<u>Per Mile</u>	
(j) <u>Improved Attenuation Distortion (IAD)</u> (UHW)					
Per point of termination	\$	0.30	\$	0.29	
(k) <u>Improved Envelope Delay Distortion (IEDD)</u> (UHY)					
Per point of termination	\$	25.00	\$	23.75	
(l) <u>Sealing Current Conditioning</u> (1HBPT)	\$	0.00	\$	0.00	
(m) <u>Data Capability</u> (XDCPT)					
Per point of termination	\$	5.00	\$	4.75	
(n) <u>Improved Equal Level Echo Path Loss</u> (UHZ)					
Per point of termination	\$	0.00	\$	0.00	

(Tx)
 (Tx)

(x) Issued under authority of Special Permission No. 14-001 of the FCC in order to withdraw material filed under Transmittal No. 3383 and suspended under Order DA-13-2349, released December 9, 2013, without its becoming effective and to restore currently effective material.

(This page filed under Transmittal No. 3386)

Issued: January 15, 2014

Effective: January 16, 2014

Four AT&T Plaza, Dallas, Texas 75202

ACCESS SERVICE

7. Special Access Service (Cont'd)

7.3 Service Descriptions, Rates and Charges (Cont'd)

7.3.4 Voice Grade Service (Cont'd)

(G) Rates and Charges (Cont'd)

(27) Optional Payment Plan **Rates Effective: 01/01/94**
 (Cont'd)

	3 Year		5 Year	
	Fixed	Per Mile	Fixed	Per Mile
(o) <u>Improved Termination</u> (1RL4W)				
Per four-wire point of termination	\$ 4.00		\$ 3.80	
(p) <u>Selective Signaling Arrangement</u> (USZ)				
Per point of termination	\$ 12.00		\$ 11.40	
(q) <u>Signaling Capability</u> (XSS++) *				
Per point of termination	\$ 15.00		\$ 14.25	

(D)
 |
 (D)

* In lieu of ++, substitute appropriate two digit code from the following list to specify type of signaling:

AB AC CT DX DY EA EB EC EX GO GS LA LB LC LO LR LS RV SF⁽¹⁾

⁽¹⁾ This feature is obsolete, and limited to existing installations at existing locations, for existing customers as of June 19, 1995.

(This page filed under Transmittal No. 3442)

ACCESS SERVICE

7. Special Access Service (Cont'd)

7.3 Service Descriptions, Rates and Charges (Cont'd)

7.3.4 Voice Grade Service (Cont'd)

(27) Optional Payment Plan **Rates Effective: 01/01/94**
(Cont'd)

(D)

(D)

(This page filed under Transmittal No. 3442)

Issued: April 5, 2017

Effective: April 20, 2017

675 W. Peachtree St. NW, Atlanta, GA 30308

ACCESS SERVICE

7. Special Access Service (Cont'd)

7.3 Service Descriptions, Rates and Charges (Cont'd)

7.3.4 Voice Grade Service (Cont'd)

(G) Rates and Charges (Cont'd)

(28) Optional Payment Plan **Rates Effective: 07/01/94**

Monthly Rate	Monthly Rate	3 Year		5 Year		(Tx)
		<u>Fixed</u>	<u>Per Mile</u>	<u>Fixed</u>	<u>Per Mile</u>	
	(a) <u>Channel Termination</u>					
	Four-wire per point of termination (T6E4X)	\$ 40.00		\$ 38.00		
	(b) <u>Channel Mileage (1L5XX)</u>					
	0 miles	\$ 0.00	\$ 0.00	\$ 0.00	\$ 0.00	
	Over 0 miles	\$ 17.46	\$ 1.30	\$ 16.59	\$ 1.24	
	(c) <u>Analog Service to Service Through Connect Arrangement (THK)</u>					
	Multiplexed Arrangement	\$ 6.08		\$ 5.78		
	(d) <u>Data Bridging (BCND4)</u>					
	Four-wire per port	\$ 5.00		\$ 4.75		

(Tx)
 (Tx)

(x) Issued under authority of Special Permission No. 14-001 of the FCC in order to withdraw material filed under Transmittal No. 3383 and suspended under Order DA-13-2349, released December 9, 2013, without its becoming effective and to restore currently effective material.

(This page filed under Transmittal No. 3386)

Issued: January 15, 2014

Effective: January 16, 2014

Four AT&T Plaza, Dallas, Texas 75202

ACCESS SERVICE

7. Special Access Service (Cont'd)

7.3 Service Descriptions, Rates and Charges (Cont'd)

7.3.4 Voice Grade Service (Cont'd)

(G) Rates and Charges (Cont'd)

(28) Optional Payment Plan **Rates Effective: 07/01/94**
(Cont'd)

(e) Reserved for Future Use

(f) Reserved for Future Use

(D)
(D)
(D)
(T)

(T)
(D)

(D)

(This page filed under Transmittal No. 3442)

ACCESS SERVICE

7. Special Access Service (Cont'd)

7.3 Service Descriptions, Rates and Charges (Cont'd)

7.3.4 Voice Grade Service (Cont'd)

(G) Rates and Charges (Cont'd)

(28) Optional Payment Plan **Rates Effective: 07/01/94**
 (Cont'd)

	3 Year Monthly Rate		5 Year Monthly Rate	
	<u>Fixed</u>	<u>Per Mile</u>	<u>Fixed</u>	<u>Per Mile</u>
(g) <u>Reserved for Future Use</u>				
(h) <u>Voice Bridging</u> (BCNV4)				
Four-wire per port	\$ 4.00		\$ 3.80	
(i) <u>C-Conditioning</u> (UHV)				
Per point of termination	\$ 2.00		\$ 1.90	

(D)
 |
 (D)
 (T)
 (D)

(This page filed under Transmittal No. 3442)

ACCESS SERVICE

7. Special Access Service (Cont'd)7.3 Service Descriptions, Rates and Charges (Cont'd)7.3.4 Voice Grade Service (Cont'd)(G) Rates and Charges (Cont'd)(28) Optional Payment Plan **Rates Effective: 07/01/94**
(Cont'd)

	3 Year		5 Year		(Tx)
	Fixed	Per Mile	Fixed	Per Mile	
(j) <u>Improved Attenuation Distortion (IAD)</u> (UHW)					
Per point of termination	\$ 0.30		\$ 0.29		
(k) <u>Improved Envelope Delay Distortion (IEDD)</u> (UHY)					
Per point of termination	\$ 30.00		\$ 28.50		
(l) <u>Sealing Current Conditioning</u> (1HBPT)	\$ 0.00		\$ 0.00		
(m) <u>Data Capability</u> (XDCPT)					
Per point of termination	\$ 5.00		\$ 4.75		
(n) <u>Improved Equal Level Echo Path Loss</u> (UHZ)					
Per point of termination	\$ 0.00		\$ 0.00		

(Tx)
(Tx)

(x) Issued under authority of Special Permission No. 14-001 of the FCC in order to withdraw material filed under Transmittal No. 3383 and suspended under Order DA-13-2349, released December 9, 2013, without its becoming effective and to restore currently effective material.

(This page filed under Transmittal No. 3386)

Issued: January 15, 2014

Effective: January 16, 2014

Four AT&T Plaza, Dallas, Texas 75202

ACCESS SERVICE

7. Special Access Service (Cont'd)

7.3 Service Descriptions, Rates and Charges (Cont'd)

7.3.4 Voice Grade Service (Cont'd)

(G) Rates and Charges (Cont'd)

(28) Optional Payment Plan **Rates Effective: 07/01/94**
 (Cont'd)

	3 Year Monthly Rate		5 Year Monthly Rate	
	<u>Fixed</u>	<u>Per Mile</u>	<u>Fixed</u>	<u>Per Mile</u>
(o) <u>Improved Termination</u> (1RL4W)				
Per four-wire point of termination	\$ 4.00		\$ 3.80	
(p) <u>Selective Signaling Arrangement</u> (USZ)				
Per point of termination	\$ 12.00		\$ 11.40	
(q) <u>Signaling Capability</u> (XSS++) *				
Per point of termination	\$ 15.00		\$ 14.25	

(D)
 |
 (D)

* In lieu of ++, substitute appropriate two digit code from the following list to specify type of signaling:

AB AC CT DX DY EA EB EC EX GO GS LA LB LC LO LR LS RV SF⁽¹⁾

⁽¹⁾ This feature is obsolete, and limited to existing installations at existing locations, for existing customers as of June 19, 1995.

(This page filed under Transmittal No. 3442)

ACCESS SERVICE

7. Special Access Service (Cont'd)

7.3 Service Descriptions, Rates and Charges (Cont'd)

7.3.4 Voice Grade Service (Cont'd)

(28) Optional Payment Plan **Rates Effective: 07/01/94**
(Cont'd)

(D)

(D)

(This page filed under Transmittal No. 3442)

Issued: April 5, 2017

Effective: April 20, 2017

675 W. Peachtree St. NW, Atlanta, GA 30308

ACCESS SERVICE

7. Special Access Service (Cont'd)

7.3 Service Descriptions, Rates and Charges (Cont'd)

7.3.4 Voice Grade Service (Cont'd)

(G) Rates and Charges (Cont'd)

(29) Optional Payment Plan **Rates Effective: 08/01/95**

	3 Year		Nonrecurring	
	Monthly Rate		Charge	
	<u>Fixed</u>	<u>Per Mile</u>	<u>1st Ckt</u>	<u>Addl Ckt</u>
(a) <u>Channel Termination</u>				
Four-wire per point of termination (T6E4X)	\$ 40.00		\$201.00	\$149.00

	5 Year		Nonrecurring		(Tx)
	Monthly Rate		Charge		
	<u>Fixed</u>	<u>Per Mile</u>	<u>1st Ckt</u>	<u>Addl Ckt</u>	
<u>Channel Termination</u>					
Four-wire per point of termination (T6E4X)	\$ 38.00		\$201.00	\$149.00	

	3 Year			
	Monthly Rate			
	<u>Fixed</u>	<u>Per Mile</u>		
(b) <u>Channel Mileage</u> (1L5XX)				
0 miles	\$ 0.00	\$ 0.00		
Over 0 miles	\$17.46	\$ 1.12		

	5 Year				(Tx)
	Monthly Rate				
	<u>Fixed</u>	<u>Per Mile</u>			
<u>Channel Mileage</u> (1L5XX)					
0 miles	\$ 0.00	\$ 0.00			
Over 0 miles	\$16.59	\$ 1.06			

(x) Issued under authority of Special Permission No. 14-001 of the FCC in order to withdraw material filed under Transmittal No. 3383 and suspended under Order DA-13-2349, released December 9, 2013, without its becoming effective and to restore currently effective material. (Tx)
 (Tx)

(This page filed under Transmittal No. 3386)

ACCESS SERVICE

7. Special Access Service (Cont'd)7.3 Service Descriptions, Rates and Charges (Cont'd)7.3.4 Voice Grade Service (Cont'd)(G) Rates and Charges (Cont'd)(29) Optional Payment Plan **Rates Effective: 08/01/95**
(Cont'd)

	<u>3 Year</u> <u>Monthly Rate</u>	<u>Nonrecurring Charge</u> <u>1st Ckt</u> <u>Addl Ckt</u>	
(c) <u>Analog Service to</u> <u>Service Through</u> <u>Connect</u> <u>Arrangement</u> (THK)			
Multiplexed Arrangement	\$ 6.08	\$103.00	\$92.00
	<u>5 Year</u> <u>Monthly Rate</u>	<u>Nonrecurring Charge (Tx)</u> <u>1st Ckt</u> <u>Addl Ckt</u>	
<u>Analog Service to</u> <u>Service Through</u> <u>Connect</u> <u>Arrangement</u> (THK)			
Multiplexed Arrangement	\$ 5.78	\$103.00	\$92.00
	<u>3 Year</u> <u>Monthly Rate</u>	<u>Nonrecurring</u> <u>Charge</u>	
(d) <u>Data Bridging</u> (BCND4)			
Four-wire per port	\$ 5.00	\$ 0.00	
	<u>5 Year</u> <u>Monthly Rate</u>	<u>Nonrecurring</u> <u>Charge</u> (Tx)	
<u>Data Bridging</u> (BCND4)			
Four-wire per port	\$ 4.75	\$ 0.00	

(Tx)
(Tx)

(x) Issued under authority of Special Permission No. 14-001 of the FCC in order to withdraw material filed under Transmittal No. 3383 and suspended under Order DA-13-2349, released December 9, 2013, without its becoming effective and to restore currently effective material.

(This page filed under Transmittal No. 3386)

Issued: January 15, 2014

Effective: January 16, 2014

Four AT&T Plaza, Dallas, Texas 75202

ACCESS SERVICE

7. Special Access Service (Cont'd)

7.3 Service Descriptions, Rates and Charges (Cont'd)

7.3.4 Voice Grade Service (Cont'd)

(G) Rates and Charges (Cont'd)

(29) Optional Payment Plan (D)
(Cont'd)

(D)
(D)

(e)

(D)
|
(D)

(This page filed under Transmittal No. 3387)

ACCESS SERVICE

7. Special Access Service (Cont'd)

7.3 Service Descriptions, Rates and Charges (Cont'd)

7.3.4 Voice Grade Service (Cont'd)

(G) Rates and Charges (Cont'd)

(29) Optional Payment Plan **Rates Effective: 08/01/95**
(Cont'd)

(f) Reserved for Future Use

(D)
(D)

(T)
(D)

(D)

(This page filed under Transmittal No. 3442)

Issued: April 5, 2017

Effective: April 20, 2017

675 W. Peachtree St. NW, Atlanta, GA 30308

ACCESS SERVICE

7. Special Access Service (Cont'd)

7.3 Service Descriptions, Rates and Charges (Cont'd)

7.3.4 Voice Grade Service (Cont'd)

(G) Rates and Charges (Cont'd)

(29) Optional Payment Plan **Rates Effective: 08/01/95**
(Cont'd)

(f) Reserved for Future Use

(D)
(D)

(T)
(D)

(D)

(This page filed under Transmittal No. 3442)

Issued: April 5, 2017

Effective: April 20, 2017

675 W. Peachtree St. NW, Atlanta, GA 30308

ACCESS SERVICE

7. Special Access Service (Cont'd)

7.3 Service Descriptions, Rates and Charges (Cont'd)

7.3.4 Voice Grade Service (Cont'd)

(G) Rates and Charges (Cont'd)

(29) Optional Payment Plan **Rates Effective: 08/01/95**
 (Cont'd)

(g) Reserved for Future Use

(D)

(D)

(T)

(D)

	<u>3 Year Monthly Rate</u>	<u>Nonrecurring Charge</u>
(h) <u>Voice Bridging</u> (BCNV4)		
Four-wire per port	\$ 4.00	\$ 0.00
	<u>5 Year Monthly Rate</u>	<u>Nonrecurring Charge</u>
<u>Voice Bridging</u> (BCNV4)		
Four-wire per port	\$ 3.80	\$ 0.00

(This page filed under Transmittal No. 3442)

ACCESS SERVICE

7. Special Access Service (Cont'd)

7.3 Service Descriptions, Rates and Charges (Cont'd)

7.3.4 Voice Grade Service (Cont'd)

(G) Rates and Charges (Cont'd)

(29) Optional Payment Plan **Rates Effective: 08/01/95**
 (Cont'd)

	<u>3 Year Monthly Rate</u>	<u>Nonrecurring Charge</u>	
(i) <u>C-Conditioning</u> (UHV)			
Per point of termination	\$ 2.00	\$ 0.00	
	<u>5 Year Monthly Rate</u>	<u>Nonrecurring Charge</u>	(Tx)
<u>C-Conditioning</u> (UHV)			
Per point of termination	\$ 1.90	\$ 0.00	
	<u>3 Year Monthly Rate</u>	<u>Nonrecurring Charge</u>	
(j) <u>Improved Attenuation Distortion (IAD)</u> (UHW)			
Per point of termination	\$ 0.30	\$ 0.00	
	<u>5 Year Monthly Rate</u>	<u>Nonrecurring Charge</u>	(Tx)
<u>Improved Attenuation Distortion (IAD)</u> (UHW)			
Per point of termination	\$ 0.29	\$ 0.00	

(Tx)
(Tx)

(x) Issued under authority of Special Permission No. 14-001 of the FCC in order to withdraw material filed under Transmittal No. 3383 and suspended under Order DA-13-2349, released December 9, 2013, without its becoming effective and to restore currently effective material.

(This page filed under Transmittal No. 3386)

Issued: January 15, 2014

Effective: January 16, 2014

Four AT&T Plaza, Dallas, Texas 75202

ACCESS SERVICE

7. Special Access Service (Cont'd)7.3 Service Descriptions, Rates and Charges (Cont'd)7.3.4 Voice Grade Service (Cont'd)(G) Rates and Charges (Cont'd)(29) Optional Payment Plan **Rates Effective: 08/01/95**
(Cont'd)

	<u>3 Year Monthly Rate</u>	<u>Nonrecurring Charge</u>	
(k) <u>Improved Envelope Delay Distortion (IEDD) (UHY)</u>			
Per point of termination	\$30.00	\$ 0.00	
	<u>5 Year Monthly Rate</u>	<u>Nonrecurring Charge</u>	(Tx)
<u>Improved Envelope Delay Distortion (IEDD) (UHY)</u>			
Per point of termination	\$28.50	\$ 0.00	
	<u>3 Year Monthly Rate</u>	<u>Nonrecurring Charge</u>	
(l) <u>Sealing Current Conditioning (1HBPT)</u>			
	\$ 0.00	\$ 0.00	
	<u>5 Year Monthly Rate</u>	<u>Nonrecurring Charge</u>	(Tx)
<u>Sealing Current Conditioning (1HBPT)</u>			
	\$ 0.00	\$ 0.00	

(Tx)

(Tx)

(x) Issued under authority of Special Permission No. 14-001 of the FCC in order to withdraw material filed under Transmittal No. 3383 and suspended under Order DA-13-2349, released December 9, 2013, without its becoming effective and to restore currently effective material.

(This page filed under Transmittal No. 3386)

Issued: January 15, 2014

Effective: January 16, 2014

Four AT&T Plaza, Dallas, Texas 75202

ACCESS SERVICE

7. Special Access Service (Cont'd)

7.3 Service Descriptions, Rates and Charges (Cont'd)

7.3.4 Voice Grade Service (Cont'd)

(G) Rates and Charges (Cont'd)

(29) Optional Payment Plan **Rates Effective: 08/01/95**
 (Cont'd)

	<u>3 Year Monthly Rate</u>	<u>Nonrecurring Charge</u>	
(m) <u>Data Capability</u> (XDCPT)			
Per point of termination	\$ 5.00	\$219.50	
	<u>5 Year Monthly Rate</u>	<u>Nonrecurring Charge</u>	(Tx)
<u>Data Capability</u> (XDCPT)			
Per point of termination	\$ 4.75	\$219.50	
	<u>3 Year Monthly Rate</u>	<u>Nonrecurring Charge</u>	
(n) <u>Improved Equal Level Echo Path Loss</u> (UHZ)			
Per point of termination	\$ 0.00	\$ 0.00	
	<u>5 Year Monthly Rate</u>	<u>Nonrecurring Charge</u>	(Tx) (Tx)
<u>Improved Equal Level Echo Path Loss</u> (UHZ)			
Per point of termination	\$ 0.00	\$ 0.00	

(Tx)
(Tx)

(x) Issued under authority of Special Permission No. 14-001 of the FCC in order to withdraw material filed under Transmittal No. 3383 and suspended under Order DA-13-2349, released December 9, 2013, without its becoming effective and to restore currently effective material.

(This page filed under Transmittal No. 3386)

Issued: January 15, 2014

Effective: January 16, 2014

Four AT&T Plaza, Dallas, Texas 75202

ACCESS SERVICE

7. Special Access Service (Cont'd)7.3 Service Descriptions, Rates and Charges (Cont'd)7.3.4 Voice Grade Service (Cont'd)(G) Rates and Charges (Cont'd)(29) Optional Payment Plan **Rates Effective: 08/01/95**
(Cont'd)

	<u>3 Year Monthly Rate</u>	<u>Nonrecurring Charge</u>	
(o) <u>Improved Termination</u> (1RL4W)			
Per four-wire point of termination	\$ 4.00	\$ 0.00	
	<u>5 Year Monthly Rate</u>	<u>Nonrecurring Charge</u>	(Tx)
<u>Improved Termination</u> (1RL4W)			
Per four-wire point of termination	\$ 3.80	\$ 0.00	
	<u>3 Year Monthly Rate</u>	<u>Nonrecurring Charge</u>	
(p) <u>Selective Signaling Arrangement</u> (USZ)			
Per point of termination	\$12.00	\$ 0.00	
	<u>5 Year Monthly Rate</u>	<u>Nonrecurring Charge</u>	(Tx)
<u>Selective Signaling Arrangement</u> (USZ)			
Per point of termination	\$11.40	\$ 0.00	

(Tx)

(Tx)

(x) Issued under authority of Special Permission No. 14-001 of the FCC in order to withdraw material filed under Transmittal No. 3383 and suspended under Order DA-13-2349, released December 9, 2013, without its becoming effective and to restore currently effective material.

(This page filed under Transmittal No. 3386)

Issued: January 15, 2014

Effective: January 16, 2014

Four AT&T Plaza, Dallas, Texas 75202

ACCESS SERVICE

7. Special Access Service (Cont'd)

7.3 Service Descriptions, Rates and Charges (Cont'd)

7.3.4 Voice Grade Service (Cont'd)

(G) Rates and Charges (Cont'd)

(29) Optional Payment Plan Rates Effective: 08/01/95
 (Cont'd)

	<u>3 Year Monthly Rate</u>	<u>Nonrecurring Charge</u>
(g) <u>Signaling Capability (XSS++) *</u>		

Per point of termination	\$15.00	\$ 0.00
-----------------------------	---------	---------

	<u>5 Year Monthly Rate</u>	<u>Nonrecurring Charge</u>
<u>Signaling Capability (XSS++) *</u>		

Per point of termination	\$14.25	\$ 0.00
-----------------------------	---------	---------

(D)

(D)

* In lieu of ++, substitute appropriate two digit code from the following list to specify type of signaling:

AB AC CT DX DY EA EB EC EX GO GS LA LB LC LO LR LS RV

(This page filed under Transmittal No. 3442)

Issued: April 5, 2017

Effective: April 20, 2017

675 W. Peachtree St. NW, Atlanta, GA 30308

ACCESS SERVICE

7. Special Access Service (Cont'd)

7.3 Service Descriptions, Rates and Charges (Cont'd)

7.3.4 Voice Grade Service (Cont'd)

(G) Rates and Charges (Cont'd)

(29) Optional Payment Plan **Rates Effective: 08/01/95**
(Cont'd)

(D)

(D)

(This page filed under Transmittal No. 3442)

Issued: April 5, 2017

Effective: April 20, 2017

675 W. Peachtree St. NW, Atlanta, GA 30308

ACCESS SERVICE

7. Special Access Service (Cont'd)

7.3 Service Descriptions, Rates and Charges (Cont'd)

7.3.4 Voice Grade Service (Cont'd)

(G) Rates and Charges (Cont'd)

(29) Optional Payment Plan **Rates Effective: 08/01/95**
(Cont'd)

(D)

(D)

(This page filed under Transmittal No. 3442)

Issued: April 5, 2017

Effective: April 20, 2017

675 W. Peachtree St. NW, Atlanta, GA 30308

ACCESS SERVICE

7. Special Access Service (Cont'd)

7.3 Service Descriptions, Rates and Charges (Cont'd)

7.3.4 Voice Grade Service (Cont'd)

(G) Rates and Charges (Cont'd)

(30) Optional Payment Plan Rates Effective: 07/03/01

	3 Year		Nonrecurring	
	Monthly Rate		Charge	
	<u>Fixed</u>	<u>Per Mile</u>	<u>1st Ckt</u>	<u>Addl Ckt</u>
(a) <u>Channel Termination</u>				
Four-wire per point of termination (T6E4X)	\$ 32.00		\$201.00	\$149.00

	5 Year		Nonrecurring		(Tx)
	Monthly Rate		Charge		
	<u>Fixed</u>	<u>Per Mile</u>	<u>1st Ckt</u>	<u>Addl Ckt</u>	
<u>Channel Termination</u>					
Four-wire per point of termination (T6E4X)	\$ 30.00		\$201.00	\$149.00	

	3 Year	
	Monthly Rate	
	<u>Fixed</u>	<u>Per Mile</u>
(b) <u>Channel Mileage</u> (1L5XX)		
0 miles	\$ 0.00	\$ 0.00
Over 0 miles	\$14.00	\$ 0.80

	5 Year		(Tx)
	Monthly Rate		
	<u>Fixed</u>	<u>Per Mile</u>	
<u>Channel Mileage</u> (1L5XX)			
0 miles	\$ 0.00	\$ 0.00	
Over 0 miles	\$13.00	\$ 0.75	

(Tx)
(Tx)

(x) Issued under authority of Special Permission No. 14-001 of the FCC in order to withdraw material filed under Transmittal No. 3383 and suspended under Order DA-13-2349, released December 9, 2013, without its becoming effective and to restore currently effective material.

(This page filed under Transmittal No. 3386)

ACCESS SERVICE

7. Special Access Service (Cont'd)

7.3 Service Descriptions, Rates and Charges (Cont'd)

7.3.4 Voice Grade Service (Cont'd)

(G) Rates and Charges (Cont'd)

(30) Optional Payment Plan Rates Effective: 07/03/01
 (Cont'd)

	<u>3 Year Monthly Rate</u>	<u>Nonrecurring Charge 1st Ckt</u>	<u>Addl Ckt</u>
(c) <u>Analog Service to Service Through Connect Arrangement</u> (THK)			
Multiplexed Arrangement	\$ 6.08	\$103.00	\$92.00
	<u>5 Year Monthly Rate</u>	<u>Nonrecurring Charge (Tx) 1st Ckt</u>	<u>Addl Ckt</u>
<u>Analog Service to Service Through Connect Arrangement</u> (THK)			
Multiplexed Arrangement	\$ 5.78	\$103.00	\$92.00
	<u>3 Year Monthly Rate</u>	<u>Nonrecurring Charge</u>	
(d) <u>Data Bridging (BCND4)</u>			
Four-wire per port	\$ 5.00	\$ 0.00	
	<u>5 Year Monthly Rate</u>	<u>Nonrecurring Charge</u>	(Tx)
<u>Data Bridging (BCND4)</u>			
Four-wire per port	\$ 4.75	\$ 0.00	

(Tx)
 (Tx)

(x) Issued under authority of Special Permission No. 14-001 of the FCC in order to withdraw material filed under Transmittal No. 3383 and suspended under Order DA-13-2349, released December 9, 2013, without its becoming effective and to restore currently effective material.

(This page filed under Transmittal No. 3386)

Issued: January 15, 2014

Effective: January 16, 2014

Four AT&T Plaza, Dallas, Texas 75202

ACCESS SERVICE

7. Special Access Service (Cont'd)

7.3 Service Descriptions, Rates and Charges (Cont'd)

7.3.4 Voice Grade Service (Cont'd)

(G) Rates and Charges (Cont'd)

(30) Optional Payment Plan (D)
(Cont'd)

(D)

(e) (D)

(D)

(D)

(This page filed under Transmittal No. 3387)

ACCESS SERVICE

7. Special Access Service (Cont'd)

7.3 Service Descriptions, Rates and Charges (Cont'd)

7.3.4 Voice Grade Service (Cont'd)

(G) Rates and Charges (Cont'd)

(30) Optional Payment Plan Rates Effective: 07/03/01
(Cont'd)

(f) Reserved for Future Use

(D)
(D)

(T)
(D)

(D)

(This page filed under Transmittal No. 3442)

Issued: April 5, 2017

Effective: April 20, 2017

675 W. Peachtree St. NW, Atlanta, GA 30308

ACCESS SERVICE

7. Special Access Service (Cont'd)

7.3 Service Descriptions, Rates and Charges (Cont'd)

7.3.4 Voice Grade Service (Cont'd)

(G) Rates and Charges (Cont'd)

(30) Optional Payment Plan Rates Effective: 07/03/01
(Cont'd)

(f) Reserved for Future Use

(D)
(D)

(T)
(D)

(D)

(This page filed under Transmittal No. 3442)

ACCESS SERVICE

7. Special Access Service (Cont'd)

7.3 Service Descriptions, Rates and Charges (Cont'd)

7.3.4 Voice Grade Service (Cont'd)

(G) Rates and Charges (Cont'd)

(30) Optional Payment Plan Rates Effective: 07/03/01
 (Cont'd)

(g) Reserved for Future Use

(D)
 (D)
 (T)
 (D)
 (D)

	<u>3 Year Monthly Rate</u>	<u>Nonrecurring Charge</u>
(h) <u>Voice Bridging</u> (BCNV4)		
Four-wire per port	\$ 4.00	\$ 0.00
	<u>5 Year Monthly Rate</u>	<u>Nonrecurring Charge</u>
<u>Voice Bridging</u> (BCNV4)		
Four-wire per port	\$ 3.80	\$ 0.00

(This page filed under Transmittal No. 3442)

ACCESS SERVICE

7. Special Access Service (Cont'd)

7.3 Service Descriptions, Rates and Charges (Cont'd)

7.3.4 Voice Grade Service (Cont'd)

(G) Rates and Charges (Cont'd)

(30) Optional Payment Plan Rates Effective: 07/03/01
 (Cont'd)

	<u>3 Year Monthly Rate</u>	<u>Nonrecurring Charge</u>	
(i) <u>C-Conditioning</u> (UHV)			
Per point of termination	\$ 2.00	\$ 0.00	
	<u>5 Year Monthly Rate</u>	<u>Nonrecurring Charge</u>	(Tx)
<u>C-Conditioning</u> (UHV)			
Per point of termination	\$ 1.90	\$ 0.00	
	<u>3 Year Monthly Rate</u>	<u>Nonrecurring Charge</u>	
(j) <u>Improved Attenuation Distortion (IAD)</u> (UHW)			
Per point of termination	\$ 0.30	\$ 0.00	
	<u>5 Year Monthly Rate</u>	<u>Nonrecurring Charge</u>	(Tx)
<u>Improved Attenuation Distortion (IAD)</u> (UHW)			
Per point of termination	\$ 0.29	\$ 0.00	

(Tx)
 (Tx)

(x) Issued under authority of Special Permission No. 14-001 of the FCC in order to withdraw material filed under Transmittal No. 3383 and suspended under Order DA-13-2349, released December 9, 2013, without its becoming effective and to restore currently effective material.

(This page filed under Transmittal No. 3386)

Issued: January 15, 2014

Effective: January 16, 2014

Four AT&T Plaza, Dallas, Texas 75202

ACCESS SERVICE

7. Special Access Service (Cont'd)

7.3 Service Descriptions, Rates and Charges (Cont'd)

7.3.4 Voice Grade Service (Cont'd)

(G) Rates and Charges (Cont'd)

(30) Optional Payment Plan Rates Effective: 07/03/01
 (Cont'd)

	<u>3 Year Monthly Rate</u>	<u>Nonrecurring Charge</u>	
(k) <u>Improved Envelope Delay Distortion (IEDD) (UHY)</u>			
Per point of termination	\$30.00	\$ 0.00	
	<u>5 Year Monthly Rate</u>	<u>Nonrecurring Charge</u>	(Tx)
<u>Improved Envelope Delay Distortion (IEDD) (UHY)</u>			
Per point of termination	\$28.50	\$ 0.00	
	<u>3 Year Monthly Rate</u>	<u>Nonrecurring Charge</u>	
(l) <u>Sealing Current Conditioning (1HBPT)</u>	\$ 0.00	\$ 0.00	
	<u>5 Year Monthly Rate</u>	<u>Nonrecurring Charge</u>	(Tx)
<u>Sealing Current Conditioning (1HBPT)</u>	\$ 0.00	\$ 0.00	

(Tx)
 (Tx)

(x) Issued under authority of Special Permission No. 14-001 of the FCC in order to withdraw material filed under Transmittal No. 3383 and suspended under Order DA-13-2349, released December 9, 2013, without its becoming effective and to restore currently effective material.

(This page filed under Transmittal No. 3386)

Issued: January 15, 2014

Effective: January 16, 2014

Four AT&T Plaza, Dallas, Texas 75202

ACCESS SERVICE

7. Special Access Service (Cont'd)

7.3 Service Descriptions, Rates and Charges (Cont'd)

7.3.4 Voice Grade Service (Cont'd)

(G) Rates and Charges (Cont'd)

(30) Optional Payment Plan Rates Effective: 07/03/01
 (Cont'd)

	<u>3 Year Monthly Rate</u>	<u>Nonrecurring Charge</u>	
(m) <u>Data Capability</u> (XDCPT)			
Per point of termination	\$ 5.00	\$219.50	
	<u>5 Year Monthly Rate</u>	<u>Nonrecurring Charge</u>	(Tx)
<u>Data Capability</u> (XDCPT)			
Per point of termination	\$ 4.75	\$219.50	
	<u>3 Year Monthly Rate</u>	<u>Nonrecurring Charge</u>	
(n) <u>Improved Equal Level Echo Path Loss</u> (UHZ)			
Per point of termination	\$ 0.00	\$ 0.00	
	<u>5 Year Monthly Rate</u>	<u>Nonrecurring Charge</u>	(Tx)
<u>Improved Equal Level Echo Path Loss</u> (UHZ)			
Per point of termination	\$ 0.00	\$ 0.00	

(Tx)
 (Tx)

(x) Issued under authority of Special Permission No. 14-001 of the FCC in order to withdraw material filed under Transmittal No. 3383 and suspended under Order DA-13-2349, released December 9, 2013, without its becoming effective and to restore currently effective material.

(This page filed under Transmittal No. 3386)

Issued: January 15, 2014

Effective: January 16, 2014

Four AT&T Plaza, Dallas, Texas 75202

7. Special Access Service (Cont'd)7.3 Service Descriptions, Rates and Charges (Cont'd)7.3.4 Voice Grade Service (Cont'd)(G) Rates and Charges (Cont'd)(30) Optional Payment Plan Rates Effective: 07/03/01
(Cont'd)

<u>3 Year Monthly Rate</u>	<u>Nonrecurring Charge</u>
--------------------------------	--------------------------------

(o) Improved
Termination (1RL4W)Per four-wire point
of termination

\$ 4.00

\$ 0.00

<u>5 Year Monthly Rate</u>	<u>Nonrecurring Charge</u>
--------------------------------	--------------------------------

(Tx)

Improved
Termination (1RL4W)Per four-wire point
of termination

\$ 3.80

\$ 0.00

<u>3 Year Monthly Rate</u>	<u>Nonrecurring Charge</u>
--------------------------------	--------------------------------

(p) Selective Signaling
Arrangement (USZ)Per point of
termination

\$12.00

\$ 0.00

<u>5 Year Monthly Rate</u>	<u>Nonrecurring Charge</u>
--------------------------------	--------------------------------

(Tx)

Selective Signaling
Arrangement (USZ)Per point of
termination

\$11.40

\$ 0.00

(Tx)

(Tx)

(x) Issued under authority of Special Permission No. 14-001 of the FCC in order to withdraw material filed under Transmittal No. 3383 and suspended under Order DA-13-2349, released December 9, 2013, without its becoming effective and to restore currently effective material.

(This page filed under Transmittal No. 3386)

Issued: January 15, 2014

Effective: January 16, 2014

Four AT&T Plaza, Dallas, Texas 75202

ACCESS SERVICE

7. Special Access Service (Cont'd)

7.3 Service Descriptions, Rates and Charges (Cont'd)

7.3.4 Voice Grade Service (Cont'd)

(G) Rates and Charges (Cont'd)

(30) Optional Payment Plan Rates Effective: 07/03/01
 (Cont'd)

	<u>3 Year Monthly Rate</u>	<u>Nonrecurring Charge</u>
(q) <u>Signaling Capability (XSS++) *</u> Per point of termination	\$11.00	\$ 0.00
	<u>5 Year Monthly Rate</u>	<u>Nonrecurring Charge</u>
<u>Signaling Capability (XSS++) *</u> Per point of termination	\$ 9.00	\$ 0.00

(D)

 (D)

* In lieu of ++, substitute appropriate two digit code from the following list to specify type of signaling:

AB AC CT DX DY EA EB EC EX GO GS LA LB LC LO LR LS RV

(This page filed under Transmittal No. 3442)

Issued: April 5, 2017

Effective: April 20, 2017

675 W. Peachtree St. NW, Atlanta, GA 30308

ACCESS SERVICE

7. Special Access Service (Cont'd)

7.3 Service Descriptions, Rates and Charges (Cont'd)

7.3.4 Voice Grade Service (Cont'd)

(G) Rates and Charges (Cont'd)

(30) Optional Payment Plan Rates Effective: 07/03/01
(Cont'd)

(D)

(D)

(This page filed under Transmittal No. 3442)

Issued: April 5, 2017

Effective: April 20, 2017

675 W. Peachtree St. NW, Atlanta, GA 30308

ACCESS SERVICE

7. Special Access Service (Cont'd)

7.3 Service Descriptions, Rates and Charges (Cont'd)

7.3.4 Voice Grade Service (Cont'd)

(G) Rates and Charges (Cont'd)

(30) Optional Payment Plan Rates Effective: 07/03/01
(Cont'd)

(D)

(D)

(This page filed under Transmittal No. 3442)

Issued: April 5, 2017

Effective: April 20, 2017

675 W. Peachtree St. NW, Atlanta, GA 30308

ACCESS SERVICE

7. Special Access Service (Cont'd)

7.3 Service Descriptions, Rates and Charges (Cont'd)

7.3.5 Program Audio Service

(A) Basic Channel Description

A Program Audio channel is a channel measured in hertz for the transmission of a complex signal voltage. The actual bandwidth is a function of the channel interface selected by the customer. Only one-way transmission is provided. Program Audio channels are provided between customer designated premises or between a customer designated premises and a Telephone Company Hub.

(B) Technical Specifications Packages

Transmission Parameter	Package AP-				
	C*	1	2	3	4
Actual Measured Loss	X	X	X	X	X
Amplitude Tracking	X				
Crosstalk	X	X	X	X	X
Distortion Tracking	X				
Gain/Frequency Distortion	X	X	X	X	X
Group Delay	X				
Noise	X	X	X	X	X
Phase Tracking					
Short-Term Gain					
Stability					
Short-Term Loss	X				
Total Distortion	X	X	X	X	X

* The desired parameters are selected by the customer from the list of available parameters.

Material and revised material appearing on this page formerly appeared on 1st Revised Page 99.27 of Tariff F.C.C. No. 68.

(This page filed under Transmittal No. 2176)

ACCESS SERVICE

7. Special Access Service (Cont'd)

7.3 Service Descriptions, Rates and Charges (Cont'd)

7.3.5 Program Audio Service (Cont'd)

(C) Channel Interfaces (CI)

The following channel interfaces define the bandwidths that are available for a Program Audio channel:

CI	Bandwidth
PG-1	Nominal frequency from 50 to 15000 Hz
PG-3	Nominal frequency from 200 to 3500 Hz
PG-5	Nominal frequency from 100 to 5000 Hz
PG-8	Nominal frequency from 50 to 8000 Hz

(D) Service to Service Through Connect Arrangement

This provides the interconnection of two program audio channels within a serving wire center. The interconnection may be between two part-time services, two full-time services or between a full-time and part-time service.

(E) Optional Features, BSEs and Functions

	C	Package AP-			
		1	2	3	4
Central Office Bridging Capability	X	X	X	X	X
Gain Conditioning	X	X	X	X	X
Stereo	X				X

(1) Central Office Bridging BSE Capability

Distribution Amplifier

(2) Gain Conditioning

Control of 1004 Hz AML at initiation of service to 0 dB +/- 0.5 dB.

Material and revised material appearing on this page formerly appeared on 1st Revised Page 99.27, 2nd Revised Page 99.28 and 1st Revised Page 99.28.1 of Tariff F.C.C. No. 68.

(This page filed under Transmittal No. 2176)

ACCESS SERVICE

7. Special Access Service (Cont'd)

(M)

7.3 Service Descriptions, Rates and Charges (Cont'd)

(T)

7.3.5 Program Audio Service (Cont'd)

(T)

(E) Optional Features and Functions (Cont'd)

(M)

(3) Stereo

Provision of a pair of gain/phase equalized channels for stereo applications. (Additional AP channel must be ordered separately.)

Material and revised material appearing on this page formerly appeared on 1st Revised Page 99.28.1 of Tariff F.C.C. No. 68.

(This page filed under Transmittal No. 2176)

Issued: March 3, 1992

Effective: July 1, 1992

Four AT&T Plaza, Dallas, Texas 75202

7. Special Access Service (Cont'd)7.3 Service Descriptions, Rates and Charges (Cont'd)7.3.5 Program Audio Service (Cont'd)(F) Rates and Charges

All rates and charges apply to Arkansas, Kansas, Missouri, Oklahoma, and Texas. Each rate element is shown with its associated USOC, where appropriate.

(1) <u>Channel Termination</u> (T6ECS)	<u>Daily*</u> <u>Rate</u>	<u>Monthly</u> <u>Rate</u>	<u>Nonrecurring Charge</u>	
			<u>1st Ckt</u>	<u>Addl Ckt</u>
Per point of Termination				
200-3500 Hz	\$ 1.97	\$16.00(I)	\$263.00	\$216.00
100-5000 Hz	\$ 2.50	\$21.00(I)	\$268.00	\$216.00
50-8000 Hz	\$ 3.00	\$26.00(I)	\$272.00	\$222.00
50-15000 Hz	\$ 4.50	\$46.00(I)	\$270.00	\$206.00
(2) <u>Channel Mileage</u> (1L5XX)	<u>Daily*</u> <u>Fixed</u>	<u>Rate</u> <u>Per Mile</u>	<u>Monthly Rate</u> <u>Fixed</u>	<u>Per Mile</u>
<u>200-3500 Hz</u>				
0 miles	\$ 0.00	\$ 0.00	\$ 0.00	\$ 0.00
Over 0 miles	\$ 1.66	\$ 0.12	\$ 17.00(I)	\$ 1.50(I)
<u>100-5000 Hz</u>				
0 miles	\$ 0.00	\$ 0.00	\$ 0.00	\$ 0.00
Over 0 miles	\$ 1.96	\$ 0.19	\$ 20.00(I)	\$ 2.00(I)

* Daily rates will be topped and maximum rates derived as set forth in 7.2.3 (Daily Rates).

Rates contained in this transmittal are subject to subsequent adjustment, effective retrospectively, in the event the Commission or a court subsequently authorizes Southwestern Bell Telephone Company to correct its rates pursuant to pending motions, or petitions for reconsideration or waiver, or in the event of any other adjustment to an order of the Commission or a court.

(This page filed under Transmittal No. 3071)

Issued: June 16, 2005

Effective: July 1, 2005

Four AT&T Plaza, Dallas, Texas 75202

7. Special Access Service (Cont'd)7.3 Service Descriptions, Rates and Charges (Cont'd)7.3.5 Program Audio Service (Cont'd)(F) Rates and Charges (Cont'd)

(2) <u>Channel Mileage</u> (1L5XX) (Cont'd)	Daily* Rate		Monthly Rate	
	<u>Fixed</u>	<u>Per Mile</u>	<u>Fixed</u>	<u>Per Mile</u>
<u>50-8000 Hz</u>				
0 miles	\$ 0.00	\$ 0.00	\$ 0.00	\$ 0.00
Over 0 miles	\$ 2.41	\$ 0.20	\$ 25.00 (I)	\$ 2.25 (I)
<u>50-15000 Hz</u>				
0 miles	\$ 0.00	\$ 0.00	\$ 0.00	\$ 0.00
Over 0 miles	\$ 3.11	\$ 0.50	\$ 31.05	\$ 5.25 (I)
(3) <u>Service to Service</u> <u>Through Connect</u> <u>Arrangement</u>		<u>Monthly</u> <u>Rate</u>	<u>Nonrecurring Charge</u> <u>1st Ckt</u> <u>Addl Ckt</u>	
Interconnection of two Program Audio services within a serving wire center (THA)		\$ 0.00	\$ 86.00	\$ 54.00
(4) <u>Bridging,</u> <u>Distribution</u> <u>Amplifier</u>	<u>Daily*</u> <u>Rate</u>	<u>Monthly</u> <u>Rate</u>	<u>Nonrecurring Charge</u> <u>Daily*</u> <u>Monthly</u>	
Per port (BCNPT)	\$ 0.35	\$ 3.49	\$ 0.00	\$ 0.00

* Daily rates will be topped and maximum rates derived as set forth in 7.2.3 (Daily Rates).

Rates contained in this transmittal are subject to subsequent adjustment, effective retrospectively, in the event the Commission or a court subsequently authorizes Southwestern Bell Telephone Company to correct its rates pursuant to pending motions, or petitions for reconsideration or waiver, or in the event of any other adjustment to an order of the Commission or a court.

(This page filed under Transmittal No. 3071)

Issued: June 16, 2005

Effective: July 1, 2005

Four AT&T Plaza, Dallas, Texas 75202

7. Special Access Service (Cont'd)7.3 Service Descriptions, Rates and Charges (Cont'd)7.3.5 Program Audio Service (Cont'd)(F) Rates and Charges (Cont'd)

	<u>Daily*</u> <u>Rate</u>	<u>Monthly</u> <u>Rate</u>	<u>Nonrecurring</u> <u>Daily*</u>	<u>Charge</u> <u>Monthly</u>
(5) <u>Gain Conditioning</u>				
Per port (XGC)	\$ 0.44	\$ 4.35 (R)	\$225.00	\$227.00
(6) <u>Stereo</u> **				
Per channel (XSC)	\$ 0.00	\$ 0.00	\$ 30.00	\$ 30.00

* Daily rates will be topped and maximum rates derived as set forth in 7.2.3 (Daily Rates).

** Additional AP channel must be ordered separately as set forth in 7.3.5(E) (3) (Stereo).

(This page filed under Transmittal No. 2959)

Issued: September 16, 2003

Effective: October 1, 2003

Four AT&T Plaza, Dallas, Texas 75202

ACCESS SERVICE

7. Special Access Service (Cont'd)7.3 Service Descriptions, Rates and Charges (Cont'd)7.3.6 Video Service(A) Basic Channel Description(1) Broadcast Video (TV1)

A Broadcast Video service provides a video channel with one-way point to point or multipoint transmission capability for a standard 525 line/60 field monochrome, or National Television Systems Committee (NTSC) color video signal with zero to four associated audio signals. Video signals with one to four 20 kilohertz (kHz) audio signals are non-diplexed⁽¹⁾ at a video channel bandwidth of 30 Hz to 4.2 MHz. (T)

The provision of the associated audio signal(s) is a function of the channel interface selected by the customer. The audio signal(s) can support any bandwidth up to 20 kHz that the customer requires.

Broadcast Video channels are provided between customer designated premises or between a customer designated premise and a Telephone Company Hub using a single fiber facility.

Broadcast Video Services are provided where facilities are available. Where facilities are not available, Special Construction may apply.

TV1 customers may upgrade to 270 Mbps or higher video services without incurring termination liability charges, subject to the following conditions: (N)

- (1) The customer must issue a disconnect order for the existing TV1 service and place a service order for the new higher speed video service at the same locations such that there is no more than 60 days overlap between the two services.
- (2) The same locations must be utilized for the new higher-speed video service.
- (3) The customer must subscribe to a new TPP term that is greater than or equal to the remaining months in the existing term for the lower speed service.
- (4) The existing TV1 service must have been in service for a minimum period of 15 months for a 3-year term, or 18 months for a 5-year term.
- (5) Nonrecurring charges will apply where applicable. (N)

⁽¹⁾ Non-diplexed means video and audio signals are provided on separate transmission interfaces. (T)

Certain material previously appearing on this page now appears on 2nd Revised Page 7-134.

(This page filed under Transmittal No. 3273)

ACCESS SERVICE

7. Special Access Service (Cont'd)7.3 Service Descriptions, Rates and Charges (Cont'd)7.3.6 Video Service(A) Basic Channel Description(1) Broadcast Video (TV1)

A Broadcast Video service provides a video channel (x)
with one-way point to point or multipoint
transmission capability for a standard 525 line/60
field monochrome, or National Television Systems
Committee (NTSC) color video signal with zero to
four associated audio signals. Video signals with
one to four 20 kilohertz (kHz) audio signals are
non-diplexed⁽¹⁾ at a video channel bandwidth of 30
Hz to 4.2 MHz.

The provision of the associated audio signal(s) is
a function of the channel interface selected by the
customer. The audio signal(s) can support any
bandwidth up to 20 kHz that the customer requires.

Broadcast Video channels are provided between
customer designated premises or between a customer
designated premise and a Telephone Company Hub using
a single fiber facility. (x)

Broadcast Video Services are provided where
facilities are available. Where facilities are not
available, Special Construction may apply.

TV1 customers may upgrade to 270 Mbps or higher
video services without incurring termination
liability charges, subject to the following
conditions:

- (1) The customer must issue a disconnect order for
the existing TV1 service and place a service
order for the new higher speed video service at
the same locations such that there is no more
than 60 days overlap between the two services.
- (2) The same locations must be utilized for the new
higher-speed video service.
- (3) The customer must subscribe to a new TPP term
that is greater than or equal to the remaining
months in the existing term for the lower speed
service.
- (4) The existing TV1 service must have been in
service for a minimum period of 15 months for a
3-year term, or 18 months for a 5-year term.
- (5) Nonrecurring charges will apply where applicable.

⁽¹⁾ Non-diplexed means video and audio signals are provided on separate transmission (x)
interfaces. (x)

(x) Issued under authority of Special Permission No. 09-028 of the FCC in order to withdraw
material filed under Transmittal No. 3289 without its becoming effective and to restore
currently effective material.

(This page filed under Transmittal No. 3290)

Effective: November 7, 2009

Four AT&T Plaza, Dallas, Texas 75202

ACCESS SERVICE

7. Special Access Service (Cont'd)

7.3 Service Descriptions, Rates and Charges (Cont'd)

7.3.6 Video Service (Cont'd)

(A) Basic Channel Description (Cont'd)

(2)

(D)

(D)

(This page filed under Transmittal No. 3350)

Issued: August 15, 2012

Effective: August 30, 2012

Four AT&T Plaza, Dallas, Texas 75202

ACCESS SERVICE

7. Special Access Service (Cont'd)

7.3 Service Descriptions, Rates and Charges (Cont'd)

7.3.6 Video Service (Cont'd)

(A) Basic Channel Description (Cont'd)

(3)⁽¹⁾

(D)

⁽¹⁾ Material in this Section has been de-tariffed as required by the Commission upon use of the forbearance relief pursuant to FCC Memorandum Opinion and Order No. 07-180, released October 12, 2007. Terms and Conditions associated with de-tariffed services are available at www.att.com/guidebook.

(This page filed under Transmittal No. 3251)

ACCESS SERVICE

7. Special Access Service (Cont'd)

7.3 Service Descriptions, Rates and Charges (Cont'd)

7.3.6 Video Service (Cont'd)

(A) Basic Channel Description (Cont'd)

(D)

(D)

(This page filed under Transmittal No. 2756)

Issued: April 9, 1999

Effective: April 24, 1999

Four AT&T Plaza, Dallas, Texas 75202

ACCESS SERVICE

7. Special Access Service (Cont'd)

7.3 Service Descriptions, Rates and Charges (Cont'd)

7.3.6 Video Service (Cont'd)

(A) Basic Channel Description (Cont'd)

(D)

(D)

(This page filed under Transmittal No. 2756)

Issued: April 9, 1999

Effective: April 24, 1999

Four AT&T Plaza, Dallas, Texas 75202

ACCESS SERVICE

7. Special Access Service (Cont'd)

7.3 Service Descriptions, Rates and Charges (Cont'd)

7.3.6 Video Service (Cont'd)

(B) Technical Specifications Packages

(1) Broadcast Video (TV1)

The transmission parameters and associated technical specifications are delineated in Technical References for Broadcast Video (TV1) GR-338-CORE.

(T)

(T) (x)

(x) Material is filed under authority of Special Permission No. 96-732 of the F.C.C.

(This page filed under Transmittal No. 2582)

Issued: October 31, 1996

Effective: December 15, 1996

Four AT&T Plaza, Dallas, Texas 75202

ACCESS SERVICE

7. Special Access Service (Cont'd)

7.3 Service Descriptions, Rates and Charges (Cont'd)

7.3.6 Video Service (Cont'd)

(B) Technical Specifications Packages (Cont'd)

(2)

(D)
 |
 (D)

(C) Channel Interfaces (CI)

(1) Broadcast Video (TV1)

The following channel interfaces define the bandwidth and the provision of the audio and video signal(s):

<u>Conductor</u>	<u>Code</u>	<u>Impedance</u>	<u>Option</u>	<u>Provision</u>
02	TV	6	0	Video only
04	TV	6	20	Video with one 20 kHz non-diplexed audio ⁽¹⁾ (T)
06	TV	6	20	Video with two 20 kHz non-diplexed audios ⁽¹⁾ (T)
08	TV	6	20	Video with three 20 kHz non-diplexed audios ⁽¹⁾ (T)
10	TV	6	20	Video with four 20 kHz non-diplexed audios ⁽¹⁾ (T)

(2)

(D)
 |
 (D)

(1) Non-diplexed means video and audio signals are provided on separate transmission interfaces.

(D)
 (D)
 (T)

(This page filed under Transmittal No. 3350)

ACCESS SERVICE

7. Special Access Service (Cont'd)

7.3 Service Descriptions, Rates and Charges (Cont'd)

7.3.6 Video Service (Cont'd)

(D) Optional Features, BSEs and Functions

(1) Broadcast Video (TV1)

(a) Bridging

Bridging is used for multipoint service to connect and distribute video signals at Telephone Company central office. Bridging is available with two, four or eight output signals per bridge. The capability exists to cascade off of the eight output signal bridge only, using any of the available bridges.

(2)

(D)

(D)

(3) ⁽¹⁾

(T)

⁽¹⁾ Material in this Section has been de-tariffed as required by the Commission upon use of the forbearance relief pursuant to FCC Memorandum Opinion and Order No. 07-180, released October 12, 2007. Terms and Conditions associated with de-tariffed services are available at www.att.com/guidebook.

(D)

(D)

(T)

(This page filed under Transmittal No. 3350)

7. Special Access Service (Cont'd)

7.3 Service Descriptions, Rates and Charges (Cont'd)

7.3.6 Video Service (Cont'd)

(E) Rates and Charges

All rates and charges apply to Arkansas, Kansas, Missouri, Oklahoma, and Texas. Each rate element is shown with its associated USOC, where appropriate.

(1) <u>Channel</u>	<u>Daily*</u>	<u>Monthly</u>	<u>Nonrecurring Charge</u>		
<u>Termination</u>	<u>Rate</u>	<u>Rate</u>	<u>1st Ckt</u>	<u>Addl Ckt</u>	
Per point of termination					
Broadcast Video (TV1) (TZGQX)					
Video channel with zero to four					
20 kHz non-diplexed ⁽¹⁾ audio(s)	\$175.00	\$325.00	\$500.00	\$250.00	(T)
					(D)
					(D)

* Daily rates will be topped and maximum rates derived as set forth in 7.2.3 (Daily Rates).

(D)
(D)

(1) Non-diplexed means video and audio signals are provided on separate transmission interfaces. (T)

Rates contained in this transmittal are subject to subsequent adjustment, effective retrospectively, in the event the Commission or a court subsequently authorizes Southwestern Bell Telephone Company to correct its rates pursuant to pending motions, or petitions for reconsideration or waiver, or in the event of any other adjustment to an order of the Commission or a court.

(This page filed under Transmittal No. 3350)

Issued: August 15, 2012

Effective: August 30, 2012

Four AT&T Plaza, Dallas, Texas 75202

ACCESS SERVICE

7. Special Access Service (Cont'd)

7.3 Service Descriptions, Rates and Charges (Cont'd)

7.3.6 Video Service (Cont'd)

(D)

(D)

(This page filed under Transmittal No. 2756)

Issued: April 9, 1999

Effective: April 24, 1999

Four AT&T Plaza, Dallas, Texas 75202

7. Special Access Service (Cont'd)

7.3 Service Descriptions, Rates and Charges (Cont'd)

7.3.6 Video Service (Cont'd)

(E) Rates and Charges (Cont'd)

All rates and charges apply to Arkansas, Kansas, Missouri, Oklahoma, and Texas. Each rate element is shown with its associated USOC, where appropriate.

	<u>Daily*</u>	<u>Rate</u>	<u>Monthly</u>	<u>Rate</u>
	<u>Fixed</u>	<u>Per Mile</u>	<u>Fixed</u>	<u>Per Mile</u>
(2) <u>Channel Mileage</u> (1L5XX)				
Broadcast Video (TV1)				
0 miles	\$ 0.00	\$ 0.00	\$ 0.00	\$ 0.00
Over 0 miles	\$ 50.00	\$25.00	\$ 55.00	\$ 56.00

(D)
 |
 (D)

* Daily rates will be topped and maximum rates derived as set forth in 7.2.3 (Daily Rates).

(D)
 (D)

Rates contained in this transmittal are subject to subsequent adjustment, effective retrospectively, in the event the Commission or a court subsequently authorizes Southwestern Bell Telephone Company to correct its rates pursuant to pending motions, or petitions for reconsideration or waiver, or in the event of any other adjustment to an order of the Commission or a court.

(This page filed under Transmittal No. 3350)

Issued: August 15, 2012

Effective: August 30, 2012

Four AT&T Plaza, Dallas, Texas 75202

ACCESS SERVICE

7. Special Access Service (Cont'd)

7.3 Service Descriptions, Rates and Charges (Cont'd)

7.3.6 Video Service (Cont'd)

(E) Rates and Charges (Cont'd)

(3)

(D)

(4)

(D)

(5) <u>Bridging</u>	<u>Daily** Rate</u>	<u>Monthly Rate</u>	<u>Nonrecurring Charge</u>
Broadcast Video (TV1)			
Per Bridge			
Bridging with two output signals (BSN6F)	\$ 76.92	\$246.13	\$288.00
Bridging with four output signals (BSN7F)	\$ 88.61	\$283.55	\$402.00
Bridging with eight output signals (BSN8F)	\$123.68	\$395.79	\$668.00

* Applicable when ordered subsequently to initial installation of Business Video Service.

** Daily rates will be topped and maximum rates derived as set forth in 7.2.3 (Daily Rates).

(D)
(D)

(This page filed under Transmittal No. 3350)

ACCESS SERVICE

7. Special Access Service (Cont'd)

7.3 Service Descriptions, Rates and Charges (Cont'd)

7.3.6 Video Service (Cont'd)

(E) Rates and Charges (Cont'd)

	<u>1 Year Monthly Rate</u>	<u>3 Year Monthly Rate</u>	<u>5 Year Monthly Rate</u>
(6) <u>Video Pricing Plan (VPP)</u>			
(a) Broadcast Video (TV1)			
(1) <u>Channel Termination</u> (TZGQX)			
Per point of Termination			
Video channel with zero to four 20 kHz non-diplexed audio(s) ⁽¹⁾	\$310.00 (I)	\$300.00 (I)	\$275.00 (I)
		<u>Nonrecurring Charge</u>	
		<u>1st Ckt</u>	<u>Addl Ckt</u>
Video channel with zero to four 20 kHz non-diplexed audio(s) ⁽¹⁾		\$500.00 (I)	\$250.00 (I)

(D)

(1) Non-diplexed means video and audio signals are provided on separate transmission interfaces.

Rates contained in this transmittal are subject to subsequent adjustment, effective retrospectively, in the event the Commission or a court subsequently authorizes Southwestern Bell Telephone Company to correct its rates pursuant to pending motions, or petitions for reconsideration or waiver, or in the event of any other adjustment to an order of the Commission or a court.

(This page filed under Transmittal No. 2952)

Issued: June 16, 2003

Effective: July 1, 2003

Four AT&T Plaza, Dallas, Texas 75202

ACCESS SERVICE

7. Special Access Service (Cont'd)7.3 Service Descriptions, Rates and Charges (Cont'd)7.3.6 Video Service (Cont'd)(E) Rates and Charges (Cont'd)

	1 Year		3 Year		5 Year	
	Monthly Rate	Per Mile	Monthly Rate	Per Mile	Monthly Rate	Per Mile
	Fixed	Per Mile	Fixed	Per Mile	Fixed	Per Mile
(6) <u>Video Pricing Plan (VPP)</u> (Cont'd)						
(a) Broadcast Video (TV1) (Cont'd)						
(2) <u>Channel Mileage</u> (1L5XX)						
0 miles	\$ 0.00	\$ 0.00	\$ 0.00	\$ 0.00	\$ 0.00	\$ 0.00
Over 0 miles	\$50.00	\$55.25	\$48.00	\$52.95	\$45.00	\$50.55 (R)
	<u>1 Year</u>	<u>3 Year</u>	<u>5 Year</u>		<u>Nonrecurring</u>	
	<u>Monthly</u>	<u>Monthly</u>	<u>Monthly</u>		<u>Charge</u>	
	<u>Rate</u>	<u>Rate</u>	<u>Rate</u>			
(3) <u>Bridging</u>						
Per Bridge						
Bridging with two output signals (BSN6F)	\$246.13	\$235.88	\$225.62		\$288.00	
Bridging with four output signals (BSN7F)	\$283.55	\$271.73	\$259.92		\$402.00	
Bridging with eight output signals (BSN8F)	\$395.79	\$379.30	\$362.81		\$668.00	

(This page filed under Transmittal No. 2959)

Issued: September 16, 2003

Effective: October 1, 2003

Four AT&T Plaza, Dallas, Texas 75202

ACCESS SERVICE

7. Special Access Service (Cont'd)

7.3 Rates and Charges (Cont'd)

7.3.6 Video Service (Cont'd)

(E) Rates and Charges (Cont'd)

(7)⁽¹⁾

(D)

⁽¹⁾ Material in this Section has been de-tariffed as required by the Commission upon use of the forbearance relief pursuant to FCC Memorandum Opinion and Order No. 07-180, released October 12, 2007. Terms and Conditions associated with de-tariffed services are available at www.att.com/guidebook.

(This page filed under Transmittal No. 3251)

ACCESS SERVICE

7. Special Access Service (Cont'd)

7.3 Service Descriptions, Rates and Charges (Cont'd)

7.3.7 Reserved for Future Use

(T)

(D)

(D)

(This page filed under Transmittal No. 3400)

Issued: October 28, 2014

Effective: November 12, 2014

Four AT&T Plaza, Dallas, Texas 75202

ACCESS SERVICE

7. Special Access Service (Cont'd)

7.3 Service Descriptions, Rates and Charges (Cont'd)

7.3.7 Reserved for Future Use (Cont'd)

(T)

(D)

(D)

(This page filed under Transmittal No. 3400)

Issued: October 28, 2014

Effective: November 12, 2014

Four AT&T Plaza, Dallas, Texas 75202

ACCESS SERVICE

7. Special Access Service (Cont'd)

7.3 Service Descriptions, Rates and Charges (Cont'd)

7.3.7 Reserved for Future Use (Cont'd)

(T)

(D)

(D)

(This page filed under Transmittal No. 3400)

Issued: October 28, 2014

Effective: November 12, 2014

Four AT&T Plaza, Dallas, Texas 75202

ACCESS SERVICE

7. Special Access Service (Cont'd)

7.3 Service Descriptions, Rates and Charges (Cont'd)

7.3.7 Reserved for Future Use (Cont'd)

(T)

(D)

(D)

(This page filed under Transmittal No. 3400)

Issued: October 28, 2014

Effective: November 12, 2014

Four AT&T Plaza, Dallas, Texas 75202

ACCESS SERVICE

7. Special Access Service (Cont'd)

7.3 Service Descriptions, Rates and Charges (Cont'd)

7.3.7 Reserved for Future Use (Cont'd)

(T)

(D)

(D)

(This page filed under Transmittal No. 3400)

Issued: October 28, 2014

Effective: November 12, 2014

Four AT&T Plaza, Dallas, Texas 75202

ACCESS SERVICE

7. Special Access Service (Cont'd)

7.3 Service Descriptions, Rates and Charges (Cont'd)

7.3.8 Reserved for Future Use

(T)

(D)

(D)

(This page filed under Transmittal No. 3400)

Issued: October 28, 2014

Effective: November 12, 2014

Four AT&T Plaza, Dallas, Texas 75202

ACCESS SERVICE

7. Special Access Service (Cont'd)

7.3 Service Descriptions, Rates and Charges (Cont'd)

7.3.8 Reserved for Future Use (Cont'd)

(T)

(D)

(D)

(This page filed under Transmittal No. 3400)

Issued: October 28, 2014

Effective: November 12, 2014

Four AT&T Plaza, Dallas, Texas 75202

ACCESS SERVICE

7. Special Access Service (Cont'd)

7.3 Service Descriptions, Rates and Charges (Cont'd)

7.3.8 Reserved for Future Use (Cont'd)

(T)

(D)

(D)

(This page filed under Transmittal No. 3400)

Issued: October 28, 2014

Effective: November 12, 2014

Four AT&T Plaza, Dallas, Texas 75202

ACCESS SERVICE

7. Special Access Service (Cont'd)

7.3 Service Descriptions, Rates and Charges (Cont'd)

7.3.8 Reserved for Future Use (Cont'd)

(T)

(D)

(D)

(This page filed under Transmittal No. 3400)

Issued: October 28, 2014

Effective: November 12, 2014

Four AT&T Plaza, Dallas, Texas 75202

ACCESS SERVICE

7. Special Access Service (Cont'd)7.3 Service Descriptions, Rates and Charges (Cont'd)7.3.9 MegaLink Data Service(A) Basic Channel Description

A MegaLink Data channel is a channel for duplex four-wire transmission of synchronous serial data at the rate of 2.4, 4.8, 9.6, 19.2, 56 kbps, 64 kbps Clear Channel (CC)*, 128**, 256**, 384**, 512** or 768** kbps.⁽¹⁾ The actual bit rate is a function of the channel interface selected by the customer. The channel provides a synchronous service with timing provided by the Telephone Company through the Telephone Company's facilities to the customer in the received bit stream. MegaLink Data channels are provided between customer designated premises for two-point service at all speeds or between a customer designated premises and a Telephone Company Digital Hub for multipoint service at all speeds, except 64 kbps (CC). (N)

When a single MegaLink Data channel is ordered to be terminated at a customer's designated Interexchange Carrier's all-digital POP which requires a minimum digital interface level of 1.544 Mbps, the Telephone Company will provide the required interface where facilities are available.

128, 256, 384, 512 and 768 kbps are provisioned from specific wire centers which are listed in the National Exchange Carrier Association, Inc. Tariff F.C.C. No. 4.⁽¹⁾ Availability is not restricted to customers serviced by the wire centers listed in F.C.C. No. 4, but the service must be routed through the designated offices in F.C.C. No. 4. Mileage as defined in Section 7.2.6 will apply. (T)

It is the customer's responsibility to arrange for the Channel Service Unit-type equipment or other Network Channel Terminating Equipment associated with the MegaLink Data channel at the customer premises.

* 64 kbps Clear Channel (CC) is offered only where equipment and facilities are available.

** 128, 256, 384, 512, or 768 kbps is offered only where equipment and facilities are available.

⁽¹⁾ Effective October 27, 2016, MegaLink Data Service 128.0, 256.0, 384.0, 512.0 and 768.0 Kbps channels are limited to existing Customers for existing service arrangements; no new or additional term commitments of any kind, including any otherwise available renewals, will be available; and no move, add, or change orders will be accepted. (N)

(This page filed under Transmittal No. 3436)

ACCESS SERVICE

7. Special Access Service (Cont'd)

7.3 Service Descriptions, Rates and Charges (Cont'd)

7.3.9 MegaLink Data Service (Cont'd)

(B) Technical Specifications Packages

Transmission Parameter	Package DA-					
	1	2	3	4	5	6
Error-Free Seconds	X	X	X	X	X	X

The Telephone Company will provide a channel capable of meeting a monthly average performance greater than or equal to 99.875% error-free seconds while the channel is in service, if it is measured through a CSU equivalent which is designed, manufactured, and maintained to conform with the specifications contained in the appropriate Technical Reference for MegaLink Data Service.

Voltages which are compatible with MegaLink Data Service are delineated in the appropriate Technical Reference for MegaLink Data Service.

For 128, 256, 384, 512, and 768 kbps, the following technical specifications packages apply.⁽¹⁾

(N)

Technical Specifications Packages

Transmission Parameter	Package HC-					
	0	1	1C	2	3	4
Error-Free Seconds		X				

A channel with technical specifications package HC1 will be capable of an error-free second performance of 98.75% over a continuous 24 hour period as measured at the 1.544 Mbps rate through a Channel Service Unit equivalent which is designed, manufactured, and maintained to conform with the specifications contained in the appropriate Technical Reference for High Capacity Service.

Clear Channel Capability BSE is not available with 128, 256, 384, 512, or 768 kbps services.⁽¹⁾

(N)

⁽¹⁾ Effective October 27, 2016, MegaLink Data Service 128.0, 256.0, 384.0, 512.0 and 768.0 Kbps channels are limited to existing Customers for existing service arrangements; no new or additional term commitments of any kind, including any otherwise available renewals, will be available; and no move, add, or change orders will be accepted.

(N)
 |
 (N)

(This page filed under Transmittal No. 3436)

ACCESS SERVICE

7. Special Access Service (Cont'd)

7.3 Service Descriptions, Rates and Charges (Cont'd)

7.3.9 MegaLink Data Service (Cont'd)

(C) Channel Interfaces (CI)

The following channel interfaces define the bit rates that are available for a MegaLink Data channel:

CI	Bit Rate
DU-24	2.4 kbps
DU-48	4.8 kbps
DU-96	9.6 kbps
DU-19	19.2 kbps
DU-56	56 kbps
DU-64	64 kbps (CC) *
DS-1S	128 kbps** ⁽¹⁾
DS-1S	256 kbps** ⁽¹⁾
DS-1S	384 kbps** ⁽¹⁾
DS-1S	512 kbps** ⁽¹⁾
DS-1S	768 kbps** ⁽¹⁾

(N)
 |
 (N)

(D) Service to Service Through Connect Arrangement

This provides the interconnection of two subtending digital data channels derived from DS1 multiplexed services. The through connect will be provisioned in lieu of a typical MegaLink Data channel termination. The through connect will be provisioned for all MegaLink Data speeds: 2.4, 4.8, 9.6, 19.2, 56 kbps, 64 kbps (CC), 128, 256, 384, 512, and 768 kbps.⁽¹⁾ The ordering customer must provide channel assignments for both. Channel mileage is required if the multiplexed services are terminated in two separate digital hubs.

(N)

(E) Optional Features, BSEs and Functions

	Package DA-					
	1	2	3	4	5	6
Central Office Bridging Capability	X	X	X	X	X	
Secondary Channel Capability	X	X	X	X	X	
Transfer Arrangement	X	X	X	X	X	X

* MegaLink Data Service 64 kbps channel interface is offered only with Clear Channel.

** MegaLink Data Service 128, 256, 384, 512, or 768 kbps is offered only where equipment and facilities are available.

⁽¹⁾ Effective October 27, 2016, MegaLink Data Service 128.0, 256.0, 384.0, 512.0 and 768.0 Kbps channels are limited to existing Customers for existing service arrangements; no new or additional term commitments of any kind, including any otherwise available renewals, will be available; and no move, add, or change orders will be accepted.

(N)
 |
 (N)

(This page filed under Transmittal No. 3436)

ACCESS SERVICE

7. Special Access Service (Cont'd)7.3 Service Descriptions, Rates and Charges (Cont'd)7.3.9 MegaLink Data Service (Cont'd)(E) Optional Features, BSEs and Functions (Cont'd)(1) Central Office Bridging BSE Capability(2) Secondary Channel Capability BSE

Secondary Channel Capability provides for an additional low-speed digital transmission channel within the existing 2.4, 4.8, 9.6, 19.2, and 56 kbps primary channels. It is available as a point-to-point or a multipoint service utilizing a nonrepeated channel termination. The Secondary Channel can be used as a communications channel for the controlling and monitoring of the customer's network.

(3) Transfer Arrangement

An arrangement that affords the customer an additional measure of protection and/or flexibility in the use of their access channel(s) on a 1xN basis. The arrangement can be utilized to transfer a leg of a Special Access Service to either a spare or working channel that terminates in either the same or a different customer designated premises. This arrangement is only available at a Telephone Company Digital Hub. A key activated or dial-up control service is required to operate the transfer arrangement. A spare channel, if required, is not included as a part of the option.

(This page filed under Transmittal No. 2259)

ACCESS SERVICE

7. Special Access Service (Cont'd)

7.3 Service Descriptions, Rates and Charges (Cont'd)

7.3.9 MegaLink Data Service (Cont'd)

(F) Rates and Charges

All rates and charges apply to Arkansas, Kansas, Missouri, Oklahoma, and Texas. ⁽²⁾ Each rate element is shown with its associated USOC, where appropriate. (N)

(1) <u>Channel Termination</u> (T6ECS)	Monthly Rate	Nonrecurring Charge	
		<u>1st Ckt</u>	<u>Addl Ckt</u>
Per point of termination			
2.4 kbps	\$ 90.00	\$305.00	\$258.00
4.8 kbps	\$ 90.00	\$345.00	\$273.00
9.6 kbps	\$ 90.00	\$319.00	\$268.00
19.2 kbps	\$ 90.00	\$268.00	\$205.00
56 kbps	\$ 90.00	\$350.00	\$306.00
64 kbps	\$ 90.00	\$320.00	\$246.00
128 kbps ⁽¹⁾	\$190.00	\$628.00	\$456.00
256 kbps ⁽¹⁾	\$190.00	\$628.00	\$456.00
384 kbps ⁽¹⁾	\$190.00	\$628.00	\$456.00
512 kbps ⁽¹⁾	\$190.00	\$865.00	\$865.00
768 kbps ⁽¹⁾	\$190.00	\$865.00	\$865.00

⁽¹⁾ Effective October 27, 2016, MegaLink Data Service 128.0, 256.0, 384.0, 512.0 and 768.0 Kbps channels are limited to existing Customers for existing service arrangements; no new or additional term commitments of any kind, including any otherwise available renewals, will be available; and no move, add, or change orders will be accepted.

⁽²⁾ Effective on September 13, 2017, Optional Payment Plans are no longer available for MegaLink Data Service, including for any otherwise available renewals, extensions or conversions. Circuits already subject to a MegaLink Data Service Optional Payment Plan, as of September 13, 2017, will continue to be provided under the then-current Optional Payment Plan term for the remainder of that term.

(N)
 |
 (N)

(This page filed under Transmittal No. 3445)

Issued: August 29, 2017

Effective: September 13, 2017

7. Special Access Service (Cont'd)

7.3 Service Descriptions, Rates and Charges (Cont'd)

7.3.9 MegaLink Data Service (Cont'd)

(F) Rates and Charges (Cont'd)

		<u>3 Year</u>	<u>Nonrecurring Charge</u>	
		<u>Monthly Rate</u>	<u>1st Ckt</u>	<u>Addl Ckt</u>
(1)	<u>Channel Termination (T6ECS)</u>			
	Per point of termination			
	2.4 kbps	\$ 55.00	\$305.00	\$258.00
	4.8 kbps	\$ 55.00	\$345.00	\$273.00
	9.6 kbps	\$ 55.00	\$319.00	\$268.00
	19.2 kbps	\$ 55.00	\$268.00	\$205.00
	56 kbps	\$ 50.00	\$350.00	\$306.00
	64 kbps	\$ 53.00	\$320.00	\$246.00
	128 kbps ⁽¹⁾	\$112.00	\$628.00	\$456.00
	256 kbps ⁽¹⁾	\$112.00	\$628.00	\$456.00 (N)
	384 kbps ⁽¹⁾	\$112.00	\$628.00	\$456.00
	512 kbps ⁽¹⁾	\$135.00	\$865.00	\$865.00
	768 kbps ⁽¹⁾	\$135.00	\$865.00	\$865.00 (N)
		<u>5 Year</u>	<u>Nonrecurring Charge</u>	
		<u>Monthly Rate</u>	<u>1st Ckt</u>	<u>Addl Ckt</u>
	<u>Channel Termination (T6ECS)</u>			
	Per point of termination			
	2.4 kbps	\$ 48.80	\$ 0.00	\$ 0.00
	4.8 kbps	\$ 48.80	\$ 0.00	\$ 0.00
	9.6 kbps	\$ 48.80	\$ 0.00	\$ 0.00
	19.2 kbps	\$ 48.80	\$ 0.00	\$ 0.00
	56 kbps	\$ 42.35	\$ 0.00	\$ 0.00
	64 kbps	\$ 48.00	\$ 0.00	\$ 0.00
	128 kbps ⁽¹⁾	\$ 91.75	\$628.00	\$456.00 (N)
	256 kbps ⁽¹⁾	\$ 91.75	\$628.00	\$456.00
	384 kbps ⁽¹⁾	\$ 91.75	\$628.00	\$456.00
	512 kbps ⁽¹⁾	\$130.00	\$865.00	\$865.00
	768 kbps ⁽¹⁾	\$130.00	\$865.00	\$865.00 (N)

⁽¹⁾ Effective October 27, 2016, MegaLink Data Service 128.0, 256.0, 384.0, 512.0 and 768.0 Kbps channels are limited to existing Customers for existing service arrangements; no new or additional term commitments of any kind, including any otherwise available renewals, will be available; and no move, add, or change orders will be accepted. (N)

(This page filed under Transmittal No. 3436)

ACCESS SERVICE

7. Special Access Service (Cont'd)7.3 Service Descriptions, Rates and Charges (Cont'd)7.3.9 MegaLink Data Service (Cont'd)(F) Rates and Charges (Cont'd)

(2) <u>Channel Mileage</u> (1L5XX)	Monthly Rate		
	<u>Fixed</u>	<u>Per Mile</u>	
2.4 kbps			
0 miles	\$ 0.00	\$ 0.00	
Over 0 miles	\$30.50	\$ 1.35	
4.8 kbps			
0 miles	\$ 0.00	\$ 0.00	
Over 0 miles	\$30.50	\$ 1.35	
9.6 kbps			
0 miles	\$ 0.00	\$ 0.00	
Over 0 miles	\$30.50	\$ 1.35	
19.2 kbps			
0 miles	\$ 0.00	\$ 0.00	
Over 0 miles	\$30.50	\$ 1.35	
56 kbps			
0 miles	\$ 0.00	\$ 0.00	
Over 0 miles	\$30.50	\$ 1.35	
64 kbps (CC)			
0 miles	\$ 0.00	\$ 0.00	
Over 0 miles	\$30.50	\$ 1.35	
128 kbps ⁽¹⁾			(N)
0 miles	\$ 0.00	\$ 0.00	
Over 0 miles	\$46.00	\$ 9.75	
256 kbps ⁽¹⁾			(N)
0 miles	\$ 0.00	\$ 0.00	
Over 0 miles	\$46.00	\$ 9.75	
384 kbps ⁽¹⁾			(N)
0 miles	\$ 0.00	\$ 0.00	
Over 0 miles	\$48.00	\$11.75	
512 kbps ⁽¹⁾			(N)
0 miles	\$ 0.00	\$ 0.00	
Over 0 miles	\$50.00	\$11.75	
768 kbps ⁽¹⁾			(N)
0 miles	\$ 0.00	\$ 0.00	
Over 0 miles	\$50.00	\$11.75	

⁽¹⁾ Effective October 27, 2016, MegaLink Data Service 128.0, 256.0, 384.0, 512.0 and 768.0 Kbps channels are limited to existing Customers for existing service arrangements; no new or additional term commitments of any kind, including any otherwise available renewals, will be available; and no move, add, or change orders will be accepted.

(This page filed under Transmittal No. 3436)

Issued: October 12, 2016

Effective: October 27, 2016

675 W. Peachtree St. NW, Atlanta, GA 30308

ACCESS SERVICE

7. Special Access Service (Cont'd)

7.3 Service Descriptions, Rates and Charges (Cont'd)

7.3.9 MegaLink Data Service (Cont'd)

(F) Rates and Charges (Cont'd)

	3 Year		
	Monthly Rate		
	Fixed	Per Mile	
(2) <u>Channel Mileage</u> (1L5XX) (Cont'd)			
2.4 kbps			
0 miles	\$ 0.00	\$ 0.00	
Over 0 miles	\$ 15.00	\$ 0.80	
4.8 kbps			
0 miles	\$ 0.00	\$ 0.00	
Over 0 miles	\$ 15.00	\$ 0.80	
9.6 kbps			
0 miles	\$ 0.00	\$ 0.00	
Over 0 miles	\$ 15.00	\$ 0.80	
19.2 kbps			
0 miles	\$ 0.00	\$ 0.00	
Over 0 miles	\$ 15.00	\$ 0.80	
56 kbps			
0 miles	\$ 0.00	\$ 0.00	
Over 0 miles	\$ 15.00	\$ 0.80	
64 kbps (CC)			
0 miles	\$ 0.00	\$ 0.00	
Over 0 miles	\$ 15.00	\$ 0.80	
128 kbps ⁽¹⁾			(N)
0 miles	\$ 0.00	\$ 0.00	
Over 0 miles	\$ 39.00	\$ 9.75	
256 kbps ⁽¹⁾			(N)
0 miles	\$ 0.00	\$ 0.00	
Over 0 miles	\$ 39.00	\$ 9.75	
384 kbps ⁽¹⁾			(N)
0 miles	\$ 0.00	\$ 0.00	
Over 0 miles	\$ 39.00	\$ 11.75	
512 kbps ⁽¹⁾			(N)
0 miles	\$ 0.00	\$ 0.00	
Over 0 miles	\$ 47.50	\$ 11.75	
768 kbps ⁽¹⁾			(N)
0 miles	\$ 0.00	\$ 0.00	
Over 0 miles	\$ 47.50	\$ 11.75	

⁽¹⁾ Effective October 27, 2016, MegaLink Data Service 128.0, 256.0, 384.0, 512.0 and 768.0 Kbps channels are limited to existing Customers for existing service arrangements; no new or additional term commitments of any kind, including any otherwise available renewals, will be available; and no move, add, or change orders will be accepted. (N)

(This page filed under Transmittal No. 3436)

ACCESS SERVICE

7. Special Access Service (Cont'd)

7.3 Service Descriptions, Rates and Charges (Cont'd)

7.3.9 MegaLink Data Service (Cont'd)

(F) Rates and Charges (Cont'd)

	5 Year Monthly Rate		
	<u>Fixed</u>	<u>Per Mile</u>	
(2) <u>Channel Mileage</u> (1L5XX) (Cont'd)			
2.4 kbps			
0 miles	\$ 0.00	\$ 0.00	
Over 0 miles	\$ 9.50	\$ 0.75	
4.8 kbps			
0 miles	\$ 0.00	\$ 0.00	
Over 0 miles	\$ 9.50	\$ 0.75	
9.6 kbps			
0 miles	\$ 0.00	\$ 0.00	
Over 0 miles	\$ 9.50	\$ 0.75	
19.2 kbps			
0 miles	\$ 0.00	\$ 0.00	
Over 0 miles	\$ 9.50	\$ 0.75	
56 kbps			
0 miles	\$ 0.00	\$ 0.00	
Over 0 miles	\$ 9.50	\$ 0.75	
64 kbps (CC)			
0 miles	\$ 0.00	\$ 0.00	
Over 0 miles	\$ 9.50	\$ 0.75	
128 kbps ⁽¹⁾			(N)
0 miles	\$ 0.00	\$ 0.00	
Over 0 miles	\$ 36.50	\$ 9.25	
256 kbps ⁽¹⁾			(N)
0 miles	\$ 0.00	\$ 0.00	
Over 0 miles	\$ 36.50	\$ 9.25	
384 kbps ⁽¹⁾			(N)
0 miles	\$ 0.00	\$ 0.00	
Over 0 miles	\$ 37.50	\$ 11.00	
512 kbps ⁽¹⁾			(N)
0 miles	\$ 0.00	\$ 0.00	
Over 0 miles	\$ 45.00	\$ 11.00	
768 kbps ⁽¹⁾			(N)
0 miles	\$ 0.00	\$ 0.00	
Over 0 miles	\$ 45.00	\$ 11.00	

⁽¹⁾ Effective October 27, 2016, MegaLink Data Service 128.0, 256.0, 384.0, 512.0 and 768.0 Kbps channels are limited to existing Customers for existing service arrangements; no new or additional term commitments of any kind, including any otherwise available renewals, will be available; and no move, add, or change orders will be accepted. (N)

(This page filed under Transmittal No. 3436)

ACCESS SERVICE

7. Special Access Service (Cont'd)7.3 Service Descriptions, Rates and Charges (Cont'd)7.3.9 MegaLink Data Service (Cont'd)(F) Rates and Charges (Cont'd)

	<u>Monthly Rate</u>	<u>Nonrecurring</u>
	<u>Fixed</u>	<u>Charge</u>
	<u>Per Mile</u>	
(3) <u>Multiplexing</u>		
Per arrangement		
DS0 to Subrates		
Up to 20 2.4 kbps services (QSU24)	Rates are as set forth in Section 7.3.10(F) (5)	following.
Up to 10 4.8 kbps services (QSU48)	Rates are as set forth in Section 7.3.10(F) (5)	following.
Up to 5 9.6 kbps services (QSU96)	Rates are as set forth in Section 7.3.10(F) (5)	following.
DS1 to DS0 (QMU)	Rates are as set forth in Section 7.3.10(F) (5)	following.
DS1 to Voice (MQ1)	Rates are as set forth in Section 7.3.10(F) (5)	following.

(M)

(M)

Certain material appearing on this page previously appeared on 4th Revised Page 7-153.1.

(This page filed under Transmittal No. 2896)

Issued: May 3, 2002

Effective: May 18, 2002

Four AT&T Plaza, Dallas, Texas 75202

ACCESS SERVICE

7. Special Access Service (Cont'd)
 7.3 Service Descriptions, Rates and Charges (Cont'd)

7.3.9 MegaLink Data Service (Cont'd)

(F) Rates and Charges (Cont'd)

	<u>Monthly Rate</u>	<u>Nonrecurring Charge</u>	
		<u>1st Ckt</u>	<u>Addl Ckt</u>
(3) <u>Service to Service Through Connect Arrangement (THK) Interconnection of two subtending digital channels (derived from DS1 multiplexing)</u>	\$ 18.06	\$103.00	\$ 92.00
	<u>3 Year Monthly Rate</u>	<u>Nonrecurring Charge</u>	
		<u>1st Ckt</u>	<u>Addl Ckt</u>
<u>Service to Service Through Connect Arrangement (THK)</u> <u>Interconnection of two subtending digital channels (derived from DS1 multiplexing)</u>	\$18.06	\$103.00	\$ 92.00
	<u>5 Year Monthly Rate</u>	<u>Nonrecurring Charge (Tx)</u>	
		<u>1st Ckt</u>	<u>Addl Ckt</u>
<u>Service to Service Through Connect Arrangement (THK)</u> <u>Interconnection of two subtending digital channels (derived from DS1 multiplexing)</u>	\$17.16	\$103.00	\$ 92.00
	<u>Monthly Rate</u>	<u>Nonrecurring Charge</u>	
(4) <u>Bridging (BCNDA) Per Port</u>	\$ 11.00	\$ 0.00	
	<u>3 Year Monthly Rate</u>	<u>Nonrecurring Charge</u>	
<u>Bridging (BCNDA) Per port</u>	\$11.00	\$ 0.00	
	<u>5 Year Monthly Rate</u>	<u>Nonrecurring Charge (Tx)</u>	
<u>Bridging (BCNDA) Per port</u>	\$10.45	\$ 0.00	

* The key activated control channel is rated as a Metallic Channel Termination (use USOC TMECE in lieu of TMECS) and Channel Mileage, if applicable (use USOC 1L5MX in lieu of 1L5XX).

** An additional Channel Termination charge will apply whenever a spare channel is configured as a leg to the customer's premises. Additional Channel Mileage charges will also apply when the transfer arrangement is not located in the customer premises serving wire center.

(Tx)
(Tx)

(x) Issued under authority of Special Permission No. 14-001 of the FCC in order to withdraw material filed under Transmittal No. 3383 and suspended under Order DA-13-2349, released December 9, 2013, without its becoming effective and to restore currently effective material.

(This page filed under Transmittal No. 3386)

Issued: January 15, 2014

Effective: January 16, 2014

Four AT&T Plaza, Dallas, Texas 75202

ACCESS SERVICE

7. Special Access Service (Cont'd)7.3 Service Descriptions, Rates and Charges (Cont'd)7.3.9 MegaLink Data Service (Cont'd)(F) Rates and Charges (Cont'd)

	<u>Monthly Rate</u>	<u>Nonrecurring Charge</u>
(5) <u>Secondary Channel Capability (SCA)</u> Per channel termination	\$ 9.00	\$112.00
	<u>3 Year Monthly Rate</u>	<u>Nonrecurring Charge</u>
<u>Secondary Channel Capability (SCA)</u> Per channel termination	\$ 9.00	\$112.00
	<u>5 Year Monthly Rate</u>	<u>Nonrecurring Charge</u>
<u>Secondary Channel Capability (SCA)</u> Per channel termination	\$ 8.55 (x)	\$112.00
	<u>Monthly Rate</u>	<u>Nonrecurring Charge</u>
(6) <u>Loop Transfer Arrangement, Key Activated * (XTD)</u> Per four port arrangement **	\$ 21.00	\$119.00
	<u>3 Year Monthly Rate</u>	<u>Nonrecurring Charge</u>
<u>Loop Transfer Arrangement, Key Activated * (XTD)</u> Per four port arrangement **	\$21.00	\$119.00
	<u>5 Year Monthly Rate</u>	<u>Nonrecurring Charge</u>
<u>Loop Transfer Arrangement, Key Activated * (XTD)</u> Per four port arrangement **	\$19.95 (x)	\$119.00

* The key activated control channel is rated as a Metallic Channel Termination (use USOC TMECE in lieu of TMECS) and Channel Mileage, if applicable (use USOC 1L5MX in lieu of 1L5XX).

**An additional Channel Termination charge will apply whenever a spare channel is configured as a leg to the customer's premises. Additional Channel Mileage charges will also apply when the transfer arrangement is not located in the customer premises serving wire center.

(x) Issued under authority of Special Permission No. 12-019 of the FCC in order to withdraw material filed under Transmittal No. 3345 without its becoming effective and to restore currently effective material.

(This page filed under Transmittal No. 3346)

Issued: June 29, 2012

Effective: July 2, 2012

Four AT&T Plaza, Dallas, Texas 75202

ACCESS SERVICE

7. Special Access Service (Cont'd)

7.3 Service Descriptions, Rates and Charges (Cont'd)

7.3.9 MegaLink Data Service (Cont'd)

(F) Rates and Charges (Cont'd)

(7) Optional Payment Plan **Rates Effective: 04/02/90**

(a) Channel Termination (T6ECS)	3 Year		5 Year		(Tx)
	Fixed	Per Mile	Fixed	Per Mile	
Per point of termination					
2.4 kbps	\$ 54.62		\$ 51.89		
4.8 kbps	\$ 52.57		\$ 49.94		
9.6 kbps	\$ 51.68		\$ 49.10		
56 kbps	\$ 88.78		\$ 84.34		
(b) Channel Mileage (1L5XX)					
2.4 kbps					
0 miles	\$ 0.00	\$ 0.00	\$ 0.00	\$ 0.00	
Over 0 miles	\$ 57.68	\$ 0.72	\$ 54.80	\$ 0.68	
4.8 kbps					
0 miles	\$ 0.00	\$ 0.00	\$ 0.00	\$ 0.00	
Over 0 miles	\$ 56.53	\$ 0.98	\$ 53.70	\$ 0.93	
9.6 kbps					
0 miles	\$ 0.00	\$ 0.00	\$ 0.00	\$ 0.00	
Over 0 miles	\$ 76.58	\$ 1.85	\$ 72.75	\$ 1.76	
56 kbps					
0 miles	\$ 0.00	\$ 0.00	\$ 0.00	\$ 0.00	
Over 0 miles	\$129.08	\$ 3.48	\$122.63	\$ 3.31	

(Tx)
(Tx)

(x) Issued under authority of Special Permission No. 14-001 of the FCC in order to withdraw material filed under Transmittal No. 3383 and suspended under Order DA-13-2349, released December 9, 2013, without its becoming effective and to restore currently effective material.

(This page filed under Transmittal No. 3386)

Issued: January 15, 2014

Effective: January 16, 2014

Four AT&T Plaza, Dallas, Texas 75202

ACCESS SERVICE

7. Special Access Service (Cont'd)

7.3 Service Descriptions, Rates and Charges (Cont'd)

7.3.9 MegaLink Data Service (Cont'd)

(F) Rates and Charges (Cont'd)

(7) Optional Payment Plan **Rates Effective: 04/02/90**
 (Cont'd)

	3 Year		5 Year		(Tx)
	Monthly Rate		Monthly Rate		
	<u>Fixed</u>	<u>Per Mile</u>	<u>Fixed</u>	<u>Per Mile</u>	
(c) <u>Service to Service Through Connect Arrangement</u> (THK)					
Interconnection of two subtending digital channels (derived from DS1 multiplexing)	\$	6.42	\$	6.10	
(d) <u>Bridging</u> (BCNDA)					
Per port	\$	8.02	\$	7.62	
(e) <u>Secondary Channel Capability</u> (SCA)					
Per channel termination	\$	9.89	\$	9.40	

(Tx)
 (Tx)

(x) Issued under authority of Special Permission No. 14-001 of the FCC in order to withdraw material filed under Transmittal No. 3383 and suspended under Order DA-13-2349, released December 9, 2013, without its becoming effective and to restore currently effective material.

(This page filed under Transmittal No. 3386)

ACCESS SERVICE

7. Special Access Service (Cont'd)

7.3 Service Descriptions, Rates and Charges (Cont'd)

7.3.9 MegaLink Data Service (Cont'd)

(F) Rates and Charges (Cont'd)

(7) Optional Payment Plan **Rates Effective: 04/02/90**
 (Cont'd)

	3 Year		5 Year		(Tx)
	Monthly Rate		Monthly Rate		
	<u>Fixed</u>	<u>Per Mile</u>	<u>Fixed</u>	<u>Per Mile</u>	
(f) <u>Loop Transfer Arrangement, Key Activated</u> * (XTD)					
Per four port arrangement **	\$	7.23	\$	6.87	

* The key activated control channel is rated as a Metallic Channel Termination (use USOC TMECE in lieu of TMECS) and Channel Mileage, if applicable (use USOC 1L5MX in lieu of 1L5XX).

** An additional Channel Termination charge will apply whenever a spare channel is configured as a leg to the customer's premises. Additional Channel Mileage charges will also apply when the transfer arrangement is not located in the customer premises serving wire center.

(Tx)
 (Tx)

(x) Issued under authority of Special Permission No. 14-001 of the FCC in order to withdraw material filed under Transmittal No. 3383 and suspended under Order DA-13-2349, released December 9, 2013, without its becoming effective and to restore currently effective material.

(This page filed under Transmittal No. 3386)

ACCESS SERVICE

7. Special Access Service (Cont'd)

7.3 Service Descriptions, Rates and Charges (Cont'd)

7.3.9 MegaLink Data Service (Cont'd)

(F) Rates and Charges (Cont'd)

(8) Optional Payment Plan **Rates Effective: 07/01/90**

(a) Channel Termination (T6ECS)	3 Year Monthly Rate		5 Year Monthly Rate		(Tx)
	Fixed	Per Mile	Fixed	Per Mile	
Per point of termination					
2.4 kbps	\$ 58.36		\$ 55.44		
4.8 kbps	\$ 63.83		\$ 60.64		
9.6 kbps	\$ 62.75		\$ 59.61		
56 kbps	\$107.80		\$102.41		
(b) Channel Mileage (1L5XX)					
2.4 kbps					
0 miles	\$ 0.00	\$ 0.00	\$ 0.00	\$ 0.00	
Over 0 miles	\$ 54.34	\$ 0.57	\$ 51.62	\$ 0.54	
4.8 kbps					
0 miles	\$ 0.00	\$ 0.00	\$ 0.00	\$ 0.00	
Over 0 miles	\$ 49.92	\$ 0.45	\$ 47.42	\$ 0.43	
9.6 kbps					
0 miles	\$ 0.00	\$ 0.00	\$ 0.00	\$ 0.00	
Over 0 miles	\$ 52.36	\$ 0.41	\$ 49.72	\$ 0.39	
56 kbps					
0 miles	\$ 0.00	\$ 0.00	\$ 0.00	\$ 0.00	
Over 0 miles	\$130.56	\$ 0.72	\$124.03	\$ 0.68	

(Tx)
 (Tx)

(x) Issued under authority of Special Permission No. 14-001 of the FCC in order to withdraw material filed under Transmittal No. 3383 and suspended under Order DA-13-2349, released December 9, 2013, without its becoming effective and to restore currently effective material.

(This page filed under Transmittal No. 3386)

Issued: January 15, 2014

Effective: January 16, 2014

Four AT&T Plaza, Dallas, Texas 75202

ACCESS SERVICE

7. Special Access Service (Cont'd)

7.3 Service Descriptions, Rates and Charges (Cont'd)

7.3.9 MegaLink Data Service (Cont'd)

(F) Rates and Charges (Cont'd)

(8) Optional Payment Plan **Rates Effective: 07/01/90**
 (Cont'd)

	3 Year		5 Year		(Tx)
	Monthly Rate		Monthly Rate		
(c) <u>Service to Service Through Connect Arrangement</u> (THK)	<u>Fixed</u>	<u>Per Mile</u>	<u>Fixed</u>	<u>Per Mile</u>	
Interconnection of two subtending digital channels (derived from DS1 multiplexing)	\$ 7.80		\$ 7.41		
(d) <u>Bridging</u> (BCNDA)					
Per port	\$ 7.63		\$ 7.25		
(e) <u>Secondary Channel Capability</u> (SCA)					
Per channel termination	\$ 9.89		\$ 9.40		

(Tx)
 (Tx)

(x) Issued under authority of Special Permission No. 14-001 of the FCC in order to withdraw material filed under Transmittal No. 3383 and suspended under Order DA-13-2349, released December 9, 2013, without its becoming effective and to restore currently effective material.

(This page filed under Transmittal No. 3386)

Issued: January 15, 2014

Effective: January 16, 2014

Four AT&T Plaza, Dallas, Texas 75202

ACCESS SERVICE

7. Special Access Service (Cont'd)

7.3 Service Descriptions, Rates and Charges (Cont'd)

7.3.9 MegaLink Data Service (Cont'd)

(F) Rates and Charges (Cont'd)

(8) Optional Payment Plan **Rates Effective: 07/01/90**
 (Cont'd)

	3 Year		5 Year		(Tx)
	Monthly Rate		Monthly Rate		
	<u>Fixed</u>	<u>Per Mile</u>	<u>Fixed</u>	<u>Per Mile</u>	
(f) <u>Loop Transfer Arrangement, Key Activated * (XTD)</u>					
Per four port arrangement **	\$	8.78	\$	8.34	

* The key activated control channel is rated as a Metallic Channel Termination (use USOC TMEME in lieu of TMECS) and Channel Mileage, if applicable (use USOC 1L5MX in lieu of 1L5XX).

** An additional Channel Termination charge will apply whenever a spare channel is configured as a leg to the customer's premises. Additional Channel Mileage charges will also apply when the transfer arrangement is not located in the customer premises serving wire center.

(Tx)
 (Tx)

(x) Issued under authority of Special Permission No. 14-001 of the FCC in order to withdraw material filed under Transmittal No. 3383 and suspended under Order DA-13-2349, released December 9, 2013, without its becoming effective and to restore currently effective material.

(This page filed under Transmittal No. 3386)

ACCESS SERVICE

7. Special Access Service (Cont'd)7.3 Service Descriptions, Rates and Charges (Cont'd)7.3.9 MegaLink Data Service (Cont'd)(F) Rates and Charges (Cont'd)(9) Optional Payment Plan **Rates Effective: 01/01/91**

(a) Channel Termination (T6ECS)	3 Year		5 Year		(Tx)
	Fixed	Per Mile	Fixed	Per Mile	
Per point of termination					
2.4 kbps	\$ 57.00		\$ 54.15		
4.8 kbps	\$ 62.34		\$ 59.23		
9.6 kbps	\$ 61.29		\$ 58.22		
56 kbps	\$105.29		\$100.02		
(b) Channel Mileage (1L5XX)					
2.4 kbps					
0 miles	\$ 0.00	\$ 0.00	\$ 0.00	\$ 0.00	
Over 0 miles	\$ 53.07	\$ 0.56	\$ 50.42	\$ 0.53	
4.8 kbps					
0 miles	\$ 0.00	\$ 0.00	\$ 0.00	\$ 0.00	
Over 0 miles	\$ 48.76	\$ 0.44	\$ 46.31	\$ 0.42	
9.6 kbps					
0 miles	\$ 0.00	\$ 0.00	\$ 0.00	\$ 0.00	
Over 0 miles	\$ 51.14	\$ 0.40	\$ 48.56	\$ 0.38	
56 kbps					
0 miles	\$ 0.00	\$ 0.00	\$ 0.00	\$ 0.00	
Over 0 miles	\$127.52	\$ 0.70	\$121.14	\$ 0.66	

(Tx)
(Tx)

(x) Issued under authority of Special Permission No. 14-001 of the FCC in order to withdraw material filed under Transmittal No. 3383 and suspended under Order DA-13-2349, released December 9, 2013, without its becoming effective and to restore currently effective material.

(This page filed under Transmittal No. 3386)

Issued: January 15, 2014

Effective: January 16, 2014

Four AT&T Plaza, Dallas, Texas 75202

ACCESS SERVICE

7. Special Access Service (Cont'd)7.3 Service Descriptions, Rates and Charges (Cont'd)7.3.9 MegaLink Data Service (Cont'd)(F) Rates and Charges (Cont'd)(9) Optional Payment Plan **Rates Effective: 01/01/91**
(Cont'd)

(c)	<u>Service to</u> <u>Service Through</u> <u>Connect</u> <u>Arrangement</u> (THK)	3 Year		5 Year		(Tx)
		Monthly Rate	Monthly Rate	Monthly Rate	Monthly Rate	
		<u>Fixed</u>	<u>Per Mile</u>	<u>Fixed</u>	<u>Per Mile</u>	
	Interconnection of two subtending digital channels (derived from DS1 multiplexing)	\$ 7.62		\$ 7.24		
(d)	<u>Bridging</u> (BCNDA)					
	Per port	\$ 7.45		\$ 7.08		
(e)	<u>Secondary Channel</u> <u>Capability</u> (SCA)					
	Per channel termination	\$ 9.66		\$ 9.18		

(Tx)
(Tx)

(x) Issued under authority of Special Permission No. 14-001 of the FCC in order to withdraw material filed under Transmittal No. 3383 and suspended under Order DA-13-2349, released December 9, 2013, without its becoming effective and to restore currently effective material.

(This page filed under Transmittal No. 3386)

Issued: January 15, 2014

Effective: January 16, 2014

Four AT&T Plaza, Dallas, Texas 75202

ACCESS SERVICE

7. Special Access Service (Cont'd)

7.3 Service Descriptions, Rates and Charges (Cont'd)

7.3.9 MegaLink Data Service (Cont'd)

(F) Rates and Charges (Cont'd)

(9) Optional Payment Plan **Rates Effective: 01/01/91**
 (Cont'd)

	3 Year		5 Year		(Tx)
	Monthly Rate		Monthly Rate		
	<u>Fixed</u>	<u>Per Mile</u>	<u>Fixed</u>	<u>Per Mile</u>	
(f) <u>Loop Transfer Arrangement, Key Activated * (XTD)</u>					
Per four port arrangement **	\$	8.58	\$	8.15	

* The key activated control channel is rated as a Metallic Channel Termination (use USOC TMEME in lieu of TMECS) and Channel Mileage, if applicable (use USOC 1L5MX in lieu of 1L5XX).

** An additional Channel Termination charge will apply whenever a spare channel is configured as a leg to the customer's premises. Additional Channel Mileage charges will also apply when the transfer arrangement is not located in the customer premises serving wire center.

(Tx)
 (Tx)

(x) Issued under authority of Special Permission No. 14-001 of the FCC in order to withdraw material filed under Transmittal No. 3383 and suspended under Order DA-13-2349, released December 9, 2013, without its becoming effective and to restore currently effective material.

(This page filed under Transmittal No. 3386)

Issued: January 15, 2014

Effective: January 16, 2014

Four AT&T Plaza, Dallas, Texas 75202

ACCESS SERVICE

7. Special Access Service (Cont'd)

7.3 Service Descriptions, Rates and Charges (Cont'd)

7.3.9 MegaLink Data Service (Cont'd)

(F) Rates and Charges (Cont'd)

(10) Optional Payment Plan **Rates Effective: 07/01/91**

(a) Channel Termination (T6ECS)	3 Year		5 Year		(Tx)
	Fixed	Per Mile	Fixed	Per Mile	
Per point of termination					
2.4 kbps	\$ 60.00		\$ 57.00		
4.8 kbps	\$ 60.00		\$ 57.00		
9.6 kbps	\$ 60.00		\$ 57.00		
56 kbps	\$ 90.00		\$ 85.50		
(b) Channel Mileage (1L5XX)					
2.4 kbps					
0 miles	\$ 0.00	\$ 0.00	\$ 0.00	\$ 0.00	
Over 0 miles	\$ 70.12	\$ 0.73	\$ 66.61	\$ 0.69	
4.8 kbps					
0 miles	\$ 0.00	\$ 0.00	\$ 0.00	\$ 0.00	
Over 0 miles	\$ 64.42	\$ 0.57	\$ 61.20	\$ 0.54	
9.6 kbps					
0 miles	\$ 0.00	\$ 0.00	\$ 0.00	\$ 0.00	
Over 0 miles	\$ 67.57	\$ 0.52	\$ 64.19	\$ 0.49	
56 kbps					
0 miles	\$ 0.00	\$ 0.00	\$ 0.00	\$ 0.00	
Over 0 miles	\$100.16	\$ 0.91	\$ 95.15	\$ 0.86	

(Tx)
(Tx)

(x) Issued under authority of Special Permission No. 14-001 of the FCC in order to withdraw material filed under Transmittal No. 3383 and suspended under Order DA-13-2349, released December 9, 2013, without its becoming effective and to restore currently effective material.

(This page filed under Transmittal No. 3386)

Issued: January 15, 2014

Effective: January 16, 2014

Four AT&T Plaza, Dallas, Texas 75202

ACCESS SERVICE

7. Special Access Service (Cont'd)

7.3 Service Descriptions, Rates and Charges (Cont'd)

7.3.9 MegaLink Data Service (Cont'd)

(F) Rates and Charges (Cont'd)

(10) Optional Payment Plan **Rates Effective: 07/01/91**
 (Cont'd)

	3 Year		5 Year		(Tx)
	Monthly Rate		Monthly Rate		
(c) <u>Service to Service Through Connect Arrangement</u> (THK)	<u>Fixed</u>	<u>Per Mile</u>	<u>Fixed</u>	<u>Per Mile</u>	
Interconnection of two subtending digital channels (derived from DS1 multiplexing)	\$ 10.06		\$ 9.56		
(d) <u>Bridging</u> (BCNDA)					
Per port	\$ 9.83		\$ 9.34		
(e) <u>Secondary Channel Capability</u> (SCA)					
Per channel termination	\$ 12.00		\$ 11.40		

(Tx)
 (Tx)

(x) Issued under authority of Special Permission No. 14-001 of the FCC in order to withdraw material filed under Transmittal No. 3383 and suspended under Order DA-13-2349, released December 9, 2013, without its becoming effective and to restore currently effective material.

(This page filed under Transmittal No. 3386)

Issued: January 15, 2014

Effective: January 16, 2014

Four AT&T Plaza, Dallas, Texas 75202

ACCESS SERVICE

7. Special Access Service (Cont'd)

7.3 Service Descriptions, Rates and Charges (Cont'd)

7.3.9 MegaLink Data Service (Cont'd)

(F) Rates and Charges (Cont'd)

(10) Optional Payment Plan **Rates Effective: 07/01/91**
 (Cont'd)

	3 Year		5 Year		(Tx)
	Monthly Rate		Monthly Rate		
	<u>Fixed</u>	<u>Per Mile</u>	<u>Fixed</u>	<u>Per Mile</u>	
(f) <u>Loop Transfer Arrangement, Key Activated * (XTD)</u>					
Per four port arrangement **	\$ 11.33		\$ 10.76		

* The key activated control channel is rated as a Metallic Channel Termination (use USOC TMEME in lieu of TMECS) and Channel Mileage, if applicable (use USOC 1L5MX in lieu of 1L5XX).

** An additional Channel Termination charge will apply whenever a spare channel is configured as a leg to the customer's premises. Additional Channel Mileage charges will also apply when the transfer arrangement is not located in the customer premises serving wire center.

(Tx)
 (Tx)

(x) Issued under authority of Special Permission No. 14-001 of the FCC in order to withdraw material filed under Transmittal No. 3383 and suspended under Order DA-13-2349, released December 9, 2013, without its becoming effective and to restore currently effective material.

(This page filed under Transmittal No. 3386)

ACCESS SERVICE

7. Special Access Service (Cont'd)

7.3 Service Descriptions, Rates and Charges (Cont'd)

7.3.9 MegaLink Data Service (Cont'd)

(F) Rates and Charges (Cont'd)

(11) Optional Payment Plan **Rates Effective: 07/24/91**

(a) Channel Termination (T6ECS)	3 Year		5 Year		(Tx)
	Fixed	Per Mile	Fixed	Per Mile	
Per point of termination					
2.4 kbps	\$ 60.00		\$ 57.00		
4.8 kbps	\$ 60.00		\$ 57.00		
9.6 kbps	\$ 60.00		\$ 57.00		
56 kbps	\$ 90.00		\$ 85.50		
(b) Channel Mileage (1L5XX)					
2.4 kbps					
0 miles	\$ 0.00	\$ 0.00	\$ 0.00	\$ 0.00	
Over 0 miles	\$ 70.12	\$ 0.73	\$ 66.61	\$ 0.69	
4.8 kbps					
0 miles	\$ 0.00	\$ 0.00	\$ 0.00	\$ 0.00	
Over 0 miles	\$ 64.42	\$ 0.57	\$ 61.20	\$ 0.54	
9.6 kbps					
0 miles	\$ 0.00	\$ 0.00	\$ 0.00	\$ 0.00	
Over 0 miles	\$ 67.57	\$ 0.52	\$ 64.19	\$ 0.49	
56 kbps					
0 miles	\$ 0.00	\$ 0.00	\$ 0.00	\$ 0.00	
Over 0 miles	\$100.16	\$ 0.91	\$ 95.15	\$ 0.86	

(Tx)
 (Tx)

(x) Issued under authority of Special Permission No. 14-001 of the FCC in order to withdraw material filed under Transmittal No. 3383 and suspended under Order DA-13-2349, released December 9, 2013, without its becoming effective and to restore currently effective material.

(This page filed under Transmittal No. 3386)

Issued: January 15, 2014

Effective: January 16, 2014

Four AT&T Plaza, Dallas, Texas 75202

ACCESS SERVICE

7. Special Access Service (Cont'd)

7.3 Service Descriptions, Rates and Charges (Cont'd)

7.3.9 MegaLink Data Service (Cont'd)

(F) Rates and Charges (Cont'd)

(11) Optional Payment Plan **Rates Effective: 07/24/91**
 (Cont'd)

	3 Year		5 Year		(Tx)
	Monthly Rate		Monthly Rate		
	<u>Fixed</u>	<u>Per Mile</u>	<u>Fixed</u>	<u>Per Mile</u>	
(c) <u>Service to Service Through Connect Arrangement</u> (THK)					
Interconnection of two subtending digital channels (derived from DS1 multiplexing)	\$ 10.06		\$ 9.56		
(d) <u>Bridging</u> (BCNDA)					
Per port	\$ 9.83		\$ 9.34		
(e) <u>Secondary Channel Capability</u> (SCA)					
Per channel termination	\$ 12.00		\$ 11.40		

(Tx)
 (Tx)

(x) Issued under authority of Special Permission No. 14-001 of the FCC in order to withdraw material filed under Transmittal No. 3383 and suspended under Order DA-13-2349, released December 9, 2013, without its becoming effective and to restore currently effective material.

(This page filed under Transmittal No. 3386)

ACCESS SERVICE

7. Special Access Service (Cont'd)

7.3 Service Descriptions, Rates and Charges (Cont'd)

7.3.9 MegaLink Data Service (Cont'd)

(F) Rates and Charges (Cont'd)

(11) Optional Payment Plan **Rates Effective: 07/24/91**
 (Cont'd)

	3 Year		5 Year		(Tx)
	Monthly Rate		Monthly Rate		
	<u>Fixed</u>	<u>Per Mile</u>	<u>Fixed</u>	<u>Per Mile</u>	
(f) <u>Loop Transfer Arrangement, Key Activated * (XTD)</u>					
Per four port arrangement **	\$ 11.33		\$ 10.76		

* The key activated control channel is rated as a Metallic Channel Termination (use USOC TMEME in lieu of TMECS) and Channel Mileage, if applicable (use USOC 1L5MX in lieu of 1L5XX).

** An additional Channel Termination charge will apply whenever a spare channel is configured as a leg to the customer's premises. Additional Channel Mileage charges will also apply when the transfer arrangement is not located in the customer premises serving wire center.

(Tx)
 (Tx)

(x) Issued under authority of Special Permission No. 14-001 of the FCC in order to withdraw material filed under Transmittal No. 3383 and suspended under Order DA-13-2349, released December 9, 2013, without its becoming effective and to restore currently effective material.

(This page filed under Transmittal No. 3386)

ACCESS SERVICE

7. Special Access Service (Cont'd)7.3 Service Descriptions, Rates and Charges (Cont'd)7.3.9 MegaLink Data Service (Cont'd)(F) Rates and Charges (Cont'd)(12) Optional Payment Plan **Rates Effective: 07/01/92**

(a) Channel Termination (T6ECS)	3 Year		5 Year		(Tx)
	Fixed	Per Mile	Fixed	Per Mile	
Per point of termination					
2.4 kbps	\$ 60.19		\$ 57.18		
4.8 kbps	\$ 60.19		\$ 57.18		
9.6 kbps	\$ 60.19		\$ 57.18		
56 kbps	\$ 82.26		\$ 78.15		
(b) Channel Mileage (1L5XX)					
2.4 kbps					
0 miles	\$ 0.00	\$0.00	\$ 0.00	\$ 0.00	
Over 0 miles	\$ 70.34	\$0.75	\$ 66.82	\$ 0.71	
4.8 kbps					
0 miles	\$ 0.00	\$0.00	\$ 0.00	\$ 0.00	
Over 0 miles	\$ 64.62	\$0.60	\$ 61.39	\$ 0.57	
9.6 kbps					
0 miles	\$ 0.00	\$0.00	\$ 0.00	\$ 0.00	
Over 0 miles	\$ 67.78	\$0.60	\$ 64.39	\$ 0.57	
56 kbps					
0 miles	\$ 0.00	\$0.00	\$ 0.00	\$ 0.00	
Over 0 miles	\$ 70.22	\$0.91	\$ 66.71	\$ 0.86	

(Tx)
(Tx)

(x) Issued under authority of Special Permission No. 14-001 of the FCC in order to withdraw material filed under Transmittal No. 3383 and suspended under Order DA-13-2349, released December 9, 2013, without its becoming effective and to restore currently effective material.

(This page filed under Transmittal No. 3386)

Issued: January 15, 2014

Effective: January 16, 2014

Four AT&T Plaza, Dallas, Texas 75202

ACCESS SERVICE

7. Special Access Service (Cont'd)7.3 Service Descriptions, Rates and Charges (Cont'd)7.3.9 MegaLink Data Service (Cont'd)(F) Rates and Charges (Cont'd)(12) Optional Payment Plan **Rates Effective: 07/01/92**
(Cont'd)

	3 Year		5 Year		(Tx)
	Monthly Rate		Monthly Rate		
	<u>Fixed</u>	<u>Per Mile</u>	<u>Fixed</u>	<u>Per Mile</u>	
(c) <u>Service to Service Through Connect Arrangement</u> (THK)					
Interconnection of two subtending digital channels (derived from DS1 multiplexing)	\$ 18.06		\$ 17.16		
(d) <u>Bridging</u> (BCNDA)					
Per port	\$ 9.86		\$ 9.37		
(e) <u>Secondary Channel Capability</u> (SCA)					
Per channel termination	\$ 9.03		\$ 8.58		

(Tx)
(Tx)

(x) Issued under authority of Special Permission No. 14-001 of the FCC in order to withdraw material filed under Transmittal No. 3383 and suspended under Order DA-13-2349, released December 9, 2013, without its becoming effective and to restore currently effective material.

(This page filed under Transmittal No. 3386)

Issued: January 15, 2014

Effective: January 16, 2014

Four AT&T Plaza, Dallas, Texas 75202

ACCESS SERVICE

7. Special Access Service (Cont'd)

7.3 Service Descriptions, Rates and Charges (Cont'd)

7.3.9 MegaLink Data Service (Cont'd)

(F) Rates and Charges (Cont'd)

(12) Optional Payment Plan **Rates Effective: 07/01/92**
 (Cont'd)

	3 Year		5 Year		(Tx)
	Monthly Rate		Monthly Rate		
	<u>Fixed</u>	<u>Per Mile</u>	<u>Fixed</u>	<u>Per Mile</u>	
(f) <u>Loop Transfer Arrangement, Key Activated * (XTD)</u>					
Per four port arrangement **	\$ 20.06		\$ 19.06		

* The key activated control channel is rated as a Metallic Channel Termination (use USOC TMEME in lieu of TMECS) and Channel Mileage, if applicable (use USOC 1L5MX in lieu of 1L5XX).

** An additional Channel Termination charge will apply whenever a spare channel is configured as a leg to the customer's premises. Additional Channel Mileage charges will also apply when the transfer arrangement is not located in the customer premises serving wire center.

(Tx)
 (Tx)

(x) Issued under authority of Special Permission No. 14-001 of the FCC in order to withdraw material filed under Transmittal No. 3383 and suspended under Order DA-13-2349, released December 9, 2013, without its becoming effective and to restore currently effective material.

(This page filed under Transmittal No. 3386)

ACCESS SERVICE

7. Special Access Service (Cont'd)

7.3 Service Descriptions, Rates and Charges (Cont'd)

7.3.9 MegaLink Data Service (Cont'd)

(F) Rates and Charges (Cont'd)

(13) Optional Payment Plan **Rates Effective: March 29, 1993**

(a) Channel	3 Year		5 Year		(Tx)
	Fixed	Per Mile	Fixed	Per Mile	
<u>Termination</u> (T6ECS)					
Per point of termination					
2.4 kbps	\$ 60.19		\$ 57.18		
4.8 kbps	\$ 60.19		\$ 57.18		
9.6 kbps	\$ 60.19		\$ 57.18		
19.2 kbps	\$ 75.00		\$ 71.25		
56 kbps	\$ 82.26		\$ 78.15		
64 kbps (CC)	\$ 95.00		\$ 90.25		
 (b) <u>Channel Mileage</u> (1L5XX)					
2.4 kbps					
0 miles	\$ 0.00	\$ 0.00	\$ 0.00	\$ 0.00	
Over 0 miles	\$ 70.34	\$ 0.75	\$ 66.82	\$ 0.71	
4.8 kbps					
0 miles	\$ 0.00	\$ 0.00	\$ 0.00	\$ 0.00	
Over 0 miles	\$ 64.62	\$ 0.60	\$ 61.39	\$ 0.57	
9.6 kbps					
0 miles	\$ 0.00	\$ 0.00	\$ 0.00	\$ 0.00	
Over 0 miles	\$ 67.78	\$ 0.60	\$ 64.39	\$ 0.57	
19.2 kbps					
0 miles	\$ 0.00	\$ 0.00	\$ 0.00	\$ 0.00	
Over 0 miles	\$ 69.00	\$ 0.85	\$ 65.55	\$ 0.81	

(Tx)
(Tx)

(x) Issued under authority of Special Permission No. 14-001 of the FCC in order to withdraw material filed under Transmittal No. 3383 and suspended under Order DA-13-2349, released December 9, 2013, without its becoming effective and to restore currently effective material.

(This page filed under Transmittal No. 3386)

Issued: January 15, 2014

Effective: January 16, 2014

Four AT&T Plaza, Dallas, Texas 75202

ACCESS SERVICE

7. Special Access Service (Cont'd)7.3 Service Descriptions, Rates and Charges (Cont'd)7.3.9 MegaLink Data Service (Cont'd)(F) Rates and Charges (Cont'd)(13) Optional Payment Plan **Rates Effective: March 29, 1993**
(Cont'd)

	3 Year		5 Year		(Tx)
	Monthly Rate		Monthly Rate		
	<u>Fixed</u>	<u>Per Mile</u>	<u>Fixed</u>	<u>Per Mile</u>	
(b) <u>Channel Mileage</u> (1L5XX) (Cont'd)					
56 kbps					
0 miles	\$ 0.00	\$ 0.00	\$ 0.00	\$ 0.00	
Over 0 miles	\$ 70.22	\$ 0.91	\$ 66.71	\$ 0.86	
64 kbps (CC)					
0 miles	\$ 0.00	\$ 0.00	\$ 0.00	\$ 0.00	
Over 0 miles	\$ 70.22	\$ 0.91	\$ 66.71	\$ 0.86	
(c) <u>Service to</u> <u>Service Through</u> <u>Connect</u> <u>Arrangement</u> (THK)					
Interconnection of two subtending digital channels (derived from DS1 multiplexing)	\$ 18.06		\$ 17.16		
(d) <u>Bridging</u> (BCNDA)					
Per port	\$ 9.86		\$ 9.37		
(e) <u>Secondary Channel</u> <u>Capability</u> (SCA)					
Per channel termination	\$ 9.03		\$ 8.58		

(Tx)
(Tx)

(x) Issued under authority of Special Permission No. 14-001 of the FCC in order to withdraw material filed under Transmittal No. 3383 and suspended under Order DA-13-2349, released December 9, 2013, without its becoming effective and to restore currently effective material.

(This page filed under Transmittal No. 3386)

Issued: January 15, 2014

Effective: January 16, 2014

Four AT&T Plaza, Dallas, Texas 75202

ACCESS SERVICE

7. Special Access Service (Cont'd)7.3 Service Descriptions, Rates and Charges (Cont'd)7.3.9 MegaLink Data Service (Cont'd)(F) Rates and Charges (Cont'd)(13) Optional Payment Plan **Rates Effective: March 29, 1993**
(Cont'd)

	3 Year		5 Year		(Tx)
	Monthly Rate		Monthly Rate		
	<u>Fixed</u>	<u>Per Mile</u>	<u>Fixed</u>	<u>Per Mile</u>	
(f) <u>Loop Transfer Arrangement, Key Activated</u> * (XTD)					
Per four port arrangement **	\$ 20.06		\$ 19.06		

* The key activated control channel is rated as a Metallic Channel Termination (use USOC TMEME in lieu of TMECS) and Channel Mileage, if applicable (use USOC 1L5MX in lieu of 1L5XX).

** An additional Channel Termination charge will apply whenever a spare channel is configured as a leg to the customer's premises. Additional Channel Mileage charges will also apply when the transfer arrangement is not located in the customer premises serving wire center.

(Tx)
(Tx)

(x) Issued under authority of Special Permission No. 14-001 of the FCC in order to withdraw material filed under Transmittal No. 3383 and suspended under Order DA-13-2349, released December 9, 2013, without its becoming effective and to restore currently effective material.

(This page filed under Transmittal No. 3386)

Issued: January 15, 2014

Effective: January 16, 2014

Four AT&T Plaza, Dallas, Texas 75202

ACCESS SERVICE

7. Special Access Service (Cont'd)

7.3 Service Descriptions, Rates and Charges (Cont'd)

7.3.9 MegaLink Data Service (Cont'd)

(F) Rates and Charges (Cont'd)

(14) Optional Payment Plan **Rates Effective: 07/01/93**

(a) Channel Termination (T6ECS) (Tx)

	3 Year		5 Year	
	Monthly Rate		Monthly Rate	
	Fixed	Per Mile	Fixed	Per Mile

Per point of termination

2.4 kbps	\$ 60.00		\$ 57.00
4.8 kbps	\$ 60.00		\$ 57.00
9.6 kbps	\$ 60.00		\$ 57.00
19.2 kbps	\$ 75.00		\$ 71.25
56 kbps	\$ 80.00		\$ 76.00
64 kbps (CC)	\$ 95.00		\$ 90.25

(b) Channel Mileage (1L5XX)

2.4 kbps

0 miles	\$ 0.00	\$ 0.00	\$ 0.00		\$ 0.00
Over 0 miles	\$ 45.00	\$ 0.65	\$ 42.75		\$ 0.62

4.8 kbps

0 miles	\$ 0.00	\$ 0.00	\$ 0.00		\$ 0.00
Over 0 miles	\$ 45.00	\$ 0.65	\$ 42.75		\$ 0.62

9.6 kbps

0 miles	\$ 0.00	\$ 0.00	\$ 0.00		\$ 0.00
Over 0 miles	\$ 45.00	\$ 0.65	\$ 42.75		\$ 0.62

19.2 kbps

0 miles	\$ 0.00	\$ 0.00	\$ 0.00		\$ 0.00
Over 0 miles	\$ 69.00	\$ 0.85	\$ 65.55		\$ 0.81

(Tx)
(Tx)

(x) Issued under authority of Special Permission No. 14-001 of the FCC in order to withdraw material filed under Transmittal No. 3383 and suspended under Order DA-13-2349, released December 9, 2013, without its becoming effective and to restore currently effective material.

(This page filed under Transmittal No. 3386)

Issued: January 15, 2014

Effective: January 16, 2014

Four AT&T Plaza, Dallas, Texas 75202

ACCESS SERVICE

7. Special Access Service (Cont'd)7.3 Service Descriptions, Rates and Charges (Cont'd)7.3.9 MegaLink Data Service (Cont'd)(F) Rates and Charges (Cont'd)(14) Optional Payment Plan **Rates Effective: 07/01/93**
(Cont'd)(b) Channel Mileage

	3 Year		5 Year	
	Monthly Rate		Monthly Rate	(Tx)
(1L5XX) (Cont'd)	<u>Fixed</u>	<u>Per Mile</u>	<u>Fixed</u>	<u>Per Mile</u>

56 kbps

0 miles	\$ 0.00	\$ 0.00	\$ 0.00	\$ 0.00
Over 0 miles	\$ 65.00	\$ 0.85	\$ 61.75	\$ 0.81

64 kbps (CC)

0 miles	\$ 0.00	\$ 0.00	\$ 0.00	\$ 0.00
Over 0 miles	\$ 70.22	\$ 0.91	\$ 66.71	\$ 0.86

(c) Service to Service
Through Connect
Arrangement (THK)

Interconnection of two subtending digital channels (derived from DS1 multiplexing)	\$ 18.06		\$ 17.16	
--	----------	--	----------	--

(d) Bridging (BCNDA)

Per port	\$ 11.00		\$ 10.45	
----------	----------	--	----------	--

(e) Secondary Channel
Capability (SCA)

Per channel termination	\$ 9.00		\$ 8.55	
----------------------------	---------	--	---------	--

(Tx)
(Tx)

(x) Issued under authority of Special Permission No. 14-001 of the FCC in order to withdraw material filed under Transmittal No. 3383 and suspended under Order DA-13-2349, released December 9, 2013, without its becoming effective and to restore currently effective material.

(This page filed under Transmittal No. 3386)

Issued: January 15, 2014

Effective: January 16, 2014

Four AT&T Plaza, Dallas, Texas 75202

ACCESS SERVICE

7. Special Access Service (Cont'd)

7.3 Service Descriptions, Rates and Charges (Cont'd)

7.3.9 MegaLink Data Service (Cont'd)

(F) Rates and Charges (Cont'd)

(14) Optional Payment Plan **Rates Effective: 07/01/93**
 (Cont'd)

	3 Year		5 Year		(Tx)
	Monthly Rate		Monthly Rate		
	<u>Fixed</u>	<u>Per Mile</u>	<u>Fixed</u>	<u>Per Mile</u>	
(f) <u>Loop Transfer Arrangement, Key Activated</u> * (XTD)					
Per four port arrangement **	\$ 21.00		\$ 19.95		

* The key activated control channel is rated as a Metallic Channel Termination (use USOC TMEME in lieu of TMECS) and Channel Mileage, if applicable (use USOC 1L5MX in lieu of 1L5XX).

** An additional Channel Termination charge will apply whenever a spare channel is configured as a leg to the customer's premises. Additional Channel Mileage charges will also apply when the transfer arrangement is not located in the customer premises serving wire center.

(Tx)
 (Tx)

(x) Issued under authority of Special Permission No. 14-001 of the FCC in order to withdraw material filed under Transmittal No. 3383 and suspended under Order DA-13-2349, released December 9, 2013, without its becoming effective and to restore currently effective material.

(This page filed under Transmittal No. 3386)

ACCESS SERVICE

7. Special Access Service (Cont'd)

7.3 Service Descriptions, Rates and Charges (Cont'd)

7.3.9 MegaLink Data Service (Cont'd)

(F) Rates and Charges (Cont'd)

(15) Optional Payment Plan **Rates Effective: 01/01/94**

(a) <u>Channel Termination</u> (T6ECS)		3 Year Monthly Rate		5 Year Monthly Rate		(Tx)
		<u>Fixed</u>	<u>Per Mile</u>	<u>Fixed</u>	<u>Per Mile</u>	

Per point of termination

2.4 kbps		\$ 60.00		\$ 57.00	
4.8 kbps		\$ 60.00		\$ 57.00	
9.6 kbps		\$ 60.00		\$ 57.00	
19.2 kbps		\$ 75.00		\$ 71.25	
56 kbps		\$ 77.25		\$ 73.39	
64 kbps (CC)		\$ 95.00		\$ 90.25	

(b) Channel Mileage
(1L5XX)

2.4 kbps

0 miles		\$ 0.00	\$ 0.00	\$ 0.00	\$ 0.00
Over 0 miles		\$ 45.00	\$ 0.65	\$ 42.75	\$ 0.62

4.8 kbps

0 miles		\$ 0.00	\$ 0.00	\$ 0.00	\$ 0.00
Over 0 miles		\$ 45.00	\$ 0.65	\$ 42.75	\$ 0.62

9.6 kbps

0 miles		\$ 0.00	\$ 0.00	\$ 0.00	\$ 0.00
Over 0 miles		\$ 45.00	\$ 0.65	\$ 42.75	\$ 0.62

19.2 kbps

0 miles		\$ 0.00	\$ 0.00	\$ 0.00	\$ 0.00
Over 0 miles		\$ 69.00	\$ 0.85	\$ 65.55	\$ 0.81

(Tx)
(Tx)

(x) Issued under authority of Special Permission No. 14-001 of the FCC in order to withdraw material filed under Transmittal No. 3383 and suspended under Order DA-13-2349, released December 9, 2013, without its becoming effective and to restore currently effective material.

(This page filed under Transmittal No. 3386)

Issued: January 15, 2014

Effective: January 16, 2014

Four AT&T Plaza, Dallas, Texas 75202

ACCESS SERVICE

7. Special Access Service (Cont'd)7.3 Service Descriptions, Rates and Charges (Cont'd)7.3.9 MegaLink Data Service (Cont'd)(F) Rates and Charges (Cont'd)(15) Optional Payment Plan **Rates Effective: 01/01/94**
(Cont'd)

(b) <u>Channel Mileage</u> (1L5XX) (Cont'd)	3 Year Monthly Rate		5 Year Monthly Rate		(Tx)
	<u>Fixed</u>	<u>Per Mile</u>	<u>Fixed</u>	<u>Per Mile</u>	
56 kbps					
0 miles	\$ 0.00	\$ 0.00	\$ 0.00	\$ 0.00	
Over 0 miles	\$ 50.00	\$ 0.75	\$ 47.50	\$ 0.71	
64 kbps (CC)					
0 miles	\$ 0.00	\$ 0.00	\$ 0.00	\$ 0.00	
Over 0 miles	\$ 70.22	\$ 0.91	\$ 66.71	\$ 0.86	
(c) <u>Service to Service</u> <u>Through Connect</u> <u>Arrangement</u> (THK)					
Interconnection of two subtending digital channels (derived from DS1 multiplexing)	\$ 18.06		\$ 17.16		
(d) <u>Bridging</u> (BCNDA)					
Per port	\$ 11.00		\$ 10.45		
(e) <u>Secondary Channel</u> <u>Capability</u> (SCA)					
Per channel termination	\$ 9.00		\$ 8.55		

(Tx)
(Tx)

(x) Issued under authority of Special Permission No. 14-001 of the FCC in order to withdraw material filed under Transmittal No. 3383 and suspended under Order DA-13-2349, released December 9, 2013, without its becoming effective and to restore currently effective material.

(This page filed under Transmittal No. 3386)

Issued: January 15, 2014

Effective: January 16, 2014

Four AT&T Plaza, Dallas, Texas 75202

ACCESS SERVICE

7. Special Access Service (Cont'd)

7.3 Service Descriptions, Rates and Charges (Cont'd)

7.3.9 MegaLink Data Service (Cont'd)

(F) Rates and Charges (Cont'd)

(15) Optional Payment Plan **Rates Effective: 01/01/94**
 (Cont'd)

	3 Year		5 Year		(Tx)
	Monthly Rate		Monthly Rate		
	<u>Fixed</u>	<u>Per Mile</u>	<u>Fixed</u>	<u>Per Mile</u>	
(f) <u>Loop Transfer Arrangement, Key Activated</u> * (XTD)					
Per four port arrangement **	\$ 21.00		\$ 19.95		

* The key activated control channel is rated as a Metallic Channel Termination (use USOC TMEME in lieu of TMECS) and Channel Mileage, if applicable (use USOC 1L5MX in lieu of 1L5XX).

** An additional Channel Termination charge will apply whenever a spare channel is configured as a leg to the customer's premises. Additional Channel Mileage charges will also apply when the transfer arrangement is not located in the customer premises serving wire center.

(Tx)
 (Tx)

(x) Issued under authority of Special Permission No. 14-001 of the FCC in order to withdraw material filed under Transmittal No. 3383 and suspended under Order DA-13-2349, released December 9, 2013, without its becoming effective and to restore currently effective material.

(This page filed under Transmittal No. 3386)

ACCESS SERVICE

7. Special Access Service (Cont'd)7.3 Service Descriptions, Rates and Charges (Cont'd)7.3.9 MegaLink Data Service (Cont'd)(F) Rates and Charges (Cont'd)(16) Optional Payment Plan **Rates Effective: 07/01/94**(a) Channel Termination (T6ECS) 3 Year Monthly Rate 5 Year Monthly Rate (Tx)
Fixed Per Mile Fixed Per Mile

Per point of termination

2.4 kbps	\$ 60.00		\$ 57.00	
4.8 kbps	\$ 60.00		\$ 57.00	
9.6 kbps	\$ 60.00		\$ 57.00	
19.2 kbps	\$ 60.00		\$ 57.00	
56 kbps	\$ 77.25		\$ 73.39	
64 kbps (CC)	\$ 77.25		\$ 73.39	

(b) Channel Mileage (1L5XX)

2.4 kbps

0 miles	\$ 0.00	\$ 0.00	\$ 0.00	\$ 0.00
Over 0 miles	\$ 45.00	\$ 0.65	\$ 42.75	\$ 0.62

4.8 kbps

0 miles	\$ 0.00	\$ 0.00	\$ 0.00	\$ 0.00
Over 0 miles	\$ 45.00	\$ 0.65	\$ 42.75	\$ 0.62

9.6 kbps

0 miles	\$ 0.00	\$ 0.00	\$ 0.00	\$ 0.00
Over 0 miles	\$ 45.00	\$ 0.65	\$ 42.75	\$ 0.62

19.2 kbps

0 miles	\$ 0.00	\$ 0.00	\$ 0.00	\$ 0.00
Over 0 miles	\$ 45.00	\$ 0.65	\$ 42.75	\$ 0.62

(Tx)
(Tx)

(x) Issued under authority of Special Permission No. 14-001 of the FCC in order to withdraw material filed under Transmittal No. 3383 and suspended under Order DA-13-2349, released December 9, 2013, without its becoming effective and to restore currently effective material.

(This page filed under Transmittal No. 3386)

Issued: January 15, 2014

Effective: January 16, 2014

Four AT&T Plaza, Dallas, Texas 75202

ACCESS SERVICE

7. Special Access Service (Cont'd)7.3 Service Descriptions, Rates and Charges (Cont'd)7.3.9 MegaLink Data Service (Cont'd)(F) Rates and Charges (Cont'd)(16) Optional Payment Plan **Rates Effective: 07/01/94**
(Cont'd)

(b) <u>Channel Mileage</u> (1L5XX) (Cont'd)	3 Year Monthly Rate		5 Year Monthly Rate		(Tx)
	<u>Fixed</u>	<u>Per Mile</u>	<u>Fixed</u>	<u>Per Mile</u>	
56 kbps					
0 miles	\$ 0.00	\$ 0.00	\$ 0.00	\$ 0.00	
Over 0 miles	\$ 50.00	\$ 0.75	\$ 47.50	\$ 0.71	
64 kbps (CC)					
0 miles	\$ 0.00	\$ 0.00	\$ 0.00	\$ 0.00	
Over 0 miles	\$ 50.00	\$ 0.75	\$ 47.50	\$ 0.71	
(c) <u>Service to Service Through Connect Arrangement</u> (THK)					
Interconnection of two subtending digital channels (derived from DS1 multiplexing)	\$ 18.06		\$ 17.16		
(d) <u>Bridging</u> (BCNDA)					
Per port	\$ 11.00		\$ 10.45		
(e) <u>Secondary Channel Capability</u> (SCA)					
Per channel termination	\$ 9.00		\$ 8.55		

(Tx)
(Tx)

(x) Issued under authority of Special Permission No. 14-001 of the FCC in order to withdraw material filed under Transmittal No. 3383 and suspended under Order DA-13-2349, released December 9, 2013, without its becoming effective and to restore currently effective material.

(This page filed under Transmittal No. 3386)

Issued: January 15, 2014

Effective: January 16, 2014

Four AT&T Plaza, Dallas, Texas 75202

ACCESS SERVICE

7. Special Access Service (Cont'd)

7.3 Service Descriptions, Rates and Charges (Cont'd)

7.3.9 MegaLink Data Service (Cont'd)

(F) Rates and Charges (Cont'd)

(16) Optional Payment Plan **Rates Effective: 07/01/94**
 (Cont'd)

	3 Year		5 Year		(Tx)
	Monthly Rate		Monthly Rate		
	<u>Fixed</u>	<u>Per Mile</u>	<u>Fixed</u>	<u>Per Mile</u>	
(f) <u>Loop Transfer Arrangement, Key Activated</u> * (XTD)					
Per four port arrangement **	\$ 21.00		\$ 19.95		

* The key activated control channel is rated as a Metallic Channel Termination (use USOC TMECE in lieu of TMECS) and Channel Mileage, if applicable (use USOC 1L5MX in lieu of 1L5XX).

** An additional Channel Termination charge will apply whenever a spare channel is configured as a leg to the customer's premises. Additional Channel Mileage charges will also apply when the transfer arrangement is not located in the customer premises serving wire center.

(Tx)
 (Tx)

(x) Issued under authority of Special Permission No. 14-001 of the FCC in order to withdraw material filed under Transmittal No. 3383 and suspended under Order DA-13-2349, released December 9, 2013, without its becoming effective and to restore currently effective material.

(This page filed under Transmittal No. 3386)

ACCESS SERVICE

7. Special Access Service (Cont'd)

7.3 Service Descriptions, Rates and Charges (Cont'd)

7.3.9 MegaLink Data Service (Cont'd)

(F) Rates and Charges (Cont'd)

(17) Optional Payment Plan **Rates Effective: 12/05/94**

(a) <u>Channel Termination</u> (T6ECS)	3 Year Monthly Rate		5 Year Monthly Rate		(Tx)
	<u>Fixed</u>	<u>Per Mile</u>	<u>Fixed</u>	<u>Per Mile</u>	
Per point of termination					
2.4 kbps	\$ 60.00		\$ 57.00		
4.8 kbps	\$ 60.00		\$ 57.00		
9.6 kbps	\$ 60.00		\$ 57.00		
19.2 kbps	\$ 60.00		\$ 57.00		
56 kbps	\$ 77.25		\$ 73.39		
64 kbps (CC)	\$ 77.25		\$ 73.39		
128 kbps	\$150.00		\$142.50		
256 kbps	\$150.00		\$142.50		
384 kbps	\$155.00		\$147.25		

(b) Channel Mileage
(1L5XX)

2.4 kbps

0 miles	\$ 0.00	\$ 0.00	\$ 0.00	\$ 0.00
Over 0 miles	\$ 45.00	\$ 0.65	\$ 42.75	\$ 0.62

4.8 kbps

0 miles	\$ 0.00	\$ 0.00	\$ 0.00	\$ 0.00
Over 0 miles	\$ 45.00	\$ 0.65	\$ 42.75	\$ 0.62

9.6 kbps

0 miles	\$ 0.00	\$ 0.00	\$ 0.00	\$ 0.00
Over 0 miles	\$ 45.00	\$ 0.65	\$ 42.75	\$ 0.62

19.2 kbps

0 miles	\$ 0.00	\$ 0.00	\$ 0.00	\$ 0.00
Over 0 miles	\$ 45.00	\$ 0.65	\$ 42.75	\$ 0.62

(Tx)
(Tx)

(x) Issued under authority of Special Permission No. 14-001 of the FCC in order to withdraw material filed under Transmittal No. 3383 and suspended under Order DA-13-2349, released December 9, 2013, without its becoming effective and to restore currently effective material.

(This page filed under Transmittal No. 3386)

Issued: January 15, 2014

Effective: January 16, 2014

Four AT&T Plaza, Dallas, Texas 75202

ACCESS SERVICE

7. Special Access Service (Cont'd)7.3 Service Descriptions, Rates and Charges (Cont'd)7.3.9 MegaLink Data Service (Cont'd)(F) Rates and Charges (Cont'd)(17) Optional Payment Plan **Rates Effective: 12/05/94**
(Cont'd)

(b) Channel Mileage (1L5XX) (Cont'd)	3 Year Monthly Rate		5 Year Monthly Rate		(Tx)
	Fixed	Per Mile	Fixed	Per Mile	
56 kbps					
0 miles	\$ 0.00	\$ 0.00	\$ 0.00	\$ 0.00	
Over 0 miles	\$ 50.00	\$ 0.75	\$ 47.50	\$ 0.71	
64 kbps (CC)					
0 miles	\$ 0.00	\$ 0.00	\$ 0.00	\$ 0.00	
Over 0 miles	\$ 50.00	\$ 0.75	\$ 47.50	\$ 0.71	
128 kbps					
0 miles	\$ 0.00	\$ 0.00	\$ 0.00	\$ 0.00	
Over 0 miles	\$ 48.00	\$ 11.00	\$ 45.60	\$ 10.45	
256 kbps					
0 miles	\$ 0.00	\$ 0.00	\$ 0.00	\$ 0.00	
Over 0 miles	\$ 48.00	\$ 11.00	\$ 45.60	\$ 10.45	
384 kbps					
0 miles	\$ 0.00	\$ 0.00	\$ 0.00	\$ 0.00	
Over 0 miles	\$ 50.00	\$ 13.00	\$ 47.50	\$ 12.35	
(c) <u>Service to Service Through Connect Arrangement</u> (THK)					
Interconnection of two subtending digital channels (derived from DS1 multiplexing)	\$ 18.06		\$ 17.16		
(d) <u>Bridging</u> (BCNDA)					
Per port	\$ 11.00		\$ 10.45		
(e) <u>Secondary Channel Capability</u> (SCA)					
Per channel termination	\$ 9.00		\$ 8.55		

(Tx)
(Tx)

(x) Issued under authority of Special Permission No. 14-001 of the FCC in order to withdraw material filed under Transmittal No. 3383 and suspended under Order DA-13-2349, released December 9, 2013, without its becoming effective and to restore currently effective material.

(This page filed under Transmittal No. 3386)

Issued: January 15, 2014

Effective: January 16, 2014

Four AT&T Plaza, Dallas, Texas 75202

ACCESS SERVICE

7. Special Access Service (Cont'd)7.3 Service Descriptions, Rates and Charges (Cont'd)7.3.9 MegaLink Data Service (Cont'd)(F) Rates and Charges (Cont'd)(17) Optional Payment Plan **Rates Effective: 12/05/94**
(Cont'd)

	3 Year		5 Year		(Tx)
	Monthly Rate		Monthly Rate		
	<u>Fixed</u>	<u>Per Mile</u>	<u>Fixed</u>	<u>Per Mile</u>	
(f) <u>Loop Transfer</u> <u>Arrangement, Key</u> <u>Activated</u> * (XTD)					
Per four port arrangement **	\$ 21.00		\$ 19.95		

* The key activated control channel is rated as a Metallic Channel Termination (use USOC TMEME in lieu of TMECS) and Channel Mileage, if applicable (use USOC 1L5MX in lieu of 1L5XX).

** An additional Channel Termination charge will apply whenever a spare channel is configured as a leg to the customer's premises. Additional Channel Mileage charges will also apply when the transfer arrangement is not located in the customer premises serving wire center.

(Tx)
(Tx)

(x) Issued under authority of Special Permission No. 14-001 of the FCC in order to withdraw material filed under Transmittal No. 3383 and suspended under Order DA-13-2349, released December 9, 2013, without its becoming effective and to restore currently effective material.

(This page filed under Transmittal No. 3386)

Issued: January 15, 2014

Effective: January 16, 2014

Four AT&T Plaza, Dallas, Texas 75202

ACCESS SERVICE

7. Special Access Service (Cont'd)

7.3 Service Descriptions, Rates and Charges (Cont'd)

7.3.9 MegaLink Data Service (Cont'd)

(F) Rates and Charges (Cont'd)

(18) Optional Payment Plan **Rates Effective: 08/01/95**

	<u>3 Year</u> <u>Monthly Rate</u>	<u>Nonrecurring Charge</u> <u>1st Ckt Addl Ckt</u>	
(a) <u>Channel Termination</u> (T6ECS)			
Per point of termination			
2.4 kbps	\$ 56.00	\$305.00	\$258.00
4.8 kbps	\$ 56.00	\$345.00	\$273.00
9.6 kbps	\$ 56.00	\$319.00	\$268.00
19.2 kbps	\$ 56.00	\$268.00	\$205.00
56 kbps	\$ 72.00	\$350.00	\$306.00
64 kbps (CC)	\$ 72.00	\$320.00	\$246.00
128 kbps	\$145.00	\$628.00	\$456.00
256 kbps	\$145.00	\$628.00	\$456.00
384 kbps	\$150.00	\$628.00	\$456.00
	<u>5 Year</u> <u>Monthly Rate</u>	<u>Nonrecurring Charge (Tx)</u> <u>1st Ckt Addl Ckt</u>	
<u>Channel Termination</u> (T6ECS)			
Per point of termination			
2.4 kbps	\$ 53.20	\$305.00	\$258.00
4.8 kbps	\$ 53.20	\$345.00	\$273.00
9.6 kbps	\$ 53.20	\$319.00	\$268.00
19.2 kbps	\$ 53.20	\$268.00	\$205.00
56 kbps	\$ 66.00	\$350.00	\$306.00
64 kbps (CC)	\$ 66.00	\$320.00	\$246.00
128 kbps	\$137.75	\$628.00	\$456.00
256 kbps	\$137.75	\$628.00	\$456.00
384 kbps	\$142.50	\$628.00	\$456.00

(Tx)
(Tx)

(x) Issued under authority of Special Permission No. 14-001 of the FCC in order to withdraw material filed under Transmittal No. 3383 and suspended under Order DA-13-2349, released December 9, 2013, without its becoming effective and to restore currently effective material.

(This page filed under Transmittal No. 3386)

Issued: January 15, 2014

Effective: January 16, 2014

Four AT&T Plaza, Dallas, Texas 75202

ACCESS SERVICE

7. Special Access Service (Cont'd)

7.3 Service Descriptions, Rates and Charges (Cont'd)

7.3.9 MegaLink Data Service (Cont'd)

(F) Rates and Charges (Cont'd)

(18) Optional Payment Plan **Rates Effective: 08/01/95**
 (Cont'd)

	3 Year Monthly Rate		(Dx)
	<u>Fixed</u>	<u>Per Mile</u>	
(b) <u>Channel Mileage</u> (1L5XX) (Cont'd)			
2.4 kbps			
0 miles	\$ 0.00	\$ 0.00	
Over 0 miles	\$ 40.00	\$ 0.55	
4.8 kbps			
0 miles	\$ 0.00	\$ 0.00	
Over 0 miles	\$ 40.00	\$ 0.55	
9.6 kbps			
0 miles	\$ 0.00	\$ 0.00	
Over 0 miles	\$ 40.00	\$ 0.55	
19.2 kbps			
0 miles	\$ 0.00	\$ 0.00	
Over 0 miles	\$ 40.00	\$ 0.55	

(Dx)
 |
 (Dx)

(x) Issued under authority of Special Permission No. 12-011 of the FCC in order to withdraw material filed under Transmittal No. 3341 without its becoming effective and to restore currently effective material.

(This page filed under Transmittal No. 3344)

ACCESS SERVICE

7. Special Access Service (Cont'd)

7.3 Service Descriptions, Rates and Charges (Cont'd)

7.3.9 MegaLink Data Service (Cont'd)

(F) Rates and Charges (Cont'd)

(18) Optional Payment Plan **Rates Effective: 08/01/95**
 (Cont'd)

	3 Year Monthly Rate		(Dx)
	<u>Fixed</u>	<u>Per Mile</u>	
(b) <u>Channel Mileage</u> (1L5XX) (Cont'd)			
56 kbps			
0 miles	\$ 0.00	\$ 0.00	
Over 0 miles	\$ 45.00	\$ 0.65	
64 kbps (CC)			
0 miles	\$ 0.00	\$ 0.00	
Over 0 miles	\$ 45.00	\$ 0.65	
128 kbps			
0 miles	\$ 0.00	\$ 0.00	
Over 0 miles	\$ 47.00	\$ 10.00	
256 kbps			
0 miles	\$ 0.00	\$ 0.00	
Over 0 miles	\$ 47.00	\$ 10.00	
384 kbps			
0 miles	\$ 0.00	\$ 0.00	
Over 0 miles	\$ 49.00	\$ 12.00	

(Dx)
 |
 (Dx)

(x) Issued under authority of Special Permission No. 12-011 of the FCC in order to withdraw material filed under Transmittal No. 3341 without its becoming effective and to restore currently effective material.

(This page filed under Transmittal No. 3344)

ACCESS SERVICE

7. Special Access Service (Cont'd)7.3 Service Descriptions, Rates and Charges (Cont'd)7.3.9 MegaLink Data Service (Cont'd)(F) Rates and Charges (Cont'd)(18) Optional Payment Plan **Rates Effective: 08/01/95**
(Cont'd)

	5 Year		(Tx)
	Monthly Rate		
	<u>Fixed</u>	<u>Per Mile</u>	
(b) <u>Channel Mileage</u> (1L5XX) (Cont'd)			
2.4 kbps			
0 miles	\$ 0.00	\$ 0.00	
Over 0 miles	\$ 38.00	\$ 0.52	
4.8 kbps			
0 miles	\$ 0.00	\$ 0.00	
Over 0 miles	\$ 38.00	\$ 0.52	
9.6 kbps			
0 miles	\$ 0.00	\$ 0.00	
Over 0 miles	\$ 38.00	\$ 0.52	
19.2 kbps			
0 miles	\$ 0.00	\$ 0.00	
Over 0 miles	\$ 38.00	\$ 0.52	

(Tx)
(Tx)

(x) Issued under authority of Special Permission No. 14-001 of the FCC in order to withdraw material filed under Transmittal No. 3383 and suspended under Order DA-13-2349, released December 9, 2013, without its becoming effective and to restore currently effective material.

(This page filed under Transmittal No. 3386)

Issued: January 15, 2014

Effective: January 16, 2014

Four AT&T Plaza, Dallas, Texas 75202

ACCESS SERVICE

7. Special Access Service (Cont'd)7.3 Service Descriptions, Rates and Charges (Cont'd)7.3.9 MegaLink Data Service (Cont'd)(F) Rates and Charges (Cont'd)(18) Optional Payment Plan **Rates Effective: 08/01/95**
(Cont'd)

	5 Year		(Tx)
	Monthly Rate		
	<u>Fixed</u>	<u>Per Mile</u>	
(b) <u>Channel Mileage</u> (1L5XX) (Cont'd)			
56 kbps			
0 miles	\$ 0.00	\$ 0.00	
Over 0 miles	\$ 37.50	\$ 0.59	
64 kbps (CC)			
0 miles	\$ 0.00	\$ 0.00	
Over 0 miles	\$ 37.50	\$ 0.59	
128 kbps			
0 miles	\$ 0.00	\$ 0.00	
Over 0 miles	\$ 44.65	\$ 9.50	
256 kbps			
0 miles	\$ 0.00	\$ 0.00	
Over 0 miles	\$ 44.65	\$ 9.50	
384 kbps			
0 miles	\$ 0.00	\$ 0.00	
Over 0 miles	\$ 46.55	\$ 11.40	

(Tx)
(Tx)

(x) Issued under authority of Special Permission No. 14-001 of the FCC in order to withdraw material filed under Transmittal No. 3383 and suspended under Order DA-13-2349, released December 9, 2013, without its becoming effective and to restore currently effective material.

(This page filed under Transmittal No. 3386)

Issued: January 15, 2014

Effective: January 16, 2014

Four AT&T Plaza, Dallas, Texas 75202

ACCESS SERVICE

7. Special Access Service (Cont'd)7.3 Service Descriptions, Rates and Charges (Cont'd)7.3.9 MegaLink Data Service (Cont'd)(F) Rates and Charges (Cont'd)(18) Optional Payment Plan **Rates Effective: 08/01/95**
(Cont'd)

	<u>3 Year Monthly Rate</u>	<u>Nonrecurring Charge 1st Ckt</u>	<u>Addl Ckt</u>
(c) <u>Service to Service Through Connect Arrangement</u> (THK) Interconnection of two subtending digital channels (derived from DS1 multiplexing)	\$18.06	\$103.00	\$ 92.00
	<u>5 Year Monthly Rate</u>	<u>Nonrecurring Charge (Tx) 1st Ckt</u>	<u>Addl Ckt</u>
<u>Service to Service Through Connect Arrangement</u> (THK) Interconnection of two subtending digital channels (derived from DS1 multiplexing)	\$17.16	\$103.00	\$ 92.00
	<u>3 Year Monthly Rate</u>	<u>Nonrecurring Charge</u>	
(d) <u>Bridging</u> (BCNDA) Per port	\$11.00	\$ 0.00	
	<u>5 Year Monthly Rate</u>	<u>Nonrecurring Charge</u>	(Tx)
<u>Bridging</u> (BCNDA) Per port	\$10.45	\$ 0.00	

(Tx)
(Tx)

(x) Issued under authority of Special Permission No. 14-001 of the FCC in order to withdraw material filed under Transmittal No. 3383 and suspended under Order DA-13-2349, released December 9, 2013, without its becoming effective and to restore currently effective material.

(This page filed under Transmittal No. 3386)

Issued: January 15, 2014

Effective: January 16, 2014

Four AT&T Plaza, Dallas, Texas 75202

ACCESS SERVICE

7. Special Access Service (Cont'd)

7.3 Service Descriptions, Rates and Charges (Cont'd)

7.3.9 MegaLink Data Service (Cont'd)

(F) Rates and Charges (Cont'd)

(18) Optional Payment Plan **Rates Effective: 08/01/95**
 (Cont'd)

	<u>3 Year Monthly Rate</u>	<u>Nonrecurring Charge</u>	
(e) <u>Secondary Channel Capability (SCA)</u>			
Per channel termination	\$ 9.00	\$112.00	
	<u>5 Year Monthly Rate</u>	<u>Nonrecurring Charge</u>	(Tx)
<u>Secondary Channel Capability (SCA)</u>			
Per channel termination	\$ 8.55	\$112.00	
	<u>3 Year Monthly Rate</u>	<u>Nonrecurring Charge</u>	
(f) <u>Loop Transfer Arrangement, Key Activated *</u> (XTD)			
Per four port arrangement **	\$21.00	\$119.00	
	<u>5 Year Monthly Rate</u>	<u>Nonrecurring Charge</u>	(Tx)
<u>Loop Transfer Arrangement, Key Activated *</u> (XTD)			
Per four port arrangement **	\$19.95	\$119.00	

* The key activated control channel is rated as a Metallic Channel Termination (use USOC TMEME in lieu of TMECS) and Channel Mileage, if applicable (use USOC 1L5MX in lieu of 1L5XX).

** An additional Channel Termination charge will apply whenever a spare channel is configured as a leg to the customer's premises. Additional Channel Mileage charges will also apply when the transfer arrangement is not located in the customer premises serving wire center.

(Tx)
 (Tx)

(x) Issued under authority of Special Permission No. 14-001 of the FCC in order to withdraw material filed under Transmittal No. 3383 and suspended under Order DA-13-2349, released December 9, 2013, without its becoming effective and to restore currently effective material.

(This page filed under Transmittal No. 3386)

ACCESS SERVICE

7. Special Access Service (Cont'd)

7.3 Service Descriptions, Rates and Charges (Cont'd)

7.3.9 MegaLink Data Service (Cont'd)

(F) Rates and Charges (Cont'd)

(19) Optional Payment Plan Rates Effective: 04/01/00

	<u>3 Year</u>	<u>Nonrecurring Charge</u>	
	<u>Monthly Rate</u>	<u>1st Ckt</u>	<u>Addl Ckt</u>
(a) <u>Channel Termination</u> (T6ECS)			
Per point of termination			
2.4 kbps	\$ 70.00	\$305.00	\$258.00
4.8 kbps	\$ 70.00	\$345.00	\$273.00
9.6 kbps	\$ 70.00	\$319.00	\$268.00
19.2 kbps	\$ 70.00	\$268.00	\$205.00
56 kbps	\$ 70.00	\$350.00	\$306.00
64 kbps	\$ 70.00	\$320.00	\$246.00
128 kbps	\$145.00	\$628.00	\$456.00
256 kbps	\$145.00	\$628.00	\$456.00
384 kbps	\$150.00	\$628.00	\$456.00
	<u>5 Year</u>	<u>Nonrecurring Charge (Tx)</u>	
	<u>Monthly Rate</u>	<u>1st Ckt</u>	<u>Addl Ckt</u>
<u>Channel Termination</u> (T6ECS)			
Per point of termination			
2.4 kbps	\$ 65.00	\$305.00	\$258.00
4.8 kbps	\$ 65.00	\$345.00	\$273.00
9.6 kbps	\$ 65.00	\$319.00	\$268.00
19.2 kbps	\$ 65.00	\$268.00	\$205.00
56 kbps	\$ 65.00	\$350.00	\$306.00
64 kbps	\$ 65.00	\$320.00	\$246.00
128 kbps	\$137.75	\$628.00	\$456.00
256 kbps	\$137.75	\$628.00	\$456.00
384 kbps	\$142.50	\$628.00	\$456.00

(Tx)
(Tx)

(x) Issued under authority of Special Permission No. 14-001 of the FCC in order to withdraw material filed under Transmittal No. 3383 and suspended under Order DA-13-2349, released December 9, 2013, without its becoming effective and to restore currently effective material.

(This page filed under Transmittal No. 3386)

Issued: January 15, 2014

Effective: January 16, 2014

Four AT&T Plaza, Dallas, Texas 75202

ACCESS SERVICE

7. Special Access Service (Cont'd)

7.3 Service Descriptions, Rates and Charges (Cont'd)

7.3.9 MegaLink Data Service (Cont'd)

(F) Rates and Charges (Cont'd)

(19) Optional Payment Plan Rates Effective: 04/01/00
 (Cont'd)

	3 Year Monthly Rate		(Dx)
	<u>Fixed</u>	<u>Per Mile</u>	
(b) <u>Channel Mileage</u> (1L5XX) (Cont'd)			
2.4 kbps			
0 miles	\$ 0.00	\$ 0.00	
Over 0 miles	\$ 22.00	\$ 0.95	
4.8 kbps			
0 miles	\$ 0.00	\$ 0.00	
Over 0 miles	\$ 22.00	\$ 0.95	
9.6 kbps			
0 miles	\$ 0.00	\$ 0.00	
Over 0 miles	\$ 22.00	\$ 0.95	
19.2 kbps			
0 miles	\$ 0.00	\$ 0.00	
Over 0 miles	\$ 22.00	\$ 0.95	

(Dx)
 |
 (Dx)

(x) Issued under authority of Special Permission No. 12-011 of the FCC in order to withdraw material filed under Transmittal No. 3341 without its becoming effective and to restore currently effective material.

(This page filed under Transmittal No. 3344)

ACCESS SERVICE

7. Special Access Service (Cont'd)

7.3 Service Descriptions, Rates and Charges (Cont'd)

7.3.9 MegaLink Data Service (Cont'd)

(F) Rates and Charges (Cont'd)

(19) Optional Payment Plan Rates Effective: 04/01/00
 (Cont'd)

	3 Year Monthly Rate		(Dx)
	<u>Fixed</u>	<u>Per Mile</u>	
(b) <u>Channel Mileage</u> (1L5XX) (Cont'd)			
56 kbps			
0 miles	\$ 0.00	\$ 0.00	
Over 0 miles	\$ 22.00	\$ 0.95	
64 kbps (CC)			
0 miles	\$ 0.00	\$ 0.00	
Over 0 miles	\$ 22.00	\$ 0.95	
128 kbps			
0 miles	\$ 0.00	\$ 0.00	
Over 0 miles	\$ 47.00	\$ 10.00	
256 kbps			
0 miles	\$ 0.00	\$ 0.00	
Over 0 miles	\$ 47.00	\$ 10.00	
384 kbps			
0 miles	\$ 0.00	\$ 0.00	
Over 0 miles	\$ 49.00	\$ 12.00	

(Dx)
 |
 (Dx)

(x) Issued under authority of Special Permission No. 12-011 of the FCC in order to withdraw material filed under Transmittal No. 3341 without its becoming effective and to restore currently effective material.

(This page filed under Transmittal No. 3344)

ACCESS SERVICE

7. Special Access Service (Cont'd)

7.3 Service Descriptions, Rates and Charges (Cont'd)

7.3.9 MegaLink Data Service (Cont'd)

(F) Rates and Charges (Cont'd)

(19) Optional Payment Plan Rates Effective: 04/01/00
 (Cont'd)

	5 Year Monthly Rate		(Tx)
	<u>Fixed</u>	<u>Per Mile</u>	
(b) <u>Channel Mileage</u> (1L5XX) (Cont'd)			
2.4 kbps			
0 miles	\$ 0.00	\$ 0.00	
Over 0 miles	\$ 20.00	\$ 0.90	
4.8 kbps			
0 miles	\$ 0.00	\$ 0.00	
Over 0 miles	\$ 20.00	\$ 0.90	
9.6 kbps			
0 miles	\$ 0.00	\$ 0.00	
Over 0 miles	\$ 20.00	\$ 0.90	
19.2 kbps			
0 miles	\$ 0.00	\$ 0.00	
Over 0 miles	\$ 20.00	\$ 0.90	

(Tx)
 (Tx)

(x) Issued under authority of Special Permission No. 14-001 of the FCC in order to withdraw material filed under Transmittal No. 3383 and suspended under Order DA-13-2349, released December 9, 2013, without its becoming effective and to restore currently effective material.

(This page filed under Transmittal No. 3386)

Issued: January 15, 2014

Effective: January 16, 2014

Four AT&T Plaza, Dallas, Texas 75202

ACCESS SERVICE

7. Special Access Service (Cont'd)7.3 Service Descriptions, Rates and Charges (Cont'd)7.3.9 MegaLink Data Service (Cont'd)(F) Rates and Charges (Cont'd)(19) Optional Payment Plan Rates Effective: 04/01/00
(Cont'd)

	5 Year		(Tx)
	Monthly Rate		
	<u>Fixed</u>	<u>Per Mile</u>	
(b) <u>Channel Mileage</u> (1L5XX) (Cont'd)			
56 kbps			
0 miles	\$ 0.00	\$ 0.00	
Over 0 miles	\$ 20.00	\$ 0.90	
64 kbps (CC)			
0 miles	\$ 0.00	\$ 0.00	
Over 0 miles	\$ 20.00	\$ 0.90	
128 kbps			
0 miles	\$ 0.00	\$ 0.00	
Over 0 miles	\$ 44.65	\$ 9.50	
256 kbps			
0 miles	\$ 0.00	\$ 0.00	
Over 0 miles	\$ 44.65	\$ 9.50	
384 kbps			
0 miles	\$ 0.00	\$ 0.00	
Over 0 miles	\$ 46.55	\$ 11.40	

(Tx)
(Tx)

(x) Issued under authority of Special Permission No. 14-001 of the FCC in order to withdraw material filed under Transmittal No. 3383 and suspended under Order DA-13-2349, released December 9, 2013, without its becoming effective and to restore currently effective material.

(This page filed under Transmittal No. 3386)

Issued: January 15, 2014

Effective: January 16, 2014

Four AT&T Plaza, Dallas, Texas 75202

ACCESS SERVICE

7. Special Access Service (Cont'd)7.3 Service Descriptions, Rates and Charges (Cont'd)7.3.9 MegaLink Data Service (Cont'd)(F) Rates and Charges (Cont'd)(19) Optional Payment Plan Rates Effective: 04/01/00
(Cont'd)

	<u>3 Year Monthly Rate</u>	<u>Nonrecurring Charge 1st Ckt</u>	<u>Addl Ckt</u>
(c) <u>Service to Service Through Connect Arrangement</u> (THK)			
Interconnection of two subtending digital channels (derived from DS1 multiplexing)	\$18.06	\$103.00	\$ 92.00
	<u>5 Year Monthly Rate</u>	<u>Nonrecurring Charge (Tx) 1st Ckt</u>	<u>Addl Ckt</u>
<u>Service to Service Through Connect Arrangement</u> (THK)			
Interconnection of two subtending digital channels (derived from DS1 multiplexing)	\$17.16	\$103.00	\$ 92.00
	<u>3 Year Monthly Rate</u>	<u>Nonrecurring Charge</u>	
(d) <u>Bridging</u> (BCNDA)			
Per port	\$11.00	\$ 0.00	
	<u>5 Year Monthly Rate</u>	<u>Nonrecurring Charge</u>	(Tx)
<u>Bridging</u> (BCNDA)			
Per port	\$10.45	\$ 0.00	

(Tx)
(Tx)

(x) Issued under authority of Special Permission No. 14-001 of the FCC in order to withdraw material filed under Transmittal No. 3383 and suspended under Order DA-13-2349, released December 9, 2013, without its becoming effective and to restore currently effective material.

(This page filed under Transmittal No. 3386)

Issued: January 15, 2014

Effective: January 16, 2014

Four AT&T Plaza, Dallas, Texas 75202

ACCESS SERVICE

7. Special Access Service (Cont'd)

7.3 Service Descriptions, Rates and Charges (Cont'd)

7.3.9 MegaLink Data Service (Cont'd)

(F) Rates and Charges (Cont'd)

(19) Optional Payment Plan Rates Effective: 04/01/00
 (Cont'd)

	<u>3 Year Monthly Rate</u>	<u>Nonrecurring Charge</u>	
(e) <u>Secondary Channel Capability (SCA)</u>			
Per channel termination	\$ 9.00	\$112.00	
	<u>5 Year Monthly Rate</u>	<u>Nonrecurring Charge</u>	(Tx)
<u>Secondary Channel Capability (SCA)</u>			
Per channel termination	\$ 8.55	\$112.00	
	<u>3 Year Monthly Rate</u>	<u>Nonrecurring Charge</u>	
(f) <u>Loop Transfer Arrangement, Key Activated *</u> (XTD)			
Per four port arrangement **	\$21.00	\$119.00	
	<u>5 Year Monthly Rate</u>	<u>Nonrecurring Charge</u>	(Tx)
<u>Loop Transfer Arrangement, Key Activated *</u> (XTD)			
Per four port arrangement **	\$19.95	\$119.00	

* The key activated control channel is rated as a Metallic Channel Termination (use USOC TMEME in lieu of TMECS) and Channel Mileage, if applicable (use USOC 1L5MX in lieu of 1L5XX).
 ** An additional Channel Termination charge will apply whenever a spare channel is configured as a leg to the customer's premises. Additional Channel Mileage charges will also apply when the transfer arrangement is not located in the customer premises serving wire center.

(Tx)
 (Tx)

(x) Issued under authority of Special Permission No. 14-001 of the FCC in order to withdraw material filed under Transmittal No. 3383 and suspended under Order DA-13-2349, released December 9, 2013, without its becoming effective and to restore currently effective material.

(This page filed under Transmittal No. 3386)

ACCESS SERVICE

7. Special Access Service (Cont'd)

7.3 Service Descriptions, Rates and Charges (Cont'd)

7.3.9 MegaLink Data Service (Cont'd)

(F) Rates and Charges (Cont'd)

(20) Optional Payment Plan Rates Effective: 08/11/00

	<u>3 Year</u> <u>Monthly Rate</u>	<u>Nonrecurring Charge</u> <u>1st Ckt</u> <u>Addl Ckt</u>	
(a) <u>Channel Termination</u> (T6ECS)			
Per point of termination			
2.4 kbps	\$ 65.00	\$305.00	\$258.00
4.8 kbps	\$ 65.00	\$345.00	\$273.00
9.6 kbps	\$ 65.00	\$319.00	\$268.00
19.2 kbps	\$ 65.00	\$268.00	\$205.00
56 kbps	\$ 65.00	\$350.00	\$306.00
64 kbps	\$ 65.00	\$320.00	\$246.00
128 kbps	\$145.00	\$628.00	\$456.00
256 kbps	\$145.00	\$628.00	\$456.00
384 kbps	\$150.00	\$628.00	\$456.00

	<u>5 Year</u> <u>Monthly Rate</u>	<u>Nonrecurring Charge(Tx)</u> <u>1st Ckt</u> <u>Addl Ckt</u>	
<u>Channel Termination</u> (T6ECS)			
Per point of termination			
2.4 kbps	\$ 60.00	\$305.00	\$258.00
4.8 kbps	\$ 60.00	\$345.00	\$273.00
9.6 kbps	\$ 60.00	\$319.00	\$268.00
19.2 kbps	\$ 60.00	\$268.00	\$205.00
56 kbps	\$ 60.00	\$350.00	\$306.00
64 kbps	\$ 60.00	\$320.00	\$246.00
128 kbps	\$137.75	\$628.00	\$456.00
256 kbps	\$137.75	\$628.00	\$456.00
384 kbps	\$142.50	\$628.00	\$456.00

(Tx)
(Tx)

(x) Issued under authority of Special Permission No. 14-001 of the FCC in order to withdraw material filed under Transmittal No. 3383 and suspended under Order DA-13-2349, released December 9, 2013, without its becoming effective and to restore currently effective material.

(This page filed under Transmittal No. 3386)

ACCESS SERVICE

7. Special Access Service (Cont'd)

7.3 Service Descriptions, Rates and Charges (Cont'd)

7.3.9 MegaLink Data Service (Cont'd)

(F) Rates and Charges (Cont'd)

(20) Optional Payment Plan Rates Effective: 08/11/00
 (Cont'd)

	3 Year Monthly Rate		(Dx)
	<u>Fixed</u>	<u>Per Mile</u>	
(b) <u>Channel Mileage</u> (1L5XX) (Cont'd)			
2.4 kbps			
0 miles	\$ 0.00	\$ 0.00	
Over 0 miles	\$ 18.00	\$ 0.95	
4.8 kbps			
0 miles	\$ 0.00	\$ 0.00	
Over 0 miles	\$ 18.00	\$ 0.95	
9.6 kbps			
0 miles	\$ 0.00	\$ 0.00	
Over 0 miles	\$ 18.00	\$ 0.95	
19.2 kbps			
0 miles	\$ 0.00	\$ 0.00	
Over 0 miles	\$ 18.00	\$ 0.95	

(Dx)
 |
 (Dx)

(x) Issued under authority of Special Permission No. 12-011 of the FCC in order to withdraw material filed under Transmittal No. 3341 without its becoming effective and to restore currently effective material.

(This page filed under Transmittal No. 3344)

ACCESS SERVICE

7. Special Access Service (Cont'd)

7.3 Service Descriptions, Rates and Charges (Cont'd)

7.3.9 MegaLink Data Service (Cont'd)

(F) Rates and Charges (Cont'd)

(20) Optional Payment Plan Rates Effective: 08/11/00
 (Cont'd)

	3 Year Monthly Rate		(Dx)
	<u>Fixed</u>	<u>Per Mile</u>	
(b) <u>Channel Mileage</u> (1L5XX) (Cont'd)			
56 kbps			
0 miles	\$ 0.00	\$ 0.00	
Over 0 miles	\$ 18.00	\$ 0.95	
64 kbps (CC)			
0 miles	\$ 0.00	\$ 0.00	
Over 0 miles	\$ 18.00	\$ 0.95	
128 kbps			
0 miles	\$ 0.00	\$ 0.00	
Over 0 miles	\$ 47.00	\$ 10.00	
256 kbps			
0 miles	\$ 0.00	\$ 0.00	
Over 0 miles	\$ 47.00	\$ 10.00	
384 kbps			
0 miles	\$ 0.00	\$ 0.00	
Over 0 miles	\$ 47.00	\$ 12.00	

(Dx)
 |
 (Dx)

(x) Issued under authority of Special Permission No. 12-011 of the FCC in order to withdraw material filed under Transmittal No. 3341 without its becoming effective and to restore currently effective material.

(This page filed under Transmittal No. 3344)

ACCESS SERVICE

7. Special Access Service (Cont'd)7.3 Service Descriptions, Rates and Charges (Cont'd)7.3.9 MegaLink Data Service (Cont'd)(F) Rates and Charges (Cont'd)(20) Optional Payment Plan Rates Effective: 08/11/00
(Cont'd)

	5 Year		(Tx)
	Monthly Rate		
	<u>Fixed</u>	<u>Per Mile</u>	
(b) <u>Channel Mileage</u> (1L5XX) (Cont'd)			
2.4 kbps			
0 miles	\$ 0.00	\$ 0.00	
Over 0 miles	\$ 15.00	\$ 0.90	
4.8 kbps			
0 miles	\$ 0.00	\$ 0.00	
Over 0 miles	\$ 15.00	\$ 0.90	
9.6 kbps			
0 miles	\$ 0.00	\$ 0.00	
Over 0 miles	\$ 15.00	\$ 0.90	
19.2 kbps			
0 miles	\$ 0.00	\$ 0.00	
Over 0 miles	\$ 15.00	\$ 0.90	

(Tx)

(Tx)

(x) Issued under authority of Special Permission No. 14-001 of the FCC in order to withdraw material filed under Transmittal No. 3383 and suspended under Order DA-13-2349, released December 9, 2013, without its becoming effective and to restore currently effective material.

(This page filed under Transmittal No. 3386)

Issued: January 15, 2014

Effective: January 16, 2014

Four AT&T Plaza, Dallas, Texas 75202

ACCESS SERVICE

7. Special Access Service (Cont'd)

7.3 Service Descriptions, Rates and Charges (Cont'd)

7.3.9 MegaLink Data Service (Cont'd)

(F) Rates and Charges (Cont'd)

(20) Optional Payment Plan Rates Effective: 08/11/00
 (Cont'd)

	5 Year		(Tx)
	Monthly Rate		
	<u>Fixed</u>	<u>Per Mile</u>	
(b) <u>Channel Mileage</u> (1L5XX) (Cont'd)			
56 kbps			
0 miles	\$ 0.00	\$ 0.00	
Over 0 miles	\$ 15.00	\$ 0.90	
64 kbps (CC)			
0 miles	\$ 0.00	\$ 0.00	
Over 0 miles	\$ 15.00	\$ 0.90	
128 kbps			
0 miles	\$ 0.00	\$ 0.00	
Over 0 miles	\$ 44.65	\$ 9.50	
256 kbps			
0 miles	\$ 0.00	\$ 0.00	
Over 0 miles	\$ 44.65	\$ 9.50	
384 kbps			
0 miles	\$ 0.00	\$ 0.00	
Over 0 miles	\$ 46.55	\$ 11.40	

(Tx)
 (Tx)

(x) Issued under authority of Special Permission No. 14-001 of the FCC in order to withdraw material filed under Transmittal No. 3383 and suspended under Order DA-13-2349, released December 9, 2013, without its becoming effective and to restore currently effective material.

(This page filed under Transmittal No. 3386)

ACCESS SERVICE

7. Special Access Service (Cont'd)7.3 Service Descriptions, Rates and Charges (Cont'd)7.3.9 MegaLink Data Service (Cont'd)(F) Rates and Charges (Cont'd)(20) Optional Payment Plan Rates Effective: 08/11/00
(Cont'd)

	<u>3 Year Monthly Rate</u>	<u>Nonrecurring Charge 1st Ckt</u>	<u>Addl Ckt</u>
(c) <u>Service to Service Through Connect Arrangement</u> (THK)			
Interconnection of two subtending digital channels (derived from DS1 multiplexing)	\$18.06	\$103.00	\$ 92.00
	<u>5 Year Monthly Rate</u>	<u>Nonrecurring Charge 1st Ckt</u>	<u>Addl Ckt</u>
<u>Service to Service Through Connect Arrangement</u> (THK)			
Interconnection of two subtending digital channels (derived from DS1 multiplexing)	\$17.16	\$103.00	\$ 92.00
	<u>3 Year Monthly Rate</u>	<u>Nonrecurring Charge</u>	
(d) <u>Bridging</u> (BCNDA)			
Per port	\$11.00	\$ 0.00	
	<u>5 Year Monthly Rate</u>	<u>Nonrecurring Charge</u>	(Tx)
<u>Bridging</u> (BCNDA)			
Per port	\$10.45	\$ 0.00	

(Tx)
(Tx)

(x) Issued under authority of Special Permission No. 14-001 of the FCC in order to withdraw material filed under Transmittal No. 3383 and suspended under Order DA-13-2349, released December 9, 2013, without its becoming effective and to restore currently effective material.

(This page filed under Transmittal No. 3386)

Issued: January 15, 2014

Effective: January 16, 2014

Four AT&T Plaza, Dallas, Texas 75202

ACCESS SERVICE

7. Special Access Service (Cont'd)

7.3 Service Descriptions, Rates and Charges (Cont'd)

7.3.9 MegaLink Data Service (Cont'd)

(F) Rates and Charges (Cont'd)

(20) Optional Payment Plan Rates Effective: 08/11/00
 (Cont'd)

	<u>3 Year Monthly Rate</u>	<u>Nonrecurring Charge</u>	
(e) <u>Secondary Channel Capability (SCA)</u>			
Per channel termination	\$ 9.00	\$112.00	
	<u>5 Year Monthly Rate</u>	<u>Nonrecurring Charge</u>	(Tx)
<u>Secondary Channel Capability (SCA)</u>			
Per channel termination	\$ 8.55	\$112.00	
	<u>3 Year Monthly Rate</u>	<u>Nonrecurring Charge</u>	
(f) <u>Loop Transfer Arrangement, Key Activated *</u> (XTD)			
Per four port arrangement **	\$21.00	\$119.00	
	<u>5 Year Monthly Rate</u>	<u>Nonrecurring Charge</u>	(Tx)
<u>Loop Transfer Arrangement, Key Activated *</u> (XTD)			
Per four port arrangement **	\$19.95	\$119.00	

* The key activated control channel is rated as a Metallic Channel Termination (use USOC TMEME in lieu of TMECS) and Channel Mileage, if applicable (use USOC 1L5MX in lieu of 1L5XX).
 ** An additional Channel Termination charge will apply whenever a spare channel is configured as a leg to the customer's premises. Additional Channel Mileage charges will also apply when the transfer arrangement is not located in the customer premises serving wire center.

(Tx)
 (Tx)

(x) Issued under authority of Special Permission No. 14-001 of the FCC in order to withdraw material filed under Transmittal No. 3383 and suspended under Order DA-13-2349, released December 9, 2013, without its becoming effective and to restore currently effective material.

(This page filed under Transmittal No. 3386)

ACCESS SERVICE

7. Special Access Service (Cont'd)

7.3 Service Descriptions, Rates and Charges (Cont'd)

7.3.9 MegaLink Data Service (Cont'd)

(F) Rates and Charges (Cont'd)

(21) Optional Payment Plan Rates Effective: 07/03/01

	<u>3 Year</u> <u>Monthly Rate</u>	<u>Nonrecurring Charge</u> <u>1st Ckt</u>	<u>Addl Ckt</u>
(a) <u>Channel</u> <u>Termination</u> (T6ECS)			
Per point of termination			
2.4 kbps	\$ 55.00	\$305.00	\$258.00
4.8 kbps	\$ 55.00	\$345.00	\$273.00
9.6 kbps	\$ 55.00	\$319.00	\$268.00
19.2 kbps	\$ 55.00	\$268.00	\$205.00
56 kbps	\$ 55.00	\$350.00	\$306.00
64 kbps	\$ 55.00	\$320.00	\$246.00
128 kbps	\$120.00	\$628.00	\$456.00
256 kbps	\$120.00	\$628.00	\$456.00
384 kbps	\$120.00	\$628.00	\$456.00
	<u>5 Year</u> <u>Monthly Rate</u>	<u>Nonrecurring Charge (Tx)</u> <u>1st Ckt</u>	<u>Addl Ckt</u>
<u>Channel</u> <u>Termination</u> (T6ECS)			
Per point of termination			
2.4 kbps	\$ 50.00	\$ 0.00	\$ 0.00
4.8 kbps	\$ 50.00	\$ 0.00	\$ 0.00
9.6 kbps	\$ 50.00	\$ 0.00	\$ 0.00
19.2 kbps	\$ 50.00	\$ 0.00	\$ 0.00
56 kbps	\$ 50.00	\$ 0.00	\$ 0.00
64 kbps	\$ 50.00	\$ 0.00	\$ 0.00
128 kbps	\$105.00	\$628.00	\$456.00
256 kbps	\$105.00	\$628.00	\$456.00
384 kbps	\$105.00	\$628.00	\$456.00

(Tx)
(Tx)

(x) Issued under authority of Special Permission No. 14-001 of the FCC in order to withdraw material filed under Transmittal No. 3383 and suspended under Order DA-13-2349, released December 9, 2013, without its becoming effective and to restore currently effective material.

(This page filed under Transmittal No. 3386)

ACCESS SERVICE

7. Special Access Service (Cont'd)

7.3 Service Descriptions, Rates and Charges (Cont'd)

7.3.9 MegaLink Data Service (Cont'd)

(F) Rates and Charges (Cont'd)

(21) Optional Payment Plan Rates Effective: 07/03/01
 (Cont'd)

	3 Year		(Dx)
	Monthly Rate		
	<u>Fixed</u>	<u>Per Mile</u>	
(b) <u>Channel Mileage</u> (1L5XX) (Cont'd)			
2.4 kbps			
0 miles	\$ 0.00	\$ 0.00	
Over 0 miles	\$ 15.00	\$ 0.80	
4.8 kbps			
0 miles	\$ 0.00	\$ 0.00	
Over 0 miles	\$ 15.00	\$ 0.80	
9.6 kbps			
0 miles	\$ 0.00	\$ 0.00	
Over 0 miles	\$ 15.00	\$ 0.80	
19.2 kbps			
0 miles	\$ 0.00	\$ 0.00	
Over 0 miles	\$ 15.00	\$ 0.80	

(Dx)
 |
 (Dx)

(x) Issued under authority of Special Permission No. 12-011 of the FCC in order to withdraw material filed under Transmittal No. 3341 without its becoming effective and to restore currently effective material.

(This page filed under Transmittal No. 3344)

ACCESS SERVICE

7. Special Access Service (Cont'd)

7.3 Service Descriptions, Rates and Charges (Cont'd)

7.3.9 MegaLink Data Service (Cont'd)

(F) Rates and Charges (Cont'd)

(21) Optional Payment Plan Rates Effective: 07/03/01
 (Cont'd)

	3 Year Monthly Rate		(Dx)
	<u>Fixed</u>	<u>Per Mile</u>	
(b) <u>Channel Mileage</u> (1L5XX) (Cont'd)			
56 kbps			
0 miles	\$ 0.00	\$ 0.00	
Over 0 miles	\$ 15.00	\$ 0.80	
64 kbps (CC)			
0 miles	\$ 0.00	\$ 0.00	
Over 0 miles	\$ 15.00	\$ 0.80	
128 kbps			
0 miles	\$ 0.00	\$ 0.00	
Over 0 miles	\$ 40.00	\$ 10.00	
256 kbps			
0 miles	\$ 0.00	\$ 0.00	
Over 0 miles	\$ 40.00	\$ 10.00	
384 kbps			
0 miles	\$ 0.00	\$ 0.00	
Over 0 miles	\$ 40.00	\$ 12.00	

(Dx)
 |
 (Dx)

(x) Issued under authority of Special Permission No. 12-011 of the FCC in order to withdraw material filed under Transmittal No. 3341 without its becoming effective and to restore currently effective material.

(This page filed under Transmittal No. 3344)

ACCESS SERVICE

7. Special Access Service (Cont'd)

7.3 Service Descriptions, Rates and Charges (Cont'd)

7.3.9 MegaLink Data Service (Cont'd)

(F) Rates and Charges (Cont'd)

(21) Optional Payment Plan Rates Effective: 07/03/01
 (Cont'd)

	5 Year Monthly Rate		(Tx)
	<u>Fixed</u>	<u>Per Mile</u>	
(b) <u>Channel Mileage</u> (1L5XX) (Cont'd)			
2.4 kbps			
0 miles	\$ 0.00	\$ 0.00	
Over 0 miles	\$ 10.00	\$ 0.75	
4.8 kbps			
0 miles	\$ 0.00	\$ 0.00	
Over 0 miles	\$ 10.00	\$ 0.75	
9.6 kbps			
0 miles	\$ 0.00	\$ 0.00	
Over 0 miles	\$ 10.00	\$ 0.75	
19.2 kbps			
0 miles	\$ 0.00	\$ 0.00	
Over 0 miles	\$ 10.00	\$ 0.75	

(Tx)
 (Tx)

(x) Issued under authority of Special Permission No. 14-001 of the FCC in order to withdraw material filed under Transmittal No. 3383 and suspended under Order DA-13-2349, released December 9, 2013, without its becoming effective and to restore currently effective material.

(This page filed under Transmittal No. 3386)

ACCESS SERVICE

7. Special Access Service (Cont'd)7.3 Service Descriptions, Rates and Charges (Cont'd)7.3.9 MegaLink Data Service (Cont'd)(F) Rates and Charges (Cont'd)(21) Optional Payment Plan Rates Effective: 07/03/01
(Cont'd)

	5 Year		(Tx)
	Monthly Rate		
	<u>Fixed</u>	<u>Per Mile</u>	
(b) <u>Channel Mileage</u> (1L5XX) (Cont'd)			
56 kbps			
0 miles	\$ 0.00	\$ 0.00	
Over 0 miles	\$ 10.00	\$ 0.75	
64 kbps (CC)			
0 miles	\$ 0.00	\$ 0.00	
Over 0 miles	\$ 10.00	\$ 0.75	
128 kbps			
0 miles	\$ 0.00	\$ 0.00	
Over 0 miles	\$ 37.50	\$ 9.50	
256 kbps			
0 miles	\$ 0.00	\$ 0.00	
Over 0 miles	\$ 37.50	\$ 9.50	
384 kbps			
0 miles	\$ 0.00	\$ 0.00	
Over 0 miles	\$ 37.50	\$ 11.40	

(Tx)
(Tx)

(x) Issued under authority of Special Permission No. 14-001 of the FCC in order to withdraw material filed under Transmittal No. 3383 and suspended under Order DA-13-2349, released December 9, 2013, without its becoming effective and to restore currently effective material.

(This page filed under Transmittal No. 3386)

Issued: January 15, 2014

Effective: January 16, 2014

Four AT&T Plaza, Dallas, Texas 75202

ACCESS SERVICE

7. Special Access Service (Cont'd)

7.3 Service Descriptions, Rates and Charges (Cont'd)

7.3.9 MegaLink Data Service (Cont'd)

(F) Rates and Charges (Cont'd)

(21) Optional Payment Plan Rates Effective: 07/03/01
 (Cont'd)

	<u>3 Year Monthly Rate</u>	<u>Nonrecurring Charge 1st Ckt</u>	<u>Addl Ckt</u>
(c) <u>Service to Service Through Connect Arrangement</u> (THK)			
Interconnection of two subtending digital channels (derived from DS1 multiplexing)	\$18.06	\$103.00	\$ 92.00
	<u>5 Year Monthly Rate</u>	<u>Nonrecurring Charge 1st Ckt</u>	<u>Addl Ckt</u>
<u>Service to Service Through Connect Arrangement</u> (THK)			
Interconnection of two subtending digital channels (derived from DS1 multiplexing)	\$17.16	\$103.00	\$ 92.00
	<u>3 Year Monthly Rate</u>	<u>Nonrecurring Charge</u>	
(d) <u>Bridging</u> (BCNDA)			
Per port	\$11.00	\$ 0.00	
	<u>5 Year Monthly Rate</u>	<u>Nonrecurring Charge</u>	(Tx)
<u>Bridging</u> (BCNDA)			
Per port	\$10.45	\$ 0.00	

(Tx)
 (Tx)

(x) Issued under authority of Special Permission No. 14-001 of the FCC in order to withdraw material filed under Transmittal No. 3383 and suspended under Order DA-13-2349, released December 9, 2013, without its becoming effective and to restore currently effective material.

(This page filed under Transmittal No. 3386)

ACCESS SERVICE

7. Special Access Service (Cont'd)

7.3 Service Descriptions, Rates and Charges (Cont'd)

7.3.9 MegaLink Data Service (Cont'd)

(F) Rates and Charges (Cont'd)

(21) Optional Payment Plan Rates Effective: 07/03/01
 (Cont'd)

	<u>3 Year Monthly Rate</u>	<u>Nonrecurring Charge</u>	
(e) <u>Secondary Channel Capability (SCA)</u>			
Per channel termination	\$ 9.00	\$112.00	
	<u>5 Year Monthly Rate</u>	<u>Nonrecurring Charge</u>	(Tx)
<u>Secondary Channel Capability (SCA)</u>			
Per channel termination	\$ 8.55	\$112.00	
	<u>3 Year Monthly Rate</u>	<u>Nonrecurring Charge</u>	
(f) <u>Loop Transfer Arrangement, Key Activated * (XTD)</u>			
Per four port arrangement **	\$21.00	\$119.00	
	<u>5 Year Monthly Rate</u>	<u>Nonrecurring Charge</u>	(Tx)
<u>Loop Transfer Arrangement, Key Activated * (XTD)</u>			
Per four port arrangement **	\$19.95	\$119.00	

* The key activated control channel is rated as a Metallic Channel Termination (use USOC TMECE in lieu of TMECS) and Channel Mileage, if applicable (use USOC 1L5MX in lieu of 1L5XX).
 ** An additional Channel Termination charge will apply whenever a spare channel is configured as a leg to the customer's premises. Additional Channel Mileage charges will also apply when the transfer arrangement is not located in the customer premises serving wire center.

(Tx)
 (Tx)

(x) Issued under authority of Special Permission No. 14-001 of the FCC in order to withdraw material filed under Transmittal No. 3383 and suspended under Order DA-13-2349, released December 9, 2013, without its becoming effective and to restore currently effective material.

(This page filed under Transmittal No. 3386)

ACCESS SERVICE

7. Special Access Service (Cont'd)7.3 Service Descriptions, Rates and Charges (Cont'd)7.3.10 High Capacity Service(A) Basic Channel Description

A High Capacity channel is a channel for the transmission of nominal 64.0 kbps* or 1.544 Mbps, isochronous serial data. The actual bit rate and framing format is a function of the channel interface selected by the customer. High Capacity channels are provisioned (1) between customer designated premises, (2) between a customer designated premises and a Telephone Company Hub, (3) between Network Reconfiguration Service Hubs at 1.544 Mbps transmission, (4) between Transport Resource Management Service Hubs at 1.544 Mbps transmission, (5) between a Transport Resource Management Service Hub and a Telephone Company Hub at 1.544 Mbps transmission, (6) between a Network Reconfiguration Service Hub and a Transport Resource Management Service Hub at 1.544 Mbps transmission, or (7) between a Network Reconfiguration Service Hub and a Telephone Company Hub at 1.544 Mbps transmission.

(D)
(D)
(D)

Loop Redundancy⁽¹⁾, which provides automatic restoration of the 1.544 Mbps High Capacity Service Channel Termination and physical route redundancy between the customer's premises and the customer's serving wire center in the event of a single loop failure, will be provided on High Capacity Channel Terminations in those situations where the customer's premises and serving wire center are equipped with the necessary equipment and facilities. If the equipment and facilities are not available, the interval for loop redundancy will be within 2 years from the date of customer request or the agreed upon date if Special Construction applies.

It is the customer's responsibility to arrange for the Network Channel Terminating Equipment associated with the High Capacity channel at the customer's premises. When a single High Capacity channel is ordered to be terminated at a customer's designated Interexchange Carrier's all digital POP which requires a minimum digital interface level of 44.736 Mbps, the Telephone Company will provide the required interface where facilities are available.

(1) As of the effective date of the tariff, by the end of 1997, all but 500 of the current High Capacity lines in SWBT territory will be served from wire centers providing Loop Redundancy (with basic DS1 service).

* Available only as a channel of a 1.544 Mbps facility between two Telephone Company MegaLink Data Hubs. The customer must provide system and channel assignment data.

(This page filed under Transmittal No. 2818)

ACCESS SERVICE

7. Special Access Service (Cont'd)

7.3 Service Descriptions, Rates and Charges (Cont'd)

7.3.10 High Capacity Service (Cont'd)

(B) Technical Specifications Packages

<u>Transmission Parameter</u>	<u>Package HC-</u>					
	<u>0</u>	<u>1</u>	<u>1C</u>	<u>2</u>	<u>3</u>	<u>4</u>
Error-Free Seconds		X				

A channel with technical specifications package HC1 will be capable of an error-free second performance of 98.75% over a continuous 24 hour period as measured at the 1.544 Mbps rate through a Channel Service Unit equivalent which is designed, manufactured, and maintained to conform with the specifications contained in the appropriate Technical Reference for High Capacity Service.

(C) Channel Interfaces (CI)

The following channel interface defines the bit rate that is available for a High Capacity DS1 channel:

<u>CI</u>	<u>Bit Rate</u>
DS-15*	1.544 Mbps (DS1)

(D) Service to Service Through Connect Arrangement

(1) High Capacity Service Arrangement

This provides the interconnection of two DS1 services at a Digital Hub and may also be used to connect a High Capacity Service Customer to a ReliaNet MAC primary serving wire center when that customer chooses not to use a ReliaNet Auxiliary Connection.

(C)
|
(C)

(2) Multiplexed Service Arrangement

This provides the interconnection of two digital channels extended from High Capacity multiplexed services. The through connect will be provisioned in lieu of a typical High Capacity channel termination. The ordering customer must provide channel assignments for both multiplexed services. Channel mileage is required if the multiplexed services are terminated in two separate digital hubs.

* A 64.0 kbps channel is available as a channel(s) of a 1.544 Mbps facility to a Telephone Company Hub.

(This page filed under Transmittal No. 2643)

ACCESS SERVICE

7. Special Access Service (Cont'd)

7.3 Service Descriptions, Rates and Charges (Cont'd)

7.3.10 High Capacity Service (Cont'd)

(E) Optional Features, BSEs and Functions

	Package HC-	
	0	1
Central Office Multiplexing:		
DS0 to Subrate *	X	
DS1 to DS0		X
DS1 to Voice		X
Clear Channel Capability		X
Extended Superframe Format		X
Power Over the Interface ⁽¹⁾		X
SecureNet Hub Redundancy		X
SecureNet Serving Wire Center and Facility Redundancy		X
Transfer Arrangement		X

(1) (D)

(D)
 |
 (D)

(1) Obsolete, and limited to existing installations at existing locations, for existing customers as of October 23, 1993.

(D)
 (D)
 (D)

* Available only on a channel of a 1.544 Mbps facility to a Telephone Company Hub or on a DS0 channel that connects to a customer's Network Reconfiguration Service (NRS) network which contains a DS1 channel.

(This page filed under Transmittal No. 3331)

ACCESS SERVICE

7. Special Access Service (Cont'd)7.3 Service Descriptions, Rates and Charges (Cont'd)7.3.10 High Capacity Service (Cont'd)(E) Optional Features, BSEs and Functions (Cont'd)(2) Central Office Multiplexing BSE(a) DSO to Subrate

An arrangement that converts a 64.0 kbps channel to subspeeds of up to twenty 2.4 kbps, ten 4.8 kbps, or five 9.6 kbps channels using digital time division multiplexing.

(b) DS1 to DSO

An arrangement that converts a 1.544 Mbps channel to 23 64.0 kbps channels utilizing digital time division multiplexing.

(c) DS1 to Voice

An arrangement that converts a 1.544 Mbps channel to 24 channels for use with Voice Grade Services. A channel of this DS1 to the hub can also be used for MegaLink Data, Program Audio, Metallic Service, or WATS Access Lines. (D)

(This page filed under Transmittal No. 3351)

ACCESS SERVICE

7. Special Access Service (Cont'd) (M)
- 7.3 Service Descriptions, Rates and Charges (Cont'd) (T)
- 7.3.10 High Capacity Service (Cont'd) (T)
- (E) Optional Features, BSEs and Functions (Cont'd) (M)
- (3) Clear Channel Capability BSE (T)
- Clear Channel Capability is a BSE that provides the customer with an increase in usable bandwidth from 1.344 Mbps to 1.536 Mbps of an unconstrained data stream across the network. Clear Channel Capability is provided only on 1.544 Mbps High Capacity service and requires the customer signal at the channel interface to conform to Bipolar with Eight Zero Substitution (B8ZS) line code format as described in the appropriate Technical Reference for High Capacity Service. Customer equipment must be compatible with this method of providing the unconstrained signal. (M)
- (4) Extended Superframe Format BSE (T)
- Extended Superframe Format is a BSE that passes a customer provided framing format for 1.544 Mbps High Capacity service. Extended Superframe Format extends the customer's 1.544 Mbps framing structure from 12 to 24 frames and divides the 8 kbps 193rd bit position pattern into three distinct functionalities: 2 kbps for frame synchronization, 2 kbps for cyclic redundancy checking, and 4 kbps used primarily to send performance monitoring information over the Facilities Data Link. (M)

Material and revised material appearing on this page formerly appeared on 7th Revised Page 99.42 of Tariff F.C.C. No. 68.

(This page filed under Transmittal No. 2176)

Issued: March 3, 1992

Effective: July 1, 1992

Four AT&T Plaza, Dallas, Texas 75202

ACCESS SERVICE

7. Special Access Service (Cont'd)7.3 Service Descriptions, Rates and Charges (Cont'd)7.3.10 High Capacity Service (Cont'd)(E) Optional Features, BSEs and Functions (Cont'd)(5) Power Over the Interface⁽¹⁾

(C)

Power Over the Interface is an optional feature available with the installation of 1.544 Mbps High Capacity service. This option provides line power to the Customer's Premises Equipment, enabling the customer to benefit from uninterrupted service if a commercial power failure occurs.

(6) SecureNet

SecureNet options provide automatic restoration capabilities which prevent service interruption in the event of a single facility break or a single electronics failure. SecureNet Options are available with two-point 1.544 Mbps High Capacity Service and are available only where fiber optic facilities are used to provide the 1.544 Mbps High Capacity Service.

The automatic restoration capabilities are provided through the use of intelligent components which are capable of sensing transmission failure and by separately routing the primary transmission path and secondary transmission path in geographically separate fiber optic cables. In the event of a transmission failure, the intelligent components will automatically switch the 1.544 Mbps High Capacity Service to either the primary or secondary transmission path within 2.0 seconds.

(1) Obsolete, and limited to existing installations at existing locations, for existing customers as of October 23, 1993.

(This page filed under Transmittal No. 2296)

ACCESS SERVICE

7. Special Access Service (Cont'd)7.3 Service Descriptions, Rates and Charges (Cont'd)7.3.10 High Capacity Service (Cont'd)(E) Optional Features, BSEs and Functions (Cont'd)(6) SecureNet (Cont'd)

The primary and secondary transmission paths for 1.544 Mbps High Capacity Service provisioned with SecureNet will be routed in geographically separate fiber optic cables up to the nearest point to the customer's premises that route redundancy can be achieved. In the event a facility break occurs in that portion of the 1.544 Mbps High Capacity Service for which route redundancy could not be achieved, the Telephone Company cannot guarantee automatic restoration of the customer's service within 2.0 seconds and a credit as set forth for SecureNet in 2.5.6(B) and 2.5.7(A) (MegaLink Custom and Special Access Services Equipped with a SecureNet Option) will not apply.

SecureNet options are available at those serving wire centers where equipment and facilities are available. Hub Redundancy and Serving Wire Center and Facility Redundancy will be provided in those serving wire centers found in the National Exchange Carrier Association, Inc. Tariff F.C.C. No. 4. Technical specifications may be referenced in the appropriate Technical Reference.

SecureNet is provided with two options allowing for two levels of 1.544 Mbps High Capacity Service Redundancy.

(S)

Reissued material is filed under the authority of Special Permission No. 95-180 of the F.C.C. and is deferred until March 6, 1995.

(This page filed under Transmittal No. 2427)

Issued: February 13, 1995

Effective: February 14, 1995

Four AT&T Plaza, Dallas, Texas 75202

ACCESS SERVICE

7. Special Access Service (Cont'd)

7.3 Service Descriptions, Rates and Charges (Cont'd)

7.3.10 High Capacity Service (Cont'd)

(E) Optional Features, BSEs and Functions (Cont'd)

(S)

Reissued material is filed under the authority of Special Permission No. 95-180 of the F.C.C. and is deferred until March 6, 1995.

(This page filed under Transmittal No. 2427)

Issued: February 13, 1995

Effective: February 14, 1995

Four AT&T Plaza, Dallas, Texas 75202

ACCESS SERVICE

7. Special Access Service (Cont'd)7.3 Service Descriptions, Rates and Charges (Cont'd)7.3.10 High Capacity Service (Cont'd)(E) Optional Features, BSEs and Functions (Cont'd)(6) SecureNet (Cont'd)(a) Hub Redundancy

This option provides automatic restoration of the 1.544 Mbps High Capacity Service and physical route redundancy from the customer's premises to the customer's DS3/DS1 multiplexing hub in the event of a single loop, serving wire center, interoffice facility or hub failure. The customer's wire center and multiplexing hub may be collocated. This option includes interoffice mileage for the redundant facility. When a 1.544 Mbps High Capacity Service is derived from a MegaLink Custom Electrical Service via multiplexing and provisioned with Hub Redundancy, the MegaLink Custom Electrical service must also be provisioned with this option in accordance with 20.2.2 (SecureNet). A 1.544 Mbps High Capacity Service equipped with Hub Redundancy may be directly connected to a Self-healing Transport Network as described in 19.3.1(B)(2)(b) (SecureNet Interconnection with High Capacity DS1 Services).

Hub Redundancy is available where more than one exchange telephone company is involved (i.e., jointly provided service) when those telephone companies have agreed upon facilities and terms and conditions of the jointly provided service.

(N)

(This page filed under Transmittal No. 2277)

Issued: May 14, 1993

Effective: June 28, 1993

Four AT&T Plaza, Dallas, Texas 75202

ACCESS SERVICE

7. Special Access Service (Cont'd)

7.3 Service Descriptions, Rates and Charges (Cont'd)

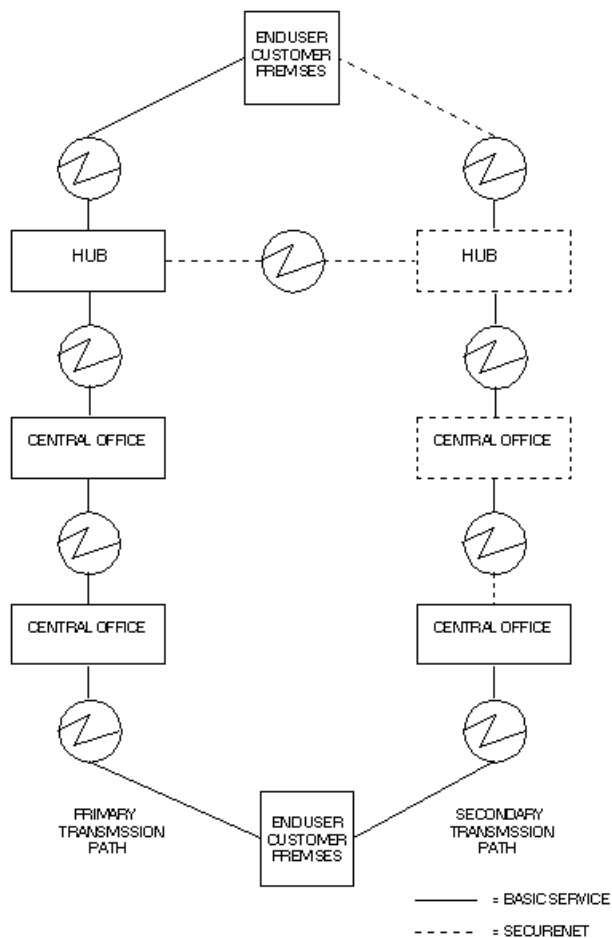
7.3.10 High Capacity Service (Cont'd)

(E) Optional Features, BSEs and Functions (Cont'd)

(6) SecureNet (Cont'd)

(a) Hub Redundancy

The following diagram depicts SecureNet with the Hub Redundancy option.



Reissued material is filed under the authority of Special Permission No. 95-180 of the F.C.C. and is deferred until March 6, 1995.

(This page filed under Transmittal No. 2427)

ACCESS SERVICE

7. Special Access Service (Cont'd)7.3 Service Descriptions, Rates and Charges (Cont'd)7.3.10 High Capacity Service (Cont'd)(E) Optional Features, BSEs and Functions (Cont'd)(6) SecureNet (Cont'd)(b) Serving Wire Center and Facility Redundancy

This option provides automatic restoration of the 1.544 Mbps High Capacity Service and physical route redundancy from the customer's premises to a DS3/DS1 multiplexing hub or from a customer's premises to another premises in the event of a single loop, wire center or interoffice facility failure. The customer's serving wire center and DS3/DS1 multiplexing hub are separate locations. This option includes interoffice mileage for the redundant facility.

Serving Wire Center and Facility Redundancy is available where more than one exchange telephone company is involved (i.e., jointly provided service) when those telephone companies have agreed upon facilities and terms and conditions of the jointly provided service. (N)

(This page filed under Transmittal No. 2277)

Issued: May 14, 1993

Effective: June 28, 1993

Four AT&T Plaza, Dallas, Texas 75202

ACCESS SERVICE

7. Special Access Service (Cont'd)

7.3 Service Descriptions, Rates and Charges (Cont'd)

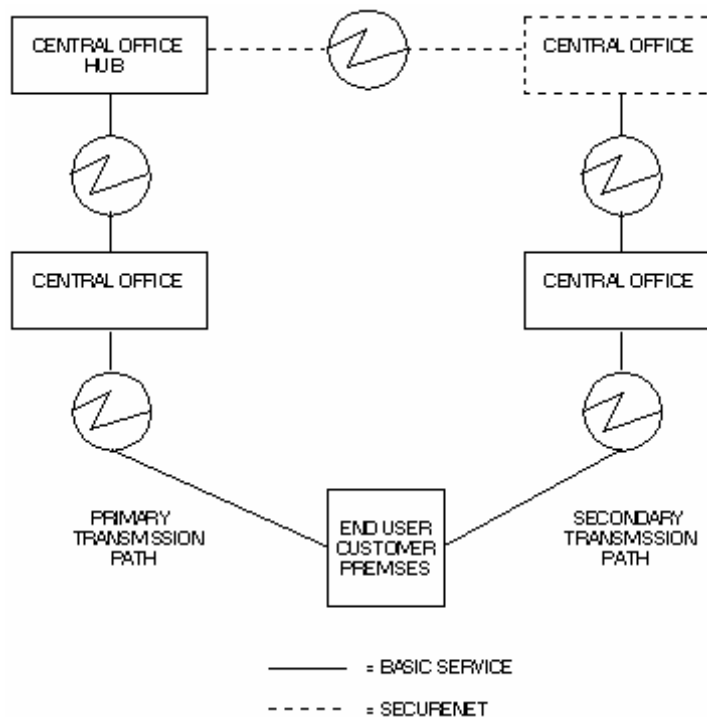
7.3.10 High Capacity Service (Cont'd)

(E) Optional Features, BSEs and Functions (Cont'd)

(6) SecureNet (Cont'd)

(b) Serving Wire Center and Facility Redundancy
 (Cont'd)

The following diagram depicts SecureNet with the Serving Wire Center and Facility Redundancy option.



Reissued material is filed under the authority of Special Permission No. 95-180 of the F.C.C. and is deferred until March 6, 1995.

(This page filed under Transmittal No. 2427)

ACCESS SERVICE

7. Special Access Service (Cont'd)

7.3 Service Descriptions, Rates and Charges (Cont'd)

7.3.10 High Capacity Service (Cont'd)

(E) Optional Features, BSEs and Functions (Cont'd)

(S)

(c) High Capacity Term Pricing Plan (HC-TPP)

HC-TPP with SecureNet options for Missouri only are set forth in Section 7.2.20(F).

(S)

Reissued material is filed under the authority of Special Permission No. 95-180 of the F.C.C. and is deferred until March 6, 1995.

(This page filed under Transmittal No. 2427)

Issued: February 13, 1995

Effective: February 14, 1995

Four AT&T Plaza, Dallas, Texas 75202

ACCESS SERVICE

7. Special Access Service (Cont'd)

7.3 Service Descriptions, Rates and Charges (Cont'd)

7.3.10 High Capacity Service (Cont'd)

(E) Optional Features, BSEs and Functions (Cont'd)

(S)

Reissued material is filed under the authority of Special Permission No. 95-180 of the F.C.C. and is deferred until March 6, 1995.

(This page filed under Transmittal No. 2427)

Issued: February 13, 1995

Effective: February 14, 1995

Four AT&T Plaza, Dallas, Texas 75202

ACCESS SERVICE

7. Special Access Service (Cont'd) (M)
- 7.3 Service Descriptions, Rates and Charges (Cont'd) (T)
- 7.3.10 High Capacity Service (Cont'd) (T)
- (E) Optional Features, BSEs and Functions (Cont'd) (M)
- (7) Transfer Arrangement (T)
- (M)
- An arrangement that affords customers an additional measure of flexibility in the use of their access channel(s). The arrangement can be utilized to transfer a leg of a Special Access Service to either a spare or working channel that terminates in either the same or a different customer premises. A key activated or dial-up control service is required to operate the transfer arrangement. A spare channel, if required, is not included as part of the option.

Material and revised material appearing on this page formerly appeared on 2nd Revised Page 99.40.1 of Tariff F.C.C. No. 68.

(This page filed under Transmittal No. 2176)

Issued: March 3, 1992

Effective: July 1, 1992

Four AT&T Plaza, Dallas, Texas 75202

ACCESS SERVICE

7. Special Access Service (Cont'd)
 7.3 Service Descriptions, Rates and Charges (Cont'd)
 7.3.10 High Capacity Service (Cont'd)
 (F) Rates and Charges

Rates and charges for Arkansas, Kansas, Missouri, Oklahoma and Texas will be applied based on Pricing Zones as contained in this section. Each rate element is shown with its associated USOC, where appropriate.

	<u>USOC</u>	<u>Monthly Rate</u>	
(1) <u>Channel Termination</u>			
Per point of termination	TMECS		
1.544 Mbps			
Zone 1 - AR		\$195.00 (I)	
Zone 2 - AR		\$200.00 (I)	
Zone 3 - AR		\$205.00 (I)	
Zone 1 - KS		\$195.00 (I)	
Zone 2 - KS		\$200.00 (I)	
Zone 3 - KS		\$205.00 (I)	
Zone 1 - MO		\$195.00 (I)	
Zone 2 - MO		\$200.00 (I)	
Zone 3 - MO		\$205.00 (I)	
Zone 1 - OK		\$195.00 (I)	
Zone 2 - OK		\$200.00 (I)	
Zone 3 - OK		\$205.00 (I)	
Zone 1 - TX		\$195.00 (I)	
Zone 2 - TX		\$200.00 (I)	
Zone 3 - TX		\$205.00 (I)	
		<u>Nonrecurring Charge</u>	
		<u>1st Ckt</u>	<u>Addl Ckt</u>
Zone 1 - AR		\$900.00	\$900.00
Zone 2 - AR		\$900.00	\$900.00
Zone 3 - AR		\$900.00	\$900.00
Zone 1 - KS		\$900.00	\$900.00
Zone 2 - KS		\$900.00	\$900.00
Zone 3 - KS		\$900.00	\$900.00
Zone 1 - MO		\$900.00	\$900.00
Zone 2 - MO		\$900.00	\$900.00
Zone 3 - MO		\$900.00	\$900.00
Zone 1 - OK		\$900.00	\$900.00
Zone 2 - OK		\$900.00	\$900.00
Zone 3 - OK		\$900.00	\$900.00
Zone 1 - TX		\$900.00	\$900.00
Zone 2 - TX		\$900.00	\$900.00
Zone 3 - TX		\$900.00	\$900.00

Rates contained in this transmittal are subject to subsequent adjustment, effective retrospectively, in the event the Commission or a court subsequently authorizes Southwestern Bell Telephone Company to correct its rates pursuant to pending motions, or petitions for reconsideration or waiver, or in the event of any other adjustment to an order of the Commission or a court.

(This page filed under Transmittal No. 3071)

Issued: June 16, 2005

Effective: July 1, 2005

Four AT&T Plaza, Dallas, Texas 75202

ACCESS SERVICE

7. Special Access Service (Cont'd)7.3 Service Descriptions, Rates and Charges (Cont'd)7.3.10 High Capacity Service (Cont'd)(F) Rates and Charges (Cont'd)

(2) <u>Channel Mileage</u>	USOC	<u>Monthly Rate</u>	
		<u>Fixed</u>	<u>Per Mile</u>
1.544 Mbps	1L5XX		
0 miles			
Zone 1 - AR		\$ 0.00	\$ 0.00
Zone 2 - AR		\$ 0.00	\$ 0.00
Zone 3 - AR		\$ 0.00	\$ 0.00
Zone 1 - KS		\$ 0.00	\$ 0.00
Zone 2 - KS		\$ 0.00	\$ 0.00
Zone 3 - KS		\$ 0.00	\$ 0.00
Zone 1 - MO		\$ 0.00	\$ 0.00
Zone 2 - MO		\$ 0.00	\$ 0.00
Zone 3 - MO		\$ 0.00	\$ 0.00
Zone 1 - OK		\$ 0.00	\$ 0.00
Zone 2 - OK		\$ 0.00	\$ 0.00
Zone 3 - OK		\$ 0.00	\$ 0.00
Zone 1 - TX		\$ 0.00	\$ 0.00
Zone 2 - TX		\$ 0.00	\$ 0.00
Zone 3 - TX		\$ 0.00	\$ 0.00
Over 0 miles			
Zone 1 - AR		\$62.00 (I)	\$15.70 (I)
Zone 2 - AR		\$65.00 (I)	\$15.70 (I)
Zone 3 - AR		\$68.00 (I)	\$15.70 (I)
Zone 1 - KS		\$62.00 (I)	\$15.70 (I)
Zone 2 - KS		\$65.00 (I)	\$15.70 (I)
Zone 3 - KS		\$68.00 (I)	\$15.70 (I)
Zone 1 - MO		\$62.00 (I)	\$15.70 (I)
Zone 2 - MO		\$65.00 (I)	\$15.70 (I)
Zone 3 - MO		\$68.00 (I)	\$15.70 (I)
Zone 1 - OK		\$62.00 (I)	\$15.70 (I)
Zone 2 - OK		\$65.00 (I)	\$15.70 (I)
Zone 3 - OK		\$68.00 (I)	\$15.70 (I)
Zone 1 - TX		\$62.00 (I)	\$15.70 (I)
Zone 2 - TX		\$65.00 (I)	\$15.70 (I)
Zone 3 - TX		\$68.00 (I)	\$15.70 (I)

Rates contained in this transmittal are subject to subsequent adjustment, effective retrospectively, in the event the Commission or a court subsequently authorizes Southwestern Bell Telephone Company to correct its rates pursuant to pending motions, or petitions for reconsideration or waiver, or in the event of any other adjustment to an order of the Commission or a court.

(This page filed under Transmittal No. 3071)

Issued: June 16, 2005

Effective: July 1, 2005

Four AT&T Plaza, Dallas, Texas 75202

ACCESS SERVICE

7. Special Access Service (Cont'd)

7.3 Service Descriptions, Rates and Charges (Cont'd)

7.3.10 High Capacity Service (Cont'd)

(F) Rates and Charges (Cont'd)

(2) <u>Channel Mileage</u> (Cont'd)	<u>USOC</u>	<u>Monthly Rate</u>		
		<u>Fixed</u>	<u>Per Mile</u>	
64 Kbps*	1L5TC			
0 miles				
Zone 1 - AR		\$ 0.00	\$ 0.00	(C)
Zone 2 - AR		\$ 0.00	\$ 0.00	
Zone 3 - AR		\$ 0.00	\$ 0.00	
Zone 1 - KS		\$ 0.00	\$ 0.00	(N)
Zone 2 - KS		\$ 0.00	\$ 0.00	
Zone 3 - KS		\$ 0.00	\$ 0.00	(N)
Zone 1 - MO		\$ 0.00	\$ 0.00	
Zone 2 - MO		\$ 0.00	\$ 0.00	
Zone 3 - MO		\$ 0.00	\$ 0.00	
Zone 1 - OK		\$ 0.00	\$ 0.00	
Zone 2 - OK		\$ 0.00	\$ 0.00	
Zone 3 - OK		\$ 0.00	\$ 0.00	
Zone 1 - TX		\$ 0.00	\$ 0.00	
Zone 2 - TX		\$ 0.00	\$ 0.00	
Zone 3 - TX		\$ 0.00	\$ 0.00	
Over 0 miles	1L5XX			
Zone 1 - AR		\$ 8.04	\$ 1.13	(C)
Zone 2 - AR		\$ 8.04	\$ 1.13	
Zone 3 - AR		\$ 8.04	\$ 1.13	
Zone 1 - KS		\$ 8.04	\$ 1.13	
Zone 2 - KS		\$ 8.04	\$ 1.13	
Zone 3 - KS		\$ 8.04	\$ 1.13	
Zone 1 - MO		\$ 8.04	\$ 1.13	
Zone 2 - MO		\$ 8.04	\$ 1.13	
Zone 3 - MO		\$ 8.04	\$ 1.13	
Zone 1 - OK		\$ 8.04	\$ 1.13	
Zone 2 - OK		\$ 8.04	\$ 1.13	
Zone 3 - OK		\$ 8.04	\$ 1.13	
Zone 1 - TX		\$ 8.04	\$ 1.13	
Zone 2 - TX		\$ 8.04	\$ 1.13	
Zone 3 - TX		\$ 8.04	\$ 1.13	

* Available only as a channel of a 1.544 Mbps facility to a SWBT Digital Data Hub or as a cross connect of two channels of two 1.544 Mbps facilities to a Digital Data Hub(s). The customer must provide system and channel assignment data.

(This page filed under Transmittal No. 2563)

ACCESS SERVICE

7. Special Access Service (Cont'd)

7.3 Service Descriptions, Rates and Charges (Cont'd)

7.3.10 High Capacity Service (Cont'd)

(F) Rates and Charges (Cont'd)

	<u>USOC</u>	<u>Monthly Rate</u>	
(3) <u>Service to Service Through Connect Arrangement</u>			
High Capacity Service Arrangement - 1.544 Mbps (DS1)	THA		
Zone 1 - AR		\$ 0.00	(C)
Zone 2 - AR		\$ 0.00	
Zone 3 - AR		\$ 0.00	
Zone 1 - KS		\$ 0.00	(N)
Zone 2 - KS		\$ 0.00	
Zone 3 - KS		\$ 0.00	(N)
Zone 1 - MO		\$ 0.00	
Zone 2 - MO		\$ 0.00	
Zone 3 - MO		\$ 0.00	
Zone 1 - OK		\$ 0.00	
Zone 2 - OK		\$ 0.00	
Zone 3 - OK		\$ 0.00	
Zone 1 - TX		\$ 0.00	
Zone 2 - TX		\$ 0.00	
Zone 3 - TX		\$ 0.00	
		<u>Nonrecurring Charge</u>	
		<u>1st Ckt</u> <u>Addl Ckt</u>	
Zone 1 - AR		\$204.00 \$156.00	(C)
Zone 2 - AR		\$204.00 \$156.00	
Zone 3 - AR		\$204.00 \$156.00	
Zone 1 - KS		\$204.00 \$156.00	
Zone 2 - KS		\$204.00 \$156.00	
Zone 3 - KS		\$204.00 \$156.00	
Zone 1 - MO		\$204.00 \$156.00	
Zone 2 - MO		\$204.00 \$156.00	
Zone 3 - MO		\$204.00 \$156.00	
Zone 1 - OK		\$204.00 \$156.00	
Zone 2 - OK		\$204.00 \$156.00	
Zone 3 - OK		\$204.00 \$156.00	
Zone 1 - TX		\$204.00 \$156.00	
Zone 2 - TX		\$204.00 \$156.00	
Zone 3 - TX		\$204.00 \$156.00	

(This page filed under Transmittal No. 2563)

ACCESS SERVICE

7. Special Access Service (Cont'd)

7.3 Service Descriptions, Rates and Charges (Cont'd)

7.3.10 High Capacity Service (Cont'd)

(F) Rates and Charges (Cont'd)

	<u>USOC</u>	<u>Monthly Rate</u>	
(3) <u>Service to Service Through Connect Arrangement</u> (Cont'd)			
Multiplexed Service Arrangement - 1.544 Mbps (DS1)	THK		
Zone 1 - AR \$ 0.00			(C)
Zone 2 - AR \$ 0.00			
Zone 3 - AR \$ 0.00			
Zone 1 - KS \$ 0.00			(N)
Zone 2 - KS \$ 0.00			
Zone 3 - KS \$ 0.00			(N)
Zone 1 - MO \$ 0.00			
Zone 2 - MO \$ 0.00			
Zone 3 - MO \$ 0.00			
Zone 1 - OK \$ 0.00			
Zone 2 - OK \$ 0.00			
Zone 3 - OK \$ 0.00			
Zone 1 - TX \$ 0.00			
Zone 2 - TX \$ 0.00			
Zone 3 - TX \$ 0.00			
		<u>Nonrecurring Charge</u>	
		<u>1st Ckt</u> <u>Addl Ckt</u>	
Zone 1 - AR		\$332.00 \$280.00	(C)
Zone 2 - AR		\$332.00 \$280.00	
Zone 3 - AR		\$332.00 \$280.00	
Zone 1 - KS		\$332.00 \$280.00	
Zone 2 - KS		\$332.00 \$280.00	
Zone 3 - KS		\$332.00 \$280.00	
Zone 1 - MO		\$332.00 \$280.00	
Zone 2 - MO		\$332.00 \$280.00	
Zone 3 - MO		\$332.00 \$280.00	
Zone 1 - OK		\$332.00 \$280.00	
Zone 2 - OK		\$332.00 \$280.00	
Zone 3 - OK		\$332.00 \$280.00	
Zone 1 - TX		\$332.00 \$280.00	
Zone 2 - TX		\$332.00 \$280.00	
Zone 3 - TX		\$332.00 \$280.00	

(This page filed under Transmittal No. 2563)

ACCESS SERVICE

7. Special Access Service (Cont'd)

7.3 Service Descriptions, Rates and Charges (Cont'd)

7.3.10 High Capacity Service (Cont'd)

(F) Rates and Charges (Cont'd)

(4)

(D)

(D)

(This page filed under Transmittal No. 3331)

Issued: October 17, 2011

Effective: November 1, 2011

Four AT&T Plaza, Dallas, Texas 75202

ACCESS SERVICE

7. Special Access Service (Cont'd)

7.3 Service Descriptions, Rates and Charges (Cont'd)

7.3.10 High Capacity Service (Cont'd)

(F) Rates and Charges (Cont'd)

	<u>USOC</u>	<u>Monthly Rate</u>	
(5) <u>Multiplexing</u>			
Per arrangement			
DS0 to Subrates			
Up to 20 2.4 kbps services	QSU24		
Zone 1 - AR		\$135.00	(C)
Zone 2 - AR		\$135.00	
Zone 3 - AR		\$135.00	
Zone 1 - KS		\$135.00	(N)
Zone 2 - KS		\$135.00	
Zone 3 - KS		\$135.00	(N)
Zone 1 - MO		\$135.00	
Zone 2 - MO		\$135.00	
Zone 3 - MO		\$135.00	
Zone 1 - OK		\$135.00	
Zone 2 - OK		\$135.00	
Zone 3 - OK		\$135.00	
Zone 1 - TX		\$135.00	
Zone 2 - TX		\$135.00	
Zone 3 - TX		\$135.00	
		<u>Nonrecurring Charge</u>	
Zone 1 - AR		\$ 0.00	(C)
Zone 2 - AR		\$ 0.00	
Zone 3 - AR		\$ 0.00	
Zone 1 - KS		\$ 0.00	
Zone 2 - KS		\$ 0.00	
Zone 3 - KS		\$ 0.00	
Zone 1 - MO		\$ 0.00	
Zone 2 - MO		\$ 0.00	
Zone 3 - MO		\$ 0.00	
Zone 1 - OK		\$ 0.00	
Zone 2 - OK		\$ 0.00	
Zone 3 - OK		\$ 0.00	
Zone 1 - TX		\$ 0.00	
Zone 2 - TX		\$ 0.00	
Zone 3 - TX		\$ 0.00	

(This page filed under Transmittal No. 2563)

ACCESS SERVICE

7. Special Access Service (Cont'd)

7.3 Service Descriptions, Rates and Charges (Cont'd)

7.3.10 High Capacity Service (Cont'd)

(F) Rates and Charges (Cont'd)

	<u>USOC</u>	<u>Monthly Rate</u>	
(5) <u>Multiplexing</u>			
Per arrangement (Cont'd)			
DS0 to Subrates (Cont'd)			
Up to 10 4.8 kbps services	QSU48		
Zone 1 - AR		\$125.00	(C)
Zone 2 - AR		\$125.00	
Zone 3 - AR		\$125.00	
Zone 1 - KS		\$125.00	(N)
Zone 2 - KS		\$125.00	
Zone 3 - KS		\$125.00	(N)
Zone 1 - MO		\$125.00	
Zone 2 - MO		\$125.00	
Zone 3 - MO		\$125.00	
Zone 1 - OK		\$125.00	
Zone 2 - OK		\$125.00	
Zone 3 - OK		\$125.00	
Zone 1 - TX		\$125.00	
Zone 2 - TX		\$125.00	
Zone 3 - TX		\$125.00	
		<u>Nonrecurring Charge</u>	
Zone 1 - AR		\$ 0.00	(C)
Zone 2 - AR		\$ 0.00	
Zone 3 - AR		\$ 0.00	
Zone 1 - KS		\$ 0.00	
Zone 2 - KS		\$ 0.00	
Zone 3 - KS		\$ 0.00	
Zone 1 - MO		\$ 0.00	
Zone 2 - MO		\$ 0.00	
Zone 3 - MO		\$ 0.00	
Zone 1 - OK		\$ 0.00	
Zone 2 - OK		\$ 0.00	
Zone 3 - OK		\$ 0.00	
Zone 1 - TX		\$ 0.00	
Zone 2 - TX		\$ 0.00	
Zone 3 - TX		\$ 0.00	

(This page filed under Transmittal No. 2563)

ACCESS SERVICE

7. Special Access Service (Cont'd)

7.3 Service Descriptions, Rates and Charges (Cont'd)

7.3.10 High Capacity Service (Cont'd)

(F) Rates and Charges (Cont'd)

	<u>USOC</u>	<u>Monthly Rate</u>	
(5) <u>Multiplexing</u>			
Per arrangement (Cont'd)			
DS0 to Subrates (Cont'd)			
Up to 5 9.6 kbps services	QSU96		
Zone 1 - AR		\$235.00	(C)
Zone 2 - AR		\$235.00	
Zone 3 - AR		\$235.00	
Zone 1 - KS		\$235.00	(N)
Zone 2 - KS		\$235.00	
Zone 3 - KS		\$235.00	(N)
Zone 1 - MO		\$235.00	
Zone 2 - MO		\$235.00	
Zone 3 - MO		\$235.00	
Zone 1 - OK		\$235.00	
Zone 2 - OK		\$235.00	
Zone 3 - OK		\$235.00	
Zone 1 - TX		\$235.00	
Zone 2 - TX		\$235.00	
Zone 3 - TX		\$235.00	
		<u>Nonrecurring Charge</u>	
Zone 1 - AR		\$ 0.00	(C)
Zone 2 - AR		\$ 0.00	
Zone 3 - AR		\$ 0.00	
Zone 1 - KS		\$ 0.00	
Zone 2 - KS		\$ 0.00	
Zone 3 - KS		\$ 0.00	
Zone 1 - MO		\$ 0.00	
Zone 2 - MO		\$ 0.00	
Zone 3 - MO		\$ 0.00	
Zone 1 - OK		\$ 0.00	
Zone 2 - OK		\$ 0.00	
Zone 3 - OK		\$ 0.00	
Zone 1 - TX		\$ 0.00	
Zone 2 - TX		\$ 0.00	
Zone 3 - TX		\$ 0.00	

(This page filed under Transmittal No. 2563)

ACCESS SERVICE

7. Special Access Service (Cont'd)7.3 Service Descriptions, Rates and Charges (Cont'd)7.3.10 High Capacity Service (Cont'd)(F) Rates and Charges (Cont'd)

	<u>USOC</u>	<u>Monthly Rate</u>
(5) <u>Multiplexing</u>		
Per arrangement (Cont'd)		
DS1 to DS0	QMU	
Zone 1 - AR		\$210.00 (I)
Zone 2 - AR		\$210.00 (I)
Zone 3 - AR		\$210.00 (I)
Zone 1 - KS		\$210.00 (I)
Zone 2 - KS		\$210.00 (I)
Zone 3 - KS		\$210.00 (I)
Zone 1 - MO		\$210.00 (I)
Zone 2 - MO		\$210.00 (I)
Zone 3 - MO		\$210.00 (I)
Zone 1 - OK		\$210.00 (I)
Zone 2 - OK		\$210.00 (I)
Zone 3 - OK		\$210.00 (I)
Zone 1 - TX		\$210.00 (I)
Zone 2 - TX		\$210.00 (I)
Zone 3 - TX		\$210.00 (I)
		<u>Nonrecurring Charge</u>
Zone 1 - AR		\$ 0.00
Zone 2 - AR		\$ 0.00
Zone 3 - AR		\$ 0.00
Zone 1 - KS		\$ 0.00
Zone 2 - KS		\$ 0.00
Zone 3 - KS		\$ 0.00
Zone 1 - MO		\$ 0.00
Zone 2 - MO		\$ 0.00
Zone 3 - MO		\$ 0.00
Zone 1 - OK		\$ 0.00
Zone 2 - OK		\$ 0.00
Zone 3 - OK		\$ 0.00
Zone 1 - TX		\$ 0.00
Zone 2 - TX		\$ 0.00
Zone 3 - TX		\$ 0.00

Rates contained in this transmittal are subject to subsequent adjustment, effective retrospectively, in the event the Commission or a court subsequently authorizes Southwestern Bell Telephone Company to correct its rates pursuant to pending motions, or petitions for reconsideration or waiver, or in the event of any other adjustment to an order of the Commission or a court.

(This page filed under Transmittal No. 3071)

Issued: June 16, 2005

Effective: July 1, 2005

Four AT&T Plaza, Dallas, Texas 75202

ACCESS SERVICE

7. Special Access Service (Cont'd)7.3 Service Descriptions, Rates and Charges (Cont'd)7.3.10 High Capacity Service (Cont'd)(F) Rates and Charges (Cont'd)

	<u>USOC</u>	<u>Monthly Rate</u>
(5) <u>Multiplexing</u>		
Per arrangement (Cont'd)		
DS1 to Voice	MQ1	
Zone 1 - AR		\$210.00 (I)
Zone 2 - AR		\$210.00 (I)
Zone 3 - AR		\$210.00 (I)
Zone 1 - KS		\$210.00 (I)
Zone 2 - KS		\$210.00 (I)
Zone 3 - KS		\$210.00 (I)
Zone 1 - MO		\$210.00 (I)
Zone 2 - MO		\$210.00 (I)
Zone 3 - MO		\$210.00 (I)
Zone 1 - OK		\$210.00 (I)
Zone 2 - OK		\$210.00 (I)
Zone 3 - OK		\$210.00 (I)
Zone 1 - TX		\$210.00 (I)
Zone 2 - TX		\$210.00 (I)
Zone 3 - TX		\$210.00 (I)
		<u>Nonrecurring Charge</u>
Zone 1 - AR		\$ 0.00
Zone 2 - AR		\$ 0.00
Zone 3 - AR		\$ 0.00
Zone 1 - KS		\$ 0.00
Zone 2 - KS		\$ 0.00
Zone 3 - KS		\$ 0.00
Zone 1 - MO		\$ 0.00
Zone 2 - MO		\$ 0.00
Zone 3 - MO		\$ 0.00
Zone 1 - OK		\$ 0.00
Zone 2 - OK		\$ 0.00
Zone 3 - OK		\$ 0.00
Zone 1 - TX		\$ 0.00
Zone 2 - TX		\$ 0.00
Zone 3 - TX		\$ 0.00

Rates contained in this transmittal are subject to subsequent adjustment, effective retrospectively, in the event the Commission or a court subsequently authorizes Southwestern Bell Telephone Company to correct its rates pursuant to pending motions, or petitions for reconsideration or waiver, or in the event of any other adjustment to an order of the Commission or a court.

(This page filed under Transmittal No. 3071)

Issued: June 16, 2005

Effective: July 1, 2005

Four AT&T Plaza, Dallas, Texas 75202

ACCESS SERVICE

7. Special Access Service (Cont'd)

7.3 Service Descriptions, Rates and Charges (Cont'd)

7.3.10 High Capacity Service (Cont'd)

(F) Rates and Charges (Cont'd)

	<u>USOC</u>	<u>Monthly Rate</u>	
(6) <u>Clear Channel</u>			
<u>Capability</u>	CLR		
Per channel termination			
Zone 1 - AR		\$ 0.00	
Zone 2 - AR		\$ 0.00	
Zone 3 - AR		\$ 0.00	
Zone 1 - KS		\$ 0.00	
Zone 2 - KS		\$ 0.00	
Zone 3 - KS		\$ 0.00	
Zone 1 - MO		\$ 0.00	
Zone 2 - MO		\$ 0.00	
Zone 3 - MO		\$ 0.00	
Zone 1 - OK		\$ 0.00	
Zone 2 - OK		\$ 0.00	
Zone 3 - OK		\$ 0.00	
Zone 1 - TX		\$ 0.00	
Zone 2 - TX		\$ 0.00	
Zone 3 - TX		\$ 0.00	
		<u>Nonrecurring Charge</u>	
Zone 1 - AR		\$ 0.00	(T)
Zone 2 - AR		\$ 0.00	
Zone 3 - AR		\$ 0.00	
Zone 1 - KS		\$ 0.00	
Zone 2 - KS		\$ 0.00	
Zone 3 - KS		\$ 0.00	
Zone 1 - MO		\$ 0.00	
Zone 2 - MO		\$ 0.00	
Zone 3 - MO		\$ 0.00	
Zone 1 - OK		\$ 0.00	
Zone 2 - OK		\$ 0.00	
Zone 3 - OK		\$ 0.00	
Zone 1 - TX		\$ 0.00	
Zone 2 - TX		\$ 0.00	
Zone 3 - TX		\$ 0.00	(T)

(This page filed under Transmittal No. 3357)

Issued: October 10, 2012

Effective: October 25, 2012

Four AT&T Plaza, Dallas, Texas 75202

ACCESS SERVICE

7. Special Access Service (Cont'd)

7.3 Service Descriptions, Rates and Charges (Cont'd)

7.3.10 High Capacity Service (Cont'd)

(F) Rates and Charges (Cont'd)

	<u>USOC</u>	<u>Monthly Rate</u>	
(7) <u>Extended Superframe Format</u>	SF1		
Per channel termination			
Zone 1 - AR		\$ 0.00	(C)
Zone 2 - AR		\$ 0.00	
Zone 3 - AR		\$ 0.00	
Zone 1 - KS		\$ 0.00	(N)
Zone 2 - KS		\$ 0.00	
Zone 3 - KS		\$ 0.00	(N)
Zone 1 - MO		\$ 0.00	
Zone 2 - MO		\$ 0.00	
Zone 3 - MO		\$ 0.00	
Zone 1 - OK		\$ 0.00	
Zone 2 - OK		\$ 0.00	
Zone 3 - OK		\$ 0.00	
Zone 1 - TX		\$ 0.00	
Zone 2 - TX		\$ 0.00	
Zone 3 - TX		\$ 0.00	
		<u>Nonrecurring Charge</u>	
Zone 1 - AR		\$ 0.00	(C)
Zone 2 - AR		\$ 0.00	
Zone 3 - AR		\$ 0.00	
Zone 1 - KS		\$ 0.00	
Zone 2 - KS		\$ 0.00	
Zone 3 - KS		\$ 0.00	
Zone 1 - MO		\$ 0.00	
Zone 2 - MO		\$ 0.00	
Zone 3 - MO		\$ 0.00	
Zone 1 - OK		\$ 0.00	
Zone 2 - OK		\$ 0.00	
Zone 3 - OK		\$ 0.00	
Zone 1 - TX		\$ 0.00	
Zone 2 - TX		\$ 0.00	
Zone 3 - TX		\$ 0.00	

(This page filed under Transmittal No. 2563)

ACCESS SERVICE

7. Special Access Service (Cont'd)

7.3 Service Descriptions, Rates and Charges (Cont'd)

7.3.10 High Capacity Service (Cont'd)

(F) Rates and Charges (Cont'd)

	<u>USOC</u>	<u>Monthly Rate</u>	
(8) <u>Power Over the Interface</u>	PW1		
Per channel termination			
Zone 1 - AR		\$ 0.00	(C)
Zone 2 - AR		\$ 0.00	
Zone 3 - AR		\$ 0.00	
Zone 1 - KS		\$ 0.00	(N)
Zone 2 - KS		\$ 0.00	
Zone 3 - KS		\$ 0.00	(N)
Zone 1 - MO		\$ 0.00	
Zone 2 - MO		\$ 0.00	
Zone 3 - MO		\$ 0.00	
Zone 1 - OK		\$ 0.00	
Zone 2 - OK		\$ 0.00	
Zone 3 - OK		\$ 0.00	
Zone 1 - TX		\$ 0.00	
Zone 2 - TX		\$ 0.00	
Zone 3 - TX		\$ 0.00	
		<u>Nonrecurring Charge</u>	
Zone 1 - AR		\$ 0.00	(C)
Zone 2 - AR		\$ 0.00	
Zone 3 - AR		\$ 0.00	
Zone 1 - KS		\$ 0.00	
Zone 2 - KS		\$ 0.00	
Zone 3 - KS		\$ 0.00	
Zone 1 - MO		\$ 0.00	
Zone 2 - MO		\$ 0.00	
Zone 3 - MO		\$ 0.00	
Zone 1 - OK		\$ 0.00	
Zone 2 - OK		\$ 0.00	
Zone 3 - OK		\$ 0.00	
Zone 1 - TX		\$ 0.00	
Zone 2 - TX		\$ 0.00	
Zone 3 - TX		\$ 0.00	

(This page filed under Transmittal No. 2563)

Issued: August 1, 1996

Effective: September 1, 1996

Four AT&T Plaza, Dallas, Texas 75202

ACCESS SERVICE

7. Special Access Service (Cont'd)

7.3 Service Descriptions, Rates and Charges (Cont'd)

7.3.10 High Capacity Service (Cont'd)

(F) Rates and Charges (Cont'd)

	<u>USOC</u>	<u>Monthly Rate</u>	
(9) <u>SecureNet</u>			
Per channel termination			
Hub Redundancy	R16AA		
Zone 1 - AR		\$ 185.58	(C)
Zone 2 - AR		\$ 185.58	
Zone 3 - AR		\$ 185.58	
Zone 1 - KS		\$ 185.58	(N)
Zone 2 - KS		\$ 185.58	
Zone 3 - KS		\$ 185.58	(N)
Zone 1 - MO		\$ 185.58	
Zone 2 - MO		\$ 185.58	
Zone 3 - MO		\$ 185.58	
Zone 1 - OK		\$ 185.58	
Zone 2 - OK		\$ 185.58	
Zone 3 - OK		\$ 185.58	
Zone 1 - TX		\$ 185.58	
Zone 2 - TX		\$ 185.58	
Zone 3 - TX		\$ 185.58	
		<u>Nonrecurring Charge</u>	
Zone 1 - AR		\$1,422.00	(C)
Zone 2 - AR		\$1,422.00	
Zone 3 - AR		\$1,422.00	
Zone 1 - KS		\$1,422.00	
Zone 2 - KS		\$1,422.00	
Zone 3 - KS		\$1,422.00	
Zone 1 - MO		\$1,422.00	
Zone 2 - MO		\$1,422.00	
Zone 3 - MO		\$1,422.00	
Zone 1 - OK		\$1,422.00	
Zone 2 - OK		\$1,422.00	
Zone 3 - OK		\$1,422.00	
Zone 1 - TX		\$1,422.00	
Zone 2 - TX		\$1,422.00	
Zone 3 - TX		\$1,422.00	

(This page filed under Transmittal No. 2563)

ACCESS SERVICE

7. Special Access Service (Cont'd)

7.3 Service Descriptions, Rates and Charges (Cont'd)

7.3.10 High Capacity Service (Cont'd)

(F) Rates and Charges (Cont'd)

	<u>USOC</u>	<u>Monthly Rate</u>	
(9) <u>SecureNet</u> (Cont'd)			
Per channel termination (Cont'd)			
Serving Wire Center and Facility Redundancy R18AB			
Zone 1 - AR	\$	0.00	(C)
Zone 2 - AR	\$	0.00	
Zone 3 - AR	\$	0.00	
Zone 1 - KS	\$	0.00	(N)
Zone 2 - KS	\$	0.00	
Zone 3 - KS	\$	0.00	(N)
Zone 1 - MO	\$	0.00	
Zone 2 - MO	\$	0.00	
Zone 3 - MO	\$	0.00	
Zone 1 - OK	\$	0.00	
Zone 2 - OK	\$	0.00	
Zone 3 - OK	\$	0.00	
Zone 1 - TX	\$	0.00	
Zone 2 - TX	\$	0.00	
Zone 3 - TX	\$	0.00	
		<u>Nonrecurring Charge</u>	
Zone 1 - AR	\$	0.00	(C)
Zone 2 - AR	\$	0.00	
Zone 3 - AR	\$	0.00	
Zone 1 - KS	\$	0.00	
Zone 2 - KS	\$	0.00	
Zone 3 - KS	\$	0.00	
Zone 1 - MO	\$	0.00	
Zone 2 - MO	\$	0.00	
Zone 3 - MO	\$	0.00	
Zone 1 - OK	\$	0.00	
Zone 2 - OK	\$	0.00	
Zone 3 - OK	\$	0.00	
Zone 1 - TX	\$	0.00	
Zone 2 - TX	\$	0.00	
Zone 3 - TX	\$	0.00	

(This page filed under Transmittal No. 2563)

ACCESS SERVICE

7. Special Access Service (Cont'd)7.3 Service Descriptions, Rates and Charges (Cont'd)7.3.10 High Capacity Service (Cont'd)(F) Rates and Charges (Cont'd)

	<u>USOC</u>	<u>Monthly Rate</u>	
(10) <u>Transfer Arrangement, Key Activated*</u>	USV		
Per four port arrangement including control channel termination**			
Zone 1 - AR		\$184.24	
Zone 2 - AR		\$184.24	
Zone 3 - AR		\$184.24	
Zone 1 - KS		\$184.24	
Zone 2 - KS		\$184.24	
Zone 3 - KS		\$184.24	
Zone 1 - MO		\$184.24	(T)
Zone 2 - MO		\$184.24	(T)
Zone 3 - MO		\$184.24	(T)
Zone 1 - OK		\$184.24	
Zone 2 - OK		\$184.24	
Zone 3 - OK		\$184.24	
Zone 1 - TX		\$184.24	(T)
Zone 2 - TX		\$184.24	(T)
Zone 3 - TX		\$184.24	(T)
		<u>Nonrecurring Charge</u>	
Zone 1 - AR		\$213.00	
Zone 2 - AR		\$213.00	
Zone 3 - AR		\$213.00	
Zone 1 - KS		\$213.00	
Zone 2 - KS		\$213.00	
Zone 3 - KS		\$213.00	
Zone 1 - MO		\$213.00	(T)
Zone 2 - MO		\$213.00	(T)
Zone 3 - MO		\$213.00	(T)
Zone 1 - OK		\$213.00	
Zone 2 - OK		\$213.00	
Zone 3 - OK		\$213.00	
Zone 1 - TX		\$213.00	(T)
Zone 2 - TX		\$213.00	(T)
Zone 3 - TX		\$213.00	(T)

* The key activated control channel is rated as a Metallic Channel Termination (use USOC T6EME in lieu of T6ECS) and Channel Mileage, if applicable (use USOC 1L5MX in lieu of 1L5XX).

** An additional Channel Termination charge will apply whenever a spare channel is configured as a leg to the customer's premises. Additional channel mileage will also apply when the transfer arrangement is not located in the customer premises serving wire center.

(This page filed under Transmittal No. 3357)

Issued: October 10, 2012

Effective: October 25, 2012

Four AT&T Plaza, Dallas, Texas 75202

ACCESS SERVICE

7. Special Access Service (Cont'd)7.3 Service Descriptions, Rates and Charges (Cont'd)7.3.10 High Capacity Service (Cont'd)(F) Rates and Charges (Cont'd)(10.1) Collocation Transport

	<u>USOC</u>	<u>Fixed</u>	<u>Monthly Rate</u> <u>Per Mile</u>	<u>Nonrecurring</u> <u>Charges</u>	
				<u>1st Ckt.</u>	<u>Addl Ckt.</u>
1.544 Mbps (1H48S)					
Month to Month		\$62.00 (I)	\$15.50	\$900.00	\$900.00

Rates contained in this transmittal are subject to subsequent adjustment, effective retrospectively, in the event the Commission or a court subsequently authorizes Southwestern Bell Telephone Company to correct its rates pursuant to pending motions, or petitions for reconsideration or waiver, or in the event of any other adjustment to an order of the Commission or a court.

(This page filed under Transmittal No. 3071)

Issued: June 16, 2005

Effective: July 1, 2005

Four AT&T Plaza, Dallas, Texas 75202

ACCESS SERVICE

7. Special Access Service (Cont'd)7.3 Service Descriptions, Rates and Charges (Cont'd)7.3.10 High Capacity Service (Cont'd)(F) Rates and Charges (Cont'd)(10.2) Optional Payment Plan

	<u>USOC</u>	<u>3 Year Monthly Rate</u>	
(a) <u>Channel Termination</u>			
Per point of termination	TMECS		
1.544 Mbps ⁽¹⁾			
Zone 1 - AR			\$112.00 (R)
Zone 2 - AR			\$116.00 (R)
Zone 3 - AR			\$125.00 (R)
Zone 1 - KS			\$112.00 (R)
Zone 2 - KS			\$116.00 (R)
Zone 3 - KS			\$125.00 (R)
Zone 1 - MO			\$112.00 (R)
Zone 2 - MO			\$116.00 (R)
Zone 3 - MO			\$125.00 (R)
Zone 1 - OK			\$112.00 (R)
Zone 2 - OK			\$116.00 (R)
Zone 3 - OK			\$125.00 (R)
Zone 1 - TX			\$112.00 (R)
Zone 2 - TX			\$116.00 (R)
Zone 3 - TX			\$125.00 (R)
		<u>Nonrecurring Charge</u>	
		<u>1st Ckt</u>	<u>Addl Ckt</u>
Zone 1 - AR		\$300.00	\$250.00
Zone 2 - AR		\$300.00	\$250.00
Zone 3 - AR		\$300.00	\$250.00
Zone 1 - KS		\$300.00	\$250.00
Zone 2 - KS		\$300.00	\$250.00
Zone 3 - KS		\$300.00	\$250.00
Zone 1 - MO		\$300.00	\$250.00
Zone 2 - MO		\$300.00	\$250.00
Zone 3 - MO		\$300.00	\$250.00
Zone 1 - OK		\$300.00	\$250.00
Zone 2 - OK		\$300.00	\$250.00
Zone 3 - OK		\$300.00	\$250.00
Zone 1 - TX		\$300.00	\$250.00
Zone 2 - TX		\$300.00	\$250.00
Zone 3 - TX		\$300.00	\$250.00

- (1) Effective May 17, 2003, High Capacity (1.544 Mbps) Optional Pricing Plan service will no longer be available to new customers. There will be no change to existing customers. Refer to section 7.2.19 (B) for conversion options.

Rates contained in this transmittal are subject to subsequent adjustment, effective retrospectively, in the event the Commission or a court subsequently authorizes Southwestern Bell Telephone Company to correct its rates pursuant to pending motions, or petitions for reconsideration or waiver, or in the event of any other adjustment to an order of the Commission or a court.

(This page filed under Transmittal No. 2952)

Issued: June 16, 2003

Effective: July 1, 2003

Four AT&T Plaza, Dallas, Texas 75202

7. Special Access Service (Cont'd)7.3 Service Descriptions, Rates and Charges (Cont'd)7.3.10 High Capacity Service (Cont'd)(F) Rates and Charges (Cont'd)(10.2) Optional Payment Plan (Cont'd)5 Year
USOC Monthly Rate(a) Channel Termination (Cont'd)

Per point of termination	TMECS	
1.544 Mbps ⁽¹⁾		
Zone 1 - AR		\$ 90.00
Zone 2 - AR		\$ 95.00
Zone 3 - AR		\$102.90 (x)
Zone 1 - KS		\$ 90.00
Zone 2 - KS		\$ 95.00
Zone 3 - KS		\$102.90 (x)
Zone 1 - MO		\$ 90.00
Zone 2 - MO		\$ 95.00
Zone 3 - MO		\$102.90 (x)
Zone 1 - OK		\$ 90.00
Zone 2 - OK		\$ 95.00
Zone 3 - OK		\$102.90 (x)
Zone 1 - TX		\$ 90.00
Zone 2 - TX		\$ 95.00
Zone 3 - TX		\$102.90 (x)

Nonrecurring Charge
1st Ckt Addl Ckt

Zone 1 - AR	\$ 0.00	\$ 0.00
Zone 2 - AR	\$ 0.00	\$ 0.00
Zone 3 - AR	\$ 0.00	\$ 0.00
Zone 1 - KS	\$ 0.00	\$ 0.00
Zone 2 - KS	\$ 0.00	\$ 0.00
Zone 3 - KS	\$ 0.00	\$ 0.00
Zone 1 - MO	\$ 0.00	\$ 0.00
Zone 2 - MO	\$ 0.00	\$ 0.00
Zone 3 - MO	\$ 0.00	\$ 0.00
Zone 1 - OK	\$ 0.00	\$ 0.00
Zone 2 - OK	\$ 0.00	\$ 0.00
Zone 3 - OK	\$ 0.00	\$ 0.00
Zone 1 - TX	\$ 0.00	\$ 0.00
Zone 2 - TX	\$ 0.00	\$ 0.00
Zone 3 - TX	\$ 0.00	\$ 0.00

(1) Effective May 17, 2003, High Capacity (1.544 Mbps) Optional Pricing Plan service will no longer be available to new customers. There will be no change to existing customers. Refer to section 7.2.19 (B) for conversion options.

(x) Issued under authority of Special Permission No. 04-009 of the FCC in order to restore currently effective material and to withdraw material without becoming effective, filed under Transmittal No. 2984.

(This page filed under Transmittal No. 2987)

Issued: February 5, 2004

Effective: February 6, 2004

Four AT&T Plaza, Dallas, Texas 75202

ACCESS SERVICE

7. Special Access Service (Cont'd)

7.3 Service Descriptions, Rates and Charges (Cont'd)

7.3.10 High Capacity Service (Cont'd)

(F) Rates and Charges (Cont'd)

(10.2) Optional Payment Plan (Cont'd)

	USOC	3 Year Monthly Rate	
		<u>Fixed</u>	<u>Per Mile</u>
(b) <u>Channel Mileage</u>			
1.544 Mbps	1L5XX		
0 miles			
Zone 1 - AR		\$ 0.00	\$ 0.00
Zone 2 - AR		\$ 0.00	\$ 0.00
Zone 3 - AR		\$ 0.00	\$ 0.00
Zone 1 - KS		\$ 0.00	\$ 0.00
Zone 2 - KS		\$ 0.00	\$ 0.00
Zone 3 - KS		\$ 0.00	\$ 0.00
Zone 1 - MO		\$ 0.00	\$ 0.00
Zone 2 - MO		\$ 0.00	\$ 0.00
Zone 3 - MO		\$ 0.00	\$ 0.00
Zone 1 - OK		\$ 0.00	\$ 0.00
Zone 2 - OK		\$ 0.00	\$ 0.00
Zone 3 - OK		\$ 0.00	\$ 0.00
Zone 1 - TX		\$ 0.00	\$ 0.00
Zone 2 - TX		\$ 0.00	\$ 0.00
Zone 3 - TX		\$ 0.00	\$ 0.00
Over 0 miles			
Zone 1 - AR		\$39.00 (R)	\$12.25 (R)
Zone 2 - AR		\$39.00 (R)	\$12.25 (R)
Zone 3 - AR		\$39.00 (R)	\$12.25 (R)
Zone 1 - KS		\$39.00 (R)	\$12.25 (R)
Zone 2 - KS		\$39.00 (R)	\$12.25 (R)
Zone 3 - KS		\$39.00 (R)	\$12.25 (R)
Zone 1 - MO		\$39.00 (R)	\$12.25 (R)
Zone 2 - MO		\$39.00 (R)	\$12.25 (R)
Zone 3 - MO		\$39.00 (R)	\$12.25 (R)
Zone 1 - OK		\$39.00 (R)	\$12.25 (R)
Zone 2 - OK		\$39.00 (R)	\$12.25 (R)
Zone 3 - OK		\$39.00 (R)	\$12.25 (R)
Zone 1 - TX		\$39.00 (R)	\$12.25 (R)
Zone 2 - TX		\$39.00 (R)	\$12.25 (R)
Zone 3 - TX		\$39.00 (R)	\$12.25 (R)

Rates contained in this transmittal are subject to subsequent adjustment, effective retrospectively, in the event the Commission or a court subsequently authorizes Southwestern Bell Telephone Company to correct its rates pursuant to pending motions, or petitions for reconsideration or waiver, or in the event of any other adjustment to an order of the Commission or a court.

(This page filed under Transmittal No. 2952)

Issued: June 16, 2003

Effective: July 1, 2003

Four AT&T Plaza, Dallas, Texas 75202

ACCESS SERVICE

7. Special Access Service (Cont'd)

7.3 Service Descriptions, Rates and Charges (Cont'd)

7.3.10 High Capacity Service (Cont'd)

(F) Rates and Charges (Cont'd)

(10.2) Optional Payment Plan (Cont'd)

		3 Year Monthly Rate		(N)
	USOC	Fixed	Per Mile	
(b) <u>Channel Mileage</u> (Cont'd)				
64 Kbps* 1L5TC				
0 miles				
Zone 1 - AR		\$ 0.00	\$ 0.00	
Zone 2 - AR		\$ 0.00	\$ 0.00	
Zone 3 - AR		\$ 0.00	\$ 0.00	
Zone 1 - KS		\$ 0.00	\$ 0.00	
Zone 2 - KS		\$ 0.00	\$ 0.00	
Zone 3 - KS		\$ 0.00	\$ 0.00	
Zone 1 - MO		\$ 0.00	\$ 0.00	
Zone 2 - MO		\$ 0.00	\$ 0.00	
Zone 3 - MO		\$ 0.00	\$ 0.00	
Zone 1 - OK		\$ 0.00	\$ 0.00	
Zone 2 - OK		\$ 0.00	\$ 0.00	
Zone 3 - OK		\$ 0.00	\$ 0.00	
Zone 1 - TX		\$ 0.00	\$ 0.00	
Zone 2 - TX		\$ 0.00	\$ 0.00	
Zone 3 - TX		\$ 0.00	\$ 0.00	
Over 0 miles 1L5XX				
Zone 1 - AR		\$ 8.04	\$ 1.13	
Zone 2 - AR		\$ 8.04	\$ 1.13	
Zone 3 - AR		\$ 8.04	\$ 1.13	
Zone 1 - KS		\$ 8.04	\$ 1.13	
Zone 2 - KS		\$ 8.04	\$ 1.13	
Zone 3 - KS		\$ 8.04	\$ 1.13	
Zone 1 - MO		\$ 8.04	\$ 1.13	
Zone 2 - MO		\$ 8.04	\$ 1.13	
Zone 3 - MO		\$ 8.04	\$ 1.13	
Zone 1 - OK		\$ 8.04	\$ 1.13	
Zone 2 - OK		\$ 8.04	\$ 1.13	
Zone 3 - OK		\$ 8.04	\$ 1.13	
Zone 1 - TX		\$ 8.04	\$ 1.13	
Zone 2 - TX		\$ 8.04	\$ 1.13	
Zone 3 - TX		\$ 8.04	\$ 1.13	

* Available only as a channel of a 1.544 Mbps facility to a SWBT Digital Data Hub or as a cross connect of two channels of two 1.544 Mbps facilities to a Digital Data Hub(s). The customer must provide system and channel assignment data. (N)

(This page filed under Transmittal No. 2896)

ACCESS SERVICE

7. Special Access Service (Cont'd)

7.3 Service Descriptions, Rates and Charges (Cont'd)

7.3.10 High Capacity Service (Cont'd)

(F) Rates and Charges (Cont'd)

(10.2) Optional Payment Plan (Cont'd)

	USOC	5 Year Monthly Rate	
		Fixed	Per Mile
(b) <u>Channel Mileage</u> (Cont'd)			
1.544 Mbps ⁽¹⁾	1L5XX		
0 miles			
Zone 1 - AR		\$ 0.00	\$ 0.00
Zone 2 - AR		\$ 0.00	\$ 0.00
Zone 3 - AR		\$ 0.00	\$ 0.00
Zone 1 - KS		\$ 0.00	\$ 0.00
Zone 2 - KS		\$ 0.00	\$ 0.00
Zone 3 - KS		\$ 0.00	\$ 0.00
Zone 1 - MO		\$ 0.00	\$ 0.00
Zone 2 - MO		\$ 0.00	\$ 0.00
Zone 3 - MO		\$ 0.00	\$ 0.00
Zone 1 - OK		\$ 0.00	\$ 0.00
Zone 2 - OK		\$ 0.00	\$ 0.00
Zone 3 - OK		\$ 0.00	\$ 0.00
Zone 1 - TX		\$ 0.00	\$ 0.00
Zone 2 - TX		\$ 0.00	\$ 0.00
Zone 3 - TX		\$ 0.00	\$ 0.00
Over 0 miles			
Zone 1 - AR		\$34.00 (R)	\$ 8.85 (R)
Zone 2 - AR		\$34.00 (R)	\$ 8.85 (R)
Zone 3 - AR		\$34.00 (R)	\$ 8.85 (R)
Zone 1 - KS		\$34.00 (R)	\$ 8.85 (R)
Zone 2 - KS		\$34.00 (R)	\$ 8.85 (R)
Zone 3 - KS		\$34.00 (R)	\$ 8.85 (R)
Zone 1 - MO		\$34.00 (R)	\$ 8.85 (R)
Zone 2 - MO		\$34.00 (R)	\$ 8.85 (R)
Zone 3 - MO		\$34.00 (R)	\$ 8.85 (R)
Zone 1 - OK		\$34.00 (R)	\$ 8.85 (R)
Zone 2 - OK		\$34.00 (R)	\$ 8.85 (R)
Zone 3 - OK		\$34.00 (R)	\$ 8.85 (R)
Zone 1 - TX		\$34.00 (R)	\$ 8.85 (R)
Zone 2 - TX		\$34.00 (R)	\$ 8.85 (R)
Zone 3 - TX		\$34.00 (R)	\$ 8.85 (R)

(1) Effective May 17, 2003, High Capacity (1.544 Mbps) Optional Pricing Plan service will no longer be available to new customers. There will be no change to existing customers. Refer to section 7.2.19(B) for conversion options.

Rates contained in this transmittal are subject to subsequent adjustment, effective retrospectively, in the event the Commission or a court subsequently authorizes Southwestern Bell Telephone Company to correct its rates pursuant to pending motions, or petitions for reconsideration or waiver, or in the event of any other adjustment to an order of the Commission or a court.

(This page filed under Transmittal No. 2952)

Issued: June 16, 2003

Effective: July 1, 2003

Four AT&T Plaza, Dallas, Texas 75202

ACCESS SERVICE

7. Special Access Service (Cont'd)

7.3 Service Descriptions, Rates and Charges (Cont'd)

7.3.10 High Capacity Service (Cont'd)

(F) Rates and Charges (Cont'd)

(10.2) Optional Payment Plan (Cont'd)

		5 Year Monthly Rate		(N)
		USOC	<u>Fixed</u>	<u>Per Mile</u>
(b) <u>Channel Mileage</u> (Cont'd)				
64 Kbps*		1L5TC		
0 miles				
Zone 1 - AR			\$ 0.00	\$ 0.00
Zone 2 - AR			\$ 0.00	\$ 0.00
Zone 3 - AR			\$ 0.00	\$ 0.00
Zone 1 - KS			\$ 0.00	\$ 0.00
Zone 2 - KS			\$ 0.00	\$ 0.00
Zone 3 - KS			\$ 0.00	\$ 0.00
Zone 1 - MO			\$ 0.00	\$ 0.00
Zone 2 - MO			\$ 0.00	\$ 0.00
Zone 3 - MO			\$ 0.00	\$ 0.00
Zone 1 - OK			\$ 0.00	\$ 0.00
Zone 2 - OK			\$ 0.00	\$ 0.00
Zone 3 - OK			\$ 0.00	\$ 0.00
Zone 1 - TX			\$ 0.00	\$ 0.00
Zone 2 - TX			\$ 0.00	\$ 0.00
Zone 3 - TX			\$ 0.00	\$ 0.00
Over 0 miles				
		1L5XX		
Zone 1 - AR			\$ 7.64	\$ 1.07
Zone 2 - AR			\$ 7.64	\$ 1.07
Zone 3 - AR			\$ 7.64	\$ 1.07
Zone 1 - KS			\$ 7.64	\$ 1.07
Zone 2 - KS			\$ 7.64	\$ 1.07
Zone 3 - KS			\$ 7.64	\$ 1.07
Zone 1 - MO			\$ 7.64	\$ 1.07
Zone 2 - MO			\$ 7.64	\$ 1.07
Zone 3 - MO			\$ 7.64	\$ 1.07
Zone 1 - OK			\$ 7.64	\$ 1.07
Zone 2 - OK			\$ 7.64	\$ 1.07
Zone 3 - OK			\$ 7.64	\$ 1.07
Zone 1 - TX			\$ 7.64	\$ 1.07
Zone 2 - TX			\$ 7.64	\$ 1.07
Zone 3 - TX			\$ 7.64	\$ 1.07

* Available only as a channel of a 1.544 Mbps facility to a SWBT Digital Data Hub or as a cross connect of two channels of two 1.544 Mbps facilities to a Digital Data Hub(s). The customer must provide system and channel assignment data. (N)

(This page filed under Transmittal No. 2896)

ACCESS SERVICE

7. Special Access Service (Cont'd)

7.3 Service Descriptions, Rates and Charges (Cont'd)

7.3.10 High Capacity Service (Cont'd)

(F) Rates and Charges (Cont'd)

(10.2) Optional Payment Plan (Cont'd)

	<u>USOC</u>	<u>3 Year Monthly Rate</u>	
(c) <u>Service to Service Through Connect Arrangement</u>			
High Capacity Service Arrangement - 1.544 ⁽¹⁾ Mbps (DS1)	THA		(C)
Zone 1 - AR \$		0.00	
Zone 2 - AR \$		0.00	
Zone 3 - AR \$		0.00	
Zone 1 - KS \$		0.00	
Zone 2 - KS \$		0.00	
Zone 3 - KS \$		0.00	
Zone 1 - MO \$		0.00	
Zone 2 - MO \$		0.00	
Zone 3 - MO \$		0.00	
Zone 1 - OK \$		0.00	
Zone 2 - OK \$		0.00	
Zone 3 - OK \$		0.00	
Zone 1 - TX \$		0.00	
Zone 2 - TX \$		0.00	
Zone 3 - TX \$		0.00	
		<u>Nonrecurring Charge</u>	
		<u>1st Ckt</u>	<u>Addl Ckt</u>
Zone 1 - AR		\$204.00	\$156.00
Zone 2 - AR		\$204.00	\$156.00
Zone 3 - AR		\$204.00	\$156.00
Zone 1 - KS		\$204.00	\$156.00
Zone 2 - KS		\$204.00	\$156.00
Zone 3 - KS		\$204.00	\$156.00
Zone 1 - MO		\$204.00	\$156.00
Zone 2 - MO		\$204.00	\$156.00
Zone 3 - MO		\$204.00	\$156.00
Zone 1 - OK		\$204.00	\$156.00
Zone 2 - OK		\$204.00	\$156.00
Zone 3 - OK		\$204.00	\$156.00
Zone 1 - TX		\$204.00	\$156.00
Zone 2 - TX		\$204.00	\$156.00
Zone 3 - TX		\$204.00	\$156.00

(1) Effective May 17, 2003, High Capacity (1.544 Mbps) Optional Pricing Plan service will no longer be available to new customers. There will be no change to existing customers. Refer to section 7.2.19(B) for conversion options. (N)
 (N)
 (N)

(This page filed under Transmittal No. 2948)

ACCESS SERVICE

7. Special Access Service (Cont'd)

7.3 Service Descriptions, Rates and Charges (Cont'd)

7.3.10 High Capacity Service (Cont'd)

(F) Rates and Charges (Cont'd)

(10.2) Optional Payment Plan (Cont'd)

	<u>USOC</u>	<u>5 Year Monthly Rate</u>	
(c) <u>Service to Service Through Connect Arrangement</u> (Cont'd)			
High Capacity Service Arrangement - 1.544 ⁽¹⁾ Mbps (DS1)	THA		(C)
Zone 1 - AR \$		0.00	
Zone 2 - AR \$		0.00	
Zone 3 - AR \$		0.00	
Zone 1 - KS \$		0.00	
Zone 2 - KS \$		0.00	
Zone 3 - KS \$		0.00	
Zone 1 - MO \$		0.00	
Zone 2 - MO \$		0.00	
Zone 3 - MO \$		0.00	
Zone 1 - OK \$		0.00	
Zone 2 - OK \$		0.00	
Zone 3 - OK \$		0.00	
Zone 1 - TX \$		0.00	
Zone 2 - TX \$		0.00	
Zone 3 - TX \$		0.00	
		<u>Nonrecurring Charge</u>	
		<u>1st Ckt</u>	<u>Addl Ckt</u>
Zone 1 - AR		\$204.00	\$156.00
Zone 2 - AR		\$204.00	\$156.00
Zone 3 - AR		\$204.00	\$156.00
Zone 1 - KS		\$204.00	\$156.00
Zone 2 - KS		\$204.00	\$156.00
Zone 3 - KS		\$204.00	\$156.00
Zone 1 - MO		\$204.00	\$156.00
Zone 2 - MO		\$204.00	\$156.00
Zone 3 - MO		\$204.00	\$156.00
Zone 1 - OK		\$204.00	\$156.00
Zone 2 - OK		\$204.00	\$156.00
Zone 3 - OK		\$204.00	\$156.00
Zone 1 - TX		\$204.00	\$156.00
Zone 2 - TX		\$204.00	\$156.00
Zone 3 - TX		\$204.00	\$156.00

(1) Effective May 17, 2003, High Capacity (1.544 Mbps) Optional Pricing Plan service will no longer be available to new customers. There will be no change to existing customers. Refer to section 7.2.19(B) for conversion options.

(N)
(N)
(N)

(This page filed under Transmittal No. 2948)

ACCESS SERVICE

7. Special Access Service (Cont'd)

7.3 Service Descriptions, Rates and Charges (Cont'd)

7.3.10 High Capacity Service (Cont'd)

(F) Rates and Charges (Cont'd)

(10.2) Optional Payment Plan (Cont'd)

	<u>USOC</u>	<u>3 Year Monthly Rate</u>	
(c) <u>Service to Service Through Connect Arrangement</u> (Cont'd)			
Multiplexed Service Arrangement - 1.544 ⁽¹⁾ Mbps (DS1) (C)			
	THK		
Zone 1 - AR \$			0.00
Zone 2 - AR \$			0.00
Zone 3 - AR \$			0.00
Zone 1 - KS \$			0.00
Zone 2 - KS \$			0.00
Zone 3 - KS \$			0.00
Zone 1 - MO \$			0.00
Zone 2 - MO \$			0.00
Zone 3 - MO \$			0.00
Zone 1 - OK \$			0.00
Zone 2 - OK \$			0.00
Zone 3 - OK \$			0.00
Zone 1 - TX \$			0.00
Zone 2 - TX \$			0.00
Zone 3 - TX \$			0.00
		<u>Nonrecurring Charge</u>	
		<u>1st Ckt</u>	<u>Addl Ckt</u>
Zone 1 - AR		\$332.00	\$280.00
Zone 2 - AR		\$332.00	\$280.00
Zone 3 - AR		\$332.00	\$280.00
Zone 1 - KS		\$332.00	\$280.00
Zone 2 - KS		\$332.00	\$280.00
Zone 3 - KS		\$332.00	\$280.00
Zone 1 - MO		\$332.00	\$280.00
Zone 2 - MO		\$332.00	\$280.00
Zone 3 - MO		\$332.00	\$280.00
Zone 1 - OK		\$332.00	\$280.00
Zone 2 - OK		\$332.00	\$280.00
Zone 3 - OK		\$332.00	\$280.00
Zone 1 - TX		\$332.00	\$280.00
Zone 2 - TX		\$332.00	\$280.00
Zone 3 - TX		\$332.00	\$280.00

(1) Effective May 17, 2003, High Capacity (1.544 Mbps) Optional Pricing Plan service will no longer be available to new customers. There will be no change to existing customers. Refer to section 7.2.19(B) for conversion options.

(N)
 (N)
 (N)

(This page filed under Transmittal No. 2948)

ACCESS SERVICE

7. Special Access Service (Cont'd)

7.3 Service Descriptions, Rates and Charges (Cont'd)

7.3.10 High Capacity Service (Cont'd)

(F) Rates and Charges (Cont'd)

(10.2) Optional Payment Plan (Cont'd)

	<u>USOC</u>	<u>5 Year Monthly Rate</u>	
(c) <u>Service to Service Through Connect Arrangement</u> (Cont'd)			
Multiplexed Service Arrangement - 1.544 ⁽¹⁾ Mbps (DS1) (C)			
	THK		
Zone 1 - AR		\$0.00	
Zone 2 - AR		\$0.00	
Zone 3 - AR		\$0.00	
Zone 1 - KS		\$0.00	
Zone 2 - KS		\$0.00	
Zone 3 - KS		\$0.00	
Zone 1 - MO		\$0.00	
Zone 2 - MO		\$0.00	
Zone 3 - MO		\$0.00	
Zone 1 - OK		\$0.00	
Zone 2 - OK		\$0.00	
Zone 3 - OK		\$0.00	
Zone 1 - TX		\$0.00	
Zone 2 - TX		\$0.00	
Zone 3 - TX		\$0.00	
		<u>Nonrecurring Charge</u>	
		<u>1st Ckt</u>	<u>Addl Ckt</u>
Zone 1 - AR		\$332.00	\$280.00
Zone 2 - AR		\$332.00	\$280.00
Zone 3 - AR		\$332.00	\$280.00
Zone 1 - KS		\$332.00	\$280.00
Zone 2 - KS		\$332.00	\$280.00
Zone 3 - KS		\$332.00	\$280.00
Zone 1 - MO		\$332.00	\$280.00
Zone 2 - MO		\$332.00	\$280.00
Zone 3 - MO		\$332.00	\$280.00
Zone 1 - OK		\$332.00	\$280.00
Zone 2 - OK		\$332.00	\$280.00
Zone 3 - OK		\$332.00	\$280.00
Zone 1 - TX		\$332.00	\$280.00
Zone 2 - TX		\$332.00	\$280.00
Zone 3 - TX		\$332.00	\$280.00

(1) Effective May 17, 2003, High Capacity (1.544 Mbps) Optional Pricing Plan service will no longer be available to new customers. There will be no change to existing customers. Refer to section 7.2.19(B) for conversion options.

(N)
(N)
(N)

(This page filed under Transmittal No. 2948)

ACCESS SERVICE

7. Special Access Service (Cont'd)

7.3 Service Descriptions, Rates and Charges (Cont'd)

7.3.10 High Capacity Service (Cont'd)

(F) Rates and Charges (Cont'd)

(10.2) Optional Payment Plan (Cont'd)

(D)

(D)

(This page filed under Transmittal No. 3317)

Issued: March 10, 2011

Effective: March 25, 2011

Four AT&T Plaza, Dallas, Texas 75202

ACCESS SERVICE

7. Special Access Service (Cont'd)

7.3 Service Descriptions, Rates and Charges (Cont'd)

7.3.10 High Capacity Service (Cont'd)

(F) Rates and Charges (Cont'd)

(10.2) Optional Payment Plan (Cont'd)

(D)

(D)

(This page filed under Transmittal No. 3317)

Issued: March 10, 2011

Effective: March 25, 2011

Four AT&T Plaza, Dallas, Texas 75202

ACCESS SERVICE

7. Special Access Service (Cont'd)

7.3 Service Descriptions, Rates and Charges (Cont'd)

7.3.10 High Capacity Service (Cont'd)

(F) Rates and Charges (Cont'd)

(10.2) Optional Payment Plan (Cont'd)

(e) <u>Multiplexing</u>	<u>USOC</u>	<u>3 Year Monthly Rate</u>	(N)
Per arrangement			
DS0 to Subrates			
Up to 20 2.4 kbps services	QSU24		
Zone 1 - AR		\$135.00	
Zone 2 - AR		\$135.00	
Zone 3 - AR		\$135.00	
Zone 1 - KS		\$135.00	
Zone 2 - KS		\$135.00	
Zone 3 - KS		\$135.00	
Zone 1 - MO		\$135.00	
Zone 2 - MO		\$135.00	
Zone 3 - MO		\$135.00	
Zone 1 - OK		\$135.00	
Zone 2 - OK		\$135.00	
Zone 3 - OK		\$135.00	
Zone 1 - TX		\$135.00	
Zone 2 - TX		\$135.00	
Zone 3 - TX		\$135.00	
		<u>Nonrecurring Charge</u>	
Zone 1 - AR		\$ 0.00	
Zone 2 - AR		\$ 0.00	
Zone 3 - AR		\$ 0.00	
Zone 1 - KS		\$ 0.00	
Zone 2 - KS		\$ 0.00	
Zone 3 - KS		\$ 0.00	
Zone 1 - MO		\$ 0.00	
Zone 2 - MO		\$ 0.00	
Zone 3 - MO		\$ 0.00	
Zone 1 - OK		\$ 0.00	
Zone 2 - OK		\$ 0.00	
Zone 3 - OK		\$ 0.00	
Zone 1 - TX		\$ 0.00	
Zone 2 - TX		\$ 0.00	
Zone 3 - TX		\$ 0.00	

(This page filed under Transmittal No. 2896)

ACCESS SERVICE

7. Special Access Service (Cont'd)

7.3 Service Descriptions, Rates and Charges (Cont'd)

7.3.10 High Capacity Service (Cont'd)

(F) Rates and Charges (Cont'd)

(10.2) Optional Payment Plan (Cont'd)

	<u>USOC</u>	<u>5 Year Monthly Rate</u>	(N)
(e) <u>Multiplexing</u> (Cont'd)			
Per arrangement			
DS0 to Subrates			
Up to 20 2.4 kbps services	QSU24		
Zone 1 - AR		\$128.25	
Zone 2 - AR		\$128.25	
Zone 3 - AR		\$128.25	
Zone 1 - KS		\$128.25	
Zone 2 - KS		\$128.25	
Zone 3 - KS		\$128.25	
Zone 1 - MO		\$128.25	
Zone 2 - MO		\$128.25	
Zone 3 - MO		\$128.25	
Zone 1 - OK		\$128.25	
Zone 2 - OK		\$128.25	
Zone 3 - OK		\$128.25	
Zone 1 - TX		\$128.25	
Zone 2 - TX		\$128.25	
Zone 3 - TX		\$128.25	
		<u>Nonrecurring Charge</u>	
Zone 1 - AR		\$ 0.00	
Zone 2 - AR		\$ 0.00	
Zone 3 - AR		\$ 0.00	
Zone 1 - KS		\$ 0.00	
Zone 2 - KS		\$ 0.00	
Zone 3 - KS		\$ 0.00	
Zone 1 - MO		\$ 0.00	
Zone 2 - MO		\$ 0.00	
Zone 3 - MO		\$ 0.00	
Zone 1 - OK		\$ 0.00	
Zone 2 - OK		\$ 0.00	
Zone 3 - OK		\$ 0.00	
Zone 1 - TX		\$ 0.00	
Zone 2 - TX		\$ 0.00	
Zone 3 - TX		\$ 0.00	(N)

(This page filed under Transmittal No. 2896)

ACCESS SERVICE

7. Special Access Service (Cont'd)7.3 Service Descriptions, Rates and Charges (Cont'd)7.3.10 High Capacity Service (Cont'd)(F) Rates and Charges (Cont'd)(10.2) Optional Payment Plan (Cont'd)

	<u>USOC</u>	<u>3 Year Monthly Rate</u>	(N)
(e) <u>Multiplexing</u> (Cont'd)			
Per arrangement			
DS0 to Subrates			
Up to 10 4.8 kbps services	QSU48		
Zone 1 - AR		\$125.00	
Zone 2 - AR		\$125.00	
Zone 3 - AR		\$125.00	
Zone 1 - KS		\$125.00	
Zone 2 - KS		\$125.00	
Zone 3 - KS		\$125.00	
Zone 1 - MO		\$125.00	
Zone 2 - MO		\$125.00	
Zone 3 - MO		\$125.00	
Zone 1 - OK		\$125.00	
Zone 2 - OK		\$125.00	
Zone 3 - OK		\$125.00	
Zone 1 - TX		\$125.00	
Zone 2 - TX		\$125.00	
Zone 3 - TX		\$125.00	
		<u>Nonrecurring Charge</u>	
Zone 1 - AR		\$ 0.00	
Zone 2 - AR		\$ 0.00	
Zone 3 - AR		\$ 0.00	
Zone 1 - KS		\$ 0.00	
Zone 2 - KS		\$ 0.00	
Zone 3 - KS		\$ 0.00	
Zone 1 - MO		\$ 0.00	
Zone 2 - MO		\$ 0.00	
Zone 3 - MO		\$ 0.00	
Zone 1 - OK		\$ 0.00	
Zone 2 - OK		\$ 0.00	
Zone 3 - OK		\$ 0.00	
Zone 1 - TX		\$ 0.00	
Zone 2 - TX		\$ 0.00	
Zone 3 - TX		\$ 0.00	(N)

(This page filed under Transmittal No. 2896)

ACCESS SERVICE

7. Special Access Service (Cont'd)7.3 Service Descriptions, Rates and Charges (Cont'd)7.3.10 High Capacity Service (Cont'd)(F) Rates and Charges (Cont'd)(10.2) Optional Payment Plan (Cont'd)

	<u>USOC</u>	<u>5 Year Monthly Rate</u>	(N)
(e) <u>Multiplexing</u> (Cont'd)			
Per arrangement			
DS0 to Subrates			
Up to 10 4.8 kbps services	QSU48		
Zone 1 - AR		\$118.75	
Zone 2 - AR		\$118.75	
Zone 3 - AR		\$118.75	
Zone 1 - KS		\$118.75	
Zone 2 - KS		\$118.75	
Zone 3 - KS		\$118.75	
Zone 1 - MO		\$118.75	
Zone 2 - MO		\$118.75	
Zone 3 - MO		\$118.75	
Zone 1 - OK		\$118.75	
Zone 2 - OK		\$118.75	
Zone 3 - OK		\$118.75	
Zone 1 - TX		\$118.75	
Zone 2 - TX		\$118.75	
Zone 3 - TX		\$118.75	
		<u>Nonrecurring Charge</u>	
Zone 1 - AR		\$ 0.00	
Zone 2 - AR		\$ 0.00	
Zone 3 - AR		\$ 0.00	
Zone 1 - KS		\$ 0.00	
Zone 2 - KS		\$ 0.00	
Zone 3 - KS		\$ 0.00	
Zone 1 - MO		\$ 0.00	
Zone 2 - MO		\$ 0.00	
Zone 3 - MO		\$ 0.00	
Zone 1 - OK		\$ 0.00	
Zone 2 - OK		\$ 0.00	
Zone 3 - OK		\$ 0.00	
Zone 1 - TX		\$ 0.00	
Zone 2 - TX		\$ 0.00	
Zone 3 - TX		\$ 0.00	(N)

(This page filed under Transmittal No. 2896)

Issued: May 3, 2002

Effective: May 18, 2002

Four AT&T Plaza, Dallas, Texas 75202

ACCESS SERVICE

7. Special Access Service (Cont'd)

7.3 Service Descriptions, Rates and Charges (Cont'd)

7.3.10 High Capacity Service (Cont'd)

(F) Rates and Charges (Cont'd)

(10.2) Optional Payment Plan (Cont'd)

	<u>USOC</u>	<u>3 Year Monthly Rate</u>	(N)
(e) <u>Multiplexing</u> (Cont'd)			
Per arrangement			
DS0 to Subrates			
Up to 5 9.6 kbps services			
	QSU96		
Zone 1 - AR		\$235.00	
Zone 2 - AR		\$235.00	
Zone 3 - AR		\$235.00	
Zone 1 - KS		\$235.00	
Zone 2 - KS		\$235.00	
Zone 3 - KS		\$235.00	
Zone 1 - MO		\$235.00	
Zone 2 - MO		\$235.00	
Zone 3 - MO		\$235.00	
Zone 1 - OK		\$235.00	
Zone 2 - OK		\$235.00	
Zone 3 - OK		\$235.00	
Zone 1 - TX		\$235.00	
Zone 2 - TX		\$235.00	
Zone 3 - TX		\$235.00	
		<u>Nonrecurring Charge</u>	
Zone 1 - AR		\$ 0.00	
Zone 2 - AR		\$ 0.00	
Zone 3 - AR		\$ 0.00	
Zone 1 - KS		\$ 0.00	
Zone 2 - KS		\$ 0.00	
Zone 3 - KS		\$ 0.00	
Zone 1 - MO		\$ 0.00	
Zone 2 - MO		\$ 0.00	
Zone 3 - MO		\$ 0.00	
Zone 1 - OK		\$ 0.00	
Zone 2 - OK		\$ 0.00	
Zone 3 - OK		\$ 0.00	
Zone 1 - TX		\$ 0.00	
Zone 2 - TX		\$ 0.00	
Zone 3 - TX		\$ 0.00	(N)

(This page filed under Transmittal No. 2896)

ACCESS SERVICE

7. Special Access Service (Cont'd)7.3 Service Descriptions, Rates and Charges (Cont'd)7.3.10 High Capacity Service (Cont'd)(F) Rates and Charges (Cont'd)(10.2) Optional Payment Plan (Cont'd)

	<u>USOC</u>	5 Year <u>Monthly Rate</u>	(N)
(e) <u>Multiplexing</u> (Cont'd)			
Per arrangement			
DS0 to Subrates			
Up to 5 9.6 kbps services	QSU96		
Zone 1 - AR		\$223.25	
Zone 2 - AR		\$223.25	
Zone 3 - AR		\$223.25	
Zone 1 - KS		\$223.25	
Zone 2 - KS		\$223.25	
Zone 3 - KS		\$223.25	
Zone 1 - MO		\$223.25	
Zone 2 - MO		\$223.25	
Zone 3 - MO		\$223.25	
Zone 1 - OK		\$223.25	
Zone 2 - OK		\$223.25	
Zone 3 - OK		\$223.25	
Zone 1 - TX		\$223.25	
Zone 2 - TX		\$223.25	
Zone 3 - TX		\$223.25	
		<u>Nonrecurring Charge</u>	
Zone 1 - AR		\$ 0.00	
Zone 2 - AR		\$ 0.00	
Zone 3 - AR		\$ 0.00	
Zone 1 - KS		\$ 0.00	
Zone 2 - KS		\$ 0.00	
Zone 3 - KS		\$ 0.00	
Zone 1 - MO		\$ 0.00	
Zone 2 - MO		\$ 0.00	
Zone 3 - MO		\$ 0.00	
Zone 1 - OK		\$ 0.00	
Zone 2 - OK		\$ 0.00	
Zone 3 - OK		\$ 0.00	
Zone 1 - TX		\$ 0.00	
Zone 2 - TX		\$ 0.00	
Zone 3 - TX		\$ 0.00	(N)

(This page filed under Transmittal No. 2896)

ACCESS SERVICE

7. Special Access Service (Cont'd)

7.3 Service Descriptions, Rates and Charges (Cont'd)

7.3.10 High Capacity Service (Cont'd)

(F) Rates and Charges (Cont'd)

(10.2) Optional Payment Plan (Cont'd)

	<u>USOC</u>	<u>3 Year Monthly Rate</u>	
(e) <u>Multiplexing</u> (Cont'd)			
Per arrangement			
DS1 ⁽¹⁾ to DS0		QMU	
Zone 1 - AR		\$180.00	(C)
Zone 2 - AR		\$180.00	
Zone 3 - AR		\$180.00	
Zone 1 - KS		\$180.00	
Zone 2 - KS		\$180.00	
Zone 3 - KS		\$180.00	
Zone 1 - MO		\$180.00	
Zone 2 - MO		\$180.00	
Zone 3 - MO		\$180.00	
Zone 1 - OK		\$180.00	
Zone 2 - OK		\$180.00	
Zone 3 - OK		\$180.00	
Zone 1 - TX		\$180.00	
Zone 2 - TX		\$180.00	
Zone 3 - TX		\$180.00	
		<u>Nonrecurring Charge</u>	
Zone 1 - AR		\$ 0.00	
Zone 2 - AR		\$ 0.00	
Zone 3 - AR		\$ 0.00	
Zone 1 - KS		\$ 0.00	
Zone 2 - KS		\$ 0.00	
Zone 3 - KS		\$ 0.00	
Zone 1 - MO		\$ 0.00	
Zone 2 - MO		\$ 0.00	
Zone 3 - MO		\$ 0.00	
Zone 1 - OK		\$ 0.00	
Zone 2 - OK		\$ 0.00	
Zone 3 - OK		\$ 0.00	
Zone 1 - TX		\$ 0.00	
Zone 2 - TX		\$ 0.00	
Zone 3 - TX		\$ 0.00	

(1) Effective May 17, 2003, High Capacity (1.544 Mbps) Optional Pricing Plan service will no longer be available to new customers. There will be no change to existing customers. Refer to section 7.2.19(B) for conversion options.

(N)
 (N)
 (N)

(This page filed under Transmittal No. 2948)

Issued: May 2, 2003

Effective: May 17, 2003

Four AT&T Plaza, Dallas, Texas 75202

ACCESS SERVICE

7. Special Access Service (Cont'd)7.3 Service Descriptions, Rates and Charges (Cont'd)7.3.10 High Capacity Service (Cont'd)(F) Rates and Charges (Cont'd)(10.2) Optional Payment Plan (Cont'd)

	<u>USOC</u>	<u>5 Year Monthly Rate</u>	
(e) <u>Multiplexing</u> (Cont'd)			
Per arrangement			
DS1 ⁽¹⁾ to DS0		QMU	(C)
Zone 1 - AR		\$171.00	
Zone 2 - AR		\$171.00	
Zone 3 - AR		\$171.00	
Zone 1 - KS		\$171.00	
Zone 2 - KS		\$171.00	
Zone 3 - KS		\$171.00	
Zone 1 - MO		\$171.00	
Zone 2 - MO		\$171.00	
Zone 3 - MO		\$171.00	
Zone 1 - OK		\$171.00	
Zone 2 - OK		\$171.00	
Zone 3 - OK		\$171.00	
Zone 1 - TX		\$171.00	
Zone 2 - TX		\$171.00	
Zone 3 - TX		\$171.00	
		<u>Nonrecurring Charge</u>	
Zone 1 - AR		\$ 0.00	
Zone 2 - AR		\$ 0.00	
Zone 3 - AR		\$ 0.00	
Zone 1 - KS		\$ 0.00	
Zone 2 - KS		\$ 0.00	
Zone 3 - KS		\$ 0.00	
Zone 1 - MO		\$ 0.00	
Zone 2 - MO		\$ 0.00	
Zone 3 - MO		\$ 0.00	
Zone 1 - OK		\$ 0.00	
Zone 2 - OK		\$ 0.00	
Zone 3 - OK		\$ 0.00	
Zone 1 - TX		\$ 0.00	
Zone 2 - TX		\$ 0.00	
Zone 3 - TX		\$ 0.00	

(1) Effective May 17, 2003, High Capacity (1.544 Mbps) Optional Pricing Plan service will no longer be available to new customers. There will be no change to existing customers. Refer to section 7.2.19(B) for conversion options.

(N)
(N)
(N)

(This page filed under Transmittal No. 2948)

Issued: May 2, 2003

Effective: May 17, 2003

Four AT&T Plaza, Dallas, Texas 75202

ACCESS SERVICE

7. Special Access Service (Cont'd)

7.3 Service Descriptions, Rates and Charges (Cont'd)

7.3.10 High Capacity Service (Cont'd)

(F) Rates and Charges (Cont'd)

(10.2) Optional Payment Plan (Cont'd)

	<u>USOC</u>	<u>3 Year Monthly Rate</u>
(e) <u>Multiplexing</u> (Cont'd)		
Per arrangement		
DS1 ⁽¹⁾ to Voice	MQ1	(C)
Zone 1 - AR		\$180.00
Zone 2 - AR		\$180.00
Zone 3 - AR		\$180.00
Zone 1 - KS		\$180.00
Zone 2 - KS		\$180.00
Zone 3 - KS		\$180.00
Zone 1 - MO		\$180.00
Zone 2 - MO		\$180.00
Zone 3 - MO		\$180.00
Zone 1 - OK		\$180.00
Zone 2 - OK		\$180.00
Zone 3 - OK		\$180.00
Zone 1 - TX		\$180.00
Zone 2 - TX		\$180.00
Zone 3 - TX		\$180.00
		<u>Nonrecurring Charge</u>
Zone 1 - AR		\$ 0.00
Zone 2 - AR		\$ 0.00
Zone 3 - AR		\$ 0.00
Zone 1 - KS		\$ 0.00
Zone 2 - KS		\$ 0.00
Zone 3 - KS		\$ 0.00
Zone 1 - MO		\$ 0.00
Zone 2 - MO		\$ 0.00
Zone 3 - MO		\$ 0.00
Zone 1 - OK		\$ 0.00
Zone 2 - OK		\$ 0.00
Zone 3 - OK		\$ 0.00
Zone 1 - TX		\$ 0.00
Zone 2 - TX		\$ 0.00
Zone 3 - TX		\$ 0.00

(1) Effective May 17, 2003, High Capacity (1.544 Mbps) Optional Pricing Plan service will no longer be available to new customers. There will be no change to existing customers. Refer to section 7.2.19(B) for conversion options. (N)
 (N)
 (N)

(This page filed under Transmittal No. 2948)

ACCESS SERVICE

7. Special Access Service (Cont'd)7.3 Service Descriptions, Rates and Charges (Cont'd)7.3.10 High Capacity Service (Cont'd)(F) Rates and Charges (Cont'd)(10.2) Optional Payment Plan (Cont'd)

	<u>USOC</u>	<u>5 Year Monthly Rate</u>
(e) <u>Multiplexing</u> (Cont'd)		
Per arrangement		
DS1 ⁽¹⁾ to Voice	MQ1	(C)
Zone 1 - AR		\$171.00
Zone 2 - AR		\$171.00
Zone 3 - AR		\$171.00
Zone 1 - KS		\$171.00
Zone 2 - KS		\$171.00
Zone 3 - KS		\$171.00
Zone 1 - MO		\$171.00
Zone 2 - MO		\$171.00
Zone 3 - MO		\$171.00
Zone 1 - OK		\$171.00
Zone 2 - OK		\$171.00
Zone 3 - OK		\$171.00
Zone 1 - TX		\$171.00
Zone 2 - TX		\$171.00
Zone 3 - TX		\$171.00
		<u>Nonrecurring Charge</u>
Zone 1 - AR		\$ 0.00
Zone 2 - AR		\$ 0.00
Zone 3 - AR		\$ 0.00
Zone 1 - KS		\$ 0.00
Zone 2 - KS		\$ 0.00
Zone 3 - KS		\$ 0.00
Zone 1 - MO		\$ 0.00
Zone 2 - MO		\$ 0.00
Zone 3 - MO		\$ 0.00
Zone 1 - OK		\$ 0.00
Zone 2 - OK		\$ 0.00
Zone 3 - OK		\$ 0.00
Zone 1 - TX		\$ 0.00
Zone 2 - TX		\$ 0.00
Zone 3 - TX		\$ 0.00

(1) Effective May 17, 2003, High Capacity (1.544 Mbps) Optional Pricing Plan service will no longer be available to new customers. There will be no change to existing customers. Refer to section 7.2.19(B) for conversion options.

(N)
(N)
(N)

(This page filed under Transmittal No. 2948)

Issued: May 2, 2003

Effective: May 17, 2003

Four AT&T Plaza, Dallas, Texas 75202

ACCESS SERVICE

7. Special Access Service (Cont'd)7.3 Service Descriptions, Rates and Charges (Cont'd)7.3.10 High Capacity Service (Cont'd)(F) Rates and Charges (Cont'd)(10.2) Optional Payment Plan (Cont'd)

	<u>USOC</u>	<u>3 Year Monthly Rate</u>
(f) <u>Clear Channel Capability</u>	CLR	
Per channel termination		
Zone 1 - AR		\$ 0.00
Zone 2 - AR		\$ 0.00
Zone 3 - AR		\$ 0.00
Zone 1 - KS		\$ 0.00
Zone 2 - KS		\$ 0.00
Zone 3 - KS		\$ 0.00
Zone 1 - MO		\$ 0.00
Zone 2 - MO		\$ 0.00
Zone 3 - MO		\$ 0.00
Zone 1 - OK		\$ 0.00
Zone 2 - OK		\$ 0.00
Zone 3 - OK		\$ 0.00
Zone 1 - TX		\$ 0.00
Zone 2 - TX		\$ 0.00
Zone 3 - TX		\$ 0.00
		<u>Nonrecurring Charge</u>
Zone 1 - AR		\$ 0.00 (R)
Zone 2 - AR		\$ 0.00 (R)
Zone 3 - AR		\$ 0.00 (R)
Zone 1 - KS		\$ 0.00 (R)
Zone 2 - KS		\$ 0.00 (R)
Zone 3 - KS		\$ 0.00 (R)
Zone 1 - MO		\$ 0.00 (R)
Zone 2 - MO		\$ 0.00 (R)
Zone 3 - MO		\$ 0.00 (R)
Zone 1 - OK		\$ 0.00 (R)
Zone 2 - OK		\$ 0.00 (R)
Zone 3 - OK		\$ 0.00 (R)
Zone 1 - TX		\$ 0.00 (R)
Zone 2 - TX		\$ 0.00 (R)
Zone 3 - TX		\$ 0.00 (R)

Rates contained in this transmittal are subject to subsequent adjustment, effective retrospectively, in the event the Commission or a court subsequently authorizes Southwestern Bell Telephone Company to correct its rates pursuant to pending motions, or petitions for reconsideration or waiver, or in the event of any other adjustment to an order of the Commission or a court.

(This page filed under Transmittal No. 2952)

Issued: June 16, 2003

Effective: July 1, 2003

Four AT&T Plaza, Dallas, Texas 75202

ACCESS SERVICE

7. Special Access Service (Cont'd)

7.3 Service Descriptions, Rates and Charges (Cont'd)

7.3.10 High Capacity Service (Cont'd)

(F) Rates and Charges (Cont'd)

(10.2) Optional Payment Plan (Cont'd)

	<u>USOC</u>	<u>5 Year Monthly Rate</u>
(f) <u>Clear Channel Capability</u> (Cont'd)	CLR	
Per channel termination		
Zone 1 - AR		\$ 0.00
Zone 2 - AR		\$ 0.00
Zone 3 - AR		\$ 0.00
Zone 1 - KS		\$ 0.00
Zone 2 - KS		\$ 0.00
Zone 3 - KS		\$ 0.00
Zone 1 - MO		\$ 0.00
Zone 2 - MO		\$ 0.00
Zone 3 - MO		\$ 0.00
Zone 1 - OK		\$ 0.00
Zone 2 - OK		\$ 0.00
Zone 3 - OK		\$ 0.00
Zone 1 - TX		\$ 0.00
Zone 2 - TX		\$ 0.00
Zone 3 - TX		\$ 0.00
		<u>Nonrecurring Charge</u>
Zone 1 - AR		\$ 0.00 (R)
Zone 2 - AR		\$ 0.00 (R)
Zone 3 - AR		\$ 0.00 (R)
Zone 1 - KS		\$ 0.00 (R)
Zone 2 - KS		\$ 0.00 (R)
Zone 3 - KS		\$ 0.00 (R)
Zone 1 - MO		\$ 0.00 (R)
Zone 2 - MO		\$ 0.00 (R)
Zone 3 - MO		\$ 0.00 (R)
Zone 1 - OK		\$ 0.00 (R)
Zone 2 - OK		\$ 0.00 (R)
Zone 3 - OK		\$ 0.00 (R)
Zone 1 - TX		\$ 0.00 (R)
Zone 2 - TX		\$ 0.00 (R)
Zone 3 - TX		\$ 0.00 (R)

Rates contained in this transmittal are subject to subsequent adjustment, effective retrospectively, in the event the Commission or a court subsequently authorizes Southwestern Bell Telephone Company to correct its rates pursuant to pending motions, or petitions for reconsideration or waiver, or in the event of any other adjustment to an order of the Commission or a court.

(This page filed under Transmittal No. 2952)

Issued: June 16, 2003

Effective: July 1, 2003

Four AT&T Plaza, Dallas, Texas 75202

ACCESS SERVICE

7. Special Access Service (Cont'd)

7.3 Service Descriptions, Rates and Charges (Cont'd)

7.3.10 High Capacity Service (Cont'd)

(F) Rates and Charges (Cont'd)

(10.2) Optional Payment Plan (Cont'd)

	<u>USOC</u>	<u>3 Year Monthly Rate</u>	(N)
(g) <u>Transfer Arrangement, Key Activated*</u> (Cont'd) USV			
Per four port arrangement including control channel termination**			
Zone 1 - AR		\$184.24	
Zone 2 - AR		\$184.24	
Zone 3 - AR		\$184.24	
Zone 1 - KS		\$184.24	
Zone 2 - KS		\$184.24	
Zone 3 - KS		\$184.24	
Zone 1 - MO		\$184.24	
Zone 2 - MO		\$184.24	
Zone 3 - MO		\$184.24	
Zone 1 - OK		\$184.24	
Zone 2 - OK		\$184.24	
Zone 3 - OK		\$184.24	
Zone 1 - TX		\$184.24	
Zone 2 - TX		\$184.24	
Zone 3 - TX		\$184.24	
		<u>Nonrecurring Charge</u>	
Zone 1 - AR		\$213.00	
Zone 2 - AR		\$213.00	
Zone 3 - AR		\$213.00	
Zone 1 - KS		\$213.00	
Zone 2 - KS		\$213.00	
Zone 3 - KS		\$213.00	
Zone 1 - MO		\$213.00	
Zone 2 - MO		\$213.00	
Zone 3 - MO		\$213.00	
Zone 1 - OK		\$213.00	
Zone 2 - OK		\$213.00	
Zone 3 - OK		\$213.00	
Zone 1 - TX		\$213.00	
Zone 2 - TX		\$213.00	
Zone 3 - TX		\$213.00	

*The key activated control channel is rated as a Metallic Channel Termination (use USOC T6EME in lieu of T6ECS) and Channel Mileage, if applicable (use USOC 1L5MX in lieu of 1L5XX).

**An additional Channel Termination charge will apply whenever a spare channel is configured as a leg to the customer's premises. Additional channel mileage will also apply when the transfer arrangement is not located in the customer premises serving wire center. (N)

(This page filed under Transmittal No. 2896)

ACCESS SERVICE

7. Special Access Service (Cont'd)

7.3 Service Descriptions, Rates and Charges (Cont'd)

7.3.10 High Capacity Service (Cont'd)

(F) Rates and Charges (Cont'd)

(10.2) Optional Payment Plan (Cont'd)

	<u>USOC</u>	<u>5 Year Monthly Rate</u>
(g) <u>Transfer Arrangement, Key Activated*</u> (Cont'd) USV		
Per four port arrangement including control channel termination**		
Zone 1 - AR		\$175.03
Zone 2 - AR		\$175.03
Zone 3 - AR		\$175.03
Zone 1 - KS		\$175.03
Zone 2 - KS		\$175.03
Zone 3 - KS		\$175.03
Zone 1 - MO		\$175.03
Zone 2 - MO		\$175.03
Zone 3 - MO		\$175.03
Zone 1 - OK		\$175.03
Zone 2 - OK		\$175.03
Zone 3 - OK		\$175.03
Zone 1 - TX		\$175.03
Zone 2 - TX		\$175.03
Zone 3 - TX		\$175.03

Nonrecurring Charge

Zone 1 - AR	\$213.00
Zone 2 - AR	\$213.00
Zone 3 - AR	\$213.00
Zone 1 - KS	\$213.00
Zone 2 - KS	\$213.00
Zone 3 - KS	\$213.00
Zone 1 - MO	\$213.00
Zone 2 - MO	\$213.00
Zone 3 - MO	\$213.00
Zone 1 - OK	\$213.00
Zone 2 - OK	\$213.00
Zone 3 - OK	\$213.00
Zone 1 - TX	\$213.00
Zone 2 - TX	\$213.00
Zone 3 - TX	\$213.00

* The key activated control channel is rated as a Metallic Channel Termination (use USOC T6EME in lieu of T6ECS) and Channel Mileage, if applicable (use USOC 1L5MX in lieu of 1L5XX).

** An additional Channel Termination charge will apply whenever a spare channel is configured as a leg to the customer's premises. Additional channel mileage will also apply when the transfer arrangement is not located in the customer premises serving wire center.

(This page filed under Transmittal No. 2896)

Issued: May 3, 2002

Effective: May 18, 2002

Four AT&T Plaza, Dallas, Texas 75202

7. Special Access Service (Cont'd)7.3 Service Descriptions, Rates and Charges (Cont'd)7.3.10 High Capacity Service (Cont'd)(F) Rates and Charges (Cont'd)(10.3) High Capacity Term Pricing Plan (HC-TPP)

(a) <u>Channel Termination</u>	<u>USOC</u>	<u>3 Year</u> <u>Monthly Rate</u>
Per point of termination	TMECS	
1.544 ⁽¹⁾ Mbps		
Zone 1 - AR		\$112.00 (R)
Zone 2 - AR		\$116.00 (R)
Zone 3 - AR		\$125.00 (R)
Zone 1 - KS		\$112.00 (R)
Zone 2 - KS		\$116.00 (R)
Zone 3 - KS		\$125.00 (R)
Zone 1 - MO		\$112.00 (R)
Zone 2 - MO		\$116.00 (R)
Zone 3 - MO		\$125.00 (R)
Zone 1 - OK		\$112.00 (R)
Zone 2 - OK		\$116.00 (R)
Zone 3 - OK		\$125.00 (R)
Zone 1 - TX		\$112.00 (R)
Zone 2 - TX		\$116.00 (R)
Zone 3 - TX		\$125.00 (R)

	<u>Nonrecurring Charge</u>	
	<u>1st Ckt</u>	<u>Addl Ckt</u>
Zone 1 - AR	\$300.00	\$250.00
Zone 2 - AR	\$300.00	\$250.00
Zone 3 - AR	\$300.00	\$250.00
Zone 1 - KS	\$300.00	\$250.00
Zone 2 - KS	\$300.00	\$250.00
Zone 3 - KS	\$300.00	\$250.00
Zone 1 - MO	\$300.00	\$250.00
Zone 2 - MO	\$300.00	\$250.00
Zone 3 - MO	\$300.00	\$250.00
Zone 1 - OK	\$300.00	\$250.00
Zone 2 - OK	\$300.00	\$250.00
Zone 3 - OK	\$300.00	\$250.00
Zone 1 - TX	\$300.00	\$250.00
Zone 2 - TX	\$300.00	\$250.00
Zone 3 - TX	\$300.00	\$250.00

(1) Effective May 17, 2003, High Capacity Service (1.544 Mbps) Term Pricing Plan service will no longer be available to new customers. There will be no change to existing customers. Refer to section 7.2.20 for conversion options.

Rates contained in this transmittal are subject to subsequent adjustment, effective retrospectively, in the event the Commission or a court subsequently authorizes Southwestern Bell Telephone Company to correct its rates pursuant to pending motions, or petitions for reconsideration or waiver, or in the event of any other adjustment to an order of the Commission or a court.

(This page filed under Transmittal No. 2952)

Issued: June 16, 2003

Effective: July 1, 2003

Four AT&T Plaza, Dallas, Texas 75202

ACCESS SERVICE

7. Special Access Service (Cont'd)

7.3 Service Descriptions, Rates and Charges (Cont'd)

7.3.10 High Capacity Service (Cont'd)

(F) Rates and Charges (Cont'd)

(10.3) High Capacity Term Pricing Plan (HC-TPP) (Cont'd)

		5 Year USOC Monthly Rate
(a) <u>Channel Termination</u> (Cont'd)		
Per point of termination	TMECS	
1.544 ⁽¹⁾ Mbps		
Zone 1 - AR		\$ 90.00
Zone 2 - AR		\$ 95.00
Zone 3 - AR		\$102.90 (x)
Zone 1 - KS		\$ 90.00
Zone 2 - KS		\$ 95.00
Zone 3 - KS		\$102.90 (x)
Zone 1 - MO		\$ 90.00
Zone 2 - MO		\$ 95.00
Zone 3 - MO		\$102.90 (x)
Zone 1 - OK		\$ 90.00
Zone 2 - OK		\$ 95.00
Zone 3 - OK		\$102.90 (x)
Zone 1 - TX		\$ 90.00
Zone 2 - TX		\$ 95.00
Zone 3 - TX		\$102.90 (x)
		Nonrecurring Charge
		1st Ckt Addl Ckt
Zone 1 - AR		\$ 0.00 \$150.00
Zone 2 - AR		\$ 0.00 \$150.00
Zone 3 - AR		\$ 0.00 \$150.00
Zone 1 - KS		\$ 0.00 \$ 0.00
Zone 2 - KS		\$ 0.00 \$ 0.00
Zone 3 - KS		\$ 0.00 \$ 0.00
Zone 1 - MO		\$ 0.00 \$150.00
Zone 2 - MO		\$ 0.00 \$150.00
Zone 3 - MO		\$ 0.00 \$150.00
Zone 1 - OK		\$ 0.00 \$150.00
Zone 2 - OK		\$ 0.00 \$150.00
Zone 3 - OK		\$ 0.00 \$150.00
Zone 1 - TX		\$ 0.00 \$150.00
Zone 2 - TX		\$ 0.00 \$150.00
Zone 3 - TX		\$ 0.00 \$150.00

(1) Effective May 17, 2003, High Capacity Service (1.544 Mbps) Term Pricing Plan service will no longer be available to new customers. There will be no change to existing customers. Refer to section 7.2.20 for conversion options.

(x) Issued under authority of Special Permission No. 04-009 of the FCC in order to restore currently effective material and to withdraw material without becoming effective, filed under Transmittal No. 2984.

(This page filed under Transmittal No. 2987)

ACCESS SERVICE

7. Special Access Service (Cont'd)

7.3 Service Descriptions, Rates and Charges (Cont'd)

7.3.10 High Capacity Service (Cont'd)

(F) Rates and Charges (Cont'd)

(10.3) High Capacity Term Pricing Plan (HC-TPP) (Cont'd)

	USOC	3 Year Monthly Rate	
		Fixed	Per Mile
(b) <u>Channel Mileage</u>			
1.544 Mbps ⁽¹⁾	1L5XX		
0 miles			
Zone 1 - AR		\$ 0.00	\$ 0.00
Zone 2 - AR		\$ 0.00	\$ 0.00
Zone 3 - AR		\$ 0.00	\$ 0.00
Zone 1 - KS		\$ 0.00	\$ 0.00
Zone 2 - KS		\$ 0.00	\$ 0.00
Zone 3 - KS		\$ 0.00	\$ 0.00
Zone 1 - MO		\$ 0.00	\$ 0.00
Zone 2 - MO		\$ 0.00	\$ 0.00
Zone 3 - MO		\$ 0.00	\$ 0.00
Zone 1 - OK		\$ 0.00	\$ 0.00
Zone 2 - OK		\$ 0.00	\$ 0.00
Zone 3 - OK		\$ 0.00	\$ 0.00
Zone 1 - TX		\$ 0.00	\$ 0.00
Zone 2 - TX		\$ 0.00	\$ 0.00
Zone 3 - TX		\$ 0.00	\$ 0.00
Over 0 miles			
Zone 1 - AR		\$39.00 (R)	\$12.25 (R)
Zone 2 - AR		\$39.00 (R)	\$12.25 (R)
Zone 3 - AR		\$39.00 (R)	\$12.25 (R)
Zone 1 - KS		\$39.00 (R)	\$12.25 (R)
Zone 2 - KS		\$39.00 (R)	\$12.25 (R)
Zone 3 - KS		\$39.00 (R)	\$12.25 (R)
Zone 1 - MO		\$39.00 (R)	\$12.25 (R)
Zone 2 - MO		\$39.00 (R)	\$12.25 (R)
Zone 3 - MO		\$39.00 (R)	\$12.25 (R)
Zone 1 - OK		\$39.00 (R)	\$12.25 (R)
Zone 2 - OK		\$39.00 (R)	\$12.25 (R)
Zone 3 - OK		\$39.00 (R)	\$12.25 (R)
Zone 1 - TX		\$39.00 (R)	\$12.25 (R)
Zone 2 - TX		\$39.00 (R)	\$12.25 (R)
Zone 3 - TX		\$39.00 (R)	\$12.25 (R)

(1) Effective May 17, 2003, High Capacity Service (1.544 Mbps) Term Pricing Plan service will no longer be available to new customers. There will be no change to existing customers. Refer to section 7.2.20 for conversion options.

Rates contained in this transmittal are subject to subsequent adjustment, effective retrospectively, in the event the Commission or a court subsequently authorizes Southwestern Bell Telephone Company to correct its rates pursuant to pending motions, or petitions for reconsideration or waiver, or in the event of any other adjustment to an order of the Commission or a court.

(This page filed under Transmittal No. 2952)

Issued: June 16, 2003

Effective: July 1, 2003

Four AT&T Plaza, Dallas, Texas 75202

ACCESS SERVICE

7. Special Access Service (Cont'd)

7.3 Service Descriptions, Rates and Charges (Cont'd)

7.3.10 High Capacity Service (Cont'd)

(F) Rates and Charges (Cont'd)

(10.3) High Capacity Term Pricing Plan (HC-TPP) (Cont'd)

	USOC	5 Year Monthly Rate	
		Fixed	Per Mile
(b) <u>Channel Mileage</u> (Cont'd)			
1.544 Mbps ⁽¹⁾	1L5XX		
0 miles			
Zone 1 - AR		\$ 0.00	\$ 0.00
Zone 2 - AR		\$ 0.00	\$ 0.00
Zone 3 - AR		\$ 0.00	\$ 0.00
Zone 1 - KS		\$ 0.00	\$ 0.00
Zone 2 - KS		\$ 0.00	\$ 0.00
Zone 3 - KS		\$ 0.00	\$ 0.00
Zone 1 - MO		\$ 0.00	\$ 0.00
Zone 2 - MO		\$ 0.00	\$ 0.00
Zone 3 - MO		\$ 0.00	\$ 0.00
Zone 1 - OK		\$ 0.00	\$ 0.00
Zone 2 - OK		\$ 0.00	\$ 0.00
Zone 3 - OK		\$ 0.00	\$ 0.00
Zone 1 - TX		\$ 0.00	\$ 0.00
Zone 2 - TX		\$ 0.00	\$ 0.00
Zone 3 - TX		\$ 0.00	\$ 0.00
Over 0 miles			
Zone 1 - AR		\$34.00 (R)	\$ 8.85 (R)
Zone 2 - AR		\$34.00 (R)	\$ 8.85 (R)
Zone 3 - AR		\$34.00 (R)	\$ 8.85 (R)
Zone 1 - KS		\$34.00 (R)	\$ 8.85 (R)
Zone 2 - KS		\$34.00 (R)	\$ 8.85 (R)
Zone 3 - KS		\$34.00 (R)	\$ 8.85 (R)
Zone 1 - MO		\$34.00 (R)	\$ 8.85 (R)
Zone 2 - MO		\$34.00 (R)	\$ 8.85 (R)
Zone 3 - MO		\$34.00 (R)	\$ 8.85 (R)
Zone 1 - OK		\$34.00 (R)	\$ 8.85 (R)
Zone 2 - OK		\$34.00 (R)	\$ 8.85 (R)
Zone 3 - OK		\$34.00 (R)	\$ 8.85 (R)
Zone 1 - TX		\$34.00 (R)	\$ 8.85 (R)
Zone 2 - TX		\$34.00 (R)	\$ 8.85 (R)
Zone 3 - TX		\$34.00 (R)	\$ 8.85 (R)

(1) Effective May 17, 2003, High Capacity Service (1.544 Mbps) Term Pricing Plan service will no longer be available to new customers. There will be no change to existing customers. Refer to section 7.2.20 for conversion options.

Rates contained in this transmittal are subject to subsequent adjustment, effective retrospectively, in the event the Commission or a court subsequently authorizes Southwestern Bell Telephone Company to correct its rates pursuant to pending motions, or petitions for reconsideration or waiver, or in the event of any other adjustment to an order of the Commission or a court.

(This page filed under Transmittal No. 2952)

Issued: June 16, 2003

Effective: July 1, 2003

Four AT&T Plaza, Dallas, Texas 75202

ACCESS SERVICE

7. Special Access Service (Cont'd)7.3 Service Descriptions, Rates and Charges (Cont'd)7.3.10 High Capacity Service (Cont'd)(F) Rates and Charges (Cont'd)(10.3) High Capacity Term Pricing Plan (HC-TPP) (Cont'd)

	<u>USOC</u>	<u>3 Year Monthly Rate</u>
(c) <u>Multiplexing</u>		
Per arrangement		
DS0 to Subrates		
Up to 20 2.4 kbps services		
	QSU24	
Zone 1 - AR		\$114.35
Zone 2 - AR		\$114.35
Zone 3 - AR		\$114.35
Zone 1 - KS		\$114.35
Zone 2 - KS		\$114.35
Zone 3 - KS		\$114.35
Zone 1 - MO		\$114.35
Zone 2 - MO		\$114.35
Zone 3 - MO		\$114.35
Zone 1 - OK		\$114.35
Zone 2 - OK		\$114.35
Zone 3 - OK		\$114.35
Zone 1 - TX		\$114.35
Zone 2 - TX		\$114.35
Zone 3 - TX		\$114.35
		<u>Nonrecurring Charge</u>
Zone 1 - AR		\$ 0.00
Zone 2 - AR		\$ 0.00
Zone 3 - AR		\$ 0.00
Zone 1 - KS		\$ 0.00
Zone 2 - KS		\$ 0.00
Zone 3 - KS		\$ 0.00
Zone 1 - MO		\$ 0.00
Zone 2 - MO		\$ 0.00
Zone 3 - MO		\$ 0.00
Zone 1 - OK		\$ 0.00
Zone 2 - OK		\$ 0.00
Zone 3 - OK		\$ 0.00
Zone 1 - TX		\$ 0.00
Zone 2 - TX		\$ 0.00
Zone 3 - TX		\$ 0.00

(N)

(This page filed under Transmittal No. 2896)

Issued: May 3, 2002

Effective: May 18, 2002

Four AT&T Plaza, Dallas, Texas 75202

ACCESS SERVICE

7. Special Access Service (Cont'd)

7.3 Service Descriptions, Rates and Charges (Cont'd)

7.3.10 High Capacity Service (Cont'd)

(F) Rates and Charges (Cont'd)

(10.3) High Capacity Term Pricing Plan (HC-TPP) (Cont'd)

	<u>USOC</u>	<u>5 Year Monthly Rate</u>
(c) <u>Multiplexing</u> (Cont'd)		
Per arrangement		
DS0 to Subrates		
Up to 20 2.4 kbps services		
	QSU24	
Zone 1 - AR		\$107.45
Zone 2 - AR		\$107.45
Zone 3 - AR		\$107.45
Zone 1 - KS		\$107.45
Zone 2 - KS		\$107.45
Zone 3 - KS		\$107.45
Zone 1 - MO		\$107.45
Zone 2 - MO		\$107.45
Zone 3 - MO		\$107.45
Zone 1 - OK		\$107.45
Zone 2 - OK		\$107.45
Zone 3 - OK		\$107.45
Zone 1 - TX		\$107.45
Zone 2 - TX		\$107.45
Zone 3 - TX		\$107.50
		<u>Nonrecurring Charge</u>
Zone 1 - AR		\$ 0.00
Zone 2 - AR		\$ 0.00
Zone 3 - AR		\$ 0.00
Zone 1 - KS		\$ 0.00
Zone 2 - KS		\$ 0.00
Zone 3 - KS		\$ 0.00
Zone 1 - MO		\$ 0.00
Zone 2 - MO		\$ 0.00
Zone 3 - MO		\$ 0.00
Zone 1 - OK		\$ 0.00
Zone 2 - OK		\$ 0.00
Zone 3 - OK		\$ 0.00
Zone 1 - TX		\$ 0.00
Zone 2 - TX		\$ 0.00
Zone 3 - TX		\$ 0.00

(N)

(N)

(This page filed under Transmittal No. 2896)

ACCESS SERVICE

7. Special Access Service (Cont'd)

7.3 Service Descriptions, Rates and Charges (Cont'd)

7.3.10 High Capacity Service (Cont'd)

(F) Rates and Charges (Cont'd)

(10.3) High Capacity Term Pricing Plan (HC-TPP) (Cont'd)

	<u>USOC</u>	<u>3 Year Monthly Rate</u>
(c) <u>Multiplexing</u> (Cont'd)		
Per arrangement		
DS0 to Subrates		
Up to 10 4.8 kbps services	QSU48	
Zone 1 - AR		\$104.85
Zone 2 - AR		\$104.85
Zone 3 - AR		\$104.85
Zone 1 - KS		\$104.85
Zone 2 - KS		\$104.85
Zone 3 - KS		\$104.85
Zone 1 - MO		\$104.85
Zone 2 - MO		\$104.85
Zone 3 - MO		\$104.85
Zone 1 - OK		\$104.85
Zone 2 - OK		\$104.85
Zone 3 - OK		\$104.85
Zone 1 - TX		\$104.85
Zone 2 - TX		\$104.85
Zone 3 - TX		\$104.85
		<u>Nonrecurring Charge</u>
Zone 1 - AR		\$ 0.00
Zone 2 - AR		\$ 0.00
Zone 3 - AR		\$ 0.00
Zone 1 - KS		\$ 0.00
Zone 2 - KS		\$ 0.00
Zone 3 - KS		\$ 0.00
Zone 1 - MO		\$ 0.00
Zone 2 - MO		\$ 0.00
Zone 3 - MO		\$ 0.00
Zone 1 - OK		\$ 0.00
Zone 2 - OK		\$ 0.00
Zone 3 - OK		\$ 0.00
Zone 1 - TX		\$ 0.00
Zone 2 - TX		\$ 0.00
Zone 3 - TX		\$ 0.00

(N)

(This page filed under Transmittal No. 2896)

ACCESS SERVICE

7. Special Access Service (Cont'd)

7.3 Service Descriptions, Rates and Charges (Cont'd)

7.3.10 High Capacity Service (Cont'd)

(F) Rates and Charges (Cont'd)

(10.3) High Capacity Term Pricing Plan (HC-TPP) (Cont'd) (N)

	<u>USOC</u>	<u>5 Year Monthly Rate</u>
(c) <u>Multiplexing</u> (Cont'd)		

Per arrangement

DS0 to Subrates

Up to 10 4.8 kbps
services

QSU48

Zone 1 - AR	\$ 98.55
Zone 2 - AR	\$ 98.55
Zone 3 - AR	\$ 98.55
Zone 1 - KS	\$ 98.55
Zone 2 - KS	\$ 98.55
Zone 3 - KS	\$ 98.55
Zone 1 - MO	\$ 98.55
Zone 2 - MO	\$ 98.55
Zone 3 - MO	\$ 98.55
Zone 1 - OK	\$ 98.55
Zone 2 - OK	\$ 98.55
Zone 3 - OK	\$ 98.55
Zone 1 - TX	\$ 98.55
Zone 2 - TX	\$ 98.55
Zone 3 - TX	\$ 98.55

Nonrecurring Charge

Zone 1 - AR	\$ 0.00
Zone 2 - AR	\$ 0.00
Zone 3 - AR	\$ 0.00
Zone 1 - KS	\$ 0.00
Zone 2 - KS	\$ 0.00
Zone 3 - KS	\$ 0.00
Zone 1 - MO	\$ 0.00
Zone 2 - MO	\$ 0.00
Zone 3 - MO	\$ 0.00
Zone 1 - OK	\$ 0.00
Zone 2 - OK	\$ 0.00
Zone 3 - OK	\$ 0.00
Zone 1 - TX	\$ 0.00
Zone 2 - TX	\$ 0.00
Zone 3 - TX	\$ 0.00

(N)

(This page filed under Transmittal No. 2896)

ACCESS SERVICE

7. Special Access Service (Cont'd)

7.3 Service Descriptions, Rates and Charges (Cont'd)

7.3.10 High Capacity Service (Cont'd)

(F) Rates and Charges (Cont'd)

(10.3) High Capacity Term Pricing Plan (HC-TPP) (Cont'd) (N)
3 Year

USOC Monthly Rate

(c) Multiplexing (Cont'd)

Per arrangement

DS0 to Subrates

Up to 5 9.6 kbps services

QSU96

Zone 1 - AR	\$200.30
Zone 2 - AR	\$200.30
Zone 3 - AR	\$200.30
Zone 1 - KS	\$200.30
Zone 2 - KS	\$200.30
Zone 3 - KS	\$200.30
Zone 1 - MO	\$200.30
Zone 2 - MO	\$200.30
Zone 3 - MO	\$200.30
Zone 1 - OK	\$200.30
Zone 2 - OK	\$200.30
Zone 3 - OK	\$200.30
Zone 1 - TX	\$200.30
Zone 2 - TX	\$200.30
Zone 3 - TX	\$200.30

Nonrecurring Charge

Zone 1 - AR	\$ 0.00
Zone 2 - AR	\$ 0.00
Zone 3 - AR	\$ 0.00
Zone 1 - KS	\$ 0.00
Zone 2 - KS	\$ 0.00
Zone 3 - KS	\$ 0.00
Zone 1 - MO	\$ 0.00
Zone 2 - MO	\$ 0.00
Zone 3 - MO	\$ 0.00
Zone 1 - OK	\$ 0.00
Zone 2 - OK	\$ 0.00
Zone 3 - OK	\$ 0.00
Zone 1 - TX	\$ 0.00
Zone 2 - TX	\$ 0.00
Zone 3 - TX	\$ 0.00

(N)

(This page filed under Transmittal No. 2896)

ACCESS SERVICE

7. Special Access Service (Cont'd)

7.3 Service Descriptions, Rates and Charges (Cont'd)

7.3.10 High Capacity Service (Cont'd)

(F) Rates and Charges (Cont'd)

(10.3) High Capacity Term Pricing Plan (HC-TPP) (Cont'd)

(N)

	<u>USOC</u>	<u>5 Year Monthly Rate</u>
(c) <u>Multiplexing</u> (Cont'd)		

Per arrangement

DS0 to Subrates

Up to 5 9.6 kbps
services

QSU96

Zone 1 - AR	\$188.20
Zone 2 - AR	\$188.20
Zone 3 - AR	\$188.20
Zone 1 - KS	\$188.20
Zone 2 - KS	\$188.20
Zone 3 - KS	\$188.20
Zone 1 - MO	\$188.20
Zone 2 - MO	\$188.20
Zone 3 - MO	\$188.20
Zone 1 - OK	\$188.20
Zone 2 - OK	\$188.20
Zone 3 - OK	\$188.20
Zone 1 - TX	\$188.20
Zone 2 - TX	\$188.20
Zone 3 - TX	\$188.20

Nonrecurring Charge

Zone 1 - AR	\$ 0.00
Zone 2 - AR	\$ 0.00
Zone 3 - AR	\$ 0.00
Zone 1 - KS	\$ 0.00
Zone 2 - KS	\$ 0.00
Zone 3 - KS	\$ 0.00
Zone 1 - MO	\$ 0.00
Zone 2 - MO	\$ 0.00
Zone 3 - MO	\$ 0.00
Zone 1 - OK	\$ 0.00
Zone 2 - OK	\$ 0.00
Zone 3 - OK	\$ 0.00
Zone 1 - TX	\$ 0.00
Zone 2 - TX	\$ 0.00
Zone 3 - TX	\$ 0.00

(N)

(This page filed under Transmittal No. 2896)

ACCESS SERVICE

7. Special Access Service (Cont'd)

7.3 Service Descriptions, Rates and Charges (Cont'd)

7.3.10 High Capacity Service (Cont'd)

(F) Rates and Charges (Cont'd)

(10.3) High Capacity Term Pricing Plan (HC-TPP) (Cont'd)

	<u>USOC</u>	<u>3 Year Monthly Rate</u>	
(c) <u>Multiplexing</u> (Cont'd)			
Per arrangement			(C)
DS1 ⁽¹⁾ to DS0	QMU		
Zone 1 - AR		\$162.00	
Zone 2 - AR		\$162.00	
Zone 3 - AR		\$162.00	
Zone 1 - KS		\$162.00	
Zone 2 - KS		\$162.00	
Zone 3 - KS		\$162.00	
Zone 1 - MO		\$162.00	
Zone 2 - MO		\$162.00	
Zone 3 - MO		\$162.00	
Zone 1 - OK		\$162.00	
Zone 2 - OK		\$162.00	
Zone 3 - OK		\$162.00	
Zone 1 - TX		\$162.00	
Zone 2 - TX		\$162.00	
Zone 3 - TX		\$162.00	
		<u>Nonrecurring Charge</u>	
Zone 1 - AR		\$ 0.00	
Zone 2 - AR		\$ 0.00	
Zone 3 - AR		\$ 0.00	
Zone 1 - KS		\$ 0.00	
Zone 2 - KS		\$ 0.00	
Zone 3 - KS		\$ 0.00	
Zone 1 - MO		\$ 0.00	
Zone 2 - MO		\$ 0.00	
Zone 3 - MO		\$ 0.00	
Zone 1 - OK		\$ 0.00	
Zone 2 - OK		\$ 0.00	
Zone 3 - OK		\$ 0.00	
Zone 1 - TX		\$ 0.00	
Zone 2 - TX		\$ 0.00	
Zone 3 - TX		\$ 0.00	

(1) Effective May 17, 2003, High Capacity Service (1.544 Mbps) Term Pricing Plan service will no longer be available to new customers. There will be no change to existing customers. Refer to section 7.2.20 for conversion options.

(N)
(N)
(N)

(This page filed under Transmittal No. 2948)

ACCESS SERVICE

7. Special Access Service (Cont'd)

7.3 Service Descriptions, Rates and Charges (Cont'd)

7.3.10 High Capacity Service (Cont'd)

(F) Rates and Charges (Cont'd)

(10.3) High Capacity Term Pricing Plan (HC-TPP) (Cont'd)

	<u>USOC</u>	<u>5 Year Monthly Rate</u>	
(c) <u>Multiplexing</u> (Cont'd)			
Per arrangement			(C)
DS1 ⁽¹⁾ to DS0	QMU		
Zone 1 - AR		\$153.00	
Zone 2 - AR		\$153.00	
Zone 3 - AR		\$153.00	
Zone 1 - KS		\$153.00	
Zone 2 - KS		\$153.00	
Zone 3 - KS		\$153.00	
Zone 1 - MO		\$153.00	
Zone 2 - MO		\$153.00	
Zone 3 - MO		\$153.00	
Zone 1 - OK		\$153.00	
Zone 2 - OK		\$153.00	
Zone 3 - OK		\$153.00	
Zone 1 - TX		\$153.00	
Zone 2 - TX		\$153.00	
Zone 3 - TX		\$153.00	
		<u>Nonrecurring Charge</u>	
Zone 1 - AR		\$ 0.00	
Zone 2 - AR		\$ 0.00	
Zone 3 - AR		\$ 0.00	
Zone 1 - KS		\$ 0.00	
Zone 2 - KS		\$ 0.00	
Zone 3 - KS		\$ 0.00	
Zone 1 - MO		\$ 0.00	
Zone 2 - MO		\$ 0.00	
Zone 3 - MO		\$ 0.00	
Zone 1 - OK		\$ 0.00	
Zone 2 - OK		\$ 0.00	
Zone 3 - OK		\$ 0.00	
Zone 1 - TX		\$ 0.00	
Zone 2 - TX		\$ 0.00	
Zone 3 - TX		\$ 0.00	

(1) Effective May 17, 2003, High Capacity Service (1.544 Mbps) Term Pricing Plan service will no longer be available to new customers. There will be no change to existing customers. Refer to section 7.2.20 for conversion options.

(N)
(N)
(N)

(This page filed under Transmittal No. 2948)

Issued: May 2, 2003

Effective: May 17, 2003

Four AT&T Plaza, Dallas, Texas 75202

ACCESS SERVICE

7. Special Access Service (Cont'd)

7.3 Service Descriptions, Rates and Charges (Cont'd)

7.3.10 High Capacity Service (Cont'd)

(F) Rates and Charges (Cont'd)

(10.3) High Capacity Term Pricing Plan (HC-TPP) (Cont'd)

	<u>USOC</u>	<u>3 Year Monthly Rate</u>	
(c) <u>Multiplexing</u> (Cont'd)			
Per arrangement			
	DS1 ⁽¹⁾ to Voice	MQ1	(C)
	Zone 1 - AR	\$162.00	
	Zone 2 - AR	\$162.00	
	Zone 3 - AR	\$162.00	
	Zone 1 - KS	\$162.00	
	Zone 2 - KS	\$162.00	
	Zone 3 - KS	\$162.00	
	Zone 1 - MO	\$162.00	
	Zone 2 - MO	\$162.00	
	Zone 3 - MO	\$162.00	
	Zone 1 - OK	\$162.00	
	Zone 2 - OK	\$162.00	
	Zone 3 - OK	\$162.00	
	Zone 1 - TX	\$162.00	
	Zone 2 - TX	\$162.00	
	Zone 3 - TX	\$162.00	
		<u>Nonrecurring Charge</u>	
	Zone 1 - AR	\$ 0.00	
	Zone 2 - AR	\$ 0.00	
	Zone 3 - AR	\$ 0.00	
	Zone 1 - KS	\$ 0.00	
	Zone 2 - KS	\$ 0.00	
	Zone 3 - KS	\$ 0.00	
	Zone 1 - MO	\$ 0.00	
	Zone 2 - MO	\$ 0.00	
	Zone 3 - MO	\$ 0.00	
	Zone 1 - OK	\$ 0.00	
	Zone 2 - OK	\$ 0.00	
	Zone 3 - OK	\$ 0.00	
	Zone 1 - TX	\$ 0.00	
	Zone 2 - TX	\$ 0.00	
	Zone 3 - TX	\$ 0.00	(N)

(1) Effective May 17, 2003, High Capacity Service (1.544 Mbps) Term Pricing Plan service will no longer be available to new customers. There will be no change to existing customers. Refer to section 7.2.20 for conversion options. (N)

(This page filed under Transmittal No. 2948)

ACCESS SERVICE

7. Special Access Service (Cont'd)7.3 Service Descriptions, Rates and Charges (Cont'd)7.3.10 High Capacity Service (Cont'd)(F) Rates and Charges (Cont'd)(10.3) High Capacity Term Pricing Plan (HC-TPP) (Cont'd)

	<u>USOC</u>	<u>5 Year Monthly Rate</u>
(c) <u>Multiplexing</u> (Cont'd)		
Per arrangement		
DS1 ⁽¹⁾ to Voice	MQ1	
Zone 1 - AR		\$153.00
Zone 2 - AR		\$153.00
Zone 3 - AR		\$153.00
Zone 1 - KS		\$153.00
Zone 2 - KS		\$153.00
Zone 3 - KS		\$153.00
Zone 1 - MO		\$153.00
Zone 2 - MO		\$153.00
Zone 3 - MO		\$153.00
Zone 1 - OK		\$153.00
Zone 2 - OK		\$153.00
Zone 3 - OK		\$153.00
Zone 1 - TX		\$153.00
Zone 2 - TX		\$153.00
Zone 3 - TX		\$153.00
		<u>Nonrecurring Charge</u>
Zone 1 - AR		\$ 0.00
Zone 2 - AR		\$ 0.00
Zone 3 - AR		\$ 0.00
Zone 1 - KS		\$ 0.00
Zone 2 - KS		\$ 0.00
Zone 3 - KS		\$ 0.00
Zone 1 - MO		\$ 0.00
Zone 2 - MO		\$ 0.00
Zone 3 - MO		\$ 0.00
Zone 1 - OK		\$ 0.00
Zone 2 - OK		\$ 0.00
Zone 3 - OK		\$ 0.00
Zone 1 - TX		\$ 0.00
Zone 2 - TX		\$ 0.00
Zone 3 - TX		\$ 0.00

- (1) Effective May 17, 2003, High Capacity Service (1.544 Mbps) Term Pricing Plan service will no longer be available to new customers. There will be no change to existing customers. Refer to section 7.2.20 for conversion options.

(This page filed under Transmittal No. 2948)

Issued: May 2, 2003

Effective: May 17, 2003

Four AT&T Plaza, Dallas, Texas 75202

ACCESS SERVICE

7. Special Access Service (Cont'd)

7.3 Service Descriptions, Rates and Charges (Cont'd)

7.3.10 High Capacity Service (Cont'd)

(F) Rates and Charges (Cont'd)

(10.3) High Capacity Term Pricing Plan (HC-TPP) (Cont'd)

(d) <u>SecureNet - Missouri</u>	<u>3 Year Monthly Rate</u>	<u>Nonrecurring Charge</u>
Per Channel Termination		
Hub Redundancy (R16AA)	\$167.02	\$1,422.00
Serving Wire Center and Facility Redundancy (R18AB)	\$ 0.00	\$ 0.00

<u>SecureNet - Missouri</u>	<u>5 Year Monthly Rate</u>	<u>Nonrecurring Charge</u>
Per Channel Termination		
Hub Redundancy (R16AA)	\$157.74	\$1,422.00
Serving Wire Center and Facility Redundancy (R18AB)	\$ 0.00	\$ 0.00

		<u>Monthly Rate</u>		<u>Nonrecurring Charges</u>	
		<u>Fixed</u>	<u>Per Mile</u>	<u>1st Ckt.</u>	<u>Addl Ckt.</u>
(e) <u>Collocation Transport</u>					
3 Year ⁽¹⁾					
1.544 Mbps	(1H48S)	\$39.00 (R)	\$12.25 (R)	\$ 0.00 (R)	\$ 0.00 (R)
5 Year					
1.544 ⁽¹⁾ Mbps	(1H48S)	\$34.00 (R)	\$ 8.85 (R)	\$ 0.00	\$ 0.00

(1) Effective May 17, 2003, High Capacity Service (1.544 Mbps) Term Pricing Plan service will no longer be available to new customers. There will be no change to existing customers. Refer to section 7.2.20 for conversion options.

Rates contained in this transmittal are subject to subsequent adjustment, effective retrospectively, in the event the Commission or a court subsequently authorizes Southwestern Bell Telephone Company to correct its rates pursuant to pending motions, or petitions for reconsideration or waiver, or in the event of any other adjustment to an order of the Commission or a court.

(This page filed under Transmittal No. 2952)

ACCESS SERVICE

7. Special Access Service (Cont'd)

7.3 Service Descriptions, Rates and Charges (Cont'd)

7.3.10 High Capacity Service (Cont'd)

(F) Rates and Charges (Cont'd)

(10.4) DS1 Term Payment Plan

Rates and charges for the DS1 Term Payment Plan ⁽¹⁾

(N)

(1) Channel Termination

- Per Point of Termination

USOC	1 Year	2 Year	3 Year	5 year	7 year
TMECS ZN1	\$160.00	\$145.00	\$112.00	\$ 92.00	\$ 90.00
TMECS ZN2	\$170.00	\$155.00	\$116.00	\$100.00	\$ 95.00
TMECS ZN3	\$180.00	\$170.00	\$125.00	\$110.00	\$105.00

(2) Channel Mileage

- Fixed

USOC	1 Year	2 Year	3 Year	5 year	7 year
1L5XX ZN1	\$50.00	\$45.00	\$39.00	\$34.00	\$32.50
1L5XX ZN2	\$55.00	\$50.00	\$42.50	\$37.50	\$35.00
1L5XX ZN3	\$57.50	\$55.00	\$45.00	\$40.00	\$37.50

- Per Mile

USOC	1 Year	2 Year	3 Year	5 year	7 year
1L5XX ZN1	\$14.50	\$14.00	\$13.00	\$10.00	\$ 9.50
1L5XX ZN2	\$15.00	\$14.50	\$13.50	\$10.50	\$10.00
1L5XX ZN3	\$15.25	\$15.00	\$14.00	\$11.00	\$10.50

(3) Central Office Multiplexing DS1 to DS0 voice/digital

- Per arrangement

USOC	1 Year	2 Year	3 Year	5 year	7 year
MQ1/QMU ZN1	\$180.00	\$175.00	\$170.00	\$165.00(I)	\$150.00
MQ1/QMU ZN2	\$182.50	\$180.00	\$175.00	\$170.00(I)	\$155.00
MQ1/QMU ZN3	\$187.50	\$185.00	\$180.00	\$175.00(I)	\$160.00

(4) Collocation Transport

- Channel Mileage

- Fixed

USOC	1 Year	2 Year	3 Year	5 year	7 year
1H48S ZN1	\$50.00	\$45.00	\$39.00	\$34.00	\$32.50
1H48S ZN2	\$55.00	\$50.00	\$42.50	\$37.50	\$35.00
1H48S ZN3	\$57.50	\$55.00	\$45.00	\$40.00	\$37.50

⁽¹⁾ Effective on September 13, 2017, DS1 TPP 5- and 7-year Payment Plans are no longer available, including for any otherwise available conversions. Circuits already subject to a DS1 TPP 5- or 7-year Payment Plan, as of September 13, 2017, will continue to be provided under the then-current DS1 TPP 5- or 7-year Payment Plan term for the remainder of that term.

(N)

(N)

(This page filed under Transmittal No. 3445)

ACCESS SERVICE

7. Special Access Service (Cont'd)

7.3 Service Descriptions, Rates and Charges (Cont'd)

7.3.10 High Capacity Service (Cont'd)

(F) Rates and Charges (Cont'd)

(10.4) DS1 Term Payment Plan (Cont'd)

(4) Collocation Transport (Cont'd)

- Per Mile

USOC	1 Year	2 Year	3 Year	5 Year	7 Year	(Tx)
1H48S ZN1	\$14.50	\$14.00	\$13.00	\$10.00	\$ 9.00	
1H48S ZN2	\$15.00	\$14.50	\$13.50	\$10.50	\$10.00	
1H48S ZN3	\$15.25	\$15.00	\$14.00	\$11.00	\$10.50	

(5) Nonrecurring Charges - One Time Charges

- Per point of channel termination

USOC	DESCRIPTION	RATE
TMECS	Channel Termination Nonrecurring Charge	\$ 900.00
1H48S	Collocation Transport Nonrecurring Charge	

NOTE: Channel Termination Installation Charges and Collocation Transport Nonrecurring Charges are waived on new installations of DS1 High Capacity Service with a 2, 3, 5, or 7 year DS1 TPP. (Tx)

(Tx)
 (Tx)

(x) Issued under authority of Special Permission No. 14-001 of the FCC in order to withdraw material filed under Transmittal No. 3383 and suspended under Order DA-13-2349, released December 9, 2013, without its becoming effective and to restore currently effective material.

(This page filed under Transmittal No. 3386)

ACCESS SERVICE

7. Special Access Service (Cont'd)7.3 Service Descriptions, Rates and Charges (Cont'd)7.3.10 High Capacity Service (Cont'd)(F) Rates and Charges (Cont'd)(11) Optional Payment Plan **Rates Effective: 04/02/90**

(a) <u>Channel Termination</u> (TMECS)	3 Year Monthly Rate		5 Year Monthly Rate	
	<u>Fixed</u>	<u>Per Mile</u>	<u>Fixed</u>	<u>Per Mile</u>
Per point of termination				
1.544 Mbps	\$157.48		\$149.61	
(b) <u>Channel Mileage</u>				
1.544 Mbps (1L5XX)				
0 miles	\$ 0.00	\$ 0.00	\$ 0.00	\$ 0.00
Over 0 miles	\$ 60.55	\$ 40.69	\$ 57.52	\$ 38.66
64 kbps				
0 miles (1L5TC)	\$ 0.00	\$ 0.00	\$ 0.00	\$ 0.00
Over 0 miles (1L5XX)	\$ 6.75	\$ 2.02	\$ 6.41	\$ 1.92

(This page filed under Transmittal No. 2492)

Issued: August 22, 1995

Effective: October 6, 1995

Four AT&T Plaza, Dallas, Texas 75202

ACCESS SERVICE

7. Special Access Service (Cont'd)

7.3 Service Descriptions, Rates and Charges (Cont'd)

7.3.10 High Capacity Service (Cont'd)

(F) Rates and Charges (Cont'd)

(11) Optional Payment Plan **Rates Effective: 04/02/90**
 (Cont'd)

	3 Year		5 Year	
	Fixed	Per Mile	Fixed	Per Mile
(c) <u>Service to Service Through Connect Arrangement</u>				
High Capacity Service Arrangement-1.544 Mbps (DS1) (THA)	\$	0.00	\$	0.00
Multiplexed Service Arrangement-1.544 Mbps (DS1) (THK)	\$	0.00	\$	0.00

(d)

(D)
 |
 (D)

(D)
 |
 (D)

(This page filed under Transmittal No. 3317)

ACCESS SERVICE

7. Special Access Service (Cont'd)7.3 Service Descriptions, Rates and Charges (Cont'd)7.3.10 High Capacity Service (Cont'd)(F) Rates and Charges (Cont'd)(11) Optional Payment Plan **Rates Effective: 04/02/90**
(Cont'd)

	3 Year		5 Year	
	Fixed	Per Mile	Fixed	Per Mile
(e) <u>Multiplexing</u>				
Per arrangement				
DS0 to Subrates				
Up to 20 2.4 kbps services (QSU24)	\$124.82		\$118.58	
Up to 10 4.8 kbps services (QSU48)	\$247.33		\$234.96	
Up to 5 9.6 kbps services (QSU96)	\$472.48		\$448.86	
DS1 to DS0 (QMU)	\$168.84		\$160.40	
DS1 to Voice (MQ1)	\$168.84		\$160.40	
(f) <u>Clear Channel Capability</u> (CLR)				
Per channel termination	\$ 27.10		\$ 25.75	

(This page filed under Transmittal No. 2492)

Issued: August 22, 1995

Effective: October 6, 1995

Four AT&T Plaza, Dallas, Texas 75202

ACCESS SERVICE

7. Special Access Service (Cont'd)7.3 Service Descriptions, Rates and Charges (Cont'd)7.3.10 High Capacity Service (Cont'd)(F) Rates and Charges (Cont'd)(11) Optional Payment Plan **Rates Effective: 04/02/90**
(Cont'd)

	3 Year		5 Year	
	Fixed	Per Mile	Fixed	Per Mile
(g) <u>Transfer Arrangement, Key Activated</u> * (USV)				
Per four port arrangement including control channel termination ** \$154.88				\$147.14

* The key activated control channel is rated as a Metallic Channel Termination (use USOC T6EME in lieu of T6ECS) and Channel Mileage, if applicable (use USOC 1L5MX in lieu of 1L5XX).

** An additional Channel Termination charge will apply whenever a spare channel is configured as a leg to the customer's premises. Additional channel mileage will also apply when the transfer arrangement is not located in the customer premises serving wire center.

(This page filed under Transmittal No. 2492)

Issued: August 22, 1995

Effective: October 6, 1995

Four AT&T Plaza, Dallas, Texas 75202

ACCESS SERVICE

7. Special Access Service (Cont'd)7.3 Service Descriptions, Rates and Charges (Cont'd)7.3.10 High Capacity Service (Cont'd)(F) Rates and Charges (Cont'd)(12) Optional Payment Plan **Rates Effective: 07/01/90**

(a) <u>Channel Termination</u> (TMECS)	3 Year Monthly Rate		5 Year Monthly Rate	
	<u>Fixed</u>	<u>Per Mile</u>	<u>Fixed</u>	<u>Per Mile</u>
Per point of termination				
1.544 Mbps	\$168.27		\$159.86	
(b) <u>Channel Mileage</u>				
1.544 Mbps (1L5XX)				
0 miles	\$ 0.00	\$ 0.00	\$ 0.00	\$ 0.00
Over 0 miles	\$ 64.70	\$ 27.08	\$ 61.46	\$ 25.73
64 kbps				
0 miles (1L5TC)	\$ 0.00	\$ 0.00	\$ 0.00	\$ 0.00
Over 0 miles (1L5XX)	\$ 8.20	\$ 1.16	\$ 7.79	\$ 1.10

(This page filed under Transmittal No. 2492)

Issued: August 22, 1995

Effective: October 6, 1995

Four AT&T Plaza, Dallas, Texas 75202

ACCESS SERVICE

7. Special Access Service (Cont'd)

7.3 Service Descriptions, Rates and Charges (Cont'd)

7.3.10 High Capacity Service (Cont'd)

(F) Rates and Charges (Cont'd)

(12) Optional Payment Plan **Rates Effective: 07/01/90**
 (Cont'd)

	3 Year		5 Year	
	Fixed	Per Mile	Fixed	Per Mile
(c) <u>Service to Service Through Connect Arrangement</u>				
High Capacity Service Arrangement-1.544 Mbps (DS1) (THA)	\$ 0.00		\$ 0.00	
Multiplexed Service Arrangement-1.544 Mbps (DS1) (THK)	\$ 0.00		\$ 0.00	

(d)

(D)
 |
 (D)

(D)
 |
 (D)

(This page filed under Transmittal No. 3317)

ACCESS SERVICE

7. Special Access Service (Cont'd)7.3 Service Descriptions, Rates and Charges (Cont'd)7.3.10 High Capacity Service (Cont'd)(F) Rates and Charges (Cont'd)(12) Optional Payment Plan **Rates Effective: 07/01/90**
(Cont'd)

	3 Year		5 Year	
	Fixed	Per Mile	Fixed	Per Mile
(e) <u>Multiplexing</u>				
Per arrangement				
DS0 to Subrates				
Up to 20 2.4 kbps services (QSU24)	\$131.02		\$124.47	
Up to 10 4.8 kbps services (QSU48)	\$120.13		\$114.12	
Up to 5 9.6 kbps services (QSU96)	\$229.48		\$218.01	
DS1 to DS0 (QMU)	\$180.40		\$171.38	
DS1 to Voice (MQ1)	\$180.40		\$171.38	
(f) <u>Clear Channel Capability</u> (CLR)				
Per channel termination	\$ 27.10		\$ 25.75	

(This page filed under Transmittal No. 2492)

Issued: August 22, 1995

Effective: October 6, 1995

Four AT&T Plaza, Dallas, Texas 75202

ACCESS SERVICE

7. Special Access Service (Cont'd)7.3 Service Descriptions, Rates and Charges (Cont'd)7.3.10 High Capacity Service (Cont'd)(F) Rates and Charges (Cont'd)(12) Optional Payment Plan **Rates Effective: 07/01/90**
(Cont'd)

	3 Year		5 Year	
	Fixed	Per Mile	Fixed	Per Mile
(g) <u>Transfer Arrangement, Key Activated</u> * (USV)				
Per four port arrangement including control channel termination ** \$188.06				\$178.66

* The key activated control channel is rated as a Metallic Channel Termination (use USOC T6EME in lieu of T6ECS) and Channel Mileage, if applicable (use USOC 1L5MX in lieu of 1L5XX).

** An additional Channel Termination charge will apply whenever a spare channel is configured as a leg to the customer's premises. Additional channel mileage will also apply when the transfer arrangement is not located in the customer premises serving wire center.

(This page filed under Transmittal No. 2492)

Issued: August 22, 1995

Effective: October 6, 1995

Four AT&T Plaza, Dallas, Texas 75202

ACCESS SERVICE

7. Special Access Service (Cont'd)7.3 Service Descriptions, Rates and Charges (Cont'd)7.3.10 High Capacity Service (Cont'd)(F) Rates and Charges (Cont'd)(13) Optional Payment Plan **Rates Effective: 01/01/91**

(a) <u>Channel Termination</u> (TMECS)	3 Year Monthly Rate		5 Year Monthly Rate	
	<u>Fixed</u>	<u>Per Mile</u>	<u>Fixed</u>	<u>Per Mile</u>
Per point of termination				
1.544 Mbps	\$164.35		\$156.13	
(b) <u>Channel Mileage</u>				
1.544 Mbps (1L5XX)				
0 miles	\$ 0.00	\$ 0.00	\$ 0.00	\$ 0.00
Over 0 miles	\$ 63.19	\$ 26.45	\$ 60.03	\$ 25.13
64 kbps				
0 miles (1L5TC)	\$ 0.00	\$ 0.00	\$ 0.00	\$ 0.00
Over 0 miles (1L5XX)	\$ 8.01	\$ 1.13	\$ 7.61	\$ 1.07

(This page filed under Transmittal No. 2492)

Issued: August 22, 1995

Effective: October 6, 1995

Four AT&T Plaza, Dallas, Texas 75202

ACCESS SERVICE

7. Special Access Service (Cont'd)

7.3 Service Descriptions, Rates and Charges (Cont'd)

7.3.10 High Capacity Service (Cont'd)

(F) Rates and Charges (Cont'd)

(13) Optional Payment Plan **Rates Effective: 01/01/91**
 (Cont'd)

	3 Year		5 Year	
	Fixed	Per Mile	Fixed	Per Mile
(c) <u>Service to Service Through Connect Arrangement</u>				
High Capacity Service Arrangement-1.544 Mbps (DS1) (THA)	\$ 0.00		\$ 0.00	
Multiplexed Service Arrangement-1.544 Mbps (DS1) (THK)	\$ 0.00		\$ 0.00	

(d)

(D)
 |
 (D)

(D)
 |
 (D)

(This page filed under Transmittal No. 3317)

ACCESS SERVICE

7. Special Access Service (Cont'd)7.3 Service Descriptions, Rates and Charges (Cont'd)7.3.10 High Capacity Service (Cont'd)(F) Rates and Charges (Cont'd)(13) Optional Payment Plan **Rates Effective: 01/01/91**
(Cont'd)

	3 Year Monthly Rate		5 Year Monthly Rate	
	<u>Fixed</u>	<u>Per Mile</u>	<u>Fixed</u>	<u>Per Mile</u>
(e) <u>Multiplexing</u>				
Per arrangement				
DS0 to Subrates				
Up to 20 2.4 kbps services (QSU24)	\$127.96		\$121.57	
Up to 10 4.8 kbps services (QSU48)	\$117.33		\$111.46	
Up to 5 9.6 kbps services (QSU96)	\$224.13		\$212.93	
DS1 to DS0 (QMU)	\$176.19		\$167.38	
DS1 to Voice (MQ1)	\$176.19		\$167.38	
(f) <u>Clear Channel Capability</u> (CLR)				
Per channel termination	\$ 26.47		\$ 25.15	

(This page filed under Transmittal No. 2492)

Issued: August 22, 1995

Effective: October 6, 1995

Four AT&T Plaza, Dallas, Texas 75202

ACCESS SERVICE

7. Special Access Service (Cont'd)7.3 Service Descriptions, Rates and Charges (Cont'd)7.3.10 High Capacity Service (Cont'd)(F) Rates and Charges (Cont'd)(13) Optional Payment Plan **Rates Effective: 01/01/91**
(Cont'd)

	3 Year		5 Year	
	Fixed	Per Mile	Fixed	Per Mile
(g) <u>Transfer Arrangement, Key Activated</u> * (USV)				
Per four port arrangement including control channel termination **	\$183.67		\$174.49	

* The key activated control channel is rated as a Metallic Channel Termination (use USOC T6EME in lieu of T6ECS) and Channel Mileage, if applicable (use USOC 1L5MX in lieu of 1L5XX).

** An additional Channel Termination charge will apply whenever a spare channel is configured as a leg to the customer's premises. Additional channel mileage will also apply when the transfer arrangement is not located in the customer premises serving wire center.

(This page filed under Transmittal No. 2492)

Issued: August 22, 1995

Effective: October 6, 1995

Four AT&T Plaza, Dallas, Texas 75202

ACCESS SERVICE

7. Special Access Service (Cont'd)7.3 Service Descriptions, Rates and Charges (Cont'd)7.3.10 High Capacity Service (Cont'd)(F) Rates and Charges (Cont'd)(14) Optional Payment Plan **Rates Effective: 07/01/91**

(a) <u>Channel Termination</u> (TMECS)	3 Year Monthly Rate		5 Year Monthly Rate	
	<u>Fixed</u>	<u>Per Mile</u>	<u>Fixed</u>	<u>Per Mile</u>
Per point of termination				
1.544 Mbps	\$164.35		\$156.13	
(b) <u>Channel Mileage</u>				
1.544 Mbps (1L5XX)				
0 miles	\$ 0.00	\$ 0.00	\$ 0.00	\$ 0.00
Over 0 miles	\$ 63.19	\$ 26.45	\$ 60.03	\$ 25.13
64 kbps				
0 miles (1L5TC)	\$ 0.00	\$ 0.00	\$ 0.00	\$ 0.00
Over 0 miles (1L5XX)	\$ 8.01	\$ 1.13	\$ 7.61	\$ 1.07

(This page filed under Transmittal No. 2492)

Issued: August 22, 1995

Effective: October 6, 1995

Four AT&T Plaza, Dallas, Texas 75202

ACCESS SERVICE

7. Special Access Service (Cont'd)

7.3 Service Descriptions, Rates and Charges (Cont'd)

7.3.10 High Capacity Service (Cont'd)

(F) Rates and Charges (Cont'd)

(14) Optional Payment Plan **Rates Effective: 07/01/91**
 (Cont'd)

	3 Year		5 Year	
	Fixed	Per Mile	Fixed	Per Mile
(c) <u>Service to Service Through Connect Arrangement</u>				
High Capacity Service Arrangement-1.544 Mbps (DS1) (THA)	\$ 0.00		\$ 0.00	
Multiplexed Service Arrangement-1.544 Mbps (DS1) (THK)	\$ 0.00		\$ 0.00	

(d)

(D)
 |
 (D)

(D)
 |
 (D)

(This page filed under Transmittal No. 3317)

ACCESS SERVICE

7. Special Access Service (Cont'd)7.3 Service Descriptions, Rates and Charges (Cont'd)7.3.10 High Capacity Service (Cont'd)(F) Rates and Charges (Cont'd)(14) Optional Payment Plan **Rates Effective: 07/01/91**
(Cont'd)

	3 Year		5 Year	
	Fixed	Per Mile	Fixed	Per Mile
(e) <u>Multiplexing</u>				
Per arrangement				
DS0 to Subrates				
Up to 20 2.4 kbps services (QSU24)	\$127.96		\$121.56	
Up to 10 4.8 kbps services (QSU48)	\$117.33		\$111.46	
Up to 5 9.6 kbps services (QSU96)	\$224.13		\$212.92	
DS1 to DS0 (QMU)	\$176.19		\$167.38	
DS1 to Voice (MQ1)	\$176.19		\$167.38	
(f) <u>Clear Channel Capability</u> (CLR)				
Per channel termination	\$ 30.00		\$ 28.50	

(This page filed under Transmittal No. 2492)

Issued: August 22, 1995

Effective: October 6, 1995

Four AT&T Plaza, Dallas, Texas 75202

ACCESS SERVICE

7. Special Access Service (Cont'd)7.3 Service Descriptions, Rates and Charges (Cont'd)7.3.10 High Capacity Service (Cont'd)(F) Rates and Charges (Cont'd)(14) Optional Payment Plan **Rates Effective: 07/01/91**
(Cont'd)

	3 Year		5 Year	
	Fixed	Per Mile	Fixed	Per Mile
(g) <u>Transfer Arrangement, Key Activated</u> * (USV)				
Per four port arrangement including control channel termination **	\$183.67		\$174.49	

* The key activated control channel is rated as a Metallic Channel Termination (use USOC T6EME in lieu of T6ECS) and Channel Mileage, if applicable (use USOC 1L5MX in lieu of 1L5XX).

** An additional Channel Termination charge will apply whenever a spare channel is configured as a leg to the customer's premises. Additional channel mileage will also apply when the transfer arrangement is not located in the customer premises serving wire center.

(This page filed under Transmittal No. 2492)

Issued: August 22, 1995

Effective: October 6, 1995

Four AT&T Plaza, Dallas, Texas 75202

ACCESS SERVICE

7. Special Access Service (Cont'd)7.3 Service Descriptions, Rates and Charges (Cont'd)7.3.10 High Capacity Service (Cont'd)(F) Rates and Charges (Cont'd)(15) Optional Payment Plan **Rates Effective: 07/24/91**

(a) <u>Channel Termination</u> (TMECS)	3 Year Monthly Rate		5 Year Monthly Rate	
	<u>Fixed</u>	<u>Per Mile</u>	<u>Fixed</u>	<u>Per Mile</u>
Per point of termination				
1.544 Mbps	\$164.35		\$156.13	
(b) <u>Channel Mileage</u>				
1.544 Mbps (1L5XX)				
0 miles	\$ 0.00	\$ 0.00	\$ 0.00	\$ 0.00
Over 0 miles	\$ 63.19	\$ 26.45	\$ 60.03	\$ 25.13
64 kbps				
0 miles (1L5TC)	\$ 0.00	\$ 0.00	\$ 0.00	\$ 0.00
Over 0 miles (1L5XX)	\$ 8.01	\$ 1.13	\$ 7.61	\$ 1.07

(This page filed under Transmittal No. 2492)

Issued: August 22, 1995

Effective: October 6, 1995

Four AT&T Plaza, Dallas, Texas 75202

ACCESS SERVICE

7. Special Access Service (Cont'd)

7.3 Service Descriptions, Rates and Charges (Cont'd)

7.3.10 High Capacity Service (Cont'd)

(F) Rates and Charges (Cont'd)

(15) Optional Payment Plan **Rates Effective: 07/24/91**
 (Cont'd)

	3 Year		5 Year	
	Fixed	Per Mile	Fixed	Per Mile
(c) <u>Service to Service Through Connect Arrangement</u>				
High Capacity Service Arrangement-1.544 Mbps (DS1) (THA)	\$ 0.00		\$ 0.00	
Multiplexed Service Arrangement-1.544 Mbps (DS1) (THK)	\$ 0.00		\$ 0.00	

(d)

(D)
 |
 (D)

(D)
 |
 (D)

(This page filed under Transmittal No. 3317)

ACCESS SERVICE

7. Special Access Service (Cont'd)7.3 Service Descriptions, Rates and Charges (Cont'd)7.3.10 High Capacity Service (Cont'd)(F) Rates and Charges (Cont'd)(15) Optional Payment Plan **Rates Effective: 07/24/91**
(Cont'd)

	3 Year Monthly Rate		5 Year Monthly Rate	
	<u>Fixed</u>	<u>Per Mile</u>	<u>Fixed</u>	<u>Per Mile</u>
(e) <u>Multiplexing</u>				
Per arrangement				
DS0 to Subrates				
Up to 20 2.4 kbps services (QSU24)	\$127.96		\$121.56	
Up to 10 4.8 kbps services (QSU48)	\$117.33		\$111.46	
Up to 5 9.6 kbps services (QSU96)	\$224.13		\$212.92	
DS1 to DS0 (QMU)	\$176.19		\$167.38	
DS1 to Voice (MQ1)	\$176.19		\$167.38	
(f) <u>Clear Channel Capability</u> (CLR)				
Per channel termination	\$ 30.00		\$ 28.50	

(This page filed under Transmittal No. 2492)

Issued: August 22, 1995

Effective: October 6, 1995

Four AT&T Plaza, Dallas, Texas 75202

ACCESS SERVICE

7. Special Access Service (Cont'd)7.3 Service Descriptions, Rates and Charges (Cont'd)7.3.10 High Capacity Service (Cont'd)(F) Rates and Charges (Cont'd)(15) Optional Payment Plan **Rates Effective: 07/24/91**
(Cont'd)

	3 Year		5 Year	
	Fixed	Per Mile	Fixed	Per Mile
(g) <u>Transfer Arrangement, Key Activated</u> * (USV)				
Per four port arrangement including control channel termination **	\$183.67		\$174.49	

* The key activated control channel is rated as a Metallic Channel Termination (use USOC T6EME in lieu of T6ECS) and Channel Mileage, if applicable (use USOC 1L5MX in lieu of 1L5XX).

** An additional Channel Termination charge will apply whenever a spare channel is configured as a leg to the customer's premises. Additional channel mileage will also apply when the transfer arrangement is not located in the customer premises serving wire center.

(This page filed under Transmittal No. 2492)

Issued: August 22, 1995

Effective: October 6, 1995

Four AT&T Plaza, Dallas, Texas 75202

ACCESS SERVICE

7. Special Access Service (Cont'd)7.3 Service Descriptions, Rates and Charges (Cont'd)7.3.10 High Capacity Service (Cont'd)(F) Rates and Charges (Cont'd)(16) Optional Payment Plan **Rates Effective: 07/01/92**

(a) Channel	3 Year		5 Year	
	Fixed	Per Mile	Fixed	Per Mile
<u>Termination</u> (TMECS)				
Per point of termination				
1.544 Mbps	\$164.71		\$156.47	
(b) <u>Channel Mileage</u>				
1.544 Mbps (1L5XX)				
0 miles	\$ 0.00	\$ 0.00	\$ 0.00	\$ 0.00
Over 0 miles	\$ 58.28	\$ 23.82	\$ 55.37	\$ 22.63
64 kbps				
0 miles (1L5TC)	\$ 0.00	\$ 0.00	\$ 0.00	\$ 0.00
Over 0 miles (1L5XX)	\$ 8.04	\$ 1.13	\$ 7.64	\$ 1.07

(This page filed under Transmittal No. 2492)

Issued: August 22, 1995

Effective: October 6, 1995

Four AT&T Plaza, Dallas, Texas 75202

ACCESS SERVICE

7. Special Access Service (Cont'd)

7.3 Service Descriptions, Rates and Charges (Cont'd)

7.3.10 High Capacity Service (Cont'd)

(F) Rates and Charges (Cont'd)

(16) Optional Payment Plan **Rates Effective: 07/01/92**
 (Cont'd)

	3 Year		5 Year	
	Fixed	Per Mile	Fixed	Per Mile
(c) <u>Service to Service Through Connect Arrangement</u>				
High Capacity Service Arrangement-1.544 Mbps (DS1) (THA)	\$	0.00	\$	0.00
Multiplexed Service Arrangement-1.544 Mbps (DS1) (THK)	\$	0.00	\$	0.00

(d)

(D)
 |
 (D)

(D)
 |
 (D)

(This page filed under Transmittal No. 3317)

ACCESS SERVICE

7. Special Access Service (Cont'd)7.3 Service Descriptions, Rates and Charges (Cont'd)7.3.10 High Capacity Service (Cont'd)(F) Rates and Charges (Cont'd)(16) Optional Payment Plan **Rates Effective: 07/01/92**
(Cont'd)

	3 Year		5 Year	
	Fixed	Per Mile	Fixed	Per Mile
(e) <u>Multiplexing</u>				
Per arrangement				
DS0 to Subrates				
Up to 20 2.4 kbps services (QSU24)	\$128.36		\$121.94	
Up to 10 4.8 kbps services (QSU48)	\$117.70		\$111.82	
Up to 5 9.6 kbps services (QSU96)	\$224.83		\$213.59	
DS1 to DS0 (QMU)	\$176.74		\$167.90	
DS1 to Voice (MQ1)	\$176.74		\$167.90	
(f) <u>Clear Channel Capability</u> (CLR)				
Per channel termination	\$ 30.09		\$ 28.59	

(This page filed under Transmittal No. 2492)

Issued: August 22, 1995

Effective: October 6, 1995

Four AT&T Plaza, Dallas, Texas 75202

ACCESS SERVICE

7. Special Access Service (Cont'd)7.3 Service Descriptions, Rates and Charges (Cont'd)7.3.10 High Capacity Service (Cont'd)(F) Rates and Charges (Cont'd)(16) Optional Payment Plan **Rates Effective: 07/01/92**
(Cont'd)

	3 Year		5 Year	
	Fixed	Per Mile	Fixed	Per Mile
(g) <u>Transfer Arrangement, Key Activated</u> * (USV)				
Per four port arrangement including control channel termination **	\$184.24		\$175.03	

* The key activated control channel is rated as a Metallic Channel Termination (use USOC T6EME in lieu of T6ECS) and Channel Mileage, if applicable (use USOC 1L5MX in lieu of 1L5XX).

** An additional Channel Termination charge will apply whenever a spare channel is configured as a leg to the customer's premises. Additional channel mileage will also apply when the transfer arrangement is not located in the customer premises serving wire center.

(This page filed under Transmittal No. 2492)

Issued: August 22, 1995

Effective: October 6, 1995

Four AT&T Plaza, Dallas, Texas 75202

ACCESS SERVICE

7. Special Access Service (Cont'd)7.3 Service Descriptions, Rates and Charges (Cont'd)7.3.10 High Capacity Service (Cont'd)(F) Rates and Charges (Cont'd)(17) Optional Payment Plan **Rates Effective: 07/01/93**

(a) <u>Channel Termination</u> (TMECS)	3 Year Monthly Rate		5 Year Monthly Rate	
	<u>Fixed</u>	<u>Per Mile</u>	<u>Fixed</u>	<u>Per Mile</u>
Per point of termination				
1.544 Mbps	\$162.50		\$154.38	
(b) <u>Channel Mileage</u>				
1.544 Mbps (1L5XX)				
0 miles	\$ 0.00	\$ 0.00	\$ 0.00	\$ 0.00
Over 0 miles	\$ 53.00	\$ 18.50	\$ 50.35	\$ 17.58
64 kbps				
0 miles (1L5TC)	\$ 0.00	\$ 0.00	\$ 0.00	\$ 0.00
Over 0 miles (1L5XX)	\$ 8.04	\$ 1.13	\$ 7.64	\$ 1.07

(This page filed under Transmittal No. 2492)

Issued: August 22, 1995

Effective: October 6, 1995

Four AT&T Plaza, Dallas, Texas 75202

ACCESS SERVICE

7. Special Access Service (Cont'd)

7.3 Service Descriptions, Rates and Charges (Cont'd)

7.3.10 High Capacity Service (Cont'd)

(F) Rates and Charges (Cont'd)

(17) Optional Payment Plan **Rates Effective: 07/01/93**
 (Cont'd)

	3 Year		5 Year	
	Fixed	Per Mile	Fixed	Per Mile
(c) <u>Service to Service Through Connect Arrangement</u>				
High Capacity Service Arrangement-1.544 Mbps (DS1) (THA)	\$ 0.00		\$ 0.00	
Multiplexed Service Arrangement-1.544 Mbps (DS1) (THK)	\$ 0.00		\$ 0.00	

(d)

(D)
 |
 (D)

(D)
 |
 (D)

(This page filed under Transmittal No. 3317)

ACCESS SERVICE

7. Special Access Service (Cont'd)7.3 Service Descriptions, Rates and Charges (Cont'd)7.3.10 High Capacity Service (Cont'd)(F) Rates and Charges (Cont'd)(17) Optional Payment Plan **Rates Effective: 07/01/93**
(Cont'd)

	3 Year		5 Year	
	Fixed	Per Mile	Fixed	Per Mile
(e) <u>Multiplexing</u>				
Per arrangement				
DS0 to Subrates				
Up to 20 2.4 kbps services (QSU24)	\$135.00		\$128.25	
Up to 10 4.8 kbps services (QSU48)	\$125.00		\$118.75	
Up to 5 9.6 kbps services (QSU96)	\$235.00		\$223.25	
DS1 to DS0 (QMU)	\$180.00		\$171.00	
DS1 to Voice (MQ1)	\$180.00		\$171.00	
(f) <u>Clear Channel Capability</u> (CLR)				
Per channel termination	\$ 31.00		\$ 29.45	

(This page filed under Transmittal No. 2492)

Issued: August 22, 1995

Effective: October 6, 1995

Four AT&T Plaza, Dallas, Texas 75202

ACCESS SERVICE

7. Special Access Service (Cont'd)7.3 Service Descriptions, Rates and Charges (Cont'd)7.3.10 High Capacity Service (Cont'd)(F) Rates and Charges (Cont'd)(17) Optional Payment Plan **Rates Effective: 07/01/93**
(Cont'd)

	3 Year		5 Year	
	Fixed	Per Mile	Fixed	Per Mile
(g) <u>Transfer Arrangement, Key Activated</u> * (USV)				
Per four port arrangement including control channel termination **	\$184.24		\$175.03	

* The key activated control channel is rated as a Metallic Channel Termination (use USOC T6EME in lieu of T6ECS) and Channel Mileage, if applicable (use USOC 1L5MX in lieu of 1L5XX).

** An additional Channel Termination charge will apply whenever a spare channel is configured as a leg to the customer's premises. Additional channel mileage will also apply when the transfer arrangement is not located in the customer premises serving wire center.

(This page filed under Transmittal No. 2492)

Issued: August 22, 1995

Effective: October 6, 1995

Four AT&T Plaza, Dallas, Texas 75202

ACCESS SERVICE

7. Special Access Service (Cont'd)7.3 Service Descriptions, Rates and Charges (Cont'd)7.3.10 High Capacity Service (Cont'd)(F) Rates and Charges (Cont'd)(18) Optional Payment Plan **Rates Effective: 01/01/94**

(a) <u>Channel Termination</u> (TMECS)	3 Year Monthly Rate		5 Year Monthly Rate	
	<u>Fixed</u>	<u>Per Mile</u>	<u>Fixed</u>	<u>Per Mile</u>
Per point of termination				
1.544 Mbps	\$165.00		\$156.75	
(b) <u>Channel Mileage</u>				
1.544 Mbps (1L5XX)				
0 miles	\$ 0.00	\$ 0.00	\$ 0.00	\$ 0.00
Over 0 miles	\$ 51.30	\$ 17.70	\$ 48.74	\$ 16.82
64 kbps				
0 miles (1L5TC)	\$ 0.00	\$ 0.00	\$ 0.00	\$ 0.00
Over 0 miles (1L5XX)	\$ 8.04	\$ 1.13	\$ 7.64	\$ 1.07

(This page filed under Transmittal No. 2492)

Issued: August 22, 1995

Effective: October 6, 1995

Four AT&T Plaza, Dallas, Texas 75202

ACCESS SERVICE

7. Special Access Service (Cont'd)

7.3 Service Descriptions, Rates and Charges (Cont'd)

7.3.10 High Capacity Service (Cont'd)

(F) Rates and Charges (Cont'd)

(18) Optional Payment Plan **Rates Effective: 01/01/94**
 (Cont'd)

	3 Year		5 Year	
	Fixed	Per Mile	Fixed	Per Mile
(c) <u>Service to Service Through Connect Arrangement</u>				
High Capacity Service Arrangement-1.544 Mbps (DS1) (THA)	\$	0.00	\$	0.00
Multiplexed Service Arrangement-1.544 Mbps (DS1) (THK)	\$	0.00	\$	0.00

(d)

(D)
 |
 (D)

(D)
 |
 (D)

(This page filed under Transmittal No. 3317)

ACCESS SERVICE

7. Special Access Service (Cont'd)7.3 Service Descriptions, Rates and Charges (Cont'd)7.3.10 High Capacity Service (Cont'd)(F) Rates and Charges (Cont'd)(18) Optional Payment Plan **Rates Effective: 01/01/94**
(Cont'd)

	3 Year		5 Year	
	Fixed	Per Mile	Fixed	Per Mile
(e) <u>Multiplexing</u>				
Per arrangement				
DS0 to Subrates				
Up to 20 2.4 kbps services (QSU24)	\$135.00		\$128.25	
Up to 10 4.8 kbps services (QSU48)	\$125.00		\$118.75	
Up to 5 9.6 kbps services (QSU96)	\$235.00		\$223.25	
DS1 to DS0 (QMU)	\$180.00		\$171.00	
DS1 to Voice (MQ1)	\$180.00		\$171.00	
(f) <u>Clear Channel Capability</u> (CLR)				
Per channel termination	\$ 31.00		\$ 29.45	

(This page filed under Transmittal No. 2492)

Issued: August 22, 1995

Effective: October 6, 1995

Four AT&T Plaza, Dallas, Texas 75202

ACCESS SERVICE

7. Special Access Service (Cont'd)7.3 Service Descriptions, Rates and Charges (Cont'd)7.3.10 High Capacity Service (Cont'd)(F) Rates and Charges (Cont'd)(18) Optional Payment Plan **Rates Effective: 01/01/94**
(Cont'd)

	3 Year		5 Year	
	Fixed	Per Mile	Fixed	Per Mile
(g) <u>Transfer Arrangement, Key Activated</u> * (USV)				
Per four port arrangement including control channel termination **	\$184.24		\$175.03	

* The key activated control channel is rated as a Metallic Channel Termination (use USOC T6EME in lieu of T6ECS) and Channel Mileage, if applicable (use USOC 1L5MX in lieu of 1L5XX).

** An additional Channel Termination charge will apply whenever a spare channel is configured as a leg to the customer's premises. Additional channel mileage will also apply when the transfer arrangement is not located in the customer premises serving wire center.

(This page filed under Transmittal No. 2492)

Issued: August 22, 1995

Effective: October 6, 1995

Four AT&T Plaza, Dallas, Texas 75202

ACCESS SERVICE

7. Special Access Service (Cont'd)7.3 Service Descriptions, Rates and Charges (Cont'd)7.3.10 High Capacity Service (Cont'd)(F) Rates and Charges (Cont'd)(19) Optional Payment Plan **Rates Effective: 03/24/95**(a) Missouri - Pricing Zone 1

	3 Year		5 Year	
	Monthly Rate		Monthly Rate	
	<u>Fixed</u>	<u>Per Mile</u>	<u>Fixed</u>	<u>Per Mile</u>
(1) <u>Channel Termination</u> (TMECS)				
Per point of termination				
1.544 Mbps	\$165.00		\$156.75	
(2) <u>Channel Mileage</u>				
1.544 Mbps (1L5XX)				
0 miles	\$ 0.00	\$ 0.00	\$ 0.00	\$ 0.00
Over 0 miles	\$ 51.30	\$ 17.70	\$ 48.74	\$ 16.82
64 kbps				
0 miles (1L5TC)	\$ 0.00	\$ 0.00	\$ 0.00	\$ 0.00
Over 0 miles (1L5XX)	\$ 8.04	\$ 1.13	\$ 7.64	\$ 1.07

(This page filed under Transmittal No. 2492)

Issued: August 22, 1995

Effective: October 6, 1995

Four AT&T Plaza, Dallas, Texas 75202

ACCESS SERVICE

7. Special Access Service (Cont'd)

7.3 Service Descriptions, Rates and Charges (Cont'd)

7.3.10 High Capacity Service (Cont'd)

(F) Rates and Charges (Cont'd)

(19) Optional Payment Plan **Rates Effective: 03/24/95**
 (Cont'd)

(a) Missouri - Pricing Zone 1 (Cont'd)

	3 Year		5 Year	
	Monthly Rate		Monthly Rate	
	<u>Fixed</u>	<u>Per Mile</u>	<u>Fixed</u>	<u>Per Mile</u>
(3) <u>Service to</u>				
<u>Service Through</u>				
<u>Connect Arrangement</u>				
High Capacity				
Service				
Arrangement-1.544				
Mbps (DS1) (THA)	\$ 0.00		\$ 0.00	
Multiplexed Service				
Arrangement-1.544				
Mbps (DS1) (THK)	\$ 0.00		\$ 0.00	

(4)

(D)
 |
 (D)

(D)
 |
 (D)

(This page filed under Transmittal No. 3317)

ACCESS SERVICE

7. Special Access Service (Cont'd)7.3 Service Descriptions, Rates and Charges (Cont'd)7.3.10 High Capacity Service (Cont'd)(F) Rates and Charges (Cont'd)(19) Optional Payment Plan **Rates Effective: 03/24/95**
(Cont'd)(a) Missouri - Pricing Zone 1 (Cont'd)

	3 Year		5 Year	
	Fixed	Per Mile	Fixed	Per Mile
(5) <u>Multiplexing</u>				
Per arrangement				
DS0 to Subrates				
Up to 20 2.4 kbps services (QSU24)	\$135.00		\$128.25	
Up to 10 4.8 services (QSU48)	\$125.00		\$118.75	
Up to 5 9.6 services (QSU96)	\$235.00		\$223.25	
DS1 to DS0 (QMU)	\$180.00		\$171.00	
DS1 to Voice (MQ1)	\$180.00		\$171.00	
(6) <u>Clear Channel Capability</u> (CLR)				
Per channel termination	\$ 31.00		\$ 29.45	

(This page filed under Transmittal No. 2492)

ACCESS SERVICE

7. Special Access Service (Cont'd)7.3 Service Descriptions, Rates and Charges (Cont'd)7.3.10 High Capacity Service (Cont'd)(F) Rates and Charges (Cont'd)(19) Optional Payment Plan **Rates Effective: 03/24/95**
(Cont'd)(a) Missouri - Pricing Zone 1 (Cont'd)

	3 Year		5 Year	
	Fixed	Per Mile	Fixed	Per Mile
(7) <u>Transfer Arrangement, Key Activated</u> * (USV)				
Per four port arrangement including control channel terminations **	\$184.24		\$175.03	

* The key activated control channel is rated as a Metallic Channel Termination (use USOC T6EME in lieu of T6ECS) and Channel Mileage, if applicable (use USOC 1L5MX in lieu of 1L5XX).

** An additional Channel Termination charge will apply whenever a spare channel is configured as a leg to the customer's premises. Additional channel mileage will also apply when the transfer arrangement is not located in the customer premises serving wire center.

(This page filed under Transmittal No. 2492)

Issued: August 22, 1995

Effective: October 6, 1995

Four AT&T Plaza, Dallas, Texas 75202

ACCESS SERVICE

7. Special Access Service (Cont'd)7.3 Service Descriptions, Rates and Charges (Cont'd)7.3.10 High Capacity Service (Cont'd)(F) Rates and Charges (Cont'd)(19) Optional Payment Plan **Rates Effective: 03/24/95**
(Cont'd)(b) Missouri - Pricing Zone 2

	3 Year		5 Year	
	Fixed	Per Mile	Fixed	Per Mile
(1) <u>Channel Termination</u> (TMECS)				
Per point of termination				
1.544 Mbps	\$165.00		\$156.75	
(2) <u>Channel Mileage</u>				
1.544 Mbps (1L5XX)				
0 miles	\$ 0.00	\$ 0.00	\$ 0.00	\$ 0.00
Over 0 miles	\$ 51.30	\$ 17.70	\$ 48.74	\$ 16.82
64 kbps				
0 miles (1L5TC)	\$ 0.00	\$ 0.00	\$ 0.00	\$ 0.00
Over 0 miles (1L5XX)	\$ 8.04	\$ 1.13	\$ 7.64	\$ 1.07

(This page filed under Transmittal No. 2492)

Issued: August 22, 1995

Effective: October 6, 1995

Four AT&T Plaza, Dallas, Texas 75202

ACCESS SERVICE

7. Special Access Service (Cont'd)

7.3 Service Descriptions, Rates and Charges (Cont'd)

7.3.10 High Capacity Service (Cont'd)

(F) Rates and Charges (Cont'd)

(19) Optional Payment Plan **Rates Effective: 03/24/95**
(Cont'd)

(b) Missouri - Pricing Zone 2 (Cont'd)

	3 Year		5 Year	
	Fixed	Per Mile	Fixed	Per Mile
(3) <u>Service to Service Through Connect Arrangement</u>				

High Capacity Service Arrangement-1.544 Mbps (DS1) (THA)	\$	0.00	\$	0.00
Multiplexed Service Arrangement-1.544 Mbps (DS1) (THK)	\$	0.00	\$	0.00

(4)

(D)
(D)
(D)
|
(D)

(D)
|
(D)

(This page filed under Transmittal No. 3317)

ACCESS SERVICE

7. Special Access Service (Cont'd)7.3 Service Descriptions, Rates and Charges (Cont'd)7.3.10 High Capacity Service (Cont'd)(F) Rates and Charges (Cont'd)(19) Optional Payment Plan **Rates Effective: 03/24/95**
(Cont'd)(b) Missouri - Pricing Zone 2 (Cont'd)

	3 Year		5 Year	
	Fixed	Per Mile	Fixed	Per Mile
(5) <u>Multiplexing</u>				
Per arrangement				
DS0 to Subrates				
Up to 20 2.4 kbps services (QSU24)	\$135.00		\$128.25	
Up to 10 4.8 services (QSU48)	\$125.00		\$118.75	
Up to 5 9.6 services (QSU96)	\$235.00		\$223.25	
DS1 to DS0 (QMU)	\$180.00		\$171.00	
DS1 to Voice (MQ1)	\$180.00		\$171.00	
(6) <u>Clear Channel Capability</u> (CLR)				
Per channel termination	\$ 31.00		\$ 29.45	

(This page filed under Transmittal No. 2492)

ACCESS SERVICE

7. Special Access Service (Cont'd)7.3 Service Descriptions, Rates and Charges (Cont'd)7.3.10 High Capacity Service (Cont'd)(F) Rates and Charges (Cont'd)(19) Optional Payment Plan **Rates Effective: 03/24/95**
(Cont'd)(b) Missouri - Pricing Zone 2 (Cont'd)

	3 Year		5 Year	
	Fixed	Per Mile	Fixed	Per Mile
(7) <u>Transfer Arrangement, Key Activated</u> * (USV)				
Per four port arrangement including control channel terminations **	\$184.24		\$175.03	

* The key activated control channel is rated as a Metallic Channel Termination (use USOC T6EME in lieu of T6ECS) and Channel Mileage, if applicable (use USOC 1L5MX in lieu of 1L5XX).

** An additional Channel Termination charge will apply whenever a spare channel is configured as a leg to the customer's premises. Additional channel mileage will also apply when the transfer arrangement is not located in the customer premises serving wire center.

(This page filed under Transmittal No. 2492)

Issued: August 22, 1995

Effective: October 6, 1995

Four AT&T Plaza, Dallas, Texas 75202

ACCESS SERVICE

7. Special Access Service (Cont'd)7.3 Service Descriptions, Rates and Charges (Cont'd)7.3.10 High Capacity Service (Cont'd)(F) Rates and Charges (Cont'd)(19) Optional Payment Plan **Rates Effective: 03/24/95**
(Cont'd)(c) Missouri - Pricing Zone 3

	3 Year		5 Year	
	Fixed	Per Mile	Fixed	Per Mile
(1) <u>Channel Termination</u> (TMECS)				
Per point of termination				
1.544 Mbps	\$165.00		\$156.75	
(2) <u>Channel Mileage</u>				
1.544 Mbps (1L5XX)				
0 miles	\$ 0.00	\$ 0.00	\$ 0.00	\$ 0.00
Over 0 miles	\$ 51.30	\$ 17.70	\$ 48.74	\$ 16.82
64 kbps				
0 miles (1L5TC)	\$ 0.00	\$ 0.00	\$ 0.00	\$ 0.00
Over 0 miles (1L5XX)	\$ 8.04	\$ 1.13	\$ 7.64	\$ 1.07

(This page filed under Transmittal No. 2492)

Issued: August 22, 1995

Effective: October 6, 1995

Four AT&T Plaza, Dallas, Texas 75202

ACCESS SERVICE

7. Special Access Service (Cont'd)

7.3 Service Descriptions, Rates and Charges (Cont'd)

7.3.10 High Capacity Service (Cont'd)

(F) Rates and Charges (Cont'd)

(19) Optional Payment Plan **Rates Effective: 03/24/95**
(Cont'd)

(c) Missouri - Pricing Zone 3 (Cont'd)

	3 Year		5 Year	
	Monthly Rate		Monthly Rate	
	<u>Fixed</u>	<u>Per Mile</u>	<u>Fixed</u>	<u>Per Mile</u>
(3) <u>Service to Service Through Connect Arrangement</u>				
High Capacity Service Arrangement-1.544 Mbps (DS1) (THA)	\$ 0.00		\$ 0.00	
Multiplexed Service Arrangement-1.544 Mbps (DS1) (THK)	\$ 0.00		\$ 0.00	

(4)

(D)
(D)
(D)
|
(D)

(D)
|
(D)

(This page filed under Transmittal No. 3317)

ACCESS SERVICE

7. Special Access Service (Cont'd)7.3 Service Descriptions, Rates and Charges (Cont'd)7.3.10 High Capacity Service (Cont'd)(F) Rates and Charges (Cont'd)(19) Optional Payment Plan **Rates Effective: 03/24/95**
(Cont'd)(c) Missouri - Pricing Zone 3 (Cont'd)

	3 Year Monthly Rate		5 Year Monthly Rate	
	<u>Fixed</u>	<u>Per Mile</u>	<u>Fixed</u>	<u>Per Mile</u>
(5) <u>Multiplexing</u>				
Per arrangement				
DS0 to Subrates				
Up to 20 2.4 kbps services (QSU24)	\$135.00		\$128.25	
Up to 10 4.8 services (QSU48)	\$125.00		\$118.75	
Up to 5 9.6 services (QSU96)	\$235.00		\$223.25	
DS1 to DS0 (QMU)	\$180.00		\$171.00	
DS1 to Voice (MQ1)	\$180.00		\$171.00	
(6) <u>Clear Channel Capability</u> (CLR)				
Per channel termination	\$ 31.00		\$ 29.45	

(This page filed under Transmittal No. 2492)

Issued: August 22, 1995

Effective: October 6, 1995

Four AT&T Plaza, Dallas, Texas 75202

ACCESS SERVICE

7. Special Access Service (Cont'd)7.3 Service Descriptions, Rates and Charges (Cont'd)7.3.10 High Capacity Service (Cont'd)(F) Rates and Charges (Cont'd)(19) Optional Payment Plan **Rates Effective: 03/24/95**
(Cont'd)(c) Missouri - Pricing Zone 3 (Cont'd)

	3 Year		5 Year	
	Fixed	Per Mile	Fixed	Per Mile
(7) <u>Transfer Arrangement, Key Activated</u> * (USV)				
Per four port arrangement including control channel terminations **	\$184.24		\$175.03	

* The key activated control channel is rated as a Metallic Channel Termination (use USOC T6EME in lieu of T6ECS) and Channel Mileage, if applicable (use USOC 1L5MX in lieu of 1L5XX).

** An additional Channel Termination charge will apply whenever a spare channel is configured as a leg to the customer's premises. Additional channel mileage will also apply when the transfer arrangement is not located in the customer premises serving wire center.

(This page filed under Transmittal No. 2492)

Issued: August 22, 1995

Effective: October 6, 1995

Four AT&T Plaza, Dallas, Texas 75202

ACCESS SERVICE

7. Special Access Service (Cont'd)7.3 Service Descriptions, Rates and Charges (Cont'd)7.3.10 High Capacity Service (Cont'd)(F) Rates and Charges (Cont'd)(20) Optional Payment Plan **Rates Effective: 02/02/94**(a) Texas - Pricing Zone 1

	3 Year		5 Year	
	Monthly Rate		Monthly Rate	
	<u>Fixed</u>	<u>Per Mile</u>	<u>Fixed</u>	<u>Per Mile</u>
(1) <u>Channel Termination</u> (TMECS)				
Per point of termination				
1.544 Mbps	\$165.00		\$156.75	
(2) <u>Channel Mileage</u>				
1.544 Mbps (1L5XX)				
0 miles	\$ 0.00	\$ 0.00	\$ 0.00	\$ 0.00
Over 0 miles	\$ 51.30	\$ 17.70	\$ 48.74	\$ 16.82
64 kbps				
0 miles (1L5TC)	\$ 0.00	\$ 0.00	\$ 0.00	\$ 0.00
Over 0 miles (1L5XX)	\$ 8.04	\$ 1.13	\$ 7.64	\$ 1.07

(This page filed under Transmittal No. 2492)

Issued: August 22, 1995

Effective: October 6, 1995

Four AT&T Plaza, Dallas, Texas 75202

ACCESS SERVICE

7. Special Access Service (Cont'd)

7.3 Service Descriptions, Rates and Charges (Cont'd)

7.3.10 High Capacity Service (Cont'd)

(F) Rates and Charges (Cont'd)

(20) Optional Payment Plan **Rates Effective: 02/02/94**
 (Cont'd)

(a) Texas - Pricing Zone 1 (Cont'd)

		3 Year		5 Year	
		Monthly Rate		Monthly Rate	
		Fixed	Per Mile	Fixed	Per Mile
(3)	<u>Service to Service Through Connect Arrangement</u>				
	High Capacity Service Arrangement-1.544 Mbps (DS1) (THA)	\$ 0.00		\$ 0.00	
	Multiplexed Service Arrangement-1.544 Mbps (DS1) (THK)	\$ 0.00		\$ 0.00	

(4)

(D)
|
(D)

(D)
|
(D)

(This page filed under Transmittal No. 3317)

ACCESS SERVICE

7. Special Access Service (Cont'd)7.3 Service Descriptions, Rates and Charges (Cont'd)7.3.10 High Capacity Service (Cont'd)(F) Rates and Charges (Cont'd)(20) Optional Payment Plan **Rates Effective: 02/02/94**
(Cont'd)(a) Texas - Pricing Zone 1 (Cont'd)

	3 Year		5 Year	
	Fixed	Per Mile	Fixed	Per Mile
(5) <u>Multiplexing</u>				
Per arrangement				
DS0 to Subrates				
Up to 20 2.4 kbps services (QSU24)	\$135.00		\$128.25	
Up to 10 4.8 services (QSU48)	\$125.00		\$118.75	
Up to 5 9.6 services (QSU96)	\$235.00		\$223.25	
DS1 to DS0 (QMU)	\$180.00		\$171.00	
DS1 to Voice (MQ1)	\$180.00		\$171.00	
(6) <u>Clear Channel Capability</u> (CLR)				
Per channel termination	\$ 31.00		\$ 29.45	

(This page filed under Transmittal No. 2492)

Issued: August 22, 1995

Effective: October 6, 1995

Four AT&T Plaza, Dallas, Texas 75202

ACCESS SERVICE

7. Special Access Service (Cont'd)7.3 Service Descriptions, Rates and Charges (Cont'd)7.3.10 High Capacity Service (Cont'd)(F) Rates and Charges (Cont'd)(20) Optional Payment Plan **Rates Effective: 02/02/94**
(Cont'd)(a) Texas - Pricing Zone 1 (Cont'd)

	3 Year		5 Year	
	Fixed	Per Mile	Fixed	Per Mile
(7) <u>Transfer Arrangement, Key Activated</u> * (USV)				
Per four port arrangement including control channel terminations **	\$184.24		\$175.03	

* The key activated control channel is rated as a Metallic Channel Termination (use USOC T6EME in lieu of T6ECS) and Channel Mileage, if applicable (use USOC 1L5MX in lieu of 1L5XX).

** An additional Channel Termination charge will apply whenever a spare channel is configured as a leg to the customer's premises. Additional channel mileage will also apply when the transfer arrangement is not located in the customer premises serving wire center.

(This page filed under Transmittal No. 2492)

Issued: August 22, 1995

Effective: October 6, 1995

Four AT&T Plaza, Dallas, Texas 75202

ACCESS SERVICE

7. Special Access Service (Cont'd)7.3 Service Descriptions, Rates and Charges (Cont'd)7.3.10 High Capacity Service (Cont'd)(F) Rates and Charges (Cont'd)(20) Optional Payment Plan **Rates Effective: 02/02/94**
(Cont'd)(b) Texas - Pricing Zone 2

	3 Year		5 Year	
	Fixed	Per Mile	Fixed	Per Mile
(1) <u>Channel Termination</u> (TMECS)				
Per point of termination				
1.544 Mbps	\$165.00		\$156.75	
(2) <u>Channel Mileage</u>				
1.544 Mbps (1L5XX)				
0 miles	\$ 0.00	\$ 0.00	\$ 0.00	\$ 0.00
Over 0 miles	\$ 51.30	\$ 17.70	\$ 48.74	\$ 16.82
64 kbps				
0 miles (1L5TC)	\$ 0.00	\$ 0.00	\$ 0.00	\$ 0.00
Over 0 miles (1L5XX)	\$ 8.04	\$ 1.13	\$ 7.64	\$ 1.07

(This page filed under Transmittal No. 2492)

Issued: August 22, 1995

Effective: October 6, 1995

Four AT&T Plaza, Dallas, Texas 75202

ACCESS SERVICE

7. Special Access Service (Cont'd)

7.3 Service Descriptions, Rates and Charges (Cont'd)

7.3.10 High Capacity Service (Cont'd)

(F) Rates and Charges (Cont'd)

(20) Optional Payment Plan **Rates Effective: 02/02/94**
 (Cont'd)

(b) Texas - Pricing Zone 2 (Cont'd)

	3 Year		5 Year	
	Monthly Rate		Monthly Rate	
	<u>Fixed</u>	<u>Per Mile</u>	<u>Fixed</u>	<u>Per Mile</u>
(3) <u>Service to</u>				
<u>Service Through</u>				
<u>Connect Arrangement</u>				
High Capacity				
Service				
Arrangement-1.544				
Mbps (DS1) (THA)	\$ 0.00		\$ 0.00	
Multiplexed Service				
Arrangement-1.544				
Mbps (DS1) (THK)	\$ 0.00		\$ 0.00	

(4)

(D)
 (D)
 (D)
 |
 (D)

(D)
 |
 (D)

(This page filed under Transmittal No. 3317)

ACCESS SERVICE

7. Special Access Service (Cont'd)7.3 Service Descriptions, Rates and Charges (Cont'd)7.3.10 High Capacity Service (Cont'd)(F) Rates and Charges (Cont'd)(20) Optional Payment Plan **Rates Effective: 02/02/94**
(Cont'd)(b) Texas - Pricing Zone 2 (Cont'd)

	3 Year		5 Year	
	Fixed	Per Mile	Fixed	Per Mile
(5) <u>Multiplexing</u>				
Per arrangement				
DS0 to Subrates				
Up to 20 2.4 kbps services (QSU24)	\$135.00		\$128.25	
Up to 10 4.8 services (QSU48)	\$125.00		\$118.75	
Up to 5 9.6 services (QSU96)	\$235.00		\$223.25	
DS1 to DS0 (QMU)	\$180.00		\$171.00	
DS1 to Voice (MQ1)	\$180.00		\$171.00	
(6) <u>Clear Channel Capability</u> (CLR)				
Per channel termination	\$ 31.00		\$ 29.45	

(This page filed under Transmittal No. 2492)

Issued: August 22, 1995

Effective: October 6, 1995

Four AT&T Plaza, Dallas, Texas 75202

ACCESS SERVICE

7. Special Access Service (Cont'd)7.3 Service Descriptions, Rates and Charges (Cont'd)7.3.10 High Capacity Service (Cont'd)(F) Rates and Charges (Cont'd)(20) Optional Payment Plan **Rates Effective: 02/02/94**
(Cont'd)(b) Texas - Pricing Zone 2 (Cont'd)

	3 Year		5 Year	
	Fixed	Per Mile	Fixed	Per Mile
(7) <u>Transfer Arrangement, Key Activated</u> * (USV)				
Per four port arrangement including control channel terminations **	\$184.24		\$175.03	

* The key activated control channel is rated as a Metallic Channel Termination (use USOC T6EME in lieu of T6ECS) and Channel Mileage, if applicable (use USOC 1L5MX in lieu of 1L5XX).

** An additional Channel Termination charge will apply whenever a spare channel is configured as a leg to the customer's premises. Additional channel mileage will also apply when the transfer arrangement is not located in the customer premises serving wire center.

(This page filed under Transmittal No. 2492)

Issued: August 22, 1995

Effective: October 6, 1995

Four AT&T Plaza, Dallas, Texas 75202

ACCESS SERVICE

7. Special Access Service (Cont'd)7.3 Service Descriptions, Rates and Charges (Cont'd)7.3.10 High Capacity Service (Cont'd)(F) Rates and Charges (Cont'd)(20) Optional Payment Plan **Rates Effective: 02/02/94**
(Cont'd)(c) Texas - Pricing Zone 3

	3 Year		5 Year	
	Fixed	Per Mile	Fixed	Per Mile
(1) <u>Channel Termination</u> (TMECS)				
Per point of termination				
1.544 Mbps	\$165.00		\$156.75	
(2) <u>Channel Mileage</u>				
1.544 Mbps (1L5XX)				
0 miles	\$ 0.00	\$ 0.00	\$ 0.00	\$ 0.00
Over 0 miles	\$ 51.30	\$ 17.70	\$ 48.74	\$ 16.82
64 kbps				
0 miles (1L5TC)	\$ 0.00	\$ 0.00	\$ 0.00	\$ 0.00
Over 0 miles (1L5XX)	\$ 8.04	\$ 1.13	\$ 7.64	\$ 1.07

(This page filed under Transmittal No. 2492)

Issued: August 22, 1995

Effective: October 6, 1995

Four AT&T Plaza, Dallas, Texas 75202

ACCESS SERVICE

7. Special Access Service (Cont'd)

7.3 Service Descriptions, Rates and Charges (Cont'd)

7.3.10 High Capacity Service (Cont'd)

(F) Rates and Charges (Cont'd)

(20) Optional Payment Plan **Rates Effective: 02/02/94**
(Cont'd)

(c) Texas - Pricing Zone 3 (Cont'd)

	3 Year		5 Year	
	Monthly Rate		Monthly Rate	
	<u>Fixed</u>	<u>Per Mile</u>	<u>Fixed</u>	<u>Per Mile</u>
(3) <u>Service to</u>				
<u>Service Through</u>				
<u>Connect Arrangement</u>				
High Capacity				
Service				
Arrangement-1.544				
Mbps (DS1) (THA)	\$	0.00	\$	0.00
Multiplexed Service				
Arrangement-1.544				
Mbps (DS1) (THK)	\$	0.00	\$	0.00

(4)

(D)
(D)
(D)
|
(D)

(D)
|
(D)

(This page filed under Transmittal No. 3317)

ACCESS SERVICE

7. Special Access Service (Cont'd)7.3 Service Descriptions, Rates and Charges (Cont'd)7.3.10 High Capacity Service (Cont'd)(F) Rates and Charges (Cont'd)(20) Optional Payment Plan **Rates Effective: 02/02/94**
(Cont'd)(c) Texas - Pricing Zone 3 (Cont'd)

	3 Year Monthly Rate		5 Year Monthly Rate	
	<u>Fixed</u>	<u>Per Mile</u>	<u>Fixed</u>	<u>Per Mile</u>
(5) <u>Multiplexing</u>				
Per arrangement				
DS0 to Subrates				
Up to 20 2.4 kbps services (QSU24)	\$135.00		\$128.25	
Up to 10 4.8 services (QSU48)	\$125.00		\$118.75	
Up to 5 9.6 services (QSU96)	\$235.00		\$223.25	
DS1 to DS0 (QMU)	\$180.00		\$171.00	
DS1 to Voice (MQ1)	\$180.00		\$171.00	
(6) <u>Clear Channel Capability</u> (CLR)				
Per channel termination	\$ 31.00		\$ 29.45	

(This page filed under Transmittal No. 2492)

Issued: August 22, 1995

Effective: October 6, 1995

Four AT&T Plaza, Dallas, Texas 75202

ACCESS SERVICE

7. Special Access Service (Cont'd)7.3 Service Descriptions, Rates and Charges (Cont'd)7.3.10 High Capacity Service (Cont'd)(F) Rates and Charges (Cont'd)(20) Optional Payment Plan **Rates Effective: 02/02/94**
(Cont'd)(c) Texas - Pricing Zone 3 (Cont'd)

	3 Year		5 Year	
	Fixed	Per Mile	Fixed	Per Mile
(7) <u>Transfer Arrangement, Key Activated</u> * (USV)				
Per four port arrangement including control channel terminations **	\$184.24		\$175.03	

* The key activated control channel is rated as a Metallic Channel Termination (use USOC T6EME in lieu of T6ECS) and Channel Mileage, if applicable (use USOC 1L5MX in lieu of 1L5XX).

** An additional Channel Termination charge will apply whenever a spare channel is configured as a leg to the customer's premises. Additional channel mileage will also apply when the transfer arrangement is not located in the customer premises serving wire center.

(This page filed under Transmittal No. 2492)

Issued: August 22, 1995

Effective: October 6, 1995

Four AT&T Plaza, Dallas, Texas 75202

ACCESS SERVICE

7. Special Access Service (Cont'd)7.3 Service Descriptions, Rates and Charges (Cont'd)7.3.10 High Capacity Service (Cont'd)(F) Rates and Charges (Cont'd)(21) Optional Payment Plan **Rates Effective: 08/01/95**

	USOC	3 Year Monthly Rate	
(a) <u>Channel Termination</u>			
Per point of termination	TMECS		
1.544 Mbps			
Nonzoned		\$165.00	
Zone 1 - MO		\$163.00	
Zone 2 - MO		\$165.00	
Zone 3 - MO		\$165.00	
Zone 1 - TX		\$162.00	
Zone 2 - TX		\$162.00	
Zone 3 - TX		\$165.00	
		Nonrecurring Charge	
		<u>1st Ckt</u>	<u>Addl Ckt</u>
Nonzoned		\$600.00	\$456.00
Zone 1 - MO		\$600.00	\$456.00
Zone 2 - MO		\$600.00	\$456.00
Zone 3 - MO		\$600.00	\$456.00
Zone 1 - TX		\$600.00	\$456.00
Zone 2 - TX		\$600.00	\$456.00
Zone 3 - TX		\$600.00	\$456.00

(This page filed under Transmittal No. 2492)

Issued: August 22, 1995

Effective: October 6, 1995

Four AT&T Plaza, Dallas, Texas 75202

ACCESS SERVICE

7. Special Access Service (Cont'd)

7.3 Service Descriptions, Rates and Charges (Cont'd)

7.3.10 High Capacity Service (Cont'd)

(F) Rates and Charges (Cont'd)

(21) Optional Payment Plan **Rates Effective: 08/01/95**
 (Cont'd)

	<u>USOC</u>	<u>Monthly Rate</u>	<u>5 Year</u>
(a) <u>Channel Termination</u> (Cont'd)			
Per point of termination	TMECS		
1.544 Mbps			
Nonzoned			\$156.75
Zone 1 - MO			\$154.85
Zone 2 - MO			\$156.75
Zone 3 - MO			\$156.75
Zone 1 - TX			\$153.90
Zone 2 - TX			\$153.90
Zone 3 - TX			\$156.75
			<u>Nonrecurring Charge</u>
			<u>1st Ckt</u> <u>Addl Ckt</u>
Nonzoned		\$600.00	\$456.00
Zone 1 - MO		\$600.00	\$456.00
Zone 2 - MO		\$600.00	\$456.00
Zone 3 - MO		\$600.00	\$456.00
Zone 1 - TX		\$600.00	\$456.00
Zone 2 - TX		\$600.00	\$456.00
Zone 3 - TX		\$600.00	\$456.00

(This page filed under Transmittal No. 2492)

ACCESS SERVICE

7. Special Access Service (Cont'd)7.3 Service Descriptions, Rates and Charges (Cont'd)7.3.10 High Capacity Service (Cont'd)(F) Rates and Charges (Cont'd)(21) Optional Payment Plan **Rates Effective: 08/01/95**
(Cont'd)

	USOC	3 Year Monthly Rate	
		Fixed	Per Mile
(b) <u>Channel Mileage</u>			
1.544 Mbps	1L5XX		
0 miles			
Nonzoned		\$ 0.00	\$ 0.00
Zone 1 - MO		\$ 0.00	\$ 0.00
Zone 2 - MO		\$ 0.00	\$ 0.00
Zone 3 - MO		\$ 0.00	\$ 0.00
Zone 1 - TX		\$ 0.00	\$ 0.00
Zone 2 - TX		\$ 0.00	\$ 0.00
Zone 3 - TX		\$ 0.00	\$ 0.00
Over 0 miles			
Nonzoned		\$50.00	\$16.80
Zone 1 - MO		\$50.00	\$16.80
Zone 2 - MO		\$50.00	\$16.80
Zone 3 - MO		\$50.00	\$16.80
Zone 1 - TX		\$50.00	\$16.80
Zone 2 - TX		\$50.00	\$16.80
Zone 3 - TX		\$50.00	\$16.80

(This page filed under Transmittal No. 2492)

Issued: August 22, 1995

Effective: October 6, 1995

Four AT&T Plaza, Dallas, Texas 75202

ACCESS SERVICE

7. Special Access Service (Cont'd)7.3 Service Descriptions, Rates and Charges (Cont'd)7.3.10 High Capacity Service (Cont'd)(F) Rates and Charges (Cont'd)(21) Optional Payment Plan **Rates Effective: 08/01/95**
(Cont'd)

	USOC	3 Year Monthly Rate	
		Fixed	Per Mile
(b) <u>Channel Mileage</u> (Cont'd)			
64 Kbps*	1L5TC		
0 miles			
Nonzoned		\$ 0.00	\$ 0.00
Zone 1 - MO		\$ 0.00	\$ 0.00
Zone 2 - MO		\$ 0.00	\$ 0.00
Zone 3 - MO		\$ 0.00	\$ 0.00
Zone 1 - TX		\$ 0.00	\$ 0.00
Zone 2 - TX		\$ 0.00	\$ 0.00
Zone 3 - TX		\$ 0.00	\$ 0.00
Over 0 miles	1L5XX		
Nonzoned		\$ 8.04	\$ 1.13
Zone 1 - MO		\$ 8.04	\$ 1.13
Zone 2 - MO		\$ 8.04	\$ 1.13
Zone 3 - MO		\$ 8.04	\$ 1.13
Zone 1 - TX		\$ 8.04	\$ 1.13
Zone 2 - TX		\$ 8.04	\$ 1.13
Zone 3 - TX		\$ 8.04	\$ 1.13

* Available only as a channel of a 1.544 Mbps facility to a SWBT Digital Data Hub or as a cross connect of two channels of two 1.544 Mbps facilities to a Digital Data Hub(s). The customer must provide system and channel assignment data.

(This page filed under Transmittal No. 2492)

Issued: August 22, 1995

Effective: October 6, 1995

Four AT&T Plaza, Dallas, Texas 75202

ACCESS SERVICE

7. Special Access Service (Cont'd)7.3 Service Descriptions, Rates and Charges (Cont'd)7.3.10 High Capacity Service (Cont'd)(F) Rates and Charges (Cont'd)(21) Optional Payment Plan **Rates Effective: 08/01/95**
(Cont'd)

	USOC	5 Year Monthly Rate	
		Fixed	Per Mile
<u>Channel Mileage</u>			
1.544 Mbps	1L5XX		
0 miles			
Nonzoned		\$ 0.00	\$ 0.00
Zone 1 - MO		\$ 0.00	\$ 0.00
Zone 2 - MO		\$ 0.00	\$ 0.00
Zone 3 - MO		\$ 0.00	\$ 0.00
Zone 1 - TX		\$ 0.00	\$ 0.00
Zone 2 - TX		\$ 0.00	\$ 0.00
Zone 3 - TX		\$ 0.00	\$ 0.00
Over 0 miles			
Nonzoned		\$47.50	\$15.96
Zone 1 - MO		\$47.50	\$15.96
Zone 2 - MO		\$47.50	\$15.96
Zone 3 - MO		\$47.50	\$15.96
Zone 1 - TX		\$47.50	\$15.96
Zone 2 - TX		\$47.50	\$15.96
Zone 3 - TX		\$47.50	\$15.96

(This page filed under Transmittal No. 2492)

Issued: August 22, 1995

Effective: October 6, 1995

Four AT&T Plaza, Dallas, Texas 75202

ACCESS SERVICE

7. Special Access Service (Cont'd)

7.3 Service Descriptions, Rates and Charges (Cont'd)

7.3.10 High Capacity Service (Cont'd)

(F) Rates and Charges (Cont'd)

(21) Optional Payment Plan **Rates Effective: 08/01/95**
 (Cont'd)

	USOC	5 Year Monthly Rate	
		Fixed	Per Mile
<u>Channel Mileage</u> (Cont'd)			
64 Kbps*	1L5TC		
0 miles			
Nonzoned		\$ 0.00	\$ 0.00
Zone 1 - MO		\$ 0.00	\$ 0.00
Zone 2 - MO		\$ 0.00	\$ 0.00
Zone 3 - MO		\$ 0.00	\$ 0.00
Zone 1 - TX		\$ 0.00	\$ 0.00
Zone 2 - TX		\$ 0.00	\$ 0.00
Zone 3 - TX		\$ 0.00	\$ 0.00
Over 0 miles	1L5XX		
Nonzoned		\$ 7.64	\$ 1.07
Zone 1 - MO		\$ 7.64	\$ 1.07
Zone 2 - MO		\$ 7.64	\$ 1.07
Zone 3 - MO		\$ 7.64	\$ 1.07
Zone 1 - TX		\$ 7.64	\$ 1.07
Zone 2 - TX		\$ 7.64	\$ 1.07
Zone 3 - TX		\$ 7.64	\$ 1.07

* Available only as a channel of a 1.544 Mbps facility to a SWBT Digital Data Hub or as a cross connect of two channels of two 1.544 Mbps facilities to a Digital Data Hub(s). The customer must provide system and channel assignment data.

(This page filed under Transmittal No. 2492)

ACCESS SERVICE

7. Special Access Service (Cont'd)

7.3 Service Descriptions, Rates and Charges (Cont'd)

7.3.10 High Capacity Service (Cont'd)

(F) Rates and Charges (Cont'd)

(21) Optional Payment Plan **Rates Effective: 08/01/95**
 (Cont'd)

USOC Monthly Rate ^{3 Year}

(c) Service to Service
Through Connect
Arrangement

High Capacity Service
 Arrangement - 1.544
 Mbps (DS1)

THA

Nonzoned		\$ 0.00
Zone 1 - MO	\$ 0.00	
Zone 2 - MO	\$ 0.00	
Zone 3 - MO	\$ 0.00	
Zone 1 - TX	\$ 0.00	
Zone 2 - TX	\$ 0.00	
Zone 3 - TX	\$ 0.00	

	Nonrecurring Charge	
	<u>1st Ckt</u>	<u>Addl Ckt</u>
Nonzoned	\$204.00	\$156.00
Zone 1 - MO	\$204.00	\$156.00
Zone 2 - MO	\$204.00	\$156.00
Zone 3 - MO	\$204.00	\$156.00
Zone 1 - TX	\$204.00	\$156.00
Zone 2 - TX	\$204.00	\$156.00
Zone 3 - TX	\$204.00	\$156.00

(This page filed under Transmittal No. 2492)

ACCESS SERVICE

7. Special Access Service (Cont'd)

7.3 Service Descriptions, Rates and Charges (Cont'd)

7.3.10 High Capacity Service (Cont'd)

(F) Rates and Charges (Cont'd)

(21) Optional Payment Plan **Rates Effective: 08/01/95**
 (Cont'd)

USOC Monthly Rate 5 Year

Service to Service
Through Connect
Arrangement

High Capacity Service
 Arrangement - 1.544
 Mbps (DS1)

THA

Nonzoned		\$ 0.00
Zone 1 - MO	\$ 0.00	
Zone 2 - MO	\$ 0.00	
Zone 3 - MO	\$ 0.00	
Zone 1 - TX	\$ 0.00	
Zone 2 - TX	\$ 0.00	
Zone 3 - TX	\$ 0.00	

Nonrecurring Charge
1st Ckt Addl Ckt

Nonzoned	\$204.00	\$156.00
Zone 1 - MO	\$204.00	\$156.00
Zone 2 - MO	\$204.00	\$156.00
Zone 3 - MO	\$204.00	\$156.00
Zone 1 - TX	\$204.00	\$156.00
Zone 2 - TX	\$204.00	\$156.00
Zone 3 - TX	\$204.00	\$156.00

(This page filed under Transmittal No. 2492)

Issued: August 22, 1995

Effective: October 6, 1995

Four AT&T Plaza, Dallas, Texas 75202

ACCESS SERVICE

7. Special Access Service (Cont'd)

7.3 Service Descriptions, Rates and Charges (Cont'd)

7.3.10 High Capacity Service (Cont'd)

(F) Rates and Charges (Cont'd)

(21) Optional Payment Plan **Rates Effective: 08/01/95**
 (Cont'd)

USOC 3 Year
Monthly Rate

(c) Service to Service
Through Connect
Arrangement (Cont'd)

Multiplexed Service
 Arrangement - 1.544 Mbps
 (DS1) THK

Nonzoned		\$ 0.00
Zone 1 - MO	\$ 0.00	
Zone 2 - MO	\$ 0.00	
Zone 3 - MO	\$ 0.00	
Zone 1 - TX	\$ 0.00	
Zone 2 - TX	\$ 0.00	
Zone 3 - TX	\$ 0.00	

Nonrecurring Charge
1st Ckt Addl Ckt

Nonzoned	\$332.00	\$280.00
Zone 1 - MO	\$332.00	\$280.00
Zone 2 - MO	\$332.00	\$280.00
Zone 3 - MO	\$332.00	\$280.00
Zone 1 - TX	\$332.00	\$280.00
Zone 2 - TX	\$332.00	\$280.00
Zone 3 - TX	\$332.00	\$280.00

(This page filed under Transmittal No. 2492)

Issued: August 22, 1995

Effective: October 6, 1995

Four AT&T Plaza, Dallas, Texas 75202

ACCESS SERVICE

7. Special Access Service (Cont'd)

7.3 Service Descriptions, Rates and Charges (Cont'd)

7.3.10 High Capacity Service (Cont'd)

(F) Rates and Charges (Cont'd)

(21) Optional Payment Plan **Rates Effective: 08/01/95**
 (Cont'd)

	<u>USOC</u>	<u>5 Year Monthly Rate</u>
<u>Service to Service Through Connect Arrangement</u> (Cont'd)		
Multiplexed Service Arrangement - 1.544 Mbps (DS1) THK		
Nonzoned		\$ 0.00
Zone 1 - MO	\$ 0.00	
Zone 2 - MO	\$ 0.00	
Zone 3 - MO	\$ 0.00	
Zone 1 - TX	\$ 0.00	
Zone 2 - TX	\$ 0.00	
Zone 3 - TX	\$ 0.00	
		<u>Nonrecurring Charge</u>
		<u>1st Ckt Addl Ckt</u>
Nonzoned	\$332.00	\$280.00
Zone 1 - MO	\$332.00	\$280.00
Zone 2 - MO	\$332.00	\$280.00
Zone 3 - MO	\$332.00	\$280.00
Zone 1 - TX	\$332.00	\$280.00
Zone 2 - TX	\$332.00	\$280.00
Zone 3 - TX	\$332.00	\$280.00

(This page filed under Transmittal No. 2492)

Issued: August 22, 1995

Effective: October 6, 1995

Four AT&T Plaza, Dallas, Texas 75202

ACCESS SERVICE

7. Special Access Service (Cont'd)

7.3 Service Descriptions, Rates and Charges (Cont'd)

7.3.10 High Capacity Service (Cont'd)

(F) Rates and Charges (Cont'd)

(21) Optional Payment Plan

(D)
(D)
(D)
(D)

(d)

(D)

(D)

(This page filed under Transmittal No. 3317)

ACCESS SERVICE

7. Special Access Service (Cont'd)

7.3 Service Descriptions, Rates and Charges (Cont'd)

7.3.10 High Capacity Service (Cont'd)

(F) Rates and Charges (Cont'd)

(21)

(D)

(D)

(This page filed under Transmittal No. 3317)

Issued: March 10, 2011

Effective: March 25, 2011

Four AT&T Plaza, Dallas, Texas 75202

ACCESS SERVICE

7. Special Access Service (Cont'd)7.3 Service Descriptions, Rates and Charges (Cont'd)7.3.10 High Capacity Service (Cont'd)(F) Rates and Charges (Cont'd)(21) Optional Payment Plan **Rates Effective: 08/01/95**
(Cont'd)

	<u>USOC</u>	<u>3 Year Monthly Rate</u>
(e) <u>Multiplexing</u>		
Per arrangement		
DS0 to Subrates		
Up to 20 2.4 kbps services		
	QSU24	
Nonzoned		\$135.00
Zone 1 - MO		\$135.00
Zone 2 - MO		\$135.00
Zone 3 - MO		\$135.00
Zone 1 - TX		\$135.00
Zone 2 - TX		\$135.00
Zone 3 - TX		\$135.00
		<u>Nonrecurring Charge</u>
Nonzoned		\$ 0.00
Zone 1 - MO		\$ 0.00
Zone 2 - MO		\$ 0.00
Zone 3 - MO		\$ 0.00
Zone 1 - TX		\$ 0.00
Zone 2 - TX		\$ 0.00
Zone 3 - TX		\$ 0.00

(This page filed under Transmittal No. 2492)

Issued: August 22, 1995

Effective: October 6, 1995

Four AT&T Plaza, Dallas, Texas 75202

ACCESS SERVICE

7. Special Access Service (Cont'd)7.3 Service Descriptions, Rates and Charges (Cont'd)7.3.10 High Capacity Service (Cont'd)(F) Rates and Charges (Cont'd)(21) Optional Payment Plan **Rates Effective: 08/01/95**
(Cont'd)

	<u>USOC</u>	<u>5 Year Monthly Rate</u>
<u>Multiplexing</u>		
Per arrangement		
DS0 to Subrates		
Up to 20 2.4 kbps services	QSU24	
Nonzoned		\$128.25
Zone 1 - MO		\$128.25
Zone 2 - MO		\$128.25
Zone 3 - MO		\$128.25
Zone 1 - TX		\$128.25
Zone 2 - TX		\$128.25
Zone 3 - TX		\$128.25
		<u>Nonrecurring Charge</u>
Nonzoned		\$ 0.00
Zone 1 - MO		\$ 0.00
Zone 2 - MO		\$ 0.00
Zone 3 - MO		\$ 0.00
Zone 1 - TX		\$ 0.00
Zone 2 - TX		\$ 0.00
Zone 3 - TX		\$ 0.00

(This page filed under Transmittal No. 2492)

Issued: August 22, 1995

Effective: October 6, 1995

Four AT&T Plaza, Dallas, Texas 75202

ACCESS SERVICE

7. Special Access Service (Cont'd)7.3 Service Descriptions, Rates and Charges (Cont'd)7.3.10 High Capacity Service (Cont'd)(F) Rates and Charges (Cont'd)(21) Optional Payment Plan **Rates Effective: 08/01/95**
(Cont'd)

	<u>USOC</u>	<u>3 Year Monthly Rate</u>
(e) <u>Multiplexing</u>		
Per arrangement (Cont'd)		
DS0 to Subrates (Cont'd)		
Up to 10 4.8 kbps services	QSU48	
Nonzoned		\$125.00
Zone 1 - MO		\$125.00
Zone 2 - MO		\$125.00
Zone 3 - MO		\$125.00
Zone 1 - TX		\$125.00
Zone 2 - TX		\$125.00
Zone 3 - TX		\$125.00
		<u>Nonrecurring Charge</u>
Nonzoned		\$ 0.00
Zone 1 - MO		\$ 0.00
Zone 2 - MO		\$ 0.00
Zone 3 - MO		\$ 0.00
Zone 1 - TX		\$ 0.00
Zone 2 - TX		\$ 0.00
Zone 3 - TX		\$ 0.00

(This page filed under Transmittal No. 2492)

Issued: August 22, 1995

Effective: October 6, 1995

Four AT&T Plaza, Dallas, Texas 75202

ACCESS SERVICE

7. Special Access Service (Cont'd)7.3 Service Descriptions, Rates and Charges (Cont'd)7.3.10 High Capacity Service (Cont'd)(F) Rates and Charges (Cont'd)(21) Optional Payment Plan **Rates Effective: 08/01/95**
(Cont'd)

	<u>USOC</u>	<u>5 Year Monthly Rate</u>
<u>Multiplexing</u>		
Per arrangement (Cont'd)		
DS0 to Subrates (Cont'd)		
Up to 10 4.8 kbps services	QSU48	
Nonzoned		\$118.75
Zone 1 - MO		\$118.75
Zone 2 - MO		\$118.75
Zone 3 - MO		\$118.75
Zone 1 - TX		\$118.75
Zone 2 - TX		\$118.75
Zone 3 - TX		\$118.75
		<u>Nonrecurring Charge</u>
Nonzoned		\$ 0.00
Zone 1 - MO		\$ 0.00
Zone 2 - MO		\$ 0.00
Zone 3 - MO		\$ 0.00
Zone 1 - TX		\$ 0.00
Zone 2 - TX		\$ 0.00
Zone 3 - TX		\$ 0.00

(This page filed under Transmittal No. 2492)

Issued: August 22, 1995

Effective: October 6, 1995

Four AT&T Plaza, Dallas, Texas 75202

ACCESS SERVICE

7. Special Access Service (Cont'd)7.3 Service Descriptions, Rates and Charges (Cont'd)7.3.10 High Capacity Service (Cont'd)(F) Rates and Charges (Cont'd)(21) Optional Payment Plan **Rates Effective: 08/01/95**
(Cont'd)

	<u>USOC</u>	<u>3 Year Monthly Rate</u>
(e) <u>Multiplexing</u>		
Per arrangement (Cont'd)		
DS0 to Subrates (Cont'd)		
Up to 5 9.6 kbps services		
	QSU96	
Nonzoned		\$235.00
Zone 1 - MO		\$235.00
Zone 2 - MO		\$235.00
Zone 3 - MO		\$235.00
Zone 1 - TX		\$235.00
Zone 2 - TX		\$235.00
Zone 3 - TX		\$235.00
		<u>Nonrecurring Charge</u>
Nonzoned		\$ 0.00
Zone 1 - MO		\$ 0.00
Zone 2 - MO		\$ 0.00
Zone 3 - MO		\$ 0.00
Zone 1 - TX		\$ 0.00
Zone 2 - TX		\$ 0.00
Zone 3 - TX		\$ 0.00

(This page filed under Transmittal No. 2492)

Issued: August 22, 1995

Effective: October 6, 1995

Four AT&T Plaza, Dallas, Texas 75202

ACCESS SERVICE

7. Special Access Service (Cont'd)7.3 Service Descriptions, Rates and Charges (Cont'd)7.3.10 High Capacity Service (Cont'd)(F) Rates and Charges (Cont'd)(21) Optional Payment Plan **Rates Effective: 08/01/95**
(Cont'd)

	<u>USOC</u>	<u>5 Year Monthly Rate</u>
<u>Multiplexing</u>		
Per arrangement (Cont'd)		
DS0 to Subrates (Cont'd)		
Up to 5 9.6 kbps services	QSU96	
Nonzoned		\$223.25
Zone 1 - MO		\$223.25
Zone 2 - MO		\$223.25
Zone 3 - MO		\$223.25
Zone 1 - TX		\$223.25
Zone 2 - TX		\$223.25
Zone 3 - TX		\$223.25
		<u>Nonrecurring Charge</u>
Nonzoned		\$ 0.00
Zone 1 - MO		\$ 0.00
Zone 2 - MO		\$ 0.00
Zone 3 - MO		\$ 0.00
Zone 1 - TX		\$ 0.00
Zone 2 - TX		\$ 0.00
Zone 3 - TX		\$ 0.00

(This page filed under Transmittal No. 2492)

Issued: August 22, 1995

Effective: October 6, 1995

Four AT&T Plaza, Dallas, Texas 75202

ACCESS SERVICE

7. Special Access Service (Cont'd)7.3 Service Descriptions, Rates and Charges (Cont'd)7.3.10 High Capacity Service (Cont'd)(F) Rates and Charges (Cont'd)(21) Optional Payment Plan **Rates Effective: 08/01/95**
(Cont'd)

	<u>USOC</u>	<u>3 Year Monthly Rate</u>
(e) <u>Multiplexing</u>		
Per arrangement (Cont'd)		
DS1 to DS0	QMU	
Nonzoned		\$180.00
Zone 1 - MO		\$180.00
Zone 2 - MO		\$180.00
Zone 3 - MO		\$180.00
Zone 1 - TX		\$180.00
Zone 2 - TX		\$180.00
Zone 3 - TX		\$180.00
		<u>Nonrecurring Charge</u>
Nonzoned		\$ 0.00
Zone 1 - MO		\$ 0.00
Zone 2 - MO		\$ 0.00
Zone 3 - MO		\$ 0.00
Zone 1 - TX		\$ 0.00
Zone 2 - TX		\$ 0.00
Zone 3 - TX		\$ 0.00

(This page filed under Transmittal No. 2492)

Issued: August 22, 1995

Effective: October 6, 1995

Four AT&T Plaza, Dallas, Texas 75202

ACCESS SERVICE

7. Special Access Service (Cont'd)7.3 Service Descriptions, Rates and Charges (Cont'd)7.3.10 High Capacity Service (Cont'd)(F) Rates and Charges (Cont'd)(21) Optional Payment Plan **Rates Effective: 08/01/95**
(Cont'd)

	<u>USOC</u>	<u>5 Year Monthly Rate</u>
<u>Multiplexing</u>		
Per arrangement (Cont'd)		
DS1 to DS0	QMU	
Nonzoned		\$171.00
Zone 1 - MO		\$171.00
Zone 2 - MO		\$171.00
Zone 3 - MO		\$171.00
Zone 1 - TX		\$171.00
Zone 2 - TX		\$171.00
Zone 3 - TX		\$171.00
		<u>Nonrecurring Charge</u>
Nonzoned		\$ 0.00
Zone 1 - MO		\$ 0.00
Zone 2 - MO		\$ 0.00
Zone 3 - MO		\$ 0.00
Zone 1 - TX		\$ 0.00
Zone 2 - TX		\$ 0.00
Zone 3 - TX		\$ 0.00

(This page filed under Transmittal No. 2492)

Issued: August 22, 1995

Effective: October 6, 1995

Four AT&T Plaza, Dallas, Texas 75202

ACCESS SERVICE

7. Special Access Service (Cont'd)7.3 Service Descriptions, Rates and Charges (Cont'd)7.3.10 High Capacity Service (Cont'd)(F) Rates and Charges (Cont'd)(21) Optional Payment Plan **Rates Effective: 08/01/95**
(Cont'd)

	<u>USOC</u>	<u>3 Year Monthly Rate</u>
(e) <u>Multiplexing</u>		
Per arrangement (Cont'd)		
DS1 to Voice	MQ1	
Nonzoned		\$180.00
Zone 1 - MO		\$180.00
Zone 2 - MO		\$180.00
Zone 3 - MO		\$180.00
Zone 1 - TX		\$180.00
Zone 2 - TX		\$180.00
Zone 3 - TX		\$180.00
		<u>Nonrecurring Charge</u>
Nonzoned		\$ 0.00
Zone 1 - MO		\$ 0.00
Zone 2 - MO		\$ 0.00
Zone 3 - MO		\$ 0.00
Zone 1 - TX		\$ 0.00
Zone 2 - TX		\$ 0.00
Zone 3 - TX		\$ 0.00

(This page filed under Transmittal No. 2492)

Issued: August 22, 1995

Effective: October 6, 1995

Four AT&T Plaza, Dallas, Texas 75202

ACCESS SERVICE

7. Special Access Service (Cont'd)7.3 Service Descriptions, Rates and Charges (Cont'd)7.3.10 High Capacity Service (Cont'd)(F) Rates and Charges (Cont'd)(21) Optional Payment Plan **Rates Effective: 08/01/95**
(Cont'd)

	<u>USOC</u>	<u>5 Year Monthly Rate</u>
<u>Multiplexing</u>		
Per arrangement (Cont'd)		
DS1 to Voice	MQ1	
Nonzoned		\$171.00
Zone 1 - MO		\$171.00
Zone 2 - MO		\$171.00
Zone 3 - MO		\$171.00
Zone 1 - TX		\$171.00
Zone 2 - TX		\$171.00
Zone 3 - TX		\$171.00
		<u>Nonrecurring Charge</u>
Nonzoned		\$ 0.00
Zone 1 - MO		\$ 0.00
Zone 2 - MO		\$ 0.00
Zone 3 - MO		\$ 0.00
Zone 1 - TX		\$ 0.00
Zone 2 - TX		\$ 0.00
Zone 3 - TX		\$ 0.00

(This page filed under Transmittal No. 2492)

Issued: August 22, 1995

Effective: October 6, 1995

Four AT&T Plaza, Dallas, Texas 75202

ACCESS SERVICE

7. Special Access Service (Cont'd)7.3 Service Descriptions, Rates and Charges (Cont'd)7.3.10 High Capacity Service (Cont'd)(F) Rates and Charges (Cont'd)(21) Optional Payment Plan **Rates Effective: 08/01/95**
(Cont'd)

	<u>USOC</u>	<u>3 Year Monthly Rate</u>
(f) <u>Clear Channel Capability</u>	CLR	
Per channel termination		
Nonzoned		\$ 0.00
Zone 1 - MO		\$ 0.00
Zone 2 - MO		\$ 0.00
Zone 3 - MO		\$ 0.00
Zone 1 - TX		\$ 0.00
Zone 2 - TX		\$ 0.00
Zone 3 - TX		\$ 0.00
		<u>Nonrecurring Charge</u>
Nonzoned		\$100.00
Zone 1 - MO		\$100.00
Zone 2 - MO		\$100.00
Zone 3 - MO		\$100.00
Zone 1 - TX		\$100.00
Zone 2 - TX		\$100.00
Zone 3 - TX		\$100.00

(This page filed under Transmittal No. 2492)

Issued: August 22, 1995

Effective: October 6, 1995

Four AT&T Plaza, Dallas, Texas 75202

ACCESS SERVICE

7. Special Access Service (Cont'd)7.3 Service Descriptions, Rates and Charges (Cont'd)7.3.10 High Capacity Service (Cont'd)(F) Rates and Charges (Cont'd)(21) Optional Payment Plan **Rates Effective: 08/01/95**
(Cont'd)

	<u>USOC</u>	<u>5 Year Monthly Rate</u>
<u>Clear Channel Capability</u>	CLR	
Per channel termination		
Nonzoned		\$ 0.00
Zone 1 - MO		\$ 0.00
Zone 2 - MO		\$ 0.00
Zone 3 - MO		\$ 0.00
Zone 1 - TX		\$ 0.00
Zone 2 - TX		\$ 0.00
Zone 3 - TX		\$ 0.00
		<u>Nonrecurring Charge</u>
Nonzoned		\$100.00
Zone 1 - MO		\$100.00
Zone 2 - MO		\$100.00
Zone 3 - MO		\$100.00
Zone 1 - TX		\$100.00
Zone 2 - TX		\$100.00
Zone 3 - TX		\$100.00

(This page filed under Transmittal No. 2492)

Issued: August 22, 1995

Effective: October 6, 1995

Four AT&T Plaza, Dallas, Texas 75202

ACCESS SERVICE

7. Special Access Service (Cont'd)

7.3 Service Descriptions, Rates and Charges (Cont'd)

7.3.10 High Capacity Service (Cont'd)

(F) Rates and Charges (Cont'd)

(21) Optional Payment Plan **Rates Effective: 08/01/95**
 (Cont'd)

	<u>USOC</u>	<u>3 Year Monthly Rate</u>
(g) <u>Transfer Arrangement, Key Activated*</u>	USV	
Per four port arrangement including control channel termination**		
Nonzoned		\$ 184.24
Zone 1 - MO	\$	184.24
Zone 2 - MO	\$	184.24
Zone 3 - MO	\$	184.24
Zone 1 - TX	\$	184.24
Zone 2 - TX	\$	184.24
Zone 3 - TX	\$	184.24
		<u>Nonrecurring Charge</u>
Nonzoned		\$ 213.00
Zone 1 - MO	\$	213.00
Zone 2 - MO	\$	213.00
Zone 3 - MO	\$	213.00
Zone 1 - TX	\$	213.00
Zone 2 - TX	\$	213.00
Zone 3 - TX	\$	213.00

* The key activated control channel is rated as a Metallic Channel Termination (use USOC T6EME in lieu of T6ECS) and Channel Mileage, if applicable (use USOC 1L5MX in lieu of 1L5XX).

** An additional Channel Termination charge will apply whenever a spare channel is configured as a leg to the customer's premises. Additional channel mileage will also apply when the transfer arrangement is not located in the customer premises serving wire center.

(This page filed under Transmittal No. 2492)

Issued: August 22, 1995

Effective: October 6, 1995

Four AT&T Plaza, Dallas, Texas 75202

ACCESS SERVICE

7. Special Access Service (Cont'd)

7.3 Service Descriptions, Rates and Charges (Cont'd)

7.3.10 High Capacity Service (Cont'd)

(F) Rates and Charges (Cont'd)

(21) Optional Payment Plan **Rates Effective: 08/01/95**
 (Cont'd)

	<u>USOC</u>	<u>5 Year Monthly Rate</u>
<u>Transfer Arrangement, Key Activated*</u>	USV	
Per four port arrangement including control channel termination**		
Nonzoned		\$ 175.03
Zone 1 - MO		\$ 175.03
Zone 2 - MO		\$ 175.03
Zone 3 - MO		\$ 175.03
Zone 1 - TX		\$ 175.03
Zone 2 - TX		\$ 175.03
Zone 3 - TX		\$ 175.03
		<u>Nonrecurring Charge</u>
Nonzoned		\$ 213.00
Zone 1 - MO		\$ 213.00
Zone 2 - MO		\$ 213.00
Zone 3 - MO		\$ 213.00
Zone 1 - TX		\$ 213.00
Zone 2 - TX		\$ 213.00
Zone 3 - TX		\$ 213.00

* The key activated control channel is rated as a Metallic Channel Termination (use USOC T6EME in lieu of T6ECS) and Channel Mileage, if applicable (use USOC 1L5MX in lieu of 1L5XX).

** An additional Channel Termination charge will apply whenever a spare channel is configured as a leg to the customer's premises. Additional channel mileage will also apply when the transfer arrangement is not located in the customer premises serving wire center.

(This page filed under Transmittal No. 2492)

ACCESS SERVICE

7. Special Access Service (Cont'd)

7.3 Service Descriptions, Rates and Charges (Cont'd)

7.3.10 High Capacity Service (Cont'd)

(F) Rates and Charges (Cont'd)

(22) Optional Payment Plan **Rates Effective: 10/06/95**

(N)

	USOC	3 Year Monthly Rate	
(a) <u>Channel Termination</u>			
Per point of termination	TMECS		
1.544 Mbps			
Nonzoned		\$165.00	
Zone 1 - AR		\$165.00	
Zone 2 - AR		\$165.00	
Zone 3 - AR		\$165.00	
Zone 1 - MO		\$163.00	
Zone 2 - MO		\$165.00	
Zone 3 - MO		\$165.00	
Zone 1 - OK		\$165.00	
Zone 2 - OK		\$165.00	
Zone 3 - OK		\$165.00	
Zone 1 - TX		\$162.00	
Zone 2 - TX		\$162.00	
Zone 3 - TX		\$165.00	
			Nonrecurring Charge
			<u>1st Ckt</u> <u>Addl Ckt</u>
Nonzoned		\$600.00	\$456.00
Zone 1 - AR		\$600.00	\$456.00
Zone 2 - AR		\$600.00	\$456.00
Zone 3 - AR		\$600.00	\$456.00
Zone 1 - MO		\$600.00	\$456.00
Zone 2 - MO		\$600.00	\$456.00
Zone 3 - MO		\$600.00	\$456.00
Zone 1 - OK		\$600.00	\$456.00
Zone 2 - OK		\$600.00	\$456.00
Zone 3 - OK		\$600.00	\$456.00
Zone 1 - TX		\$600.00	\$456.00
Zone 2 - TX		\$600.00	\$456.00
Zone 3 - TX		\$600.00	\$456.00

(This page filed under Transmittal No. 2492)

ACCESS SERVICE

7. Special Access Service (Cont'd)

7.3 Service Descriptions, Rates and Charges (Cont'd)

7.3.10 High Capacity Service (Cont'd)

(F) Rates and Charges (Cont'd)

(22) Optional Payment Plan **Rates Effective: 10/06/95**
 (Cont'd)

(N)

	USOC	Monthly Rate	5 Year
(a) <u>Channel Termination</u> (Cont'd)			
Per point of termination	TMECS		
1.544 Mbps			
Nonzoned			\$156.75
Zone 1 - AR			\$156.75
Zone 2 - AR			\$156.75
Zone 3 - AR			\$156.75
Zone 1 - MO			\$154.85
Zone 2 - MO			\$156.75
Zone 3 - MO			\$156.75
Zone 1 - OK			\$156.75
Zone 2 - OK			\$156.75
Zone 3 - OK			\$156.75
Zone 1 - TX			\$153.90
Zone 2 - TX			\$153.90
Zone 3 - TX			\$156.75
			Nonrecurring Charge
			<u>1st Ckt</u> <u>Addl Ckt</u>
Nonzoned		\$600.00	\$456.00
Zone 1 - AR		\$600.00	\$456.00
Zone 2 - AR		\$600.00	\$456.00
Zone 3 - AR		\$600.00	\$456.00
Zone 1 - MO		\$600.00	\$456.00
Zone 2 - MO		\$600.00	\$456.00
Zone 3 - MO		\$600.00	\$456.00
Zone 1 - OK		\$600.00	\$456.00
Zone 2 - OK		\$600.00	\$456.00
Zone 3 - OK		\$600.00	\$456.00
Zone 1 - TX		\$600.00	\$456.00
Zone 2 - TX		\$600.00	\$456.00
Zone 3 - TX		\$600.00	\$456.00

(This page filed under Transmittal No. 2492)

ACCESS SERVICE

7. Special Access Service (Cont'd)

7.3 Service Descriptions, Rates and Charges (Cont'd)

7.3.10 High Capacity Service (Cont'd)

(F) Rates and Charges (Cont'd)

(22) Optional Payment Plan **Rates Effective: 10/06/95**
(Cont'd)

(N)

		3 Year Monthly Rate	
	USOC	Fixed	Per Mile
(b) <u>Channel Mileage</u>			
1.544 Mbps	1L5XX		
0 miles			
Nonzoned		\$ 0.00	\$ 0.00
Zone 1 - AR		\$ 0.00	\$ 0.00
Zone 2 - AR		\$ 0.00	\$ 0.00
Zone 3 - AR		\$ 0.00	\$ 0.00
Zone 1 - MO		\$ 0.00	\$ 0.00
Zone 2 - MO		\$ 0.00	\$ 0.00
Zone 3 - MO		\$ 0.00	\$ 0.00
Zone 1 - OK		\$ 0.00	\$ 0.00
Zone 2 - OK		\$ 0.00	\$ 0.00
Zone 3 - OK		\$ 0.00	\$ 0.00
Zone 1 - TX		\$ 0.00	\$ 0.00
Zone 2 - TX		\$ 0.00	\$ 0.00
Zone 3 - TX		\$ 0.00	\$ 0.00
Over 0 miles			
Nonzoned		\$50.00	\$16.80
Zone 1 - AR		\$50.00	\$16.80
Zone 2 - AR		\$50.00	\$16.80
Zone 3 - AR		\$50.00	\$16.80
Zone 1 - MO		\$50.00	\$16.80
Zone 2 - MO		\$50.00	\$16.80
Zone 3 - MO		\$50.00	\$16.80
Zone 1 - OK		\$50.00	\$16.80
Zone 2 - OK		\$50.00	\$16.80
Zone 3 - OK		\$50.00	\$16.80
Zone 1 - TX		\$50.00	\$16.80
Zone 2 - TX		\$50.00	\$16.80
Zone 3 - TX		\$50.00	\$16.80

(This page filed under Transmittal No. 2492)

ACCESS SERVICE

7. Special Access Service (Cont'd)

7.3 Service Descriptions, Rates and Charges (Cont'd)

7.3.10 High Capacity Service (Cont'd)

(F) Rates and Charges (Cont'd)

(22) Optional Payment Plan **Rates Effective: 10/06/95**
(Cont'd)

		3 Year Monthly Rate	
	USOC	Fixed	Per Mile
(b) <u>Channel Mileage</u> (Cont'd)			
64 Kbps*	1L5TC		
0 miles			
Nonzoned		\$ 0.00	\$ 0.00
Zone 1 - AR		\$ 0.00	\$ 0.00
Zone 2 - AR		\$ 0.00	\$ 0.00
Zone 3 - AR		\$ 0.00	\$ 0.00
Zone 1 - MO		\$ 0.00	\$ 0.00
Zone 2 - MO		\$ 0.00	\$ 0.00
Zone 3 - MO		\$ 0.00	\$ 0.00
Zone 1 - OK		\$ 0.00	\$ 0.00
Zone 2 - OK		\$ 0.00	\$ 0.00
Zone 3 - OK		\$ 0.00	\$ 0.00
Zone 1 - TX		\$ 0.00	\$ 0.00
Zone 2 - TX		\$ 0.00	\$ 0.00
Zone 3 - TX		\$ 0.00	\$ 0.00
Over 0 miles			
Nonzoned	1L5XX	\$ 8.04	\$ 1.13
Zone 1 - AR		\$ 8.04	\$ 1.13
Zone 2 - AR		\$ 8.04	\$ 1.13
Zone 3 - AR		\$ 8.04	\$ 1.13
Zone 1 - MO		\$ 8.04	\$ 1.13
Zone 2 - MO		\$ 8.04	\$ 1.13
Zone 3 - MO		\$ 8.04	\$ 1.13
Zone 1 - OK		\$ 8.04	\$ 1.13
Zone 2 - OK		\$ 8.04	\$ 1.13
Zone 3 - OK		\$ 8.04	\$ 1.13
Zone 1 - TX		\$ 8.04	\$ 1.13
Zone 2 - TX		\$ 8.04	\$ 1.13
Zone 3 - TX		\$ 8.04	\$ 1.13

(N)

(N)

* Available only as a channel of a 1.544 Mbps facility to a SWBT Digital Data Hub or as a cross connect of two channels of two 1.544 Mbps facilities to a Digital Data Hub(s). The customer must provide system and channel assignment data.

(N)

(This page filed under Transmittal No. 2492)

ACCESS SERVICE

7. Special Access Service (Cont'd)

7.3 Service Descriptions, Rates and Charges (Cont'd)

7.3.10 High Capacity Service (Cont'd)

(F) Rates and Charges (Cont'd)

(22) Optional Payment Plan **Rates Effective: 10/06/95**
(Cont'd)

(N)

	<u>USOC</u>	<u>5 Year Monthly Rate</u>	
		<u>Fixed</u>	<u>Per Mile</u>
<u>Channel Mileage</u>			
1.544 Mbps	1L5XX		
0 miles			
Nonzoned		\$ 0.00	\$ 0.00
Zone 1 - AR		\$ 0.00	\$ 0.00
Zone 2 - AR		\$ 0.00	\$ 0.00
Zone 3 - AR		\$ 0.00	\$ 0.00
Zone 1 - MO		\$ 0.00	\$ 0.00
Zone 2 - MO		\$ 0.00	\$ 0.00
Zone 3 - MO		\$ 0.00	\$ 0.00
Zone 1 - OK		\$ 0.00	\$ 0.00
Zone 2 - OK		\$ 0.00	\$ 0.00
Zone 3 - OK		\$ 0.00	\$ 0.00
Zone 1 - TX		\$ 0.00	\$ 0.00
Zone 2 - TX		\$ 0.00	\$ 0.00
Zone 3 - TX		\$ 0.00	\$ 0.00
Over 0 miles			
Nonzoned		\$47.50	\$15.96
Zone 1 - AR		\$47.50	\$15.96
Zone 2 - AR		\$47.50	\$15.96
Zone 3 - AR		\$47.50	\$15.96
Zone 1 - MO		\$47.50	\$15.96
Zone 2 - MO		\$47.50	\$15.96
Zone 3 - MO		\$47.50	\$15.96
Zone 1 - OK		\$47.50	\$15.96
Zone 2 - OK		\$47.50	\$15.96
Zone 3 - OK		\$47.50	\$15.96
Zone 1 - TX		\$47.50	\$15.96
Zone 2 - TX		\$47.50	\$15.96
Zone 3 - TX		\$47.50	\$15.96

(This page filed under Transmittal No. 2492)

ACCESS SERVICE

7. Special Access Service (Cont'd)

7.3 Service Descriptions, Rates and Charges (Cont'd)

7.3.10 High Capacity Service (Cont'd)

(F) Rates and Charges (Cont'd)

(22) Optional Payment Plan **Rates Effective: 10/06/95**
(Cont'd)

	USOC	5 Year Monthly Rate	
		Fixed	Per Mile
<u>Channel Mileage</u> (Cont'd)			
64 Kbps*	1L5TC		
0 miles			
Nonzoned		\$ 0.00	\$ 0.00
Zone 1 - AR		\$ 0.00	\$ 0.00
Zone 2 - AR		\$ 0.00	\$ 0.00
Zone 3 - AR		\$ 0.00	\$ 0.00
Zone 1 - MO		\$ 0.00	\$ 0.00
Zone 2 - MO		\$ 0.00	\$ 0.00
Zone 3 - MO		\$ 0.00	\$ 0.00
Zone 1 - OK		\$ 0.00	\$ 0.00
Zone 2 - OK		\$ 0.00	\$ 0.00
Zone 3 - OK		\$ 0.00	\$ 0.00
Zone 1 - TX		\$ 0.00	\$ 0.00
Zone 2 - TX		\$ 0.00	\$ 0.00
Zone 3 - TX		\$ 0.00	\$ 0.00
Over 0 miles			
Nonzoned	1L5XX	\$ 7.64	\$ 1.07
Zone 1 - AR		\$ 7.64	\$ 1.07
Zone 2 - AR		\$ 7.64	\$ 1.07
Zone 3 - AR		\$ 7.64	\$ 1.07
Zone 1 - MO		\$ 7.64	\$ 1.07
Zone 2 - MO		\$ 7.64	\$ 1.07
Zone 3 - MO		\$ 7.64	\$ 1.07
Zone 1 - OK		\$ 7.64	\$ 1.07
Zone 2 - OK		\$ 7.64	\$ 1.07
Zone 3 - OK		\$ 7.64	\$ 1.07
Zone 1 - TX		\$ 7.64	\$ 1.07
Zone 2 - TX		\$ 7.64	\$ 1.07
Zone 3 - TX		\$ 7.64	\$ 1.07

(N)

(N)

* Available only as a channel of a 1.544 Mbps facility to a SWBT Digital Data Hub or as a cross connect of two channels of two 1.544 Mbps facilities to a Digital Data Hub(s). The customer must provide system and channel assignment data.

(N)

(This page filed under Transmittal No. 2492)

ACCESS SERVICE

7. Special Access Service (Cont'd)

7.3 Service Descriptions, Rates and Charges (Cont'd)

7.3.10 High Capacity Service (Cont'd)

(F) Rates and Charges (Cont'd)

(22) Optional Payment Plan **Rates Effective: 10/06/95**
(Cont'd)

USOC Monthly Rate ^{3 Year}

(c) Service to Service
Through Connect
Arrangement

High Capacity Service
Arrangement - 1.544
Mbps (DS1)

THA

Nonzoned
Zone 1 - AR \$ 0.00
Zone 2 - AR \$ 0.00
Zone 3 - AR \$ 0.00
Zone 1 - MO \$ 0.00
Zone 2 - MO \$ 0.00
Zone 3 - MO \$ 0.00
Zone 1 - OK \$ 0.00
Zone 2 - OK \$ 0.00
Zone 3 - OK \$ 0.00
Zone 1 - TX \$ 0.00
Zone 2 - TX \$ 0.00
Zone 3 - TX \$ 0.00

\$ 0.00

Nonrecurring Charge
1st Ckt Addl Ckt

Nonzoned	\$204.00	\$156.00
Zone 1 - AR	\$204.00	\$156.00
Zone 2 - AR	\$204.00	\$156.00
Zone 3 - AR	\$204.00	\$156.00
Zone 1 - MO	\$204.00	\$156.00
Zone 2 - MO	\$204.00	\$156.00
Zone 3 - MO	\$204.00	\$156.00
Zone 1 - OK	\$204.00	\$156.00
Zone 2 - OK	\$204.00	\$156.00
Zone 3 - OK	\$204.00	\$156.00
Zone 1 - TX	\$204.00	\$156.00
Zone 2 - TX	\$204.00	\$156.00
Zone 3 - TX	\$204.00	\$156.00

(N)

(This page filed under Transmittal No. 2492)

ACCESS SERVICE

7. Special Access Service (Cont'd)

7.3 Service Descriptions, Rates and Charges (Cont'd)

7.3.10 High Capacity Service (Cont'd)

(F) Rates and Charges (Cont'd)

(22) Optional Payment Plan **Rates Effective: 10/06/95**
(Cont'd)

(N)

USOC Monthly Rate 5 Year

Service to Service
Through Connect
Arrangement

High Capacity Service
Arrangement - 1.544
Mbps (DS1)

THA

Nonzoned		\$ 0.00
Zone 1 - AR	\$ 0.00	
Zone 2 - AR	\$ 0.00	
Zone 3 - AR	\$ 0.00	
Zone 1 - MO	\$ 0.00	
Zone 2 - MO	\$ 0.00	
Zone 3 - MO	\$ 0.00	
Zone 1 - OK	\$ 0.00	
Zone 2 - OK	\$ 0.00	
Zone 3 - OK	\$ 0.00	
Zone 1 - TX	\$ 0.00	
Zone 2 - TX	\$ 0.00	
Zone 3 - TX	\$ 0.00	

Nonrecurring Charge
1st Ckt Addl Ckt

Nonzoned	\$204.00	\$156.00
Zone 1 - AR	\$204.00	\$156.00
Zone 2 - AR	\$204.00	\$156.00
Zone 3 - AR	\$204.00	\$156.00
Zone 1 - MO	\$204.00	\$156.00
Zone 2 - MO	\$204.00	\$156.00
Zone 3 - MO	\$204.00	\$156.00
Zone 1 - OK	\$204.00	\$156.00
Zone 2 - OK	\$204.00	\$156.00
Zone 3 - OK	\$204.00	\$156.00
Zone 1 - TX	\$204.00	\$156.00
Zone 2 - TX	\$204.00	\$156.00
Zone 3 - TX	\$204.00	\$156.00

(This page filed under Transmittal No. 2492)

ACCESS SERVICE

7. Special Access Service (Cont'd)

7.3 Service Descriptions, Rates and Charges (Cont'd)

7.3.10 High Capacity Service (Cont'd)

(F) Rates and Charges (Cont'd)

(22) Optional Payment Plan **Rates Effective: 10/06/95**
(Cont'd)

USOC 3 Year
Monthly Rate

(c) Service to Service
Through Connect
Arrangement (Cont'd)

Multiplexed Service
Arrangement - 1.544 Mbps
(DS1) THK

Nonzoned		\$ 0.00
Zone 1 - AR	\$ 0.00	
Zone 2 - AR	\$ 0.00	
Zone 3 - AR	\$ 0.00	
Zone 1 - MO	\$ 0.00	
Zone 2 - MO	\$ 0.00	
Zone 3 - MO	\$ 0.00	
Zone 1 - OK	\$ 0.00	
Zone 2 - OK	\$ 0.00	
Zone 3 - OK	\$ 0.00	
Zone 1 - TX	\$ 0.00	
Zone 2 - TX	\$ 0.00	
Zone 3 - TX	\$ 0.00	

Nonrecurring Charge
1st Ckt Addl Ckt

Nonzoned	\$332.00	\$280.00
Zone 1 - AR	\$332.00	\$280.00
Zone 2 - AR	\$332.00	\$280.00
Zone 3 - AR	\$332.00	\$280.00
Zone 1 - MO	\$332.00	\$280.00
Zone 2 - MO	\$332.00	\$280.00
Zone 3 - MO	\$332.00	\$280.00
Zone 1 - OK	\$332.00	\$280.00
Zone 2 - OK	\$332.00	\$280.00
Zone 3 - OK	\$332.00	\$280.00
Zone 1 - TX	\$332.00	\$280.00
Zone 2 - TX	\$332.00	\$280.00
Zone 3 - TX	\$332.00	\$280.00

(N)

(This page filed under Transmittal No. 2492)

ACCESS SERVICE

7. Special Access Service (Cont'd)

7.3 Service Descriptions, Rates and Charges (Cont'd)

7.3.10 High Capacity Service (Cont'd)

(F) Rates and Charges (Cont'd)

(22) Optional Payment Plan **Rates Effective: 10/06/95**
(Cont'd)

(N)

	<u>USOC</u>	<u>5 Year Monthly Rate</u>
 <u>Service to Service Through Connect Arrangement</u> (Cont'd)		
Multiplexed Service Arrangement - 1.544 Mbps (DS1) THK		

Nonzoned	\$ 0.00
Zone 1 - AR \$	0.00
Zone 2 - AR \$	0.00
Zone 3 - AR \$	0.00
Zone 1 - MO \$	0.00
Zone 2 - MO \$	0.00
Zone 3 - MO \$	0.00
Zone 1 - OK \$	0.00
Zone 2 - OK \$	0.00
Zone 3 - OK \$	0.00
Zone 1 - TX \$	0.00
Zone 2 - TX \$	0.00
Zone 3 - TX \$	0.00

	<u>Nonrecurring Charge</u>	
	<u>1st Ckt</u>	<u>Addl Ckt</u>
Nonzoned	\$332.00	\$280.00
Zone 1 - AR	\$332.00	\$280.00
Zone 2 - AR	\$332.00	\$280.00
Zone 3 - AR	\$332.00	\$280.00
Zone 1 - MO	\$332.00	\$280.00
Zone 2 - MO	\$332.00	\$280.00
Zone 3 - MO	\$332.00	\$280.00
Zone 1 - OK	\$332.00	\$280.00
Zone 2 - OK	\$332.00	\$280.00
Zone 3 - OK	\$332.00	\$280.00
Zone 1 - TX	\$332.00	\$280.00
Zone 2 - TX	\$332.00	\$280.00
Zone 3 - TX	\$332.00	\$280.00

(This page filed under Transmittal No. 2492)

Issued: August 22, 1995

Effective: October 6, 1995

Four AT&T Plaza, Dallas, Texas 75202

ACCESS SERVICE

7. Special Access Service (Cont'd)

7.3 Service Descriptions, Rates and Charges (Cont'd)

7.3.10 High Capacity Service (Cont'd)

(F) Rates and Charges (Cont'd)

(22) Optional Payment Plan

(D)
(D)
(D)
(D)

(d)

(D)

(D)

(This page filed under Transmittal No. 3317)

Issued: March 10, 2011

Effective: March 25, 2011

Four AT&T Plaza, Dallas, Texas 75202

ACCESS SERVICE

7. Special Access Service (Cont'd)

7.3 Service Descriptions, Rates and Charges (Cont'd)

7.3.10 High Capacity Service (Cont'd)

(F) Rates and Charges (Cont'd)

(22) Optional Payment Plan

(D)

(D)

(This page filed under Transmittal No. 3317)

Issued: March 10, 2011

Effective: March 25, 2011

Four AT&T Plaza, Dallas, Texas 75202

ACCESS SERVICE

7. Special Access Service (Cont'd)

7.3 Service Descriptions, Rates and Charges (Cont'd)

7.3.10 High Capacity Service (Cont'd)

(F) Rates and Charges (Cont'd)

(22) Optional Payment Plan **Rates Effective: 10/06/95**
(Cont'd)

(N)

	<u>USOC</u>	<u>3 Year Monthly Rate</u>
(e) <u>Multiplexing</u>		
Per arrangement		
DS0 to Subrates		
Up to 20 2.4 kbps services		
	QSU24	
Nonzoned		\$135.00
Zone 1 - AR		\$135.00
Zone 2 - AR		\$135.00
Zone 3 - AR		\$135.00
Zone 1 - MO		\$135.00
Zone 2 - MO		\$135.00
Zone 3 - MO		\$135.00
Zone 1 - OK		\$135.00
Zone 2 - OK		\$135.00
Zone 3 - OK		\$135.00
Zone 1 - TX		\$135.00
Zone 2 - TX		\$135.00
Zone 3 - TX		\$135.00
		<u>Nonrecurring Charge</u>
Nonzoned		\$ 0.00
Zone 1 - AR		\$ 0.00
Zone 2 - AR		\$ 0.00
Zone 3 - AR		\$ 0.00
Zone 1 - MO		\$ 0.00
Zone 2 - MO		\$ 0.00
Zone 3 - MO		\$ 0.00
Zone 1 - OK		\$ 0.00
Zone 2 - OK		\$ 0.00
Zone 3 - OK		\$ 0.00
Zone 1 - TX		\$ 0.00
Zone 2 - TX		\$ 0.00
Zone 3 - TX		\$ 0.00

(This page filed under Transmittal No. 2492)

Issued: August 22, 1995

Effective: October 6, 1995

Four AT&T Plaza, Dallas, Texas 75202

ACCESS SERVICE

7. Special Access Service (Cont'd)

7.3 Service Descriptions, Rates and Charges (Cont'd)

7.3.10 High Capacity Service (Cont'd)

(F) Rates and Charges (Cont'd)

(22) Optional Payment Plan **Rates Effective: 10/06/95**
(Cont'd)

(N)

	<u>USOC</u>	<u>5 Year Monthly Rate</u>
<u>Multiplexing</u>		
Per arrangement		
DS0 to Subrates		
Up to 20 2.4 kbps services		
	QSU24	
Nonzoned		\$128.25
Zone 1 - AR		\$128.25
Zone 2 - AR		\$128.25
Zone 3 - AR		\$128.25
Zone 1 - MO		\$128.25
Zone 2 - MO		\$128.25
Zone 3 - MO		\$128.25
Zone 1 - OK		\$128.25
Zone 2 - OK		\$128.25
Zone 3 - OK		\$128.25
Zone 1 - TX		\$128.25
Zone 2 - TX		\$128.25
Zone 3 - TX		\$128.25
		<u>Nonrecurring Charge</u>
Nonzoned		\$ 0.00
Zone 1 - AR		\$ 0.00
Zone 2 - AR		\$ 0.00
Zone 3 - AR		\$ 0.00
Zone 1 - MO		\$ 0.00
Zone 2 - MO		\$ 0.00
Zone 3 - MO		\$ 0.00
Zone 1 - OK		\$ 0.00
Zone 2 - OK		\$ 0.00
Zone 3 - OK		\$ 0.00
Zone 1 - TX		\$ 0.00
Zone 2 - TX		\$ 0.00
Zone 3 - TX		\$ 0.00

(This page filed under Transmittal No. 2492)

Issued: August 22, 1995

Effective: October 6, 1995

Four AT&T Plaza, Dallas, Texas 75202

ACCESS SERVICE

7. Special Access Service (Cont'd)

7.3 Service Descriptions, Rates and Charges (Cont'd)

7.3.10 High Capacity Service (Cont'd)

(F) Rates and Charges (Cont'd)

(22) Optional Payment Plan **Rates Effective: 10/06/95**
(Cont'd)

(N)

	<u>USOC</u>	<u>3 Year Monthly Rate</u>
--	-------------	--------------------------------

(e) Multiplexing

Per arrangement (Cont'd)

DS0 to Subrates (Cont'd)

Up to 10 4.8 kbps
services

QSU48

Nonzoned	\$125.00
Zone 1 - AR	\$125.00
Zone 2 - AR	\$125.00
Zone 3 - AR	\$125.00
Zone 1 - MO	\$125.00
Zone 2 - MO	\$125.00
Zone 3 - MO	\$125.00
Zone 1 - OK	\$125.00
Zone 2 - OK	\$125.00
Zone 3 - OK	\$125.00
Zone 1 - TX	\$125.00
Zone 2 - TX	\$125.00
Zone 3 - TX	\$125.00

Nonrecurring Charge

Nonzoned	\$ 0.00
Zone 1 - AR	\$ 0.00
Zone 2 - AR	\$ 0.00
Zone 3 - AR	\$ 0.00
Zone 1 - MO	\$ 0.00
Zone 2 - MO	\$ 0.00
Zone 3 - MO	\$ 0.00
Zone 1 - OK	\$ 0.00
Zone 2 - OK	\$ 0.00
Zone 3 - OK	\$ 0.00
Zone 1 - TX	\$ 0.00
Zone 2 - TX	\$ 0.00
Zone 3 - TX	\$ 0.00

(This page filed under Transmittal No. 2492)

Issued: August 22, 1995

Effective: October 6, 1995

Four AT&T Plaza, Dallas, Texas 75202

ACCESS SERVICE

7. Special Access Service (Cont'd)

7.3 Service Descriptions, Rates and Charges (Cont'd)

7.3.10 High Capacity Service (Cont'd)

(F) Rates and Charges (Cont'd)

(22) Optional Payment Plan **Rates Effective: 10/06/95**
(Cont'd)

(N)

	<u>USOC</u>	<u>5 Year Monthly Rate</u>
--	-------------	--------------------------------

Multiplexing

Per arrangement (Cont'd)

DS0 to Subrates (Cont'd)

Up to 10 4.8 kbps
services

QSU48

Nonzoned	\$118.75
Zone 1 - AR	\$118.75
Zone 2 - AR	\$118.75
Zone 3 - AR	\$118.75
Zone 1 - MO	\$118.75
Zone 2 - MO	\$118.75
Zone 3 - MO	\$118.75
Zone 1 - OK	\$118.75
Zone 2 - OK	\$118.75
Zone 3 - OK	\$118.75
Zone 1 - TX	\$118.75
Zone 2 - TX	\$118.75
Zone 3 - TX	\$118.75

Nonrecurring Charge

Nonzoned	\$ 0.00
Zone 1 - AR	\$ 0.00
Zone 2 - AR	\$ 0.00
Zone 3 - AR	\$ 0.00
Zone 1 - MO	\$ 0.00
Zone 2 - MO	\$ 0.00
Zone 3 - MO	\$ 0.00
Zone 1 - OK	\$ 0.00
Zone 2 - OK	\$ 0.00
Zone 3 - OK	\$ 0.00
Zone 1 - TX	\$ 0.00
Zone 2 - TX	\$ 0.00
Zone 3 - TX	\$ 0.00

(This page filed under Transmittal No. 2492)

Issued: August 22, 1995

Effective: October 6, 1995

Four AT&T Plaza, Dallas, Texas 75202

ACCESS SERVICE

7. Special Access Service (Cont'd)

7.3 Service Descriptions, Rates and Charges (Cont'd)

7.3.10 High Capacity Service (Cont'd)

(F) Rates and Charges (Cont'd)

(22) Optional Payment Plan **Rates Effective: 10/06/95**
(Cont'd)

(N)

	<u>USOC</u>	<u>3 Year Monthly Rate</u>
(e) <u>Multiplexing</u>		
Per arrangement (Cont'd)		
DS0 to Subrates (Cont'd)		
Up to 5 9.6 kbps services		
	QSU96	
Nonzoned		\$235.00
Zone 1 - AR		\$235.00
Zone 2 - AR		\$235.00
Zone 3 - AR		\$235.00
Zone 1 - MO		\$235.00
Zone 2 - MO		\$235.00
Zone 3 - MO		\$235.00
Zone 1 - OK		\$235.00
Zone 2 - OK		\$235.00
Zone 3 - OK		\$235.00
Zone 1 - TX		\$235.00
Zone 2 - TX		\$235.00
Zone 3 - TX		\$235.00
		<u>Nonrecurring Charge</u>
Nonzoned		\$ 0.00
Zone 1 - AR		\$ 0.00
Zone 2 - AR		\$ 0.00
Zone 3 - AR		\$ 0.00
Zone 1 - MO		\$ 0.00
Zone 2 - MO		\$ 0.00
Zone 3 - MO		\$ 0.00
Zone 1 - OK		\$ 0.00
Zone 2 - OK		\$ 0.00
Zone 3 - OK		\$ 0.00
Zone 1 - TX		\$ 0.00
Zone 2 - TX		\$ 0.00
Zone 3 - TX		\$ 0.00

(This page filed under Transmittal No. 2492)

Issued: August 22, 1995

Effective: October 6, 1995

Four AT&T Plaza, Dallas, Texas 75202

ACCESS SERVICE

7. Special Access Service (Cont'd)

7.3 Service Descriptions, Rates and Charges (Cont'd)

7.3.10 High Capacity Service (Cont'd)

(F) Rates and Charges (Cont'd)

(22) Optional Payment Plan **Rates Effective: 10/06/95**
(Cont'd)

(N)

	<u>USOC</u>	<u>5 Year Monthly Rate</u>
--	-------------	--------------------------------

Multiplexing

Per arrangement (Cont'd)

DS0 to Subrates (Cont'd)

Up to 5 9.6 kbps
services QSU96

Nonzoned	\$223.25
Zone 1 - AR	\$223.25
Zone 2 - AR	\$223.25
Zone 3 - AR	\$223.25
Zone 1 - MO	\$223.25
Zone 2 - MO	\$223.25
Zone 3 - MO	\$223.25
Zone 1 - OK	\$223.25
Zone 2 - OK	\$223.25
Zone 3 - OK	\$223.25
Zone 1 - TX	\$223.25
Zone 2 - TX	\$223.25
Zone 3 - TX	\$223.25

Nonrecurring Charge

Nonzoned	\$ 0.00
Zone 1 - AR	\$ 0.00
Zone 2 - AR	\$ 0.00
Zone 3 - AR	\$ 0.00
Zone 1 - MO	\$ 0.00
Zone 2 - MO	\$ 0.00
Zone 3 - MO	\$ 0.00
Zone 1 - OK	\$ 0.00
Zone 2 - OK	\$ 0.00
Zone 3 - OK	\$ 0.00
Zone 1 - TX	\$ 0.00
Zone 2 - TX	\$ 0.00
Zone 3 - TX	\$ 0.00

(This page filed under Transmittal No. 2492)

Issued: August 22, 1995

Effective: October 6, 1995

Four AT&T Plaza, Dallas, Texas 75202

ACCESS SERVICE

7. Special Access Service (Cont'd)

7.3 Service Descriptions, Rates and Charges (Cont'd)

7.3.10 High Capacity Service (Cont'd)

(F) Rates and Charges (Cont'd)

(22) Optional Payment Plan **Rates Effective: 10/06/95**
(Cont'd)

(N)

	<u>USOC</u>	<u>3 Year Monthly Rate</u>
--	-------------	--------------------------------

(e) Multiplexing

Per arrangement (Cont'd)

DS1 to DS0	QMU	
------------	-----	--

Nonzoned	\$180.00
Zone 1 - AR	\$180.00
Zone 2 - AR	\$180.00
Zone 3 - AR	\$180.00
Zone 1 - MO	\$180.00
Zone 2 - MO	\$180.00
Zone 3 - MO	\$180.00
Zone 1 - OK	\$180.00
Zone 2 - OK	\$180.00
Zone 3 - OK	\$180.00
Zone 1 - TX	\$180.00
Zone 2 - TX	\$180.00
Zone 3 - TX	\$180.00

Nonrecurring Charge

Nonzoned	\$ 0.00
Zone 1 - AR	\$ 0.00
Zone 2 - AR	\$ 0.00
Zone 3 - AR	\$ 0.00
Zone 1 - MO	\$ 0.00
Zone 2 - MO	\$ 0.00
Zone 3 - MO	\$ 0.00
Zone 1 - OK	\$ 0.00
Zone 2 - OK	\$ 0.00
Zone 3 - OK	\$ 0.00
Zone 1 - TX	\$ 0.00
Zone 2 - TX	\$ 0.00
Zone 3 - TX	\$ 0.00

(This page filed under Transmittal No. 2492)

ACCESS SERVICE

7. Special Access Service (Cont'd)

7.3 Service Descriptions, Rates and Charges (Cont'd)

7.3.10 High Capacity Service (Cont'd)

(F) Rates and Charges (Cont'd)

(22) Optional Payment Plan **Rates Effective: 10/06/95**
(Cont'd)

(N)

	<u>USOC</u>	<u>5 Year Monthly Rate</u>
<u>Multiplexing</u>		
Per arrangement (Cont'd)		
DS1 to DS0	QMU	
Nonzoned		
Zone 1 - AR		\$171.00
Zone 2 - AR		\$171.00
Zone 3 - AR		\$171.00
Zone 1 - MO		\$171.00
Zone 2 - MO		\$171.00
Zone 3 - MO		\$171.00
Zone 1 - OK		\$171.00
Zone 2 - OK		\$171.00
Zone 3 - OK		\$171.00
Zone 1 - TX		\$171.00
Zone 2 - TX		\$171.00
Zone 3 - TX		\$171.00
<u>Nonrecurring Charge</u>		
Nonzoned		
Zone 1 - AR		\$ 0.00
Zone 2 - AR		\$ 0.00
Zone 3 - AR		\$ 0.00
Zone 1 - MO		\$ 0.00
Zone 2 - MO		\$ 0.00
Zone 3 - MO		\$ 0.00
Zone 1 - OK		\$ 0.00
Zone 2 - OK		\$ 0.00
Zone 3 - OK		\$ 0.00
Zone 1 - TX		\$ 0.00
Zone 2 - TX		\$ 0.00
Zone 3 - TX		\$ 0.00

(This page filed under Transmittal No. 2492)

Issued: August 22, 1995

Effective: October 6, 1995

Four AT&T Plaza, Dallas, Texas 75202

ACCESS SERVICE

7. Special Access Service (Cont'd)

7.3 Service Descriptions, Rates and Charges (Cont'd)

7.3.10 High Capacity Service (Cont'd)

(F) Rates and Charges (Cont'd)

(22) Optional Payment Plan **Rates Effective: 10/06/95**
(Cont'd)

(N)

	<u>USOC</u>	<u>3 Year Monthly Rate</u>
(e) <u>Multiplexing</u>		
Per arrangement (Cont'd)		
DS1 to Voice MQ1		
Nonzoned		\$180.00
Zone 1 - AR		\$180.00
Zone 2 - AR		\$180.00
Zone 3 - AR		\$180.00
Zone 1 - MO		\$180.00
Zone 2 - MO		\$180.00
Zone 3 - MO		\$180.00
Zone 1 - OK		\$180.00
Zone 2 - OK		\$180.00
Zone 3 - OK		\$180.00
Zone 1 - TX		\$180.00
Zone 2 - TX		\$180.00
Zone 3 - TX		\$180.00
		<u>Nonrecurring Charge</u>
Nonzoned		\$ 0.00
Zone 1 - AR		\$ 0.00
Zone 2 - AR		\$ 0.00
Zone 3 - AR		\$ 0.00
Zone 1 - MO		\$ 0.00
Zone 2 - MO		\$ 0.00
Zone 3 - MO		\$ 0.00
Zone 1 - OK		\$ 0.00
Zone 2 - OK		\$ 0.00
Zone 3 - OK		\$ 0.00
Zone 1 - TX		\$ 0.00
Zone 2 - TX		\$ 0.00
Zone 3 - TX		\$ 0.00

(This page filed under Transmittal No. 2492)

Issued: August 22, 1995

Effective: October 6, 1995

Four AT&T Plaza, Dallas, Texas 75202

ACCESS SERVICE

7. Special Access Service (Cont'd)

7.3 Service Descriptions, Rates and Charges (Cont'd)

7.3.10 High Capacity Service (Cont'd)

(F) Rates and Charges (Cont'd)

(22) Optional Payment Plan **Rates Effective: 10/06/95**
(Cont'd)

(N)

	<u>USOC</u>	<u>5 Year Monthly Rate</u>
<u>Multiplexing</u>		
Per arrangement (Cont'd)		
DS1 to Voice		
	MQ1	
Nonzoned		\$171.00
Zone 1 - AR		\$171.00
Zone 2 - AR		\$171.00
Zone 3 - AR		\$171.00
Zone 1 - MO		\$171.00
Zone 2 - MO		\$171.00
Zone 3 - MO		\$171.00
Zone 1 - OK		\$171.00
Zone 2 - OK		\$171.00
Zone 3 - OK		\$171.00
Zone 1 - TX		\$171.00
Zone 2 - TX		\$171.00
Zone 3 - TX		\$171.00
		<u>Nonrecurring Charge</u>
Nonzoned		\$ 0.00
Zone 1 - AR		\$ 0.00
Zone 2 - AR		\$ 0.00
Zone 3 - AR		\$ 0.00
Zone 1 - MO		\$ 0.00
Zone 2 - MO		\$ 0.00
Zone 3 - MO		\$ 0.00
Zone 1 - OK		\$ 0.00
Zone 2 - OK		\$ 0.00
Zone 3 - OK		\$ 0.00
Zone 1 - TX		\$ 0.00
Zone 2 - TX		\$ 0.00
Zone 3 - TX		\$ 0.00

(This page filed under Transmittal No. 2492)

Issued: August 22, 1995

Effective: October 6, 1995

Four AT&T Plaza, Dallas, Texas 75202

ACCESS SERVICE

7. Special Access Service (Cont'd)

7.3 Service Descriptions, Rates and Charges (Cont'd)

7.3.10 High Capacity Service (Cont'd)

(F) Rates and Charges (Cont'd)

(22) Optional Payment Plan **Rates Effective: 10/06/95**
(Cont'd)

(N)

	<u>USOC</u>	<u>3 Year Monthly Rate</u>
(f) <u>Clear Channel Capability</u>	CLR	
Per channel termination		
Nonzoned		\$ 0.00
Zone 1 - AR		\$ 0.00
Zone 2 - AR		\$ 0.00
Zone 3 - AR		\$ 0.00
Zone 1 - MO		\$ 0.00
Zone 2 - MO		\$ 0.00
Zone 3 - MO		\$ 0.00
Zone 1 - OK		\$ 0.00
Zone 2 - OK		\$ 0.00
Zone 3 - OK		\$ 0.00
Zone 1 - TX		\$ 0.00
Zone 2 - TX		\$ 0.00
Zone 3 - TX		\$ 0.00
		<u>Nonrecurring Charge</u>
Nonzoned		\$100.00
Zone 1 - AR		\$100.00
Zone 2 - AR		\$100.00
Zone 3 - AR		\$100.00
Zone 1 - MO		\$100.00
Zone 2 - MO		\$100.00
Zone 3 - MO		\$100.00
Zone 1 - OK		\$100.00
Zone 2 - OK		\$100.00
Zone 3 - OK		\$100.00
Zone 1 - TX		\$100.00
Zone 2 - TX		\$100.00
Zone 3 - TX		\$100.00

(This page filed under Transmittal No. 2492)

Issued: August 22, 1995

Effective: October 6, 1995

Four AT&T Plaza, Dallas, Texas 75202

ACCESS SERVICE

7. Special Access Service (Cont'd)

7.3 Service Descriptions, Rates and Charges (Cont'd)

7.3.10 High Capacity Service (Cont'd)

(F) Rates and Charges (Cont'd)

(22) Optional Payment Plan **Rates Effective: 10/06/95**
(Cont'd)

(N)

	<u>USOC</u>	<u>5 Year Monthly Rate</u>
<u>Clear Channel Capability</u>	CLR	

Per channel
termination

Nonzoned	\$ 0.00
Zone 1 - AR	\$ 0.00
Zone 2 - AR	\$ 0.00
Zone 3 - AR	\$ 0.00
Zone 1 - MO	\$ 0.00
Zone 2 - MO	\$ 0.00
Zone 3 - MO	\$ 0.00
Zone 1 - OK	\$ 0.00
Zone 2 - OK	\$ 0.00
Zone 3 - OK	\$ 0.00
Zone 1 - TX	\$ 0.00
Zone 2 - TX	\$ 0.00
Zone 3 - TX	\$ 0.00

Nonrecurring Charge

Nonzoned	\$100.00
Zone 1 - AR	\$100.00
Zone 2 - AR	\$100.00
Zone 3 - AR	\$100.00
Zone 1 - MO	\$100.00
Zone 2 - MO	\$100.00
Zone 3 - MO	\$100.00
Zone 1 - OK	\$100.00
Zone 2 - OK	\$100.00
Zone 3 - OK	\$100.00
Zone 1 - TX	\$100.00
Zone 2 - TX	\$100.00
Zone 3 - TX	\$100.00

(This page filed under Transmittal No. 2492)

ACCESS SERVICE

7. Special Access Service (Cont'd)

7.3 Service Descriptions, Rates and Charges (Cont'd)

7.3.10 High Capacity Service (Cont'd)

(F) Rates and Charges (Cont'd)

(22) Optional Payment Plan **Rates Effective: 10/06/95**
(Cont'd)

	USOC	3 Year Monthly Rate
(g) <u>Transfer Arrangement, Key Activated*</u>	USV	
Per four port arrangement including control channel termination**		
Nonzoned		\$184.24
Zone 1 - AR		\$184.24
Zone 2 - AR		\$184.24
Zone 3 - AR		\$184.24
Zone 1 - MO		\$184.24
Zone 2 - MO		\$184.24
Zone 3 - MO		\$184.24
Zone 1 - OK		\$184.24
Zone 2 - OK		\$184.24
Zone 3 - OK		\$184.24
Zone 1 - TX		\$184.24
Zone 2 - TX		\$184.24
Zone 3 - TX		\$184.24
		<u>Nonrecurring Charge</u>
Nonzoned		\$213.00
Zone 1 - AR		\$213.00
Zone 2 - AR		\$213.00
Zone 3 - AR		\$213.00
Zone 1 - MO		\$213.00
Zone 2 - MO		\$213.00
Zone 3 - MO		\$213.00
Zone 1 - OK		\$213.00
Zone 2 - OK		\$213.00
Zone 3 - OK		\$213.00
Zone 1 - TX		\$213.00
Zone 2 - TX		\$213.00
Zone 3 - TX		\$213.00

* The key activated control channel is rated as a Metallic Channel Termination (use USOC T6EME in lieu of T6ECS) and Channel Mileage, if applicable (use USOC 1L5MX in lieu of 1L5XX).

** An additional Channel Termination charge will apply whenever a spare channel is configured as a leg to the customer's premises. Additional channel mileage will also apply when the transfer arrangement is not located in the customer premises serving wire center.

(This page filed under Transmittal No. 2492)

ACCESS SERVICE

7. Special Access Service (Cont'd)

7.3 Service Descriptions, Rates and Charges (Cont'd)

7.3.10 High Capacity Service (Cont'd)

(F) Rates and Charges (Cont'd)

(22) Optional Payment Plan **Rates Effective: 10/06/95**
(Cont'd)

	USOC	5 Year Monthly Rate
<u>Transfer Arrangement, Key Activated*</u>	USV	
Per four port arrangement including control channel termination**		
Nonzoned		\$175.03
Zone 1 - AR		\$175.03
Zone 2 - AR		\$175.03
Zone 3 - AR		\$175.03
Zone 1 - MO		\$175.03
Zone 2 - MO		\$175.03
Zone 3 - MO		\$175.03
Zone 1 - OK		\$175.03
Zone 2 - OK		\$175.03
Zone 3 - OK		\$175.03
Zone 1 - TX		\$175.03
Zone 2 - TX		\$175.03
Zone 3 - TX		\$175.03
		<u>Nonrecurring Charge</u>
Nonzoned		\$213.00
Zone 1 - AR		\$213.00
Zone 2 - AR		\$213.00
Zone 3 - AR		\$213.00
Zone 1 - MO		\$213.00
Zone 2 - MO		\$213.00
Zone 3 - MO		\$213.00
Zone 1 - OK		\$213.00
Zone 2 - OK		\$213.00
Zone 3 - OK		\$213.00
Zone 1 - TX		\$213.00
Zone 2 - TX		\$213.00
Zone 3 - TX		\$213.00

* The key activated control channel is rated as a Metallic Channel Termination (use USOC T6EME in lieu of T6ECS) and Channel Mileage, if applicable (use USOC 1L5MX in lieu of 1L5XX).

** An additional Channel Termination charge will apply whenever a spare channel is configured as a leg to the customer's premises. Additional channel mileage will also apply when the transfer arrangement is not located in the customer premises serving wire center.

(This page filed under Transmittal No. 2492)

ACCESS SERVICE

7. Special Access Service (Cont'd)

7.3 Service Descriptions, Rates and Charges (Cont'd)

7.3.10 High Capacity Service (Cont'd)

(F) Rates and Charges (Cont'd)

(23) Optional Payment Plan **Rates Effective: 09/01/96**

(N)

	USOC	3 Year Monthly Rate	
(a) <u>Channel Termination</u>			
Per point of termination	TMECS		
1.544 Mbps			
Zone 1 - AR		\$165.00	
Zone 2 - AR		\$165.00	
Zone 3 - AR		\$165.00	
Zone 1 - KS		\$165.00	
Zone 2 - KS		\$165.00	
Zone 3 - KS		\$165.00	
Zone 1 - MO		\$163.00	
Zone 2 - MO		\$165.00	
Zone 3 - MO		\$165.00	
Zone 1 - OK		\$165.00	
Zone 2 - OK		\$165.00	
Zone 3 - OK		\$165.00	
Zone 1 - TX		\$162.00	
Zone 2 - TX		\$162.00	
Zone 3 - TX		\$165.00	
			Nonrecurring Charge
			1st Ckt Addl Ckt
Zone 1 - AR		\$600.00	\$456.00
Zone 2 - AR		\$600.00	\$456.00
Zone 3 - AR		\$600.00	\$456.00
Zone 1 - KS		\$600.00	\$456.00
Zone 2 - KS		\$600.00	\$456.00
Zone 3 - KS		\$600.00	\$456.00
Zone 1 - MO		\$600.00	\$456.00
Zone 2 - MO		\$600.00	\$456.00
Zone 3 - MO		\$600.00	\$456.00
Zone 1 - OK		\$600.00	\$456.00
Zone 2 - OK		\$600.00	\$456.00
Zone 3 - OK		\$600.00	\$456.00
Zone 1 - TX		\$600.00	\$456.00
Zone 2 - TX		\$600.00	\$456.00
Zone 3 - TX		\$600.00	\$456.00

(This page filed under Transmittal No. 2563)

Issued: August 1, 1996

Effective: September 1, 1996

Four AT&T Plaza, Dallas, Texas 75202

ACCESS SERVICE

7. Special Access Service (Cont'd)

7.3 Service Descriptions, Rates and Charges (Cont'd)

7.3.10 High Capacity Service (Cont'd)

(F) Rates and Charges (Cont'd)

(23) Optional Payment Plan **Rates Effective: 09/01/96**
(Cont'd)

(N)

	USOC	Monthly Rate	5 Year
(a) <u>Channel Termination</u> (Cont'd)			
Per point of termination	TMECS		
1.544 Mbps			
Zone 1 - AR			\$156.75
Zone 2 - AR			\$156.75
Zone 3 - AR			\$156.75
Zone 1 - KS			\$156.75
Zone 2 - KS			\$156.75
Zone 3 - KS			\$156.75
Zone 1 - MO			\$154.85
Zone 2 - MO			\$156.75
Zone 3 - MO			\$156.75
Zone 1 - OK			\$156.75
Zone 2 - OK			\$156.75
Zone 3 - OK			\$156.75
Zone 1 - TX			\$153.90
Zone 2 - TX			\$153.90
Zone 3 - TX			\$156.75
			Nonrecurring Charge
			<u>1st Ckt</u> <u>Addl Ckt</u>
Zone 1 - AR		\$600.00	\$456.00
Zone 2 - AR		\$600.00	\$456.00
Zone 3 - AR		\$600.00	\$456.00
Zone 1 - KS		\$600.00	\$456.00
Zone 2 - KS		\$600.00	\$456.00
Zone 3 - KS		\$600.00	\$456.00
Zone 1 - MO		\$600.00	\$456.00
Zone 2 - MO		\$600.00	\$456.00
Zone 3 - MO		\$600.00	\$456.00
Zone 1 - OK		\$600.00	\$456.00
Zone 2 - OK		\$600.00	\$456.00
Zone 3 - OK		\$600.00	\$456.00
Zone 1 - TX		\$600.00	\$456.00
Zone 2 - TX		\$600.00	\$456.00
Zone 3 - TX		\$600.00	\$456.00

(This page filed under Transmittal No. 2563)

Issued: August 1, 1996

Effective: September 1, 1996

Four AT&T Plaza, Dallas, Texas 75202

ACCESS SERVICE

7. Special Access Service (Cont'd)

7.3 Service Descriptions, Rates and Charges (Cont'd)

7.3.10 High Capacity Service (Cont'd)

(F) Rates and Charges (Cont'd)

(23) Optional Payment Plan **Rates Effective: 09/01/96**
(Cont'd)

(N)

	USOC	3 Year Monthly Rate	
		Fixed	Per Mile
(b) <u>Channel Mileage</u>			
1.544 Mbps	1L5XX		
0 miles			
Zone 1 - AR		\$ 0.00	\$ 0.00
Zone 2 - AR		\$ 0.00	\$ 0.00
Zone 3 - AR		\$ 0.00	\$ 0.00
Zone 1 - KS		\$ 0.00	\$ 0.00
Zone 2 - KS		\$ 0.00	\$ 0.00
Zone 3 - KS		\$ 0.00	\$ 0.00
Zone 1 - MO		\$ 0.00	\$ 0.00
Zone 2 - MO		\$ 0.00	\$ 0.00
Zone 3 - MO		\$ 0.00	\$ 0.00
Zone 1 - OK		\$ 0.00	\$ 0.00
Zone 2 - OK		\$ 0.00	\$ 0.00
Zone 3 - OK		\$ 0.00	\$ 0.00
Zone 1 - TX		\$ 0.00	\$ 0.00
Zone 2 - TX		\$ 0.00	\$ 0.00
Zone 3 - TX		\$ 0.00	\$ 0.00
Over 0 miles			
Zone 1 - AR		\$50.00	\$16.80
Zone 2 - AR		\$50.00	\$16.80
Zone 3 - AR		\$50.00	\$16.80
Zone 1 - KS		\$50.00	\$16.80
Zone 2 - KS		\$50.00	\$16.80
Zone 3 - KS		\$50.00	\$16.80
Zone 1 - MO		\$50.00	\$16.80
Zone 2 - MO		\$50.00	\$16.80
Zone 3 - MO		\$50.00	\$16.80
Zone 1 - OK		\$50.00	\$16.80
Zone 2 - OK		\$50.00	\$16.80
Zone 3 - OK		\$50.00	\$16.80
Zone 1 - TX		\$50.00	\$16.80
Zone 2 - TX		\$50.00	\$16.80
Zone 3 - TX		\$50.00	\$16.80

(This page filed under Transmittal No. 2563)

ACCESS SERVICE

7. Special Access Service (Cont'd)

7.3 Service Descriptions, Rates and Charges (Cont'd)

7.3.10 High Capacity Service (Cont'd)

(F) Rates and Charges (Cont'd)

(23) Optional Payment Plan **Rates Effective: 09/01/96**
(Cont'd)

	USOC	3 Year Monthly Rate	
		Fixed	Per Mile
(b) <u>Channel Mileage</u> (Cont'd)			
64 Kbps*	1L5TC		
0 miles			
Zone 1 - AR		\$ 0.00	\$ 0.00
Zone 2 - AR		\$ 0.00	\$ 0.00
Zone 3 - AR		\$ 0.00	\$ 0.00
Zone 1 - KS		\$ 0.00	\$ 0.00
Zone 2 - KS		\$ 0.00	\$ 0.00
Zone 3 - KS		\$ 0.00	\$ 0.00
Zone 1 - MO		\$ 0.00	\$ 0.00
Zone 2 - MO		\$ 0.00	\$ 0.00
Zone 3 - MO		\$ 0.00	\$ 0.00
Zone 1 - OK		\$ 0.00	\$ 0.00
Zone 2 - OK		\$ 0.00	\$ 0.00
Zone 3 - OK		\$ 0.00	\$ 0.00
Zone 1 - TX		\$ 0.00	\$ 0.00
Zone 2 - TX		\$ 0.00	\$ 0.00
Zone 3 - TX		\$ 0.00	\$ 0.00
Over 0 miles	1L5XX		
Zone 1 - AR		\$ 8.04	\$ 1.13
Zone 2 - AR		\$ 8.04	\$ 1.13
Zone 3 - AR		\$ 8.04	\$ 1.13
Zone 1 - KS		\$ 8.04	\$ 1.13
Zone 2 - KS		\$ 8.04	\$ 1.13
Zone 3 - KS		\$ 8.04	\$ 1.13
Zone 1 - MO		\$ 8.04	\$ 1.13
Zone 2 - MO		\$ 8.04	\$ 1.13
Zone 3 - MO		\$ 8.04	\$ 1.13
Zone 1 - OK		\$ 8.04	\$ 1.13
Zone 2 - OK		\$ 8.04	\$ 1.13
Zone 3 - OK		\$ 8.04	\$ 1.13
Zone 1 - TX		\$ 8.04	\$ 1.13
Zone 2 - TX		\$ 8.04	\$ 1.13
Zone 3 - TX		\$ 8.04	\$ 1.13

(N)

(N)

(N)

* Available only as a channel of a 1.544 Mbps facility to a SWBT Digital Data Hub or as a cross connect of two channels of two 1.544 Mbps facilities to a Digital Data Hub(s). The customer must provide system and channel assignment data.

(This page filed under Transmittal No. 2563)

ACCESS SERVICE

7. Special Access Service (Cont'd)

7.3 Service Descriptions, Rates and Charges (Cont'd)

7.3.10 High Capacity Service (Cont'd)

(F) Rates and Charges (Cont'd)

(23) Optional Payment Plan **Rates Effective: 09/01/96**
(Cont'd)

(N)

	USOC	5 Year Monthly Rate	
		Fixed	Per Mile
<u>Channel Mileage</u>			
1.544 Mbps	1L5XX		
0 miles			
Zone 1 - AR		\$ 0.00	\$ 0.00
Zone 2 - AR		\$ 0.00	\$ 0.00
Zone 3 - AR		\$ 0.00	\$ 0.00
Zone 1 - KS		\$ 0.00	\$ 0.00
Zone 2 - KS		\$ 0.00	\$ 0.00
Zone 3 - KS		\$ 0.00	\$ 0.00
Zone 1 - MO		\$ 0.00	\$ 0.00
Zone 2 - MO		\$ 0.00	\$ 0.00
Zone 3 - MO		\$ 0.00	\$ 0.00
Zone 1 - OK		\$ 0.00	\$ 0.00
Zone 2 - OK		\$ 0.00	\$ 0.00
Zone 3 - OK		\$ 0.00	\$ 0.00
Zone 1 - TX		\$ 0.00	\$ 0.00
Zone 2 - TX		\$ 0.00	\$ 0.00
Zone 3 - TX		\$ 0.00	\$ 0.00
Over 0 miles			
Zone 1 - AR		\$47.50	\$15.96
Zone 2 - AR		\$47.50	\$15.96
Zone 3 - AR		\$47.50	\$15.96
Zone 1 - KS		\$47.50	\$15.96
Zone 2 - KS		\$47.50	\$15.96
Zone 3 - KS		\$47.50	\$15.96
Zone 1 - MO		\$47.50	\$15.96
Zone 2 - MO		\$47.50	\$15.96
Zone 3 - MO		\$47.50	\$15.96
Zone 1 - OK		\$47.50	\$15.96
Zone 2 - OK		\$47.50	\$15.96
Zone 3 - OK		\$47.50	\$15.96
Zone 1 - TX		\$47.50	\$15.96
Zone 2 - TX		\$47.50	\$15.96
Zone 3 - TX		\$47.50	\$15.96

(This page filed under Transmittal No. 2563)

Issued: August 1, 1996

Effective: September 1, 1996

Four AT&T Plaza, Dallas, Texas 75202

ACCESS SERVICE

7. Special Access Service (Cont'd)

7.3 Service Descriptions, Rates and Charges (Cont'd)

7.3.10 High Capacity Service (Cont'd)

(F) Rates and Charges (Cont'd)

(23) Optional Payment Plan **Rates Effective: 09/01/96**
(Cont'd)

	USOC	5 Year Monthly Rate	
		Fixed	Per Mile
<u>Channel Mileage</u> (Cont'd)			
64 Kbps*	1L5TC		
0 miles			
Zone 1 - AR		\$ 0.00	\$ 0.00
Zone 2 - AR		\$ 0.00	\$ 0.00
Zone 3 - AR		\$ 0.00	\$ 0.00
Zone 1 - KS		\$ 0.00	\$ 0.00
Zone 2 - KS		\$ 0.00	\$ 0.00
Zone 3 - KS		\$ 0.00	\$ 0.00
Zone 1 - MO		\$ 0.00	\$ 0.00
Zone 2 - MO		\$ 0.00	\$ 0.00
Zone 3 - MO		\$ 0.00	\$ 0.00
Zone 1 - OK		\$ 0.00	\$ 0.00
Zone 2 - OK		\$ 0.00	\$ 0.00
Zone 3 - OK		\$ 0.00	\$ 0.00
Zone 1 - TX		\$ 0.00	\$ 0.00
Zone 2 - TX		\$ 0.00	\$ 0.00
Zone 3 - TX		\$ 0.00	\$ 0.00
Over 0 miles	1L5XX		
Zone 1 - AR		\$ 7.64	\$ 1.07
Zone 2 - AR		\$ 7.64	\$ 1.07
Zone 3 - AR		\$ 7.64	\$ 1.07
Zone 1 - KS		\$ 7.64	\$ 1.07
Zone 2 - KS		\$ 7.64	\$ 1.07
Zone 3 - KS		\$ 7.64	\$ 1.07
Zone 1 - MO		\$ 7.64	\$ 1.07
Zone 2 - MO		\$ 7.64	\$ 1.07
Zone 3 - MO		\$ 7.64	\$ 1.07
Zone 1 - OK		\$ 7.64	\$ 1.07
Zone 2 - OK		\$ 7.64	\$ 1.07
Zone 3 - OK		\$ 7.64	\$ 1.07
Zone 1 - TX		\$ 7.64	\$ 1.07
Zone 2 - TX		\$ 7.64	\$ 1.07
Zone 3 - TX		\$ 7.64	\$ 1.07

(N)

(N)

(N)

* Available only as a channel of a 1.544 Mbps facility to a SWBT Digital Data Hub or as a cross connect of two channels of two 1.544 Mbps facilities to a Digital Data Hub(s). The customer must provide system and channel assignment data.

(This page filed under Transmittal No. 2563)

ACCESS SERVICE

7. Special Access Service (Cont'd)

7.3 Service Descriptions, Rates and Charges (Cont'd)

7.3.10 High Capacity Service (Cont'd)

(F) Rates and Charges (Cont'd)

(23) Optional Payment Plan **Rates Effective: 09/01/96**
(Cont'd)

USOC Monthly Rate ^{3 Year}

(c) Service to Service
Through Connect
Arrangement

High Capacity Service
Arrangement - 1.544
Mbps (DS1)

THA

Zone 1 - AR \$ 0.00
Zone 2 - AR \$ 0.00
Zone 3 - AR \$ 0.00
Zone 1 - KS \$ 0.00
Zone 2 - KS \$ 0.00
Zone 3 - KS \$ 0.00
Zone 1 - MO \$ 0.00
Zone 2 - MO \$ 0.00
Zone 3 - MO \$ 0.00
Zone 1 - OK \$ 0.00
Zone 2 - OK \$ 0.00
Zone 3 - OK \$ 0.00
Zone 1 - TX \$ 0.00
Zone 2 - TX \$ 0.00
Zone 3 - TX \$ 0.00

Nonrecurring Charge
1st Ckt Addl Ckt

Zone 1 - AR	\$204.00	\$156.00
Zone 2 - AR	\$204.00	\$156.00
Zone 3 - AR	\$204.00	\$156.00
Zone 1 - KS	\$204.00	\$156.00
Zone 2 - KS	\$204.00	\$156.00
Zone 3 - KS	\$204.00	\$156.00
Zone 1 - MO	\$204.00	\$156.00
Zone 2 - MO	\$204.00	\$156.00
Zone 3 - MO	\$204.00	\$156.00
Zone 1 - OK	\$204.00	\$156.00
Zone 2 - OK	\$204.00	\$156.00
Zone 3 - OK	\$204.00	\$156.00
Zone 1 - TX	\$204.00	\$156.00
Zone 2 - TX	\$204.00	\$156.00
Zone 3 - TX	\$204.00	\$156.00

(N)

(This page filed under Transmittal No. 2563)

Issued: August 1, 1996

Effective: September 1, 1996

Four AT&T Plaza, Dallas, Texas 75202

ACCESS SERVICE

7. Special Access Service (Cont'd)

7.3 Service Descriptions, Rates and Charges (Cont'd)

7.3.10 High Capacity Service (Cont'd)

(F) Rates and Charges (Cont'd)

(23) Optional Payment Plan **Rates Effective: 09/01/96**
(Cont'd)

(N)

USOC Monthly Rate ^{5 Year}

Service to Service
Through Connect
Arrangement

High Capacity Service
Arrangement - 1.544
Mbps (DS1)

THA

- Zone 1 - AR \$ 0.00
- Zone 2 - AR \$ 0.00
- Zone 3 - AR \$ 0.00
- Zone 1 - KS \$ 0.00
- Zone 2 - KS \$ 0.00
- Zone 3 - KS \$ 0.00
- Zone 1 - MO \$ 0.00
- Zone 2 - MO \$ 0.00
- Zone 3 - MO \$ 0.00
- Zone 1 - OK \$ 0.00
- Zone 2 - OK \$ 0.00
- Zone 3 - OK \$ 0.00
- Zone 1 - TX \$ 0.00
- Zone 2 - TX \$ 0.00
- Zone 3 - TX \$ 0.00

Nonrecurring Charge
1st Ckt Addl Ckt

- Zone 1 - AR \$204.00 \$156.00
- Zone 2 - AR \$204.00 \$156.00
- Zone 3 - AR \$204.00 \$156.00
- Zone 1 - KS \$204.00 \$156.00
- Zone 2 - KS \$204.00 \$156.00
- Zone 3 - KS \$204.00 \$156.00
- Zone 1 - MO \$204.00 \$156.00
- Zone 2 - MO \$204.00 \$156.00
- Zone 3 - MO \$204.00 \$156.00
- Zone 1 - OK \$204.00 \$156.00
- Zone 2 - OK \$204.00 \$156.00
- Zone 3 - OK \$204.00 \$156.00
- Zone 1 - TX \$204.00 \$156.00
- Zone 2 - TX \$204.00 \$156.00
- Zone 3 - TX \$204.00 \$156.00

(This page filed under Transmittal No. 2563)

Issued: August 1, 1996

Effective: September 1, 1996

Four AT&T Plaza, Dallas, Texas 75202

ACCESS SERVICE

7. Special Access Service (Cont'd)

7.3 Service Descriptions, Rates and Charges (Cont'd)

7.3.10 High Capacity Service (Cont'd)

(F) Rates and Charges (Cont'd)

(23) Optional Payment Plan **Rates Effective: 09/01/96**
(Cont'd)

USOC 3 Year
Monthly Rate

(c) Service to Service
Through Connect
Arrangement (Cont'd)

Multiplexed Service
Arrangement - 1.544 Mbps
(DS1) THK

Zone 1 - AR \$ 0.00
Zone 2 - AR \$ 0.00
Zone 3 - AR \$ 0.00
Zone 1 - KS \$ 0.00
Zone 2 - KS \$ 0.00
Zone 3 - KS \$ 0.00
Zone 1 - MO \$ 0.00
Zone 2 - MO \$ 0.00
Zone 3 - MO \$ 0.00
Zone 1 - OK \$ 0.00
Zone 2 - OK \$ 0.00
Zone 3 - OK \$ 0.00
Zone 1 - TX \$ 0.00
Zone 2 - TX \$ 0.00
Zone 3 - TX \$ 0.00

Nonrecurring Charge
1st Ckt Addl Ckt

Zone 1 - AR \$332.00 \$280.00
Zone 2 - AR \$332.00 \$280.00
Zone 3 - AR \$332.00 \$280.00
Zone 1 - KS \$332.00 \$280.00
Zone 2 - KS \$332.00 \$280.00
Zone 3 - KS \$332.00 \$280.00
Zone 1 - MO \$332.00 \$280.00
Zone 2 - MO \$332.00 \$280.00
Zone 3 - MO \$332.00 \$280.00
Zone 1 - OK \$332.00 \$280.00
Zone 2 - OK \$332.00 \$280.00
Zone 3 - OK \$332.00 \$280.00
Zone 1 - TX \$332.00 \$280.00
Zone 2 - TX \$332.00 \$280.00
Zone 3 - TX \$332.00 \$280.00

(N)

(This page filed under Transmittal No. 2563)

Issued: August 1, 1996

Effective: September 1, 1996

Four AT&T Plaza, Dallas, Texas 75202

ACCESS SERVICE

7. Special Access Service (Cont'd)

7.3 Service Descriptions, Rates and Charges (Cont'd)

7.3.10 High Capacity Service (Cont'd)

(F) Rates and Charges (Cont'd)

(23) Optional Payment Plan **Rates Effective: 09/01/96**
(Cont'd)

(N)

	<u>USOC</u>	<u>5 Year Monthly Rate</u>
 <u>Service to Service Through Connect Arrangement</u> (Cont'd)		
Multiplexed Service Arrangement - 1.544 Mbps (DS1) THK		

Zone 1 - AR \$ 0.00
 Zone 2 - AR \$ 0.00
 Zone 3 - AR \$ 0.00
 Zone 1 - KS \$ 0.00
 Zone 2 - KS \$ 0.00
 Zone 3 - KS \$ 0.00
 Zone 1 - MO \$ 0.00
 Zone 2 - MO \$ 0.00
 Zone 3 - MO \$ 0.00
 Zone 1 - OK \$ 0.00
 Zone 2 - OK \$ 0.00
 Zone 3 - OK \$ 0.00
 Zone 1 - TX \$ 0.00
 Zone 2 - TX \$ 0.00
 Zone 3 - TX \$ 0.00

	<u>Nonrecurring Charge</u>	
	<u>1st Ckt</u>	<u>Addl Ckt</u>
Zone 1 - AR	\$332.00	\$280.00
Zone 2 - AR	\$332.00	\$280.00
Zone 3 - AR	\$332.00	\$280.00
Zone 1 - KS	\$332.00	\$280.00
Zone 2 - KS	\$332.00	\$280.00
Zone 3 - KS	\$332.00	\$280.00
Zone 1 - MO	\$332.00	\$280.00
Zone 2 - MO	\$332.00	\$280.00
Zone 3 - MO	\$332.00	\$280.00
Zone 1 - OK	\$332.00	\$280.00
Zone 2 - OK	\$332.00	\$280.00
Zone 3 - OK	\$332.00	\$280.00
Zone 1 - TX	\$332.00	\$280.00
Zone 2 - TX	\$332.00	\$280.00
Zone 3 - TX	\$332.00	\$280.00

(This page filed under Transmittal No. 2563)

Issued: August 1, 1996

Effective: September 1, 1996

Four AT&T Plaza, Dallas, Texas 75202

ACCESS SERVICE

7. Special Access Service (Cont'd)

7.3 Service Descriptions, Rates and Charges (Cont'd)

7.3.10 High Capacity Service (Cont'd)

(F) Rates and Charges (Cont'd)

(23) Optional Payment Plan

(D)
(D)

(D)
(D)

(d)

(D)

(D)

(This page filed under Transmittal No. 3317)

ACCESS SERVICE

7. Special Access Service (Cont'd)

7.3 Service Descriptions, Rates and Charges (Cont'd)

7.3.10 High Capacity Service (Cont'd)

(F) Rates and Charges (Cont'd)

(23) Optional Payment Plan

(D)

(D)

(This page filed under Transmittal No. 3317)

Issued: March 10, 2011

Effective: March 25, 2011

Four AT&T Plaza, Dallas, Texas 75202

ACCESS SERVICE

7. Special Access Service (Cont'd)

7.3 Service Descriptions, Rates and Charges (Cont'd)

7.3.10 High Capacity Service (Cont'd)

(F) Rates and Charges (Cont'd)

(23) Optional Payment Plan **Rates Effective: 09/01/96**
(Cont'd)

(N)

	<u>USOC</u>	<u>3 Year Monthly Rate</u>
(e) <u>Multiplexing</u>		
Per arrangement		
DS0 to Subrates		
Up to 20 2.4 kbps services		
	QSU24	
Zone 1 - AR		\$135.00
Zone 2 - AR		\$135.00
Zone 3 - AR		\$135.00
Zone 1 - KS		\$135.00
Zone 2 - KS		\$135.00
Zone 3 - KS		\$135.00
Zone 1 - MO		\$135.00
Zone 2 - MO		\$135.00
Zone 3 - MO		\$135.00
Zone 1 - OK		\$135.00
Zone 2 - OK		\$135.00
Zone 3 - OK		\$135.00
Zone 1 - TX		\$135.00
Zone 2 - TX		\$135.00
Zone 3 - TX		\$135.00
		<u>Nonrecurring Charge</u>
Zone 1 - AR		\$ 0.00
Zone 2 - AR		\$ 0.00
Zone 3 - AR		\$ 0.00
Zone 1 - KS		\$ 0.00
Zone 2 - KS		\$ 0.00
Zone 3 - KS		\$ 0.00
Zone 1 - MO		\$ 0.00
Zone 2 - MO		\$ 0.00
Zone 3 - MO		\$ 0.00
Zone 1 - OK		\$ 0.00
Zone 2 - OK		\$ 0.00
Zone 3 - OK		\$ 0.00
Zone 1 - TX		\$ 0.00
Zone 2 - TX		\$ 0.00
Zone 3 - TX		\$ 0.00

(This page filed under Transmittal No. 2563)

Issued: August 1, 1996

Effective: September 1, 1996

Four AT&T Plaza, Dallas, Texas 75202

ACCESS SERVICE

7. Special Access Service (Cont'd)

7.3 Service Descriptions, Rates and Charges (Cont'd)

7.3.10 High Capacity Service (Cont'd)

(F) Rates and Charges (Cont'd)

(23) Optional Payment Plan **Rates Effective: 09/01/96**
(Cont'd)

(N)

	<u>USOC</u>	<u>5 Year Monthly Rate</u>
<u>Multiplexing</u>		
Per arrangement		
DS0 to Subrates		
Up to 20 2.4 kbps services	QSU24	
Zone 1 - AR		\$128.25
Zone 2 - AR		\$128.25
Zone 3 - AR		\$128.25
Zone 1 - KS		\$128.25
Zone 2 - KS		\$128.25
Zone 3 - KS		\$128.25
Zone 1 - MO		\$128.25
Zone 2 - MO		\$128.25
Zone 3 - MO		\$128.25
Zone 1 - OK		\$128.25
Zone 2 - OK		\$128.25
Zone 3 - OK		\$128.25
Zone 1 - TX		\$128.25
Zone 2 - TX		\$128.25
Zone 3 - TX		\$128.25
<u>Nonrecurring Charge</u>		
Zone 1 - AR		\$ 0.00
Zone 2 - AR		\$ 0.00
Zone 3 - AR		\$ 0.00
Zone 1 - KS		\$ 0.00
Zone 2 - KS		\$ 0.00
Zone 3 - KS		\$ 0.00
Zone 1 - MO		\$ 0.00
Zone 2 - MO		\$ 0.00
Zone 3 - MO		\$ 0.00
Zone 1 - OK		\$ 0.00
Zone 2 - OK		\$ 0.00
Zone 3 - OK		\$ 0.00
Zone 1 - TX		\$ 0.00
Zone 2 - TX		\$ 0.00
Zone 3 - TX		\$ 0.00

(This page filed under Transmittal No. 2563)

Issued: August 1, 1996

Effective: September 1, 1996

Four AT&T Plaza, Dallas, Texas 75202

ACCESS SERVICE

7. Special Access Service (Cont'd)

7.3 Service Descriptions, Rates and Charges (Cont'd)

7.3.10 High Capacity Service (Cont'd)

(F) Rates and Charges (Cont'd)

(23) Optional Payment Plan **Rates Effective: 09/01/96**
(Cont'd)

(N)

	<u>USOC</u>	<u>3 Year Monthly Rate</u>
--	-------------	--------------------------------

(e) Multiplexing

Per arrangement (Cont'd)

DS0 to Subrates (Cont'd)

Up to 10 4.8 kbps
services QSU48

Zone 1 - AR	\$125.00
Zone 2 - AR	\$125.00
Zone 3 - AR	\$125.00
Zone 1 - KS	\$125.00
Zone 2 - KS	\$125.00
Zone 3 - KS	\$125.00
Zone 1 - MO	\$125.00
Zone 2 - MO	\$125.00
Zone 3 - MO	\$125.00
Zone 1 - OK	\$125.00
Zone 2 - OK	\$125.00
Zone 3 - OK	\$125.00
Zone 1 - TX	\$125.00
Zone 2 - TX	\$125.00
Zone 3 - TX	\$125.00

Nonrecurring Charge

Zone 1 - AR	\$ 0.00
Zone 2 - AR	\$ 0.00
Zone 3 - AR	\$ 0.00
Zone 1 - KS	\$ 0.00
Zone 2 - KS	\$ 0.00
Zone 3 - KS	\$ 0.00
Zone 1 - MO	\$ 0.00
Zone 2 - MO	\$ 0.00
Zone 3 - MO	\$ 0.00
Zone 1 - OK	\$ 0.00
Zone 2 - OK	\$ 0.00
Zone 3 - OK	\$ 0.00
Zone 1 - TX	\$ 0.00
Zone 2 - TX	\$ 0.00
Zone 3 - TX	\$ 0.00

(This page filed under Transmittal No. 2563)

Issued: August 1, 1996

Effective: September 1, 1996

Four AT&T Plaza, Dallas, Texas 75202

ACCESS SERVICE

7. Special Access Service (Cont'd)

7.3 Service Descriptions, Rates and Charges (Cont'd)

7.3.10 High Capacity Service (Cont'd)

(F) Rates and Charges (Cont'd)

(23) Optional Payment Plan **Rates Effective: 09/01/96**
(Cont'd)

(N)

	<u>USOC</u>	<u>5 Year Monthly Rate</u>
<u>Multiplexing</u>		
Per arrangement (Cont'd)		
DS0 to Subrates (Cont'd)		
Up to 10 4.8 kbps services	QSU48	
Zone 1 - AR		\$118.75
Zone 2 - AR		\$118.75
Zone 3 - AR		\$118.75
Zone 1 - KS		\$118.75
Zone 2 - KS		\$118.75
Zone 3 - KS		\$118.75
Zone 1 - MO		\$118.75
Zone 2 - MO		\$118.75
Zone 3 - MO		\$118.75
Zone 1 - OK		\$118.75
Zone 2 - OK		\$118.75
Zone 3 - OK		\$118.75
Zone 1 - TX		\$118.75
Zone 2 - TX		\$118.75
Zone 3 - TX		\$118.75
		<u>Nonrecurring Charge</u>
Zone 1 - AR		\$ 0.00
Zone 2 - AR		\$ 0.00
Zone 3 - AR		\$ 0.00
Zone 1 - KS		\$ 0.00
Zone 2 - KS		\$ 0.00
Zone 3 - KS		\$ 0.00
Zone 1 - MO		\$ 0.00
Zone 2 - MO		\$ 0.00
Zone 3 - MO		\$ 0.00
Zone 1 - OK		\$ 0.00
Zone 2 - OK		\$ 0.00
Zone 3 - OK		\$ 0.00
Zone 1 - TX		\$ 0.00
Zone 2 - TX		\$ 0.00
Zone 3 - TX		\$ 0.00

(This page filed under Transmittal No. 2563)

Issued: August 1, 1996

Effective: September 1, 1996

Four AT&T Plaza, Dallas, Texas 75202

ACCESS SERVICE

7. Special Access Service (Cont'd)

7.3 Service Descriptions, Rates and Charges (Cont'd)

7.3.10 High Capacity Service (Cont'd)

(F) Rates and Charges (Cont'd)

(23) Optional Payment Plan **Rates Effective: 09/01/96**
(Cont'd)

(N)

	<u>USOC</u>	<u>3 Year Monthly Rate</u>
(e) <u>Multiplexing</u>		
Per arrangement (Cont'd)		
DS0 to Subrates (Cont'd)		
Up to 5 9.6 kbps services	QSU96	
Zone 1 - AR		\$235.00
Zone 2 - AR		\$235.00
Zone 3 - AR		\$235.00
Zone 1 - KS		\$235.00
Zone 2 - KS		\$235.00
Zone 3 - KS		\$235.00
Zone 1 - MO		\$235.00
Zone 2 - MO		\$235.00
Zone 3 - MO		\$235.00
Zone 1 - OK		\$235.00
Zone 2 - OK		\$235.00
Zone 3 - OK		\$235.00
Zone 1 - TX		\$235.00
Zone 2 - TX		\$235.00
Zone 3 - TX		\$235.00
		<u>Nonrecurring Charge</u>
Zone 1 - AR		\$ 0.00
Zone 2 - AR		\$ 0.00
Zone 3 - AR		\$ 0.00
Zone 1 - KS		\$ 0.00
Zone 2 - KS		\$ 0.00
Zone 3 - KS		\$ 0.00
Zone 1 - MO		\$ 0.00
Zone 2 - MO		\$ 0.00
Zone 3 - MO		\$ 0.00
Zone 1 - OK		\$ 0.00
Zone 2 - OK		\$ 0.00
Zone 3 - OK		\$ 0.00
Zone 1 - TX		\$ 0.00
Zone 2 - TX		\$ 0.00
Zone 3 - TX		\$ 0.00

(This page filed under Transmittal No. 2563)

Issued: August 1, 1996

Effective: September 1, 1996

Four AT&T Plaza, Dallas, Texas 75202

ACCESS SERVICE

7. Special Access Service (Cont'd)

7.3 Service Descriptions, Rates and Charges (Cont'd)

7.3.10 High Capacity Service (Cont'd)

(F) Rates and Charges (Cont'd)

(23) Optional Payment Plan **Rates Effective: 09/01/96**
(Cont'd)

(N)

	<u>USOC</u>	<u>5 Year Monthly Rate</u>
<u>Multiplexing</u>		
Per arrangement (Cont'd)		
DS0 to Subrates (Cont'd)		
Up to 5 9.6 kbps services	QSU96	
Zone 1 - AR		\$223.25
Zone 2 - AR		\$223.25
Zone 3 - AR		\$223.25
Zone 1 - KS		\$223.25
Zone 2 - KS		\$223.25
Zone 3 - KS		\$223.25
Zone 1 - MO		\$223.25
Zone 2 - MO		\$223.25
Zone 3 - MO		\$223.25
Zone 1 - OK		\$223.25
Zone 2 - OK		\$223.25
Zone 3 - OK		\$223.25
Zone 1 - TX		\$223.25
Zone 2 - TX		\$223.25
Zone 3 - TX		\$223.25
		<u>Nonrecurring Charge</u>
Zone 1 - AR		\$ 0.00
Zone 2 - AR		\$ 0.00
Zone 3 - AR		\$ 0.00
Zone 1 - KS		\$ 0.00
Zone 2 - KS		\$ 0.00
Zone 3 - KS		\$ 0.00
Zone 1 - MO		\$ 0.00
Zone 2 - MO		\$ 0.00
Zone 3 - MO		\$ 0.00
Zone 1 - OK		\$ 0.00
Zone 2 - OK		\$ 0.00
Zone 3 - OK		\$ 0.00
Zone 1 - TX		\$ 0.00
Zone 2 - TX		\$ 0.00
Zone 3 - TX		\$ 0.00

(This page filed under Transmittal No. 2563)

Issued: August 1, 1996

Effective: September 1, 1996

Four AT&T Plaza, Dallas, Texas 75202

ACCESS SERVICE

7. Special Access Service (Cont'd)

7.3 Service Descriptions, Rates and Charges (Cont'd)

7.3.10 High Capacity Service (Cont'd)

(F) Rates and Charges (Cont'd)

(23) Optional Payment Plan **Rates Effective: 09/01/96**
(Cont'd)

(N)

	<u>USOC</u>	<u>3 Year Monthly Rate</u>
--	-------------	--------------------------------

(e) Multiplexing

Per arrangement (Cont'd)

DS1 to DS0	QMU	
Zone 1 - AR		\$180.00
Zone 2 - AR		\$180.00
Zone 3 - AR		\$180.00
Zone 1 - KS		\$180.00
Zone 2 - KS		\$180.00
Zone 3 - KS		\$180.00
Zone 1 - MO		\$180.00
Zone 2 - MO		\$180.00
Zone 3 - MO		\$180.00
Zone 1 - OK		\$180.00
Zone 2 - OK		\$180.00
Zone 3 - OK		\$180.00
Zone 1 - TX		\$180.00
Zone 2 - TX		\$180.00
Zone 3 - TX		\$180.00

Nonrecurring Charge

Zone 1 - AR	\$ 0.00
Zone 2 - AR	\$ 0.00
Zone 3 - AR	\$ 0.00
Zone 1 - KS	\$ 0.00
Zone 2 - KS	\$ 0.00
Zone 3 - KS	\$ 0.00
Zone 1 - MO	\$ 0.00
Zone 2 - MO	\$ 0.00
Zone 3 - MO	\$ 0.00
Zone 1 - OK	\$ 0.00
Zone 2 - OK	\$ 0.00
Zone 3 - OK	\$ 0.00
Zone 1 - TX	\$ 0.00
Zone 2 - TX	\$ 0.00
Zone 3 - TX	\$ 0.00

(This page filed under Transmittal No. 2563)

Issued: August 1, 1996

Effective: September 1, 1996

Four AT&T Plaza, Dallas, Texas 75202

ACCESS SERVICE

7. Special Access Service (Cont'd)

7.3 Service Descriptions, Rates and Charges (Cont'd)

7.3.10 High Capacity Service (Cont'd)

(F) Rates and Charges (Cont'd)

(23) Optional Payment Plan **Rates Effective: 09/01/96**
(Cont'd)

(N)

	<u>USOC</u>	<u>5 Year Monthly Rate</u>
--	-------------	--------------------------------

Multiplexing

Per arrangement (Cont'd)

DS1 to DS0	QMU	
Zone 1 - AR		\$171.00
Zone 2 - AR		\$171.00
Zone 3 - AR		\$171.00
Zone 1 - KS		\$171.00
Zone 2 - KS		\$171.00
Zone 3 - KS		\$171.00
Zone 1 - MO		\$171.00
Zone 2 - MO		\$171.00
Zone 3 - MO		\$171.00
Zone 1 - OK		\$171.00
Zone 2 - OK		\$171.00
Zone 3 - OK		\$171.00
Zone 1 - TX		\$171.00
Zone 2 - TX		\$171.00
Zone 3 - TX		\$171.00

Nonrecurring Charge

Zone 1 - AR	\$ 0.00
Zone 2 - AR	\$ 0.00
Zone 3 - AR	\$ 0.00
Zone 1 - KS	\$ 0.00
Zone 2 - KS	\$ 0.00
Zone 3 - KS	\$ 0.00
Zone 1 - MO	\$ 0.00
Zone 2 - MO	\$ 0.00
Zone 3 - MO	\$ 0.00
Zone 1 - OK	\$ 0.00
Zone 2 - OK	\$ 0.00
Zone 3 - OK	\$ 0.00
Zone 1 - TX	\$ 0.00
Zone 2 - TX	\$ 0.00
Zone 3 - TX	\$ 0.00

(This page filed under Transmittal No. 2563)

Issued: August 1, 1996

Effective: September 1, 1996

Four AT&T Plaza, Dallas, Texas 75202

ACCESS SERVICE

7. Special Access Service (Cont'd)

7.3 Service Descriptions, Rates and Charges (Cont'd)

7.3.10 High Capacity Service (Cont'd)

(F) Rates and Charges (Cont'd)

(23) Optional Payment Plan **Rates Effective: 09/01/96**
(Cont'd)

(N)

	<u>USOC</u>	<u>3 Year Monthly Rate</u>
--	-------------	--------------------------------

(e) Multiplexing

Per arrangement (Cont'd)

DS1 to Voice

MQ1

Zone 1 - AR	\$180.00
Zone 2 - AR	\$180.00
Zone 3 - AR	\$180.00
Zone 1 - KS	\$180.00
Zone 2 - KS	\$180.00
Zone 3 - KS	\$180.00
Zone 1 - MO	\$180.00
Zone 2 - MO	\$180.00
Zone 3 - MO	\$180.00
Zone 1 - OK	\$180.00
Zone 2 - OK	\$180.00
Zone 3 - OK	\$180.00
Zone 1 - TX	\$180.00
Zone 2 - TX	\$180.00
Zone 3 - TX	\$180.00

Nonrecurring Charge

Zone 1 - AR	\$ 0.00
Zone 2 - AR	\$ 0.00
Zone 3 - AR	\$ 0.00
Zone 1 - KS	\$ 0.00
Zone 2 - KS	\$ 0.00
Zone 3 - KS	\$ 0.00
Zone 1 - MO	\$ 0.00
Zone 2 - MO	\$ 0.00
Zone 3 - MO	\$ 0.00
Zone 1 - OK	\$ 0.00
Zone 2 - OK	\$ 0.00
Zone 3 - OK	\$ 0.00
Zone 1 - TX	\$ 0.00
Zone 2 - TX	\$ 0.00
Zone 3 - TX	\$ 0.00

(This page filed under Transmittal No. 2563)

Issued: August 1, 1996

Effective: September 1, 1996

Four AT&T Plaza, Dallas, Texas 75202

ACCESS SERVICE

7. Special Access Service (Cont'd)

7.3 Service Descriptions, Rates and Charges (Cont'd)

7.3.10 High Capacity Service (Cont'd)

(F) Rates and Charges (Cont'd)

(23) Optional Payment Plan **Rates Effective: 09/01/96**
(Cont'd)

(N)

	<u>USOC</u>	<u>5 Year Monthly Rate</u>
--	-------------	--------------------------------

Multiplexing

Per arrangement (Cont'd)

DS1 to Voice MQ1

Zone 1 - AR	\$171.00
Zone 2 - AR	\$171.00
Zone 3 - AR	\$171.00
Zone 1 - KS	\$171.00
Zone 2 - KS	\$171.00
Zone 3 - KS	\$171.00
Zone 1 - MO	\$171.00
Zone 2 - MO	\$171.00
Zone 3 - MO	\$171.00
Zone 1 - OK	\$171.00
Zone 2 - OK	\$171.00
Zone 3 - OK	\$171.00
Zone 1 - TX	\$171.00
Zone 2 - TX	\$171.00
Zone 3 - TX	\$171.00

Nonrecurring Charge

Zone 1 - AR	\$ 0.00
Zone 2 - AR	\$ 0.00
Zone 3 - AR	\$ 0.00
Zone 1 - KS	\$ 0.00
Zone 2 - KS	\$ 0.00
Zone 3 - KS	\$ 0.00
Zone 1 - MO	\$ 0.00
Zone 2 - MO	\$ 0.00
Zone 3 - MO	\$ 0.00
Zone 1 - OK	\$ 0.00
Zone 2 - OK	\$ 0.00
Zone 3 - OK	\$ 0.00
Zone 1 - TX	\$ 0.00
Zone 2 - TX	\$ 0.00
Zone 3 - TX	\$ 0.00

(This page filed under Transmittal No. 2563)

Issued: August 1, 1996

Effective: September 1, 1996

Four AT&T Plaza, Dallas, Texas 75202

ACCESS SERVICE

7. Special Access Service (Cont'd)

7.3 Service Descriptions, Rates and Charges (Cont'd)

7.3.10 High Capacity Service (Cont'd)

(F) Rates and Charges (Cont'd)

(23) Optional Payment Plan **Rates Effective: 09/01/96**
(Cont'd)

(N)

	<u>USOC</u>	<u>3 Year Monthly Rate</u>
(f) <u>Clear Channel Capability</u>	CLR	

Per channel
termination

Zone 1 - AR	\$ 0.00
Zone 2 - AR	\$ 0.00
Zone 3 - AR	\$ 0.00
Zone 1 - KS	\$ 0.00
Zone 2 - KS	\$ 0.00
Zone 3 - KS	\$ 0.00
Zone 1 - MO	\$ 0.00
Zone 2 - MO	\$ 0.00
Zone 3 - MO	\$ 0.00
Zone 1 - OK	\$ 0.00
Zone 2 - OK	\$ 0.00
Zone 3 - OK	\$ 0.00
Zone 1 - TX	\$ 0.00
Zone 2 - TX	\$ 0.00
Zone 3 - TX	\$ 0.00

Nonrecurring Charge

Zone 1 - AR	\$100.00
Zone 2 - AR	\$100.00
Zone 3 - AR	\$100.00
Zone 1 - KS	\$100.00
Zone 2 - KS	\$100.00
Zone 3 - KS	\$100.00
Zone 1 - MO	\$100.00
Zone 2 - MO	\$100.00
Zone 3 - MO	\$100.00
Zone 1 - OK	\$100.00
Zone 2 - OK	\$100.00
Zone 3 - OK	\$100.00
Zone 1 - TX	\$100.00
Zone 2 - TX	\$100.00
Zone 3 - TX	\$100.00

(This page filed under Transmittal No. 2563)

Issued: August 1, 1996

Effective: September 1, 1996

Four AT&T Plaza, Dallas, Texas 75202

ACCESS SERVICE

7. Special Access Service (Cont'd)

7.3 Service Descriptions, Rates and Charges (Cont'd)

7.3.10 High Capacity Service (Cont'd)

(F) Rates and Charges (Cont'd)

(23) Optional Payment Plan **Rates Effective: 09/01/96**
(Cont'd)

(N)

	<u>USOC</u>	<u>5 Year Monthly Rate</u>
<u>Clear Channel Capability</u>	CLR	
Per channel termination		

Zone 1 - AR	\$	0.00
Zone 2 - AR	\$	0.00
Zone 3 - AR	\$	0.00
Zone 1 - KS	\$	0.00
Zone 2 - KS	\$	0.00
Zone 3 - KS	\$	0.00
Zone 1 - MO	\$	0.00
Zone 2 - MO	\$	0.00
Zone 3 - MO	\$	0.00
Zone 1 - OK	\$	0.00
Zone 2 - OK	\$	0.00
Zone 3 - OK	\$	0.00
Zone 1 - TX	\$	0.00
Zone 2 - TX	\$	0.00
Zone 3 - TX	\$	0.00

Nonrecurring Charge

Zone 1 - AR	\$100.00
Zone 2 - AR	\$100.00
Zone 3 - AR	\$100.00
Zone 1 - KS	\$100.00
Zone 2 - KS	\$100.00
Zone 3 - KS	\$100.00
Zone 1 - MO	\$100.00
Zone 2 - MO	\$100.00
Zone 3 - MO	\$100.00
Zone 1 - OK	\$100.00
Zone 2 - OK	\$100.00
Zone 3 - OK	\$100.00
Zone 1 - TX	\$100.00
Zone 2 - TX	\$100.00
Zone 3 - TX	\$100.00

(This page filed under Transmittal No. 2563)

Issued: August 1, 1996

Effective: September 1, 1996

Four AT&T Plaza, Dallas, Texas 75202

ACCESS SERVICE

7. Special Access Service (Cont'd)

7.3 Service Descriptions, Rates and Charges (Cont'd)

7.3.10 High Capacity Service (Cont'd)

(F) Rates and Charges (Cont'd)

(23) Optional Payment Plan **Rates Effective: 09/01/96**
(Cont'd)

	<u>USOC</u>	<u>3 Year Monthly Rate</u>
--	-------------	--------------------------------

(g) Transfer Arrangement,
Key Activated* USV

Per four port
arrangement including
control channel
termination**

Zone 1 - AR	\$184.24
Zone 2 - AR	\$184.24
Zone 3 - AR	\$184.24
Zone 1 - KS	\$184.24
Zone 2 - KS	\$184.24
Zone 3 - KS	\$184.24
Zone 1 - MO	\$184.24
Zone 2 - MO	\$184.24
Zone 3 - MO	\$184.24
Zone 1 - OK	\$184.24
Zone 2 - OK	\$184.24
Zone 3 - OK	\$184.24
Zone 1 - TX	\$184.24
Zone 2 - TX	\$184.24
Zone 3 - TX	\$184.24

Nonrecurring Charge

Zone 1 - AR	\$213.00
Zone 2 - AR	\$213.00
Zone 3 - AR	\$213.00
Zone 1 - KS	\$213.00
Zone 2 - KS	\$213.00
Zone 3 - KS	\$213.00
Zone 1 - MO	\$213.00
Zone 2 - MO	\$213.00
Zone 3 - MO	\$213.00
Zone 1 - OK	\$213.00
Zone 2 - OK	\$213.00
Zone 3 - OK	\$213.00
Zone 1 - TX	\$213.00
Zone 2 - TX	\$213.00
Zone 3 - TX	\$213.00

* The key activated control channel is rated as a Metallic Channel Termination (use USOC T6EME in lieu of T6ECS) and Channel Mileage, if applicable (use USOC 1L5MX in lieu of 1L5XX).

** An additional Channel Termination charge will apply whenever a spare channel is configured as a leg to the customer's premises. Additional channel mileage will also apply when the transfer arrangement is not located in the customer premises serving wire center.

(This page filed under Transmittal No. 2563)

(N)

(N)

(N)

ACCESS SERVICE

7. Special Access Service (Cont'd)

7.3 Service Descriptions, Rates and Charges (Cont'd)

7.3.10 High Capacity Service (Cont'd)

(F) Rates and Charges (Cont'd)

(23) Optional Payment Plan **Rates Effective: 09/01/96**
(Cont'd)

	USOC	5 Year Monthly Rate
<u>Transfer Arrangement, Key Activated*</u>	USV	
Per four port arrangement including control channel termination**		
Zone 1 - AR		\$175.03
Zone 2 - AR		\$175.03
Zone 3 - AR		\$175.03
Zone 1 - KS		\$175.03
Zone 2 - KS		\$175.03
Zone 3 - KS		\$175.03
Zone 1 - MO		\$175.03
Zone 2 - MO		\$175.03
Zone 3 - MO		\$175.03
Zone 1 - OK		\$175.03
Zone 2 - OK		\$175.03
Zone 3 - OK		\$175.03
Zone 1 - TX		\$175.03
Zone 2 - TX		\$175.03
Zone 3 - TX		\$175.03

Nonrecurring Charge

Zone 1 - AR	\$213.00
Zone 2 - AR	\$213.00
Zone 3 - AR	\$213.00
Zone 1 - KS	\$213.00
Zone 2 - KS	\$213.00
Zone 3 - KS	\$213.00
Zone 1 - MO	\$213.00
Zone 2 - MO	\$213.00
Zone 3 - MO	\$213.00
Zone 1 - OK	\$213.00
Zone 2 - OK	\$213.00
Zone 3 - OK	\$213.00
Zone 1 - TX	\$213.00
Zone 2 - TX	\$213.00
Zone 3 - TX	\$213.00

* The key activated control channel is rated as a Metallic Channel Termination (use USOC T6EME in lieu of T6ECS) and Channel Mileage, if applicable (use USOC 1L5MX in lieu of 1L5XX).

** An additional Channel Termination charge will apply whenever a spare channel is configured as a leg to the customer's premises. Additional channel mileage will also apply when the transfer arrangement is not located in the customer premises serving wire center.

(This page filed under Transmittal No. 2563)

Issued: August 1, 1996

Effective: September 1, 1996

Four AT&T Plaza, Dallas, Texas 75202

(N)

(N)

(N)

ACCESS SERVICE

7. Special Access Service (Cont'd)

7.3 Service Descriptions, Rates and Charges (Cont'd)

7.3.10 High Capacity Service (Cont'd)

(F) Rates and Charges (Cont'd)

(24) Optional Payment Plan **Rates Effective: 07/01/00** (N)

3 Year
USOC Monthly Rate

(a) Channel Termination

Per point of termination TMECS

1.544 Mbps

Zone 1 - AR	\$120.00
Zone 2 - AR	\$125.00
Zone 3 - AR	\$135.00
Zone 1 - KS	\$120.00
Zone 2 - KS	\$125.00
Zone 3 - KS	\$135.00
Zone 1 - MO	\$120.00
Zone 2 - MO	\$125.00
Zone 3 - MO	\$135.00
Zone 1 - OK	\$120.00
Zone 2 - OK	\$125.00
Zone 3 - OK	\$135.00
Zone 1 - TX	\$120.00
Zone 2 - TX	\$125.00
Zone 3 - TX	\$135.00

<u>Ckt</u>	Charge	Nonrecurring	
		<u>1st Ckt</u>	<u>Addl</u>
	Zone 1 - AR	\$600.00	\$456.00
	Zone 2 - AR	\$600.00	\$456.00
	Zone 3 - AR	\$600.00	\$456.00
	Zone 1 - KS	\$600.00	\$456.00
	Zone 2 - KS	\$600.00	\$456.00
	Zone 3 - KS	\$600.00	\$456.00
	Zone 1 - MO	\$600.00	\$456.00
	Zone 2 - MO	\$600.00	\$456.00
	Zone 3 - MO	\$600.00	\$456.00
	Zone 1 - OK	\$600.00	\$456.00
	Zone 2 - OK	\$600.00	\$456.00
	Zone 3 - OK	\$600.00	\$456.00
	Zone 1 - TX	\$600.00	\$456.00
	Zone 2 - TX	\$600.00	\$456.00
	Zone 3 - TX	\$600.00	\$456.00

Rates contained in this transmittal are subject to subsequent adjustment, effective retrospectively back to the transmittal's original effective date, in the event the Commission or a court subsequently authorizes SWBT to correct its rates pursuant to pending motions, or petitions for reconsideration or waiver (and including, but not limited to, any application for Review of the letter from Lawrence E. Strickling, Chief, Common Carrier bureau, FCC, to Dale Robertson, SBC, dated May 18, 1999 which may be filed with the Commission), or in the event of any other adjustment pursuant to an order of the Commission or a court.

(This page filed under Transmittal No. 2831)

Issued: June 16, 2000

Effective: July 1, 2000

Four AT&T Plaza, Dallas, Texas 75202

ACCESS SERVICE

7. Special Access Service (Cont'd)

7.3 Service Descriptions, Rates and Charges (Cont'd)

7.3.10 High Capacity Service (Cont'd)

(F) Rates and Charges (Cont'd)

(24) Optional Payment Plan **Rates Effective: 07/01/00**
(Cont'd)

(N)

	USOC	5 Year Monthly Rate
(a) <u>Channel Termination</u> (Cont'd)		
Per point of termination	TMECS	
1.544 Mbps		
Zone 1 - AR		\$105.00
Zone 2 - AR		\$115.00
Zone 3 - AR		\$125.00
Zone 1 - KS		\$105.00
Zone 2 - KS		\$115.00
Zone 3 - KS		\$125.00
Zone 1 - MO		\$105.00
Zone 2 - MO		\$115.00
Zone 3 - MO		\$125.00
Zone 1 - OK		\$105.00
Zone 2 - OK		\$115.00
Zone 3 - OK		\$125.00
Zone 1 - TX		\$105.00
Zone 2 - TX		\$115.00
Zone 3 - TX		\$125.00

Charge	Nonrecurring	
	<u>1st Ckt</u>	<u>Addl</u>
<u>Ckt</u>		
Zone 1 - AR	\$600.00	\$456.00
Zone 2 - AR	\$600.00	\$456.00
Zone 3 - AR	\$600.00	\$456.00
Zone 1 - KS	\$600.00	\$456.00
Zone 2 - KS	\$600.00	\$456.00
Zone 3 - KS	\$600.00	\$456.00
Zone 1 - MO	\$600.00	\$456.00
Zone 2 - MO	\$600.00	\$456.00
Zone 3 - MO	\$600.00	\$456.00
Zone 1 - OK	\$600.00	\$456.00
Zone 2 - OK	\$600.00	\$456.00
Zone 3 - OK	\$600.00	\$456.00
Zone 1 - TX	\$600.00	\$456.00
Zone 2 - TX	\$600.00	\$456.00
Zone 3 - TX	\$600.00	\$456.00

(N)

Rates contained in this transmittal are subject to subsequent adjustment, effective retroactively back to the transmittal's original effective date, in the event the Commission or a court subsequently authorizes SWBT to correct its rates pursuant to pending motions, or petitions for reconsideration or waiver (and including, but not limited to, any application for Review of the letter from Lawrence E. Strickling, Chief, Common Carrier bureau, FCC, to Dale Robertson, SBC, dated May 18, 1999 which may be filed with the Commission), or in the event of any other adjustment pursuant to an order of the Commission or a court.

(This page filed under Transmittal No. 2831)

Issued: June 16, 2000

Effective: July 1, 2000

Four AT&T Plaza, Dallas, Texas 75202

ACCESS SERVICE

7. Special Access Service (Cont'd)

7.3 Service Descriptions, Rates and Charges (Cont'd)

7.3.10 High Capacity Service (Cont'd)

(F) Rates and Charges (Cont'd)

(24) Optional Payment Plan **Rates Effective: 07/01/00**
(Cont'd)

(N)

	USOC	3 Year Monthly Rate	
		Fixed	Per Mile
(b) <u>Channel Mileage</u>			
1.544 Mbps	1L5XX		
0 miles			
Zone 1 - AR		\$ 0.00	\$ 0.00
Zone 2 - AR		\$ 0.00	\$ 0.00
Zone 3 - AR		\$ 0.00	\$ 0.00
Zone 1 - KS		\$ 0.00	\$ 0.00
Zone 2 - KS		\$ 0.00	\$ 0.00
Zone 3 - KS		\$ 0.00	\$ 0.00
Zone 1 - MO		\$ 0.00	\$ 0.00
Zone 2 - MO		\$ 0.00	\$ 0.00
Zone 3 - MO		\$ 0.00	\$ 0.00
Zone 1 - OK		\$ 0.00	\$ 0.00
Zone 2 - OK		\$ 0.00	\$ 0.00
Zone 3 - OK		\$ 0.00	\$ 0.00
Zone 1 - TX		\$ 0.00	\$ 0.00
Zone 2 - TX		\$ 0.00	\$ 0.00
Zone 3 - TX		\$ 0.00	\$ 0.00
Over 0 miles			
Zone 1 - AR		\$50.00	\$16.80
Zone 2 - AR		\$50.00	\$16.80
Zone 3 - AR		\$50.00	\$16.80
Zone 1 - KS		\$50.00	\$16.80
Zone 2 - KS		\$50.00	\$16.80
Zone 3 - KS		\$50.00	\$16.80
Zone 1 - MO		\$50.00	\$16.80
Zone 2 - MO		\$50.00	\$16.80
Zone 3 - MO		\$50.00	\$16.80
Zone 1 - OK		\$50.00	\$16.80
Zone 2 - OK		\$50.00	\$16.80
Zone 3 - OK		\$50.00	\$16.80
Zone 1 - TX		\$50.00	\$16.80
Zone 2 - TX		\$50.00	\$16.80
Zone 3 - TX		\$50.00	\$16.80

(N)

Rates contained in this transmittal are subject to subsequent adjustment, effective retrospectively back to the transmittal's original effective date, in the event the Commission or a court subsequently authorizes SWBT to correct its rates pursuant to pending motions, or petitions for reconsideration or waiver (and including, but not limited to, any application for Review of the letter from Lawrence E. Strickling, Chief, Common Carrier bureau, FCC, to Dale Robertson, SBC, dated May 18, 1999 which may be filed with the Commission), or in the event of any other adjustment pursuant to an order of the Commission or a court.

(This page filed under Transmittal No. 2831)

Issued: June 16, 2000

Effective: July 1, 2000

Four AT&T Plaza, Dallas, Texas 75202

ACCESS SERVICE

7. Special Access Service (Cont'd)

7.3 Service Descriptions, Rates and Charges (Cont'd)

7.3.10 High Capacity Service (Cont'd)

(F) Rates and Charges (Cont'd)

(24) Optional Payment Plan **Rates Effective: 07/01/00**
(Cont'd)

(N)

	USOC	3 Year Monthly Rate	
		Fixed	Per Mile
(b) <u>Channel Mileage</u> (Cont'd)			
64 Kbps*	1L5TC		
0 miles			
Zone 1 - AR		\$ 0.00	\$ 0.00
Zone 2 - AR		\$ 0.00	\$ 0.00
Zone 3 - AR		\$ 0.00	\$ 0.00
Zone 1 - KS		\$ 0.00	\$ 0.00
Zone 2 - KS		\$ 0.00	\$ 0.00
Zone 3 - KS		\$ 0.00	\$ 0.00
Zone 1 - MO		\$ 0.00	\$ 0.00
Zone 2 - MO		\$ 0.00	\$ 0.00
Zone 3 - MO		\$ 0.00	\$ 0.00
Zone 1 - OK		\$ 0.00	\$ 0.00
Zone 2 - OK		\$ 0.00	\$ 0.00
Zone 3 - OK		\$ 0.00	\$ 0.00
Zone 1 - TX		\$ 0.00	\$ 0.00
Zone 2 - TX		\$ 0.00	\$ 0.00
Zone 3 - TX		\$ 0.00	\$ 0.00
Over 0 miles	1L5XX		
Zone 1 - AR		\$ 8.04	\$ 1.13
Zone 2 - AR		\$ 8.04	\$ 1.13
Zone 3 - AR		\$ 8.04	\$ 1.13
Zone 1 - KS		\$ 8.04	\$ 1.13
Zone 2 - KS		\$ 8.04	\$ 1.13
Zone 3 - KS		\$ 8.04	\$ 1.13
Zone 1 - MO		\$ 8.04	\$ 1.13
Zone 2 - MO		\$ 8.04	\$ 1.13
Zone 3 - MO		\$ 8.04	\$ 1.13
Zone 1 - OK		\$ 8.04	\$ 1.13
Zone 2 - OK		\$ 8.04	\$ 1.13
Zone 3 - OK		\$ 8.04	\$ 1.13
Zone 1 - TX		\$ 8.04	\$ 1.13
Zone 2 - TX		\$ 8.04	\$ 1.13
Zone 3 - TX		\$ 8.04	\$ 1.13

* Available only as a channel of a 1.544 Mbps facility to a SWBT Digital Data Hub or as a cross connect of two channels of two 1.544 Mbps facilities to a Digital Data Hub(s). The customer must provide system and channel assignment data.

(N)

Rates contained in this transmittal are subject to subsequent adjustment, effective retrospectively back to the transmittal's original effective date, in the event the Commission or a court subsequently authorizes SWBT to correct its rates pursuant to pending motions, or petitions for reconsideration or waiver (and including, but not limited to, any application for Review of the letter from Lawrence E. Strickling, Chief, Common Carrier bureau, FCC, to Dale Robertson, SBC, dated May 18, 1999 which may be filed with the Commission), or in the event of any other adjustment

(This page filed under Transmittal No. 2831)

Issued: June 16, 2000

Effective: July 1, 2000

Four AT&T Plaza, Dallas, Texas 75202

ACCESS SERVICE

7. Special Access Service (Cont'd)

7.3 Service Descriptions, Rates and Charges (Cont'd)

7.3.10 High Capacity Service (Cont'd)

(F) Rates and Charges (Cont'd)

(24) Optional Payment Plan **Rates Effective: 07/01/00**
(Cont'd)

(N)

	USOC	5 Year Monthly Rate	
		Fixed	Per Mile
(b) <u>Channel Mileage</u> (Cont'd)			
1.544 Mbps	1L5XX		
0 miles			
Zone 1 - AR		\$ 0.00	\$ 0.00
Zone 2 - AR		\$ 0.00	\$ 0.00
Zone 3 - AR		\$ 0.00	\$ 0.00
Zone 1 - KS		\$ 0.00	\$ 0.00
Zone 2 - KS		\$ 0.00	\$ 0.00
Zone 3 - KS		\$ 0.00	\$ 0.00
Zone 1 - MO		\$ 0.00	\$ 0.00
Zone 2 - MO		\$ 0.00	\$ 0.00
Zone 3 - MO		\$ 0.00	\$ 0.00
Zone 1 - OK		\$ 0.00	\$ 0.00
Zone 2 - OK		\$ 0.00	\$ 0.00
Zone 3 - OK		\$ 0.00	\$ 0.00
Zone 1 - TX		\$ 0.00	\$ 0.00
Zone 2 - TX		\$ 0.00	\$ 0.00
Zone 3 - TX		\$ 0.00	\$ 0.00
Over 0 miles			
Zone 1 - AR		\$47.50	\$15.96
Zone 2 - AR		\$47.50	\$15.96
Zone 3 - AR		\$47.50	\$15.96
Zone 1 - KS		\$47.50	\$15.96
Zone 2 - KS		\$47.50	\$15.96
Zone 3 - KS		\$47.50	\$15.96
Zone 1 - MO		\$47.50	\$15.96
Zone 2 - MO		\$47.50	\$15.96
Zone 3 - MO		\$47.50	\$15.96
Zone 1 - OK		\$47.50	\$15.96
Zone 2 - OK		\$47.50	\$15.96
Zone 3 - OK		\$47.50	\$15.96
Zone 1 - TX		\$47.50	\$15.96
Zone 2 - TX		\$47.50	\$15.96
Zone 3 - TX		\$47.50	\$15.96

(N)

Rates contained in this transmittal are subject to subsequent adjustment, effective retrospectively back to the transmittal's original effective date, in the event the Commission or a court subsequently authorizes SWBT to correct its rates pursuant to pending motions, or petitions for reconsideration or waiver (and including, but not limited to, any application for Review of the letter from Lawrence E. Strickling, Chief, Common Carrier bureau, FCC, to Dale Robertson, SBC, dated May 18, 1999 which may be filed with the Commission), or in the event of any other adjustment pursuant to an order of the Commission or a court.

(This page filed under Transmittal No. 2831)

Issued: June 16, 2000

Effective: July 1, 2000

Four AT&T Plaza, Dallas, Texas 75202

ACCESS SERVICE

7. Special Access Service (Cont'd)

7.3 Service Descriptions, Rates and Charges (Cont'd)

7.3.10 High Capacity Service (Cont'd)

(F) Rates and Charges (Cont'd)

(24) Optional Payment Plan **Rates Effective: 07/01/00**
(Cont'd)

(N)

	USOC	5 Year Monthly Rate	
		Fixed	Per Mile
(b) <u>Channel Mileage</u> (Cont'd)			
64 Kbps*	1L5TC		
0 miles			
Zone 1 - AR		\$ 0.00	\$ 0.00
Zone 2 - AR		\$ 0.00	\$ 0.00
Zone 3 - AR		\$ 0.00	\$ 0.00
Zone 1 - KS		\$ 0.00	\$ 0.00
Zone 2 - KS		\$ 0.00	\$ 0.00
Zone 3 - KS		\$ 0.00	\$ 0.00
Zone 1 - MO		\$ 0.00	\$ 0.00
Zone 2 - MO		\$ 0.00	\$ 0.00
Zone 3 - MO		\$ 0.00	\$ 0.00
Zone 1 - OK		\$ 0.00	\$ 0.00
Zone 2 - OK		\$ 0.00	\$ 0.00
Zone 3 - OK		\$ 0.00	\$ 0.00
Zone 1 - TX		\$ 0.00	\$ 0.00
Zone 2 - TX		\$ 0.00	\$ 0.00
Zone 3 - TX		\$ 0.00	\$ 0.00
Over 0 miles	1L5XX		
Zone 1 - AR		\$ 7.64	\$ 1.07
Zone 2 - AR		\$ 7.64	\$ 1.07
Zone 3 - AR		\$ 7.64	\$ 1.07
Zone 1 - KS		\$ 7.64	\$ 1.07
Zone 2 - KS		\$ 7.64	\$ 1.07
Zone 3 - KS		\$ 7.64	\$ 1.07
Zone 1 - MO		\$ 7.64	\$ 1.07
Zone 2 - MO		\$ 7.64	\$ 1.07
Zone 3 - MO		\$ 7.64	\$ 1.07
Zone 1 - OK		\$ 7.64	\$ 1.07
Zone 2 - OK		\$ 7.64	\$ 1.07
Zone 3 - OK		\$ 7.64	\$ 1.07
Zone 1 - TX		\$ 7.64	\$ 1.07
Zone 2 - TX		\$ 7.64	\$ 1.07
Zone 3 - TX		\$ 7.64	\$ 1.07

* Available only as a channel of a 1.544 Mbps facility to a SWBT Digital Data Hub or as a cross connect of two channels of two 1.544 Mbps facilities to a Digital Data Hub(s). The customer must provide system and channel assignment data.

Rates contained in this transmittal are subject to subsequent adjustment, effective retrospectively back to the transmittal's original effective date, in the event the Commission or a court subsequently authorizes SWBT to correct its rates pursuant to pending motions, or petitions for reconsideration or waiver (and including, but not limited to, any application for Review of the letter from Lawrence E. Strickling, Chief, Common Carrier bureau, FCC, to Dale Robertson, SBC, dated May 18, 1999 which may be filed with the Commission), or in the event of any other adjustment

(This page filed under Transmittal No. 2831)

Issued: June 16, 2000

Effective: July 1, 2000

Four AT&T Plaza, Dallas, Texas 75202

ACCESS SERVICE

7. Special Access Service (Cont'd)

7.3 Service Descriptions, Rates and Charges (Cont'd)

7.3.10 High Capacity Service (Cont'd)

(F) Rates and Charges (Cont'd)

(24) Optional Payment Plan **Rates Effective: 07/01/00**
(Cont'd)

(N)

USOC 3 Year
Monthly Rate

(c) Service to Service
Through Connect
Arrangement

High Capacity Service
Arrangement - 1.544
Mbps (DS1)

THA

Zone 1 - AR \$	0.00
Zone 2 - AR \$	0.00
Zone 3 - AR \$	0.00
Zone 1 - KS \$	0.00
Zone 2 - KS \$	0.00
Zone 3 - KS \$	0.00
Zone 1 - MO \$	0.00
Zone 2 - MO \$	0.00
Zone 3 - MO \$	0.00
Zone 1 - OK \$	0.00
Zone 2 - OK \$	0.00
Zone 3 - OK \$	0.00
Zone 1 - TX \$	0.00
Zone 2 - TX \$	0.00
Zone 3 - TX \$	0.00

<u>Ckt</u>	Charge	Nonrecurring	
		1st Ckt	Addl
	Zone 1 - AR	\$204.00	\$156.00
	Zone 2 - AR	\$204.00	\$156.00
	Zone 3 - AR	\$204.00	\$156.00
	Zone 1 - KS	\$204.00	\$156.00
	Zone 2 - KS	\$204.00	\$156.00
	Zone 3 - KS	\$204.00	\$156.00
	Zone 1 - MO	\$204.00	\$156.00
	Zone 2 - MO	\$204.00	\$156.00
	Zone 3 - MO	\$204.00	\$156.00
	Zone 1 - OK	\$204.00	\$156.00
	Zone 2 - OK	\$204.00	\$156.00
	Zone 3 - OK	\$204.00	\$156.00
	Zone 1 - TX	\$204.00	\$156.00
	Zone 2 - TX	\$204.00	\$156.00
	Zone 3 - TX	\$204.00	\$156.00

Rates contained in this transmittal are subject to subsequent adjustment, effective retrospectively back to the transmittal's original effective date, in the event the Commission or a court subsequently authorizes SWBT to correct its rates pursuant to pending motions, or petitions for reconsideration or waiver (and including, but not limited to, any application for Review of the letter from Lawrence E. Strickling, Chief, Common Carrier bureau, FCC, to Dale Robertson, SBC, dated May 18, 1999 which may be filed with the Commission), or in the event of any other adjustment

(This page filed under Transmittal No. 2831)

Issued: June 16, 2000

Effective: July 1, 2000

Four AT&T Plaza, Dallas, Texas 75202

ACCESS SERVICE

7. Special Access Service (Cont'd)

7.3 Service Descriptions, Rates and Charges (Cont'd)

7.3.10 High Capacity Service (Cont'd)

(F) Rates and Charges (Cont'd)

(24) Optional Payment Plan **Rates Effective: 07/01/00**
(Cont'd)

(N)

5 Year
USOC Monthly Rate

(c) Service to Service
Through Connect
Arrangement (Cont'd)

High Capacity Service
Arrangement - 1.544
Mbps (DS1)

THA

Zone 1 - AR \$	0.00
Zone 2 - AR \$	0.00
Zone 3 - AR \$	0.00
Zone 1 - KS \$	0.00
Zone 2 - KS \$	0.00
Zone 3 - KS \$	0.00
Zone 1 - MO \$	0.00
Zone 2 - MO \$	0.00
Zone 3 - MO \$	0.00
Zone 1 - OK \$	0.00
Zone 2 - OK \$	0.00
Zone 3 - OK \$	0.00
Zone 1 - TX \$	0.00
Zone 2 - TX \$	0.00
Zone 3 - TX \$	0.00

<u>Charge</u>	<u>Nonrecurring</u>	
	<u>1st Ckt</u>	<u>Addl</u>
Zone 1 - AR	\$204.00	\$156.00
Zone 2 - AR	\$204.00	\$156.00
Zone 3 - AR	\$204.00	\$156.00
Zone 1 - KS	\$204.00	\$156.00
Zone 2 - KS	\$204.00	\$156.00
Zone 3 - KS	\$204.00	\$156.00
Zone 1 - MO	\$204.00	\$156.00
Zone 2 - MO	\$204.00	\$156.00
Zone 3 - MO	\$204.00	\$156.00
Zone 1 - OK	\$204.00	\$156.00
Zone 2 - OK	\$204.00	\$156.00
Zone 3 - OK	\$204.00	\$156.00
Zone 1 - TX	\$204.00	\$156.00
Zone 2 - TX	\$204.00	\$156.00
Zone 3 - TX	\$204.00	\$156.00

(N)

Rates contained in this transmittal are subject to subsequent adjustment, effective retroactively back to the transmittal's original effective date, in the event the Commission or a court subsequently authorizes SWBT to correct its rates pursuant to pending motions, or petitions for reconsideration or waiver (and including, but not limited to, any application for Review of the letter from Lawrence E. Strickling, Chief, Common Carrier bureau, FCC, to Dale Robertson, SBC, dated May 18, 1999 which may be filed with the Commission), or in the event of any other adjustment pursuant to an order of the Commission or a court.

(This page filed under Transmittal No. 2831)

Issued: June 16, 2000

Effective: July 1, 2000

Four AT&T Plaza, Dallas, Texas 75202

ACCESS SERVICE

7. Special Access Service (Cont'd)

7.3 Service Descriptions, Rates and Charges (Cont'd)

7.3.10 High Capacity Service (Cont'd)

(F) Rates and Charges (Cont'd)

(24) Optional Payment Plan **Rates Effective: 07/01/00**
(Cont'd)

(N)

	<u>USOC</u>	<u>3 Year Monthly Rate</u>
(c) <u>Service to Service Through Connect Arrangement</u> (Cont'd)		

Multiplexed Service
Arrangement - 1.544 Mbps
(DS1) THK

Zone 1 - AR \$	0.00
Zone 2 - AR \$	0.00
Zone 3 - AR \$	0.00
Zone 1 - KS \$	0.00
Zone 2 - KS \$	0.00
Zone 3 - KS \$	0.00
Zone 1 - MO \$	0.00
Zone 2 - MO \$	0.00
Zone 3 - MO \$	0.00
Zone 1 - OK \$	0.00
Zone 2 - OK \$	0.00
Zone 3 - OK \$	0.00
Zone 1 - TX \$	0.00
Zone 2 - TX \$	0.00
Zone 3 - TX \$	0.00

	<u>Nonrecurring Charge</u>	
	<u>1st Ckt</u>	<u>Addl Ckt</u>

Zone 1 - AR	\$332.00	\$280.00
Zone 2 - AR	\$332.00	\$280.00
Zone 3 - AR	\$332.00	\$280.00
Zone 1 - KS	\$332.00	\$280.00
Zone 2 - KS	\$332.00	\$280.00
Zone 3 - KS	\$332.00	\$280.00
Zone 1 - MO	\$332.00	\$280.00
Zone 2 - MO	\$332.00	\$280.00
Zone 3 - MO	\$332.00	\$280.00
Zone 1 - OK	\$332.00	\$280.00
Zone 2 - OK	\$332.00	\$280.00
Zone 3 - OK	\$332.00	\$280.00
Zone 1 - TX	\$332.00	\$280.00
Zone 2 - TX	\$332.00	\$280.00
Zone 3 - TX	\$332.00	\$280.00

Rates contained in this transmittal are subject to subsequent adjustment, effective retrospectively back to the transmittal's original effective date, in the event the Commission or a court subsequently authorizes SWBT to correct its rates pursuant to pending motions, or petitions for reconsideration or waiver (and including, but not limited to, any application for Review of the letter from Lawrence E. Strickling, Chief, Common Carrier bureau, FCC, to Dale Robertson, SBC, dated May 18, 1999 which may be filed with the Commission), or in the event of any other adjustment

(This page filed under Transmittal No. 2831)

Issued: June 16, 2000

Effective: July 1, 2000

Four AT&T Plaza, Dallas, Texas 75202

ACCESS SERVICE

7. Special Access Service (Cont'd)

7.3 Service Descriptions, Rates and Charges (Cont'd)

7.3.10 High Capacity Service (Cont'd)

(F) Rates and Charges (Cont'd)

(24) Optional Payment Plan **Rates Effective: 07/01/00**
(Cont'd)

(N)

(c) Service to Service
Through Connect
Arrangement (Cont'd)

Multiplexed Service
Arrangement - 1.544 Mbps
(DS1) THK

	<u>USOC</u>	<u>5 Year</u> <u>Monthly Rate</u>
Zone 1 - AR \$		0.00
Zone 2 - AR \$		0.00
Zone 3 - AR \$		0.00
Zone 1 - KS \$		0.00
Zone 2 - KS \$		0.00
Zone 3 - KS \$		0.00
Zone 1 - MO \$		0.00
Zone 2 - MO \$		0.00
Zone 3 - MO \$		0.00
Zone 1 - OK \$		0.00
Zone 2 - OK \$		0.00
Zone 3 - OK \$		0.00
Zone 1 - TX \$		0.00
Zone 2 - TX \$		0.00
Zone 3 - TX \$		0.00

Nonrecurring Charge
1st Ckt Addl Ckt

Zone 1 - AR	\$332.00	\$280.00
Zone 2 - AR	\$332.00	\$280.00
Zone 3 - AR	\$332.00	\$280.00
Zone 1 - KS	\$332.00	\$280.00
Zone 2 - KS	\$332.00	\$280.00
Zone 3 - KS	\$332.00	\$280.00
Zone 1 - MO	\$332.00	\$280.00
Zone 2 - MO	\$332.00	\$280.00
Zone 3 - MO	\$332.00	\$280.00
Zone 1 - OK	\$332.00	\$280.00
Zone 2 - OK	\$332.00	\$280.00
Zone 3 - OK	\$332.00	\$280.00
Zone 1 - TX	\$332.00	\$280.00
Zone 2 - TX	\$332.00	\$280.00
Zone 3 - TX	\$332.00	\$280.00

Rates contained in this transmittal are subject to subsequent adjustment, effective retrospectively back to the transmittal's original effective date, in the event the Commission or a court subsequently authorizes SWBT to correct its rates pursuant to pending motions, or petitions for reconsideration or waiver (and including, but not limited to, any application for Review of the letter from Lawrence E. Strickling, Chief, Common Carrier bureau, FCC, to Dale Robertson, SBC, dated May 18, 1999 which may be filed with the Commission), or in the event of any other adjustment

(This page filed under Transmittal No. 2831)

Issued: June 16, 2000

Effective: July 1, 2000

Four AT&T Plaza, Dallas, Texas 75202

ACCESS SERVICE

7. Special Access Service (Cont'd)

7.3 Service Descriptions, Rates and Charges (Cont'd)

7.3.10 High Capacity Service (Cont'd)

(F) Rates and Charges (Cont'd)

(24) Optional Payment Plan

(D)
(D)

(D)
(D)

(d)

(D)

(D)

(This page filed under Transmittal No. 3317)

ACCESS SERVICE

7. Special Access Service (Cont'd)

7.3 Service Descriptions, Rates and Charges (Cont'd)

7.3.10 High Capacity Service (Cont'd)

(F) Rates and Charges (Cont'd)

(24) Optional Payment Plan

(D)
(D)

(D)
(D)

(d)

(D)

(D)

(This page filed under Transmittal No. 3317)

Issued: March 10, 2011

Effective: March 25, 2011

Four AT&T Plaza, Dallas, Texas 75202

ACCESS SERVICE

7. Special Access Service (Cont'd)

7.3 Service Descriptions, Rates and Charges (Cont'd)

7.3.10 High Capacity Service (Cont'd)

(F) Rates and Charges (Cont'd)

(24) Optional Payment Plan **Rates Effective: 07/01/00**
(Cont'd)

(N)

	<u>USOC</u>	<u>3 Year Monthly Rate</u>
(e) <u>Multiplexing</u>		
Per arrangement		
DS0 to Subrates		
Up to 20 2.4 kbps services	QSU24	
Zone 1 - AR		\$135.00
Zone 2 - AR		\$135.00
Zone 3 - AR		\$135.00
Zone 1 - KS		\$135.00
Zone 2 - KS		\$135.00
Zone 3 - KS		\$135.00
Zone 1 - MO		\$135.00
Zone 2 - MO		\$135.00
Zone 3 - MO		\$135.00
Zone 1 - OK		\$135.00
Zone 2 - OK		\$135.00
Zone 3 - OK		\$135.00
Zone 1 - TX		\$135.00
Zone 2 - TX		\$135.00
Zone 3 - TX		\$135.00
		<u>Nonrecurring Charge</u>
Zone 1 - AR		\$ 0.00
Zone 2 - AR		\$ 0.00
Zone 3 - AR		\$ 0.00
Zone 1 - KS		\$ 0.00
Zone 2 - KS		\$ 0.00
Zone 3 - KS		\$ 0.00
Zone 1 - MO		\$ 0.00
Zone 2 - MO		\$ 0.00
Zone 3 - MO		\$ 0.00
Zone 1 - OK		\$ 0.00
Zone 2 - OK		\$ 0.00
Zone 3 - OK		\$ 0.00
Zone 1 - TX		\$ 0.00
Zone 2 - TX		\$ 0.00
Zone 3 - TX		\$ 0.00

Rates contained in this transmittal are subject to subsequent adjustment, effective retrospectively back to the transmittal's original effective date, in the event the Commission or a court subsequently authorizes SWBT to correct its rates pursuant to pending motions, or petitions for reconsideration or waiver (and including, but not limited to, any application for Review of the letter from Lawrence E. Strickling, Chief, Common Carrier bureau, FCC, to Dale Robertson, SBC, dated May 18, 1999 which may be filed with the Commission), or in the event of any other adjustment

(This page filed under Transmittal No. 2831)

Issued: June 16, 2000

Effective: July 1, 2000

Four AT&T Plaza, Dallas, Texas 75202

ACCESS SERVICE

7. Special Access Service (Cont'd)

7.3 Service Descriptions, Rates and Charges (Cont'd)

7.3.10 High Capacity Service (Cont'd)

(F) Rates and Charges (Cont'd)

(24) Optional Payment Plan **Rates Effective: 07/01/00**
(Cont'd)

(N)

	<u>USOC</u>	<u>5 Year Monthly Rate</u>
(e) <u>Multiplexing</u> (Cont'd)		
Per arrangement		
DS0 to Subrates		
Up to 20 2.4 kbps services	QSU24	
Zone 1 - AR		\$128.25
Zone 2 - AR		\$128.25
Zone 3 - AR		\$128.25
Zone 1 - KS		\$128.25
Zone 2 - KS		\$128.25
Zone 3 - KS		\$128.25
Zone 1 - MO		\$128.25
Zone 2 - MO		\$128.25
Zone 3 - MO		\$128.25
Zone 1 - OK		\$128.25
Zone 2 - OK		\$128.25
Zone 3 - OK		\$128.25
Zone 1 - TX		\$128.25
Zone 2 - TX		\$128.25
Zone 3 - TX		\$128.25
		<u>Nonrecurring Charge</u>
Zone 1 - AR		\$ 0.00
Zone 2 - AR		\$ 0.00
Zone 3 - AR		\$ 0.00
Zone 1 - KS		\$ 0.00
Zone 2 - KS		\$ 0.00
Zone 3 - KS		\$ 0.00
Zone 1 - MO		\$ 0.00
Zone 2 - MO		\$ 0.00
Zone 3 - MO		\$ 0.00
Zone 1 - OK		\$ 0.00
Zone 2 - OK		\$ 0.00
Zone 3 - OK		\$ 0.00
Zone 1 - TX		\$ 0.00
Zone 2 - TX		\$ 0.00
Zone 3 - TX		\$ 0.00

(N)

Rates contained in this transmittal are subject to subsequent adjustment, effective retrospectively back to the transmittal's original effective date, in the event the Commission or a court subsequently authorizes SWBT to correct its rates pursuant to pending motions, or petitions for reconsideration or waiver (and including, but not limited to, any application for Review of the letter from Lawrence E. Strickling, Chief, Common Carrier bureau, FCC, to Dale Robertson, SBC, dated May 18, 1999 which may be filed with the Commission), or in the event of any other adjustment pursuant to an order of the Commission or a court.

(This page filed under Transmittal No. 2831)

Issued: June 16, 2000

Effective: July 1, 2000

Four AT&T Plaza, Dallas, Texas 75202

ACCESS SERVICE

7. Special Access Service (Cont'd)

7.3 Service Descriptions, Rates and Charges (Cont'd)

7.3.10 High Capacity Service (Cont'd)

(F) Rates and Charges (Cont'd)

(24) Optional Payment Plan **Rates Effective: 07/01/00**
(Cont'd)

(N)

	<u>USOC</u>	<u>3 Year Monthly Rate</u>
(e) <u>Multiplexing</u> (Cont'd)		
Per arrangement		
DS0 to Subrates		
Up to 10 4.8 kbps services	QSU48	
Zone 1 - AR		\$125.00
Zone 2 - AR		\$125.00
Zone 3 - AR		\$125.00
Zone 1 - KS		\$125.00
Zone 2 - KS		\$125.00
Zone 3 - KS		\$125.00
Zone 1 - MO		\$125.00
Zone 2 - MO		\$125.00
Zone 3 - MO		\$125.00
Zone 1 - OK		\$125.00
Zone 2 - OK		\$125.00
Zone 3 - OK		\$125.00
Zone 1 - TX		\$125.00
Zone 2 - TX		\$125.00
Zone 3 - TX		\$125.00
		<u>Nonrecurring Charge</u>
Zone 1 - AR		\$ 0.00
Zone 2 - AR		\$ 0.00
Zone 3 - AR		\$ 0.00
Zone 1 - KS		\$ 0.00
Zone 2 - KS		\$ 0.00
Zone 3 - KS		\$ 0.00
Zone 1 - MO		\$ 0.00
Zone 2 - MO		\$ 0.00
Zone 3 - MO		\$ 0.00
Zone 1 - OK		\$ 0.00
Zone 2 - OK		\$ 0.00
Zone 3 - OK		\$ 0.00
Zone 1 - TX		\$ 0.00
Zone 2 - TX		\$ 0.00
Zone 3 - TX		\$ 0.00

Rates contained in this transmittal are subject to subsequent adjustment, effective retrospectively back to the transmittal's original effective date, in the event the Commission or a court subsequently authorizes SWBT to correct its rates pursuant to pending motions, or petitions for reconsideration or waiver (and including, but not limited to, any application for Review of the letter from Lawrence E. Strickling, Chief, Common Carrier bureau, FCC, to Dale Robertson, SBC, dated May 18, 1999 which may be filed with the Commission), or in the event of any other adjustment

(This page filed under Transmittal No. 2831)

Issued: June 16, 2000

Effective: July 1, 2000

Four AT&T Plaza, Dallas, Texas 75202

ACCESS SERVICE

7. Special Access Service (Cont'd)

7.3 Service Descriptions, Rates and Charges (Cont'd)

7.3.10 High Capacity Service (Cont'd)

(F) Rates and Charges (Cont'd)

(24) Optional Payment Plan **Rates Effective: 07/01/00**
(Cont'd)

(N)

	<u>USOC</u>	<u>5 Year Monthly Rate</u>
--	-------------	--------------------------------

(e) Multiplexing (Cont'd)

Per arrangement

DS0 to Subrates

Up to 10 4.8 kbps
services

QSU48

Zone 1 - AR	\$118.75
Zone 2 - AR	\$118.75
Zone 3 - AR	\$118.75
Zone 1 - KS	\$118.75
Zone 2 - KS	\$118.75
Zone 3 - KS	\$118.75
Zone 1 - MO	\$118.75
Zone 2 - MO	\$118.75
Zone 3 - MO	\$118.75
Zone 1 - OK	\$118.75
Zone 2 - OK	\$118.75
Zone 3 - OK	\$118.75
Zone 1 - TX	\$118.75
Zone 2 - TX	\$118.75
Zone 3 - TX	\$118.75

Nonrecurring Charge

Zone 1 - AR	\$ 0.00
Zone 2 - AR	\$ 0.00
Zone 3 - AR	\$ 0.00
Zone 1 - KS	\$ 0.00
Zone 2 - KS	\$ 0.00
Zone 3 - KS	\$ 0.00
Zone 1 - MO	\$ 0.00
Zone 2 - MO	\$ 0.00
Zone 3 - MO	\$ 0.00
Zone 1 - OK	\$ 0.00
Zone 2 - OK	\$ 0.00
Zone 3 - OK	\$ 0.00
Zone 1 - TX	\$ 0.00
Zone 2 - TX	\$ 0.00
Zone 3 - TX	\$ 0.00

(N)

Rates contained in this transmittal are subject to subsequent adjustment, effective retrospectively back to the transmittal's original effective date, in the event the Commission or a court subsequently authorizes SWBT to correct its rates pursuant to pending motions, or petitions for reconsideration or waiver (and including, but not limited to, any application for Review of the letter from Lawrence E. Strickling, Chief, Common Carrier bureau, FCC, to Dale Robertson, SBC, dated May 18, 1999 which may be filed with the Commission), or in the event of any other adjustment pursuant to an order of the Commission or a court.

(This page filed under Transmittal No. 2831)

Issued: June 16, 2000

Effective: July 1, 2000

Four AT&T Plaza, Dallas, Texas 75202

ACCESS SERVICE

7. Special Access Service (Cont'd)

7.3 Service Descriptions, Rates and Charges (Cont'd)

7.3.10 High Capacity Service (Cont'd)

(F) Rates and Charges (Cont'd)

(24) Optional Payment Plan **Rates Effective: 07/01/00**
(Cont'd)

(N)

	<u>USOC</u>	<u>3 Year Monthly Rate</u>
(e) <u>Multiplexing</u> (Cont'd)		

Per arrangement

DS0 to Subrates

Up to 5 9.6 kbps
services

QSU96

Zone 1 - AR	\$235.00
Zone 2 - AR	\$235.00
Zone 3 - AR	\$235.00
Zone 1 - KS	\$235.00
Zone 2 - KS	\$235.00
Zone 3 - KS	\$235.00
Zone 1 - MO	\$235.00
Zone 2 - MO	\$235.00
Zone 3 - MO	\$235.00
Zone 1 - OK	\$235.00
Zone 2 - OK	\$235.00
Zone 3 - OK	\$235.00
Zone 1 - TX	\$235.00
Zone 2 - TX	\$235.00
Zone 3 - TX	\$235.00

Nonrecurring Charge

Zone 1 - AR	\$ 0.00
Zone 2 - AR	\$ 0.00
Zone 3 - AR	\$ 0.00
Zone 1 - KS	\$ 0.00
Zone 2 - KS	\$ 0.00
Zone 3 - KS	\$ 0.00
Zone 1 - MO	\$ 0.00
Zone 2 - MO	\$ 0.00
Zone 3 - MO	\$ 0.00
Zone 1 - OK	\$ 0.00
Zone 2 - OK	\$ 0.00
Zone 3 - OK	\$ 0.00
Zone 1 - TX	\$ 0.00
Zone 2 - TX	\$ 0.00
Zone 3 - TX	\$ 0.00

(N)

Rates contained in this transmittal are subject to subsequent adjustment, effective retrospectively back to the transmittal's original effective date, in the event the Commission or a court subsequently authorizes SWBT to correct its rates pursuant to pending motions, or petitions for reconsideration or waiver (and including, but not limited to, any application for Review of the letter from Lawrence E. Strickling, Chief, Common Carrier bureau, FCC, to Dale Robertson, SBC, dated May 18, 1999 which may be filed with the Commission), or in the event of any other adjustment pursuant to an order of the Commission or a court.

(This page filed under Transmittal No. 2831)

Issued: June 16, 2000

Effective: July 1, 2000

Four AT&T Plaza, Dallas, Texas 75202

ACCESS SERVICE

7. Special Access Service (Cont'd)

7.3 Service Descriptions, Rates and Charges (Cont'd)

7.3.10 High Capacity Service (Cont'd)

(F) Rates and Charges (Cont'd)

(24) Optional Payment Plan **Rates Effective: 07/01/00**
(Cont'd)

(N)

	<u>USOC</u>	<u>5 Year Monthly Rate</u>
(e) <u>Multiplexing</u> (Cont'd)		
Per arrangement		
DS0 to Subrates		
Up to 5 9.6 kbps services	QSU96	
Zone 1 - AR		\$223.25
Zone 2 - AR		\$223.25
Zone 3 - AR		\$223.25
Zone 1 - KS		\$223.25
Zone 2 - KS		\$223.25
Zone 3 - KS		\$223.25
Zone 1 - MO		\$223.25
Zone 2 - MO		\$223.25
Zone 3 - MO		\$223.25
Zone 1 - OK		\$223.25
Zone 2 - OK		\$223.25
Zone 3 - OK		\$223.25
Zone 1 - TX		\$223.25
Zone 2 - TX		\$223.25
Zone 3 - TX		\$223.25
		<u>Nonrecurring Charge</u>
Zone 1 - AR		\$ 0.00
Zone 2 - AR		\$ 0.00
Zone 3 - AR		\$ 0.00
Zone 1 - KS		\$ 0.00
Zone 2 - KS		\$ 0.00
Zone 3 - KS		\$ 0.00
Zone 1 - MO		\$ 0.00
Zone 2 - MO		\$ 0.00
Zone 3 - MO		\$ 0.00
Zone 1 - OK		\$ 0.00
Zone 2 - OK		\$ 0.00
Zone 3 - OK		\$ 0.00
Zone 1 - TX		\$ 0.00
Zone 2 - TX		\$ 0.00
Zone 3 - TX		\$ 0.00

Rates contained in this transmittal are subject to subsequent adjustment, effective retrospectively back to the transmittal's original effective date, in the event the Commission or a court subsequently authorizes SWBT to correct its rates pursuant to pending motions, or petitions for reconsideration or waiver (and including, but not limited to, any application for Review of the letter from Lawrence E. Strickling, Chief, Common Carrier bureau, FCC, to Dale Robertson, SBC, dated May 18, 1999 which may be filed with the Commission), or in the event of any other adjustment pursuant to an order of the Commission or a court.

(This page filed under Transmittal No. 2831)

Issued: June 16, 2000

Effective: July 1, 2000

Four AT&T Plaza, Dallas, Texas 75202

ACCESS SERVICE

7. Special Access Service (Cont'd)

7.3 Service Descriptions, Rates and Charges (Cont'd)

7.3.10 High Capacity Service (Cont'd)

(F) Rates and Charges (Cont'd)

(24) Optional Payment Plan **Rates Effective: 07/01/00**
(Cont'd)

(N)

	<u>USOC</u>	<u>3 Year Monthly Rate</u>
(e) <u>Multiplexing</u> (Cont'd)		
Per arrangement		
DS1 to DS0	QMU	
Zone 1 - AR		\$180.00
Zone 2 - AR		\$180.00
Zone 3 - AR		\$180.00
Zone 1 - KS		\$180.00
Zone 2 - KS		\$180.00
Zone 3 - KS		\$180.00
Zone 1 - MO		\$180.00
Zone 2 - MO		\$180.00
Zone 3 - MO		\$180.00
Zone 1 - OK		\$180.00
Zone 2 - OK		\$180.00
Zone 3 - OK		\$180.00
Zone 1 - TX		\$180.00
Zone 2 - TX		\$180.00
Zone 3 - TX		\$180.00
		<u>Nonrecurring Charge</u>
Zone 1 - AR		\$ 0.00
Zone 2 - AR		\$ 0.00
Zone 3 - AR		\$ 0.00
Zone 1 - KS		\$ 0.00
Zone 2 - KS		\$ 0.00
Zone 3 - KS		\$ 0.00
Zone 1 - MO		\$ 0.00
Zone 2 - MO		\$ 0.00
Zone 3 - MO		\$ 0.00
Zone 1 - OK		\$ 0.00
Zone 2 - OK		\$ 0.00
Zone 3 - OK		\$ 0.00
Zone 1 - TX		\$ 0.00
Zone 2 - TX		\$ 0.00
Zone 3 - TX		\$ 0.00

(N)

Rates contained in this transmittal are subject to subsequent adjustment, effective retrospectively back to the transmittal's original effective date, in the event the Commission or a court subsequently authorizes SWBT to correct its rates pursuant to pending motions, or petitions for reconsideration or waiver (and including, but not limited to, any application for Review of the letter from Lawrence E. Strickling, Chief, Common Carrier bureau, FCC, to Dale Robertson, SBC, dated May 18, 1999 which may be filed with the Commission), or in the event of any other adjustment pursuant to an order of the Commission or a court.

(This page filed under Transmittal No. 2831)

Issued: June 16, 2000

Effective: July 1, 2000

Four AT&T Plaza, Dallas, Texas 75202

ACCESS SERVICE

7. Special Access Service (Cont'd)

7.3 Service Descriptions, Rates and Charges (Cont'd)

7.3.10 High Capacity Service (Cont'd)

(F) Rates and Charges (Cont'd)

(24) Optional Payment Plan **Rates Effective: 07/01/00**
(Cont'd)

(N)

	<u>USOC</u>	<u>5 Year Monthly Rate</u>
(e) <u>Multiplexing</u> (Cont'd)		
Per arrangement		
DS1 to DS0	QMU	
Zone 1 - AR		\$171.00
Zone 2 - AR		\$171.00
Zone 3 - AR		\$171.00
Zone 1 - KS		\$171.00
Zone 2 - KS		\$171.00
Zone 3 - KS		\$171.00
Zone 1 - MO		\$171.00
Zone 2 - MO		\$171.00
Zone 3 - MO		\$171.00
Zone 1 - OK		\$171.00
Zone 2 - OK		\$171.00
Zone 3 - OK		\$171.00
Zone 1 - TX		\$171.00
Zone 2 - TX		\$171.00
Zone 3 - TX		\$171.00
		<u>Nonrecurring Charge</u>
Zone 1 - AR		\$ 0.00
Zone 2 - AR		\$ 0.00
Zone 3 - AR		\$ 0.00
Zone 1 - KS		\$ 0.00
Zone 2 - KS		\$ 0.00
Zone 3 - KS		\$ 0.00
Zone 1 - MO		\$ 0.00
Zone 2 - MO		\$ 0.00
Zone 3 - MO		\$ 0.00
Zone 1 - OK		\$ 0.00
Zone 2 - OK		\$ 0.00
Zone 3 - OK		\$ 0.00
Zone 1 - TX		\$ 0.00
Zone 2 - TX		\$ 0.00
Zone 3 - TX		\$ 0.00

(N)

Rates contained in this transmittal are subject to subsequent adjustment, effective retrospectively back to the transmittal's original effective date, in the event the Commission or a court subsequently authorizes SWBT to correct its rates pursuant to pending motions, or petitions for reconsideration or waiver (and including, but not limited to, any application for Review of the letter from Lawrence E. Strickling, Chief, Common Carrier bureau, FCC, to Dale Robertson, SBC, dated May 18, 1999 which may be filed with the Commission), or in the event of any other adjustment pursuant to an order of the Commission or a court.

(This page filed under Transmittal No. 2831)

Issued: June 16, 2000

Effective: July 1, 2000

Four AT&T Plaza, Dallas, Texas 75202

ACCESS SERVICE

7. Special Access Service (Cont'd)

7.3 Service Descriptions, Rates and Charges (Cont'd)

7.3.10 High Capacity Service (Cont'd)

(F) Rates and Charges (Cont'd)

(24) Optional Payment Plan **Rates Effective: 07/01/00**
(Cont'd)

(N)

	<u>USOC</u>	<u>3 Year Monthly Rate</u>
(e) <u>Multiplexing</u> (Cont'd)		
Per arrangement		
DS1 to Voice	MQ1	
Zone 1 - AR		\$180.00
Zone 2 - AR		\$180.00
Zone 3 - AR		\$180.00
Zone 1 - KS		\$180.00
Zone 2 - KS		\$180.00
Zone 3 - KS		\$180.00
Zone 1 - MO		\$180.00
Zone 2 - MO		\$180.00
Zone 3 - MO		\$180.00
Zone 1 - OK		\$180.00
Zone 2 - OK		\$180.00
Zone 3 - OK		\$180.00
Zone 1 - TX		\$180.00
Zone 2 - TX		\$180.00
Zone 3 - TX		\$180.00
		<u>Nonrecurring Charge</u>
Zone 1 - AR		\$ 0.00
Zone 2 - AR		\$ 0.00
Zone 3 - AR		\$ 0.00
Zone 1 - KS		\$ 0.00
Zone 2 - KS		\$ 0.00
Zone 3 - KS		\$ 0.00
Zone 1 - MO		\$ 0.00
Zone 2 - MO		\$ 0.00
Zone 3 - MO		\$ 0.00
Zone 1 - OK		\$ 0.00
Zone 2 - OK		\$ 0.00
Zone 3 - OK		\$ 0.00
Zone 1 - TX		\$ 0.00
Zone 2 - TX		\$ 0.00
Zone 3 - TX		\$ 0.00

(N)

Rates contained in this transmittal are subject to subsequent adjustment, effective retrospectively back to the transmittal's original effective date, in the event the Commission or a court subsequently authorizes SWBT to correct its rates pursuant to pending motions, or petitions for reconsideration or waiver (and including, but not limited to, any application for Review of the letter from Lawrence E. Strickling, Chief, Common Carrier bureau, FCC, to Dale Robertson, SBC, dated May 18, 1999 which may be filed with the Commission), or in the event of any other adjustment pursuant to an order of the Commission or a court.

(This page filed under Transmittal No. 2831)

Issued: June 16, 2000

Effective: July 1, 2000

Four AT&T Plaza, Dallas, Texas 75202

ACCESS SERVICE

7. Special Access Service (Cont'd)

7.3 Service Descriptions, Rates and Charges (Cont'd)

7.3.10 High Capacity Service (Cont'd)

(F) Rates and Charges (Cont'd)

(24) Optional Payment Plan **Rates Effective: 07/01/00**
(Cont'd)

(N)

	<u>USOC</u>	<u>5 Year Monthly Rate</u>
(e) <u>Multiplexing</u> (Cont'd)		
Per arrangement		
DS1 to Voice	MQ1	
Zone 1 - AR		\$171.00
Zone 2 - AR		\$171.00
Zone 3 - AR		\$171.00
Zone 1 - KS		\$171.00
Zone 2 - KS		\$171.00
Zone 3 - KS		\$171.00
Zone 1 - MO		\$171.00
Zone 2 - MO		\$171.00
Zone 3 - MO		\$171.00
Zone 1 - OK		\$171.00
Zone 2 - OK		\$171.00
Zone 3 - OK		\$171.00
Zone 1 - TX		\$171.00
Zone 2 - TX		\$171.00
Zone 3 - TX		\$171.00
		<u>Nonrecurring Charge</u>
Zone 1 - AR		\$ 0.00
Zone 2 - AR		\$ 0.00
Zone 3 - AR		\$ 0.00
Zone 1 - KS		\$ 0.00
Zone 2 - KS		\$ 0.00
Zone 3 - KS		\$ 0.00
Zone 1 - MO		\$ 0.00
Zone 2 - MO		\$ 0.00
Zone 3 - MO		\$ 0.00
Zone 1 - OK		\$ 0.00
Zone 2 - OK		\$ 0.00
Zone 3 - OK		\$ 0.00
Zone 1 - TX		\$ 0.00
Zone 2 - TX		\$ 0.00
Zone 3 - TX		\$ 0.00

(N)

Rates contained in this transmittal are subject to subsequent adjustment, effective retrospectively back to the transmittal's original effective date, in the event the Commission or a court subsequently authorizes SWBT to correct its rates pursuant to pending motions, or petitions for reconsideration or waiver (and including, but not limited to, any application for Review of the letter from Lawrence E. Strickling, Chief, Common Carrier bureau, FCC, to Dale Robertson, SBC, dated May 18, 1999 which may be filed with the Commission), or in the event of any other adjustment pursuant to an order of the Commission or a court.

(This page filed under Transmittal No. 2831)

Issued: June 16, 2000

Effective: July 1, 2000

Four AT&T Plaza, Dallas, Texas 75202

ACCESS SERVICE

7. Special Access Service (Cont'd)

7.3 Service Descriptions, Rates and Charges (Cont'd)

7.3.10 High Capacity Service (Cont'd)

(F) Rates and Charges (Cont'd)

(24) Optional Payment Plan **Rates Effective: 07/01/00**
(Cont'd)

(N)

	USOC	<u>3 Year Monthly Rate</u>
(f) <u>Clear Channel Capability</u>	CLR	
Per channel termination		
Zone 1 - AR		\$ 0.00
Zone 2 - AR		\$ 0.00
Zone 3 - AR		\$ 0.00
Zone 1 - KS		\$ 0.00
Zone 2 - KS		\$ 0.00
Zone 3 - KS		\$ 0.00
Zone 1 - MO		\$ 0.00
Zone 2 - MO		\$ 0.00
Zone 3 - MO		\$ 0.00
Zone 1 - OK		\$ 0.00
Zone 2 - OK		\$ 0.00
Zone 3 - OK		\$ 0.00
Zone 1 - TX		\$ 0.00
Zone 2 - TX		\$ 0.00
Zone 3 - TX		\$ 0.00
		<u>Nonrecurring Charge</u>
Zone 1 - AR		\$ 0.00
Zone 2 - AR		\$ 0.00
Zone 3 - AR		\$ 0.00
Zone 1 - KS		\$ 0.00
Zone 2 - KS		\$ 0.00
Zone 3 - KS		\$ 0.00
Zone 1 - MO		\$ 0.00
Zone 2 - MO		\$ 0.00
Zone 3 - MO		\$ 0.00
Zone 1 - OK		\$ 0.00
Zone 2 - OK		\$ 0.00
Zone 3 - OK		\$ 0.00
Zone 1 - TX		\$ 0.00
Zone 2 - TX		\$ 0.00
Zone 3 - TX		\$ 0.00

(N)

Rates contained in this transmittal are subject to subsequent adjustment, effective retrospectively back to the transmittal's original effective date, in the event the Commission or a court subsequently authorizes SWBT to correct its rates pursuant to pending motions, or petitions for reconsideration or waiver (and including, but not limited to, any application for Review of the letter from Lawrence E. Strickling, Chief, Common Carrier bureau, FCC, to Dale Robertson, SBC, dated May 18, 1999 which may be filed with the Commission), or in the event of any other adjustment pursuant to an order of the Commission or a court.

(This page filed under Transmittal No. 2831)

Issued: June 16, 2000

Effective: July 1, 2000

Four AT&T Plaza, Dallas, Texas 75202

ACCESS SERVICE

7. Special Access Service (Cont'd)

7.3 Service Descriptions, Rates and Charges (Cont'd)

7.3.10 High Capacity Service (Cont'd)

(F) Rates and Charges (Cont'd)

(24) Optional Payment Plan **Rates Effective: 07/01/00**
(Cont'd)

(N)

	<u>USOC</u>	<u>5 Year Monthly Rate</u>
(f) <u>Clear Channel Capability</u> (Cont'd)	CLR	
Per channel termination		
Zone 1 - AR		\$ 0.00
Zone 2 - AR		\$ 0.00
Zone 3 - AR		\$ 0.00
Zone 1 - KS		\$ 0.00
Zone 2 - KS		\$ 0.00
Zone 3 - KS		\$ 0.00
Zone 1 - MO		\$ 0.00
Zone 2 - MO		\$ 0.00
Zone 3 - MO		\$ 0.00
Zone 1 - OK		\$ 0.00
Zone 2 - OK		\$ 0.00
Zone 3 - OK		\$ 0.00
Zone 1 - TX		\$ 0.00
Zone 2 - TX		\$ 0.00
Zone 3 - TX		\$ 0.00
		<u>Nonrecurring Charge</u>
Zone 1 - AR		\$ 0.00
Zone 2 - AR		\$ 0.00
Zone 3 - AR		\$ 0.00
Zone 1 - KS		\$ 0.00
Zone 2 - KS		\$ 0.00
Zone 3 - KS		\$ 0.00
Zone 1 - MO		\$ 0.00
Zone 2 - MO		\$ 0.00
Zone 3 - MO		\$ 0.00
Zone 1 - OK		\$ 0.00
Zone 2 - OK		\$ 0.00
Zone 3 - OK		\$ 0.00
Zone 1 - TX		\$ 0.00
Zone 2 - TX		\$ 0.00
Zone 3 - TX		\$ 0.00

(N)

Rates contained in this transmittal are subject to subsequent adjustment, effective retrospectively back to the transmittal's original effective date, in the event the Commission or a court subsequently authorizes SWBT to correct its rates pursuant to pending motions, or petitions for reconsideration or waiver (and including, but not limited to, any application for Review of the letter from Lawrence E. Strickling, Chief, Common Carrier bureau, FCC, to Dale Robertson, SBC, dated May 18, 1999 which may be filed with the Commission), or in the event of any other adjustment pursuant to an order of the Commission or a court.

(This page filed under Transmittal No. 2831)

Issued: June 16, 2000

Effective: July 1, 2000

Four AT&T Plaza, Dallas, Texas 75202

ACCESS SERVICE

7. Special Access Service (Cont'd)

7.3 Service Descriptions, Rates and Charges (Cont'd)

7.3.10 High Capacity Service (Cont'd)

(F) Rates and Charges (Cont'd)

(N)

(24) Optional Payment Plan **Rates Effective: 07/01/00**
(Cont'd)

	<u>USOC</u>	<u>3 Year Monthly Rate</u>
--	-------------	--------------------------------

(g) Transfer Arrangement,
Key Activated* (Cont'd) USV

Per four port
arrangement including
control channel
termination**

Zone 1 - AR	\$184.24
Zone 2 - AR	\$184.24
Zone 3 - AR	\$184.24
Zone 1 - KS	\$184.24
Zone 2 - KS	\$184.24
Zone 3 - KS	\$184.24
Zone 1 - MO	\$184.24
Zone 2 - MO	\$184.24
Zone 3 - MO	\$184.24
Zone 1 - OK	\$184.24
Zone 2 - OK	\$184.24
Zone 3 - OK	\$184.24
Zone 1 - TX	\$184.24
Zone 2 - TX	\$184.24
Zone 3 - TX	\$184.24

Nonrecurring Charge

Zone 1 - AR	\$213.00
Zone 2 - AR	\$213.00
Zone 3 - AR	\$213.00
Zone 1 - KS	\$213.00
Zone 2 - KS	\$213.00
Zone 3 - KS	\$213.00
Zone 1 - MO	\$213.00
Zone 2 - MO	\$213.00
Zone 3 - MO	\$213.00
Zone 1 - OK	\$213.00
Zone 2 - OK	\$213.00
Zone 3 - OK	\$213.00
Zone 1 - TX	\$213.00
Zone 2 - TX	\$213.00
Zone 3 - TX	\$213.00

* The key activated control channel is rated as a Metallic Channel Termination (use USOC T6EME in lieu of T6ECS) and Channel Mileage, if applicable (use USOC 1L5MX in lieu of 1L5XX).

** An additional Channel Termination charge will apply whenever a spare channel is configured as a leg to the customer's premises. Additional channel mileage will also apply when the transfer arrangement is not located in the customer premises serving wire center.

Rates contained in this transmittal are subject to subsequent adjustment, effective retrospectively back to the transmittal's original effective date, in the event the Commission or a court subsequently authorizes SWBT to correct its rates pursuant to pending motions, or petitions for reconsideration or waiver (and including, but not limited to, any application for Review of the letter from Lawrence E. Strickling, Chief, Common Carrier bureau, FCC, to Dale Robertson, SBC, dated May 18, 1999 which may be filed with the Commission), or in the event of any other adjustment

(This page filed under Transmittal No. 2831)

Issued: June 16, 2000

Effective: July 1, 2000

Four AT&T Plaza, Dallas, Texas 75202

ACCESS SERVICE

- 7. Special Access Service (Cont'd)
 - 7.3 Service Descriptions, Rates and Charges (Cont'd)
 - 7.3.10 High Capacity Service (Cont'd)
 - (F) Rates and Charges (Cont'd) (N)

(24) Optional Payment Plan **Rates Effective: 07/01/00**
(Cont'd)

	<u>USOC</u>	<u>5 Year Monthly Rate</u>
(g) <u>Transfer Arrangement, Key Activated*</u> (Cont'd) USV		

Per four port
arrangement including
control channel
termination**

Zone 1 - AR	\$175.03
Zone 2 - AR	\$175.03
Zone 3 - AR	\$175.03
Zone 1 - KS	\$175.03
Zone 2 - KS	\$175.03
Zone 3 - KS	\$175.03
Zone 1 - MO	\$175.03
Zone 2 - MO	\$175.03
Zone 3 - MO	\$175.03
Zone 1 - OK	\$175.03
Zone 2 - OK	\$175.03
Zone 3 - OK	\$175.03
Zone 1 - TX	\$175.03
Zone 2 - TX	\$175.03
Zone 3 - TX	\$175.03

Nonrecurring Charge

Zone 1 - AR	\$213.00
Zone 2 - AR	\$213.00
Zone 3 - AR	\$213.00
Zone 1 - KS	\$213.00
Zone 2 - KS	\$213.00
Zone 3 - KS	\$213.00
Zone 1 - MO	\$213.00
Zone 2 - MO	\$213.00
Zone 3 - MO	\$213.00
Zone 1 - OK	\$213.00
Zone 2 - OK	\$213.00
Zone 3 - OK	\$213.00
Zone 1 - TX	\$213.00
Zone 2 - TX	\$213.00
Zone 3 - TX	\$213.00

* The key activated control channel is rated as a Metallic Channel Termination (use USOC T6EME in lieu of T6ECS) and Channel Mileage, if applicable (use USOC 1L5MX in lieu of 1L5XX).

** An additional Channel Termination charge will apply whenever a spare channel is configured as a leg to the customer's premises. Additional channel mileage will also apply when the transfer arrangement is not located in the customer premises serving wire center. (N)

Rates contained in this transmittal are subject to subsequent adjustment, effective retrospectively back to the transmittal's original effective date, in the event the Commission or a court subsequently authorizes SWBT to correct its rates pursuant to pending motions, or petitions for reconsideration or waiver (and including, but not limited to, any application for Review of the letter from Lawrence E. Strickling, Chief, Common Carrier bureau, FCC, to Dale Robertson, SBC, dated May 18, 1999 which may be filed with the Commission), or in the event of any other adjustment

(This page filed under Transmittal No. 2831)

Issued: June 16, 2000

Effective: July 1, 2000

Four AT&T Plaza, Dallas, Texas 75202

ACCESS SERVICE

7. Special Access Service (Cont'd)

7.3 Service Descriptions, Rates and Charges (Cont'd)

7.3.10 High Capacity Service (Cont'd)

(F) Rates and Charges (Cont'd)

(25) Optional Payment Plan **Rates Effective: 08/11/00** (N)

3 Year
USOC Monthly Rate

(a) Channel Termination

Per point of termination TMECS

1.544 Mbps

Zone 1 - AR	\$115.00
Zone 2 - AR	\$120.00
Zone 3 - AR	\$130.00
Zone 1 - KS	\$115.00
Zone 2 - KS	\$120.00
Zone 3 - KS	\$130.00
Zone 1 - MO	\$115.00
Zone 2 - MO	\$120.00
Zone 3 - MO	\$130.00
Zone 1 - OK	\$115.00
Zone 2 - OK	\$120.00
Zone 3 - OK	\$130.00
Zone 1 - TX	\$115.00
Zone 2 - TX	\$120.00
Zone 3 - TX	\$130.00

<u>Ckt</u>	Charge	Nonrecurring	
		<u>1st Ckt</u>	<u>Addl</u>
	Zone 1 - AR	\$300.00	\$250.00
	Zone 2 - AR	\$300.00	\$250.00
	Zone 3 - AR	\$300.00	\$250.00
	Zone 1 - KS	\$300.00	\$250.00
	Zone 2 - KS	\$300.00	\$250.00
	Zone 3 - KS	\$300.00	\$250.00
	Zone 1 - MO	\$300.00	\$250.00
	Zone 2 - MO	\$300.00	\$250.00
	Zone 3 - MO	\$300.00	\$250.00
	Zone 1 - OK	\$300.00	\$250.00
	Zone 2 - OK	\$300.00	\$250.00
	Zone 3 - OK	\$300.00	\$250.00
	Zone 1 - TX	\$300.00	\$250.00
	Zone 2 - TX	\$300.00	\$250.00
	Zone 3 - TX	\$300.00	\$250.00

Rates contained in this transmittal are subject to subsequent adjustment, effective retrospectively back to the transmittal's original effective date, in the event the Commission or a court subsequently authorizes SWBT to correct its rates pursuant to pending motions, or petitions for reconsideration or waiver (and including, but not limited to, any application for Review of the letter from Lawrence E. Strickling, Chief, Common Carrier bureau, FCC, to Dale Robertson, SBC, dated May 18, 1999 which may be filed with the Commission), or in the event of any other adjustment pursuant to an order of the Commission or a court.

(This page filed under Transmittal No. 2837)

Issued: July 27, 2000

Effective: August 11, 2000

Four AT&T Plaza, Dallas, Texas 75202

ACCESS SERVICE

7. Special Access Service (Cont'd)

7.3 Service Descriptions, Rates and Charges (Cont'd)

7.3.10 High Capacity Service (Cont'd)

(F) Rates and Charges (Cont'd)

(25) Optional Payment Plan **Rates Effective: 08/11/00**
(Cont'd)

(N)

	USOC	5 Year Monthly Rate
(a) <u>Channel Termination</u> (Cont'd)		
Per point of termination	TMECS	
1.544 Mbps		
Zone 1 - AR		\$100.00
Zone 2 - AR		\$110.00
Zone 3 - AR		\$120.00
Zone 1 - KS		\$100.00
Zone 2 - KS		\$110.00
Zone 3 - KS		\$120.00
Zone 1 - MO		\$100.00
Zone 2 - MO		\$110.00
Zone 3 - MO		\$120.00
Zone 1 - OK		\$100.00
Zone 2 - OK		\$110.00
Zone 3 - OK		\$120.00
Zone 1 - TX		\$100.00
Zone 2 - TX		\$110.00
Zone 3 - TX		\$120.00

Charge	Nonrecurring	
	<u>1st Ckt</u>	<u>Addl</u>
<u>Ckt</u>		
Zone 1 - AR	\$200.00	\$150.00
Zone 2 - AR	\$200.00	\$150.00
Zone 3 - AR	\$200.00	\$150.00
Zone 1 - KS	\$200.00	\$150.00
Zone 2 - KS	\$200.00	\$150.00
Zone 3 - KS	\$200.00	\$150.00
Zone 1 - MO	\$200.00	\$150.00
Zone 2 - MO	\$200.00	\$150.00
Zone 3 - MO	\$200.00	\$150.00
Zone 1 - OK	\$200.00	\$150.00
Zone 2 - OK	\$200.00	\$150.00
Zone 3 - OK	\$200.00	\$150.00
Zone 1 - TX	\$200.00	\$150.00
Zone 2 - TX	\$200.00	\$150.00
Zone 3 - TX	\$200.00	\$150.00

(N)

Rates contained in this transmittal are subject to subsequent adjustment, effective retroactively back to the transmittal's original effective date, in the event the Commission or a court subsequently authorizes SWBT to correct its rates pursuant to pending motions, or petitions for reconsideration or waiver (and including, but not limited to, any application for Review of the letter from Lawrence E. Strickling, Chief, Common Carrier bureau, FCC, to Dale Robertson, SBC, dated May 18, 1999 which may be filed with the Commission), or in the event of any other adjustment pursuant to an order of the Commission or a court.

(This page filed under Transmittal No. 2837)

Issued: July 27, 2000

Effective: August 11, 2000

Four AT&T Plaza, Dallas, Texas 75202

ACCESS SERVICE

7. Special Access Service (Cont'd)

7.3 Service Descriptions, Rates and Charges (Cont'd)

7.3.10 High Capacity Service (Cont'd)

(F) Rates and Charges (Cont'd)

(25) Optional Payment Plan **Rates Effective: 08/11/00**
(Cont'd)

(N)

	USOC	3 Year Monthly Rate	
		Fixed	Per Mile
(b) <u>Channel Mileage</u>			
1.544 Mbps	1L5XX		
0 miles			
Zone 1 - AR		\$ 0.00	\$ 0.00
Zone 2 - AR		\$ 0.00	\$ 0.00
Zone 3 - AR		\$ 0.00	\$ 0.00
Zone 1 - KS		\$ 0.00	\$ 0.00
Zone 2 - KS		\$ 0.00	\$ 0.00
Zone 3 - KS		\$ 0.00	\$ 0.00
Zone 1 - MO		\$ 0.00	\$ 0.00
Zone 2 - MO		\$ 0.00	\$ 0.00
Zone 3 - MO		\$ 0.00	\$ 0.00
Zone 1 - OK		\$ 0.00	\$ 0.00
Zone 2 - OK		\$ 0.00	\$ 0.00
Zone 3 - OK		\$ 0.00	\$ 0.00
Zone 1 - TX		\$ 0.00	\$ 0.00
Zone 2 - TX		\$ 0.00	\$ 0.00
Zone 3 - TX		\$ 0.00	\$ 0.00
Over 0 miles			
Zone 1 - AR		\$50.00	\$16.80
Zone 2 - AR		\$50.00	\$16.80
Zone 3 - AR		\$50.00	\$16.80
Zone 1 - KS		\$50.00	\$16.80
Zone 2 - KS		\$50.00	\$16.80
Zone 3 - KS		\$50.00	\$16.80
Zone 1 - MO		\$50.00	\$16.80
Zone 2 - MO		\$50.00	\$16.80
Zone 3 - MO		\$50.00	\$16.80
Zone 1 - OK		\$50.00	\$16.80
Zone 2 - OK		\$50.00	\$16.80
Zone 3 - OK		\$50.00	\$16.80
Zone 1 - TX		\$50.00	\$16.80
Zone 2 - TX		\$50.00	\$16.80
Zone 3 - TX		\$50.00	\$16.80

(N)

Rates contained in this transmittal are subject to subsequent adjustment, effective retrospectively back to the transmittal's original effective date, in the event the Commission or a court subsequently authorizes SWBT to correct its rates pursuant to pending motions, or petitions for reconsideration or waiver (and including, but not limited to, any application for Review of the letter from Lawrence E. Strickling, Chief, Common Carrier bureau, FCC, to Dale Robertson, SBC, dated May 18, 1999 which may be filed with the Commission), or in the event of any other adjustment pursuant to an order of the Commission or a court.

(This page filed under Transmittal No. 2837)

Issued: July 27, 2000

Effective: August 11, 2000

Four AT&T Plaza, Dallas, Texas 75202

ACCESS SERVICE

7. Special Access Service (Cont'd)

7.3 Service Descriptions, Rates and Charges (Cont'd)

7.3.10 High Capacity Service (Cont'd)

(F) Rates and Charges (Cont'd)

(25) Optional Payment Plan **Rates Effective: 08/11/00**
(Cont'd)

(N)

	USOC	3 Year Monthly Rate	
		Fixed	Per Mile
(b) <u>Channel Mileage</u> (Cont'd)			
64 Kbps*	1L5TC		
0 miles			
Zone 1 - AR		\$ 0.00	\$ 0.00
Zone 2 - AR		\$ 0.00	\$ 0.00
Zone 3 - AR		\$ 0.00	\$ 0.00
Zone 1 - KS		\$ 0.00	\$ 0.00
Zone 2 - KS		\$ 0.00	\$ 0.00
Zone 3 - KS		\$ 0.00	\$ 0.00
Zone 1 - MO		\$ 0.00	\$ 0.00
Zone 2 - MO		\$ 0.00	\$ 0.00
Zone 3 - MO		\$ 0.00	\$ 0.00
Zone 1 - OK		\$ 0.00	\$ 0.00
Zone 2 - OK		\$ 0.00	\$ 0.00
Zone 3 - OK		\$ 0.00	\$ 0.00
Zone 1 - TX		\$ 0.00	\$ 0.00
Zone 2 - TX		\$ 0.00	\$ 0.00
Zone 3 - TX		\$ 0.00	\$ 0.00
Over 0 miles	1L5XX		
Zone 1 - AR		\$ 8.04	\$ 1.13
Zone 2 - AR		\$ 8.04	\$ 1.13
Zone 3 - AR		\$ 8.04	\$ 1.13
Zone 1 - KS		\$ 8.04	\$ 1.13
Zone 2 - KS		\$ 8.04	\$ 1.13
Zone 3 - KS		\$ 8.04	\$ 1.13
Zone 1 - MO		\$ 8.04	\$ 1.13
Zone 2 - MO		\$ 8.04	\$ 1.13
Zone 3 - MO		\$ 8.04	\$ 1.13
Zone 1 - OK		\$ 8.04	\$ 1.13
Zone 2 - OK		\$ 8.04	\$ 1.13
Zone 3 - OK		\$ 8.04	\$ 1.13
Zone 1 - TX		\$ 8.04	\$ 1.13
Zone 2 - TX		\$ 8.04	\$ 1.13
Zone 3 - TX		\$ 8.04	\$ 1.13

* Available only as a channel of a 1.544 Mbps facility to a SWBT Digital Data Hub or as a cross connect of two channels of two 1.544 Mbps facilities to a Digital Data Hub(s). The customer must provide system and channel assignment data.

(N)

Rates contained in this transmittal are subject to subsequent adjustment, effective retrospectively back to the transmittal's original effective date, in the event the Commission or a court subsequently authorizes SWBT to correct its rates pursuant to pending motions, or petitions for reconsideration or waiver (and including, but not limited to, any application for Review of the letter from Lawrence E. Strickling, Chief, Common Carrier bureau, FCC, to Dale Robertson, SBC, dated May 18, 1999 which may be filed with the Commission), or in the event of any other adjustment

(This page filed under Transmittal No. 2837)

Issued: July 27, 2000

Effective: August 11, 2000

Four AT&T Plaza, Dallas, Texas 75202

ACCESS SERVICE

7. Special Access Service (Cont'd)

7.3 Service Descriptions, Rates and Charges (Cont'd)

7.3.10 High Capacity Service (Cont'd)

(F) Rates and Charges (Cont'd)

(25) Optional Payment Plan **Rates Effective: 08/11/00**
(Cont'd)

(N)

	USOC	5 Year Monthly Rate	
		Fixed	Per Mile
(b) <u>Channel Mileage</u> (Cont'd)			
1.544 Mbps	1L5XX		
0 miles			
Zone 1 - AR		\$ 0.00	\$ 0.00
Zone 2 - AR		\$ 0.00	\$ 0.00
Zone 3 - AR		\$ 0.00	\$ 0.00
Zone 1 - KS		\$ 0.00	\$ 0.00
Zone 2 - KS		\$ 0.00	\$ 0.00
Zone 3 - KS		\$ 0.00	\$ 0.00
Zone 1 - MO		\$ 0.00	\$ 0.00
Zone 2 - MO		\$ 0.00	\$ 0.00
Zone 3 - MO		\$ 0.00	\$ 0.00
Zone 1 - OK		\$ 0.00	\$ 0.00
Zone 2 - OK		\$ 0.00	\$ 0.00
Zone 3 - OK		\$ 0.00	\$ 0.00
Zone 1 - TX		\$ 0.00	\$ 0.00
Zone 2 - TX		\$ 0.00	\$ 0.00
Zone 3 - TX		\$ 0.00	\$ 0.00
Over 0 miles			
Zone 1 - AR		\$47.50	\$15.96
Zone 2 - AR		\$47.50	\$15.96
Zone 3 - AR		\$47.50	\$15.96
Zone 1 - KS		\$47.50	\$15.96
Zone 2 - KS		\$47.50	\$15.96
Zone 3 - KS		\$47.50	\$15.96
Zone 1 - MO		\$47.50	\$15.96
Zone 2 - MO		\$47.50	\$15.96
Zone 3 - MO		\$47.50	\$15.96
Zone 1 - OK		\$47.50	\$15.96
Zone 2 - OK		\$47.50	\$15.96
Zone 3 - OK		\$47.50	\$15.96
Zone 1 - TX		\$47.50	\$15.96
Zone 2 - TX		\$47.50	\$15.96
Zone 3 - TX		\$47.50	\$15.96

(N)

Rates contained in this transmittal are subject to subsequent adjustment, effective retrospectively back to the transmittal's original effective date, in the event the Commission or a court subsequently authorizes SWBT to correct its rates pursuant to pending motions, or petitions for reconsideration or waiver (and including, but not limited to, any application for Review of the letter from Lawrence E. Strickling, Chief, Common Carrier bureau, FCC, to Dale Robertson, SBC, dated May 18, 1999 which may be filed with the Commission), or in the event of any other adjustment pursuant to an order of the Commission or a court.

(This page filed under Transmittal No. 2837)

Issued: July 27, 2000

Effective: August 11, 2000

Four AT&T Plaza, Dallas, Texas 75202

ACCESS SERVICE

7. Special Access Service (Cont'd)

7.3 Service Descriptions, Rates and Charges (Cont'd)

7.3.10 High Capacity Service (Cont'd)

(F) Rates and Charges (Cont'd)

(25) Optional Payment Plan **Rates Effective: 08/11/00**
(Cont'd)

(N)

	USOC	5 Year Monthly Rate	
		Fixed	Per Mile
(b) <u>Channel Mileage</u> (Cont'd)			
64 Kbps*	1L5TC		
0 miles			
Zone 1 - AR		\$ 0.00	\$ 0.00
Zone 2 - AR		\$ 0.00	\$ 0.00
Zone 3 - AR		\$ 0.00	\$ 0.00
Zone 1 - KS		\$ 0.00	\$ 0.00
Zone 2 - KS		\$ 0.00	\$ 0.00
Zone 3 - KS		\$ 0.00	\$ 0.00
Zone 1 - MO		\$ 0.00	\$ 0.00
Zone 2 - MO		\$ 0.00	\$ 0.00
Zone 3 - MO		\$ 0.00	\$ 0.00
Zone 1 - OK		\$ 0.00	\$ 0.00
Zone 2 - OK		\$ 0.00	\$ 0.00
Zone 3 - OK		\$ 0.00	\$ 0.00
Zone 1 - TX		\$ 0.00	\$ 0.00
Zone 2 - TX		\$ 0.00	\$ 0.00
Zone 3 - TX		\$ 0.00	\$ 0.00
Over 0 miles	1L5XX		
Zone 1 - AR		\$ 7.64	\$ 1.07
Zone 2 - AR		\$ 7.64	\$ 1.07
Zone 3 - AR		\$ 7.64	\$ 1.07
Zone 1 - KS		\$ 7.64	\$ 1.07
Zone 2 - KS		\$ 7.64	\$ 1.07
Zone 3 - KS		\$ 7.64	\$ 1.07
Zone 1 - MO		\$ 7.64	\$ 1.07
Zone 2 - MO		\$ 7.64	\$ 1.07
Zone 3 - MO		\$ 7.64	\$ 1.07
Zone 1 - OK		\$ 7.64	\$ 1.07
Zone 2 - OK		\$ 7.64	\$ 1.07
Zone 3 - OK		\$ 7.64	\$ 1.07
Zone 1 - TX		\$ 7.64	\$ 1.07
Zone 2 - TX		\$ 7.64	\$ 1.07
Zone 3 - TX		\$ 7.64	\$ 1.07

* Available only as a channel of a 1.544 Mbps facility to a SWBT Digital Data Hub or as a cross connect of two channels of two 1.544 Mbps facilities to a Digital Data Hub(s). The customer must provide system and channel assignment data.

Rates contained in this transmittal are subject to subsequent adjustment, effective retrospectively back to the transmittal's original effective date, in the event the Commission or a court subsequently authorizes SWBT to correct its rates pursuant to pending motions, or petitions for reconsideration or waiver (and including, but not limited to, any application for Review of the letter from Lawrence E. Strickling, Chief, Common Carrier bureau, FCC, to Dale Robertson, SBC, dated May 18, 1999 which may be filed with the Commission), or in the event of any other adjustment

(This page filed under Transmittal No. 2837)

Issued: July 27, 2000

Effective: August 11, 2000

Four AT&T Plaza, Dallas, Texas 75202

ACCESS SERVICE

7. Special Access Service (Cont'd)

7.3 Service Descriptions, Rates and Charges (Cont'd)

7.3.10 High Capacity Service (Cont'd)

(F) Rates and Charges (Cont'd)

(25) Optional Payment Plan **Rates Effective: 08/11/00**
(Cont'd)

(N)

USOC 3 Year
Monthly Rate

(c) Service to Service
Through Connect
Arrangement

High Capacity Service
Arrangement - 1.544
Mbps (DS1)

THA

Zone 1 - AR \$	0.00
Zone 2 - AR \$	0.00
Zone 3 - AR \$	0.00
Zone 1 - KS \$	0.00
Zone 2 - KS \$	0.00
Zone 3 - KS \$	0.00
Zone 1 - MO \$	0.00
Zone 2 - MO \$	0.00
Zone 3 - MO \$	0.00
Zone 1 - OK \$	0.00
Zone 2 - OK \$	0.00
Zone 3 - OK \$	0.00
Zone 1 - TX \$	0.00
Zone 2 - TX \$	0.00
Zone 3 - TX \$	0.00

<u>Ckt</u>	Charge	Nonrecurring	
		1st Ckt	Addl
	Zone 1 - AR	\$204.00	\$156.00
	Zone 2 - AR	\$204.00	\$156.00
	Zone 3 - AR	\$204.00	\$156.00
	Zone 1 - KS	\$204.00	\$156.00
	Zone 2 - KS	\$204.00	\$156.00
	Zone 3 - KS	\$204.00	\$156.00
	Zone 1 - MO	\$204.00	\$156.00
	Zone 2 - MO	\$204.00	\$156.00
	Zone 3 - MO	\$204.00	\$156.00
	Zone 1 - OK	\$204.00	\$156.00
	Zone 2 - OK	\$204.00	\$156.00
	Zone 3 - OK	\$204.00	\$156.00
	Zone 1 - TX	\$204.00	\$156.00
	Zone 2 - TX	\$204.00	\$156.00
	Zone 3 - TX	\$204.00	\$156.00

Rates contained in this transmittal are subject to subsequent adjustment, effective retrospectively back to the transmittal's original effective date, in the event the Commission or a court subsequently authorizes SWBT to correct its rates pursuant to pending motions, or petitions for reconsideration or waiver (and including, but not limited to, any application for Review of the letter from Lawrence E. Strickling, Chief, Common Carrier bureau, FCC, to Dale Robertson, SBC, dated May 18, 1999 which may be filed with the Commission), or in the event of any other adjustment

(This page filed under Transmittal No. 2837)

Issued: July 27, 2000

Effective: August 11, 2000

Four AT&T Plaza, Dallas, Texas 75202

ACCESS SERVICE

7. Special Access Service (Cont'd)

7.3 Service Descriptions, Rates and Charges (Cont'd)

7.3.10 High Capacity Service (Cont'd)

(F) Rates and Charges (Cont'd)

(25) Optional Payment Plan **Rates Effective: 08/11/00**
(Cont'd)

(N)

5 Year
USOC Monthly Rate

(c) Service to Service
Through Connect
Arrangement (Cont'd)

High Capacity Service
Arrangement - 1.544
Mbps (DS1)

THA

Zone 1 - AR \$	0.00
Zone 2 - AR \$	0.00
Zone 3 - AR \$	0.00
Zone 1 - KS \$	0.00
Zone 2 - KS \$	0.00
Zone 3 - KS \$	0.00
Zone 1 - MO \$	0.00
Zone 2 - MO \$	0.00
Zone 3 - MO \$	0.00
Zone 1 - OK \$	0.00
Zone 2 - OK \$	0.00
Zone 3 - OK \$	0.00
Zone 1 - TX \$	0.00
Zone 2 - TX \$	0.00
Zone 3 - TX \$	0.00

Charge <u>Ckt</u>	Nonrecurring	
	1st Ckt	Addl
Zone 1 - AR	\$204.00	\$156.00
Zone 2 - AR	\$204.00	\$156.00
Zone 3 - AR	\$204.00	\$156.00
Zone 1 - KS	\$204.00	\$156.00
Zone 2 - KS	\$204.00	\$156.00
Zone 3 - KS	\$204.00	\$156.00
Zone 1 - MO	\$204.00	\$156.00
Zone 2 - MO	\$204.00	\$156.00
Zone 3 - MO	\$204.00	\$156.00
Zone 1 - OK	\$204.00	\$156.00
Zone 2 - OK	\$204.00	\$156.00
Zone 3 - OK	\$204.00	\$156.00
Zone 1 - TX	\$204.00	\$156.00
Zone 2 - TX	\$204.00	\$156.00
Zone 3 - TX	\$204.00	\$156.00

(N)

Rates contained in this transmittal are subject to subsequent adjustment, effective retroactively back to the transmittal's original effective date, in the event the Commission or a court subsequently authorizes SWBT to correct its rates pursuant to pending motions, or petitions for reconsideration or waiver (and including, but not limited to, any application for Review of the letter from Lawrence E. Strickling, Chief, Common Carrier bureau, FCC, to Dale Robertson, SBC, dated May 18, 1999 which may be filed with the Commission), or in the event of any other adjustment pursuant to an order of the Commission or a court.

(This page filed under Transmittal No. 2837)

Issued: July 27, 2000

Effective: August 11, 2000

Four AT&T Plaza, Dallas, Texas 75202

ACCESS SERVICE

7. Special Access Service (Cont'd)

7.3 Service Descriptions, Rates and Charges (Cont'd)

7.3.10 High Capacity Service (Cont'd)

(F) Rates and Charges (Cont'd)

(25) Optional Payment Plan **Rates Effective: 08/11/00**
(Cont'd)

(N)

	<u>USOC</u>	<u>3 Year Monthly Rate</u>
(c) <u>Service to Service Through Connect Arrangement</u> (Cont'd)		

Multiplexed Service
Arrangement - 1.544 Mbps
(DS1) THK

Zone 1 - AR \$	0.00
Zone 2 - AR \$	0.00
Zone 3 - AR \$	0.00
Zone 1 - KS \$	0.00
Zone 2 - KS \$	0.00
Zone 3 - KS \$	0.00
Zone 1 - MO \$	0.00
Zone 2 - MO \$	0.00
Zone 3 - MO \$	0.00
Zone 1 - OK \$	0.00
Zone 2 - OK \$	0.00
Zone 3 - OK \$	0.00
Zone 1 - TX \$	0.00
Zone 2 - TX \$	0.00
Zone 3 - TX \$	0.00

	<u>Nonrecurring Charge</u>	
	<u>1st Ckt</u>	<u>Addl Ckt</u>

Zone 1 - AR	\$332.00	\$280.00
Zone 2 - AR	\$332.00	\$280.00
Zone 3 - AR	\$332.00	\$280.00
Zone 1 - KS	\$332.00	\$280.00
Zone 2 - KS	\$332.00	\$280.00
Zone 3 - KS	\$332.00	\$280.00
Zone 1 - MO	\$332.00	\$280.00
Zone 2 - MO	\$332.00	\$280.00
Zone 3 - MO	\$332.00	\$280.00
Zone 1 - OK	\$332.00	\$280.00
Zone 2 - OK	\$332.00	\$280.00
Zone 3 - OK	\$332.00	\$280.00
Zone 1 - TX	\$332.00	\$280.00
Zone 2 - TX	\$332.00	\$280.00
Zone 3 - TX	\$332.00	\$280.00

Rates contained in this transmittal are subject to subsequent adjustment, effective retrospectively back to the transmittal's original effective date, in the event the Commission or a court subsequently authorizes SWBT to correct its rates pursuant to pending motions, or petitions for reconsideration or waiver (and including, but not limited to, any application for Review of the letter from Lawrence E. Strickling, Chief, Common Carrier bureau, FCC, to Dale Robertson, SBC, dated May 18, 1999 which may be filed with the Commission), or in the event of any other adjustment

(This page filed under Transmittal No. 2837)

Issued: July 27, 2000

Effective: August 11, 2000

Four AT&T Plaza, Dallas, Texas 75202

ACCESS SERVICE

7. Special Access Service (Cont'd)

7.3 Service Descriptions, Rates and Charges (Cont'd)

7.3.10 High Capacity Service (Cont'd)

(F) Rates and Charges (Cont'd)

(25) Optional Payment Plan **Rates Effective: 08/11/00**
(Cont'd)

(N)

	<u>USOC</u>	<u>5 Year Monthly Rate</u>
(c) <u>Service to Service Through Connect Arrangement</u> (Cont'd)		

Multiplexed Service
Arrangement - 1.544 Mbps
(DS1) THK

Zone 1 - AR \$	0.00
Zone 2 - AR \$	0.00
Zone 3 - AR \$	0.00
Zone 1 - KS \$	0.00
Zone 2 - KS \$	0.00
Zone 3 - KS \$	0.00
Zone 1 - MO \$	0.00
Zone 2 - MO \$	0.00
Zone 3 - MO \$	0.00
Zone 1 - OK \$	0.00
Zone 2 - OK \$	0.00
Zone 3 - OK \$	0.00
Zone 1 - TX \$	0.00
Zone 2 - TX \$	0.00
Zone 3 - TX \$	0.00

	<u>Nonrecurring Charge</u>	
	<u>1st Ckt</u>	<u>Addl Ckt</u>

Zone 1 - AR	\$332.00	\$280.00
Zone 2 - AR	\$332.00	\$280.00
Zone 3 - AR	\$332.00	\$280.00
Zone 1 - KS	\$332.00	\$280.00
Zone 2 - KS	\$332.00	\$280.00
Zone 3 - KS	\$332.00	\$280.00
Zone 1 - MO	\$332.00	\$280.00
Zone 2 - MO	\$332.00	\$280.00
Zone 3 - MO	\$332.00	\$280.00
Zone 1 - OK	\$332.00	\$280.00
Zone 2 - OK	\$332.00	\$280.00
Zone 3 - OK	\$332.00	\$280.00
Zone 1 - TX	\$332.00	\$280.00
Zone 2 - TX	\$332.00	\$280.00
Zone 3 - TX	\$332.00	\$280.00

Rates contained in this transmittal are subject to subsequent adjustment, effective retrospectively back to the transmittal's original effective date, in the event the Commission or a court subsequently authorizes SWBT to correct its rates pursuant to pending motions, or petitions for reconsideration or waiver (and including, but not limited to, any application for Review of the letter from Lawrence E. Strickling, Chief, Common Carrier bureau, FCC, to Dale Robertson, SBC, dated May 18, 1999 which may be filed with the Commission), or in the event of any other adjustment

(This page filed under Transmittal No. 2837)

Issued: July 27, 2000

Effective: August 11, 2000

Four AT&T Plaza, Dallas, Texas 75202

ACCESS SERVICE

7. Special Access Service (Cont'd)

7.3 Service Descriptions, Rates and Charges (Cont'd)

7.3.10 High Capacity Service (Cont'd)

(F) Rates and Charges (Cont'd)

(25) Optional Payment Plan

(D)
(D)

(D)
(D)

(d)

(D)

(D)

(This page filed under Transmittal No. 3317)

Issued: March 10, 2011

Effective: March 25, 2011

Four AT&T Plaza, Dallas, Texas 75202

ACCESS SERVICE

7. Special Access Service (Cont'd)

7.3 Service Descriptions, Rates and Charges (Cont'd)

7.3.10 High Capacity Service (Cont'd)

(F) Rates and Charges (Cont'd)

(25) Optional Payment Plan

(D)
(D)

(D)
(D)

(d)

(D)

(D)

(This page filed under Transmittal No. 3317)

Issued: March 10, 2011

Effective: March 25, 2011

Four AT&T Plaza, Dallas, Texas 75202

ACCESS SERVICE

7. Special Access Service (Cont'd)

7.3 Service Descriptions, Rates and Charges (Cont'd)

7.3.10 High Capacity Service (Cont'd)

(F) Rates and Charges (Cont'd)

(25) Optional Payment Plan **Rates Effective: 08/11/00**
(Cont'd)

(N)

	<u>USOC</u>	<u>3 Year Monthly Rate</u>
(e) <u>Multiplexing</u>		
Per arrangement		
DS0 to Subrates		
Up to 20 2.4 kbps services	QSU24	
Zone 1 - AR		\$135.00
Zone 2 - AR		\$135.00
Zone 3 - AR		\$135.00
Zone 1 - KS		\$135.00
Zone 2 - KS		\$135.00
Zone 3 - KS		\$135.00
Zone 1 - MO		\$135.00
Zone 2 - MO		\$135.00
Zone 3 - MO		\$135.00
Zone 1 - OK		\$135.00
Zone 2 - OK		\$135.00
Zone 3 - OK		\$135.00
Zone 1 - TX		\$135.00
Zone 2 - TX		\$135.00
Zone 3 - TX		\$135.00
		<u>Nonrecurring Charge</u>
Zone 1 - AR		\$ 0.00
Zone 2 - AR		\$ 0.00
Zone 3 - AR		\$ 0.00
Zone 1 - KS		\$ 0.00
Zone 2 - KS		\$ 0.00
Zone 3 - KS		\$ 0.00
Zone 1 - MO		\$ 0.00
Zone 2 - MO		\$ 0.00
Zone 3 - MO		\$ 0.00
Zone 1 - OK		\$ 0.00
Zone 2 - OK		\$ 0.00
Zone 3 - OK		\$ 0.00
Zone 1 - TX		\$ 0.00
Zone 2 - TX		\$ 0.00
Zone 3 - TX		\$ 0.00

Rates contained in this transmittal are subject to subsequent adjustment, effective retrospectively back to the transmittal's original effective date, in the event the Commission or a court subsequently authorizes SWBT to correct its rates pursuant to pending motions, or petitions for reconsideration or waiver (and including, but not limited to, any application for Review of the letter from Lawrence E. Strickling, Chief, Common Carrier bureau, FCC, to Dale Robertson, SBC, dated May 18, 1999 which may be filed with the Commission), or in the event of any other adjustment

(This page filed under Transmittal No. 2837)

Issued: July 27, 2000

Effective: August 11, 2000

Four AT&T Plaza, Dallas, Texas 75202

ACCESS SERVICE

7. Special Access Service (Cont'd)

7.3 Service Descriptions, Rates and Charges (Cont'd)

7.3.10 High Capacity Service (Cont'd)

(F) Rates and Charges (Cont'd)

(25) Optional Payment Plan **Rates Effective: 08/11/00**
(Cont'd)

(N)

	<u>USOC</u>	<u>5 Year Monthly Rate</u>
(e) <u>Multiplexing</u> (Cont'd)		
Per arrangement		
DS0 to Subrates		
Up to 20 2.4 kbps services	QSU24	
Zone 1 - AR		\$128.25
Zone 2 - AR		\$128.25
Zone 3 - AR		\$128.25
Zone 1 - KS		\$128.25
Zone 2 - KS		\$128.25
Zone 3 - KS		\$128.25
Zone 1 - MO		\$128.25
Zone 2 - MO		\$128.25
Zone 3 - MO		\$128.25
Zone 1 - OK		\$128.25
Zone 2 - OK		\$128.25
Zone 3 - OK		\$128.25
Zone 1 - TX		\$128.25
Zone 2 - TX		\$128.25
Zone 3 - TX		\$128.25
		<u>Nonrecurring Charge</u>
Zone 1 - AR		\$ 0.00
Zone 2 - AR		\$ 0.00
Zone 3 - AR		\$ 0.00
Zone 1 - KS		\$ 0.00
Zone 2 - KS		\$ 0.00
Zone 3 - KS		\$ 0.00
Zone 1 - MO		\$ 0.00
Zone 2 - MO		\$ 0.00
Zone 3 - MO		\$ 0.00
Zone 1 - OK		\$ 0.00
Zone 2 - OK		\$ 0.00
Zone 3 - OK		\$ 0.00
Zone 1 - TX		\$ 0.00
Zone 2 - TX		\$ 0.00
Zone 3 - TX		\$ 0.00

(N)

Rates contained in this transmittal are subject to subsequent adjustment, effective retrospectively back to the transmittal's original effective date, in the event the Commission or a court subsequently authorizes SWBT to correct its rates pursuant to pending motions, or petitions for reconsideration or waiver (and including, but not limited to, any application for Review of the letter from Lawrence E. Strickling, Chief, Common Carrier bureau, FCC, to Dale Robertson, SBC, dated May 18, 1999 which may be filed with the Commission), or in the event of any other adjustment pursuant to an order of the Commission or a court.

(This page filed under Transmittal No. 2837)

Issued: July 27, 2000

Effective: August 11, 2000

Four AT&T Plaza, Dallas, Texas 75202

ACCESS SERVICE

7. Special Access Service (Cont'd)

7.3 Service Descriptions, Rates and Charges (Cont'd)

7.3.10 High Capacity Service (Cont'd)

(F) Rates and Charges (Cont'd)

(25) Optional Payment Plan **Rates Effective: 08/11/00**
(Cont'd)

(N)

	<u>USOC</u>	<u>3 Year Monthly Rate</u>
(e) <u>Multiplexing</u> (Cont'd)		
Per arrangement		
DS0 to Subrates		
Up to 10 4.8 kbps services	QSU48	
Zone 1 - AR		\$125.00
Zone 2 - AR		\$125.00
Zone 3 - AR		\$125.00
Zone 1 - KS		\$125.00
Zone 2 - KS		\$125.00
Zone 3 - KS		\$125.00
Zone 1 - MO		\$125.00
Zone 2 - MO		\$125.00
Zone 3 - MO		\$125.00
Zone 1 - OK		\$125.00
Zone 2 - OK		\$125.00
Zone 3 - OK		\$125.00
Zone 1 - TX		\$125.00
Zone 2 - TX		\$125.00
Zone 3 - TX		\$125.00
		<u>Nonrecurring Charge</u>
Zone 1 - AR		\$ 0.00
Zone 2 - AR		\$ 0.00
Zone 3 - AR		\$ 0.00
Zone 1 - KS		\$ 0.00
Zone 2 - KS		\$ 0.00
Zone 3 - KS		\$ 0.00
Zone 1 - MO		\$ 0.00
Zone 2 - MO		\$ 0.00
Zone 3 - MO		\$ 0.00
Zone 1 - OK		\$ 0.00
Zone 2 - OK		\$ 0.00
Zone 3 - OK		\$ 0.00
Zone 1 - TX		\$ 0.00
Zone 2 - TX		\$ 0.00
Zone 3 - TX		\$ 0.00

Rates contained in this transmittal are subject to subsequent adjustment, effective retrospectively back to the transmittal's original effective date, in the event the Commission or a court subsequently authorizes SWBT to correct its rates pursuant to pending motions, or petitions for reconsideration or waiver (and including, but not limited to, any application for Review of the letter from Lawrence E. Strickling, Chief, Common Carrier bureau, FCC, to Dale Robertson, SBC, dated May 18, 1999 which may be filed with the Commission), or in the event of any other adjustment

(This page filed under Transmittal No. 2837)

Issued: July 27, 2000

Effective: August 11, 2000

Four AT&T Plaza, Dallas, Texas 75202

ACCESS SERVICE

7. Special Access Service (Cont'd)

7.3 Service Descriptions, Rates and Charges (Cont'd)

7.3.10 High Capacity Service (Cont'd)

(F) Rates and Charges (Cont'd)

(25) Optional Payment Plan **Rates Effective: 08/11/00**
(Cont'd)

(N)

	<u>USOC</u>	<u>5 Year Monthly Rate</u>
--	-------------	--------------------------------

(e) Multiplexing (Cont'd)

Per arrangement

DS0 to Subrates

Up to 10 4.8 kbps
services

QSU48

Zone 1 - AR	\$118.75
Zone 2 - AR	\$118.75
Zone 3 - AR	\$118.75
Zone 1 - KS	\$118.75
Zone 2 - KS	\$118.75
Zone 3 - KS	\$118.75
Zone 1 - MO	\$118.75
Zone 2 - MO	\$118.75
Zone 3 - MO	\$118.75
Zone 1 - OK	\$118.75
Zone 2 - OK	\$118.75
Zone 3 - OK	\$118.75
Zone 1 - TX	\$118.75
Zone 2 - TX	\$118.75
Zone 3 - TX	\$118.75

Nonrecurring Charge

Zone 1 - AR	\$ 0.00
Zone 2 - AR	\$ 0.00
Zone 3 - AR	\$ 0.00
Zone 1 - KS	\$ 0.00
Zone 2 - KS	\$ 0.00
Zone 3 - KS	\$ 0.00
Zone 1 - MO	\$ 0.00
Zone 2 - MO	\$ 0.00
Zone 3 - MO	\$ 0.00
Zone 1 - OK	\$ 0.00
Zone 2 - OK	\$ 0.00
Zone 3 - OK	\$ 0.00
Zone 1 - TX	\$ 0.00
Zone 2 - TX	\$ 0.00
Zone 3 - TX	\$ 0.00

(N)

Rates contained in this transmittal are subject to subsequent adjustment, effective retrospectively back to the transmittal's original effective date, in the event the Commission or a court subsequently authorizes SWBT to correct its rates pursuant to pending motions, or petitions for reconsideration or waiver (and including, but not limited to, any application for Review of the letter from Lawrence E. Strickling, Chief, Common Carrier bureau, FCC, to Dale Robertson, SBC, dated May 18, 1999 which may be filed with the Commission), or in the event of any other adjustment pursuant to an order of the Commission or a court.

(This page filed under Transmittal No. 2837)

Issued: July 27, 2000

Effective: August 11, 2000

Four AT&T Plaza, Dallas, Texas 75202

ACCESS SERVICE

7. Special Access Service (Cont'd)

7.3 Service Descriptions, Rates and Charges (Cont'd)

7.3.10 High Capacity Service (Cont'd)

(F) Rates and Charges (Cont'd)

(25) Optional Payment Plan **Rates Effective: 08/11/00**
(Cont'd)

(N)

	<u>USOC</u>	<u>3 Year Monthly Rate</u>
--	-------------	--------------------------------

(e) Multiplexing (Cont'd)

Per arrangement

DS0 to Subrates

Up to 5 9.6 kbps
services

QSU96

Zone 1 - AR	\$235.00
Zone 2 - AR	\$235.00
Zone 3 - AR	\$235.00
Zone 1 - KS	\$235.00
Zone 2 - KS	\$235.00
Zone 3 - KS	\$235.00
Zone 1 - MO	\$235.00
Zone 2 - MO	\$235.00
Zone 3 - MO	\$235.00
Zone 1 - OK	\$235.00
Zone 2 - OK	\$235.00
Zone 3 - OK	\$235.00
Zone 1 - TX	\$235.00
Zone 2 - TX	\$235.00
Zone 3 - TX	\$235.00

Nonrecurring Charge

Zone 1 - AR	\$ 0.00
Zone 2 - AR	\$ 0.00
Zone 3 - AR	\$ 0.00
Zone 1 - KS	\$ 0.00
Zone 2 - KS	\$ 0.00
Zone 3 - KS	\$ 0.00
Zone 1 - MO	\$ 0.00
Zone 2 - MO	\$ 0.00
Zone 3 - MO	\$ 0.00
Zone 1 - OK	\$ 0.00
Zone 2 - OK	\$ 0.00
Zone 3 - OK	\$ 0.00
Zone 1 - TX	\$ 0.00
Zone 2 - TX	\$ 0.00
Zone 3 - TX	\$ 0.00

(N)

Rates contained in this transmittal are subject to subsequent adjustment, effective retrospectively back to the transmittal's original effective date, in the event the Commission or a court subsequently authorizes SWBT to correct its rates pursuant to pending motions, or petitions for reconsideration or waiver (and including, but not limited to, any application for Review of the letter from Lawrence E. Strickling, Chief, Common Carrier bureau, FCC, to Dale Robertson, SBC, dated May 18, 1999 which may be filed with the Commission), or in the event of any other adjustment pursuant to an order of the Commission or a court.

(This page filed under Transmittal No. 2837)

Issued: July 27, 2000

Effective: August 11, 2000

Four AT&T Plaza, Dallas, Texas 75202

ACCESS SERVICE

7. Special Access Service (Cont'd)

7.3 Service Descriptions, Rates and Charges (Cont'd)

7.3.10 High Capacity Service (Cont'd)

(F) Rates and Charges (Cont'd)

(25) Optional Payment Plan **Rates Effective: 08/11/00**
(Cont'd)

(N)

	<u>USOC</u>	<u>5 Year Monthly Rate</u>
(e) <u>Multiplexing</u> (Cont'd)		
Per arrangement		
DS0 to Subrates		
Up to 5 9.6 kbps services		
	QSU96	
Zone 1 - AR		\$223.25
Zone 2 - AR		\$223.25
Zone 3 - AR		\$223.25
Zone 1 - KS		\$223.25
Zone 2 - KS		\$223.25
Zone 3 - KS		\$223.25
Zone 1 - MO		\$223.25
Zone 2 - MO		\$223.25
Zone 3 - MO		\$223.25
Zone 1 - OK		\$223.25
Zone 2 - OK		\$223.25
Zone 3 - OK		\$223.25
Zone 1 - TX		\$223.25
Zone 2 - TX		\$223.25
Zone 3 - TX		\$223.25
		<u>Nonrecurring Charge</u>
Zone 1 - AR		\$ 0.00
Zone 2 - AR		\$ 0.00
Zone 3 - AR		\$ 0.00
Zone 1 - KS		\$ 0.00
Zone 2 - KS		\$ 0.00
Zone 3 - KS		\$ 0.00
Zone 1 - MO		\$ 0.00
Zone 2 - MO		\$ 0.00
Zone 3 - MO		\$ 0.00
Zone 1 - OK		\$ 0.00
Zone 2 - OK		\$ 0.00
Zone 3 - OK		\$ 0.00
Zone 1 - TX		\$ 0.00
Zone 2 - TX		\$ 0.00
Zone 3 - TX		\$ 0.00

Rates contained in this transmittal are subject to subsequent adjustment, effective retrospectively back to the transmittal's original effective date, in the event the Commission or a court subsequently authorizes SWBT to correct its rates pursuant to pending motions, or petitions for reconsideration or waiver (and including, but not limited to, any application for Review of the letter from Lawrence E. Strickling, Chief, Common Carrier bureau, FCC, to Dale Robertson, SBC, dated May 18, 1999 which may be filed with the Commission), or in the event of any other adjustment pursuant to an order of the Commission or a court.

(This page filed under Transmittal No. 2837)

Issued: July 27, 2000

Effective: August 11, 2000

Four AT&T Plaza, Dallas, Texas 75202

ACCESS SERVICE

7. Special Access Service (Cont'd)

7.3 Service Descriptions, Rates and Charges (Cont'd)

7.3.10 High Capacity Service (Cont'd)

(F) Rates and Charges (Cont'd)

(25) Optional Payment Plan **Rates Effective: 08/11/00**
(Cont'd)

(N)

	<u>USOC</u>	<u>3 Year Monthly Rate</u>
(e) <u>Multiplexing</u> (Cont'd)		
Per arrangement		
DS1 to DS0	QMU	
Zone 1 - AR		\$180.00
Zone 2 - AR		\$180.00
Zone 3 - AR		\$180.00
Zone 1 - KS		\$180.00
Zone 2 - KS		\$180.00
Zone 3 - KS		\$180.00
Zone 1 - MO		\$180.00
Zone 2 - MO		\$180.00
Zone 3 - MO		\$180.00
Zone 1 - OK		\$180.00
Zone 2 - OK		\$180.00
Zone 3 - OK		\$180.00
Zone 1 - TX		\$180.00
Zone 2 - TX		\$180.00
Zone 3 - TX		\$180.00
		<u>Nonrecurring Charge</u>
Zone 1 - AR		\$ 0.00
Zone 2 - AR		\$ 0.00
Zone 3 - AR		\$ 0.00
Zone 1 - KS		\$ 0.00
Zone 2 - KS		\$ 0.00
Zone 3 - KS		\$ 0.00
Zone 1 - MO		\$ 0.00
Zone 2 - MO		\$ 0.00
Zone 3 - MO		\$ 0.00
Zone 1 - OK		\$ 0.00
Zone 2 - OK		\$ 0.00
Zone 3 - OK		\$ 0.00
Zone 1 - TX		\$ 0.00
Zone 2 - TX		\$ 0.00
Zone 3 - TX		\$ 0.00

(N)

Rates contained in this transmittal are subject to subsequent adjustment, effective retrospectively back to the transmittal's original effective date, in the event the Commission or a court subsequently authorizes SWBT to correct its rates pursuant to pending motions, or petitions for reconsideration or waiver (and including, but not limited to, any application for Review of the letter from Lawrence E. Strickling, Chief, Common Carrier bureau, FCC, to Dale Robertson, SBC, dated May 18, 1999 which may be filed with the Commission), or in the event of any other adjustment pursuant to an order of the Commission or a court.

(This page filed under Transmittal No. 2837)

Issued: July 27, 2000

Effective: August 11, 2000

Four AT&T Plaza, Dallas, Texas 75202

ACCESS SERVICE

7. Special Access Service (Cont'd)

7.3 Service Descriptions, Rates and Charges (Cont'd)

7.3.10 High Capacity Service (Cont'd)

(F) Rates and Charges (Cont'd)

(25) Optional Payment Plan **Rates Effective: 08/11/00**
(Cont'd)

(N)

	<u>USOC</u>	<u>5 Year Monthly Rate</u>
(e) <u>Multiplexing</u> (Cont'd)		
Per arrangement		
DS1 to DS0	QMU	
Zone 1 - AR		\$171.00
Zone 2 - AR		\$171.00
Zone 3 - AR		\$171.00
Zone 1 - KS		\$171.00
Zone 2 - KS		\$171.00
Zone 3 - KS		\$171.00
Zone 1 - MO		\$171.00
Zone 2 - MO		\$171.00
Zone 3 - MO		\$171.00
Zone 1 - OK		\$171.00
Zone 2 - OK		\$171.00
Zone 3 - OK		\$171.00
Zone 1 - TX		\$171.00
Zone 2 - TX		\$171.00
Zone 3 - TX		\$171.00
		<u>Nonrecurring Charge</u>
Zone 1 - AR		\$ 0.00
Zone 2 - AR		\$ 0.00
Zone 3 - AR		\$ 0.00
Zone 1 - KS		\$ 0.00
Zone 2 - KS		\$ 0.00
Zone 3 - KS		\$ 0.00
Zone 1 - MO		\$ 0.00
Zone 2 - MO		\$ 0.00
Zone 3 - MO		\$ 0.00
Zone 1 - OK		\$ 0.00
Zone 2 - OK		\$ 0.00
Zone 3 - OK		\$ 0.00
Zone 1 - TX		\$ 0.00
Zone 2 - TX		\$ 0.00
Zone 3 - TX		\$ 0.00

(N)

Rates contained in this transmittal are subject to subsequent adjustment, effective retrospectively back to the transmittal's original effective date, in the event the Commission or a court subsequently authorizes SWBT to correct its rates pursuant to pending motions, or petitions for reconsideration or waiver (and including, but not limited to, any application for Review of the letter from Lawrence E. Strickling, Chief, Common Carrier bureau, FCC, to Dale Robertson, SBC, dated May 18, 1999 which may be filed with the Commission), or in the event of any other adjustment pursuant to an order of the Commission or a court.

(This page filed under Transmittal No. 2837)

Issued: July 27, 2000

Effective: August 11, 2000

Four AT&T Plaza, Dallas, Texas 75202

ACCESS SERVICE

7. Special Access Service (Cont'd)

7.3 Service Descriptions, Rates and Charges (Cont'd)

7.3.10 High Capacity Service (Cont'd)

(F) Rates and Charges (Cont'd)

(25) Optional Payment Plan **Rates Effective: 08/11/00**
(Cont'd)

(N)

	<u>USOC</u>	<u>3 Year Monthly Rate</u>
(e) <u>Multiplexing</u> (Cont'd)		
Per arrangement		
DS1 to Voice	MQ1	
Zone 1 - AR		\$180.00
Zone 2 - AR		\$180.00
Zone 3 - AR		\$180.00
Zone 1 - KS		\$180.00
Zone 2 - KS		\$180.00
Zone 3 - KS		\$180.00
Zone 1 - MO		\$180.00
Zone 2 - MO		\$180.00
Zone 3 - MO		\$180.00
Zone 1 - OK		\$180.00
Zone 2 - OK		\$180.00
Zone 3 - OK		\$180.00
Zone 1 - TX		\$180.00
Zone 2 - TX		\$180.00
Zone 3 - TX		\$180.00
		<u>Nonrecurring Charge</u>
Zone 1 - AR		\$ 0.00
Zone 2 - AR		\$ 0.00
Zone 3 - AR		\$ 0.00
Zone 1 - KS		\$ 0.00
Zone 2 - KS		\$ 0.00
Zone 3 - KS		\$ 0.00
Zone 1 - MO		\$ 0.00
Zone 2 - MO		\$ 0.00
Zone 3 - MO		\$ 0.00
Zone 1 - OK		\$ 0.00
Zone 2 - OK		\$ 0.00
Zone 3 - OK		\$ 0.00
Zone 1 - TX		\$ 0.00
Zone 2 - TX		\$ 0.00
Zone 3 - TX		\$ 0.00

(N)

Rates contained in this transmittal are subject to subsequent adjustment, effective retrospectively back to the transmittal's original effective date, in the event the Commission or a court subsequently authorizes SWBT to correct its rates pursuant to pending motions, or petitions for reconsideration or waiver (and including, but not limited to, any application for Review of the letter from Lawrence E. Strickling, Chief, Common Carrier bureau, FCC, to Dale Robertson, SBC, dated May 18, 1999 which may be filed with the Commission), or in the event of any other adjustment pursuant to an order of the Commission or a court.

(This page filed under Transmittal No. 2837)

Issued: July 27, 2000

Effective: August 11, 2000

Four AT&T Plaza, Dallas, Texas 75202

ACCESS SERVICE

7. Special Access Service (Cont'd)

7.3 Service Descriptions, Rates and Charges (Cont'd)

7.3.10 High Capacity Service (Cont'd)

(F) Rates and Charges (Cont'd)

(25) Optional Payment Plan **Rates Effective: 08/11/00**
(Cont'd)

(N)

	<u>USOC</u>	<u>5 Year Monthly Rate</u>
(e) <u>Multiplexing</u> (Cont'd)		

Per arrangement

DS1 to Voice MQ1

Zone 1 - AR	\$171.00
Zone 2 - AR	\$171.00
Zone 3 - AR	\$171.00
Zone 1 - KS	\$171.00
Zone 2 - KS	\$171.00
Zone 3 - KS	\$171.00
Zone 1 - MO	\$171.00
Zone 2 - MO	\$171.00
Zone 3 - MO	\$171.00
Zone 1 - OK	\$171.00
Zone 2 - OK	\$171.00
Zone 3 - OK	\$171.00
Zone 1 - TX	\$171.00
Zone 2 - TX	\$171.00
Zone 3 - TX	\$171.00

Nonrecurring Charge

Zone 1 - AR	\$ 0.00
Zone 2 - AR	\$ 0.00
Zone 3 - AR	\$ 0.00
Zone 1 - KS	\$ 0.00
Zone 2 - KS	\$ 0.00
Zone 3 - KS	\$ 0.00
Zone 1 - MO	\$ 0.00
Zone 2 - MO	\$ 0.00
Zone 3 - MO	\$ 0.00
Zone 1 - OK	\$ 0.00
Zone 2 - OK	\$ 0.00
Zone 3 - OK	\$ 0.00
Zone 1 - TX	\$ 0.00
Zone 2 - TX	\$ 0.00
Zone 3 - TX	\$ 0.00

(N)

Rates contained in this transmittal are subject to subsequent adjustment, effective retrospectively back to the transmittal's original effective date, in the event the Commission or a court subsequently authorizes SWBT to correct its rates pursuant to pending motions, or petitions for reconsideration or waiver (and including, but not limited to, any application for Review of the letter from Lawrence E. Strickling, Chief, Common Carrier bureau, FCC, to Dale Robertson, SBC, dated May 18, 1999 which may be filed with the Commission), or in the event of any other adjustment pursuant to an order of the Commission or a court.

(This page filed under Transmittal No. 2837)

Issued: July 27, 2000

Effective: August 11, 2000

Four AT&T Plaza, Dallas, Texas 75202

ACCESS SERVICE

7. Special Access Service (Cont'd)

7.3 Service Descriptions, Rates and Charges (Cont'd)

7.3.10 High Capacity Service (Cont'd)

(F) Rates and Charges (Cont'd)

(25) Optional Payment Plan **Rates Effective: 08/11/00**
(Cont'd)

(N)

	USOC	<u>3 Year Monthly Rate</u>
(f) <u>Clear Channel Capability</u>	CLR	
Per channel termination		
Zone 1 - AR		\$ 0.00
Zone 2 - AR		\$ 0.00
Zone 3 - AR		\$ 0.00
Zone 1 - KS		\$ 0.00
Zone 2 - KS		\$ 0.00
Zone 3 - KS		\$ 0.00
Zone 1 - MO		\$ 0.00
Zone 2 - MO		\$ 0.00
Zone 3 - MO		\$ 0.00
Zone 1 - OK		\$ 0.00
Zone 2 - OK		\$ 0.00
Zone 3 - OK		\$ 0.00
Zone 1 - TX		\$ 0.00
Zone 2 - TX		\$ 0.00
Zone 3 - TX		\$ 0.00
		<u>Nonrecurring Charge</u>
Zone 1 - AR		\$100.00
Zone 2 - AR		\$100.00
Zone 3 - AR		\$100.00
Zone 1 - KS		\$100.00
Zone 2 - KS		\$100.00
Zone 3 - KS		\$100.00
Zone 1 - MO		\$100.00
Zone 2 - MO		\$100.00
Zone 3 - MO		\$100.00
Zone 1 - OK		\$100.00
Zone 2 - OK		\$100.00
Zone 3 - OK		\$100.00
Zone 1 - TX		\$100.00
Zone 2 - TX		\$100.00
Zone 3 - TX		\$100.00

(N)

Rates contained in this transmittal are subject to subsequent adjustment, effective retrospectively back to the transmittal's original effective date, in the event the Commission or a court subsequently authorizes SWBT to correct its rates pursuant to pending motions, or petitions for reconsideration or waiver (and including, but not limited to, any application for Review of the letter from Lawrence E. Strickling, Chief, Common Carrier bureau, FCC, to Dale Robertson, SBC, dated May 18, 1999 which may be filed with the Commission), or in the event of any other adjustment pursuant to an order of the Commission or a court.

(This page filed under Transmittal No. 2837)

Issued: July 27, 2000

Effective: August 11, 2000

Four AT&T Plaza, Dallas, Texas 75202

ACCESS SERVICE

7. Special Access Service (Cont'd)

7.3 Service Descriptions, Rates and Charges (Cont'd)

7.3.10 High Capacity Service (Cont'd)

(F) Rates and Charges (Cont'd)

(25) Optional Payment Plan **Rates Effective: 08/11/00**
(Cont'd)

(N)

	USOC	<u>5 Year Monthly Rate</u>
(f) <u>Clear Channel Capability</u> (Cont'd)	CLR	
Per channel termination		
Zone 1 - AR		\$ 0.00
Zone 2 - AR		\$ 0.00
Zone 3 - AR		\$ 0.00
Zone 1 - KS		\$ 0.00
Zone 2 - KS		\$ 0.00
Zone 3 - KS		\$ 0.00
Zone 1 - MO		\$ 0.00
Zone 2 - MO		\$ 0.00
Zone 3 - MO		\$ 0.00
Zone 1 - OK		\$ 0.00
Zone 2 - OK		\$ 0.00
Zone 3 - OK		\$ 0.00
Zone 1 - TX		\$ 0.00
Zone 2 - TX		\$ 0.00
Zone 3 - TX		\$ 0.00
		<u>Nonrecurring Charge</u>
Zone 1 - AR		\$100.00
Zone 2 - AR		\$100.00
Zone 3 - AR		\$100.00
Zone 1 - KS		\$100.00
Zone 2 - KS		\$100.00
Zone 3 - KS		\$100.00
Zone 1 - MO		\$100.00
Zone 2 - MO		\$100.00
Zone 3 - MO		\$100.00
Zone 1 - OK		\$100.00
Zone 2 - OK		\$100.00
Zone 3 - OK		\$100.00
Zone 1 - TX		\$100.00
Zone 2 - TX		\$100.00
Zone 3 - TX		\$100.00

(N)

Rates contained in this transmittal are subject to subsequent adjustment, effective retrospectively back to the transmittal's original effective date, in the event the Commission or a court subsequently authorizes SWBT to correct its rates pursuant to pending motions, or petitions for reconsideration or waiver (and including, but not limited to, any application for Review of the letter from Lawrence E. Strickling, Chief, Common Carrier bureau, FCC, to Dale Robertson, SBC, dated May 18, 1999 which may be filed with the Commission), or in the event of any other adjustment pursuant to an order of the Commission or a court.

(This page filed under Transmittal No. 2837)

Issued: July 27, 2000

Effective: August 11, 2000

Four AT&T Plaza, Dallas, Texas 75202

ACCESS SERVICE

7. Special Access Service (Cont'd)

7.3 Service Descriptions, Rates and Charges (Cont'd)

7.3.10 High Capacity Service (Cont'd)

(F) Rates and Charges (Cont'd)

(N)

(25) Optional Payment Plan **Rates Effective: 08/11/00**
(Cont'd)

USOC 3 Year
Monthly Rate

(g) Transfer Arrangement,
Key Activated* (Cont'd) USV

Per four port
arrangement including
control channel
termination**

Zone 1 - AR	\$184.24
Zone 2 - AR	\$184.24
Zone 3 - AR	\$184.24
Zone 1 - KS	\$184.24
Zone 2 - KS	\$184.24
Zone 3 - KS	\$184.24
Zone 1 - MO	\$184.24
Zone 2 - MO	\$184.24
Zone 3 - MO	\$184.24
Zone 1 - OK	\$184.24
Zone 2 - OK	\$184.24
Zone 3 - OK	\$184.24
Zone 1 - TX	\$184.24
Zone 2 - TX	\$184.24
Zone 3 - TX	\$184.24

Nonrecurring Charge

Zone 1 - AR	\$213.00
Zone 2 - AR	\$213.00
Zone 3 - AR	\$213.00
Zone 1 - KS	\$213.00
Zone 2 - KS	\$213.00
Zone 3 - KS	\$213.00
Zone 1 - MO	\$213.00
Zone 2 - MO	\$213.00
Zone 3 - MO	\$213.00
Zone 1 - OK	\$213.00
Zone 2 - OK	\$213.00
Zone 3 - OK	\$213.00
Zone 1 - TX	\$213.00
Zone 2 - TX	\$213.00
Zone 3 - TX	\$213.00

* The key activated control channel is rated as a Metallic Channel Termination (use USOC T6EME in lieu of T6ECS) and Channel Mileage, if applicable (use USOC 1L5MX in lieu of 1L5XX).

** An additional Channel Termination charge will apply whenever a spare channel is configured as a leg to the customer's premises. Additional channel mileage will also apply when the transfer arrangement is not located in the customer premises serving wire center.

Rates contained in this transmittal are subject to subsequent adjustment, effective retrospectively back to the transmittal's original effective date, in the event the Commission or a court subsequently authorizes SWBT to correct its rates pursuant to pending motions, or petitions for reconsideration or waiver (and including, but not limited to, any application for Review of the letter from Lawrence E. Strickling, Chief, Common Carrier bureau, FCC, to Dale Robertson, SBC, dated May 18, 1999 which may be filed with the Commission), or in the event of any other adjustment

(This page filed under Transmittal No. 2837)

Issued: July 27, 2000

Effective: August 11, 2000

Four AT&T Plaza, Dallas, Texas 75202

ACCESS SERVICE

- 7. Special Access Service (Cont'd)
 - 7.3 Service Descriptions, Rates and Charges (Cont'd)
 - 7.3.10 High Capacity Service (Cont'd)
 - (F) Rates and Charges (Cont'd) (N)

(25) Optional Payment Plan **Rates Effective: 08/11/00**
(Cont'd)

	<u>USOC</u>	<u>5 Year Monthly Rate</u>
(g) <u>Transfer Arrangement, Key Activated*</u> (Cont'd) USV		

Per four port
arrangement including
control channel
termination**

Zone 1 - AR	\$175.03
Zone 2 - AR	\$175.03
Zone 3 - AR	\$175.03
Zone 1 - KS	\$175.03
Zone 2 - KS	\$175.03
Zone 3 - KS	\$175.03
Zone 1 - MO	\$175.03
Zone 2 - MO	\$175.03
Zone 3 - MO	\$175.03
Zone 1 - OK	\$175.03
Zone 2 - OK	\$175.03
Zone 3 - OK	\$175.03
Zone 1 - TX	\$175.03
Zone 2 - TX	\$175.03
Zone 3 - TX	\$175.03

Nonrecurring Charge

Zone 1 - AR	\$213.00
Zone 2 - AR	\$213.00
Zone 3 - AR	\$213.00
Zone 1 - KS	\$213.00
Zone 2 - KS	\$213.00
Zone 3 - KS	\$213.00
Zone 1 - MO	\$213.00
Zone 2 - MO	\$213.00
Zone 3 - MO	\$213.00
Zone 1 - OK	\$213.00
Zone 2 - OK	\$213.00
Zone 3 - OK	\$213.00
Zone 1 - TX	\$213.00
Zone 2 - TX	\$213.00
Zone 3 - TX	\$213.00

* The key activated control channel is rated as a Metallic Channel Termination (use USOC T6EME in lieu of T6ECS) and Channel Mileage, if applicable (use USOC 1L5MX in lieu of 1L5XX).

** An additional Channel Termination charge will apply whenever a spare channel is configured as a leg to the customer's premises. Additional channel mileage will also apply when the transfer arrangement is not located in the customer premises serving wire center. (N)

Rates contained in this transmittal are subject to subsequent adjustment, effective retrospectively back to the transmittal's original effective date, in the event the Commission or a court subsequently authorizes SWBT to correct its rates pursuant to pending motions, or petitions for reconsideration or waiver (and including, but not limited to, any application for Review of the letter from Lawrence E. Strickling, Chief, Common Carrier bureau, FCC, to Dale Robertson, SBC, dated May 18, 1999 which may be filed with the Commission), or in the event of any other adjustment

(This page filed under Transmittal No. 2837)

Issued: July 27, 2000

Effective: August 11, 2000

Four AT&T Plaza, Dallas, Texas 75202

ACCESS SERVICE

7. Special Access Service (Cont'd)

7.3 Service Descriptions, Rates and Charges (Cont'd)

7.3.10 High Capacity Service (Cont'd)

(F) Rates and Charges (Cont'd)

(26) Optional Payment Plan Rates Effective: 07/03/01

(Z)

	<u>USOC</u>	<u>3 Year Monthly Rate</u>
(a) <u>Channel Termination</u>		
Per point of termination	TMECS	
1.544 Mbps		
Zone 1 - AR		\$115.00
Zone 2 - AR		\$120.00
Zone 3 - AR		\$130.00
Zone 1 - KS		\$115.00
Zone 2 - KS		\$120.00
Zone 3 - KS		\$130.00
Zone 1 - MO		\$115.00
Zone 2 - MO		\$120.00
Zone 3 - MO		\$130.00
Zone 1 - OK		\$115.00
Zone 2 - OK		\$120.00
Zone 3 - OK		\$130.00
Zone 1 - TX		\$115.00
Zone 2 - TX		\$120.00
Zone 3 - TX		\$130.00

	<u>Charge</u>	<u>Nonrecurring</u>
<u>Ckt</u>		<u>1st Ckt</u> <u>Addl</u>
\$250.00	Zone 1 - AR	\$300.00
\$250.00	Zone 2 - AR	\$300.00
\$250.00	Zone 3 - AR	\$300.00
\$250.00	Zone 1 - KS	\$300.00
\$250.00	Zone 2 - KS	\$300.00
\$250.00	Zone 3 - KS	\$300.00
\$250.00	Zone 1 - MO	\$300.00
\$250.00	Zone 2 - MO	\$300.00
\$250.00	Zone 3 - MO	\$300.00
\$250.00	Zone 1 - OK	\$300.00
\$250.00	Zone 2 - OK	\$300.00
\$250.00	Zone 3 - OK	\$300.00
\$250.00	Zone 1 - TX	\$300.00
\$250.00	Zone 2 - TX	\$300.00
\$250.00	Zone 3 - TX	\$300.00

Rates contained in this transmittal are subject to subsequent adjustment, effective retrospectively, in the event the Commission or a court subsequently authorizes Southwestern Bell Telephone Company to correct its rates pursuant to pending motions, or petitions for reconsideration or waiver, or in the event of any other adjustment to an order of the Commission or a court.

(This page filed under Transmittal No. 2879)

Issued: February 21, 2002

Effective: March 8, 2002

Four AT&T Plaza, Dallas, Texas 75202

ACCESS SERVICE

7. Special Access Service (Cont'd)

7.3 Service Descriptions, Rates and Charges (Cont'd)

7.3.10 High Capacity Service (Cont'd)

(F) Rates and Charges (Cont'd)

(26) Optional Payment Plan Rates Effective: 07/03/01 (Z)
 (Cont'd)

5 Year
Monthly Rate

USOC

(a) Channel Termination (Cont'd)

Per point of
 termination TMECS

1.544 Mbps

Zone 1 - AR	\$ 95.00
Zone 2 - AR	\$105.00
Zone 3 - AR	\$115.00
Zone 1 - KS	\$ 95.00
Zone 2 - KS	\$105.00
Zone 3 - KS	\$115.00
Zone 1 - MO	\$ 95.00
Zone 2 - MO	\$105.00
Zone 3 - MO	\$115.00
Zone 1 - OK	\$ 95.00
Zone 2 - OK	\$105.00
Zone 3 - OK	\$115.00
Zone 1 - TX	\$ 95.00
Zone 2 - TX	\$105.00
Zone 3 - TX	\$115.00

Nonrecurring Charge
1st Ckt Addl Ckt

Zone 1 - AR	\$ 0.00	\$150.00 (Z)
Zone 2 - AR	\$ 0.00	\$150.00 (Z)
Zone 3 - AR	\$ 0.00	\$150.00 (Z)
Zone 1 - KS	\$ 0.00	\$150.00
Zone 2 - KS	\$ 0.00	\$150.00
Zone 3 - KS	\$ 0.00	\$150.00
Zone 1 - MO	\$ 0.00	\$150.00 (Z)
Zone 2 - MO	\$ 0.00	\$150.00 (Z)
Zone 3 - MO	\$ 0.00	\$150.00 (Z)
Zone 1 - OK	\$ 0.00	\$150.00 (Z)
Zone 2 - OK	\$ 0.00	\$150.00 (Z)
Zone 3 - OK	\$ 0.00	\$150.00 (Z)
Zone 1 - TX	\$ 0.00	\$150.00 (Z)
Zone 2 - TX	\$ 0.00	\$150.00 (Z)
Zone 3 - TX	\$ 0.00	\$150.00 (Z)

(This page filed under Transmittal No. 2879)

ACCESS SERVICE

7. Special Access Service (Cont'd)

7.3 Service Descriptions, Rates and Charges (Cont'd)

7.3.10 High Capacity Service (Cont'd)

(F) Rates and Charges (Cont'd)

(26) Optional Payment Plan Rates Effective: 07/03/01
 (Cont'd)

(Z)

<u>Mile</u>	<u>USOC</u>	<u>3 Year Monthly Rate</u>	
		<u>Fixed</u>	<u>Per</u>
(b) <u>Channel Mileage</u>			
1.544 Mbps	1L5XX		
0 miles			
Zone 1 - AR		\$ 0.00	\$ 0.00
Zone 2 - AR		\$ 0.00	\$ 0.00
Zone 3 - AR		\$ 0.00	\$ 0.00
Zone 1 - KS		\$ 0.00	\$ 0.00
Zone 2 - KS		\$ 0.00	\$ 0.00
Zone 3 - KS		\$ 0.00	\$ 0.00
Zone 1 - MO		\$ 0.00	\$ 0.00
Zone 2 - MO		\$ 0.00	\$ 0.00
Zone 3 - MO		\$ 0.00	\$ 0.00
Zone 1 - OK		\$ 0.00	\$ 0.00
Zone 2 - OK		\$ 0.00	\$ 0.00
Zone 3 - OK		\$ 0.00	\$ 0.00
Zone 1 - TX		\$ 0.00	\$ 0.00
Zone 2 - TX		\$ 0.00	\$ 0.00
Zone 3 - TX		\$ 0.00	\$ 0.00
Over 0 miles			
Zone 1 - AR		\$40.00	\$15.00
Zone 2 - AR		\$40.00	\$15.00
Zone 3 - AR		\$40.00	\$15.00
Zone 1 - KS		\$40.00	\$15.00
Zone 2 - KS		\$40.00	\$15.00
Zone 3 - KS		\$40.00	\$15.00
Zone 1 - MO		\$40.00	\$15.00
Zone 2 - MO		\$40.00	\$15.00
Zone 3 - MO		\$40.00	\$15.00
Zone 1 - OK		\$40.00	\$15.00
Zone 2 - OK		\$40.00	\$15.00
Zone 3 - OK		\$40.00	\$15.00
Zone 1 - TX		\$40.00	\$15.00
Zone 2 - TX		\$40.00	\$15.00
Zone 3 - TX		\$40.00	\$15.00

Rates contained in this transmittal are subject to subsequent adjustment, effective retrospectively, in the event the Commission or a court subsequently authorizes Southwestern Bell Telephone Company to correct its rates pursuant to pending motions, or petitions for reconsideration or waiver, or in the event of any other adjustment to an order of the Commission or a court.

(This page filed under Transmittal No. 2879)

Issued: February 21, 2002

Effective: March 8, 2002

Four AT&T Plaza, Dallas, Texas 75202

7. Special Access Service (Cont'd)

7.3 Service Descriptions, Rates and Charges (Cont'd)

7.3.10 High Capacity Service (Cont'd)

(F) Rates and Charges (Cont'd)

(26) Optional Payment Plan Rates Effective: 07/03/01
 (Cont'd)

(Z)

		3 Year Monthly Rate	
	USOC	Fixed	Per Mile
(b) <u>Channel Mileage</u> (Cont'd)			
64 Kbps*	1L5TC		
0 miles			
Zone 1 - AR		\$ 0.00	\$ 0.00
Zone 2 - AR		\$ 0.00	\$ 0.00
Zone 3 - AR		\$ 0.00	\$ 0.00
Zone 1 - KS		\$ 0.00	\$ 0.00
Zone 2 - KS		\$ 0.00	\$ 0.00
Zone 3 - KS		\$ 0.00	\$ 0.00
Zone 1 - MO		\$ 0.00	\$ 0.00
Zone 2 - MO		\$ 0.00	\$ 0.00
Zone 3 - MO		\$ 0.00	\$ 0.00
Zone 1 - OK		\$ 0.00	\$ 0.00
Zone 2 - OK		\$ 0.00	\$ 0.00
Zone 3 - OK		\$ 0.00	\$ 0.00
Zone 1 - TX		\$ 0.00	\$ 0.00
Zone 2 - TX		\$ 0.00	\$ 0.00
Zone 3 - TX		\$ 0.00	\$ 0.00
Over 0 miles			
	1L5XX		
Zone 1 - AR		\$ 8.04	\$ 1.13
Zone 2 - AR		\$ 8.04	\$ 1.13
Zone 3 - AR		\$ 8.04	\$ 1.13
Zone 1 - KS		\$ 8.04	\$ 1.13
Zone 2 - KS		\$ 8.04	\$ 1.13
Zone 3 - KS		\$ 8.04	\$ 1.13
Zone 1 - MO		\$ 8.04	\$ 1.13
Zone 2 - MO		\$ 8.04	\$ 1.13
Zone 3 - MO		\$ 8.04	\$ 1.13
Zone 1 - OK		\$ 8.04	\$ 1.13
Zone 2 - OK		\$ 8.04	\$ 1.13
Zone 3 - OK		\$ 8.04	\$ 1.13
Zone 1 - TX		\$ 8.04	\$ 1.13
Zone 2 - TX		\$ 8.04	\$ 1.13
Zone 3 - TX		\$ 8.04	\$ 1.13

* Available only as a channel of a 1.544 Mbps facility to a SWBT Digital Data Hub or as a cross connect of two channels of two 1.544 Mbps facilities to a Digital Data Hub(s). The customer must provide system and channel assignment data.

Rates contained in this transmittal are subject to subsequent adjustment, effective retrospectively, in the event the Commission or a court subsequently authorizes Southwestern Bell Telephone Company to correct its rates pursuant to pending motions, or petitions for reconsideration or waiver, or in the event of any other adjustment to an order of the Commission or a court.

(This page filed under Transmittal No. 2879)

Issued: February 21, 2002

Effective: March 8, 2002

Four AT&T Plaza, Dallas, Texas 75202

ACCESS SERVICE

7. Special Access Service (Cont'd)

7.3 Service Descriptions, Rates and Charges (Cont'd)

7.3.10 High Capacity Service (Cont'd)

(F) Rates and Charges (Cont'd)

(26) Optional Payment Plan Rates Effective: 07/03/01
 (Cont'd)

	USOC	5 Year Monthly Rate	
		Fixed	Per Mile
(b) <u>Channel Mileage</u> (Cont'd)			
1.544 Mbps	1L5XX		
0 miles			
Zone 1 - AR		\$ 0.00	\$ 0.00
Zone 2 - AR		\$ 0.00	\$ 0.00
Zone 3 - AR		\$ 0.00	\$ 0.00
Zone 1 - KS		\$ 0.00	\$ 0.00
Zone 2 - KS		\$ 0.00	\$ 0.00
Zone 3 - KS		\$ 0.00	\$ 0.00
Zone 1 - MO		\$ 0.00	\$ 0.00
Zone 2 - MO		\$ 0.00	\$ 0.00
Zone 3 - MO		\$ 0.00	\$ 0.00
Zone 1 - OK		\$ 0.00	\$ 0.00
Zone 2 - OK		\$ 0.00	\$ 0.00
Zone 3 - OK		\$ 0.00	\$ 0.00
Zone 1 - TX		\$ 0.00	\$ 0.00
Zone 2 - TX		\$ 0.00	\$ 0.00
Zone 3 - TX		\$ 0.00	\$ 0.00
Over 0 miles			
Zone 1 - AR		\$35.00	\$12.00
Zone 2 - AR		\$35.00	\$12.00
Zone 3 - AR		\$35.00	\$12.00
Zone 1 - KS		\$35.00	\$12.00
Zone 2 - KS		\$35.00	\$12.00
Zone 3 - KS		\$35.00	\$12.00
Zone 1 - MO		\$35.00	\$12.00
Zone 2 - MO		\$35.00	\$12.00
Zone 3 - MO		\$35.00	\$12.00
Zone 1 - OK		\$35.00	\$12.00
Zone 2 - OK		\$35.00	\$12.00
Zone 3 - OK		\$35.00	\$12.00
Zone 1 - TX		\$35.00	\$12.00
Zone 2 - TX		\$35.00	\$12.00
Zone 3 - TX		\$35.00	\$12.00

Rates contained in this transmittal are subject to subsequent adjustment, effective retrospectively, in the event the Commission or a court subsequently authorizes Southwestern Bell Telephone Company to correct its rates pursuant to pending motions, or petitions for reconsideration or waiver, or in the event of any other adjustment to an order of the Commission or a court.

(This page filed under Transmittal No. 2879)

Issued: February 21, 2002

Effective: March 8, 2002

Four AT&T Plaza, Dallas, Texas 75202

ACCESS SERVICE

7. Special Access Service (Cont'd)

7.3 Service Descriptions, Rates and Charges (Cont'd)

7.3.10 High Capacity Service (Cont'd)

(F) Rates and Charges (Cont'd)

(26) Optional Payment Plan Rates Effective: 07/03/01 (Z)
 (Cont'd)

	USOC	5 Year Monthly Rate	
		Fixed	Per Mile
(b) <u>Channel Mileage</u> (Cont'd)			
64 Kbps*	1L5TC		
0 miles			
Zone 1 - AR		\$ 0.00	\$ 0.00
Zone 2 - AR		\$ 0.00	\$ 0.00
Zone 3 - AR		\$ 0.00	\$ 0.00
Zone 1 - KS		\$ 0.00	\$ 0.00
Zone 2 - KS		\$ 0.00	\$ 0.00
Zone 3 - KS		\$ 0.00	\$ 0.00
Zone 1 - MO		\$ 0.00	\$ 0.00
Zone 2 - MO		\$ 0.00	\$ 0.00
Zone 3 - MO		\$ 0.00	\$ 0.00
Zone 1 - OK		\$ 0.00	\$ 0.00
Zone 2 - OK		\$ 0.00	\$ 0.00
Zone 3 - OK		\$ 0.00	\$ 0.00
Zone 1 - TX		\$ 0.00	\$ 0.00
Zone 2 - TX		\$ 0.00	\$ 0.00
Zone 3 - TX		\$ 0.00	\$ 0.00
Over 0 miles	1L5XX		
Zone 1 - AR		\$ 7.64	\$ 1.07
Zone 2 - AR		\$ 7.64	\$ 1.07
Zone 3 - AR		\$ 7.64	\$ 1.07
Zone 1 - KS		\$ 7.64	\$ 1.07
Zone 2 - KS		\$ 7.64	\$ 1.07
Zone 3 - KS		\$ 7.64	\$ 1.07
Zone 1 - MO		\$ 7.64	\$ 1.07
Zone 2 - MO		\$ 7.64	\$ 1.07
Zone 3 - MO		\$ 7.64	\$ 1.07
Zone 1 - OK		\$ 7.64	\$ 1.07
Zone 2 - OK		\$ 7.64	\$ 1.07
Zone 3 - OK		\$ 7.64	\$ 1.07
Zone 1 - TX		\$ 7.64	\$ 1.07
Zone 2 - TX		\$ 7.64	\$ 1.07
Zone 3 - TX		\$ 7.64	\$ 1.07

* Available only as a channel of a 1.544 Mbps facility to a SWBT Digital Data Hub or as a cross connect of two channels of two 1.544 Mbps facilities to a Digital Data Hub(s). The customer must provide system and channel assignment data.

Rates contained in this transmittal are subject to subsequent adjustment, effective retrospectively, in the event the Commission or a court subsequently authorizes Southwestern Bell Telephone Company to correct its rates pursuant to pending motions, or petitions for reconsideration or waiver, or in the event of any other adjustment to an order of the Commission or a court.

(This page filed under Transmittal No. 2879)

ACCESS SERVICE

7. Special Access Service (Cont'd)

7.3 Service Descriptions, Rates and Charges (Cont'd)

7.3.10 High Capacity Service (Cont'd)

(F) Rates and Charges (Cont'd)

(26) Optional Payment Plan (Cont'd) Rates Effective: 07/03/01 (Z)

3 Year
USOC Monthly Rate

(c) Service to Service Through Connect Arrangement

High Capacity Service Arrangement - 1.544 Mbps (DS1)

THA

Zone 1 - AR \$	0.00
Zone 2 - AR \$	0.00
Zone 3 - AR \$	0.00
Zone 1 - KS \$	0.00
Zone 2 - KS \$	0.00
Zone 3 - KS \$	0.00
Zone 1 - MO \$	0.00
Zone 2 - MO \$	0.00
Zone 3 - MO \$	0.00
Zone 1 - OK \$	0.00
Zone 2 - OK \$	0.00
Zone 3 - OK \$	0.00
Zone 1 - TX \$	0.00
Zone 2 - TX \$	0.00
Zone 3 - TX \$	0.00

Nonrecurring Charge
1st Ckt Addl Ckt

Zone 1 - AR	\$204.00	\$156.00
Zone 2 - AR	\$204.00	\$156.00
Zone 3 - AR	\$204.00	\$156.00
Zone 1 - KS	\$204.00	\$156.00
Zone 2 - KS	\$204.00	\$156.00
Zone 3 - KS	\$204.00	\$156.00
Zone 1 - MO	\$204.00	\$156.00
Zone 2 - MO	\$204.00	\$156.00
Zone 3 - MO	\$204.00	\$156.00
Zone 1 - OK	\$204.00	\$156.00
Zone 2 - OK	\$204.00	\$156.00
Zone 3 - OK	\$204.00	\$156.00
Zone 1 - TX	\$204.00	\$156.00
Zone 2 - TX	\$204.00	\$156.00
Zone 3 - TX	\$204.00	\$156.00

Rates contained in this transmittal are subject to subsequent adjustment, effective retrospectively, in the event the Commission or a court subsequently authorizes Southwestern Bell Telephone Company to correct its rates pursuant to pending motions, or petitions for reconsideration or waiver, or in the event of any other adjustment to an order of the Commission or a court.

(This page filed under Transmittal No. 2879)

ACCESS SERVICE

7. Special Access Service (Cont'd)

7.3 Service Descriptions, Rates and Charges (Cont'd)

7.3.10 High Capacity Service (Cont'd)

(F) Rates and Charges (Cont'd)

(26) Optional Payment Plan Rates Effective: 07/03/01 (Z)
 (Cont'd)

5 Year
USOC Monthly Rate

(c) Service to Service
Through Connect
Arrangement (Cont'd)

High Capacity Service
 Arrangement - 1.544
 Mbps (DS1)

THA

Zone 1 - AR \$	0.00
Zone 2 - AR \$	0.00
Zone 3 - AR \$	0.00
Zone 1 - KS \$	0.00
Zone 2 - KS \$	0.00
Zone 3 - KS \$	0.00
Zone 1 - MO \$	0.00
Zone 2 - MO \$	0.00
Zone 3 - MO \$	0.00
Zone 1 - OK \$	0.00
Zone 2 - OK \$	0.00
Zone 3 - OK \$	0.00
Zone 1 - TX \$	0.00
Zone 2 - TX \$	0.00
Zone 3 - TX \$	0.00

Nonrecurring Charge
1st Ckt Addl Ckt

Zone 1 - AR	\$204.00	\$156.00
Zone 2 - AR	\$204.00	\$156.00
Zone 3 - AR	\$204.00	\$156.00
Zone 1 - KS	\$204.00	\$156.00
Zone 2 - KS	\$204.00	\$156.00
Zone 3 - KS	\$204.00	\$156.00
Zone 1 - MO	\$204.00	\$156.00
Zone 2 - MO	\$204.00	\$156.00
Zone 3 - MO	\$204.00	\$156.00
Zone 1 - OK	\$204.00	\$156.00
Zone 2 - OK	\$204.00	\$156.00
Zone 3 - OK	\$204.00	\$156.00
Zone 1 - TX	\$204.00	\$156.00
Zone 2 - TX	\$204.00	\$156.00
Zone 3 - TX	\$204.00	\$156.00

Rates contained in this transmittal are subject to subsequent adjustment, effective retrospectively, in the event the Commission or a court subsequently authorizes Southwestern Bell Telephone Company to correct its rates pursuant to pending motions, or petitions for reconsideration or waiver, or in the event of any other adjustment to an order of the Commission or a court.

(This page filed under Transmittal No. 2879)

Issued: February 21, 2002

Effective: March 8, 2002

Four AT&T Plaza, Dallas, Texas 75202

ACCESS SERVICE

7. Special Access Service (Cont'd)

7.3 Service Descriptions, Rates and Charges (Cont'd)

7.3.10 High Capacity Service (Cont'd)

(F) Rates and Charges (Cont'd)

(26) Optional Payment Plan Rates Effective: 07/03/01 (Z)
 (Cont'd)

USOC 3 Year
 Monthly Rate

(c) Service to Service
Through Connect
Arrangement (Cont'd)

Multiplexed Service
 Arrangement - 1.544 Mbps
 (DS1) THK

Zone 1 - AR \$	0.00
Zone 2 - AR \$	0.00
Zone 3 - AR \$	0.00
Zone 1 - KS \$	0.00
Zone 2 - KS \$	0.00
Zone 3 - KS \$	0.00
Zone 1 - MO \$	0.00
Zone 2 - MO \$	0.00
Zone 3 - MO \$	0.00
Zone 1 - OK \$	0.00
Zone 2 - OK \$	0.00
Zone 3 - OK \$	0.00
Zone 1 - TX \$	0.00
Zone 2 - TX \$	0.00
Zone 3 - TX \$	0.00

Nonrecurring Charge
 1st Ckt Addl Ckt

Zone 1 - AR	\$332.00	\$280.00
Zone 2 - AR	\$332.00	\$280.00
Zone 3 - AR	\$332.00	\$280.00
Zone 1 - KS	\$332.00	\$280.00
Zone 2 - KS	\$332.00	\$280.00
Zone 3 - KS	\$332.00	\$280.00
Zone 1 - MO	\$332.00	\$280.00
Zone 2 - MO	\$332.00	\$280.00
Zone 3 - MO	\$332.00	\$280.00
Zone 1 - OK	\$332.00	\$280.00
Zone 2 - OK	\$332.00	\$280.00
Zone 3 - OK	\$332.00	\$280.00
Zone 1 - TX	\$332.00	\$280.00
Zone 2 - TX	\$332.00	\$280.00
Zone 3 - TX	\$332.00	\$280.00

Rates contained in this transmittal are subject to subsequent adjustment, effective retrospectively, in the event the Commission or a court subsequently authorizes Southwestern Bell Telephone Company to correct its rates pursuant to pending motions, or petitions for reconsideration or waiver, or in the event of any other adjustment to an order of the Commission or a court.

(This page filed under Transmittal No. 2879)

ACCESS SERVICE

7. Special Access Service (Cont'd)

7.3 Service Descriptions, Rates and Charges (Cont'd)

7.3.10 High Capacity Service (Cont'd)

(F) Rates and Charges (Cont'd)

(26) Optional Payment Plan Rates Effective: 07/03/01 (Z)
 (Cont'd)

USOC 5 Year
 Monthly Rate

(c) Service to Service
Through Connect
Arrangement (Cont'd)

Multiplexed Service
 Arrangement - 1.544 Mbps
 (DS1) THK

Zone 1 - AR \$	0.00
Zone 2 - AR \$	0.00
Zone 3 - AR \$	0.00
Zone 1 - KS \$	0.00
Zone 2 - KS \$	0.00
Zone 3 - KS \$	0.00
Zone 1 - MO \$	0.00
Zone 2 - MO \$	0.00
Zone 3 - MO \$	0.00
Zone 1 - OK \$	0.00
Zone 2 - OK \$	0.00
Zone 3 - OK \$	0.00
Zone 1 - TX \$	0.00
Zone 2 - TX \$	0.00
Zone 3 - TX \$	0.00

Nonrecurring Charge
1st Ckt Addl Ckt

Zone 1 - AR	\$332.00	\$280.00
Zone 2 - AR	\$332.00	\$280.00
Zone 3 - AR	\$332.00	\$280.00
Zone 1 - KS	\$332.00	\$280.00
Zone 2 - KS	\$332.00	\$280.00
Zone 3 - KS	\$332.00	\$280.00
Zone 1 - MO	\$332.00	\$280.00
Zone 2 - MO	\$332.00	\$280.00
Zone 3 - MO	\$332.00	\$280.00
Zone 1 - OK	\$332.00	\$280.00
Zone 2 - OK	\$332.00	\$280.00
Zone 3 - OK	\$332.00	\$280.00
Zone 1 - TX	\$332.00	\$280.00
Zone 2 - TX	\$332.00	\$280.00
Zone 3 - TX	\$332.00	\$280.00

Rates contained in this transmittal are subject to subsequent adjustment, effective retrospectively, in the event the Commission or a court subsequently authorizes Southwestern Bell Telephone Company to correct its rates pursuant to pending motions, or petitions for reconsideration or waiver, or in the event of any other adjustment to an order of the Commission or a court.

(This page filed under Transmittal No. 2879)

Issued: February 21, 2002

Effective: March 8, 2002

Four AT&T Plaza, Dallas, Texas 75202

ACCESS SERVICE

7. Special Access Service (Cont'd)

7.3 Service Descriptions, Rates and Charges (Cont'd)

7.3.10 High Capacity Service (Cont'd)

(F) Rates and Charges (Cont'd)

(26) Optional Payment Plan

(d)

(D)
(D)

(D)
(D)

(D)

(D)

(This page filed under Transmittal No. 3317)

ACCESS SERVICE

7. Special Access Service (Cont'd)

7.3 Service Descriptions, Rates and Charges (Cont'd)

7.3.10 High Capacity Service (Cont'd)

(F) Rates and Charges (Cont'd)

(26) Optional Payment Plan

(D)
(D)

(D)
(D)

(d)

(D)

(D)

(This page filed under Transmittal No. 3317)

ACCESS SERVICE

7. Special Access Service (Cont'd)

7.3 Service Descriptions, Rates and Charges (Cont'd)

7.3.10 High Capacity Service (Cont'd)

(F) Rates and Charges (Cont'd)

(26) Optional Payment Plan Rates Effective: 07/03/01 (Z)
 (Cont'd)

	<u>USOC</u>	<u>3 Year Monthly Rate</u>
(e) <u>Multiplexing</u>		
Per arrangement		
DS0 to Subrates		
Up to 20 2.4 kbps services	QSU24	
Zone 1 - AR		\$135.00
Zone 2 - AR		\$135.00
Zone 3 - AR		\$135.00
Zone 1 - KS		\$135.00
Zone 2 - KS		\$135.00
Zone 3 - KS		\$135.00
Zone 1 - MO		\$135.00
Zone 2 - MO		\$135.00
Zone 3 - MO		\$135.00
Zone 1 - OK		\$135.00
Zone 2 - OK		\$135.00
Zone 3 - OK		\$135.00
Zone 1 - TX		\$135.00
Zone 2 - TX		\$135.00
Zone 3 - TX		\$135.00

<u>Charge</u>	<u>Nonrecurring</u>
Zone 1 - AR	\$ 0.00
Zone 2 - AR	\$ 0.00
Zone 3 - AR	\$ 0.00
Zone 1 - KS	\$ 0.00
Zone 2 - KS	\$ 0.00
Zone 3 - KS	\$ 0.00
Zone 1 - MO	\$ 0.00
Zone 2 - MO	\$ 0.00
Zone 3 - MO	\$ 0.00
Zone 1 - OK	\$ 0.00
Zone 2 - OK	\$ 0.00
Zone 3 - OK	\$ 0.00
Zone 1 - TX	\$ 0.00
Zone 2 - TX	\$ 0.00
Zone 3 - TX	\$ 0.00

Rates contained in this transmittal are subject to subsequent adjustment, effective retrospectively, in the event the Commission or a court subsequently authorizes Southwestern Bell Telephone Company to correct its rates pursuant to pending motions, or petitions for reconsideration or waiver, or in the event of any other adjustment to an order of the Commission or a court.

(This page filed under Transmittal No. 2879)

Issued: February 21, 2002

Effective: March 8, 2002

Four AT&T Plaza, Dallas, Texas 75202

ACCESS SERVICE

7. Special Access Service (Cont'd)

7.3 Service Descriptions, Rates and Charges (Cont'd)

7.3.10 High Capacity Service (Cont'd)

(F) Rates and Charges (Cont'd)

(26) Optional Payment Plan Rates Effective: 07/03/01 (Z)
 (Cont'd)

	<u>USOC</u>	<u>5 Year Monthly Rate</u>
(e) <u>Multiplexing (Cont'd)</u>		
Per arrangement		
DS0 to Subrates		
Up to 20 2.4 kbps services	QSU24	
Zone 1 - AR		\$128.25
Zone 2 - AR		\$128.25
Zone 3 - AR		\$128.25
Zone 1 - KS		\$128.25
Zone 2 - KS		\$128.25
Zone 3 - KS		\$128.25
Zone 1 - MO		\$128.25
Zone 2 - MO		\$128.25
Zone 3 - MO		\$128.25
Zone 1 - OK		\$128.25
Zone 2 - OK		\$128.25
Zone 3 - OK		\$128.25
Zone 1 - TX		\$128.25
Zone 2 - TX		\$128.25
Zone 3 - TX		\$128.25

<u>Charge</u>	<u>Nonrecurring</u>
Zone 1 - AR	\$ 0.00
Zone 2 - AR	\$ 0.00
Zone 3 - AR	\$ 0.00
Zone 1 - KS	\$ 0.00
Zone 2 - KS	\$ 0.00
Zone 3 - KS	\$ 0.00
Zone 1 - MO	\$ 0.00
Zone 2 - MO	\$ 0.00
Zone 3 - MO	\$ 0.00
Zone 1 - OK	\$ 0.00
Zone 2 - OK	\$ 0.00
Zone 3 - OK	\$ 0.00
Zone 1 - TX	\$ 0.00
Zone 2 - TX	\$ 0.00
Zone 3 - TX	\$ 0.00

Rates contained in this transmittal are subject to subsequent adjustment, effective retrospectively, in the event the Commission or a court subsequently authorizes Southwestern Bell Telephone Company to correct its rates pursuant to pending motions, or petitions for reconsideration or waiver, or in the event of any other adjustment to an order of the Commission or a court.

(This page filed under Transmittal No. 2879)

Issued: February 21, 2002

Effective: March 8, 2002

Four AT&T Plaza, Dallas, Texas 75202

ACCESS SERVICE

7. Special Access Service (Cont'd)

7.3 Service Descriptions, Rates and Charges (Cont'd)

7.3.10 High Capacity Service (Cont'd)

(F) Rates and Charges (Cont'd)

(26) Optional Payment Plan Rates Effective: 07/03/01 (Z)
 (Cont'd)

	<u>USOC</u>	<u>3 Year Monthly Rate</u>
(e) <u>Multiplexing (Cont'd)</u>		
Per arrangement		
DS0 to Subrates		
Up to 10 4.8 kbps services	QSU48	
Zone 1 - AR		\$125.00
Zone 2 - AR		\$125.00
Zone 3 - AR		\$125.00
Zone 1 - KS		\$125.00
Zone 2 - KS		\$125.00
Zone 3 - KS		\$125.00
Zone 1 - MO		\$125.00
Zone 2 - MO		\$125.00
Zone 3 - MO		\$125.00
Zone 1 - OK		\$125.00
Zone 2 - OK		\$125.00
Zone 3 - OK		\$125.00
Zone 1 - TX		\$125.00
Zone 2 - TX		\$125.00
Zone 3 - TX		\$125.00

<u>Charge</u>	<u>Nonrecurring</u>
Zone 1 - AR	\$ 0.00
Zone 2 - AR	\$ 0.00
Zone 3 - AR	\$ 0.00
Zone 1 - KS	\$ 0.00
Zone 2 - KS	\$ 0.00
Zone 3 - KS	\$ 0.00
Zone 1 - MO	\$ 0.00
Zone 2 - MO	\$ 0.00
Zone 3 - MO	\$ 0.00
Zone 1 - OK	\$ 0.00
Zone 2 - OK	\$ 0.00
Zone 3 - OK	\$ 0.00
Zone 1 - TX	\$ 0.00
Zone 2 - TX	\$ 0.00
Zone 3 - TX	\$ 0.00

Rates contained in this transmittal are subject to subsequent adjustment, effective retrospectively, in the event the Commission or a court subsequently authorizes Southwestern Bell Telephone Company to correct its rates pursuant to pending motions, or petitions for reconsideration or waiver, or in the event of any other adjustment to an order of the Commission or a court.

(This page filed under Transmittal No. 2879)

Issued: February 21, 2002

Effective: March 8, 2002

Four AT&T Plaza, Dallas, Texas 75202

ACCESS SERVICE

7. Special Access Service (Cont'd)

7.3 Service Descriptions, Rates and Charges (Cont'd)

7.3.10 High Capacity Service (Cont'd)

(F) Rates and Charges (Cont'd)

(26) Optional Payment Plan Rates Effective: 07/03/01 (Z)
 (Cont'd)

	<u>USOC</u>	<u>5 Year Monthly Rate</u>
(e) <u>Multiplexing (Cont'd)</u>		
Per arrangement		
DS0 to Subrates		
Up to 10 4.8 kbps services	QSU48	
Zone 1 - AR		\$118.75
Zone 2 - AR		\$118.75
Zone 3 - AR		\$118.75
Zone 1 - KS		\$118.75
Zone 2 - KS		\$118.75
Zone 3 - KS		\$118.75
Zone 1 - MO		\$118.75
Zone 2 - MO		\$118.75
Zone 3 - MO		\$118.75
Zone 1 - OK		\$118.75
Zone 2 - OK		\$118.75
Zone 3 - OK		\$118.75
Zone 1 - TX		\$118.75
Zone 2 - TX		\$118.75
Zone 3 - TX		\$118.75

<u>Charge</u>	<u>Nonrecurring</u>
Zone 1 - AR	\$ 0.00
Zone 2 - AR	\$ 0.00
Zone 3 - AR	\$ 0.00
Zone 1 - KS	\$ 0.00
Zone 2 - KS	\$ 0.00
Zone 3 - KS	\$ 0.00
Zone 1 - MO	\$ 0.00
Zone 2 - MO	\$ 0.00
Zone 3 - MO	\$ 0.00
Zone 1 - OK	\$ 0.00
Zone 2 - OK	\$ 0.00
Zone 3 - OK	\$ 0.00
Zone 1 - TX	\$ 0.00
Zone 2 - TX	\$ 0.00
Zone 3 - TX	\$ 0.00

Rates contained in this transmittal are subject to subsequent adjustment, effective retrospectively, in the event the Commission or a court subsequently authorizes Southwestern Bell Telephone Company to correct its rates pursuant to pending motions, or petitions for reconsideration or waiver, or in the event of any other adjustment to an order of the Commission or a court.

(This page filed under Transmittal No. 2879)

Issued: February 21, 2002

Effective: March 8, 2002

Four AT&T Plaza, Dallas, Texas 75202

ACCESS SERVICE

7. Special Access Service (Cont'd)

7.3 Service Descriptions, Rates and Charges (Cont'd)

7.3.10 High Capacity Service (Cont'd)

(F) Rates and Charges (Cont'd)

(26) Optional Payment Plan (Cont'd) Rates Effective: 07/03/01 (Z)

	<u>USOC</u>	<u>3 Year Monthly Rate</u>
(e) <u>Multiplexing (Cont'd)</u>		
Per arrangement		
DS0 to Subrates		
Up to 5 9.6 kbps services	QSU96	
Zone 1 - AR		\$235.00
Zone 2 - AR		\$235.00
Zone 3 - AR		\$235.00
Zone 1 - KS		\$235.00
Zone 2 - KS		\$235.00
Zone 3 - KS		\$235.00
Zone 1 - MO		\$235.00
Zone 2 - MO		\$235.00
Zone 3 - MO		\$235.00
Zone 1 - OK		\$235.00
Zone 2 - OK		\$235.00
Zone 3 - OK		\$235.00
Zone 1 - TX		\$235.00
Zone 2 - TX		\$235.00
Zone 3 - TX		\$235.00

<u>Charge</u>	<u>Nonrecurring</u>
Zone 1 - AR	\$ 0.00
Zone 2 - AR	\$ 0.00
Zone 3 - AR	\$ 0.00
Zone 1 - KS	\$ 0.00
Zone 2 - KS	\$ 0.00
Zone 3 - KS	\$ 0.00
Zone 1 - MO	\$ 0.00
Zone 2 - MO	\$ 0.00
Zone 3 - MO	\$ 0.00
Zone 1 - OK	\$ 0.00
Zone 2 - OK	\$ 0.00
Zone 3 - OK	\$ 0.00
Zone 1 - TX	\$ 0.00
Zone 2 - TX	\$ 0.00
Zone 3 - TX	\$ 0.00

Rates contained in this transmittal are subject to subsequent adjustment, effective retrospectively, in the event the Commission or a court subsequently authorizes Southwestern Bell Telephone Company to correct its rates pursuant to pending motions, or petitions for reconsideration or waiver, or in the event of any other adjustment to an order of the Commission or a court.

(This page filed under Transmittal No. 2879)

Issued: February 21, 2002

Effective: March 8, 2002

Four AT&T Plaza, Dallas, Texas 75202

ACCESS SERVICE

7. Special Access Service (Cont'd)

7.3 Service Descriptions, Rates and Charges (Cont'd)

7.3.10 High Capacity Service (Cont'd)

(F) Rates and Charges (Cont'd)

(26) Optional Payment Plan Rates Effective: 07/03/01
 (Cont'd)

(Z)

	<u>USOC</u>	<u>5 Year Monthly Rate</u>
(e) <u>Multiplexing (Cont'd)</u>		
Per arrangement		
DS0 to Subrates		
Up to 5 9.6 kbps services	QSU96	
Zone 1 - AR		\$223.25
Zone 2 - AR		\$223.25
Zone 3 - AR		\$223.25
Zone 1 - KS		\$223.25
Zone 2 - KS		\$223.25
Zone 3 - KS		\$223.25
Zone 1 - MO		\$223.25
Zone 2 - MO		\$223.25
Zone 3 - MO		\$223.25
Zone 1 - OK		\$223.25
Zone 2 - OK		\$223.25
Zone 3 - OK		\$223.25
Zone 1 - TX		\$223.25
Zone 2 - TX		\$223.25
Zone 3 - TX		\$223.25

<u>Charge</u>	<u>Nonrecurring</u>
Zone 1 - AR	\$ 0.00
Zone 2 - AR	\$ 0.00
Zone 3 - AR	\$ 0.00
Zone 1 - KS	\$ 0.00
Zone 2 - KS	\$ 0.00
Zone 3 - KS	\$ 0.00
Zone 1 - MO	\$ 0.00
Zone 2 - MO	\$ 0.00
Zone 3 - MO	\$ 0.00
Zone 1 - OK	\$ 0.00
Zone 2 - OK	\$ 0.00
Zone 3 - OK	\$ 0.00
Zone 1 - TX	\$ 0.00
Zone 2 - TX	\$ 0.00
Zone 3 - TX	\$ 0.00

Rates contained in this transmittal are subject to subsequent adjustment, effective retrospectively, in the event the Commission or a court subsequently authorizes Southwestern Bell Telephone Company to correct its rates pursuant to pending motions, or petitions for reconsideration or waiver, or in the event of any other adjustment to an order of the Commission or a court.

(This page filed under Transmittal No. 2879)

Issued: February 21, 2002

Effective: March 8, 2002

Four AT&T Plaza, Dallas, Texas 75202

ACCESS SERVICE

7. Special Access Service (Cont'd)

7.3 Service Descriptions, Rates and Charges (Cont'd)

7.3.10 High Capacity Service (Cont'd)

(F) Rates and Charges (Cont'd)

(26) Optional Payment Plan Rates Effective: 07/03/01 (Z)
 (Cont'd)

	<u>USOC</u>	<u>3 Year Monthly Rate</u>
(e) <u>Multiplexing (Cont'd)</u>		
Per arrangement		
DS1 to DS0 QMU		
Zone 1 - AR		\$180.00
Zone 2 - AR		\$180.00
Zone 3 - AR		\$180.00
Zone 1 - KS		\$180.00
Zone 2 - KS		\$180.00
Zone 3 - KS		\$180.00
Zone 1 - MO		\$180.00
Zone 2 - MO		\$180.00
Zone 3 - MO		\$180.00
Zone 1 - OK		\$180.00
Zone 2 - OK		\$180.00
Zone 3 - OK		\$180.00
Zone 1 - TX		\$180.00
Zone 2 - TX		\$180.00
Zone 3 - TX		\$180.00

<u>Charge</u>	<u>Nonrecurring</u>
Zone 1 - AR	\$ 0.00
Zone 2 - AR	\$ 0.00
Zone 3 - AR	\$ 0.00
Zone 1 - KS	\$ 0.00
Zone 2 - KS	\$ 0.00
Zone 3 - KS	\$ 0.00
Zone 1 - MO	\$ 0.00
Zone 2 - MO	\$ 0.00
Zone 3 - MO	\$ 0.00
Zone 1 - OK	\$ 0.00
Zone 2 - OK	\$ 0.00
Zone 3 - OK	\$ 0.00
Zone 1 - TX	\$ 0.00
Zone 2 - TX	\$ 0.00
Zone 3 - TX	\$ 0.00

Rates contained in this transmittal are subject to subsequent adjustment, effective retrospectively, in the event the Commission or a court subsequently authorizes Southwestern Bell Telephone Company to correct its rates pursuant to pending motions, or petitions for reconsideration or waiver, or in the event of any other adjustment to an order of the Commission or a court.

(This page filed under Transmittal No. 2879)

Issued: February 21, 2002

Effective: March 8, 2002

Four AT&T Plaza, Dallas, Texas 75202

ACCESS SERVICE

7. Special Access Service (Cont'd)

7.3 Service Descriptions, Rates and Charges (Cont'd)

7.3.10 High Capacity Service (Cont'd)

(F) Rates and Charges (Cont'd)

(26) Optional Payment Plan Rates Effective: 07/03/01 (Z)
 (Cont'd)

	<u>USOC</u>	<u>5 Year Monthly Rate</u>
(e) <u>Multiplexing (Cont'd)</u>		
Per arrangement		
DS1 to DS0 QMU		
Zone 1 - AR		\$171.00
Zone 2 - AR		\$171.00
Zone 3 - AR		\$171.00
Zone 1 - KS		\$171.00
Zone 2 - KS		\$171.00
Zone 3 - KS		\$171.00
Zone 1 - MO		\$171.00
Zone 2 - MO		\$171.00
Zone 3 - MO		\$171.00
Zone 1 - OK		\$171.00
Zone 2 - OK		\$171.00
Zone 3 - OK		\$171.00
Zone 1 - TX		\$171.00
Zone 2 - TX		\$171.00
Zone 3 - TX		\$171.00

<u>Charge</u>	<u>Nonrecurring</u>
Zone 1 - AR	\$ 0.00
Zone 2 - AR	\$ 0.00
Zone 3 - AR	\$ 0.00
Zone 1 - KS	\$ 0.00
Zone 2 - KS	\$ 0.00
Zone 3 - KS	\$ 0.00
Zone 1 - MO	\$ 0.00
Zone 2 - MO	\$ 0.00
Zone 3 - MO	\$ 0.00
Zone 1 - OK	\$ 0.00
Zone 2 - OK	\$ 0.00
Zone 3 - OK	\$ 0.00
Zone 1 - TX	\$ 0.00
Zone 2 - TX	\$ 0.00
Zone 3 - TX	\$ 0.00

Rates contained in this transmittal are subject to subsequent adjustment, effective retrospectively, in the event the Commission or a court subsequently authorizes Southwestern Bell Telephone Company to correct its rates pursuant to pending motions, or petitions for reconsideration or waiver, or in the event of any other adjustment to an order of the Commission or a court.

(This page filed under Transmittal No. 2879)

Issued: February 21, 2002

Effective: March 8, 2002

Four AT&T Plaza, Dallas, Texas 75202

ACCESS SERVICE

7. Special Access Service (Cont'd)

7.3 Service Descriptions, Rates and Charges (Cont'd)

7.3.10 High Capacity Service (Cont'd)

(F) Rates and Charges (Cont'd)

(26) Optional Payment Plan Rates Effective: 07/03/01 (Z)
 (Cont'd)

	<u>USOC</u>	<u>3 Year Monthly Rate</u>
(e) <u>Multiplexing (Cont'd)</u>		
Per arrangement		
DS1 to Voice	MQ1	
Zone 1 - AR		\$180.00
Zone 2 - AR		\$180.00
Zone 3 - AR		\$180.00
Zone 1 - KS		\$180.00
Zone 2 - KS		\$180.00
Zone 3 - KS		\$180.00
Zone 1 - MO		\$180.00
Zone 2 - MO		\$180.00
Zone 3 - MO		\$180.00
Zone 1 - OK		\$180.00
Zone 2 - OK		\$180.00
Zone 3 - OK		\$180.00
Zone 1 - TX		\$180.00
Zone 2 - TX		\$180.00
Zone 3 - TX		\$180.00

<u>Charge</u>	<u>Nonrecurring</u>
Zone 1 - AR	\$ 0.00
Zone 2 - AR	\$ 0.00
Zone 3 - AR	\$ 0.00
Zone 1 - KS	\$ 0.00
Zone 2 - KS	\$ 0.00
Zone 3 - KS	\$ 0.00
Zone 1 - MO	\$ 0.00
Zone 2 - MO	\$ 0.00
Zone 3 - MO	\$ 0.00
Zone 1 - OK	\$ 0.00
Zone 2 - OK	\$ 0.00
Zone 3 - OK	\$ 0.00
Zone 1 - TX	\$ 0.00
Zone 2 - TX	\$ 0.00
Zone 3 - TX	\$ 0.00

Rates contained in this transmittal are subject to subsequent adjustment, effective retrospectively, in the event the Commission or a court subsequently authorizes Southwestern Bell Telephone Company to correct its rates pursuant to pending motions, or petitions for reconsideration or waiver, or in the event of any other adjustment to an order of the Commission or a court.

(This page filed under Transmittal No. 2879)

Issued: February 21, 2002

Effective: March 8, 2002

Four AT&T Plaza, Dallas, Texas 75202

ACCESS SERVICE

7. Special Access Service (Cont'd)

7.3 Service Descriptions, Rates and Charges (Cont'd)

7.3.10 High Capacity Service (Cont'd)

(F) Rates and Charges (Cont'd)

(26) Optional Payment Plan Rates Effective: 07/03/01 (Z)
 (Cont'd)

	<u>USOC</u>	<u>5 Year Monthly Rate</u>
(e) <u>Multiplexing (Cont'd)</u>		
Per arrangement		
DS1 to Voice	MQ1	
Zone 1 - AR		\$171.00
Zone 2 - AR		\$171.00
Zone 3 - AR		\$171.00
Zone 1 - KS		\$171.00
Zone 2 - KS		\$171.00
Zone 3 - KS		\$171.00
Zone 1 - MO		\$171.00
Zone 2 - MO		\$171.00
Zone 3 - MO		\$171.00
Zone 1 - OK		\$171.00
Zone 2 - OK		\$171.00
Zone 3 - OK		\$171.00
Zone 1 - TX		\$171.00
Zone 2 - TX		\$171.00
Zone 3 - TX		\$171.00

<u>Charge</u>	<u>Nonrecurring</u>
Zone 1 - AR	\$ 0.00
Zone 2 - AR	\$ 0.00
Zone 3 - AR	\$ 0.00
Zone 1 - KS	\$ 0.00
Zone 2 - KS	\$ 0.00
Zone 3 - KS	\$ 0.00
Zone 1 - MO	\$ 0.00
Zone 2 - MO	\$ 0.00
Zone 3 - MO	\$ 0.00
Zone 1 - OK	\$ 0.00
Zone 2 - OK	\$ 0.00
Zone 3 - OK	\$ 0.00
Zone 1 - TX	\$ 0.00
Zone 2 - TX	\$ 0.00
Zone 3 - TX	\$ 0.00

Rates contained in this transmittal are subject to subsequent adjustment, effective retrospectively, in the event the Commission or a court subsequently authorizes Southwestern Bell Telephone Company to correct its rates pursuant to pending motions, or petitions for reconsideration or waiver, or in the event of any other adjustment to an order of the Commission or a court.

(This page filed under Transmittal No. 2879)

Issued: February 21, 2002

Effective: March 8, 2002

Four AT&T Plaza, Dallas, Texas 75202

ACCESS SERVICE

7. Special Access Service (Cont'd)

7.3 Service Descriptions, Rates and Charges (Cont'd)

7.3.10 High Capacity Service (Cont'd)

(F) Rates and Charges (Cont'd)

(26) Optional Payment Plan Rates Effective: 07/03/01
 (Cont'd)

(Z)

	<u>USOC</u>	<u>3 Year Monthly Rate</u>
(f) <u>Clear Channel Capability</u>	CLR	
Per channel termination		
Zone 1 - AR		\$ 0.00
Zone 2 - AR		\$ 0.00
Zone 3 - AR		\$ 0.00
Zone 1 - KS		\$ 0.00
Zone 2 - KS		\$ 0.00
Zone 3 - KS		\$ 0.00
Zone 1 - MO		\$ 0.00
Zone 2 - MO		\$ 0.00
Zone 3 - MO		\$ 0.00
Zone 1 - OK		\$ 0.00
Zone 2 - OK		\$ 0.00
Zone 3 - OK		\$ 0.00
Zone 1 - TX		\$ 0.00
Zone 2 - TX		\$ 0.00
Zone 3 - TX		\$ 0.00

<u>Charge</u>	<u>Nonrecurring</u>
Zone 1 - AR	\$100.00
Zone 2 - AR	\$100.00
Zone 3 - AR	\$100.00
Zone 1 - KS	\$100.00
Zone 2 - KS	\$100.00
Zone 3 - KS	\$100.00
Zone 1 - MO	\$100.00
Zone 2 - MO	\$100.00
Zone 3 - MO	\$100.00
Zone 1 - OK	\$100.00
Zone 2 - OK	\$100.00
Zone 3 - OK	\$100.00
Zone 1 - TX	\$100.00
Zone 2 - TX	\$100.00
Zone 3 - TX	\$100.00

Rates contained in this transmittal are subject to subsequent adjustment, effective retrospectively, in the event the Commission or a court subsequently authorizes Southwestern Bell Telephone Company to correct its rates pursuant to pending motions, or petitions for reconsideration or waiver, or in the event of any other adjustment to an order of the Commission or a court.

(This page filed under Transmittal No. 2879)

Issued: February 21, 2002

Effective: March 8, 2002

Four AT&T Plaza, Dallas, Texas 75202

ACCESS SERVICE

7. Special Access Service (Cont'd)

7.3 Service Descriptions, Rates and Charges (Cont'd)

7.3.10 High Capacity Service (Cont'd)

(F) Rates and Charges (Cont'd)

(26) Optional Payment Plan Rates Effective: 07/03/01 (Z)
 (Cont'd)

	<u>USOC</u>	<u>5 Year Monthly Rate</u>
(f) <u>Clear Channel Capability (Cont'd)</u>	CLR	
Per channel termination		
Zone 1 - AR		\$ 0.00
Zone 2 - AR		\$ 0.00
Zone 3 - AR		\$ 0.00
Zone 1 - KS		\$ 0.00
Zone 2 - KS		\$ 0.00
Zone 3 - KS		\$ 0.00
Zone 1 - MO		\$ 0.00
Zone 2 - MO		\$ 0.00
Zone 3 - MO		\$ 0.00
Zone 1 - OK		\$ 0.00
Zone 2 - OK		\$ 0.00
Zone 3 - OK		\$ 0.00
Zone 1 - TX		\$ 0.00
Zone 2 - TX		\$ 0.00
Zone 3 - TX		\$ 0.00

<u>Charge</u>	<u>Nonrecurring</u>
Zone 1 - AR	\$100.00
Zone 2 - AR	\$100.00
Zone 3 - AR	\$100.00
Zone 1 - KS	\$100.00
Zone 2 - KS	\$100.00
Zone 3 - KS	\$100.00
Zone 1 - MO	\$100.00
Zone 2 - MO	\$100.00
Zone 3 - MO	\$100.00
Zone 1 - OK	\$100.00
Zone 2 - OK	\$100.00
Zone 3 - OK	\$100.00
Zone 1 - TX	\$100.00
Zone 2 - TX	\$100.00
Zone 3 - TX	\$100.00

Rates contained in this transmittal are subject to subsequent adjustment, effective retrospectively, in the event the Commission or a court subsequently authorizes Southwestern Bell Telephone Company to correct its rates pursuant to pending motions, or petitions for reconsideration or waiver, or in the event of any other adjustment to an order of the Commission or a court.

(This page filed under Transmittal No. 2879)

Issued: February 21, 2002

Effective: March 8, 2002

Four AT&T Plaza, Dallas, Texas 75202

ACCESS SERVICE

7. Special Access Service (Cont'd)

7.3 Service Descriptions, Rates and Charges (Cont'd)

7.3.10 High Capacity Service (Cont'd)

(F) Rates and Charges (Cont'd)

(26) Optional Payment Plan Rates Effective: 07/03/01 (Z)
 (Cont'd)

(g) Transfer Arrangement, USOC
Key Activated* (Cont'd) USV 3 Year
Monthly Rate

Per four port
 arrangement including
 control channel
 termination**

Zone 1 - AR	\$184.24
Zone 2 - AR	\$184.24
Zone 3 - AR	\$184.24
Zone 1 - KS	\$184.24
Zone 2 - KS	\$184.24
Zone 3 - KS	\$184.24
Zone 1 - MO	\$184.24
Zone 2 - MO	\$184.24
Zone 3 - MO	\$184.24
Zone 1 - OK	\$184.24
Zone 2 - OK	\$184.24
Zone 3 - OK	\$184.24
Zone 1 - TX	\$184.24
Zone 2 - TX	\$184.24
Zone 3 - TX	\$184.24

<u>Charge</u>	<u>Nonrecurring</u>
Zone 1 - AR	\$213.00
Zone 2 - AR	\$213.00
Zone 3 - AR	\$213.00
Zone 1 - KS	\$213.00
Zone 2 - KS	\$213.00
Zone 3 - KS	\$213.00
Zone 1 - MO	\$213.00
Zone 2 - MO	\$213.00
Zone 3 - MO	\$213.00
Zone 1 - OK	\$213.00
Zone 2 - OK	\$213.00
Zone 3 - OK	\$213.00
Zone 1 - TX	\$213.00
Zone 2 - TX	\$213.00
Zone 3 - TX	\$213.00

* The key activated control channel is rated as a Metallic Channel Termination (use USOC T6EME in lieu of T6ECS) and Channel Mileage, if applicable (use USOC 1L5MX in lieu of 1L5XX).

** An additional Channel Termination charge will apply whenever a spare channel is configured as a leg to the customer's premises. Additional channel mileage will also apply when the transfer arrangement is not located in the customer premises serving wire center.

Rates contained in this transmittal are subject to subsequent adjustment, effective retrospectively, in the event the Commission or a court subsequently authorizes Southwestern Bell Telephone Company to correct its rates pursuant to pending motions, or petitions for reconsideration or waiver, or in the event of any other adjustment to an order of the Commission or a court.

(This page filed under Transmittal No. 2879)

ACCESS SERVICE

- 7. Special Access Service (Cont'd)
- 7.3 Service Descriptions, Rates and Charges (Cont'd)
- 7.3.10 High Capacity Service (Cont'd)
- (F) Rates and Charges (Cont'd)

(26) Optional Payment Plan Rates Effective: 07/03/01 (Z)
 (Cont'd)

	<u>USOC</u>	<u>5 Year Monthly Rate</u>
(g) <u>Transfer Arrangement, Key Activated*</u> (Cont'd) USV		

Per four port
 arrangement including
 control channel
 termination**

Zone 1 - AR	\$175.03
Zone 2 - AR	\$175.03
Zone 3 - AR	\$175.03
Zone 1 - KS	\$175.03
Zone 2 - KS	\$175.03
Zone 3 - KS	\$175.03
Zone 1 - MO	\$175.03
Zone 2 - MO	\$175.03
Zone 3 - MO	\$175.03
Zone 1 - OK	\$175.03
Zone 2 - OK	\$175.03
Zone 3 - OK	\$175.03
Zone 1 - TX	\$175.03
Zone 2 - TX	\$175.03
Zone 3 - TX	\$175.03

<u>Charge</u>	<u>Nonrecurring</u>
Zone 1 - AR	\$213.00
Zone 2 - AR	\$213.00
Zone 3 - AR	\$213.00
Zone 1 - KS	\$213.00
Zone 2 - KS	\$213.00
Zone 3 - KS	\$213.00
Zone 1 - MO	\$213.00
Zone 2 - MO	\$213.00
Zone 3 - MO	\$213.00
Zone 1 - OK	\$213.00
Zone 2 - OK	\$213.00
Zone 3 - OK	\$213.00
Zone 1 - TX	\$213.00
Zone 2 - TX	\$213.00
Zone 3 - TX	\$213.00

* The key activated control channel is rated as a Metallic Channel Termination (use USOC T6EME in lieu of T6ECS) and Channel Mileage, if applicable (use USOC 1L5MX in lieu of 1L5XX).

** An additional Channel Termination charge will apply whenever a spare channel is configured as a leg to the customer's premises. Additional channel mileage will also apply when the transfer arrangement is not located in the customer premises serving wire center.

Rates contained in this transmittal are subject to subsequent adjustment, effective retrospectively, in the event the Commission or a court subsequently authorizes Southwestern Bell Telephone Company to correct its rates pursuant to pending motions, or petitions for reconsideration or waiver, or in the event of any other adjustment to an order of the Commission or a court.

(This page filed under Transmittal No. 2879)

ACCESS SERVICE

(N)

7. Special Access Service (Cont'd)

7.3 Service Descriptions, Rates and Charges (Cont'd)

7.3.10 High Capacity Service (Cont'd)

(F) Rates and Charges (Cont'd)

(27) Optional Payment Plan Rates Effective: 10/02/01

	<u>USOC</u>	<u>3 Year Monthly Rate</u>	
(a) <u>Channel Termination</u>			
Per point of termination	TMECS		
1.544 Mbps			
Zone 1 - AR		\$115.00	
Zone 2 - AR		\$120.00	
Zone 3 - AR		\$130.00	
Zone 1 - KS		\$115.00	
Zone 2 - KS		\$120.00	
Zone 3 - KS		\$130.00	
Zone 1 - MO		\$115.00	
Zone 2 - MO		\$120.00	
Zone 3 - MO		\$130.00	
Zone 1 - OK		\$115.00	
Zone 2 - OK		\$120.00	
Zone 3 - OK		\$130.00	
Zone 1 - TX		\$115.00	
Zone 2 - TX		\$120.00	
Zone 3 - TX		\$130.00	
		<u>Nonrecurring Charge</u>	
		<u>1st Ckt</u>	<u>Addl Ckt</u>
Zone 1 - AR		\$300.00	\$250.00
Zone 2 - AR		\$300.00	\$250.00
Zone 3 - AR		\$300.00	\$250.00
Zone 1 - KS		\$300.00	\$250.00
Zone 2 - KS		\$300.00	\$250.00
Zone 3 - KS		\$300.00	\$250.00
Zone 1 - MO		\$300.00	\$250.00
Zone 2 - MO		\$300.00	\$250.00
Zone 3 - MO		\$300.00	\$250.00
Zone 1 - OK		\$300.00	\$250.00
Zone 2 - OK		\$300.00	\$250.00
Zone 3 - OK		\$300.00	\$250.00
Zone 1 - TX		\$300.00	\$250.00
Zone 2 - TX		\$300.00	\$250.00
Zone 3 - TX		\$300.00	\$250.00

Rates contained in this transmittal are subject to subsequent adjustment, effective retrospectively, in the event the Commission or a court subsequently authorizes Southwestern Bell Telephone Company to correct its rates pursuant to pending motions, or petitions for reconsideration or waiver, or in the event of any other adjustment to an order of the Commission or a court.

(This page filed under Transmittal No. 2879)

Issued: February 21, 2002

Effective: March 8, 2002

Four AT&T Plaza, Dallas, Texas 75202

ACCESS SERVICE

7. Special Access Service (Cont'd)

7.3 Service Descriptions, Rates and Charges (Cont'd)

7.3.10 High Capacity Service (Cont'd)

(F) Rates and Charges (Cont'd)

(27) Optional Payment Plan Rates Effective: 10/02/01
(Cont'd)

	<u>USOC</u>	<u>5 Year Monthly Rate</u>
(a) <u>Channel Termination</u> (Cont'd)		
Per point of termination	TMECS	
1.544 Mbps		
Zone 1 - AR		\$ 95.00
Zone 2 - AR		\$105.00
Zone 3 - AR		\$115.00
Zone 1 - KS		\$ 95.00
Zone 2 - KS		\$105.00
Zone 3 - KS		\$115.00
Zone 1 - MO		\$ 95.00
Zone 2 - MO		\$105.00
Zone 3 - MO		\$115.00
Zone 1 - OK		\$ 95.00
Zone 2 - OK		\$105.00
Zone 3 - OK		\$115.00
Zone 1 - TX		\$ 95.00
Zone 2 - TX		\$105.00
Zone 3 - TX		\$115.00

Charge	<u>Nonrecurring</u>	
	<u>1st Ckt</u>	<u>Addl Ckt</u>
Zone 1 - AR	\$ 0.00	\$ 0.00
Zone 2 - AR	\$ 0.00	\$ 0.00
Zone 3 - AR	\$ 0.00	\$ 0.00
Zone 1 - KS	\$ 0.00	\$150.00
Zone 2 - KS	\$ 0.00	\$150.00
Zone 3 - KS	\$ 0.00	\$150.00
Zone 1 - MO	\$ 0.00	\$ 0.00
Zone 2 - MO	\$ 0.00	\$ 0.00
Zone 3 - MO	\$ 0.00	\$ 0.00
Zone 1 - OK	\$ 0.00	\$ 0.00
Zone 2 - OK	\$ 0.00	\$ 0.00
Zone 3 - OK	\$ 0.00	\$ 0.00
Zone 1 - TX	\$ 0.00	\$ 0.00
Zone 2 - TX	\$ 0.00	\$ 0.00
Zone 3 - TX	\$ 0.00	\$ 0.00

Rates contained in this transmittal are subject to subsequent adjustment, effective retrospectively, in the event the Commission or a court subsequently authorizes Southwestern Bell Telephone Company to correct its rates pursuant to pending motions, or petitions for reconsideration or waiver, or in the event of any other adjustment to an order of the Commission or

(This page filed under Transmittal No. 2879)

(N)

ACCESS SERVICE

7. Special Access Service (Cont'd)

(N)

7.3 Service Descriptions, Rates and Charges (Cont'd)

7.3.10 High Capacity Service (Cont'd)

(F) Rates and Charges (Cont'd)

(27) Optional Payment Plan Rates Effective: 10/02/01
(Cont'd)

	USOC	3 Year Monthly Rate	
		Fixed	Per Mile
(b) <u>Channel Mileage</u>			
1.544 Mbps	1L5XX		
0 miles			
Zone 1 - AR		\$ 0.00	\$ 0.00
Zone 2 - AR		\$ 0.00	\$ 0.00
Zone 3 - AR		\$ 0.00	\$ 0.00
Zone 1 - KS		\$ 0.00	\$ 0.00
Zone 2 - KS		\$ 0.00	\$ 0.00
Zone 3 - KS		\$ 0.00	\$ 0.00
Zone 1 - MO		\$ 0.00	\$ 0.00
Zone 2 - MO		\$ 0.00	\$ 0.00
Zone 3 - MO		\$ 0.00	\$ 0.00
Zone 1 - OK		\$ 0.00	\$ 0.00
Zone 2 - OK		\$ 0.00	\$ 0.00
Zone 3 - OK		\$ 0.00	\$ 0.00
Zone 1 - TX		\$ 0.00	\$ 0.00
Zone 2 - TX		\$ 0.00	\$ 0.00
Zone 3 - TX		\$ 0.00	\$ 0.00
Over 0 miles			
Zone 1 - AR		\$40.00	\$15.00
Zone 2 - AR		\$40.00	\$15.00
Zone 3 - AR		\$40.00	\$15.00
Zone 1 - KS		\$40.00	\$15.00
Zone 2 - KS		\$40.00	\$15.00
Zone 3 - KS		\$40.00	\$15.00
Zone 1 - MO		\$40.00	\$15.00
Zone 2 - MO		\$40.00	\$15.00
Zone 3 - MO		\$40.00	\$15.00
Zone 1 - OK		\$40.00	\$15.00
Zone 2 - OK		\$40.00	\$15.00
Zone 3 - OK		\$40.00	\$15.00
Zone 1 - TX		\$40.00	\$15.00
Zone 2 - TX		\$40.00	\$15.00
Zone 3 - TX		\$40.00	\$15.00

(N)

Rates contained in this transmittal are subject to subsequent adjustment, effective retrospectively, in the event the Commission or a court subsequently authorizes Southwestern Bell Telephone Company to correct its rates pursuant to pending motions, or petitions for reconsideration or waiver, or in the event of any other adjustment to an order of the Commission or a court.

(This page filed under Transmittal No. 2879)

Issued: February 21, 2002

Effective: March 8, 2002

Four AT&T Plaza, Dallas, Texas 75202

ACCESS SERVICE

7. Special Access Service (Cont'd)

(N)

7.3 Service Descriptions, Rates and Charges (Cont'd)

7.3.10 High Capacity Service (Cont'd)

(F) Rates and Charges (Cont'd)

(27) Optional Payment Plan Rates Effective: 10/02/01
(Cont'd)

		3 Year Monthly Rate	
	USOC	Fixed	Per Mile
(b) <u>Channel Mileage</u> (Cont'd)			
64 Kbps*	1L5TC		
0 miles			
Zone 1 - AR		\$ 0.00	\$ 0.00
Zone 2 - AR		\$ 0.00	\$ 0.00
Zone 3 - AR		\$ 0.00	\$ 0.00
Zone 1 - KS		\$ 0.00	\$ 0.00
Zone 2 - KS		\$ 0.00	\$ 0.00
Zone 3 - KS		\$ 0.00	\$ 0.00
Zone 1 - MO		\$ 0.00	\$ 0.00
Zone 2 - MO		\$ 0.00	\$ 0.00
Zone 3 - MO		\$ 0.00	\$ 0.00
Zone 1 - OK		\$ 0.00	\$ 0.00
Zone 2 - OK		\$ 0.00	\$ 0.00
Zone 3 - OK		\$ 0.00	\$ 0.00
Zone 1 - TX		\$ 0.00	\$ 0.00
Zone 2 - TX		\$ 0.00	\$ 0.00
Zone 3 - TX		\$ 0.00	\$ 0.00
Over 0 miles			
	1L5XX		
Zone 1 - AR		\$ 8.04	\$ 1.13
Zone 2 - AR		\$ 8.04	\$ 1.13
Zone 3 - AR		\$ 8.04	\$ 1.13
Zone 1 - KS		\$ 8.04	\$ 1.13
Zone 2 - KS		\$ 8.04	\$ 1.13
Zone 3 - KS		\$ 8.04	\$ 1.13
Zone 1 - MO		\$ 8.04	\$ 1.13
Zone 2 - MO		\$ 8.04	\$ 1.13
Zone 3 - MO		\$ 8.04	\$ 1.13
Zone 1 - OK		\$ 8.04	\$ 1.13
Zone 2 - OK		\$ 8.04	\$ 1.13
Zone 3 - OK		\$ 8.04	\$ 1.13
Zone 1 - TX		\$ 8.04	\$ 1.13
Zone 2 - TX		\$ 8.04	\$ 1.13
Zone 3 - TX		\$ 8.04	\$ 1.13

* Available only as a channel of a 1.544 Mbps facility to a SWBT Digital Data Hub or as a cross connect of two channels of two 1.544 Mbps facilities to a Digital Data Hub(s). The customer must provide system and channel assignment data.

Rates contained in this transmittal are subject to subsequent adjustment, effective retrospectively, in the event the Commission or a court subsequently authorizes Southwestern Bell Telephone Company to correct its rates pursuant to pending motions, or petitions for reconsideration or waiver, or in the event of any other adjustment to an order of the Commission or a court.

(This page filed under Transmittal No. 2879)

Issued: February 21, 2002

Effective: March 8, 2002

Four AT&T Plaza, Dallas, Texas 75202

ACCESS SERVICE

7. Special Access Service (Cont'd)

(N)

7.3 Service Descriptions, Rates and Charges (Cont'd)

7.3.10 High Capacity Service (Cont'd)

(F) Rates and Charges (Cont'd)

(27) Optional Payment Plan Rates Effective: 10/02/01
(Cont'd)

		5 Year Monthly Rate	
	USOC	Fixed	Per Mile
(b) <u>Channel Mileage</u> (Cont'd)			
1.544 Mbps	1L5XX		
0 miles			
Zone 1 - AR		\$ 0.00	\$ 0.00
Zone 2 - AR		\$ 0.00	\$ 0.00
Zone 3 - AR		\$ 0.00	\$ 0.00
Zone 1 - KS		\$ 0.00	\$ 0.00
Zone 2 - KS		\$ 0.00	\$ 0.00
Zone 3 - KS		\$ 0.00	\$ 0.00
Zone 1 - MO		\$ 0.00	\$ 0.00
Zone 2 - MO		\$ 0.00	\$ 0.00
Zone 3 - MO		\$ 0.00	\$ 0.00
Zone 1 - OK		\$ 0.00	\$ 0.00
Zone 2 - OK		\$ 0.00	\$ 0.00
Zone 3 - OK		\$ 0.00	\$ 0.00
Zone 1 - TX		\$ 0.00	\$ 0.00
Zone 2 - TX		\$ 0.00	\$ 0.00
Zone 3 - TX		\$ 0.00	\$ 0.00
Over 0 miles			
Zone 1 - AR		\$35.00	\$12.00
Zone 2 - AR		\$35.00	\$12.00
Zone 3 - AR		\$35.00	\$12.00
Zone 1 - KS		\$35.00	\$12.00
Zone 2 - KS		\$35.00	\$12.00
Zone 3 - KS		\$35.00	\$12.00
Zone 1 - MO		\$35.00	\$12.00
Zone 2 - MO		\$35.00	\$12.00
Zone 3 - MO		\$35.00	\$12.00
Zone 1 - OK		\$35.00	\$12.00
Zone 2 - OK		\$35.00	\$12.00
Zone 3 - OK		\$35.00	\$12.00
Zone 1 - TX		\$35.00	\$12.00
Zone 2 - TX		\$35.00	\$12.00
Zone 3 - TX		\$35.00	\$12.00

(N)

Rates contained in this transmittal are subject to subsequent adjustment, effective retrospectively, in the event the Commission or a court subsequently authorizes Southwestern Bell Telephone Company to correct its rates pursuant to pending motions, or petitions for reconsideration or waiver, or in the event of any other adjustment to an order of the Commission or a court..

(This page filed under Transmittal No. 2879)

ACCESS SERVICE

7. Special Access Service (Cont'd)

(N)

7.3 Service Descriptions, Rates and Charges (Cont'd)

7.3.10 High Capacity Service (Cont'd)

(F) Rates and Charges (Cont'd)

(27) Optional Payment Plan Rates Effective: 10/02/01
(Cont'd)

		5 Year Monthly Rate	
	USOC	Fixed	Per Mile
(b) <u>Channel Mileage</u> (Cont'd)			
64 Kbps*	1L5TC		
0 miles			
Zone 1 - AR		\$ 0.00	\$ 0.00
Zone 2 - AR		\$ 0.00	\$ 0.00
Zone 3 - AR		\$ 0.00	\$ 0.00
Zone 1 - KS		\$ 0.00	\$ 0.00
Zone 2 - KS		\$ 0.00	\$ 0.00
Zone 3 - KS		\$ 0.00	\$ 0.00
Zone 1 - MO		\$ 0.00	\$ 0.00
Zone 2 - MO		\$ 0.00	\$ 0.00
Zone 3 - MO		\$ 0.00	\$ 0.00
Zone 1 - OK		\$ 0.00	\$ 0.00
Zone 2 - OK		\$ 0.00	\$ 0.00
Zone 3 - OK		\$ 0.00	\$ 0.00
Zone 1 - TX		\$ 0.00	\$ 0.00
Zone 2 - TX		\$ 0.00	\$ 0.00
Zone 3 - TX		\$ 0.00	\$ 0.00
Over 0 miles			
	1L5XX		
Zone 1 - AR		\$ 7.64	\$ 1.07
Zone 2 - AR		\$ 7.64	\$ 1.07
Zone 3 - AR		\$ 7.64	\$ 1.07
Zone 1 - KS		\$ 7.64	\$ 1.07
Zone 2 - KS		\$ 7.64	\$ 1.07
Zone 3 - KS		\$ 7.64	\$ 1.07
Zone 1 - MO		\$ 7.64	\$ 1.07
Zone 2 - MO		\$ 7.64	\$ 1.07
Zone 3 - MO		\$ 7.64	\$ 1.07
Zone 1 - OK		\$ 7.64	\$ 1.07
Zone 2 - OK		\$ 7.64	\$ 1.07
Zone 3 - OK		\$ 7.64	\$ 1.07
Zone 1 - TX		\$ 7.64	\$ 1.07
Zone 2 - TX		\$ 7.64	\$ 1.07
Zone 3 - TX		\$ 7.64	\$ 1.07

* Available only as a channel of a 1.544 Mbps facility to a SWBT Digital Data Hub or as a cross connect of two channels of two 1.544 Mbps facilities to a Digital Data Hub(s). The customer must provide system and channel assignment data.

Rates contained in this transmittal are subject to subsequent adjustment, effective retrospectively, in the event the Commission or a court subsequently authorizes Southwestern Bell Telephone Company to correct its rates pursuant to pending motions, or petitions for reconsideration or waiver, or in the event of any other adjustment to an order of the Commission or a court.

(This page filed under Transmittal No. 2879)

ACCESS SERVICE

7. Special Access Service (Cont'd)

7.3 Service Descriptions, Rates and Charges (Cont'd)

7.3.10 High Capacity Service (Cont'd)

(F) Rates and Charges (Cont'd)

(27) Optional Payment Plan Rates Effective: 10/02/01
(Cont'd)

USOC 3 Year
Monthly Rate

(c) Service to Service
Through Connect
Arrangement

High Capacity Service
Arrangement - 1.544
Mbps (DS1)

THA

Zone 1 - AR \$	0.00
Zone 2 - AR \$	0.00
Zone 3 - AR \$	0.00
Zone 1 - KS \$	0.00
Zone 2 - KS \$	0.00
Zone 3 - KS \$	0.00
Zone 1 - MO \$	0.00
Zone 2 - MO \$	0.00
Zone 3 - MO \$	0.00
Zone 1 - OK \$	0.00
Zone 2 - OK \$	0.00
Zone 3 - OK \$	0.00
Zone 1 - TX \$	0.00
Zone 2 - TX \$	0.00
Zone 3 - TX \$	0.00

Nonrecurring Charge
1st Ckt Addl Ckt

Zone 1 - AR	\$204.00	\$156.00
Zone 2 - AR	\$204.00	\$156.00
Zone 3 - AR	\$204.00	\$156.00
Zone 1 - KS	\$204.00	\$156.00
Zone 2 - KS	\$204.00	\$156.00
Zone 3 - KS	\$204.00	\$156.00
Zone 1 - MO	\$204.00	\$156.00
Zone 2 - MO	\$204.00	\$156.00
Zone 3 - MO	\$204.00	\$156.00
Zone 1 - OK	\$204.00	\$156.00
Zone 2 - OK	\$204.00	\$156.00
Zone 3 - OK	\$204.00	\$156.00
Zone 1 - TX	\$204.00	\$156.00
Zone 2 - TX	\$204.00	\$156.00
Zone 3 - TX	\$204.00	\$156.00

Rates contained in this transmittal are subject to subsequent adjustment, effective retrospectively, in the event the Commission or a court subsequently authorizes Southwestern Bell Telephone Company to correct its rates pursuant to pending motions, or petitions for reconsideration or waiver, or in the event of any other adjustment to an order of the Commission or a court.

(This page filed under Transmittal No. 2879)

Issued: February 21, 2002

Effective: March 8, 2002

Four AT&T Plaza, Dallas, Texas 75202

(N)

ACCESS SERVICE

7. Special Access Service (Cont'd)

(N)

7.3 Service Descriptions, Rates and Charges (Cont'd)

7.3.10 High Capacity Service (Cont'd)

(F) Rates and Charges (Cont'd)

(27) Optional Payment Plan Rates Effective: 10/02/01
(Cont'd)

5 Year
USOC Monthly Rate

(c) Service to Service
Through Connect
Arrangement (Cont'd)

High Capacity Service
Arrangement - 1.544
Mbps (DS1)

THA

Zone 1 - AR \$	0.00
Zone 2 - AR \$	0.00
Zone 3 - AR \$	0.00
Zone 1 - KS \$	0.00
Zone 2 - KS \$	0.00
Zone 3 - KS \$	0.00
Zone 1 - MO \$	0.00
Zone 2 - MO \$	0.00
Zone 3 - MO \$	0.00
Zone 1 - OK \$	0.00
Zone 2 - OK \$	0.00
Zone 3 - OK \$	0.00
Zone 1 - TX \$	0.00
Zone 2 - TX \$	0.00
Zone 3 - TX \$	0.00

Nonrecurring Charge
1st Ckt Addl Ckt

Zone 1 - AR	\$204.00	\$156.00
Zone 2 - AR	\$204.00	\$156.00
Zone 3 - AR	\$204.00	\$156.00
Zone 1 - KS	\$204.00	\$156.00
Zone 2 - KS	\$204.00	\$156.00
Zone 3 - KS	\$204.00	\$156.00
Zone 1 - MO	\$204.00	\$156.00
Zone 2 - MO	\$204.00	\$156.00
Zone 3 - MO	\$204.00	\$156.00
Zone 1 - OK	\$204.00	\$156.00
Zone 2 - OK	\$204.00	\$156.00
Zone 3 - OK	\$204.00	\$156.00
Zone 1 - TX	\$204.00	\$156.00
Zone 2 - TX	\$204.00	\$156.00
Zone 3 - TX	\$204.00	\$156.00

Rates contained in this transmittal are subject to subsequent adjustment, effective retrospectively, in the event the Commission or a court subsequently authorizes Southwestern Bell Telephone Company to correct its rates pursuant to pending motions, or petitions for reconsideration or waiver, or in the event of any other adjustment to an order of the Commission or a court.

(N)

(This page filed under Transmittal No. 2879)

Issued: February 21, 2002

Effective: March 8, 2002

Four AT&T Plaza, Dallas, Texas 75202

ACCESS SERVICE

7. Special Access Service (Cont'd)

(N)

7.3 Service Descriptions, Rates and Charges (Cont'd)

7.3.10 High Capacity Service (Cont'd)

(F) Rates and Charges (Cont'd)

(27) Optional Payment Plan Rates Effective: 10/02/01
(Cont'd)

USOC 3 Year
Monthly Rate

(c) Service to Service
Through Connect
Arrangement (Cont'd)

Multiplexed Service
Arrangement - 1.544 Mbps
(DS1) THK

Zone 1 - AR \$	0.00
Zone 2 - AR \$	0.00
Zone 3 - AR \$	0.00
Zone 1 - KS \$	0.00
Zone 2 - KS \$	0.00
Zone 3 - KS \$	0.00
Zone 1 - MO \$	0.00
Zone 2 - MO \$	0.00
Zone 3 - MO \$	0.00
Zone 1 - OK \$	0.00
Zone 2 - OK \$	0.00
Zone 3 - OK \$	0.00
Zone 1 - TX \$	0.00
Zone 2 - TX \$	0.00
Zone 3 - TX \$	0.00

Nonrecurring Charge
1st Ckt Addl Ckt

Zone 1 - AR	\$332.00	\$280.00
Zone 2 - AR	\$332.00	\$280.00
Zone 3 - AR	\$332.00	\$280.00
Zone 1 - KS	\$332.00	\$280.00
Zone 2 - KS	\$332.00	\$280.00
Zone 3 - KS	\$332.00	\$280.00
Zone 1 - MO	\$332.00	\$280.00
Zone 2 - MO	\$332.00	\$280.00
Zone 3 - MO	\$332.00	\$280.00
Zone 1 - OK	\$332.00	\$280.00
Zone 2 - OK	\$332.00	\$280.00
Zone 3 - OK	\$332.00	\$280.00
Zone 1 - TX	\$332.00	\$280.00
Zone 2 - TX	\$332.00	\$280.00
Zone 3 - TX	\$332.00	\$280.00

Rates contained in this transmittal are subject to subsequent adjustment, effective retrospectively, in the event the Commission or a court subsequently authorizes Southwestern Bell Telephone Company to correct its rates pursuant to pending motions, or petitions for reconsideration or waiver, or in the event of any other adjustment to an order of the Commission or a court.

(This page filed under Transmittal No. 2879)

Issued: February 21, 2002

Effective: March 8, 2002

Four AT&T Plaza, Dallas, Texas 75202

ACCESS SERVICE

7. Special Access Service (Cont'd)

(N)

7.3 Service Descriptions, Rates and Charges (Cont'd)

7.3.10 High Capacity Service (Cont'd)

(F) Rates and Charges (Cont'd)

(27) Optional Payment Plan Rates Effective: 10/02/01
(Cont'd)

	<u>USOC</u>	<u>5 Year</u> <u>Monthly Rate</u>
(c) <u>Service to Service</u>		
<u>Through Connect</u>		
<u>Arrangement</u> (Cont'd)		
Multiplexed Service		
Arrangement - 1.544 Mbps		
(DS1) THK		
Zone 1 - AR \$		0.00
Zone 2 - AR \$		0.00
Zone 3 - AR \$		0.00
Zone 1 - KS \$		0.00
Zone 2 - KS \$		0.00
Zone 3 - KS \$		0.00
Zone 1 - MO \$		0.00
Zone 2 - MO \$		0.00
Zone 3 - MO \$		0.00
Zone 1 - OK \$		0.00
Zone 2 - OK \$		0.00
Zone 3 - OK \$		0.00
Zone 1 - TX \$		0.00
Zone 2 - TX \$		0.00
Zone 3 - TX \$		0.00
		<u>Nonrecurring Charge</u>
		<u>1st Ckt</u> <u>Addl Ckt</u>
Zone 1 - AR	\$332.00	\$280.00
Zone 2 - AR	\$332.00	\$280.00
Zone 3 - AR	\$332.00	\$280.00
Zone 1 - KS	\$332.00	\$280.00
Zone 2 - KS	\$332.00	\$280.00
Zone 3 - KS	\$332.00	\$280.00
Zone 1 - MO	\$332.00	\$280.00
Zone 2 - MO	\$332.00	\$280.00
Zone 3 - MO	\$332.00	\$280.00
Zone 1 - OK	\$332.00	\$280.00
Zone 2 - OK	\$332.00	\$280.00
Zone 3 - OK	\$332.00	\$280.00
Zone 1 - TX	\$332.00	\$280.00
Zone 2 - TX	\$332.00	\$280.00
Zone 3 - TX	\$332.00	\$280.00

Rates contained in this transmittal are subject to subsequent adjustment, effective retrospectively, in the event the Commission or a court subsequently authorizes Southwestern Bell Telephone Company to correct its rates pursuant to pending motions, or petitions for reconsideration or waiver, or in the event of any other adjustment to an order of the Commission or a court.

(This page filed under Transmittal No. 2879)

Issued: February 21, 2002

Effective: March 8, 2002

Four AT&T Plaza, Dallas, Texas 75202

ACCESS SERVICE

7. Special Access Service (Cont'd)

7.3 Service Descriptions, Rates and Charges (Cont'd)

7.3.10 High Capacity Service (Cont'd)

(F) Rates and Charges (Cont'd)

(27) Optional Payment Plan

(D)

(D)

(D)

(D)

(d)

(D)

(D)

(This page filed under Transmittal No. 3317)

Issued: March 10, 2011

Effective: March 25, 2011

Four AT&T Plaza, Dallas, Texas 75202

ACCESS SERVICE

7. Special Access Service (Cont'd)

7.3 Service Descriptions, Rates and Charges (Cont'd)

7.3.10 High Capacity Service (Cont'd)

(F) Rates and Charges (Cont'd)

(27) Optional Payment Plan

(D)

(D)

(D)

(D)

(d)

(D)

(D)

(This page filed under Transmittal No. 3317)

Issued: March 10, 2011

Effective: March 25, 2011

Four AT&T Plaza, Dallas, Texas 75202

ACCESS SERVICE

(N)

7. Special Access Service (Cont'd)

7.3 Service Descriptions, Rates and Charges (Cont'd)

7.3.10 High Capacity Service (Cont'd)

(F) Rates and Charges (Cont'd)

(27) Optional Payment Plan Rates Effective: 10/02/01
(Cont'd)

	<u>USOC</u>	<u>3 Year Monthly Rate</u>
(e) <u>Multiplexing</u>		
Per arrangement		
DS0 to Subrates		
Up to 20 2.4 kbps services	QSU24	
Zone 1 - AR		\$135.00
Zone 2 - AR		\$135.00
Zone 3 - AR		\$135.00
Zone 1 - KS		\$135.00
Zone 2 - KS		\$135.00
Zone 3 - KS		\$135.00
Zone 1 - MO		\$135.00
Zone 2 - MO		\$135.00
Zone 3 - MO		\$135.00
Zone 1 - OK		\$135.00
Zone 2 - OK		\$135.00
Zone 3 - OK		\$135.00
Zone 1 - TX		\$135.00
Zone 2 - TX		\$135.00
Zone 3 - TX		\$135.00
		<u>Nonrecurring Charge</u>
Zone 1 - AR		\$ 0.00
Zone 2 - AR		\$ 0.00
Zone 3 - AR		\$ 0.00
Zone 1 - KS		\$ 0.00
Zone 2 - KS		\$ 0.00
Zone 3 - KS		\$ 0.00
Zone 1 - MO		\$ 0.00
Zone 2 - MO		\$ 0.00
Zone 3 - MO		\$ 0.00
Zone 1 - OK		\$ 0.00
Zone 2 - OK		\$ 0.00
Zone 3 - OK		\$ 0.00
Zone 1 - TX		\$ 0.00
Zone 2 - TX		\$ 0.00
Zone 3 - TX		\$ 0.00

Rates contained in this transmittal are subject to subsequent adjustment, effective retrospectively, in the event the Commission or a court subsequently authorizes Southwestern Bell Telephone Company to correct its rates pursuant to pending motions, or petitions for reconsideration or waiver, or in the event of any other adjustment to an order of the Commission or a court.

(This page filed under Transmittal No. 2879)

Issued: February 21, 2002

Effective: March 8, 2002

Four AT&T Plaza, Dallas, Texas 75202

ACCESS SERVICE

(N)

7. Special Access Service (Cont'd)

7.3 Service Descriptions, Rates and Charges (Cont'd)

7.3.10 High Capacity Service (Cont'd)

(F) Rates and Charges (Cont'd)

(27) Optional Payment Plan Rates Effective: 10/02/01
(Cont'd)

	<u>USOC</u>	<u>5 Year Monthly Rate</u>
(e) <u>Multiplexing</u> (Cont'd)		
Per arrangement		
DS0 to Subrates		
Up to 20 2.4 kbps services	QSU24	
Zone 1 - AR		\$128.25
Zone 2 - AR		\$128.25
Zone 3 - AR		\$128.25
Zone 1 - KS		\$128.25
Zone 2 - KS		\$128.25
Zone 3 - KS		\$128.25
Zone 1 - MO		\$128.25
Zone 2 - MO		\$128.25
Zone 3 - MO		\$128.25
Zone 1 - OK		\$128.25
Zone 2 - OK		\$128.25
Zone 3 - OK		\$128.25
Zone 1 - TX		\$128.25
Zone 2 - TX		\$128.25
Zone 3 - TX		\$128.25
		<u>Nonrecurring Charge</u>
Zone 1 - AR		\$ 0.00
Zone 2 - AR		\$ 0.00
Zone 3 - AR		\$ 0.00
Zone 1 - KS		\$ 0.00
Zone 2 - KS		\$ 0.00
Zone 3 - KS		\$ 0.00
Zone 1 - MO		\$ 0.00
Zone 2 - MO		\$ 0.00
Zone 3 - MO		\$ 0.00
Zone 1 - OK		\$ 0.00
Zone 2 - OK		\$ 0.00
Zone 3 - OK		\$ 0.00
Zone 1 - TX		\$ 0.00
Zone 2 - TX		\$ 0.00
Zone 3 - TX		\$ 0.00

Rates contained in this transmittal are subject to subsequent adjustment, effective retrospectively, in the event the Commission or a court subsequently authorizes Southwestern Bell Telephone Company to correct its rates pursuant to pending motions, or petitions for reconsideration or waiver, or in the event of any other adjustment to an order of the Commission or a court.

(N)

(This page filed under Transmittal No. 2879)

Issued: February 21, 2002

Effective: March 8, 2002

Four AT&T Plaza, Dallas, Texas 75202

ACCESS SERVICE

7. Special Access Service (Cont'd)

(N)

7.3 Service Descriptions, Rates and Charges (Cont'd)

7.3.10 High Capacity Service (Cont'd)

(F) Rates and Charges (Cont'd)

(27) Optional Payment Plan Rates Effective: 10/02/01
(Cont'd)

	<u>USOC</u>	<u>3 Year Monthly Rate</u>
(e) <u>Multiplexing</u> (Cont'd)		
Per arrangement		
DS0 to Subrates		
Up to 10 4.8 kbps services	QSU48	
Zone 1 - AR		\$125.00
Zone 2 - AR		\$125.00
Zone 3 - AR		\$125.00
Zone 1 - KS		\$125.00
Zone 2 - KS		\$125.00
Zone 3 - KS		\$125.00
Zone 1 - MO		\$125.00
Zone 2 - MO		\$125.00
Zone 3 - MO		\$125.00
Zone 1 - OK		\$125.00
Zone 2 - OK		\$125.00
Zone 3 - OK		\$125.00
Zone 1 - TX		\$125.00
Zone 2 - TX		\$125.00
Zone 3 - TX		\$125.00
		<u>Nonrecurring Charge</u>
Zone 1 - AR		\$ 0.00
Zone 2 - AR		\$ 0.00
Zone 3 - AR		\$ 0.00
Zone 1 - KS		\$ 0.00
Zone 2 - KS		\$ 0.00
Zone 3 - KS		\$ 0.00
Zone 1 - MO		\$ 0.00
Zone 2 - MO		\$ 0.00
Zone 3 - MO		\$ 0.00
Zone 1 - OK		\$ 0.00
Zone 2 - OK		\$ 0.00
Zone 3 - OK		\$ 0.00
Zone 1 - TX		\$ 0.00
Zone 2 - TX		\$ 0.00
Zone 3 - TX		\$ 0.00

Rates contained in this transmittal are subject to subsequent adjustment, effective retrospectively, in the event the Commission or a court subsequently authorizes Southwestern Bell Telephone Company to correct its rates pursuant to pending motions, or petitions for reconsideration or waiver, or in the event of any other adjustment to an order of the Commission or a court.

(This page filed under Transmittal No. 2879)

Issued: February 21, 2002

Effective: March 8, 2002

Four AT&T Plaza, Dallas, Texas 75202

ACCESS SERVICE

7. Special Access Service (Cont'd)

(N)

7.3 Service Descriptions, Rates and Charges (Cont'd)

7.3.10 High Capacity Service (Cont'd)

(F) Rates and Charges (Cont'd)

(27) Optional Payment Plan Rates Effective: 10/02/01
(Cont'd)

	<u>USOC</u>	<u>5 Year Monthly Rate</u>
(e) <u>Multiplexing</u> (Cont'd)		
Per arrangement		
DS0 to Subrates		
Up to 10 4.8 kbps services		
	QSU48	
Zone 1 - AR		\$118.75
Zone 2 - AR		\$118.75
Zone 3 - AR		\$118.75
Zone 1 - KS		\$118.75
Zone 2 - KS		\$118.75
Zone 3 - KS		\$118.75
Zone 1 - MO		\$118.75
Zone 2 - MO		\$118.75
Zone 3 - MO		\$118.75
Zone 1 - OK		\$118.75
Zone 2 - OK		\$118.75
Zone 3 - OK		\$118.75
Zone 1 - TX		\$118.75
Zone 2 - TX		\$118.75
Zone 3 - TX		\$118.75

Nonrecurring Charge

Zone 1 - AR	\$ 0.00
Zone 2 - AR	\$ 0.00
Zone 3 - AR	\$ 0.00
Zone 1 - KS	\$ 0.00
Zone 2 - KS	\$ 0.00
Zone 3 - KS	\$ 0.00
Zone 1 - MO	\$ 0.00
Zone 2 - MO	\$ 0.00
Zone 3 - MO	\$ 0.00
Zone 1 - OK	\$ 0.00
Zone 2 - OK	\$ 0.00
Zone 3 - OK	\$ 0.00
Zone 1 - TX	\$ 0.00
Zone 2 - TX	\$ 0.00
Zone 3 - TX	\$ 0.00

Rates contained in this transmittal are subject to subsequent adjustment, effective retrospectively, in the event the Commission or a court subsequently authorizes Southwestern Bell Telephone Company to correct its rates pursuant to pending motions, or petitions for reconsideration or waiver, or in the event of any other adjustment to an order of the Commission or a court.

(This page filed under Transmittal No. 2879)

Issued: February 21, 2002

Effective: March 8, 2002

Four AT&T Plaza, Dallas, Texas 75202

ACCESS SERVICE

(N)

7. Special Access Service (Cont'd)

7.3 Service Descriptions, Rates and Charges (Cont'd)

7.3.10 High Capacity Service (Cont'd)

(F) Rates and Charges (Cont'd)

(27) Optional Payment Plan Rates Effective: 10/02/01
(Cont'd)

	<u>USOC</u>	<u>3 Year Monthly Rate</u>
(e) <u>Multiplexing</u> (Cont'd)		
Per arrangement		
DS0 to Subrates		
Up to 5 9.6 kbps services		
	QSU96	
Zone 1 - AR		\$235.00
Zone 2 - AR		\$235.00
Zone 3 - AR		\$235.00
Zone 1 - KS		\$235.00
Zone 2 - KS		\$235.00
Zone 3 - KS		\$235.00
Zone 1 - MO		\$235.00
Zone 2 - MO		\$235.00
Zone 3 - MO		\$235.00
Zone 1 - OK		\$235.00
Zone 2 - OK		\$235.00
Zone 3 - OK		\$235.00
Zone 1 - TX		\$235.00
Zone 2 - TX		\$235.00
Zone 3 - TX		\$235.00
		<u>Nonrecurring Charge</u>
Zone 1 - AR		\$ 0.00
Zone 2 - AR		\$ 0.00
Zone 3 - AR		\$ 0.00
Zone 1 - KS		\$ 0.00
Zone 2 - KS		\$ 0.00
Zone 3 - KS		\$ 0.00
Zone 1 - MO		\$ 0.00
Zone 2 - MO		\$ 0.00
Zone 3 - MO		\$ 0.00
Zone 1 - OK		\$ 0.00
Zone 2 - OK		\$ 0.00
Zone 3 - OK		\$ 0.00
Zone 1 - TX		\$ 0.00
Zone 2 - TX		\$ 0.00
Zone 3 - TX		\$ 0.00

Rates contained in this transmittal are subject to subsequent adjustment, effective retrospectively, in the event the Commission or a court subsequently authorizes Southwestern Bell Telephone Company to correct its rates pursuant to pending motions, or petitions for reconsideration or waiver, or in the event of any other adjustment to an order of the Commission or a court.

(This page filed under Transmittal No. 2879)

Issued: February 21, 2002

Effective: March 8, 2002

Four AT&T Plaza, Dallas, Texas 75202

ACCESS SERVICE

7. Special Access Service (Cont'd)

(N)

7.3 Service Descriptions, Rates and Charges (Cont'd)

7.3.10 High Capacity Service (Cont'd)

(F) Rates and Charges (Cont'd)

(27) Optional Payment Plan Rates Effective: 10/02/01
(Cont'd)

	<u>USOC</u>	<u>5 Year Monthly Rate</u>
(e) <u>Multiplexing</u> (Cont'd)		
Per arrangement		
DS0 to Subrates		
Up to 5 9.6 kbps services		
	QSU96	
Zone 1 - AR		\$223.25
Zone 2 - AR		\$223.25
Zone 3 - AR		\$223.25
Zone 1 - KS		\$223.25
Zone 2 - KS		\$223.25
Zone 3 - KS		\$223.25
Zone 1 - MO		\$223.25
Zone 2 - MO		\$223.25
Zone 3 - MO		\$223.25
Zone 1 - OK		\$223.25
Zone 2 - OK		\$223.25
Zone 3 - OK		\$223.25
Zone 1 - TX		\$223.25
Zone 2 - TX		\$223.25
Zone 3 - TX		\$223.25
		<u>Nonrecurring Charge</u>
Zone 1 - AR		\$ 0.00
Zone 2 - AR		\$ 0.00
Zone 3 - AR		\$ 0.00
Zone 1 - KS		\$ 0.00
Zone 2 - KS		\$ 0.00
Zone 3 - KS		\$ 0.00
Zone 1 - MO		\$ 0.00
Zone 2 - MO		\$ 0.00
Zone 3 - MO		\$ 0.00
Zone 1 - OK		\$ 0.00
Zone 2 - OK		\$ 0.00
Zone 3 - OK		\$ 0.00
Zone 1 - TX		\$ 0.00
Zone 2 - TX		\$ 0.00
Zone 3 - TX		\$ 0.00

Rates contained in this transmittal are subject to subsequent adjustment, effective retrospectively, in the event the Commission or a court subsequently authorizes Southwestern Bell Telephone Company to correct its rates pursuant to pending motions, or petitions for reconsideration or waiver, or in the event of any other adjustment to an order of the Commission or a court.

(This page filed under Transmittal No. 2879)

Issued: February 21, 2002

Effective: March 8, 2002

Four AT&T Plaza, Dallas, Texas 75202

ACCESS SERVICE

(N)

7. Special Access Service (Cont'd)

7.3 Service Descriptions, Rates and Charges (Cont'd)

7.3.10 High Capacity Service (Cont'd)

(F) Rates and Charges (Cont'd)

(27) Optional Payment Plan Rates Effective: 10/02/01
(Cont'd)

	<u>USOC</u>	<u>3 Year Monthly Rate</u>
(e) <u>Multiplexing</u> (Cont'd)		
Per arrangement		
DS1 to DS0	QMU	
Zone 1 - AR		\$180.00
Zone 2 - AR		\$180.00
Zone 3 - AR		\$180.00
Zone 1 - KS		\$180.00
Zone 2 - KS		\$180.00
Zone 3 - KS		\$180.00
Zone 1 - MO		\$180.00
Zone 2 - MO		\$180.00
Zone 3 - MO		\$180.00
Zone 1 - OK		\$180.00
Zone 2 - OK		\$180.00
Zone 3 - OK		\$180.00
Zone 1 - TX		\$180.00
Zone 2 - TX		\$180.00
Zone 3 - TX		\$180.00
		<u>Nonrecurring Charge</u>
Zone 1 - AR		\$ 0.00
Zone 2 - AR		\$ 0.00
Zone 3 - AR		\$ 0.00
Zone 1 - KS		\$ 0.00
Zone 2 - KS		\$ 0.00
Zone 3 - KS		\$ 0.00
Zone 1 - MO		\$ 0.00
Zone 2 - MO		\$ 0.00
Zone 3 - MO		\$ 0.00
Zone 1 - OK		\$ 0.00
Zone 2 - OK		\$ 0.00
Zone 3 - OK		\$ 0.00
Zone 1 - TX		\$ 0.00
Zone 2 - TX		\$ 0.00
Zone 3 - TX		\$ 0.00

(N)

Rates contained in this transmittal are subject to subsequent adjustment, effective retrospectively, in the event the Commission or a court subsequently authorizes Southwestern Bell Telephone Company to correct its rates pursuant to pending motions, or petitions for reconsideration or waiver, or in the event of any other adjustment to an order of the Commission or a court.

(This page filed under Transmittal No. 2879)

Issued: February 21, 2002

Effective: March 8, 2002

Four AT&T Plaza, Dallas, Texas 75202

ACCESS SERVICE

(N)

7. Special Access Service (Cont'd)

7.3 Service Descriptions, Rates and Charges (Cont'd)

7.3.10 High Capacity Service (Cont'd)

(F) Rates and Charges (Cont'd)

(27) Optional Payment Plan Rates Effective: 10/02/01
(Cont'd)

	<u>USOC</u>	<u>5 Year Monthly Rate</u>
(e) <u>Multiplexing</u> (Cont'd)		
Per arrangement		
DS1 to DS0	QMU	
Zone 1 - AR		\$171.00
Zone 2 - AR		\$171.00
Zone 3 - AR		\$171.00
Zone 1 - KS		\$171.00
Zone 2 - KS		\$171.00
Zone 3 - KS		\$171.00
Zone 1 - MO		\$171.00
Zone 2 - MO		\$171.00
Zone 3 - MO		\$171.00
Zone 1 - OK		\$171.00
Zone 2 - OK		\$171.00
Zone 3 - OK		\$171.00
Zone 1 - TX		\$171.00
Zone 2 - TX		\$171.00
Zone 3 - TX		\$171.00
		<u>Nonrecurring Charge</u>
Zone 1 - AR		\$ 0.00
Zone 2 - AR		\$ 0.00
Zone 3 - AR		\$ 0.00
Zone 1 - KS		\$ 0.00
Zone 2 - KS		\$ 0.00
Zone 3 - KS		\$ 0.00
Zone 1 - MO		\$ 0.00
Zone 2 - MO		\$ 0.00
Zone 3 - MO		\$ 0.00
Zone 1 - OK		\$ 0.00
Zone 2 - OK		\$ 0.00
Zone 3 - OK		\$ 0.00
Zone 1 - TX		\$ 0.00
Zone 2 - TX		\$ 0.00
Zone 3 - TX		\$ 0.00

(N)

Rates contained in this transmittal are subject to subsequent adjustment, effective retrospectively, in the event the Commission or a court subsequently authorizes Southwestern Bell Telephone Company to correct its rates pursuant to pending motions, or petitions for reconsideration or waiver, or in the event of any other adjustment to an order of the Commission or a court.

(This page filed under Transmittal No. 2879)

Issued: February 21, 2002

Effective: March 8, 2002

Four AT&T Plaza, Dallas, Texas 75202

ACCESS SERVICE

(N)

7. Special Access Service (Cont'd)

7.3 Service Descriptions, Rates and Charges (Cont'd)

7.3.10 High Capacity Service (Cont'd)

(F) Rates and Charges (Cont'd)

(27) Optional Payment Plan Rates Effective: 10/02/01
(Cont'd)

	<u>USOC</u>	<u>3 Year Monthly Rate</u>
(e) <u>Multiplexing</u> (Cont'd)		
Per arrangement		
DS1 to Voice	MQ1	
Zone 1 - AR		\$180.00
Zone 2 - AR		\$180.00
Zone 3 - AR		\$180.00
Zone 1 - KS		\$180.00
Zone 2 - KS		\$180.00
Zone 3 - KS		\$180.00
Zone 1 - MO		\$180.00
Zone 2 - MO		\$180.00
Zone 3 - MO		\$180.00
Zone 1 - OK		\$180.00
Zone 2 - OK		\$180.00
Zone 3 - OK		\$180.00
Zone 1 - TX		\$180.00
Zone 2 - TX		\$180.00
Zone 3 - TX		\$180.00
		<u>Nonrecurring Charge</u>
Zone 1 - AR		\$ 0.00
Zone 2 - AR		\$ 0.00
Zone 3 - AR		\$ 0.00
Zone 1 - KS		\$ 0.00
Zone 2 - KS		\$ 0.00
Zone 3 - KS		\$ 0.00
Zone 1 - MO		\$ 0.00
Zone 2 - MO		\$ 0.00
Zone 3 - MO		\$ 0.00
Zone 1 - OK		\$ 0.00
Zone 2 - OK		\$ 0.00
Zone 3 - OK		\$ 0.00
Zone 1 - TX		\$ 0.00
Zone 2 - TX		\$ 0.00
Zone 3 - TX		\$ 0.00

Rates contained in this transmittal are subject to subsequent adjustment, effective retrospectively, in the event the Commission or a court subsequently authorizes Southwestern Bell Telephone Company to correct its rates pursuant to pending motions, or petitions for reconsideration or waiver, or in the event of any other adjustment to an order of the Commission or a court.

(This page filed under Transmittal No. 2879)

Issued: February 21, 2002

Effective: March 8, 2002

Four AT&T Plaza, Dallas, Texas 75202

ACCESS SERVICE

(N)

7. Special Access Service (Cont'd)

7.3 Service Descriptions, Rates and Charges (Cont'd)

7.3.10 High Capacity Service (Cont'd)

(F) Rates and Charges (Cont'd)

(27) Optional Payment Plan Rates Effective: 10/02/01
(Cont'd)

	<u>USOC</u>	<u>5 Year Monthly Rate</u>
(e) <u>Multiplexing</u> (Cont'd)		
Per arrangement		
DS1 to Voice	MQ1	
Zone 1 - AR		\$171.00
Zone 2 - AR		\$171.00
Zone 3 - AR		\$171.00
Zone 1 - KS		\$171.00
Zone 2 - KS		\$171.00
Zone 3 - KS		\$171.00
Zone 1 - MO		\$171.00
Zone 2 - MO		\$171.00
Zone 3 - MO		\$171.00
Zone 1 - OK		\$171.00
Zone 2 - OK		\$171.00
Zone 3 - OK		\$171.00
Zone 1 - TX		\$171.00
Zone 2 - TX		\$171.00
Zone 3 - TX		\$171.00
		<u>Nonrecurring Charge</u>
Zone 1 - AR		\$ 0.00
Zone 2 - AR		\$ 0.00
Zone 3 - AR		\$ 0.00
Zone 1 - KS		\$ 0.00
Zone 2 - KS		\$ 0.00
Zone 3 - KS		\$ 0.00
Zone 1 - MO		\$ 0.00
Zone 2 - MO		\$ 0.00
Zone 3 - MO		\$ 0.00
Zone 1 - OK		\$ 0.00
Zone 2 - OK		\$ 0.00
Zone 3 - OK		\$ 0.00
Zone 1 - TX		\$ 0.00
Zone 2 - TX		\$ 0.00
Zone 3 - TX		\$ 0.00

(N)

Rates contained in this transmittal are subject to subsequent adjustment, effective retrospectively, in the event the Commission or a court subsequently authorizes Southwestern Bell Telephone Company to correct its rates pursuant to pending motions, or petitions for reconsideration or waiver, or in the event of any other adjustment to an order of the Commission or a court.

(This page filed under Transmittal No. 2879)

Issued: February 21, 2002

Effective: March 8, 2002

Four AT&T Plaza, Dallas, Texas 75202

ACCESS SERVICE

7. Special Access Service (Cont'd)

(N)

7.3 Service Descriptions, Rates and Charges (Cont'd)

7.3.10 High Capacity Service (Cont'd)

(F) Rates and Charges (Cont'd)

(27) Optional Payment Plan Rates Effective: 10/02/01
(Cont'd)

	<u>USOC</u>	<u>3 Year Monthly Rate</u>
(f) <u>Clear Channel Capability</u>	CLR	
Per channel termination		
Zone 1 - AR		\$ 0.00
Zone 2 - AR		\$ 0.00
Zone 3 - AR		\$ 0.00
Zone 1 - KS		\$ 0.00
Zone 2 - KS		\$ 0.00
Zone 3 - KS		\$ 0.00
Zone 1 - MO		\$ 0.00
Zone 2 - MO		\$ 0.00
Zone 3 - MO		\$ 0.00
Zone 1 - OK		\$ 0.00
Zone 2 - OK		\$ 0.00
Zone 3 - OK		\$ 0.00
Zone 1 - TX		\$ 0.00
Zone 2 - TX		\$ 0.00
Zone 3 - TX		\$ 0.00
		<u>Nonrecurring Charge</u>
Zone 1 - AR		\$100.00
Zone 2 - AR		\$100.00
Zone 3 - AR		\$100.00
Zone 1 - KS		\$100.00
Zone 2 - KS		\$100.00
Zone 3 - KS		\$100.00
Zone 1 - MO		\$100.00
Zone 2 - MO		\$100.00
Zone 3 - MO		\$100.00
Zone 1 - OK		\$100.00
Zone 2 - OK		\$100.00
Zone 3 - OK		\$100.00
Zone 1 - TX		\$100.00
Zone 2 - TX		\$100.00
Zone 3 - TX		\$100.00

(N)

Rates contained in this transmittal are subject to subsequent adjustment, effective retrospectively, in the event the Commission or a court subsequently authorizes Southwestern Bell Telephone Company to correct its rates pursuant to pending motions, or petitions for reconsideration or waiver, or in the event of any other adjustment to an order of the Commission or a court.

(This page filed under Transmittal No. 2879)

Issued: February 21, 2002

Effective: March 8, 2002

Four AT&T Plaza, Dallas, Texas 75202

ACCESS SERVICE

7. Special Access Service (Cont'd)

(N)

7.3 Service Descriptions, Rates and Charges (Cont'd)

7.3.10 High Capacity Service (Cont'd)

(F) Rates and Charges (Cont'd)

(27) Optional Payment Plan Rates Effective: 10/02/01
(Cont'd)

	<u>USOC</u>	<u>5 Year Monthly Rate</u>
(f) <u>Clear Channel Capability</u> (Cont'd)	CLR	
Per channel termination		
Zone 1 - AR		\$ 0.00
Zone 2 - AR		\$ 0.00
Zone 3 - AR		\$ 0.00
Zone 1 - KS		\$ 0.00
Zone 2 - KS		\$ 0.00
Zone 3 - KS		\$ 0.00
Zone 1 - MO		\$ 0.00
Zone 2 - MO		\$ 0.00
Zone 3 - MO		\$ 0.00
Zone 1 - OK		\$ 0.00
Zone 2 - OK		\$ 0.00
Zone 3 - OK		\$ 0.00
Zone 1 - TX		\$ 0.00
Zone 2 - TX		\$ 0.00
Zone 3 - TX		\$ 0.00
		<u>Nonrecurring Charge</u>
Zone 1 - AR		\$100.00
Zone 2 - AR		\$100.00
Zone 3 - AR		\$100.00
Zone 1 - KS		\$100.00
Zone 2 - KS		\$100.00
Zone 3 - KS		\$100.00
Zone 1 - MO		\$100.00
Zone 2 - MO		\$100.00
Zone 3 - MO		\$100.00
Zone 1 - OK		\$100.00
Zone 2 - OK		\$100.00
Zone 3 - OK		\$100.00
Zone 1 - TX		\$100.00
Zone 2 - TX		\$100.00
Zone 3 - TX		\$100.00

Rates contained in this transmittal are subject to subsequent adjustment, effective retrospectively, in the event the Commission or a court subsequently authorizes Southwestern Bell Telephone Company to correct its rates pursuant to pending motions, or petitions for reconsideration or waiver, or in the event of any other adjustment to an order of the Commission or a court.

(This page filed under Transmittal No. 2879)

Issued: February 21, 2002

Effective: March 8, 2002

Four AT&T Plaza, Dallas, Texas 75202

ACCESS SERVICE

7. Special Access Service (Cont'd)

(N)

7.3 Service Descriptions, Rates and Charges (Cont'd)

7.3.10 High Capacity Service (Cont'd)

(F) Rates and Charges (Cont'd)

(27) Optional Payment Plan Rates Effective: 10/02/01
(Cont'd)

	<u>USOC</u>	<u>3 Year Monthly Rate</u>
--	-------------	--------------------------------

(g) Transfer Arrangement,
Key Activated* (Cont'd)USV

Per four port
arrangement including
control channel
termination**

Zone 1 - AR	\$184.24
Zone 2 - AR	\$184.24
Zone 3 - AR	\$184.24
Zone 1 - KS	\$184.24
Zone 2 - KS	\$184.24
Zone 3 - KS	\$184.24
Zone 1 - MO	\$184.24
Zone 2 - MO	\$184.24
Zone 3 - MO	\$184.24
Zone 1 - OK	\$184.24
Zone 2 - OK	\$184.24
Zone 3 - OK	\$184.24
Zone 1 - TX	\$184.24
Zone 2 - TX	\$184.24
Zone 3 - TX	\$184.24

Nonrecurring Charge

Zone 1 - AR	\$213.00
Zone 2 - AR	\$213.00
Zone 3 - AR	\$213.00
Zone 1 - KS	\$213.00
Zone 2 - KS	\$213.00
Zone 3 - KS	\$213.00
Zone 1 - MO	\$213.00
Zone 2 - MO	\$213.00
Zone 3 - MO	\$213.00
Zone 1 - OK	\$213.00
Zone 2 - OK	\$213.00
Zone 3 - OK	\$213.00
Zone 1 - TX	\$213.00
Zone 2 - TX	\$213.00
Zone 3 - TX	\$213.00

* The key activated control channel is rated as a Metallic Channel Termination (use USOC T6EME in lieu of T6ECS) and Channel Mileage, if applicable (use USOC 1L5MX in lieu of 1L5XX).

** An additional Channel Termination charge will apply whenever a spare channel is configured as a leg to the customer's premises. Additional channel mileage will also apply when the transfer arrangement is not located in the customer premises serving wire center.

Rates contained in this transmittal are subject to subsequent adjustment, effective retrospectively, in the event the Commission or a court subsequently authorizes Southwestern Bell Telephone Company to correct its rates pursuant to pending motions, or petitions for reconsideration or waiver, or in the event of any other adjustment to an order of the Commission or a court.

(N)

(This page filed under Transmittal No. 2879)

ACCESS SERVICE

7. Special Access Service (Cont'd)

7.3 Service Descriptions, Rates and Charges (Cont'd)

7.3.10 High Capacity Service (Cont'd)

(F) Rates and Charges (Cont'd)

(27) Optional Payment Plan Rates Effective: 10/02/01
(Cont'd)

	<u>USOC</u>	<u>5 Year Monthly Rate</u>
(g) <u>Transfer Arrangement, Key Activated*</u> (Cont'd) USV		
Per four port arrangement including control channel termination**		
Zone 1 - AR		\$175.03
Zone 2 - AR		\$175.03
Zone 3 - AR		\$175.03
Zone 1 - KS		\$175.03
Zone 2 - KS		\$175.03
Zone 3 - KS		\$175.03
Zone 1 - MO		\$175.03
Zone 2 - MO		\$175.03
Zone 3 - MO		\$175.03
Zone 1 - OK		\$175.03
Zone 2 - OK		\$175.03
Zone 3 - OK		\$175.03
Zone 1 - TX		\$175.03
Zone 2 - TX		\$175.03
Zone 3 - TX		\$175.03

Nonrecurring Charge

Zone 1 - AR	\$213.00
Zone 2 - AR	\$213.00
Zone 3 - AR	\$213.00
Zone 1 - KS	\$213.00
Zone 2 - KS	\$213.00
Zone 3 - KS	\$213.00
Zone 1 - MO	\$213.00
Zone 2 - MO	\$213.00
Zone 3 - MO	\$213.00
Zone 1 - OK	\$213.00
Zone 2 - OK	\$213.00
Zone 3 - OK	\$213.00
Zone 1 - TX	\$213.00
Zone 2 - TX	\$213.00
Zone 3 - TX	\$213.00

* The key activated control channel is rated as a Metallic Channel Termination (use USOC T6EME in lieu of T6ECS) and Channel Mileage, if applicable (use USOC 1L5MX in lieu of 1L5XX).

** An additional Channel Termination charge will apply whenever a spare channel is configured as a leg to the customer's premises. Additional channel mileage will also apply when the transfer arrangement is not located in the customer premises serving wire center.

Rates contained in this transmittal are subject to subsequent adjustment, effective retrospectively, in the event the Commission or a court subsequently authorizes Southwestern Bell Telephone Company to correct its rates pursuant to pending motions, or petitions for reconsideration or waiver, or in the event of any other adjustment to an order of the Commission or a court.

(This page filed under Transmittal No. 2879)

(N)

(N)

ACCESS SERVICE

(N)

7. Special Access Service (Cont'd)

7.3 Service Descriptions, Rates and Charges (Cont'd)

7.3.10 High Capacity Service (Cont'd)

(F) Rates and Charges (Cont'd)

(28) Optional Payment Plan **Rates effective 07/02/02**

	<u>USOC</u>	<u>3 Year Monthly Rate</u>	
(a) <u>Channel Termination</u>			
Per point of termination	TMECS		
1.544 Mbps			
Zone 1 - AR		\$	95.00
Zone 2 - AR		\$	100.00
Zone 3 - AR		\$	110.00
Zone 1 - KS		\$	95.00
Zone 2 - KS		\$	100.00
Zone 3 - KS		\$	110.00
Zone 1 - MO		\$	95.00
Zone 2 - MO		\$	100.00
Zone 3 - MO		\$	110.00
Zone 1 - OK		\$	95.00
Zone 2 - OK		\$	100.00
Zone 3 - OK		\$	110.00
Zone 1 - TX		\$	95.00
Zone 2 - TX		\$	100.00
Zone 3 - TX		\$	110.00
		<u>Nonrecurring Charge</u>	
		<u>1st Ckt</u>	<u>Addl Ckt</u>
Zone 1 - AR		\$300.00	\$250.00
Zone 2 - AR		\$300.00	\$250.00
Zone 3 - AR		\$300.00	\$250.00
Zone 1 - KS		\$300.00	\$250.00
Zone 2 - KS		\$300.00	\$250.00
Zone 3 - KS		\$300.00	\$250.00
Zone 1 - MO		\$300.00	\$250.00
Zone 2 - MO		\$300.00	\$250.00
Zone 3 - MO		\$300.00	\$250.00
Zone 1 - OK		\$300.00	\$250.00
Zone 2 - OK		\$300.00	\$250.00
Zone 3 - OK		\$300.00	\$250.00
Zone 1 - TX		\$300.00	\$250.00
Zone 2 - TX		\$300.00	\$250.00
Zone 3 - TX		\$300.00	\$250.00

Rates contained in this transmittal are subject to subsequent adjustment, effective retrospectively, in the event the Commission or a court subsequently authorizes Southwestern Bell Telephone Company to correct its rates pursuant to pending motions, or petitions for reconsideration or waiver, or in the event of any other adjustment to an order of the Commission or a court.

(N)

(This page filed under Transmittal No. 2925)

Issued: December 23, 2002

Effective: January 7, 2003

Four AT&T Plaza, Dallas, Texas 75202

ACCESS SERVICE

7. Special Access Service (Cont'd)

7.3 Service Descriptions, Rates and Charges (Cont'd)

7.3.10 High Capacity Service (Cont'd)

(F) Rates and Charges (Cont'd)

(28) Optional Payment Plan **Rates effective 07/02/02**
 (Cont'd)

	<u>USOC</u>	<u>5 Year</u> <u>Monthly Rate</u>
(a) <u>Channel Termination (Cont'd)</u>		

Per point of termination TMECS

1.544 Mbps

Zone 1 - AR	\$ 75.00
Zone 2 - AR	\$ 85.00
Zone 3 - AR	\$ 95.00
Zone 1 - KS	\$ 75.00
Zone 2 - KS	\$ 85.00
Zone 3 - KS	\$ 95.00
Zone 1 - MO	\$ 75.00
Zone 2 - MO	\$ 85.00
Zone 3 - MO	\$ 95.00
Zone 1 - OK	\$ 75.00
Zone 2 - OK	\$ 85.00
Zone 3 - OK	\$ 95.00
Zone 1 - TX	\$ 75.00
Zone 2 - TX	\$ 85.00
Zone 3 - TX	\$ 95.00

	<u>Nonrecurring Charge</u>	
	<u>1st Ckt</u>	<u>Addl Ckt</u>

Zone 1 - AR	\$ 0.00	\$ 0.00
Zone 2 - AR	\$ 0.00	\$ 0.00
Zone 3 - AR	\$ 0.00	\$ 0.00
Zone 1 - KS	\$ 0.00	\$ 0.00
Zone 2 - KS	\$ 0.00	\$ 0.00
Zone 3 - KS	\$ 0.00	\$ 0.00
Zone 1 - MO	\$ 0.00	\$ 0.00
Zone 2 - MO	\$ 0.00	\$ 0.00
Zone 3 - MO	\$ 0.00	\$ 0.00
Zone 1 - OK	\$ 0.00	\$ 0.00
Zone 2 - OK	\$ 0.00	\$ 0.00
Zone 3 - OK	\$ 0.00	\$ 0.00
Zone 1 - TX	\$ 0.00	\$ 0.00
Zone 2 - TX	\$ 0.00	\$ 0.00
Zone 3 - TX	\$ 0.00	\$ 0.00

Rates contained in this transmittal are subject to subsequent adjustment, effective retrospectively, in the event the Commission or a court subsequently authorizes Southwestern Bell Telephone Company to correct its rates pursuant to pending motions, or petitions for reconsideration or waiver, or in the event of any other adjustment to an order of the Commission or a court.

(This page filed under Transmittal No. 2925)

(N)

(N)

ACCESS SERVICE

7. Special Access Service (Cont'd)

7.3 Service Descriptions, Rates and Charges (Cont'd)

7.3.10 High Capacity Service (Cont'd)

(F) Rates and Charges (Cont'd)

(28) Optional Payment Plan Rates effective 07/02/02
 (Cont'd)

		3 Year Monthly Rate	
	USOC	Fixed	Per Mile
(b) <u>Channel Mileage</u>			
1.544 Mbps	1L5XX		
0 miles			
Zone 1 - AR		\$ 0.00	\$ 0.00
Zone 2 - AR		\$ 0.00	\$ 0.00
Zone 3 - AR		\$ 0.00	\$ 0.00
Zone 1 - KS		\$ 0.00	\$ 0.00
Zone 2 - KS		\$ 0.00	\$ 0.00
Zone 3 - KS		\$ 0.00	\$ 0.00
Zone 1 - MO		\$ 0.00	\$ 0.00
Zone 2 - MO		\$ 0.00	\$ 0.00
Zone 3 - MO		\$ 0.00	\$ 0.00
Zone 1 - OK		\$ 0.00	\$ 0.00
Zone 2 - OK		\$ 0.00	\$ 0.00
Zone 3 - OK		\$ 0.00	\$ 0.00
Zone 1 - TX		\$ 0.00	\$ 0.00
Zone 2 - TX		\$ 0.00	\$ 0.00
Zone 3 - TX		\$ 0.00	\$ 0.00
Over 0 miles			
Zone 1 - AR		\$30.00	\$12.00
Zone 2 - AR		\$30.00	\$12.00
Zone 3 - AR		\$30.00	\$12.00
Zone 1 - KS		\$30.00	\$12.00
Zone 2 - KS		\$30.00	\$12.00
Zone 3 - KS		\$30.00	\$12.00
Zone 1 - MO		\$30.00	\$12.00
Zone 2 - MO		\$30.00	\$12.00
Zone 3 - MO		\$30.00	\$12.00
Zone 1 - OK		\$30.00	\$12.00
Zone 2 - OK		\$30.00	\$12.00
Zone 3 - OK		\$30.00	\$12.00
Zone 1 - TX		\$30.00	\$12.00
Zone 2 - TX		\$30.00	\$12.00
Zone 3 - TX		\$30.00	\$12.00

Rates contained in this transmittal are subject to subsequent adjustment, effective retrospectively, in the event the Commission or a court subsequently authorizes Southwestern Bell Telephone Company to correct its rates pursuant to pending motions, or petitions for reconsideration or waiver, or in the event of any other adjustment to an order of the Commission or a court.

(This page filed under Transmittal No. 2925)

Issued: December 23, 2002

Effective: January 7, 2003

Four AT&T Plaza, Dallas, Texas 75202

(N)

(N)

ACCESS SERVICE

7. Special Access Service (Cont'd)

(N)

7.3 Service Descriptions, Rates and Charges (Cont'd)

7.3.10 High Capacity Service (Cont'd)

(F) Rates and Charges (Cont'd)

(28) Optional Payment Plan **Rates effective 07/02/02**
 (Cont'd)

	USOC	3 Year Monthly Rate	
		Fixed	Per Mile
(b) <u>Channel Mileage</u> (Cont'd)			
64 Kbps*	1L5TC		
0 miles			
Zone 1 - AR		\$ 0.00	\$ 0.00
Zone 2 - AR		\$ 0.00	\$ 0.00
Zone 3 - AR		\$ 0.00	\$ 0.00
Zone 1 - KS		\$ 0.00	\$ 0.00
Zone 2 - KS		\$ 0.00	\$ 0.00
Zone 3 - KS		\$ 0.00	\$ 0.00
Zone 1 - MO		\$ 0.00	\$ 0.00
Zone 2 - MO		\$ 0.00	\$ 0.00
Zone 3 - MO		\$ 0.00	\$ 0.00
Zone 1 - OK		\$ 0.00	\$ 0.00
Zone 2 - OK		\$ 0.00	\$ 0.00
Zone 3 - OK		\$ 0.00	\$ 0.00
Zone 1 - TX		\$ 0.00	\$ 0.00
Zone 2 - TX		\$ 0.00	\$ 0.00
Zone 3 - TX		\$ 0.00	\$ 0.00
Over 0 miles			
	1L5XX		
Zone 1 - AR		\$ 8.04	\$ 1.13
Zone 2 - AR		\$ 8.04	\$ 1.13
Zone 3 - AR		\$ 8.04	\$ 1.13
Zone 1 - KS		\$ 8.04	\$ 1.13
Zone 2 - KS		\$ 8.04	\$ 1.13
Zone 3 - KS		\$ 8.04	\$ 1.13
Zone 1 - MO		\$ 8.04	\$ 1.13
Zone 2 - MO		\$ 8.04	\$ 1.13
Zone 3 - MO		\$ 8.04	\$ 1.13
Zone 1 - OK		\$ 8.04	\$ 1.13
Zone 2 - OK		\$ 8.04	\$ 1.13
Zone 3 - OK		\$ 8.04	\$ 1.13
Zone 1 - TX		\$ 8.04	\$ 1.13
Zone 2 - TX		\$ 8.04	\$ 1.13
Zone 3 - TX		\$ 8.04	\$ 1.13

* Available only as a channel of a 1.544 Mbps facility to a SWBT Digital Data Hub or as a cross connect of two channels of two 1.544 Mbps facilities to a Digital Data Hub(s). The customer must provide system and channel assignment data.

(N)

(This page filed under Transmittal No. 2925)

ACCESS SERVICE

7. Special Access Service (Cont'd)

(N)

7.3 Service Descriptions, Rates and Charges (Cont'd)

7.3.10 High Capacity Service (Cont'd)

(F) Rates and Charges (Cont'd)

(28) Optional Payment Plan **Rates effective 07/02/02**
 (Cont'd)

	USOC	5 Year Monthly Rate	
		Fixed	Per Mile
(b) <u>Channel Mileage</u> (Cont'd)			
1.544 Mbps	1L5XX		
0 miles			
Zone 1 - AR		\$ 0.00	\$ 0.00
Zone 2 - AR		\$ 0.00	\$ 0.00
Zone 3 - AR		\$ 0.00	\$ 0.00
Zone 1 - KS		\$ 0.00	\$ 0.00
Zone 2 - KS		\$ 0.00	\$ 0.00
Zone 3 - KS		\$ 0.00	\$ 0.00
Zone 1 - MO		\$ 0.00	\$ 0.00
Zone 2 - MO		\$ 0.00	\$ 0.00
Zone 3 - MO		\$ 0.00	\$ 0.00
Zone 1 - OK		\$ 0.00	\$ 0.00
Zone 2 - OK		\$ 0.00	\$ 0.00
Zone 3 - OK		\$ 0.00	\$ 0.00
Zone 1 - TX		\$ 0.00	\$ 0.00
Zone 2 - TX		\$ 0.00	\$ 0.00
Zone 3 - TX		\$ 0.00	\$ 0.00
Over 0 miles			
Zone 1 - AR		\$25.00	\$ 9.00
Zone 2 - AR		\$25.00	\$ 9.00
Zone 3 - AR		\$25.00	\$ 9.00
Zone 1 - KS		\$25.00	\$ 9.00
Zone 2 - KS		\$25.00	\$ 9.00
Zone 3 - KS		\$25.00	\$ 9.00
Zone 1 - MO		\$25.00	\$ 9.00
Zone 2 - MO		\$25.00	\$ 9.00
Zone 3 - MO		\$25.00	\$ 9.00
Zone 1 - OK		\$25.00	\$ 9.00
Zone 2 - OK		\$25.00	\$ 9.00
Zone 3 - OK		\$25.00	\$ 9.00
Zone 1 - TX		\$25.00	\$ 9.00
Zone 2 - TX		\$25.00	\$ 9.00
Zone 3 - TX		\$25.00	\$ 9.00

Rates contained in this transmittal are subject to subsequent adjustment, effective retrospectively, in the event the Commission or a court subsequently authorizes Southwestern Bell Telephone Company to correct its rates pursuant to pending motions, or petitions for reconsideration or waiver, or in the event of any other adjustment to an order of the Commission or a court.

(N)

(This page filed under Transmittal No. 2925)

ACCESS SERVICE

(N)

7. Special Access Service (Cont'd)

7.3 Service Descriptions, Rates and Charges (Cont'd)

7.3.10 High Capacity Service (Cont'd)

(F) Rates and Charges (Cont'd)

(28) Optional Payment Plan **Rates effective 07/02/02**
 (Cont'd)

	USOC	5 Year Monthly Rate	
		Fixed	Per Mile
(b) <u>Channel Mileage</u> (Cont'd)			
64 Kbps*	1L5TC		
0 miles			
Zone 1 - AR		\$ 0.00	\$ 0.00
Zone 2 - AR		\$ 0.00	\$ 0.00
Zone 3 - AR		\$ 0.00	\$ 0.00
Zone 1 - KS		\$ 0.00	\$ 0.00
Zone 2 - KS		\$ 0.00	\$ 0.00
Zone 3 - KS		\$ 0.00	\$ 0.00
Zone 1 - MO		\$ 0.00	\$ 0.00
Zone 2 - MO		\$ 0.00	\$ 0.00
Zone 3 - MO		\$ 0.00	\$ 0.00
Zone 1 - OK		\$ 0.00	\$ 0.00
Zone 2 - OK		\$ 0.00	\$ 0.00
Zone 3 - OK		\$ 0.00	\$ 0.00
Zone 1 - TX		\$ 0.00	\$ 0.00
Zone 2 - TX		\$ 0.00	\$ 0.00
Zone 3 - TX		\$ 0.00	\$ 0.00
Over 0 miles	1L5XX		
Zone 1 - AR		\$ 7.64	\$ 1.07
Zone 2 - AR		\$ 7.64	\$ 1.07
Zone 3 - AR		\$ 7.64	\$ 1.07
Zone 1 - KS		\$ 7.64	\$ 1.07
Zone 2 - KS		\$ 7.64	\$ 1.07
Zone 3 - KS		\$ 7.64	\$ 1.07
Zone 1 - MO		\$ 7.64	\$ 1.07
Zone 2 - MO		\$ 7.64	\$ 1.07
Zone 3 - MO		\$ 7.64	\$ 1.07
Zone 1 - OK		\$ 7.64	\$ 1.07
Zone 2 - OK		\$ 7.64	\$ 1.07
Zone 3 - OK		\$ 7.64	\$ 1.07
Zone 1 - TX		\$ 7.64	\$ 1.07
Zone 2 - TX		\$ 7.64	\$ 1.07
Zone 3 - TX		\$ 7.64	\$ 1.07

* Available only as a channel of a 1.544 Mbps facility to a SWBT Digital Data Hub or as a cross connect of two channels of two 1.544 Mbps facilities to a Digital Data Hub(s). The customer must provide system and channel assignment data.

(N)

(This page filed under Transmittal No. 2925)

ACCESS SERVICE

(N)

7. Special Access Service (Cont'd)

7.3 Service Descriptions, Rates and Charges (Cont'd)

7.3.10 High Capacity Service (Cont'd)

(F) Rates and Charges (Cont'd)

(28) Optional Payment Plan **Rates effective 07/02/02**
 (Cont'd)

USOC 3 Year
Monthly Rate

(c) Service to Service
Through Connect
Arrangement

High Capacity Service
 Arrangement - 1.544
 Mbps (DS1)

THA

Zone 1 - AR	\$ 0.00
Zone 2 - AR	\$ 0.00
Zone 3 - AR	\$ 0.00
Zone 1 - KS	\$ 0.00
Zone 2 - KS	\$ 0.00
Zone 3 - KS	\$ 0.00
Zone 1 - MO	\$ 0.00
Zone 2 - MO	\$ 0.00
Zone 3 - MO	\$ 0.00
Zone 1 - OK	\$ 0.00
Zone 2 - OK	\$ 0.00
Zone 3 - OK	\$ 0.00
Zone 1 - TX	\$ 0.00
Zone 2 - TX	\$ 0.00
Zone 3 - TX	\$ 0.00

Nonrecurring Charge
1st Ckt Addl Ckt

Zone 1 - AR	\$204.00	\$156.00
Zone 2 - AR	\$204.00	\$156.00
Zone 3 - AR	\$204.00	\$156.00
Zone 1 - KS	\$204.00	\$156.00
Zone 2 - KS	\$204.00	\$156.00
Zone 3 - KS	\$204.00	\$156.00
Zone 1 - MO	\$204.00	\$156.00
Zone 2 - MO	\$204.00	\$156.00
Zone 3 - MO	\$204.00	\$156.00
Zone 1 - OK	\$204.00	\$156.00
Zone 2 - OK	\$204.00	\$156.00
Zone 3 - OK	\$204.00	\$156.00
Zone 1 - TX	\$204.00	\$156.00
Zone 2 - TX	\$204.00	\$156.00
Zone 3 - TX	\$204.00	\$156.00

(N)

(This page filed under Transmittal No. 2925)

ACCESS SERVICE

7. Special Access Service (Cont'd)

(N)

7.3 Service Descriptions, Rates and Charges (Cont'd)

7.3.10 High Capacity Service (Cont'd)

(F) Rates and Charges (Cont'd)

(28) Optional Payment Plan **Rates effective 07/02/02**
 (Cont'd)

5 Year
USOC Monthly Rate

(c) Service to Service
Through Connect
Arrangement (Cont'd)

High Capacity Service
 Arrangement - 1.544
 Mbps (DS1)

THA

Zone 1 - AR	\$ 0.00
Zone 2 - AR	\$ 0.00
Zone 3 - AR	\$ 0.00
Zone 1 - KS	\$ 0.00
Zone 2 - KS	\$ 0.00
Zone 3 - KS	\$ 0.00
Zone 1 - MO	\$ 0.00
Zone 2 - MO	\$ 0.00
Zone 3 - MO	\$ 0.00
Zone 1 - OK	\$ 0.00
Zone 2 - OK	\$ 0.00
Zone 3 - OK	\$ 0.00
Zone 1 - TX	\$ 0.00
Zone 2 - TX	\$ 0.00
Zone 3 - TX	\$ 0.00

Nonrecurring Charge
1st Ckt Addl Ckt

Zone 1 - AR	\$204.00	\$156.00
Zone 2 - AR	\$204.00	\$156.00
Zone 3 - AR	\$204.00	\$156.00
Zone 1 - KS	\$204.00	\$156.00
Zone 2 - KS	\$204.00	\$156.00
Zone 3 - KS	\$204.00	\$156.00
Zone 1 - MO	\$204.00	\$156.00
Zone 2 - MO	\$204.00	\$156.00
Zone 3 - MO	\$204.00	\$156.00
Zone 1 - OK	\$204.00	\$156.00
Zone 2 - OK	\$204.00	\$156.00
Zone 3 - OK	\$204.00	\$156.00
Zone 1 - TX	\$204.00	\$156.00
Zone 2 - TX	\$204.00	\$156.00
Zone 3 - TX	\$204.00	\$156.00

(N)

(This page filed under Transmittal No. 2925)

ACCESS SERVICE

7. Special Access Service (Cont'd) (N)

7.3 Service Descriptions, Rates and Charges (Cont'd)

7.3.10 High Capacity Service (Cont'd)

(F) Rates and Charges (Cont'd)

(28) Optional Payment Plan **Rates effective 07/02/02**
 (Cont'd)

	<u>USOC</u>	<u>3 Year</u> <u>Monthly Rate</u>
(c) <u>Service to Service</u> <u>Through Connect</u> <u>Arrangement</u> (Cont'd)		

Multiplexed Service
 Arrangement - 1.544 Mbps
 (DS1) THK

Zone 1 - AR	\$	0.00
Zone 2 - AR	\$	0.00
Zone 3 - AR	\$	0.00
Zone 1 - KS	\$	0.00
Zone 2 - KS	\$	0.00
Zone 3 - KS	\$	0.00
Zone 1 - MO	\$	0.00
Zone 2 - MO	\$	0.00
Zone 3 - MO	\$	0.00
Zone 1 - OK	\$	0.00
Zone 2 - OK	\$	0.00
Zone 3 - OK	\$	0.00
Zone 1 - TX	\$	0.00
Zone 2 - TX	\$	0.00
Zone 3 - TX	\$	0.00

Nonrecurring Charge
1st Ckt Addl Ckt

Zone 1 - AR	\$332.00	\$280.00
Zone 2 - AR	\$332.00	\$280.00
Zone 3 - AR	\$332.00	\$280.00
Zone 1 - KS	\$332.00	\$280.00
Zone 2 - KS	\$332.00	\$280.00
Zone 3 - KS	\$332.00	\$280.00
Zone 1 - MO	\$332.00	\$280.00
Zone 2 - MO	\$332.00	\$280.00
Zone 3 - MO	\$332.00	\$280.00
Zone 1 - OK	\$332.00	\$280.00
Zone 2 - OK	\$332.00	\$280.00
Zone 3 - OK	\$332.00	\$280.00
Zone 1 - TX	\$332.00	\$280.00
Zone 2 - TX	\$332.00	\$280.00
Zone 3 - TX	\$332.00	\$280.00

(N)

(This page filed under Transmittal No. 2925)

7. Special Access Service (Cont'd) (N)

7.3 Service Descriptions, Rates and Charges (Cont'd)

7.3.10 High Capacity Service (Cont'd)

(F) Rates and Charges (Cont'd)

(28) Optional Payment Plan **Rates effective 07/02/02**
 (Cont'd)

	<u>USOC</u>	<u>5 Year</u> <u>Monthly Rate</u>
(c) <u>Service to Service</u> <u>Through Connect</u> <u>Arrangement</u> (Cont'd)		
Multiplexed Service Arrangement - 1.544 Mbps (DS1)	THK	

Zone 1 - AR	\$ 0.00
Zone 2 - AR	\$ 0.00
Zone 3 - AR	\$ 0.00
Zone 1 - KS	\$ 0.00
Zone 2 - KS	\$ 0.00
Zone 3 - KS	\$ 0.00
Zone 1 - MO	\$ 0.00
Zone 2 - MO	\$ 0.00
Zone 3 - MO	\$ 0.00
Zone 1 - OK	\$ 0.00
Zone 2 - OK	\$ 0.00
Zone 3 - OK	\$ 0.00
Zone 1 - TX	\$ 0.00
Zone 2 - TX	\$ 0.00
Zone 3 - TX	\$ 0.00

	<u>Nonrecurring Charge</u>	
	<u>1st Ckt</u>	<u>Addl Ckt</u>
Zone 1 - AR	\$332.00	\$280.00
Zone 2 - AR	\$332.00	\$280.00
Zone 3 - AR	\$332.00	\$280.00
Zone 1 - KS	\$332.00	\$280.00
Zone 2 - KS	\$332.00	\$280.00
Zone 3 - KS	\$332.00	\$280.00
Zone 1 - MO	\$332.00	\$280.00
Zone 2 - MO	\$332.00	\$280.00
Zone 3 - MO	\$332.00	\$280.00
Zone 1 - OK	\$332.00	\$280.00
Zone 2 - OK	\$332.00	\$280.00
Zone 3 - OK	\$332.00	\$280.00
Zone 1 - TX	\$332.00	\$280.00
Zone 2 - TX	\$332.00	\$280.00
Zone 3 - TX	\$332.00	\$280.00

(N)

(This page filed under Transmittal No. 2925)

7. Special Access Service (Cont'd)

7.3 Service Descriptions, Rates and Charges (Cont'd)

7.3.10 High Capacity Service (Cont'd)

(F) Rates and Charges (Cont'd)

(28) Optional Payment Plan

(D)
(D)

(D)
(D)

(d)

(D)

(D)

(This page filed under Transmittal No. 3317)

7. Special Access Service (Cont'd)

7.3 Service Descriptions, Rates and Charges (Cont'd)

7.3.10 High Capacity Service (Cont'd)

(F) Rates and Charges (Cont'd)

(28) Optional Payment Plan

(D)
(D)

(D)
(D)

(d)

(D)

(D)

(This page filed under Transmittal No. 3317)

Issued: March 10, 2011

Effective: March 25, 2011

Four AT&T Plaza, Dallas, Texas 75202

ACCESS SERVICE

7. Special Access Service (Cont'd)

(N)

7.3 Service Descriptions, Rates and Charges (Cont'd)

7.3.10 High Capacity Service (Cont'd)

(F) Rates and Charges (Cont'd)

(28) Optional Payment Plan
 (Cont'd)

Rates effective 07/02/02

	<u>USOC</u>	<u>3 Year Monthly Rate</u>
(e) <u>Multiplexing</u>		
Per arrangement		
DS0 to Subrates		
Up to 20 2.4 kbps services		
	QSU24	
Zone 1 - AR		\$135.00
Zone 2 - AR		\$135.00
Zone 3 - AR		\$135.00
Zone 1 - KS		\$135.00
Zone 2 - KS		\$135.00
Zone 3 - KS		\$135.00
Zone 1 - MO		\$135.00
Zone 2 - MO		\$135.00
Zone 3 - MO		\$135.00
Zone 1 - OK		\$135.00
Zone 2 - OK		\$135.00
Zone 3 - OK		\$135.00
Zone 1 - TX		\$135.00
Zone 2 - TX		\$135.00
Zone 3 - TX		\$135.00
		<u>Nonrecurring Charge</u>
Zone 1 - AR		\$ 0.00
Zone 2 - AR		\$ 0.00
Zone 3 - AR		\$ 0.00
Zone 1 - KS		\$ 0.00
Zone 2 - KS		\$ 0.00
Zone 3 - KS		\$ 0.00
Zone 1 - MO		\$ 0.00
Zone 2 - MO		\$ 0.00
Zone 3 - MO		\$ 0.00
Zone 1 - OK		\$ 0.00
Zone 2 - OK		\$ 0.00
Zone 3 - OK		\$ 0.00
Zone 1 - TX		\$ 0.00
Zone 2 - TX		\$ 0.00
Zone 3 - TX		\$ 0.00

(N)

(This page filed under Transmittal No. 2925)

7. Special Access Service (Cont'd)

(N)

7.3 Service Descriptions, Rates and Charges (Cont'd)

7.3.10 High Capacity Service (Cont'd)

(F) Rates and Charges (Cont'd)

(28) Optional Payment Plan
 (Cont'd)

Rates effective 07/02/02

	<u>USOC</u>	<u>5 Year Monthly Rate</u>
(e) <u>Multiplexing</u> (Cont'd)		
Per arrangement		
DS0 to Subrates		
Up to 20 2.4 kbps services		
	QSU24	
Zone 1 - AR		\$128.25
Zone 2 - AR		\$128.25
Zone 3 - AR		\$128.25
Zone 1 - KS		\$128.25
Zone 2 - KS		\$128.25
Zone 3 - KS		\$128.25
Zone 1 - MO		\$128.25
Zone 2 - MO		\$128.25
Zone 3 - MO		\$128.25
Zone 1 - OK		\$128.25
Zone 2 - OK		\$128.25
Zone 3 - OK		\$128.25
Zone 1 - TX		\$128.25
Zone 2 - TX		\$128.25
Zone 3 - TX		\$128.25

Nonrecurring Charge

Zone 1 - AR	\$ 0.00
Zone 2 - AR	\$ 0.00
Zone 3 - AR	\$ 0.00
Zone 1 - KS	\$ 0.00
Zone 2 - KS	\$ 0.00
Zone 3 - KS	\$ 0.00
Zone 1 - MO	\$ 0.00
Zone 2 - MO	\$ 0.00
Zone 3 - MO	\$ 0.00
Zone 1 - OK	\$ 0.00
Zone 2 - OK	\$ 0.00
Zone 3 - OK	\$ 0.00
Zone 1 - TX	\$ 0.00
Zone 2 - TX	\$ 0.00
Zone 3 - TX	\$ 0.00

(N)

(This page filed under Transmittal No. 2925)

Issued: December 23, 2002

Effective: January 7, 2003

Four AT&T Plaza, Dallas, Texas 75202

7. Special Access Service (Cont'd)

(N)

7.3 Service Descriptions, Rates and Charges (Cont'd)

7.3.10 High Capacity Service (Cont'd)

(F) Rates and Charges (Cont'd)

(28) Optional Payment Plan **Rates effective 07/02/02**
 (Cont'd)

	<u>USOC</u>	<u>3 Year</u> <u>Monthly Rate</u>
(e) <u>Multiplexing</u> (Cont'd)		

Per arrangement

DS0 to Subrates

Up to 10 4.8 kbps
 services

QSU48

Zone 1 - AR	\$125.00
Zone 2 - AR	\$125.00
Zone 3 - AR	\$125.00
Zone 1 - KS	\$125.00
Zone 2 - KS	\$125.00
Zone 3 - KS	\$125.00
Zone 1 - MO	\$125.00
Zone 2 - MO	\$125.00
Zone 3 - MO	\$125.00
Zone 1 - OK	\$125.00
Zone 2 - OK	\$125.00
Zone 3 - OK	\$125.00
Zone 1 - TX	\$125.00
Zone 2 - TX	\$125.00
Zone 3 - TX	\$125.00

Nonrecurring Charge

Zone 1 - AR	\$ 0.00
Zone 2 - AR	\$ 0.00
Zone 3 - AR	\$ 0.00
Zone 1 - KS	\$ 0.00
Zone 2 - KS	\$ 0.00
Zone 3 - KS	\$ 0.00
Zone 1 - MO	\$ 0.00
Zone 2 - MO	\$ 0.00
Zone 3 - MO	\$ 0.00
Zone 1 - OK	\$ 0.00
Zone 2 - OK	\$ 0.00
Zone 3 - OK	\$ 0.00
Zone 1 - TX	\$ 0.00
Zone 2 - TX	\$ 0.00
Zone 3 - TX	\$ 0.00

(N)

(This page filed under Transmittal No. 2925)

ACCESS SERVICE

7. Special Access Service (Cont'd) (N)

7.3 Service Descriptions, Rates and Charges (Cont'd)

7.3.10 High Capacity Service (Cont'd)

(F) Rates and Charges (Cont'd)

(28) Optional Payment Plan **Rates effective 07/02/02**
 (Cont'd)

	<u>USOC</u>	<u>5 Year Monthly Rate</u>
(e) <u>Multiplexing</u> (Cont'd)		
Per arrangement		
DS0 to Subrates		
Up to 10 4.8 kbps services	QSU48	
Zone 1 - AR		\$118.75
Zone 2 - AR		\$118.75
Zone 3 - AR		\$118.75
Zone 1 - KS		\$118.75
Zone 2 - KS		\$118.75
Zone 3 - KS		\$118.75
Zone 1 - MO		\$118.75
Zone 2 - MO		\$118.75
Zone 3 - MO		\$118.75
Zone 1 - OK		\$118.75
Zone 2 - OK		\$118.75
Zone 3 - OK		\$118.75
Zone 1 - TX		\$118.75
Zone 2 - TX		\$118.75
Zone 3 - TX		\$118.75

Nonrecurring Charge

Zone 1 - AR	\$ 0.00
Zone 2 - AR	\$ 0.00
Zone 3 - AR	\$ 0.00
Zone 1 - KS	\$ 0.00
Zone 2 - KS	\$ 0.00
Zone 3 - KS	\$ 0.00
Zone 1 - MO	\$ 0.00
Zone 2 - MO	\$ 0.00
Zone 3 - MO	\$ 0.00
Zone 1 - OK	\$ 0.00
Zone 2 - OK	\$ 0.00
Zone 3 - OK	\$ 0.00
Zone 1 - TX	\$ 0.00
Zone 2 - TX	\$ 0.00
Zone 3 - TX	\$ 0.00

(N)

(This page filed under Transmittal No. 2925)

7. Special Access Service (Cont'd)

(N)

7.3 Service Descriptions, Rates and Charges (Cont'd)

7.3.10 High Capacity Service (Cont'd)

(F) Rates and Charges (Cont'd)

(28) Optional Payment Plan **Rates effective 07/02/02**
 (Cont'd)

	<u>USOC</u>	<u>3 Year Monthly Rate</u>
(e) <u>Multiplexing</u> (Cont'd)		
Per arrangement		
DS0 to Subrates		
Up to 5 9.6 kbps services	QSU96	
Zone 1 - AR		\$235.00
Zone 2 - AR		\$235.00
Zone 3 - AR		\$235.00
Zone 1 - KS		\$235.00
Zone 2 - KS		\$235.00
Zone 3 - KS		\$235.00
Zone 1 - MO		\$235.00
Zone 2 - MO		\$235.00
Zone 3 - MO		\$235.00
Zone 1 - OK		\$235.00
Zone 2 - OK		\$235.00
Zone 3 - OK		\$235.00
Zone 1 - TX		\$235.00
Zone 2 - TX		\$235.00
Zone 3 - TX		\$235.00
		<u>Nonrecurring Charge</u>
Zone 1 - AR		\$ 0.00
Zone 2 - AR		\$ 0.00
Zone 3 - AR		\$ 0.00
Zone 1 - KS		\$ 0.00
Zone 2 - KS		\$ 0.00
Zone 3 - KS		\$ 0.00
Zone 1 - MO		\$ 0.00
Zone 2 - MO		\$ 0.00
Zone 3 - MO		\$ 0.00
Zone 1 - OK		\$ 0.00
Zone 2 - OK		\$ 0.00
Zone 3 - OK		\$ 0.00
Zone 1 - TX		\$ 0.00
Zone 2 - TX		\$ 0.00
Zone 3 - TX		\$ 0.00

(N)

(This page filed under Transmittal No. 2925)

ACCESS SERVICE

7. Special Access Service (Cont'd) (N)

7.3 Service Descriptions, Rates and Charges (Cont'd)

7.3.10 High Capacity Service (Cont'd)

(F) Rates and Charges (Cont'd)

(28) Optional Payment Plan **Rates effective 07/02/02**
 (Cont'd)

	<u>USOC</u>	<u>5 Year Monthly Rate</u>
(e) <u>Multiplexing</u> (Cont'd)		
Per arrangement		
DS0 to Subrates		
Up to 5 9.6 kbps services	QSU96	
Zone 1 - AR		\$223.25
Zone 2 - AR		\$223.25
Zone 3 - AR		\$223.25
Zone 1 - KS		\$223.25
Zone 2 - KS		\$223.25
Zone 3 - KS		\$223.25
Zone 1 - MO		\$223.25
Zone 2 - MO		\$223.25
Zone 3 - MO		\$223.25
Zone 1 - OK		\$223.25
Zone 2 - OK		\$223.25
Zone 3 - OK		\$223.25
Zone 1 - TX		\$223.25
Zone 2 - TX		\$223.25
Zone 3 - TX		\$223.25

Nonrecurring Charge

Zone 1 - AR	\$ 0.00
Zone 2 - AR	\$ 0.00
Zone 3 - AR	\$ 0.00
Zone 1 - KS	\$ 0.00
Zone 2 - KS	\$ 0.00
Zone 3 - KS	\$ 0.00
Zone 1 - MO	\$ 0.00
Zone 2 - MO	\$ 0.00
Zone 3 - MO	\$ 0.00
Zone 1 - OK	\$ 0.00
Zone 2 - OK	\$ 0.00
Zone 3 - OK	\$ 0.00
Zone 1 - TX	\$ 0.00
Zone 2 - TX	\$ 0.00
Zone 3 - TX	\$ 0.00

(N)

(This page filed under Transmittal No. 2925)

ACCESS SERVICE

7. Special Access Service (Cont'd)

(N)

7.3 Service Descriptions, Rates and Charges (Cont'd)

7.3.10 High Capacity Service (Cont'd)

(F) Rates and Charges (Cont'd)

(28) Optional Payment Plan **Rates effective 07/02/02**
 (Cont'd)

	<u>USOC</u>	<u>3 Year Monthly Rate</u>
(e) <u>Multiplexing</u> (Cont'd)		
Per arrangement		
DS1 to DS0	QMU	
Zone 1 - AR		\$180.00
Zone 2 - AR		\$180.00
Zone 3 - AR		\$180.00
Zone 1 - KS		\$180.00
Zone 2 - KS		\$180.00
Zone 3 - KS		\$180.00
Zone 1 - MO		\$180.00
Zone 2 - MO		\$180.00
Zone 3 - MO		\$180.00
Zone 1 - OK		\$180.00
Zone 2 - OK		\$180.00
Zone 3 - OK		\$180.00
Zone 1 - TX		\$180.00
Zone 2 - TX		\$180.00
Zone 3 - TX		\$180.00
		<u>Nonrecurring Charge</u>
Zone 1 - AR		\$ 0.00
Zone 2 - AR		\$ 0.00
Zone 3 - AR		\$ 0.00
Zone 1 - KS		\$ 0.00
Zone 2 - KS		\$ 0.00
Zone 3 - KS		\$ 0.00
Zone 1 - MO		\$ 0.00
Zone 2 - MO		\$ 0.00
Zone 3 - MO		\$ 0.00
Zone 1 - OK		\$ 0.00
Zone 2 - OK		\$ 0.00
Zone 3 - OK		\$ 0.00
Zone 1 - TX		\$ 0.00
Zone 2 - TX		\$ 0.00
Zone 3 - TX		\$ 0.00

(N)

(This page filed under Transmittal No. 2925)

7. Special Access Service (Cont'd) (N)

7.3 Service Descriptions, Rates and Charges (Cont'd)

7.3.10 High Capacity Service (Cont'd)

(F) Rates and Charges (Cont'd)

(28) Optional Payment Plan **Rates effective 07/02/02**
 (Cont'd)

	<u>USOC</u>	<u>5 Year Monthly Rate</u>
(e) <u>Multiplexing</u> (Cont'd)		
Per arrangement		
DS1 to DS0	QMU	
Zone 1 - AR		\$171.00
Zone 2 - AR		\$171.00
Zone 3 - AR		\$171.00
Zone 1 - KS		\$171.00
Zone 2 - KS		\$171.00
Zone 3 - KS		\$171.00
Zone 1 - MO		\$171.00
Zone 2 - MO		\$171.00
Zone 3 - MO		\$171.00
Zone 1 - OK		\$171.00
Zone 2 - OK		\$171.00
Zone 3 - OK		\$171.00
Zone 1 - TX		\$171.00
Zone 2 - TX		\$171.00
Zone 3 - TX		\$171.00
		<u>Nonrecurring Charge</u>
Zone 1 - AR		\$ 0.00
Zone 2 - AR		\$ 0.00
Zone 3 - AR		\$ 0.00
Zone 1 - KS		\$ 0.00
Zone 2 - KS		\$ 0.00
Zone 3 - KS		\$ 0.00
Zone 1 - MO		\$ 0.00
Zone 2 - MO		\$ 0.00
Zone 3 - MO		\$ 0.00
Zone 1 - OK		\$ 0.00
Zone 2 - OK		\$ 0.00
Zone 3 - OK		\$ 0.00
Zone 1 - TX		\$ 0.00
Zone 2 - TX		\$ 0.00
Zone 3 - TX		\$ 0.00

(N)

(This page filed under Transmittal No. 2925)

7. Special Access Service (Cont'd)

(N)

7.3 Service Descriptions, Rates and Charges (Cont'd)

7.3.10 High Capacity Service (Cont'd)

(F) Rates and Charges (Cont'd)

(28) Optional Payment Plan **Rates effective 07/02/02**
 (Cont'd)

	<u>USOC</u>	<u>3 Year Monthly Rate</u>
(e) <u>Multiplexing</u> (Cont'd)		
Per arrangement		
DS1 to Voice	MQ1	
Zone 1 - AR		\$180.00
Zone 2 - AR		\$180.00
Zone 3 - AR		\$180.00
Zone 1 - KS		\$180.00
Zone 2 - KS		\$180.00
Zone 3 - KS		\$180.00
Zone 1 - MO		\$180.00
Zone 2 - MO		\$180.00
Zone 3 - MO		\$180.00
Zone 1 - OK		\$180.00
Zone 2 - OK		\$180.00
Zone 3 - OK		\$180.00
Zone 1 - TX		\$180.00
Zone 2 - TX		\$180.00
Zone 3 - TX		\$180.00
		<u>Nonrecurring Charge</u>
Zone 1 - AR		\$ 0.00
Zone 2 - AR		\$ 0.00
Zone 3 - AR		\$ 0.00
Zone 1 - KS		\$ 0.00
Zone 2 - KS		\$ 0.00
Zone 3 - KS		\$ 0.00
Zone 1 - MO		\$ 0.00
Zone 2 - MO		\$ 0.00
Zone 3 - MO		\$ 0.00
Zone 1 - OK		\$ 0.00
Zone 2 - OK		\$ 0.00
Zone 3 - OK		\$ 0.00
Zone 1 - TX		\$ 0.00
Zone 2 - TX		\$ 0.00
Zone 3 - TX		\$ 0.00

(N)

(This page filed under Transmittal No. 2925)

7. Special Access Service (Cont'd)

(N)

7.3 Service Descriptions, Rates and Charges (Cont'd)

7.3.10 High Capacity Service (Cont'd)

(F) Rates and Charges (Cont'd)

(28) Optional Payment Plan **Rates effective 07/02/02**
 (Cont'd)

	<u>USOC</u>	<u>5 Year Monthly Rate</u>
(e) <u>Multiplexing</u> (Cont'd)		
Per arrangement		
DS1 to Voice	MQ1	
Zone 1 - AR		\$171.00
Zone 2 - AR		\$171.00
Zone 3 - AR		\$171.00
Zone 1 - KS		\$171.00
Zone 2 - KS		\$171.00
Zone 3 - KS		\$171.00
Zone 1 - MO		\$171.00
Zone 2 - MO		\$171.00
Zone 3 - MO		\$171.00
Zone 1 - OK		\$171.00
Zone 2 - OK		\$171.00
Zone 3 - OK		\$171.00
Zone 1 - TX		\$171.00
Zone 2 - TX		\$171.00
Zone 3 - TX		\$171.00
<u>Nonrecurring Charge</u>		
Zone 1 - AR		\$ 0.00
Zone 2 - AR		\$ 0.00
Zone 3 - AR		\$ 0.00
Zone 1 - KS		\$ 0.00
Zone 2 - KS		\$ 0.00
Zone 3 - KS		\$ 0.00
Zone 1 - MO		\$ 0.00
Zone 2 - MO		\$ 0.00
Zone 3 - MO		\$ 0.00
Zone 1 - OK		\$ 0.00
Zone 2 - OK		\$ 0.00
Zone 3 - OK		\$ 0.00
Zone 1 - TX		\$ 0.00
Zone 2 - TX		\$ 0.00
Zone 3 - TX		\$ 0.00

(N)

(This page filed under Transmittal No. 2925)

ACCESS SERVICE

7. Special Access Service (Cont'd)

(N)

7.3 Service Descriptions, Rates and Charges (Cont'd)

7.3.10 High Capacity Service (Cont'd)

(F) Rates and Charges (Cont'd)

(28) Optional Payment Plan **Rates effective 07/02/02**
 (Cont'd)

	<u>USOC</u>	<u>3 Year Monthly Rate</u>
(f) <u>Clear Channel Capability</u>	CLR	
Per channel termination		
Zone 1 - AR		\$ 0.00
Zone 2 - AR		\$ 0.00
Zone 3 - AR		\$ 0.00
Zone 1 - KS		\$ 0.00
Zone 2 - KS		\$ 0.00
Zone 3 - KS		\$ 0.00
Zone 1 - MO		\$ 0.00
Zone 2 - MO		\$ 0.00
Zone 3 - MO		\$ 0.00
Zone 1 - OK		\$ 0.00
Zone 2 - OK		\$ 0.00
Zone 3 - OK		\$ 0.00
Zone 1 - TX		\$ 0.00
Zone 2 - TX		\$ 0.00
Zone 3 - TX		\$ 0.00
		<u>Nonrecurring Charge</u>
Zone 1 - AR		\$100.00
Zone 2 - AR		\$100.00
Zone 3 - AR		\$100.00
Zone 1 - KS		\$100.00
Zone 2 - KS		\$100.00
Zone 3 - KS		\$100.00
Zone 1 - MO		\$100.00
Zone 2 - MO		\$100.00
Zone 3 - MO		\$100.00
Zone 1 - OK		\$100.00
Zone 2 - OK		\$100.00
Zone 3 - OK		\$100.00
Zone 1 - TX		\$100.00
Zone 2 - TX		\$100.00
Zone 3 - TX		\$100.00

(N)

(This page filed under Transmittal No. 2925)

ACCESS SERVICE

(N)

7. Special Access Service (Cont'd)

7.3 Service Descriptions, Rates and Charges (Cont'd)

7.3.10 High Capacity Service (Cont'd)

(F) Rates and Charges (Cont'd)

(28) Optional Payment Plan **Rates effective 07/02/02**
 (Cont'd)

	<u>USOC</u>	<u>5 Year Monthly Rate</u>
(f) <u>Clear Channel Capability</u> (Cont'd)	CLR	
Per channel termination		
Zone 1 - AR		\$ 0.00
Zone 2 - AR		\$ 0.00
Zone 3 - AR		\$ 0.00
Zone 1 - KS		\$ 0.00
Zone 2 - KS		\$ 0.00
Zone 3 - KS		\$ 0.00
Zone 1 - MO		\$ 0.00
Zone 2 - MO		\$ 0.00
Zone 3 - MO		\$ 0.00
Zone 1 - OK		\$ 0.00
Zone 2 - OK		\$ 0.00
Zone 3 - OK		\$ 0.00
Zone 1 - TX		\$ 0.00
Zone 2 - TX		\$ 0.00
Zone 3 - TX		\$ 0.00
		<u>Nonrecurring Charge</u>
Zone 1 - AR		\$100.00
Zone 2 - AR		\$100.00
Zone 3 - AR		\$100.00
Zone 1 - KS		\$100.00
Zone 2 - KS		\$100.00
Zone 3 - KS		\$100.00
Zone 1 - MO		\$100.00
Zone 2 - MO		\$100.00
Zone 3 - MO		\$100.00
Zone 1 - OK		\$100.00
Zone 2 - OK		\$100.00
Zone 3 - OK		\$100.00
Zone 1 - TX		\$100.00
Zone 2 - TX		\$100.00
Zone 3 - TX		\$100.00

(N)

(This page filed under Transmittal No. 2925)

ACCESS SERVICE

7. Special Access Service (Cont'd)

(N)

7.3 Service Descriptions, Rates and Charges (Cont'd)

7.3.10 High Capacity Service (Cont'd)

(F) Rates and Charges (Cont'd)

(28) Optional Payment Plan (Cont'd) **Rates effective 07/02/02**

	<u>USOC</u>	<u>3 Year Monthly Rate</u>
(g) <u>Transfer Arrangement, Key Activated*</u> (Cont'd) USV		
Per four port arrangement including control channel termination**		
Zone 1 - AR		\$184.24
Zone 2 - AR		\$184.24
Zone 3 - AR		\$184.24
Zone 1 - KS		\$184.24
Zone 2 - KS		\$184.24
Zone 3 - KS		\$184.24
Zone 1 - MO		\$184.24
Zone 2 - MO		\$184.24
Zone 3 - MO		\$184.24
Zone 1 - OK		\$184.24
Zone 2 - OK		\$184.24
Zone 3 - OK		\$184.24
Zone 1 - TX		\$184.24
Zone 2 - TX		\$184.24
Zone 3 - TX		\$184.24
		<u>Nonrecurring Charge</u>
Zone 1 - AR		\$213.00
Zone 2 - AR		\$213.00
Zone 3 - AR		\$213.00
Zone 1 - KS		\$213.00
Zone 2 - KS		\$213.00
Zone 3 - KS		\$213.00
Zone 1 - MO		\$213.00
Zone 2 - MO		\$213.00
Zone 3 - MO		\$213.00
Zone 1 - OK		\$213.00
Zone 2 - OK		\$213.00
Zone 3 - OK		\$213.00
Zone 1 - TX		\$213.00
Zone 2 - TX		\$213.00
Zone 3 - TX		\$213.00

*The key activated control channel is rated as a Metallic Channel Termination (use USOC T6EME in lieu of T6ECS) and Channel Mileage, if applicable (use USOC 1L5MX in lieu of 1L5XX).

**An additional Channel Termination charge will apply whenever a spare channel is configured as a leg to the customer's premises. Additional channel mileage will also apply when the transfer arrangement is not located in the customer premises serving wire center.

(N)

(This page filed under Transmittal No. 2925)

ACCESS SERVICE

7. Special Access Service (Cont'd)

7.3 Service Descriptions, Rates and Charges (Cont'd)

7.3.10 High Capacity Service (Cont'd)

(F) Rates and Charges (Cont'd)

(28) Optional Payment Plan **Rates effective 07/02/02**
 (Cont'd)

	<u>USOC</u>	<u>5 Year Monthly Rate</u>
(g) <u>Transfer Arrangement, Key Activated*</u> (Cont'd) USV		
Per four port arrangement including control channel termination**		
Zone 1 - AR		\$175.03
Zone 2 - AR		\$175.03
Zone 3 - AR		\$175.03
Zone 1 - KS		\$175.03
Zone 2 - KS		\$175.03
Zone 3 - KS		\$175.03
Zone 1 - MO		\$175.03
Zone 2 - MO		\$175.03
Zone 3 - MO		\$175.03
Zone 1 - OK		\$175.03
Zone 2 - OK		\$175.03
Zone 3 - OK		\$175.03
Zone 1 - TX		\$175.03
Zone 2 - TX		\$175.03
Zone 3 - TX		\$175.03

Nonrecurring Charge

Zone 1 - AR	\$213.00
Zone 2 - AR	\$213.00
Zone 3 - AR	\$213.00
Zone 1 - KS	\$213.00
Zone 2 - KS	\$213.00
Zone 3 - KS	\$213.00
Zone 1 - MO	\$213.00
Zone 2 - MO	\$213.00
Zone 3 - MO	\$213.00
Zone 1 - OK	\$213.00
Zone 2 - OK	\$213.00
Zone 3 - OK	\$213.00
Zone 1 - TX	\$213.00
Zone 2 - TX	\$213.00
Zone 3 - TX	\$213.00

* The key activated control channel is rated as a Metallic Channel Termination (use USOC T6EME in lieu of T6ECS) and Channel Mileage, if applicable (use USOC 1L5MX in lieu of 1L5XX).

** An additional Channel Termination charge will apply whenever a spare channel is configured as a leg to the customer's premises. Additional channel mileage will also apply when the transfer arrangement is not located in the customer premises serving wire center.

(This page filed under Transmittal No. 2925)

(N)

(N)

ACCESS SERVICE

7. Special Access Service (Cont'd)7.3 Service Descriptions, Rates and Charges (Cont'd)7.3.10 High Capacity Service (Cont'd)(F) Rates and Charges (Cont'd)(24) High Capacity Term Pricing Plan (HC-TPP)**Rates Effective: 12/11/92**

	3 Year		5 Year	
	Fixed	Per Mile	Fixed	Per Mile
(a) <u>Channel Termination</u> (TMECS)				
Per point of termination				
1.544 Mbps	\$148.24		\$140.00	
(b) <u>Channel Mileage</u> (1L5XX)				
1.544 Mbps				
0 miles	\$ 0.00	\$ 0.00	\$ 0.00	\$ 0.00
Over 0 miles	\$ 52.45	\$ 21.44	\$ 49.54	\$ 20.25

(This page filed under Transmittal No. 2563)

Issued: August 1, 1996

Effective: September 1, 1996

Four AT&T Plaza, Dallas, Texas 75202

ACCESS SERVICE

7. Special Access Service (Cont'd)7.3 Service Descriptions, Rates and Charges (Cont'd)7.3.10 High Capacity Service (Cont'd)(F) Rates and Charges (Cont'd)(24) High Capacity Term Pricing Plan (HC-TPP)
Rates Effective: 12/11/92 (Cont'd)

(c) <u>Multiplexing</u>	3 Year		5 Year	
	Fixed	Per Mile	Fixed	Per Mile
Per arrangement				
DS0 to Subrates				
Up to 20 2.4 kbps services (QSU24)	\$115.52		\$109.11	
Up to 10 4.8 kbps services (QSU48)	\$105.93		\$100.05	
Up to 5 9.6 kbps services (QSU96)	\$202.35		\$191.11	
DS1 To DS0 (QMU)	\$159.07		\$150.23	
DS1 To Voice (MQ1)	\$159.07		\$150.23	

(This page filed under Transmittal No. 2563)

Issued: August 1, 1996

Effective: September 1, 1996

Four AT&T Plaza, Dallas, Texas 75202

ACCESS SERVICE

7. Special Access Service (Cont'd)7.3 Service Descriptions, Rates and Charges (Cont'd)7.3.10 High Capacity Service (Cont'd)(F) Rates and Charges (Cont'd)(25) High Capacity Term Pricing Plan (HC-TPP)**Rates Effective: 07/01/93**

		3 Year Monthly Rate	5 Year Monthly Rate	Nonrecurring Charge	
				1st Ckt	Addl Ckt
(a)	<u>Channel Termination</u> (TMECS)				
	Per point of termination				
	1.544 Mbps	\$147.88	\$139.75	\$628.00	\$456.00
		3 Year Monthly Rate Fixed	5 Year Monthly Rate Per Mile	3 Year Monthly Rate Fixed	5 Year Monthly Rate Per Mile
(b)	<u>Channel Mileage</u> (1L5XX)				
	1.544 Mbps				
	0 miles	\$ 0.00	\$ 0.00	\$ 0.00	\$ 0.00
	Over 0 miles	\$ 48.23	\$ 16.47	\$ 45.58	\$ 15.54

(This page filed under Transmittal No. 2563)

Issued: August 1, 1996

Effective: September 1, 1996

Four AT&T Plaza, Dallas, Texas 75202

ACCESS SERVICE

7. Special Access Service (Cont'd)7.3 Service Descriptions, Rates and Charges (Cont'd)7.3.10 High Capacity Service (Cont'd)(F) Rates and Charges (Cont'd)(25) High Capacity Term Pricing Plan (HC-TPP)
Rates Effective: 07/01/93 (Cont'd)

	<u>3 Year Monthly Rate</u>	<u>5 Year Monthly Rate</u>	<u>Nonrecurring Charge</u>
(c) <u>Multiplexing</u>			
Per arrangement			
DS0 to Subrates			
Up to 20 2.4 kbps services (QSU24)	\$115.52	\$109.11\$	0.00
Up to 10 4.8 kbps services (QSU48)	\$105.93	\$100.05\$	0.00
Up to 5 9.6 kbps services (QSU96)	\$202.35	\$191.11\$	0.00
DS1 To DS0 (QMU)	\$162.00	\$153.00\$	0.00
DS1 To Voice (MQ1)	\$162.00	\$153.00\$	0.00

(This page filed under Transmittal No. 2563)

Issued: August 1, 1996

Effective: September 1, 1996

Four AT&T Plaza, Dallas, Texas 75202

ACCESS SERVICE

7. Special Access Service (Cont'd)7.3 Service Descriptions, Rates and Charges (Cont'd)7.3.10 High Capacity Service (Cont'd)(F) Rates and Charges (Cont'd)(26) High Capacity Term Pricing Plan (HC-TPP)**Rates Effective: 02/18/94**(a) Texas - Pricing Zone 1

	<u>3 Year Monthly Rate</u>	<u>5 Year Monthly Rate</u>	<u>Nonrecurring Charge</u>	
			<u>1st Ckt</u>	<u>Addl Ckt</u>
(1) <u>Channel Termination (TMECS)</u>				
Per point of termination				
1.544 Mbps	\$147.50	\$139.25	\$628.00	\$456.00
	<u>3 Year Monthly Rate</u>	<u>5 Year Monthly Rate</u>	<u>3 Year Monthly Rate</u>	<u>5 Year Monthly Rate</u>
	<u>Fixed</u>	<u>Per Mile</u>	<u>Fixed</u>	<u>Per Mile</u>
(2) <u>Channel Mileage</u>				
1.544 Mbps (1L5XX)				
0 miles	\$ 0.00	\$ 0.00	\$ 0.00	\$ 0.00
Over 0 miles	\$ 46.40	\$ 16.00	\$ 43.75	\$ 15.10

(This page filed under Transmittal No. 2563)

Issued: August 1, 1996

Effective: September 1, 1996

Four AT&T Plaza, Dallas, Texas 75202

ACCESS SERVICE

7. Special Access Service (Cont'd)7.3 Service Descriptions, Rates and Charges (Cont'd)7.3.10 High Capacity Service (Cont'd)(F) Rates and Charges (Cont'd)(26) High Capacity Term Pricing Plan (HC-TPP)
Rates Effective: 02/18/94 (Cont'd)(a) Texas - Pricing Zone 1 (Cont'd)

	<u>3 Year Monthly Rate</u>	<u>5 Year Monthly Rate</u>	<u>Nonrecurring Charge</u>
(3) <u>Multiplexing</u>			
Per arrangement			
DS0 to Subrates			
Up to 20 2.4 kbps services (QSU24)	\$115.52	\$109.11\$	0.00
Up to 10 4.8 kbps services (QSU48)	\$105.93	\$100.05\$	0.00
Up to 5 9.6 kbps services (QSU96)	\$202.35	\$191.11\$	0.00
DS1 To DS0 (QMU)	\$162.00	\$153.00\$	0.00
DS1 To Voice (MQ1)	\$162.00	\$153.00\$	0.00

(This page filed under Transmittal No. 2563)

Issued: August 1, 1996

Effective: September 1, 1996

Four AT&T Plaza, Dallas, Texas 75202

ACCESS SERVICE

7. Special Access Service (Cont'd)7.3 Service Descriptions, Rates and Charges (Cont'd)7.3.10 High Capacity Service (Cont'd)(F) Rates and Charges (Cont'd)(26) High Capacity Term Pricing Plan (HC-TPP)
Rates Effective: 02/18/94 (Cont'd)(b) Texas - Pricing Zone 2

	<u>3 Year Monthly Rate</u>	<u>5 Year Monthly Rate</u>	<u>Nonrecurring Charge</u>	
			<u>1st Ckt</u>	<u>Addl Ckt</u>
(1) <u>Channel Termination (TMECS)</u>				
Per point of termination				
1.544 Mbps	\$147.50	\$139.75	\$628.00	\$456.00
	<u>3 Year Monthly Rate</u>	<u>5 Year Monthly Rate</u>	<u>Fixed</u>	<u>Per Mile</u>
(2) <u>Channel Mileage</u>				
1.544 Mbps (1L5XX)				
0 miles	\$ 0.00	\$ 0.00	\$ 0.00	\$ 0.00
Over 0 miles	\$ 46.40	\$ 16.00	\$ 43.75	\$ 15.10

(This page filed under Transmittal No. 2563)

Issued: August 1, 1996

Effective: September 1, 1996

Four AT&T Plaza, Dallas, Texas 75202

ACCESS SERVICE

7. Special Access Service (Cont'd)7.3 Service Descriptions, Rates and Charges (Cont'd)7.3.10 High Capacity Service (Cont'd)(F) Rates and Charges (Cont'd)(26) High Capacity Term Pricing Plan (HC-TPP)
Rates Effective: 02/18/94 (Cont'd)(b) Texas - Pricing Zone 2 (Cont'd)

	<u>3 Year Monthly Rate</u>	<u>5 Year Monthly Rate</u>	<u>Nonrecurring Charge</u>
(3) <u>Multiplexing</u>			
Per arrangement			
DS0 to Subrates			
Up to 20 2.4 kbps services (QSU24)	\$115.52	\$109.11\$	0.00
Up to 10 4.8 kbps services (QSU48)	\$105.93	\$100.05\$	0.00
Up to 5 9.6 kbps services (QSU96)	\$202.35	\$191.11\$	0.00
DS1 To DS0 (QMU)	\$162.00	\$153.00\$	0.00
DS1 To Voice (MQ1)	\$162.00	\$153.00\$	0.00

(This page filed under Transmittal No. 2563)

Issued: August 1, 1996

Effective: September 1, 1996

Four AT&T Plaza, Dallas, Texas 75202

ACCESS SERVICE

7. Special Access Service (Cont'd)7.3 Service Descriptions, Rates and Charges (Cont'd)7.3.10 High Capacity Service (Cont'd)(F) Rates and Charges (Cont'd)(26) High Capacity Term Pricing Plan (HC-TPP)
Rates Effective: 02/18/94 (Cont'd)(c) Texas - Pricing Zone 3

	<u>3 Year Monthly Rate</u>	<u>5 Year Monthly Rate</u>	<u>Nonrecurring Charge</u>	
			<u>1st Ckt</u>	<u>Addl Ckt</u>
(1) <u>Channel Termination (TMECS)</u>				
Per point of termination				
1.544 Mbps	\$147.88	\$139.75	\$628.00	\$456.00
	<u>3 Year Monthly Rate</u>	<u>5 Year Monthly Rate</u>	<u>3 Year Monthly Rate</u>	<u>5 Year Monthly Rate</u>
	<u>Fixed</u>	<u>Per Mile</u>	<u>Fixed</u>	<u>Per Mile</u>
(2) <u>Channel Mileage</u>				
1.544 Mbps (1L5XX)				
0 miles	\$ 0.00	\$ 0.00	\$ 0.00	\$ 0.00
Over 0 miles	\$ 47.30	\$ 16.30	\$ 44.80	\$ 15.35

(This page filed under Transmittal No. 2563)

Issued: August 1, 1996

Effective: September 1, 1996

Four AT&T Plaza, Dallas, Texas 75202

ACCESS SERVICE

7. Special Access Service (Cont'd)7.3 Service Descriptions, Rates and Charges (Cont'd)7.3.10 High Capacity Service (Cont'd)(F) Rates and Charges (Cont'd)(26) High Capacity Term Pricing Plan (HC-TPP)
Rates Effective: 02/18/94 (Cont'd)(c) Texas - Pricing Zone 3 (Cont'd)

	<u>3 Year Monthly Rate</u>	<u>5 Year Monthly Rate</u>	<u>Nonrecurring Charge</u>
(3) <u>Multiplexing</u>			
Per arrangement			
DS0 to Subrates			
Up to 20 2.4 kbps services (QSU24)	\$115.52	\$109.11\$	0.00
Up to 10 4.8 kbps services (QSU48)	\$105.93	\$100.05\$	0.00
Up to 5 9.6 kbps services (QSU96)	\$202.35	\$191.11\$	0.00
DS1 To DS0 (QMU)	\$162.00	\$153.00\$	0.00
DS1 To Voice (MQ1)	\$162.00	\$153.00\$	0.00

(This page filed under Transmittal No. 2563)

Issued: August 1, 1996

Effective: September 1, 1996

Four AT&T Plaza, Dallas, Texas 75202

ACCESS SERVICE

7. Special Access Service (Cont'd)7.3 Service Descriptions, Rates and Charges (Cont'd)7.3.10 High Capacity Service (Cont'd)(F) Rates and Charges (Cont'd)(27) High Capacity Term Pricing Plan (HC-TPP)**Rates Effective: 07/01/94**

		3 Year Monthly Rate	5 Year Monthly Rate	Nonrecurring Charge	
				1st Ckt	Addl Ckt
(a)	<u>Channel Termination</u> (TMECS)				
	Per point of termination				
	1.544 Mbps	\$146.40	\$137.65	\$628.00	\$456.00
		3 Year Monthly Rate	5 Year Monthly Rate	Fixed	Per Mile
(b)	<u>Channel Mileage</u> (1L5XX)				
	1.544 Mbps				
	0 miles	\$ 0.00	\$ 0.00	\$ 0.00	\$ 0.00
	Over 0 miles	\$ 47.75	\$ 16.30	\$ 44.90	\$ 15.30

(This page filed under Transmittal No. 2563)

Issued: August 1, 1996

Effective: September 1, 1996

Four AT&T Plaza, Dallas, Texas 75202

ACCESS SERVICE

7. Special Access Service (Cont'd)7.3 Service Descriptions, Rates and Charges (Cont'd)7.3.10 High Capacity Service (Cont'd)(F) Rates and Charges (Cont'd)(27) High Capacity Term Pricing Plan (HC-TPP)
Rates Effective: 07/01/94 (Cont'd)

	<u>3 Year Monthly Rate</u>	<u>5 Year Monthly Rate</u>	<u>Nonrecurring Charge</u>
(c) <u>Multiplexing</u>			
Per arrangement			
DS0 to Subrates			
Up to 20 2.4 kbps services (QSU24)	\$114.35	\$107.45\$	0.00
Up to 10 4.8 kbps services (QSU48)	\$104.85	\$ 98.55\$	0.00
Up to 5 9.6 kbps services (QSU96)	\$200.30	\$188.20\$	0.00
DS1 To DS0 (QMU)	\$162.00	\$153.00\$	0.00
DS1 To Voice (MQ1)	\$162.00	\$153.00\$	0.00
	<u>3 Year Monthly Rate</u>	<u>5 Year Monthly Rate</u>	<u>Nonrecurring Charge</u>
(d) <u>SecureNet - Missouri</u>			
Per Channel Termination			
Hub Redundancy (R16AA)	\$167.02	\$157.74\$	\$1,422.00
Serving Wire Center and Facility Redundancy (R18AB)	\$126.40	\$119.37\$	923.00

(This page filed under Transmittal No. 2563)

Issued: August 1, 1996

Effective: September 1, 1996

Four AT&T Plaza, Dallas, Texas 75202

ACCESS SERVICE

7. Special Access Service (Cont'd)7.3 Service Descriptions, Rates and Charges (Cont'd)7.3.10 High Capacity Service (Cont'd)(F) Rates and Charges (Cont'd)(27) High Capacity Term Pricing Plan (HC-TPP)
Rates Effective: 07/01/94 (Cont'd)(a) Texas - Pricing Zone 1

	<u>3 Year Monthly Rate</u>	<u>5 Year Monthly Rate</u>	<u>Nonrecurring Charge</u>	
			<u>1st Ckt</u>	<u>Addl Ckt</u>
(1) <u>Channel Termination (TMECS)</u>				
Per point of termination				
1.544 Mbps	\$146.00	\$137.15	\$628.00	\$456.00
	<u>3 Year Monthly Rate</u>	<u>5 Year Monthly Rate</u>	<u>3 Year Monthly Rate</u>	<u>5 Year Monthly Rate</u>
	<u>Fixed</u>	<u>Per Mile</u>	<u>Fixed</u>	<u>Per Mile</u>
(2) <u>Channel Mileage</u>				
1.544 Mbps (1L5XX)				
0 miles	\$ 0.00	\$ 0.00	\$ 0.00	\$ 0.00
Over 0 miles	\$ 45.90	\$ 15.80	\$ 43.05	\$ 14.85

(This page filed under Transmittal No. 2563)

Issued: August 1, 1996

Effective: September 1, 1996

Four AT&T Plaza, Dallas, Texas 75202

ACCESS SERVICE

7. Special Access Service (Cont'd)7.3 Service Descriptions, Rates and Charges (Cont'd)7.3.10 High Capacity Service (Cont'd)(F) Rates and Charges (Cont'd)(27) High Capacity Term Pricing Plan (HC-TPP)
Rates Effective: 07/01/94 (Cont'd)(a) Texas - Pricing Zone 1 (Cont'd)

	<u>3 Year Monthly Rate</u>	<u>5 Year Monthly Rate</u>	<u>Nonrecurring Charge</u>
(3) <u>Multiplexing</u>			
Per arrangement			
DS0 to Subrates			
Up to 20 2.4 kbps services (QSU24)	\$114.35	\$107.45\$	0.00
Up to 10 4.8 kbps services (QSU48)	\$104.85	\$ 98.55\$	0.00
Up to 5 9.6 kbps services (QSU96)	\$200.30	\$188.20\$	0.00
DS1 To DS0 (QMU)	\$162.00	\$153.00\$	0.00
DS1 To Voice (MQ1)	\$162.00	\$153.00\$	0.00

(This page filed under Transmittal No. 2563)

Issued: August 1, 1996

Effective: September 1, 1996

Four AT&T Plaza, Dallas, Texas 75202

ACCESS SERVICE

7. Special Access Service (Cont'd)7.3 Service Descriptions, Rates and Charges (Cont'd)7.3.10 High Capacity Service (Cont'd)(F) Rates and Charges (Cont'd)(27) High Capacity Term Pricing Plan (HC-TPP)
Rates Effective: 07/01/94 (Cont'd)(b) Texas - Pricing Zone 2

	<u>3 Year Monthly Rate</u>	<u>5 Year Monthly Rate</u>	<u>Nonrecurring Charge</u>	
			<u>1st Ckt</u>	<u>Addl Ckt</u>
(1) <u>Channel Termination (TMECS)</u>				
Per point of termination				
1.544 Mbps	\$146.00	\$137.65	\$628.00	\$456.00
	<u>3 Year Monthly Rate</u>	<u>5 Year Monthly Rate</u>	<u>Fixed</u>	<u>Per Mile</u>
(2) <u>Channel Mileage</u>				
1.544 Mbps (1L5XX)				
0 miles	\$ 0.00	\$ 0.00	\$ 0.00	\$ 0.00
Over 0 miles	\$ 45.90	\$ 15.80	\$ 43.05	\$ 14.85

(This page filed under Transmittal No. 2563)

Issued: August 1, 1996

Effective: September 1, 1996

Four AT&T Plaza, Dallas, Texas 75202

ACCESS SERVICE

7. Special Access Service (Cont'd)7.3 Service Descriptions, Rates and Charges (Cont'd)7.3.10 High Capacity Service (Cont'd)(F) Rates and Charges (Cont'd)(27) High Capacity Term Pricing Plan (HC-TPP)
Rates Effective: 07/01/94 (Cont'd)(b) Texas - Pricing Zone 2 (Cont'd)

	<u>3 Year Monthly Rate</u>	<u>5 Year Monthly Rate</u>	<u>Nonrecurring Charge</u>
(3) <u>Multiplexing</u>			
Per arrangement			
DS0 to Subrates			
Up to 20 2.4 kbps services (QSU24)	\$114.35	\$107.45\$	0.00
Up to 10 4.8 kbps services (QSU48)	\$104.85	\$ 98.55\$	0.00
Up to 5 9.6 kbps services (QSU96)	\$200.30	\$188.20\$	0.00
DS1 To DS0 (QMU)	\$162.00	\$153.00\$	0.00
DS1 To Voice (MQ1)	\$162.00	\$153.00\$	0.00

(This page filed under Transmittal No. 2563)

Issued: August 1, 1996

Effective: September 1, 1996

Four AT&T Plaza, Dallas, Texas 75202

ACCESS SERVICE

7. Special Access Service (Cont'd)7.3 Service Descriptions, Rates and Charges (Cont'd)7.3.10 High Capacity Service (Cont'd)(F) Rates and Charges (Cont'd)(27) High Capacity Term Pricing Plan (HC-TPP)
Rates Effective: 07/01/94 (Cont'd)(c) Texas - Pricing Zone 3

	<u>3 Year Monthly Rate</u>	<u>5 Year Monthly Rate</u>	<u>Nonrecurring Charge</u>	
			<u>1st Ckt</u>	<u>Addl Ckt</u>
(1) <u>Channel Termination (TMECS)</u>				
Per point of termination				
1.544 Mbps	\$146.40	\$137.65	\$628.00	\$456.00
	<u>3 Year Monthly Rate</u>	<u>5 Year Monthly Rate</u>	<u>3 Year Monthly Rate</u>	<u>5 Year Monthly Rate</u>
	<u>Fixed</u>	<u>Per Mile</u>	<u>Fixed</u>	<u>Per Mile</u>
(2) <u>Channel Mileage</u>				
1.544 Mbps (1L5XX)				
0 miles	\$ 0.00	\$ 0.00	\$ 0.00	\$ 0.00
Over 0 miles	\$ 46.80	\$ 16.10	\$ 44.10	\$ 15.10

(This page filed under Transmittal No. 2563)

Issued: August 1, 1996

Effective: September 1, 1996

Four AT&T Plaza, Dallas, Texas 75202

ACCESS SERVICE

7. Special Access Service (Cont'd)7.3 Service Descriptions, Rates and Charges (Cont'd)7.3.10 High Capacity Service (Cont'd)(F) Rates and Charges (Cont'd)(27) High Capacity Term Pricing Plan (HC-TPP)
Rates Effective: 07/01/94 (Cont'd)(c) Texas - Pricing Zone 3 (Cont'd)

	<u>3 Year Monthly Rate</u>	<u>5 Year Monthly Rate</u>	<u>Nonrecurring Charge</u>
(3) <u>Multiplexing</u>			
Per arrangement			
DS0 to Subrates			
Up to 20 2.4 kbps services (QSU24)	\$114.35	\$107.50\$	0.00
Up to 10 4.8 kbps services (QSU48)	\$104.85	\$ 98.55\$	0.00
Up to 5 9.6 kbps services (QSU96)	\$200.30	\$188.20\$	0.00
DS1 To DS0 (QMU)	\$162.00	\$153.00\$	0.00
DS1 To Voice (MQ1)	\$162.00	\$153.00\$	0.00

(This page filed under Transmittal No. 2563)

Issued: August 1, 1996

Effective: September 1, 1996

Four AT&T Plaza, Dallas, Texas 75202

ACCESS SERVICE

7. Special Access Service (Cont'd)7.3 Service Descriptions, Rates and Charges (Cont'd)7.3.10 High Capacity Service (Cont'd)(F) Rates and Charges (Cont'd)(28) High Capacity Term Pricing Plan (HC-TPP)**Rates Effective: 03/24/95**(a) Missouri - Pricing Zone 1

	<u>3 Year Monthly Rate</u>	<u>5 Year Monthly Rate</u>	<u>Nonrecurring Charge</u>	
			<u>1st Ckt</u>	<u>Addl Ckt</u>
(1) <u>Channel Termination (TMECS)</u>				
Per point of termination				
1.544 Mbps	\$146.40	\$137.65	\$628.00	\$456.00
	<u>3 Year Monthly Rate</u>	<u>5 Year Monthly Rate</u>	<u>3 Year Monthly Rate</u>	<u>5 Year Monthly Rate</u>
	<u>Fixed</u>	<u>Per Mile</u>	<u>Fixed</u>	<u>Per Mile</u>
(2) <u>Channel Mileage</u>				
1.544 Mbps (1L5XX)				
0 miles	\$ 0.00	\$ 0.00	\$ 0.00	\$ 0.00
Over 0 miles	\$ 47.75	\$ 16.30	\$ 44.90	\$ 15.30

(This page filed under Transmittal No. 2563)

Issued: August 1, 1996

Effective: September 1, 1996

Four AT&T Plaza, Dallas, Texas 75202

ACCESS SERVICE

7. Special Access Service (Cont'd)7.3 Service Descriptions, Rates and Charges (Cont'd)7.3.10 High Capacity Service (Cont'd)(F) Rates and Charges (Cont'd)(28) High Capacity Term Pricing Plan (HC-TPP)
Rates Effective: 03/24/95 (Cont'd)(a) Missouri - Pricing Zone 1 (Cont'd)

	<u>3 Year Monthly Rate</u>	<u>5 Year Monthly Rate</u>	<u>Nonrecurring Charge</u>
(3) <u>Multiplexing</u>			
Per arrangement			
DS0 to Subrates			
Up to 20 2.4 kbps services (QSU24)	\$114.35	\$107.45\$	0.00
Up to 10 4.8 kbps services (QSU48)	\$104.85	\$ 98.55\$	0.00
Up to 5 9.6 kbps services (QSU96)	\$200.30	\$188.20\$	0.00
DS1 To DS0 (QMU)	\$162.00	\$153.00\$	0.00
DS1 To Voice (MQ1)	\$162.00	\$153.00\$	0.00

(This page filed under Transmittal No. 2563)

Issued: August 1, 1996

Effective: September 1, 1996

Four AT&T Plaza, Dallas, Texas 75202

ACCESS SERVICE

7. Special Access Service (Cont'd)7.3 Service Descriptions, Rates and Charges (Cont'd)7.3.10 High Capacity Service (Cont'd)(F) Rates and Charges (Cont'd)(28) High Capacity Term Pricing Plan (HC-TPP)
Rates Effective: 03/24/95 (Cont'd)(b) Missouri - Pricing Zone 2

	<u>3 Year Monthly Rate</u>	<u>5 Year Monthly Rate</u>	<u>Nonrecurring Charge</u>	
			<u>1st Ckt</u>	<u>Addl Ckt</u>
(1) <u>Channel Termination (TMECS)</u>				
Per point of termination				
1.544 Mbps	\$146.40	\$137.65	\$628.00	\$456.00
	<u>3 Year Monthly Rate</u>	<u>5 Year Monthly Rate</u>	<u>3 Year Monthly Rate</u>	<u>5 Year Monthly Rate</u>
	<u>Fixed</u>	<u>Per Mile</u>	<u>Fixed</u>	<u>Per Mile</u>
(2) <u>Channel Mileage</u>				
1.544 Mbps (1L5XX)				
0 miles	\$ 0.00	\$ 0.00	\$ 0.00	\$ 0.00
Over 0 miles	\$ 47.75	\$ 16.30	\$ 44.90	\$ 15.30

(This page filed under Transmittal No. 2563)

Issued: August 1, 1996

Effective: September 1, 1996

Four AT&T Plaza, Dallas, Texas 75202

ACCESS SERVICE

7. Special Access Service (Cont'd)7.3 Service Descriptions, Rates and Charges (Cont'd)7.3.10 High Capacity Service (Cont'd)(F) Rates and Charges (Cont'd)(28) High Capacity Term Pricing Plan (HC-TPP)
Rates Effective: 03/24/95 (Cont'd)(b) Missouri - Pricing Zone 2 (Cont'd)

	<u>3 Year Monthly Rate</u>	<u>5 Year Monthly Rate</u>	<u>Nonrecurring Charge</u>
(3) <u>Multiplexing</u>			
Per arrangement			
DS0 to Subrates			
Up to 20 2.4 kbps services (QSU24)	\$114.35	\$107.45\$	0.00
Up to 10 4.8 kbps services (QSU48)	\$104.85	\$ 98.55\$	0.00
Up to 5 9.6 kbps services (QSU96)	\$200.30	\$188.20\$	0.00
DS1 To DS0 (QMU)	\$162.00	\$153.00\$	0.00
DS1 To Voice (MQ1)	\$162.00	\$153.00\$	0.00

(This page filed under Transmittal No. 2563)

Issued: August 1, 1996

Effective: September 1, 1996

Four AT&T Plaza, Dallas, Texas 75202

ACCESS SERVICE

7. Special Access Service (Cont'd)7.3 Service Descriptions, Rates and Charges (Cont'd)7.3.10 High Capacity Service (Cont'd)(F) Rates and Charges (Cont'd)(28) High Capacity Term Pricing Plan (HC-TPP)
Rates Effective: 03/24/95 (Cont'd)(c) Missouri - Pricing Zone 3

	<u>3 Year Monthly Rate</u>	<u>5 Year Monthly Rate</u>	<u>Nonrecurring Charge</u>	
			<u>1st Ckt</u>	<u>Addl Ckt</u>
(1) <u>Channel Termination (TMECS)</u>				
Per point of termination				
1.544 Mbps	\$146.40	\$137.65	\$628.00	\$456.00
	<u>3 Year Monthly Rate</u>	<u>5 Year Monthly Rate</u>	<u>3 Year Monthly Rate</u>	<u>5 Year Monthly Rate</u>
	<u>Fixed</u>	<u>Per Mile</u>	<u>Fixed</u>	<u>Per Mile</u>
(2) <u>Channel Mileage</u>				
1.544 Mbps (1L5XX)				
0 miles	\$ 0.00	\$ 0.00	\$ 0.00	\$ 0.00
Over 0 miles	\$ 47.75	\$ 16.30	\$ 44.90	\$ 15.30

(This page filed under Transmittal No. 2563)

Issued: August 1, 1996

Effective: September 1, 1996

Four AT&T Plaza, Dallas, Texas 75202

ACCESS SERVICE

7. Special Access Service (Cont'd)7.3 Service Descriptions, Rates and Charges (Cont'd)7.3.10 High Capacity Service (Cont'd)(F) Rates and Charges (Cont'd)(28) High Capacity Term Pricing Plan (HC-TPP)
Rates Effective: 03/24/95 (Cont'd)(c) Missouri - Pricing Zone 3 (Cont'd)

	<u>3 Year Monthly Rate</u>	<u>5 Year Monthly Rate</u>	<u>Nonrecurring Charge</u>
(3) <u>Multiplexing</u>			
Per arrangement			
DS0 to Subrates			
Up to 20 2.4 kbps services (QSU24)	\$114.35	\$107.45(R)	\$ 0.00
Up to 10 4.8 kbps services (QSU48)	\$104.85	\$ 98.55	\$ 0.00
Up to 5 9.6 kbps services (QSU96)	\$200.30	\$188.20	\$ 0.00
DS1 To DS0 (QMU)	\$162.00	\$153.00	\$ 0.00
DS1 To Voice (MQ1)	\$162.00	\$153.00	\$ 0.00

(This page filed under Transmittal No. 2563)

Issued: August 1, 1996

Effective: September 1, 1996

Four AT&T Plaza, Dallas, Texas 75202

ACCESS SERVICE

7. Special Access Service (Cont'd)7.3 Service Descriptions, Rates and Charges (Cont'd)7.3.10 High Capacity Service (Cont'd)(F) Rates and Charges (Cont'd)(29) High Capacity Term Pricing Plan (HC-TPP)**Rates Effective: 08/01/95**

		3 Year	
		<u>USOC</u>	<u>Monthly Rate</u>
(a) <u>Channel Termination</u>			
Per point of termination		TMECS	
1.544 Mbps			
Nonzoned		\$140.25	
Zone 1 - MO		\$129.60	
Zone 2 - MO		\$129.60	
Zone 3 - MO		\$140.25	
Zone 1 - TX		\$121.50	
Zone 2 - TX		\$121.50	
Zone 3 - TX		\$140.25	
Charge		Nonrecurring	
<u>Ckt</u>		<u>1st Ckt</u>	<u>Addl</u>
	Nonzoned	\$600.00	\$456.00
	Zone 1 - MO	\$600.00	\$456.00
	Zone 2 - MO	\$600.00	\$456.00
	Zone 3 - MO	\$600.00	\$456.00
	Zone 1 - TX	\$600.00	\$456.00
	Zone 2 - TX	\$600.00	\$456.00
	Zone 3 - TX	\$600.00	\$456.00

(This page filed under Transmittal No. 2563)

Issued: August 1, 1996

Effective: September 1, 1996

Four AT&T Plaza, Dallas, Texas 75202

ACCESS SERVICE

7. Special Access Service (Cont'd)

7.3 Service Descriptions, Rates and Charges (Cont'd)

7.3.10 High Capacity Service (Cont'd)

(F) Rates and Charges (Cont'd)

(29) High Capacity Term Pricing Plan (HC-TPP)

Rates Effective: 08/01/95 (Cont'd)

		USOC	5 Year Monthly Rate	
(a) <u>Channel Termination</u> (Cont'd)				
Per point of termination		TMECS		
1.544 Mbps				
Nonzoned			\$132.00	
Zone 1 - MO			\$121.50	
Zone 2 - MO			\$121.50	
Zone 3 - MO			\$132.00	
Zone 1 - TX			\$108.00	
Zone 2 - TX			\$108.00	
Zone 3 - TX			\$132.00	
			Nonrecurring	
<u>Ckt</u>	Charge		<u>1st Ckt</u>	<u>Addl</u>
	Nonzoned		\$600.00	\$456.00
	Zone 1 - MO		\$600.00	\$456.00
	Zone 2 - MO		\$600.00	\$456.00
	Zone 3 - MO		\$600.00	\$456.00
	Zone 1 - TX		\$600.00	\$456.00
	Zone 2 - TX		\$600.00	\$456.00
	Zone 3 - TX		\$600.00	\$456.00

(This page filed under Transmittal No. 2563)

Issued: August 1, 1996

Effective: September 1, 1996

Four AT&T Plaza, Dallas, Texas 75202

ACCESS SERVICE

7. Special Access Service (Cont'd)7.3 Service Descriptions, Rates and Charges (Cont'd)7.3.10 High Capacity Service (Cont'd)(F) Rates and Charges (Cont'd)(29) High Capacity Term Pricing Plan (HC-TPP)Rates Effective: 08/01/95 (Cont'd)

	USOC	3 Year Monthly Rate	
		Fixed	Per Mile
(b) <u>Channel Mileage</u>			
1.544 Mbps	1L5XX		
0 miles			
Nonzoned		\$ 0.00	\$ 0.00
Zone 1 - MO		\$ 0.00	\$ 0.00
Zone 2 - MO		\$ 0.00	\$ 0.00
Zone 3 - MO		\$ 0.00	\$ 0.00
Zone 1 - TX		\$ 0.00	\$ 0.00
Zone 2 - TX		\$ 0.00	\$ 0.00
Zone 3 - TX		\$ 0.00	\$ 0.00
Over 0 miles			
Nonzoned		\$46.00	\$14.28
Zone 1 - MO		\$42.50	\$13.44
Zone 2 - MO		\$42.50	\$13.44
Zone 3 - MO		\$46.00	\$14.28
Zone 1 - TX		\$40.00	\$12.60
Zone 2 - TX		\$40.00	\$12.60
Zone 3 - TX		\$46.00	\$14.28

(This page filed under Transmittal No. 2563)

Issued: August 1, 1996

Effective: September 1, 1996

Four AT&T Plaza, Dallas, Texas 75202

ACCESS SERVICE

7. Special Access Service (Cont'd)7.3 Service Descriptions, Rates and Charges (Cont'd)7.3.10 High Capacity Service (Cont'd)(F) Rates and Charges (Cont'd)(29) High Capacity Term Pricing Plan (HC-TPP)Rates Effective: 08/01/95 (Cont'd)

	USOC	5 Year Monthly Rate	
		Fixed	Per Mile
(b) <u>Channel Mileage</u> (Cont'd)			
1.544 Mbps	1L5XX		
0 miles			
Nonzoned		\$ 0.00	\$ 0.00
Zone 1 - MO		\$ 0.00	\$ 0.00
Zone 2 - MO		\$ 0.00	\$ 0.00
Zone 3 - MO		\$ 0.00	\$ 0.00
Zone 1 - TX		\$ 0.00	\$ 0.00
Zone 2 - TX		\$ 0.00	\$ 0.00
Zone 3 - TX		\$ 0.00	\$ 0.00
Over 0 miles			
Nonzoned		\$43.50	\$13.44
Zone 1 - MO		\$40.00	\$12.60
Zone 2 - MO		\$40.00	\$12.60
Zone 3 - MO		\$43.50	\$13.44
Zone 1 - TX		\$37.50	\$11.20
Zone 2 - TX		\$37.50	\$11.20
Zone 3 - TX		\$43.50	\$13.44

(This page filed under Transmittal No. 2563)

Issued: August 1, 1996

Effective: September 1, 1996

Four AT&T Plaza, Dallas, Texas 75202

ACCESS SERVICE

7. Special Access Service (Cont'd)7.3 Service Descriptions, Rates and Charges (Cont'd)7.3.10 High Capacity Service (Cont'd)(F) Rates and Charges (Cont'd)(29) High Capacity Term Pricing Plan (HC-TPP)
Rates Effective: 08/01/95 (Cont'd)

	<u>USOC</u>	<u>3 Year Monthly Rate</u>
(c) <u>Multiplexing</u>		
Per arrangement		
DS0 to Subrates		
Up to 20 2.4 kbps services		
	QSU24	
Nonzoned		\$114.35
Zone 1 - MO		\$114.35
Zone 2 - MO		\$114.35
Zone 3 - MO		\$114.35
Zone 1 - TX		\$114.35
Zone 2 - TX		\$114.35
Zone 3 - TX		\$114.35
		<u>Nonrecurring Charge</u>
Nonzoned		\$ 0.00
Zone 1 - MO		\$ 0.00
Zone 2 - MO		\$ 0.00
Zone 3 - MO		\$ 0.00
Zone 1 - TX		\$ 0.00
Zone 2 - TX		\$ 0.00
Zone 3 - TX		\$ 0.00

(This page filed under Transmittal No. 2563)

Issued: August 1, 1996

Effective: September 1, 1996

Four AT&T Plaza, Dallas, Texas 75202

ACCESS SERVICE

7. Special Access Service (Cont'd)7.3 Service Descriptions, Rates and Charges (Cont'd)7.3.10 High Capacity Service (Cont'd)(F) Rates and Charges (Cont'd)(29) High Capacity Term Pricing Plan (HC-TPP)
Rates Effective: 08/01/95 (Cont'd)

	<u>USOC</u>	<u>5 Year Monthly Rate</u>
(c) <u>Multiplexing</u> (Cont'd)		
Per arrangement		
DS0 to Subrates		
Up to 20 2.4 kbps services		
	QSU24	
Nonzoned		\$107.45
Zone 1 - MO		\$107.45
Zone 2 - MO		\$107.45
Zone 3 - MO		\$107.45
Zone 1 - TX		\$107.45
Zone 2 - TX		\$107.45
Zone 3 - TX		\$107.50
		<u>Nonrecurring Charge</u>
Nonzoned		\$ 0.00
Zone 1 - MO		\$ 0.00
Zone 2 - MO		\$ 0.00
Zone 3 - MO		\$ 0.00
Zone 1 - TX		\$ 0.00
Zone 2 - TX		\$ 0.00
Zone 3 - TX		\$ 0.00

(This page filed under Transmittal No. 2563)

Issued: August 1, 1996

Effective: September 1, 1996

Four AT&T Plaza, Dallas, Texas 75202

ACCESS SERVICE

7. Special Access Service (Cont'd)7.3 Service Descriptions, Rates and Charges (Cont'd)7.3.10 High Capacity Service (Cont'd)(F) Rates and Charges (Cont'd)(29) High Capacity Term Pricing Plan (HC-TPP)
Rates Effective: 08/01/95 (Cont'd)

	<u>USOC</u>	<u>3 Year Monthly Rate</u>
(c) <u>Multiplexing</u> (Cont'd)		
Per arrangement		
DS0 to Subrates		
Up to 10 4.8 kbps services	QSU48	
Nonzoned		\$104.85
Zone 1 - MO		\$104.85
Zone 2 - MO		\$104.85
Zone 3 - MO		\$104.85
Zone 1 - TX		\$104.85
Zone 2 - TX		\$104.85
Zone 3 - TX		\$104.85
		<u>Nonrecurring Charge</u>
Nonzoned		\$ 0.00
Zone 1 - MO		\$ 0.00
Zone 2 - MO		\$ 0.00
Zone 3 - MO		\$ 0.00
Zone 1 - TX		\$ 0.00
Zone 2 - TX		\$ 0.00
Zone 3 - TX		\$ 0.00

(This page filed under Transmittal No. 2563)

Issued: August 1, 1996

Effective: September 1, 1996

Four AT&T Plaza, Dallas, Texas 75202

ACCESS SERVICE

7. Special Access Service (Cont'd)

7.3 Service Descriptions, Rates and Charges (Cont'd)

7.3.10 High Capacity Service (Cont'd)

(F) Rates and Charges (Cont'd)

(29) High Capacity Term Pricing Plan (HC-TPP)
Rates Effective: 08/01/95 (Cont'd)

	<u>USOC</u>	<u>5 Year Monthly Rate</u>
(c) <u>Multiplexing</u> (Cont'd)		
Per arrangement		
DS0 to Subrates		
Up to 10 4.8 kbps services		
	QSU48	
Nonzoned		\$ 98.55
Zone 1 - MO		\$ 98.55
Zone 2 - MO		\$ 98.55
Zone 3 - MO		\$ 98.55
Zone 1 - TX		\$ 98.55
Zone 2 - TX		\$ 98.55
Zone 3 - TX		\$ 98.55
		<u>Nonrecurring Charge</u>
Nonzoned		\$ 0.00
Zone 1 - MO		\$ 0.00
Zone 2 - MO		\$ 0.00
Zone 3 - MO		\$ 0.00
Zone 1 - TX		\$ 0.00
Zone 2 - TX		\$ 0.00
Zone 3 - TX		\$ 0.00

(This page filed under Transmittal No. 2563)

Issued: August 1, 1996

Effective: September 1, 1996

Four AT&T Plaza, Dallas, Texas 75202

ACCESS SERVICE

7. Special Access Service (Cont'd)7.3 Service Descriptions, Rates and Charges (Cont'd)7.3.10 High Capacity Service (Cont'd)(F) Rates and Charges (Cont'd)(29) High Capacity Term Pricing Plan (HC-TPP)
Rates Effective: 08/01/95 (Cont'd)

	<u>USOC</u>	<u>3 Year Monthly Rate</u>
(c) <u>Multiplexing</u> (Cont'd)		
Per arrangement		
DS0 to Subrates		
Up to 5 9.6 kbps services		
	QSU96	
Nonzoned		\$200.30
Zone 1 - MO		\$200.30
Zone 2 - MO		\$200.30
Zone 3 - MO		\$200.30
Zone 1 - TX		\$200.30
Zone 2 - TX		\$200.30
Zone 3 - TX		\$200.30
		<u>Nonrecurring Charge</u>
Nonzoned		\$ 0.00
Zone 1 - MO		\$ 0.00
Zone 2 - MO		\$ 0.00
Zone 3 - MO		\$ 0.00
Zone 1 - TX		\$ 0.00
Zone 2 - TX		\$ 0.00
Zone 3 - TX		\$ 0.00

(This page filed under Transmittal No. 2563)

Issued: August 1, 1996

Effective: September 1, 1996

Four AT&T Plaza, Dallas, Texas 75202

ACCESS SERVICE

7. Special Access Service (Cont'd)

7.3 Service Descriptions, Rates and Charges (Cont'd)

7.3.10 High Capacity Service (Cont'd)

(F) Rates and Charges (Cont'd)

(29) High Capacity Term Pricing Plan (HC-TPP)
Rates Effective: 08/01/95 (Cont'd)

	<u>USOC</u>	<u>5 Year Monthly Rate</u>
(c) <u>Multiplexing</u> (Cont'd)		
Per arrangement		
DS0 to Subrates		
Up to 5 9.6 kbps services	QSU96	
Nonzoned		\$188.20
Zone 1 - MO		\$188.20
Zone 2 - MO		\$188.20
Zone 3 - MO		\$188.20
Zone 1 - TX		\$188.20
Zone 2 - TX		\$188.20
Zone 3 - TX		\$188.20
		<u>Nonrecurring Charge</u>
Nonzoned		\$ 0.00
Zone 1 - MO		\$ 0.00
Zone 2 - MO		\$ 0.00
Zone 3 - MO		\$ 0.00
Zone 1 - TX		\$ 0.00
Zone 2 - TX		\$ 0.00
Zone 3 - TX		\$ 0.00

(This page filed under Transmittal No. 2563)

Issued: August 1, 1996

Effective: September 1, 1996

Four AT&T Plaza, Dallas, Texas 75202

ACCESS SERVICE

7. Special Access Service (Cont'd)7.3 Service Descriptions, Rates and Charges (Cont'd)7.3.10 High Capacity Service (Cont'd)(F) Rates and Charges (Cont'd)(29) High Capacity Term Pricing Plan (HC-TPP)
Rates Effective: 08/01/95 (Cont'd)

	<u>USOC</u>	<u>3 Year Monthly Rate</u>
(c) <u>Multiplexing</u> (Cont'd)		
Per arrangement		
DS1 to DS0	QMU	
Nonzoned		\$162.00
Zone 1 - MO		\$162.00
Zone 2 - MO		\$162.00
Zone 3 - MO		\$162.00
Zone 1 - TX		\$162.00
Zone 2 - TX		\$162.00
Zone 3 - TX		\$162.00
		<u>Nonrecurring Charge</u>
Nonzoned		\$ 0.00
Zone 1 - MO		\$ 0.00
Zone 2 - MO		\$ 0.00
Zone 3 - MO		\$ 0.00
Zone 1 - TX		\$ 0.00
Zone 2 - TX		\$ 0.00
Zone 3 - TX		\$ 0.00

(This page filed under Transmittal No. 2563)

Issued: August 1, 1996

Effective: September 1, 1996

Four AT&T Plaza, Dallas, Texas 75202

ACCESS SERVICE

7. Special Access Service (Cont'd)

7.3 Service Descriptions, Rates and Charges (Cont'd)

7.3.10 High Capacity Service (Cont'd)

(F) Rates and Charges (Cont'd)

(29) High Capacity Term Pricing Plan (HC-TPP)

Rates Effective: 08/01/95 (Cont'd)

	<u>USOC</u>	<u>5 Year Monthly Rate</u>
(c) Multiplexing (Cont'd)		
Per arrangement		
DS1 to DS0	QMU	
Nonzoned		
Zone 1 - MO		\$153.00
Zone 2 - MO		\$153.00
Zone 3 - MO		\$153.00
Zone 1 - TX		\$153.00
Zone 2 - TX		\$153.00
Zone 3 - TX		\$153.00
Nonzoned Charge		Nonrecurring
Zone 1 - MO		0.00
Zone 2 - MO		0.00
Zone 3 - MO		0.00
Zone 1 - TX		0.00
Zone 2 - TX		0.00
Zone 3 - TX		0.00

(This page filed under Transmittal No. 2563)

Issued: August 1, 1996

Effective: September 1, 1996

Four AT&T Plaza, Dallas, Texas 75202

ACCESS SERVICE

7. Special Access Service (Cont'd)7.3 Service Descriptions, Rates and Charges (Cont'd)7.3.10 High Capacity Service (Cont'd)(F) Rates and Charges (Cont'd)(29) High Capacity Term Pricing Plan (HC-TPP)
Rates Effective: 08/01/95 (Cont'd)

	<u>USOC</u>	<u>3 Year Monthly Rate</u>
(c) <u>Multiplexing</u> (Cont'd)		
Per arrangement		
DS1 to Voice	MQ1	
Nonzoned		\$162.00
Zone 1 - MO		\$162.00
Zone 2 - MO		\$162.00
Zone 3 - MO		\$162.00
Zone 1 - TX		\$162.00
Zone 2 - TX		\$162.00
Zone 3 - TX		\$162.00
		<u>Nonrecurring Charge</u>
Nonzoned		\$ 0.00
Zone 1 - MO		\$ 0.00
Zone 2 - MO		\$ 0.00
Zone 3 - MO		\$ 0.00
Zone 1 - TX		\$ 0.00
Zone 2 - TX		\$ 0.00
Zone 3 - TX		\$ 0.00

(This page filed under Transmittal No. 2563)

Issued: August 1, 1996

Effective: September 1, 1996

Four AT&T Plaza, Dallas, Texas 75202

ACCESS SERVICE

7. Special Access Service (Cont'd)7.3 Service Descriptions, Rates and Charges (Cont'd)7.3.10 High Capacity Service (Cont'd)(F) Rates and Charges (Cont'd)(29) High Capacity Term Pricing Plan (HC-TPP)
Rates Effective: 08/01/95 (Cont'd)

	<u>USOC</u>	<u>5 Year Monthly Rate</u>
(c) <u>Multiplexing</u> (Cont'd)		
Per arrangement		
DS1 to Voice	MQ1	
Nonzoned		\$153.00
Zone 1 - MO		\$153.00
Zone 2 - MO		\$153.00
Zone 3 - MO		\$153.00
Zone 1 - TX		\$153.00
Zone 2 - TX		\$153.00
Zone 3 - TX		\$153.00
		<u>Nonrecurring Charge</u>
Nonzoned		\$ 0.00
Zone 1 - MO		\$ 0.00
Zone 2 - MO		\$ 0.00
Zone 3 - MO		\$ 0.00
Zone 1 - TX		\$ 0.00
Zone 2 - TX		\$ 0.00
Zone 3 - TX		\$ 0.00

(This page filed under Transmittal No. 2563)

Issued: August 1, 1996

Effective: September 1, 1996

Four AT&T Plaza, Dallas, Texas 75202

ACCESS SERVICE

7. Special Access Service (Cont'd)7.3 Service Descriptions, Rates and Charges (Cont'd)7.3.10 High Capacity Service (Cont'd)(F) Rates and Charges (Cont'd)(29) High Capacity Term Pricing Plan (HC-TPP)
Rates Effective: 08/01/95 (Cont'd)

	<u>3 Year Monthly Rate</u>	<u>Nonrecurring Charge</u>
(d) <u>SecureNet - Missouri</u>		
Per Channel Termination		
Hub Redundancy (R16AA)	\$167.02	\$1,422.00
Serving Wire Center and Facility Redundancy (R18AB)	\$126.40	\$ 923.00
	<u>5 Year Monthly Rate</u>	<u>Nonrecurring Charge</u>
<u>SecureNet - Missouri</u>		
Per Channel Termination		
Hub Redundancy (R16AA)	\$157.74	\$1,422.00
Serving Wire Center and Facility Redundancy (R18AB)	\$119.37	\$ 923.00

(This page filed under Transmittal No. 2563)

Issued: August 1, 1996

Effective: September 1, 1996

Four AT&T Plaza, Dallas, Texas 75202

ACCESS SERVICE

7. Special Access Service (Cont'd)

7.3 Service Descriptions, Rates and Charges (Cont'd)

7.3.10 High Capacity Service (Cont'd)

(F) Rates and Charges (Cont'd)

(30) High Capacity Term Pricing Plan (HC-TPP)

Rates Effective: 10/06/95

		3 Year	
		<u>USOC</u>	<u>Monthly Rate</u>
(a) <u>Channel Termination</u>			
Per point of termination		TMECS	
1.544 Mbps			
Nonzoned			\$140.25
Zone 1 - AR			\$140.25
Zone 2 - AR			\$140.25
Zone 3 - AR			\$140.25
Zone 1 - MO			\$129.60
Zone 2 - MO			\$129.60
Zone 3 - MO			\$140.25
Zone 1 - OK			\$140.25
Zone 2 - OK			\$140.25
Zone 3 - OK			\$140.25
Zone 1 - TX			\$121.50
Zone 2 - TX			\$121.50
Zone 3 - TX			\$140.25
Charge		Nonrecurring	
<u>Ckt</u>		<u>1st Ckt</u>	<u>Addl</u>
	Nonzoned	\$600.00	\$456.00
	Zone 1 - AR	\$600.00	\$456.00
	Zone 2 - AR	\$600.00	\$456.00
	Zone 3 - AR	\$600.00	\$456.00
	Zone 1 - MO	\$600.00	\$456.00
	Zone 2 - MO	\$600.00	\$456.00
	Zone 3 - MO	\$600.00	\$456.00
	Zone 1 - OK	\$600.00	\$456.00
	Zone 2 - OK	\$600.00	\$456.00
	Zone 3 - OK	\$600.00	\$456.00
	Zone 1 - TX	\$600.00	\$456.00
	Zone 2 - TX	\$600.00	\$456.00
	Zone 3 - TX	\$600.00	\$456.00

(This page filed under Transmittal No. 2563)

ACCESS SERVICE

7. Special Access Service (Cont'd)

7.3 Service Descriptions, Rates and Charges (Cont'd)

7.3.10 High Capacity Service (Cont'd)

(F) Rates and Charges (Cont'd)

(30) High Capacity Term Pricing Plan (HC-TPP)

Rates Effective: 10/06/95 (Cont'd)

		USOC	5 Year Monthly Rate	
(a) <u>Channel Termination</u> (Cont'd)				
Per point of termination		TMECS		
1.544 Mbps				
Nonzoned				\$132.00
Zone 1 - AR				\$132.00
Zone 2 - AR				\$132.00
Zone 3 - AR				\$132.00
Zone 1 - MO				\$121.50
Zone 2 - MO				\$121.50
Zone 3 - MO				\$132.00
Zone 1 - OK				\$132.00
Zone 2 - OK				\$132.00
Zone 3 - OK				\$132.00
Zone 1 - TX				\$108.00
Zone 2 - TX				\$108.00
Zone 3 - TX				\$132.00
Charge		Nonrecurring		
<u>Ckt</u>		<u>1st Ckt</u>	<u>Addl</u>	
	Nonzoned	\$600.00	\$456.00	
	Zone 1 - AR	\$600.00	\$456.00	
	Zone 2 - AR	\$600.00	\$456.00	
	Zone 3 - AR	\$600.00	\$456.00	
	Zone 1 - MO	\$600.00	\$456.00	
	Zone 2 - MO	\$600.00	\$456.00	
	Zone 3 - MO	\$600.00	\$456.00	
	Zone 1 - OK	\$600.00	\$456.00	
	Zone 2 - OK	\$600.00	\$456.00	
	Zone 3 - OK	\$600.00	\$456.00	
	Zone 1 - TX	\$600.00	\$456.00	
	Zone 2 - TX	\$600.00	\$456.00	
	Zone 3 - TX	\$600.00	\$456.00	

(This page filed under Transmittal No. 2563)

ACCESS SERVICE

7. Special Access Service (Cont'd)

7.3 Service Descriptions, Rates and Charges (Cont'd)

7.3.10 High Capacity Service (Cont'd)

(F) Rates and Charges (Cont'd)

(30) High Capacity Term Pricing Plan (HC-TPP)
Rates Effective: 10/06/95 (Cont'd)

	USOC	3 Year Monthly Rate	
		Fixed	Per Mile
(b) <u>Channel Mileage</u>			
1.544 Mbps	1L5XX		
0 miles			
Nonzoned		\$ 0.00	\$ 0.00
Zone 1 - AR		\$ 0.00	\$ 0.00
Zone 2 - AR		\$ 0.00	\$ 0.00
Zone 3 - AR		\$ 0.00	\$ 0.00
Zone 1 - MO		\$ 0.00	\$ 0.00
Zone 2 - MO		\$ 0.00	\$ 0.00
Zone 3 - MO		\$ 0.00	\$ 0.00
Zone 1 - OK		\$ 0.00	\$ 0.00
Zone 2 - OK		\$ 0.00	\$ 0.00
Zone 3 - OK		\$ 0.00	\$ 0.00
Zone 1 - TX		\$ 0.00	\$ 0.00
Zone 2 - TX		\$ 0.00	\$ 0.00
Zone 3 - TX		\$ 0.00	\$ 0.00
Over 0 miles			
Nonzoned		\$46.00	\$14.28
Zone 1 - AR		\$46.00	\$14.28
Zone 2 - AR		\$46.00	\$14.28
Zone 3 - AR		\$46.00	\$14.28
Zone 1 - MO		\$42.50	\$13.44
Zone 2 - MO		\$42.50	\$13.44
Zone 3 - MO		\$46.00	\$14.28
Zone 1 - OK		\$46.00	\$14.28
Zone 2 - OK		\$46.00	\$14.28
Zone 3 - OK		\$46.00	\$14.28
Zone 1 - TX		\$40.00	\$12.60
Zone 2 - TX		\$40.00	\$12.60
Zone 3 - TX		\$46.00	\$14.28

(This page filed under Transmittal No. 2563)

ACCESS SERVICE

7. Special Access Service (Cont'd)7.3 Service Descriptions, Rates and Charges (Cont'd)7.3.10 High Capacity Service (Cont'd)(F) Rates and Charges (Cont'd)(30) High Capacity Term Pricing Plan (HC-TPP)Rates Effective: 10/06/95 (Cont'd)

	USOC	5 Year Monthly Rate	
		Fixed	Per Mile
(b) <u>Channel Mileage</u> (Cont'd)			
1.544 Mbps	1L5XX		
0 miles			
Nonzoned		\$ 0.00	\$ 0.00
Zone 1 - AR		\$ 0.00	\$ 0.00
Zone 2 - AR		\$ 0.00	\$ 0.00
Zone 3 - AR		\$ 0.00	\$ 0.00
Zone 1 - MO		\$ 0.00	\$ 0.00
Zone 2 - MO		\$ 0.00	\$ 0.00
Zone 3 - MO		\$ 0.00	\$ 0.00
Zone 1 - OK		\$ 0.00	\$ 0.00
Zone 2 - OK		\$ 0.00	\$ 0.00
Zone 3 - OK		\$ 0.00	\$ 0.00
Zone 1 - TX		\$ 0.00	\$ 0.00
Zone 2 - TX		\$ 0.00	\$ 0.00
Zone 3 - TX		\$ 0.00	\$ 0.00
Over 0 miles			
Nonzoned		\$43.50	\$13.44
Zone 1 - AR		\$43.50	\$13.44
Zone 2 - AR		\$43.50	\$13.44
Zone 3 - AR		\$43.50	\$13.44
Zone 1 - MO		\$40.00	\$12.60
Zone 2 - MO		\$40.00	\$12.60
Zone 3 - MO		\$43.50	\$13.44
Zone 1 - OK		\$43.50	\$13.44
Zone 2 - OK		\$43.50	\$13.44
Zone 3 - OK		\$43.50	\$13.44
Zone 1 - TX		\$37.50	\$11.20
Zone 2 - TX		\$37.50	\$11.20
Zone 3 - TX		\$43.50	\$13.44

(This page filed under Transmittal No. 2563)

Issued: August 1, 1996

Effective: September 1, 1996

Four AT&T Plaza, Dallas, Texas 75202

ACCESS SERVICE

7. Special Access Service (Cont'd)7.3 Service Descriptions, Rates and Charges (Cont'd)7.3.10 High Capacity Service (Cont'd)(F) Rates and Charges (Cont'd)(30) High Capacity Term Pricing Plan (HC-TPP)
Rates Effective: 10/06/95 (Cont'd)

	<u>USOC</u>	<u>3 Year Monthly Rate</u>
(c) <u>Multiplexing</u>		
Per arrangement		
DS0 to Subrates		
Up to 20 2.4 kbps services		
	QSU24	
Nonzoned		\$114.35
Zone 1 - AR		\$114.35
Zone 2 - AR		\$114.35
Zone 3 - AR		\$114.35
Zone 1 - MO		\$114.35
Zone 2 - MO		\$114.35
Zone 3 - MO		\$114.35
Zone 1 - OK		\$114.35
Zone 2 - OK		\$114.35
Zone 3 - OK		\$114.35
Zone 1 - TX		\$114.35
Zone 2 - TX		\$114.35
Zone 3 - TX		\$114.35
		<u>Nonrecurring Charge</u>
Nonzoned		\$ 0.00
Zone 1 - AR		\$ 0.00
Zone 2 - AR		\$ 0.00
Zone 3 - AR		\$ 0.00
Zone 1 - MO		\$ 0.00
Zone 2 - MO		\$ 0.00
Zone 3 - MO		\$ 0.00
Zone 1 - OK		\$ 0.00
Zone 2 - OK		\$ 0.00
Zone 3 - OK		\$ 0.00
Zone 1 - TX		\$ 0.00
Zone 2 - TX		\$ 0.00
Zone 3 - TX		\$ 0.00

(This page filed under Transmittal No. 2563)

Issued: August 1, 1996

Effective: September 1, 1996

Four AT&T Plaza, Dallas, Texas 75202

ACCESS SERVICE

7. Special Access Service (Cont'd)7.3 Service Descriptions, Rates and Charges (Cont'd)7.3.10 High Capacity Service (Cont'd)(F) Rates and Charges (Cont'd)(30) High Capacity Term Pricing Plan (HC-TPP)
Rates Effective: 10/06/95 (Cont'd)

	<u>USOC</u>	<u>5 Year Monthly Rate</u>
(c) <u>Multiplexing</u> (Cont'd)		
Per arrangement		
DS0 to Subrates		
Up to 20 2.4 kbps services	QSU24	
Nonzoned		\$107.45
Zone 1 - AR		\$107.45
Zone 2 - AR		\$107.45
Zone 3 - AR		\$107.45
Zone 1 - MO		\$107.45
Zone 2 - MO		\$107.45
Zone 3 - MO		\$107.45
Zone 1 - OK		\$107.45
Zone 2 - OK		\$107.45
Zone 3 - OK		\$107.45
Zone 1 - TX		\$107.45
Zone 2 - TX		\$107.45
Zone 3 - TX		\$107.50
		<u>Nonrecurring Charge</u>
Nonzoned		\$ 0.00
Zone 1 - AR		\$ 0.00
Zone 2 - AR		\$ 0.00
Zone 3 - AR		\$ 0.00
Zone 1 - MO		\$ 0.00
Zone 2 - MO		\$ 0.00
Zone 3 - MO		\$ 0.00
Zone 1 - OK		\$ 0.00
Zone 2 - OK		\$ 0.00
Zone 3 - OK		\$ 0.00
Zone 1 - TX		\$ 0.00
Zone 2 - TX		\$ 0.00
Zone 3 - TX		\$ 0.00

(This page filed under Transmittal No. 2563)

Issued: August 1, 1996

Effective: September 1, 1996

Four AT&T Plaza, Dallas, Texas 75202

ACCESS SERVICE

7. Special Access Service (Cont'd)

7.3 Service Descriptions, Rates and Charges (Cont'd)

7.3.10 High Capacity Service (Cont'd)

(F) Rates and Charges (Cont'd)

(30) High Capacity Term Pricing Plan (HC-TPP)
Rates Effective: 10/06/95 (Cont'd)

	<u>USOC</u>	<u>3 Year Monthly Rate</u>
(c) <u>Multiplexing</u> (Cont'd)		
Per arrangement		
DS0 to Subrates		
Up to 10 4.8 kbps services	QSU48	
Nonzoned		\$104.85
Zone 1 - AR		\$104.85
Zone 2 - AR		\$104.85
Zone 3 - AR		\$104.85
Zone 1 - MO		\$104.85
Zone 2 - MO		\$104.85
Zone 3 - MO		\$104.85
Zone 1 - OK		\$104.85
Zone 2 - OK		\$104.85
Zone 3 - OK		\$104.85
Zone 1 - TX		\$104.85
Zone 2 - TX		\$104.85
Zone 3 - TX		\$104.85
		<u>Nonrecurring Charge</u>
Nonzoned		\$ 0.00
Zone 1 - AR		\$ 0.00
Zone 2 - AR		\$ 0.00
Zone 3 - AR		\$ 0.00
Zone 1 - MO		\$ 0.00
Zone 2 - MO		\$ 0.00
Zone 3 - MO		\$ 0.00
Zone 1 - OK		\$ 0.00
Zone 2 - OK		\$ 0.00
Zone 3 - OK		\$ 0.00
Zone 1 - TX		\$ 0.00
Zone 2 - TX		\$ 0.00
Zone 3 - TX		\$ 0.00

(This page filed under Transmittal No. 2563)

Issued: August 1, 1996

Effective: September 1, 1996

Four AT&T Plaza, Dallas, Texas 75202

ACCESS SERVICE

7. Special Access Service (Cont'd)

7.3 Service Descriptions, Rates and Charges (Cont'd)

7.3.10 High Capacity Service (Cont'd)

(F) Rates and Charges (Cont'd)

(30) High Capacity Term Pricing Plan (HC-TPP)
Rates Effective: 10/06/95 (Cont'd)

	<u>USOC</u>	<u>5 Year Monthly Rate</u>
(c) <u>Multiplexing</u> (Cont'd)		
Per arrangement		
DS0 to Subrates		
Up to 10 4.8 kbps services	QSU48	
Nonzoned		\$ 98.55
Zone 1 - AR		\$ 98.55
Zone 2 - AR		\$ 98.55
Zone 3 - AR		\$ 98.55
Zone 1 - MO		\$ 98.55
Zone 2 - MO		\$ 98.55
Zone 3 - MO		\$ 98.55
Zone 1 - OK		\$ 98.55
Zone 2 - OK		\$ 98.55
Zone 3 - OK		\$ 98.55
Zone 1 - TX		\$ 98.55
Zone 2 - TX		\$ 98.55
Zone 3 - TX		\$ 98.55
		<u>Nonrecurring Charge</u>
Nonzoned		\$ 0.00
Zone 1 - AR		\$ 0.00
Zone 2 - AR		\$ 0.00
Zone 3 - AR		\$ 0.00
Zone 1 - MO		\$ 0.00
Zone 2 - MO		\$ 0.00
Zone 3 - MO		\$ 0.00
Zone 1 - OK		\$ 0.00
Zone 2 - OK		\$ 0.00
Zone 3 - OK		\$ 0.00
Zone 1 - TX		\$ 0.00
Zone 2 - TX		\$ 0.00
Zone 3 - TX		\$ 0.00

(This page filed under Transmittal No. 2563)

Issued: August 1, 1996

Effective: September 1, 1996

Four AT&T Plaza, Dallas, Texas 75202

ACCESS SERVICE

7. Special Access Service (Cont'd)

7.3 Service Descriptions, Rates and Charges (Cont'd)

7.3.10 High Capacity Service (Cont'd)

(F) Rates and Charges (Cont'd)

(30) High Capacity Term Pricing Plan (HC-TPP)
Rates Effective: 10/06/95 (Cont'd)

	<u>USOC</u>	<u>3 Year Monthly Rate</u>
(c) <u>Multiplexing</u> (Cont'd)		
Per arrangement		
DS0 to Subrates		
Up to 5 9.6 kbps services		
	QSU96	
Nonzoned		\$200.30
Zone 1 - AR		\$200.30
Zone 2 - AR		\$200.30
Zone 3 - AR		\$200.30
Zone 1 - MO		\$200.30
Zone 2 - MO		\$200.30
Zone 3 - MO		\$200.30
Zone 1 - OK		\$200.30
Zone 2 - OK		\$200.30
Zone 3 - OK		\$200.30
Zone 1 - TX		\$200.30
Zone 2 - TX		\$200.30
Zone 3 - TX		\$200.30
		<u>Nonrecurring Charge</u>
Nonzoned		\$ 0.00
Zone 1 - AR		\$ 0.00
Zone 2 - AR		\$ 0.00
Zone 3 - AR		\$ 0.00
Zone 1 - MO		\$ 0.00
Zone 2 - MO		\$ 0.00
Zone 3 - MO		\$ 0.00
Zone 1 - OK		\$ 0.00
Zone 2 - OK		\$ 0.00
Zone 3 - OK		\$ 0.00
Zone 1 - TX		\$ 0.00
Zone 2 - TX		\$ 0.00
Zone 3 - TX		\$ 0.00

(This page filed under Transmittal No. 2563)

Issued: August 1, 1996

Effective: September 1, 1996

Four AT&T Plaza, Dallas, Texas 75202

ACCESS SERVICE

7. Special Access Service (Cont'd)7.3 Service Descriptions, Rates and Charges (Cont'd)7.3.10 High Capacity Service (Cont'd)(F) Rates and Charges (Cont'd)(30) High Capacity Term Pricing Plan (HC-TPP)
Rates Effective: 10/06/95 (Cont'd)

	<u>USOC</u>	<u>5 Year Monthly Rate</u>
(c) <u>Multiplexing</u> (Cont'd)		
Per arrangement		
DS0 to Subrates		
Up to 5 9.6 kbps services		
	QSU96	
Nonzoned		\$188.20
Zone 1 - AR		\$188.20
Zone 2 - AR		\$188.20
Zone 3 - AR		\$188.20
Zone 1 - MO		\$188.20
Zone 2 - MO		\$188.20
Zone 3 - MO		\$188.20
Zone 1 - OK		\$188.20
Zone 2 - OK		\$188.20
Zone 3 - OK		\$188.20
Zone 1 - TX		\$188.20
Zone 2 - TX		\$188.20
Zone 3 - TX		\$188.20
		<u>Nonrecurring Charge</u>
Nonzoned		\$ 0.00
Zone 1 - AR		\$ 0.00
Zone 2 - AR		\$ 0.00
Zone 3 - AR		\$ 0.00
Zone 1 - MO		\$ 0.00
Zone 2 - MO		\$ 0.00
Zone 3 - MO		\$ 0.00
Zone 1 - OK		\$ 0.00
Zone 2 - OK		\$ 0.00
Zone 3 - OK		\$ 0.00
Zone 1 - TX		\$ 0.00
Zone 2 - TX		\$ 0.00
Zone 3 - TX		\$ 0.00

(This page filed under Transmittal No. 2563)

Issued: August 1, 1996

Effective: September 1, 1996

Four AT&T Plaza, Dallas, Texas 75202

ACCESS SERVICE

7. Special Access Service (Cont'd)7.3 Service Descriptions, Rates and Charges (Cont'd)7.3.10 High Capacity Service (Cont'd)(F) Rates and Charges (Cont'd)(30) High Capacity Term Pricing Plan (HC-TPP)
Rates Effective: 10/06/95 (Cont'd)

	<u>USOC</u>	<u>3 Year Monthly Rate</u>
(c) <u>Multiplexing</u> (Cont'd)		
Per arrangement		
DS1 to DS0	QMU	
Nonzoned		\$162.00
Zone 1 - AR		\$162.00
Zone 2 - AR		\$162.00
Zone 3 - AR		\$162.00
Zone 1 - MO		\$162.00
Zone 2 - MO		\$162.00
Zone 3 - MO		\$162.00
Zone 1 - OK		\$162.00
Zone 2 - OK		\$162.00
Zone 3 - OK		\$162.00
Zone 1 - TX		\$162.00
Zone 2 - TX		\$162.00
Zone 3 - TX		\$162.00
		<u>Nonrecurring Charge</u>
Nonzoned		\$ 0.00
Zone 1 - AR		\$ 0.00
Zone 2 - AR		\$ 0.00
Zone 3 - AR		\$ 0.00
Zone 1 - MO		\$ 0.00
Zone 2 - MO		\$ 0.00
Zone 3 - MO		\$ 0.00
Zone 1 - OK		\$ 0.00
Zone 2 - OK		\$ 0.00
Zone 3 - OK		\$ 0.00
Zone 1 - TX		\$ 0.00
Zone 2 - TX		\$ 0.00
Zone 3 - TX		\$ 0.00

(This page filed under Transmittal No. 2563)

Issued: August 1, 1996

Effective: September 1, 1996

Four AT&T Plaza, Dallas, Texas 75202

ACCESS SERVICE

7. Special Access Service (Cont'd)7.3 Service Descriptions, Rates and Charges (Cont'd)7.3.10 High Capacity Service (Cont'd)(F) Rates and Charges (Cont'd)(30) High Capacity Term Pricing Plan (HC-TPP)
Rates Effective: 10/06/95 (Cont'd)

	<u>USOC</u>	<u>5 Year Monthly Rate</u>
(c) <u>Multiplexing</u> (Cont'd)		
Per arrangement		
DS1 to DS0	QMU	
Nonzoned		
Zone 1 - AR		\$153.00
Zone 2 - AR		\$153.00
Zone 3 - AR		\$153.00
Zone 1 - MO		\$153.00
Zone 2 - MO		\$153.00
Zone 3 - MO		\$153.00
Zone 1 - OK		\$153.00
Zone 2 - OK		\$153.00
Zone 3 - OK		\$153.00
Zone 1 - TX		\$153.00
Zone 2 - TX		\$153.00
Zone 3 - TX		\$153.00
<u>Nonrecurring Charge</u>		
Nonzoned		
Zone 1 - AR		\$ 0.00
Zone 2 - AR		\$ 0.00
Zone 3 - AR		\$ 0.00
Zone 1 - MO		\$ 0.00
Zone 2 - MO		\$ 0.00
Zone 3 - MO		\$ 0.00
Zone 1 - OK		\$ 0.00
Zone 2 - OK		\$ 0.00
Zone 3 - OK		\$ 0.00
Zone 1 - TX		\$ 0.00
Zone 2 - TX		\$ 0.00
Zone 3 - TX		\$ 0.00

(This page filed under Transmittal No. 2563)

Issued: August 1, 1996

Effective: September 1, 1996

Four AT&T Plaza, Dallas, Texas 75202

ACCESS SERVICE

7. Special Access Service (Cont'd)

7.3 Service Descriptions, Rates and Charges (Cont'd)

7.3.10 High Capacity Service (Cont'd)

(F) Rates and Charges (Cont'd)

(30) High Capacity Term Pricing Plan (HC-TPP)
Rates Effective: 10/06/95 (Cont'd)

	<u>USOC</u>	<u>3 Year Monthly Rate</u>
(c) <u>Multiplexing</u> (Cont'd)		
Per arrangement		
DS1 to Voice	MQ1	
Nonzoned		\$162.00
Zone 1 - AR		\$162.00
Zone 2 - AR		\$162.00
Zone 3 - AR		\$162.00
Zone 1 - MO		\$162.00
Zone 2 - MO		\$162.00
Zone 3 - MO		\$162.00
Zone 1 - OK		\$162.00
Zone 2 - OK		\$162.00
Zone 3 - OK		\$162.00
Zone 1 - TX		\$162.00
Zone 2 - TX		\$162.00
Zone 3 - TX		\$162.00
		<u>Nonrecurring Charge</u>
Nonzoned		\$ 0.00
Zone 1 - AR		\$ 0.00
Zone 2 - AR		\$ 0.00
Zone 3 - AR		\$ 0.00
Zone 1 - MO		\$ 0.00
Zone 2 - MO		\$ 0.00
Zone 3 - MO		\$ 0.00
Zone 1 - OK		\$ 0.00
Zone 2 - OK		\$ 0.00
Zone 3 - OK		\$ 0.00
Zone 1 - TX		\$ 0.00
Zone 2 - TX		\$ 0.00
Zone 3 - TX		\$ 0.00

(This page filed under Transmittal No. 2563)

Issued: August 1, 1996

Effective: September 1, 1996

Four AT&T Plaza, Dallas, Texas 75202

ACCESS SERVICE

7. Special Access Service (Cont'd)

7.3 Service Descriptions, Rates and Charges (Cont'd)

7.3.10 High Capacity Service (Cont'd)

(F) Rates and Charges (Cont'd)

(30) High Capacity Term Pricing Plan (HC-TPP)
Rates Effective: 10/06/95 (Cont'd)

	<u>USOC</u>	<u>5 Year Monthly Rate</u>
(c) <u>Multiplexing</u> (Cont'd)		
Per arrangement		
DS1 to Voice		
	MQ1	
Nonzoned		\$153.00
Zone 1 - AR		\$153.00
Zone 2 - AR		\$153.00
Zone 3 - AR		\$153.00
Zone 1 - MO		\$153.00
Zone 2 - MO		\$153.00
Zone 3 - MO		\$153.00
Zone 1 - OK		\$153.00
Zone 2 - OK		\$153.00
Zone 3 - OK		\$153.00
Zone 1 - TX		\$153.00
Zone 2 - TX		\$153.00
Zone 3 - TX		\$153.00
		<u>Nonrecurring Charge</u>
Nonzoned		\$ 0.00
Zone 1 - AR		\$ 0.00
Zone 2 - AR		\$ 0.00
Zone 3 - AR		\$ 0.00
Zone 1 - MO		\$ 0.00
Zone 2 - MO		\$ 0.00
Zone 3 - MO		\$ 0.00
Zone 1 - OK		\$ 0.00
Zone 2 - OK		\$ 0.00
Zone 3 - OK		\$ 0.00
Zone 1 - TX		\$ 0.00
Zone 2 - TX		\$ 0.00
Zone 3 - TX		\$ 0.00

(This page filed under Transmittal No. 2563)

Issued: August 1, 1996

Effective: September 1, 1996

Four AT&T Plaza, Dallas, Texas 75202

ACCESS SERVICE

7. Special Access Service (Cont'd)7.3 Service Descriptions, Rates and Charges (Cont'd)7.3.10 High Capacity Service (Cont'd)(F) Rates and Charges (Cont'd)(30) High Capacity Term Pricing Plan (HC-TPP)
Rates Effective: 10/06/95 (Cont'd)

	<u>3 Year Monthly Rate</u>	<u>Nonrecurring Charge</u>
(d) <u>SecureNet - Missouri</u>		
Per Channel Termination		
Hub Redundancy (R16AA)	\$167.02	\$1,422.00
Serving Wire Center and Facility Redundancy (R18AB)	\$126.40	\$ 923.00
	<u>5 Year Monthly Rate</u>	<u>Nonrecurring Charge</u>
<u>SecureNet - Missouri</u>		
Per Channel Termination		
Hub Redundancy (R16AA)	\$157.74	\$1,422.00
Serving Wire Center and Facility Redundancy (R18AB)	\$119.37	\$ 923.00

(This page filed under Transmittal No. 2563)

Issued: August 1, 1996

Effective: September 1, 1996

Four AT&T Plaza, Dallas, Texas 75202

ACCESS SERVICE

7. Special Access Service (Cont'd)

7.3 Service Descriptions, Rates and Charges (Cont'd)

7.3.10 High Capacity Service (Cont'd)

(F) Rates and Charges (Cont'd)

(31) High Capacity Term Pricing Plan (HC-TPP)

Rates Effective: 01/30/96

		USOC	3 Year Monthly Rate	
(a) <u>Channel Termination</u>				
Per point of termination		TMECS		
1.544 Mbps				
Nonzoned				\$140.25
Zone 1 - AR				\$140.25
Zone 2 - AR				\$140.25
Zone 3 - AR				\$140.25
Zone 1 - MO				\$129.60
Zone 2 - MO				\$129.60
Zone 3 - MO				\$140.25
Zone 1 - OK				\$140.25
Zone 2 - OK				\$140.25
Zone 3 - OK				\$140.25
Zone 1 - TX				\$121.50
Zone 2 - TX				\$121.50
Zone 3 - TX				\$140.25
Charge		Nonrecurring		
<u>Ckt</u>		<u>1st Ckt</u>	<u>Addl</u>	
	Nonzoned	\$600.00	\$456.00	
	Zone 1 - AR	\$600.00	\$456.00	
	Zone 2 - AR	\$600.00	\$456.00	
	Zone 3 - AR	\$600.00	\$456.00	
	Zone 1 - MO	\$600.00	\$456.00	
	Zone 2 - MO	\$600.00	\$456.00	
	Zone 3 - MO	\$600.00	\$456.00	
	Zone 1 - OK	\$600.00	\$456.00	
	Zone 2 - OK	\$600.00	\$456.00	
	Zone 3 - OK	\$600.00	\$456.00	
	Zone 1 - TX	\$600.00	\$456.00	
	Zone 2 - TX	\$600.00	\$456.00	
	Zone 3 - TX	\$600.00	\$456.00	

(This page filed under Transmittal No. 2563)

ACCESS SERVICE

7. Special Access Service (Cont'd)

7.3 Service Descriptions, Rates and Charges (Cont'd)

7.3.10 High Capacity Service (Cont'd)

(F) Rates and Charges (Cont'd)

(31) High Capacity Term Pricing Plan (HC-TPP)

Rates Effective: 01/30/96 (Cont'd)

		USOC	5 Year Monthly Rate
(a) <u>Channel Termination</u> (Cont'd)			
	Per point of termination	TMECS	
	1.544 Mbps		
	Nonzoned		\$132.00
	Zone 1 - AR		\$132.00
	Zone 2 - AR		\$132.00
	Zone 3 - AR		\$132.00
	Zone 1 - MO		\$121.50
	Zone 2 - MO		\$121.50
	Zone 3 - MO		\$132.00
	Zone 1 - OK		\$132.00
	Zone 2 - OK		\$132.00
	Zone 3 - OK		\$132.00
	Zone 1 - TX		\$108.00
	Zone 2 - TX		\$108.00
	Zone 3 - TX		\$132.00
			Nonrecurring
	Charge	<u>1st Ckt</u>	<u>Addl</u>
	<u>Ckt</u>		
	Nonzoned	\$600.00	\$456.00
	Zone 1 - AR	\$600.00	\$456.00
	Zone 2 - AR	\$600.00	\$456.00
	Zone 3 - AR	\$600.00	\$456.00
	Zone 1 - MO	\$600.00	\$456.00
	Zone 2 - MO	\$600.00	\$456.00
	Zone 3 - MO	\$600.00	\$456.00
	Zone 1 - OK	\$600.00	\$456.00
	Zone 2 - OK	\$600.00	\$456.00
	Zone 3 - OK	\$600.00	\$456.00
	Zone 1 - TX	\$600.00	\$456.00
	Zone 2 - TX	\$600.00	\$456.00
	Zone 3 - TX	\$600.00	\$456.00

(This page filed under Transmittal No. 2563)

ACCESS SERVICE

7. Special Access Service (Cont'd)

7.3 Service Descriptions, Rates and Charges (Cont'd)

7.3.10 High Capacity Service (Cont'd)

(F) Rates and Charges (Cont'd)

(31) High Capacity Term Pricing Plan (HC-TPP)
Rates Effective: 01/30/96 (Cont'd)

	USOC	3 Year Monthly Rate	
		Fixed	Per Mile
(b) <u>Channel Mileage</u>			
1.544 Mbps	1L5XX		
0 miles			
Nonzoned		\$ 0.00	\$ 0.00
Zone 1 - AR		\$ 0.00	\$ 0.00
Zone 2 - AR		\$ 0.00	\$ 0.00
Zone 3 - AR		\$ 0.00	\$ 0.00
Zone 1 - MO		\$ 0.00	\$ 0.00
Zone 2 - MO		\$ 0.00	\$ 0.00
Zone 3 - MO		\$ 0.00	\$ 0.00
Zone 1 - OK		\$ 0.00	\$ 0.00
Zone 2 - OK		\$ 0.00	\$ 0.00
Zone 3 - OK		\$ 0.00	\$ 0.00
Zone 1 - TX		\$ 0.00	\$ 0.00
Zone 2 - TX		\$ 0.00	\$ 0.00
Zone 3 - TX		\$ 0.00	\$ 0.00
Over 0 miles			
Nonzoned		\$46.00	\$14.28
Zone 1 - AR		\$46.00	\$14.28
Zone 2 - AR		\$46.00	\$14.28
Zone 3 - AR		\$46.00	\$14.28
Zone 1 - MO		\$42.50	\$13.44
Zone 2 - MO		\$42.50	\$13.44
Zone 3 - MO		\$46.00	\$14.28
Zone 1 - OK		\$46.00	\$14.28
Zone 2 - OK		\$46.00	\$14.28
Zone 3 - OK		\$46.00	\$14.28
Zone 1 - TX		\$40.00	\$12.60
Zone 2 - TX		\$40.00	\$12.60
Zone 3 - TX		\$46.00	\$14.28

(This page filed under Transmittal No. 2563)

ACCESS SERVICE

7. Special Access Service (Cont'd)7.3 Service Descriptions, Rates and Charges (Cont'd)7.3.10 High Capacity Service (Cont'd)(F) Rates and Charges (Cont'd)(31) High Capacity Term Pricing Plan (HC-TPP)Rates Effective: 01/30/96 (Cont'd)

	USOC	5 Year Monthly Rate	
		Fixed	Per Mile
(b) <u>Channel Mileage</u> (Cont'd)			
1.544 Mbps	1L5XX		
0 miles			
Nonzoned		\$ 0.00	\$ 0.00
Zone 1 - AR		\$ 0.00	\$ 0.00
Zone 2 - AR		\$ 0.00	\$ 0.00
Zone 3 - AR		\$ 0.00	\$ 0.00
Zone 1 - MO		\$ 0.00	\$ 0.00
Zone 2 - MO		\$ 0.00	\$ 0.00
Zone 3 - MO		\$ 0.00	\$ 0.00
Zone 1 - OK		\$ 0.00	\$ 0.00
Zone 2 - OK		\$ 0.00	\$ 0.00
Zone 3 - OK		\$ 0.00	\$ 0.00
Zone 1 - TX		\$ 0.00	\$ 0.00
Zone 2 - TX		\$ 0.00	\$ 0.00
Zone 3 - TX		\$ 0.00	\$ 0.00
Over 0 miles			
Nonzoned		\$43.50	\$13.44
Zone 1 - AR		\$43.50	\$13.44
Zone 2 - AR		\$43.50	\$13.44
Zone 3 - AR		\$43.50	\$13.44
Zone 1 - MO		\$40.00	\$12.60
Zone 2 - MO		\$40.00	\$12.60
Zone 3 - MO		\$43.50	\$13.44
Zone 1 - OK		\$43.50	\$13.44
Zone 2 - OK		\$43.50	\$13.44
Zone 3 - OK		\$43.50	\$13.44
Zone 1 - TX		\$37.50	\$11.20
Zone 2 - TX		\$37.50	\$11.20
Zone 3 - TX		\$43.50	\$13.44

(This page filed under Transmittal No. 2563)

Issued: August 1, 1996

Effective: September 1, 1996

Four AT&T Plaza, Dallas, Texas 75202

ACCESS SERVICE

7. Special Access Service (Cont'd)

7.3 Service Descriptions, Rates and Charges (Cont'd)

7.3.10 High Capacity Service (Cont'd)

(F) Rates and Charges (Cont'd)

(31) High Capacity Term Pricing Plan (HC-TPP)
Rates Effective: 01/30/96 (Cont'd)

	<u>USOC</u>	<u>3 Year Monthly Rate</u>
(c) <u>Multiplexing</u>		
Per arrangement		
DS0 to Subrates		
Up to 20 2.4 kbps services		
	QSU24	
Nonzoned		\$114.35
Zone 1 - AR		\$114.35
Zone 2 - AR		\$114.35
Zone 3 - AR		\$114.35
Zone 1 - MO		\$114.35
Zone 2 - MO		\$114.35
Zone 3 - MO		\$114.35
Zone 1 - OK		\$114.35
Zone 2 - OK		\$114.35
Zone 3 - OK		\$114.35
Zone 1 - TX		\$114.35
Zone 2 - TX		\$114.35
Zone 3 - TX		\$114.35
		<u>Nonrecurring Charge</u>
Nonzoned		\$ 0.00
Zone 1 - AR		\$ 0.00
Zone 2 - AR		\$ 0.00
Zone 3 - AR		\$ 0.00
Zone 1 - MO		\$ 0.00
Zone 2 - MO		\$ 0.00
Zone 3 - MO		\$ 0.00
Zone 1 - OK		\$ 0.00
Zone 2 - OK		\$ 0.00
Zone 3 - OK		\$ 0.00
Zone 1 - TX		\$ 0.00
Zone 2 - TX		\$ 0.00
Zone 3 - TX		\$ 0.00

(This page filed under Transmittal No. 2563)

Issued: August 1, 1996

Effective: September 1, 1996

Four AT&T Plaza, Dallas, Texas 75202

ACCESS SERVICE

7. Special Access Service (Cont'd)

7.3 Service Descriptions, Rates and Charges (Cont'd)

7.3.10 High Capacity Service (Cont'd)

(F) Rates and Charges (Cont'd)

(31) High Capacity Term Pricing Plan (HC-TPP)
Rates Effective: 01/30/96 (Cont'd)

	<u>USOC</u>	<u>5 Year Monthly Rate</u>
--	-------------	--------------------------------

(c) Multiplexing (Cont'd)

Per arrangement

DS0 to Subrates

Up to 20 2.4 kbps
 services

QSU24

Nonzoned	\$107.45
Zone 1 - AR	\$107.45
Zone 2 - AR	\$107.45
Zone 3 - AR	\$107.45
Zone 1 - MO	\$107.45
Zone 2 - MO	\$107.45
Zone 3 - MO	\$107.45
Zone 1 - OK	\$107.45
Zone 2 - OK	\$107.45
Zone 3 - OK	\$107.45
Zone 1 - TX	\$107.45
Zone 2 - TX	\$107.45
Zone 3 - TX	\$107.50

Nonrecurring Charge

Nonzoned	\$ 0.00
Zone 1 - AR	\$ 0.00
Zone 2 - AR	\$ 0.00
Zone 3 - AR	\$ 0.00
Zone 1 - MO	\$ 0.00
Zone 2 - MO	\$ 0.00
Zone 3 - MO	\$ 0.00
Zone 1 - OK	\$ 0.00
Zone 2 - OK	\$ 0.00
Zone 3 - OK	\$ 0.00
Zone 1 - TX	\$ 0.00
Zone 2 - TX	\$ 0.00
Zone 3 - TX	\$ 0.00

(This page filed under Transmittal No. 2563)

Issued: August 1, 1996

Effective: September 1, 1996

Four AT&T Plaza, Dallas, Texas 75202

ACCESS SERVICE

7. Special Access Service (Cont'd)

7.3 Service Descriptions, Rates and Charges (Cont'd)

7.3.10 High Capacity Service (Cont'd)

(F) Rates and Charges (Cont'd)

(31) High Capacity Term Pricing Plan (HC-TPP)
Rates Effective: 01/30/96 (Cont'd)

	<u>USOC</u>	<u>3 Year Monthly Rate</u>
(c) <u>Multiplexing</u> (Cont'd)		
Per arrangement		
DS0 to Subrates		
Up to 10 4.8 kbps services	QSU48	
Nonzoned		\$104.85
Zone 1 - AR		\$104.85
Zone 2 - AR		\$104.85
Zone 3 - AR		\$104.85
Zone 1 - MO		\$104.85
Zone 2 - MO		\$104.85
Zone 3 - MO		\$104.85
Zone 1 - OK		\$104.85
Zone 2 - OK		\$104.85
Zone 3 - OK		\$104.85
Zone 1 - TX		\$104.85
Zone 2 - TX		\$104.85
Zone 3 - TX		\$104.85
		<u>Nonrecurring Charge</u>
Nonzoned		\$ 0.00
Zone 1 - AR		\$ 0.00
Zone 2 - AR		\$ 0.00
Zone 3 - AR		\$ 0.00
Zone 1 - MO		\$ 0.00
Zone 2 - MO		\$ 0.00
Zone 3 - MO		\$ 0.00
Zone 1 - OK		\$ 0.00
Zone 2 - OK		\$ 0.00
Zone 3 - OK		\$ 0.00
Zone 1 - TX		\$ 0.00
Zone 2 - TX		\$ 0.00
Zone 3 - TX		\$ 0.00

(This page filed under Transmittal No. 2563)

Issued: August 1, 1996

Effective: September 1, 1996

Four AT&T Plaza, Dallas, Texas 75202

ACCESS SERVICE

7. Special Access Service (Cont'd)

7.3 Service Descriptions, Rates and Charges (Cont'd)

7.3.10 High Capacity Service (Cont'd)

(F) Rates and Charges (Cont'd)

(31) High Capacity Term Pricing Plan (HC-TPP)
Rates Effective: 01/30/96 (Cont'd)

	<u>USOC</u>	<u>5 Year Monthly Rate</u>
(c) <u>Multiplexing</u> (Cont'd)		
Per arrangement		
DS0 to Subrates		
Up to 10 4.8 kbps services		
	QSU48	
Nonzoned		\$ 98.55
Zone 1 - AR		\$ 98.55
Zone 2 - AR		\$ 98.55
Zone 3 - AR		\$ 98.55
Zone 1 - MO		\$ 98.55
Zone 2 - MO		\$ 98.55
Zone 3 - MO		\$ 98.55
Zone 1 - OK		\$ 98.55
Zone 2 - OK		\$ 98.55
Zone 3 - OK		\$ 98.55
Zone 1 - TX		\$ 98.55
Zone 2 - TX		\$ 98.55
Zone 3 - TX		\$ 98.55
		<u>Nonrecurring Charge</u>
Nonzoned		\$ 0.00
Zone 1 - AR		\$ 0.00
Zone 2 - AR		\$ 0.00
Zone 3 - AR		\$ 0.00
Zone 1 - MO		\$ 0.00
Zone 2 - MO		\$ 0.00
Zone 3 - MO		\$ 0.00
Zone 1 - OK		\$ 0.00
Zone 2 - OK		\$ 0.00
Zone 3 - OK		\$ 0.00
Zone 1 - TX		\$ 0.00
Zone 2 - TX		\$ 0.00
Zone 3 - TX		\$ 0.00

(This page filed under Transmittal No. 2563)

Issued: August 1, 1996

Effective: September 1, 1996

Four AT&T Plaza, Dallas, Texas 75202

ACCESS SERVICE

7. Special Access Service (Cont'd)

7.3 Service Descriptions, Rates and Charges (Cont'd)

7.3.10 High Capacity Service (Cont'd)

(F) Rates and Charges (Cont'd)

(31) High Capacity Term Pricing Plan (HC-TPP)
Rates Effective: 01/30/96 (Cont'd)

	<u>USOC</u>	<u>3 Year Monthly Rate</u>
(c) <u>Multiplexing</u> (Cont'd)		
Per arrangement		
DS0 to Subrates		
Up to 5 9.6 kbps services		
	QSU96	
Nonzoned		\$200.30
Zone 1 - AR		\$200.30
Zone 2 - AR		\$200.30
Zone 3 - AR		\$200.30
Zone 1 - MO		\$200.30
Zone 2 - MO		\$200.30
Zone 3 - MO		\$200.30
Zone 1 - OK		\$200.30
Zone 2 - OK		\$200.30
Zone 3 - OK		\$200.30
Zone 1 - TX		\$200.30
Zone 2 - TX		\$200.30
Zone 3 - TX		\$200.30
		<u>Nonrecurring Charge</u>
Nonzoned		\$ 0.00
Zone 1 - AR		\$ 0.00
Zone 2 - AR		\$ 0.00
Zone 3 - AR		\$ 0.00
Zone 1 - MO		\$ 0.00
Zone 2 - MO		\$ 0.00
Zone 3 - MO		\$ 0.00
Zone 1 - OK		\$ 0.00
Zone 2 - OK		\$ 0.00
Zone 3 - OK		\$ 0.00
Zone 1 - TX		\$ 0.00
Zone 2 - TX		\$ 0.00
Zone 3 - TX		\$ 0.00

(This page filed under Transmittal No. 2563)

Issued: August 1, 1996

Effective: September 1, 1996

Four AT&T Plaza, Dallas, Texas 75202

ACCESS SERVICE

7. Special Access Service (Cont'd)

7.3 Service Descriptions, Rates and Charges (Cont'd)

7.3.10 High Capacity Service (Cont'd)

(F) Rates and Charges (Cont'd)

(31) High Capacity Term Pricing Plan (HC-TPP)
Rates Effective: 01/30/96 (Cont'd)

	<u>USOC</u>	<u>5 Year Monthly Rate</u>
(c) <u>Multiplexing</u> (Cont'd)		
Per arrangement		
DS0 to Subrates		
Up to 5 9.6 kbps services		
	QSU96	
Nonzoned		\$188.20
Zone 1 - AR		\$188.20
Zone 2 - AR		\$188.20
Zone 3 - AR		\$188.20
Zone 1 - MO		\$188.20
Zone 2 - MO		\$188.20
Zone 3 - MO		\$188.20
Zone 1 - OK		\$188.20
Zone 2 - OK		\$188.20
Zone 3 - OK		\$188.20
Zone 1 - TX		\$188.20
Zone 2 - TX		\$188.20
Zone 3 - TX		\$188.20
		<u>Nonrecurring Charge</u>
Nonzoned		\$ 0.00
Zone 1 - AR		\$ 0.00
Zone 2 - AR		\$ 0.00
Zone 3 - AR		\$ 0.00
Zone 1 - MO		\$ 0.00
Zone 2 - MO		\$ 0.00
Zone 3 - MO		\$ 0.00
Zone 1 - OK		\$ 0.00
Zone 2 - OK		\$ 0.00
Zone 3 - OK		\$ 0.00
Zone 1 - TX		\$ 0.00
Zone 2 - TX		\$ 0.00
Zone 3 - TX		\$ 0.00

(This page filed under Transmittal No. 2563)

Issued: August 1, 1996

Effective: September 1, 1996

Four AT&T Plaza, Dallas, Texas 75202

ACCESS SERVICE

7. Special Access Service (Cont'd)7.3 Service Descriptions, Rates and Charges (Cont'd)7.3.10 High Capacity Service (Cont'd)(F) Rates and Charges (Cont'd)(31) High Capacity Term Pricing Plan (HC-TPP)
Rates Effective: 01/30/96 (Cont'd)

	<u>USOC</u>	<u>3 Year Monthly Rate</u>
(c) <u>Multiplexing</u> (Cont'd)		
Per arrangement		
DS1 to DS0	QMU	
Nonzoned		\$162.00
Zone 1 - AR		\$162.00
Zone 2 - AR		\$162.00
Zone 3 - AR		\$162.00
Zone 1 - MO		\$162.00
Zone 2 - MO		\$162.00
Zone 3 - MO		\$162.00
Zone 1 - OK		\$162.00
Zone 2 - OK		\$162.00
Zone 3 - OK		\$162.00
Zone 1 - TX		\$162.00
Zone 2 - TX		\$162.00
Zone 3 - TX		\$162.00
		<u>Nonrecurring Charge</u>
Nonzoned		\$ 0.00
Zone 1 - AR		\$ 0.00
Zone 2 - AR		\$ 0.00
Zone 3 - AR		\$ 0.00
Zone 1 - MO		\$ 0.00
Zone 2 - MO		\$ 0.00
Zone 3 - MO		\$ 0.00
Zone 1 - OK		\$ 0.00
Zone 2 - OK		\$ 0.00
Zone 3 - OK		\$ 0.00
Zone 1 - TX		\$ 0.00
Zone 2 - TX		\$ 0.00
Zone 3 - TX		\$ 0.00

(This page filed under Transmittal No. 2563)

Issued: August 1, 1996

Effective: September 1, 1996

Four AT&T Plaza, Dallas, Texas 75202

ACCESS SERVICE

7. Special Access Service (Cont'd)7.3 Service Descriptions, Rates and Charges (Cont'd)7.3.10 High Capacity Service (Cont'd)(F) Rates and Charges (Cont'd)(31) High Capacity Term Pricing Plan (HC-TPP)
Rates Effective: 01/30/96 (Cont'd)

	<u>USOC</u>	<u>5 Year Monthly Rate</u>
(c) <u>Multiplexing</u> (Cont'd)		
Per arrangement		
DS1 to DS0	QMU	
Nonzoned		\$153.00
Zone 1 - AR		\$153.00
Zone 2 - AR		\$153.00
Zone 3 - AR		\$153.00
Zone 1 - MO		\$153.00
Zone 2 - MO		\$153.00
Zone 3 - MO		\$153.00
Zone 1 - OK		\$153.00
Zone 2 - OK		\$153.00
Zone 3 - OK		\$153.00
Zone 1 - TX		\$153.00
Zone 2 - TX		\$153.00
Zone 3 - TX		\$153.00
		<u>Nonrecurring Charge</u>
Nonzoned		\$ 0.00
Zone 1 - AR		\$ 0.00
Zone 2 - AR		\$ 0.00
Zone 3 - AR		\$ 0.00
Zone 1 - MO		\$ 0.00
Zone 2 - MO		\$ 0.00
Zone 3 - MO		\$ 0.00
Zone 1 - OK		\$ 0.00
Zone 2 - OK		\$ 0.00
Zone 3 - OK		\$ 0.00
Zone 1 - TX		\$ 0.00
Zone 2 - TX		\$ 0.00
Zone 3 - TX		\$ 0.00

(This page filed under Transmittal No. 2563)

Issued: August 1, 1996

Effective: September 1, 1996

Four AT&T Plaza, Dallas, Texas 75202

ACCESS SERVICE

7. Special Access Service (Cont'd)7.3 Service Descriptions, Rates and Charges (Cont'd)7.3.10 High Capacity Service (Cont'd)(F) Rates and Charges (Cont'd)(31) High Capacity Term Pricing Plan (HC-TPP)
Rates Effective: 01/30/96 (Cont'd)

	<u>USOC</u>	<u>3 Year Monthly Rate</u>
(c) <u>Multiplexing</u> (Cont'd)		
Per arrangement		
DS1 to Voice	MQ1	
Nonzoned		\$162.00
Zone 1 - AR		\$162.00
Zone 2 - AR		\$162.00
Zone 3 - AR		\$162.00
Zone 1 - MO		\$162.00
Zone 2 - MO		\$162.00
Zone 3 - MO		\$162.00
Zone 1 - OK		\$162.00
Zone 2 - OK		\$162.00
Zone 3 - OK		\$162.00
Zone 1 - TX		\$162.00
Zone 2 - TX		\$162.00
Zone 3 - TX		\$162.00
		<u>Nonrecurring Charge</u>
Nonzoned		\$ 0.00
Zone 1 - AR		\$ 0.00
Zone 2 - AR		\$ 0.00
Zone 3 - AR		\$ 0.00
Zone 1 - MO		\$ 0.00
Zone 2 - MO		\$ 0.00
Zone 3 - MO		\$ 0.00
Zone 1 - OK		\$ 0.00
Zone 2 - OK		\$ 0.00
Zone 3 - OK		\$ 0.00
Zone 1 - TX		\$ 0.00
Zone 2 - TX		\$ 0.00
Zone 3 - TX		\$ 0.00

(This page filed under Transmittal No. 2563)

Issued: August 1, 1996

Effective: September 1, 1996

Four AT&T Plaza, Dallas, Texas 75202

ACCESS SERVICE

7. Special Access Service (Cont'd)7.3 Service Descriptions, Rates and Charges (Cont'd)7.3.10 High Capacity Service (Cont'd)(F) Rates and Charges (Cont'd)(31) High Capacity Term Pricing Plan (HC-TPP)
Rates Effective: 01/30/96 (Cont'd)

	<u>USOC</u>	<u>5 Year Monthly Rate</u>
(c) <u>Multiplexing</u> (Cont'd)		
Per arrangement		
DS1 to Voice	MQ1	
Nonzoned		\$153.00
Zone 1 - AR		\$153.00
Zone 2 - AR		\$153.00
Zone 3 - AR		\$153.00
Zone 1 - MO		\$153.00
Zone 2 - MO		\$153.00
Zone 3 - MO		\$153.00
Zone 1 - OK		\$153.00
Zone 2 - OK		\$153.00
Zone 3 - OK		\$153.00
Zone 1 - TX		\$153.00
Zone 2 - TX		\$153.00
Zone 3 - TX		\$153.00
		<u>Nonrecurring Charge</u>
Nonzoned		\$ 0.00
Zone 1 - AR		\$ 0.00
Zone 2 - AR		\$ 0.00
Zone 3 - AR		\$ 0.00
Zone 1 - MO		\$ 0.00
Zone 2 - MO		\$ 0.00
Zone 3 - MO		\$ 0.00
Zone 1 - OK		\$ 0.00
Zone 2 - OK		\$ 0.00
Zone 3 - OK		\$ 0.00
Zone 1 - TX		\$ 0.00
Zone 2 - TX		\$ 0.00
Zone 3 - TX		\$ 0.00

(This page filed under Transmittal No. 2563)

Issued: August 1, 1996

Effective: September 1, 1996

Four AT&T Plaza, Dallas, Texas 75202

ACCESS SERVICE

7. Special Access Service (Cont'd)7.3 Service Descriptions, Rates and Charges (Cont'd)7.3.10 High Capacity Service (Cont'd)(F) Rates and Charges (Cont'd)(31) High Capacity Term Pricing Plan (HC-TPP)
Rates Effective: 01/30/96 (Cont'd)

	<u>3 Year Monthly Rate</u>	<u>Nonrecurring Charge</u>
(d) <u>SecureNet - Missouri</u>		
Per Channel Termination		
Hub Redundancy (R16AA)	\$167.02	\$1,422.00
Serving Wire Center and Facility Redundancy (R18AB)	\$ 0.00	\$ 0.00
	<u>5 Year Monthly Rate</u>	<u>Nonrecurring Charge</u>
<u>SecureNet - Missouri</u>		
Per Channel Termination		
Hub Redundancy (R16AA)	\$157.74	\$1,422.00
Serving Wire Center and Facility Redundancy (R18AB)	\$ 0.00	\$ 0.00

(This page filed under Transmittal No. 2563)

Issued: August 1, 1996

Effective: September 1, 1996

Four AT&T Plaza, Dallas, Texas 75202

ACCESS SERVICE

7. Special Access Service (Cont'd)

7.3 Service Descriptions, Rates and Charges (Cont'd)

7.3.10 High Capacity Service (Cont'd)

(F) Rates and Charges (Cont'd)

(32) High Capacity Term Pricing Plan (HC-TPP)

Rates Effective: 07/01/96

		3 Year	
		<u>USOC</u>	<u>Monthly Rate</u>
(a) <u>Channel Termination</u>			
Per point of termination		TMECS	
1.544 Mbps			
Nonzoned			\$140.25
Zone 1 - AR			\$140.25
Zone 2 - AR			\$140.25
Zone 3 - AR			\$140.25
Zone 1 - MO			\$129.60
Zone 2 - MO			\$129.60
Zone 3 - MO			\$140.25
Zone 1 - OK			\$140.25
Zone 2 - OK			\$140.25
Zone 3 - OK			\$140.25
Zone 1 - TX			\$121.50
Zone 2 - TX			\$121.50
Zone 3 - TX			\$140.25
Charge		Nonrecurring	
<u>Ckt</u>		<u>1st Ckt</u>	<u>Addl</u>
	Nonzoned	\$300.00	\$228.00
	Zone 1 - AR	\$300.00	\$228.00
	Zone 2 - AR	\$300.00	\$228.00
	Zone 3 - AR	\$300.00	\$228.00
	Zone 1 - MO	\$300.00	\$228.00
	Zone 2 - MO	\$300.00	\$228.00
	Zone 3 - MO	\$300.00	\$228.00
	Zone 1 - OK	\$300.00	\$228.00
	Zone 2 - OK	\$300.00	\$228.00
	Zone 3 - OK	\$300.00	\$228.00
	Zone 1 - TX	\$300.00	\$228.00
	Zone 2 - TX	\$300.00	\$228.00
	Zone 3 - TX	\$300.00	\$228.00

(This page filed under Transmittal No. 2563)

ACCESS SERVICE

7. Special Access Service (Cont'd)

7.3 Service Descriptions, Rates and Charges (Cont'd)

7.3.10 High Capacity Service (Cont'd)

(F) Rates and Charges (Cont'd)

(32) High Capacity Term Pricing Plan (HC-TPP)

Rates Effective: 07/01/96 (Cont'd)

		USOC	5 Year Monthly Rate	
(a) <u>Channel Termination</u> (Cont'd)				
Per point of termination		TMECS		
1.544 Mbps				
Nonzoned				\$132.00
Zone 1 - AR				\$132.00
Zone 2 - AR				\$132.00
Zone 3 - AR				\$132.00
Zone 1 - MO				\$121.50
Zone 2 - MO				\$121.50
Zone 3 - MO				\$132.00
Zone 1 - OK				\$132.00
Zone 2 - OK				\$132.00
Zone 3 - OK				\$132.00
Zone 1 - TX				\$108.00
Zone 2 - TX				\$108.00
Zone 3 - TX				\$132.00
Charge		Nonrecurring		
<u>Ckt</u>		<u>1st Ckt</u>	<u>Addl</u>	
	Nonzoned	\$ 0.00	\$	0.00
	Zone 1 - AR	\$ 0.00	\$	0.00
	Zone 2 - AR	\$ 0.00	\$	0.00
	Zone 3 - AR	\$ 0.00	\$	0.00
	Zone 1 - MO	\$ 0.00	\$	0.00
	Zone 2 - MO	\$ 0.00	\$	0.00
	Zone 3 - MO	\$ 0.00	\$	0.00
	Zone 1 - OK	\$ 0.00	\$	0.00
	Zone 2 - OK	\$ 0.00	\$	0.00
	Zone 3 - OK	\$ 0.00	\$	0.00
	Zone 1 - TX	\$ 0.00	\$	0.00
	Zone 2 - TX	\$ 0.00	\$	0.00
	Zone 3 - TX	\$ 0.00	\$	0.00

(This page filed under Transmittal No. 2563)

ACCESS SERVICE

7. Special Access Service (Cont'd)

7.3 Service Descriptions, Rates and Charges (Cont'd)

7.3.10 High Capacity Service (Cont'd)

(F) Rates and Charges (Cont'd)

(32) High Capacity Term Pricing Plan (HC-TPP)

Rates Effective: 07/01/96 (Cont'd)

	USOC	3 Year Monthly Rate	
		Fixed	Per Mile
(b) <u>Channel Mileage</u>			
1.544 Mbps	1L5XX		
0 miles			
Nonzoned		\$ 0.00	\$ 0.00
Zone 1 - AR		\$ 0.00	\$ 0.00
Zone 2 - AR		\$ 0.00	\$ 0.00
Zone 3 - AR		\$ 0.00	\$ 0.00
Zone 1 - MO		\$ 0.00	\$ 0.00
Zone 2 - MO		\$ 0.00	\$ 0.00
Zone 3 - MO		\$ 0.00	\$ 0.00
Zone 1 - OK		\$ 0.00	\$ 0.00
Zone 2 - OK		\$ 0.00	\$ 0.00
Zone 3 - OK		\$ 0.00	\$ 0.00
Zone 1 - TX		\$ 0.00	\$ 0.00
Zone 2 - TX		\$ 0.00	\$ 0.00
Zone 3 - TX		\$ 0.00	\$ 0.00
Over 0 miles			
Nonzoned		\$46.00	\$14.28
Zone 1 - AR		\$46.00	\$14.28
Zone 2 - AR		\$46.00	\$14.28
Zone 3 - AR		\$46.00	\$14.28
Zone 1 - MO		\$42.50	\$13.44
Zone 2 - MO		\$42.50	\$13.44
Zone 3 - MO		\$46.00	\$14.28
Zone 1 - OK		\$46.00	\$14.28
Zone 2 - OK		\$46.00	\$14.28
Zone 3 - OK		\$46.00	\$14.28
Zone 1 - TX		\$40.00	\$12.60
Zone 2 - TX		\$40.00	\$12.60
Zone 3 - TX		\$46.00	\$14.28

(This page filed under Transmittal No. 2563)

ACCESS SERVICE

7. Special Access Service (Cont'd)

7.3 Service Descriptions, Rates and Charges (Cont'd)

7.3.10 High Capacity Service (Cont'd)

(F) Rates and Charges (Cont'd)

(32) High Capacity Term Pricing Plan (HC-TPP)
Rates Effective: 07/01/96 (Cont'd)

		USOC	5 Year Monthly Rate	
			Fixed	Per Mile
(b) <u>Channel Mileage</u> (Cont'd)				
1.544 Mbps		1L5XX		
0 miles				
Nonzoned			\$ 0.00	\$ 0.00
Zone 1 - AR			\$ 0.00	\$ 0.00
Zone 2 - AR			\$ 0.00	\$ 0.00
Zone 3 - AR			\$ 0.00	\$ 0.00
Zone 1 - MO			\$ 0.00	\$ 0.00
Zone 2 - MO			\$ 0.00	\$ 0.00
Zone 3 - MO			\$ 0.00	\$ 0.00
Zone 1 - OK			\$ 0.00	\$ 0.00
Zone 2 - OK			\$ 0.00	\$ 0.00
Zone 3 - OK			\$ 0.00	\$ 0.00
Zone 1 - TX			\$ 0.00	\$ 0.00
Zone 2 - TX			\$ 0.00	\$ 0.00
Zone 3 - TX			\$ 0.00	\$ 0.00
Over 0 miles				
Nonzoned			\$43.50	\$13.44
Zone 1 - AR			\$43.50	\$13.44
Zone 2 - AR			\$43.50	\$13.44
Zone 3 - AR			\$43.50	\$13.44
Zone 1 - MO			\$40.00	\$12.60
Zone 2 - MO			\$40.00	\$12.60
Zone 3 - MO			\$43.50	\$13.44
Zone 1 - OK			\$43.50	\$13.44
Zone 2 - OK			\$43.50	\$13.44
Zone 3 - OK			\$43.50	\$13.44
Zone 1 - TX			\$37.50	\$11.20
Zone 2 - TX			\$37.50	\$11.20
Zone 3 - TX			\$43.50	\$13.44

(This page filed under Transmittal No. 2563)

ACCESS SERVICE

7. Special Access Service (Cont'd)7.3 Service Descriptions, Rates and Charges (Cont'd)7.3.10 High Capacity Service (Cont'd)(F) Rates and Charges (Cont'd)(32) High Capacity Term Pricing Plan (HC-TPP)
Rates Effective: 07/01/96 (Cont'd)

	<u>USOC</u>	<u>3 Year Monthly Rate</u>
(c) <u>Multiplexing</u>		
Per arrangement		
DS0 to Subrates		
Up to 20 2.4 kbps services		
	QSU24	
Nonzoned		\$114.35
Zone 1 - AR		\$114.35
Zone 2 - AR		\$114.35
Zone 3 - AR		\$114.35
Zone 1 - MO		\$114.35
Zone 2 - MO		\$114.35
Zone 3 - MO		\$114.35
Zone 1 - OK		\$114.35
Zone 2 - OK		\$114.35
Zone 3 - OK		\$114.35
Zone 1 - TX		\$114.35
Zone 2 - TX		\$114.35
Zone 3 - TX		\$114.35
		<u>Nonrecurring Charge</u>
Nonzoned		\$ 0.00
Zone 1 - AR		\$ 0.00
Zone 2 - AR		\$ 0.00
Zone 3 - AR		\$ 0.00
Zone 1 - MO		\$ 0.00
Zone 2 - MO		\$ 0.00
Zone 3 - MO		\$ 0.00
Zone 1 - OK		\$ 0.00
Zone 2 - OK		\$ 0.00
Zone 3 - OK		\$ 0.00
Zone 1 - TX		\$ 0.00
Zone 2 - TX		\$ 0.00
Zone 3 - TX		\$ 0.00

(This page filed under Transmittal No. 2563)

Issued: August 1, 1996

Effective: September 1, 1996

Four AT&T Plaza, Dallas, Texas 75202

ACCESS SERVICE

7. Special Access Service (Cont'd)7.3 Service Descriptions, Rates and Charges (Cont'd)7.3.10 High Capacity Service (Cont'd)(F) Rates and Charges (Cont'd)(32) High Capacity Term Pricing Plan (HC-TPP)
Rates Effective: 07/01/96 (Cont'd)

	<u>USOC</u>	<u>5 Year Monthly Rate</u>
(c) <u>Multiplexing</u> (Cont'd)		
Per arrangement		
DS0 to Subrates		
Up to 20 2.4 kbps services		
	QSU24	
Nonzoned		\$107.45
Zone 1 - AR		\$107.45
Zone 2 - AR		\$107.45
Zone 3 - AR		\$107.45
Zone 1 - MO		\$107.45
Zone 2 - MO		\$107.45
Zone 3 - MO		\$107.45
Zone 1 - OK		\$107.45
Zone 2 - OK		\$107.45
Zone 3 - OK		\$107.45
Zone 1 - TX		\$107.45
Zone 2 - TX		\$107.45
Zone 3 - TX		\$107.50
		<u>Nonrecurring Charge</u>
Nonzoned		\$ 0.00
Zone 1 - AR		\$ 0.00
Zone 2 - AR		\$ 0.00
Zone 3 - AR		\$ 0.00
Zone 1 - MO		\$ 0.00
Zone 2 - MO		\$ 0.00
Zone 3 - MO		\$ 0.00
Zone 1 - OK		\$ 0.00
Zone 2 - OK		\$ 0.00
Zone 3 - OK		\$ 0.00
Zone 1 - TX		\$ 0.00
Zone 2 - TX		\$ 0.00
Zone 3 - TX		\$ 0.00

(This page filed under Transmittal No. 2563)

Issued: August 1, 1996

Effective: September 1, 1996

Four AT&T Plaza, Dallas, Texas 75202

ACCESS SERVICE

7. Special Access Service (Cont'd)

7.3 Service Descriptions, Rates and Charges (Cont'd)

7.3.10 High Capacity Service (Cont'd)

(F) Rates and Charges (Cont'd)

(32) High Capacity Term Pricing Plan (HC-TPP)
Rates Effective: 07/01/96 (Cont'd)

	<u>USOC</u>	<u>3 Year Monthly Rate</u>
(c) <u>Multiplexing</u> (Cont'd)		
Per arrangement		
DS0 to Subrates		
Up to 10 4.8 kbps services	QSU48	
Nonzoned		\$104.85
Zone 1 - AR		\$104.85
Zone 2 - AR		\$104.85
Zone 3 - AR		\$104.85
Zone 1 - MO		\$104.85
Zone 2 - MO		\$104.85
Zone 3 - MO		\$104.85
Zone 1 - OK		\$104.85
Zone 2 - OK		\$104.85
Zone 3 - OK		\$104.85
Zone 1 - TX		\$104.85
Zone 2 - TX		\$104.85
Zone 3 - TX		\$104.85
		<u>Nonrecurring Charge</u>
Nonzoned		\$ 0.00
Zone 1 - AR		\$ 0.00
Zone 2 - AR		\$ 0.00
Zone 3 - AR		\$ 0.00
Zone 1 - MO		\$ 0.00
Zone 2 - MO		\$ 0.00
Zone 3 - MO		\$ 0.00
Zone 1 - OK		\$ 0.00
Zone 2 - OK		\$ 0.00
Zone 3 - OK		\$ 0.00
Zone 1 - TX		\$ 0.00
Zone 2 - TX		\$ 0.00
Zone 3 - TX		\$ 0.00

(This page filed under Transmittal No. 2563)

Issued: August 1, 1996

Effective: September 1, 1996

Four AT&T Plaza, Dallas, Texas 75202

ACCESS SERVICE

7. Special Access Service (Cont'd)

7.3 Service Descriptions, Rates and Charges (Cont'd)

7.3.10 High Capacity Service (Cont'd)

(F) Rates and Charges (Cont'd)

(32) High Capacity Term Pricing Plan (HC-TPP)
Rates Effective: 07/01/96 (Cont'd)

	<u>USOC</u>	<u>5 Year Monthly Rate</u>
(c) <u>Multiplexing</u> (Cont'd)		
Per arrangement		
DS0 to Subrates		
Up to 10 4.8 kbps services	QSU48	
Nonzoned		\$ 98.55
Zone 1 - AR		\$ 98.55
Zone 2 - AR		\$ 98.55
Zone 3 - AR		\$ 98.55
Zone 1 - MO		\$ 98.55
Zone 2 - MO		\$ 98.55
Zone 3 - MO		\$ 98.55
Zone 1 - OK		\$ 98.55
Zone 2 - OK		\$ 98.55
Zone 3 - OK		\$ 98.55
Zone 1 - TX		\$ 98.55
Zone 2 - TX		\$ 98.55
Zone 3 - TX		\$ 98.55
		<u>Nonrecurring Charge</u>
Nonzoned		\$ 0.00
Zone 1 - AR		\$ 0.00
Zone 2 - AR		\$ 0.00
Zone 3 - AR		\$ 0.00
Zone 1 - MO		\$ 0.00
Zone 2 - MO		\$ 0.00
Zone 3 - MO		\$ 0.00
Zone 1 - OK		\$ 0.00
Zone 2 - OK		\$ 0.00
Zone 3 - OK		\$ 0.00
Zone 1 - TX		\$ 0.00
Zone 2 - TX		\$ 0.00
Zone 3 - TX		\$ 0.00

(This page filed under Transmittal No. 2563)

Issued: August 1, 1996

Effective: September 1, 1996

Four AT&T Plaza, Dallas, Texas 75202

ACCESS SERVICE

7. Special Access Service (Cont'd)7.3 Service Descriptions, Rates and Charges (Cont'd)7.3.10 High Capacity Service (Cont'd)(F) Rates and Charges (Cont'd)(32) High Capacity Term Pricing Plan (HC-TPP)
Rates Effective: 07/01/96 (Cont'd)

	<u>USOC</u>	<u>3 Year Monthly Rate</u>
(c) <u>Multiplexing</u> (Cont'd)		
Per arrangement		
DS0 to Subrates		
Up to 5 9.6 kbps services		
	QSU96	
Nonzoned		\$200.30
Zone 1 - AR		\$200.30
Zone 2 - AR		\$200.30
Zone 3 - AR		\$200.30
Zone 1 - MO		\$200.30
Zone 2 - MO		\$200.30
Zone 3 - MO		\$200.30
Zone 1 - OK		\$200.30
Zone 2 - OK		\$200.30
Zone 3 - OK		\$200.30
Zone 1 - TX		\$200.30
Zone 2 - TX		\$200.30
Zone 3 - TX		\$200.30
		<u>Nonrecurring Charge</u>
Nonzoned		\$ 0.00
Zone 1 - AR		\$ 0.00
Zone 2 - AR		\$ 0.00
Zone 3 - AR		\$ 0.00
Zone 1 - MO		\$ 0.00
Zone 2 - MO		\$ 0.00
Zone 3 - MO		\$ 0.00
Zone 1 - OK		\$ 0.00
Zone 2 - OK		\$ 0.00
Zone 3 - OK		\$ 0.00
Zone 1 - TX		\$ 0.00
Zone 2 - TX		\$ 0.00
Zone 3 - TX		\$ 0.00

(This page filed under Transmittal No. 2563)

Issued: August 1, 1996

Effective: September 1, 1996

Four AT&T Plaza, Dallas, Texas 75202

ACCESS SERVICE

7. Special Access Service (Cont'd)7.3 Service Descriptions, Rates and Charges (Cont'd)7.3.10 High Capacity Service (Cont'd)(F) Rates and Charges (Cont'd)(32) High Capacity Term Pricing Plan (HC-TPP)
Rates Effective: 07/01/96 (Cont'd)

	<u>USOC</u>	<u>5 Year Monthly Rate</u>
(c) <u>Multiplexing</u> (Cont'd)		
Per arrangement		
DS0 to Subrates		
Up to 5 9.6 kbps services		
	QSU96	
Nonzoned		\$188.20
Zone 1 - AR		\$188.20
Zone 2 - AR		\$188.20
Zone 3 - AR		\$188.20
Zone 1 - MO		\$188.20
Zone 2 - MO		\$188.20
Zone 3 - MO		\$188.20
Zone 1 - OK		\$188.20
Zone 2 - OK		\$188.20
Zone 3 - OK		\$188.20
Zone 1 - TX		\$188.20
Zone 2 - TX		\$188.20
Zone 3 - TX		\$188.20
		<u>Nonrecurring Charge</u>
Nonzoned		\$ 0.00
Zone 1 - AR		\$ 0.00
Zone 2 - AR		\$ 0.00
Zone 3 - AR		\$ 0.00
Zone 1 - MO		\$ 0.00
Zone 2 - MO		\$ 0.00
Zone 3 - MO		\$ 0.00
Zone 1 - OK		\$ 0.00
Zone 2 - OK		\$ 0.00
Zone 3 - OK		\$ 0.00
Zone 1 - TX		\$ 0.00
Zone 2 - TX		\$ 0.00
Zone 3 - TX		\$ 0.00

(This page filed under Transmittal No. 2563)

Issued: August 1, 1996

Effective: September 1, 1996

Four AT&T Plaza, Dallas, Texas 75202

ACCESS SERVICE

7. Special Access Service (Cont'd)7.3 Service Descriptions, Rates and Charges (Cont'd)7.3.10 High Capacity Service (Cont'd)(F) Rates and Charges (Cont'd)(32) High Capacity Term Pricing Plan (HC-TPP)
Rates Effective: 07/01/96 (Cont'd)

	<u>USOC</u>	<u>3 Year Monthly Rate</u>
(c) <u>Multiplexing</u> (Cont'd)		
Per arrangement		
DS1 to DS0	QMU	
Nonzoned		\$162.00
Zone 1 - AR		\$162.00
Zone 2 - AR		\$162.00
Zone 3 - AR		\$162.00
Zone 1 - MO		\$162.00
Zone 2 - MO		\$162.00
Zone 3 - MO		\$162.00
Zone 1 - OK		\$162.00
Zone 2 - OK		\$162.00
Zone 3 - OK		\$162.00
Zone 1 - TX		\$162.00
Zone 2 - TX		\$162.00
Zone 3 - TX		\$162.00
		<u>Nonrecurring Charge</u>
Nonzoned		\$ 0.00
Zone 1 - AR		\$ 0.00
Zone 2 - AR		\$ 0.00
Zone 3 - AR		\$ 0.00
Zone 1 - MO		\$ 0.00
Zone 2 - MO		\$ 0.00
Zone 3 - MO		\$ 0.00
Zone 1 - OK		\$ 0.00
Zone 2 - OK		\$ 0.00
Zone 3 - OK		\$ 0.00
Zone 1 - TX		\$ 0.00
Zone 2 - TX		\$ 0.00
Zone 3 - TX		\$ 0.00

(This page filed under Transmittal No. 2563)

Issued: August 1, 1996

Effective: September 1, 1996

Four AT&T Plaza, Dallas, Texas 75202

ACCESS SERVICE

7. Special Access Service (Cont'd)7.3 Service Descriptions, Rates and Charges (Cont'd)7.3.10 High Capacity Service (Cont'd)(F) Rates and Charges (Cont'd)(32) High Capacity Term Pricing Plan (HC-TPP)
Rates Effective: 07/01/96 (Cont'd)

	<u>USOC</u>	<u>5 Year Monthly Rate</u>
(c) <u>Multiplexing</u> (Cont'd)		
Per arrangement		
DS1 to DS0	QMU	
Nonzoned		\$153.00
Zone 1 - AR		\$153.00
Zone 2 - AR		\$153.00
Zone 3 - AR		\$153.00
Zone 1 - MO		\$153.00
Zone 2 - MO		\$153.00
Zone 3 - MO		\$153.00
Zone 1 - OK		\$153.00
Zone 2 - OK		\$153.00
Zone 3 - OK		\$153.00
Zone 1 - TX		\$153.00
Zone 2 - TX		\$153.00
Zone 3 - TX		\$153.00
		<u>Nonrecurring Charge</u>
Nonzoned		\$ 0.00
Zone 1 - AR		\$ 0.00
Zone 2 - AR		\$ 0.00
Zone 3 - AR		\$ 0.00
Zone 1 - MO		\$ 0.00
Zone 2 - MO		\$ 0.00
Zone 3 - MO		\$ 0.00
Zone 1 - OK		\$ 0.00
Zone 2 - OK		\$ 0.00
Zone 3 - OK		\$ 0.00
Zone 1 - TX		\$ 0.00
Zone 2 - TX		\$ 0.00
Zone 3 - TX		\$ 0.00

(This page filed under Transmittal No. 2563)

Issued: August 1, 1996

Effective: September 1, 1996

Four AT&T Plaza, Dallas, Texas 75202

ACCESS SERVICE

7. Special Access Service (Cont'd)

7.3 Service Descriptions, Rates and Charges (Cont'd)

7.3.10 High Capacity Service (Cont'd)

(F) Rates and Charges (Cont'd)

(32) High Capacity Term Pricing Plan (HC-TPP)
Rates Effective: 07/01/96 (Cont'd)

	<u>USOC</u>	<u>3 Year Monthly Rate</u>
(c) <u>Multiplexing</u> (Cont'd)		
Per arrangement		
DS1 to Voice	MQ1	
Nonzoned		\$162.00
Zone 1 - AR		\$162.00
Zone 2 - AR		\$162.00
Zone 3 - AR		\$162.00
Zone 1 - MO		\$162.00
Zone 2 - MO		\$162.00
Zone 3 - MO		\$162.00
Zone 1 - OK		\$162.00
Zone 2 - OK		\$162.00
Zone 3 - OK		\$162.00
Zone 1 - TX		\$162.00
Zone 2 - TX		\$162.00
Zone 3 - TX		\$162.00
		<u>Nonrecurring Charge</u>
Nonzoned		\$ 0.00
Zone 1 - AR		\$ 0.00
Zone 2 - AR		\$ 0.00
Zone 3 - AR		\$ 0.00
Zone 1 - MO		\$ 0.00
Zone 2 - MO		\$ 0.00
Zone 3 - MO		\$ 0.00
Zone 1 - OK		\$ 0.00
Zone 2 - OK		\$ 0.00
Zone 3 - OK		\$ 0.00
Zone 1 - TX		\$ 0.00
Zone 2 - TX		\$ 0.00
Zone 3 - TX		\$ 0.00

(This page filed under Transmittal No. 2563)

Issued: August 1, 1996

Effective: September 1, 1996

Four AT&T Plaza, Dallas, Texas 75202

ACCESS SERVICE

7. Special Access Service (Cont'd)7.3 Service Descriptions, Rates and Charges (Cont'd)7.3.10 High Capacity Service (Cont'd)(F) Rates and Charges (Cont'd)(32) High Capacity Term Pricing Plan (HC-TPP)
Rates Effective: 07/01/96 (Cont'd)

	<u>USOC</u>	<u>5 Year Monthly Rate</u>
(c) <u>Multiplexing</u> (Cont'd)		
Per arrangement		
DS1 to Voice		
	MQ1	
Nonzoned		\$153.00
Zone 1 - AR		\$153.00
Zone 2 - AR		\$153.00
Zone 3 - AR		\$153.00
Zone 1 - MO		\$153.00
Zone 2 - MO		\$153.00
Zone 3 - MO		\$153.00
Zone 1 - OK		\$153.00
Zone 2 - OK		\$153.00
Zone 3 - OK		\$153.00
Zone 1 - TX		\$153.00
Zone 2 - TX		\$153.00
Zone 3 - TX		\$153.00
		<u>Nonrecurring Charge</u>
Nonzoned		\$ 0.00
Zone 1 - AR		\$ 0.00
Zone 2 - AR		\$ 0.00
Zone 3 - AR		\$ 0.00
Zone 1 - MO		\$ 0.00
Zone 2 - MO		\$ 0.00
Zone 3 - MO		\$ 0.00
Zone 1 - OK		\$ 0.00
Zone 2 - OK		\$ 0.00
Zone 3 - OK		\$ 0.00
Zone 1 - TX		\$ 0.00
Zone 2 - TX		\$ 0.00
Zone 3 - TX		\$ 0.00

(This page filed under Transmittal No. 2563)

Issued: August 1, 1996

Effective: September 1, 1996

Four AT&T Plaza, Dallas, Texas 75202

ACCESS SERVICE

7. Special Access Service (Cont'd)7.3 Service Descriptions, Rates and Charges (Cont'd)7.3.10 High Capacity Service (Cont'd)(F) Rates and Charges (Cont'd)(32) High Capacity Term Pricing Plan (HC-TPP)
Rates Effective: 07/01/96 (Cont'd)

	<u>3 Year Monthly Rate</u>	<u>Nonrecurring Charge</u>
(d) <u>SecureNet - Missouri</u>		
Per Channel Termination		
Hub Redundancy (R16AA)	\$167.02	\$1,422.00
Serving Wire Center and Facility Redundancy (R18AB)	\$ 0.00	\$ 0.00
	<u>5 Year Monthly Rate</u>	<u>Nonrecurring Charge</u>
<u>SecureNet - Missouri</u>		
Per Channel Termination		
Hub Redundancy (R16AA)	\$157.74	\$1,422.00
Serving Wire Center and Facility Redundancy (R18AB)	\$ 0.00	\$ 0.00

(This page filed under Transmittal No. 2563)

Issued: August 1, 1996

Effective: September 1, 1996

Four AT&T Plaza, Dallas, Texas 75202

ACCESS SERVICE

7. Special Access Service (Cont'd)

7.3 Service Descriptions, Rates and Charges (Cont'd)

7.3.10 High Capacity Service (Cont'd)

(F) Rates and Charges (Cont'd)

(33) High Capacity Term Pricing Plan (HC-TPP)

Rates Effective: 09/01/96

(N)

	<u>USOC</u>	<u>3 Year</u> <u>Monthly Rate</u>	
(a) <u>Channel Termination</u>			
Per point of termination	TMECS		
1.544 Mbps			
Zone 1 - AR		\$140.25	
Zone 2 - AR		\$140.25	
Zone 3 - AR		\$140.25	
Zone 1 - KS		\$140.25	
Zone 2 - KS		\$140.25	
Zone 3 - KS		\$140.25	
Zone 1 - MO		\$129.60	
Zone 2 - MO		\$129.60	
Zone 3 - MO		\$140.25	
Zone 1 - OK		\$140.25	
Zone 2 - OK		\$140.25	
Zone 3 - OK		\$140.25	
Zone 1 - TX		\$121.50	
Zone 2 - TX		\$121.50	
Zone 3 - TX		\$140.25	
		<u>Nonrecurring Charge</u>	
		<u>1st Ckt</u>	<u>Addl Ckt</u>
Zone 1 - AR		\$300.00	\$228.00
Zone 2 - AR		\$300.00	\$228.00
Zone 3 - AR		\$300.00	\$228.00
Zone 1 - KS		\$300.00	\$228.00
Zone 2 - KS		\$300.00	\$228.00
Zone 3 - KS		\$300.00	\$228.00
Zone 1 - MO		\$300.00	\$228.00
Zone 2 - MO		\$300.00	\$228.00
Zone 3 - MO		\$300.00	\$228.00
Zone 1 - OK		\$300.00	\$228.00
Zone 2 - OK		\$300.00	\$228.00
Zone 3 - OK		\$300.00	\$228.00
Zone 1 - TX		\$300.00	\$228.00
Zone 2 - TX		\$300.00	\$228.00
Zone 3 - TX		\$300.00	\$228.00

(This page filed under Transmittal No. 2563)

Issued: August 1, 1996

Effective: September 1, 1996

Four AT&T Plaza, Dallas, Texas 75202

ACCESS SERVICE

7. Special Access Service (Cont'd)

7.3 Service Descriptions, Rates and Charges (Cont'd)

7.3.10 High Capacity Service (Cont'd)

(F) Rates and Charges (Cont'd)

(33) High Capacity Term Pricing Plan (HC-TPP)

Rates Effective: 09/01/96 (Cont'd)

(N)

	<u>USOC</u>	<u>Monthly Rate</u>	<u>5 Year</u>
(a) <u>Channel Termination</u> (Cont'd)			
Per point of termination	TMECS		
1.544 Mbps			
Zone 1 - AR			\$132.00
Zone 2 - AR			\$132.00
Zone 3 - AR			\$132.00
Zone 1 - KS			\$132.00
Zone 2 - KS			\$132.00
Zone 3 - KS			\$132.00
Zone 1 - MO			\$121.50
Zone 2 - MO			\$121.50
Zone 3 - MO			\$132.00
Zone 1 - OK			\$132.00
Zone 2 - OK			\$132.00
Zone 3 - OK			\$132.00
Zone 1 - TX			\$108.00
Zone 2 - TX			\$108.00
Zone 3 - TX			\$132.00
		<u>Nonrecurring Charge</u>	
		<u>1st Ckt</u>	<u>Addl Ckt</u>
Zone 1 - AR		\$ 0.00	\$ 0.00
Zone 2 - AR		\$ 0.00	\$ 0.00
Zone 3 - AR		\$ 0.00	\$ 0.00
Zone 1 - KS		\$ 0.00	\$ 0.00
Zone 2 - KS		\$ 0.00	\$ 0.00
Zone 3 - KS		\$ 0.00	\$ 0.00
Zone 1 - MO		\$ 0.00	\$ 0.00
Zone 2 - MO		\$ 0.00	\$ 0.00
Zone 3 - MO		\$ 0.00	\$ 0.00
Zone 1 - OK		\$ 0.00	\$ 0.00
Zone 2 - OK		\$ 0.00	\$ 0.00
Zone 3 - OK		\$ 0.00	\$ 0.00
Zone 1 - TX		\$ 0.00	\$ 0.00
Zone 2 - TX		\$ 0.00	\$ 0.00
Zone 3 - TX		\$ 0.00	\$ 0.00

(This page filed under Transmittal No. 2563)

ACCESS SERVICE

7. Special Access Service (Cont'd)

7.3 Service Descriptions, Rates and Charges (Cont'd)

7.3.10 High Capacity Service (Cont'd)

(F) Rates and Charges (Cont'd)

(33) High Capacity Term Pricing Plan (HC-TPP)
Rates Effective: 09/01/96 (Cont'd)

(N)

	USOC	3 Year Monthly Rate	
		Fixed	Per Mile
(b) <u>Channel Mileage</u>			
1.544 Mbps	1L5XX		
0 miles			
Zone 1 - AR		\$ 0.00	\$ 0.00
Zone 2 - AR		\$ 0.00	\$ 0.00
Zone 3 - AR		\$ 0.00	\$ 0.00
Zone 1 - KS		\$ 0.00	\$ 0.00
Zone 2 - KS		\$ 0.00	\$ 0.00
Zone 3 - KS		\$ 0.00	\$ 0.00
Zone 1 - MO		\$ 0.00	\$ 0.00
Zone 2 - MO		\$ 0.00	\$ 0.00
Zone 3 - MO		\$ 0.00	\$ 0.00
Zone 1 - OK		\$ 0.00	\$ 0.00
Zone 2 - OK		\$ 0.00	\$ 0.00
Zone 3 - OK		\$ 0.00	\$ 0.00
Zone 1 - TX		\$ 0.00	\$ 0.00
Zone 2 - TX		\$ 0.00	\$ 0.00
Zone 3 - TX		\$ 0.00	\$ 0.00
Over 0 miles			
Zone 1 - AR		\$46.00	\$14.28
Zone 2 - AR		\$46.00	\$14.28
Zone 3 - AR		\$46.00	\$14.28
Zone 1 - KS		\$46.00	\$14.28
Zone 2 - KS		\$46.00	\$14.28
Zone 3 - KS		\$46.00	\$14.28
Zone 1 - MO		\$42.50	\$13.44
Zone 2 - MO		\$42.50	\$13.44
Zone 3 - MO		\$46.00	\$14.28
Zone 1 - OK		\$46.00	\$14.28
Zone 2 - OK		\$46.00	\$14.28
Zone 3 - OK		\$46.00	\$14.28
Zone 1 - TX		\$40.00	\$12.60
Zone 2 - TX		\$40.00	\$12.60
Zone 3 - TX		\$46.00	\$14.28

(This page filed under Transmittal No. 2563)

ACCESS SERVICE

7. Special Access Service (Cont'd)

7.3 Service Descriptions, Rates and Charges (Cont'd)

7.3.10 High Capacity Service (Cont'd)

(F) Rates and Charges (Cont'd)

(33) High Capacity Term Pricing Plan (HC-TPP)
Rates Effective: 09/01/96 (Cont'd)

(N)

		5 Year Monthly Rate	
		Fixed	Per Mile
		USOC	
(b) <u>Channel Mileage</u> (Cont'd)			
1.544 Mbps		1L5XX	
0 miles			
Zone 1 - AR		\$ 0.00	\$ 0.00
Zone 2 - AR		\$ 0.00	\$ 0.00
Zone 3 - AR		\$ 0.00	\$ 0.00
Zone 1 - KS		\$ 0.00	\$ 0.00
Zone 2 - KS		\$ 0.00	\$ 0.00
Zone 3 - KS		\$ 0.00	\$ 0.00
Zone 1 - MO		\$ 0.00	\$ 0.00
Zone 2 - MO		\$ 0.00	\$ 0.00
Zone 3 - MO		\$ 0.00	\$ 0.00
Zone 1 - OK		\$ 0.00	\$ 0.00
Zone 2 - OK		\$ 0.00	\$ 0.00
Zone 3 - OK		\$ 0.00	\$ 0.00
Zone 1 - TX		\$ 0.00	\$ 0.00
Zone 2 - TX		\$ 0.00	\$ 0.00
Zone 3 - TX		\$ 0.00	\$ 0.00
Over 0 miles			
Zone 1 - AR		\$43.50	\$13.44
Zone 2 - AR		\$43.50	\$13.44
Zone 3 - AR		\$43.50	\$13.44
Zone 1 - KS		\$43.50	\$13.44
Zone 2 - KS		\$43.50	\$13.44
Zone 3 - KS		\$43.50	\$13.44
Zone 1 - MO		\$40.00	\$12.60
Zone 2 - MO		\$40.00	\$12.60
Zone 3 - MO		\$43.50	\$13.44
Zone 1 - OK		\$43.50	\$13.44
Zone 2 - OK		\$43.50	\$13.44
Zone 3 - OK		\$43.50	\$13.44
Zone 1 - TX		\$37.50	\$11.20
Zone 2 - TX		\$37.50	\$11.20
Zone 3 - TX		\$43.50	\$13.44

(This page filed under Transmittal No. 2563)

ACCESS SERVICE

7. Special Access Service (Cont'd)

7.3 Service Descriptions, Rates and Charges (Cont'd)

7.3.10 High Capacity Service (Cont'd)

(F) Rates and Charges (Cont'd)

(33) High Capacity Term Pricing Plan (HC-TPP)
Rates Effective: 09/01/96 (Cont'd)

(N)

	<u>USOC</u>	<u>3 Year Monthly Rate</u>
(c) <u>Multiplexing</u>		
Per arrangement		
DS0 to Subrates		
Up to 20 2.4 kbps services		
	QSU24	
Zone 1 - AR		\$114.35
Zone 2 - AR		\$114.35
Zone 3 - AR		\$114.35
Zone 1 - KS		\$114.35
Zone 2 - KS		\$114.35
Zone 3 - KS		\$114.35
Zone 1 - MO		\$114.35
Zone 2 - MO		\$114.35
Zone 3 - MO		\$114.35
Zone 1 - OK		\$114.35
Zone 2 - OK		\$114.35
Zone 3 - OK		\$114.35
Zone 1 - TX		\$114.35
Zone 2 - TX		\$114.35
Zone 3 - TX		\$114.35
		<u>Nonrecurring Charge</u>
Zone 1 - AR		\$ 0.00
Zone 2 - AR		\$ 0.00
Zone 3 - AR		\$ 0.00
Zone 1 - KS		\$ 0.00
Zone 2 - KS		\$ 0.00
Zone 3 - KS		\$ 0.00
Zone 1 - MO		\$ 0.00
Zone 2 - MO		\$ 0.00
Zone 3 - MO		\$ 0.00
Zone 1 - OK		\$ 0.00
Zone 2 - OK		\$ 0.00
Zone 3 - OK		\$ 0.00
Zone 1 - TX		\$ 0.00
Zone 2 - TX		\$ 0.00
Zone 3 - TX		\$ 0.00

(This page filed under Transmittal No. 2563)

Issued: August 1, 1996

Effective: September 1, 1996

Four AT&T Plaza, Dallas, Texas 75202

ACCESS SERVICE

7. Special Access Service (Cont'd)

7.3 Service Descriptions, Rates and Charges (Cont'd)

7.3.10 High Capacity Service (Cont'd)

(F) Rates and Charges (Cont'd)

(33) High Capacity Term Pricing Plan (HC-TPP)
Rates Effective: 09/01/96 (Cont'd)

(N)

	<u>USOC</u>	<u>5 Year Monthly Rate</u>
(c) <u>Multiplexing</u> (Cont'd)		
Per arrangement		
DS0 to Subrates		
Up to 20 2.4 kbps services		
	QSU24	
Zone 1 - AR		\$107.45
Zone 2 - AR		\$107.45
Zone 3 - AR		\$107.45
Zone 1 - KS		\$107.45
Zone 2 - KS		\$107.45
Zone 3 - KS		\$107.45
Zone 1 - MO		\$107.45
Zone 2 - MO		\$107.45
Zone 3 - MO		\$107.45
Zone 1 - OK		\$107.45
Zone 2 - OK		\$107.45
Zone 3 - OK		\$107.45
Zone 1 - TX		\$107.45
Zone 2 - TX		\$107.45
Zone 3 - TX		\$107.50
		<u>Nonrecurring Charge</u>
Zone 1 - AR		\$ 0.00
Zone 2 - AR		\$ 0.00
Zone 3 - AR		\$ 0.00
Zone 1 - KS		\$ 0.00
Zone 2 - KS		\$ 0.00
Zone 3 - KS		\$ 0.00
Zone 1 - MO		\$ 0.00
Zone 2 - MO		\$ 0.00
Zone 3 - MO		\$ 0.00
Zone 1 - OK		\$ 0.00
Zone 2 - OK		\$ 0.00
Zone 3 - OK		\$ 0.00
Zone 1 - TX		\$ 0.00
Zone 2 - TX		\$ 0.00
Zone 3 - TX		\$ 0.00

(This page filed under Transmittal No. 2563)

Issued: August 1, 1996

Effective: September 1, 1996

Four AT&T Plaza, Dallas, Texas 75202

ACCESS SERVICE

7. Special Access Service (Cont'd)

7.3 Service Descriptions, Rates and Charges (Cont'd)

7.3.10 High Capacity Service (Cont'd)

(F) Rates and Charges (Cont'd)

(33) High Capacity Term Pricing Plan (HC-TPP)
Rates Effective: 09/01/96 (Cont'd)

(N)

	<u>USOC</u>	<u>3 Year Monthly Rate</u>
(c) <u>Multiplexing</u> (Cont'd)		
Per arrangement		
DS0 to Subrates		
Up to 10 4.8 kbps services		
	QSU48	
Zone 1 - AR		\$104.85
Zone 2 - AR		\$104.85
Zone 3 - AR		\$104.85
Zone 1 - KS		\$104.85
Zone 2 - KS		\$104.85
Zone 3 - KS		\$104.85
Zone 1 - MO		\$104.85
Zone 2 - MO		\$104.85
Zone 3 - MO		\$104.85
Zone 1 - OK		\$104.85
Zone 2 - OK		\$104.85
Zone 3 - OK		\$104.85
Zone 1 - TX		\$104.85
Zone 2 - TX		\$104.85
Zone 3 - TX		\$104.85
		<u>Nonrecurring Charge</u>
Zone 1 - AR		\$ 0.00
Zone 2 - AR		\$ 0.00
Zone 3 - AR		\$ 0.00
Zone 1 - KS		\$ 0.00
Zone 2 - KS		\$ 0.00
Zone 3 - KS		\$ 0.00
Zone 1 - MO		\$ 0.00
Zone 2 - MO		\$ 0.00
Zone 3 - MO		\$ 0.00
Zone 1 - OK		\$ 0.00
Zone 2 - OK		\$ 0.00
Zone 3 - OK		\$ 0.00
Zone 1 - TX		\$ 0.00
Zone 2 - TX		\$ 0.00
Zone 3 - TX		\$ 0.00

(This page filed under Transmittal No. 2563)

Issued: August 1, 1996

Effective: September 1, 1996

Four AT&T Plaza, Dallas, Texas 75202

ACCESS SERVICE

7. Special Access Service (Cont'd)

7.3 Service Descriptions, Rates and Charges (Cont'd)

7.3.10 High Capacity Service (Cont'd)

(F) Rates and Charges (Cont'd)

(33) High Capacity Term Pricing Plan (HC-TPP)
Rates Effective: 09/01/96 (Cont'd)

(N)

	<u>USOC</u>	<u>5 Year Monthly Rate</u>
(c) <u>Multiplexing</u> (Cont'd)		
Per arrangement		
DS0 to Subrates		
Up to 10 4.8 kbps services	QSU48	
Zone 1 - AR		\$ 98.55
Zone 2 - AR		\$ 98.55
Zone 3 - AR		\$ 98.55
Zone 1 - KS		\$ 98.55
Zone 2 - KS		\$ 98.55
Zone 3 - KS		\$ 98.55
Zone 1 - MO		\$ 98.55
Zone 2 - MO		\$ 98.55
Zone 3 - MO		\$ 98.55
Zone 1 - OK		\$ 98.55
Zone 2 - OK		\$ 98.55
Zone 3 - OK		\$ 98.55
Zone 1 - TX		\$ 98.55
Zone 2 - TX		\$ 98.55
Zone 3 - TX		\$ 98.55
		<u>Nonrecurring Charge</u>
Zone 1 - AR		\$ 0.00
Zone 2 - AR		\$ 0.00
Zone 3 - AR		\$ 0.00
Zone 1 - KS		\$ 0.00
Zone 2 - KS		\$ 0.00
Zone 3 - KS		\$ 0.00
Zone 1 - MO		\$ 0.00
Zone 2 - MO		\$ 0.00
Zone 3 - MO		\$ 0.00
Zone 1 - OK		\$ 0.00
Zone 2 - OK		\$ 0.00
Zone 3 - OK		\$ 0.00
Zone 1 - TX		\$ 0.00
Zone 2 - TX		\$ 0.00
Zone 3 - TX		\$ 0.00

(This page filed under Transmittal No. 2563)

Issued: August 1, 1996

Effective: September 1, 1996

Four AT&T Plaza, Dallas, Texas 75202

ACCESS SERVICE

7. Special Access Service (Cont'd)

7.3 Service Descriptions, Rates and Charges (Cont'd)

7.3.10 High Capacity Service (Cont'd)

(F) Rates and Charges (Cont'd)

(33) High Capacity Term Pricing Plan (HC-TPP)
Rates Effective: 09/01/96 (Cont'd)

(N)

	<u>USOC</u>	<u>3 Year Monthly Rate</u>
(c) <u>Multiplexing</u> (Cont'd)		
Per arrangement		
DS0 to Subrates		
Up to 5 9.6 kbps services		
	QSU96	
Zone 1 - AR		\$200.30
Zone 2 - AR		\$200.30
Zone 3 - AR		\$200.30
Zone 1 - KS		\$200.30
Zone 2 - KS		\$200.30
Zone 3 - KS		\$200.30
Zone 1 - MO		\$200.30
Zone 2 - MO		\$200.30
Zone 3 - MO		\$200.30
Zone 1 - OK		\$200.30
Zone 2 - OK		\$200.30
Zone 3 - OK		\$200.30
Zone 1 - TX		\$200.30
Zone 2 - TX		\$200.30
Zone 3 - TX		\$200.30
		<u>Nonrecurring Charge</u>
Zone 1 - AR		\$ 0.00
Zone 2 - AR		\$ 0.00
Zone 3 - AR		\$ 0.00
Zone 1 - KS		\$ 0.00
Zone 2 - KS		\$ 0.00
Zone 3 - KS		\$ 0.00
Zone 1 - MO		\$ 0.00
Zone 2 - MO		\$ 0.00
Zone 3 - MO		\$ 0.00
Zone 1 - OK		\$ 0.00
Zone 2 - OK		\$ 0.00
Zone 3 - OK		\$ 0.00
Zone 1 - TX		\$ 0.00
Zone 2 - TX		\$ 0.00
Zone 3 - TX		\$ 0.00

(This page filed under Transmittal No. 2563)

Issued: August 1, 1996

Effective: September 1, 1996

Four AT&T Plaza, Dallas, Texas 75202

ACCESS SERVICE

7. Special Access Service (Cont'd)

7.3 Service Descriptions, Rates and Charges (Cont'd)

7.3.10 High Capacity Service (Cont'd)

(F) Rates and Charges (Cont'd)

(33) High Capacity Term Pricing Plan (HC-TPP)
Rates Effective: 09/01/96 (Cont'd)

(N)

	<u>USOC</u>	<u>5 Year Monthly Rate</u>
(c) <u>Multiplexing</u> (Cont'd)		
Per arrangement		
DS0 to Subrates		
Up to 5 9.6 kbps services		
	QSU96	
Zone 1 - AR		\$188.20
Zone 2 - AR		\$188.20
Zone 3 - AR		\$188.20
Zone 1 - KS		\$188.20
Zone 2 - KS		\$188.20
Zone 3 - KS		\$188.20
Zone 1 - MO		\$188.20
Zone 2 - MO		\$188.20
Zone 3 - MO		\$188.20
Zone 1 - OK		\$188.20
Zone 2 - OK		\$188.20
Zone 3 - OK		\$188.20
Zone 1 - TX		\$188.20
Zone 2 - TX		\$188.20
Zone 3 - TX		\$188.20
		<u>Nonrecurring Charge</u>
Zone 1 - AR		\$ 0.00
Zone 2 - AR		\$ 0.00
Zone 3 - AR		\$ 0.00
Zone 1 - KS		\$ 0.00
Zone 2 - KS		\$ 0.00
Zone 3 - KS		\$ 0.00
Zone 1 - MO		\$ 0.00
Zone 2 - MO		\$ 0.00
Zone 3 - MO		\$ 0.00
Zone 1 - OK		\$ 0.00
Zone 2 - OK		\$ 0.00
Zone 3 - OK		\$ 0.00
Zone 1 - TX		\$ 0.00
Zone 2 - TX		\$ 0.00
Zone 3 - TX		\$ 0.00

(This page filed under Transmittal No. 2563)

Issued: August 1, 1996

Effective: September 1, 1996

Four AT&T Plaza, Dallas, Texas 75202

ACCESS SERVICE

7. Special Access Service (Cont'd)

7.3 Service Descriptions, Rates and Charges (Cont'd)

7.3.10 High Capacity Service (Cont'd)

(F) Rates and Charges (Cont'd)

(33) High Capacity Term Pricing Plan (HC-TPP)
Rates Effective: 09/01/96 (Cont'd)

(N)

	<u>USOC</u>	<u>3 Year Monthly Rate</u>
(c) <u>Multiplexing</u> (Cont'd)		
Per arrangement		
DS1 to DS0	QMU	
Zone 1 - AR		\$162.00
Zone 2 - AR		\$162.00
Zone 3 - AR		\$162.00
Zone 1 - KS		\$162.00
Zone 2 - KS		\$162.00
Zone 3 - KS		\$162.00
Zone 1 - MO		\$162.00
Zone 2 - MO		\$162.00
Zone 3 - MO		\$162.00
Zone 1 - OK		\$162.00
Zone 2 - OK		\$162.00
Zone 3 - OK		\$162.00
Zone 1 - TX		\$162.00
Zone 2 - TX		\$162.00
Zone 3 - TX		\$162.00
		<u>Nonrecurring Charge</u>
Zone 1 - AR		\$ 0.00
Zone 2 - AR		\$ 0.00
Zone 3 - AR		\$ 0.00
Zone 1 - KS		\$ 0.00
Zone 2 - KS		\$ 0.00
Zone 3 - KS		\$ 0.00
Zone 1 - MO		\$ 0.00
Zone 2 - MO		\$ 0.00
Zone 3 - MO		\$ 0.00
Zone 1 - OK		\$ 0.00
Zone 2 - OK		\$ 0.00
Zone 3 - OK		\$ 0.00
Zone 1 - TX		\$ 0.00
Zone 2 - TX		\$ 0.00
Zone 3 - TX		\$ 0.00

(This page filed under Transmittal No. 2563)

Issued: August 1, 1996

Effective: September 1, 1996

Four AT&T Plaza, Dallas, Texas 75202

ACCESS SERVICE

7. Special Access Service (Cont'd)

7.3 Service Descriptions, Rates and Charges (Cont'd)

7.3.10 High Capacity Service (Cont'd)

(F) Rates and Charges (Cont'd)

(33) High Capacity Term Pricing Plan (HC-TPP)
Rates Effective: 09/01/96 (Cont'd)

(N)

USOC 5 Year
 Monthly Rate

(c) Multiplexing (Cont'd)

Per arrangement

DS1 to DS0 QMU

Zone 1 - AR	\$153.00
Zone 2 - AR	\$153.00
Zone 3 - AR	\$153.00
Zone 1 - KS	\$153.00
Zone 2 - KS	\$153.00
Zone 3 - KS	\$153.00
Zone 1 - MO	\$153.00
Zone 2 - MO	\$153.00
Zone 3 - MO	\$153.00
Zone 1 - OK	\$153.00
Zone 2 - OK	\$153.00
Zone 3 - OK	\$153.00
Zone 1 - TX	\$153.00
Zone 2 - TX	\$153.00
Zone 3 - TX	\$153.00

Nonrecurring Charge

Zone 1 - AR	\$ 0.00
Zone 2 - AR	\$ 0.00
Zone 3 - AR	\$ 0.00
Zone 1 - KS	\$ 0.00
Zone 2 - KS	\$ 0.00
Zone 3 - KS	\$ 0.00
Zone 1 - MO	\$ 0.00
Zone 2 - MO	\$ 0.00
Zone 3 - MO	\$ 0.00
Zone 1 - OK	\$ 0.00
Zone 2 - OK	\$ 0.00
Zone 3 - OK	\$ 0.00
Zone 1 - TX	\$ 0.00
Zone 2 - TX	\$ 0.00
Zone 3 - TX	\$ 0.00

(This page filed under Transmittal No. 2563)

Issued: August 1, 1996

Effective: September 1, 1996

Four AT&T Plaza, Dallas, Texas 75202

ACCESS SERVICE

7. Special Access Service (Cont'd)

7.3 Service Descriptions, Rates and Charges (Cont'd)

7.3.10 High Capacity Service (Cont'd)

(F) Rates and Charges (Cont'd)

(33) High Capacity Term Pricing Plan (HC-TPP)
Rates Effective: 09/01/96 (Cont'd)

(N)

	<u>USOC</u>	<u>3 Year Monthly Rate</u>
(c) <u>Multiplexing</u> (Cont'd)		
Per arrangement		
DS1 to Voice	MQ1	
Zone 1 - AR		\$162.00
Zone 2 - AR		\$162.00
Zone 3 - AR		\$162.00
Zone 1 - KS		\$162.00
Zone 2 - KS		\$162.00
Zone 3 - KS		\$162.00
Zone 1 - MO		\$162.00
Zone 2 - MO		\$162.00
Zone 3 - MO		\$162.00
Zone 1 - OK		\$162.00
Zone 2 - OK		\$162.00
Zone 3 - OK		\$162.00
Zone 1 - TX		\$162.00
Zone 2 - TX		\$162.00
Zone 3 - TX		\$162.00
		<u>Nonrecurring Charge</u>
Zone 1 - AR		\$ 0.00
Zone 2 - AR		\$ 0.00
Zone 3 - AR		\$ 0.00
Zone 1 - KS		\$ 0.00
Zone 2 - KS		\$ 0.00
Zone 3 - KS		\$ 0.00
Zone 1 - MO		\$ 0.00
Zone 2 - MO		\$ 0.00
Zone 3 - MO		\$ 0.00
Zone 1 - OK		\$ 0.00
Zone 2 - OK		\$ 0.00
Zone 3 - OK		\$ 0.00
Zone 1 - TX		\$ 0.00
Zone 2 - TX		\$ 0.00
Zone 3 - TX		\$ 0.00

(This page filed under Transmittal No. 2563)

Issued: August 1, 1996

Effective: September 1, 1996

Four AT&T Plaza, Dallas, Texas 75202

ACCESS SERVICE

7. Special Access Service (Cont'd)

7.3 Service Descriptions, Rates and Charges (Cont'd)

7.3.10 High Capacity Service (Cont'd)

(F) Rates and Charges (Cont'd)

(33) High Capacity Term Pricing Plan (HC-TPP)
Rates Effective: 09/01/96 (Cont'd)

(N)

	<u>USOC</u>	<u>5 Year Monthly Rate</u>
(c) <u>Multiplexing</u> (Cont'd)		
Per arrangement		
DS1 to Voice	MQ1	
Zone 1 - AR		\$153.00
Zone 2 - AR		\$153.00
Zone 3 - AR		\$153.00
Zone 1 - KS		\$153.00
Zone 2 - KS		\$153.00
Zone 3 - KS		\$153.00
Zone 1 - MO		\$153.00
Zone 2 - MO		\$153.00
Zone 3 - MO		\$153.00
Zone 1 - OK		\$153.00
Zone 2 - OK		\$153.00
Zone 3 - OK		\$153.00
Zone 1 - TX		\$153.00
Zone 2 - TX		\$153.00
Zone 3 - TX		\$153.00
		<u>Nonrecurring Charge</u>
Zone 1 - AR		\$ 0.00
Zone 2 - AR		\$ 0.00
Zone 3 - AR		\$ 0.00
Zone 1 - KS		\$ 0.00
Zone 2 - KS		\$ 0.00
Zone 3 - KS		\$ 0.00
Zone 1 - MO		\$ 0.00
Zone 2 - MO		\$ 0.00
Zone 3 - MO		\$ 0.00
Zone 1 - OK		\$ 0.00
Zone 2 - OK		\$ 0.00
Zone 3 - OK		\$ 0.00
Zone 1 - TX		\$ 0.00
Zone 2 - TX		\$ 0.00
Zone 3 - TX		\$ 0.00

(This page filed under Transmittal No. 2563)

Issued: August 1, 1996

Effective: September 1, 1996

Four AT&T Plaza, Dallas, Texas 75202

ACCESS SERVICE

7. Special Access Service (Cont'd)7.3 Service Descriptions, Rates and Charges (Cont'd)7.3.10 High Capacity Service (Cont'd)(F) Rates and Charges (Cont'd)(33) High Capacity Term Pricing Plan (HC-TPP)
Rates Effective: 09/01/96 (Cont'd)

(N)

	<u>3 Year Monthly Rate</u>	<u>Nonrecurring Charge</u>
(d) <u>SecureNet - Missouri</u>		
Per Channel Termination		
Hub Redundancy (R16AA)	\$167.02	\$1,422.00
Serving Wire Center and Facility Redundancy (R18AB)	\$ 0.00	\$ 0.00
	<u>5 Year Monthly Rate</u>	<u>Nonrecurring Charge</u>
<u>SecureNet - Missouri</u>		
Per Channel Termination		
Hub Redundancy (R16AA)	\$157.74	\$1,422.00
Serving Wire Center and Facility Redundancy (R18AB)	\$ 0.00	\$ 0.00

(This page filed under Transmittal No. 2563)

Issued: August 1, 1996

Effective: September 1, 1996

Four AT&T Plaza, Dallas, Texas 75202

ACCESS SERVICE

7. Special Access Service (Cont'd)

7.3 Service Descriptions, Rates and Charges (Cont'd)

7.3.10 High Capacity Service (Cont'd)

(F) Rates and Charges (Cont'd)

(34) High Capacity Term Pricing Plan (HC-TPP)
Rates Effective: 01/01/98

(N)

		USOC	3 Year Monthly Rate	
(a) <u>Channel Termination</u>				
Per point of termination		TMECS		
1.544 Mbps				
Zone 1 - AR			\$140.25	
Zone 2 - AR			\$140.25	
Zone 3 - AR			\$140.25	
Zone 1 - KS			\$140.25	
Zone 2 - KS			\$140.25	
Zone 3 - KS			\$140.25	
Zone 1 - MO			\$129.60	
Zone 2 - MO			\$129.60	
Zone 3 - MO			\$140.25	
Zone 1 - OK			\$140.25	
Zone 2 - OK			\$140.25	
Zone 3 - OK			\$140.25	
Zone 1 - TX			\$121.50	
Zone 2 - TX			\$121.50	
Zone 3 - TX			\$140.25	
			Nonrecurring Charge	
			<u>1st Ckt</u>	<u>Addl Ckt</u>
Zone 1 - AR			\$300.00	\$228.00
Zone 2 - AR			\$300.00	\$228.00
Zone 3 - AR			\$300.00	\$228.00
Zone 1 - KS			\$300.00	\$228.00
Zone 2 - KS			\$300.00	\$228.00
Zone 3 - KS			\$300.00	\$228.00
Zone 1 - MO			\$300.00	\$228.00
Zone 2 - MO			\$300.00	\$228.00
Zone 3 - MO			\$300.00	\$228.00
Zone 1 - OK			\$300.00	\$228.00
Zone 2 - OK			\$300.00	\$228.00
Zone 3 - OK			\$300.00	\$228.00
Zone 1 - TX			\$300.00	\$228.00
Zone 2 - TX			\$300.00	\$228.00
Zone 3 - TX			\$300.00	\$228.00

Filed under authority of DA-2632, FCC Public Notice released December 17, 1997.

(This page filed under Transmittal No. 2679)

Issued: December 19, 1997

Effective: January 1, 1998

Four AT&T Plaza, Dallas, Texas 75202

ACCESS SERVICE

7. Special Access Service (Cont'd)

7.3 Service Descriptions, Rates and Charges (Cont'd)

7.3.10 High Capacity Service (Cont'd)

(F) Rates and Charges (Cont'd)

(34) High Capacity Term Pricing Plan (HC-TPP)

Rates Effective: 01/01/98 (Cont'd)

(N)

		USOC	5 Year	
			<u>Monthly Rate</u>	
(a) <u>Channel Termination</u> (Cont'd)				
	Per point of termination	TMECS		
	1.544 Mbps			
	Zone 1 - AR		\$132.00	
	Zone 2 - AR		\$132.00	
	Zone 3 - AR		\$132.00	
	Zone 1 - KS		\$132.00	
	Zone 2 - KS		\$132.00	
	Zone 3 - KS		\$132.00	
	Zone 1 - MO		\$121.50	
	Zone 2 - MO		\$121.50	
	Zone 3 - MO		\$132.00	
	Zone 1 - OK		\$132.00	
	Zone 2 - OK		\$132.00	
	Zone 3 - OK		\$132.00	
	Zone 1 - TX		\$108.00	
	Zone 2 - TX		\$108.00	
	Zone 3 - TX		\$132.00	
			Nonrecurring	
	Charge		<u>1st Ckt</u>	<u>Addl</u>
<u>Ckt</u>				
	Zone 1 - AR		\$ 0.00	\$ 0.00
	Zone 2 - AR		\$ 0.00	\$ 0.00
	Zone 3 - AR		\$ 0.00	\$ 0.00
	Zone 1 - KS		\$ 0.00	\$ 0.00
	Zone 2 - KS		\$ 0.00	\$ 0.00
	Zone 3 - KS		\$ 0.00	\$ 0.00
	Zone 1 - MO		\$ 0.00	\$ 0.00
	Zone 2 - MO		\$ 0.00	\$ 0.00
	Zone 3 - MO		\$ 0.00	\$ 0.00
	Zone 1 - OK		\$ 0.00	\$ 0.00
	Zone 2 - OK		\$ 0.00	\$ 0.00
	Zone 3 - OK		\$ 0.00	\$ 0.00
	Zone 1 - TX		\$ 0.00	\$ 0.00
	Zone 2 - TX		\$ 0.00	\$ 0.00
	Zone 3 - TX		\$ 0.00	\$ 0.00

Filed under authority of DA-2632, FCC Public Notice released December 17, 1997.

(This page filed under Transmittal No. 2679)

Issued: December 19, 1997

Effective: January 1, 1998

Four AT&T Plaza, Dallas, Texas 75202

ACCESS SERVICE

7. Special Access Service (Cont'd)

7.3 Service Descriptions, Rates and Charges (Cont'd)

7.3.10 High Capacity Service (Cont'd)

(F) Rates and Charges (Cont'd)

(34) High Capacity Term Pricing Plan (HC-TPP)
Rates Effective: 01/01/98 (Cont'd)

(N)

	USOC	3 Year Monthly Rate	
		Fixed	Per Mile
(b) <u>Channel Mileage</u>			
1.544 Mbps	1L5XX		
0 miles			
Zone 1 - AR		\$ 0.00	\$ 0.00
Zone 2 - AR		\$ 0.00	\$ 0.00
Zone 3 - AR		\$ 0.00	\$ 0.00
Zone 1 - KS		\$ 0.00	\$ 0.00
Zone 2 - KS		\$ 0.00	\$ 0.00
Zone 3 - KS		\$ 0.00	\$ 0.00
Zone 1 - MO		\$ 0.00	\$ 0.00
Zone 2 - MO		\$ 0.00	\$ 0.00
Zone 3 - MO		\$ 0.00	\$ 0.00
Zone 1 - OK		\$ 0.00	\$ 0.00
Zone 2 - OK		\$ 0.00	\$ 0.00
Zone 3 - OK		\$ 0.00	\$ 0.00
Zone 1 - TX		\$ 0.00	\$ 0.00
Zone 2 - TX		\$ 0.00	\$ 0.00
Zone 3 - TX		\$ 0.00	\$ 0.00
Over 0 miles			
Zone 1 - AR		\$46.00	\$14.28
Zone 2 - AR		\$46.00	\$14.28
Zone 3 - AR		\$46.00	\$14.28
Zone 1 - KS		\$46.00	\$14.28
Zone 2 - KS		\$46.00	\$14.28
Zone 3 - KS		\$46.00	\$14.28
Zone 1 - MO		\$42.50	\$13.44
Zone 2 - MO		\$42.50	\$13.44
Zone 3 - MO		\$46.00	\$14.28
Zone 1 - OK		\$46.00	\$14.28
Zone 2 - OK		\$46.00	\$14.28
Zone 3 - OK		\$46.00	\$14.28
Zone 1 - TX		\$40.00	\$12.60
Zone 2 - TX		\$40.00	\$12.60
Zone 3 - TX		\$46.00	\$14.28

Filed under authority of DA-2632, FCC Public Notice released December 17, 1997.

(This page filed under Transmittal No. 2679)

Issued: December 19, 1997

Effective: January 1, 1998

Four AT&T Plaza, Dallas, Texas 75202

ACCESS SERVICE

7. Special Access Service (Cont'd)

7.3 Service Descriptions, Rates and Charges (Cont'd)

7.3.10 High Capacity Service (Cont'd)

(F) Rates and Charges (Cont'd)

(34) High Capacity Term Pricing Plan (HC-TPP)
Rates Effective: 01/01/98 (Cont'd)

(N)

	USOC	5 Year Monthly Rate	
		Fixed	Per Mile
(b) <u>Channel Mileage</u> (Cont'd)			
1.544 Mbps	1L5XX		
0 miles			
Zone 1 - AR		\$ 0.00	\$ 0.00
Zone 2 - AR		\$ 0.00	\$ 0.00
Zone 3 - AR		\$ 0.00	\$ 0.00
Zone 1 - KS		\$ 0.00	\$ 0.00
Zone 2 - KS		\$ 0.00	\$ 0.00
Zone 3 - KS		\$ 0.00	\$ 0.00
Zone 1 - MO		\$ 0.00	\$ 0.00
Zone 2 - MO		\$ 0.00	\$ 0.00
Zone 3 - MO		\$ 0.00	\$ 0.00
Zone 1 - OK		\$ 0.00	\$ 0.00
Zone 2 - OK		\$ 0.00	\$ 0.00
Zone 3 - OK		\$ 0.00	\$ 0.00
Zone 1 - TX		\$ 0.00	\$ 0.00
Zone 2 - TX		\$ 0.00	\$ 0.00
Zone 3 - TX		\$ 0.00	\$ 0.00
Over 0 miles			
Zone 1 - AR		\$43.50	\$13.44
Zone 2 - AR		\$43.50	\$13.44
Zone 3 - AR		\$43.50	\$13.44
Zone 1 - KS		\$43.50	\$13.44
Zone 2 - KS		\$43.50	\$13.44
Zone 3 - KS		\$43.50	\$13.44
Zone 1 - MO		\$40.00	\$10.00
Zone 2 - MO		\$40.00	\$10.00
Zone 3 - MO		\$43.50	\$12.30
Zone 1 - OK		\$43.50	\$13.44
Zone 2 - OK		\$43.50	\$13.44
Zone 3 - OK		\$43.50	\$13.44
Zone 1 - TX		\$37.50	\$ 9.00
Zone 2 - TX		\$37.50	\$ 9.50
Zone 3 - TX		\$43.50	\$13.00

Filed under authority of DA-2632, FCC Public Notice released December 17, 1997.

(This page filed under Transmittal No. 2679)

Issued: December 19, 1997

Effective: January 1, 1998

Four AT&T Plaza, Dallas, Texas 75202

ACCESS SERVICE

7. Special Access Service (Cont'd)

7.3 Service Descriptions, Rates and Charges (Cont'd)

7.3.10 High Capacity Service (Cont'd)

(F) Rates and Charges (Cont'd)

(34) High Capacity Term Pricing Plan (HC-TPP)
Rates Effective: 01/01/98 (Cont'd)

(N)

	<u>USOC</u>	<u>3 Year Monthly Rate</u>
(c) <u>Multiplexing</u>		
Per arrangement		
DS0 to Subrates		
Up to 20 2.4 kbps services	QSU24	
Zone 1 - AR		\$114.35
Zone 2 - AR		\$114.35
Zone 3 - AR		\$114.35
Zone 1 - KS		\$114.35
Zone 2 - KS		\$114.35
Zone 3 - KS		\$114.35
Zone 1 - MO		\$114.35
Zone 2 - MO		\$114.35
Zone 3 - MO		\$114.35
Zone 1 - OK		\$114.35
Zone 2 - OK		\$114.35
Zone 3 - OK		\$114.35
Zone 1 - TX		\$114.35
Zone 2 - TX		\$114.35
Zone 3 - TX		\$114.35
		<u>Nonrecurring Charge</u>
Zone 1 - AR		\$ 0.00
Zone 2 - AR		\$ 0.00
Zone 3 - AR		\$ 0.00
Zone 1 - KS		\$ 0.00
Zone 2 - KS		\$ 0.00
Zone 3 - KS		\$ 0.00
Zone 1 - MO		\$ 0.00
Zone 2 - MO		\$ 0.00
Zone 3 - MO		\$ 0.00
Zone 1 - OK		\$ 0.00
Zone 2 - OK		\$ 0.00
Zone 3 - OK		\$ 0.00
Zone 1 - TX		\$ 0.00
Zone 2 - TX		\$ 0.00
Zone 3 - TX		\$ 0.00

Filed under authority of DA-2632, FCC Public Notice released December 17, 1997.

(This page filed under Transmittal No. 2679)

Issued: December 19, 1997

Effective: January 1, 1998

Four AT&T Plaza, Dallas, Texas 75202

ACCESS SERVICE

7. Special Access Service (Cont'd)

7.3 Service Descriptions, Rates and Charges (Cont'd)

7.3.10 High Capacity Service (Cont'd)

(F) Rates and Charges (Cont'd)

(34) High Capacity Term Pricing Plan (HC-TPP)
Rates Effective: 01/01/98 (Cont'd)

(N)

	<u>USOC</u>	<u>5 Year Monthly Rate</u>
(c) <u>Multiplexing</u> (Cont'd)		
Per arrangement		
DS0 to Subrates		
Up to 20 2.4 kbps services		
	QSU24	
Zone 1 - AR		\$107.45
Zone 2 - AR		\$107.45
Zone 3 - AR		\$107.45
Zone 1 - KS		\$107.45
Zone 2 - KS		\$107.45
Zone 3 - KS		\$107.45
Zone 1 - MO		\$107.45
Zone 2 - MO		\$107.45
Zone 3 - MO		\$107.45
Zone 1 - OK		\$107.45
Zone 2 - OK		\$107.45
Zone 3 - OK		\$107.45
Zone 1 - TX		\$107.45
Zone 2 - TX		\$107.45
Zone 3 - TX		\$107.50
		<u>Nonrecurring Charge</u>
Zone 1 - AR		\$ 0.00
Zone 2 - AR		\$ 0.00
Zone 3 - AR		\$ 0.00
Zone 1 - KS		\$ 0.00
Zone 2 - KS		\$ 0.00
Zone 3 - KS		\$ 0.00
Zone 1 - MO		\$ 0.00
Zone 2 - MO		\$ 0.00
Zone 3 - MO		\$ 0.00
Zone 1 - OK		\$ 0.00
Zone 2 - OK		\$ 0.00
Zone 3 - OK		\$ 0.00
Zone 1 - TX		\$ 0.00
Zone 2 - TX		\$ 0.00
Zone 3 - TX		\$ 0.00

Filed under authority of DA-2632, FCC Public Notice released December 17, 1997.

(This page filed under Transmittal No. 2679)

Issued: December 19, 1997

Effective: January 1, 1998

Four AT&T Plaza, Dallas, Texas 75202

ACCESS SERVICE

7. Special Access Service (Cont'd)

7.3 Service Descriptions, Rates and Charges (Cont'd)

7.3.10 High Capacity Service (Cont'd)

(F) Rates and Charges (Cont'd)

(34) High Capacity Term Pricing Plan (HC-TPP)
Rates Effective: 01/01/98 (Cont'd)

(N)

	<u>USOC</u>	<u>3 Year Monthly Rate</u>
(c) <u>Multiplexing</u> (Cont'd)		
Per arrangement		
DS0 to Subrates		
Up to 10 4.8 kbps services	QSU48	
Zone 1 - AR		\$104.85
Zone 2 - AR		\$104.85
Zone 3 - AR		\$104.85
Zone 1 - KS		\$104.85
Zone 2 - KS		\$104.85
Zone 3 - KS		\$104.85
Zone 1 - MO		\$104.85
Zone 2 - MO		\$104.85
Zone 3 - MO		\$104.85
Zone 1 - OK		\$104.85
Zone 2 - OK		\$104.85
Zone 3 - OK		\$104.85
Zone 1 - TX		\$104.85
Zone 2 - TX		\$104.85
Zone 3 - TX		\$104.85
		<u>Nonrecurring Charge</u>
Zone 1 - AR		\$ 0.00
Zone 2 - AR		\$ 0.00
Zone 3 - AR		\$ 0.00
Zone 1 - KS		\$ 0.00
Zone 2 - KS		\$ 0.00
Zone 3 - KS		\$ 0.00
Zone 1 - MO		\$ 0.00
Zone 2 - MO		\$ 0.00
Zone 3 - MO		\$ 0.00
Zone 1 - OK		\$ 0.00
Zone 2 - OK		\$ 0.00
Zone 3 - OK		\$ 0.00
Zone 1 - TX		\$ 0.00
Zone 2 - TX		\$ 0.00
Zone 3 - TX		\$ 0.00

Filed under authority of DA-2632, FCC Public Notice released December 17, 1997.

(This page filed under Transmittal No. 2679)

Issued: December 19, 1997

Effective: January 1, 1998

Four AT&T Plaza, Dallas, Texas 75202

ACCESS SERVICE

7. Special Access Service (Cont'd)

7.3 Service Descriptions, Rates and Charges (Cont'd)

7.3.10 High Capacity Service (Cont'd)

(F) Rates and Charges (Cont'd)

(34) High Capacity Term Pricing Plan (HC-TPP)
Rates Effective: 01/01/98 (Cont'd)

(N)

	<u>USOC</u>	<u>5 Year Monthly Rate</u>
(c) <u>Multiplexing</u> (Cont'd)		
Per arrangement		
DS0 to Subrates		
Up to 10 4.8 kbps services		
	QSU48	
Zone 1 - AR		\$ 98.55
Zone 2 - AR		\$ 98.55
Zone 3 - AR		\$ 98.55
Zone 1 - KS		\$ 98.55
Zone 2 - KS		\$ 98.55
Zone 3 - KS		\$ 98.55
Zone 1 - MO		\$ 98.55
Zone 2 - MO		\$ 98.55
Zone 3 - MO		\$ 98.55
Zone 1 - OK		\$ 98.55
Zone 2 - OK		\$ 98.55
Zone 3 - OK		\$ 98.55
Zone 1 - TX		\$ 98.55
Zone 2 - TX		\$ 98.55
Zone 3 - TX		\$ 98.55
		<u>Nonrecurring Charge</u>
Zone 1 - AR		\$ 0.00
Zone 2 - AR		\$ 0.00
Zone 3 - AR		\$ 0.00
Zone 1 - KS		\$ 0.00
Zone 2 - KS		\$ 0.00
Zone 3 - KS		\$ 0.00
Zone 1 - MO		\$ 0.00
Zone 2 - MO		\$ 0.00
Zone 3 - MO		\$ 0.00
Zone 1 - OK		\$ 0.00
Zone 2 - OK		\$ 0.00
Zone 3 - OK		\$ 0.00
Zone 1 - TX		\$ 0.00
Zone 2 - TX		\$ 0.00
Zone 3 - TX		\$ 0.00

Filed under authority of DA-2632, FCC Public Notice released December 17, 1997.

(This page filed under Transmittal No. 2679)

Issued: December 19, 1997

Effective: January 1, 1998

Four AT&T Plaza, Dallas, Texas 75202

ACCESS SERVICE

7. Special Access Service (Cont'd)

7.3 Service Descriptions, Rates and Charges (Cont'd)

7.3.10 High Capacity Service (Cont'd)

(F) Rates and Charges (Cont'd)

(34) High Capacity Term Pricing Plan (HC-TPP)
Rates Effective: 01/01/98 (Cont'd)

(N)

	<u>USOC</u>	<u>3 Year Monthly Rate</u>
(c) <u>Multiplexing</u> (Cont'd)		
Per arrangement		
DS0 to Subrates		
Up to 5 9.6 kbps services		
	QSU96	
Zone 1 - AR		\$200.30
Zone 2 - AR		\$200.30
Zone 3 - AR		\$200.30
Zone 1 - KS		\$200.30
Zone 2 - KS		\$200.30
Zone 3 - KS		\$200.30
Zone 1 - MO		\$200.30
Zone 2 - MO		\$200.30
Zone 3 - MO		\$200.30
Zone 1 - OK		\$200.30
Zone 2 - OK		\$200.30
Zone 3 - OK		\$200.30
Zone 1 - TX		\$200.30
Zone 2 - TX		\$200.30
Zone 3 - TX		\$200.30
		<u>Nonrecurring Charge</u>
Zone 1 - AR		\$ 0.00
Zone 2 - AR		\$ 0.00
Zone 3 - AR		\$ 0.00
Zone 1 - KS		\$ 0.00
Zone 2 - KS		\$ 0.00
Zone 3 - KS		\$ 0.00
Zone 1 - MO		\$ 0.00
Zone 2 - MO		\$ 0.00
Zone 3 - MO		\$ 0.00
Zone 1 - OK		\$ 0.00
Zone 2 - OK		\$ 0.00
Zone 3 - OK		\$ 0.00
Zone 1 - TX		\$ 0.00
Zone 2 - TX		\$ 0.00
Zone 3 - TX		\$ 0.00

Filed under authority of DA-2632, FCC Public Notice released December 17, 1997.

(This page filed under Transmittal No. 2679)

Issued: December 19, 1997

Effective: January 1, 1998

Four AT&T Plaza, Dallas, Texas 75202

ACCESS SERVICE

7. Special Access Service (Cont'd)

7.3 Service Descriptions, Rates and Charges (Cont'd)

7.3.10 High Capacity Service (Cont'd)

(F) Rates and Charges (Cont'd)

(34) High Capacity Term Pricing Plan (HC-TPP)
Rates Effective: 01/01/98 (Cont'd)

(N)

	<u>USOC</u>	<u>5 Year Monthly Rate</u>
(c) <u>Multiplexing</u> (Cont'd)		
Per arrangement		
DS0 to Subrates		
Up to 5 9.6 kbps services		
	QSU96	
Zone 1 - AR		\$188.20
Zone 2 - AR		\$188.20
Zone 3 - AR		\$188.20
Zone 1 - KS		\$188.20
Zone 2 - KS		\$188.20
Zone 3 - KS		\$188.20
Zone 1 - MO		\$188.20
Zone 2 - MO		\$188.20
Zone 3 - MO		\$188.20
Zone 1 - OK		\$188.20
Zone 2 - OK		\$188.20
Zone 3 - OK		\$188.20
Zone 1 - TX		\$188.20
Zone 2 - TX		\$188.20
Zone 3 - TX		\$188.20
		<u>Nonrecurring Charge</u>
Zone 1 - AR		\$ 0.00
Zone 2 - AR		\$ 0.00
Zone 3 - AR		\$ 0.00
Zone 1 - KS		\$ 0.00
Zone 2 - KS		\$ 0.00
Zone 3 - KS		\$ 0.00
Zone 1 - MO		\$ 0.00
Zone 2 - MO		\$ 0.00
Zone 3 - MO		\$ 0.00
Zone 1 - OK		\$ 0.00
Zone 2 - OK		\$ 0.00
Zone 3 - OK		\$ 0.00
Zone 1 - TX		\$ 0.00
Zone 2 - TX		\$ 0.00
Zone 3 - TX		\$ 0.00

Filed under authority of DA-2632, FCC Public Notice released December 17, 1997.

(This page filed under Transmittal No. 2679)

Issued: December 19, 1997

Effective: January 1, 1998

Four AT&T Plaza, Dallas, Texas 75202

ACCESS SERVICE

7. Special Access Service (Cont'd)

7.3 Service Descriptions, Rates and Charges (Cont'd)

7.3.10 High Capacity Service (Cont'd)

(F) Rates and Charges (Cont'd)

(34) High Capacity Term Pricing Plan (HC-TPP)
Rates Effective: 01/01/98 (Cont'd)

(N)

		<u>USOC</u>	<u>3 Year Monthly Rate</u>
(c) <u>Multiplexing</u> (Cont'd)			
Per arrangement			
	DS1 to DS0	QMU	
	Zone 1 - AR		\$162.00
	Zone 2 - AR		\$162.00
	Zone 3 - AR		\$162.00
	Zone 1 - KS		\$162.00
	Zone 2 - KS		\$162.00
	Zone 3 - KS		\$162.00
	Zone 1 - MO		\$162.00
	Zone 2 - MO		\$162.00
	Zone 3 - MO		\$162.00
	Zone 1 - OK		\$162.00
	Zone 2 - OK		\$162.00
	Zone 3 - OK		\$162.00
	Zone 1 - TX		\$162.00
	Zone 2 - TX		\$162.00
	Zone 3 - TX		\$162.00
			<u>Nonrecurring Charge</u>
	Zone 1 - AR		\$ 0.00
	Zone 2 - AR		\$ 0.00
	Zone 3 - AR		\$ 0.00
	Zone 1 - KS		\$ 0.00
	Zone 2 - KS		\$ 0.00
	Zone 3 - KS		\$ 0.00
	Zone 1 - MO		\$ 0.00
	Zone 2 - MO		\$ 0.00
	Zone 3 - MO		\$ 0.00
	Zone 1 - OK		\$ 0.00
	Zone 2 - OK		\$ 0.00
	Zone 3 - OK		\$ 0.00
	Zone 1 - TX		\$ 0.00
	Zone 2 - TX		\$ 0.00
	Zone 3 - TX		\$ 0.00

Filed under authority of DA-2632, FCC Public Notice released December 17, 1997.

(This page filed under Transmittal No. 2679)

Issued: December 19, 1997

Effective: January 1, 1998

Four AT&T Plaza, Dallas, Texas 75202

ACCESS SERVICE

7. Special Access Service (Cont'd)

7.3 Service Descriptions, Rates and Charges (Cont'd)

7.3.10 High Capacity Service (Cont'd)

(F) Rates and Charges (Cont'd)

(34) High Capacity Term Pricing Plan (HC-TPP)
Rates Effective: 01/01/98 (Cont'd)

(N)

USOC 5 Year
Monthly Rate

(c) Multiplexing (Cont'd)

Per arrangement

DS1 to DS0 QMU

Zone 1 - AR	\$153.00
Zone 2 - AR	\$153.00
Zone 3 - AR	\$153.00
Zone 1 - KS	\$153.00
Zone 2 - KS	\$153.00
Zone 3 - KS	\$153.00
Zone 1 - MO	\$153.00
Zone 2 - MO	\$153.00
Zone 3 - MO	\$153.00
Zone 1 - OK	\$153.00
Zone 2 - OK	\$153.00
Zone 3 - OK	\$153.00
Zone 1 - TX	\$153.00
Zone 2 - TX	\$153.00
Zone 3 - TX	\$153.00

Nonrecurring Charge

Zone 1 - AR	\$ 0.00
Zone 2 - AR	\$ 0.00
Zone 3 - AR	\$ 0.00
Zone 1 - KS	\$ 0.00
Zone 2 - KS	\$ 0.00
Zone 3 - KS	\$ 0.00
Zone 1 - MO	\$ 0.00
Zone 2 - MO	\$ 0.00
Zone 3 - MO	\$ 0.00
Zone 1 - OK	\$ 0.00
Zone 2 - OK	\$ 0.00
Zone 3 - OK	\$ 0.00
Zone 1 - TX	\$ 0.00
Zone 2 - TX	\$ 0.00
Zone 3 - TX	\$ 0.00

Filed under authority of DA-2632, FCC Public Notice released December 17, 1997.

(This page filed under Transmittal No. 2679)

Issued: December 19, 1997

Effective: January 1, 1998

Four AT&T Plaza, Dallas, Texas 75202

ACCESS SERVICE

7. Special Access Service (Cont'd)

7.3 Service Descriptions, Rates and Charges (Cont'd)

7.3.10 High Capacity Service (Cont'd)

(F) Rates and Charges (Cont'd)

(34) High Capacity Term Pricing Plan (HC-TPP)
Rates Effective: 01/01/98 (Cont'd)

(N)

	<u>USOC</u>	<u>3 Year Monthly Rate</u>
(c) <u>Multiplexing</u> (Cont'd)		
Per arrangement		
DS1 to Voice	MQ1	
Zone 1 - AR		\$162.00
Zone 2 - AR		\$162.00
Zone 3 - AR		\$162.00
Zone 1 - KS		\$162.00
Zone 2 - KS		\$162.00
Zone 3 - KS		\$162.00
Zone 1 - MO		\$162.00
Zone 2 - MO		\$162.00
Zone 3 - MO		\$162.00
Zone 1 - OK		\$162.00
Zone 2 - OK		\$162.00
Zone 3 - OK		\$162.00
Zone 1 - TX		\$162.00
Zone 2 - TX		\$162.00
Zone 3 - TX		\$162.00
		<u>Nonrecurring Charge</u>
Zone 1 - AR		\$ 0.00
Zone 2 - AR		\$ 0.00
Zone 3 - AR		\$ 0.00
Zone 1 - KS		\$ 0.00
Zone 2 - KS		\$ 0.00
Zone 3 - KS		\$ 0.00
Zone 1 - MO		\$ 0.00
Zone 2 - MO		\$ 0.00
Zone 3 - MO		\$ 0.00
Zone 1 - OK		\$ 0.00
Zone 2 - OK		\$ 0.00
Zone 3 - OK		\$ 0.00
Zone 1 - TX		\$ 0.00
Zone 2 - TX		\$ 0.00
Zone 3 - TX		\$ 0.00

Filed under authority of DA-2632, FCC Public Notice released December 17, 1997.

(This page filed under Transmittal No. 2679)

Issued: December 19, 1997

Effective: January 1, 1998

Four AT&T Plaza, Dallas, Texas 75202

ACCESS SERVICE

7. Special Access Service (Cont'd)

7.3 Service Descriptions, Rates and Charges (Cont'd)

7.3.10 High Capacity Service (Cont'd)

(F) Rates and Charges (Cont'd)

(34) High Capacity Term Pricing Plan (HC-TPP)
Rates Effective: 01/01/98 (Cont'd)

(N)

	<u>USOC</u>	<u>5 Year Monthly Rate</u>
(c) <u>Multiplexing</u> (Cont'd)		
Per arrangement		
DS1 to Voice	MQ1	
Zone 1 - AR		\$153.00
Zone 2 - AR		\$153.00
Zone 3 - AR		\$153.00
Zone 1 - KS		\$153.00
Zone 2 - KS		\$153.00
Zone 3 - KS		\$153.00
Zone 1 - MO		\$153.00
Zone 2 - MO		\$153.00
Zone 3 - MO		\$153.00
Zone 1 - OK		\$153.00
Zone 2 - OK		\$153.00
Zone 3 - OK		\$153.00
Zone 1 - TX		\$153.00
Zone 2 - TX		\$153.00
Zone 3 - TX		\$153.00
		<u>Nonrecurring Charge</u>
Zone 1 - AR		\$ 0.00
Zone 2 - AR		\$ 0.00
Zone 3 - AR		\$ 0.00
Zone 1 - KS		\$ 0.00
Zone 2 - KS		\$ 0.00
Zone 3 - KS		\$ 0.00
Zone 1 - MO		\$ 0.00
Zone 2 - MO		\$ 0.00
Zone 3 - MO		\$ 0.00
Zone 1 - OK		\$ 0.00
Zone 2 - OK		\$ 0.00
Zone 3 - OK		\$ 0.00
Zone 1 - TX		\$ 0.00
Zone 2 - TX		\$ 0.00
Zone 3 - TX		\$ 0.00

Filed under authority of DA-2632, FCC Public Notice released December 17, 1997.

(This page filed under Transmittal No. 2679)

Issued: December 19, 1997

Effective: January 1, 1998

Four AT&T Plaza, Dallas, Texas 75202

ACCESS SERVICE

7. Special Access Service (Cont'd)7.3 Service Descriptions, Rates and Charges (Cont'd)7.3.10 High Capacity Service (Cont'd)(F) Rates and Charges (Cont'd)(34) High Capacity Term Pricing Plan (HC-TPP)
Rates Effective: 01/01/98 (Cont'd)

	<u>3 Year Monthly Rate</u>	<u>Nonrecurring Charge</u>
(d) <u>SecureNet - Missouri</u>		
Per Channel Termination		
Hub Redundancy (R16AA)	\$167.02	\$1,422.00
Serving Wire Center and Facility Redundancy (R18AB)	\$ 0.00	\$ 0.00
	<u>5 Year Monthly Rate</u>	<u>Nonrecurring Charge</u>
<u>SecureNet - Missouri</u>		
Per Channel Termination		
Hub Redundancy (R16AA)	\$157.74	\$1,422.00
Serving Wire Center and Facility Redundancy (R18AB)	\$ 0.00	\$ 0.00

(N)

Filed under authority of DA-2632, FCC Public Notice released December 17, 1997.

(This page filed under Transmittal No. 2679)

Issued: December 19, 1997

Effective: January 1, 1998

Four AT&T Plaza, Dallas, Texas 75202

ACCESS SERVICE

7. Special Access Service (Cont'd)

7.3 Service Descriptions, Rates and Charges (Cont'd)

7.3.10 High Capacity Service (Cont'd)

(F) Rates and Charges (Cont'd)

(34) High Capacity Term Pricing Plan (HC-TPP)
Rates Effective: 07/01/98

		USOC	3 Year Monthly Rate	
(a) <u>Channel Termination</u>				
Per point of termination		TMECS		
1.544 Mbps				
Zone 1 - AR			\$140.25	
Zone 2 - AR			\$140.25	
Zone 3 - AR			\$140.25	
Zone 1 - KS			\$140.25	
Zone 2 - KS			\$140.25	
Zone 3 - KS			\$140.25	
Zone 1 - MO			\$129.60	
Zone 2 - MO			\$129.60	
Zone 3 - MO			\$140.25	
Zone 1 - OK			\$140.25	
Zone 2 - OK			\$140.25	
Zone 3 - OK			\$140.25	
Zone 1 - TX			\$121.50	
Zone 2 - TX			\$121.50	
Zone 3 - TX			\$140.25	
			Nonrecurring	
	Charge		<u>1st Ckt</u>	<u>Addl</u>
<u>Ckt</u>				
	Zone 1 - AR		\$300.00	\$228.00
	Zone 2 - AR		\$300.00	\$228.00
	Zone 3 - AR		\$300.00	\$228.00
	Zone 1 - KS		\$300.00	\$228.00
	Zone 2 - KS		\$300.00	\$228.00
	Zone 3 - KS		\$300.00	\$228.00
	Zone 1 - MO		\$300.00	\$228.00
	Zone 2 - MO		\$300.00	\$228.00
	Zone 3 - MO		\$300.00	\$228.00
	Zone 1 - OK		\$300.00	\$228.00
	Zone 2 - OK		\$300.00	\$228.00
	Zone 3 - OK		\$300.00	\$228.00
	Zone 1 - TX		\$300.00	\$228.00
	Zone 2 - TX		\$300.00	\$228.00
	Zone 3 - TX		\$300.00	\$228.00

(N)

(N)

Rates contained in this transmittal are subject to subsequent adjustment, effective retrospectively back to the transmittal's original effective date, in the event the Commission or a court subsequently authorizes SWBT to correct its rates to allow it to calculate its price cap formulas to exclude USF contributions from the operation of the X-factor, or in the event of any other adjustment pursuant to an order of the Commission or a court.

Filed in compliance with FCC Order 98-106.

(This page filed under Transmittal No. 2705)

Issued: June 16, 1998

Effective: July 1, 1998

Four AT&T Plaza, Dallas, Texas 75202

ACCESS SERVICE

7. Special Access Service (Cont'd)

7.3 Service Descriptions, Rates and Charges (Cont'd)

7.3.10 High Capacity Service (Cont'd)

(F) Rates and Charges (Cont'd)

(34) High Capacity Term Pricing Plan (HC-TPP)

Rates Effective: 07/01/98 (Cont'd)

	<u>USOC</u>	<u>Monthly Rate</u>	<u>5 Year</u>
(a) <u>Channel Termination</u> (Cont'd)			
Per point of termination	TMECS		
1.544 Mbps			
Zone 1 - AR			\$132.00
Zone 2 - AR			\$132.00
Zone 3 - AR			\$132.00
Zone 1 - KS			\$132.00
Zone 2 - KS			\$132.00
Zone 3 - KS			\$132.00
Zone 1 - MO			\$121.50
Zone 2 - MO			\$121.50
Zone 3 - MO			\$132.00
Zone 1 - OK			\$132.00
Zone 2 - OK			\$132.00
Zone 3 - OK			\$132.00
Zone 1 - TX			\$108.00
Zone 2 - TX			\$108.00
Zone 3 - TX			\$132.00

<u>Ckt</u>	<u>Charge</u>	<u>Nonrecurring</u>	
		<u>1st Ckt</u>	<u>Addl</u>
	Zone 1 - AR	\$ 0.00	\$ 0.00
	Zone 2 - AR	\$ 0.00	\$ 0.00
	Zone 3 - AR	\$ 0.00	\$ 0.00
	Zone 1 - KS	\$ 0.00	\$ 0.00
	Zone 2 - KS	\$ 0.00	\$ 0.00
	Zone 3 - KS	\$ 0.00	\$ 0.00
	Zone 1 - MO	\$ 0.00	\$ 0.00
	Zone 2 - MO	\$ 0.00	\$ 0.00
	Zone 3 - MO	\$ 0.00	\$ 0.00
	Zone 1 - OK	\$ 0.00	\$ 0.00
	Zone 2 - OK	\$ 0.00	\$ 0.00
	Zone 3 - OK	\$ 0.00	\$ 0.00
	Zone 1 - TX	\$ 0.00	\$ 0.00
	Zone 2 - TX	\$ 0.00	\$ 0.00
	Zone 3 - TX	\$ 0.00	\$ 0.00

Rates contained in this transmittal are subject to subsequent adjustment, effective retrospectively back to the transmittal's original effective date, in the event the Commission or a court subsequently authorizes SWBT to correct its rates to allow it to calculate its price cap formulas to exclude USF contributions from the operation of the X-factor, or in the event of any other adjustment pursuant to an order of the Commission or a court.

Filed in compliance with FCC Order 98-106.

(This page filed under Transmittal No. 2705)

Issued: June 16, 1998

Effective: July 1, 1998

Four AT&T Plaza, Dallas, Texas 75202

(N)

(N)

ACCESS SERVICE

7. Special Access Service (Cont'd)

7.3 Service Descriptions, Rates and Charges (Cont'd)

7.3.10 High Capacity Service (Cont'd)

(F) Rates and Charges (Cont'd)

(34) High Capacity Term Pricing Plan (HC-TPP)
Rates Effective: 07/01/98 (Cont'd)

	USOC	3 Year Monthly Rate	
		Fixed	Per Mile
(b) <u>Channel Mileage</u>			
1.544 Mbps	1L5XX		
0 miles			
Zone 1 - AR		\$ 0.00	\$ 0.00
Zone 2 - AR		\$ 0.00	\$ 0.00
Zone 3 - AR		\$ 0.00	\$ 0.00
Zone 1 - KS		\$ 0.00	\$ 0.00
Zone 2 - KS		\$ 0.00	\$ 0.00
Zone 3 - KS		\$ 0.00	\$ 0.00
Zone 1 - MO		\$ 0.00	\$ 0.00
Zone 2 - MO		\$ 0.00	\$ 0.00
Zone 3 - MO		\$ 0.00	\$ 0.00
Zone 1 - OK		\$ 0.00	\$ 0.00
Zone 2 - OK		\$ 0.00	\$ 0.00
Zone 3 - OK		\$ 0.00	\$ 0.00
Zone 1 - TX		\$ 0.00	\$ 0.00
Zone 2 - TX		\$ 0.00	\$ 0.00
Zone 3 - TX		\$ 0.00	\$ 0.00
Over 0 miles			
Zone 1 - AR		\$46.00	\$14.28
Zone 2 - AR		\$46.00	\$14.28
Zone 3 - AR		\$46.00	\$14.28
Zone 1 - KS		\$46.00	\$14.28
Zone 2 - KS		\$46.00	\$14.28
Zone 3 - KS		\$46.00	\$14.28
Zone 1 - MO		\$42.50	\$13.44
Zone 2 - MO		\$42.50	\$13.44
Zone 3 - MO		\$46.00	\$14.28
Zone 1 - OK		\$46.00	\$14.28
Zone 2 - OK		\$46.00	\$14.28
Zone 3 - OK		\$46.00	\$14.28
Zone 1 - TX		\$40.00	\$12.60
Zone 2 - TX		\$40.00	\$12.60
Zone 3 - TX		\$46.00	\$14.28

(N)

(N)

Rates contained in this transmittal are subject to subsequent adjustment, effective retrospectively back to the transmittal's original effective date, in the event the Commission or a court subsequently authorizes SWBT to correct its rates to allow it to calculate its price cap formulas to exclude USF contributions from the operation of the X-factor, or in the event of any other adjustment pursuant to an order of the Commission or a court.

Filed in compliance with FCC Order 98-106.

(This page filed under Transmittal No. 2705)

Issued: June 16, 1998

Effective: July 1, 1998

Four AT&T Plaza, Dallas, Texas 75202

ACCESS SERVICE

7. Special Access Service (Cont'd)

7.3 Service Descriptions, Rates and Charges (Cont'd)

7.3.10 High Capacity Service (Cont'd)

(F) Rates and Charges (Cont'd)

(34) High Capacity Term Pricing Plan (HC-TPP)

Rates Effective: 07/01/98 (Cont'd)

	USOC	5 Year Monthly Rate	
		Fixed	Per Mile
(b) <u>Channel Mileage</u> (Cont'd)			
1.544 Mbps	1L5XX		
0 miles			
Zone 1 - AR		\$ 0.00	\$ 0.00
Zone 2 - AR		\$ 0.00	\$ 0.00
Zone 3 - AR		\$ 0.00	\$ 0.00
Zone 1 - KS		\$ 0.00	\$ 0.00
Zone 2 - KS		\$ 0.00	\$ 0.00
Zone 3 - KS		\$ 0.00	\$ 0.00
Zone 1 - MO		\$ 0.00	\$ 0.00
Zone 2 - MO		\$ 0.00	\$ 0.00
Zone 3 - MO		\$ 0.00	\$ 0.00
Zone 1 - OK		\$ 0.00	\$ 0.00
Zone 2 - OK		\$ 0.00	\$ 0.00
Zone 3 - OK		\$ 0.00	\$ 0.00
Zone 1 - TX		\$ 0.00	\$ 0.00
Zone 2 - TX		\$ 0.00	\$ 0.00
Zone 3 - TX		\$ 0.00	\$ 0.00
Over 0 miles			
Zone 1 - AR		\$43.50	\$13.44
Zone 2 - AR		\$43.50	\$13.44
Zone 3 - AR		\$43.50	\$13.44
Zone 1 - KS		\$43.50	\$13.44
Zone 2 - KS		\$43.50	\$13.44
Zone 3 - KS		\$43.50	\$13.44
Zone 1 - MO		\$40.00	
\$12.60 (I)			
Zone 2 - MO		\$40.00	\$12.60
Zone 3 - MO		\$43.50	\$13.44
Zone 1 - OK		\$43.50	\$13.44
Zone 2 - OK		\$43.50	\$13.44
Zone 3 - OK		\$43.50	\$13.44
Zone 1 - TX		\$37.50	
\$11.20 (I)			
Zone 2 - TX		\$37.50	
\$11.20 (I)			
Zone 3 - TX		\$43.50	
\$13.44 (I)			

Rates contained in this transmittal are subject to subsequent adjustment, effective retrospectively back to the transmittal's original effective date, in the event the Commission or a court subsequently authorizes SWBT to correct its rates to allow it to calculate its price cap formulas to exclude USF contributions from the operation of the X-factor, or in the event of any other adjustment pursuant to an order of the Commission or a court.

(This page filed under Transmittal No. 2705)

Issued: June 16, 1998

Effective: July 1, 1998

Four AT&T Plaza, Dallas, Texas 75202

ACCESS SERVICE

7. Special Access Service (Cont'd)7.3. Service Descriptions, Rates and Charges (Cont'd)7.3.10 High Capacity Service (Cont'd)(F) Rates and Charges (Cont'd)(34) High Capacity Term Pricing Plan (HC-TPP)
Rates Effective 07/01/98 (Cont'd)

(N)

	<u>USOC</u>	<u>3 Year Monthly Rate</u>	
(c) <u>Multiplexing</u>			
Per arrangement			
DSO to Subrates			
Up to 20 2.4 kbps services	QSU24		
Zone 1 - AR		\$114.35	
Zone 2 - AR		\$114.35	
Zone 3 - AR		\$114.35	
Zone 1 - KS		\$114.35	
Zone 2 - KS		\$114.35	
Zone 3 - KS		\$114.35	
Zone 1 - MO		\$114.35	
Zone 2 - MO		\$114.35	
Zone 3 - MO		\$114.35	
Zone 1 - OK		\$114.35	
Zone 2 - OK		\$114.35	
Zone 3 - OK		\$114.35	
Zone 1 - TX		\$114.35	
Zone 2 - TX		\$114.35	
Zone 3 - TX		\$114.35	
		<u>Nonrecurring Charge</u>	
Zone 1 - AR		\$0.00	
Zone 2 - AR		\$0.00	
Zone 3 - AR		\$0.00	
Zone 1 - KS		\$0.00	
Zone 2 - KS		\$0.00	
Zone 3 - KS		\$0.00	
Zone 1 - MO		\$0.00	
Zone 2 - MO		\$0.00	
Zone 3 - MO		\$0.00	
Zone 1 - OK		\$0.00	
Zone 2 - OK		\$0.00	
Zone 3 - OK		\$0.00	
Zone 1 - TX		\$0.00	
Zone 2 - TX		\$0.00	
Zone 3 - TX		\$ 0.00	(N)

Rates contained in this transmittal are subject to subsequent adjustment, effective retrospectively back to the transmittal I original effective date, in the event the Commission or a court subsequently authorizes SWET to correct its rates to allow it to calculate its price cap formulas to exclude DS contributions from the operation of the X-factor, or in the event of any other adjustment pursuant to an order of the Commission or a court.

(This page filed under Transmittal No. 2705)

Issued: June 16, 1998

Effective: July 1, 1998

Four AT&T Plaza, Dallas, Texas 75202

ACCESS SERVICE

7. Special Access Service (Cont'd)

7.3 Service Descriptions, Rates and Charges (Cont'd)

7.3.10 High Capacity Service (Cont'd)

(F) Rates and Charges (Cont'd)

(34) High Capacity Term Pricing Plan (HC-TPP)
Rates Effective: 07/01/98 (Cont'd)

(N)

	<u>USOC</u>	<u>5 Year Monthly Rate</u>
(c) <u>Multiplexing</u> (Cont'd)		
Per arrangement		
DS0 to Subrates		
Up to 20 2.4 kbps services	QSU24	
Zone 1 - AR		\$107.45
Zone 2 - AR		\$107.45
Zone 3 - AR		\$107.45
Zone 1 - KS		\$107.45
Zone 2 - KS		\$107.45
Zone 3 - KS		\$107.45
Zone 1 - MO		\$107.45
Zone 2 - MO		\$107.45
Zone 3 - MO		\$107.45
Zone 1 - OK		\$107.45
Zone 2 - OK		\$107.45
Zone 3 - OK		\$107.45
Zone 1 - TX		\$107.45
Zone 2 - TX		\$107.45
Zone 3 - TX		\$107.50
		<u>Nonrecurring Charge</u>
Zone 1 - AR		\$ 0.00
Zone 2 - AR		\$ 0.00
Zone 3 - AR		\$ 0.00
Zone 1 - KS		\$ 0.00
Zone 2 - KS		\$ 0.00
Zone 3 - KS		\$ 0.00
Zone 1 - MO		\$ 0.00
Zone 2 - MO		\$ 0.00
Zone 3 - MO		\$ 0.00
Zone 1 - OK		\$ 0.00
Zone 2 - OK		\$ 0.00
Zone 3 - OK		\$ 0.00
Zone 1 - TX		\$ 0.00
Zone 2 - TX		\$ 0.00
Zone 3 - TX		\$ 0.00

(N)

Rates contained in this transmittal are subject to subsequent adjustment, effective retrospectively back to the transmittal's original effective date, in the event the Commission or a court subsequently authorizes SWBT to correct its rates to allow it to calculate its price cap formulas to exclude USF contributions from the operation of the X-factor, or in the event of any other adjustment pursuant to an order of the Commission or a court.

(This page filed under Transmittal No. 2705)

Issued: June 16, 1998

Effective: July 1, 1998

Four AT&T Plaza, Dallas, Texas 75202

ACCESS SERVICE

7. Special Access Service (Cont'd)

7.3 Service Descriptions, Rates and Charges (Cont'd)

7.3.10 High Capacity Service (Cont'd)

(F) Rates and Charges (Cont'd)

(34) High Capacity Term Pricing Plan (HC-TPP)
Rates Effective: 07/01/98 (Cont'd)

(N)

	<u>USOC</u>	<u>3 Year Monthly Rate</u>
(c) <u>Multiplexing</u> (Cont'd)		
Per arrangement		
DS0 to Subrates		
Up to 10 4.8 kbps services		
	QSU48	
Zone 1 - AR		\$104.85
Zone 2 - AR		\$104.85
Zone 3 - AR		\$104.85
Zone 1 - KS		\$104.85
Zone 2 - KS		\$104.85
Zone 3 - KS		\$104.85
Zone 1 - MO		\$104.85
Zone 2 - MO		\$104.85
Zone 3 - MO		\$104.85
Zone 1 - OK		\$104.85
Zone 2 - OK		\$104.85
Zone 3 - OK		\$104.85
Zone 1 - TX		\$104.85
Zone 2 - TX		\$104.85
Zone 3 - TX		\$104.85
		<u>Nonrecurring Charge</u>
Zone 1 - AR		\$ 0.00
Zone 2 - AR		\$ 0.00
Zone 3 - AR		\$ 0.00
Zone 1 - KS		\$ 0.00
Zone 2 - KS		\$ 0.00
Zone 3 - KS		\$ 0.00
Zone 1 - MO		\$ 0.00
Zone 2 - MO		\$ 0.00
Zone 3 - MO		\$ 0.00
Zone 1 - OK		\$ 0.00
Zone 2 - OK		\$ 0.00
Zone 3 - OK		\$ 0.00
Zone 1 - TX		\$ 0.00
Zone 2 - TX		\$ 0.00
Zone 3 - TX		\$ 0.00

(N)

Rates contained in this transmittal are subject to subsequent adjustment, effective retrospectively back to the transmittal's original effective date, in the event the Commission or a court subsequently authorizes SWBT to correct its rates to allow it to calculate its price cap formulas to exclude USF contributions from the operation of the X-factor, or in the event of any other adjustment pursuant to an order of the Commission or a court.

(This page filed under Transmittal No. 2705)

Issued: June 16, 1998

Effective: July 1, 1998

Four AT&T Plaza, Dallas, Texas 75202

ACCESS SERVICE

7. Special Access Service (Cont'd)

7.3 Service Descriptions, Rates and Charges (Cont'd)

7.3.10 High Capacity Service (Cont'd)

(F) Rates and Charges (Cont'd)

(34) High Capacity Term Pricing Plan (HC-TPP)
Rates Effective: 07/01/98 (Cont'd)

	<u>USOC</u>	<u>5 Year Monthly Rate</u>
(c) <u>Multiplexing</u> (Cont'd)		
Per arrangement		
DS0 to Subrates		
Up to 10 4.8 kbps services	QSU48	
Zone 1 - AR		\$ 98.55
Zone 2 - AR		\$ 98.55
Zone 3 - AR		\$ 98.55
Zone 1 - KS		\$ 98.55
Zone 2 - KS		\$ 98.55
Zone 3 - KS		\$ 98.55
Zone 1 - MO		\$ 98.55
Zone 2 - MO		\$ 98.55
Zone 3 - MO		\$ 98.55
Zone 1 - OK		\$ 98.55
Zone 2 - OK		\$ 98.55
Zone 3 - OK		\$ 98.55
Zone 1 - TX		\$ 98.55
Zone 2 - TX		\$ 98.55
Zone 3 - TX		\$ 98.55
		<u>Nonrecurring Charge</u>
Zone 1 - AR		\$ 0.00
Zone 2 - AR		\$ 0.00
Zone 3 - AR		\$ 0.00
Zone 1 - KS		\$ 0.00
Zone 2 - KS		\$ 0.00
Zone 3 - KS		\$ 0.00
Zone 1 - MO		\$ 0.00
Zone 2 - MO		\$ 0.00
Zone 3 - MO		\$ 0.00
Zone 1 - OK		\$ 0.00
Zone 2 - OK		\$ 0.00
Zone 3 - OK		\$ 0.00
Zone 1 - TX		\$ 0.00
Zone 2 - TX		\$ 0.00
Zone 3 - TX		\$ 0.00

(N)

(N)

Rates contained in this transmittal are subject to subsequent adjustment, effective retrospectively back to the transmittal's original effective date, in the event the Commission or a court subsequently authorizes SWBT to correct its rates to allow it to calculate its price cap formulas to exclude USF contributions from the operation of the X-factor, or in the event of any other adjustment pursuant to an order of the Commission or a court.

Filed in compliance with FCC Order 98-106.

(This page filed under Transmittal No. 2705)

Issued: June 16, 1998

Effective: July 1, 1998

Four AT&T Plaza, Dallas, Texas 75202

ACCESS SERVICE

7. Special Access Service (Cont'd)

7.3 Service Descriptions, Rates and Charges (Cont'd)

7.3.10 High Capacity Service (Cont'd)

(F) Rates and Charges (Cont'd)

(34) High Capacity Term Pricing Plan (HC-TPP)
Rates Effective: 07/01/98 (Cont'd)

(N)

	<u>USOC</u>	<u>3 Year Monthly Rate</u>
(c) <u>Multiplexing</u> (Cont'd)		
Per arrangement		
DS0 to Subrates		
Up to 5 9.6 kbps services		
	QSU96	
Zone 1 - AR		\$200.30
Zone 2 - AR		\$200.30
Zone 3 - AR		\$200.30
Zone 1 - KS		\$200.30
Zone 2 - KS		\$200.30
Zone 3 - KS		\$200.30
Zone 1 - MO		\$200.30
Zone 2 - MO		\$200.30
Zone 3 - MO		\$200.30
Zone 1 - OK		\$200.30
Zone 2 - OK		\$200.30
Zone 3 - OK		\$200.30
Zone 1 - TX		\$200.30
Zone 2 - TX		\$200.30
Zone 3 - TX		\$200.30
		<u>Nonrecurring Charge</u>
Zone 1 - AR		\$ 0.00
Zone 2 - AR		\$ 0.00
Zone 3 - AR		\$ 0.00
Zone 1 - KS		\$ 0.00
Zone 2 - KS		\$ 0.00
Zone 3 - KS		\$ 0.00
Zone 1 - MO		\$ 0.00
Zone 2 - MO		\$ 0.00
Zone 3 - MO		\$ 0.00
Zone 1 - OK		\$ 0.00
Zone 2 - OK		\$ 0.00
Zone 3 - OK		\$ 0.00
Zone 1 - TX		\$ 0.00
Zone 2 - TX		\$ 0.00
Zone 3 - TX		\$ 0.00

(N)

Rates contained in this transmittal are subject to subsequent adjustment, effective retrospectively back to the transmittal's original effective date, in the event the Commission or a court subsequently authorizes SWBT to correct its rates to allow it to calculate its price cap formulas to exclude USF contributions from the operation of the X-factor, or in the event of any other adjustment pursuant to an order of the Commission or a court.

Filed in compliance with FCC Order 98-106.

(This page filed under Transmittal No. 2705)

Issued: June 16, 1998

Effective: July 1, 1998

Four AT&T Plaza, Dallas, Texas 75202

ACCESS SERVICE

7. Special Access Service (Cont'd)

7.3 Service Descriptions, Rates and Charges (Cont'd)

7.3.10 High Capacity Service (Cont'd)

(F) Rates and Charges (Cont'd)

(34) High Capacity Term Pricing Plan (HC-TPP)
Rates Effective: 07/01/98 (Cont'd)

(N)

	<u>USOC</u>	<u>5 Year Monthly Rate</u>
(c) <u>Multiplexing</u> (Cont'd)		
Per arrangement		
DS0 to Subrates		
Up to 5 9.6 kbps services		
	QSU96	
Zone 1 - AR		\$188.20
Zone 2 - AR		\$188.20
Zone 3 - AR		\$188.20
Zone 1 - KS		\$188.20
Zone 2 - KS		\$188.20
Zone 3 - KS		\$188.20
Zone 1 - MO		\$188.20
Zone 2 - MO		\$188.20
Zone 3 - MO		\$188.20
Zone 1 - OK		\$188.20
Zone 2 - OK		\$188.20
Zone 3 - OK		\$188.20
Zone 1 - TX		\$188.20
Zone 2 - TX		\$188.20
Zone 3 - TX		\$188.20
		<u>Nonrecurring Charge</u>
Zone 1 - AR		\$ 0.00
Zone 2 - AR		\$ 0.00
Zone 3 - AR		\$ 0.00
Zone 1 - KS		\$ 0.00
Zone 2 - KS		\$ 0.00
Zone 3 - KS		\$ 0.00
Zone 1 - MO		\$ 0.00
Zone 2 - MO		\$ 0.00
Zone 3 - MO		\$ 0.00
Zone 1 - OK		\$ 0.00
Zone 2 - OK		\$ 0.00
Zone 3 - OK		\$ 0.00
Zone 1 - TX		\$ 0.00
Zone 2 - TX		\$ 0.00
Zone 3 - TX		\$ 0.00

(N)

Rates contained in this transmittal are subject to subsequent adjustment, effective retrospectively back to the transmittal's original effective date, in the event the Commission or a court subsequently authorizes SWBT to correct its rates to allow it to calculate its price cap formulas to exclude USF contributions from the operation of the X-factor, or in the event of any other adjustment pursuant to an order of the Commission or a court.

(This page filed under Transmittal No. 2705)

Issued: June 16, 1998

Effective: July 1, 1998

Four AT&T Plaza, Dallas, Texas 75202

ACCESS SERVICE

7. Special Access Service (Cont'd)

7.3 Service Descriptions, Rates and Charges (Cont'd)

7.3.10 High Capacity Service (Cont'd)

(F) Rates and Charges (Cont'd)

(34) High Capacity Term Pricing Plan (HC-TPP)
Rates Effective: 07/01/98 (Cont'd)

(N)

	<u>USOC</u>	<u>3 Year Monthly Rate</u>
(c) <u>Multiplexing</u> (Cont'd)		
Per arrangement		
DS1 to DS0	QMU	
Zone 1 - AR		\$162.00
Zone 2 - AR		\$162.00
Zone 3 - AR		\$162.00
Zone 1 - KS		\$162.00
Zone 2 - KS		\$162.00
Zone 3 - KS		\$162.00
Zone 1 - MO		\$162.00
Zone 2 - MO		\$162.00
Zone 3 - MO		\$162.00
Zone 1 - OK		\$162.00
Zone 2 - OK		\$162.00
Zone 3 - OK		\$162.00
Zone 1 - TX		\$162.00
Zone 2 - TX		\$162.00
Zone 3 - TX		\$162.00
		<u>Nonrecurring Charge</u>
Zone 1 - AR		\$ 0.00
Zone 2 - AR		\$ 0.00
Zone 3 - AR		\$ 0.00
Zone 1 - KS		\$ 0.00
Zone 2 - KS		\$ 0.00
Zone 3 - KS		\$ 0.00
Zone 1 - MO		\$ 0.00
Zone 2 - MO		\$ 0.00
Zone 3 - MO		\$ 0.00
Zone 1 - OK		\$ 0.00
Zone 2 - OK		\$ 0.00
Zone 3 - OK		\$ 0.00
Zone 1 - TX		\$ 0.00
Zone 2 - TX		\$ 0.00
Zone 3 - TX		\$ 0.00

(N)

Rates contained in this transmittal are subject to subsequent adjustment, effective retrospectively back to the transmittal's original effective date, in the event the Commission or a court subsequently authorizes SWBT to correct its rates to allow it to calculate its price cap formulas to exclude USF contributions from the operation of the X-factor, or in the event of any other adjustment pursuant to an order of the Commission or a court.

Filed in compliance with FCC Order 98-106.

(This page filed under Transmittal No. 2705)

Issued: June 16, 1998

Effective: July 1, 1998

Four AT&T Plaza, Dallas, Texas 75202

ACCESS SERVICE

7. Special Access Service (Cont'd)

7.3 Service Descriptions, Rates and Charges (Cont'd)

7.3.10 High Capacity Service (Cont'd)

(F) Rates and Charges (Cont'd)

(34) High Capacity Term Pricing Plan (HC-TPP)
Rates Effective: 07/01/98 (Cont'd)

(N)

	<u>USOC</u>	<u>5 Year Monthly Rate</u>
(c) <u>Multiplexing</u> (Cont'd)		
Per arrangement		
DS1 to DS0	QMU	
Zone 1 - AR		\$153.00
Zone 2 - AR		\$153.00
Zone 3 - AR		\$153.00
Zone 1 - KS		\$153.00
Zone 2 - KS		\$153.00
Zone 3 - KS		\$153.00
Zone 1 - MO		\$153.00
Zone 2 - MO		\$153.00
Zone 3 - MO		\$153.00
Zone 1 - OK		\$153.00
Zone 2 - OK		\$153.00
Zone 3 - OK		\$153.00
Zone 1 - TX		\$153.00
Zone 2 - TX		\$153.00
Zone 3 - TX		\$153.00
		<u>Nonrecurring Charge</u>
Zone 1 - AR		\$ 0.00
Zone 2 - AR		\$ 0.00
Zone 3 - AR		\$ 0.00
Zone 1 - KS		\$ 0.00
Zone 2 - KS		\$ 0.00
Zone 3 - KS		\$ 0.00
Zone 1 - MO		\$ 0.00
Zone 2 - MO		\$ 0.00
Zone 3 - MO		\$ 0.00
Zone 1 - OK		\$ 0.00
Zone 2 - OK		\$ 0.00
Zone 3 - OK		\$ 0.00
Zone 1 - TX		\$ 0.00
Zone 2 - TX		\$ 0.00
Zone 3 - TX		\$ 0.00

(N)

Rates contained in this transmittal are subject to subsequent adjustment, effective retrospectively back to the transmittal's original effective date, in the event the Commission or a court subsequently authorizes SWBT to correct its rates to allow it to calculate its price cap formulas to exclude USF contributions from the operation of the X-factor, or in the event of any other adjustment pursuant to an order of the Commission or a court.

Filed in compliance with FCC Order 98-106.

(This page filed under Transmittal No. 2705)

Issued: June 16, 1998

Effective: July 1, 1998

Four AT&T Plaza, Dallas, Texas 75202

ACCESS SERVICE

7. Special Access Service (Cont'd)

7.3 Service Descriptions, Rates and Charges (Cont'd)

7.3.10 High Capacity Service (Cont'd)

(F) Rates and Charges (Cont'd)

(34) High Capacity Term Pricing Plan (HC-TPP)
Rates Effective: 07/01/98 (Cont'd)

(N)

	<u>USOC</u>	<u>3 Year Monthly Rate</u>
(c) <u>Multiplexing</u> (Cont'd)		
Per arrangement		
DS1 to Voice	MQ1	
Zone 1 - AR		\$162.00
Zone 2 - AR		\$162.00
Zone 3 - AR		\$162.00
Zone 1 - KS		\$162.00
Zone 2 - KS		\$162.00
Zone 3 - KS		\$162.00
Zone 1 - MO		\$162.00
Zone 2 - MO		\$162.00
Zone 3 - MO		\$162.00
Zone 1 - OK		\$162.00
Zone 2 - OK		\$162.00
Zone 3 - OK		\$162.00
Zone 1 - TX		\$162.00
Zone 2 - TX		\$162.00
Zone 3 - TX		\$162.00
		<u>Nonrecurring Charge</u>
Zone 1 - AR		\$ 0.00
Zone 2 - AR		\$ 0.00
Zone 3 - AR		\$ 0.00
Zone 1 - KS		\$ 0.00
Zone 2 - KS		\$ 0.00
Zone 3 - KS		\$ 0.00
Zone 1 - MO		\$ 0.00
Zone 2 - MO		\$ 0.00
Zone 3 - MO		\$ 0.00
Zone 1 - OK		\$ 0.00
Zone 2 - OK		\$ 0.00
Zone 3 - OK		\$ 0.00
Zone 1 - TX		\$ 0.00
Zone 2 - TX		\$ 0.00
Zone 3 - TX		\$ 0.00

(N)

Rates contained in this transmittal are subject to subsequent adjustment, effective retrospectively back to the transmittal's original effective date, in the event the Commission or a court subsequently authorizes SWBT to correct its rates to allow it to calculate its price cap formulas to exclude USF contributions from the operation of the X-factor, or in the event of any other adjustment pursuant to an order of the Commission or a court.

Filed in compliance with FCC Order 98-106.

(This page filed under Transmittal No. 2705)

Issued: June 16, 1998

Effective: July 1, 1998

Four AT&T Plaza, Dallas, Texas 75202

ACCESS SERVICE

7. Special Access Service (Cont'd)

7.3 Service Descriptions, Rates and Charges (Cont'd)

7.3.10 High Capacity Service (Cont'd)

(F) Rates and Charges (Cont'd)

(34) High Capacity Term Pricing Plan (HC-TPP)
Rates Effective: 07/01/98 (Cont'd)

(N)

	<u>USOC</u>	<u>5 Year Monthly Rate</u>
(c) <u>Multiplexing</u> (Cont'd)		

Per arrangement

DS1 to Voice MQ1

Zone 1 - AR	\$153.00
Zone 2 - AR	\$153.00
Zone 3 - AR	\$153.00
Zone 1 - KS	\$153.00
Zone 2 - KS	\$153.00
Zone 3 - KS	\$153.00
Zone 1 - MO	\$153.00
Zone 2 - MO	\$153.00
Zone 3 - MO	\$153.00
Zone 1 - OK	\$153.00
Zone 2 - OK	\$153.00
Zone 3 - OK	\$153.00
Zone 1 - TX	\$153.00
Zone 2 - TX	\$153.00
Zone 3 - TX	\$153.00

Nonrecurring Charge

Zone 1 - AR	\$ 0.00
Zone 2 - AR	\$ 0.00
Zone 3 - AR	\$ 0.00
Zone 1 - KS	\$ 0.00
Zone 2 - KS	\$ 0.00
Zone 3 - KS	\$ 0.00
Zone 1 - MO	\$ 0.00
Zone 2 - MO	\$ 0.00
Zone 3 - MO	\$ 0.00
Zone 1 - OK	\$ 0.00
Zone 2 - OK	\$ 0.00
Zone 3 - OK	\$ 0.00
Zone 1 - TX	\$ 0.00
Zone 2 - TX	\$ 0.00
Zone 3 - TX	\$ 0.00

(N)

Rates contained in this transmittal are subject to subsequent adjustment, effective retrospectively back to the transmittal's original effective date, in the event the Commission or a court subsequently authorizes SWBT to correct its rates to allow it to calculate its price cap formulas to exclude USF contributions from the operation of the X-factor, or in the event of any other adjustment pursuant to an order of the Commission or a court.

Filed in compliance with FCC Order 98-106.

(This page filed under Transmittal No. 2705)

Issued: June 16, 1998

Effective: July 1, 1998

Four AT&T Plaza, Dallas, Texas 75202

ACCESS SERVICE

7. Special Access Service (Cont'd)

7.3 Service Descriptions, Rates and Charges (Cont'd)

7.3.10 High Capacity Service (Cont'd)

(F) Rates and Charges (Cont'd)

(34) High Capacity Term Pricing Plan (HC-TPP)
Rates Effective: 07/01/98 (Cont'd)

(N)

(d) <u>SecureNet - Missouri</u>	<u>3 Year Monthly Rate</u>	<u>Nonrecurring Charge</u>
Per Channel Termination		
Hub Redundancy (R16AA)	\$167.02	\$1,422.00
Serving Wire Center and Facility Redundancy (R18AB)	\$ 0.00	\$ 0.00
<u>SecureNet - Missouri</u>	<u>5 Year Monthly Rate</u>	<u>Nonrecurring Charge</u>
Per Channel Termination		
Hub Redundancy (R16AA)	\$157.74	\$1,422.00
Serving Wire Center and Facility Redundancy (R18AB)	\$ 0.00	\$ 0.00

(N)

Rates contained in this transmittal are subject to subsequent adjustment, effective retrospectively back to the transmittal's original effective date, in the event the Commission or a court subsequently authorizes SWBT to correct its rates to allow it to calculate its price cap formulas to exclude USF contributions from the operation of the X-factor, or in the event of any other adjustment pursuant to an order of the Commission or a court.

Filed in compliance with FCC Order 98-106.

(This page filed under Transmittal No. 2705)

Issued: June 16, 1998

Effective: July 1, 1998

Four AT&T Plaza, Dallas, Texas 75202

ACCESS SERVICE

(N)

7. Special Access Service (Cont'd)

7.3 Service Descriptions, Rates and Charges (Cont'd)

7.3.10 High Capacity Service (Cont'd)

(F) Rates and Charges (Cont'd)

(34) High Capacity Term Pricing Plan (HC-TPP)
Rates Effective: 07/01/99

		USOC	3 Year Monthly Rate
(a) <u>Channel Termination</u>			
Per point of termination		TMECS	
1.544 Mbps			
Zone 1 - AR			\$140.25
Zone 2 - AR			\$140.25
Zone 3 - AR			\$140.25
Zone 1 - KS			\$140.25
Zone 2 - KS			\$140.25
Zone 3 - KS			\$140.25
Zone 1 - MO			\$129.60
Zone 2 - MO			\$129.60
Zone 3 - MO			\$140.25
Zone 1 - OK			\$140.25
Zone 2 - OK			\$140.25
Zone 3 - OK			\$140.25
Zone 1 - TX			\$121.50
Zone 2 - TX			\$121.50
Zone 3 - TX			\$140.25
Charge		Nonrecurring	
<u>Ckt</u>		<u>1st Ckt</u>	<u>Addl</u>
Zone 1 - AR		\$300.00	\$228.00
Zone 2 - AR		\$300.00	\$228.00
Zone 3 - AR		\$300.00	\$228.00
Zone 1 - KS		\$300.00	\$228.00
Zone 2 - KS		\$300.00	\$228.00
Zone 3 - KS		\$300.00	\$228.00
Zone 1 - MO		\$300.00	\$228.00
Zone 2 - MO		\$300.00	\$228.00
Zone 3 - MO		\$300.00	\$228.00
Zone 1 - OK		\$300.00	\$228.00
Zone 2 - OK		\$300.00	\$228.00
Zone 3 - OK		\$300.00	\$228.00
Zone 1 - TX		\$300.00	\$228.00
Zone 2 - TX		\$300.00	\$228.00
Zone 3 - TX		\$300.00	\$228.00

Rates contained in this transmittal are subject to subsequent adjustment, effective retrospectively back to the transmittal's original effective date, in the event the Commission or a court subsequently authorizes SWBT to correct its rates pursuant to the decision in United States Telephone Association v. FCC (Case No. 97-1469)(slip. op. May 21, 1999)(D.C. Cir.), or pursuant to pending motions, or petitions for reconsideration or waiver (and including, but not limited to, any Application for Review of the letter from Lawrence E. Strickling, Chief, Common Carrier Bureau, FCC, to Dale Robertson, SBC, dated May 18, 1999 which may be filed with the Commission), or in the event of any other adjustment pursuant to an order of the Commission or a court.

(This page filed under Transmittal No. 2763)

Issued: June 16, 1999

Effective: July 1, 1999

Four AT&T Plaza, Dallas, Texas 75202

ACCESS SERVICE

7. Special Access Service (Cont'd)

(N)

7.3 Service Descriptions, Rates and Charges (Cont'd)

7.3.10 High Capacity Service (Cont'd)

(F) Rates and Charges (Cont'd)

(34) High Capacity Term Pricing Plan (HC-TPP)
Rates Effective: 07/01/99 (Cont'd)

	USOC	5 Year Monthly Rate
(a) <u>Channel Termination</u> (Cont'd)		
Per point of termination	TMECS	
1.544 Mbps		
Zone 1 - AR		\$132.00
Zone 2 - AR		\$132.00
Zone 3 - AR		\$132.00
Zone 1 - KS		\$132.00
Zone 2 - KS		\$132.00
Zone 3 - KS		\$132.00
Zone 1 - MO		\$121.50
Zone 2 - MO		\$121.50
Zone 3 - MO		\$132.00
Zone 1 - OK		\$132.00
Zone 2 - OK		\$132.00
Zone 3 - OK		\$132.00
Zone 1 - TX		\$108.00
Zone 2 - TX		\$108.00
Zone 3 - TX		\$132.00

Ckt	Charge	Nonrecurring	
		1st Ckt	Addl
	Zone 1 - AR	\$ 0.00	\$ 0.00
	Zone 2 - AR	\$ 0.00	\$ 0.00
	Zone 3 - AR	\$ 0.00	\$ 0.00
	Zone 1 - KS	\$ 0.00	\$ 0.00
	Zone 2 - KS	\$ 0.00	\$ 0.00
	Zone 3 - KS	\$ 0.00	\$ 0.00
	Zone 1 - MO	\$ 0.00	\$ 0.00
	Zone 2 - MO	\$ 0.00	\$ 0.00
	Zone 3 - MO	\$ 0.00	\$ 0.00
	Zone 1 - OK	\$ 0.00	\$ 0.00
	Zone 2 - OK	\$ 0.00	\$ 0.00
	Zone 3 - OK	\$ 0.00	\$ 0.00
	Zone 1 - TX	\$ 0.00	\$ 0.00
	Zone 2 - TX	\$ 0.00	\$ 0.00
	Zone 3 - TX	\$ 0.00	\$ 0.00

(N)

Rates contained in this transmittal are subject to subsequent adjustment, effective retrospectively back to the transmittal's original effective date, in the event the Commission or a court subsequently authorizes SWBT to correct its rates pursuant to the decision in United States Telephone Association v. FCC (Case No. 97-1469) (slip. op. May 21, 1999) (D.C. Cir.), or pursuant to pending motions, or petitions for reconsideration or waiver (and including, but not limited to, any Application for Review of the letter from Lawrence E. Strickling, Chief, Common Carrier Bureau, FCC, to Dale Robertson, SBC, dated May 18, 1999 which may be filed with the Commission), or in the event

(This page filed under Transmittal No. 2763)

Issued: June 16, 1999

Effective: July 1, 1999

Four AT&T Plaza, Dallas, Texas 75202

ACCESS SERVICE

7. Special Access Service (Cont'd)

(N)

7.3 Service Descriptions, Rates and Charges (Cont'd)

7.3.10 High Capacity Service (Cont'd)

(F) Rates and Charges (Cont'd)

(34) High Capacity Term Pricing Plan (HC-TPP)
Rates Effective: 07/01/99 (Cont'd)

	USOC	3 Year Monthly Rate	
		Fixed	Per Mile
(b) <u>Channel Mileage</u>			
1.544 Mbps	1L5XX		
0 miles			
Zone 1 - AR		\$ 0.00	\$ 0.00
Zone 2 - AR		\$ 0.00	\$ 0.00
Zone 3 - AR		\$ 0.00	\$ 0.00
Zone 1 - KS		\$ 0.00	\$ 0.00
Zone 2 - KS		\$ 0.00	\$ 0.00
Zone 3 - KS		\$ 0.00	\$ 0.00
Zone 1 - MO		\$ 0.00	\$ 0.00
Zone 2 - MO		\$ 0.00	\$ 0.00
Zone 3 - MO		\$ 0.00	\$ 0.00
Zone 1 - OK		\$ 0.00	\$ 0.00
Zone 2 - OK		\$ 0.00	\$ 0.00
Zone 3 - OK		\$ 0.00	\$ 0.00
Zone 1 - TX		\$ 0.00	\$ 0.00
Zone 2 - TX		\$ 0.00	\$ 0.00
Zone 3 - TX		\$ 0.00	\$ 0.00
Over 0 miles			
Zone 1 - AR		\$46.00	\$14.28
Zone 2 - AR		\$46.00	\$14.28
Zone 3 - AR		\$46.00	\$14.28
Zone 1 - KS		\$46.00	\$14.28
Zone 2 - KS		\$46.00	\$14.28
Zone 3 - KS		\$46.00	\$14.28
Zone 1 - MO		\$42.50	\$13.44
Zone 2 - MO		\$42.50	\$13.44
Zone 3 - MO		\$46.00	\$14.28
Zone 1 - OK		\$46.00	\$14.28
Zone 2 - OK		\$46.00	\$14.28
Zone 3 - OK		\$46.00	\$14.28
Zone 1 - TX		\$40.00	\$12.60
Zone 2 - TX		\$40.00	\$12.60
Zone 3 - TX		\$46.00	\$14.28

(N)

Rates contained in this transmittal are subject to subsequent adjustment, effective retrospectively back to the transmittal's original effective date, in the event the Commission or a court subsequently authorizes SWBT to correct its rates pursuant to the decision in United States Telephone Association v. FCC (Case No. 97-1469)(slip. op. May 21, 1999) (D.C. Cir.), or pursuant to pending motions, or petitions for reconsideration or waiver (and including, but not limited to, any Application for Review of the letter from Lawrence E. Strickling, Chief, Common Carrier Bureau, FCC, to Dale Robertson, SBC, dated May 18, 1999 which may be filed with the Commission), or in the event of any other adjustment pursuant to an order of the Commission or a court.

(This page filed under Transmittal No. 2763)

Issued: June 16, 1999

Effective: July 1, 1999

Four AT&T Plaza, Dallas, Texas 75202

ACCESS SERVICE

7. Special Access Service (Cont'd)

(N)

7.3 Service Descriptions, Rates and Charges (Cont'd)

7.3.10 High Capacity Service (Cont'd)

(F) Rates and Charges (Cont'd)

(34) High Capacity Term Pricing Plan (HC-TPP)
Rates Effective: 07/01/99 (Cont'd)

		USOC	5 Year Monthly Rate	
			Fixed	Per Mile
(b) <u>Channel Mileage</u> (Cont'd)				
1.544 Mbps		1L5XX		
0 miles				
Zone 1 - AR			\$ 0.00	\$ 0.00
Zone 2 - AR			\$ 0.00	\$ 0.00
Zone 3 - AR			\$ 0.00	\$ 0.00
Zone 1 - KS			\$ 0.00	\$ 0.00
Zone 2 - KS			\$ 0.00	\$ 0.00
Zone 3 - KS			\$ 0.00	\$ 0.00
Zone 1 - MO			\$ 0.00	\$ 0.00
Zone 2 - MO			\$ 0.00	\$ 0.00
Zone 3 - MO			\$ 0.00	\$ 0.00
Zone 1 - OK			\$ 0.00	\$ 0.00
Zone 2 - OK			\$ 0.00	\$ 0.00
Zone 3 - OK			\$ 0.00	\$ 0.00
Zone 1 - TX			\$ 0.00	\$ 0.00
Zone 2 - TX			\$ 0.00	\$ 0.00
Zone 3 - TX			\$ 0.00	\$ 0.00
Over 0 miles				
Zone 1 - AR			\$43.50	\$12.40
Zone 2 - AR			\$43.50	\$12.40
Zone 3 - AR			\$43.50	\$12.40
Zone 1 - KS			\$43.50	\$12.40
Zone 2 - KS			\$43.50	\$12.40
Zone 3 - KS			\$43.50	\$12.40
Zone 1 - MO			\$40.00	\$12.40
Zone 2 - MO			\$40.00	\$12.40
Zone 3 - MO			\$43.50	\$12.40
Zone 1 - OK			\$43.50	\$12.40
Zone 2 - OK			\$43.50	\$12.40
Zone 3 - OK			\$43.50	\$12.40
Zone 1 - TX			\$37.50	\$11.20
Zone 2 - TX			\$37.50	\$11.20
Zone 3 - TX			\$43.50	\$13.00

(N)

Rates contained in this transmittal are subject to subsequent adjustment, effective retrospectively back to the transmittal's original effective date, in the event the Commission or a court subsequently authorizes SWBT to correct its rates pursuant to the decision in United States Telephone Association v. FCC (Case No. 97-1469)(slip. op. May 21, 1999)(D.C. Cir.), or pursuant to pending motions, or petitions for reconsideration or waiver (and including, but not limited to, any Application for Review of the letter from Lawrence E. Strickling, Chief, Common Carrier Bureau, FCC, to Dale Robertson, SBC, dated May 18, 1999 which may be filed with the Commission), or in the event of any other adjustment pursuant to an order of the Commission or a court.

(This page filed under Transmittal No. 2763)

Issued: June 16, 1999

Effective: July 1, 1999

Four AT&T Plaza, Dallas, Texas 75202

ACCESS SERVICE

(N)

7. Special Access Service (Cont'd)

7.3 Service Descriptions, Rates and Charges (Cont'd)

7.3.10 High Capacity Service (Cont'd)

(F) Rates and Charges (Cont'd)

(34) High Capacity Term Pricing Plan (HC-TPP)
Rates Effective: 07/01/99 (Cont'd)

	<u>USOC</u>	<u>3 Year Monthly Rate</u>
(c) <u>Multiplexing</u>		
Per arrangement		
DS0 to Subrates		
Up to 20 2.4 kbps services	QSU24	
Zone 1 - AR		\$114.35
Zone 2 - AR		\$114.35
Zone 3 - AR		\$114.35
Zone 1 - KS		\$114.35
Zone 2 - KS		\$114.35
Zone 3 - KS		\$114.35
Zone 1 - MO		\$114.35
Zone 2 - MO		\$114.35
Zone 3 - MO		\$114.35
Zone 1 - OK		\$114.35
Zone 2 - OK		\$114.35
Zone 3 - OK		\$114.35
Zone 1 - TX		\$114.35
Zone 2 - TX		\$114.35
Zone 3 - TX		\$114.35
		<u>Nonrecurring Charge</u>
Zone 1 - AR		\$ 0.00
Zone 2 - AR		\$ 0.00
Zone 3 - AR		\$ 0.00
Zone 1 - KS		\$ 0.00
Zone 2 - KS		\$ 0.00
Zone 3 - KS		\$ 0.00
Zone 1 - MO		\$ 0.00
Zone 2 - MO		\$ 0.00
Zone 3 - MO		\$ 0.00
Zone 1 - OK		\$ 0.00
Zone 2 - OK		\$ 0.00
Zone 3 - OK		\$ 0.00
Zone 1 - TX		\$ 0.00
Zone 2 - TX		\$ 0.00
Zone 3 - TX		\$ 0.00

Rates contained in this transmittal are subject to subsequent adjustment, effective retrospectively back to the transmittal's original effective date, in the event the Commission or a court subsequently authorizes SWBT to correct its rates pursuant to the decision in United States Telephone Association v. FCC (Case No. 97-1469) (slip. op. May 21, 1999) (D. C. Cir.), or pursuant to pending motions, or petitions for reconsideration or waiver (and including, but not limited to, any Application for Review of the letter from Lawrence E. Strickling, Chief, Common Carrier Bureau, FCC, to Dale Robertson, SBC, dated May 18, 1999 which may be filed with the Commission), or in the event

(This page filed under Transmittal No. 2763)

Issued: June 16, 1999

Effective: July 1, 1999

Four AT&T Plaza, Dallas, Texas 75202

ACCESS SERVICE

(N)

7. Special Access Service (Cont'd)

7.3 Service Descriptions, Rates and Charges (Cont'd)

7.3.10 High Capacity Service (Cont'd)

(F) Rates and Charges (Cont'd)

(34) High Capacity Term Pricing Plan (HC-TPP)
Rates Effective: 07/01/99 (Cont'd)

	<u>USOC</u>	<u>5 Year Monthly Rate</u>
(c) <u>Multiplexing</u> (Cont'd)		
Per arrangement		
DS0 to Subrates		
Up to 20 2.4 kbps services	QSU24	
Zone 1 - AR		\$107.45
Zone 2 - AR		\$107.45
Zone 3 - AR		\$107.45
Zone 1 - KS		\$107.45
Zone 2 - KS		\$107.45
Zone 3 - KS		\$107.45
Zone 1 - MO		\$107.45
Zone 2 - MO		\$107.45
Zone 3 - MO		\$107.45
Zone 1 - OK		\$107.45
Zone 2 - OK		\$107.45
Zone 3 - OK		\$107.45
Zone 1 - TX		\$107.45
Zone 2 - TX		\$107.45
Zone 3 - TX		\$107.50
		<u>Nonrecurring Charge</u>
Zone 1 - AR		\$ 0.00
Zone 2 - AR		\$ 0.00
Zone 3 - AR		\$ 0.00
Zone 1 - KS		\$ 0.00
Zone 2 - KS		\$ 0.00
Zone 3 - KS		\$ 0.00
Zone 1 - MO		\$ 0.00
Zone 2 - MO		\$ 0.00
Zone 3 - MO		\$ 0.00
Zone 1 - OK		\$ 0.00
Zone 2 - OK		\$ 0.00
Zone 3 - OK		\$ 0.00
Zone 1 - TX		\$ 0.00
Zone 2 - TX		\$ 0.00
Zone 3 - TX		\$ 0.00

(N)

Rates contained in this transmittal are subject to subsequent adjustment, effective retrospectively back to the transmittal's original effective date, in the event the Commission or a court subsequently authorizes SWBT to correct its rates pursuant to the decision in United States Telephone Association v. FCC (Case No. 97-1469) (slip. op. May 21, 1999) (D.C. Cir.), or pursuant to pending motions, or petitions for reconsideration or waiver (and including, but not limited to, any Application for Review of the letter from Lawrence E. Strickling, Chief, Common Carrier Bureau, FCC, to Dale Robertson, SBC, dated May 18, 1999 which may be filed with the Commission), or in the event

(This page filed under Transmittal No. 2763)

Issued: June 16, 1999

Effective: July 1, 1999

Four AT&T Plaza, Dallas, Texas 75202

ACCESS SERVICE

(N)

7. Special Access Service (Cont'd)

7.3 Service Descriptions, Rates and Charges (Cont'd)

7.3.10 High Capacity Service (Cont'd)

(F) Rates and Charges (Cont'd)

(34) High Capacity Term Pricing Plan (HC-TPP)
Rates Effective: 07/01/99 (Cont'd)

	<u>USOC</u>	<u>3 Year Monthly Rate</u>
(c) <u>Multiplexing</u> (Cont'd)		
Per arrangement		
DS0 to Subrates		
Up to 10 4.8 kbps services	QSU48	
Zone 1 - AR		\$104.85
Zone 2 - AR		\$104.85
Zone 3 - AR		\$104.85
Zone 1 - KS		\$104.85
Zone 2 - KS		\$104.85
Zone 3 - KS		\$104.85
Zone 1 - MO		\$104.85
Zone 2 - MO		\$104.85
Zone 3 - MO		\$104.85
Zone 1 - OK		\$104.85
Zone 2 - OK		\$104.85
Zone 3 - OK		\$104.85
Zone 1 - TX		\$104.85
Zone 2 - TX		\$104.85
Zone 3 - TX		\$104.85
		<u>Nonrecurring Charge</u>
Zone 1 - AR		\$ 0.00
Zone 2 - AR		\$ 0.00
Zone 3 - AR		\$ 0.00
Zone 1 - KS		\$ 0.00
Zone 2 - KS		\$ 0.00
Zone 3 - KS		\$ 0.00
Zone 1 - MO		\$ 0.00
Zone 2 - MO		\$ 0.00
Zone 3 - MO		\$ 0.00
Zone 1 - OK		\$ 0.00
Zone 2 - OK		\$ 0.00
Zone 3 - OK		\$ 0.00
Zone 1 - TX		\$ 0.00
Zone 2 - TX		\$ 0.00
Zone 3 - TX		\$ 0.00

Rates contained in this transmittal are subject to subsequent adjustment, effective retrospectively back to the transmittal's original effective date, in the event the Commission or a court subsequently authorizes SWBT to correct its rates pursuant to the decision in United States Telephone Association v. FCC (Case No. 97-1469)(slip. op. May 21, 1999)(D.C. Cir.), or pursuant to pending motions, or petitions for reconsideration or waiver (and including, but not limited to, any Application for Review of the letter from Lawrence E. Strickling, Chief, Common Carrier Bureau, FCC, to Dale Robertson, SBC, dated May 18, 1999 which may be filed with the Commission), or in the event

(This page filed under Transmittal No. 2763)

Issued: June 16, 1999

Effective: July 1, 1999

Four AT&T Plaza, Dallas, Texas 75202

ACCESS SERVICE

(N)

7. Special Access Service (Cont'd)

7.3 Service Descriptions, Rates and Charges (Cont'd)

7.3.10 High Capacity Service (Cont'd)

(F) Rates and Charges (Cont'd)

(34) High Capacity Term Pricing Plan (HC-TPP)
Rates Effective: 07/01/99 (Cont'd)

	<u>USOC</u>	<u>5 Year Monthly Rate</u>
(c) <u>Multiplexing</u> (Cont'd)		
Per arrangement		
DS0 to Subrates		
Up to 10 4.8 kbps services	QSU48	
Zone 1 - AR		\$ 98.55
Zone 2 - AR		\$ 98.55
Zone 3 - AR		\$ 98.55
Zone 1 - KS		\$ 98.55
Zone 2 - KS		\$ 98.55
Zone 3 - KS		\$ 98.55
Zone 1 - MO		\$ 98.55
Zone 2 - MO		\$ 98.55
Zone 3 - MO		\$ 98.55
Zone 1 - OK		\$ 98.55
Zone 2 - OK		\$ 98.55
Zone 3 - OK		\$ 98.55
Zone 1 - TX		\$ 98.55
Zone 2 - TX		\$ 98.55
Zone 3 - TX		\$ 98.55
		<u>Nonrecurring Charge</u>
Zone 1 - AR		\$ 0.00
Zone 2 - AR		\$ 0.00
Zone 3 - AR		\$ 0.00
Zone 1 - KS		\$ 0.00
Zone 2 - KS		\$ 0.00
Zone 3 - KS		\$ 0.00
Zone 1 - MO		\$ 0.00
Zone 2 - MO		\$ 0.00
Zone 3 - MO		\$ 0.00
Zone 1 - OK		\$ 0.00
Zone 2 - OK		\$ 0.00
Zone 3 - OK		\$ 0.00
Zone 1 - TX		\$ 0.00
Zone 2 - TX		\$ 0.00
Zone 3 - TX		\$ 0.00

(N)

Rates contained in this transmittal are subject to subsequent adjustment, effective retrospectively back to the transmittal's original effective date, in the event the Commission or a court subsequently authorizes SWBT to correct its rates pursuant to the decision in United States Telephone Association v. FCC (Case No. 97-1469)(slip. op. May 21, 1999)(D.C. Cir.), or pursuant to pending motions, or petitions for reconsideration or waiver (and including, but not limited to, any Application for Review of the letter from Lawrence E. Strickling, Chief, Common Carrier Bureau, FCC, to Dale Robertson, SBC, dated May 18, 1999 which may be filed with the Commission), or in the event of any other adjustment pursuant to an order of the Commission or a court.

(This page filed under Transmittal No. 2763)

Issued: June 16, 1999

Effective: July 1, 1999

Four AT&T Plaza, Dallas, Texas 75202

ACCESS SERVICE

(N)

7. Special Access Service (Cont'd)

7.3 Service Descriptions, Rates and Charges (Cont'd)

7.3.10 High Capacity Service (Cont'd)

(F) Rates and Charges (Cont'd)

(34) High Capacity Term Pricing Plan (HC-TPP)
Rates Effective: 07/01/99 (Cont'd)

	<u>USOC</u>	<u>3 Year Monthly Rate</u>
--	-------------	--------------------------------

(c) Multiplexing (Cont'd)

Per arrangement

DS0 to Subrates

Up to 5 9.6 kbps
services

QSU96

Zone 1 - AR	\$200.30
Zone 2 - AR	\$200.30
Zone 3 - AR	\$200.30
Zone 1 - KS	\$200.30
Zone 2 - KS	\$200.30
Zone 3 - KS	\$200.30
Zone 1 - MO	\$200.30
Zone 2 - MO	\$200.30
Zone 3 - MO	\$200.30
Zone 1 - OK	\$200.30
Zone 2 - OK	\$200.30
Zone 3 - OK	\$200.30
Zone 1 - TX	\$200.30
Zone 2 - TX	\$200.30
Zone 3 - TX	\$200.30

Nonrecurring Charge

Zone 1 - AR	\$ 0.00
Zone 2 - AR	\$ 0.00
Zone 3 - AR	\$ 0.00
Zone 1 - KS	\$ 0.00
Zone 2 - KS	\$ 0.00
Zone 3 - KS	\$ 0.00
Zone 1 - MO	\$ 0.00
Zone 2 - MO	\$ 0.00
Zone 3 - MO	\$ 0.00
Zone 1 - OK	\$ 0.00
Zone 2 - OK	\$ 0.00
Zone 3 - OK	\$ 0.00
Zone 1 - TX	\$ 0.00
Zone 2 - TX	\$ 0.00
Zone 3 - TX	\$ 0.00

(N)

Rates contained in this transmittal are subject to subsequent adjustment, effective retrospectively back to the transmittal's original effective date, in the event the Commission or a court subsequently authorizes SWBT to correct its rates pursuant to the decision in United States Telephone Association v. FCC (Case No. 97-1469)(slip. op. May 21, 1999)(D.C. Cir.), or pursuant to pending motions, or petitions for reconsideration or waiver (and including, but not limited to, any Application for Review of the letter from Lawrence E. Strickling, Chief, Common Carrier Bureau, FCC, to Dale Robertson, SBC, dated May 18, 1999 which may be filed with the Commission), or in the event of any other adjustment pursuant to an order of the Commission or a court.

(This page filed under Transmittal No. 2763)

Issued: June 16, 1999

Effective: July 1, 1999

Four AT&T Plaza, Dallas, Texas 75202

ACCESS SERVICE

(N)

7. Special Access Service (Cont'd)

7.3 Service Descriptions, Rates and Charges (Cont'd)

7.3.10 High Capacity Service (Cont'd)

(F) Rates and Charges (Cont'd)

(34) High Capacity Term Pricing Plan (HC-TPP)
Rates Effective: 07/01/99 (Cont'd)

	<u>USOC</u>	<u>5 Year Monthly Rate</u>
(c) <u>Multiplexing</u> (Cont'd)		
Per arrangement		
DS0 to Subrates		
Up to 5 9.6 kbps services	QSU96	
Zone 1 - AR		\$188.20
Zone 2 - AR		\$188.20
Zone 3 - AR		\$188.20
Zone 1 - KS		\$188.20
Zone 2 - KS		\$188.20
Zone 3 - KS		\$188.20
Zone 1 - MO		\$188.20
Zone 2 - MO		\$188.20
Zone 3 - MO		\$188.20
Zone 1 - OK		\$188.20
Zone 2 - OK		\$188.20
Zone 3 - OK		\$188.20
Zone 1 - TX		\$188.20
Zone 2 - TX		\$188.20
Zone 3 - TX		\$188.20
		<u>Nonrecurring Charge</u>
Zone 1 - AR		\$ 0.00
Zone 2 - AR		\$ 0.00
Zone 3 - AR		\$ 0.00
Zone 1 - KS		\$ 0.00
Zone 2 - KS		\$ 0.00
Zone 3 - KS		\$ 0.00
Zone 1 - MO		\$ 0.00
Zone 2 - MO		\$ 0.00
Zone 3 - MO		\$ 0.00
Zone 1 - OK		\$ 0.00
Zone 2 - OK		\$ 0.00
Zone 3 - OK		\$ 0.00
Zone 1 - TX		\$ 0.00
Zone 2 - TX		\$ 0.00
Zone 3 - TX		\$ 0.00

(N)

Rates contained in this transmittal are subject to subsequent adjustment, effective retrospectively back to the transmittal's original effective date, in the event the Commission or a court subsequently authorizes SWBT to correct its rates pursuant to the decision in United States Telephone Association v. FCC (Case No. 97-1469) (slip. op. May 21, 1999) (D.C. Cir.), or pursuant to pending motions, or petitions for reconsideration or waiver (and including, but not limited to, any Application for Review of the letter from Lawrence E. Strickling, Chief, Common Carrier Bureau, FCC, to Dale Robertson, SBC, dated May 18, 1999 which may be filed with the Commission), or in the event

(This page filed under Transmittal No. 2763)

Issued: June 16, 1999

Effective: July 1, 1999

Four AT&T Plaza, Dallas, Texas 75202

ACCESS SERVICE

(N)

7. Special Access Service (Cont'd)

7.3 Service Descriptions, Rates and Charges (Cont'd)

7.3.10 High Capacity Service (Cont'd)

(F) Rates and Charges (Cont'd)

(34) High Capacity Term Pricing Plan (HC-TPP)
Rates Effective: 07/01/99 (Cont'd)

	<u>USOC</u>	<u>3 Year Monthly Rate</u>
(c) <u>Multiplexing</u> (Cont'd)		
Per arrangement		
DS1 to DS0	QMU	
Zone 1 - AR		\$162.00
Zone 2 - AR		\$162.00
Zone 3 - AR		\$162.00
Zone 1 - KS		\$162.00
Zone 2 - KS		\$162.00
Zone 3 - KS		\$162.00
Zone 1 - MO		\$162.00
Zone 2 - MO		\$162.00
Zone 3 - MO		\$162.00
Zone 1 - OK		\$162.00
Zone 2 - OK		\$162.00
Zone 3 - OK		\$162.00
Zone 1 - TX		\$162.00
Zone 2 - TX		\$162.00
Zone 3 - TX		\$162.00
		<u>Nonrecurring Charge</u>
Zone 1 - AR		\$ 0.00
Zone 2 - AR		\$ 0.00
Zone 3 - AR		\$ 0.00
Zone 1 - KS		\$ 0.00
Zone 2 - KS		\$ 0.00
Zone 3 - KS		\$ 0.00
Zone 1 - MO		\$ 0.00
Zone 2 - MO		\$ 0.00
Zone 3 - MO		\$ 0.00
Zone 1 - OK		\$ 0.00
Zone 2 - OK		\$ 0.00
Zone 3 - OK		\$ 0.00
Zone 1 - TX		\$ 0.00
Zone 2 - TX		\$ 0.00
Zone 3 - TX		\$ 0.00

Rates contained in this transmittal are subject to subsequent adjustment, effective retrospectively back to the transmittal's original effective date, in the event the Commission or a court subsequently authorizes SWBT to correct its rates pursuant to the decision in United States Telephone Association v. FCC (Case no. 97-1469)(slip. op. May 21, 1999)(D.C. Cir.), or pursuant to pending motions, or petitions for reconsideration or waiver (and including, but not limited to, any Application for Review of the letter form Lawrence E. Strickling, Chief, Common Carrier Bureau, FCC to Dale Robertson, SBC, dated May 18, 1999 which may be filed with the Commission), or in the event of any other adjustment pursuant to an order of the Commission or a court.

(This page filed under Transmittal No. 2763)

Issued: June 16, 1999

Effective: July 1, 1999

Four AT&T Plaza, Dallas, Texas 75202

ACCESS SERVICE

7. Special Access Service (Cont'd)

(N)

7.3 Service Descriptions, Rates and Charges (Cont'd)

7.3.10 High Capacity Service (Cont'd)

(F) Rates and Charges (Cont'd)

(34) High Capacity Term Pricing Plan (HC-TPP)
Rates Effective: 07/01/99 (Cont'd)

	<u>USOC</u>	<u>5 Year Monthly Rate</u>
(c) <u>Multiplexing</u> (Cont'd)		
Per arrangement		
DS1 to DS0	QMU	
Zone 1 - AR		\$153.00
Zone 2 - AR		\$153.00
Zone 3 - AR		\$153.00
Zone 1 - KS		\$153.00
Zone 2 - KS		\$153.00
Zone 3 - KS		\$153.00
Zone 1 - MO		\$153.00
Zone 2 - MO		\$153.00
Zone 3 - MO		\$153.00
Zone 1 - OK		\$153.00
Zone 2 - OK		\$153.00
Zone 3 - OK		\$153.00
Zone 1 - TX		\$153.00
Zone 2 - TX		\$153.00
Zone 3 - TX		\$153.00
		<u>Nonrecurring Charge</u>
Zone 1 - AR		\$ 0.00
Zone 2 - AR		\$ 0.00
Zone 3 - AR		\$ 0.00
Zone 1 - KS		\$ 0.00
Zone 2 - KS		\$ 0.00
Zone 3 - KS		\$ 0.00
Zone 1 - MO		\$ 0.00
Zone 2 - MO		\$ 0.00
Zone 3 - MO		\$ 0.00
Zone 1 - OK		\$ 0.00
Zone 2 - OK		\$ 0.00
Zone 3 - OK		\$ 0.00
Zone 1 - TX		\$ 0.00
Zone 2 - TX		\$ 0.00
Zone 3 - TX		\$ 0.00

(N)

Rates contained in this transmittal are subject to subsequent adjustment, effective retrospectively back to the transmittal's original effective date, in the event the Commission or a court subsequently authorizes SWBT to correct its rates pursuant to the decision in United States Telephone Association v. FCC (Case No. 97-1469)(slip. op. May 21, 1999)(D.C. Cir.), or pursuant to pending motions, or petitions for reconsideration or waiver (and including, but not limited to, any Application for Review of the letter form Lawrence E. Strickling, Chief, Common Carrier Bureau, FCC, to Dale Robertson, SBC, dated May 18, 1999 which may be filed with the Commission), or in the event of any other adjustment pursuant to an order of the Commission or a court.

(This page filed under Transmittal No. 2763)

Issued: June 16, 1999

Effective: July 1, 1999

Four AT&T Plaza, Dallas, Texas 75202

ACCESS SERVICE

(N)

7. Special Access Service (Cont'd)

7.3 Service Descriptions, Rates and Charges (Cont'd)

7.3.10 High Capacity Service (Cont'd)

(F) Rates and Charges (Cont'd)

(34) High Capacity Term Pricing Plan (HC-TPP)
Rates Effective: 07/01/99 (Cont'd)

	<u>USOC</u>	<u>3 Year Monthly Rate</u>
(c) <u>Multiplexing</u> (Cont'd)		
Per arrangement		
DS1 to Voice	MQ1	
Zone 1 - AR		\$162.00
Zone 2 - AR		\$162.00
Zone 3 - AR		\$162.00
Zone 1 - KS		\$162.00
Zone 2 - KS		\$162.00
Zone 3 - KS		\$162.00
Zone 1 - MO		\$162.00
Zone 2 - MO		\$162.00
Zone 3 - MO		\$162.00
Zone 1 - OK		\$162.00
Zone 2 - OK		\$162.00
Zone 3 - OK		\$162.00
Zone 1 - TX		\$162.00
Zone 2 - TX		\$162.00
Zone 3 - TX		\$162.00
		<u>Nonrecurring Charge</u>
Zone 1 - AR		\$ 0.00
Zone 2 - AR		\$ 0.00
Zone 3 - AR		\$ 0.00
Zone 1 - KS		\$ 0.00
Zone 2 - KS		\$ 0.00
Zone 3 - KS		\$ 0.00
Zone 1 - MO		\$ 0.00
Zone 2 - MO		\$ 0.00
Zone 3 - MO		\$ 0.00
Zone 1 - OK		\$ 0.00
Zone 2 - OK		\$ 0.00
Zone 3 - OK		\$ 0.00
Zone 1 - TX		\$ 0.00
Zone 2 - TX		\$ 0.00
Zone 3 - TX		\$ 0.00

Rates contained in this transmittal are subject to subsequent adjustment, effective retrospectively back to the transmittal's original effective date, in the event the Commission or a court subsequently authorizes SWBT to correct its rates pursuant to the decision in United States Telephone Association v. FCC (Case No. 97-1469)(slip. op. May 21, 1999)(D.C. Cir.), or pursuant to pending motions, or petitions for reconsideration or waiver (and including, but not limited to, any Application for Review of the letter from Lawrence E. Strickling, Chief, Common Carrier Bureau, FCC, to Dale Robertson, SBC, dated May 18, 1999 which may be filed with the Commission), or in the event of any other adjustment pursuant to an order of the Commission or a court.

(This page filed under Transmittal No. 2763)

Issued: June 16, 1999

Effective: July 1, 1999

Four AT&T Plaza, Dallas, Texas 75202

ACCESS SERVICE

7. Special Access Service (Cont'd)

(N)

7.3 Service Descriptions, Rates and Charges (Cont'd)

7.3.10 High Capacity Service (Cont'd)

(F) Rates and Charges (Cont'd)

(34) High Capacity Term Pricing Plan (HC-TPP)
Rates Effective: 07/01/99 (Cont'd)

	<u>USOC</u>	<u>5 Year Monthly Rate</u>
(c) <u>Multiplexing</u> (Cont'd)		
Per arrangement		
DS1 to Voice	MQ1	
Zone 1 - AR		\$153.00
Zone 2 - AR		\$153.00
Zone 3 - AR		\$153.00
Zone 1 - KS		\$153.00
Zone 2 - KS		\$153.00
Zone 3 - KS		\$153.00
Zone 1 - MO		\$153.00
Zone 2 - MO		\$153.00
Zone 3 - MO		\$153.00
Zone 1 - OK		\$153.00
Zone 2 - OK		\$153.00
Zone 3 - OK		\$153.00
Zone 1 - TX		\$153.00
Zone 2 - TX		\$153.00
Zone 3 - TX		\$153.00
		<u>Nonrecurring Charge</u>
Zone 1 - AR		\$ 0.00
Zone 2 - AR		\$ 0.00
Zone 3 - AR		\$ 0.00
Zone 1 - KS		\$ 0.00
Zone 2 - KS		\$ 0.00
Zone 3 - KS		\$ 0.00
Zone 1 - MO		\$ 0.00
Zone 2 - MO		\$ 0.00
Zone 3 - MO		\$ 0.00
Zone 1 - OK		\$ 0.00
Zone 2 - OK		\$ 0.00
Zone 3 - OK		\$ 0.00
Zone 1 - TX		\$ 0.00
Zone 2 - TX		\$ 0.00
Zone 3 - TX		\$ 0.00

(N)

Rates contained in this transmittal are subject to subsequent adjustment, effective retrospectively back to the transmittal's original effective date, in the event the Commission or a court subsequently authorizes SWBT to correct its rates pursuant to the decision in United States Telephone Association v. FCC (Case No. 97-1469)(slip. op. May 21, 1999)(D.C. Cir.), or pursuant to pending motions, or petitions for reconsideration or waiver (and including, but not limited to, any Application for Review of the letter from Lawrence E. Strickling, Chief, Common Carrier Bureau, FCC, to Dale Robertson, SBC, dated May 18, 1999 which may be filed with the Commission), or in the event of any other adjustment pursuant to an order of the Commission or a court.

(This page filed under Transmittal No. 2763)

Issued: June 16, 1999

Effective: July 1, 1999

Four AT&T Plaza, Dallas, Texas 75202

ACCESS SERVICE

7. Special Access Service (Cont'd)

(N)

7.3 Service Descriptions, Rates and Charges (Cont'd)7.3.10 High Capacity Service (Cont'd)(F) Rates and Charges (Cont'd)(34) High Capacity Term Pricing Plan (HC-TPP)
Rates Effective: 07/01/99 (Cont'd)

(d) <u>SecureNet - Missouri</u>	<u>3 Year Monthly Rate</u>	<u>Nonrecurring Charge</u>
Per Channel Termination		
Hub Redundancy (R16AA)	\$167.02	\$1,422.00
Serving Wire Center and Facility Redundancy (R18AB)	\$ 0.00	\$ 0.00
	<u>5 Year Monthly Rate</u>	<u>Nonrecurring Charge</u>
<u>SecureNet - Missouri</u>		
Per Channel Termination		
Hub Redundancy (R16AA)	\$157.74	\$1,422.00
Serving Wire Center and Facility Redundancy (R18AB)	\$ 0.00	\$ 0.00

(N)

Rates contained in this transmittal are subject to subsequent adjustment, effective retrospectively back to the transmittal's original effective date, in the event the Commission or a court subsequently authorizes SWBT to correct its rates pursuant to the decision in United States Telephone Association v. FCC (Case No. 97-1469)(slip. op. May 21, 1999)(D.C. Cir.), or pursuant to pending motions, or petitions for reconsideration or waiver (and including, but not limited to, any Application for Review of the letter from Lawrence E. Strickling, Chief, Common Carrier Bureau, FCC, to Dale Robertson, SBC, dated May 18, 1999 which may be filed with the Commission), or in the event of any other adjustment pursuant to an order of the Commission or a court.

(This page filed under Transmittal No. 2763)

Issued: June 16, 1999

Effective: July 1, 1999

Four AT&T Plaza, Dallas, Texas 75202

ACCESS SERVICE

(N)

7. Special Access Service (Cont'd)

7.3 Service Descriptions, Rates and Charges (Cont'd)

7.3.10 High Capacity Service (Cont'd)

(F) Rates and Charges (Cont'd)

(34) High Capacity Term Pricing Plan (HC-TPP)

Rates Effective: 10/01/99

	USOC	3 Year Monthly Rate
(a) <u>Channel Termination</u>		
Per point of termination	TMECS	
1.544 Mbps		
Zone 1 - AR		\$140.25
Zone 2 - AR		\$140.25
Zone 3 - AR		\$140.25
Zone 1 - KS		\$140.25
Zone 2 - KS		\$140.25
Zone 3 - KS		\$140.25
Zone 1 - MO		\$129.60
Zone 2 - MO		\$129.60
Zone 3 - MO		\$140.25
Zone 1 - OK		\$140.25
Zone 2 - OK		\$140.25
Zone 3 - OK		\$140.25
Zone 1 - TX		\$121.50
Zone 2 - TX		\$121.50
Zone 3 - TX		\$140.25
		Nonrecurring Charge
		<u>1st Ckt</u> <u>Addl Ckt</u>
Zone 1 - AR		\$300.00 \$228.00
Zone 2 - AR		\$300.00 \$228.00
Zone 3 - AR		\$300.00 \$228.00
Zone 1 - KS		\$300.00 \$228.00
Zone 2 - KS		\$300.00 \$228.00
Zone 3 - KS		\$300.00 \$228.00
Zone 1 - MO		\$300.00 \$228.00
Zone 2 - MO		\$300.00 \$228.00
Zone 3 - MO		\$300.00 \$228.00
Zone 1 - OK		\$300.00 \$228.00
Zone 2 - OK		\$300.00 \$228.00
Zone 3 - OK		\$300.00 \$228.00
Zone 1 - TX		\$300.00 \$228.00
Zone 2 - TX		\$300.00 \$228.00
Zone 3 - TX		\$300.00 \$228.00

Rates contained in this transmittal are subject to subsequent adjustment, effective retrospectively back to the transmittal's original effective date, in the event the Commission or a court subsequently authorizes SWBT to correct its rates pursuant to the decision in United States Telephone Association v. FCC (Case No. 97-1469)(slip. op. May 21, 1999)(D.C. Cir.), or pursuant to pending motions, or petitions for reconsideration or waiver (and including, but not limited to, any Application for Review of the letter from Lawrence E. Strickling, Chief, Common Carrier Bureau, FCC, to Dale Robertson, SBC, dated May 18, 1999 which may be filed with the Commission), or in the event of any other adjustment pursuant to an order of the Commission or a court.

(This page filed under Transmittal No. 2781)

Issued: September 16, 1999

Effective: October 1, 1999

Four AT&T Plaza, Dallas, Texas 75202

ACCESS SERVICE

7. Special Access Service (Cont'd)

(N)

7.3 Service Descriptions, Rates and Charges (Cont'd)

7.3.10 High Capacity Service (Cont'd)

(F) Rates and Charges (Cont'd)

(34) High Capacity Term Pricing Plan (HC-TPP)
Rates Effective: 10/01/99 (Cont'd)

	USOC	5 Year Monthly Rate	
(a) <u>Channel Termination</u> (Cont'd)			
Per point of termination	TMECS		
1.544 Mbps			
Zone 1 - AR		\$132.00	
Zone 2 - AR		\$132.00	
Zone 3 - AR		\$132.00	
Zone 1 - KS		\$132.00	
Zone 2 - KS		\$132.00	
Zone 3 - KS		\$132.00	
Zone 1 - MO		\$121.50	
Zone 2 - MO		\$121.50	
Zone 3 - MO		\$132.00	
Zone 1 - OK		\$132.00	
Zone 2 - OK		\$132.00	
Zone 3 - OK		\$132.00	
Zone 1 - TX		\$108.00	
Zone 2 - TX		\$108.00	
Zone 3 - TX		\$132.00	
			Nonrecurring Charge
			<u>1st Ckt</u> <u>Addl Ckt</u>
Zone 1 - AR		\$ 0.00	\$ 0.00
Zone 2 - AR		\$ 0.00	\$ 0.00
Zone 3 - AR		\$ 0.00	\$ 0.00
Zone 1 - KS		\$ 0.00	\$ 0.00
Zone 2 - KS		\$ 0.00	\$ 0.00
Zone 3 - KS		\$ 0.00	\$ 0.00
Zone 1 - MO		\$ 0.00	\$ 0.00
Zone 2 - MO		\$ 0.00	\$ 0.00
Zone 3 - MO		\$ 0.00	\$ 0.00
Zone 1 - OK		\$ 0.00	\$ 0.00
Zone 2 - OK		\$ 0.00	\$ 0.00
Zone 3 - OK		\$ 0.00	\$ 0.00
Zone 1 - TX		\$ 0.00	\$ 0.00
Zone 2 - TX		\$ 0.00	\$ 0.00
Zone 3 - TX		\$ 0.00	\$ 0.00

(N)

Rates contained in this transmittal are subject to subsequent adjustment, effective retrospectively back to the transmittal's original effective date, in the event the Commission or a court subsequently authorizes SWBT to correct its rates pursuant to the decision in United States Telephone Association v. FCC (Case No. 97-1469) (slip. op. May 21, 1999) (D.C. Cir.), or pursuant to pending motions, or petitions for reconsideration or waiver (and including, but not limited to, any Application for Review of the letter from Lawrence E. Strickling, Chief, Common Carrier Bureau, FCC, to Dale Robertson, SBC, dated May 18, 1999 which may be filed with the Commission), or in the event

(This page filed under Transmittal No. 2781)

Issued: September 16, 1999

Effective: October 1, 1999

Four AT&T Plaza, Dallas, Texas 75202

ACCESS SERVICE

7. Special Access Service (Cont'd)

(N)

7.3 Service Descriptions, Rates and Charges (Cont'd)

7.3.10 High Capacity Service (Cont'd)

(F) Rates and Charges (Cont'd)

(34) High Capacity Term Pricing Plan (HC-TPP)
Rates Effective: 10/01/99 (Cont'd)

	USOC	3 Year Monthly Rate	
		Fixed	Per Mile
(b) <u>Channel Mileage</u>			
1.544 Mbps	1L5XX		
0 miles			
Zone 1 - AR		\$ 0.00	\$ 0.00
Zone 2 - AR		\$ 0.00	\$ 0.00
Zone 3 - AR		\$ 0.00	\$ 0.00
Zone 1 - KS		\$ 0.00	\$ 0.00
Zone 2 - KS		\$ 0.00	\$ 0.00
Zone 3 - KS		\$ 0.00	\$ 0.00
Zone 1 - MO		\$ 0.00	\$ 0.00
Zone 2 - MO		\$ 0.00	\$ 0.00
Zone 3 - MO		\$ 0.00	\$ 0.00
Zone 1 - OK		\$ 0.00	\$ 0.00
Zone 2 - OK		\$ 0.00	\$ 0.00
Zone 3 - OK		\$ 0.00	\$ 0.00
Zone 1 - TX		\$ 0.00	\$ 0.00
Zone 2 - TX		\$ 0.00	\$ 0.00
Zone 3 - TX		\$ 0.00	\$ 0.00
Over 0 miles			
Zone 1 - AR		\$46.00	\$14.28
Zone 2 - AR		\$46.00	\$14.28
Zone 3 - AR		\$46.00	\$14.28
Zone 1 - KS		\$46.00	\$14.28
Zone 2 - KS		\$46.00	\$14.28
Zone 3 - KS		\$46.00	\$14.28
Zone 1 - MO		\$42.50	\$13.44
Zone 2 - MO		\$42.50	\$13.44
Zone 3 - MO		\$46.00	\$14.28
Zone 1 - OK		\$46.00	\$14.28
Zone 2 - OK		\$46.00	\$14.28
Zone 3 - OK		\$46.00	\$14.28
Zone 1 - TX		\$40.00	\$12.60
Zone 2 - TX		\$40.00	\$12.60
Zone 3 - TX		\$46.00	\$14.28

(N)

Rates contained in this transmittal are subject to subsequent adjustment, effective retrospectively back to the transmittal's original effective date, in the event the Commission or a court subsequently authorizes SWBT to correct its rates pursuant to the decision in United States Telephone Association v. FCC (Case No. 97-1469)(slip. op. May 21, 1999) (D.C. Cir.), or pursuant to pending motions, or petitions for reconsideration or waiver (and including, but not limited to, any Application for Review of the letter from Lawrence E. Strickling, Chief, Common Carrier Bureau, FCC, to Dale Robertson, SBC, dated May 18, 1999 which may be filed with the Commission), or in the event of any other adjustment pursuant to an order of the Commission or a court.

(This page filed under Transmittal No. 2781)

Issued: September 16, 1999

Effective: October 1, 1999

Four AT&T Plaza, Dallas, Texas 75202

ACCESS SERVICE

7. Special Access Service (Cont'd)

(N)

7.3 Service Descriptions, Rates and Charges (Cont'd)

7.3.10 High Capacity Service (Cont'd)

(F) Rates and Charges (Cont'd)

(34) High Capacity Term Pricing Plan (HC-TPP)
Rates Effective: 10/01/99 (Cont'd)

		USOC	5 Year Monthly Rate	
			Fixed	Per Mile
(b) <u>Channel Mileage</u> (Cont'd)				
1.544 Mbps		1L5XX		
0 miles				
Zone 1 - AR			\$ 0.00	\$ 0.00
Zone 2 - AR			\$ 0.00	\$ 0.00
Zone 3 - AR			\$ 0.00	\$ 0.00
Zone 1 - KS			\$ 0.00	\$ 0.00
Zone 2 - KS			\$ 0.00	\$ 0.00
Zone 3 - KS			\$ 0.00	\$ 0.00
Zone 1 - MO			\$ 0.00	\$ 0.00
Zone 2 - MO			\$ 0.00	\$ 0.00
Zone 3 - MO			\$ 0.00	\$ 0.00
Zone 1 - OK			\$ 0.00	\$ 0.00
Zone 2 - OK			\$ 0.00	\$ 0.00
Zone 3 - OK			\$ 0.00	\$ 0.00
Zone 1 - TX			\$ 0.00	\$ 0.00
Zone 2 - TX			\$ 0.00	\$ 0.00
Zone 3 - TX			\$ 0.00	\$ 0.00
Over 0 miles				
Zone 1 - AR			\$43.50	\$12.40
Zone 2 - AR			\$43.50	\$12.40
Zone 3 - AR			\$43.50	\$12.40
Zone 1 - KS			\$43.50	\$12.40
Zone 2 - KS			\$43.50	\$12.40
Zone 3 - KS			\$43.50	\$12.40
Zone 1 - MO			\$40.00	\$12.40
Zone 2 - MO			\$40.00	\$12.40
Zone 3 - MO			\$43.50	\$12.40
Zone 1 - OK			\$43.50	\$12.40
Zone 2 - OK			\$43.50	\$12.40
Zone 3 - OK			\$43.50	\$12.40
Zone 1 - TX			\$37.50	\$12.23
Zone 2 - TX			\$37.50	\$12.23
Zone 3 - TX			\$43.50	\$13.00

(N)

Rates contained in this transmittal are subject to subsequent adjustment, effective retrospectively back to the transmittal's original effective date, in the event the Commission or a court subsequently authorizes SWBT to correct its rates pursuant to the decision in United States Telephone Association v. FCC (Case No. 97-1469)(slip. op. May 21, 1999)(D.C. Cir.), or pursuant to pending motions, or petitions for reconsideration or waiver (and including, but not limited to, any Application for Review of the letter from Lawrence E. Strickling, Chief, Common Carrier Bureau, FCC, to Dale Robertson, SBC, dated May 18, 1999 which may be filed with the Commission), or in the event of any other adjustment pursuant to an order of the Commission or a court.

(This page filed under Transmittal No. 2781)

Issued: September 16, 1999

Effective: October 1, 1999

Four AT&T Plaza, Dallas, Texas 75202

ACCESS SERVICE

(N)

7. Special Access Service (Cont'd)

7.3 Service Descriptions, Rates and Charges (Cont'd)

7.3.10 High Capacity Service (Cont'd)

(F) Rates and Charges (Cont'd)

(34) High Capacity Term Pricing Plan (HC-TPP)
Rates Effective: 10/01/99 (Cont'd)

	<u>USOC</u>	<u>3 Year Monthly Rate</u>
(c) <u>Multiplexing</u>		
Per arrangement		
DS0 to Subrates		
Up to 20 2.4 kbps services	QSU24	
Zone 1 - AR		\$114.35
Zone 2 - AR		\$114.35
Zone 3 - AR		\$114.35
Zone 1 - KS		\$114.35
Zone 2 - KS		\$114.35
Zone 3 - KS		\$114.35
Zone 1 - MO		\$114.35
Zone 2 - MO		\$114.35
Zone 3 - MO		\$114.35
Zone 1 - OK		\$114.35
Zone 2 - OK		\$114.35
Zone 3 - OK		\$114.35
Zone 1 - TX		\$114.35
Zone 2 - TX		\$114.35
Zone 3 - TX		\$114.35
		<u>Nonrecurring Charge</u>
Zone 1 - AR		\$ 0.00
Zone 2 - AR		\$ 0.00
Zone 3 - AR		\$ 0.00
Zone 1 - KS		\$ 0.00
Zone 2 - KS		\$ 0.00
Zone 3 - KS		\$ 0.00
Zone 1 - MO		\$ 0.00
Zone 2 - MO		\$ 0.00
Zone 3 - MO		\$ 0.00
Zone 1 - OK		\$ 0.00
Zone 2 - OK		\$ 0.00
Zone 3 - OK		\$ 0.00
Zone 1 - TX		\$ 0.00
Zone 2 - TX		\$ 0.00
Zone 3 - TX		\$ 0.00

Rates contained in this transmittal are subject to subsequent adjustment, effective retrospectively back to the transmittal's original effective date, in the event the Commission or a court subsequently authorizes SWBT to correct its rates pursuant to the decision in United States Telephone Association v. FCC (Case No. 97-1469) (slip. op. May 21, 1999) (D. C. Cir.), or pursuant to pending motions, or petitions for reconsideration or waiver (and including, but not limited to, any Application for Review of the letter from Lawrence E. Strickling, Chief, Common Carrier Bureau, FCC, to Dale Robertson, SBC, dated May 18, 1999 which may be filed with the Commission), or in the event

(This page filed under Transmittal No. 2781)

Issued: September 16, 1999

Effective: October 1, 1999

Four AT&T Plaza, Dallas, Texas 75202

ACCESS SERVICE

(N)

7. Special Access Service (Cont'd)

7.3 Service Descriptions, Rates and Charges (Cont'd)

7.3.10 High Capacity Service (Cont'd)

(F) Rates and Charges (Cont'd)

(34) High Capacity Term Pricing Plan (HC-TPP)
Rates Effective: 10/01/99 (Cont'd)

	<u>USOC</u>	<u>5 Year Monthly Rate</u>
(c) <u>Multiplexing</u> (Cont'd)		

Per arrangement

DS0 to Subrates

Up to 20 2.4 kbps
services

QSU24

Zone 1 - AR	\$107.45
Zone 2 - AR	\$107.45
Zone 3 - AR	\$107.45
Zone 1 - KS	\$107.45
Zone 2 - KS	\$107.45
Zone 3 - KS	\$107.45
Zone 1 - MO	\$107.45
Zone 2 - MO	\$107.45
Zone 3 - MO	\$107.45
Zone 1 - OK	\$107.45
Zone 2 - OK	\$107.45
Zone 3 - OK	\$107.45
Zone 1 - TX	\$107.45
Zone 2 - TX	\$107.45
Zone 3 - TX	\$107.50

Nonrecurring Charge

Zone 1 - AR	\$ 0.00
Zone 2 - AR	\$ 0.00
Zone 3 - AR	\$ 0.00
Zone 1 - KS	\$ 0.00
Zone 2 - KS	\$ 0.00
Zone 3 - KS	\$ 0.00
Zone 1 - MO	\$ 0.00
Zone 2 - MO	\$ 0.00
Zone 3 - MO	\$ 0.00
Zone 1 - OK	\$ 0.00
Zone 2 - OK	\$ 0.00
Zone 3 - OK	\$ 0.00
Zone 1 - TX	\$ 0.00
Zone 2 - TX	\$ 0.00
Zone 3 - TX	\$ 0.00

(N)

Rates contained in this transmittal are subject to subsequent adjustment, effective retrospectively back to the transmittal's original effective date, in the event the Commission or a court subsequently authorizes SWBT to correct its rates pursuant to the decision in United States Telephone Association v. FCC (Case No. 97-1469) (slip. op. May 21, 1999) (D.C. Cir.), or pursuant to pending motions, or petitions for reconsideration or waiver (and including, but not limited to, any Application for Review of the letter from Lawrence E. Strickling, Chief, Common Carrier Bureau, FCC, to Dale Robertson, SBC, dated May 18, 1999 which may be filed with the Commission), or in the event

(This page filed under Transmittal No. 2781)

Issued: September 16, 1999

Effective: October 1, 1999

Four AT&T Plaza, Dallas, Texas 75202

ACCESS SERVICE

(N)

7. Special Access Service (Cont'd)

7.3 Service Descriptions, Rates and Charges (Cont'd)

7.3.10 High Capacity Service (Cont'd)

(F) Rates and Charges (Cont'd)

(34) High Capacity Term Pricing Plan (HC-TPP)
Rates Effective: 10/01/99 (Cont'd)

	<u>USOC</u>	<u>3 Year Monthly Rate</u>
(c) <u>Multiplexing</u> (Cont'd)		
Per arrangement		
DS0 to Subrates		
Up to 10 4.8 kbps services	QSU48	
Zone 1 - AR		\$104.85
Zone 2 - AR		\$104.85
Zone 3 - AR		\$104.85
Zone 1 - KS		\$104.85
Zone 2 - KS		\$104.85
Zone 3 - KS		\$104.85
Zone 1 - MO		\$104.85
Zone 2 - MO		\$104.85
Zone 3 - MO		\$104.85
Zone 1 - OK		\$104.85
Zone 2 - OK		\$104.85
Zone 3 - OK		\$104.85
Zone 1 - TX		\$104.85
Zone 2 - TX		\$104.85
Zone 3 - TX		\$104.85
		<u>Nonrecurring Charge</u>
Zone 1 - AR		\$ 0.00
Zone 2 - AR		\$ 0.00
Zone 3 - AR		\$ 0.00
Zone 1 - KS		\$ 0.00
Zone 2 - KS		\$ 0.00
Zone 3 - KS		\$ 0.00
Zone 1 - MO		\$ 0.00
Zone 2 - MO		\$ 0.00
Zone 3 - MO		\$ 0.00
Zone 1 - OK		\$ 0.00
Zone 2 - OK		\$ 0.00
Zone 3 - OK		\$ 0.00
Zone 1 - TX		\$ 0.00
Zone 2 - TX		\$ 0.00
Zone 3 - TX		\$ 0.00

Rates contained in this transmittal are subject to subsequent adjustment, effective retrospectively back to the transmittal's original effective date, in the event the Commission or a court subsequently authorizes SWBT to correct its rates pursuant to the decision in United States Telephone Association v. FCC (Case No. 97-1469)(slip. op. May 21, 1999)(D.C. Cir.), or pursuant to pending motions, or petitions for reconsideration or waiver (and including, but not limited to, any Application for Review of the letter from Lawrence E. Strickling, Chief, Common Carrier Bureau, FCC, to Dale Robertson, SBC, dated May 18, 1999 which may be filed with the Commission), or in the event

(This page filed under Transmittal No. 2781)

Issued: September 16, 1999

Effective: October 1, 1999

Four AT&T Plaza, Dallas, Texas 75202

ACCESS SERVICE

(N)

7. Special Access Service (Cont'd)

7.3 Service Descriptions, Rates and Charges (Cont'd)

7.3.10 High Capacity Service (Cont'd)

(F) Rates and Charges (Cont'd)

(34) High Capacity Term Pricing Plan (HC-TPP)
Rates Effective: 10/01/99 (Cont'd)

	<u>USOC</u>	<u>5 Year Monthly Rate</u>
(c) <u>Multiplexing</u> (Cont'd)		
Per arrangement		
DS0 to Subrates		
Up to 10 4.8 kbps services	QSU48	
Zone 1 - AR		\$ 98.55
Zone 2 - AR		\$ 98.55
Zone 3 - AR		\$ 98.55
Zone 1 - KS		\$ 98.55
Zone 2 - KS		\$ 98.55
Zone 3 - KS		\$ 98.55
Zone 1 - MO		\$ 98.55
Zone 2 - MO		\$ 98.55
Zone 3 - MO		\$ 98.55
Zone 1 - OK		\$ 98.55
Zone 2 - OK		\$ 98.55
Zone 3 - OK		\$ 98.55
Zone 1 - TX		\$ 98.55
Zone 2 - TX		\$ 98.55
Zone 3 - TX		\$ 98.55
		<u>Nonrecurring Charge</u>
Zone 1 - AR		\$ 0.00
Zone 2 - AR		\$ 0.00
Zone 3 - AR		\$ 0.00
Zone 1 - KS		\$ 0.00
Zone 2 - KS		\$ 0.00
Zone 3 - KS		\$ 0.00
Zone 1 - MO		\$ 0.00
Zone 2 - MO		\$ 0.00
Zone 3 - MO		\$ 0.00
Zone 1 - OK		\$ 0.00
Zone 2 - OK		\$ 0.00
Zone 3 - OK		\$ 0.00
Zone 1 - TX		\$ 0.00
Zone 2 - TX		\$ 0.00
Zone 3 - TX		\$ 0.00

(N)

Rates contained in this transmittal are subject to subsequent adjustment, effective retrospectively back to the transmittal's original effective date, in the event the Commission or a court subsequently authorizes SWBT to correct its rates pursuant to the decision in United States Telephone Association v. FCC (Case No. 97-1469)(slip. op. May 21, 1999)(D.C. Cir.), or pursuant to pending motions, or petitions for reconsideration or waiver (and including, but not limited to, any Application for Review of the letter from Lawrence E. Strickling, Chief, Common Carrier Bureau, FCC, to Dale Robertson, SBC, dated May 18, 1999 which may be filed with the Commission), or in the event of any other adjustment pursuant to an order of the Commission or a court.

(This page filed under Transmittal No. 2781)

Issued: September 16, 1999

Effective: October 1, 1999

Four AT&T Plaza, Dallas, Texas 75202

ACCESS SERVICE

(N)

7. Special Access Service (Cont'd)

7.3 Service Descriptions, Rates and Charges (Cont'd)

7.3.10 High Capacity Service (Cont'd)

(F) Rates and Charges (Cont'd)

(34) High Capacity Term Pricing Plan (HC-TPP)
Rates Effective: 10/01/99 (Cont'd)

	<u>USOC</u>	<u>3 Year Monthly Rate</u>
--	-------------	--------------------------------

(c) Multiplexing (Cont'd)

Per arrangement

DS0 to Subrates

Up to 5 9.6 kbps
services

QSU96

Zone 1 - AR	\$200.30
Zone 2 - AR	\$200.30
Zone 3 - AR	\$200.30
Zone 1 - KS	\$200.30
Zone 2 - KS	\$200.30
Zone 3 - KS	\$200.30
Zone 1 - MO	\$200.30
Zone 2 - MO	\$200.30
Zone 3 - MO	\$200.30
Zone 1 - OK	\$200.30
Zone 2 - OK	\$200.30
Zone 3 - OK	\$200.30
Zone 1 - TX	\$200.30
Zone 2 - TX	\$200.30
Zone 3 - TX	\$200.30

Nonrecurring Charge

Zone 1 - AR	\$ 0.00
Zone 2 - AR	\$ 0.00
Zone 3 - AR	\$ 0.00
Zone 1 - KS	\$ 0.00
Zone 2 - KS	\$ 0.00
Zone 3 - KS	\$ 0.00
Zone 1 - MO	\$ 0.00
Zone 2 - MO	\$ 0.00
Zone 3 - MO	\$ 0.00
Zone 1 - OK	\$ 0.00
Zone 2 - OK	\$ 0.00
Zone 3 - OK	\$ 0.00
Zone 1 - TX	\$ 0.00
Zone 2 - TX	\$ 0.00
Zone 3 - TX	\$ 0.00

(N)

Rates contained in this transmittal are subject to subsequent adjustment, effective retrospectively back to the transmittal's original effective date, in the event the Commission or a court subsequently authorizes SWBT to correct its rates pursuant to the decision in United States Telephone Association v. FCC (Case No. 97-1469)(slip. op. May 21, 1999)(D.C. Cir.), or pursuant to pending motions, or petitions for reconsideration or waiver (and including, but not limited to, any Application for Review of the letter from Lawrence E. Strickling, Chief, Common Carrier Bureau, FCC, to Dale Robertson, SBC, dated May 18, 1999 which may be filed with the Commission), or in the event of any other adjustment pursuant to an order of the Commission or a court.

(This page filed under Transmittal No. 2781)

Issued: September 16, 1999

Effective: October 1, 1999

Four AT&T Plaza, Dallas, Texas 75202

ACCESS SERVICE

(N)

7. Special Access Service (Cont'd)

7.3 Service Descriptions, Rates and Charges (Cont'd)

7.3.10 High Capacity Service (Cont'd)

(F) Rates and Charges (Cont'd)

(34) High Capacity Term Pricing Plan (HC-TPP)
Rates Effective: 10/01/99 (Cont'd)

	<u>USOC</u>	<u>5 Year Monthly Rate</u>
(c) <u>Multiplexing</u> (Cont'd)		
Per arrangement		
DS0 to Subrates		
Up to 5 9.6 kbps services		
	QSU96	
Zone 1 - AR		\$188.20
Zone 2 - AR		\$188.20
Zone 3 - AR		\$188.20
Zone 1 - KS		\$188.20
Zone 2 - KS		\$188.20
Zone 3 - KS		\$188.20
Zone 1 - MO		\$188.20
Zone 2 - MO		\$188.20
Zone 3 - MO		\$188.20
Zone 1 - OK		\$188.20
Zone 2 - OK		\$188.20
Zone 3 - OK		\$188.20
Zone 1 - TX		\$188.20
Zone 2 - TX		\$188.20
Zone 3 - TX		\$188.20
		<u>Nonrecurring Charge</u>
Zone 1 - AR		\$ 0.00
Zone 2 - AR		\$ 0.00
Zone 3 - AR		\$ 0.00
Zone 1 - KS		\$ 0.00
Zone 2 - KS		\$ 0.00
Zone 3 - KS		\$ 0.00
Zone 1 - MO		\$ 0.00
Zone 2 - MO		\$ 0.00
Zone 3 - MO		\$ 0.00
Zone 1 - OK		\$ 0.00
Zone 2 - OK		\$ 0.00
Zone 3 - OK		\$ 0.00
Zone 1 - TX		\$ 0.00
Zone 2 - TX		\$ 0.00
Zone 3 - TX		\$ 0.00

(N)

Rates contained in this transmittal are subject to subsequent adjustment, effective retrospectively back to the transmittal's original effective date, in the event the Commission or a court subsequently authorizes SWBT to correct its rates pursuant to the decision in United States Telephone Association v. FCC (Case No. 97-1469) (slip. op. May 21, 1999) (D.C. Cir.), or pursuant to pending motions, or petitions for reconsideration or waiver (and including, but not limited to, any Application for Review of the letter from Lawrence E. Strickling, Chief, Common Carrier Bureau, FCC, to Dale Robertson, SBC, dated May 18, 1999 which may be filed with the Commission), or in the event

(This page filed under Transmittal No. 2781)

Issued: September 16, 1999

Effective: October 1, 1999

Four AT&T Plaza, Dallas, Texas 75202

ACCESS SERVICE

(N)

7. Special Access Service (Cont'd)

7.3 Service Descriptions, Rates and Charges (Cont'd)

7.3.10 High Capacity Service (Cont'd)

(F) Rates and Charges (Cont'd)

(34) High Capacity Term Pricing Plan (HC-TPP)
Rates Effective: 10/01/99 (Cont'd)

	<u>USOC</u>	<u>3 Year Monthly Rate</u>
(c) <u>Multiplexing</u> (Cont'd)		
Per arrangement		
DS1 to DS0	QMU	
Zone 1 - AR		\$162.00
Zone 2 - AR		\$162.00
Zone 3 - AR		\$162.00
Zone 1 - KS		\$162.00
Zone 2 - KS		\$162.00
Zone 3 - KS		\$162.00
Zone 1 - MO		\$162.00
Zone 2 - MO		\$162.00
Zone 3 - MO		\$162.00
Zone 1 - OK		\$162.00
Zone 2 - OK		\$162.00
Zone 3 - OK		\$162.00
Zone 1 - TX		\$162.00
Zone 2 - TX		\$162.00
Zone 3 - TX		\$162.00
		<u>Nonrecurring Charge</u>
Zone 1 - AR		\$ 0.00
Zone 2 - AR		\$ 0.00
Zone 3 - AR		\$ 0.00
Zone 1 - KS		\$ 0.00
Zone 2 - KS		\$ 0.00
Zone 3 - KS		\$ 0.00
Zone 1 - MO		\$ 0.00
Zone 2 - MO		\$ 0.00
Zone 3 - MO		\$ 0.00
Zone 1 - OK		\$ 0.00
Zone 2 - OK		\$ 0.00
Zone 3 - OK		\$ 0.00
Zone 1 - TX		\$ 0.00
Zone 2 - TX		\$ 0.00
Zone 3 - TX		\$ 0.00

Rates contained in this transmittal are subject to subsequent adjustment, effective retrospectively back to the transmittal's original effective date, in the event the Commission or a court subsequently authorizes SWBT to correct its rates pursuant to the decision in United States Telephone Association v. FCC (Case no. 97-1469)(slip. op. May 21, 1999)(D.C. Cir.), or pursuant to pending motions, or petitions for reconsideration or waiver (and including, but not limited to, any Application for Review of the letter form Lawrence E. Strickling, Chief, Common Carrier Bureau, FCC to Dale Robertson, SBC, dated May 18, 1999 which may be filed with the Commission), or in the event of any other adjustment pursuant to an order of the Commission or a court.

(This page filed under Transmittal No. 2781)

Issued: September 16, 1999

Effective: October 1, 1999

Four AT&T Plaza, Dallas, Texas 75202

ACCESS SERVICE

7. Special Access Service (Cont'd)

(N)

7.3 Service Descriptions, Rates and Charges (Cont'd)

7.3.10 High Capacity Service (Cont'd)

(F) Rates and Charges (Cont'd)

(34) High Capacity Term Pricing Plan (HC-TPP)
Rates Effective: 10/01/99 (Cont'd)

	<u>USOC</u>	<u>5 Year Monthly Rate</u>
(c) <u>Multiplexing</u> (Cont'd)		
Per arrangement		
DS1 to DS0	QMU	
Zone 1 - AR		\$153.00
Zone 2 - AR		\$153.00
Zone 3 - AR		\$153.00
Zone 1 - KS		\$153.00
Zone 2 - KS		\$153.00
Zone 3 - KS		\$153.00
Zone 1 - MO		\$153.00
Zone 2 - MO		\$153.00
Zone 3 - MO		\$153.00
Zone 1 - OK		\$153.00
Zone 2 - OK		\$153.00
Zone 3 - OK		\$153.00
Zone 1 - TX		\$153.00
Zone 2 - TX		\$153.00
Zone 3 - TX		\$153.00
		<u>Nonrecurring Charge</u>
Zone 1 - AR		\$ 0.00
Zone 2 - AR		\$ 0.00
Zone 3 - AR		\$ 0.00
Zone 1 - KS		\$ 0.00
Zone 2 - KS		\$ 0.00
Zone 3 - KS		\$ 0.00
Zone 1 - MO		\$ 0.00
Zone 2 - MO		\$ 0.00
Zone 3 - MO		\$ 0.00
Zone 1 - OK		\$ 0.00
Zone 2 - OK		\$ 0.00
Zone 3 - OK		\$ 0.00
Zone 1 - TX		\$ 0.00
Zone 2 - TX		\$ 0.00
Zone 3 - TX		\$ 0.00

(N)

Rates contained in this transmittal are subject to subsequent adjustment, effective retrospectively back to the transmittal's original effective date, in the event the Commission or a court subsequently authorizes SWBT to correct its rates pursuant to the decision in United States Telephone Association v. FCC (Case No. 97-1469)(slip. op. May 21, 1999)(D.C. Cir.), or pursuant to pending motions, or petitions for reconsideration or waiver (and including, but not limited to, any Application for Review of the letter form Lawrence E. Strickling, Chief, Common Carrier Bureau, FCC, to Dale Robertson, SBC, dated May 18, 1999 which may be filed with the Commission), or in the event of any other adjustment pursuant to an order of the Commission or a court.

(This page filed under Transmittal No. 2781)

Issued: September 16, 1999

Effective: October 1, 1999

Four AT&T Plaza, Dallas, Texas 75202

ACCESS SERVICE

(N)

7. Special Access Service (Cont'd)

7.3 Service Descriptions, Rates and Charges (Cont'd)

7.3.10 High Capacity Service (Cont'd)

(F) Rates and Charges (Cont'd)

(34) High Capacity Term Pricing Plan (HC-TPP)
Rates Effective: 10/01/99 (Cont'd)

	<u>USOC</u>	<u>3 Year Monthly Rate</u>
(c) <u>Multiplexing</u> (Cont'd)		
Per arrangement		
DS1 to Voice	MQ1	
Zone 1 - AR		\$162.00
Zone 2 - AR		\$162.00
Zone 3 - AR		\$162.00
Zone 1 - KS		\$162.00
Zone 2 - KS		\$162.00
Zone 3 - KS		\$162.00
Zone 1 - MO		\$162.00
Zone 2 - MO		\$162.00
Zone 3 - MO		\$162.00
Zone 1 - OK		\$162.00
Zone 2 - OK		\$162.00
Zone 3 - OK		\$162.00
Zone 1 - TX		\$162.00
Zone 2 - TX		\$162.00
Zone 3 - TX		\$162.00
		<u>Nonrecurring Charge</u>
Zone 1 - AR		\$ 0.00
Zone 2 - AR		\$ 0.00
Zone 3 - AR		\$ 0.00
Zone 1 - KS		\$ 0.00
Zone 2 - KS		\$ 0.00
Zone 3 - KS		\$ 0.00
Zone 1 - MO		\$ 0.00
Zone 2 - MO		\$ 0.00
Zone 3 - MO		\$ 0.00
Zone 1 - OK		\$ 0.00
Zone 2 - OK		\$ 0.00
Zone 3 - OK		\$ 0.00
Zone 1 - TX		\$ 0.00
Zone 2 - TX		\$ 0.00
Zone 3 - TX		\$ 0.00

Rates contained in this transmittal are subject to subsequent adjustment, effective retrospectively back to the transmittal's original effective date, in the event the Commission or a court subsequently authorizes SWBT to correct its rates pursuant to the decision in United States Telephone Association v. FCC (Case No. 97-1469)(slip. op. May 21, 1999)(D.C. Cir.), or pursuant to pending motions, or petitions for reconsideration or waiver (and including, but not limited to, any Application for Review of the letter from Lawrence E. Strickling, Chief, Common Carrier Bureau, FCC, to Dale Robertson, SBC, dated May 18, 1999 which may be filed with the Commission), or in the event of any other adjustment pursuant to an order of the Commission or a court.

(This page filed under Transmittal No. 2781)

Issued: September 16, 1999

Effective: October 1, 1999

Four AT&T Plaza, Dallas, Texas 75202

ACCESS SERVICE

7. Special Access Service (Cont'd)

(N)

7.3 Service Descriptions, Rates and Charges (Cont'd)

7.3.10 High Capacity Service (Cont'd)

(F) Rates and Charges (Cont'd)

(34) High Capacity Term Pricing Plan (HC-TPP)
Rates Effective: 10/01/99 (Cont'd)

	<u>USOC</u>	<u>5 Year Monthly Rate</u>
(c) <u>Multiplexing</u> (Cont'd)		

Per arrangement

DS1 to Voice

MQ1

Zone 1 - AR	\$153.00
Zone 2 - AR	\$153.00
Zone 3 - AR	\$153.00
Zone 1 - KS	\$153.00
Zone 2 - KS	\$153.00
Zone 3 - KS	\$153.00
Zone 1 - MO	\$153.00
Zone 2 - MO	\$153.00
Zone 3 - MO	\$153.00
Zone 1 - OK	\$153.00
Zone 2 - OK	\$153.00
Zone 3 - OK	\$153.00
Zone 1 - TX	\$153.00
Zone 2 - TX	\$153.00
Zone 3 - TX	\$153.00

Nonrecurring Charge

Zone 1 - AR	\$ 0.00
Zone 2 - AR	\$ 0.00
Zone 3 - AR	\$ 0.00
Zone 1 - KS	\$ 0.00
Zone 2 - KS	\$ 0.00
Zone 3 - KS	\$ 0.00
Zone 1 - MO	\$ 0.00
Zone 2 - MO	\$ 0.00
Zone 3 - MO	\$ 0.00
Zone 1 - OK	\$ 0.00
Zone 2 - OK	\$ 0.00
Zone 3 - OK	\$ 0.00
Zone 1 - TX	\$ 0.00
Zone 2 - TX	\$ 0.00
Zone 3 - TX	\$ 0.00

(N)

Rates contained in this transmittal are subject to subsequent adjustment, effective retrospectively back to the transmittal's original effective date, in the event the Commission or a court subsequently authorizes SWBT to correct its rates pursuant to the decision in United States Telephone Association v. FCC (Case No. 97-1469)(slip. op. May 21, 1999)(D.C. Cir.), or pursuant to pending motions, or petitions for reconsideration or waiver (and including, but not limited to, any Application for Review of the letter from Lawrence E. Strickling, Chief, Common Carrier Bureau, FCC, to Dale Robertson, SBC, dated May 18, 1999 which may be filed with the Commission), or in the event of any other adjustment pursuant to an order of the Commission or a court.

(This page filed under Transmittal No. 2781)

Issued: September 16, 1999

Effective: October 1, 1999

Four AT&T Plaza, Dallas, Texas 75202

ACCESS SERVICE

7. Special Access Service (Cont'd)

(N)

7.3 Service Descriptions, Rates and Charges (Cont'd)

7.3.10 High Capacity Service (Cont'd)

(F) Rates and Charges (Cont'd)

(34) High Capacity Term Pricing Plan (HC-TPP)
Rates Effective: 10/01/99 (Cont'd)

(d) <u>SecureNet - Missouri</u>	<u>3 Year Monthly Rate</u>	<u>Nonrecurring Charge</u>
Per Channel Termination		
Hub Redundancy (R16AA)	\$167.02	\$1,422.00
Serving Wire Center and Facility Redundancy (R18AB)	\$ 0.00	\$ 0.00

<u>SecureNet - Missouri</u>	<u>5 Year Monthly Rate</u>	<u>Nonrecurring Charge</u>
Per Channel Termination		
Hub Redundancy (R16AA)	\$157.74	\$1,422.00
Serving Wire Center and Facility Redundancy (R18AB)	\$ 0.00	\$ 0.00

(N)

Rates contained in this transmittal are subject to subsequent adjustment, effective retrospectively back to the transmittal's original effective date, in the event the Commission or a court subsequently authorizes SWBT to correct its rates pursuant to the decision in United States Telephone Association v. FCC (Case No. 97-1469)(slip. op. May 21, 1999)(D.C. Cir.), or pursuant to pending motions, or petitions for reconsideration or waiver (and including, but not limited to, any Application for Review of the letter from Lawrence E. Strickling, Chief, Common Carrier Bureau, FCC, to Dale Robertson, SBC, dated May 18, 1999 which may be filed with the Commission), or in the event of any other adjustment pursuant to an order of the Commission or a court.

(This page filed under Transmittal No. 2781)

Issued: September 16, 1999

Effective: October 1, 1999

Four AT&T Plaza, Dallas, Texas 75202

ACCESS SERVICE

(N)

7. Special Access Service (Cont'd)

7.3 Service Descriptions, Rates and Charges (Cont'd)

7.3.10 High Capacity Service (Cont'd)

(F) Rates and Charges (Cont'd)

(35) High Capacity Term Pricing Plan (HC-TPP)

Rates Effective: 5/30/00

(a) <u>Channel Termination</u>	<u>USOC</u>	<u>3 Year</u> <u>Monthly Rate</u>	
Per point of termination	TMECS		
1.544 Mbps			
Zone 1 - AR			\$140.25
Zone 2 - AR			\$140.25
Zone 3 - AR			\$140.25
Zone 1 - KS			\$140.25
Zone 2 - KS			\$140.25
Zone 3 - KS			\$140.25
Zone 1 - MO			\$129.60
Zone 2 - MO			\$129.60
Zone 3 - MO			\$140.25
Zone 1 - OK			\$140.25
Zone 2 - OK			\$140.25
Zone 3 - OK			\$140.25
Zone 1 - TX			\$121.50
Zone 2 - TX			\$121.50
Zone 3 - TX			\$140.25
		<u>Nonrecurring Charge</u>	
		<u>1st Ckt</u>	<u>Addl Ckt</u>
Zone 1 - AR		\$300.00	\$228.00
Zone 2 - AR		\$300.00	\$228.00
Zone 3 - AR		\$300.00	\$228.00
Zone 1 - KS		\$300.00	\$228.00
Zone 2 - KS		\$300.00	\$228.00
Zone 3 - KS		\$300.00	\$228.00
Zone 1 - MO		\$300.00	\$228.00
Zone 2 - MO		\$300.00	\$228.00
Zone 3 - MO		\$300.00	\$228.00
Zone 1 - OK		\$300.00	\$228.00
Zone 2 - OK		\$300.00	\$228.00
Zone 3 - OK		\$300.00	\$228.00
Zone 1 - TX		\$300.00	\$228.00
Zone 2 - TX		\$300.00	\$228.00
Zone 3 - TX		\$300.00	\$228.00

(N)

Rates contained in this transmittal are subject to subsequent adjustment, effective retrospectively back to the transmittal's original effective date, in the event the Commission or a court subsequently authorizes SWBT to correct its rates pursuant to the decision in United States Telephone Association v. FCC (Case No. 97-1469) (slip. op. May 21, 1999) (D.C. Cir.), or pursuant to pending motions, or petitions for reconsideration or waiver (and including, but not limited to, any Application for Review of the letter from Lawrence E. Strickling, Chief, Common Carrier Bureau, FCC, to Dale Robertson, SBC, dated May 18, 1999 which may be filed with the Commission), or in the event of any other adjustment pursuant to an order of the

(This page filed under Transmittal No. 2827)

Issued: May 15, 2000

Effective: May 30, 2000

Four AT&T Plaza, Dallas, Texas 75202

ACCESS SERVICE

(N)

7. Special Access Service (Cont'd)

7.3 Service Descriptions, Rates and Charges (Cont'd)

7.3.10 High Capacity Service (Cont'd)

(F) Rates and Charges (Cont'd)

(35) High Capacity Term Pricing Plan (HC-TPP)

Rates Effective: 5/30/00 (Cont'd)

	USOC	5 Year Monthly Rate	
(a) <u>Channel Termination</u> (Cont'd)			
Per point of termination	TMECS		
1.544 Mbps			
Zone 1 - AR		\$132.00	
Zone 2 - AR		\$132.00	
Zone 3 - AR		\$132.00	
Zone 1 - KS		\$132.00	
Zone 2 - KS		\$132.00	
Zone 3 - KS		\$132.00	
Zone 1 - MO		\$121.50	
Zone 2 - MO		\$121.50	
Zone 3 - MO		\$132.00	
Zone 1 - OK		\$132.00	
Zone 2 - OK		\$132.00	
Zone 3 - OK		\$132.00	
Zone 1 - TX		\$108.00	
Zone 2 - TX		\$108.00	
Zone 3 - TX		\$132.00	
			Nonrecurring Charge
			<u>1st Ckt</u> <u>Addl Ckt</u>
Zone 1 - AR		\$ 0.00	\$ 0.00
Zone 2 - AR		\$ 0.00	\$ 0.00
Zone 3 - AR		\$ 0.00	\$ 0.00
Zone 1 - KS		\$ 0.00	\$ 0.00
Zone 2 - KS		\$ 0.00	\$ 0.00
Zone 3 - KS		\$ 0.00	\$ 0.00
Zone 1 - MO		\$ 0.00	\$ 0.00
Zone 2 - MO		\$ 0.00	\$ 0.00
Zone 3 - MO		\$ 0.00	\$ 0.00
Zone 1 - OK		\$ 0.00	\$ 0.00
Zone 2 - OK		\$ 0.00	\$ 0.00
Zone 3 - OK		\$ 0.00	\$ 0.00
Zone 1 - TX		\$ 0.00	\$ 0.00
Zone 2 - TX		\$ 0.00	\$ 0.00
Zone 3 - TX		\$ 0.00	\$ 0.00

(N)

Rates contained in this transmittal are subject to subsequent adjustment, effective retrospectively back to the transmittal's original effective date, in the event the Commission or a court subsequently authorizes SWBT to correct its rates pursuant to the decision in United States Telephone Association v. FCC (Case No. 97-1469) (slip. op. May 21, 1999) (D.C. Cir.), or pursuant to pending motions, or petitions for reconsideration or waiver (and including, but not limited to, any Application for Review of the letter from Lawrence E. Strickling, Chief, Common Carrier Bureau, FCC, to Dale Robertson, SBC, dated May 18, 1999 which may be filed with the Commission), or in the event

(This page filed under Transmittal No. 2827)

Issued: May 15, 2000

Effective: May 30, 2000

Four AT&T Plaza, Dallas, Texas 75202

ACCESS SERVICE

7. Special Access Service (Cont'd)

(N)

7.3 Service Descriptions, Rates and Charges (Cont'd)

7.3.10 High Capacity Service (Cont'd)

(F) Rates and Charges (Cont'd)

(35) High Capacity Term Pricing Plan (HC-TPP)
Rates Effective: 5/30/00 (Cont'd)

	USOC	3 Year Monthly Rate	
		Fixed	Per Mile
(b) <u>Channel Mileage</u>			
1.544 Mbps	1L5XX		
0 miles			
Zone 1 - AR		\$ 0.00	\$ 0.00
Zone 2 - AR		\$ 0.00	\$ 0.00
Zone 3 - AR		\$ 0.00	\$ 0.00
Zone 1 - KS		\$ 0.00	\$ 0.00
Zone 2 - KS		\$ 0.00	\$ 0.00
Zone 3 - KS		\$ 0.00	\$ 0.00
Zone 1 - MO		\$ 0.00	\$ 0.00
Zone 2 - MO		\$ 0.00	\$ 0.00
Zone 3 - MO		\$ 0.00	\$ 0.00
Zone 1 - OK		\$ 0.00	\$ 0.00
Zone 2 - OK		\$ 0.00	\$ 0.00
Zone 3 - OK		\$ 0.00	\$ 0.00
Zone 1 - TX		\$ 0.00	\$ 0.00
Zone 2 - TX		\$ 0.00	\$ 0.00
Zone 3 - TX		\$ 0.00	\$ 0.00
Over 0 miles			
Zone 1 - AR		\$46.00	\$14.28
Zone 2 - AR		\$46.00	\$14.28
Zone 3 - AR		\$46.00	\$14.28
Zone 1 - KS		\$46.00	\$14.28
Zone 2 - KS		\$46.00	\$14.28
Zone 3 - KS		\$46.00	\$14.28
Zone 1 - MO		\$42.50	\$13.44
Zone 2 - MO		\$42.50	\$13.44
Zone 3 - MO		\$46.00	\$14.28
Zone 1 - OK		\$46.00	\$14.28
Zone 2 - OK		\$46.00	\$14.28
Zone 3 - OK		\$46.00	\$14.28
Zone 1 - TX		\$40.00	\$12.60
Zone 2 - TX		\$40.00	\$12.60
Zone 3 - TX		\$46.00	\$14.28

(N)

Rates contained in this transmittal are subject to subsequent adjustment, effective retrospectively back to the transmittal's original effective date, in the event the Commission or a court subsequently authorizes SWBT to correct its rates pursuant to the decision in United States Telephone Association v. FCC (Case No. 97-1469)(slip. op. May 21, 1999) (D.C. Cir.), or pursuant to pending motions, or petitions for reconsideration or waiver (and including, but not limited to, any Application for Review of the letter from Lawrence E. Strickling, Chief, Common Carrier Bureau, FCC, to Dale Robertson, SBC, dated May 18, 1999 which may be filed with the Commission), or in the event of any other adjustment pursuant to an order of the Commission or a court.

(This page filed under Transmittal No. 2827)

Issued: May 15, 2000

Effective: May 30, 2000

Four AT&T Plaza, Dallas, Texas 75202

ACCESS SERVICE

(N)

7. Special Access Service (Cont'd)

7.3 Service Descriptions, Rates and Charges (Cont'd)

7.3.10 High Capacity Service (Cont'd)

(F) Rates and Charges (Cont'd)

(35) High Capacity Term Pricing Plan (HC-TPP)
Rates Effective: 5/30/00 (Cont'd)

		USOC	5 Year Monthly Rate	
			Fixed	Per Mile
(b) <u>Channel Mileage</u> (Cont'd)				
1.544 Mbps		1L5XX		
0 miles				
Zone 1 - AR			\$ 0.00	\$ 0.00
Zone 2 - AR			\$ 0.00	\$ 0.00
Zone 3 - AR			\$ 0.00	\$ 0.00
Zone 1 - KS			\$ 0.00	\$ 0.00
Zone 2 - KS			\$ 0.00	\$ 0.00
Zone 3 - KS			\$ 0.00	\$ 0.00
Zone 1 - MO			\$ 0.00	\$ 0.00
Zone 2 - MO			\$ 0.00	\$ 0.00
Zone 3 - MO			\$ 0.00	\$ 0.00
Zone 1 - OK			\$ 0.00	\$ 0.00
Zone 2 - OK			\$ 0.00	\$ 0.00
Zone 3 - OK			\$ 0.00	\$ 0.00
Zone 1 - TX			\$ 0.00	\$ 0.00
Zone 2 - TX			\$ 0.00	\$ 0.00
Zone 3 - TX			\$ 0.00	\$ 0.00
Over 0 miles				
Zone 1 - AR			\$43.50	\$12.40
Zone 2 - AR			\$43.50	\$12.40
Zone 3 - AR			\$43.50	\$12.40
Zone 1 - KS			\$43.50	\$12.40
Zone 2 - KS			\$43.50	\$12.40
Zone 3 - KS			\$43.50	\$12.40
Zone 1 - MO			\$40.00	\$12.40
Zone 2 - MO			\$40.00	\$12.40
Zone 3 - MO			\$43.50	\$12.40
Zone 1 - OK			\$43.50	\$12.40
Zone 2 - OK			\$43.50	\$12.40
Zone 3 - OK			\$43.50	\$12.40
Zone 1 - TX			\$37.50	\$12.23
Zone 2 - TX			\$37.50	\$12.23
Zone 3 - TX			\$43.50	\$13.00

(N)

Rates contained in this transmittal are subject to subsequent adjustment, effective retrospectively back to the transmittal's original effective date, in the event the Commission or a court subsequently authorizes SWBT to correct its rates pursuant to the decision in United States Telephone Association v. FCC (Case No. 97-1469)(slip. op. May 21, 1999)(D.C. Cir.), or pursuant to pending motions, or petitions for reconsideration or waiver (and including, but not limited to, any Application for Review of the letter from Lawrence E. Strickling, Chief, Common Carrier Bureau, FCC, to Dale Robertson, SBC, dated May 18, 1999 which may be filed with the Commission), or in the event of any other adjustment pursuant to an order of the Commission or a court.

(This page filed under Transmittal No. 2827)

Issued: May 15, 2000

Effective: May 30, 2000

Four AT&T Plaza, Dallas, Texas 75202

ACCESS SERVICE

(N)

7. Special Access Service (Cont'd)7.3 Service Descriptions, Rates and Charges (Cont'd)7.3.10 High Capacity Service (Cont'd)(F) Rates and Charges (Cont'd)(35) High Capacity Term Pricing Plan (HC-TPP)
Rates Effective: 5/30/00 (Cont'd)

	<u>USOC</u>	<u>3 Year Monthly Rate</u>
(c) <u>Multiplexing</u>		
Per arrangement		
DS0 to Subrates		
Up to 20 2.4 kbps services	QSU24	
Zone 1 - AR		\$114.35
Zone 2 - AR		\$114.35
Zone 3 - AR		\$114.35
Zone 1 - KS		\$114.35
Zone 2 - KS		\$114.35
Zone 3 - KS		\$114.35
Zone 1 - MO		\$114.35
Zone 2 - MO		\$114.35
Zone 3 - MO		\$114.35
Zone 1 - OK		\$114.35
Zone 2 - OK		\$114.35
Zone 3 - OK		\$114.35
Zone 1 - TX		\$114.35
Zone 2 - TX		\$114.35
Zone 3 - TX		\$114.35
		<u>Nonrecurring Charge</u>
Zone 1 - AR		\$ 0.00
Zone 2 - AR		\$ 0.00
Zone 3 - AR		\$ 0.00
Zone 1 - KS		\$ 0.00
Zone 2 - KS		\$ 0.00
Zone 3 - KS		\$ 0.00
Zone 1 - MO		\$ 0.00
Zone 2 - MO		\$ 0.00
Zone 3 - MO		\$ 0.00
Zone 1 - OK		\$ 0.00
Zone 2 - OK		\$ 0.00
Zone 3 - OK		\$ 0.00
Zone 1 - TX		\$ 0.00
Zone 2 - TX		\$ 0.00
Zone 3 - TX		\$ 0.00

Rates contained in this transmittal are subject to subsequent adjustment, effective retrospectively back to the transmittal's original effective date, in the event the Commission or a court subsequently authorizes SWBT to correct its rates pursuant to the decision in United States Telephone Association v. FCC (Case No. 97-1469) (slip. op. May 21, 1999) (D. C. Cir.), or pursuant to pending motions, or petitions for reconsideration or waiver (and including, but not limited to, any Application for Review of the letter from Lawrence E. Strickling, Chief, Common Carrier Bureau, FCC, to Dale Robertson, SBC, dated May 18, 1999 which may be filed with the Commission), or in the event

(This page filed under Transmittal No. 2827)

Issued: May 15, 2000

Effective: May 30, 2000

Four AT&T Plaza, Dallas, Texas 75202

ACCESS SERVICE

(N)

7. Special Access Service (Cont'd)

7.3 Service Descriptions, Rates and Charges (Cont'd)

7.3.10 High Capacity Service (Cont'd)

(F) Rates and Charges (Cont'd)

(35) High Capacity Term Pricing Plan (HC-TPP)
Rates Effective: 5/30/00 (Cont'd)

	<u>USOC</u>	<u>5 Year Monthly Rate</u>
(c) <u>Multiplexing</u> (Cont'd)		
Per arrangement		
DS0 to Subrates		
Up to 20 2.4 kbps services	QSU24	
Zone 1 - AR		\$107.45
Zone 2 - AR		\$107.45
Zone 3 - AR		\$107.45
Zone 1 - KS		\$107.45
Zone 2 - KS		\$107.45
Zone 3 - KS		\$107.45
Zone 1 - MO		\$107.45
Zone 2 - MO		\$107.45
Zone 3 - MO		\$107.45
Zone 1 - OK		\$107.45
Zone 2 - OK		\$107.45
Zone 3 - OK		\$107.45
Zone 1 - TX		\$107.45
Zone 2 - TX		\$107.45
Zone 3 - TX		\$107.50
		<u>Nonrecurring Charge</u>
Zone 1 - AR		\$ 0.00
Zone 2 - AR		\$ 0.00
Zone 3 - AR		\$ 0.00
Zone 1 - KS		\$ 0.00
Zone 2 - KS		\$ 0.00
Zone 3 - KS		\$ 0.00
Zone 1 - MO		\$ 0.00
Zone 2 - MO		\$ 0.00
Zone 3 - MO		\$ 0.00
Zone 1 - OK		\$ 0.00
Zone 2 - OK		\$ 0.00
Zone 3 - OK		\$ 0.00
Zone 1 - TX		\$ 0.00
Zone 2 - TX		\$ 0.00
Zone 3 - TX		\$ 0.00

(N)

Rates contained in this transmittal are subject to subsequent adjustment, effective retrospectively back to the transmittal's original effective date, in the event the Commission or a court subsequently authorizes SWBT to correct its rates pursuant to the decision in United States Telephone Association v. FCC (Case No. 97-1469) (slip. op. May 21, 1999) (D.C. Cir.), or pursuant to pending motions, or petitions for reconsideration or waiver (and including, but not limited to, any Application for Review of the letter from Lawrence E. Strickling, Chief, Common Carrier Bureau, FCC, to Dale Robertson, SBC, dated May 18, 1999 which may be filed with the Commission), or in the event

(This page filed under Transmittal No. 2827)

Issued: May 15, 2000

Effective: May 30, 2000

Four AT&T Plaza, Dallas, Texas 75202

ACCESS SERVICE

(N)

7. Special Access Service (Cont'd)

7.3 Service Descriptions, Rates and Charges (Cont'd)

7.3.10 High Capacity Service (Cont'd)

(F) Rates and Charges (Cont'd)

(35) High Capacity Term Pricing Plan (HC-TPP)
Rates Effective: 5/30/00 (Cont'd)

	<u>USOC</u>	<u>3 Year Monthly Rate</u>
(c) <u>Multiplexing</u> (Cont'd)		
Per arrangement		
DS0 to Subrates		
Up to 10 4.8 kbps services	QSU48	
Zone 1 - AR		\$104.85
Zone 2 - AR		\$104.85
Zone 3 - AR		\$104.85
Zone 1 - KS		\$104.85
Zone 2 - KS		\$104.85
Zone 3 - KS		\$104.85
Zone 1 - MO		\$104.85
Zone 2 - MO		\$104.85
Zone 3 - MO		\$104.85
Zone 1 - OK		\$104.85
Zone 2 - OK		\$104.85
Zone 3 - OK		\$104.85
Zone 1 - TX		\$104.85
Zone 2 - TX		\$104.85
Zone 3 - TX		\$104.85
		<u>Nonrecurring Charge</u>
Zone 1 - AR		\$ 0.00
Zone 2 - AR		\$ 0.00
Zone 3 - AR		\$ 0.00
Zone 1 - KS		\$ 0.00
Zone 2 - KS		\$ 0.00
Zone 3 - KS		\$ 0.00
Zone 1 - MO		\$ 0.00
Zone 2 - MO		\$ 0.00
Zone 3 - MO		\$ 0.00
Zone 1 - OK		\$ 0.00
Zone 2 - OK		\$ 0.00
Zone 3 - OK		\$ 0.00
Zone 1 - TX		\$ 0.00
Zone 2 - TX		\$ 0.00
Zone 3 - TX		\$ 0.00

Rates contained in this transmittal are subject to subsequent adjustment, effective retrospectively back to the transmittal's original effective date, in the event the Commission or a court subsequently authorizes SWBT to correct its rates pursuant to the decision in United States Telephone Association v. FCC (Case No. 97-1469)(slip. op. May 21, 1999)(D.C. Cir.), or pursuant to pending motions, or petitions for reconsideration or waiver (and including, but not limited to, any Application for Review of the letter from Lawrence E. Strickling, Chief, Common Carrier Bureau, FCC, to Dale Robertson, SBC, dated May 18, 1999 which may be filed with the Commission), or in the event

(This page filed under Transmittal No. 2827)

Issued: May 15, 2000

Effective: May 30, 2000

Four AT&T Plaza, Dallas, Texas 75202

ACCESS SERVICE

(N)

7. Special Access Service (Cont'd)

7.3 Service Descriptions, Rates and Charges (Cont'd)

7.3.10 High Capacity Service (Cont'd)

(F) Rates and Charges (Cont'd)

(35) High Capacity Term Pricing Plan (HC-TPP)
Rates Effective: 5/30/00 (Cont'd)

	<u>USOC</u>	<u>5 Year Monthly Rate</u>
(c) <u>Multiplexing</u> (Cont'd)		

Per arrangement

DS0 to Subrates

Up to 10 4.8 kbps
services

QSU48

Zone 1 - AR	\$ 98.55
Zone 2 - AR	\$ 98.55
Zone 3 - AR	\$ 98.55
Zone 1 - KS	\$ 98.55
Zone 2 - KS	\$ 98.55
Zone 3 - KS	\$ 98.55
Zone 1 - MO	\$ 98.55
Zone 2 - MO	\$ 98.55
Zone 3 - MO	\$ 98.55
Zone 1 - OK	\$ 98.55
Zone 2 - OK	\$ 98.55
Zone 3 - OK	\$ 98.55
Zone 1 - TX	\$ 98.55
Zone 2 - TX	\$ 98.55
Zone 3 - TX	\$ 98.55

Nonrecurring Charge

Zone 1 - AR	\$ 0.00
Zone 2 - AR	\$ 0.00
Zone 3 - AR	\$ 0.00
Zone 1 - KS	\$ 0.00
Zone 2 - KS	\$ 0.00
Zone 3 - KS	\$ 0.00
Zone 1 - MO	\$ 0.00
Zone 2 - MO	\$ 0.00
Zone 3 - MO	\$ 0.00
Zone 1 - OK	\$ 0.00
Zone 2 - OK	\$ 0.00
Zone 3 - OK	\$ 0.00
Zone 1 - TX	\$ 0.00
Zone 2 - TX	\$ 0.00
Zone 3 - TX	\$ 0.00

(N)

Rates contained in this transmittal are subject to subsequent adjustment, effective retrospectively back to the transmittal's original effective date, in the event the Commission or a court subsequently authorizes SWBT to correct its rates pursuant to the decision in United States Telephone Association v. FCC (Case No. 97-1469)(slip. op. May 21, 1999)(D.C. Cir.), or pursuant to pending motions, or petitions for reconsideration or waiver (and including, but not limited to, any Application for Review of the letter from Lawrence E. Strickling, Chief, Common Carrier Bureau, FCC, to Dale Robertson, SBC, dated May 18, 1999 which may be filed with the Commission), or in the event of any other adjustment pursuant to an order of the Commission or a court.

(This page filed under Transmittal No. 2827)

Issued: May 15, 2000

Effective: May 30, 2000

Four AT&T Plaza, Dallas, Texas 75202

ACCESS SERVICE

(N)

7. Special Access Service (Cont'd)

7.3 Service Descriptions, Rates and Charges (Cont'd)

7.3.10 High Capacity Service (Cont'd)

(F) Rates and Charges (Cont'd)

(35) High Capacity Term Pricing Plan (HC-TPP)

Rates Effective: 5/30/00 (Cont'd)

	<u>USOC</u>	<u>3 Year Monthly Rate</u>
(c) <u>Multiplexing</u> (Cont'd)		
Per arrangement		
DS0 to Subrates		
Up to 5 9.6 kbps services		
	QSU96	
Zone 1 - AR		\$200.30
Zone 2 - AR		\$200.30
Zone 3 - AR		\$200.30
Zone 1 - KS		\$200.30
Zone 2 - KS		\$200.30
Zone 3 - KS		\$200.30
Zone 1 - MO		\$200.30
Zone 2 - MO		\$200.30
Zone 3 - MO		\$200.30
Zone 1 - OK		\$200.30
Zone 2 - OK		\$200.30
Zone 3 - OK		\$200.30
Zone 1 - TX		\$200.30
Zone 2 - TX		\$200.30
Zone 3 - TX		\$200.30
		<u>Nonrecurring Charge</u>
Zone 1 - AR		\$ 0.00
Zone 2 - AR		\$ 0.00
Zone 3 - AR		\$ 0.00
Zone 1 - KS		\$ 0.00
Zone 2 - KS		\$ 0.00
Zone 3 - KS		\$ 0.00
Zone 1 - MO		\$ 0.00
Zone 2 - MO		\$ 0.00
Zone 3 - MO		\$ 0.00
Zone 1 - OK		\$ 0.00
Zone 2 - OK		\$ 0.00
Zone 3 - OK		\$ 0.00
Zone 1 - TX		\$ 0.00
Zone 2 - TX		\$ 0.00
Zone 3 - TX		\$ 0.00

(N)

Rates contained in this transmittal are subject to subsequent adjustment, effective retrospectively back to the transmittal's original effective date, in the event the Commission or a court subsequently authorizes SWBT to correct its rates pursuant to the decision in United States Telephone Association v. FCC (Case No. 97-1469)(slip. op. May 21, 1999)(D.C. Cir.), or pursuant to pending motions, or petitions for reconsideration or waiver (and including, but not limited to, any Application for Review of the letter from Lawrence E. Strickling, Chief, Common Carrier Bureau, FCC, to Dale Robertson, SBC, dated May 18, 1999 which may be filed with the Commission), or in the event of any other adjustment pursuant to an order of the Commission or a court.

(This page filed under Transmittal No. 2827)

Issued: May 15, 2000

Effective: May 30, 2000

Four AT&T Plaza, Dallas, Texas 75202

ACCESS SERVICE

(N)

7. Special Access Service (Cont'd)

7.3 Service Descriptions, Rates and Charges (Cont'd)

7.3.10 High Capacity Service (Cont'd)

(F) Rates and Charges (Cont'd)

(35) High Capacity Term Pricing Plan (HC-TPP)
Rates Effective: 5/30/00 (Cont'd)

	<u>USOC</u>	<u>5 Year Monthly Rate</u>
(c) <u>Multiplexing</u> (Cont'd)		
Per arrangement		
DS0 to Subrates		
Up to 5 9.6 kbps services	QSU96	
Zone 1 - AR		\$188.20
Zone 2 - AR		\$188.20
Zone 3 - AR		\$188.20
Zone 1 - KS		\$188.20
Zone 2 - KS		\$188.20
Zone 3 - KS		\$188.20
Zone 1 - MO		\$188.20
Zone 2 - MO		\$188.20
Zone 3 - MO		\$188.20
Zone 1 - OK		\$188.20
Zone 2 - OK		\$188.20
Zone 3 - OK		\$188.20
Zone 1 - TX		\$188.20
Zone 2 - TX		\$188.20
Zone 3 - TX		\$188.20
		<u>Nonrecurring Charge</u>
Zone 1 - AR		\$ 0.00
Zone 2 - AR		\$ 0.00
Zone 3 - AR		\$ 0.00
Zone 1 - KS		\$ 0.00
Zone 2 - KS		\$ 0.00
Zone 3 - KS		\$ 0.00
Zone 1 - MO		\$ 0.00
Zone 2 - MO		\$ 0.00
Zone 3 - MO		\$ 0.00
Zone 1 - OK		\$ 0.00
Zone 2 - OK		\$ 0.00
Zone 3 - OK		\$ 0.00
Zone 1 - TX		\$ 0.00
Zone 2 - TX		\$ 0.00
Zone 3 - TX		\$ 0.00

(N)

Rates contained in this transmittal are subject to subsequent adjustment, effective retrospectively back to the transmittal's original effective date, in the event the Commission or a court subsequently authorizes SWBT to correct its rates pursuant to the decision in United States Telephone Association v. FCC (Case No. 97-1469) (slip. op. May 21, 1999) (D.C. Cir.), or pursuant to pending motions, or petitions for reconsideration or waiver (and including, but not limited to, any Application for Review of the letter from Lawrence E. Strickling, Chief, Common Carrier Bureau, FCC, to Dale Robertson, SBC, dated May 18, 1999 which may be filed with the Commission), or in the event

(This page filed under Transmittal No. 2827)

Issued: May 15, 2000

Effective: May 30, 2000

Four AT&T Plaza, Dallas, Texas 75202

ACCESS SERVICE

(N)

7. Special Access Service (Cont'd)

7.3 Service Descriptions, Rates and Charges (Cont'd)

7.3.10 High Capacity Service (Cont'd)

(F) Rates and Charges (Cont'd)

(35) High Capacity Term Pricing Plan (HC-TPP)
Rates Effective: 5/30/00 (Cont'd)

	<u>USOC</u>	<u>3 Year Monthly Rate</u>
(c) <u>Multiplexing</u> (Cont'd)		
Per arrangement		
DS1 to DS0	QMU	
Zone 1 - AR		\$162.00
Zone 2 - AR		\$162.00
Zone 3 - AR		\$162.00
Zone 1 - KS		\$162.00
Zone 2 - KS		\$162.00
Zone 3 - KS		\$162.00
Zone 1 - MO		\$162.00
Zone 2 - MO		\$162.00
Zone 3 - MO		\$162.00
Zone 1 - OK		\$162.00
Zone 2 - OK		\$162.00
Zone 3 - OK		\$162.00
Zone 1 - TX		\$162.00
Zone 2 - TX		\$162.00
Zone 3 - TX		\$162.00
		<u>Nonrecurring Charge</u>
Zone 1 - AR		\$ 0.00
Zone 2 - AR		\$ 0.00
Zone 3 - AR		\$ 0.00
Zone 1 - KS		\$ 0.00
Zone 2 - KS		\$ 0.00
Zone 3 - KS		\$ 0.00
Zone 1 - MO		\$ 0.00
Zone 2 - MO		\$ 0.00
Zone 3 - MO		\$ 0.00
Zone 1 - OK		\$ 0.00
Zone 2 - OK		\$ 0.00
Zone 3 - OK		\$ 0.00
Zone 1 - TX		\$ 0.00
Zone 2 - TX		\$ 0.00
Zone 3 - TX		\$ 0.00

Rates contained in this transmittal are subject to subsequent adjustment, effective retrospectively back to the transmittal's original effective date, in the event the Commission or a court subsequently authorizes SWBT to correct its rates pursuant to the decision in United States Telephone Association v. FCC (Case no. 97-1469)(slip. op. May 21, 1999)(D.C. Cir.), or pursuant to pending motions, or petitions for reconsideration or waiver (and including, but not limited to, any Application for Review of the letter form Lawrence E. Strickling, Chief, Common Carrier Bureau, FCC to Dale Robertson, SBC, dated May 18, 1999 which may be filed with the Commission), or in the event of any other adjustment pursuant to an order of the Commission or a court.

(This page filed under Transmittal No. 2827)

Issued: May 15, 2000

Effective: May 30, 2000

Four AT&T Plaza, Dallas, Texas 75202

ACCESS SERVICE

7. Special Access Service (Cont'd)

(N)

7.3 Service Descriptions, Rates and Charges (Cont'd)

7.3.10 High Capacity Service (Cont'd)

(F) Rates and Charges (Cont'd)

(35) High Capacity Term Pricing Plan (HC-TPP)
Rates Effective: 5/30/00 (Cont'd)

	<u>USOC</u>	<u>5 Year Monthly Rate</u>
(c) <u>Multiplexing</u> (Cont'd)		
Per arrangement		
DS1 to DS0	QMU	
Zone 1 - AR		\$153.00
Zone 2 - AR		\$153.00
Zone 3 - AR		\$153.00
Zone 1 - KS		\$153.00
Zone 2 - KS		\$153.00
Zone 3 - KS		\$153.00
Zone 1 - MO		\$153.00
Zone 2 - MO		\$153.00
Zone 3 - MO		\$153.00
Zone 1 - OK		\$153.00
Zone 2 - OK		\$153.00
Zone 3 - OK		\$153.00
Zone 1 - TX		\$153.00
Zone 2 - TX		\$153.00
Zone 3 - TX		\$153.00
		<u>Nonrecurring Charge</u>
Zone 1 - AR		\$ 0.00
Zone 2 - AR		\$ 0.00
Zone 3 - AR		\$ 0.00
Zone 1 - KS		\$ 0.00
Zone 2 - KS		\$ 0.00
Zone 3 - KS		\$ 0.00
Zone 1 - MO		\$ 0.00
Zone 2 - MO		\$ 0.00
Zone 3 - MO		\$ 0.00
Zone 1 - OK		\$ 0.00
Zone 2 - OK		\$ 0.00
Zone 3 - OK		\$ 0.00
Zone 1 - TX		\$ 0.00
Zone 2 - TX		\$ 0.00
Zone 3 - TX		\$ 0.00

(N)

Rates contained in this transmittal are subject to subsequent adjustment, effective retrospectively back to the transmittal's original effective date, in the event the Commission or a court subsequently authorizes SWBT to correct its rates pursuant to the decision in United States Telephone Association v. FCC (Case No. 97-1469)(slip. op. May 21, 1999)(D.C. Cir.), or pursuant to pending motions, or petitions for reconsideration or waiver (and including, but not limited to, any Application for Review of the letter form Lawrence E. Strickling, Chief, Common Carrier Bureau, FCC, to Dale Robertson, SBC, dated May 18, 1999 which may be filed with the Commission), or in the event of any other adjustment pursuant to an order of the Commission or a court.

(This page filed under Transmittal No. 2827)

Issued: May 15, 2000

Effective: May 30, 2000

Four AT&T Plaza, Dallas, Texas 75202

ACCESS SERVICE

(N)

7. Special Access Service (Cont'd)

7.3 Service Descriptions, Rates and Charges (Cont'd)

7.3.10 High Capacity Service (Cont'd)

(F) Rates and Charges (Cont'd)

(35) High Capacity Term Pricing Plan (HC-TPP)
Rates Effective: 5/30/00 (Cont'd)

	<u>USOC</u>	<u>3 Year Monthly Rate</u>
(c) <u>Multiplexing</u> (Cont'd)		
Per arrangement		
DS1 to Voice	MQ1	
Zone 1 - AR		\$162.00
Zone 2 - AR		\$162.00
Zone 3 - AR		\$162.00
Zone 1 - KS		\$162.00
Zone 2 - KS		\$162.00
Zone 3 - KS		\$162.00
Zone 1 - MO		\$162.00
Zone 2 - MO		\$162.00
Zone 3 - MO		\$162.00
Zone 1 - OK		\$162.00
Zone 2 - OK		\$162.00
Zone 3 - OK		\$162.00
Zone 1 - TX		\$162.00
Zone 2 - TX		\$162.00
Zone 3 - TX		\$162.00
		<u>Nonrecurring Charge</u>
Zone 1 - AR		\$ 0.00
Zone 2 - AR		\$ 0.00
Zone 3 - AR		\$ 0.00
Zone 1 - KS		\$ 0.00
Zone 2 - KS		\$ 0.00
Zone 3 - KS		\$ 0.00
Zone 1 - MO		\$ 0.00
Zone 2 - MO		\$ 0.00
Zone 3 - MO		\$ 0.00
Zone 1 - OK		\$ 0.00
Zone 2 - OK		\$ 0.00
Zone 3 - OK		\$ 0.00
Zone 1 - TX		\$ 0.00
Zone 2 - TX		\$ 0.00
Zone 3 - TX		\$ 0.00

Rates contained in this transmittal are subject to subsequent adjustment, effective retrospectively back to the transmittal's original effective date, in the event the Commission or a court subsequently authorizes SWBT to correct its rates pursuant to the decision in United States Telephone Association v. FCC (Case No. 97-1469)(slip. op. May 21, 1999)(D.C. Cir.), or pursuant to pending motions, or petitions for reconsideration or waiver (and including, but not limited to, any Application for Review of the letter from Lawrence E. Strickling, Chief, Common Carrier Bureau, FCC, to Dale Robertson, SBC, dated May 18, 1999 which may be filed with the Commission), or in the event of any other adjustment pursuant to an order of the Commission or a court.

(This page filed under Transmittal No. 2827)

Issued: May 15, 2000

Effective: May 30, 2000

Four AT&T Plaza, Dallas, Texas 75202

ACCESS SERVICE

7. Special Access Service (Cont'd)

(N)

7.3 Service Descriptions, Rates and Charges (Cont'd)

7.3.10 High Capacity Service (Cont'd)

(F) Rates and Charges (Cont'd)

(35) High Capacity Term Pricing Plan (HC-TPP)
Rates Effective: 5/30/00 (Cont'd)

	<u>USOC</u>	<u>5 Year Monthly Rate</u>
(c) <u>Multiplexing</u> (Cont'd)		
Per arrangement		
DS1 to Voice	MQ1	
Zone 1 - AR		\$153.00
Zone 2 - AR		\$153.00
Zone 3 - AR		\$153.00
Zone 1 - KS		\$153.00
Zone 2 - KS		\$153.00
Zone 3 - KS		\$153.00
Zone 1 - MO		\$153.00
Zone 2 - MO		\$153.00
Zone 3 - MO		\$153.00
Zone 1 - OK		\$153.00
Zone 2 - OK		\$153.00
Zone 3 - OK		\$153.00
Zone 1 - TX		\$153.00
Zone 2 - TX		\$153.00
Zone 3 - TX		\$153.00
		<u>Nonrecurring Charge</u>
Zone 1 - AR		\$ 0.00
Zone 2 - AR		\$ 0.00
Zone 3 - AR		\$ 0.00
Zone 1 - KS		\$ 0.00
Zone 2 - KS		\$ 0.00
Zone 3 - KS		\$ 0.00
Zone 1 - MO		\$ 0.00
Zone 2 - MO		\$ 0.00
Zone 3 - MO		\$ 0.00
Zone 1 - OK		\$ 0.00
Zone 2 - OK		\$ 0.00
Zone 3 - OK		\$ 0.00
Zone 1 - TX		\$ 0.00
Zone 2 - TX		\$ 0.00
Zone 3 - TX		\$ 0.00

(N)

Rates contained in this transmittal are subject to subsequent adjustment, effective retrospectively back to the transmittal's original effective date, in the event the Commission or a court subsequently authorizes SWBT to correct its rates pursuant to the decision in United States Telephone Association v. FCC (Case No. 97-1469)(slip. op. May 21, 1999)(D.C. Cir.), or pursuant to pending motions, or petitions for reconsideration or waiver (and including, but not limited to, any Application for Review of the letter from Lawrence E. Strickling, Chief, Common Carrier Bureau, FCC, to Dale Robertson, SBC, dated May 18, 1999 which may be filed with the Commission), or in the event of any other adjustment pursuant to an order of the Commission or a court.

(This page filed under Transmittal No. 2827)

Issued: May 15, 2000

Effective: May 30, 2000

Four AT&T Plaza, Dallas, Texas 75202

ACCESS SERVICE

(N)

7. Special Access Service (Cont'd)

7.3 Service Descriptions, Rates and Charges (Cont'd)

7.3.10 High Capacity Service (Cont'd)

(F) Rates and Charges (Cont'd)

(35) High Capacity Term Pricing Plan (HC-TPP)
Rates Effective: 5/30/00 (Cont'd)

	<u>3 Year Monthly Rate</u>	<u>Nonrecurring Charge</u>
(d) <u>SecureNet - Missouri</u>		
Per Channel Termination		
Hub Redundancy (R16AA)	\$167.02	\$1,422.00
Serving Wire Center and Facility Redundancy (R18AB)	\$ 0.00	\$ 0.00

	<u>5 Year Monthly Rate</u>	<u>Nonrecurring Charge</u>
<u>SecureNet - Missouri</u>		
Per Channel Termination		
Hub Redundancy (R16AA)	\$157.74	\$1,422.00
Serving Wire Center and Facility Redundancy (R18AB)	\$ 0.00	\$ 0.00

	<u>Monthly Rate</u>		<u>Nonrecurring Charges</u>	
	<u>Fixed</u>	<u>Per Mile</u>	<u>1st Ckt.</u>	<u>Addl Ckt.</u>
(e) <u>Collocation Transport</u>				
3 Year				
1.544 Mbps (1H48S)	\$40.00	\$12.60	\$392.50	\$230.00
5 Year				
1.544 Mbps (1H48S)	\$37.50	\$12.23	\$0.00	\$0.00

(N)

Rates contained in this transmittal are subject to subsequent adjustment, effective retrospectively back to the transmittal's original effective date, in the event the Commission or a court subsequently authorizes SWBT to correct its rates pursuant to the decision in United States Telephone Association v. FCC (Case No. 97-1469)(slip. op. May 21, 1999)(D.C. Cir.), or pursuant to pending motions, or petitions for reconsideration or waiver (and including, but not limited to, any Application for Review of the letter from Lawrence E. Strickling, Chief, Common Carrier Bureau, FCC, to Dale Robertson, SBC, dated May 18, 1999 which may be filed with the Commission), or in the event of any other adjustment pursuant to an order of the Commission or a court.

(This page filed under Transmittal No. 2827)

Issued: May 15, 2000

Effective: May 30, 2000

Four AT&T Plaza, Dallas, Texas 75202

ACCESS SERVICE

(N)

7. Special Access Service (Cont'd)

7.3 Service Descriptions, Rates and Charges (Cont'd)

7.3.10 High Capacity Service (Cont'd)

(F) Rates and Charges (Cont'd)

(36) High Capacity Term Pricing Plan (HC-TPP)

Rates Effective: 7/1/00

	<u>USOC</u>	<u>3 Year Monthly Rate</u>
(a) <u>Channel Termination</u>		
Per point of termination	TMECS	
1.544 Mbps		
Zone 1 - AR		\$120.00
Zone 2 - AR		\$125.00
Zone 3 - AR		\$135.00
Zone 1 - KS		\$120.00
Zone 2 - KS		\$125.00
Zone 3 - KS		\$135.00
Zone 1 - MO		\$120.00
Zone 2 - MO		\$125.00
Zone 3 - MO		\$135.00
Zone 1 - OK		\$120.00
Zone 2 - OK		\$125.00
Zone 3 - OK		\$135.00
Zone 1 - TX		\$120.00
Zone 2 - TX		\$125.00
Zone 3 - TX		\$135.00
		<u>Nonrecurring Charge</u>
		<u>1st Ckt Addl Ckt</u>
Zone 1 - AR		\$300.00 \$228.00
Zone 2 - AR		\$300.00 \$228.00
Zone 3 - AR		\$300.00 \$228.00
Zone 1 - KS		\$300.00 \$228.00
Zone 2 - KS		\$300.00 \$228.00
Zone 3 - KS		\$300.00 \$228.00
Zone 1 - MO		\$300.00 \$228.00
Zone 2 - MO		\$300.00 \$228.00
Zone 3 - MO		\$300.00 \$228.00
Zone 1 - OK		\$300.00 \$228.00
Zone 2 - OK		\$300.00 \$228.00
Zone 3 - OK		\$300.00 \$228.00
Zone 1 - TX		\$300.00 \$228.00
Zone 2 - TX		\$300.00 \$228.00
Zone 3 - TX		\$300.00 \$228.00

(N)

Rates contained in this transmittal are subject to subsequent adjustment, effective retrospectively back to the transmittal's original effective date, in the event the Commission or a court subsequently authorizes SWBT to correct its rates pursuant to pending motions, or petitions for reconsideration or waiver (and including, but not limited to, any application for Review of the letter from Lawrence E. Strickling, Chief, Common Carrier bureau, FCC, to Dale Robertson, SBC, dated May 18, 1999 which may be filed with the Commission), or in the event of any other adjustment pursuant to an order of the

(This page filed under Transmittal No. 2831)

Issued: June 16, 2000

Effective: July 1, 2000

Four AT&T Plaza, Dallas, Texas 75202

ACCESS SERVICE

(N)

7. Special Access Service (Cont'd)

7.3 Service Descriptions, Rates and Charges (Cont'd)

7.3.10 High Capacity Service (Cont'd)

(F) Rates and Charges (Cont'd)

(36) High Capacity Term Pricing Plan (HC-TPP)

Rates Effective: 7/1/00 (Cont'd)

	<u>USOC</u>	<u>5 Year Monthly Rate</u>
(a) <u>Channel Termination</u> (Cont'd)		
Per point of termination	TMECS	
1.544 Mbps		
Zone 1 - AR		\$105.00
Zone 2 - AR		\$110.00
Zone 3 - AR		\$125.00
Zone 1 - KS		\$105.00
Zone 2 - KS		\$110.00
Zone 3 - KS		\$125.00
Zone 1 - MO		\$105.00
Zone 2 - MO		\$110.00
Zone 3 - MO		\$125.00
Zone 1 - OK		\$105.00
Zone 2 - OK		\$110.00
Zone 3 - OK		\$125.00
Zone 1 - TX		\$105.00
Zone 2 - TX		\$110.00
Zone 3 - TX		\$125.00
		<u>Nonrecurring Charge</u>
		<u>1st Ckt Addl Ckt</u>
Zone 1 - AR		\$ 0.00 \$ 0.00
Zone 2 - AR		\$ 0.00 \$ 0.00
Zone 3 - AR		\$ 0.00 \$ 0.00
Zone 1 - KS		\$ 0.00 \$ 0.00
Zone 2 - KS		\$ 0.00 \$ 0.00
Zone 3 - KS		\$ 0.00 \$ 0.00
Zone 1 - MO		\$ 0.00 \$ 0.00
Zone 2 - MO		\$ 0.00 \$ 0.00
Zone 3 - MO		\$ 0.00 \$ 0.00
Zone 1 - OK		\$ 0.00 \$ 0.00
Zone 2 - OK		\$ 0.00 \$ 0.00
Zone 3 - OK		\$ 0.00 \$ 0.00
Zone 1 - TX		\$ 0.00 \$ 0.00
Zone 2 - TX		\$ 0.00 \$ 0.00
Zone 3 - TX		\$ 0.00 \$ 0.00

(N)

Rates contained in this transmittal are subject to subsequent adjustment, effective retrospectively back to the transmittal's original effective date, in the event the Commission or a court subsequently authorizes SWBT to correct its rates pursuant to pending motions, or petitions for reconsideration or waiver (and including, but not limited to, any application for Review of the letter from Lawrence E. Strickling, Chief, Common Carrier bureau, FCC, to Dale Robertson, SBC, dated May 18, 1999 which may be filed with the Commission), or in the event of any other adjustment

(This page filed under Transmittal No. 2831)

Issued: June 16, 2000

Effective: July 1, 2000

Four AT&T Plaza, Dallas, Texas 75202

ACCESS SERVICE

7. Special Access Service (Cont'd)

7.3 Service Descriptions, Rates and Charges (Cont'd)

7.3.10 High Capacity Service (Cont'd)

(F) Rates and Charges (Cont'd)

(36) High Capacity Term Pricing Plan (HC-TPP)
Rates Effective: 7/1/00 (Cont'd)

(N)

	USOC	3 Year Monthly Rate	
		Fixed	Per Mile
(b) <u>Channel Mileage</u>			
1.544 Mbps	1L5XX		
0 miles			
Zone 1 - AR		\$ 0.00	\$ 0.00
Zone 2 - AR		\$ 0.00	\$ 0.00
Zone 3 - AR		\$ 0.00	\$ 0.00
Zone 1 - KS		\$ 0.00	\$ 0.00
Zone 2 - KS		\$ 0.00	\$ 0.00
Zone 3 - KS		\$ 0.00	\$ 0.00
Zone 1 - MO		\$ 0.00	\$ 0.00
Zone 2 - MO		\$ 0.00	\$ 0.00
Zone 3 - MO		\$ 0.00	\$ 0.00
Zone 1 - OK		\$ 0.00	\$ 0.00
Zone 2 - OK		\$ 0.00	\$ 0.00
Zone 3 - OK		\$ 0.00	\$ 0.00
Zone 1 - TX		\$ 0.00	\$ 0.00
Zone 2 - TX		\$ 0.00	\$ 0.00
Zone 3 - TX		\$ 0.00	\$ 0.00
Over 0 miles			
Zone 1 - AR		\$40.00	\$12.60
Zone 2 - AR		\$40.00	\$12.60
Zone 3 - AR		\$46.00	\$12.60
Zone 1 - KS		\$40.00	\$12.60
Zone 2 - KS		\$40.00	\$12.60
Zone 3 - KS		\$46.00	\$12.60
Zone 1 - MO		\$40.00	\$12.60
Zone 2 - MO		\$40.00	\$12.60
Zone 3 - MO		\$46.00	\$12.60
Zone 1 - OK		\$40.00	\$12.60
Zone 2 - OK		\$40.00	\$12.60
Zone 3 - OK		\$46.00	\$12.60
Zone 1 - TX		\$40.00	\$12.60
Zone 2 - TX		\$40.00	\$12.60
Zone 3 - TX		\$46.00	\$12.60

(N)

Rates contained in this transmittal are subject to subsequent adjustment, effective retrospectively back to the transmittal's original effective date, in the event the Commission or a court subsequently authorizes SWBT to correct its rates pursuant to pending motions, or petitions for reconsideration or waiver (and including, but not limited to, any application for Review of the letter from Lawrence E. Strickling, Chief, Common Carrier bureau, FCC, to Dale Robertson, SBC, dated May 18, 1999 which may be filed with the Commission), or in the event of any other adjustment

(This page filed under Transmittal No. 2831)

Issued: June 16, 2000

Effective: July 1, 2000

Four AT&T Plaza, Dallas, Texas 75202

ACCESS SERVICE

(N)

7. Special Access Service (Cont'd)

7.3 Service Descriptions, Rates and Charges (Cont'd)

7.3.10 High Capacity Service (Cont'd)

(F) Rates and Charges (Cont'd)

(36) High Capacity Term Pricing Plan (HC-TPP)
Rates Effective: 7/1/00 (Cont'd)

		USOC	5 Year Monthly Rate	
			Fixed	Per Mile
(b) <u>Channel Mileage</u> (Cont'd)				
1.544 Mbps		1L5XX		
0 miles				
Zone 1 - AR			\$ 0.00	\$ 0.00
Zone 2 - AR			\$ 0.00	\$ 0.00
Zone 3 - AR			\$ 0.00	\$ 0.00
Zone 1 - KS			\$ 0.00	\$ 0.00
Zone 2 - KS			\$ 0.00	\$ 0.00
Zone 3 - KS			\$ 0.00	\$ 0.00
Zone 1 - MO			\$ 0.00	\$ 0.00
Zone 2 - MO			\$ 0.00	\$ 0.00
Zone 3 - MO			\$ 0.00	\$ 0.00
Zone 1 - OK			\$ 0.00	\$ 0.00
Zone 2 - OK			\$ 0.00	\$ 0.00
Zone 3 - OK			\$ 0.00	\$ 0.00
Zone 1 - TX			\$ 0.00	\$ 0.00
Zone 2 - TX			\$ 0.00	\$ 0.00
Zone 3 - TX			\$ 0.00	\$ 0.00
Over 0 miles				
Zone 1 - AR			\$37.50	\$12.23
Zone 2 - AR			\$37.50	\$12.23
Zone 3 - AR			\$43.50	\$12.23
Zone 1 - KS			\$37.50	\$12.23
Zone 2 - KS			\$37.50	\$12.23
Zone 3 - KS			\$43.50	\$12.23
Zone 1 - MO			\$37.50	\$12.23
Zone 2 - MO			\$37.50	\$12.23
Zone 3 - MO			\$43.50	\$12.23
Zone 1 - OK			\$37.50	\$12.23
Zone 2 - OK			\$37.50	\$12.23
Zone 3 - OK			\$43.50	\$12.23
Zone 1 - TX			\$37.50	\$12.23
Zone 2 - TX			\$37.50	\$12.23
Zone 3 - TX			\$43.50	\$12.23

(N)

Rates contained in this transmittal are subject to subsequent adjustment, effective retrospectively back to the transmittal's original effective date, in the event the Commission or a court subsequently authorizes SWBT to correct its rates pursuant to pending motions, or petitions for reconsideration or waiver (and including, but not limited to, any application for Review of the letter from Lawrence E. Strickling, Chief, Common Carrier bureau, FCC, to Dale Robertson, SBC, dated May 18, 1999 which may be filed with the Commission), or in the event of any other adjustment

(This page filed under Transmittal No. 2831)

Issued: June 16, 2000

Effective: July 1, 2000

Four AT&T Plaza, Dallas, Texas 75202

ACCESS SERVICE

(N)

7. Special Access Service (Cont'd)

7.3 Service Descriptions, Rates and Charges (Cont'd)

7.3.10 High Capacity Service (Cont'd)

(F) Rates and Charges (Cont'd)

(36) High Capacity Term Pricing Plan (HC-TPP)
Rates Effective: 7/1/00 (Cont'd)

	<u>USOC</u>	<u>3 Year Monthly Rate</u>
(c) <u>Multiplexing</u>		
Per arrangement		
DS0 to Subrates		
Up to 20 2.4 kbps services	QSU24	
Zone 1 - AR		\$114.35
Zone 2 - AR		\$114.35
Zone 3 - AR		\$114.35
Zone 1 - KS		\$114.35
Zone 2 - KS		\$114.35
Zone 3 - KS		\$114.35
Zone 1 - MO		\$114.35
Zone 2 - MO		\$114.35
Zone 3 - MO		\$114.35
Zone 1 - OK		\$114.35
Zone 2 - OK		\$114.35
Zone 3 - OK		\$114.35
Zone 1 - TX		\$114.35
Zone 2 - TX		\$114.35
Zone 3 - TX		\$114.35
		<u>Nonrecurring Charge</u>
Zone 1 - AR		\$ 0.00
Zone 2 - AR		\$ 0.00
Zone 3 - AR		\$ 0.00
Zone 1 - KS		\$ 0.00
Zone 2 - KS		\$ 0.00
Zone 3 - KS		\$ 0.00
Zone 1 - MO		\$ 0.00
Zone 2 - MO		\$ 0.00
Zone 3 - MO		\$ 0.00
Zone 1 - OK		\$ 0.00
Zone 2 - OK		\$ 0.00
Zone 3 - OK		\$ 0.00
Zone 1 - TX		\$ 0.00
Zone 2 - TX		\$ 0.00
Zone 3 - TX		\$ 0.00

Rates contained in this transmittal are subject to subsequent adjustment, effective retrospectively back to the transmittal's original effective date, in the event the Commission or a court subsequently authorizes SWBT to correct its rates pursuant to pending motions, or petitions for reconsideration or waiver (and including, but not limited to, any application for Review of the letter from Lawrence E. Strickling, Chief, Common Carrier bureau, FCC, to Dale Robertson, SBC, dated May 18, 1999 which may be filed with the Commission), or in the event of any other adjustment

(This page filed under Transmittal No. 2831)

Issued: June 16, 2000

Effective: July 1, 2000

Four AT&T Plaza, Dallas, Texas 75202

ACCESS SERVICE

(N)

7. Special Access Service (Cont'd)

7.3 Service Descriptions, Rates and Charges (Cont'd)

7.3.10 High Capacity Service (Cont'd)

(F) Rates and Charges (Cont'd)

(36) High Capacity Term Pricing Plan (HC-TPP)

Rates Effective: 7/1/00 (Cont'd)

	<u>USOC</u>	<u>5 Year Monthly Rate</u>
(c) <u>Multiplexing</u> (Cont'd)		
Per arrangement		
DS0 to Subrates		
Up to 20 2.4 kbps services	QSU24	
Zone 1 - AR		\$107.45
Zone 2 - AR		\$107.45
Zone 3 - AR		\$107.45
Zone 1 - KS		\$107.45
Zone 2 - KS		\$107.45
Zone 3 - KS		\$107.45
Zone 1 - MO		\$107.45
Zone 2 - MO		\$107.45
Zone 3 - MO		\$107.45
Zone 1 - OK		\$107.45
Zone 2 - OK		\$107.45
Zone 3 - OK		\$107.45
Zone 1 - TX		\$107.45
Zone 2 - TX		\$107.45
Zone 3 - TX		\$107.50
		<u>Nonrecurring Charge</u>
Zone 1 - AR		\$ 0.00
Zone 2 - AR		\$ 0.00
Zone 3 - AR		\$ 0.00
Zone 1 - KS		\$ 0.00
Zone 2 - KS		\$ 0.00
Zone 3 - KS		\$ 0.00
Zone 1 - MO		\$ 0.00
Zone 2 - MO		\$ 0.00
Zone 3 - MO		\$ 0.00
Zone 1 - OK		\$ 0.00
Zone 2 - OK		\$ 0.00
Zone 3 - OK		\$ 0.00
Zone 1 - TX		\$ 0.00
Zone 2 - TX		\$ 0.00
Zone 3 - TX		\$ 0.00

(N)

Rates contained in this transmittal are subject to subsequent adjustment, effective retrospectively back to the transmittal's original effective date, in the event the Commission or a court subsequently authorizes SWBT to correct its rates pursuant to pending motions, or petitions for reconsideration or waiver (and including, but not limited to, any application for Review of the letter from Lawrence E. Strickling, Chief, Common Carrier bureau, FCC, to Dale Robertson, SBC, dated May 18, 1999 which may be filed with the Commission), or in the event of any other adjustment

(This page filed under Transmittal No. 2831)

Issued: June 16, 2000

Effective: July 1, 2000

Four AT&T Plaza, Dallas, Texas 75202

ACCESS SERVICE

(N)

7. Special Access Service (Cont'd)

7.3 Service Descriptions, Rates and Charges (Cont'd)

7.3.10 High Capacity Service (Cont'd)

(F) Rates and Charges (Cont'd)

(35) High Capacity Term Pricing Plan (HC-TPP)
Rates Effective: 7/01/00 (Cont'd)

	<u>USOC</u>	<u>3 Year Monthly Rate</u>
(c) <u>Multiplexing</u> (Cont'd)		
Per arrangement		
DS0 to Subrates		
Up to 10 4.8 kbps services	QSU48	
Zone 1 - AR		\$104.85
Zone 2 - AR		\$104.85
Zone 3 - AR		\$104.85
Zone 1 - KS		\$104.85
Zone 2 - KS		\$104.85
Zone 3 - KS		\$104.85
Zone 1 - MO		\$104.85
Zone 2 - MO		\$104.85
Zone 3 - MO		\$104.85
Zone 1 - OK		\$104.85
Zone 2 - OK		\$104.85
Zone 3 - OK		\$104.85
Zone 1 - TX		\$104.85
Zone 2 - TX		\$104.85
Zone 3 - TX		\$104.85
		<u>Nonrecurring Charge</u>
Zone 1 - AR		\$ 0.00
Zone 2 - AR		\$ 0.00
Zone 3 - AR		\$ 0.00
Zone 1 - KS		\$ 0.00
Zone 2 - KS		\$ 0.00
Zone 3 - KS		\$ 0.00
Zone 1 - MO		\$ 0.00
Zone 2 - MO		\$ 0.00
Zone 3 - MO		\$ 0.00
Zone 1 - OK		\$ 0.00
Zone 2 - OK		\$ 0.00
Zone 3 - OK		\$ 0.00
Zone 1 - TX		\$ 0.00
Zone 2 - TX		\$ 0.00
Zone 3 - TX		\$ 0.00

Rates contained in this transmittal are subject to subsequent adjustment, effective retrospectively back to the transmittal's original effective date, in the event the Commission or a court subsequently authorizes SWBT to correct its rates pursuant to pending motions, or petitions for reconsideration or waiver (and including, but not limited to, any Application for Review of the letter from Lawrence E. Strickling, Chief, Common Carrier Bureau, FCC, to Dale Robertson, SBC, dated May 18, 1999 which may be filed with the Commission), or in the event of any other adjustment

(This page filed under Transmittal No. 2831)

Issued: June 16, 2000

Effective: July 1, 2000

Four AT&T Plaza, Dallas, Texas 75202

ACCESS SERVICE

(N)

7. Special Access Service (Cont'd)

7.3 Service Descriptions, Rates and Charges (Cont'd)

7.3.10 High Capacity Service (Cont'd)

(F) Rates and Charges (Cont'd)

(36) High Capacity Term Pricing Plan (HC-TPP)
Rates Effective: 7/1/00 (Cont'd)

	<u>USOC</u>	<u>5 Year Monthly Rate</u>
(c) <u>Multiplexing</u> (Cont'd)		
Per arrangement		
DS0 to Subrates		
Up to 10 4.8 kbps services	QSU48	
Zone 1 - AR		\$ 98.55
Zone 2 - AR		\$ 98.55
Zone 3 - AR		\$ 98.55
Zone 1 - KS		\$ 98.55
Zone 2 - KS		\$ 98.55
Zone 3 - KS		\$ 98.55
Zone 1 - MO		\$ 98.55
Zone 2 - MO		\$ 98.55
Zone 3 - MO		\$ 98.55
Zone 1 - OK		\$ 98.55
Zone 2 - OK		\$ 98.55
Zone 3 - OK		\$ 98.55
Zone 1 - TX		\$ 98.55
Zone 2 - TX		\$ 98.55
Zone 3 - TX		\$ 98.55
		<u>Nonrecurring Charge</u>
Zone 1 - AR		\$ 0.00
Zone 2 - AR		\$ 0.00
Zone 3 - AR		\$ 0.00
Zone 1 - KS		\$ 0.00
Zone 2 - KS		\$ 0.00
Zone 3 - KS		\$ 0.00
Zone 1 - MO		\$ 0.00
Zone 2 - MO		\$ 0.00
Zone 3 - MO		\$ 0.00
Zone 1 - OK		\$ 0.00
Zone 2 - OK		\$ 0.00
Zone 3 - OK		\$ 0.00
Zone 1 - TX		\$ 0.00
Zone 2 - TX		\$ 0.00
Zone 3 - TX		\$ 0.00

(N)

Rates contained in this transmittal are subject to subsequent adjustment, effective retrospectively back to the transmittal's original effective date, in the event the Commission or a court subsequently authorizes SWBT to correct its rates pursuant to pending motions, or petitions for reconsideration or waiver (and including, but not limited to, any application for Review of the letter from Lawrence E. Strickling, Chief, Common Carrier bureau, FCC, to Dale Robertson, SBC, dated May 18, 1999 which may be filed with the Commission), or in the event of any other adjustment

(This page filed under Transmittal No. 2831)

Issued: June 16, 2000

Effective: July 1, 2000

Four AT&T Plaza, Dallas, Texas 75202

ACCESS SERVICE

(N)

7. Special Access Service (Cont'd)

7.3 Service Descriptions, Rates and Charges (Cont'd)

7.3.10 High Capacity Service (Cont'd)

(F) Rates and Charges (Cont'd)

(36) High Capacity Term Pricing Plan (HC-TPP)

Rates Effective: 7/1/00 (Cont'd)

	<u>USOC</u>	<u>3 Year Monthly Rate</u>
(c) <u>Multiplexing</u> (Cont'd)		
Per arrangement		
DS0 to Subrates		
Up to 5 9.6 kbps services		
	QSU96	
Zone 1 - AR		\$200.30
Zone 2 - AR		\$200.30
Zone 3 - AR		\$200.30
Zone 1 - KS		\$200.30
Zone 2 - KS		\$200.30
Zone 3 - KS		\$200.30
Zone 1 - MO		\$200.30
Zone 2 - MO		\$200.30
Zone 3 - MO		\$200.30
Zone 1 - OK		\$200.30
Zone 2 - OK		\$200.30
Zone 3 - OK		\$200.30
Zone 1 - TX		\$200.30
Zone 2 - TX		\$200.30
Zone 3 - TX		\$200.30
		<u>Nonrecurring Charge</u>
Zone 1 - AR		\$ 0.00
Zone 2 - AR		\$ 0.00
Zone 3 - AR		\$ 0.00
Zone 1 - KS		\$ 0.00
Zone 2 - KS		\$ 0.00
Zone 3 - KS		\$ 0.00
Zone 1 - MO		\$ 0.00
Zone 2 - MO		\$ 0.00
Zone 3 - MO		\$ 0.00
Zone 1 - OK		\$ 0.00
Zone 2 - OK		\$ 0.00
Zone 3 - OK		\$ 0.00
Zone 1 - TX		\$ 0.00
Zone 2 - TX		\$ 0.00
Zone 3 - TX		\$ 0.00

(N)

Rates contained in this transmittal are subject to subsequent adjustment, effective retrospectively back to the transmittal's original effective date, in the event the Commission or a court subsequently authorizes SWBT to correct its rates pursuant to pending motions, or petitions for reconsideration or waiver (and including, but not limited to, any application for Review of the letter from Lawrence E. Strickling, Chief, Common Carrier bureau, FCC, to Dale Robertson, SBC, dated May 18, 1999 which may be filed with the Commission), or in the event of any other adjustment

(This page filed under Transmittal No. 2831)

Issued: June 16, 2000

Effective: July 1, 2000

Four AT&T Plaza, Dallas, Texas 75202

ACCESS SERVICE

(N)

7. Special Access Service (Cont'd)

7.3 Service Descriptions, Rates and Charges (Cont'd)

7.3.10 High Capacity Service (Cont'd)

(F) Rates and Charges (Cont'd)

(36) High Capacity Term Pricing Plan (HC-TPP)
Rates Effective: 7/1/00 (Cont'd)

	<u>USOC</u>	<u>5 Year Monthly Rate</u>
(c) <u>Multiplexing</u> (Cont'd)		
Per arrangement		
DS0 to Subrates		
Up to 5 9.6 kbps services	QSU96	
Zone 1 - AR		\$188.20
Zone 2 - AR		\$188.20
Zone 3 - AR		\$188.20
Zone 1 - KS		\$188.20
Zone 2 - KS		\$188.20
Zone 3 - KS		\$188.20
Zone 1 - MO		\$188.20
Zone 2 - MO		\$188.20
Zone 3 - MO		\$188.20
Zone 1 - OK		\$188.20
Zone 2 - OK		\$188.20
Zone 3 - OK		\$188.20
Zone 1 - TX		\$188.20
Zone 2 - TX		\$188.20
Zone 3 - TX		\$188.20
		<u>Nonrecurring Charge</u>
Zone 1 - AR		\$ 0.00
Zone 2 - AR		\$ 0.00
Zone 3 - AR		\$ 0.00
Zone 1 - KS		\$ 0.00
Zone 2 - KS		\$ 0.00
Zone 3 - KS		\$ 0.00
Zone 1 - MO		\$ 0.00
Zone 2 - MO		\$ 0.00
Zone 3 - MO		\$ 0.00
Zone 1 - OK		\$ 0.00
Zone 2 - OK		\$ 0.00
Zone 3 - OK		\$ 0.00
Zone 1 - TX		\$ 0.00
Zone 2 - TX		\$ 0.00
Zone 3 - TX		\$ 0.00

(N)

Rates contained in this transmittal are subject to subsequent adjustment, effective retrospectively back to the transmittal's original effective date, in the event the Commission or a court subsequently authorizes SWBT to correct its rates pursuant to pending motions, or petitions for reconsideration or waiver (and including, but not limited to, any application for Review of the letter from Lawrence E. Strickling, Chief, Common Carrier bureau, FCC, to Dale Robertson, SBC, dated May 18, 1999 which may be filed with the Commission), or in the event of any other adjustment

(This page filed under Transmittal No. 2831)

Issued: June 16, 2000

Effective: July 1, 2000

Four AT&T Plaza, Dallas, Texas 75202

ACCESS SERVICE

(N)

7. Special Access Service (Cont'd)7.3 Service Descriptions, Rates and Charges (Cont'd)7.3.10 High Capacity Service (Cont'd)(F) Rates and Charges (Cont'd)(36) High Capacity Term Pricing Plan (HC-TPP)Rates Effective: 7/1/00 (Cont'd)

	<u>USOC</u>	<u>3 Year Monthly Rate</u>
(c) <u>Multiplexing</u> (Cont'd)		
Per arrangement		
DS1 to DS0	QMU	
Zone 1 - AR		\$162.00
Zone 2 - AR		\$162.00
Zone 3 - AR		\$162.00
Zone 1 - KS		\$162.00
Zone 2 - KS		\$162.00
Zone 3 - KS		\$162.00
Zone 1 - MO		\$162.00
Zone 2 - MO		\$162.00
Zone 3 - MO		\$162.00
Zone 1 - OK		\$162.00
Zone 2 - OK		\$162.00
Zone 3 - OK		\$162.00
Zone 1 - TX		\$162.00
Zone 2 - TX		\$162.00
Zone 3 - TX		\$162.00
		<u>Nonrecurring Charge</u>
Zone 1 - AR		\$ 0.00
Zone 2 - AR		\$ 0.00
Zone 3 - AR		\$ 0.00
Zone 1 - KS		\$ 0.00
Zone 2 - KS		\$ 0.00
Zone 3 - KS		\$ 0.00
Zone 1 - MO		\$ 0.00
Zone 2 - MO		\$ 0.00
Zone 3 - MO		\$ 0.00
Zone 1 - OK		\$ 0.00
Zone 2 - OK		\$ 0.00
Zone 3 - OK		\$ 0.00
Zone 1 - TX		\$ 0.00
Zone 2 - TX		\$ 0.00
Zone 3 - TX		\$ 0.00

Rates contained in this transmittal are subject to subsequent adjustment, effective retrospectively back to the transmittal's original effective date, in the event the Commission or a court subsequently authorizes SWBT to correct its rates pursuant to pending motions, or petitions for reconsideration or waiver (and including, but not limited to, any application for Review of the letter from Lawrence E. Strickling, Chief, Common Carrier bureau, FCC, to Dale Robertson, SBC, dated May 18, 1999 which may be filed with the Commission), or in the event of any other adjustment

(This page filed under Transmittal No. 2831)

Issued: June 16, 2000

Effective: July 1, 2000

Four AT&T Plaza, Dallas, Texas 75202

ACCESS SERVICE

7. Special Access Service (Cont'd)

(N)

7.3 Service Descriptions, Rates and Charges (Cont'd)

7.3.10 High Capacity Service (Cont'd)

(F) Rates and Charges (Cont'd)

(36) High Capacity Term Pricing Plan (HC-TPP)
Rates Effective: 7/1/00 (Cont'd)

	<u>USOC</u>	<u>5 Year Monthly Rate</u>
(c) <u>Multiplexing</u> (Cont'd)		
Per arrangement		
DS1 to DS0	QMU	
Zone 1 - AR		\$153.00
Zone 2 - AR		\$153.00
Zone 3 - AR		\$153.00
Zone 1 - KS		\$153.00
Zone 2 - KS		\$153.00
Zone 3 - KS		\$153.00
Zone 1 - MO		\$153.00
Zone 2 - MO		\$153.00
Zone 3 - MO		\$153.00
Zone 1 - OK		\$153.00
Zone 2 - OK		\$153.00
Zone 3 - OK		\$153.00
Zone 1 - TX		\$153.00
Zone 2 - TX		\$153.00
Zone 3 - TX		\$153.00
		<u>Nonrecurring Charge</u>
Zone 1 - AR		\$ 0.00
Zone 2 - AR		\$ 0.00
Zone 3 - AR		\$ 0.00
Zone 1 - KS		\$ 0.00
Zone 2 - KS		\$ 0.00
Zone 3 - KS		\$ 0.00
Zone 1 - MO		\$ 0.00
Zone 2 - MO		\$ 0.00
Zone 3 - MO		\$ 0.00
Zone 1 - OK		\$ 0.00
Zone 2 - OK		\$ 0.00
Zone 3 - OK		\$ 0.00
Zone 1 - TX		\$ 0.00
Zone 2 - TX		\$ 0.00
Zone 3 - TX		\$ 0.00

(N)

Rates contained in this transmittal are subject to subsequent adjustment, effective retrospectively back to the transmittal's original effective date, in the event the Commission or a court subsequently authorizes SWBT to correct its rates pursuant to pending motions, or petitions for reconsideration or waiver (and including, but not limited to, any application for Review of the letter from Lawrence E. Strickling, Chief, Common Carrier bureau, FCC, to Dale Robertson, SBC, dated May 18, 1999 which may be filed with the Commission), or in the event of any other adjustment

(This page filed under Transmittal No. 2831)

Issued: June 16, 2000

Effective: July 1, 2000

Four AT&T Plaza, Dallas, Texas 75202

ACCESS SERVICE

(N)

7. Special Access Service (Cont'd)

7.3 Service Descriptions, Rates and Charges (Cont'd)

7.3.10 High Capacity Service (Cont'd)

(F) Rates and Charges (Cont'd)

(36) High Capacity Term Pricing Plan (HC-TPP)
Rates Effective: 7/1/00 (Cont'd)

	<u>USOC</u>	<u>3 Year Monthly Rate</u>
(c) <u>Multiplexing</u> (Cont'd)		
Per arrangement		
DS1 to Voice	MQ1	
Zone 1 - AR		\$162.00
Zone 2 - AR		\$162.00
Zone 3 - AR		\$162.00
Zone 1 - KS		\$162.00
Zone 2 - KS		\$162.00
Zone 3 - KS		\$162.00
Zone 1 - MO		\$162.00
Zone 2 - MO		\$162.00
Zone 3 - MO		\$162.00
Zone 1 - OK		\$162.00
Zone 2 - OK		\$162.00
Zone 3 - OK		\$162.00
Zone 1 - TX		\$162.00
Zone 2 - TX		\$162.00
Zone 3 - TX		\$162.00
		<u>Nonrecurring Charge</u>
Zone 1 - AR		\$ 0.00
Zone 2 - AR		\$ 0.00
Zone 3 - AR		\$ 0.00
Zone 1 - KS		\$ 0.00
Zone 2 - KS		\$ 0.00
Zone 3 - KS		\$ 0.00
Zone 1 - MO		\$ 0.00
Zone 2 - MO		\$ 0.00
Zone 3 - MO		\$ 0.00
Zone 1 - OK		\$ 0.00
Zone 2 - OK		\$ 0.00
Zone 3 - OK		\$ 0.00
Zone 1 - TX		\$ 0.00
Zone 2 - TX		\$ 0.00
Zone 3 - TX		\$ 0.00

Rates contained in this transmittal are subject to subsequent adjustment, effective retrospectively back to the transmittal's original effective date, in the event the Commission or a court subsequently authorizes SWBT to correct its rates pursuant to pending motions, or petitions for reconsideration or waiver (and including, but not limited to, any application for Review of the letter from Lawrence E. Strickling, Chief, Common Carrier bureau, FCC, to Dale Robertson, SBC, dated May 18, 1999 which may be filed with the Commission), or in the event of any other adjustment

(This page filed under Transmittal No. 2831)

Issued: June 16, 2000

Effective: July 1, 2000

Four AT&T Plaza, Dallas, Texas 75202

ACCESS SERVICE

7. Special Access Service (Cont'd)

(N)

7.3 Service Descriptions, Rates and Charges (Cont'd)

7.3.10 High Capacity Service (Cont'd)

(F) Rates and Charges (Cont'd)

(36) High Capacity Term Pricing Plan (HC-TPP)
Rates Effective: 7/1/00 (Cont'd)

	<u>USOC</u>	<u>5 Year Monthly Rate</u>
(c) <u>Multiplexing</u> (Cont'd)		
Per arrangement		
DS1 to Voice	MQ1	
Zone 1 - AR		\$153.00
Zone 2 - AR		\$153.00
Zone 3 - AR		\$153.00
Zone 1 - KS		\$153.00
Zone 2 - KS		\$153.00
Zone 3 - KS		\$153.00
Zone 1 - MO		\$153.00
Zone 2 - MO		\$153.00
Zone 3 - MO		\$153.00
Zone 1 - OK		\$153.00
Zone 2 - OK		\$153.00
Zone 3 - OK		\$153.00
Zone 1 - TX		\$153.00
Zone 2 - TX		\$153.00
Zone 3 - TX		\$153.00
		<u>Nonrecurring Charge</u>
Zone 1 - AR		\$ 0.00
Zone 2 - AR		\$ 0.00
Zone 3 - AR		\$ 0.00
Zone 1 - KS		\$ 0.00
Zone 2 - KS		\$ 0.00
Zone 3 - KS		\$ 0.00
Zone 1 - MO		\$ 0.00
Zone 2 - MO		\$ 0.00
Zone 3 - MO		\$ 0.00
Zone 1 - OK		\$ 0.00
Zone 2 - OK		\$ 0.00
Zone 3 - OK		\$ 0.00
Zone 1 - TX		\$ 0.00
Zone 2 - TX		\$ 0.00
Zone 3 - TX		\$ 0.00

(N)

Rates contained in this transmittal are subject to subsequent adjustment, effective retrospectively back to the transmittal's original effective date, in the event the Commission or a court subsequently authorizes SWBT to correct its rates pursuant to pending motions, or petitions for reconsideration or waiver (and including, but not limited to, any application for Review of the letter from Lawrence E. Strickling, Chief, Common Carrier bureau, FCC, to Dale Robertson, SBC, dated May 18, 1999 which may be filed with the Commission), or in the event of any other adjustment

(This page filed under Transmittal No. 2831)

Issued: June 16, 2000

Effective: July 1, 2000

Four AT&T Plaza, Dallas, Texas 75202

ACCESS SERVICE

(N)

7. Special Access Service (Cont'd)

7.3 Service Descriptions, Rates and Charges (Cont'd)

7.3.10 High Capacity Service (Cont'd)

(F) Rates and Charges (Cont'd)

(36) High Capacity Term Pricing Plan (HC-TPP)
Rates Effective: 7/1/00 (Cont'd)

		<u>3 Year Monthly Rate</u>	<u>Nonrecurring Charge</u>		
(d)	<u>SecureNet - Missouri</u>				
	Per Channel Termination				
	Hub Redundancy (R16AA)	\$167.02	\$1,422.00		
	Serving Wire Center and Facility Redundancy (R18AB)	\$ 0.00	\$ 0.00		
		<u>5 Year Monthly Rate</u>	<u>Nonrecurring Charge</u>		
	<u>SecureNet - Missouri</u>				
	Per Channel Termination				
	Hub Redundancy (R16AA)	\$157.74	\$1,422.00		
	Serving Wire Center and Facility Redundancy (R18AB)	\$ 0.00	\$ 0.00		
		<u>Monthly Rate</u>	<u>Nonrecurring Charges</u>		
		<u>Fixed</u>	<u>Per Mile</u>	<u>1st Ckt.</u>	<u>Addl Ckt.</u>
(e)	<u>Collocation Transport</u>				
	3 Year				
	1.544 Mbps (1H48S)	\$40.00	\$12.60	\$392.50	\$230.00
	5 Year				
	1.544 Mbps (1H48S)	\$37.50	\$12.23	\$0.00	\$0.00

(N)

Rates contained in this transmittal are subject to subsequent adjustment, effective retrospectively back to the transmittal's original effective date, in the event the Commission or a court subsequently authorizes SWBT to correct its rates pursuant to pending motions, or petitions for reconsideration or waiver (and including, but not limited to, any application for Review of the letter from Lawrence E. Strickling, Chief, Common Carrier bureau, FCC, to Dale Robertson, SBC, dated May 18, 1999 which may be filed with the Commission), or in the event of any other adjustment

(This page filed under Transmittal No. 2831)

Issued: June 16, 2000

Effective: July 1, 2000

Four AT&T Plaza, Dallas, Texas 75202

ACCESS SERVICE

(N)

7. Special Access Service (Cont'd)

7.3 Service Descriptions, Rates and Charges (Cont'd)

7.3.10 High Capacity Service (Cont'd)

(F) Rates and Charges (Cont'd)

(37) High Capacity Term Pricing Plan (HC-TPP)

Rates Effective: 8/11/00

	<u>USOC</u>	<u>3 Year Monthly Rate</u>
(a) <u>Channel Termination</u>		
Per point of termination	TMECS	
1.544 Mbps		
Zone 1 - AR		\$115.00
Zone 2 - AR		\$120.00
Zone 3 - AR		\$130.00
Zone 1 - KS		\$115.00
Zone 2 - KS		\$120.00
Zone 3 - KS		\$130.00
Zone 1 - MO		\$115.00
Zone 2 - MO		\$120.00
Zone 3 - MO		\$130.00
Zone 1 - OK		\$115.00
Zone 2 - OK		\$120.00
Zone 3 - OK		\$130.00
Zone 1 - TX		\$115.00
Zone 2 - TX		\$120.00
Zone 3 - TX		\$130.00
Nonrecurring Charge		
	<u>1st Ckt</u>	<u>Addl Ckt</u>
Zone 1 - AR	\$300.00	\$250.00
Zone 2 - AR	\$300.00	\$250.00
Zone 3 - AR	\$300.00	\$250.00
Zone 1 - KS	\$300.00	\$250.00
Zone 2 - KS	\$300.00	\$250.00
Zone 3 - KS	\$300.00	\$250.00
Zone 1 - MO	\$300.00	\$250.00
Zone 2 - MO	\$300.00	\$250.00
Zone 3 - MO	\$300.00	\$250.00
Zone 1 - OK	\$300.00	\$250.00
Zone 2 - OK	\$300.00	\$250.00
Zone 3 - OK	\$300.00	\$250.00
Zone 1 - TX	\$300.00	\$250.00
Zone 2 - TX	\$300.00	\$250.00
Zone 3 - TX	\$300.00	\$250.00

(N)

Rates contained in this transmittal are subject to subsequent adjustment, effective retrospectively back to the transmittal's original effective date, in the event the Commission or a court subsequently authorizes SWBT to correct its rates pursuant to pending motions, or petitions for reconsideration or waiver (and including, but not limited to, any application for Review of the letter from Lawrence E. Strickling, Chief, Common Carrier bureau, FCC, to Dale Robertson, SBC, dated May 18, 1999 which may be filed with the Commission), or in the

(This page filed under Transmittal No. 2837)

Issued: July 27, 2000

Effective: August 11, 2000

Four AT&T Plaza, Dallas, Texas 75202

ACCESS SERVICE

7. Special Access Service (Cont'd)

7.3 Service Descriptions, Rates and Charges (Cont'd)

7.3.10 High Capacity Service (Cont'd)

(F) Rates and Charges (Cont'd)

(37) High Capacity Term Pricing Plan (HC-TPP)
Rates Effective: 8/11/00 (Cont'd)

	<u>USOC</u>	<u>5 Year Monthly Rate</u>	
(a) <u>Channel Termination</u> (Cont'd)			
Per point of termination	TMECS		
1.544 Mbps			
Zone 1 - AR		\$100.00	
Zone 2 - AR		\$110.00	
Zone 3 - AR		\$120.00	
Zone 1 - KS		\$100.00	
Zone 2 - KS		\$110.00	
Zone 3 - KS		\$120.00	
Zone 1 - MO		\$100.00	
Zone 2 - MO		\$110.00	
Zone 3 - MO		\$120.00	
Zone 1 - OK		\$100.00	
Zone 2 - OK		\$110.00	
Zone 3 - OK		\$120.00	
Zone 1 - TX		\$100.00	
Zone 2 - TX		\$110.00	
Zone 3 - TX		\$120.00	
		<u>Nonrecurring Charge</u>	
		<u>1st Ckt</u>	<u>Addl Ckt</u>
Zone 1 - AR		\$200.00	\$150.00 (Z)
Zone 2 - AR		\$200.00	\$150.00 (Z)
Zone 3 - AR		\$200.00	\$150.00 (Z)
Zone 1 - KS		\$200.00	\$150.00
Zone 2 - KS		\$200.00	\$150.00
Zone 3 - KS		\$200.00	\$150.00
Zone 1 - MO		\$200.00	\$150.00 (Z)
Zone 2 - MO		\$200.00	\$150.00 (Z)
Zone 3 - MO		\$200.00	\$150.00 (Z)
Zone 1 - OK		\$200.00	\$150.00 (Z)
Zone 2 - OK		\$200.00	\$150.00 (Z)
Zone 3 - OK		\$200.00	\$150.00 (Z)
Zone 1 - TX		\$200.00	\$150.00 (Z)
Zone 2 - TX		\$200.00	\$150.00 (Z)
Zone 3 - TX		\$200.00	\$150.00 (Z)

Rates contained in this transmittal are subject to subsequent adjustments, effective retrospectively, in the event the Commission or a court subsequently authorizes Southwestern Bell Telephone Company to correct its rates pursuant to pending motions or petitions for reconsideration or waiver, or in the event of any other adjustment to an order of the Commission or a court.

(This page filed under Transmittal No. 2879)

Issued: February 21, 2002

Effective: March 8, 2002

Four AT&T Plaza, Dallas, Texas 75202

ACCESS SERVICE

7. Special Access Service (Cont'd)

7.3 Service Descriptions, Rates and Charges (Cont'd)

7.3.10 High Capacity Service (Cont'd)

(F) Rates and Charges (Cont'd)

(37) High Capacity Term Pricing Plan (HC-TPP)
Rates Effective: 8/11/00 (Cont'd)

(N)

	USOC	3 Year Monthly Rate	
		Fixed	Per Mile
(b) <u>Channel Mileage</u>			
1.544 Mbps	1L5XX		
0 miles			
Zone 1 - AR		\$ 0.00	\$ 0.00
Zone 2 - AR		\$ 0.00	\$ 0.00
Zone 3 - AR		\$ 0.00	\$ 0.00
Zone 1 - KS		\$ 0.00	\$ 0.00
Zone 2 - KS		\$ 0.00	\$ 0.00
Zone 3 - KS		\$ 0.00	\$ 0.00
Zone 1 - MO		\$ 0.00	\$ 0.00
Zone 2 - MO		\$ 0.00	\$ 0.00
Zone 3 - MO		\$ 0.00	\$ 0.00
Zone 1 - OK		\$ 0.00	\$ 0.00
Zone 2 - OK		\$ 0.00	\$ 0.00
Zone 3 - OK		\$ 0.00	\$ 0.00
Zone 1 - TX		\$ 0.00	\$ 0.00
Zone 2 - TX		\$ 0.00	\$ 0.00
Zone 3 - TX		\$ 0.00	\$ 0.00
Over 0 miles			
Zone 1 - AR		\$46.00	\$14.28
Zone 2 - AR		\$46.00	\$14.28
Zone 3 - AR		\$46.00	\$14.28
Zone 1 - KS		\$46.00	\$14.28
Zone 2 - KS		\$46.00	\$14.28
Zone 3 - KS		\$46.00	\$14.28
Zone 1 - MO		\$42.50	\$13.44
Zone 2 - MO		\$42.50	\$13.44
Zone 3 - MO		\$46.00	\$14.28
Zone 1 - OK		\$46.00	\$14.28
Zone 2 - OK		\$46.00	\$14.28
Zone 3 - OK		\$46.00	\$14.28
Zone 1 - TX		\$40.00	\$12.60
Zone 2 - TX		\$40.00	\$12.60
Zone 3 - TX		\$46.00	\$14.28

(N)

Rates contained in this transmittal are subject to subsequent adjustment, effective retrospectively back to the transmittal's original effective date, in the event the Commission or a court subsequently authorizes SWBT to correct its rates pursuant to pending motions, or petitions for reconsideration or waiver (and including, but not limited to, any application for Review of the letter from Lawrence E. Strickling, Chief, Common Carrier bureau, FCC, to Dale Robertson, SBC, dated May 18, 1999 which may be filed with the Commission), or in the event of any other adjustment

(This page filed under Transmittal No. 2837)

Issued: July 27, 2000

Effective: August 11, 2000

Four AT&T Plaza, Dallas, Texas 75202

ACCESS SERVICE

(N)

7. Special Access Service (Cont'd)

7.3 Service Descriptions, Rates and Charges (Cont'd)

7.3.10 High Capacity Service (Cont'd)

(F) Rates and Charges (Cont'd)

(37) High Capacity Term Pricing Plan (HC-TPP)
Rates Effective: 8/11/00 (Cont'd)

		USOC	5 Year Monthly Rate	
			Fixed	Per Mile
(b) <u>Channel Mileage</u> (Cont'd)				
	1.544 Mbps	1L5XX		
0 miles				
	Zone 1 - AR		\$ 0.00	\$ 0.00
	Zone 2 - AR		\$ 0.00	\$ 0.00
	Zone 3 - AR		\$ 0.00	\$ 0.00
	Zone 1 - KS		\$ 0.00	\$ 0.00
	Zone 2 - KS		\$ 0.00	\$ 0.00
	Zone 3 - KS		\$ 0.00	\$ 0.00
	Zone 1 - MO		\$ 0.00	\$ 0.00
	Zone 2 - MO		\$ 0.00	\$ 0.00
	Zone 3 - MO		\$ 0.00	\$ 0.00
	Zone 1 - OK		\$ 0.00	\$ 0.00
	Zone 2 - OK		\$ 0.00	\$ 0.00
	Zone 3 - OK		\$ 0.00	\$ 0.00
	Zone 1 - TX		\$ 0.00	\$ 0.00
	Zone 2 - TX		\$ 0.00	\$ 0.00
	Zone 3 - TX		\$ 0.00	\$ 0.00
Over 0 miles				
	Zone 1 - AR		\$43.50	\$12.40
	Zone 2 - AR		\$43.50	\$12.40
	Zone 3 - AR		\$43.50	\$12.40
	Zone 1 - KS		\$43.50	\$12.40
	Zone 2 - KS		\$43.50	\$12.40
	Zone 3 - KS		\$43.50	\$12.40
	Zone 1 - MO		\$40.00	\$12.40
	Zone 2 - MO		\$40.00	\$12.40
	Zone 3 - MO		\$43.50	\$12.40
	Zone 1 - OK		\$43.50	\$12.40
	Zone 2 - OK		\$43.50	\$12.40
	Zone 3 - OK		\$43.50	\$12.40
	Zone 1 - TX		\$37.50	\$12.23
	Zone 2 - TX		\$37.50	\$12.23
	Zone 3 - TX		\$43.50	\$13.00

(N)

Rates contained in this transmittal are subject to subsequent adjustment, effective retrospectively back to the transmittal's original effective date, in the event the Commission or a court subsequently authorizes SWBT to correct its rates pursuant to pending motions, or petitions for reconsideration or waiver (and including, but not limited to, any application for Review of the letter from Lawrence E. Strickling, Chief, Common Carrier bureau, FCC, to Dale Robertson, SBC, dated May 18, 1999 which may be filed with the Commission), or in the event of any other adjustment

(This page filed under Transmittal No. 2837)

Issued: July 27, 2000

Effective: August 11, 2000

Four AT&T Plaza, Dallas, Texas 75202

ACCESS SERVICE

(N)

7. Special Access Service (Cont'd)

7.3 Service Descriptions, Rates and Charges (Cont'd)

7.3.10 High Capacity Service (Cont'd)

(F) Rates and Charges (Cont'd)

(37) High Capacity Term Pricing Plan (HC-TPP)
Rates Effective: 8/11/00 (Cont'd)

	<u>USOC</u>	<u>3 Year Monthly Rate</u>
(c) <u>Multiplexing</u>		
Per arrangement		
DS0 to Subrates		
Up to 20 2.4 kbps services	QSU24	
Zone 1 - AR		\$114.35
Zone 2 - AR		\$114.35
Zone 3 - AR		\$114.35
Zone 1 - KS		\$114.35
Zone 2 - KS		\$114.35
Zone 3 - KS		\$114.35
Zone 1 - MO		\$114.35
Zone 2 - MO		\$114.35
Zone 3 - MO		\$114.35
Zone 1 - OK		\$114.35
Zone 2 - OK		\$114.35
Zone 3 - OK		\$114.35
Zone 1 - TX		\$114.35
Zone 2 - TX		\$114.35
Zone 3 - TX		\$114.35
		<u>Nonrecurring Charge</u>
Zone 1 - AR		\$ 0.00
Zone 2 - AR		\$ 0.00
Zone 3 - AR		\$ 0.00
Zone 1 - KS		\$ 0.00
Zone 2 - KS		\$ 0.00
Zone 3 - KS		\$ 0.00
Zone 1 - MO		\$ 0.00
Zone 2 - MO		\$ 0.00
Zone 3 - MO		\$ 0.00
Zone 1 - OK		\$ 0.00
Zone 2 - OK		\$ 0.00
Zone 3 - OK		\$ 0.00
Zone 1 - TX		\$ 0.00
Zone 2 - TX		\$ 0.00
Zone 3 - TX		\$ 0.00

Rates contained in this transmittal are subject to subsequent adjustment, effective retrospectively back to the transmittal's original effective date, in the event the Commission or a court subsequently authorizes SWBT to correct its rates pursuant to pending motions, or petitions for reconsideration or waiver (and including, but not limited to, any application for Review of the letter from Lawrence E. Strickling, Chief, Common Carrier bureau, FCC, to Dale Robertson, SBC, dated May 18, 1999 which may be filed with the Commission), or in the event of any other adjustment

(This page filed under Transmittal No. 2837)

Issued: July 27, 2000

Effective: August 11, 2000

Four AT&T Plaza, Dallas, Texas 75202

ACCESS SERVICE

(N)

7. Special Access Service (Cont'd)

7.3 Service Descriptions, Rates and Charges (Cont'd)

7.3.10 High Capacity Service (Cont'd)

(F) Rates and Charges (Cont'd)

(37) High Capacity Term Pricing Plan (HC-TPP)
Rates Effective: 8/11/00 (Cont'd)

	<u>USOC</u>	<u>5 Year Monthly Rate</u>
(c) <u>Multiplexing</u> (Cont'd)		
Per arrangement		
DS0 to Subrates		
Up to 20 2.4 kbps services	QSU24	
Zone 1 - AR		\$107.45
Zone 2 - AR		\$107.45
Zone 3 - AR		\$107.45
Zone 1 - KS		\$107.45
Zone 2 - KS		\$107.45
Zone 3 - KS		\$107.45
Zone 1 - MO		\$107.45
Zone 2 - MO		\$107.45
Zone 3 - MO		\$107.45
Zone 1 - OK		\$107.45
Zone 2 - OK		\$107.45
Zone 3 - OK		\$107.45
Zone 1 - TX		\$107.45
Zone 2 - TX		\$107.45
Zone 3 - TX		\$107.50
		<u>Nonrecurring Charge</u>
Zone 1 - AR		\$ 0.00
Zone 2 - AR		\$ 0.00
Zone 3 - AR		\$ 0.00
Zone 1 - KS		\$ 0.00
Zone 2 - KS		\$ 0.00
Zone 3 - KS		\$ 0.00
Zone 1 - MO		\$ 0.00
Zone 2 - MO		\$ 0.00
Zone 3 - MO		\$ 0.00
Zone 1 - OK		\$ 0.00
Zone 2 - OK		\$ 0.00
Zone 3 - OK		\$ 0.00
Zone 1 - TX		\$ 0.00
Zone 2 - TX		\$ 0.00
Zone 3 - TX		\$ 0.00

(N)

Rates contained in this transmittal are subject to subsequent adjustment, effective retrospectively back to the transmittal's original effective date, in the event the Commission or a court subsequently authorizes SWBT to correct its rates pursuant to pending motions, or petitions for reconsideration or waiver (and including, but not limited to, any application for Review of the letter from Lawrence E. Strickling, Chief, Common Carrier bureau, FCC, to Dale Robertson, SBC, dated May 18, 1999 which may be filed with the Commission), or in the event of any other adjustment

(This page filed under Transmittal No. 2837)

Issued: July 27, 2000

Effective: August 11, 2000

Four AT&T Plaza, Dallas, Texas 75202

ACCESS SERVICE

(N)

7. Special Access Service (Cont'd)

7.3 Service Descriptions, Rates and Charges (Cont'd)

7.3.10 High Capacity Service (Cont'd)

(F) Rates and Charges (Cont'd)

(37) High Capacity Term Pricing Plan (HC-TPP)
Rates Effective: 8/11/00 (Cont'd)

	<u>USOC</u>	<u>3 Year Monthly Rate</u>
(c) <u>Multiplexing</u> (Cont'd)		
Per arrangement		
DS0 to Subrates		
Up to 10 4.8 kbps services	QSU48	
Zone 1 - AR		\$104.85
Zone 2 - AR		\$104.85
Zone 3 - AR		\$104.85
Zone 1 - KS		\$104.85
Zone 2 - KS		\$104.85
Zone 3 - KS		\$104.85
Zone 1 - MO		\$104.85
Zone 2 - MO		\$104.85
Zone 3 - MO		\$104.85
Zone 1 - OK		\$104.85
Zone 2 - OK		\$104.85
Zone 3 - OK		\$104.85
Zone 1 - TX		\$104.85
Zone 2 - TX		\$104.85
Zone 3 - TX		\$104.85
		<u>Nonrecurring Charge</u>
Zone 1 - AR		\$ 0.00
Zone 2 - AR		\$ 0.00
Zone 3 - AR		\$ 0.00
Zone 1 - KS		\$ 0.00
Zone 2 - KS		\$ 0.00
Zone 3 - KS		\$ 0.00
Zone 1 - MO		\$ 0.00
Zone 2 - MO		\$ 0.00
Zone 3 - MO		\$ 0.00
Zone 1 - OK		\$ 0.00
Zone 2 - OK		\$ 0.00
Zone 3 - OK		\$ 0.00
Zone 1 - TX		\$ 0.00
Zone 2 - TX		\$ 0.00
Zone 3 - TX		\$ 0.00

Rates contained in this transmittal are subject to subsequent adjustment, effective retrospectively back to the transmittal's original effective date, in the event the Commission or a court subsequently authorizes SWBT to correct its rates pursuant to pending motions, or petitions for reconsideration or waiver (and including, but not limited to, any Application for Review of the letter from Lawrence E. Strickling, Chief, Common Carrier Bureau, FCC, to Dale Robertson, SBC, dated May 18, 1999 which may be filed with the Commission), or in the event of any other adjustment

(This page filed under Transmittal No. 2837)

Issued: July 27, 2000

Effective: August 11, 2000

Four AT&T Plaza, Dallas, Texas 75202

ACCESS SERVICE

(N)

7. Special Access Service (Cont'd)

7.3 Service Descriptions, Rates and Charges (Cont'd)

7.3.10 High Capacity Service (Cont'd)

(F) Rates and Charges (Cont'd)

(37) High Capacity Term Pricing Plan (HC-TPP)
Rates Effective: 8/11/00 (Cont'd)

	<u>USOC</u>	<u>5 Year Monthly Rate</u>
(c) <u>Multiplexing</u> (Cont'd)		
Per arrangement		
DS0 to Subrates		
Up to 10 4.8 kbps services	QSU48	
Zone 1 - AR		\$ 98.55
Zone 2 - AR		\$ 98.55
Zone 3 - AR		\$ 98.55
Zone 1 - KS		\$ 98.55
Zone 2 - KS		\$ 98.55
Zone 3 - KS		\$ 98.55
Zone 1 - MO		\$ 98.55
Zone 2 - MO		\$ 98.55
Zone 3 - MO		\$ 98.55
Zone 1 - OK		\$ 98.55
Zone 2 - OK		\$ 98.55
Zone 3 - OK		\$ 98.55
Zone 1 - TX		\$ 98.55
Zone 2 - TX		\$ 98.55
Zone 3 - TX		\$ 98.55
		<u>Nonrecurring Charge</u>
Zone 1 - AR		\$ 0.00
Zone 2 - AR		\$ 0.00
Zone 3 - AR		\$ 0.00
Zone 1 - KS		\$ 0.00
Zone 2 - KS		\$ 0.00
Zone 3 - KS		\$ 0.00
Zone 1 - MO		\$ 0.00
Zone 2 - MO		\$ 0.00
Zone 3 - MO		\$ 0.00
Zone 1 - OK		\$ 0.00
Zone 2 - OK		\$ 0.00
Zone 3 - OK		\$ 0.00
Zone 1 - TX		\$ 0.00
Zone 2 - TX		\$ 0.00
Zone 3 - TX		\$ 0.00

(N)

Rates contained in this transmittal are subject to subsequent adjustment, effective retrospectively back to the transmittal's original effective date, in the event the Commission or a court subsequently authorizes SWBT to correct its rates pursuant to pending motions, or petitions for reconsideration or waiver (and including, but not limited to, any application for Review of the letter from Lawrence E. Strickling, Chief, Common Carrier bureau, FCC, to Dale Robertson, SBC, dated May 18, 1999 which may be filed with the Commission), or in the event of any other adjustment

(This page filed under Transmittal No. 2837)

Issued: July 27, 2000

Effective: August 11, 2000

Four AT&T Plaza, Dallas, Texas 75202

ACCESS SERVICE

(N)

7. Special Access Service (Cont'd)

7.3 Service Descriptions, Rates and Charges (Cont'd)

7.3.10 High Capacity Service (Cont'd)

(F) Rates and Charges (Cont'd)

(37) High Capacity Term Pricing Plan (HC-TPP)
Rates Effective: 8/11/00 (Cont'd)

	<u>USOC</u>	<u>3 Year Monthly Rate</u>
(c) <u>Multiplexing</u> (Cont'd)		
Per arrangement		
DS0 to Subrates		
Up to 5 9.6 kbps services		
	QSU96	
Zone 1 - AR		\$200.30
Zone 2 - AR		\$200.30
Zone 3 - AR		\$200.30
Zone 1 - KS		\$200.30
Zone 2 - KS		\$200.30
Zone 3 - KS		\$200.30
Zone 1 - MO		\$200.30
Zone 2 - MO		\$200.30
Zone 3 - MO		\$200.30
Zone 1 - OK		\$200.30
Zone 2 - OK		\$200.30
Zone 3 - OK		\$200.30
Zone 1 - TX		\$200.30
Zone 2 - TX		\$200.30
Zone 3 - TX		\$200.30
		<u>Nonrecurring Charge</u>
Zone 1 - AR		\$ 0.00
Zone 2 - AR		\$ 0.00
Zone 3 - AR		\$ 0.00
Zone 1 - KS		\$ 0.00
Zone 2 - KS		\$ 0.00
Zone 3 - KS		\$ 0.00
Zone 1 - MO		\$ 0.00
Zone 2 - MO		\$ 0.00
Zone 3 - MO		\$ 0.00
Zone 1 - OK		\$ 0.00
Zone 2 - OK		\$ 0.00
Zone 3 - OK		\$ 0.00
Zone 1 - TX		\$ 0.00
Zone 2 - TX		\$ 0.00
Zone 3 - TX		\$ 0.00

(N)

Rates contained in this transmittal are subject to subsequent adjustment, effective retrospectively back to the transmittal's original effective date, in the event the Commission or a court subsequently authorizes SWBT to correct its rates pursuant to pending motions, or petitions for reconsideration or waiver (and including, but not limited to, any application for Review of the letter from Lawrence E. Strickling, Chief, Common Carrier bureau, FCC, to Dale Robertson, SBC, dated May 18, 1999 which may be filed with the Commission), or in the event of any other adjustment

(This page filed under Transmittal No. 2837)

Issued: July 27, 2000

Effective: August 11, 2000

Four AT&T Plaza, Dallas, Texas 75202

ACCESS SERVICE

(N)

7. Special Access Service (Cont'd)

7.3 Service Descriptions, Rates and Charges (Cont'd)

7.3.10 High Capacity Service (Cont'd)

(F) Rates and Charges (Cont'd)

(37) High Capacity Term Pricing Plan (HC-TPP)
Rates Effective: 8/11/00 (Cont'd)

	<u>USOC</u>	<u>5 Year Monthly Rate</u>
(c) <u>Multiplexing</u> (Cont'd)		
Per arrangement		
DS0 to Subrates		
Up to 5 9.6 kbps services		
	QSU96	
Zone 1 - AR		\$188.20
Zone 2 - AR		\$188.20
Zone 3 - AR		\$188.20
Zone 1 - KS		\$188.20
Zone 2 - KS		\$188.20
Zone 3 - KS		\$188.20
Zone 1 - MO		\$188.20
Zone 2 - MO		\$188.20
Zone 3 - MO		\$188.20
Zone 1 - OK		\$188.20
Zone 2 - OK		\$188.20
Zone 3 - OK		\$188.20
Zone 1 - TX		\$188.20
Zone 2 - TX		\$188.20
Zone 3 - TX		\$188.20
		<u>Nonrecurring Charge</u>
Zone 1 - AR		\$ 0.00
Zone 2 - AR		\$ 0.00
Zone 3 - AR		\$ 0.00
Zone 1 - KS		\$ 0.00
Zone 2 - KS		\$ 0.00
Zone 3 - KS		\$ 0.00
Zone 1 - MO		\$ 0.00
Zone 2 - MO		\$ 0.00
Zone 3 - MO		\$ 0.00
Zone 1 - OK		\$ 0.00
Zone 2 - OK		\$ 0.00
Zone 3 - OK		\$ 0.00
Zone 1 - TX		\$ 0.00
Zone 2 - TX		\$ 0.00
Zone 3 - TX		\$ 0.00

(N)

Rates contained in this transmittal are subject to subsequent adjustment, effective retrospectively back to the transmittal's original effective date, in the event the Commission or a court subsequently authorizes SWBT to correct its rates pursuant to pending motions, or petitions for reconsideration or waiver (and including, but not limited to, any application for Review of the letter from Lawrence E. Strickling, Chief, Common Carrier bureau, FCC, to Dale Robertson, SBC, dated May 18, 1999 which may be filed with the Commission), or in the event of any other adjustment

(This page filed under Transmittal No. 2837)

Issued: July 27, 2000

Effective: August 11, 2000

Four AT&T Plaza, Dallas, Texas 75202

ACCESS SERVICE

(N)

7. Special Access Service (Cont'd)

7.3 Service Descriptions, Rates and Charges (Cont'd)

7.3.10 High Capacity Service (Cont'd)

(F) Rates and Charges (Cont'd)

(37) High Capacity Term Pricing Plan (HC-TPP)
Rates Effective: 8/11/00 (Cont'd)

	<u>USOC</u>	<u>3 Year Monthly Rate</u>
(c) <u>Multiplexing</u> (Cont'd)		
Per arrangement		
DS1 to DS0	QMU	
Zone 1 - AR		\$162.00
Zone 2 - AR		\$162.00
Zone 3 - AR		\$162.00
Zone 1 - KS		\$162.00
Zone 2 - KS		\$162.00
Zone 3 - KS		\$162.00
Zone 1 - MO		\$162.00
Zone 2 - MO		\$162.00
Zone 3 - MO		\$162.00
Zone 1 - OK		\$162.00
Zone 2 - OK		\$162.00
Zone 3 - OK		\$162.00
Zone 1 - TX		\$162.00
Zone 2 - TX		\$162.00
Zone 3 - TX		\$162.00
		<u>Nonrecurring Charge</u>
Zone 1 - AR		\$ 0.00
Zone 2 - AR		\$ 0.00
Zone 3 - AR		\$ 0.00
Zone 1 - KS		\$ 0.00
Zone 2 - KS		\$ 0.00
Zone 3 - KS		\$ 0.00
Zone 1 - MO		\$ 0.00
Zone 2 - MO		\$ 0.00
Zone 3 - MO		\$ 0.00
Zone 1 - OK		\$ 0.00
Zone 2 - OK		\$ 0.00
Zone 3 - OK		\$ 0.00
Zone 1 - TX		\$ 0.00
Zone 2 - TX		\$ 0.00
Zone 3 - TX		\$ 0.00

Rates contained in this transmittal are subject to subsequent adjustment, effective retrospectively back to the transmittal's original effective date, in the event the Commission or a court subsequently authorizes SWBT to correct its rates pursuant to pending motions, or petitions for reconsideration or waiver (and including, but not limited to, any application for Review of the letter from Lawrence E. Strickling, Chief, Common Carrier bureau, FCC, to Dale Robertson, SBC, dated May 18, 1999 which may be filed with the Commission), or in the event of any other adjustment

(This page filed under Transmittal No. 2837)

Issued: July 27, 2000

Effective: August 11, 2000

Four AT&T Plaza, Dallas, Texas 75202

ACCESS SERVICE

7. Special Access Service (Cont'd)

(N)

7.3 Service Descriptions, Rates and Charges (Cont'd)

7.3.10 High Capacity Service (Cont'd)

(F) Rates and Charges (Cont'd)

(37) High Capacity Term Pricing Plan (HC-TPP)
Rates Effective: 8/11/00 (Cont'd)

	<u>USOC</u>	<u>5 Year Monthly Rate</u>
(c) <u>Multiplexing</u> (Cont'd)		
Per arrangement		
DS1 to DS0	QMU	
Zone 1 - AR		\$153.00
Zone 2 - AR		\$153.00
Zone 3 - AR		\$153.00
Zone 1 - KS		\$153.00
Zone 2 - KS		\$153.00
Zone 3 - KS		\$153.00
Zone 1 - MO		\$153.00
Zone 2 - MO		\$153.00
Zone 3 - MO		\$153.00
Zone 1 - OK		\$153.00
Zone 2 - OK		\$153.00
Zone 3 - OK		\$153.00
Zone 1 - TX		\$153.00
Zone 2 - TX		\$153.00
Zone 3 - TX		\$153.00
		<u>Nonrecurring Charge</u>
Zone 1 - AR		\$ 0.00
Zone 2 - AR		\$ 0.00
Zone 3 - AR		\$ 0.00
Zone 1 - KS		\$ 0.00
Zone 2 - KS		\$ 0.00
Zone 3 - KS		\$ 0.00
Zone 1 - MO		\$ 0.00
Zone 2 - MO		\$ 0.00
Zone 3 - MO		\$ 0.00
Zone 1 - OK		\$ 0.00
Zone 2 - OK		\$ 0.00
Zone 3 - OK		\$ 0.00
Zone 1 - TX		\$ 0.00
Zone 2 - TX		\$ 0.00
Zone 3 - TX		\$ 0.00

(N)

Rates contained in this transmittal are subject to subsequent adjustment, effective retrospectively back to the transmittal's original effective date, in the event the Commission or a court subsequently authorizes SWBT to correct its rates pursuant to pending motions, or petitions for reconsideration or waiver (and including, but not limited to, any application for Review of the letter from Lawrence E. Strickling, Chief, Common Carrier bureau, FCC, to Dale Robertson, SBC, dated May 18, 1999 which may be filed with the Commission), or in the event of any other adjustment

(This page filed under Transmittal No. 2837)

Issued: July 27, 2000

Effective: August 11, 2000

Four AT&T Plaza, Dallas, Texas 75202

ACCESS SERVICE

(N)

7. Special Access Service (Cont'd)

7.3 Service Descriptions, Rates and Charges (Cont'd)

7.3.10 High Capacity Service (Cont'd)

(F) Rates and Charges (Cont'd)

(37) High Capacity Term Pricing Plan (HC-TPP)
Rates Effective: 8/11/00 (Cont'd)

	<u>USOC</u>	<u>3 Year Monthly Rate</u>
(c) <u>Multiplexing</u> (Cont'd)		
Per arrangement		
DS1 to Voice	MQ1	
Zone 1 - AR		\$162.00
Zone 2 - AR		\$162.00
Zone 3 - AR		\$162.00
Zone 1 - KS		\$162.00
Zone 2 - KS		\$162.00
Zone 3 - KS		\$162.00
Zone 1 - MO		\$162.00
Zone 2 - MO		\$162.00
Zone 3 - MO		\$162.00
Zone 1 - OK		\$162.00
Zone 2 - OK		\$162.00
Zone 3 - OK		\$162.00
Zone 1 - TX		\$162.00
Zone 2 - TX		\$162.00
Zone 3 - TX		\$162.00
		<u>Nonrecurring Charge</u>
Zone 1 - AR		\$ 0.00
Zone 2 - AR		\$ 0.00
Zone 3 - AR		\$ 0.00
Zone 1 - KS		\$ 0.00
Zone 2 - KS		\$ 0.00
Zone 3 - KS		\$ 0.00
Zone 1 - MO		\$ 0.00
Zone 2 - MO		\$ 0.00
Zone 3 - MO		\$ 0.00
Zone 1 - OK		\$ 0.00
Zone 2 - OK		\$ 0.00
Zone 3 - OK		\$ 0.00
Zone 1 - TX		\$ 0.00
Zone 2 - TX		\$ 0.00
Zone 3 - TX		\$ 0.00

Rates contained in this transmittal are subject to subsequent adjustment, effective retrospectively back to the transmittal's original effective date, in the event the Commission or a court subsequently authorizes SWBT to correct its rates pursuant to pending motions, or petitions for reconsideration or waiver (and including, but not limited to, any application for Review of the letter from Lawrence E. Strickling, Chief, Common Carrier bureau, FCC, to Dale Robertson, SBC, dated May 18, 1999 which may be filed with the Commission), or in the event of any other adjustment

(This page filed under Transmittal No. 2837)

Issued: July 27, 2000

Effective: August 11, 2000

Four AT&T Plaza, Dallas, Texas 75202

ACCESS SERVICE

7. Special Access Service (Cont'd)

(N)

7.3 Service Descriptions, Rates and Charges (Cont'd)

7.3.10 High Capacity Service (Cont'd)

(F) Rates and Charges (Cont'd)

(37) High Capacity Term Pricing Plan (HC-TPP)
Rates Effective: 8/11/00 (Cont'd)

	<u>USOC</u>	<u>5 Year Monthly Rate</u>
(c) <u>Multiplexing</u> (Cont'd)		
Per arrangement		
DS1 to Voice	MQ1	
Zone 1 - AR		\$153.00
Zone 2 - AR		\$153.00
Zone 3 - AR		\$153.00
Zone 1 - KS		\$153.00
Zone 2 - KS		\$153.00
Zone 3 - KS		\$153.00
Zone 1 - MO		\$153.00
Zone 2 - MO		\$153.00
Zone 3 - MO		\$153.00
Zone 1 - OK		\$153.00
Zone 2 - OK		\$153.00
Zone 3 - OK		\$153.00
Zone 1 - TX		\$153.00
Zone 2 - TX		\$153.00
Zone 3 - TX		\$153.00
		<u>Nonrecurring Charge</u>
Zone 1 - AR		\$ 0.00
Zone 2 - AR		\$ 0.00
Zone 3 - AR		\$ 0.00
Zone 1 - KS		\$ 0.00
Zone 2 - KS		\$ 0.00
Zone 3 - KS		\$ 0.00
Zone 1 - MO		\$ 0.00
Zone 2 - MO		\$ 0.00
Zone 3 - MO		\$ 0.00
Zone 1 - OK		\$ 0.00
Zone 2 - OK		\$ 0.00
Zone 3 - OK		\$ 0.00
Zone 1 - TX		\$ 0.00
Zone 2 - TX		\$ 0.00
Zone 3 - TX		\$ 0.00

(N)

Rates contained in this transmittal are subject to subsequent adjustment, effective retrospectively back to the transmittal's original effective date, in the event the Commission or a court subsequently authorizes SWBT to correct its rates pursuant to pending motions, or petitions for reconsideration or waiver (and including, but not limited to, any application for Review of the letter from Lawrence E. Strickling, Chief, Common Carrier bureau, FCC, to Dale Robertson, SBC, dated May 18, 1999 which may be filed with the Commission), or in the event of any other adjustment pursuant to an order of the Commission or a court.

(This page filed under Transmittal No. 2837)

Issued: July 27, 2000

Effective: August 11, 2000

Four AT&T Plaza, Dallas, Texas 75202

ACCESS SERVICE

(N)

7. Special Access Service (Cont'd)

7.3 Service Descriptions, Rates and Charges (Cont'd)

7.3.10 High Capacity Service (Cont'd)

(F) Rates and Charges (Cont'd)

(37) High Capacity Term Pricing Plan (HC-TPP)
Rates Effective: 8/11/00 (Cont'd)

		<u>3 Year Monthly Rate</u>	<u>Nonrecurring Charge</u>		
(d)	<u>SecureNet - Missouri</u>				
	Per Channel Termination				
	Hub Redundancy (R16AA)	\$167.02	\$1,422.00		
	Serving Wire Center and Facility Redundancy (R18AB)	\$ 0.00	\$ 0.00		
		<u>5 Year Monthly Rate</u>	<u>Nonrecurring Charge</u>		
	<u>SecureNet - Missouri</u>				
	Per Channel Termination				
	Hub Redundancy (R16AA)	\$157.74	\$1,422.00		
	Serving Wire Center and Facility Redundancy (R18AB)	\$ 0.00	\$ 0.00		
		<u>Monthly Rate</u>	<u>Nonrecurring Charges</u>		
		<u>Fixed</u>	<u>Per Mile</u>	<u>1st Ckt.</u>	<u>Addl Ckt.</u>
(e)	<u>Collocation Transport</u>				
	3 Year				
	1.544 Mbps (1H48S)	\$40.00	\$12.60	\$392.50	\$230.00
	5 Year				
	1.544 Mbps (1H48S)	\$37.50	\$12.23	\$0.00	\$0.00

(N)

Rates contained in this transmittal are subject to subsequent adjustment, effective retrospectively back to the transmittal's original effective date, in the event the Commission or a court subsequently authorizes SWBT to correct its rates pursuant to pending motions, or petitions for reconsideration or waiver (and including, but not limited to, any application for Review of the letter from Lawrence E. Strickling, Chief, Common Carrier bureau, FCC, to Dale Robertson, SBC, dated May 18, 1999 which may be filed with the Commission), or in the event of any other adjustment

(This page filed under Transmittal No. 2837)

Issued: July 27, 2000

Effective: August 11, 2000

Four AT&T Plaza, Dallas, Texas 75202

7. Special Access Service (Cont'd)

7.3 Service Descriptions, Rates and Charges (Cont'd)

7.3.10 High Capacity Service (Cont'd)

(F) Rates and Charges (Cont'd)

(38) High Capacity Term Pricing Plan (HC-TPP)
Rates Effective: 07/03/01

(Z)

	<u>USOC</u>	<u>3 Year Monthly Rate</u>
(a) <u>Channel Termination</u>		
<u>Per point of termination</u>	TMECS	
1.544 Mbps		
Zone 1 - AR		\$115.00
Zone 2 - AR		\$120.00
Zone 3 - AR		\$130.00
Zone 1 - KS		\$115.00
Zone 2 - KS		\$120.00
Zone 3 - KS		\$130.00
Zone 1 - MO		\$115.00
Zone 2 - MO		\$120.00
Zone 3 - MO		\$130.00
Zone 1 - OK		\$115.00
Zone 2 - OK		\$120.00
Zone 3 - OK		\$130.00
Zone 1 - TX		\$115.00
Zone 2 - TX		\$120.00
Zone 3 - TX		\$130.00

	<u>Nonrecurring Charge</u>	
	<u>1st Ckt</u>	<u>Addl Ckt</u>
Zone 1 - AR	\$300.00	\$250.00
Zone 2 - AR	\$300.00	\$250.00
Zone 3 - AR	\$300.00	\$250.00
Zone 1 - KS	\$300.00	\$250.00
Zone 2 - KS	\$300.00	\$250.00
Zone 3 - KS	\$300.00	\$250.00
Zone 1 - MO	\$300.00	\$250.00
Zone 2 - MO	\$300.00	\$250.00
Zone 3 - MO	\$300.00	\$250.00
Zone 1 - OK	\$300.00	\$250.00
Zone 2 - OK	\$300.00	\$250.00
Zone 3 - OK	\$300.00	\$250.00
Zone 1 - TX	\$300.00	\$250.00
Zone 2 - TX	\$300.00	\$250.00
Zone 3 - TX	\$300.00	\$250.00

Rates contained in this transmittal are subject to subsequent adjustment, effective retrospectively, in the event the Commission or a court subsequently authorizes Southwestern Bell Telephone Company to correct its rates pursuant to pending motions, or petitions for reconsideration or waiver, or in the event of any other adjustment to an order of the Commission or a court.

(This page filed under Transmittal No. 2879)

ACCESS SERVICE

7. Special Access Service (Cont'd)

7.3 Service Descriptions, Rates and Charges (Cont'd)

7.3.10 High Capacity Service (Cont'd)

(F) Rates and Charges (Cont'd)

(38) High Capacity Term Pricing Plan (HC-TPP) (Z)
Rates Effective: 07/03/01 (Cont'd)

	<u>USOC</u>	<u>5 Year Monthly Rate</u>
(a) <u>Channel Termination</u> (Cont'd)		
Per point of termination	TMECS	
1.544 Mbps		
Zone 1 - AR		\$ 95.00
Zone 2 - AR		\$105.00
Zone 3 - AR		\$115.00
Zone 1 - KS		\$ 95.00
Zone 2 - KS		\$105.00
Zone 3 - KS		\$115.00
Zone 1 - MO		\$ 95.00
Zone 2 - MO		\$105.00
Zone 3 - MO		\$115.00
Zone 1 - OK		\$ 95.00
Zone 2 - OK		\$105.00
Zone 3 - OK		\$115.00
Zone 1 - TX		\$ 95.00
Zone 2 - TX		\$105.00
Zone 3 - TX		\$115.00
		<u>Nonrecurring Charge</u>
		<u>1st Ckt Addl Ckt</u>
Zone 1 - AR	\$ 0.00	\$150.00
Zone 2 - AR	\$ 0.00	\$150.00
Zone 3 - AR	\$ 0.00	\$150.00
Zone 1 - KS	\$ 0.00	\$150.00
Zone 2 - KS	\$ 0.00	\$150.00
Zone 3 - KS	\$ 0.00	\$150.00
Zone 1 - MO	\$ 0.00	\$150.00
Zone 2 - MO	\$ 0.00	\$150.00
Zone 3 - MO	\$ 0.00	\$150.00
Zone 1 - OK	\$ 0.00	\$150.00
Zone 2 - OK	\$ 0.00	\$150.00
Zone 3 - OK	\$ 0.00	\$150.00
Zone 1 - TX	\$ 0.00	\$150.00
Zone 2 - TX	\$ 0.00	\$150.00
Zone 3 - TX	\$ 0.00	\$150.00

Rates contained in this transmittal are subject to subsequent adjustment, effective retrospectively, in the event the Commission or a court subsequently authorizes Southwestern Bell Telephone Company to correct its rates pursuant to pending motions, or petitions for reconsideration or waiver, or in the event of any other adjustment to an order of the Commission or a court.

(This page filed under Transmittal No. 2879)

Issued: February 21, 2002

Effective: March 8, 2002

Four AT&T Plaza, Dallas, Texas 75202

ACCESS SERVICE

7. Special Access Service (Cont'd)

7.3 Service Descriptions, Rates and Charges (Cont'd)

7.3.10 High Capacity Service (Cont'd)

(F) Rates and Charges (Cont'd)

(38) High Capacity Term Pricing Plan (HC-TPP)
Rates Effective: 7/03/01 (Cont'd)

(Z)

	USOC	3 Year Monthly Rate	
		Fixed	Per Mile
(b) <u>Channel Mileage</u>			
1.544 Mbps	1L5XX		
0 miles			
Zone 1 - AR		\$ 0.00	\$ 0.00
Zone 2 - AR		\$ 0.00	\$ 0.00
Zone 3 - AR		\$ 0.00	\$ 0.00
Zone 1 - KS		\$ 0.00	\$ 0.00
Zone 2 - KS		\$ 0.00	\$ 0.00
Zone 3 - KS		\$ 0.00	\$ 0.00
Zone 1 - MO		\$ 0.00	\$ 0.00
Zone 2 - MO		\$ 0.00	\$ 0.00
Zone 3 - MO		\$ 0.00	\$ 0.00
Zone 1 - OK		\$ 0.00	\$ 0.00
Zone 2 - OK		\$ 0.00	\$ 0.00
Zone 3 - OK		\$ 0.00	\$ 0.00
Zone 1 - TX		\$ 0.00	\$ 0.00
Zone 2 - TX		\$ 0.00	\$ 0.00
Zone 3 - TX		\$ 0.00	\$ 0.00
Over 0 miles			
Zone 1 - AR		\$40.00	\$15.00
Zone 2 - AR		\$40.00	\$15.00
Zone 3 - AR		\$40.00	\$15.00
Zone 1 - KS		\$40.00	\$15.00
Zone 2 - KS		\$40.00	\$15.00
Zone 3 - KS		\$40.00	\$15.00
Zone 1 - MO		\$40.00	\$15.00
Zone 2 - MO		\$40.00	\$15.00
Zone 3 - MO		\$40.00	\$15.00
Zone 1 - OK		\$40.00	\$15.00
Zone 2 - OK		\$40.00	\$15.00
Zone 3 - OK		\$40.00	\$15.00
Zone 1 - TX		\$40.00	\$15.00
Zone 2 - TX		\$40.00	\$15.00
Zone 3 - TX		\$40.00	\$15.00

Rates contained in this transmittal are subject to subsequent adjustment, effective retrospectively, in the event the Commission or a court subsequently authorizes Southwestern Bell Telephone Company to correct its rates pursuant to pending motions, or petitions for reconsideration or waiver, or in the event of any other adjustment to an order of the Commission or a court.

(This page filed under Transmittal No. 2879)

Issued: February 21, 2002

Effective: March 8, 2002

Four AT&T Plaza, Dallas, Texas 75202

ACCESS SERVICE

7. Special Access Service (Cont'd)

7.3 Service Descriptions, Rates and Charges (Cont'd)

7.3.10 High Capacity Service (Cont'd)

(F) Rates and Charges (Cont'd)

(38) High Capacity Term Pricing Plan (HC-TPP)
Rates Effective: 07/03/01 (Cont'd)

(Z)

		USOC	5 Year Monthly Rate	
			Fixed	Per Mile
(b) <u>Channel Mileage</u> (Cont'd)				
	1.544 Mbps	1L5XX		
	0 miles			
	Zone 1 - AR		\$ 0.00	\$ 0.00
	Zone 2 - AR		\$ 0.00	\$ 0.00
	Zone 3 - AR		\$ 0.00	\$ 0.00
	Zone 1 - KS		\$ 0.00	\$ 0.00
	Zone 2 - KS		\$ 0.00	\$ 0.00
	Zone 3 - KS		\$ 0.00	\$ 0.00
	Zone 1 - MO		\$ 0.00	\$ 0.00
	Zone 2 - MO		\$ 0.00	\$ 0.00
	Zone 3 - MO		\$ 0.00	\$ 0.00
	Zone 1 - OK		\$ 0.00	\$ 0.00
	Zone 2 - OK		\$ 0.00	\$ 0.00
	Zone 3 - OK		\$ 0.00	\$ 0.00
	Zone 1 - TX		\$ 0.00	\$ 0.00
	Zone 2 - TX		\$ 0.00	\$ 0.00
	Zone 3 - TX		\$ 0.00	\$ 0.00
	Over 0 miles			
	Zone 1 - AR		\$35.00	\$12.00
	Zone 2 - AR		\$35.00	\$12.00
	Zone 3 - AR		\$35.00	\$12.00
	Zone 1 - KS		\$35.00	\$12.00
	Zone 2 - KS		\$35.00	\$12.00
	Zone 3 - KS		\$35.00	\$12.00
	Zone 1 - MO		\$35.00	\$12.00
	Zone 2 - MO		\$35.00	\$12.00
	Zone 3 - MO		\$35.00	\$12.00
	Zone 1 - OK		\$35.00	\$12.00
	Zone 2 - OK		\$35.00	\$12.00
	Zone 3 - OK		\$35.00	\$12.00
	Zone 1 - TX		\$35.00	\$12.00
	Zone 2 - TX		\$35.00	\$12.00
	Zone 3 - TX		\$35.00	\$12.00

Rates contained in this transmittal are subject to subsequent adjustment, effective retrospectively, in the event the Commission or a court subsequently authorizes Southwestern Bell Telephone Company to correct its rates pursuant to pending motions, or petitions for reconsideration or waiver, or in the event of any other adjustment to an order of the Commission or a court.

(This page filed under Transmittal No. 2879)

Issued: February 21, 2002

Effective: March 8, 2002

Four AT&T Plaza, Dallas, Texas 75202

ACCESS SERVICE

7. Special Access Service (Cont'd)7.3 Service Descriptions, Rates and Charges (Cont'd)7.3.10 High Capacity Service (Cont'd)(F) Rates and Charges (Cont'd)(38) High Capacity Term Pricing Plan (HC-TPP)
Rates Effective: 07/03/01 (Cont'd)

(Z)

	<u>USOC</u>	<u>3 Year Monthly Rate</u>
(c) <u>Multiplexing</u>		
Per arrangement		
DS0 to Subrates		
Up to 20 2.4 kbps services	QSU24	
Zone 1 - AR		\$114.35
Zone 2 - AR		\$114.35
Zone 3 - AR		\$114.35
Zone 1 - KS		\$114.35
Zone 2 - KS		\$114.35
Zone 3 - KS		\$114.35
Zone 1 - MO		\$114.35
Zone 2 - MO		\$114.35
Zone 3 - MO		\$114.35
Zone 1 - OK		\$114.35
Zone 2 - OK		\$114.35
Zone 3 - OK		\$114.35
Zone 1 - TX		\$114.35
Zone 2 - TX		\$114.35
Zone 3 - TX		\$114.35
		<u>Nonrecurring Charge</u>
Zone 1 - AR		\$ 0.00
Zone 2 - AR		\$ 0.00
Zone 3 - AR		\$ 0.00
Zone 1 - KS		\$ 0.00
Zone 2 - KS		\$ 0.00
Zone 3 - KS		\$ 0.00
Zone 1 - MO		\$ 0.00
Zone 2 - MO		\$ 0.00
Zone 3 - MO		\$ 0.00
Zone 1 - OK		\$ 0.00
Zone 2 - OK		\$ 0.00
Zone 3 - OK		\$ 0.00
Zone 1 - TX		\$ 0.00
Zone 2 - TX		\$ 0.00
Zone 3 - TX		\$ 0.00

Rates contained in this transmittal are subject to subsequent adjustment, effective retrospectively, in the event the Commission or a court subsequently authorizes Southwestern Bell Telephone Company to correct its rates pursuant to pending motions, or petitions for reconsideration or waiver, or in the event of any other adjustment to an order of the Commission

(This page filed under Transmittal No. 2879)

Issued: February 21, 2002

Effective: March 8, 2002

Four AT&T Plaza, Dallas, Texas 75202

ACCESS SERVICE

7. Special Access Service (Cont'd)

7.3 Service Descriptions, Rates and Charges (Cont'd)

7.3.10 High Capacity Service (Cont'd)

(F) Rates and Charges (Cont'd)

(38) High Capacity Term Pricing Plan (HC-TPP)
Rates Effective: 07/03/01 (Cont'd)

(Z)

	<u>USOC</u>	<u>5 Year Monthly Rate</u>
(c) <u>Multiplexing (Cont'd)</u>		
Per arrangement		
DS0 to Subrates		
Up to 20 2.4 kbps services	QSU24	
Zone 1 - AR		\$107.45
Zone 2 - AR		\$107.45
Zone 3 - AR		\$107.45
Zone 1 - KS		\$107.45
Zone 2 - KS		\$107.45
Zone 3 - KS		\$107.45
Zone 1 - MO		\$107.45
Zone 2 - MO		\$107.45
Zone 3 - MO		\$107.45
Zone 1 - OK		\$107.45
Zone 2 - OK		\$107.45
Zone 3 - OK		\$107.45
Zone 1 - TX		\$107.45
Zone 2 - TX		\$107.45
Zone 3 - TX		\$107.50
		<u>Nonrecurring Charge</u>
Zone 1 - AR		\$ 0.00
Zone 2 - AR		\$ 0.00
Zone 3 - AR		\$ 0.00
Zone 1 - KS		\$ 0.00
Zone 2 - KS		\$ 0.00
Zone 3 - KS		\$ 0.00
Zone 1 - MO		\$ 0.00
Zone 2 - MO		\$ 0.00
Zone 3 - MO		\$ 0.00
Zone 1 - OK		\$ 0.00
Zone 2 - OK		\$ 0.00
Zone 3 - OK		\$ 0.00
Zone 1 - TX		\$ 0.00
Zone 2 - TX		\$ 0.00
Zone 3 - TX		\$ 0.00

Rates contained in this transmittal are subject to subsequent adjustment, effective retrospectively, in the event the Commission or a court subsequently authorizes Southwestern Bell Telephone Company to correct its rates pursuant to pending motions, or petitions for reconsideration or waiver, or in the event of any other adjustment to an order of the Commission or a court.

(This page filed under Transmittal No. 2879)

Issued: February 21, 2002

Effective: March 8, 2002

Four AT&T Plaza, Dallas, Texas 75202

ACCESS SERVICE

7. Special Access Service (Cont'd)7.3 Service Descriptions, Rates and Charges (Cont'd)7.3.10 High Capacity Service (Cont'd)(F) Rates and Charges (Cont'd)(38) High Capacity Term Pricing Plan (HC-TPP) (Z)
Rates Effective: 07/03/01 (Cont'd)

	<u>USOC</u>	<u>3 Year Monthly Rate</u>
(c) <u>Multiplexing</u> (Cont'd)		
Per arrangement		
DS0 to Subrates		
Up to 10 4.8 kbps services	QSU48	
Zone 1 - AR		\$104.85
Zone 2 - AR		\$104.85
Zone 3 - AR		\$104.85
Zone 1 - KS		\$104.85
Zone 2 - KS		\$104.85
Zone 3 - KS		\$104.85
Zone 1 - MO		\$104.85
Zone 2 - MO		\$104.85
Zone 3 - MO		\$104.85
Zone 1 - OK		\$104.85
Zone 2 - OK		\$104.85
Zone 3 - OK		\$104.85
Zone 1 - TX		\$104.85
Zone 2 - TX		\$104.85
Zone 3 - TX		\$104.85
		<u>Nonrecurring Charge</u>
Zone 1 - AR		\$ 0.00
Zone 2 - AR		\$ 0.00
Zone 3 - AR		\$ 0.00
Zone 1 - KS		\$ 0.00
Zone 2 - KS		\$ 0.00
Zone 3 - KS		\$ 0.00
Zone 1 - MO		\$ 0.00
Zone 2 - MO		\$ 0.00
Zone 3 - MO		\$ 0.00
Zone 1 - OK		\$ 0.00
Zone 2 - OK		\$ 0.00
Zone 3 - OK		\$ 0.00
Zone 1 - TX		\$ 0.00
Zone 2 - TX		\$ 0.00
Zone 3 - TX		\$ 0.00

Rates contained in this transmittal are subject to subsequent adjustment, effective retrospectively, in the event the Commission or a court subsequently authorizes Southwestern Bell Telephone Company to correct its rates pursuant to pending motions, or petitions for reconsideration or waiver, or in the event of any other adjustment to an order of the Commission or a court.

(This page filed under Transmittal No. 2879)

Issued: February 21, 2002

Effective: March 8, 2002

Four AT&T Plaza, Dallas, Texas 75202

ACCESS SERVICE

7. Special Access Service (Cont'd)

7.3 Service Descriptions, Rates and Charges (Cont'd)

7.3.10 High Capacity Service (Cont'd)

(F) Rates and Charges (Cont'd)

(38) High Capacity Term Pricing Plan (HC-TPP)
Rates Effective: 07/03/01 (Cont'd)

(Z)

	<u>USOC</u>	<u>5 Year Monthly Rate</u>
(c) <u>Multiplexing (Cont'd)</u>		
Per arrangement		
DS0 to Subrates		
Up to 10 4.8 kbps services	QSU48	
Zone 1 - AR		\$ 98.55
Zone 2 - AR		\$ 98.55
Zone 3 - AR		\$ 98.55
Zone 1 - KS		\$ 98.55
Zone 2 - KS		\$ 98.55
Zone 3 - KS		\$ 98.55
Zone 1 - MO		\$ 98.55
Zone 2 - MO		\$ 98.55
Zone 3 - MO		\$ 98.55
Zone 1 - OK		\$ 98.55
Zone 2 - OK		\$ 98.55
Zone 3 - OK		\$ 98.55
Zone 1 - TX		\$ 98.55
Zone 2 - TX		\$ 98.55
Zone 3 - TX		\$ 98.55
		<u>Nonrecurring Charge</u>
Zone 1 - AR		\$ 0.00
Zone 2 - AR		\$ 0.00
Zone 3 - AR		\$ 0.00
Zone 1 - KS		\$ 0.00
Zone 2 - KS		\$ 0.00
Zone 3 - KS		\$ 0.00
Zone 1 - MO		\$ 0.00
Zone 2 - MO		\$ 0.00
Zone 3 - MO		\$ 0.00
Zone 1 - OK		\$ 0.00
Zone 2 - OK		\$ 0.00
Zone 3 - OK		\$ 0.00
Zone 1 - TX		\$ 0.00
Zone 2 - TX		\$ 0.00
Zone 3 - TX		\$ 0.00

Rates contained in this transmittal are subject to subsequent adjustment, effective retrospectively, in the event the Commission or a court subsequently authorizes Southwestern Bell Telephone Company to correct its rates pursuant to pending motions, or petitions for reconsideration or waiver, or in the event of any other adjustment to an order of the Commission or a court.

(This page filed under Transmittal No. 2879)

Issued: February 21, 2002

Effective: March 8, 2002

Four AT&T Plaza, Dallas, Texas 75202

ACCESS SERVICE

7. Special Access Service (Cont'd)

7.3 Service Descriptions, Rates and Charges (Cont'd)

7.3.10 High Capacity Service (Cont'd)

(F) Rates and Charges (Cont'd)

(38) High Capacity Term Pricing Plan (HC-TPP)
Rates Effective: 07/03/01 (Cont'd)

(Z)

	<u>USOC</u>	<u>3 Year Monthly Rate</u>
(c) <u>Multiplexing (Cont'd)</u>		

Per arrangement

DS0 to Subrates

Up to 5 9.6 kbps
 services

QSU96

Zone 1 - AR	\$200.30
Zone 2 - AR	\$200.30
Zone 3 - AR	\$200.30
Zone 1 - KS	\$200.30
Zone 2 - KS	\$200.30
Zone 3 - KS	\$200.30
Zone 1 - MO	\$200.30
Zone 2 - MO	\$200.30
Zone 3 - MO	\$200.30
Zone 1 - OK	\$200.30
Zone 2 - OK	\$200.30
Zone 3 - OK	\$200.30
Zone 1 - TX	\$200.30
Zone 2 - TX	\$200.30
Zone 3 - TX	\$200.30

Nonrecurring Charge

Zone 1 - AR	\$ 0.00
Zone 2 - AR	\$ 0.00
Zone 3 - AR	\$ 0.00
Zone 1 - KS	\$ 0.00
Zone 2 - KS	\$ 0.00
Zone 3 - KS	\$ 0.00
Zone 1 - MO	\$ 0.00
Zone 2 - MO	\$ 0.00
Zone 3 - MO	\$ 0.00
Zone 1 - OK	\$ 0.00
Zone 2 - OK	\$ 0.00
Zone 3 - OK	\$ 0.00
Zone 1 - TX	\$ 0.00
Zone 2 - TX	\$ 0.00
Zone 3 - TX	\$ 0.00

Rates contained in this transmittal are subject to subsequent adjustment, effective retrospectively, in the event the Commission or a court subsequently authorizes Southwestern Bell Telephone Company to correct its rates pursuant to pending motions, or petitions for reconsideration or waiver, or in the event of any other adjustment to an order of the Commission or a court.

(This page filed under Transmittal No. 2879)

Issued: February 21, 2002

Effective: March 8, 2002

Four AT&T Plaza, Dallas, Texas 75202

ACCESS SERVICE

7. Special Access Service (Cont'd)

7.3 Service Descriptions, Rates and Charges (Cont'd)

7.3.10 High Capacity Service (Cont'd)

(F) Rates and Charges (Cont'd)

(38) High Capacity Term Pricing Plan (HC-TPP)
Rates Effective: 07/03/01 (Cont'd)

(Z)

	<u>USOC</u>	<u>5 Year Monthly Rate</u>
(c) <u>Multiplexing (Cont'd)</u>		
Per arrangement		
DS0 to Subrates		
Up to 5 9.6 kbps services		
	QSU96	
Zone 1 - AR		\$188.20
Zone 2 - AR		\$188.20
Zone 3 - AR		\$188.20
Zone 1 - KS		\$188.20
Zone 2 - KS		\$188.20
Zone 3 - KS		\$188.20
Zone 1 - MO		\$188.20
Zone 2 - MO		\$188.20
Zone 3 - MO		\$188.20
Zone 1 - OK		\$188.20
Zone 2 - OK		\$188.20
Zone 3 - OK		\$188.20
Zone 1 - TX		\$188.20
Zone 2 - TX		\$188.20
Zone 3 - TX		\$188.20
		<u>Nonrecurring Charge</u>
Zone 1 - AR		\$ 0.00
Zone 2 - AR		\$ 0.00
Zone 3 - AR		\$ 0.00
Zone 1 - KS		\$ 0.00
Zone 2 - KS		\$ 0.00
Zone 3 - KS		\$ 0.00
Zone 1 - MO		\$ 0.00
Zone 2 - MO		\$ 0.00
Zone 3 - MO		\$ 0.00
Zone 1 - OK		\$ 0.00
Zone 2 - OK		\$ 0.00
Zone 3 - OK		\$ 0.00
Zone 1 - TX		\$ 0.00
Zone 2 - TX		\$ 0.00
Zone 3 - TX		\$ 0.00

Rates contained in this transmittal are subject to subsequent adjustment, effective retrospectively, in the event the Commission or a court subsequently authorizes Southwestern Bell Telephone Company to correct its rates pursuant to pending motions, or petitions for reconsideration or waiver, or in the event of any other adjustment to an order of the Commission or a court.

(This page filed under Transmittal No. 2879)

Issued: February 21, 2002

Effective: March 8, 2002

Four AT&T Plaza, Dallas, Texas 75202

ACCESS SERVICE

7. Special Access Service (Cont'd)

7.3 Service Descriptions, Rates and Charges (Cont'd)

7.3.10 High Capacity Service (Cont'd)

(F) Rates and Charges (Cont'd)

(38) High Capacity Term Pricing Plan (HC-TPP)
Rates Effective: 07/03/01 (Cont'd)

(Z)

	<u>USOC</u>	<u>3 Year Monthly Rate</u>
(c) <u>Multiplexing (Cont'd)</u>		
Per arrangement		
DS1 to DS0	QMU	
Zone 1 - AR		\$162.00
Zone 2 - AR		\$162.00
Zone 3 - AR		\$162.00
Zone 1 - KS		\$162.00
Zone 2 - KS		\$162.00
Zone 3 - KS		\$162.00
Zone 1 - MO		\$162.00
Zone 2 - MO		\$162.00
Zone 3 - MO		\$162.00
Zone 1 - OK		\$162.00
Zone 2 - OK		\$162.00
Zone 3 - OK		\$162.00
Zone 1 - TX		\$162.00
Zone 2 - TX		\$162.00
Zone 3 - TX		\$162.00
		<u>Nonrecurring Charge</u>
Zone 1 - AR		\$ 0.00
Zone 2 - AR		\$ 0.00
Zone 3 - AR		\$ 0.00
Zone 1 - KS		\$ 0.00
Zone 2 - KS		\$ 0.00
Zone 3 - KS		\$ 0.00
Zone 1 - MO		\$ 0.00
Zone 2 - MO		\$ 0.00
Zone 3 - MO		\$ 0.00
Zone 1 - OK		\$ 0.00
Zone 2 - OK		\$ 0.00
Zone 3 - OK		\$ 0.00
Zone 1 - TX		\$ 0.00
Zone 2 - TX		\$ 0.00
Zone 3 - TX		\$ 0.00

Rates contained in this transmittal are subject to subsequent adjustment, effective retrospectively, in the event the Commission or a court subsequently authorizes Southwestern Bell Telephone Company to correct its rates pursuant to pending motions, or petitions for reconsideration or waiver, or in the event of any other adjustment to an order of the Commission or a court.

(This page filed under Transmittal No. 2879)

Issued: February 21, 2002

Effective: March 8, 2002

Four AT&T Plaza, Dallas, Texas 75202

ACCESS SERVICE

7. Special Access Service (Cont'd)

7.3 Service Descriptions, Rates and Charges (Cont'd)

7.3.10 High Capacity Service (Cont'd)

(F) Rates and Charges (Cont'd)

(38) High Capacity Term Pricing Plan (HC-TPP)
Rates Effective: 07/03/01 (Cont'd)

(Z)

	<u>USOC</u>	<u>5 Year Monthly Rate</u>
(c) <u>Multiplexing (Cont'd)</u>		
Per arrangement		
DS1 to DS0	QMU	
Zone 1 - AR		\$153.00
Zone 2 - AR		\$153.00
Zone 3 - AR		\$153.00
Zone 1 - KS		\$153.00
Zone 2 - KS		\$153.00
Zone 3 - KS		\$153.00
Zone 1 - MO		\$153.00
Zone 2 - MO		\$153.00
Zone 3 - MO		\$153.00
Zone 1 - OK		\$153.00
Zone 2 - OK		\$153.00
Zone 3 - OK		\$153.00
Zone 1 - TX		\$153.00
Zone 2 - TX		\$153.00
Zone 3 - TX		\$153.00
		<u>Nonrecurring Charge</u>
Zone 1 - AR		\$ 0.00
Zone 2 - AR		\$ 0.00
Zone 3 - AR		\$ 0.00
Zone 1 - KS		\$ 0.00
Zone 2 - KS		\$ 0.00
Zone 3 - KS		\$ 0.00
Zone 1 - MO		\$ 0.00
Zone 2 - MO		\$ 0.00
Zone 3 - MO		\$ 0.00
Zone 1 - OK		\$ 0.00
Zone 2 - OK		\$ 0.00
Zone 3 - OK		\$ 0.00
Zone 1 - TX		\$ 0.00
Zone 2 - TX		\$ 0.00
Zone 3 - TX		\$ 0.00

Rates contained in this transmittal are subject to subsequent adjustment, effective retrospectively, in the event the Commission or a court subsequently authorizes Southwestern Bell Telephone Company to correct its rates pursuant to pending motions, or petitions for reconsideration or waiver, or in the event of any other adjustment to an order of the Commission or a court.

(This page filed under Transmittal No. 2879)

Issued: February 21, 2002

Effective: March 8, 2002

Four AT&T Plaza, Dallas, Texas 75202

ACCESS SERVICE

7. Special Access Service (Cont'd)

7.3 Service Descriptions, Rates and Charges (Cont'd)

7.3.10 High Capacity Service (Cont'd)

(F) Rates and Charges (Cont'd)

(38) High Capacity Term Pricing Plan (HC-TPP)
Rates Effective: 07/03/01 (Cont'd)

(Z)

	<u>USOC</u>	<u>3 Year Monthly Rate</u>
(c) <u>Multiplexing (Cont'd)</u>		

Per arrangement

DS1 to Voice MQ1

Zone 1 - AR	\$162.00
Zone 2 - AR	\$162.00
Zone 3 - AR	\$162.00
Zone 1 - KS	\$162.00
Zone 2 - KS	\$162.00
Zone 3 - KS	\$162.00
Zone 1 - MO	\$162.00
Zone 2 - MO	\$162.00
Zone 3 - MO	\$162.00
Zone 1 - OK	\$162.00
Zone 2 - OK	\$162.00
Zone 3 - OK	\$162.00
Zone 1 - TX	\$162.00
Zone 2 - TX	\$162.00
Zone 3 - TX	\$162.00

Nonrecurring Charge

Zone 1 - AR	\$ 0.00
Zone 2 - AR	\$ 0.00
Zone 3 - AR	\$ 0.00
Zone 1 - KS	\$ 0.00
Zone 2 - KS	\$ 0.00
Zone 3 - KS	\$ 0.00
Zone 1 - MO	\$ 0.00
Zone 2 - MO	\$ 0.00
Zone 3 - MO	\$ 0.00
Zone 1 - OK	\$ 0.00
Zone 2 - OK	\$ 0.00
Zone 3 - OK	\$ 0.00
Zone 1 - TX	\$ 0.00
Zone 2 - TX	\$ 0.00
Zone 3 - TX	\$ 0.00

Rates contained in this transmittal are subject to subsequent adjustment, effective retrospectively, in the event the Commission or a court subsequently authorizes Southwestern Bell Telephone Company to correct its rates pursuant to pending motions, or petitions for reconsideration or waiver, or in the event of any other adjustment to an order of the Commission or a court.

(This page filed under Transmittal No. 2879)

Issued: February 21, 2002

Effective: March 8, 2002

Four AT&T Plaza, Dallas, Texas 75202

ACCESS SERVICE

7. Special Access Service (Cont'd)

7.3 Service Descriptions, Rates and Charges (Cont'd)

7.3.10 High Capacity Service (Cont'd)

(F) Rates and Charges (Cont'd)

(38) High Capacity Term Pricing Plan (HC-TPP)
Rates Effective: 07/03/01 (Cont'd)

(Z)

	<u>USOC</u>	<u>5 Year Monthly Rate</u>
(c) <u>Multiplexing (Cont'd)</u>		
Per arrangement		
DS1 to Voice	MQ1	
Zone 1 - AR		\$153.00
Zone 2 - AR		\$153.00
Zone 3 - AR		\$153.00
Zone 1 - KS		\$153.00
Zone 2 - KS		\$153.00
Zone 3 - KS		\$153.00
Zone 1 - MO		\$153.00
Zone 2 - MO		\$153.00
Zone 3 - MO		\$153.00
Zone 1 - OK		\$153.00
Zone 2 - OK		\$153.00
Zone 3 - OK		\$153.00
Zone 1 - TX		\$153.00
Zone 2 - TX		\$153.00
Zone 3 - TX		\$153.00
		<u>Nonrecurring Charge</u>
Zone 1 - AR		\$ 0.00
Zone 2 - AR		\$ 0.00
Zone 3 - AR		\$ 0.00
Zone 1 - KS		\$ 0.00
Zone 2 - KS		\$ 0.00
Zone 3 - KS		\$ 0.00
Zone 1 - MO		\$ 0.00
Zone 2 - MO		\$ 0.00
Zone 3 - MO		\$ 0.00
Zone 1 - OK		\$ 0.00
Zone 2 - OK		\$ 0.00
Zone 3 - OK		\$ 0.00
Zone 1 - TX		\$ 0.00
Zone 2 - TX		\$ 0.00
Zone 3 - TX		\$ 0.00

Rates contained in this transmittal are subject to subsequent adjustment, effective retrospectively, in the event the Commission or a court subsequently authorizes Southwestern Bell Telephone Company to correct its rates pursuant to pending motions, or petitions for reconsideration or waiver, or in the event of any other adjustment to an order of the Commission or a court.

(This page filed under Transmittal No. 2879)

Issued: February 21, 2002

Effective: March 8, 2002

Four AT&T Plaza, Dallas, Texas 75202

ACCESS SERVICE

7. Special Access Service (Cont'd)

7.3 Service Descriptions, Rates and Charges (Cont'd)

7.3.10 High Capacity Service (Cont'd)

(F) Rates and Charges (Cont'd)

(38) High Capacity Term Pricing Plan (HC-TPP)
Rates Effective: 07/03/01 (Cont'd)

(Z)

	<u>3 Year Monthly Rate</u>	<u>Nonrecurring Charge</u>		
(d) <u>SecureNet - Missouri</u>				
Per Channel Termination				
Hub Redundancy (R16AA)	\$167.02	\$1,422.00		
Serving Wire Center and Facility Redundancy (R18AB)	\$ 0.00	\$ 0.00		
	<u>5 Year Monthly Rate</u>	<u>Nonrecurring Charge</u>		
<u>SecureNet - Missouri</u>				
Per Channel Termination				
Hub Redundancy (R16AA)	\$157.74	\$1,422.00		
Serving Wire Center and Facility Redundancy (R18AB)	\$ 0.00	\$ 0.00		
	<u>Fixed</u>	<u>Monthly Rate Per Mile</u>	<u>Nonrecurring Charges</u>	
(e) <u>Collocation Transport</u>			<u>1st Ckt.</u>	<u>Addl Ckt.</u>
3 Year				
1.544 Mbps (1H48S)	\$40.00	\$12.60	\$392.50	\$230.00
5 Year				
1.544 Mbps (1H48S)	\$37.50	\$12.23	\$0.00	\$0.00

Rates contained in this transmittal are subject to subsequent adjustment, effective retrospectively, in the event the Commission or a court subsequently authorizes Southwestern Bell Telephone Company to correct its rates pursuant to pending motions, or petitions for reconsideration or waiver, or in the event of any other adjustment to an order of the Commission or a court.

(This page filed under Transmittal No. 2879)

Issued: February 21, 2002

Effective: March 8, 2002

Four AT&T Plaza, Dallas, Texas 75202

7. Special Access Service (Cont'd)

(N)

7.3 Service Descriptions, Rates and Charges (Cont'd)

7.3.10 High Capacity Service (Cont'd)

(F) Rates and Charges (Cont'd)

(39) High Capacity Term Pricing Plan (HC-TPP)

Rates Effective: 10/02/01

	<u>USOC</u>	<u>3 Year Monthly Rate</u>
(a) <u>Channel Termination</u>		
Per point of termination	TMECS	
1.544 Mbps		
Zone 1 - AR		\$115.00
Zone 2 - AR		\$120.00
Zone 3 - AR		\$130.00
Zone 1 - KS		\$115.00
Zone 2 - KS		\$120.00
Zone 3 - KS		\$130.00
Zone 1 - MO		\$115.00
Zone 2 - MO		\$120.00
Zone 3 - MO		\$130.00
Zone 1 - OK		\$115.00
Zone 2 - OK		\$120.00
Zone 3 - OK		\$130.00
Zone 1 - TX		\$115.00
Zone 2 - TX		\$120.00
Zone 3 - TX		\$130.00

	<u>Nonrecurring Charge</u>	
	<u>1st Ckt</u>	<u>Addl Ckt</u>
Zone 1 - AR	\$300.00	\$250.00
Zone 2 - AR	\$300.00	\$250.00
Zone 3 - AR	\$300.00	\$250.00
Zone 1 - KS	\$300.00	\$250.00
Zone 2 - KS	\$300.00	\$250.00
Zone 3 - KS	\$300.00	\$250.00
Zone 1 - MO	\$300.00	\$250.00
Zone 2 - MO	\$300.00	\$250.00
Zone 3 - MO	\$300.00	\$250.00
Zone 1 - OK	\$300.00	\$250.00
Zone 2 - OK	\$300.00	\$250.00
Zone 3 - OK	\$300.00	\$250.00
Zone 1 - TX	\$300.00	\$250.00
Zone 2 - TX	\$300.00	\$250.00
Zone 3 - TX	\$300.00	\$250.00

(N)

Rates contained in this transmittal are subject to subsequent adjustment, effective retrospectively, in the event the Commission or a court subsequently authorizes Southwestern Bell Telephone Company to correct its rates pursuant to pending motions, or petitions for reconsideration or waiver, or in the event of any other adjustment to an order of the Commission or a court.

(This page filed under Transmittal No. 2879)

ACCESS SERVICE

7. Special Access Service (Cont'd)

(N)

7.3 Service Descriptions, Rates and Charges (Cont'd)

7.3.10 High Capacity Service (Cont'd)

(F) Rates and Charges (Cont'd)

(39) High Capacity Term Pricing Plan (HC-TPP)
Rates Effective: 10/02/01 (Cont'd)

	<u>USOC</u>	<u>5 Year Monthly Rate</u>	
(a) <u>Channel Termination</u> (Cont'd)			
			TMECS
			Per point of termination
			1.544 Mbps
Zone 1 - AR		\$ 95.00	
Zone 2 - AR		\$105.00	
Zone 3 - AR		\$115.00	
Zone 1 - KS		\$ 95.00	
Zone 2 - KS		\$105.00	
Zone 3 - KS		\$115.00	
Zone 1 - MO		\$ 95.00	
Zone 2 - MO		\$105.00	
Zone 3 - MO		\$115.00	
Zone 1 - OK		\$ 95.00	
Zone 2 - OK		\$105.00	
Zone 3 - OK		\$115.00	
Zone 1 - TX		\$ 95.00	
Zone 2 - TX		\$105.00	
Zone 3 - TX		\$115.00	
			Nonrecurring Charge
			<u>1st Ckt</u> <u>Addl Ckt</u>
Zone 1 - AR	\$	0.00	\$150.00
Zone 2 - AR	\$	0.00	\$150.00
Zone 3 - AR	\$	0.00	\$150.00
Zone 1 - KS	\$	0.00	\$150.00
Zone 2 - KS	\$	0.00	\$150.00
Zone 3 - KS	\$	0.00	\$150.00
Zone 1 - MO	\$	0.00	\$150.00
Zone 2 - MO	\$	0.00	\$150.00
Zone 3 - MO	\$	0.00	\$150.00
Zone 1 - OK	\$	0.00	\$150.00
Zone 2 - OK	\$	0.00	\$150.00
Zone 3 - OK	\$	0.00	\$150.00
Zone 1 - TX	\$	0.00	\$150.00
Zone 2 - TX	\$	0.00	\$150.00
Zone 3 - TX	\$	0.00	\$150.00

(N)

Rates contained in this transmittal are subject to subsequent adjustment, effective retrospectively, in the event the Commission or a court subsequently authorizes Southwestern Bell Telephone Company to correct its rates pursuant to pending motions, or petitions for reconsideration or waiver, or in the event of any other adjustment to an order of the Commission or a court.

(This page filed under Transmittal No. 2879)

Issued: February 21, 2002

Effective: March 8, 2002

Four AT&T Plaza, Dallas, Texas 75202

ACCESS SERVICE

7. Special Access Service (Cont'd)

(N)

7.3 Service Descriptions, Rates and Charges (Cont'd)

7.3.10 High Capacity Service (Cont'd)

(F) Rates and Charges (Cont'd)

(39) High Capacity Term Pricing Plan (HC-TPP)
Rates Effective: 10/02/01 (Cont'd)

		3 Year Monthly Rate	
	USOC	Fixed	Per Mile
(b) <u>Channel Mileage</u>			
1.544 Mbps	1L5XX		
0 miles			
Zone 1 - AR		\$ 0.00	\$ 0.00
Zone 2 - AR		\$ 0.00	\$ 0.00
Zone 3 - AR		\$ 0.00	\$ 0.00
Zone 1 - KS		\$ 0.00	\$ 0.00
Zone 2 - KS		\$ 0.00	\$ 0.00
Zone 3 - KS		\$ 0.00	\$ 0.00
Zone 1 - MO		\$ 0.00	\$ 0.00
Zone 2 - MO		\$ 0.00	\$ 0.00
Zone 3 - MO		\$ 0.00	\$ 0.00
Zone 1 - OK		\$ 0.00	\$ 0.00
Zone 2 - OK		\$ 0.00	\$ 0.00
Zone 3 - OK		\$ 0.00	\$ 0.00
Zone 1 - TX		\$ 0.00	\$ 0.00
Zone 2 - TX		\$ 0.00	\$ 0.00
Zone 3 - TX		\$ 0.00	\$ 0.00
Over 0 miles			
Zone 1 - AR		\$40.00	\$15.00
Zone 2 - AR		\$40.00	\$15.00
Zone 3 - AR		\$40.00	\$15.00
Zone 1 - KS		\$40.00	\$15.00
Zone 2 - KS		\$40.00	\$15.00
Zone 3 - KS		\$40.00	\$15.00
Zone 1 - MO		\$40.00	\$15.00
Zone 2 - MO		\$40.00	\$15.00
Zone 3 - MO		\$40.00	\$15.00
Zone 1 - OK		\$40.00	\$15.00
Zone 2 - OK		\$40.00	\$15.00
Zone 3 - OK		\$40.00	\$15.00
Zone 1 - TX		\$40.00	\$15.00
Zone 2 - TX		\$40.00	\$15.00
Zone 3 - TX		\$40.00	\$15.00 (N)

Rates contained in this transmittal are subject to subsequent adjustment, effective retrospectively, in the event the Commission or a court subsequently authorizes Southwestern Bell Telephone Company to correct its rates pursuant to pending motions, or petitions for reconsideration or waiver, or in the event of any other adjustment to an order of the Commission or a court.

(This page filed under Transmittal No. 2879)

ACCESS SERVICE

7. Special Access Service (Cont'd)

(N)

7.3 Service Descriptions, Rates and Charges (Cont'd)7.3.10 High Capacity Service (Cont'd)(F) Rates and Charges (Cont'd)(39) High Capacity Term Pricing Plan (HC-TPP)Rates Effective: 10/02/01 (Cont'd)

		5 Year Monthly Rate	
	USOC	Fixed	Per Mile
(b) <u>Channel Mileage</u> (Cont'd)			
1.544 Mbps	1L5XX		
0 miles			
Zone 1 - AR		\$ 0.00	\$ 0.00
Zone 2 - AR		\$ 0.00	\$ 0.00
Zone 3 - AR		\$ 0.00	\$ 0.00
Zone 1 - KS		\$ 0.00	\$ 0.00
Zone 2 - KS		\$ 0.00	\$ 0.00
Zone 3 - KS		\$ 0.00	\$ 0.00
Zone 1 - MO		\$ 0.00	\$ 0.00
Zone 2 - MO		\$ 0.00	\$ 0.00
Zone 3 - MO		\$ 0.00	\$ 0.00
Zone 1 - OK		\$ 0.00	\$ 0.00
Zone 2 - OK		\$ 0.00	\$ 0.00
Zone 3 - OK		\$ 0.00	\$ 0.00
Zone 1 - TX		\$ 0.00	\$ 0.00
Zone 2 - TX		\$ 0.00	\$ 0.00
Zone 3 - TX		\$ 0.00	\$ 0.00
Over 0 miles			
Zone 1 - AR		\$35.00	\$12.00
Zone 2 - AR		\$35.00	\$12.00
Zone 3 - AR		\$35.00	\$12.00
Zone 1 - KS		\$35.00	\$12.00
Zone 2 - KS		\$35.00	\$12.00
Zone 3 - KS		\$35.00	\$12.00
Zone 1 - MO		\$35.00	\$12.00
Zone 2 - MO		\$35.00	\$12.00
Zone 3 - MO		\$35.00	\$12.00
Zone 1 - OK		\$35.00	\$12.00
Zone 2 - OK		\$35.00	\$12.00
Zone 3 - OK		\$35.00	\$12.00
Zone 1 - TX		\$35.00	\$12.00
Zone 2 - TX		\$35.00	\$12.00
Zone 3 - TX		\$35.00	\$12.00 (N)

Rates contained in this transmittal are subject to subsequent adjustment, effective retrospectively, in the event the Commission or a court subsequently authorizes Southwestern Bell Telephone Company to correct its rates pursuant to pending motions, or petitions for reconsideration or waiver, or in the event of any other adjustment to an order of the Commission or a court.

(This page filed under Transmittal No. 2879)

Issued: February 21, 2002

Effective: March 8, 2002

Four AT&T Plaza, Dallas, Texas 75202

ACCESS SERVICE

7. Special Access Service (Cont'd)

(N)

7.3 Service Descriptions, Rates and Charges (Cont'd)

7.3.10 High Capacity Service (Cont'd)

(F) Rates and Charges (Cont'd)

(39) High Capacity Term Pricing Plan (HC-TPP)
Rates Effective: 10/02/01 (Cont'd)

	<u>USOC</u>	<u>3 Year Monthly Rate</u>
(c) <u>Multiplexing</u>		
Per arrangement		
DS0 to Subrates		
Up to 20 2.4 kbps services		
	QSU24	
Zone 1 - AR		\$114.35
Zone 2 - AR		\$114.35
Zone 3 - AR		\$114.35
Zone 1 - KS		\$114.35
Zone 2 - KS		\$114.35
Zone 3 - KS		\$114.35
Zone 1 - MO		\$114.35
Zone 2 - MO		\$114.35
Zone 3 - MO		\$114.35
Zone 1 - OK		\$114.35
Zone 2 - OK		\$114.35
Zone 3 - OK		\$114.35
Zone 1 - TX		\$114.35
Zone 2 - TX		\$114.35
Zone 3 - TX		\$114.35
		<u>Nonrecurring Charge</u>
Zone 1 - AR		\$ 0.00
Zone 2 - AR		\$ 0.00
Zone 3 - AR		\$ 0.00
Zone 1 - KS		\$ 0.00
Zone 2 - KS		\$ 0.00
Zone 3 - KS		\$ 0.00
Zone 1 - MO		\$ 0.00
Zone 2 - MO		\$ 0.00
Zone 3 - MO		\$ 0.00
Zone 1 - OK		\$ 0.00
Zone 2 - OK		\$ 0.00
Zone 3 - OK		\$ 0.00
Zone 1 - TX		\$ 0.00
Zone 2 - TX		\$ 0.00
Zone 3 - TX		\$ 0.00

(N)

Rates contained in this transmittal are subject to subsequent adjustment, effective retrospectively, in the event the Commission or a court subsequently authorizes Southwestern Bell Telephone Company to correct its rates pursuant to pending motions, or petitions for reconsideration or waiver, or in the event of any other adjustment to an order of the Commission

(This page filed under Transmittal No. 2879)

Issued: February 21, 2002

Effective: March 8, 2002

Four AT&T Plaza, Dallas, Texas 75202

ACCESS SERVICE

7. Special Access Service (Cont'd)

(N)

7.3 Service Descriptions, Rates and Charges (Cont'd)

7.3.10 High Capacity Service (Cont'd)

(F) Rates and Charges (Cont'd)

(39) High Capacity Term Pricing Plan (HC-TPP)
Rates Effective: 10/02/01 (Cont'd)

	<u>USOC</u>	<u>5 Year Monthly Rate</u>
(c) <u>Multiplexing</u> (Cont'd)		
Per arrangement		
DS0 to Subrates		
Up to 20 2.4 kbps services	QSU24	
Zone 1 - AR		\$107.45
Zone 2 - AR		\$107.45
Zone 3 - AR		\$107.45
Zone 1 - KS		\$107.45
Zone 2 - KS		\$107.45
Zone 3 - KS		\$107.45
Zone 1 - MO		\$107.45
Zone 2 - MO		\$107.45
Zone 3 - MO		\$107.45
Zone 1 - OK		\$107.45
Zone 2 - OK		\$107.45
Zone 3 - OK		\$107.45
Zone 1 - TX		\$107.45
Zone 2 - TX		\$107.45
Zone 3 - TX		\$107.50

Nonrecurring Charge

Zone 1 - AR	\$ 0.00
Zone 2 - AR	\$ 0.00
Zone 3 - AR	\$ 0.00
Zone 1 - KS	\$ 0.00
Zone 2 - KS	\$ 0.00
Zone 3 - KS	\$ 0.00
Zone 1 - MO	\$ 0.00
Zone 2 - MO	\$ 0.00
Zone 3 - MO	\$ 0.00
Zone 1 - OK	\$ 0.00
Zone 2 - OK	\$ 0.00
Zone 3 - OK	\$ 0.00
Zone 1 - TX	\$ 0.00
Zone 2 - TX	\$ 0.00
Zone 3 - TX	\$ 0.00

(N)

Rates contained in this transmittal are subject to subsequent adjustment, effective retrospectively, in the event the Commission or a court subsequently authorizes Southwestern Bell Telephone Company to correct its rates pursuant to pending motions, or petitions for reconsideration or waiver, or in the event of any other adjustment to an order of the Commission or a court.

(This page filed under Transmittal No. 2879)

ACCESS SERVICE

7. Special Access Service (Cont'd)

(N)

7.3 Service Descriptions, Rates and Charges (Cont'd)

7.3.10 High Capacity Service (Cont'd)

(F) Rates and Charges (Cont'd)

(39) High Capacity Term Pricing Plan (HC-TPP)
Rates Effective: 10/02/01 (Cont'd)

	<u>USOC</u>	<u>3 Year Monthly Rate</u>
(c) <u>Multiplexing</u> (Cont'd)		
Per arrangement		
DS0 to Subrates		
Up to 10 4.8 kbps services	QSU48	
Zone 1 - AR		\$104.85
Zone 2 - AR		\$104.85
Zone 3 - AR		\$104.85
Zone 1 - KS		\$104.85
Zone 2 - KS		\$104.85
Zone 3 - KS		\$104.85
Zone 1 - MO		\$104.85
Zone 2 - MO		\$104.85
Zone 3 - MO		\$104.85
Zone 1 - OK		\$104.85
Zone 2 - OK		\$104.85
Zone 3 - OK		\$104.85
Zone 1 - TX		\$104.85
Zone 2 - TX		\$104.85
Zone 3 - TX		\$104.85
		<u>Nonrecurring Charge</u>
Zone 1 - AR		\$ 0.00
Zone 2 - AR		\$ 0.00
Zone 3 - AR		\$ 0.00
Zone 1 - KS		\$ 0.00
Zone 2 - KS		\$ 0.00
Zone 3 - KS		\$ 0.00
Zone 1 - MO		\$ 0.00
Zone 2 - MO		\$ 0.00
Zone 3 - MO		\$ 0.00
Zone 1 - OK		\$ 0.00
Zone 2 - OK		\$ 0.00
Zone 3 - OK		\$ 0.00
Zone 1 - TX		\$ 0.00
Zone 2 - TX		\$ 0.00
Zone 3 - TX		\$ 0.00

(N)

Rates contained in this transmittal are subject to subsequent adjustment, effective retrospectively, in the event the Commission or a court subsequently authorizes Southwestern Bell Telephone Company to correct its rates pursuant to pending motions, or petitions for reconsideration or waiver, or in the event of any other adjustment to an order of the Commission or a court.

(This page filed under Transmittal No. 2879)

ACCESS SERVICE

(N)

7. Special Access Service (Cont'd)

7.3 Service Descriptions, Rates and Charges (Cont'd)

7.3.10 High Capacity Service (Cont'd)

(F) Rates and Charges (Cont'd)

(39) High Capacity Term Pricing Plan (HC-TPP)
Rates Effective: 10/02/01 (Cont'd)

	<u>USOC</u>	<u>5 Year Monthly Rate</u>
(c) <u>Multiplexing</u> (Cont'd)		
Per arrangement		
DS0 to Subrates		
Up to 10 4.8 kbps services		
	QSU48	
Zone 1 - AR		\$ 98.55
Zone 2 - AR		\$ 98.55
Zone 3 - AR		\$ 98.55
Zone 1 - KS		\$ 98.55
Zone 2 - KS		\$ 98.55
Zone 3 - KS		\$ 98.55
Zone 1 - MO		\$ 98.55
Zone 2 - MO		\$ 98.55
Zone 3 - MO		\$ 98.55
Zone 1 - OK		\$ 98.55
Zone 2 - OK		\$ 98.55
Zone 3 - OK		\$ 98.55
Zone 1 - TX		\$ 98.55
Zone 2 - TX		\$ 98.55
Zone 3 - TX		\$ 98.55
		<u>Nonrecurring Charge</u>
Zone 1 - AR		\$ 0.00
Zone 2 - AR		\$ 0.00
Zone 3 - AR		\$ 0.00
Zone 1 - KS		\$ 0.00
Zone 2 - KS		\$ 0.00
Zone 3 - KS		\$ 0.00
Zone 1 - MO		\$ 0.00
Zone 2 - MO		\$ 0.00
Zone 3 - MO		\$ 0.00
Zone 1 - OK		\$ 0.00
Zone 2 - OK		\$ 0.00
Zone 3 - OK		\$ 0.00
Zone 1 - TX		\$ 0.00
Zone 2 - TX		\$ 0.00
Zone 3 - TX		\$ 0.00

(N)

Rates contained in this transmittal are subject to subsequent adjustment, effective retrospectively, in the event the Commission or a court subsequently authorizes Southwestern Bell Telephone Company to correct its rates pursuant to pending motions, or petitions for reconsideration or waiver, or in the event of any other adjustment to an order of the Commission or a court.

(This page filed under Transmittal No. 2879)

Issued: February 21, 2002

Effective: March 8, 2002

Four AT&T Plaza, Dallas, Texas 75202

ACCESS SERVICE

(N)

7. Special Access Service (Cont'd)

7.3 Service Descriptions, Rates and Charges (Cont'd)

7.3.10 High Capacity Service (Cont'd)

(F) Rates and Charges (Cont'd)

(39) High Capacity Term Pricing Plan (HC-TPP)
Rates Effective: 10/02/01 (Cont'd)

	<u>USOC</u>	<u>3 Year Monthly Rate</u>
--	-------------	--------------------------------

(c) Multiplexing (Cont'd)

Per arrangement

DS0 to Subrates

Up to 5 9.6 kbps
services

QSU96

Zone 1 - AR	\$200.30
Zone 2 - AR	\$200.30
Zone 3 - AR	\$200.30
Zone 1 - KS	\$200.30
Zone 2 - KS	\$200.30
Zone 3 - KS	\$200.30
Zone 1 - MO	\$200.30
Zone 2 - MO	\$200.30
Zone 3 - MO	\$200.30
Zone 1 - OK	\$200.30
Zone 2 - OK	\$200.30
Zone 3 - OK	\$200.30
Zone 1 - TX	\$200.30
Zone 2 - TX	\$200.30
Zone 3 - TX	\$200.30

Nonrecurring Charge

Zone 1 - AR	\$ 0.00
Zone 2 - AR	\$ 0.00
Zone 3 - AR	\$ 0.00
Zone 1 - KS	\$ 0.00
Zone 2 - KS	\$ 0.00
Zone 3 - KS	\$ 0.00
Zone 1 - MO	\$ 0.00
Zone 2 - MO	\$ 0.00
Zone 3 - MO	\$ 0.00
Zone 1 - OK	\$ 0.00
Zone 2 - OK	\$ 0.00
Zone 3 - OK	\$ 0.00
Zone 1 - TX	\$ 0.00
Zone 2 - TX	\$ 0.00
Zone 3 - TX	\$ 0.00

(N)

Rates contained in this transmittal are subject to subsequent adjustment, effective retrospectively, in the event the Commission or a court subsequently authorizes Southwestern Bell Telephone Company to correct its rates pursuant to pending motions, or petitions for reconsideration or waiver, or in the event of any other adjustment to an order of the Commission or a court.

(This page filed under Transmittal No. 2879)

Issued: February 21, 2002

Effective: March 8, 2002

Four AT&T Plaza, Dallas, Texas 75202

ACCESS SERVICE

7. Special Access Service (Cont'd) (N)

7.3 Service Descriptions, Rates and Charges (Cont'd)

7.3.10 High Capacity Service (Cont'd)

(F) Rates and Charges (Cont'd)

(39) High Capacity Term Pricing Plan (HC-TPP)
Rates Effective: 10/02/01 (Cont'd)

	<u>USOC</u>	<u>5 Year Monthly Rate</u>
(c) <u>Multiplexing</u> (Cont'd)		
Per arrangement		
DS0 to Subrates		
Up to 5 9.6 kbps services	QSU96	
Zone 1 - AR		\$188.20
Zone 2 - AR		\$188.20
Zone 3 - AR		\$188.20
Zone 1 - KS		\$188.20
Zone 2 - KS		\$188.20
Zone 3 - KS		\$188.20
Zone 1 - MO		\$188.20
Zone 2 - MO		\$188.20
Zone 3 - MO		\$188.20
Zone 1 - OK		\$188.20
Zone 2 - OK		\$188.20
Zone 3 - OK		\$188.20
Zone 1 - TX		\$188.20
Zone 2 - TX		\$188.20
Zone 3 - TX		\$188.20
		<u>Nonrecurring Charge</u>
Zone 1 - AR		\$ 0.00
Zone 2 - AR		\$ 0.00
Zone 3 - AR		\$ 0.00
Zone 1 - KS		\$ 0.00
Zone 2 - KS		\$ 0.00
Zone 3 - KS		\$ 0.00
Zone 1 - MO		\$ 0.00
Zone 2 - MO		\$ 0.00
Zone 3 - MO		\$ 0.00
Zone 1 - OK		\$ 0.00
Zone 2 - OK		\$ 0.00
Zone 3 - OK		\$ 0.00
Zone 1 - TX		\$ 0.00
Zone 2 - TX		\$ 0.00
Zone 3 - TX		\$ 0.00

Rates contained in this transmittal are subject to subsequent adjustment, effective retrospectively, in the event the Commission or a court subsequently authorizes Southwestern Bell Telephone Company to correct its rates pursuant to pending motions, or petitions for reconsideration or waiver, or in the event of any other adjustment to an order of the Commission or a court.

(This page filed under Transmittal No. 2879)

Issued: February 21, 2002

Effective: March 8, 2002

Four AT&T Plaza, Dallas, Texas 75202

ACCESS SERVICE

7. Special Access Service (Cont'd) (N)

7.3 Service Descriptions, Rates and Charges (Cont'd)

7.3.10 High Capacity Service (Cont'd)

(F) Rates and Charges (Cont'd)

(39) High Capacity Term Pricing Plan (HC-TPP)
Rates Effective: 10/02/01 (Cont'd)

	<u>USOC</u>	<u>3 Year Monthly Rate</u>
(c) <u>Multiplexing</u> (Cont'd)		
Per arrangement		
DS1 to DS0	QMU	
Zone 1 - AR		\$162.00
Zone 2 - AR		\$162.00
Zone 3 - AR		\$162.00
Zone 1 - KS		\$162.00
Zone 2 - KS		\$162.00
Zone 3 - KS		\$162.00
Zone 1 - MO		\$162.00
Zone 2 - MO		\$162.00
Zone 3 - MO		\$162.00
Zone 1 - OK		\$162.00
Zone 2 - OK		\$162.00
Zone 3 - OK		\$162.00
Zone 1 - TX		\$162.00
Zone 2 - TX		\$162.00
Zone 3 - TX		\$162.00
		<u>Nonrecurring Charge</u>
Zone 1 - AR		\$ 0.00
Zone 2 - AR		\$ 0.00
Zone 3 - AR		\$ 0.00
Zone 1 - KS		\$ 0.00
Zone 2 - KS		\$ 0.00
Zone 3 - KS		\$ 0.00
Zone 1 - MO		\$ 0.00
Zone 2 - MO		\$ 0.00
Zone 3 - MO		\$ 0.00
Zone 1 - OK		\$ 0.00
Zone 2 - OK		\$ 0.00
Zone 3 - OK		\$ 0.00
Zone 1 - TX		\$ 0.00
Zone 2 - TX		\$ 0.00
Zone 3 - TX		\$ 0.00

Rates contained in this transmittal are subject to subsequent adjustment, effective retrospectively, in the event the Commission or a court subsequently authorizes Southwestern Bell Telephone Company to correct its rates pursuant to pending motions, or petitions for reconsideration or waiver, or in the event of any other adjustment to an order of the Commission or a court.

(This page filed under Transmittal No. 2879)

Issued: February 21, 2002

Effective: March 8, 2002

Four AT&T Plaza, Dallas, Texas 75202

ACCESS SERVICE

7. Special Access Service (Cont'd) (N)7.3 Service Descriptions, Rates and Charges (Cont'd)7.3.10 High Capacity Service (Cont'd)(F) Rates and Charges (Cont'd)(39) High Capacity Term Pricing Plan (HC-TPP)
Rates Effective: 10/02/01 (Cont'd)

	<u>USOC</u>	<u>5 Year Monthly Rate</u>
(c) <u>Multiplexing</u> (Cont'd)		
Per arrangement		
DS1 to DS0	QMU	
Zone 1 - AR		\$153.00
Zone 2 - AR		\$153.00
Zone 3 - AR		\$153.00
Zone 1 - KS		\$153.00
Zone 2 - KS		\$153.00
Zone 3 - KS		\$153.00
Zone 1 - MO		\$153.00
Zone 2 - MO		\$153.00
Zone 3 - MO		\$153.00
Zone 1 - OK		\$153.00
Zone 2 - OK		\$153.00
Zone 3 - OK		\$153.00
Zone 1 - TX		\$153.00
Zone 2 - TX		\$153.00
Zone 3 - TX		\$153.00
		<u>Nonrecurring Charge</u>
Zone 1 - AR		\$ 0.00
Zone 2 - AR		\$ 0.00
Zone 3 - AR		\$ 0.00
Zone 1 - KS		\$ 0.00
Zone 2 - KS		\$ 0.00
Zone 3 - KS		\$ 0.00
Zone 1 - MO		\$ 0.00
Zone 2 - MO		\$ 0.00
Zone 3 - MO		\$ 0.00
Zone 1 - OK		\$ 0.00
Zone 2 - OK		\$ 0.00
Zone 3 - OK		\$ 0.00
Zone 1 - TX		\$ 0.00
Zone 2 - TX		\$ 0.00
Zone 3 - TX		\$ 0.00

(N)

Rates contained in this transmittal are subject to subsequent adjustment, effective retrospectively, in the event the Commission or a court subsequently authorizes Southwestern Bell Telephone Company to correct its rates pursuant to pending motions, or petitions for reconsideration or waiver, or in the event of any other adjustment to an order of the Commission or a court.

(This page filed under Transmittal No. 2879)

Issued: February 21, 2002

Effective: March 8, 2002

Four AT&T Plaza, Dallas, Texas 75202

ACCESS SERVICE

7. Special Access Service (Cont'd) (N)

7.3 Service Descriptions, Rates and Charges (Cont'd)

7.3.10 High Capacity Service (Cont'd)

(F) Rates and Charges (Cont'd)

(39) High Capacity Term Pricing Plan (HC-TPP)
Rates Effective: 10/02/01 (Cont'd)

	<u>USOC</u>	<u>3 Year Monthly Rate</u>
(c) <u>Multiplexing</u> (Cont'd)		
Per arrangement		
DS1 to Voice	MQ1	
Zone 1 - AR		\$162.00
Zone 2 - AR		\$162.00
Zone 3 - AR		\$162.00
Zone 1 - KS		\$162.00
Zone 2 - KS		\$162.00
Zone 3 - KS		\$162.00
Zone 1 - MO		\$162.00
Zone 2 - MO		\$162.00
Zone 3 - MO		\$162.00
Zone 1 - OK		\$162.00
Zone 2 - OK		\$162.00
Zone 3 - OK		\$162.00
Zone 1 - TX		\$162.00
Zone 2 - TX		\$162.00
Zone 3 - TX		\$162.00
		<u>Nonrecurring Charge</u>
Zone 1 - AR		\$ 0.00
Zone 2 - AR		\$ 0.00
Zone 3 - AR		\$ 0.00
Zone 1 - KS		\$ 0.00
Zone 2 - KS		\$ 0.00
Zone 3 - KS		\$ 0.00
Zone 1 - MO		\$ 0.00
Zone 2 - MO		\$ 0.00
Zone 3 - MO		\$ 0.00
Zone 1 - OK		\$ 0.00
Zone 2 - OK		\$ 0.00
Zone 3 - OK		\$ 0.00
Zone 1 - TX		\$ 0.00
Zone 2 - TX		\$ 0.00
Zone 3 - TX		\$ 0.00

Rates contained in this transmittal are subject to subsequent adjustment, effective retrospectively, in the event the Commission or a court subsequently authorizes Southwestern Bell Telephone Company to correct its rates pursuant to pending motions, or petitions for reconsideration or waiver, or in the event of any other adjustment to an order of the Commission or a court.

(This page filed under Transmittal No. 2879)

Issued: February 21, 2002

Effective: March 8, 2002

Four AT&T Plaza, Dallas, Texas 75202

ACCESS SERVICE

7. Special Access Service (Cont'd) (N)

7.3 Service Descriptions, Rates and Charges (Cont'd)

7.3.10 High Capacity Service (Cont'd)

(F) Rates and Charges (Cont'd)

(39) High Capacity Term Pricing Plan (HC-TPP)
Rates Effective: 10/02/01 (Cont'd)

	<u>USOC</u>	<u>5 Year Monthly Rate</u>
(c) <u>Multiplexing</u> (Cont'd)		
Per arrangement		
DS1 to Voice	MQ1	
Zone 1 - AR		\$153.00
Zone 2 - AR		\$153.00
Zone 3 - AR		\$153.00
Zone 1 - KS		\$153.00
Zone 2 - KS		\$153.00
Zone 3 - KS		\$153.00
Zone 1 - MO		\$153.00
Zone 2 - MO		\$153.00
Zone 3 - MO		\$153.00
Zone 1 - OK		\$153.00
Zone 2 - OK		\$153.00
Zone 3 - OK		\$153.00
Zone 1 - TX		\$153.00
Zone 2 - TX		\$153.00
Zone 3 - TX		\$153.00
		<u>Nonrecurring Charge</u>
Zone 1 - AR		\$ 0.00
Zone 2 - AR		\$ 0.00
Zone 3 - AR		\$ 0.00
Zone 1 - KS		\$ 0.00
Zone 2 - KS		\$ 0.00
Zone 3 - KS		\$ 0.00
Zone 1 - MO		\$ 0.00
Zone 2 - MO		\$ 0.00
Zone 3 - MO		\$ 0.00
Zone 1 - OK		\$ 0.00
Zone 2 - OK		\$ 0.00
Zone 3 - OK		\$ 0.00
Zone 1 - TX		\$ 0.00
Zone 2 - TX		\$ 0.00
Zone 3 - TX		\$ 0.00

(N)

Rates contained in this transmittal are subject to subsequent adjustment, effective retrospectively, in the event the Commission or a court subsequently authorizes Southwestern Bell Telephone Company to correct its rates pursuant to pending motions, or petitions for reconsideration or waiver, or in the event of any other adjustment to an order of the Commission or a court.

(This page filed under Transmittal No. 2879)

Issued: February 21, 2002

Effective: March 8, 2002

Four AT&T Plaza, Dallas, Texas 75202

ACCESS SERVICE

7. Special Access Service (Cont'd)

(N)

7.3 Service Descriptions, Rates and Charges (Cont'd)

7.3.10 High Capacity Service (Cont'd)

(F) Rates and Charges (Cont'd)

(39) High Capacity Term Pricing Plan (HC-TPP)
Rates Effective: 10/02/01 (Cont'd)

	<u>3 Year Monthly Rate</u>	<u>Nonrecurring Charge</u>		
(d) <u>SecureNet - Missouri</u>				
Per Channel Termination				
Hub Redundancy (R16AA)	\$167.02	\$1,422.00		
Serving Wire Center and Facility Redundancy (R18AB)	\$ 0.00	\$ 0.00		
	<u>5 Year Monthly Rate</u>	<u>Nonrecurring Charge</u>		
<u>SecureNet - Missouri</u>				
Per Channel Termination				
Hub Redundancy (R16AA)	\$157.74	\$1,422.00		
Serving Wire Center and Facility Redundancy (R18AB)	\$ 0.00	\$ 0.00		
	<u>Fixed</u>	<u>Monthly Rate Per Mile</u>	<u>Nonrecurring Charges</u>	
(e) <u>Collocation Transport</u>				
3 Year				
1.544 Mbps (1H48S)	\$40.00	\$12.60	\$392.50	\$230.00
5 Year				
1.544 Mbps (1H48S)	\$37.50	\$12.23	\$0.00	\$0.00

(N)

Rates contained in this transmittal are subject to subsequent adjustment, effective retrospectively, in the event the Commission or a court subsequently authorizes Southwestern Bell Telephone Company to correct its rates pursuant to pending motions, or petitions for reconsideration or waiver, or in the event of any other adjustment to an order of the Commission or a court.

(This page filed under Transmittal No. 2879)

Issued: February 21, 2002

Effective: March 8, 2002

Four AT&T Plaza, Dallas, Texas 75202

ACCESS SERVICE

7. Special Access Service (Cont'd)

7.3 Service Descriptions, Rates and Charges (Cont'd)

7.3.11 Reserved for Future Use

(T)

(This page filed under Transmittal No. 3394)

Issued: August 29, 2014

Effective: September 13, 2014

Four AT&T Plaza, Dallas, Texas 75202

ACCESS SERVICE

7. Special Access Service (Cont'd)

7.3 Service Descriptions, Rates and Charges (Cont'd)

(D)

(This page filed under Transmittal No. 3394)

Issued: August 29, 2014

Effective: September 13, 2014

Four AT&T Plaza, Dallas, Texas 75202

ACCESS SERVICE

7. Special Access Service (Cont'd)

7.3 Service Descriptions, Rates and Charges (Cont'd)

(D)

(This page filed under Transmittal No. 3394)

Issued: August 29, 2014

Effective: September 13, 2014

Four AT&T Plaza, Dallas, Texas 75202

ACCESS SERVICE

7. Special Access Service (Cont'd)

7.3 Service Descriptions (Cont'd)

7.3.12⁽¹⁾

(D)

⁽¹⁾ Material in this Section has been de-tariffed as required by the Commission upon use of the forbearance relief pursuant to FCC Memorandum Opinion and Order No. 07-180, released October 12, 2007. Terms and Conditions associated with de-tariffed services are available at www.att.com/guidebook.

(This page filed under Transmittal No. 3251)

Issued: January 24, 2008

Effective: February 8, 2008

Four AT&T Plaza, Dallas, Texas 75202

ACCESS SERVICE

7. Special Access Service (Cont'd)

7.3 Service Descriptions (Cont'd)

7.3.12⁽¹⁾

(D)

⁽¹⁾ See footnote (1) on page 7-212.1.

(This page filed under Transmittal No. 3251)

ACCESS SERVICE

7. Special Access Service (Cont'd)

7.3 Service Descriptions (Cont'd)

7.3.12⁽¹⁾

(D)

⁽¹⁾ See footnote (1) on page 7-212.1.

(This page filed under Transmittal No. 3251)

ACCESS SERVICE

7. Special Access Service (Cont'd)

7.3 Service Descriptions (Cont'd)

7.3.12⁽¹⁾

(D)

⁽¹⁾ See footnote (1) on page 7-212.1.

(This page filed under Transmittal No. 3251)

ACCESS SERVICE

7. Special Access Service (Cont'd)

7.3 Service Descriptions (Cont'd)

7.3.12⁽¹⁾

(D)

⁽¹⁾ See footnote (1) on page 7-212.1.

(This page filed under Transmittal No. 3251)

ACCESS SERVICE

7. Special Access Service (Cont'd)

7.3 Service Descriptions (Cont'd)

7.3.12⁽¹⁾

(D)

⁽¹⁾ See footnote (1) on page 7-212.1.

(This page filed under Transmittal No. 3251)

ACCESS SERVICE

7. Special Access Service (Cont'd)

7.3 Service Descriptions (Cont'd)

7.3.12⁽¹⁾

(D)

⁽¹⁾ See footnote (1) on page 7-212.1.

(This page filed under Transmittal No. 3251)

ACCESS SERVICE

7. Special Access Service (Cont'd)

7.3 Service Descriptions (Cont'd)

7.3.12⁽¹⁾

(D)

⁽¹⁾ See footnote (1) on page 7-212.1.

(This page filed under Transmittal No. 3251)

ACCESS SERVICE

7. Special Access Service (Cont'd)

7.3 Service Descriptions (Cont'd)

7.3.12⁽¹⁾

(D)

⁽¹⁾ See footnote (1) on page 7-212.1.

(This page filed under Transmittal No. 3251)

ACCESS SERVICE

7. Special Access Service (Cont'd)

7.3 Service Descriptions (Cont'd)

7.3.12⁽¹⁾

(D)

⁽¹⁾ See footnote (1) on page 7-212.1.

(This page filed under Transmittal No. 3251)

ACCESS SERVICE

7. Special Access Service (Cont'd)

7.3 Service Descriptions (Cont'd)

7.3.12⁽¹⁾

(D)

⁽¹⁾ See footnote (1) on page 7-212.1.

(This page filed under Transmittal No. 3251)

ACCESS SERVICE

7. Special Access Service (Cont'd)

7.3 Service Descriptions (Cont'd)

7.3.12⁽¹⁾

(D)

⁽¹⁾ See footnote (1) on page 7-212.1.

(This page filed under Transmittal No. 3251)

ACCESS SERVICE

7. Special Access Service (Cont'd)

7.3 Service Descriptions (Cont'd)

7.3.12⁽¹⁾

(D)

⁽¹⁾ See footnote (1) on page 7-212.1.

(This page filed under Transmittal No. 3251)

ACCESS SERVICE

7. Special Access Service (Cont'd)

7.3 Service Descriptions (Cont'd)

7.3.12⁽¹⁾

(D)

⁽¹⁾ See footnote (1) on page 7-212.1.

(This page filed under Transmittal No. 3251)

ACCESS SERVICE

7. Special Access Service (Cont'd)

7.3 Service Descriptions (Cont'd)

7.3.12⁽¹⁾

(D)

⁽¹⁾ See footnote (1) on page 7-212.1.

(This page filed under Transmittal No. 3251)

ACCESS SERVICE

7. Special Access Service (Cont'd)

7.3 Service Descriptions (Cont'd)

7.3.12⁽¹⁾

(D)

⁽¹⁾ See footnote (1) on page 7-212.1.

(This page filed under Transmittal No. 3251)

ACCESS SERVICE

7. Special Access Service (Cont'd)

7.3 Service Descriptions (Cont'd)

7.3.12⁽¹⁾

(D)

⁽¹⁾ See footnote (1) on page 7-212.1.

(This page filed under Transmittal No. 3251)

ACCESS SERVICE

7. Special Access Service (Cont'd)

7.3 Service Descriptions (Cont'd)

7.3.12⁽¹⁾

(D)

⁽¹⁾ See footnote (1) on page 7-212.1.

(This page filed under Transmittal No. 3251)

ACCESS SERVICE

7. Special Access Service (Cont'd)

7.3 Service Descriptions (Cont'd)

7.3.12⁽¹⁾

(D)

⁽¹⁾ See footnote (1) on page 7-212.1.

(This page filed under Transmittal No. 3251)

ACCESS SERVICE

7. Special Access Service (Cont'd)

7.3 Service Descriptions (Cont'd)

7.3.12⁽¹⁾

(D)

⁽¹⁾ See footnote (1) on page 7-212.1.

(This page filed under Transmittal No. 3251)

ACCESS SERVICE

7. Special Access Service (Cont'd)

7.3 Service Descriptions (Cont'd)

7.3.12⁽¹⁾

(D)

⁽¹⁾ See footnote (1) on page 7-212.1.

(This page filed under Transmittal No. 3251)

Issued: January 24, 2008

Effective: February 8, 2008

Four AT&T Plaza, Dallas, Texas 75202

ACCESS SERVICE

7. Special Access Service (Cont'd)

7.3 Rates and Charges (Cont'd)

7.3.12⁽¹⁾

(D)

⁽¹⁾ See footnote (1) on page 7-212.1.

(This page filed under Transmittal No. 3251)

ACCESS SERVICE

7. Special Access Service (Cont'd)

7.3 Rates and Charges (Cont'd)

7.3.12⁽¹⁾

(D)

⁽¹⁾ See footnote (1) on page 7-212.1.

(This page filed under Transmittal No. 3251)

Issued: January 24, 2008

Effective: February 8, 2008

Four AT&T Plaza, Dallas, Texas 75202

ACCESS SERVICE

7. Special Access Service (Cont'd)

7.3 Rates and Charges (Cont'd)

7.3.12⁽¹⁾

(D)

⁽¹⁾ See footnote (1) on page 7-212.1.

(This page filed under Transmittal No. 3251)

ACCESS SERVICE

7. Special Access Service (Cont'd)7.4 Miscellaneous Rates and Charges(A) Service Facility Move (SFM)(1) Basic Service Description

A Nonrecurring Charge(s) will apply when a customer requests an SFM of Special Access Service as described in 7.2.7(A) (SFM). The Nonrecurring Charge(s) is applied on a first and additional basis, per Access Order, as specified below.

(2) Rates and Charges

	<u>Nonrecurring Charge</u>	
	<u>1st Ckt</u>	<u>Addl Ckt</u>
(a) <u>Analog*/MegaLink Data to 1.544 Mbps High Capacity (NRBRA)</u>		
Per service moved	\$100.00	\$ 50.00
(b) <u>1.544 Mbps High Capacity to 1.544 Mbps High Capacity or ReliaNet 1.544 Mbps (NRBRH)</u>		
Per service moved	\$450.00 (I)	\$ 90.00
(c) <u>1.544 Mbps High Capacity to MegaLink Custom or ReliaNet DS3/EC-1 (NRBR1)</u>		
Per service moved	\$450.00 (I)	\$120.00

*Analog services include: Metallic Service, Telegraph Service, Voice Grade Service or Program Audio Service.

(This page filed under Transmittal No. 3340)

Issued: April 18, 2012

Effective: May 3, 2012

Four AT&T Plaza, Dallas, Texas 75202

ACCESS SERVICE

7. Special Access Service (Cont'd)7.4 Miscellaneous Rates and Charges (Cont'd)

	<u>Monthly Rate</u>	<u>Nonrecurring Charge</u>	
		<u>1st Ckt</u>	<u>Addl Ckt</u>
(B) <u>Special Access Surcharge</u> (S25)			
Per equivalent voice grade channel	\$ 25.00		
(C) <u>Message Station Equipment</u> <u>Recovery Charge</u> (UTM)			
Per Special Access Surcharge assessed	\$ 0.00 (R)		
(D) <u>Access Order Charge</u>		See Section 5.2	
(E) <u>Service Rearrangement Charge</u>			
Per circuit * on the same Access Order for one or any combination of the following changes:		\$ 9.00	\$ 5.00
Access Carrier Name Abbreviation (ACNA)			

Billing Account Number (BAN)

Customer Circuit ID (CKR)

Rates contained in this transmittal are subject to subsequent adjustment, effective retrospectively back to the transmittal's original effective date, in the event the Commission or a court subsequently authorizes SWBT to correct its rates pursuant to the decision in United States Telephone Association v. FCC (Case No. 97-1469)(slip. op. May 21, 1999)(D.C. Cir.), or pursuant to pending motions, or petitions for reconsideration or waiver (and including, but not limited to, any Application for Review of the letter from Lawrence E. Strickling, Chief, Common Carrier Bureau, FCC, to Dale Robertson, SBC, dated May 18, 1999 which may be filed with the Commission), or in the event of any other adjustment pursuant to an order of the Commission or a court.

* Each leg of a multipoint service will be treated as a separate circuit and charges applied as described in 7.2.4(D) (Service Rearrangements).

(This page filed under Transmittal No. 2763)

Issued: June 16, 1999

Effective: July 1, 1999

Four AT&T Plaza, Dallas, Texas 75202

ACCESS SERVICE

7. Special Access Service (Cont'd)

7.5 Individual Case Filings

(D)

(D)

(This page filed under Transmittal No. 3400)

Issued: October 28, 2014

Effective: November 12, 2014

Four AT&T Plaza, Dallas, Texas 75202

ACCESS SERVICE

7. Special Access Service (Cont'd)

7.5 Individual Case Filings (Cont'd)

(D)

(D)

(This page filed under Transmittal No. 3400)

Issued: October 28, 2014

Effective: November 12, 2014

Four AT&T Plaza, Dallas, Texas 75202

ACCESS SERVICE

7. Special Access Service (Cont'd)

7.5 Individual Case Filings (Cont'd)

(D)

(D)

(This page filed under Transmittal No. 3400)

Issued: October 28, 2014

Effective: November 12, 2014

Four AT&T Plaza, Dallas, Texas 75202

ACCESS SERVICE

7. Special Access Service (Cont'd)

7.5 Individual Case Filings (Cont'd)

(D)

(D)

(This page filed under Transmittal No. 3400)

Issued: October 28, 2014

Effective: November 12, 2014

Four AT&T Plaza, Dallas, Texas 75202

ACCESS SERVICE

7. Special Access Service (Cont'd)

7.5 Individual Case Filings (Cont'd)

(D)

(D)

(This page filed under Transmittal No. 3400)

Issued: October 28, 2014

Effective: November 12, 2014

Four AT&T Plaza, Dallas, Texas 75202

ACCESS SERVICE

7. Special Access Service (Cont'd)

7.5 Individual Case Filings (Cont'd)

(D)

(D)

(This page filed under Transmittal No. 3400)

Issued: October 28, 2014

Effective: November 12, 2014

Four AT&T Plaza, Dallas, Texas 75202

ACCESS SERVICE

7. Special Access Service (Cont'd)

7.5 Individual Case Filings (Cont'd)

(D)

(D)

(This page filed under Transmittal No. 3400)

Issued: October 28, 2014

Effective: November 12, 2014

Four AT&T Plaza, Dallas, Texas 75202

ACCESS SERVICE

7. Special Access Service (Cont'd)

7.5 Individual Case Filings (Cont'd)

(D)

(D)

(This page filed under Transmittal No. 3400)

Issued: October 28, 2014

Effective: November 12, 2014

Four AT&T Plaza, Dallas, Texas 75202

ACCESS SERVICE

7. Special Access Service (Cont'd)

7.5 Individual Case Filings (Cont'd)

(D)

(D)

(This page filed under Transmittal No. 3400)

Issued: October 28, 2014

Effective: November 12, 2014

Four AT&T Plaza, Dallas, Texas 75202