

ACCESS SERVICE

	<u>Page No.</u>	
19. <u>Broadband Passive Optical Network (BPON) Internet Transport Service</u>	19-2	(Tx) (Tx)
19.1 <u>General Description</u>	19-2	(Nx)
A. Basic Service Description	19-2	
B. Terms and Conditions	19-4	
C. Service Provisioning	19-4	
19.2 <u>BPON Internet Transport Service Speed Tiers</u>	19-5	
19.3 <u>Modification of Access Service</u>	19-5	
19.4 <u>Rate Application</u>	19-6	
19.5 <u>Rates and Charges</u>	19-6	(Nx)

(x) Issued under authority of Special Permission No. 03-047 of the F.C.C

(This page filed under Transmittal No. 112)

Issued: April 28, 2003

Effective: April 29, 2003

One SBC Plaza, Dallas, Texas 75202

ACCESS SERVICE

19. Broadband Passive Optical Network (BPON) Internet Transport Service (Cont'd)

(Nx)

19.1 General Description(A) Basic Service Description

BPON Internet Transport Service is a high speed Internet transport service utilizing Broadband Passive Optical Network (BPON) and Fiber-to-the-Home (FTTH) network technology.

BPON is a standards-based technology that has the capability of delivering an integrated voice, data and video suite of services over a point-to-multi-point fiber optic network.

FTTH is a generic term to represent a complete fiber optic network from the service provider to the end user location.

BPON Internet Transport Service is only available to Internet Service Providers (ISPs), Information Service Providers and Carriers (hereafter referred to as Customers) to allow them to connect their end users, for the purpose of providing to those end users, a retail high speed Internet access service.

This offering is limited to the Mission Bay Development in San Francisco, CA, and is only available to Customers serving residential end users in the Mission Bay Development. It is estimated that the development will have approximately 6,000 residential units.

BPON Internet Transport Service is provisioned over the physical facility between the Company's ATM Gateway Port located in the Serving Wire Center and the Optical Network Unit (ONT) located at the end user's premises. See Diagram 1 following.

(Nx)

(x) Issued under authority of Special Permission No. 03-047 of the F.C.C.

(This page filed under Transmittal No. 112)

ACCESS SERVICE

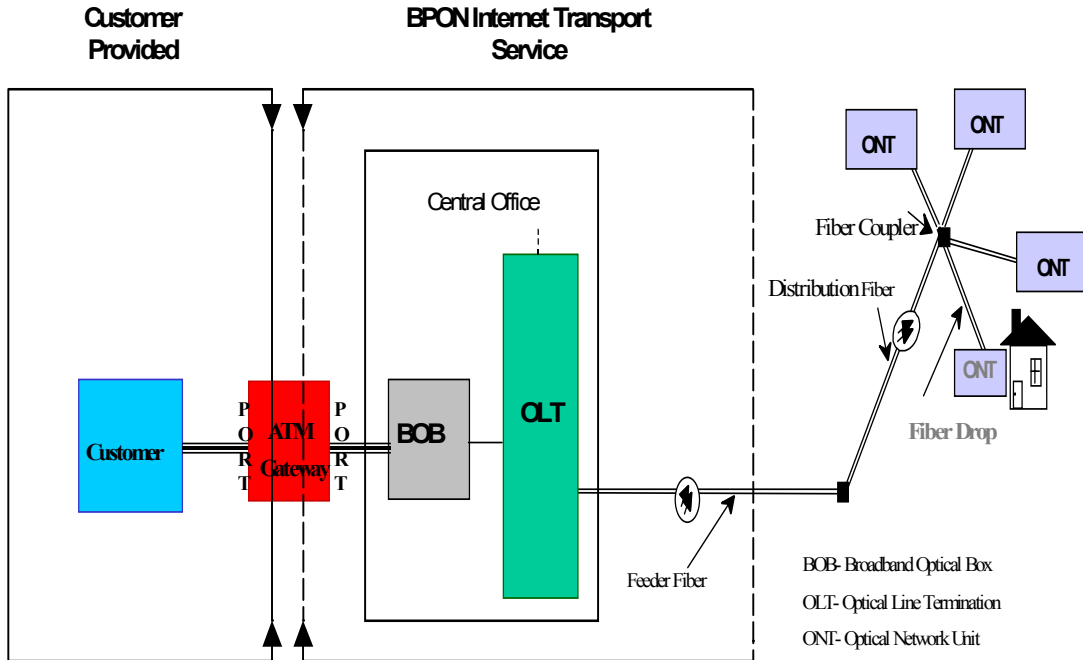
19. Broadband Passive Optical Network (BPON) Internet Transport Service (Cont'd)

(Nx)

19.1 General Description (Cont'd)

(A) Basic Service Description (Cont'd)

Diagram 1



The Company will offer BPON Internet Transport Service in several asymmetrical/symmetrical speed configurations, including several downstream/upstream operating speed combinations, as described in Section 19.2, following. All rates for BPON Internet Transport Service speeds are set forth in Section 19.5, following.

Downstream speeds represent connection speeds measured in Kbps or Mbps, from the Company's Broadband Optical Box to the ONT located at Customer's designated end user premises.

Upstream speeds represent connection speeds from the ONT located at the Customer's designated end user premises to the Company's Broadband Optical Box.

(Nx)

(x) Issued under authority of Special Permission No. 03-047 of the F.C.C.

(This page filed under Transmittal No. 112)

ACCESS SERVICE

19. Broadband Passive Optical Network (BPON) Internet Transport Service
(Cont'd)

(Nx)

19.1 General Description (Cont'd)(B) Terms and Conditions

- (1) Customer must provide a designated end user address and a telephone number associated with POTS service provided by Pacific Bell (i.e., not resale, not UNE-P, not CLEC-provided) at retail to the designated end user over the BPON.
- (2) Company supports one virtual session over a single BPON Internet Transport Service arrangement. The term virtual session describes an active communications path between the Company ATM Gateway and the end user premises.
- (3) Company only provides UBR (unspecified bit rate) service.
- (4) There are no minimum service period or term commitments, i.e. no termination liabilities, for the BPON Internet Transport Service. There are also no volume discounts associated with BPON Internet Transport Service.
- (5) Carriers desiring to offer Internet access service in Mission Bay may purchase the BPON Transport Service on a resale basis and bundle it with its own (or a third party's) Internet access and portal to provide Internet access service to its end user customers. The BPON Transport Service will be available for resale to carriers, subject to the terms of this tariff, at the prevailing tariff rate, without the application of a discount.

(C) Service Provisioning

- (1) Minimum connection speed is between the ONT at customer designated end users premises and the Company's BroadbandOptical Box. Connection speed may be affected by factors not in Company's control, including but not limited to, Internet congestion, server or router speeds, protocol overheads, etc.
- (2) Customer is required to provide connectivity from its ATM interface to the Company ATM Gateway Port. See diagram 1 preceding.
- (3) Customer is responsible for providing all customer support to its end users.

(Nx)

(x) Issued under authority of Special Permission No. 03-047 of the F.C.C.

(This page filed under Transmittal No. 112)

ACCESS SERVICE

19. Broadband Passive Optical Network (BPON) Internet Transport Service (Cont'd)

19.1 General Description (Cont'd)

(C) Service Provisioning (Cont'd)

(4) With respect to all services purchased under this tariff, Customer shall be responsible for payment to Company. Customer retains all responsibility for billing its end users and for any claim, an end user may make concerning unauthorized billing.

19.2 BPON Internet Transport Service Speed Tiers

There are five Speed Tier options available to the customer. Customer selects one speed option with respect to each designated end user. Rates are contained in Section 19.5 Rate Table A, following.

Speed Tier Options		
	Downstream Speed	Upstream Speed
Option 1	Up to 384 Kbps	128K-256K
Option 2	384 Kbps to 1.5 Mbps	128K-256K
Option 3	768 Kbps to 1.5 Mbps	256K-384K
Option 4	1.5 Mbps to 6.0 Mbps	384K-608K
Option 5	384 Kbps to 416 Kbps	384K-416K

(C)
 |
 (C)

19.3 Modification of Access Service

All requests and any appropriate charges for Access Order modifications will apply on a per occurrence basis, as described in Section 5.2.2.

(This page filed under Transmittal No. 131)

ACCESS SERVICE

19. Broadband Passive Optical Network (BPON) Internet Transport Service
 (Cont'd)

19.4 Rate Applications

Monthly Recurring Rates

Monthly Recurring Rates are rates that apply each month or fraction thereof, that a specific rate element is provided. For billing purposes, each month is considered to have thirty days.

19.5 Rates and Charges

BPON Internet Transport Speed Tiers Option Rate Table-A

Offering	USOC	Downstream Speeds	Upstream Speeds	Monthly Recurring Rate
Option 1	F2TAX	Up to 384Kbps	128K-256K	\$ 31.69
Option 2	F2TBX	384 Kbps to 1.5 Mbps	128K-256K	\$ 36.35
Option 3	F2TDX	768 Kbps to 1.5 Mbps	256K-384K	\$ 46.61
Option 4	F2TEX	1.5 Mbps to 6.0 Mbps	384K-608K	\$ 92.28
Option 5	F2TCX	384K-416K	384K-416 Kbps	\$ 69.91

(C)
 |
 (C)

(This page filed under Transmittal No. 131)