

ISSUED: SEPTEMBER 12, 2012

EFFECTIVE: SEPTEMBER 27, 2012

ACCESS SERVICE

7 - Special Access (a.k.a. BellSouth SPA) Service

7.1 General

Special Access (a.k.a. BellSouth SPA) service provides a transmission path to connect customer designated premises or a customer designated premises and a WATS serving office, either directly or through a Telephone Company Hub where bridging or channelization functions are performed. Special Access (a.k.a. BellSouth SPA) service includes all exchange access not utilizing Telephone Company end office switches.

The connections provided by Special Access (a.k.a. BellSouth SPA) service can be either analog or digital. Analog connections are differentiated by spectrum and bandwidth. Digital connections are differentiated by bit rate.

7.1.1 Channel Types

There are ten types of channels used to provide Special Access (a.k.a. BellSouth SPA) services. Each type has its own characteristics. All are subdivided by one or more of the following:

- Transmission specifications,
- Bandwidth,
- Speed (i.e., bit rate),
- Spectrum

Customers can order a basic channel and select, from a list of available transmission parameters and channel interfaces, those that they desire to meet specific communications requirements.

For purposes of ordering channels, each has been identified as a type of Special Access (a.k.a. BellSouth SPA) service. However, such identification is not intended to limit a customer's use of the channel nor to imply that the channel is limited to a particular use. For example, if a customer's equipment is capable of transmitting voice over a channel that is identified as a Metallic (a.k.a. BellSouth SPA Metallic) service in this tariff, there is no restriction against doing so.

Note 1: Telephone Company Centrex Type Services switches and Telephone Company (D) Answering Service Concentrators are considered to be customer premises for purposes of administering regulations and rates contained in this tariff.

ISSUED: DECEMBER 16, 2022

EFFECTIVE: JANUARY 1, 2023

ACCESS SERVICE

7 - Special Access (a.k.a. BellSouth SPA) Service (Cont'd)

7.1 General (Cont'd)

7.1.1 Channel Types (Cont'd)

Following is a brief description of each type of channel:

Metallic<sup>(2)</sup> (a.k.a. BellSouth SPA Metallic) - a channel for the transmission of low speed varying signals at rates up to 30 baud.

Telegraph Grade<sup>(2)</sup> (a.k.a. BellSouth SPA Telegraph) - a channel for the transmission of binary signals at rates of 0 to 75 baud or 0 to 150 baud.

Voice Grade<sup>(2)</sup> (a.k.a. BellSouth SPA DSO VG) - a channel for the transmission of analog signals within an approximate bandwidth of 300-3000 Hz.

WATS Access Line<sup>(2)</sup> (WAL) (a.k.a. BellSouth SPA WATS Lines) - A channel from a customer designated premises to a WATS serving office for BellSouth SWA 8XX Toll Free Dialing Ten Digit Screening service, WATS (a.k.a. BellSouth SPA WATS), or similar services.

Program Audio<sup>(3)(5)</sup> (a.k.a. BellSouth SPA Program Audio) - a channel for the transmission of audio signals. The nominal frequency bandwidths are from 50 to 15000 Hz, from 200 to 3500 Hz, from 100 to 5000 Hz or from 50 to 8000 Hz. (N)

Broadcast Quality Video<sup>(4)</sup> (a.k.a. BellSouth SPA Broadcast Quality Video) - a channel for the transmission of a standard 525 line/60 field National Television Systems Committee (NTSC) - System M video signal and one or two associated 15 or 20 kHz audio signals. The video bandwidth is 4.2 MHz wide.

BellSouth SPA Modular Video Transport service<sup>1</sup> is a dedicated fiber transport service that interconnects at least two customer designated end point locations. Multiple locations may be interconnected with transport links to form one-way video rings.

- (1) Effective August 25, 2011, BellSouth SPA Modular Video Transport Service is no longer available to new Customers. There is no change for existing customers.
- (2) Effective November 20, 2019, this Service will no longer be available for purchase by new or existing customers, and service agreements may no longer be renewed. In addition, requests to move, add or change existing service arrangements will not be accepted. Following the expiration of a customer's existing term agreement, service will be provided on a month-to-month basis at the applicable monthly extension rates until the service is discontinued. AT&T currently plans to discontinue this Service on or after June 30, 2024.
- (3) Effective November 20, 2019, this Service will no longer be available for purchase by new or existing customers, and service agreements may no longer be renewed. In addition, requests to move, add or change existing service arrangements will not be accepted. Following the expiration of a customer's existing term agreement, service will be provided on a month-to-month basis at the applicable monthly extension rates until the service is discontinued. AT&T currently plans to discontinue this Service on or after November 1, 2020.
- (4) Effective December 31, 2020, Broadcast Video (TV1) service will no longer be available for purchase by new or existing customers, and service agreements may no longer be renewed. In addition, requests to move, add, or change existing service arrangements will not be accepted. Following the expiration of a customer's existing term agreement, service will be provided on a month-to-month basis at the applicable Monthly rate until the service is discontinued. AT&T currently plans to discontinue this Service on or after December 31, 2021.
- (5) Program Audio is discontinued and no longer available in this publication (see WC Dkt. 19-238). (N)

ISSUED: JUNE 16, 2011

EFFECTIVE: JULY 1, 2011

ACCESS SERVICE

7 - Special Access (a.k.a. BellSouth SPA) Service (Cont'd)

7.1 General (Cont'd)

7.1.1 Channel Types (Cont'd)

Uncompressed Switched Video (a.k.a. BellSouth SPA Uncompressed Switched Video) service is a fiber optic transport of high quality video service for customers who desire a BellSouth transport network that is controlled by the end-user. Two 15 kHz audio signals are provided with this service.

(This page filed under Transmittal No. 1 )

All BellSouth marks contained herein and as set forth in the trademarks and service marks section of the BellSouth Tariffs are owned by BellSouth Intellectual Property Corporation.

\*\*\*\*\*

ISSUED: NOVEMBER 5, 2019

EFFECTIVE: NOVEMBER 20, 2019

ACCESS SERVICE

7 - Special Access (a.k.a. BellSouth SPA) Service (Cont'd)

7.1 General (Cont'd)

7.1.1 Channel Types (Cont'd)

Derived Data Channel<sup>(1)</sup> (a.k.a. BellSouth SPA Derived Data Channel) - a digital data channel derived from a two-wire local exchange facility that transmits voice and data signals simultaneously. (N)

Digital Data<sup>(1)</sup> (a.k.a. BellSouth SPA DSO Digital Data) - a channel for the digital transmission of synchronous serial data at rates of 2.4, 4.8, 9.6, 19.2, 56.0 or 64.0 kbps. (N)

High Capacity (a.k.a. BellSouth SPA High Capacity) - a channel for the transmission of isochronous serial digital data at rates of 1.544 Mbps (DS1), 3.152 Mbps (DS1C), 6.312 Mbps (DS2), or 44.736 Mbps (DS3).

Detailed descriptions of each of the channel types are provided in Section 7.2.

The customer also has the option of ordering digital high capacity (a.k.a. BellSouth SPA High Capacity) facilities i.e., Group, Supergroup, Mastergroup, DS1 (1.544 Mbps), DS1C (3.152 Mbps), DS2 (6.312 Mbps), and DS3 (44.736 Mbps) to a Telephone Company Hub for channelization to individual channels of a lower capacity or bandwidth.

Descriptions of the types of channelization available at the Hubs, as well as the number of individual channels which may be derived from each type of facility are set forth in Section 7.2. Additionally, the customer may specify optional features for the individual channels derived from the facility to further tailor the channel to meet specific communications requirements. Descriptions of the optional features and functions available are also set forth in Section 7.2.

For example, a customer may order LightGate service (a.k.a. BellSouth SPA Point to Point Network) with DS3 channel interfaces at a customer designated premises and terminate it at a Telephone Company Hub with DS1 (a.k.a. BellSouth SPA DS1) (1.544 Mbps) channel interfaces. These DS1 (a.k.a. BellSouth SPA DS1) channels may be further channelized to Voice Grade (a.k.a. BellSouth SPA DSO VG) (i.e., Group level) channels or may be extended to other customer designated premises or a different Hub. Optional features may be added to either the DS1 (a.k.a. BellSouth SPA DS1) or the Voice Grade (a.k.a. BellSouth SPA DSO VG) channels.

(1) Effective November 20, 2019, this Service will no longer be available for purchase by new or existing customers, and service agreements may no longer be renewed. In addition, requests to move, add or change existing service arrangements will not be accepted. Following the expiration of a customer's existing term agreement, service will be provided on a month-to-month basis at the applicable monthly extension rates until the service is discontinued. AT&T currently plans to discontinue this Service on or after June 30, 2024.

(N)  
|  
(N)

ISSUED: DECEMBER 23, 2022

EFFECTIVE: JANUARY 1, 2023

ACCESS SERVICE

7 - Special Access (a.k.a. BellSouth SPA) Service

7.1 General (Cont'd)

7.1.2 Rate Categories

The following rate categories apply to Special Access (a.k.a. BellSouth SPA) Service:

- Local Channels (described in Section 7.1.2(A))
- Interoffice Channels (described in Section 7.1.2(B))
- Optional Features and Functions (described in Section 7.1.2(C))
- SMARTPath Area Connection (described in Section 7.1.2(E))
- SMARTPath Area Junction (described in Section 7.1.2(E))
- Fast Packet Access Services<sup>(1)</sup> (as set forth in Section 21 of this Tariff)
- Digital Subscriber Line Access Services (as set forth in Section 28 of this Tariff)

(A) Local Channel

In general, the Local Channel rate category provides for the communications path between a customer-designated premises and the serving wire center of that premises. Included as part of the Local Channel is a standard channel interface arrangement which defines the technical characteristics associated with the type of facilities to which the access service is to be connected at the Point of Termination (POT) and the type of signaling capability, if any. The signaling capability itself is provided as an optional feature as set forth in Section 7.1.2(C). One Local Channel charge will apply per customer-designated premises at which the channel is terminated. This charge will also apply where the customer designated premises and the serving Wire Center are collocated in a Telephone Company building. This charge will also apply where both customer-designated premises are in the same building, or where the service is provided without physically traversing the serving wire center. The charge also applies where the designated premises is served from a wire center other than the one from which the customer would normally obtain dial tone, i.e., an alternate serving wire center, as described in Section 7.2.9(A).

<sup>(1)</sup> Exchange Access Frame Relay Service (a.k.a. BellSouth Exchange Access Frame Relay Service), BellSouth Exchange Access Asynchronous Transfer Mode Service, BellSouth Managed Shared Frame Relay Service, and BellSouth Managed Shared Asynchronous Transfer Mode Service have been discontinued and are no longer available in this publication (see WC Dkt. 11-120).

(Z)

(This page filed under Transmittal No. 173 )

All AT&T and BellSouth marks contained herein and as set forth in the trademarks and service marks section of the BellSouth Tariff are owned by AT&T Intellectual Property or AT&T affiliated companies.

\*\*\*\*\*

ISSUED: JUNE 16, 2011

EFFECTIVE: JULY 1, 2011

ACCESS SERVICE

7 - Special Access (a.k.a. BellSouth SPA) Service (Cont'd)

7.1 General (Cont'd)

7.1.2 Rate Categories (Cont'd)

(B) Interoffice Channel

The Interoffice Channel rate category provides for the transmission facilities between the serving wire centers associated with two customer-designated premises, between a serving wire center associated with a customer-designated premises and a Telephone Company Hub or between two Telephone Company Hubs. A serving wire center associated with a customer-designated premises may be either the wire center from which the customer would normally obtain dial tone or an alternate serving wire center as described in 7.2.9(A) following. An Interoffice Channel is portrayed in mileage bands except for Voice Grade (a.k.a. BellSouth SPA DSO VG), Digital Data Access (a.k.a. BellSouth SPA DSO Digital Data) service (DDAS), DS1 High Capacity (a.k.a. BellSouth SPA DSI) service and Derived Data Channel (a.k.a. BellSouth SPA Derived Data Channel) service (DDCS). There are two rates that apply for each band, i.e., a flat rate per band and a rate per mile.

ISSUED: AUGUST 30, 2012

EFFECTIVE: SEPTEMBER 14, 2012

ACCESS SERVICE

7 - Special Access (a.k.a. BellSouth SPA) Service (Cont'd)

7.1 General (Cont'd)

7.1.2 Rate Categories (Cont'd)

(B) Interoffice Channel (Cont'd)

For the Voice Grade (a.k.a. BellSouth SPA DSO VG), DDAS (a.k.a. BellSouth SPA DSO Digital Data), DS1 High Capacity (a.k.a. BellSouth SPA DS1) service and DDCS Channel (a.k.a. BellSouth SPA Derived Data Channel) Interoffice rate elements a "fixed" and "per mile" rate apply as set forth in 7.5.3, 7.5.8, 7.5.9 and 7.5.15 following. Interoffice Channel rates are applicable to all Voice Grade (a.k.a. BellSouth SPA DSO VG), DDAS (a.k.a. BellSouth SPA DSO Digital Data), DS1 High Capacity (a.k.a. BellSouth SPA DS1) service and DDCS channels (a.k.a. BellSouth SPA Derived Data Channel) with mileage greater than zero.

(C) Optional Features and Functions

The Optional Features and Functions rate category provides for optional features and functions, which may be added to a Special Access (a.k.a. BellSouth SPA) service to improve its quality or utility to meet specific communications requirements. These are not necessarily identifiable with specific equipment, but rather represent the end result in terms of performance characteristics which may be obtained. These characteristics may be obtained by using various combinations of equipment.

Although the equipment necessary to perform a specified function may be installed at various locations along the path of the service, they will be charged for as a single rate element.

Examples of Optional Features and Functions that are available include, but are not limited to, the following:

- Signaling Capability
- Hubbing Functions
- Conditioning
- Transfer Arrangements
- BellSouth SPA Customer Network Management (CNM) - FlexServ Service

(D)

(This page filed under Transmittal No. 0041 )

ISSUED: SEPTEMBER 12, 2012

EFFECTIVE: SEPTEMBER 27, 2012

ACCESS SERVICE

7 - Special Access (a.k.a. BellSouth SPA) Service (Cont'd)

7.1 General (Cont'd)

7.1.2 Rate Categories (Cont'd)

(C) Optional Features and Functions (Cont'd)

A Hub is a Telephone Company designated serving wire center at which bridging or channelization functions are performed. The bridging functions performed are to connect three or more customer designated remises in a multipoint arrangement. The channelization functions are to channelize analog or digital facilities to individual services requiring a lower capacity or bandwidth. NATIONAL EXCHANGE CARRIER ASSOCIATION, INC. TARIFF F.C.C. NO. 4 identifies serving wire centers, Hub locations and the type of bridging or multiplexing functions available.

Descriptions for each of the available Optional Features and Functions are set forth in 7.2 following. Some of the Optional Features and Functions are ONA BSE capabilities. The following chart provides the Bellcore ONA BSE generic name where the name used by BellSouth differs from the name used in the ONA Services User Guide.

<u>BellSouth BSE Name</u>	<u>ONA Services User Guide BSE Name</u>
Conditioning	Private Line Conditioning
BellSouth Customer Network Management Service	Network Configuration

(D)  
|  
(D)

(This page filed under Transmittal No. 0042 )

All BellSouth marks contained herein and as set forth in the trademarks and servicemarks section of this Tariff are owned by BellSouth Intellectual Property Corporation.

\*\*\*\*\*



ISSUED: JUNE 16, 2011

EFFECTIVE: JULY 1, 2011

ACCESS SERVICE

7 - Special Access (a.k.a. BellSouth SPA) Service (Cont'd)

7.1 General (Cont'd)

7.1.2 Rate Categories (Cont'd)

(D) SMARTPath Service (a.k.a. BellSouth SPA DS1 Shared Ring)/SMARTPath DS3 Transport Service (a.k.a. BellSouth SPA DS3 Shared Ring)

- (1) The SMARTPath Area Connection for SMARTPath service (a.k.a. BellSouth SPA DS1 Shared Ring) and SMARTPath DS3 Transport service (a.k.a. BellSouth SPA DS3 Shared Ring) provides for the connection at the designated premises where the customer gains access to SMARTPath service (a.k.a. BellSouth SPA DS1 Shared Ring) and transport to a designated junction in the same SMARTPath service area.
- (2) The SMARTPath Area Junction for SMARTPath service (a.k.a. BellSouth SPA DS1 Shared Ring), provides for the connection between the SMARTPath service (a.k.a. BellSouth SPA DS1 Shared Ring) network and (1) another customer-designated premises, in the same SMARTPath service (a.k.a. BellSouth SPA DS1 Shared Ring) area or (2) a serving wire center in the same SMARTPath service (a.k.a. BellSouth SPA DS1 Shared Ring) area for connection to (a) DS1 Basic Channelization, BellSouth SPA CNM - FlexServ Service, LightGate service (a.k.a. BellSouth SPA Point to Point Network), or BellSouth Virtual Expanded Interconnection services under Section 20 of this tariff, or (b) a SMARTPath Area Junction of another SMARTPath service (a.k.a. BellSouth SPA DS1 Shared Ring) area in the same metropolitan area.

The SMARTPath DS3 Area Junction, for SMARTPath DS3 (a.k.a. BellSouth SPA DS3 Shared Ring) provides for the connection between the SMARTPath service (a.k.a. BellSouth SPA DS1 Shared Ring) network and (1) another customer designated premises, in the same SMARTPath (a.k.a. BellSouth SPA DS1 Shared Ring) area or (2) a serving wire center in the same SMARTPath Area for connection (a) to DS1 (a.k.a. BellSouth SPA DS1) service through a SMARTPath DS3 Transport service (a.k.a. BellSouth SPA DS3 Shared Ring) 28 DS1 Channel System, or to BellSouth SPA CNM - FlexServ Service as provided in Section 7 of this tariff, or to expanded interconnection services under Section 20 following, or (b) to a SMARTPath DS3 Area Junction or another SMARTPath area in the same metropolitan area.

(This page filed under Transmittal No. 1 )

All AT&T and BellSouth marks contained herein and as set forth in the trademarks and service marks section of the BellSouth Tariff are owned by AT&T Intellectual Property or AT&T affiliated companies.

\*\*\*\*\*

ISSUED: AUGUST 18, 2014

EFFECTIVE: SEPTEMBER 2, 2014

ACCESS SERVICE

7 - Special Access (a.k.a. BellSouth SPA) Service (Cont'd)

7.1 General (Cont'd)

7.1.2 Rate Categories (Cont'd)

(E) Reserved for Future Use

(T)

(D)

(D)

ISSUED: AUGUST 18, 2014

EFFECTIVE: SEPTEMBER 2, 2014

ACCESS SERVICE

7 - Special Access (a.k.a. BellSouth SPA) Service (Cont'd)

7.1 General (Cont'd)

7.1.2 Rate Categories (Cont'd)

(D)

(D)

(F) BellSouth Expanded Interconnection Service Cross Connects

(T)

Terms and conditions and rates for BellSouth Expanded Interconnection Service Cross Connects are as set forth in Section 20 of this Tariff.

7.1.3 Service Configurations

There are four types of service configurations over which Special Access (a.k.a. BellSouth SPA) services are provided: link service, two-point service and multipoint service .

A change from one Special Access (a.k.a. BellSouth SPA) Service configuration to another will be treated as a discontinuance of existing service and an installation of a new service as set forth in 5.6 preceding, except for BellSouth SPA CNM - FlexServ Service reconfigurations service or link service configurations.

(A) Link Service

A link is a service configuration provided as a DS3 or DS1 channel of a LightGate service (a.k.a. BellSouth SPA Point to Point Network) local channel and/or interoffice channel. DS3 or DS1 channels provided in a LightGate service (a.k.a. BellSouth SPA Point to Point Network) interoffice channel must either be combined with corresponding DS3 or DS1 channels in a LightGate service (a.k.a. BellSouth SPA Point to Point Network) local channel system to form a single link, or they may be provided on a stand-alone link basis with BellSouth SPA CNM - FlexServ Service, or hubbing applications at Voice Grade channel (a.k.a. BellSouth SPA DS VG) service levels when not directly connected with LightGate service (a.k.a. BellSouth SPA Point to Point Network) local channels.

Individual links may be installed, maintained in service, and subsequently disconnected without affecting other links connected to them. Disconnection of a link, which forms a part of a two-point service configuration, necessitates the disconnection of the non-link service elements in the two-point configuration also.

(D)

(D)

(This page filed under Transmittal No. 0083 )

All AT&T and BellSouth marks contained herein and as set forth in the trademarks and service marks section of the BellSouth Tariff are owned by AT&T Intellectual Property or AT&T affiliated companies.

\*\*\*\*\*

ISSUED: JUNE 16, 2011

EFFECTIVE: JULY 1, 2011

ACCESS SERVICE

7 - Special Access (a.k.a. BellSouth SPA) Service (Cont'd)

7.1 General (Cont'd)

7.1.3 Service Configurations (Cont'd)

(A) Link Service (Cont'd)

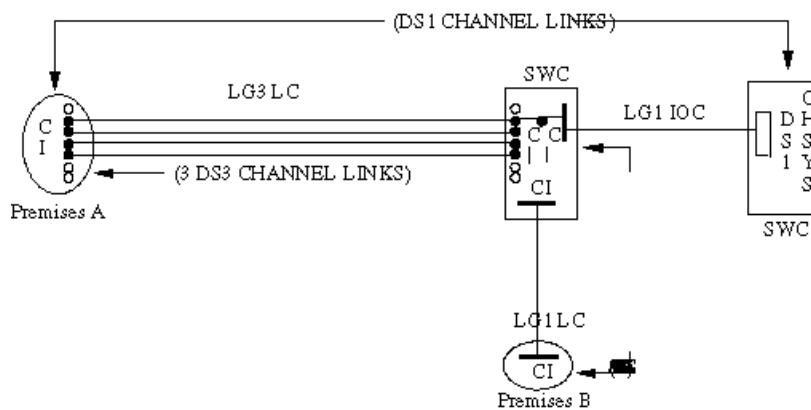
Applicable rate elements are:

- One LightGate service (a.k.a. BellSouth Point to Point) Local Channel and/or LightGate service (a.k.a. BellSouth Point to Point Network) Interoffice Channel
- Optional Features and Functions (when applicable).

(1) Asynchronous Transport

In addition, a Special Access (a.k.a. BellSouth SPA) Surcharge as set forth in 7.4.2 following and a Message Station Equipment Recovery Charge as set forth in 7.4.3 following may be applicable.

The following diagram depicts Link service connecting customer premises "A" with several locations.



Applicable rate elements to this diagram are:

- Local Channels [LC] (LG1, 3)
- Interoffice Channels (as applicable)
- DS1 Channel System
- Channel Interfaces [CI] (DS1s, DS3s)

ISSUED: JUNE 16, 2011

EFFECTIVE: JULY 1, 2011

ACCESS SERVICE

7 - Special Access (a.k.a. BellSouth SPA) Service (Cont'd)

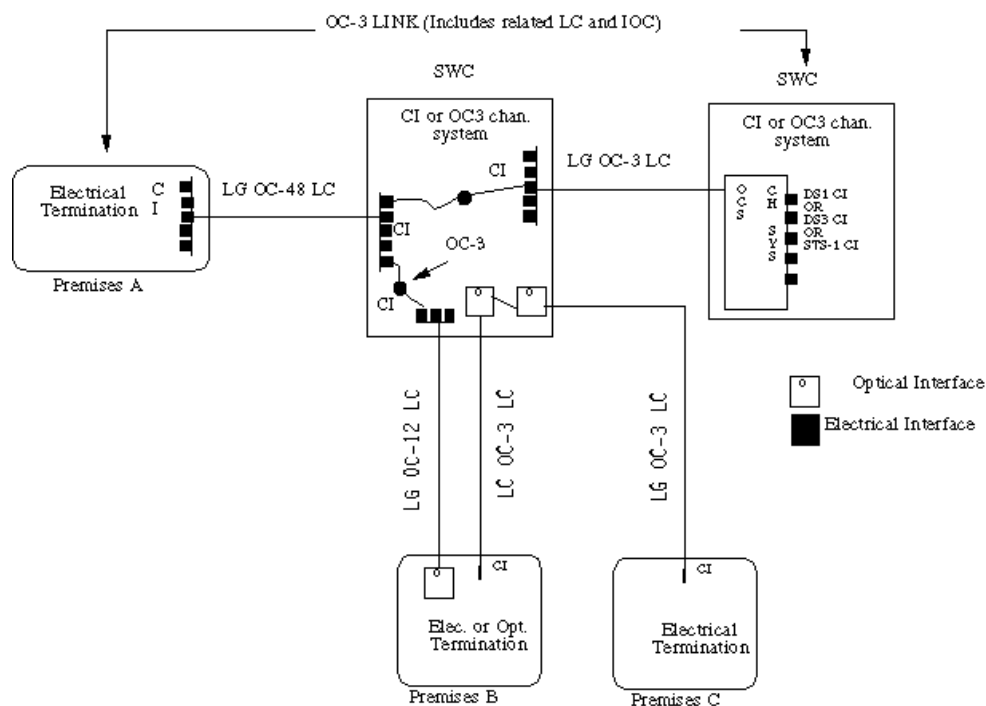
7.1 General (Cont'd)

7.1.3 Service Configurations (Cont'd)

(A) Link Service (Cont'd)

(2) Synchronous Transport

The following diagram depicts Link service(s) connecting customer premises "A" with several locations.



Rate elements applicable to this diagram are:

- Local Channels [LC] (OC-3 with opt. SWC termination, OC-12 opt. cust. termination, OC-48 electrical)
- Interoffice Channels [IOC] (OC-3)
- Electrical Channel Interface [CI] (OC-3)
- OC-3 Channel System [CS] (OC-3)
- Electrical Channel Interface [CI] (DS1)
- Electrical Channel Interface [CI] (DS3)
- Electrical Channel Interface [CI] (STS-1)

ISSUED: JUNE 16, 2011

EFFECTIVE: JULY 1, 2011

ACCESS SERVICE

7 - Special Access (a.k.a. BellSouth SPA) Service (Cont'd)

7.1 General (Cont'd)

7.1.3 Service Configurations (Cont'd)

(B) Two-Point Service

A two-point service connects two customer designated premises, either on a directly connected basis, through a Hub where multiplexing functions are performed, or through BellSouth SPA CNM - FlexServ Service or an optional feature for BellSouth SPA CNM - FlexServ Service.

Applicable rate elements are:

- Local Channels (two applicable, except WATS (a.k.a. BellSouth SPA WATS) where only one is applicable)
- Interoffice Channels (as applicable)
- Optional Features and Functions (when applicable)

(This page filed under Transmittal No. 1 )

All BellSouth marks contained herein and as set forth in the trademarks and servicemarks section of this Tariff are owned by BellSouth Intellectual Property Corporation.

\*\*\*\*\*

ISSUED: JUNE 16, 2011

EFFECTIVE: JULY 1, 2011

ACCESS SERVICE

7 - Special Access (a.k.a. BellSouth SPA) Service (Cont'd)

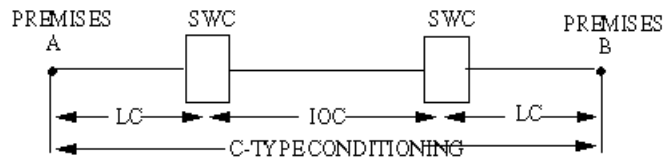
7.1 General (Cont'd)

7.1.3 Service Configurations (Cont'd)

(B) Two-Point Service (Cont'd)

In addition, a Special Access (a.k.a. BellSouth SPA) Surcharge as set forth in 7.4.2 following and a Message Station Equipment Recovery Charge as set forth in 7.4.3 following may be applicable.

The following diagram depicts a two-point Voice Grade (a.k.a. BellSouth SPA DSO VG) service connecting two customer designated premises located 15 miles apart. The service is provided with C-Type Conditioning.



LC - Local Channel<sup>1</sup>  
IOC - Interoffice Channel<sup>2</sup>  
SWC - Serving Wire Center

Applicable rate elements are:

- Local Channels<sup>1</sup>
- Interoffice Channels<sup>2</sup> (mileage band over 8 to 25 miles)
- C-Type Conditioning Optional Feature

Note 1: Two Local Channels are applicable except with WATS Access Line (a.k.a. BellSouth SPA WATS Line) service. WAL (a.k.a. BellSouth SPA WATS Line) service requires only one Local Channel for the (end users) customer designated premises and none for the BellSouth SWA WATS serving office.

Note 2: Interoffice Channels (IOC) are applicable to a WATS Access Line (a.k.a. BellSouth SPA WATS Line) Extension when the BellSouth SWA WATS serving office and the customer's Serving Wire Center (SWC) are not collocated.

ISSUED: JUNE 16, 2011

EFFECTIVE: JULY 1, 2011

ACCESS SERVICE

7 - Special Access (a.k.a. BellSouth SPA) Service (Cont'd)

7.1 General (Cont'd)

7.1.3 Service Configurations (Cont'd)

(C) Multipoint Service

Multipoint service connects three or more customer designated premises through a BellSouth Hub. There is no limitation on the number of mid-links available with multipoint service. However, when more than three mid-links are provided in tandem, the quality of the service may be degraded. A mid-link is a channel between Hubs (i.e., bridging locations). Only certain types of Special Access (a.k.a. BellSouth SPA) service are provided as multipoint service. These are so designated in the Service Descriptions set forth in 7.2. following.

Multipoint service utilizing a customized technical specifications package as set forth in 7.2 following will be provided when technically possible. If BellSouth determines that the requested characteristics for a multipoint service are not compatible, the customer will be advised and given the opportunity to change the order.

When ordering, the customer will specify the desired bridging Hub(s) selected from the NATIONAL EXCHANGE CARRIER ASSOCIATION INC. TARIFF F.C.C. No. 4. This tariff identifies the type(s) of bridging functions which are available and the serving wire centers at which they are available.

Applicable Rate Elements are:

- Local Channels (one per customer designated premises)
- Interoffice Channels (as applicable between serving wire centers associated with two customer designated premises, between a serving wire center and a Hub, or between Hubs)
- Bridging
- Additional Optional Features (when applicable)

In addition, a Special Access (a.k.a. BellSouth SPA) Surcharge as set forth in 7.4.2 following and a Message Station Equipment Recovery Charge as set forth in 7.4.3 following may be applicable.



ISSUED: JUNE 16, 2011

EFFECTIVE: JULY 1, 2011

ACCESS SERVICE

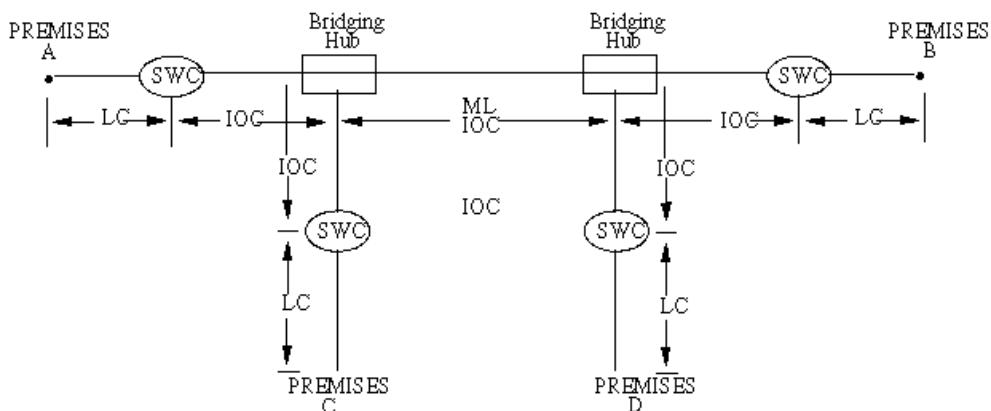
7 - Special Access (a.k.a. BellSouth SPA) Service (Cont'd)

7.1 General (Cont'd)

7.1.3 Service Configurations (Cont'd)

(C) Multipoint Service (Cont'd)

Example: Voice Grade (a.k.a. BellSouth SPA DSO VG) multipoint service connecting four customer premises via two customer specified bridging Hubs.



LC = Local Channel  
IC = Interoffice Channel  
B = Bridging  
SWC = Serving Wire Center  
ML = Mid-Link

Applicable rate elements are:

- Local Channels (4 applicable)
- Interoffice Channels (5 sections, each from appropriate mileage band)
- Bridging Optional Feature (6 applicable, i.e., each bridge port)

ISSUED: JUNE 16, 2011

EFFECTIVE: JULY 1, 2011

ACCESS SERVICE

7 - Special Access (a.k.a. Bellsouth SPA) Service (Cont'd)

7.1 General (Cont'd)

7.1.3 Service Configurations (Cont'd)

(D) BellSouth Cross Connect Service

Terms and conditions and rates for the following BellSouth Cross Connect Services are as set forth in Section 13 of this Tariff:

- Intra-Office Collocation Cross Connect Service
- Physical Access Cross Connect Service
- Virtual Access Cross Connect Service

(This page filed under Transmittal No. 1 )

All BellSouth marks contained herein and as set forth in the trademarks and servicemarks section of this Tariff are owned by BellSouth Intellectual Property Corporation.

\*\*\*\*\*

ISSUED: JUNE 16, 2011

EFFECTIVE: JULY 1, 2011

ACCESS SERVICE

7 - Special Access (a.k.a. BellSouth SPA) Service (Cont'd)

7.1 General (Cont'd)

7.1.4 Alternate Use

Alternate Use occurs when a service is arranged by the Telephone Company so that the customer can select different types of transmission at different times. A customer may use a service in any privately beneficial manner. However, where technical or engineering changes are required to effectuate an alternate use, the Telephone Company will make such special arrangements available on an individual case basis.

The arrangement required to transfer the service from one operation to the other (i.e., the transfer relay and control leads) will be rated and provided on an individual case basis and filed in Section 12 of this Tariff. The customer will pay the stated tariff rates for the Access Service rate elements for the service ordered (i.e., Local Channels, Interoffice Channels [as applicable] and Optional Features [if any]).

7.1.5 Special Facilities Routing

A customer may request that the facilities used to provide Special Access Service (a.k.a. BellSouth SPA) be specially routed. The regulations, rates and charges for Special Facilities Routing (i.e., Avoidance, Diversity and Cable-Only) are set forth in Section 11 of this Tariff.

7.1.6 Design Layout Report

At the request of the customer, the Telephone Company will provide to the customer the make-up of the facilities and services provided under this tariff as Special Access Service (a.k.a. BellSouth SPA) to aid the customer in designing its overall service. This information will be provided in the form of a Design Layout Report. The Design Layout Report will be provided to the customer at no charge, and will be reissued or updated whenever these facilities are materially changed.

7.1.7 Acceptance Testing

At no additional charge, the Telephone Company will, at the customer's request, cooperatively test, at the time of installation, the following parameters:

(This page filed under Transmittal No. 1 )

All AT&T and BellSouth marks contained herein and as set forth in the trademarks and service marks section of the BellSouth Tariff are owned by AT&T Intellectual Property or AT&T affiliated companies.

\*\*\*\*\*

ISSUED: DECEMBER 16, 2022

EFFECTIVE: JANUARY 1, 2023

ACCESS SERVICE

7 - Special Access (a.k.a. BellSouth SPA) Service (Cont'd)

7.1 General (Cont'd)

7.1.7 Acceptance Testing (Cont'd)

(A) For Voice Grade (a.k.a. BellSouth SPA DSO VG) analog services, acceptance tests will include tests for loss, 3-tone slope, DC continuity, operational signaling, C-notched noise, and C-message noise when these parameters are applicable and specified in the order for service. Additionally, for Voice Grade (a.k.a. BellSouth SPA DSO VG) services, a balance (improved loss) test will be made if the customer has ordered the Improved Return Loss optional feature.

(B) For other analog services (i.e., Metallic (a.k.a. BellSouth SPA Metallic), Telegraph (a.k.a. BellSouth SPA Telegraph), Program Audio<sup>(3)</sup> (a.k.a. BellSouth SPA Program Audio), Broadcast Quality Video<sup>(2)</sup> (a.k.a. BellSouth SPA Broadcast Quality Video), WATS Access Line (a.k.a. BellSouth SPA WATS Line) and for digital services (i.e., Digital Data Access service (a.k.a. BellSouth SPA DSO Digital Data), Uncompressed Switched Video (a.k.a. BellSouth SPA Uncompressed Switched Video) service, BellSouth SPA Modular Video Transport Service<sup>1</sup> and High Capacity (a.k.a. BellSouth SPA High Capacity), acceptance tests will include tests for the parameters applicable to the service as specified in the order for service. (N)

In addition to the above tests, Additional Cooperative Acceptance Testing for Voice Grade (a.k.a. BellSouth SPA DSO VG) service to test other parameters, as described in Section 13.3.5(B), is available at the customer's request. All tests results will be made available to the customer upon request.

7.1.8 Ordering Options and Conditions

The customer places an access order with the Telephone Company for the provision of Special Access (a.k.a. BellSouth SPA) service.

The options and conditions for access orders are set forth in detail in Section 5 of this Tariff. Also included in Section 5 of this Tariff are other charges that may be associated with ordering Special Access (a.k.a. BellSouth SPA) service (e.g., Service Date Change Charges, Cancellation Charges, etc.).

(1) Effective August 25, 2011, BellSouth SPA Modular Video Transport Service is no longer available to new Customers. There is no change for existing customers.

(2) Effective December 31, 2020, Broadcast Video (TV1) service will no longer be available for purchase by new or existing customers, and service agreements may no longer be renewed. In addition, requests to move, add, or change existing service arrangements will not be accepted. Following the expiration of a customer's existing term agreement, service will be provided on a month-to-month basis at the applicable Monthly rate until the service is discontinued. AT&T currently plans to discontinue this Service on or after December 31, 2021.

(3) Program Audio is discontinued and no longer available in this publication (see WC Dkt. 19-238). (N)

(This page filed under Transmittal No. 172 )

All AT&T and BellSouth marks contained herein and as set forth in the trademarks and service marks section of the BellSouth Tariff are owned by AT&T Intellectual Property or AT&T affiliated companies.

\*\*\*\*\*

ISSUED: DECEMBER 16, 2022

EFFECTIVE: JANUARY 1, 2023

ACCESS SERVICE

7 - Special Access (a.k.a. BellSouth SPA) Service (Cont'd)

7.2 Service Descriptions

For the purposes of ordering, there are twelve categories of Special Access Service. These are:

Metallic<sup>(2)</sup> (a.k.a. BellSouth SPA Metallic) (MT)  
Telegraph Grade<sup>(2)</sup> (a.k.a. BellSouth SPA Telegraph) (TG)  
Voice Grade<sup>(2)</sup> (a.k.a. BellSouth SPA DSO VG) (VG)  
Program Audio<sup>(1)(3)</sup> (a.k.a. BellSouth SPA Program Audio) (AP)  
Video (a.k.a. BellSouth SPA Video) (TV)

(N)

Digital Data Access<sup>(2)</sup> (a.k.a. BellSouth SPA DSO Digital Data) Service (DDAS)  
High Capacity (a.k.a. BellSouth SPA High Capacity) (HC)  
WATS Access Line<sup>(2)</sup> (a.k.a. BellSouth SPA WATS Line) (WAL)  
Derived Data Channel<sup>(2)</sup> (a.k.a. BellSouth SPA Derived Data Channel) Service (DDCS)

Each service consists of a basic channel to which a technical specifications package (predefined), channel interface(s) and, when desired, optional features and functions are added to construct the service desired by the customer. Each of the components of the service are described in this section.

The channel description specifies the characteristics of the basic channel and indicates whether the channel is provided between customer designated premises or between a customer designated premises and a Telephone Company Hub where bridging and/or channelization functions are performed.

Information pertaining to the technical specifications packages indicates the transmission parameters that are available with each package. This information is displayed in a matrix with the transmission parameters listed down the left side and the packages listed across the top. Each package is identified by a code, e.g., VG1. The first two letters of the code indicate the category of Special Access Service to which the parameters are applicable. The number "1" following the two-letter code indicates the technical specifications package for a Voice Grade (a.k.a. BellSouth SPA DSO VG) service. The numeric designation following the two-letter code indicates the specific predefined package. When appropriate, the Technical Reference which contains detailed specifications for the parameters is shown following the matrix.

<sup>(1)</sup> Effective November 20, 2019, this Service will no longer be available for purchase by new or existing customers, and service agreements may no longer be renewed. In addition, requests to move, add or change existing service arrangements will not be accepted. Following the expiration of a customer's existing term agreement, service will be provided on a month-to-month basis at the applicable monthly extension rates until the service is discontinued. AT&T currently plans to discontinue this Service on or after November 1, 2020.

<sup>(2)</sup> Effective November 20, 2019, this Service will no longer be available for purchase by new or existing customers, and service agreements may no longer be renewed. In addition, requests to move, add or change existing service arrangements will not be accepted. Following the expiration of a customer's existing term agreement, service will be provided on a month-to-month basis at the applicable monthly extension rate until the service is discontinued. AT&T currently plans to discontinue this service on or after June 30, 2024.

<sup>(3)</sup> Program Audio is discontinued and no longer available in this publication (see WC Dkt. 19-238).

(N)

(This page filed under Transmittal No. 172 )

All AT&T and BellSouth marks contained herein and as set forth in the trademarks and service marks section of the BellSouth Tariff are owned by AT&T Intellectual Property or AT&T affiliated companies.

\*\*\*\*\*

ISSUED: DECEMBER 16, 2022

EFFECTIVE: JANUARY 1, 2023

ACCESS SERVICE

7 - Special Access (a.k.a. BellSouth SPA) Service (Cont'd)

7.2 Service Descriptions (Cont'd)

Channel interfaces at each point of termination on a two-point service may be symmetrical or asymmetrical. On a multipoint service they may also be symmetrical or asymmetrical. However, communications can only be provided between points of termination with compatible channel interfaces. Only certain channel interfaces are compatible. Technical references are set forth in Section 7.3.5.

Only certain channel interface combinations are available with the predefined technical specifications packages. These are delineated in the Technical References set forth at the end of this Section 7.2. When a customized channel is requested, all channel interface combinations available with the specified type of service are available with the customized channel.

The optional features and functions available with each type of Special Access (a.k.a. BellSouth SPA) service are described in this section. The optional features and functions information also indicates with which technical specifications packages they are available. Such information is displayed in a matrix with the optional feature or function listed down the left side and the technical specifications package listed across the top.

The Telephone Company will maintain existing transmission specifications on services installed prior to the effective date of this tariff except that existing services with performance specifications exceeding the standard listed in this provision will be maintained at the performance levels specified in this tariff.

All services installed after the effective date of this tariff will conform to the transmission specification standards contained in this tariff or in the following Technical References for each category of service:

Metallic <sup>(2)</sup> (a.k.a. BellSouth SPA Metallic)	TR-NPL-000336	
Telegraph Grade <sup>(2)</sup> (a.k.a. BellSouth SPA Telegraph)	TR-NPL-000336	
Voice Grade <sup>(2)</sup> (a.k.a. BellSouth SPA DSO VG)	TR-NWT-000335	
	MDP 326-584	
Program Audio <sup>(1)(3)</sup> (a.k.a. BellSouth SPA Program Audio)	TR-NPL-000337	(N)
Video (a.k.a. BellSouth SPA Video)	TR-73583 (BellSouth)	
	TR-73606 (BellSouth)	
	TR-73607 (BellSouth)	
	TR-73608 (BellSouth)	
	TR-73609 (BellSouth)	
	TR-73611 (BellSouth)	

(1) Effective November 20, 2019, this Service will no longer be available for purchase by new or existing customers, and service agreements may no longer be renewed. In addition, requests to move, add or change existing service arrangements will not be accepted. Following the expiration of a customer's existing term agreement, service will be provided on a month-to-month basis at the applicable monthly extension rates until the service is discontinued. AT&T currently plans to discontinue this Service on or after November 1, 2020.

(2) Effective November 20, 2019, this Service will no longer be available for purchase by new or existing customers, and service agreements may no longer be renewed. In addition, requests to move, add or change existing service arrangements will not be accepted. Following the expiration of a customer's existing term agreement, service will be provided on a month-to-month basis at the applicable monthly extension rates until the service is discontinued. AT&T currently plans to discontinue this Service on or after June 30, 2024. (N)

(3) Program Audio is discontinued and no longer available in this publication (see WC Dkt. 19-238).

ISSUED: NOVEMBER 5, 2019

EFFECTIVE: NOVEMBER 20, 2019

ACCESS SERVICE

7 - Special Access (a.k.a. BellSouth SPA) Service (Cont'd)

7.2 Service Descriptions (Cont'd)

Digital Data Access <sup>(2)</sup> (a.k.a. BellSouth SPA DSO Digital Data) Service For 2.4, 4.8, 9.6 & 56.0 kbps For 19.2 kbps For 64.0 kbps High Capacity	TR-NWT-000341 ANSI T1.107b-1 ANSI T1.197b-1991 ANSI T1.107b-1991 TR-NPL-000054 TR-INS-000342	(N)
WATS Access Line <sup>(2)</sup> (a.k.a. BellSouth SPA WATS Line) Derived Data Channel <sup>(2)</sup> (a.k.a. BellSouth SPA Derived Data Channel) Service	TR-NWT-000334 TR-73548 TR-73548, Addendum 1	(N) (N)
SMARTPath Service (a.k.a. BellSouth SPA DS1 Shared Ring)	TR-73575	
SMARTPath DS3 Transport (a.k.a. BellSouth SPA DS3 Shared Ring) Service	TR-73575, Addendum 1	

7.2.1 Metallic Service <sup>(1)(2)</sup> (a.k.a. BellSouth SPA Metallic) (N)

(A) Basic Channel Description

A Metallic (a.k.a. BellSouth SPA Metallic) channel is an unconditioned two-wire channel capable of transmitting low speed varying signals at rates up to 30 baud. This channel is provided by metallic or equivalent facilities. Metallic (a.k.a. BellSouth SPA Metallic) channels are provided between customer designated premises or between a customer designated premises and a Telephone Company Hub where bridging functions are performed. Interoffice metallic facilities will be limited in length to a total of five miles per channel.

(B) Technical Specifications Packages

<u>Parameter</u>	<u>Package MT-</u>		
	<u>1</u>	<u>2</u>	<u>3</u>
DC Resistance			
Between Conductors	X	X	
Loop Resistance			X
Shunt Capacitance			X

The technical specifications are delineated in Technical Reference TR-NPL-000336.

(C) Channel Interface

Compatible channel interfaces are set forth in Technical Reference TR-NPL-000336.

<sup>(1)</sup> Effective September 20, 2017, Metallic Service has limited availability; see Section 2.1.15.

<sup>(2)</sup> Effective November 20, 2019, this Service will no longer be available for purchase by new or existing customers, and service agreements may no longer be renewed. In addition, requests to move, add or change existing service arrangements will not be accepted. Following the expiration of a customer's existing term agreement, service will be provided on a month-to-month basis at the applicable monthly extension rates until the service is discontinued. AT&T currently plans to discontinue this Service on or after June 30, 2024. (N)

(This page filed under Transmittal No. 150 )

ISSUED: NOVEMBER 5, 2019

EFFECTIVE: NOVEMBER 20, 2019

ACCESS SERVICE

7 - Special Access (a.k.a. BellSouth SPA) Service (Cont'd)

7.2 Service Descriptions (Cont'd)

7.2.1 Metallic<sup>(2)</sup> (a.k.a. BellSouth SPA Metallic) Service (Cont'd)

(N)

(D) Optional Features and Functions

(1) Central Office Bridging Capability

- (a) Three Premises Bridging - Provision of tip-to-tip and ring-to-ring connection in a central office of a metallic pair to a third customer designated premises.
- (b) Series Bridging of up to 26 customer designated premises.

The following table shows the technical specifications packages with which the optional features and functions are available.

	Available with Technical Specifications Package MT -		
	<u>1</u>	<u>2</u>	<u>3</u>
Three Premises Bridging	X		X
Series Bridging		X	

7.2.2 Telegraph Grade (a.k.a. BellSouth SPA Telegraph) Service <sup>(1)(2)</sup>

(N)

(A) Basic Channel Description

A Telegraph (a.k.a. BellSouth SPA Telegraph) Grade channel is an unconditioned channel capable of transmitting binary signals at rates of 0-75 baud or 0-150 baud. This channel is furnished for half-duplex or duplex operation. Telegraph (a.k.a. BellSouth SPA Telegraph) Grade channels are provided between customer designated premises or between a customer designated premises and a Telephone Company Hub.

(B) Technical Specifications Packages

Parameter	Package TG-	
	<u>1</u>	<u>2</u>
Telegraph Distortion	X	X

The technical specifications are delineated in Technical Reference TR-NPL-000336.

<sup>(1)</sup> Effective September 20, 2017, Telegraph Grade Service has limited availability; see Section 2.1.15.

<sup>(2)</sup> Effective November 20, 2019, this Service will no longer be available for purchase by new or existing customers, and service agreements may no longer be renewed. In addition, requests to move, add or change existing service arrangements will not be accepted. Following the expiration of a customer's existing term agreement, service will be provided on a month-to-month basis at the applicable monthly extension rate until the service is discontinued. AT&T currently plans to discontinue this service on or after June 30, 2024.

(N)  
 |  
 (N)



ISSUED: NOVEMBER 5, 2019

EFFECTIVE: NOVEMBER 20, 2019

ACCESS SERVICE

7 - Special Access (a.k.a. BellSouth SPA) Service (Cont'd)

7.2 Service Descriptions (Cont'd)

7.2.2 Telegraph<sup>(3)</sup> (a.k.a. BellSouth SPA Telegraph) Grade Service (Cont'd) (N)

(C) Channel Interfaces

Compatible channel interfaces are set forth in Technical Reference TR-NPL-000336.

(D) Optional Features and Functions

(1) Telegraph Bridging (two-wire and four-wire)

The following table shows the technical specifications packages with which the optional features and functions are available.

	<u>Available with Technical Specifications Package TG-</u>	
	<u>1</u>	<u>2</u>
Telegraph Bridging	X	X

7.2.3 Voice Grade (a.k.a. BellSouth SPA DSO VG) Service <sup>(1)(2)(3)</sup> (N)

(A) Basic Channel Description

A Voice Grade (a.k.a. BellSouth SPA DSO VG) channel is a channel which provides voice frequency transmission capability in the nominal frequency range of 300 to 3000 Hz and may be terminated two-wire or four-wire. Voice Grade (a.k.a. BellSouth SPA DSO VG) channels are provided between customer designated premises or between a customer designated premises and a Telephone Company Hub.

(1) Effective November 5, 2016, Voice Grade (a.k.a. BellSouth SPA DSO VG) service in the Carbon Hill, Alabama and Kings Point, Florida Telephone Company wire centers is no longer available for new Customers at new locations. New circuits may be added at Customer locations with existing Voice Grade (a.k.a., BellSouth SPA DSO VG) circuits as of February 16, 2016. There are no changes for existing Customers except that circuit moves to different buildings are no longer permitted.

(2) Effective September 20, 2017, Voice Grade Service has limited availability; see Section 2.1.15.

(3) Effective November 20, 2019, this Service will no longer be available for purchase by new or existing customers, and service agreements may no longer be renewed. In addition, requests to move, add or change existing service arrangements will not be accepted. Following the expiration of a customer's existing term agreement, service will be provided on a month-to-month basis at the applicable monthly extension rates until the service is discontinued. AT&T currently plans to discontinue this Service on or after June 30, 2024.

(N)  
|  
(N)

ISSUED: NOVEMBER 5, 2019

EFFECTIVE: NOVEMBER 20, 2019

ACCESS SERVICE

7 - Special Access (a.k.a. BellSouth SPA) Service (Cont'd)

7.2 Service Descriptions (Cont'd)

7.2.3 Voice Grade (a.k.a. BellSouth SPA DSO VG) Service<sup>(1)(2)</sup> (Cont'd)

(N)

(B) Technical Specifications Packages

Parameter	Package VG-											
	1	2	3	4	5	6	7	8	9	10	11	12
Attenuation												
Distortion	X	X	X	X	X	X	X	X	X	X	X	X
C-Message Noise	X	X	X	X	X	X	X	X	X	X	X	X
Echo Control	X	X	X		X		X	X			X	X
Envelope Delay												
Distortion						X	X	X	X	X	X	X
Frequency Shift						X	X	X	X	X	X	X
Impulse Noise					X	X	X	X	X	X	X	X
Intermodulation												
Distortion						X	X	X	X	X	X	
Loss Deviation	X	X	X	X	X	X	X	X	X	X	X	X
Phase Jitter						X	X	X	X	X	X	
Signal-to-C												
Message Noise				X								
Signal-to-C												
Notch Noise					X	X	X	X	X	X	X	X

The technical specifications for these parameters (except for dropouts, gain hits, and phase hits) are delineated in Technical Reference TR-NWT-000335. The technical specifications for dropouts, phase hits, and gain hits are delineated in Technical Reference MDP 326-584.

(C) Channel Interfaces

The following channel interfaces for Voice Grade (a.k.a. BellSouth SPA DSO VG) service do not require signaling capability: AH, DA, DB, DS, NO, PR and TF.

The following channel interfaces for Voice Grade (a.k.a. BellSouth SPA DSO VG) service requiresignaling capability: AB, AC, CT, DX, EA, EB, EC, EX, GO, GS, LA, LB, LC, LO, LR, LS, RV and SF.

Compatible channel interfaces are set forth in Technical Reference TR-NWT-000335 and MDP 326-584.

<sup>(1)</sup> Effective November 5, 2016, Voice Grade (a.k.a. BellSouth SPA DSO VG) service in the Carbon Hill, Alabama and Kings Point, Florida Telephone Company wire centers is no longer available.

<sup>(2)</sup> Effective November 20, 2019, this Service will no longer be available for purchase by new or existing customers, and service agreements may no longer be renewed. In addition, requests to move, add or change existing service arrangements will not be accepted. Following the expiration of a customer's existing term agreement, service will be provided on a month-to-month basis at the applicable monthly extension rate until the service is discontinued. AT&T currently plans to discontinue this service on or after June 30, 2024.

(N)  
 |  
 (N)

ISSUED: NOVEMBER 5, 2019

EFFECTIVE: NOVEMBER 20, 2019

ACCESS SERVICE

7 - Special Access (a.k.a. BellSouth SPA) Service (Cont'd)

7.2 Service Descriptions (Cont'd)

7.2.3 Voice Grade (a.k.a. BellSouth SPA DSO VG) Service<sup>(1)(2)</sup> (Cont'd)

(N)

(D) Optional Features and Functions

(1) Central Office Bridging Capability

- (a) Voice Bridging\* (two-wire and four-wire)
- (b) Data Bridging\*\* (two-wire and four-wire)
- (c) Telephoto Bridging\*\*\* (two-wire and four-wire)

(2) Conditioning

Conditioning provides more specific transmission characteristics for Voice Grade (a.k.a. BellSouth SPA DSO VG) services. C-Type conditioning controls attenuation distortion and envelope delay distortion. Sealing Current helps maintain continuity on dry metallic loops.

In addition, a customer may desire that either the attenuation distortion or the envelope delay distortion, or both, be improved to more stringent specifications than those provided for C-Type conditioning. In such cases the customer has the option of ordering either Improved Attenuation Distortion or Improved Envelope Delay Distortion with Improved Attenuation Distortion, as desired.

For two-point services, the parameters apply to each service. For multipoint services, the parameters apply to each mid link or end link. C-Type conditioning and D-Conditioning may be combined on the same service.

- \* - Voice Bridging is intended for use with VG-2, -5 and -12, however, it may be used on VG-6 and VG-10 at a customer's request.
- \*\* - Data Bridging is intended for use with VG-6 and VG-10, however, it may be used on VG-2, -5 and -12 at a customer's request.
- \*\*\* - Telephoto Bridging is intended for use on VG-11.

<sup>(1)</sup> Effective November 5, 2016, Voice Grade (a.k.a. BellSouth SPA DSO VG) service in the Carbon Hill, Alabama and Kings Point, Florida Telephone Company wire centers is no longer available.

<sup>(2)</sup> Effective November 20, 2019, this Service will no longer be available for purchase by new or existing customers, and service agreements may no longer be renewed. In addition, requests to move, add or change existing service arrangements will not be accepted. Following the expiration of a customer's existing term agreement, service will be provided on a month-to-month basis at the applicable monthly extension rate until the service is discontinued. AT&T currently plans to discontinue this service on or after June 30, 2024.

(N)

(N)

ISSUED: NOVEMBER 5, 2019

EFFECTIVE: NOVEMBER 20, 2019

ACCESS SERVICE

7 - Special Access (a.k.a. BellSouth SPA) Service (Cont'd)

7.2 Service Descriptions (Cont'd)

7.2.3 Voice Grade (a.k.a. BellSouth SPA DSO VG) Service<sup>(1)(2)</sup> (Cont'd)

(D) Optional Features and Functions (Cont'd)

(2) Conditioning (Cont'd)

(a) C-Type Conditioning

C-Type Conditioning is provided for the additional control of attenuation distortion and envelope delay distortion on data services. The attenuation distortion and envelope delay distortion specifications for C-Type Conditioning are:

Attenuation Distortion  
(Frequency Response)  
Relative to 1004 Hz

Frequency Variation  
Range (Hz) (dB)

504-2804 -1.0 to +3.0  
304-3004 -2.0 to +6.0

Envelope Delay  
Distortion  
Frequency Variation  
Range (Hz) (micro-seconds)

1004-2604 ≤500  
604-2604 ≤1500  
504-2804 ≤3000

<sup>(1)</sup> Effective November 5, 2016, Voice Grade (a.k.a. BellSouth SPA DSO VG) service in the Carbon Hill, Alabama and Kings Point, Florida Telephone Company wire centers is no longer available.

(2) Effective November 20, 2019, this Service will no longer be available for purchase by new or existing customers, and service agreements may no longer be renewed. In addition, requests to move, add or change existing service arrangements will not be accepted. Following the expiration of a customer's existing term agreement, service will be provided on a month-to-month basis at the applicable monthly extension rates until the service is discontinued. AT&T currently plans to discontinue this Service on or after June 30, 2024.

(N)  
|  
(N)

ISSUED: NOVEMBER 5, 2019

EFFECTIVE: NOVEMBER 20, 2019

ACCESS SERVICE

7 - Special Access (a.k.a. BellSouth SPA) Service (Cont'd)

7.2 Service Descriptions (Cont'd)

7.2.3 Voice Grade (a.k.a. BellSouth SPA DSO VG) Service<sup>(1)(2)</sup> (Cont'd) (N)

(D) Optional Features and Functions (Cont'd)

(2) Conditioning (Cont'd)

(b) Improved Attenuation Distortion

Improved attenuation distortion is provided for additional control of attenuation distortion. The improved attenuation distortion specifications are:

Attenuation Distortion  
(Frequency Response)  
Relative to 1004 Hz

Frequency Range (Hz)    Variation (dB)

404-2804	-1.0 to +2.0
304-3004	-1.0 to +3.0
304-3204	-2.0 to +6.0

(c) Improved Envelope Delay Distortion

Improved envelope delay distortion is provided for additional control of envelope delay distortion. The improved envelope delay distortion specifications are:

Envelope Delay Distortion  
Frequency Range (Hz)    Variation (micro-seconds)

1004-2604	<100
804-2604	≤200
604-2604	≤300
504-2804	≤600
504-3004	≤3000

(1) Effective November 5, 2016, Voice Grade (a.k.a. BellSouth SPA DSO VG) service in the Carbon Hill, Alabama and Kings Point, Florida Telephone Company wire centers is no longer available.

(2) Effective November 20, 2019, this Service will no longer be available for purchase by new or existing customers, and service agreements may no longer be renewed. In addition, requests to move, add or change existing service arrangements will not be accepted. Following the expiration of a customer's existing term agreement, service will be provided on a month-to-month basis at the applicable monthly extension rates until the service is discontinued. AT&T currently plans to discontinue this Service on or after June 30, 2024. (N)

ISSUED: NOVEMBER 5, 2019

EFFECTIVE: NOVEMBER 20, 2019

ACCESS SERVICE

7 - Special Access (a.k.a. BellSouth SPA) Service (Cont'd)

7.2 Service Descriptions (Cont'd)

7.2.3 Voice Grade (a.k.a. BellSouth SPA DSO VG) Service<sup>(1)(2)</sup> (Cont'd) (N)

(D) Optional Features and Functions (Cont'd)

(2) Conditioning (Cont'd)

(d) Sealing Current Conditioning

Sealing Current Conditioning is provided to help maintain continuity on dry metallic loops. It is usually associated with four-wire DA or NO type channel interfaces.

(3) Customer Specified Premises Receive Level

This option allows the customer to specify the receive level at the Point of Termination for a two or four wire interface at the customer's premises. For a two-wire interface, the customer must order an effective four-wire channel and must specify a receive level within the range allowable for effective four-wire transmission. For a four-wire interface the receive level specified must be within the range allowable for four-wire transmission. The customer can order improved termination for a wider range of receive levels. The ranges are delineated in Technical Reference TR-NWT-000335.

(4) ECHO CONTROL

(a) Improved Return Loss

On Effective Two-Wire Transmission at Two-Wire Point of Termination (POT): provides for more stringent Echo Control Specifications. In order for this option to be applicable, the transmission path must be four-wire at one POT and two-wire at the other POT. Placement of Telephone Company equipment may be required at the customer's premises with the two-wire POT. The Improved Return Loss parameters are delineated in Technical Reference TR-NWT-000335.

(1) Effective November 5, 2016, Voice Grade (a.k.a. BellSouth SPA DSO VG) service in the Carbon Hill, Alabama and Kings Point, Florida Telephone Company wire centers is no longer available.

(2) Effective November 20, 2019, this Service will no longer be available for purchase by new or existing customers, and service agreements may no longer be renewed. In addition, requests to move, add or change existing service arrangements will not be accepted. Following the expiration of a customer's existing term agreement, service will be provided on a month-to-month basis at the applicable monthly extension rates until the service is discontinued. AT&T currently plans to discontinue this Service on or after June 30, 2024.

(N)  
|  
(N)

ISSUED: NOVEMBER 5, 2019

EFFECTIVE: NOVEMBER 20, 2019

ACCESS SERVICE

7 - Special Access (a.k.a. BellSouth SPA) Service (Cont'd)

7.2 Service Descriptions (Cont'd)

7.2.3 Voice Grade (a.k.a. BellSouth SPA DSO VG) Service<sup>(1)(2)</sup> (Cont'd) (N)

(D) Optional Features and Functions (Cont'd)

(4) ECHO CONTROL (Cont'd)

(b) ELEPL 2 (Equal Level Echo Path Loss)

On Effective Two-Wire Transmission at Four-Wire Point of Termination (POT): provides for more stringent Echo Control specifications. In order for this option to be applicable, the transmission path must be two-wire at one POT and four-wire at the other POT. Telephone Company equipment may be required at the customer's premises where this option is ordered. The ELEPL2 parameters are delineated in Technical Reference TR-NWT-000335.

(5) D-Conditioning

D-Conditioning provides improved transmission characteristics for data communications. Specifically, D-Conditioning upgrades the signal-to-C notched noise ration and intermodulation distortion limits. This option is available for use with Technical Specification Packages VG6, VG7 and VG10 on two-point and multipoint services. (However, it is not recommended for use with multipoint.) When a service equipped with D-Conditioning is used for voice communications, the quality of voice transmission may not be satisfactory.

The Signal to C-Notched Noise Ratio and Intermodulation Distortion parameters for D - Conditioning are:

- Signal to C-Notched Noise Ratio is equal to or greater than 32dB
- Intermodulation Distortion: Signal to second order modulation products (R2) is equal to or greater than 38dB Signal to third order modulation products (R3) is equal to or greater than 42dB

(1) Effective November 5, 2016, Voice Grade (a.k.a. BellSouth SPA DSO VG) service in the Carbon Hill, Alabama and Kings Point, Florida Telephone Company wire centers is no longer available.

(2) Effective November 20, 2019, this Service will no longer be available for purchase by new or existing customers, and service agreements may no longer be renewed. In addition, requests to move, add or change existing service arrangements will not be accepted. Following the expiration of a customer's existing term agreement, service will be provided on a month-to-month basis at the applicable monthly extension rates until the service is discontinued. AT&T currently plans to discontinue this Service on or after June 30, 2024.

(N)  
|  
(N)

ISSUED: NOVEMBER 5, 2019

EFFECTIVE: NOVEMBER 20, 2019

ACCESS SERVICE

7 - Special Access (a.k.a. BellSouth SPA) Service (Cont'd)

7.2 Service Descriptions (Cont'd)

7.2.3 Voice Grade (a.k.a. BellSouth SPA DSO VG) Service<sup>(1)(2)</sup> (Cont'd) (N)

(D) Optional Features and Functions (Cont'd)

(6) Telephoto Conditioning

T-Conditioning provides transmission characteristics suitable for telephotographic communications. Specifically, T-Conditioning is provided for the control of attenuation distortion and envelope delay distortion on telephotographic services. The attenuation distortion and envelope delay distortion parameters for T-Conditioning are:

<u>Attenuation Distortion</u> (2204 Hz Reference)		<u>Envelope Delay Distortion</u>	
<u>Frequency Range (Hz)</u>	<u>Variation (dB)</u>	<u>Frequency Range (Hz)</u>	<u>Variation mcs</u>
500-3000	-0.5 to +1.5	1000-2600	≤110
300-3200	-1.0 to +2.5	800-2800	≤180

(7) Signaling Capability

Signaling Capability provides for the process by which one customer premises alerts another customer premises on the same service with which it wishes to communicate.

(8) Reserved for Future Use

<sup>(1)</sup> Effective November 5, 2016, Voice Grade (a.k.a. BellSouth SPA DSO VG) service in the Carbon Hill, Alabama and Kings Point, Florida Telephone Company wire centers is no longer available.

<sup>(2)</sup> Effective November 20, 2019, this Service will no longer be available for purchase by new or existing customers, and service agreements may no longer be renewed. In addition, requests to move, add or change existing service arrangements will not be accepted. Following the expiration of a customer's existing term agreement, service will be provided on a month-to-month basis at the applicable monthly extension rate until the service is discontinued. AT&T currently plans to discontinue this service on or after June 30, 2024.

(N)  
|  
(N)



ISSUED: SEPTEMBER 12, 2012

EFFECTIVE: SEPTEMBER 27, 2012

ACCESS SERVICE

7 - Special Access (a.k.a. BellSouth SPA) Service (Cont'd)

7.2 Service Descriptions (Cont'd)

7.2.3 Voice Grade (a.k.a. BellSouth SPA DS0 VG) Service (Cont'd)

(D) Optional Features and Functions (Cont'd)

(8)

(D)

(D)

ISSUED: NOVEMBER 5, 2019

EFFECTIVE: NOVEMBER 20, 2019

ACCESS SERVICE

7 - Special Access (a.k.a. BellSouth SPA) Service (Cont'd)

7.2 Service Descriptions (Cont'd)

7.2.3 Voice Grade (a.k.a. BellSouth SPA) Service<sup>(1)(2)</sup> (Cont'd)

(D) Optional Features and Functions (Cont'd)

(9) Improved Termination

The Improved Termination option provides a fixed 600 ohm impedance, a variable level range and simplex reversal, when applicable, at the point of termination. Telephone Company equipment is required at the customers premises when this option is ordered. The Improved Termination parameters are delineated in Technical Reference TR-NWT-000335.

(10) Simplex Reversal

The Simplex Reversal option physically turns over the simplex DC path presented at the four-wire point of termination when LO, LS, GO, GS, & DX signaling is provided at the point of termination.

(11) Effective Four-Wire

An arrangement which permits the simultaneous independent transmission of information in both directions over a single channel. Effective four-wire channels must be terminated with a four-wire local channel as specified in 7.5.3 following.

<sup>(1)</sup> Effective November 5, 2016, Voice Grade (a.k.a. BellSouth SPA DSO VG) service in the Carbon Hill, Alabama and Kings Point, Florida Telephone Company wire centers is no longer available.

<sup>(2)</sup> Effective November 20, 2019, this Service will no longer be available for purchase by new or existing customers, and service agreements may no longer be renewed. In addition, requests to move, add or change existing service arrangements will not be accepted. Following the expiration of a customer's existing term agreement, service will be provided on a month-to-month basis at the applicable monthly extension rate until the service is discontinued. AT&T currently plans to discontinue this service on or after June 30, 2024.

(N)  
|  
(N)

ISSUED: NOVEMBER 5, 2019

EFFECTIVE: NOVEMBER 20, 2019

ACCESS SERVICE

7 - Special Access (a.k.a. BellSouth SPA) Service (Cont'd)

7.2 Service Descriptions (Cont'd)

7.2.3 Voice Grade (a.k.a. BellSouth SPA DSO VG) Service<sup>(1)(2)</sup> (Cont'd) (N)

(D) Optional Features and Functions (Cont'd)

The following table shows the technical specifications packages with which the optional features and functions are available.

	Available with Technical Specifications Package VG-											
	<u>1</u>	<u>2</u>	<u>3</u>	<u>4</u>	<u>5</u>	<u>6</u>	<u>7</u>	<u>8</u>	<u>9</u>	<u>10</u>	<u>11</u>	<u>12</u>
C-Type Conditioning					X	X	X	X	X	X		
Improved Attenuation Distortion					X	X	X	X	X	X		
Improved Envelope Delay Distortion					X	X	X	X	X	X		
Sealing Current Conditioning					X	X				X		
Data Capability						X	X			X		
Central Office Bridging			X		X	X				X	X	X
Channelization						X						
Customer Specified Premises Receive Level			X	X			X	X	X			
Echo Control												
Improved Return Loss			X	X			X					
ELEPL2	X	X	X		X		X					
BellSouth Customer Network Management Service												
Improved Termination	X	X	X	X	X	X	X	X	X	X	X	
Simplex Reversal	X	X	X				X	X	X			
Signaling Capability	X	X	X				X	X	X			
Telephoto Conditioning										X		

(1) Effective November 5, 2016, Voice Grade (a.k.a. BellSouth SPA DSO VG) service in the Carbon Hill, Alabama and Kings Point, Florida Telephone Company wire centers is no longer available.

(2) Effective November 20, 2019, this Service will no longer be available for purchase by new or existing customers, and service agreements may no longer be renewed. In addition, requests to move, add or change existing service arrangements will not be accepted. Following the expiration of a customer's existing term agreement, service will be provided on a month-to-month basis at the applicable monthly extension rates until the service is discontinued. AT&T currently plans to discontinue this Service on or after June 30, 2024. (N)

(This page filed under Transmittal No. 150 )

All BellSouth marks contained herein and as set forth in the trademarks and servicemarks section of this Tariff are owned by BellSouth Intellectual Property Corporation.

\*\*\*\*\*

ISSUED: NOVEMBER 5, 2019

EFFECTIVE: NOVEMBER 20, 2019

ACCESS SERVICE

7 - Special Access (a.k.a. BellSouth SPA) Service (Cont'd)

7.2 Service Descriptions (Cont'd)

7.2.3 Voice Grade (a.k.a. BellSouth SPA DSO VG) Service<sup>(1)(2)</sup> (Cont'd) (N)

(E) Four-Wire/Two-Wire Conversions

When a customer requests that an effective four-wire channel be terminated with a two-wire channel interface at the customer designated premises, a four-wire to two-wire conversion of the Four-Wire Local Channel is required. The rate for the conversion is included as part of the basic Local Channel rate.

7.2.3.1 WATS Access Line (WAL) (a.k.a. BellSouth SPA WATS Line) Service<sup>(2)</sup>

(A) Basic Channel Description

A WATS Access Line (a.k.a. BellSouth SPA WATS Line) service (WAL) provides a channel for voice frequency transmission capability. The service provides a connection between a customer designated premises and a WATS serving office associated with the closed end of BellSouth SWA 8xx Toll Free Dialing Ten Digit Screening Service, WATS (a.k.a. BellSouth SPA WATS Line) or similar services. It is provided for use with BellSouth SWA FGA, BellSouth SWA FGB, or BellSouth SWA FGD in the originating and terminating direction and BellSouth SWA service arrangement features as set forth in Section 6, preceding.

The following shall apply to the Telephone Company's provision of WATS access line (a.k.a. BellSouth SPA WATS Line) service:

- (1) When the end user's serving wire center is not a WATS serving office, Interoffice Channel charges will apply for a WATS Access Line (a.k.a. BellSouth SPA WATS Line) Extension (WALE) between the end user's serving wire center and the nearest WATS serving office.

<sup>(1)</sup> Effective November 5, 2016, Voice Grade (a.k.a. BellSouth SPA DSO VG) service in the Carbon Hill, Alabama and Kings Point, Florida Telephone Company wire centers is no longer available.

<sup>(2)</sup> Effective November 20, 2019, this Service will no longer be available for purchase by new or existing customers, and service agreements may no longer be renewed. In addition, requests to move, add or change existing service arrangements will not be accepted. Following the expiration of a customer's existing term agreement, service will be provided on a month-to-month basis at the applicable monthly extension rates until the service is discontinued. AT&T currently plans to discontinue this Service on or after June 30, 2024. (N)

ISSUED: NOVEMBER 5, 2019

EFFECTIVE: NOVEMBER 20, 2019

ACCESS SERVICE

7 - Special Access (a.k.a. BellSouth SPA) Service (Cont'd)

7.2 Service Descriptions (Cont'd)

7.2.3 Voice Grade (a.k.a. BellSouth SPA DSO VG) Service<sup>(1)(2)</sup> (Cont'd) (N)

7.2.3.1 WATS Access Line (a.k.a. BellSouth SPA WATS Line) (WAL) Service<sup>(2)</sup> (Cont'd)

(A) Basic Channel Description (Cont'd)

WAL (a.k.a. BellSouth SPA WATS Line) service is arranged for either originating calling, terminating calling, or two-way calling. It is provided with either rotary dial or dual tone multifrequency address signaling and either loop start, ground start, E&M or reverse battery supervisory signaling. The choice of the type of signaling is at the option of the customer and subject to the technical limitations identified in the Technical Reference TR-NWT-000334. WATS Access Line (a.k.a. BellSouth SPA WATS Line) service is provided as an effective two-wire, an effective four-wire or a DS1 (i.e., 1.544 Mbps) transmission path. The DS1 WAL is only available as a trunk side termination on suitably equipped electronic switch, e.g., 1/1A ESS with Digital Carrier Termination (DCT) or DMS-100 with a Line Trunk Unit (LTU).

(B) Technical Specification Packages

<u>Parameters</u>	<u>Packages WAL -</u>		
	<u>1</u>	<u>2</u>	<u>3</u>
Attenuation Distortion	X	X	
Bit error rate			X
C-Message Noise	X	X	
Echo Control	X	X	
Envelope Delay Distortion	X	X	
Frequency Shift	X	X	
Impulse Noise	X	X	
Intermodulation Distortion	X	X	
Loss Deviation	X	X	
Phase Jitter	X	X	
Signal-to-C Notch Noise	X	X	

The technical specifications are delineated in Technical Reference TR-NWT-000334.

(1) Effective November 5, 2016, Voice Grade (a.k.a. BellSouth SPA DSO VG) service in the Carbon Hill, Alabama and Kings Point, Florida Telephone Company wire centers is no longer available.

(2) Effective November 20, 2019, this Service will no longer be available for purchase by new or existing customers, and service agreements may no longer be renewed. In addition, requests to move, add or change existing service arrangements will not be accepted. Following the expiration of a customer's existing term agreement, service will be provided on a month-to-month basis at the applicable monthly extension rate until the service is discontinued. AT&T currently plans to discontinue this service on or after June 30, 2024.

(N)  
 |  
 (N)

ISSUED: DECEMBER 16, 2022

EFFECTIVE: JANUARY 1, 2023

ACCESS SERVICE

7 - Special Access (a.k.a. BellSouth SPA) Service (Cont'd)

7.2 Service Descriptions (Cont'd)

7.2.3 Voice Grade (a.k.a. BellSouth SPA DSO VG) Service<sup>(1)(4)</sup> (Cont'd)

7.2.3.1 WATS Access Line (a.k.a. BellSouth SPA WATS Line) (WAL) Service<sup>(4)</sup> (Cont'd)

(C) The following interfaces are available with WAL (a.k.a. BellSouth SPA WATS Line) Service:

LO, LS, DS, GO, GS, RV, EA, EB

Compatible channel interfaces are set forth in Technical Reference TR-NWT-000334.

(D) Optional Features and Functions

- (1) Two-wire and four-wire Central Office bridging capability.
- (2) Improved two-wire voice transmission specifications.
- (3) Certain other arrangements associated with WAL (a.k.a. BellSouth SPA WATS Line) services such as WATS Access Line<sup>(4)</sup> (a.k.a. BellSouth SPA WATS Line) Nonchargeable Termination Options and Common Switching Optional Features are available as defined in Section 6 preceding.
- (4) One-way or Two-way Capability

7.2.4 Program Audio (a.k.a. BellSouth SPA Program Audio) Service<sup>(1)(2)(3)(5)</sup>

(N)

(A) Basic Channel Description

A Program Audio channel is a channel measured in Hz for the transmission of a complex signal voltage. The actual bandwidth is a function of the channel interface selected by the customer. Only one-way transmission is provided. Program Audio channels are provided between customer designated premises or between a customer designated premises and a Telephone Company Hub.

- (1) Effective November 5, 2016, Voice Grade (a.k.a. BellSouth SPA DSO VG) service and Program Audio (a.k.a. BellSouth SPA Program Audio) service in the Carbon Hill, Alabama and Kings Point, Florida Telephone Company wire centers are no longer available for new Customers at new locations. New circuits may be added at Customer locations with existing Voice Grade (a.k.a., BellSouth SPA DSO VG) or Program Audio (a.k.a. BellSouth SPA Program Audio) circuits as of February 16, 2016. There are no changes for existing Customers except that circuit moves to different buildings are no longer permitted.
- (2) Effective September 20, 2017, Program Audio Service has limited availability; see Section 2.1.15.
- (3) Effective November 20, 2019, this Service will no longer be available for purchase by new or existing customers, and service agreements may no longer be renewed. In addition, requests to move, add or change existing service arrangements will not be accepted. Following the expiration of a customer's existing term agreement, service will be provided on a month-to-month basis at the applicable monthly extension rates until the service is discontinued. AT&T currently plans to discontinue this Service on or after November 1, 2020.
- (4) Effective November 20, 2019, this Service will no longer be available for purchase by new or existing customers, and service agreements may no longer be renewed. In addition, requests to move, add or change existing service arrangements will not be accepted. Following the expiration of a customer's existing term agreement, service will be provided on a month-to-month basis at the applicable monthly extension rates until the service is discontinued. AT&T currently plans to discontinue this Service on or after June 30, 2024.
- (5) Program Audio is discontinued and no longer available in this publication (see WC Dkt. 19-238).

(N)

ISSUED: DECEMBER 16, 2022

EFFECTIVE: JANUARY 1, 2023

ACCESS SERVICE

7 - Special Access (a.k.a. BellSouth SPA) Service (Cont'd)

7.2 Service Descriptions (Cont'd)

7.2.4 Program Audio (a.k.a. BellSouth SPA Program Audio) Service<sup>(1)(2)(3)</sup> (Cont'd) (N)

(B) Technical Specifications Packages

Parameter*	Package AP-			
	1	2	3	4
Actual Measured Loss	X	X	X	X
Amplitude Tracking				
Crosstalk	X	X	X	X
Distortion Tracking				
Gain/Frequency Distortion	X	X	X	X
Group Delay				
Noise	X	X	X	X
Phase Tracking				
Short-Term Gain Stability				
Short-Term Loss				
Total Distortion	X	X	X	X

The technical specifications are delineated in Technical Reference TR-NPL-000337.

(C) Channel Interfaces

Compatible channel interfaces (CIs) are set forth in Technical Reference TR-NPL-000337.

CI	Bandwidth
PG-1	Nominal frequency from 50 to 15000 Hz
PG-3	Nominal frequency from 200 to 3500 Hz
PG-5	Nominal frequency from 100 to 5000 Hz
PG-8	Nominal frequency from 50 to 8000 Hz

Compatible channel interfaces are set forth in 7.3.5(D) following.

\* The desired parameters are selected by the customer from the list of available parameters.

(1) Effective November 5, 2016, Program Audio (a.k.a. BellSouth SPA Program Audio) service in the Carbon Hill, Alabama and Kings Point, Florida Telephone Company wire centers is no longer available.

(2) Effective November 20, 2019, this Service will no longer be available for purchase by new or existing customers, and service agreements may no longer be renewed. In addition, requests to move, add or change existing service arrangements will not be accepted. Following the expiration of a customer's existing term agreement, service will be provided on a month-to-month basis at the applicable monthly extension rates until the service is discontinued. AT&T currently plans to discontinue this Service on or after November 1, 2020.

(3) Program Audio is discontinued and no longer available in this publication (see WC Dkt. 19-238).

(N)

ISSUED: DECEMBER 16, 2022

EFFECTIVE: JANUARY 1, 2023

ACCESS SERVICE

7 - Special Access (a.k.a. BellSouth SPA) Service (Cont'd)

7.2 Service Descriptions (Cont'd)

7.2.4 Program Audio (a.k.a. BellSouth SPA Program Audio) Service<sup>(1)(2)(3)</sup> (Cont'd) (N)

(D) Optional Features and Functions

(1) Central Office Bridging Capability

Distribution Amplifier

(2) Gain Conditioning

Control of 1004 Hz AML at initiation of service to 0dB ± 0.5 dB.

(3) Stereo

Provision of a pair of gain/phase equalized channels for stereo applications. (Additional AP channel must be ordered separately.)

The following table shows the technical specifications packages with which the optional features and functions are available.

	Available with Technical Specifications Package AP-			
	<u>1</u>	<u>2</u>	<u>3</u>	<u>4</u>
Central Office Bridging Capability	X	X	X	X
Gain Conditioning	X	X	X	X
Stereo				X

(1) Effective November 5, 2016, Program Audio (a.k.a. BellSouth SPA Program Audio) service in the Carbon Hill, Alabama and Kings Point, Florida Telephone Company wire centers is no longer available for new Customers.

(2) Effective November 20, 2019, this Service will no longer be available for purchase by new or existing customers, and service agreements may no longer be renewed. In addition, requests to move, add or change existing service arrangements will not be accepted. Following the expiration of a customer's existing term agreement, service will be provided on a month-to-month basis at the applicable monthly extension rates until the service is discontinued. AT&T currently plans to discontinue this Service on or after November 1, 2020.

(3) Program Audio is discontinued and no longer available in this publication (see WC Dkt. 19-238). (N)



ISSUED: OCTOBER 21, 2016

EFFECTIVE: NOVEMBER 5, 2016

ACCESS SERVICE

7 - Special Access (a.k.a. BellSouth SPA) Service (Cont'd)

7.2 Service Descriptions (Cont'd)

7.2.5 Video (a.k.a. BellSouth SPA Video) Services

The Telephone Company provides the following video services.

7.2.5.1 Broadcast Quality Video (a.k.a. BellSouth SPA Broadcast Quality Video) Service<sup>(1)</sup>

(A) Basic Channel Description

Broadcast Quality Video (a.k.a. BellSouth SPA Broadcast Quality Video) service provides one-way transmission of National Television Systems Committee (NTSC) video signals between customer designated premises or between a customer designated premises and a Telephone Company central office via fiber optic facilities. A NTSC video channel provides standard 525 line/60 field, System M video signal with four (4) associated 20 kHz audio signals. The bandwidth for NTSC channels is either 30 Hz to 4.5 MHz or 30 Hz to 6.6 MHz. The associated audio signals may be either diplexed or provided as separate channels. The provision and the bandwidth of the associated audio signals is a function of the channel interface selected by the customer.

Different rates and charges apply for the two types of video signals. NTSC channels are provided under a month to month rate option.

Broadcast Quality Video customers may upgrade to Broadcast Quality Video SDI or higher video services without incurring termination liability charges, subject to the following conditions:

- (1) The customer must issue a disconnect order for the existing Broadcast Quality Video Service and place a service order for the new higher speed video service at the same locations such that there is no more than 60 days overlap between the two services.
- (2) The same locations must be utilized for the new higher-speed video service.
- (3) The customer must subscribe to a new CSPP term that is greater than or equal to the remaining months in the existing term for the lower speed service.
- (4) The existing Broadcast Quality Video Service must have been in service for a minimum period of 15 months for a 3-year term, or 18 months for a 5-year term.
- (5) Nonrecurring charges will apply where applicable.

<sup>(1)</sup> Effective November 5, 2016, Broadcast Quality Video (a.k.a. BellSouth SPA Broadcast Quality Video) service in the Carbon Hill, Alabama and Kings Point, Florida Telephone Company wire centers is no longer available for new Customers.

(C)  
(C)  
(D)  
(D)

ISSUED: OCTOBER 21, 2016

EFFECTIVE: NOVEMBER 5, 2016

ACCESS SERVICE

7 - Special Access Service (Cont'd)

7.2 Service Descriptions (Cont'd)

7.2.5 Video (a.k.a. BellSouth SPA Video) Services (Cont'd)

7.2.5.1 Broadcast Quality Video (a.k.a. BellSouth SPA Broadcast Quality Video) Service<sup>(1)</sup> (Cont'd)

(B) Technical Specifications

The compatibility requirements, technical specifications, and generic requirements for Broadcast Quality Video (a.k.a. BellSouth SPA Broadcast Quality Video) terminated at the customer's designated locations are referenced in BellSouth Technical Reference 73608 for NTSC video channels.

(C) Channel Interfaces

Compatible channel interfaces are set forth in BellSouth Technical Reference 73608 for NTSC video channels.

<sup>(1)</sup> Effective November 5, 2016, Broadcast Quality Video (a.k.a. BellSouth SPA Broadcast Quality Video) service in the Carbon Hill, Alabama and Kings Point, Florida Telephone Company wire centers is no longer available for new Customers.

(C)  
(C)  
(D)  
(D)

(This page filed under Transmittal No. 125 )

All AT&T and BellSouth marks contained herein and as set forth in the trademarks and service marks section of the BellSouth Tariff are owned by AT&T Intellectual Property or AT&T affiliated companies.

\*\*\*\*\*

ISSUED: MARCH 28, 2013

EFFECTIVE: APRIL 12, 2013

ACCESS SERVICE

7 - Special Access (a.k.a. BellSouth SPA) Service (Cont'd)

7.2 Service Descriptions (Cont'd)

7.2.5 Video (a.k.a. BellSouth SPA Video) Services (Cont'd)

7.2.5.2

(D)

(D)

ISSUED: MARCH 28, 2013

EFFECTIVE: APRIL 12, 2013

ACCESS SERVICE

7 - Special Access (a.k.a. BellSouth SPA) Service (Cont'd)

7.2 Service Descriptions (Cont'd)

7.2.5 Video (a.k.a. BellSouth SPA Video) Services (Cont'd)

7.2.5.2

(D)

(D)

ISSUED: JUNE 16, 2011

EFFECTIVE: JULY 1, 2011

ACCESS SERVICE

7 - Special Access (BellSouth SPA) Service (Cont'd)

7.2 Service Descriptions (Cont'd)

7.2.5 Video (a.k.a. BellSouth SPA Video) Services (Cont'd)

7.2.5.3 Uncompressed Switched Video (a.k.a. BellSouth SPA Uncompressed Switched Video) Service

(A) Basic Description

An Uncompressed Switched Video (a.k.a. BellSouth SPA Uncompressed Switched Video) service channel is a channel that connects customer-designated video source(s) and video distribution location(s) through a customer-configurable video switch located at a Telephone Company Central Office (CO). Uncompressed Switched Video (a.k.a. BellSouth SPA Uncompressed Switched Video) service channels are single-direction and provided via fiber-optic facilities. This channel adheres to either a standard 525-line/60-field National Television Committee (NTSC) System-M video signal and includes up to four (4) 15 kHz audio signals or is a Serial Digital Interface (SDI) uncompressed digital video signal transported at a speed of 270Mbps.

- (1) Uncompressed Switched Video (a.k.a. BellSouth SPA Uncompressed Switched Video) service Local Channels (LC) (one way) provide connectivity of Single Channel or Multiple Channel Systems from each customer-designated end-location to its normal Serving Wire Center (SWC). Each Multiple Channel System also requires video channel activations. A customer may activate from one (1) to eight (8) video channels per Multiple Channel System.
- (2) Uncompressed Switched Video (a.k.a. BellSouth SPA Uncompressed Switched Video) service Interoffice Channels (IOC) (one-way) provide connectivity of Single Channel or Multiple Channel Systems from the customer-designated location's normal SWC to the central office video switch.
- (3) Uncompressed Switched Video (a.k.a. BellSouth SPA Uncompressed Switched Video) service arrangements are available in two configurations that are available as independent, or in combination of, Single Channel Video Systems and/or Multiple Channel Video Systems. Each arrangement requires a minimum 36-month commitment period and a minimum of 8 video channels. Customers meeting the minimum 8 video channel/36 month commitment period requirement may request additional Single Channel Systems be associated with the same arrangement on a month-to-month basis. Both Single Channel Systems and Multiple Channel Systems will have an interface at the customer-designated end-location(s) with analog video and audio parameters as specified in TR-73593 or digital video signals specified in TR-73621. Customer designated end-locations are video source locations (transmit) or video distribution locations (receive).

(This page filed under Transmittal No. 1 )

ISSUED: DECEMBER 16, 2020

EFFECTIVE: DECEMBER 31, 2020

ACCESS SERVICE

7 - Special Access (a.k.a. BellSouth SPA) Service (Cont'd)

7.2 Service Descriptions (Cont'd)

7.2.5 Video (a.k.a. BellSouth SPA Video) Services (Cont'd)

7.2.5.3 Uncompressed Switched Video (a.k.a. BellSouth SPA Uncompressed Switched Video) Service (Cont'd)

(A) Basic Description (Cont'd)

- (4) This service offering also provides the customer with the capability to reconfigure the ports on a central office video switch. A port is a physical interface on a central office video switch. Each port can be connected to one video channel and supports both the video and associated audio in the same connection. The customer must provide the appropriate CPE to access the video switch in addition to subscribing to a dial-up or a dedicated control circuit, which must be purchased from the appropriate tariff. Customers subscribing to a dial-up control will be provided a telephone number, which shall be used to configure the port connection.
- (5) The customer subscribing to dial-up access in conjunction with Uncompressed Switched Video (a.k.a. BellSouth SPA Uncompressed Switched Video) service shall indemnify, defend, and save harmless the Telephone Company from and against any and all losses, claims, demands, causes of action and costs, including attorney's fees whether suffered, made, instituted or asserted by the customer or any other party or person arising from the use, whether authorized or unauthorized, in conjunction with the customer's Uncompressed Switched Video (a.k.a. BellSouth SPA Uncompressed Switched Video) service.
- (6) Uncompressed Switched Video (a.k.a. BellSouth SPA Uncompressed Switched Video) customers may upgrade to Broadcast Quality Video<sup>(1)(2)</sup> SDI or higher video services without incurring termination liability charges, subject to the following conditions:
  - (a) The customer must issue a disconnect order for the existing Uncompressed Switched Video (a.k.a. BellSouth SPA Uncompressed Switched Video) service and place a service order for the new higher speed video service at the same locations such that there is no more than 60 days overlap between the two services.
  - (b) The same locations must be utilized for the new higher-speed video service.
  - (c) The customer must subscribe to a new CSPP term that is greater than or equal to the remaining months in the existing term for the lower speed service.
  - (d) The existing Uncompressed Switched Video (a.k.a. BellSouth SPA Uncompressed Switched Video) service must have been in service for a minimum period of 15 months for a 3-year term.
  - (e) Nonrecurring charges will apply where applicable.

(N)

(1) Effective November 5, 2016, Broadcast Quality Video (a.k.a. BellSouth SPA Broadcast Quality Video) service in the Carbon Hill, Alabama and Kings Point, Florida Telephone Company wire centers is no longer available for new Customers.

(2) Effective December 31, 2020, Broadcast Video (TV1) service will no longer be available for purchase by new or existing customers, and service agreements may no longer be renewed. In addition, requests to move, add, or change existing service arrangements will not be accepted. Following the expiration of a customer's existing term agreement, service will be provided on a month-to-month basis at the applicable Monthly rate until the service is discontinued. AT&T currently plans to discontinue this Service on or after December 31, 2021.

(N)

(N)

(This page filed under Transmittal No. FC-20-0011)

All AT&T and BellSouth marks contained herein and as set forth in the trademarks and service marks section of the BellSouth Tariff are owned by AT&T Intellectual Property or AT&T affiliated companies.

\*\*\*\*\*

ISSUED: JUNE 16, 2011

EFFECTIVE: JULY 1, 2011

ACCESS SERVICE

7 - Special Access (a.k.a. BellSouth SPA) Service (Cont'd)

7.2 Service Descriptions (Cont'd)

7.2.5 Video (a.k.a. BellSouth SPA Video) Services (Cont'd)

7.2.5.3 Uncompressed Switched Video (a.k.a. BellSouth SPA Uncompressed Switched Video) Service (Cont'd)

(B) Single Channel and Multiple Channel Systems

Single Channel Systems and Multiple Channel Systems connect the video switch to the customer-designated source/distribution location(s) via Uncompressed Switched Video (a.k.a. BellSouth SPA Uncompressed Switched Video) service LCs and associated IOCs.

- (1) The Single Channel Video System is available for customers who require a single video signal in one direction between video source/distribution locations and the central office video switch.
- (2) The Multiple Channel Video System is available for customers who require more than one video signal in the same direction and between the same video source/distribution locations and the central office video switch. A Multiple Channel System Interoffice Interface is also available for interoffice transport of multiple video signals, in the same direction. Hubbing of individual Single Channel Systems onto or off of the same Multiple Channel Interoffice System at a central office is permitted. The Multiple Channel Video System is available with a maximum of eight (8) video channels. All channels within a Multiple Channel System must transmit or receive signals in the same direction.
- (3) Audio channels are provided with each analog video channel. At a minimum, two 15 kHz audio channels will be provided per video channel. However, the customer may order two additional 15 kHz audio channels per video channel. When additional 15 kHz audio channels are requested, in addition to the two provided with each video channel, the customer may specify either a month-to-month term or a 36 month commitment. Additionally, when requested by the customer, 20kHz audio channels may be provided in lieu of the 15 kHz audio channels. When the customer specifies 20 kHz audio channels, four audio channels will be provided for each video channel and each audio channel will have a 36-month commitment period.

(This page filed under Transmittal No. 1 )

All BellSouth marks contained herein and as set forth in the trademarks and service marks section of the BellSouth Tariffs are owned by BellSouth Intellectual Property Corporation.

\*\*\*\*\*

ISSUED: JUNE 16, 2011

EFFECTIVE: JULY 1, 2011

ACCESS SERVICE

7 - Special Access (a.k.a. BellSouth SPA) Service (Cont'd)

7.2 Service Descriptions (Cont'd)

7.2.5 Video (a.k.a. BellSouth SPA Video) Services (Cont'd)

7.2.5.3 Uncompressed Switched Video (a.k.a. BellSouth SPA Uncompressed Switched Video) Service (Cont'd)

(C) Two-Way, Interactive Video Service

Two-way, interactive video service may be obtained by combining two one-way (opposite directions) Single Channel Video Systems or by combining two one-way (opposite directions) Multiple Channel Video Systems.

(D) Technical Specifications Packages

The compatibility requirements, technical specifications, and generic requirements for Uncompressed Switched Video (a.k.a. BellSouth SPA ncompressed Switched Video) service terminated at the customer's designated end locations are referenced in BellSouth Technical Reference 73607.

(E) Channel Interfaces

Compatible channel interfaces are set forth in BellSouth Technical Reference 73607.



ISSUED: AUGUST 15, 2012

EFFECTIVE: AUGUST 30, 2012

ACCESS SERVICE

7 - Special Access (a.k.a. BellSouth SPA) Service (Cont'd)

7.2 Service Descriptions (Cont'd)

7.2.5 Video (a.k.a. BellSouth SPA Video) Services (Cont'd)

7.2.5.5

(D)

(D)

ISSUED: AUGUST 15, 2012

EFFECTIVE: AUGUST 30, 2012

ACCESS SERVICE

7 - Special Access (a.k.a. BellSouth SPA) Service (Cont'd)

7.2 Service Descriptions (Cont'd)

7.2.5 Video Service (a.k.a. BellSouth SPA Video)  
Services (Cont'd)

(T)

7.2.5.5

(D)

(D)

ISSUED: AUGUST 15, 2012

EFFECTIVE: AUGUST 30, 2012

ACCESS SERVICE

7 - Special Access (a.k.a. BellSouth SPA) Service (Cont'd)

7.2 Service Descriptions (Cont'd)

7.2.5 Video (a.k.a. BellSouth SPA Video) Services (Cont'd)

7.2.5.5

(D)

(D)

ISSUED: AUGUST 10, 2011

EFFECTIVE: AUGUST 25, 2011

ACCESS SERVICE

7 - Special Access (a.k.a. BellSouth SPA) Service (Cont'd)

7.2 Service Descriptions (Cont'd)

7.2.5 Video (a.k.a. BellSouth SPA Video) Services (Cont'd)

7.2.5.6 BellSouth SPA Modular Video Transport Service<sup>1</sup> (Cont'd)

(N)

(A) Basic Channel Description

BellSouth SPA Modular Video Transport service is a fiber optic transport video service that interconnects two or more customer designated end point locations to provide one way video service with associated audio. Multiple endpoint locations may be interconnected to form one way video services, e.g. rings or multipoint hubs. Two-way service may be obtained by ordering two one-way (opposite directions) services. This service is available in two configurations, Multiple Channel Video Systems or Single Channel Video systems. Different rates and charges apply for the two configurations. Multiple Channel systems and Single Channel Systems are comprised of Local Channels, Interoffice Channels, and Optional Features.

The technology that supports Multiple Channel Systems has a 16 channel capacity associated with each transport system. The specific number of channels supported are based on the design and video interface selected by the customer. The technology that supports Single Channel Systems has a capacity of one channel.

This service may transport uncompressed National Television Systems Committee (NTSC) video signals, Component 270 Mbps video signals (Multiple Channel Systems only), Advanced Television Stream (ATV), and/or Intermediate Frequency (IF) video signals between customer premises.

The NTSC video interface supports transmission capability for a standard, System M - National Television Systems Committee, composite, 525 line/60 field, uncompressed, video signal and has four associated 20 kHz audio signals. NTSC video interfaces are provided as either 10 bit, NTSC10, or 8 bit, NTSC8, signals.

Component 270 Video is a 270 Mbps serial digital interface that contains separate luminous and color signals plus associated audio. It is based on international standards and provides a better quality of service than NTSC composite video.

Advanced Television Stream (ATV) video is a standard, dual port interface that can support up to 90 Mbps of MPEG2 video.

Intermediate Frequency (IF) video provides for transmitting an analog video signal at an Intermediate Frequency between 40 and 46 mHz that can be modulated for a full 6 mHz of analog bandwidth. IF video can also be utilized to transport many Quadrature Amplitude Modulated (QAM) signals

<sup>1</sup> Effective August 25, 2011, BellSouth SPA Modular Video Transport Service is no longer available to new Customers. There is no change for existing customers.

(N)  
(N)  
(N)

ISSUED: AUGUST 10, 2011

EFFECTIVE: AUGUST 25, 2011

ACCESS SERVICE

7 - Special Access (a.k.a. BellSouth SPA) Service (Cont'd)

7.2 Service Descriptions (Cont'd)

7.2.5 Video (a.k.a. BellSouth SPA Video) Services (Cont'd)

7.2.5.6 BellSouth SPA Modular Video Transport Service<sup>1</sup> (Cont'd)

(N)

(A) Basic Channel Description (Cont'd)

BellSouth SPA Modular Video Transport service is provided at rates and charges specified for local channels, interoffice channels and optional features. This service is available under Month to Month rate options or via Channel Services Payment Plans.

Local channels (one way) are available as 1) Multiple Channel Systems, 2) Single Channel Systems, 3) Single Channel Trbutaries (available in conjunction with Multiple Channel Systems), and 4) Video Interfaces. Multiple Channel Systems are provided as 1) Transmit, 2) Receive, or 3) Drop/Add and require video interfaces for operability. Single Channel Systems are provided as 1) Transmit or 2) Receive and require video interfaces for operability.

<sup>1</sup> Effective August 25, 2011, BellSouth SPA Modular Video Transport Service is no longer available to new Customers. There is no change for existing customers.

(N)  
(N)  
(N)

ISSUED: JUNE 16, 2011

EFFECTIVE: JULY 1, 2011

ACCESS SERVICE

7 - Special Access (a.k.a. BellSouth SPA) Service (Cont'd)

7.2 Service Descriptions (Cont'd)

7.2.5 Video (a.k.a. BellSouth SPA Video) Services (Cont'd)

7.2.5.6 BellSouth SPA Modular Video Transport) Service (Cont'd)

(A) Basic Channel Description (Cont'd)

Single Channel Tributaries are only provided in conjunction with a Multiple Channel System. They are provided as Drop-Transmit, Drop-Receive, Add-Transmit or Add-Receive and requires either a NTSC 10 or ATV video interface for operability. Single Channel Tributaries allow dissemination of a single video channel onto or off of a BellSouth SPA Modular Video Transport service Multiple Channel System. This single channel system can support only one channel of the 16 channel capacity, e.g. one NTSC-10 Video Interface or one ATV Video Interface.

- (1) A Single Channel Tributary, Drop provides the ability to extend a single video channel of a Multiple Channel System to a remote customer premises. The Drop-Transmit, sends a digital signal from the Multiple Channel System to a company central office. This signal is then forwarded on to a Drop-Receive at the customer's remote premises.
- (2) A Single Channel Tributary, Add provides the ability to add a single video channel from a remote customer premise onto a Multiple Channel System. The Add-Transmit, sends a digital signal from the Customer's remote premises to it's serving wire center. This signal is then forwarded on to an Add-Receive and into the Multiple Channel System.

Local Channel Video Interfaces are provided at the customer endpoint locations as NTSC10, NTSC8, Component 270, ATV, and IF. Customers may designate the video interface of their choice in any combination as long as it does not exceed the 16 channel (time slot) maximum. Interfaces are described as follows:

- (1) NTSC10 Transmit - This video interface converts a standard NTSC video signal to an uncompressed digital format (10 bit) for combining and transmission via BellSouth SPA Modular Video Transport service. Each NTSC10 transmit video interface requires one time slot per plug-in.
- (2) NTSC10 Receive - This video interface converts an uncompressed digital video format (10 bit) from BellSouth SPA Modular Video Transport service to an analog, composite, NTSC video signal for interfacing to the customer provided equipment. Each NTSC10 receive video interface requires one time slot per plug-in.
- (3) NTSC8 Transmit - This video interface converts a standard NTSC video signal to an uncompressed digital format (8 bit) for combining and transmission via BellSouth SPA Modular Video Transport service. Each NTSC8 transmit video interface requires one time slot per plug-in.
- (4) NTSC8 Receive - This video interface converts an uncompressed digital video format (8 bit) from BellSouth SPA Modular Video Transport service to an analog, composite, NTSC video signal for interfacing to the customer provided equipment. Each NTSC8 receive video interface requires one time slot per plug-in.

ISSUED: AUGUST 10, 2011

EFFECTIVE: AUGUST 25, 2011

ACCESS SERVICE

7 - Special Access (a.k.a. BellSouth SPA) Service (Cont'd)

7.2 Service Descriptions (Cont'd)

7.2.5 Video (a.k.a. BellSouth SPA Video) Services (Cont'd)

7.2.5.6 BellSouth SPA Modular Video Transport Service<sup>1</sup> (Cont'd)

(N)

(A) Basic Channel Description (Cont'd)

- (5) Component 270 Transmit - This video interface formats the customers 270 Mbps, component digital signal for transmission via BellSouth SPA Modular Video Transport service. In a multi-channel configuration, each Component 270 transmit video interface requires two time slots per plug in.
- (6) Component 270 Receive - This video interface receives a transmission from BellSouth SPA Modular Video Transport service and reformats it to a 270 Mbps, component, digital signal. In a multi-channel configuration, each Component 270 receive video interface requires two time slots per plug in.
- (7) ATV Transmit - This video interface formats the customers dual port, 90 Mbps, ATV digital signal for transmission via BellSouth SPA Modular Video Transport service. Each ATV transmit video interface requires one time slot per plug in.
- (8) ATV Receive - This video interface receives a transmission from BellSouth SPA Modular Video Transport service and reformats it to a dual port, 90 Mbps, ATV signal. Each ATV receive video interface requires one time slot per plug-in.
- (9) IF Transmit - This video interface converts an analog video signal between 40 and 46 mHz to an uncompressed digital signal for transmission via BellSouth SPA Modular Video Transport service. Each IF transmit interface requires one time slot per plug-in.
- (10) IF Receive - This video interface receives a transmission from BellSouth SPA Modular Video Transport service and converts the uncompressed digital signal to an analog IF video signal between 40 and 46 mHz. Each IF receive interface requires one time slot per plug-in.

BellSouth SPA Modular Video Transport service requires at least one Local Channel, Multiple Channel System-Transmit and one Local Channel, Multiple Channel System-Receive or one Local Channel, Single Channel System-Transmit and one Local Channel, Single Channel System-Receive. Single Channel Tributaries may only be ordered in conjunction with Local Channel, Multiple Channel Systems.

Interoffice channels include mileage and regenerators.

Optional Features include Network Status Monitoring, Audio/Video Jack Fields, and Fiber Optic Splitters. Network Status Monitoring provides the ability for the customer to remotely monitor and electronically rearrange transport features through the use of a customer's personal computer. This feature requires a minimum of a two way service or a one way ring.

<sup>1</sup> Effective August 25, 2011, BellSouth SPA Modular Video Transport Service is no longer available to new Customers. There is no change for existing customers.

(N)  
(N)  
(N)

ISSUED: AUGUST 10, 2011

EFFECTIVE: AUGUST 25, 2011

ACCESS SERVICE

7 - Special Access (a.k.a. BellSouth SPA) Service (Cont'd)

7.2 Service Descriptions (Cont'd)

7.2.5 Video (a.k.a. BellSouth SPA Video) Services (Cont'd)

7.2.5.6 BellSouth SPA Modular Video Transport Service<sup>1</sup> (Cont'd)

(N)

Audio/Video Jack Fields are easy access points that allow a customer to locally monitor video and audio signals at the customer endpoint location. Fiber Optic Splitters provide the capability of broadcasting from one transmit system to one to four receive systems in a point to multipoint configuration. This feature is not available for ring configurations. Two or more fiber optic splitters may be utilized when more than four receive end points are required.

Two-way transport and/or counter rotating rings for electrical protection, may be obtained by combining two transport services in opposite directions.

(B) Technical Specifications Package

The compatibility requirements, technical specifications, and generic requirements for BellSouth SPA Modular Video Transport Service terminated at the customer's designated locations are referenced in BellSouth Technical Reference 73606.

(C) Channel Interfaces

Compatible channel interfaces are set forth in BellSouth Technical Reference 73606.

<sup>1</sup> Effective August 25, 2011, BellSouth SPA Modular Video Transport Service is no longer available to new Customers. There is no change for existing customers.

(N)  
(N)  
(N)



BELLSOUTH TELECOMMUNICATIONS  
Four AT&T Plaza, Dallas, Texas 75202

TARIFF F.C.C. NO. 1  
1ST REVISED PAGE 7-57  
CANCELS ORIGINAL PAGE 7-57

ISSUED: OCTOBER 28, 2014

EFFECTIVE: NOVEMBER 12, 2014

ACCESS SERVICE

7 - Special Access (a.k.a. BellSouth SPA) Service (Cont'd)

7.2 Service Descriptions (Cont'd)

7.2.6 Reserved for Future Use

(T)

(D)

(D)

BELLSOUTH TELECOMMUNICATIONS  
Four AT&T Plaza, Dallas, Texas 75202

TARIFF F.C.C. NO. 1  
1ST REVISED PAGE 7-58  
CANCELS ORIGINAL PAGE 7-58

ISSUED: OCTOBER 28, 2014

EFFECTIVE: NOVEMBER 12, 2014

ACCESS SERVICE

7 - Special Access (a.k.a. BellSouth SPA) Service (Cont'd)

7.2 Service Descriptions (Cont'd)

7.2.6 Reserved for Future Use (Cont'd)

(T)

(D)

(D)

BELLSOUTH TELECOMMUNICATIONS  
Four AT&T Plaza, Dallas, Texas 75202

TARIFF F.C.C. NO. 1  
1ST REVISED PAGE 7-59  
CANCELS ORIGINAL PAGE 7-59

ISSUED: OCTOBER 28, 2014

EFFECTIVE: NOVEMBER 12, 2014

ACCESS SERVICE

7 - Special Access (a.k.a. BellSouth SPA) Service (Cont'd)

7.2 Service Descriptions (Cont'd)

7.2.6 Reserved for Future Use (Cont'd)

(T)

(D)

(D)

BELLSOUTH TELECOMMUNICATIONS  
Four AT&T Plaza, Dallas, Texas 75202

TARIFF F.C.C. NO. 1  
1ST REVISED PAGE 7-60  
CANCELS ORIGINAL PAGE 7-60

ISSUED: OCTOBER 28, 2014

EFFECTIVE: NOVEMBER 12, 2014

ACCESS SERVICE

7 - Special Access (a.k.a. BellSouth SPA) Service (Cont'd)

7.2 Service Descriptions (Cont'd)

7.2.7 Reserved for Future Use (Cont'd)

(T)

(D)

(D)

ISSUED: NOVEMBER 5, 2019

EFFECTIVE: NOVEMBER 20, 2019

ACCESS SERVICE

7 - Special Access (a.k.a. BellSouth SPA) Service (Cont'd)

7.2 Service Descriptions (Cont'd)

7.2.7 Reserved for Future Use (Cont'd)

7.2.8 Digital Data Access (a.k.a. BellSouth SPA DSO Digital Data) Service <sup>(2)(3)</sup> (N)

(A) Basic Channel Description

A Digital Data (a.k.a. BellSouth SPA DSO Digital Data) Access channel is a channel for duplex four-wire transmission of synchronous serial data at the rate of 2.4, 4.8, 9.6, 19.2, 56.0 or 64.0 <sup>(1)</sup> kbps. Transmission speeds of 2.4, 4.8, 9.6 and 19.2 kbps are referred to as Low-speed Digital Data Access (a.k.a. BellSouth SPA DSO Digital Data) service (DDAS) options, and transmission speeds of 56.0 and 64.0 kbps are referred to as High-speed DDAS (a.k.a. BellSouth SPA DSO Digital Data) options. The actual bit rate is a function of the channel interface selected by the

(1) When 64.0 Kbps service is multiplexed on a DS1 High Capacity (a.k.a. BellSouth SPA DS1) service, the DS1 must be optioned with Clear Channel Capability.

(2) Effective September 20, 2017, Digital Data Access Service has limited availability; see Section 2.1.15.

(3) Effective November 20, 2019, this Service will no longer be available for purchase by new or existing customers, and service agreements may no longer be renewed. In addition, requests to move, add or change existing service arrangements will not be accepted. Following the expiration of a customer's existing term agreement, service will be provided on a month-to-month basis at the applicable monthly extension rates until the service is discontinued. AT&T currently plans to discontinue this Service on or after June 30, 2024.

(N)  
|  
(N)

ISSUED: NOVEMBER 5, 2019

EFFECTIVE: NOVEMBER 20, 2019

ACCESS SERVICE

7 - Special Access (a.k.a. BellSouth SPA) Service (Cont'd)

7.2 Service Descriptions (Cont'd)

7.2.8 Digital Data Access<sup>(1)</sup> (a.k.a. BellSouth SPA DSO Digital Data) Service (Cont'd)

(N)

(A) Basic Channel Description (Cont'd)

customer. The channel provides a synchronous service with timing provided by the Telephone Company through the Telephone Company's facilities to the customer in the received bit stream. Digital Data Access (a.k.a. BellSouth SPA DSO Digital Data) service is used to connect customer designated premises or to connect customer designated premises to a Telephone Company DDAS Hub (where connection to other services may be allowed). DDAS (a.k.a. BellSouth SPA DSO Digital Data) channels are only available from Telephone Company serving wire centers designated as DDAS (a.k.a. BellSouth SPA DSO Digital Data) Hubs. A DDAS (a.k.a. BellSouth SPA DSO Digital Data) Hub is a Telephone Company designated wire center where specialized timing, testing, maintenance and monitoring is provided for DDAS (a.k.a. BellSouth SPA DSO Digital Data) circuits; DDAS (a.k.a. BellSouth SPA DSO Digital Data) bridging is provided and available only at a DDAS (a.k.a. BellSouth SPA DSO Digital Data) Hub office. Wire centers designated as DDAS (a.k.a. BellSouth SPA DSO Digital Data) Hubs are identified in the NATIONAL EXCHANGE CARRIER ASSOCIATION, INC. TARIFF F.C.C. NO. 4. In accordance with Section 7.4.6, interoffice mileage required to connect each customer designated premises to the DDAS (a.k.a. BellSouth SPA DSO Digital Data) Hub office is computed and rates applied separately for each section of the Interoffice Channel, i.e., customer designated premises serving wire center to DDAS (a.k.a. BellSouth SPA DSO Digital Data) Hub, DDAS (a.k.a. BellSouth SPA DSO Digital Data) Hub to DDAS (a.k.a. BellSouth SPA DSO Digital Data) Hub and/or DDAS (a.k.a. BellSouth SPA DSO Digital Data) Hub to customer designated premises serving wire center.

Secondary Channel Capability (SCC) is a derived companion digital transmission path that is independent of the primary data path and operates at a substantially lower bit rate. This derived channel allows the customer to perform network management functions during the normal operation of the network. This diagnostics channel utilizes a portion of a customer's previously unavailable data bit stream allowing for the ability to remotely control and test the network and peripheral devices without taking the network out of service. Special customer equipment is necessary to utilize the benefits of the SCC. Customers not wishing to utilize this capability will not be impacted. Due to transmission equipment restrictions, SCC cannot be provided on 56 Kbps service that require the installation of loop repeater equipment for provision of service. Also, SCC cannot be provided on 64.0 kbps service since all of the available bit stream will be used by the customer.

The customer will provide the Channel Service Unit-type equipment or other Network Channel Terminating Equipment associated with the Digital Data Access (a.k.a. BellSouth SPA DSO Digital Data) channel at the customer premises. The interim program for interconnection of such equipment is set forth in Technical Reference PUB AS No. 1.

<sup>(1)</sup> Effective November 20, 2019, this Service will no longer be available for purchase by new or existing customers, and service agreements may no longer be renewed. In addition, requests to move, add or change existing service arrangements will not be accepted. Following the expiration of a customer's existing term agreement, service will be provided on a month-to-month basis at the applicable monthly extension rates until the service is discontinued. AT&T currently plans to discontinue this Service on or after June 30, 2024.

(N)  
|  
(N)

ISSUED: JUNE 16, 2011

EFFECTIVE: JULY 1, 2011

ACCESS SERVICE

7 - Special Access (a.k.a. BellSouth SPA) Service (Cont'd)

7.2 Service Descriptions (Cont'd)

7.2.8 Digital Data Access (a.k.a. BellSouth SPA DSO Digital Data) Service  
 (Cont'd)

(B) Technical Specifications Packages

Parameter	Package DA-					
	1	2	3	4	5	6
Error-Free Seconds	X	X	X	X	X	X

The Telephone Company will provide a channel capable of meeting a monthly average performance equal to or greater than 99.875% error-free seconds while the channel is in service, if it is measured through a CSU equivalent which is designed, manufactured and maintained to conform with the interconnection specifications contained in Technical Reference MDP-326-726.

Interface options and service objectives are as specified in Technical Reference TR-NWT-000341.

(C) Channel Interfaces

The following channel interfaces (CIs) define the bit rates that are available for a Digital Data Access channel (a.k.a. BellSouth SPA DSO Digital Data):

CI	Bit Rate
DU-24 (S)*	2.4 kbps
DU-48 (S)*	4.8 kbps
DU-96 (S)*	9.6 kbps
DU-19 (S)*	19.2 kbps
DU-56 (S)*	56.0 kbps
DU-64	64.0 kbps

Compatible channel interfaces are set forth in Technical Reference TR-NWT-000341 and MDP 326-726.

(D) Optional Features and Functions

(1) Central Office Bridging Capability

Bridging is not available on a 64.0 kbps circuit.

ISSUED: SEPTEMBER 12, 2012

EFFECTIVE: SEPTEMBER 27, 2012

ACCESS SERVICE

7 - Special Access (a.k.a. BellSouth SPA) Service (Cont'd)

7.2 Service Descriptions (Cont'd)

7.2.8 Digital Data Access (a.k.a. BellSouth SPA DSO Digital Data) Service  
(Cont'd)

(D) Optional Features and Functions (Cont'd)

(2) Transfer Arrangement

An arrangement that affords the customer an additional measure of protection and/or flexibility in the use of their access channel(s) on a 1xN basis. The arrangement can be utilized to transfer a leg of a Special Access Service to either a spare or working channel that terminates in either the same or a different customer designated premises. This arrangement is only available at a Telephone Company designated Hub. A key activated or dial up control service is required to operate the transfer arrangement. A spare line, if required, is not included as a part of the option.

(3)

(D)

(D)



ISSUED: SEPTEMBER 12, 2012

EFFECTIVE: SEPTEMBER 27, 2012

ACCESS SERVICE

7 - Special Access (a.k.a. BellSouth SPA) Service (Cont'd)

7.2 Service Descriptions (Cont'd)

7.2.8 Digital Data Access (a.k.a. BellSouth SPA DSO Digital Data) Service  
(Cont'd)

(D) Optional Features and Functions (Cont'd)

(3)

(D)

(D)

(4)

ISSUED: SEPTEMBER 12, 2012

EFFECTIVE: SEPTEMBER 27, 2012

ACCESS SERVICE

7 - Special Access (a.k.a. BellSouth SPA) Service (Cont'd)

7.2 Service Descriptions (Cont'd)

7.2.8 Digital Data Access (a.k.a. BellSouth SPA DSO Digital Data) Service  
 (Cont'd)

(D) Optional Features and Functions (Cont'd)

The following table shows the technical specifications packages with which the optional features and functions are available.

	Available with Technical Specifications Package DA-					
	<u>1</u>	<u>2</u>	<u>3</u>	<u>4</u>	<u>5</u>	<u>6</u>
Central Office Bridging Capability	X	X	X	X	X	
Transfer Arrangement	X	X	X	X		
BellSouth Customer Network Management Service	X	X	X	X	X	X

(D)

The technical specifications are delineated in Technical Reference TR-73513 for X.25 and TR-73515, Issue B.

(D)

(D)

(This page filed under Transmittal No. 0042 )

All BellSouth marks contained herein and as set forth in the trademarks and servicemarks section of this Tariff are owned by BellSouth Intellectual Property Corporation.

\*\*\*\*\*

ISSUED: NOVEMBER 5, 2019

EFFECTIVE: NOVEMBER 20, 2019

ACCESS SERVICE

7 - Special Access (a.k.a. BellSouth SPA) Service (Cont'd)

7.2 Service Descriptions (Cont'd)

7.2.9 High Capacity (a.k.a. BellSouth SPA High Capacity) Service <sup>(2)</sup>

(A) Basic Channel Description

A High Capacity (a.k.a. BellSouth SPA High Capacity) channel is a channel for the transmission of nominal 64.0 kbps <sup>(1)(3)</sup> or 1.544, 3.152, 6.312, or 44.736, Mbps isochronous serial data. The actual bit rate is a function of the channel interface selected by the customer. High Capacity (a.k.a. BellSouth SPA High Capacity) channels are provided between customer-designated premises or between a customer-designated premises and a Telephone Company Hub. (N)

Except for DS1 Diverse service, a DS1 (1.544 Mbps) High Capacity (a.k.a. BellSouth SPA DS1) channel may also be provided over a fiber transmission path between a customer-designated premises and an alternate wire center. DS1 High Capacity (a.k.a. BellSouth SPA DS1) channels may not be provided over DS1 Diverse service. The customer must have at least one other High Capacity (a.k.a. BellSouth SPA High Capacity) service from the same customer-designated premises to its normal serving wire center. This DS1 Alternate Serving Wire Center (ASWC) transmission path avoids the wire center from which the customer would normally obtain dial tone. The ASWC local channel is provisioned between contiguous wire centers with adjacent fiber feeder routes. This service utilizes fiber facilities from the ASWC to the designated customer premises. Interoffice channel facilities, if required, will avoid the normal serving wire center. The Telephone Company will designate the serving wire center to be used as the alternate.

The DS1 ASWC arrangement is immediately available for all existing arrangements and, where facilities exist, for customers whose normal serving wire centers are those listed below:

ALPRGAMA	ATLNGABU	ATLNGACS	TUKRGAMA
ATLNGAEP	ATLNGAPP	ATLNGASS	
ATLNGATH	DNWDGAMA	RSWLGAMA	
SMYRGAMA	SMYRGAPF	CHMBGAMA	

(1) Available only as a channelized element of a 1.544 Mbps facility between two Telephone Company Digital Data (a.k.a. BellSouth SPA DSO Digital Data) Access Hubs or as a cross connect of two 2.4, 4.8, 9.6, 19.2, 56.0 or 64.0 Kbps channels of two 1.544 Mbps facilities at a Digital Data (a.k.a. BellSouth SPA DSO Digital Data) Access Hub. The customer must provide system and channel assignment data.

(2) Effective September 20, 2017, High Capacity Service has limited availability; see Section 2.1.15.

(3) Effective November 20, 2019, this Service will no longer be available for purchase by new or existing customers, and service agreements may no longer be renewed. In addition, requests to move, add or change existing service arrangements will not be accepted. Following the expiration of a customer's existing term agreement, service will be provided on a month-to-month basis at the applicable monthly extension rates until the service is discontinued. AT&T currently plans to discontinue this Service on or after June 30, 2024. (N)

(This page filed under Transmittal No. 150 )

ISSUED: NOVEMBER 23, 2015

EFFECTIVE: DECEMBER 8, 2015

ACCESS SERVICE

7 - Special Access (a.k.a. BellSouth SPA) Service (Cont'd)

7.2 Service Descriptions (Cont'd)

7.2.9 High Capacity Service (Cont'd)

(A) Basic Channel Description (Cont'd)

A BellSouth DS1 Diverse service local and interoffice channel provides for a local and interoffice channel facility, as defined in 7.1.2(A) and (B), utilizing a structurally diverse, fiber-based, architecture designed to limit single points of failure. DS1 Diverse service is available to customer locations where existing Local and Interoffice Channel facilities are fiber-based and utilize structurally diverse routes. Connectivity is available from a BellSouth DS1 Diverse Local Channel to another BellSouth DS1 Diverse service Local or Interoffice Channel, a DS1 (a.k.a. BellSouth SPA DS1) service Basic Channelization System, Centrex Type service, BellSouth SPA CNM - FlexServ Service, LightGate (a.k.a. BellSouth SPA Point to Point Network) service, BellSouth SPA Managed Shared Network service, Expanded Interconnection service, or Exchange Access Frame Relay (a.k.a. BellSouth Exchange Access Frame Relay) service (XAFRS). BellSouth DS1 Diverse Interoffice Channels are not available without interconnection to a BellSouth DS1 Diverse service Local Channel. BellSouth DS1 Diverse service Local and Interoffice Channels may not be connected to a DS1 (a.k.a. BellSouth SPA DS1) service Local or Interoffice Channel, and are not eligible for Alternate Serving Wire Center (ASWC) routing. (D)

The DS1 ASWC arrangement will be provided elsewhere within 12 months of receiving a customer request. Where facilities do not exist, special construction charges for construction of a route or type of facility other than normal may apply as set forth in the Telephone Company's special construction tariff.

The charges for DS1 ASWC as specified in 7.5.9(A) following, apply on a per DS1 local channel basis and are in lieu of the per DS1 local channel charges which apply for DS1 local channels which extend from the customer-designated premises to the normal serving wire center. Interoffice channel mileage for the alternately routed service is based on mileage measured from or to the alternate serving wire center.

(This page filed under Transmittal No. 0110 )

All AT&T and BellSouth marks contained herein and as set forth in the trademarks and service marks section of the BellSouth Tariff are owned by AT&T Intellectual Property or AT&T affiliated companies.

\*\*\*\*\*

ISSUED: JUNE 16, 2011

EFFECTIVE: JULY 1, 2011

ACCESS SERVICE

7 - Special Access (a.k.a. BellSouth SPA) Service (Cont'd)

7.2 Service Descriptions (Cont'd)

7.2.9 High Capacity (a.k.a. BellSouth SPA High Capacity) Service (Cont'd)

(A) Basic Channel Description (Cont'd)

LightGate service (a.k.a. BellSouth SPA Point to Point Network) is a high capacity digital transport service consisting of DS1 and DS3 <sup>(1)</sup> channels. LightGate service (a.k.a. BellSouth SPA Point to Point Network) local channels are provided in four asynchronous system sizes: LightGate 1 service (a.k.a. BellSouth SPA Point to Point Network 1 DS3 capacity) systems, LightGate 2 service (a.k.a. BellSouth SPA Point to Point Network 3 DS3 capacity) systems, LightGate 3 service (a.k.a. BellSouth SPA Point to Point Network 12 DS3 capacity) systems, and LightGate 4 service (a.k.a. BellSouth SPA Point to Point Network 24 DS3 capacity) systems. Interoffice channels are provided in one system size: an asynchronous LightGate 1 service (a.k.a. BellSouth SPA Point to Point Network 1 DS3 capacity) system. Asynchronous systems are capable of transporting asynchronous DS1 and DS3 channels.

(This page filed under Transmittal No. 1 )

All AT&T and BellSouth marks contained herein and as set forth in the trademarks and service marks section of the BellSouth Tariff are owned by AT&T Intellectual Property or AT&T affiliated companies.

\*\*\*\*\*

ISSUED: JUNE 16, 2011

EFFECTIVE: JULY 1, 2011

ACCESS SERVICE

7 - Special Access (a.k.a. BellSouth SPA) Service (Cont'd)

7.2 Service Descriptions (Cont'd)

7.2.9 High Capacity (a.k.a. BellSouth SPA High Capacity) Service (Cont'd)

(A) Basic Channel Description (Cont'd)

System Size:	<u>System Channel Capacity Limits</u>			OC-3
	DS1	DS3	STS-1	
-LightGate 1 (a.k.a. BellSouth SPA Point to Point Network 1 DS3 capacity)	28	1		
-LightGate 2 (a.k.a. BellSouth SPA Point to Point Network 3 DS3 capacity)	84	3		
-LightGate 3 (a.k.a. BellSouth SPA Point to Point Network 12 DS3 capacity)	336	12		
-LightGate 4 (a.k.a. BellSouth SPA Point to Point Network 24 DS3 capacity)	672	24		

ISSUED: JUNE 16, 2011

EFFECTIVE: JULY 1, 2011

ACCESS SERVICE

7 - Special Access (a.k.a. BellSouth SPA) Service (Cont'd)

7.2 Service Descriptions (Cont'd)

7.2.9 High Capacity (a.k.a. BellSouth SPA High Capacity) Service (Cont'd)

(A) Basic Channel Description (Cont'd)

Two additional levels of reliability are offered as options of basic LightGate service (a.k.a. BellSouth SPA Point to Point Network). These service levels provide guaranteed Separate Alternate Facilities Transport (SAFT Levels I & II) for improved protection of local channel systems extended from the first outside plant service access point outside the Telephone Company's serving wire center to the last outside plant service access point prior to entering a customer's premises.

SAFT Level I

Service protection facilities will be guaranteed to be provided in a separate sheath, i.e., cable, from the primary facilities.

SAFT Level II

Service protection facilities will be guaranteed to be provided in a separate sheath, i.e., cable, separate supporting structure and route from the primary facilities. Intermediate equipment, if required, will be configured to prevent a single service interruption point.

LightGate service (a.k.a. BellSouth SPA Point to Point Network) channel interfaces are offered to provide individual DS1 and DS3 channels<sup>(1)</sup>. Each DS3 channel has a capacity of 28 DS1 channels. A group of 28 DS1 channels or fraction thereof displaces the availability of a DS3<sup>(1)</sup> channel in a system. Appropriate electrical signals will be provided in accordance with the specifications of Technical Reference TR-INS-000342. The specifications for LightGate service (a.k.a. BellSouth SPA Point to Point Network) interfaces are contained in BellSouth Telecommunications Technical Reference TR-73501.

The following table lists the channel interfaces available with each LightGate service (a.k.a. BellSouth SPA Point to Point Network) system.

(This page filed under Transmittal No. 1 )

All AT&T and BellSouth marks contained herein and as set forth in the trademarks and service marks section of the BellSouth Tariff are owned by AT&T Intellectual Property or AT&T affiliated companies.

\*\*\*\*\*

ISSUED: JUNE 16, 2011

EFFECTIVE: JULY 1, 2011

ACCESS SERVICE

7 - Special Access (a.k.a. BellSouth SPA) Service (Cont'd)

7.2 Service Descriptions (Cont'd)

7.2.9 High Capacity (a.k.a. BellSouth SPA High Capacity) Service (Cont'd)

(A) Basic Channel Description (Cont'd)

Local Channel Systems:

	Asynchronous (1)			
	LG1	LG2	LG3	LG4
Customer Channel Interfaces				
DS1 (3)	X	X		
DS3	X	X	X	X
Central Office Channel Interfaces				
DS1	X	X		
DS3	X	X	X	X
28 DS1 Channel System (2)			X	X

(This page filed under Transmittal No. 1 )

All AT&T and BellSouth marks contained herein and as set forth in the trademarks and service marks section of the BellSouth Tariff are owned by AT&T Intellectual Property or AT&T affiliated companies.

\*\*\*\*\*



ISSUED: JUNE 16, 2011

EFFECTIVE: JULY 1, 2011

ACCESS SERVICE

7 - Special Access (a.k.a. BellSouth SPA) Service (Cont'd)

7.2 Service Descriptions (Cont'd)

7.2.9 High Capacity (a.k.a. BellSouth SPA High Capacity) Service (Cont'd)

(A) Basic Channel Description (Cont'd)

Interoffice Channel Systems:

	<u>Asynchronous</u>
	LG1
Channel Interfaces(8)	
DS3	X
28 DS1 Channel System(9)	X

Notes:

- (1) Channel interface availability varies with system size and transport architecture (asynchronous vs. synchronous).
- (2) 28 DS1 channel system interfaces are required in conjunction with LightGate 3 (a.k.a. BellSouth SPA Point to Point Network 12 DS3 capacity) and 4 (a.k.a. BellSouth SPA Point to Point Network 24 DS3 capacity) asynchronous systems.
- (3) Telephone Company provided DS1 customer channel interfaces are offered with LightGate 1 (a.k.a. BellSouth SPA Point to Point Network 1 DS3 capacity), and LightGate 2 (a.k.a. BellSouth SPA Point to Point Network 3 DS3 capacity).
- (4) 28 DS1 channel system interfaces are required to terminate DS1 channels in the central office for LightGate service 3 (a.k.a. BellSouth SPA Point to Point Network 12 DS3 capacity) and 4 (a.k.a. BellSouth SPA Point to Point Network 24 DS3 capacity) systems.
- (5) Asynchronous LightGate service 1 (a.k.a. BellSouth SPA Point to Point Network 1 DS3 capacity) Interoffice Channel Systems offer DS1 or DS3 channel interfaces only.
- (6) 28 DS1 channel system interfaces are only required with asynchronous DS1 and DS3 channels.
- (7) Available on systems installed on or after March 31, 2005. The maximum number of Flex DS1 circuits available in a system is 96.
- (8) DS3 (Asymmetrical with DS1) and DS3 (Asymmetrical with Flex DS1) Central Office Channel Interfaces are available only for connection to collocation arrangements.

(This page filed under Transmittal No. 1 )

All AT&T and BellSouth marks contained herein and as set forth in the trademarks and service marks section of the BellSouth Tariff are owned by AT&T Intellectual Property or AT&T affiliated companies.

\*\*\*\*\*

ISSUED: JUNE 16, 2011

EFFECTIVE: JULY 1, 2011

ACCESS SERVICE

7 - Special Access (a.k.a. BellSouth SPA) Service (Cont'd)

7.2 Service Descriptions (Cont'd)

7.2.9 High Capacity (a.k.a. BellSouth SPA High Capacity) Service (Cont'd)

(A) Basic Channel Description (Cont'd)

LightGate service (a.k.a. BellSouth SPA Point to Point Network) local channel systems provided to a customer's designated premises will be installed in a single, common space under Telephone Company control. A local channel system may not be split between premises or terminated in multiple locations within a premises. The customer must provide suitable floor space, controlled environment, and source of non-switched suitable power to support this service at that location.

LightGate service 1 (a.k.a. BellSouth SPA Point to Point Network 1 DS3 capacity) interoffice channel systems are intended to extend LightGate service (a.k.a. BellSouth SPA Point to Point Network) local channels to other central offices or to be provided on a stand-alone basis when connected to BellSouth Customer Network Management Service and hubbing applications at Voice Grade (a.k.a. BellSouth SPA DSO VG) service levels when not directly connected to LightGate service (a.k.a. BellSouth SPA Point to Point Network) local channels. Each LightGate service interoffice system is only provided between two suitably equipped Telephone Company central offices.

(This page filed under Transmittal No. 1 )

All AT&T and BellSouth marks contained herein and as set forth in the trademarks and service marks section of the BellSouth Tariff are owned by AT&T Intellectual Property or AT&T affiliated companies.

\*\*\*\*\*

ISSUED: JUNE 16, 2011

EFFECTIVE: JULY 1, 2011

ACCESS SERVICE

7 - Special Access (a.k.a. BellSouth SPA) Service (Cont'd)

7.2 Service Descriptions (Cont'd)

7.2.9 High Capacity (a.k.a. BellSouth SPA High Capacity) Service (Cont'd)

(B) Technical Specifications Packages

The Compatibility requirements, technical specifications, and generic requirements for High Capacity service (a.k.a. BellSouth SPA High Capacity) service that are terminated at the customers (end users) premises are contained in Technical Reference TR-NPL-000054.

Transmission parameter limits, interface combinations, and technical specifications applicable to Interstate Carriers are contained in Technical Reference TR-INS-000342.

BellSouth DS1 Diverse service Local and Interoffice Channels have a performance objective of 99.98 percent circuit availability over 12 consecutive months, 99.95 percent error free seconds over a continuous 24 hour period, and .010 severely errored seconds over 30 consecutive days. These objectives apply except when a customer's equipment and/or cabling is disconnected and/or inoperative.

DS3 High Capacity service (a.k.a. BellSouth SPA DS3) service channels are measured at the DS1 rate. DS1 High Capacity service (a.k.a. BellSouth SPA DS1) service channels have a performance objective of 98.75% error-free seconds over a continuous 24 hour period. The channel availability objective over 12 consecutive months is 99.925%.

(C) Channel Interfaces

The following channel interfaces (CIs) define the bit rates that are available for a High Capacity (a.k.a. BellSouth SPA High Capacity) channel:

<u>CI</u>	<u>Bit Rate</u>
DS-15*	1.544 Mbps (DS1)
DS-31	3.152 Mbps (DS1C)
DS-44	44.736 Mbps (DS3)
DS-63	6.312 Mbps (DS2)

Compatible channel interfaces are set forth in Technical Reference TR-NPL-000054 and TR-INS-000342.

\* A 64.0 kbps channel is available as a channel(s) of a 1.544 Mbps facility to a Telephone Company Hub.

ISSUED: OCTOBER 17, 2011

EFFECTIVE: NOVEMBER 1, 2011

ACCESS SERVICE

7 - Special Access (a.k.a. BellSouth SPA) Service (Cont'd)

7.2 Service Descriptions (Cont'd)

7.2.9 High Capacity (a.k.a. BellSouth SPA) Service (Cont'd)

(D) Optional Features and Functions

(1)

(D)

(D)

ISSUED: DECEMBER 16, 2022

EFFECTIVE: JANUARY 1, 2023

ACCESS SERVICE

7 - Special Access (a.k.a. BellSouth SPA) Service (Cont'd)

7.2 Service Descriptions (Cont'd)

7.2.9 High Capacity (a.k.a. BellSouth SPA High Capacity) Service (Cont'd)

(D) Optional Features and Functions (Cont'd)

(2) Channelization

(a) DS2 to DS1

An arrangement that channelizes a 6.312 Mbps channel to four DS1 channels.

(b) DS1C to DS1

An arrangement that channelizes a 3.152 Mbps channel to two DS1 channels.

(c) DS1 Basic Channelization System<sup>(1)</sup>

An arrangement that channelizes a 1.544 Mbps channel to a maximum of twenty-four 64 kbps channels that may be used to activate both analog and digital services, e.g. Voice Grade (a.k.a. BellSouth SPA DS0 VG) Program Audio (a.k.a. BellSouth SPA Program Audio)<sup>(2)(3)</sup>, Digital Data Access (a.k.a. BellSouth SPA DS0 Digital Data) service, Metallic (a.k.a. BellSouth SPA Metallic) and WATS Access Line (a.k.a. BellSouth SPA WATS Line)<sup>(1)</sup> service. A DS1 Basic Channelization System requires a Central Office Channel Interface for each channel of lesser capacity.

(N)

(d) DS0 Basic Channelization System<sup>(1)</sup>

An arrangement that channelizes a 64.0 kbps channel to subspeeds of up to twenty 2.4 kbps, ten 4.8 kbps, or five 9.6 kbps channels. A DS0 Basic Channelization System requires a Central Office Interface for each channel of lesser capacity.

(1) Effective November 20, 2019, this Service will no longer be available for purchase by new or existing customers, and service agreements may no longer be renewed. In addition, requests to move, add or change existing service arrangements will not be accepted. Following the expiration of a customer's existing term agreement, service will be provided on a month-to-month basis at the applicable monthly extension rates until the service is discontinued. AT&T currently plans to discontinue this Service on or after June 30, 2024.

(2) Effective November 20, 2019, this Service will no longer be available for purchase by new or existing customers, and service agreements may no longer be renewed. In addition, requests to move, add or change existing service arrangements will not be accepted. Following the expiration of a customer's existing term agreement, service will be provided on a month-to-month basis at the applicable monthly extension rates until the service is discontinued. AT&T currently plans to discontinue this Service on or after November 1, 2020.

(3) Program Audio is discontinued and no longer available in this publication (see WC Dkt. 19-238).

(N)

ISSUED: NOVEMBER 5, 2019

EFFECTIVE: NOVEMBER 20, 2019

ACCESS SERVICE

7 - Special Access (a.k.a. BellSouth SPA) Service (Cont'd)

7.2 Service Descriptions (Cont'd)

7.2.9 High Capacity (a.k.a. BellSouth SPA High Capacity) Service (Cont'd)

(D) Optional Features and Functions (Cont'd)

(2) Channelization (Cont'd)

The following table shows the technical specifications packages with which the optional features and functions are available.

	Available with Technical Specifications Package HC-				
	0	1	1C	2	3
Channelization:					
DS3 to DS1					X
DS2 to DS1				X	
DS1C to DS1			X		
DS1 Basic Channelization System <sup>(2)</sup>		X			(N)
DS0 Basic Channelization System <sup>(1)(2)</sup>		X	X		(N)
BellSouth Customer Network Management Service	X	X			X
Clear Channel Capability		X			

(3) Shared Network Arrangement

(a) A service offering that provides for multiple customers to cross connect their individual services on a channelized high capacity service. The service configurations will be limited to a customer sharing a portion of their transport capacity with another customer. A customer's higher level of transport may be shared at a lower level based on the lower level of interfaces or channelization that are available (e.g., BellSouth DS1 Diverse service or DS1 High Capacity (a.k.a. BellSouth SPA DS1) service shared at a sub-DS1 level, or DS3 transport shared at the BellSouth DS1 Diverse service or DS1 High Capacity (a.k.a. BellSouth SPA DS1) service level).

(1) Available only on 64 Kbps DDAS (a.k.a. BellSouth SPA DS0 Digital Data) service or on a DS1 (1.544 Mbps) channel with Clear Channel Capability to a Telephone Company Hub.

(2) Effective November 20, 2019, this Service will no longer be available for purchase by new or existing customers, and service agreements may no longer be renewed. In addition, requests to move, add or change existing service arrangements will not be accepted. Following the expiration of a customer's existing term agreement, service will be provided on a month-to-month basis at the applicable monthly extension rates until the service is discontinued. AT&T currently plans to discontinue this Service on or after June 30, 2024.

(N)  
 |  
 (N)

(This page filed under Transmittal No. 150 )

All AT&T and BellSouth marks contained herein and as set forth in the trademarks and service marks section of the BellSouth Tariff are owned by AT&T Intellectual Property or AT&T affiliated companies.

\*\*\*\*\*

ISSUED: SEPTEMBER 13, 2011

EFFECTIVE: SEPTEMBER 28, 2011

ACCESS SERVICE

7 - Special Access (a.k.a. BellSouth SPA) Service (Cont'd)

7.2 Service Descriptions (Cont'd)

7.2.9 High Capacity (a.k.a. BellSouth SPA High Capacity) Service (Cont'd)

(D) Optional Features and Functions (Cont'd)

(3) Shared Network Arrangements

(b) Under the Shared Network Arrangement, BellSouth Telecommunications may share with the host subscriber record information pertaining to the services of other users of the shared network. Such disclosure will be under the sole discretion of BellSouth Telecommunications as is necessary to perform billing reconciliations and/or other functions required in connection with maintaining account records. (T)

(c) Shared Network Arrangements are available in all operating areas of the Telephone Company. Section 7.4.11 contains rate regulations specific to Shared Network Arrangements.

(4) Clear Channel Capability

(a) Clear Channel Capability (CCC) is an arrangement that alters a DS1/1.544 Mbps signal with unconstrained information bits to meet pulse density requirements outlined in TR-NPL-000054 and TR-INS-000342. This will allow a customer to transport an all-zero octet over a DS1 (a.k.a. BellSouth SPA DS1) or BellSouth DS1 Diverse service local and/or interoffice channel and will provide an available combined maximum 1.536 Mbps data rate. This arrangement requires the customer signal at the channel interface to conform to Bipolar with eight (8) Zero Substitution (B8ZS) line code as described in Technical Reference TR-NPL-000054 and TR-INS-000342.

ISSUED: JUNE 16, 2011

EFFECTIVE: JULY 1, 2011

ACCESS SERVICE

7 - Special Access (a.k.a. BellSouth SPA) Service (Cont'd)

7.2 Service Descriptions (Cont'd)

7.2.9 High Capacity (a.k.a. BellSouth SPA High Capacity Service) (Cont'd)

(D) Optional Features and Functions (Cont'd)

(4) Clear Channel Capability (Cont'd)

- (b) CCC is provided on DS1 (a.k.a. BellSouth SPA DS1) and BellSouth DS1 Diverse service local and/or interoffice channels between two customer designated premises and is subject to the availability of facilities. This optional feature may be ordered at the same time the DS1 (a.k.a. BellSouth SPA DS1) or BellSouth DS1 Diverse service local and/or interoffice channel is ordered, or it may be ordered as an additional feature of an existing local or interoffice channel. Rates and charges for Clear Channel Capability are in addition to rates and charges specified for DS1 (a.k.a. BellSouth SPA DS1) and BellSouth DS1 Diverse service.
- (c) When providing CCC via a DS3/44.736 Mbps High Capacity (a.k.a. BellSouth SPA DS3) channel, that DS3 channel must be designated, in BellSouth records, as having Clear Channel Capability prior to the provisioning of a DS1 (a.k.a. BellSouth SPA DS1) or BellSouth DS1 Diverse service local and/or interoffice channel with CCC. Customers must agree to out-of-service periods required to add this feature to: 1) an existing DS1 (a.k.a. BellSouth SPA DS1) or BellSouth DS1 Diverse service local and/or interoffice channel or 2) a DS3/44.736 Mbps High Capacity (a.k.a. BellSouth SPA High Capacity) channel which transports a DS1 (a.k.a. BellSouth SPA DS1 or DS1 Diverse service local and/or interoffice channel to be optioned for B8ZS.



ISSUED: SEPTEMBER 22, 2011

EFFECTIVE: OCTOBER 7, 2011

ACCESS SERVICE

7 - Special Access (a.k.a. BellSouth SPA) Service (Cont'd)

7.2 Service Descriptions (Cont'd)

7.2.10 Dry Fiber<sup>1</sup>

(Z)

Dry fiber is offered as a point-to-point arrangement between two Customer-designated premises. The Telephone Company will also permit a Customer to provision dry fiber to a collocation arrangement or between two collocation arrangements located in the same central office. If dry fibers are terminated at a collocation arrangement, connecting facility assignments (CFAs) of the fiber cross-connect facility must be provided by the Customer. Additionally, the Customer must: (i) obtain a letter of authorization from the Collocator, and (ii) provide a written copy of the letter of authorization to the Telephone Company if a dispute arises with respect to the authorization for the applicable Services.

This arrangement consists of four optical fibers, where available, and is offered without optical signal regeneration to compensate for signal losses. This service is offered over the Telephone Company fibers "as is" without any modification or re-splicing. The Telephone Company makes no other representations regarding the transmission capability of the facilities. Diverse fiber paths are not provided with this service offering. A fiber cross-connect panel is the only equipment provided for the provision of this service. Fiber cross-connects into collocation arrangements and between collocation arrangements located in the same central office (i.e., Intra-Office Cross Connects) are offered pursuant to the rates and charges provided in Section 13 of this Tariff.

The Customer may utilize the dry fiber for any lawful purpose, however, the Telephone Company does not represent this service as suitable for the Customer's desired applications. The Telephone Company reserves the right to rearrange its network and to modify the manner in which it provides service in order to meet its overall service requirements. This includes, but is not limited to, the right to engineer and construct its fiber optic facilities in accordance with its normal operations without requirement to modify its materials, splicing techniques, or planned facility rearrangements to suit a specific Customer request.

At the request of the Customer, if made prior to the installation of the facilities, the Telephone Company will attempt to estimate the transmission loss of the channel at the Customer's intended transmission wavelength; provided, however, that the Telephone Company does not warrant that the Customer's channel will operate at that estimated loss or that the transmission loss will remain constant during the period in which the Customer obtains the facilities from the Telephone Company.

The Customer must clearly identify facilities termination points at the Customer's premises or at the Customer's collocation arrangements. In addition, the Customer must cooperatively disable any optical transmission equipment on a dry fiber arrangement whenever the Telephone Company must perform maintenance on those facilities.

This arrangement does not provide interconnection to other DS3 and/or DS1 channel services provided by the Telephone Company. No service capabilities are expressed or implied for any such connections by the Customer.

<sup>1</sup> Effective January 1, 2011, Dry Fiber is no longer available to new Customers. There is no change for existing Customers.

(Z)

(Z)

(This page filed under Transmittal No. 0013 )

All BellSouth marks contained herein and as set forth in the trademarks and servicemarks section of this Tariff are owned by BellSouth Intellectual Property Corporation.

\*\*\*\*\*

ISSUED: NOVEMBER 5, 2019

EFFECTIVE: NOVEMBER 20, 2019

ACCESS SERVICE

7- Special Access (a.k.a. BellSouth SPA) Service (Cont'd)

7.2 Service Descriptions (Cont'd)

7.2.11 Self-healing Rings

(A) Technical Specifications Packages

DS3 interface combinations and technical specifications are referenced in Bellcore TR-INS-000342.

DS1 interface combinations and technical specifications are referenced in Bellcore TR-NPL-000054.

7.2.12 Derived Data Channel (a.k.a. BellSouth SPA Derived Data Channel) Service <sup>(1)(2)</sup>

(N)

(A) Basic Service Description

DACS (a.k.a. BellSouth SPA Derived Data Channel) provides full-duplex asynchronous or synchronous data transmission utilizing data over voice and subrate multiplexing technology. DACS (a.k.a. BellSouth SPA Derived Data Channel) provides simultaneous data and voice transmissions over the customer's existing two-wire local exchange facility. A derived data channel (a.k.a. BellSouth SPA Derived Data Channel) is provided between the customer's premises and the customer's serving central office.

(1) Effective September 20, 2017, Derived Data Channel Service has limited availability; see Section 2.1.15.

(2) Effective November 20, 2019, this Service will no longer be available for purchase by new or existing customers, and service agreements may no longer be renewed. In addition, requests to move, add or change existing service arrangements will not be accepted. Following the expiration of a customer's existing term agreement, service will be provided on a month-to-month basis at the applicable monthly extension rates until the service is discontinued. AT&T currently plans to discontinue this Service on or after June 30, 2024.

(N)  
|  
(N)

(This page filed under Transmittal No. 150 )

All AT&T and BellSouth marks contained herein and as set forth in the trademarks and service marks section of the BellSouth Tariff are owned by AT&T Intellectual Property or AT&T affiliated companies.

\*\*\*\*\*

ISSUED: NOVEMBER 5, 2019

EFFECTIVE: NOVEMBER 20, 2019

ACCESS SERVICE

7- Special Access (a.k.a. BellSouth SPA) Service (Cont'd)

7.2 Service Descriptions (Cont'd)

7.2.12 Derived Data Channel<sup>(1)</sup> (a.k.a. BellSouth SPA Derived Data Channel Service) (Cont'd) (N)

(A) Basic Service Description (Cont'd)

At the customer's serving central office the data/voice terminating equipment provides subrate multiplexing of the data signals into a standard DS0-B interface for a group composed of a maximum of twenty derived data channels. The customer's derived data channel (a.k.a. BellSouth SPA Derived Data Channel) must be associated with a DS0-B Interface. This association requires coordination between the subscriber of the derived data channel (a.k.a. BellSouth SPA Derived Data Channel) and the subscriber of the DS0-B interface.

An interoffice channel is provided for interconnection of the subrate multiplexed DS0-B interface to the serving wire center of a customer designated terminating premises.

DACS is provided subject to the availability of appropriate network facilities and equipment and subject to the transmission limitations of the facilities and equipment used by the Company.

The customer will be responsible for selecting his own Customer Premises Equipment (CPE). CPE must be compatible with the Company provided terminating equipment at the serving wire center.

(B) Channel Interfaces

The following channel interface (CI) defines the bit rate that is available with DACS.

CI	Bit Rate
2DV5.BA	2.4 Kbps Digital Data Over Voice

Compatible channel interface specifications are contained in BellSouth Technical Reference Publication 73548 for the data/voice multiplexing equipment and BellSouth Technical Reference Publication 73548, Addendum 1, for access to the DS0-B interface.

(1) Effective November 20, 2019, this Service will no longer be available for purchase by new or existing customers, and service agreements may no longer be renewed. In addition, requests to move, add or change existing service arrangements will not be accepted. Following the expiration of a customer's existing term agreement, service will be provided on a month-to-month basis at the applicable monthly extension rates until the service is discontinued. AT&T currently plans to discontinue this Service on or after June 30, 2024. (N)

ISSUED: AUGUST 11, 2014

EFFECTIVE: AUGUST 26, 2014

ACCESS SERVICE

7- Special Access (a.k.a. BellSouth SPA) Service (Cont'd)

7.2 Service Description (Cont'd)

7.2.13 SMARTPath Service (a.k.a. BellSouth SPA DS1 Shared Ring)

(A) Service Description

(T)

SMARTPath service (a.k.a. BellSouth SPA DS1 Shared Ring) is a shared high capacity network capable of providing a 1.544 Mbps transport link with high performance and reliability parameters and a level of redundancy/diversity designed to limit a single event from interrupting service. This service is available in those locations within specified SMARTPath service (a.k.a. BellSouth SPA DS1 Shared Ring) areas which the Company determines can be incorporated into the SMARTPath service (a.k.a. BellSouth SPA DS1 Shared Ring) network enabling the Company to provide the specified level of performance and reliability. For locations where a customer requests SMARTPath service (a.k.a. BellSouth SPA DS1 Shared Ring) and facilities are not available, special construction charges will apply, as set forth in the BELLSOUTH TELECOMMUNICATIONS SPECIAL CONSTRUCTION TARIFF, F.C.C. No. 2. SMARTPath service (a.k.a. BellSouth SPA DS1 Shared Ring) areas and associated wire centers are identified in the NATIONAL EXCHANGE CARRIER ASSOCIATION, INC. TARIFF F.C.C. NO. 4 by wire center.

SMARTPath service (a.k.a. BellSouth SPA DS1 Shared Ring) provides a transport link between a customer designated premises where the network is accessed and (1) another customer designated premises, in the same SMARTPath service (a.k.a. BellSouth SPA DS1 Shared Ring) area or (2) a serving wire center in the same SMARTPath service (a.k.a. BellSouth SPA DS1 Shared Ring) area for connection to (a) DS1 Basic Channelization, BellSouth SPA CNM - FlexServ Service, LightGate service (a.k.a. BellSouth SPA Point to Point Network), or BellSouth Virtual Expanded Interconnection Services under Section 20 of this tariff, or (b) a SMARTPath (a.k.a. BellSouth SPA DS1 Shared Ring) Area Junction of another SMARTPath service (a.k.a. BellSouth SPA DS1 Shared Ring) area in the same Metropolitan Area.

(B) Performance Objectives

ANSI T1.403-1989 Extended Super Frame Format (ESF) is required on all circuits in order to assure performance objectives. The performance objectives for SMARTPath service (a.k.a. BellSouth SPA DS1 Shared Ring) are as follows:

- (1) Meet or exceed 99.99% circuit availability on a monthly basis. This objective applies except where a customer's equipment is disconnected and/or inoperative.
- (2) Meet or exceed 99.95% error-free seconds on a monthly basis.
- (3) Meet or exceed .009% severely errored seconds on a monthly basis.

(This page filed under Transmittal No. 0082 )

All AT&T and BellSouth marks contained herein and as set forth in the trademarks and service marks section of the BellSouth Tariff are owned by AT&T Intellectual Property or AT&T affiliated companies.

\*\*\*\*\*

ISSUED: JUNE 16, 2011

EFFECTIVE: JULY 1, 2011

ACCESS SERVICE

7- Special Access (a.k.a. BellSouth SPA) Service (Cont'd)

7.2 Service Description (Cont'd)

7.2.13 SMARTPath Service (a.k.a. BellSouth SPA DS1 Shared Ring) (Cont'd)

(C) Performance Guarantees

The performance guarantees for SMARTPath service (a.k.a. BellSouth SPA DS1 Shared Ring) are as follows:

- (1) Guaranteed service installation - the Company will meet negotiated due date or credit an amount equal to the nonrecurring charge according to the Service Installation Guarantee described in Section 2.4.9 preceding.
- (2) Service Continuity - in the event of primary facility failure, service is guaranteed to switch to an alternate facility path in 60 seconds or less. Failure to meet this guarantee will result in a credit as described in Section 2.4.4(B)(9) preceding, where the trouble is in the network on public right-of-way.

(D) Deployment

Deployment of SMARTPath service (a.k.a. BellSouth SPA DS1 Shared Ring) is planned for the following metropolitan areas:

Atlanta, GA  
Baton Rouge, LA  
Charlotte, NC  
Fort Lauderdale, FL  
Jacksonville, FL  
Memphis, TN  
Miami, FL  
Nashville, TN  
New Orleans, LA  
Orlando, FL  
Raleigh, NC

7.2.14 SMARTPath DS3 Transport Service (a.k.a. BellSouth SPA DS3 Shared Ring)

(A) SMARTPath DS3 Transport Service (a.k.a. BellSouth SPA DS3 Shared Ring)

SMARTPath DS3 Transport service (a.k.a. BellSouth SPA DS3 Shared Ring) is a shared high capacity (a.k.a. BellSouth SPA High Capacity) network service capable of providing a 44.736 Mbps transport link with high performance and reliability parameters and a level of redundancy/diversity designed to limit a single event from interrupting service. This service is available only in those locations within specified SMARTPath service (a.k.a. BellSouth SPA DS1 Shared Ring) areas(T)

ISSUED: JUNE 16, 2011

EFFECTIVE: JULY 1, 2011

ACCESS SERVICE

7- Special Access (a.k.a. BellSouth SPA) Service (Cont'd)

7.2 Service Description (Cont'd)

7.2.14 SMARTPath DS3 Transport (a.k.a. BellSouth SPA DS3 Shared Ring) Service  
(Cont'd)

(A) SMARTPath DS3 Transport (a.k.a. BellSouth SPA DS3 Shared Ring) Service  
(Cont'd)

which the Company determines can be incorporated into the SMARTPath service (a.k.a. SMARTPath SPA DS1 Shared Ring) network enabling the Company to provide the specified level of performance and reliability. For locations where a customer requests SMARTPath DS3 Transport service (a.k.a. BellSouth SPA DS3 Shared Ring) and facilities are not available, special construction charges will apply as set forth in the BELLSOUTH TELECOMMUNICATIONS SPECIAL CONSTRUCTION TARIFF, F.C.C. No. 2. SMARTPath (a.k.a. BellSouth SPA Shared Ring) service areas are identified in the NATIONAL EXCHANGE CARRIER ASSOCIATION TARIFF F.C.C. No. 4.

SMARTPath DS3 Transport (a.k.a. BellSouth SPA DS3 Shared Ring) service provides a transport link between a customer designated premises where the network is accessed and (a) another customer designated premises, in the same SMARTPath area or (b) a serving wire center in the same SMARTPath area. At a serving wire center in a SMARTPath service area, SMARTPath DS3 Transport (a.k.a. BellSouth SPA DS3 Shared Ring) service may be connected (a) to DS1 (a.k.a. BellSouth SPA DS1) service through a SMARTPath DS3 Transport (a.k.a. BellSouth SPA DS3 Shared Ring) service 28 DS1 Channel System, or to BellSouth SPA CNM - FlexServ Service, or to expanded interconnection services under Section 20 following, or (b) to a SMARTPath DS3 Area Junction of another SMARTPath (a.k.a. BellSouth SPA DS1 Shared Ring) service area in the same metropolitan area.

(B) Performance Objectives

Technical Reference 73575 and Technical Reference 73575, Addendum 1, DS3 framing format with P-bit parity is required on all circuits in order to support maintenance and performance objectives. The DS3 performance objectives for SMARTPath DS3 Transport (a.k.a. BellSouth SPA DS3 Shared Ring) service are as follows:

1. Meet or exceed 99.99% circuit availability on a monthly basis. This objective applies except where a customer's equipment is disconnected and/or inoperative.
2. Meet or exceed 99.5% error free seconds on a monthly basis.
3. Meet or exceed .009% severely errored seconds on a monthly basis.

(This page filed under Transmittal No. 1 )

All AT&T and BellSouth marks contained herein and as set forth in the trademarks and service marks section of the BellSouth Tariff are owned by AT&T Intellectual Property or AT&T affiliated companies.

\*\*\*\*\*

ISSUED: JUNE 16, 2011

EFFECTIVE: JULY 1, 2011

ACCESS SERVICE

7- Special Access (a.k.a. BellSouth SPA) Service (Cont'd)

7.2 Service Description (Cont'd)

7.2.14 SMARTPath DS3 Transport Service (a.k.a. BellSouth SPA DS3 Shared Ring (Cont'd)

(C) Performance Guarantee

The performance guarantee for SMARTPath DS3 Transport service (a.k.a. BellSouth SPA DS3 Shared Ring) is as follows:

1. Service Continuity - in the event of primary facility failure, service is guaranteed to switch to an alternate facility path in 60 seconds or less. Failure to meet this guarantee will result in a credit as described in Section 2.4.4(B)(9) preceding, where the trouble is in the network on public right-of-way.

(D) Deployment

Deployment of SMARTPath DS3 Transport service (a.k.a. BellSouth SPA DS3 Shared Ring) is the same as shown for DS1 SMARTPath service (a.k.a. BellSouth SPA DS1 Shared Ring) in Section 7.2.13(D) preceding.

ISSUED: AUGUST 18, 2014

EFFECTIVE: SEPTEMBER 2, 2014

ACCESS SERVICE

7- Special Access (a.k.a. BellSouth SPA) Service (Cont'd)

7.2 Service Description (Cont'd)

7.2.15 Reserved for Future Use

(T)

(D)

(D)



ISSUED: AUGUST 18, 2014

EFFECTIVE: SEPTEMBER 2, 2014

ACCESS SERVICE

7- Special Access (a.k.a. BellSouth SPA) Service (Cont'd)

7.2 Service Description (Cont'd)

7.2.15 Reserved for Future Use (Cont'd)

(T)

(D)

(D)

ISSUED: AUGUST 18, 2014

EFFECTIVE: SEPTEMBER 2, 2014

ACCESS SERVICE

7- Special Access (a.k.a. BellSouth SPA) Service (Cont'd)

7.2 Service Description (Cont'd)

7.2.15 Reserved for Future Use (Cont'd)

(T)

(D)

(D)

(This page filed under Transmittal No. 0083 )

All BellSouth marks contained herein and as set forth in the trademarks and service marks section of the  
BellSouth Tariffs are owned by BellSouth Intellectual Property Corporation.

\*\*\*\*\*

ISSUED: AUGUST 18, 2014

EFFECTIVE: SEPTEMBER 2, 2014

ACCESS SERVICE

7- Special Access (a.k.a. BellSouth SPA) Service (Cont'd)

7.2 Service Description (Cont'd)

7.2.15 Reserved for Future Use (Cont'd)

(T)

(D)

(D)

(This page filed under Transmittal No. 0083 )

All AT&T and BellSouth marks contained herein and as set forth in the trademarks and service marks section of the BellSouth Tariff are owned by AT&T Intellectual Property or AT&T affiliated companies.

\*\*\*\*\*

ISSUED: AUGUST 18, 2014

EFFECTIVE: SEPTEMBER 2, 2014

ACCESS SERVICE

7- Special Access (a.k.a. BellSouth SPA) Service (Cont'd)

7.2 Service Description (Cont'd)

7.2.15 Reserved for Future Use (Cont'd)

(T)

(D)

(D)

(This page filed under Transmittal No. 0083 )

All AT&T and BellSouth marks contained herein and as set forth in the trademarks and service marks section of the BellSouth Tariff are owned by AT&T Intellectual Property or AT&T affiliated companies.

\*\*\*\*\*

ISSUED: AUGUST 18, 2014

EFFECTIVE: SEPTEMBER 2, 2014

ACCESS SERVICE

7- Special Access (a.k.a. BellSouth SPA) Service (Cont'd)

7.2 Service Description (Cont'd)

7.2.15 Reserved for Future Use (Cont'd)

(T)

(D)

(D)

ISSUED: AUGUST 18, 2014

EFFECTIVE: SEPTEMBER 2, 2014

ACCESS SERVICE

7- Special Access (a.k.a. BellSouth SPA) Service (Cont'd)

7.2 Service Description (Cont'd)

7.2.15 Reserved for Future Use (Cont'd)

(T)

(D)

(D)

ISSUED: AUGUST 18, 2014

EFFECTIVE: SEPTEMBER 2, 2014

ACCESS SERVICE

7- Special Access (a.k.a. BellSouth SPA) Service (Cont'd)

7.2 Service Description (Cont'd)

7.2.15 Reserved for Future Use (Cont'd)

(T)

(D)

(D)

ISSUED: AUGUST 18, 2014

EFFECTIVE: SEPTEMBER 2, 2014

ACCESS SERVICE

7- Special Access (a.k.a. BellSouth SPA) Service (Cont'd)

7.2 Service Description (Cont'd)

7.2.15 Reserved for Future Use (Cont'd)

(T)

(D)

(D)



BELLSOUTH TELECOMMUNICATIONS  
Four AT&T Plaza, Dallas, Texas 75202

TARIFF F.C.C. NO. 1  
2ND REVISED PAGE 7-97  
CANCELS 1ST REVISED PAGE 7-97

ISSUED: APRIL 16, 2014

EFFECTIVE: MAY 1, 2014

(D)

(D)

BELLSOUTH TELECOMMUNICATIONS  
Four AT&T Plaza, Dallas, Texas 75202

TARIFF F.C.C. NO. 1  
1ST REVISED PAGE 7-98  
CANCELS ORIGINAL PAGE 7-98

ISSUED: APRIL 16, 2014

EFFECTIVE: MAY 1, 2014

(D)

(D)

(This page filed under Transmittal No. 0077 )

All AT&T and BellSouth marks contained herein and as set forth in the trademarks and service marks section of the BellSouth Tariff are owned by AT&T Intellectual Property or AT&T affiliated companies.

\*\*\*\*\*

BELLSOUTH TELECOMMUNICATIONS  
Four AT&T Plaza, Dallas, Texas 75202

TARIFF F.C.C. NO. 1  
1ST REVISED PAGE 7-99  
CANCELS ORIGINAL PAGE 7-99

ISSUED: APRIL 16, 2014

EFFECTIVE: MAY 1, 2014

(D)

(D)

(This page filed under Transmittal No. 0077 )

All AT&T and BellSouth marks contained herein and as set forth in the trademarks and service marks section of the BellSouth Tariff are owned by AT&T Intellectual Property or AT&T affiliated companies.

\*\*\*\*\*

BELLSOUTH TELECOMMUNICATIONS  
Four AT&T Plaza, Dallas, Texas 75202

TARIFF F.C.C. NO. 1  
1ST REVISED PAGE 7-100  
CANCELS ORIGINAL PAGE 7-100

ISSUED: APRIL 16, 2014

EFFECTIVE: MAY 1, 2014

(D)

(D)

BELLSOUTH TELECOMMUNICATIONS  
Four AT&T Plaza, Dallas, Texas 75202

TARIFF F.C.C. NO. 1  
1ST REVISED PAGE 7-101  
CANCELS ORIGINAL PAGE 7-101

ISSUED: APRIL 16, 2014

EFFECTIVE: MAY 1, 2014

(D)

(D)

ISSUED: JUNE 16, 2011

EFFECTIVE: JULY 1, 2011

ACCESS SERVICE

7- Special Access (a.k.a. BellSouth SPA) Service (Cont'd)

7.3 Channel Interface and Network Channel Codes

This section explains the Channel Interface codes and Network Channel codes that the customer must specify when ordering Special Access (a.k.a. BellSouth SPA) Service. Included is an example, which explains the specific characters of the code, a glossary of Channel Interface codes, impedance levels, Network Channel codes and Compatible Channel Interface Codes. These items are contained in the services' respective Technical Reference Publications as indicated in 7.3.5 following.

Example: If the customer specifies a NT Network Channel Code and a 2DC8-3 Channel Interface at the customer's premises, the following is being requested:

- NT = Metallic Channel with a Predefined Technical Specification Package (1)
- 2 = Number of physical wires at customer premises
- DC = Facility interface for direct current or voltage
- 8 = Variable impedance level
- 3 = Metallic facilities (DC continuity) for direct current/low frequency control signals or slow speed data (30 baud)

7.3.1 Glossary of Channel Interface Codes and Options

<u>Code</u>	<u>Option</u>	<u>Definition</u>
AB	-	accepts 20 Hz ringing signal at customer's point of termination
AC	-	accepts 20 Hz ringing signal at customer's end user's point of termination
AH	-	analog high capacity interface
	-B	60 kHz to 108 kHz (12 channels)
	-C	312 kHz to 552 kHz (60 channels)
	-D	564 kHz to 3084 kHz (600 channels)
CM	-	SONET Add/Drop Multiplexer Termination
	-1	DS1 Low Speed Port Termination
	-3	DS3 Low Speed Port Termination
	-S	STS-1 Middle Speed Port Termination
	-C3	OC-3 Middle Speed Port Termination
	-C12	OC-12 Middle Speed Port Termination
	-C48	OC-48 Middle Speed Port Termination

(This page filed under Transmittal No. 1 )

All AT&T and BellSouth marks contained herein and as set forth in the trademarks and service marks section of the BellSouth Tariff are owned by AT&T Intellectual Property or AT&T affiliated companies.

\*\*\*\*\*

ISSUED: JUNE 16, 2011

EFFECTIVE: JULY 1, 2011

ACCESS SERVICE

7- Special Access (a.k.a. BellSouth SPA) Service (Cont'd)

7.3.1 Glossary of Channel Interface Codes and Options (Cont'd)

Code	Option	Definition
CT	-	Centrex Type Services Tie Trunk Termination
CS	-	digital hierarchy interface at Digital Crossconnect System (DCS)
-	1S	1.544 Mbps (DS1) ANSI Extended Superframe (ESF) Format and B8ZS Clear Channel Capability per TR-INS-000342
-	15	1.544 Mbps (DS1) Superframe (SF) format per TR-INS-000342
-	15B	1.544 Mbps (DS1) Superframe (SF) Format and B8ZS Clear Channel Capability per TR-INS-000342
-	1K	1.544 Mbps (DS1) ANSI Extended Superframe (ESF) format per TR-INS-000342
-	EA	E & M Signaling
-	GO	Ground Start Loop Signaling-Open End
-	GS	Ground Start Loop Signaling-Closed End
-	LO	Loop Start Loop Signaling-Open End
-	LS	Loop Start Loop Signaling-Closed End
-	NO	Transmission Only - No Signaling
-	R	(DS0) Customer Reconfigurable Voice Grade Service (a.k.a. BellSouth SPA DS0 VG)
-	10R	DS1 to DS0 Customer Reconfigurable
-	10	DS1 to DS0
-	11R	DS1 to DS1 Customer Reconfigurable
-	11	DS1 to DS1
-	30R	DS3 to DS0 Customer Reconfigurable
-	30	DS3 to DS0
-	31R	DS3 to DS1 Customer Reconfigurable
-	31	DS3 to DS1
-	33R	DS3 to DS3 Customer Reconfigurable
-	33	DS3 to DS3
-	SP	Resistive Type: Split Path Operation for Data Polling Conference Type
-	CF	Resistive Type: Split Path Operation for Symmetrical Voice Conference Type
-	BC	CO Bridging: Broadcast for Broadcast Conference Type

ISSUED: JUNE 16, 2011

EFFECTIVE: JULY 1, 2011

ACCESS SERVICE

7 - Special Access (a.k.a. BellSouth SPA) Service (Cont'd)

7.3 Channel Interface and Network Channel Codes (Cont'd)

7.3.1 Glossary of Channel Interface Codes and Options (Cont'd)

<u>Code</u>	<u>Option</u>	<u>Definition</u>
DA	-	data stream in VF frequency band at customer's end user's point of termination
DB	-	data stream in VF frequency band at customer's point of termination
	- 10	VF for TG1 and TG2
	- 43	VF for 43 Telegraph Carrier type signals, TG1 and TG2
DC	-	direct current or voltage
	- 1	monitoring interface with series RC combination (McCulloh format)
	- 2	Telephone Company energized alarm channel
	- 3	Metallic facilities (DC continuity) for direct current/low frequency control signals or slow speed data (30 baud)
DM	-	
	4	2400 bps 201B type modem operation
	- 5	4800 bps 208A type modem operation
	- 6	9600 bps CCITT V.29 type modem
	- 9PA	Modem operation CCITT V.32 (2-wire at 9600 bps) Asynchronous, Packet Switch Interconnect
DN	-	
	- 9P	Modem operation CCITT V.32 (4-wire at 9600 bps) BellSouth only, TR-73516, Issue C.
DS	-	digital hierarchy interface
	- 1K	1.544 Mbps (DS1) ANSI Extended Superframe (ESF) Format per TR-INS-000342
	- 1S	1.544 Mbps (DS1) ANSI Extended Superframe (ESF) Format and B8ZS Clear Channel Capability per TR-INS-000342
	- 15	1.544 Mbps (DS1) Superframe (SF) format per TR-INS-000342
	- 15B	1.544 Mbps (DS1) Superframe (SF) Format and B8ZS Clear Channel Capability per TR-INS-000342



ISSUED: JUNE 16, 2011

EFFECTIVE: JULY 1, 2011

ACCESS SERVICE

7 - Special Access (a.k.a. BellSouth SPA) Service (Cont'd)

7.3 Channel Interface and Network Channel Codes (Cont'd)

7.3.1 Glossary of Channel Interface Codes and Options (Cont'd)

<u>Code</u>	<u>Option</u>	<u>Definition</u>
-	15E	8-bit PCM encoded in one 64 kbps of the DS1 signal
-	15F	8-bit PCM encoded in two 64 kbps of the DS1 signal
-	15G	8-bit PCM encoded in three 64 kbps of the DS1 signal
-	15H	14/11-bit PCM encoded in six 64 kbps of the DS1 signal
-	15J	1.544 Mbps format per TR-NPL-000054 (only available to U.S. Gov't agencies)

ISSUED: JUNE 16, 2011

EFFECTIVE: JULY 1, 2011

ACCESS SERVICE

7 - Special Access (a.k.a. BellSouth SPA) Service (Cont'd)

7.3 Channel Interface and Network Channel Codes (Cont'd)

7.3.1 Glossary of Channel Interface Codes and Options (Cont'd)

Code Option	Definition
- 31	3.152 Mbps (DS1C)
- 31L	3.152 Mbps (DS1C) with SF signaling
- 44	44.736 Mbps (DS3)
- 63	6.312 Mbps (DS2)
- 63L	6.312 Mbps (DS2) with SF signaling
DU -	digital access interface
- 19 (S)*	19.2 Kbps
- 24 (S)*	2.4 kbps
- 48 (S)*	4.8 kbps
- 56 (S)*	56.0 kbps
- 64	64.0 Kbps
- 96 (S)*	9.6 kbps
- 1KN	DS1 (1.544 Mbps) ANSI Extended Superframe (ESF) Format per TR-NPL-000054 without line power
- 1SN	DS1 (1.544 Mbps) ANSI Extended Superframe (ESF) Format per TR-NPL-000054, with B8ZS Clear Channel Capability and without line power
- A	DS1 (1.544 Mbps) free-framing format per MDP 326-463 with line power (only avail. to U.S. Govt. agencies)
- AN	DS1 (1.544 Mbps) free-framing format per MDP 326-463 without line power (only avail. to U.S. Govt. agencies)
- BN	DS1 (1.544 Mbps) Superframe (SF) Format per TR-NPL-000054 without line power
- DN	DS1 (1.544 Mbps) Superframe (SF) Format per TR-NPL-000054, with B8ZS Clear Channel Capability without line power
DV -	Data and Voice Multiplexing
- BC	Digital Data Over Voice, 9.6 Kbps
DX -	duplex signaling interface at customer's point of termination
EA - E	Type I E&M Lead Signaling. Customer at POT or customer's end user at POT originates on E Lead.

ISSUED: JUNE 16, 2011

EFFECTIVE: JULY 1, 2011

ACCESS SERVICE

7 - Special Access (a.k.a. BellSouth SPA) Service (Cont'd)

7.3 Channel Interface and Network Channel Codes (Cont'd)

7.3.1 Glossary of Channel Interface Codes and Options (Cont'd)

<u>Code</u>	<u>Option</u>	<u>Definition</u>
EA	- M	Type I E&M Lead Signaling. Customer at POT or customer's end user at POT originates on M Lead.
EB	- E	Type II E&M Lead Signaling. Customer at POT or customer's end user at POT originates on E Lead.
EB	- M	Type II E&M Lead Signaling. Customer at POT or customer's end user at POT originates on M Lead.
EC	-	Type III E&M signaling at customer POT
EX	- A	tandem channel unit signaling for loop start or ground start and customer supplies open end (dial tone, etc.) functions.
EX	- B	tandem channel unit signaling for loop start or ground start and customer supplies closed end (dial pulsing, etc.) functions.
GO	-	ground start loop signaling - open end function by customer or customer's end user
GS	-	ground start loop signaling - closed end function by customer or customer's end user
	- C	Centrex Type Services foreign exchange termination
	- M	for terminating in central office located answering service concentrate or
LA	-	end user loop start loop signaling - Type A OPS registered port open end
LB	-	end user loop start loop signaling - Type B OPS registered port open end
LC	-	end user loop start loop signaling - Type C OPS registered port open end
LO	-	loop start loop signaling - open end function by customer or customer's end user

ISSUED: JUNE 16, 2011

EFFECTIVE: JULY 1, 2011

ACCESS SERVICE

7 - Special Access (a.k.a. BellSouth SPA) Service (Cont'd)

7.3 Channel Interface and Network Channel Codes (Cont'd)

7.3.1 Glossary of Channel Interface Codes and Options (Cont'd)

<u>Code</u>	<u>Option</u>	<u>Definition</u>
LR	-	20 Hz automatic ringdown interface at customer with Telephone Company provided PLAR
	- A	D4 type PLAR channel unit signaling format**
	- B	D3 type PLAR channel unit signaling format**
LS	-	loop start loop signaling - closed end function by customer or customer's end user
	- M	for terminating in central office located answering service concentrator
NO	-	no signaling interface, transmission only
PG	-	program transmission - no dc signaling
	- 1	nominal frequency from 50 to 15000 Hz
	- 3	nominal frequency from 200 to 3500 Hz
	- 5	nominal frequency from 100 to 5000 Hz
	- 8	nominal frequency from 50 to 8000 Hz
PR	-	protective relaying*
RV	- 0	reverse battery signaling, one way operation, originate by customer
	- T	reverse battery signaling, one way operation, terminate function by customer or customer's end user
SF	-	single frequency signaling with VF band at either customer POT or customer's end user POT
TF	-	telephotograph interface
TT	-	telegraph/teletypewriter interface at either customer POT or customer's end user POT
	- 2	20.0 milliamperes
	- 3	3.0 milliamperes
	- 6	62.5 milliamperes

\* Available only for the transmission of audio tone protective relaying signals used in the protection of electric power systems during fault conditions.

\*\* Availability limited to locations with embedded technology.

ISSUED: OCTOBER 28, 2014

EFFECTIVE: NOVEMBER 12, 2014

ACCESS SERVICE

7 - Special Access (a.k.a. BellSouth SPA) Service (Cont'd)

7.3 Channel Interface and Network Channel Codes (Cont'd)

7.3.1 Glossary of Channel Interface Codes and Options<sup>1</sup> (Cont'd)

<u>Code</u>	<u>Option</u>	<u>Definition</u>
TV	-	television interface
	- 1	combined (diplexed) broadcast quality video (a.k.a. BellSouth SPA Broadcast Quality Video) and two or four audio signals.

(D)

(D)

ISSUED: AUGUST 11, 2014

EFFECTIVE: AUGUST 26, 2014

ACCESS SERVICE

7 - Special Access (a.k.a. BellSouth SPA) Service (Cont'd)

7.3 Channel Interface and Network Channel Codes (Cont'd)

7.3.2 Impedance

The nominal reference impedance with which the channel will be terminated for the purpose of evaluating transmission performance:

<u>Value (ohms)</u>	<u>Code(s)</u>
110	0
150	1
600	2
900	3+
135	5
75	6
124	7
Variable	8
100	9
Fiber	F

7.3.3 Digital Hierarchy Channel Interface Codes

Customer's selecting the channelized four-wire DS1 or higher facility interface option at the customer designated premises will be requested to provide subsequent system and channel assignment data. Capacity is stated in terms of the digital bit rate or equivalent channel capacity as indicated below:

(T)

<u>Interface Code and Speed Option</u>	<u>Digital Hierarchy Level</u>
4DS9-1..	DS1
4DS6-44A	1 DS3
4ST6-A	1 STS-1
4DS6-44C	3 DS3's
4SOF----	1 OC-N*
4DS6-44G	12 DS3's
4DS6-44N	24 DS3's

+For those interface codes with a 4-wire transmission path at the customer designated POT, rather than a standard 900 ohm impedance, the code (3) denotes a customer provided transmission equipment termination. Such terminations were provided to customers in accordance with the F.C.C. Docket No. 20099 Settlement Agreement.

(T)

The SONET hierarchy level is specified in the Network Channel Code, character positions 1 and 2. Code 0B indicates the OC-3 level.

(T)

ISSUED: JUNE 16, 2011

EFFECTIVE: JULY 1, 2011

ACCESS SERVICE

7 - Special Access (a.k.a. BellSouth SPA) Service (Cont'd)

7.3 Channel Interface and Network Channel Codes (Cont'd)

7.3.4 Service Designator/Network Channel Code Conversion Table

The purpose of this table is to show the relationship between the service designator codes (e.g. VGC, MT2, etc.) and the network channel codes that are used for various administrative purposes.

<u>Service Designator Code</u>	<u>Network Channel Code</u>
MTC	MQ
MT1	NT
MT2	NU
MT3	NV
TGC	NQ
TG1	NW
TG2	NY
VGC	LQ
VG1	LB
VG2	LC
VG3	LD
VG4	LE
VG5	LF
VG6	LG
VG7	LH
VG8	LJ
VG9	LK
VG10	LN
VG11	LP
VG12	LR
APC	PQ
AP1	PE
AP2	PF
AP3	PJ
AP4	PK
TVC	TQ
TV1	TV
TV3	TZB
TVID	TZD
TVD	TZD
WA1	WJ
WA1T	WQ
WA2	WL
WA2A	WR

ISSUED: JUNE 16, 2011

EFFECTIVE: JULY 1, 2011

ACCESS SERVICE

7 - Special Access (a.k.a. BellSouth SPA) Service (Cont'd)

7.3 Channel Interface and Network Channel Codes (Cont'd)

7.3.4 Service Designator/Network Channel Code Conversion Table (Cont'd)

<u>Service Designator Code</u>	<u>Network Channel Code</u>
WA3	WN
WA4	WP
WD1	WB
WD2	WE
WD3	WF
DA1	XA
DA2	XB
DA3	XG
DA4	XH
DA5	XE
DA6	YN
HCO	HS
HC1	HC
HC1C	HD
HC2	HE
HC3	HF
HC5	HH-S
HC14T	HK-A
HC16T	HK-B
WAL	SE
WAL	SF



ISSUED: DECEMBER 16, 2022

EFFECTIVE: JANUARY 1, 2023

WIDEACCESS SERVICE

7 - Special Access (a.k.a. BellSouth SPA) Service (Cont'd)

7.3 Channel Interface and Network Channel Codes (Cont'd)

7.3.5 Compatible Channel Interfaces

Channel interface codes (CIs) which are compatible are shown in the following Technical References for each category of service:

(A) Metallic <sup>(3)</sup> (a.k.a. BellSouth SPA Metallic)	TR-NPL-000336	
(B) Telegraph Grade <sup>(3)</sup> (a.k.a. BellSouth SPA Telegraph)		TR-NPL-000
(C) Voice Grade <sup>(3)</sup> (a.k.a. BellSouth SPA DSO VG)	TR-TSY-000335 MDP 326-584	
(D) Program Audio <sup>(2)(5)</sup> (a.k.a. BellSouth SPA Program Audio)		TR-NPL-000
(E) Broadcast Quality Video <sup>(4)</sup> (a.k.a. BellSouth SPA Broadcast Quality Video) Service	TR-73608 (BellSouth)	
(F) Uncompressed Switched Video Service (a.k.a. BellSouth SPA Uncompressed Switched Video)		TR-73607 (
(G) BellSouth SPA Modular Video Transport Service <sup>(1)</sup>	TR-73606 (BellSouth)	

- (1) Effective August 25, 2011, BellSouth SPA Modular Video Transport Service is no longer available to new Customers. There is no change for existing customers.
- (2) Effective November 20, 2019, this Service will no longer be available for purchase by new or existing customers, and service agreements may no longer be renewed. In addition, requests to move, add or change existing service arrangements will not be accepted. Following the expiration of a customer's existing term agreement, service will be provided on a month-to-month basis at the applicable monthly extension rates until the service is discontinued. AT&T currently plans to discontinue this Service on or after November 1, 2020.
- (3) Effective November 20, 2019, this Service will no longer be available for purchase by new or existing customers, and service agreements may no longer be renewed. In addition, requests to move, add or change existing service arrangements will not be accepted. Following the expiration of a customer's existing term agreement, service will be provided on a month-to-month basis at the applicable monthly extension rates until the service is discontinued. AT&T currently plans to discontinue this Service on or after June 30, 2024.
- (4) Effective December 31, 2020, Broadcast Video (TV1) service will no longer be available for purchase by new or existing customers, and service agreements may no longer be renewed. In addition, requests to move, add, or change existing service arrangements will not be accepted. Following the expiration of a customer's existing term agreement, service will be provided on a month-to-month basis at the applicable Monthly rate until the service is discontinued. AT&T currently plans to discontinue this Service on or after December 31, 2021.
- (5) Program Audio is discontinued and no longer available in this publication (see WC Dkt. 19-238).

(N)

(This page filed under Transmittal No. 172 )

All BellSouth marks contained herein and as set forth in the trademarks and service marks section of the BellSouth Tariffs are owned by BellSouth Intellectual Property Corporation.

\*\*\*\*\*

ISSUED: NOVEMBER 5, 2019

EFFECTIVE: NOVEMBER 20, 2019

ACCESS SERVICE

7 - Special Access (a.k.a. BellSouth SPA) Service (Cont'd)

7.3 Channel Interface and Network Channel Codes (Cont'd)

7.3.5 Compatible Channel Interfaces (Cont'd)

- |   |   |     |
|---|---|-----|
| (H) Digital Data Access <sup>(3)</sup><br>(a.k.a. BellSouth SPA<br>DSO Digital Data)<br>For 2.4, 4.8, 9.6 & 56.0 kbps<br>For 19.2 kbps<br>For 64.0 kbps | TR-NWT-000341<br>BellCore MDP 326-726<br>INC Bulletin CB-INC-100<br>MDP-326-726 | (N) |
| (I) High Capacity (a.k.a. BellSouth<br>SPA High Capacity)   | TR-NPL-000054<br>TR-INS-000342  |     |
| (J) WATS Access Line <sup>(3)</sup> (a.k.a. BellSouth<br>SPA WATS Line)   | TR-NWT-000334   |     |

7.4 Rate Regulations

This section contains the specific regulations governing the rates and charges that apply for Special Access (a.k.a. BellSouth SPA) Service.

Effective November 1, 2017, Competitive Counties and Non-Competitive Counties have been established and are defined in Section 2.6 and the wire centers within such counties are listed in Sections 15.10.3 and 15.10.4.

For all rate elements other than End User channel terminations and their applicable optional features,<sup>(2)</sup> price flex rates and charges, as provided in Section 23.5.2, apply, regardless of whether the county is Competitive or Non-Competitive.

For End User channel terminations and their applicable optional features,<sup>(1)(2)</sup> the application of "price cap" or "price flex" is dependent upon whether or not the serving wire center is located in a Competitive County. If the End User channel termination is in a Competitive County, price flex rates and charges apply, as provided in Section 23.5.2. If the End User channel termination is in a Non-Competitive County, price cap rates and charges apply, as provided in Section 7.5.

(1) Until February 1, 2018, End User channel terminations and their applicable optional features that had not qualified for Phase II, Level 2 pricing flexibility prior to June 1, 2017, will be rated at the price cap rate regardless of the status of the county in which the applicable wire center is located.

(2) Optional features for End User channel terminations includes all optional features in Section 7.5, except for the Loop Transfer Arrangement and BellSouth SPA Customer Network Management (CNM) - FlexServ Service.

(3) Effective November 20, 2019, this Service will no longer be available for purchase by new or existing customers, and service agreements may no longer be renewed. In addition, requests to move, add or change existing service arrangements will not be accepted. Following the expiration of a customer's existing term agreement, service will be provided on a month-to-month basis at the applicable monthly extension rates until the service is discontinued. AT&T currently plans to discontinue this Service on or after June 30, 2024.

(N)  
|  
(N)

ISSUED: DECEMBER 16, 2022

EFFECTIVE: JANUARY 1, 2023

ACCESS SERVICE

7 - Special Access (a.k.a. BellSouth SPA) Service (Cont'd)

7.4 Rate Regulations (Cont'd)

7.4.1 Types of Rates and Charges

There are three types of rates and charges. These are monthly rates, daily rates and nonrecurring charges. The rates and charges are described as follows:

(A) Monthly Rates

Monthly rates are flat recurring rates that apply each month or fraction thereof that a Special Access (a.k.a. BellSouth SPA) Service is provided. For billing purposes, each month is considered to have 30 days.

(B) Daily Rates

Daily rates are flat recurring rates that apply to each 24 hour period or fraction thereof that a Program Audio<sup>(1)(2)</sup> (a.k.a. BellSouth SPA Program Audio) or Broadcast Quality Video (a.k.a. BellSouth SPA Broadcast Quality Video) Special Access Service is provided for part-time or occasional use. For purposes of applying daily rates, the 24 hour period is not limited to a calendar day. (N)

Part-time or occasional Broadcast Quality Video (a.k.a. BellSouth SPA Broadcast Quality Video) or Program Audio<sup>(1)(2)</sup> (a.k.a. BellSouth SPA Program Audio) service provided within a consecutive 30-day period will be charged the daily rate, not to exceed an amount equal to the monthly rate. For each subsequent day or part day, a charge equal to 1/30th of the monthly rate shall apply. (N)

(1) Effective November 20, 2019, this Service will no longer be available for purchase by new or existing customers, and service agreements may no longer be renewed. In addition, requests to move, add or change existing service arrangements will not be accepted. Following the expiration of a customer's existing term agreement, service will be provided on a month-to-month basis at the applicable monthly extension rates until the service is discontinued. AT&T currently plans to discontinue this Service on or after November 1, 2020.

(2) Program Audio is discontinued and no longer available in this publication (see WC Dkt. 19-238). (N)

ISSUED: DECEMBER 16, 2022

EFFECTIVE: JANUARY 1, 2023

ACCESS SERVICE

7 - Special Access (a.k.a. BellSouth SPA) Service (Cont'd)

7.4 Rate Regulations (Cont'd)

7.4.1 Types of Rates and Charges (Cont'd)

(C) Nonrecurring Charges

Nonrecurring charges are one-time charges that apply for specific work activity (i.e., installation or change to an existing service). The types of nonrecurring charges that apply for Special Access (a.k.a. BellSouth SPA) service are: installation of service, installation of optional features and functions, and service rearrangements.

The list below identifies the individual Special Access (a.k.a. BellSouth SPA) services provided under Section 7 of this Tariff which are eligible for Service Installation Guarantee credits as described in Section 2.4.9. These services are not eligible for the Service Installation Guarantee when the requested installation, move or rearrangement of service interval is four days or less, as measured from the application date of the service order.

Voice Grade<sup>(2)</sup> (a.k.a. BellSouth SPA DSO VG),  
Program Audio<sup>(1)(3)</sup> (a.k.a. BellSouth SPA Program Audio), (N)  
Digital Data Access Service<sup>(2)</sup> (a.k.a. BellSouth SPA DSO  
Digital Data),  
High Capacity Service (a.k.a. BellSouth SPA High Capacity),  
Dry Fiber  
SMARTPath (a.k.a. BellSouth SPA DS1 Shared Ring) service,  
and  
SMARTPath DS3 Transport (a.k.a. BellSouth SPA DS3 Shared  
Ring) service

Provided, however, that the following services are not eligible for such credit:

BellSouth SPA CNM - FlexServ Service  
Derived Data Channel<sup>(2)</sup> (a.k.a. BellSouth SPA Derived Data)  
Channel service  
Video (a.k.a. BellSouth SPA Video) services

(1) Effective November 20, 2019, this Service will no longer be available for purchase by new or existing customers, and service agreements may no longer be renewed. In addition, requests to move, add or change existing service arrangements will not be accepted. Following the expiration of a customer's existing term agreement, service will be provided on a month-to-month basis at the applicable monthly extension rates until the service is discontinued. AT&T currently plans to discontinue this Service on or after November 1, 2020.

(2) Effective November 20, 2019, this Service will no longer be available for purchase by new or existing customers, and service agreements may no longer be renewed. In addition, requests to move, add or change existing service arrangements will not be accepted. Following the expiration of a customer's existing term agreement, service will be provided on a month-to-month basis at the applicable monthly extension rates until the service is discontinued. AT&T currently plans to discontinue this Service on or after June 30, 2024.

(3) Program Audio is discontinued and no longer available in this publication (see WC Dkt. 19-238). (N)

(This page filed under Transmittal No. 172 )

All AT&T and BellSouth marks contained herein and as set forth in the trademarks and service marks section of the BellSouth Tariff are owned by AT&T Intellectual Property or AT&T affiliated companies.

\*\*\*\*\*

ISSUED: JUNE 16, 2011

EFFECTIVE: JULY 1, 2011

ACCESS SERVICE

7 - Special Access (a.k.a. BellSouth SPA) Service (Cont'd)

7.4 Rate Regulations (Cont'd)

7.4.1 Types of Rates and Charges (Cont'd)

(C) Nonrecurring Charges (Cont'd)

(1) Installation of Service

(a) Local Channels

Nonrecurring charges apply to each Local Channel on each Special Access (a.k.a. BellSouth SPA) service installed. When First and Additional nonrecurring charges apply, they are assessed as follows: When one Local Channel is ordered and installed, it is billed at the First Service Installed charge. For the installation of local channels when more than one of the same type of service between the same locations, for the same customer, is ordered and installed at the same time; one at each location is billed at the First Service Installed charge and the others are billed at the Additional Service Installed charge. Future service requests for the same access services, at a later date, will be treated as new orders and nonrecurring charges for first service and additional service will again apply. For all video services, one nonrecurring charge applies for each Local Channel.

For LightGate service (a.k.a. BellSouth SPA Point to Point Network), one nonrecurring charge applies for each system, SAFT I or II option, and channel interface.

(b) Interoffice Channel

The nonrecurring charge for the Interoffice Channel will be applied each time the Interoffice Channel rate element is applicable. For LightGate service (a.k.a. BellSouth SPA Point to Point Network), one nonrecurring charge applies for each system and each channel interface.

The Nonrecurring charges for the Installation of Service are set forth in Section 7.5 following as Nonrecurring Charges for the Local Channel Rate Element and the Interoffice Channel Rate Element.

ISSUED: SEPTEMBER 12, 2012

EFFECTIVE: SEPTEMBER 27, 2012

ACCESS SERVICE

7 - Special Access (a.k.a. BellSouth SPA) Service (Cont'd)

7.4 Rate Regulations (Cont'd)

7.4.1 Types of Rates and Charges (Cont'd)

(C) Nonrecurring Charges (Cont'd)

(2) Installation of Optional Features and Functions

Nonrecurring charges apply to the installation of Optional Features and Functions available with Special Access (a.k.a. BellSouth SPA) service. The Initial nonrecurring charge applies if the feature or function is installed coincident with the primary service. The Subsequent nonrecurring charge applies if the feature or function is installed after the installation of the primary service.

(D)  
(D)

First and Additional nonrecurring charges are applicable to activate each individual Central Office Channel Interface of a Basic Channelization System, and are in addition to the nonrecurring charges for the Basic Channelization System. A "First" nonrecurring Central Office Channel Interface nonrecurring charge is applicable to the first Channelization Feature installed coincident with the installation of a Basic Channelization System, per service request. An "Additional" nonrecurring charge applies for each additional Central Office Channel Interface, of the same type, ordered and installed at the same location, for the same customer, at the same time, on the same order request. Future requests for a Central Office Channel Interface(s) on an existing Basic Channelization System will be treated as new requests and will require "First" and "Additional" Central Office Channel Interface nonrecurring charge application, in addition to any other applicable charges.

The nonrecurring charges for the installation of Optional Features and Functions are set forth in Section 7.5 following as nonrecurring charges for Optional Features and Functions associated with the specific services.

ISSUED: JUNE 16, 2011

EFFECTIVE: JULY 1, 2011

ACCESS SERVICE

7 - Special Access (a.k.a. BellSouth SPA) Service (Cont'd)

7.4 Rate Regulations (Cont'd)

7.4.1 Types of Rates and Charges (Cont'd)

(C) Nonrecurring Charges (Cont'd)

(3) Service Rearrangements

Service rearrangements are changes to existing (installed) services which do not result in either a change in the minimum period requirements as set forth in 5.6(E) preceding or a change in the physical location of the point of the termination at a customer designated premises. Changes which result in the establishment of new minimum period obligations are treated as disconnects and starts. Changes in the physical location of the point of the termination are treated as moves and are described and charged for as set forth in 7.4.5 following. A change which results from a transfer of service is described and charged as set forth in (4) and 7.5.12 following.

The charge to the customer for the service rearrangement is dependent on whether the change is administrative only in nature or involves actual physical change to the service.

ISSUED: JUNE 16, 2011

EFFECTIVE: JULY 1, 2011

ACCESS SERVICE

7 - Special Access (a.k.a. BellSouth SPA) Service (Cont'd)

7.4 Rate Regulations (Cont'd)

7.4.1 Types of Rates and Charges (Cont'd)

(C) Nonrecurring Charges (Cont'd)

(3) Service Rearrangements (Cont'd)

Administrative changes, as identified below, will be made without charge to the customer. Such changes require the continued provision and billing of the Access Service to the same entity (i.e., customer remains responsible for all outstanding indebtedness for the Access Service). Administrative changes are as follows:

- Change of customer name (i.e., the customer of record does not change but rather the customer of record changes its name -- e.g., AT&T-Long Lines to AT&T-Communications),
- Change of customer or customer's end user premises address when the change of address is not a result of a physical relocation of equipment,
- Change in billing data (name, address, or contact name or telephone number. The customer of record does not change),
- Change of customer circuit identification,
- Change of billing account number,
- Change of customer test line number,
- Change of customer or customer's end user contact name or telephone number, and
- Change of jurisdiction.

All other service rearrangements, including physical changes to existing services, will be charged for as follows:

- If the change involves the addition of other customer designated premises to an existing multipoint service, the nonrecurring charge for the local channel rate element(s) being added will apply. Nonrecurring charges for interoffice channel mileage may also apply.
- If the change involves the addition of other customer designated premises to an existing two-point service, resulting in a multipoint circuit configuration, the nonrecurring charge for the local channel rate element(s) being added will apply. Nonrecurring charges for interoffice channel mileage may also apply.

(This page filed under Transmittal No. 1 )



ISSUED: NOVEMBER 5, 2019

EFFECTIVE: NOVEMBER 20, 2019

ACCESS SERVICE

7 - Special Access (a.k.a. BellSouth SPA) Service (Cont'd)

7.4 Rate Regulations (Cont'd)

7.4.1 Types of Rates and Charges (Cont'd)

(C) Nonrecurring Charges (Cont'd)

(3) Service Rearrangements (Cont'd)

- If the change involves the disconnection of customer designated premises from an existing multipoint circuit resulting in a two-point circuit configuration, no charges will apply.
- If the change involves the addition of an optional feature or function which has a separate nonrecurring charge, that nonrecurring charge will apply.
- If the change involves the conversion, or rollover, of DS1 High Capacity (a.k.a. BellSouth SPA DS1) service to LightGate service (a.k.a. BellSouth SPA Point to Point Network), made at a customer's request, then a separate nonrecurring charge(s), as appropriate, will apply to update the Network Channel Interface (NCI) code associated with each Voice Grade<sup>(1)</sup> (a.k.a. BellSouth SPA DSO VG) and/or other sub-DS1 level circuit riding the channelized DS1 High Capacity (a.k.a. BellSouth SPA DS1) service(s) being rolled over. This charge will apply only where NCI code updates are requested by the customer. Payment of the nonrecurring charge(s) will be the responsibility of the customer who leases the channelized DS1 High Capacity (a.k.a. BellSouth SPA DS1) service(s) being rolled over. (N)
- If the change involves changing the type of signaling on a Voice Grade<sup>(1)</sup> (a.k.a. BellSouth SPA DSO VG) service, a charge equal to the Voice Grade (a.k.a. BellSouth SPA DSO VG) Local Channel rate element nonrecurring charge will apply. When more than one Local Channel with the same type of signaling has the same changes made at the same time between the same locations, for the same customer, the first Local Channel charge is billed at the First Service Installed charge and the other Local Channels are billed Additional Service Installed charges. These charges will apply per service termination affected. (N)
- If the change involves an existing Dry Fiber ICB arrangement scheduled to terminate on August 5, 1991, which converts to the standard tariffed dry fiber offering in compliance with the FCC's Memorandum Opinion and Order in FCC Docket 88-136, released July 19, 1991, associated nonrecurring charges will be waived provided that the customer's conversion request is received by August 5, 1991.

(1) Effective November 20, 2019, this Service will no longer be available for purchase by new or existing customers and service agreements may no longer be renewed. In addition, requests to move, add or change existing service arrangements will not be accepted. Following the expiration of a customer's existing term agreement, service will be provided on a month-to-month basis at the applicable monthly extension rates until the service is discontinued. AT&T currently plans to discontinue this Service on or after June 30, 2024. (N)

ISSUED: NOVEMBER 5, 2019

EFFECTIVE: NOVEMBER 20, 2019

ACCESS SERVICE

7 - Special Access (a.k.a. BellSouth SPA) Service (Cont'd)

7.4 Rate Regulations (Cont'd)

7.4.1 Types of Rates and Charges (Cont'd)

(C) Nonrecurring Charges (Cont'd)

(3) Service Rearrangements (Cont'd)

- A prepayment credit as calculated below will be rendered to customers with rate stabilized arrangements for a DS3 ICB service or a dry fiber ICB service, upon conversion to standard tariff or discontinuance of the ICB arrangement, and subject to the following conditions. A prepayment is considered to have occurred when a customer's ICB nonrecurring charge is higher than the standard tariff nonrecurring charge and the ICB recurring rate is lower than the standard recurring rate. The prepayment credit will be developed by calculating the difference between the nonrecurring ICB charge and the standard corresponding nonrecurring charge(s). The amount will be reduced by the present worth of the monthly rate benefit received from the prepayment. The monthly it is the difference in monthly rates between standard tariff and the lower ICB rate for the number of months service was provided by the Company. A 12% interest rate will be utilized for developing the present worth factor.
- If the change involves changing a DS1 High Capacity (a.k.a. BellSouth SPA DS1) service routed through a customers normal serving wire center to a transmission path routed to an alternate serving wire center as described in 7.2.9(A) preceding, for DS1 Alternate Serving Wire Center, the change will be considered a disconnect of the existing service and full nonrecurring charges will apply for the alternately routed service.
- If the change involves a customer requested change of data transmission rate for an existing Digital Data Access<sup>(1)</sup> (a.k.a. BellSouth SPA DS0 Digital Data) Service circuit, the appropriate nonrecurring charge shall be the Speed Change Charge provided in 7.5.8.(C)(4). This charge shall apply per local channel on each circuit where the speed is requested to be changed. The existing circuit will experience out of service time when the speed change work is conducted. The telephone company will advise the customer the start time when the circuit will be out of service. After the work is completed, the telephone company will notify the customer. When customers choose this option, out of service credits specified in 2.4.4. will not apply. If a customer is not willing to experience out of service time, the request will be treated as a disconnect for the old circuit and a reconnect for the new circuit and full nonrecurring charges will apply. The customer shall specify the disconnect date for the circuit being replaced.

(N)

(1) Effective November 20, 2019, this Service will no longer be available for purchase by new or existing customers, and service agreements may no longer be renewed. In addition, requests to move, add or change existing service arrangements will not be accepted. Following the expiration of a customer's existing term agreement, service will be provided on a month-to-month basis at the applicable monthly extension rates until the service is discontinued. AT&T currently plans to discontinue this Service on or after June 30, 2024.

(N)

(N)

ISSUED: AUGUST 18, 2014

EFFECTIVE: SEPTEMBER 2, 2014

ACCESS SERVICE

7 - Special Access (a.k.a. BellSouth SPA) Service (Cont'd)

7.4 Rate Regulations (Cont'd)

7.4.1 Types of Rates and Charges (Cont'd)

(C) Nonrecurring Charges (Cont'd)

(3) Service Rearrangements (Cont'd)

- If the change involves changing a customer's DS1 High Capacity (a.k.a. BellSouth SPA DS1) service to BellSouth DS1 Diverse service, all nonrecurring charges appropriate for new BellSouth DS1 Diverse service will apply.
- If the change involves the addition of a DS3 Network Interface Unit (NIU) to a LightGate service (a.k.a. BellSouth SPA Point to Point Network), SMARTPath DS3 Transport service (a.k.a. BellSouth SPA DS3 Shared Ring), BellSouth Managed Shared Network service or LightGate service (a.k.a. BellSouth Point-to-Point Network) DS3 ASWC Arrangement non-channelized DS3, the rates and charges shown in Section 13.3.25 shall apply in addition to applicable SPA DS3 Service Date Advancement and SPA DS3 Service Date Advancement – Missed Appointment rates and charges as shown in Section 5.1.1(H). (D)
- For all other changes, including the addition of optional features without separate nonrecurring charges, a charge equal to a Local Channel rate element nonrecurring charge will apply. When more than one Local Channel of the same type is rearranged in the same manner at the same time between the same locations, for the same customer, the first Local Channel rearranged is billed at the First Service Installed charge and the other Local Channels are billed Additional Service Installed charges. Only one such charge will apply per service termination, per change. (T)
- If the change involves changing a customer's DS1 high capacity (a.k.a. BellSouth SPA DS1) service, as described in Section 7.2.9, to SMARTPath service (a.k.a. BellSouth SPA DS1 Shared Ring) the change will be considered a disconnect of the existing service and full nonrecurring charges will apply for the SMARTPath service (a.k.a. BellSouth SPA DS1 Shared Ring). If the existing DS1 high capacity (a.k.a. BellSouth SPA DS1) service is provided under an Area Commitment Plan agreement, a change to SMARTPath service (a.k.a. BellSouth SPA DS1 Shared Ring) under an Area Commitment Plan agreement will be considered an upgrade and termination liability charges will not apply. (D)

(D)  
|  
(D)

(This page filed under Transmittal No. 0083 )

All AT&T and BellSouth marks contained herein and as set forth in the trademarks and service marks section of the BellSouth Tariff are owned by AT&T Intellectual Property or AT&T affiliated companies.

\*\*\*\*\*

ISSUED: JUNE 16, 2011

EFFECTIVE: JULY 1, 2011

ACCESS SERVICE

7 - Special Access (a.k.a. BellSouth SPA) Service (Cont'd)

7.4 Rate Regulations (Cont'd)

7.4.1 Types of Rates and Charges (Cont'd)

(C) Nonrecurring Charges (Cont'd)

(4) Transfer of Service

When a change in billing data (e.g., name, address, contact name, or telephone number) is requested in association with a change in the customer of record, transfer of service charges, as set forth in 7.5.12 following will apply. Charges are applied on a Billing Account Number (BAN) and per circuit basis.

(This page filed under Transmittal No. 1 )

All AT&T and BellSouth marks contained herein and as set forth in the trademarks and service marks section of the BellSouth Tariff are owned by AT&T Intellectual Property or AT&T affiliated companies.

\*\*\*\*\*

ISSUED: JUNE 16, 2011

EFFECTIVE: JULY 1, 2011

ACCESS SERVICE

7 - Special Access (a.k.a. BellSouth SPA) Service (Cont'd)

7.4 Rate Regulations (Cont'd)

7.4.2 Surcharge for Special Access (a.k.a. BellSouth SPA) Service

(A) General

In addition to the rates and charges described in 7.4.1 preceding, there is a monthly surcharge that applies to Special Access (a.k.a. BellSouth SPA) service.\* The Special Access (a.k.a. BellSouth SPA) Surcharge compensates the Telephone Company for use of the local exchange network when Special Access (a.k.a. BellSouth SPA) service is connected to a PBX or equivalent device which is capable of interconnecting the Special Access (a.k.a. BellSouth SPA) service with local exchange service.

The Telephone Company will automatically bill the surcharge on each Special Access (a.k.a. BellSouth SPA) service installed irrespective of whether the interconnection capability exists in the customer's premises equipment or in a Centrex Type Services switch unless written certification is received from the customer certifying exemption status as set forth in (B) following.

(B) Special Access (a.k.a. BellSouth SPA) Surcharge Exemptions

The Special Access service will be exempted from the surcharge if the customer provides the Telephone Company written certification that the Special Access (a.k.a. BellSouth SPA) service termination is one of the following:

- (1) an open-end termination in a Telephone Company switch of an FX line, including CCSA and CCSA-equivalent ONALS; or
- (2) an analog Local Channel that is used for radio or television program transmission; or
- (3) a termination used for TELEX service; or

\* Effective June 1, 1986, Special Access (a.k.a. BellSouth SPA) Surcharge Regulations apply to Special Access (a.k.a. BellSouth SPA) used for WATS Access Lines (a.k.a. BellSouth SPA WATS Lines). On that date, the Telephone Company will begin to bill such surcharge for Special Access (a.k.a. BellSouth SPA) facilities used for WATS Access Lines (a.k.a. BellSouth SPA WATS Lines) presently in service. Payment of any Special Access (a.k.a. BellSouth SPA) Surcharge billed on Special Access (a.k.a. BellSouth SPA) facilities used for WATS Access Lines (a.k.a. BellSouth SPA WATS Lines) in service as of June 1, 1986, may be deferred, without penalty, for up to ninety (90) days from the date of the first bill rendered for such Special Access (a.k.a. BellSouth SPA) Surcharge.

ISSUED: JUNE 16, 2011

EFFECTIVE: JULY 1, 2011

ACCESS SERVICE

7 - Special Access (a.k.a. BellSouth SPA) Service (Cont'd)

7.4 Rate Regulations (Cont'd)

7.4.2 Surcharge for Special Access (a.k.a. BellSouth SPA) Service (Cont'd)

(B) Special Access (a.k.a. BellSouth SPA) Surcharge Exemptions (Cont'd)

- (4) a termination that by the nature of its operating characteristics could not make use of Telephone Company common lines; or
- (5) a termination that interconnects either directly or indirectly to the local exchange network where the usage is subject to Carrier Common Line charges\* such as, where the Special Access (a.k.a. BellSouth SPA) service accesses only BellSouth SWA FGA and no local exchange lines, or Special Access (a.k.a. BellSouth SPA) service between customer points of termination or Special Access (a.k.a. BellSouth SPA) service connecting CCSA or CCSA-type equipment (inter-machine trunks); or
- (6) a termination that the customer certifies to the Telephone Company is not connected to a PBX or other device capable of interconnecting the special access facility to a local exchange subscriber line.

(C) Exemption Certification

- (1) Special Access (a.k.a. BellSouth SPA) services which are terminated as set forth in (B) preceding will be exempted from the Special Access (a.k.a. BellSouth SPA) Surcharge if the customer provides the Telephone Company with a written notification certifying exemption. Such notification shall be provided by the customer (1) at the time the Special Access (a.k.a. BellSouth SPA) service is ordered or installed; (2) at such time as the Special Access (a.k.a. BellSouth SPA) service is reterminated to a device not capable of interconnecting to the local exchange network, or (3) at such time as the Special Access (a.k.a. BellSouth SPA) service becomes associated with a BellSouth SWA service that is subject to Carrier Common Line charges.

\* Resellers of WATS Access Line (a.k.a. BellSouth SPA WATS Line) Service may be exempted from paying CCL Charges during the transition period of June 1, 1986 to January 1, 1987. However, they should not be assessed any Special Access (a.k.a. BellSouth SPA) Surcharge on the closed end.

ISSUED: JUNE 16, 2011

EFFECTIVE: JULY 1, 2011

ACCESS SERVICE

7 - Special Access (a.k.a. BellSouth SPA) Service (Cont'd)

7.4 Rate Regulations (Cont'd)

7.4.2 Surcharge for Special Access (a.k.a. BellSouth SPA) Service (Cont'd)

(C) Exemption Certification (Cont'd)

- (2) If written certification is not received at the time the Special Access (a.k.a. BellSouth SPA) service is obtained, the surcharge will be applied. Exempt status will become effective on the certification date indicated by the customer, subject to the regulations in (D) following.
- (3) The exemption certification is to be provided by the customer ordering the service. The certification must be signed by the customer or authorized representative and include the category of exemption, as set forth in (B) preceding, for each termination, and the date which the exemption is effective.
- (4) The customer shall also notify the Telephone Company when an exempted Special Access (a.k.a. BellSouth SPA) service is changed or reterminated such that the exemption is no longer applicable.

(D) Crediting the Surcharge

The Telephone Company will cease billing the Special Access (a.k.a. BellSouth SPA) Surcharge when certification that the Special Access (a.k.a. BellSouth SPA) service has become exempt from the surcharge, as set forth in (B) preceding is received. If the status of the Special Access (a.k.a. BellSouth SPA) service was changed prior to receipt for the exemption certification, the Telephone Company will credit the customer's account, not to exceed ninety (90) days, based on the effective date of the change specified by the customer in the letter of certification.

(E) Application of Rates

- (1) The monthly Special Access (a.k.a. BellSouth SPA) Surcharge applies to Special Access (a.k.a. BellSouth SPA) services arranged, as set forth in (A) preceding, on a per voice equivalent basis as shown in the following example.

ISSUED: NOVEMBER 5, 2019

EFFECTIVE: NOVEMBER 20, 2019

ACCESS SERVICE

7 - Special Access (a.k.a. BellSouth SPA) Service (Cont'd)

7.4 Rate Regulations (Cont'd)

7.4.2 Surcharge for Special Access (a.k.a. BellSouth SPA) Service (Cont'd)

(E) Application of Rates (Cont'd)

(1) (Cont'd)

<u>Special Access Service</u>	<u>Voice Grade Equivalent</u>		<u>Surcharge</u>	<u>Monthly Charge</u>
Voice Grade <sup>(1)</sup> (a.k.a. BellSouth SPA DSO VG)	1	X	\$25.00	\$ 25.00
DS1	24	X	\$25.00	\$600.00

(N)

(2) In the case of multipoint Special Access (a.k.a. BellSouth SPA) service, one Special Access (a.k.a. BellSouth SPA) Surcharge will apply for each termination at a customer designated premises except that no surcharge applies at the customer designated premises at which the Access Service is connected to Interstate Service.

(3) The Telephone Company will bill the surcharge to the customer who orders the Special Access (a.k.a. BellSouth SPA) service unless the Service is exempt as set forth in Section 7.4.2(B). The rate for the Special Access (a.k.a. BellSouth SPA) Surcharge is set forth in Section 7.5.11.

7.4.3 Message Station Equipment Recovery Charge\*

The Message Station Equipment Recovery Charge is a charge to recover that portion of message station equipment that is assigned to Special Access (a.k.a. BellSouth SPA) service.

\* Effective June 1, 1986, Special Access (a.k.a. BellSouth SPA) Message Station Equipment Recovery charges apply to WATS Access Lines (a.k.a. BellSouth SPA WATS Lines). On that date, the Telephone Company will begin to bill such charges for Special Access (a.k.a. BellSouth SPA) facilities used for WATS Access Lines (a.k.a. BellSouth SPA WATS Lines) presently in service. Payment of any message Station Equipment Recovery Charge billed on Special Access (a.k.a. BellSouth SPA) facilities used for WATS Access Lines(a.k.a. BellSouth SPA WATS Lines) in service as of June 1, 1986, may be deferred, without penalty, for up to ninety (90) days from the date of the first bill rendered for such message Station Equipment Recovery Charge.

(1) Effective November 20, 2019, this Service will no longer be available for purchase by new or existing customers, and service agreements may no longer be renewed. In addition, requests to move, add or change existing service arrangements will not be accepted. Following the expiration of a customer's existing term agreement, service will be provided on a month-to-month basis at the applicable monthly extension rates until the service is discontinued. AT&T currently plans to discontinue this Service on or after June 30, 2024.

(N)  
 |  
 (N)



ISSUED: DECEMBER 16, 2022

EFFECTIVE: JANUARY 1, 2023

ACCESS SERVICE

7 - Special Access (a.k.a. BellSouth SPA) Service (Cont'd)

7.4 Rate Regulations (Cont'd)

7.4.3 Message Station Equipment Recovery Charge (Cont'd)

Pursuant to CC Docket 83-1145 Memorandum Opinion and Order adopted by the Federal Communications Commission on November 8, 1984 and released on November 9, 1984, this charge is assessed only to those customers to which the Special Access (a.k.a. BellSouth SPA) Surcharge applies. The rate for the Message Station Equipment Recovery Charge is set forth in 7.5.10 following.

7.4.4 Minimum Periods

The minimum service period for all services is one month except as specified following. The minimum service period for part-time and occasional Broadcast Quality Video (a.k.a. BellSouth SPA Broadcast Quality Video), and Program Audio<sup>(1)(2)</sup> (a.k.a. BellSouth SPA Program Audio) services is one day (i.e., a continuous 24-hour period, not limited to a calendar day). The minimum service period for ICB Services is specified in the Individual Case Basis Filing. The minimum service periods for LightGate service (a.k.a. BellSouth SPA Point to Point Network) are specified in 7.4.9 following. The minimum service period for DS1 Alternate Serving Wire Center Service is 12 months. The minimum service period for SMARTPath service (a.k.a. BellSouth SPA DS1 Shared Ring) is four months. The minimum service period for SMARTPath DS3 Transport (a.k.a. BellSouth SPA DS3 Shared Ring) service is 12 months.

(N)

(1) Effective November 20, 2019, this Service will no longer be available for purchase by new or existing customers, and service agreements may no longer be renewed. In addition, requests to move, add or change existing service arrangements will not be accepted. Following the expiration of a customer's existing term agreement, service will be provided on a month-to-month basis at the applicable monthly extension rates until the service is discontinued. AT&T currently plans to discontinue this Service on or after November 1, 2020.

(2) Program Audio is discontinued and no longer available in this publication (see WC Dkt. 19-238).

(N)

ISSUED: JUNE 16, 2011

EFFECTIVE: JULY 1, 2011

ACCESS SERVICE

7 - Special Access (a.k.a. BellSouth SPA) Service (Cont'd)

7.4 Rate Regulations (Cont'd)

7.4.5 Moves

A move involves a change in the physical location of one of the following:

- The Point of Termination at the customer's premises
- The customer's premises

The charges for the move are dependent on whether the move is to a new location within the same building or to a different building.

ISSUED: OCTOBER 21, 2016

EFFECTIVE: NOVEMBER 5, 2016

ACCESS SERVICE

7 - Special Access (a.k.a. BellSouth SPA) Service (Cont'd)

7.4 Rate Regulations (Cont'd)

7.4.5 Moves (Cont'd)

(A) Moves Within the Same Building

When a service is moved to a new location within the same building, the charge for the move will be an amount equal to one-half of the first service installed nonrecurring charge for the service termination affected. When a group of like services is moved to the same location inside a customer premises at the same time, the appropriate charges will be: one-half the first service installed nonrecurring charge for the first service moved of the group; and one-half the additional service installed nonrecurring charge for additional like services of that group. There will be no change in the minimum period requirements.

(B) Moves To a Different Building

(D)

Moves to a different building (customer premises) in a wire center serving area different than the customer's existing serving wire center serving area will be treated as a discontinuance and start of service and all associated nonrecurring charges will apply. Service will not be available simultaneously at both the original and new customer locations. New minimum period requirements may be established for the rearranged services in accordance with the regulations for a service. The customer will also remain responsible for satisfying all outstanding minimum period charges for the original service locations. When the move involves a multipoint service, the nonrecurring charge will apply per rate element affected.

Moves to a Telephone Company-provided BellSouth Expanded Interconnection Service interconnection arrangement, where the customer's and interconnector's existing wire center is the same, will be treated as a service move rather than a discontinuance and start of service. Cross Connect rates, nonrecurring charges, and optional feature and function charges as contained in Section 13 of this Tariff will apply. In addition, service reconfiguration charges are applicable per customer request and per circuit moved as contained in 7.5.17 following. Individual services will not be available simultaneously at both the original premises location and new wire center interconnection space. Additional cooperative end-to-end testing is available and will be conducted by the Telephone Company when requested at rates and charges contained in Section 13.3.5(B) of this Tariff. New minimum period requirements may be established for the rearranged services in accordance with the regulations for a service. The customer will remain responsible for satisfying all outstanding minimum period charges for the original service locations. When the move involves a multipoint service, the nonrecurring charge will apply per rate element affected.

(D)  
(D)  
(D)

(This page filed under Transmittal No. 125 )

All BellSouth marks contained herein and as set forth in the trademarks and servicemarks section of this Tariff are owned by BellSouth Intellectual Property Corporation.

\*\*\*\*\*

ISSUED: JUNE 16, 2011

EFFECTIVE: JULY 1, 2011

ACCESS SERVICE

7 - Special Access (a.k.a. BellSouth SPA) Service (Cont'd)

7.4 Rate Regulations (Cont'd)

7.4.5 Moves (Cont'd)

(B) Moves To a Different Building (Cont'd)

Moves to a different building (customer premises) in the customer's existing serving wire center serving area will be treated as a service move rather than a discontinuance and start of service. Nonrecurring charges for the new local channel will apply as well as any optional feature and function charges for that local channel. In addition, service reconfiguration charges are applicable per customer request and circuit moved as contained in 7.5.17 following. Service will not be available simultaneously at both the original and new customer locations. Additional cooperative end-to-end testing is available and will be conducted by the Telephone Company at a customer's request at rates and charges contained in 13.3.5(B) following. New minimum period requirements may be established for the rearranged services in accordance with the regulations for a service. The customer will also remain responsible for satisfying all outstanding minimum period charges for the original service locations. When the move involves a multipoint service, the nonrecurring charge will apply per rate element affected.

7.4.6 Mileage Measurement

Except as noted, the mileage to be used to determine the monthly rate for the Interoffice Channel is calculated on the airline distance between the locations involved, i.e., the serving wire centers associated with two customer-designated premises, a serving wire center associated with a customer-designated premises and a Telephone Company Hub, a serving wire center associated with a customer-designated premises and a BellSouth SWA WATS service serving office, or two Telephone Company Hubs. The serving wire center associated with a customer-designated premises is the serving wire center from which the customer-designated premises would normally obtain dial tone.

When service is provided from an alternate serving wire center, as described in 7.2.9(A) preceding, interoffice mileage is calculated on the airline distance from or to the alternate serving wire center in lieu of the wire center from which the customer-designated premises would normally receive dial tone.

ISSUED: NOVEMBER 5, 2019

EFFECTIVE: NOVEMBER 20, 2019

ACCESS SERVICE

7 - Special Access (a.k.a. BellSouth SPA) Service (Cont'd)

7.4 Rate Regulations (Cont'd)

7.4.6 Mileage Measurement (Cont'd)

Mileage is shown in 7.5 following in terms of mileage bands. To determine the rate to be billed, first compute the mileage using the V&H coordinates method, as set forth in the NATIONAL EXCHANGE CARRIER ASSOCIATION, INC. TARIFF F.C.C. No. 4, then find the band into which the computed mileage falls and apply the rates shown for that band. When the calculation results in a fraction of a mile, always round up to the next whole mile before determining the mileage band and applying the rates.

When Hubs are involved, either due to customer-specified bridging or channelization or for the specific provisioning of a service (e.g. for the specified provisioning of Digital Data<sup>(1)</sup> (a.k.a. BellSouth SPA DSO Digital Data) Access channels as set forth in Section 7.2.8), mileage is computed and rates applied separately for each section of the Interoffice Channel, i.e., customer designated premises serving wire center to Hub, Hub to Hub and/or Hub to customer designated premises serving wire center. Hubs are not utilized as interoffice channel mileage measurement points where the Telephone Company chooses to route the service through a Hub for other purposes.

(N)

(1) Effective November 20, 2019, this Service will no longer be available for purchase by new or existing customers, and service agreements may no longer be renewed. In addition, requests to move, add or change existing service arrangements will not be accepted. Following the expiration of a customer's existing term agreement, service will be provided on a month-to-month basis at the applicable monthly extension rates until the service is discontinued. AT&T currently plans to discontinue this Service on or after June 30, 2024.

(N)  
|  
(N)

(This page filed under Transmittal No. 150 )

All AT&T and BellSouth marks contained herein and as set forth in the trademarks and service marks section of the BellSouth Tariff are owned by AT&T Intellectual Property or AT&T affiliated companies.

\*\*\*\*\*

ISSUED: JUNE 16, 2011

EFFECTIVE: JULY 1, 2011

## ACCESS SERVICE

### 7 - Special Access (a.k.a. BellSouth SPA) Service (Cont'd)

#### 7.4 Rate Regulations (Cont'd)

##### 7.4.6 Mileage Measurement (Cont'd)

LightGate service(a.k.a. BellSouth SPA Point to Point Network) local channel system and SAFT Levels I and II monthly rates are distance sensitive and are measured per half airline mile, or fraction thereof, from a customer's serving wire center to the customer's designated premises. This mileage is developed by the Telephone Company in a multi-step process. Initially, the customer's street address location is taken and converted into its geographic coordinates of latitude and longitude utilizing the United States Government's land based, postal, geographic registration data base (TIGER). Precise determination of location is assured thru the use of specific postal address numbers, county, town, zip code, telephone area code and NXX information, CLLI information where available, and also known distances to street intersections if necessary. The specific mapping process from street address to corresponding latitude - longitude is available and may be obtained by requesting TIGER data from the Bureau of Census, Washington, D.C. 20233.

Following this, a customer's latitude and longitude are converted to V&H coordinates utilizing the standard algorithm calculation method originally developed by Bell Laboratories and currently used for interoffice mileage calculations in this Tariff. The calculation process converts latitude and longitude geographic points, based upon the ellipsoidal shape of the earth, and maps them to the planar map of the V&H Coordinate system that is used for standard mileage measurements. Detailed information regarding the specific equations utilized in this process are available from BELLCORE, Attn.: Executive Director - Language Standards, Room RRC4A801, 444 Hoes Lane, Piscataway, N.J. 08854.

The final step of the mileage calculation process utilizes the V&H coordinates of the customer's location and the Telephone Company's serving wire center to compute the airline mileage. The mileage is calculated using the method as set forth in the NATIONAL EXCHANGE CARRIER ASSOCIATION, INC., TARIFF F.C.C. NO. 4. Any portion of a half mile will always round up to the next half mile before determining the mileage and applying the rate.

ISSUED: JUNE 16, 2011

EFFECTIVE: JULY 1, 2011

ACCESS SERVICE

7 - Special Access (a.k.a. BellSouth SPA) Service (Cont'd)

7.4 Rate Regulations (Cont'd)

7.4.6 Mileage Measurement (Cont'd)

Local channel system mileage rates are calculated by multiplying the monthly rate per additional half mile by the number of additional half miles, not including the initial half mile of facilities included in the system rate. SAFT Levels I and II mileage rates are in addition to the local channel mileage rates preceding and are calculated by multiplying the monthly rate per half mile by the number of half miles, including the initial half mile of protection facilities. Information about local channel mileage and associated mileage charges will be provided by the Telephone Company without incurring any service obligations. Mileage for local channel systems is computed and rates applied separately from interoffice channels.

ISSUED: DECEMBER 16, 2022

EFFECTIVE: JANUARY 1, 2023

## ACCESS SERVICE

### 7 - Special Access (a.k.a. BellSouth SPA) Service (Cont'd)

#### 7.4 Rate Regulations (Cont'd)

##### 7.4.7 Facility Hubs

A customer has the option of ordering analog or digital high capacity facilities (i.e., Group, Supergroup, Mastergroup, DS1, DS1C, DS2, DS3, STS-1, OC-3, OC-12, OC-48, or OC-192) to a facility Hub for channelizing to individual services requiring lower capacity facilities (e.g., Digital Data Access<sup>(2)</sup> (a.k.a. BellSouth SPA DSO Digital Data) service, Voice<sup>(2)</sup> (a.k.a. BellSouth SPA DSO VG), Program Audio<sup>(1)(3)</sup> (a.k.a. BellSouth SPA Program Audio), etc.).

(N)

Different locations may be designated as Hubs for different facility capacities, e.g., channelization from digital to digital may occur at one location while channelization from digital to analog may occur at a different location. When ordering, the customer will specify the desired channelization Hub(s) selected from the NATIONAL EXCHANGE CARRIER ASSOCIATION, INC. TARIFF F.C.C. No. 4. This tariff identifies the type(s) of channelization functions which are available and the serving wire centers at which they are available.

Some of the types of channelization available include the following:

- from higher to lower bit rate
- from higher to lower bandwidth
- from digital to voice frequency channels

End to end services may be provided on channels of these facilities to a Hub. The transmission performance for the end to end service provided between customer designated premises will be that of the lower capacity or bit rate. For example, when a 1.544 Mbps facility is channelized to voice frequency channels, the transmission performance of the channelized services will be Voice Grade (a.k.a. BellSouth SPA DSO VG), not High Capacity (a.k.a. BellSouth SPA High Capacity).

The Telephone Company will commence billing the monthly rate for the facility to the Hub on the date specified by the customer on the service order. Individual services utilizing these facilities may be installed coincident with the installation of the facility to the Hub or may be ordered and/or installed at a later date, at the option of the customer. The customer will be billed for a Voice Grade or a high capacity analog or digital Local Channel, Interoffice Channel (when applicable) and the Basic Channelization System at the time the facility is installed. DS1 and DSO Basic Channelization Systems require a Central Office Channel Interface for activation of each lesser capacity channel. Individual service rates (by service type) will apply for a Local Channel, Central Office Channel Interface(s), and/or an additional Interoffice Channel (as required) for each channelized service. These will be billed to the customer as each individual service is installed.

- (1) Effective November 20, 2019, this Service will no longer be available for purchase by new or existing customers, and service agreements may no longer be renewed. In addition, requests to move, add or change existing service arrangements will not be accepted. Following the expiration of a customer's existing term agreement, service will be provided on a month-to-month basis at the applicable monthly extension rates until the service is discontinued. AT&T currently plans to discontinue this Service on or after June 30, 2024.
- (2) Effective November 20, 2019, this Service will no longer be available for purchase by new or existing customers, and service agreements may no longer be renewed. In addition, requests to move, add or change existing service arrangements will not be accepted. Following the expiration of a customer's existing term agreement, service will be provided on a month-to-month basis at the applicable monthly extension rates until the service is discontinued. AT&T currently plans to discontinue this Service on or after November 1, 2020.
- (3) Program Audio is discontinued and no longer available in this publication (see WCDkt. 19-238).

(N)



ISSUED: AUGUST 26, 2024

EFFECTIVE: SEPTEMBER 10, 2024

ACCESS SERVICE

7 - Special Access (a.k.a. BellSouth SPA) Service (Cont'd)

7.4 Rate Regulations (Cont'd)

7.4.7 Facility Hubs (Cont'd)

Cascading channelization occurs when a high capacity (a.k.a. BellSouth SPA High Capacity) analog or digital channel is channelized to provide channels with a lesser capacity and one of the lesser capacity channels is further channelized. For example, a Supergroup facility is channelized to five Group facilities and then one of the Group facilities is further channelized to individual Voice Grade (a.k.a. BellSouth SPA DSO VG) channels.

When cascading channelization is performed, whether in the same or a different Hub, a charge for the additional Basic Channelization System and Central Office Channel Interface(s) also applies. A DS1 (a.k.a. BellSouth SPA DS1) Basic Channelization System and DDAS<sup>(2)</sup> (a.k.a. BellSouth SPA DSO Digital Data) Central Office Channel Interface are required for high speed or low speed DDAS<sup>(2)</sup> (a.k.a. BellSouth SPA DSO Digital Data) activations when channelized from a DS1 (1.544 Mbps) channel. A DSO Basic Channelization System and Subrate Central Office Channel Interface are required for subrate activations of 2.4, 4.8 and 9.6 Kbps when channelized from a DSO<sup>(2)</sup> (64 Kbps) channel. When cascading channelization is performed at different Hubbing locations, Interoffice Channel charges also apply between the Hubs.

Although not requiring channelization, the Telephone Company will designate certain Hubs for Program Audio<sup>(1)(3)</sup> (a.k.a. BellSouth SPA Program Audio) service. A customer can order full-time and/or part-time service(s) between customer designated premises and a Hub and will be billed accordingly at the rates set forth in Section 7.5.4 for the full-time or part-time service, as appropriate. At the request of a customer, the full-time and/or part-time services provided to the Hub may be connected together in the following configurations: full-time to full-time, full-time to part-time or part-time to part-time. The customer will be charged for each such connection made at the rates for Other Labor as set forth in Section 13.2.6(C). The rates that apply for the service between each customer designated premises and the Hub are a Central Office Channel Interface, Local Channel, and Interoffice Channel, if applicable. In addition, rates for optional features and functions may be applicable.

7.4.8 Shared Use Analog and Digital High Capacity (a.k.a. BellSouth SPA High Capacity) Services

Shared use occurs when Special Access (a.k.a. BellSouth SPA) service and BellSouth SWA service are provided over the same High Capacity Special Access facility through a common interface. The Special Access monthly rate for the Local Channel, Interoffice Channel, if applicable Basic Channelization System and Central Office Channel Interface (s) will apply, regardless of whether any individual channels of the shared Special Access (BellSouth SPA) facility are used for Special Access (BellSouth SPA) service, BellSouth SWA service, or any other type of service. The practice known as "ratcheting" (to apply non-Special Access rates on a proportional basis) shall not apply in any circumstance

(C)  
(C)  
(N)  
—  
(N)

- (1) Effective November 20, 2019, this Service will no longer be available for purchase by new or existing customers, and service agreements may no longer be renewed. In addition, requests to move, add or change existing service arrangements will not be accepted. Following the expiration of a customer's existing term agreement, service will be provided on a month-to-month basis at the applicable monthly extension rates until the service is discontinued. AT&T currently plans to discontinue this Service on or after November 1, 2020.
- (2) Effective November 20, 2019, this Service will no longer be available for purchase by new or existing customers, and service agreements may no longer be renewed. In addition, requests to move, add or change existing service arrangements will not be accepted. Following the expiration of a customer's existing term agreement, service will be provided on a month-to-month basis at the applicable monthly extension rates until the service is discontinued. AT&T currently plans to discontinue this Service on or after June 30, 2024.
- (3) Program Audio is discontinued and no longer available in this publication (see WC Dkt. 19-238).

(x) Issued under authority of Special Permission No. 24-006 of the FCC in order to withdraw material filed under Transmittal No. 186 and Transmittal No. 188.

ISSUED: AUGUST 26, 2024

EFFECTIVE: SEPTEMBER 10, 2024

ACCESS SERVICE

7 - Special Access (a.k.a BellSouth SPA) Service (Cont'd)

7.4 Rate Regulations (Cont'd)

7.4.8 Shared Use Analog and Digital High Capacity (a.k.a. BellSouth SPA High Capacity) Services (Cont'd)

(D)

(D)

(x) Issued under authority of Special Permission No. 24-006 of the FCC in order to  
withdraw material filed  
under Transmittal No. 186 and Transmittal No. 188.

ISSUED: AUGUST 26, 2024

EFFECTIVE: SEPTEMBER 10, 2024

ACCESS SERVICE

7 - Special Access (a.k.a. BellSouth SPA) Service (Cont'd)

7.4 Rate Regulations (Cont'd)

7.4.8 Shared Use Analog and Digital High Capacity (a.k.a. BellSouth SPA High Capacity) Services (Cont'd)

(D)

(D)

(x) Issued under authority of Special Permission No. 24-006 of the FCC in order to  
withdraw material filed  
under Transmittal No. 186 and Transmittal No. 188.

(This page filed under Transmittal No. 190 )

All AT&T and BellSouth marks contained herein and as set forth in the trademarks and service marks  
section of the BellSouth Tariff are owned by AT&T Intellectual Property or AT&T affiliated companies.

\*\*\*\*\*

ISSUED: AUGUST 26, 2024

EFFECTIVE: SEPTEMBER 10, 2024

ACCESS SERVICE

7 - Special Access (a.k.a. BellSouth SPA) Service (Cont'd)

7.4 Rate Regulations (Cont'd)

7.4.8 Shared Use Analog and Digital High Capacity (a.k.a. BellSouth SPA High Capacity) Services (Cont'd)

(D)

(D)

(x) Issued under authority of Special Permission No. 24-006 of the FCC in order to  
withdraw material filed  
under Transmittal No. 186 and Transmittal No. 188.

(This page filed under Transmittal No. 190 )

All AT&T and BellSouth marks contained herein and as set forth in the trademarks and service marks  
section of the BellSouth Tariff are owned by AT&T Intellectual Property or AT&T affiliated companies.

\*\*\*\*\*

ISSUED: JUNE 16, 2011

EFFECTIVE: JULY 1, 2011

ACCESS SERVICE

7 - Special Access (a.k.a. BellSouth SPA) Service (Cont'd)

7.4 Rate Regulations (Cont'd)

7.4.9 LightGate Service (a.k.a. BellSouth SPA Point to Point Network)

Rates and charges are specified in 7.5.9 following for LightGate service (a.k.a. BellSouth SPA Point to Point Network). System rates provide system capacity and channel interfaces. Local channel systems include the transport common equipment, and first half air-mile of local channel facilities and additional lengths of local channel facilities. These rates are specified in 7.5.9(A)(3) following. Separate Alternate Facility Transport (SAFT), options for LightGate service (a.k.a. BellSouth SPA Point to Point Network), local channel system rates are offered at the rates specified in 7.5.9.A. (3)(u), (aq) and (bc) following. These rates are in addition to local channel system rates. Interoffice channel system mileage rates and charges are as specified in 7.5.9(B)(5) following.

DS3 and/or DS1 channel interfaces are required for asynchronous LightGate service (a.k.a. BellSouth SPA Point to Point Network) local channel systems at both the customer and central office locations. DS3 channel interfaces are not required in connection with the provision of DS1 channel interfaces at a system's termination location. LightGate services (a.k.a. BellSouth SPA Point to Point Network) channel interfaces are only offered in conjunction with a LightGate service (a.k.a. BellSouth SPA Point to Point Network) system. The resulting number of DS1 and DS3 channels provided by a system may not exceed the capacity of the system ordered. A minimum of four DS1 or one DS3 channel(s) is (are) required to maintain a system in service.

(This page filed under Transmittal No. 1 )

All AT&T and BellSouth marks contained herein and as set forth in the trademarks and service marks section of the BellSouth Tariff are owned by AT&T Intellectual Property or AT&T affiliated companies.

\*\*\*\*\*

ISSUED: JUNE 16, 2011

EFFECTIVE: JULY 1, 2011

ACCESS SERVICE

7 - Special Access (a.k.a. BellSouth SPA) Service (Cont'd)

7.4 Rate Regulations (Cont'd)

7.4.9 LightGate Service (a.k.a. BellSouth SPA Point to Point Network (Cont'd)

Customers may request a C-Bit Parity framing format for a DS3 level circuit. If the request is made at the time the circuit is installed, there is no additional charge. When a request for C-Bit Parity framing format is made for an existing circuit, a nonrecurring charge will be applicable for rearranging the framing format on the circuit. This charge will also be applicable if a customer requests that the C-Bit Parity framing format be removed from a circuit. This charge is specified in 7.5.17 following and is applied on a per circuit basis.

LightGate 3 (a.k.a. BellSouth SPA Point to Point Network 12 DS3 Capacity), LightGate 4 (a.k.a. BellSouth SPA Point to Point Network 24 DS3 Capacity) service local channel systems require a 28 DS1 system channel interface and DS1 channel interfaces to derive DS1 channels. When a collocater desires to derive DS1's from a Virtual Access Cross Connect Service, Physical Access Cross Connect Service, Intra-Office Collocation Cross Connect Service, a LightGate 1 service (a.k.a. BellSouth SPA Point to Point Network) local channel system is not required. However the customer is required to pay the charge for the 28 DS1 channel system channel interface in addition to the DS1 central office interfaces.

DS1 or DS3 channels provided by interoffice channel systems must be combined with corresponding channels in local channel systems or may be a stand-alone link when connected with BellSouth Customer Network Management Service, or voice grade (a.k.a. BellSouth SPA DS0 VG) hubbing applications without associated local channels. Customers must designate, at the time service is ordered, the association of any DS3 or DS1 channels in a LightGate service (a.k.a. BellSouth SPA Point to Point Network) interoffice system with corresponding DS3 or DS1 channels in a LightGate service (a.k.a. BellSouth SPA Point to Point Network) local channel system to form required link configurations. DS1 or DS3 channel interfaces are required at each terminating central office location.

(This page filed under Transmittal No. 1 )

All AT&T and BellSouth marks contained herein and as set forth in the trademarks and service marks section of the BellSouth Tariff are owned by AT&T Intellectual Property or AT&T affiliated companies.

\*\*\*\*\*

ISSUED: JUNE 16, 2011

EFFECTIVE: JULY 1, 2011

ACCESS SERVICE

7 - Special Access (a.k.a. BellSouth SPA) Service (Cont'd)

7.4 Rate Regulations (Cont'd)

7.4.9 LightGate Service (a.k.a. BellSouth SPA Point to Point Network) (Cont'd)

LightGate service (a.k.a. BellSouth SPA Point to Point Network) is available at month-to-month rates, with a four month minimum service period for all associated rate elements. However, local channel systems with SAFT levels I or II reliability, have a 4-month minimum service period. Service is also available under a Transport Payment Plan (TPP), or Channel Services Payment Plans (CSPP) A, (24-48 Months), B (49-72 Months), or C (73-96 Months) as specified in Section 2.4.8 preceding, except as modified following:

- (A) All rate elements associated with a LightGate service (a.k.a. BellSouth SPA Point to Point Network) local channel system or a interoffice channel system must be provided under the same TPP or CSPP arrangement; provided, however, that channel interfaces may be provided under a monthly rate arrangement which is greater than, equal to or less than the payment plan for the associated local channel or interoffice channel.
- (B) A termination liability charge will be applicable for LightGate service (a.k.a. BellSouth SPA Point to Point Network) rate elements provided under a CSPP arrangement that are disconnected prior to the end of the chosen service period. The termination liability charge is equal to the number of months remaining in the service period multiplied by 60% of the monthly rates for the rate elements disconnected. LightGate service (a.k.a. BellSouth SPA Point to Point Network) rate elements provided under a TPP arrangement that are disconnected prior to the end of the chosen service period will incur termination liability in accordance with Section 2.4.8. preceding. The following exceptions apply:
  - (1) No Termination Liability Charge will be applicable for a LightGate service (a.k.a. BellSouth SPA Point to Point Network) when the customer replaces an existing CSPP arrangement with a new TPP arrangement for the same or larger system(s) and all associated rate elements at the same location(s) for a service period equal to or greater than the time remaining on the existing CSPP arrangement. This provision also applies for conversions of asynchronous LightGate service (a.k.a. BellSouth SPA Point to Point Network) systems to larger synchronous LightGate service (a.k.a. BellSouth SPA Point to Point Network) systems at the same location(s) for a service period equal to or greater than the time remaining on the existing CSPP arrangement.

ISSUED: JUNE 16, 2011

EFFECTIVE: JULY 1, 2011

ACCESS SERVICE

7 - Special Access (a.k.a. BellSouth SPA) Service (Cont'd)

7.4 Rate Regulations (Cont'd)

7.4.9 LightGate Service (a.k.a. BellSouth SPA Point to Point Network) (Cont'd)

(B) (Cont'd)

- (2) A change of jurisdiction from interstate to intrastate LightGate service (a.k.a. BellSouth SPA Point to Point Network) constitutes a disconnection of service for which termination charges are applicable. However, if such LightGate service (a.k.a. BellSouth SPA Point to Point Network) continues between the same serving locations, and the customer enters into a new TPP or CSPP arrangement in the intrastate jurisdiction for the same or larger service capacity and associated rate elements for a service period equal to or greater than the service period remaining under the interstate TPP or CSPP arrangement, no interstate termination liability charge will be applicable.
- (3) Should a LightGate service (a.k.a. BellSouth SPA Point to Point Network) be disconnected due to a Force Majeure, that is, an event such as a fire, flood, environmental pollution or other natural disaster or similar cause beyond the customer's control which causes such damage, destruction or danger that the customer is unable to conduct business operations there, at the option of the customer, the termination liability charge shall be determined in accordance with (B) above or the following:
  - The charge will be the difference between current month-to-month rates for all affected rate elements which are provided under CSPP terms and the applicable CSPP rates multiplied by the number of months that service has been provided. The minimum service period for LightGate service (a.k.a. BellSouth SPA Point to Point Network), stated previously will apply whenever service is disconnected after a shorter service interval. Additionally, replacement LightGate service (a.k.a. BellSouth SPA Point to Point Network) must be ordered and have the same or larger system within the same LATA for the same or longer CSPP commitment period as the remaining commitment period, and be ordered within 60 days of the disconnection of service. Nonrecurring charges will be applicable at the new service location.
- (C) Other access services that are connected to LightGate services (a.k.a. BellSouth SPA Point to Point Network) are not offered under LightGate service (a.k.a. BellSouth SPA Point to Point Network) TPP or CSPP terms. They are subject to the regulations applicable to such services.



ISSUED: JUNE 16, 2011

EFFECTIVE: JULY 1, 2011

ACCESS SERVICE

7 - Special Access (a.k.a. BellSouth SPA) Service (Cont'd)

7.4 Rate Regulations (Cont'd)

7.4.9 LightGate Service (a.k.a. BellSouth SPA Point to Point Network) (Cont'd)

LightGate (a.k.a. BellSouth SPA Point to Point Network) service links may be connected together, or links may be connected to BellSouth Customer Network Management Service to Voice Grade (a.k.a. BellSouth SPA DSO VG) services through hubbing applications. Individual DS1 and DS3 channel link configurations may be installed, maintained, and disconnected as desired without affecting separate links.

A LightGate (a.k.a. BellSouth SPA Point to Point Network) service system is not required to have the same payment plan arrangement as other LightGate (a.k.a. BellSouth SPA Point to Point Network) service systems to which it is connected. However, when a DS1 or DS3 channel within a LightGate (a.k.a. BellSouth SPA Point to Point Network) service interoffice channel is combined as a single link with a DS1 or DS3 channel within a LightGate (a.k.a. BellSouth SPA Point to Point Network) service local channel, the LightGate (a.k.a. BellSouth SPA Point to Point Network) service interoffice channel system and associated interfaces must be obtained under the same payment plan arrangement as the LightGate (a.k.a. BellSouth SPA Point to Point Network) service local channel system, or under month-to-month rates as desired by the customer.

All LightGate (a.k.a. BellSouth SPA Point to Point Network) service local channel systems may be upgraded to a larger capacity LightGate (a.k.a. BellSouth SPA Point to Point Network) service local channel system without requirement to disconnect existing DS1 or DS3 channel services. DS1 channel interfaces in a LightGate 1 (a.k.a. BellSouth SPA Point to Point Network 1 DS3 Capacity) or 2 (a.k.a. BellSouth SPA Point to Point Network 3 DS3 Capacity) service local channel system must include the rates and charges for associated DS1 channel systems when upgraded to LightGate 3 (a.k.a. BellSouth SPA Point to Point Network 12 DS3 Capacity), LightGate 4 (a.k.a. BellSouth SPA Point to Point Network 24 DS3 Capacity) or higher local channel systems. Upgrades of systems will incur a new four month minimum service period when ordered at month-to-month rates for upgraded rate elements. Upgraded systems provided with SAFT Levels I or II reliability incur a new 12 month minimum period. Upgraded systems provided under rate stabilized Channel Services Payment Plan rates and charges are subject to the terms preceding.

(This page filed under Transmittal No. 1 )

All AT&T and BellSouth marks contained herein and as set forth in the trademarks and service marks section of the BellSouth Tariff are owned by AT&T Intellectual Property or AT&T affiliated companies.

\*\*\*\*\*

ISSUED: JUNE 16, 2011

EFFECTIVE: JULY 1, 2011

ACCESS SERVICE

7 - Special Access (a.k.a. BellSouth SPA) Service (Cont'd)

7.4 Rate Regulations (Cont'd)

7.4.9 LightGate Service (a.k.a. BellSouth SPA Point to Point Network) (Cont'd)

All customers with existing DS3 channel services will be converted to LightGate service (a.k.a. BellSouth SPA Point to Point Network) as of the effective date of LightGate service (a.k.a. BellSouth SPA Point to Point Network) without application of nonrecurring charges for those existing DS3 channels. In addition, for such converted services, nonrecurring charges and termination liability charges will be waived for a single change in payment periods and/or rearrangement of existing DS3 channels that result in a larger or smaller capacity LightGate service (a.k.a. BellSouth SPA Point to Point Network) local channel system, provided that such changes occur within 120 days following October 29, 1992, the effective date of this Tariff. Changes in system size and/or payment plan will be made effective coincident with the completion of the rearrangement associated with the customer's service request.

ISSUED: JUNE 16, 2011

EFFECTIVE: JULY 1, 2011

ACCESS SERVICE

7 - Special Access (a.k.a. BellSouth SPA) Service (Cont'd)

7.4 Rate Regulations (Cont'd)

7.4.9 LightGate Service (a.k.a. BellSouth SPA Point to Point Network) (Cont'd)

Notwithstanding any other provision of this tariff to the contrary, Plan C rates will apply, beginning September 1, 1994, to all LightGate services (a.k.a. BellSouth SPA Point to Point Network) which, prior to September 1, 1994, have been obtained under a term period of at least 61 months and to all LightGate services (a.k.a. BellSouth SPA Point to Point Network) which are newly obtained, during the period from September 1, 1994 through April 1, 1995, under a term period of at least 61 months. The rates are subject to the conditions of Section 2.4.8(A)(1)(f) preceding. Termination liability will not apply for decreasing a commitment period to a term of 61 to 72 months during the period from September 1, 1994 through April 1, 1995.

Customers with an existing asynchronous LightGate 2 (a.k.a. BellSouth SPA Point to Point Network 3 DS3 Capacity) or 3 service (a.k.a. BellSouth SPA Point to Point Network 12 DS3 Capacity) local channel system may elect to convert that system to an asynchronous LightGate 2 (a.k.a. BellSouth SPA Point to Point Network 3 DS3 Capacity) or 3 service (a.k.a. BellSouth SPA Point to Point Network 12 DS3 Capacity) local channel system with optical customer termination of the same size at rates contained in Section 7.5.9(A)(3) following, at the same location and payment commitment period with no changes in the Telephone Company's serving wire center termination equipment without termination liability charges or nonrecurring charges applicable to the existing system. Such election must be made by June 15, 1996. The Network Channel Interface (NCI) Codes and System Equipment that support this offering are shown in the table below:

<u>LightGate (a.k.a. BellSouth SPA Point to Point Network) Service System Size</u>	<u>NCI Code</u>	<u>Optical Rate (Mb/s)</u>	<u>System Equipment</u>
2	04FCF.13	135	Alcatel 3X50
3	04FCF.54	560	Alcatel LTS-1565 Telco Systems M560

Asynchronous LightGate service (a.k.a. BellSouth SPA Point to Point Network) systems with optical termination at customer locations are not available for new customer requests, nor as upgrades of existing system capacities to larger systems.

(This page filed under Transmittal No. 1 )

All AT&T and BellSouth marks contained herein and as set forth in the trademarks and service marks section of the BellSouth Tariff are owned by AT&T Intellectual Property or AT&T affiliated companies.

\*\*\*\*\*

ISSUED: SEPTEMBER 13, 2011

EFFECTIVE: SEPTEMBER 28, 2011

ACCESS SERVICE

7 - Special Access (a.k.a. BellSouth SPA) Service (Cont'd)

7.4 Rate Regulations (Cont'd)

7.4.10 Reserved For Future Use

7.4.11 Shared Network Arrangement

Rate elements which comprise a service arrangement within a shared network, e.g., local channels, interoffice channel(s), and appropriate channelization elements, must be billed to one customer.

Each customer entering into a Shared Network Arrangement is solely responsible to BellSouth Telecommunications for charges associated with that customer's portion of the shared network. Disconnection of service by the host subscriber does not relieve another user of the network of any obligation to pay access charges associated with the portion of the shared network to which that user subscribes. Billing for services and facilities will continue until a disconnect request from the service user has been received by BellSouth Telecommunications. The host subscriber is solely responsible for notifying the connecting service user in the event of disconnection of the host's service which affects that portion of the shared network service to which the user has subscribed. (T)

ISSUED: JUNE 16, 2011

EFFECTIVE: JULY 1, 2011

## ACCESS SERVICE

### 7 - Special Access (a.k.a BellSouth SPA) Service (Cont'd)

#### 7.4 Rate Regulations (Cont'd)

##### 7.4.11 Shared Network Arrangement (Cont'd)

A one-time coordination charge will be assessed within BellSouth Telecommunications with the establishment of a Shared Network Arrangement. The host subscriber and the service user may, by mutual agreement, designate which party will be responsible for payment of the coordination charge. In the event no such agreement is reached, the charge will be applied to the host subscriber's account and the host subscriber will be responsible to BellSouth Telecommunications for payment of said charge.

In addition to the coordination charge, a separate nonrecurring charge will apply to process each service order on a shared network account. Charges for coordination and service order processing are contained in Section 7.5.

Where the host subscriber and the connecting service user subscribe to services under Channel Services Payment Plan (CSPP) terms or Transport Payment Plan (TPP) terms, the payment periods for directly associated multiplexing rate elements must be the same, with the same termination date, or alternately, the connecting service user must order those rate elements under month-to-month payment terms. Where the host subscriber receives services under month-to-month payment terms, a connecting service user must also receive directly associated multiplexing rate elements under month-to-month payment terms. Disconnection of a connecting service user's services under CSPP or TPP terms creates no associated termination or payment obligations for the host subscriber. However, disconnection of the host subscriber's services does create payment obligations for shared network service components as appropriate for the specific service.

##### 7.4.12 BellSouth Customer Network Management Service

###### (A) General

BellSouth Customer Network Management Service is an optional feature that enables the customer to monitor and reconfigure his Voice Grade (a.k.a BellSouth SPA DSO VG), DDAS (a.k.a. BellSouth SPA DSO Digital Data), and High Capacity (a.k.a BellSouth SPA High Capacity) services without the direct intervention of Telephone Company personnel.

(This page filed under Transmittal No. 1 )

All BellSouth marks contained herein and as set forth in the trademarks and servicemarks section of this Tariff are owned by BellSouth Intellectual Property Corporation.

\*\*\*\*\*

ISSUED: JUNE 16, 2011

EFFECTIVE: JULY 1, 2011

ACCESS SERVICE

7 - Special Access (a.k.a. BellSouth SPA) Service

7.4 Rate Regulations (Cont'd)

7.4.12 BellSouth SPA Customer Network Management (CNM) - FlexServ Service (Cont'd)

(A) General (Cont'd)

(1) Management Terminal Interface for BellSouth SPA CNM - FlexServ Service

Effective May 16, 2008, the dial and dedicated options used to access BellSouth SPA CNM - FlexServ Service will not be available for new customer orders. Customers currently subscribing to these options may continue to utilize the services, but new orders will not be accepted.

Effective May 16, 2008, the Mechanized Interface to Specified Operation Support Systems will not be available for new customer orders. Customers currently subscribing to this option may continue to use the service, but new orders will not be accepted.

The Management Terminal Interface (MTI) is utilized with a dial service, a dedicated service or a web access service as a means of accessing BellSouth SPA CNM - FlexServ Service. For interstate access to BellSouth SPA CNM - FlexServ Service a customer must obtain a Management Terminal Interface. The BellSouth SPA CNM - FlexServ Service customer may purchase a dial or dedicated access port with a choice of speeds.

If a customer desires to utilize the Management Terminal Interface for BellSouth SPA CNM - FlexServ Service to access the Mechanized Interface to Specified Operation Support Systems (Trouble Administration and PIC Inquiry and Order) as detailed in 5.2.15 preceding, an additional nonrecurring charge and a monthly rate will apply.

The customer is responsible for providing the facility required to connect the customer's location to the designated Company location. The designated Company location is the suitably equipped office as stated in the NATIONAL EXCHANGE CARRIER ASSOCIATION, (NECA), INC. Tariff, F.C.C. No. 4.

Customers who subscribe to dial access will be given a telephone number to dial, which will establish a port connection. Customers who subscribe to web access will be provided a web address and may utilize a personal computer that has a standard web browser to establish a connection. Dial and web access customers must obtain a Security card from the Telephone Company as specified in 13.3.12 following.

In addition to providing a dial or dedicated access service, the customer will be required to furnish a VT100 type terminal and a compatible data set. The data set required will depend on the type of access chosen by the customer and the capability for connection with the Company. Customer Provided Equipment must comply with specifications found in BellSouth Technical Reference Publication 73535 for Corporate Packet Network Asynchronous Terminal Access and BellSouth Technical Reference Publication 73516 Issue C, Corporate Packet Network Physical Interface Specifications.

(This page filed under Transmittal No. 1 )

All AT&T and BellSouth marks contained herein and as set forth in the trademarks and service marks section of the BellSouth Tariff are owned by AT&T Intellectual Property or AT&T affiliated companies.

\*\*\*\*\*