

## ACCESS SERVICE

|  | <u>Page</u> |     |
|--|-------------|-----|
| 3. Carrier Common Line Access Service  |             |     |
| 3.1 General Description  | 3-2         |     |
| 3.2 Service Provisioning   | 3-3         |     |
| 3.3 Rate Regulations   | 3-4         |     |
| 3.3.1 Rate Elements  | 3-5         |     |
| (A) Carrier Common Line (CCL) Access Charges                                       | 3-5         |     |
| (B) Presubscribed Interexchange Carrier<br>Charges (PICC)                          | 3-5         |     |
| 3.3.2 CCL Usage Rates  | 3-6         |     |
| (A) Premium Rate Application   | 3-6         | (D) |
| (B) Originating and Terminating Rate Application                                   | 3-8         |     |
| 3.3.3 PICC Monthly Rates   | 3-10.1      |     |
| (A) Multiline Business   | 3-10.2      |     |
| (B) Billing Cycle  | 3-10.3      |     |
| (C) Jurisdictional Reporting   | 3-10.3      |     |
| 3.3.4 Determining Chargeable Access Minute   | 3-11        |     |
| 3.3.5 Adjustment for Resold MTS and MTS-Type Services                              | 3-12        |     |
| (A) Description  | 3-12        |     |
| (B) Service Provisioning   | 3-13        |     |
| (C) Application of Adjustment  | 3-14        |     |
| (D) Apportionment of Originating and Terminating<br>Resold MTS or MTS-Type Minutes | 3-15        |     |
| (E) Determining Adjusted Originating and<br>Terminating Usage                      | 3-16        |     |
| (F) Report Requirements  | 3-17        |     |
| 3.3.6 Exceptions to Carrier Common Charges   | 3-19        |     |
| 3.4 Rates and Charges  | 3-20        |     |
| 3.4.1 Carrier Common Line Access Charges   | 3-20        |     |
| (A) Premium  | 3-20        | (D) |
| 3.4.2 Presubscribed Interexchange Carrier Charges                                  | 3-20        |     |
| (A) Multiline Business   | 3-20        |     |

(This page filed under Transmittal No. 3382 )

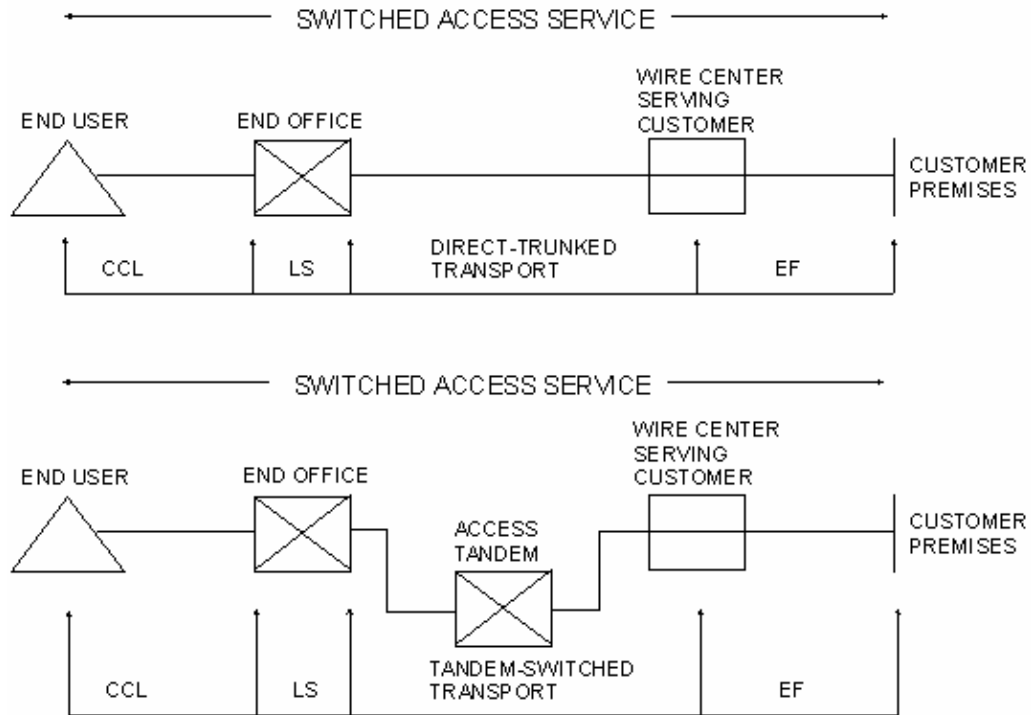
ACCESS SERVICE

3. Carrier Common Line Access Service

3.1 General Description

Carrier Common Line Access Service is utilized for the provision of interstate or foreign telecommunications services and allows access to the Telephone Company common line facilities furnished to end users.

The following diagrams depict generic views of the Switched Access



CCL: CARRIER COMMON LINE  
 LS: LOCAL SWITCHING  
 EF: ENTRANCE FACILITIES

Service components, including Carrier Common Line Access Service, and the manner in which the components are combined to provide a complete Access Service.

- Common Line [described in 3.3.1]
  - Switched Transport [described in 6.5]
  - Local Switching [described in 6.8.1]
- (T)

(This page filed under Transmittal No. 2788 )

ACCESS SERVICE

3. Carrier Common Line Access Service (Cont'd)

(M)

3.2 Service Provisioning

(T)

(A) Where the customer is provided line side or trunk side Switched Access Service as specified in Section 6 (Switched Access Service), the Telephone Company will allow access to the Telephone Company common line facilities furnished to end users.

(T)

(B) The customer's facilities shall provide the necessary on-hook and off-hook supervision.

(M)

(C) The following items are not provided as part of Carrier Common Line Access Service:

(T)

- Telephone number
- Detail billing
- Directory listings
- Intercept arrangements

Certain revised material appearing on this page formerly appeared on 6th Revised Page 90 and 3rd Revised Page 90.1 of Tariff F.C.C. No. 68.

Material and certain revised material appearing on this page formerly appeared on 1st Revised Page 90.2 of Tariff F.C.C. No. 68.

(This page filed under Transmittal No. 2176 )

## ACCESS SERVICE

3. Carrier Common Line Access Service (Cont'd)3.3 Rate Regulations

This section contains the specific regulations governing the rates and charges which apply for Carrier Common Line Access Service. There are two types of Carrier Common Line Access Service rate elements: Carrier Common Line Access Charges and Multiline Business Presubscribed Interexchange Carrier Charges (PICCs).

Generally, all Switched Access Service provided to a customer is subject to Carrier Common Line Access Charges. Exceptions are set forth in 3.3.6. (Exceptions to Carrier Common Line Charges).

Rates and charges for Carrier Common Line Access depend generally on its use by the customer, i.e., the feature group or BSA, whether the usage is originating or terminating and the type of service (e.g., MTS/WATS or MTS/WATS-type services, 700, 800 or 900 and other service types). (D)

Rates and charges for Multiline Business PICC are assessed on multiline business.

The specific rates and charges are set forth in 3.4 (Rates and Charges). Jurisdictional Report Requirements are set forth in 2.4 (Jurisdictional Reports). Ordering, rating and billing procedures as specified in 2.6 (Jointly Provided Access Service) will apply for access services where more than one exchange telephone company is involved.

To the extent a customer is reselling another carrier's MTS or MTS-type service on which the Carrier Common Line and Switched Access Charges have been assessed, Carrier Common Line Charges will be adjusted as set forth in 3.3.5 (Adjustment for Resold MTS and MTS-Type Services).

When access to the local exchange is required to provide a customer service (e.g., MTS-type, WATS-type, telex, Data, etc.) that uses a resold private line service, rates and regulations as set forth in Section 6 (Switched Access Service) and Carrier Common Line rates and regulations will apply except when such access to the local exchange is required for the provision of an enhanced service.

(This page filed under Transmittal No. 3403 )

ACCESS SERVICE

3. Carrier Common Line Access Service (Cont'd)

3.3 Rate Regulations (Cont'd)

3.3.1 Rate Elements

(A) Carrier Common Line Access Charges

The Carrier Common Line rate category provides for the Telephone Company common line facilities between the customer's end user and the end user's end office.

(B) Presubscribed Interexchange Carrier Charges (PICC)

The Multiline Business PICC rate category provides for the recovery of the common line costs not recovered by the End User Common Line Charge.

When a Payphone Service Provider is provided local business exchange service or coin line service, the Multiline Business PICC rate will not apply.

(This page filed under Transmittal No. 2978 )

---

Issued: December 17, 2003

Effective: January 1, 2004

Four AT&T Plaza, Dallas, Texas 75202

## ACCESS SERVICE

3. Carrier Common Line Access Service (Cont'd)3.3 Rate Regulations (Cont'd)3.3.2 CCL Usage Rates

Usage rates for each line or trunk are rates that apply on a per unit basis, e.g. per minute of use, when a specific rate element is used. Usage charges are accumulated over a monthly period.

(A) Premium Rate Application

Carrier Common Line rates are applied as premium rates.

## (1) Premium rates apply to:

- (a) FGA and BSA-A access minutes. (D)
- (b) FGB and BSA-B access minutes. (D)
- (c) FGD and BSA-D access minutes.

(This page filed under Transmittal No. 3403 )

ACCESS SERVICE

3. Carrier Common Line Access Service (Cont'd)

3.3 Rate Regulations (Cont'd)

3.3.2 CCL Usage Rates (Cont'd)

(A) Premium Rate Application (Cont'd)

(D)

(This page filed under Transmittal No. 3403 )

---

Issued: December 11, 2014

Effective: December 26, 2014

Four AT&T Plaza, Dallas, Texas 75202

## ACCESS SERVICE

3. Carrier Common Line Access Service (Cont'd)3.3 Rate Regulations (Cont'd)3.3.2 CCL Usage Rates (Cont'd)(B) Originating and Terminating Rate Application

Carrier Common Line rates are applied based upon whether the minutes are classified as originating or terminating. Originating calling permits the delivery of calls from Telephone Exchange Service locations to the customer's premises. Terminating calling permits the delivery of calls from the customer's premises to Telephone Exchange Service locations. (D)

## (1) Originating rates apply to:

- originating access minutes of use (excluding those to which terminating rates apply, as specified in Section 3.3.2(B)(2)); (T)
- originating 700, 800, 900 and ACIS access minutes of use which are reported as minutes that terminate over a Switched Access Service that is assessed terminating Carrier Common Line. Such originating minutes must be reported as specified in Section 3.3.2(B)(3). (C)

## (2) Terminating rates apply to:

- terminating access minutes of use;
- FGA and BSA-A FX/ONAL originating access minutes of use;
- originating 700, 800, 900 and ACIS access minutes of use for calls on which Carrier Common Line are not billed on the terminating end.

(This page filed under Transmittal No. 3403 )



## ACCESS SERVICE

3. Carrier Common Line Access Service (Cont'd)3.3 Rate Regulations (Cont'd)3.3.2 CCL Usage Rates (Cont'd)

(D)

(B) Originating and Terminating Rate Application (Cont'd)

## (3) Percent Common Line Report

Customers must provide the Telephone Company with a Percent Common Line (PCL) Report for originating interstate 700, 800, 900 and ACIS traffic to identify the percentage of common line terminated traffic. When the customer makes this report available to the Telephone Company in advance of billing, these minutes of use will be charged on the current bill as originating minutes of use.

(a) Report Data

The PCL report will identify the percentage of common line terminated traffic (i.e., minutes that terminate in a Switched Access Service that is assessed Carrier Common Line rates as specified in 3.4), by feature group, of originating 700, 800, 900 and ACIS access minutes for each LATA from which the customer originates 700, 800, 900 or ACIS traffic.

(D)

(b) Quarterly Updates

The customer will be required to update the PCL report effective on the first of January, April, July and October of each year. The revised PCL report will provide the common line terminated percentage of use for the most recent three months for which data is available. The revised PCL report must be received no later than 15 business days after the first of each month specified above.

(This page filed under Transmittal No. 2831 )

---

Issued: June 16, 2000

Effective: July 1, 2000

Four AT&amp;T Plaza, Dallas, Texas 75202

## ACCESS SERVICE

3. Carrier Common Line Access Service (Cont'd)3.3 Rate Regulations (Cont'd)3.3.2 CCL Usage Rates (Cont'd)

(D)

(B) Originating and Terminating Rate Application (Cont'd)(3) Percent Common Line Report (Cont'd)(b) Quarterly Updates (Cont'd)

When a customer does not supply a quarterly updated PCL report, the Telephone Company will assume the percentages to be the same as those provided in the last quarterly report. If the initial PCL is not received from the customer, the Telephone Company will apply the terminating Carrier Common Line, rates as specified in 3.4 to all originating 700, 800, 900 and ACIS access minutes. (D)

If a billing dispute arises concerning the PCL report, the Telephone Company may request the customer to provide the data the customer used to develop the report. The Telephone Company will not request such data more than once per year. The customer shall supply the data within 30 days of the Telephone Company request.

(c) Application of Credit

The quarterly PCL revision will serve as the basis for the next three month's billing and will be effective on the bill date for that service. When the customer makes this report available in advance of billing, these minutes will be charged on the current bill as originating minutes of use as specified in 3.3.2(B). No prorating or backbilling will be done based on the PCL.

(d) Verification Provisions

The PCL data provided by the customer is subject to the verification provisions specified in 2.4.1(D) (Report Verification).

(This page filed under Transmittal No. 2831 )

ACCESS SERVICE

3. Carrier Common Line Access Service (Cont'd)

3.3 Rate Regulations (Cont'd)

3.3.3 PICC Monthly Rates

The Multiline Business PICC is billed on a per month basis to the (T)  
interexchange carrier to whom an end user's Multiline Business (N)  
access line is presubscribed. In the event an end user does not  
have a presubscribed interexchange carrier, the PICC is assessed  
directly to the end user or a local service provider that resells  
services of the Telephone Company as set forth in 4.3 following.

(D)

(This page filed under Transmittal No. 2831 )

---

Issued: June 16, 2000

Effective: July 1, 2000

Four AT&T Plaza, Dallas, Texas 75202

## ACCESS SERVICE

3. Carrier Common Line Access Service (Cont'd)3.3 Rate Regulations (Cont'd)3.3.3 PICC Monthly Rates (Cont'd)

(D)

(D)

(A) Multiline Business

(T)

When an end user is provided more than one local business exchange service in a state by the same Telephone Company or when local exchange service is provided for use with payphone service, the Multiline Business individual line charge applies to each such local exchange service.

When a local exchange service is provided as a multiparty service under the general or local exchange service tariffs, each party is deemed to be a user of a EUCL and the Multiline Business charge applies to each such party.

When local exchange service is provided as Primary Rate Interface (PRI) integrated services digital network (ISDN) service, five Multiline Business individual line charges apply to each such local exchange service.

When a local exchange service is provided as Centrex or Centrex-CO like service, one-ninth of the Multiline Business individual line charge applies to each Centrex line unless the Centrex service has less than nine lines, in which case the full Multiline Business line charge will apply to the entire Centrex service.

(This page filed under Transmittal No. 2831 )

## ACCESS SERVICE

3. Carrier Common Line Access Service (Cont'd)3.3 Rate Regulations (Cont'd)3.3.3 PICC Monthly Rates (Cont'd)(B) Billing Cycle

(T)

The Multiline Business PICC will be based on a monthly snapshot of the end user (or a local service provider that resells service of the Telephone Company (herein referred to as end user)) accounts. For Multiline Business end users who have not chosen a presubscribed interexchange carrier, the Telephone Company shall collect the PICC directly from the Multiline Business end user. The PICC will be applied to these Multiline Business end users accounts based on the status of the presubscribed interexchange carrier information at the time of the Multiline Business end user's billing period. The full PICC will be assessed for each billing cycle.

(C)

(C)

(C)

(C)

(C)

(C) Jurisdictional Reporting

(T)

The PICC will be billed 100% to the interstate jurisdiction. Charges will not be prorated between the intrastate and interstate jurisdiction.

(D)

(D)

(This page filed under Transmittal No. 2831 )

## ACCESS SERVICE

3. Carrier Common Line Access Service (Cont'd)3.3 Rate Regulations (Cont'd)3.3.4 Determining Chargeable Access Minutes

Chargeable access minutes are developed by the Telephone Company based upon recordings of customer traffic to end office or access tandem switches where recording capabilities exist. If such recordings are unavailable, the Telephone Company develops chargeable access minutes through the use of assumed, factored or imputed minutes. The regulations for determining the chargeable access minutes for Carrier Common Line Access Service are the same as those for Switched Access Service and are specified in 6.7.4 (Determining Chargeable Access Minutes).

Where appropriate, the chargeable Carrier Common Line access minutes are then adjusted as described in 3.3.5 (Adjustment for Resold MTS and MTS-type Services). (D)

(This page filed under Transmittal No. 2831 )

---

Issued: June 16, 2000

Effective: July 1, 2000

Four AT&T Plaza, Dallas, Texas 75202

ACCESS SERVICE

3. Carrier Common Line Access Service (Cont'd)

3.3 Rate Regulations (Cont'd)

3.3.5 Adjustment for Resold MTS and MTS-Type Services

(A) Description

A customer may resell the MTS or MTS-type service of a carrier, i.e., where the underlying carrier has been assessed Carrier Common Line and Switched Access charges for the usage. When the customer resells such MTS or MTS-type service, the customer may utilize a FGA, FGB, FGD, BSA-A, BSA-B or BSA-D Switched Access Service to originate and/or terminate the resold usage in the local exchange.

(D)

(This page filed under Transmittal No. 2831 )

Issued: June 16, 2000

Effective: July 1, 2000

Four AT&T Plaza, Dallas, Texas 75202

## ACCESS SERVICE

3. Carrier Common Line Access Service (Cont'd)3.3 Rate Regulations (Cont'd)3.3.5 Adjustment for Resold MTS and MTS-Type Services (Cont'd)

(T)

(B) Service Provisioning

Each of the access group or BSA arrangements used by the customer in the provision of resold service must be connected either directly or indirectly to the customer designated premises at which the resold MTS or MTS-type service is terminated.

- (1) Direct Connections are those arrangements where the access group or BSA and the resold MTS or MTS-type services are terminated at the same customer designated premises, regardless of whether or not the resold MTS or MTS-type service is originating or terminating.
- (2) Indirect Connections are those arrangements where the access group or BSA and the resold MTS or MTS-type services are physically located at different customer designated premises in the same exchange.
  - Indirect outward (originating) connections are those arrangements where the access groups or BSAs and the resold outward MTS and/or MTS-type services are terminated at different customer designated premises in the same exchange. Such different customer designated premises are connected by facilities that permit a call to flow from access groups or BSAs to resold MTS and MTS-type services.
  - Indirect inward (terminating) connections are those arrangements where the access groups or BSAs and resold inward MTS and/or MTS-type services are terminated at different customer designated premises in the same exchange. Such different customer designated premises are connected by facilities that permit a call to flow from resold inward MTS and/or MTS-type services to access groups or BSAs.

Filed in compliance with FCC Orders DA 97-2358; FCC 97-158, as amended; FCC 97-401; and FCC 97-403.

(This page filed under Transmittal No. 2678 )

---

Issued: December 17, 1997

Effective: January 1, 1998

Four AT&T Plaza, Dallas, Texas 75202



## ACCESS SERVICE

3. Carrier Common Line Access Service (Cont'd)3.3 Rate Regulations (Cont'd)3.3.5 Adjustment for Resold MTS and MTS-Type Services (Cont'd)(C) Application of Adjustment

When the customer utilizes an access group or BSA arrangement for resale purposes, whether single lines, trunks, multiline hunt groups or trunk groups, the resold usage will be assessed Carrier Common Charges unless the customer provides the required documentation to identify the resold usage, as specified in 3.3.5(F) (Report Requirements). When the customer provides the documentation, the Telephone Company will adjust the Carrier Common Line assessed to the customer. (D)

In order for the adjustment to apply to the resold usage, the access groups or BSAs and the resold MTS or MTS-type services must be provided in the same state (except when the same extended area service arrangement is provided in two different states by the same Telephone Company) in the same exchange, provided by the same telephone company and connected directly or indirectly as specified in 3.3.5(B) preceding. For those exchanges that encompass more than one state, the customer shall report the information by state within the exchange. (D)

The adjustment for resold MTS and MTS-type service shall apply only to the extent a customer is reselling another carriers MTS or MTS-type service on which Carrier Common Line and Switched Access charges have been assessed. The adjustment will be computed separately for each access group or BSA as described following. In no event shall the adjusted access minutes be less than zero. (D)

(This page filed under Transmittal No. 2831 )

Issued: June 16, 2000

Effective: July 1, 2000

Four AT&T Plaza, Dallas, Texas 75202

## ACCESS SERVICE

3. Carrier Common Line Access Service (Cont'd)3.3 Rate Regulations (Cont'd)3.3.5 Adjustment for Resold MTS and MTS-type Services (Cont'd)

(T)

(D) Apportionment of Originating and Terminating Resold MTS or MTS-Type Minutes

When a customer has more than one access group or BSA in a LATA which is utilized for the resale of MTS or MTS-type services, the resold minutes of use are apportioned among the access groups or BSAs in the LATA as specified following. The originating and terminating access minutes are then adjusted as set forth in (E) following based upon the apportionment of the resold minutes of use.

(1) Apportionment of Originating Usage

The Telephone Company will apportion the resold originating minutes of use among the originating access groups or BSAs. Such apportionment is based on the relationship of the originating usage for each access group or BSA to the total originating usage for all access groups or BSAs in the LATA. Resold originating MTS and MTS-type service minutes will not include collect, third number, credit card or intrastate minutes of use.

(2) Apportionment of Terminating Usage

The Telephone Company will apportion the resold terminating minutes of use among the terminating access groups or BSAs. Such apportionment is based on the relationship of the terminating usage for each access group or BSA to the total terminating usage for all access groups or BSAs in the LATA. Resold terminating MTS and MTS-type service minutes will include collect call, third number call and credit card call minutes of use and will exclude intrastate minutes of use.

Filed in compliance with FCC Orders DA 97-2358; FCC 97-158, as amended; FCC 97-401; and FCC 97-403.

(This page filed under Transmittal No. 2678 )

---

Issued: December 17, 1997

Effective: January 1, 1998

Four AT&amp;T Plaza, Dallas, Texas 75202

## ACCESS SERVICE

3. Carrier Common Line Access Service (Cont'd)3.3 Rate Regulations (Cont'd)3.3.5 Adjustment for Resold MTS and MTS-type Services (Cont'd)(E) Determining Adjusted Originating and Terminating Usage

The minutes to be billed Carrier Common Charges will be the adjusted originating access minutes and the adjusted terminating access minutes for each access group or BSA. The adjusted originating and terminating access minutes will be computed separately for each access group or BSA as specified following. Neither the adjusted originating nor terminating access minutes can be less than zero. The adjusted originating and terminating access minutes are billed as premium minutes of use as specified in 3.3.2(A) (Premium Rate Application). (T) (D) (D)

(1) Adjustment of Originating Minutes

The Telephone Company will determine the adjusted originating minutes of use by subtracting the apportioned resold originating MTS or MTS-type service minutes of use from the originating access minutes of use.

(2) Adjustment of Terminating Minutes

The Telephone Company will determine the adjusted terminating minutes of use by subtracting the apportioned resold terminating MTS or MTS-type service minutes of use from the terminating access minutes of use.

(This page filed under Transmittal No. 3382 )

## ACCESS SERVICE

3. Carrier Common Line Access Service (Cont'd)3.3 Rate Regulations (Cont'd)3.3.5 Adjustment for Resold MTS and MTS-Type Services (Cont'd)(F) Report Requirements(1) Report Data

Customers reselling MTS or MTS-type service must provide the Telephone Company with documentation which identifies the resold MTS or MTS-type service to allow proper Carrier Common Line rate application. The documentation must be furnished by the provider of the MTS service or the customer. When the MTS or MTS-type usage is shown in hours, the number of hours shall be multiplied by 60 to develop the associated MTS or MTS-type minutes of use. If the MTS or MTS-type usage is shown in a unit other than hours or minutes, the customer shall provide a factor to convert the shown units to minutes. (D)

(2) Monthly Updates

The documentation must be provided to the Telephone Company on a monthly basis. The monthly period used to determine the minutes of use for the resold services shall be the most recent monthly period for which the customer has received a bill for the resold services. The revised documentation must be received no later than 15 days after the bill date shown on the resold MTS or MTS-type service bill.

If the required documentation is not received from the customer, the Telephone Company will use the previously reported information for the next two months. For any subsequent month, no allocation or credit will be made until the required documentation is delivered to the Telephone Company by the customer.

(This page filed under Transmittal No. 2831 )

Issued: June 16, 2000

Effective: July 1, 2000

Four AT&T Plaza, Dallas, Texas 75202

## ACCESS SERVICE

3. Carrier Common Line Access Service (Cont'd)3.3 Rate Regulations (Cont'd)3.3.5 Adjustment for Resold MTS and MTS-Type Services (Cont'd)

(T)

(F) Report Requirements (Cont'd)(3) Application of Credit

The adjustment will be made to the customer's bill no later than the next bill date or the next subsequent bill date, depending on when the usage report is received by the Telephone Company.

(4) Verification Provisions

The Telephone Company may request, from either the customer or the provider of the MTS or MTS-type service, certified copies of the resold MTS or MTS-type usage billed to the customer. Requests by the Telephone Company for historic billing data may not exceed a 12 month period from the current bill period.

Filed in compliance with FCC Orders DA 97-2358; FCC 97-158, as amended; FCC 97-401; and FCC 97-403.

(This page filed under Transmittal No. 2678 )

---

Issued: December 17, 1997

Effective: January 1, 1998

Four AT&amp;T Plaza, Dallas, Texas 75202

ACCESS SERVICE

3. Carrier Common Line Access Service (Cont'd)

3.3 Rate Regulations (Cont'd)

3.3.6 Exceptions to Carrier Common Line Charges

(A) Carrier Common Line Access Service is not available with the DNAL BSA.

(B) Originating outward WATS and WATS-type minutes of use and terminating inward WATS and WATS-type minutes of use shall not be assessed Carrier Common Line Charges when the Switched Access Service is connected with a WATS Access Line, as specified in 7.2.11 (WATS Access Line), at Telephone Company designated WATS Serving offices.

(D)  
(D)  
(D)  
(D)  
(D)

(C) In lieu of Carrier Common Line Charges, Special Access Services are subject to the Special Access surcharge as specified in 7.2.5 (Surcharge for Special Access Service).

(D) When the Telephone Company provides Switched Access service to a customer to originate traffic from or terminate traffic to a Mobile End Office Connection or a Mobile Access Tandem Connection and Telephone Company common lines are not used, Carrier Common Line Charges will not apply.

(E) When Telephone Company common line facilities are not used to originate traffic from a Telecommunications Relay Interconnection Service, Carrier Common Line Charges will not apply.

(This page filed under Transmittal No. 3382 )

ACCESS SERVICE

3. Carrier Common Line Access Service (Cont'd)

3.4 Rates and Charges

All rates and charges contained in this section are applicable to Arkansas, Kansas, Missouri, Oklahoma, and Texas.

3.4.1 Carrier Common Line Access Charges

| (A) <u>Premium</u>           | <u>Rate per Access<br/>Minute</u> |     |
|------------------------------|-----------------------------------|-----|
| - Originating, 8YY .....     | \$0.000000                        | (C) |
| - Originating, Non-8YY ..... | \$0.000000                        | (N) |
| - Terminating .....          | \$0.000000                        |     |

3.4.2 Presubscribed Interexchange Carrier Charges

|                        | <u>USOC</u> | <u>Rate Per<br/>Month</u> |
|------------------------|-------------|---------------------------|
| (A) Multiline Business | XXXX        | \$0.00                    |

Rates contained in this transmittal are subject to subsequent adjustment, effective retrospectively back to the transmittal's original effective date, in the event the Commission or a court subsequently authorizes SWBT to correct its rates pursuant to pending motions, or petitions for reconsideration or waiver (and including, but not limited to, any Application for Review of the letter from Lawrence E. Strickling, Chief, Common Carrier Bureau, FCC, to Dale Robertson, SBC, dated May 18, 1999 which may be filed with the Commission), or in the event of any other adjustment pursuant to an order of the Commission or a court.

(This page filed under Transmittal No. 3478 )

Issued: June 16, 2021

Effective: July 1, 2021

